



Platform "G" Transmission Top Cover

**Updates Parts Book
PB-20146, 9- and 10-Speed
Transmissions/Platform "G"**

Single rail top covers have been discontinued.

Top Cover Assembly Part Numbers

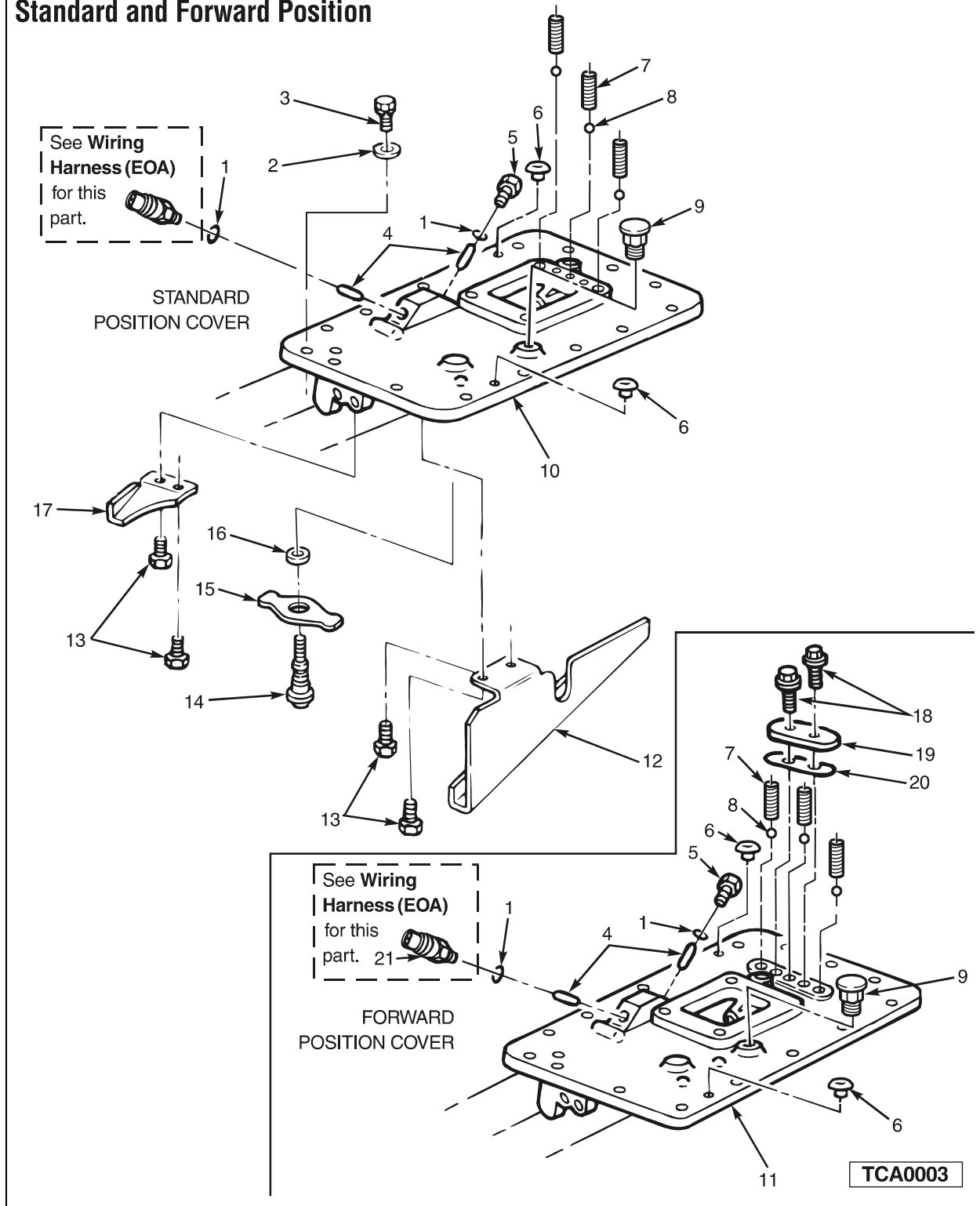
Kit Number	New Part Number	Obsolete Part Number	
MPS 4689	A 3293 X 1090	A 33293 R 1136	Forward / Overdrive
MPS 4690	A 3293 W 1089	A 23293 R 1136	Forward / Direct
MPS 4691	A 3293 V 1088	A 33293 T 1138	Standard / Overdrive
MPS 4692	A 3293 U 1087	A 23293 T 1138	Standard / Direct

Air Filter Regulator Assembly Part Numbers

Kit Number	New Part Number	Obsolete Part Number
MPS 4697	A 3286 E 9885	Kit 5400

Top Cover

Transmission Top Cover Assembly/Electric Over Air (EOA) — Standard and Forward Position

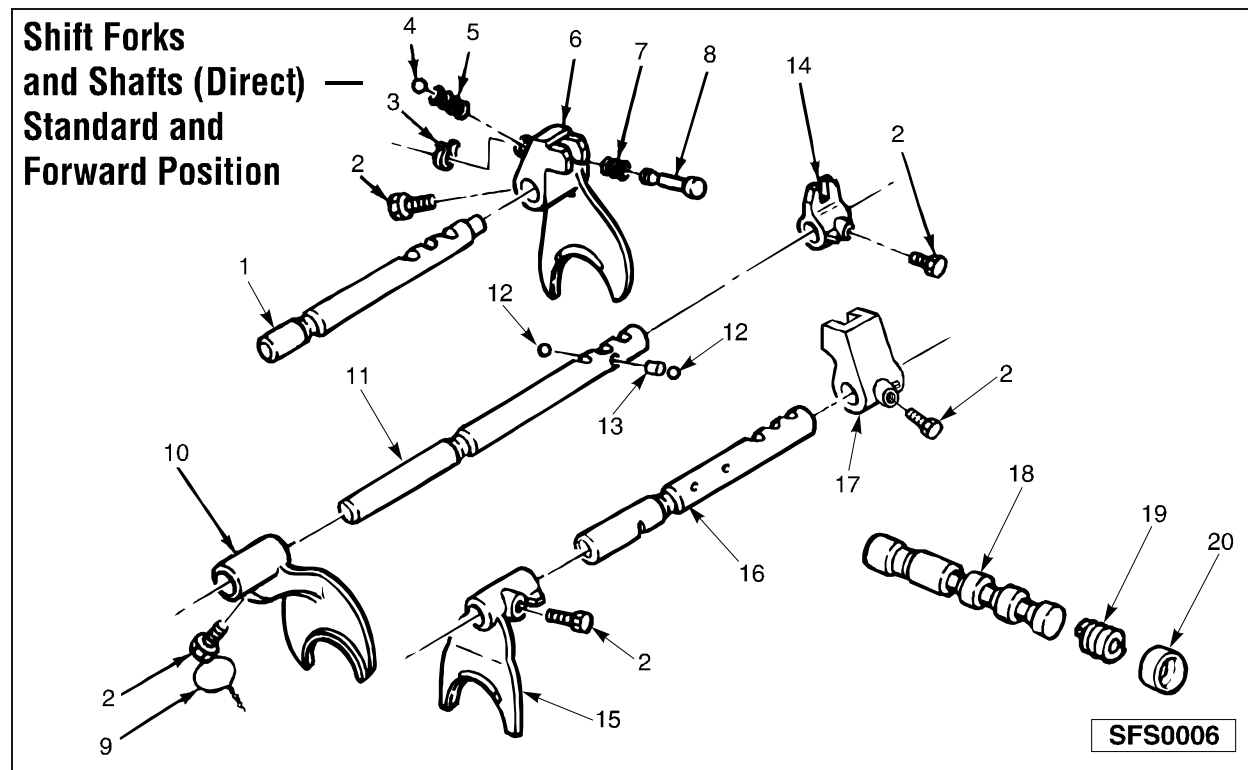


Top Cover

Top Cover Assembly/Electric Over Air (EOA) — Standard and Forward Position

Item	Qty.	Part Number	Design Level	Description	Part of Kit
1	2	5X-1091	2	O-Ring	
2	16	1229-C-1511	2	Flat Washer	5299, 5300, 5368, 5369, 5386
3	16	S-2610-A-2	2	Bolt/Capscrew, 3/8"-16 UNC x 1-1/4"	
4	2	43X-1190	2	Pin, Actuator	
5	1	A-1250-H-1126	2	Plug Assy, (Includes 5X-1091 O-Ring)	
6	2	1250-Q-1625	2	Plug, (For Jack Screw Holes)	
7	3	2258-D-1278	2	Detent Spring	5333, 5362
8	3	2297-R-6986	2	Detent Ball	
9	1	A-1199-P-1394	2	Breather Assy.	
10	1	A-3293-V-1088	2	Cover Assy, Top (Standard) Overdrive	
	1	A-3293-U-1087	2	Cover Assy, Top (Standard) Direct Drive	
11	1	A-3293-X-1090	2	Cover Assy, Top (Forward) Overdrive	
	1	A-3293-W-1089	2	Cover Assy, Top (Forward) Direct Drive	
12	1	3221-U-1009	2	Oil Scoop	
13	4	S-244-A-2	2	Bolt/Capscrew, 1/4"-20 UNC-2A x 1/2"	
14	1	2244-R-1084	2	Guide Pin, (X-Bar Only)	
15	1	2247-F-1462	2	Lever, (X-Bar Only)	
16	1	3780-E-239	2	O-Ring, (X-Bar Only)	
17	1	2205-W-1011	2	Oil Scoop	
18	2	10X-1446	2	Special Screw, (Forward Only)	
19	1	2205-A-1015	2	Cover Plate, (Forward Only)	
20	1	2208-G-1047	2	Gasket, (Forward Only)	5291, 5362
21	2	A-2297-Q-8285	2	Switch Assy, Reverse	
	1	MPS4690	2	Shift Housing Assembly (Forward) Direct Drive EOA	
	1	MPS4692	2	Shift Housing Assembly (Standard) Direct Drive	
	1	MPS4689	2	Shift Housing Assembly (Forward) Overdrive	
	1	MPS4691	2	Shift Housing Assembly (Standard) Overdrive	

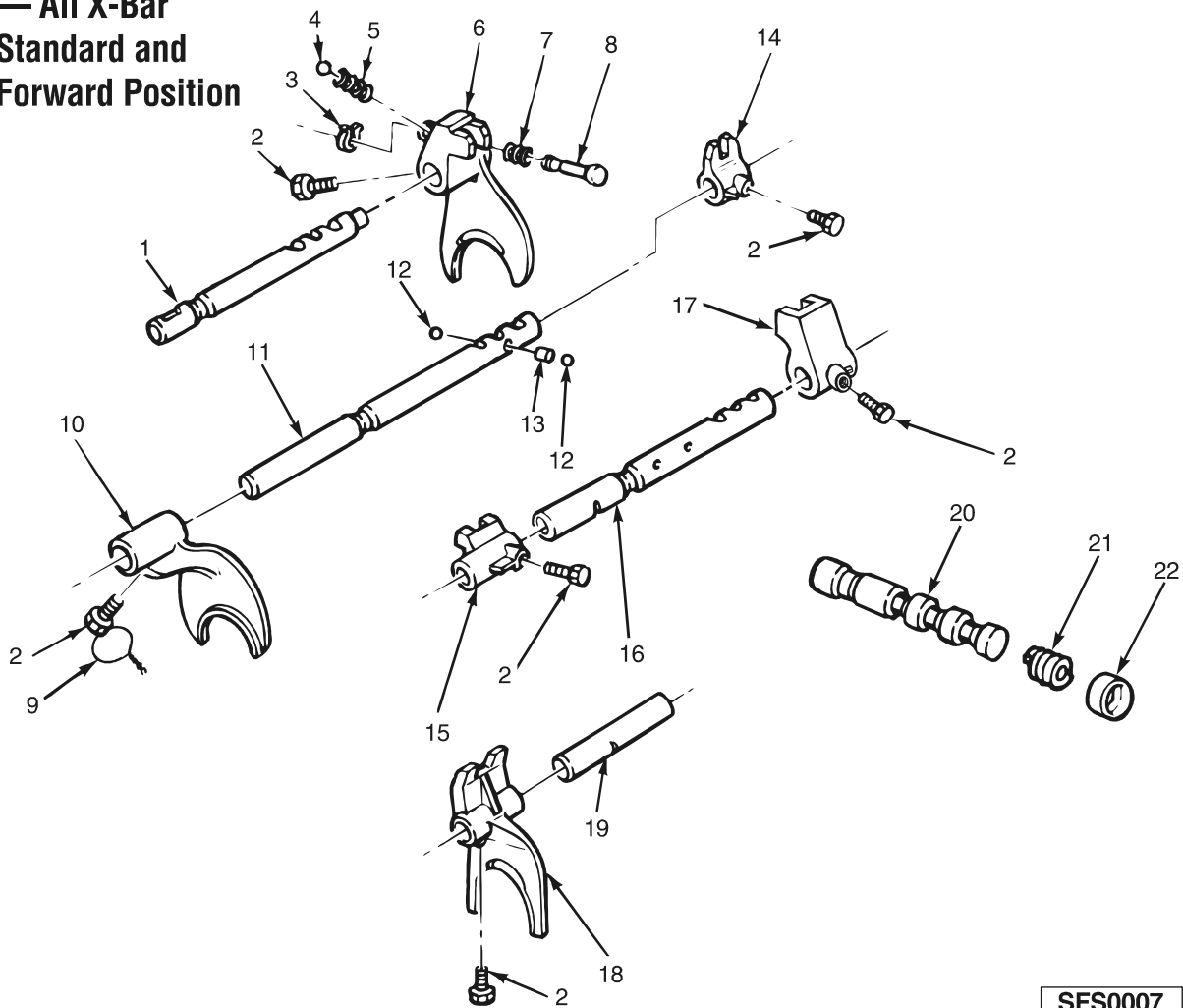
Top Cover



Shift Forks and Shafts (Direct) — Standard and Forward Position

Item	Qty.	Part Number	Design Level	Description	Part of Kit
1	1	2244-J-1128	2	Shift Shaft, (Lo/Rev)	
2	5	26X-1011	2	Set Screw, NOTE: Requires Loctite® 242 (Meritor Part No. 2297-E-4295, 50 ml tube), or equivalent and lockwire.	5302
3	1	1229-V-4286	2	Snap Ring	5200, 5203, 5220, 5221, 5238, 5239
4	1	1898-H-34	2	Lock Ball	
5	1	2258-Y-1143	2	Spring	
6	1	3296-M-1131	2	Shift Fork Assy, (Lo/Rev) Fwd Cover	
	1	3296-F-1124	2	Shift Fork Assy, (Lo/Rev) Std Cover	
7	1	2258-A-1145	2	Spring	
8	1	3280-L-8774	2	Plunger, (Lo/Rev)	
9	5	1254-P-1030	2	Lock Wire	5333
10	1	3296-H-1126	2	Shift Fork, (1st/2nd)	
11	1	2244-K-1129	2	Shift Shaft, (1st/2nd)	
12	2	2297-R-5764	2	Ball, (Shift Interlock)	
13	1	43X-1184	2	Pin, (Interlocking)	
14	1	2245-X-1064	2	Sleeve, (1st/2nd) Fwd Cover	
	1	2245-T-1060	2	Sleeve, (1st/2nd) Std Cover	
15	1	3296-K-1129	2	Shift Fork, (3rd/4th)	
16	1	2244-L-1130	2	Shift Shaft, (3rd/4th)	
17	1	2245-P-1134	2	Sleeve, (3rd/4th)	
18	1	2244-K-1155	2	Shift Shaft, Neutral Check	
19	1	2258-Y-1377	2	Spring, Neutral Checkshaft	
20	1	1250-W-1271	2	Plug, Expansion	

Shift Forks and Shafts (Overdrive) — All X-Bar Standard and Forward Position



SFS0007

Top Cover

Shift Forks and Shafts (Overdrive) — All X-Bar Standard and Forward Positions

Item	Qty.	Part Number	Design Level	Description	Part of Kit
1	1	2244-J-1128	2	Shift Shaft, (Lo/Rev)	
2	6	26X-1011	2	Set Screw, NOTE: Requires Loctite® 242 (Meritor Part No. 2297-E-4295, 50 ml tube), or equivalent and lockwire.	5302
3	1	1229-V-4286	2	Snap Ring, (Shift Plunger 1st/Rev)	5200, 5203, 5220, 5221, 5238, 5239
4	1	1898-H-34	2	Lock Ball	
5	1	2258-Y-1143	2	Spring	
6	1	3296-F-1124	2	Shift Fork, (Lo/Rev) Std Cover	
	1	3296-M-1131	2	Shift Fork, (Lo/Rev) Fwd Cover	
7	1	2258-A-1145	2	Spring	
8	1	3280-L-8774	2	Plunger, (Lo/Rev)	
9	6	1254-P-1030	2	Lock Wire	5309
10	1	3296-H-1126	2	Shift Fork, (1st/2nd)	
11	1	2244-K-1129	2	Shift Shaft, (1st/2nd)	
12	2	2297-R-5764	2	Ball	
13	1	43X-1184	2	Pin, (Interlocking)	
14	1	2245-T-1060	2	Sleeve, (1st/2nd) Std Cover	
	1	2245-X-1064	2	Sleeve, (1st/2nd) Fwd Cover	
15	1	2245-G-1125	2	Sleeve, (3rd/4th)	
16	1	2244-L-1130	2	Shift Shaft, (3rd/4th)	
17	1	2245-P-1134	2	Sleeve, (3rd/4th)	
18	1	3296-R-1136	2	Shift Fork, (3rd/4th)	
19	1	2244-Q-1083	2	Shift Shaft, S/N: LB93017312 & Above	
20	1	2244-K-1155	2	Shift Shaft, Neutral Check	
21	1	2258-D-1330	2	Spring, Neutral Checkshaft	
22	1	1250-W-1271	2	Plug, Expansion	

ArvinMeritor™

Meritor Heavy Vehicle Systems, LLC
2135 West Maple Road
Troy, MI 48084 USA
800-535-5560
arvinmeritor.com



Information contained in this publication was in effect at the time the publication was approved for printing and is subject to change without notice or liability. Meritor Heavy Vehicle Systems, LLC, reserves the right to revise the information presented or to discontinue the production of parts described at any time.

Copyright 2005
ArvinMeritor, Inc.
All Rights Reserved

Printed in USA

TP-0299
Revised 08-05
(16579/24240)