

MERITOR® DRIVELINE AFTERMARKET WARRANTY



MERITOR®

MERITOR DRIVELINE AFTERMARKET WARRANTY

Meritor has brought many firsts to the trucking industry. The RPL driveline is the first commercially-available, permanently lubricated driveline in North America. The MXL is the first 10-Series compatible driveline with 100,000 mile lubrication intervals. Meritor Aftermarket is now offering a **2-YEAR/UNLIMITED MILE WARRANTY** on selected RPL and MXL components.

MERITOR AFTERMARKET PARTS WARRANTY

For purchases made after January 1, 2012, we warrant all genuine Meritor® replacement RPL and MXL driveline components listed below for two years from date of shipment to the buyer against defective material or workmanship (but not against damage caused by accident, abuse or improper installation, maintenance or repair) when such parts are used on vehicles the specifications of which have been approved by our Engineering Department.

RPL DRIVELINE COMPONENTS

CP20RPLS

CP25RPLS

20RLS40-2A1S

20RLS40-3A1S

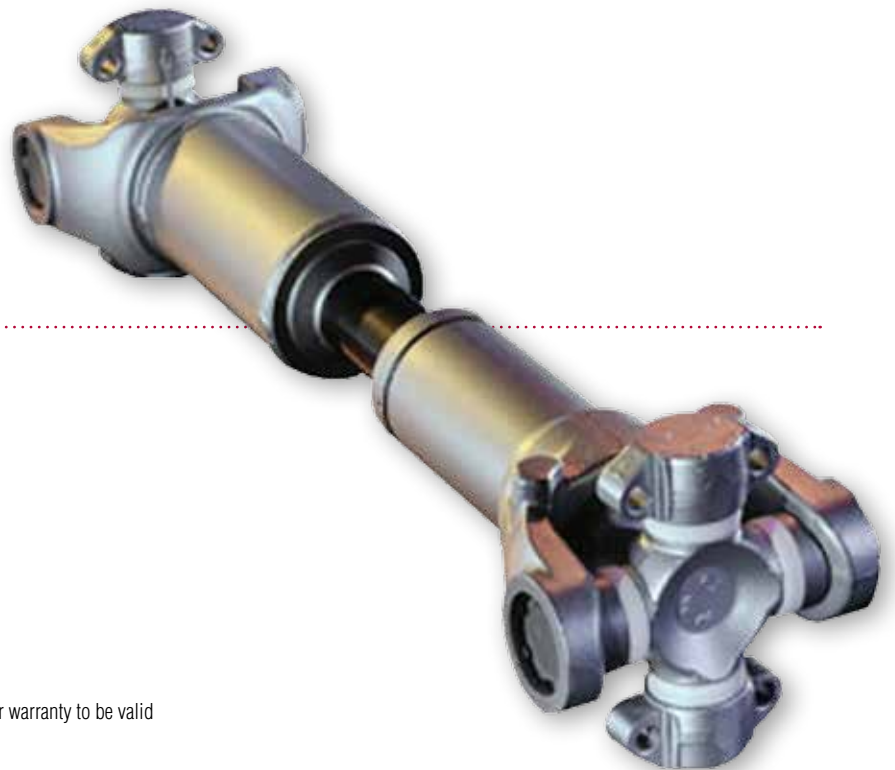
20RLS40-11A1S

25RLS48-1A1S

25RPL-SLIP

Complete RPL20 and RPL25 driveshaft assemblies

NOTE: New Meritor spline plugs must be used with these slip yokes for warranty to be valid





MXL DRIVELINE COMPONENTS

M280X
M281X
M407X
M675X
M676X
M677X

16NLS32-47A2 MXL
16NLS32-48A2 MXL

176N 3 21X MXL
176N 3 41X MXL

17N 3 2401X MXL
17N 3 2571X MXL
17N 3 2631X MXL

17N 3 2651X MXL
17N 3 2671X MXL
17N 3 2761X MXL
17N 3 3021X MXL
17NLS40 124A1 MXL
17NLS40 98CA1 MXL

18N 3 1351X MXL
18N 3 1371X MXL
18N 3 1431X MXL

Complete MXL driveshaft assemblies

NOTE: New Meritor spline plugs must be used with these slip yokes for warranty to be valid

As the exclusive remedy under this warranty, we will, at our option, repair or replace such parts free of charge, or take back the nonconforming parts and refund the monies paid by buyer for such parts, if found on examination by us to be nonconforming and if any necessary return charges are prepaid.

If it is necessary to return any parts under this warranty, buyer agrees not to make any deduction on account thereof from remittances on current accounts while claims are in the process of disposition. Any expense incurred without our consent for repairs or replacement will not be allowed.

This warranty is a limited parts only warranty, and does not include any labor, regardless of the source of that labor.

THIS WARRANTY IS EXPRESSLY IN LIEU OF ALL OTHER WARRANTIES OR CONDITIONS, EXPRESS, IMPLIED OR STATUTORY, INCLUDING ANY IMPLIED WARRANTY OF MERCHANTABILITY OR FITNESS FOR PARTICULAR PURPOSE. IN NO EVENT SHALL SELLER BE LIABLE FOR INCIDENTAL OR CONSEQUENTIAL DAMAGES OF ANY NATURE.



MERITOR®

Meritor Heavy Vehicle Systems, LLC
7975 Dixie Highway
Florence, KY 41042 USA

For more information:

U.S. 888-725-9355

Canada 800-387-3889

XpresswayPlus.com

meritor.com

Litho in USA Issued 1-12
SP-1224 (47865/11900)
©2012 Meritor, Inc.

Vehicle models, brands and names depicted herein are the property of their respective owners, and are not in any way associated with Meritor, Inc., or its affiliates.