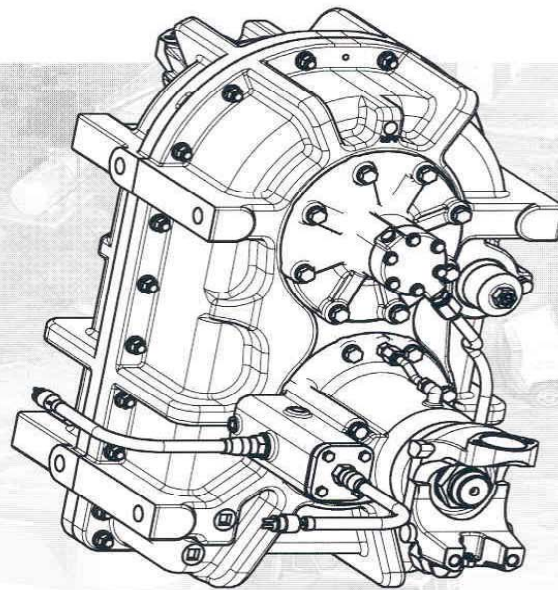




Revised 10/2004

TG-2213 Series Transfer Case

Catalog PB-98144



Strength • Power • Speed • Agility

MERITOR PARTS. RIGHT FROM THE START.

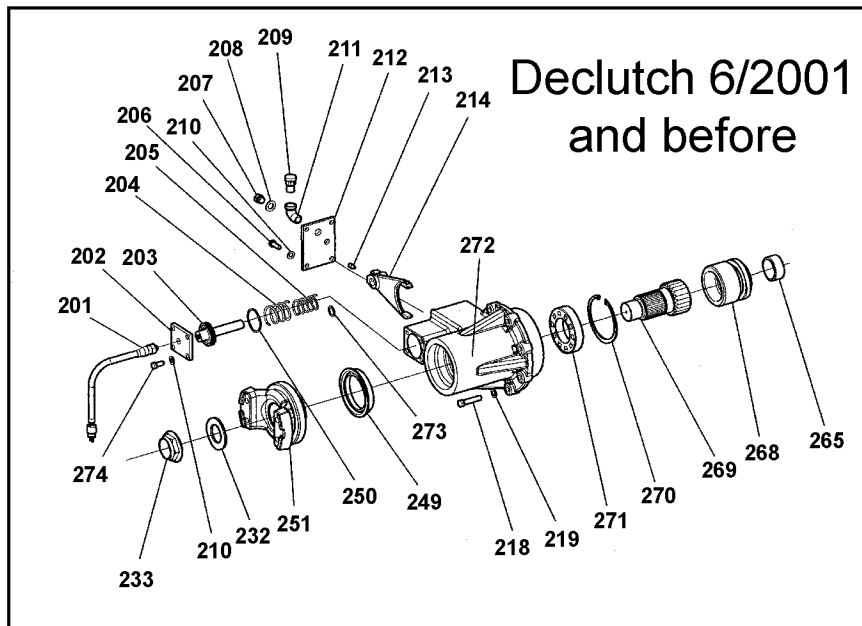
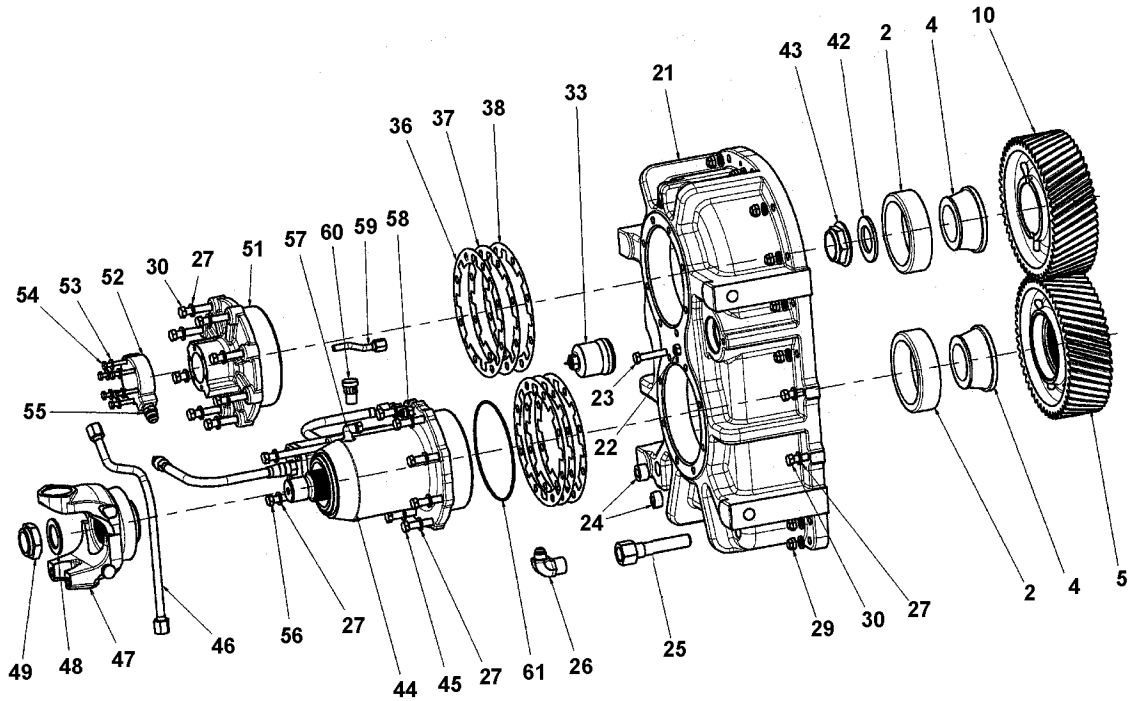
Introduction

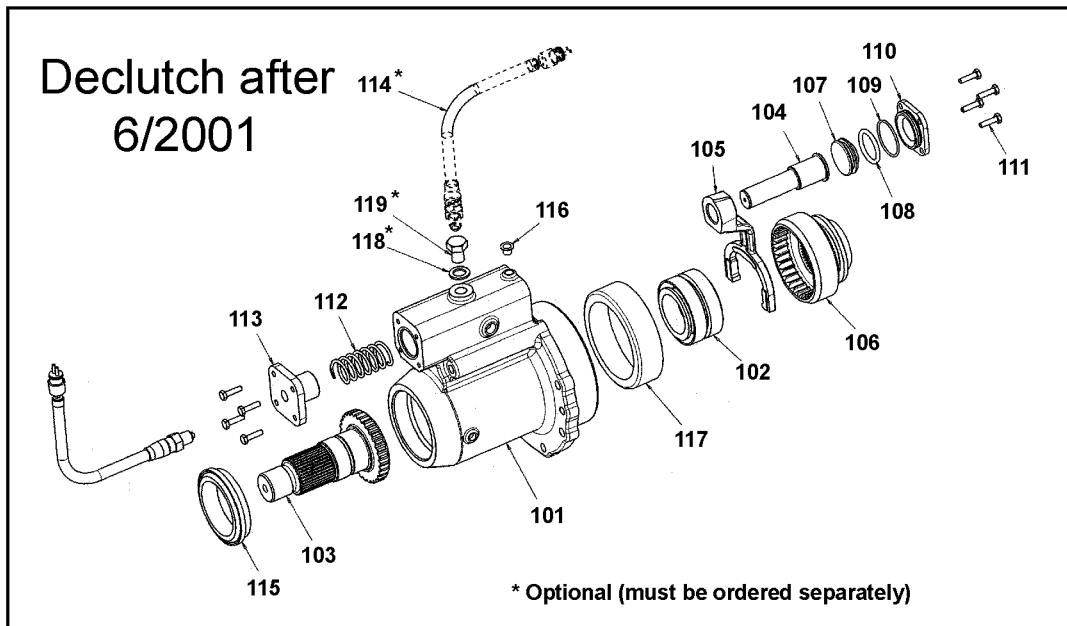
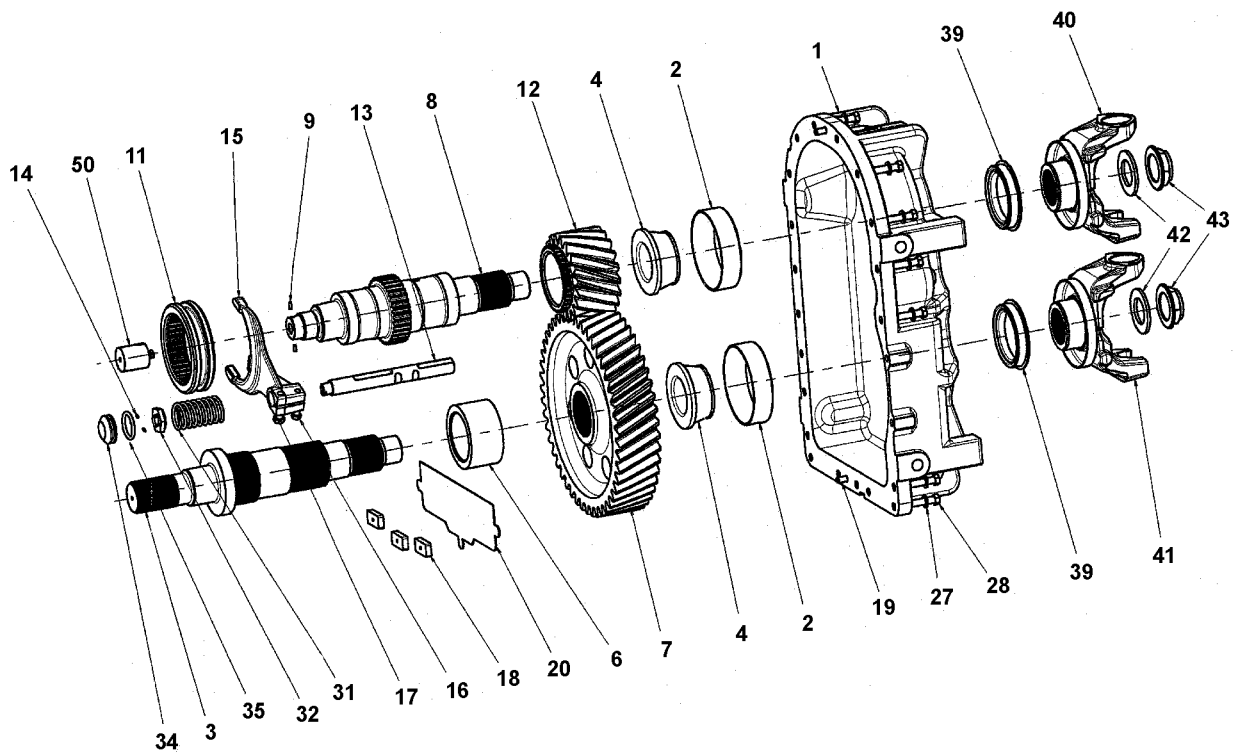
- To find the part you need to order, match the item number on the exploded view with the item number in the parts list.
- For service parts, contact ArvinMeritor Commercial Vehicle Aftermarket, 888-725-9355. In Canada, 800-668-3508, option 7.
- All Meritor gears and shafts are marked with the check letter and final digits of the part number; for example, F-5024 or X-2442.
- When you service gears, Meritor recommends that you replace all mating gears.
- Service kits include parts to service different models covered by this publication. Kits may include extra parts you do not need. In addition to kits, individual parts are also available. Kits and parts can be ordered through Meritor's Florence, KY or Brampton, Ontario distribution centers.
- You must use the correct tools and maintenance procedures. For TG-2213RD transfer cases use general service instructions from Meritor Maintenance Manual MM01125, *Transfer Case*. Also refer to Meritor Maintenance Manual No. 1, *Lubrication*, for correct lubricant and service. To order these publications, call Meritor's Customer Service Center at 800-535-5560.

Table of Contents

TG-2213RD Transfer Case Exploded View.....	2
Parts List.....	4
Service Kits.....	7
Easy Service Yokes (TYS).....	10
Full Round Yokes (NYS).....	11

TG-2213 SERIES TRANSFER CASE





TG-2213 Transfer Case Parts List (Refer to Exploded View)

Item	Description	Qty	Part Number	Comments
1	Transfer Case Cover	1	3289-E-1071	
2	Cup - bearing	3	H715311	Included in KIT 4271
3	Output Shaft - after 6/01	1	3297-L-1468	
3A	Output Shaft - before 6/01	1	3297-Z-1404	
4	Cone - bearing	4	H715334	Included in KIT 4271
5	High Ratio Driven Gear - .85 Ratio	1	3892-X-5796	3892-X-5796 replaces 3892-T-5584. For models purchased after 9/2003, service with KIT 4281 and select the proper spacer from Item No. 6
	High Ratio Driven Gear - 1.00 Ratio	1	3892-Z-5798	3892-X-5798 replaces 3892-P-5528. For models purchased after 9/2003, service with KIT 4282 and select the proper spacer from Item No. 6
6	Spacer	1	1244-H-2244	For the following Driven Gear combinations: 3892-P-5528 and 3892-R-5530 3892-T-5584 and 3892-R-5530
		1	1244-D-2474	For the following Driven Gear combinations: 3892-P-5528 and 3892-W-5795 3892-T-5584 and 3892-W-5795 3892-X-5796 and 3892-R-5530 3892-Z-5798 and 3892-R-5530
		0	Not Required	For the following Driven Gear combinations: 3892-X-5796 and 3892-W-5795 3892-Z-5798 and 3892-W-5795
7	Low Ratio Driven Gear - 2.47 Ratio	1	3892-W-5795	3892-W-5795 replaces 3892-R-5530. For models purchased after 9/2003, service with KIT 4283 and select the proper spacer from Item No. 6
8	Input Shaft	1	3297-Y-1403	
9	Pump Drive Pin	2	1246-S-1163	Included in KIT 4279
10	High Ratio Drive Gear - 0.85 Ratio	1	3892-V-5586	Included in KIT 4274
	High Ratio Drive Gear - 1.00 Ratio	1	3892-N-5526	Included in KIT 4273
11	High / Low Shift Clutch Collar	1	3107-K-1181	Included in KIT 2196
12	Low Ratio Drive Gear - 2.47 Ratio	1	3892-Q-5529	Included in KIT 4275
13	High / Low Shift Shaft	1	2244-L-1156	Included in KIT 2196
14	Retainer Pin	2	1246-D-1174	Included in KIT 2196
15	High / Low Shift Fork	1	3296-Q-1317	Included in KIT 2196
16	Shift Fork Capscrew	1	S-1612-2	Included in KIT 2196
17	Shift Fork Capscrew	1	S-1712-2	Included in KIT 2196
18	Magnet	3	2297-K-6771	
19	Dowel	2	1846-Z-312	Included in KIT 2194
20	Oil Baffle	1	2205-D-1122	
21	Transfer Case Half	1	3290-J-1128	
22	Caging Nut	1	40-X-1300	
23	Caging Capscrew	1	41-X-1486	

TG-2213 Transfer Case Parts List (Refer to Exploded View)

Item	Description	Qty	Part Number	Comments
24	Fill / Drain Plug	2	1250-E-473	Included in KIT 2197
25	Mesh Filter Assembly	1	A-2206-U-1425	Included in KIT 2197 & KIT 2199
26	Lube Line Elbow	1	2206-A-1431	Included in KIT 2197 & KIT 2199
27	Housing Washer	58	1229-E-1513	Included in KIT 2194
28	Housing Capscrew	20	S-2722-2	Included in KIT 2194
29	Lock Nut	20	NL-27-1	Included in KIT 2194
30	Housing Capscrew	10	S-2716-A-2	Included in KIT 2194
31	High / Low Shift Spring	1	2258-L-1364	Included in KIT 2196
32	Retainer	1	3105-J-1206	Included in KIT 2196
33	High / Low Shift Cylinder	1	3261-A-1067	Included in KIT 2196
34	High / Low Shift Piston	1	2230-T-1190	Included in KIT 2196
35	O-Ring	1	5-X-1198	Included in KIT 2196
36	Shim .010"	6	2803-Z-2704	Included in KIT 4272
37	Shim .005"	8	2803-A-2705	Included in KIT 4272
38	Shim .003"	10	2803-B-2706	Included in KIT 4272
39	Oil Seal	2	A-1205-R-2592	Included in KIT 2195
40	Yoke Assembly	1	See yoke chart	
41	Yoke Assembly	1	See yoke chart	
42	Yoke Washer	3	1229-N-1730	
43	Lock Nut	3	40-X-1233	
44	Declutch Assembly	1	A1-3226-K-1415	
45	Capscrew (7/16 x 1.5)	6	S-2712-2	Included in KIT 2194
46	Lube Line Assembly	1	A-2296-U-1139	Included in KIT 2199
47	Yoke Assembly	1	See yoke chart	
48	Washer (2.36 od x .12 thk)	1	1229-T-1736	
49	Locknut (M39 x 1.5)	1	40-X-1237	
50	Pump Assembly	1	A-3303-X-1038	Included in KIT 2197
51	Bearing Cage	1	3266-F-1410	
52	Pump Cover	1	3266-T-1398	Included in KIT 2197
53	Pump Cover Washer	6	WA-34	Included in KIT 2197
54	Pump Cover Capscrew	6	S-2414-2	Included in KIT 2197
55	Lube Line Coupling	1	2206-D-1434	Included in KIT 2197 & KIT 2199
56	Capscrew (7/16 x 6.5)	2	S-2752-2	Included in KIT 2194
57	Elbow	1	A-1898-U-645	Included in KIT 2197
58	Connector fitting	1	2206-Z-1430	Included in KIT 2197
59	Declutch lube tube	1	A-2296-M-1131	Included in KIT 2197
60	Breather Assembly	1	A-1199-P-1394	Included in KIT 2197
61	O-ring	1	5-X-1299	Included in KIT 2195
114	Switch Assembly	1	3237-W-1167	Optional
118	Washer - flat	1	1229-U-1503	Optional
119	Screw - special	1	41-X-1022	Optional

TG-2213 Transfer Case Parts List (Refer to Exploded View)

Declutch Assembly - A1-3226-K-1415 (For models built after 6/2001)

Item	Description	Qty	Part Number	Comments
101	Cage - bearing	1	3226-K-1415	
102	Bearing assy.	1	KIT 2593	
103	Shaft - PTO	1	3297-B-1432	
104	Rod - push	1	2244-N-1184	
105	Fork - shift	1	3296-A-1301	
106	Clutch collar - diff. lockout	1	3107-D-1018	
107	Piston - shifter	1	2230-T-1190	
108	O-ring	1	5-X-1198	Included in KIT 2195
109	O-ring	1	5-X-1267	Included in KIT 2195
110	Plate - piston cover	1	2205-N-1132	
111	Capscrew	8	S-248-2	
112	Spring - shifter	1	2258-N-1262	
113	Cap	1	2205-P-1134	
115	Seal assy. - oil (front output)	1	A-1205-P-2590	Included in KIT 2195
116	Shipping Protector	1	1250-N-222	
117	Bearing Cup	1	H715311	

Declutch (For models built 6/2001 and before)

Item	Description	Qty	Part Number	Comments
201	Indicator Switch Assembly	1	A-3237-A-1041	
202	Cover Plate	1	2205-C-1043	
203	Declutch Piston	1	2230-K-1155	Included in KIT 4280
204	Declutch Spring	1	2258-L-1338	Included in KIT 4280
205	Declutch Spring	1	2258-K-1337	Included in KIT 4280
206	Plate Capscrew	4	S-268-2	
207	Switch Plug	1	1250-A-495	
208	Plug Washer	1	1229-X-1558	
209	Breather Assembly	1	A-1199-P-1394	
210	Plate Washer	8	1229-K-1597P	
211	Breather Elbow	1	2206-F-1254	
212	Cover Plate	1	2205-J-1128	
213	Shift Fork Set Screw	1	26-X-1008	Included in KIT 4280
214	Declutch Shift Fork	1	3296-K-1155	Included in KIT 4280
218	Capscrew	8	S-2716-A-2	Included in KIT 4276
219	Washer	8	1229-E-1513	Included in KIT 4276
232	Yoke Washer	1	1229-N-1730	
233	Lock Nut	1	40-X-1233	
249	Oil Seal Assembly	1	A-1205-R-2592	
250	Piston Quad Ring	1	5-X-1138	Included in KIT 4280
251A	Yoke Assembly	1	17TYS38-76A1	Easy Service
251B	Yoke Assembly	1	17NYS38-32A1	Full Round
265	Needle Bearing	1	1228-Z-1222	Included in KIT 4280
268	Declutch Clutch Collar	1	3107-J-1102	
269	Declutch Shaft	1	A-3297-Q-1395	Included in KIT 4280
270	Snap Ring	1	1229-L-4718	Included in KIT 4280
271	Ball Bearing	1	1228-L-194	Included in KIT 4280
272	Declutch Housing	1	3226-X-1350	
273	Declutch Quad Ring	1	5-X-1137	Included in KIT 4280
274	Plate Capscrew	4	S-267-2	

Service Kits

Description	Quantity	Part Number
KIT 4271		Bearing Kit
Bearing Cup	4	H715311
Bearing Cone	4	H715334

KIT 4272		Shim Kit
Pump Cover Shim - .010"	6	2803-Z-2704
Pump Cover Shim - .005"	8	2803-A-2705
Pump Cover Shim - .003"	10	2803-B-2706
Declutch Shim - .010"	6	2803-Z-2704
Declutch Shim - .005"	8	2803-A-2705
Declutch Shim - .003"	10	2803-B-2706

KIT 4274		Helical Gearset Kit (for models built before 9/2003)	
Drive Gear	.85 ratio	1	3892-V-5586
Driven Gear		1	3892-T-5584

KIT 4281		Helical Gearset Kit (for models built after 9/2003)	
Drive Gear	.85 ratio	1	3892-V-5586
Driven Gear		1	3892-X-5796

KIT 4273		Helical Gearset Kit (for models built before 9/2003)	
Drive Gear	1.00 ratio	1	3892-N-5526
Driven Gear		1	3892-P-5528

KIT 4282		Helical Gearset Kit (for models built after 9/2003)	
Drive Gear	1.00 ratio	1	3892-N-5526
Driven Gear		1	3892-Z-5798

KIT 4275		Helical Gearset Kit (for models built before 9/2003)	
Drive Gear	2.47 ratio	1	3892-Q-5529
Driven Gear		1	3892-R-5530

KIT 4283		Helical Gearset Kit (for models built after 9/2003)	
Drive Gear	2.47 ratio	1	3892-Q-5529
Driven Gear		1	3892-W-5795

KIT 4276		Fastener Kit (for models built 6/2001 and before)	
Pump Cover Capscrew	8	S-2716-A-2	
Pump Cover Washer	8	1229-E-1513	
Declutch Capscrew	8	S-2716-A-2	
Declutch Washer	8	1229-E-1513	
Case Half Capscrew	20	S-2722-2	
Case Half Capscrew	2	S-2716-A2	
Case Half Washer	42	1229-E-1513	
Case Half Locknut	20	NL-27-1	
Dowel	2	1846-Z-312	

KIT 2199		Pump Inlet Tube Kit (for all models)	
Mesh Filter Assembly	1	A-2206-U-1425	
Lube Line Elbow	1	2206-A-1431	
Lube Line Assembly	1	A-2296-U-1139	
Lube Line Coupling	1	2206-D-1434	

Service Kits

Description	Quantity	Part Number
KIT 2194 Fastener Kit (for models built after 6/2001)		
Dowel	2	1846-Z-312
Housing Washer	58	1229-E-1513
Housing Capscrew	20	S-2722-2
Lock Nut	20	NL-27-1
Housing Capscrew	10	S-2716-A-2
Capscrew (7/16 x 1.5)	6	S-2712-2
Capscrew (7/16 x 6.5)	2	S-2752-2

KIT 4277 Seal Kit (for models built 6/2001 and before)		
Unitized Seal	3	A-1205-R-2592

KIT 2195 Seal Kit (for models built after 6/2001)		
Oil Seal	2	A-1205-R-2592
O-ring	1	5-X-1299
O-ring	1	5-X-1198
O-ring	1	5-X-1267
Seal Assy. - Oil (Front Output)	1	A-1205-P-2590

KIT 2196 High/Low Range Shift Kit (for all models)		
High / Low Shift Clutch Collar	1	3107-K-1181
High / Low Shift Shaft	1	2244-L-1156
Retainer Pin	2	1246-D-1174
High / Low Shift Fork	1	3296-Q-1317
Shift Fork Capscrew	1	S-1612-2
Shift Fork Capscrew	1	S-1712-2
High / Low Shift Spring	1	2258-L-1364
Retainer	1	3105-J-1206
High / Low Shift Cylinder	1	3261-A-1067
High / Low Shift Piston	1	2230-T-1190
O-Ring	1	5-X-1198

KIT 2197 Lube Kit (for all models)		
Fill / Drain Plug	2	1250-E-473
Mesh Filter Assembly	1	A-2206-U-1425
Lube Line Elbow	1	2206-A-1431
Pump Assembly	1	A-3303-X-1038
Pump Cover	1	3266-T-1398
Pump Cover Washer	6	WA-34
Pump Cover Capscrew	6	S-2414-2
Lube Line Coupling	1	2206-D-1434
Elbow	1	A-1898-U-645
Connector Fitting	1	2206-Z-1430
Declutch Lube Tube	1	A-2296-M-1131
Breather Assembly	1	A-1199-P-1394
Pin	2	1246-S-1163
Lube Line Assembly	1	A-2296-U-1139

Service Kits

Description	Quantity	Part Number
KIT 2593		Bearing Kit
Bearing Cup	2	1228-M-1547
Bearing Cone	2	1228-N-1548
Spacer	1	1244-F-2554
Spacer	1	1244-Q-2565
Spacer	1	1244-R-2566
Spacer	1	1244-S-2567
Spacer	1	1244-T-2568
Spacer	1	1244-U-2569
Spacer	1	1244-V-2570
Spacer	1	1244-K-2585
Spacer	1	1244-L-2586
Spacer	1	1244-M-2587
Spacer	1	1244-N-2588
Spacer	1	1244-P-2590
Spacer	1	1244-Q-2591

KIT 4280 **Declutch Misc. Parts Kit (For models built 6/2001 and before)**

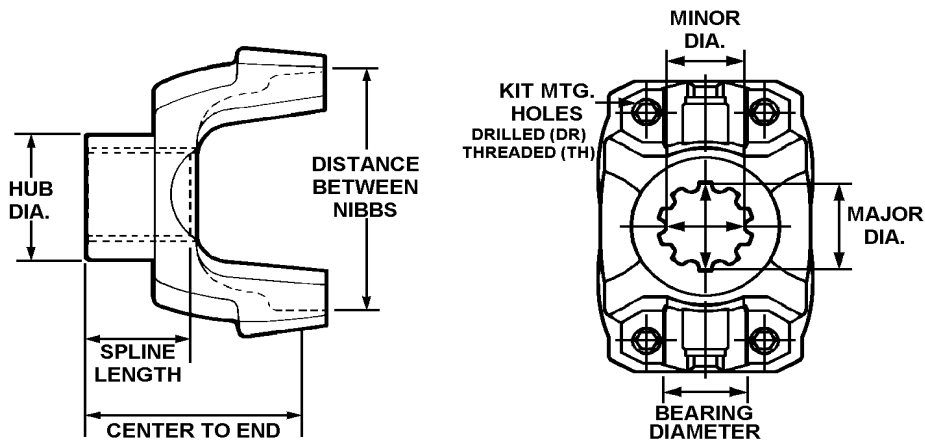
Quad Ring	1	5-X-1137
Quad Ring	1	5-X-1138
Piston	1	2230-K-1155
Shift Fork	1	3296-K-1155
Set Screw	1	26-X-1008
Spring	1	2258-K-1337
Spring	1	2258-L-1338
Declutch Shaft	1	A-3297-Q-1395
Ball Bearing	1	1228-L-194
Needle Bearing	1	1228-Z-1222
Snap Ring	1	1229-L-4718

KIT 2198 **Declutch Conversion Kit
(use to replace the declutch with A1-3226-K-1415)**

Declutch Assembly	1	A1-3226-K-1415
Switch Assembly	1	3237-W-1167
Washer	1	1229-U-1503
Screw - Special	1	41-X-1022
Washer - Flat	1	1229-T-1736
Locknut	1	40-X-1237
Washer	8	1229-E-1513
Capscrew	6	S-2712-2
Capscrew	2	S-2752-2
Breather Assembly	1	A-1199-P-1394
Elbow Assembly	1	A-1898-U-645
Fitting - Connector	1	2206-Z-1430
Lube Tube - Declutch	1	A-2296-M-1131
Shaft - Output, Fin.	1	3297-L-1468
Cone - Bearing	2	H715334
Cup - Bearing	1	H715311
Shim - .010	2	2803-Z-2704
Shim - .005	2	2803-A-2705
Shim - .003	2	2803-B-2706
O-ring	1	5-X-1299

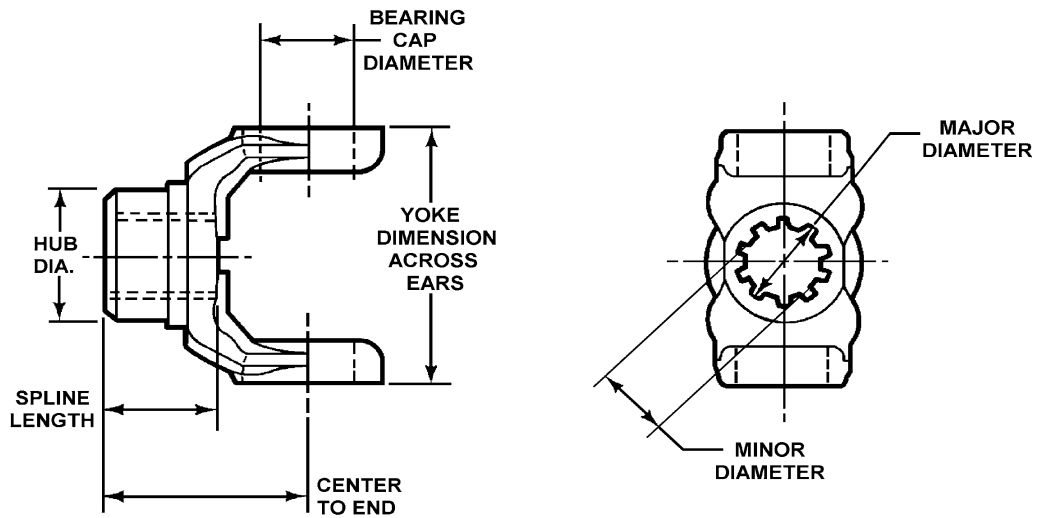
(NOTE: Yoke assembly must be ordered separately)

Easy Service Yokes (TYS)



TG-2213RD (Location)	Center To End	Spline Length	Hub Dia.	Bearing Dia.	Distance Between Nibbs	Spline Size Diameter- Number Teeth	Hole Type	Part Number
Input; Rear Output	5.38"	2.32"	3.25"	1.94"	6.19"	2.38"-46	Threaded	17TYS38-76A1
	5.06"	2.32"	3.25"	1.94"	7.09"	2.38"-46	Threaded	176TYS38-27A1
Forward Output	5.16"	2.31"	3.00"	1.94"	6.19"	2.00"-39	Threaded	17N-4-7641-1X (Production Part No. 17TYS32-68A1)

Round Bearing Yokes



TG-2213RD (Location)	Center To End	Spline Length	Hub Dia.	Bearing Dia.	Yoke Dim. Across Ears	Spline Size Diameter- Number Teeth	Part Number
Input; Rear Output	5.38"	2.32"	3.25"	1.94"	6.09"	2.38"-46	17NYS38-32A1
	5.16"	2.32"	3.25"	1.94"	7.55"	2.38"-46	18NYS38-27A1
Forward Output	5.16"	2.31"	3.00"	1.94"	6.09"	2.00"-39	17NYS32-100A1

ARVINMERITOR AFTERMARKET PARTS WARRANTY

We warrant all new parts for one year from date of shipment to the buyer against defective material or workmanship (but not against damage caused by accident, abuse or improper installation, maintenance or repair) when such parts are used on vehicles the specifications of which have been approved by our Engineering Department.

As the exclusive remedy under this warranty, we will, at our option, repair or replace such parts free of charge, or take back the nonconforming parts and refund the monies paid by buyer for such parts, if found on examination by us to be nonconforming and if any necessary return charges are prepaid.

If it is necessary to return any parts under this warranty, buyer agrees not to make any deduction on account thereof from remittances on current accounts while claims are in the process of disposition. Any expense incurred without our consent for repairs or replacement will not be allowed.

THIS WARRANTY IS EXPRESSLY IN LIEU OF ALL OTHER WARRANTIES OR CONDITIONS, EXPRESS, IMPLIED OR STATUTORY, INCLUDING ANY IMPLIED WARRANTY OF MERCHANTABILITY OR FITNESS FOR PARTICULAR PURPOSE. IN NO EVENT SHALL SELLER BE LIABLE FOR INCIDENTAL OR CONSEQUENTIAL DAMAGES OF ANY NATURE.

Only genuine ArvinMeritor replacement parts are covered by this aftermarket parts warranty.

Information contained in this publication was in effect at the time the publication was approved for printing and is subject to change without notice or liability. ArvinMeritor reserves the right to revise the information presented or discontinue the production of parts at any time.

ArvinMeritor[™]

Commercial Vehicle Aftermarket

Meritor Heavy Vehicle Systems, LLC

7975 Dixie Highway
Florence, KY 41042 USA
888-725-9355
www.arvinmeritor.com

© Copyright 2004
ArvinMeritor, Inc.

Printed in U.S.A.

Revised 10/04
PB-98144