

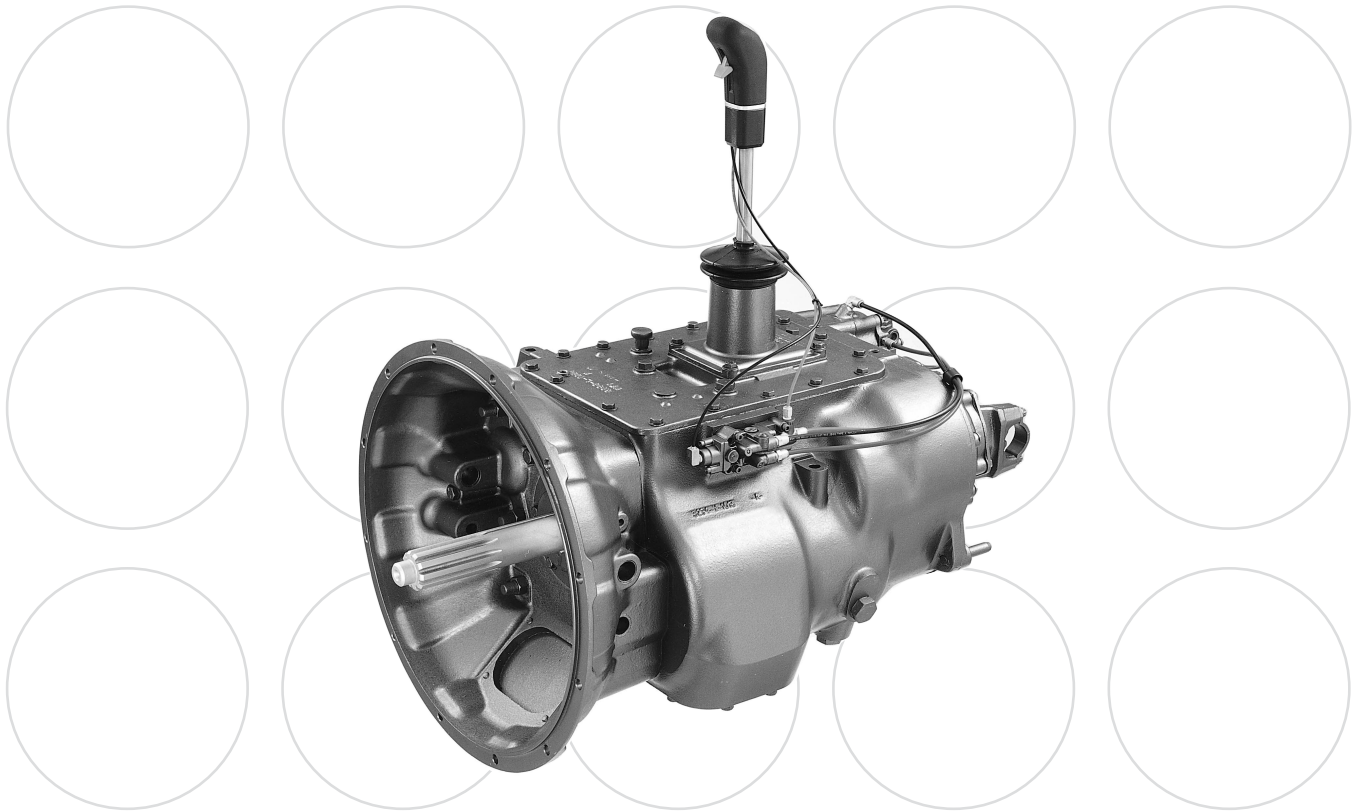


an **ArvinMeritor** brand

Parts Book PB-94134

# 9-, 10- and 13-Speed Transmissions

Revised 04-04



# 9-, 10- and 13-Speed Transmissions

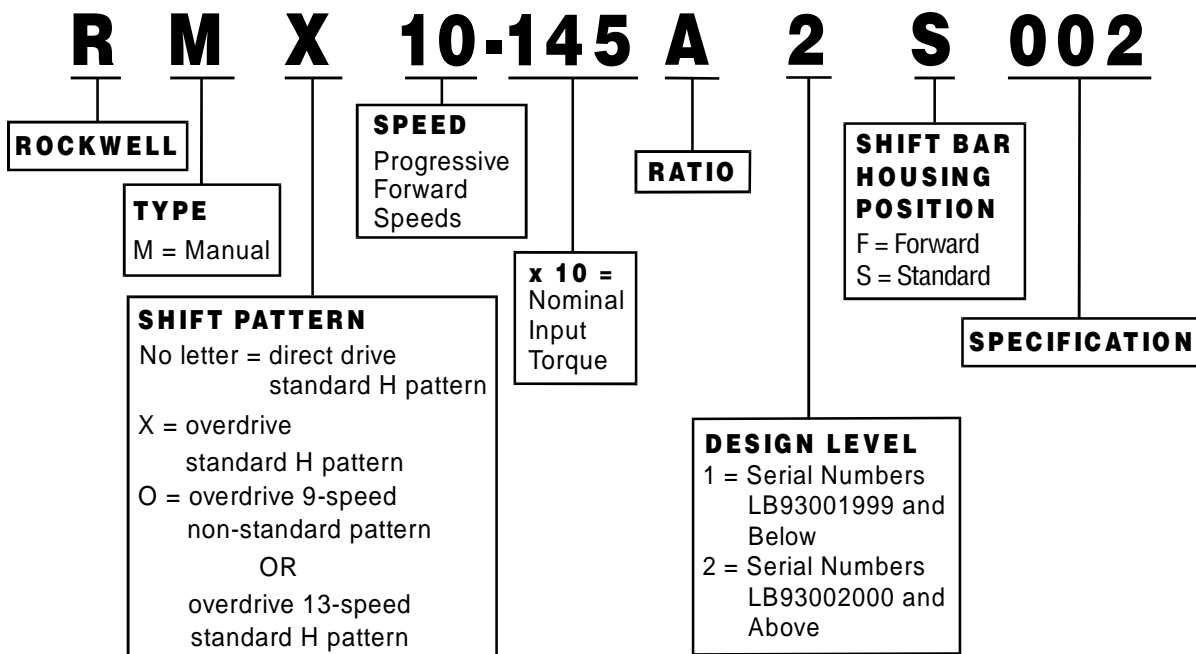
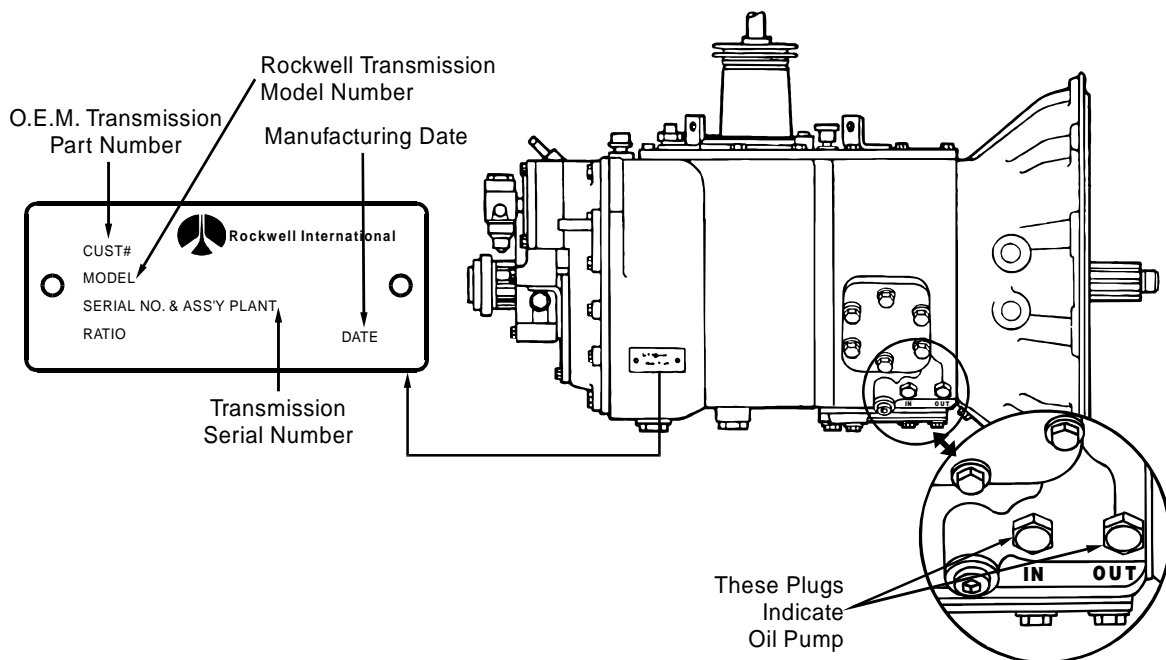


## Models covered in this Catalog — 9-, 10- and 13-Speed Transmissions with Design Level Numbers 1 and 2

RM9-115A	RM09-135A	RM09-125B	RMX9-145B	RM10-115A	RMX10-125A
RM9-125A	RM09-145A	RM09-135B	RMX9-155B	RM10-125A	RMX10-135A
RM9-135A	RMX9-125A	RM09-145B	RMX9-115R	RM10-135A	RMX10-145A
RM9-145A	RMX9-135A	RMX9-115B	RMX9-125R	RM10-145A	RMX10-155A
RM9-155A	RMX9-145A	RMX9-125B	RMX9-135R	RD10-145A	RMX10-165A
RM09-125A	RM09-115B	RMX9-135B	RMX9-145R	RMX10-115A	RM013-145A

### ROCKWELL TRANSMISSION MODEL NOMENCLATURE

## RMX10-145A2S002



## How To Order

Follow these steps and refer to the example below to order transmission replacements.

1. Find the model number located on the transmission tag.
2. Remove the specification number.
3. Add "P" if the transmission requires an internal oil pump.
4. Add "R" for a remanufactured transmission.
5. The Design Level number is 2 for a new kit.

## Example

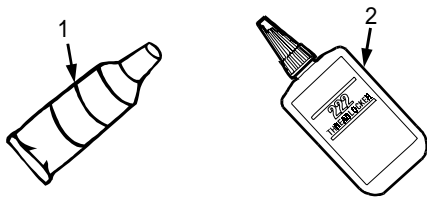
- A. Tag Model number  
**RMX9145B1F001**
- B. Remanufactured replacement  
**RMX9145B1F(P)R**
- C. New replacement  
**RMX9145B2F(P)**

The kits do not include the shift controls, the output yoke, the speedometer accessories and the clutch housing. If the output yoke and the speedometer accessories from the replaced transmission are in good serviceable order, you must reuse them. **A Design Level 2 clutch housing can be used on a Design Level 1 transmission, but a Design Level 1 cannot be used on a Design Level 2 transmission.** For replacement clutch housings, refer to page 4. The shift controls, the output yoke, the speedometer accessories and the clutch housing from a Fuller transmission are completely interchangeable with both Design Levels 1 and 2 transmissions.

## Transmission Sealants



*All transmissions use Loctite® MasterGasket™ Sealant #00203 or Loctite #5699 Ultra Gray Flange Sealant. Other gasket material can cause leaks. Damage to the transmission may result.*



Item	Qty.	Part Number	Design Level	Description	Part of Kit
—	NLA	2297-C-5905	1,2	Loctite Master Gasket Sealant #00203, Use 2297-A-7021	
1	1	2297-A-7021	1,2	Loctite #5699 Ultra Grey Flange Sealant	
2	1	2297-B-6112	1,2	Loctite Thread Locker 222	



# How To Use This Parts Book

This parts book contains information for Meritor's nine-, ten- and thirteen-speed transmissions.

Each component table in this catalog contains the following information:

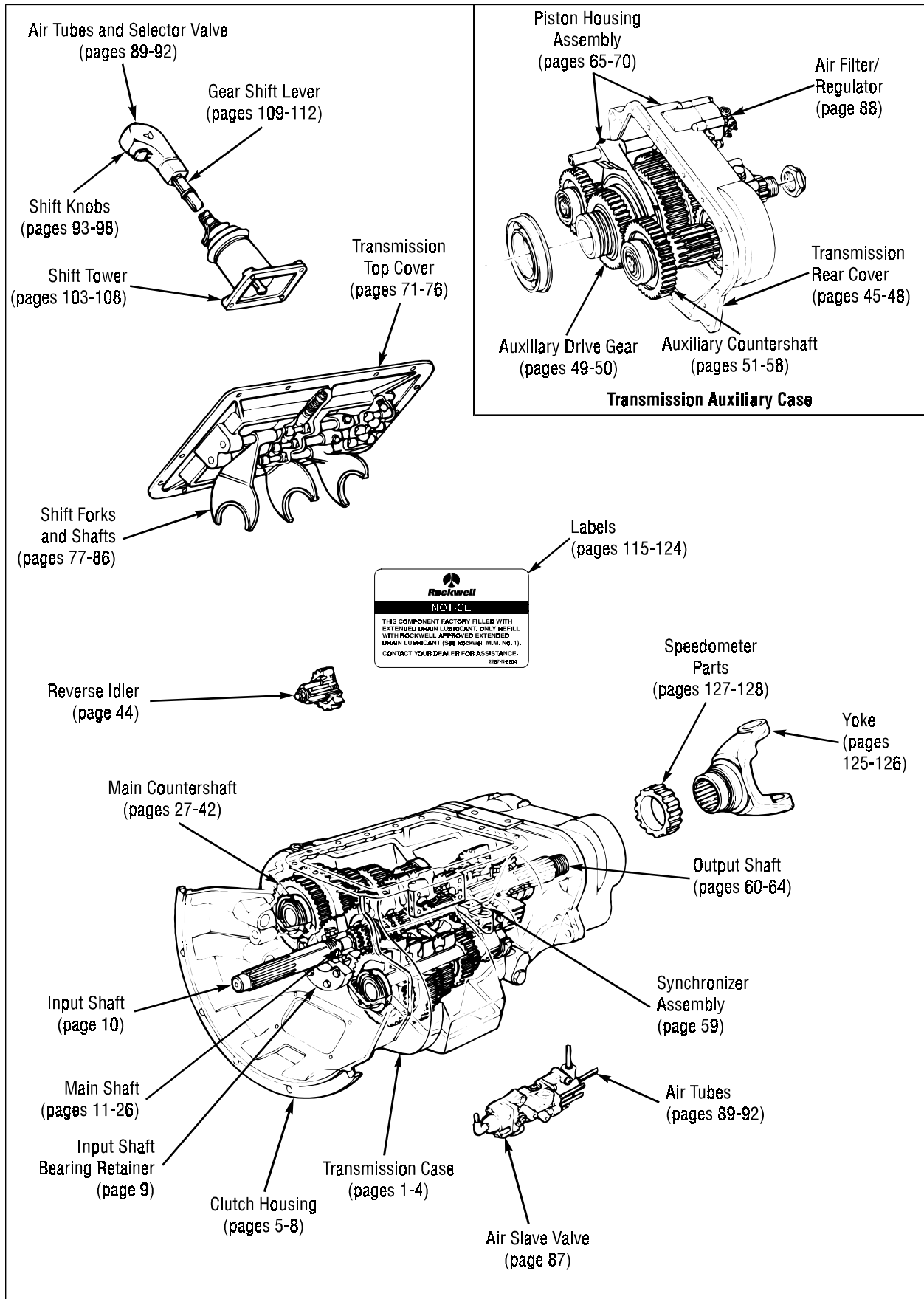
- ① **Item** ..... The numbers in the **Item** column correspond to the numbers in the illustration that identify parts.
- ② **Quantity (Qty.)** ..... The numbers in the **Quantity** column indicate the parts required in each component.
- ③ **Part Number** ..... The number that corresponds to the item you will order.
- ④ **Design Level** ..... The **Design Level**, or combination of design levels that apply to that particular part.
- ⑤ **Description** ..... The **Description** column gives a brief description of the part. Many of the descriptive elements are abbreviated. For example, under item five of the chart below.
  - "60T" refers to 60 teeth on the gear
  - "9" refers to 9-speed transmission
  - "Dir" refers to direct drive transmission
  - "O/D" refers to over drive transmission
  - "A" refers to "A" ratio
  - "B" refers to "B" ratio
  - "R" refers to "R" ratio
  - "115, 125, etc." (x 10) refers to torque
- ⑥ **Quantity (Qty.)** ..... The **Quantity** column indicate the kit(s) that the part number in the corresponding row can be found.

## Input Shaft Assembly ④

① Item	② Qty.	③ Part Number	Design Level	⑤ Description	⑥ Part of Kit
1	1	1229-W-4339	1, 2	Snap Ring	5200, 5203, 5215, 5220, 5221, 5238, 5239, 5324, 5329, 5363, 5367, 5380, 5381, 5382, 5383, 5384
2	1	1228-G-1203	1, 2	Ball Bearing	5200, 5203, 5220, 5221, 5238, 5239, 5356, 5357, 5358, 5359, 5360, 5361, 5380, 5381, 5382, 5383, 5384
3	NLA	1244-C-1823	1, 2	Spacer, Use with shaft A-3297-Y-1351. Replaced by 1244-J-2194	
	1	1244-J-2194	1, 2	Spacer, Use with shaft A-3297-B-1380.	5200, 5203, 5238, 5359, 5360, 5361, 5367
4	NLA	1229-H-4168	1, 2	Snap Ring, Replaced by 1229-C-4657	5324, 5380, 5381, 5382
	1	1229-C-4657	2	Snap Ring, (Main Drive Gear)	5200, 5203, 5215, 5220, 5221, 5238, 5239, 5324, 5329, 5367
5	1	3892-W-5015	1, 2	M/S Gear, Drive (50T) Dir & 13 Speed O/D	
	1	3892-V-5144	1, 2	M/S Gear, Drive (54T) 9-B	
	1	3892-N-5474	1, 2	M/S Gear, Drive (60T) 9-A & R O/D 125, 145	
	1	3892-F-5232	1, 2	M/S Gear, Drive (60T) 9-A & R O/D 115, 135	
	NLA	3892-N-5474	2	M/S Gear, Drive (60T) 10-A O/D 125, 145, 155, 165 (Replaced by 3892-F-5232)	
	1	3892-F-5232	2	M/S Gear, Drive (60T) 10-A O/D All	
	1	3892-M-5473	2	M/S Gear, Drive (54T) 10-C O/D All	
	1	3892-W-5015	1, 2	M/S Gear, Drive (50T) 13 O/D, 10 DIR 115, 125, 135, 145	
6	NLA	A4-3297-T-1060	1	I/P Shaft Assy, (Replaced by A-3297-Y-1351)	
	NLA	A-3297-C-1329	1, 2	I/P Shaft Assy, Replaced by A-3297-Y-1351	
	1	A-3297-Y-1351	2	I/P Shaft Assy, 2" Pull Type (includes 1225-A-1171 Bushing) Use KIT5367	
7	1	1225-A-1171	1, 2	Bushing, (M/S)	5200, 5203, 5220, 5221, 5239, 5356, 5357, 5358

**NOTE: All dimensions are in millimeters unless otherwise noted.  
Millimeters x 0.00394 = Inches    Inches x 25.4 = Millimeters**

## 9-, 10- and 13-Speed Transmissions



**Air Tubes and Selector Valve**  
(pages 89-92)

**Gear Shift Lever**  
(pages 109-112)

**Shift Knobs**  
(pages 93-98)

**Shift Tower**  
(pages 103-108)

**Transmission Top Cover**  
(pages 71-76)

**Shift Forks and Shafts**  
(pages 77-86)

**Reverse Idler**  
(page 44)

**Main Countershaft**  
(pages 27-42)

**Input Shaft**  
(page 10)

**Main Shaft**  
(pages 11-26)

**Input Shaft Bearing Retainer**  
(page 9)

**Clutch Housing**  
(pages 5-8)

**Transmission Case**  
(pages 1-4)

**Air Slave Valve**  
(page 87)

**Piston Housing Assembly**  
(pages 65-70)

**Air Filter/Regulator**  
(page 88)

**Transmission Rear Cover**  
(pages 45-48)

**Auxiliary Drive Gear**  
(pages 49-50)

**Auxiliary Countershaft**  
(pages 51-58)

**Transmission Auxiliary Case**

**Labels**  
(pages 115-124)

**Speedometer Parts**  
(pages 127-128)

**Yoke**  
(pages 125-126)

**Output Shaft**  
(pages 60-64)

**Synchronizer Assembly**  
(page 59)

**Air Tubes**  
(pages 89-92)

**NOTICE**  
THIS COMPONENT FACTORY FILLED WITH EXTENDED DRAIN LUBRICANT. ONLY REFILL WITH ROCKWELL APPROVED EXTENDED DRAIN LUBRICANT (SEE ROCKWELL NUM. 1). CONTACT YOUR DEALER FOR ASSISTANCE.

# Table of Contents



## Main Case

Transmission Case (Manual) .....	1-2
Transmission Case (ESS™ and EOA™) .....	3-4
Clutch Housing Assembly — Standard Mount .....	5-6
Clutch Housing Assembly — Nodal Mount .....	7-8
Input Shaft Bearing Retainer .....	9

## Main Gear

Input Shaft Assembly .....	10
Main Shaft Assembly — 9-Speed Direct Drive .....	11-12
Main Shaft Assembly — 9-Speed Overdrive “A” Ratio .....	13-14
Main Shaft Assembly — 9-Speed Overdrive “B” Ratio .....	15-16
Main Shaft Assembly — 9-Speed Overdrive “R” Ratio .....	17-18
Main Shaft Assembly — 10-Speed Direct Drive .....	19-20
Main Shaft Assembly — 10-Speed Overdrive “A” Ratio .....	21-22
Main Shaft Assembly — 10-Speed Overdrive “C” Ratio .....	23-24
Main Shaft Assembly — 13-Speed Overdrive .....	25-26
Main Countershaft Assembly — 9-Speed Direct Drive .....	27-28
Main Countershaft Assembly — 9-Speed Overdrive “A” Ratio .....	29-30
Main Countershaft Assembly — 9-Speed Overdrive “B” Ratio .....	31-32
Main Countershaft Assembly — 9-Speed Overdrive “R” Ratio .....	33-34
Main Countershaft Assembly — 10-Speed Direct Drive .....	35-36
Main Countershaft Assembly — 10-Speed Overdrive “A” Ratio .....	37-38
Main Countershaft Assembly — 10-Speed Overdrive “C” Ratio .....	39-40
Main Countershaft Assembly — 13-Speed Overdrive .....	41-42
Countershaft Bearing Retainer .....	43
Reverse Idler Assembly .....	44

## Auxiliary Case Assembly

Transmission Rear Cover Assembly 9 & 10-Speed .....	45-46
Transmission Rear Cover Assembly 13-Speed .....	47-48
Auxiliary Drive Gear Assembly 9-/10-/13-Speed .....	49-50
Auxiliary Countershaft Assembly — 9-Speed Direct Drive & Overdrive “A” Ratio .....	51-52
Auxiliary Countershaft Assembly — 9-Speed Overdrive “B” & “R” Ratio .....	53-54
Auxiliary Countershaft Assembly — 10-Speed Direct Drive & Overdrive .....	55-56
Auxiliary Countershaft Assembly — 13-Speed .....	57-58
Synchronizer Assembly .....	59
Output Shaft Assembly — 9-Speed Direct Drive & Overdrive “A” Ratio .....	60
Output Shaft Assembly — 9-Speed Overdrive “B” & “R” Ratio .....	61
Output Shaft Assembly — 10-Speed Direct Drive, Direct Torque & Overdrive “A” Ratio .....	62
Output Shaft Assembly — 13-Speed .....	63-64
Piston Housing Assembly (Manual) — 9 & 10-Speed .....	65-66
Piston Housing Assembly/Air Filter Regulator (ESS™ and EOA™) — 9 & 10 Speed .....	67-68
Piston Housing Assembly — 13-Speed .....	69-70

## Top Cover

Transmission Top Cover Assembly (Manual) — Standard & Forward Position .....	71-72
Transmission Top Cover Assembly (ESS™) — Standard & Forward Position .....	73-74
Transmission Top Cover Assembly (EOA™) — Standard & Forward Position .....	75-76
Shift Forks and Shafts (Manual) — Standard and Forward Position .....	77-78
Shift Forks and Shafts (ESS™) — Standard & Forward Position .....	79
Shift Forks and Shafts (EOA™) — Standard & Forward Position .....	80
Shift Forks and Shafts (Manual) — All X-Bar .....	81-82
Shift Forks and Shafts (ESS™) — All X-Bar .....	83-84
Shift Forks and Shafts (EOA™) — All X-Bar .....	85-86

## Air System

Air Slave Valve Assembly .....	87
Air Filter/Regulator Assembly .....	88
Air Tubes and Range Control Valve 9 & 10-Speed .....	89-90
Air Tubes and Range Control Valve 13-Speed .....	91-92



**Controls**

Shift Knobs (Manual) — 9 & 10-Speed ..... 93

Shift Knobs (Manual) — 13-Speed ..... 94

Shift Knob — Engine Synchro Shift™ (ESS™) ..... 95-96

Shift Knob — Electric Over Air™ (EOA™), available with optional Shift-N-Cruise™ ..... 97-98

Remote Control Assembly — Standard Position ..... 99-100

Remote Control Assembly — Forward Position ..... 101-102

Aluminum Shift Tower Assembly ..... 103-104

Cast Iron Shift Tower Assembly ..... 105-106

Cast Iron Shift Tower Assembly — New Style ..... 107-108

Isolator Assembly — Straight Lever ..... 109-110

Non-Isolated Straight Lever ..... 111

Isolator Assembly — Close Bend 90 degrees ..... 112

Wire Harness — Engine Synchro Shift™ (ESS™) ..... 113

Wire Harness — Electric Over Air™ (EOA™) ..... 114

**Labels**

Cab Shift Label (Manual) — 9-Speed Transmission Standard ..... 115

Cab Shift Label (Manual) — 9-Speed Transmission RMO ..... 116

Cab Shift Label (Manual) — 9-Speed Transmission R Ratio ..... 117

Cab Shift Label (ESS™) — 9-Speed Transmission Standard ..... 118

Cab Shift Label (ESS™) — 9-Speed Transmission R Ratio ..... 119

Cab Shift Label (Manual) — 10-Speed Transmission ..... 120

Cab Shift Label (ESS™) — 10-Speed Transmission ..... 121

Cab Shift Label (Manual) — 13-Speed Transmission ..... 122

Miscellaneous Labels ..... 123-124

**Output Yokes**

Yokes ..... 125-126

**Speedometer Items**

Mechanical Speedometer ..... 127

Electronic Speedometer ..... 128

**Oil Pumps**

Oil Pump Assembly — Integral Mounting (S/N LB9105149 & Below) ..... 129-130

Oil Pump Assembly — Integral Mounting (S/N LB9105150 & Above) ..... 131-132

**Special Service Tools**

Special Service Tools (Manual) ..... 133-134

Shift-N-Cruise™ Tester (ESS™) ..... 134

**Kits** ..... 135-151

**Appendix**

Scheduled Maintenance ..... 152

Transmission Oil Specifications ..... 152

Transmission Oil Coolers ..... 152

Air Line Locations/Chart — 13-Speed ..... 153-154

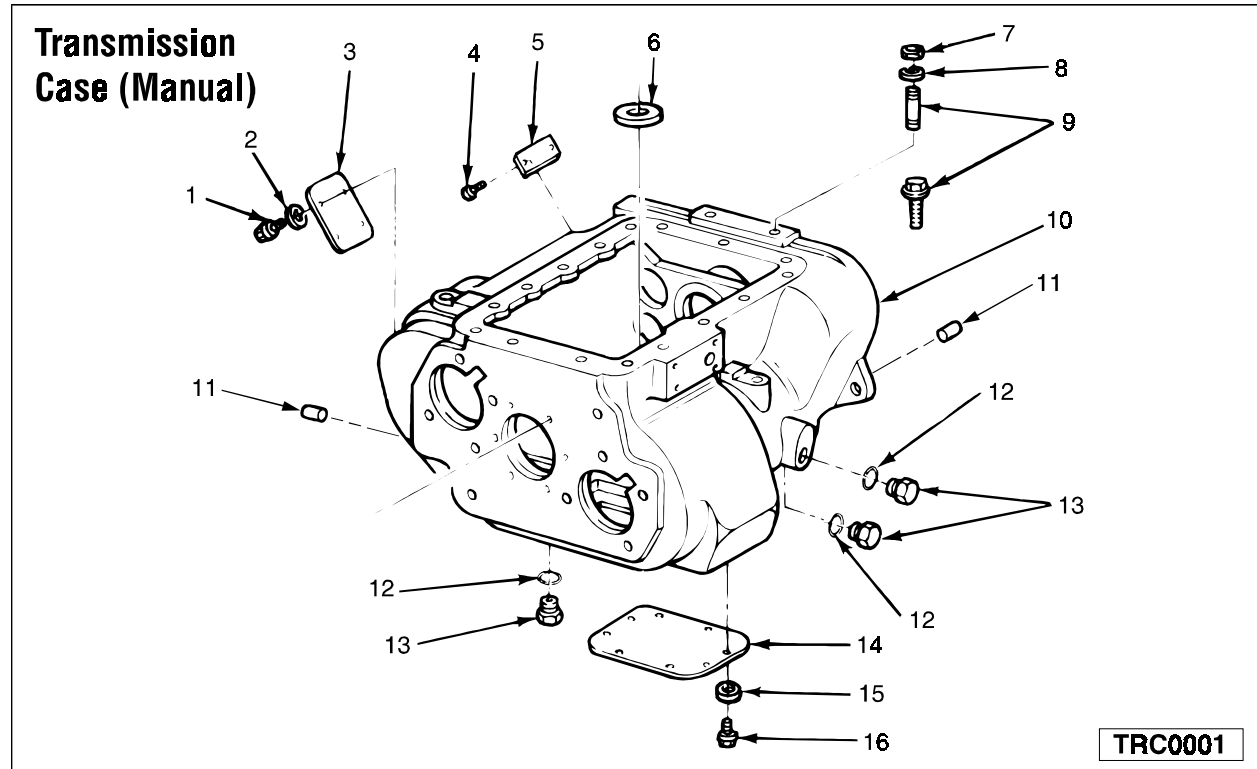
Air Line Locations/Chart — 9- & 10-Speed ..... 155

Recommended Dealer Stocking List ..... 156-158

**Index**

Parts — Alphabetical Order ..... 159-177

Parts — Numerical Order ..... 178-195

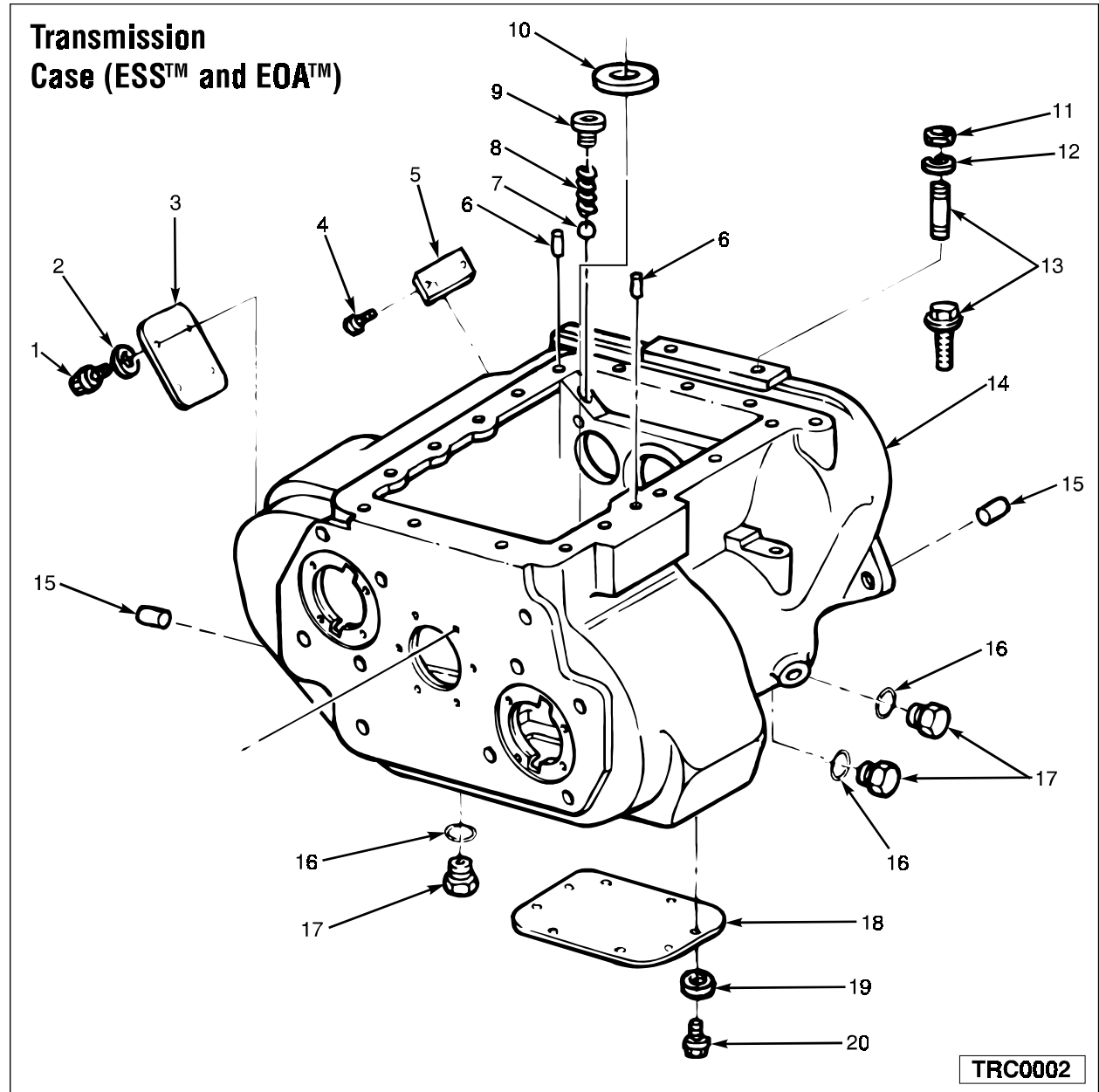






**Transmission Case (Manual)**

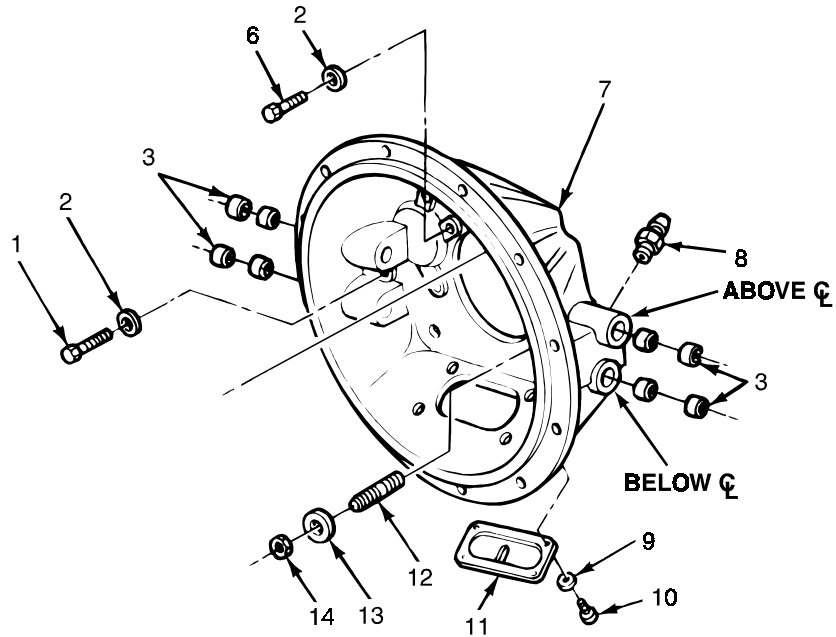
Item	Qty.	Part Number	Design Level	Description	Part of Kit
1	6	10X-1446	1, 2	Special Screw, 3/8"-16 UNC-2A x 1" Flanged (PTO)	
2	NLA	1229-B-1666	1, 2	Flat Wshr, (Replaced by 10X-1446)	5299, 5300, 5368, 5369, 5386
3	1	3266-B-1120	1, 2	Cover, (6 Bolt PTO)	
4	NLA	9X-16	1, 2	Screw, (Replaced by 17X-1030, Pop Rivet)	
	2	17X-1030	1, 2	Rivet, Pop (ID Plate)	
5	1	2297-B-6554	1, 2	Name Plate	
6	4	2297-Y-5849	1, 2	Magnet, (Trans Case)	
7	OPT	N-110-1	1, 2	Nut, 5/8"-18 (Rear Support Bracket)	
8	OPT	WA-410-1	1, 2	Lock Wshr, (Rear Support Bracket)	
9	OPT	SN-1017-1	1, 2	Stud, 5/8" x 2-1/8" (Rear Support Bracket)	
	OPT	SN-1019-1	1, 2	Stud, 5/8" x 2-3/8" (Rear Support Bracket)	
	OPT	10X-1510	1, 2	Special Screw, 1-1/4" x 5/8"-11 UNC Flanged Capscrew	
	OPT	10X-1511	1, 2	Special Screw, 1-1/2" x 5/8"-11 UNC Flanged Capscrew	
	OPT	10X-1512	1, 2	Special Screw, 1-3/4" x 5/8"-11 UNC Flanged Capscrew	
10	NLA	A2-3294-Z-1014	1	Case Assy, Replaced by A4-3294-B-1016	
	1	A4-3294-B-1016	1	Case Assy, (W/O Internal Oil Pump) Magnetic Drain Plug, Includes: 10X-1446 Flanged Capscrew, 43X-1150 Dowel & 14X-1837 Stud.	
	NLA	A-3294-V-1010	1	Case Assy, (Internal Oil Pump) Use A2-3294-B-1016 Case & A-3303-N-1028 Oil Pump.	
	1	A2-3294-B-1016	1	Case Assy, (Internal Oil Pump) Magnetic Drain Plug, Includes: 10X-1446 Flanged Capscrew, 43X-1150 Dowel & 4X-1837 Stud.	
	NLA	A2-3294-H-1022	2	Case Assy, Replaced by A2-3294-N-1028	
	1	A2-3294-N-1028	2	Case Assy, (W/O Internal Oil Pump) Includes: 2297-Y-5849, 43X-1150, A-1250-P-1186, 17X-1030, 2297-B-6554 & 4X-1837.	
	NLA	A2-3294-L-1026	2	Case Assy, Replaced by A2-3294-P-1030	
1	A2-3294-P-1030	2	Case Assy, (Internal Oil Pump) Includes: 2297-Y-5849, 43X-1150, A-1250-P-1186, 17X-1030, 2297-B-6554 & 4X-1837.		
11	2	43X-1150	1, 2	Dowel, (Rear Cover)	
12	3	1205-Y-1039	1, 2	O-Ring	5356, 5357, 5358, 5359, 5360, 5361
13	3	A-1250-J-1128	1, 2	Plug Assy, (Drain or Fill) w/O-Ring 1-1/16"-12 UN-2A	
	OPT	A-1250-P-1186	1, 2	Plug Assy, Magnetic (Drain or Fill) 1-1/16"-12 UN-2A w/O-Ring	
14	1	3266-C-1121	1, 2	Cover, (8 Bolt PTO)	
15	8	1229-E-1513	1, 2	Flat Wshr	
16	NLA	S-276-A-1	1, 2	Cap Screw, Replaced by S-276-A-2	
	8	S-276-A-2	1, 2	Cap Screw, (PTO) 7/16"-14 UNC-2A x 3/4"	



**Transmission Case (ESS™ and EOA™)**

Item	Qty.	Part Number	Design Level	Description	Part of Kit
1	6	10X-1446	2	Special Screw, 3/8"-16 UNC-2A x 1" Flanged (PTO)	
2	NLA	1229-B-1666	2	Flat Wshr, (Replaced by 10X-1446)	5299, 5300, 5368, 5369, 5386
3	1	3266-B-1120	2	Cover, (6 Bolt PTO)	
4	NLA	9X-16	2	Screw, (Replaced by 17X-1030, Pop Rivet)	
	2	17X-1030	2	Rivet, Pop (ID Plate)	
5	1	2297-B-6554	2	Name Plate	
6	2	43X-1193	2	Dowel	
7	1	2297-R-6986	2	Detent Ball, Range Shift	
8	1	2258-F-1332	2	Spring, Range Shift Detent	5375
9	1	1250-R-1266	2	Plug, Range Detent	
10	4	2297-Y-5849	2	Magnet, (Trans Case)	
11	OPT	N-110-1	2	Nut, 5/8"-18 (Rear Support Bracket)	
12	OPT	WA-410-1	2	Lock Wshr, (Rear Support Bracket)	
13	OPT	SN-1017-1	2	Stud, 5/8" x 2-1/8" (Rear Support Bracket)	
	OPT	SN-1019-1	2	Stud, 5/8" x 2-3/8" (Rear Support Bracket)	
	OPT	10X-1510	2	Special Screw, 1-1/4" x 5/8"-11 UNC Flanged Capscrew	
	OPT	10X-1511	2	Special Screw, 1-1/2" x 5/8"-11 UNC Flanged Capscrew	
	OPT	10X-1512	2	Special Screw, 1-3/4" x 5/8"-11 UNC Flanged Capscrew	
14	1	A-3294-Q-1031	2	Case Assy, Transmission	
	1	A-3294-R-1032	2	Case Assy, Transmission (Pump)	
15	2	43X-1150	2	Dowel, (Rear Cover)	
16	3	1205-Y-1039	2	O-Ring	5356, 5357, 5358, 5359, 5360, 5361
17	3	A-1250-J-1128	2	Plug Assy, (Drain or Fill) w/O-Ring 1-1/16"-12 UN-2A	
	OPT	A-1250-P-1186	2	Plug Assy, Magnetic (Drain or Fill) 1-1/16"-12 UN-2A w/O-Ring	
18	1	3266-C-1121	2	Cover, (8 Bolt PTO)	
19	8	1229-E-1513	2	Flat Wshr	
20	NLA	S-276-A-1	2	Cap Screw, Replaced by S-276-A-2	
	8	S-276-A-2	2	Cap Screw, (PTO) 7/16"-14 UNC-2A x 3/4"	

## Clutch Housing Assembly — Standard Mount



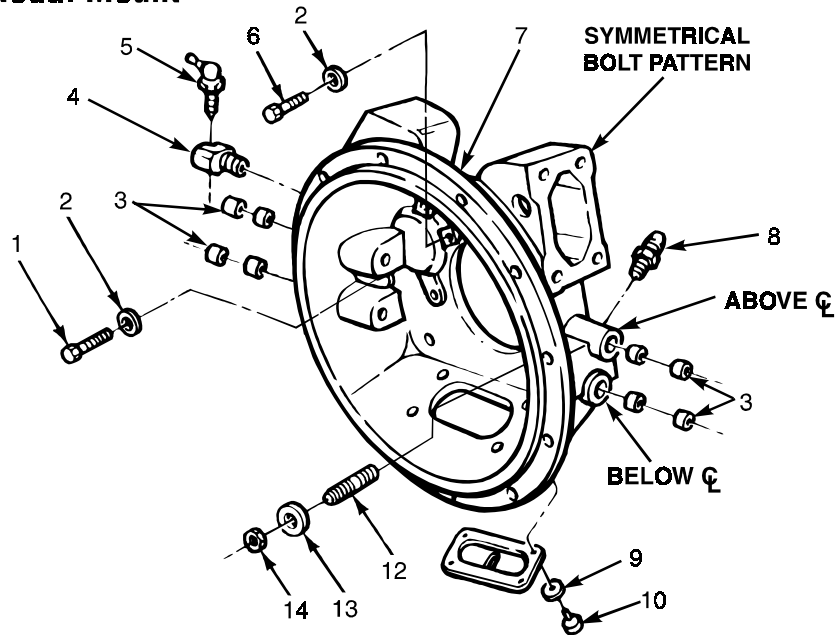
**NOTE:**  
ALL CLUTCH HOUSING ASSEMBLIES INCLUDE THE BUSHINGS, THE COVER, THE FASTENERS  
AND THE ZERK FITTINGS.

CHA0001

**Clutch Housing Assembly — Standard Mount**

Item	Qty.	Part Number	Design Level	Description	Part of Kit
1	NLA	S-2828-A-1	1, 2	Bolt/Capscrew, Replaced by S-2828-A-2	
	2	S-2828-A-2	1, 2	Bolt/Capscrew, 1/2"-13UNC-2A x 3-1/2"	
2	4	1229-C-1511	1, 2	Flat Wshr	
3	4	1225-X-1194	1, 2	Bushing	
6	NLA	S-2811-A-1	1, 2	Bolt/Capscrew, Replaced by S-2812-A-2	
	2	S-2812-A-2	1, 2	Bolt/Capscrew, 1/2"-13 UNC-2A x 1-1/2"	
7	NLA	A-3282-M-1001	1	Clutch Hsg Assy, (Replaced by A-3282-Z-1040)	
	1	A-3282-Z-1040	1, 2	Clutch Hsg Assy, SAE#1, (Above Centerline Pull)	
	NLA	A-3282-G-1021	1	Clutch Hsg Assy, (Replaced by A-3282-E-1045)	
	1	A-3282-E-1045	1, 2	Clutch Hsg Assy, SAE#1, Iron (Below Centerline Pull)	
	NLA	A-3282-V-1010	1	Clutch Hsg Assy, (Replaced by A-3282-V-1036)	
	1	A-3282-V-1036	1, 2	Clutch Hsg Assy, SAE#1, Aluminum (Above Centerline Pull)	
	NLA	A-3282-J-1024	1	Clutch Hsg Assy, (Replaced by A-3282-F-1046)	
	1	A-3282-F-1046	1, 2	Clutch Hsg Assy, SAE#1, Aluminum (Below Centerline Pull)	
	NLA	A-3282-P-1030	1	Clutch Hsg Assy, (Replaced by A-3282-D-1044)	
1	A-3282-D-1044	1, 2	Clutch Hsg Assy, SAE#2, Iron (Above Centerline Pull)		
8	2	1199-H-1620	1, 2	Oil Fitting, Zerk	
9	4	1229-B-1666	1	Flat Wshr	5299, 5300, 5368, 5369, 5386
10	NLA	S-265-A-1	1, 2	Bolt/Capscrew, Replaced by S-265-A-2	
	4	S-265-A-2	1, 2	Bolt/Capscrew, 3/8"-16UNC-2A x 5/8"	
11	1	3266-H-1048	1, 2	Cover, (Clutch Housing)	
12	6	4X-1837	1, 2	Stud	
13	6	1229-U-1503	1, 2	Flat Wshr, 5/8"	
14	6	N-110-1	1, 2	Nut, 5/8"-18	

## Clutch Housing Assembly — Nodal Mount



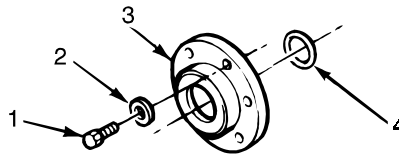
**NOTE:**  
ALL CLUTCH HOUSING ASSEMBLIES INCLUDE THE BUSHINGS, THE COVER, THE FASTENERS  
AND THE ZERK FITTINGS.

CHA0002

**Clutch Housing Assembly — Nodal Mount**

Item	Qty.	Part Number	Design Level	Description	Part of Kit
1	NLA	S-2828-A-1	1, 2	Bolt/Capscrew, Replaced by S-2828-A-2	
	2	S-2828-A-2	1, 2	Bolt/Capscrew, 1/2"-13UNC-2A x 3-1/2"	
2	4	1229-C-1511	1, 2	Flat Wshr	
3	4	1225-X-1194	1, 2	Bushing	
4	1	1199-Q-901	1, 2	Elbow	
5	1	1199-B-3226	1, 2	Oil Fitting, Zerk	
6	NLA	S-2811-A-1	1, 2	Bolt/Capscrew, Replaced by S-2812-A-2	
	2	S-2812-A-2	1, 2	Bolt/Capscrew, 1/2"-13 UNC-2A x 1-1/2"	
7	NLA	A-3282-T-1008	1	Clutch Hsg Assy, (Replaced by A-3282-X-1038)	
	1	A-3282-X-1038	1, 2	Clutch Hsg Assy, SAE#1, Iron (Above Centerline Pull)	
	NLA	A-3282-H-1022	1	Clutch Hsg Assy, (Replaced by A-3282-G-1047)	
	1	A-3282-G-1047	1, 2	Clutch Hsg Assy, SAE#1, Iron (Below Centerline Pull)	
	NLA	A-3282-X-1012	1	Clutch Hsg Assy, (Replaced by A-3282-B-1042)	
	1	A-3282-B-1042	1, 2	Clutch Hsg Assy, SAE#1, Aluminum (Above Centerline Pull)	
	NLA	A-3282-K-1025	1	Clutch Hsg Assy, (Replaced by A-3282-H-1048)	
1	A-3282-H-1048	1, 2	Clutch Hsg Assy, SAE#1, Aluminum (Below Centerline Pull)		
8	1	1199-H-1620	1, 2	Oil Fitting, Zerk	
9	4	1229-B-1666	1	Flat Wshr	5299, 5300, 5368, 5369, 5386
10	NLA	S-265-A-1	1, 2	Bolt/Capscrew, Replaced by S-265-A-2	
	4	S-265-A-2	1, 2	Bolt/Capscrew, 3/8"-16UNC-2A x 5/8"	
11	1	3266-H-1048	1, 2	Cover, (Clutch Housing)	
12	6	4X-1837	1, 2	Stud	
13	6	1229-U-1503	1, 2	Flat Wshr, 5/8"	
14	6	N-110-1	1, 2	Nut, 5/8"-18	

## Input Shaft Bearing Retainer



**SBR0001**

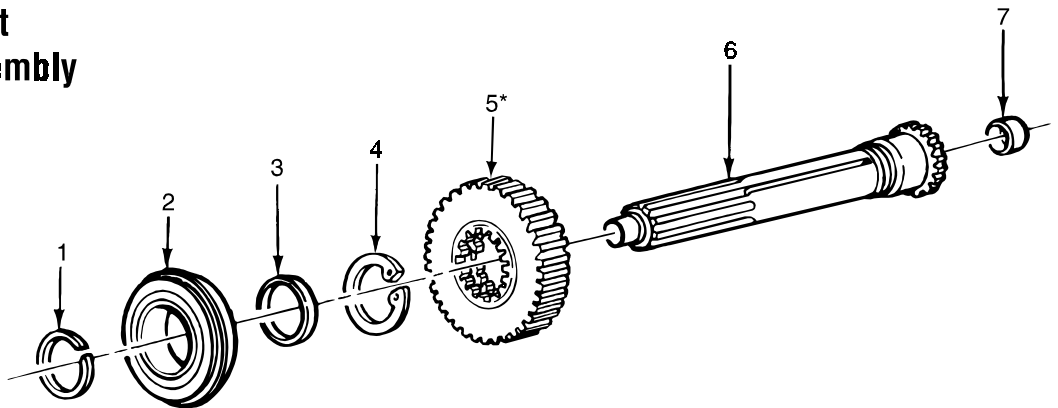
## Input Shaft Bearing Retainer

Item	Qty.	Part Number	Design Level	Description	Part of Kit
1	NLA	S-2610-A-1	1, 2	Bolt/Capscrew, Replaced by S-2610-A-2	
	6	S-2610-A-2	1, 2	Bolt/Capscrew, 3/8"-16 UNC x 1-1/4"	
2	6	1229-B-1666	1, 2	Flat Wshr	5299, 5300, 5368, 5369, 5386
3	1	3105-K-1155	1, 2	Retainer	
4	NSS	1205-T-2308	1, 2	Oil Seal, (For Shipping Purposes Only. Remove prior to installation.)	





**Input Shaft Assembly**



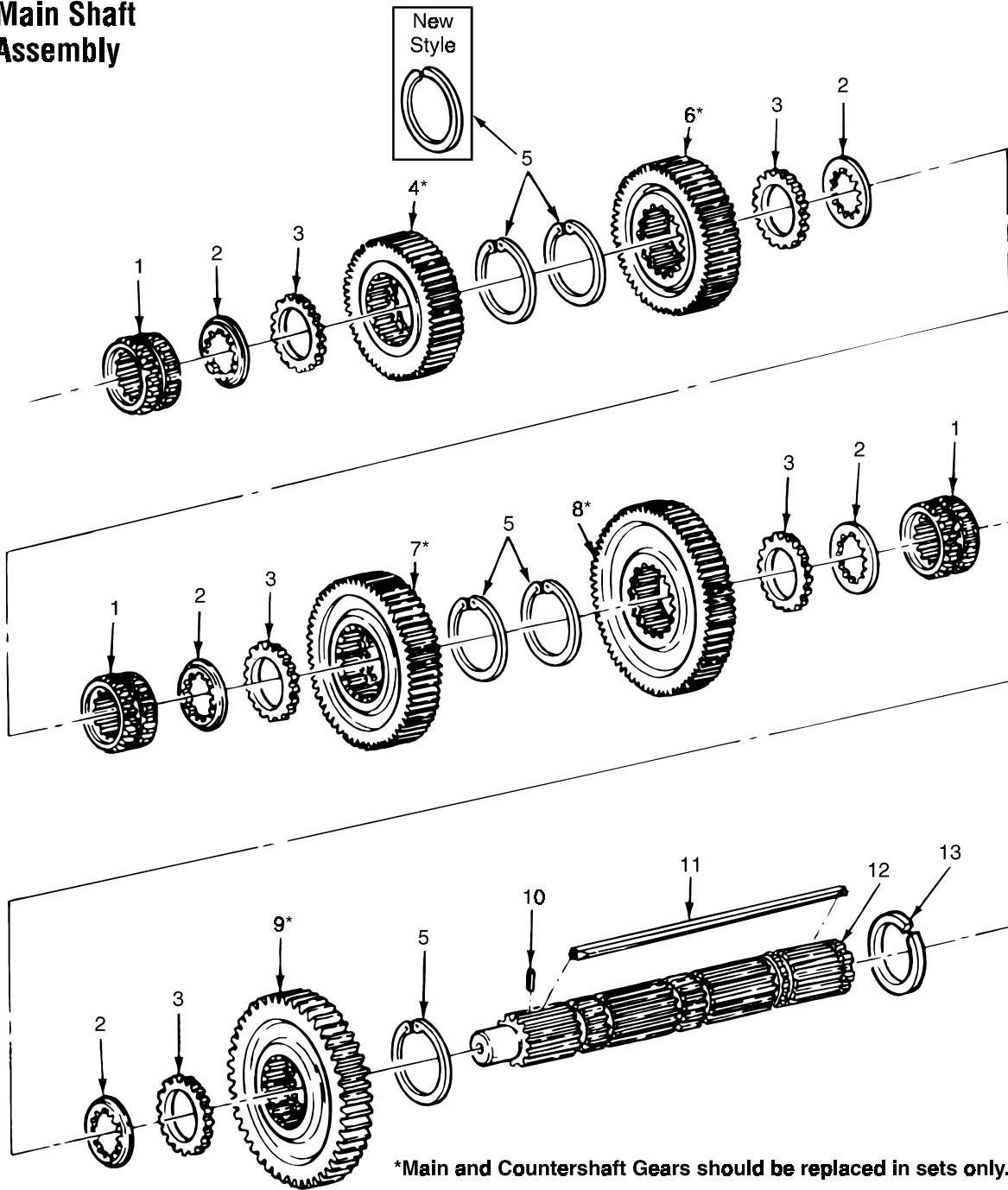
\*Main and Countershaft Gears should be replaced in sets only.

**ISA0001**

**Input Shaft Assembly**

Item	Qty.	Part Number	Design Level	Description	Part of Kit
1	1	1229-W-4339	1, 2	Snap Ring	5200, 5203, 5215, 5220, 5221, 5238, 5239, 5324, 5329, 5363, 5367, 5380, 5381, 5382, 5383, 5384
2	1	1228-G-1203	1, 2	Ball Bearing	5200, 5203, 5220, 5221, 5238, 5239, 5356, 5357, 5358, 5359, 5360, 5361, 5380, 5381, 5382, 5383, 5384
3	NLA	1244-C-1823	1, 2	Spacer, Use with shaft A-3297-Y-1351. Replaced by 1244-J-2194	
	1	1244-J-2194	1, 2	Spacer, Use with shaft A-3297-B-1380.	5200, 5203, 5238, 5359, 5360, 5361, 5367
4	NLA	1229-H-4168	1, 2	Snap Ring, Replaced by 1229-C-4657	5324, 5380, 5381, 5382
	1	1229-C-4657	2	Snap Ring, (Main Drive Gear)	5200, 5203, 5215, 5220, 5221, 5238, 5239, 5324, 5329, 5367
5	1	3892-W-5015	1, 2	M/S Gear, Drive (50T) Dir & 13 Speed O/D	
	1	3892-V-5144	1, 2	M/S Gear, Drive (54T) 9-B	
	1	3892-N-5474	1, 2	M/S Gear, Drive (60T) 9-A & R O/D 125, 145	
	1	3892-F-5232	1, 2	M/S Gear, Drive (60T) 9-A & R O/D 115, 135	
	NLA	3892-N-5474	2	M/S Gear, Drive (60T) 10-A O/D 125, 145, 155, 165 (Replaced by 3892-F-5232)	
	1	3892-F-5232	2	M/S Gear, Drive (60T) 10-A O/D All	
	1	3892-M-5473	2	M/S Gear, Drive (54T) 10-C O/D All	
	1	3892-W-5015	1, 2	M/S Gear, Drive (50T) 13 O/D, 10 DIR 115, 125, 135, 145	
6	NLA	A4-3297-T-1060	1	I/P Shaft Assy, (Replaced by A-3297-Y-1351)	
	NLA	A-3297-C-1329	1, 2	I/P Shaft Assy, Replaced by A-3297-Y-1351	
	1	A-3297-Y-1351	2	I/P Shaft Assy, 2" Pull Type (includes 1225-A-1171 Bushing) Use KIT5367	
7	1	1225-A-1171	1, 2	Bushing, (M/S)	5200, 5203, 5220, 5221, 5239, 5356, 5357, 5358

## Main Shaft Assembly



\*Main and Countershaft Gears should be replaced in sets only.

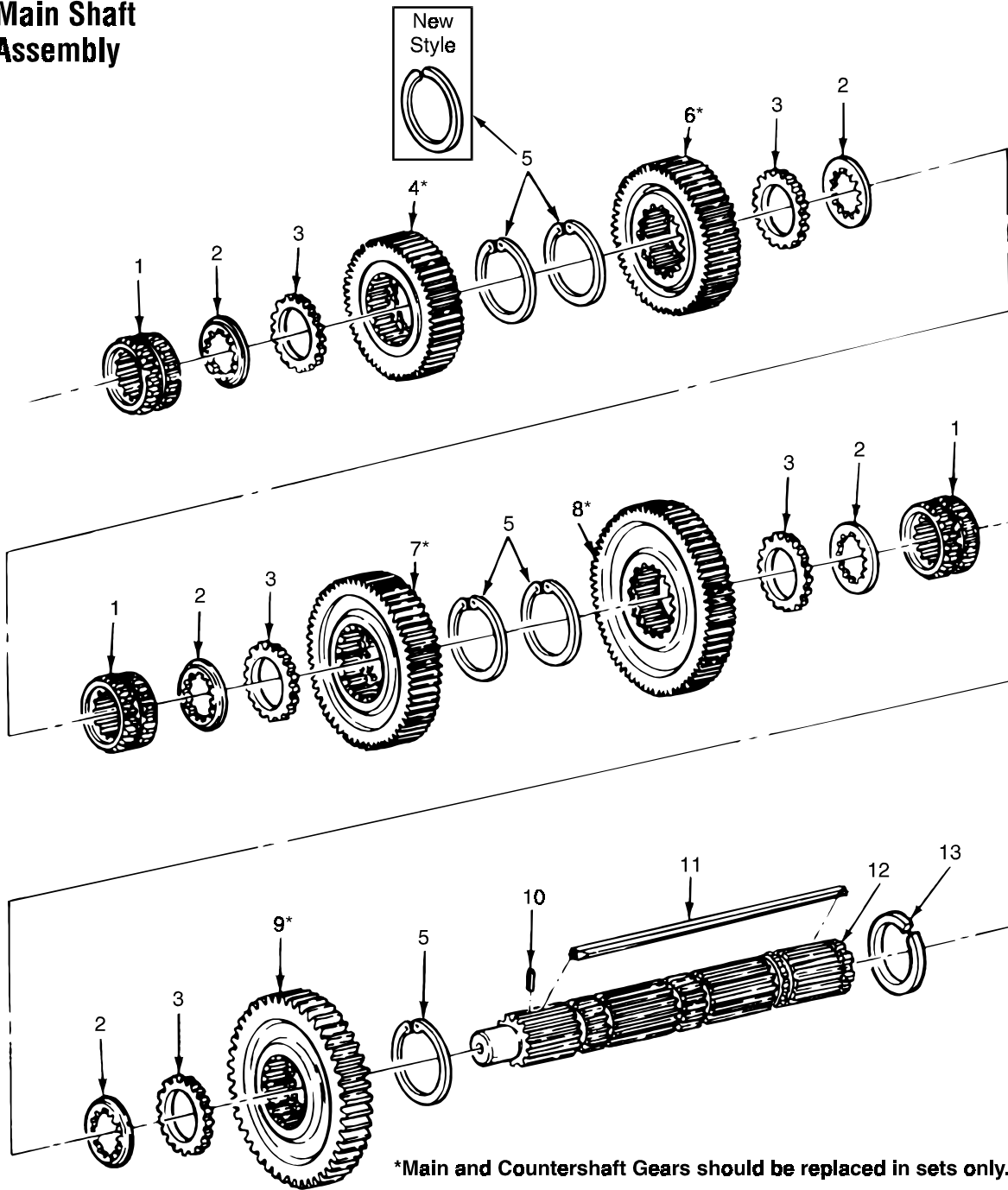
MSA0001



**Main Shaft Assembly — 9-Speed Direct Drive**

Item	Qty.	Part Number	Design Level	Description	Part of Kit
1	3	3107-G-1073	1, 2	Clutch Collar	5200, 5203, 5238, 5359, 5360, 5361
2	AR	42X-1256	1, 2	Thrust Wshr, (5.50 mm) SN: LB93021753 & Below	
	AR	42X-1412	2	Thrust Wshr, (6.90 mm) SN: LB93021754 & Above	5363
	AR	42X-1255	1, 2	Thrust Wshr, (5.60 mm) (Required in Reverse Gear) SN: LB93021753 & Below	
	AR	42X-1413	2	Thrust Wshr, (7.00 mm) (Required in Reverse Gear) SN: LB93021754 & Above	
	AR	42X-1257	1, 2	Thrust Wshr, (5.70 mm) SN: LB93021753 & Below	5363
	AR	42X-1414	2	Thrust Wshr, (7.10 mm) SN: LB93021754 & Above	5363
3	5	1244-M-2041	1, 2	Spacer, (Main Shaft Gears)	5363
4	1	3892-J-5028	1, 2	M/S Gear, 3rd (60T) 125, 145, 155	
	1	3892-F-5232	1, 2	M/S Gear, 3rd (60T) 115, 135	
5	5	1229-X-4418	1, 2	Snap Ring, (Main Shaft Gears) SN: LB93021753 & Below	
	5	1229-W-4625	2	Snap Ring, (Main Shaft Gears) SN: LB93021754 & Above	5363
6	1	3892-G-5025	1, 2	M/S Gear, 2nd (60T)	
7	1	3892-E-5023	1, 2	M/S Gear, 1st (64T)	
8	1	3892-C-5021	1, 2	M/S Gear, 3/8"-16 UNC-2A x 1" Flanged (PTO)	
9	1	3892-L-5030	1, 2	M/S Gear, (6 Bolt PTO)	
10	1	43X-1158	1, 2	Pin, (Roll)	
11	1	16X-1028	1, 2	Key, (Mainshaft)	
12	1	3297-X-1116	1, 2	Main Shaft, SN: LB93021753 & Below	
	1	3297-J-1336	2	Main Shaft, SN: LB93021754 & Above, Use KIT5363	5363
13	1	1229-W-4339	1, 2	Snap Ring, (Main Shaft Key)	5200, 5203, 5215, 5220, 5221, 5238, 5239, 5324, 5329, 5363, 5367, 5380, 5381, 5382, 5383, 5384

## Main Shaft Assembly



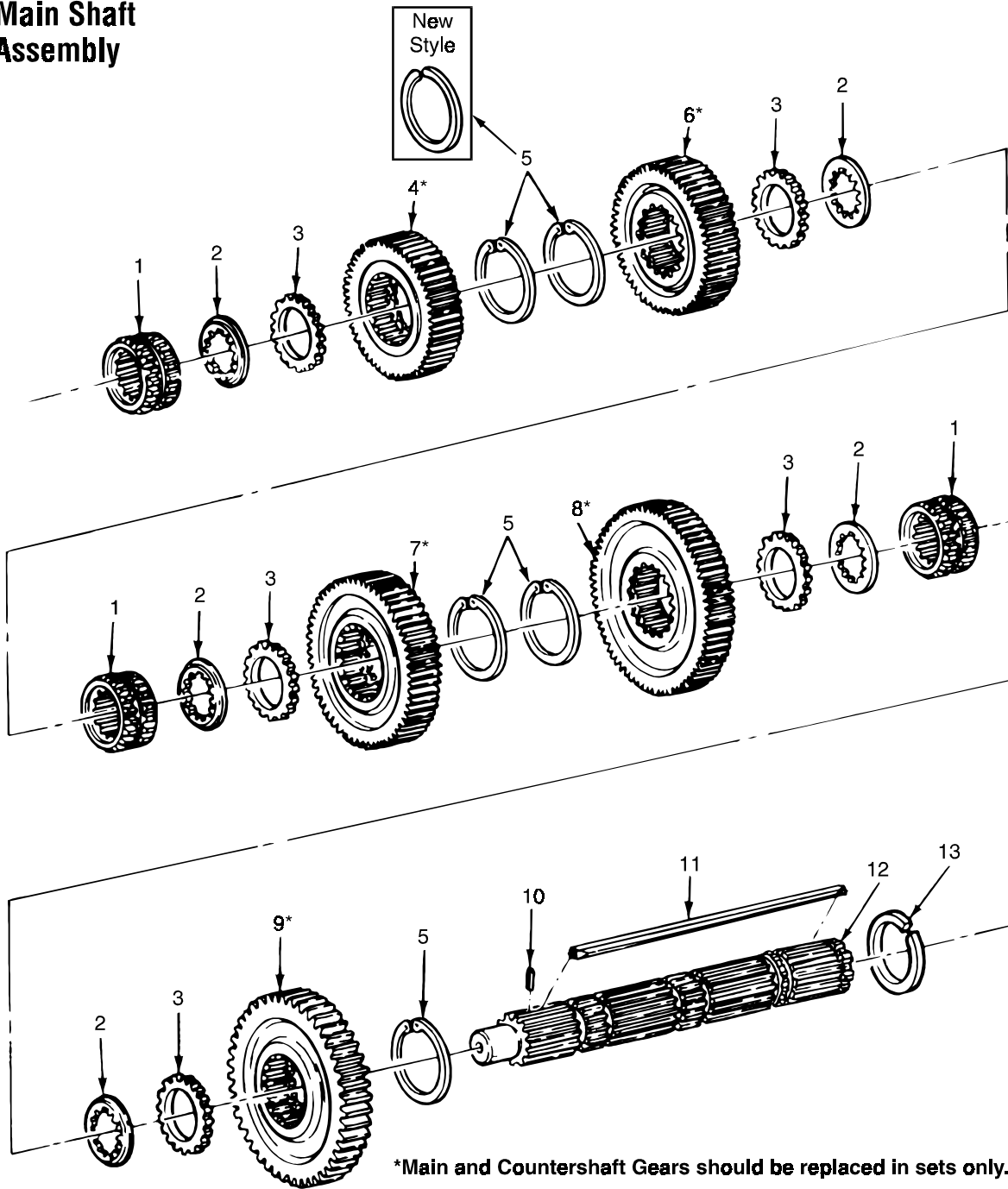
MSA0001



**Main Shaft Assembly — 9-Speed Overdrive “A” Ratio**

Item	Qty.	Part Number	Design Level	Description	Part of Kit
1	3	3107-G-1073	1, 2	Clutch Collar	5200, 5203, 5238, 5359, 5360, 5361
2	AR	42X-1256	1, 2	Thrust Wshr, (5.50 mm) SN: LB93021753 & Below	
	AR	42X-1412	2	Thrust Wshr, (6.90 mm) SN: LB93021754 & Above	5363
	AR	42X-1255	1, 2	Thrust Wshr, (5.60 mm) (Required in Reverse Gear) SN: LB93021753 & Below	
	AR	42X-1413	2	Thrust Wshr, (7.00 mm) (Required in Reverse Gear) SN: LB93021754 & Above	
	AR	42X-1257	1, 2	Thrust Wshr, (5.70 mm) SN: LB93021753 & Below	5363
	AR	42X-1414	2	Thrust Wshr, (7.10 mm) SN: LB93021754 & Above	5363
3	5	1244-M-2041	1, 2	Spacer, (Main Shaft Gears)	5363
4	1	3892-W-5015	1, 2	M/S Gear, Overdrive (50T) 125, 135, 145	
5	5	1229-X-4418	1, 2	Snap Ring, (Main Shaft Gears) SN: LB93021753 & Below	
	5	1229-W-4625	2	Snap Ring, (Main Shaft Gears) SN: LB93021754 & Above	5363
6	1	3892-G-5025	1, 2	M/S Gear, 2nd (60T)	
7	1	3892-E-5023	1, 2	M/S Gear, 1st (64T)	
8	1	3892-C-5021	1, 2	M/S Gear, Low (46T)	
9	1	3892-L-5030	1, 2	M/S Gear, Reverse (48T)	
10	1	43X-1158	1, 2	Pin, (Roll)	
11	1	16X-1028	1, 2	Key, (Mainshaft)	
12	1	3297-X-1116	1, 2	Main Shaft, SN: LB93021753 & Below	
	1	3297-J-1336	2	Main Shaft, SN: LB93021754 & Above, Use KIT5363	5363
13	1	1229-W-4339	1, 2	Snap Ring, (Main Shaft Key)	5200, 5203, 5215, 5220, 5221, 5238, 5239, 5324, 5329, 5363, 5367, 5380, 5381, 5382, 5383, 5384

## Main Shaft Assembly



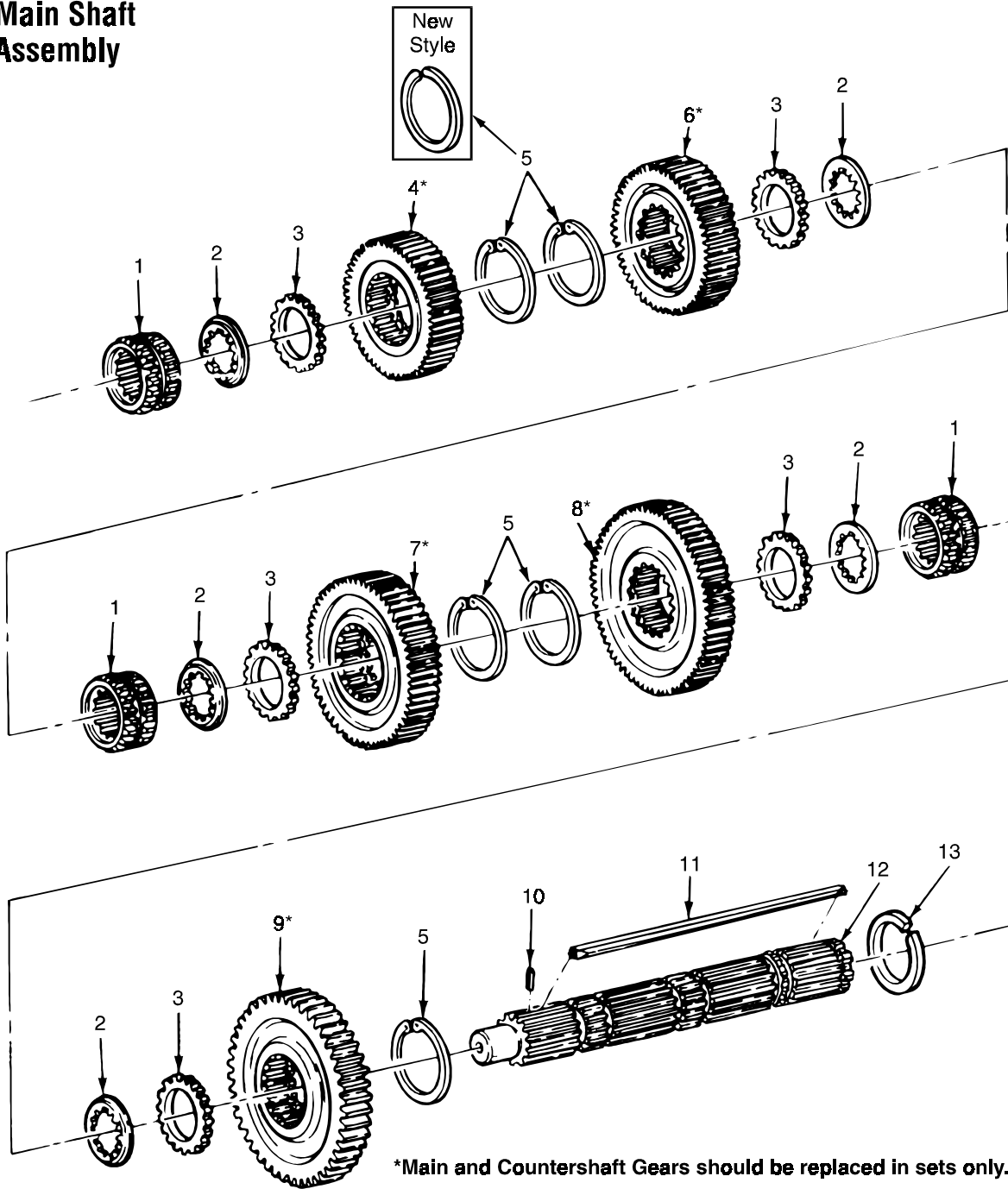
MSA0001



**Main Shaft Assembly — 9-Speed Overdrive “B” Ratio**

Item	Qty.	Part Number	Design Level	Description	Part of Kit
1	3	3107-G-1073	1, 2	Clutch Collar	5200, 5203, 5238, 5359, 5360, 5361
2	AR	42X-1256	1, 2	Thrust Wshr, (5.50 mm) SN: LB93021753 & Below	
	AR	42X-1412	2	Thrust Wshr, (6.90 mm) SN: LB93021754 & Above	5363
	AR	42X-1255	1, 2	Thrust Wshr, (5.60 mm) (Required in Reverse Gear) SN: LB93021753 & Below	
	AR	42X-1413	2	Thrust Wshr, (7.00 mm) (Required in Reverse Gear) SN: LB93021754 & Above	
	AR	42X-1257	1, 2	Thrust Wshr, (5.70 mm) SN: LB93021753 & Below	5363
	AR	42X-1414	2	Thrust Wshr, (7.10 mm) SN: LB93021754 & Above	5363
3	5	1244-M-2041	1, 2	Spacer, (Main Shaft Gears)	5363
4	1	3892-B-5150	1, 2	M/S Gear, Overdrive (46T) 125, 145, 155	
	1	3892-E-5231	1, 2	M/S Gear, Overdrive (46T) 115, 135	
5	5	1229-X-4418	1, 2	Snap Ring, (Main Shaft Gears) SN: LB93021753 & Below	
	5	1229-W-4625	2	Snap Ring, (Main Shaft Gears) SN: LB93021754 & Above	5363
6	1	3892-Z-5148	1, 2	M/S Gear, 2nd (54T)	
7	1	3892-X-5146	1, 2	M/S Gear, 1st (62T)	
8	1	3892-C-5021	1, 2	M/S Gear, Low	
9	1	3892-L-5030	1, 2	M/S Gear, Reverse (48T)	
10	1	43X-1158	1, 2	Pin, (Roll)	
11	1	16X-1028	1, 2	Key, (Mainshaft)	
12	1	3297-X-1116	1, 2	Main Shaft, SN: LB93021753 & Below	
	1	3297-J-1336	2	Main Shaft, SN: LB93021754 & Above, Use KIT5363	5363
13	1	1229-W-4339	1, 2	Snap Ring, (Main Shaft Key)	5200, 5203, 5215, 5220, 5221, 5238, 5239, 5324, 5329, 5363, 5367, 5380, 5381, 5382, 5383, 5384

## Main Shaft Assembly



\*Main and Countershaft Gears should be replaced in sets only.

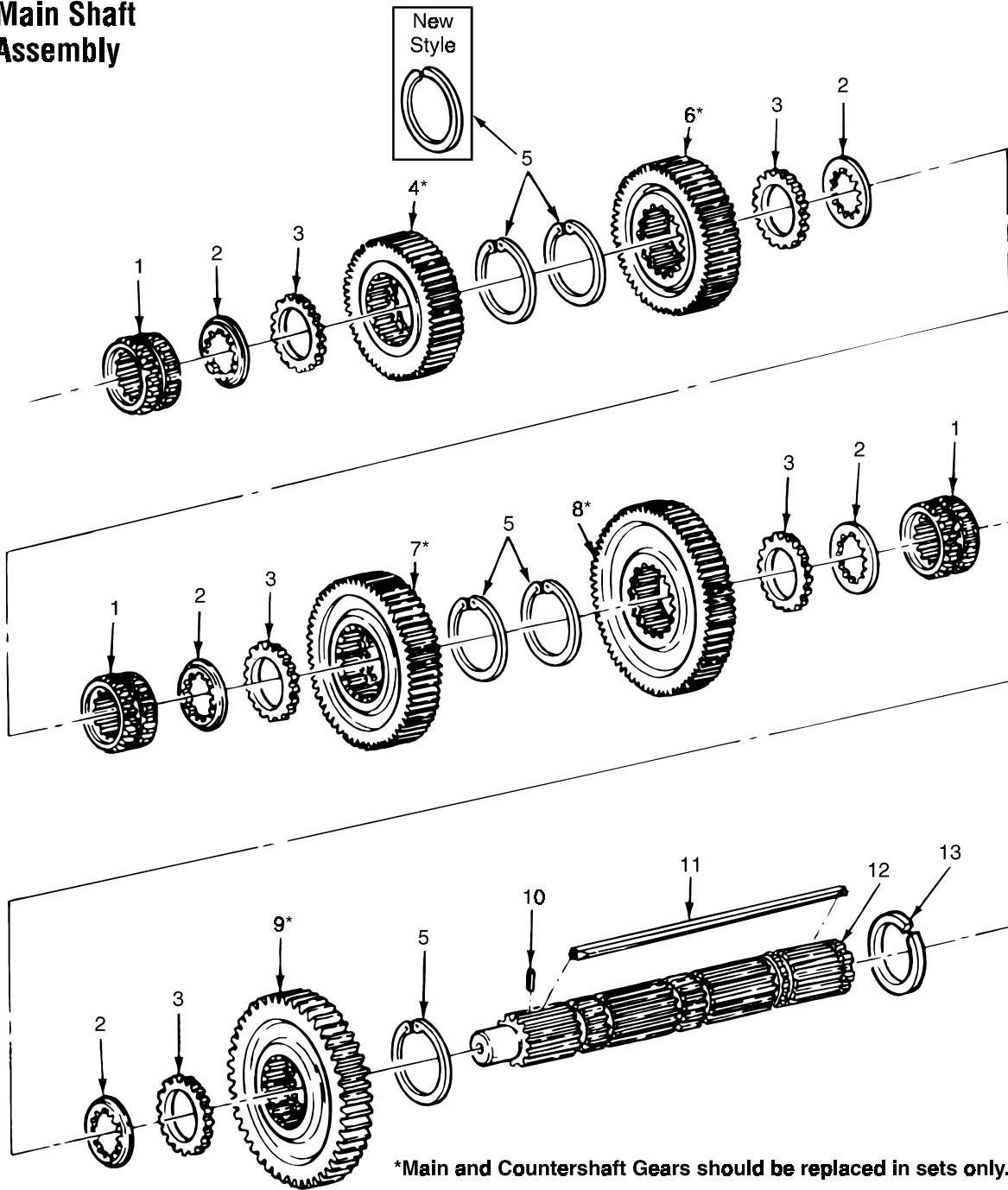
MSA0001



**Main Shaft Assembly — 9-Speed Overdrive “R” Ratio**

Item	Qty.	Part Number	Design Level	Description	Part of Kit
1	3	3107-G-1073	1, 2	Clutch Collar	5200, 5203, 5238, 5359, 5360, 5361
2	AR	42X-1256	1, 2	Thrust Wshr, (5.50 mm) SN: LB93021753 & Below	
	AR	42X-1412	2	Thrust Wshr, (6.90 mm) SN: LB93021754 & Above	5363
	AR	42X-1255	1, 2	Thrust Wshr, (5.60 mm) (Required in Reverse Gear) SN: LB93021753 & Below	
	AR	42X-1413	2	Thrust Wshr, (7.00 mm) (Required in Reverse Gear) SN: LB93021754 & Above	
	AR	42X-1257	1, 2	Thrust Wshr, (5.70 mm) SN: LB93021753 & Below	5363
	AR	42X-1414	2	Thrust Wshr, (7.10 mm) SN: LB93021754 & Above	5363
3	5	1244-M-2041	1, 2	Spacer, (Main Shaft Gears)	5363
4	1	3892-P-5242	1, 2	M/S Gear, Overdrive (48T) 115, 125, 135, 145	
5	5	1229-X-4418	1, 2	Snap Ring, (Main Shaft Gears) SN: LB93021753 & Below	
	5	1229-W-4625	2	Snap Ring, (Main Shaft Gears) SN: LB93021754 & Above	5363
6	1	3892-M-5239	1, 2	M/S Gear, 3rd (52T)	
7	1	3892-K-5237	1, 2	M/S Gear, 2nd (70T)	
8	1	3892-C-5021	1, 2	M/S Gear, Low	
9	1	3892-L-5030	1, 2	M/S Gear, Reverse (48T)	
10	1	43X-1158	1, 2	Pin, (Roll)	
11	1	16X-1028	1, 2	Key, (Mainshaft)	
12	1	3297-X-1116	1, 2	Main Shaft, SN: LB93021753 & Below	
	1	3297-J-1336	2	Main Shaft, SN: LB93021754 & Above, Use KIT5363	5363
13	1	1229-W-4339	1, 2	Snap Ring, (Main Shaft Key)	5200, 5203, 5215, 5220, 5221, 5238, 5239, 5324, 5329, 5363, 5367, 5380, 5381, 5382, 5383, 5384

## Main Shaft Assembly

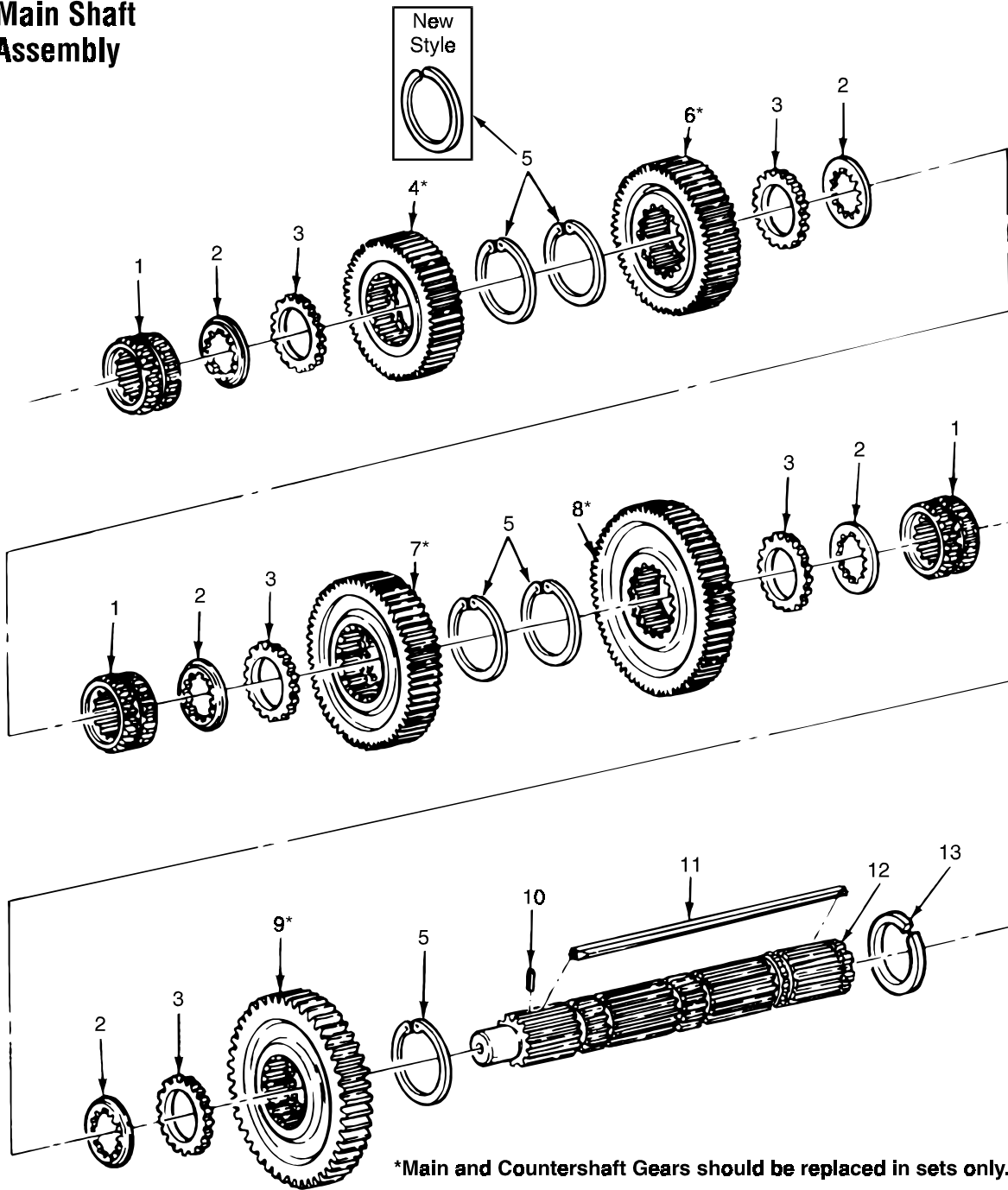


MSA0001

**Main Shaft Assembly — 10-Speed Direct Drive**

Item	Qty.	Part Number	Design Level	Description	Part of Kit
1	3	3107-G-1073	2	Clutch Collar	5200, 5203, 5238, 5359, 5360, 5361
2	AR	42X-1256	2	Thrust Wshr, (5.50 mm) SN: LB93021753 & Below	
	AR	42X-1255	2	Thrust Wshr, (5.60 mm) SN: LB93021753 & Below	
	AR	42X-1257	2	Thrust Wshr, (5.70 mm) SN: LB93021753 & Below	5363
	AR	42X-1412	2	Thrust Wshr, (6.90 mm) SN: LB93021754 & Above	5363
	AR	42X-1413	2	Thrust Wshr, (7.00 mm) SN: LB93021754 & Above	
	AR	42X-1414	2	Thrust Wshr, (7.10 mm) SN: LB93021754 & Above, Use KIT5363	5363
3	5	1244-M-2041	2	Spacer, (Main Shaft Gears)	5363
4	1	3892-N-5028	2	M/S Gear, Overdrive (50T)	
5	5	1229-X-4418	2	Snap Ring, (Main Shaft Gears) SN: LB93021753 & Below	
	5	1229-W-4625	2	Snap Ring, (Main Shaft Gears) SN: LB93021754 & Above	5363
6	1	3892-G-5025	2	M/S Gear, 3rd (60T)	
7	NLA	3892-M-5343	2	M/S Gear, 2nd (Replaced by 3892-M-5395)	
	1	3892-M-5395	2	M/S Gear, 2nd	
8	NLA	3892-N-5370	2	M/S Gear, 1st (Replaced by 3892-F-5414)	
	1	3892-F-5414	2	M/S Gear, 1st, Requires 3297-N-1366 Countershaft	
9	1	3892-L-5030	2	M/S Gear, Reverse (48T)	
10	1	43X-1158	2	Pin, (Roll)	
11	1	16X-1028	2	Key, (Mainshaft)	
12	1	3297-X-1116	2	Main Shaft, SN: LB93021753 & Below, Use KIT5363	
	1	3297-J-1336	2	Main Shaft, SN: LB93021754 & Above, Use KIT5363	5363
13	1	1229-W-4339	2	Snap Ring, (Main Shaft Key)	5200, 5203, 5215, 5220, 5221, 5238, 5239, 5324, 5329, 5363, 5367, 5380, 5381, 5382, 5383, 5384

## Main Shaft Assembly



\*Main and Countershaft Gears should be replaced in sets only.

MSA0001

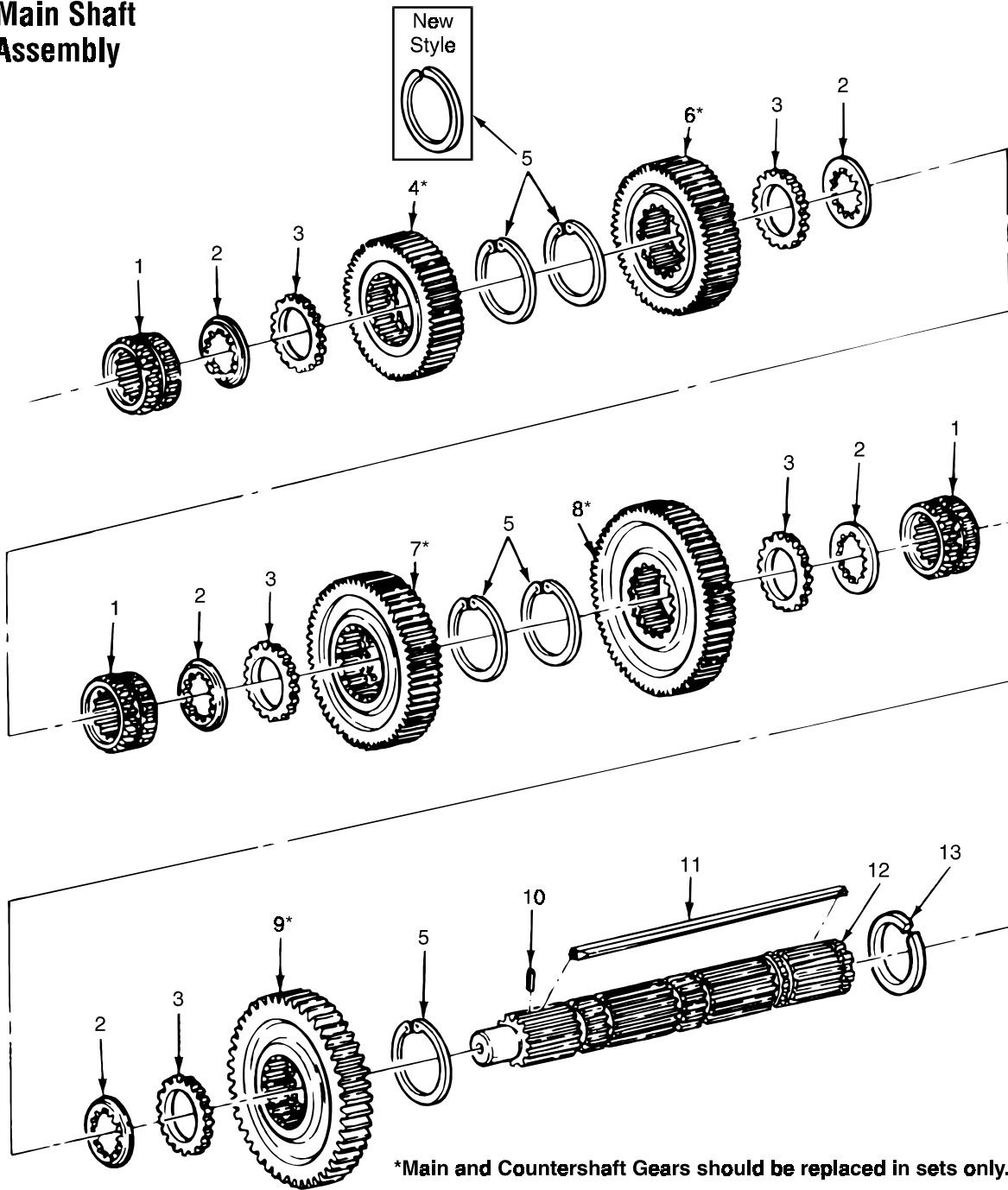


**Main Shaft Assembly — 10-Speed Overdrive “A” Ratio**

Item	Qty.	Part Number	Design Level	Description	Part of Kit
1	3	3107-G-1073	2	Clutch Collar	5200, 5203, 5238, 5359, 5360, 5361
2	AR	42X-1256	2	Thrust Wshr, (5.50 mm) SN: LB93021753 & Below	
	AR	42X-1255	2	Thrust Wshr, (5.60 mm) SN: LB93021753 & Below	
	AR	42X-1257	2	Thrust Wshr, (5.70 mm) SN: LB93021753 & Below	5363
	AR	42X-1412	2	Thrust Wshr, (6.90 mm) SN: LB93021754 & Above	5363
	AR	42X-1413	2	Thrust Wshr, (7.00 mm) SN: LB93021754 & Above	
	AR	42X-1414	2	Thrust Wshr, (7.10 mm) SN: LB93021754 & Above	5363
3	5	1244-M-2041	2	Spacer, (Main Shaft Gears)	5363
4	1	3892-W-5015	2	M/S Gear, Overdrive (50T)	
5	5	1229-X-4418	2	Snap Ring, (Main Shaft Gears) SN: LB93021753 & Below	
	5	1229-W-4625	2	Snap Ring, (Main Shaft Gears) SN: LB93021754 & Above	5363
6	1	3892-G-5025	2	M/S Gear, 3rd (60T)	
7	NLA	3892-M-5343	2	M/S Gear, 2nd (64T) (Replaced by 3892-M-5395)	
	1	3892-M-5395	2	M/S Gear, 2nd (64T) Requires 3892-N-5396 C/S Gear, 2nd	
8	NLA	3892-N-5344	2	M/S Gear, 1st (66T) (Replaced by 3892-F-5414)	
	1	3892-F-5414	2	M/S Gear, 1st (66T) Requires 3297-N-1366 Countershaft	
9	1	3892-L-5030	2	M/S Gear, Reverse (48T)	
10	1	43X-1158	2	Pin, (Roll)	
11	1	16X-1028	2	Key, (Mainshaft)	
12	1	3297-X-1116	2	Main Shaft, SN: LB93021753 & Below, Use KIT5363	
	1	3297-J-1336	2	Main Shaft, SN: LB93021754 & Above, Use KIT5363	5363
13	1	1229-W-4339	2	Snap Ring, (Mainshaft)	5200, 5203, 5215, 5220, 5221, 5238, 5239, 5324, 5329, 5363, 5367, 5380, 5381, 5382, 5383, 5384



## Main Shaft Assembly



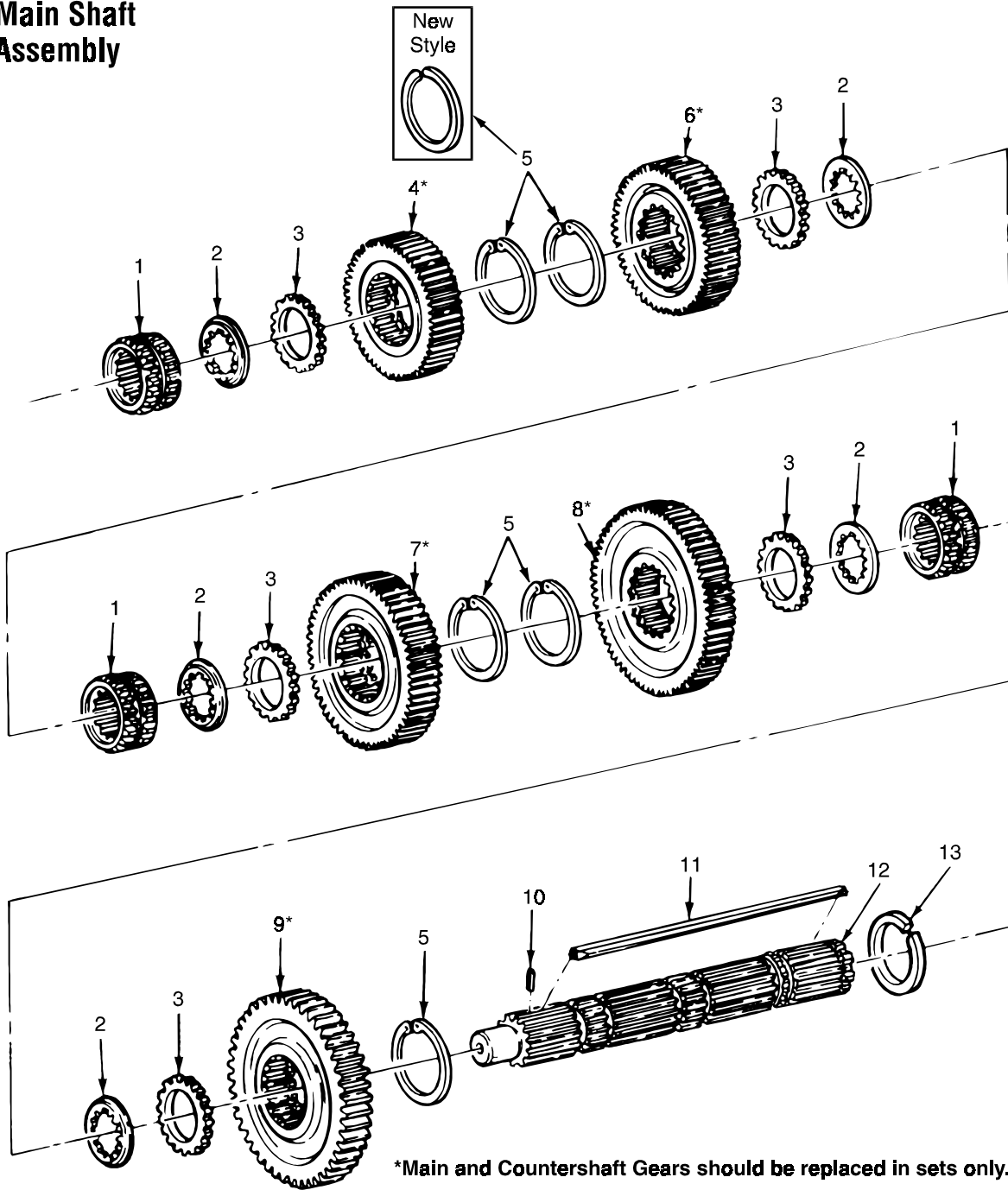
\*Main and Countershaft Gears should be replaced in sets only.

MSA0001

**Main Shaft Assembly — 10-Speed Overdrive “C” Ratio**

Item	Qty.	Part Number	Design Level	Description	Part of Kit
1	3	3107-G-1073	2	Clutch Collar	5200, 5203, 5238, 5359, 5360, 5361
2	AR	42X-1412	2	Thrust Wshr, (6.90 mm)	5363
	AR	42X-1413	2	Thrust Wshr, (7.00 mm)	
	AR	42X-1414	2	Thrust Wshr, (7.10 mm)	5363
3	5	1244-M-2041	2	Spacer, (Main Shaft Gears)	5363
4	1	3892-N-5474	2	M/S Gear, Overdrive (50T)	
5	5	1229-W-4625	2	Snap Ring, (Main Shaft Gears)	5363
6	1	3892-Q-5477	2	M/S Gear, 3rd (62T)	
7	1	3892-R-5478	2	M/S Gear, 2nd (70T)	
8	1	3892-F-5414	2	M/S Gear, 1st (66T)	
9	1	3892-L-5030	2	M/S Gear, Reverse (48T)	
10	1	43X-1158	2	Pin, (Roll)	
11	1	16X-1028	2	Key, (Mainshaft)	
12	1	3297-J-1336	2	Main Shaft	5363
13	1	1229-W-4339	2	Snap Ring, (Main Shaft Key)	5200, 5203, 5215, 5220, 5221, 5238, 5239, 5324, 5329, 5363, 5367, 5380, 5381, 5382, 5383, 5384

## Main Shaft Assembly



\*Main and Countershaft Gears should be replaced in sets only.

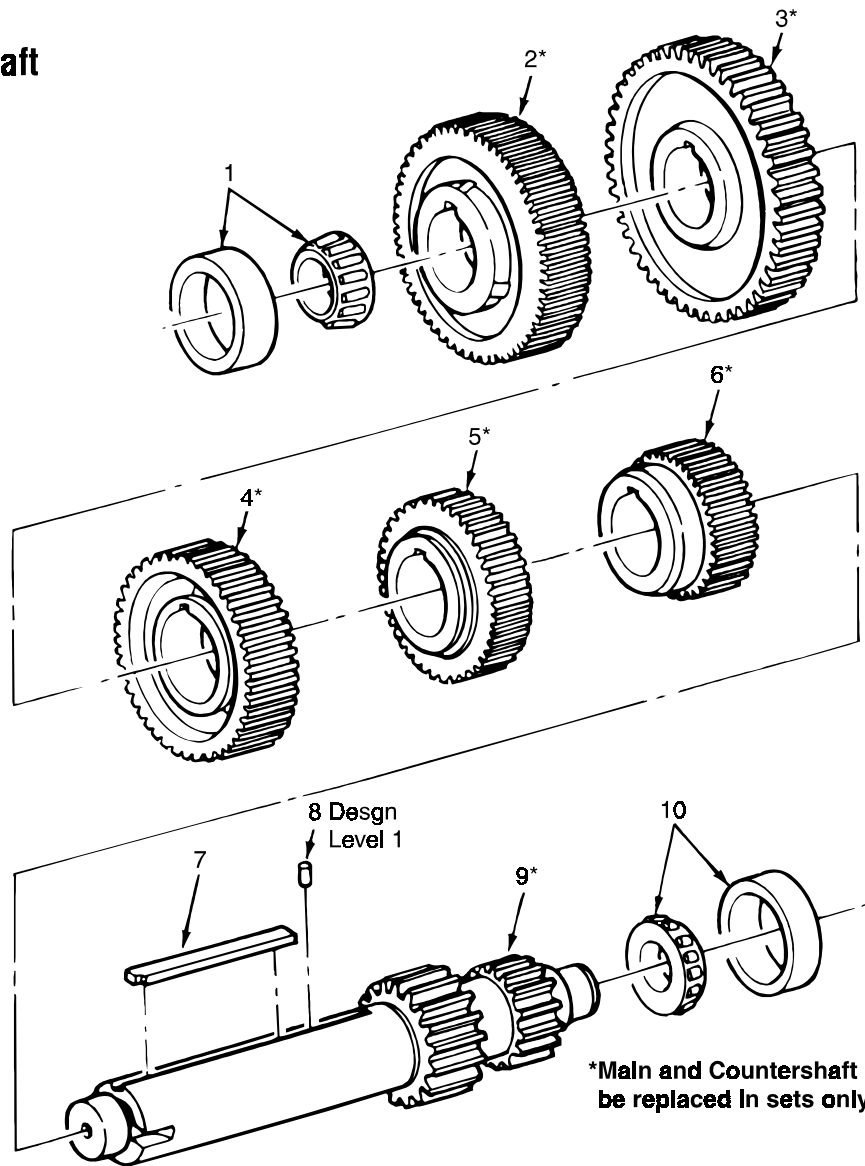
MSA0001



**Main Shaft Assembly — 13-Speed Overdrive**

Item	Qty.	Part Number	Design Level	Description	Part of Kit
1	3	3107-G-1073	1, 2	Clutch Collar	5200, 5203, 5238, 5359, 5360, 5361
2	AR	42X-1256	2	Thrust Wshr, (5.50 mm) SN: LB93021753 & Below	
	AR	42X-1412	2	Thrust Wshr, (6.90 mm) SN: LB93021754 & Above	5363
	AR	42X-1255	1, 2	Thrust Wshr, (5.60 mm) (Required in Reverse Gear) SN: LB93021753 & Below	
	AR	42X-1413	2	Thrust Wshr, (7.00 mm) (Required in Reverse Gear) SN: LB93021754 & Above	
	AR	42X-1257	1, 2	Thrust Wshr, (5.70 mm) SN: LB93021753 & Below	5363
	AR	42X-1414	2	Thrust Wshr, (7.10 mm) SN: LB93021654 & Above	5363
3	5	1244-M-2041	1, 2	Spacer, (Main Shaft Gears)	5363
4	1	3892-J-5028	1, 2	M/S Gear, 3rd (60T)	
5	5	1229-X-4418	1, 2	Snap Ring, (Main Shaft Gears) SN: LB93021753 & Below	
	5	1229-W-4625	2	Snap Ring, (Main Shaft Gears) SN: LB93021754 & Above	5363
6	1	3892-G-5025	1, 2	M/S Gear, 2nd (60T)	
7	1	3892-E-5023	1, 2	M/S Gear, 1st (64T)	
8	1	3892-C-5021	1, 2	M/S Gear, Low (46T)	
9	1	3892-L-5030	1, 2	M/S Gear, Reverse (48T)	
10	1	43X-1158	1, 2	Pin, (Roll)	
11	1	16X-1028	1, 2	Key, (Mainshaft)	
12	1	3297-X-1116	1, 2	Main Shaft, SN: LB93021753 & Below	
	1	3297-J-1336	2	Main Shaft, SN: LB93021754 & Above, Use KIT5363	5363
13	1	1229-W-4339	1, 2	Snap Ring, (Main Shaft Key)	5200, 5203, 5215, 5220, 5221, 5238, 5239, 5324, 5329, 5363, 5367, 5380, 5381, 5382, 5383, 5384

## Main Countershaft Assembly

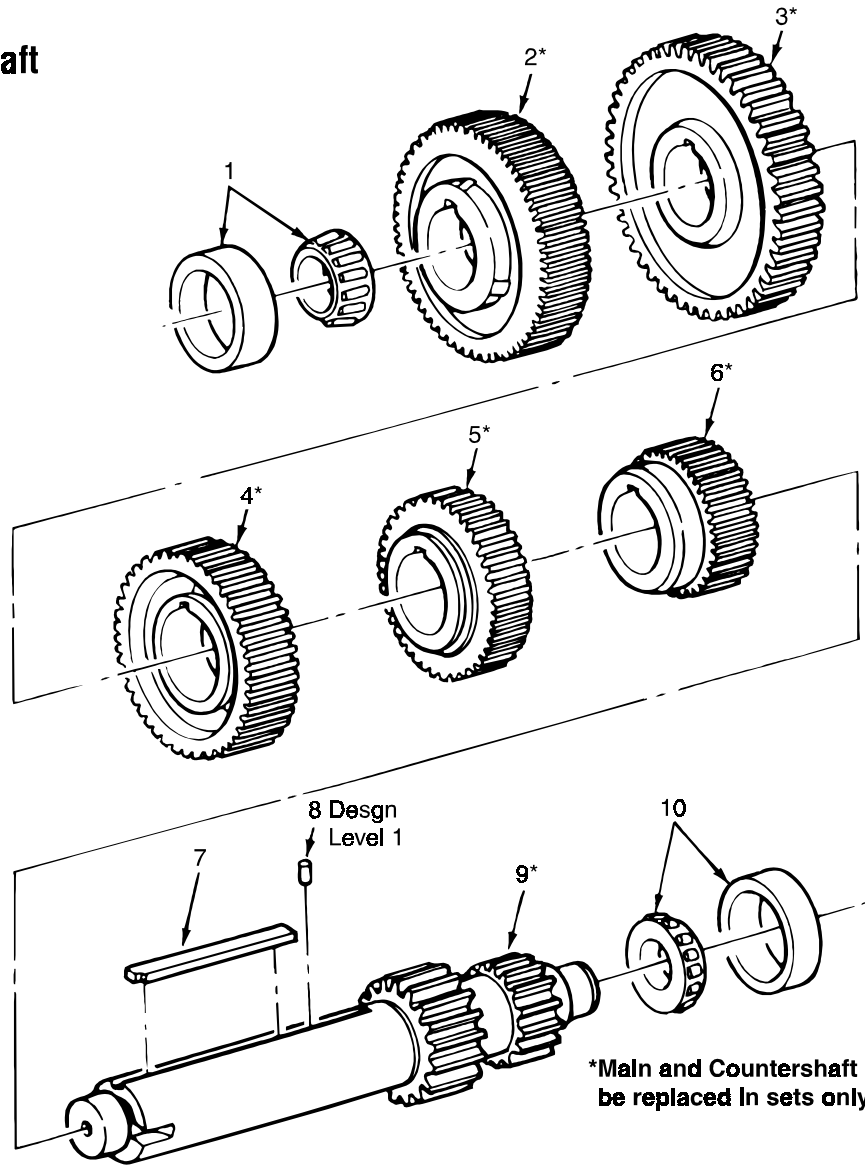


MCA0001

**Main Countershaft Assembly — 9-Speed Direct Drive**

Item	Qty.	Part Number	Design Level	Description	Part of Kit
1	2	A-1228-W-1349	1	Bearing Assy, Cup & Cone (Main Countershaft Front)	5380, 5381, 5382
	2	A-1228-T-1346	2	Bearing Assy, Cup & Cone (Main Countershaft Front)	5356, 5357, 5358, 5359, 5360, 5361, 5383, 5384
2	2	3892-Q-5035	1, 2	C/S Gear, Drive (66T)	
3	2	3892-U-5013	1, 2	C/S Gear, PTO (45T)	
4	2	3892-Y-5017	1, 2	C/S Gear, 3rd (59T)	
5	2	3892-S-5011	1, 2	C/S Gear, 2nd (43T)	
6	2	3892-A-5019	1, 2	C/S Gear, 1st (33T)	
7	2	16X-1027	1	Key, (Countershaft)	
	2	16X-1031	2	Key, (Countershaft)	
8	2	43X-1158	1	Pin, (Roll)	
9	2	3297-X-1090	1	Countershaft, (16/17T) Requires 43X-1158, Pin	
	2	3297-K-1259	2	Countershaft, (16/17T)	
10	2	A-1228-V-1348	1	Bearing Assy, Cup & Cone (Main Countershaft Rear)	5380, 5381, 5382
	2	A-1228-S-1345	2	Bearing Assy, Cup & Cone (Main Countershaft Rear)	5239, 5356, 5357, 5358, 5359, 5360, 5361, 5383, 5384

## Main Countershaft Assembly

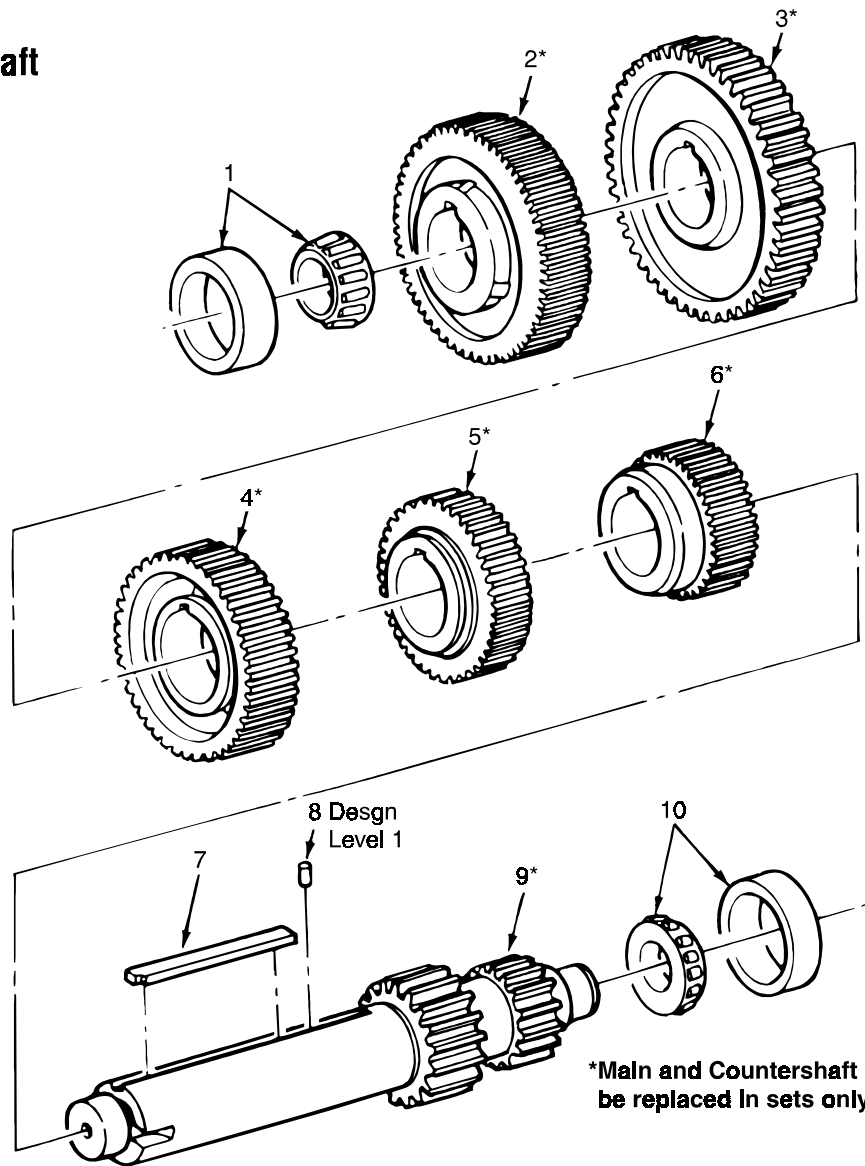


MCA0001

**Main Countershaft Assembly — 9-Speed Overdrive “A” Ratio**

<b>Item</b>	<b>Qty.</b>	<b>Part Number</b>	<b>Design Level</b>	<b>Description</b>	<b>Part of Kit</b>
1	2	A-1228-W-1349	1	Bearing Assy, Cup & Cone (Main Countershaft Front)	5380, 5381, 5382
	2	A-1228-T-1346	2	Bearing Assy, Cup & Cone (Main Countershaft Front)	5356, 5357, 5358, 5359, 5360, 5361, 5383, 5384
2	2	3892-K-5159	1, 2	C/S Gear, Drive (59T)	
3	2	3892-U-5013	1, 2	C/S Gear, PTO (45T)	
4	2	3892-H-5156	1, 2	C/S Gear, Overdrive (66T)	
5	2	3892-S-5011	1, 2	C/S Gear, 2nd (43T)	
6	2	3892-A-5019	1, 2	C/S Gear, 1st (33T)	
7	2	16X-1027	1	Key, (Countershaft)	
	2	16X-1031	2	Key, (Countershaft)	
8	2	43X-1158	1	Pin, (Roll)	
9	2	A-3297-X-1090	1	Countershaft, (16/17T) Requires 43X-1158, Pin	
	2	3297-K-1259	2	Countershaft, (16/17T)	
10	2	A-1228-V-1348	1	Bearing Assy, Cup & Cone (Main Countershaft Rear)	5380, 5381, 5382
	2	A-1228-S-1345	2	Bearing Assy, Cup & Cone (Main Countershaft Rear)	5239, 5356, 5357, 5358, 5359, 5360, 5361, 5383, 5384

## Main Countershaft Assembly

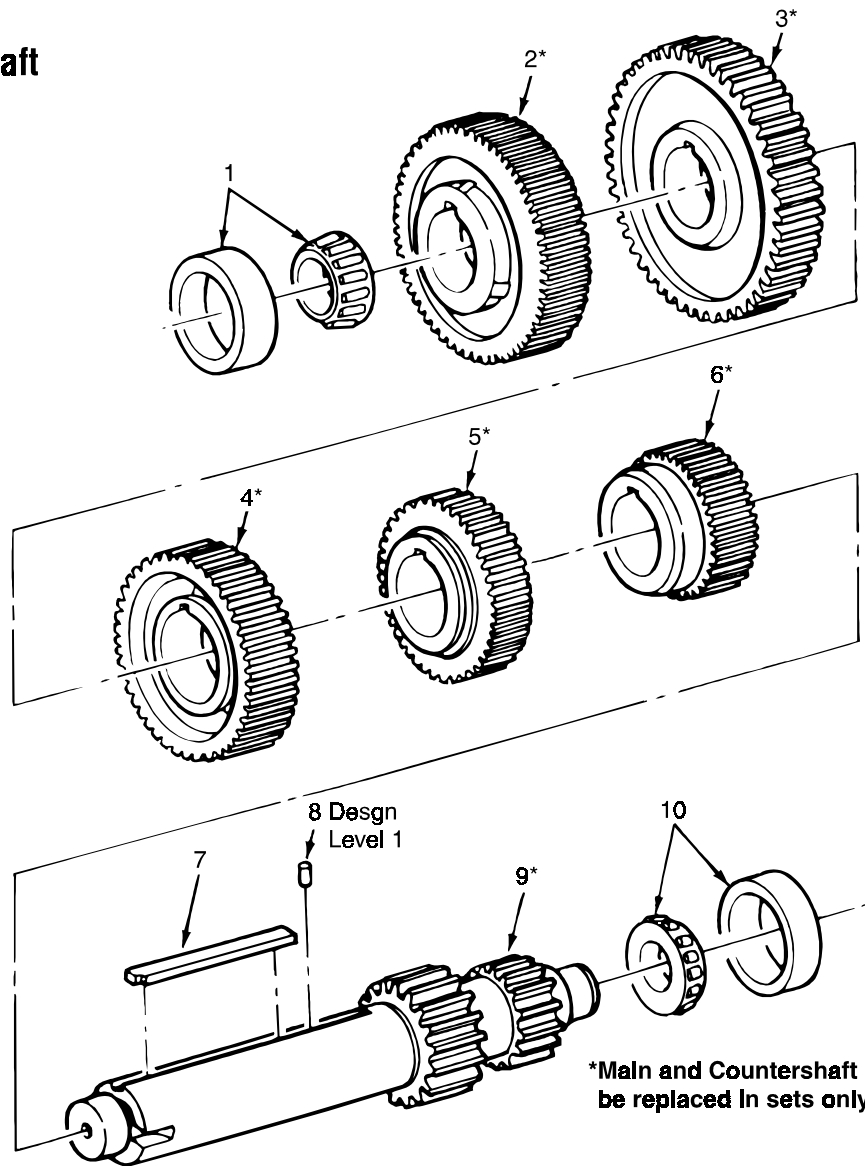


MCA0001

**Main Countershaft Assembly — 9-Speed Overdrive “B” Ratio**

Item	Qty.	Part Number	Design Level	Description	Part of Kit
1	2	A-1228-W-1349	1	Bearing Assy, Cup & Cone (Main Countershaft Front)	5380, 5381, 5382
	2	A-1228-T-1346	2	Bearing Assy, Cup & Cone (Main Countershaft Front)	5356, 5357, 5358, 5359, 5360, 5361, 5383, 5384
2	2	3892-M-5135	1, 2	C/S Gear, Drive (62T)	
3	2	3892-U-5013	1, 2	C/S Gear, PTO (45T)	
4	2	3892-T-5142	1, 2	C/S Gear, Overdrive (73T)	
5	2	3892-R-5140	1, 2	C/S Gear, 2nd (44T)	
6	2	3892-P-5138	1, 2	C/S Gear, 1st (36T)	
7	2	16X-1027	1	Key, (Countershaft)	
	2	16X-1031	2	Key, (Countershaft)	
8	2	43X-1158	1	Pin, (Roll)	
9	2	3297-X-1090	1	Countershaft, (16/17T) Requires 43X-1158, Pin	
	2	3297-K-1259	2	Countershaft, (16/17T)	
10	2	A-1228-V-1348	1	Bearing Assy, Cup & Cone (Main Countershaft Rear)	5380, 5381, 5382
	2	A-1228-S-1345	2	Bearing Assy, Cup & Cone (Main Countershaft Rear)	5239, 5356, 5357, 5358, 5359, 5360, 5361, 5383, 5384

## Main Countershaft Assembly



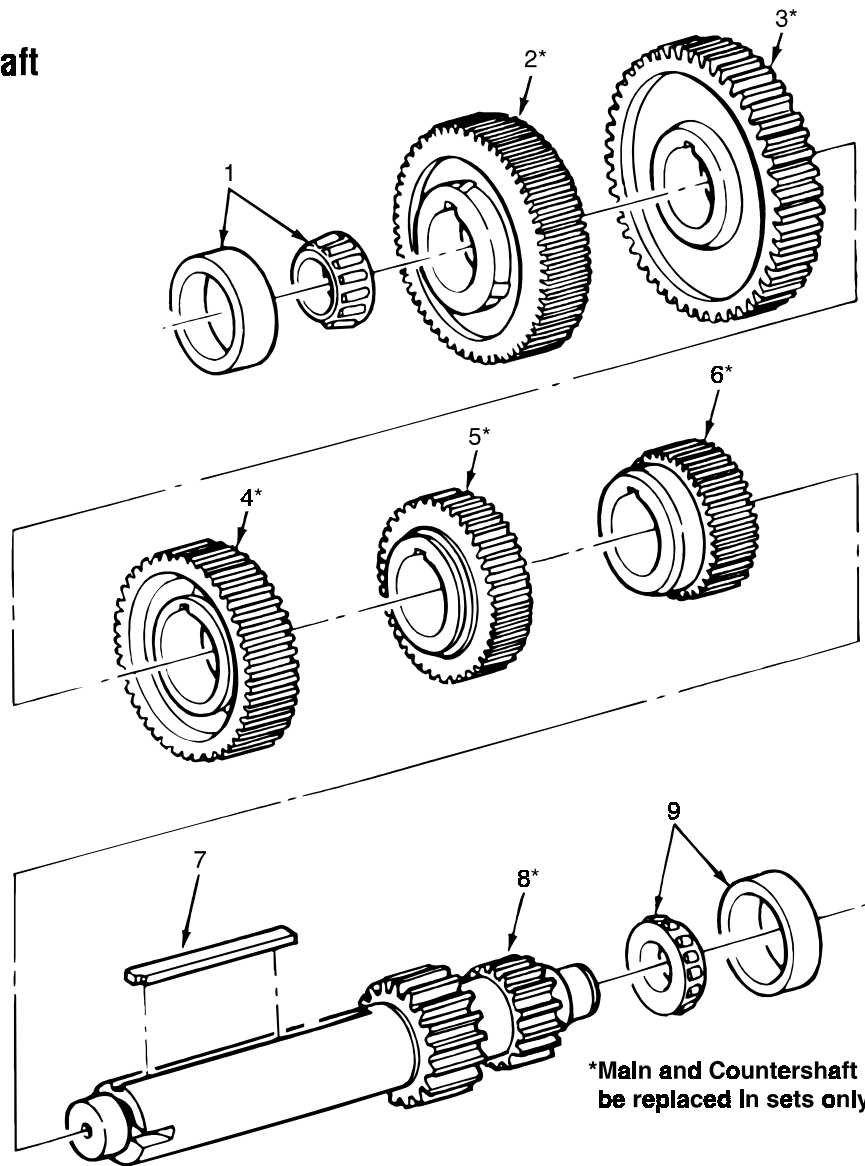
MCA0001



**Main Countershaft Assembly — 9-Speed Overdrive “R” Ratio**

<b>Item</b>	<b>Qty.</b>	<b>Part Number</b>	<b>Design Level</b>	<b>Description</b>	<b>Part of Kit</b>
1	2	A-1228-W-1349	1	Bearing Assy, Cup & Cone (Main Countershaft Front)	5380, 5381, 5382
	2	A-1228-T-1346	2	Bearing Assy, Cup & Cone (Main Countershaft Front)	5356, 5357, 5358, 5359, 5360, 5361, 5383, 5384
2	2	3892-K-5159	1, 2	C/S Gear, Drive (59T)	
3	2	3892-U-5013	1, 2	C/S Gear, PTO (45T)	
4	2	3892-V-5248	1, 2	C/S Gear, Overdrive (59T)	
5	2	3892-T-5246	1, 2	C/S Gear, 3rd (36T)	
6	2	3892-R-5244	1, 2	C/S Gear, 2nd (34T)	
7	2	16X-1027	1	Key, (Countershaft)	
	2	16X-1031	2	Key, (Countershaft)	
8	2	43X-1158	1	Pin, (Roll)	
9	2	3297-X-1090	1	Countershaft, (16/17T) Requires 43X-1158, Pin	
	2	3297-K-1259	2	Countershaft, (16/17T)	
10	2	A-1228-V-1348	1	Bearing Assy, Cup & Cone (Main Countershaft Rear)	5380, 5381, 5382
	2	A-1228-S-1345	2	Bearing Assy, Cup & Cone (Main Countershaft Rear)	5239, 5356, 5357, 5358, 5359, 5360, 5361, 5383, 5384

## Main Countershaft Assembly



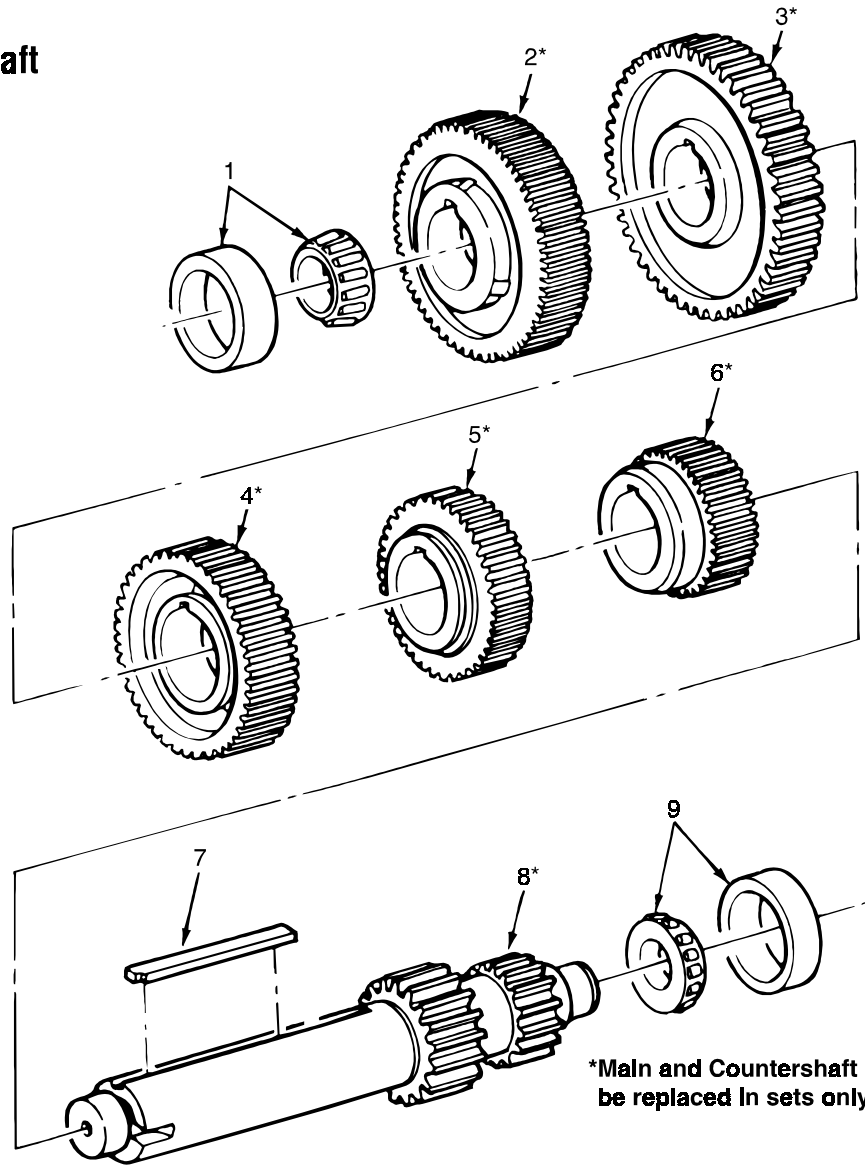
\*Main and Countershaft Gears should be replaced in sets only.

MCA0002

**Main Countershaft Assembly — 10-Speed Direct Drive**

<b>Item</b>	<b>Qty.</b>	<b>Part Number</b>	<b>Design Level</b>	<b>Description</b>	<b>Part of Kit</b>
1	2	A-1228-T-1346	2	Bearing Assy, Cup & Cone (Main Countershaft Front)	5356, 5357, 5358, 5359, 5360, 5361, 5383, 5384
2	2	3892-Q-5035	2	C/S Gear, Drive (62T)	
3	2	3892-U-5013	2	C/S Gear, PTO (45T)	
4	2	3892-Y-5017	2	C/S Gear, (59T)	
5	2	3892-S-5011	2	C/S Gear, 3rd (43T)	
6	2	3892-N-5396	2	C/S Gear, 2nd (34T)	
7	2	16X-1031	2	Key, (Countershaft)	
8	2	3297-N-1366	2	Countershaft, (17/26T) Requires 3892-F-5414 M/S Gear, 1st	5363
9	2	A-1228-S-1345	2	Bearing Assy, Cup & Cone (Main Countershaft Rear)	5239, 5356, 5357, 5358, 5359, 5360, 5361, 5383, 5384

## Main Countershaft Assembly



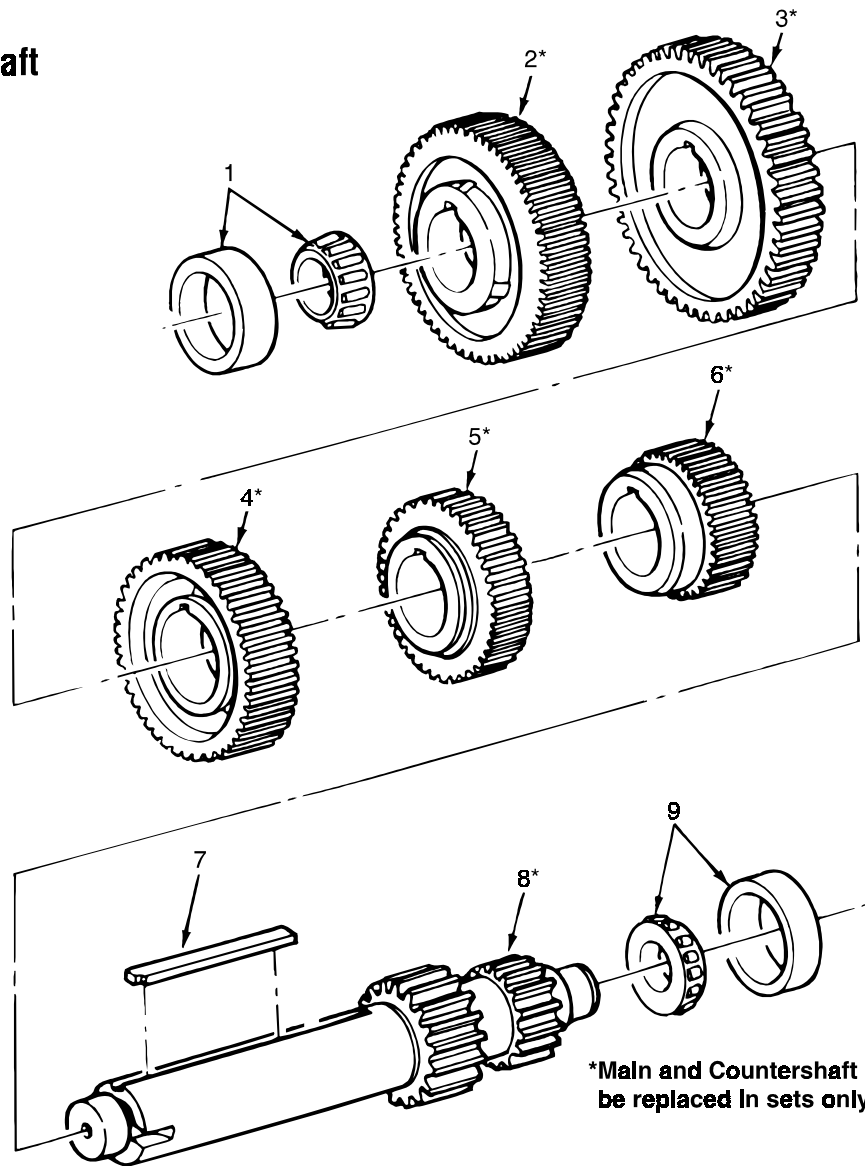
\*Main and Countershaft Gears should be replaced in sets only.

MCA0002

**Main Countershaft Assembly — 10-Speed Overdrive “A” Ratio**

Item	Qty.	Part Number	Design Level	Description	Part of Kit
1	2	A-1228-T-1346	2	Bearing Assy, Cup & Cone (Main Countershaft Front)	5356, 5357, 5358, 5359, 5360, 5361, 5383, 5384
2	2	3892-K-5159	2	C/S Gear, Drive (59T)	
3	2	3892-U-5013	2	C/S Gear, PTO (45T)	
4	2	3892-H-5156	2	C/S Gear, Overdrive (66T)	
5	2	3892-S-5011	2	C/S Gear, 3rd (43T)	
6	NLA	3892-L-5342	2	C/S Gear, 2nd (34T) (Replaced by 3892-N-5396)	
	2	3892-N-5396	2	C/S Gear, 2nd (34T) Requires 3892-M-5395 M/S Gear, 2nd	
7	2	16X-1031	2	Key, (Countershaft)	
8	NLA	3297-H-1282	2	Countershaft, (26/18T) (Replaced by 3297-N-1366)	
	NLA	3297-V-1348	2	Countershaft, (26/18T) (Replaced by 3297-N-1366)	
	NLA	3297-H-1334	2	Countershaft, (26/18T) (Replaced by 3297-N-1366)	
	2	3297-N-1366	2	Countershaft, (26/18T) Requires 3892-L-5394 M/S Gear, 1st	5363
9	2	A-1228-S-1345	2	Bearing Assy, Cup & Cone (Main Countershaft Rear)	5239, 5356, 5357, 5358, 5359, 5360, 5361, 5383, 5384

## Main Countershaft Assembly



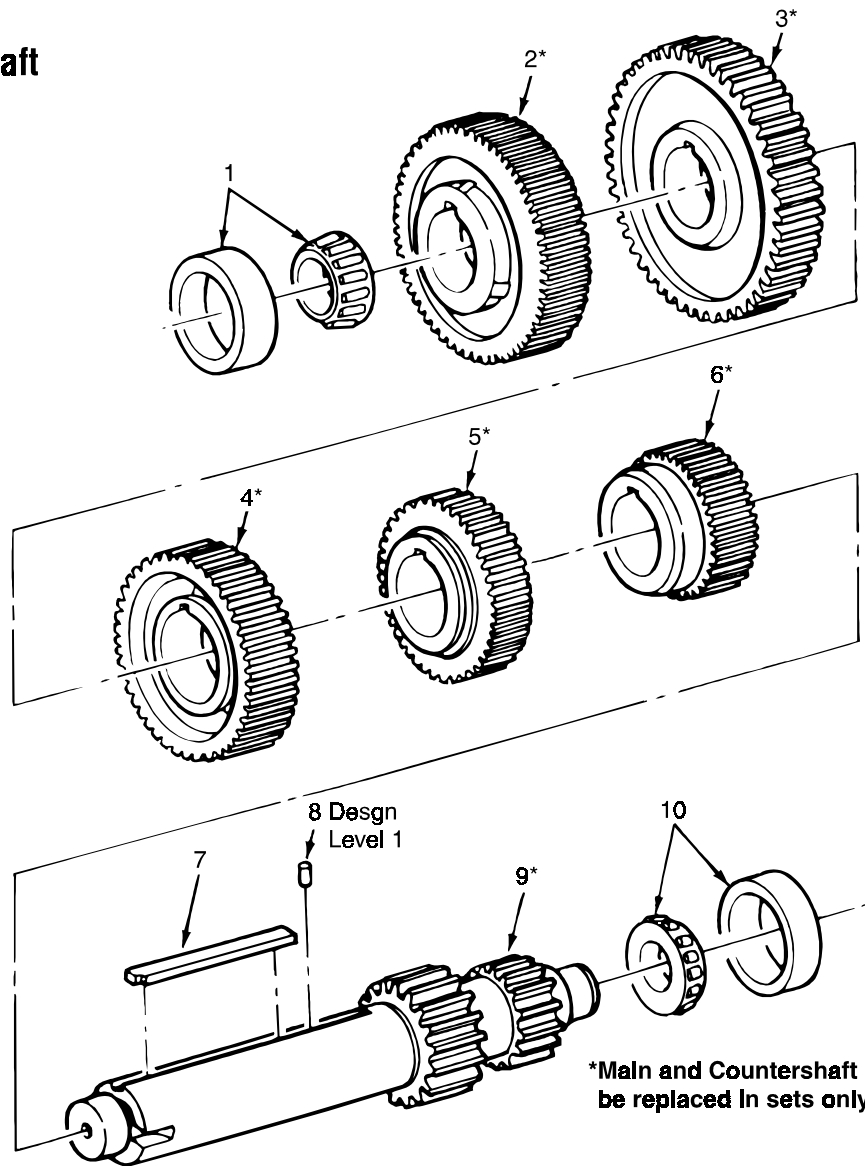
\*Main and Countershaft Gears should be replaced in sets only.

MCA0002

**Main Countershaft Assembly — 10-Speed Overdrive “C” Ratio**

<b>Item</b>	<b>Qty.</b>	<b>Part Number</b>	<b>Design Level</b>	<b>Description</b>	<b>Part of Kit</b>
1	2	A-1228-T-1346	2	Bearing Assy, Cup & Cone (Main Countershaft Front)	5356, 5357, 5358, 5359, 5360, 5361, 5383, 5384
2	2	3892-S-5479	2	C/S Gear, Drive (59T)	
3	2	3892-U-5013	2	C/S Gear, PTO (45T)	
4	2	3892-V-5482	2	C/S Gear, Overdrive (66T)	
5	2	3892-T-5480	2	C/S Gear, 3rd (43T)	
6	2	3892-U-5481	2	C/S Gear, 2nd (34T)	
7	2	16X-1031	2	Key, (Countershaft)	
8	2	3297-N-1366	2	Countershaft, (26/18T) Requires 3892-F-5414 M/S Gear, 1st	5363
9	2	A-1228-S-1345	2	Bearing Assy, Cup & Cone (Main Countershaft Rear)	5239, 5356, 5357, 5358, 5359, 5360, 5361, 5383, 5384

## Main Countershaft Assembly



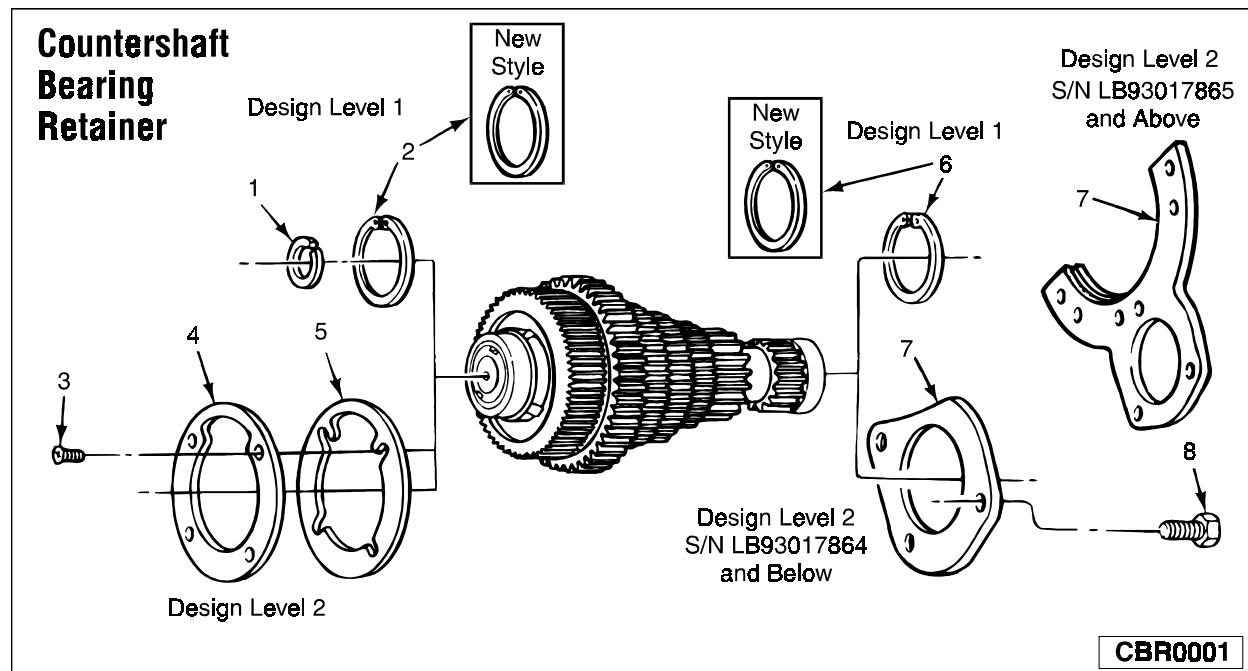
\*Main and Countershaft Gears should be replaced in sets only.

MCA0001



**Main Countershaft Assembly — 13-Speed Overdrive**

Item	Qty.	Part Number	Design Level	Description	Part of Kit
1	2	A-1228-W-1349	1	Bearing Assy, Cup & Cone (Main Countershaft Front)	5380, 5381, 5382
	2	A-1228-T-1346	2	Bearing Assy, Cup & Cone (Main Countershaft Front)	5356, 5357, 5358, 5359, 5360, 5361, 5383, 5384
2	2	3892-Q-5035	1, 2	C/S Gear, Drive (66T)	
3	2	3892-U-5013	1, 2	C/S Gear, PTO (45T)	
4	2	3892-Y-5017	1, 2	C/S Gear, 3rd (59T)	
5	2	3892-S-5011	1, 2	C/S Gear, 2nd (43T)	
6	2	3892-A-5019	1, 2	C/S Gear, 1st (33T)	
7	2	16X-1027	1	Key, (Countershaft)	
	2	16X-1031	2	Key, (Countershaft)	
8	2	43X-1158	1	Pin, (Roll)	
9	2	3297-X-1090	1	Countershaft, (16/17T) Requires 43X-1158, Pin	
	2	3297-K-1259	2	Countershaft, (16/17T)	
10	2	A-1228-V-1348	1	Bearing Assy, Cup & Cone (Main Countershaft Rear)	5380, 5381, 5382
	2	A-1228-S-1345	2	Bearing Assy, Cup & Cone (Main Countershaft Rear)	5239, 5356, 5357, 5358, 5359, 5360, 5361, 5383, 5384

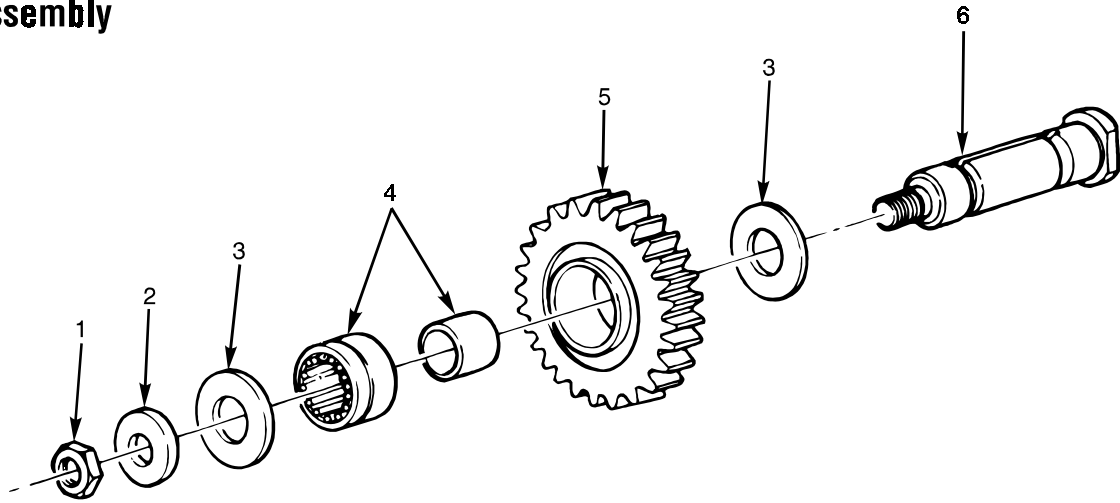


## Countershaft Bearing Retainer

Item	Qty.	Part Number	Design Level	Description	Part of Kit
1	NLA	1229-C-1121	1	Snap Ring, Not Required	
2	AR	KIT5325	1	Service Kit, Snap Ring Kit, Main Countershaft	5322, 5381, 5382
3	8	10X-1537	2	Special Screw	
4	2	3105-E-1175	2	Retainer, Countershaft Front Bearing	
5	AR	KIT5364	2	Service Kit, Shim Kit, Main Countershaft Front Bearing	5332, 5383, 5384
6	NLA	1229-E-4243	1	Snap Ring, Replaced by 1229-B-4656	
	2	1229-B-4656	1	Snap Ring, (Main Countershaft Rear)	5200, 5203, 5220, 5221, 5238, 5239, 5324
7	2	3105-B-1172	2	Retainer, Countershaft Rear Bearing S/N LB93017864 & Below, Uses 6 S-268-1 Bolts	
	2	3105-Y-1195	2	Retainer, Countershaft Rear Bearing S/N LB93017865 & Above, Uses 10 S-268-1 Bolts	
8	NLA	S-268-1	2	Bolt/Capscrew, Replaced by S-268-2	
	6	S-268-2	2	Bolt/Capscrew, (3/8"-16 UNC-2b 1" LNG) Note: Use 10 for 3105-Y-1195, use 6 for 3105-B-1172.	



**Reverse  
Idler  
Assembly**

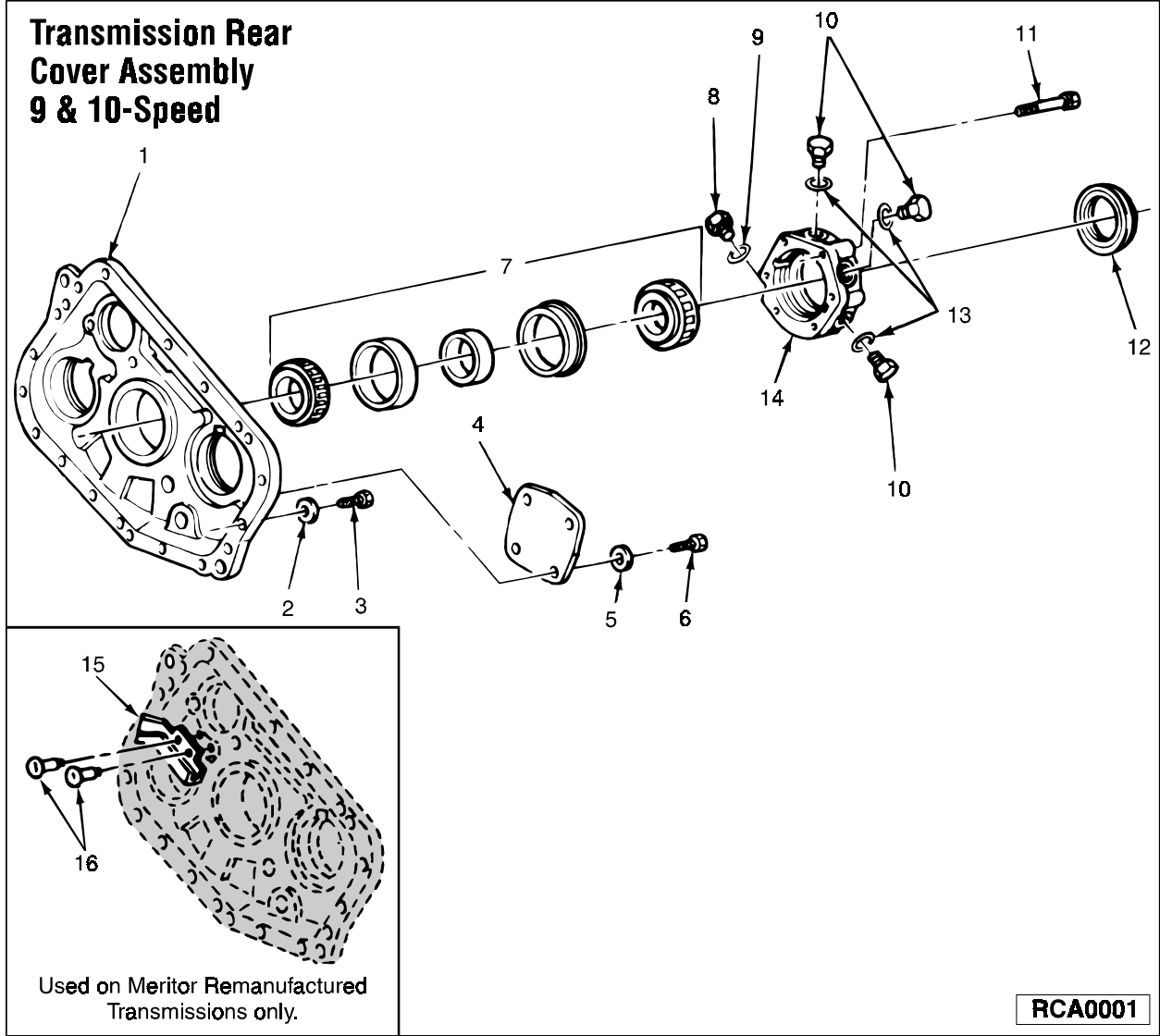


**RIA0001**

**Reverse Idler Assembly**

Item	Qty.	Part Number	Design Level	Description	Part of Kit
1	2	NL-110-1	1, 2	Lock Nut, (Reverse Idler Shaft)	
2	2	1229-N-1626	1, 2	Flat Wshr	
3	4	42X-1258	1, 2	Thrust Wshr	
4	2	A-1228-E-1175	1, 2	Bearing Assy, (Includes: 1228-E-1175, Needle Bearing & 2297-S-5765, Inner Bearing Race)	5380, 5381, 5382, 5383, 5384
5	2	3892-N-5032	1, 2	Idler Gear, Reverse (28T)	
6	2	3198-D-1070	1, 2	Idler Shaft, (Rev)	

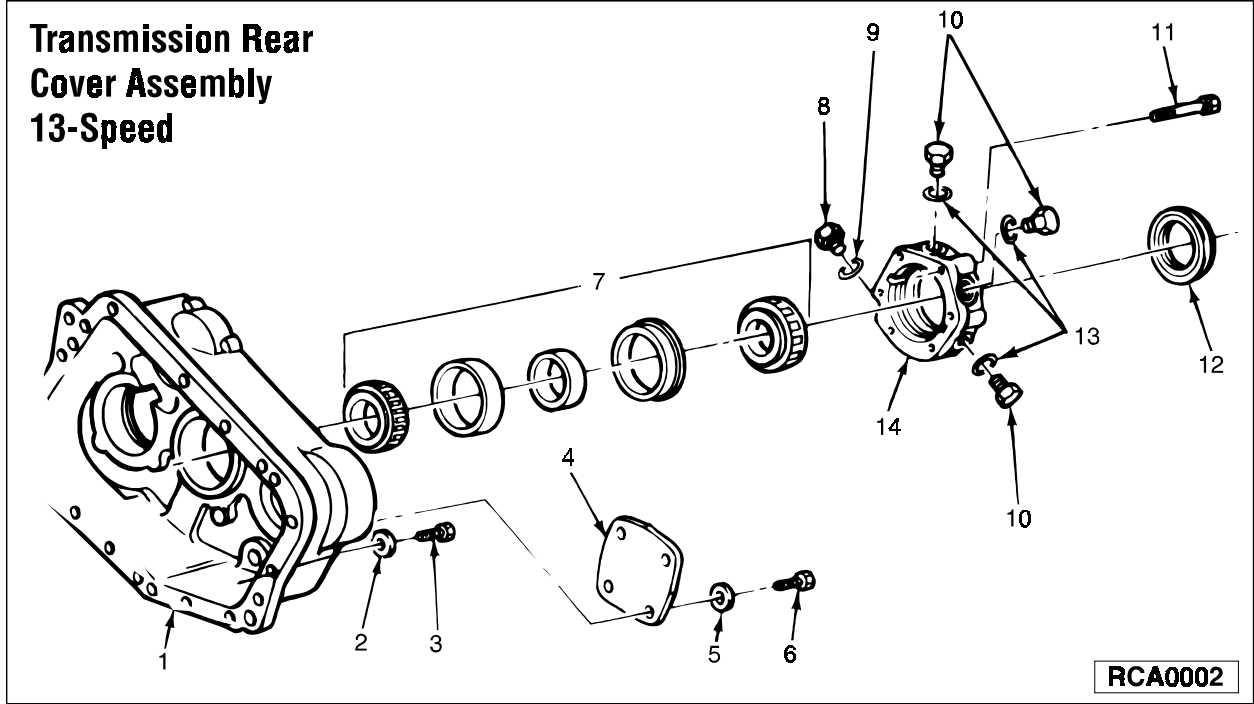
# Auxiliary Case Assembly



## Transmission Rear Cover Assembly 9 & 10-Speed

Item	Qty.	Part Number	Design Level	Description	Part of Kit
1	1	3293-B-1016	1	Cover, Rear 9, 115, 125 Only	
	1	3293-Z-1014	1	Cover, Rear 135, 145 Only	
	NLA	3293-W-1037	2	Cover, Rear 9 & 10 115, 125 (Replaced by 3293-Z-1066)	
	1	3293-Z-1066	2	Cover, Rear 9 & 10 115, 125 (C-Ratio 10-Speed uses 3293-A-1067 for all models)	
	NLA	3293-X-1038	2	Cover, Rear 9 & 10 135, 145, 155, 165 (SN: LB93021753 & Below) (Replaced by 3293-A-1067)	
	1	3293-A-1067	2	Cover, Rear 9 & 10 135, 145, 155, 165 (SN: LB93021754 & Above) All models C-Ratio 10-Speed	
2	18	1229-B-1666	1, 2	Flat Wshr	5299, 5300, 5368, 5369, 5386
3	NLA	S-2612-A-1	1, 2	Bolt/Capscrew, Replaced by S-2612-A-2	
	18	S-2612-A-2	1, 2	Bolt/Capscrew, 3/8"-16UNC-2A x 1-1/2"	
4	NLA	3266-G-1151	1	Cover, Replaced by 3266-D-1278	
	2	3266-D-1278	2	Cover, Bearing Aux., Countershaft Rear 9 & 10	
5	8	1229-B-1666	1, 2	Flat Wshr, (Bearing Cover)	5299, 5300, 5368, 5369, 5386
6	NLA	S-268-1	1, 2	Bolt/Capscrew, Replaced by S-268-2	
	8	S-268-2	1, 2	Bolt/Capscrew, (Aux. Countershaft Bearing Cover)	
7	1	A-1228-K-1207	1	Bearing Assy, Output 9, 115, 125 Only	5200, 5220, 5380
	1	A-1228-M-1209	1	Bearing Assy, Output 135, 145 Only	5203, 5221, 5238, 5239, 5381, 5382
	1	A-1228-G-1307	2	Bearing Assy, Output 9 & 10 115, 125	5356, 5359, 5384
	1	A-1228-H-1308	2	Bearing Assy, Output 9 & 10 135, 145, 155	5357, 5358, 5360, 5361, 5383
8	1	A-1850-R-18	1, 2	Plug Assy, (Mechanical Speedometer)	
9	1	5X-1092	1, 2	O-Ring	
10	3	A-1250-H-1126	1, 2	Plug Assy, (Elec Speedo) w/O-Ring	
11	NLA	S-2624-A-1	1, 2	Bolt/Capscrew, Replaced by S-2624-A-2	
	6	S-2624-A-2	1, 2	Bolt/Capscrew, 3/8"-16 UNC-2A x 2-3/4" (Rear Retainer)	
12	NLA	A-1205-M-2223	1	Oil Seal Assy, (Replaced by A1-1205-W-2467, Order KIT5365)	
	NLA	A-1205-W-2311	1, 2	Oil Seal Assy, (Replaced by A1-1205-W-2467, Order KIT5365)	5200, 5203, 5220, 5221, 5238, 5239
	1	A1-1205-W-2467	1, 2	Oil Seal Assy, Order KIT5365	5365
13	3	1205-T-1268	1, 2	O-Ring, (Elect Speedo)	5356, 5357, 5358, 5359, 5360, 5361
14	NLA	3105-D-1096	1	Retainer, (Replaced by 3105-T-1190)	
	NLA	3105-K-1181	1	Retainer, (Replaced by 3105-T-1190)	
	1	3105-T-1190	1	Retainer, Output Bearing 115, 125	
	NLA	3105-L-1182	1	Retainer, (Replaced by 3105-Q-1135)	
	1	3105-Q-1135	1	Retainer, Output Bearing 135, 145	
	1	3105-U-1191	2	Retainer, Output Bearing 115, 125, 135, 145, 155, 165	
15	1	3221-X-1012	1	Oil Trough	
16	2	19X-1126	1	Pin	

# Auxiliary Case Assembly



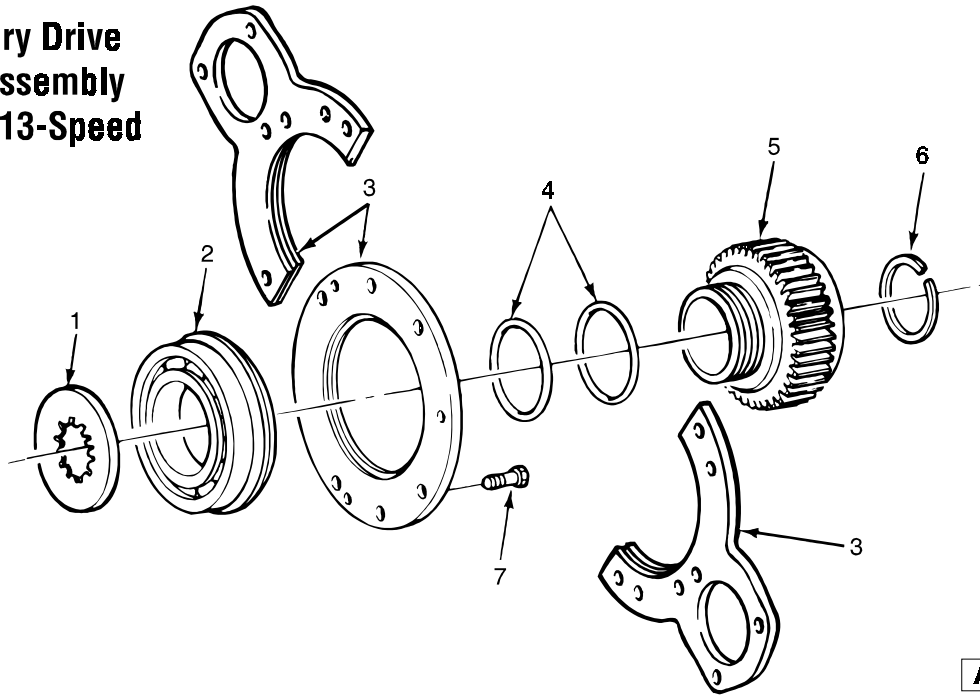
## Transmission Rear Cover Assembly 13-Speed

Item	Qty.	Part Number	Design Level	Description	Part of Kit
1	1	3293-D-1018	1	Cover, Rear	
	NLA	3293-V-1036	2	Cover, Rear (Replaced by 3293-B-1068)	
	1	3293-B-1068	2	Cover, Rear	
2	18	1229-B-1666	1, 2	Flat Wshr	5299, 5300, 5368, 5369, 5386
3	NLA	S-2612-A-1	1, 2	Bolt/Capscrew, Replaced by S-2612-A-2	
	18	S-2612-A-2	1, 2	Bolt/Capscrew, 3/8"-16 UNC-2A x 1-1/2"	
4	NLA	3266-G-1151	1	Cover, Replaced by 3266-D-1278	
	2	3266-D-1278	2	Cover, Bearing Aux., Countershaft Rear	
5	8	1229-B-1666	1, 2	Flat Wshr, (Bearing Cover)	5299, 5300, 5368, 5369, 5386
6	NLA	S-268-A-1	1, 2	Bolt/Capscrew, Replaced by S-268-A-2	
	8	S-268-A-2	1, 2	Bolt/Capscrew, (Aux. Countershaft Bearing Cover)	
7	1	A-1228-M-1209	1	Bearing Assy, (Output)	5203, 5221, 5238, 5239, 5381, 5382
	1	A-1228-H-1308	2	Bearing Assy, (Output)	5357, 5358, 5360, 5361, 5383
8	1	A-1850-R-18	1, 2	Plug Assy, (Mech Speedo)	
9	1	5X-1092	1, 2	O-Ring	
10	3	A-1250-H-1126	1, 2	Plug Assy, (Elect Speedo) w/O-Ring	
11	NLA	S-2624-A-1	1, 2	Bolt/Capscrew, Replaced by S-2624-A-2	
	6	S-2624-A-2	1, 2	Bolt/Capscrew, 3/8"-16 UNC-2A x 2-3/4" (Rear Retainer)	
12	NLA	A-1205-M-2223	1	Oil Seal Assy, (Replaced by A1-1205-W-2467, Order KIT5365)	
	NLA	A-1205-W-2311	1, 2	Oil Seal Assy, (Replaced by A1-1205-W-2467, Order KIT5365)	5200, 5203, 5220, 5221, 5238, 5239
	1	A1-1205-W-2467	1, 2	Oil Seal Assy, Order KIT5365	5365
13	3	1205-T-1268	1, 2	O-Ring, (Elect Speedo)	5356, 5357, 5358, 5359, 5360, 5361
14	1	3105-Q-1135	1	Retainer, Output Bearing NOTE: If electronic speedometer pickup is nonadjustable it may not work on current production retainer. See OEM dealer for correct speedometer pickup. If mechanical speedometer is used, the retainer requires 1225-Z-1170 bushing.	
	1	3105-U-1191	2	Retainer, Output Bearing	



# Auxiliary Case Assembly

## Auxiliary Drive Gear Assembly 9-/10-/13-Speed



ADG0001

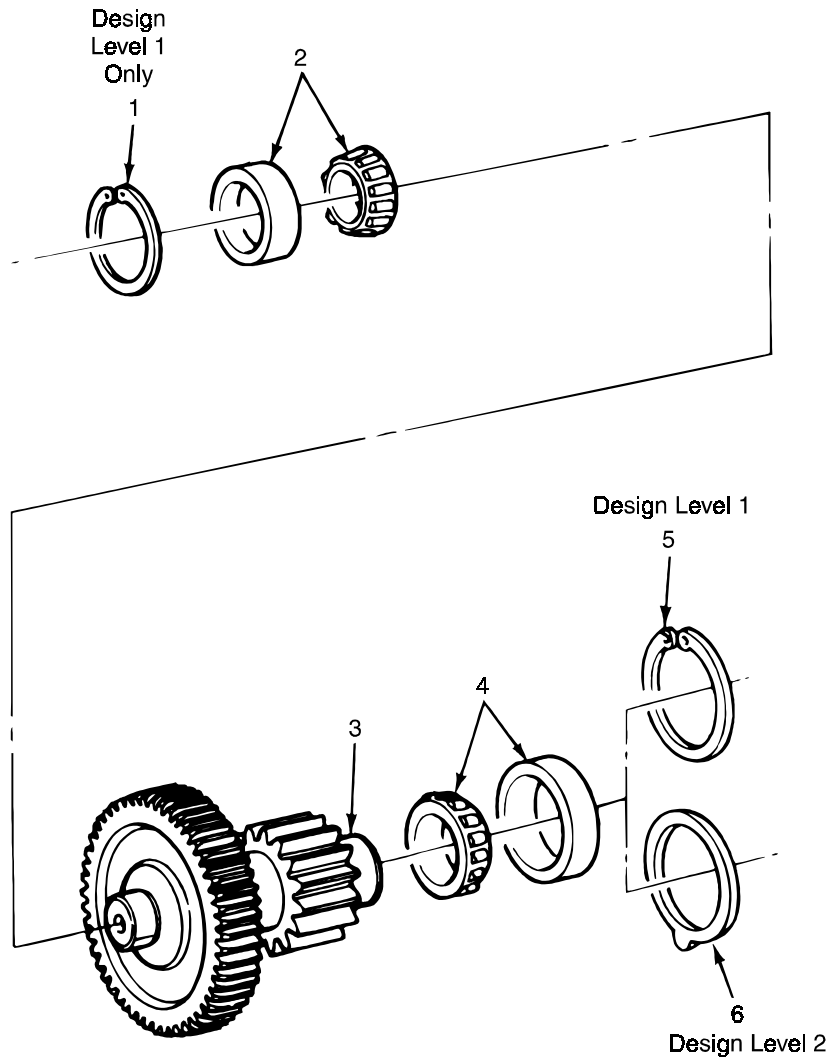




**Auxiliary Drive Gear Assembly 9-/10-/13-Speed**

Item	Qty.	Part Number	Design Level	Description	Part of Kit
1	1	42X-1250	1, 2	Thrust Wshr	
2	1	A-1228-H-1204	1, 2	Bearing Assy, (Ball)	5200, 5203, 5220, 5221, 5238, 5239, 5356, 5357, 5358, 5359, 5360, 5361, 5380, 5381, 5382, 5383, 5384
3	1	3105-Z-1092	1, 2	Retainer, Rear Main Bearing S/N LB93017864 & Below. Uses 6 S-268-1 Bolts.	
	2	3105-Y-1195	2	Retainer, Rear Main Bearing S/N LB93017865 & Above. Uses 10 S-268-1 Bolts.	
4	2	5X-1069	1, 2	O-Ring	
5	NLA	3892-P-5190	1	Aux Gear, Drive (38T) Replaced by 3892-K-5315	
	NLA	3892-R-5296	1	Aux Gear, Drive (38T) Replaced by 3892-K-5315	
	1	3892-K-5315	1, 2	Aux Gear, Drive (38T) 115, 125, 9 & 10 "A" Ratio Only, Use 3892-W-5483 for "C" Ratio.	5295, 5296, 5347, 5348, 5351
	NLA	3892-X-5094	1	Aux Gear, Drive (38T) Replaced by 3892-L-5316	
	NLA	3892-Q-5295	1	Aux Gear, Drive (38T) Replaced by 3892-L-5316	
	1	3892-L-5316	1, 2	Aux Gear, Drive (38T) 135, 145, 155, 9 & 10 "A" Ratio Only, use 3892-W-5483 for "C" Ratio.	5297, 5298, 5349, 5350, 5352, 5353, 5354, 5355
	1	3892-W-5483	2	Aux Gear, Drive (42T) 10, 115, 125, 135, 145, 155, 165, "C" Ratio Only.	
	NLA	3892-P-5294	1	Aux Gear, Replaced by 3892-M-5317	
	1	3892-M-5317	1, 2	Aux Gear, Drive (44T) 13 O/D	5301, 5346
6	1	1229-W-4339	1, 2	Snap Ring	5200, 5203, 5215, 5220, 5221, 5238, 5239, 5324, 5329, 5363, 5367, 5380, 5381, 5382, 5383, 5384
7	NLA	S-268-1	1, 2	Bolt/Capscrew, Replaced by S-268-2	
	6	S-268-2	1, 2	Bolt/Capscrew, 3/8"-16UNC-2 Note: Use 10 for 3105-Y-1195, use 6 for 3105-Z-1092.	

## Auxiliary Countershaft Assembly — 9-Speed

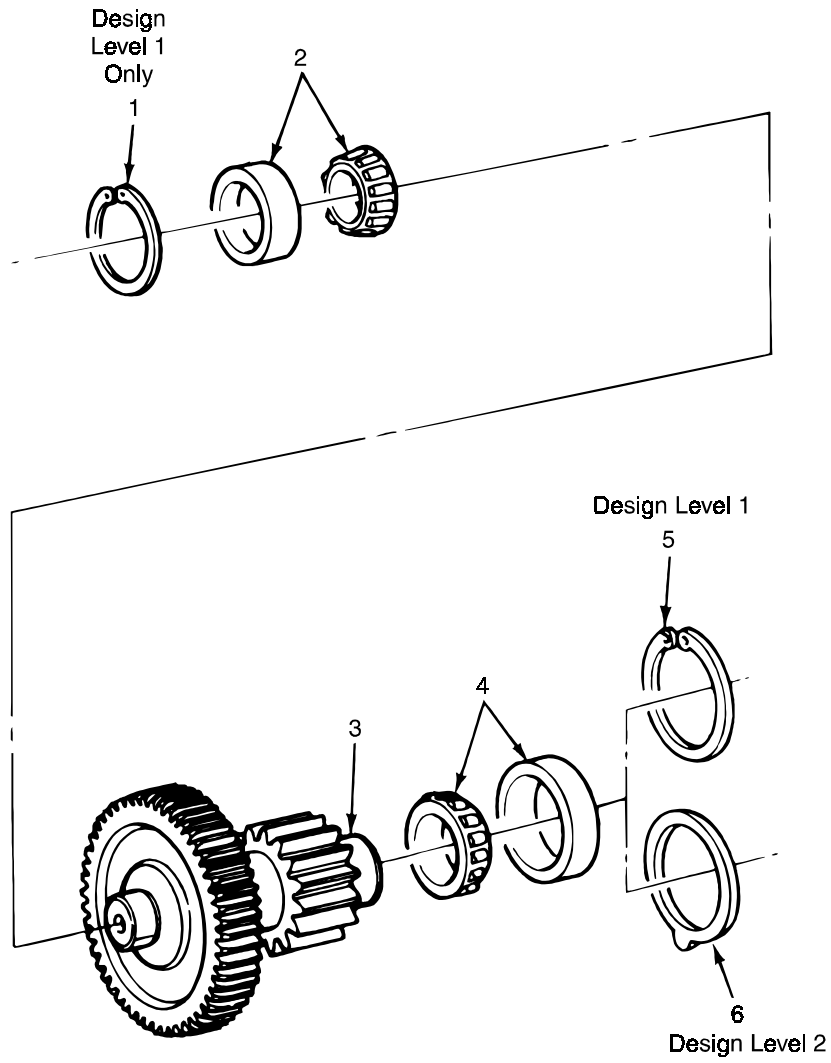


ACA0001

## Auxiliary Countershaft Assembly — 9-Speed Direct Drive & Overdrive “A” Ratio

Item	Qty.	Part Number	Design Level	Description	Part of Kit
1	NLA	1229-H-4168	1	Snap Ring, Replaced by 1229-C-4657	5324, 5380, 5381, 5382
	2	1229-C-4657	1	Snap Ring	5200, 5203, 5215, 5220, 5221, 5238, 5239, 5324, 5329, 5367
2	2	A-1228-X-1350	1	Bearing Assy, (26/18T) Requires 3892-L-5394 M/S Gear, 1st	5380, 5381
	2	A-1228-S-1345	2	Bearing Assy, Countershaft Rear Bearing S/N LB93017864 & Below, Uses 6 S-268-1 Bolts	5239, 5356, 5357, 5358, 5359, 5360, 5361, 5383, 5384
3	NLA	3297-Z-1092	1	Countershaft, Cup & Cone (Main Countershaft Front)	
	2	3297-H-1256	1	Countershaft, (Aux.) Replaced by 3297-H-1256. NOTE: Auxiliary countershafts should be replaced in sets only.	
	NLA	3297-G-1073	1	Countershaft, (Aux.) Replaced by 3297-F-1254. NOTE: Auxiliary countershafts should be replaced in sets only.	
	2	3297-F-1254	1	Countershaft, (Aux.) 135, 145 NOTE: Auxiliary countershafts should be replaced in sets only.	
	2	3297-S-1267	2	Countershaft, (Aux.) 115, 125 NOTE: Auxiliary countershafts should be replaced in sets only.	
	2	3297-U-1269	2	Countershaft, (Aux.) 135, 145, 155 NOTE: Auxiliary countershafts should be replaced in sets only.	
4	2	A-1228-Y-1351	1	Bearing Assy, Cup & Cone (Rear)	5380, 5381, 5382
	2	A-1228-U-1347	2	Bearing Assy, Cup & Cone (Rear)	5356, 5357, 5358, 5359, 5360, 5361, 5383, 5384
5	AR	1229-D-4294	1	Snap Ring, Replaced by Item 6, use KIT5331.	
6	AR	1229-N-4538	1, 2	Spacer Washer, Cup & Cone (Front)	
	AR	1229-P-4540	1, 2	Spacer Washer, Aux. Countershaft Selective (6.563 mm - Green)	5331
	AR	1229-Q-4541	1, 2	Spacer Washer, Aux. Countershaft Selective (6.696 mm - Yellow)	5331
	AR	1229-R-4542	1, 2	Spacer Washer, Aux. Countershaft Selective (6.828 mm - White)	5331
	AR	1229-S-4543	1, 2	Spacer Washer, Aux. Countershaft Selective (6.690 mm - Purple)	5331
	AR	1229-T-4544	1, 2	Spacer Washer, Aux. Countershaft Selective (7.092 mm - Orange)	5331
	AR	1229-U-4545	1, 2	Spacer Washer, Aux. Countershaft Selective (7.224 mm - White/Blue)	5331
	AR	1229-V-4546	1, 2	Spacer Washer, Aux. Countershaft Selective (7.356 mm - White/Green)	5331
	AR	1229-W-4547	1, 2	Spacer Washer, Aux. Countershaft Selective (7.488 mm - White/Yellow)	5331
	AR	1229-X-4548	1, 2	Spacer Washer, Aux. Countershaft Selective (7.620 mm - White/Purple)	5331
	AR	1229-Y-4549	1, 2	Spacer Washer, Aux. Countershaft Selective (7.752 mm - White/Orange)	5331

## Auxiliary Countershaft Assembly — 9-Speed

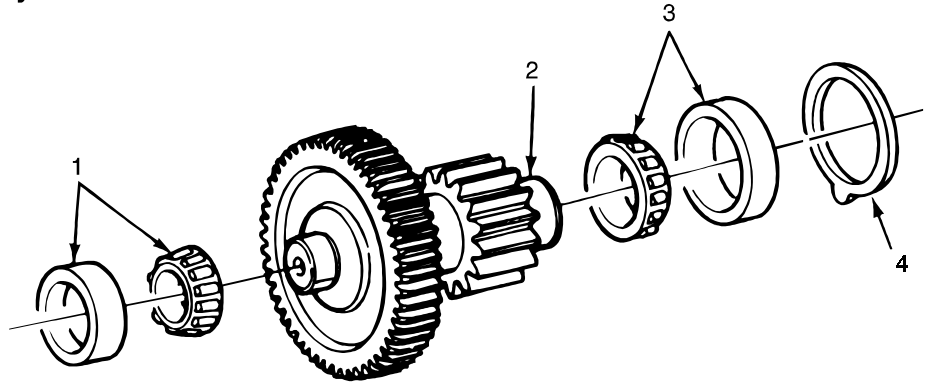


ACA0001

## Auxiliary Countershaft Assembly — 9-Speed Overdrive “B” & “R” Ratio

Item	Qty.	Part Number	Design Level	Description	Part of Kit
1	NLA	1229-H-4168	1	Snap Ring, Replaced by 1229-C-4657	5324, 5380, 5381, 5382
	2	1229-C-4657	1	Snap Ring	5200, 5203, 5215, 5220, 5221, 5238, 5239, 5324, 5329, 5367
2	2	A-1228-X-1350	1	Bearing Assy, Cup & Cone (Front)	5380, 5381
	2	A-1228-S-1345	2	Bearing Assy, Cup & Cone (Front)	5239, 5356, 5357, 5358, 5359, 5360, 5361, 5383, 5384
3	NLA	3297-Y-1143	1	Countershaft, (Aux.) Replaced by 3297-G-1255. NOTE: Auxiliary countershafts should be replaced in sets only.	
	2	3297-G-1255	1	Countershaft, (Aux.) 135, 145 NOTE: Auxiliary countershafts should be replaced in sets only.	
	NLA	3297-G-1099	1	Countershaft, (Aux.) Replaced by 3297-D-1252. NOTE: Auxiliary countershafts should be replaced in sets only.	
	2	3297-D-1252	1	Countershaft, (Aux.) 115, 125 NOTE: Auxiliary countershafts should be replaced in sets only.	
	2	3297-Q-1265	2	Countershaft, (Aux.) 115, 125 NOTE: Auxiliary countershafts should be replaced in sets only.	
	2	3297-W-1271	2	Countershaft, (Aux.) 135, 145, 155 NOTE: Auxiliary countershafts should be replaced in sets only.	
4	2	A-1228-Y-1351	1	Bearing Assy, Cup & Cone (Rear)	5380, 5381, 5382
	2	A-1228-U-1347	2	Bearing Assy, Cup & Cone (Rear)	5356, 5357, 5358, 5359, 5360, 5361, 5383, 5384
5	AR	1229-D-4294	1	Snap Ring, Replaced by Item 6, use KIT5331.	
6	AR	1229-N-4538	1, 2	Spacer Washer, Aux. Countershaft Selective (6.431 mm - Blue)	
	AR	1229-P-4540	1, 2	Spacer Washer, Aux. Countershaft Selective (6.563 mm - Green)	5331
	AR	1229-Q-4541	1, 2	Spacer Washer, Aux. Countershaft Selective (6.696 mm - Yellow)	5331
	AR	1229-R-4542	1, 2	Spacer Washer, Aux. Countershaft Selective (6.828 mm - White)	5331
	AR	1229-S-4543	1, 2	Spacer Washer, Aux. Countershaft Selective (6.690 mm - Purple)	5331
	AR	1229-T-4544	1, 2	Spacer Washer, Aux. Countershaft Selective (7.092 mm - Orange)	5331
	AR	1229-U-4545	1, 2	Spacer Washer, Aux. Countershaft Selective (7.224 mm - White/Blue)	5331
	AR	1229-V-4546	1, 2	Spacer Washer, Aux. Countershaft Selective (7.356 mm - White/Green)	5331
	AR	1229-W-4547	1, 2	Spacer Washer, Aux. Countershaft Selective (7.488 mm - White/Yellow)	5331
	AR	1229-X-4548	1, 2	Spacer Washer, Aux. Countershaft Selective (7.620 mm - White/Purple)	5331
	AR	1229-Y-4549	1, 2	Spacer Washer, Aux. Countershaft Selective (7.752 mm - White/Orange)	5331

## Auxiliary Countershaft Assembly

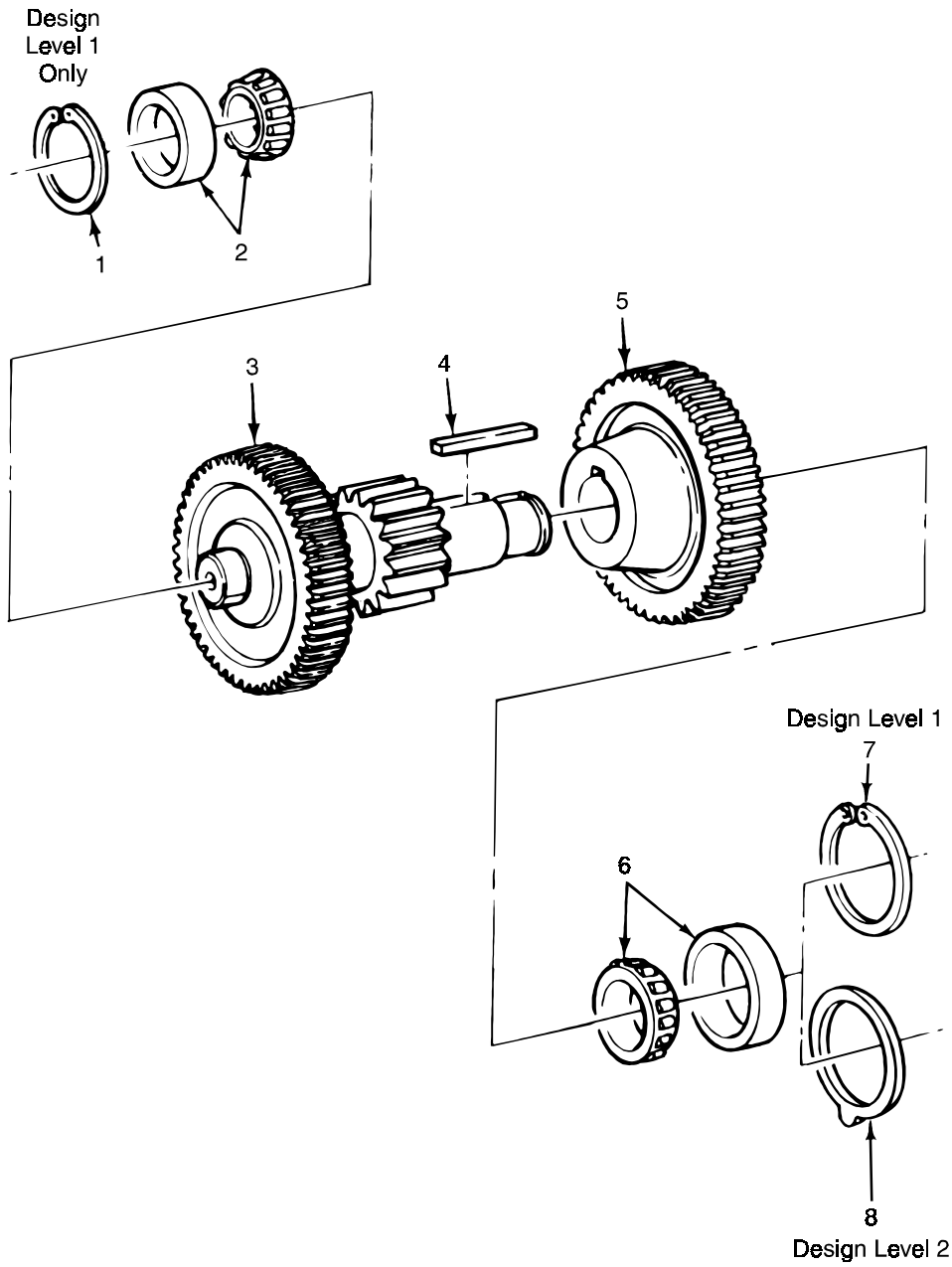


ACA0003

**Auxiliary Countershaft Assembly — 10-Speed Direct Drive & Overdrive**

Item	Qty.	Part Number	Design Level	Description	Part of Kit
1	2	A-1228-S-1345	2	Bearing Assy, Cup & Cone (Front)	5239, 5356, 5357, 5358, 5359, 5360, 5361, 5383, 5384
2	2	3297-T-1320	2	Countershaft, (Aux.) 115, 125, "A" Ratio Only. NOTE: Auxiliary countershafts should be replaced in sets only.	
	2	3297-J-1284	2	Countershaft, (Aux.) 135, 145, "A" Ratio Only. NOTE: Auxiliary countershafts should be replaced in sets only.	
	2	3297-L-1390	2	Countershaft, (Aux.) 115, 125, 135, 145, 155, 165, "C" Ratio Only. NOTE: Auxiliary countershafts should be replaced in sets only.	
3	2	A-1228-U-1347	2	Bearing Assy, Cup & Cone (Rear)	5356, 5357, 5358, 5359, 5360, 5361, 5383, 5384
4	AR	1229-N-4538	2	Spacer Washer, Aux. Countershaft Selective (6.431 mm - Blue)	
	AR	1229-P-4540	2	Spacer Washer, Aux. Countershaft Selective (6.563 mm - Green)	5331
	AR	1229-Q-4541	2	Spacer Washer, Aux. Countershaft Selective (6.696 mm - Yellow)	5331
	AR	1229-R-4542	2	Spacer Washer, Aux. Countershaft Selective (6.828 mm - White)	5331
	AR	1229-S-4543	2	Spacer Washer, Aux. Countershaft Selective (6.690 mm - Purple)	5331
	AR	1229-T-4544	2	Spacer Washer, Aux. Countershaft Selective (7.092 mm - Orange)	5331
	AR	1229-U-4545	2	Spacer Washer, Aux. Countershaft Selective (7.224 mm - White/Blue)	5331
	AR	1229-V-4546	2	Spacer Washer, Aux. Countershaft Selective (7.356 mm - White/Green)	5331
	AR	1229-W-4547	2	Spacer Washer, Aux. Countershaft Selective (7.488 mm - White/Yellow)	5331
	AR	1229-X-4548	2	Spacer Washer, Aux. Countershaft Selective (7.620 mm - White/Purple)	5331
	AR	1229-Y-4549	2	Spacer Washer, Aux. Countershaft Selective (7.752 mm - White/Orange)	5331

## Auxiliary Countershaft Assembly — 13-Speed



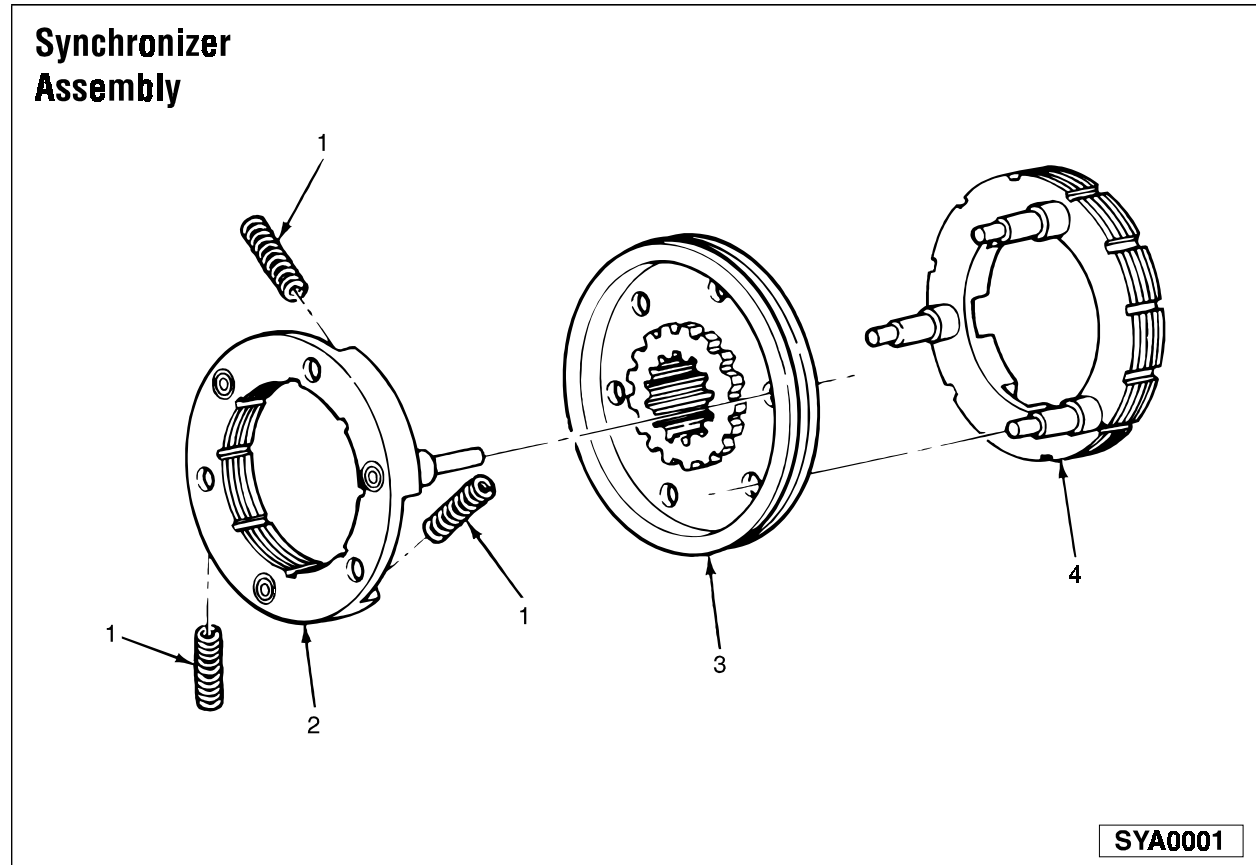
ACA0002



## Auxiliary Countershaft Assembly — 13-Speed

Item	Qty.	Part Number	Design Level	Description	Part of Kit
1	NLA	1229-H-4168	1	Snap Ring, Replaced by 1229-C-4657	5324, 5380, 5381, 5382
	2	1229-C-4657	1	Snap Ring	5200, 5203, 5215, 5220, 5221, 5238, 5239, 5324, 5329, 5367
2	NLA	A-1228-Q-1265	1	Bearing Assy, Replaced by A-1228-U-1373	
	2	A-1228-U-1373	1	Bearing Assy, Cup & Cone (Front)	5382
3	NLA	3297-P-1082	1	Countershaft, Auxiliary (46/16T) Replaced by 3297-E-1253	
	2	3297-E-1253	1	Countershaft, Auxiliary (46/16T) NOTE: Auxiliary Countershafts should be replaced in sets only.	
	2	3297-Y-1273	2	Countershaft, Auxiliary (46/16T) NOTE: Auxiliary Countershafts should be replaced in sets only.	
4	2	16X-1009	1, 2	Key	
5	2	3892-L-5082	1, 2	C/S Gear, Splitter (53T)	
6	2	A-1228-Y-1351	1	Bearing Assy, Cup & Cone (Rear)	5380, 5381, 5382
	2	A-1228-U-1347	2	Bearing Assy, Cup & Cone (Rear)	5356, 5357, 5358, 5359, 5360, 5361, 5383, 5384
7	AR	1229-D-4294	1	Snap Ring, Replaced by Item 8, use KIT5331.	
8	AR	1229-N-4538	1, 2	Spacer Washer, Aux. Countershaft Selective (6.431 mm - Blue)	
	AR	1229-P-4540	1, 2	Spacer Washer, Aux. Countershaft Selective (6.563 mm - Green)	5331
	AR	1229-Q-4541	1, 2	Spacer Washer, Aux. Countershaft Selective (6.696 mm - Yellow)	5331
	AR	1229-R-4542	1, 2	Spacer Washer, Aux. Countershaft Selective (6.828 mm - White)	5331
	AR	1229-S-4543	1, 2	Spacer Washer, Aux. Countershaft Selective (6.690 mm - Purple)	5331
	AR	1229-T-4544	1, 2	Spacer Washer, Aux. Countershaft Selective (7.092 mm - Orange)	5331
	AR	1229-U-4545	1, 2	Spacer Washer, Aux. Countershaft Selective (7.224 mm - White/Blue)	5331
	AR	1229-V-4546	1, 2	Spacer Washer, Aux. Countershaft Selective (7.356 mm - White/Green)	5331
	AR	1229-W-4547	1, 2	Spacer Washer, Aux. Countershaft Selective (7.488 mm - White/Yellow)	5331
	AR	1229-X-4548	1, 2	Spacer Washer, Aux. Countershaft Selective (7.620 mm - White/Purple)	5331
	AR	1229-Y-4549	1, 2	Spacer Washer, Aux. Countershaft Selective (7.752 mm - White/Orange)	5331

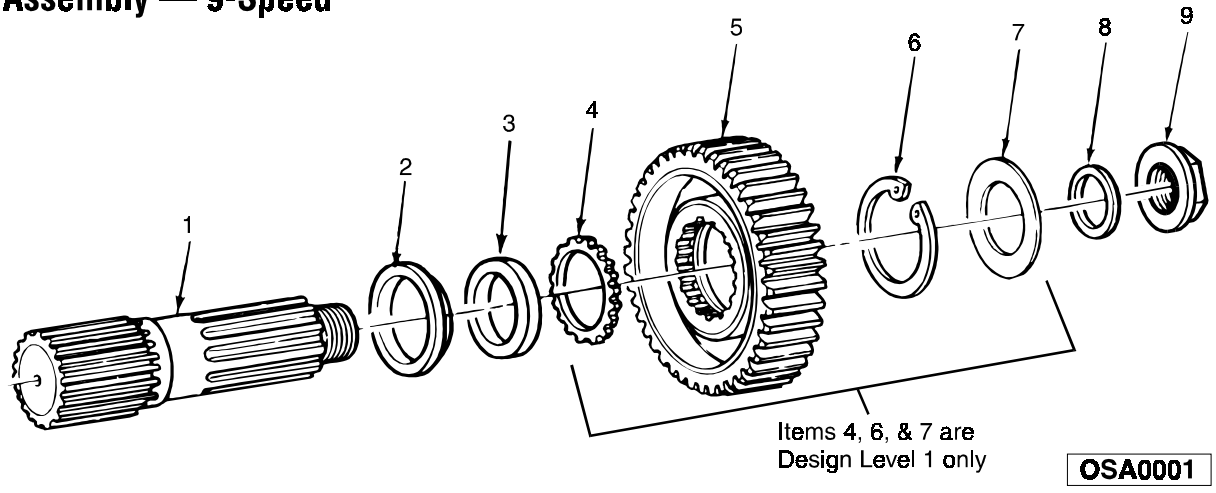
# Auxiliary Case Assembly



## Synchronizer Assembly

Item	Qty.	Part Number	Design Level	Description	Part of Kit
1	3	2258-Z-1144	1, 2	Spring	5200, 5203, 5220, 5221, 5238, 5239, 5270, 5289, 5356, 5357, 5358, 5359, 5360, 5361
2	1	A-3203-Z-1014	1, 2	Synchro Assy, (High)	5270, 5289
3	1	3107-S-1111	1, 2	Collar	5289
4	1	A-3203-R-1006	1, 2	Synchro Assy, (Low)	5270, 5289

## Output Shaft Assembly — 9-Speed


**OSA0001**

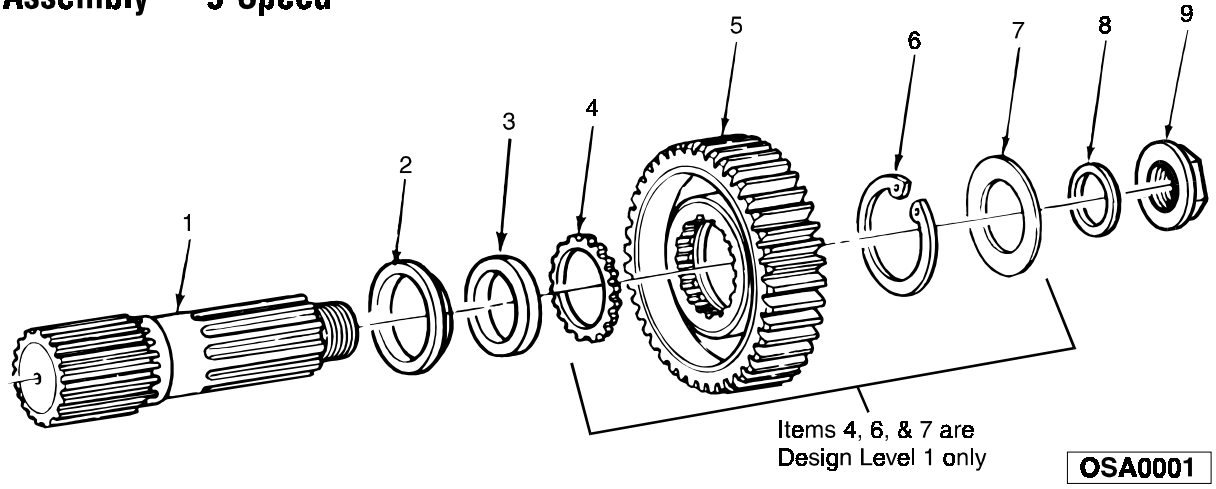
## Output Shaft Assembly — 9-Speed Direct Drive & Overdrive "A" Ratio

Item	Qty.	Part Number	Design Level	Description	Part of Kit
1	1	3297-P-1056	1	O/P Shaft, 115, 125	
	1	3297-J-1076	1	O/P Shaft, 135, 145	
	1	3297-Y-1247	2	O/P Shaft, 115, 125	
	NLA	3297-C-1251	2	O/P Shaft, 135, 145 Replaced by 3297-V-1322	
	1	3297-V-1322	2	O/P Shaft, 135, 145, 155	
2	1	1244-R-2046	1	Spacer	
	1	1244-W-2103	2	Spacer, (Output Shaft)	
3	1	1244-N-2094	1	Spacer, 135, 145 Only	
	1	1244-X-2104	2	Spacer, (Output Bearing)	
4	1	1244-F-1852	1	Spacer	
	1	3892-Q-5009	1	Aux Gear, Low (40T) 115, 125	
	1	3892-E-5075	1	Aux Gear, Low (40T) 135, 145	
	1	3892-G-5311	2	Aux Gear, Low (40T) 115, 125	
5	1	3892-E-5309	2	Aux Gear, Low (40T) 135, 145, 155	
	1	1229-Y-4211	1	Snap Ring	5200, 5203, 5220, 5221, 5324
6	1	42X-1221	1	Thrust Wshr	
7	NLA	1244-Z-1820	1, 2	Flat Wshr, 135, 145, 155 Only. No longer used, use 1227-T-1554, Flanged Nut.	
8	NLA	1227-W-1375	1, 2	Nut, (Yoke) Replaced by 1227-T-1554	
	1	1227-T-1554	1, 2	Nut, Flanged (Yoke)	

# Auxiliary Case Assembly



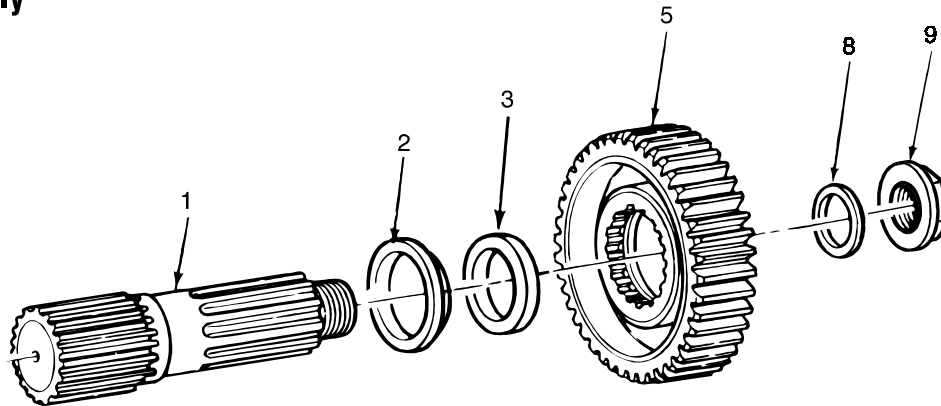
## Output Shaft Assembly — 9-Speed



## Output Shaft Assembly — 9-Speed Overdrive “B” & “R” Ratio

Item	Qty.	Part Number	Design Level	Description	Part of Kit
1	1	3297-P-1056	1	O/P Shaft, 115, 125	
	1	3297-J-1076	1	O/P Shaft, 135, 145	
	1	3297-Y-1247	2	O/P Shaft, 115, 125	
	NLA	3297-C-1251	2	O/P Shaft, 135, 145 Replaced by 3297-V-1322	
	1	3297-V-1322	2	O/P Shaft, 135, 145, 155	
2	1	1244-R-2046	1	Spacer	
	1	1244-W-2103	2	Spacer, Aux. Countershaft Selective (6.431 mm - Blue)	
3	1	1244-N-2094	1	Spacer, 135, 145 Only	
	1	1244-X-2104	2	Spacer, (Output Bearing)	
4	1	1244-F-1852	1	Spacer	
5	1	3892-D-5152	1	Aux Gear, Low (44T) 115, 125	
	1	3892-V-5222	1	Aux Gear, Low (44T) 135, 145	
	1	3892-Y-5329	2	Aux Gear, Low (44T) 115, 125	
	1	3892-A-5331	2	Aux Gear, Low (44T) 135, 145, 155	
6	1	1229-Y-4211	1	Snap Ring	5200, 5203, 5220, 5221, 5324
7	1	42X-1221	1	Thrust Wshr	
8	NLA	1244-Z-1820	1, 2	Flat Wshr, 135, 145, 155 Only. No longer used, use 1227-T-1554, Flanged Nut.	
9	NLA	1227-W-1375	1, 2	Nut, (Yoke) Replaced by 1227-T-1554	
	1	1227-T-1554	1, 2	Nut, Flanged (Yoke)	

## Output Shaft Assembly



OSA0003

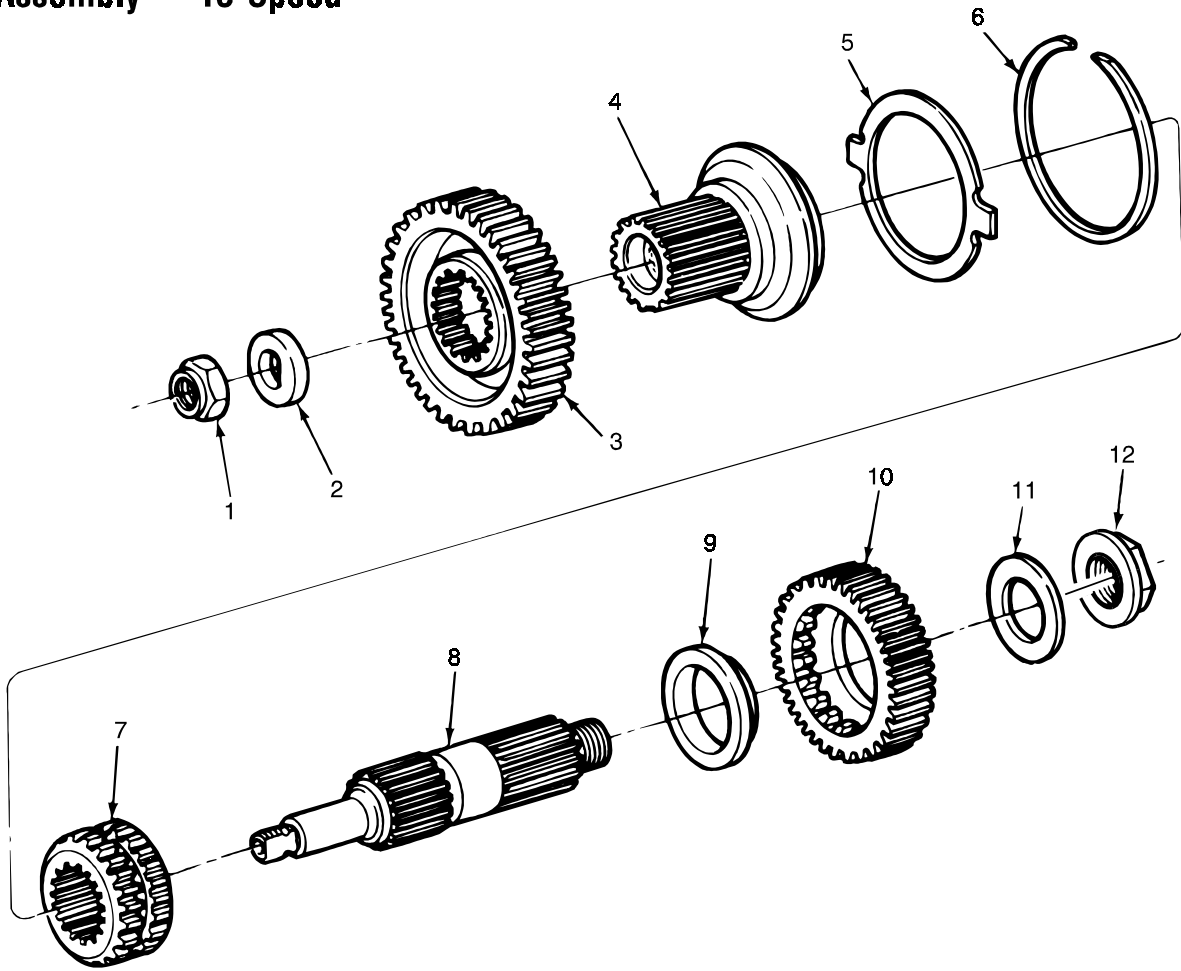
### Output Shaft Assembly — 10-Speed Direct Drive, Direct Torque & Overdrive "A" Ratio

Item	Qty.	Part Number	Design Level	Description	Part of Kit
1	1	3297-Y-1247	2	O/P Shaft, 115, 125	
	NLA	3297-C-1251	2	O/P Shaft, 135, 145 Replaced by 3297-V-1322	
	1	3297-V-1322	2	O/P Shaft, 135, 145, 155, 165 and 145 Direct Torque	
2	1	1244-W-2103	2	Spacer, (Output Shaft)	
3	1	1244-X-2104	2	Spacer, (Output Bearing)	
5	1	3892-P-5346	2	Aux Gear, Low (58T) 135, 145, 155	
	1	3892-W-5353	2	Aux Gear, Low (58T) 115, 125	
8	NLA	1244-Z-1820	2	Flat Wshr, 135, 145, 155 Only. No longer used, use 1227-T-1554, Flanged Nut.	
9	NLA	1227-W-1375	2	Nut, (Yoke) Replaced by 1227-T-1554	
	1	1227-T-1554	2	Nut, Flanged (Yoke)	

# Auxiliary Case Assembly



## Output Shaft Assembly — 13-Speed



OSA0002

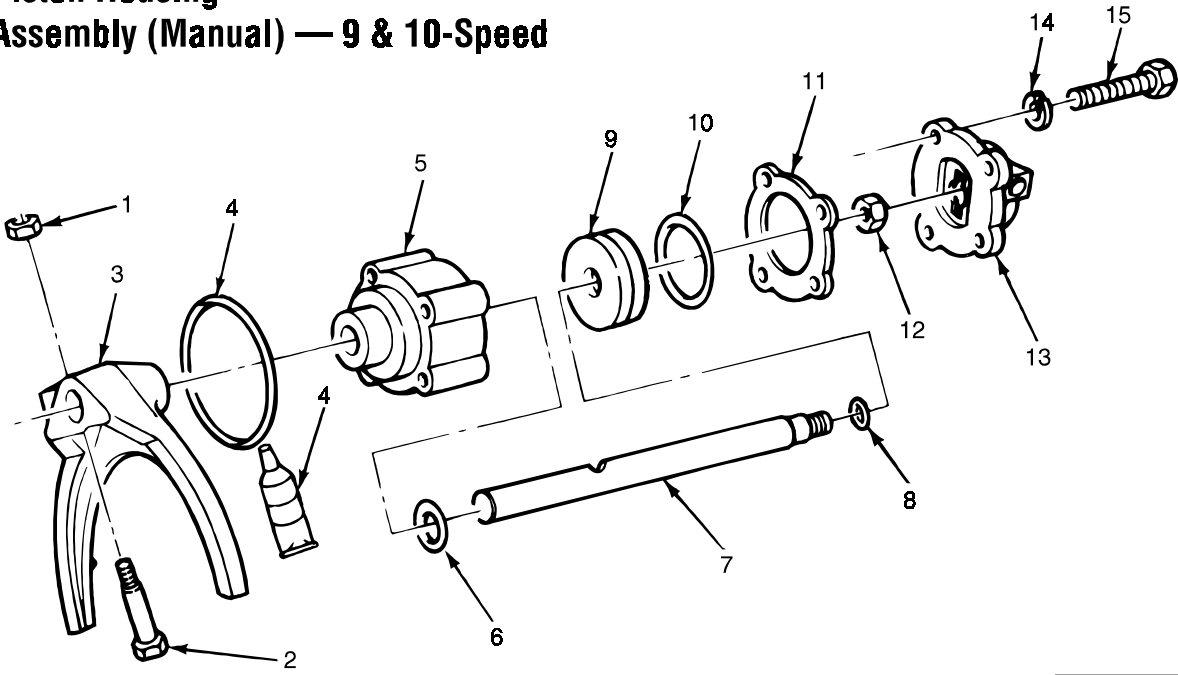
**Output Shaft Assembly — 13-Speed**

Item	Qty.	Part Number	Design Level	Description	Part of Kit
1	1	1227-A-1405	1, 2	Nut	
2	NLA	1229-U-4233	1	Thrust Wshr, Use 1229-V-4494	
	1	1229-V-4494	1, 2	Thrust Wshr, (Only for 3297-Z-1222 Shaft)	5302
3	1	3892-J-5080	1, 2	Aux Gear, (Low) 23T	
4	NLA	3107-U-1087	1, 2	Aux Drive Cplg, Replaced by 3107-U-1191.	5302
	1	3107-U-1191	1, 2	Aux Drive Cplg, Use Service Kit 5302.	
5	1	1229-T-4232	1, 2	Thrust Wshr	5302
6	1	1229-V-4234	1, 2	Snap Ring	5238, 5239, 5302, 5358, 5361
7	NLA	3107-R-1084	1, 2	Collar, Replaced by 3107-T-1190	
	NLA	3107-M-1131	2	Collar, Replaced by 3107-T-1190	5302
	1	3107-T-1190	2	Collar, Use Service Kit 5302.	
8	NLA	3297-M-1079	1	O/P Shaft, Use 3297-Z-1222	
	1	3297-Z-1222	1, 2	O/P Shaft, (Requires 1229-V-4494 Washer)	
9	1	1244-L-1988	1, 2	Spacer	
10	NLA	3892-G-5077	1, 2	Aux Gear, (Splitter) Replaced by 3892-Q-5581	5302
	1	3892-Q-5581	1, 2	Aux Gear, (Splitter) Use Service Kit 5302.	
11	NLA	1244-Z-1820	1, 2	Flat Wshr, No longer used, use 1227-T-1554.	
12	NLA	1227-W-1375	1, 2	Nut, Replaced by 1227-T-1554	
	1	1227-T-1554	1, 2	Nut, Flanged	

# Auxiliary Case Assembly



## Piston Housing Assembly (Manual) — 9 & 10-Speed



PHA0002



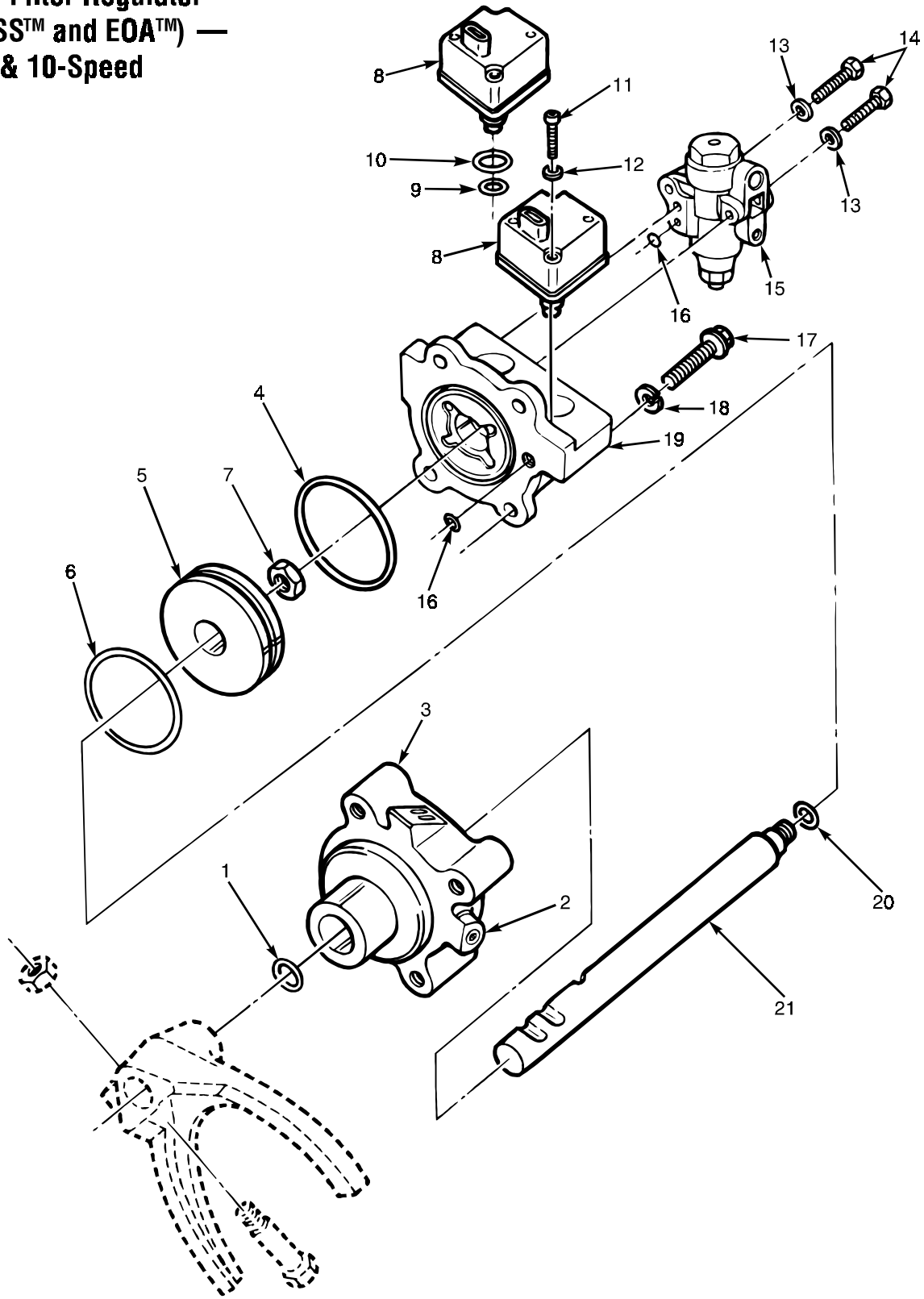
## Piston Housing Assembly (Manual) — 9 & 10-Speed

Item	Qty.	Part Number	Design Level	Description	Part of Kit
1	NLA	1229-V-4286	1	Snap Ring, Use NL-25-1	5200, 5203, 5220, 5221, 5238, 5239
	1	NL-25-1	1, 2	Lock Nut, (Requires 10-X-1534 Bolt)	
2	NLA	43X-1168	1	Pin, Use 10-X-1534 Bolt	
	1	10X-1534	1, 2	Bolt/Capscrew, (Requires NL-25-1 Nut)	
3	1	3296-Q-1161	1, 2	Shift Fork, (High/Low) Replaces 3296-P-1108	
4	NLA	5X-1068	1	O-Ring, Use 2297-A-7021 Sealant	
	1	2297-A-7021	1, 2	Seal Kit, (Sealant)	
5	NLA	3280-E-8767	1, 2	Piston Hsg, Use KIT5336 for Design Level 1, 115 & 125. Use KIT5337 for Design Level 1, 135 & 145.	5255
	1	3280-M-9217	2	Piston Hsg, Use KIT5334 for Design Level 2, 115 & 125. Use KIT5335 for Design Level 2, 135 through 165.	5334, 5335
6	1	5X-1065	1, 2	O-Ring	
7	1	2244-E-1071	1, 2	Shift Shaft, 115, 125 Only, 9-3/8", Order Kit 5334 or 5336	
	1	2244-D-1122	1, 2	Shift Shaft, 115, 125 Only, 9-1/2"	5334, 5336
	1	2244-T-1060	1, 2	Shift Shaft, 135, 145, 155, 165 Only, 9-3/4", Order Kit 5335 or 5337	
	1	2244-E-1123	1, 2	Shift Shaft, 135, 145, 155, 165 Only, 9-7/8"	5335, 5337
8	1	5X-1083	1, 2	O-Ring	
9	NLA	2230-B-1094	1	Piston, (Range Shift) Replaced by A-2230-X-1194	5241, 5255
	1	A-2230-X-1194	1, 2	Piston Assy, (Include 5X-1083 O-Ring)	5334, 5335, 5336, 5337
10	1	5X-1066	1, 2	O-Ring	
11	1	2208-K-1051	1, 2	Gasket	5200, 5203, 5220, 5221, 5250, 5334, 5335, 5337, 5356, 5357, 5359, 5360
12	1	NL-17-1	1, 2	Nut	
13	1	3266-N-1314	1, 2	Cover	5334, 5335, 5336, 5337
14	4	1229-B-1666	1, 2	Flat Wshr	5299, 5300, 5368, 5369, 5386
15	NLA	S-2624-A-1	1, 2	Bolt/Capscrew, Replaced by S-2624-A-2	
	4	S-2624-A-2	1, 2	Bolt/Capscrew, 3/8"-16UNC-2A x 3"	

# Auxiliary Case Assembly



## Piston Housing Assembly/ Air Filter Regulator (ESS™ and EOA™) — 9- & 10-Speed

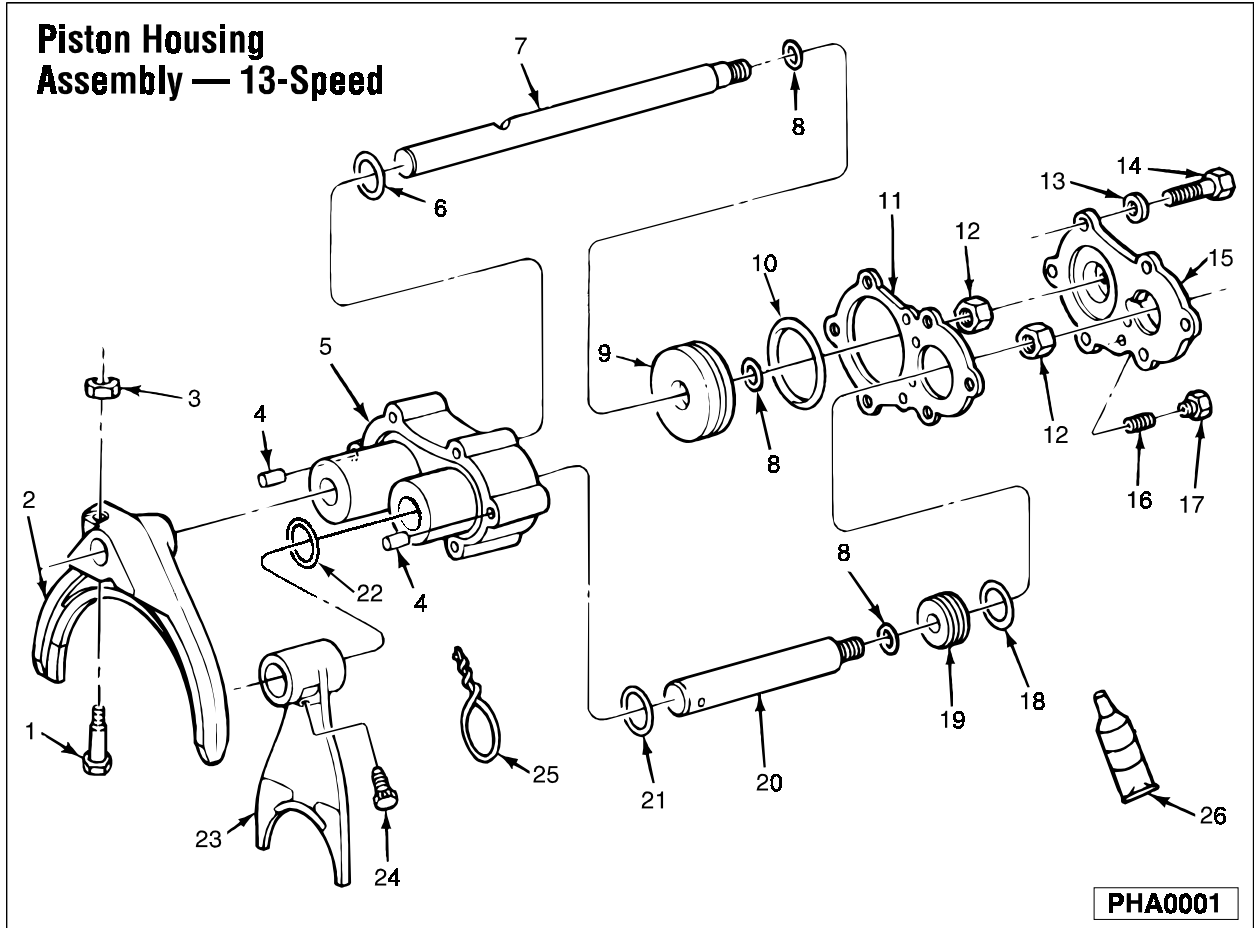


PHA0003

## Piston Housing Assembly/Air Filter Regulator (ESS™ and EOA™) — 9 & 10 Speed

Item	Qty.	Part Number	Design Level	Description	Part of Kit
1	1	5X-1065	2	O-Ring	
2	3	P-42-Z-S	2	Plug, Diagnostic Port	
3	1	3280-D-9390	2	Piston Hsg, (Cast)	
4	1	5X-1217	2	O-Ring, (Range Piston Hsg. Cover Seal)	
5	1	A-2230-X-1194	2	Piston Assy, (Include 5x-1083 O-Ring)	5334, 5335, 5336, 5337
6	1	5X-1066	2	O-Ring, (Piston)	
7	1	NL-17-1	2	Nut	
8	2	A-3280-F-9392	2	Solenoid Assy, (Includes 5X-1207 and 5X-1092 O-Rings)	
9	2	5X-1207	2	O-Ring, Solenoid	
10	2	5X-1092	2	O-Ring, Solenoid	
11	4	10X-1623	2	Screw, Solenoid/Piston Hsg. Cover	
12	4	WA-43Z	2	Flat Wshr	
13	2	WA-34	2	Flat Wshr	
14	2	S-2416-A-1	2	Bolt/Capscrew	
15	1	A-3280-G-9393	2	Filter/Reg Assy, Air (Not interchangeable with 13-Speed)	
16	2	5X-1205	2	O-Ring	
17	NLA	S-2624-A-1	2	Bolt/Capscrew, Replaced by S-2624-A-2	
	4	S-2624-A-2	2	Bolt/Capscrew, 3/8"-16UNC-2A x 3"	
18	4	1229-B-1666	2	Flat Wshr	5299, 5300, 5368, 5369, 5386
19	1	3266-R-1370	2	Cover, Range Piston Hsg.	
20	1	5X-1083	2	O-Ring	
21	1	2244-A-1145	2	Shift Shaft, Range Shift 115, 125	
	1	2244-B-1146	2	Shift Shaft, Range Shift 135, 145, 155	

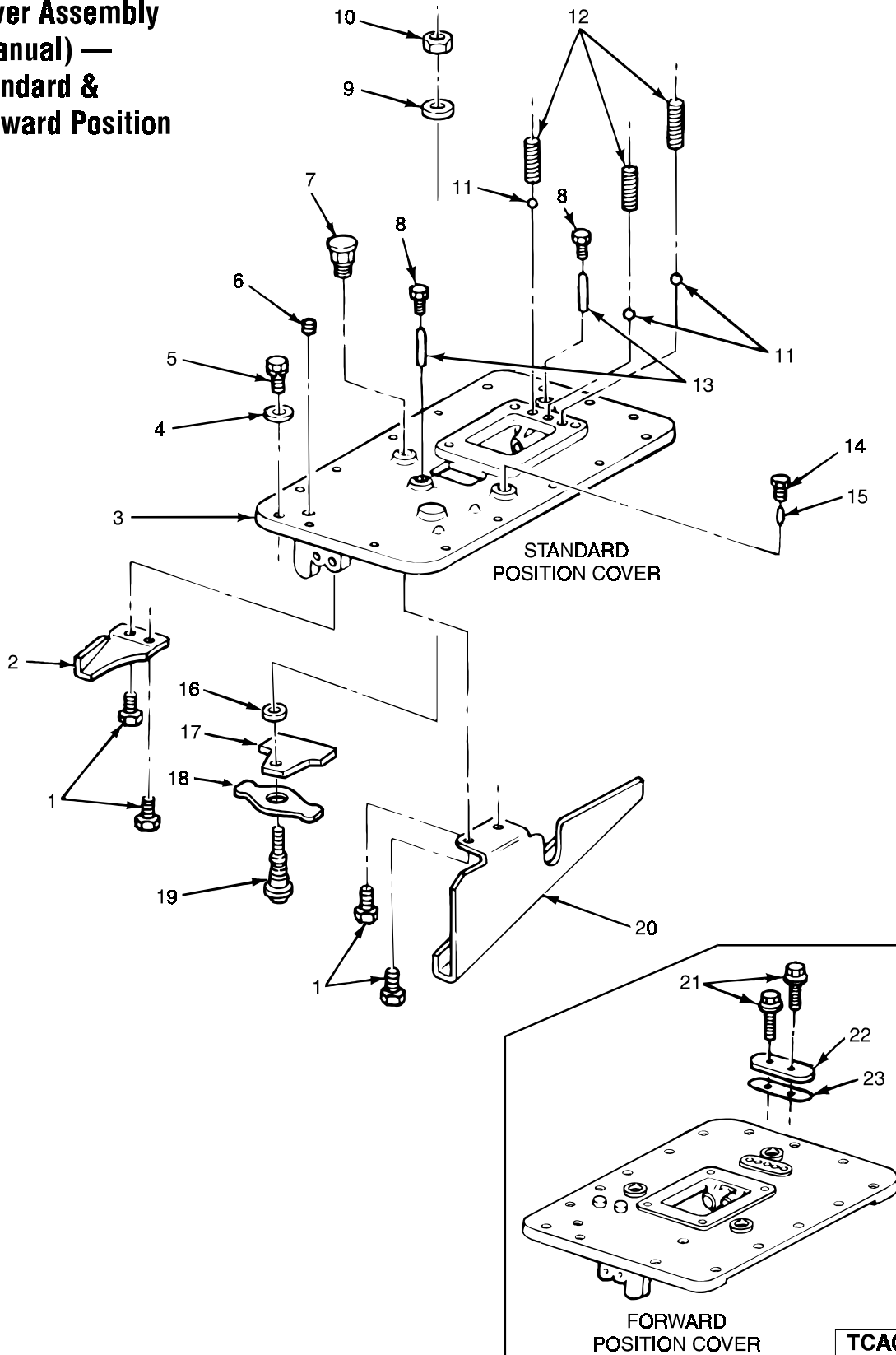
# Auxiliary Case Assembly



## Piston Housing Assembly — 13-Speed

Item	Qty.	Part Number	Design Level	Description	Part of Kit
1	NLA	43X-1168	1	Pin, Use 10-X-1534 Bolt	
	1	10X-1534	1, 2	Bolt/Capscrew, (Requires NL-25-1 Nut)	
2	1	3296-Q-1161	1, 2	Shift Fork, (High/Low) Replaces 3296-P-1108	
3	NLA	1229-V-4286	1	Snap Ring, Use NL-25-1	5200, 5203, 5220, 5221, 5238, 5239
	1	NL-25-1	1, 2	Lock Nut, (Requires 10-X-1534 Bolt)	
4	2	1246-N-482	1, 2	Dowel	
5	NLA	A-3280-J-8772	1, 2	Hsg Assy, Replaced by A-3280-N-9296	5241
	1	A-3280-N-9296	2	Hsg Assy	
6	1	5X-1065	1, 2	O-Ring	
7	NLA	2244-C-1069	1, 2	Shift Shaft, Replaced by 2244-C-1121	
	1	2244-C-1121	2	Shift Shaft, (High/Low) 12-1/8"	
8	2	5X-1083	1, 2	O-Ring	
9	NLA	2230-B-1094	1	Piston, (Range Shift) Replaced by A-2230-X-1194	5241, 5255
	1	A-2230-X-1194	1, 2	Piston Assy, (Includes 5X-1083 O-Ring)	5334, 5335, 5336, 5337
10	1	5X-1066	1, 2	O-Ring	
11	1	3208-S-1059	1, 2	Gasket	5238, 5239, 5240, 5241, 5358, 5361
12	2	NL-17-1	1, 2	Nut	
13	6	1229-B-1666	1, 2	Flat Wshr	5299, 5300, 5368, 5369, 5386
14	NLA	S-2628-A-1	1, 2	Bolt/Capscrew, Replaced by S-2628-A-2	
	6	S-2628-A-2	1, 2	Bolt/Capscrew, 3/8" -16 x 3.5"	
15	1	A-3266-U-1165	1, 2	Cover Assy	5241
16	1	A-2297-K-5965	1, 2	Valve Assy, (Cartridge)	5238, 5239, 5241, 5302, 5358, 5361
17	1	A-1250-S-1137	1, 2	Plug Assy, (Includes O-Ring)	
18	1	5X-1081	1, 2	O-Ring	
19	NLA	2230-K-1103	1	Piston, (Splitter) Replaced by A-2230-Y-1195	5241
	1	A-2230-Y-1195	1, 2	Piston Assy, (Includes 5X-1081 & 5X-1083 O-Rings)	
20	1	2244-J-1076	1, 2	Shift Shaft, (Splitter) 5-13/16"	
21	1	5X-1133	1, 2	O-Ring	
22	1	1205-X-2494	1, 2	Oil Seal	
23	1	3296-D-1122	1, 2	Shift Fork, (Splitter)	5302
24	1	26X-1011	1, 2	Set Screw	5302
25	1	LW-1910	1, 2	Lock Wire, (Procure Locally)	
26	AR	2297-A-7021	1, 2	Seal Kit, (Loctite Master Gasket #00203)	

## Transmission Top Cover Assembly (Manual) — Standard & Forward Position

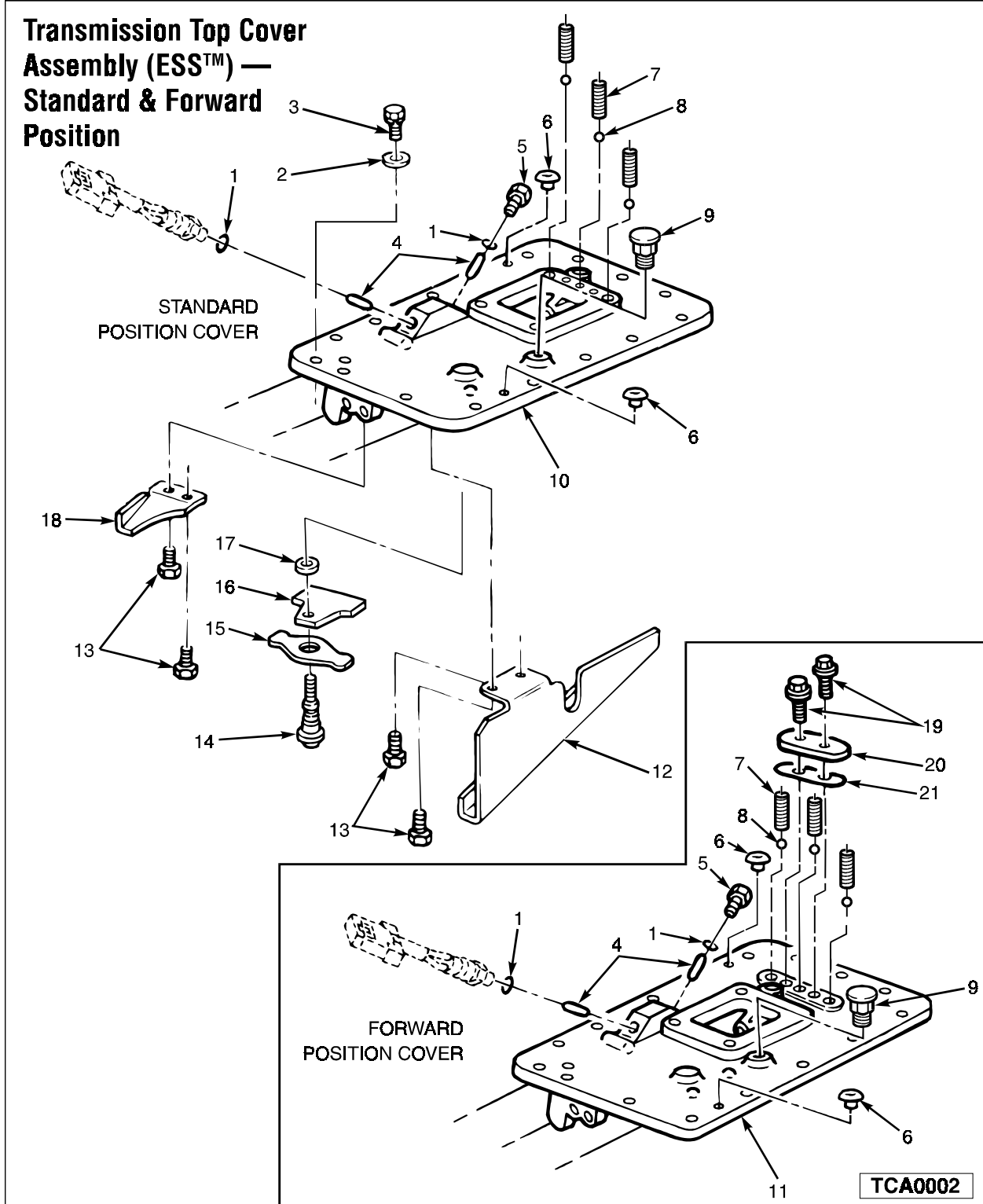


**Transmission Top Cover Assembly (Manual) — Standard & Forward Position**

Item	Qty.	Part Number	Design Level	Description	Part of Kit
1	NLA	S-244-A-1	1, 2	Bolt/Capscrew, Replaced by S-244-A-2	
	4	S-244-A-2	1, 2	Bolt/Capscrew, 1/4"-20 UNC-2A x 1/2"	
2	1	2205-W-1011	1, 2	Oil Scoop	
3	NLA	3293-Q-1005	1, 2	Cover, (Std.) Use A1-3293-L-1078	
	NLA	3293-V-1062	2	Cover, (Std.) Use A1-3293-L-1078	
	1	3293-L-1078	2	Cover, (Std.)	
	NLA	3293-V-1010	1, 2	Cover, (Fwd) Use 3293-N-1080	
	NLA	3293-X-1064	2	Cover, (Fwd) Use A1-3293-N-1080	
	1	3293-N-1080	2	Cover, (Fwd)	
	NLA	3293-K-1025	1, 2	Cover, (Fwd X-Bar) Use A-3293-Y-1065	
	NLA	3293-Y-1065	2	Cover, (Fwd X-Bar) Use A1-3293-P-1082	
	1	3293-P-1082	2	Cover, (Fwd X-Bar)	
	NLA	3293-L-1026	1, 2	Cover, (Std. X-Bar) Use A1-3293-M-1079	
	NLA	3293-W-1063	2	Cover, Low (44T) 115, 125	
	1	3293-M-1079	2	Cover, Low (44T) 135, 145	
	NLA	A1-3293-Q-1005	1, 2	Cover Assy, Low (44T) 115, 125	
	NLA	A-3293-V-1062	2	Cover Assy, (Output Bearing)	
	1	A1-3293-L-1078	2	Cover Assy, (Output Shaft)	
	NLA	A1-3293-V-1010	1, 2	Cover Assy, (Fwd) Replaced by A1-3293-N-1080	
	NLA	A-3293-X-1064	2	Cover Assy, (Std. X-Bar) Use 3293-M-1079	
	1	A1-3293-N-1080	2	Cover Assy, (Fwd) Includes Shift Forks & Rails	
	NLA	A1-3293-K-1025	1, 2	Cover Assy, (Fwd X-Bar) Replaced by A-3293-Y-1065	
	NLA	A-3293-Y-1065	2	Cover Assy, (Fwd X-Bar) Replaced by A1-3293-P-1082	
	1	A1-3293-P-1082	2	Cover Assy, (Fwd X-Bar) Includes Shift Forks & Rails	
	NLA	A1-3293-L-1026	1, 2	Cover Assy, (Std. X-Bar) Replaced by A1-3293-M-1079	
	NLA	A-3293-W-1063	2	Cover Assy, (Std. X-Bar) Replaced by A1-3293-M-1079	
1	A1-3293-M-1079	2	Cover Assy, (Std. X-Bar) Includes Shift Forks & Rails		
4	16	1229-B-1666	1, 2	Flat Wshr	5299, 5300, 5368, 5369, 5386
5	NLA	S-2610-A-1	1, 2	Bolt/Capscrew, Replaced by S-2610-A-2	
	16	S-2610-A-2	1, 2	Bolt/Capscrew, 3/8"-16 UNC x 1-1/4"	
6	1	P-46	1, 2	Plug	
7	1	A-1199-P-1394	1, 2	Breather Assy.	
8	2	A-1250-D-1252	1, 2	Plug Assy	
9	1	1229-C-1511	1, 2	Flat Wshr, (X-Bar Only)	
10	1	NL-18-1	1, 2	Lock Nut, (X-Bar Only)	
11	3	1199-X-596	1, 2	Detent Ball, S/N LB93017311 & Below	
	3	2297-R-6986	2	Detent Ball, S/N LB93017312 & Above	
12	1	2258-X-1142	1, 2	Detent Spring, (Purple) S/N LB93017311 & Below	5200, 5203, 5220, 5221, 5238, 5239, 5291, 5333
	NLA	2258-E-1279	2	Detent Spring, (White) Replaced by 2258-D-1278	
	3	2258-D-1278	2	Detent Spring, (Yellow) S/N LB93017312 & Above	5333, 5362
	2	2258-N-1184	1, 2	Detent Spring, HD (Red) 4th/5th Shifter Shaft Only, S/N LB93017311 & Below	5200, 5203, 5220, 5221, 5238, 5239, 5291
13	1	43X-1169	1, 2	Pin	
14	1	A-1250-H-1126	1, 2	Plug Assy	
15	1	43X-1165	1, 2	Pin	
16	1	3780-E-239	1, 2	O-Ring, (X-Bar Only)	
17	NLA	1244-J-2090	1, 2	Spacer, (X-Bar Only) OBSOLETE	
18	NLA	2247-H-1100	1, 2	Lever, (X-Bar Only) Replaced by 2247-F-1462	
	1	2247-F-1462	1, 2	Lever, (X-Bar Only) Replaces 2247-H-1100	
19	1	2244-R-1084	1, 2	Guide Pin, (X-Bar Only)	
20	1	3221-U-1009	1, 2	Oil Scoop	
21	2	10X-1446	1, 2	Special Screw, (Forward Only)	
22	1	2205-A-1015	1, 2	Cover Plate, (Forward Only)	
23	1	2208-G-1047	1, 2	Gasket, (Forward Only)	5291, 5362



## Transmission Top Cover Assembly (ESS™) — Standard & Forward Position



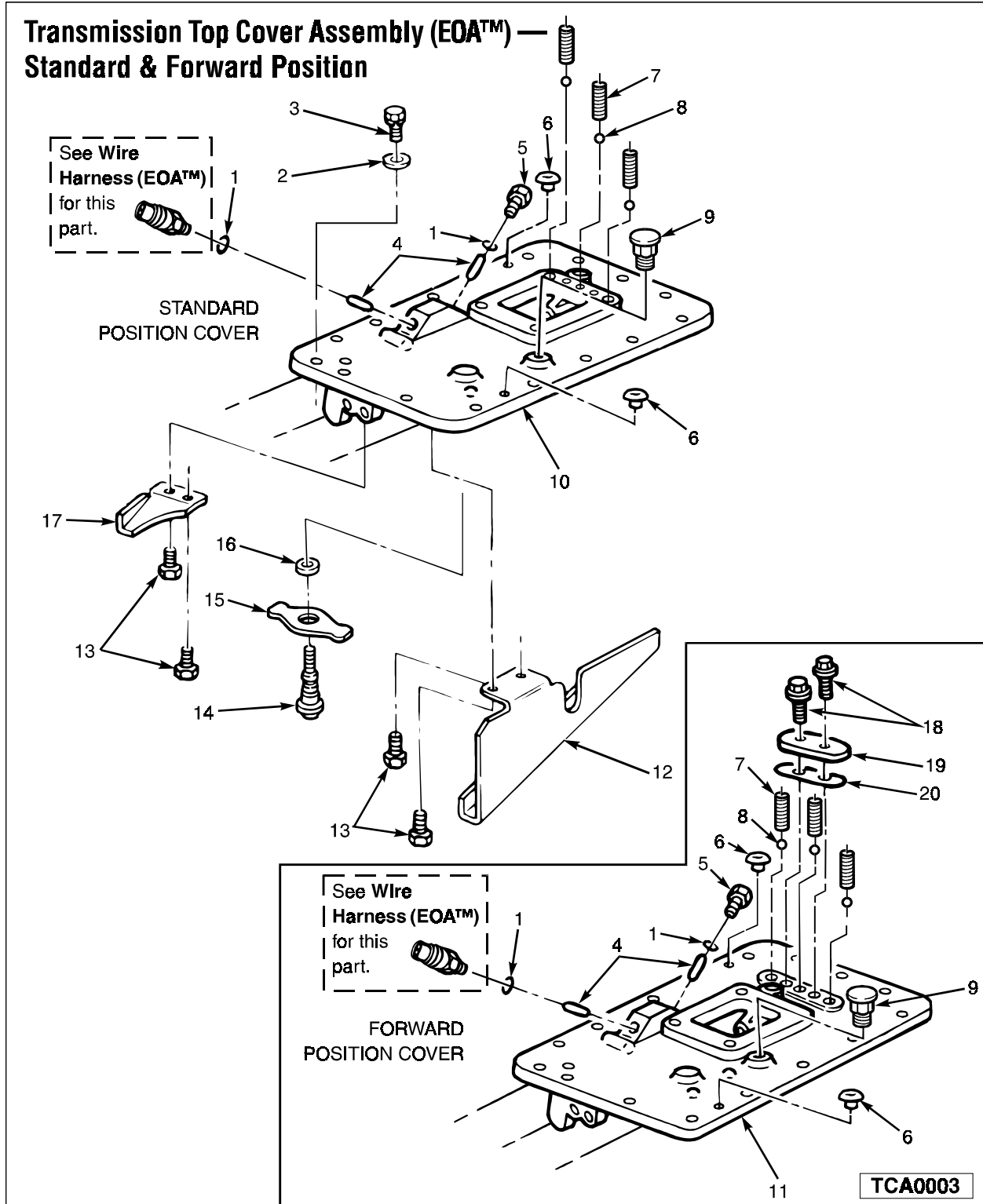


**Transmission Top Cover Assembly (ESS™) — Standard & Forward Position**

Item	Qty.	Part Number	Design Level	Description	Part of Kit
1	2	5X-1091	2	O-Ring	
2	16	1229-B-1666	2	Flat Wshr	5299, 5300, 5368, 5369, 5386
3	NLA	S-2610-A-1	2	Bolt/Capscrew, Replaced by S-2610-A-2	
	16	S-2610-A-2	2	Bolt/Capscrew, 3/8" -16 UNC x 1-1/4"	
4	2	43X-1190	2	Pin, Actuator	
5	1	A-1250-H-1126	2	Plug Assy, (Includes 5X-1091 O-Ring)	
	1	A-1250-U-1269	2	Plug Assy, Includes 5X-1091. Optionally available to replace A-1250-H-1126. Has low-profile head with socket hex drive for clearance to RH drive remotes.	
6	2	1250-Q-1625	2	Plug, (For Jack Screw Holes)	
7	3	2258-D-1278	2	Detent Spring	5333, 5362
8	3	2297-R-6986	2	Detent Ball	
9	1	A-1199-P-1394	2	Breather Assy.	
10	1	A-3293-G-1073	2	Cover Assy, Top (Standard X-Bar)	
	1	A-3293-F-1072	2	Cover Assy, Top (Standard)	
11	1	A-3293-K-1077	2	Cover Assy, Top (Forward X-Bar)	
	1	A-3293-J-1076	2	Cover Assy, Top (Forward)	
12	1	3221-U-1009	2	Oil Scoop	
13	NLA	S-244-A-1	2	Bolt/Capscrew, Replaced by S-244-A-2	
	4	S-244-A-2	2	Bolt/Capscrew, 1/4" -20 UNC-2A x 1/2"	
14	1	2244-R-1084	2	Guide Pin, (X-Bar Only)	
15	NLA	2247-H-1100	2	Lever, (X-Bar Only) Replaced by 2247-F-1462	
	1	2247-F-1462	2	Lever, (X-Bar Only)	
16	NLA	1244-J-2090	2	Spacer, (X-Bar Only) OBSOLETE	
17	1	3780-E-239	2	O-Ring, (X-Bar Only)	
18	1	2205-W-1011	2	Oil Scoop	
19	2	10X-1446	2	Special Screw, (Forward Only)	
20	1	2205-A-1015	2	Cover Plate, (Forward Only)	
21	1	2208-G-1047	2	Gasket, (Forward Only)	5291, 5362



## Transmission Top Cover Assembly (EOA™) — Standard & Forward Position



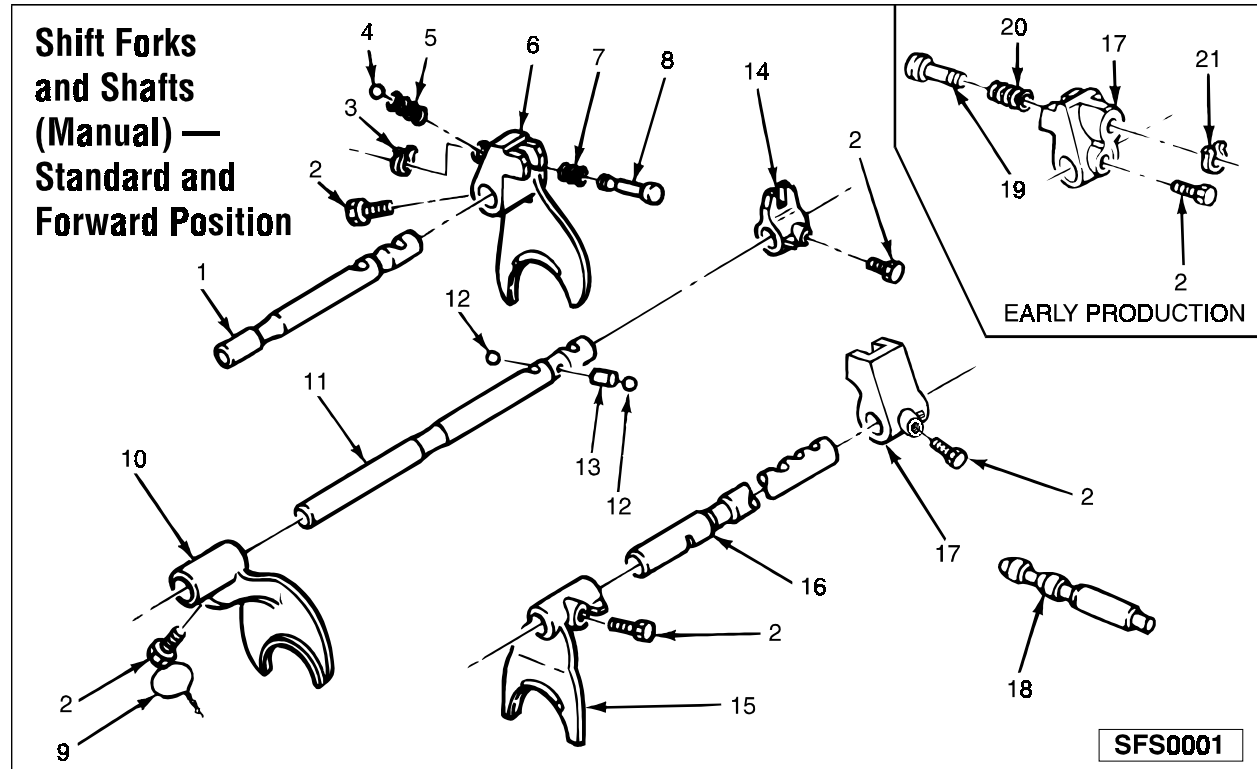
**Top Cover Assembly (EOA™) — Standard & Forward Position**

Item	Qty.	Part Number	Design Level	Description	Part of Kit
1	2	5X-1091	2	O-Ring	
2	16	1229-B-1666	2	Flat Wshr	5299, 5300, 5368, 5369, 5386
3	16	S-2610-A-2	2	Bolt/Capscrew, 3/8"-16 UNC x 1-1/4"	
4	2	43X-1190	2	Pin, Actuator	
5	1	A-1250-H-1126	2	Plug Assy, (Includes 5X-1091 O-Ring)	
	1	A-1250-U-1269	2	Plug Assy, Includes 5X-1091. Optionally available to replace A-1250-H-1126. Has low-profile head with socket hex drive for clearance to RH drive remotes.	
6	2	1250-Q-1625	2	Plug, (For Jack Screw Holes)	
7	3	2258-D-1278	2	Detent Spring	5333, 5362
8	3	2297-R-6986	2	Detent Ball	
9	1	A-1199-P-1394	2	Breather Assy.	
10	1	A-3293-V-1088	2	Cover Assy, Top (Standard X-Bar)	
	1	A-3293-U-1087	2	Cover Assy, Top (Standard)	
11	1	A-3293-X-1090	2	Cover Assy, Top (Forward X-Bar)	
	1	A-3293-W-1089	2	Cover Assy, Top (Forward)	
12	1	3221-U-1009	2	Oil Scoop	
13	4	S-244-A-2	2	Bolt/Capscrew, 1/4"-20 UNC-2A x 1/2"	
14	1	2244-R-1084	2	Guide Pin, (X-Bar Only)	
15	1	2247-H-1100	2	Lever, (X-Bar Only)	
16	1	3780-E-239	2	O-Ring, (X-Bar Only)	
17	1	2205-W-1011	2	Oil Scoop	
18	2	10X-1446	2	Special Screw, (Forward Only)	
19	1	2205-A-1015	2	Cover Plate, (Forward Only)	
20	1	2208-G-1047	2	Gasket, (Forward Only)	5291, 5362

# Top Cover

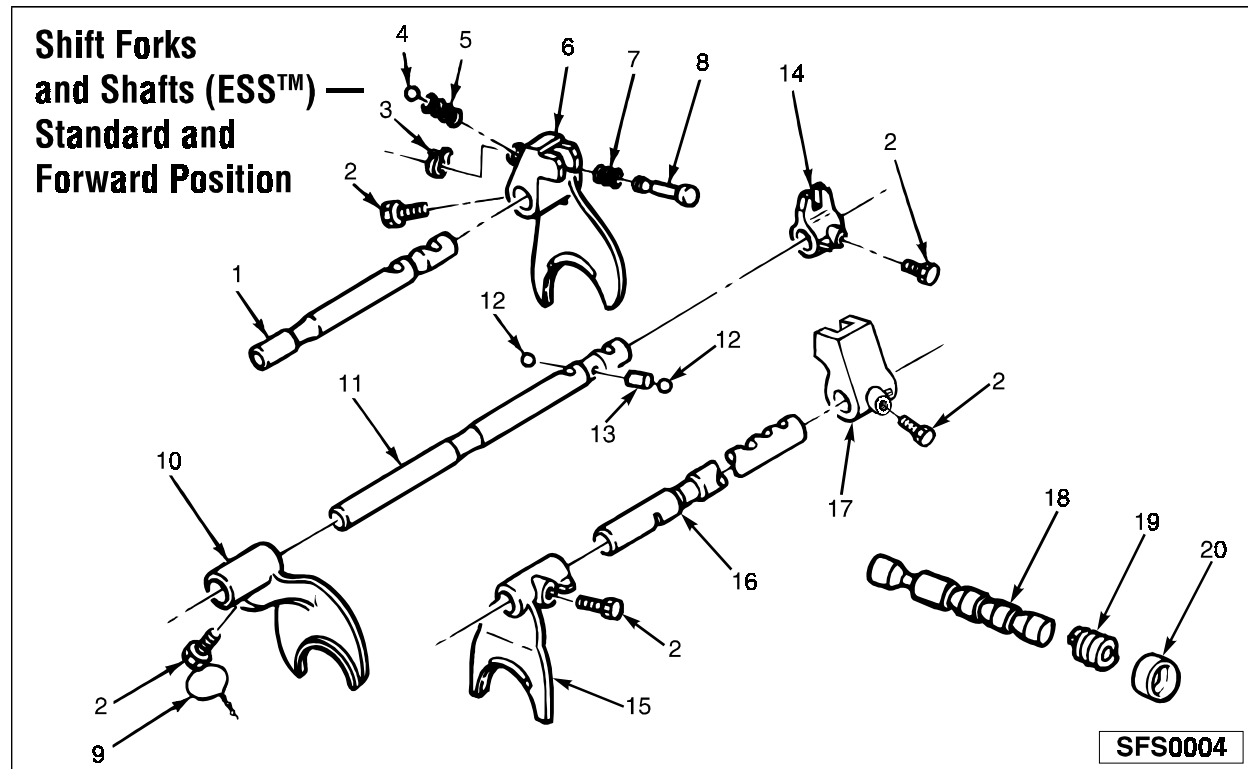


**MERITOR™**



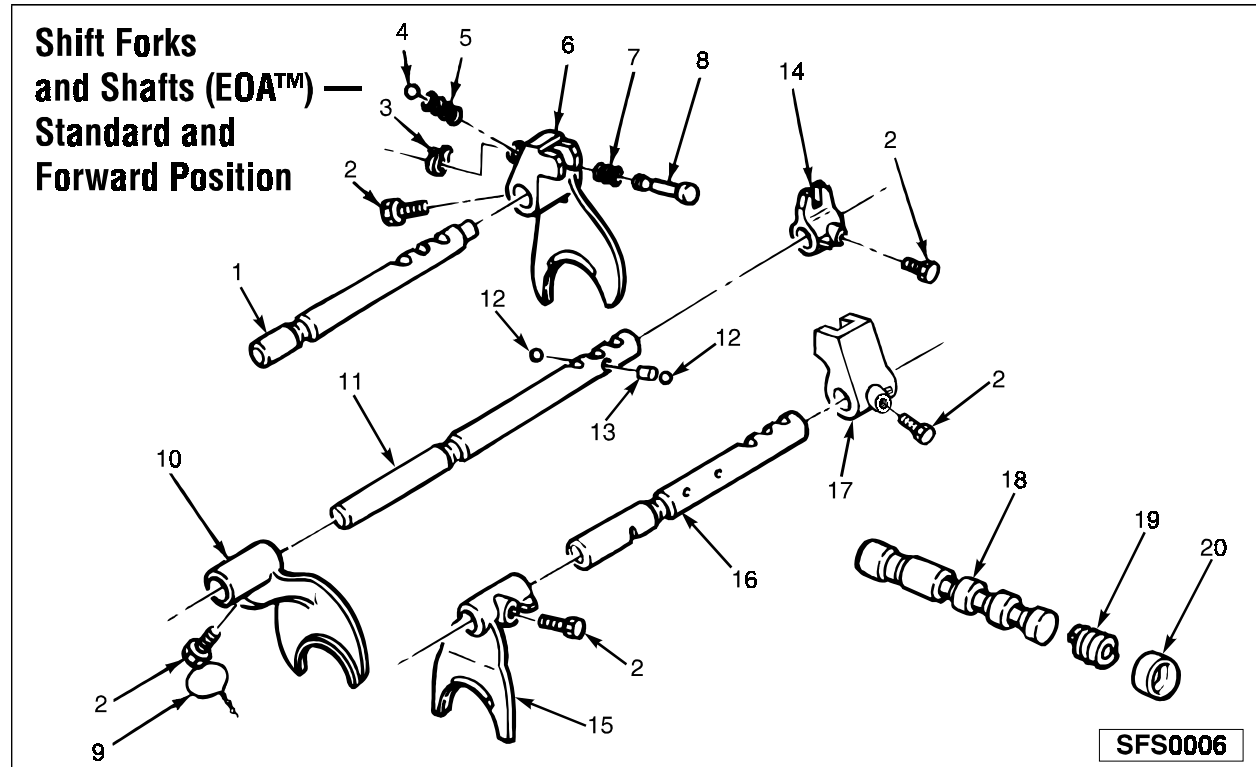
**Shift Forks and Shafts (Manual) — Standard and Forward Position**

Item	Qty.	Part Number	Design Level	Description	Part of Kit
1	1	2244-W-1115	1, 2	Shift Shaft, (1st/Rev) Use KIT5333 for S/N LB930173121 & Below. Use KIT5309 for Shift Rails Only. Use KIT5333 for Shift Rails and 5/16" Air Lines.	5309, 5333
	1	2244-J-1128	2	Shift Shaft, S/N LB93017312 & Above	
2	5	26X-1011	1, 2	Set Screw, NOTE: Requires Loctite® 242 (Meritor Part No. 2297-E-4295, 50 ml tube), or equivalent and lockwire.	5302
3	1	1229-V-4286	1, 2	Snap Ring	5200, 5203, 5220, 5221, 5238, 5239
4	1	1898-H-34	1, 2	Lock Ball	
5	1	2258-Y-1143	1, 2	Spring	
6	1	A-3296-M-1131	1, 2	Shift Fork Assy, (1st/Rev) Fwd Cover	
	1	A-3296-F-1124	1, 2	Shift Fork Assy, (1st/Rev) Std Cover	
7	1	2258-A-1145	1, 2	Spring	
8	1	3280-L-8774	1, 2	Plunger, (1st/Rev)	
9	NLA	1254-A-53	1, 2	Lock Wire, Replaced by 1254-P-1030	5309
	5	1254-P-1030	1, 2	Lock Wire	5333
10	1	3296-H-1126	1, 2	Shift Fork, (2nd/3rd)	
11	NSS	2244-X-1116	1, 2	Shift Shaft, (2nd/3rd) Use KIT5333 for S/N LB93017311 & Below.	
	1	2244-K-1129	2	Shift Shaft, S/N LB93017312 & Above	
12	2	2297-R-5764	1, 2	Ball, (Shift Interlock)	
13	1	43X-1184	1, 2	Pin, (Interlocking)	
14	1	2245-X-1064	1, 2	Sleeve, (2nd/3rd) Fwd Cover	
	1	2245-T-1060	1, 2	Sleeve, (2nd/3rd) Std Cover	
15	1	3296-K-1129	1, 2	Shift Fork, (4th/5th)	
16	NSS	2244-Y-1117	1, 2	Shift Shaft, (4th/5th) Use KIT5333 for S/N LB93017311 & Below.	
	1	2244-L-1130	2	Shift Shaft, S/N LB93017312 & Above	
17	NLA	2245-V-1062	1	Sleeve, Use 2245-P-1134	
	1	2245-P-1134	1, 2	Sleeve, (4th/5th)	
18	1	2244-S-1059	1, 2	Shift Shaft, (Neutral Check)	
19	NLA	3280-M-8775	1	Plunger, Use 2245-P-1134 Sleeve	
20	NLA	2258-A-1145	1	Spring, Use 2245-P-1134 Sleeve	
21	NLA	1229-V-4286	1	Snap Ring, Use 2245-P-1134 Sleeve	5200, 5203, 5220, 5221, 5238, 5239



**Shift Forks and Shafts (ESS™) — Standard & Forward Position**

Item	Qty.	Part Number	Design Level	Description	Part of Kit
1	1	2244-U-1139	2	Shift Shaft, (1st & Rev.)	
2	5	26X-1011	2	Set Screw, NOTE: Requires Loctite® 242 (Meritor Part No. 2297-E-4295, 50 ml tube), or equivalent and lockwire.	5302
3	1	1229-V-4286	2	Snap Ring	5200, 5203, 5220, 5221, 5238, 5239
4	1	1898-H-34	2	Lock Ball	
5	1	2258-Y-1143	2	Spring	
6	1	A-3296-M-1131	2	Shift Fork Assy, (1st/Rev) Fwd Cover	
	1	A-3296-F-1124	2	Shift Fork Assy, (1st/Rev) Std Cover	
7	1	2258-A-1145	2	Spring	
8	1	3280-L-8774	2	Plunger, (1st/Rev)	
9	NLA	1254-A-53	2	Lock Wire, Replaced by 1254-P-1030	5309
	5	1254-P-1030	2	Lock Wire	5333
10	1	3296-H-1126	2	Shift Fork, (2nd/3rd)	
11	1	2244-V-1140	2	Shift Shaft, (2nd & 3rd)	
12	2	2297-R-5764	2	Ball, (Shift Interlock)	
13	1	43X-1184	2	Pin, (Interlocking)	
14	1	2245-X-1064	2	Sleeve, (2nd/3rd) Fwd Cover	
	1	2245-T-1060	2	Sleeve, (Std. X-Bar)	
15	1	3296-K-1129	2	Shift Fork, (Std.) Replaced by A1-3293-L-1078	
16	1	2244-W-1141	2	Shift Shaft, (Std.) Replaced by A1-3293-L-1078	
17	1	2245-P-1134	2	Sleeve, (Std.) Includes Shift Forks & Rails	
18	1	2244-Y-1143	2	Shift Shaft, (2nd/3rd) Std Cover	
19	1	2258-D-1330	2	Spring, Neutral Checkshaft	
20	1	1250-W-1271	2	Plug, Expansion	



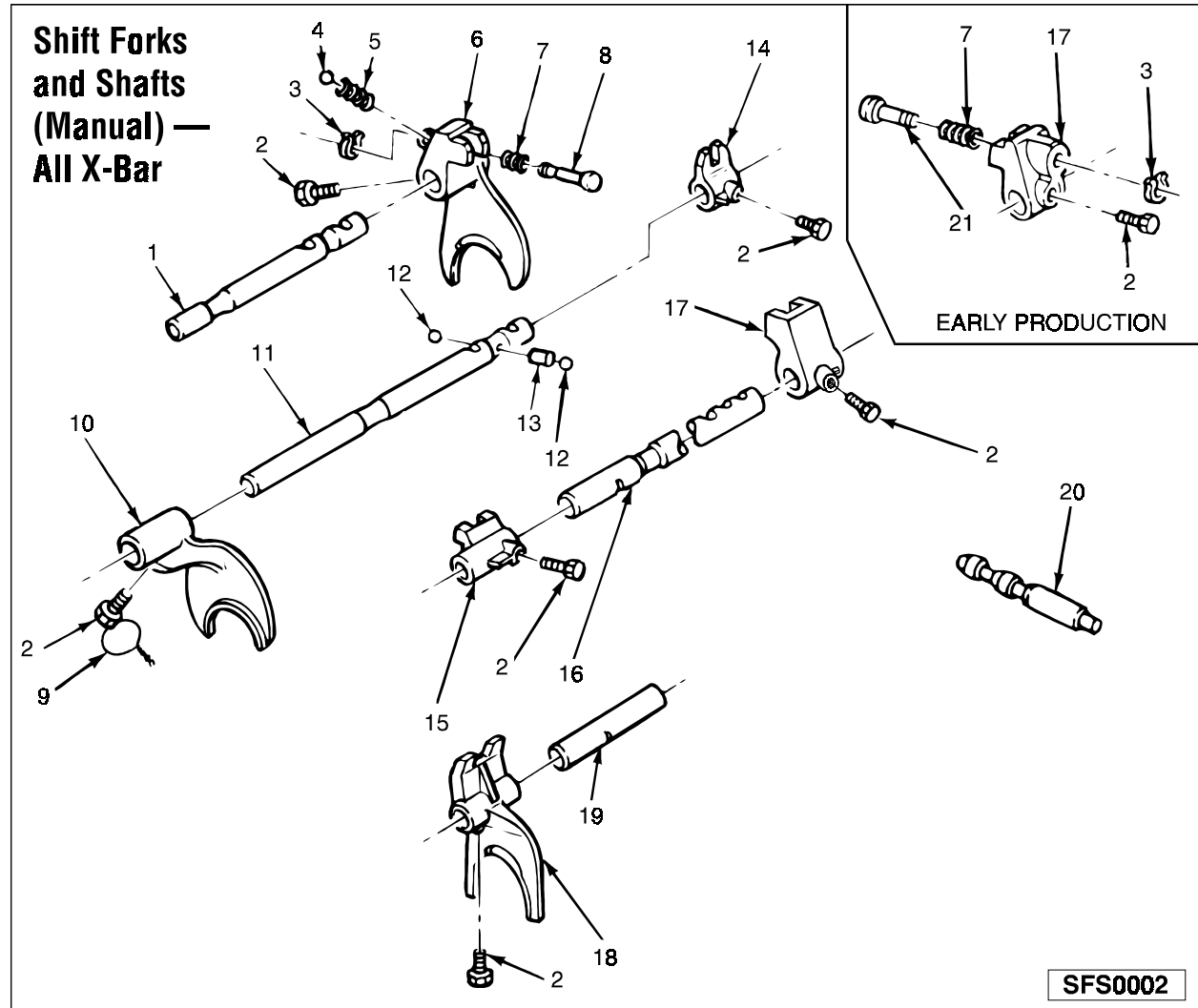
**Shift Forks and Shafts (EOA™) — Standard & Forward Position**

Item	Qty.	Part Number	Design Level	Description	Part of Kit
1	1	2244-J-1128	2	Shift Shaft, (Lo/Rev)	
2	5	26X-1011	2	Set Screw, NOTE: Requires Loctite® 242 (Meritor Part No. 2297-E-4295, 50 ml tube), or equivalent and lockwire.	5302
3	1	1229-V-4286	2	Snap Ring	5200, 5203, 5220, 5221, 5238, 5239
4	1	1898-H-34	2	Lock Ball	
5	1	2258-Y-1143	2	Spring	
6	1	A-3296-M-1131	2	Shift Fork Assy, (Lo/Rev) Fwd Cover	
	1	A-3296-F-1124	2	Shift Fork Assy, (Lo/Rev) Std Cover	
7	1	2258-A-1145	2	Spring	
8	1	3280-L-8774	2	Plunger, (Lo/Rev)	
9	5	1254-P-1030	2	Lock Wire	5333
10	1	3296-H-1126	2	Shift Fork, (1st/2nd)	
11	1	2244-K-1129	2	Shift Shaft, (1st/2nd)	
12	2	2297-R-5764	2	Ball, (Shift Interlock)	
13	1	43X-1184	2	Pin, (Interlocking)	
14	1	2245-X-1064	2	Sleeve, (1st/2nd) Fwd Cover	
	1	2245-T-1060	2	Sleeve, (1st/2nd) Std Cover	
15	1	3296-K-1129	2	Shift Fork, (3rd/4th)	
16	1	2244-L-1130	2	Shift Shaft, (3rd/4th)	
17	1	2245-P-1134	2	Sleeve, (3rd/4th)	
18	1	2244-K-1155	2	Shift Shaft, Neutral Check	
19	1	2258-D-1330	2	Spring, Neutral Checkshaft	
20	1	1250-W-1271	2	Plug, Expansion	

# Top Cover



**MERITOR™**



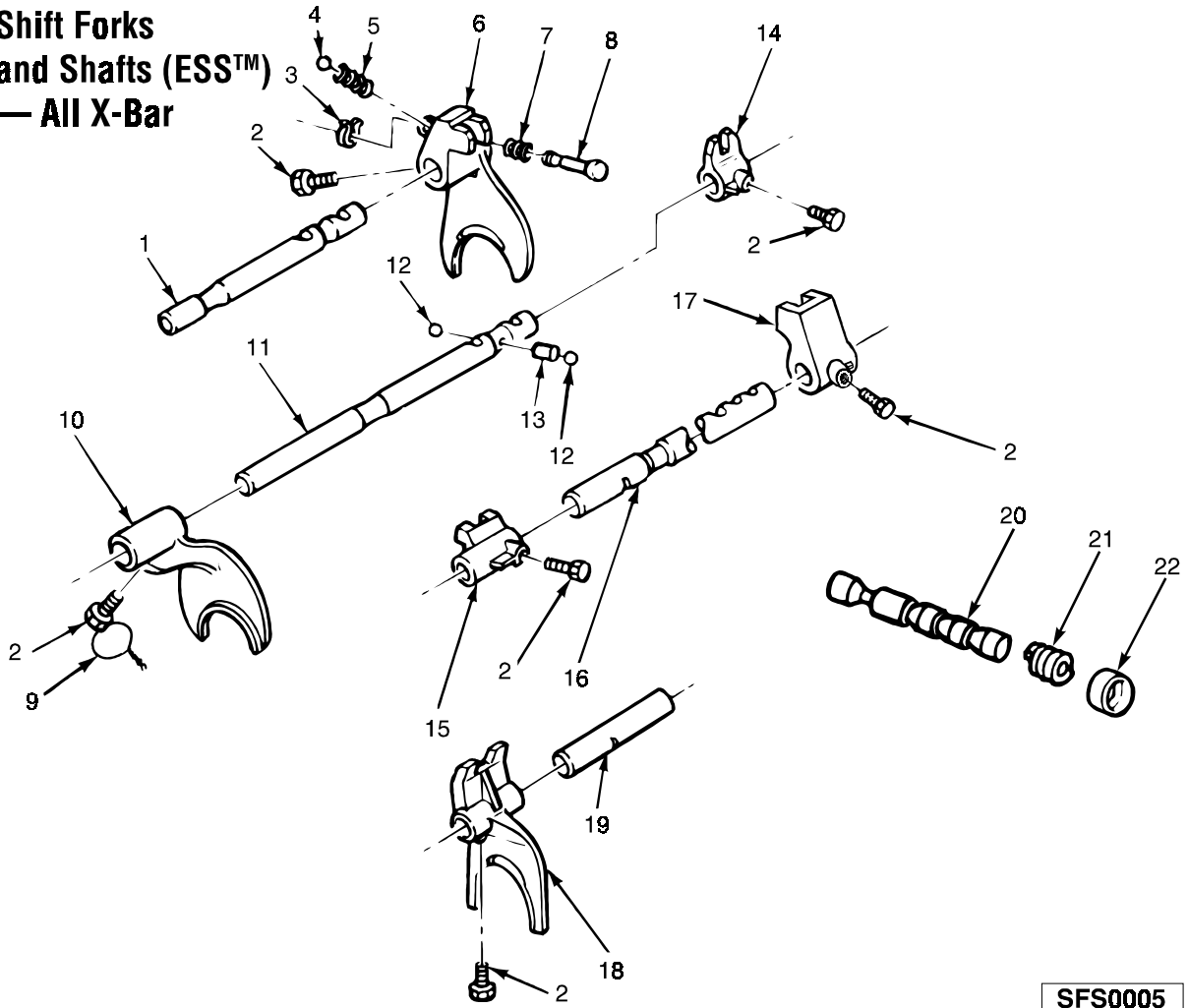




**Shift Forks and Shafts (Manual) — All X-Bar**

Item	Qty.	Part Number	Design Level	Description	Part of Kit
1	NSS	2244-W-1115	1, 2	Shift Shaft, (1st/Rev.) Use KIT5333 for S/N LB93017311 & Below. Use KIT5309 for Shift Rails Only. Use KIT5333 for Shift Rails and 5/16" Air Lines.	5309, 5333
2	6	26X-1011	1, 2	Set Screw, NOTE: Requires Loctite <sup>®</sup> 242 (Meritor Part No. 2297-E-4295, 50 ml tube) or equivalent and lockwire.	5302
3	1	1229-V-4286	1, 2	Snap Ring, (Shift Plunger 1st/Rev)	5200, 5203, 5220, 5221, 5238, 5239
4	1	1898-H-34	1, 2	Lock Ball	
5	1	2258-Y-1143	1, 2	Spring	
6	1	3296-F-1124	1, 2	Shift Fork, (1st/Rev), Std Cover	
	1	3296-M-1131	1, 2	Shift Fork, (1st/Rev), Fwd Cover	
7	1	2258-A-1145	1, 2	Spring	
8	1	3280-L-8774	1, 2	Plunger, (1st/Rev)	
9	NLA	1254-A-53	1, 2	Lock Wire, Replaced by 1254-P-1030	5309
	6	1254-P-1030	1, 2	Lock Wire	5333
10	1	3296-H-1126	1, 2	Shift Fork, (2nd/3rd)	
11	NSS	2244-X-1116	1, 2	Shift Shaft, (2nd/3rd) Use KIT5333 for S/N LB93017311 & Below.	
	1	2244-K-1129	2	Shift Shaft, S/N LB93017312 & Above	
12	2	2297-R-5764	1, 2	Ball	
13	1	43X-1184	1, 2	Pin, (Interlocking)	
14	1	2245-T-1060	1, 2	Sleeve, (2nd/3rd) Std Cover	
	1	2245-X-1064	1, 2	Sleeve, Shifter (2nd/3rd) Fwd Cover	
15	1	2245-G-1125	1, 2	Sleeve, (4th/5th)	
16	1	2244-T-1112	1, 2	Shift Shaft, (4th/5th)	
17	NLA	2245-V-1062	1	Sleeve, Use 2245-P-1134	
	1	2245-P-1134	1, 2	Sleeve, (4th/5th)	
18	1	3296-R-1136	1, 2	Shift Fork, (4th/5th)	
19	NLA	2244-Q-1083	1	Shift Shaft, Use 2244-Y-1117	
	NSS	2244-Y-1117	1, 2	Shift Shaft, Use KIT5333 for S/N LB93017311 & Below.	
	1	2244-L-1130	2	Shift Shaft, S/N LB93017312 & Above	
20	1	2244-S-1059	1, 2	Shift Shaft, (Neutral Check)	
21	NLA	3280-M-8775	1	Plunger, Use 2245-P-1134 Sleeve	
	1	2245-P-1134	1, 2	Sleeve	

## Shift Forks and Shafts (ESS™) — All X-Bar



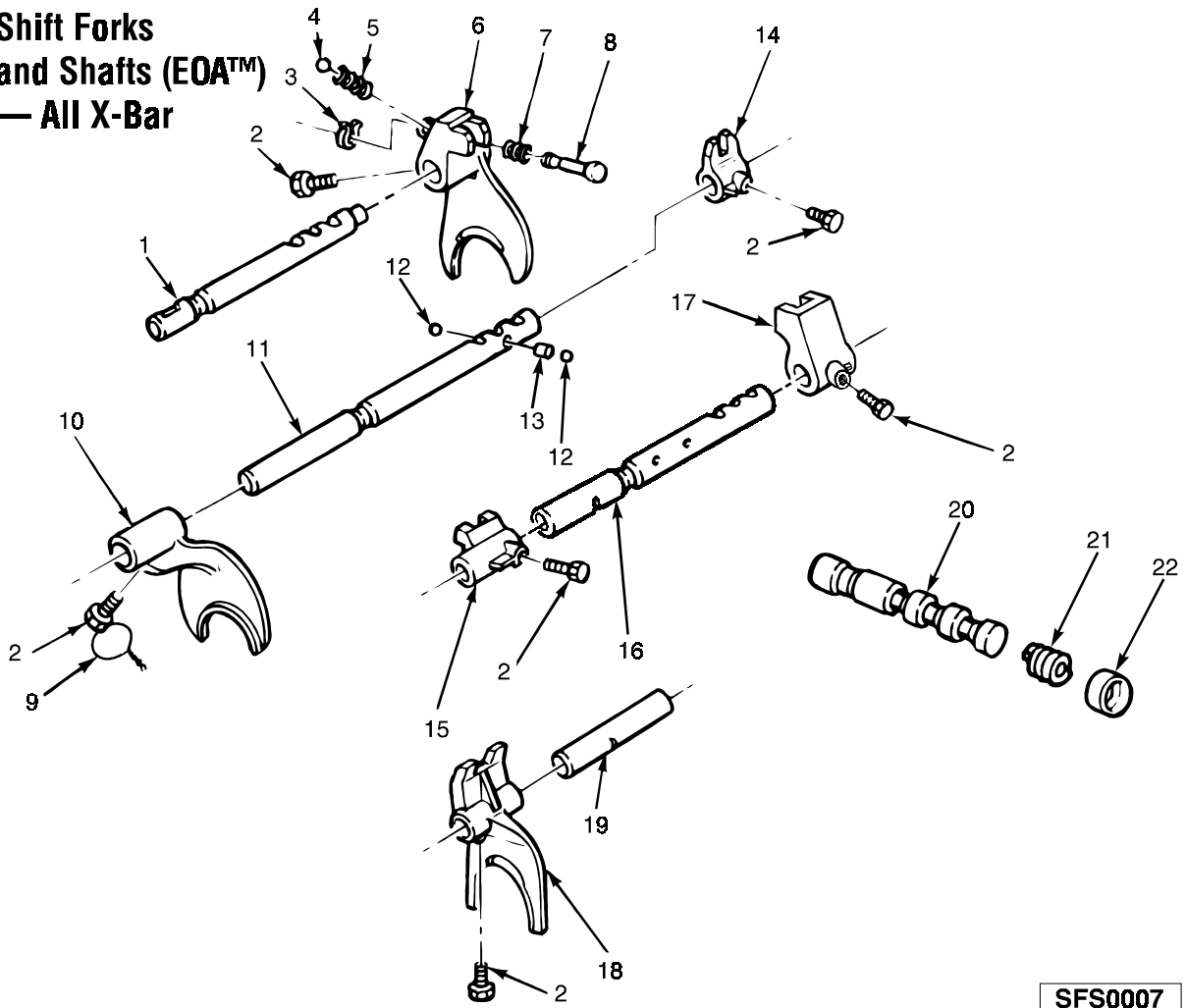
SFS0005

**Shift Forks and Shafts (ESS™) — All X-Bar**

Item	Qty.	Part Number	Design Level	Description	Part of Kit
1	1	2244-U-1139	2	Shift Shaft, (1st & Rev.)	
2	6	26X-1011	2	Set Screw, NOTE: Requires Loctite 242 (Meritor Part No. 2297-E-4295, 50 ml tube), or equivalent and lockwire.	5302
3	1	1229-V-4286	2	Snap Ring, (Shift Plunger 1st/Rev)	5200, 5203, 5220, 5221, 5238, 5239
4	1	1898-H-34	2	Lock Ball	
5	1	2258-Y-1143	2	Spring	
6	1	3296-F-1124	2	Shift Fork, (1st/Rev) Std Cover	
	1	3296-M-1131	2	Shift Fork, (1st/Rev) Fwd Cover	
7	1	2258-A-1145	2	Spring	
8	1	3280-L-8774	2	Plunger, (1st/Rev)	
9	NLA	1254-A-53	2	Lock Wire, Replaced by 1254-P-1030	5309
	6	1254-P-1030	2	Lock Wire	5333
10	1	3296-H-1126	2	Shift Fork, (2nd/3rd)	
11	1	2244-V-1140	2	Shift Shaft, (2nd/3rd)	
12	2	2297-R-5764	2	Ball	
13	1	43X-1184	2	Pin, (Interlocking)	
14	1	2245-T-1060	2	Sleeve, (2nd/3rd) Std Cover	
	1	2245-X-1064	2	Sleeve, (2nd/3rd) Fwd Cover	
15	1	2245-G-1125	2	Sleeve, (4th/5th)	
16	1	2244-W-1141	2	Shift Shaft, (4th & 5th)	
17	1	2245-P-1134	2	Sleeve, (4th/5th)	
18	1	3296-R-1136	2	Shift Fork, (4th/5th)	
19	NSS	2244-Y-1117	2	Shift Shaft, Use KIT5333 for S/N LB93017311 & Below.	
	1	2244-L-1130	2	Shift Shaft, S/N LB93017312 & Above	
20	1	2244-Y-1143	2	Shift Shaft, Neutral Check	
21	1	2258-D-1330	2	Spring, Neutral Checkshaft	
22	1	1250-W-1271	2	Plug, Expansion	



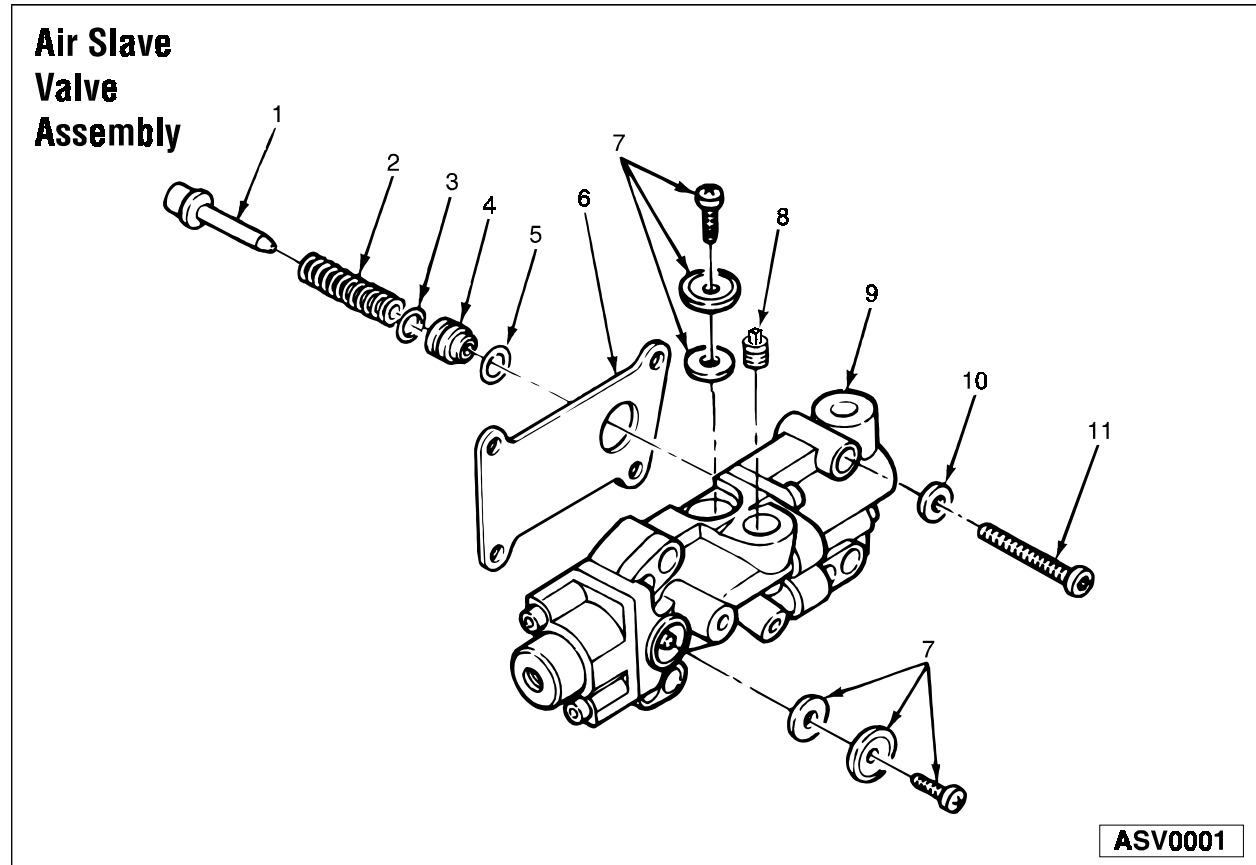
### Shift Forks and Shafts (EOA™) — All X-Bar



SFS0007

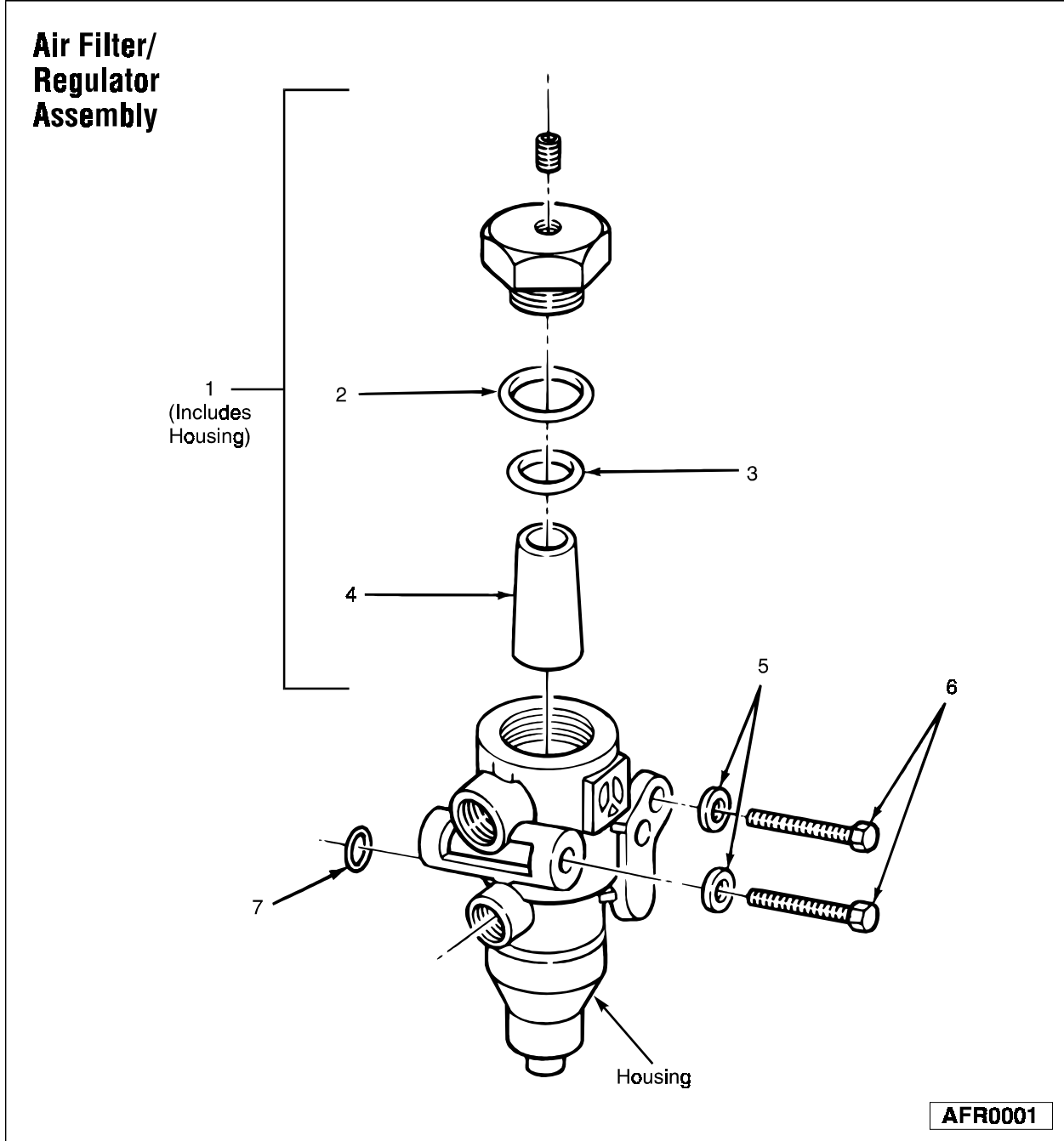
**Shift Forks and Shafts (EOA™) — All X-Bar**

Item	Qty.	Part Number	Design Level	Description	Part of Kit
1	1	2244-J-1128	2	Shift Shaft, (Lo/Rev)	
2	6	26X-1011	2	Set Screw, NOTE: Requires Loctite® 242 (Meritor Part No. 2297-E-4295, 50 ml tube), or equivalent and lockwire.	5302
3	1	1229-V-4286	2	Snap Ring, (Shift Plunger 1st/Rev)	5200, 5203, 5220, 5221, 5238, 5239
4	1	1898-H-34	2	Lock Ball	
5	1	2258-Y-1143	2	Spring	
6	1	3296-F-1124	2	Shift Fork, (Lo/Rev) Std Cover	
	1	3296-M-1131	2	Shift Fork, (Lo/Rev) Fwd Cover	
7	1	2258-A-1145	2	Spring	
8	1	3280-L-8774	2	Plunger, (Lo/Rev)	
9	6	1254-A-53	2	Lock Wire	5309
10	1	3296-H-1126	2	Shift Fork, (1st/2nd)	
11	1	2244-K-1129	2	Shift Shaft, (1st/2nd)	
12	2	2297-R-5764	2	Ball	
13	1	43X-1184	2	Pin, (Interlocking)	
14	1	2245-T-1060	2	Sleeve, (1st/2nd) Std Cover	
	1	2245-X-1064	2	Sleeve, (1st/2nd) Fwd Cover	
15	1	2245-G-1125	2	Sleeve, (3rd/4th)	
16	1	2244-L-1130	2	Shift Shaft, (3rd/4th)	
17	1	2245-P-1134	2	Sleeve, (3rd/4th)	
18	1	3296-R-1136	2	Shift Fork, (3rd/4th)	
19	1	2244-Q-1083	2	Shift Shaft, S/N: LB93017312 & Above	
20	1	2244-K-1155	2	Shift Shaft, Neutral Check	
21	1	2258-D-1330	2	Spring, Neutral Checkshaft	
22	1	1250-W-1271	2	Plug, Expansion	



## Air Slave Valve Assembly

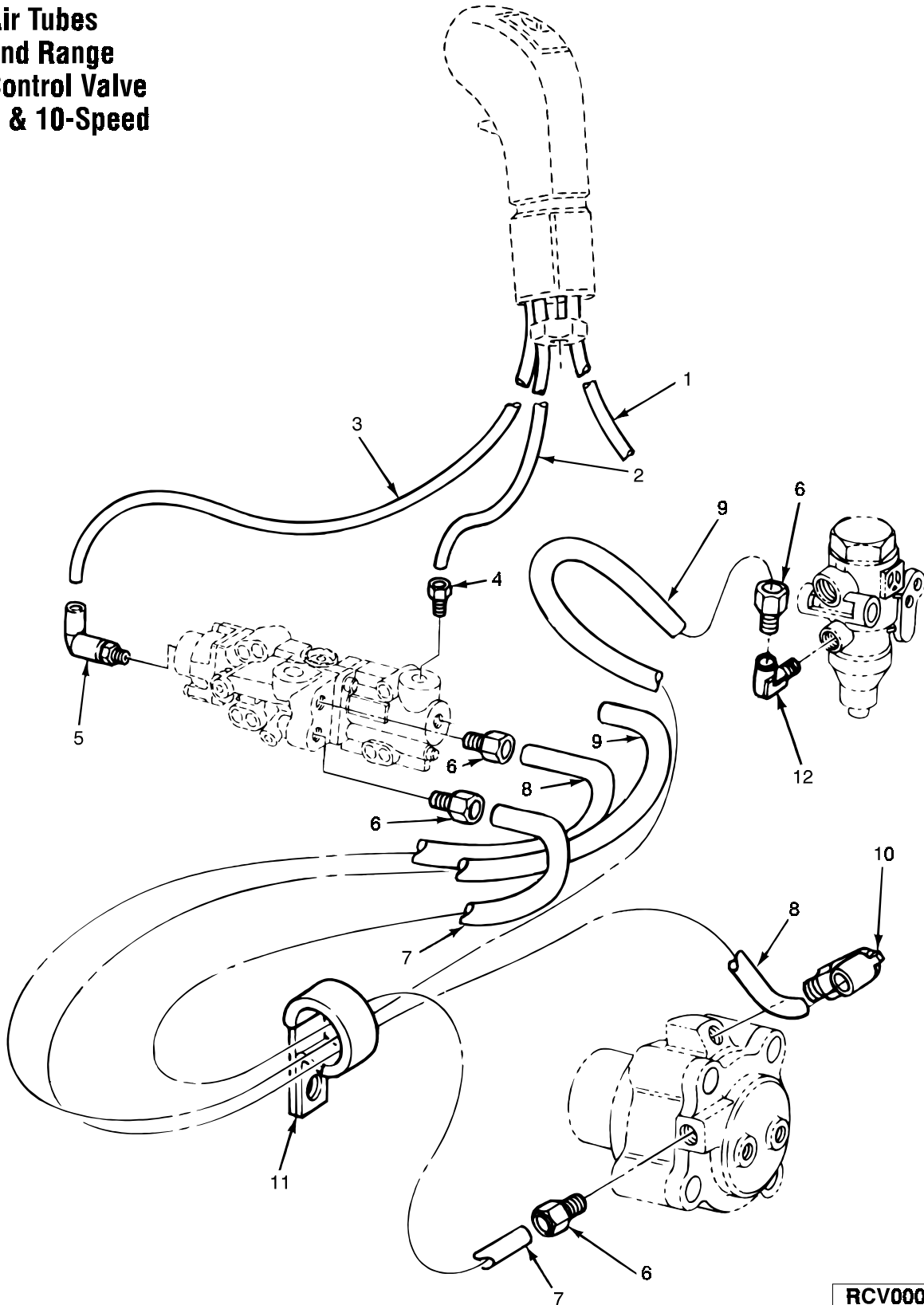
Item	Qty.	Part Number	Design Level	Description	Part of Kit
1	1	43X-1181	1, 2	Pin, (Actuator)	
2	1	2258-V-1166	1, 2	Spring	5371, 5385
3	1	5X-1151	1, 2	O-Ring	
4	NLA	2245-H-1126	1, 2	Sleeve, Replaced by 2245-B-1198, Use KIT5385.	
	NLA	2245-U-1165	2	Sleeve, Replaced by 2245-B-1198, Use KIT5385.	5371
	1	2245-B-1198	2	Sleeve	5280, 5385
5	1	5X-1134	1, 2	O-Ring	
6	1	2208-M-1053	1	Gasket	5200, 5203, 5220, 5221, 5238, 5239, 5280, 5371, 5385
7	2	KIT5294	1, 2	Service Kit	
8	1	P-12Z-S	1, 2	Plug	
9	1	A-3280-Y-8761	1, 2	Valve Assy, (Order KIT5385)	
10	4	WA14	1, 2	Lock Wshr	
11	4	10X-1532	1, 2	Special Screw, 1/4"-20 x 1-1/2" Allen Head	



**Air Filter/Regulator Assembly**

Item	Qty.	Part Number	Design Level	Description	Part of Kit
1	1	A-3280-X-9072	1, 2	Filter/Reg Assy, (9- & 10-Speed Only) Includes Housing	
	1	A-3280-Y-9073	1, 2	Filter/Reg Assy, (13-Speed Only) Includes Housing	
2	NSS	5X-1135	1, 2	O-Ring, (Order Kit 5290)	
3	NSS	5X-1096	1, 2	O-Ring, (Order Kit 5290)	
4	NSS	2297-A-6163	1, 2	Filter, (Order Kit 5290)	5290
5	2	WA-34	1, 2	Flat Wshr	
6	2	S-2416-A-1	1, 2	Bolt/Capscrew	
7	1	5X-1084	1, 2	O-Ring, (13-Speed Only)	

## Air Tubes and Range Control Valve 9 & 10-Speed



RCV0001

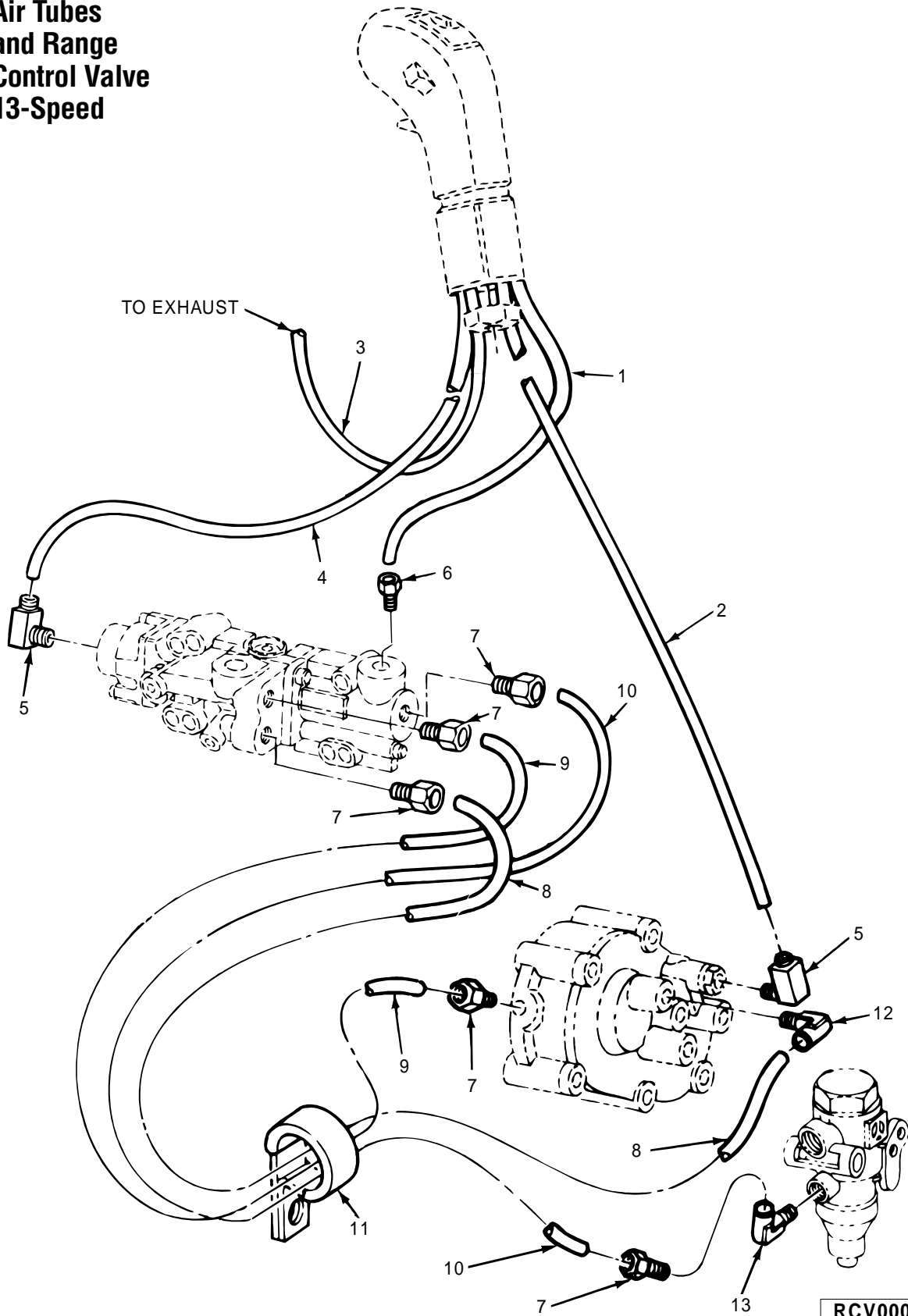




**Air Tubes and Range Control Valve 9 & 10-Speed**

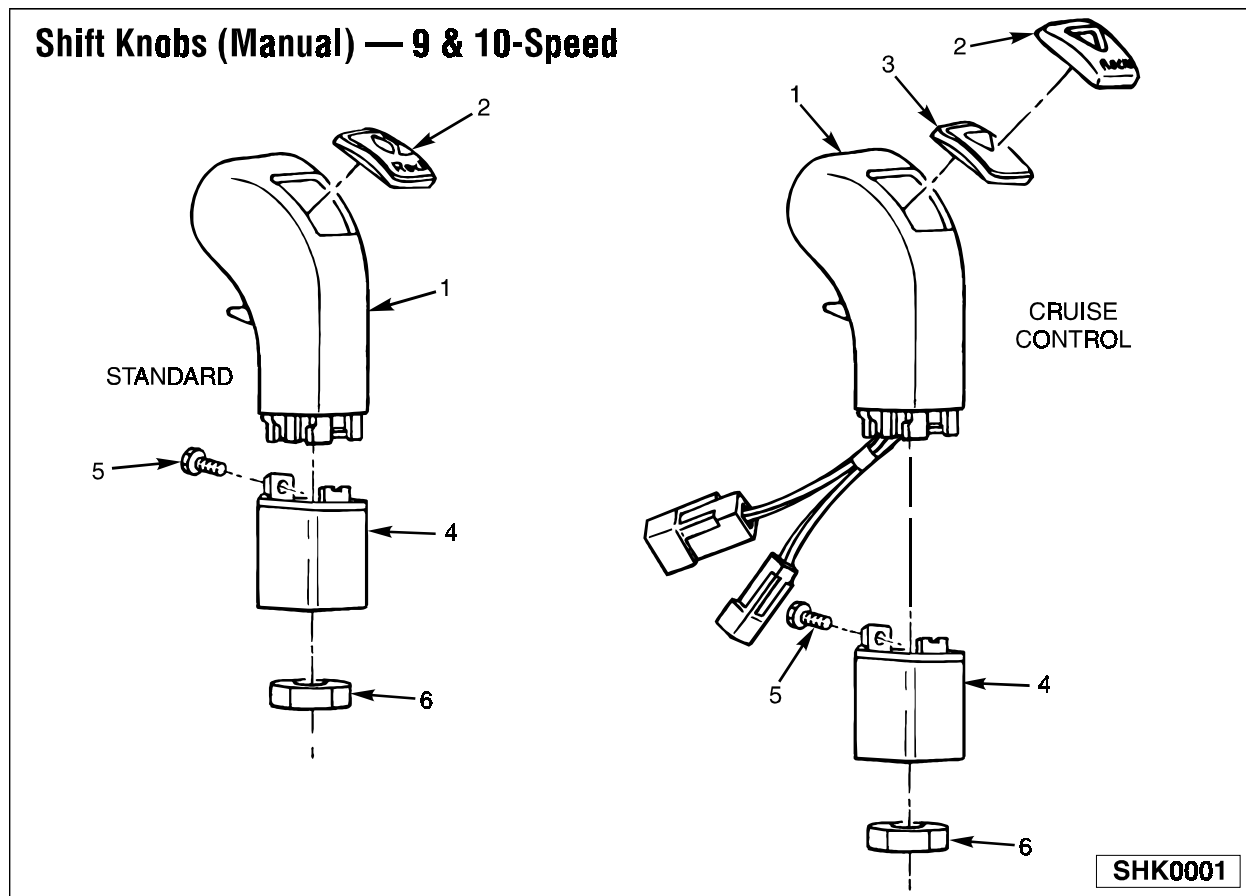
Item	Qty.	Part Number	Design Level	Description	Part of Kit
1	OPT	2296-T-1034	1, 2	Tubing, (Exhaust) (5/32" O.D. x 50' long - Yellow)	
	OPT	2296-P-1030	1, 2	Tubing, (Exhaust) (1/8" O.D. x 50' long - Yellow)	
2	1	2296-R-1032	1, 2	Tubing, (Pilot Supply) (5/32" O.D. x 50' long - Red)	
	1	2296-M-1076	1, 2	Tubing, (Pilot Supply) (1/8" O.D. x 50' long - Red)	
3	1	2296-S-1033	1, 2	Tubing, (Pilot) (5/32" O.D. x 50' long - Black)	
	1	2296-N-1028	1, 2	Tubing, (Pilot) (1/8" O.D. x 50' long - Black)	
4	1	A-2206-J-1128	1, 2	Connector, 5/32" x 1/8" NPT	
	1	A-2206-L-1130	1, 2	Connector, 1/8" x 1/8" NPT	
5	1	A-2206-M-1131	1, 2	Elbow, 5/32" x 1/8" NPT 90 degrees	
	1	A-2206-P-1134	1, 2	Elbow, 1/8" x 1/8" NPT 90 degrees	
6	NLA	A-2206-K-1129	1	Connector, 1/4" x 1/8" NPT Replaced by A-2206-G-1151	
	5	A-2206-G-1151	1, 2	Connector, 5/16" x 1/8" NPT	
7	NLA	2296-J-1024	1	Tubing, (1/4") Use 2296-H-1074	
	1	2296-H-1074	1, 2	Tubing, 5/16" O.D. x 25" (Blue)	
8	NLA	2296-L-1026	1	Tubing, (1/4") Use 2296-J-1076	
	1	2296-J-1076	1, 2	Tubing, 5/16" O.D. x 26" (Black)	
9	NLA	2296-K-1025	1	Tubing, (1/4") Use 2296-K-1077	
	1	2296-K-1077	1, 2	Tubing, 5/16" O.D. x 24" (Red)	
10	NLA	A-2206-Q-1135	1	Elbow, Replaced by A-2206-F-1150	
	1	A-2206-F-1150	1, 2	Elbow, 5/16" x 1/8" NPT 90 degrees	
11	NLA	2257-C-1069	1	Clamp, Use 2257-J-1076	
	1	2257-J-1076	1, 2	Clamp	5231, 5233, 5251, 5257, 5307
12	NLA	2206-P-1056	1, 2	Tube Adapter, Replaced by A-2206-R-1136	
	OPT	A-2206-R-1136	1, 2	Tube Adapter, 5/32" to 1/8"	
	1	2206-C-1147	1, 2	Elbow, 45 degrees	5307

## Air Tubes and Range Control Valve 13-Speed



**Air Tubes and Range Control Valve 13-Speed**

Item	Qty.	Part Number	Design Level	Description	Part of Kit
1	1	2296-R-1032	1, 2	Tubing, (Pilot Supply) 5/32" O.D. x 50' Red	
	1	2296-M-1076	1, 2	Tubing, (Pilot Supply) 1/8" O.D. x 50' Red	
2	1	2296-U-1035	1, 2	Tubing, (Splitter) 5/32" O.D. x 50' Green	
	1	2296-Q-1031	1, 2	Tubing, (Splitter) 1/8" O.D. x 50' Green	
3	OPT	2296-T-1034	1, 2	Tubing, (Exhaust) 5/32" O.D. x 50' Yellow	
	OPT	2296-P-1030	1, 2	Tubing, (Exhaust) 1/8" O.D. x 50' Yellow	
4	1	2296-S-1033	1, 2	Tubing, (Pilot) 5/32" O.D. x 50' Black	
	1	2296-N-1028	1, 2	Tubing, (Pilot) 1/8" O.D. x 50' Black	
5	2	A-2206-M-1131	1, 2	Elbow, 5/32" x 1/8" NPT 90 degrees	
	2	A-2206-P-1134	1, 2	Elbow, 1/8" x 1/8" NPT 90 degrees	
6	1	A-2206-J-1128	1, 2	Connector, 5/32" x 1/8" NPT	
	1	A-2206-L-1130	1, 2	Connector, 1/8" x 1/8" NPT	
7	NLA	A-2206-K-1129	1	Connector, Use A-2206-G-1151	
	5	A-2206-G-1151	1, 2	Connector, 5/16" x 1/8" NPT	
8	NLA	2296-J-1024	1	Tubing, (1/4") Use 2296-L-1078	
	1	2296-L-1078	1, 2	Tubing, (5/16" O.D. x 31") Blue	
9	NLA	2296-L-1026	1	Tubing, (1/4") Use 2296-M-1079	
	1	2296-M-1079	1, 2	Tubing, (5/16" x O.D. x 28") Black	
10	NLA	2296-K-1025	1	Tubing, (1/4") Use 2296-N-1080	
	1	2296-N-1080	1, 2	Tubing, (5/16" O.D. x 28") Red	
11	NLA	2257-C-1069	1	Clamp, Use 2257-J-1076	
	1	2257-J-1076	2	Clamp	5231, 5233, 5251, 5257, 5307
12	NLA	A-2206-Q-1135	1	Elbow, Use A-2206-F-1150	
	1	A-2206-F-1150	1, 2	Elbow, (5/16" x 1/8" NPT) 90 degrees	
13	1	2206-C-1147	1, 2	Elbow, 45 degrees	5307

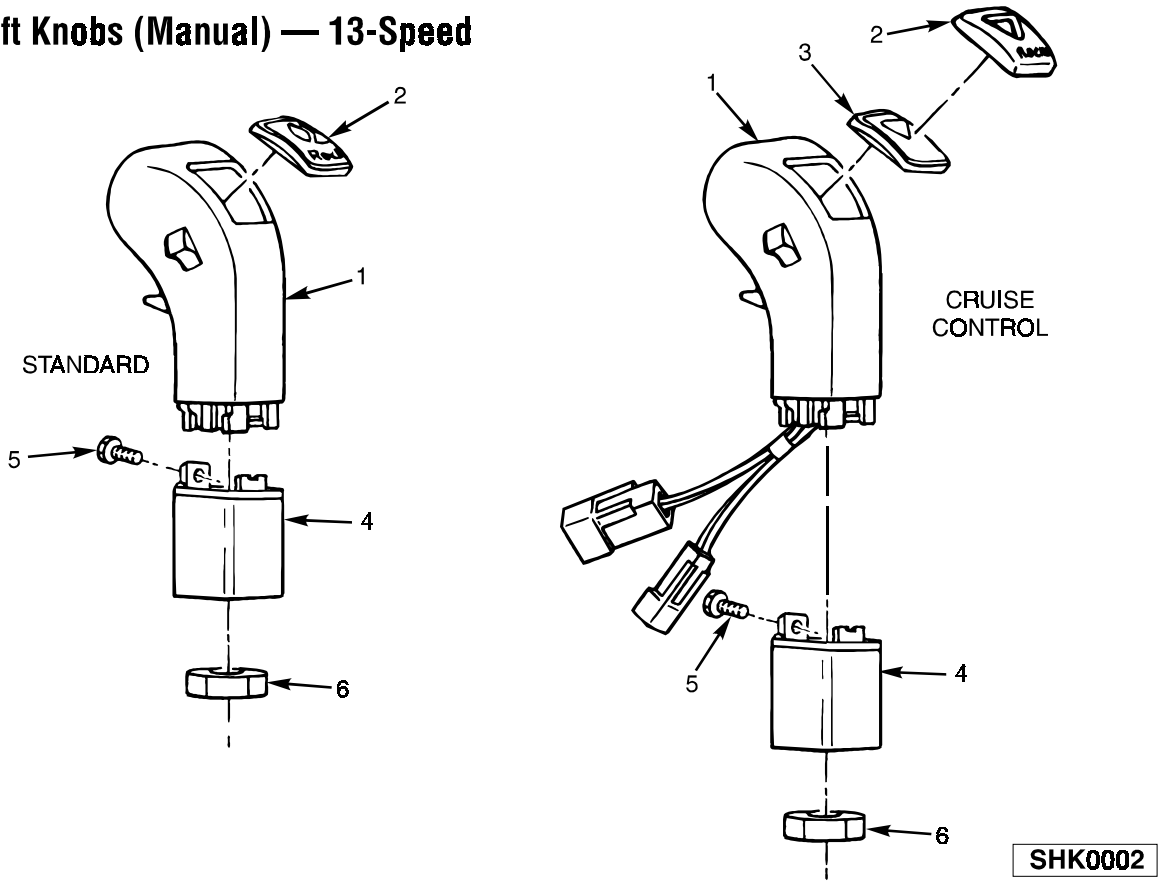


### Shift Knobs (Manual) — 9 & 10-Speed

Item	Qty.	Part Number	Design Level	Description	Part of Kit
1	NLA	A-3280-J-9032	1, 2	Shift Knob, Replaced by A-3280-F-9366	
	1	A-3280-F-9366	1, 2	Shift Knob, 5/32" Air Lines	
	NLA	A-3280-H-9030	1, 2	Shift Knob, Replaced by A-3280-E-9365	
	1	A-3280-E-9365	1, 2	Shift Knob, 1/8" Air Lines	
	NLA	A-3280-T-9276	1, 2	Shift Knob, Replaced by A-3280-J-9370	
	1	A-3280-J-9370	1, 2	Shift Knob, Cruise Control, 1/8" Air Lines	
	NLA	A-3280-U-9277	1, 2	Shift Knob, Replaced by A-3280-K-9371	
1	A-3280-K-9371	1, 2	Shift Knob, Cruise Control, 5/32" Air Lines		
2	NLA	2297-Z-6526	1, 2	Shield, (Cap-Lens) (Replaced by A-2297-W-7069)	
	1	A-2297-W-7069	1, 2	Shield, (Cap-Lens)	
3	1	A-2297-L-7058	1, 2	Switch Assy, Cruise Control	
4	NLA	2245-F-1124	1, 2	Shroud, Skirt, Replaced by 2245-P-1186	
	1	2245-P-1186	1, 2	Shroud, Skirt (Order Item No. 1)	
5	NLA	10X-1524	1, 2	Special Screw, Replaced by 10X-1625	
	1	10X-1625	1, 2	Special Screw, (Order Item No. 1)	
6	1	N-68-1	1, 2	Jam Nut	



**Shift Knobs (Manual) — 13-Speed**

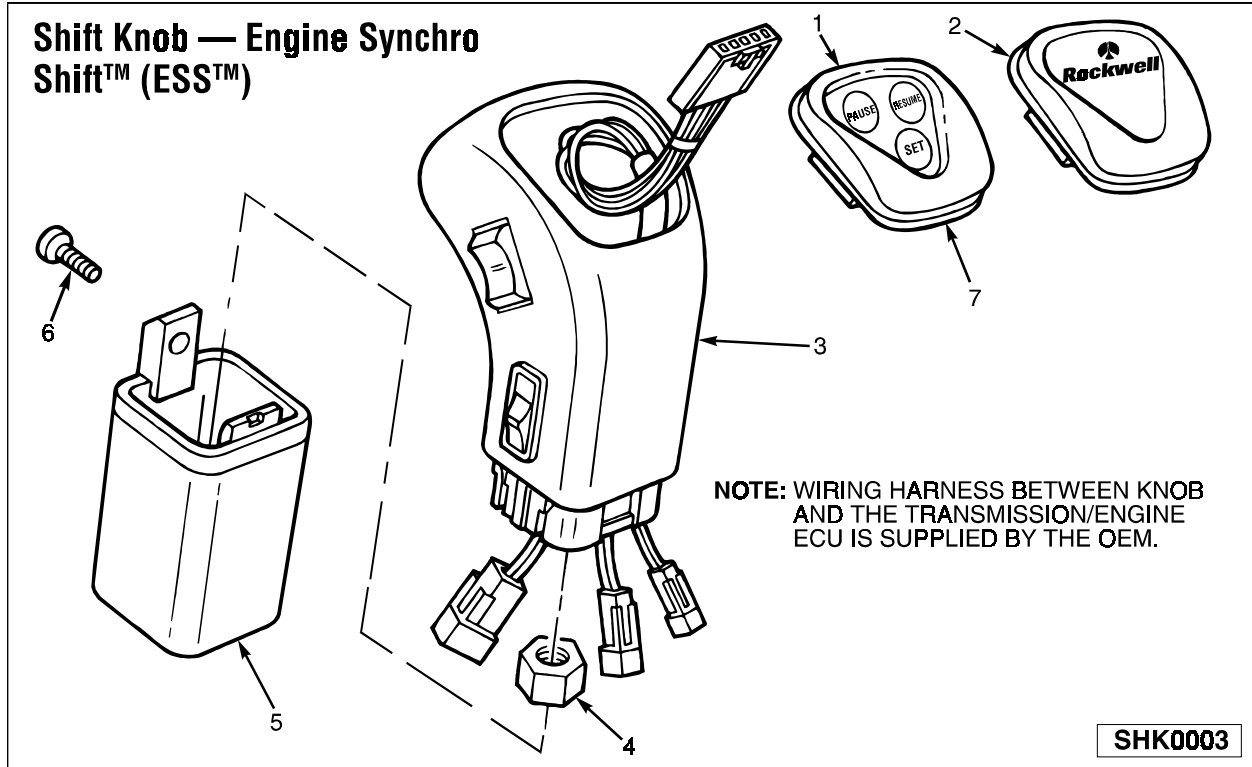


SHK0002

**Shift Knobs (Manual) — 13-Speed**

Item	Qty.	Part Number	Design Level	Description	Part of Kit
1	NLA	A-3280-L-9034	1, 2	Shift Knob, Replaced by A-3280-H-9368	
	1	A-3280-H-9368	1, 2	Shift Knob, 5/32" Air Lines	
	NLA	A-3280-K-9033	1, 2	Shift Knob, Replaced by A-3280-G-9367	
	1	A-3280-G-9367	1, 2	Shift Knob, 1/8" Air Lines	
	NLA	A-3280-V-9278	1, 2	Shift Knob, Replaced by A-3280-L-9372	
	1	A-3280-L-9372	1, 2	Shift Knob, Cruise Control, 1/8" Air Lines	
	NLA	A-3280-W-9279	1, 2	Shift Knob, Replaced by A-3280-M-9373	
	1	A-3280-M-9373	1, 2	Shift Knob, Cruise Control, 5/32" Air Lines	
2	NLA	2297-Z-6526	1, 2	Shield, (Cap-Lens) (Replaced by A-2297-W-7069)	
	1	A-2297-W-7069	1, 2	Shield, (Cap-Lens)	
3	1	A-2297-L-7058	1, 2	Switch Assy, Cruise Control	
4	NLA	2245-F-1124	1, 2	Shroud, Skirt, Replaced by 2245-P-1186	
	1	2245-P-1186	1, 2	Shroud, Skirt (Order Item No. 1)	
5	NLA	10X-1524	1, 2	Special Screw, Replaced by 10X-1625	
	1	10X-1625	1, 2	Special Screw, (Order Item No. 1)	
6	1	N-68-1	1, 2	Jam Nut	

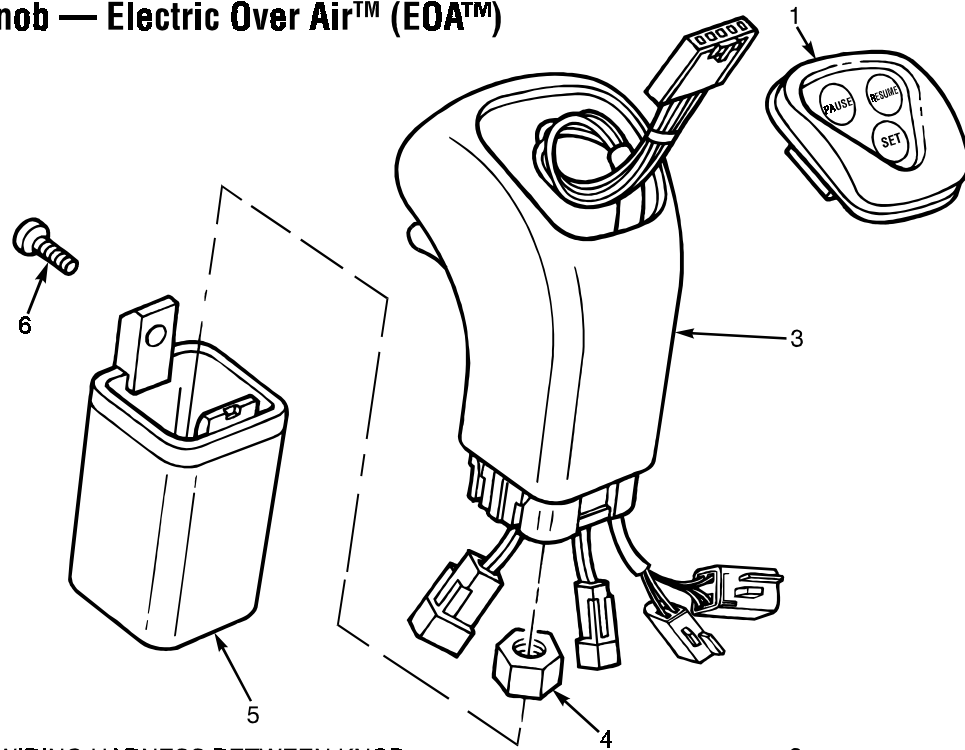
## Shift Knob — Engine Synchro Shift™ (ESS™)



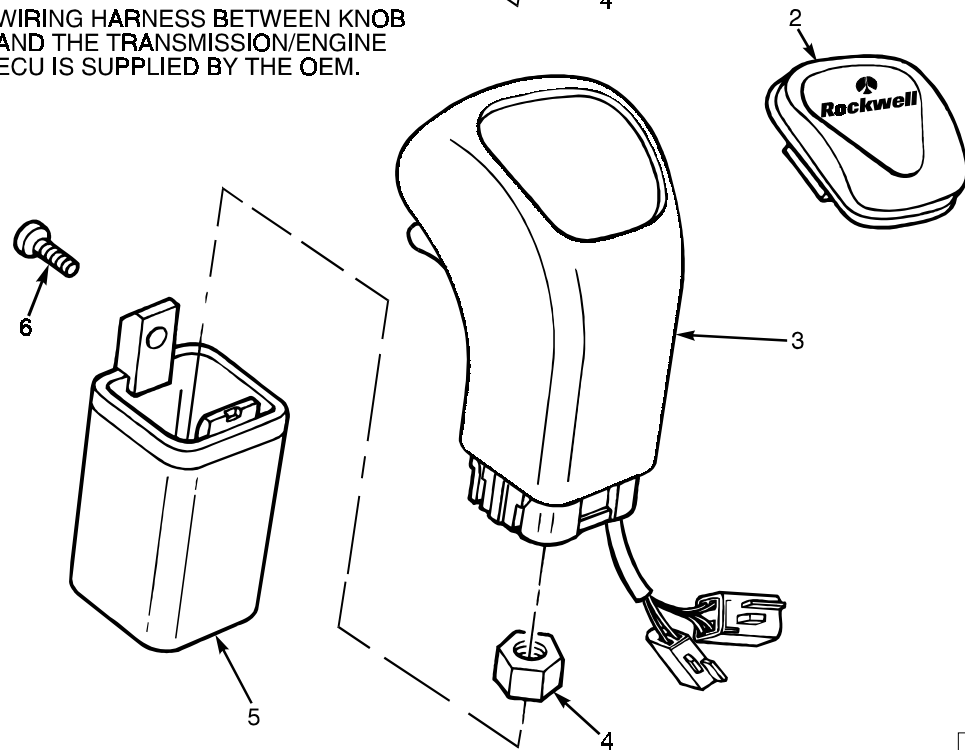
**Shift Knob — Engine Synchro Shift™ (ESS™)**

<b>Item</b>	<b>Qty.</b>	<b>Part Number</b>	<b>Design Level</b>	<b>Description</b>	<b>Part of Kit</b>
1	1	A-2297-L-7058	2	Switch Assy, Shift-N-Cruise™	
2	1	A-2297-K-7083	2	Shield, Lens Cap	
3	1	A-3280-K-9397	2	Shift Knob, ESS™ (w/o Cruise Control) Includes; 2245-P-1186 & 10X-1625	
	1	A-3280-L-9398	2	Shift Knob, ESS™ (with Cruise Control) Includes; 2245-P-1186 & 10X-1625	
4	1	N-68-1	2	Jam Nut	
5	1	2245-P-1186	2	Shroud, Skirt	
6	1	10X-1625	2	Special Screw	

## Shift Knob — Electric Over Air™ (EOA™)



**NOTE:** WIRING HARNESS BETWEEN KNOB AND THE TRANSMISSION/ENGINE ECU IS SUPPLIED BY THE OEM.



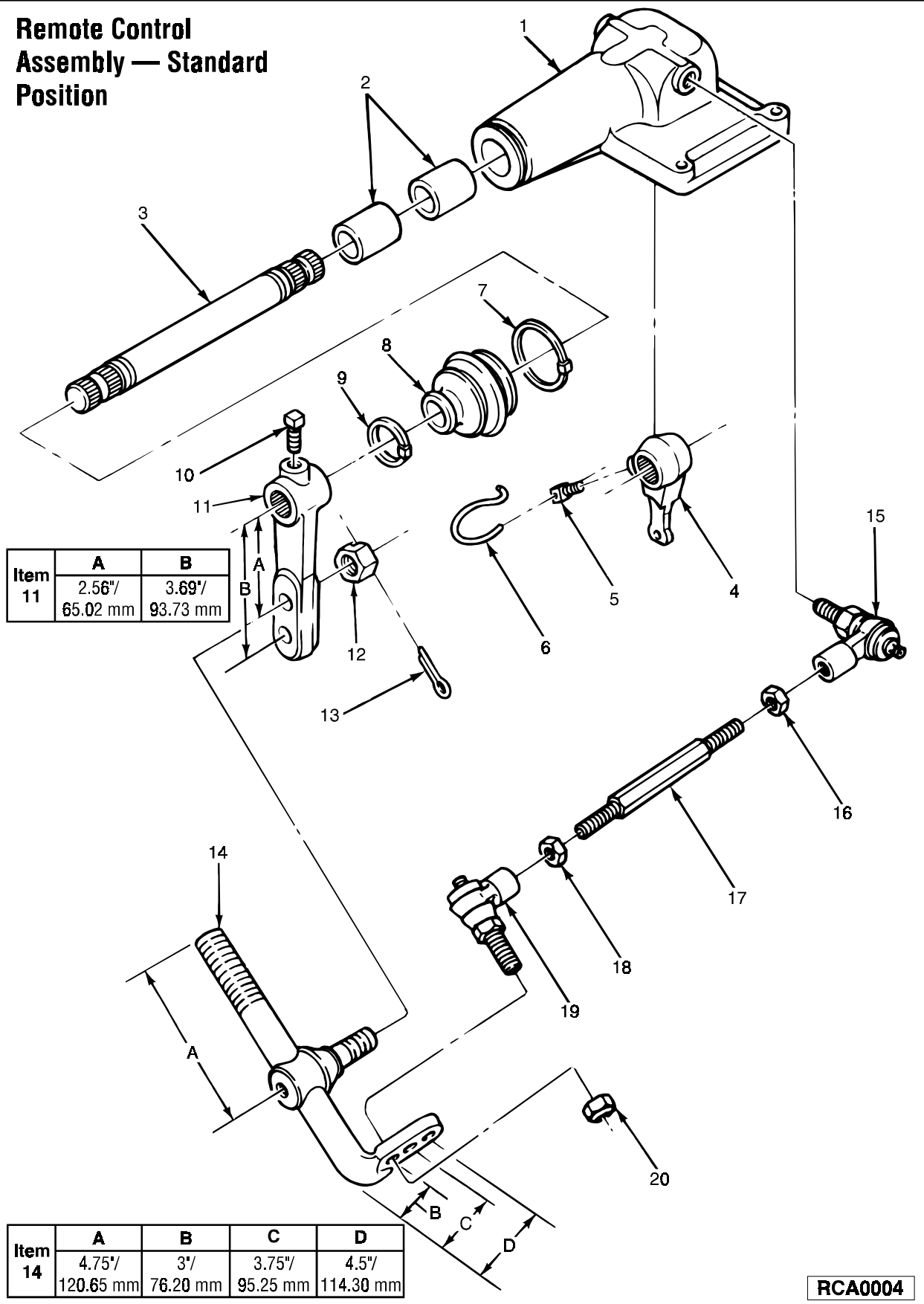
SHK0004



**Shift Knob — Electric Over Air™ (EOA™), available with optional Shift-N-Cruise™**

<b>Item</b>	<b>Qty.</b>	<b>Part Number</b>	<b>Design Level</b>	<b>Description</b>	<b>Part of Kit</b>
1	1	A-2297-K-7083	2	Shield, Lens Cap	
2	1	A-2297-L-7058	2	Switch Assy, Shift-N-Cruise™ (Optional)	
3	1	A-3280-C-9467	2	Shift Knob, Assembly	
	1	A-3280-D-9468	2	Shift Knob, Assembly, with Shift-N-Cruise™ (Optional)	
	1	A-3280-E-9469	2	Shift Knob, Assembly, Volvo Only	
	1	A-3280-F-9470	2	Shift Knob, Assembly, with Shift-N-Cruise™, Volvo Only (Optional)	
4	1	N-68-1	2	Jam Nut	
5	1	2245-P-1186	2	Shroud, Skirt	
6	1	10X-1625	2	Special Screw	

## Remote Control Assembly — Standard Position



Item 11	A	B
	2.56"/ 65.02 mm	3.69"/ 93.73 mm

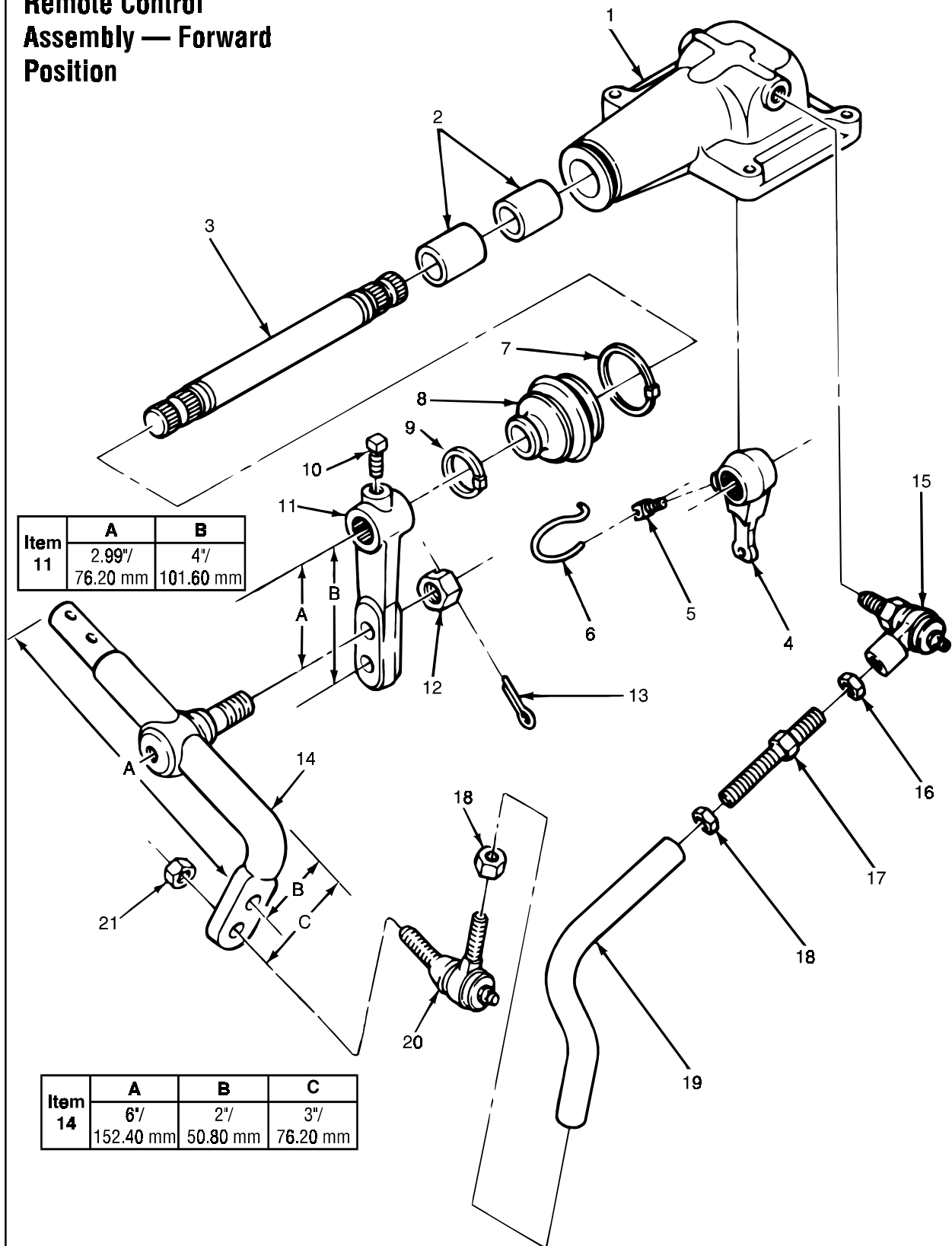
Item 14	A	B	C	D
	4.75"/ 120.65 mm	3"/ 76.20 mm	3.75"/ 95.25 mm	4.5"/ 114.30 mm

**RCA0004**

**Remote Control Assembly — Standard Position**

<b>Item</b>	<b>Qty.</b>	<b>Part Number</b>	<b>Design Level</b>	<b>Description</b>	<b>Part of Kit</b>
1	NLA	3280-E-8741	1, 2	Remote Ctrl Hsg, Replaced by A1-3280-E-8741	
	1	A1-3280-E-8741	1, 2	Remote Ctrl Hsg, Standard Position	
2	2	1225-P-1186	1, 2	Bushing	
3	1	2244-Y-1065	1, 2	Shift Shaft, 11-1/4"	
4	1	2247-K-1077	1, 2	Inner Shift Lever	
5	1	10X-1521	1, 2	Set Screw	
6	1	LW-1310	1, 2	Lock Wire	
7	1	3237-H-294	1, 2	Strap	5370
8	1	2260-R-1032	1, 2	Boot	
9	1	3237-N-66	1, 2	Strap, Cable Tie	5326, 5370
10	1	10X-1522	1, 2	Set Screw	
11	1	2247-M-1079	1, 2	Outer Shift Lever	
12	NLA	N-18	1, 2	Nut, Replaced by N-18-1	
	1	N-18-1	1, 2	Nut	
13	1	K-238	1, 2	Pin, Cotter	
14	1	A-2247-F-1098	1, 2	Lever Assy, Selection	
15	1	A-2110-M-1001	1, 2	Ball Socket, Assembly	
16	1	1227-F-1384	1, 2	Jam Nut	
17	1	2297-B-6060	1, 2	Rod, Adjusting	
18	1	N-68-1	1, 2	Jam Nut	
19	1	A-2110-N-1002	1, 2	Ball Socket, Assembly	
20	1	NL-28-1	1, 2	Lock Nut	

## Remote Control Assembly — Forward Position

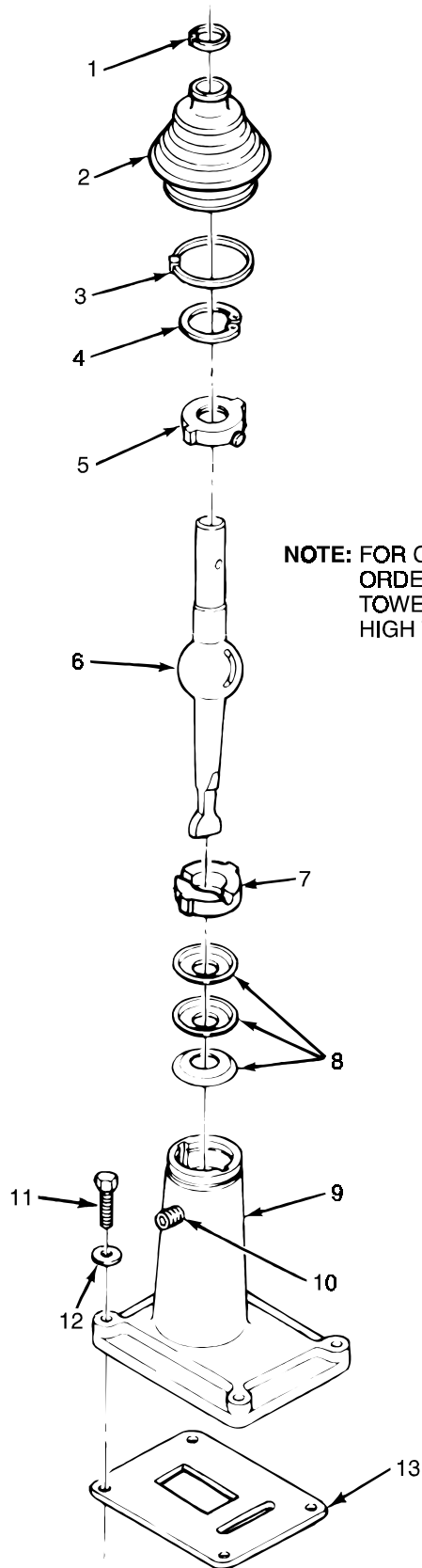


RCA0005

**Remote Control Assembly — Forward Position**

<b>Item</b>	<b>Qty.</b>	<b>Part Number</b>	<b>Design Level</b>	<b>Description</b>	<b>Part of Kit</b>
1	1	3280-G-8743	1, 2	Remote Ctrl Hsg, Forward Position	
2	2	1225-P-1186	1, 2	Bushing	
3	1	2244-K-1077	1, 2	Shift Shaft	
4	1	2247-K-1077	1, 2	Inner Shift Lever	
5	1	10X-1521	1, 2	Set Screw	
6	1	LW-1310	1, 2	Lock Wire	
7	1	3237-H-294	1, 2	Strap, Cable Tie	5370
8	1	2260-R-1032	1, 2	Boot	
9	1	3237-N-66	1, 2	Strap, Cable Tie	5326, 5370
10	1	10X-1522	1, 2	Set Screw	
11	1	2247-N-1080	1, 2	Outer Shift Lever	
12	NLA	N-18	1, 2	Nut, Replaced by N-18-1	
	1	N-18-1	1, 2	Nut	
13	1	K-238	1, 2	Pin, Cotter	
14	1	A-2247-G-1099	1, 2	Lever Assy, Selection	
15	1	A-2110-M-1001	1, 2	Ball Socket, Assembly	
16	1	1227-F-1384	1, 2	Jam Nut	
17	1	2297-D-6062	1, 2	Rod, Adjusting	
18	2	N-68-1	1, 2	Jam Nut	
19	1	2297-E-6063	1, 2	Rod, Adjusting	
20	1	A-2110-P-1004	1, 2	Ball Socket, Assembly	
21	1	NL-28-1	1, 2	Lock Nut	

## Aluminum Shift Tower Assembly



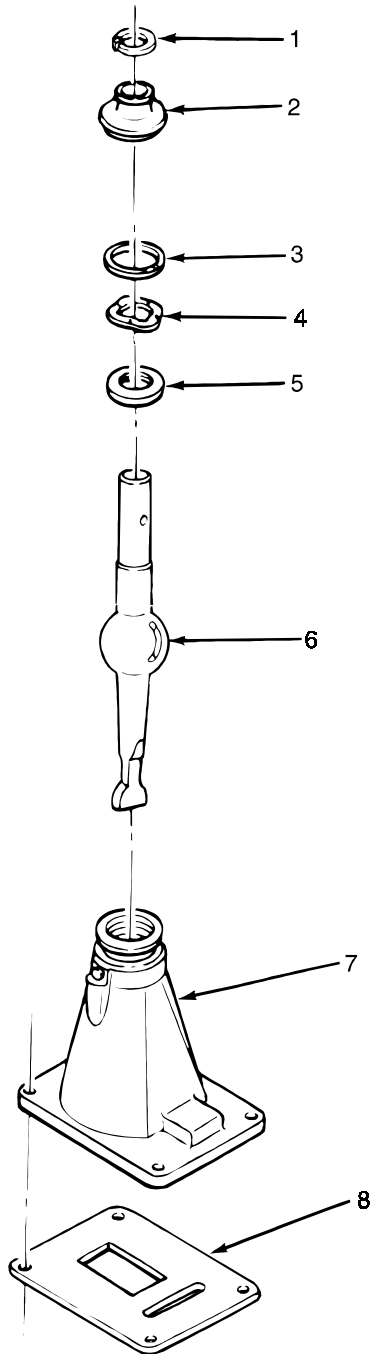
**NOTE:** FOR COMPLETE TOWER ASSEMBLY,  
ORDER KIT #5368 (FOR LOW  
TOWER) OR KIT #5369 (FOR  
HIGH TOWER)

AST0001

**Aluminum Shift Tower Assembly**

Item	Qty.	Part Number	Design Level	Description	Part of Kit
1	1	3237-N-66	1	Strap	5326, 5370
2	NLA	2260-V-1036	1	Boot, Available in Kit only	5326
3	NSS	3237-P-68	1	Strap, Available in Kit only	5326
4	NSS	1229-T-1242	1	Snap Ring, Available in Kit only	5326
5	NSS	A-2214-S-1111	1	Ring, Available in Kit only	5326
6	NLA	2247-V-1088	1	Lever, (Low Tower) Use KIT5368	
	NLA	2247-X-1090	1	Lever, (High Tower) Use KIT5369	
7	NLA	2214-Q-1135	1	Ring, Available in Kit only	5326
8	NLA	42X-1227	1	Spring, (Belleville) Available in Kit only	5326
9	NLA	3280-M-8671	1	Shift Hsg, 6.60"/167.64 mm Bolt Flange to Top, Use KIT5369 - Cast Iron Shift Tower	
	NLA	3280-J-8122	1	Shift Hsg, 4.64"/117.90 mm Bolt Flange to Top, Use KIT5368 - Cast Iron Shift Tower	
10	NLA	S-843	1	Set Screw	
11	NLA	S-2610-A-1	1	Bolt/Capscrew, Replaced by S-2610-A-2	
	4	S-2610-A-2	1	Bolt/Capscrew, 3/8"-16 UNC x 1-1/4"	
12	4	1229-B-1666	1	Flat Wshr	5299, 5300, 5368, 5369, 5386
13	NLA	3208-L-1078	1	Gasket, Replaced by 3208-N-1080	5326
	1	3208-N-1080	1	Gasket, (Aluminum Tower Only)	5299, 5300, 5333, 5368, 5369, 5386

## Cast Iron Shift Tower Assembly



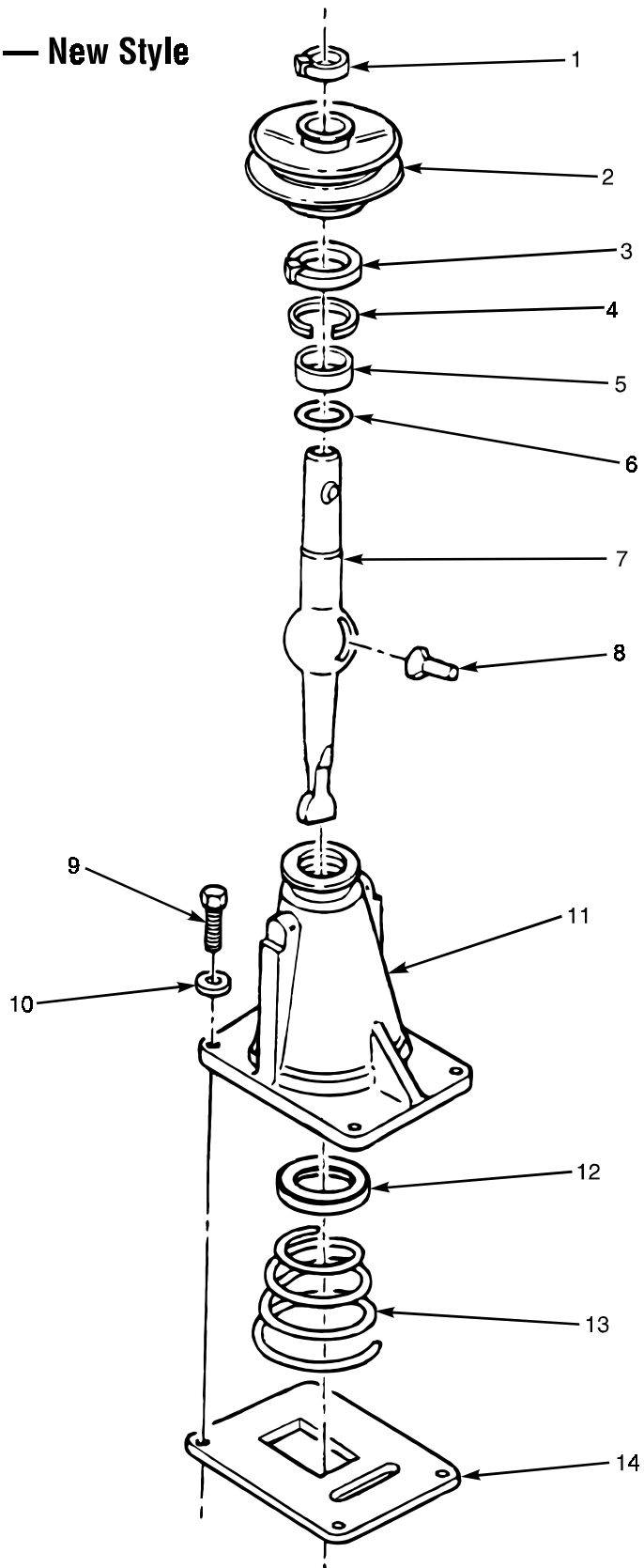
IST0001



**Cast Iron Shift Tower Assembly**

Item	Qty.	Part Number	Design Level	Description	Part of Kit
1	1	3237-N-66	1, 2	Strap	5326, 5370
2	1	2260-M-1105	1, 2	Boot	5370
3	1	1229-Z-4524	1, 2	Snap Ring	5370
4	1	2258-F-1254	1, 2	Spring	5370
5	1	2214-X-1142	1, 2	Ring, (Spacer)	5370
6	1	2247-V-1088	1, 2	Lever, (Low Tower) Use KIT5368	
	1	2247-X-1090	1, 2	Lever, (High Tower) Use KIT5369	
7	NLA	A-3280-S-9145	1, 2	Shift Hsg Assy, Replaced by A1-3280-J-9318	
	1	A1-3280-J-9318	1, 2	Shift Hsg Assy, (Low) 4.64"/117.90 mm Bolt Flange to Top. NOTE: These towers use gasket 3208-N-1080.	5368
	NLA	A-3280-U-9147	1, 2	Shift Hsg Assy, Replaced by A1-3280-L-9320	
	1	A1-3280-L-9320	1, 2	Shift Hsg Assy, (High) 6.60"/167.70 mm Bolt Flange to Top. NOTE: These towers use gasket 3208-N1080.	5369
8	1	3208-N-1080	1, 2	Gasket, (Cast Iron Tower Only)	5299, 5300, 5333, 5368, 5369, 5386

## Cast Iron Shift Tower Assembly — New Style

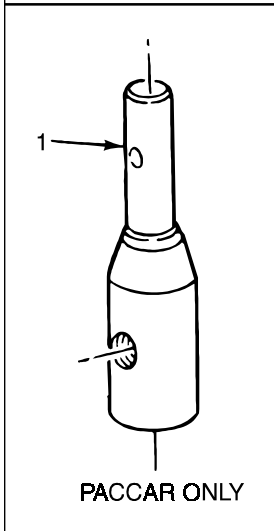
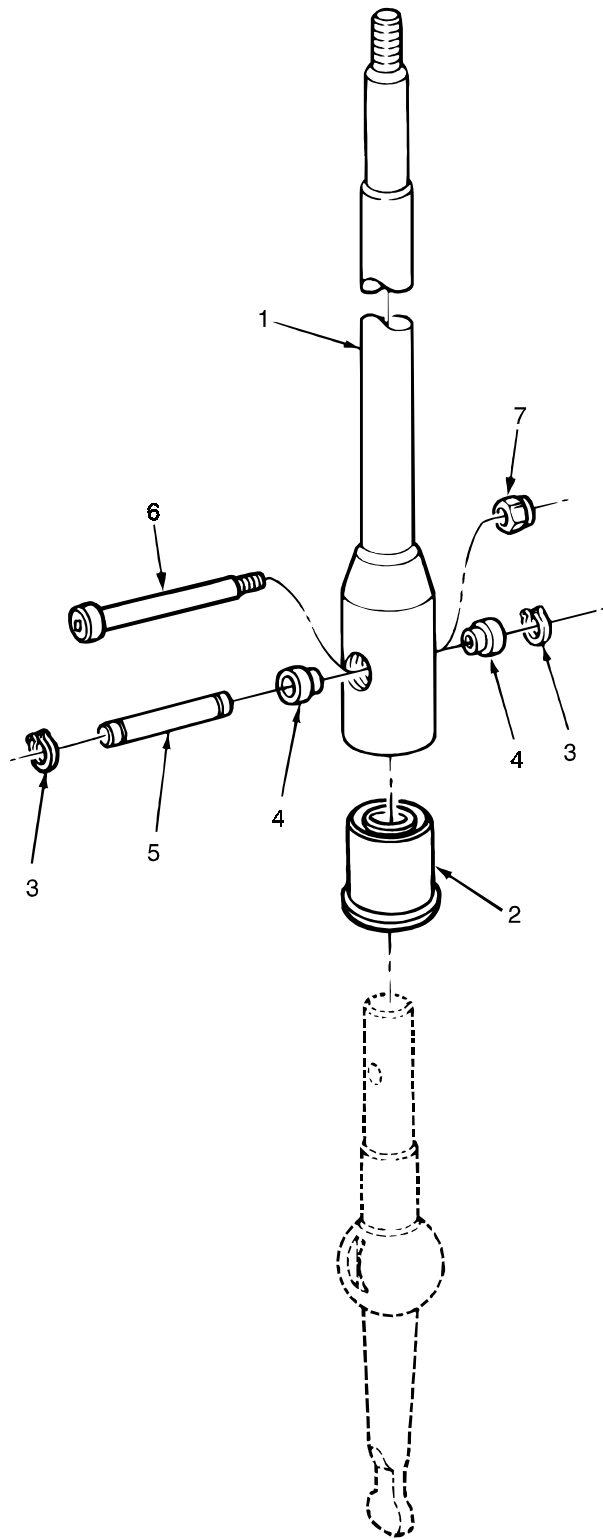


IST0002

**Cast Iron Shift Tower Assembly — New Style**

Item	Qty.	Part Number	Design Level	Description	Part of Kit
1	1	3237-N-66	1, 2	Strap	5326, 5370
2	1	2260-B-1146	1, 2	Boot	
3	1	3237-H-294	1, 2	Strap	5370
4	1	1229-F-4660	1, 2	Ring, Retainer	
5	1	2214-V-1166	1, 2	Ring, Inner	
6	1	5X-1201	1, 2	O-Ring	
7	1	2247-M-1313	1, 2	Lever, Low	
	1	2247-G-1463	1, 2	Lever, Mid	
	1	2247-N-1314	1, 2	Lever, High	
8	1	43X-1188	1, 2	Pin	
9	NLA	S-2610-A-1	1, 2	Bolt/Capscrew, Replaced by S-2610-A-2	
	1	S-2610-A-2	1, 2	Bolt/Capscrew, 3/8"-16 UNC x 1-1/4"	
10	1	1229-B-1666	1, 2	Flat Wshr	5299, 5300, 5368, 5369, 5386
11	1	A1-3280-J-9318	1, 2	Shift Hsg Assy, Low	5368
	1	A1-3280-T-9458	1, 2	Shift Hsg Assy, Mid	5386
	1	A1-3280-L-9320	1, 2	Shift Hsg Assy, High	5369
12	1	3105-B-1198	1, 2	Retainer, Spring	
13	1	2258-B-1328	1, 2	Spring	
14	1	3208-N-1080	1, 2	Gasket	5299, 5300, 5333, 5368, 5369, 5386

## Isolator Assembly — Straight Lever

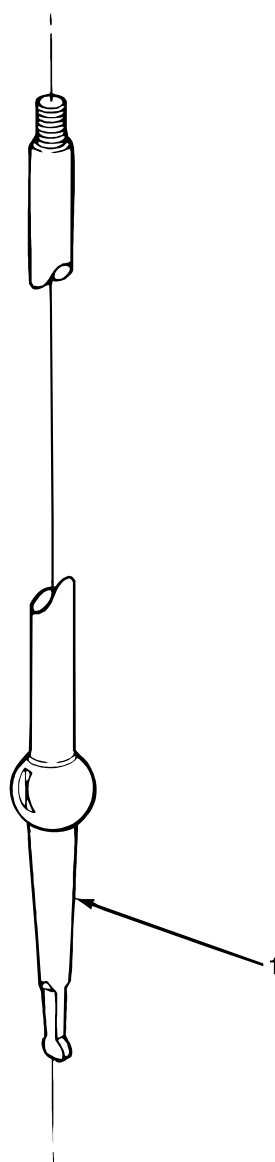


IAS0001

**Isolator Assembly — Straight Lever**

Item	Qty.	Part Number	Design Level	Description	Part of Kit
1	1	A-2247-X-1142	1, 2	Lever Assy, (Isolated) 24"/60.96 cm - Measure Hole C/L to Top NOTE: These are straight shift levers and may need to be bent to match application. For specific lever take part number from level or see Truck Line setting ticket. Includes 2245-J-1076 Sleeve	
	1	A-2247-T-1190	1, 2	Lever Assy, (Isolated) 32"/81.28 cm - Measure Hole C/L to Top NOTE: These are straight shift levers and may need to be bent to match application. For specific lever take part number from lever or see Truck Line setting ticket. Includes 2245-J-1076	
	1	A-3268-H-1646	1, 2	Adapter Assy, (Isolated) for PACCAR Non-Isolated Hollow Lever. Includes 2245-J-1076	
2	1	2245-J-1076	1, 2	Sleeve, (Isolator Bushing)	5378
3	1	1229-T-4336	1, 2	Snap Ring, Clip, Use KIT5237	
4	2	1225-B-1198	1, 2	Bushing	5237, 5378
5	1	43X-1174	1, 2	Pin, Use KIT5237	
6	1	10X-1611	2	Bolt/Capscrew, Use KIT5237	
7	1	1227-Q-1525	2	Nut, Use KIT5237	

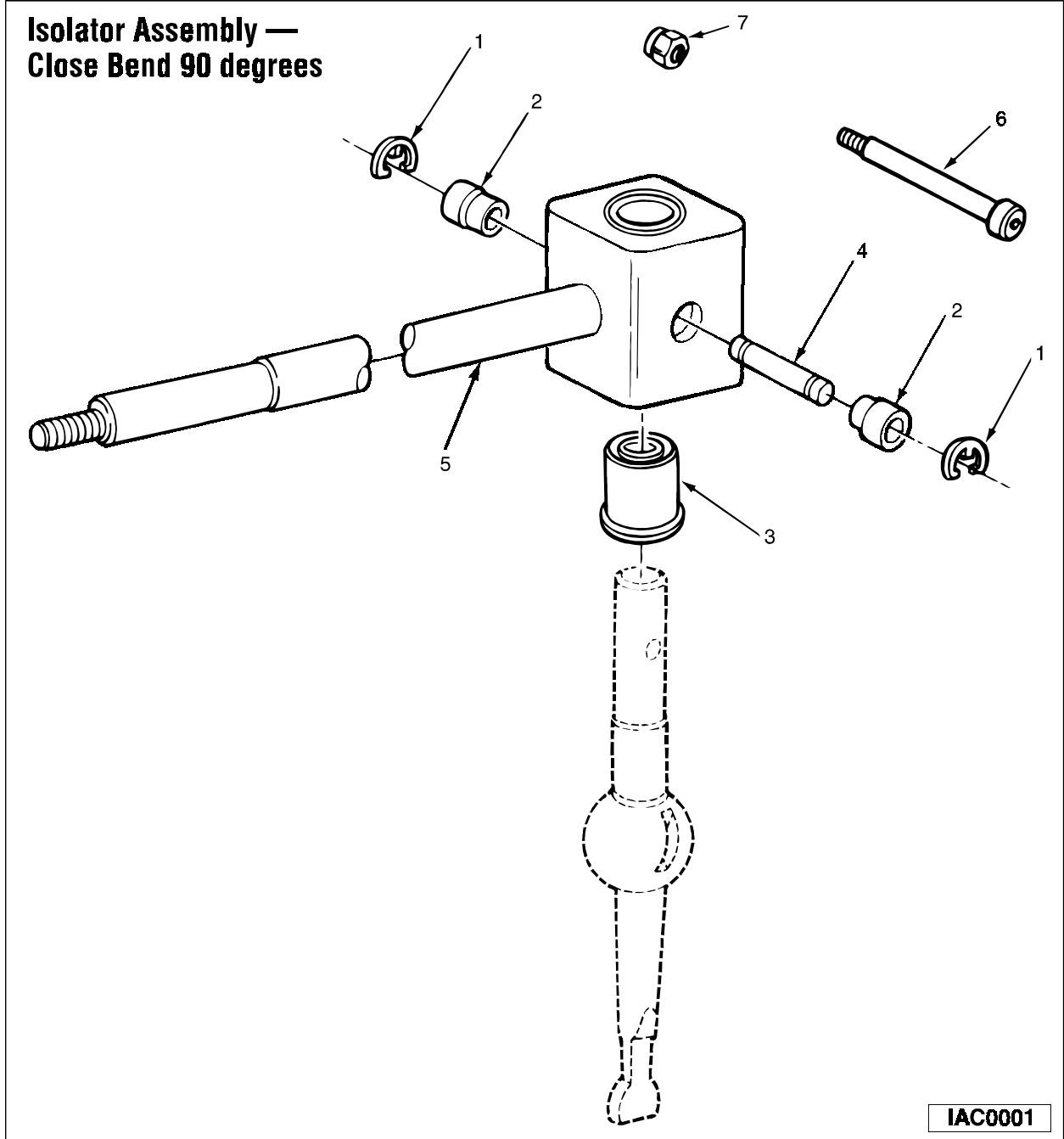
## Non-Isolated Straight Lever



NIS0001

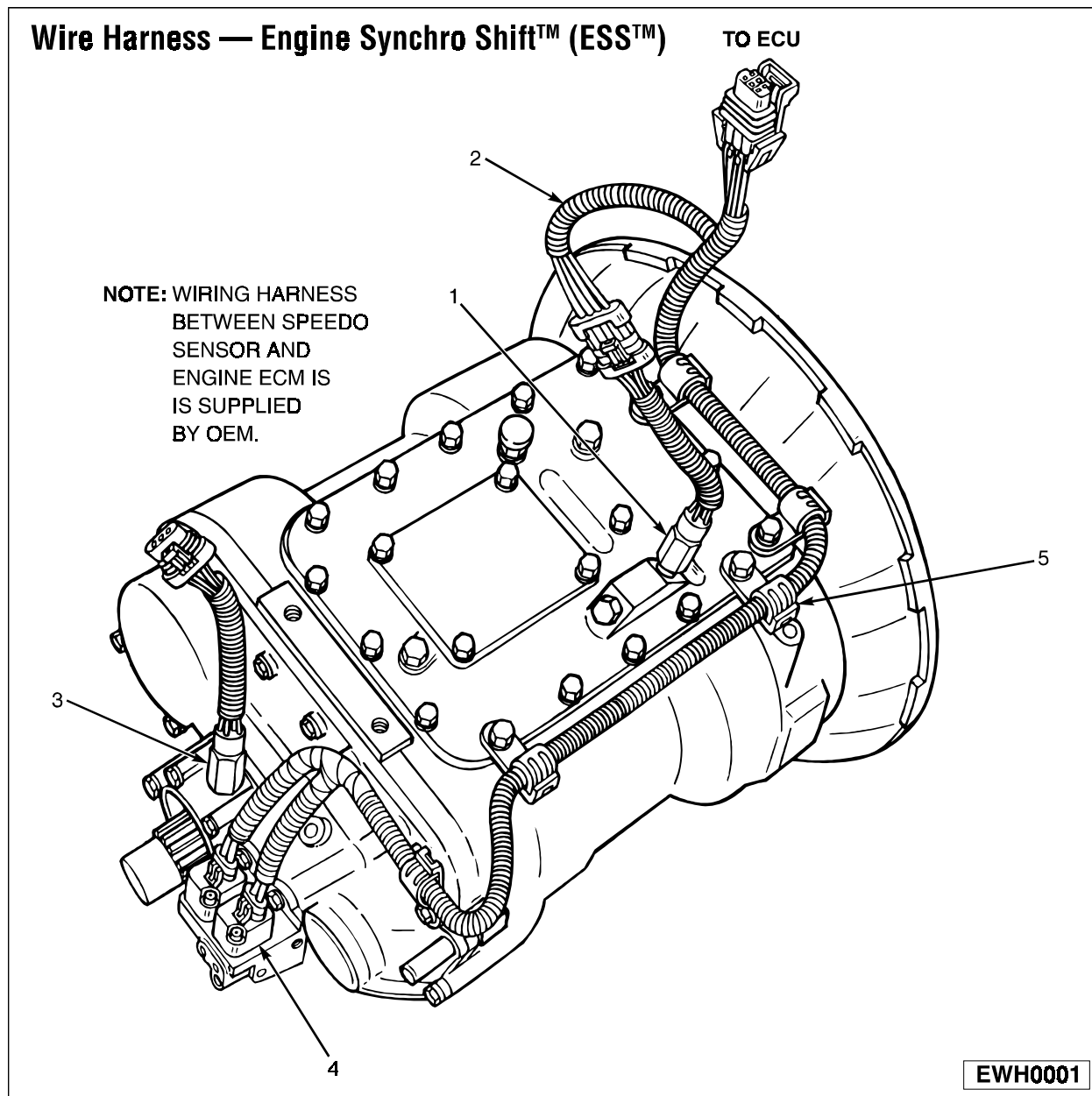
## Non-Isolated Straight Lever

Item	Qty.	Part Number	Design Level	Description	Part of Kit
1	1	A-2247-S-1085	1, 2	Lever Assy, (High Tower) 26"/66.04 cm Measure Center of Ball to Top NOTE: These are straight shift levers and may need to be bent to match application. For specific lever take part number from lever or see Truck Line setting ticket.	
	1	A3-2247-Q-1083	1, 2	Lever Assy, (Low Tower) 29-1/2"/74.93 cm Measure Center of Ball to Top NOTE: These are straight shift levers and may need to be bent to match application. For specific lever take part number from lever or see Truck Line setting ticket.	
NLA		A16-2247-Q-1083	1, 2	Lever Assy, OBSOLETE	



**Isolator Assembly — Close Bend 90 degrees**

Item	Qty.	Part Number	Design Level	Description	Part of Kit
1	2	1229-T-4336	1, 2	Snap Ring, Use KIT5237	
2	2	1225-B-1198	1, 2	Bushing	5237, 5378
3	1	2245-J-1076	1, 2	Sleeve, (Isolator Bushing)	5378
4	1	43X-1174	1, 2	Pin, Use KIT5237	
5	1	A-2247-Y-1143	1, 2	Lever Assy, (Isolated) 30"/76.20 cm - Measure Hole C/L to End NOTE: Requires bending to match application.	
6	1	10X-1611	2	Bolt/Capscrew, Use KIT5237	
7	1	1227-Q-1525	2	Nut, Use KIT5237	



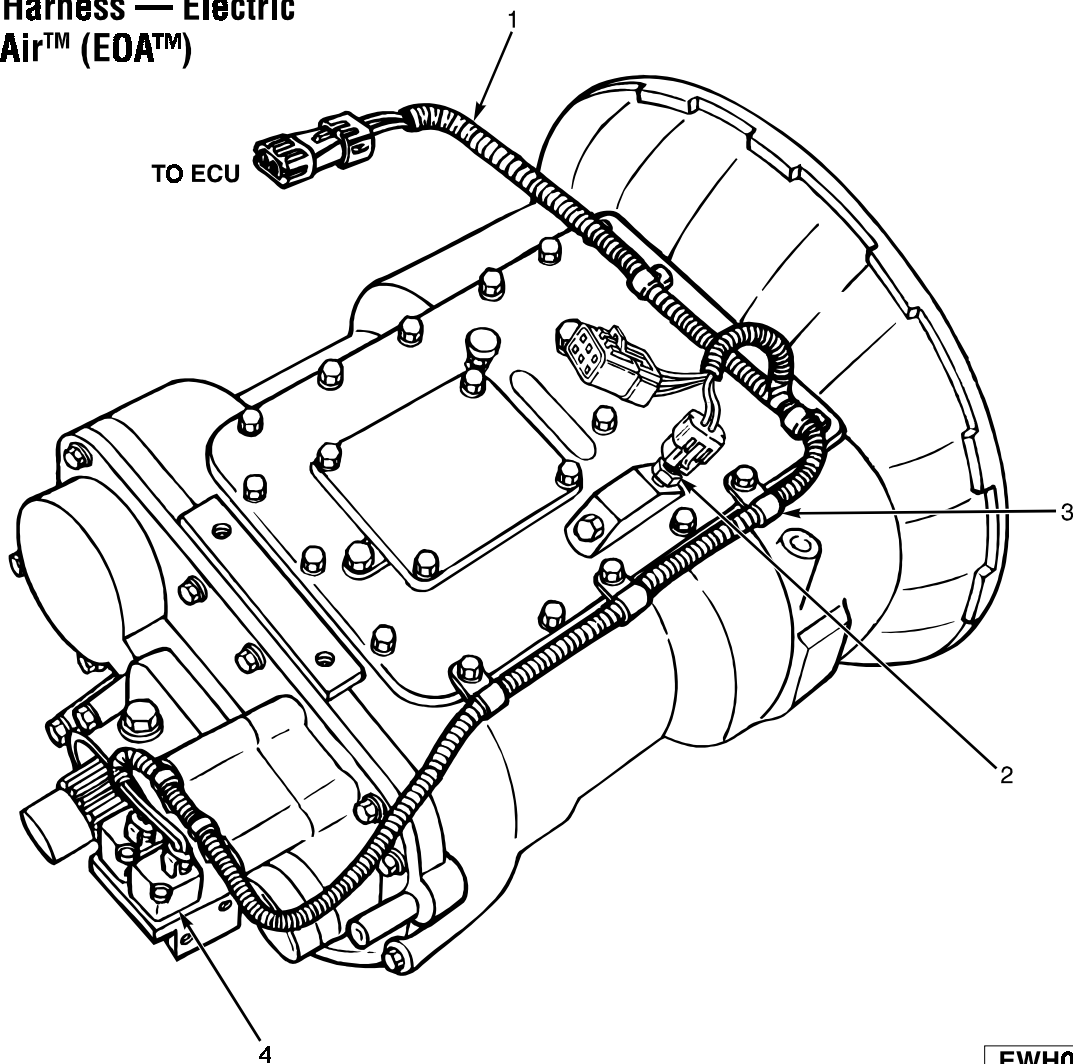
## Wire Harness — Engine Synchro Shift™ (ESS™)

Item	Qty.	Part Number	Design Level	Description	Part of Kit
1	1	A-3280-J-9396	2	Switch Assy, ESS™ (Includes 5X-1091 O-Ring)	
	1	5X-1091	2	O-Ring	
2	NLA	A-2297-G-7079	2	Wire Harness, Assembly, Replaced by A-2297-U-7197	
	1	A-2297-U-7197	2	Wire Harness, Assembly	5372
3	1	A-3280-A-9413	2	Speedometer Sensor, (Includes 1205-T-1268 O-Ring)	
	1	1205-T-1268	2	O-Ring	5356, 5357, 5358, 5359, 5360, 5361
4	2	3280-F-9392	2	Solenoid Assy, (Includes 5X-1207 and 5X-1092 O-Rings)	
5	NLA	2257-A-1223	2	Clamp, Wiring Harness, Replaced by 2257-G-1229	
	6	2257-G-1229	2	Clip, Wiring Harness	5372





**Wire Harness — Electric Over Air™ (EOA™)**



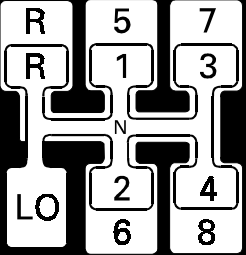
**EWH0002**

**Wire Harness — Electric Over Air™ (EOA™)**

Item	Qty.	Part Number	Design Level	Description	Part of Kit
1	1	A-2297-Q-7219	2	Wire Harness, Transmission	
2	1	A-3280-W-9409	2	Switch Assy, EOA™, Neutral Position (Includes 5X-1091 O-Ring)	
3	7	2257-G-1229	2	Clip, Wiring Harness	5372
4	2	3280-F-9392	2	Solenoid Assy, (Includes 5X-1207 and 5X-1092 O-Rings)	

**Cab Shift Label — 9-Speed Transmission Standard**

**9-Speed Transmission**



**Upshifting**

- Start with range selector in **DOWN** position
- Shift LO-1-2-3-4
- Raise range control while in 4th
- Shift to 5-6-7-8

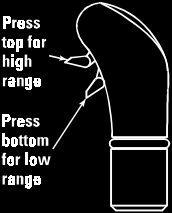
**Downshifting**

- Shift 8-7-6-5
- Move range control **DOWN** while in 5th
- Shift 4-3-2-1-LO

**MERITOR**

DO NOT MOVE RANGE CONTROL WHILE MOVING IN REVERSE

**Standard**



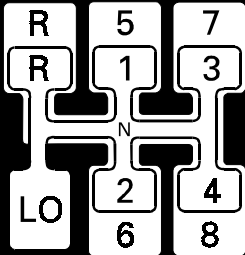
1

2

**RANGE CONTROL**

2297-T-6104

**9-Speed Transmission**



**Upshifting**

- Start with range selector in **DOWN** position
- Shift LO-1-2-3-4
- Raise range control while in 4th
- Shift to 5-6-7-8

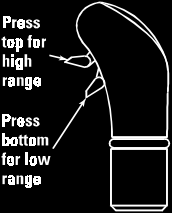
**Downshifting**

- Shift 8-7-6-5
- Move range control **DOWN** while in 5th
- Shift 4-3-2-1-LO

**MERITOR**

DO NOT MOVE RANGE CONTROL WHILE MOVING IN REVERSE

**Standard**



2297-Z-7384

**RANGE CONTROL**

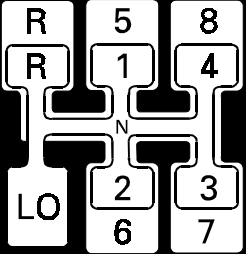
**CSL0016**

**Cab Shift Label (Manual) — 9-Speed Transmission Standard**

Item	Qty.	Part Number	Design Level	Description	Part of Kit
1	1	2297-T-6104	1, 2	Decal, Cab Shift Label (Square)	
2	1	2297-Z-7384	1, 2	Decal, Cab Shift Label (Oval)	

**Cab Shift Label — 9-Speed Transmission RMO**

**9-Speed Transmission**



**Upshifting**

- Start with range selector in **DOWN** position
- Shift LO-1-2-3-4
- Raise range control while in 4th
- Shift to 5-6-7-8

**Downshifting**

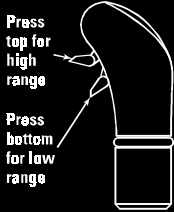
- Shift 8-7-6-5
- Move range control **DOWN** while in 5th
- Shift 4-3-2-1-LO

**MERITOR**

DO NOT MOVE RANGE CONTROL WHILE MOVING IN REVERSE

2297-E-6167

**RMO**



Press top for high range

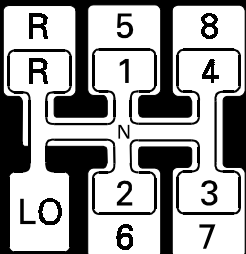
Press bottom for low range

RANGE CONTROL

2297-B-7386

**2**

**9-Speed Transmission**



**Upshifting**

- Start with range selector in **DOWN** position
- Shift LO-1-2-3-4
- Raise range control while in 4th
- Shift to 5-6-7-8

**Downshifting**

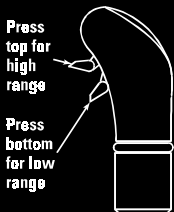
- Shift 8-7-6-5
- Move range control **DOWN** while in 5th
- Shift to 4-3-2-1-LO

**MERITOR**

DO NOT MOVE RANGE CONTROL WHILE MOVING IN REVERSE

2297-B-7386

**RMO**



Press top for high range

Press bottom for low range

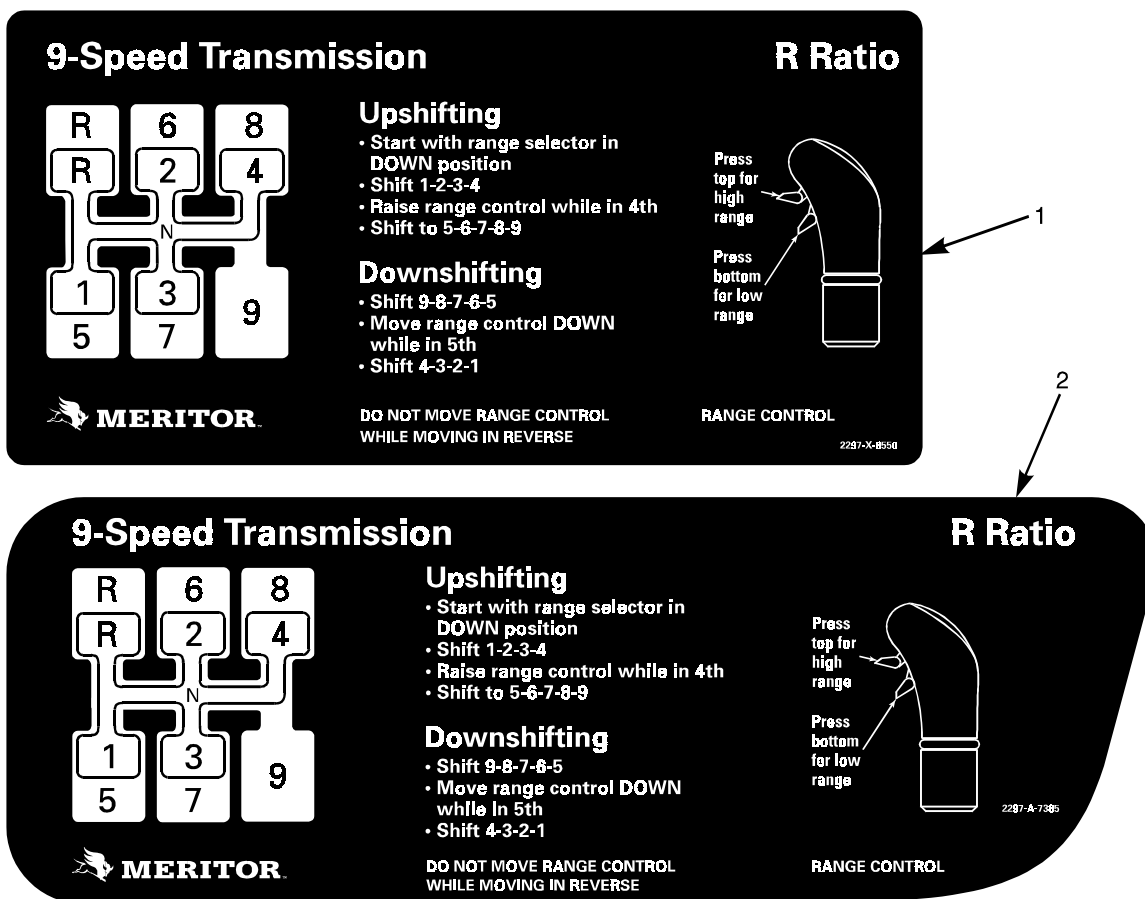
RANGE CONTROL

**CSL0018**

**Cab Shift Label (Manual) — 9-Speed Transmission RMO**

Item	Qty.	Part Number	Design Level	Description	Part of Kit
1	1	2297-E-6167	1, 2	Decal, Cab Shift Label (Square)	
2	1	2297-B-7386	1, 2	Decal, Cab Shift Label (Oval)	

**Cab Shift Label — 9-Speed Transmission R Ratio**



CSL0017

**Cab Shift Label (Manual) — 9-Speed Transmission R Ratio**

Item	Qty.	Part Number	Design Level	Description	Part of Kit
1	1	2297-X-6550	1, 2	Decal, Cab Shift Label (Square)	
2	1	2297-A-7385	1, 2	Decal, Cab Shift Label (Oval)	



**Cab Shift Label (ESS™) — 9-Speed Transmission Standard**

**Standard**

**9-Speed Transmission**

**ENGINE SYNCHRO SHIFT**

**TO ACTIVATE ESS:**

- Turn system switch **ON**
- Depress clutch pedal
- Select starting gear

**TO UP-SHIFT:**

- Fully depress shift intent switch **UP** and release
- Immediately move lever to **NEUTRAL**
- Let engine synchronize
- Move lever into higher gear 1-2-3-4-5-6-7-8

**TO DOWN-SHIFT:**

- Fully depress shift intent switch **DOWN** and release
- Immediately move lever to **NEUTRAL**
- Let engine synchronize
- Move lever into lower gear 7-6-5-4-3-2-1-LO

**CLUTCH USE:**

- Use clutch only for starting and stopping
- Depressing clutch disables engine synchronization
- System **OFF** requires use of clutch for shifting

**SHIFT INTENT SWITCH**

- **UPSHIFT**  
– Fully depress top
- **DOWNSHIFT**  
– Fully depress bottom

**SYSTEM SWITCH**

**NOTE:** System switch **OFF** activates manual control.

- Preselect shift intent switch **DOWN** for low range.
- Preselect shift intent switch **UP** for hi range.
- Do not select range in **NEUTRAL**. Preselect in gear.
- Do not range shift while moving in **REVERSE**.

2297-A-7125

Refer to TP-95130 for more information

2

**Standard**

**9-Speed Transmission**

**ENGINE SYNCHRO SHIFT**

**TO ACTIVATE ESS:**

- Turn system switch to **ON**
- Depress clutch pedal
- Select starting gear

**TO UP-SHIFT:**

- Fully depress shift intent switch **UP** and release
- Immediately move lever to **NEUTRAL**
- Let engine synchronize
- Move lever into higher gear 1-2-3-4-5-6-7-8

**TO DOWN-SHIFT:**

- Fully depress shift intent switch **DOWN** and release
- Immediately move lever to **NEUTRAL**
- Let engine synchronize
- Move lever into lower gear 7-6-5-4-3-2-1-LO

**CLUTCH USE:**

- Use clutch only for starting and stopping
- Depressing clutch disables engine synchronization
- System **OFF** requires use of clutch for shifting

**SHIFT INTENT SWITCH**

- **UPSHIFT**  
– Fully depress top
- **DOWNSHIFT**  
– Fully depress bottom

**SYSTEM SWITCH**

**NOTE:** System switch **OFF** activates manual control.

- Preselect shift intent switch **DOWN** for low range.
- Preselect shift intent switch **UP** for hi range.
- Do not select range in **NEUTRAL**. Preselect in gear.
- Do not range shift while moving in **REVERSE**.

2297-Q-7245

Refer to TP-95130 for more information


CSL0013

**Cab Shift Label (ESS™) — 9-Speed Transmission Standard**

Item	Qty.	Part Number	Design Level	Description	Part of Kit
1	1	2297-A-7125	2	Decal, Cab Shift Label (Square)	
2	1	2297-Q-7245	2	Decal, Cab Shift Label (Oval)	

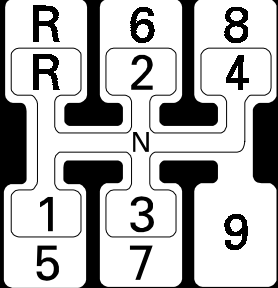
118

### Cab Shift Label (ESS™) — 9-Speed Transmission R Ratio



## ENGINE SYNCHRO SHIFT

### R-Ratio



### 9-Speed Transmission

**TO ACTIVATE ESS:**

- Turn system switch **ON**
- Depress clutch pedal
- Select starting gear

**TO UP-SHIFT:**

- Fully depress shift intent switch **UP** and release
- Immediately move lever to **NEUTRAL**
- Let engine synchronize
- Move lever into higher gear 2-3-4-5-6-7-8-9

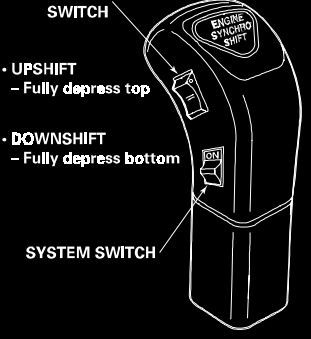
**TO DOWN-SHIFT:**

- Fully depress shift intent switch **DOWN** and release
- Immediately move lever to **NEUTRAL**
- Let engine synchronize
- Move lever into lower gear 8-7-6-5-4-3-2-1

**CLUTCH USE:**

- Use clutch only for starting and stopping
- Depressing clutch disables engine synchronization
- System **OFF** requires use of clutch for shifting

**SHIFT INTENT SWITCH**



- **UPSHIFT**  
– Fully depress top
- **DOWNSHIFT**  
– Fully depress bottom


**SYSTEM SWITCH**

**NOTE:** System switch **OFF** activates manual control.

- Preselect shift intent switch **DOWN** for low range.
- Preselect shift intent switch **UP** for hi range.
- Do not select range in **NEUTRAL**. Preselect in gear.
- Do not range shift while moving in **REVERSE**.

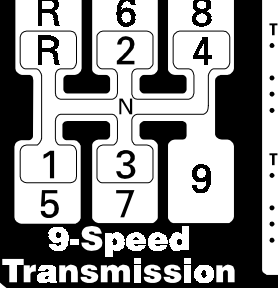
2297-C-7127

Refer to TP-95130 for more information



## ENGINE SYNCHRO SHIFT

### R-Ratio



### 9-Speed Transmission

**TO ACTIVATE ESS:**

- Turn system switch to **ON**
- Depress clutch pedal
- Select starting gear

**TO UP-SHIFT:**

- Fully depress shift intent switch **UP** and release
- Immediately move lever to **NEUTRAL**
- Let engine synchronize
- Move lever into higher gear 1-2-3-4-5-6-7-8

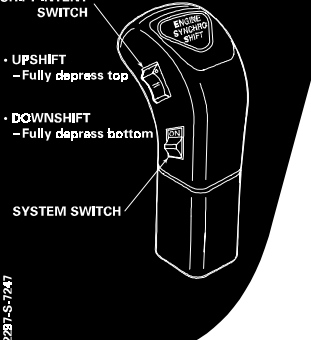
**TO DOWN-SHIFT:**

- Fully depress shift intent switch **DOWN** and release
- Immediately move lever to **NEUTRAL**
- Let engine synchronize
- Move lever into lower gear 7-6-5-4-3-2-1-LD

**CLUTCH USE:**

- Use clutch only for starting and stopping
- Depressing clutch disables engine synchronization
- System **OFF** requires use of clutch for shifting

**SHIFT INTENT SWITCH**



- **UPSHIFT**  
– Fully depress top
- **DOWNSHIFT**  
– Fully depress bottom

**SYSTEM SWITCH**

**NOTE:** System switch **OFF** activates manual control.

- Preselect shift intent switch **DOWN** for low range.
- Preselect shift intent switch **UP** for hi range.
- Do not select range in **NEUTRAL**. Preselect in gear.
- Do not range shift while moving in **REVERSE**.

2297-S-7247

Refer to TP-95130 for more information

CSL0014

### Cab Shift Label (ESS™) — 9-Speed Transmission R Ratio

Item	Qty.	Part Number	Design Level	Description	Part of Kit
1	1	2297-C-7127	2	Decal, Cab Shift Label (Square)	
2	1	2297-S-7247	2	Decal, Cab Shift Label (Oval)	



### Cab Shift Label — 10-Speed Transmission

#### 10-Speed Transmission

**Upshifting**

- Start with range selector in **DOWN** position
- Shift 1-2-3-4-5
- Raise range control while in 5th
- Shift to 6-7-8-9-10

**Downshifting**

- Shift 10-9-8-7-6
- Move range control **DOWN** while in 6th
- Shift 5-4-3-2-1

**MERITOR**

DO NOT MOVE RANGE CONTROL WHILE MOVING IN REVERSE

1

RANGE CONTROL

2297-X-7252

2

#### 10-Speed Transmission

**Upshifting**

- Start with range selector in **DOWN** position
- Shift 1-2-3-4-5
- Raise range control while in 5th
- Shift to 6-7-8-9-10

**Downshifting**

- Shift 10-9-8-7-6
- Move range control **DOWN** while in 6th
- Shift 5-4-3-2-1

**MERITOR**

DO NOT MOVE RANGE CONTROL WHILE MOVING IN REVERSE

RANGE CONTROL

2297-D-7388

**CSL0019**

### Cab Shift Label (Manual) — 10-Speed Transmission

Item	Qty.	Part Number	Design Level	Description	Part of Kit
1	1	2297-X-7252	2	Decal, Cab Shift Label (Square)	
2	1	2297-D-7388	2	Decal, Cab Shift Label (Oval)	

**Cab Shift Label (ESS™) — 10-Speed Transmission**

## ENGINE SYNCHRO SHIFT

10-Speed  
Transmission

**TO ACTIVATE ESS:**

- Turn system switch **ON**
- Depress clutch pedal
- Select starting gear

**TO UP-SHIFT:**

- Fully depress shift intent switch **UP** and release
- Immediately move lever to **NEUTRAL**
- Let engine synchronize
- Move lever into higher gear 2-3-4-5-6-7-8-9-10

**TO DOWN-SHIFT:**

- Fully depress shift intent switch **DOWN** and release
- Immediately move lever to **NEUTRAL**
- Let engine synchronize
- Move lever into lower gear 9-8-7-6-5-4-3-2-1

**CLUTCH USE:**

- Use clutch only for starting and stopping
- Depressing clutch disables engine synchronization
- System **OFF** requires use of clutch for shifting

**SHIFT INTENT SWITCH**

- **UPSHIFT**  
– Fully depress top
- **DOWNSHIFT**  
– Fully depress bottom

**SYSTEM SWITCH**

**NOTE:** System switch **OFF** activates manual control.

- Preselect shift intent switch **DOWN** for low range.
- Preselect shift intent switch **UP** for hi range.
- Do not select range in **NEUTRAL**. Preselect in gear.
- Do not range shift while moving in **REVERSE**.

2297-B-7126

Refer to TP-95130 for more information

## ENGINE SYNCHRO SHIFT

10-Speed  
Transmission

**TO ACTIVATE ESS:**

- Turn system switch to **ON**
- Depress clutch pedal
- Select starting gear

**TO UP-SHIFT:**

- Fully depress shift intent switch **UP** and release
- Immediately move lever to **NEUTRAL**
- Let engine synchronize
- Move lever into higher gear 2-3-4-5-6-7-8-9-10

**TO DOWN-SHIFT:**

- Fully depress shift intent switch **DOWN** and release
- Immediately move lever to **NEUTRAL**
- Let engine synchronize
- Move lever into lower gear 9-8-7-6-5-4-3-2-1

**CLUTCH USE:**

- Use clutch only for starting and stopping
- Depressing clutch disables engine synchronization
- System **OFF** requires use of clutch for shifting

**SHIFT INTENT SWITCH**

- **UPSHIFT**  
– Fully depress top
- **DOWNSHIFT**  
– Fully depress bottom

**SYSTEM SWITCH**

**NOTE:** System switch **OFF** activates manual control.

- Preselect shift intent switch **DOWN** for low range.
- Preselect shift intent switch **UP** for hi range.
- Do not select range in **NEUTRAL**. Preselect in gear.
- Do not range shift while moving in **REVERSE**.

2297-R-7246

Refer to TP-95130 for more information

CSL0015

**Cab Shift Label (ESS™) — 10-Speed Transmission**

Item	Qty.	Part Number	Design Level	Description	Part of Kit
1	1	2297-B-7126	2	Decal, Cab Shift Label (Square)	
2	1	2297-R-7246	2	Decal, Cab Shift Label (Oval)	





**Cab Shift Label (Manual) — 13-Speed Transmission**

### 13-Speed Transmission

**Upshifting**

- Start with range selector in **DOWN** position
- Shift LO-1-2-3-4
- Raise range control while in 4th
- Shift to 5-6-7-8
- Splitter can be operated in 5-6-7-8 only

**Downshifting**

- Shift 8-7-6-5
- Move range control **DOWN** while in 5th
- Shift 4-3-2-1-LO

**DO NOT MOVE RANGE CONTROL WHILE MOVING IN REVERSE**

**MERITOR**

**SPLITTER CONTROL**

Press top for high range

Press bottom for low range

**RANGE CONTROL**

2297-F-6168

### 13-Speed Transmission

**Upshifting**

- Start with range selector in **DOWN** position
- Shift LO-1-2-3-4
- Raise range control while in 4th
- Shift to 5-6-7-8
- Splitter can be operated in 5-6-7-8 only

**Downshifting**

- Shift 8-7-6-5
- Move range control **DOWN** while in 5th
- Shift 4-3-2-1-LO

**DO NOT MOVE RANGE CONTROL WHILE MOVING IN REVERSE**

**MERITOR**

**SPLITTER CONTROL**

Press top for high range

Press bottom for low range

**RANGE CONTROL**

2297-C-7387

**CSL0020**


**Cab Shift Label (Manual) — 13-Speed Transmission**

Item	Qty.	Part Number	Design Level	Description	Part of Kit
1	1	2297-F-6168	1, 2	Decal, Cab Shift Label (Square)	
2	1	2297-C-7387	1, 2	Decal, Cab Shift Label (Oval)	

**Miscellaneous Labels**

1 →

**PTO Operation**

 **CAUTION**  
*Use this procedure to put the PTO in the STATIONARY or ENGAGED position and to prevent damage to the transmission.*

1. Put the transmission gear shift lever in the **NEUTRAL** position.
2. Put the range selector lever on the shift knob in the correct range for **PTO** operation. See the instructions of the **PTO** manufacturer.
3. Push the clutch pedal to the bottom of travel to disengage the clutch.
4. Move the shift lever to the **REVERSE (R)** position.
5. Slowly release the clutch pedal until the vehicle starts moving rearward.
6. Push the clutch pedal to the bottom of travel to disengage the clutch. Put the transmission gear shift lever in the **NEUTRAL** position.
7. Apply the parking brakes
8. Put the PTO lever in the **STATIONARY** or **ENGAGED** position. Operate the **PTO** according to the procedure of the **PTO** manufacturer.


*To change the position of the range selector lever, repeat the procedure.*

© Copyright Rockwell International, 1990 TP-90175

Part No. TP-90175

2 →

**Selecting the Transmission Range**

 **CAUTION**  
*Shift the range selector when the transmission is in gear (pre-select).*

*Do not move the shift lever to NEUTRAL and then move the range selector.*

*If the range selector is moved when the transmission is in NEUTRAL, the gear shift occurs before the range shift occurs which damages the synchronizer.*

TP-9317 1993 Rockwell International 24240  
 Issued 5-93 Printed in U. S. A.

Part No. TP-93171

3 →

  
**Rockwell**

**NOTICE**

**THIS COMPONENT FACTORY FILLED WITH EXTENDED DRAIN LUBRICANT. ONLY REFIL WITH ROCKWELL APPROVED EXTENDED DRAIN LUBRICANT (See Rockwell M.M. No. 1).**

**CONTACT YOUR DEALER FOR ASSISTANCE.**

2297-N-6904

Part No. 2297-N-6904

LAB0001

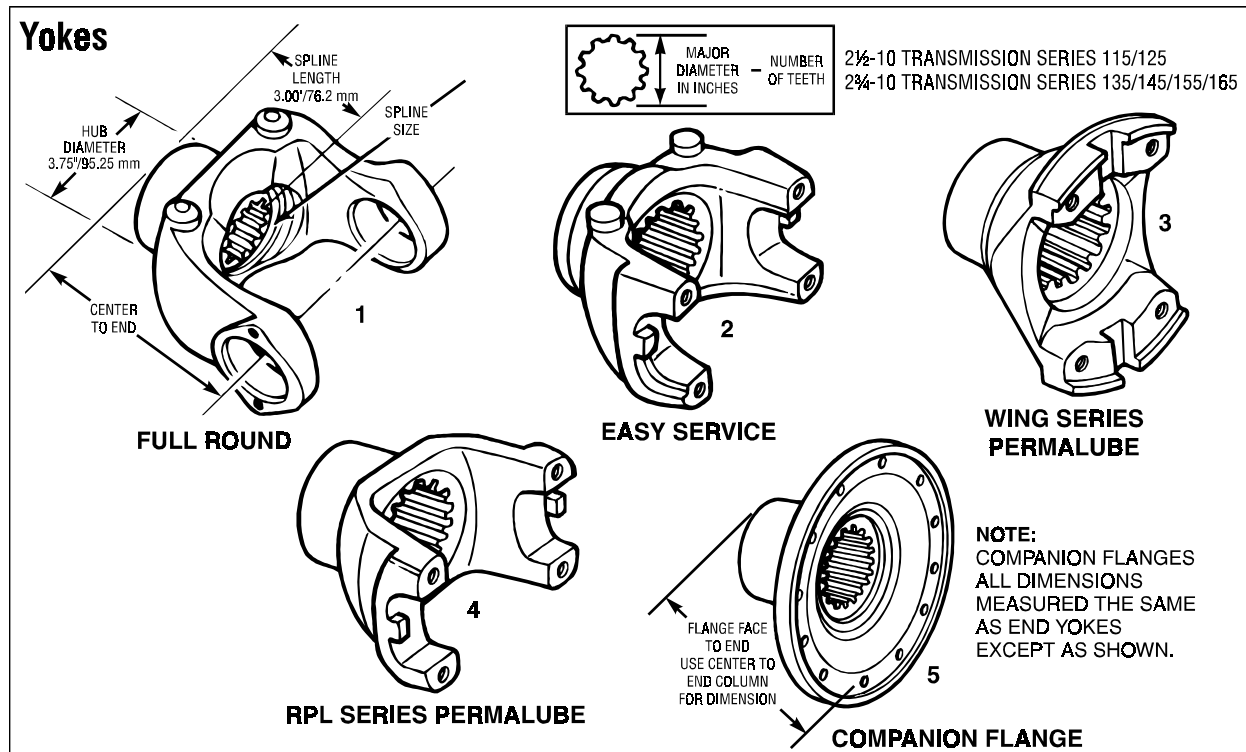
**Miscellaneous Labels**

<b>Item</b>	<b>Qty.</b>	<b>Part Number</b>	<b>Design Level</b>	<b>Description</b>	<b>Part of Kit</b>
1	1	TP-90175	1, 2	Decal, CAUTION - PTO Operation, STATIONARY or ENGAGED	
2	1	TP-93171	1, 2	Decal, CAUTION - Selecting the Transmission Range	
3	1	2297-N-6904	1, 2	Decal, NOTICE - Extended Drain Lubricant	

# Output Yokes



**MERITOR™**



← MOUNTING FACE TO END      DIM A

← CENTER TO END ON WING STYLE YOKE EQUALS MOUNTING FACE + DIM A

SERIES	DIM A	SERIES	DIM A
58WB	.81	85WB	1.00
62N	.69	92N	1.00
72N	.81	20RPL	.38
82N	.81	25RPL	.38

← JOINT

MERITOR TRANSMISSION SERIES	SPLINE SIZE DIA. *-TEETH	SPLINE LENGTH	HUB DIA.	CENTER TO END	ENGINEERING NUMBER	SERIES	STYLE	ITEM
115/125	2-1/2"-10	3.00"/76.2 mm	3.75"/95.25 mm	5.62"/142.75 mm	17NYS40-125A	17N	1710 FR W/DEFLECTOR	1
115/125	2-1/2"-10	3.00"/76.2 mm	3.75"/95.25 mm	6.03"/153.16 mm	176NYS40-14A	176N	1760 FR W/DEFLECTOR	
115/125	2-1/2"-10	3.00"/76.2 mm	3.75"/95.25 mm	5.88"/149.35 mm	18NYS40-4A	18N	1810 FR W/DEFLECTOR	
135/145	2-3/4"-10	3.00"/76.2 mm	3.75"/95.25 mm	5.75"/146.05 mm	17N46931X	17N	1710 FR W/DEFLECTOR	
135/145	2-3/4"-10	3.00"/76.2 mm	3.75"/95.25 mm	5.75"/146.05 mm	176NYS44-4A	176N	1760 FR W/DEFLECTOR	
135/145	2-3/4"-10	3.00"/76.2 mm	3.75"/95.25 mm	6.06"/153.92 mm	18NYS44-4A	18N	1810 FR W/DEFLECTOR	
115/125	2-1/2"-10	3.00"/76.2 mm	3.75"/95.25 mm	5.62"/142.75 mm	17TYS40-144 (F)	17T	1710 EZ W/DEFLECTOR	2
115/125	2-1/2"-10	3.00"/76.2 mm	3.75"/95.25 mm	6.03"/153.16 mm	176TYS40-14A	176T	1760 EZ W/DEFLECTOR	
115/125	2-1/2"-10	3.00"/76.2 mm	3.75"/95.25 mm	5.88"/149.35 mm	18TYS40-4A	18T	1810 EZ W/DEFLECTOR	
135/145	2-3/4"-10	3.00"/76.2 mm	3.75"/95.25 mm	5.75"/146.05 mm	17TYS44-10A (F)	17T	1710 EZ W/DEFLECTOR	
135/145	2-3/4"-10	3.00"/76.2 mm	3.75"/95.25 mm	5.97"/151.64 mm	176TYS44-4A	176T	1760 EZ W/DEFLECTOR	
135/145	2-3/4"-10	3.00"/76.2 mm	3.75"/95.25 mm	6.06"/153.92 mm	18TYS44-4A	18T	1810 EZ W/DEFLECTOR	
115/125	2-1/2"-10	3.00"/76.2 mm	3.75"/95.25 mm	4.43"/112.52 mm*	72NYS40-99A	72N	72N (WING) W/DEFLECTOR	3
115/125	2-1/2"-10	3.00"/76.2 mm	3.75"/95.25 mm	4.75"/120.65 mm*	82NYS40-28A	82N	82N (WING) W/DEFLECTOR	
115/125	2-1/2"-10	3.00"/76.2 mm	3.75"/95.25 mm	4.31"/109.47 mm*	85WBYS40-34A	85WB	85WB (WING) W/DEFLECTOR	
115/125	2-1/2"-10	3.00"/76.2 mm	3.75"/95.25 mm	4.26"/108.20 mm*	92NYS40-40A	92N	92N (WING) W/DEFLECTOR	
135/145	2-3/4"-10	3.00"/76.2 mm	3.75"/95.25 mm	4.50"/114.30 mm*	85WBYS44-1A	85WB	85WB (WING) W/DEFLECTOR	
135/145	2-3/4"-10	3.00"/76.2 mm	3.75"/95.25 mm	4.84"/122.94 mm*	92NYS44-22A	92N	92N (WING) W/DEFLECTOR	
115/125	2-1/2"-10	3.00"/76.2 mm	3.75"/95.25 mm	5.65"/143.51 mm*	20WYS40-2A	RPL20	RPL20 W/DEFLECTOR	4
115/125	2-1/2"-10	3.00"/76.2 mm	3.75"/95.25 mm	5.15"/130.81 mm*	25WYS40-2A	RPL25	RPL25 W/DEFLECTOR	
135/145	2-3/4"-10	3.00"/76.2 mm	3.75"/95.25 mm	5.09"/129.29 mm*	20WYS44-2A	RPL20	RPL20	
135/145	2-3/4"-10	3.00"/76.2 mm	3.75"/95.25 mm	5.09"/129.29 mm*	25WYS44-2A	RPL25	RPL25	
115/125	2-1/2"-10	3.00"/76.2 mm	3.75"/95.25 mm	3.62"/91.95 mm*	5WCS40-40A	5W	8 HOLE	5
115/125	2-1/2"-10	3.00"/76.2 mm	3.75"/95.25 mm	3.62"/91.95 mm*	5WCS40-41A	5W	12 HOLE	
135/145	2-3/4"-10	3.00"/76.2 mm	3.75"/95.25 mm	4.06"/103.12 mm*	5WCS44-3A	5W	12 HOLE	

(F) = Forged Version

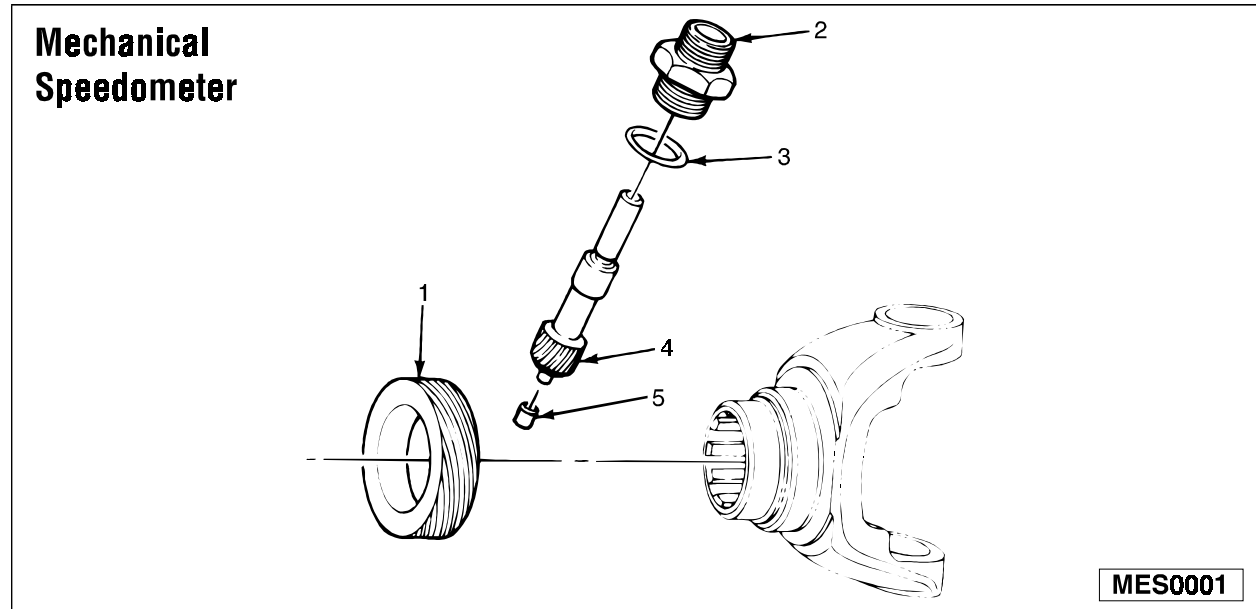
\*Wing & RPL yokes are face to end. See table for C/E Dims.

**OTY0001**

**Yokes**

Item	Qty.	Part Number	Design Level	Description	Part of Kit
1	1	17NYS40-125A	1, 2	Yoke Assy, Full Round	
	1	176NYS40-14A	1, 2	Yoke Assy, Full Round	
	1	18NYS40-4A	1, 2	Yoke Assy, Full Round	
	1	17N46931X	1, 2	Yoke Assy, Full Round	
	1	176NYS44-4A	1, 2	Yoke Assy, Full Round	
	1	18NYS44-4A	1, 2	Yoke Assy, Full Round	
2	1	17TYS40-144 (F)	1, 2	Yoke Assy, Easy Service	
	1	176TYS40-14A	1, 2	Yoke Assy, Easy Service	
	1	18TYS40-4A	1, 2	Yoke Assy, Easy Service	
	1	17TYS44-10A (F)	1, 2	Yoke Assy, Easy Service	
	1	176TYS44-4A	1, 2	Yoke Assy, Easy Service	
	1	18TYS44-4A	1, 2	Yoke Assy, Easy Service	
3	1	72NYS40-99A	1, 2	Yoke Assy, Wing Series Permalube	
	1	82NYS40-28A	1, 2	Yoke Assy, Wing Series Permalube	
	1	85WBYS40-34A	1, 2	Yoke Assy, Wing Series Permalube	
	1	92NYS40-40A	1, 2	Yoke Assy, Wing Series Permalube	
	1	85WBYS44-1A	1, 2	Yoke Assy, Wing Series Permalube	
	1	92NYS44-22A	1, 2	Yoke Assy, Wing Series Permalube	
4	1	20WYS40-2A	1, 2	Yoke Assy, RPL Series Permalube	
	1	25WYS40-2A	1, 2	Yoke Assy, RPL Series Permalube	
	1	20WYS44-2A	1, 2	Yoke Assy, RPL Series Permalube	
	1	25WYS44-2A	1, 2	Yoke Assy, RPL Series Permalube	
5	1	5WCS40-40A	1, 2	Yoke Assy, Companion Flange	
	1	5WCS40-41A	1, 2	Yoke Assy, Companion Flange	
	1	5WCS44-3A	1, 2	Yoke Assy, Companion Flange	

# Speedometer Items

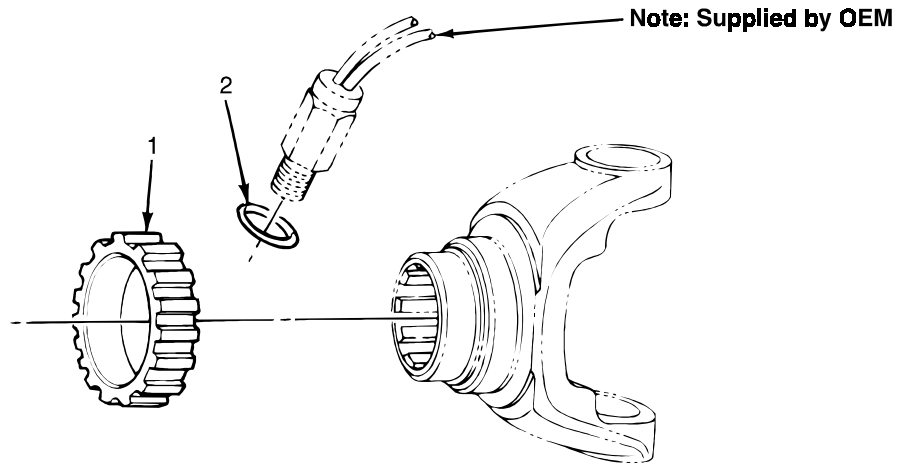


## Mechanical Speedometer

Item	Qty.	Part Number	Design Level	Description	Part of Kit
1	1	2297-U-5897	1, 2	Speedo Gear, (Drive) 115/125 Only 6T	5259
	1	2297-Y-6057	1, 2	Speedo Gear, (Drive) 135/145 Only 6T	5260
2	1	2245-Z-1066	1, 2	Sleeve	5259, 5260
3	1	5X-1092	1, 2	O-Ring	
4	1	2297-V-5898	1, 2	Speedo Gear, Adjusting	5259
	1	2297-X-6056	1, 2	Speedo Gear, (Driven) 135/145 Only 14T	5260
5	1	1225-Z-1170	1, 2	Bushing	



## Electronic Speedometer

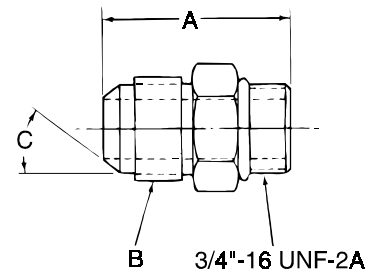
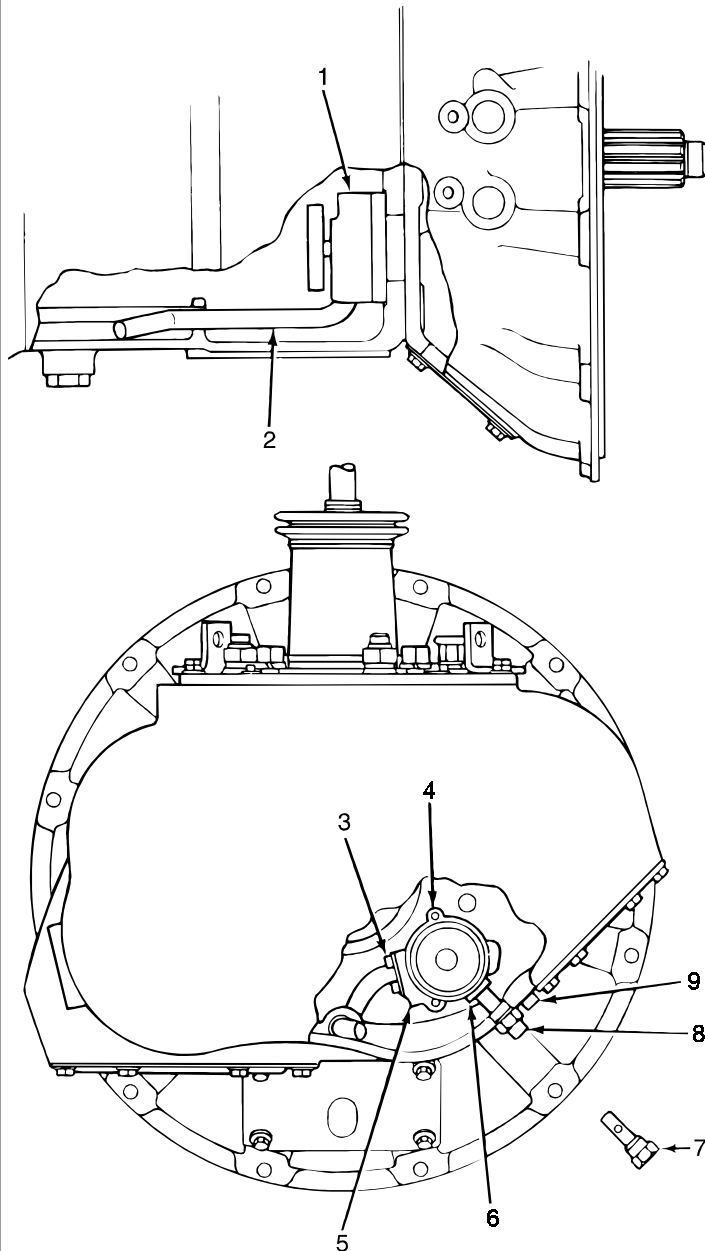


ELS0001

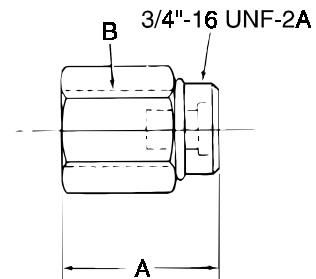
## Electronic Speedometer

Item	Qty.	Part Number	Design Level	Description	Part of Kit
1	1	2297-A-5903	1, 2	Rotor, 115/125 Only 16T	
	1	2297-Z-6058	1, 2	Rotor, Rotor (Electronic Speedometer) 135/145 Only 16T	
2	1	1205-T-1268	1, 2	O-Ring	5356, 5357, 5358, 5359, 5360, 5361

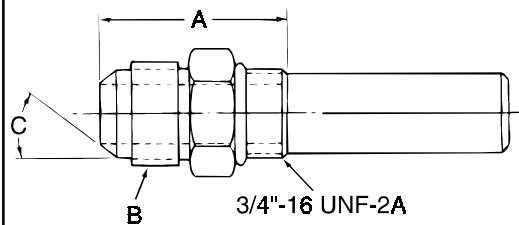
## Oil Pump Assembly — Integral Mounting (Serial No. LB9105149 & Below)



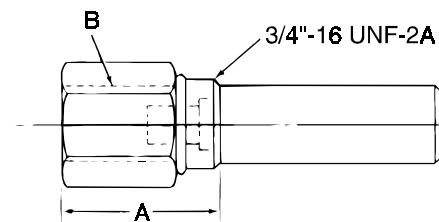
**FIGURE W**



**FIGURE X**



**FIGURE Y**



**FIGURE Z**

### Kits 5261, 5262, 5263 & 5275 — Oil pump Fittings For Outlet & Return ports (Serial No. Below LB9105150)

Kit Number	Meritor Part Number	Dimension A	Dimension B	Dimension C	Figure
5261	A1-2206-T-1034	1.48"/37.59 mm	3/4"-16 UNF-2A	37 Deg.	Y
5261	A-2206-Z-1034	1.48"/37.59 mm	3/4"-16 UNF-2A	37 Deg.	W
5262	A1-2206-G-1073	1.57"/40.00 mm	1/2"-14 NPTF	—	Z
5262/5277	A-2206-G-1073	1.57"/40.00 mm	1/2"-14 NPTF	—	X
5263/5278	A1-2206-K-1077	1.69"/42.93 mm	7/8"-14 UNF-2A	45 Deg.	Y
	A-2206-K-1077	1.69"/42.93 mm	7/8"-14 UNF-2A	45 Deg.	W
5275/5279	A1-2206-R-1084	1.58"/40.13 mm	7/8"-14 UNF-2A	37 Deg.	Y
5251	A-2206-R-1084	1.58"/40.13 mm	7/8"-14 UNF-2A	37 Deg.	W

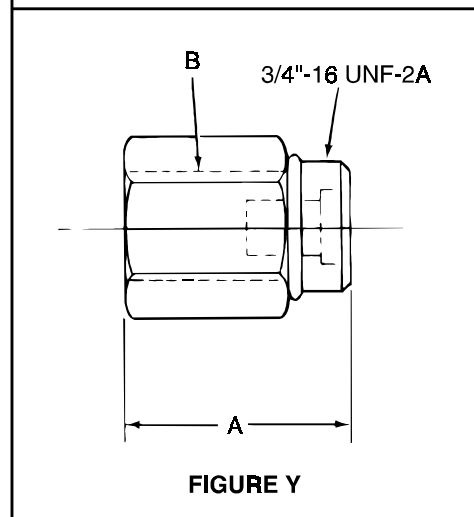
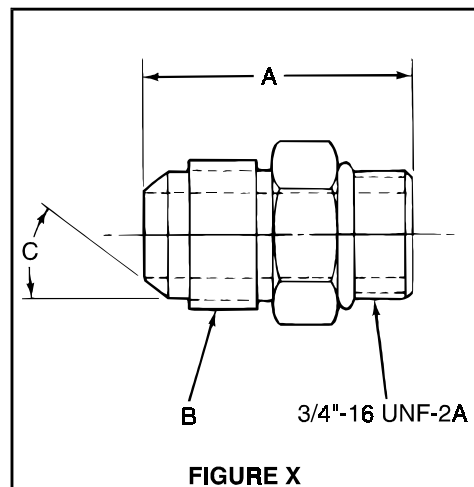
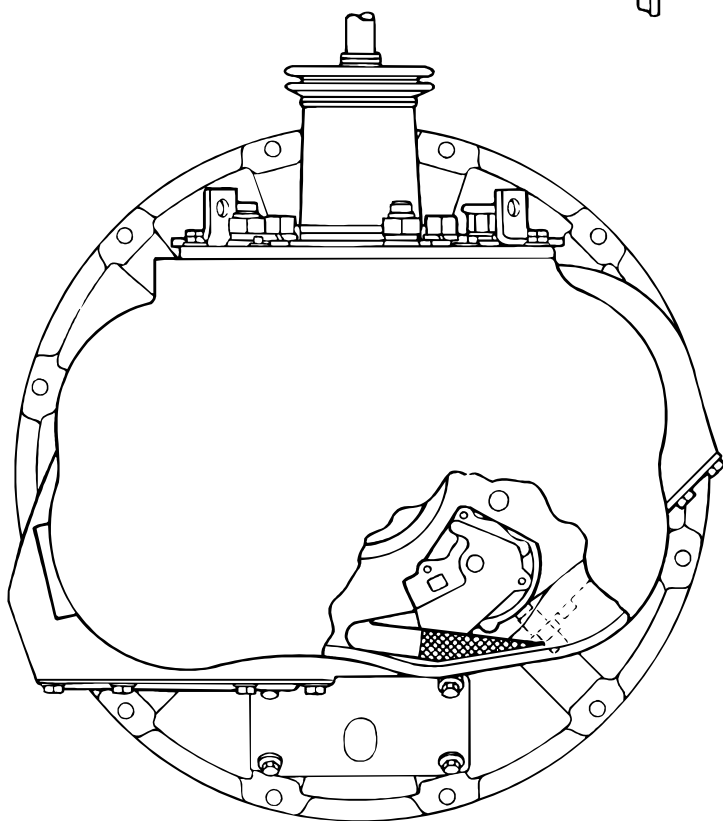
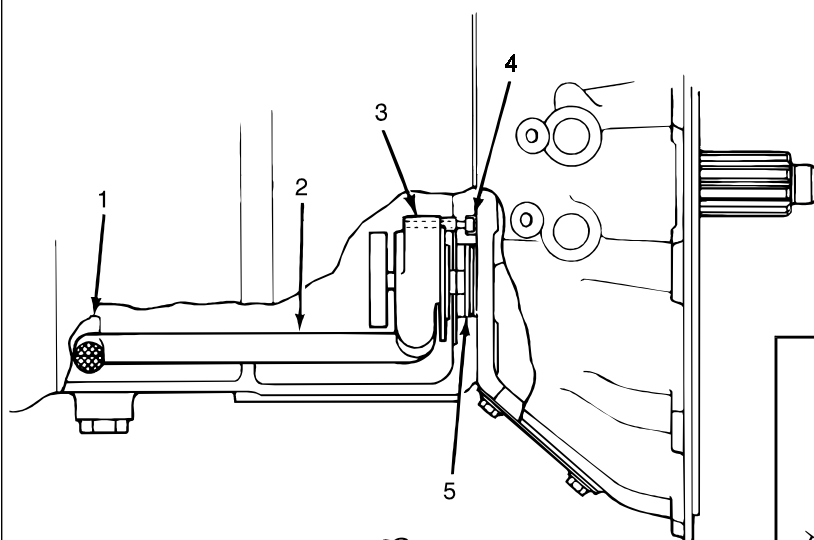
**OPA0001**



**Oil Pump Assembly — Integral Mounting (S/N LB9105149 & Below)**

Item	Qty.	Part Number	Design Level	Description	Part of Kit
1	NLA	A1-3303-L-1026	1	Pump Assy, Replaced by A-3303-M-1027	
	1	A-3303-M-1027	1	Pump Assy, (Includes Drive Gear)	
2	1	A1-3196-G-1047	1	Piping Assy, (with Screen)	
3	1	10X-1459	1	Special Screw, 1/4"-20 x 1/2" Allen Head	
4	1	10X-1460	1	Special Screw, 5/16"-18 x 1-1/2" Allen Head	
5	1	5X-1090	1	O-Ring	
6	1	5X-1089	1	O-Ring	
7	OPT	A1-2206-K-1051	1	Plug Assy, (Shipping Only)	
8	OPT	A1-2206-T-1034	1	Connector, (Plug Assembly-Case Outlet)	5261
9	OPT	A-1250-H-1126	1	Plug Assy, (Case Return)	
10	1	2297-J-6406	1	Plate, (Not Pictured)	
11	3	10X-1520	1	Shroud, (for Baffle, Not Pictured)	
12	3	1829-R-564	1	Lock Wshr, for Baffle (Not Pictured)	

## Oil Pump Assembly — Integral Mounting (Serial No. LB9105150 & Above)



### Kits 5276, 5277, 5278 & 5279 — Oil Pump Fittings For Outlet & Return ports (Serial No. Above LB9105149 Only — Current Production)

Kit Number (Qty. 2 ea.)	Meritor Part Number	Dimension A	Dimension B	Dimension C	Figure
5231/5232/5276	A-2206-Z-1040	1.48"/37.59 mm	3/4"-16 UNF-2A	37 Deg.	Y
5262/5277	A-2206-G-1073	1.57"/40.00 mm	1/2"-14 NPTF	—	Y
5278	A-2206-K-1077	1.69"/42.93 mm	7/8"-14 UNF-2A	45 Deg.	X
5251/5279	A-2206-R-1084	1.58"/40.13 mm	7/8"-14 UNF-2A	37 Deg.	X

OPA0002

**Oil Pump Assembly — Integral Mounting (S/N LB9105150 & Above)**

<b>Item</b>	<b>Qty.</b>	<b>Part Number</b>	<b>Design Level</b>	<b>Description</b>	<b>Part of Kit</b>
1	1	2255-Z-1118	1, 2	Bracket, (for Inlet Suction Tube)	
	NLA	S-264-A-1	1, 2	Bolt/Capscrew, Replaced by S-264-A-2	
	1	S-264-A-2	1, 2	Bolt/Capscrew, 3/8"-16 x 1/2" (For Bracket — Not Pictured)	
2	1	A-3196-A-1067	1, 2	Tube Assy, (Pipe/Suction with Screen)	
	1	5X-1157	1, 2	O-Ring, (Tube — Not Pictured)	
3	1	A-3303-N-1028	1, 2	Pump Assy, (Includes Drive Gear)	
4	3	10X-1532	1, 2	Special Screw, 1/4"-20 x 1-1/2" Allen Head	
	OPT	A-1250-H-1126	1, 2	Plug Assy, (Used in Shipping - Not Pictured)	
5	1	5X-1156	1, 2	O-Ring	

# Special Service Tools



**MERITOR™**

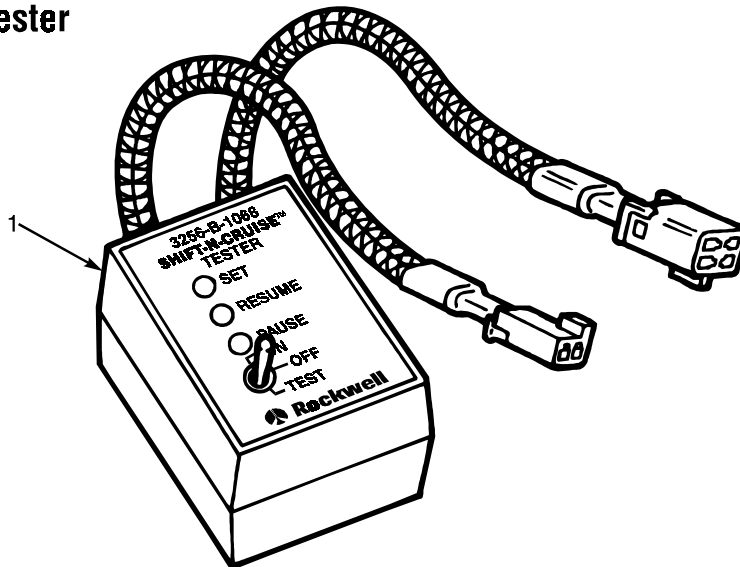
<p>1. Seal Driver 3256-Z-1014</p>	<p>2. Tubing Cutter 3256-A-1015</p>	<p>3. Retainer Plate, Holding Cover Tool 3305-W-1141</p>	
<p>4. Countershaft Pusher 3256-D-1044</p>	<p>5. Bearing Puller A-3256-W-1037</p> <p>Replacement Puller Leg 3256-A-1041</p>	<p>6. End Play Checker A-3256-C-1043</p> <p>7. 3/8" Countershaft Adaptor 3256-T-1060</p>	
<p>8. Digital Protractor 3256-V-1036</p>		<p>9. Lifting Bracket 2297-P-5840</p>	<p>10. T-Handle Tool 3256-Y-1013</p> <p>SST0001</p>



**Special Service Tools (Manual)**

Item	Qty.	Part Number	Design Level	Description	Part of Kit
1	1	3256-Z-1014	1, 2	Seal Driver, Fits all models. Also supplied by Kent-Moore Tool Co., Part No. J-39161.	
2	1	3256-A-1015	1, 2	Tool, (tubing cutter)	
3	1	3305-W-1141	1, 2	Retainer Plate, Holding Cover Tool	
4	1	3256-D-1044	1, 2	Tool, Countershaft Pusher, Also supplied by G&W Tool Co., Part No. G-28	
5	1	A-3256-W-1037	1, 2	Tool, Bearing Puller, Also supplied by Kent-Moore Tool Co., Part No. J-41806.	
	1	3256-A-1041	1, 2	Tool, Puller Leg, Replacement	
6	1	A-3256-C-1043	1, 2	Tool, End Play Checker Assy. Also supplied by Kent-Moore Tool Co., Part No. J-41335	
7	1	3256-T-1060	1, 2	Tool, 3/8" Countershaft Adaptor, Also supplied by Kent-Moore Tool Co., Part No. J-41335-25.	
8	1	3256-V-1036	1, 2	Tool, Digital Protractor, Also supplied by Kent-Moore Tool Co., Part No. J-38460-A.	
9	1	2297-P-5840	1, 2	Hook, Lifting	
10	1	3256-Y-1013	1, 2	Tool, T-Handle	
11	1	3256-W-1063	1, 2	Tool, Service, Tube Grip	

**Shift-N-Cruise™ Tester**



SCT0001

**Shift-N-Cruise™ Tester™ (ESS™)**

Item	Qty.	Part Number	Design Level	Description	Part of Kit
1	1	3256-B-1068	2	Tool, Tester, Shift-N-Cruise™	



**KIT5200 Overhaul Kit  
RM9-115/125, D/L1**

Part Number	Qty.	Description	Page No.
1225-A-1171	1	Bushing	10
1227-W-1375	1	Nut	60,61,62,64
1228-E-1175	2	Needle Bearing	
1228-G-1203	1	Ball Bearing	10
1228-W-1375	2	Bearing Cup	
1228-X-1376	2	Bearing Cup	
1229-A-4655	2	Snap Ring	
1229-B-4656	2	Snap Ring	43
1229-C-4657	2	Snap Ring	10,52,54,58
1229-D-4294	2	Snap Ring	52,54,58
1229-E-4295	2	Snap Ring	
1229-F-4296	2	Snap Ring	
1229-G-4297	2	Snap Ring	
1229-H-4298	2	Snap Ring	
1229-J-4300	2	Snap Ring	
1229-K-4301	2	Snap Ring	
1229-L-4302	2	Snap Ring	
1229-M-4303	2	Snap Ring	
1229-N-4304	2	Snap Ring	
1229-S-4647	2	Snap Ring	
1229-T-4648	2	Snap Ring	
1229-U-4649	2	Snap Ring	
1229-V-4286	2	Snap Ring	66,70,78,79,80,82,84,86
1229-V-4650	2	Snap Ring	
1229-W-4339	2	Snap Ring	10,12,14,16,18,20,22,24,26,50
1229-W-4651	2	Snap Ring	
1229-X-4652	2	Snap Ring	
1229-Y-4211	1	Snap Ring	60,61
1229-Y-4653	2	Snap Ring	
1229-Z-4654	2	Snap Ring	
1244-J-2194	1	Spacer	10
2208-K-1051	1	Gasket	66
2208-M-1053	1	Gasket	87
2258-N-1184	1	Detent Spring	72
2258-X-1142	3	Detent Spring	72
2258-Z-1144	3	Spring	59
2297-S-5765	2	Bearing Race	
27820	2	Bearing Cup	
27881	2	Bearing Cone	
3107-G-1073	1	Clutch Collar	12,14,16,18,20,22,24,26

**KIT5200 Overhaul Kit  
RM9-115/125, D/L1 - Cont.**

Part Number	Qty.	Description	Page No.
362	2	Bearing Cup	
368A	2	Bearing Cone	
3730	2	Bearing Cup	
3780	2	Bearing Cone	
383A	2	Bearing Cup	
386A	2	Bearing Cone	
5X-1065	1	O-Ring	66,68,70
5X-1066	1	O-Ring	66,68,70
5X-1069	2	O-Ring	50
A-1205-W-2311	1	Oil Seal Assy	46,48
A-1228-H-1204	1	Bearing Assy	50
A-1228-K-1207	1	Bearing Assy	46
A-3297-B-1380	1	I/P Shaft Assy	
NL-110-1	2	Lock Nut	44
NL-17-1	1	Nut	66,68,70
NL-25-1	1	Lock Nut	66,70

**KIT5203 Overhaul Kit  
RM9-135/145, D/L1**

Part Number	Qty.	Description	Page No.
1225-A-1171	1	Bushing	10
1227-W-1375	1	Nut	60,61,62,64
1228-E-1175	2	Needle Bearing	
1228-G-1203	1	Ball Bearing	10
1228-W-1375	2	Bearing Cup	
1228-X-1376	2	Bearing Cup	
1229-A-4655	2	Snap Ring	
1229-B-4656	2	Snap Ring	43
1229-C-4657	2	Snap Ring	10,52,54,58
1229-D-4294	2	Snap Ring	52,54,58
1229-E-4295	2	Snap Ring	
1229-F-4296	2	Snap Ring	
1229-G-4297	2	Snap Ring	
1229-H-4298	2	Snap Ring	
1229-J-4300	2	Snap Ring	
1229-K-4301	2	Snap Ring	
1229-L-4302	2	Snap Ring	
1229-M-4303	2	Snap Ring	
1229-N-4304	2	Snap Ring	
1229-S-4647	2	Snap Ring	
1229-T-4648	2	Snap Ring	

**KIT5203 Overhaul Kit  
RM9-135/145, D/L1 - Cont.**

Part Number	Qty.	Description	Page No.
1229-U-4649	2	Snap Ring	
1229-V-4286	2	Snap Ring	66,70,78, 79,80,82, 84,86
1229-V-4650	2	Snap Ring	
1229-W-4339	2	Snap Ring	10,12,14, 16,18,20, 22,24,26, 50
1229-W-4651	2	Snap Ring	
1229-X-4652	2	Snap Ring	
1229-Y-4211	1	Snap Ring	60,61
1229-Y-4653	2	Snap Ring	
1229-Z-4654	2	Snap Ring	
1244-J-2194	1	Spacer	10
2208-K-1051	1	Gasket	66
2208-M-1053	1	Gasket	87
2258-N-1184	1	Detent Spring	72
2258-X-1142	3	Detent Spring	72
2258-Z-1144	3	Spring	59
2297-S-5765	2	Bearing Race	
27820	2	Bearing Cup	
27881	2	Bearing Cone	
3107-G-1073	1	Clutch Collar	12,14,16, 18,20,22, 24,26
362	2	Bearing Cup	
368A	2	Bearing Cone	
3730	2	Bearing Cup	
3780	2	Bearing Cone	
383A	2	Bearing Cup	
386A	2	Bearing Cone	
5X-1065	1	O-Ring	66,68,70
5X-1066	1	O-Ring	66,68,70
5X-1069	2	O-Ring	50
A-1205-W-2311	1	Oil Seal Assy	46,48
A-1228-H-1204	1	Bearing Assy	50
A-1228-M-1209	1	Bearing Assy	46,48
A-3297-B-1380	1	I/P Shaft Assy	
KIT5290	1	Air Filter Kit	
NL-110-1	2	Lock Nut	44
NL-17-1	1	Nut	66,68,70
NL-25-1	1	Lock Nut	66,70

**KIT5215 Input Shaft Kit,  
NLA, Use KIT5367**

Part Number	Qty.	Description	Page No.
1229-C-4657	1	Snap Ring	10,52,54, 58
1229-W-4339	1	Snap Ring	10,12,14, 16,18,20, 22,24,26, 50
A-3297-B-1380	1	I/P Shaft Assy	

**KIT5220 Rebuild Kit  
RM9-115/125, D/L1**

Part Number	Qty.	Description	Page No.
1225-A-1171	1	Bushing	10
1227-W-1375	1	Nut	60,61,62, 64
1228-E-1175	2	Needle Bearing	
1228-G-1203	1	Ball Bearing	10
1228-W-1375	2	Bearing Cup	
1228-X-1376	2	Bearing Cup	
1229-A-4655	2	Snap Ring	
1229-B-4656	1	Snap Ring	43
1229-C-4657	2	Snap Ring	10,52,54, 58
1229-D-4294	2	Snap Ring	52,54,58
1229-E-4295	2	Snap Ring	
1229-F-4296	2	Snap Ring	
1229-G-4297	2	Snap Ring	
1229-H-4298	2	Snap Ring	
1229-J-4300	2	Snap Ring	
1229-K-4301	2	Snap Ring	
1229-L-4302	2	Snap Ring	
1229-M-4303	2	Snap Ring	
1229-N-4304	2	Snap Ring	
1229-S-4647	2	Snap Ring	
1229-T-4648	2	Snap Ring	
1229-U-4649	2	Snap Ring	
1229-V-4286	2	Snap Ring	66,70,78, 79,80,82, 84,86
1229-V-4650	2	Snap Ring	
1229-W-4339	2	Snap Ring	10,12,14, 16,18,20, 22,24,26, 50
1229-W-4651	2	Snap Ring	
1229-X-4652	2	Snap Ring	
1229-Y-4211	1	Snap Ring	60,61
1229-Y-4653	2	Snap Ring	
1229-Z-4654	2	Snap Ring	
2208-K-1051	1	Gasket	66

**KIT5220 Rebuild Kit  
RM9-115/125, D/L1 - Cont.**

Part Number	Qty.	Description	Page No.
2208-M-1053	1	Gasket	87
2258-N-1184	1	Detent Spring	72
2258-X-1142	3	Detent Spring	72
2258-Z-1144	3	Spring	59
2297-S-5765	2	Bearing Race	
27820	2	Bearing Cup	
27881	2	Bearing Cone	
362	2	Bearing Cup	
368A	2	Bearing Cone	
3730	2	Bearing Cup	
3780	2	Bearing Cone	
383A	2	Bearing Cup	
386A	2	Bearing Cone	
5X-1065	1	O-Ring	66,68,70
5X-1066	1	O-Ring	66,68,70
5X-1069	2	O-Ring	50
A-1205-W-2311	1	Oil Seal Assy	46,48
A-1228-H-1204	1	Bearing Assy	50
A-1228-K-1207	1	Bearing Assy	46
NL-110-1	2	Lock Nut	44
NL-17-1	1	Nut	66,68,70
NL-25-1	1	Lock Nut	66,70

**KIT5221 Rebuild Kit  
RM9-135/145, D/L1**

Part Number	Qty.	Description	Page No.
1225-A-1171	1	Bushing	10
1227-W-1375	1	Nut	60,61,62,64
1228-E-1175	2	Needle Bearing	
1228-G-1203	1	Ball Bearing	10
1228-W-1375	2	Bearing Cup	
1228-X-1376	2	Bearing Cup	
1229-A-4655	2	Snap Ring	
1229-B-4656	2	Snap Ring	43
1229-C-4657	2	Snap Ring	10,52,54,58
1229-D-4294	2	Snap Ring	52,54,58
1229-E-4295	2	Snap Ring	
1229-F-4296	2	Snap Ring	
1229-G-4297	2	Snap Ring	
1229-H-4298	2	Snap Ring	
1229-J-4300	2	Snap Ring	
1229-K-4301	2	Snap Ring	
1229-L-4302	2	Snap Ring	
1229-M-4303	2	Snap Ring	
1229-N-4304	2	Snap Ring	

**KIT5221 Rebuild Kit  
RM9-135/145, D/L1 - Cont.**

Part Number	Qty.	Description	Page No.
1229-S-4647	2	Snap Ring	
1229-T-4648	2	Snap Ring	
1229-U-4649	2	Snap Ring	
1229-V-4286	2	Snap Ring	66,70,78,79,80,82,84,86
1229-V-4650	2	Snap Ring	
1229-W-4339	2	Snap Ring	10,12,14,16,18,20,22,24,26,50
1229-W-4651	2	Snap Ring	
1229-X-4652	2	Snap Ring	
1229-Y-4211	1	Snap Ring	60,61
1229-Y-4653	2	Snap Ring	
1229-Z-4654	2	Snap Ring	
2208-K-1051	1	Gasket	66
2208-M-1053	1	Gasket	87
2258-N-1184	1	Detent Spring	72
2258-X-1142	3	Detent Spring	72
2258-Z-1144	3	Spring	59
2297-S-5765	2	Bearing Race	
27820	2	Bearing Cup	
27881	2	Bearing Cone	
362	2	Bearing Cup	
368A	2	Bearing Cone	
3730	2	Bearing Cup	
3780	2	Bearing Cone	
383A	2	Bearing Cup	
386A	2	Bearing Cone	
5X-1065	1	O-Ring	66,68,70
5X-1066	1	O-Ring	66,68,70
5X-1069	2	O-Ring	50
A-1205-W-2311	1	Oil Seal Assy	46,48
A-1228-H-1204	1	Bearing Assy	50
A-1228-M-1209	1	Bearing Assy	46,48
NL-110-1	2	Lock Nut	44
NL-17-1	1	Nut	66,68,70
NL-25-1	1	Lock Nut	66,70

**KIT5231 Oil Cooler Kit  
(3/4" Fittings & #8 Hose)**

Part Number	Qty.	Description	Page No.
1199-E-3359	1	Elbow	
2257-J-1076	2	Clamp	90,92
3196-P-1056	1	Hose	
3280-J-8798	1	Oil Cooler	
A-2206-B-1042	3	Connector	



**KIT5231 Oil Cooler Kit  
(3/4" Fittings & #8 Hose) - Cont.**

Part Number	Qty.	Description	Page No.
A-2206-D-1044	1	Elbow	
A-2206-F-1072	2	Connector	
A-2206-Z-1040	1	Connector	
MPS-3653	1	Misc Hdwr Kit	

**KIT5232 Oil Filter Kit  
(#8 Hose Adaptable)**

Part Number	Qty.	Description	Page No.
2206-X-1064	1	Nipple	
2297-U-6417	.01	Loctite (cc)	
2297-W-5431	.01	Loctite (cc)	
3155-Y-1143	1	Bracket	
3280-V-8394	1	Filter	
A-2206-D-1044	2	Elbow	
A-2206-Z-1040	2	Connector	
A-3155-Y-1143	1	Brkt Assy	
P-12Z-S	1	Plug	87

**KIT5233 Lubrication Line Kit  
(3/4" Fittings & #8 Hose)**

Part Number	Qty.	Description	Page No.
1199-E-3359	1	Elbow	
2257-J-1076	1	Clamp	90,92
3196-V-1062	1	Hose	
A-2206-B-1042	1	Connector	
A-2206-D-1044	1	Elbow	

**KIT5235 Air Fittings Kit 1/8"**

Part Number	Qty.	Description	Page No.
A-2206-L-1130	1	Connector	90,92
A-2206-P-1134	1	Elbow	90,92

**KIT5236 Air Fittings Kit 5/32",  
NLA, Use KIT5376**

Part Number	Qty.	Description	Page No.
A-2206-J-1128	1	Connector	90,92
A-2206-M-1131	1	Elbow	90,92

**KIT5237 Isolated Shift Lever Kit**

Part Number	Qty.	Description	Page No.
10X-1611	1	Bolt/Capscrew	110,112
1225-B-1198	2	Bushing	110,112
1227-Q-1525	1	Nut	110,112

**KIT5238 Overhaul Kit -  
13-Speed, D/L1**

Part Number	Qty.	Description	Page No.
1227-A-1405	1	Nut	64
1227-W-1375	1	Nut	60,61,62,64
1228-E-1175	2	Needle Bearing	
1228-G-1203	1	Ball Bearing	10
1228-Q-1265	2	Bearing Cup	
1228-W-1375	2	Bearing Cup	
1228-X-1376	2	Bearing Cup	
1229-A-4655	2	Snap Ring	
1229-B-4656	2	Snap Ring	43
1229-C-4657	2	Snap Ring	10,52,54,58
1229-D-4294	2	Snap Ring	52,54,58
1229-E-4295	2	Snap Ring	
1229-F-4296	2	Snap Ring	
1229-G-4297	2	Snap Ring	
1229-H-4298	2	Snap Ring	
1229-J-4300	2	Snap Ring	
1229-K-4301	2	Snap Ring	
1229-L-4302	2	Snap Ring	
1229-M-4303	2	Snap Ring	
1229-N-4304	2	Snap Ring	
1229-S-4647	2	Snap Ring	
1229-T-4648	2	Snap Ring	
1229-U-4649	2	Snap Ring	
1229-V-4234	1	Snap Ring	64
1229-V-4286	2	Snap Ring	66,70,78,79,80,82,84,86
1229-V-4650	2	Snap Ring	
1229-W-4339	2	Snap Ring	10,12,14,16,18,20,22,24,26,50
1229-W-4651	2	Snap Ring	
1229-X-4652	2	Snap Ring	
1229-Y-4653	2	Snap Ring	
1229-Z-4654	2	Snap Ring	
1244-J-2194	1	Spacer	10
2208-M-1053	1	Gasket	87
2258-N-1184	1	Detent Spring	72
2258-X-1142	3	Detent Spring	72
2258-Z-1144	3	Spring	59
2297-S-5765	2	Bearing Race	
26878	2	Bearing Cone	
3107-G-1073	1	Clutch Collar	12,14,16,18,20,22,24,26
3208-S-1059	1	Gasket	70

**KIT5238 Overhaul Kit -  
13-Speed, D/L1 - Cont.**

Part Number	Qty.	Description	Page No.
362	2	Bearing Cup	
368A	2	Bearing Cone	
3730	2	Bearing Cup	
3780	2	Bearing Cone	
5X-1065	1	O-Ring	66,68,70
5X-1066	1	O-Ring	66,68,70
5X-1069	2	O-Ring	50
5X-1081	1	O-Ring	70
5X-1082	1	O-Ring	
5X-1084	1	O-Ring	88
A-1205-W-2311	1	Oil Seal Assy	46,48
A-1228-H-1204	1	Bearing Assy	50
A-1228-M-1209	1	Bearing Assy	46,48
A-1250-S-1137	1	Plug Assy	70
A-2297-K-5965	1	Valve Assy	70
A-3297-B-1380	1	I/P Shaft Assy	
KIT5290	1	Air Filter Kit	
NL-110-1	2	Lock Nut	44
NL-17-1	2	Nut	66,68,70
NL-25-1	1	Lock Nut	66,70

**KIT5239 Rebuild Kit -  
13-Speed, D/L1**

Part Number	Qty.	Description	Page No.
1225-A-1171	1	Bushing	10
1227-A-1405	1	Nut	64
1227-W-1375	1	Nut	60,61,62,64
1228-E-1175	2	Needle Bearing	
1228-G-1203	1	Ball Bearing	10
1228-W-1375	2	Bearing Cup	
1228-X-1376	2	Bearing Cup	
1229-A-4655	2	Snap Ring	
1229-B-4656	1	Snap Ring	43
1229-C-4657	2	Snap Ring	10,52,54,58
1229-D-4294	2	Snap Ring	52,54,58
1229-E-4295	2	Snap Ring	
1229-F-4296	2	Snap Ring	
1229-G-4297	2	Snap Ring	
1229-H-4298	2	Snap Ring	
1229-J-4300	2	Snap Ring	
1229-K-4301	2	Snap Ring	
1229-L-4302	2	Snap Ring	
1229-M-4303	2	Snap Ring	

**KIT5239 Rebuild Kit -  
13-Speed, D/L1 - Cont.**

Part Number	Qty.	Description	Page No.
1229-N-4304	2	Snap Ring	
1229-S-4647	2	Snap Ring	
1229-T-4648	2	Snap Ring	
1229-U-4649	2	Snap Ring	
1229-V-4234	1	Snap Ring	64
1229-V-4286	2	Snap Ring	66,70,78,79,80,82,84,86
1229-V-4650	2	Snap Ring	
1229-W-4339	2	Snap Ring	10,12,14,16,18,20,22,24,26,50
1229-W-4651	2	Snap Ring	
1229-X-4652	2	Snap Ring	
1229-Y-4653	2	Snap Ring	
1229-Z-4654	2	Snap Ring	
2208-M-1053	1	Gasket	87
2258-N-1184	1	Detent Spring	72
2258-X-1142	3	Detent Spring	72
2258-Z-1144	3	Spring	59
2297-S-5765	2	Bearing Race	
3208-S-1059	1	Gasket	70
362	2	Bearing Cup	
368A	2	Bearing Cone	
3730	2	Bearing Cup	
3780	2	Bearing Cone	
5X-1065	1	O-Ring	66,68,70
5X-1066	1	O-Ring	66,68,70
5X-1069	2	O-Ring	50
5X-1081	1	O-Ring	70
5X-1082	1	O-Ring	
5X-1084	1	O-Ring	88
A-1205-W-2311	1	Oil Seal Assy	46,48
A-1228-H-1204	1	Bearing Assy	50
A-1228-M-1209	1	Bearing Assy	46,48
A-1228-S-1345	2	Bearing Assy	28,30,32,34,36,38,40,42,52,54,56
A-1250-S-1137	1	Plug Assy	70
A-2297-K-5965	1	Valve Assy	70
NL-110-1	2	Lock Nut	44
NL-17-1	2	Nut	66,68,70
NL-25-1	1	Lock Nut	66,70

**KIT5240 Piston Housing Seal Kit - 13-Speed**

Part Number	Qty.	Description	Page No.
3208-S-1059	1	Gasket	70
5X-1065	1	O-Ring	66,68,70
5X-1066	1	O-Ring	66,68,70
5X-1081	1	O-Ring	70
5X-1082	1	O-Ring	
NL-17-1	2	Nut	66,68,70

**KIT5241 Piston Housing Kit - 13-Speed**

Part Number	Qty.	Description	Page No.
2230-B-1094	1	Piston	66,70
2230-K-1103	1	Piston	70
3208-S-1059	1	Gasket	70
5X-1065	1	O-Ring	66,68,70
5X-1066	1	O-Ring	66,68,70
5X-1081	1	O-Ring	70
5X-1082	1	O-Ring	
A-1250-S-1137	1	Plug Assy	70
A-2297-K-5965	1	Valve Assy	70
A-3266-U-1165	1	Cover Assy	70
A-3280-J-8772	1	Hsg Assy	70
NL-17-1	2	Nut	66,68,70

**KIT5249 Air Fittings Kit 5/32", NLA, Use KIT5377**

Part Number	Qty.	Description	Page No.
A-2206-J-1128	1	Connector	90,92
A-2206-M-1131	2	Elbow	90,92

**KIT5250 Seal and Gasket Kit - 9- & 10-Speed**

Part Number	Qty.	Description	Page No.
2208-K-1051	1	Gasket	66
5X-1065	1	O-Ring	66,68,70
5X-1066	1	O-Ring	66,68,70
5X-1083	1	O-Ring	66,68,70
NL-17-1	1	Nut	66,68,70

**KIT5251 Oil Cooler Kit 7/8" Fittings & #10 Hose**

Part Number	Qty.	Description	Page No.
2206-N-1080	1	Elbow	
2257-J-1076	2	Clamp	90,92
3196-W-1063	1	Hose	
3280-J-8798	1	Oil Cooler	
A-2206-A-1041	2	Connector	
A-2206-C-1043	3	Connector	
A-2206-E-1045	1	Elbow	

**KIT5251 Oil Cooler Kit 7/8" Fittings & #10 Hose - Cont.**

Part Number	Qty.	Description	Page No.
A-2206-R-1084	1	Connector	
MPS-3653	1	Misc Hdwr Kit	

**KIT5252 Oil Filter Kit #10 Hose Adaptable**

Part Number	Qty.	Description	Page No.
2206-X-1064	1	Nipple	
2297-U-6417	.01	Loctite (cc)	
2297-W-5431	.01	Loctite (cc)	
3155-Y-1143	1	Bracket	
3280-V-8394	1	Filter	
A-2206-E-1045	2	Elbow	
A-2206-R-1084	2	Connector	
A-3155-Y-1143	1	Brkt Assy	
P-12Z-S	1	Plug	87

**KIT5257 Lubrication Line Kit (7/8" Fittings & #10 Hose)**

Part Number	Qty.	Description	Page No.
2206-N-1080	1	Elbow	
2257-J-1076	1	Clamp	90,92
3196-X-1064	1	Hose	
A-2206-C-1043	1	Connector	
A-2206-E-1045	1	Elbow	

**KIT5259 Mechanical Speedometer Kit RM9-115/125**

Part Number	Qty.	Description	Page No.
2245-Z-1066	1	Sleeve	127
2297-U-5897	1	Speedo Gear	127
2297-V-5898	1	Speedo Gear	127
5X-1092	1	O-Ring	46,48,68,127

**KIT5260 Mechanical Speedometer Kit 135/145 (9/10/13-Speed)**

Part Number	Qty.	Description	Page No.
2245-Z-1066	1	Sleeve	127
2297-X-6056	1	Speedo Gear	127
2297-Y-6057	1	Speedo Gear	127
5X-1092	1	O-Ring	46,48,68,127

**KIT5261 Oil Pump Fittings Kit**

Part Number	Qty.	Description	Page No.
A-2206-T-1034	1	Plug Assy	
A1-2206-T-1034	1	Connector	130

## KIT5262 Oil Pump Fittings Kit

Part Number	Qty.	Description	Page No.
A-2206-G-1073	1	Connector	
A1-2206-G-1073	1	Connector	

## KIT5263 Oil Pump Fittings Kit

Part Number	Qty.	Description	Page No.
A-2206-K-1077	1	Connector	
A1-2206-K-1077	1	Connector	

## KIT5270 Synchronizer Kit

Part Number	Qty.	Description	Page No.
2258-Z-1144	3	Spring	59
A-3203-R-1006	1	Synchro Assy	59
A-3203-Z-1014	1	Synchro Assy	59

## KIT5275 Oil Pump Fittings Kit

Part Number	Qty.	Description	Page No.
A-2206-R-1084	1	Connector	
A1-2206-R-1084	1	Connector	

## KIT5276 Oil Fittings Kit 3/4"-16 UNF 2A, 37° Flare (#8)

Part Number	Qty.	Description	Page No.
A-2206-Z-1040	2	Connector	

## KIT5277 Oil Fittings Kit 1/2"-14 NPTF

Part Number	Qty.	Description	Page No.
A-2206-G-1073	2	Connector	

## KIT5278 Oil Fittings Kit 7/8"-14 UNF 2A, 45° Flare (#10)

Part Number	Qty.	Description	Page No.
A-2206-K-1077	2	Connector	

## KIT5279 Oil Fittings Kit 7/8"-14 UNF 2A, 37° Flare (#10)

Part Number	Qty.	Description	Page No.
A-2206-R-1084	2	Connector	

## KIT5280 Slave Valve Kit

Part Number	Qty.	Description	Page No.
2208-M-1053	1	Gasket	87
2245-B-1198	1	Sleeve	87
A-3280-Q-9455	1	Valve Assy	
P-12Z-S	1	Plug	87

## KIT5289 Synchronizer Kit, Incl. Collar

Part Number	Qty.	Description	Page No.
2258-Z-1144	3	Spring	59
3107-S-1111	1	Collar	59
A-3203-R-1006	1	Synchro Assy	59
A-3203-Z-1014	1	Synchro Assy	59

## KIT5290 Air Filter Kit

Part Number	Qty.	Description	Page No.
2297-A-6163	1	Filter	88
5X-1096	1	O-Ring	88
5X-1135	1	O-Ring	88

## KIT5291 Service Kit - Detent Springs & Ball, Top Cover

Part Number	Qty.	Description	Page No.
1199-X-596	3	Detent Ball	72
2208-G-1047	1	Gasket	72,74,76
2258-N-1184	1	Detent Spring	72
2258-X-1142	3	Detent Spring	72

## KIT5292 Service Kit - Pin & Plug, Rev. Switch

Part Number	Qty.	Description	Page No.
43X-1169	2	Pin	72
A-1250-D-1252	2	Plug Assy	72

## KIT5293 Service Kit - Pin & Plug, Neutral Switch

Part Number	Qty.	Description	Page No.
43X-1165	1	Pin	72
A-1250-H-1126	1	Plug Assy	46,48,72,74,76,130,132

## KIT5294 Service Kit - Slave Valve Exhaust Valves

Part Number	Qty.	Description	Page No.
0226 3343 28	2	Screw (Vendor Pt. No.)	
9128 3456	2	Disc (Vendor Pt. No.)	
9128 3462 01	2	Cover (Vendor Pt. No.)	

## KIT5295 Auxiliary Cover Assembly RM9-115/125/125A, D/L1

Part Number	Qty.	Description	Page No.
3892-K-5315	1	Aux Gear	50
A-3293-B-1016	1	Cover Assy	

**KIT5296 Auxiliary Cover Assy  
RM9-115B/115R/125B/125R,  
D/L1**

Part Number	Qty.	Description	Page No.
3892-K-5315	1	Aux Gear	50
A1-3293-B-1016	1	Cover Assy	

**KIT5297 Auxiliary Cover Assy  
RM9-135/135A/145/145A, D/L1**

Part Number	Qty.	Description	Page No.
3892-L-5316	1	Aux Gear	50
A-3293-Z-1014	1	Cover Assy	

**KIT5298 Auxiliary Cover Assy  
RM9-135B/135R/145B/145R,  
D/L1**

Part Number	Qty.	Description	Page No.
3892-L-5316	1	Aux Gear	50
A1-3293-Z-1014	1	Cover Assy	

**KIT5299 High Isolated Shift Tower Kit,  
NLA, Use KIT5369**

Part Number	Qty.	Description	Page No.
1229-B-1666	4	Flat Wshr	2, 4, 6, 8, 9, 46, 48, 66, 68, 70, 72, 74, 76, 104, 108
3208-N-1080	1	Gasket	104, 106, 108
A1-3280-U-9147	1	Shift Hsg Assy	
KIT5237	1	Iso Shift Lever	
S-2610-A-2	4	Bolt/Capscrew	9, 72, 74, 76, 104, 108

**KIT5300 Low Isolated Shift Tower Kit,  
NLA, Use KIT5368**

Part Number	Qty.	Description	Page No.
1229-B-1666	4	Flat Wshr	2, 4, 6, 8, 9, 46, 48, 66, 68, 70, 72, 74, 76, 104, 108
3208-N-1080	1	Gasket	104, 106, 108
A1-3280-S-9145	1	Shift Hsg Assy	
KIT5237	1	Iso Shift Lever	
S-2610-A-2	4	Bolt/Capscrew	9, 72, 74, 76, 104, 108

**KIT5301 Auxiliary Cover Assembly  
RM013-145, D/L1**

Part Number	Qty.	Description	Page No.
3892-M-5317	1	Aux Gear	50
A-3293-D-1018	1	Cover Assy	

**KIT5302 Splitter Kit - 13-Speed**

Part Number	Qty.	Description	Page No.
1227-A-1405	1	Nut	64
1229-T-4232	1	Thrust Wshr	64
1229-V-4234	1	Snap Ring	64
1229-V-4494	1	Thrust Wshr	64
2297-A-7021	AR	Seal Kit	66, 70
26X-1011	1	Set Screw	70, 78, 79, 80, 82, 84, 86
3107-M-1131	1	Collar	64
3107-U-1087	1	Aux Drive Cplg	64
3296-D-1122	1	Shift Fork	70
3892-G-5077	1	Aux Gear	64
A-2297-K-5965	1	Valve Assy	70
KIT5240	1	Seal Kit	

**KIT5307 5/16" Air Lines**

Part Number	Qty.	Description	Page No.
2206-C-1147	1	Elbow	90, 92
2257-J-1076	1	Clamp	90, 92
2296-L-1078	1	Tubing	92
2296-M-1079	1	Tubing	92
2296-N-1080	1	Tubing	92
A-2206-F-1150	1	Elbow	90, 92
A-2206-G-1151	5	Connector	90, 92

**KIT5309 Overhaul Kit - Shift Shaft**

Part Number	Qty.	Description	Page No.
1254-A-53	3	Lock Wire	78, 79, 82, 84, 86
2244-G-1125	1	Shift Shaft	
2244-H-1126	1	Shift Shaft	
2244-W-1115	1	Shift Shaft	78, 82
2297-A-7021	1	Seal Kit	66, 70
2297-B-6112	1	Adhesive (Ozs)	
KIT5307	1	Service Kit	
SPI90229	1	Instructions	

**KIT5321 Snap Ring Kit, Auxiliary  
Countershaft, D/L1**

Part Number	Qty.	Description	Page No.
1229-D-4294	2	Snap Ring	52, 54, 58
1229-E-4295	2	Snap Ring	
1229-F-4296	2	Snap Ring	

**KIT5321 Snap Ring Kit, Auxiliary Countershaft, D/L1 - Cont.**

Part Number	Qty.	Description	Page No.
1229-G-4297	2	Snap Ring	
1229-H-4298	2	Snap Ring	
1229-J-4300	2	Snap Ring	
1229-K-4301	2	Snap Ring	
1229-L-4302	2	Snap Ring	
1229-M-4303	2	Snap Ring	
1229-N-4304	2	Snap Ring	

**KIT5322 Snap Ring Kit, D/L1**

Part Number	Qty.	Description	Page No.
KIT5321	1	Service Kit	
KIT5324	1	Service Kit	
KIT5325	1	Service Kit	43

**KIT5324 Snap Ring Kit**

Part Number	Qty.	Description	Page No.
1229-B-4656	2	Snap Ring	43
1229-C-4657	1	Snap Ring	10, 52, 54, 58
1229-H-4168	3	Snap Ring	10, 52, 54, 58
1229-W-4339	3	Snap Ring	10, 12, 14, 16, 18, 20, 22, 24, 26, 50
1229-Y-4211	1	Snap Ring	60, 61

**KIT5325 Snap Ring Kit, Main Countershaft, D/L1**

Part Number	Qty.	Description	Page No.
1229-A-4655	2	Snap Ring	
1229-S-4647	2	Snap Ring	
1229-T-4648	2	Snap Ring	
1229-U-4649	2	Snap Ring	
1229-V-4650	2	Snap Ring	
1229-W-4651	2	Snap Ring	
1229-X-4652	2	Snap Ring	
1229-Y-4653	2	Snap Ring	
1229-Z-4654	2	Snap Ring	

**KIT5326 Overhaul Kit Old Style Alum Shift Tower, OBSOLETE**

Part Number	Qty.	Description	Page No.
1229-T-1242	1	Snap Ring	104
2214-Q-1135	1	Ring	104
2260-V-1036	1	Boot	104
3208-L-1078	1	Gasket	104

**KIT5326 Overhaul Kit Old Style Alum Shift Tower, OBSOLETE - Cont.**

Part Number	Qty.	Description	Page No.
3237-N-66	1	Strap	100, 102, 104, 106, 108
3237-P-68	1	Strap	104
42X-1227	3	Spring	104
A-2214-S-1111	1	Ring	104
S-843	1	Set Screw	104

**KIT5329 Input and Main Shaft Snap Ring Kit, D/L2**

Part Number	Qty.	Description	Page No.
1229-C-4657	6	Snap Ring	10, 52, 54, 58
1229-W-4339	3	Snap Ring	10, 12, 14, 16, 18, 20, 22, 24, 26, 50

**KIT5331 Selective Washer Kit, Auxiliary, D/L2**

Part Number	Qty.	Description	Page No.
1229-N-4304	2	Snap Ring	
1229-P-4540	2	Spacer Washer	52, 54, 56, 58
1229-Q-4541	2	Spacer Washer	52, 54, 56, 58
1229-R-4542	2	Spacer Washer	52, 54, 56, 58
1229-S-4543	2	Spacer Washer	52, 54, 56, 58
1229-T-4544	2	Spacer Washer	52, 54, 56, 58
1229-U-4545	2	Spacer Washer	52, 54, 56, 58
1229-V-4546	2	Spacer Washer	52, 54, 56, 58
1229-W-4547	2	Spacer Washer	52, 54, 56, 58
1229-X-4548	2	Spacer Washer	52, 54, 56, 58
1229-Y-4549	2	Spacer Washer	52, 54, 56, 58

**KIT5332 Shim and Washer Kit, D/L2**

Part Number	Qty.	Description	Page No.
KIT5329	1	Service Kit	
KIT5331	1	Service Kit	
KIT5364	1	Service Kit	43

**KIT5333 Heavy Duty Shift Rail Kit,  
S/N below LB93017312**

Part Number	Qty.	Description	Page No.
1254-P-1030	6	Lock Wire	78, 79, 80, 82, 84
2244-G-1125	1	Shift Shaft	
2244-H-1126	1	Shift Shaft	
2244-W-1115	1	Shift Shaft	78, 82
2258-D-1278	2	Detent Spring	72, 74, 76
2258-X-1142	1	Detent Spring	72
2297-A-7021	1	Seal Kit	66, 70
2297-B-6112	1	Adhesive (Ozs)	
3208-N-1080	1	Gasket	104, 106, 108
KIT5307	1	Service Kit	
TP-9375	1	Service Instructions	

**KIT5334 Piston Hsg & Shaft  
RM9-115/125 RM10-115/125,  
D/L2**

Part Number	Qty.	Description	Page No.
2208-K-1051	1	Gasket	66
2244-D-1122	1	Shift Shaft	66
2297-A-7021	1	Seal Kit	66, 70
2297-W-6289	1	Lubricant (Ozs)	
3266-N-1314	1	Cover	66
3280-M-9217	1	Piston Hsg	66
5X-1065	1	O-Ring	66, 68, 70
5X-1066	1	O-Ring	66, 68, 70
A-2230-X-1194	1	Piston Assy	66, 68, 70
NL-17-1	1	Nut	66, 68, 70
S-2624-A-2	4	Bolt/Capscrew	46, 48, 66, 68

**KIT5335 Pst Hsg & Sft RM9-135/145/155  
RM10-135/145/155 DL2**

Part Number	Qty.	Description	Page No.
2208-K-1051	1	Gasket	66
2244-E-1123	1	Shift Shaft	66
2297-A-7021	1	Seal Kit	66, 70
2297-W-6289	1	Lubricant (Ozs)	
3266-N-1314	1	Cover	66
3280-M-9217	1	Piston Hsg	66
5X-1065	1	O-Ring	66, 68, 70
5X-1066	1	O-Ring	66, 68, 70
A-2230-X-1194	1	Piston Assy	66, 68, 70
NL-17-1	1	Nut	66, 68, 70
S-2624-A-2	4	Bolt/Capscrew	46, 48, 66, 68

**KIT5336 Piston Hsg & Shaft  
RM9-115/125 RM10-115/125,  
D/L1**

Part Number	Qty.	Description	Page No.
2244-D-1122	1	Shift Shaft	66
2297-A-7021	1	Seal Kit	66, 70
2297-W-6289	1	Lubricant (Ozs)	
3266-N-1314	1	Cover	66
3280-N-9218	1	Piston Hsg	
5X-1065	1	O-Ring	66, 68, 70
5X-1066	1	O-Ring	66, 68, 70
A-2230-X-1194	1	Piston Assy	66, 68, 70
KIT5307	1	Service Kit	
NL-17-1	1	Nut	66, 68, 70
S-2624-A-2	1	Bolt/Capscrew	46, 48, 66, 68

**KIT5337 Piston Hsg & Shaft  
RM9-135/145 RM10-135/145,  
D/L1**

Part Number	Qty.	Description	Page No.
2208-K-1051	1	Gasket	66
2244-E-1123	1	Shift Shaft	66
2297-A-7021	1	Seal Kit	66, 70
3266-N-1314	1	Cover	66
3280-N-9218	1	Piston Hsg	
5X-1065	1	O-Ring	66, 68, 70
5X-1066	1	O-Ring	66, 68, 70
A-2230-X-1194	1	Piston Assy	66, 68, 70
KIT5307	1	Service Kit	
NL-17-1	1	Nut	66, 68, 70
S-2624-A-2	4	Bolt/Capscrew	46, 48, 66, 68

**KIT5346 Auxiliary Cover Assembly  
RM13-145, D/L2**

Part Number	Qty.	Description	Page No.
3892-M-5317	1	Aux Gear	50
A1-3293-B-1068	1	Cover Assy	

**KIT5347 Auxiliary Cover Assembly  
RM9-115/125/125A, D/L2**

Part Number	Qty.	Description	Page No.
3892-K-5315	1	Aux Gear	50
A1-3293-Z-1066	1	Cover Assy	

**KIT5348 Auxiliary Cover Assy  
RM9-115B/115R/125B/125R,  
D/L2**

Part Number	Qty.	Description	Page No.
3892-K-5315	1	Aux Gear	50
A3-3293-Z-1066	1	Cover Assy	

**KIT5349 Auxiliary Cover Assy  
RM9-135/135A/145/145A, D/L2**

Part Number	Qty.	Description	Page No.
3892-L-5316	1	Aux Gear	50
A1-3293-A-1067	1	Cover Assy	

**KIT5350 Auxiliary Cover Assy  
RM9-135B/135R/145B/145R,  
D/L2**

Part Number	Qty.	Description	Page No.
3892-L-5316	1	Aux Gear	50
A3-3293-A-1067	1	Cover Assy	

**KIT5351 Auxiliary Cover Assy  
RM10115/115A/125/125A, D/L2**

Part Number	Qty.	Description	Page No.
3892-K-5315	1	Aux Gear	50
A5-3293-Z-1066	1	Cover Assy	

**KIT5352 Auxiliary Cover Assy  
RM10-135/135A/145/145A, D/L2**

Part Number	Qty.	Description	Page No.
3892-L-5316	1	Aux Gear	50
A5-3293-A-1067	1	Cover Assy	

**KIT5353 Auxiliary Cover Assembly  
RM9-155, D/L2**

Part Number	Qty.	Description	Page No.
3892-L-5316	1	Aux Gear	50
A7-3293-A-1067	1	Cover Assy	

**KIT5354 Auxiliary Cover Assembly  
RM9-155B, D/L2**

Part Number	Qty.	Description	Page No.
3892-L-5316	1	Aux Gear	50
A9-3293-A-1067	1	Cover Assy	

**KIT5355 Auxiliary Cover Assembly  
RM10-155A, D/L2**

Part Number	Qty.	Description	Page No.
3892-L-5316	1	Aux Gear	50
A11-3293-A-1067	1	Cover Assy	

**KIT5356 Rebuild Kit RM9-115/125  
RM10-115/125, D/L2**

Part Number	Qty.	Description	Page No.
1205-T-1268	3	O-Ring	46,48,113,128
1205-Y-1039	3	O-Ring	2,4
1225-A-1171	1	Bushing	10
1227-W-1375	1	Nut	60,61,62,64
1228-E-1175	2	Needle Bearing	
1228-G-1203	1	Ball Bearing	10
2208-K-1051	1	Gasket	66
2258-Z-1144	3	Spring	59
2297-A-7021	1	Seal Kit	66,70
2297-S-5765	2	Bearing Race	
5X-1065	1	O-Ring	66,68,70
5X-1066	1	O-Ring	66,68,70
5X-1069	2	O-Ring	50
5X-1083	1	O-Ring	66,68,70
5X-1092	1	O-Ring	46,48,68,127
A-1205-W-2467	1	Oil Seal Assy	
A-1228-G-1307	1	Bearing Assy	46
A-1228-H-1204	1	Bearing Assy	50
A-1228-S-1345	4	Bearing Assy	28,30,32,34,36,38,40,42,52,54,56
A-1228-T-1346	2	Bearing Assy	28,30,32,34,36,38,40,42
A-1228-U-1347	2	Bearing Assy	52,54,56,58
KIT5291	1	Service Kit	
KIT5332	1	Major Kit	
NL-110-1	2	Lock Nut	44
NL-17-1	1	Nut	66,68,70
NL-25-1	1	Lock Nut	66,70

**KIT5357 Rebuild Kit RM9-135/145/155  
RM10-135/145/155, D/L2**

Part Number	Qty.	Description	Page No.
1205-T-1268	3	O-Ring	46,48,113,128
1205-Y-1039	3	O-Ring	2,4
1225-A-1171	1	Bushing	10
1227-W-1375	1	Nut	60,61,62,64
1228-E-1175	2	Needle Bearing	
1228-G-1203	1	Ball Bearing	10
2208-K-1051	1	Gasket	66
2258-Z-1144	3	Spring	59



**KIT5357 Rebuild Kit RM9-135/145/155  
RM10-135/145/155, D/L2 - Cont.**

Part Number	Qty.	Description	Page No.
2297-A-7021	1	Seal Kit	66,70
2297-S-5765	2	Bearing Race	
5X-1065	1	O-Ring	66,68,70
5X-1066	1	O-Ring	66,68,70
5X-1069	2	O-Ring	50
5X-1083	1	O-Ring	66,68,70
5X-1092	1	O-Ring	46,48,68, 127
A-1205-W-2467	1	Oil Seal Assy	
A-1228-H-1204	1	Bearing Assy	50
A-1228-H-1308	1	Bearing Assy	46,48
A-1228-S-1345	4	Bearing Assy	28,30,32, 34,36,38, 40,42,52, 54,56
A-1228-T-1346	2	Bearing Assy	28,30,32, 34,36,38, 40,42
A-1228-U-1347	2	Bearing Assy	52,54,56, 58
KIT5291	1	Service Kit	
KIT5332	1	Major Kit	
NL-110-1	2	Lock Nut	44
NL-17-1	1	Nut	66,68,70
NL-25-1	1	Lock Nut	66,70

**KIT5358 Rebuild Kit 13-Speed,  
D/L2**

Part Number	Qty.	Description	Page No.
1205-T-1268	3	O-Ring	46,48,113, 128
1205-Y-1039	3	O-Ring	2,4
1225-A-1171	1	Bushing	10
1227-A-1405	1	Nut	64
1227-W-1375	1	Nut	60,61,62, 64
1228-E-1175	2	Needle Bearing	
1228-G-1203	1	Ball Bearing	10
1229-V-4234	1	Snap Ring	64
2258-Z-1144	3	Spring	59
2297-A-7021	1	Seal Kit	66,70
2297-S-5765	2	Bearing Race	
3208-S-1059	1	Gasket	70
5X-1065	1	O-Ring	66,68,70
5X-1066	1	O-Ring	66,68,70
5X-1069	2	O-Ring	50
5X-1081	1	O-Ring	70
5X-1083	1	O-Ring	66,68,70
5X-1084	1	O-Ring	88

**KIT5358 Rebuild Kit 13-Speed,  
D/L2 - Cont.**

Part Number	Qty.	Description	Page No.
5X-1092	1	O-Ring	46,48,68, 127
5X-1133	1	O-Ring	70
5X-889	1	O-Ring	
A-1205-W-2467	1	Oil Seal Assy	
A-1228-H-1204	1	Bearing Assy	50
A-1228-H-1308	1	Bearing Assy	46,48
A-1228-S-1345	4	Bearing Assy	28,30,32, 34,36,38, 40,42,52, 54,56
A-1228-T-1346	2	Bearing Assy	28,30,32, 34,36,38, 40,42
A-1228-U-1347	2	Bearing Assy	52,54,56, 58
A-2297-K-5965	1	Valve Assy	70
KIT5291	1	Service Kit	
KIT5332	1	Major Kit	
NL-110-1	2	Lock Nut	44
NL-17-1	1	Nut	66,68,70
NL-25-1	1	Lock Nut	66,70

**KIT5359 Overhaul Kit RM9-115/125  
RM10-115/125, D/L2**

Part Number	Qty.	Description	Page No.
1205-T-1268	3	O-Ring	46,48,113, 128
1205-Y-1039	3	O-Ring	2,4
1227-W-1375	1	Nut	60,61,62, 64
1228-E-1175	2	Needle Bearing	
1228-G-1203	1	Ball Bearing	10
1244-J-2194	1	Spacer	10
2208-K-1051	1	Gasket	66
2258-Z-1144	3	Spring	59
2297-A-7021	1	Seal Kit	66,70
2297-S-5765	2	Bearing Race	
3107-G-1073	1	Clutch Collar	12,14,16, 18,20,22, 24,26
5X-1065	1	O-Ring	66,68,70
5X-1066	1	O-Ring	66,68,70
5X-1069	2	O-Ring	50
5X-1083	1	O-Ring	66,68,70
5X-1092	1	O-Ring	46,48,68, 127
A-1205-W-2467	1	Oil Seal Assy	
A-1228-G-1307	1	Bearing Assy	46
A-1228-H-1204	1	Bearing Assy	50



**KIT5359 Overhaul Kit RM9-115/125  
RM10-115/125, D/L2 - Cont.**

Part Number	Qty.	Description	Page No.
A-1228-S-1345	4	Bearing Assy	28,30,32, 34,36,38, 40,42,52, 54,56
A-1228-T-1346	2	Bearing Assy	28,30,32, 34,36,38, 40,42
A-1228-U-1347	2	Bearing Assy	52,54,56, 58
A-3297-B-1380	1	I/P Shaft Assy	
KIT5290	1	Air Filter Kit	
KIT5291	1	Service Kit	
KIT5332	1	Major Kit	
NL-110-1	2	Lock Nut	44
NL-17-1	1	Nut	66,68,70
NL-25-1	1	Lock Nut	66,70

**KIT5360 Overhaul Kit RM9-135/145/155  
RM10-135/145/155, DL2**

Part Number	Qty.	Description	Page No.
1205-T-1268	3	O-Ring	46,48,113, 128
1205-Y-1039	3	O-Ring	2,4
1227-W-1375	1	Nut	60,61,62, 64
1228-E-1175	2	Needle Bearing	
1228-G-1203	1	Ball Bearing	10
1244-J-2194	1	Spacer	10
2208-K-1051	1	Gasket	66
2258-Z-1144	3	Spring	59
2297-A-7021	1	Seal Kit	66,70
2297-S-5765	2	Bearing Race	
3107-G-1073	1	Clutch Collar	12,14,16, 18,20,22, 24,26
5X-1065	1	O-Ring	66,68,70
5X-1066	1	O-Ring	66,68,70
5X-1069	2	O-Ring	50
5X-1083	1	O-Ring	66,68,70
5X-1092	1	O-Ring	46,48,68, 127
A-1205-W-2467	1	Oil Seal Assy	
A-1228-H-1204	1	Bearing Assy	50
A-1228-H-1308	1	Bearing Assy	46,48
A-1228-S-1345	4	Bearing Assy	28,30,32, 34,36,38, 40,42,52, 54,56
A-1228-T-1346	2	Bearing Assy	28,30,32, 34,36,38, 40,42

**KIT5360 Overhaul Kit RM9-135/145/155  
RM10-135/145/155, DL2 - Cont.**

Part Number	Qty.	Description	Page No.
A-1228-U-1347	2	Bearing Assy	52,54,56, 58
A-3297-B-1380	1	I/P Shaft Assy	
KIT5290	1	Air Filter Kit	
KIT5291	1	Service Kit	
KIT5332	1	Major Kit	
NL-110-1	2	Lock Nut	44
NL-17-1	1	Nut	66,68,70
NL-25-1	1	Lock Nut	66,70

**KIT5361 Overhaul Kit RM13-145,  
D/L2**

Part Number	Qty.	Description	Page No.
1205-T-1268	3	O-Ring	46,48,113, 128
1205-Y-1039	3	O-Ring	2,4
1227-A-1405	1	Nut	64
1227-W-1375	1	Nut	60,61,62, 64
1228-E-1175	2	Needle Bearing	
1228-G-1203	1	Ball Bearing	10
1229-V-4234	1	Snap Ring	64
1244-J-2194	1	Spacer	10
2258-Z-1144	3	Spring	59
2297-A-7021	1	Seal Kit	66,70
2297-S-5765	2	Bearing Race	
3107-G-1073	1	Clutch Collar	12,14,16, 18,20,22, 24,26
3208-S-1059	1	Gasket	70
5X-1065	1	O-Ring	66,68,70
5X-1066	1	O-Ring	66,68,70
5X-1069	2	O-Ring	50
5X-1081	1	O-Ring	70
5X-1083	1	O-Ring	66,68,70
5X-1084	1	O-Ring	88
5X-1092	1	O-Ring	46,48,68, 127
5X-1133	1	O-Ring	70
5X-889	1	O-Ring	
A-1205-W-2467	1	Oil Seal Assy	
A-1228-H-1204	1	Bearing Assy	50
A-1228-H-1308	1	Bearing Assy	46,48
A-1228-S-1345	4	Bearing Assy	28,30,32, 34,36,38, 40,42,52, 54,56

**KIT5361 Overhaul Kit RM13-145,  
D/L2 - Cont.**

Part Number	Qty.	Description	Page No.
A-1228-T-1346	2	Bearing Assy	28,30,32, 34,36,38, 40,42
A-1228-U-1347	2	Bearing Assy	52,54,56, 58
A-2297-K-5965	1	Valve Assy	70
A-3297-B-1380	1	I/P Shaft Assy	
KIT5290	1	Air Filter Kit	
KIT5291	1	Service Kit	
KIT5332	1	Major Kit	
NL-110-1	2	Lock Nut	44
NL-17-1	1	Nut	66,68,70
NL-25-1	1	Lock Nut	66,70

**KIT5362 Detent Spring and Ball  
(SN Above LB93017312)**

Part Number	Qty.	Description	Page No.
2208-G-1047	1	Gasket	72,74,76
2258-D-1278	4	Detent Spring	72,74,76
2297-R-6986	3	Detent Ball	4,72,74,76

**KIT5363 Main Shaft Kit**

Part Number	Qty.	Description	Page No.
1229-W-4339	1	Snap Ring	10,12,14, 16,18,20, 22,24,26, 50
1229-W-4625	5	Snap Ring	12,14,16, 18,20,22, 24,26
1244-M-2041	5	Spacer	12,14,16, 18,20,22, 24,26
16X-1028	1	Key	12,14,16, 18,20,22, 24,26
3297-J-1336	1	Main Shaft	12,14,16, 18,20,22, 24,26
3297-N-1366	1	Countershaft	36,38,40
42X-1257	5	Thrust Wshr	12,14,16, 18,20,22, 26
42X-1412	5	Thrust Wshr	12,14,16, 18,20,22, 24,26
42X-1414	5	Thrust Wshr	12,14,16, 18,20,22, 24,26

**KIT5364 Shim Kit, Main Countershaft  
Front Bearing, D/L2**

Part Number	Qty.	Description	Page No.
2803-C-2837	2	Shim	
2803-R-2826	2	Shim	
2803-S-2827	1	Shim	
2803-W-2831	1	Shim	

**KIT5365 Oil Seal**

Part Number	Qty.	Description	Page No.
A1-1205-W-2467	1	Oil Seal Assy	46,48

**KIT5366 Cruise Control Retrofit Kit**

Part Number	Qty.	Description	Page No.
2297-J-7082	5	Connector	
A-2297-F-1078	1	Wire Harness	

**KIT5367 Service Kit - Input Shaft**

Part Number	Qty.	Description	Page No.
1229-C-4657	1	Snap Ring	10,52,54, 58
1229-W-4339	1	Snap Ring	10,12,14, 16,18,20, 22,24,26, 50
1244-J-2194	1	Spacer	10
A-3297-B-1380	1	I/P Shaft Assy	
TP-94110	1	Service Instructions	

**KIT5368 Service Kit - Low Shift Tower  
Assembly**

Part Number	Qty.	Description	Page No.
1229-B-1666	4	Flat Wshr	2,4,6,8,9, 46,48,66, 68,70,72, 74,76,104, 108
3208-N-1080	1	Gasket	104,106, 108
A1-3280-J-9318	1	Shift Hsg Assy	106,108
KIT5237	1	Iso Shift Lever	
S-2610-A-2	4	Bolt/Capscrew	9,72,74, 76,104, 108

**KIT5369 Service Kit - High Shift Tower Assembly**

Part Number	Qty.	Description	Page No.
1229-B-1666	4	Flat Wshr	2, 4, 6, 8, 9, 46, 48, 66, 68, 70, 72, 74, 76, 104, 108
3208-N-1080	1	Gasket	104, 106, 108
A1-3280-L-9320	1	Shift Hsg Assy	106, 108
KIT5237	1	Iso Shift Lever	
S-2610-A-2	4	Bolt/Capscrew	9, 72, 74, 76, 104, 108

**KIT5370 Service Kit - Shift Tower**

Part Number	Qty.	Description	Page No.
1229-Z-4524	1	Snap Ring	106
2214-X-1142	1	Ring	106
2258-F-1254	1	Spring	106
2260-M-1105	1	Boot	106
3237-H-294	1	Strap	100, 102, 108
3237-N-66	1	Strap	100, 102, 104, 106, 108

**KIT5371 Slave Valve Kit**

Part Number	Qty.	Description	Page No.
2208-M-1053	1	Gasket	87
2245-U-1165	1	Sleeve	87
2258-V-1166	1	Spring	87
43X-1181	1	Pin	87
5X-1134	1	O-Ring	87
5X-1151	1	O-Ring	87

**KIT5372 Service Kit - ESS Wiring Harness and Clips**

Part Number	Qty.	Description	Page No.
2257-G-1229	7	Clip	113, 114
A-2297-U-7197	1	Wire Harness	113
TP-96169	1	Service Instructions	

**KIT5373 Service Kit - O-Rings Pist Hsg Assy/Air Filter Reg**

Part Number	Qty.	Description	Page No.
5X-1065	1	O-Ring	66, 68, 70
5X-1066	1	O-Ring	66, 68, 70
5X-1083	1	O-Ring	66, 68, 70
5X-1217	1	O-Ring	68

**KIT5374 Service Kit - Misc O-Rings ESS Transmissions**

Part Number	Qty.	Description	Page No.
5X-1091	2	O-Ring	74, 76, 113
5X-1092	2	O-Ring	46, 48, 68, 127
5X-1205	2	O-Ring	68
5X-1207	2	O-Ring	68

**KIT5375 Service Kit - Range Shift Detent**

Part Number	Qty.	Description	Page No.
1250-R-1266	1	Plug	4
2258-F-1332	1	Spring	4
2297-R-6986	1	Detent Ball	4, 72, 74, 76

**KIT5376 Air Fittings Kit 5/32"**

Part Number	Qty.	Description	Page No.
A-2206-M-1131	2	Elbow	90, 92

**KIT5377 Air Fittings Kit 5/32"**

Part Number	Qty.	Description	Page No.
A-2206-M-1131	3	Elbow	90, 92

**KIT5378 HDW, Isolated Shift Lever**

Part Number	Qty.	Description	Page No.
10X-1611	1	Bolt/Capscrew	110, 112
1225-B-1198	2	Bushing	110, 112
1227-Q-1525	1	Nut	110, 112
2245-J-1076	1	Sleeve	110, 112
TP-9732	1	Service Instructions	

**KIT5380 Service Kit - Seal & Bearing**

Part Number	Qty.	Description	Page No.
1228-G-1203	1	Ball Bearing	10
1228-W-1375	2	Bearing Cup	
1228-X-1376	2	Bearing Cup	
1229-H-4168	2	Snap Ring	10, 52, 54, 58
1229-W-4339	2	Snap Ring	10, 12, 14, 16, 18, 20, 22, 24, 26, 50
2297-A-7021	1	Seal Kit	66, 70
A-1228-E-1175	2	Bearing Assy	44
A-1228-H-1204	1	Bearing Assy	50
A-1228-K-1207	1	Bearing Assy	46
A-1228-V-1348	2	Bearing Assy	28, 30, 32, 34, 42



**KIT5380 Service Kit - Seal & Bearing - Cont.**

Part Number	Qty.	Description	Page No.
A-1228-W-1349	2	Bearing Assy	28, 30, 32, 34, 42
A-1228-X-1350	2	Bearing Assy	52, 54
A-1228-Y-1351	2	Bearing Assy	52, 54, 58
KIT5325	1	Service Kit	43
KIT5331	1	Service Kit	
KIT5365	1	Seal Kit	
TP-9338	1	Service Instructions	
TP-9524	1	Service Instructions	
TP-9525	1	Service Instructions	

**KIT5381 Service Kit - Seal & Bearing**

Part Number	Qty.	Description	Page No.
1228-G-1203	1	Ball Bearing	10
1228-W-1375	2	Bearing Cup	
1228-X-1376	2	Bearing Cup	
1229-H-4168	2	Snap Ring	10, 52, 54, 58
1229-W-4339	2	Snap Ring	10, 12, 14, 16, 18, 20, 22, 24, 26, 50
2297-A-7021	1	Seal Kit	66, 70
A-1228-E-1175	2	Bearing Assy	44
A-1228-H-1204	1	Bearing Assy	50
A-1228-M-1209	1	Bearing Assy	46, 48
A-1228-V-1348	2	Bearing Assy	28, 30, 32, 34, 42
A-1228-W-1349	2	Bearing Assy	28, 30, 32, 34, 42
A-1228-X-1350	2	Bearing Assy	52, 54
A-1228-Y-1351	2	Bearing Assy	52, 54, 58
KIT5325	1	Service Kit	43
KIT5331	1	Service Kit	
KIT5365	1	Seal Kit	
TP-9338	1	Service Instructions	
TP-9524	1	Service Instructions	
TP-9525	1	Service Instructions	

**KIT5382 Service Kit - Seal & Bearing**

Part Number	Qty.	Description	Page No.
1228-G-1203	1	Ball Bearing	10
1228-W-1375	2	Bearing Cup	

**KIT5382 Service Kit - Seal & Bearing - Cont.**

Part Number	Qty.	Description	Page No.
1228-X-1376	2	Bearing Cup	
1229-H-4168	2	Snap Ring	10, 52, 54, 58
1229-W-4339	2	Snap Ring	10, 12, 14, 16, 18, 20, 22, 24, 26, 50
2297-A-7021	1	Seal Kit	66, 70
A-1228-E-1175	2	Bearing Assy	44
A-1228-H-1204	1	Bearing Assy	50
A-1228-M-1209	1	Bearing Assy	46, 48
A-1228-U-1373	2	Bearing Assy	58
A-1228-V-1348	2	Bearing Assy	28, 30, 32, 34, 42
A-1228-W-1349	2	Bearing Assy	28, 30, 32, 34, 42
A-1228-Y-1351	2	Bearing Assy	52, 54, 58
KIT5325	1	Service Kit	43
KIT5331	1	Service Kit	
KIT5365	1	Seal Kit	
TP-9338	1	Service Instructions	
TP-9524	1	Service Instructions	
TP-9525	1	Service Instructions	

**KIT5383 Service Kit - Seal & Bearing**

Part Number	Qty.	Description	Page No.
10X-1537	8	Special Screw	43
1228-G-1203	1	Ball Bearing	10
1229-W-4339	2	Snap Ring	10, 12, 14, 16, 18, 20, 22, 24, 26, 50
2297-A-7021	1	Seal Kit	66, 70
A-1228-E-1175	2	Bearing Assy	44
A-1228-H-1204	1	Bearing Assy	50
A-1228-H-1308	1	Bearing Assy	46, 48
A-1228-S-1345	4	Bearing Assy	28, 30, 32, 34, 36, 38, 40, 42, 52, 54, 56
A-1228-T-1346	2	Bearing Assy	28, 30, 32, 34, 36, 38, 40, 42
A-1228-U-1347	2	Bearing Assy	52, 54, 56, 58
KIT5331	1	Service Kit	
KIT5364	1	Service Kit	43

## KIT5383 Service Kit - Seal & Bearing - Cont.

Part Number	Qty.	Description	Page No.
KIT5365	1	Seal Kit	
TP-9524	1	Service Instructions	
TP-9525	1	Service Instructions	

## KIT5384 Service Kit - Seal & Bearing

Part Number	Qty.	Description	Page No.
10X-1537	6	Special Screw	43
1228-G-1203	1	Ball Bearing	10
1229-W-4339	2	Snap Ring	10, 12, 14, 16, 18, 20, 22, 24, 26, 50
2297-A-7021	1	Seal Kit	66, 70
A-1228-E-1175	2	Bearing Assy	44
A-1228-G-1307	1	Bearing Assy	46
A-1228-H-1204	1	Bearing Assy	50
A-1228-S-1345	2	Bearing Assy	28, 30, 32, 34, 36, 38, 40, 42, 52, 54, 56
A-1228-T-1346	2	Bearing Assy	28, 30, 32, 34, 36, 38, 40, 42
A-1228-U-1347	2	Bearing Assy	52, 54, 56, 58
KIT5331	1	Service Kit	
KIT5364	1	Service Kit	43
KIT5365	1	Seal Kit	
TP-9524	1	Service Instructions	
TP-9525	1	Service Instructions	

## KIT5385 Overhaul Kit - Slave Valve

Part Number	Qty.	Description	Page No.
2208-M-1053	1	Gasket	87
2245-B-1198	1	Sleeve	87
2258-V-1166	1	Spring	87
43X-1181	1	Pin	87
5X-1134	1	O-Ring	87
5X-1151	1	O-Ring	87
A-3280-Q-9455	1	Valve Assy	
P-12Z-S	1	Plug	87

## KIT5386 Service Kit - Shift Tower

Part Number	Qty.	Description	Page No.
1229-B-1666	4	Flat Wshr	2, 4, 6, 8, 9, 46, 48, 66, 68, 70, 72, 74, 76, 104, 108
3208-N-1080	1	Gasket	104, 106, 108
A1-3280-T-9458	1	Shift Hsg Assy	108
KIT5237	1	Iso Shift Lever	
S-2610-A-1	4	Bolt/Capscrew	9, 72, 74, 104, 108

## Scheduled Maintenance

### Every 10,000 Miles (16,000 km) of Vehicle Operation

- Check and adjust the oil level in the transmission.

### Every 50,000 Miles (80,000 km) of Vehicle Operation – Approved Petroleum GL-1 Oils and Heavy Duty Engine Oils

- Drain and replace the oil in the transmission.

### Every 250,000 Miles (400,000 km) of Vehicle Operation – Approved Synthetic Oils

- Drain and replace the oil in the transmission.

**NOTE:** Instructions and procedures for checking and adjusting the oil level and draining and replacing the oil are contained in the Lubrication and Maintenance Section of Meritor's Maintenance Manuals for Manual Transmissions

## Transmission Oil Specifications



### CAUTION

Use only the specified type of oil. Do not use multi-viscosity oils or EP (Extreme Pressure) GL-5 gear oils. Multi-viscosity oils and EP gear oils may damage components. The use of multi-viscosity or EP oils voids the warranty.

Use the specified type of single weight oil when adding or replacing oil. Use the correct type of oil for the outside temperature. Engine oils and synthetic lubricants are required. **DO NOT MIX OILS IN THE TRANSMISSION.**

See Technical Bulletin TP-90114 for a list of "Synthetic Transmission Oil Suppliers" for sources for the specified synthetic transmission oil.

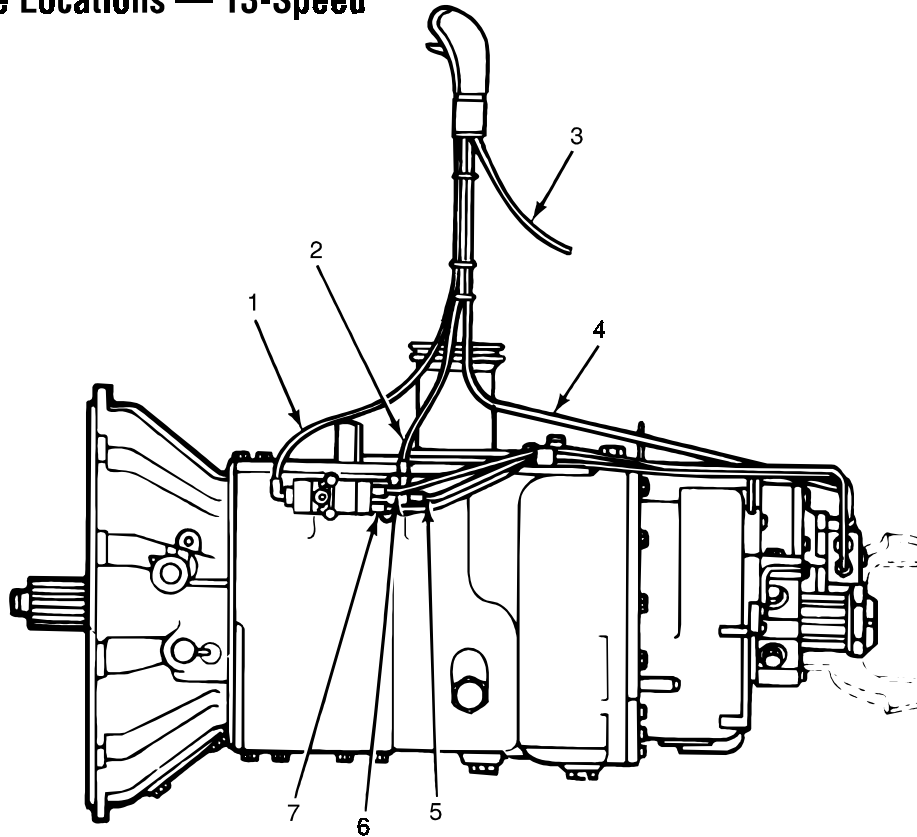
Lubricant Type	Grade (SAE)	Outside Temperature
Heavy-Duty Engine Oil	50	Above 10°F (-12°C)
A.P.I. -CD, -CE, -SF or -SG (Current Designations Acceptable)*	40	Above 10°F (-12°C)
MIL-L-2104B, C or D*	30	Above -15°F (-26°C)
Petroleum GL-1 Oil with Rust and Oxidation Inhibitor, A.P.I.-GL-1*	90	Above 10°F (-12°C)
	80	Above -15°F (-26°C)
Full-Synthetic Oil, Meritor Specification O-81*	50	Above -40°F (-40°C)
<b>*Multi-weight and EP gear oils are not recommended. DO NOT MIX OILS IN THE TRANSMISSION.</b>		

## Transmission Oil Coolers

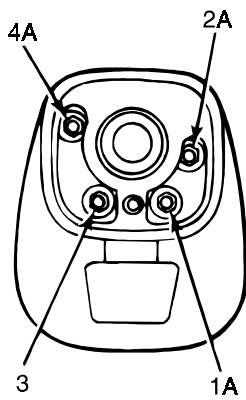
Use a transmission oil cooler for any of the following.

- The transmission operating temperature is always more than 225°F (107°C) at continuous operation or 275°F (135°C) at intermittent operation.
- The engine has a horsepower rating of 399 HP or more. Some aerodynamic vehicles with less than 399 HP require coolers due to the restricted amount of air which flows over the transmission to dissipate heat. **Do not use multi-viscosity or EP oils with oil coolers.**

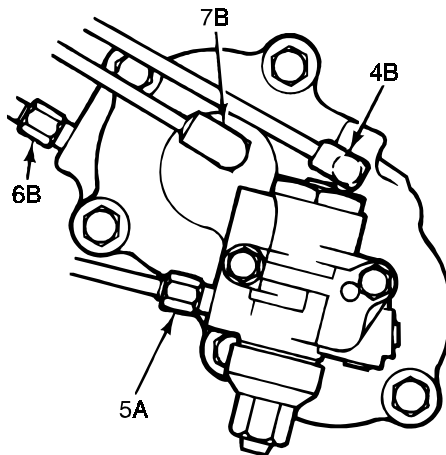
**Air Line Locations — 13-Speed**



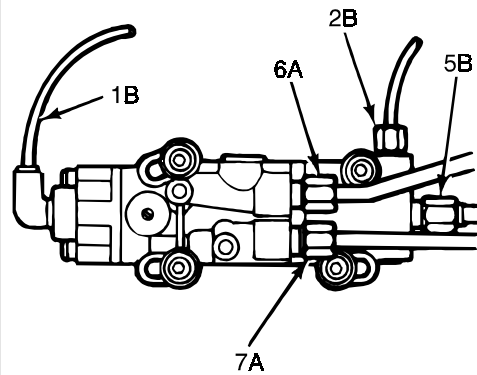
**SELECTOR VALVE**



**FILTER AND REGULATOR ASSEMBLY PISTON HOUSING**



**SLAVE VALVE**



**ALL0002**

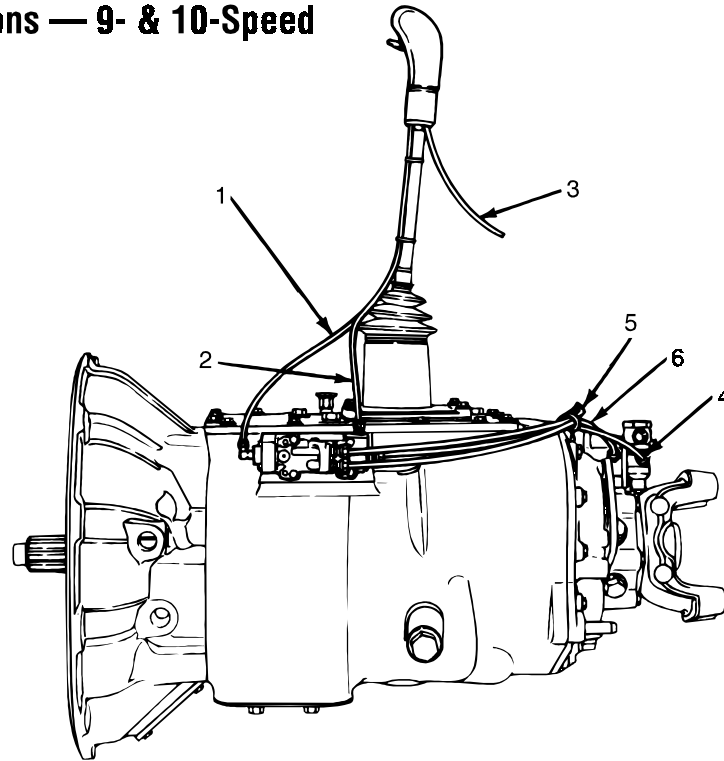


**Air Line Locations Chart — 13-Speed**

<b>Item</b>	<b>Description</b>	<b>Hose Color</b>	<b>Hose Outer Diameter</b>	<b>Specification</b>
1	Pilot Fitting on Selector Valve (1A) to Pilot Fitting on Slave Valve (1B)	①	5/32" or 1/8"	SAE J844 Type A
2	Pilot Supply Fitting on Selector Valve (2A) to Pilot Supply Fitting on Slave Valve (2B)	①	5/32" or 1/8"	SAE J844 Type A
3	Exhaust Fitting on Selector Valve	①	5/32" or 1/8"	SAE J844 Type A
4	Splitter Fitting on Selector Valve (4A) to Splitter Fitting on Piston Housing Cover (4B)	①	5/32" or 1/8"	SAE J844 Type A
5	Supply Fitting on Filter and Regulator (5A) to Supply Fitting on Slave Valve (5B)	Red	1/4"	SAE J844 Type A
6	<b>LO</b> Range Port on Slave Valve (6A) to <b>LO</b> Range Port on Piston Housing (6B)	Black	1/4"	SAE J844 Type A
7	<b>HI</b> Range Port on Slave Valve (7A) to <b>HI</b> Range Port on Piston Housing (7B)	Blue	1/4"	SAE J844 Type A

① See the specifications of the manufacturer of the vehicle for the color of the tube.

## Air Line Locations — 9- & 10-Speed



ALL0002

## Air Line Locations Chart — 9- & 10-Speed

Item	Description	Hose Color	Hose Outer Diameter	Specification
1	Pilot Fitting on Selector Valve to Pilot Fitting on Slave Valve	Black*	5/32" or 1/8"	SAE J844 Type A
2	Pilot Supply Fitting on Selector Valve to Pilot Supply Fitting on Slave Valve	Red*	5/32" or 1/8"	SAE J844 Type A
3	Exhaust Fitting on Selector Valve	Yellow	5/32" or 1/8"	SAE J844 Type A
4	Supply Fitting on Filter and Regulator to Supply Fitting on Slave Valve	Red	1/4"	SAE J844 Type A
5	LO Range Port on Slave Valve to LO Range Port on Range Cylinder	Black	1/4"	SAE J844 Type A
6	HI Range Port on Slave Valve to HI Range Port on Range Cylinder	Blue	1/4"	SAE J844 Type A

\*NOTE: May vary by OEM

**Recommended Dealer Stocking List**

<b>Meritor Part Number</b>	<b>Description</b>	<b>Recommended Dealer Inventory</b>
KIT5291	Ball-Shift Detent	10
2297-C-5905	Sealant	6
3107-J-1076	Collar	3
3208-L-1078	Gasket-Shift Tower Aluminum	10
3208-N-1080	Gasket-Shift Tower Cast Iron	10
3892-Q-5294	Gear RMO 13-145	1
3892-R-5296	Gear All RM9-115 & RM9-125	1
3892-Q-5295	Gear All RM9-135 & RM9-145	1
1205-Y-1039	O-Ring (For Plug)	12
1205-T-1268	O-Ring	12
1244-M-2041	Spacer (M/S)	6
1227-W-1375	Nut	3
1244-R-2046	Spacer	1
1244-W-2103	Spacer	1
1244-N-2094	Spacer	1
1244-M-2041	Spacer	4
1244-F-1852	Spacer	2
42-X-1221	Washer	4
42-X-1250	Washer	4
42-X-1255	Washer	4
42-X-1256	Washer	4
42-X-1257	Washer	4
43-X-1150	Case Dowel	6
43-X-1158	Pin	2
16-X-1027	Key-Countershaft	1
16-X-1028	Key-Countershaft	1
16-X-1031	Key-Countershaft	1
NL-110-1	Nut	3
A-1250-P-1186	Plug, Magnetic Drain	6
A-1205-W-2467	Seal-Oil Output	12
A-2206-S-1059	Fitting Assy Cnnctr 5/32" x 1/8" NPT	1
A-2206-U-1061	Fitting Assy 90 Deg. 5/32" x 1/8" NPT	1
A-2297-K-5965	Valve Cartridge RMO13-145	6
A-3280-Y-9073	Filter/Reg Assy 13-Speed	3
A-3280-H-9030	Valve Assy Shift Knob 1/8" Fittings	12
A-3280-J-9032	Valve Saay Shift Knob 5/32" Fittings	12
A-3280-K-9033	Valve Assy Shift Knob 1/8" Fittings	12
A-3280-L-9034	Valve Assy Shift Knob 5/32" Fittings	12
A-3280-X-9072	Filter Regulator Assy 9-Speed	6
A-3280-Z-1040	Clutch Hsg. (Iron Standard)	1
A-3280-X-1038	Clutch Hsg. (Iron Nodal)	1
A-3282-V-1036	Clutch Hsg. (Aluminum Standard)	1
A-3282-B-1042	Clutch Hsg. (Aluminum Nodal)	1
A-3282-D-1044	Clutch Hsg. SAE #2 (Ford Only)	
<p><b>NOTE:</b> Select the Shift Knob Tube Size which corresponds to the OEM information provided below:</p> <ul style="list-style-type: none"> <li>• 1/8" Tube Size — F/L, Volvo</li> <li>• 5/32" Tube Size — PACCAR, W/S, Navistar, Ford</li> </ul>		

## Recommended Dealer Stocking List

Meritor Part Number	Description	Recommended Dealer Inventory
A-3282-G-1047	Clutch Hsg. (Mack Only)	1
KIT5215	Input Shaft	2
KIT5237	Isolated Tower Pin Connector	12
KIT5310	Actuator Pin Kit	3
KIT5240	Piston Hsg. Seal Kit RMO13-145	3
KIT5241	Piston Hsg. Kit RMO13-145	1
KIT5250	Piston Hsg Seal Kit All 9-Speeds	6
KIT5336	115/125	1
KIT5337	135/145	1
KIT5280	Air Slave Valve	3
KIT5290	Air Filter	3
KIT5307	5/16" Air Line	3
KIT5333	S/R Kit	2
2245-J-1076	Isolator Bushing	2
3105-K-1155	Retainer	6
3105-T-1190	Retainer	6
3105-Q-113	Retainer	6
3105-U-1191	Retainer	6
3256-Z-1014	Seal Driver	1
KIT5363	Main Shaft	1
KIT5294	Slave Valve Port Kit	3
KIT5299	High Tower	1
KIT5300	Low Tower	1
KIT5220	115/125 Rebuild Kit	2
KIT5221	135/145 Rebuild Kit	2
KIT5239	13-Speed Rebuild Kit	2
KIT5326	Alum. Tower Service Kit	6
KIT5330	Shims	2
KIT5331	Selective Washers	2
3892-J-5028	Gear-3rd Main	1
3892-F-5232	Gear-3rd Main	1
3892-W-5015	Gear-O/D Main	1
3892-B-5150	Gear-O/D Main	1
3892-E-5231	Gear-O/D Main	1
3892-C-5307	Gear-O/D Main	1
1229-X-4418	Snap-Ring	12
3892-G-5025	Gear-2nd Main	1
3892-Z-5148	Gear-2nd Main	1
3892-Q-5035	Gear-Countershaft Drive	1
3892-K-5159	Gear-Countershaft Drive	1
3892-M-5135	Gear-Countershaft Drive	1
3892-U-5013	Gear-Countershaft PTO	1
3892-Y-5017	Gear-Countershaft 3rd	1
3892-H-5156	Gear-Countershaft O/D	1
<p><b>NOTE:</b> Select the Shift Knob Tube Size which corresponds to the OEM information provided below:</p> <ul style="list-style-type: none"> <li>• 1/8" Tube Size — F/L, Volvo</li> <li>• 5/32" Tube Size — PACCAR, W/S, Navistar, Ford</li> </ul>		

**Recommended Dealer Stocking List**

<b>Meritor Part Number</b>	<b>Description</b>	<b>Recommended Dealer Inventory</b>
3892-E-5023	Gear-1st Main	1
3892-X-5146	Gear-1st Main	1
3892-M-5343	Gear-2nd Main	1
3892-C-5021	Gear-Low or 1st Main	1
3892-N-5344	Gear-1st Main	1
3892-L-5030	Gear-Reverse Main	1
3892-T-5142	Gear-Countershaft O/D	1
3892-H-5156	Gear-Countershaft O/D	1
3892-S-5011	Gear-Countershaft 2nd	1
3892-R-5140	Gear-Countershaft 2nd	1
1229-E-4243	Ring-Snap	12
3892-A-5019	Gear-Countershaft 1st	1
3892-P-5138	Gear-Countershaft 1st	1
3892-L-5342	Gear-Countershaft 2nd	1
<p><b>NOTE:</b> Select the Shift Knob Tube Size which corresponds to the OEM information provided below:</p> <ul style="list-style-type: none"> <li>• 1/8" Tube Size — F/L, Volvo</li> <li>• 5/32" Tube Size — PACCAR, W/S, Navistar, Ford</li> </ul>		

## Parts — Alphabetical Order

Description	Part Number	Ref Page
5/16" Air Lines	KIT5307	142
<b>A</b>		
Adapter Assy	A-3268-H-1646	110
Air Filter Kit	KIT5290	141
Air Fittings Kit 1/8"	KIT5235	138
Air Fittings Kit 5/32"	KIT5376	149
Air Fittings Kit 5/32"	KIT5377	149
Air Fittings Kit 5/32", NLA, Use KIT5376	KIT5236	138
Air Fittings Kit 5/32", NLA, Use KIT5377	KIT5249	140
Aux Drive Cplg	3107-U-1087	64
Aux Drive Cplg	3107-U-1191	64
Aux Gear	3892-A-5331	61
Aux Gear	3892-D-5152	61
Aux Gear	3892-E-5075	60
Aux Gear	3892-E-5309	60
Aux Gear	3892-G-5077	64
Aux Gear	3892-G-5311	60
Aux Gear	3892-J-5080	64
Aux Gear	3892-K-5315	50
Aux Gear	3892-L-5316	50
Aux Gear	3892-M-5317	50
Aux Gear	3892-P-5190	50
Aux Gear	3892-P-5294	50
Aux Gear	3892-P-5346	62
Aux Gear	3892-Q-5009	60
Aux Gear	3892-Q-5295	50
Aux Gear	3892-Q-5581	64
Aux Gear	3892-R-5296	50
Aux Gear	3892-V-5222	61
Aux Gear	3892-W-5353	62
Aux Gear	3892-W-5483	50
Aux Gear	3892-X-5094	50
Aux Gear	3892-Y-5329	61
Auxiliary Cover Assembly RM10-155A, D/L2	KIT5355	145
Auxiliary Cover Assembly RM13-145, D/L2	KIT5346	144
Auxiliary Cover Assembly RM9-115/125/125A, D/L1	KIT5295	141
Auxiliary Cover Assembly RM9-115/125/125A, D/L2	KIT5347	144
Auxiliary Cover Assembly RM9-155, D/L2	KIT5353	145
Auxiliary Cover Assembly RM9-155B, D/L2	KIT5354	145
Auxiliary Cover Assembly RM013-145, D/L1	KIT5301	142
Auxiliary Cover Assy RM10-135/135A/145/145A, D/L2	KIT5352	145
Auxiliary Cover Assy RM10115/115A/125/125A, D/L2	KIT5351	145

**Parts — Alphabetical Order (Continued)**

<b>Description</b>	<b>Part Number</b>	<b>Ref Page</b>
<b>A (Continued)</b>		
Auxiliary Cover Assy RM9-115B/115R/125B/125R, D/L1	KIT5296	142
Auxiliary Cover Assy RM9-115B/115R/125B/125R, D/L2	KIT5348	145
Auxiliary Cover Assy RM9-135/135A/145/145A, D/L1	KIT5297	142
Auxiliary Cover Assy RM9-135/135A/145/145A, D/L2	KIT5349	145
Auxiliary Cover Assy RM9-135B/135R/145B/145R, D/L1	KIT5298	142
Auxiliary Cover Assy RM9-135B/135R/145B/145R, D/L2	KIT5350	145
<b>B</b>		
Ball	2297-R-5764	78, 79, 80, 82, 84, 86
Ball Bearing	1228-G-1203	10
Ball Socket	A-2110-M-1001	100, 102
Ball Socket	A-2110-N-1002	100
Ball Socket	A-2110-P-1004	102
Bearing Assy	A-1228-E-1175	44
Bearing Assy	A-1228-G-1307	46
Bearing Assy	A-1228-H-1204	50
Bearing Assy	A-1228-H-1308	46, 48
Bearing Assy	A-1228-K-1207	46
Bearing Assy	A-1228-M-1209	46, 48
Bearing Assy	A-1228-Q-1265	58
Bearing Assy	A-1228-S-1345	28, 30, 32, 34, 36, 38, 40, 42, 52, 54, 56
Bearing Assy	A-1228-T-1346	28, 30, 32, 34, 36, 38, 40, 42
Bearing Assy	A-1228-U-1347	52, 54, 56, 58
Bearing Assy	A-1228-U-1373	58
Bearing Assy	A-1228-V-1348	28, 30, 32, 34, 42
Bearing Assy	A-1228-W-1349	28, 30, 32, 34, 42
Bearing Assy	A-1228-X-1350	52, 54
Bearing Assy	A-1228-Y-1351	52, 54, 58
Bolt/Capscrew	10X-1534	66, 70
Bolt/Capscrew	10X-1611	110, 112
Bolt/Capscrew	S-2416-A-1	68, 88
Bolt/Capscrew	S-244-A-1	72, 74
Bolt/Capscrew	S-244-A-2	72, 74, 76
Bolt/Capscrew	S-2610-A-1	9, 72, 74, 104, 108
Bolt/Capscrew	S-2610-A-2	9, 72, 74, 76, 104, 108
Bolt/Capscrew	S-2612-A-1	46, 48
Bolt/Capscrew	S-2612-A-2	46, 48
Bolt/Capscrew	S-2624-A-1	46, 48, 66, 68
Bolt/Capscrew	S-2624-A-2	46, 48, 66, 68
Bolt/Capscrew	S-2628-A-1	70
Bolt/Capscrew	S-2628-A-2	70

## Parts — Alphabetical Order (Continued)

Description	Part Number	Ref Page
<b>B (Continued)</b>		
Bolt/Capscrew	S-264-A-1	132
Bolt/Capscrew	S-264-A-2	132
Bolt/Capscrew	S-265-A-1	6, 8
Bolt/Capscrew	S-265-A-2	6, 8
Bolt/Capscrew	S-268-1	43, 46, 50
Bolt/Capscrew	S-268-2	43, 46, 50
Bolt/Capscrew	S-268-A-1	48
Bolt/Capscrew	S-268-A-2	48
Bolt/Capscrew	S-2811-A-1	6, 8
Bolt/Capscrew	S-2812-A-2	6, 8
Bolt/Capscrew	S-2828-A-1	6, 8
Bolt/Capscrew	S-2828-A-2	6, 8
Boot	2260-B-1146	108
Boot	2260-M-1105	106
Boot	2260-R-1032	100, 102
Boot	2260-V-1036	104
Bracket	2255-Z-1118	132
Breather Assy.	A-1199-P-1394	72, 74, 76
Bushing	1225-A-1171	10
Bushing	1225-B-1198	110, 112
Bushing	1225-P-1186	100, 102
Bushing	1225-X-1194	6, 8
Bushing	1225-Z-1170	127
<b>C</b>		
C/S Gear	3892-A-5019	28, 30, 42
C/S Gear	3892-H-5156	30, 38
C/S Gear	3892-K-5159	30, 34, 38
C/S Gear	3892-L-5082	58
C/S Gear	3892-L-5342	38
C/S Gear	3892-M-5135	32
C/S Gear	3892-N-5396	36, 38
C/S Gear	3892-P-5138	32
C/S Gear	3892-Q-5035	28, 36, 42
C/S Gear	3892-R-5140	32
C/S Gear	3892-R-5244	34
C/S Gear	3892-S-5011	28, 30, 36, 38, 42
C/S Gear	3892-S-5479	40
C/S Gear	3892-T-5142	32
C/S Gear	3892-T-5246	34
C/S Gear	3892-T-5480	40
C/S Gear	3892-U-5013	28, 30, 32, 34, 36, 38, 40, 42
C/S Gear	3892-U-5481	40
C/S Gear	3892-V-5248	34
C/S Gear	3892-V-5482	40
C/S Gear	3892-Y-5017	28, 36, 42



**Parts — Alphabetical Order (Continued)**

<b>Description</b>	<b>Part Number</b>	<b>Ref Page</b>
<b>C (Continued)</b>		
Cap Screw	S-276-A-1	2, 4
Cap Screw	S-276-A-2	2, 4
Case Assy	A-3294-Q-1031	4
Case Assy	A-3294-R-1032	4
Case Assy	A-3294-V-1010	2
Case Assy	A2-3294-B-1016	2
Case Assy	A2-3294-H-1022	2
Case Assy	A2-3294-L-1026	2
Case Assy	A2-3294-N-1028	2
Case Assy	A2-3294-P-1030	2
Case Assy	A2-3294-Z-1014	2
Case Assy	A4-3294-B-1016	2
Clamp	2257-A-1223	113
Clamp	2257-C-1069	90, 92
Clamp	2257-J-1076	90, 92
Clip	2257-G-1229	113, 114
Clutch Collar	3107-G-1073	12, 14, 16, 18, 20, 22, 24, 26
Clutch Hsg Assy	A-3282-B-1042	8
Clutch Hsg Assy	A-3282-D-1044	6
Clutch Hsg Assy	A-3282-E-1045	6
Clutch Hsg Assy	A-3282-F-1046	6
Clutch Hsg Assy	A-3282-G-1021	6
Clutch Hsg Assy	A-3282-G-1047	8
Clutch Hsg Assy	A-3282-H-1022	8
Clutch Hsg Assy	A-3282-H-1048	8
Clutch Hsg Assy	A-3282-J-1024	6
Clutch Hsg Assy	A-3282-K-1025	8
Clutch Hsg Assy	A-3282-M-1001	6
Clutch Hsg Assy	A-3282-P-1030	6
Clutch Hsg Assy	A-3282-T-1008	8
Clutch Hsg Assy	A-3282-V-1010	6
Clutch Hsg Assy	A-3282-V-1036	6
Clutch Hsg Assy	A-3282-X-1012	8
Clutch Hsg Assy	A-3282-X-1038	8
Clutch Hsg Assy	A-3282-Z-1040	6
Collar	3107-M-1131	64
Collar	3107-R-1084	64
Collar	3107-S-1111	59
Collar	3107-T-1190	64
Connector	A-2206-G-1151	90, 92
Connector	A-2206-J-1128	90, 92
Connector	A-2206-K-1129	90, 92
Connector	A-2206-L-1130	90, 92
Connector	A1-2206-T-1034	130
Countershaft	3297-D-1252	54

## Parts — Alphabetical Order (Continued)

Description	Part Number	Ref Page
<b>C (Continued)</b>		
Countershaft	3297-E-1253	58
Countershaft	3297-F-1254	52
Countershaft	3297-G-1073	52
Countershaft	3297-G-1099	54
Countershaft	3297-G-1255	54
Countershaft	3297-H-1256	52
Countershaft	3297-H-1282	38
Countershaft	3297-H-1334	38
Countershaft	3297-J-1284	56
Countershaft	3297-K-1259	28, 30, 32, 34, 42
Countershaft	3297-L-1390	56
Countershaft	3297-N-1366	36, 38, 40
Countershaft	3297-P-1082	58
Countershaft	3297-Q-1265	54
Countershaft	3297-S-1267	52
Countershaft	3297-T-1320	56
Countershaft	3297-U-1269	52
Countershaft	3297-V-1348	38
Countershaft	3297-W-1271	54
Countershaft	3297-X-1090	28, 32, 34, 42
Countershaft	3297-Y-1143	54
Countershaft	3297-Y-1273	58
Countershaft	3297-Z-1092	52
Countershaft	A-3297-X-1090	30
Cover	3266-B-1120	2, 4
Cover	3266-C-1121	2, 4
Cover	3266-D-1278	46, 48
Cover	3266-G-1151	46, 48
Cover	3266-H-1048	6, 8
Cover	3266-N-1314	66
Cover	3266-R-1370	68
Cover	3293-A-1067	46
Cover	3293-B-1016	46
Cover	3293-B-1068	48
Cover	3293-D-1018	48
Cover	3293-K-1025	72
Cover	3293-L-1026	72
Cover	3293-L-1078	72
Cover	3293-M-1079	72
Cover	3293-N-1080	72
Cover	3293-P-1082	72
Cover	3293-Q-1005	72
Cover	3293-V-1010	72
Cover	3293-V-1036	48
Cover	3293-V-1062	72

**Parts — Alphabetical Order (Continued)**

<b>Description</b>	<b>Part Number</b>	<b>Ref Page</b>
<b>C (Continued)</b>		
Cover	3293-W-1037	46
Cover	3293-W-1063	72
Cover	3293-X-1038	46
Cover	3293-X-1064	72
Cover	3293-Y-1065	72
Cover	3293-Z-1014	46
Cover	3293-Z-1066	46
Cover Assy	A-3266-U-1165	70
Cover Assy	A-3293-F-1072	74
Cover Assy	A-3293-G-1073	74
Cover Assy	A-3293-J-1076	74
Cover Assy	A-3293-K-1077	74
Cover Assy	A-3293-U-1087	76
Cover Assy	A-3293-V-1062	72
Cover Assy	A-3293-V-1088	76
Cover Assy	A-3293-W-1063	72
Cover Assy	A-3293-W-1089	76
Cover Assy	A-3293-X-1064	72
Cover Assy	A-3293-X-1090	76
Cover Assy	A-3293-Y-1065	72
Cover Assy	A1-3293-K-1025	72
Cover Assy	A1-3293-L-1026	72
Cover Assy	A1-3293-L-1078	72
Cover Assy	A1-3293-M-1079	72
Cover Assy	A1-3293-N-1080	72
Cover Assy	A1-3293-P-1082	72
Cover Assy	A1-3293-Q-1005	72
Cover Assy	A1-3293-V-1010	72
Cover Plate	2205-A-1015	72, 74, 76
Cruise Control Retrofit Kit	KIT5366	148
<b>D</b>		
Decal	2297-A-7125	118
Decal	2297-A-7385	117
Decal	2297-B-7126	121
Decal	2297-B-7386	116
Decal	2297-C-7127	119
Decal	2297-C-7387	122
Decal	2297-D-7388	120
Decal	2297-E-6167	116
Decal	2297-F-6168	122
Decal	2297-N-6904	124
Decal	2297-Q-7245	118
Decal	2297-R-7246	121
Decal	2297-S-7247	119
Decal	2297-T-6104	115

## Parts — Alphabetical Order (Continued)

Description	Part Number	Ref Page
<b>D (Continued)</b>		
Decal	2297-X-6550	117
Decal	2297-X-7252	120
Decal	2297-Z-7384	115
Decal	TP-90175	124
Decal	TP-93171	124
Detent Ball	1199-X-596	72
Detent Ball	2297-R-6986	4, 72, 74, 76
Detent Spring	2258-D-1278	72, 74, 76
Detent Spring	2258-E-1279	72
Detent Spring	2258-N-1184	72
Detent Spring	2258-X-1142	72
Detent Spring and Ball (SN Above LB93017312)	KIT5362	148
Dowel	1246-N-482	70
Dowel	43X-1150	2, 4
Dowel	43X-1193	4
<b>E</b>		
Elbow	1199-Q-901	8
Elbow	2206-C-1147	90, 92
Elbow	A-2206-F-1150	90, 92
Elbow	A-2206-M-1131	90, 92
Elbow	A-2206-P-1134	90, 92
Elbow	A-2206-Q-1135	90, 92
<b>F</b>		
Filter	2297-A-6163	88
Filter/Reg Assy	A-3280-G-9393	68
Filter/Reg Assy	A-3280-X-9072	88
Filter/Reg Assy	A-3280-Y-9073	88
Flat Wshr	1229-B-1666	2, 4, 6, 8, 9, 46, 48, 66, 68, 70, 72, 74, 76, 104, 108
Flat Wshr	1229-C-1511	6, 8, 72
Flat Wshr	1229-E-1513	2, 4
Flat Wshr	1229-N-1626	44
Flat Wshr	1229-U-1503	6, 8
Flat Wshr	1244-Z-1820	60, 61, 62, 64
Flat Wshr	WA-34	68, 88
Flat Wshr	WA-43Z	68
<b>G</b>		
Gasket	2208-G-1047	72, 74, 76
Gasket	2208-K-1051	66
Gasket	2208-M-1053	87
Gasket	3208-L-1078	104
Gasket	3208-N-1080	104, 106, 108
Gasket	3208-S-1059	70
Guide Pin	2244-R-1084	72, 74, 76

**Parts — Alphabetical Order (Continued)**

<b>Description</b>	<b>Part Number</b>	<b>Ref Page</b>
<b>H</b>		
HDW, Isolated Shift Lever	KIT5378	149
Heavy Duty Shift Rail Kit, S/N below LB93017312	KIT5333	144
High Isolated Shift Tower Kit, NLA, Use KIT5369	KIT5299	142
Hook	2297-P-5840	134
Hsg Assy	A-3280-J-8772	70
Hsg Assy	A-3280-N-9296	70
<b>I</b>		
I/P Shaft Assy	A-3297-C-1329	10
I/P Shaft Assy	A-3297-Y-1351	10
I/P Shaft Assy	A4-3297-T-1060	10
Idler Gear	3892-N-5032	44
Idler Shaft	3198-D-1070	44
Inner Shift Lever	2247-K-1077	100, 102
Input and Main Shaft Snap Ring Kit, D/L2	KIT5329	143
Input Shaft Kit, NLA, Use KIT5367	KIT5215	136
Isolated Shift Lever Kit	KIT5237	138
<b>J</b>		
Jam Nut	1227-F-1384	100, 102
Jam Nut	N-68-1	93, 94, 96, 98, 100, 102
<b>K</b>		
Key	16X-1009	58
Key	16X-1027	28, 30, 32, 34, 42
Key	16X-1028	12, 14, 16, 18, 20, 22, 24, 26
Key	16X-1031	28, 30, 32, 34, 36, 38, 40, 42
<b>L</b>		
Lever	2247-F-1462	72, 74
Lever	2247-G-1463	108
Lever	2247-H-1100	72, 74, 76
Lever	2247-M-1313	108
Lever	2247-N-1314	108
Lever	2247-V-1088	104, 106
Lever	2247-X-1090	104, 106
Lever Assy	A-2247-F-1098	100
Lever Assy	A-2247-G-1099	102
Lever Assy	A-2247-S-1085	111
Lever Assy	A-2247-T-1190	110
Lever Assy	A-2247-X-1142	110
Lever Assy	A-2247-Y-1143	112
Lever Assy	A16-2247-Q-1083	111
Lever Assy	A3-2247-Q-1083	111
Lock Ball	1898-H-34	78, 79, 80, 82, 84, 86
Lock Nut	NL-110-1	44
Lock Nut	NL-18-1	72
Lock Nut	NL-25-1	66, 70

## Parts — Alphabetical Order (Continued)

Description	Part Number	Ref Page
<b>L (Continued)</b>		
Lock Nut	NL-28-1	100, 102
Lock Wire	1254-A-53	78, 79, 82, 84, 86
Lock Wire	1254-P-1030	78, 79, 80, 82, 84
Lock Wire	LW-1310	100, 102
Lock Wire	LW-1910	70
Lock Wshr	1829-R-564	130
Lock Wshr	WA-410-1	2, 4
Lock Wshr	WA14	87
Low Isolated Shift Tower Kit, NLA, Use KIT5368	KIT5300	142
Lubrication Line Kit (3/4" Fittings & #8 Hose)	KIT5233	138
Lubrication Line Kit (7/8" Fittings & #10 Hose)	KIT5257	140
<b>M</b>		
M/S Gear	3892-B-5150	16
M/S Gear	3892-C-5021	12, 14, 16, 18, 26
M/S Gear	3892-E-5023	12, 14, 26
M/S Gear	3892-E-5231	16
M/S Gear	3892-F-5232	10, 12
M/S Gear	3892-F-5414	20, 22, 24
M/S Gear	3892-G-5025	12, 14, 20, 22, 26
M/S Gear	3892-J-5028	12, 26
M/S Gear	3892-K-5237	18
M/S Gear	3892-L-5030	12, 14, 16, 18, 20, 22, 24, 26
M/S Gear	3892-M-5239	18
M/S Gear	3892-M-5343	20, 22
M/S Gear	3892-M-5395	20, 22
M/S Gear	3892-M-5473	10
M/S Gear	3892-N-5028	20
M/S Gear	3892-N-5344	22
M/S Gear	3892-N-5370	20
M/S Gear	3892-N-5474	10, 24
M/S Gear	3892-P-5242	18
M/S Gear	3892-Q-5477	24
M/S Gear	3892-R-5478	24
M/S Gear	3892-V-5144	10
M/S Gear	3892-W-5015	10, 14, 22
M/S Gear	3892-X-5146	16
M/S Gear	3892-Z-5148	16
Magnet	2297-Y-5849	2, 4
Main Shaft	3297-J-1336	12, 14, 16, 18, 20, 22, 24, 26
Main Shaft	3297-X-1116	12, 14, 16, 18, 20, 22, 26
Main Shaft Kit	KIT5363	148
Mechanical Speedometer Kit 135/145 (9/10/13-Speed)	KIT5260	140
Mechanical Speedometer Kit RM9-115/125	KIT5259	140

**Parts — Alphabetical Order (Continued)**

<b>Description</b>	<b>Part Number</b>	<b>Ref Page</b>
<b>N</b>		
Name Plate	2297-B-6554	2, 4
Nut	1227-A-1405	64
Nut	1227-Q-1525	110, 112
Nut	1227-T-1554	60, 61, 62, 64
Nut	1227-W-1375	60, 61, 62, 64
Nut	N-110-1	2, 4, 6, 8
Nut	N-18	100, 102
Nut	N-18-1	100, 102
Nut	NL-17-1	66, 68, 70
<b>O</b>		
O-Ring	1205-T-1268	46, 48, 113, 128
O-Ring	1205-Y-1039	2, 4
O-Ring	3780-E-239	72, 74, 76
O-Ring	5X-1065	66, 68, 70
O-Ring	5X-1066	66, 68, 70
O-Ring	5X-1068	66
O-Ring	5X-1069	50
O-Ring	5X-1081	70
O-Ring	5X-1083	66, 68, 70
O-Ring	5X-1084	88
O-Ring	5X-1089	130
O-Ring	5X-1090	130
O-Ring	5X-1091	74, 76, 113
O-Ring	5X-1092	46, 48, 68, 127
O-Ring	5X-1096	88
O-Ring	5X-1133	70
O-Ring	5X-1134	87
O-Ring	5X-1135	88
O-Ring	5X-1151	87
O-Ring	5X-1156	132
O-Ring	5X-1157	132
O-Ring	5X-1201	108
O-Ring	5X-1205	68
O-Ring	5X-1207	68
O-Ring	5X-1217	68
O/P Shaft	3297-C-1251	60, 61, 62
O/P Shaft	3297-J-1076	60, 61
O/P Shaft	3297-M-1079	64
O/P Shaft	3297-P-1056	60, 61
O/P Shaft	3297-V-1322	60, 61, 62
O/P Shaft	3297-Y-1247	60, 61, 62
O/P Shaft	3297-Z-1222	64
Oil Cooler Kit (3/4" Fittings & #8 Hose)	KIT5231	137
Oil Cooler Kit 7/8" Fittings & #10 Hose	KIT5251	140
Oil Filter Kit #10 Hose Adaptable	KIT5252	140

## Parts — Alphabetical Order (Continued)

Description	Part Number	Ref Page
<b>O (Continued)</b>		
Oil Filter Kit (#8 Hose Adaptable)	KIT5232	138
Oil Fitting	1199-B-3226	8
Oil Fitting	1199-H-1620	6, 8
Oil Fittings Kit 1/2"-14 NPTF	KIT5277	141
Oil Fittings Kit 3/4"-16 UNF 2A, 37° Flare (#8)	KIT5276	141
Oil Fittings Kit 7/8"-14 UNF 2A, 37° Flare (#10)	KIT5279	141
Oil Fittings Kit 7/8"-14 UNF 2A, 45° Flare (#10)	KIT5278	141
Oil Pump Fittings Kit	KIT5261	140
Oil Pump Fittings Kit	KIT5262	141
Oil Pump Fittings Kit	KIT5263	141
Oil Pump Fittings Kit	KIT5275	141
Oil Scoop	2205-W-1011	72, 74, 76
Oil Scoop	3221-U-1009	72, 74, 76
Oil Seal	1205-T-2308	9
Oil Seal	1205-X-2494	70
Oil Seal	KIT5365	148
Oil Seal Assy	A-1205-M-2223	46, 48
Oil Seal Assy	A-1205-W-2311	46, 48
Oil Seal Assy	A1-1205-W-2467	46, 48
Oil Trough	3221-X-1012	46
Outer Shift Lever	2247-M-1079	100
Outer Shift Lever	2247-N-1080	102
Overhaul Kit - 13-Speed, D/L1	KIT5238	138
Overhaul Kit - Shift Shaft	KIT5309	142
Overhaul Kit - Slave Valve	KIT5385	151
Overhaul Kit Old Style Alum Shift Tower, OBSOLETE	KIT5326	143
Overhaul Kit RM13-145, D/L2	KIT5361	147
Overhaul Kit RM9-115/125 RM10-115/125, D/L2	KIT5359	146
Overhaul Kit RM9-115/125, D/L1	KIT5200	135
Overhaul Kit RM9-135/145, D/L1	KIT5203	135
Overhaul Kit RM9-135/145/155 RM10-135/145/155, DL2	KIT5360	147
<b>P</b>		
Pin	19X-1126	46
Pin	43X-1158	12, 14, 16, 18, 20, 22, 24, 26, 28, 30, 32, 34, 42
Pin	43X-1165	72
Pin	43X-1168	66, 70
Pin	43X-1169	72
Pin	43X-1174	110, 112
Pin	43X-1181	87
Pin	43X-1184	78, 79, 80, 82, 84, 86
Pin	43X-1188	108
Pin	43X-1190	74, 76
Pin	K-238	100, 102



**Parts — Alphabetical Order (Continued)**

<b>Description</b>	<b>Part Number</b>	<b>Ref Page</b>
<b>P (Continued)</b>		
Piping Assy	A1-3196-G-1047	130
Piston	2230-B-1094	66, 70
Piston	2230-K-1103	70
Piston Assy	A-2230-X-1194	66, 68, 70
Piston Assy	A-2230-Y-1195	70
Piston Housing Kit - 13-Speed	KIT5241	140
Piston Housing Seal Kit - 13-Speed	KIT5240	140
Piston Hsg	3280-D-9390	68
Piston Hsg	3280-E-8767	66
Piston Hsg	3280-M-9217	66
Piston Hsg & Shaft RM9-115/125 RM10-115/125, D/L1	KIT5336	144
Piston Hsg & Shaft RM9-115/125 RM10-115/125, D/L2	KIT5334	144
Piston Hsg & Shaft RM9-135/145 RM10-135/145, D/L1	KIT5337	144
Plate	2297-J-6406	130
Plug	1250-Q-1625	74, 76
Plug	1250-R-1266	4
Plug	1250-W-1271	79, 80, 84, 86
Plug	P-12Z-S	87
Plug	P-42-Z-S	68
Plug	P-46	72
Plug Assy	A-1250-D-1252	72
Plug Assy	A-1250-H-1126	46, 48, 72, 74, 76, 130, 132
Plug Assy	A-1250-J-1128	2, 4
Plug Assy	A-1250-P-1186	2, 4
Plug Assy	A-1250-S-1137	70
Plug Assy	A-1250-U-1269	74, 76
Plug Assy	A-1850-R-18	46, 48
Plug Assy	A1-2206-K-1051	130
Plunger	3280-L-8774	78, 79, 80, 82, 84, 86
Plunger	3280-M-8775	78, 82
Pst Hsg & Sft RM9-135/145/155 RM10-135/145/155 DL2	KIT5335	144
Pump Assy	A-3303-M-1027	130
Pump Assy	A-3303-N-1028	132
Pump Assy	A1-3303-L-1026	130
<b>R</b>		
Rebuild Kit - 13-Speed, D/L1	KIT5239	139
Rebuild Kit 13-Speed, D/L2	KIT5358	146
Rebuild Kit RM9-115/125 RM10-115/125, D/L2	KIT5356	145
Rebuild Kit RM9-115/125, D/L1	KIT5220	136
Rebuild Kit RM9-135/145, D/L1	KIT5221	137
Rebuild Kit RM9-135/145/155 RM10-135/145/155, D/L2	KIT5357	145

## Parts — Alphabetical Order (Continued)

Description	Part Number	Ref Page
<b>R (Continued)</b>		
Remote Ctrl Hsg	3280-E-8741	100
Remote Ctrl Hsg	3280-G-8743	102
Remote Ctrl Hsg	A1-3280-E-8741	100
Retainer	3105-B-1172	43
Retainer	3105-B-1198	108
Retainer	3105-D-1096	46
Retainer	3105-E-1175	43
Retainer	3105-K-1155	9
Retainer	3105-K-1181	46
Retainer	3105-L-1182	46
Retainer	3105-Q-1135	46, 48
Retainer	3105-T-1190	46
Retainer	3105-U-1191	46, 48
Retainer	3105-Y-1195	43, 50
Retainer	3105-Z-1092	50
Retainer Plate	3305-W-1141	134
Ring	1229-F-4660	108
Ring	2214-Q-1135	104
Ring	2214-V-1166	108
Ring	2214-X-1142	106
Ring	A-2214-S-1111	104
Rivet	17X-1030	2, 4
Rod	2297-B-6060	100
Rod	2297-D-6062	102
Rod	2297-E-6063	102
Rotor	2297-A-5903	128
Rotor	2297-Z-6058	128
<b>S</b>		
Screw	10X-1623	68
Screw	9X-16	2, 4
Seal and Gasket Kit - 9- & 10-Speed	KIT5250	140
Seal Driver	3256-Z-1014	134
Seal Kit	2297-A-7021	66, 70
Selective Washer Kit, Auxiliary, D/L2	KIT5331	143
Service Kit - Detent Springs & Ball, Top Cover	KIT5291	141
Service Kit - ESS Wiring Harness and Clips	KIT5372	149
Service Kit - High Shift Tower Assembly	KIT5369	149
Service Kit - Input Shaft	KIT5367	148
Service Kit - Low Shift Tower Assembly	KIT5368	148
Service Kit - Misc O-Rings ESS Transmissions	KIT5374	149
Service Kit - O-Rings Pist Hsg Assy/ Air Filter Reg	KIT5373	149
Service Kit - Pin & Plug, Neutral Switch	KIT5293	141
Service Kit - Pin & Plug, Rev. Switch	KIT5292	141
Service Kit - Range Shift Detent	KIT5375	149
Service Kit - Seal & Bearing	KIT5380	149

**Parts — Alphabetical Order (Continued)**

<b>Description</b>	<b>Part Number</b>	<b>Ref Page</b>
<b>S (Continued)</b>		
Service Kit - Seal & Bearing	KIT5381	150
Service Kit - Seal & Bearing	KIT5382	150
Service Kit - Seal & Bearing	KIT5383	150
Service Kit - Seal & Bearing	KIT5384	151
Service Kit - Shift Tower	KIT5370	149
Service Kit - Shift Tower	KIT5386	151
Service Kit - Slave Valve Exhaust Valves	KIT5294	87, 141
Set Screw	10X-1521	100, 102
Set Screw	10X-1522	100, 102
Set Screw	26X-1011	70, 78, 79, 80, 82, 84, 86
Set Screw	S-843	104
Shield	2297-Z-6526	93, 94
Shield	A-2297-K-7083	96, 98
Shield	A-2297-W-7069	93, 94
Shift Fork	3296-D-1122	70
Shift Fork	3296-F-1124	82, 84, 86
Shift Fork	3296-H-1126	78, 79, 80, 82, 84, 86
Shift Fork	3296-K-1129	78, 79, 80
Shift Fork	3296-M-1131	82, 84, 86
Shift Fork	3296-Q-1161	66, 70
Shift Fork	3296-R-1136	82, 84, 86
Shift Fork Assy	A-3296-F-1124	78, 79, 80
Shift Fork Assy	A-3296-M-1131	78, 79, 80
Shift Hsg	3280-J-8122	104
Shift Hsg	3280-M-8671	104
Shift Hsg Assy	A-3280-S-9145	106
Shift Hsg Assy	A-3280-U-9147	106
Shift Hsg Assy	A1-3280-J-9318	106, 108
Shift Hsg Assy	A1-3280-L-9320	106, 108
Shift Hsg Assy	A1-3280-T-9458	108
Shift Knob	A-3280-C-9467	98
Shift Knob	A-3280-D-9468	98
Shift Knob	A-3280-E-9365	93
Shift Knob	A-3280-E-9469	98
Shift Knob	A-3280-F-9366	93
Shift Knob	A-3280-F-9470	98
Shift Knob	A-3280-G-9367	94
Shift Knob	A-3280-H-9030	93
Shift Knob	A-3280-H-9368	94
Shift Knob	A-3280-J-9032	93
Shift Knob	A-3280-J-9370	93
Shift Knob	A-3280-K-9033	94
Shift Knob	A-3280-K-9371	93
Shift Knob	A-3280-K-9397	96
Shift Knob	A-3280-L-9034	94

## Parts — Alphabetical Order (Continued)

Description	Part Number	Ref Page
<b>S (Continued)</b>		
Shift Knob	A-3280-L-9372	94
Shift Knob	A-3280-L-9398	96
Shift Knob	A-3280-M-9373	94
Shift Knob	A-3280-T-9276	93
Shift Knob	A-3280-U-9277	93
Shift Knob	A-3280-V-9278	94
Shift Knob	A-3280-W-9279	94
Shift Shaft	2244-A-1145	68
Shift Shaft	2244-B-1146	68
Shift Shaft	2244-C-1069	70
Shift Shaft	2244-C-1121	70
Shift Shaft	2244-D-1122	66
Shift Shaft	2244-E-1071	66
Shift Shaft	2244-E-1123	66
Shift Shaft	2244-J-1076	70
Shift Shaft	2244-J-1128	78, 80, 86
Shift Shaft	2244-K-1077	102
Shift Shaft	2244-K-1129	78, 80, 82, 86
Shift Shaft	2244-K-1155	80, 86
Shift Shaft	2244-L-1130	78, 80, 82, 84, 86
Shift Shaft	2244-Q-1083	82, 86
Shift Shaft	2244-S-1059	78, 82
Shift Shaft	2244-T-1060	66
Shift Shaft	2244-T-1112	82
Shift Shaft	2244-U-1139	79, 84
Shift Shaft	2244-V-1140	79, 84
Shift Shaft	2244-W-1115	78, 82
Shift Shaft	2244-W-1141	79, 84
Shift Shaft	2244-X-1116	78, 82
Shift Shaft	2244-Y-1065	100
Shift Shaft	2244-Y-1117	78, 82, 84
Shift Shaft	2244-Y-1143	79, 84
Shim and Washer Kit. D/L2	KIT5332	143
Shim Kit, Main Countershaft Front Bearing, D/L2	KIT5364	43, 148
Shroud	10X-1520	130
Shroud	2245-F-1124	93, 94
Shroud	2245-P-1186	93, 94, 96, 98
Slave Valve Kit	KIT5280	141
Slave Valve Kit	KIT5371	149
Sleeve	2245-B-1198	87
Sleeve	2245-G-1125	82, 84, 86
Sleeve	2245-H-1126	87
Sleeve	2245-J-1076	110, 112
Sleeve	2245-P-1134	78, 79, 80, 82, 84, 86
Sleeve	2245-T-1060	78, 79, 80, 82, 84, 86

**Parts — Alphabetical Order (Continued)**

<b>Description</b>	<b>Part Number</b>	<b>Ref Page</b>
<b>S (Continued)</b>		
Sleeve	2245-U-1165	87
Sleeve	2245-V-1062	78, 82
Sleeve	2245-X-1064	78, 79, 80, 82, 84, 86
Sleeve	2245-Z-1066	127
Snap Ring	1229-B-4656	43
Snap Ring	1229-C-1121	43
Snap Ring	1229-C-4657	10, 52, 54, 58
Snap Ring	1229-D-4294	52, 54, 58
Snap Ring	1229-E-4243	43
Snap Ring	1229-H-4168	10, 52, 54, 58
Snap Ring	1229-T-1242	104
Snap Ring	1229-T-4336	110, 112
Snap Ring	1229-V-4234	64
Snap Ring	1229-V-4286	66, 70, 78, 79, 80, 82, 84, 86
Snap Ring	1229-W-4339	10, 12, 14, 16, 18, 20, 22, 24, 26, 50
Snap Ring	1229-W-4625	12, 14, 16, 18, 20, 22, 24, 26
Snap Ring	1229-X-4418	12, 14, 16, 18, 20, 22, 26
Snap Ring	1229-Y-4211	60, 61
Snap Ring	1229-Z-4524	106
Snap Ring Kit	KIT5324	143
Snap Ring Kit, Auxiliary Countershaft, D/L1	KIT5321	142
Snap Ring Kit, D/L1	KIT5322	143
Snap Ring Kit, Main Countershaft, D/L1	KIT5325	43, 143
Solenoid Assy	3280-F-9392	113, 114
Solenoid Assy	A-3280-F-9392	68
Spacer	1244-C-1823	10
Spacer	1244-F-1852	60, 61
Spacer	1244-J-2090	72, 74
Spacer	1244-J-2194	10
Spacer	1244-L-1988	64
Spacer	1244-M-2041	12, 14, 16, 18, 20, 22, 24, 26
Spacer	1244-N-2094	60, 61
Spacer	1244-R-2046	60, 61
Spacer	1244-W-2103	60, 61, 62
Spacer	1244-X-2104	60, 61, 62
Spacer Washer	1229-N-4538	52, 54, 56, 58
Spacer Washer	1229-P-4540	52, 54, 56, 58
Spacer Washer	1229-Q-4541	52, 54, 56, 58
Spacer Washer	1229-R-4542	52, 54, 56, 58
Spacer Washer	1229-S-4543	52, 54, 56, 58
Spacer Washer	1229-T-4544	52, 54, 56, 58
Spacer Washer	1229-U-4545	52, 54, 56, 58
Spacer Washer	1229-V-4546	52, 54, 56, 58
Spacer Washer	1229-W-4547	52, 54, 56, 58
Spacer Washer	1229-X-4548	52, 54, 56, 58
Spacer Washer	1229-Y-4549	52, 54, 56, 58

## Parts — Alphabetical Order (Continued)

Description	Part Number	Ref Page
<b>S (Continued)</b>		
Special Screw	10X-1446	2, 4, 72, 74, 76
Special Screw	10X-1459	130
Special Screw	10X-1460	130
Special Screw	10X-1510	2, 4
Special Screw	10X-1511	2, 4
Special Screw	10X-1512	2, 4
Special Screw	10X-1524	93, 94
Special Screw	10X-1532	87, 132
Special Screw	10X-1537	43
Special Screw	10X-1625	93, 94, 96, 98
Speedo Gear	2297-U-5897	127
Speedo Gear	2297-V-5898	127
Speedo Gear	2297-X-6056	127
Speedo Gear	2297-Y-6057	127
Speedometer Sensor	A-3280-A-9413	113
Splitter Kit - 13-Speed	KIT5302	142
Spring	2258-A-1145	78, 79, 80, 82, 84, 86
Spring	2258-B-1328	108
Spring	2258-D-1330	79, 80, 84, 86
Spring	2258-F-1254	106
Spring	2258-F-1332	4
Spring	2258-V-1166	87
Spring	2258-Y-1143	78, 79, 80, 82, 84, 86
Spring	2258-Z-1144	59
Spring	42X-1227	104
Strap	3237-H-294	100, 102, 108
Strap	3237-N-66	100, 102, 104, 106, 108
Strap	3237-P-68	104
Stud	4X-1837	6, 8
Stud	SN-1017-1	2, 4
Stud	SN-1019-1	2, 4
Switch Assy	A-2297-L-7058	93, 94, 96, 98
Switch Assy	A-3280-J-9396	113
Switch Assy	A-3280-W-9409	114
Synchro Assy	A-3203-R-1006	59
Synchro Assy	A-3203-Z-1014	59
Synchronizer Kit	KIT5270	141
Synchronizer Kit, Incl. Collar	KIT5289	141
<b>T</b>		
Thrust Wshr	1229-T-4232	64
Thrust Wshr	1229-U-4233	64
Thrust Wshr	1229-V-4494	64
Thrust Wshr	42X-1221	60, 61
Thrust Wshr	42X-1250	50
Thrust Wshr	42X-1255	12, 14, 16, 18, 20, 22, 26

**Parts — Alphabetical Order (Continued)**

<b>Description</b>	<b>Part Number</b>	<b>Ref Page</b>
<b>T (Continued)</b>		
Thrust Wshr	42X-1256	12, 14, 16, 18, 20, 22, 26
Thrust Wshr	42X-1257	12, 14, 16, 18, 20, 22, 26
Thrust Wshr	42X-1258	44
Thrust Wshr	42X-1412	12, 14, 16, 18, 20, 22, 24, 26
Thrust Wshr	42X-1413	12, 14, 16, 18, 20, 22, 24, 26
Thrust Wshr	42X-1414	12, 14, 16, 18, 20, 22, 24, 26
Tool	3256-A-1015	134
Tool	3256-A-1041	134
Tool	3256-B-1068	134
Tool	3256-D-1044	134
Tool	3256-T-1060	134
Tool	3256-V-1036	134
Tool	3256-W-1063	134
Tool	3256-Y-1013	134
Tool	A-3256-C-1043	134
Tool	A-3256-W-1037	134
Tube Adapter	2206-P-1056	90
Tube Adapter	A-2206-R-1136	90
Tube Assy	A-3196-A-1067	132
Tubing	2296-H-1074	90
Tubing	2296-J-1024	90, 92
Tubing	2296-J-1076	90
Tubing	2296-K-1025	90, 92
Tubing	2296-K-1077	90
Tubing	2296-L-1026	90, 92
Tubing	2296-L-1078	92
Tubing	2296-M-1076	90, 92
Tubing	2296-M-1079	92
Tubing	2296-N-1028	90, 92
Tubing	2296-N-1080	92
Tubing	2296-P-1030	90, 92
Tubing	2296-Q-1031	92
Tubing	2296-R-1032	90, 92
Tubing	2296-S-1033	90, 92
Tubing	2296-T-1034	90, 92
Tubing	2296-U-1035	92
<b>V</b>		
Valve Assy	A-2297-K-5965	70
Valve Assy	A-3280-Y-8761	87
<b>W</b>		
Wire Harness	A-2297-G-7079	113
Wire Harness	A-2297-Q-7219	114
Wire Harness	A-2297-U-7197	113

## Parts — Alphabetical Order (Continued)

Description	Part Number	Ref Page
<b>Y</b>		
Yoke Assy	176NYS40-14A	126
Yoke Assy	176NYS44-4A	126
Yoke Assy	176TYS40-14A	126
Yoke Assy	176TYS44-4A	126
Yoke Assy	17N46931X	126
Yoke Assy	17NYS40-125A	126
Yoke Assy	17TYS40-144 (F)	126
Yoke Assy	17TYS44-10A (F)	126
Yoke Assy	18NYS40-4A	126
Yoke Assy	18NYS44-4A	126
Yoke Assy	18TYS40-4A	126
Yoke Assy	18TYS44-4A	126
Yoke Assy	20WYS40-2A	126
Yoke Assy	20WYS44-2A	126
Yoke Assy	25WYS40-2A	126
Yoke Assy	25WYS44-2A	126
Yoke Assy	5WCS40-40A	126
Yoke Assy	5WCS40-41A	126
Yoke Assy	5WCS44-3A	126
Yoke Assy	72NYS40-99A	126
Yoke Assy	82NYS40-28A	126
Yoke Assy	85WBYS40-34A	126
Yoke Assy	85WBYS44-1A	126
Yoke Assy	92NYS40-40A	126
Yoke Assy	92NYS44-22A	126



**Parts — Numerical Order**

<b>Part Number</b>	<b>Description</b>	<b>Ref Page</b>
A-1199-P-1394	Breather Assy	72, 74, 76
A-1205-M-2223	Oil Seal Assy	46, 48
A-1205-W-2311	Oil Seal Assy	46, 48
A-1228-E-1175	Bearing Assy	44
A-1228-G-1307	Bearing Assy	46
A-1228-H-1204	Bearing Assy	50
A-1228-H-1308	Bearing Assy	46, 48
A-1228-K-1207	Bearing Assy	46
A-1228-M-1209	Bearing Assy	46, 48
A-1228-Q-1265	Bearing Assy	58
A-1228-S-1345	Bearing Assy	28, 30, 32, 34, 36, 38, 40, 42, 52, 54, 56
A-1228-T-1346	Bearing Assy	28, 30, 32, 34, 36, 38, 40, 42
A-1228-U-1347	Bearing Assy	52, 54, 56, 58
A-1228-U-1373	Bearing Assy	58
A-1228-V-1348	Bearing Assy	28, 30, 32, 34, 42
A-1228-W-1349	Bearing Assy	28, 30, 32, 34, 42
A-1228-X-1350	Bearing Assy	52, 54
A-1228-Y-1351	Bearing Assy	52, 54, 58
A-1250-D-1252	Plug Assy	72
A-1250-H-1126	Plug Assy	46, 48, 72, 74, 76, 130, 132
A-1250-J-1128	Plug Assy	2, 4
A-1250-P-1186	Plug Assy	2, 4
A-1250-S-1137	Plug Assy	70
A-1250-U-1269	Plug Assy	74, 76
A-1850-R-18	Plug Assy	46, 48
A-2110-M-1001	Ball Socket	100, 102
A-2110-N-1002	Ball Socket	100
A-2110-P-1004	Ball Socket	102
A-2206-F-1150	Elbow	90, 92
A-2206-G-1151	Connector	90, 92
A-2206-J-1128	Connector	90, 92
A-2206-K-1129	Connector	90, 92
A-2206-L-1130	Connector	90, 92
A-2206-M-1131	Elbow	90, 92
A-2206-P-1134	Elbow	90, 92
A-2206-Q-1135	Elbow	90, 92
A-2206-R-1136	Tube Adapter	90
A-2214-S-1111	Ring	104
A-2230-X-1194	Piston Assy	66, 68, 70
A-2230-Y-1195	Piston Assy	70
A-2247-F-1098	Lever Assy	100
A-2247-G-1099	Lever Assy	102
A-2247-S-1085	Lever Assy	111
A-2247-T-1190	Lever Assy	110
A-2247-X-1142	Lever Assy	110
A-2247-Y-1143	Lever Assy	112

## Parts — Numerical Order (Continued)

Part Number	Description	Ref Page
A-2297-G-7079	Wire Harness	113
A-2297-K-5965	Valve Assy	70
A-2297-K-7083	Shield	96, 98
A-2297-L-7058	Switch Assy	93, 94, 96, 98
A-2297-Q-7219	Wire Harness	114
A-2297-U-7197	Wire Harness	113
A-2297-W-7069	Shield	93, 94
A-3196-A-1067	Tube Assy	132
A-3203-R-1006	Synchro Assy	59
A-3203-Z-1014	Synchro Assy	59
A-3256-C-1043	Tool	134
A-3256-W-1037	Tool	134
A-3266-U-1165	Cover Assy	70
A-3268-H-1646	Adapter Assy	110
A-3280-A-9413	Speedometer Sensor	113
A-3280-C-9467	Shift Knob	98
A-3280-D-9468	Shift Knob	98
A-3280-E-9365	Shift Knob	93
A-3280-E-9469	Shift Knob	98
A-3280-F-9366	Shift Knob	93
A-3280-F-9392	Solenoid Assy	68
A-3280-F-9470	Shift Knob	98
A-3280-G-9367	Shift Knob	94
A-3280-G-9393	Filter/Reg Assy	68
A-3280-H-9030	Shift Knob	93
A-3280-H-9368	Shift Knob	94
A-3280-J-8772	Hsg Assy	70
A-3280-J-9032	Shift Knob	93
A-3280-J-9370	Shift Knob	93
A-3280-J-9396	Switch Assy	113
A-3280-K-9033	Shift Knob	94
A-3280-K-9371	Shift Knob	93
A-3280-K-9397	Shift Knob	96
A-3280-L-9034	Shift Knob	94
A-3280-L-9372	Shift Knob	94
A-3280-L-9398	Shift Knob	96
A-3280-M-9373	Shift Knob	94
A-3280-N-9296	Hsg Assy	70
A-3280-S-9145	Shift Hsg Assy	106
A-3280-T-9276	Shift Knob	93
A-3280-U-9147	Shift Hsg Assy	106
A-3280-U-9277	Shift Knob	93
A-3280-V-9278	Shift Knob	94
A-3280-W-9279	Shift Knob	94
A-3280-W-9409	Switch Assy	114
A-3280-X-9072	Filter/Reg Assy	88

**Parts — Numerical Order (Continued)**

<b>Part Number</b>	<b>Description</b>	<b>Ref Page</b>
A-3280-Y-8761	Valve Assy	87
A-3280-Y-9073	Filter/Reg Assy	88
A-3282-B-1042	Clutch Hsg Assy	8
A-3282-D-1044	Clutch Hsg Assy	6
A-3282-E-1045	Clutch Hsg Assy	6
A-3282-F-1046	Clutch Hsg Assy	6
A-3282-G-1021	Clutch Hsg Assy	6
A-3282-G-1047	Clutch Hsg Assy	8
A-3282-H-1022	Clutch Hsg Assy	8
A-3282-H-1048	Clutch Hsg Assy	8
A-3282-J-1024	Clutch Hsg Assy	6
A-3282-K-1025	Clutch Hsg Assy	8
A-3282-M-1001	Clutch Hsg Assy	6
A-3282-P-1030	Clutch Hsg Assy	6
A-3282-T-1008	Clutch Hsg Assy	8
A-3282-V-1010	Clutch Hsg Assy	6
A-3282-V-1036	Clutch Hsg Assy	6
A-3282-X-1012	Clutch Hsg Assy	8
A-3282-X-1038	Clutch Hsg Assy	8
A-3282-Z-1040	Clutch Hsg Assy	6
A-3293-F-1072	Cover Assy	74
A-3293-G-1073	Cover Assy	74
A-3293-J-1076	Cover Assy	74
A-3293-K-1077	Cover Assy	74
A-3293-U-1087	Cover Assy	76
A-3293-V-1062	Cover Assy	72
A-3293-V-1088	Cover Assy	76
A-3293-W-1063	Cover Assy	72
A-3293-W-1089	Cover Assy	76
A-3293-X-1064	Cover Assy	72
A-3293-X-1090	Cover Assy	76
A-3293-Y-1065	Cover Assy	72
A-3294-Q-1031	Case Assy	4
A-3294-R-1032	Case Assy	4
A-3294-V-1010	Case Assy	2
A-3296-F-1124	Shift Fork Assy	78, 79, 80
A-3296-M-1131	Shift Fork Assy	78, 79, 80
A-3297-C-1329	I/P Shaft Assy	10
A-3297-X-1090	Countershaft	30
A-3297-Y-1351	I/P Shaft Assy	10
A-3303-M-1027	Pump Assy	130
A-3303-N-1028	Pump Assy	132
A1-1205-W-2467	Oil Seal Assy	46, 48
A1-2206-K-1051	Plug Assy	130
A1-2206-T-1034	Connector	130
A1-3196-G-1047	Piping Assy	130

## Parts — Numerical Order (Continued)

Part Number	Description	Ref Page
A1-3280-E-8741	Remote Ctrl Hsg	100
A1-3280-J-9318	Shift Hsg Assy	106, 108
A1-3280-L-9320	Shift Hsg Assy	106, 108
A1-3280-T-9458	Shift Hsg Assy	108
A1-3293-K-1025	Cover Assy	72
A1-3293-L-1026	Cover Assy	72
A1-3293-L-1078	Cover Assy	72
A1-3293-M-1079	Cover Assy	72
A1-3293-N-1080	Cover Assy	72
A1-3293-P-1082	Cover Assy	72
A1-3293-Q-1005	Cover Assy	72
A1-3293-V-1010	Cover Assy	72
A1-3303-L-1026	Pump Assy	130
A2-3294-B-1016	Case Assy	2
A2-3294-H-1022	Case Assy	2
A2-3294-L-1026	Case Assy	2
A2-3294-N-1028	Case Assy	2
A2-3294-P-1030	Case Assy	2
A2-3294-Z-1014	Case Assy	2
A3-2247-Q-1083	Lever Assy	111
A4-3294-B-1016	Case Assy	2
A4-3297-T-1060	I/P Shaft Assy	10
A16-2247-Q-1083	Lever Assy	111
K-238	Pin	100, 102
KIT5200	Overhaul Kit RM9-115/125, D/L1	135
KIT5203	Overhaul Kit RM9-135/145, D/L1	135
KIT5215	Input Shaft Kit, NLA, Use KIT5367	136
KIT5220	Rebuild Kit RM9-115/125, D/L1	136
KIT5221	Rebuild Kit RM9-135/145, D/L1	137
KIT5231	Oil Cooler Kit (3/4" Fittings & #8 Hose)	137
KIT5232	Oil Filter Kit (#8 Hose Adaptable)	138
KIT5233	Lubrication Line Kit (3/4" Fittings & #8 Hose)	138
KIT5235	Air Fittings Kit 1/8"	138
KIT5236	Air Fittings Kit 5/32", NLA, Use KIT5376	138
KIT5237	Isolated Shift Lever Kit	138
KIT5238	Overhaul Kit - 13-Speed, D/L1	138
KIT5239	Rebuild Kit - 13-Speed, D/L1	139
KIT5240	Piston Housing Seal Kit - 13-Speed	140
KIT5241	Piston Housing Kit - 13-Speed	140
KIT5249	Air Fittings Kit 5/32", NLA, Use KIT5377	140
KIT5250	Seal and Gasket Kit - 9- & 10-Speed	140
KIT5251	Oil Cooler Kit 7/8" Fittings & #10 Hose	140
KIT5252	Oil Filter Kit #10 Hose Adaptable	140
KIT5257	Lubrication Line Kit (7/8" Fittings & #10 Hose)	140
KIT5259	Mechanical Speedometer Kit RM9-115/125	140
KIT5260	Mechanical Speedometer Kit 135/145 (9/10/13-Speed)	140

**Parts — Numerical Order (Continued)**

<b>Part Number</b>	<b>Description</b>	<b>Ref Page</b>
KIT5261	Oil Pump Fittings Kit	140
KIT5262	Oil Pump Fittings Kit	141
KIT5263	Oil Pump Fittings Kit	141
KIT5270	Synchronizer Kit	141
KIT5275	Oil Pump Fittings Kit	141
KIT5276	Oil Fittings Kit 3/4"-16 UNF 2A, 37° Flare (#8)	141
KIT5277	Oil Fittings Kit 1/2"-14 NPTF	141
KIT5278	Oil Fittings Kit 7/8"-14 UNF 2A, 45° Flare (#10)	141
KIT5279	Oil Fittings Kit 7/8"-14 UNF 2A, 37° Flare (#10)	141
KIT5280	Slave Valve Kit	141
KIT5289	Synchronizer Kit, Incl. Collar	141
KIT5290	Air Filter Kit	141
KIT5291	Service Kit - Detent Springs & Ball, Top Cover	141
KIT5292	Service Kit - Pin & Plug, Rev. Switch	141
KIT5293	Service Kit - Pin & Plug, Neutral Switch	141
KIT5294	Service Kit - Slave Valve Exhaust Valves	87, 141
KIT5295	Auxiliary Cover Assembly RM9-115/125/125A, D/L1	141
KIT5296	Auxiliary Cover Assy RM9-115B/115R/125B/125R, D/L1	142
KIT5297	Auxiliary Cover Assy RM9-135/135A/145/145A, D/L1	142
KIT5298	Auxiliary Cover Assy RM9-135B/135R/145B/145R, D/L1	142
KIT5299	High Isolated Shift Tower Kit, NLA, Use KIT5369	142
KIT5300	Low Isolated Shift Tower Kit, NLA, Use KIT5368	142
KIT5301	Auxiliary Cover Assembly RM013-145, D/L1	142
KIT5302	Splitter Kit - 13-Speed	142
KIT5307	5/16" Air Lines	142
KIT5309	Overhaul Kit - Shift Shaft	142
KIT5321	Snap Ring Kit, Auxiliary Countershaft, D/L1	142
KIT5322	Snap Ring Kit, D/L1	143
KIT5324	Snap Ring Kit	143
KIT5325	Snap Ring Kit, Main Countershaft, D/L1	43, 143
KIT5326	Overhaul Kit Old Style Alum Shift Tower, OBSOLETE	143
KIT5329	Input and Main Shaft Snap Ring Kit, D/L2	143
KIT5331	Selective Washer Kit, Auxiliary, D/L2	143
KIT5332	Shim and Washer Kit, D/L2	143
KIT5333	Heavy Duty Shift Rail Kit, S/N below LB93017312	144
KIT5334	Piston Hsg & Shaft RM9-115/125 RM10-115/125, D/L2	144
KIT5335	Pst Hsg & Sft RM9-135/145/155 RM10-135/145/155 DL2	144

## Parts — Numerical Order (Continued)

Part Number	Description	Ref Page
KIT5336	Piston Hsg & Shaft RM9-115/125 RM10-115/125, D/L1	144
KIT5337	Piston Hsg & Shaft RM9-135/145 RM10-135/145, D/L1	144
KIT5346	Auxiliary Cover Assembly RM13-145, D/L2	144
KIT5347	Auxiliary Cover Assembly RM9-115/125/125A, D/L2	144
KIT5348	Auxiliary Cover Assy RM9-115B/115R/125B/125R, D/L2	145
KIT5349	Auxiliary Cover Assy RM9-135/135A/145/145A, D/L2	145
KIT5350	Auxiliary Cover Assy RM9-135B/135R/145B/145R, D/L2	145
KIT5351	Auxiliary Cover Assy RM10115/115A/125/125A, D/L2	145
KIT5352	Auxiliary Cover Assy RM10-135/135A/145/145A, D/L2	145
KIT5353	Auxiliary Cover Assembly RM9-155, D/L2	145
KIT5354	Auxiliary Cover Assembly RM9-155B, D/L2	145
KIT5355	Auxiliary Cover Assembly RM10-155A, D/L2	145
KIT5356	Rebuild Kit RM9-115/125 RM10-115/125, D/L2	145
KIT5357	Rebuild Kit RM9-135/145/155 RM10-135/145/155, D/L2	145
KIT5358	Rebuild Kit 13-Speed, D/L2	146
KIT5359	Overhaul Kit RM9-115/125 RM10-115/125, D/L2	146
KIT5360	Overhaul Kit RM9-135/145/155 RM10-135/145/155, DL2	147
KIT5361	Overhaul Kit RM13-145, D/L2	147
KIT5362	Detent Spring and Ball (SN Above LB93017312)	148
KIT5363	Main Shaft Kit	148
KIT5364	Shim Kit, Main Countershaft Front Bearing, D/L2	43, 148
KIT5365	Oil Seal	148
KIT5366	Cruise Control Retrofit Kit	148
KIT5367	Service Kit - Input Shaft	148
KIT5368	Service Kit - Low Shift Tower Assembly	148
KIT5369	Service Kit - High Shift Tower Assembly	149
KIT5370	Service Kit - Shift Tower	149
KIT5371	Slave Valve Kit	149
KIT5372	Service Kit - ESS Wiring Harness and Clips	149
KIT5373	Service Kit - O-Rings Pist Hsg Assy/ Air Filter Reg	149
KIT5374	Service Kit - Misc O-Rings ESS Transmissions	149
KIT5375	Service Kit - Range Shift Detent	149
KIT5376	Air Fittings Kit 5/32"	149
KIT5377	Air Fittings Kit 5/32"	149
KIT5378	HDW, Isolated Shift Lever	149

**Parts — Numerical Order (Continued)**

<b>Part Number</b>	<b>Description</b>	<b>Ref Page</b>
KIT5380	Service Kit - Seal & Bearing	149
KIT5381	Service Kit - Seal & Bearing	150
KIT5382	Service Kit - Seal & Bearing	150
KIT5383	Service Kit - Seal & Bearing	150
KIT5384	Service Kit - Seal & Bearing	151
KIT5385	Overhaul Kit - Slave Valve	151
KIT5386	Service Kit - Shift Tower	151
LW-1310	Lock Wire	100, 102
LW-1910	Lock Wire	70
N-18	Nut	100, 102
N-18-1	Nut	100, 102
N-68-1	Jam Nut	93, 94, 96, 98, 100, 102
N-110-1	Nut	2, 4, 6, 8
NL-17-1	Nut	66, 68, 70
NL-18-1	Lock Nut	72
NL-25-1	Lock Nut	66, 70
NL-28-1	Lock Nut	100, 102
NL-110-1	Lock Nut	44
P-12Z-S	Plug	87
P-42-Z-S	Plug	68
P-46	Plug	72
S-244-A-1	Bolt/Capscrew	72, 74
S-244-A-2	Bolt/Capscrew	72, 74, 76
S-264-A-1	Bolt/Capscrew	132
S-264-A-2	Bolt/Capscrew	132
S-265-A-1	Bolt/Capscrew	6, 8
S-265-A-2	Bolt/Capscrew	6, 8
S-268-1	Bolt/Capscrew	43, 46, 50
S-268-2	Bolt/Capscrew	43, 46, 50
S-268-A-1	Bolt/Capscrew	48
S-268-A-2	Bolt/Capscrew	48
S-276-A-1	Cap Screw	2, 4
S-276-A-2	Cap Screw	2, 4
S-843	Set Screw	104
S-2416-A-1	Bolt/Capscrew	68, 88
S-2610-A-1	Bolt/Capscrew	9, 72, 74, 104, 108
S-2610-A-2	Bolt/Capscrew	9, 72, 74, 76, 104, 108
S-2612-A-1	Bolt/Capscrew	46, 48
S-2612-A-2	Bolt/Capscrew	46, 48
S-2624-A-1	Bolt/Capscrew	46, 48, 66, 68
S-2624-A-2	Bolt/Capscrew	46, 48, 66, 68
S-2628-A-1	Bolt/Capscrew	70
S-2628-A-2	Bolt/Capscrew	70
S-2811-A-1	Bolt/Capscrew	6, 8
S-2812-A-2	Bolt/Capscrew	6, 8
S-2828-A-1	Bolt/Capscrew	6, 8

## Parts — Numerical Order (Continued)

Part Number	Description	Ref Page
S-2828-A-2	Bolt/Capscrew	6, 8
SN-1017-1	Stud	2, 4
SN-1019-1	Stud	2, 4
TP-90175	Decal	124
TP-93171	Decal	124
WA-34	Flat Wshr	68, 88
WA-410-1	Lock Wshr	2, 4
WA-43Z	Flat Wshr	68
WA14	Lock Wshr	87
4X-1837	Stud	6, 8
5WCS40-40A	Yoke Assy	126
5WCS40-41A	Yoke Assy	126
5WCS44-3A	Yoke Assy	126
5X-1065	O-Ring	66, 68, 70
5X-1066	O-Ring	66, 68, 70
5X-1068	O-Ring	66
5X-1069	O-Ring	50
5X-1081	O-Ring	70
5X-1083	O-Ring	66, 68, 70
5X-1084	O-Ring	88
5X-1089	O-Ring	130
5X-1090	O-Ring	130
5X-1091	O-Ring	74, 76, 113
5X-1092	O-Ring	46, 48, 68, 127
5X-1096	O-Ring	88
5X-1133	O-Ring	70
5X-1134	O-Ring	87
5X-1135	O-Ring	88
5X-1151	O-Ring	87
5X-1156	O-Ring	132
5X-1157	O-Ring	132
5X-1201	O-Ring	108
5X-1205	O-Ring	68
5X-1207	O-Ring	68
5X-1217	O-Ring	68
9X-16	Screw	2, 4
10X-1446	Special Screw	2, 4, 72, 74, 76
10X-1459	Special Screw	130
10X-1460	Special Screw	130
10X-1510	Special Screw	2, 4
10X-1511	Special Screw	2, 4
10X-1512	Special Screw	2, 4
10X-1520	Shroud	130
10X-1521	Set Screw	100, 102
10X-1522	Set Screw	100, 102
10X-1524	Special Screw	93, 94



**Parts — Numerical Order (Continued)**

<b>Part Number</b>	<b>Description</b>	<b>Ref Page</b>
10X-1532	Special Screw	87, 132
10X-1534	Bolt/Capscrew	66, 70
10X-1537	Special Screw	43
10X-1611	Bolt/Capscrew	110, 112
10X-1623	Screw	68
10X-1625	Special Screw	93, 94, 96, 98
16X-1009	Key	58
16X-1027	Key	28, 30, 32, 34, 42
16X-1028	Key	12, 14, 16, 18, 20, 22, 24, 26
16X-1031	Key	28, 30, 32, 34, 36, 38, 40, 42
17N46931X	Yoke Assy	126
17NYS40-125A	Yoke Assy	126
17TYS40-144 (F)	Yoke Assy	126
17TYS44-10A (F)	Yoke Assy	126
17X-1030	Rivet	2, 4
18NYS40-4A	Yoke Assy	126
18NYS44-4A	Yoke Assy	126
18TYS40-4A	Yoke Assy	126
18TYS44-4A	Yoke Assy	126
19X-1126	Pin	46
20WYS40-2A	Yoke Assy	126
20WYS44-2A	Yoke Assy	126
25WYS40-2A	Yoke Assy	126
25WYS44-2A	Yoke Assy	126
26X-1011	Set Screw	70, 78, 79, 80, 82, 84, 86
42X-1221	Thrust Wshr	60, 61
42X-1227	Spring	104
42X-1250	Thrust Wshr	50
42X-1255	Thrust Wshr	12, 14, 16, 18, 20, 22, 26
42X-1256	Thrust Wshr	12, 14, 16, 18, 20, 22, 26
42X-1257	Thrust Wshr	12, 14, 16, 18, 20, 22, 26
42X-1258	Thrust Wshr	44
42X-1412	Thrust Wshr	12, 14, 16, 18, 20, 22, 24, 26
42X-1413	Thrust Wshr	12, 14, 16, 18, 20, 22, 24, 26
42X-1414	Thrust Wshr	12, 14, 16, 18, 20, 22, 24, 26
43X-1150	Dowel	2, 4
43X-1158	Pin	12, 14, 16, 18, 20, 22, 24, 26, 28, 30, 32, 34, 42
43X-1165	Pin	72
43X-1168	Pin	66, 70
43X-1169	Pin	72
43X-1174	Pin	110, 112
43X-1181	Pin	87
43X-1184	Pin	78, 79, 80, 82, 84, 86
43X-1188	Pin	108
43X-1190	Pin	74, 76
43X-1193	Dowel	4

## Parts — Numerical Order (Continued)

Part Number	Description	Ref Page
72NYS40-99A	Yoke Assy	126
82NYS40-28A	Yoke Assy	126
85WBYS40-34A	Yoke Assy	126
85WBYS44-1A	Yoke Assy	126
92NYS40-40A	Yoke Assy	126
92NYS44-22A	Yoke Assy	126
176NYS40-14A	Yoke Assy	126
176NYS44-4A	Yoke Assy	126
176TYS40-14A	Yoke Assy	126
176TYS44-4A	Yoke Assy	126
1199-B-3226	Oil Fitting	8
1199-H-1620	Oil Fitting	6, 8
1199-Q-901	Elbow	8
1199-X-596	Detent Ball	72
1205-T-1268	O-Ring	46, 48, 113, 128
1205-T-2308	Oil Seal	9
1205-X-2494	Oil Seal	70
1205-Y-1039	O-Ring	2, 4
1225-A-1171	Bushing	10
1225-B-1198	Bushing	110, 112
1225-P-1186	Bushing	100, 102
1225-X-1194	Bushing	6, 8
1225-Z-1170	Bushing	127
1227-A-1405	Nut	64
1227-F-1384	Jam Nut	100, 102
1227-Q-1525	Nut	110, 112
1227-T-1554	Nut	60, 61, 62, 64
1227-W-1375	Nut	60, 61, 62, 64
1228-G-1203	Ball Bearing	10
1229-B-1666	Flat Wshr	2, 4, 6, 8, 9, 46, 48, 66, 68, 70, 72, 74, 76, 104, 108
1229-B-4656	Snap Ring	43
1229-C-1121	Snap Ring	43
1229-C-1511	Flat Wshr	6, 8, 72
1229-C-4657	Snap Ring	10, 52, 54, 58
1229-D-4294	Snap Ring	52, 54, 58
1229-E-1513	Flat Wshr	2, 4
1229-E-4243	Snap Ring	43
1229-F-4660	Ring	108
1229-H-4168	Snap Ring	10, 52, 54, 58
1229-N-1626	Flat Wshr	44
1229-N-4538	Spacer Washer	52, 54, 56, 58
1229-P-4540	Spacer Washer	52, 54, 56, 58
1229-Q-4541	Spacer Washer	52, 54, 56, 58
1229-R-4542	Spacer Washer	52, 54, 56, 58
1229-S-4543	Spacer Washer	52, 54, 56, 58
1229-T-1242	Snap Ring	104

**Parts — Numerical Order (Continued)**

<b>Part Number</b>	<b>Description</b>	<b>Ref Page</b>
1229-T-4232	Thrust Wshr	64
1229-T-4336	Snap Ring	110, 112
1229-T-4544	Spacer Washer	52, 54, 56, 58
1229-U-1503	Flat Wshr	6, 8
1229-U-4233	Thrust Wshr	64
1229-U-4545	Spacer Washer	52, 54, 56, 58
1229-V-4234	Snap Ring	64
1229-V-4286	Snap Ring	66, 70, 78, 79, 80, 82, 84, 86
1229-V-4494	Thrust Wshr	64
1229-V-4546	Spacer Washer	52, 54, 56, 58
1229-W-4339	Snap Ring	10, 12, 14, 16, 18, 20, 22, 24, 26, 50
1229-W-4547	Spacer Washer	52, 54, 56, 58
1229-W-4625	Snap Ring	12, 14, 16, 18, 20, 22, 24, 26
1229-X-4418	Snap Ring	12, 14, 16, 18, 20, 22, 26
1229-X-4548	Spacer Washer	52, 54, 56, 58
1229-Y-4211	Snap Ring	60, 61
1229-Y-4549	Spacer Washer	52, 54, 56, 58
1229-Z-4524	Snap Ring	106
1244-C-1823	Spacer	10
1244-F-1852	Spacer	60, 61
1244-J-2090	Spacer	72, 74
1244-J-2194	Spacer	10
1244-L-1988	Spacer	64
1244-M-2041	Spacer	12, 14, 16, 18, 20, 22, 24, 26
1244-N-2094	Spacer	60, 61
1244-R-2046	Spacer	60, 61
1244-W-2103	Spacer	60, 61, 62
1244-X-2104	Spacer	60, 61, 62
1244-Z-1820	Flat Wshr	60, 61, 62, 64
1246-N-482	Dowel	70
1250-Q-1625	Plug	74, 76
1250-R-1266	Plug	4
1250-W-1271	Plug	79, 80, 84, 86
1254-A-53	Lock Wire	78, 79, 82, 84, 86
1254-P-1030	Lock Wire	78, 79, 80, 82, 84
1829-R-564	Lock Wshr	130
1898-H-34	Lock Ball	78, 79, 80, 82, 84, 86
2205-A-1015	Cover Plate	72, 74, 76
2205-W-1011	Oil Scoop	72, 74, 76
2206-C-1147	Elbow	90, 92
2206-P-1056	Tube Adapter	90
2208-G-1047	Gasket	72, 74, 76
2208-K-1051	Gasket	66
2208-M-1053	Gasket	87
2214-Q-1135	Ring	104
2214-V-1166	Ring	108

## Parts — Numerical Order (Continued)

Part Number	Description	Ref Page
2214-X-1142	Ring	106
2230-B-1094	Piston	66, 70
2230-K-1103	Piston	70
2244-A-1145	Shift Shaft	68
2244-B-1146	Shift Shaft	68
2244-C-1069	Shift Shaft	70
2244-C-1121	Shift Shaft	70
2244-D-1122	Shift Shaft	66
2244-E-1071	Shift Shaft	66
2244-E-1123	Shift Shaft	66
2244-J-1076	Shift Shaft	70
2244-J-1128	Shift Shaft	78, 80, 86
2244-K-1077	Shift Shaft	102
2244-K-1129	Shift Shaft	78, 80, 82, 86
2244-K-1155	Shift Shaft	80, 86
2244-L-1130	Shift Shaft	78, 80, 82, 84, 86
2244-Q-1083	Shift Shaft	82, 86
2244-R-1084	Guide Pin	72, 74, 76
2244-S-1059	Shift Shaft	78, 82
2244-T-1060	Shift Shaft	66
2244-T-1112	Shift Shaft	82
2244-U-1139	Shift Shaft	79, 84
2244-V-1140	Shift Shaft	79, 84
2244-W-1115	Shift Shaft	78, 82
2244-W-1141	Shift Shaft	79, 84
2244-X-1116	Shift Shaft	78, 82
2244-Y-1065	Shift Shaft	100
2244-Y-1117	Shift Shaft	78, 82, 84
2244-Y-1143	Shift Shaft	79, 84
2245-B-1198	Sleeve	87
2245-F-1124	Shroud	93, 94
2245-G-1125	Sleeve	82, 84, 86
2245-H-1126	Sleeve	87
2245-J-1076	Sleeve	110, 112
2245-P-1134	Sleeve	78, 79, 80, 82, 84, 86
2245-P-1186	Shroud	93, 94, 96, 98
2245-T-1060	Sleeve	78, 79, 80, 82, 84, 86
2245-U-1165	Sleeve	87
2245-V-1062	Sleeve	78, 82
2245-X-1064	Sleeve	78, 79, 80, 82, 84, 86
2245-Z-1066	Sleeve	127
2247-F-1462	Lever	72, 74
2247-G-1463	Lever	108
2247-H-1100	Lever	72, 74, 76
2247-K-1077	Inner Shift Lever	100, 102
2247-M-1079	Outer Shift Lever	100

**Parts — Numerical Order (Continued)**

<b>Part Number</b>	<b>Description</b>	<b>Ref Page</b>
2247-M-1313	Lever	108
2247-N-1080	Outer Shift Lever	102
2247-N-1314	Lever	108
2247-V-1088	Lever	104, 106
2247-X-1090	Lever	104, 106
2255-Z-1118	Bracket	132
2257-A-1223	Clamp	113
2257-C-1069	Clamp	90, 92
2257-G-1229	Clip	113, 114
2257-J-1076	Clamp	90, 92
2258-A-1145	Spring	78, 79, 80, 82, 84, 86
2258-B-1328	Spring	108
2258-D-1278	Detent Spring	72, 74, 76
2258-D-1330	Spring	79, 80, 84, 86
2258-E-1279	Detent Spring	72
2258-F-1254	Spring	106
2258-F-1332	Spring	4
2258-N-1184	Detent Spring	72
2258-V-1166	Spring	87
2258-X-1142	Detent Spring	72
2258-Y-1143	Spring	78, 79, 80, 82, 84, 86
2258-Z-1144	Spring	59
2260-B-1146	Boot	108
2260-M-1105	Boot	106
2260-R-1032	Boot	100, 102
2260-V-1036	Boot	104
2296-H-1074	Tubing	90
2296-J-1024	Tubing	90, 92
2296-J-1076	Tubing	90
2296-K-1025	Tubing	90, 92
2296-K-1077	Tubing	90
2296-L-1026	Tubing	90, 92
2296-L-1078	Tubing	92
2296-M-1076	Tubing	90, 92
2296-M-1079	Tubing	92
2296-N-1028	Tubing	90, 92
2296-N-1080	Tubing	92
2296-P-1030	Tubing	90, 92
2296-Q-1031	Tubing	92
2296-R-1032	Tubing	90, 92
2296-S-1033	Tubing	90, 92
2296-T-1034	Tubing	90, 92
2296-U-1035	Tubing	92
2297-A-5903	Rotor	128
2297-A-6163	Filter	88
2297-A-7021	Seal Kit	66, 70

## Parts — Numerical Order (Continued)

Part Number	Description	Ref Page
2297-A-7125	Decal	118
2297-A-7385	Decal	117
2297-B-6060	Rod	100
2297-B-6554	Name Plate	2, 4
2297-B-7126	Decal	121
2297-B-7386	Decal	116
2297-C-7127	Decal	119
2297-C-7387	Decal	122
2297-D-6062	Rod	102
2297-D-7388	Decal	120
2297-E-6063	Rod	102
2297-E-6167	Decal	116
2297-F-6168	Decal	122
2297-J-6406	Plate	130
2297-N-6904	Decal	124
2297-P-5840	Hook	134
2297-Q-7245	Decal	118
2297-R-5764	Ball	78, 79, 80, 82, 84, 86
2297-R-6986	Detent Ball	4, 72, 74, 76
2297-R-7246	Decal	121
2297-S-7247	Decal	119
2297-T-6104	Decal	115
2297-U-5897	Speedo Gear	127
2297-V-5898	Speedo Gear	127
2297-X-6056	Speedo Gear	127
2297-X-6550	Decal	117
2297-X-7252	Decal	120
2297-Y-5849	Magnet	2, 4
2297-Y-6057	Speedo Gear	127
2297-Z-6058	Rotor	128
2297-Z-6526	Shield	93, 94
2297-Z-7384	Decal	115
3105-B-1172	Retainer	43
3105-B-1198	Retainer	108
3105-D-1096	Retainer	46
3105-E-1175	Retainer	43
3105-K-1155	Retainer	9
3105-K-1181	Retainer	46
3105-L-1182	Retainer	46
3105-Q-1135	Retainer	46, 48
3105-T-1190	Retainer	46
3105-U-1191	Retainer	46, 48
3105-Y-1195	Retainer	43, 50
3105-Z-1092	Retainer	50
3107-G-1073	Clutch Collar	12, 14, 16, 18, 20, 22, 24, 26
3107-M-1131	Collar	64

**Parts — Numerical Order (Continued)**

<b>Part Number</b>	<b>Description</b>	<b>Ref Page</b>
3107-R-1084	Collar	64
3107-S-1111	Collar	59
3107-T-1190	Collar	64
3107-U-1087	Aux Drive Cplg	64
3107-U-1191	Aux Drive Cplg	64
3198-D-1070	Idler Shaft	44
3208-L-1078	Gasket	104
3208-N-1080	Gasket	104, 106, 108
3208-S-1059	Gasket	70
3221-U-1009	Oil Scoop	72, 74, 76
3221-X-1012	Oil Trough	46
3237-H-294	Strap	100, 102, 108
3237-N-66	Strap	100, 102, 104, 106, 108
3237-P-68	Strap	104
3256-A-1015	Tool	134
3256-A-1041	Tool	134
3256-B-1068	Tool	134
3256-D-1044	Tool	134
3256-T-1060	Tool	134
3256-V-1036	Tool	134
3256-W-1063	Tool	134
3256-Y-1013	Tool	134
3256-Z-1014	Seal Driver	134
3266-B-1120	Cover	2, 4
3266-C-1121	Cover	2, 4
3266-D-1278	Cover	46, 48
3266-G-1151	Cover	46, 48
3266-H-1048	Cover	6, 8
3266-N-1314	Cover	66
3266-R-1370	Cover	68
3280-D-9390	Piston Hsg	68
3280-E-8741	Remote Ctrl Hsg	100
3280-E-8767	Piston Hsg	66
3280-F-9392	Solenoid Assy	113, 114
3280-G-8743	Remote Ctrl Hsg	102
3280-J-8122	Shift Hsg	104
3280-L-8774	Plunger	78, 79, 80, 82, 84, 86
3280-M-8671	Shift Hsg	104
3280-M-8775	Plunger	78, 82
3280-M-9217	Piston Hsg	66
3293-A-1067	Cover	46
3293-B-1016	Cover	46
3293-B-1068	Cover	48
3293-D-1018	Cover	48
3293-K-1025	Cover	72
3293-L-1026	Cover	72

## Parts — Numerical Order (Continued)

Part Number	Description	Ref Page
3293-L-1078	Cover	72
3293-M-1079	Cover	72
3293-N-1080	Cover	72
3293-P-1082	Cover	72
3293-Q-1005	Cover	72
3293-V-1010	Cover	72
3293-V-1036	Cover	48
3293-V-1062	Cover	72
3293-W-1037	Cover	46
3293-W-1063	Cover	72
3293-X-1038	Cover	46
3293-X-1064	Cover	72
3293-Y-1065	Cover	72
3293-Z-1014	Cover	46
3293-Z-1066	Cover	46
3296-D-1122	Shift Fork	70
3296-F-1124	Shift Fork	82, 84, 86
3296-H-1126	Shift Fork	78, 79, 80, 82, 84, 86
3296-K-1129	Shift Fork	78, 79, 80
3296-M-1131	Shift Fork	82, 84, 86
3296-Q-1161	Shift Fork	66, 70
3296-R-1136	Shift Fork	82, 84, 86
3297-C-1251	O/P Shaft	60, 61, 62
3297-D-1252	Countershaft	54
3297-E-1253	Countershaft	58
3297-F-1254	Countershaft	52
3297-G-1073	Countershaft	52
3297-G-1099	Countershaft	54
3297-G-1255	Countershaft	54
3297-H-1256	Countershaft	52
3297-H-1282	Countershaft	38
3297-H-1334	Countershaft	38
3297-J-1076	O/P Shaft	60, 61
3297-J-1284	Countershaft	56
3297-J-1336	Main Shaft	12, 14, 16, 18, 20, 22, 24, 26
3297-K-1259	Countershaft	28, 30, 32, 34, 42
3297-L-1390	Countershaft	56
3297-M-1079	O/P Shaft	64
3297-N-1366	Countershaft	36, 38, 40
3297-P-1056	O/P Shaft	60, 61
3297-P-1082	Countershaft	58
3297-Q-1265	Countershaft	54
3297-S-1267	Countershaft	52
3297-T-1320	Countershaft	56
3297-U-1269	Countershaft	52
3297-V-1322	O/P Shaft	60, 61, 62



**Parts — Numerical Order (Continued)**

<b>Part Number</b>	<b>Description</b>	<b>Ref Page</b>
3297-V-1348	Countershaft	38
3297-W-1271	Countershaft	54
3297-X-1090	Countershaft	28, 32, 34, 42
3297-X-1116	Main Shaft	12, 14, 16, 18, 20, 22, 26
3297-Y-1143	Countershaft	54
3297-Y-1247	O/P Shaft	60, 61, 62
3297-Y-1273	Countershaft	58
3297-Z-1092	Countershaft	52
3297-Z-1222	O/P Shaft	64
3305-W-1141	Retainer Plate	134
3780-E-239	O-Ring	72, 74, 76
3892-A-5019	C/S Gear	28, 30, 42
3892-A-5331	Aux Gear	61
3892-B-5150	M/S Gear	16
3892-C-5021	M/S Gear	12, 14, 16, 18, 26
3892-D-5152	Aux Gear	61
3892-E-5023	M/S Gear	12, 14, 26
3892-E-5075	Aux Gear	60
3892-E-5231	M/S Gear	16
3892-E-5309	Aux Gear	60
3892-F-5232	M/S Gear	10, 12
3892-F-5414	M/S Gear	20, 22, 24
3892-G-5025	M/S Gear	12, 14, 20, 22, 26
3892-G-5077	Aux Gear	64
3892-G-5311	Aux Gear	60
3892-H-5156	C/S Gear	30, 38
3892-J-5028	M/S Gear	12, 26
3892-J-5080	Aux Gear	64
3892-K-5159	C/S Gear	30, 34, 38
3892-K-5237	M/S Gear	18
3892-K-5315	Aux Gear	50
3892-L-5030	M/S Gear	12, 14, 16, 18, 20, 22, 24, 26
3892-L-5082	C/S Gear	58
3892-L-5316	Aux Gear	50
3892-L-5342	C/S Gear	38
3892-M-5135	C/S Gear	32
3892-M-5239	M/S Gear	18
3892-M-5317	Aux Gear	50
3892-M-5343	M/S Gear	20, 22
3892-M-5395	M/S Gear	20, 22
3892-M-5473	M/S Gear	10
3892-N-5028	M/S Gear	20
3892-N-5032	Idler Gear	44
3892-N-5344	M/S Gear	22
3892-N-5370	M/S Gear	20
3892-N-5396	C/S Gear	36, 38

## Parts — Numerical Order (Continued)

Part Number	Description	Ref Page
3892-N-5474	M/S Gear	10, 24
3892-P-5138	C/S Gear	32
3892-P-5190	Aux Gear	50
3892-P-5242	M/S Gear	18
3892-P-5294	Aux Gear	50
3892-P-5346	Aux Gear	62
3892-Q-5009	Aux Gear	60
3892-Q-5035	C/S Gear	28, 36, 42
3892-Q-5295	Aux Gear	50
3892-Q-5477	M/S Gear	24
3892-Q-5581	Aux Gear	64
3892-R-5140	C/S Gear	32
3892-R-5244	C/S Gear	34
3892-R-5296	Aux Gear	50
3892-R-5478	M/S Gear	24
3892-S-5011	C/S Gear	28, 30, 36, 38, 42
3892-S-5479	C/S Gear	40
3892-T-5142	C/S Gear	32
3892-T-5246	C/S Gear	34
3892-T-5480	C/S Gear	40
3892-U-5013	C/S Gear	28, 30, 32, 34, 36, 38, 40, 42
3892-U-5481	C/S Gear	40
3892-V-5144	M/S Gear	10
3892-V-5222	Aux Gear	61
3892-V-5248	C/S Gear	34
3892-V-5482	C/S Gear	40
3892-W-5015	M/S Gear	10, 14, 22
3892-W-5353	Aux Gear	62
3892-W-5483	Aux Gear	50
3892-X-5094	Aux Gear	50
3892-X-5146	M/S Gear	16
3892-Y-5017	C/S Gear	28, 36, 42
3892-Y-5329	Aux Gear	61
3892-Z-5148	M/S Gear	16

**ArvinMeritor™**

**Meritor Heavy Vehicle Systems, LLC**  
2135 West Maple Road  
Troy, MI 48084 USA  
800-535-5560  
arvinmeritor.com



Information contained in this publication was in effect at the time the publication was approved for printing and is subject to change without notice or liability. Meritor Heavy Vehicle Systems, LLC, reserves the right to revise the information presented or discontinue the production of parts described at any time.

Copyright 2004  
ArvinMeritor, Inc.  
All Rights Reserved

Printed in the USA

PB-94134  
Revised 04-04  
(16579/24240)