

TABLE OF CONTENTS

Drums, Hubs and Rotors Catalog	Page
Common Problems with Brake Drums.....	6
Drive Axle Hubs.....	31
Drive Flange Studs.....	30
Drum Numerical Listing.....	10
Drums by Brake Size.....	17
Front Axle Hubs.....	57
How to Measure Brake Drums.....	9
How to Use This Catalog.....	2
Hub Assembly Cross Reference for Meritor TN Axles	98
Hub Assembly Cross Reference for Meritor TP Axles.....	97
Lite Weight TN Trailer Hubs.....	93
Lite Weight TP Trailer Hubs	91
PreSet® by Meritor Trailer Hubs.....	95
Rotors.....	23
Trailer Hubs	89
What Makes a Good Brake Drum.....	3
Wheel Studs.....	28
Cross Reference.....	99
Numerical Parts Listing.....	102

HOW TO USE THIS CATALOG

The Meritor part numbering system divides as such:

Example: 03 - 122222 - 002
 Prefix **Base Number** **Suffix**

- The prefix indicates the part type. The 03 in the example indicates a cast non-balanced brake drum. The 23 different prefix numbers are used to categorize and describe the part. At present not all of the prefix codes are currently being used, but all are listed for your reference. (See Prefix Code Chart below). **This drum, hub and rotor catalog covers prefix codes 03, 04, 05, 08, 09, 13, 14, 15, 16, 17, 23, 53, 85.**
- 122222 base number, when coupled with the prefix, gives the part type and the part dimensional specifications through the numerical part number listing. The base numbers are not all available with all the prefix combinations.
- The suffix, a three digit number, indicates the phase of manufacturing the part is in.

For the current list of Meritor Brake Drum and Rotor part numbers, see the appropriate numerical listing.

This catalog contains cross reference information for:

- Bendix
- Erie
- Ford
- GMC
- Gunitite
- Hayes
- KIC
- Motor Wheel (centrifuse drums)
- Webb

PREFIX CODE	DESCRIPTION
03	Brake Drums, Cast Non-Balanced
04	Hub Only - Rear Drive and Trailer
05	Hub Only - Front
08	Rim, Studs, Misc., etc.
09	Hub / Wheel Parts
13	Brake Drums, Cast Weld-to-Balance
14	Hub and Drum Assembly - Rear Drive and Trailer
15	Hub and Drum Assembly Front
16	Hub and Rotor Assembly Rear
17	Hub and Rotor Assembly Front
23	Rotor
47	Nodular Iron Wheel Rear / Trailer (No Longer Available)
48	Wheel Drum Assembly Rear / Trailer Nodular Iron Wheel (Spoke) (No Longer Available)
53	X-30 Brake Drum
55	Nodular Iron Wheel Front (No Longer Available)
56	Wheel Drum Assembly Front Nodular Iron Wheel (Spoke) (No Longer Available)
57	Wheel Rotor Assembly Front Nodular Iron Wheel (Spoke) (No Longer Available)
60	Calipers and Kits
69	Brake Supports, etc.
83	X-10 Series Brake Drums / Non-Balanced (No Longer Available)
85	Brake Drums / Machined to Balance (MTB)
93	X-10 Series Brake Drums / Weld to Balance (WTB) (No Longer Available)
95	X-10 Series Brake Drums / Machined to Balance (MTB) (No Longer Available)

WHAT MAKES A GOOD BRAKE DRUM

There are a number of attributes that differentiate between mediocre and a good brake drum. The following highlights these and what they mean to the end user.

1. A HEAT ABSORPTION DEVICE (HEAT SINK)

The braking system in a vehicle converts the vehicle energy of motion into heat energy by means of friction between the brake lining and the brake surface of the brake drum when the vehicle's brakes are applied.

- a) The surrounding parts, such as brake lining, rim, tire, hub, bearings, and drum absorb heat by conduction and radiation.
- b) The surrounding air is heated by convection.

Radiated heat to surrounding parts is small and heat dissipated by convection to the surrounding air is slow relative to the actual time of braking. For these reasons nearly all the braking energy must be stored in the form of heat in the brake drum. This energy is stored by heating the drum material to a higher temperature than the drum temperature prior to the brake application. A heavier drum will store more energy than a light one will. A heavier drum is stronger and more fade resistant.

2. A CYLINDRICAL BRAKE LINING INTERFACE

The brake drum moves past a stationary brake lining. When (if) the brake surface does not move past the lining uniformly, the brake drum has run out. This will overstress the brake drum, linings, and attaching hardware, causing variable heating of the brake drum braking surface which results in heat checking, excessive wear of both the drum and lining, pulsing of the brake, and shortened life of both the drum and lining. Also to keep the drum dimensionally stable under these conditions, it must be a relatively heavy brake drum.

A heavy precise brake drum does not reduce the need for linings to fit the drum correctly. If the linings are not contoured to fit properly, the brake will not produce proper braking torque. Poorly contoured linings cause additional mechanical stress in the drum, shoes and lining, and brake hardware. This additional stress hastens failure and greater wear.

Before linings are "burnished" or seated into the brake drum, they may rub on only a few high spots. These superheat the brake drum braking surface in very small areas and can be seen on the brake dynamometer as fire bands. A light brake application will cause this to occur whereas a snub brake application will force the lining against more of the braking surface of the brake drum thus limiting or even eliminating these types of hot spots. If these hot spots are allowed to continue, martensite hot spots will occur, and in turn drum distortion, and very early cracking can happen.

Lining that takes longer to burnish will be more likely to cause hot spotting. Many of the non-asbestos organic linings fall into this category. Since martensite hot spotted brake drums cannot usually be successfully rebored, they usually must be scrapped.

3. HIGH STRENGTH, HEAT, AND WEAR RESISTANT BRAKE DRUM MATERIAL

A brake drum must be strong enough to resist the maximum mechanical stress caused by the expanding and self-energized brake shoes at high temperatures. The brake drum's stiffness or resistance to deflection is derived from the thick shell structure and the stiffness of the gray cast iron. Higher tensile strength gray iron does not change the deflection of the brake drum significantly.

Although higher strength iron is more resistance to thermal stress caused by temperature gradients, as a "hot" brake surface and a "cold" outside brake drum diameter. The occurring problem here is the "cold" outside diameter of the brake drum does not want to expand to a bigger diameter, but the "hot" inside diameter of the brake drum does want to expand. The "hot" inner surface is caused to compress or compresses plastically so that it fits within the "cold" outer surface. But as the "hot" inner surface cools, cracks form because the metal was too compressed to return to its original position thus resulting in hairline surface cracks known as heat checks.

4. HEAVY ROTATING PARTS THAT IF IMBALANCED CAN SIGNIFICANTLY AFFECT THE VEHICLES RIDE

The mass of a 16.5" x 7" brake drum is concentrated about 9 inches radially from the hub bearing centerline. Unless the brake drum is balanced, it helps excite vibration in trucks and trailers. That is why it is important to use balanced brake drums on all front and rear applications. Most brake drum balancing is done by welding weights to the outside of the drum, but Meritor pioneered and patented a technique to balance brake drums without welding on balance weights. This is called Machine to Balance (MTB). The industry typically requires front hub/drum or hub/rotor assemblies balanced to 20-in. oz. maximum and rear hub/drum or hub/rotor assemblies balanced to 50-in. oz. maximum.

WHAT MAKES A GOOD BRAKE DRUM (continued)

5. SUMMARY: THE BEST BRAKE DRUM FOR OVERALL PERFORMANCE

- Is a relatively heavy brake drum
- Is made from temperature and wear resistant high tensile iron
- Is precisely machined
- Is balanced by machining rather than adding weights

MAXIMUM BRAKE FACE DIAMETERS

Maximum brake face diameters are indicated on Meritor Brake drums, i.e., the word “Max. Dia. 15.120 inches 384.05mm” will be found on brake drums with a 15 inch, 381mm nominal brake face diameter. This means that for safe operation the brake face diameter should never exceed 15.120 inches, 384.05mm from machining or wear.

Because we have no way of knowing the number of heat cycles or the severity of the cycles to which the drum has been subjected in actual usage, we do not recommend reboring the brake face diameter. The user is best able to judge whether the drum has sufficient life remaining to justify reboring. The maximum diameters are shown in the chart.

Meritor has engineered their brake drums to provide safe operation at the maximum brake face diameters, however, Meritor does not machine these drums to maximum diameters and cannot control the methods that others use to re-machine them after they are put into use.

Do not confuse maximum brake face with maximum rebores diameters. When the drum reaches the maximum brake face diameter, it must be removed from service. There may be some instances where it is a good economic decision to rebores a brake drum but after rebores, there must be some wear life left (at least .040 inches) prior to reaching discard diameter. Meritor does not recommend reboring brake drums for the following reasons:

1. It usually is not a good economic solution.
2. Reboring does not remove fatigue damage even though it may remove the heat checks.
3. It is very difficult to avoid running brake drums over the maximum brake face diameter.
4. Martensite (hot spots) and distortion caused by it are virtually impossible to remove.
5. Severe corrosion is frequently on the outside of the drum which weakens the drum.

NOMINAL DIAMETER		MAXIMUM BRAKE FACE DIAMETER	
Inches	mm	Inches	mm
7.25	185	7.340	186.44
8.00	204	8.090	205.49
9.50	242	9.590	243.59
9.75	248	9.840	249.94
10.00	254	10.090	256.29
11.00	280	11.090	281.69
11.06	281	11.120	282.45
12.00	305	12.090	307.09
12.25	312	12.340	313.44
14.00	356	14.090	357.89
14.50	369	14.620	371.35
15.00	381	15.120	384.05
16.00	407	16.120	409.45
16.25	413	16.370	415.80
16.50	420	16.620	422.15
16.50	420	16.585	421.25
17.00	432	17.120	434.85
17.25	439	17.370	441.20
18.00	458	18.120	462.25
20.00	508	20.120	511.05
20.25	515	20.370	517.40
21.00	534	21.120	536.45

WHAT MAKES A GOOD BRAKE DRUM (continued)

WHEN SHOULD A BRAKE DRUM BE REPLACED?

The ability of a brake drum to perform safely is affected by a variety of factors. Conditions, which affect the life of brake drums, are listed, although this list is not intended to be all-inclusive it should serve as a useful guide. The brake drum should be replaced when any of these conditions appear.

1. Brake face diameter reaches maximum limit
2. Excessive heat checks
3. Cracks
4. Martensite spotted drums – “hot spots”
5. Worn or elongated bolt holes
6. Galling of brake surface
7. Brake drum known to have been overheated as occurs with dragging brakes
8. Brake drum warped...out of round
9. It may be necessary to replace brake drums in pairs in order to maintain proper brake balance and efficiency.

RECOMMENDATIONS FOR LONGER BRAKE DRUM AND ROTOR LIFE

When drums are forced to fit onto a hub, there is improper match of parts for installation. The cause must be determined and corrected.

Wheel bearings should be properly adjusted to prevent the drum from picking up the load created by the braking action.

Drums and linings should be checked at periodic intervals to detect operational patterns. The use of non-asbestos organic linings can cause linings to swell and drag resulting in hot spots and lower fuel economy.

Clearance between non-applied brake linings and the drum varies slightly. See the brake system manufacturer's recommendations for this adjustment. Proper clearance prevents excessively hot linings and drums and improves fuel economy.

Parking brakes should not be set while the drums are hot. Allow them to cool, otherwise, drum cracking and failure can result.

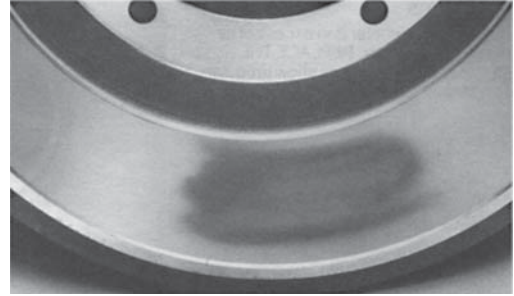
DRUM FAILURE ANALYSIS

Regular and thorough inspection of your brake system is the best investment you can make for low cost per mile brake operation. Be sure you have a standard inspection timetable and follow it. The following pages list common problems you should be alert for.

COMMON PROBLEMS WITH BRAKE DRUMS

Grease Stained Drums

Brake drums with discolored spots on the braking surface, and oil or grease splattered on the brake assembly indicates over-lubrication of the cam or camshaft, or by an oil seal failure. Correct this problem. By repairing the source of the oil or grease leak, clean the drum and replace soaked linings.



Cracked Drums

A drum which has cracked completely through a section of the braking surface **must be replaced immediately. A cracked drum is not repairable!** Cracked drums are caused by one or more of the following:

1. Excessive heating and cooling
2. Excessive shoe pressure

Repeated cracking of this type may indicate one or more of the following:

1. Dragging brakes
2. Inadequately designed drums for the application
3. Inadequately designed braking system for the application
4. Incorrect brake balance of the vehicle
5. Driver abuse



The total braking system of the vehicle should be checked thoroughly, paying attention to the following:

1. Proper friction ratings
2. Proper valving and plumbing
3. Proper brake balance
4. Missing linings and/or brake system components.

Heat Checking

A broken network of fine hairline cracks on the braking surface of the drum, is a normal phenomenon of braking surfaces. It is caused by regular heating and cooling of the surface. Heat checking does not impair brake performance; but you should examine heat checks frequently to make sure they have not grown deep enough to weaken the drum.



Oversized Drums

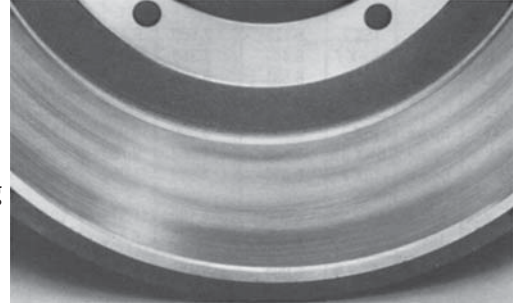
If the brake surface diameter is in excess of it's specified maximum diameter, **replace the drum immediately.** It may be necessary to replace drums in pairs to assure proper brake drum balance and braking efficiency. If the linings show irregular wear replace them.



COMMON PROBLEMS WITH BRAKE DRUMS (continued)

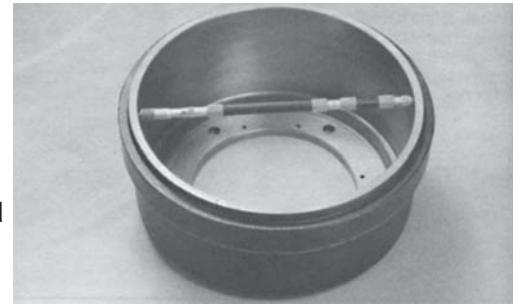
Scored Drums

Scored drums are signified by circumferential grooves on the braking surface and excessive lining wear. If the scoring is not deeper than the maximum rebores diameter, the drum may be rebored and returned to service. The linings should be replaced and the braking system should be checked to make sure excessive amounts of abrasive material are not entering into the lining-drum contact area. If the scoring is deeper than the maximum rebores diameter, **replace the drum immediately.**



Out-Of-Round Drums

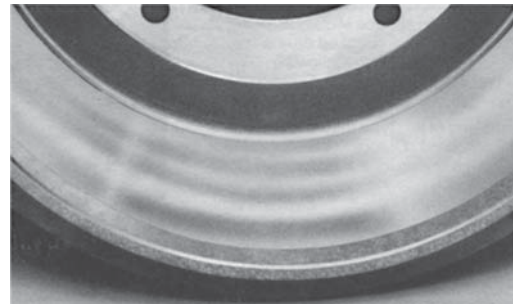
Variations in drum diameter at different points on the braking surface indicate out-of-round drums. The drum should be machined within allowable rebores limits to restore concentricity. Do not exceed the maximum rebores limit of turned drums, and replace drums which are worn beyond their specified maximum diameter. If you are unable to restore concentricity by reboring the drum, **replace it with a new one.** It may be necessary to replace drums in pairs to assure proper brake drum balance and braking efficiency.



Excessive Wear and Galling

Excessive wear along the edges of the lining contact area, or in areas coinciding with the rivet holes of the lining, is usually caused by abrasive material collecting between the lining and the drum/rotor. Remove the abrasive material from the system and check the drum for scoring. If the brake drum is scored beyond the maximum limit, **replace the drum immediately.** Install dust shields to restrict the amount of abrasive material which can enter the braking system.

Excessive wear can also be caused by misaligned brake shoes. If the shoes are not “square” to the braking surface, uneven forces are applied. This can result in deep grooves in the braking surface. If the brake drum is scored beyond the maximum limit, **replace the drum immediately.** Correct the brake shoe alignment to alleviate further grooving. Brake drum galling in an abnormal wear pattern is due to initial incompatibility between the brake drum lining and the brake surface. This condition may correct itself due to brake drum and lining wear. If severe, consider replacing the lining and/or the brake drum.



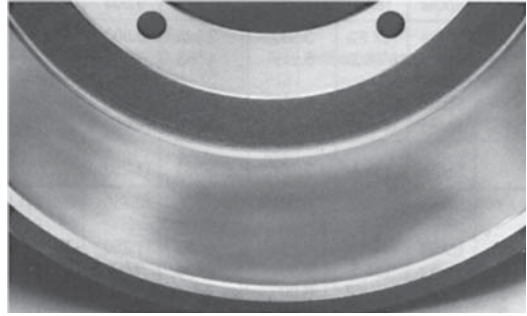
COMMON PROBLEMS WITH BRAKE DRUMS (continued)

Blue Drums

A bluish disfiguration on the brake parts (shoes, drums/rotors or bolts) indicates excessive heat.

This is usually caused by an oversized brake surface diameter/undersized rotor width or by weak or broken return springs.

For drums, check the braking surface diameter. If it is oversized, **replace the drum immediately**. If the return springs are weak or broken, replace them.

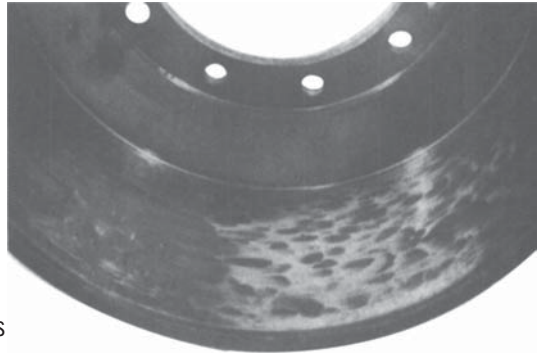


Martensite Spotted Drums

Martensite spotted drums have extremely hard, slightly raised, dark colored spots on the braking surface, shown uneven wear and the surface is out-of-round. This condition may cause excessive noise or shudder during brake applications. Unless this is detected very early, the brake drum should be scrapped.

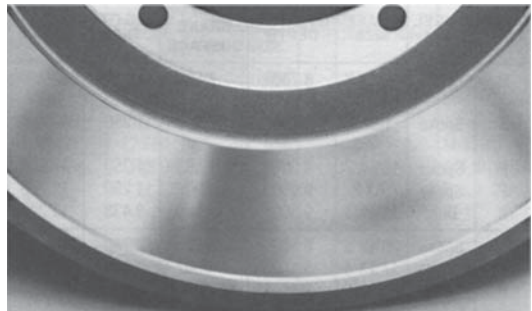
The spots are caused by very light brake applications with non-asbestos organic linings that are contacting the drum at a few lining high spots. To avoid this problem, change braking technique to snubs rather than light dragging stops or ensure the lining fits the drum contour uniformly when it is new.

Attempts to rebore a drum to remove the spots will usually aggravate an already bad situation, and if the drum is allowed to stay in service, cracks will connect between the martensite spots leading to brake drum failure. If the brake lining and drum are replaced and the same brake application techniques are used, the results will likely be the same. If only the drum is replaced, it may not develop these spots (as the high points are worn down).



Polished Drums

A polished brake drum/rotor is characterized by a mirror-like finish on its braking surface. Correct this problem by removing the gloss with 80 grit emery cloth. If the problem recurs, check the linings to make sure they are the proper friction rating. If the linings are glazed, consult the vehicle manufacturer for the proper lining material.



HOW TO MEASURE BRAKE DRUMS

IDENTIFY REQUIRED DRUM BY MEASURING

Brake Surface Diameter



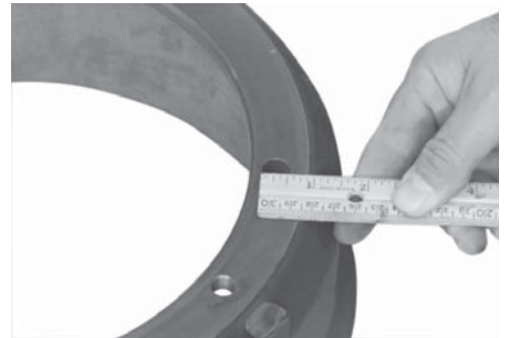
Bolt Circle Diameter



Brake Surface Width



Size of Bolt Holes



Overall Depth



Pilot Diameter

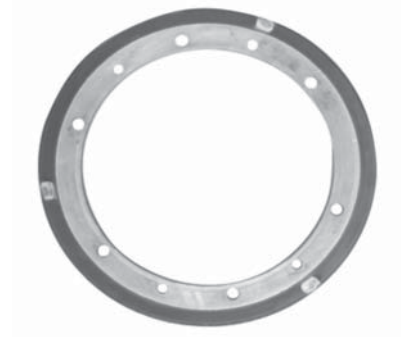


CHECK THIS INFORMATION:

Number of Bolt Holes - Slots in the back of the drum for wheel spoke clearance.



Drilled and tapped holes for skid control exciter.



DRUM NUMERICAL LISTING

CAST BRAKE DRUMS - NON-BALANCED

PART NO.	WT.	WHEEL TYPE	BRAKE SIZE	OVER-ALL DEPTH	BRAKE SURFACE WIDTH	PILOT DIA.	BOLT CIRCLE DIA.	BOLT HOLES NO.	BOLT HOLES SIZE	COMMENTS
03-012480-002	112	Spoke	16.50" x 7.00"	9.00"	7.60"	11.25"	12.75"	6	.66"	
03-012488-002	135	Spoke	18.00" x 7.00"	9.25"	8.00"	11.25"	12.75"	6	.66"	
03-012582-002	118	Disc	16.50" x 7.00"	9.50"	7.56"	9.44"	11.25"	10	.84"	
03-120376-002	131	Spoke/ Disc	16.50" x 8.63"	10.25"	9.22"	9.50"	11.25"	10	.84"	
03-120442-002	106	Spoke	16.50" x 7.00"	8.65"	7.50"	11.00"	12.50"	5	.66"	
03-120516-002	83	Spoke	15.00" x 6.00"	7.09"	6.50"	9.44"	11.00"	5	.66"	
03-120566-002	57	Disc	15.00" x 4.00"	6.41"	4.66"	6.25"	8.75"	6	.84"	
03-120574-002	103	Spoke	16.50" x 7.00"	8.72"	7.56"	11.25"	12.75"	5	.78"	
03-120586-002	116	Spoke	16.50" x 7.00"	8.75"	7.50"	9.50"	11.25"	5/6	.78/.66"	
03-120705-002	37	Spoke	15.00" x 3.00"	4.13"	3.56"	10.00"	11.00"	5	.53"	
03-120743-002	99	Spoke	16.50" x 7.00"	7.94"	7.31"	11.00"	12.75"	6	.66"	
03-120747-002	130	Disc	16.50" x 7.00"	9.06"	7.59"	11.00"	13.19"	10	.80"	
03-120754-002	103	Spoke	16.50" x 7.00"	8.44"	7.38"	11.00"	12.50"	5/6	.66/.66"	
03-120822-002	62	Spoke	12.25" x 7.50"	8.81"	8.00"	8.50"	10.00"	6	.66"	
03-120855-002	92	Spoke	16.50" x 5.00"	6.12"	5.37"	9.25"	11.25"	6	.78"	
03-120877-002	115	Disc	16.50" x 7.00"	10.69"	7.53"	9.44"	11.25"	10	.84"	
03-120882-002	127	Disc	16.50" x 8.63"	11.16"	9.06"	9.44"	11.25"	10	.81"	
03-120936-002	132	Spoke	18.00" x 7.00"	8.25"	7.44"	11.00"	12.75"	6	.66"	
03-120981-002	76	Disc	15.00" x 4.00"	7.84"	4.44"	8.66"	11.25"	10	1.27"	Outboard mount
03-120988-002	86	Disc	16.50" x 5.00"	8.58"	5.48"	8.66"	11.25"	10	1.27"	Outboard mount
03-122009-002	105	Spoke	16.50" x 7.00"	8.65"	7.65"	10.50"	12.75"	5	.78"	
03-122011-002	89	Spoke	15.00" x 7.00"	8.51"	7.36"	10.50"	12.75"	5	.78"	
03-122027-002	120	Spoke	16.50" x 7.00"	8.94"	7.63"	9.50"	11.25"	5	.78"	
03-122104-002	64	Spoke	15.00" x 4.00"	5.84"	4.54"	9.25"	11.25"	6	.78"	
03-122126-002	117	Spoke/ Disc	16.50" x 7.00"	8.75"	7.50"	9.50"	11.25"	10	.84"	
03-122222-002	108	Spoke	16.50" x 7.00"	8.41"	7.63"	9.44"	11.00"	5/6	.78/.66"	
03-122239-002	119	Disc	16.50" x 7.00"	8.94"	7.63"	9.50"	11.25"	10	.84"	Notched for ABS
03-122314-002	45	Spoke	15.00" x 3.00"	4.69"	3.50"	6.45"	8.00"	5	.66"	
03-122453-002	112	Disc	16.50" x 7.00"	10.38"	7.44"	8.53"	11.25"	10	.81"	
03-122488-002	54	Spoke	12.25" x 5.50"	7.44"	6.53"	8.50"	10.00"	6/6	.66/.66"	
03-122518-002	102	Disc	16.50" x 7.00"	8.75"	7.50"	9.50"	11.25"	10	.81"	Std. wt. - 03-122126
03-122550-002	106	Disc	16.50" x 7.00"	10.59"	7.75"	9.00"	11.25"	10	.81"	
03-122562-002	72	Disc	15.00" x 5.00"	7.99"	5.72"	6.44"	8.75"	6	.84"	
03-122600-002	106	Spoke	16.50" x 7.00"	7.94"	7.31"	11.00"	12.75"	5/6	.66"	
03-122607-002	117	Disc	16.50" x 7.00"	10.63"	7.82"	8.53"	11.25"	10	.81"	
03-122683-002	106	Spoke	16.50" x 7.00"	8.45"	7.39"	11.25"	12.75"	5/6	.78/.78"	
03-122921-002	84	Disc	15.00" x 4.00"	8.98"	5.09"	8.75"	11.25"	10	.81"	
03-122925-002	109	Spoke	16.50" x 7.00"	8.03"	7.44"	14.25"	12.75"	5	.78"	

DRUM NUMERICAL LISTING

CAST BRAKE DRUMS - NON-BALANCED

PART NO.	WT.	WHEEL TYPE	BRAKE SIZE	OVER-ALL DEPTH	BRAKE SURFACE WIDTH	PILOT DIA.	BOLT CIRCLE DIA.	BOLT HOLES		COMMENTS
								NO.	SIZE	
03-122947-002	61	Spoke	15.00" x 4.00"	5.60"	4.68"	11.00"	12.75"	6	.78"	
03-122948-002	116	Disc	16.50" x 7.00"	10.31"	7.64"	9.00"	11.25"	10	.81"	
03-122963-002	66	Spoke	12.25" x 7.50"	8.81"	8.00"	8.50"	10.00"	6/6	.66/.66"	
03-122964-002	61	Spoke	15.00" x 4.00"	5.56"	4.69"	11.00"	12.75"	5	.78"	
03-122966-002	96	Disc	16.50" x 5.00"	9.63"	5.74"	8.75"	11.25"	10	.81"	
03-122971-002	82	Spoke	12.25" x 7.50"	9.00"	7.88"	7.00"	8.25"	6/6	.53/.66"	
03-122978-002	112	Disc	16.50" x 7.00"	10.63"	7.82"	8.53"	11.25"	10	.81"	Outboard mount; hub requires a .25" x 450 chamfer - do not substitute 03-122607
03-123020-002	69	Disc	15.00" x 4.00"	7.84"	4.44"	8.78"	11.25"	10	1.27"	Uni-mount version of 03-120981
03-123024-002	82	Disc	15.00" x 4.00"	8.87"	4.53"	11.25"	13.19"	10	.94"	335mm Bolt Circle for use with hub piloted systems only
03-123025-002	122	Disc	16.50" x 7.00"	10.59"	7.75"	11.25"	13.19"	10	.94"	335mm Bolt Circle for use with hub piloted systems only
03-123200-002	109	Spoke	16.50" x 7.00"	8.65"	7.65"	10.50"	12.75"	6	.78"	
03-123207-002	112	Disc	16.50" x 7.00"	10.54"	7.46"	8.78"	11.25"	10	1.02"	Outboard mount
03-123219-002	90	Disc	16.50" x 5.00"	9.16"	5.54"	11.25"	13.19"	10	.94"	335mm Bolt Circle for use with hub piloted systems only
03-123276-002	96	Disc	15.00" x 7.00"	10.92"	7.50"	8.99"	10.83"	8	.84"	275mm Bolt Circle
03-123297-002	123	Disc	16.50" x 7.00"	10.31"	7.63"	9.00"	11.25"	10	.84"	
03-123302-002	109	Disc	16.50" x 6.00"	9.75"	6.63"	11.25"	13.19"	10	.94"	335mm Bolt Circle for use with hub piloted systems only
03-123332-002	73	Disc	15.00" x 5.00"	8.02"	5.47"	8.99"	10.82"	8	.84"	
03-123365-002	122	Disc	16.50" x 7.00"	10.59"	7.75"	8.78"	11.25"	10	.94"	285.75mm Bolt Circle. Heavy duty version of 03-123207.
03-123366-002	70	Disc	15.00" x 4.00"	8.85"	4.56"	8.78"	11.25"	10	.94"	285.75mm Bolt Circle
03-123396-002	84	Disc	15.00" x 4.00"	8.97"	5.09"	8.78"	11.25"	10	.94"	
03-123397-002	123	Disc	16.50" x 7.00"	10.31"	7.64"	8.78"	11.25"	10	.94"	
03-123398-002	111	Disc	16.50" x 7.00"	9.50"	7.56"	8.44"	11.25"	10	.84"	
03-123399-002	107	Disc	16.50" x 6.00"	9.81"	6.69"	8.78"	11.25"	10	1.28"	
03-123406-002	142	Disc	16.50" x 8.63"	11.98"	9.13"	8.78"	11.25"	10	.94"	Outboard mount; 285.75mm Bolt Circle; heavy duty 03-122513
03-123409-002	123	Disc	16.50" x 7.00"	10.59"	7.75"	9.00"	10.83"	8	.94"	
03-123420-002	75	Disc	15.00" x 4.00"	8.85"	4.66"	8.78"	11.25"	10	1.28"	

DRUM NUMERICAL LISTING

CAST BRAKE DRUMS - NON-BALANCED

PART NO.	WT.	WHEEL TYPE	BRAKE SIZE	OVER-ALL DEPTH	BRAKE SURFACE WIDTH	PILOT DIA.	BOLT CIRCLE DIA.	BOLT HOLES		COMMENTS
								NO.	SIZE	
03-123421-002	76	Disc	15.00" x 4.00"	8.85"	4.66"	8.78"	11.25"	10	.94"	Heavy Duty 03-123366-002
03-123427-002	142	Disc	16.50" x 6.00"	7.49"	6.69"	11.25"	12.75"	6	.78"	
03-123428-002	142	Disc	16.50" x 8.63"	12.33"	9.48"	8.78"	11.25"	10	.94"	
03-123430-002	105	Spoke	16.50" x 7.00"	8.65"	7.65"	10.50"	12.75"	5/6	.78/.78"	Double-drilled 03-122009 and 03-123200
03-123431-002	65	Spoke	15.00" x 4.00"	5.84"	4.75"	9.25"	11.25"	6	.78"	Similar to 03-122104 except .25" deeper
03-123448-002	74	Disc	15.00" x 4.00"	9.10"	4.65"	8.78"	11.25"	10	1.28"	
03-123466-002	121	Disc	15.00" x 8.63"	12.20"	8.83"	8.78"	11.25"	10	.94"	
03-123493-002	90	Disc	15.00" x 6.00"	8.81"	6.75"	8.78"	11.25"	10	.94"	285.75mm Bolt Circle. Axle capacity 15,000 lbs.
03-123500-002	89	Spoke / Disc	16.50" x 5.00"	6.41"	5.44"	10.00"	12.75"	5/6/7	.78"	Double-drilled 03-122266 and 03-122267
03-123520-002	128	Disc	16.50" x 8.00"	11.09"	8.90"	8.78"	11.25"	10	.94"	Axle capacity 23,000 lbs.
03-123538-002	100	Disc	16.50" x 5.00"	8.58"	5.48"	8.78"	11.25"	10	.94"	
03-123788-002	103	Disc	16.50" x 7.00"	10.54"	7.46"	8.78"	11.25"	10	1.08"	Opti-Cast

DRUM NUMERICAL LISTING

CAST BRAKE DRUMS — BALANCED — MACHINE-TO-BALANCE (MTB)

PART NO.	WT.	WHEEL TYPE	BRAKE SIZE	OVER-ALL DEPTH	BRAKE SURFACE WIDTH	PILOT DIA.	BOLT CIRCLE DIA.	BOLT HOLES		COMMENTS
								NO.	SIZE	
85-120516-002	78	Spoke	15.00" x 6.00"	7.09"	6.50"	9.44"	11.00"	5	.66"	
85-120586-002	115	Spoke	16.50" x 7.00"	8.75"	7.50"	9.50"	11.25"	5/6	.66"	
85-120855-002	92	Spoke	16.50" x 5.00"	6.12"	5.37"	9.25"	11.25"	6	.78"	
85-120877-002	115	Disc	16.50" x 7.00"	10.69"	7.53"	9.44"	11.25"	10	.84"	
85-122009-002	104	Spoke	16.50" x 7.00"	8.65"	7.65"	10.50"	12.75"	5	.78"	
85-122011-002	89	Spoke	15.00" x 7.00"	8.51"	7.36"	10.50"	12.75"	5	.78"	
85-122103-002	118	Spoke	16.50" x 7.00"	8.75"	7.50"	9.50"	11.25"	5	.78"	
85-122222-002	114	Spoke	16.50" x 7.00"	8.19"	7.32"	9.44"	11.00"	5/6	.78/.66"	
85-122266-002	89	Spoke	16.50" x 5.00"	6.41"	5.44"	10.00"	12.75"	6	.78"	
85-122505-002	73	Spoke	15.00" x 4.00"	7.90"	4.50"	9.44"	11.25"	10	.81"	
85-122518-002	102	Disc	16.50" x 7.00"	8.75"	7.50"	9.50"	11.25"	10	.81"	
85-122550-002	106	Disc	16.50" x 7.00"	10.59"	7.75"	9.00"	11.25"	10	.81"	
85-122600-002	107	Spoke	16.50" x 7.00"	7.94"	7.31"	11.00"	12.75"	5/6	.66/.66"	
85-122683-002	106	Spoke	16.50" x 7.00"	8.45"	7.39"	11.25"	12.75"	5/6	.78/.78"	
85-122921-002	84	Disc	15.00" x 4.00"	8.98"	5.09"	8.75"	11.25"	10	.81"	
85-122947-002	61	Spoke	15.00" x 4.00"	5.60"	4.68"	11.00"	12.75"	6	.78"	
85-122948-002	116	Disc	16.50" x 7.00"	10.31"	7.64"	9.00"	11.25"	10	.81"	
85-122954-002	79	Spoke	16.50" x 5.00"	6.57"	6.01"	11.00"	12.75"	6	.78"	
85-122964-002	61	Spoke	15.00" x 4.00"	5.56"	4.69"	11.00"	12.75"	5	.78"	
85-122966-002	96	Disc	16.50" x 5.00"	9.63"	5.74"	8.75"	11.25"	10	.81"	
85-123200-002	109	Spoke	16.50" x 7.00"	8.65"	7.65"	10.50"	12.75"	6	.78"	
85-123203-002	90	Spoke	15.00" x 7.00"	8.51"	7.36"	10.50"	12.75"	6	.78"	
85-123207-002	111	Disc	16.50" x 7.00"	10.54"	7.46"	8.78"	11.25"	10	1.02"	
85-123276-002	96	Disc	15.00" x 7.00"	10.92"	7.50"	8.99"	11.25"	8	.84"	27MM Bolt Circle
85-123297-002	119	Disc	16.50" x 7.00"	10.31"	7.64"	9.00"	11.25"	10	.85"	
85-123331-002	85	Disc	15.00" x 6.00"	8.79"	6.75"	8.99"	10.83"	8	.84"	27MM Bolt Circle
85-123332-002	71	Disc	15.00" x 5.00"	8.02"	5.47"	8.99"	10.83"	8	.84"	27MM Bolt Circle
85-123345-002	68	Disc	15.00" x 4.00"	8.76"	4.64"	8.99"	10.83"	8	.84"	Ford application
85-123348-002	104	Spoke	16.50" x 7.00"	10.92"	7.75"	8.99"	10.83"	8	.84"	
85-123365-002	122	Disc	16.50" x 7.00"	10.59"	7.75"	8.78"	11.25"	10	.94"	285.75mm Bolt Circle. Heavy duty version of 85-123203
85-123366-002	70	Disc	15.00" x 4.00"	8.85"	4.56"	8.78"	11.25"	10	.94"	285.75mm Bolt Circle
85-123370-002	114	Disc	16.50" x 5.00"	9.14"	5.50"	8.78"	11.25"	10	.94"	

DRUM NUMERICAL LISTING

CAST BRAKE DRUMS — BALANCED — MACHINE-TO-BALANCE (MTB)

PART NO.	WT.	WHEEL TYPE	BRAKE SIZE	OVER-ALL DEPTH	BRAKE SURFACE WIDTH	PILOT DIA.	BOLT CIRCLE DIA.	BOLT HOLES		COMMENTS
								NO.	SIZE	
85-123382-002	69	Disc	15.00" x 4.00"	8.85"	4.46"	8.78"	11.25"	10	1.28"	
85-123382-002	67	Disc	15.00" x 4.00"	8.85"	4.75"	8.78"	11.25"	10	1.28"	
85-123383-002	100	Disc	16.50" x 5.00"	9.14"	5.50"	8.78"	11.25"	10	1.28"	
85-123396-002	84	Disc	15.00" x 4.00"	8.97"	5.09"	8.78"	11.25"	10	.94"	
85-123397-002	116	Disc	16.50" x 7.00"	10.31"	7.63"	8.78"	11.25"	10	.94"	
85-123399-002	104	Disc	16.50" x 6.00"	9.81"	6.69"	8.78"	11.25"	10	1.28"	
85-123400-002	105	Disc	16.50" x 6.00"	9.81"	6.69"	8.78"	11.25"	10	.94"	285.75mm Bolt Circle
85-123406-002	142	Disc	16.50" x 8.63"	11.98"	9.13"	8.78"	11.25"	10	.94"	
85-123409-002	123	Disc	16.50" x 7.00"	10.59"	7.75"	9.00"	10.83"	8	.94"	275mm Bolt Circle
85-123420-002	98	Disc	15.00" x 4.00"	8.85"	4.66"	8.78"	11.25"	10	1.28"	
85-123421-002	76	Disc	15.00" x 4.00"	8.85"	4.66"	8.78"	11.25"	10	.94"	Heavy Duty 03-123366-002
85-123427-002	93	Spoke	16.50" x 6.00"	7.49"	6.69"	11.25"	12.75"	6	.78"	
85-123428-002	142	Disc	16.50" x 8.63"	12.33"	9.48"	8.78"	11.25"	10	.94"	
85-123431-002	65	Spoke	15.00" x 4.00"	5.84"	4.75"	9.25"	11.25"	6	.78"	
85-123448-002	107	Disc	15.00" x 4.00"	9.10"	4.65"	8.78"	11.25"	10	1.28"	
85-123463-002	97	Disc	16.50" x 5.00"	9.63"	5.74"	8.78"	11.25"	10	.94"	GMC application
85-123465-002	90	Disc	15.00" x 5.00"	10.08"	6.34"	8.78"	11.25"	10	.94"	
85-123466-002	121	Disc	15.00" x 8.63"	12.20"	9.58"	8.78"	11.25"	10	.94"	
85-123520-002	124	Disc	16.50" x 8.00"	11.09"	8.91"	8.78"	11.25"	10	.94"	Axle capacity 23,000 lbs.
85-123548-002	110	Disc	15.00" x 7.00"	10.18"	7.56"	8.70"	10.83"	8	.85"	275mm Bolt Circle
85-123553-002	90	Disc	15.00" x 4.00"	9.07"	4.72"	11.06"	13.19"	10	1.02"	335mm Bolt Circle
85-123556-002	123	Disc	16.50" x 6.00"	9.51"	6.61"	8.78"	11.25"	10	.94"	
85-123561-002	115	Disc	16.50" x 6.00"	9.44"	11.25"	11.25"	13.19"	10	.94"	
85-123569-002	85	Disc	16.50" x 6.00"	9.91"	6.88"	9.14"	11.25"	10	1.33"	
85-123570-002	138	Disc	16.50" x 8.63"	11.25"	9.11"	8.78"	11.25"	10	.94"	
85-123650-002	122	Disc	16.50" x 6.00"	9.51"	6.61"	8.78"	11.25"	10	1.28"	
85-123651-002	100	Disc	16.50" x 6.00"	9.73"	6.61"	8.78"	11.25"	10	1.28"	
85-123652-002	123	Disc	16.50" x 7.00"	10.54"	7.60"	8.78"	11.25"	10	1.00"	
85-123657-002	128	Disc	16.50" x 6.00"	9.88"	6.98"	8.78"	11.25"	10	.94"	
85-123660-002	100		16.50" x 6.00"	9.52"	6.07"	8.78"	11.25"	10	.94"	
85-123663-002	128	Disc	16.50" x 6.00"	9.75"	6.40"	8.78"	11.25"	10	1.31"	

DRUM NUMERICAL LISTING

CAST BRAKE DRUMS — BALANCED — MACHINE-TO-BALANCE (MTB)

PART NO.	WT.	WHEEL TYPE	BRAKE SIZE	OVER-ALL DEPTH	BRAKE SURFACE WIDTH	PILOT DIA.	BOLT CIRCLE DIA.	BOLT HOLES		COMMENTS
								NO.	SIZE	
85-123664-002	111	Disc	16.50" x 6.00"	9.65"	6.72"	11.25"	13.19"	10	1.06"	
85-123672-002	79	Disc	15.00" x 6.00"	9.84"	6.60"	8.778"	11.25"	10	.94"	
85-123681-002	85	Disc	15.00" x 6.00"	9.32"	6.29"	8.78"	11.25"	10	1.28"	
85-123784-002	85	Disc	16.50" x 8.62"	11.58"	9.26"	9.43"	11.25"	10	1.31"	
85-123788-002	104	Disc	16.50" x 7.00"	10.54"	7.46"	8.78"	11.25"	10	1.08"	Opti-Cast
85-123791-002	195	Disc	16.50" x 8.62"	11.58"	9.46"	11.25"	13.18"	10	1.06"	
85-123813-002	103	Disc	16.50" x 7.00"	10.56"	7.56"	8.78"	11.25"	10	1"	
85-123818-002	104	Disc	16.50" x 6.00"	9.65"	6.62"	11.25"	13.81"	10	1"	

DRUM NUMERICAL LISTING

STEELLITE X-30 BRAKE DRUMS

PART NO.	WT.	WHEEL TYPE	BRAKE SIZE	OVER-	BRAKE	PILOT DIA.	BOLT	BOLT HOLES		COMMENTS
				ALL DEPTH	SURFACE WIDTH		CIRCLE DIA.	NO.	SIZE	
53-123512-002	62	Disc	15.00" x 4.00"	8.64"	4.92"	8.783/8.779"	11.25"	10	1.28"	13,200 lbs.
53-123535-002	95	Disc	16.50" x 8.00"	10.96"	8.62"	8.78"	285.75mm	10	.94"	23,000 lbs.
53-123537-002	94	Disc	16.50" x 7.00"	10.38"	7.87"	8.78"	285.75mm	10	.94"	23,000 lbs.
53-123542-002	63	Disc	15.00" x 4.00"	8.89"	7.76"	8.78"	285.75mm	10	1.25"	13,200 lbs.
53-123544-002	102	Disc	16.50" x 8.63"	11.04"	9.15"	8.78"	11.25"	10	.93"	23,000 lbs.
53-123564-002	94	Disc	16.50" x 7.00"	10.38"	7.86"	8.53"	11.25"	10	.81"	23,000 lbs.
53-123565-002	93	Disc	16.50" x 7.00"	10.38"	7.86"	9.00"	11.25"	10	.81"	23,000 lbs.
53-123566-002	93	Disc	16.50" x 7.00"	10.38"	7.86"	9.00"	275mm	8	.92"	23,000 lbs.
53-123567-002	63	Disc	15.00" x 4.00"	8.64"	5.11"	8.78"	285.75mm	10	.96"	13,200 lbs.
53-123568-002	64	Disc	15.00" x 4.00"	8.89"	4.76"	8.78"	285.75mm	10	.96"	13,200 lbs.
53-123575-002	64	Disc	15.00" x 4.00"	8.89"	4.76"	8.99"	275mm	8	.94"	13,200 lbs.
53-123579-002	106	Disc	16.50" x 8.63"	12.15"	9.38"	9.00"	275mm	8	.94"	23,000 lbs.
53-123580-002	106	Disc	16.50" x 8.63"	12.15"	9.38"	8.53"	11.25"	10	.81"	23,000 lbs.
53-123581-002	106	Disc	16.50" x 8.63"	12.15"	9.38"	8.78"	285.75mm	10	.94"	23,000 lbs.
53-123582-002	91	Disc	16.50" x 7.00"	10.04"	7.27"	8.53"	11.25"	10	.81"	23,000 lbs.
53-123583-002	89	Disc	16.50" x 7.00"	10.04"	7.27"	8.78"	285.75mm	10	.94"	23,000 lbs.
53-123588-002	79	Disc	16.50" x 5.00"	9.22"	5.82"	9.00"	275mm	8	.94"	14,600 lbs.
53-123590-002	79	Disc	16.50" x 5.00"	9.22"	5.82"	8.53"	11.25"	10	1.28"	14,600 lbs.
53-123598-002	70	Disc	15.00" x 5.00"	9.53"	5.81"	8.78"	11.25"	10	1.28"	14,600 lbs.
53-123601-002	91	Disc	15.00" x 8.63"	11.44"	9.11"	8.78"	285.75mm	10	.94"	20,000 lbs.
53-123602-002	91	Disc	15.00" x 8.63"	11.44"	9.11"	9.00"	275mm	8	.94"	20,000 lbs.
53-123605-002	77	Disc	16.50" x 5.00"	8.59"	5.87"	8.53"	11.25"	10	1.28"	14,600 lbs.
53-123606-002	77	Disc	16.50" x 5.00"	8.59"	5.87"	8.78"	11.25"	10	1.28"	14,600 lbs.
53-123607-002	87	Disc	16.50" x 6.00"	9.62"	6.68"	8.78"	285.75mm	10	.94"	20,000 lbs.
53-123608-002	87	Disc	16.50" x 6.00"	9.62"	6.68"	8.78"	11.25"	10	1.28"	20,000 lbs.
53-123609-002	93	Disc	15.00" x 4.00"	8.89"	4.57"	8.53"	11.25"	10	1.28"	14,600 lbs.
53-123640-002	76	Disc	15.00" x 5.00"	8.24"	5.50"	8.661/8.665"	11.25"	10	1.28"	
53-123771-002	104	Disc	16.50" x 8.62"	11.16"	9.07"	8.78"	11.25"	10	0.94"	
53-123815-002	86	Disc	16.50" x 5.00"	9.23"	5.83"	8.78"	11.25"	10	1.28"	
53-123816-002	80	Disc	16.50" x 5.00"	8.8"	6.08"	8.78"	11.25"	10	1.28"	

DRUMS BY BRAKE SIZE

OVERALL DEPTH	BRAKE SURFACE WIDTH	PILOT DIA.	BOLT CIRCLE DIA.	BOLT HOLES		WEIGHT	PART NO.	WHEEL TYPE
				NO.	SIZE			
12.25" X 5.50"								
7.44"	6.53"	8.50"	10.00"	6/6	.66/.66"	54	03-122488-002	Spoke
12.25" X 7.50"								
8.81"	8.00"	8.50"	10.00"	6	.66"	62	03-120822-002	Spoke
8.81"	8.00"	8.50"	10.00"	6/6	.66/.66"	66	03-122963-002	Spoke
9.00"	7.88"	7.00"	8.25"	6/6	.53/.66"	82	03-122971-002	Spoke
15.00" X 3.00"								
4.13"	3.56"	10.00"	11.00"	5	.53"	37	03-120705-002	Spoke
4.69"	3.50"	6.45"	8.00"	5	.66"	45	03-122314-002	Spoke
15.00" X 4.00"								
5.56"	4.69"	11.00"	12.75"	5	.78"	61	03-122964-002	Spoke
5.56"	4.69"	11.00"	12.75"	5	.78"	61	85-122964-002	Spoke
5.60"	4.68"	11.00"	12.75"	6	.78"	61	03-122947-002	Spoke
5.84"	4.54"	9.25"	11.25"	6	.78"	64	03-122104-002	Spoke
5.84"	4.75"	9.25"	11.25"	6	.78"	65	03-123431-002	Spoke
5.84"	4.75"	9.25"	11.25"	6	.78"	65	85-123431-002	Spoke
6.41"	4.66"	6.25"	8.75"	6	.84"	57	03-120566-002	Disc
7.84"	4.44"	8.66"	11.25"	10	1.27"	76	03-120981-002	Disc
7.84"	4.44"	8.78"	11.25"	10	1.27"	69	03-123020-002	Disc
8.60"	4.86"	8.78"	285.75mm	10	1.25"	62	53-123512-002	Disc
8.64"	4.92"	8.783/8.779"	11.25"	10	.98"	63	53-123567-002	Disc
8.64"	4.92"	8.783/8.779"	11.25"	10	1.28"	62	53-123512-002	Disc
8.64"	5.11"	8.78"	285.75mm	10	.96"	63	53-123567-002	Disc
8.76"	4.64"	8.99"	10.83"	8	.84"	68	85-123345-002	Disc
8.85"	4.46"	8.78"	11.25"	10	1.28"	69	85-123382-002	Disc
8.85"	4.56"	8.78"	11.25"	10	.94"	70	03-123366-002	Disc
8.85"	4.56"	8.78"	11.25"	10	.94"	70	85-123366-002	Disc
8.85"	4.66"	8.78"	11.25"	10	.94"	76	85-123421-002	Disc
8.85"	4.66"	8.78"	11.25"	10	.94"	76	03-123421-002	Disc
8.85"	4.66"	8.78"	11.25"	10	1.28"	75	03-123420-002	Disc
8.85"	4.66"	8.78"	11.25"	10	1.28"	98	85-123420-002	Disc
8.85"	4.75"	8.78"	11.25"	10	1.28"	67	85-123382-002	Disc
8.87"	4.53"	11.25"	13.19"	10	.94"	82	03-123024-002	Disc
8.89"	4.40"	8.535/8.531"	11.25"	10	1.28"	63	53-123609-002	Disc
8.89"	4.57"	8.53"	11.25"	10	1.28"	93	53-123609-002	Disc
8.89"	4.57"	8.783/8.779"	11.25"	10	1.28"	63	53-123542-002	Disc
8.89"	4.57"	8.783/8.779"	11.25"	10	.94"	64	53-123568-002	Disc
8.89"	4.76"	8.78"	285.75mm	10	.96"	64	53-123568-002	Disc
8.89"	4.76"	8.99"	275mm	8	.94"	64	53-123575-002	Disc

DRUMS BY BRAKE SIZE

OVERALL DEPTH	BRAKE SURFACE WIDTH	PILOT DIA.	BOLT CIRCLE DIA.	BOLT HOLES		WEIGHT	PART NO.	WHEEL TYPE
				NO.	SIZE			
15.00" X 4.00" (continued)								
8.89"	7.76"	8.78"	285.75mm	10	1.25"	63	53-123542-002	Disc
8.97"	5.09"	8.78"	11.25"	10	.94"	84	03-123396-002	Disc
8.97"	5.09"	8.78"	11.25"	10	.94"	84	85-123396-002	Disc
8.98"	5.09"	8.75"	11.25"	10	.81"	84	03-122921-002	Disc
8.98"	5.09"	8.75"	11.25"	10	.81"	84	85-122921-002	Disc
9.07"	4.72	11.06"	13.19"	10	1.02"	90	85-123553-002	Disc
9.10"	4.65"	8.78"	11.25"	10	1.28"	74	03-123448-002	Disc
9.10"	4.65"	8.78"	11.25"	10	1.28"	107	85-123448-002	Disc
15.00" X 5.00"								
7.99"	5.72"	6.44"	8.75"	6	.84"	72	03-122562-002	Disc
8.02"	5.47"	8.99"	10.83"	8	.84"	71	85-123332-002	Disc
8.24"	5.50"	8.661/8.665"	11.25"	10	1.28"	76	53-123640-002	Disc
9.53"	5.81"	8.78"	11.25"	10	1.28"	70	53-123598-002	Disc
10.08"	6.34"	8.78"	11.25"	10	.94"	90	85-123465-002	Disc
15.00" X 6.00"								
7.09"	6.50"	9.44"	11.00"	5	.66"	83	03-120516-002	Spoke
7.09"	6.50"	9.44"	11.00"	5	.66"	78	85-120516-002	Spoke
8.79"	6.75"	8.99"	10.83"	8	.84"	85	85-123331-002	Disc
8.81"	6.75"	8.78"	11.25"	10	.94"	90	03-123493-002	Disc
9.32"	6.29"	8.78"	11.25"	10	1.28"	85	85-123681-002	Disc
9.84"	6.60"	8.78"	11.25"	10	.94"	79	85-123672-002	Disc
15.00" X 7.00"								
8.51"	7.36"	10.50"	12.75"	6	.78"	90	85-123203-002	Spoke
8.51"	7.36"	10.50"	12.75"	5	.78"	89	03-122011-002	Spoke
8.51"	7.36"	10.50"	12.75"	5	.78"	89	85-122011-002	Spoke
10.18"	7.56"	8.70"	10.83"	8	.85"	110	85-123548-002	Disc
10.92"	7.50"	6.45"	8.75"	6	.81"	96	03-122806-002	Disc
10.92"	7.50"	8.99"	11.25"	8	.84"	96	85-123276-002	Disc
10.92"	7.50"	8.99"	10.83"	8	.84"	96	03-123276-002	Disc
15.00" X 8.63"								
11.44"	9.11"	8.78"	285.75mm	10	.94"	91	53-123601-002	Disc
11.44"	9.11"	9.00"	275mm	8	.94"	91	53-123602-002	Disc
12.20"	8.83"	8.78"	11.25"	10	.94"	121	03-123466-002	Disc
12.20"	9.58"	8.78"	11.25"	10	.94"	121	85-123466-002	Disc

DRUMS BY BRAKE SIZE

OVERALL DEPTH	BRAKE SURFACE WIDTH	PILOT DIA.	BOLT HOLES				WEIGHT	PART NO.	WHEEL TYPE
			BOLT CIRCLE DIA.	NO.	SIZE				
16.50" X 5.00"									
6.12"	5.37"	9.25"	11.25"	6	.78"	92	85-120855-002	Spoke	
6.12"	5.37"	9.25"	11.25"	6	.78"	92	03-120855-002	Spoke	
6.41"	5.44"	10.00"	12.75"	6	.78"	89	85-122266-002	Spoke	
6.41"	5.44"	10.00"	12.75"	5/6/7	.78"	89	03-123500-002	Spoke /Disc	
6.57"	6.01"	11.00"	12.75"	6	.78"	79	85-122954-002	Spoke	
8.58"	5.48"	8.66"	11.25"	10	1.27"	86	03-120988-002	Disc	
8.58"	5.48"	8.78"	11.25"	10	.94"	100	03-123538-002	Disc	
8.59"	5.87"	8.53"	11.25"	10	1.28"	77	53-123605-002	Disc	
8.59"	5.87"	8.78"	11.25"	10	1.28"	77	53-123606-002	Disc	
8.79"	5.82"	8.78"	11.25"	10	1.28"	79	53-123816-002	Disc	
8.79"	5.11"	8.78"	11.25"	10	1.28"	86	53-123627-002	Disc	
8.80"	6.08"	8.78"	11.25"	10	1.28"	80	53-123816-002	Disc	
9.14"	5.50"	8.78"	11.25"	10	.94"	114	85-123370-002	Disc	
9.14"	5.50"	8.78"	11.25"	10	1.28"	100	85-123383-002	Disc	
9.16"	5.54"	11.25"	13.19"	10	.94"	90	03-123219-002	Disc	
9.16"	5.54"	11.25"	13.19"	10	.94"	90	13-123219-002	Disc	
9.22"	5.82"	8.78"	11.25"	10	1.28"	79	53-123815-002	Disc	
9.22"	5.82"	8.53"	11.25"	10	1.28"	79	53-123590-002	Disc	
9.22"	5.82"	8.78"	11.25"	10	1.28"	79	53-123589-002	Disc	
9.22"	5.82"	9.00"	275mm	8	.94"	79	53-123588-002	Disc	
9.63"	5.74"	8.75"	11.25"	10	.81"	96	85-122966-002	Disc	
9.63"	5.74"	8.75"	11.25"	10	.81"	96	03-122966-002	Disc	
9.63"	5.74"	8.78"	11.25"	10	.94"	97	85-123463-002	Disc	
16.50" X 6.00"									
7.49"	6.69"	11.25"	12.75"	6	.78"	93	85-123427-002	Spoke	
7.49"	6.69"	11.25"	12.75"	6	.78"	142	03-123427-002	Disc	
9.44"	6.55"	11.25"	13.19"	10	.94"		85-123651-002	Disc	
9.51"	6.61"	8.78"	11.25"	10	.94"	123	85-123556-002	Disc	
9.51"	6.61"	8.78"	11.25"	10	1.28"	122	85-123650-002	Disc	
9.52"	6.07"	8.78"	11.25"	10	.94"	100	R930135		
9.62"	6.68"	8.78"	285.75mm	10	.94"	87	53-123607-002	Disc	
9.62"	6.68"	8.78"	11.25"	10	1.28"	87	53-123608-002	Disc	
9.65"	6.62"	11.25"	13.81"	10	1"	104	85-123818-002	Disc	
9.65"	6.72"	11.25"	13.19"	10	1.06"	111	85-123664-002	Disc	
9.75"	6.40"	8.78"	11.25"	10	1.31"	128	85-123663-002	Disc	
9.75"	6.63"	11.25"	13.19"	10	.94"	109	03-123302-002	Disc	
9.75"	6.63"	11.25"	13.19"	10	.94"	113	13-123302-002	Disc	
9.81"	6.69"	8.78"	11.25"	10	1.28"	107	03-123399-002	Disc	
9.81"	6.69"	8.78"	11.25"	10	1.28"		85-123399-002	Disc	
9.81"	6.69"	8.78"	11.25"	10	.94"	105	85-123400-002	Disc	

DRUMS BY BRAKE SIZE

OVERALL DEPTH	BRAKE SURFACE WIDTH	PILOT DIA.	BOLT CIRCLE DIA.	BOLT HOLES		WEIGHT	PART NO.	WHEEL TYPE
				NO.	SIZE			
16.50" X 6.00" (continued)								
9.83"	6.82"	11.71"	13.73"	10	.98"	115	85-123561-002	Disc
9.88"	6.98"	8.78"	11.25"	10	.94"	128	85-123657-002	Disc
9.91"	6.88"	9.14"	11.25"	10	1.33"	85	85-123569-002	Disc
16.50" X 7.00"								
7.94"	7.31"	11.00"	12.75"	6	.66"	99	03-120743-002	Spoke
7.94"	7.31"	11.00"	12.75"	5/6	.66/.66"	107	85-122600-002	Spoke
7.94"	7.31"	11.00"	12.75"	5/6	.66"	106	03-122600-002	Spoke
8.03"	7.44"	14.25"	12.75"	5	.78"	109	03-122925-002	Spoke
8.19"	7.32"	9.44"	11.00"	5/6	.78/.66"	114	85-122222-002	Spoke
8.19"	7.63"	9.44"	11.00"	5/6	.78/.66"	108	03-122222-002	Spoke
8.44"	7.38"	11.00"	12.50"	5/6	.66/.66"	103	03-120754-002	Spoke
8.45"	7.39"	11.25"	12.75"	5/6	.78/.78"	106	03-122683-002	Spoke
8.45"	7.39"	11.25"	12.75"	5/6	.78/.78"	106	85-122683-002	Spoke
8.65"	7.50"	11.00"	12.50"	5	.66"	106	03-120442-002	Spoke
8.65"	7.65"	10.50"	12.75"	5/6	.78/.78"	105	03-123430-002	Spoke
8.65"	7.65"	10.50"	12.75"	5	.78"	104	85-122009-002	Spoke
8.65"	7.65"	10.50"	12.75"	6	.78"	109	85-123200-002	Spoke
8.65"	7.65"	10.50"	12.75"	6	.78"	109	03-123200-002	Spoke
8.65"	7.65"	10.50"	12.75"	5	.78"	105	03-122009-002	Spoke
8.72"	7.56"	11.25"	12.75"	5	.78"	103	03-120574-002	Spoke
8.75"	7.50"	9.50"	11.25"	10	.84"	117	03-122126-002	Spoke/Disc
8.75"	7.50"	9.50"	11.25"	6	.66"	115	85-120586-002	Spoke
8.75"	7.50"	9.50"	11.25"	5/6	.78/.66"	116	03-120586-002	Spoke
8.75"	7.50"	9.50"	11.25"	10	.81"	102	03-122518-002	Disc
8.75"	7.50"	9.50"	11.25"	5	.78"	118	85-122103-002	Spoke
8.75"	7.50"	9.50"	11.25"	10	.81"	102	85-122518-002	Disc
8.94"	7.63"	9.50"	11.25"	5	.78"	120	03-122027-002	Spoke
8.94"	7.63"	9.50"	11.25"	10	.84"	119	03-122239-002	Disc
9.00"	7.60"	11.25"	12.75"	6	.66"	112	03-012480-002	Spoke
9.06"	7.59"	11.00"	13.19"	10	.80"	130	03-120747-002	Disc
9.50"	7.56"	8.44"	11.25"	10	.84"	111	03-123398-002	Disc
9.50"	7.56"	9.44"	11.25"	10	.84"	118	03-012582-002	Disc
10.04"	7.27"	8.53"	11.25"	10	.81"	91	53-123582-002	Disc
10.04"	7.27"	8.78"	285.75mm	10	.94"	89	53-123583-002	Disc
10.31"	7.63"	8.78"	11.25"	10	.94"	116	85-123397-002	Disc
10.31"	7.63"	9.00"	11.25"	10	.84"	123	03-123297-002	Disc
10.31"	7.64"	8.78"	11.25"	10	.94"	123	03-123397-002	Disc
10.31"	7.64"	9.00"	11.25"	10	.85"	119	85-123297-002	Disc
10.31"	7.64"	9.00"	11.25"	10	.81"	116	03-122948-002	Disc

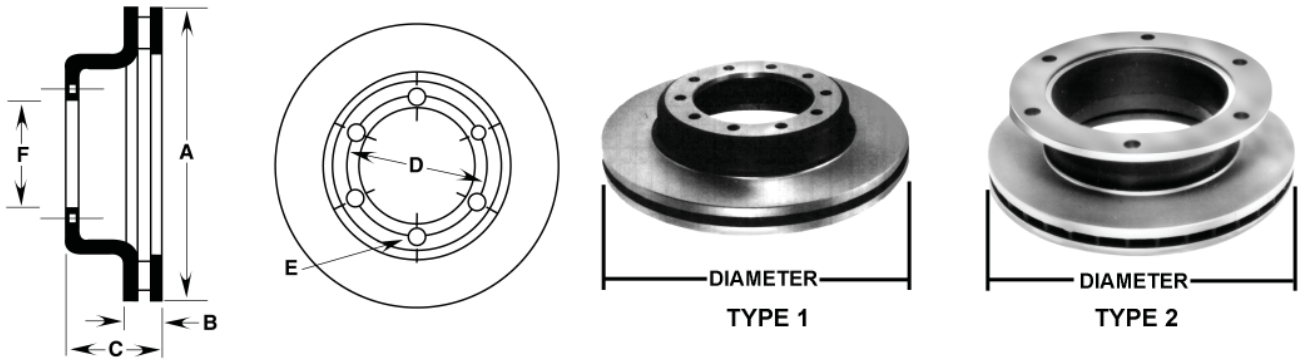
DRUMS BY BRAKE SIZE

OVERALL DEPTH	BRAKE SURFACE WIDTH	PILOT DIA.	BOLT CIRCLE		BOLT HOLES		WEIGHT	PART NO.	WHEEL TYPE
			DIA.	NO.	SIZE				
16.50" X 7.00" (continued)									
10.38"	7.44"	8.53"	11.25"	10	.81"	112	03-122453-002	Disc	
10.38"	7.86"	8.53"	11.25"	10	.81"	94	53-123564-002	Disc	
10.38"	7.86"	9.00"	11.25"	10	.81"	93	53-123565-002	Disc	
10.38"	7.86"	9.00"	275mm	8	.92"	93	53-123566-002	Disc	
10.38"	7.87"	8.78"	285.75mm	10	.94"	94	53-123537-002	Disc	
10.54"	7.46"	8.78"	11.25"	10	1.02"	112	03-123207-002	Disc	
10.54"	7.46"	8.78"	11.25"	10	1.02"	111	85-123207-002	Disc	
10.54"	7.46"	8.78"	11.25"	10	1.08"	104	03-123788-002	Disc	
10.54"	7.46"	8.78"	11.25"	10	1.08"	104	85-123788-002	Disc	
10.54"	7.60"	8.78"	11.25"	10	1.00"	123	85-123652-002	Disc	
10.56"	7.56"	8.78"	11.25"	10	1"	103	85-123813-002	Disc	
10.59"	7.75"	8.78"	11.25"	10	.94"	122	85-123365-002	Disc	
10.59"	7.75"	8.78"	11.25"	10	.94"	122	03-123365-002	Disc	
10.59"	7.75"	9.00"	11.25"	10	.81"	106	85-122550-002	Disc	
10.59"	7.75"	9.00"	10.83"	8	.94"	123	85-123409-002	Disc	
10.59"	7.75"	9.00"	10.83"	8	.94"	123	03-123409-002	Disc	
10.59"	7.75"	9.00"	11.25"	10	.81"	106	03-122550-002	Disc	
10.59"	7.75"	11.25"	13.19"	10	.94"	122	03-123025-002	Disc	
10.63"	7.82"	8.53"	11.25"	10	.81"	112	03-122978-002	Disc	
10.63"	7.82"	8.53"	11.25"	10	.81"	117	03-122607-002	Disc	
10.69"	7.53"	9.44"	11.25"	10	.84"	115	85-120877-002	Disc	
10.69"	7.53"	9.44"	11.25"	10	.84"	115	03-120877-002	Disc	
10.92"	7.75"	8.99"	10.83"	8	.84"	104	85-123348-002	Spoke	
16.50" X 8.00"									
10.96"	8.62"	8.78"	285.75mm	10	.94"	95	53-123535-002	Disc	
11.09"	8.90"	8.78"	11.25"	10	.94"	128	03-123520-002	Disc	
11.09"	8.91"	8.78"	11.25"	10	.94"	124	85-123520-002	Disc	

DRUMS BY BRAKE SIZE

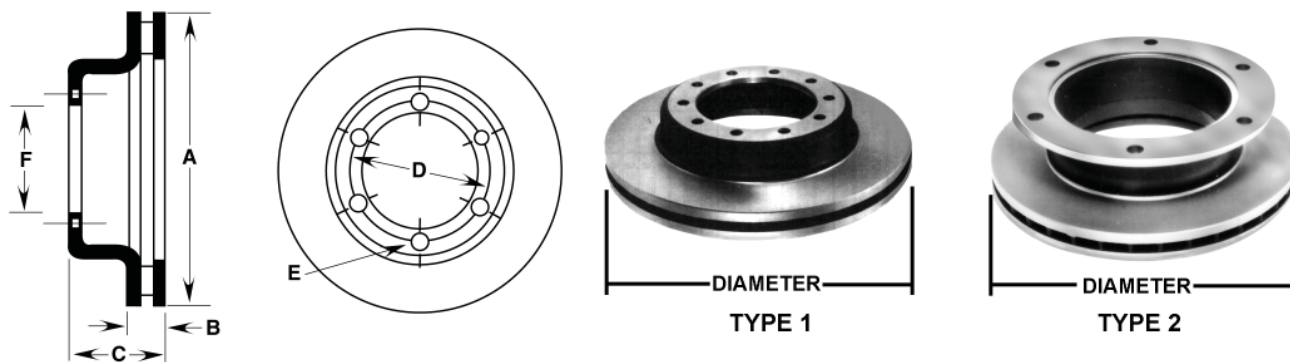
OVERALL DEPTH	BRAKE SURFACE WIDTH	PILOT DIA.	BOLT CIRCLE DIA.	BOLT HOLES		WEIGHT	PART NO.	WHEEL TYPE
				NO.	SIZE			
16.50" X 8.63"								
10.25"	9.22"	9.50"	11.25"	10	.84"	131	03-120376-002	Spoke/Disc
11.04"	9.15"	8.78"	11.25"	10	.93"	102	53-123544-002	Disc
11.16"	9/07"	8.78"	11.25"	10	.94"	103	53-123771-002	Disc
11.16"	9.06"	9.44"	11.25"	10	.81"	127	03-120882-002	Disc
11.25"	9.11"	8.78"	11.25"	10	.94"	138	85-123570-002	Disc
11.58"	9.26"	9.43"	11.25"	10	1.31"	85	85-123784-002	Disc
11.58"	9.46"	11.25"	13.18"	10	1.06"	195	85-123791-002	Disc
11.98"	9.13"	8.78"	11.25"	10	.94"	142	03-123406-002	Disc
11.98"	9.13"	8.78"	11.25"	10	.94"	142	85-123406-002	Disc
12.15"	9.38"	8.53"	11.25"	10	.81"	106	53-123580-002	Disc
12.15"	9.38"	8.78"	285.75mm	10	.94"	106	53-123581-002	Disc
12.15"	9.38"	9.00"	275mm	8	.94"	106	53-123579-002	Disc
12.33"	9.48"	8.78"	11.25"	10	.94"	142	03-123428-002	Disc
12.33"	9.48"	8.78"	11.25"	10	.94"	142	85-123428-002	Disc
18.00" X 7.00"								
8.25"	7.44"	11.00"	12.75"	6	.66"	132	03-120936-002	Spoke
9.25"	8.00"	11.25"	12.75"	6	.66"	135	03-012488-002	Spoke

MEDIUM-DUTY HYDRAULIC DISC BRAKE ROTORS NUMERICAL LISTING



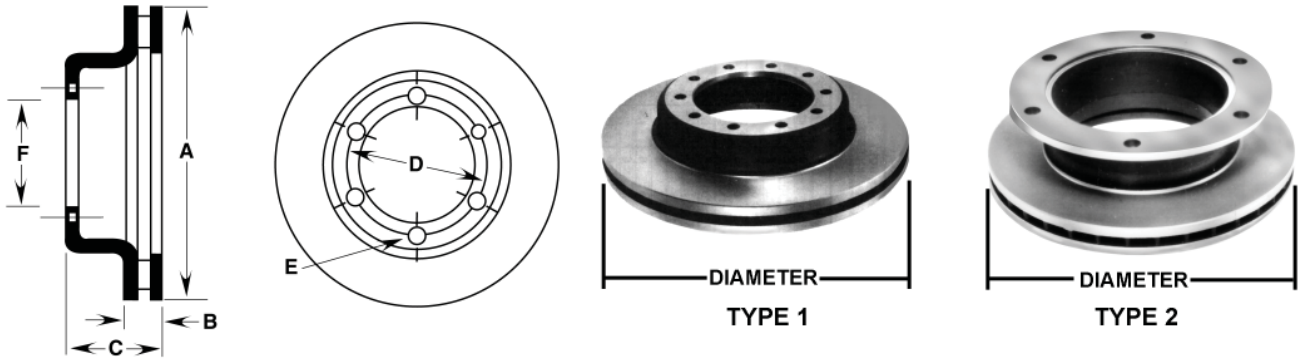
MERITOR PART NO.	EUCLID PART NO.	ROTOR TYPE	MIN. DISC DIA. "A"	DISC THICKNESS "B"		OVERALL ROTOR DEPTH "C"	BOLT CIRCLE "D"	BOLT HOLES "E"		PILOT DIA. "F"	COMMENTS
				NEW	DISCARD / MIN. WEAR			DIA.	NO.		
23-122527-002	E-4231	2	15	1.44	1.32	6.8	8.75	0.812	6	7	
23-122527-002	E-4231	2	15	1.44	1.32	6.8	8.75	0.812	6	7	
23-122691-002	E-4228	2	15.38	1.54	1.415	4.763	11.25	0.781	6	9.251	
23-122693-002	E-4246	2	15.38	1.54	1.415	6.22	11.25	0.812	10	9.499	Gunite D6059
23-122700-002	E-4227	1	14.75	1.35	1.225	3.81	7.25	0.781	6	5.401	For ABS use 23-123480-002
23-122701-002	E-4232	2	15	1.43	1.32	4.496	11.25	0.656	5	9.187	
23-122703-002	E-4233	2	15.38	1.54	1.415	6.07	11.25	0.84	10	8.688	
23-122729-002	E-4230	1	15.38	1.54	1.415	3.4	7.25	0.594	10	6	
23-122897-002	E-4247	1	15	1.435	1.32	4.44	7.25	0.578	10	6.001	For ABS use 23-123552-009
23-122920-002	E-8902	U	15	1.44	1.32	4.49	11.25	0.78	5	9.19	
23-123041-002	E-9807	1	14.25	1.44	1.32	2.98	6	0.594	5	4.6	
23-123046-002	E-9808	1	14.25	1.44	1.32	2.98	6	0.531	6	4.6	GMC 15579754
23-123296-002	E-9809	1	14.75	1.35	1.225	3.81	7.25	0.591	10	6	For ABS use 23-123495-002
23-123296-002	E-9809	1	14.75	1.35	1.225	3.81	7.25	0.591	10	6	For ABS use 23-123495-002
23-123433-002	E-11327	2	15.38	1.435	1.32	6.206	11.25	0.812	10	9.499	GM Applications
23-123434-002	E-11307	1	15.38	1.44	1.32	3.4	7.25	0.594	10	6	For ABS use
23-123439-002	E-11306	1	14.75	1.35	1.225	3.81	7.25	0.781	10	6	Ford F4HZ1125A
23-123443-002	E-11320	1	14.75	1.35	1.225	3.81	7.25	0.781	6	5.4	6 Tapped Holes for ABS Ring Mtg (8.140 Bolt Circle)
23-123458-002	E-11309	1	15.38	1.54	1.415	3.4	7.25	0.656	10	6	
23-123458-002	E-11309	1	15.38	1.54	1.415	3.4	7.25	0.656	10	6	
23-123460-002	E-11321	1	14.75	1.35	1.225	3.81	7.25	0.781	6	5.75	6 Tapped Holes for ABS Mount
23-123460-002	E-11321	1	14.75	1.35	1.225	3.81	7.25	0.781	6	5.75	6 Tapped Holes for ABS Mounting
23-123461-002	E-12520	2	15.38	1.54	1.415	7.274	11.25	0.937	10	9.12	
23-123468-002	E-9804	1	14.75	1.35	1.225	3.81	6.75	0.656	6	5.4	For ABS use
23-123468-002	E-11322	1	14.75	1.35	1.225	3.81	6.75	0.656	6	5.4	6 Tapped Holes for ABS Mount

MEDIUM-DUTY HYDRAULIC DISC BRAKE ROTORS NUMERICAL LISTING



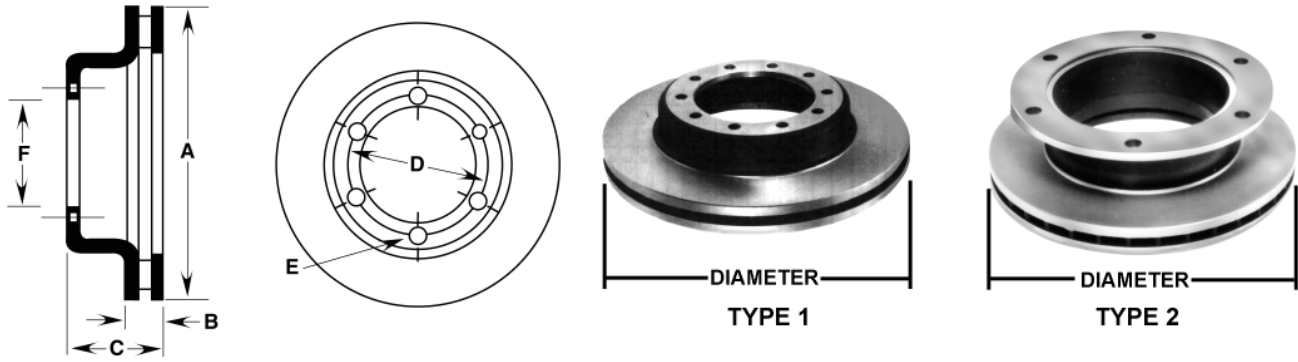
MERITOR PART NO.	EUCLID PART NO.	ROTOR TYPE	MIN. DISC DIA. "A"	DISC THICKNESS "B"		OVERALL ROTOR DEPTH "C"	BOLT CIRCLE "D"	BOLT HOLES "E"		PILOT DIA. "F"	COMMENTS
				NEW	DISCARD / MIN. WEAR			DIA.	NO.		
23-123468-002	E-9804	1	14.75	1.35	1.225	3.81	6.75	0.656	6	5.4	For ABS use
23-123468-002	E-11322	1	14.75	1.35	1.225	3.81	6.75	0.656	6	5.4	6 Tapped Holes for ABS Mounting
23-123480-002	E-11323	1	14.75	1.35	1.225	3.81	7.25	0.781	6	5.4	6 Tapped Holes for ABS Mount
23-123480-002	E-11320	1	14.75	1.35	1.225	3.81	7.25	0.781	6	5.4	6 Tapped Holes for ABS Ring Mtg (8.140 Bolt Circle)
23-123480-002	E-11323	1	14.75	1.35	1.225	3.81	7.25	0.781	6	5.4	6 Tapped Holes for ABS Mounting
23-123485-002	E-11307	1	15.38	1.44	1.32	3.4	7.25	0.594	10	6	for ABS use 23-123485-002
23-123485-002	E-11125	1	15.38	1.44	1.32	3.4	7.25	0.594	10	6	5 Tapped Holes For ABS Ring Mtg (M8x1.25-6H 6.8" B.C.)
23-123485-002	E-11125	1	15.38	1.44	1.32	3.4	7.25	0.594	10	6	5 Tapped Holes for ABS Ring Mtg (M8x1.25-6H 6.8" B.C.)
23-123486-002	E-11310	1	14.75	1.35	1.225	3.81	6.75	0.656	5	5.4	5 Tapped Holes for ABS Mount (Metric)
23-123486-002	E-4229	1	14.93	1.35	1.225	3.82	6.75	0.656	5	5.22	
23-123486-002	E-4229	1	14.93	1.35	1.225	3.82	6.75	0.656	5	5.22	
23-123486-002	E-11310	1	14.75	1.35	1.225	3.81	6.75	0.656	5	5.4	5 Tapped Holes for ABS Mounting (Metric)
23-123487-002	E-11324	1	14.75	1.35	1.225	3.81	6.75	0.656	5	5.4	
23-123489-002	E-11308	1	15.38	1.54	1.415	3.4	7.25	0.594	10	6	For ABS use 23-123489-002
23-123489-002	E-11311	1	15.38	1.54	1.415	3.4	7.25	0.594	10	6	5 Tapped Holes for ABS Mounting GMC Applications
23-123489-002	E-11308	1	15.38	1.54	1.415	3.4	7.25	0.594	10	6	For ABS use

MEDIUM-DUTY HYDRAULIC DISC BRAKE ROTORS NUMERICAL LISTING



MERITOR PART NO.	EUCLID PART NO.	ROTOR TYPE	MIN. DISC DIA. "A"	DISC THICKNESS "B"		OVERALL ROTOR DEPTH "C"	BOLT CIRCLE "D"	BOLT HOLES "E"		PILOT DIA. "F"	COMMENTS
				NEW	DISCARD / MIN. WEAR			DIA.	NO.		
23-123489-002	E-11311	1	15.38	1.54	1.415	3.4	7.25	0.594	10	6	5 Tapped Holes for ABS Mounting GMC Applications
23-123489-002	E-11308	1	15.38	1.54	1.415	3.4	7.25	0.594	10	6	For ABS use
23-123494-002	E-11312	1	14.75	1.35	1.225	3.81	7.25	0.781	6	5.76	New Holland 86514074
23-123494-002	E-11312	1	14.75	1.35	1.225	3.81	7.25	0.781	6	5.76	New Holland 86514074
23-123495-002	E-11313	1	14.75	1.35	1.225	3.81	7.25	0.594	10	6	5 Tapped Holes for ABS Mount
23-123495-002	E-11313	1	14.75	1.35	1.225	3.81	7.25	0.594	10	6	5 Tapped Holes for ABS Mounting
23-123497-002	E-11328	1	14.75	1.35	1.225	3.81				4.501	
23-122527-002	E-4231	2	15	1.44	1.32	6.8	8.75	0.812	6	7	
23-122729-002	E-4230	1	15.38	1.54	1.415	3.4	7.25	0.594	10	6	
23-123497-002	E-11328	HAT	14.75	1.35	1.225	3.81	N/A	N/A	0	4.501	
23-123498-002	E-12521	1	15.38	1.54	1.415	3.41	7.25	0.656	10	5.964	
23-123498-002	E-12521	1	15.38	1.54	1.415	3.41	7.25	0.656	10	5.964	
23-123522-002		1	15.56	1.5	1.375	4.88	6.43	0.5	10	5.12	
23-123527-002	E-11326	1	15.63	1.54	1.415	3.63	7.25	0.656	10	5.964	Ford YC3Z1125AA
23-123528-002	E-12522	HAT	14.75	1.35	1.225	3.81	7.25	0.65	5	6	
23-123529-002	E-11325	HAT	14.75	1.35	1.225	4.81	7.25	0.65	5	6	
23-123532-002	E-11329	HAT	15.17	1.44	1.32	2.89	6.75	0.66	5	5.4	
23-123547-002		2	17.24	1.75	1.625	5.64	9.823	.63-18 UNF	10	7.63	
23-123550-009		1	15	1.44	1.32	3.38	7.25	0.594	10	5.78	
23-123550-009	E-14550A	HAT	15	1.44	1.32	3.38	7.25	0.594	10	5.78	
23-123552-009	E-12523	1	15	1.44	1.32	4.44	7.25	0.594	10	6.001	
23-123557-009	E-12524	1	15.375	1.53	1.41	3.4	7.25	0.594	10	6.001	
23-123572-009	E-6115	1	15	1.44	1.32	3.5	6.75	0.781	6	5.401	
23-123573-009	E-6114	1	15	1.44	1.32	3.5	6.75	0.781	5	5.4	
23-123574-009	E-14574A	2	15.375	1.54	1.415	7.6	11.25	1.00	10	9.12	
23-123615-002		2	16.535	1.768	1.63	6.285	10.5	.63-18 UNF	10	8.5	
23-123617-009		U	15.375	1.54	1.42	3.41	7.25	0.594	8	6	

MEDIUM-DUTY HYDRAULIC DISC BRAKE ROTORS NUMERICAL LISTING

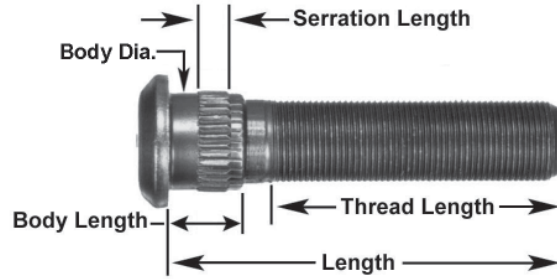


MERITOR PART NO.	EUCLID PART NO.	ROTOR TYPE	MIN. DISC DIA. "A"	DISC THICKNESS "B"		OVERALL ROTOR DEPTH "C"	BOLT CIRCLE "D"	BOLT HOLES "E"		PILOT DIA. "F"	COMMENTS
				NEW	DISCARD / MIN. WEAR			DIA.	NO.		
23-123618-002	E-12513	2	11.96	1.18	1.035	6.05	7.5	.50-13 UNC	6	6.13	
23-123618-007	E-12513	U	11.96	1.18	1.035	6.05	7.5	.50-13 UNC	6	6.13	
23-123621-002		U	14.88	1.768	1.63	6.28	10.5	.625-18 UNF	10	8.26	
23-123624-002	E-12515	2	12.756	1.18	1.035	6.325	7.75	.50-13 UNC	8	6.13	
23-123624-007	E-12515	U	12.756	1.18	1.035	6.325	7.75	.50-13 UNC	8	6.13	
23-123625-002	E-12516	2	12.756	1.18	1.035	4.631	8	.50-13 UNC	8	6.502	
23-123626-002	E-12514	2	11.96	1.18	1.035	4.64	7.5	.50-13 UNC	6	6.502	
23-123632-002		2	14.882	1.768	1.63	6.285	10.5	.63-18 UNF	8	8.61	
23-123641-002		U	15.36	1.54	1.42	4.9	6.43	0.51	10	5.49	
23-123642-002		2	17.087	1.768	1.63	5.644	10.5	.63-18 UNF	10	8.5	
23-123647-002		2	17.087	1.768	1.63	5.644	9.823	M16x2	10	7.638	
23-123782-002		U	15.36	1.54	1.42	4.9	6.43	0.51	10	5.49	

COMMON MISTAKENLY IDENTIFIED ROTORS

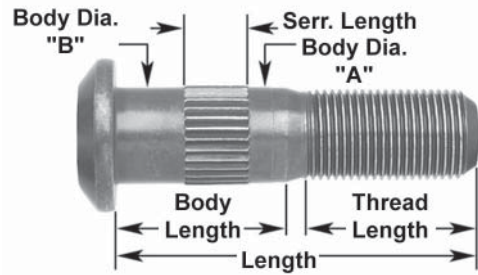
MERITOR PART NO.	EUCLID PART NO.	ROTOR TYPE	MIN. DISC DIA. "A"	DISC THICKNESS "B"		OVERALL ROTOR DEPTH "C"	BOLT CIRCLE "D"	BOLT HOLES "E"		PILOT DIA. "F"	COMMENTS
				NEW	DISCARD / MIN. WEAR			DIA.	NO.		
23-122527-002	E-4231	2	15.000	1.440	1.320	6.800	8.750	0.812	6	7.000	
23-122729-002	E-4230	1	15.380	1.540	1.415	3.400	7.250	0.594	10	6.000	For ABS use 23-123557-002
23-123495-002	E-9809	1	14.750	1.350	1.225	3.810	7.250	0.591	10	6.000	For ABS use 23-123495-002
23-123458-002	E-11309	1	15.380	1.540	1.415	3.400	7.250	0.656	10	6.000	
23-123460-002	E-11321	1	14.750	1.350	1.225	3.810	7.250	0.781	6	5.750	6 Tapped Holes for ABS Mounting
23-123468-002	E-9804	1	14.750	1.350	1.225	3.810	6.750	0.656	6	5.400	For ABS use
23-123468-002	E-11322	1	14.750	1.350	1.225	3.810	6.750	0.656	6	5.400	6 Tapped Holes for ABS Mounting
23-123480-002	E-11320	1	14.750	1.350	1.225	3.810	7.250	0.781	6	5.400	6 Tapped Holes For ABS Ring Mtg (8.140 Bolt Circle)
23-123480-002	E-11323	1	14.750	1.350	1.225	3.810	7.250	0.781	6	5.400	6 Tapped Holes for ABS Mounting
23-123434-002	E-11307	1	15.380	1.440	1.320	3.400	7.250	0.594	10	6.000	For ABS use 23-123485-002
23-123485-002	E-11125	1	15.380	1.440	1.320	3.400	7.250	0.594	10	6.000	5 Tapped Holes For ABS Ring Mtg (M8x1.25-6H 6.8" B.C.)
23-123486-002	E-4229	1	14.930	1.350	1.225	3.820	6.750	0.656	5	5.220	
23-123486-002	E-11310	1	14.750	1.350	1.225	3.810	6.750	0.656	5	5.400	5 Tapped Holes for ABS Mounting (Metric)
23-123487-002	E-11324	1	14.750	1.350	1.225	3.810	6.750	0.656	5	5.400	
23-123440-002	E-11308	1	15.380	1.540	1.415	3.400	7.250	0.594	10	6.000	For ABS use 23-123489-002
23-123440-002	E-11311	1	15.380	1.540	1.415	3.400	7.250	0.594	10	6.000	5 Tapped Holes for ABS Mounting GMC Applications
23-123494-002	E-11312	1	14.750	1.350	1.225	3.810	7.250	0.781	6	5.760	New Holland 86514074
23-123495-002	E-11313	1	14.750	1.350	1.225	3.810	7.250	0.594	10	6.000	5 Tapped Holes for ABS Mounting
23-123498-002	E-12521	1	15.380	1.540	1.415	3.410	7.250	0.656	10	5.964	

WHEEL STUDS

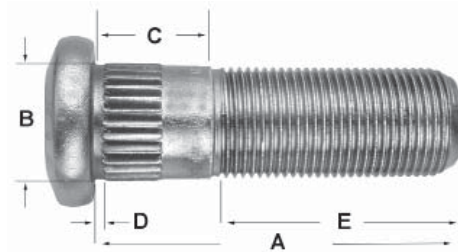


PART NUMBER	THREAD DIRECTION	GRADE	THREAD SIZE	LENGTH	BODY DIAMETER	BODY LENGTH	SERRATION LENGTH	THREAD LENGTH
09-001688	RH	8	.56"-18	3.09"	.65"	.68"	.28"	2.06"
09-002048	LH	8	.75"-16	2.13"	.89"	.69"	.50"	1.25"
09-002047	RH	8	.75"-16	2.13"	.89"	.69"	.50"	1.25"
20-X-2552	LH	8	.75"-16	2.76"	.89"	.72"	.38"	1.89"
20-X-2551	RH	8	.75"-16	2.76"	.89"	.72"	.38"	1.89"
R008958L	LH	8	.75"-16	2.88"	.77"	1.50"	.44"	1.19"
R008958R	RH	8	.75"-16	2.88"	.77"	1.50"	.44"	1.19"
09-002173	RH	8	.88"-14	3.35"	1.16"	.88"	.44"	1.50"
09-001926	LH	8	1.13"-16	2.97"	1.22"	1.19"	.45"	1.78"
09-001925	RH	8	1.13"-16	2.97"	1.22"	1.19"	.45"	1.78"
09-002000	LH	8	1.13"-16	3.13"	1.22"	1.19"	.45"	2.06"
09-001999	RH	8	1.13"-16	3.13"	1.22"	1.19"	.45"	2.06"
09-002216	RH	10.9 (Metric)	M14 x 1.5	2.75"	.59"	.15"	.28"	1.75"
09-002232	RH	10.9 (Metric)	M14 x 2	2.81"	.88"	.63"	.29"	1.93"
09-002223	RH	10.9 (Metric)	M14 x 2	3.00"	.59"	.25"	.28"	2.25"
09-002233	RH	10.9 (Metric)	M14 x 2	3.44"	.88"	.63"	.29"	2.53"
09-002226	LH	10.9 (Metric)	M20 x 1.5	2.45"	.79"	.63"	.37"	1.65"
09-002225	RH	10.9 (Metric)	M20 x 1.5	2.45"	.79"	.63"	.37"	1.65"
09-001826	RH	10.9 (Metric)	M20 x 1.5	3.11"	.79"	.98"	.38"	2.13"
09-001811	RH	10.9 (Metric)	M20 x 1.5	3.68"	.79"	1.25"	.38"	2.42"
09-001958	RH	10.9 (Metric)	M22 x 1.5	2.75"	.89"	.79"	.38"	1.66"
09-002013	RH	10.9 (Metric)	M22 x 1.5	2.81"	.89"	.88"	.38"	1.67"
09-002184	RH	10.9 (Metric)	M22 x 1.5	2.92"	.90"	.88"	.38"	1.77"
09-002228	RH	10.9 (Metric)	M22 x 1.5	3.21"	.88"	.63"	.38"	2.00"
09-001988	RH	10.9 (Metric)	M22 x 1.5	3.34"	.89"	.88"	.38"	2.23"
09-002002	RH	10.9 (Metric)	M22 x 1.5	3.61"	.89"	.88"	.38"	2.67"
09-001989	RH	10.9 (Metric)	M22 x 1.5	3.72"	.89"	.87"	.38"	2.56"
09-002005	RH	10.9 (Metric)	M22 x 1.5	3.85"	.89"	1.13"	.38"	2.63"
09-001727	RH	10.9 (Metric)	M22 x 1.5	3.88"	.89"	.88"	.38"	2.75"
09-002004	RH	10.9 (Metric)	M22 x 1.5	4.17"	.89"	.88"	.38"	3.01"
09-001728	RH	10.9 (Metric)	M22 x 1.5	4.31"	.89"	.88"	.38"	3.19"
09-002003	RH	10.9 (Metric)	M22 x 1.5	4.78"	.89"	.88"	.38"	3.84"
09-002229	RH	10.9 (Metric)	M22 x 1.5	4.91"	.88"	.63"	.38"	3.84"

WHEEL STUDS

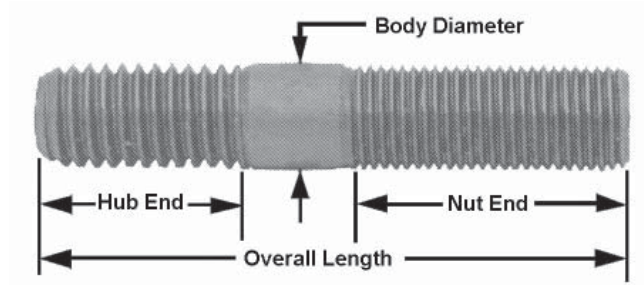


PART NUMBER	THREAD DIRECTION	GRADE	THREAD SIZE	BODY DIAMETER		LENGTH	BODY LENGTH	SERRATION LENGTH	THREAD LENGTH
				"A"	"B"				
09-001998	LH	8	.75"-16	.890	.940	2.38"	.89"	.50"	1.25"
09-001997	RH	8	.75"-16	.890	.940	2.38"	.89"	.50"	1.25"
09-002050	LH	8	.75"-16	.890	.940	2.38"	1.13"	.50"	1.13"
09-002049	RH	8	.75"-16	.890	.940	2.38"	1.13"	.50"	1.13"
09-001911	LH	8	.75"-16	.890	.939	2.63"	1.02"	.50"	1.38"
09-001910	RH	8	.75"-16	.890	.939	2.63"	1.02"	.50"	1.38"
09-002086	LH	8	.75"-16	.890	.939	2.77"	.87"	.50"	1.61"
09-002085	RH	8	.75"-16	.890	.939	2.77"	.87"	.50"	1.61"



Part Number	A	B	C	D	E	F
R006035	3.94	0.98	0.72	0.25	2.88	M22 x 1.5
R006034	4.79	0.98	0.72	0.25	3.73	M22 x 1.5
R0014873L	2.66	0.98	0.81	0.25	1.46	3/4-16 LH
R0014873R	2.66	0.98	0.81	0.25	1.46	3/4-16 RH
R0014875	3.70	0.98	0.72	0.25	2.58	M22 x 1.5
R0014876	4.25	0.98	0.72	0.25	3.19	M22 x 1.5
R0014877	3.04	0.98	0.70	0.25	2.06	M22 x 1.5
R0014874R	3.13	0.98	0.81	0.25	1.63	3/4-16 RH
R0014874L	3.13	0.98	0.81	0.25	1.63	3/4-16 LH

DRIVE FLANGE STUDS



PART NUMBER	OVERALL LENGTH	BODY DIAMETER	HUB END		NUT END	
			THREAD SIZE	THREAD LENGTH	THREAD SIZE	THREAD LENGTH
4-X-1612	2.50"	.56"	.56"-12	.84"	.56"-18	.91"
08-203868	2.50"	.56"	.56"-12	1"	.56"-18	.90"
08-205435	2.88"	.50"	.50"-13	.83"	.50"-20	.98"
08-008551	2.94"	.63"	.63"-11	.85"	.63"-18	1.38"
08-205740	2.94"	.63"	.63"-11	.86"	.63"-11	1.38"
08-205741	3.03"	.50"	.50"-13	1.00"	.50"-13	1.00"

DRIVE AXLE HUBS

FOR AXLE MODELS: Dana Spicer J-190S
 Eaton 17, 34D, D340
 Meritor FL-100, RS-17-140, RS-17-145, RS-17-220, RT-34-145

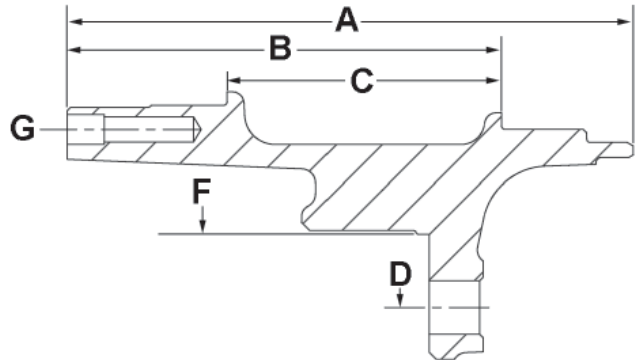
HUB NO.	DESCRIPTION	TYPE
04-15673-XXX	Drive Axle Hub Outboard Drum	10 Hole Serrated Studs

INNER BEARING

CUP	CONE	BOLT CIRCLE
47620	47686	11.25"

OUTER BEARING

CUP	CONE
39520	39590



DRAWING REFERENCE	ITEM	DIMENSION
A	Overall Length	9.531"
B	Outer Hub Cap Face to Inner Bearing Cup Seat	7.309"
C	Distance Between Cups	4.618"
D	Bolt Circle Diameter	11.25"
E	Wheel Stud Quantity	10
F	Pilot Diameter	8.777"
G	Drive Flange Hole Pattern	12, 1/2"-13; 5.25" B.C.

HUB PART NUMBER	ABS RING NUMBER	COMMENTS
04-15673-002		Wheel studs not included
04-15673-003	3237J1258	

STUD PILOTED - Hub Assemblies without Drum or Rotor

HUB PART NUMBER	HAND	WHEEL TYPE	DRUM TYPE	WHEEL STUD NUMBER	DRIVE FLANGE STUD NUMBER	ABS RING NUMBER
04-15673-036	LH			09-002086	08-205741	09-002127

HUB PILOTED - Hub and Drum Assemblies

HUB PART NUMBER	WHEEL TYPE	DRUM TYPE	WHEEL STUD NUMBER	DRIVE FLANGE STUD NUMBER	ABS RING NUMBER	DRUM SIZE	DRUM NUMBER	DRUM POSITION
14-15673-1004MTB	Dual Aluminum	Cast	09-002003	08-205435	09-002127	16.5 x 7	85-123397-002	Outboard

DRIVE AXLE HUBS

WHEEL STUDS USED WITH HUB IN ASSEMBLIES

WHEEL STUD NO.	THREAD TYPE SIZE	STYLE	WHEEL TYPE	USE WITH DRUM TYPE
09-001728	Serrated M22 x 1.5	Hub Piloted	Aluminum, Steel	Cast
09-002003	Serrated M22 x 1.5	Hub Piloted	Aluminum Wheel	Cast
09-002004	Serrated M22 x 1.5	Hub Piloted	Aluminum, Steel	Cast
09-002085	Serrated 3/4"-16 R	Stud Piloted		
09-002086	Serrated 3/4"-16 L	Stud Piloted		

DRIVE FLANGE STUDS USED WITH HUB IN ASSEMBLIES

DRIVE FLANGE STUD	OVERALL LENGTH	BODY DIAMETER	HUB END		NUT END	
			THREAD SIZE	THREAD LENGTH	THREAD SIZE	THREAD LENGTH
08-205435	2.88"	.50"	.50"-13	.83"	.50"-20	.98"
08-205741	3.03"	.50"	.50"-13	1.00"	.50"-13	1.00"

DRUMS USED WITH HUB IN ASSEMBLIES

DRUM NO.	DRUM TYPE	BRAKE SIZE	OVERALL DEPTH	PILOT DIAMETER
85-123397-002	Cast MTB	16.50" x 7.00"	10.31"	8.78"
85-123466-002	Cast MTB	15.00" x 8.63"	12.20"	8.78"

DRIVE AXLE HUBS

FOR AXLE MODELS: Dana Spicer J-190S
 Eaton 17, 34D, D340
 Meritor "L" Series FL-100, RS-17-140, RS-17-145, RS-17-220, RT-34-145

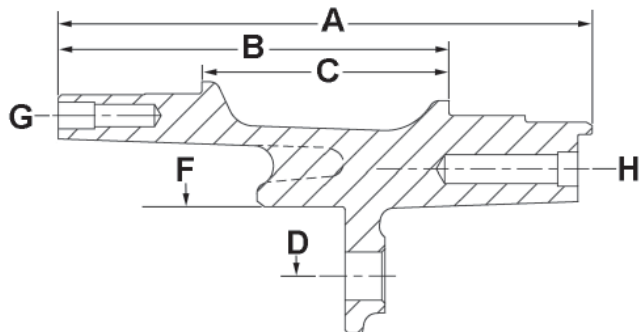
HUB NO.	DESCRIPTION	TYPE
04-15712-XXX	Drive Axle Hub Outboard Drum	10 Hole Serrated Studs

INNER BEARING

CUP	CONE	BOLT CIRCLE
47620	47686	11.25"

OUTER BEARING

CUP	CONE
39520	39590



DRAWING REFERENCE	ITEM	DIMENSION
A	Overall Length	9.531"
B	Outer Hub Cap Face to Inner Bearing Cup Seat	7.309"
C	Distance Between Cups	4.618"
D	Bolt Circle Diameter	11.25"
E	Wheel Stud Quantity	10
F	Pilot Diameter	8.777"
G	Drive Flange Hole Pattern	12, 1/2"-13; 5.25" B.C.
H	Drum/Rotor Mounting	

HUB PART NUMBER	ABS RING NUMBER	COMMENTS
04-15712-002		Wheel studs not included

HUB PILOTED - Hub Assembly without Drum or Rotor

HUB PART NUMBER	HAND	WHEEL TYPE	DRUM TYPE	WHEEL STUD NUMBER	DRIVE FLANGE STUD NUMBER	ABS RING NUMBER
04-15712-1000	RH			09-001811	08-205741	

WHEEL STUDS USED WITH HUB IN ASSEMBLIES

WHEEL STUD NO.	THREAD TYPE SIZE	STYLE	WHEEL TYPE	USE WITH DRUM TYPE
09-001811	Serrated M20 x 1.5	Hub Piloted		

DRIVE FLANGE STUDS USED WITH HUB IN ASSEMBLIES

DRIVE FLANGE STUD	OVERALL LENGTH	BODY DIAMETER	HUB END		NUT END	
			THREAD SIZE	THREAD LENGTH	THREAD SIZE	THREAD LENGTH
08-205741	3.03"	.50"	.50"-13	1.00"	.50"-13	1.00"

DRIVE AXLE HUBS

FOR AXLE MODELS: Dana Spicer J-190S
 Eaton 17, 34D, D340
 Meritor FL-100, RS-17-140, RS-17-145, RS-17-220, RT-34-145

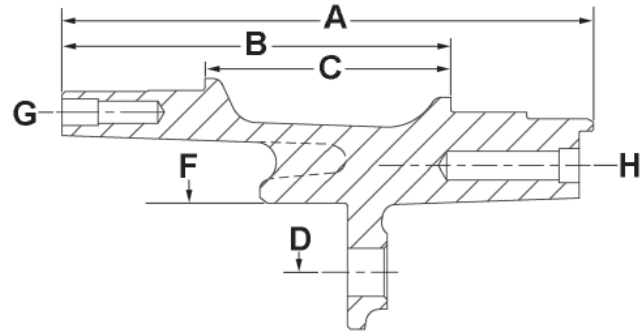
HUB NO.	DESCRIPTION	TYPE
04-15719-XXX	Drive Axle Hub Outboard Drum	10 Hole Serrated Studs

INNER BEARING

CUP	CONE	BOLT CIRCLE
47620	47686	11.25"

OUTER BEARING

CUP	CONE
39520	39590



DRAWING REFERENCE	ITEM	DIMENSION
A	Overall Length	9.795"
B	Outer Hube Cap Face To Inner Bearing Cup Seat	7.306"
C	Distance between Cups	4.618"
D	Bolt Circle Diameter	11.25"
E	Wheel Stud Quantity	10
F	Pilot Diameter	8.65"
G	Drive Flange Hole Pattern	12,1/2"-13; 5.25" B.C.
H	Drum/Rotor Mounting	10, 9;16"-12; 7.25" B.C.

HUB PART NUMBER	ABS RING NUMBER	COMMENTS
04-15719-002		Wheel studs not included

HUB PILOTED - Hub Assemblies without Drum or Rotor

HUB PART NUMBER	HAND	WHEEL TYPE	DRUM TYPE	WHEEL STUD NUMBER	DRIVE FLANGE STUD NUMBER	ABS RING NUMBER
04-15719-1004	RH			09-002004	08-205741	
04-15719-1005	RH			09-001989	08-205435	

STUD PILOTED - Hub and Rotor Assembly

HUB PART NUMBER	HAND	WHEEL TYPE	WHEEL STUD NUMBER	DRIVE FLANGE STUD NUMBER	ABS RING NUMBER	ROTOR NUMBER	ROTOR OUTSIDE DIAMETER
16-15719-076	LH		09-002048	08-205741		23-122729-002	15.38
16-15719-203	RH		09-002047	08-205741		23-123557-009	15.38
16-15719-204	LH		09-002048	08-205741		23-123557-009	15.38

DRIVE AXLE HUBS

HUB PILOTED - Hub and Rotor Assembly

HUB PART NUMBER	WHEEL TYPE	WHEEL STUD NUMBER	DRIVE FLANGE STUD NUMBER	ABS RING NUMBER	ROTOR NUMBER	ROTOR OUTSIDE DIAMETER
16-15719-1000		09-001989	08-205435		23-123557-009	15.38
16-15719-1005		09-001988	08-205741		23-123557-009	15.38
16-15719-1011		09-002184	08-205741		23-123557-009	15.38

WHEEL STUDS USED WITH HUB IN ASSEMBLIES

WHEEL STUD NO.	THREAD TYPE SIZE	STYLE	WHEEL TYPE	USE WITH DRUM TYPE
09-001988	Serrated M22 x 1.5	Hub Piloted	Steel	Cast
09-001989	Serrated M22 x 1.5	Hub Piloted	Steel Wheel	Cast
09-002004	Serrated M22 x 1.5	Hub Piloted	Aluminum, Steel	Cast
09-002047	Serrated 3/4"-16 R	Stud Piloted		
09-002048	Serrated 3/4"-16 L	Stud Piloted		
09-002184	Serrated M22 x 1.5	Hub Piloted		

DRIVE FLANGE STUDS USED WITH HUB IN ASSEMBLIES

DRIVE FLANGE STUD	OVERALL LENGTH	BODY DIAMETER	HUB END		NUT END	
			THREAD SIZE	THREAD LENGTH	THREAD SIZE	THREAD LENGTH
08-205435	2.88"	.50"	.50"-13	.83"	.50"-20	.98"
08-205741	3.03"	.50"	.50"-13	1.00"	.50"-13	1.00"

ROTORS USED WITH HUB IN ASSEMBLIES

ROTOR PART NO.	OUTSIDE DIA.	OVERALL DEPTH	BOLT CIRCLE DIA.	BOLT HOLES		PILOT DIA.
				DIAMETER	NUMBER	
23-122729-002	15.380	3.400	7.250	0.594	10	6.000
23-123557-009	15.375	3.400	7.250	0.594	10	6.001

DRIVE AXLE HUBS

FOR AXLE MODELS: Eaton 18, 23 26, 38D, 44D, D380, D381, D400 (Tag Axles 25LD, H25LD)
 Meritor RD-22-145, RS-21-145, RS-21-230, RS-23-160, RS-23-161, RS-23-180, RS-23-240, RD-23-380,
 RS-24-160, RS-26-180, RS-26-380, RT-40-145, RT-44-145, RT-46-160, RT-48-180, RT-48-380,
 RT-52-160, RT-52-180, RT-53-380, SQ100, SQR100, SSHD (Tag Axles TR, TRD, TT)

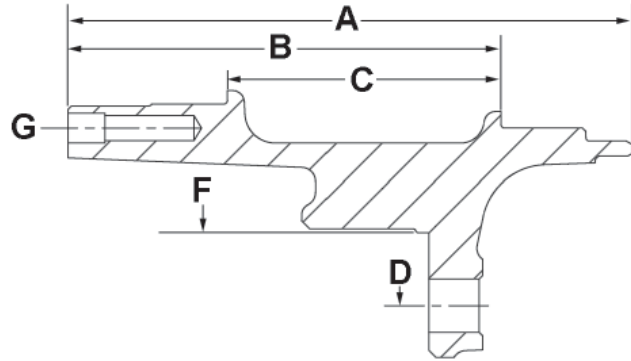
HUB NO.	DESCRIPTION	TYPE
04-15728-XXX	Drive Axle Hub Outboard Drum	10 Hole Serrated Studs

INNER BEARING

CUP	CONE	BOLT CIRCLE
592A	598A or 594A	13.189"

OUTER BEARING

CUP	CONE
572	580



DRAWING REFERENCE	ITEM	DIMENSION
A	Overall Length	9.75"
B	Outer Hub Cap Face To Inner Bearing Cap Seat	7.75"
C	Distance Between Cups	4.307"
D	Bolt Circle Diameter	13.189"
E	Wheel Stud Quantity	10
F	Pilot Diameter	11.25"
G	Hub Cap Hole Pattern	8, 5/8"-11; 7.00" B.C.

HUB PILOTED - Hub Assemblies without Drum or Rotor

HUB PART NUMBER	HAND	WHEEL TYPE	DRUM TYPE	WHEEL STUD NUMBER	DRIVE FLANGE STUD NUMBER	ABS RING NUMBER
04-15728-002	RH			09-001989	08-007775	09-001937
04-15728-004	RH			09-001989	08-007775	

WHEEL STUDS USED WITH HUB IN ASSEMBLIES

WHEEL STUD NO.	THREAD TYPE SIZE	STYLE	WHEEL TYPE	USE WITH DRUM TYPE
09-001989	Serrated M22 x 1.5	Hub Piloted	Steel Wheel	Cast

DRIVE FLANGE STUDS USED WITH HUB IN ASSEMBLIES

DRIVE FLANGE STUD	OVERALL LENGTH	BODY DIAMETER	HUB END		NUT END	
			THREAD SIZE	THREAD LENGTH	THREAD SIZE	THREAD LENGTH
08-007775	2.72"	.63"	.63"-11	.84"	.63"-18	.97"

DRIVE AXLE HUBS

FOR AXLE MODELS: Dana Spicer J-190S
Eaton 17, 34D, D340
Meritor FL-100, RS-17-140, RS-17-145, RS-17-220, RT-34-145

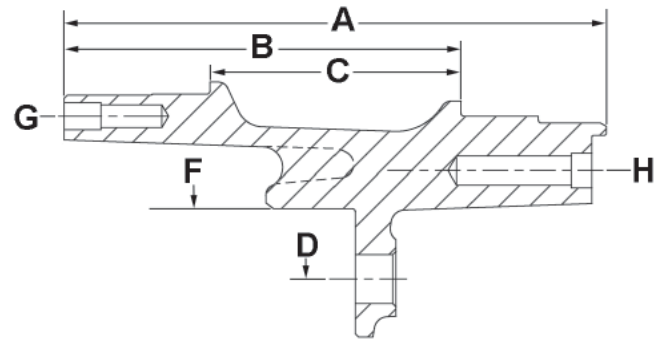
HUB NO.	DESCRIPTION	TYPE
04-15740-XXX	Drive Axle Hub Outboard Drum	8 Hole Serrated Studs

INNER BEARING

CUP	CONE	BOLT CIRCLE
47620	47686	10.827"

OUTER BEARING

CUP	CONE
39520	39590



DRAWING REFERENCE	ITEM	DIMENSION
A	Overall Length	10.01"
B	Outer Hub Cap Face To Inner Bearing Cup Seat	7.32"
C	Distance Between Cups	4.625"
D	Bolt Circle Diameter	10.827"
E	Wheel Stud Quantity	8
F	Pilot Diameter	8.689"
G	Drive Flange Hole Pattern	12, 1/2"-13; 5.25" B.C.
H	Drive Flange Hole Pattern	10, 5/8"-11; 7.25" B.C.

HUB PILOTED - Hub and Rotor Assembly

HUB PART NUMBER	WHEEL TYPE	WHEEL STUD NUMBER	DRIVE FLANGE STUD NUMBER	ABS RING NUMBER	ROTOR NUMBER	ROTOR O.D.
16-15740-100		09-001811	08-205435	09-002177	23-123498-002	15.38

WHEEL STUDS USED WITH HUB IN ASSEMBLIES

WHEEL STUD NO.	THREAD TYPE SIZE	STYLE	WHEEL TYPE	USE WITH DRUM TYPE
09-001811	Serrated M20 x 1.5	Hub Piloted		

DRIVE FLANGE STUDS USED WITH HUB IN ASSEMBLIES

DRIVE FLANGE STUD	OVERALL LENGTH	BODY DIAMETER	THREAD SIZE	HUB END		NUT END	
				THREAD LENGTH	THREAD SIZE	THREAD LENGTH	
08-205435	2.88"	.50"	.50"-13	.83"	.50"-20	.98"	

ROTORS USED WITH HUB IN ASSEMBLIES

ROTOR PART NO.	OUTSIDE DIA.	OVERALL DEPTH	BOLT CIRCLE DIA.	BOLT HOLES		
				DIAMETER	NUMBER	PILOT DIA.
23-123498-002	15.380	3.410	7.250	0.656	10	5.964

DRIVE AXLE HUBS

FOR AXLE MODELS: Dana Spicer J-190S
 Eaton 17, 34D, D340
 Meritor FL-100, RS-17-140, RS-17-145, RS-17-220, RT-34-145

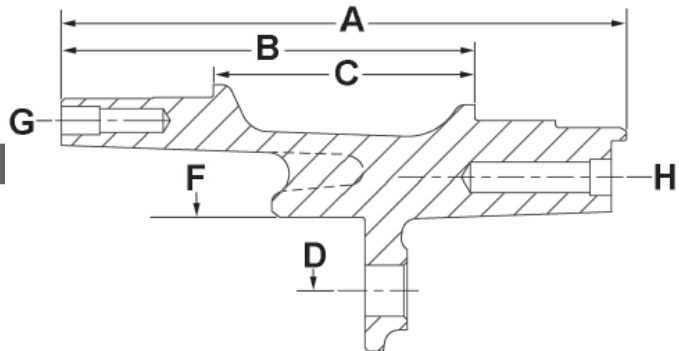
HUB NO.	DESCRIPTION	TYPE
04-15900-XXX	Drive Axle Hub Outboard Drum	10 Hole Serrated Studs

INNER BEARING

CUP	CONE	BOLT CIRCLE
47620	47686	11.25"

OUTER BEARING

CUP	CONE
39520	39590



DRAWING REFERENCE	ITEM	DIMENSION
A	Overall length	10.15"
B	Outer Hub Cap Face To Inner Bearing Cup Seat	7.315"
C	Distance Between Cups	4.625"
D	Bolt Circle Diameter	11.25"
E	Wheel Stud Quantity	10
F	Pilot Diameter	8.65"
G	Drive Flange Hole Pattern	8, 5/8"-11; 5.50" B.C.
H	Drive Flange Hole Pattern	10, 9/16"-12; 7.25" B.C.

STUD PILOTED - Hub Assemblies without Drum or Rotor

HUB PART NUMBER	HAND	WHEEL TYPE	DRUM TYPE	WHEEL STUD NUMBER	DRIVE FLANGE STUD NUMBER	ABS RING NUMBER
04-15900-002	RH			09-002047		
04-15900-003	LH			09-002048		

HUB PILOTED - Hub Assemblies without Drum or Rotor

HUB PART NUMBER	HAND	WHEEL TYPE	DRUM TYPE	WHEEL STUD NUMBER	DRIVE FLANGE STUD NUMBER	ABS RING NUMBER
04-15900-004	RH			09-002184		
04-15900-005	RH			09-001989		

WHEEL STUDS USED WITH HUB IN ASSEMBLIES

WHEEL STUD NO.	THREAD TYPE SIZE	STYLE	WHEEL TYPE	USE WITH DRUM TYPE
09-001989	Serrated M22 x 1.5	Hub Piloted	Steel Wheel	Cast
09-002047	Serrated 3/4"-16 R	Stud Piloted		
09-002048	Serrated 3/4"-16 L	Stud Piloted		
09-002184	Serrated M22 x 1.5	Hub Piloted		

DRIVE AXLE HUBS

FOR AXLE MODELS: Dana Spicer D135-S, S135-S, S150-S, F155-S, G155-T
Navistar 170 Series

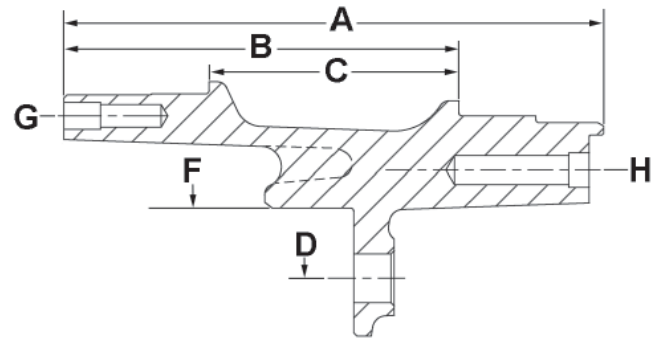
HUB NO.	DESCRIPTION	TYPE
04-15930-XXX	Drive Axle Hub Outboard Drum	8 Hole Serrated Studs

INNER BEARING

CUP	CONE	BOLT CIRCLE
33462	33287	10.827"

OUTER BEARING

CUP	CONE
39520	39585



DRAWING REFERENCE	ITEM	DIMENSION
A	Overall Length	8.84"
B	Outer Hub cap Face To Inner Bearing Cup Seat	5.76"
C	Distane Between Cup	3.38"
D	Bolt Circle Diameter	10.827"
E	Wheel Stud Quantity	8
F	Pilot Diameter	8.689
G	Drive Flange Hole Pattern	8, 9/16"-12; 5.219" B.C.
H	Drive Flange Hole Pattern	5, 3/4"-10; 6.75" B.C.

HUB PILOTED - Hub Assemblies without Drum or Rotor

HUB PART NUMBER	HAND	WHEEL TYPE	DRUM TYPE	WHEEL STUD NUMBER	DRIVE FLANGE STUD NUMBER	ABS RING NUMBER
04-15930-002	RH			09-002184	08-203868	
04-15930-003	RH			09-001989	08-203868	

WHEEL STUDS USED WITH HUB IN ASSEMBLIES

WHEEL STUD NO.	THREAD TYPE SIZE	STYLE	WHEEL TYPE	USE WITH DRUM TYPE
09-001989	Serrated M22 x 1.5	Hub Piloted	Steel Wheel	Cast
09-002184	Serrated M22 x 1.5	Hub Piloted		

DRIVE FLANGE STUDS USED WITH HUB IN ASSEMBLIES

DRIVE FLANGE STUD	OVERALL LENGTH	BODY DIAMETER	THREAD SIZE	HUB END		NUT END	
				THREAD LENGTH	THREAD SIZE	THREAD LENGTH	
08-203868	2.50"	.56"	.56"-12	1"	.56"-18	.90"	

DRIVE AXLE HUBS

FOR AXLE MODELS: Dana Spicer J-190S
 Eaton 17, 34D, D340
 Meritor FL-100, RS-17-140, RS-17-145, RS-17-220, RT-34-145

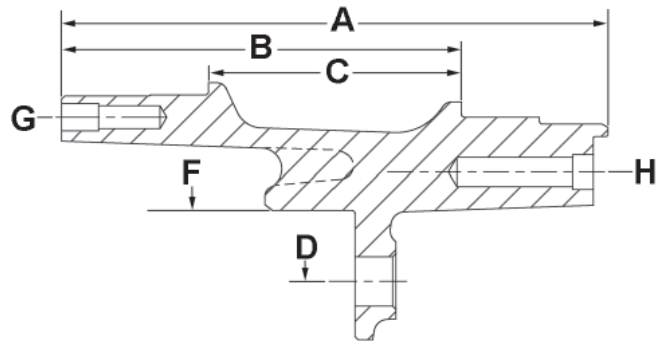
HUB NO.	DESCRIPTION	TYPE
04-15937-XXX	Drive Axle Hub Outboard Drum	8 Hole Serrated Studs

INNER BEARING

CUP	CONE	BOLT CIRCLE
47620	47686	10.827'

OUTER BEARING

CUP	CONE
39520	39590



DRAWING REFERENCE	ITEM	DIMENSION
A	Overall Length	10.15"
B	Outer Hub Cap Face To Inner Bearing Cup Seat	7.335"
C	Distance Between Cups	4.625"
D	Bolt Circle Diameter	10.827"
E	Wheel Stud Quantity	8
F	Pilot Diameter	8.689"
G	Drive Flange Hole Pattern	8, 5/8"-11; 5.50" B.C.
H	Drive Flange Hole Pattern	10, 9/16"-12; 7.25" B.C.

HUB PILOTED - Hub Assemblies without Drum or Rotor

HUB PART NUMBER	HAND	WHEEL TYPE	DRUM TYPE	WHEEL STUD NUMBER	DRIVE FLANGE STUD NUMBER	ABS RING NUMBER
04-15937-002	RH			09-002184		
04-15937-003	RH			09-001989		

WHEEL STUDS USED WITH HUB IN ASSEMBLIES

WHEEL STUD NO.	THREAD TYPE SIZE	STYLE	WHEEL TYPE	USE WITH DRUM TYPE
09-001989	Serrated M22 x 1.5	Hub Piloted	Steel Wheel	Cast
09-002184	Serrated M22 x 1.5	Hub Piloted		

DRIVE AXLE HUBS

FOR AXLE MODELS: Eaton 18, 23 26, 38D, 44D, D380, D381, D400 (Tag Axles 25LD, H25LD)
 Meritor RD-22-145, RS-21-145, RS-21-230, RS-23-160, RS-23-161, RS-23-180, RS-23-240, RD-23-380,
 RS-24-160, RS-26-180, RS-26-380, RT-40-145, RT-44-145, RT-46-160, RT-48-180, RT-48-380, RT-52-160,
 RT-52-180, RT-53-380, SQ100, SQR100, SSHD (Tag Axles TR, TRD, TT)

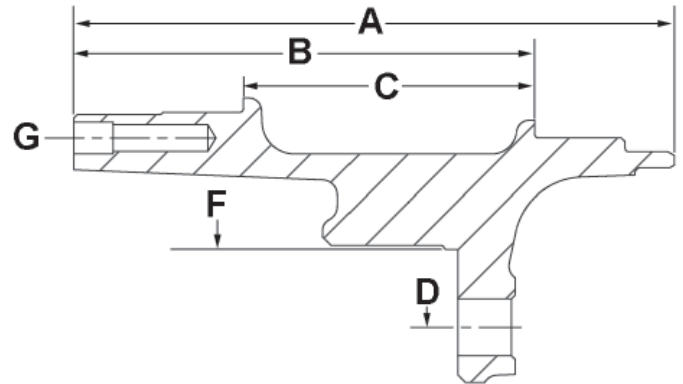
HUB NO.	DESCRIPTION	TYPE
04-15943-XXX	Drive Axle Hub Outboard Drum	10 Hole Serrated Studs

INNER BEARING

CUP	CONE	BOLT CIRCLE
592A	598A or 594A	11.25"

OUTER BEARING

CUP	CONE
572	580



DRAWING REFERENCE	ITEM	DIMENSION
A	Overall Length	9.75"
B	Outer Hub Cap face To Inner Bearing Cup Seat	7.747"
C	Distance Between Cups	4.307"
D	Bolt Circle Diameter	11.25"
E	Wheel Stud Quantity	10
F	Pilot Diameter	8.65"
G	Drive Flange Hole Pattern	8, 5/8"-11; 7.00" B.C.

HUB PILOTED - Hub Assemblies without Drum or Rotor

HUB PART NUMBER	HAND	WHEEL TYPE	DRUM TYPE	WHEEL STUD NUMBER	DRIVE FLANGE STUD NUMBER	ABS RING NUMBER
04-15943-002	RH			09-002005	08-008551	

HUB PILOTED - Hub and Rotor Assembly

HUB PART NUMBER	WHEEL TYPE	WHEEL STUD NUMBER	DRIVE FLANGE STUD NUMBER	ABS RING NUMBER	ROTOR NUMBER	ROTOR O.D.
16-15943-1000		09-002005	08-008551		23-123574-009	15.38

WHEEL STUDS USED WITH HUB IN ASSEMBLIES

WHEEL STUD NO.	THREAD TYPE SIZE	STYLE	WHEEL TYPE	USE WITH DRUM TYPE
09-002005	Serrated M22 x 1.5	Hub Piloted		

ROTORS USED WITH HUB IN ASSEMBLIES

ROTOR PART NO.	OUTSIDE DIA.	OVERALL DEPTH	BOLT CIRCLE DIA.	BOLT HOLES		
				DIAMETER	NUMBER	PILOT DIA.
23-123574-009	15.375	7.600	11.250	0.937	10	9.120

DRIVE AXLE HUBS

FOR AXLE MODELS: **GMC 150**

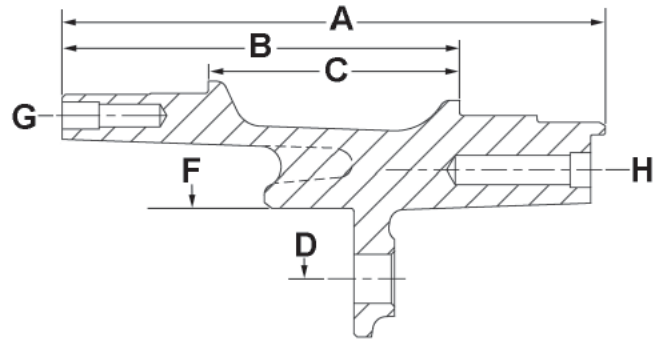
HUB NO.	DESCRIPTION	TYPE
04-15957-XXX	Drive Axle Hub Outboard Drum	8 Hole Serrated Studs

INNER BEARING

CUP	CONE	BOLT CIRCLE
33462	33287	10.827"

OUTER BEARING

CUP	CONE
3920	3982



DRAWING REFERENCE	ITEM	DIMENSION
A	Overall Length	9.91"
B	Out Hub Cap Face To Inner Bearing Cup Sheet	6.19"
C	Distance Between Cups	3.72"
D	Bolt Circle Diameter	10.827"
E	Wheel stud Quantity	8
F	Pilot Diameter	8.698"
G	Drive Flange Hole Pattern	8, 1/2"-13; 5.312" B.C.
H	Drive Flange Hole Pattern	10, 9/16"-12; 7.25" B.C.

HUB PILOTED - Hub Assemblies without Drum or Rotor

HUB PART NUMBER	HAND	WHEEL TYPE	DRUM TYPE	WHEEL STUD NUMBER	DRIVE FLANGE STUD NUMBER	ABS RING NUMBER
04-15957-1000	RH			09-001811	08-205741	

WHEEL STUDS USED WITH HUB IN ASSEMBLIES

WHEEL STUD NO.	THREAD TYPE SIZE	STYLE	WHEEL TYPE	USE WITH DRUM TYPE
09-001811	Serrated M20 x 1.5	Hub Piloted		

DRIVE FLANGE STUDS USED WITH HUB IN ASSEMBLIES

DRIVE FLANGE STUD	OVERALL LENGTH	BODY DIAMETER	THREAD SIZE	HUB END		NUT END	
				THREAD LENGTH	THREAD SIZE	THREAD LENGTH	THREAD LENGTH
08-205741	3.03"	.50"	.50"-13	1.00"	.50"-13	1.00"	

DRIVE AXLE HUBS

FOR AXLE MODELS: Dana Spicer J-190S
Eaton 17, 34D, D340
Meritor FL-100, RS-17-140, RS-17-145, RS-17-220, RT-34-145

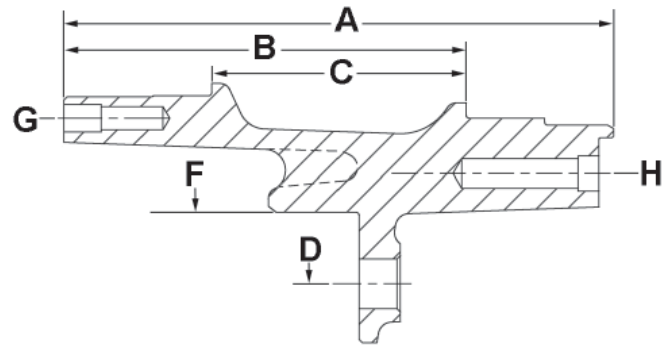
HUB NO.	DESCRIPTION	TYPE
04-15972-XXX	Drive Axle Hub Outboard Drum	8 Hole Serrated Studs

INNER BEARING

CUP	CONE	BOLT CIRCLE
47620	47686	10.827"

OUTER BEARING

CUP	CONE
39520	39590



DRAWING REFERENCE	ITEM	DIMENSION
A	Overall Length	10.64"
B	Outer Hub Cap Face To Inner Bearing Cup Seat	7.315"
C	Distance Between Cups	4.625"
D	Bolt Circle Diameter	10.827"
E	Wheel Stud Quantity	8
F	Pilot Diameter	8.689"
G	Drive Flange Hole Pattern	12, 1/2"-13; 5.25" B.C.
H	Drive Flange Hole Pattern	10, 9/16"-12; 7.25" B.C.

HUB PILOTED - Hub Assemblies without Drum or Rotor

HUB PART NUMBER	HAND	WHEEL TYPE	DRUM TYPE	WHEEL STUD NUMBER	DRIVE FLANGE STUD NUMBER	ABS RING NUMBER
04-15972-002	RH			09-001989	08-205435	

HUB PILOTED - Hub and Rotor Assembly

HUB PART NUMBER	WHEEL TYPE	WHEEL STUD NUMBER	DRIVE FLANGE STUD NUMBER	ABS RING NUMBER	ROTOR NUMBER	ROTOR O.D.
16-15972-1000		09-001989	08-205435		23-123557-009	15.38

WHEEL STUDS USED WITH HUB IN ASSEMBLIES

WHEEL STUD NO.	THREAD TYPE SIZE	STYLE	WHEEL TYPE	USE WITH DRUM TYPE
09-001989	Serrated M22 x 1.5	Hub Piloted	Steel Wheel	Cast
09-002004	Serrated M22 x 1.5	Hub Piloted	Aluminum, Steel	Cast

DRIVE FLANGE STUDS USED WITH HUB IN ASSEMBLIES

DRIVE FLANGE STUD	OVERALL LENGTH	BODY DIAMETER	HUB END		NUT END	
			THREAD SIZE	THREAD LENGTH	THREAD SIZE	THREAD LENGTH
08-205435	2.88"	.50"	.50"-13	.83"	.50"-20	.98"

ROTORS USED WITH HUB IN ASSEMBLIES

ROTOR PART NO.	OUTSIDE DIA.	OVERALL DEPTH	BOLT CIRCLE DIA.	BOLT HOLES		PILOT DIA.
				DIAMETER	NUMBER	
23-123557-009	15.375	3.400	7.250	0.594	10	6.001

DRIVE AXLE HUBS

FOR AXLE MODELS: Eaton 15040P, 15040S, 15040T
Meritor F-145, F-245, F-345, RS-15-120, RS-15-210

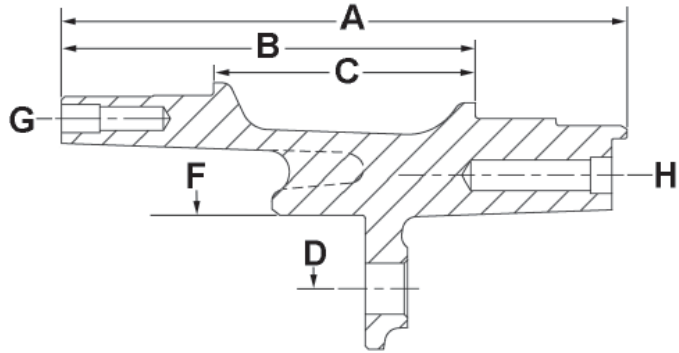
HUB NO.	DESCRIPTION	TYPE
04-15973-XXX	Drive Axle Hub Outboard Drum	8 Hole Serrated Studs

INNER BEARING

CUP	CONE	BOLT CIRCLE
33462	33287	8.858"

OUTER BEARING

CUP	CONE
3920	3982



DRAWING REFERENCE	ITEM	DIMENSION
A	Overall Length	8.576"
B	Outer Hub Cap Face To Inner Bearing Cup Seat	5.626"
C	Distance Between Cups	3.156"
D	Bolt Circle Diameter	8.858"
E	Wheel Stud Quantity	8
F	Pilot Diameter	6.691"
G	Drive Flange Hole Pattern	8, 1/2"-13; 5.312" B.C.
H	Drive Flange Hole Pattern	8, 9/16"-12; 7.25" B.C.

HUB PILOTED - Hub Assemblies without Drum or Rotor

HUB PART NUMBER	HAND	WHEEL TYPE	DRUM TYPE	WHEEL STUD NUMBER	DRIVE FLANGE STUD NUMBER	ABS RING NUMBER
04-15973-100	RH			09-002233	08-205435	

HUB PILOTED - Hub and Rotor Assembly

HUB PART NUMBER	WHEEL TYPE	WHEEL STUD NUMBER	DRIVE FLANGE STUD NUMBER	ABS RING NUMBER	ROTOR NUMBER	ROTOR O.D.
16-15973-1001		09-002233	08-205435		23-123617-009	15.38

WHEEL STUDS USED WITH HUB IN ASSEMBLIES

WHEEL STUD NO.	THREAD TYPE SIZE	STYLE	WHEEL TYPE	USE WITH DRUM TYPE
09-002233	Serrated M14 x 2	Hub Piloted	Steel	Cast

DRIVE FLANGE STUDS USED WITH HUB IN ASSEMBLIES

DRIVE FLANGE STUD	OVERALL LENGTH	BODY DIAMETER	HUB END		NUT END	
			THREAD SIZE	THREAD LENGTH	THREAD SIZE	THREAD LENGTH
08-205435	2.88"	.50"	.50"-13	.83"	.50"-20	.98"

ROTORS USED WITH HUB IN ASSEMBLIES

ROTOR PART NO.	OUTSIDE DIA.	OVERALL DEPTH	BOLT CIRCLE DIA.	BOLT HOLES		
				DIAMETER	NUMBER	PILOT DIA.
23-123617-009	15.375	3.410	7.250	.594	8	6.000

DRIVE AXLE HUBS

FOR AXLE MODELS: Dana Model 80

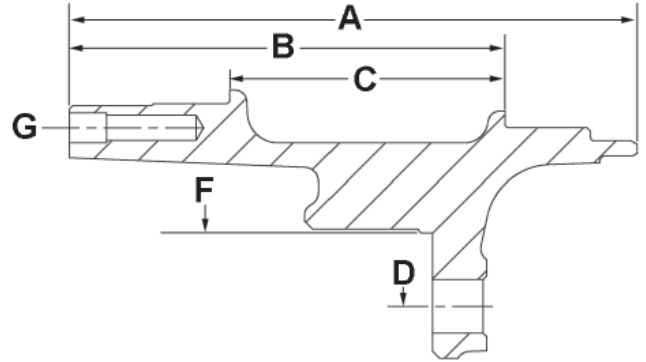
HUB NO.	DESCRIPTION	TYPE
04-15974-XXX	Drive Axle Hub Outboard Drum	6 Hole Serrated Studs

INNER BEARING

CUP	CONE	BOLT CIRCLE
JLM506810	JLM506849	8.75"

OUTER BEARING

CUP	CONE
39520	39590



DRAWING REFERENCE	ITEM	DIMENSION
A	Overall Length	6.86"
B	Outer Hub Cap Face To Inner Bearing Cup Seat	4.97"
C	Distance Between Cups	2.775"
D	Bolt Circle Diameter	8.75"
E	Wheel Stud Quantity	6
F	Pilot Diameter	6.448"
G	Drive Flange Hole Pattern	8, M12 x 1.75

HUB PILOTED - Hub Assemblies without Drum or Rotor

HUB PART NUMBER	HAND	WHEEL TYPE	DRUM TYPE	WHEEL STUD NUMBER	DRIVE FLANGE STUD NUMBER	ABS RING NUMBER
04-15974-001	LH			09-002226		
04-15974-002	RH			09-002225		

HUB PILOTED - Hub and Rotor Assembly

HUB PART NUMBER	WHEEL TYPE	WHEEL STUD NUMBER	DRIVE FLANGE STUD NUMBER	ABS RING NUMBER	ROTOR NUMBER	ROTOR O.D.
16-15974-1000		09-002225		09-002221	23-123618-002	11.96
16-15974-1001		09-002226		09-002221	23-123618-002	11.96

WHEEL STUDS USED WITH HUB IN ASSEMBLIES

WHEEL STUD NO.	THREAD TYPE SIZE	STYLE	WHEEL TYPE	USE WITH DRUM TYPE
09-002225	Serrated M20 x 1.5	Hub Piloted	Steel	Cast
09-002226	Serrated M20 x 1.5	Hub Piloted	Steel	Cast

ROTORS USED WITH HUB IN ASSEMBLIES

ROTOR PART NO.	OUTSIDE DIA.	OVERALL DEPTH	BOLT CIRCLE DIA.	BOLT HOLES		
				DIAMETER	NUMBER	PILOT DIA.
23-123618-002	11.960	6.050	7.500	.50-13 UNC	6	6.130

DRIVE AXLE HUBS

FOR AXLE MODELS: **Hino**

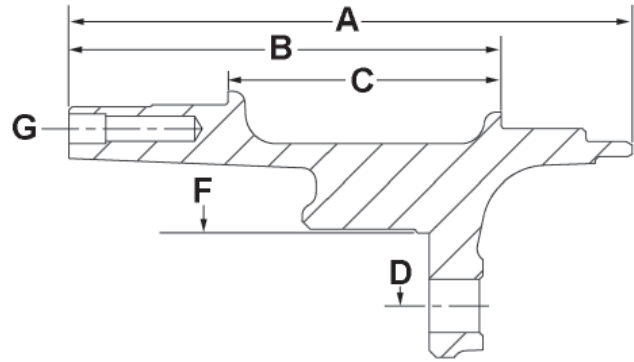
HUB NO.	DESCRIPTION	TYPE
04-15975-XXX	Drive Axle Hub Outboard Drum	8 Hole Serrated Studs

INNER BEARING

CUP	CONE	BOLT CIRCLE
JLM506810	JLM506849	8.858"

OUTER BEARING

CUP	CONE
39520	39590



DRAWING REFERENCE	ITEM	DIMENSION
A	Overall Length	6.86"
B	Outer Hub Cap Face To Inner Bearing Cup Seat	4.97"
C	Distance Between Cups	2.775"
D	Bolt Circle Diameter	8.858"
E	Wheel Stud Quantity	8
F	Pilot Diameter	6.691"
G	Drive Flange Hole Pattern	8,M12 x 1.75

HUB PILOTED - Hub Assemblies without Drum or Rotor

HUB PART NUMBER	HAND	WHEEL TYPE	DRUM TYPE	WHEEL STUD NUMBER	DRIVE FLANGE STUD NUMBER	ABS RING NUMBER
04-15975-001	RH			09-002223		

HUB PILOTED - Hub and Rotor Assembly

HUB PART NUMBER	WHEEL TYPE	WHEEL STUD NUMBER	DRIVE FLANGE STUD NUMBER	ABS RING NUMBER	ROTOR NUMBER	ROTOR O.D.
16-15975-1000		09-002223		09-002222	23-123624-007	12.75
16-15975-1001	Steel	09-002233		09-002222	23-123624-007	12.75

WHEEL STUDS USED WITH HUB IN ASSEMBLIES

WHEEL STUD NO.	THREAD TYPE SIZE	STYLE	WHEEL TYPE	USE WITH DRUM TYPE
09-002223	Serrated M14 x 2	Hub Piloted		

ROTORS USED WITH HUB IN ASSEMBLIES

ROTOR PART NO.	OUTSIDE DIA.	OVERALL DEPTH	BOLT CIRCLE DIA.	BOLT HOLES		PILOT DIA.
				DIAMETER	NUMBER	
23-123624-002	12.756	6.325	7.750	.50-13 UNC	8	6.130

DRIVE AXLE HUBS

FOR AXLE MODELS: Eaton 18, 23 26, 38D, 44D, D380, D381, D400 (Tag Axles 25LD, H25LD)
 Meritor RD-22-145, RS-21-145, RS-21-230, RS-23-160, RS-23-161, RS-23-180, RS-23-240, RD-23-380,
 RS-24-160, RS-26-180, RS-26-380, RT-40-145, RT-44-145, RT-46-160, RT-48-180, RT-48-380, RT-52-160,
 RT-52-180, RT-53-380, SQ100, SQR100, SSHD (Tag Axles TR, TRD, TT)

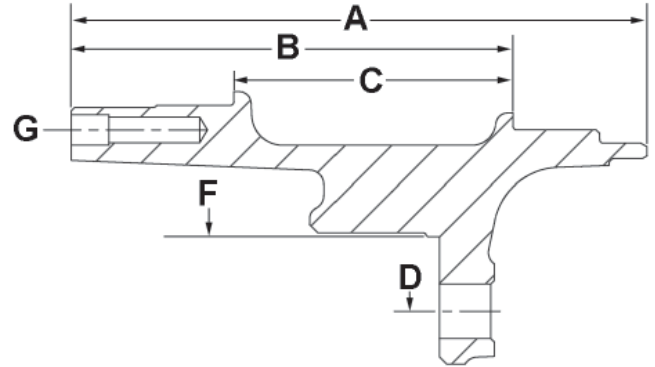
HUB NO.	DESCRIPTION	TYPE
04-15985-XXX	Drive Axle Hub Outboard Drum	10 Hole Serrated Studs

INNER BEARING

CUP	CONE	BOLT CIRCLE
592A	598A or 594A	11.25"

OUTER BEARING

CUP	CONE
572	580



DRAWING REFERENCE	ITEM	DIMENSION
A	Overall Length	9.75"
B	Outer Hub Cap Face To Inner Bearing Cup Seat	7.75"
C	Distance Between Cups	4.307"
D	Bolt Circle Diameter	11.25"
E	Wheel Stud Quantity	10
F	Pilot Diameter	8.78"
G	Drive Flange Hole Pattern	8, 5/8"-11; 7.00" B.C.

HUB PILOTED - Hub Assemblies without Drum or Rotor

HUB PART NO.	HAND	WHEEL TYPE	DRUM TYPE	WHEEL STUD NO.	DRIVE FLANGE STUD NO.	ABS RING NO.
04-15985-002	RH			09-001989		
04-15985-003	RH			09-001989		3237-H-1256
04-15985-006	RH			09-002003	08-008551	3237-H-1256

STUD PILOTED - Hub and Drum Assemblies

HUB PART NUMBER	HAND	WHEEL TYPE	DRUM TYPE	WHEEL STUD	DRIVE FLANGE STUD	ABS RING NUMBER	DRUM SIZE	DRUM NUMBER	DRUM POSITION
14-15985-1003MTB	LH	Aluminum, Steel	Cast	09-001911	08-008551	3237-H-1256	16.5 x 7	85-123652-002	Outboard

HUB PILOTED - Hub and Drum Assemblies

HUB PART NUMBER	WHEEL TYPE	DRUM TYPE	WHEEL STUD NUMBER	DRIVE FLANGE STUD	ABS RING NUMBER	DRUM SIZE	DRUM NUMBER	DRUM POSITION
14-15985-1033MTB	Steel	Cast	09-001989	08-008551	3237-H-1256	16.5 x 7	85-123207-002	Outboard

DRIVE AXLE HUBS

WHEEL STUDS USED WITH HUB IN ASSEMBLIES

WHEEL STUD NO.	THREAD TYPE SIZE	STYLE	WHEEL TYPE	USE WITH DRUM TYPE
09-001910	Serrated 3/4"-16 R	Stud Piloted	Steel Wheel	Cast
09-001911	Serrated 3/4"-16 L	Stud Piloted	Steel Wheel	Cast
09-001989	Serrated M22 x 1.5	Hub Piloted	Steel Wheel	Cast
09-002003	Serrated M22 x 1.5	Hub Piloted	Aluminum Wheel	Cast

DRIVE FLANGE STUDS USED WITH HUB IN ASSEMBLIES

DRIVE FLANGE STUD	OVERALL LENGTH	BODY DIAMETER	HUB END		NUT END	
			THREAD SIZE	THREAD LENGTH	THREAD SIZE	THREAD LENGTH
08-008551	2.94"	.63"	.63"-11	.85"	.63"-18	1.38"

DRUMS USED WITH HUB IN ASSEMBLIES

DRUM NO.	DRUM TYPE	BRAKE SIZE	OVERALL DEPTH	PILOT DIAMETER
85-123207-002	Cast MTB	16.50" x 7.00"	10.54"	8.78"
85-123652-002	Cast MTB	16.50" x 7.00"	10.54"	8.78"

DRIVE AXLE HUBS

FOR AXLE MODELS: Eaton 18, 23 26, 38D, 44D, D380, D381, D400 (Tag Axles 25LD, H25LD)
 Meritor RD-22-145, RS-21-145, RS-21-230, RS-23-160, RS-23-161, RS-23-180, RS-23-240, RD-23-380,
 RS-24-160, RS-26-180, RS-26-380, RT-40-145, RT-44-145, RT-46-160, RT-48-180, RT-48-380, RT-52-160,
 RT-52-180, RT-53-380, SQ100, SQR100, SSHD (Tag Axles TR, TRD, TT)

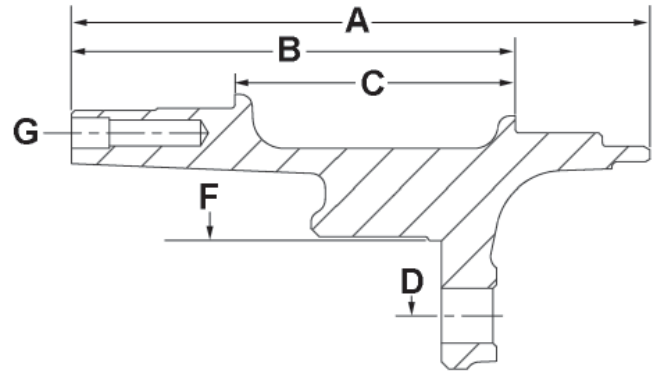
HUB NO.	DESCRIPTION	TYPE
04-16000-XXX	Drive Axle Hub Outboard Drum	10 Hole Serrated Studs

INNER BEARING

CUP	CONE	BOLT CIRCLE
592A	598A or 594A	11.25"

OUTER BEARING

CUP	CONE
572	580



DRAWING REFERENCE	ITEM	DIMENSION
A	Overall Length	8.90"
B	Outer Hub Cap Face To Inner Bearing Cup Seat	6.90"
C	Distance Between Cups	4.307"
D	Bolt Circle Diameter	11.25"
E	Wheel Stud Quantity	10
F	Pilot Diameter	8.65"
G	Drive Flange Hole Pattern	6, 5/8"-11; 7.00" B.C.

HUB PILOTED - Hub and Rotor Assembly

HUB PART NUMBER	WHEEL TYPE	WHEEL STUD NUMBER	DRIVE FLANGE STUD NUMBER	ABS RING NUMBER	ROTOR NUMBER	ROTOR O.D.
16-16000-1001		09-001728	08-008551	09-002209	23-123615-002	16.54
16-16000-1012		09-001728	08-008551	09-002209	23-123642-002	17.09

WHEEL STUDS USED WITH HUB IN ASSEMBLIES

WHEEL STUD NO.	THREAD TYPE SIZE	STYLE	WHEEL TYPE	USE WITH DRUM TYPE
09-001728	Serrated M22 x 1.5	Hub Piloted	Aluminum, Steel	Cast
09-001989	Serrated M22 x 1.5	Hub Piloted	Steel Wheel	Cast
09-002004	Serrated M22 x 1.5	Hub Piloted	Aluminum, Steel	Cast

DRIVE FLANGE STUDS USED WITH HUB IN ASSEMBLIES

DRIVE FLANGE STUD PART	OVERALL LENGTH	BODY DIAMETER	HUB END		NUT END	
			THREAD SIZE	THREAD LENGTH	THREAD SIZE	THREAD LENGTH
08-008551	2.94"	.63"	.63"-11	.85"	.63"-18	1.38"

ROTORS USED WITH HUB IN ASSEMBLIES

ROTOR PART NO.	OUTSIDE DIA.	OVERALL DEPTH	BOLT CIRCLE DIA.	BOLT HOLES		
				DIAMETER	NUMBER	PILOT DIA.
23-123615-002	16.535	6.285	10.500	.63-18 UNF	10	8.500
23-123642-002	17.087	5.644	10.500	.63-18 UNF	10	8.500

DRIVE AXLE HUBS

FOR AXLE MODELS: Eaton 18, 23 26, 38D, 44D, D380, D381, D400 (Tag Axles 25LD, H25LD)
 Meritor RD-22-145, RS-21-145, RS-21-230, RS-23-160, RS-23-161, RS-23-180, RS-23-240, RD-23-380,
 RS-24-160, RS-26-180, RS-26-380, RT-40-145, RT-44-145, RT-46-160, RT-48-180, RT-48-380, RT-52-160,
 RT-52-180, RT-53-380, SQ100, SQR100, SSHD (Tag Axles TR, TRD, TT)

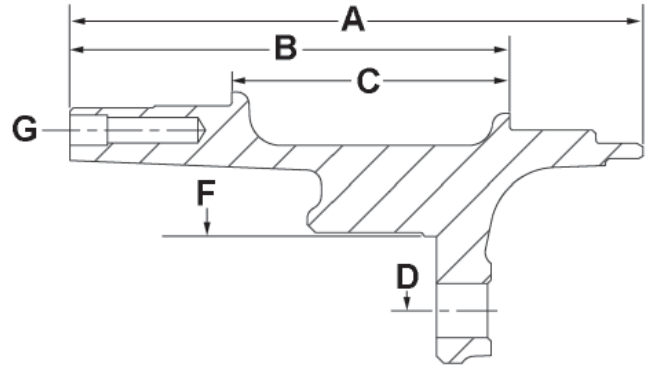
HUB NO.	DESCRIPTION	TYPE
04-16001-XXX	Drive Axle Hub Outboard Drum	10 Hole Serrated Studs

INNER BEARING

CUP	CONE	BOLT CIRCLE
592A	598A or 594A	11.25"

OUTER BEARING

CUP	CONE
572	580



DRAWING REFERENCE	ITEM	DIMENSION
A	Overall Length	9.75"
B	Outer Hub Cap Face To Inner Bearing Cup Seat	7.75"
C	Distance Between Cups	4.307"
D	Bolt Circle Diameter	11.25"
E	Wheel Stud Quantity	10
F	Pilot Diameter	8.653"
G	Drive Flange Hole Pattern	8, 5/8"-11; 7.00" B.C.

HUB PILOTED - Hub Assemblies without Drum or Rotor

HUB PART NO.	HAND	WHEEL TYPE	DRUM TYPE	WHEEL STUD	DRIVE FLANGE STUD	ABS RING
04-16001-001	RH			09-002004	08-008551	09-002209
04-16001-003	RH			09-001989	08-008551	09-002209
04-16001-005	RH			09-002003	08-008551	09-002209

HUB PILOTED - Hub and Rotor Assembly

HUB PART NO.	WHEEL TYPE	WHEEL STUD	DRIVE FLANGE STUD	ABS RING	ROTOR	ROTOR O.D.
16-16001-1002		09-001989	08-008551	09-002209	23-123642-002	17.09
16-16001-1004		09-002003	08-008551	09-002209	23-123642-002	17.09

DRIVE AXLE HUBS

WHEEL STUDS USED WITH HUB IN ASSEMBLIES

WHEEL STUD PART NUMBER	THREAD TYPE SIZE	STYLE	WHEEL TYPE	USE WITH DRUM TYPE
09-001989	Serrated M22 x 1.5	Hub Piloted	Steel Wheel	Cast
09-002003	Serrated M22 x 1.5	Hub Piloted	Aluminum Wheel	Cast
09-002004	Serrated M22 x 1.5	Hub Piloted	Aluminum, Steel	Cast

DRIVE FLANGE STUDS USED WITH HUB IN ASSEMBLIES

DRIVE FLANGE STUD	OVERALL LENGTH	BODY DIAMETER	HUB END		NUT END	
			THREAD SIZE	THREAD LENGTH	THREAD SIZE	THREAD LENGTH
08-008551	2.94"	.63"	.63"-11	.85"	.63"-18	1.38"

ROTORS USED WITH HUB IN ASSEMBLIES

ROTOR PART NO.	OUTSIDE DIA.	OVERALL DEPTH	BOLT CIRCLE DIA.	BOLT HOLES		PILOT DIA.
				DIAMETER	NUMBER	
23-123642-002	17.087	5.644	10.500	.63-18 UNF	10	8.500

DRIVE AXLE HUBS

FOR AXLE MODELS: Eaton 18, 23 26, 38D, 44D, D380, D381, D400 (Tag Axles 25LD, H25LD)
 Meritor RD-22-145, RS-21-145, RS-21-230, RS-23-160, RS-23-161, RS-23-180, RS-23-240, RD-23-380,
 RS-24-160, RS-26-180, RS-26-380, RT-40-145, RT-44-145, RT-46-160, RT-48-180, RT-48-380, RT-52-160,
 RT-52-180, RT-53-380, SQ100, SQR100, SSHD (Tag Axles TR, TRD, TT)

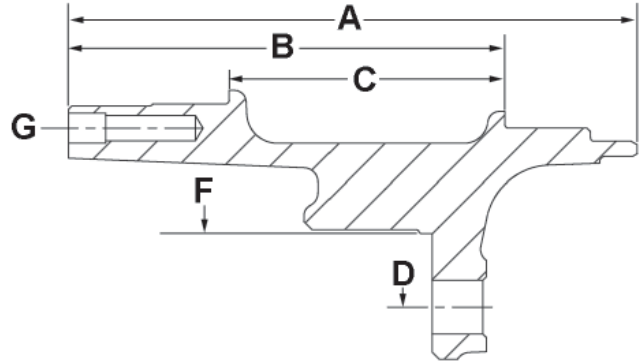
HUB NO.	DESCRIPTION	TYPE
04-16002-XXX	Drive Axle Hub Outboard Drum	8 Hole Serrated Studs

INNER BEARING

CUP	CONE	BOLT CIRCLE
592A	598A or 594A	10.827"

OUTER BEARING

CUP	CONE
572	580



DRAWING REFERENCE	ITEM	DIMENSION
A	Overall Length	8.90"
B	Outer Hub Cap Face To Inner Bearing Cup Seat	6.90"
C	Distance Between Cups	4.307"
D	Bolt Circle Diameter	10.827"
E	Wheel Stud Quantity	8
F	Pilot Diameter	8.689"
G	Drive Flange Hole Pattern	8, 5/8"-11; 7.00" B.C.

HUB PILOTED - Hub Assemblies without Drum or Rotor

HUB PART NUMBER	HAND	WHEEL TYPE	DRUM TYPE	WHEEL STUD NUMBER	DRIVE FLANGE STUD NUMBER	ABS RING NUMBER
04-16002-098-P72	RH			09-002003	08-008551	

HUB PILOTED - Hub and Rotor Assembly

HUB PART NUMBER	WHEEL TYPE	WHEEL STUD NUMBER	DRIVE FLANGE STUD NUMBER	ABS RING NUMBER	ROTOR NUMBER	ROTOR O.D.
16-16002-1000		09-002003	08-008551	3237T1242	23-123632-002	14.88

WHEEL STUDS USED WITH HUB IN ASSEMBLIES

WHEEL STUD NO.	THREAD TYPE SIZE	STYLE	WHEEL TYPE	USE WITH DRUM TYPE
09-002003	Serrated M22 x 1.5	Hub Piloted	Aluminum Wheel	Cast

DRIVE FLANGE STUDS USED WITH HUB IN ASSEMBLIES

DRIVE FLANGE STUD	OVERALL LENGTH	BODY DIAMETER	HUB END		NUT END	
			THREAD SIZE	THREAD LENGTH	THREAD SIZE	THREAD LENGTH
08-008551	2.94"	.63"	.63"-11	.85"	.63"-18	1.38"

ROTORS USED WITH HUB IN ASSEMBLIES

ROTOR PART NO.	OUTSIDE DIA.	OVERALL DEPTH	BOLT CIRCLE DIA.	BOLT HOLES		
				DIAMETER	NUMBER	PILOT DIA.
23-123632-002	14.882	6.285	10.500	.63-18 UNF	8	8.610

DRIVE AXLE HUBS

FOR AXLE MODELS: Meritor MC26000, 71163

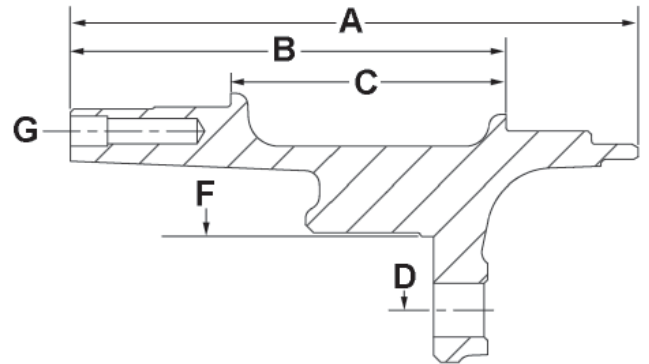
HUB NO.	DESCRIPTION	TYPE
04-16009-XXX	Drive Axle Hub Outboard Drum	10 Hole Serrated Studs

INNER BEARING

CUP	CONE	BOLT CIRCLE
653		13.189"

OUTER BEARING

CUP	CONE
6535	



DRAWING REFERENCE	ITEM	DIMENSION
A	Overall Length	9.975"
B	Outer Hub Cap Face To Inner Bearing Cup Seat	5.128"
C	Distance Between Cups	3.938"
D	Bolt Circle Diameter	13.189"
E	Wheel Stud Quantity	10
F	Pilot Diameter	11.051"
G	Drive Flange Hole Pattern	10, 9/16"-12; 7.25" B.C.

HUB PILOTED - Hub Assemblies without Drum or Rotor

HUB PART NUMBER	HAND	WHEEL TYPE	DRUM TYPE	WHEEL STUD NUMBER	DRIVE FLANGE STUD NUMBER	ABS RING NUMBER
04-16009-002	RH			09-001989	4-X-1612	
04-16009-003	RH			09-002003	4-X-1612	

HUB PILOTED - Hub and Rotor Assembly

HUB PART NUMBER	WHEEL TYPE	WHEEL STUD NUMBER	DRIVE FLANGE STUD NUMBER	ABS RING NUMBER	ROTOR NUMBER	ROTOR O.D.
16-16009-1001		09-002003	4-X-1612	09-002165	23-123647-002	17.09

WHEEL STUDS USED WITH HUB IN ASSEMBLIES

WHEEL STUD NO.	THREAD TYPE SIZE	STYLE	WHEEL TYPE	USE WITH DRUM TYPE
09-001989	Serrated M22 x 1.5	Hub Piloted	Steel Wheel	Cast
09-002003	Serrated M22 x 1.5	Hub Piloted	Aluminum Wheel	Cast

DRIVE FLANGE STUDS USED WITH HUB IN ASSEMBLIES

DRIVE FLANGE STUD	OVERALL LENGTH	BODY DIAMETER	THREAD SIZE	HUB END		NUT END	
				THREAD LENGTH	THREAD SIZE	THREAD LENGTH	THREAD LENGTH
4-X-1612	2.50"	.56"	.56"-12	.84"	.56"-18	.91"	

ROTORS USED WITH HUB IN ASSEMBLIES

ROTOR PART NO.	OUTSIDE DIA.	OVERALL DEPTH	BOLT CIRCLE DIA.	BOLT HOLES		
				DIAMETER	NUMBER	PILOT DIA.
23-123647-002	17.087	5.644	9.823	M16x2	10	7.638

DRIVE AXLE HUBS

FOR AXLE MODELS: **Meritor 61000**

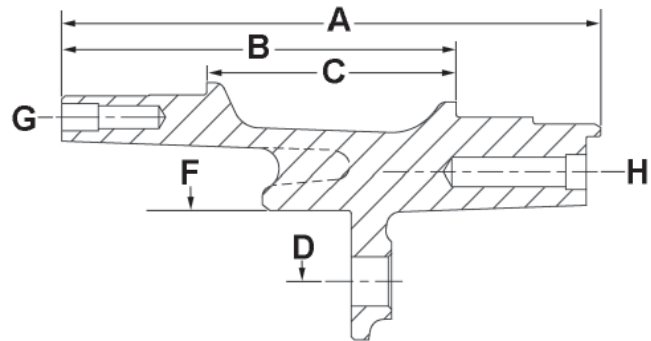
HUB NO.	DESCRIPTION	TYPE
04-16012-XXX	Drive Axle Hub Outboard Drum	10 Hole Serrated Stud

INNER BEARING

CUP	CONE	BOLT CIRCLE
653		13.189"

OUTER BEARING

CUP	CONE
6535	



DRAWING REFERENCE	ITEM	DIMENSION
A	Overall Length	8.575"
B	Outer Hub Cap Face To Inner Bearing Cup Seat	5.128"
C	Distance Between Cups	3.398"
D	Bolt Circle Diameter	13.189"
E	Wheel Stud Quantity	10
F	Pilot Diameter	11.25"
G	Drive Flange Hole Pattern	10, 9/16"-12; 7.25" B.C.
H	Drive Flange Hole Pattern	6, 5/16"-18; 6.94" B.C.

HUB PILOTED - Hub Assemblies without Drum or Rotor

HUB PART NUMBER	HAND	WHEEL TYPE	DRUM TYPE	WHEEL STUD NUMBER	DRIVE FLANGE STUD NUMBER	ABS RING NUMBER
04-16012-002	RH			09-002004	4-X-1612	
04-16012-003	RH			09-002229	4-X-1612	

WHEEL STUDS USED WITH HUB IN ASSEMBLIES

WHEEL STUD NO.	THREAD TYPE SIZE	STYLE	WHEEL TYPE	USE WITH DRUM TYPE
09-002004	Serrated M22 x 1.5	Hub Piloted	Aluminum, Steel	Cast
09-002229	Serrated M22 x 1.5	Hub Piloted		

DRIVE FLANGE STUDS USED WITH HUB IN ASSEMBLIES

DRIVE FLANGE STUD	OVERALL LENGTH	BODY DIAMETER	THREAD SIZE	HUB END		NUT END	
				THREAD LENGTH	THREAD SIZE	THREAD LENGTH	
4-X-1612	2.50"	.56"	.56"-12	.84"	.56"-18	.91"	

DRIVE AXLE HUBS

FOR AXLE MODELS: Eaton 18, 23 26, 38D, 44D, D380, D381, D400 (Tag Axles 25LD, H25LD)
 Meritor RD-22-145, RS-21-145, RS-21-230, RS-23-160, RS-23-161, RS-23-180, RS-23-240, RD-23-380,
 RS-24-160, RS-26-180, RS-26-380, RT-40-145, RT-44-145, RT-46-160, RT-48-180, RT-48-380, RT-52-160,
 RT-52-180, RT-53-380, SQ100, SQR100, SSHD (Tag Axles TR, TRD, TT)

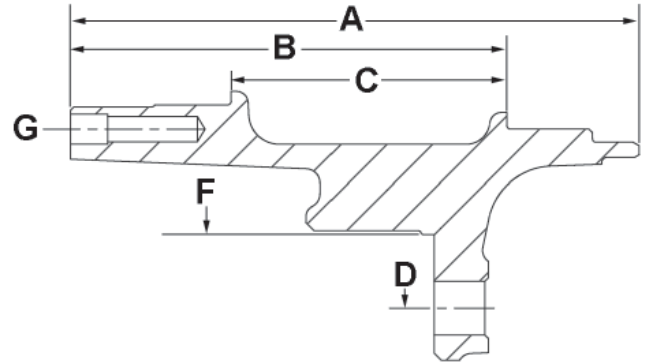
HUB NO.	DESCRIPTION	TYPE
04-16062-XXX	Drive Axle Hub Outboard Drum	10 Hole Serrated Studs

INNER BEARING

CUP	CONE	BOLT CIRCLE
592A	598A or 594A	11.25"

OUTER BEARING

CUP	CONE
572	580



DRAWING REFERENCE	ITEM	DIMENSION
A	Overall Length	9.75"
B	Outer Hub Cap Face To Inner Bearing Cup Seat	7.75"
C	Distance Between Cups	4.307"
D	Bolt Circle Diameter	11.25"
E	Wheel Stud Quantity	10
F	Pilot Diameter	8.78"
G	Drive Flange Hole Pattern	8, 5/8"-11; 7.00" B.C.

HUB PILOTED - Hub Assemblies without Drum or Rotor

HUB PART NUMBER	HAND	WHEEL TYPE	DRUM TYPE	WHEEL STUD NUMBER	DRIVE FLANGE STUD NUMBER	ABS RING NUMBER
04-16062-005	RH			09-001989	08-008551	3237-H-1256
04-16062-007	RH			09-002003	08-008551	3237-H-1256
04-16062-020	RH			09-001728	08-205740	

HUB PILOTED - Hub and Drum Assemblies

HUB PART NUMBER	WHEEL TYPE	DRUM TYPE	WHEEL STUD	DRIVE FLANGE STUD NUMBER	ABS RING NUMBER	DRUM SIZE	DRUM NUMBER	DRUM POSITION
14-16062-1000MTB	Steel	Cast	09-001728	08-205740	3237-H-1256	16.5 x 7	85-123207-002	Outboard
14-16062-1029MTB	Aluminum, Steel	Cast	09-001989	08-008551		16.5 x 7	85-123365-002	Outboard
14-16062-1030MTB	Aluminum	Cast	09-001989	08-008551	3237-H-1256	16.5 x 7	85-123365-002	Outboard

DRIVE AXLE HUBS

WHEEL STUDS USED WITH HUB IN ASSEMBLIES

WHEEL STUD NO.	THREAD TYPE SIZE	STYLE	WHEEL TYPE	USE WITH DRUM TYPE
09-001728	Serrated M22 x 1.5	Hub Piloted	Aluminum, Steel	Cast
09-001989	Serrated M22 x 1.5	Hub Piloted	Steel Wheel	Cast
09-002003	Serrated M22 x 1.5	Hub Piloted	Aluminum Wheel	Cast
09-002004	Serrated M22 x 1.5	Hub Piloted	Aluminum, Steel	Cast

DRIVE FLANGE STUDS USED WITH HUB IN ASSEMBLIES

DRIVE FLANGE STUD	OVERALL LENGTH	BODY DIAMETER	HUB END		NUT END	
			THREAD SIZE	THREAD LENGTH	THREAD SIZE	THREAD LENGTH
08-008551	2.94"	.63"	.63"-11	.85"	.63"-18	1.38"
08-205740	2.94"	.63"	.63"-11	.86"	.63"-11	1.38"

DRUMS USED WITH HUB IN ASSEMBLIES

DRUM NO.	DRUM TYPE	BRAKE SIZE	OVERALL DEPTH	PILOT DIAMETER
85-123207-002	Cast MTB	16.50" x 7.00"	10.54"	8.78"
85-123365-002	Cast MTB	16.50" x 7.00"	10.59"	8.78"

FRONT AXLE HUBS

FOR AXLE MODELS: Dana Spicer I-100, I-120, I-140, W15
 Eaton EFA-12F3, EFA-12F4, EFA-13F4
 Meritor FF-931, FF-941, FF-942, FF-943, FF-944, FF-961, FG-931, FG-900, FG-941, FG-943
 Westport F3W-1200, F3W-1400, F6W-1200, F6W-1400

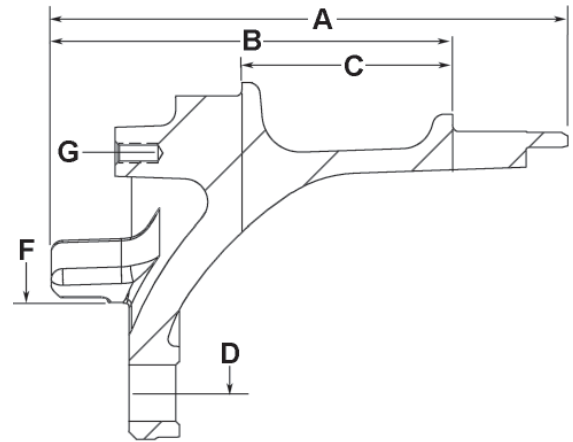
HUB NO.	DESCRIPTION	TYPE
05-15633-XXX	Front Axle Hub Outboard Drum	10 Hole Serrated Studs

INNER BEARING

CUP	CONE	BOLT CIRCLE
HM212011	HM212047 or HM212049	11.25"

OUTER BEARING

CUP	CONE
3720	3782



DRAWING REFERENCE	ITEM	DIMENSION
A	Overall Length	8.127"
B	Outer Hub Cap Face To Inner Bearing Cup Seat	4.44"
C	Distance Between Cups	3.375"
D	Bolt Circle Diameter	11.25"
E	Wheel Stud Quantity	10
F	Pilot Diameter	8.77"
G	Drive Flange Hole Pattern	6, 5/16"-18; 4.50" B.C.

STUD PILOTED - Hub Assemblies without Drum or Rotor

HUB PART NUMBER	HAND	WHEEL TYPE	DRUM TYPE	WHEEL STUD	ABS RING NUMBER
05-15633-002	RH			09-001999	
05-15633-003	LH			09-002000	

WHEEL STUDS USED WITH HUB IN ASSEMBLIES

WHEEL STUD NO.	THREAD TYPE SIZE	STYLE	WHEEL TYPE	USE WITH DRUM TYPE
09-001925	Serrated 1-1/8"-16 R	Stud Piloted	Steel	Cast
09-001926	Serrated 1-1/8"-16 L	Stud Piloted	Steel	Cast
09-001999	Serrated 1-1/8"-16 R	Stud Piloted	Aluminum	Cast
09-002000	Serrated 1-1/8"-16 R	Stud Piloted	Aluminum	Cast

DRUMS USED WITH HUB IN ASSEMBLIES

DRUM NO.	DRUM TYPE	BRAKE SIZE	OVERALL DEPTH	PILOT DIAMETER
85-123420-002	Cast MTB	15.00" x 4.00"	8.85"	8.78"

FRONT AXLE HUBS

FOR AXLE MODELS: Dana Spicer I-100, I-120, I-140, W15
 Eaton EFA-12F3, EFA-12F4, EFA-13F4
 Meritor FF-931, FF-941, FF-942, FF-943, FF-944, FF-961, FG-931, FG-900, FG-941, FG-943
 Westport F3W-1200, F3W-1400, F6W-1200, F6W-1400

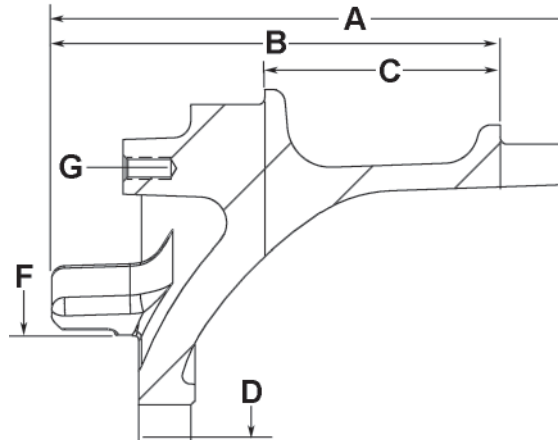
HUB NO.	DESCRIPTION	TYPE
05-15756-XXX	Front Axle Hub Outboard Drum	10 Hole Serrated Studs

INNER BEARING

CUP	CONE	BOLT CIRCLE
HM212011	HM212047 or HM212049	13.189"

OUTER BEARING

CUP	CONE
3720	3782



DRAWING REFERENCE	ITEM	DIMENSION
A	Overall Length	8.49"
B	Outer Hub Cap Face To Inner Bearing Cup Seat	5.41"
C	Distance Between Cups	3.375"
D	Bolt Circle Diameter	13.189"
E	Wheel Stud Quantity	10
F	Pilot Diameter	11.25"
G	Drive Flange Hole Pattern	6, 5/16"-18; 5.50" B.C.

HUB PILOTED - Hub Assemblies without Drum or Rotor

HUB PART NUMBER	WHEEL TYPE	DRUM TYPE	WHEEL STUD	ABS RING NUMBER
05-15756-002			09-001727	09-001866
05-15756-003			09-001988	09-001866

HUB PILOTED - Hub and Drum Assemblies

HUB PART NUMBER	WHEEL TYPE	DRUM TYPE	WHEEL STUD NUMBER	ABS RING NUMBER	DRUM SIZE	DRUM NUMBER	DRUM POSITION
15-15756-102	Steel	Cast	09-001988		16.5 x 5	13-123219-002	Outboard
15-15756-300	Steel	Cast	09-001988	09-001866	16.5 x 6	13-123302-002	Outboard
15-15756-301	Aluminum	Cast	09-001727	09-001866	16.5 x 6	13-123302-002	Outboard

WHEEL STUDS USED WITH HUB IN ASSEMBLIES

WHEEL STUD NO.	THREAD TYPE SIZE	STYLE	WHEEL TYPE	USE WITH DRUM TYPE
09-001727	Serrated M22 x 1.5	Hub Piloted	Aluminum Wheel	X30
09-001988	Serrated M22 x 1.5	Hub Piloted	Steel	Cast

DRUMS USED WITH HUB IN ASSEMBLIES

DRUM NO.	DRUM TYPE	BRAKE SIZE	OVERALL DEPTH	PILOT DIAMETER
13-123219-002	Cast Weld-to-Balance	16.50" x 5.00"	9.16"	11.25"
13-123302-002	Cast Balanced	16.50" x 6.00"	9.75"	11.25"

FRONT AXLE HUBS

FOR AXLE MODELS: GMC

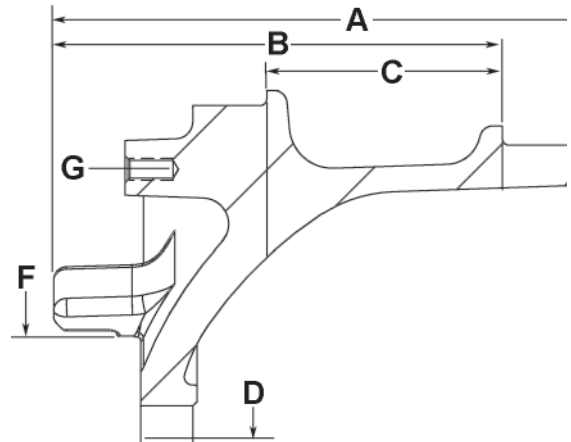
HUB NO.	DESCRIPTION	TYPE
05-15863-XXX	Front Axle Hub Outboard Drum	10 Hole Serrated Studs

INNER BEARING

CUP	CONE	BOLT CIRCLE
JM205110		11.25"

OUTER BEARING

CUP	CONE
JF7010	



DRAWING REFERENCE	ITEM	DIMENSION
A	Overall Length	8.73"
B	Outer Hub Cap Face To Inner Bearing Cup Seat	3.85"
C	Distance Between Cups	2.086"
D	Bolt Circle Diameter	11.25"
E	Wheel Stud Quantity	10
F	Pilot Diameter	8.777"
G	Drive Flange Hole Pattern	6, 5/16"-18; 4.50" B.C.

HUB PART NUMBER	ABS RING NUMBER	COMMENTS
05-15863-002		Wheel studs not included
05-15863-003	09-002046	

FRONT AXLE HUBS

FOR AXLE MODELS: Hino

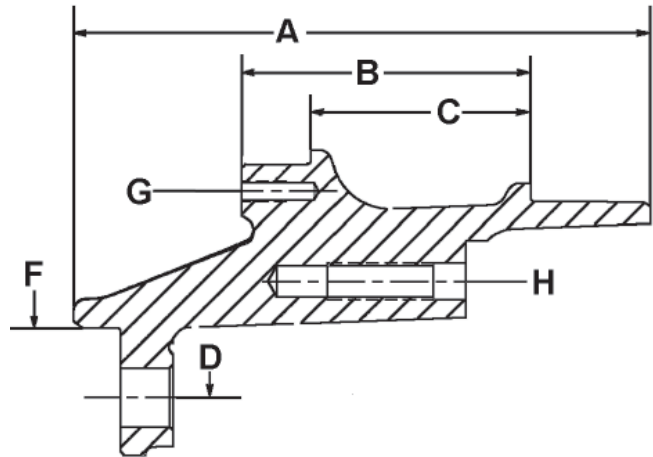
HUB NO.	DESCRIPTION	TYPE
05-15871-XXX	Front Axle Hub Outboard Drum	8 Hole Serrated Studs

INNER BEARING

CUP	CONE	BOLT CIRCLE
JM205110		10.827"

OUTER BEARING

CUP	CONE
Y32207	



DRAWING REFERENCE	ITEM	DIMENSION
A	Overall Length	8.45"
B	Outer Hub Cap Face To Inner Bearing Cup Seat	3.69"
C	Distance Between Cups	6.767"
D	Bolt Circle Diameter	10.827"
E	Wheel Stud Quantity	8
F	Pilot Diameter	8.69"
G	Drive Flange Hole Pattern	6, 5/16"-18; 4.50" B.C.
H	Rotor Mounting Hole Pattern	5, 5/8"-11; 6.75" B.C.

HUB PART NUMBER	ABS RING NUMBER	COMMENTS
05-15871-002		Wheel studs not included
05-15871-003	09-002122	

FRONT AXLE HUBS

FOR AXLE MODELS: GMC

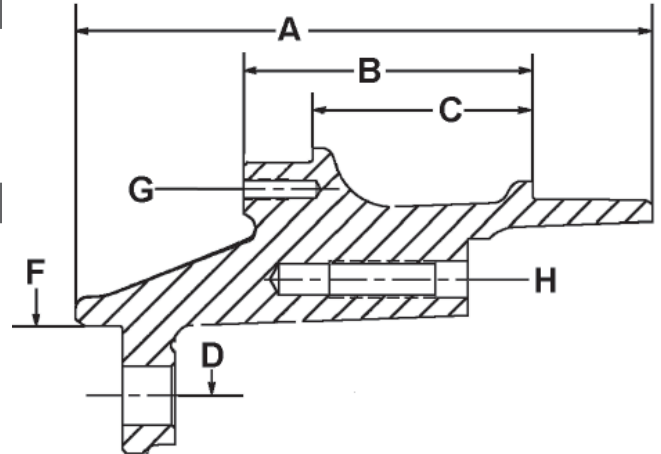
HUB NO.	DESCRIPTION	TYPE
05-15873-XXX	Front Axle Hub Outboard Drum	10 Hole Serrated Studs

INNER BEARING

CUP	CONE	BOLT CIRCLE
JM205110		11.25"

OUTER BEARING

CUP	CONE
Y32207	



DRAWING REFERENCE	ITEM	DIMENSION
A	Overall Length	8.649"
B	Outer Hub Cap Face To Inner Bearing Cup Seat	3.709"
C	Distance Between Cups	1.744"
D	Bolt Circle Diameter	11.25"
E	Wheel Stud Quantity	10
F	Pilot Diameter	8.649"
G	Drive Flange Hole Pattern	6, 5/16"-18; 4.50 B.C.
H	Rotor Mounting Hole Pattern	5, 5/8"-11; 6.75" B.C.

HUB PART NUMBER	ABS RING NUMBER	COMMENTS
05-15873-002		Wheel studs not included
05-15873-003	09-002122	

FRONT AXLE HUBS

FOR AXLE MODELS: **GMC**

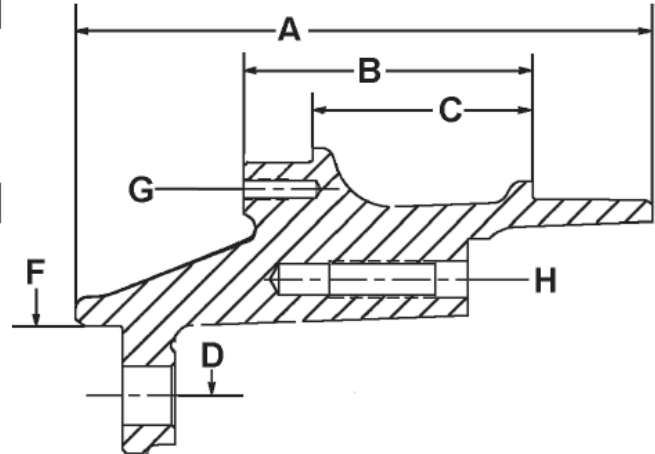
HUB NO.	DESCRIPTION	TYPE
05-15874-XXX	Front Axle Hub Outboard Drum	10 Hole Serrated Studs

INNER BEARING

CUP	CONE	BOLT CIRCLE
Y33212		11.25"

OUTER BEARING

CUP	CONE
Y32208	



DRAWING REFERENCE	ITEM	DIMENSION
A	Overall Length	8.965"
B	Outer Hub Cap Face To Inner Bearing Cup Seat	3.679"
C	Distance Between Cups	2.054"
D	Bolt Circle Diameter	11.25"
E	Wheel Stud Quantity	10
F	Pilot Diameter	8.647"
G	Drive Flange Hole Pattern	6, 5/16"-18; 4.50" B.C.
H	Rotor Mounting Hole Pattern	10, 9/16"-12; 7.25" B.C.

HUB PART NUMBER	ABS RING NUMBER	COMMENTS
05-15874-003	09-002121	

FRONT AXLE HUBS

FOR AXLE MODELS: Dana Spicer I-100, I-120, I-140, W15
 Eaton EFA-12F3, EFA-12F4, EFA-13F4
 Meritor FF-931, FF-941, FF-942, FF-943, FF-944, FF-961, FG-931, FG-900, FG-941, FG-943
 Westport F3W-1200, F3W-1400, F6W-1200, F6W-1400

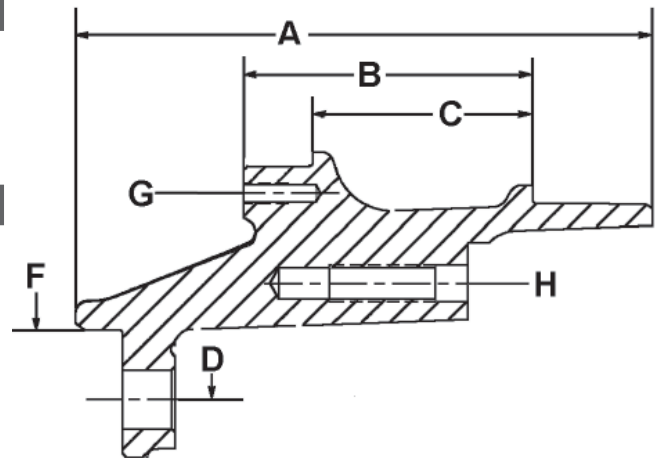
HUB NO.	DESCRIPTION	TYPE
05-15897-XXX	Front Axle Hub Outboard Drum	10 Hole Serrated Studs

INNER BEARING

CUP	CONE	BOLT CIRCLE
HM212011	HM212047 or HM212049	11.25"

OUTER BEARING

CUP	CONE
3720	3782



DRAWING REFERENCE	ITEM	DIMENSION
A	Overall Length	8.26"
B	Outer Hub Cap Face To Inner Bearing Cup Seat	4.33"
C	Distance Between Cups	3.38"
D	Bolt Circle Diameter	11.25"
E	Wheel Stud Quantity	10
F	Pilot Diameter	8.65"
G	Drive Flange Hole Pattern	6, 5/16"-18; 4.50" B.C.
H	Rotor Mounting Hole Pattern	10, 9/16"-12; 7.25" B.C.

STUD PILOTED - Hub Assemblies without Drum or Rotor

HUB PART NUMBER	HAND	WHEEL TYPE	DRUM TYPE	WHEEL STUD	ABS RING NUMBER
05-15897-002	RH			09-001910	
05-15897-003	LH			09-001911	
05-15897-008	RH			20-X-2551	
05-15897-009	LH			20-X-2552	

HUB PILOTED - Hub Assemblies without Drum or Rotor

HUB PART NUMBER	WHEEL TYPE	DRUM TYPE	WHEEL STUD	ABS RING NUMBER
05-15897-004			09-001958	
05-15897-005			09-001988	

WHEEL STUDS USED WITH HUB IN ASSEMBLIES

WHEEL STUD NO.	THREAD TYPE SIZE	STYLE	WHEEL TYPE	USE WITH DRUM TYPE
09-001910	Serrated 3/4"-16 R	Stud Piloted	Steel Wheel	Cast
09-001911	Serrated 3/4"-16 L	Stud Piloted	Steel Wheel	Cast
09-001958	Serrated M22 x 1.5	Hub Piloted		
09-001988	Serrated M22 x 1.5	Hub Piloted	Steel	Cast
20-X-2551	Serrated 3/4"-16 R	Stud Piloted		
20-X-2552	Serrated 3/4"-16 L	Stud Piloted		

FRONT AXLE HUBS

FOR AXLE MODELS: Dana Spicer I-160, I-180, I-200, I-220
Meritor FG-942, FL-931, FL-941, FL-943, FL-951

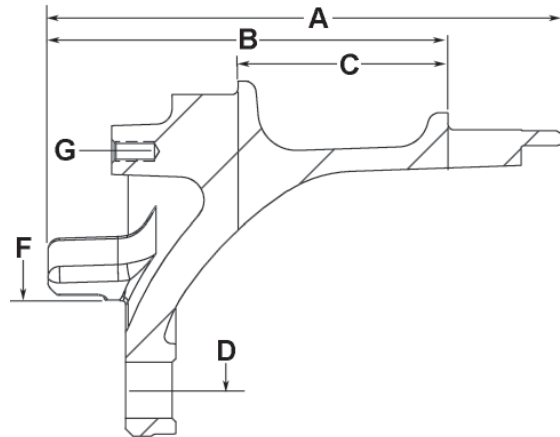
HUB NO.	DESCRIPTION	TYPE
05-15903-XXX	Front Axle Hub Outboard Drum	10 Hole Serrated Stud

INNER BEARING

CUP	CONE	BOLT CIRCLE
6420	6461A	11.25"

OUTER BEARING

CUP	CONE
552A	555S



DRAWING REFERENCE	ITEM	DIMENSION
A	Overall Length	6.89"
B	Outer Hub Cap Face To Inner Bearing Cup Seat	4.145"
C	Distance Between Cups	2.335"
D	Bolt Circle Diameter	11.25"
E	Wheel Stud Quantity	10
F	Pilot Diameter	8.65"
G	Drive Flange Hole Pattern	6, 3/8"-16; 6.00 B.C.

HUB PILOTED - Hub Assemblies without Drum or Rotor

HUB PART NUMBER	WHEEL TYPE	DRUM TYPE	WHEEL STUD	ABS RING NUMBER
05-15903-030			09-001988	09-002166

HUB PILOTED - Hub and Rotor Assemblies

HUB PART NUMBER	WHEEL TYPE	WHEEL STUD NUMBER	ABS RING NUMBER	ROTOR NUMBER	ROTOR O.D.
17-15903-050		09-001988	09-002166	23-123547-002	17.24

WHEEL STUDS USED WITH HUB IN ASSEMBLIES

WHEEL STUD NO.	THREAD TYPE SIZE	STYLE	WHEEL TYPE	USE WITH DRUM TYPE
09-001988	Serrated M22 x 1.5	Hub Piloted	Steel	Cast

ROTORS USED WITH HUB IN ASSEMBLIES

ROTOR PART NO.	OUTSIDE DIA.	OVERALL DEPTH	BOLT CIRCLE DIA.	BOLT HOLES		PILOT DIA.
				DIAMETER	NUMBER	
23-123547-002	17.240	5.640	9.823	.63-18 UNF	10	7.630

FRONT AXLE HUBS

FOR AXLE MODELS: Dana Spicer I-160, I-180, I-200, I-220
 Eaton EFA-18F3, EFA-20T2, EFA-22T2/T5, EFA-24T2/T5
 Meritor FG-942, FL-931, FL-941, FL-943, FL-951

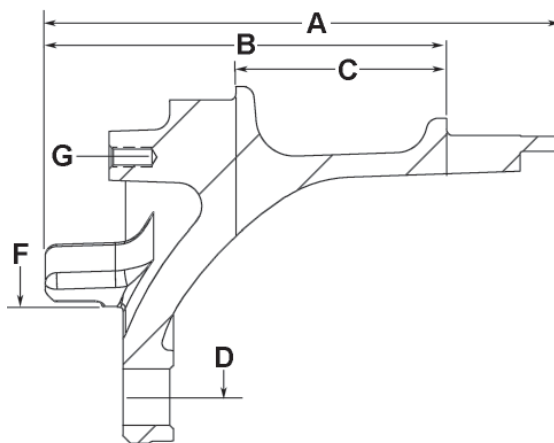
HUB NO.	DESCRIPTION	TYPE
05-15925-XXX	Front Axle Hub Outboard drum	10 Hole Serrated Studs

INNER BEARING

CUP	CONE	BOLT CIRCLE
6420	6461A	11.25"

OUTER BEARING

CUP	CONE
552A	555S



DRAWING REFERENCE	ITEM	DIMENSION
A	Overall Length	7.29"
B	Outer Hub Cap Face To Inner Bearing Cup Seat	4.146"
C	Distance Between Cups	2.335"
D	Bolt Circle Diameter	11.25"
E	Wheel Stud Quantity	10
F	Pilot Diameter	8.777"
G	Drive Flange Hole Pattern	6, 3/8"-16; 6.00" B.C.

STUD PILOTED - Hub Assemblies without Drum or Rotor

HUB PART NUMBER	HAND	WHEEL TYPE	DRUM TYPE	WHEEL STUD	ABS RING NUMBER
05-15925-002	RH			09-001999	09-002134
05-15925-003	LH			09-002000	09-002134
05-15925-004	RH			09-002173	09-002134

WHEEL STUDS USED WITH HUB IN ASSEMBLIES

WHEEL STUD NO.	THREAD TYPE SIZE	STYLE	WHEEL TYPE	USE WITH DRUM TYPE
09-001999	Serrated 1-1/8"-16 R	Stud Piloted	Aluminum	Cast
09-002000	Serrated 1-1/8"-16 R	Stud Piloted	Aluminum	Cast
09-002173	Serrated 7/8"-14 R	Stud Piloted	Steel	Cast

FRONT AXLE HUBS

FOR AXLE MODELS: Meritor FC-941

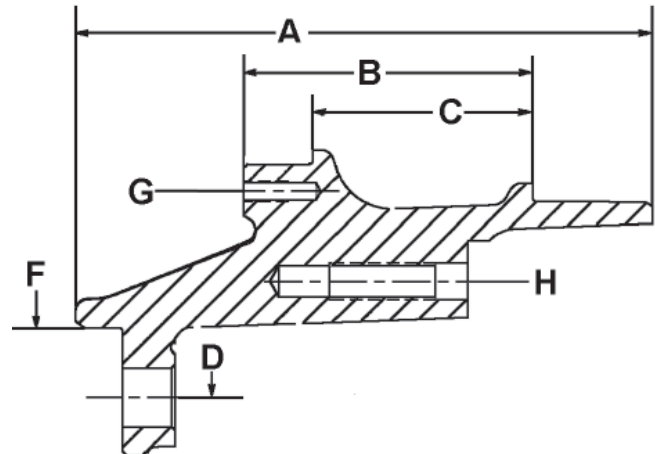
HUB NO.	DESCRIPTION	TYPE
05-15931-XXX	Front Axle Hub Outboard Drum	8 Hole Serrated Studs

INNER BEARING

CUP	CONE	BOLT CIRCLE
JM207010	JM207049	10.827"

OUTER BEARING

CUP	CONE
25820	25878



DRAWING REFERENCE	ITEM	DIMENSION
A	Overall Length	8.26"
B	Outer Hub Cap Face To Inner Bearing Cup Seat	4.36"
C	Distance Between Cups	2.92"
D	Bolt Circle Diameter	10.827"
E	Wheel Stud Quantity	8
F	Pilot Diameter	8.689"
G	Drive Flange Hole Pattern	4, 5/16"-18; 3.625" B.C.
H	Rotor Mounting Hole Pattern	5, 3/4"-10; 6.75" B.C.

HUB PILOTED - Hub Assemblies without Drum or Rotor

HUB PART NUMBER	WHEEL TYPE	DRUM TYPE	WHEEL STUD	ABS RING NUMBER
05-15931-002			09-001958	
05-15931-003			09-001988	

WHEEL STUDS USED WITH HUB IN ASSEMBLIES

WHEEL STUD NO.	THREAD TYPE SIZE	STYLE	WHEEL TYPE	USE WITH DRUM TYPE
09-001958	Serrated M22 x 1.5	Hub Piloted		
09-001988	Serrated M22 x 1.5	Hub Piloted	Steel	Cast

ROTORS USED WITH HUB IN ASSEMBLIES

ROTOR PART NO.	OUTSIDE DIA.	OVERALL DEPTH	BOLT CIRCLE DIA.	BOLT HOLES		PILOT DIA.
				DIAMETER	NUMBER	
23-123573-009	15.000	3.500	6.750	0.781	5	5.400

FRONT AXLE HUBS

FOR AXLE MODELS: Dana, ITE

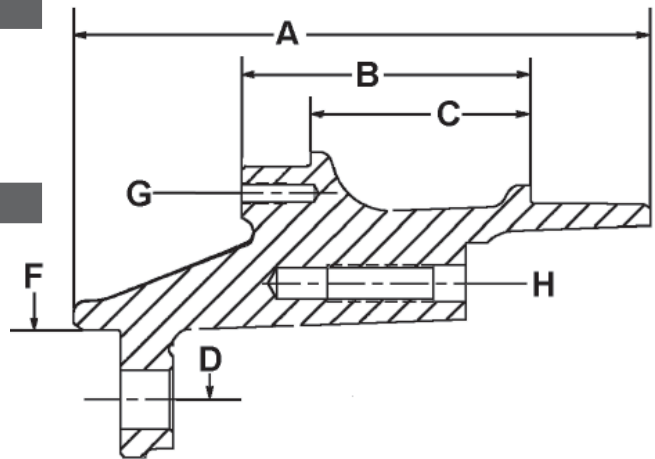
HUB NO.	DESCRIPTION	TYPE
05-15932-XXX	Front Axle Hub Outboard Drum	8 Hole Serrated Studs

INNER BEARING

CUP	CONE	BOLT CIRCLE
JM205110	JM207049	10.827"

OUTER BEARING

CUP	CONE
25820	25878



DRAWING REFERENCE	ITEM	DIMENSION
A	Overall Length	8.26"
B	Outer Hub Cap Face To Inner Bearing Cup Seat	4.40"
C	Distance Between Cups	2.96"
D	Bolt Circle Diameter	10.827"
E	Wheel Stud Quantity	8
F	Pilot Diameter	8.689"
G	Drive Flange Hole Pattern	4, 5/16"-18; 3.625" B.C.
H	Rotor Mounting Hole Pattern	5, 3/4"-10; 6.75" B.C.

HUB PILOTED - Hub Assemblies without Drum or Rotor

HUB PART NUMBER	WHEEL TYPE	DRUM TYPE	WHEEL STUD	ABS RING NUMBER
05-15932-002			09-001958	
05-15932-003			09-001988	

WHEEL STUDS USED WITH HUB IN ASSEMBLIES

WHEEL STUD NO.	THREAD TYPE SIZE	STYLE	WHEEL TYPE	USE WITH DRUM TYPE
09-001958	Serrated M22 x 1.5	Hub Piloted		
09-001988	Serrated M22 x 1.5	Hub Piloted	Steel	Cast

ROTORS USED WITH HUB IN ASSEMBLIES

ROTOR PART NO.	OUTSIDE DIA.	OVERALL DEPTH	BOLT CIRCLE DIA.	BOLT HOLES		PILOT DIA.
				DIAMETER	NUMBER	
23-123573-009	15.000	3.500	6.750	0.781	5	5.400

FRONT AXLE HUBS

FOR AXLE MODELS: Dana I-75, I-80
Meritor FC-931, FC-941
Navistar 02ADB, 02101, 02103, 02104

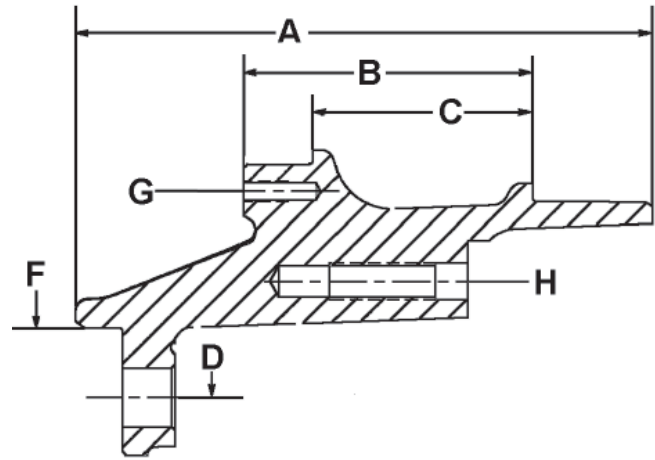
HUB NO.	DESCRIPTION	TYPE
05-15935-XXX	Front Axle Hub Outboard Drum	10 Hole Serrated Studs

INNER BEARING

CUP	CONE	BOLT CIRCLE
JM207010	JM207049 (A)	11.250"

OUTER BEARING

CUP	CONE
25820	25877



DRAWING REFERENCE	ITEM	DIMENSION
A	Overall Length	8.34"
B	Outer Hub Cap Face To Inner Bearing Cup Seat	4.36"
C	Distance Between Cups	2.92"
D	Bolt Circle Diameter	11.25"
E	Wheel Stud Quantity	10
F	Pilot Diameter	8.65"
G	Drive Flange Hole Pattern	4, 5/16"-18; 3.625" B.C.
H	Rotor Mounting Hole Pattern	5, 3/4"-10; 6.75" B.C.

STUD PILOTED - Hub Assemblies without Drum or Rotor

HUB PART NUMBER	HAND	WHEEL TYPE	DRUM TYPE	WHEEL STUD	ABS RING NUMBER
05-15935-002	RH			09-001997	
05-15935-003	LH			09-001998	

HUB PILOTED - Hub Assemblies without Drum or Rotor

HUB PART NUMBER	WHEEL TYPE	DRUM TYPE	WHEEL STUD	ABS RING NUMBER
05-15935-004			09-001958	
05-15935-005			09-001988	

WHEEL STUDS USED WITH HUB IN ASSEMBLIES

WHEEL STUD NO.	THREAD TYPE SIZE	STYLE	WHEEL TYPE	USE WITH DRUM TYPE
09-001958	Serrated M22 x 1.5	Hub Piloted		
09-001988	Serrated M22 x 1.5	Hub Piloted	Steel	Cast
09-001997	Serrated 3/4"-16 R	Stud Piloted		
09-001998	Serrated 3/4"-16 L	Stud Piloted		

ROTORS USED WITH HUB IN ASSEMBLIES

ROTOR PART NO.	OUTSIDE DIA.	OVERALL DEPTH	BOLT CIRCLE DIA.	BOLT HOLES		
				DIAMETER	NUMBER	PILOT DIA.
23-123573-009	15.000	3.500	6.750	0.781	5	5.400

FRONT AXLE HUBS

FOR AXLE MODELS: Meritor FC-941

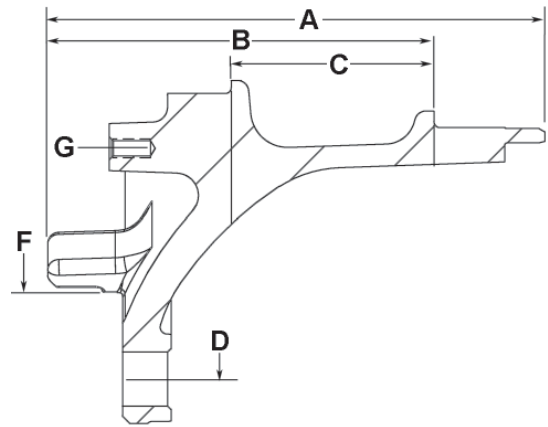
HUB NO.	DESCRIPTION	TYPE
05-15938-XXX	Front Axle Hub Outboard Drum	10 Hole Serrated Studs

INNER BEARING

CUP	CONE	BOLT CIRCLE
JM207010	JM207049	11.25"

OUTER BEARING

CUP	CONE
25820	25878



DRAWING REFERENCE	ITEM	DIMENSION
A	Overall Length	8.64"
B	Outer Hub Cap Face To Inner Bearing Cup Seat	4.36"
C	Distance Between Cups	2.92"
D	Bolt Circle Diameter	11.25"
E	Wheel Stud Quantity	10
F	Pilot Diameter	8.777"
G	Drive Flange Hole Pattern	4, 5/16"-18; 3.625" B.C.

HUB PILOTED - Hub Assemblies without Drum or Rotor

HUB PART NUMBER	WHEEL TYPE	DRUM TYPE	WHEEL STUD	ABS RING NUMBER
05-15938-1001			09-001989	3237K1259
05-15938-1002			09-002002	3237M1261

HUB PILOTED - Hub and Drum Assemblies

HUB PART NUMBER	WHEEL TYPE	DRUM TYPE	WHEEL STUD NUMBER	ABS RING NUMBER	DRUM SIZE	DRUM NUMBER	DRUM POSITION
15-15938-1003MTB	Steel	Cast	09-002002	3237M1261	15 x 5	85-123465-002	Outboard

WHEEL STUDS USED WITH HUB IN ASSEMBLIES

WHEEL STUD NO.	THREAD TYPE SIZE	STYLE	WHEEL TYPE	USE WITH DRUM TYPE
09-001989	Serrated M22 x 1.5	Hub Piloted	Steel Wheel	Cast
09-002002	Serrated M22 x 1.5	Hub Piloted	Steel Wheel	X30

DRUMS USED WITH HUB IN ASSEMBLIES

DRUM NO.	DRUM TYPE	BRAKE SIZE	OVERALL DEPTH	PILOT DIAMETER
85-123465-002	Cast MTB	15.00" x 5.00"	10.08"	8.78"

FRONT AXLE HUBS

FOR AXLE MODELS: Meritor FC-941

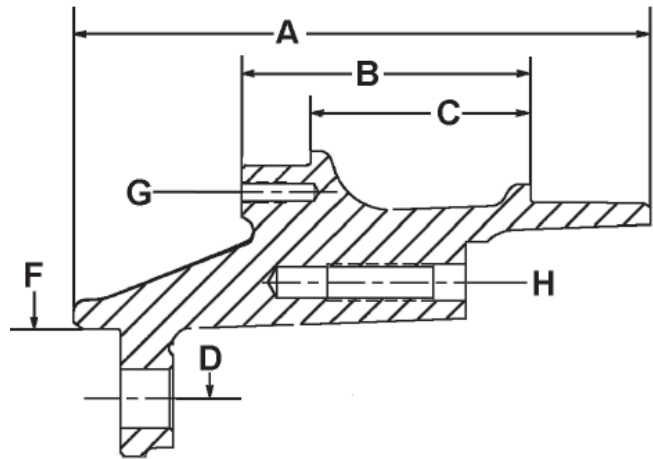
HUB NO.	DESCRIPTION	TYPE
05-15946-XXX	Front Axle Hub Outboard Drum	8 Hole Serrated Studs

INNER BEARING

CUP	CONE	BOLT CIRCLE
JM207010	JM207049	10.827"

OUTER BEARING

CUP	CONE
25820	25878



DRAWING REFERENCE	ITEM	DIMENSION
A	Overall Length	8.55"
B	Outer Hub Cap Face To Inner Bearing Cup Seat	4.36"
C	Distance Between Cups	2.92"
D	Bolt Circle Diameter	10.827"
E	Wheel Stud Quantity	8
F	Pilot Diameter	8.689"
G	Drive Flange Hole Pattern	4, 5/16"-18; 3.625" B.C.
H	Rotor Mounting Hole Pattern	10, 9/16"-12; 7.25" B.C.

HUB PILOTED - Hub and Rotor Assemblies

HUB PART NUMBER	WHEEL TYPE	WHEEL STUD NUMBER	ABS RING NUMBER	ROTOR NUMBER	ROTOR O.D.
17-15946-1000		09-002013		23-123557-009	15.38

WHEEL STUDS USED WITH HUB IN ASSEMBLIES

WHEEL STUD NO.	THREAD TYPE SIZE	STYLE	WHEEL TYPE	USE WITH DRUM TYPE
09-002013	Serrated M22 x 1.5	Hub Piloted		

ROTORS USED WITH HUB IN ASSEMBLIES

ROTOR PART NO.	OUTSIDE DIA.	OVERALL DEPTH	BOLT CIRCLE DIA.	BOLT HOLES		PILOT DIA.
				DIAMETER	NUMBER	
23-123557-009	15.375	3.400	7.250	0.594	10	6.001

FRONT AXLE HUBS

FOR AXLE MODELS: Dana Spicer I-100, I-120, I-140, W15
 Eaton EFA-12F3, EFA-12F4, EFA-13F4
 Meritor FF-931, FF-941, FF-942, FF-943, FF-944, FF-961, FG-931, FG-900, FG-941, FG-943
 Westport F3W-1200, F3W-1400, F6W-1200, F6W-1400

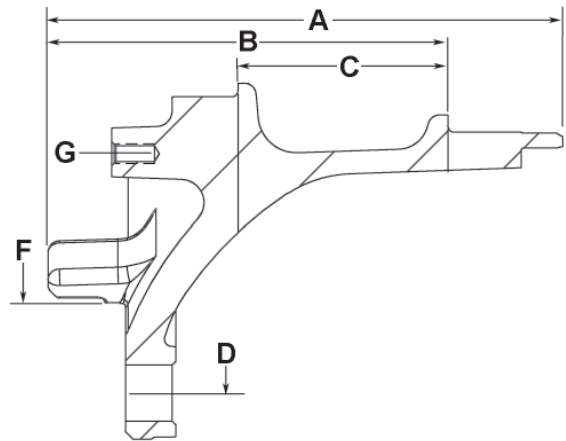
HUB NO.	DESCRIPTION	TYPE
05-15954-XXX	Front Axle Hub Outboard Drum	10 Hole Serrated Studs

INNER BEARING

CUP	CONE	BOLT CIRCLE
HM212011	HM212047 or HM212049	11.25"

OUTER BEARING

CUP	CONE
3720	3782



DRAWING REFERENCE	ITEM	DIMENSION
A	Overall Length	8.40"
B	Outer Hub Cap Face To Inner Bearing Cup Seat	4.435"
C	Distance Between Cups	3.375"
D	Bolt Circle Diameter	11.25"
E	Wheel Stud Quantity	10
F	Pilot Diameter	8.777"
G	Drive Flange Hole Pattern	6, 5/16"-18; 4.50" B.C.

HUB PILOTED - Hub Assemblies without Drum or Rotor

HUB PART NUMBER	WHEEL TYPE	DRUM TYPE	WHEEL STUD	ABS RING NUMBER
05-15954-005			09-001988	3237L1260
05-15954-006			09-001989	3237L1260

HUB PILOTED - Hub and Drum Assemblies

HUB PART NUMBER	WHEEL TYPE	DRUM TYPE	WHEEL STUD NUMBER	ABS RING NUMBER	DRUM SIZE	DRUM NUMBER	DRUM POSITION
15-15954-1015MTB	Steel	Cast	09-001988	3237L1260	16.5 x 6	85-123400-002	Outboard

WHEEL STUDS USED WITH HUB IN ASSEMBLIES

WHEEL STUD NO.	THREAD TYPE SIZE	STYLE	WHEEL TYPE	USE WITH DRUM TYPE
09-001988	Serrated M22 x 1.5	Hub Piloted	Steel	Cast
09-001989	Serrated M22 x 1.5	Hub Piloted	Steel Wheel	Cast
09-002002	Serrated M22 x 1.5	Hub Piloted	Steel Wheel	X30

DRUMS USED WITH HUB IN ASSEMBLIES

DRUM NO.	DRUM TYPE	BRAKE SIZE	OVERALL DEPTH	PILOT DIAMETER
85-123396-002	Cast MTB	15.00" x 4.00"	8.97"	8.78"
R930135	Cast MTB	16.50" x 6.00"	9.52"	8.78"
85-123463-002	Cast MTB	16.50" x 5.00"	9.63"	8.78"
85-123400-002	Cast MTB	16.50" x 6.00"	9.81"	8.78"

FRONT AXLE HUBS

FOR AXLE MODELS: Meritor FC-941

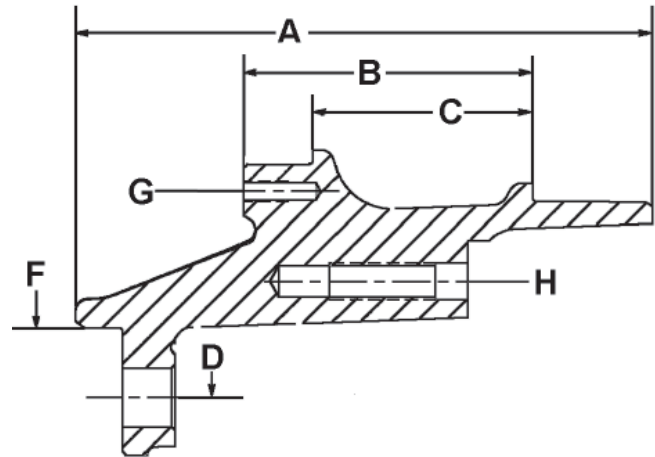
HUB NO.	DESCRIPTION	TYPE
05-15955-XXX	Front Axle Hub Outboard Drum	10 Hole Serrated Studs

INNER BEARING

CUP	CONE	BOLT CIRCLE
JM207010	JM207049	10.827"

OUTER BEARING

CUP	CONE
25820	25878



DRAWING REFERENCE	ITEM	DIMENSION
A	Overall Length	8.41"
B	Outer Hub Cap Face To Inner Bearing Cup Seat	4.36"
C	Distance Between Cups	2.92"
D	Bolt Circle Diameter	10.827"
E	Wheel Stud Quantity	10
F	Pilot Diameter	8.689"
G	Drive Flange Hole Pattern	4, 5/16"-18; 3.634" B.C.
H	Rotor Mounting Hole Pattern	10, 9/16"-12; 7.25" B.C.

HUB PILOTED - Hub Assemblies without Drum or Rotor

HUB PART NUMBER	WHEEL TYPE	DRUM TYPE	WHEEL STUD	ABS RING NUMBER
05-15955-1000			09-001826	

WHEEL STUDS USED WITH HUB IN ASSEMBLIES

WHEEL STUD NO.	THREAD TYPE SIZE	STYLE	WHEEL TYPE	USE WITH DRUM TYPE
09-001826	Serrated M20 x 1.5	Hub Piloted		

ROTORS USED WITH HUB IN ASSEMBLIES

ROTOR PART NO.	OUTSIDE DIA.	OVERALL DEPTH	BOLT CIRCLE DIA.	BOLT HOLES		
				DIAMETER	NUMBER	PILOT DIA.
23-123557-009	15.375	3.400	7.250	0.594	10	6.001

FRONT AXLE HUBS

FOR AXLE MODELS: Meritor FC-941

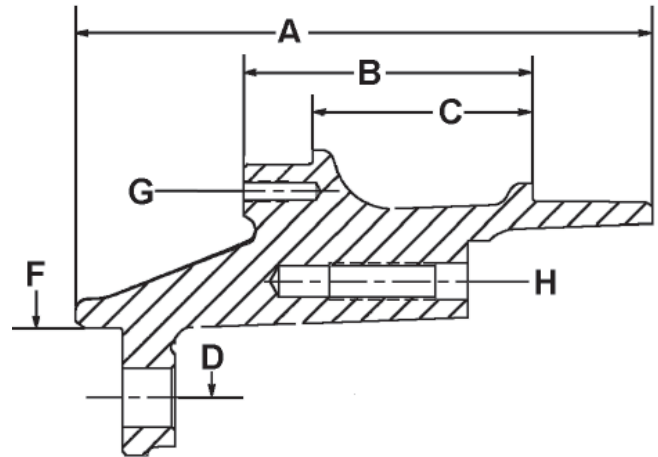
HUB NO.	DESCRIPTION	TYPE
05-15964-XXX	Front Axle Hub Outboard Drum	10 Hole Serrated Studs\

INNER BEARING

CUP	CONE	BOLT CIRCLE
JM207010	JM207049	11.250"

OUTER BEARING

CUP	CONE
25820	25878



DRAWING REFERENCE	ITEM	DIMENSION
A	Overall Length	8.64"
B	Outer Hub Cap Face To Inner Bearing Cup Seat	4.36"
C	Distance Between Cups	2.92"
D	Bolt Circle Diameter	11.25"
E	Wheel Stud Quantity	10
F	Pilot Diameter	8.65"
G	Drive Flange Hole Pattern	4, 5/16"-18; 3.625" B.C.
H	Rotor Mounting Hole Pattern	10, 9/16"-12; 7.25" B.C.

HUB PILOTED - Hub Assemblies without Drum or Rotor

HUB PART NUMBER	WHEEL TYPE	DRUM TYPE	WHEEL STUD	ABS RING NUMBER
05-15964-1057			09-001988	
05-15964-1058			09-002013	

HUB PILOTED - Hub and Rotor Assemblies

HUB PART NUMBER	WHEEL TYPE	WHEEL STUD NUMBER	ABS RING NUMBER	ROTOR NUMBER	ROTOR O.D.
17-15964-1006		09-002013		23-123557-009	15.38

WHEEL STUDS USED WITH HUB IN ASSEMBLIES

WHEEL STUD NO.	THREAD TYPE SIZE	STYLE	WHEEL TYPE	USE WITH DRUM TYPE
09-001988	Serrated M22 x 1.5	Hub Piloted	Steel	Cast
09-002013	Serrated M22 x 1.5	Hub Piloted		

ROTORS USED WITH HUB IN ASSEMBLIES

ROTOR PART NO.	OUTSIDE DIA.	OVERALL DEPTH	BOLT CIRCLE DIA.	BOLT HOLES		PILOT DIA.
				DIAMETER	NUMBER	
23-123557-009	15.375	3.400	7.250	0.594	10	6.001

FRONT AXLE HUBS

FOR AXLE MODELS: Dana Spicer I-100, I-120, I-140, W15
 Eaton EFA-12F3, EFA-12F4, EFA-13F4
 Meritor FF-931, FF-941, FF-942, FF-943, FF-944, FF-961, FG-931, FG-900, FG-941, FG-943
 Westport F3W-1200, F3W-1400, F6W-1200, F6W-1400

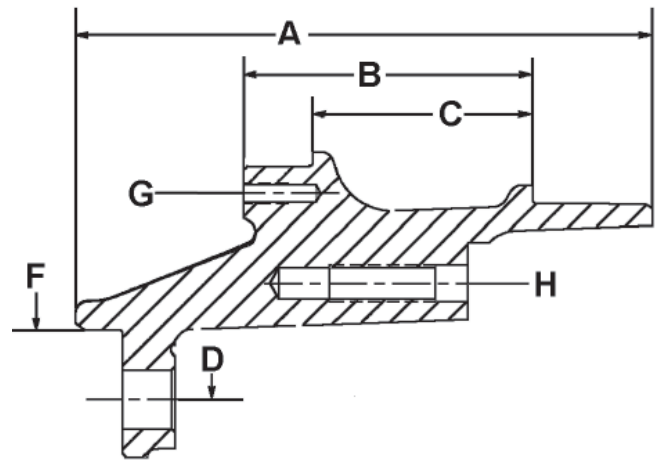
HUB NO.	DESCRIPTION	TYPE
05-15967-XXX	Front Axle Hub Outboard Drum	8 Hole Serrated Studs

INNER BEARING

CUP	CONE	BOLT CIRCLE
HM212011	HM212047 or HM212049	10.827"

OUTER BEARING

CUP	CONE
3720	3782



DRAWING REFERENCE	ITEM	DIMENSION
A	Overall Length	8.92"
B	Outer Hub Cap Face To Inner Bearing Cup Seat	4.45"
C	Distance Between Cups	3.375"
D	Bolt Circle Diameter	10.827"
E	Wheel Stud Quantity	8
F	Pilot Diameter	8.689"
G	Drive Flange Hole Pattern	6. 5/16"-18; 4.5-" B.C.
H	Rotor Mounting Hole Pattern	10, 9/16"-12; 7.25" B.C.

HUB PILOTED - Hub Assemblies without Drum or Rotor

HUB PART NUMBER	WHEEL TYPE	DRUM TYPE	WHEEL STUD	ABS RING NUMBER
05-15967-1001			09-001826	

WHEEL STUDS USED WITH HUB IN ASSEMBLIES

WHEEL STUD NO.	THREAD TYPE SIZE	STYLE	WHEEL TYPE	USE WITH DRUM TYPE
09-001826	Serrated M20 x 1.5	Hub Piloted		

ROTORS USED WITH HUB IN ASSEMBLIES

ROTOR PART NO.	OUTSIDE DIA.	OVERALL DEPTH	BOLT CIRCLE DIA.	BOLT HOLES		
				DIAMETER	NUMBER	PILOT DIA.
23-123557-009	15.375	3.400	7.250	0.594	10	6.001

FRONT AXLE HUBS

FOR AXLE MODELS: Hino

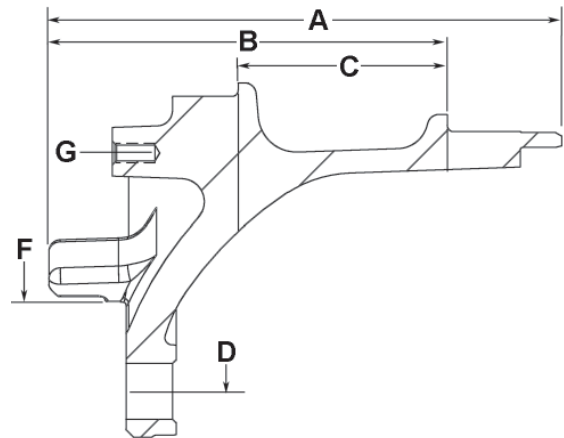
HUB NO.	DESCRIPTION	TYPE
05-15976-XXX	Front Axle Hub Outboard Drum	8 Hole Serrated Studs

INNER BEARING

CUP	CONE	BOLT CIRCLE
LM48510		8.858"

OUTER BEARING

CUP	CONE
25520	



DRAWING REFERENCE	ITEM	DIMENSION
A	Overall Length	6.587"
B	Outer Hub Cap Face To Inner Bearing Cup Seat	3.956"
C	Distance Between Cups	2.516"
D	Bolt Circle Diameter	8.858"
E	Wheel Stud Quantity	8
F	Pilot Diameter	6.691"
G	Drive Flange Hole Pattern	4, 5/16"-18; 3.625" B.C.

HUB PILOTED - Hub Assemblies without Drum or Rotor

HUB PART NUMBER	WHEEL TYPE	DRUM TYPE	WHEEL STUD	ABS RING NUMBER
05-15976-002			09-002232	09-002217
05-15977-002			09-002225	09-002220

HUB PILOTED - Hub and Rotor Assemblies

HUB PART NUMBER	WHEEL TYPE	WHEEL STUD NUMBER	ABS RING NUMBER	ROTOR NUMBER	ROTOR OUTSIDE DIAMETER
17-15976-1001		09-002252	09-002217	23-123625-002	12.76

WHEEL STUDS USED WITH HUB IN ASSEMBLIES

WHEEL STUD NO.	THREAD TYPE SIZE	STYLE	WHEEL TYPE	USE WITH DRUM TYPE
09-002232	Serrated M14 x 2	Hub Piloted	Steel	Cast

ROTORS USED WITH HUB IN ASSEMBLIES

ROTOR PART NO.	OUTSIDE DIA.	OVERALL DEPTH	BOLT CIRCLE DIA.	BOLT HOLES		PILOT DIA.
				DIAMETER	NUMBER	
23-123625-002	12.76	4.63	8,00	.50-13 UNC	8	6.502

FRONT AXLE HUBS

FOR AXLE MODELS: Hino

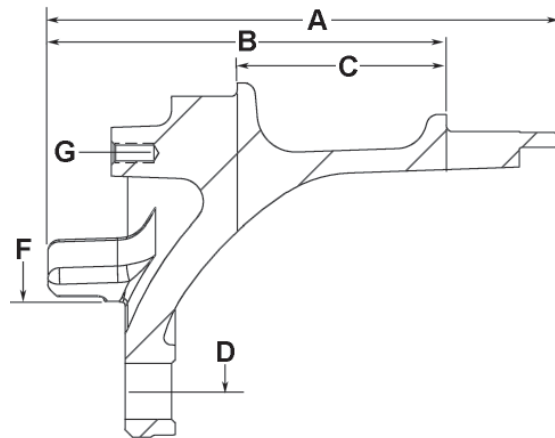
HUB NO.	DESCRIPTION	TYPE
05-15977-XXX	Front Axle Hub Outboard Drum	6 Hole Serrated Studs

INNER BEARING

CUP	CONE	BOLT CIRCLE
LM48510		8.75"

OUTER BEARING

CUP	CONE
25520	



DRAWING REFERENCE	ITEM	DIMENSION
A	Overall Length	6.945"
B	Outer Hub Cap Face To Inner Bearing Cup Seat	4.365"
C	Distance Between Cups	2.516"
D	Bolt Circle Diameter	8.75"
E	Wheel Stud Quantity	6
F	Pilot Diameter	6.448"
G	Drive Flange Hole Pattern	4, 5/16"-18; 3.625" B.C.

HUB PILOTED - Hub Assemblies without Drum or Rotor

HUB PART NUMBER	WHEEL TYPE	DRUM TYPE	WHEEL STUD	ABS RING NUMBER
05-15977-002			09-002225	09-002220

HUB PILOTED - Hub and Rotor Assemblies

HUB PART NUMBER	WHEEL TYPE	WHEEL STUD NUMBER	ABS RING NUMBER	ROTOR NUMBER	ROTOR O.D.
17-15977-1000		09-002225	09-002220	23-123626-002	11.96
17-15977-1001		09-002226	09-002220	23-123626-002	11.96

WHEEL STUDS USED WITH HUB IN ASSEMBLIES

WHEEL STUD NO.	THREAD TYPE SIZE	STYLE	WHEEL TYPE	USE WITH DRUM TYPE
09-002225	Serrated M20 x 1.5	Hub Piloted	Steel	Cast
09-002226	Serrated M20 x 1.5	Hub Piloted	Steel	Cast

ROTORS USED WITH HUB IN ASSEMBLIES

ROTOR PART NO.	OUTSIDE DIA.	OVERALL DEPTH	BOLT CIRCLE DIA.	BOLT HOLES		
				DIAMETER	NUMBER	PILOT DIA.
23-123626-002	11.960	4.640	7.500	.50-13 UNC	6	6.502

FRONT AXLE HUBS

FOR AXLE MODELS: Dana Spicer I-160, I-180, I-200, I-220
 Eaton EFA-18F3, EFA-20T2, EFA-22T2/T5, EFA-24T2/T5
 Meritor FG-942, FL-931, FL-941, FL-943, FL-951

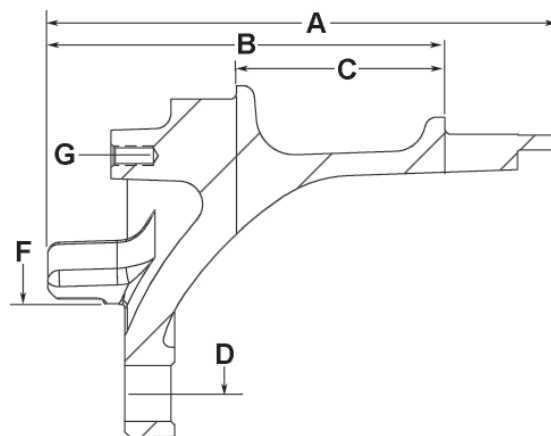
HUB NO.	DESCRIPTION	TYPE
05-15988-XXX	Front Axle Hub Outboard Drum	10 Hole Serrated Studs

INNER BEARING

CUP	CONE	BOLT CIRCLE
6420	6461A	11.25"

OUTER BEARING

CUP	CONE
552A	555S



DRAWING REFERENCE	ITEM	DIMENSION
A	Overall Length	7.741"
B	Outer Hub Cap Face To Inner Bearing Cup Seat	4.841"
C	Distance Between Cups	3.031"
D	Bolt Circle Diameter	11.25"
E	Wheel Stud Quantity	10
F	Pilot Diameter	8.65"
G	Drive Flange Hole Pattern	6,5/16"-18; 5.50" B.C.

HUB PILOTED - Hub Assemblies without Drum or Rotor

HUB PART NUMBER	WHEEL TYPE	DRUM TYPE	WHEEL STUD	ABS RING NUMBER
05-15988-001			09-001727	09-002206

HUB PILOTED - Hub and Rotor Assemblies

HUB PART NUMBER	WHEEL TYPE	WHEEL STUD NUMBER	ABS RING NUMBER	ROTOR NUMBER	ROTOR OUTSIDE DIAMETER
17-15988-1001		09-002005	09-002206	23-123642-002	17.09
17-15988-1002		09-001988	09-002206	23-123642-002	17.09

WHEEL STUDS USED WITH HUB IN ASSEMBLIES

WHEEL STUD NO.	THREAD TYPE SIZE	STYLE	WHEEL TYPE	USE WITH DRUM TYPE
09-001727	Serrated M22 x 1.5	Hub Piloted	Aluminum Wheel	X30
09-001988	Serrated M22 x 1.5	Hub Piloted	Steel	Cast
09-002005	Serrated M22 x 1.5	Hub Piloted		

ROTORS USED WITH HUB IN ASSEMBLIES

ROTOR PART NO.	OUTSIDE DIA.	OVERALL DEPTH	BOLT CIRCLE DIA.	BOLT HOLES		PILOT DIA.
				DIAMETER	NUMBER	
23-123642-002	17.087	5.644	10.500	.63-18 UNF	10	8.500

FRONT AXLE HUBS

FOR AXLE MODELS: Dana Spicer I-160, I-180, I-200, I-220
 Eaton EFA-18F3, EFA-20T2, EFA-22T2/T5, EFA-24T2/T5
 Meritor FG-942, FL-931, FL-941, FL-943, FL-951

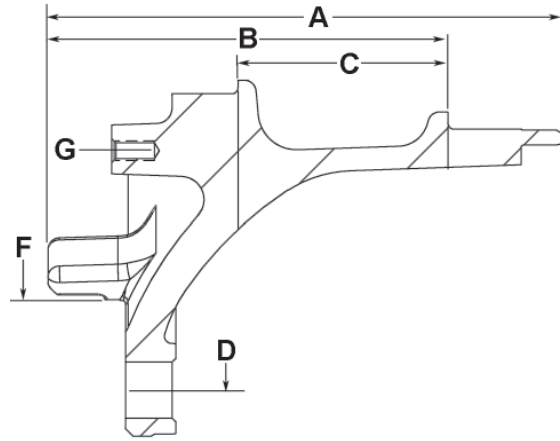
HUB NO.	DESCRIPTION	TYPE
05-15996-XXX	Front Axle Hub Outboard Drum	10 Hole Serrated Studs

INNER BEARING

CUP	CONE	BOLT CIRCLE
6420	6461A	13.19"

OUTER BEARING

CUP	CONE
552A	555S



DRAWING REFERENCE	ITEM	DIMENSION
A	Overall Length	7.79"
B	Outer Hub Cap Face To Inner Bearing Cup Seat	4.146"
C	Distance Between Cups	2.335"
D	Bolt Circle Diameter	13.19"
E	Wheel Stud Quantity	10
F	Pilot Diameter	11.25"
G	Drive Flange Hole Pattern	6' 3/8"-16; 6.00" B.C.

HUB PILOTED - Hub Assemblies without Drum or Rotor

HUB PART NUMBER	WHEEL TYPE	DRUM TYPE	WHEEL STUD	ABS RING NUMBER
05-15996-002			09-002002	09-002134
05-15996-003			09-001727	09-002134

HUB PILOTED - Hub and Drum Assemblies

HUB PART NUMBER	WHEEL TYPE	DRUM TYPE	WHEEL STUD NUMBER	ABS RING NUMBER	DRUM SIZE	DRUM NUMBER	DRUM POSITION
15-15996-1000MTB	Aluminum, Steel	Cast	09-002002	09-002134	16.5 x 6	85-123561-002	Outboard
15-15996-1002MTB	Aluminum, Steel	Cast	09-002002	09-002134	16.5 x 6	85-123561-002	Outboard

WHEEL STUDS USED WITH HUB IN ASSEMBLIES

WHEEL STUD NO.	THREAD TYPE SIZE	STYLE	WHEEL TYPE	USE WITH DRUM TYPE
09-001727	Serrated M22 x 1.5	Hub Piloted	Aluminum Wheel	X30
09-002002	Serrated M22 x 1.5	Hub Piloted	Steel Wheel	X30

DRUMS USED WITH HUB IN ASSEMBLIES

DRUM NO.	DRUM TYPE	BRAKE SIZE	OVERALL DEPTH	PILOT DIAMETER
85-123561-002	Cast MTB	16.50" x 6.00"	9.83"	11.71"

FRONT AXLE HUBS

FOR AXLE MODELS: Ford 7000 Early Design

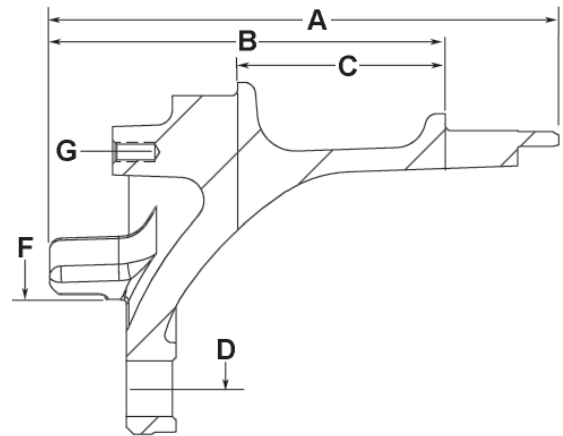
HUB NO.	DESCRIPTION	TYPE
05-15997-XXX	Front Axle Hub Outboard Drum	8 Hole Serrated Studs

INNER BEARING

CUP	CONE	BOLT CIRCLE
45220		10.827"

OUTER BEARING

CUP	CONE
25820	



DRAWING REFERENCE	ITEM	DIMENSION
A	Overall Length	6.95"
B	Outer Hub Cap Face To Inner Bearing Cup Seat	4.47"
C	Distance Between Cups	3.125"
D	Bolt Circle Diameter	10.827"
E	Wheel Stud Quantity	8
F	Pilot Diameter	8.691"
G	Drive Flange Hole Pattern	4,5/16"-18; 3.62" B.C.

HUB PILOTED - Hub and Rotor Assemblies

HUB PART NUMBER	WHEEL TYPE	WHEEL STUD NUMBER	ABS RING NUMBER	ROTOR NUMBER	ROTOR O.D.
17-15997-1000		09-001988	09-002139	23-123522-002	15.56

WHEEL STUDS USED WITH HUB IN ASSEMBLIES

WHEEL STUD NO.	THREAD TYPE SIZE	STYLE	WHEEL TYPE	USE WITH DRUM TYPE
09-001998	Serrated 3/4"-16 L	Stud Piloted		

ROTORS USED WITH HUB IN ASSEMBLIES

ROTOR PART NO.	OUTSIDE DIA.	OVERALL DEPTH	BOLT CIRCLE DIA.	BOLT HOLES		PILOT DIA.
				DIAMETER	NUMBER	
23-123522-009	15.00	4.44	7.25	.594	10	6.00

FRONT AXLE HUBS

FOR AXLE MODELS: Ford 7000

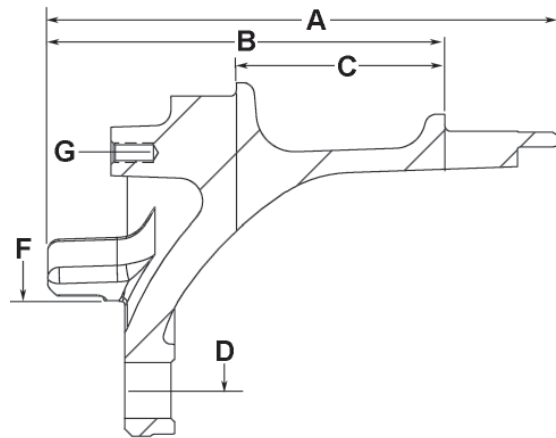
HUB NO.	DESCRIPTION	TYPE
05-16005-XXX	Front Axle Hub Outboard Drum	10 Hole Serrated Studs

INNER BEARING

CUP	CONE	BOLT CIRCLE
45220		8.858"

OUTER BEARING

CUP	CONE
25820	



DRAWING REFERENCE	ITEM	DIMENSION
A	Overall Length	7.42"
B	Outer Hub Cap Face To Inner Bearing Cup Seat	4.46"
C	Distance Between Cups	3.125"
D	Bolt Circle Diameter	8.858"
E	Wheel Stud Quantity	10
F	Pilot Diameter	6.69"
G	Drive Flange Hole Pattern	4, 5/16"-18; 3.62" B.C.

HUB PILOTED - Hub Assemblies without Drum or Rotor

HUB PART NUMBER	WHEEL TYPE	DRUM TYPE	WHEEL STUD	ABS RING NUMBER
05-16005-002			09-002216	09-002227

WHEEL STUDS USED WITH HUB IN ASSEMBLIES

WHEEL STUD NO.	THREAD TYPE SIZE	STYLE	WHEEL TYPE	USE WITH DRUM TYPE
09-002216	Serrated M14 x 1.5	Hub Piloted		

FRONT AXLE HUBS

FOR AXLE MODELS: Dana Spicer I-160, I-180, I-200, I-220
 Eaton EFA-18F3, EFA-20T2, EFA-22T2/T5, EFA-24T2/T5
 Meritor FG-942, FL-931, FL-941, FL-943, FL-951

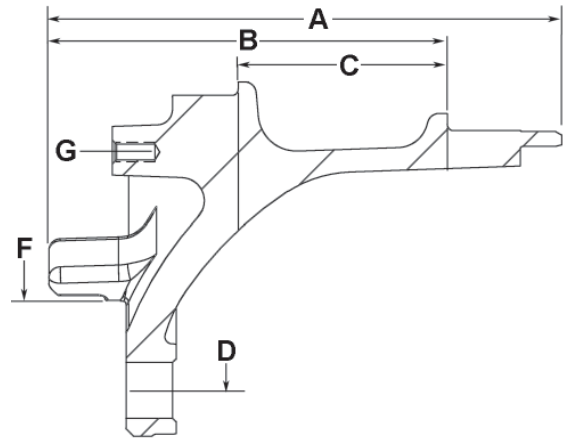
HUB NO.	DESCRIPTION	TYPE
05-16007-XXX	Front Axle Hub Outboard Drum	10 Hole Serrated Studs

INNER BEARING

CUP	CONE	BOLT CIRCLE
6420	6461A	13.189"

OUTER BEARING

CUP	CONE
552A	555S



DRAWING REFERENCE	ITEM	DIMENSION
A	Overall Length	7.37"
B	Outer Hub Cap Face To Inner Bearing Cup Seat	4.144"
C	Distance Between Cups	2.335"
D	Bolt Circle Diameter	13.189"
E	Wheel Stud Quantity	10
F	Pilot Diameter	11.051"
G	Drive Flange Hole Pattern	6, 3/8"-16; 6.00" B.C.

HUB PILOTED - Hub Assemblies without Drum or Rotor

HUB PART NUMBER	WHEEL TYPE	DRUM TYPE	WHEEL STUD	ABS RING NUMBER
05-16007-002			09-002228	09-002166

HUB PILOTED - Hub and Rotor Assemblies

HUB PART NUMBER	WHEEL TYPE	WHEEL STUD NUMBER	ABS RING NUMBER	ROTOR NUMBER	ROTOR O.D.
17-16007-1000		09-002228	09-002166	23-123647-002	17.09

WHEEL STUDS USED WITH HUB IN ASSEMBLIES

WHEEL STUD NO.	THREAD TYPE SIZE	STYLE	WHEEL TYPE	USE WITH DRUM TYPE
09-002228	Serrated M22 x 1.5	Hub Piloted		

ROTORS USED WITH HUB IN ASSEMBLIES

ROTOR PART NO.	OUTSIDE DIA.	OVERALL DEPTH	BOLT CIRCLE DIA.	BOLT HOLES		
				DIAMETER	NUMBER	PILOT DIA.
23-123647-002	17.087	5.644	9.823	M16x2	10	7.638

FRONT AXLE HUBS

FOR AXLE MODELS: Dana Spicer I-160, I-180, I-200, I-220
 Eaton EFA-18F3, EFA-20T2, EFA-22T2/T5, EFA-24T2/T5
 Meritor FG-942, FL-931, FL-941, FL-943, FL-951

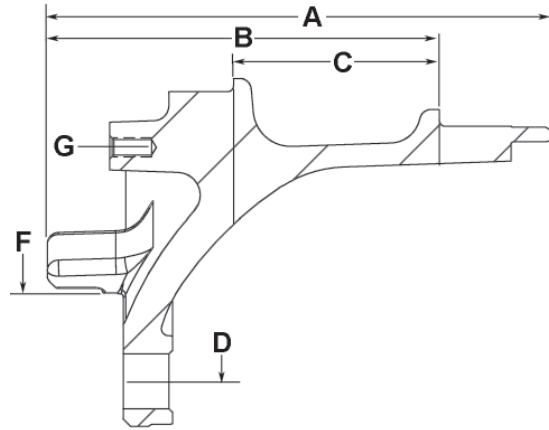
HUB NO.	DESCRIPTION	TYPE
05-16008-XXX	Front Axle Hub Outboard Drum	10 Hole Serrated Studs

INNER BEARING

CUP	CONE	BOLT CIRCLE
6420	6461A	11.25"

OUTER BEARING

CUP	CONE
552A	555S



DRAWING REFERENCE	ITEM	DIMENSION
A	Overall Length	7.37"
B	Outer Hub Cap Face To Inner Bearing Cup Seat	4.144"
C	Distance Between Cups	2.335"
D	Bolt Circle Diameter	11.25"
E	Wheel Stud Quantity	10
F	Pilot Diameter	8.65"
G	Drive Flange Hole Pattern	6, 3/8"-16; 6.00" B.C.

HUB PILOTED - Hub Assemblies without Drum or Rotor

HUB PART NUMBER	WHEEL TYPE	DRUM TYPE	WHEEL STUD	ABS RING NUMBER
05-1600-8098-P72			09-002228	09-002166

HUB PILOTED - Hub and Rotor Assemblies

HUB PART NUMBER	WHEEL TYPE	WHEEL STUD NUMBER	ABS RING NUMBER	ROTOR NUMBER	ROTOR O.D.
17-16008-1000		09-002228	09-002166	23-123642-002	17.09

WHEEL STUDS USED WITH HUB IN ASSEMBLIES

WHEEL STUD NO.	THREAD TYPE SIZE	STYLE	WHEEL TYPE	USE WITH DRUM TYPE
09-002228	Serrated M22 x 1.5	Hub Piloted		

ROTORS USED WITH HUB IN ASSEMBLIES

ROTOR PART NO.	OUTSIDE DIA.	OVERALL DEPTH	BOLT CIRCLE DIA.	BOLT HOLES		PILOT DIA.
				DIAMETER	NUMBER	
23-123642-002	17.087	5.644	10.500	.63-18 UNF	10	8.500

FRONT AXLE HUBS

FOR AXLE MODELS: Navistar

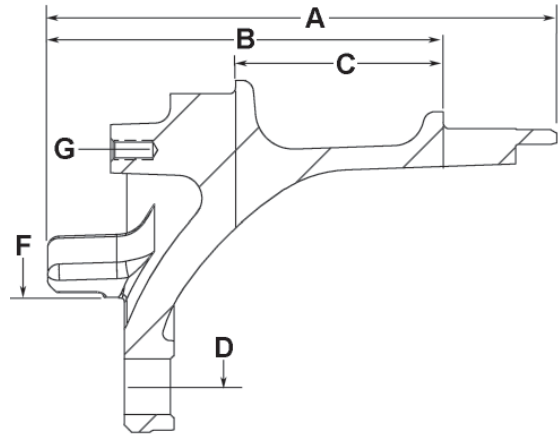
HUB NO.	DESCRIPTION	TYPE
05-16010-XXX	Front Axle Hub Outboard Drum	10 Hole Serrated Studs

INNER BEARING

CUP	CONE	BOLT CIRCLE
45220		8.858"

OUTER BEARING

CUP	CONE
25820	



DRAWING REFERENCE	ITEM	DIMENSION
A	Overall Length	7.424"
B	Outer Hub Cap Face To Inner Bearing Cup Seat	4.464"
C	Distance Between Cups	3.125"
D	Bolt Circle Diameter	8.858"
E	Wheel Stud Quantity	10
F	Pilot Diameter	6.691"
G	Drive Flange Hole Pattern	4, 5/16"-18; 3.62" B.C.

HUB PILOTED - Hub and Rotor Assemblies

HUB PART NUMBER	WHEEL TYPE	WHEEL STUD NUMBER	ABS RING NUMBER	ROTOR NUMBER	ROTOR O.D.
17-16010-1000		09-002216	09-002139	23-123522-002	15.56

WHEEL STUDS USED WITH HUB IN ASSEMBLIES

WHEEL STUD NO.	THREAD TYPE SIZE	STYLE	WHEEL TYPE	USE WITH DRUM TYPE
09-002216	Serrated M14 x 1.5	Hub Piloted		

ROTORS USED WITH HUB IN ASSEMBLIES

ROTOR PART NO.	OUTSIDE DIA.	OVERALL DEPTH	BOLT CIRCLE DIA.	BOLT HOLES		PILOT DIA.
				DIAMETER	NUMBER	
23-123522-002	15.560	4.880	6.430	.50	10	5.120

FRONT AXLE HUBS

FOR AXLE MODELS: Dana Spicer I-160, I-180, I-200, I-220
 Eaton EFA-18F3, EFA-20T2, EFA-22T2/T5, EFA-24T2/T5
 Meritor FG-942, FL-931, FL-941, FL-943, FL-951

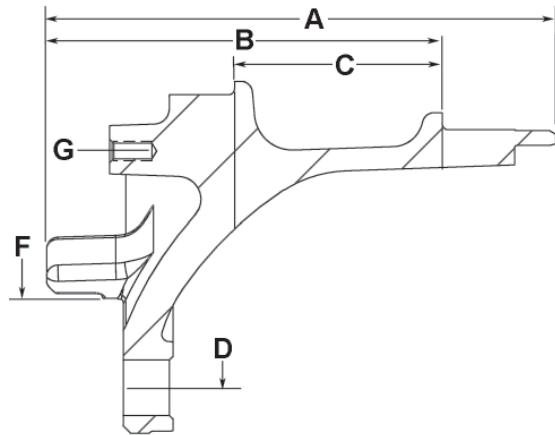
HUB NO.	DESCRIPTION	TYPE
05-16026-XXX	Front Axle Hub Outboard Drum	10 Hole Serrated Studs

INNER BEARING

CUP	CONE	BOLT CIRCLE
6420	6461A	11.25"

OUTER BEARING

CUP	CONE
552A	555S



DRAWING REFERENCE	ITEM	DIMENSION
A	Overall Length	7.76"
B	Outer Hub Cap Face To Inner Bearing Cup Seat	4.84"
C	Distance Between Cups	3.031"
D	Bolt Circle Diameter	11.25"
E	Wheel Stud Quantity	10
F	Pilot Diameter	8.78"
G	Drive Flange Hole Pattern	6, 5/16"-18; 5.50" B.C.

HUB PILOTED - Hub Assemblies without Drum or Rotor

HUB PART NUMBER	WHEEL TYPE	DRUM TYPE	WHEEL STUD	ABS RING NUMBER
05-1603-3098-P72			09-001727	09-002206

HUB PILOTED - Hub and Drum Assemblies

HUB PART NUMBER	WHEEL TYPE	DRUM TYPE	WHEEL STUD NUMBER	ABS RING NUMBER	DRUM SIZE	DRUM NUMBER	DRUM POSITION
15-16026-1002MTB	Steel, Disc	Cast	09-001727		16.5 x 6	85-123657-002	Outboard

WHEEL STUDS USED WITH HUB IN ASSEMBLIES

WHEEL STUD NO.	THREAD TYPE SIZE	STYLE	WHEEL TYPE	USE WITH DRUM TYPE
09-001727	Serrated M22 x 1.5	Hub Piloted	Aluminum Wheel	X30
09-001728	Serrated M22 x 1.5	Hub Piloted	Aluminum, Steel	Cast

DRUMS USED WITH HUB IN ASSEMBLIES

DRUM NO.	DRUM TYPE	BRAKE SIZE	OVERALL DEPTH	PILOT DIAMETER
85-123657-002	Cast MTB	16.50" x 6.00"	9.88"	8.78"

FRONT AXLE HUBS

FOR AXLE MODELS: Dana Spicer I-100, I-120, I-140, W15
 Eaton EFA-12F3, EFA-12F4, EFA-13F4
 Meritor FF-931, FF-941, FF-942, FF-943, FF-944, FF-961, FG-931, FG-900, FG-941, FG-943
 Westport F3W-1200, F3W-1400, F6W-1200, F6W-1400

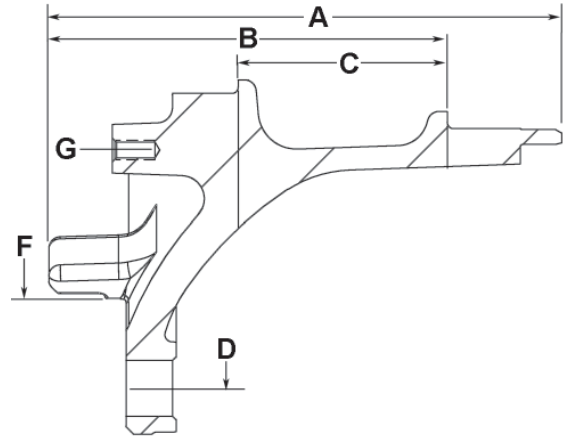
HUB NO.	DESCRIPTION	TYPE
05-16033-XXX	Front Axle Hub Outboard Drum	10 Hole Serrated Studs

INNER BEARING

CUP	CONE	BOLT CIRCLE
HM212011	HM212047 or HM212049	11.25"

OUTER BEARING

CUP	CONE
3720	3782



DRAWING REFERENCE	ITEM	DIMENSION
A	Overall Length	7.847"
B	Outer Hub Cap Face To Inner Bearing Cup Seat	4.873"
C	Distance Between Cups	3.375"
D	Bolt Circle Diameter	11.25
E	Wheel Stud Quantity	10
F	Pilot Diameter	8.78"
G	Drive Flange Hole Pattern	6, 5/16"-18; 4.50" B.C.

STUD PILOTED – Hub Assemblies without Drum or Rotor

HUB PART NUMBER	HAND	WHEEL TYPE	DRUM TYPE	WHEEL STUD	ABS RING NUMBER
05-16033-098P72	LH			09-001926	3237-L-1260

WHEEL STUDS USED WITH HUB IN ASSEMBLIES

WHEEL STUD NO.	THREAD TYPE SIZE	STYLE	WHEEL TYPE	USE WITH DRUM TYPE
09-001926	Serrated 1-1/8"-16 L	Stud Piloted	Steel	Cast

FRONT AXLE HUBS

FOR AXLE MODELS: Dana Spicer I-100, I-120, I-140, W15
 Eaton EFA-12F3, EFA-12F4, EFA-13F4
 Meritor FF-931, FF-941, FF-942, FF-943, FF-944, FF-961, FG-931, FG-900, FG-941, FG-943
 Westport F3W-1200, F3W-1400, F6W-1200, F6W-1400

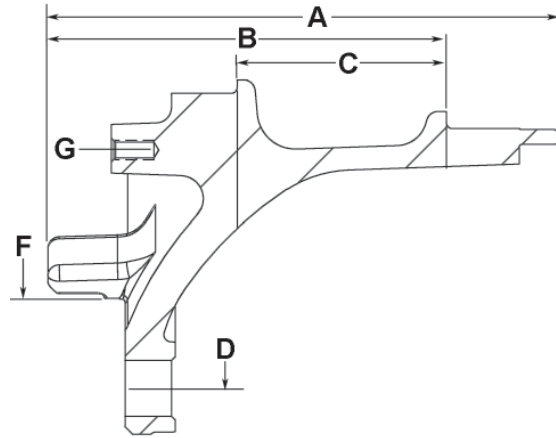
HUB NO.	DESCRIPTION	TYPE
05-16034-XXX	Front Axle Hub Outboard Drum	10 Hole Serrated Studs

INNER BEARING

CUP	CONE	BOLT CIRCLE
HM212011	HM212047 or HM212049	11.25"

OUTER BEARING

CUP	CONE
3720	3782



DRAWING REFERENCE	ITEM	DIMENSION
A	Overall Length	7.847"
B	Outer Hub Cap Face To Inner Bearing Cup Seat	4.873"
C	Distance Between Cups	3.375"
D	Bolt Circle Diameter	11.25"
E	Wheel Stud Quantity	10
F	Pilot Diameter	8.78"
G	Drive Flange Hole Pattern	6, 5/16"-18; 4.50" B.C.

HUB PILOTED - Hub Assemblies without Drum or Rotor

HUB PART NUMBER	WHEEL TYPE	DRUM TYPE	WHEEL STUD	ABS RING NUMBER
05-16034-003			09-001988	3237L1260
05-16034-005			09-001989	3237L1260

WHEEL STUDS USED WITH HUB IN ASSEMBLIES

WHEEL STUD NO.	THREAD TYPE SIZE	STYLE	WHEEL TYPE	USE WITH DRUM TYPE
09-001988	Serrated M22 x 1.5	Hub Piloted	Steel	Cast
09-001989	Serrated M22 x 1.5	Hub Piloted	Steel Wheel	Cast

FRONT AXLE HUBS

FOR AXLE MODELS Dana Spicer I-100, I-120, I-140, W15
 Eaton EFA-12F3, EFA-12F4, EFA-13F4
 Meritor FF-931, FF-941, FF-942, FF-943, FF-944, FF-961, FG-931, FG-900, FG-941, FG-943
 Westport F3W-1200, F3W-1400, F6W-1200, F6W-1400

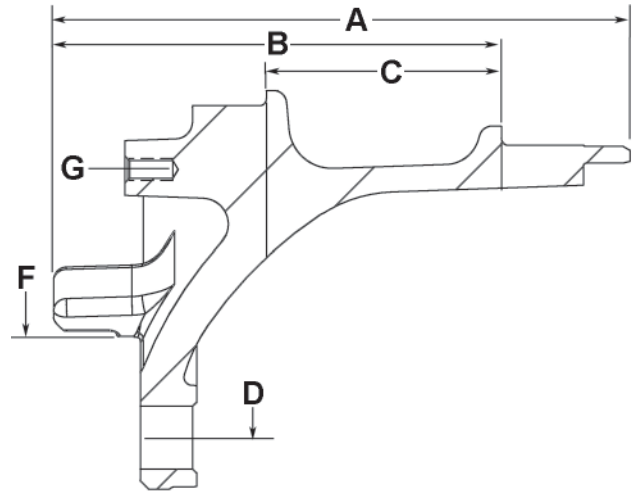
HUB NO.	DESCRIPTION	TYPE
05-16055-XXX	Front Axle Hub Outboard Drum	10 Hole Serrated Studs

INNER BEARING

CUP	CONE	BOLT CIRCLE
HM212011	HM212047 or HM212049	13.189"

OUTER BEARING

CUP	CONE
3720	3782



DRAWING REFERENCE	ITEM	DIMENSION
A	Overall Length	8.019"
B	Outer Hub Cap Face To Inner Bearing Cup Seat	4.43"
C	Distance Between Cups	3.38"
D	Bolt Circle Diameter	13.189"
E	Wheel Stud Quantity	10
F	Pilot Diameter	11.05"
G	Drive Flange Hole Pattern	6, 5/16"-18; 4.50" B.C.

WHEEL STUDS USED WITH HUB IN ASSEMBLIES

WHEEL STUD NO.	THREAD TYPE SIZE	STYLE	WHEEL TYPE	USE WITH DRUM TYPE
09-001988	Serrated M22 x 1.5	Hub Piloted	Steel	Cast

ROTORS USED WITH HUB IN ASSEMBLIES

ROTOR PART NO.	OUTSIDE DIA.	OVERALL DEPTH	BOLT CIRCLE DIA.	BOLT HOLES		
				DIAMETER	NUMBER	PILOT DIA.
23-123647-002	17.087	5.644	9.823	M16x2	10	7.638

FRONT AXLE HUBS

FOR AXLE MODELS Dana Spicer I-100, I-120, I-140, W15
 Eaton EFA-12F3, EFA-12F4, EFA-13F4
 Meritor FF-931, FF-941, FF-942, FF-943, FF-944, FF-961, FG-931, FG-900, FG-941, FG-943
 Westport F3W-1200, F3W-1400, F6W-1200, F6W-1400

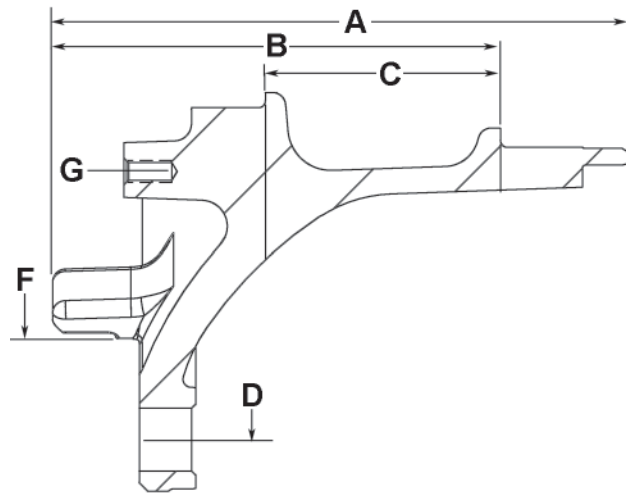
HUB NO.	DESCRIPTION	TYPE
05-16067-XXX	Front Axle Hub Outboard Drum	10 Hole Serrated Studs

INNER BEARING

CUP	CONE	BOLT CIRCLE
HM212011	HM212047 or HM212049	11.25"

OUTER BEARING

CUP	CONE
3720	3782



DRAWING REFERENCE	ITEM	DIMENSION
A	Overall Length	8.043"
B	Outer Hub Cap Face To Inner Bearing Cup Seat	4.45"
C	Distance Between Cups	3.375"
D	Bolt Circle Diameter	11.25"
E	Wheel Stud Quantity	10
F	Pilot Diameter	8.65"
G	Drive Flange Hole Pattern	6, 5/16"-18; 4.50" B.C.

HUB PART NUMBER	ABS RING NUMBER	COMMENTS
05-16067-002		Wheel studs not included

HUB PILOTED - Hub Assemblies without Drum or Rotor

HUB PART NUMBER	WHEEL TYPE	DRUM TYPE	WHEEL STUD	ABS RING NUMBER
05-16067-005			09-001988	

WHEEL STUDS USED WITH HUB IN ASSEMBLIES

WHEEL STUD NO.	THREAD TYPE SIZE	STYLE	WHEEL TYPE	USE WITH DRUM TYPE
09-001988	Serrated M22 x 1.5	Hub Piloted	Steel	Cast

TRAILER HUBS

FOR AXLE MODELS: Dana Spicer D-21, K-21
 Eaton C, C2, CB, CD, CD2, HC, HCE, E, ED, EH, 20L, 22L, 22R, 230C
 Ingersoll A19H, A19S, DC19H
 Meritor RL, TK, TL, TKLD, TKL
 Standard Forge A-19H, A-19S

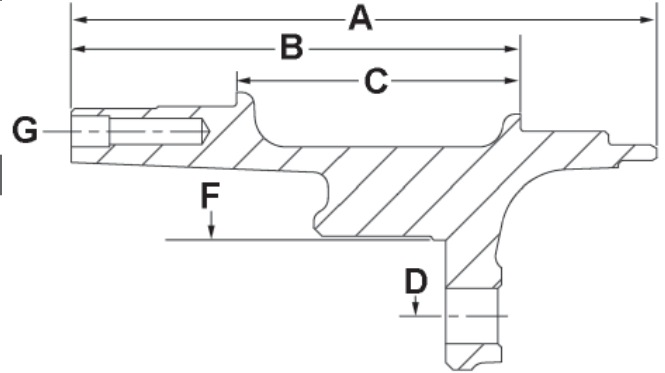
HUB NO.	DESCRIPTION	TYPE
04-15413-XXX	Trailer Axle Hub Outboard Drum	10 Hole Serrated Studs

INNER BEARING

CUP	CONE	BOLT CIRCLE
HM218210	HM218248	13.189"

OUTER BEARING

CUP	CONE
HM212011	HM212049



DRAWING REFERENCE	ITEM	DIMENSION
A	Overall Length	6.93"
B	Outer Hub Cap Face To Inner Bearing Cup Seat	4.74"
C	Distance Between Cups	3.35"
D	Bolt Circle Diameter	13.189"
E	Wheel Stud Quantity	10
F	Pilot Diameter	11.25"
G	Drive Flange Hole Pattern	6, 5/16"-18; 5.50" B.C.

HUB PART NUMBER	ABS RING NUMBER	COMMENTS
04-15413-007		Wheel studs not included

HUB PILOTED - Hub Assemblies without Drum

HUB PART NUMBER	WHEEL TYPE	DRUM TYPE	STUD NUMBER	ABS RING NUMBER
04-15413-006			09-002003	

HUB PILOTED - Hub and Drum Assemblies

HUB PART NUMBER	WHEEL TYPE	DRUM TYPE	STUD NUMBER	ABS RING NUMBER	DRUM SIZE	DRUM NUMBER	DRUM POSITION
14-15413-1032	Steel	Cast	09-001989		16.5 x 7	03-123025-002	Outboard

WHEEL STUDS USED WITH HUB IN ASSEMBLIES

WHEEL STUD NO.	THREAD TYPE SIZE	STYLE	WHEEL TYPE	USE WITH DRUM TYPE
09-001989	Serrated M22 x 1.5	Hub Piloted	Steel Wheel	Cast
09-002003	Serrated M22 x 1.5	Hub Piloted	Aluminum Wheel	Cast

DRUMS USED WITH HUB IN ASSEMBLIES

DRUM NO.	DRUM TYPE	BRAKE SIZE	OVERALL DEPTH	PILOT DIAMETER
03-123025-002	Cast Non-Balanced	16.50" x 7.00"	10.59"	11.25"

TRAILER HUBS

FOR AXLE MODELS: Dana Spicer Eaton 225P, 230P, P22
 Fruehauf Pro-Par
 Hendrickson HP
 Ingersoll A24H, A24S, F24
 Meritor TP

HUB NO.	DESCRIPTION	TYPE
04-15502-XXX	Trailer Axle Hub Outboard Drum	10 Hole Serrated Studs

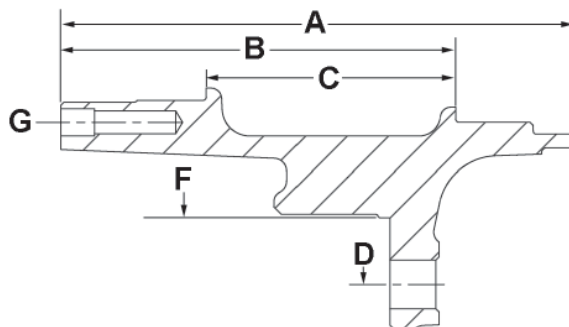
This hub assembly is no longer available. Replaced by 04-15968.

INNER BEARING

CUP	CONE	BOLT CIRCLE
HM518410	HM518445	11.25"

OUTER BEARING

CUP	CONE
HM518410	HM518445



DRAWING REFERENCE	ITEM	DIMENSION
A	Overall Length	9.06"
B	Outer Hub Cap Face To Inner Bearing Cup Seat	6.94"
C	Distance Between Cups	4.50"
D	Bolt Circle Diameter	11.25"
E	Wheel Stud Quantity	10
F	Pilot Diameter	8.78"
G	Drive Flange Hole Pattern	6.25"-8 TPI

HUB PART NUMBER	HAND	WHEEL TYPE	DRUM TYPE	STUD NUMBER	ABS RING NUMBER	DRUM SIZE	DRUM NUMBER	DRUM POSITION
14-15968-129	RH	Aluminum, Steel	Cast	09-001910		16.5 x 7	03-123207-002	Outboard
14-15968-130	LH	Aluminum, Steel	Cast	09-001911		16.5 x 7	03-123207-002	Outboard

STUDS USED WITH HUB IN ASSEMBLIES

STUD NO.	THREAD TYPE SIZE	STYLE	WHEEL TYPE	USE WITH DRUM TYPE
09-001910	Serrated 3/4"-16 R	Stud Piloted	Steel Wheel	Cast
09-001911	Serrated 3/4"-16 L	Stud Piloted	Steel Wheel	Cast
09-001989	Serrated M22 x 1.5	Hub Piloted	Steel Wheel	Cast
09-002003	Serrated M22 x 1.5	Hub Piloted	Aluminum Wheel	Cast

DRUMS USED WITH HUB IN ASSEMBLIES

DRUM NO.	DRUM TYPE	BRAKE SIZE	OVERALL DEPTH	PILOT DIAMETER
03-123207-002	Cast Non-Balanced	16.50" x 7.00"	10.54"	8.78"
03-123365-002	Cast Non-Balanced	16.50" x 7.00"	10.59"	8.78"

LITE WEIGHT TP TRAILER HUBS

FOR AXLE MODELS: Dana Spicer Eaton 225P, 230P, P22 Ingersoll A24H, A24S, F24
 Fruehauf Pro-Par Meritor TP
 Hendrickson HP

HUB NO.	DESCRIPTION	TYPE
04-15968-XXX	Trailer Axle Hub Outboard Drum	10 Hole Serrated Studs

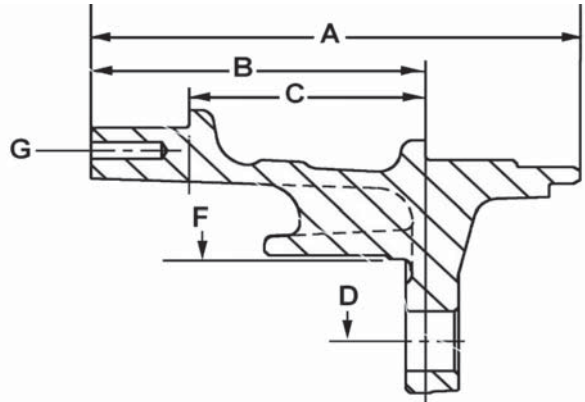
**This hub assembly is no longer available.
 See replacement options below.**

INNER BEARING

CUP	CONE	BOLT CIRCLE
HM518410	HM518445	11.25"

OUTER BEARING

CUP	CONE
HM518410	HM518445



DRAWING REFERENCE	ITEM	DIMENSION
A	Overall Length	8.08"
B	Outer Hub Cap Face To Inner Bearing Cup Seat	5.96"
C	Distance Between Cups	4.50"
D	Bolt Circle Diameter	11.25"
E	Wheel Stud Quantity	10
F	Pilot Diameter	8.78"
G	Drive Flange Hole Pattern	6, 5/16"-18; 6.75" B.C.

HUB PILOTED - Hub Assemblies without Drum

HUB PART NUMBER	WHEEL TYPE	DRUM TYPE	STUD NUMBER	ABS RING NUMBER
A2-333-A-4733			20X2576	R0014889
A3-333-A-4733				R0014889
A6-333-A-4733			20X2573	R0014889

STUD PILOTED - Hub and Drum Assemblies

HUB PART NUMBER	HAND	WHEEL TYPE	DRUM TYPE	STUD NUMBER	ABS RING NUMBER	DRUM SIZE	DRUM NUMBER	DRUM POSITION
14-15968-129	RH	Aluminum, Steel	Cast	09-001910		16.5 x 7	03-123207-002	Outboard
14-15968-130	LH	Aluminum, Steel	Cast	09-001911		16.5 x 7	03-123207-002	Outboard

WHEEL STUDS USED WITH HUB IN ASSEMBLIES

WHEEL STUD NO.	THREAD TYPE SIZE	STYLE	WHEEL TYPE	USE WITH DRUM TYPE
09-001910	Serrated 3/4"-16 R	Stud Piloted	Steel Wheel	Cast
09-001911	Serrated 3/4"-16 L	Stud Piloted	Steel Wheel	Cast
09-001989	Serrated M22 x 1.5	Hub Piloted	Steel Wheel	Cast
09-002002	Serrated M22 x 1.5	Hub Piloted	Steel Wheel	X30
09-002003	Serrated M22 x 1.5	Hub Piloted	Aluminum Wheel	Cast

DRUMS USED WITH HUB IN ASSEMBLIES

DRUM NO.	DRUM TYPE	BRAKE SIZE	OVERALL DEPTH	PILOT DIAMETER
53-123537-002	X30	16.50" x 7.00"	10.38"	8.78"
03-123207-002	Cast Non-Balanced	16.50" x 7.00"	10.54"	8.78"
03-123365-002	Cast Non-Balanced	16.50" x 7.00"	10.59"	8.78"
85-123570-002	Cast MTB	16.50" x 8.63"	11.25"	8.78"

TRAILER HUBS

FOR AXLE MODELS: Meritor TL

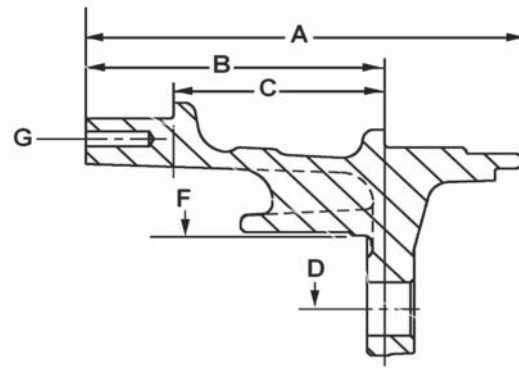
HUB NO.	DESCRIPTION	TYPE
04-15981-XXX	Trailer Axle Hub Outboard Drum	10 Hole Serrated Studs

INNER BEARING

CUP	CONE	BOLT CIRCLE
		11.25"

OUTER BEARING

CUP	CONE



DRAWING REFERENCE	ITEM	DIMENSION
A	Overall Length	6.220"
B	Outer Hub Cap Face To Inner Bearing Cup Seat	5.12"
C	Distance Between Cups	4.33"
D	Bolt Circle Diameter	11.25"
E	Wheel Stud Quantity	10
F	Pilot Diameter	8.777"
G	Drive Flange Hole Pattern	6, 5/16"-18; 6.375" B.C.

HUB PILOTED - Hub Assemblies without Drum

HUB PART NUMBER	WHEEL TYPE	DRUM TYPE	STUD NUMBER	ABS RING NUMBER
04-15981-016			09-001989	
04-15981-017			09-001989	09-001867
04-15981-018			09-002003	
04-15981-019			09-002003	09-001867

WHEEL STUDS USED WITH HUB IN ASSEMBLIES

WHEEL STUD NO.	THREAD TYPE SIZE	STYLE	WHEEL TYPE	USE WITH DRUM TYPE
09-001989	Serrated M22 x 1.5	Hub Piloted	Steel Wheel	Cast
09-002003	Serrated M22 x 1.5	Hub Piloted	Aluminum Wheel	Cast

LITE WEIGHT TN TRAILER HUBS

FOR AXLE MODELS: Meritor TN

HUB NO.	DESCRIPTION	TYPE
04-15984-XXX	Trailer Axle Hub Outboard Drum	10 Hole Serrated Studs

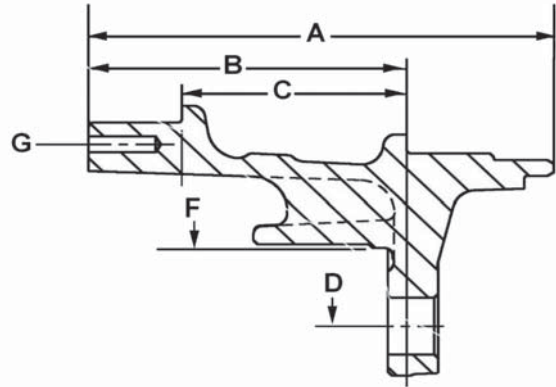
See replacement options below.

INNER BEARING

CUP	CONE	BOLT CIRCLE
HM218210	HM218248	11.25"

OUTER BEARING

CUP	CONE
HM212011	HM212049



DRAWING REFERENCE	ITEM	DIMENSION
A	Overall Length	6.93"
B	Outer Hub Cap Face To Inner Bearing Cup Seat	4.73"
C	Distance Between Cups	3.34"
D	Bolt Circle Diameter	11.25"
E	Wheel Stud Quantity	10
F	Pilot Diameter	8.78"
G	Drive Flange Hole Pattern	6, 5/16"-18; 5.50" B.C.

HUB PILOTED - Hub Assemblies without Drum

HUB PART NUMBER	WHEEL TYPE	DRUM TYPE	STUD NUMBER	ABS RING NUMBER
A2-333-A-4733			20-X-2576	R0014889
A3-333-A-4733				R0014889
A6-333-A-4733			20-X-2573	R0014889
A6-333-B-4734	Steel	Cast	R006034	R0014889
04-15984-102			09-002004	09-001867

LITE WEIGHT TN TRAILER HUBS

HUB PILOTED - Hub and Drum Assemblies

HUB PART NUMBER	WHEEL TYPE	DRUM TYPE	STUD NUMBER	ABS RING NUMBER	DRUM SIZE	DRUM NUMBER	DRUM POSITION
14-15984-1078	Steel	Cast	09-001989		16.5 x 7	03-123207-002	Outboard
14-15984-1068	Aluminum	Cast	09-002003		16.5 x 7	03-123207-002	Outboard
14-15984-1433	Aluminum	Cast	09-002003	09-001867	16.5 x 7	03-123207-002	Outboard
14-15984-1072	Aluminum	Cast	09-002003	09-001867	16.5 x 7	03-123207-002	Outboard
14-15984-1081	Aluminum	Cast	09-002003		16.5 x 7	03-123207-002	Outboard
14-15984-1085X30	Steel	X30	09-002002		16.5 x 7	53-123537-002	Outboard

WHEEL STUDS USED WITH HUB IN ASSEMBLIES

WHEEL STUD NO.	THREAD TYPE SIZE	STYLE	WHEEL TYPE	USE WITH DRUM TYPE
09-001910	Serrated 3/4"-16 R	Stud Piloted	Steel Wheel	Cast
09-001911	Serrated 3/4"-16 L	Stud Piloted	Steel Wheel	Cast
09-001989	Serrated M22 x 1.5	Hub Piloted	Steel Wheel	Cast
09-002002	Serrated M22 x 1.5	Hub Piloted	Steel Wheel	X30
09-002003	Serrated M22 x 1.5	Hub Piloted	Aluminum Wheel	Cast
09-002004	Serrated M22 x 1.5	Hub Piloted	Aluminum, Steel	Cast
09-002049	Serrated 3/4"-16 R	Stud Piloted	Steel Wheel	X30
09-002050	Serrated 3/4"-16 L	Stud Piloted	Steel Wheel	X30

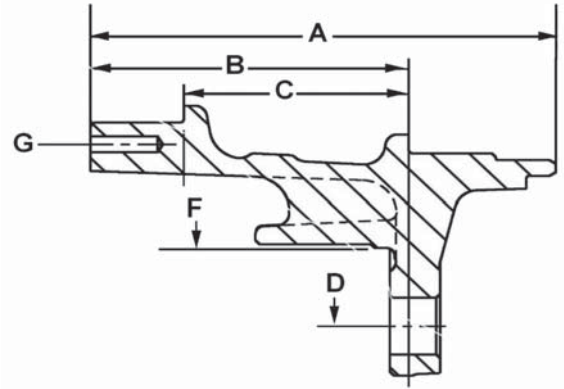
DRUMS USED WITH HUB IN ASSEMBLIES

DRUM NO.	DRUM TYPE	BRAKE SIZE	OVERALL DEPTH	PILOT DIAMETER
53-123537-002	X30	16.50" x 7.00"	10.38"	8.78"
03-123207-002	Cast Non-Balanced	16.50" x 7.00"	10.54"	8.78"

TRAILER HUBS PRESET® BY MERITOR

FOR AXLE MODELS: Meritor TP

HUB NO.	DESCRIPTION	TYPE
04-16040-XXX	Trailer Axle Hub Outboard Drum	10 Hole Serrated Studs



DRAWING REFERENCE	ITEM	DIMENSION
A	Overall Length	8.08"
B	Outer Hub Cap Face To Inner Bearing Cup Seat	5.96"
C	Distance Between Cups	4.50"
D	Bolt Circle Diameter	11.25"
E	Wheel Stud Quantity	10
F	Pilot Diameter	8.78"
G	Drive Flange Hole Pattern	6, 5/16"-18; 6.75" B.C.

HUB PART NUMBER	STUD NUMBER	ABS RING NUMBER
04-16040-010PST	09-001989	09-001867
04-16040-011PST	09-002003	09-001867

PRESET® BY MERITOR HUB SERVICE KITS

PART NUMBER	HUB TYPE	COMMENTS
R930178	TP	Spacer Kit
R930180	TP	Bearing Set
R930182	TP	Seal Kit
R930184	TP	Complete Rebuild Kit - Bearings, Spacer and Seal

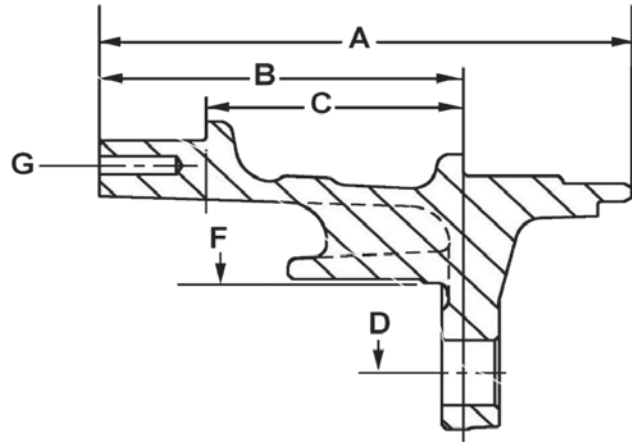
PRESET® BY MERITOR HUBCAPS

PART NUMBER	HUB TYPE	COMMENTS
3262-J-1388	TP	Oil
3262-M-1391	TP	Grease

TRAILER HUBS PRESET BY MERITOR

FOR AXLE MODELS: Meritor TN/TQ

HUB NO.	DESCRIPTION	TYPE
04-16048-XXX	Trailer Axle Hub Outboard Drum	10 Hole Serrated Studs



DRAWING REFERENCE	ITEM	DIMENSION
A	Overall Length	6.93"
B	Outer Hub Cap Face To Inner Bearing Cup Seat	4.73"
C	Distance Between Cups	3.34"
D	Bolt Circle Diameter	11.25"
E	Wheel Stud Quantity	10
F	Pilot Diameter	8.78"
G	Drive Flange Hole Pattern	6, 5/16"-18; 5.5" B.C.

HUB PART NUMBER	STUD NUMBER	ABS RING NUMBER
04-16048-002PST	09-001989	09-001867
04-16048-004PST	09-002003	09-001867

PRESET® BY MERITOR HUB SERVICE KITS

PART NUMBER	HUB TYPE	COMMENTS
R930177	TN/TQ	Spacer Kit
R930179	TN/TQ	Bearing Set
R930181	TN/TQ	Seal Kit

PRESET® BY MERITOR HUBCAPS

PART NUMBER	HUB TYPE	COMMENTS
3262-K-1389	TN/TQ	Grease
3262-L-1390	TN/TQ	Oil

HUB ASSEMBLY CROSS REFERENCE FOR MERITOR TP AXLES

NEW Meritor Part Number	Wheel Type	Drum Type	Pilot Diameter	Stud Number	ABS ring	Brake Size	Drum Number	Drum Position
HUB PILOTED - HUB AND DRUM ASSEMBLIES								
HTPF-67T-1012	Steel	Cast		R006035	R0014889	16.50" x 7"	03-123207-002	Outboard
HTPF-67T-1020	Steel	X30		R006035	R0014889	16.50" x 7"	53-123537-002	Outboard
HTPF-67T-1030	Aluminum	X30		R006034	R0014889	16.50" x 7"	53-123537-002	Outboard
HTPF-67T-1014	Steel	Cast		R006035	R0014889	16.50" x 7"	03-123207-002	Outboard
HTPF-67T-1032	Aluminum	Cast		R006034	R0014889	16.50" x 7"	03-123207-002	Outboard
HTPF-67T-1034	Aluminum	X30		R006034	R0014889	16.50" x 7"	53-123537-002	Outboard
HTPF-67T-1018	Steel	Cast		R006035	R0014889	16.50" x 7"	85-123207-002	Outboard
HTPF-67T-1036	Aluminum	Cast		R006034	R0014889	16.50" x 7"	03-123207-002	Outboard

DRUMS USED WITH HUB IN ASSEMBLIES

53-123537-002		X30	8.78"			16.50" x 7"		
03-123207-002		Cast Non-Balanced	8.78"			16.50" x 7"		
85-123207-002		Cast MTB	8.78"			16.50" x 7"		

HUB ASSEMBLY CROSS REFERENCE FOR MERITOR TN AXLES

NEW Meritor Part Number	Wheel Type	Drum Type	Pilot Diameter	Stud Number	ABS ring	Brake Size	Drum Number	Drum Position
HUB PILOTED - HUB AND DRUM ASSEMBLIES								
HTNF-67T-1044	Steel	Cast		R006035	R0014889	16.50" x 7"	03-123207-002	Outboard
HTNF-67T-1058	Aluminum	X30		R006034	R0014889	16.50" x 7"	53-123537-002	Outboard
HTNF-67T-1046	Steel	X30		R006035	R0014889	16.50" x 7"	53-123537-002	Outboard
HTNF-67T-1048	Steel	X30		R006035	R0014889	16.50" x 7"	53-123537-002	Outboard
HTNF-67T-1060	Aluminum	Cast		R006034	R0014889	16.50" x 7"	03-123207-002	Outboard
HTNF-67T-1062	Aluminum	X30		R006034	R0014889	16.50" x 7"	53-123537-002	Outboard
HTNF-67T-1064		Cast				16.50" x 7"		Outboard
DRUMS USED WITH HUB IN ASSEMBLIES								
53-123537-002		X30	8.78"			16.50" x 7"		
03-123207-002		Cast Non-Balanced	8.78"			16.50" x 7"		
85-123207-002		Cast MTB	8.78"			16.50" x 7"		

CROSS REFERENCE LISTING

PART#	COMPETITOR	MERITOR#	PART#	COMPETITOR	MERITOR#	PART#	COMPETITOR	MERITOR#
5584	Aimco	23123486002	141270	Bendix	23122691002	23122703	Dayton-Walther	23122703002
5584	Aimco	23123486002	141270	Bendix	23122691002	23122701	Dayton-Walther	23122701002
5590	Aimco	23123046002	141273	Bendix	23122527002	23122701	Dayton-Walther	23122701002
5590	Aimco	23123046002	141273	Bendix	23122527002	23122691	Dayton-Walther	23122691002
5603	Aimco	23122920002	4320586	Bluebird	23122729002	54351	Dayton-Walther	23122691002
5603	Aimco	23122920002	4320586	Bluebird	23122729002	23122691	Dayton-Walther	23122691002
5601	Aimco	23122897002	105417	Budd	23123486002	54351	Dayton-Walther	23122691002
5601	Aimco	23122897002	105425	Budd	23123486002	177822	Delco	23123486002
55002	Aimco	23122729002	105417	Budd	23123486002	18027777	Delco	23123486002
5583	Aimco	23122729002	105425	Budd	23123486002	18A177	Delco	23123486002
55002	Aimco	23122729002	107638	Conmet	85123570002	177822	Delco	23123486002
5583	Aimco	23122729002	107637	Conmet	85123520002	18027777	Delco	23123486002
5482	Aimco	23122703002	107866	Conmet	85123466002	18A177	Delco	23123486002
5482	Aimco	23122703002	107863	Conmet	85123465002	177814	Delco	23122729002
5602	Aimco	23122701002	107164	Conmet	85123448002	177823	Delco	23122729002
5602	Aimco	23122701002	107875	Conmet	85123409002	18027776	Delco	23122729002
5481	Aimco	23122691002	107885	Conmet	85123397002	18A176	Delco	23122729002
5481	Aimco	23122691002	107453	Conmet	85123383002	5583	Delco	23122729002
141269	Allied Signal Inc	23123480002	10005719	Conmet	85123365002	177814	Delco	23122729002
141272	Allied Signal Inc	23122729002	107150	Conmet	85123207002	177823	Delco	23122729002
141275	Allied Signal Inc	23122703002	107904	Conmet	85122550002	18027776	Delco	23122729002
141274	Allied Signal Inc	23122701002	10003830A	Conmet	23123552009	18A176	Delco	23122729002
141606	Allied Signal Inc	23122693002	23123494	Dayton Parts/Batco	23123494002	5583	Delco	23122729002
141270	Allied Signal Inc	23122691002	23123494	Dayton Parts/Batco	23123494002	56642	Durabrake	23123642002
141273	Allied Signal Inc	23122527002	23122687	Dayton Parts/Batco	23123486002	D8512	EIS	23123486002
AR9008	Autospecialty	23123486002	23122687	Dayton Parts/Batco	23123486002	D8512	EIS	23123486002
AR9008	Autospecialty	23123486002	23123480	Dayton Parts/Batco	23123480002	D17478	EIS	23123046002
AR9001	Autospecialty	23122729002	23123480	Dayton Parts/Batco	23123480002	D17478	EIS	23123046002
AR9001	Autospecialty	23122729002	23123468	Dayton Parts/Batco	23123468002	D17480	EIS	23122897002
141874	Bendix	23123495002	23123468	Dayton Parts/Batco	23123468002	D17480	EIS	23122897002
141874	Bendix	23123495002	23123460	Dayton Parts/Batco	23123460002	D8510	EIS	23122729002
141272	Bendix	23123489002	23123460	Dayton Parts/Batco	23123460002	D8510	EIS	23122729002
141272	Bendix	23123489002	23123046	Dayton Parts/Batco	23123046002	D8516	EIS	23122691002
141584	Bendix	23123486002	23123046	Dayton Parts/Batco	23123046002	D8516	EIS	23122691002
141877	Bendix	23123486002	23122920	Dayton Parts/Batco	23122920002	2775	Erie	03123430002
141584	Bendix	23123486002	23122920	Dayton Parts/Batco	23122920002	277118	Erie	03123409002
141877	Bendix	23123486002	23122897	Dayton Parts/Batco	23122897002	2764	Erie	03123207002
141271	Bendix	23123486002	23122897	Dayton Parts/Batco	23122897002	27645	Erie	03123207002
141271	Bendix	23123486002	23122729	Dayton Parts/Batco	23122729002	270010	Erie	03122971002
141269	Bendix	23123485002	23122729	Dayton Parts/Batco	23122729002	2752	Erie	03122963002
141269	Bendix	23123485002	23122703	Dayton Parts/Batco	23122703002	2774	Erie	03122948002
141269	Bendix	23123480002	23122703	Dayton Parts/Batco	23122703002	27733	Erie	03122925002
141269	Bendix	23123480002	23122701	Dayton Parts/Batco	23122701002	2765	Erie	03122600002
141585	Bendix	23123468002	23122701	Dayton Parts/Batco	23122701002	2771	Erie	03122550002
141271	Bendix	23123468002	23122691	Dayton Parts/Batco	23122691002	2738	Erie	03122222002
141585	Bendix	23123468002	23122691	Dayton Parts/Batco	23122691002	27401	Erie	03122126002
141271	Bendix	23123468002	23123573004	Dayton-Walther	23123573009	2766	Erie	03120936002
141274	Bendix	23123460002	23123573004	Dayton-Walther	23123573009	276451	Erie	03120877002
141274	Bendix	23123460002	23123494	Dayton-Walther	23123494002	2762	Erie	03120754002
145058	Bendix	23123439002	23123494	Dayton-Walther	23123494002	2740	Erie	03120586002
145058	Bendix	23123439002	23122687	Dayton-Walther	23123486002	27501	Erie	03120574002
141490	Bendix	23123046002	23122687	Dayton-Walther	23123486002	2760	Erie	03012582002
141490	Bendix	23123046002	23123480001	Dayton-Walther	23123480002	2751	Erie	03012488002
141489	Bendix	23123041002	23123480001	Dayton-Walther	23123480002	27501	Erie	03012480002
141489	Bendix	23123041002	23123468	Dayton-Walther	23123468002	FOHZ1126C	Ford	85123332002
141493	Bendix	23122920002	23123468	Dayton-Walther	23123468002	4C4Z1125GC	Ford	23123573009
141493	Bendix	23122920002	23123460	Dayton-Walther	23123460002	4C4Z1125CA	Ford	23123552009
141494	Bendix	23122897002	23123460	Dayton-Walther	23123460002	4C4Z1125A	Ford	23123552009
141494	Bendix	23122897002	23122920	Dayton-Walther	23122920002	YC3Z2C026AA	Ford	23123498002
141607	Bendix	23122729002	23122920	Dayton-Walther	23122920002	86514074	Ford	23123494002
141607	Bendix	23122729002	23122897	Dayton-Walther	23122897002	86514074	Ford	23123494002
141272	Bendix	23122729002	23122897	Dayton-Walther	23122897002	88936204	General Motors	23123557009
141272	Bendix	23122729002	122729	Dayton-Walther	23122729002	15514470	General Motors	23123486002
141275	Bendix	23122703002	23105251	Dayton-Walther	23122729002	15619954	General Motors	23123486002
141275	Bendix	23122703002	23105425	Dayton-Walther	23122729002	15514470	General Motors	23123486002
141274	Bendix	23122701002	23122729	Dayton-Walther	23122729002	15619954	General Motors	23123486002
141274	Bendix	23122701002	122729	Dayton-Walther	23122729002	15579025	General Motors	23123046002
141606	Bendix	23122693002	23105251	Dayton-Walther	23122729002	15579025	General Motors	23123046002
141606	Bendix	23122693002	23105425	Dayton-Walther	23122729002	15500326	General Motors	23122729002
			23122729	Dayton-Walther	23122729002	15514357	General Motors	23122729002
			23122703	Dayton-Walther	23122703002	15519970	General Motors	23122729002

CROSS REFERENCE LISTING

PART#	COMPETITOR	MERITOR#	PART#	COMPETITOR	MERITOR#	PART#	COMPETITOR	MERITOR#
15619970	General Motors	23122729002	3710	Gunite	85123383002	630005	Motor Wheel	85123448002
1569970	General Motors	23122729002	3710X	Gunite	85123383002	630003	Motor Wheel	85123409002
15500326	General Motors	23122729002	3721AX	Gunite	85123382002	630006	Motor Wheel	85123406002
15514357	General Motors	23122729002	3721X	Gunite	85123366002	633017	Motor Wheel	85123399002
15519970	General Motors	23122729002	3441	Gunite	85123297002	2308704	Motor Wheel	85123383002
15619970	General Motors	23122729002	3600AX	Gunite	85123207002	2308705	Motor Wheel	85123382002
1569970	General Motors	23122729002	3485BX	Gunite	85123203002	2308401	Motor Wheel	85123366002
3782	Gunite	03123520002	3141X	Gunite	85122550002	633096	Motor Wheel	85123365002
3289	Gunite	03123500002	2769X	Gunite	85122550002	2308709	Motor Wheel	85123207002
3750B	Gunite	03123466002	2546C	Gunite	85120586002	633076	Motor Wheel	85120586002
3726X	Gunite	03123448002	9002X	Gunite	53123606002	600001	Motor Wheel	53123816002
3800X	Gunite	03123448002	9036X	Gunite	53123583002	90600B	Motor Wheel	53123815002
3760B	Gunite	03123431002	9022X	Gunite	53123582002	87945BK	Motor Wheel	53123609002
2997	Gunite	03123430002	9016X	Gunite	53123575002	91265B	Motor Wheel	53123608002
2997A	Gunite	03123430002	9041BX	Gunite	53123566002	91265B	Motor Wheel	53123607002
2997C	Gunite	03123430002	9041X	Gunite	53123565002	90137B	Motor Wheel	53123606002
2997D	Gunite	03123430002	9021X	Gunite	53123564002	88739B	Motor Wheel	53123605002
3022B	Gunite	03123427002	9001X	Gunite	53123542002	91723B	Motor Wheel	53123602002
3141B	Gunite	03123409002	9006X	Gunite	53123537002	91725B	Motor Wheel	53123601002
3402	Gunite	03123397002	9000X	Gunite	53123512002	90174B	Motor Wheel	53123598002
3401	Gunite	03123365002	9035X	Gunite	53123512002	87707B	Motor Wheel	53123590002
3600A	Gunite	03123207002	D6194A	Gunite	23123572009	88814B	Motor Wheel	53123588002
2997D	Gunite	03123200002	D6194A	Gunite	23123572002	89877B	Motor Wheel	53123583002
3638A	Gunite	03123020002	D6183	Gunite	23123552009	87295B	Motor Wheel	53123582002
3166	Gunite	03122978002	D6175	Gunite	23123552009	90486B	Motor Wheel	53123581002
3467	Gunite	03122971002	D6176M	Gunite	23123550004	87615B	Motor Wheel	53123580002
3174	Gunite	03122963002	D6176	Gunite	23123550004	89571B	Motor Wheel	53123579002
3136B	Gunite	03122925002	D6054	Gunite	23123486002	88870BK	Motor Wheel	53123575002
3295A	Gunite	03122683002	D6054C	Gunite	23123480002	90660BK	Motor Wheel	53123568002
3483	Gunite	03122607002	R6066B	Gunite	23122920002	91137BK	Motor Wheel	53123567002
8656	Gunite	03122600002	R6128A	Gunite	23122920002	88797B	Motor Wheel	53123566002
3169A	Gunite	03122562002	R6066B	Gunite	23122920002	87156B	Motor Wheel	53123565002
3141	Gunite	03122550002	R6128A	Gunite	23122920002	87101B	Motor Wheel	53123564002
3018A	Gunite	03122518002	D6128A	Gunite	23122920002	91812B	Motor Wheel	53123544002
3699	Gunite	03122453002	D6133	Gunite	23122897002	89870BK	Motor Wheel	53123542002
3186	Gunite	03122314002	R6052	Gunite	23122729002	89996B	Motor Wheel	53123537002
3012A	Gunite	03122239002	R6052	Gunite	23122729002	91792B	Motor Wheel	53123535002
2353C	Gunite	03122222002	R6066	Gunite	23122701002	90089BK	Motor Wheel	53123512002
2983C	Gunite	03122222002	R6128	Gunite	23122701002	85859	NAPA	23123486002
3018A	Gunite	03122126002	R6066	Gunite	23122701002	85859	NAPA	23123486002
3760B	Gunite	03122104002	R6128	Gunite	23122701002	85858	NAPA	23122729002
3012B	Gunite	03122027002	85859	HalDEX	23123486002	85858	NAPA	23122729002
3485B	Gunite	03122011002	85859	HalDEX	23123486002	X50588	National Wheel & Rim	23123046002
2997D	Gunite	03122009002	85858	HalDEX	23122729002	X50588	National Wheel & Rim	23123046002
3676	Gunite	03120988002	85858	HalDEX	23122729002	X50595	National Wheel & Rim	23122920002
3674	Gunite	03120981002	85862	HalDEX	23122701002	X50595	National Wheel & Rim	23122920002
3197	Gunite	03120936002	85862	HalDEX	23122701002	X50593	National Wheel & Rim	23122897002
3120	Gunite	03120877002	85861	HalDEX	23122691002	X50593	National Wheel & Rim	23122897002
3767	Gunite	03120855002	85861	HalDEX	23122691002	X50600	National Wheel & Rim	23122729002
25277A	Gunite	03120754002	54293018	KIC	03123448002	X50600	National Wheel & Rim	23122729002
8656	Gunite	03120743002	5223010	KIC	03122222002	2508137C1	Navistar	23123573009
2850	Gunite	03120705002	60000018	KIC	85123788002	3531661C2	Navistar	23123573009
3018B	Gunite	03120586002	54548018	KIC	85123399002	2594594C1	Navistar	23123573009
2974	Gunite	03120574002	54238018	KIC	85123383002	2505097C1	Navistar	23123572009
2604	Gunite	03120516002	54201108	KIC	85123366002	2508139C1	Navistar	23123552009
2851	Gunite	03120442002	60001018	KIC	85123207002	3531663C2	Navistar	23123552009
3168	Gunite	03120376002	212103122806002	Mack	03122806002	2594596C1	Navistar	23123552009
2705	Gunite	03012582002	21213122490002	Mack	03122683002	2508138C1	Navistar	23123550004
3732	Gunite	03012582002	2121122550	Mack	03122550002	3531662C2	Navistar	23123550004
3544	Gunite	03012480002	212112480	Mack	03012480002	3531662C1	Navistar	23123550004
3299X	Gunite	85123788002	212185123570002	Mack	85123570002	16466750C1	Navistar	23122897002
3922X	Gunite	85123788002	17QJ4111	Mack	53123566002	16466750C1	Navistar	23122897002
3576X	Gunite	85123652002	17QJ4116	Mack	53123537002	38108920	Performance Friction	23123573009
3807AX	Gunite	85123570002	212123122691	Mack	23122691002	38108930	Performance Friction	23123572009
3782X	Gunite	85123520002	21200000000000	Mack	23122691002	39008620	Performance Friction	23123557009
3744X	Gunite	85123466002	21200000000000	Mack	23122691002	38111320	Performance Friction	23123552009
3753X	Gunite	85123465002	3219M5811	Monroe	03123520002	BH141275	Precision U-Joint	23122703002
3726X	Gunite	85123448002	2308712	Motor Wheel	03123207002	BH141275	Precision U-Joint	23122703002
3141BX	Gunite	85123409002	630000	Motor Wheel	85123570002	BH141274	Precision U-Joint	23122701002
3687X	Gunite	85123399002	630007	Motor Wheel	85123520002	BH141274	Precision U-Joint	23122701002
3402X	Gunite	85123397002	2308704	Motor Wheel	85123463002	8521	Raybestos	23123573009
100								U.S. 888-725-9355
								Canada 800-387-3889

CROSS REFERENCE LISTING

PART#	COMPETITOR	MERITOR#	PART#	COMPETITOR	MERITOR#	PART#	COMPETITOR	MERITOR#
8521	Raybestos	23123573009	68730	Webb	03122518002			
56418	Raybestos	23123486002	62358	Webb	03122488002			
56418	Raybestos	23123486002	66892	Webb	03122453002			
8523	Raybestos	23122897002	64453F	Webb	03122314002			
8523	Raybestos	23122897002	68013	Webb	03122239002			
8518	Raybestos	23122701002	67518	Webb	03122222002			
8518	Raybestos	23122701002	68730	Webb	03122126002			
3654102	Trailmobile	23123486002	65514	Webb	03122104002			
384229	Trailmobile	23123486002	68012	Webb	03122027002			
3654102	Trailmobile	23123486002	63035F	Webb	03122011002			
384229	Trailmobile	23123486002	62997F	Webb	03122009002			
384247	Trailmobile	23122897002	68988	Webb	03120988002			
384247	Trailmobile	23122897002	64481F	Webb	03120981002			
3654301	Trailmobile	23122729002	61788	Webb	03120936002			
384230	Trailmobile	23122729002	60876	Webb	03120877002			
3654301	Trailmobile	23122729002	65516	Webb	03120855002			
384230	Trailmobile	23122729002	61780	Webb	03120754002			
384232	Trailmobile	23122701002	68897	Webb	03120743002			
384232	Trailmobile	23122701002	64018F	Webb	03120705002			
BD125361	Wagner	23123573009	68765	Webb	03120586002			
BD125361	Wagner	23123573009	62240	Webb	03120574002			
BD125339	Wagner	23123495002	61566	Webb	03120516002			
BD125339	Wagner	23123495002	61727	Webb	03120442002			
BD125088	Wagner	23123486002	68931	Webb	03120376002			
BD125359	Wagner	23123486002	68927	Webb	03120376002			
BD125088	Wagner	23123486002	62200	Webb	03012582002			
BD125359	Wagner	23123486002	68903	Webb	03012480002			
BD125085	Wagner	23123480002	56864B	Webb	85123788002			
BD125085	Wagner	23123480002	66808B	Webb	85123520002			
BD125358	Wagner	23123468002	65174B	Webb	85123463002			
BD125358	Wagner	23123468002	65554B	Webb	85123448002			
BD125089	Wagner	23123046002	65266B	Webb	85123427002			
BD125089	Wagner	23123046002	60162B	Webb	85123400002			
BD125115	Wagner	23123041002	60152B	Webb	85123399002			
BD125115	Wagner	23123041002	61528	Webb	85123382002			
BD125244	Wagner	23122920002	60528B	Webb	85123382002			
BD125244	Wagner	23122920002	65545B	Webb	85123366002			
BD125097	Wagner	23122897002	66865	Webb	85123297002			
BD125097	Wagner	23122897002	66864B	Webb	85123207002			
BD125090	Wagner	23122729002	63035B	Webb	85123203002			
BD125090	Wagner	23122729002	51174B	Webb	85122966002			
BD125087	Wagner	23122703002	65516B	Webb	85120855002			
BD125087	Wagner	23122703002	55060P	Webb	23123642002			
BD125098	Wagner	23122701002	54769F	Webb	23123573009			
BD125098	Wagner	23122701002	54775P	Webb	23123557009			
BD125214	Wagner	23122691002	54102P	Webb	23123468002			
BD125214	Wagner	23122691002						
BD125096	Wagner	23122527002						
BD125096	Wagner	23122527002						
56864F	Webb	03123788002						
66808F	Webb	03123520002						
62117	Webb	03123500002						
65554	Webb	03123448002						
62997F	Webb	03123430002						
66875	Webb	03123409002						
69672F	Webb	03123397002						
65545	Webb	03123366002						
66884	Webb	03123365002						
66864	Webb	03123207002						
62998	Webb	03123200002						
66250F	Webb	03123025002						
64489F	Webb	03123020002						
63617F	Webb	03122963002						
63647F	Webb	03122963002						
66865	Webb	03122948002						
68958	Webb	03122925002						
61586	Webb	03122806002						
68981	Webb	03122683002						
68897	Webb	03122600002						
64405F	Webb	03122562002						
66895	Webb	03122550002						

NUMERICAL PARTS LISTING

PART NUMBER	PAGE	PART NUMBER	PAGE	PART NUMBER	PAGE
03-012480-002	10, 20	03-123406-002	11, 22	04-16062-005	55
03-012488-002	10, 22	03-123409-002	11, 21	04-16062-007	55
03-012582-002	10, 20	03-123420-002	11, 17	04-16062-020	55
03-120376-002	10, 22	03-123421-002	12, 17	4-X-1612	30, 53, 54
03-120442-002	10, 20	03-123427-002	12, 19	05-1600-8098-P72	82
03-120516-002	10, 18	03-123428-002	12, 22	05-1603-3098-P72	84
03-120566-002	10, 17	03-123430-002	12, 20	05-15633-002	57
03-120574-002	10, 20	03-123431-002	12, 17	05-15633-003	57
03-120586-002	10, 20	03-123448-002	12, 18	05-15756-002	58
03-120705-002	10, 17	03-123466-002	12, 18	05-15756-003	58
03-120743-002	10, 20	03-123493-002	12, 18	05-15863-002	59
03-120747-002	10, 20	03-123500-002	12, 19	05-15863-003	59
03-120754-002	10, 20	03-123520-002	12, 21	05-15871-002	60
03-120822-002	10, 17	03-123538-002	12, 19	05-15871-003	60
03-120855-002	10, 19	03-123788-002	12, 21	05-15873-002	61
03-120877-002	10, 21	04-15413-006	89	05-15873-003	61
03-120882-002	10, 22	04-15413-007	89	05-15874-003	62
03-120936-002	10, 22	04-15673-002	31	05-15897-002	63
03-120981-002	10, 17	04-15673-003	31	05-15897-003	63
03-120988-002	10, 19	04-15673-036	31	05-15897-004	63
03-122009-002	10, 20	04-15712-002	33	05-15897-005	63
03-122011-002	10, 18	04-15712-1000	33	05-15897-008	63
03-122027-002	10, 20	04-15719-002	34	05-15897-009	63
03-122104-002	10, 17	04-15719-1004	34	05-15903-030	64
03-122126-002	10, 20	04-15719-1005	34	05-15925-002	65
03-122222-002	10, 20	04-15728-002	36	05-15925-003	65
03-122239-002	10, 20	04-15728-004	36	05-15925-004	65
03-122314-002	10, 17	04-15900-002	38	05-15931-002	66
03-122453-002	10, 21	04-15900-003	38	05-15931-003	66
03-122488-002	10, 17	04-15900-004	38	05-15932-002	67
03-122518-002	10, 20	04-15900-005	38	05-15932-003	67
03-122550-002	10, 21	04-15930-002	39	05-15935-002	68
03-122562-002	10, 18	04-15930-003	39	05-15935-003	68
03-122600-002	10, 20	04-15937-002	40	05-15935-004	68
03-122607-002	10, 21	04-15937-003	40	05-15935-005	68
03-122683-002	10, 20	04-15943-002	41	05-15938-1001	69
03-122806-002	18	04-15957-1000	42	05-15938-1002	69
03-122921-002	10, 18	04-15972-002	43	05-15954-005	71
03-122925-002	10, 20	04-15973-100	44	05-15954-006	71
03-122947-002	11, 17	04-15974-001	45	05-15955-1000	72
03-122948-002	11, 20	04-15974-002	45	05-15964-1057	73
03-122963-002	11, 17	04-15975-001	46	05-15964-1058	73
03-122964-002	11, 17	04-15981-016	92	05-15967-1001	74
03-122966-002	11, 19	04-15981-017	92	05-15976-002	75
03-122971-002	11, 17	04-15981-018	92	05-15977-002	75, 76
03-122978-002	11, 21	04-15981-019	92	05-15988-001	77
03-123020-002	11, 17	04-15984-102	93	05-15996-002	78
03-123024-002	11, 17	04-15985-002	47	05-15996-003	78
03-123025-002	11, 21, 89	04-15985-003	47	05-16005-002	80
03-123200-002	11, 20	04-15985-006	47	05-16007-002	81
03-123207-002	11, 21, 90, 91, 94, 97, 98	04-16001-001	50	05-16033-098P72	85
03-123219-002	11, 19	04-16001-003	50	05-16034-003	86
03-123276-002	11, 18	04-16001-005	50	05-16034-005	86
03-123297-002	11, 20	04-16002-098-P72	52	05-16067-002	88
03-123302-002	11, 19	04-16009-002	53	05-16067-005	88
03-123332-002	11	04-16009-003	53	08-007775	36
03-123365-002	11, 21, 90, 91	04-16012-002	54	08-008551	30, 41, 47, 48, 49, 50, 51, 52, 56
03-123366-002	11, 14, 17	04-16012-003	54	08-203868	30, 39
03-123396-002	11, 18	04-16040-010PST	95	08-205435	30, 32, 35, 37, 43, 44
03-123397-002	11, 20	04-16040-011PST	95	08-205740	30, 56
03-123398-002	11, 20	04-16048-002PST	96	08-205741	30, 32, 33, 35, 42
03-123399-002	11, 19	04-16048-004PST	96	09-001688	28

NUMERICAL PARTS LISTING

PART NUMBER	PAGE	PART NUMBER	PAGE	PART NUMBER	PAGE
09-001727	28, 58, 77, 78, 84	15-15996-1002MTB	78	23-123494-002	25, 27
09-001728	28, 32, 49, 84	15-16026-1002MTB	84	23-123495-002	25, 27
09-001811	28, 33, 37, 42	16-15719-076	34	23-123497-002	25
09-001826	28, 72, 74	16-15719-203	34	23-123498-002	25, 27, 37
09-001910	29, 48, 63, 90, 91, 94	16-15719-204	34	23-123522-002	25, 83
09-001911	29, 48, 63, 90, 91, 94	16-15719-1000	35	23-123522-009	79
09-001925	28, 57	16-15719-1005	35	23-123527-002	25
09-001926	28, 57, 85	16-15719-1011	35	23-123528-002	25
09-001937	36	16-15740-100	37	23-123529-002	25
09-001958	28, 63, 66, 67, 68	16-15943-1000	41	23-123532-002	25
09-001988	28, 35, 58, 63, 64, 66, 67, 68, 71, 73, 77, 86, 87, 88	16-15972-1000	43	23-123547-002	25, 64
09-001989	28, 35, 36, 38, 39, 40, 43, 47, 48, 49, 50, 51, 53, 69, 71, 86, 89, 90, 92, 94	16-15973-1001	44	23-123550-009	25
09-001997	29, 68	16-15974-1000	45	23-123552-009	25
09-001998	29, 68, 79	16-15974-1001	45	23-123557-009	25, 35, 43, 70, 72, 73, 74
09-001999	28, 57, 65	16-15975-1000	46	23-123572-009	25
09-002000	28, 57, 65	16-15975-1001	46	23-123573-009	25, 66, 67, 68
09-002002	28, 69, 71, 78, 91, 94	16-16000-1001	49	23-123574-009	25, 41
09-002003	28, 32, 47, 48, 50, 51, 52, 53, 89, 90, 92, 94	16-16000-1012	49	23-123615-002	25, 49
09-002004	28, 32, 35, 43, 49, 50, 51, 54, 94	16-16001-1002	50	23-123617-009	25, 44
09-002005	28, 41, 77	16-16001-1004	50	23-123618-002	26, 45
09-002013	28, 70, 73	16-16002-1000	52	23-123618-007	26
09-002047	28, 35, 38	16-16009-1001	53	23-123621-002	26
09-002048	28, 35, 38	17-15903-050	64	23-123624-002	26, 46
09-002049	29, 94	17-15946-1000	70	23-123624-007	26
09-002050	29, 94	17-15964-1006	73	23-123625-002	26, 75
09-002085	29, 32	17-15976-1001	75	23-123626-002	26, 76
09-002086	29, 32	17-15977-1000	76	23-123632-002	26, 52
09-002173	28, 65	17-15977-1001	76	23-123641-002	26
09-002184	28, 35	17-15988-1001	77	23-123642-002	26, 49, 51, 77, 82
09-002184	38, 39, 40	17-15988-1002	77	23-123647-002	26, 53, 81, 87
09-002209	50	17-15997-1000	79	23-123782-002	26
09-002216	28, 80, 83	17-16007-1000	81	53-123512-002	16, 17
09-002223	28, 46	17-16008-1000	82	53-123535-002	16, 21
09-002225	28, 45, 76	17-16010-1000	83	53-123537-002	16, 21, 91, 94, 97, 98
09-002226	28, 45, 76	20-X-2551	28, 63	53-123542-002	16, 17, 18
09-002228	28, 81, 82	20-X-2552	28, 63	53-123544-002	16, 22
09-002229	28, 54	23-122527-002	23, 2527	53-123564-002	16, 21
09-002232	28, 75	23-122691-002	23	53-123565-002	16, 21
09-002233	28, 44	23-122693-002	23	53-123566-002	16, 21
13-123219-002	19, 58	23-122700-002	23	53-123567-002	16, 17
13-123302-002	19, 58	23-122701-002	23	53-123568-002	16, 17
14-15413-1032	89	23-122703-002	23	53-123575-002	16, 17
14-15673-1004MTB	31	23-122729-002	23, 25, 27, 35	53-123579-002	16, 22
14-15968-129	90, 91	23-122897-002	23	53-123580-002	16, 22
14-15968-130	90, 91	23-122920-002	23	53-123581-002	16, 22
14-15984-1068	94	23-123041-002	23	53-123582-002	16, 20
14-15984-1072	94	23-123046-002	23	53-123583-002	16, 20
14-15984-1078	94	23-123296-002	23	53-123588-002	16, 19
14-15984-1081	94	23-123433-002	23	53-123589-002	19
14-15984-1085X30	94	23-123434-002	23, 27	53-123590-002	16, 19
14-15984-1433	94	23-123439-002	23	53-123598-002	16, 18
14-15985-1003MTB	47	23-123440-002	27	53-123601-002	16, 18
14-16062-1030MTB	55	23-123443-002	23	53-123602-002	16, 18
15-15756-102	58	23-123458-002	23, 27	53-123605-002	16, 19
15-15756-300	58	23-123460-002	23, 27	53-123606-002	16, 19
15-15756-301	58	23-123461-002	23	53-123607-002	16, 19
15-15938-1003MTB	69	23-123468-002	23, 24, 27	53-123608-002	16, 19
15-15954-1015MTB	71	23-123480-002	24, 27	53-123609-002	16, 17
15-15996-1000MTB	78	23-123485-002	24, 27	53-123627-002	19
		23-123486-002	24, 27	53-123640-002	16, 18
		23-123487-002	24, 27	53-123771-002	16, 22
		23-123489-002	24, 25	53-123815-002	16, 19

NUMERICAL PARTS LISTING

PART NUMBER	PAGE
53-123816-002.....	16, 19
85-120516-002.....	13, 18
85-120586-002.....	13, 20
85-120855-002.....	13, 19
85-120877-002.....	13, 21
85-122009-002.....	13, 20
85-122011-002.....	13, 18
85-122103-002.....	13, 20
85-122222-002.....	13, 20
85-122266-002.....	13, 19
85-122505-002.....	13
85-122518-002.....	13, 20
85-122550-002.....	13, 21
85-122600-002.....	13, 20
85-122683-002.....	13, 20
85-122921-002.....	13, 18
85-122947-002.....	13
85-122948-002.....	13
85-122954-002.....	13, 19
85-122964-002.....	13, 17
85-122966-002.....	13, 19
85-123200-002.....	13, 20
85-123203-002.....	13, 18
85-123207-002.....	13, 21, 48, 56, 97, 98
85-123276-002.....	13, 18
85-123297-002.....	13, 20
85-123331-002.....	13, 18
85-123332-002.....	13, 18
85-123345-002.....	13, 17
85-123348-002.....	13, 21
85-123365-002.....	13, 21, 56
85-123366-002.....	13, 17
85-123370-002.....	13, 19
85-123382-002.....	14, 17
85-123383-002.....	14, 19
85-123396-002.....	14, 18, 71
85-123397-002.....	14, 20
85-123397-002.....	32
85-123399-002.....	14, 19
85-123400-002.....	14, 19, 71
85-123406-002.....	14, 22
85-123409-002.....	14, 21
85-123420-002.....	14, 17, 57
85-123421-002.....	14, 17
85-123427-002.....	14, 19
85-123428-002.....	14, 22
85-123431-002.....	14, 17
85-123448-002.....	14, 18
85-123463-002.....	14, 19, 71
85-123465-002.....	14, 18, 69
85-123466-002.....	14, 18, 32
85-123520-002.....	14, 21
85-123548-002.....	14, 18
85-123553-002.....	14, 18
85-123556-002.....	14, 19
85-123561-002.....	14, 20, 78
85-123569-002.....	14, 20
85-123570-002.....	14, 22, 91
85-123650-002.....	14, 19
85-123651-002.....	14, 19
85-123652-002.....	14, 21, 48
85-123657-002.....	14, 20, 84

85-123660-002.....	14
85-123663-002.....	14, 19
85-123664-002.....	15, 19
85-123672-002.....	15, 18
85-123681-002.....	15, 18
85-123784-002.....	15, 22
85-123788-002.....	15, 21
85-123791-002.....	15, 22
85-123813-002.....	15, 21
85-123818-002.....	15, 19
R006034.....	29, 97, 98
R006035.....	29, 97, 98
R008958L.....	28
R008958R.....	28
R0014873L.....	29
R0014873R.....	29
R0014874L.....	29
R0014874R.....	29
R0014875.....	29
R0014876.....	29
R0014877.....	29
R0014889.....	97, 98
R930135.....	19
R930135.....	71
R930177.....	96
R930178.....	95
R930179.....	96
R930180.....	95
R930181.....	96
R930182.....	95
R930184.....	95

MERITOR AFTERMARKET PARTS WARRANTY

We warrant all new parts for one year from date of shipment to the buyer against defective material or workmanship (but not against damage caused by accident, abuse or improper installation, maintenance or repair) when such parts are used on vehicles the specifications of which have been approved by our Engineering Department.

As the exclusive remedy under this warranty, we will, at our option, repair or replace such parts free of charge, or take back the nonconforming parts and refund the monies paid by buyer for such parts, if found on examination by us to be nonconforming and if any necessary return charges are prepaid.

If it is necessary to return any parts under this warranty, buyer agrees not to make any deduction on account thereof from remittances on current accounts while claims are in the process of disposition. Any expense incurred without our consent for repairs or replacement will not be allowed.

THIS WARRANTY IS EXPRESSLY IN LIEU OF ALL OTHER WARRANTIES OR CONDITIONS, EXPRESS, IMPLIED OR STATUTORY, INCLUDING ANY IMPLIED WARRANTY OF MERCHANTABILITY OR FITNESS FOR PARTICULAR PURPOSE. IN NO EVENT SHALL SELLER BE LIABLE FOR INCIDENTAL OR CONSEQUENTIAL DAMAGES OF ANY NATURE.

Only genuine Meritor replacement parts are covered by this aftermarket parts warranty.