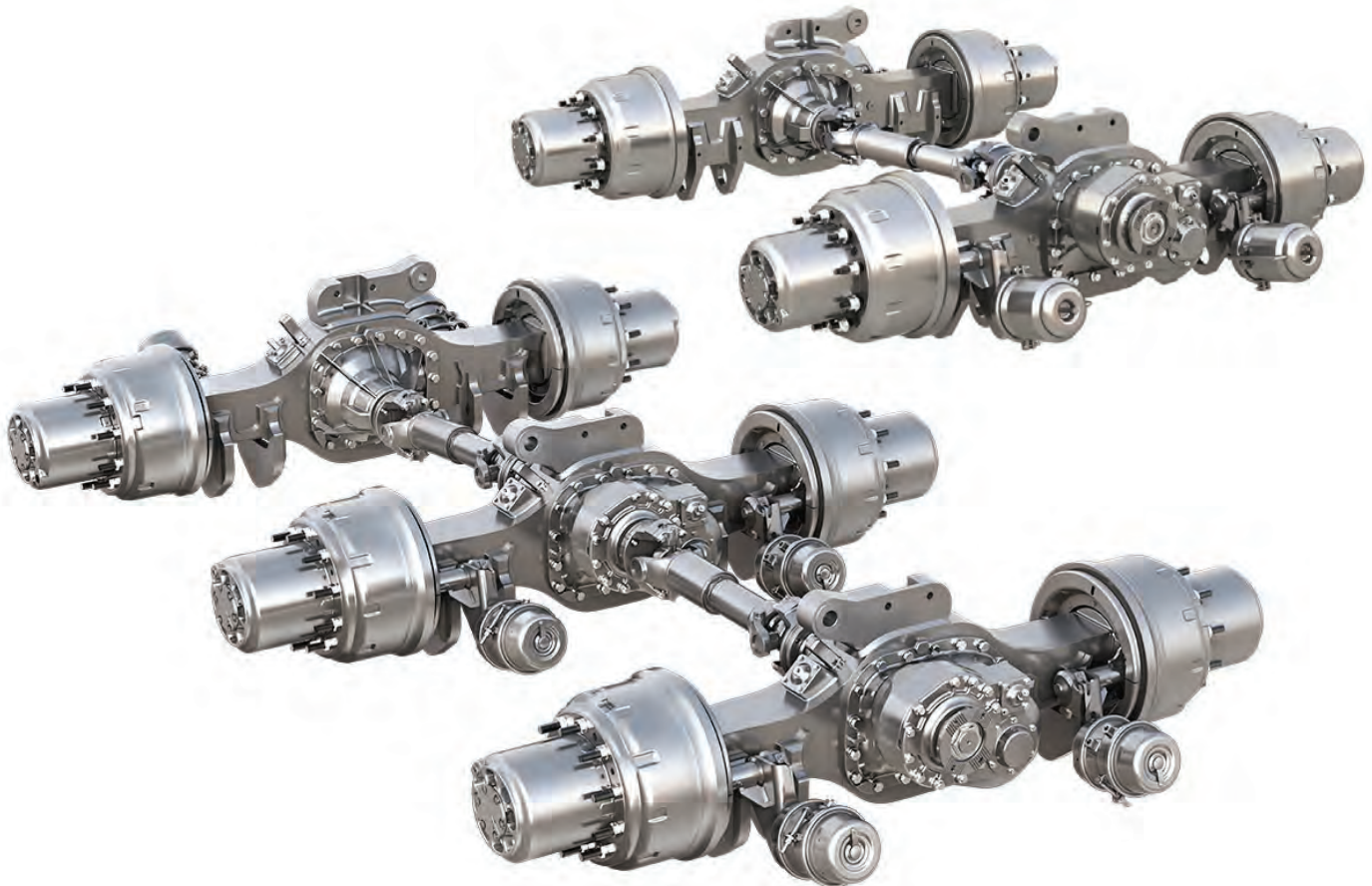
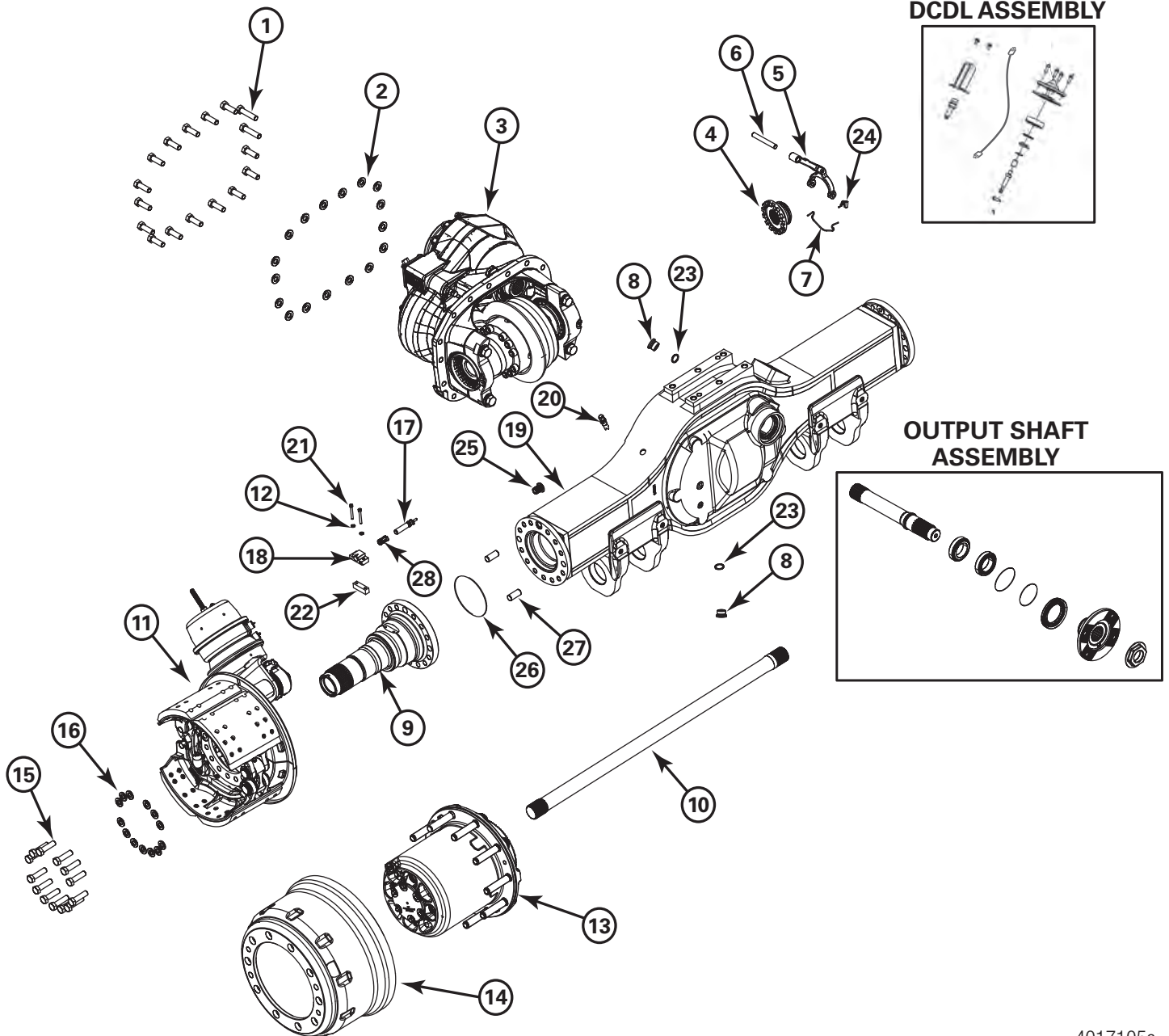


March 2020

# P600 TANDEM/TRIDEM



# Forward Axle - Tandem/Tridem Mid Axle - Tridem



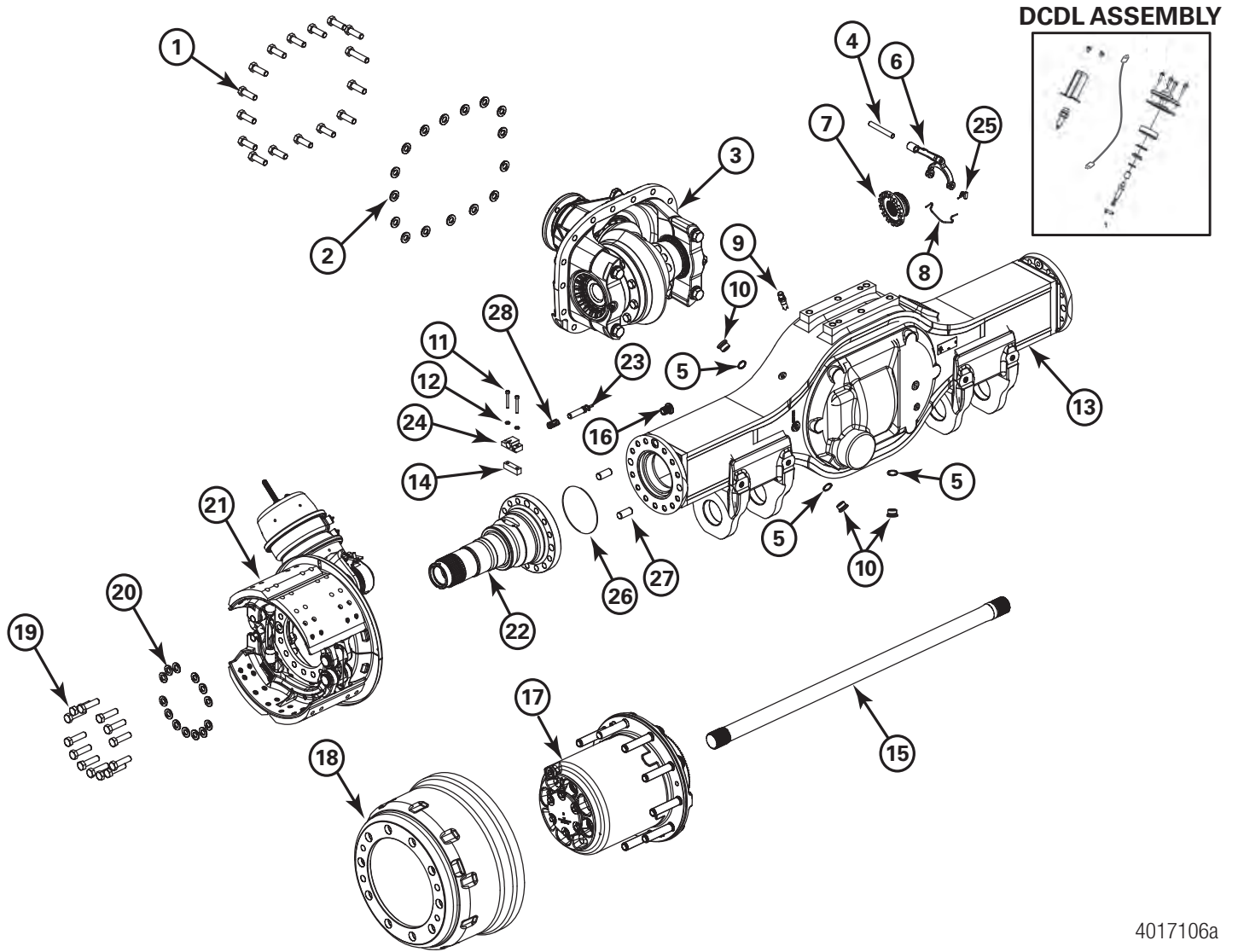
4017105a

# Forward Axle - Tandem/Tridem

## Mid Axle - Tridem

ITEM	DESCRIPTION	PART NUMBER	QUANTITY
1	SCREW-CAP	MS-216050N-2	15
	SCREW-CAP	MS-216070N-2	2
2	WASHER-HARDENED	MWA 516	17
3	CARRIER ASSY	See Bill of Materials	1
4	COLLAR - DCDL	1522354	1
5	SHIFT FORK	1069372	1
6	SHIFT RAIL - DIFF. LOCK	3152043	1
7	RETAINER BRACE	1523084	1
8	FILL/DRAIN PLUG	A1250N1496	2
9	SPINDLE	3213H2244	2
10	AXLE SHAFT - LH	See Bill of Materials	1
	AXLE SHAFT - RH	See Bill of Materials	1
11	BRAKE ASSEMBLY	SEE BRAKE SECTION	2
12	WASHER-FLAT	MWA 506	2
13	WHEEL END ASSEMBLY	SEE PB-1267	2
14	BRAKE DRUM	See Bill of Materials	2
15	BOLT/CAPSCREW	MS-216060A-2	26
16	WASHER-HARDENED	1229-W-1557	26
17	SENSOR ASSY	A2237G1359	2
18	SENSOR BLOCK	2255D1148	1
19	HSG ASSY-W/ BRACKETS	See Bill of Materials	1
20	BREATHER	A 1199W4053	1
21	BOLT/CAPSCREW	SP-2053	4
22	SPACER BLOCK	2297M8931	2
23	GASKET-DRAIN/FILL PLUG	949329	2
24	PIN - SHIFT FORK	1523087	2
25	BUSHING-RUBBER	3237B1068	2
26	O-RING	5X1371	1
27	DOWEL	1246T1268	4
28	BUSHING (SENSOR)	2237W1531	1

# Rear Heavy Haul Tandem Axle

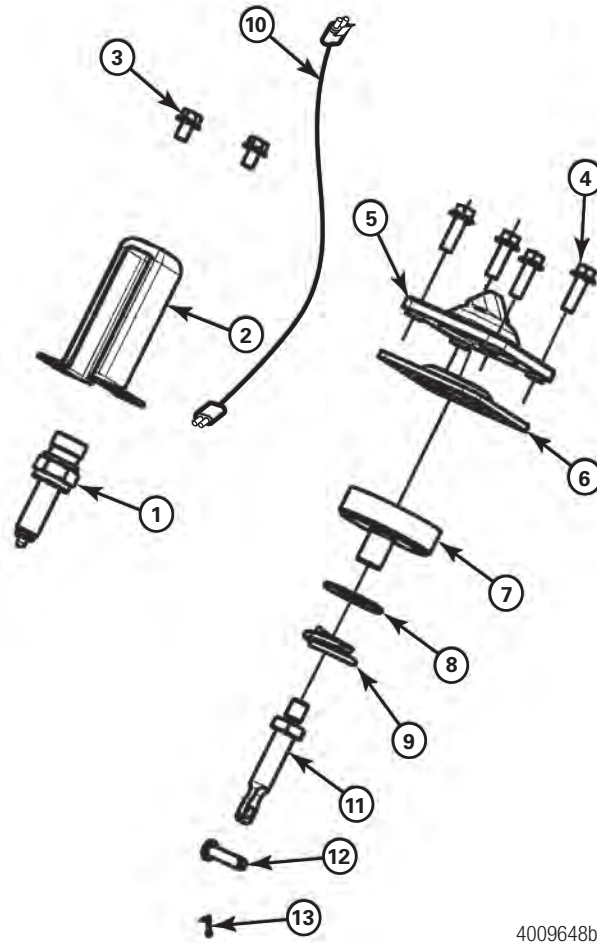


4017106a

# Rear Heavy Haul Tandem Axle

ITEM	DESCRIPTION	PART NUMBER	QUANTITY
1	SCREW-CAP	MS-216050N-2	15
	SCREW-CAP	MS-216070N-2	1
2	WASHER-HARDENED	MWA_516	16
3	CARRIER ASSY	See Bill of Materials	1
4	SHIFT RAIL - DIFF. LOCK	3152043	1
5	GASKET- DRAIN/FILL PLUG	949329	2
6	SHIFT FORK	1069372	1
7	COLLAR - DCDL	1522354	1
8	RETAINER BRACE	1523084	1
9	BREATHER	A-1199W4053	1
10	FILL/DRAIN PLUG	A1250N1496	2
11	BOLT/CAPSCREW	SP-2053	4
12	WASHER-FLAT	MWA 506	2
13	HSG ASSY-W/ BRACKETS	See Bill of Materials	1
14	SPACER BLOCK	2297M8931	2
15	AXLE SHAFT-LH	See Bill of Materials	1
	AXLE SHAFT-RH	See Bill of Materials	1
16	BUSHING-RUBBER	3237B1068	2
17	WHEEL END ASSEMBLY	SEE PB-1267	2
18	BRAKE DRUM	See Bill of Materials	2
19	BOLT/CAPSCREW	MS-216060A-2	26
20	WASHER-HARDENED	1229W1557	26
21	BRAKE ASSEMBLY	SEE BRAKE SECTION	2
22	SPINDLE	3213H2244	2
23	SENSOR ASSY	A2237G1359	1
24	SENSOR BLOCK	2255D1148	1
25	PIN - SHIFT FORK	1523087	2
26	O-RING	5X1371	1
27	DOWEL	1246T1268	4
28	BUSHING (SENSOR)	2237W1531	1

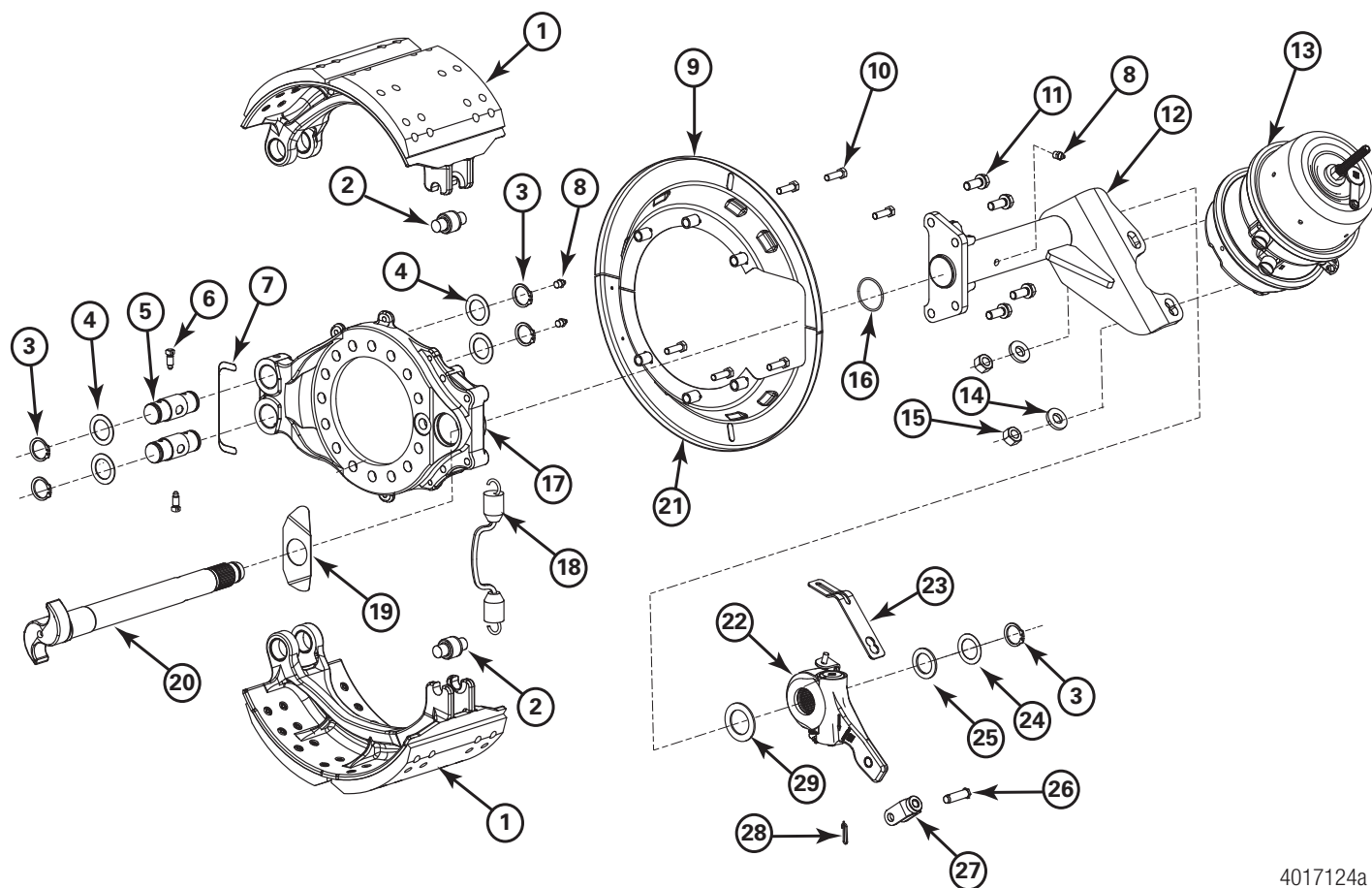
# DCDL



4009648b

ITEM	DESCRIPTION	PART NUMBER	QUANTITY
1	DCDL SWITCH	2237-L-1390	1
2	DCDL SWITCH PROTECTOR	3155-P-1472	1
3	SCREW	10X1783	2
4	FLANGE SCREW, (M8 X 25)	945444	4
5	COVER - DIFF. LOCK	3266-G-1879	1
6	DIAPHRAGM - DIFF. LOCK	2297-A-8477	1
7	DIAPHRAGM SEAT	3261-S-1085	1
8	SLEEVE - DIAPHRAGM	3152044	1
9	SPRING - DIFF. LOCK	3152042	1
10	HARNESS - DCDL SWITCH	3268A1977	1
11	PUSH ROD	2244-C-1277	1
12	PIN - CLEVIS	964845	1
13	PIN - SPLIT	907822	1

# Brakes



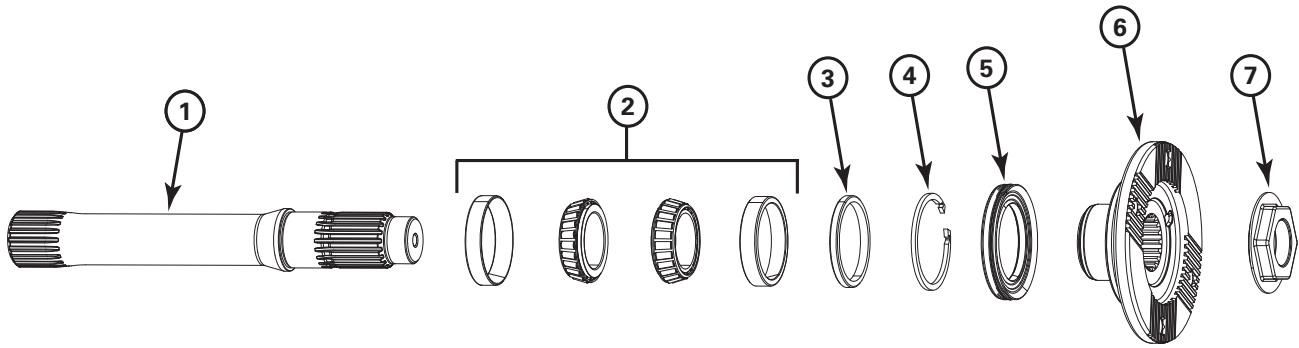
4017124a

ITEM	DESCRIPTION	PART NUMBER	QUANTITY PER WHEEL END
1	BRAKE SHOE & LINING ASSY	A12-3222F2294	2
2	ROLLER-BRAKE SHOE	2297Q8233	2
3	RING-SNAP	1229D2942	5
4	WASHER-FLAT	1229B1848	4
5	PIN-BRAKE SHOE ANCHOR	1259K1181	2
6	SCREW-SET	26X-1030	2
7	WIRE-LOCK	LW 1912	1
8	FITTING-GREASE	1199N1860	3
9	SHIELD ASSY-DUST	A4-3236R2124	1
10	SCREW-CAP	S 2610B	6
11	BOLT ASSY	A-2297U9251	4
12	BRKT ASSY-BRAKE CHAMBER	See Bill of Materials	1
13	CHAMBER ASSY-BRAKE	See Bill of Materials	1
14	WASHER-FLAT	1229N1626	2
15	NUT	N 310 1	2
16	O-RING	1205G761	1
17	SPIDER ASSY-BRAKE (LH) SPIDER ASSY-BRAKE (RH)	See Bill of Materials	1 1

ITEM	DESCRIPTION	PART NUMBER	QUANTITY PER WHEEL END
18	SPRING-SHOE RETURN	2258Y1273	1
19	SPECIAL WASHER	1229F4686	1
20	CAMSHAFT	See Bill of Materials	1
21	SHIELD ASSY-DUST	A4-3236Q2123	1
22	AUTO ADJUSTER-SLACK	See Bill of Materials	1
23	STRAP ASSY	See Bill of Materials	1
24	WASHER-FLAT	1229J3130	2
25	WASHER-FLAT	1229W3117	2
26	PIN	19X1084	1
27	CLEVIS, FIN.	1245V1192	1
28	CLIP	2257D1174	1
29	WASHER-FLAT	1229H4090	1

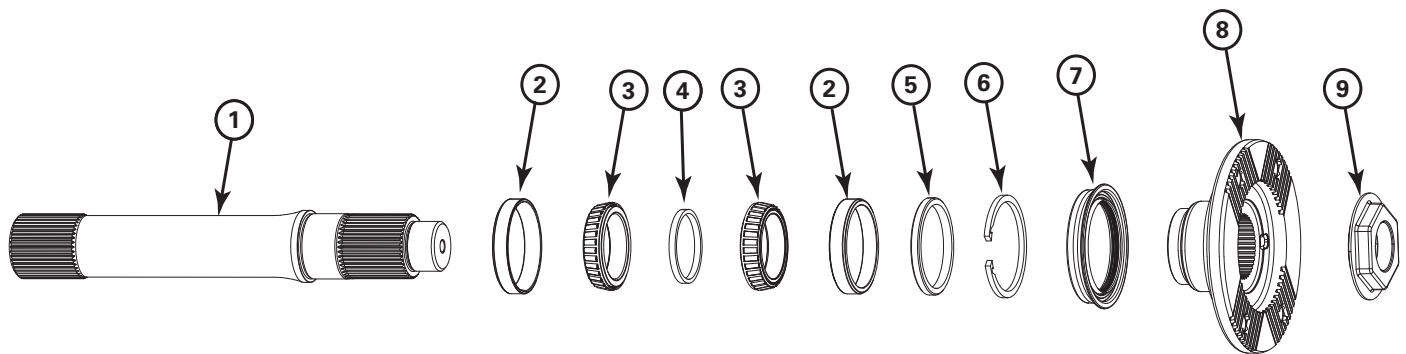


# Forward Tandem/Mid Tridem Output Shaft Assembly



ITEM	DESCRIPTION	PART NUMBER	QUANTITY
1	OUTPUT SHAFT	3297C1797	1
2	BEARING ASSEMBLY	1524988	2
3	SPACER	2803N3524	1
4	SNAP RING	1229P2590-1229Y2599	As required
5	SEAL KIT	1524838	1
6	FLANGE-COMPANION, FIN	See Bill of Materials	1
7	LOCK NUT	1673393	1

# Forward Tridem Output Shaft Assembly



ITEM	DESCRIPTION	PART NUMBER	QUANTITY
1	OUTPUT SHAFT	3297C1849	1
2	CUP-BEARING	1228Q2643	2
3	CONE BEARING	A-1228P2642	2
4	SPACER	1244Z4238	2
5	SPACER	2803N3524	1
6	SNAP RING	1229P2590-1229Y2599	As required
7	SEAL ASSY-OIL	A 1205C2707	1
8	FLANGE-COMPANION, FIN	5WCS35-2	1
9	NUT-LOCK	1673393	1

## **MERITOR AFTERMARKET PARTS WARRANTY**

We warrant all new parts for one year from date of shipment to the buyer against defective material or workmanship (but not against damage caused by accident, abuse or improper installation, maintenance or repair) when such parts are used on vehicles the specifications of which have been approved by our Engineering Department.

As the exclusive remedy under this warranty, we will, at our option, repair or replace such parts free of charge, or take back the nonconforming parts and refund the monies paid by buyer for such parts, if found on examination by us to be nonconforming and if any necessary return charges are prepaid.

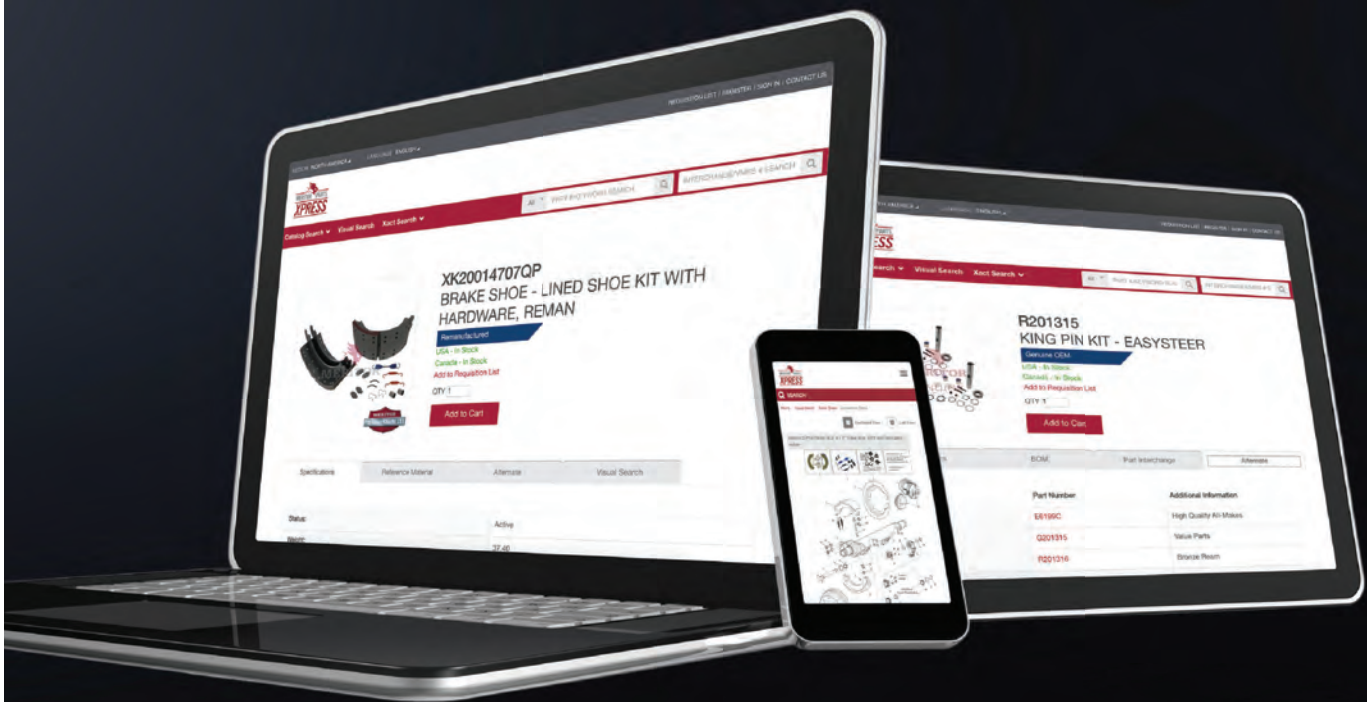
If it is necessary to return any parts under this warranty, buyer agrees not to make any deduction on account thereof from remittances on current accounts while claims are in the process of disposition. Any expense incurred without our consent for repairs or replacement will not be allowed.

THIS WARRANTY IS EXPRESSLY IN LIEU OF ALL OTHER WARRANTIES OR CONDITIONS, EXPRESS, IMPLIED OR STATUTORY, INCLUDING ANY IMPLIED WARRANTY OF MERCHANTABILITY OR FITNESS FOR PARTICULAR PURPOSE. IN NO EVENT SHALL SELLER BE LIABLE FOR INCIDENTAL OR CONSEQUENTIAL DAMAGES OF ANY NATURE.

Only genuine Meritor replacement parts are covered by this aftermarket parts warranty.

## XCELERATED PARTS XPERTISE.

Expedite your search for more than 100,000 aftermarket products with powerful self-service tools to help boost your parts operations. For fast access to parts ordering on all Meritor aftermarket brands, plus enhanced Xact Search and Visual Search tools, competitive cross-references, product information, catalogs and more, visit [MeritorPartsXpress.com](http://MeritorPartsXpress.com).



Vehicle models, brands and names depicted herein are the property of their respective owners, and are not in any way associated with Meritor, Inc., or its affiliates.



Meritor Heavy Vehicle Systems, LLC  
7975 DIXIE HIGHWAY  
FLORENCE, KY 41042 USA

888-725-9355 U.S.  
800-387-3889 Canada  
MeritorPartsOnline.com  
meritor.com

©2020 Meritor, Inc.  
Litho in USA, PB-1262  
Revised 03-2020 (16579)