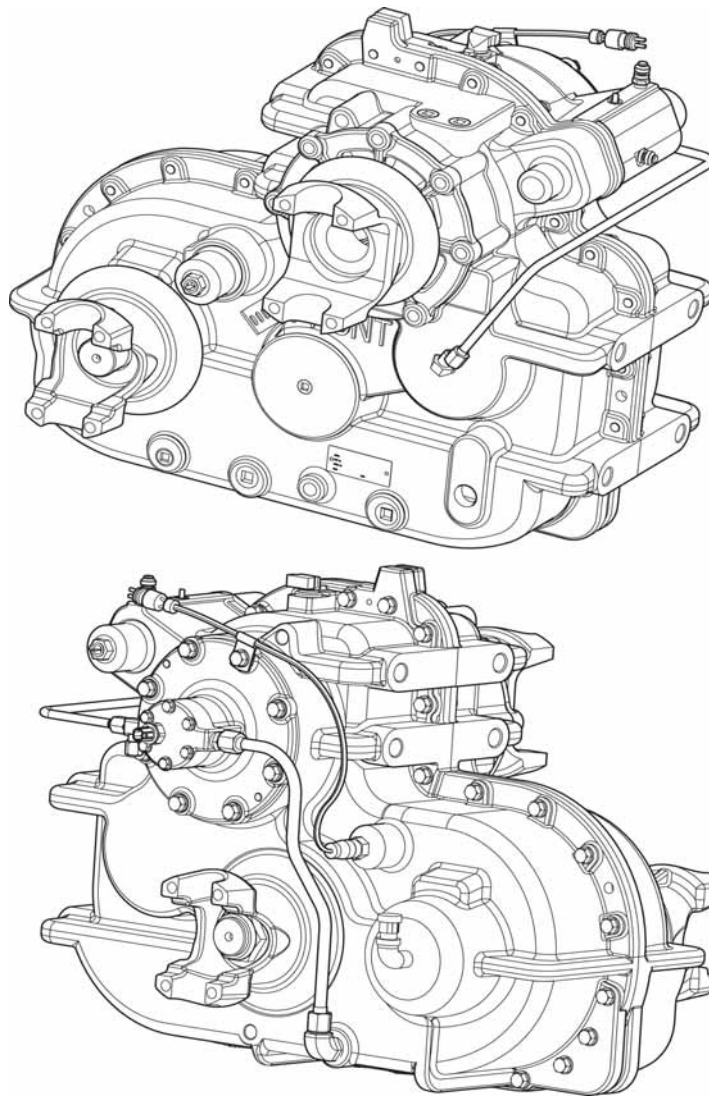


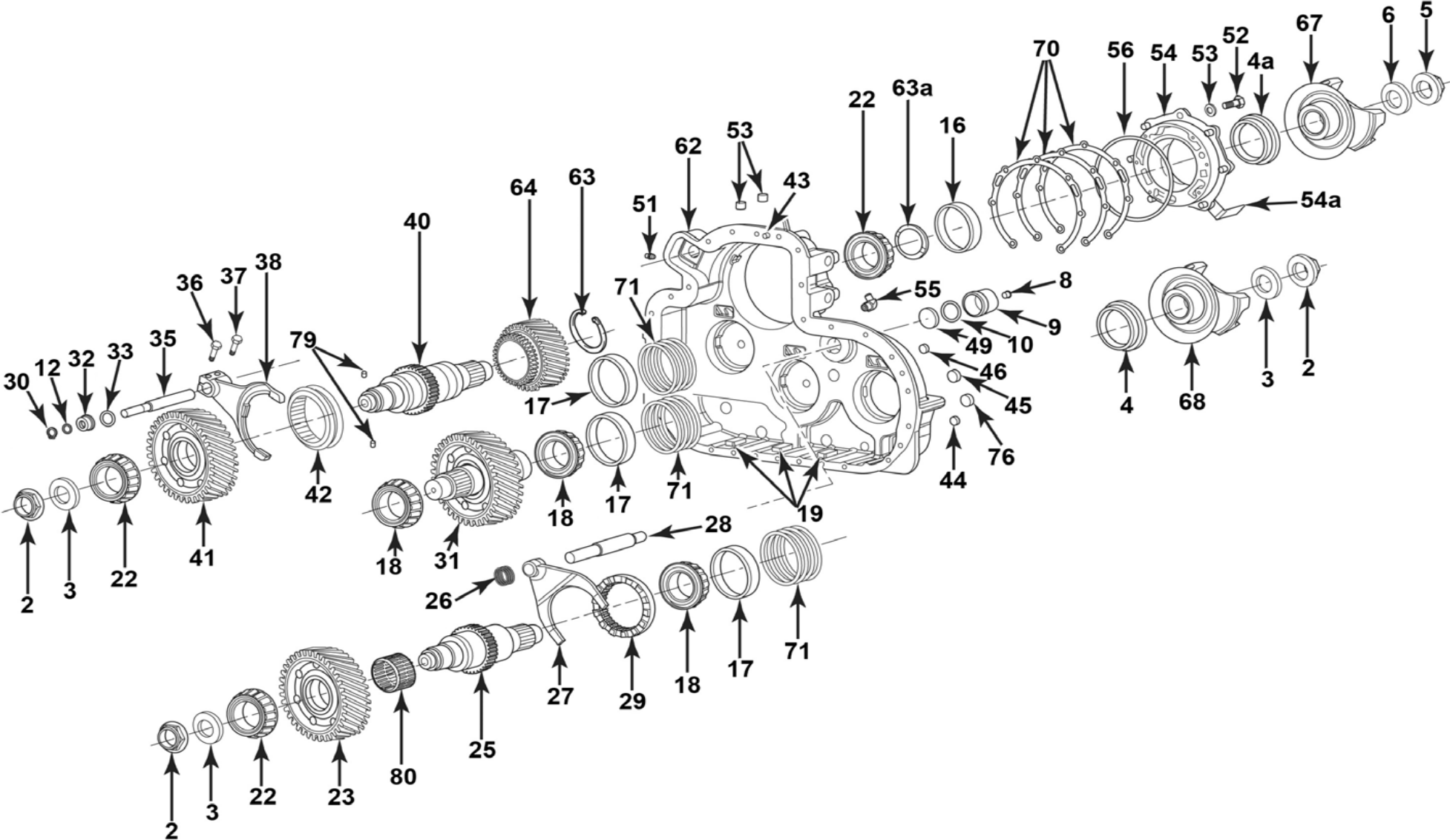
MTC4208XL

Transfer Case

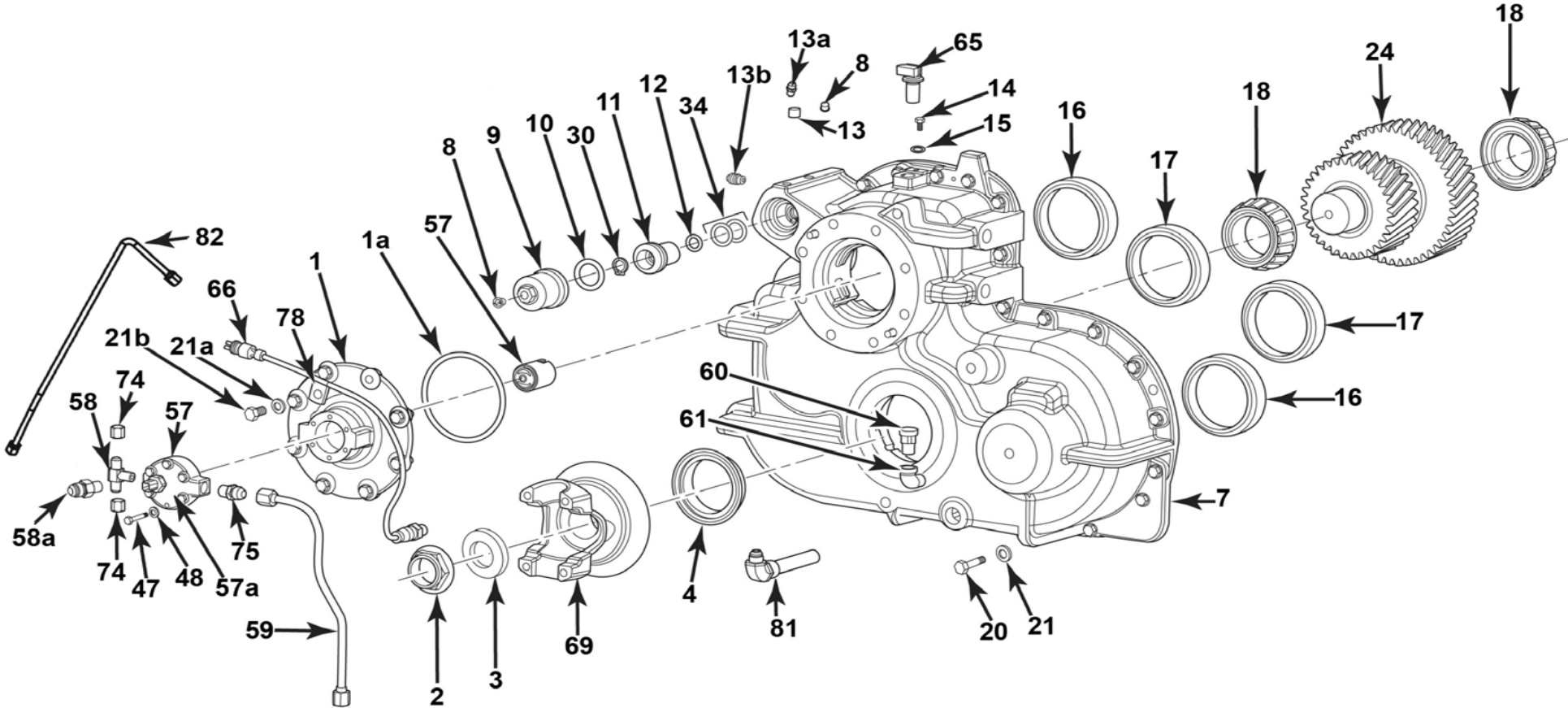


NOTE: The MTC-4208XL transfer case models are NOT directly interchangeable with MTC-4208 transfer case specifications. Interface points for the oil cooler lines (if equipped) on the XL models are different, which affect the lengths of the oil cooler lines. The exterior geometry of the housing and location of lubrication lines has also changed, which potentially impacts clearances to surrounding components. In addition, current models cannot be used in place of the new models in applications with “engage-on-the-fly” systems or mid-ship pumps.

MTC4208XL - Front



MTC4208XL - Rear



MTC-4208XL SERIES TRANSFER CASE

Item	Part Name	Qty.	Part Number	Description
1	Cover - Pump	1	3266-Z-1534	
1a	O-Ring	1	5-X-1348	
2	Lock Nut	4	40-X-1233	M45 x 1.5 thd.
3	Washer	4	1229-N-1730	1.79" ID x 3.00" OD x .19" wide
4	Unitized Seal - Forward & Rear Output	2	R945007	3.25" ID x 4.25" OD x .86" long
4a	Multiple-Lip Seal - Input Shaft	1	A1-1205-X-2728	3.25" ID x 4.25" OD x .58" long
5	Lock Nut	1	40-X-1341	2.25"-12 thd.
6	Washer	1	1229-E-4113	2.28" ID x 3.25" OD x .32" wide
7	Cover - Transfer-Rear	1	3289-F-1098	
8	Plug (Shipping)	15	1779-F-344	
9	Shift Cylinder	2	3261-A-1067	
10	O-Ring	2	5-X-1326	1.459" ID x .208" thick
11	Piston (Outer)	1	2230-Q-1369	
12	O-Ring (Inner)	2	5-X-1290	.734" ID x .139" thick
13	Reducer Bushing	1	2206-Q-1447	
13a	Neutral Breather	1	A-1199-R-4048	
13b	Blow-by Breather	1	A-1199-C-1043	Use with 3289-D-1096 cover only
14	Capscrew (Speed Sensor Retainer)	1	S244-2	
15	Washer (Speed Sensor Retainer)	1	W-34	
16	Bearing Cup	3	HM813810	5.00" OD cup
17	Bearing Cup	5	HM212011	4.8125" OD cup
18	Bearing Cone	5	HM212049	2.625" ID cone
19	Magnet	3	2297-K-6771	
20	Capscrew	29	S2714A-2	7/16"-14 thd x 1.75"
21	Washer - Hardened	29	1229-E-1513	.47" ID x .81" OD x .09" wide
21a	Washer - Flat	8	1229-E-1513	.47" ID x .81" OD x .09" wide
21b	Bolt/Capscrew	8	S2710A-2	7/16"-14 thd x 1.25"
22	Bearing Cone	3	HM813843	2.4375" ID cone
23	Gear - Front Output	1	3892-L-5862	
24	Gear - Idler	1	3892-V-5664	
25	Shaft - Front Output	1	3297-G-1567	
26	Spring	1	2258-U-411	
27	Shift Fork	1	3296-T-1346	
28	Push Rod - Front Output	1	2244-S-1189	
29	Collar - Clutch	1	3107-U-1269	
30	Snap Ring	2	1229-U-4857	.689" ID
31	Gear - Rear Output	1	3892-H-5676	
32	Piston (Inner)	1	2230-T-1346	
33	O-Ring	1	5-X-1292	1.17" ID x .139" thick
34	O-Ring (Housing)	2	5-X-1291	.984" ID x .139" thick
35	Shaft - Shift	1	2244-T-1190	
36	Bolt/Capscrew	1	S1712A-2	7/16" x 1.5"
37	Bolt/Capscrew	1	S1612A-2	3/8" x 1.5"
38	Shift Fork	1	3296-Q-1317	
40	Shaft - Input	1	3297-C-1615	
41	Gear - Input (High)	1	3892-R-5660	
42	Collar - Clutch	1	3107-K-1181	
43	Dowel	2	1246-T-1190	.375" dia x 1.00" long
44	Drain Plug - Magnetic	2	1250-E-473	3/4"-14 NPT square socket
45	Plug	4	P-26	3/8"-18 NPT square socket
46	Fill Plug	1	P-212	3/4"-14 NPT square socket

MTC-4208XL SERIES TRANSFER CASE

Item	Part Name	Qty.	Part Number	Description
47	Capscrew - Pump Assembly	6	S-2414-2	1/4"-20 thd - 1.75"
48	Washer - Flat - Pump Assembly	6	WA-34	
49	Piston	1	2230-T-1190	
52	Capscrew	7	S2814A-2	1/2"-13 thd x 1.75"
53	Washer - Hardened	7	1229-C-1511	.53" ID x .88" OD x .09" wide
54	Cage - Input Bearing	1	A-3226-D-1512	
54a	Angle Bracket	1	3155-Q-1499	
55	Elbow	1	A-2206-K-1545	3/8"-18 NPT
56	O-Ring - Bearing Cage	1	5-X-1327	
57	Pump Assy.	1	A-3303-X-1038	
57a	Cover - Pump Assembly	1	3266-G-1567	
58	T-Fitting (w/Cooler)	1	2206-G-1541	
58a	Fitting (w/o Cooler)	1	2206-Z-1430	1/4"-18 NPTF / 9/16"-18 UNF
59	Tube Assy	1	A-2296-V-1166	
60	Breather Assy	1	A-1199-P-1394	3/8"-18 NPT
61	Elbow	1	3290-X-1142	3/8"-18 NPT / 3/8"-18 NPT
62	Case - Transfer	1	3290-D-1200	Front Half
63	Snap Ring	1	1229-P-4800	Use with shaft 3297-H-1542 only.
63a	Spacer	1	1244-P-2694	
64	Gear - Input (Low)	1	3892-T-5662	
65	Speed Sensor	1	A-3280-U-9849	Optional
66	Engagement Sensor	1	3237-W-1167	Optional. Do not use with Special Screw (41-X-1022) and Washer (1229-U-1503)
66a	Screw - Special (Sensor Plug) (not shown)	2	41-X-1022	Optional M16 x 1-6g. Special Screw and Washer used in vehicles not equipped with Engagement Sensor (3237-W-1167)
66b	Washer (not shown)	2	1229-U-1503	
67	Yoke - Input	1	RAP or RCE spline code***	2-3/8"-46T spline (No Slinger)
68	Yoke - Front Output	1		2-3/8"-46T spline (Slinger opt.)
69	Yoke - Rear Output	1		2-3/8"-46T spline (Slinger opt.)
70	Shim - .003"	Use	2203-K-9241	Input bearing cage
	Shim - .005"	As	2203-L-9242	Available in KIT 2889
	Shim - .010"	Reqd.	2203-M-9243	
71	Shim - .003"	Use	2803-R-3112	Housing bearing cups
	Shim - .005"	As	2803-Q-3111	Available in KIT 2889
	Shim - .010"	Reqd.	2803-P-3110	
	Shim - .197"		2803-F-2866	
74	T-Fitting Caps	2	2206-C-1433	3/4"-16 UNF
75	Fitting Connector	1	2206-D-1434	3/4"-16 UNF with 3/8"-18 NPTF
76	Plug	1	P-28	
78	Clip - Speed Sensor	1	2257-M-1235	
79	Pin - Pump Drive	2	1246-S-1163	
80	Needle Bearing	1	1228-P-1654	
81	Elbow Filter Assembly	1	A-2206-S-1527	3/4"-14 NPTF
82	Tube Assy - Pump Outlet w/o Cooler	1	A-2296-M-1183	

*** See Yokes Page 7

MTC-4208XL SERVICE KITS

Part Name	Part Number	Quantity	Description
KIT 2562		Seal/Snap Ring Kit	
Unitized Seal - Forward & Rear Output	R945007	2	3.25" ID x 4.25" OD x .86" long
Multiple-Lip Seal - Input Shaft	A1-1205-X-2728	1	3.25" ID x 4.25" OD x .58" long
O-Ring	5-X-1326	2	1.459" ID x .208" thick
O-Ring (Inner)	5-X-1290	2	.734" ID x .139" thick
Snap Ring	1229-U-4857	2	.689" ID
O-Ring	5-X-1292	1	1.71" ID x .139" thick
O-Ring (Housing)	5-X-1291	2	.984" ID x .139" thick
O-Ring	5-X-1327	1	7.483" x .139" thick

KIT 2889		Shim Kit	
Shim - .003"	2203-K-9241	5	Input bearing cage
Shim - .005"	2203-L-9242	5	
Shim - .010"	2203-M-9243	5	
Shim - .003"	2803-R-3112	5	Housing bearing cups
Shim - .005"	2803-Q-3111	5	
Shim - .010"	2803-P-3110	5	
Shim - .197"	2803-F-2866	5	

KIT 2890		Fastener Kit	
Lock Nut	40-X-1233	4	M45 x 1.5 thd.
Washer	1229-N-1730	4	1.79" ID x 3.00" OD x .19" wide
Lock Nut	40-X-1341	1	2.25"-12 thd.
Washer	1229-E-4113	1	2.28" ID x 3.25" OD x .32" wide
Capscrew (Speed Sensor Retainer)	S244-2	1	
Washer (Speed Sensor Retainer)	WA-34	1	
Capscrew	S2714A-2	29	7/16"-14 thd x 1.75"
Washer - Hardened	1229-E-1513	29	.47" ID x .81" OD x .09" wide
Bolt/Capscrew	S1712A-2	1	7/16" x 1.5"
Bolt/Capscrew	S1612A-2	1	3/8" x 1.5"
Dowel	1246-T-1190	2	.375" dia x 1.00" long
Drain Plug - Magnetic	1250-E-473	1	3/4"-14 NPT square socket
Plug	P-26	4	3/8"-18 NPT
Fill Plug	P-212	1	3/4"-14 NPT
Capscrew - Pump Assy.	S2414-2	6	1/4"-20 thd - 1.75"
Washer - Flat - Pump Assy.	WA-34	6	
Capscrew	S-2814A-2	7	1/2"-13 thd x 1.75"
Washer - Hardened	1229-C-1511	7	.53" ID x .88" OD x .09" wide
T-Fitting	2206-G-1541	1	3/4"-14 NPT / 1 1/16"-12 Flare
Screw - Special (Sensor Plug)	41-X-1022	2	Optional M16 x 1-6g
Washer	1229-U-1503	2	
Capscrew	S2710A-2	8	Not used in MTC-4208/4210XL
Plug - Oil Restriction	1250-M-1313	1	

KIT 2892		Input Shaft Kit	
Shaft - Input	3297-C-1615	1	
Snap Ring	1229-P-4800	1	

KIT 2891		Shift Fork/Collar Kit - Front Output	
Collar - Clutch	3107-U-1269	1	
Shift Fork	3296-T-1346	1	

MTC-4208XL SERVICE KITS

Part Name	Part Number	Quantity	Description
KIT 2598			Shift Cylinder Kit
Shift Cylinder	3261-A-1067	1	
O-Ring	5-X-1326	1	
O-Ring (Inner)	5-X-1290	1	
Piston (Outer)	2230-Q-1369	1	

KIT 2893			Seal & Bearing Kit
Cage - Input Bearing	A-3226-D-1512	1	
Lock Nut	40-X-1233	4	M45 x 1.5 thd.
Washer	1229-N-1730	4	1.79" ID x 3.00" OD x .19" wide
Unitized Seal - Forward & Rear Output	R945007	2	3.25" ID x 4.25" OD x .86" long
Multiple-Lip Seal - Input Shaft	A1-1205-X-2728	1	3.25" ID x 4.25" OD x .58" long
Lock Nut	40-X-1341	1	2.25"-12 thd.
Washer	1229-E-4113	1	2.28" ID x 3.25" OD x .32" wide
Shim - .003"	2203-K-9241	5	Input bearing cage - available in KIT 2889
Shim - .005"	2203-L-9242	5	
Shim - .010"	2203-M-9243	5	
Shim - .003"	2803-R-3112	5	Housing bearing cups - available in KIT 2889
Shim - .005"	2803-Q-3111	5	
Shim - .010"	2803-P-3110	5	
Shim - .197"	2803-F-2866	5	
Bearing Cup	HM-813810	2	5.00" OD cup
Bearing Cup	HM-212011	5	4.8125" OD cup
Bearing Cone	HM-212049	5	2.625" ID cone
Bearing Cone	HM-813843	3	2.4375" ID cone

MTC-4208XL YOKES

Transfer Case Model Numbers	Part Numbers		
	Front Output	Front Input	Rear Output
MTC4208XL 100 100 205	140TYS38A	17TYS38-76	140TYS38A
MTC4208XL 101 100 205	140TYS38A	17TYS38-76	170TYS38-4A
MTC4208XL 102 100 205	16N-4-7341-1X	17TYS38-76	17TYS38-76A
MTC4208XL 103 100 205	16NYS38-8A	17NYS38-61	17NYS38-61A

Note: Other yokes under RAP and RCE spline code (2-3/8"-46T) will fit.
 However, all yokes must be compatible with unitized seals.
 For more information about yoke type or compatibility see
<http://xpresswayplus.arvinmeritor.com> ,
<http://www.meritorhvs.com/LODSearch.aspx>, or call 1-866-ONTRAC1

SEAL REPLACEMENT

Meritor has released the Multiple-Lip Seal (MLS) for use in the INPUT POSITION ONLY on the MTC-4208, -4210 and -4213 transfer cases. The multiple-lip seal is compatible with the current input shaft seal and can be used in service.

Transfer Case Model	Seal Position	Seal Service Part Number	Previous Seal Part Number	Seal Driver	Sleeve Driver
MTC-4208, -4210 and -4213	Input Shaft	A1-1205X2728	A-1205R2592	2728T1	2728T2
MTC-4208 and -4210	Forward and Rear Output	R945007	A-1205R2592	KIT 4454	NA
MTC-4213	Forward Output	R945007	A-1205R2592	KIT 4454	NA
MTC-4213	Rear Output	R945010	A-1205Q2591	KIT 4454	NA

MERITOR AFTERMARKET PARTS WARRANTY

We warrant all new parts for one year from date of shipment to the buyer against defective material or workmanship (but not against damage caused by accident, abuse or improper installation, maintenance or repair) when such parts are used on vehicles the specifications of which have been approved by our Engineering Department.

As the exclusive remedy under this warranty, we will, at our option, repair or replace such parts free of charge, or take back the nonconforming parts and refund the monies paid by buyer for such parts, if found on examination by us to be nonconforming and if any necessary return charges are prepaid.

If it is necessary to return any parts under this warranty, buyer agrees not to make any deduction on account thereof from remittances on current accounts while claims are in the process of disposition. Any expense incurred without our consent for repairs or replacement will not be allowed.

THIS WARRANTY IS EXPRESSLY IN LIEU OF ALL OTHER WARRANTIES OR CONDITIONS, EXPRESS, IMPLIED OR STATUTORY, INCLUDING ANY IMPLIED WARRANTY OF MERCHANTABILITY OR FITNESS FOR PARTICULAR PURPOSE. IN NO EVENT SHALL SELLER BE LIABLE FOR INCIDENTAL OR CONSEQUENTIAL DAMAGES OF ANY NATURE.

Only genuine Meritor replacement parts are covered by this aftermarket parts warranty.



Information contained in this publication is in effect at the time the publication was approved for printing and is subject to change without notice or liability. Meritor Heavy Vehicle Systems, LLC, reserves the right to revise the information presented or discontinue the production of parts described at any time.

Meritor Heavy Vehicle Systems, LLC
7975 Dixie Highway
Florence, KY 41042 USA
888-725-9355
www.arvinmeritor.com
XpresswayPlus.arvinmeritor.com

Revised 1/2010
PB-0908
© 2010 ArvinMeritor, Inc.