



MERITOR®

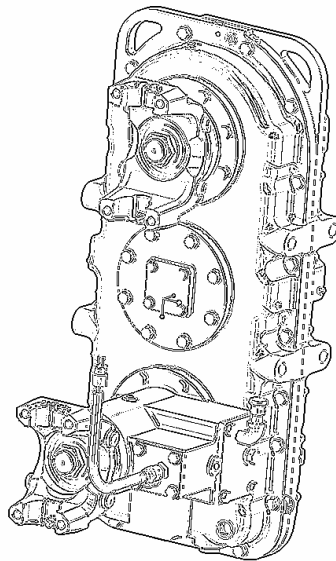
an **ArvinMeritor** brand

Issued 04-02

\$2.50

T-2120-D Series Transfer Case

Catalog PB-0274



Strength • Power • Speed • Agility

MERITOR PARTS. RIGHT FROM THE START.

Introduction

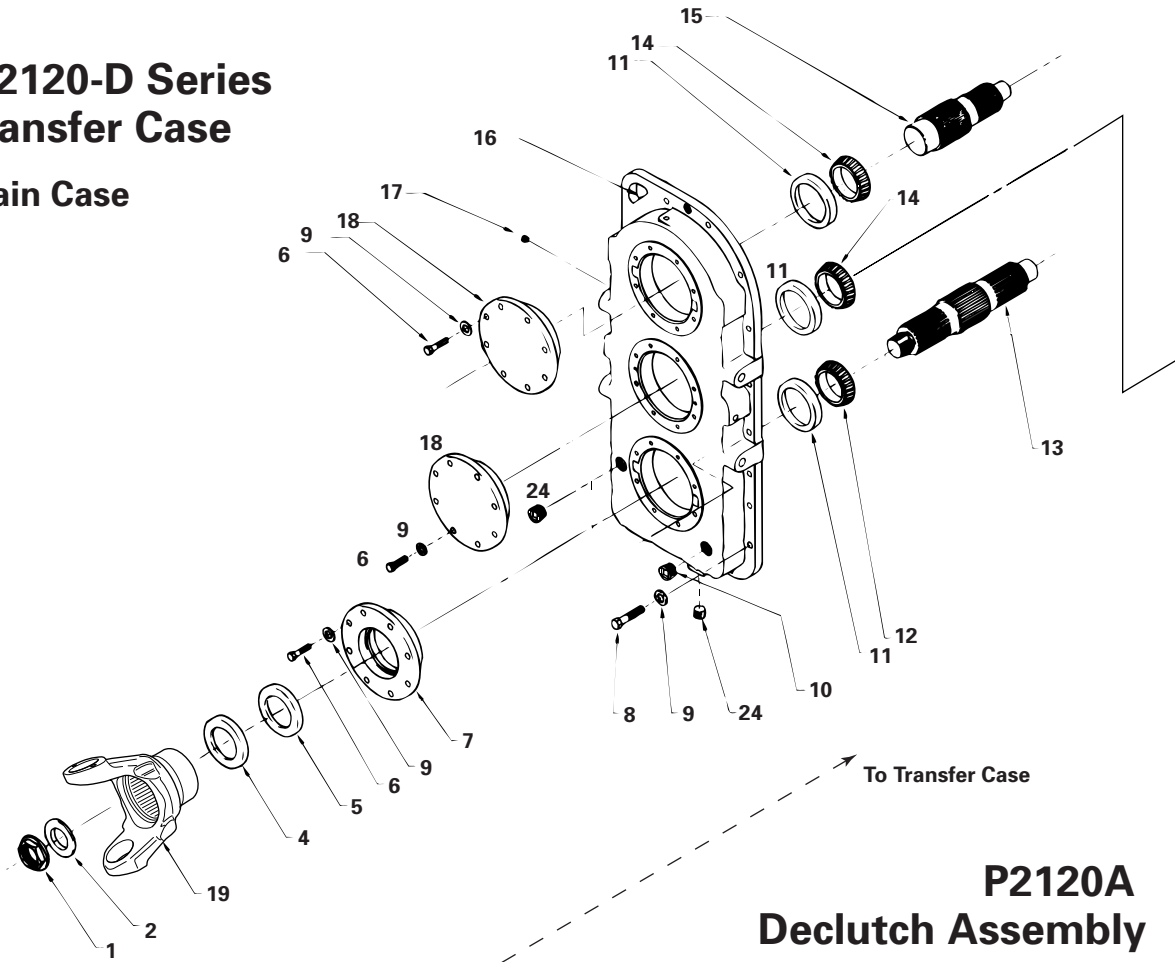
- To find the part you need to order, match the item number on the exploded view with the item number in the parts list.
- For service parts, contact ArvinMeritor Commercial Vehicle Aftermarket, 888-725-9355. In Canada, 800-668-3508, option 7.
- All Meritor gears and shafts are marked with the check letter and final digits of the part number; for example, F-5024 or X-2442.
- When you service gears, Meritor recommends that you replace all mating gears.
- You must use the correct tools and maintenance procedures. For T-2120-D Series Transfer Case use general service instructions from Meritor Maintenance Manual MM01125, Transfer Case. Also refer to Meritor Maintenance Manual 1, Lubrication, for correct lubricant and service. To order these publications, call Meritor's Customer Service Center at 800-535-5560.

Table of Contents

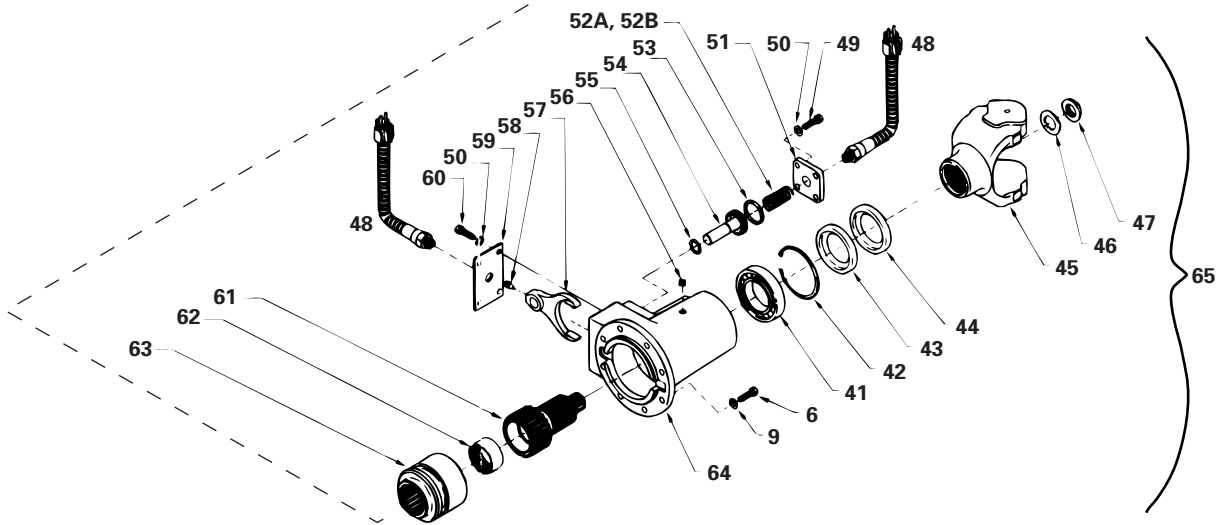
T-2120-D Series Transfer Case — Exploded View.....	2
P2120A Declutch Assembly — Exploded View.....	2
T-2120-D Series Transfer Case — Exploded View.....	3
Parts List.....	4

T-2120-D Series Transfer Case

Main Case

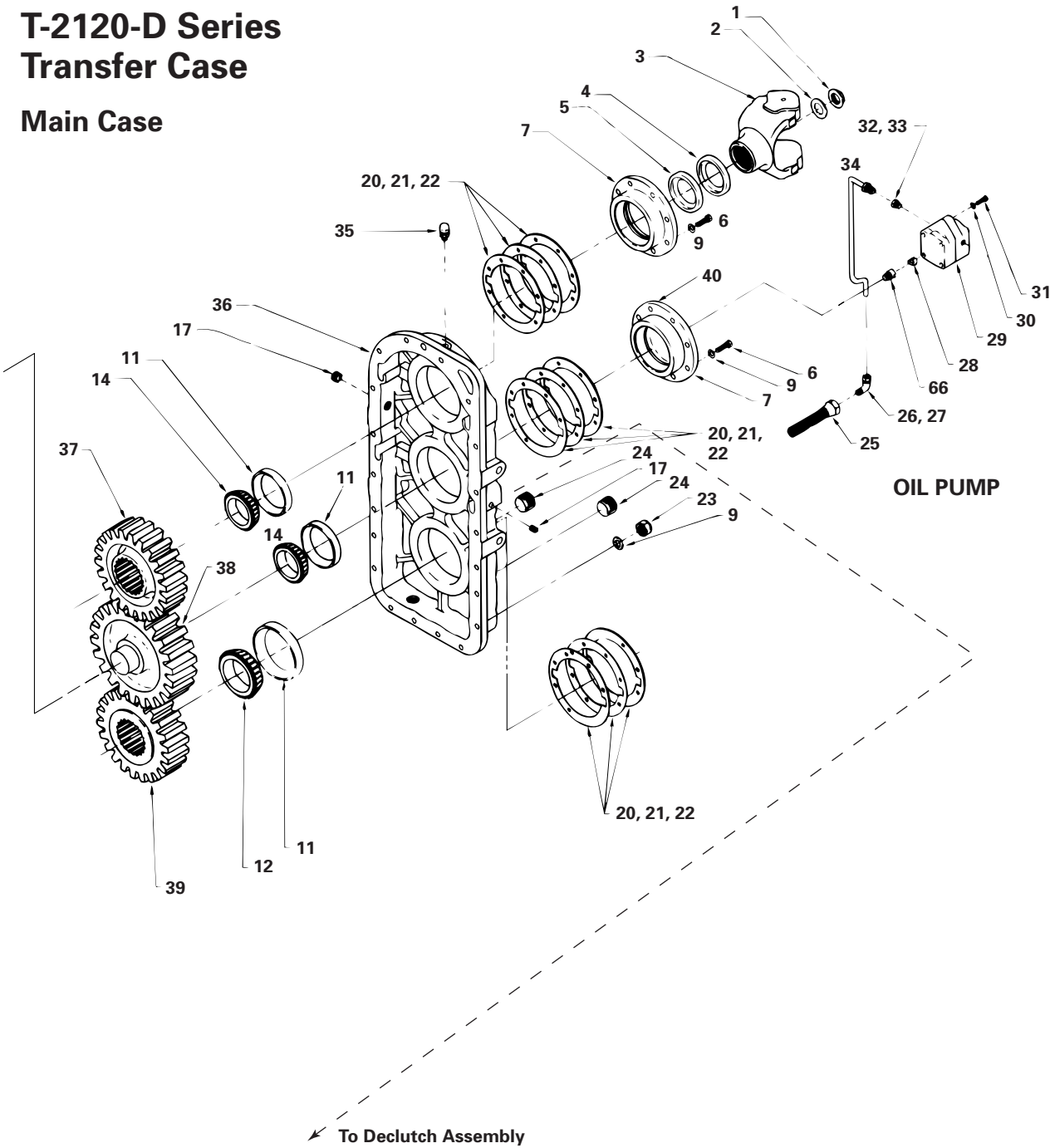


P2120A Declutch Assembly



T-2120-D Series Transfer Case

Main Case



Item	Part Name	Qty.	Part Number	Notes
1	Locknut	2	1227D940	Torque 450-650 lb-ft
2	Washer — Flat	2	1229G4583	
3	Yoke Assembly — Front Input	1	A3260F1566	
4	Seal Assembly — Oil (Front Input and Rear Output)	2	A1205D2422	
5	Seal Assembly — Oil (Front Input and Rear Output)	2	A1205D2422	Two required for each shaft
6	Capscrew	46	S-2710-2	Torque 60-75 lb-ft
7	Cover — Case Fin.	2	3266Y1247	
8	Capscrew	28	S-2718-2	
9	Washer	98	1229-E-1513	
10	Drain Plug — Magnetic	2	1850-T-150	
11	Bearing Cup	6	832	
12	Bearing Cone	2	843	
13	Shaft — Output	1	3297R1240	
14	Bearing Cone	4	835	
15	Shaft — Input	1	3297S1241	
16	Case — Transfer	1	3290B1068	
17	Plug	13	P-42	
18	Cover — Case Fin.	2	3226F1254	
19	Yoke Assembly — Rear Output	1	A3260F1566	
20	Shim	6	2803-Z-2703	
21	Shim	6	2803-A-2704	
22	Shim	6	2803-B-2705	
23	Locknut	28	NL-27-1	Torque 50-65 lb-ft
24	Plug	3	P-212	
25	Fitting Assembly — Screen	1	A2206D56	
26	Connector — Male	1	2206X1246	
27	Elbow — Male	1	A1898U645	
28	Coupling — Oil Pump	1	2207-W-1011	
29	Cooling Pump Assembly	1	A3303B1042	
30	Washer — Flat	4	1229-E-1668	
31	Capscrew	4	S 2536 1	
32	Connector — Male	1	2206W1037	
33	Connector — Male	1	1898J868	
34	Lube Tube — Inlet Assembly	1	A2296L1052	
35	Breather Assembly	1	A1199C1043	
36	Cover — Transfer Case	1	3290B1068	
37	Gear — Drive Helical Output	1	3892H5338	0.83:1 Ratio
37	Gear — Drive Helical Output	1	3892B5306	1:1 Ratio
37	Gear — Drive Helical Output	1	3892F5336	1.21:1 Ratio
38	Gear — Idler Helical	1	3892-Z-5304	All Ratios
39	Gear — Drive Helical Input	1	3892F5336	0.83:1 Ratio
39	Gear — Drive Helical Input	1	3892B5306	1:1 Ratio
39	Gear — Drive Helical Input	1	3892H5338	1.21:1 Ratio

Item	Part Name	Qty.	Part Number	Notes
40	Cover — Gear Case	1	3266V1270	
41	Bearing Assembly	1	1228N1262	
42	Snap Ring	1	1854C315	
43	Seal Assembly — Oil (Front Output)	1	A1205A2107	
44	Seal Assembly — Oil (Front Output)	1	A1205U1529	
45	Yoke Assembly — Front Output	1	A3260D1460	
46	Washer	1	1229T1450	
47	Locknut	1	1227K1051	Torque 450-650 lb-ft
48	Switch and Connector Assembly	2	A3237A1041	
49	Capscrew	4	S 267 2	Torque 35-50 lb-ft
50	Washer — Flat	8	1229K1597	
51	Plate — Piston Cover	1	2205C1043	
52A	Spring — Shifter	1	2258K1337	
52B	Spring — Shifter	1	2258L1338	
53	O-Ring	1	5X1138	
54	Piston — Shifter	1	2230K1155	
55	O-Ring	1	5X1137	
56	Plug	1	P-24	
57	Fork — Shift	1	3296K1155	
58	Screw — Set	1	26X1008	
59	Cap	1	2205E1045	
60	Capscrew	4	S 268 -2	
61	Shaft — PTO	1	A3297L1182	
62	Needle Bearing	1	1228Z1222	
63	Clutch Collar — Differential Lockout	1	3107J1102	
64	Cage — Bearing	1	3266Q1265	
65	Declutch Assembly (Complete)	1	P2120A	
66	Button — Pump Drive	1	2297A6423	

ARVINMERITOR AFTERMARKET PARTS WARRANTY

We warrant all new parts for one year from date of shipment to the buyer against defective material or workmanship (but not against damage caused by accident, abuse or improper installation, maintenance or repair) when such parts are used on vehicles the specifications of which have been approved by our Engineering Department.

As the exclusive remedy under this warranty, we will, at our option, repair or replace such parts free of charge, or take back the nonconforming parts and refund the monies paid by buyer for such parts, if found on examination by us to be nonconforming and if any necessary return charges are prepaid.

If it is necessary to return any parts under this warranty, buyer agrees not to make any deduction on account thereof from remittances on current accounts while claims are in the process of disposition. Any expense incurred without our consent for repairs or replacement will not be allowed.

THIS WARRANTY IS EXPRESSLY IN LIEU OF ALL OTHER WARRANTIES OR CONDITIONS, EXPRESS, IMPLIED OR STATUTORY, INCLUDING ANY IMPLIED WARRANTY OF MERCHANTABILITY OR FITNESS FOR PARTICULAR PURPOSE. IN NO EVENT SHALL SELLER BE LIABLE FOR INCIDENTAL OR CONSEQUENTIAL DAMAGES OF ANY NATURE.

Only genuine ArvinMeritor replacement parts are covered by this aftermarket parts warranty.

Information contained in this publication was in effect at the time the publication was approved for printing and is subject to change without notice or liability. ArvinMeritor reserves the right to revise the information presented or discontinue the production of parts at any time.

ArvinMeritorTM

Commercial Vehicle Aftermarket

Meritor Heavy Vehicle Systems, LLC

7975 Dixie Highway
Florence, KY 41042 USA
888-725-9355
www.arvinmeritor.com

© Copyright 2002
ArvinMeritor, Inc.

Printed in U.S.A.

Issued 04/2002
PB-0274 (24240)