

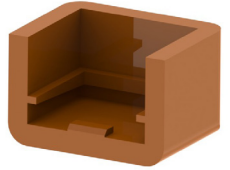
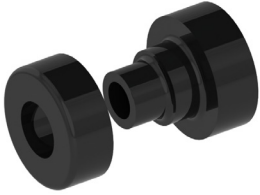


GAFF® POLYURETHANE COMPONENTS FOR PETERBILT-KENWORTH®

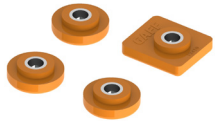
Air Cooler Mount	
OEM: M200 M200-70EP 13-01633 13-03096	
	
PART NO.	NOTES/INCLUDES
GAFF11554	Inner Sleeve ID 3/8', OD < 3/4'


Hood Guide	
OEM: K179-528 K179D450 70100	
	
PART NO.	NOTES/INCLUDES
GAFF11545	Includes Locknut 1/2' -13UNC, OD < 1 1/2'

Hood Mount	
OEM: 13-04711 20-08257 20-8867	
	
PART NO.	NOTES/INCLUDES
GAFF12364	2 per Tuck; for Peterbilt Model 385

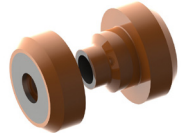
Exhaust Mount	
OEM: 14-14656 14-B656	
	
PART NO.	NOTES/INCLUDES
GAFF12357	ID 3/8' Models 357; 375-379 and 385


Hood Latch	
OEM: 680-880-01-60 L56-0001	
	
PART NO.	NOTES/INCLUDES
GAFF12365	Latch 3.76' - 8.89' overall

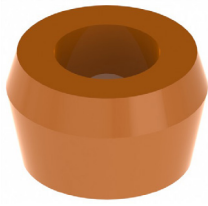
Hood Mount Kit	
OEM: 13-04154 13-04164	
	
PART NO.	NOTES/INCLUDES
GAFF12414	2 per Truck; 1 Mount -GAFF12410, 3 Mount -GAFF12370


Exhaust Mount Kit	
OEM: M13-6001 M13-1009 CB-2203-73	
	
PART NO.	NOTES/INCLUDES
GAFF11811	1 Bushing Kit -GAFF11810, 1 Mount -GAFF11809


Hood Latch Kit	
OEM: L56-0001 23-13857 L03-0001 17-14781-000	
	
PART NO.	NOTES/INCLUDES
GAFF11851	2 per Truck; Includes 1 -GAFF11097 Hood hook, 1 -GAFF11134 Latch Assy 4.271' - 9.05' overall, includes metal bracket


Motor Mount	
OEM: CB2203-77 CB2203-78 CB2203-70	
	
PART NO.	NOTES/INCLUDES
GAFF12368	4 per Truck; Don't Mix brands, ID 3/4'

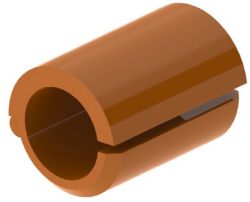
Motor Mount Kit, Front	
OEM: K066-404 K066-405 K066-406 K066-407	
	
PART NO.	NOTES/INCLUDES
GAFF11762	2 Motor Mount -GAFF11615, 2 Bolt 3/4" X 4" G8, 2 Lock Nut 3/4", 4 Flat Washer 3/4"


Radiator Bushing	
OEM: 07-02552 656-215	
	
PART NO.	NOTES/INCLUDES
GAFF12366	ID 5/8" OD<1"

Spring Bushing Kit	
OEM: 03AL1 03AL01 05-08968	
	
PART NO.	NOTES/INCLUDES
GAFF12361	2 per Axle; for Air Leaf, Includes: 2 Beam End Bushing -GAFF12350, 2 Beam End Washer -GAFF12351, 1 Bolt 1" -UNF X 8 1/2" G8, 1 Lock Nut 1" - UNF, 2 Flange Washer 1" X 3 5/16"


Motor Mount Kit, Rear	
OEM: K066-377 K066-391 K066-421 D13-1001-1	
	
PART NO.	NOTES/INCLUDES
GAFF11760	2 Motor Mount -GAFF11540, 2 Motor Mount -GAFF11541, 2 Bolts 3/4" X 5" G8, 2 Lock Nuts 3/4", 4 Flat Washer 3/4"

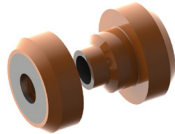
Radiator Kit	
OEM: N4751001 CB-2203-73	
	
PART NO.	NOTES/INCLUDES
GAFF11804	1 per Truck; for T800 2008-2010, Includes: 4 Mounts, 4 Small Mounts, 4 Bolt 10m X 1.5 X 40mm, 4 Locknut 10m X 1.5, 4 Flat Washer


Stabilizer Bar Bushing	
OEM: CA293 K066-058 K066-293 K066-449	
	
PART NO.	NOTES/INCLUDES
GAFF11502	4 per Truck; For Airglide 100 - Standard fit ID 50mm for oversized with tabs use GAFF11719


Motor Mount Kit, Front	
OEM: K066-229 M700 05-16401 05-10103	
	
PART NO.	NOTES/INCLUDES
GAFF11613	Includes Inner metal Sleeve 3/4"

Shifter Bushing Kit	
OEM: K3399 85105720	
	
PART NO.	NOTES/INCLUDES
GAFF11611	Bushing, 2 Spacers, Bolt, Nut

Torque Rod Assy	
OEM: C65-1009 C65-1008	
	
PART NO.	NOTES/INCLUDES
GAFF11793	2 per Axle; 20 1/4" C-C, with High articulation for AirGlide

Motor Mount, Rear	
OEM: CB2203-72 MR1001	
	
PART NO.	NOTES/INCLUDES
GAFF12369	4 per Truck; ID 5/8"

Spring Bushing Kit	
OEM: 03AL2 03AL02 CB-2203-70	
	
PART NO.	NOTES/INCLUDES
GAFF12362	2 per Axle; for Low Air Leaf, Includes: 2 Beam End Bushing -GAFF12354, 2 Beam End Washer -GAFF12351, 1 Bolt 1" - UNF X 8" G8, 1 Lock Nut 1" - UNF, 2 Flange Washer 1" X 3 5/16"

Torque Rod Bushing	
OEM: 836940 839310	
	
PART NO.	NOTES/INCLUDES
GAFF11729	High articulation, straddle bushing

For best durability and performance, GAFF Polyurethane should not be mixed with other manufacturers' polyurethane or rubber products when replacing components.

Vehicle models, trademarks, brands, and names depicted herein are the property of their respective owners, and may not be associated with Meritor, Inc. or its affiliates.



Meritor Heavy Vehicle Systems, LLC
 7975 Dixie Highway
 Florence, Kentucky 41042 USA

888-725-9355 U.S.
 800-387-3889 Canada
 MeritorPartsXpress.com
 meritor.com

©2021 Meritor, Inc.
 Litho in USA, SP-2171
 Issued 03-21 (FLOA)