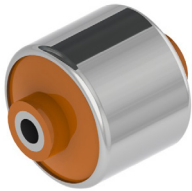
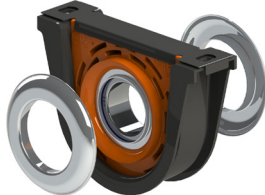
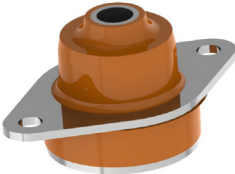



GAFF® POLYURETHANE COMPONENTS FOR NAVISTAR-INTERNATIONAL®

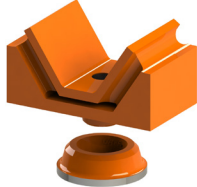
Cab Mount	
OEM: 3574678C1 3574680C1 	
PART NO.	NOTES/INCLUDES
GAFF34516	2 per Truck; Included in GAFF34540 with hardware, for several models since 2001. ID 1/2", LG 3 3/8"

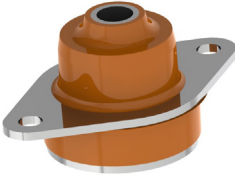
Carrier Bearing	
OEM: 1810 Series 2106611X 210661-1X DATZ4800J 	
PART NO.	NOTES/INCLUDES
GAFF40074	Fixed bearing - align perpendicular to Driveshaft- Slingers are optional

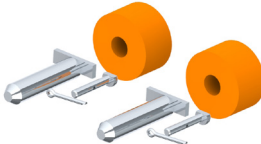
Hood Latch Assy	
OEM: 1699929C9 499523C3 16899930C91 	
PART NO.	NOTES/INCLUDES
GAFF10506	2 per Truck; Old Style

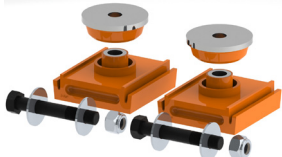
Cab Mount	
OEM: 3515345C2 3515345C1 	
PART NO.	NOTES/INCLUDES
GAFF34515	2 per Truck; ID 3/4", C-C 5", BH 1/2"


Carrier Bearing	
OEM: 1710 Series 2101211X 210121-1X DATZ4800G 	
PART NO.	NOTES/INCLUDES
GAFF40075	Fixed bearing - align perpendicular to Driveshaft- Slingers are optional

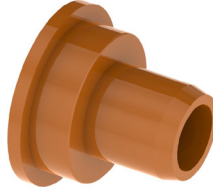
Motor Mount Kit	
OEM: 1664728C1 1664728C2 5801893941 5801896897 	
PART NO.	NOTES/INCLUDES
GAFF34500	1 Motor Mount -GAFF34507, 1 Motor Mount -GAFF34508


Cab Mount	
OEM: 3512064C4 	
PART NO.	NOTES/INCLUDES
GAFF34528	2 per Truck; ID 5/8", C-C 5", BH 1/2"

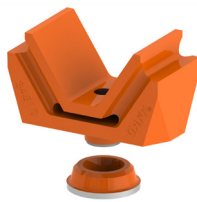
Fifth Wheel Bushing Kit	
OEM: BSH-150 KITPIN191 	
PART NO.	NOTES/INCLUDES
GAFF40141	1 per Truck, for fifth wheels 3000/6000/7000H5092 and X5092 - Includes 2 Bushings -GAFF10002 and hardware

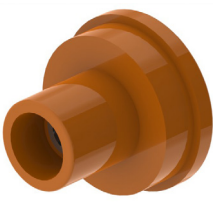
Motor Mount Kit, Front	
OEM: 1664723C2 1664723C3 1664724C2 4C4Z6038A 	
PART NO.	NOTES/INCLUDES
GAFF34526	2 Motor Mount -GAFF34509, 2 Bolt 5/8" X 3 1/2" G8, 2 Lock Nut 5/8", 4 Flat Washers 5/8"

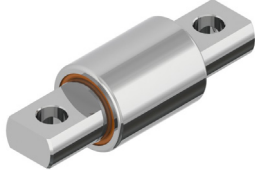
Motor Mount Kit, Rear	
OEM: 1664729C1 1664730C5 20147772C2 	
PART NO.	NOTES/INCLUDES
GAFF34525	2 Motor Mount Kit -GAFF34510, 2 Bolt 3/4" X 4" G8, 2 Lock Nut 3/4", 4 Flat Washers 3/4"

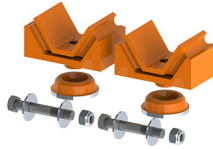
Motor Mount Kit, Front	
OEM: 470031C2 EE14003053 	
PART NO.	NOTES/INCLUDES
GAFF10503	2 per Truck; ID 5/8" OD < 1 1/2"

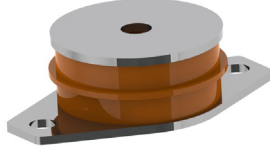
Spring Pin Bushing	
OEM: 16-18035-000 16-16412-001 	
PART NO.	NOTES/INCLUDES
GAFF11083	2 per Axle; Anti-Walk


Motor Mount Kit, Rear	
OEM: 1664729C1 1664726C2 1664729C3 1664730C5 	
PART NO.	NOTES/INCLUDES
GAFF34510	2 per Truck; Includes, 1 Motor Mount -GAFF34507, 1 Motor Mount -GAFF34508

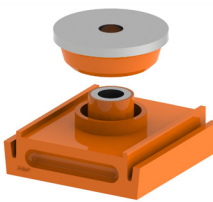
Motor Mount Kit, Front	
OEM: 479237C1 583955C1 14003030 14003052 	
PART NO.	NOTES/INCLUDES
GAFF10505	2 per Truck; ID 5/8" OD < 1 5/8"

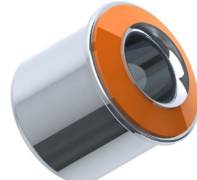
Spring Pin Bushing	
OEM: 3538115C1 6813281384 16-13962-000 681-325-01-50 	
PART NO.	NOTES/INCLUDES
GAFF11005	2 per Axle; Stradle Type

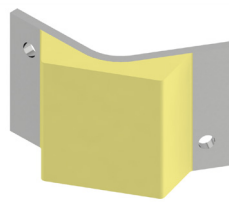
Motor Mount Kit, Rear	
OEM: 1664728C1 1664728C2 5801893941 5801896897 	
PART NO.	NOTES/INCLUDES
GAFF34524	2 Motor Mount Kit -GAFF34500, 2 Bolt 5/8" X 4" G8, 2 Lock Nut 5/8", 4 Flat Washers 5/8"

Motor Mount Kit, Front	
OEM: AZ-14840-06 17-1780 	
PART NO.	NOTES/INCLUDES
GAFF30517	2 per Truck; Lower mount used with GAFF30518: ID 35mm, C-C 130mm, BH 15mm

Torque Rod Assy	
OEM: 3548381C1 4C4Z4612AA 3580088C1 	
PART NO.	NOTES/INCLUDES
GAFF34563	1 per Axle; Transverse rod 25 3/8" C-C, crimped bushing

Motor Mount Kit, Front	
OEM: 1664723C2 1664724C2 4C4Z6038A 	
PART NO.	NOTES/INCLUDES
GAFF34509	2 per Truck; Included in 34526, with Hardware

Motor Mount, Rear	
OEM: DOHZ6068B 507569C91 12004-0007 	
PART NO.	NOTES/INCLUDES
GAFF10075	2 per Truck

Wear Pad	
OEM: 571960C1 	
PART NO.	NOTES/INCLUDES
GAFF30544	2 per Axle; Four Spring, Corporate Air

For best durability and performance, GAFF Polyurethane should not be mixed with other manufacturers' polyurethane or rubber products when replacing components.

Vehicle models, trademarks, brands, and names depicted herein are the property of their respective owners, and may not be associated with Meritor, Inc. or its affiliates.



Meritor Heavy Vehicle Systems, LLC
 7975 Dixie Highway
 Florence, Kentucky 41042 USA

888-725-9355 U.S.
 800-387-3889 Canada
 MeritorPartsXpress.com
 meritor.com

©2021 Meritor, Inc.
 Litho in USA, SP-2170
 Issued 03-21 (FLOA)