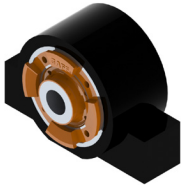
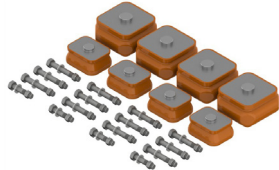
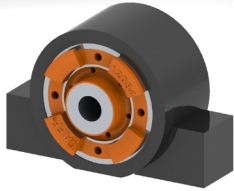



GAFF® POLYURETHANE COMPONENTS FOR MACK-VOLVO®

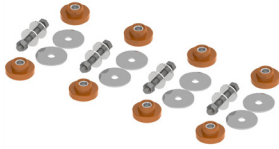
Cab Mount	
OEM: 30QS3479AM 20975430	
	
PART NO.	NOTES/INCLUDES
GAFF12052	2 per Truck; C-C 110mm, thread 16mm, ID 20mm


Load Pad	
OEM: 10QK365A 25121508	
	
PART NO.	NOTES/INCLUDES
GAFF12006	4 per Truck; Don't mix brands - Upper Pad

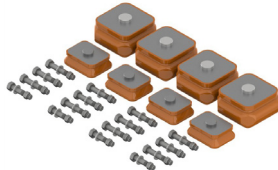
Load Pad Kit	
OEM: 10QK370 25115012 10QK36B 21036254	
	
PART NO.	NOTES/INCLUDES
GAFF12036	4 Load Pad -GAFF12010, 4 Load Pad -GAFF12014, 4 Bolt 7/8" X 4" UNC, 12 Bolt 7/8" X 6" UNF, 12 Lock Nut 7/8" UNF, 16 Flat Washers 7/8"

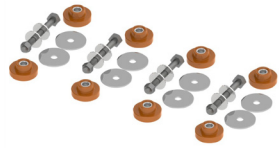
Cab Mount	
OEM: 30SQ4525AM 20975430	
	
PART NO.	NOTES/INCLUDES
GAFF12084	2 per Truck; C-C 110mm, thread 16mm, ID 17mm

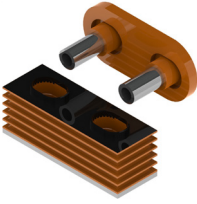
Load Pad	
OEM: 10QK370 25115012	
	
PART NO.	NOTES/INCLUDES
GAFF12010	4 per Truck; Don't mix brands - Upper Pad

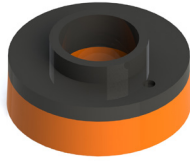
Motor Mount Kit	
OEM: 204SX389	
	
PART NO.	NOTES/INCLUDES
GAFF12035	Compatible with Fuller Transmission, Includes 8 Motor Mount -GAFF12000, 4 Bolt 3/4" - 16UNF X 5" G8, 4 Lock Nut 3/4", 8 Flat Washer 3/4", 8 Flat Washer 3 3/16",


Load Pad	
OEM: 10QK36C 10QK36B 25125064 21036254	
	
PART NO.	NOTES/INCLUDES
GAFF12014	4 per Truck; Don't mix brands - Lower Pad


Load Pad Kit	
OEM: 10QK365A 25121508 10QK36B 21036254	
	
PART NO.	NOTES/INCLUDES
GAFF12039	4 Load Pad -GAFF12006, 4 Load Pad -GAFF12014, 4 Bolt 7/8" X 4" UNC, 12 Bolt 7/8" X 5" UNF, 12 Lock Nut 7/8" UNF, 16 Flat Washers 7/8"


Motor Mount Kit	
OEM: 204SX216 20QL1175 20QL1118A	
	
PART NO.	NOTES/INCLUDES
GAFF12034	8 Motor Mount -GAFF12000, 4 Bolt 3/4" - 16UNF X 6 1/2" G8, 4 Lock Nut 3/4", 8 Flat Washer 3/4", 8 Flat Washer 3 3/16"


Motor Mount Kit	
OEM: 20QL322 20QL329 25164809 25172757	
	
PART NO.	NOTES/INCLUDES
GAFF12045	1 per Truck; 1 Lower Mount, 1 Upper Mount; C-C 95mm, ID 15mm


Motor Mount, Front	
OEM: 20QL312M2	
	
PART NO.	NOTES/INCLUDES
GAFF12046	4 per Truck


Torque Rod Assy	
OEM: 35801-5012 46661 66661-000H	
	
PART NO.	NOTES/INCLUDES
GAFF12044	1 per Axle; Cut & Weld to length Max 26" C-C, fixed 2 straddle GAFF13520 bushings


Motor Mount Kit, Front	
OEM: 20QL312M2	
	
PART NO.	NOTES/INCLUDES
GAFF12047	2 per Truck; Includes GAFF12046 and Spacer

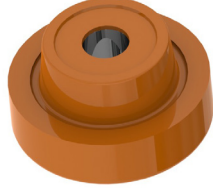
Torque Rod Assy	
OEM: 30SQ4525 3187322 35801-0068	
	
PART NO.	NOTES/INCLUDES
GAFF18860	1 per Axle; 22 1/8" C-C, fixed straddle bushings


Torque Rod Assy	
OEM: 17QF460P200 17QF473M 3226713 25170831	
	
PART NO.	NOTES/INCLUDES
GAFF12070	1 per Axle; Transverse rod 20" C-C, fixed 2 straddle GAFF13520 bushings


Motor Mount, Transmission	
OEM: 20QL1175 20QL1118A	
	
PART NO.	NOTES/INCLUDES
GAFF12000	8 per Truck; included in Kits GAFF12034 and GAFF12035

Torque Rod Assy	
OEM: 17QF464P180 1RY48P23 17QF251P11 25162529	
	
PART NO.	NOTES/INCLUDES
GAFF12072	1 per Axle; Transverse rod 18" C-C, fixed straddle GAFF13520 and tapered GAFF12031 bushings

Torque Rod Assy	
OEM: 17QF460P243 25170833 62000-615	
	
PART NO.	NOTES/INCLUDES
GAFF12071	1 per Axle; Transverse rod 24 3/16" C-C, fixed 2 straddle GAFF13520 bushings

Motor Mount, Transmission	
OEM: 20QL324M	
	
PART NO.	NOTES/INCLUDES
GAFF12023	4 per Truck; ID 7/8", Superliner

Torque Rod Assy	
OEM: 17QF460P210 17QF473M2 25170832	
	
PART NO.	NOTES/INCLUDES
GAFF12069	1 per Axle; Transverse rod 21" C-C, fixed 2 straddle GAFF13520 bushings

Torque Rod Assy	
OEM: 57857-006 25174706	
	
PART NO.	NOTES/INCLUDES
GAFF13634	1 per Axle; 22" C-C, fixed high articulation straddle bushings GAFF11729

For best durability and performance, GAFF Polyurethane should not be mixed with other manufacturers' polyurethane or rubber products when replacing components.

Vehicle models, trademarks, brands, and names depicted herein are the property of their respective owners, and may not be associated with Meritor, Inc. or its affiliates.



Meritor Heavy Vehicle Systems, LLC
 7975 Dixie Highway
 Florence, Kentucky 41042 USA

888-725-9355 U.S.
 800-387-3889 Canada
 MeritorPartsXpress.com
 meritor.com

©2021 Meritor, Inc.
 Litho in USA, SP-2169
 Issued 03-21 (FLOA)