

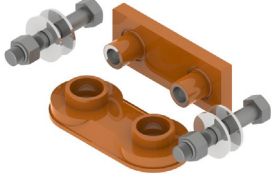
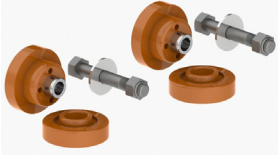


GAFF® POLYURETHANE COMPONENTS FOR FREIGHTLINER®


Air Cooler Mount	
OEM: M200 M200-70EP 13-01633 13-03096	
	
PART NO.	NOTES/INCLUDES
GAFF11554	Inner Sleeve ID 3/8", OD < 3/4"

Hood Latch	
OEM: 17-12438-000	
	
PART NO.	NOTES/INCLUDES
GAFF11102	Latch 5.788" - 10.93" overall, with no bracket used in several assemblies

Motor Mount Kit, Front	
OEM: BCD 26704 1 BCD 28945-1 BCD 27651 3 BCD 27651-1	
	
PART NO.	NOTES/INCLUDES
GAFF11090	1 Motor Mount Kit -GAFF11074, 2 3/4" X 4 1/2" G8, 2 Lock Nuts 3/4", 4 Flat Washers 3/4"


Cab Mount Kit	
OEM: 681-891-00-01 A681-891-00-01 681-890-00-01 A681-890-00-01	
	
PART NO.	NOTES/INCLUDES
GAFF11086	2 Cab Mount -GAFF11008, 2 Cab Mount -GAFF11009, 2 3/4" X 5" G8, 2 Lock Nuts 3/4", 4 Flat Washers 3/4"


Hood Latch Assembly	
OEM: 680-880-01-60 L56-0001	
	
PART NO.	NOTES/INCLUDES
GAFF11103	Includes pivot bracket

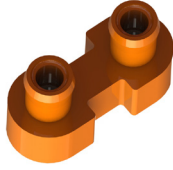
Motor Mount Kit, Front	
OEM: 01-15047-000 SSB3310018 SSB3310017	
	
PART NO.	NOTES/INCLUDES
GAFF11087	2 Motor Mount -GAFF11018, 2 3/4" X 4 1/2" G8, 2 Lock Nuts 3/4", 4 Flat Washers 3/4"


Hood Hinge Bushing	
OEM: J17700-5 J177005	
	
PART NO.	NOTES/INCLUDES
GAFF11019	2 per Truck

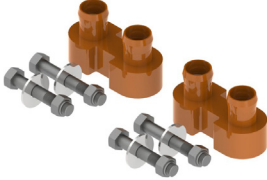
Hood Latch Kit	
OEM: 17-12438-000 17-12434-000	
	
PART NO.	NOTES/INCLUDES
GAFF11185	2 per Truck; Includes 1 -GAFF 11096 Hood hook, 1 -GAFF11176 Latch Assy 6.041" - 10.93"overall, includes metal bracket

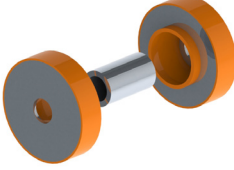
Motor Mount Kit, Front	
OEM: BCD 26704 1 BCD 28945-1 BCD 27651 3 BCD 27651-1	
	
PART NO.	NOTES/INCLUDES
GAFF11074	C-C 3", Bolt Hole 3/4", 1 Lower Mount, 1 Upper Mount

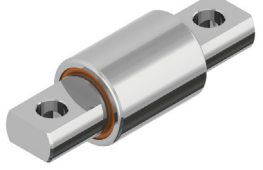
Motor Mount Kit, Rear	
OEM: BCD 27330-1 BCD 27330-2 BCD 288051 	
PART NO.	NOTES/INCLUDES
GAFF11089	2 Motor Mount Kit -GAFF11077, 2 3/4" X 4 1/2" G8, 2 Lock Nuts 3/4", 4 Flat Washers 3/4"

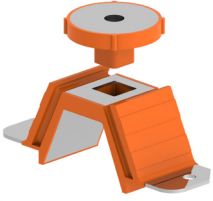
Motor Mount, Rear	
OEM: J20941-3 J20941-6 	
PART NO.	NOTES/INCLUDES
GAFF11065	C-C 3', Bolt Hole 5/8"

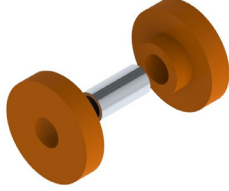
Spring Pin Bushing	
OEM: 16-16412-001 16-18035-000 016-002-011 	
PART NO.	NOTES/INCLUDES
GAFF11083	2 per Axle; Anti-Walk


Motor Mount Kit, Rear	
OEM: J20941-3 J20941-6 	
PART NO.	NOTES/INCLUDES
GAFF11088	2 Motor Mount -GAFF11065, 2 5/8" X 4" G8, 4 Lock Nuts 5/8", 8 Flat Washers 5/8"

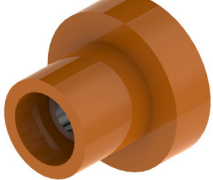
Motor Mount Kit, Front	
OEM: LORSS3310018 LORSS3310017 	
PART NO.	NOTES/INCLUDES
GAFF11018	2 per Truck; Includes Upper, Lower mount and Spacer


Spring Pin Bushing	
OEM: 16-13962-000 W300861 3538115C1 681-325-01-50 	
PART NO.	NOTES/INCLUDES
GAFF11005	2 per Axle; Stradle Type


Motor Mount Kit, Rear	
OEM: BCD 27330-1 BCD 27330-2 BCD 288051 	
PART NO.	NOTES/INCLUDES
GAFF11077	2 per Truck; Includes 1 Lower Mount, 1 Upper Mount

Radiator Mount	
OEM: 05-16070-000 	
PART NO.	NOTES/INCLUDES
GAFF11021	2 per Truck; ID 11/16", Includes Upper, Lower mount and Spacer

Torque Rod Assy	
OEM: 16-16749-002 16-18972-000 681-326-72-16 016-008-012 	
PART NO.	NOTES/INCLUDES
GAFF11081	1 per Axle; 24 5/16" C-C

Motor Mount Kit, Front	
OEM: CBA24-650-17 	
PART NO.	NOTES/INCLUDES
GAFF11725	4 per Truck; Included in Kit GAFF11085, Inner Sleeve ID 5/8", OD < 1 1/2"

Spring Bushing	
OEM: 16-17769-000 680-322-01-05 680-322-01-50 	
PART NO.	NOTES/INCLUDES
GAFF11066	6 per Truck; Crimped sleeve, Length 4 1/4" ID 13/16"

Torque Rod Assy	
OEM: 16-16749-001 681-326-6716 	
PART NO.	NOTES/INCLUDES
GAFF11078	1 per Axle; 23 13/16" C-C

For best durability and performance, GAFF Polyurethane should not be mixed with other manufacturers' polyurethane or rubber products when replacing components.

Vehicle models, trademarks, brands, and names depicted herein are the property of their respective owners, and may not be associated with Meritor, Inc. or its affiliates.



Meritor Heavy Vehicle Systems, LLC
 7975 Dixie Highway
 Florence, Kentucky 41042 USA

888-725-9355 U.S.
 800-387-3889 Canada
 MeritorPartsXpress.com
 meritor.com

©2021 Meritor, Inc.
 Litho in USA, SP-2168
 Issued 03-21 (FLOA)