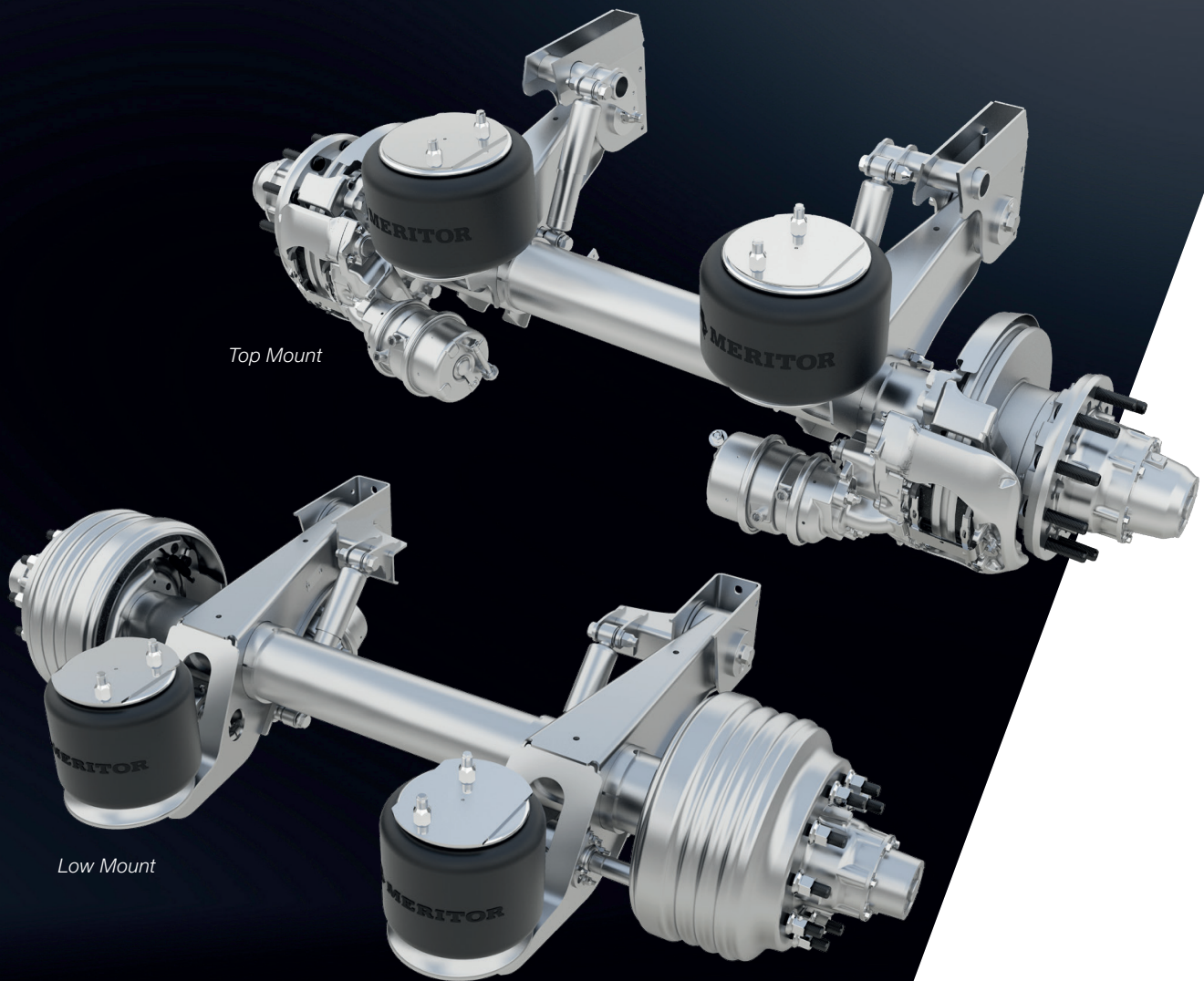


LIGHTER WEIGHT. HEAVIER PAYLOADS. HIGHER PRODUCTIVITY.

MTA-TEC6™ TRAILER SUSPENSION



Meritor

**FOR
A WORLD
THAT'S
ALWAYS ON™**

NEXT GENERATION TRAILER SUSPENSION FOR DEMANDING VOCATIONAL APPLICATIONS

WEIGHT SAVINGS, STRENGTH AND DURABILITY

Introducing Cummins-Meritor's lightest-weight trailer suspension, the MTA-Tec6. With weight savings, structural design advantages and advanced features, MTA-Tec6 is engineered to deliver next-generation productivity from the proven Cummins-Meritor MTA™ suspension family. MTA-Tec6 offers expanded payload capacity, while reducing total cost of ownership, and is backed by over 100 years of Cummins-Meritor leadership in design, engineering and manufacturing across a broad range of vocational applications.

- Built with Cummins-Meritor's MTec6™ 6-inch diameter axle for increased stiffness and improved tire to road contact, compared to traditional 5-inch axles
- Robust voidless pivot bushing design extends life



- Cummins-Meritor proprietary bolt-on cam bushing design allows for camshaft service without removing the hub – saving an average of 30 minutes per wheel-end

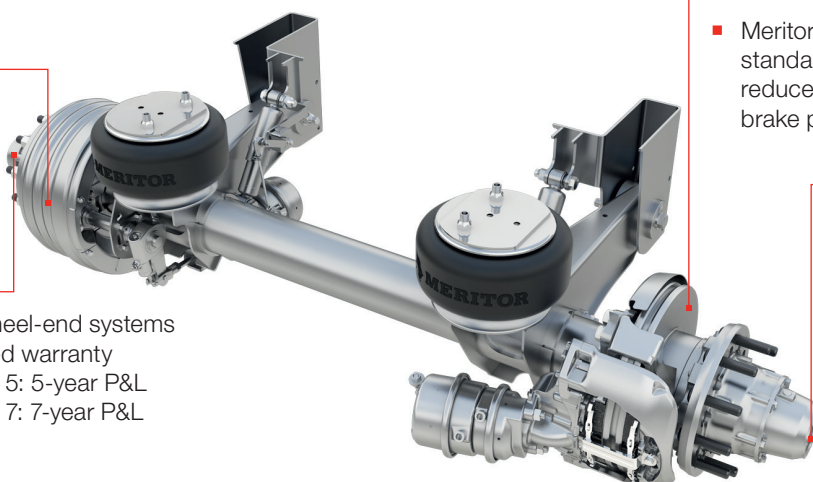
- Self-supported shock mounting requires no welding or assembly to the trailer frame
- Narrow hanger footprint fits within existing trailer frames



ONE STOP SOLUTION FOR VALUE-ADDED OPTIONS

- PlatinumShield™ III brake coating protection against rust-jacking

- AxlePak™ wheel-end systems with extended warranty
 - AxlePak 5: 5-year P&L
 - AxlePak 7: 7-year P&L



- Meritor EX+™ air disc brakes standard with N type reduced copper compliant brake pads¹

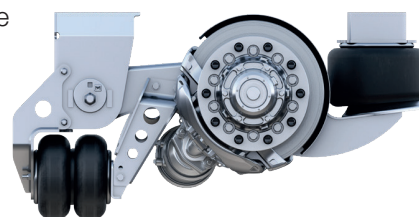
- Meritor Tire Inflation System (MTIS™) with ThermALERT™ (wheel-end heat sensing technology) increases fuel economy, reduces tire wear and prevents damage

MTA-TEC6 SPECIFICATIONS

Model	MTA-Tec6-23T (Top mount suspension)	MTA-Tec6-23L (Low mount suspension)
Capacity ²	23,000 lbs.	23,000 lbs.
Base model weight ³	469 lbs.	486 lbs.
Fully dressed model weight ⁴	828 lbs.	842 lbs.
Axle track	71.5 in., 77.5 in., 83.5 in.	
Spindle types	Tapered and parallel	
Brake types	Q+™ drum brakes and EX+™ air disc brakes	
Hanger types	Weld-on, bolt-on, bolt-on with side mount	
Hanger finish	Painted, galvanized and stainless steel	
Ride heights	13.5 in., 14 in., 15 in., 16 in., 17 in.	6.5 in., 7.5 in., 8 in., 9 in., 12 in., 14 in., 15 in., 16 in., 17 in.
Wheel-ends	Drums: Cast iron, LITE cast iron, STEELite X30 Hubs: Cast iron, ADI, aluminum	
Lift kits	Lift kit with retrofit capability	
Tire inflation	Meritor Tire Inflation System (MTIS) with ThermALERT	
Warranty	5-year/500,000-mile warranty on parts – 1-year/100,000-mile warranty on labor	

LIFT KIT SYSTEMS

The compact and easy-to-install lift kit is designed to extend tire life, enhance maneuverability and offer application flexibility while lowering your total cost of ownership. The bolt-on design is easy to assemble or retrofit onto the MTA-Tec6 suspension using industry-standard hardware connections without the need for welding, removal of components or replacement of paintwork. The lift kit system also offers full interchangeability and can be moved from one axle/trailer to another, if needed.



LIFT CAPACITY

Model	MTA-Tec6-23T (Top mount)	MTA-Tec6-23T (Top mount with RHCv set to +1 in. RH)	MTA-Tec6-23L (Low mount)					
Ride height	14 in. - 17 in.	15 in. - 18 in.	9 in.	12 in.	14 in.	15 in.	16 in.	17 in.
Jounce travel	3 in.	4 in.	4.2 in.	4.6 in.	5 in.	4.9 in.	5 in.	5.2 in.

¹ EX+ air disc brakes only available on P spindle. ² Capacity refers to axle and suspension. ³ Base model: 71.5 in. axle track, tapered spindles, weld-on hangers (14 in. for top mount, 6.5 in. for low mount), 16.5 in. x 7 in. foundation brakes. ⁴ Dressed model: Base model plus cast drums, ferrous hub assemblies, brake chambers and slacks. *Weights can vary within 1% to 1.5% due to component tolerances, material changes, scale calibration, etc.

UNMATCHED CUSTOMER SUPPORT

Every Cummins-Meritor MTA-Tec6 suspension is backed by unsurpassed service and support, with DriveForce™ – Cummins-Meritor's North American sales and service organization – and the OnTrac technical support center available to assist customers with solutions before, during and after the sale. For more information, call **866-668-7221 (OnTrac1)** or visit **cummins.com**.

Cummins-Meritor is a leading North American source of aftermarket parts for commercial vehicles. Our highly-trained customer support team, including our expert field sales force, is totally committed to the success of our customers. Cummins-Meritor's Aftermarket Customer Care team provides an all-purpose, one-call solution for customer satisfaction. For more information, call **888-725-9355** (U.S.) or **800-387-3889** (Canada), or visit **MeritorPartsXpress.com**.



Cummins Inc.
Box 3005
Columbus, IN 47202-3005
U.S.A.

cummins.com

Vehicle models, trademarks, brands and names depicted herein are the property of their respective owners, and may not be associated with Cummins Inc. and Meritor, Inc. or its affiliates.

SP-1977
Bulletin 6450011 Produced in U.S.A. Rev. 1/23
©2023 Meritor, Inc.