

# SUSPENSION CATALOG CHALMERS



**MERITOR**



**PB-9968**

Contents

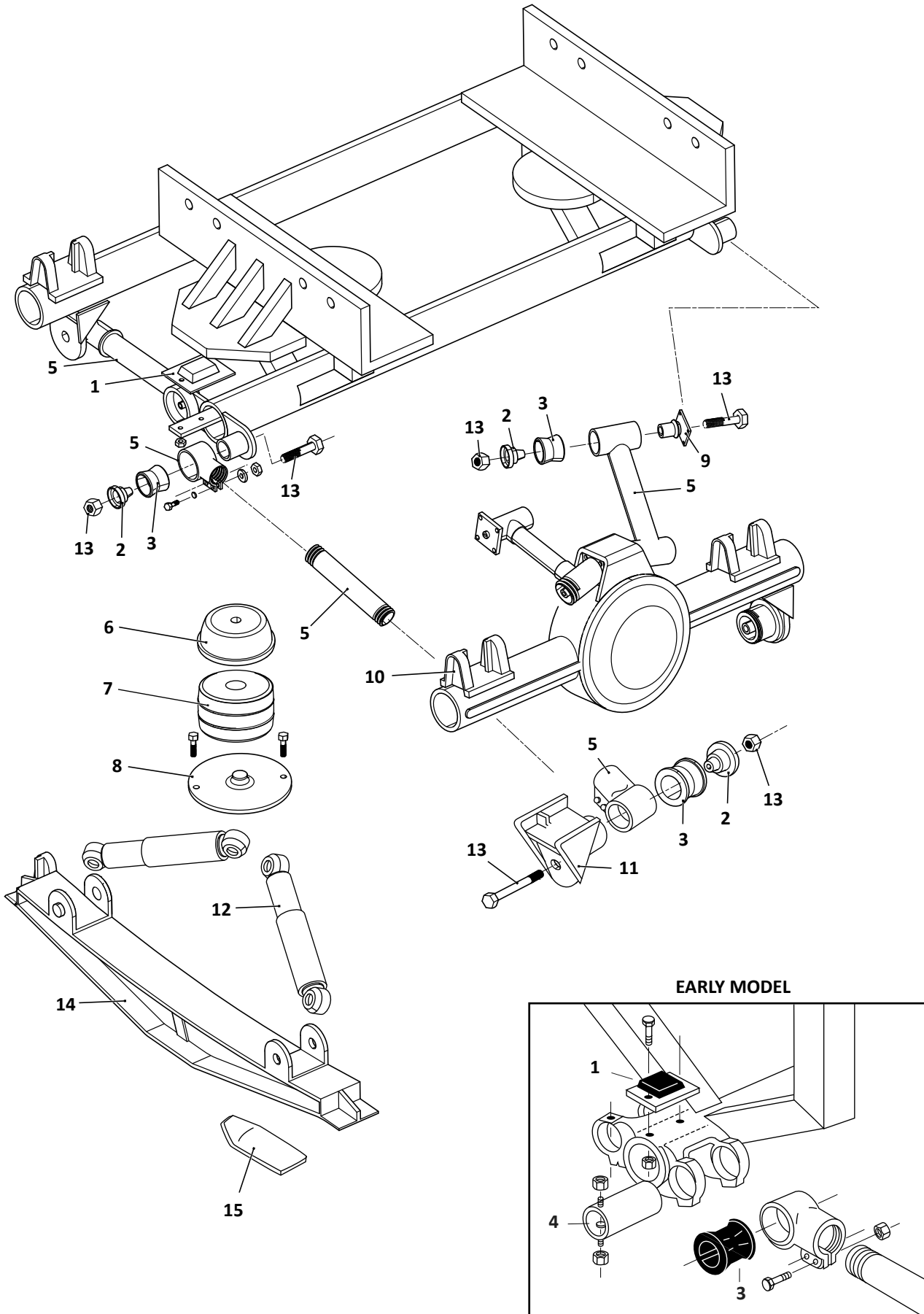
**TRUCK SUSPENSIONS**

600 Series, Tandem Axle - - - - - 2  
800 Series, Tandem Axle - - - - - 4  
1023 and 1030, Single Axle - - - - - 8

**TRAILER SUSPENSIONS**


300 Series, Tandem Axle - - - - - 10  
500 Series, Single Axle - - - - - 12  
700 Series, Tandem Axle - - - - - 14

# CHALMERS 600 Series Tandem Axle, Truck



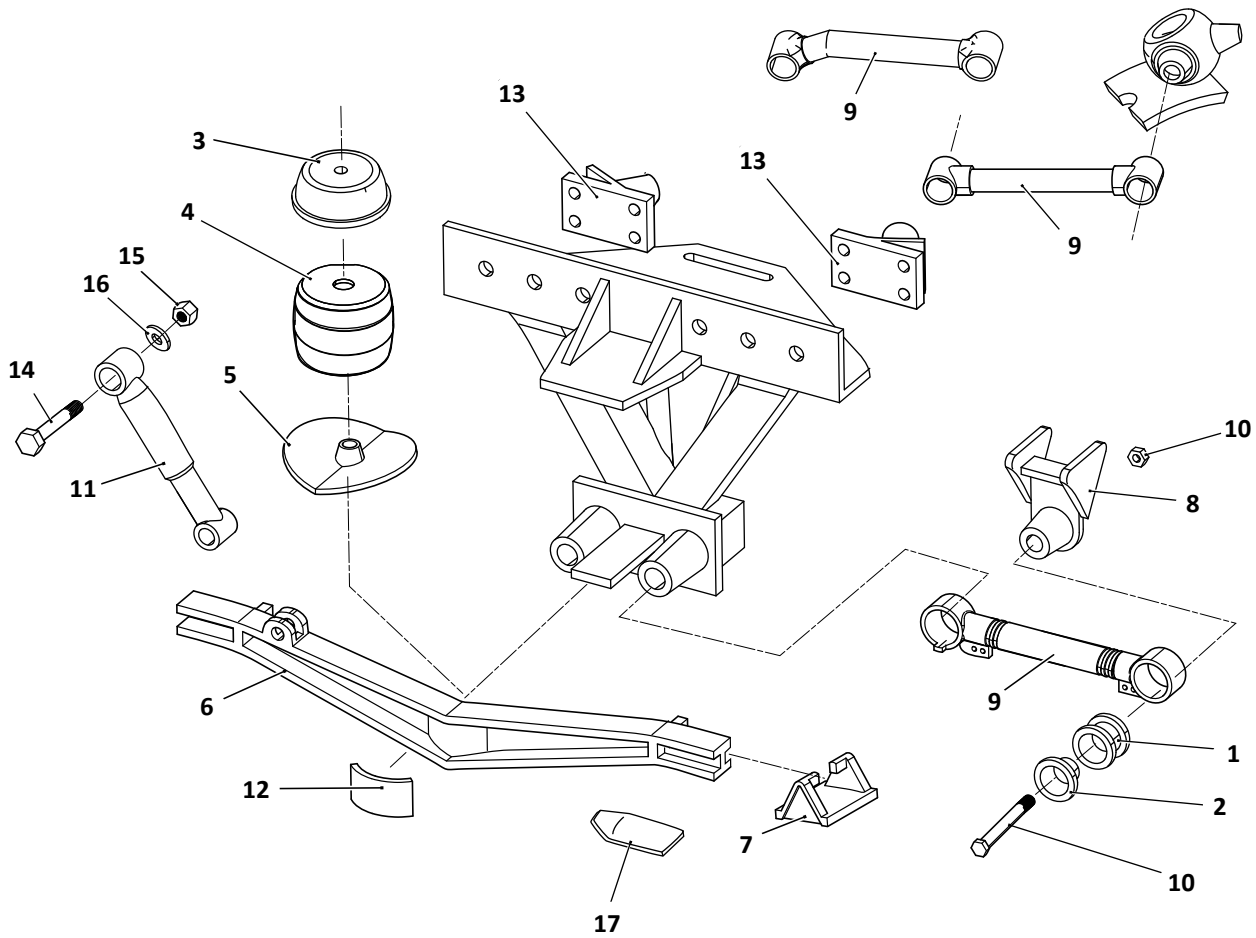
## 600 Series Tandem Axle, Truck

| KEY NO. | MERITOR NO. | GENUINE   | MACH NO. | OEM REF.         | DESCRIPTION  | QTY. PER SUSPENSION | PAGE NO. |
|---------|-------------|---|----------|------------------|--|---------------------|----------|
| 1       | R304675     |    | -        | 48045            | Rebound Stop   | 2                   | 22       |
| 2       | R304680     |    | -        | 260002           | Spigot Cap, Type 0 Joint, Discontinued   | 16                  | 18       |
| 3       | R304677A    |    | G-4677A  | 22128            | Torque Arm Bushing, Rubber   | 16                  | 19       |
|         | R307427     | -   | -        | -                | Torque Arm Bushing, Poly   | 32                  | 19       |
|         | R304678A    |    | G-4678A  | 22129            | Torque Arm Bushing, Rubber, Oversized Version                                    | As Required         | 19       |
|         | R308702     | -   | -        | 22129            | Torque Arm Bushing, Rubber, Oversized Version, OE Equivalent                     | As Required         | 19       |
| 4       | R304676     |    | -        | 22037            | Wrist Pin, Discontinued  | 8                   | 19       |
| 5       | R304789     |    | -        | 216214           | Adjustable Torque Arm, 21 1/2" Center-to-Center, Type 0 & 1 Joints               | 2                   | 20       |
|         | R304790     |    | -        | 216240           | Adjustable Torque Arm, 24" Center-to-Center, Type 0 & 1 Joints                   | 2                   | 20       |
|         | R304791     |    | -        | 223214           | Rigid Torque Arm, 21 1/2" Center-to-Center, Type 0 & 1 Joints                    | 2                   | 20       |
| 6       | R304688A    |    | -        | 373028<br>373020 | Restrictor Can #28, Replaces Restrictor Can #20, 4 7/16" High X 12 5/8" Diameter | 2                   | 16       |
|         | R307758     |    | -        | 373029           | Restrictor Can #29, 5 1/8" High X 11 1/2" Diameter                               | 2                   | 17       |
| 7       | R304685     |    | G-4685   | 15002            | Load Spring #20 , 9 1/2" Diameter  | 2                   | 16       |
| 8       | R304786     |    | -        | 22116            | Spring Plate   | 2                   | 17       |
| 9       | R304679     |    | -        | 260001           | Spigot, Discontinued   | 4                   | 17       |
| 10      | R3014972    |    | -        | 248001           | Saddle, Rockwell/Meritor Axles   | 4                   | -        |
|         | R3014973    |    | -        | 248027           | Saddle, High Version   | 4                   | -        |
| 11      | S.O.S.      |    | -        | Various          | Axle Bracket   | 4                   | -        |
| 12      | M85060      | -   | -        | 665174           | Shock Absorber   | 4                   | -        |
| 13      | R307772     |    | -        | K880230          | Hardware Kit, Type 0 Joint   | 2                   | 18       |
| 14      | S.O.S.      |    | -        | Various          | Beam   | 2                   | -        |
| 15      | R307765     |  | -        | 700313           | Wear Plate   | As Required         | 21       |

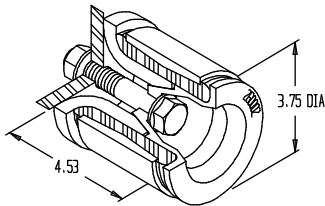
 Denotes Product is Genuine Chalmers

# CHALMERS

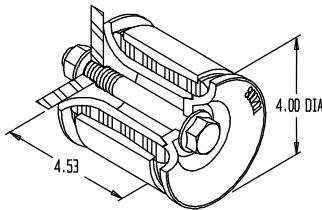
## 800 Series Tandem Axle, Truck



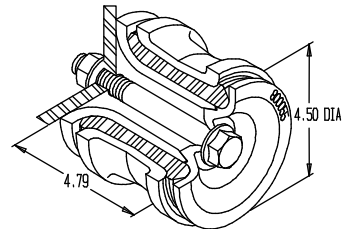
### Joint Types



Type 0



Type 1



Type 2

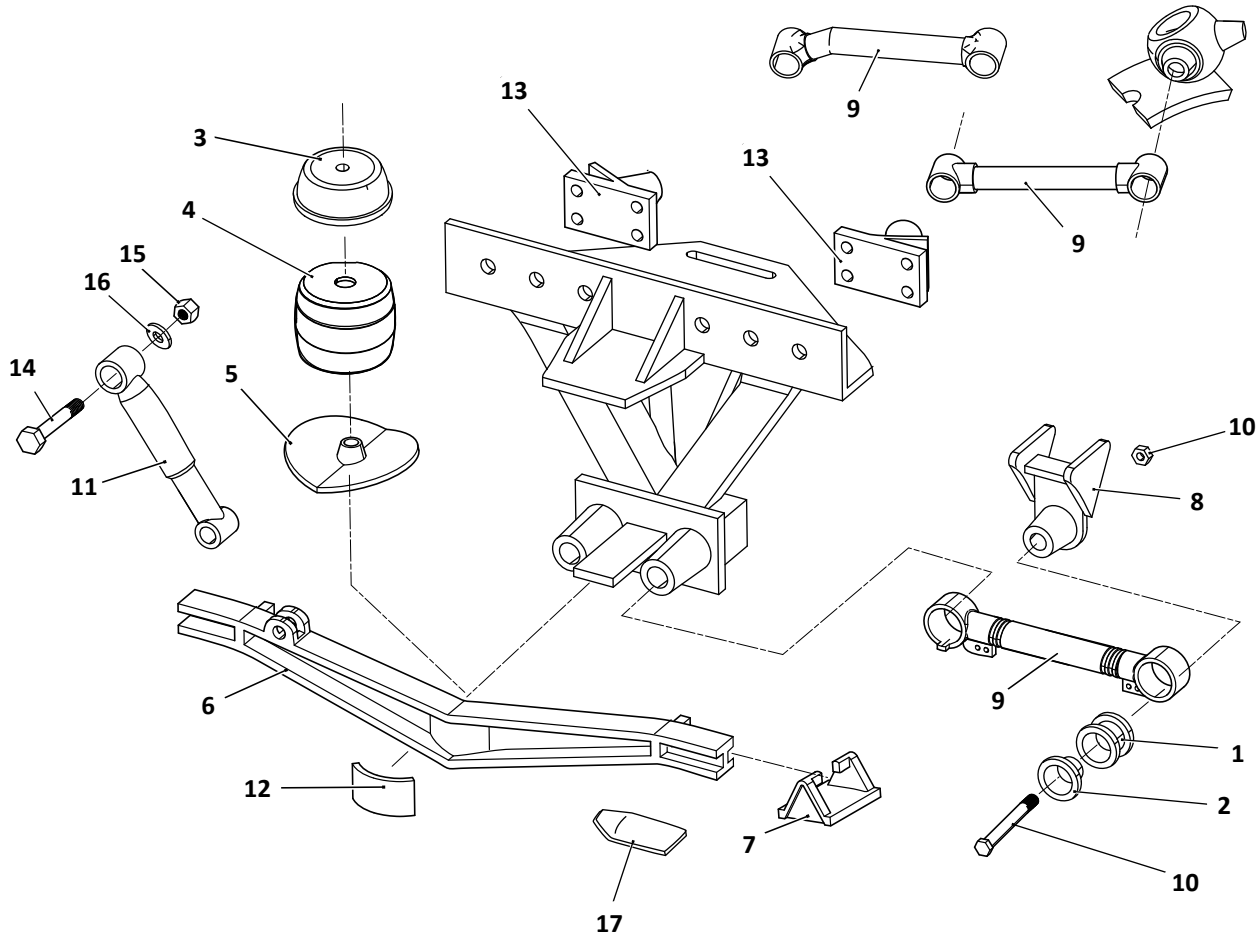
| Chalmers Torque Arm Connections |                              |                              |                  |
|---------------------------------|------------------------------|------------------------------|------------------|
|                                 | Type 0                       | Type 1                       | Type 2           |
| Bushing- Standard Rubber        | R304677A / G-4677A           | R304677A / G-4677A           | R307766 / G-7766 |
| Bushing- Standard Poly          | R307427                      | R307427                      | R307426          |
| Bushing- Oversize Rubber        | R304678A / R308702 / G-4678A | R304678A / R308702 / G-4678A | R307767 / G-7767 |
| Bushing- Oversize Poly          | -                            | -                            | R308917          |
| Spigot Cap                      | No Longer Available          | R309571 / G-9571             | R307768 / G-7768 |
| Hardware Kit                    | R307772                      | R307773                      | R307774          |

| 800 Series Tandem Axle, Truck |             |          |          |                  |   |                    |          |
|-------------------------------|-------------|----------|----------|------------------|---|--------------------|----------|
| KEY NO.                       | MERITOR NO. | GENU-INE | MACH NO. | OEM REF.         | DESCRIPTION   | QTY PER SUSPENSION | PAGE NO. |
| 1                             | R304677A    |          | G-4677A  | 22128            | Torque Arm Bushing, Rubber, Type 0 & 1 Joints   | 16                 | 19       |
|                               | R307427     | -        | -        | -                | Torque Arm Bushing, Poly, Type 0 & 1 Joints   | 32                 | 19       |
|                               | R307766     |          | G-7766   | 800010           | Torque Arm Bushing, Rubber, Type 2 Joints   | 16                 | 19       |
|                               | R307426     | -        | -        | -                | Torque Arm Bushing, Poly, Type 2 Joints   | 32                 | 19       |
|                               | R304678A    |          | G-4678A  | 22129            | Torque Arm Bushing, Rubber, Oversized, Type 0 & 1 Joints                                  | As Required        | 19       |
|                               | R308702     | -        | -        | 22129            | Torque Arm Bushing, Rubber, Oversized Version, OE Equivalent                              | As Required        | 19       |
|                               | R307767     |          | G-7767   | 800009           | Torque Arm Bushing, Rubber, Oversized, Type 2 Joints                                      | As Required        | 19       |
|                               | R308917     | -        | -        | -                | Torque Arm Bushing, Poly, Oversized, Type 2 Joints  | As Required        | 19       |
| 2                             | R304680     |          | -        | 260002           | Spigot Cap, Type 0 Joint, Discontinued  | 16                 | 18       |
|                               | R309571     |          | G-9571   | 800201           | Spigot Cap, Type 1 Joint  | 16                 | 18       |
|                               | R307768     |          | G-7768   | 800055           | Spigot Cap, Type 2 Joint  | 16                 | 18       |
| 3                             | R304688A    |          | -        | 373028<br>373020 | Restrictor Can #28, Replaces Restrictor Can #20, 4 7/16" High X 12 5/8" Diameter          | 2                  | 16       |
|                               | R307758     |          | -        | 373029           | Restrictor Can #29, 5 1/8" High X 11 1/2" Diameter, High Center of Gravity                | 2                  | 17       |
| 4                             | R304685     |          | G-4685   | 15002            | Load Spring #20, 9 1/2" Diameter  | 2                  | 16       |
| 5                             | R307769     |          | -        | 800117, 800689   | Spring Plate, 46-58K High Mount For 54" Axle Spread                                       | 2                  | 17       |
|                               | R307770     |          | -        | 800125, 800691   | Spring Plate, 46-58K Low Mount For 54" Axle Spread  | 2                  | 17       |
|                               | R3014982    |          | -        | 800685,800119    | Spring Plate, 40-58K High Mount For 60" Axle Spread, 46-58K Low Mount For 72" Axle Spread | 2                  | 17       |
|                               | S.O.S.      |          | -        | Various          | Spring Plate, Various Axle Spreads and Capacities   | 2                  | -        |
| 6                             | R3014767    |          | -        | 800061           | Walking Beam, 46K High Mount, 54" Spread  | 2                  | 21       |
|                               | R3014768    |          | -        | 800688           | Walking Beam, 50-58K High Mount, 54" Spread   | 2                  | 21       |
|                               | R3014769    |          | -        | 800087           | Walking Beam, 46K Low Mount, 54" Spread   | 2                  | 21       |
|                               | R3014770    |          | -        | 800690           | Walking Beam, 50-58K Low Mount, 54" Spread  | 2                  | 21       |
|                               | R3014983    |          | -        | 800079           | Walking Beam, 40K Low Mount, 54" Spread   | 2                  | 21       |
|                               | R3014984    |          | -        | 800684           | Walking Beam, 50-58K High Mount, 60" Spread   | 2                  | 21       |
|                               | S.O.S.      |          | -        | Various          | Walking Beam, Various Axle Spreads and Capacities   | 2                  | -        |
| 7                             | R307756     |          | -        | 222083           | Saddle, Most Axles  | 4                  | 22       |
|                               | S.O.S.      |          | -        | Various          | Saddle  | 4                  | -        |
| 8                             | S.O.S.      |          | -        | Various          | Axle Bracket  | 4                  | -        |
| 9                             | R3014985    |          | -        | 223157           | Rigid Torque Arm, Upper, 15 -7/8" Center-to-Center, Type 0 & 1 Joints                     | 4                  | 20       |
|                               | R3014986    |          | -        | 800049           | Rigid Torque Arm, Upper, Curved Design 46-50K, Type 2 Joints                              | 4                  | 21       |
|                               | R3014773    |          | -        | 807250           | Adjustable Torque Arm, 46K 21 3/4" Center-to-Center, Type 2 Joints                        | 1                  | 20       |
|                               | R3014774    |          | -        | 807216           | Adjustable Torque Arm, 46K 25" Center-to-Center, Type 2 Joints                            | 1                  | 20       |
|                               | R3014987    |          | -        | 807214           | Adjustable Torque Arm, 21-1/2" Center-to-Center, Type 2 Joints                            | 1                  | 20       |
|                               | R3014976    |          | -        | 807240           | Adjustable Torque Arm, 24" Center-to-Center, Type 2 Joints                                | 1                  | 20       |
|                               | R3014989    |          | -        | 807220           | Adjustable Torque Arm, 22" Center-to-Center, Type 2 Joints                                | 1                  | 20       |
|                               | R3014978    |          | -        | 805214           | Rigid Torque Arm, 21-1/2" Center-to-Center, Type 2 Joints                                 | 1                  | 20       |
|                               | R3014990    |          | -        | 805216           | Rigid Torque Arm, 21-3/4" Center-to-Center, Type 2 Joints                                 | 1                  | 20       |
|                               | R3014991    |          | -        | 805220           | Rigid Torque Arm, 22" Center-to-Center, Type 2 Joints                                     | 1                  | 20       |
|                               | S.O.S.      |          | -        | Various          | Torque Arm, Various Lengths and Capacities  | As Required        | -        |

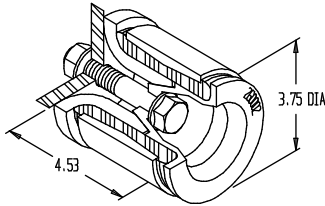
Denotes Product is Genuine Chalmers

# CHALMERS

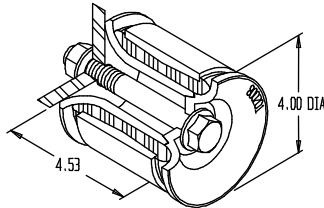
## 800 Series Tandem Axle, Truck



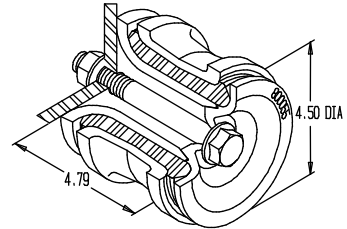
### Joint Types



Type 0



Type 1











Type 2

### Chalmers Torque Arm Connections

|                          | Type 0                       | Type 1                       | Type 2           |
|--------------------------|------------------------------|------------------------------|------------------|
| Bushing- Standard Rubber | R304677A / G-4677A           | R304677A / G-4677A           | R307766 / G-7766 |
| Bushing- Standard Poly   | R307427                      | R307427                      | R307426          |
| Bushing- Oversize Rubber | R304678A / R308702 / G-4678A | R304678A / R308702 / G-4678A | R307767 / G-7767 |
| Bushing- Oversize Poly   | -                            | -                            | R308917          |
| Spigot Cap               | No Longer Available          | R309571 / G-9571             | R307768 / G-7768 |
| Hardware Kit             | R307772                      | R307773                      | R307774          |

## 800 Series Tandem Axle, Truck

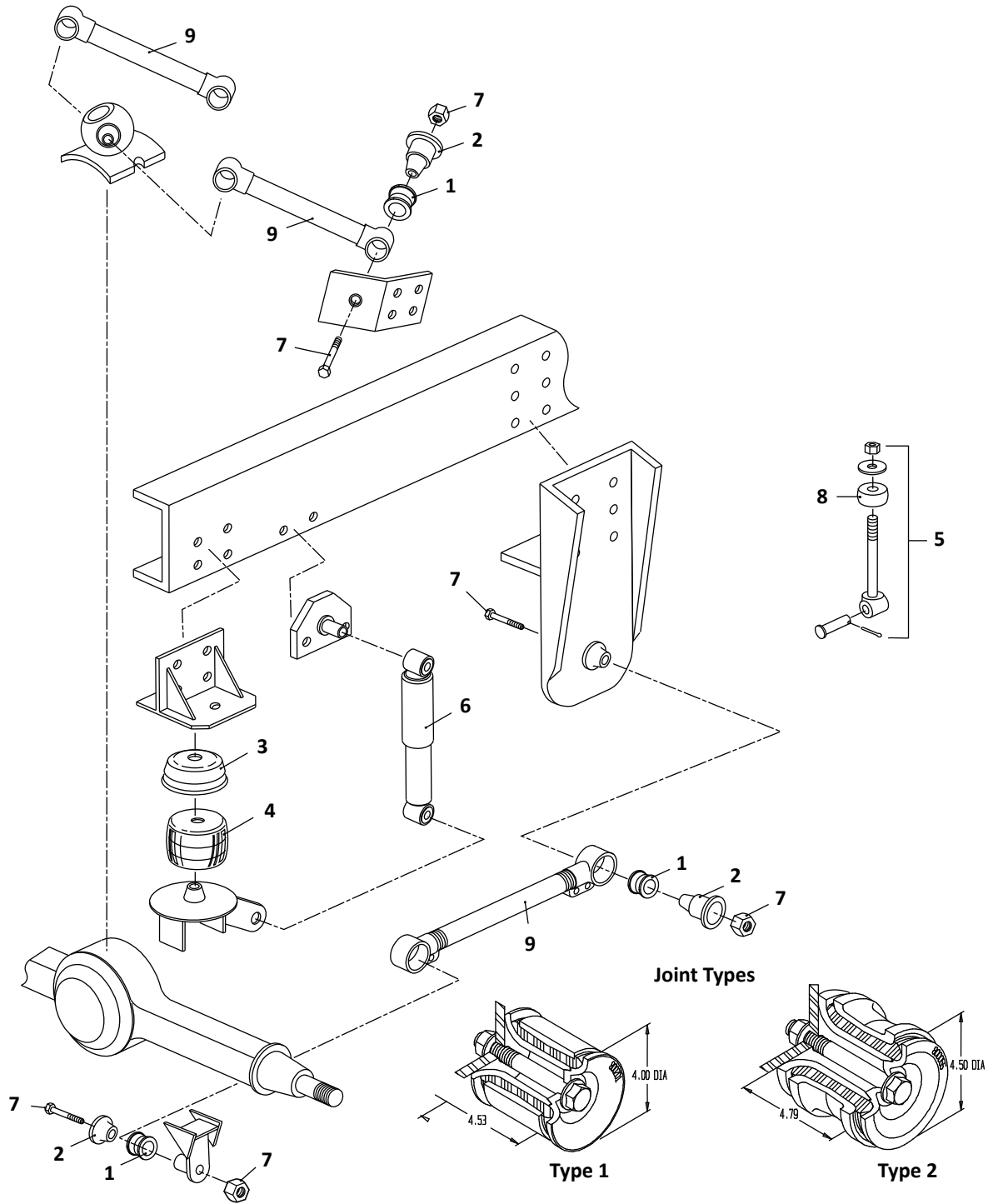
| KEY NO. | MERITOR NO. | GENU-INE  | MACH NO. | OEM REF. | DESCRIPTION                                | QTY PER SUSPENSION | PAGE NO. |
|---------|-------------|---|----------|----------|--|--------------------|----------|
| 10      | R307772     |  | -        | K880230  | Hardware Kit, Type 0 Joint                 | 4                  | 18       |
|         | R307773     |  | -        | K880231  | Hardware Kit, Type 1 Joint                 | 4                  | 18       |
|         | R307774     |  | -        | K880460  | Hardware Kit, Type 2 Joint                 | 4                  | 18       |
| 11      | M85301      | -   | -        | 800670   | Shock Absorber, High Mount                 | 4                  | -        |
|         | M85305      | -   | -        | 800781   | Shock Absorber, Low Mount                  | 4                  | -        |
|         | M85060      | -   | -        | 665174   | Shock Absorber, Standard Mount             | 4                  | -        |
| 12      | R3014992    |  | -        | 800599   | Reinforcement Gusset                       | As Required        | 21       |
| 13      | R3014993    |  | -        | 800057   | Torque Rod Bracket                         | 4                  | 21       |
|         | S.O.S.      |  | -        | Various  | Torque Rod Bracket                         | 4                  | -        |
| 14      | R3014994    | -   | -        | HDW372   | Bolt, Shock Absorber 3/4"-10 X 5-1/2" Long | 4                  | -        |
|         | R304345     | -   | -        | HDW375   | Bolt, Shock Absorber 3/4"-10 X 3-1/2" Long | 4                  | -        |
| 15      | R304347     | -   | -        | HDW 018  | Lock Nut, 3/4"-10 Thread                   | 4                  | -        |
| 16      | R302545     | -   | -        | HDW 031  | Washer, 3/4" Hardened                      | 4                  | -        |
| 17      | R307765     |  | -        | 700313   | Wear Plate                                 | As Required        | 13       |

 Denotes Product is Genuine Chalmers



# CHALMERS

## 1023 and 1030 Single Axle, Truck



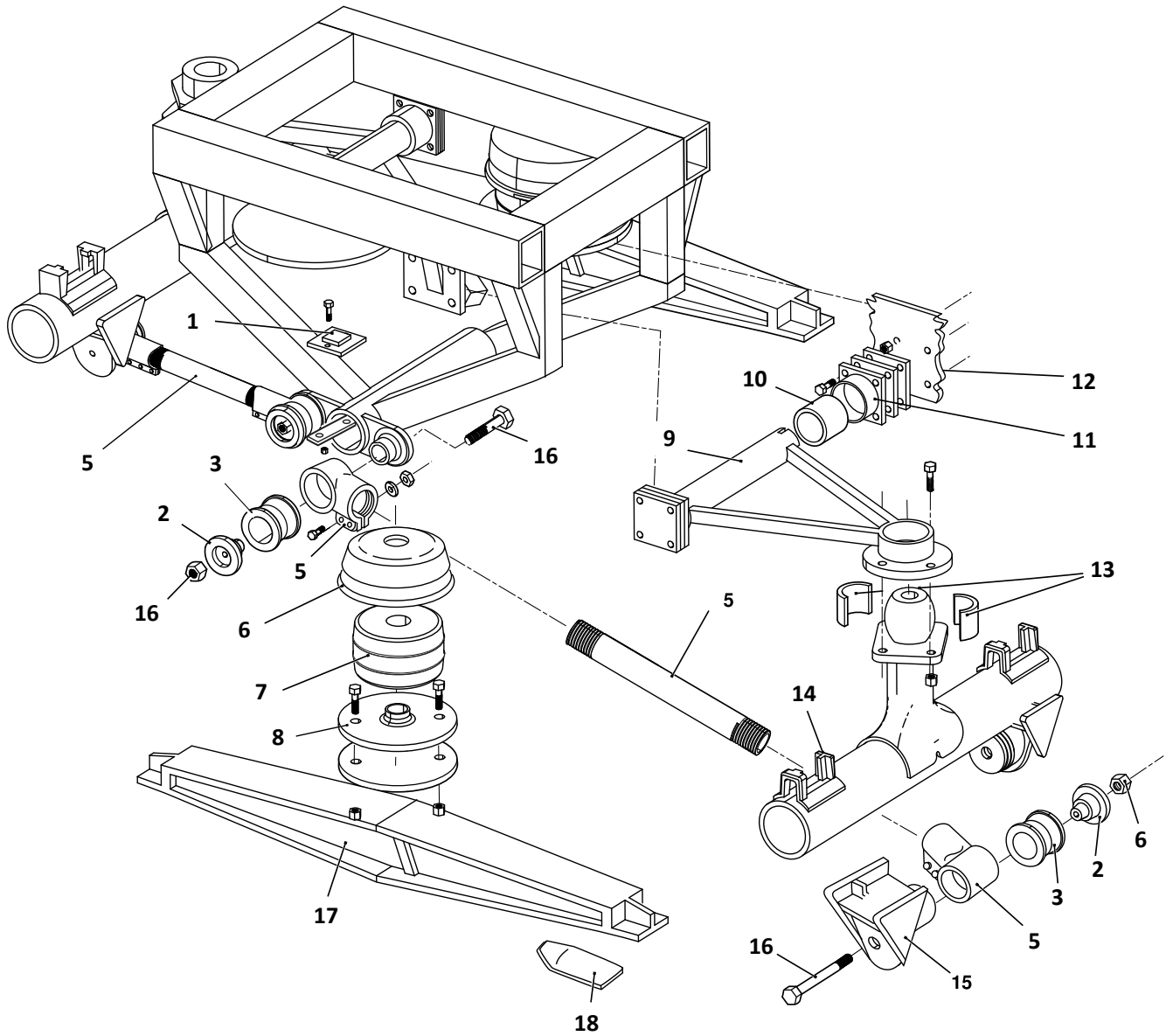
| Chalmers Torque Arm Connections |                             |                            |
|---------------------------------|-----------------------------|----------------------------|
|                                 | Type 1                      | Type 2                     |
| Bushing- Standard Rubber        | R304677A / G-4677A          | R304677A / G-4677A         |
| Bushing- Standard Poly          | R307427                     | R307426                    |
| Bushing- Oversize Rubber        | R304678A / R308702/ G-4678A | R304678A / R308702/ G-7767 |
| Bushing- Oversize Poly          | -                           | R308917                    |
| Spigot Cap                      | R309571 / G-9571            | R307768 / G-7768           |
| Hardware Kit                    | R307773                     | R307774                    |

| CHALMERS 1023 and 1030 Single Axle, Truck |             |         |          |         |  |                     |          |
|---|-------------|---------|----------|---------|--|---------------------|----------|
| KEY NO.                                   | MERITOR NO. | GENUINE | MACH NO, | OEM REF | DESCRIPTION  | QTY. PER SUSPENSION | PAGE NO. |
| 1   | R304677A    |         | G-4677A  | 22128   | Torque Arm Bushing, Rubber, Type 0 & 1 Joints                | 16                  | 19       |
|   | R307427     | -       | -        | -       | Torque Arm Bushing, Poly, Type 0 & 1 Joints                  | 32                  | 19       |
|   | R307766     |         | G-7766   | 800010  | Torque Arm Bushing, Rubber, Type 2 Joints                    | 16                  | 19       |
|   | R307426     | -       | -        | -       | Torque Arm Bushing, Poly, Type 2 Joints                      | 32                  | 19       |
|   | R304678A    |         | G-4678A  | 22129   | Torque Arm Bushing, Rubber, Oversized, Type 0 & 1 Joints     | As Required         | 19       |
|   | R308702     | -       | -        | 22129   | Torque Arm Bushing, Rubber, Oversized Version, OE Equivalent | As Required         | 19       |
|   | R307767     |         | G-7767   | 800009  | Torque Arm Bushing, Rubber, Oversized, Type 2 Joints         | As Required         | 19       |
|   | R308917     | -       | -        | -       | Torque Arm Bushing, Poly, Oversized, Type 2 Joints           | As Required         | 19       |
| 2   | R309571     |         | G-9571   | 800201  | Spigot Cap, Type 1 Joint                                     | 16                  | 18       |
|   | R307768     |         | G-7768   | 800055  | Spigot Cap, Type 2 Joint                                     | 16                  | 18       |
| 3   | R3014971    |         | -        | 373010  | Restrictor Can #10, 4 3/8" High X 9 3/8" Diameter            | 2                   | 16       |
|   | R304687     |         | -        | 373015  | Restrictor Can #15, 4 3/8" High X 11 3/16" Diameter          | 2                   | 16       |
| 4   | R307755     |         | -        | 15010   | Load Spring #10, 8" Diameter, 1023 Series                    | 2                   | 16       |
|   | S.O.S.      |         | -        | 15009   | Load Spring #10, 1023 Series Reduced Height                  | 2                   | -        |
|   | R304686     |         | -        | 15015   | Load Spring #15, 8 1/2" Diameter, 1030 Series                | 2                   | 16       |
|   | R3014995    |         | -        | 15017   | Load Spring #15, 7" Diameter, 1030 Series Reduced Height     | 2                   | 16       |
| 5   | R307771     |         | -        | K403017 | Rebound Bolt Assembly, Includes Key 8                        | 2                   | 22       |
| 6   | M85060      | -       | -        | 665174  | Shock Absorber   | 2                   | -        |
| 7   | R307774     |         | -        | K880460 | Hardware Kit   | 2                   | 18       |
|   | R307773     |         | -        | K880231 | Hardware Kit   | 2                   | 18       |
| 8   | R3014970    |         | -        | 22096   | Rebound Stop Included in R307771                             | 2                   | 22       |
| 9   | S.O.S.      |         | -        | Various | Torque Arm, Rigid and Adjustable                             | 2                   | -        |

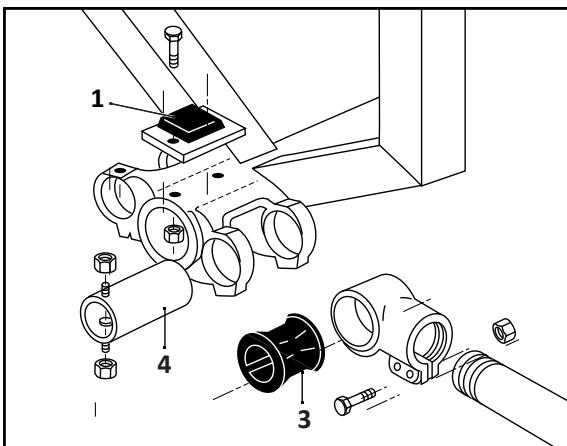
Denotes Product is Genuine Chalmers

# CHALMERS

## 300 Series Tandem Axle, Trailer



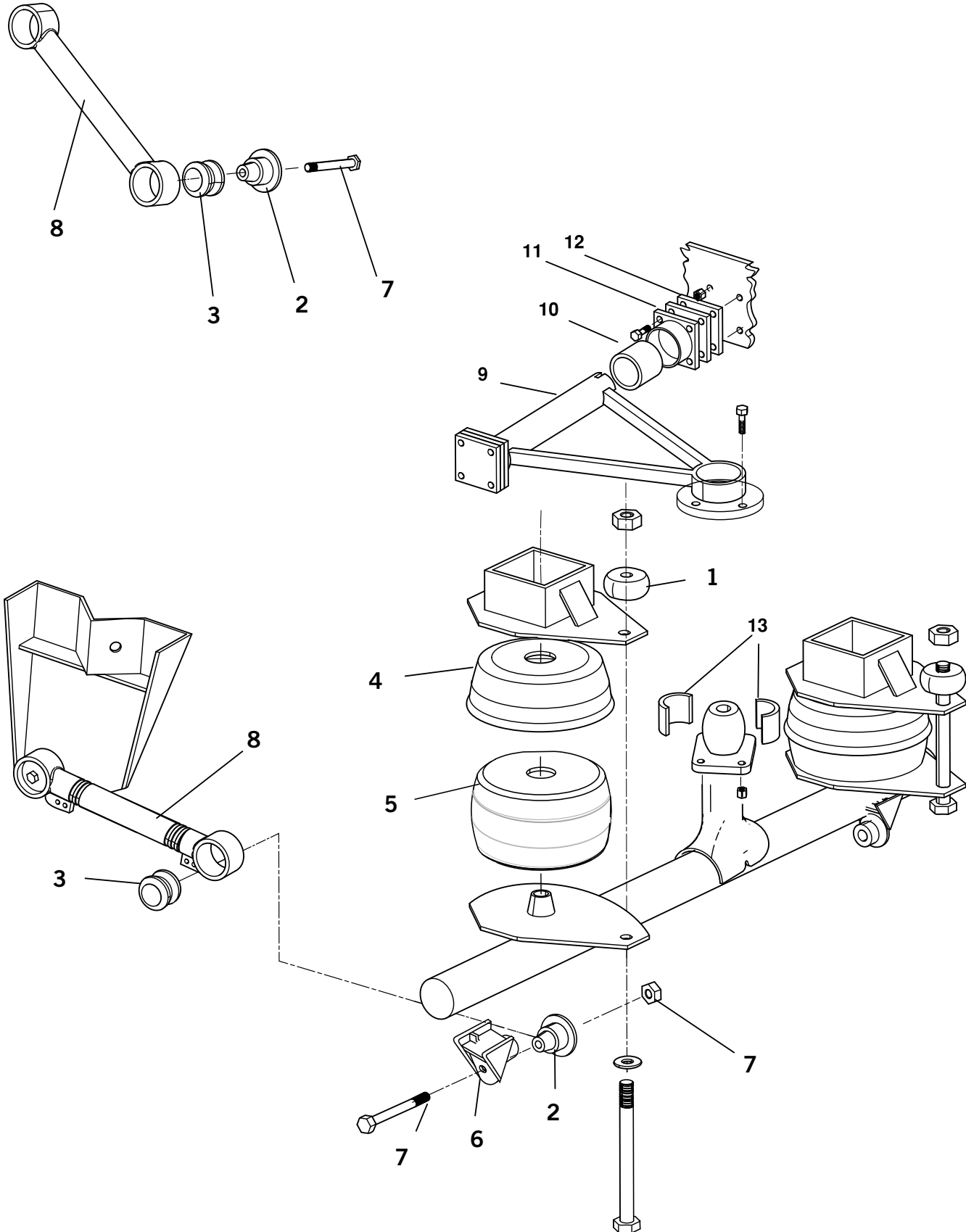
### EARLY MODEL




| 300 Series Tandem Axle, Trailer |             |         |          |                  |   |                    |          |
|---------------------------------|-------------|---------|----------|------------------|---|--------------------|----------|
| KEY NO.                         | MERITOR NO. | GENUINE | MACH NO. | OEM REF.         | DESCRIPTION   | QTY PER SUSPENSION | PAGE NO. |
| 1                               | R304675     |         | -        | 48045            | Rebound Stop  | 2                  | 22       |
| 2                               | R304680     |         | -        | 260002           | Spigot Cap, Type 0 Joint, Discontinued  | 16                 | 18       |
| 3                               | R304677A    |         | G-4677A  | 22128            | Torque Arm Bushing, Rubber  | 8                  | 19       |
|                                 | R307427     | -       | -        | -                | Torque Arm Bushing, Poly  | 16                 | 19       |
|                                 | R304678A    |         | G-4678A  | 22129            | Torque Arm Bushing, Rubber, Oversized Version                                       | As Required        | 19       |
|                                 | R308702     | -       | -        | 22129            | Torque Arm Bushing, Rubber, Oversized Version, OE Equivalent                        | As Required        | 19       |
| 4                               | R304676     |         | -        | 22037            | Wrist Pin, Discontinued   | 8                  | 19       |
| 5                               | R304789     |         | -        | 216214           | Adjustable Torque Arm, 21 1/2" Center-to-Center , Type 0 Joint                      | 2                  | 20       |
|                                 | R304790     |         | -        | 216240           | Adjustable Torque Arm, 24" Center-to-Center, Type 0 Joint                           | 2                  | 20       |
|                                 | R3014969    |         | -        | 216230           | Adjustable Torque Arm, 23" Center-to-Center, Type 0 Joint                           | 2                  | 20       |
|                                 | S.O.S.      |         | -        | 22045            | Adjustable Torque Arm End, Right Hand   | As Required        | -        |
|                                 | S.O.S.      |         | -        | 22046            | Adjustable Torque Arm End, Left Hand  | As Required        | -        |
|                                 | R304791     |         | -        | 223214           | Rigid Torque Arm, 21 1/2" Center-to-Center, Type 0 Joint                            | 2                  | 20       |
|                                 | S.O.S.      |         | -        | 223230           | Rigid Torque Arm, 23" Center-to-Center, Type 0 Joint                                | 2                  | -        |
|                                 | R304792     |         | -        | 223240           | Rigid Torque Arm, 24" Center-to-Center, Type 0 Joint                                | 2                  | 20       |
| 6                               | R304688A    |         | -        | 373020<br>373028 | Restrictor Can #28, Replaces Restrictor Can #20,<br>4 7/16" High X 12 5/8" Diameter | 2                  | 16       |
| 7                               | R304685     |         | G-4685   | 15002            | Load Spring #20 , 9 1/2" Diameter   | 2                  | 16       |
| 8                               | R304786     |         | -        | 22116            | Spring Plate  | 2                  | 16       |
| 9                               | R307764     |         | -        | 68017            | Wishbone, Discontinued  | 2                  | -        |
| 10                              | R304683     |         | -        | 22115            | Wishbone End Bushing  | 4                  | 22       |
| 11                              | R304682     |         | -        | 22107            | Wishbone End  | 4                  | 22       |
| 12                              | R304681     | -       | -        | 22105            | Shim, 16 Gauge  | As Required        | 22       |
|                                 | S.O.S.      |         | -        | 22099            | Shim, 25 Gauge  | As Required        | -        |
| 13                              | R304674     |         | -        | 22036            | Wishbone Apex Bushing, 2-Piece  | 2                  | 22       |
| 14                              | R307756     |         | -        | 222083           | Saddle, Most Axles  | 4                  | 22       |
|                                 | S.O.S.      |         | -        | Various          | Saddle  | 4                  | -        |
| 15                              | R307757     |         | -        | 222139           | Axle Bracket, 5" Round Axle, Type 0 Joints  | 4                  | 18       |
|                                 | S.O.S.      |         | -        | 228006           | Axle Bracket, 4" x 6" Rectangular, Type 0 Joints                                    | 4                  | -        |
|                                 | S.O.S.      |         | -        | 231000           | Axle Bracket, 5" Square, Type 0 Joints  | 4                  | -        |
| 16                              | R307772     |         | -        | K880230          | Hardware Kit, Type 0 Joint  | 2                  | 18       |
| 17                              | S.O.S.      |         | -        | Various          | Beam  | 2                  | -        |
| 18                              | R307765     |         | -        | 700313           | Wear Plate  | As Required        | 21       |

Denotes Product is Genuine Chalmers

# CHALMERS 500 Series Single Axle, Trailer

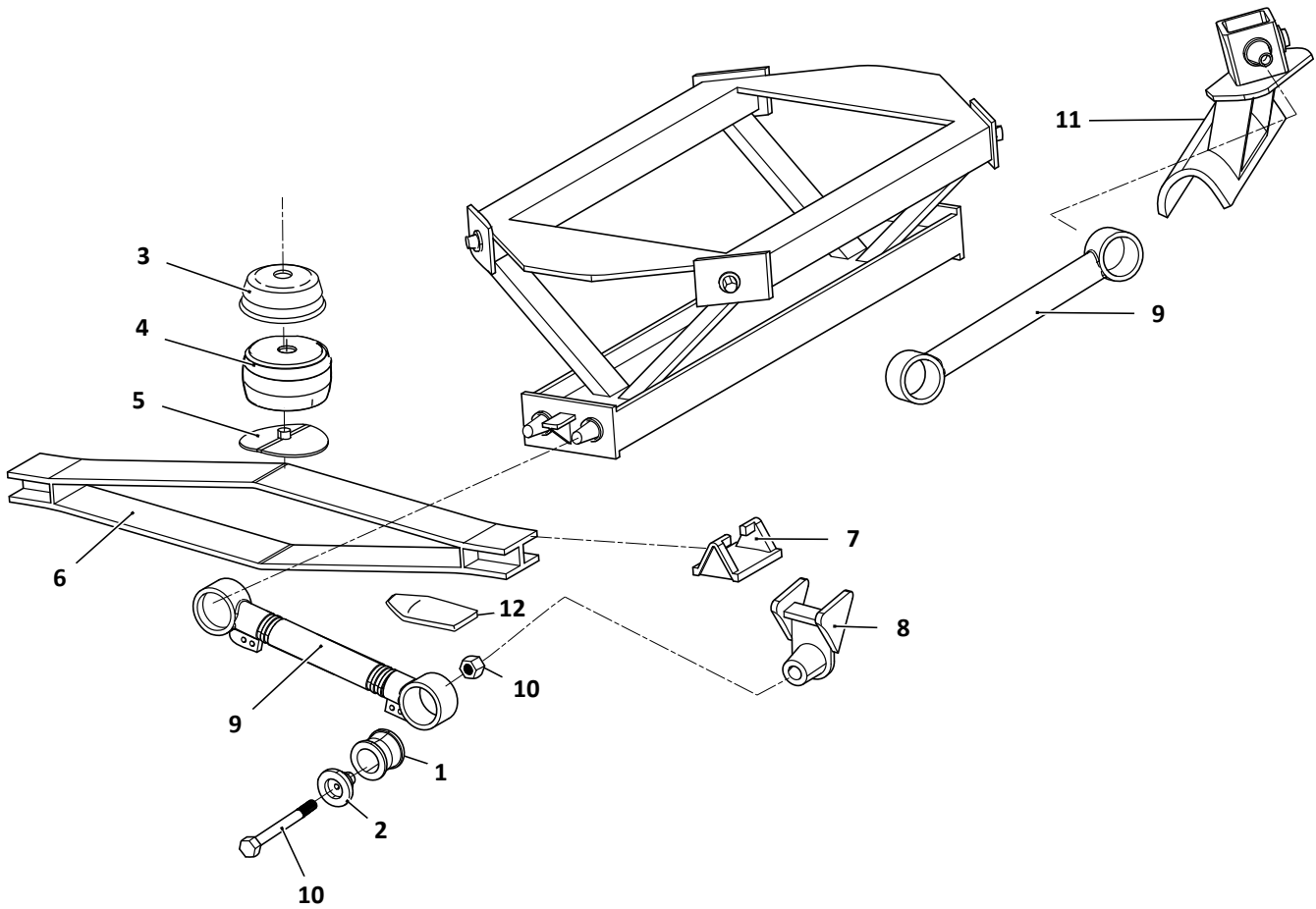


| 500 Series Single Axle, Trailer |             |   |          |                |  |                     |          |
|---------------------------------|-------------|---|----------|----------------|--|---------------------|----------|
| KEY NO.                         | MERITOR NO. | GENUINE   | MACH NO. | OEM REF.       | DESCRIPTION  | QTY. PER SUSPENSION | PAGE NO. |
| 1                               | R3014970    |    | -        | 22096          | Rebound Stop   | 2                   | 22       |
| 2                               | R304680     |    | -        | 260002         | Spigot Cap, Type 0 Joint, Discontinued   | 16                  | 18       |
| 3                               | R304677A    |    | G-4677A  | 22128          | Torque Arm Bushing, Rubber   | 8                   | 19       |
|                                 | R307427     | -   | -        | -              | Torque Arm Bushing, Poly   | 16                  | 19       |
|                                 | R304678A    |    | G-4678A  | 22129          | Torque Arm Bushing, Rubber, Oversized  | As Required         | 19       |
|                                 | R308702     | -   | -        | 22129          | Torque Arm Bushing, Rubber, Oversized Version, OE Equivalent                     | As Required         | 19       |
| 4                               | R304688A    |    | -        | 373028, 373020 | Restrictor Can #28, Replaces Restrictor Can #20, 4 7/16" High X 12 5/8" Diameter | 2                   | 16       |
|                                 | R3014971    |    | -        | 373010         | Restrictor Can #10, 4 3/8" High X 9 3/8" Diameter                                | 2                   | 16       |
|                                 | R304687     |    | -        | 373015         | Restrictor Can #15, 4 3/8" High X 11 3/16" Diameter                              | 2                   | 16       |
| 5                               | R304685     |    | G-4685   | 15002          | Load Spring #20 , 9 1/2" Diameter  | 2                   | 16       |
|                                 | R304686     |    | -        | 15015          | Load Spring #15, 8 1/2" Diameter   | 2                   | 16       |
|                                 | R307755     |    | -        | 15010          | Load Spring #10, 8" Diameter   | 2                   | 16       |
| 6                               | R307757     |    | -        | 222139         | Axle Bracket, 5" Round, Type 0 Joint   | 4                   | 18       |
|                                 | S.O.S.      |    | -        | 228006         | Axle Bracket, 4" x 6" Rectangular, Type 0 Joint                                  | 4                   | -        |
|                                 | S.O.S.      |    | -        | 231000         | Axle Bracket, 5" Square, Type 0 Joint  | 4                   | -        |
| 7                               | R307772     |    | -        | K880230        | Hardware Kit, Type 0 Joint   | 2                   | 18       |
| 8                               | S.O.S.      |    | -        | 216220         | Adjustable Torque Arm, Lower, 22" Center-to-Center                               | 4                   | -        |
|                                 | S.O.S.      |    | -        | 223200         | Rigid Torque Arm, Upper, 20" Center-to-Center                                    | 4                   | -        |
|                                 | S.O.S.      |    | -        | 223220         | Rigid Torque Arm, Lower, 22" Center-to-Center                                    | 4                   | -        |
| 9                               | R307764     |    | -        | 68017          | Wishbone, Discontinued   | 2                   | -        |
| 10                              | R304683     |   | -        | 22115          | Wishbone End Bushing   | 4                   | 22       |
| 11                              | R304682     |  | -        | 22107          | Wishbone End   | 4                   | 22       |
| 12                              | R304681     | -   | -        | 22105          | Shim, 16 Gauge   | As Required         | 22       |
|                                 | S.O.S.      |  | -        | 22099          | Shim, 25 Gauge   | As Required         | -        |
| 13                              | R304674     |  | -        | 22036          | Wishbone Apex Bushing, 2-Piece   | 2                   | 22       |

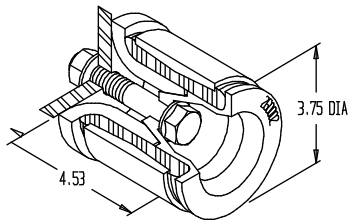
 Denotes Product is Genuine Chalmers

# CHALMERS

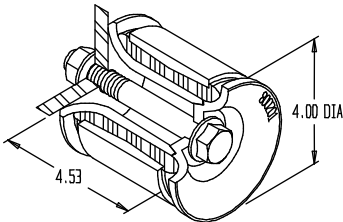
## 700 Series Tandem Axle, Trailer



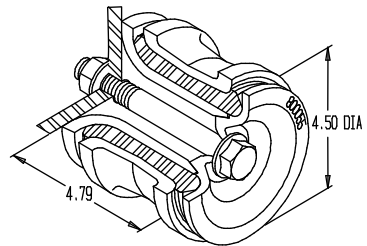
### Joint Types



Type 0



Type 1







Type 2

### Chalmers Torque Arm Connections

|                          | Type 0                    | Type 1                    | Type 2           |
|--------------------------|---------------------------|---------------------------|------------------|
| Bushing- Standard Rubber | R304677A/ G-4677A         | R304677A/ G-4677A         | R307766/ G-7766  |
| Bushing- Standard Poly   | R307427                   | R307427                   | R307426          |
| Bushing- Oversize Rubber | R304678A/R308702/ G-4678A | R304678A/R308702/ G-4678A | R307767/ G-7767  |
| Bushing- Oversize Poly   | -                         | -                         | R308917          |
| Spigot Cap               | No Longer Available       | R309571 / G-9571          | R307768 / G-7768 |
| Hardware Kit             | R307772                   | R307773                   | R307774          |

## 700 Series Tandem Axle, Trailer

| KEY NO. | MERITOR NO. | GENUINE   | MACH NO. | OEM REF.         | DESCRIPTION  | QTY PER TANDEM | PAGE NO. |
|---------|-------------|---|----------|------------------|--|----------------|----------|
| 1       | R304677A    |    | G-4677A  | 22128            | Torque Arm Bushing, Rubber, Type 0 & 1 Joints                                    | 16             | 19       |
|         | R307427     | -   | -        | -                | Torque Arm Bushing, Poly, Type 0 & 1 Joints                                      | 32             | 19       |
|         | R307766     |    | G-7766   | 800010           | Torque Arm Bushing, Rubber, Type 2 Joints  | 16             | 19       |
|         | R307426     | -   | -        | -                | Torque Arm Bushing, Poly, Type 2 Joints  | 32             | 19       |
|         | R304678A    |    | G-4678A  | 22129            | Torque Arm Bushing, Rubber, Oversized, Type 0 & 1 Joints                         | As Required    | 19       |
|         | R308702     | -   | -        | 22129            | Torque Arm Bushing, Rubber, Oversized Version, OE Equivalent                     | As Required    | 19       |
|         | R307767     |    | G-7767   | 800009           | Torque Arm Bushing, Rubber, Oversized, Type 2 Joints                             | As Required    | 19       |
|         | R308917     | -   | -        | -                | Torque Arm Bushing, Poly, Oversized, Type 2 Joints                               | As Required    | 19       |
| 2       | R304680     |    | -        | 260002           | Spigot Cap, Type 0 Joint, Discontinued   | 16             | 18       |
|         | R309571     |    | G-9571   | 800201           | Spigot Cap, Type 1 Joint   | 16             | 18       |
|         | R307768     |    | G-7768   | 800055           | Spigot Cap, Type 2 Joint   | 16             | 18       |
| 3       | R304688A    |    | -        | 373028<br>373020 | Restrictor Can #28, Replaces Restrictor Can #20, 4 7/16" High X 12 5/8" Diameter | 2              | 16       |
| 4       | R304685     |    | G-4685   | 15002            | Load Spring #20 , 9 1/2" Diameter  | 2              | 16       |
| 5       | R304788A    |    | -        | 700520           | Spring Plate, Prior to 1988  | 2              | 17       |
|         | R3014974    |    | -        | 700204           | Spring Plate, 46K with 54" & 63" Axle Spreads, All 60K                           | 2              | -        |
|         | S.O.S.      |    | -        | 700203           | Spring Plate, 46K with 72" Axle Spread   | 2              | -        |
|         | S.O.S.      |    | -        | 700062           | Spring Plate, 46K Xtra Low Mounting  | 2              | -        |
| 6       | R304793     |    | -        | 700083           | Walking Beam, 54" Axle Spread  | 2              | 21       |
|         | S.O.S.      |    | -        | Various          | Walking Beam, Various Axle Spreads and Capacities                                | 2              | -        |
| 7       | R307756     |   | -        | 222083           | Saddle, Most Axles   | 4              | 22       |
|         | S.O.S.      |  | -        | Various          | Saddle   | 4              | -        |
| 8       | R307757     |  | -        | 222139           | Axle Bracket, 5" Round Axle, Type 0 Joint  | 4              | 18       |
|         | S.O.S.      |  | -        | Various          | Axle Bracket, Various Axles  | 4              | -        |
| 9       | R304790     |  | -        | 216240           | Adjustable Torque Arm, 24" Center-to-Center, Type 0 & 1 Joints                   | 2              | 20       |
|         | R3014975    |  | -        | 216330           | Adjustable Torque Arm, 33" Center-to-Center, Type 0 & 1 Joints                   | 2              | 20       |
|         | R3014976    |  | -        | 807240           | Adjustable Torque Arm, 24" Center-to-Center, Type 2 Joints                       | 2              | 20       |
|         | R304791     |  | -        | 223214           | Upper Rigid Torque Arm, 21 1/2" Center-to-Center, Type 0 & 1 Joints              | 4              | 20       |
|         | R304792     |  | -        | 223240           | Rigid Torque Arm, 24" Center-to-Center, Type 0 & 1 Joints                        | 2              | 20       |
|         | R3014977    |  | -        | 223330           | Rigid Torque Arm, 33" Center-to-Center, Type 0 & 1 Joints                        | 2              | 20       |
|         | R3014978    |  | -        | 805214           | Rigid Torque Arm, 21 1/2" Center-to-Center, Type 2 Joint                         | 2              | 20       |
|         | R3014979    |  | -        | 805240           | Rigid Torque Arm, 24" Center-to-Center, Type 2 Joint                             | 2              | 22       |
|         | S.O.S.      |  | -        | Various          | Torque Arm   | 2              | -        |
| 10      | R307772     |  | -        | K880230          | Hardware Kit, Type 0 Joint   | 4              | 18       |
|         | R307774     |  | -        | K880460          | Hardware Kit, Type 1 Joint   | 4              | 18       |
|         | R307773     |  | -        | K880231          | Hardware Kit, Type 2 Joint   | 4              | 18       |
| 11      | R3014980    |  | -        | 700337           | Tower, 5" Round axles  | 2              | 19       |
| 12      | R307765     |  | -        | 700313           | Wear Plate   | As Required    | 21       |

 Denotes Product is Genuine Chalmers





# CHALMERS

## Suspension Parts

**#10 Load Spring**


FOR MODELS:  
500 & 1023  
Series




| MERITOR NO. | GEN-UINE  | OEM REF | NOTES  |
|-------------|---|---------|--|
| R307755     |  | 15010   | Standard Height for 1023 Series. Use Chalmers 15009 For Reduced Height |

**#10 Restrictor Can**


FOR MODELS:  
500 & 1023 Series




| MERITOR NO. | GENU-INE  | OEM REF | NOTES                            |
|-------------|---|---------|----------------------------------|
| R3014971    |  | 373010  | Use with R307755 #10 Load Spring |

**#15 Load Spring**


FOR MODELS:  
500 & 1030  
Series




| MERITOR NO. | GEN-UINE  | OEM REF | NOTES                           |
|-------------|---|---------|---------------------------------|
| R304686     |  | 15015   | Standard Height for 1030 Series |

**#15 Restrictor Can**


FOR MODELS:  
500 & 1030  
Series




| MERITOR NO. | GENUINE   | OEM REF | NOTES                            |
|-------------|---|---------|----------------------------------|
| R304687     |  | 373015  | Use with R304686 #15 Load Spring |

**#15 Load Spring**

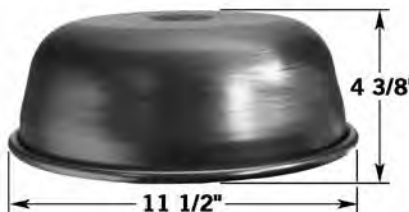
FOR MODELS:  
1030 Series




| MERITOR NO. | GEN-UINE  | OEM REF | NOTES                      |
|-------------|---|---------|----------------------------|
| R3014995    |  | 15017   | 1030 Series Reduced Height |

**#15 Restrictor Can**


FOR MODELS:  
1300 Series




| MERITOR NO. | GENUINE   | OEM REF | NOTES                            |
|-------------|---|---------|----------------------------------|
| R307763     |  | 373017  | Use with R304686 #15 Load Spring |

**#20 Load Spring**

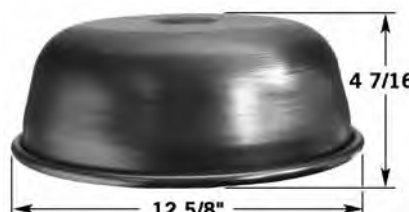
FOR MODELS:  
300 Thru 800  
Series




| MERITOR NO. | GENUINE   | MACH   | OEM REF |
|-------------|---|--------|---------|
| R304685     |  | G-4685 | 15002   |

**#28 Restrictor Can**

FOR MODELS:  
300 Thru 800  
Series





| MERITOR NO. | GENU-INE  | OEM REF          | NOTES   |
|-------------|---|------------------|---|
| R304688A    |  | 373020<br>373028 | Replaces Restrictor Can #20. Use with R304686 #20 Load Spring |

 Denotes Product is Genuine Chalmers

**#29 Restrictor Can**


FOR MODELS:  
600 & 800 Series




| MERITOR NO.    | GENUINE   | OEM REF | NOTES  |
|----------------|---|---------|--|
| <b>R307758</b> |  | 373029  | High Center of Gravity. Use with R304686 #20 Load Spring |

**Spring Plate**

FOR MODELS:  
800 Series





12.5° Bend, 1/2" Thick

| MERITOR NO.    | GENUINE   | OEM REF          | NOTES                                |
|----------------|---|------------------|--------------------------------------|
| <b>R307770</b> |  | 800125<br>800691 | 46-58K Low Mount For 54" Axle Spread |

**Spring Plate**


FOR MODELS:  
300 & 600 Series




| MERITOR NO.    | GENUINE   | OEM REF | NOTES      |
|----------------|---|---------|------------|
| <b>R304786</b> |  | 22036   | 1/4" Thick |

**Spring Plate**

FOR MODELS:  
800 Series





8" Bend

| MERITOR NO.     | GENUINE  | OEM REF          | NOTES  |
|-----------------|--|------------------|--|
| <b>R3014982</b> |  | 800685<br>800119 | 40-58K High Mount 60" Axle Spread, All 50-58K 72" Axle Spread, 46K 72" Axle Spread |

**Spring Plate**


FOR MODELS:  
700 Series




| MERITOR NO.     | GENUINE   | OEM REF | NOTES      |
|-----------------|---|---------|------------|
| <b>R304788A</b> |  | 700021  | 1/2" Thick |

**Spring Plate**

FOR MODELS:  
800 Series



9.3° Bend, 1/2" Thick


| MERITOR NO.    | GENUINE   | OEM REF          | NOTES                                 |
|----------------|---|------------------|---------------------------------------|
| <b>R307769</b> |  | 800117<br>800689 | 46-58K High Mount For 54" Axle Spread |

# CHALMERS

## Suspension Parts


**Spigot Cap**

FOR MODELS:  
300 Thru 800  
Series



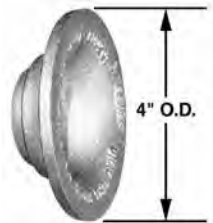
3 3/4" O.D.

Discontinued


| MERITOR NO.    | GENUINE   | OEM REF | SPIGOT / JOINT TYPE |
|----------------|---|---------|---------------------|
| <b>R304680</b> |  | 260002  | 0                   |

**Spigot Cap**

FOR MODELS:  
700 Thru 1000  
Series

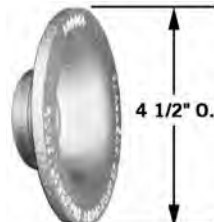


4" O.D.


| MERITOR NO.    | GENUINE   | MACH NO. | OEM REF | SPIGOT / JOINT TYPE |
|----------------|---|----------|---------|---------------------|
| <b>R309571</b> |  | G-9571   | 800201  | 1                   |

**Spigot Cap**


FOR MODELS:  
700 Thru 1000  
Series




4 1/2" O.D.

| MERITOR NO.    | GENUINE   | MACH NO. | OEM REF | SPIGOT / JOINT TYPE |
|----------------|---|----------|---------|---------------------|
| <b>R307768</b> |  | G-7768   | 800055  | 2                   |

**Spigot Hardware Kit**



| MERITOR NO.    | GENUINE   | OEM REF | FOR MODELS           | SPIGOT TYPE | NOTES   |
|----------------|---|---------|----------------------|-------------|---|
| <b>R307772</b> |  | K880230 | 300 Thru 800 Series  | Type 0      | Includes 4 Bolts 5/8" Dia. X 3 1/2" Long and Nuts |
| <b>R307774</b> |  | K880231 | 700 Thru 1000 Series | Type 1      | Includes 4 Bolts 5/8" Dia. X 5" Long and Nuts     |
| <b>R307773</b> |  | K880460 | 700 Thru 1000 Series | Type 2      | Includes 4 Bolts 5/8" Dia. X 5 1/2" Long and Nuts |

**Axle Bracket, 5" Round Axle**


FOR MODELS:  
300, 500 &  
700 Series





| MERITOR NO.    | GENUINE   | OEM REF | NOTES        |
|----------------|---|---------|--------------|
| <b>R307757</b> |  | 222139  | Type 0 Joint |

**Torque Rod Bracket**

FOR MODELS:  
800 Series



| MERITOR NO.     | GENUINE   | OEM REF | NOTES        |
|-----------------|---|---------|--------------|
| <b>R3014993</b> |  | 800057  | Type 2 Joint |

 Denotes Product is Genuine Chalmers

### Wrist Pin

FOR MODELS:  
300 & 600 Series




Old Style Joints - Discontinued


| MERITOR NO. | GENUINE   | OEM REF | OD     | ID | LENGTH |
|-------------|---|---------|--------|----|--------|
| R304676     |  | 22037   | 2 3/8" | 2" | 6"     |

### Torque Arm Bushing, Type 2 Joints

FOR MODELS:  
700 Thru 1000 Series

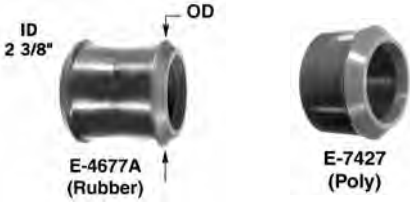


2 Pieces Required Per End For Poly


| MERITOR NO. | GEN-UINE   | MACH NO. | OEM REF | LIP OD | LENGTH  | MATERIAL |
|-------------|--|----------|---------|--------|---------|----------|
| R307766     |  | G-7766   | 800010  | 4 1/4" | 4 1/8"  | Rubber   |
| R307426     | -  | -        | 800010  |        | 2 1/16" | Poly     |

### Torque Arm Bushing, Type 0 & 1 Joints

FOR MODELS:  
300 Thru 1000 Series




2 Pieces Required Per End For Poly


| MERITOR NO. | GEN-UINE  | MACH NO. | OEM REF | LIP OD | LENGTH | MATERIAL |
|-------------|---|----------|---------|--------|--------|----------|
| R304677A    |  | G-4677A  | 22128   | 3 5/8" | 3 3/4" | Rubber   |
| R307427     | -   | -        | -       |        | 1 7/8" | Poly     |

### Oversize Torque Arm Bushing, Type 2 Joints

FOR MODELS:  
700 Thru 1000 Series




2 Pieces Required Per End For Poly


| MERITOR NO. | GENUINE   | MACH NO. | OEM REF | LIP OD | MATERIAL |
|-------------|---|----------|---------|--------|----------|
| R307767     |  | G-7767   | 800009  | 4 1/2" | Rubber   |
| R308917     | -   | -        | 800009  |        | Poly     |

### Oversize Torque Arm Bushing, Type 0 & 1 Joints

FOR MODELS:  
300 Thru 1000 Series



Rubber

| MERITOR NO. | GEN-UINE  | MACH NO. | OEM REF | LENGTH | NOTES         |
|-------------|---|----------|---------|--------|---------------|
| R304678A    |  | G-4678A  | 22129   | 3 3/4" | -             |
| R308702     | -   | -        |         |        | OE Equivalent |

# CHALMERS

## Suspension Parts

### Adjustable Torque Arms



| MERITOR NO. | GENUINE | OEM REF | FOR MODELS            | JOINT TYPE | NOMINAL CENTER TO CENTER | BUSHINGS             |                    |                  |               | NOTES |
|-------------|---------|---------|-----------------------|------------|--------------------------|----------------------|--------------------|------------------|---------------|-------|
|             |         |         |                       |            |                          | STANDARD SIZE RUBBER | STANDARD SIZE POLY | OVERSIZE RUBBER  | OVERSIZE POLY |       |
| R304789     |         | 216214  | 300 & 600 Series      | 0 & 1      | 21-1/2"                  | R304677A/G-4677      | R307427            | R304678A/G-4678A | -             | -     |
| R3014987    |         | 807214  | 800 Series            | 2          | 21-1/2"                  | R307766/G-7766       | R307426            | R307767/G-7767   | R308917       | -     |
| R3014773    |         | 807250  | 800 Series            | 2          | 21-3/4"                  | R307766/G-7766       | R307426            | R307767/G-7767   | R308917       | 46K   |
| R3014989    |         | 807220  | 800 Series            | 2          | 22"                      | R307766/G-7766       | R307426            | R307767/G-7767   | R308917       | -     |
| R3014969    |         | 216230  | 300 Series            | 0          | 23"                      | R304677A/G-4677      | R307427            | R304678A/G-4678A | -             | -     |
| R304790     |         | 216240  | 300, 600 & 700 Series | 0 & 1      | 24"                      | R304677A/G-4677      | R307427            | R304678A/G-4678A | -             | -     |
| R3014976    |         | 807240  | 700 & 800 Series      | 2          | 24"                      | R307766/G-7766       | R307426            | R307767/G-7767   | R308917       | -     |
| R3014774    |         | 807216  | 800 Series            | 2          | 25"                      | R307766/G-7766       | R307426            | R307767/G-7767   | R308917       | 46K   |
| R3014975    |         | 216330  | 700 Series            | 1          | 33"                      | R304677A/G-4677      | R307427            | R304678A/G-4678A | -             | -     |

### Rigid Torque Arms




| MERITOR NO. | GENUINE | OEM REF | FOR MODELS            | JOINT TYPE | CENTER TO CENTER | BUSHINGS             |                    |                  |               |
|-------------|---------|---------|-----------------------|------------|------------------|----------------------|--------------------|------------------|---------------|
|             |         |         |                       |            |                  | STANDARD SIZE RUBBER | STANDARD SIZE POLY | OVERSIZE RUBBER  | OVERSIZE POLY |
| R3014985    |         | 223157  | 800 Series            | 1          | 15-7/8"          | R304677A/G-4677      | R307427            | R304678A/G-4678A | -             |
| R304791     |         | 223214  | 300, 600 & 700 Series | 0 & 1      | 21-1/2"          | R304677A/G-4677      | R307427            | R304678A/G-4678A | -             |
| R3014978    |         | 805214  | 700 & 800 Series      | 2          | 21-1/2"          | R307766/G-7766       | R307426            | R307767/G-7767   | R308917       |
| R3014990    |         | 805216  | 800 Series            | 2          | 21-3/4"          | R307766/G-7766       | R307426            | R307767/G-7767   | R308917       |
| R3014991    |         | 805220  | 800 Series            | 2          | 22"              | R307766/G-7766       | R307426            | R307767/G-7767   | R308917       |
| R304792     |         | 223240  | 300 & 700 Series      | 0 & 1      | 24"              | R304677A/G-4677      | R307427            | R304678A/G-4678A | -             |
| R3014979    |         | 805240  | 700 Series            | 2          | 24"              | R307766/G-7766       | R307426            | R307767/G-7767   | R308917       |
| R3014977    |         | 223330  | 700 Series            | 1          | 33"              | R304677A/G-4677      | R307427            | R304678A/G-4678A | -             |



# CHALMERS

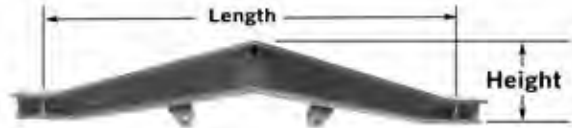






## Suspension Parts

Suspension

| Rigid Torque Arm         |   |         |            |                  |                      |                    |                 |               |        |
|--------------------------|---|---------|------------|------------------|----------------------|--------------------|-----------------|---------------|--------|
| FOR MODELS<br>800 Series |   |         |            |                  |                      |                    |                 |               |        |
|                          |   |         |            |                  | BUSHINGS             |                    |                 |               | NOTES  |
| MERITOR NO.              | GENUINE   | OEM REF | JOINT TYPE | CENTER TO CENTER | STANDARD SIZE RUBBER | STANDARD SIZE POLY | OVERSIZE RUBBER | OVERSIZE POLY |        |
| R3014986                 |  | 800049  | 2          | 24 1/4"          | R307766/G-7766       | R307426            | R307767/G-7767  | R308917       | 46-50K |



| Walking Beam  |   |         |          |             |       |
|---|---|---------|----------|-------------|-------|
| FOR MODELS:<br>700 Series   |   |         |          |             |       |
|  |   |         |          |             |       |
| MERITOR NO.   | GENUINE   | OEM REF | CAPACITY | AXLE SPREAD | NOTES |
| R304793   |  | 700083  | 46-60K   | 54"         | -     |

| Walking Beam   |   |         |         |          |             |                   |
|--|---|---------|---------|----------|-------------|-------------------|
| FOR MODELS:<br>800 Series  |   |         |         |          |             |                   |
|  |   |         |         |          |             |                   |
| MERITOR NO.  | GENUINE   | OEM REF | HEIGHT  | LENGTH A | AXLE SPREAD | NOTES             |
| R3014983   |  | 800079  | 11 1/8" | 52"      | 54"         | 40K Low Mount     |
| R3014769   |  | 800087  | 11 1/4" | 52"      | 54"         | 46K Low Mount     |
| R3014767   |  | 800061  | 10"     | 52"      | 54"         | 46K High Mount    |
| R3014770   |  | 800690  | 11 1/4" | 52"      | 54"         | 50-58K Low Mount  |
| R3014768   |  | 800688  | 10"     | 52"      | 54"         | 50-58K High Mount |
| R3014984   |  | 800684  | 10"     | 58"      | 60"         | 50-58K High Mount |

| Wear Plate  |   |         |  |
|---|---|---------|--|
| FOR MODELS:<br>All Models with Beams  |   |         |  |
|    |   |         |  |
| See <a href="http://www.chalmerssuspensions.com/wp-content/uploads/2016/07/Final_New-800-series.pdf">http://www.chalmerssuspensions.com/wp-content/uploads/2016/07/Final_New-800-series.pdf</a> . <b>Appendix C for Complete Instructions</b> |   |         |  |
| MERITOR NO.   | GENUINE   | OEM REF | NOTES  |
| R307765   |  | 700313  | Weld To Bottom Of Beam When Wear Is Less Than .062" And Replace Beam When Wear Exceeds .062" |


| Reinforcement Gusset  |   |         |
|---|---|---------|
| FOR MODELS:<br>800 Series   |   |         |
|    |   |         |
| See <a href="http://www.chalmerssuspensions.com/wp-content/uploads/2016/07/Final_New-800-series.pdf">http://www.chalmerssuspensions.com/wp-content/uploads/2016/07/Final_New-800-series.pdf</a> . <b>Appendix E for Complete Instructions</b> |   |         |
| MERITOR NO.   | GENUINE   | OEM REF |
| R3014992  |  | 800599  |


# CHALMERS

## Suspension Parts

**Saddle, Truck/Trailer**

FOR MODELS:  
300, 700 &  
800 Series



| MERITOR NO. | GENUINE   | OEM REF | NOTES           |
|-------------|---|---------|-----------------|
| R307756     |  | 222083  | Fits Most Axles |

**Wishbone End Bushing**

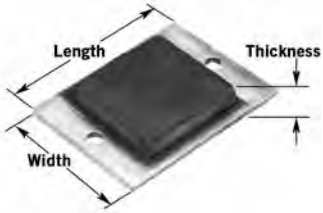
FOR MODELS:  
300 &  
500 Series




| MERITOR NO. | GENUINE   | OEM REF | OD      | ID     | LENGTH |
|-------------|---|---------|---------|--------|--------|
| R304683     |  | 22115   | 4 1/16" | 3 1/2" | 3 1/4" |

**Rebound Stop**

FOR MODELS:  
300 & 600 Series



| MERITOR NO. | GENUINE   | OEM REF | LENGTH | WIDTH  | THICKNESS |
|-------------|---|---------|--------|--------|-----------|
| R304675     |  | 48045   | 4 1/2" | 3 1/2" | 5/8"      |

**Wishbone Apex Bushing, 2-Piece**


FOR MODELS:  
300 &  
500 Series




| MERITOR NO. | GENUINE   | OEM REF | NOTES               |
|-------------|---|---------|---------------------|
| R304674     |  | 22036   | Two Pieces Included |

**Rebound Stop**

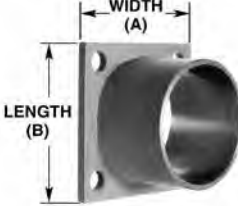
FOR MODELS:  
500 & 1000 Series




| MERITOR NO. | GENUINE   | OEM REF | OD | THICKNESS |
|-------------|---|---------|----|-----------|
| R3014970    |  | 22096   | 3" | 2"        |

**Wishbone End**


FOR MODELS:  
300 &  
500 Series




| MERITOR NO. | GENUINE   | OEM REF | A      | B      | OD     | ID     |
|-------------|---|---------|--------|--------|--------|--------|
| R304682     |  | 22107   | 5 1/2" | 5 1/2" | 4 1/2" | 4 1/8" |

**Rebound Bolt Assembly**

FOR MODELS:  
1000 Series



Axle Set


| MERITOR NO. | GENUINE   | OEM REF | NOTES  |
|-------------|---|---------|--|
| R307771     |  | K403017 | Includes R3014970 Rebound Stop and Other Installation Hardware |

**Wishbone Shim, 16 Gauge**

FOR MODELS:  
300 &  
500 Series



| MERITOR NO. | GENUINE   | OEM REF | A      | B      |
|-------------|---|---------|--------|--------|
| R304681     |  | 22105   | 5 1/2" | 5 1/2" |

 Denotes Product is Genuine Chalmers

# CHALMERS NUMERICAL LISTING

| PART NO. | PAGE NO.                |
|----------|-------------------------|
| R302545  | 7                       |
| R304345  | 7                       |
| R304347  | 7                       |
| R304674  | 11, 13, 22              |
| R304675  | 3, 11, 22               |
| R304676  | 3, 11, 19               |
| R304677A | 3, 5, 9, 11, 13, 15, 19 |
| R304678A | 3, 5, 9, 11, 13, 15, 19 |
| R304679  | 3                       |
| R304680  | 3, 5, 11, 13, 15, 18    |
| R304681  | 11, 13, 22              |
| R304682  | 11, 13, 22              |
| R304683  | 11, 13, 22              |
| R304685  | 3, 5, 11, 13, 15, 16    |
| R304686  | 9, 13, 16               |
| R304687  | 9, 13, 16               |
| R304688A | 3, 5, 11, 13, 15, 16    |
| R304786  | 3, 11, 17               |
| R304788A | 15, 17                  |
| R304789  | 3, 11, 20               |
| R304790  | 3, 11, 15, 20           |
| R304791  | 3, 11, 15, 20           |
| R304792  | 11, 15, 20              |
| R304793  | 15, 21                  |
| R307426  | 5, 9, 15, 19            |
| R307427  | 3, 5, 9, 11, 13, 15, 19 |
| R307755  | 9, 13, 16               |
| R307756  | 5, 11, 15, 22           |
| R307757  | 11, 13, 15, 18          |

| PART NO. | PAGE NO.                |
|----------|-------------------------|
| R307758  | 3, 5, 17                |
| R307763  | 16                      |
| R307764  | 11, 13                  |
| R307765  | 3, 7, 11, 15, 21        |
| R307766  | 5, 9, 15, 19            |
| R307767  | 5, 9, 15, 19            |
| R307768  | 5, 9, 15, 18            |
| R307769  | 5, 17                   |
| R307770  | 5, 17                   |
| R307771  | 9, 22                   |
| R307772  | 3, 5, 11, 13, 15, 18    |
| R307773  | 5, 9, 15, 18            |
| R307774  | 5, 9, 15, 18            |
| R308702  | 3, 5, 9, 11, 13, 15, 19 |
| R308917  | 5, 9, 15, 19            |
| R309571  | 5, 9, 15, 18            |
| R3014767 | 5, 21                   |
| R3014768 | 5, 21                   |
| R3014769 | 5, 21                   |
| R3014770 | 5, 21                   |
| R3014773 | 5, 20                   |
| R3014774 | 5, 20                   |
| R3014969 | 11, 20                  |
| R3014970 | 9, 13, 22               |
| R3014971 | 9, 13, 16               |
| R3014972 | 3                       |
| R3014973 | 3                       |
| R3014974 | 15                      |
| R3014975 | 15, 20                  |

| PART NO. | PAGE NO.                |
|----------|-------------------------|
| R3014976 | 5, 15, 20               |
| R3014977 | 15, 20                  |
| R3014978 | 5, 15, 20               |
| R3014979 | 15, 20                  |
| R3014980 | 15                      |
| R3014982 | 5, 17                   |
| R3014983 | 5, 21                   |
| R3014984 | 5, 21                   |
| R3014985 | 5, 20                   |
| R3014986 | 5, 21                   |
| R3014987 | 5, 20                   |
| R3014989 | 5, 20                   |
| R3014990 | 5, 20                   |
| R3014991 | 5, 20                   |
| R3014992 | 7, 21                   |
| R3014993 | 7, 18                   |
| R3014994 | 7                       |
| R3014995 | 9, 16                   |
| G-4677A  | 3, 5, 9, 11, 13, 15, 19 |
| G-4678A  | 3, 5, 9, 11, 13, 15, 19 |
| G-4685   | 3, 5, 11, 13, 15        |
| G-7766   | 5, 9, 15, 19            |
| G-7767   | 5, 9, 15, 19            |
| G-7768   | 5, 9, 15                |
| G-9571   | 5, 9, 15, 18            |
| M85060   | 3, 7, 9                 |
| M85301   | 7                       |
| M85305   | 7                       |





Vehicle models, trademarks, brands, and names depicted herein are the property of their respective owners, and may not be associated with Meritor, Inc. or its affiliates.



Meritor Heavy Vehicle Systems, LLC  
7975 Dixie Highway  
Florence, Kentucky 41042 USA

888-725-9355 U.S.  
800-387-3889 Canada  
MeritorPartsXpress.com  
meritor.com

©2019 Meritor, Inc.  
Litho in USA, PB-9968  
Issued 04-19 (47865/67147)