

SUSPENSION CATALOG

REYCO GRANNING



MERITOR



PB-9968-RYG

Table of Contents

Tractor Suspensions

Model 102AR Air Suspension - - - - - 4

Model 240AR Air Suspension - - - - - 8

Model 79KB Single Axle Spring Suspension - - - - - 10

Model 101 Tandem Four Spring Suspension - - - - - 12

Model 101A Tandem Four Spring Suspension - - - - - 16

Model 102 Tandem Four Spring Suspension - - - - - 20

Model 102W Tandem Four Spring Suspension - - - - - 24

Model 102CC Single Axle Spring Suspension - - - - - 28

Trailer Suspensions

Model 20AR/22AR Air Suspension - - - - - 30

Model 21AR Air Suspension - - - - - 32

Model 23AR/25AR/30AR Air Suspension - - - - - 34

Model 74AR Air Suspension - - - - - 36

Model 86AR Air Suspension - - - - - 38

Model 21B Cast Tandem Four Spring Suspension, 42" - 72" Axle Spacing - - - - - 42

Model 21B Fabricated Tandem Four Spring Suspension, 44" - 109" Axle Spacing - - - - - 48

Model 73 Tandem Four Spring Suspension, 49" Axle Spacing - - - - - 52

Model 73 Tandem Four Spring Suspension, 60" and 72" Axle Spacing - - - - - 54

Model 74B Tandem Four Spring Suspension, 50", 54" and 60" Axle Spacing - - - - - 56

Model 74B Tandem Four Spring Suspension, 72", 77", 97" and 109" Axle Spacing - - - - - 58

Model 83 Tandem Four Spring Suspension, 50" – 109" Axle Spacing - - - - - 60

Model 86-88 Tandem Four Spring Suspension - - - - - 64

Component Parts - - - - - 70

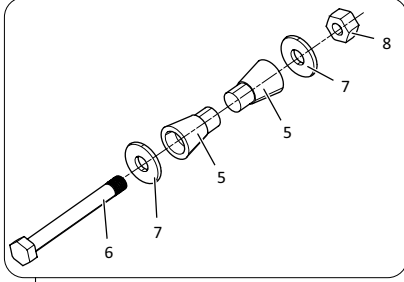
Cross Reference - - - - - 97

Numerical Listing- - - - - 100

REYCO GRANNING

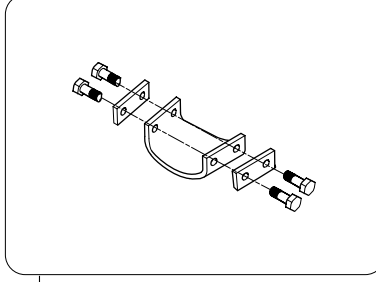
Model 102AR Air Suspension Tractor

Torque Arm Bushing Assembly Hanger End

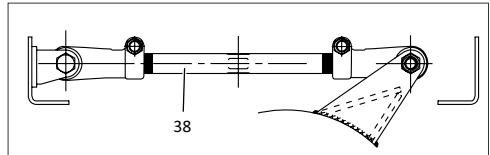
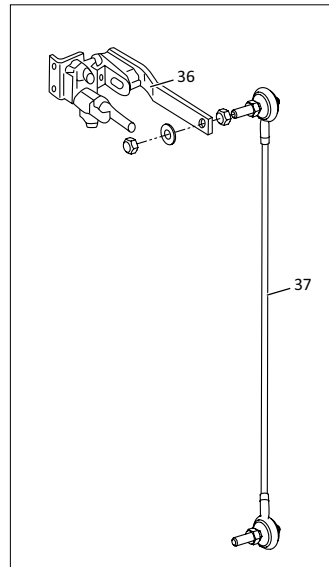
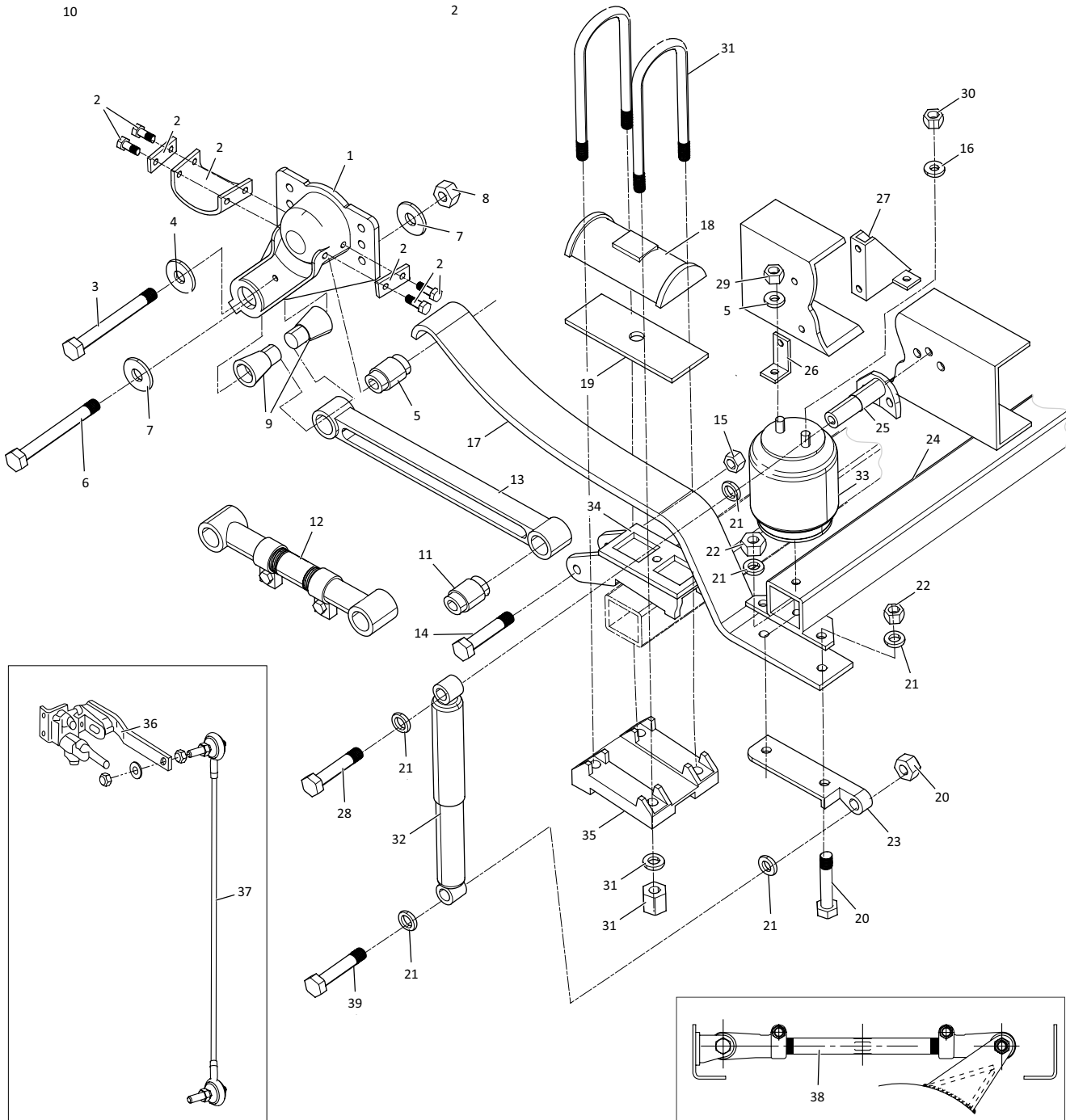


10

Wear Pad Kit



2



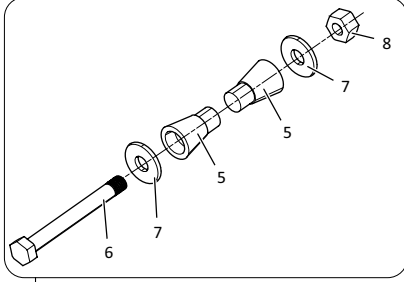
Model 102AR Air Suspension Tractor							
KEY NO.	MERITOR NO.	GENUINE	MACH NO.	OEM REF.	DESCRIPTION	QTY. PER AXLE	PAGE NO.
1	R304794	R	-	22521-01	Standard Front Hanger, Left Hand, Includes Key Nos. 2, 3	1	84
	R304795	R		22521-02	Standard Front Hanger, Right Hand, Includes Key Nos. 2, 3	1	84
2	R302867A	R	G-2867A	TK19168	Hanger Pad Assembly Includes Bolt, Plate, and Wear Pad	2	90
3	R301972	-	-	T-5544	Cap Screw 1/2"-20 x 4-3/4" Long	2	-
4	R301974	-	-	T-1705	Lock Washer, 1/2"	6	-
5	R301061	-	-	13677-04	Hanger Bushing , 2-1/2" Long	2	-
	R3016726	R	-	13677-05	Hanger Bushing, 3-1/4" Long Diameter	2	-
6	R301166	-	-	23882-01	Torque Arm Bolt, Hanger End, 1"-14 x 6-3/4" Long	2	83
7	R30905	-	-	T-1724	Flat Washer, 1-1/16"	4	-
8	R30937	-	-	T-5495	Lock Nut, 1"-14	2	-
9	R3010057	-	G-10057	21238-01S	Torque Arm Bushing, Hanger End, Rubber	4	82
	R309579	-	-	-	Torque Arm Bushing, Hanger End, Poly	4	82
10	R309350	-	-	-	Torque Arm Bushing Assembly, Hanger End, Includes Key Nos. 5, 6, 7, 8, Rubber	2	81
	R309583	-	-	-	Torque Arm Bushing Assembly, Hanger End, Includes Key Nos. 5, 6, 7, 8, Poly	2	81
11	R301980	-	-	09729-01	Torque Arm Bushing, Axle Seat End, Rubber	2	82
	R307520	-	-	-	Torque Arm Bushing, Axle Seat End, Poly	2	82
12	R303764	R	-	15187-01	Adjustable Torque Arm, 50" Axle Spacing Center, Front & Rear, Includes R301980 Axle End Bushing	2	78
	R304796	R	-	15186-01	Adjustable Torque Arm, 52" Axle Spacing Center, Front & Rear, 60" Axle Spacing Front, Includes R301980 Axle End Bushing	2	78
	S.O.S.	R	-	16135-01	Adjustable Torque Arm, 60" Axle Spacing Center, Rear, Includes R301980 Axle End Bushing	1	-
13	S.O.S.	R	-	11011-02	Rigid Torque Arm, 50" Axle Spacing Center, Front & Rear, Includes R301980 Axle End Bushing	2	-
	R302860	R	-	11012-03	Rigid Torque Arm, 52" Axle Spacing Center, Front & Rear, 60" Axle Spacing Front, Includes R301980 Axle End Bushing	2	79
	R302860	R	-	12051-01	Rigid Torque Arm, 60" Axle Spacing Center, Front, Includes R301980 Axle End Bushing	1	79
	S.O.S.	R	-	14127-01	Rigid Torque Arm, 60" Axle Spacing Center, Rear, Includes R301980 Axle End Bushing	1	-
14	R30901	-	-	10033-01	Bolt 7/8"-9 x 5-1/2" Long	4	83
15	R302983	-	-	10092-01	Locknut, 7/8"-9	4	-
16	R302545	-	-	T-5496	Washer, 3/4"	14	-
17	S.O.S.	R	-	15676-01	Spring Beam	2	-
18	R302873	R	-	08677-01	Top Plate, Cast, 3" Wide	2	93
19	R302842	-	-	T-5166	Delrin Spring Liner	2	93
20	R3015315	-	-	15669-01	Hex Bolt, 3/4" x 3" Long	4	-
21	R302545	-	-	20852-01	Flat Washer, 3/4"	14	-
22	R304961A	-	-	14344-01	Nut, 3/4"-16	8	-
23	R3016725	R	-	20055-01	Lower Shock Mount Bracket, Left Hand	2	-
	R3016724	R	-	20054-01	Lower Shock Mount Bracket, Right Hand	2	-
24	R3016728	R	-	15766-01	Air Spring Support Assembly	1	-
25	S.O.S.	R	-	18256-01	Upper Shock Mount Bracket	2	-
26	R3016729	R	-	18258-01	Outboard Air Spring Bracket	2	-
27	R3015317	R	-	18259-01	Inboard Air Spring Bracket	2	-

R Denotes Product is Genuine Reyco Granning

REYCO GRANNING

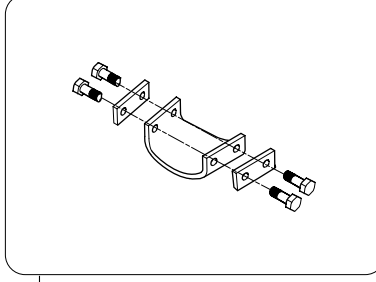
Model 102AR Air Suspension Tractor

Torque Arm Bushing Assembly Hanger End

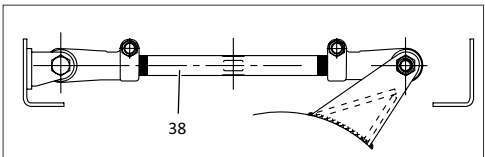
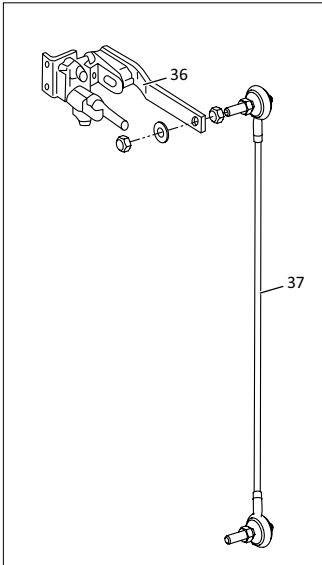
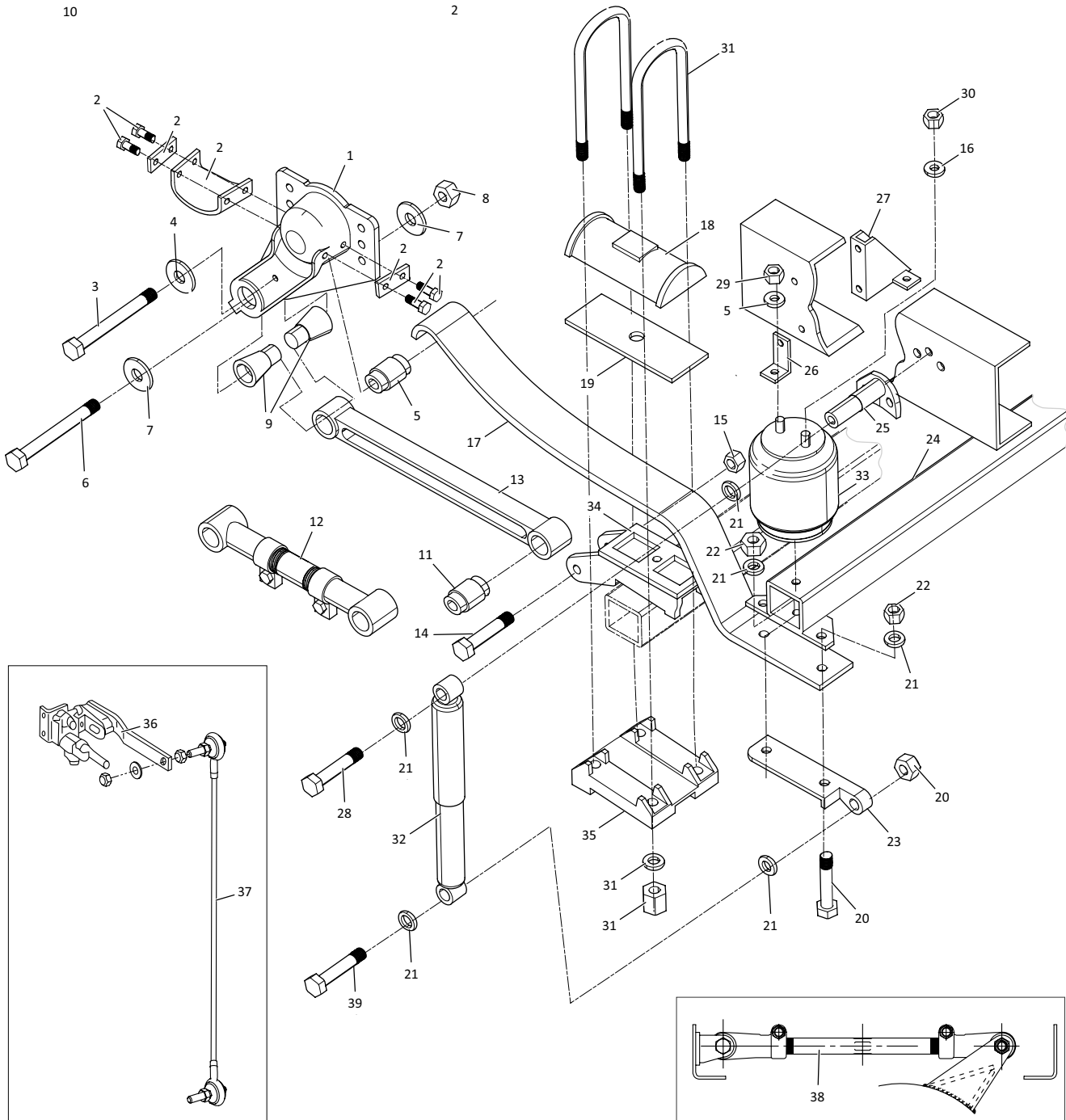


10

Wear Pad Kit



2



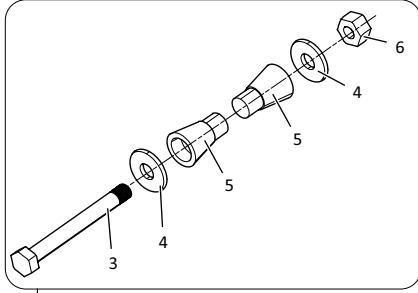
Model 102AR Air Suspension Tractor							
KEY NO.	MERITOR NO.	GENUINE	MACH NO.	OEM REF.	DESCRIPTION	QTY. PER AXLE	PAGE NO.
28	S.O.S.	R	-	15246-01	Bolt, 3/4"-16 x 6" Long	2	-
29	R3015256	-	-	12920-01	Hex Nut, 1/2"-13	6	-
30	R301107	-	-	08211-01	Hex Nut, 3/4"-16	2	-
31	R30UB5161-14	-	-	-	U-Bolt Assembly Rd. Bend; 7/8"- 14 Thd. X 3" Wide x 14" Long	4	-
32	M85013	-	-	12887-01	Shock Absorber	2	-
33	FS9223	-	-	12884-01	Air Spring	2	-
	MAF9223	-	-				
34	R3016727	R	-	19881-01	Axle Seat	2	-
35	R3016730	R	-	20550-01	Bottom Plate, Left Hand	1	-
	R3016731	R	-	19896-01	Bottom Plate, Right Hand	1	-
36	R309623	-	-	-	Universal Height Control Valve - Hadley Style	1	96
37	R307852	-	-	-	Linkage Kit, Universal	1	96
38	R3016495	R	-	16429-01	Transverse Adjustable Torque Arm, Includes R301980 Bushing	1	80
39	S.O.S.	R	-	12889-01	Bolt	1	-

R Denotes Product is Genuine Reyco Granning

REYCO GRANNING

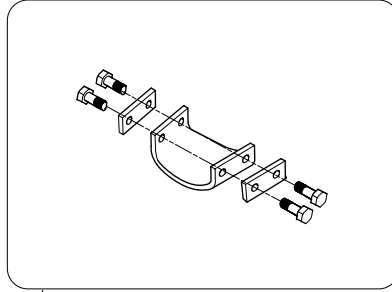
Model 240AR Air Suspension Tractor

Torque Arm Bushing Assembly Hanger End

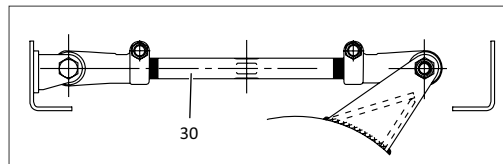
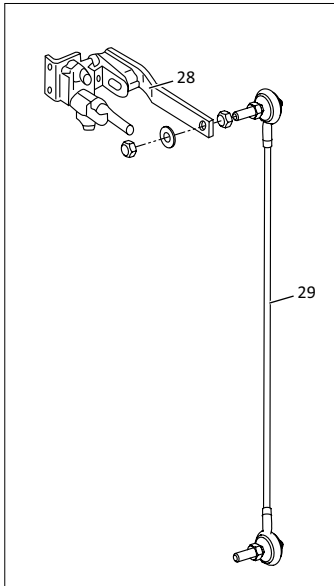
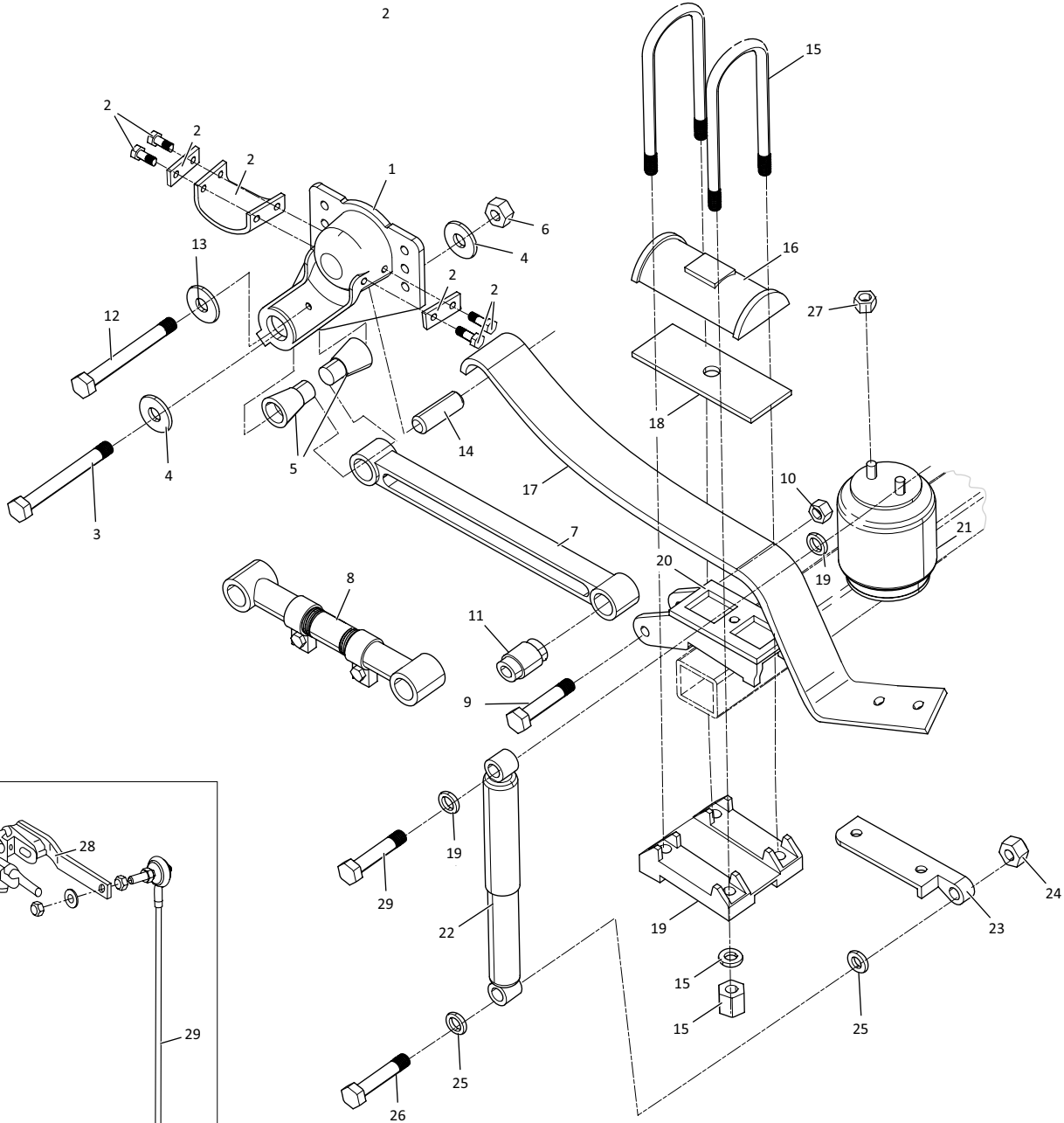


31

Wear Pad Kit



2



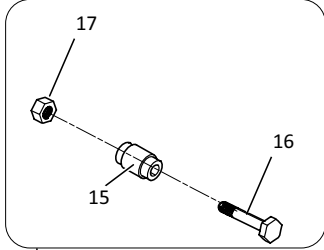
Model 240AR Air Suspension Tractor							
KEY NO.	MERITOR NO.	GENUINE	MACH NO.	OEM REF.	DESCRIPTION	QTY. PER AXLE	PAGE NO.
1	R3015318	R	-	20981-01	Hanger Assembly, Left Hand	1	84
	R3015319	R	-	20982-01	Hanger Assembly, Right Hand	1	84
2	R302867A	R	G-2867A	TK19168	Hanger Pad Assembly Includes Bolt, Plate, and Wear Pad	2	90
3	R301166	R	-	23882-01	Bolt, 1"-14 x 7" Long	2	83
4	R30905	-	-	T-1724	Flat Washer, 1- 1/16"	4	-
5	R3010057	-	-	23138-01S	Torque Arm Bushing, Hanger End	4	82
6	R30937	-	-	T-5495	Lock Nut 1"-14	2	-
7	R3016540	R	-	20121-01	Rigid Torque Arm	1	79
8	R3016541	R	-	20138-01	Adjustable Torque Arm	1	78
9	R30901	-	-	10033-01	Bolt 7/8"- 9 x 5-1/2" Long	4	83
10	R302983	-	-	10092-01	Locknut, 7/8"- 9	4	-
11	R301980	-	-	09729-01	Bushing, Torque Arm	As Required	82
12	R3015322	-	-	12891-01	Bolt, 5/8"- 18 x 4-1/2" Long	2	-
13	R3015323	-	-	T-2131	Lock Washer, 5/8"	2	-
14	R3015324	R	-	13677-08	Rubber Roller, 2 1/2"	2	89
15	R30UB8161-12	-	-	-	U-Bolt Assembly, Round Bend, 7/8"-14 Thd x 3" Wide x 12" Long	2	-
	R30UB8161-15	-	-	-	U-Bolt Assembly, Round Bend, 7/8"-14 Thd x 3" Wide x 15" Long	2	-
16	R302873	R	-	08677-01	Top Plate	2	93
17	S.O.S.	R	-	19876-K1	Spring Beam, Right Hand, Includes spring liner	1	-
	S.O.S.	R	-	19877-K1	Spring Beam, Left Hand, Includes spring liner	1	-
18	R302842	-	-	T-5166	Delrin Spring Liner	2	93
19	S.O.S.	R	-	Various	Bottom Plate	2	-
20	S.O.S.	R	-	Various	Axle Seat	2	-
21	FS9947	-	-	20142-01	Air Spring, Standard, Includes Bracket, 9-1/2" Bottom Plate	2	-
	FS9966	-	-	20124-12	Air Spring, Opt, Includes Bracket, 10" Bottom Plate	As Required	-
22	M89440	-	-	20126-01	Shock Absorber, Standard Duty Shock	8	-
	M85713	-	-	20129-01	Shock Absorber, Premium Adjustable Shock	As Required	-
23	S.O.S.	R	-	20155-01	Lower Shock Bracket, Left Hand	1	-
	S.O.S.	R	-	20154-01	Lower Shock Bracket, Right Hand	1	-
24	R304961A	-	-	14344-01	Locknut 3/4"	4	-
25	R302545	-	-	12898-02	Washer 3/4"	8	-
26	S.O.S.	R	-	17354-01	Bolt, Lower Shock Absorber, 3/4"-16 x 4-1/2" Long	2	-
27	R3015325	-	-	16418-01	Nut, 1/2"- 13	2	-
28	R309623	-	-	-	Universal Height Control Valve Assembly	1	96
29	R307852	-	-	-	Universal Linkage Kit	1	96
30	S.O.S.	R	-	21940-01	Transverse Torque Arm, 23-1/2"	1	-
	S.O.S.	R	-	20346-01	Transverse Torque Arm, 21"	-	-
31	R309350	-	-	-	Torque Arm Bushing Assembly, Hanger End, Includes Key Nos. 3, 4, 5, 6, Rubber	2	81
	R309583	-	-	-	Torque Arm Bushing Assembly, Hanger End, Includes Key Nos. 3, 4, 5, 6, Poly	2	81

R Denotes Product is Genuine Reyco Granning

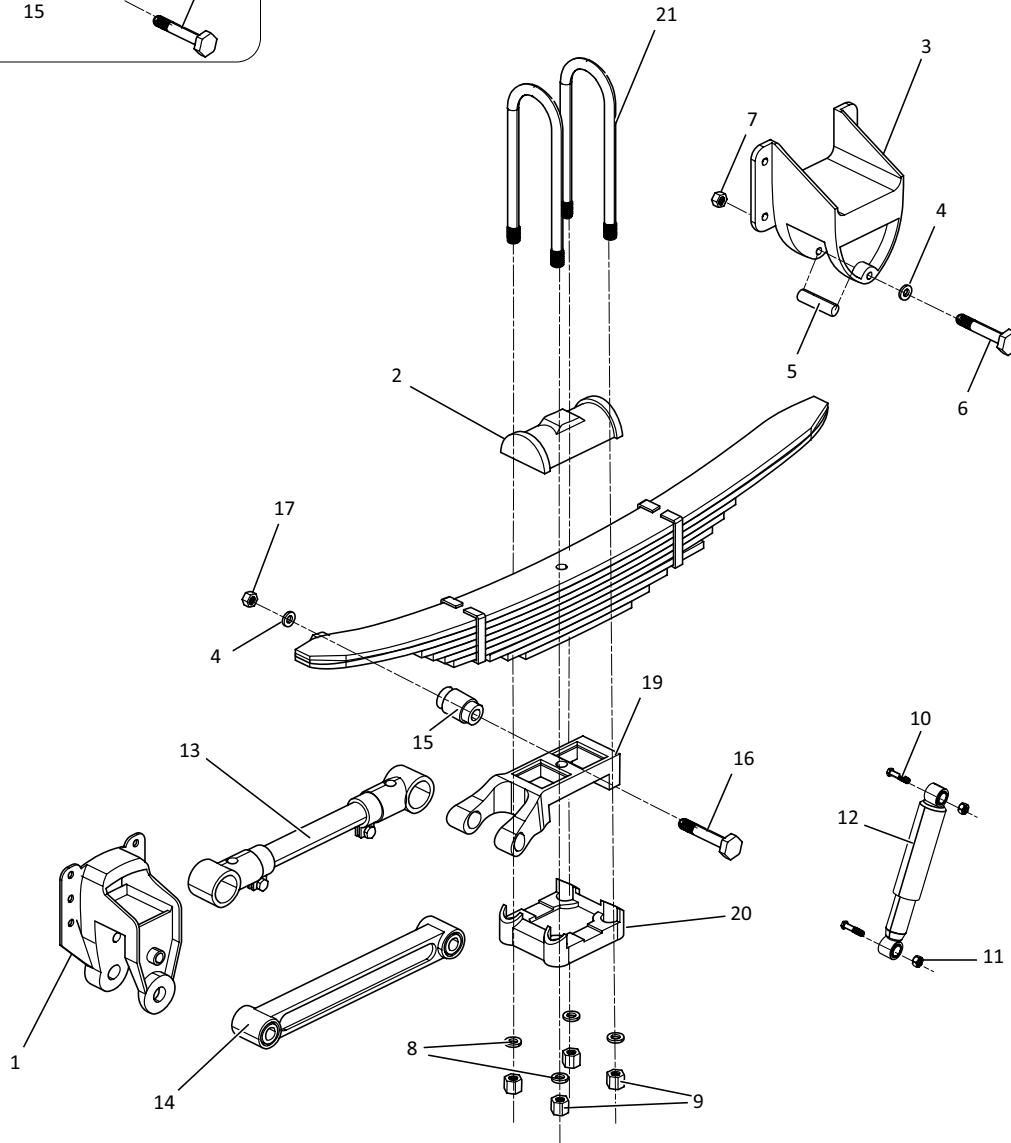
REYCO GRANNING

Model 79KB Single Axle Spring Suspension Tractor

Torque Arm Bushing Assembly



18



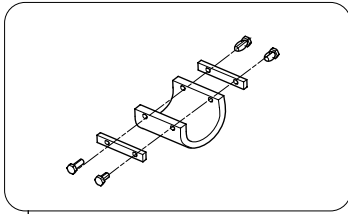
Model 79KB Single Axle Spring Suspension Tractor							
KEY NO.	MERITOR NO.	GENUINE	MACH NO.	OEM REF.	DESCRIPTION	QTY. PER AXLE	PAGE NO.
1	R3015302	R	-	22404-01	Front Hanger, Left	1	86
	R3015303	R	-	22404-02	Front Hanger, Right	1	86
2	R302873	R	-	08677-01	Top Plate	2	93
3	R3015307	R	-	22407-01	Rear Hanger, Left	1	86
	R3015308	R	-	22407-02	Rear Hanger, Right	1	86
4	R301974	-	-	T-1705	Lock Washer 1/2"	12	-
5	R301971	R	G-1971	T-2106	Spring Roller	4	89
6	R302022	-	-	T-5549	Bolt, 1/2"-20 x 5-1/2" Long	2	-
7	R305032	-	-	T-1704	Nut 1/2"-20	2	-
8	R302546	-	-	T-7292	Flat Washer, 7/8"	8	-
9	R301835	-	-	14345-01	Locknut - 7/8"-14	8	-
10	R304345	-	-	-	Shock Absorber Bolt 3/4"-10 x 3-1/2" Long	2	-
11	R304347	-	-	-	Shock Mount Nut, 3/4"-10	4	-
12	M85030	-	-	19495-01	Shock Absorber	2	-
13	S.O.S.	R	-	16348-01	Adjustable Torque Arm, Includes R301980 Bushings	1	-
14	S.O.S.	R	-	19762-01	Rigid Torque Arm, Includes R301980 Bushings	1	-
15	R301980	-	-	09729-01	Torque Arm Bushing, Rubber	2	82
	R307520	-	-	09729-01	Torque Arm Bushing, Poly	2	82
16	R30901	-	-	10033-01	Torque Arm Bolt, 7/8"-9 x 5-1/2" Long	4	83
17	R302983	-	-	10092-01	Lock Nut, 7/8"-9	4	-
18	R301981	-	-	-	Torque Arm Bushing Assembly, Key Nos. 15, 16, 17, Rubber	2	81
	R309552	-	-	-	Torque Arm Bushing Assembly, Key Nos. 15, 16, 17, Poly	2	81
19	S.O.S.	R	-	Various	Axle Seat	1	-
20	S.O.S.	R	-	Various	Bottom Plate	1	-
21	R30UB8161-12	-	-	-	U-Bolt Assembly, Round Bend, 7/8"-14 Thd x 3" Wide x 12" Long	4	-
	R30UB8161-13	-	-	-	U-Bolt Assembly, Round Bend, 7/8"-14 Thd x 3" Wide x 13" Long	4	-
	R30UB8161-14	-	-	-	U-Bolt Assembly, Round Bend, 7/8"-14 Thd x 3" Wide x 14" Long	4	-
	R30UB8161-15	-	-	-	U-Bolt Assembly, Round Bend, 7/8"-14 Thd x 3" Wide x 15" Long	4	-
	R30UB8161-17	-	-	-	U-Bolt Assembly, Round Bend, 7/8"-14 Thd x 3" Wide x 17" Long	4	-
	R30UB8161-20	-	-	-	U-Bolt Assembly, Round Bend, 7/8"-14 Thd x 3" Wide x 20" Long	4	-

R Denotes Product is Genuine Reyco Granning

REYCO GRANNING

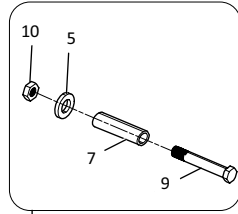
Model 101 Tandem Four Spring Suspension Tractor

Wear Pad Kit



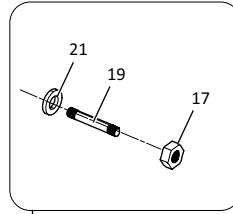
28

Equalizer Spring Roller Assembly



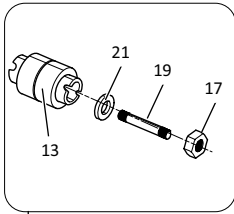
12

Equalizer Shaft Assembly



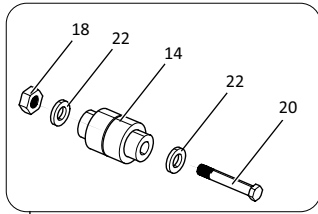
23

Equalizer Bushing Assembly

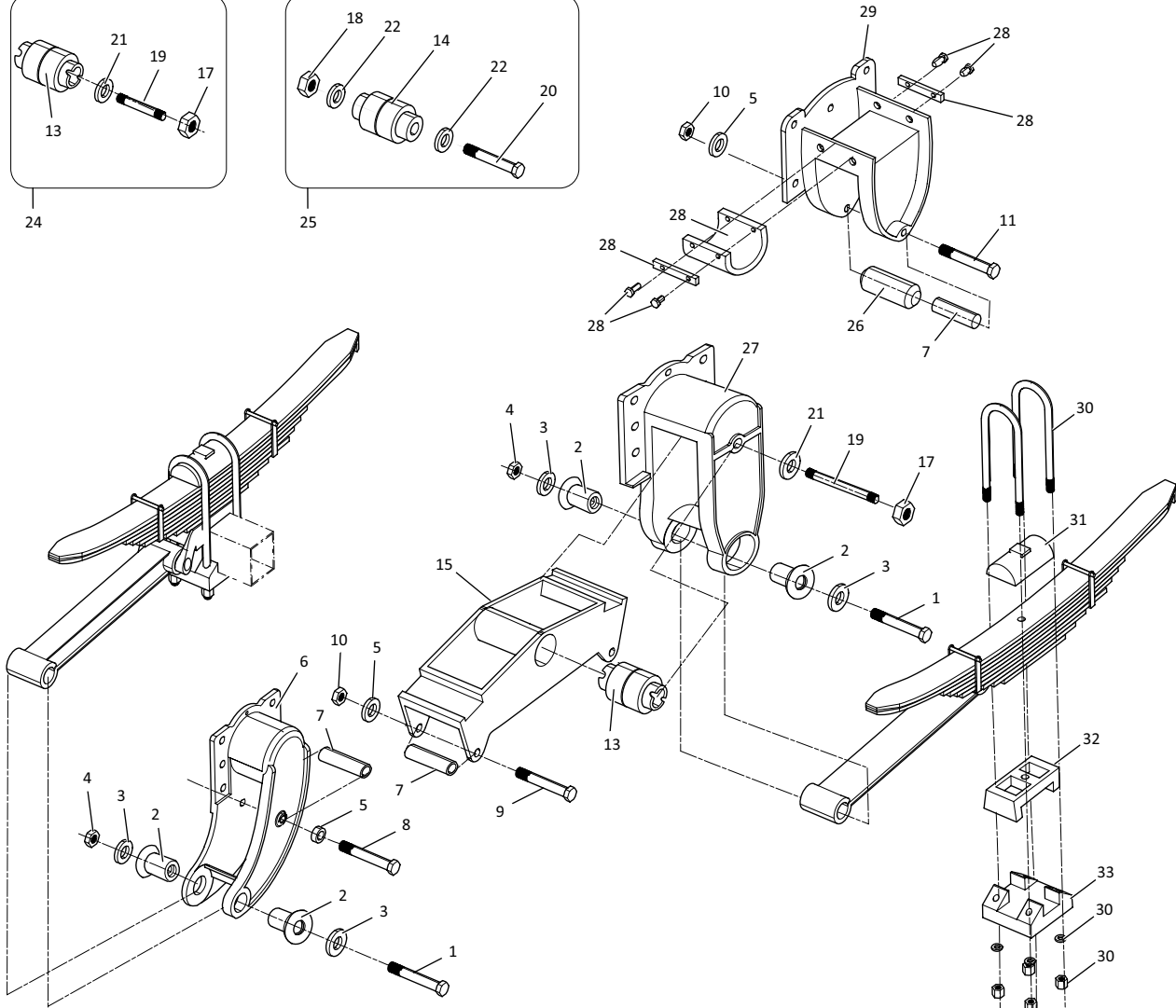


24

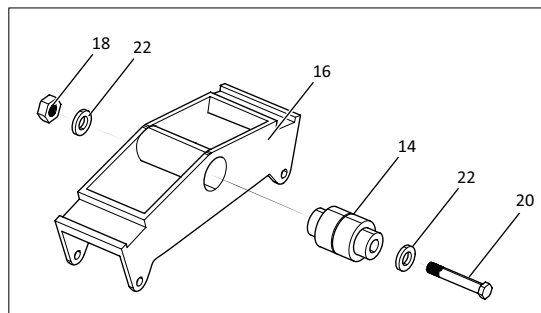
Ford/GM/Volvo Bushing Assembly



25



Ford and GM/Volvo Equalizer Assembly



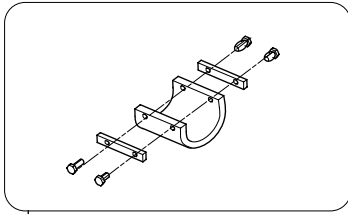
Model 101 Tandem Four Spring Suspension Tractor							
KEY NO.	MERITOR NO.	GENUINE	MACH NO.	OEM REF.	DESCRIPTION	QTY. PER AXLE	PAGE NO.
1	R301965	-	-	17210-01	Eccentric Bolt, 1" x 5-1/2" Long	4	-
2	R301964	-	G-1964	T-1723	Eccentric Torque Leaf Bushing, Rubber	8	81
	R308689	-	-	-	Eccentric Torque Leaf Bushing, Poly	8	81
3	R30905	-	-	T-1724	Flat Washer, 3-3/4" OD	8	-
4	R30937	-	-	T-5495	Nut, 1"-14	4	-
5	R301974	-	-	T-1705	Lockwasher, 1/2"	6	-
6	R302885	R	-	22272-01	Undrilled Front Hanger, Left Hand	2	84
	R302884	R	-	22272-02	Undrilled Front Hanger, Right Hand	2	84
	S.O.S.	R	-	Various	Drilled Front Hanger	2	-
7	R301971	R	G-1971	T-2106	Spring Roller	8	89
8	R3016493	-	-	T-3099	Bolt 1/2"-20 x 4-1/2" Long	2	-
9	R301972	-	-	T-5544	Cap Screw 1/2"-20 x 4-3/4" Long	6	-
10	R305032	-	-	T-1704	Hex Nut, 1/2"-20	6	-
11	R302022	-	-	T-5549	Bolt, 1/2"-20 x 5 1/2" Long	2	-
12	R301975	-	G-1975	TK19011	Equalizer Spring Roller Assembly Includes Key No. 5, 7, 9, 10	6	89
13	R303977	-	G-3977	14713-01	Equalizer Bushing, No Slots, Rubber	2	74
	R308654	-	-	-	Equalizer Bushing, No Slots, Poly	2	74
	R301966	-	G-1966	08363-01	Equalizer Bushing, Slotted Both Ends	2	74
14	R302849	-	-	08995-01	Equalizer Bushing, One Slot, Ford	2	74
	R302850	-	G-2850	08915-01	Equalizer Bushing, No Slots, GM/Volvo	2	74
15	R303978	R	G-3978	14723-01	Equalizer Assembly with R303977 Bushing	2	70
16	R302843	R	-	09120-01	Equalizer Assembly with R301966 Bushing, Slotted on Both Ends	2	70
	S.O.S.	R	-	08918-01	Equalizer Assembly with R302850 Bushing, Volvo/GM	2	-
	R302844	R	G-2844	08996-01	Equalizer Assembly with R302849 Bushing, Ford	2	70
17	R301968	-	-	08687-01	Nut, Not Ford or GM/Volvo	2	-
18	R302854	-	-	08914-01	Nut, Ford or GM/Volvo	2	75
19	R301967	R	G-1967	08686-01	Equalizer Shaft, Not Ford or GM/Volvo, 1-1/2" O.D.	2	76
20	R302852	-	-	10949-01	Equalizer Shaft, Ford or GM/Volvo, 1-1/4" O.D.	2	83
21	R301969	-	-	14246-01	Washer, Not Ford or GM/Volvo	2	-
22	R302853	-	-	08913-01	Washer, Ford or GM/Volvo	4	-
23	R309840	-	-	-	Equalizer Shaft Assembly, Includes Key Nos. 17, 19, 21	2	77
24	R301970	-	-	TK19056	Equalizer Bushing Assembly, Slotted Both Ends, Includes Key No. 13, 17, 19, 21	2	73
25	R302847	-	-	TK19164	Equalizer Bushing Assembly, One Slot, Ford, Includes Key No. 14, 18, 20, 22	2	73
	R302848	-	-	TK19163	Equalizer Bushing Assembly, No Slots, GM/Volvo, Includes Key No. 14, 18, 20, 22	2	73
26	R301980	-	-	09729-01	Rear Hanger Bushing, Rubber	2	82
	R307520	-	-	-	Rear Hanger Bushing, Poly	2	82
27	R302886	R	-	22274-01	Undrilled Center Hanger	2	84
	R3014388	R	-	22335-01	Drilled Center Hanger	2	84

R Denotes Product is Genuine Reyco Granning

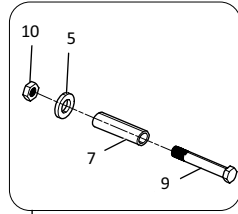
REYCO GRANNING

Model 101 Tandem Four Spring Suspension Tractor

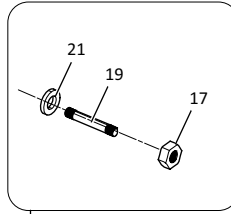
Wear Pad Kit



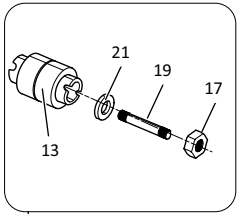
Equalizer Spring Roller Assembly



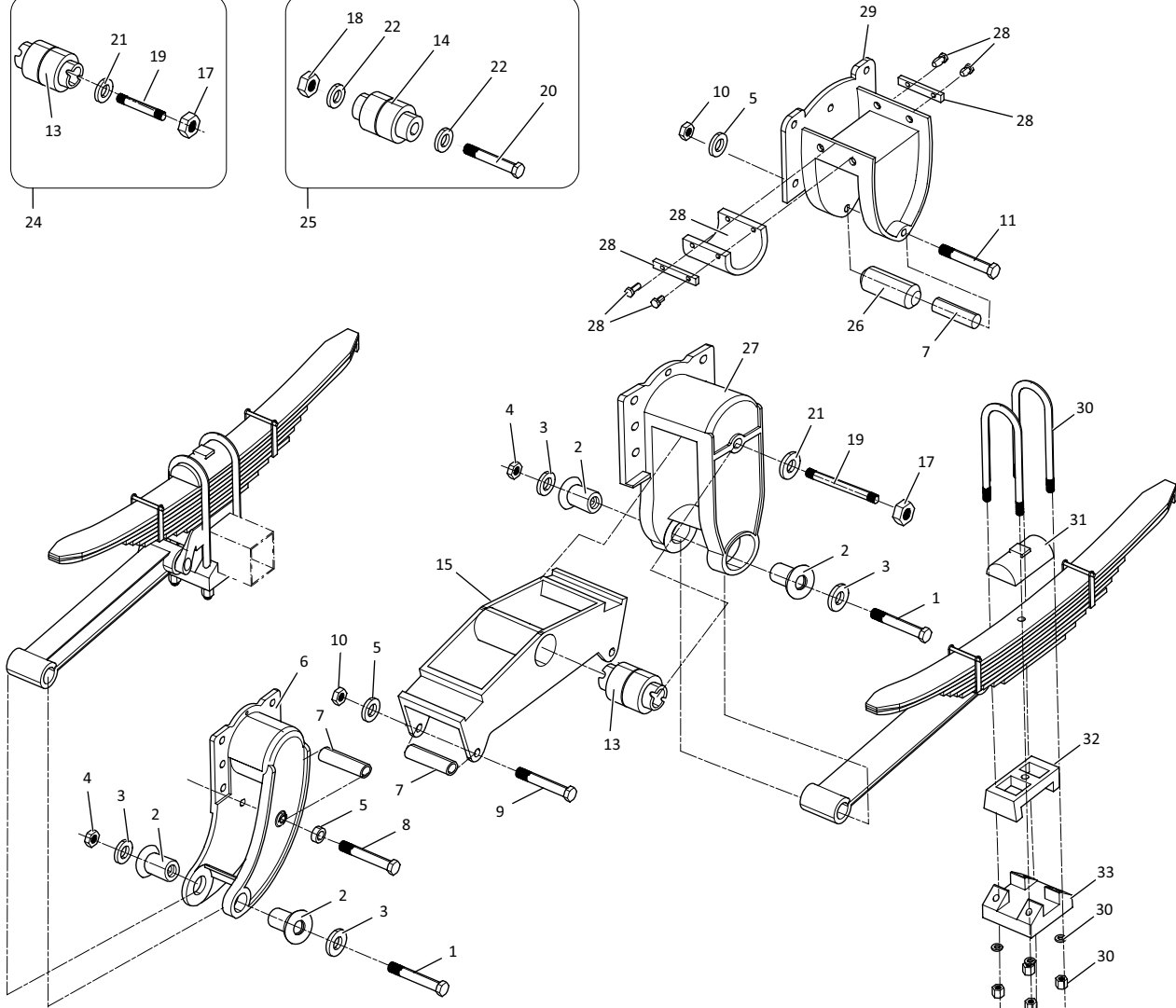
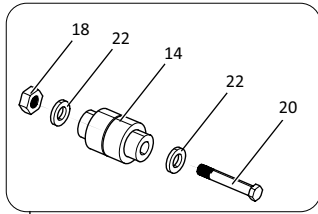
Equalizer Shaft Assembly



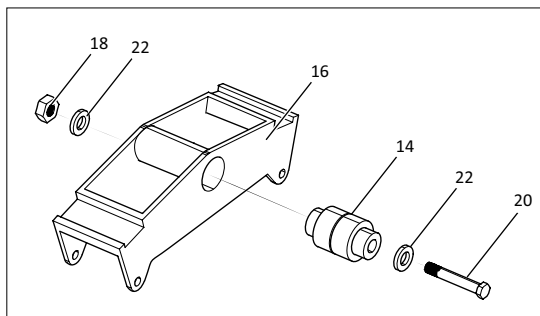
Equalizer Bushing Assembly



Ford/GM/Volvo Bushing Assembly



Ford and GM/Volvo Equalizer Assembly



**Model 101 Tandem Four Spring Suspension
Tractor**

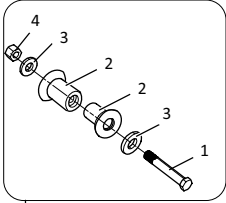
KEY NO.	MERITOR NO.	GENUINE	MACH NO.	OEM REF.	DESCRIPTION	QTY. PER AXLE	PAGE NO.
28	R302867A	R	G-2867A	TK19168	Rear Hanger Pad Assembly Includes Bolt, Plate, and Wear Pad	2	90
29	R302887	R	-	22299-01	Undrilled Rear Hanger, Left Hand	1	84
	R302888	R	-	22299-02	Undrilled Rear Hanger, Right Hand	1	84
	S.O.S.	R	-	Various	Drilled Rear Hanger	2	-
30	R30UB8151-18	-	-	-	U-Bolt Assembly, Rd. Bend, 3/4"-16 Thd. X 3" Wide x 18" Long	8	-
31	R302873	R	-	08677-01	Top Plate, Cast, 3" Wide	4	93
32	S.O.S.	R	-	Various	Axle Seat	4	-
33	S.O.S.	R	-	Various	Bottom Plate	4	-

R Denotes Product is Genuine Reyco Granning

REYCO GRANNING

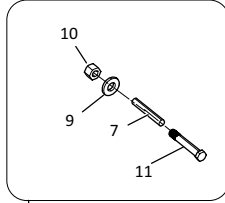
Model 101A Tandem Four Spring Suspension Tractor

Torque Arm Bushing Assembly



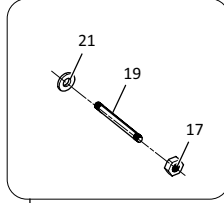
5

Equalizer Spring Roller Assembly



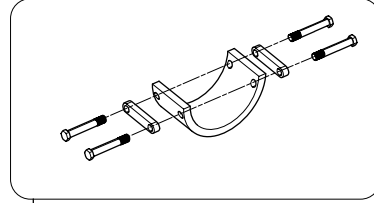
12

Equalizer Shaft Assembly



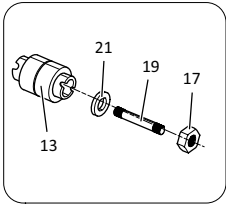
23

Rear Hanger Assembly



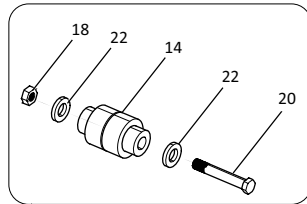
27

Equalizer Bushing Assembly

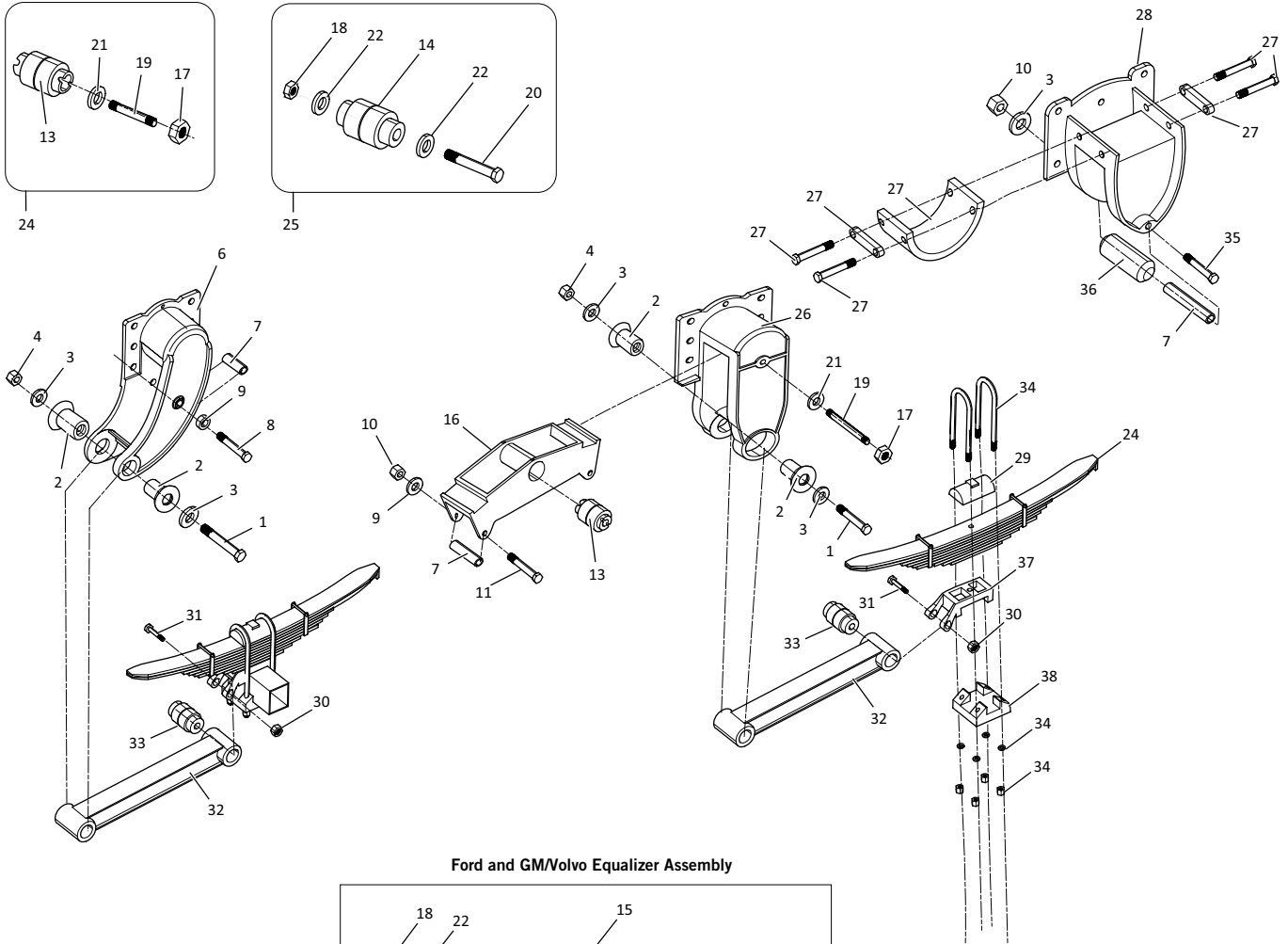


24

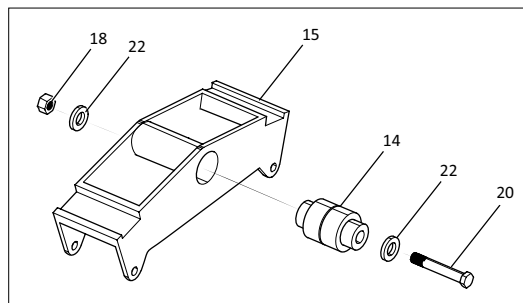
Ford/GM/Volvo Bushing Assembly



25



Ford and GM/Volvo Equalizer Assembly



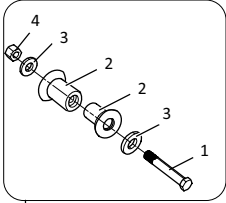
Model 101A Tandem Four Spring Suspension Tractor							
KEY NO.	MERITOR NO.	GENUINE	MACH NO.	OEM REF.	DESCRIPTION	QTY. PER AXLE	PAGE NO.
1	R301965	-	-	17210-01	Eccentric Bolt, 1"-8 x 5-1/2" Long	4	-
2	R301964	-	G-1964	T-1723	Eccentric Torque Leaf Bushing, Rubber	8	81
	R308689	-	-	-	Eccentric Torque Leaf Bushing, Poly	8	81
3	R30905	-	-	T-1724	Flat Washer, 1-1/16"	8	-
4	R30937	-	-	T-5495	Lock Nut, 1"-14	4	-
5	R301963	-	-	TK19166	Torque Arm Bushing Assembly Includes Key Nos. 1, 2, 3, 4, Rubber	4	81
	R309545	-	-	TK19166	Torque Arm Bushing Assembly Includes Key Nos. 1, 2, 3, 4, Poly	4	81
6	R302885	R	-	22272-01	Undrilled Front Hanger, Left Hand	2	84
	R302884	R	-	22272-02	Undrilled Front Hanger, Right Hand	2	84
	S.O.S.	R	-	Various	Drilled Front Hanger	2	-
7	R301971	R	G-1971	T-2106	Spring Roller	8	89
8	R3016493	-	-	T-3099	Bolt 1/2"-20 x 4-1/2" Long	2	-
9	R301974	-	-	T-1705	Lock Washer, 1/2"	8	-
10	R305032	-	-	T-1704	Hex Nut, 1/2"-20	6	-
11	R301972	-	-	T-5544	Cap Screw 1/2"-20 x 4-3/4" Long	6	-
12	R301975	-	G-1975	TK19011	Spring Roller Assembly Includes Key Nos. 7, 9, 10, 11	6	89
13	R303977	-	G-3977	14713-01	Equalizer Bushing, No Slots, Rubber	2	74
	R308654	-	-	-	Equalizer Bushing, No Slots, Poly	2	74
	R301966	-	G-1966	08363-01	Equalizer Bushing, Slotted Both Ends	2	74
14	R302849	-	-	08995-01	Equalizer Bushing, One Slot, Ford	2	74
	R302850	-	G-2850	08915-01	Equalizer Bushing, No Slots, GM/Volvo	2	74
15	R302844	R	G-2844	08996-01	Equalizer Assembly with R302849 Bushing, Ford	2	70
	S.O.S.	R	-	08918-01	Equalizer Assembly with R302850 Bushing, Volvo/GM	2	-
16	R302843	R	-	09120-01	Equalizer Assembly with R301966 Bushing, Slotted on Both Ends	2	70
	R302845	R	G-2845	12859-01	Equalizer with R302850 Bushing, Standard	2	70
	R3016494	R	-	14743-01	Equalizer with R303977 Bushing, ADI	2	70
	S.O.S.	R	-	14794-01	Equalizer - 60" Axle Center, Includes R303977 Bushing	2	-
17	R301968	R	-	08687-01	Nut, Not Ford or GM/Volvo	2	-
18	R302854	-	-	08914-01	Equalizer Shaft Nut, Ford or GM/Volvo	2	75
19	R301967	R	G-1967	08686-01	Equalizer Shaft, Not Ford or GM/Volvo, 1-1/2" O.D.	2	76
20	R302852	-	-	10949-01	Equalizer Shaft, Ford or GM/Volvo, 1-1/4" O.D.	4	83
21	R301969	-	-	14246-01	Washer, Not Ford or GM/Volvo	2	-
22	R302853	-	-	08913-01	Washer, Ford or GM/Volvo	2	-
23	R309840	-	-	-	Equalizer Shaft Assembly Includes Key No. 17, 19, 21	2	77
24	R301970	-	-	TK19056	Equalizer Bushing Assembly, Slotted Both Ends, Includes Key No. 13, 17, 19, 21	2	73
25	R302847	-	-	TK19164	Equalizer Bushing Assembly, One Slot, Ford, Includes Key No. 14, 18, 20, 22	2	73
	R302848	-	-	TK19163	Equalizer Bushing Assembly, No Slots, GM/Volvo, Includes Key No. 14, 18, 20, 22	2	73
26	R302886	R	-	22274-01	Undrilled Center Hanger	2	84
	R3014388	R	-	22335-01	Drilled Center Hanger	2	84
	S.O.S.	R	-	Various	Center Hanger, Straddle Mount, 50" thru 65 1/2" Axle Spacing	4	-

R Denotes Product is Genuine Reyco Granning

REYCO GRANNING

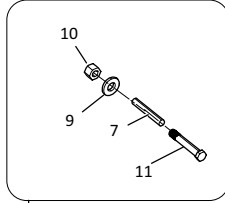
Model 101A Tandem Four Spring Suspension Tractor

Torque Arm Bushing Assembly



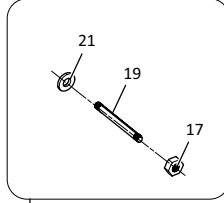
5

Equalizer Spring Roller Assembly



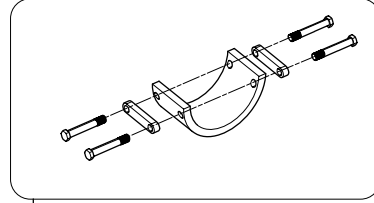
12

Equalizer Shaft Assembly



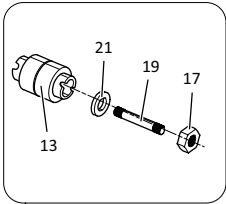
23

Rear Hanger Assembly



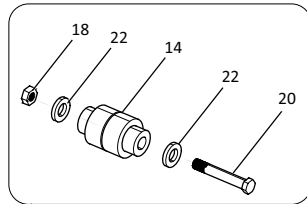
27

Equalizer Bushing Assembly

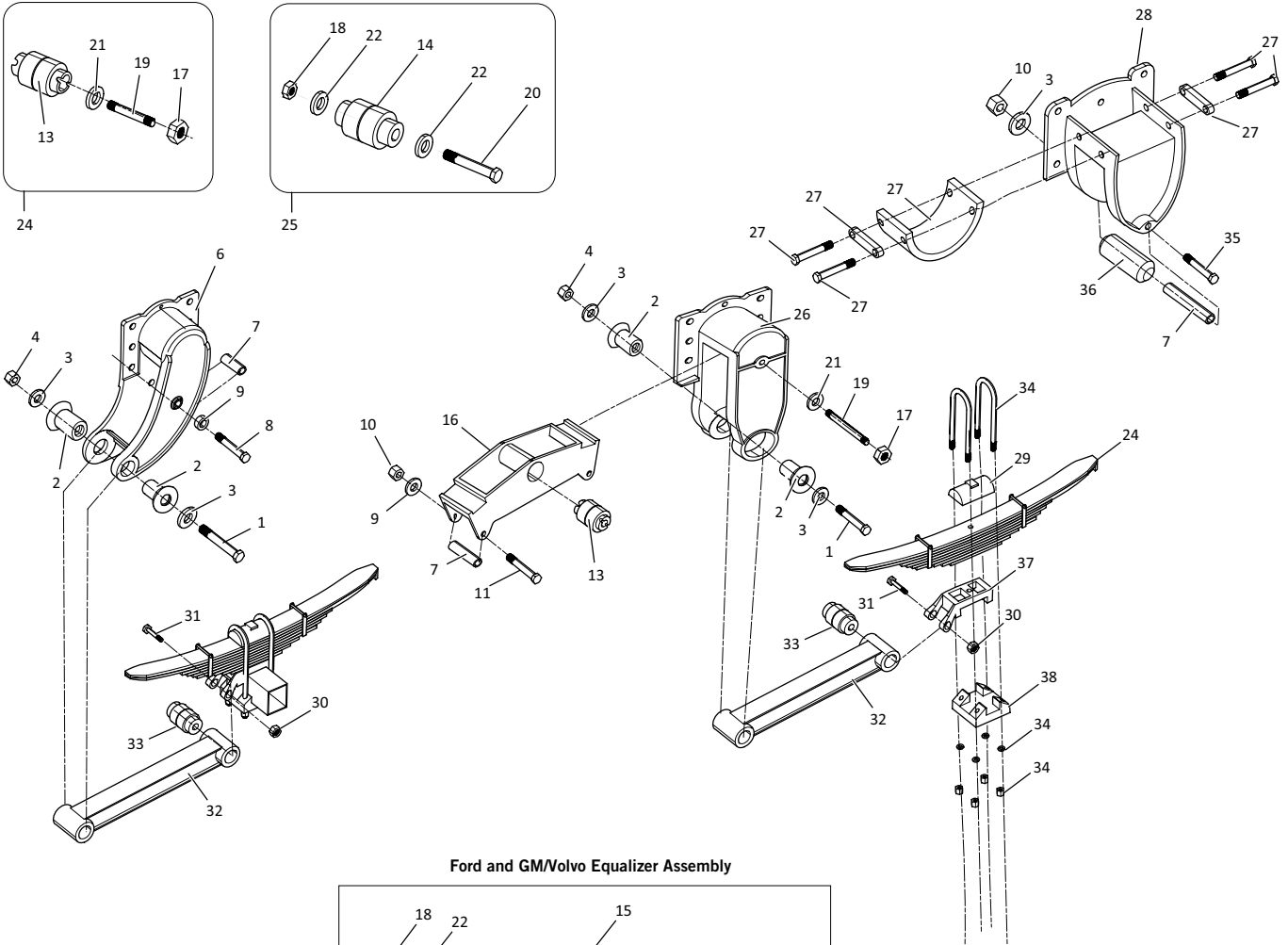


24

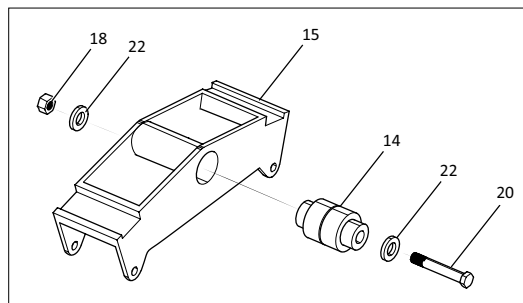
Ford/GM/Volvo Bushing Assembly



25



Ford and GM/Volvo Equalizer Assembly



Model 101A Tandem Four Spring Suspension Tractor

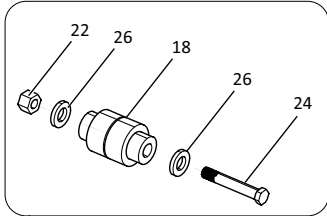
KEY NO.	MERITOR NO.	GENUINE	MACH NO.	OEM REF.	DESCRIPTION	QTY. PER AXLE	PAGE NO.
27	R302867A	R	G-2867A	TK19168	Rear Hanger Pad Assembly Includes Bolt, Plate, and Wear Pad	2	90
28	R302887	R	-	22299-01	Undrilled Rear Hanger, Left Hand	1	84
	R302888	R	-	22299-02	Undrilled Rear Hanger, Right Hand	1	84
	S.O.S.	R	-	Various	Drilled Rear Hanger	2	-
	R302873	R	-	08677-01	Top Plate, Cast, 3" Wide	4	93
30	R302983	-	-	10092-01	Locknut, 7/8"-9	4	-
31	R30901	-	-	10033-01	Bolt 7/8"-9 x 5-1/2" Long	4	83
32	R302860	R	-	11011-02	Rigid Torque Arm, Front & Rear, 50" Axle Spacing Center-to-Center, Includes R301980 Axle End Bushing	4	79
	S.O.S.	R	-	11012-03	Rigid Torque Arm, Front & Rear, 52" Axle Spacing Center-to-Center, Includes R301980 Axle End Bushing	4	-
	R302860	R	-	12051-01	Rigid Torque Arm, Front, 60" Axle Spacing Center-to-Center, Includes R301980 Axle End Bushing	4	79
	S.O.S.	R	-	14127-01	Rigid Torque Arm, Rear, 60" Axle Spacing Center-to-Center, Includes R301980 Axle End Bushing	4	-
33	R301980	-	-	09729-01	Torque Arm, Seat End Bushing, Rubber	4	82
	R307520	-	-	-	Torque Arm Seat End Bushing, Poly	4	82
34	R30UB8151-18	-	-	09741-01	U-Bolt Assembly, Rd. Bend, 3/4"-16 Thd. X 3" Wide x 18" Long	8	-
35	R302022	-	-	T-5549	Bolt, 1/2"-20 x 5" Long	2	-
36	R301061	-	-	T-3016	Rear Hanger Bushing	2	-
37	S.O.S.	R	-	Various	Axle Seat	4	-
38	S.O.S.	R	-	Various	Bottom Plate	4	-

R Denotes Product is Genuine Reyco Granning

REYCO GRANNING

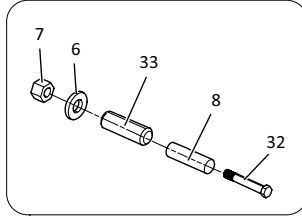
Model 102 Tandem Four Spring Suspension Tractor

Ford/GM/Volvo Bushing Assembly



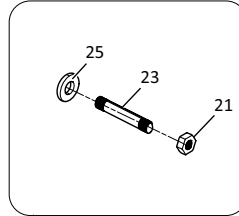
28

Torque Arm Bushing Axle Seat End



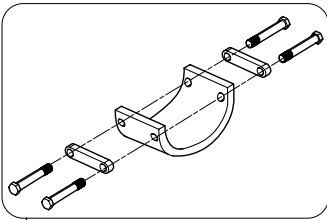
16

Equalizer Shaft Assembly



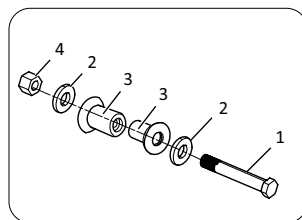
27

Rear Hanger Assembly



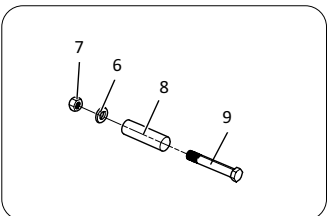
30

Torque Arm Bushing Assembly

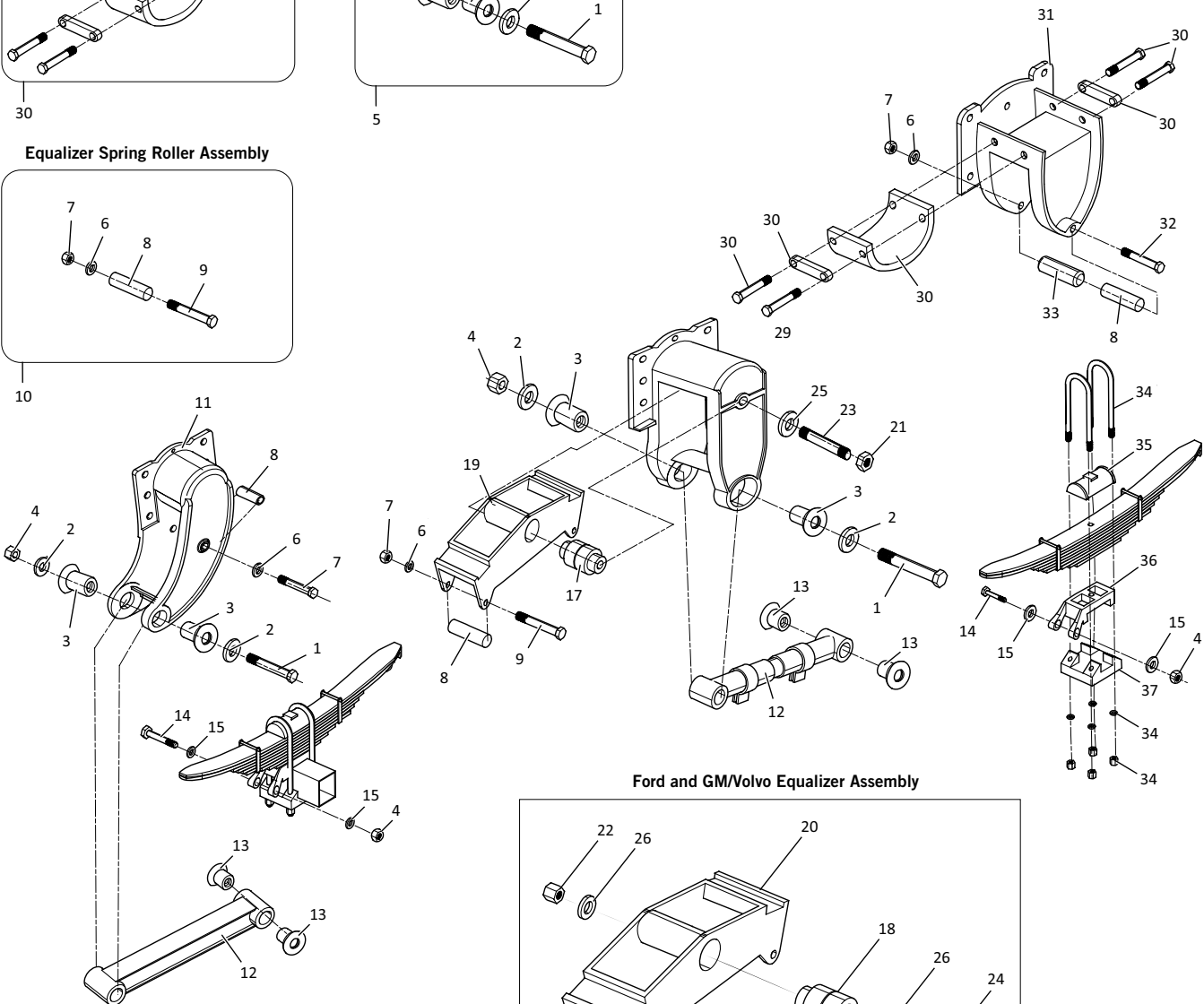


5

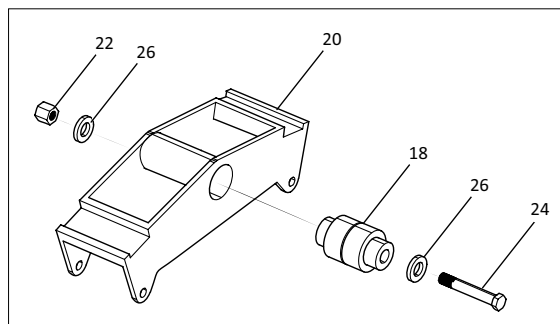
Equalizer Spring Roller Assembly



10



Ford and GM/Volvo Equalizer Assembly



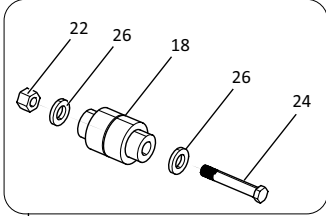
Model 102 Tandem Four Spring Suspension Tractor							
KEY NO.	MERITOR NO.	GENUINE	MACH NO.	OEM REF.	DESCRIPTION	QTY. PER AXLE	PAGE NO.
1	R301166	-	-	23882-01	Bolt, 1"-8 x7" Long	4	83
2	R30905	-	-	T-1724	Flat Washer, 3-3/4" OD	8	-
3	R3010057	-	G-10057	21238-01S	Torque Arm Bushing, Hanger End, Rubber	4	82
	R309579	-	-	-	Torque Arm Bushing, Hanger End, Poly	4	82
4	R30937	-	-	T-5495	Nut, 1"-14	8	-
5	R309350	-	-	TK21640T	Torque Arm Bushing Assembly Hanger End, Includes Key No. 1, 2, 3, 4, Rubber	4	81
	R309583	-	-	-	Torque Arm Bushing Assembly Hanger End, Includes Key No. 1, 2, 3, 4, Poly	4	81
6	R301974	-	-	T-1705	Lock Washer, 1/2"	8	-
7	R305032	-	-	T-1704	Hex Nut, 1/2"-20	6	-
8	R301971	R	G-1971	T-2106	Spring Roller	8	89
9	R301972	-	-	T-5544	Cap Screw 1/2"-20 x 4-3/4" Long	6	-
		-	-	T-1703	Cap Screw 1/2"-20 x 4-3/4" Long	6	-
10	R301975	-	G-1975	TK19011	Spring Roller Assembly Includes Key No. 6, 7, 8, 9	6	89
11	R302885	R	-	22272-01	Undrilled Front Hanger, Left Hand	2	84
	R302884	R	-	22272-02	Undrilled Front Hanger, Right Hand	2	84
	S.O.S.	R	-	Various	Drilled Front Hanger	2	-
12	S.O.S.	R	-	T-7645	Rigid Torque Arm, 50" Axle Spacing Center, Front & Rear, Must Purchase R301982 Bushings Separately	2	-
	R302858	R	-	15012-01	Rigid Torque Arm, 52" Axle Spacing Center, Front & Rear, Must Purchase R301982 Bushings Separately	2	79
	S.O.S.	R	-	09686-01	Rigid Torque Arm, 60" Axle Spacing Center, Rear, Must Purchase R301982 Bushings Separately	1	-
	S.O.S.	R	-	15174-01	Adjustable Torque Arm, 50" Axle Spacing Center, Front & Rear, Must Purchase R301982 Bushings Separately	2	-
	R302866A	R	-	15354-01	Adjustable Torque Arm, 52" Axle Spacing Center, Front & Rear, 60" Axle Spacing Front, Must Purchase R301982 Bushings Separately	2	78
	R305255A	R	-	15176-01	Adjustable Torque Arm, 60" Axle Spacing Center, Rear, Must Purchase R301982 Bushings Separately	1	78
13	R301982	-	-	T-2242	Torque Arm Bushing, Axle End, Rubber	4	82
	R307522	-	-	-	Torque Arm Bushing, Axle End, Poly	4	82
14	R30900	-	-	17161-01	Torque Arm Bolt, 1"-8 x 6-3/4" Long	4	83
15	R30907	-	-	T-2224	Compression Washer, Seat End	8	-
16	R301983	-	-	TK19089	Torque Arm Bushing Assembly Axle End, Includes Key No. 4, 13, 14, 15, Rubber	4	81
17	R303977	-	-	14713-01	Equalizer Bushing, No Slots, Rubber	2	74
	R308654	-	-	-	Equalizer Bushing, No Slots, Poly	2	74
18	R302849	-	-	08995-01	Equalizer Bushing, One Slot, Ford	2	74
	R302850	-	G-2850	08915-01	Equalizer Bushing, No Slots, GM/Volvo	2	74
19	R302843	R	-	09120-01	Equalizer Assembly with R301966 Bushing, Slotted on Both Ends	2	70
	R302845	R	G-2845	12859-01	Equalizer with R302850 Bushing, Standard	2	70
	R3016494	R	-	14743-01	Equalizer with R303977 Bushing, ADI	2	70
	S.O.S.	R	-	14794-01	Equalizer, 60" Axle Center, Includes R303977 Bushing	2	-
20	S.O.S.	R	-	08918-01	Equalizer Assembly with R302850 Bushing, Volvo/GM	2	-
	R302844	R	G-2844	08996-01	Ford Equalizer with R302849 Bushing	2	70
21	R301968	R	-	08687-01	Nut, Not Ford or GM/Volvo	2	-

R Denotes Product is Genuine Reyco Granning

REYCO GRANNING

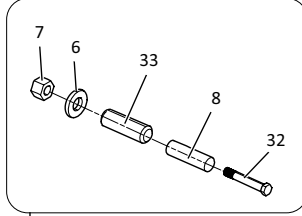
Model 102 Tandem Four Spring Suspension Tractor

Ford/GM/Volvo Bushing Assembly



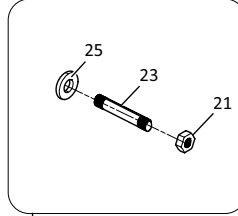
28

Torque Arm Bushing Axle Seat End



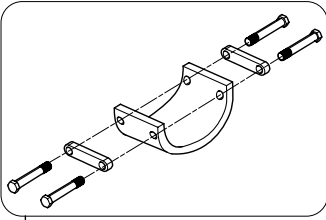
16

Equalizer Shaft Assembly



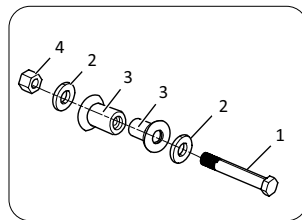
27

Rear Hanger Assembly



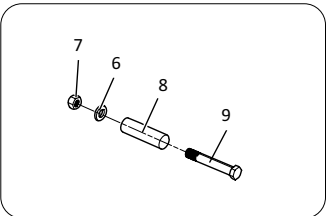
30

Torque Arm Bushing Assembly

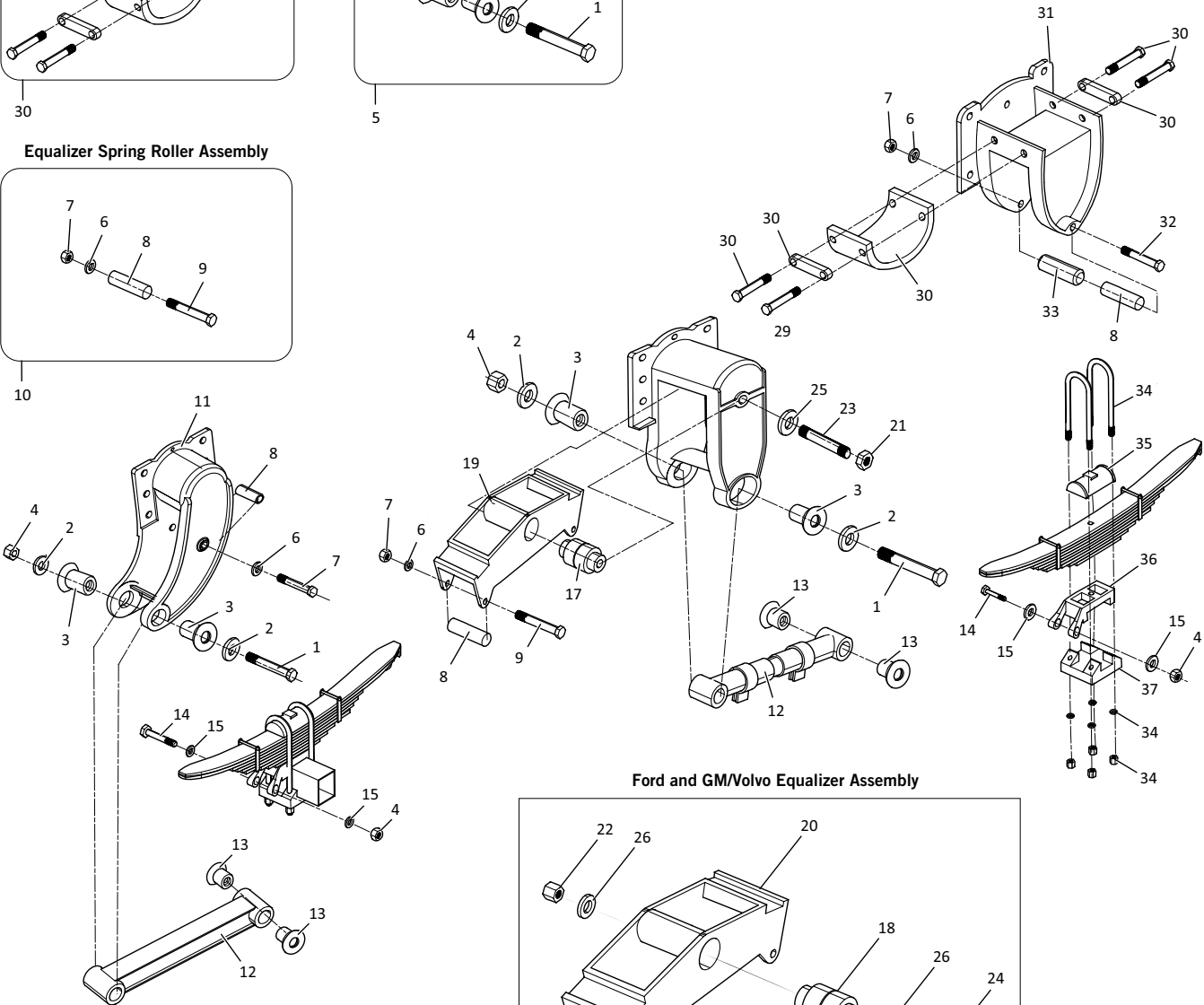


5

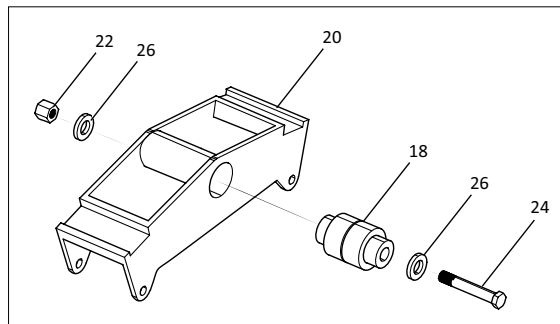
Equalizer Spring Roller Assembly



10



Ford and GM/Volvo Equalizer Assembly



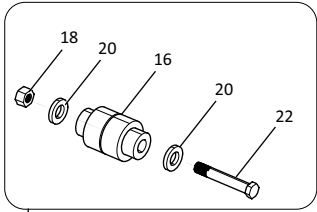
Model 102 Tandem Four Spring Suspension Tractor							
KEY NO.	MERITOR NO.	GENUINE	MACH NO.	OEM REF.	DESCRIPTION	QTY. PER AXLE	PAGE NO.
22	R302854	-	-	08914-01	Equalizer Shaft Nut, Ford or GM/Volvo	2	75
23	R301967	R	-	08686-01	Equalizer Shaft, Not Ford or GM/Volvo, 1-1/2" O.D.	2	76
24	R302852	-	-	10949-01	Equalizer Shaft, Ford or GM/Volvo, 1-1/4" O.D.	2	83
25	R301969	-	-	14246-01	Washer, Not Ford or GM/Volvo	2	-
26	R302853	-	-	08913-01	Washer, Ford or GM/Volvo	2	-
27	R309840	-	-	-	Equalizer Shaft Assembly, Includes Key No. 21, 23, 25	2	77
28	R302847	-	-	TK19164	Equalizer Bushing Assembly, One Slot, Ford, Includes Key No. 18, 22, 24, 26	2	73
	R302848	-	-	TK19163	Equalizer Bushing Assembly, No Slots, GM/Volvo, Includes Key No. 18, 22, 24, 26	2	73
29	R302886	R	-	22274-01	Undrilled Center Hanger	2	84
	R3014388	R	-	22335-01	Drilled Center Hanger	2	84
30	R302867A	R	G-2867A	TK19168	Rear Hanger Pad Assembly Includes Bolt, Plate, and Wear Pad	1	90
31	R302887	R	-	22299-01	Undrilled Rear Hanger, Left Hand	1	84
	R302888	R	-	22299-02	Undrilled Rear Hanger, Right Hand	1	84
	S.O.S.	R	-	Various	Drilled Rear Hanger	2	-
32	R302022	-	-	T-5549	Bolt, 1/2"-20 x 5" Long	2	-
33	R301980	-	-	09729-01	Rear Hanger Bushing, Rubber	2	82
	R307520	-	-	09729-01	Rear Hanger Bushing, Poly	2	82
34	R30UB8151-18	-	-	09741-01 thru 09751-01	U-Bolt Assembly, Rd. Bend, 3/4"-16 Thd. X 3" Wide x 18" Long	8	-
35	R302873	R	-	08677-01	Top Plate, Cast, 3" Wide	4	93
36	S.O.S.	R	-	Various	Axle Seat	4	-
37	S.O.S.	R	-	Various	Bottom Plate	4	-

R Denotes Product is Genuine Reyco Granning

REYCO GRANNING

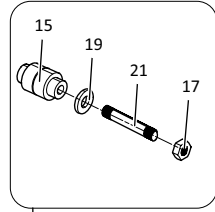
Model 102W Tandem Four Spring Suspension Tractor

Ford/GM/Volvo Bushing Assembly



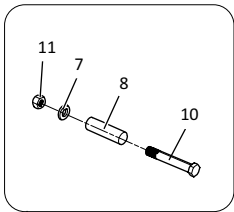
24

Equalizer Bushing Assembly



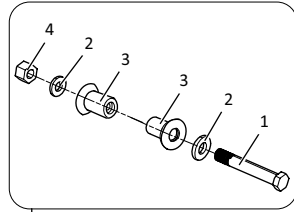
23

Equalizer Spring Roller Assembly

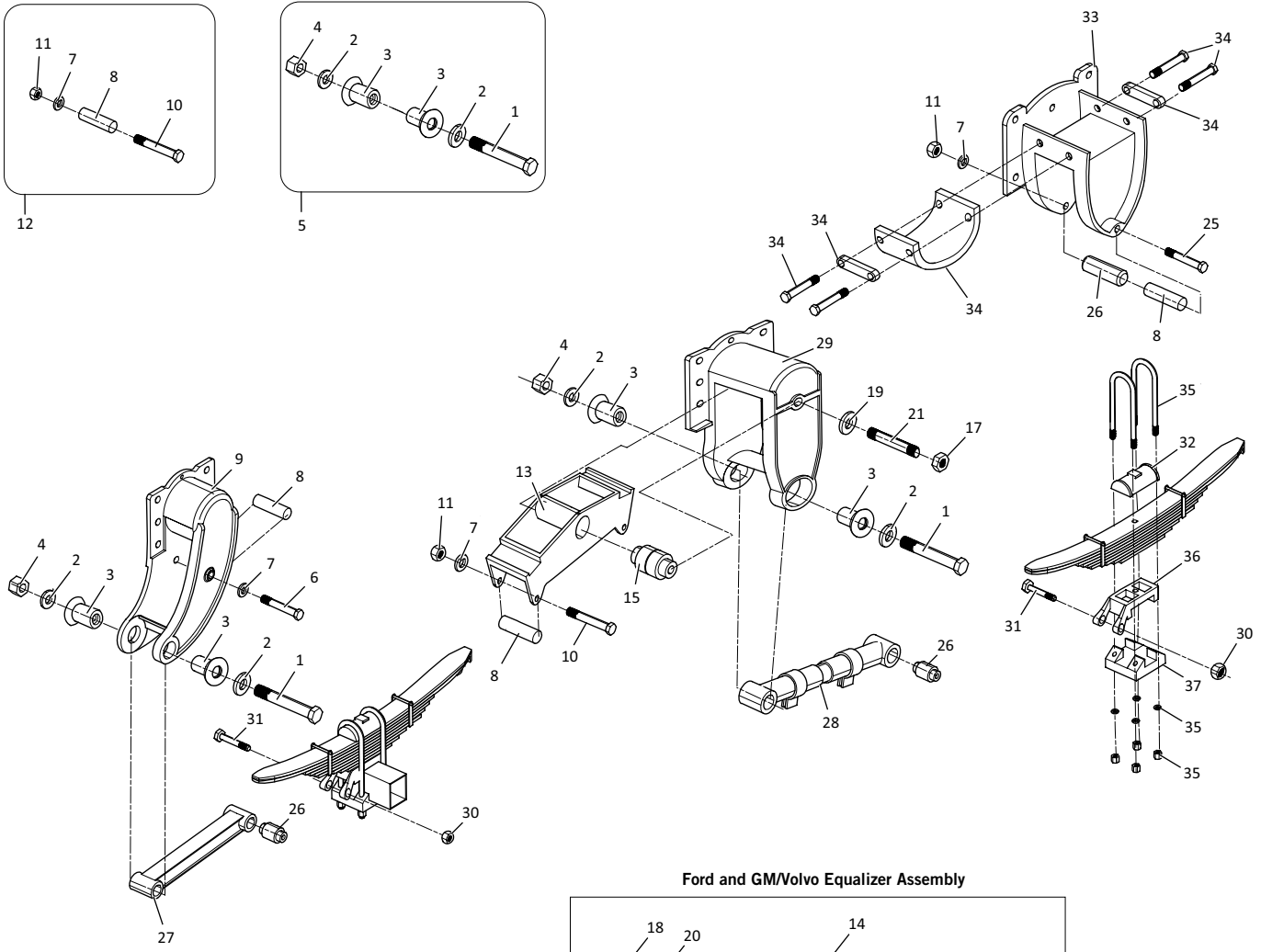


12

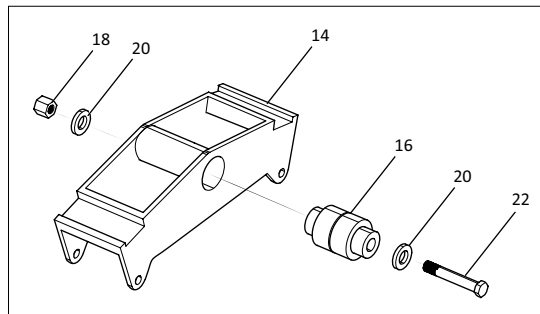
Torque Arm Bushing Assembly Hanger End



5



Ford and GM/Volvo Equalizer Assembly



Model 102W Tandem Four Spring Suspension Tractor							
KEY NO.	MERITOR NO.	GENUINE	MACH NO.	OEM REF.	DESCRIPTION	QTY. PER AXLE	PAGE NO.
1	R301166	-	-	23882-01	Bolt, 1"-14 x7" Long	4	83
2	R30905	-	-	T-1724	Flat Washer, 1-1/16"	8	-
3	R3010057	-	G-10057	21238-01S	Torque Arm Bushing, Hanger End	4	82
	R309579	-	-	-	Torque Arm Bushing, Hanger End, Poly	4	82
4	R30937	-	-	T-5495	Lock Nut, 1"-14	4	-
5	R309350	-	-	TK21640T	Torque Arm Bushing Assembly Hanger End, Includes Key Nos. 1, 2, 3, 4, Rubber	4	81
	R309583	-	-	-	Torque Arm Bushing Assembly Hanger End, Includes Key Nos. 1, 2, 3, 4, Poly	4	81
6	R3016493	-	-	T-3099	Bolt 1/2"-20 x 4-1/2" Long	2	-
7	R301974	-	-	T-1705	Lock Washer, 1/2"	8	-
8	R301971	R	G-1971	T-2106	Spring Roller	8	89
9	R302885	R	-	22272-01	Undrilled Front Hanger, Left Hand	2	84
	R302884	R	-	22272-02	Undrilled Front Hanger, Right Hand	2	84
	S.O.S.	R	-	Various	Drilled Front Hanger	2	-
10	R301972	-	-	T-5544	Cap Screw 1/2" x 4-3/4" Long	6	-
11	R305032	-	-	T-1704	Hex Nut, 1/2"-20	6	-
12	R301975	-	G-1975	TK19011	Spring Roller Assembly Includes Key Nos. 7, 8, 10, 11	6	89
13	S.O.S.	R	-	14794-01	Equalizer, 60" Axle Center, Includes R303977 Bushing	2	-
	R3016494	R	-	14743-01	Equalizer with R303977 Bushing, ADI	2	70
	R302845	R	G-2845	12859-01	Equalizer with R302850 Bushing, Standard	2	70
	S.O.S.	R	-	209630-01	Equalizer without Bushing, ADI	2	-
14	R302844	R	G-2844	08996-01	Equalizer with R302849 Bushing, Ford	2	70
	S.O.S.	R	-	08918-01	Equalizer Assembly with R302850 Bushing, Volvo/GM	2	-
15	R303977	-	-	14713-01	Equalizer Bushing, No Slots, Rubber	2	74
	R308654	-	-	-	Equalizer Bushing, No Slots, Poly	2	74
	R301966	-	G-1966	08363-01	Equalizer Bushing, Slotted Both Ends, For Models Before 1984	2	74
16	R302849	-	-	08995-01	Equalizer Bushing, One Slot, Ford	2	74
	R302850	-	G-2850	08915-01	Equalizer Bushing, No Slots, GM/Volvo	2	74
17	R301968	R	-	08687-01	Nut, Not Ford or GM/Volvo	2	-
18	R302854	-	-	08914-01	Nut, Ford & GM/Volvo	2	75
19	R301969	-	-	14246-01	Washer, Not Ford or GM/Volvo	2	-
20	R302853	-	-	08913-01	Washer, Ford or GM/Volvo	2	-
21	R301967	R	-	08686-01	Equalizer Shaft, Not Ford or GM/Volvo, 1-1/2" O.D.	2	76
22	R302852	-	-	10949-01	Equalizer Shaft, Ford or GM/Volvo, 1-1/4" O.D.	2	83
23	R301970	-	-	TK19056	Equalizer Bushing Assembly, Slotted Both Ends, Includes Key No. 15, 17, 19, 21	2	73
24	R302848	-	-	TK19163	Equalizer Bushing Assembly, No Slots, GM/Volvo, Includes Key No. 16, 18, 20, 22	2	79
	R302847	-	-	TK19164	Equalizer Bushing Assembly, One Slot, Ford, Includes Key No. 16, 18, 20, 22	2	73
25	R302022	-	-	T-5549	Bolt, 1/2"-20 x 5 1/2" Long	6	-
26	R301980	-	-	09729-01	Torque Arm Bushing, Seat End, Rubber	4	82
	R307520	-	-	-	Torque Arm Bushing, Seat End, Poly	4	82

R Denotes Product is Genuine Reyco Granning

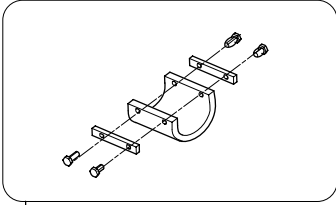
Model 102W Tandem Four Spring Suspension Tractor							
KEY NO.	MERITOR NO.	GENUINE	MACH NO.	OEM REF.	DESCRIPTION	QTY. PER AXLE	PAGE NO.
27	R302860	R	-	11011-02	Rigid Torque Arm, Front & Rear 50" Axle Spacing Center-to-Center, Includes R301980 Axle End Bushing	2	79
	S.O.S.	R	-	11011-03	Rigid Torque Arm, Front & Rear 52" Axle Spacing Center-to-Center, Includes R301980 Axle End Bushing	2	-
	R302860	R	-	12051-01	Rigid Torque Arm, Front 60" Axle Spacing Center-to-Center, Includes R301980 Axle End Bushing	2	79
	S.O.S.	R	-	14127-01	Rigid Torque Arm, Rear 60" Axle Spacing Center-to-Center, Includes R301980 Axle End Bushing	2	-
28	R303764	R	-	15187-01	Adjustable Torque Rod, Front & Rear 50" Axle Spacing Center-to-Center, Includes R301980 Axle End Bushing	2	78
	R304796	R	-	15186-01	Adjustable Torque Rod, Front & Rear 52" Axle Spacing Center-to-Center, Front 60" Axle Spacing, Includes R301980 Axle End Bushing	2	78
	S.O.S.	R	-	16135-01	Adjustable Torque Rod, Rear 60" Axle Spacing Center-to-Center, Includes R301980 Axle End Bushing	2	-
29	R302886	R	-	22274-01	Undrilled Center Hanger	2	84
	R3014388	R	-	22335-01	Drilled Center Hanger	2	84
30	R302983	-	-	10092-01	Locknut, 7/8"-9	4	-
31	R30901	-	-	10033-01	Bolt 7/8"-9 x 5-1/2" Long	4	83
32	R302873	R	-	08677-01	Top Plate, Cast, 3" Wide	4	93
33	R302887	R	-	22299-01	Undrilled Rear Hanger, Left Hand	2	84
	R302888	R	-	22299-02	Undrilled Rear Hanger, Right Hand	2	84
	S.O.S.	R	-	Various	Drilled Rear Hanger	2	-
34	R302867A	R	-	TK19168	Rear Hanger Pad Assembly Includes Bolt, Plate, and Wear Pad	2	90
35	R30UB8151-16	-	-	09744-01	U-Bolt Assembly, Rd. Bend, 3/4"-16 Thd. X 3" Wide x 16" Long	4	-
	R30UB8151-18	-	-	09752-01	U-Bolt Assembly, Rd. Bend, 3/4"-16 Thd. X 3" Wide x 18" Long	4	-
36	S.O.S.	R	-	Various	Axle Seat	4	-
37	S.O.S.	R	-	Various	Bottom Plate	4	-

R Denotes Product is Genuine Reyco Granning

REYCO GRANNING

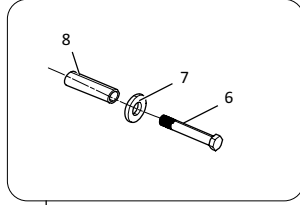
Model 102CC Single Axle Spring Suspension Tractor

Wear Pad Assembly



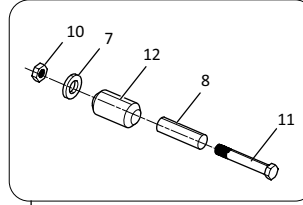
5

Front Hanger Roller Assembly



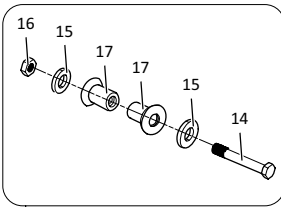
9

Rear Rubber Spring Roller Assembly



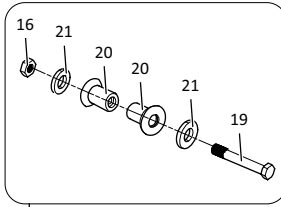
13

Torque Arm Bushing Assembly
Hanger End

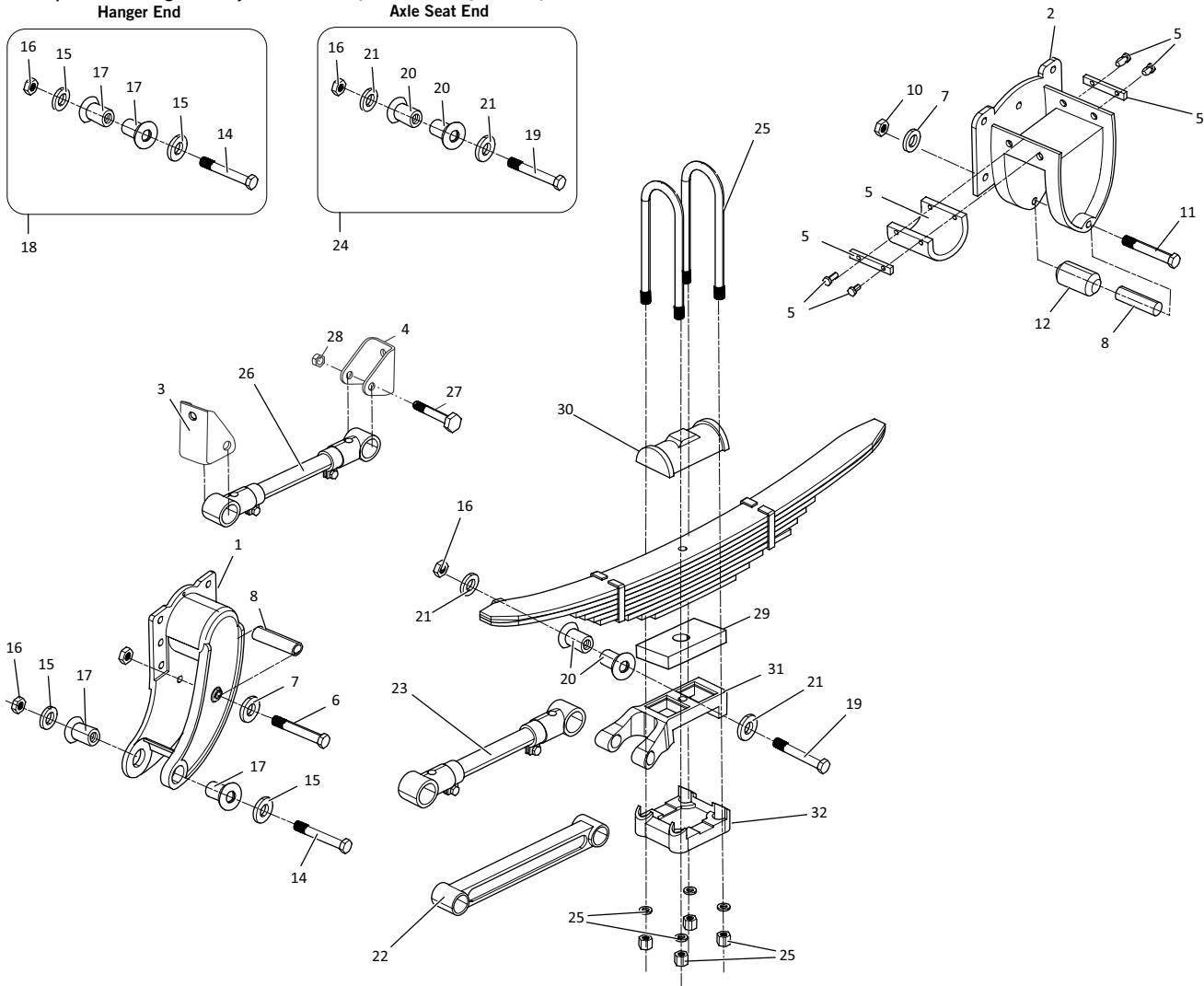


18

Torque Rod Bushing Assembly
Axle Seat End



24

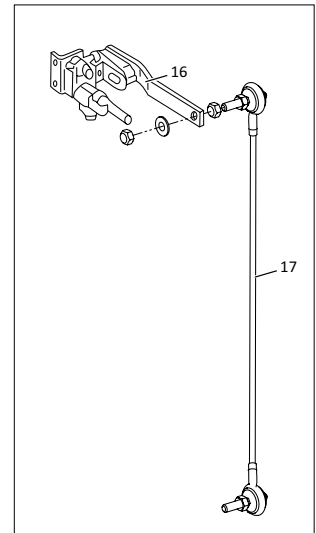
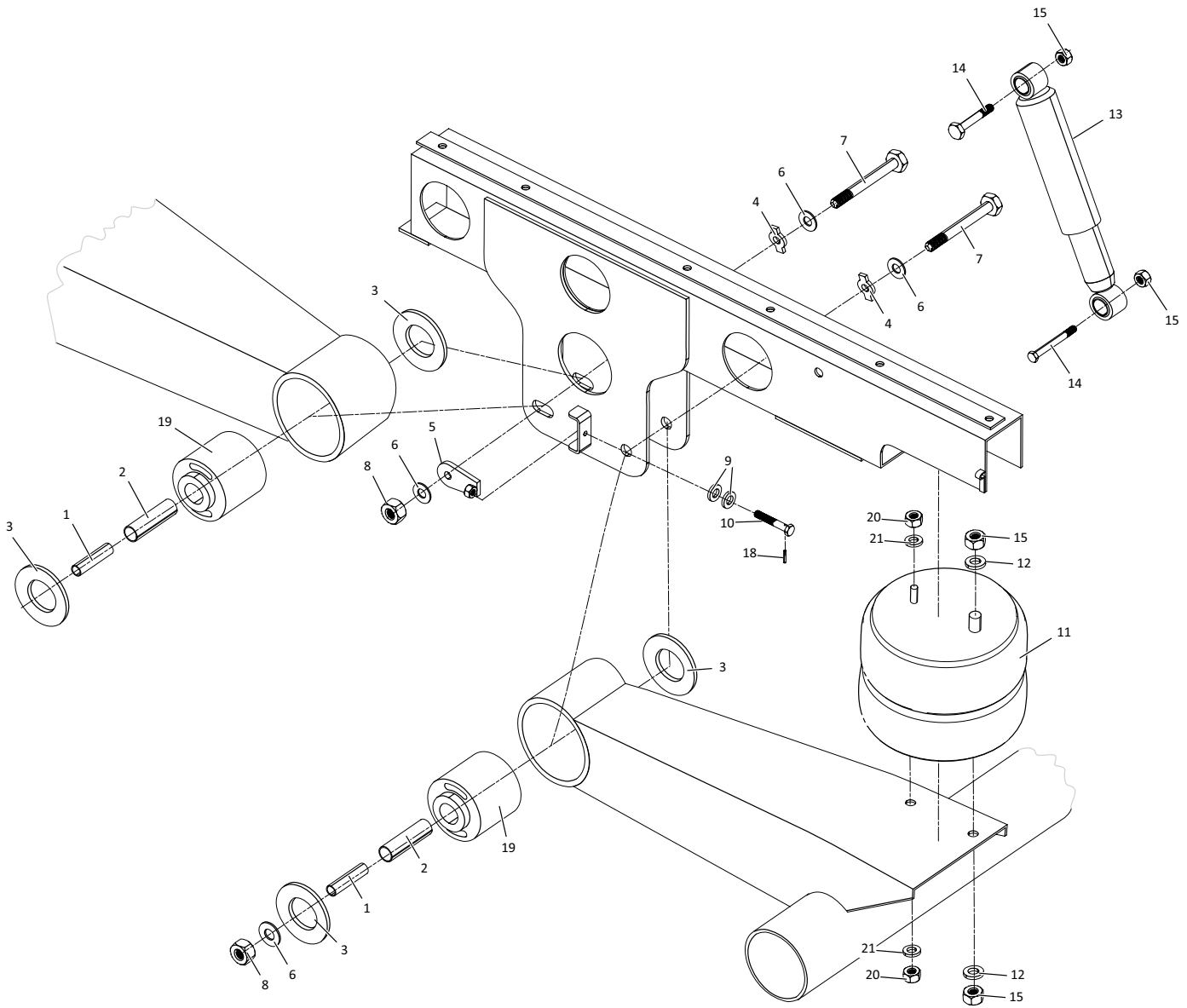


Model 102CC Single Axle Spring Suspension Tractor							
KEY NO.	MERITOR NO.	GENUINE	MACH NO.	OEM REF.	DESCRIPTION	QTY. PER AXLE	PAGE NO.
1	S.O.S.	R	-	Various	Front Hanger	1	-
2	S.O.S.	R	-	Various	Rear Hanger	1	-
3	S.O.S.	R	-	13149-01	Upper Control Arm Frame Bracket	2	-
4	S.O.S.	R	-	13148-01	Upper Control Arm Axle Bracket	2	-
5	R302867A	R	-	TK14168	Wear Pad Assembly	2	90
6	R3016493	-	-	T-3099	Bolt 1/2"-20 x 4-1/2" Long	2	-
7	R301974	-	-	T-1705	Lockwasher, 1/2"	4	-
8	R301971	R	G-1971	T-2106	Spring Roller	4	89
9	R3016537	-	-	TK19212	Front Hanger Roller Assembly, Includes Key Nos. 6, 7, 8	2	-
10	R305032	-	-	T-1704	Hex Nut, 1/2"-20	2	-
11	R302022	-	-	T-5549	Bolt, 1/2"-20 x 5 1/2" Long	2	-
12	R301980	-	-	09729-01	Rear Hanger & Control Arm Bushing, Rubber	2	82
	R307520	-	-	-	Rear Hanger & Control Arm Bushing Bushing, Poly	2	82
13	R3016538	-	-	TK19169	Rear Rubber Spring Roller Assembly Includes Key Nos. 7, 8, 10, 11, 12	2	-
14	R301166	-	-	23882-01	Torque Arm Bolt, Hanger End, 1"-14 x 6-3/4" Long	2	83
15	R30905	-	-	T1724	Flat Washer, 1-1/16"	2	-
16	R30937	-	-	T-5495	Lock Nut, 1"-14	4	-
17	R3010057	-	G-10057	21238-01S	Torque Arm Bushing, Hanger End, Rubber	2	82
18	R309350	-	-	TK21640T	Torque Arm Bushing Assembly Hanger End, Includes Key No. 14, 15, 16, 17, Rubber	2	81
	R309583	-	-	-	Torque Arm Bushing Assembly Hanger End, Includes Key No. 14, 15, 16, 17, Poly	2	81
19	R30900	-	-	17161-01	Torque Arm Bolt, Axle End, 1"-8 x 6-3/8" Long	2	83
20	R301982	-	-	T-2242	Bushing, Torque Arm, Seat End, Rubber	4	82
	R307522	-	-	-	Bushing, Torque Arm, Seat End, Poly	4	82
21	R30907	-	-	T-2224	Compression Washer, Seat End	4	-
22	S.O.S.	R	-	13135-01	Rigid Torque Arm, without bushing	1	-
23	S.O.S.	R	-	15174-01	Adjustable Torque Arm, without bushing	1	-
24	R301983	-	-	TK19089	Torque Rod Bushing Assembly, Includes Key No. 16, 19, 20, 21	2	81
25	R30UB8165-12	-	-	08494-01	U-Bolt Assembly, Round Bend, 7/8"-14 Thd x 3" Wide x 12" Long	2	-
	R30UB8165-13	-	-	08512-01	U-Bolt Assembly, Round Bend, 7/8"-14 Thd x 3" Wide x 13" Long	2	-
	R30UB8165-14	-	-	08515-01	U-Bolt Assembly, Round Bend, 7/8"-14 Thd x 3" Wide x 14" Long	2	-
	R30UB8165-16	-	-	08520-01	U-Bolt Assembly, Round Bend, 7/8"-14 Thd x 3" Wide x 16" Long	2	-
26	R302292	-	-	16347-01	Upper Control Arm, Includes R301980 Bushing	2	78
27	R30901	-	-	10033-01	Bolt, Track Rod, 7/8"-9 x 5-1/2" Long	4	83
28	R302983	-	-	10092-01	Locknut, 7/8"-9	4	-
29	R309562	R	-	T-7555	Spacer, 3" Wide x 7" Long, 1/2" Thick, 13/16" Hole	As Req.	95
	R309563	R	-	T-7716	Spacer, 3" Wide x 7 1/2" Long, 1" Thick	As Req.	95
	R309564	R	-	T-7654	Spacer, 3" Wide x 7 1/2" Long, 1" Thick	As Req.	95
30	R302873	R	-	08677-01	Top Plate, Cast, 3" Wide	2	93
31	S.O.S.	R	-	Various	Axle Seat	1	-
32	S.O.S.	R	-	Various	Bottom Plate	1	-

R Denotes Product is Genuine Reyco Granning

REYCO GRANNING

Model 20AR/22AR Air Suspension Trailer



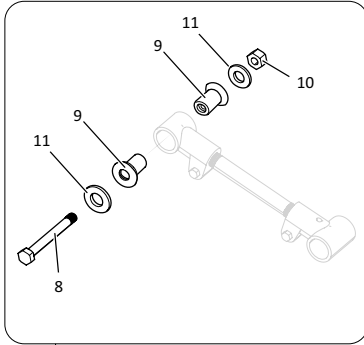
Model 20AR/22AR Air Suspension Trailer							
KEY NO.	MERITOR NO.	GENUINE	MACH NO.	OEM REF.	DESCRIPTION	QTY. PER TANDEM	PAGE NO.
1	R3015244	R	-	23674-02	Pivot Shaft Sleeve	4	-
2	R3015245	R	-	23432-02	Sleeve Cover, 4 3/8"	4	-
3	R3015246	R	-	23427-01	Beam Spacer	8	-
4	R3015247	R	-	23656-01	Rey-Align Flange Washer	6	-
5	R3015248	R	-	23673-02	Rey-Align Assembly	2	-
6	R3015249	-	-	23952-01	Disc Spring Washer, 7/8"	4	-
7	R3015264	-	-	23286-02	Bolt, 7/8" x 7-1/2" Long	4	-
8	R301835	-	-	14345-01	Lock Nut, 7/8"-14	4	-
9	R3015250	-	-	20852-01	Flat Washer, 3/4"	4	-
10	R3015251	R	-	24398-01	Rey-Align Bolt 3/4"-10 x 3.5"	2	-
11	FS7555	-	-	20018-01	Air Spring Assembly	4	-
	MAF7555	-	-			-	-
12	R3015253	-	-	T-3164	Lock Washer, 3/4"	4	-
13	M85052	-	-	700098-03	Shock Absorber	4	-
14	R3015240	R	-	12889-02	Bolt, 3/4"-16 x 10" Long	4	-
15	R304961A	-	-	14344-01	Lock Nut, 3/4"-16	8	-
16	R3015241	R	-	700318-14	Height Control ValvR30Hadley 1500	1	96
17	R307852	-	-	-	Universal Linkage Kit	1	96
18	R3015261	R	-	24453-01	Coiled Spring Pin	2	-
19	R3015243	R	-	25770-01	Pivot Bushing, 4 1/2" Width	2	-
20	R3015256	-	-	12920-01	Nut 1/2"-13	2	-
21	R301974	-	-	T-1705	Lock Washer, 1/2"	2	-

R Denotes Product is Genuine Reyco Granning

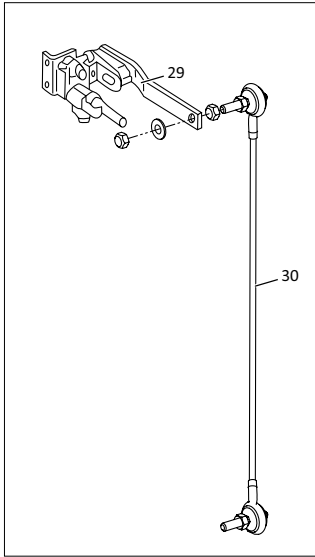
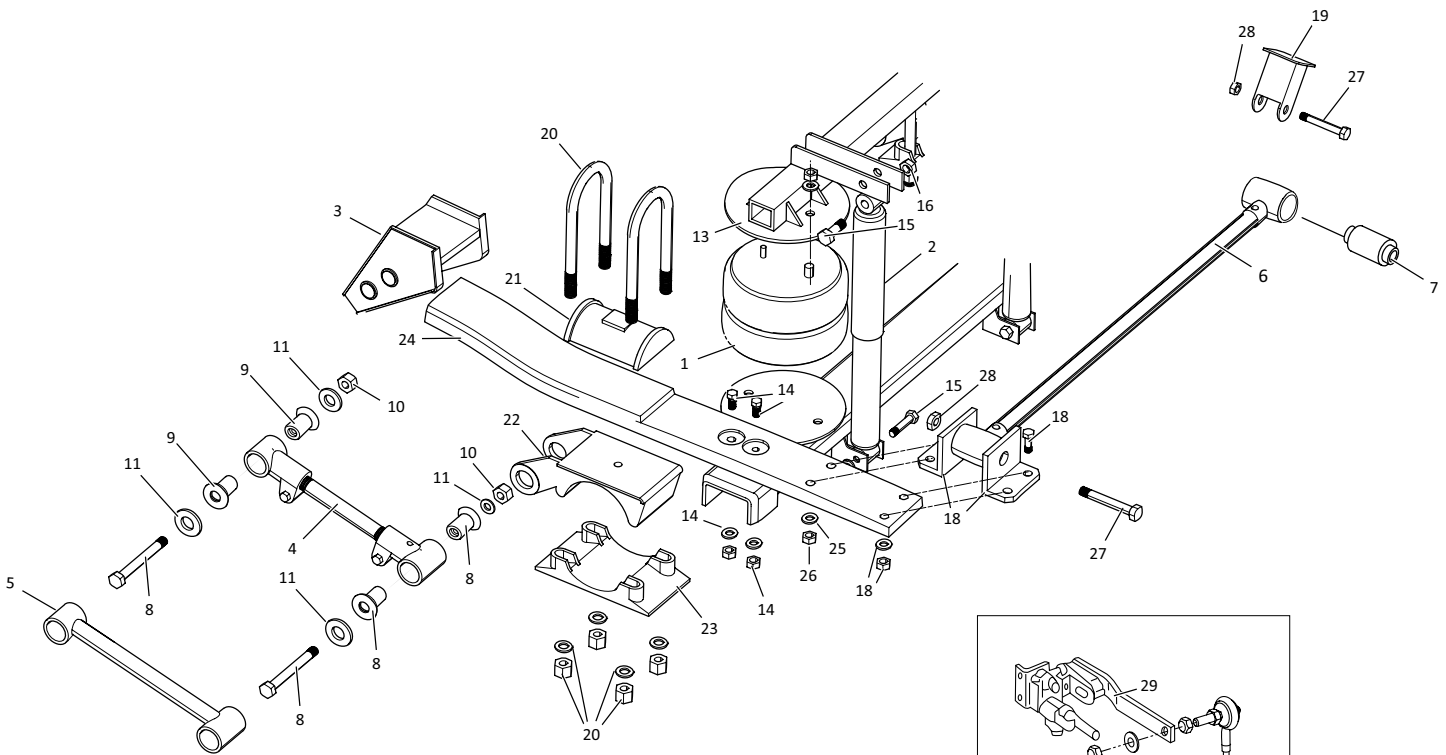
REYCO GRANNING

Model 21AR Air Suspension Trailer

Torque Arm Bushing & Bolt Kit



12



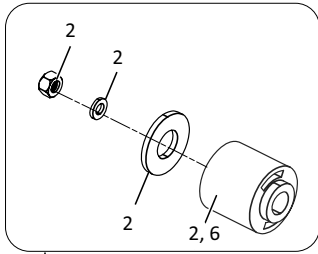
Model 21AR Air Suspension Trailer							
KEY NO.	MERITOR NO.	GENUINE	MACH NO.	OEM REF.	DESCRIPTION	QTY. PER AXLE	PAGE NO.
1	FS7557	-	-	19983-01	Air Spring Assembly	4	-
2	M85013	-	-	12887-01	Shock Absorber, Standard Duty Shock	4	-
	M89414	-	-	-	Shock Absorber, Premium Adjustable Shock	4	-
3	R3015265	R	-	21949-01	Hanger, Under Mount	4	84
4	R303283A	R	G-3283A	15172-01	Torque Arm, Adjustable	2	78
5	R302855	R	-	15178-01	Torque Arm, Rigid	2	79
6	R3015266	R	-	20012-01	Track Rod Rigid, 38" Frame Width, Includes R301980 Bushings	2	80
	S.O.S.	R	-	20969-01	Track Rod Rigid, 40" Frame Width, Includes R301980 Bushings	2	-
	S.O.S.	R	-	20314-01	Track Rod Rigid, 42" Frame Width, Includes R301980 Bushings	2	-
	R3015276	R	-	10910-01	Track Rod Rigid, 48" Frame Width, Includes R301980 Bushings	2	80
7	R301980	-	-	09729-01	Track Rod Bushing, Rubber	4	82
	R307520	-	-	-	Track Rod Bushing, Poly	4	82
8	R301166	-	-	T-5492	Torque Arm Bolt, 1"-14 x 6-3/4" Long	8	83
9	R301160	-	-	T-5493	Torque Arm Bushing, Rubber	16	82
	R307523	-	-	-	Torque Arm Bushing, Poly	16	82
10	R30937	-	-	T-5495	Torque Arm Nut, 1"-14	8	-
11	R30907	-	-	T-2224	Torque Arm Compression Washer, 1"	16	-
12	R301312A	-	-	TK18997	Torque Arm Bushing Assembly, Includes Key Nos. 8, 9, 10, 11, Rubber	8	81
	R309545	-	-	-	Torque Arm Bushing Assembly, Includes Key Nos. 8, 9, 10, 11, Poly	8	81
13	R3015277	R	-	17856-01	Upper Air Spring Mounting Plate	4	-
14	S.O.S.	R	-	25017-38	Lower Air Spring Support Assembly, 38" Frame Width	2	-
	S.O.S.	R	-	25017-40	Lower Air Spring Support Assembly, 40" Frame Width	2	-
	S.O.S.	R	-	25017-42	Lower Air Spring Support Assembly, 42" Frame Width	2	-
	R3015279	R	-	25017-44	Lower Air Spring Support Assembly, 44" Frame Width	2	-
15	R3015267	-	-	08210-01	Shock Absorber Bolt, 3/4"-16 x 3" Long	8	-
16	R304961A	-	-	14344-01	Nut, 3/4"	8	-
17	R3015268	R	-	21778-01	Upper Shock Mounting Bracket	8	-
18	R309358	R	-	21491-01	Track Rod Bracket, Lower Left hand	4	82
19	R3015269	R	-	18919-01	Track Rod Bracket, Upper Right Hand	4	88
20	R30UB8161-14	-	-	18885-01	U-Bolt Assembly, Rd. Bend, 7/8"-14 Thd. x 3" Wide x 14" Long	8	-
	R30UB8161-16	-	-	08498-01	U-Bolt Assembly, Rd. Bend, 7/8"-14 Thd. x 3" Wide x 16" Long	8	-
21	R309553	R	-	20050-01	U-Bolt Top Plate	4	93
22	R3015270	R	-	20051-01	Axle Seat, Round Axle, 14" Ride Height	4	91
	S.O.S.	R	-	20051-02	Axle Seat, Round Axle, 15 1/4" Ride Height	4	-
	S.O.S.	R	-	20051-03	Axle Seat, Round Axle, 16 1/2" Ride Height	4	-
23	R302909	-	G-2909	0538-00	Bottom Plate, 5" Round Axle	4	92
24	R3010774	R	-	19879-01	Spring Beam, Left Hand	2	-
	R3010775	R	-	19880-01	Spring Beam, Right Hand	2	-
25	R3015254	-	-	T-1859	Lock Washer 3/8"	8	-
26	R3015257	-	-	20029-01	Nut, 3/8"-16	8	-
27	R30901	-	-	10033-01	Track Rod Bolt, 7/8"-9 x 5-1/2" Long	2	83
28	R302983	-	-	10092-01	Track Rod Nut, 7/8"-9	2	-
29	R309623	-	-	-	Universal Height Control Valve Assembly	1	96
30	R307852	-	-	-	Universal Linkage Kit	1	96

R Denotes Product is Genuine Reyco Granning

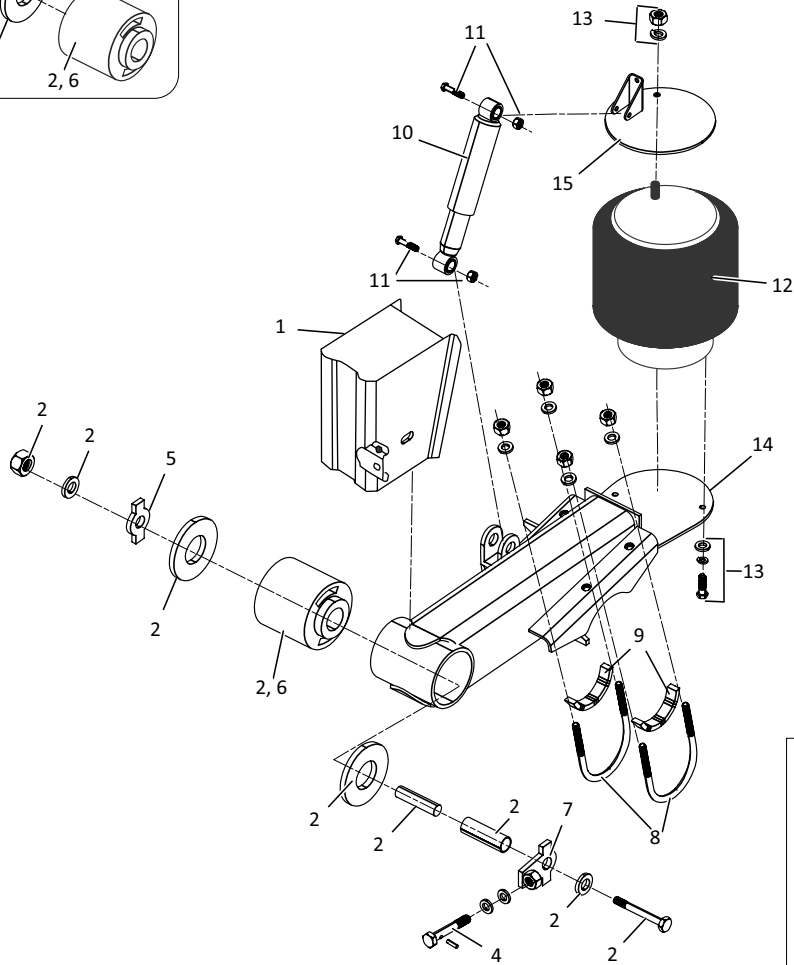
REYCO GRANNING

Model 23AR/25AR/30AR Air Suspension Trailer

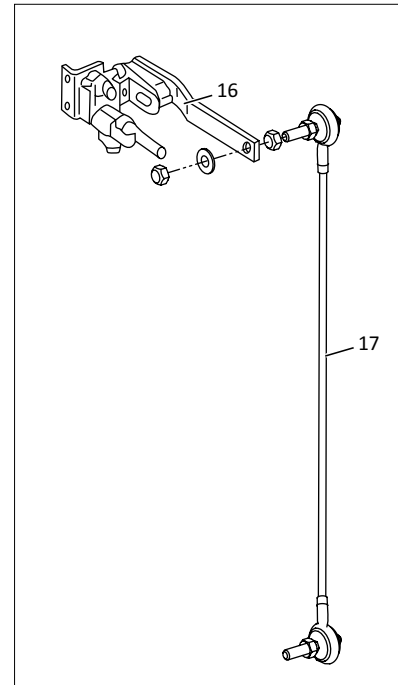
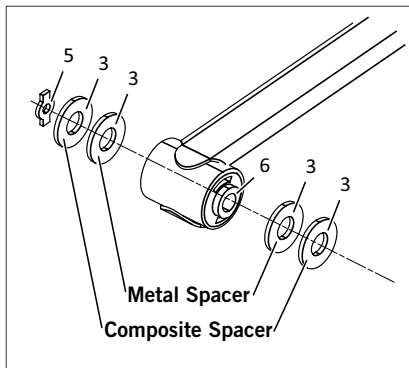
Heavy Duty Beam Spacer



3



Heavy Duty Beam Spacer Configuration Option



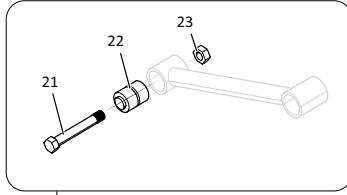
Model 23AR/25AR/30AR Air Suspension Trailer							
KEY NO.	MERITOR NO.	GENUINE	MACH NO.	OEM REF.	DESCRIPTION	QTY. PER AXLE	PAGE NO.
1	S.O.S.	R	-	Various	Hanger	2	-
2	R3016199	R	-	K701163-1	Kit, Rebushing; REY-ALIGN® Beam; 7/8" Bolt	2	-
	R3016200	R	-	K701311	Kit, Rebushing; Huck Bolted Beam; 1-1/8" Bolt	2	-
3	R3016201	R	-	K70221805	Kit, Heavy Duty Beam Spacer	4	-
4	R3015251	R	-	24398-01	Bolt, Adjustment; Alignment	2	-
5	R3016202	R	-	23656-01	Flange Washer, Opposite REY-ALIGN®	2	-
6	R3016203	R	-	23421-01	Bushing	2	-
7	R3016204	R	-	23673-01	REY-ALIGN Adjustment Washer	1	-
8	R30UB8168-082	-	-	TK23961	U-bolt Assembly 7/8"-14 X 6" Wide X 8 1/4" Long. Incl. Nuts & Washers	4	-
9	R3016206	R	-	23939-01	Spacer, U-Bolt/Axle	4	94
10	M85738	-	-	23523-01	Shock Absorber, All 23K Rear Angled Shock Models	2	-
	S.O.S.	R	-	702135-01	Shock Absorber, All 23K Forward Angled Shock Models	2	-
	S.O.S.	R	-	704672-01	Shock Absorber, 25K Forward Angled Shock Models Except Models with 12-17" Ride Ht.	2	-
	S.O.S.	R	-	24392-01	Shock Absorber, All 25K Rear Angled Shock Models	2	-
	S.O.S.	R	-	702135-01	Shock Absorber, All 23K Forward Angled Shock Models	2	-
	S.O.S.	R	-	23524-01	Shock Absorber, All 30K Rear Angled Shock Models	2	-
	M85938	-	-	23553-01	Shock Absorber, All 30K Forward Angled Shock Models	2	-
11	R3016210	R	-	TK23535	Kit, Bolt; Shock Absorber	2	-
12	FS8740	-	-	23433-01	Air Spring, All 23K Models	2	-
	MAF8740	-	-				
	FS8856	-	-	23521-02	Air Spring, 25K Forward Angled Shock Models with 12-17" Ride Ht.	2	-
	FS8855	-	-	704671-01	Air Spring, 25K Forward Angled Shock Models Except Models with 12-17" Ride Ht.	2	-
	MAF8855	-	-				
	FS9560	-	-	25396-01	Air Spring, 25K Rear Angled Shock Models 25ARTULS-14A, 15A, 16A	2	-
	FS8050	-	-	23631-01	Air Spring, All 30K Models	2	-
	MAF8050	-	-				
13	R3016214	R	-	TK23658	Kit, Air Spring Mounting, All 23K Models	2	-
	S.O.S.	R	-	TK24381	Kit, Air Spring Mounting, 25K Rear Angled Shock Models Except Models 25ARTULS-14A, 15A, 16A	2	-
	R3016215	R	-	TK23532	Kit, Air Spring Mounting, 25K Rear Angled Shock Models 25ARTULS-14A, 15A, 16A	2	-
	R3016216	R	-	TK24778	Kit, Air Spring Mounting, All 30K Models	2	-
	S.O.S.	R	-	TK23568	Kit, Air Spring Mounting, 25K Forward Angled Shock Models Except Models with 12-17" Ride Ht	2	-
14	S.O.S.	R	-	Various	Assembly, Beam Specify Model & LH/RH	2	-
15	S.O.S.	R	-	Various	Assembly, Top Plate; Air Spring Specify Model & Ride Hgt.	2	-
16	R309623	-	-	-	Valve, Height Control; Universal	1	96
17	R307852	-	-	-	Linkage Assembly; Universal; Adjustable 3-5/8"-19-5/8" Range; Use w/All Height Control Valves	1	96

R Denotes Product is Genuine Reyco Granning

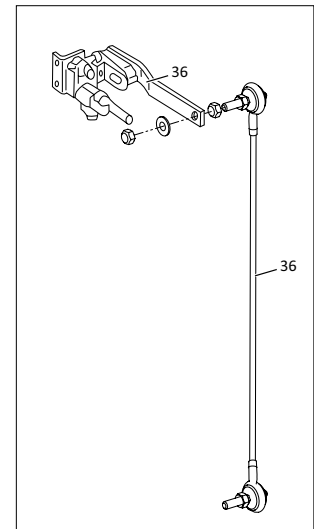
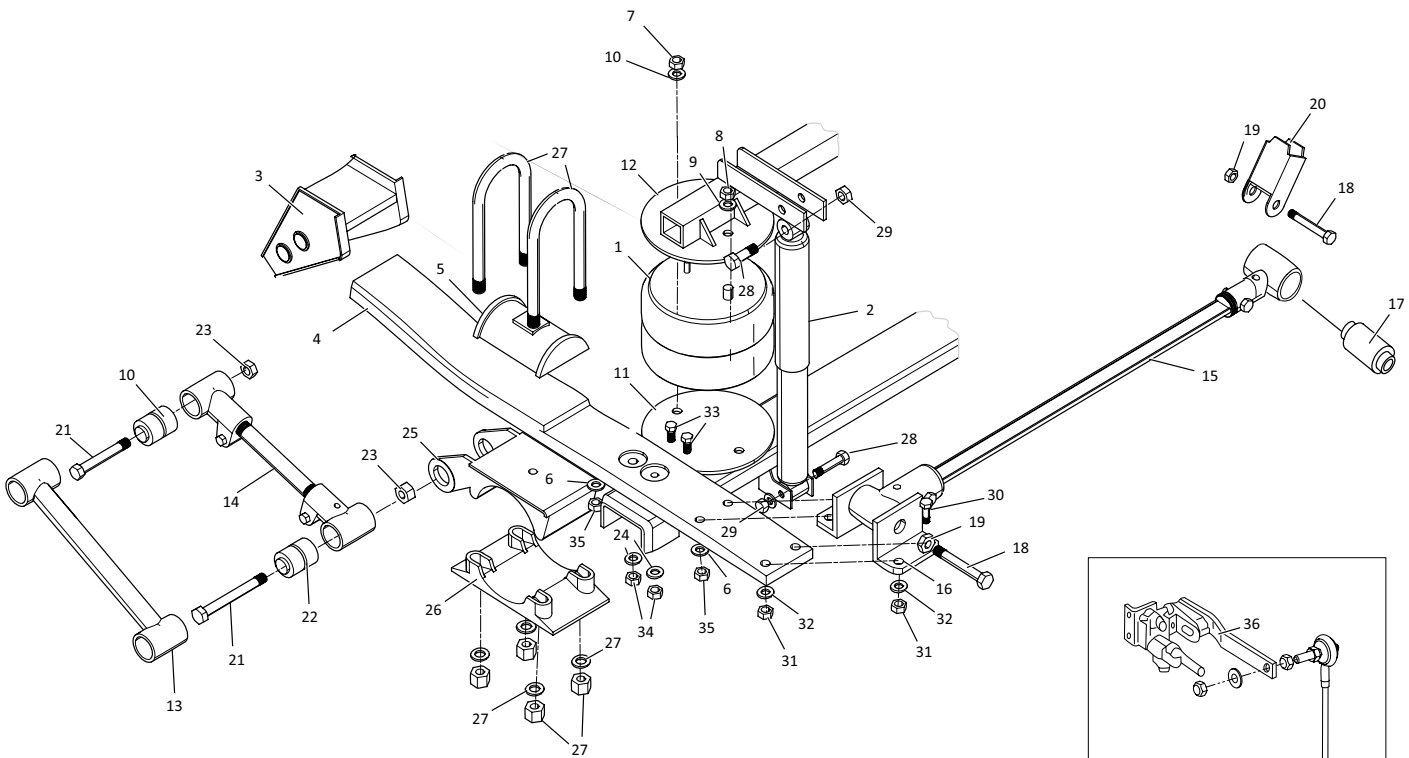
REYCO GRANNING

Model 74AR Air Suspension Trailer

Torque Rod Bushing & Bolt Kit



24



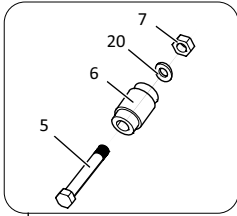
Model 74AR Air Suspension Trailer

KEY NO.	MERITOR NO.	GENUINE	MACH NO.	OEM REF.	DESCRIPTION	QTY. PER AXLE	PAGE NO.
1	FS7557	-	-	19983-01	Air Spring	2	-
2	M85013	-	-	12887-01	Shock Absorber, Standard Duty Shock	2	-
	M89414	-	-	-	Shock Absorber, Premium Adjustable Shock	2	-
3	R309615	R	-	16671-01	Hanger, Under Mount	2	-
4	R3015284	R	-	19897-01	Left Spring Beam	1	-
	R3015285	R	-	19898-01	Right Spring Beam	1	-
5	S.O.S.	R	-	20157-01	Top Plate	2	-
6	R3015254	-	-	T-1859	Lockwasher 3/8"	4	-
7	R3015256	-	-	12920-01	Nut 1/2"-13	2	-
8	R301107	-	-	08211-01	Nut 3/4"-16	2	-
9	R3015253	-	-	T-3164	Lockwasher 3/4"	2	-
10	R301974	-	-	T-1705	Lockwasher, 1/2"	2	-
11	S.O.S.	R	-	19790-01	Lower Air Spring Plate	2	-
12	S.O.S.	R	-	24067-01	Upper Air Spring Plate	2	-
13	R309585	R	-	16585-01	Rigid Torque Arm, 14-1/4" Center-to-Center	1	79
14	R309584	R	-	16595-01	Adjustable Torque Arm, 14-1/4" Center-to-Center	1	78
15	R3015266	R	-	20012-01	Track Rod, Rigid, 38" Length, Includes R301980 Bushing	1	80
	S.O.S.	R	-	20969-01	Track Rod, Rigid, 40" Length, Includes R301980 Bushing	1	-
	S.O.S.	R	-	20314-01	Track Rod, Rigid, 42" Length, Includes R301980 Bushing	1	-
	R3015276	R	-	10910-01	Track Rod, Rigid, 44" Length, Includes R301980 Bushing	1	80
16	R309358	R	-	21491-01	Track Rod Bracket	2	82
17	R301980	-	-	09729-01	Track Rod Bushing	2	82
18	R30901	-	-	10033-01	Track Rod Bolt 7/8"	2	83
19	R302983	-	-	10092-01	Track Rod Locknut, 7/8"-9	2	-
20	R3015269	R	-	18919-01	Track Rod hanger, Upper Right hand	1	88
	S.O.S.	R	-	19604-01	Track Rod Bracket, Lower Left Hand	1	-
21	R301166	-	-	T-5492	Torque Rod Bolt 1" X 2 3/8" X 4" Long	4	83
22	R309549	-	-	15737-01	Torque Rod Bushing	4	82
23	R30937	-	-	T-5495	Torque Rod Nut 1"-14	4	-
24	R309587	-	-	-	Torque Rod Bushing Assembly Includes Key Nos. 21, 22, 23	4	81
25	R309626	R	-	15751-01	Axle Seat, 14-1/4" Ride Height	2	91
	S.O.S.	R	-	19996-01	Axle Seat, 15-1/4" Ride Height	2	-
26	S.O.S.	R	-	19989-01	Bottom Plate, 14-1/4" - 16-1/4" Ride Height	2	-
27	R30UB5161-12	-	-	-	U-Bolt Assembly, Round Bend, 7/8"-14 Thd x 3" Wide x 12" Long	4	-
	R30UB5161-13	-	-	-	U-Bolt Assembly, Round Bend, 7/8"-14 Thd x 3" Wide x 13" Long	4	-
	R30UB5161-14	-	-	-	U-Bolt Assembly, Round Bend, 7/8"-14 Thd x 3" Wide x 14" Long	4	-
28	R3015267	-	-	08210-01	Shock Absorber Bolt, 3/4"-16 x 3" Long	4	-
29	R304961A	-	-	14344-01	Shock Absorber Nut 3/4"-16	4	-
30	S.O.S.	R	-	17353-01	Cap screw 1/2"	4	-
31	S.O.S.	R	-	17357-01	Locknut, 1/2"-20	4	-
32	S.O.S.	R	-	10016-01	Flat Washer, 1/2"	4	-
33	R3015286	-	-	18842-01	Hex Bolt, 7/8" - 14 x 3" Long	4	-
34	R301835	-	-	14345-01	Locknut, 7/8" - 14	8	-
35	R3015251	-	-	20029-01	Nut, 3/8" - 16	4	-
36	R3015271	R	-	23329-01	Height Control Valve, 1/4" Fitting, Includes Linkage	1	96
-	R304324	-	-	12915-03	Pressure Protection Valve, Includes Filter	1	96

REYCO GRANNING

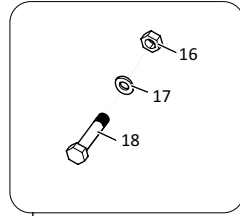
Model 86AR Air Suspension Trailer

Torque Arm/Track Rod
Bushing Assembly

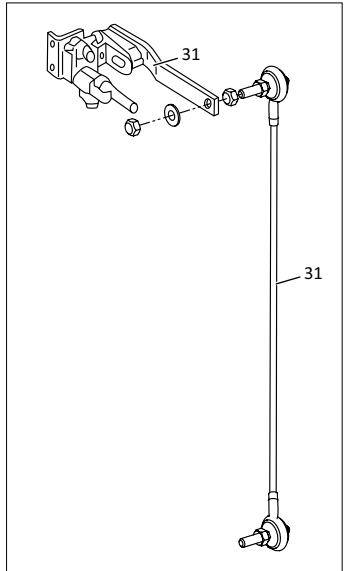
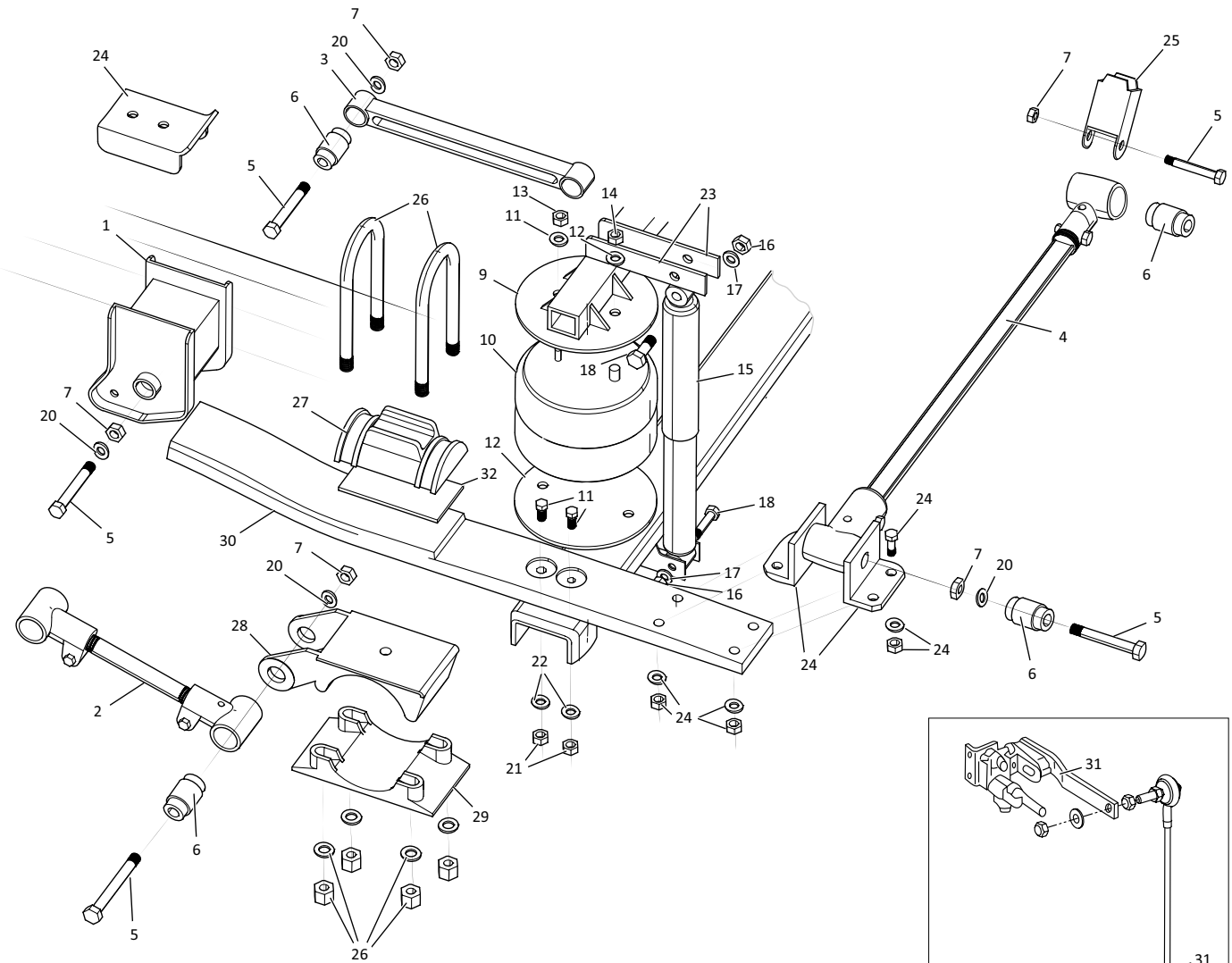


8

Shock Absorber Mounting Kit



19



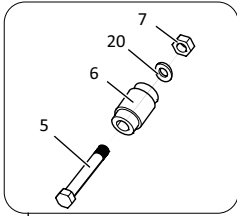
Model 86AR Air Suspension Trailer								
KEY NO.	MERITOR NO.	GENUINE	MACH NO.	OEM REF.	DESCRIPTION	QTY. PER AXLE	QTY. PER TANDEM	PAGE NO.
1	R309351A	R	-	22662-01	Front Hanger, Straddle Mount	2	4	84
	S.O.S.	R	-	1503-00	Front Hanger, Undermount	2	4	-
	S.O.S.	R	-	1504-01	Front hanger, Left, Flangemount	2	4	-
	S.O.S.	R	-	1504-02	Front hanger, Right, Flangemount	2	4	-
2	R304824	R	G-4824	1035-20	Adjustable Torque Arm, Fabricated End, Includes R301980 Bushing	1	2	78
	R302513	-	-	-	Adjustable Torque Arm, Cast End, Includes R301980 Bushing	1	2	78
3	R304825	R	G-4825	0075-20	Rigid Torque Arm, Includes R301980 Bushing	1	2	79
4	R3015266	R	-	20012-01	Track Rod Rigid, Standard, 42" Frame Width	1	2	80
	R3015276	R	-	10910-01	Track Rod Rigid, Standard, 48" Frame Width	1	2	80
	S.O.S.	R	-	17857-01	Track Rod Rigid, Adjustbale Option, 42" Frame Width	1	2	-
	S.O.S.	R	-	18869-01	Track Rod Rigid, Adjustbale Option, 48" Frame Width	1	2	-
5	R304833	-	-	0001-08	Torque Arm/Track Rod Bolt 7/8"-14 long	6	12	-
6	R301980	-	-	0022-00, 09729-01	Torque Arm/Track Rod Bushing, Rubber	6	12	82
	R307520	-	-	-	Torque Arm/Track Rod Bushing, Poly	6	12	82
7	R301835	-	-	14345-01	Torque Arm/Track Rod Locknut, 7/8-14	6	12	-
8	R304834A	-	-	K002201	Torque Arm/Track Rod Bushing Assembly w/ Rubber Bushing, Includes Key No. 5, 6, 7	6	12	82
9	R3015277	R	-	17856-01	Upper Air Spring Mounting Plate	2	4	-
10	FS7555	-	-	20018-01	Air Spring - Double Convolution	2	4	-
	MAF7555	-	-					-
11	R301974	-	-	T-1705	Air Spring Lockwasher, 1/2"	2	4	-
12	R3015253	-	-	T-3164	Air Spring Lockwasher, 3/4"	2	4	-
13	R3015256	-	-	12920-01	Air Spring Nut, 1/2"	2	4	-
14	R301107	-	-	08211-01	Air Spring Nut, 3/4"	2	4	-
15	M85006	-	-	18165-01	Shock Absorber	2	4	-
16	R304961A	-	-	14344-01	Shock Absorber Mounting Nut, 3/4"-16	4	8	-
17	R302545	-	-	20852-01	Shock Absorber Mounting Washer, 3/4"	4	8	-
18	R3015267	-	-	08210-01	Shock Absorber Mounting Bolt, 3/4"-16 x 3" Long	4	8	-
19	S.O.S.	R	-	TK19216	Shock Absorber Mounting Hardware Kit	4	8	-
20	R302546	-	-	T-7292	Flat Washer, 7/8"	6	12	-
21	R3015257	-	-	20029-01	Nut, 3/8"-16	4	8	-
22	R3015254	-	-	T-1859	Lockwasher 3/8"	4	8	-
23	S.O.S.	R	-	19769-01	Upper Shock Mounting Bracket (2 pieces per Kit)	2	4	-
24	R309358	R	-	TK21962	Track Rod Bracket, Lower Left Hand w/ Hardware	2	4	82
25	S.O.S.	R	-	19709-01	Track Rod Hanger, Upper Right Hand, Bolt-On - Aluminum Trailers	1	2	-
	R3015314	R	-	19772-01	Track Rod Hanger, Upper Right Hand, Weld On	1	2	88
26	R30UB8151-12	-	-	19780-110 to 120	U-Bolt Assembly, Rd. Bend, 3/4"-16 Thd. X 3" Wide x 12" Long	2	4	-
	R30UB8151-14	-	-	19780-125 to 140	U-Bolt Assembly, Rd. Bend, 3/4"-16 Thd. X 3" Wide x 14" Long	2	4	-
	R30UB8151-16	-	-	19780-145 to 160	U-Bolt Assembly, Rd. Bend, 3/4"-16 Thd. X 3" Wide x 16" Long	2	4	-
27	R309353	R	-	1098-00	U-Bolt Top Plate	2	4	94

R Denotes Product is Genuine Reyco Granning

REYCO GRANNING

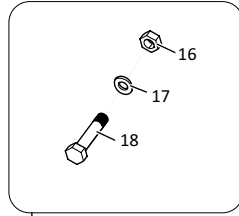
Model 86AR Air Suspension Trailer

Torque Arm/Track Rod
Bushing Assembly

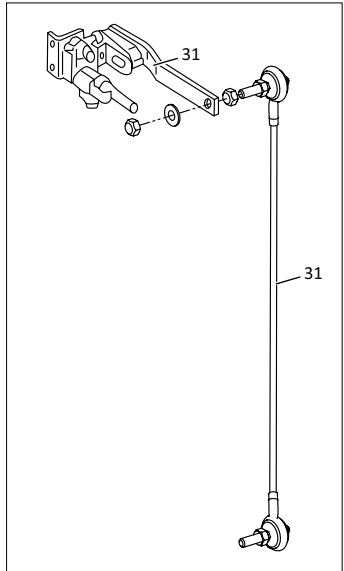
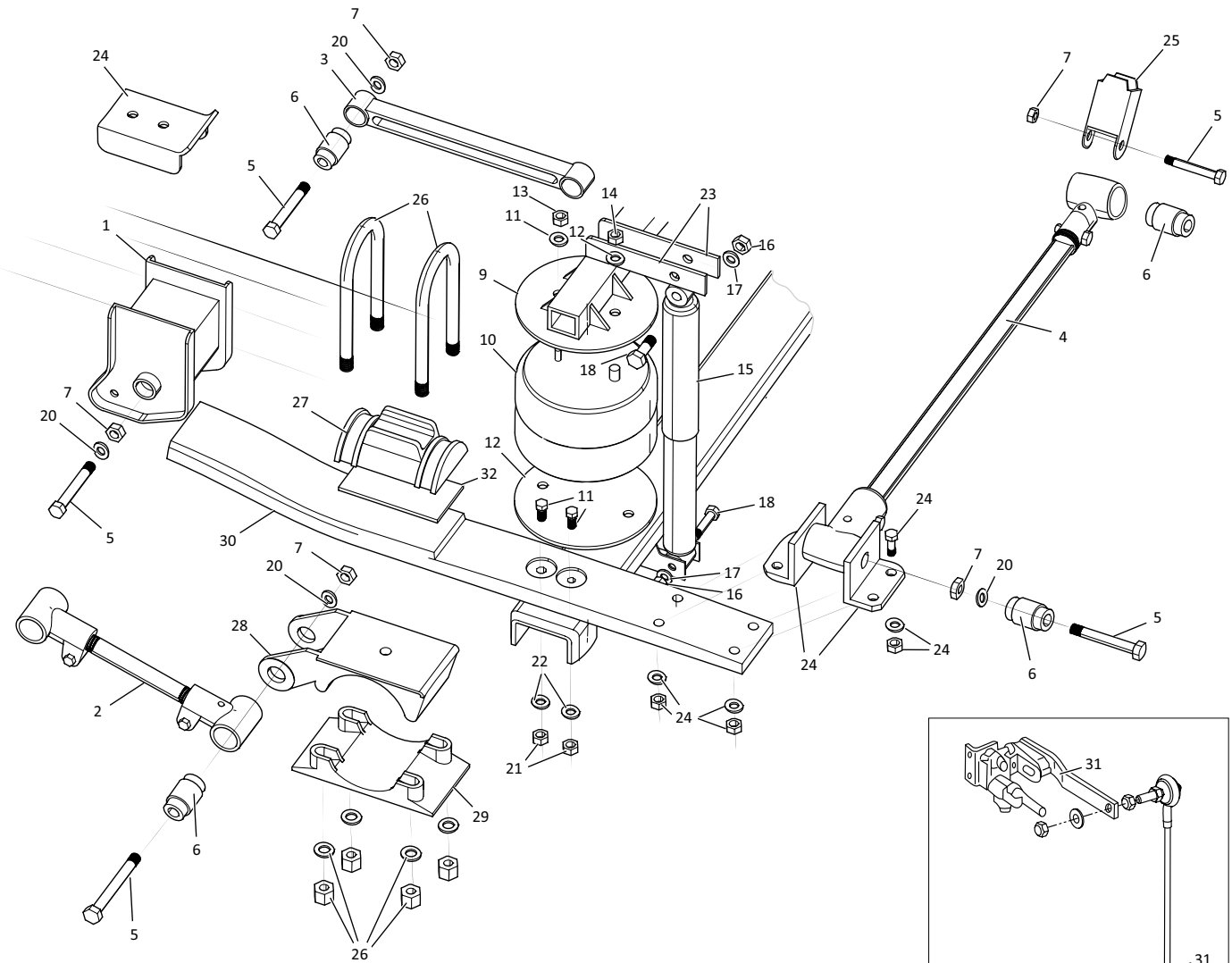


8

Shock Absorber Mounting Kit



19



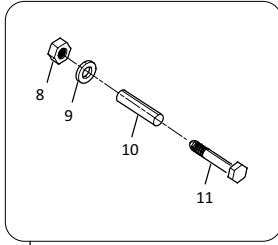
Model 86AR Air Suspension Trailer								
KEY NO.	MERITOR NO.	GENUINE	MACH NO.	OEM REF.	DESCRIPTION	QTY. PER AXLE	QTY. PER TANDEM	PAGE NO.
28	R304814	R	-	0636-01	Axle Seat, 5" Round Axle, 1" High	2	4	91
	S.O.S.	R	-	0636-015	Axle Seat, 5" Round Axle, 1-1/2" High	2	4	-
	S.O.S.	R	-	0636-02	Axle Seat, 5" Round Axle, 2" High	2	4	-
	R309355	R	-	0636-025	Axle Seat, 5" Round Axle, 2-1/2" High	2	4	91
	S.O.S.	R	-	0636-03	Axle Seat, 5" Round Axle, 3" High	2	4	-
	S.O.S.	R	-	0636-035	Axle Seat, 5" Round Axle, 3-1/2" High	2	4	-
	S.O.S.	R	-	0636-04	Axle Seat, 5" Round Axle, 4" High	2	4	-
	S.O.S.	R	-	0632-01	Axle Seat, 5" x 5" Square Axle, 1" High	2	4	-
	S.O.S.	R	-	0632-015	Axle Seat, 5" x 5" Square Axle, 1-1/2" High	2	4	-
	S.O.S.	R	-	0632-02	Axle Seat, 5" x 5" Square Axle, 2" High	2	4	-
	S.O.S.	R	-	0632-025	Axle Seat, 5" x 5" Square Axle, 2-1/2" High	2	4	-
	S.O.S.	R	-	0632-03	Axle Seat, 5" x 5" Square Axle, 3" High	2	4	-
	S.O.S.	R	-	0632-35	Axle Seat, 5" x 5" Square Axle, 3-1/2" High	2	4	-
	S.O.S.	R	-	0632-04	Axle Seat, 5" x 5" Square Axle, 4" High	2	4	-
	29	R302909	-	G-2909	0538-00	Bottom Plate, 5" Round Axle	2	4
R304823		-	-	0149-00	Bottom Plate, 5" x 5" Square Axle	2	4	93
30	R3010772	R	-	19913-01	Spring Beam, Left Hand	1	2	-
	R3010773	R	-	19914-01	Spring Beam, Right Hand	1	2	-
31	R3014729	-	-	-	Height Control Valve, 3/8" Fitting	1	1	96
	R3015271	R	-	23329-01	Height Control Valve, 1/4" Fitting, Includes Linkage	1	1	96
32	R3011305	R	-	16810-00	Galvanized Spring Liner	1	4	93
-	R304324	-	-	12915-03	Pressure Protection Valve, Includes Filter	1	1	96

R Denotes Product is Genuine Reyco Granning

REYCO GRANNING

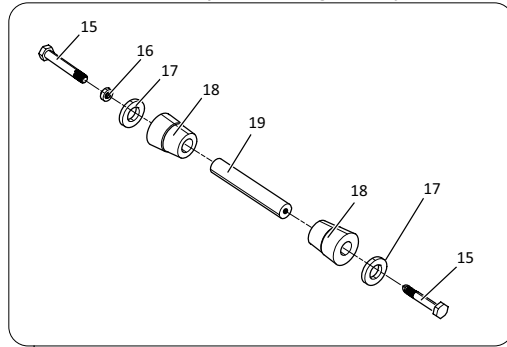
Model 21B Cast Tandem Four Spring Suspension, 42" - 72" Axle Spacing Trailer

Spring Roller Kit



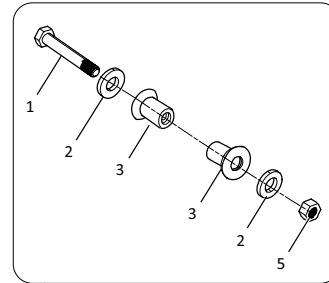
12

Equalizer Bushing Assembly

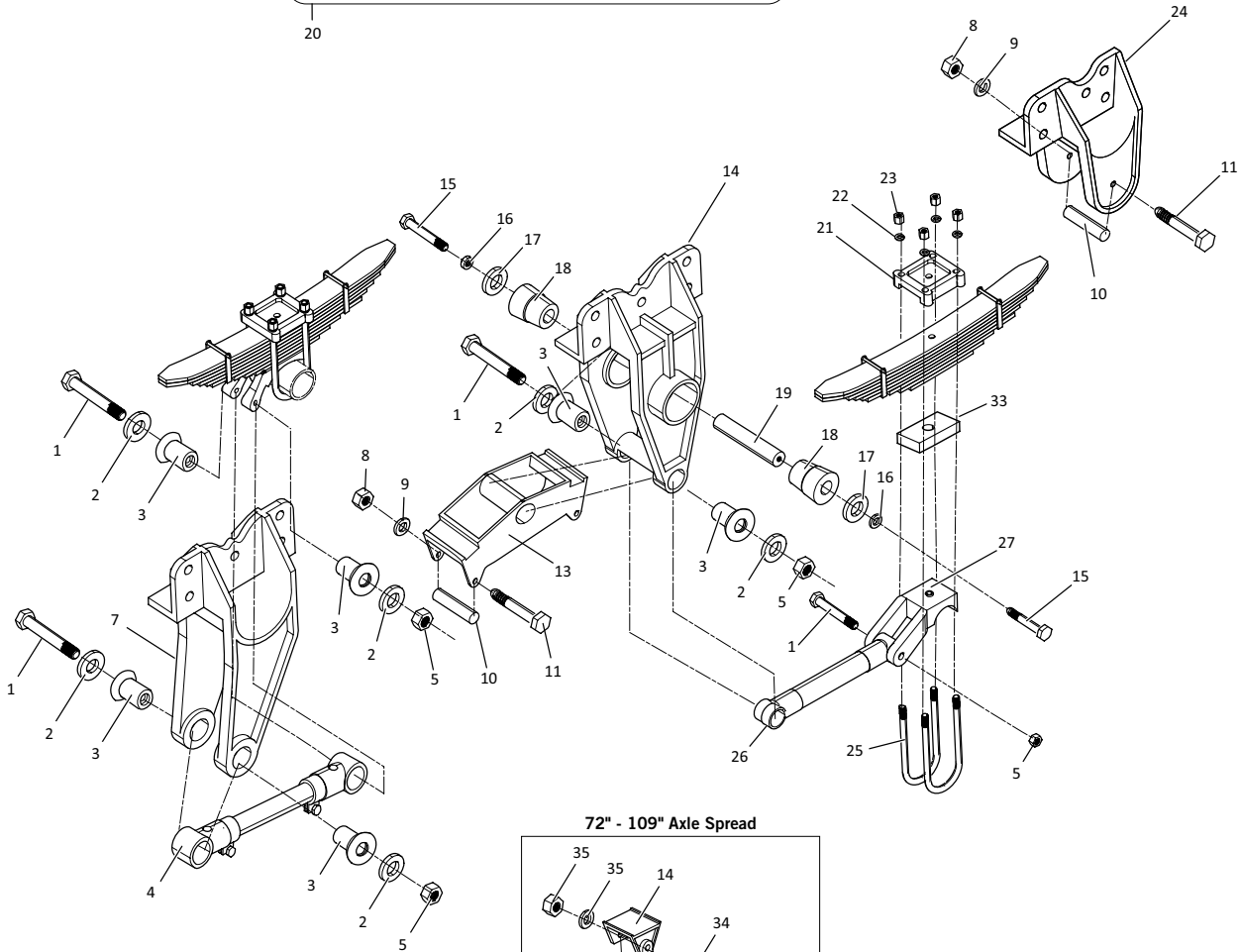


20

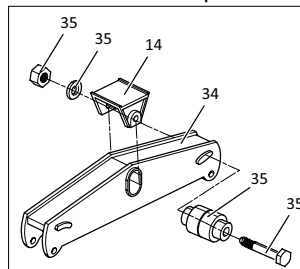
Torque Arm Bushing Kit



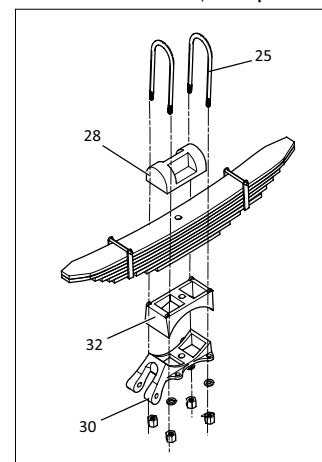
6



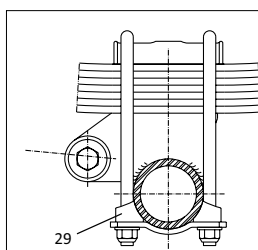
72" - 109" Axle Spread



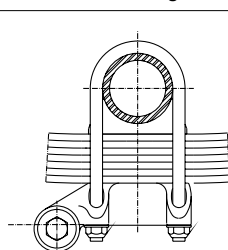
Inverted U-Bolts, No Hop



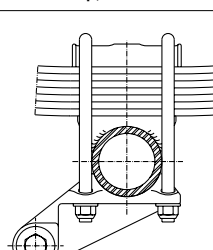
Inverted U-Bolts



Underslung



No Hop, Stabilized Axle



Model 21B Cast Tandem Four Spring Suspension, 42" - 72" Axle Spacing Trailer

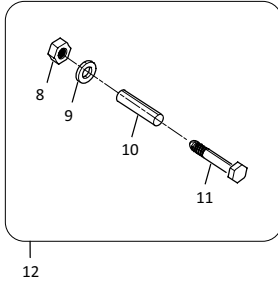
KEY NO.	MERITOR NO.	GENUINE	MACH NO.	OEM REF.	DESCRIPTION	QTY. PER TANDEM	PAGE NO.
1	R301166	-	-	T-5492	Bolt 1"-14 x 6-3/4" Long	8	83
2	R30907	-	-	T-2224	Torque Arm Compression Washer, 1"	16	-
3	R301160	-	-	T-5493	Torque Arm Bushing, Rubber	16	82
	R307523	-	-	T-5493	Torque Arm Bushing, Poly	16	82
4	S.O.S.	R	-	15171-01	Adjustable Torque Arm Without Bushings, Front 42" - 44" Axle Spacing	1	-
	R303283A	R	G-3283A	15172-01	Adjustable Torque Arm without Bushings, Rear 42" - 44" Axle Spacing, Front 49" -109" Axle Spacing	1	78
	R303284A	R	G-3284A	15173-01	Adjustable Torque Arm without Bushings, Rear 49" - 109" Axle Spacing	1	78
	S.O.S.	R	-	15174-01	Adjustable Torque Arm, 19-1/2" Center-to-Center	1	-
	R305255A	R	-	15176-01	Adjustable Torque Arm, Rear 60" Axle Spacing, 25" Center-to-Center	1	78
5	R30937	-	-	T-5495	Locknut, 1"-14	8	-
6	R301312A	-	-	TK18997	Torque Arm Bushing Kit Includes Key Nos. 1, 2, 3, 5, Rubber	8	81
	R309545	-	-	-	Torque Arm Bushing Kit Includes Key Nos. 1, 2, 3, 5, Poly	8	81
7	R302880	R	-	T-5425	Front Hanger, Left, Flange Mount	1	85
	R302879	R	-	T-5424	Front Hanger, Right, Flange Mount	1	85
	R305257	R	-	T-5563	Front Hanger, Left, Undermount	1	85
	R305258	R	-	T-5562	Front Hanger, Right, Undermount	1	85
	R3016179	R	-	20478-01	Front Hanger, Left/Right, Undermount, ADI	2	85
	R3016180	R	-	24022-01	Front Hanger, Left/Right, Undermount, Heavy Duty	2	85
8	R305032	-	-	T-1704	Hex Nut, 1/2"-20	6	-
9	R301974	-	-	T-1705	Lock Washer, 1/2"	6	-
10	R301971	R	G-1971	T-2106	Spring Roller	6	89
11	R301972	-	-	T-5544	Cap Screw 1/2" x 4-3/4" Long	6	-
12	R301975	-	G-1975	TK19011	Spring Roller Assembly Includes Key Nes. 8, 9, 10, 11.	6	89
13	R302846A	R	-	21725-01	ADI Equalizer without Bushing, 49" Axle Spacing	2	71
	R3010768A	R	-	25222-01	ADI Equalizer without Bushing, 42" - 44" Axle Spacing	2	71
	R3016477	R	-	T-5427	Equalizer, Steel 49"	2	70
	R305245	R	-	09713-01	Equalizer without Bushing, 60" Axle Spacing	2	71
14	R302881	R	-	T-5426	Center Hanger, Flange Mount Standard Drill Pattern	2	85
	R305259	R	-	T-5564	Center Hanger, Undermount Weld-on	2	85
	R305262	R	-	T-2212-5	Center hanger, Undermount 60" Axle Spacing	2	-
	R305263	R	-	11150-01	Center hanger, Undermount 72" Axle Spacing	2	-
15	R301987	-	-	14248-01	Equalizer Shaft Lock Screw, 1" Diameter	4	77
	R30837	-	-	-	Equalizer Shaft Lock Screw for 60" Axle Spacing	4	77
16	R303975	-	-	14250-01	Lock Washer, 1"	4	-
	R303979	-	-	11129-01	Lock Washer for 60" Axle Spacing	4	-
17	R301986A	-	-	14249-01	Washer, 1" Hole Diameter	4	-
	R30873	-	-	-	Washer for 60" Axle Spacing	-	-
18	R301159	-	-	T-5524	Equalizer Bushing, Rubber	4	74
	R308653	-	-	-	Equalizer Bushing, Poly	4	74
	R30813	-	-	T-2102	Equalizer Bushing 60" Axle Spacing, Rubber	4	75
	R308691	-	-	-	Equalizer Bushing 60" Axle Spacing, Poly	4	75
19	R303972	R	-	14247-01	Equalizer Shaft, 1" Diameter Holes	2	76

R Denotes Product is Genuine Reyco Granning

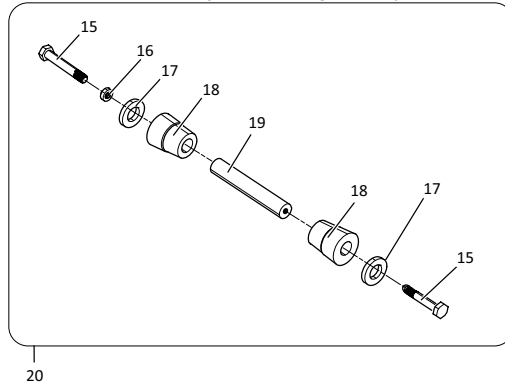
REYCO GRANNING

Model 21B Cast Tandem Four Spring Suspension, 42" - 72" Axle Spacing Trailer

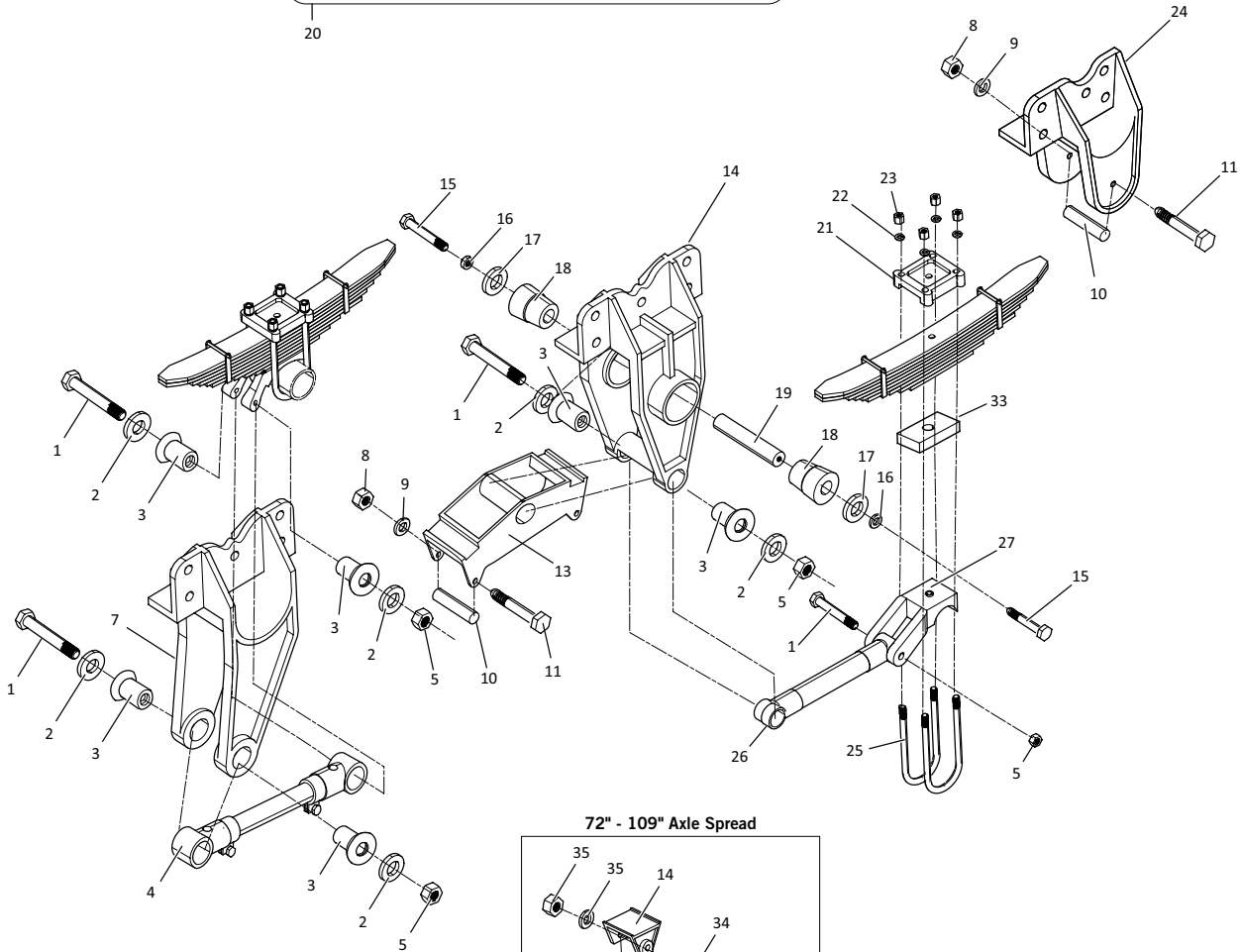
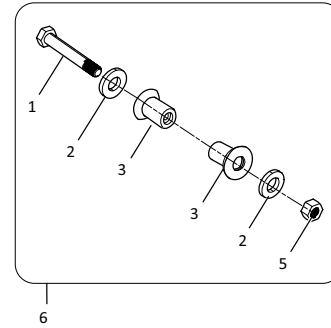
Spring Roller Kit



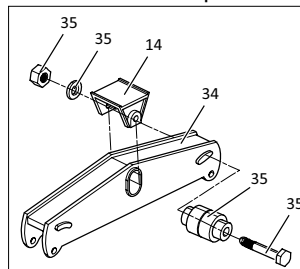
Equalizer Bushing Assembly



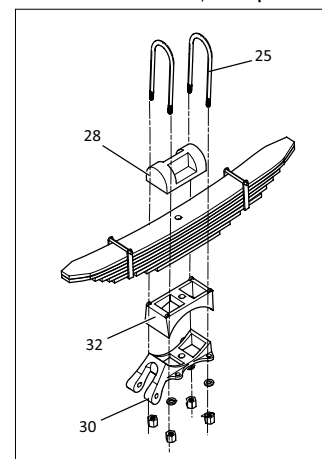
Torque Arm Bushing Kit



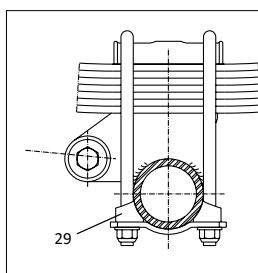
72" - 109" Axle Spread



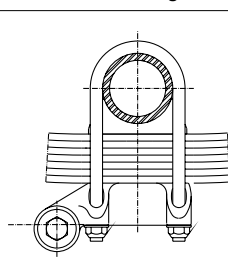
Inverted U-Bolts, No Hop



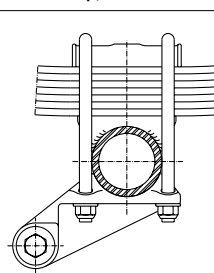
Inverted U-Bolts



Underslung



No Hop, Stabilized Axle



Model 21B Cast Tandem Four Spring Suspension, 42" - 72" Axle Spacing Trailer

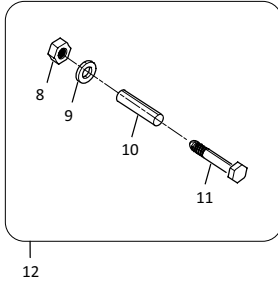
KEY NO.	MERITOR NO.	GENUINE	MACH NO.	OEM REF.	DESCRIPTION	QTY. PER TANDEM	PAGE NO.
20	R303976	R	-	TK18998	Equalizer Bushing Assembly Includes Key Nos, 15, 16, 17, 18, 19, Rubber	2	73
	R309555	-	-	-	Equalizer Bushing Assembly Includes Key Nos, 15, 16, 17, 18, 19, Poly	2	73
	R302116A	-	-	-	Equalizer Bushing Assembly for 60" Axle Spacing, Includes Key Nos, 15, 16, 17, 18, 19, Rubber	2	73
21	R302875	R	G-2875	T-7175, T-5488	Top Plate, 5" Round Axle, U-Bolts Up, 3" Wide Springs	4	94
	R309554	R	-	T-1734	Top Plate, 5" Square Axle, U-Bolts Up, 3" Wide Springs	4	94
	S.O.S.	R	-	T-4069	Top Plate, 4" x 6" Rectangular Axle, U-Bolts Up, 3" Wide Springs	4	-
22	R302546	-	-	T-7292	Flat Washer, 7/8"	16	-
23	R303001	-	-	T-5497	Nut, 3/4"-16	16	-
24	R302883	R	-	T-5429	Rear Hanger, Left, Flange Mount Standard Drill Pattern	1	85
	R302882	R	-	T-5428	Rear Hanger, Right, Flange Mount Standard Drill Pattern	1	85
	R305260	R	-	T-5565	Rear Hanger, Left, Undermount Cast; Weld-On	1	86
	R305261	R	-	T-5566	Rear Hanger, Right, Undermount Cast; Weld-On	1	86
	R3016478	R	-	24023-01	Rear Hanger, Left/Right, Undermount, Heavy Duty	2	85
25	R30UB5165-14	-	-	Various	U-Bolt Assembly, Rd. Bend, 7/8"-14 Thd. x 5" Wide x 14" Long	8	-
	R30UB5165-18	-	-	Various	U-Bolt Assembly, Rd. Bend, 7/8"-14 Thd. x 5" Wide x 18" Long	8	-
	R30UB5161-14	-	-	Various	U-Bolt Assembly, Rd. Bend, 7/8"-14 Thd. x 3" Wide x 14" Long	8	-
	R30UB5161-18	-	-	Various	U-Bolt Assembly, Rd. Bend, 7/8"-14 Thd. x 3" Wide x 18" Long	8	-
26	S.O.S.	R	-	T-7626	Torque Arm, Rigid, without Bushings, Front 42" Axle Spacing	1	-
	S.O.S.	R	-	08092-01	Torque Arm, Rigid, without Bushings, Rear 42" Axle Spacing	1	-
	S.O.S.	R	-	08567-01	Torque Arm, Rigid, without Bushings, Front 44" Axle Spacing	1	-
	R302855	R	-	15178-01	Torque Arm, Rigid, without Bushings, Rear 44" Axle Spacing,	1	79
		-	-	T-7635	Front 49"-109" Axle Spacing	1	
	R302856	R	-	15179-01	Torque Arm, Rigid, without Bushings, Rear 49" Axle Spacing	1	79
		-	-	T-2293		1	
R302855	R	-	T-7635	Torque Arm, Rigid, Rear 44", Front 50" - 109" Axle Spacing, 16 1/4" Center-to-Center	1	79	
27	R305254	R	-	09730-01	Axle Seat, 5" Round Axle, 3/4" High	4	91
	R3016479	R	-	11336-01	Axle Seat, 5" Round Axle, 1-3/4" High	4	91
	R309557	R	-	08757-01	Axle Seat, 5" Round Axle, 3-3/4" High	4	91
	R309573	R	-	07980-01	Axle Seat, 5" Square Axle, 3/4" High	4	92
	S.O.S.	R	-	11351-01	Axle Seat, 5" Square Axle, 1-3/4" High	4	-
28	R302873	R	-	08677-01	Top Plate, U-Bolts Down, 3" Wide Springs	4	93
29	R302874	R	-	09139-01	Bottom Plate, 5" Round Axle, Inverted U-Bolts	4	92
	R3016480	R	-	09229-01	Bottom Plate, 5" Square Axle, Inverted U-Bolts	4	92
	S.O.S.	R	-	09230-01	Bottom Plate, 4" x 6" Rectangular Axle, Inverted U-Bolts	4	-
	S.O.S.	R	-	T-5727	Bottom Plate, 5" Round & 5" Square "Underslung Axles"	4	-
30	R309572	-	-	08061-01	Stabilizer - No Hop, 5" Square Axle	4	93
	R309558	R	-	08480-01	Stabilizer - No Hop, 5" Round Axle	4	93
31	S.O.S.	R	-	T-7560	Bottom Clip, For U-Bolts Up, 4" x 6" Rectangular Axle	4	-
	R3016482	R	-	T-5587	Bottom Clip, For U-Bolts Up, 5" x 5" Square Axle	4	92
32	R3016191	R	-	10114-01	Spring Seat, 5" Round Axle, Underslung or No Hop	2	91
	S.O.S.	R	-	09103-01	Spring Seat, 5" Square Axle, Stabilized or Underslung Model 22B	2	-
	S.O.S.	R	-	T-7715	Spring Seat, 4" x 6" Rectangular Axle, Stabilized or Underslung	2	-

R Denotes Product is Genuine Reyco Granning

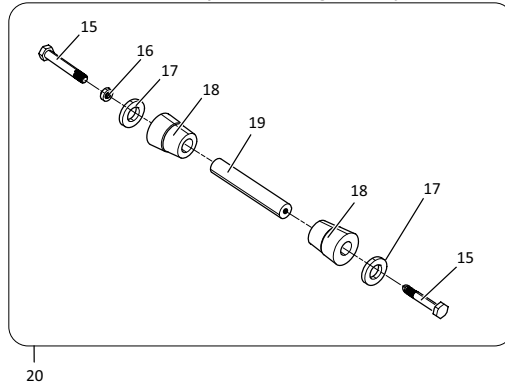
REYCO GRANNING

Model 21B Cast Tandem Four Spring Suspension, 42" - 72" Axle Spacing Trailer

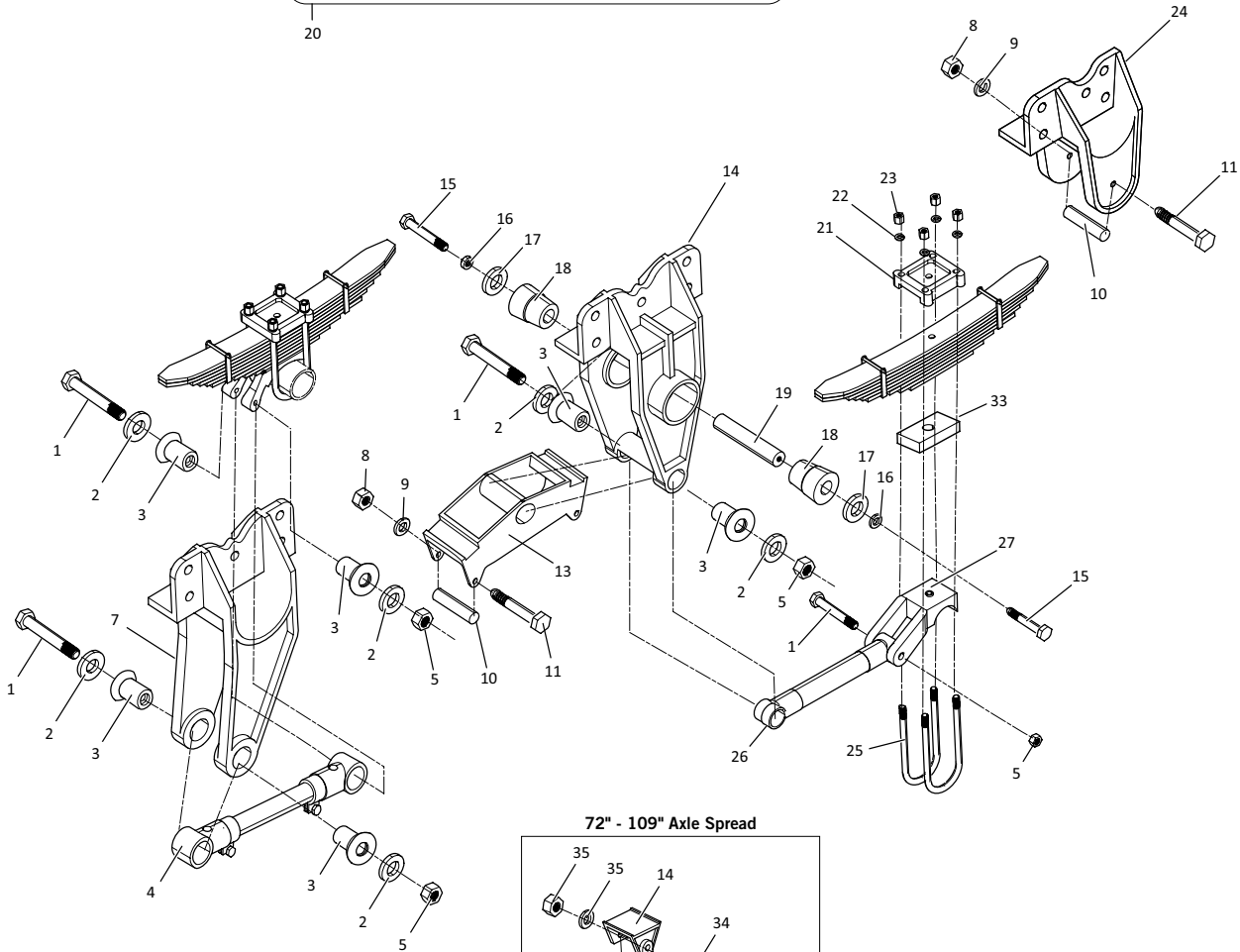
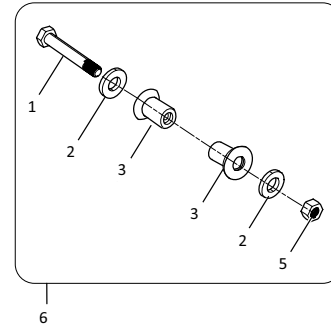
Spring Roller Kit



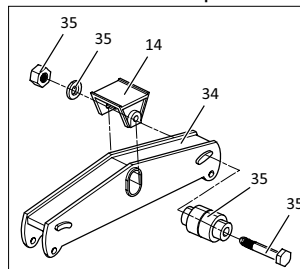
Equalizer Bushing Assembly



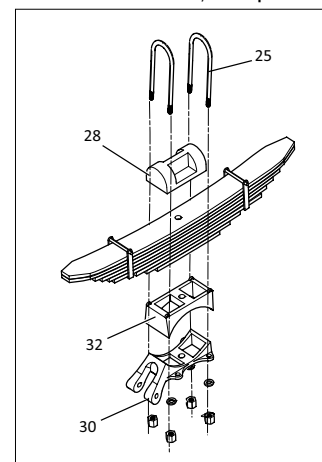
Torque Arm Bushing Kit



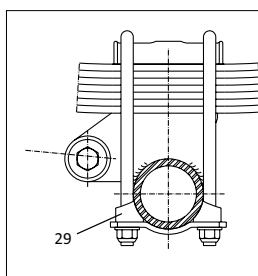
72" - 109" Axle Spread



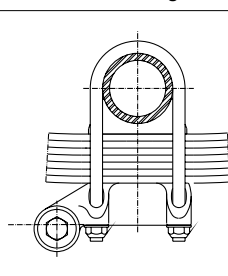
Inverted U-Bolts, No Hop



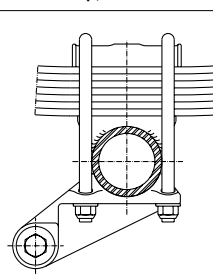
Inverted U-Bolts



Underslung



No Hop, Stabilized Axle



Model 21B Cast Tandem Four Spring Suspension, 42" - 72" Axle Spacing
Trailer

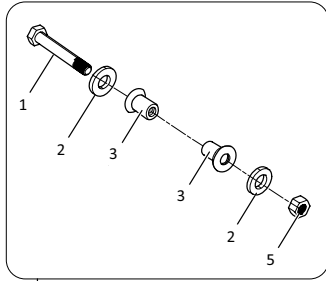
KEY NO.	MERITOR NO.	GENUINE	MACH NO.	OEM REF.	DESCRIPTION	QTY. PER TANDEM	PAGE NO.
-	R309559	R	-	11851-01	Equalizer Stiffener Plate, Steel Equalizer Only	As Req.	75
-	R309560	R	-	11852-01	Equalizer Wear Pad, Steel Equalizer Only		76
-	R309561	R	G-9561	15630-01	Hanger Weld-On Wear Plate, Front & Rear		90
33	R309562	R	-	T-7555	Spacer, 1/2"		95
	R309563	R	-	T-7716	Spacer, 1"		95
	R309564	R	-	T-7654	Spacer, 1 1/2"		95
	R302878	R	-	T-7655	Spacer, 2"		95
34	R305246	R	-	11143-01	Equalizer without Bushing, 72" Axle Spacing		2
35	R305247	-	-	-	Equalizer Bushing Assembly for 72" Axle Spacing	2	73

R Denotes Product is Genuine Reyco Granning

REYCO GRANNING

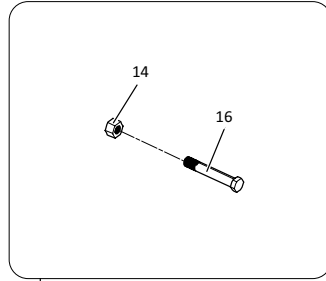
Model 21B Fabricated Tandem Four Spring Suspension, 44" - 109" Axle Spacing Trailer

Torque Arm Bushing Kit



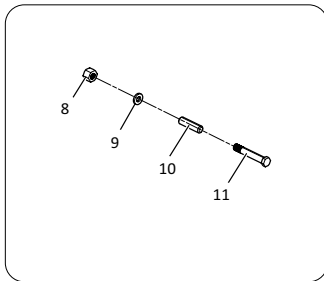
5

Equalizer Bolt Kit

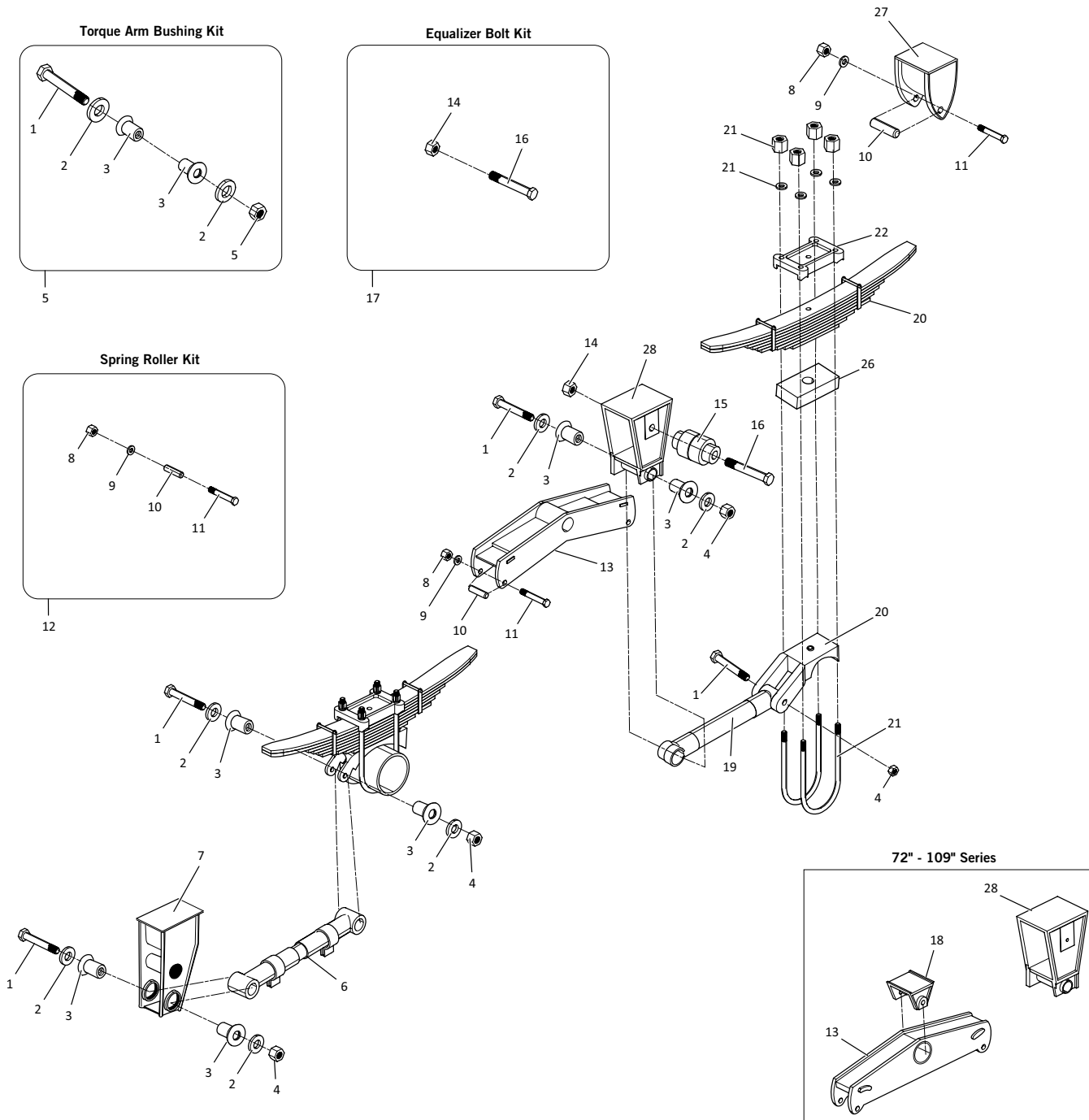


17

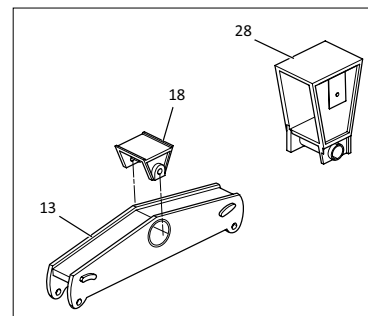
Spring Roller Kit



12



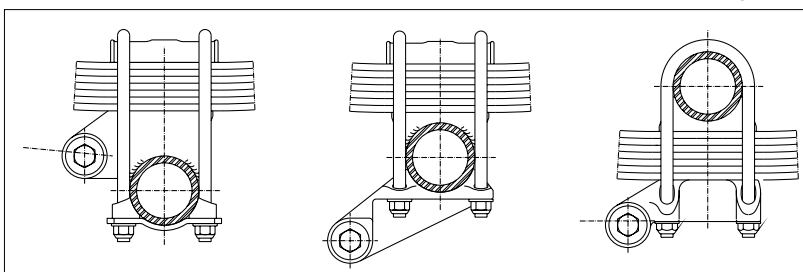
72" - 109" Series



Inverted U-Bolts

No Hop, Stabilized Axle

Underslung



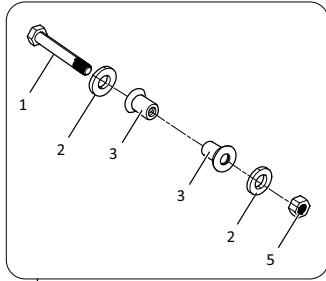
Model 21B Fabricated Tandem Four Spring Suspension, 44" - 109" Axle Spacing Trailer									
KEY NO.	MERITOR NO.	GENUINE	MACH NO.	OEM REF.	DESCRIPTION	44" SPRD QTY PER TANDEM	50"- 65.5" SPRD QTY PER TANDEM	72"-109" SPRD QTY PER TANDEM	PAGE NO.
1	R301166	-	-	T-5492	Torque Arm Bolt, 1"-14 x 6-1/4" Long	8	8	8	83
2	R30907	-	-	T-2224	Torque Arm Compression Washer	16	16	16	-
3	R301160	-	G-1160	T-5493	Torque Arm Bushing, Rubber	16	16	16	82
	R307523	-	-	-	Torque Arm Bushing, Poly	-	-	-	82
4	R30937	-	-	T-5495	Locknut, 1"-14	8	8	8	-
5	R301312A	-	-	TK16657	Torque Arm Bushing Kit, Includes Key No. 1, 2, 3, 4, Rubber	8	8	8	81
	R309545	-	-	-	Torque Arm Bushing Kit, Includes Key No. 1, 2, 3, 4, Poly	-	-	-	81
6	S.O.S.	R	-	15171-01	Torque Arm, Adjustable, Front 44" Axle Spacing, 13-3/4" Center-to-Center	1	-	-	-
	R303283A	R	G-3283A	15172-01	Torque Arm, Adjustable, Rear 44" Axle Spacing, Front 50"-109", 16-1/4" Center-to-Center	1	1	1	78
	R303284A	R	G-3284A	15173-01	Torque Arm, Adjustable, Rear 50" Axle Spacing, 72", 97", 109", 19-3/8" Center-to-Center	-	1	1	78
	S.O.S.	R	-	15174-01	Adjustable Torque Arm, 19-1/2" Center-to-Center	1	-	-	-
	R302866A	R	-	15354-01	Torque Arm, Adjustable, Rear 54" Axle Spacing, 21-9/16" Center-to-Center	-	1	-	78
	R305255A	R	-	15176-01	Torque Arm, Adjustable, Rear 60" Axle Spacing, 25" Center-to-Center	-	1	-	78
6	S.O.S.	R	-	15177-01	Torque Arm, Adjustable, Rear 63.5"-65.5" Axle Spacing, 26-1/4" to 27-1/4" Center-to-Center	-	1	-	-
	R309537	R	-	09832-01	Front Hanger, Fabricated	2	2	2	86
8	R305032	-	-	T-1704	Hex Nut 1/2"	6	6	-	-
9	R301974	-	-	T-1705	Lockwasher, 1/2"-20	6	6	6	-
10	R301971	R	G-1971	T-2106	Spring Roller	6	6	6	89
11	R301972	-	-	T-5544	Cap Screw 1/2" x 4-3/4" Long	6	6	6	-
12	R301975	-	G-1975	-	Spring Roller Assembly, contains Key Nos. 8, 9, 10, 11	6	6	6	89
13	S.O.S.	R	-	21693-01	Equalizer Assembly, 44" Axle Spacing, Includes R307713 Bushing	2	-	-	-
	R307709	R	-	14689-01	Equalizer Assembly, 50" Axle Spacing, Includes R307713 Bushing	-	2	-	71
	R3016184	R	-	14693-01	Equalizer Assembly, 54" Axle Spacing, Includes R307713 Bushing	-	2	-	71
	R307710	R	-	14696-01	Equalizer Assembly, 60" Axle Spacing, Includes R307713 Bushing	-	2	-	71
	R3016197	R	-	14700-01	Equalizer Assembly, 63-1/2" Axle Spacing-65-1/2" Axle Spacing, Includes R307713 Bushing	-	2	-	72
	R3016198	R	-	14763-01	Equalizer Assembly, 72" Axle Spacing, Includes R307713 Bushing	-	-	2	72
	S.O.S.	R	-	14764-01	Equalizer Assembly, 97" Axle Spacing, Includes R307713 Bushing	-	-	2	-
13	S.O.S.	R	-	14765-01	Equalizer Assembly, 109" Axle Spacing, Includes R307713 Bushing	-	-	2	-
	R302854	-	-	08914-01	Locknut 1 1/4"-12	2	2	2	75
15	R307713	R	G-7713	14682-01	Equalizer Bushing, Rubber	2	2	2	74
16	R307719	-	-	14683-01	Bolt 1-1/4"-12 x 7-3/4" Long	2	2	2	75
17	R309538	-	-	-	Equalizer Bolt Kit, Includes Key Nos. 14, 16	2	2	2	75
18	R309539	R	-	14684-01	Center hanger, Under Mount 44" - 65-1/2" Axle Spacing	2	2	-	86
	R3016195	R	-	14688-01	Center hanger, Under Mount, 72"-109" Axle Spacing	-	-	2	86

R Denotes Product is Genuine Reyco Granning

REYCO GRANNING

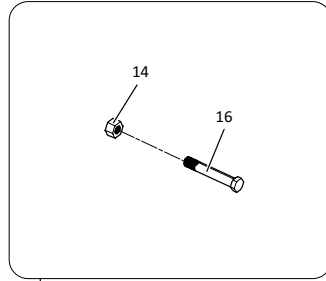
Model 21B Fabricated Tandem Four Spring Suspension, 44" - 109" Axle Spacing Trailer

Torque Arm Bushing Kit



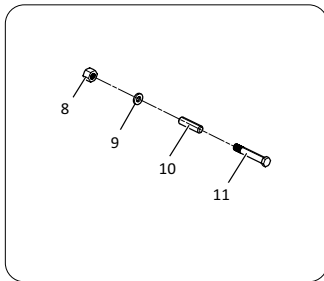
5

Equalizer Bolt Kit

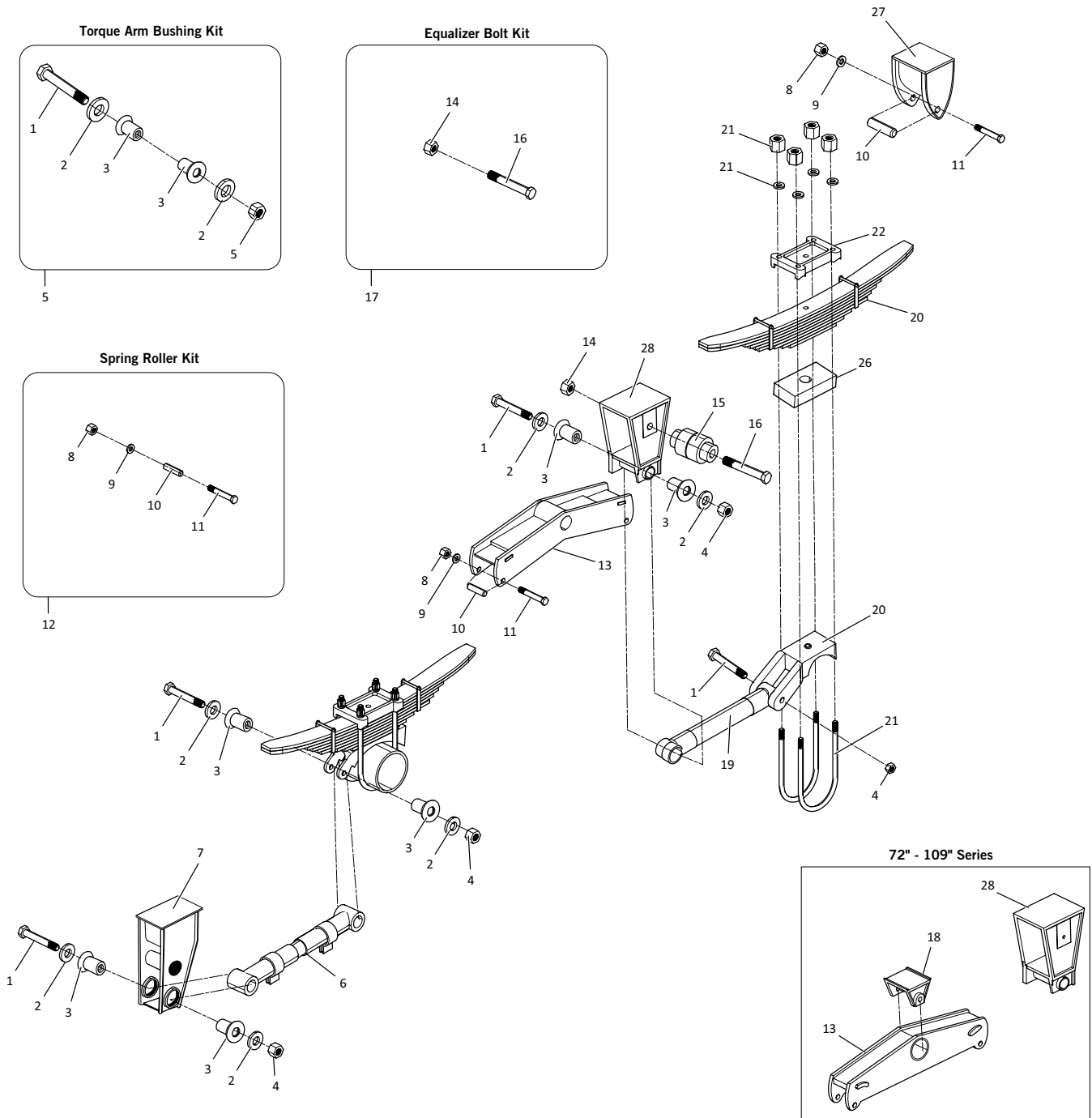


17

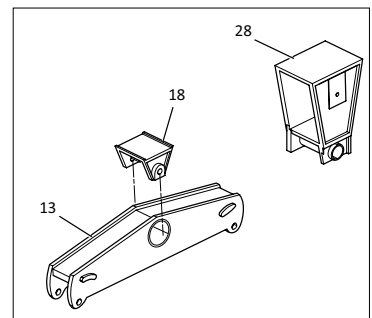
Spring Roller Kit



12



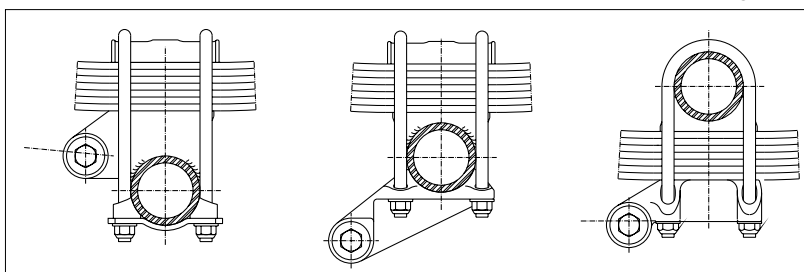
72" - 109" Series



Inverted U-Bolts

No Hop, Stabilized Axle

Underslung



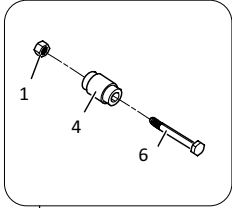
R Denotes Product is Genuine Reyco Granning

Model 21B Fabricated Tandem Four Spring Suspension, 44" - 109" Axle Spacing Trailer									
KEY NO.	MERITOR NO.	GENUINE	MACH NO.	OEM REF.	DESCRIPTION	44" SPRD QTY PER TANDEM	50"- 65.5" SPRD QTY PER TANDEM	72"-109" SPRD QTY PER TANDEM	PAGE NO.
19	R302855	R	-	T-7635	Torque Arm, Rigid, Rear 44", Front 50" - 109" Axle Spacing, 16 1/4" Center-to-Center	1	1	1	79
	S.O.S.	R	-	08567-01	Torque Arm, Rigid, Front, 44" Axle Spacing, 16-1/4" Center-to-Center	1	-	-	-
	S.O.S.	R	-	15286-01	Torque Arm, Rigid, Rear 50"-109" Axle Spacing, 19-3/8" Center-to-Center	-	1	1	-
	S.O.S.	R	-	10183-01	Torque Arm, Rigid, Rear 54" Axle Spacing, 21-9/16" Center-to-Center	-	1	-	-
	R305256	R	-	09686-01	Torque Arm, Rigid, Rear 60" Axle Spacing, 25" Center-to-Center	-	1	-	79
	S.O.S.	R	-	10973-01	Torque Arm, Rigid, Rear 63-1/2" Axle Spacing, 26-1/4" Center-to-Center	-	1	-	-
	S.O.S.	R	-	08650-01	Torque Arm, Rigid, Rear 65-1/2" Axle Spacing, 27-1/4" Center-to-Center	-	1	-	-
20	R305254	R	-	09730-01	Axle Seat - 5" Round, 3/4" High	4	4	4	91
	R3016479	R	-	11336-01	Axle Seat - 5" Round, 1-3/4" High	4	4	4	91
	R309557	R	-	08757-01	Axle Seat - 5" Round, 3-1/4" High	4	4	4	91
	R3016484	R	-	09103-01	Axle Seat - 5" x 5" Square, 3/4" High, Underslung - No T/A Connection	4	4	4	92
	R309573	R	-	07980-01	Axle Seat - 5" x 5" Square, 3/4" High	4	4	4	92
	S.O.S.	R	-	08060-01	Axle Seat - 5" x 5" Square, 3-1/4" High	4	4	4	-
	R3016191	R	-	10114-01	Axle Seat - 5" Round, Underslung - No T/A Connection	4	4	4	91
	S.O.S.	R	-	T-7650	Axle Seat - 4" x 6", 3/4" High	4	4	4	-
	S.O.S.	R	-	10292-01	Axle Seat - 4" x 6", 3/4" High, Underslung - No T/A Connection	-	4	4	-
21	R30UB5165-14	-	-	-	U-Bolt Assembly, Round Bend, 7/8"-14 Thd. X 5" Wide x 14" Long	8	8	8	-
	R30UB5165-16	-	-	-	U-Bolt Assembly, Round Bend, 7/8"-14 Thd. X 5" Wide x 18" Long	8	8	8	-
22	R302907A	-	G-2907A	0077-00	Top Plate - All Axles, Inverted U-Bolts	4	4	4	93
	R302875	R	-	T-5488, T-7175	Top Plate - 5" Round, Conventional U-Bolts	4	4	4	94
	S.O.S.	R	-	T-4069, 09987-01	Top Plate - 4" x 6" Rectangular Axle, Conventional U-Bolts	4	4	4	-
	R309554	R	-	T-1734	Top Plate - 5" x 5" Square, Conventional U-Bolts	4	4	4	94
23	S.O.S.	R	-	0538-00	Bottom Plate - 5" Round, Inverted U-Bolts	4	4	4	-
	S.O.S.	R	-	09230-01	Bottom Plate - 4" x 6" Rectangular, Inverted U-Bolts	4	4	4	-
	R3016480	R	-	09229-01	Bottom Plate - 5" x 5" Square, Inverted U-Bolts	4	4	4	92
	S.O.S.	R	-	T-5727	Bottom Plate - 5" Round & 5" x 5" Square Underslung, Inverted U-Bolts	4	4	4	-
24	S.O.S.	R	-	T-7560	Bottom Clip, For U-Bolts Up, 4" x 6" Rectangular Axle	-	8	8	-
	R3016482	R	-	T-5587	Bottom Clip, For U-Bolts Up, 5" x 5" Square Axle	-	8	8	92
25	R309558	R	-	T-5481, 08480-01	Stabilizer - No Hop, 5" Round Axle	As Req.	As Req.	As Req.	93
	S.O.S.	R	-	08061-01	Stabilizer - No Hop, 5" x 5" Square Axle	As Req.	As Req.	As Req.	-
26	R309563	R	-	T-7716	Spacer Block 1"	As Req.	As Req.	As Req.	95
	R309564	R	-	T-7654	Spacer Block 1-1/2"	As Req.	As Req.	As Req.	95
	R302878	R	-	T-7655	Spacer Block 2"	As Req.	As Req.	As Req.	95
27	R309541	R	-	08595-01	Rear Hanger, Under Mount, Fabricated	2	2	2	86
28	R305264	R	-	11610-01	Torque Arm Attachment Bracket	-	-	2	88

REYCO GRANNING

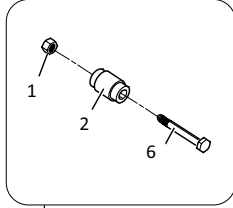
Model 73 Tandem Four Spring Suspension, 49" Axle Spacing Trailer

Torque Arm Bushing
Assembly Hanger End

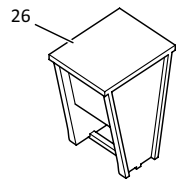
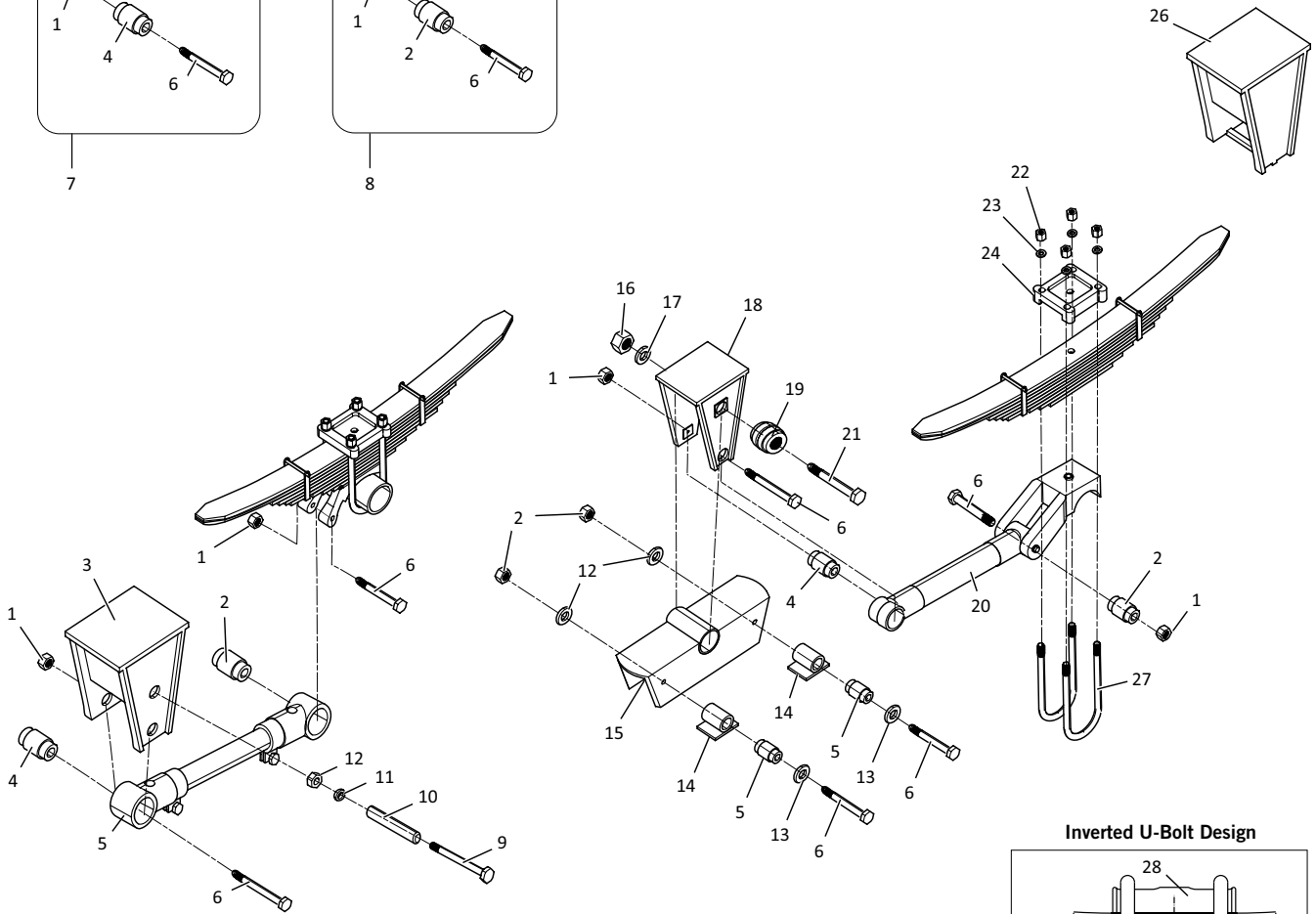


7

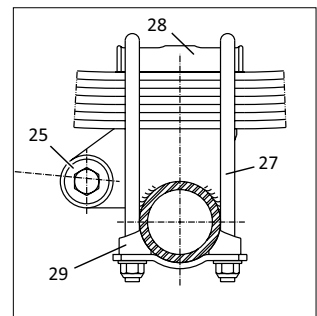
Torque Arm Bushing Assembly
Axle Seat End



8



Inverted U-Bolt Design



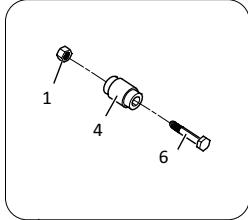
Model 73 Tandem Four Spring Suspension, 49" Axle Spacing Trailer							
KEY NO.	MERITOR NO.	GENUINE	MACH NO.	OEM REF.	DESCRIPTION	QTY. PER TANDEM	PAGE NO.
1	R302983	-	-	10092-01	Locknut, 7/8"-9	12	-
2	R301980	-	-	09729-01	Torque Arm Bushing, Axle Seat End, Rubber	8	82
	R307520	-	-	-	Torque Arm Bushing, Axle Seat End, Poly	8	82
3	N/A	-	-	11387-01	Front Hanger	2	-
4	R307750	-	-	10051-01	Torque Arm Bushing, Hanger End	8	82
5	R307741	R	-	16031-01	Torque Arm, Adjustable with Bushings, Front	1	78
	R307744	R	-	10040-01	Rigid Torque Arm with Bushings, Front	1	79
6	R30901	-	-	10033-01	Bolt 7/8"-9 x 5-1/2" Long	12	83
7	R307749	-	-	-	Torque Arm Bushing Assembly, Hanger End Includes Key No. 1, 4, 6	4	81
8	R301981	-	-	-	Torque Arm Bushing Assembly, Axle Seat End, Rubber, Includes Key No. 1, 2, 6	4	81
	R309552	-	-	-	Torque Arm Bushing Assembly, Axle Seat End, Poly, Includes Key No. 1, 2, 6	4	81
9	R302022	-	-	T-5549	Bolt, 1/2"-20 x 5-1/2" Long	2	-
10	R3015273	R	-	0378-00	Spring Roller	2	-
11	R301974	-	-	T-2248	Lock Washer	2	-
12	R305032	-	-	T-1704	Flat Wheel Nut 1/2-20	2	-
13	R302546	-	-	T-7292	Flat Washer, 7/8"	4	-
14	S.O.S.	R	-	10055-01	Equalizer Pad	4	-
15	N/A	-	-	10063-01	Equalizer with Bushing	2	-
16	R30937	-	-	T-5495	Locknut, 1"-14	2	-
17	R302975	-	-	T-5770	Structural Washer 1"	2	-
18	N/A	-	-	11389-01	Center Hanger	2	-
19	R301072	R	-	T-3214	Equalizer Bushing	2	74
20	R307742	R	-	16032-01	Torque Arm, Adjustable, Rear	1	78
	S.O.S.	R	-	10041-01	Torque Arm, Rigid, Rear	1	-
21	R301166	-	-	T-5492	Torque Arm Bolt 1" x 6-3/4" Long	2	83
22	R303001	-	-	T-5497	Nut, 3/4"-16	16	-
23	R302545	-	-	T-5496	U-Bolt Washer, 3/4"	16	-
24	R302875	R	G-2875	T-7175	Top Plate - 5" Round, Conventional U-Bolts	4	94
		-	-	T-5488		4	94
25	S.O.S.	R	-	T-3013	Axle Seat	4	-
26	S.O.S.	R	-	12489-01	Rear hanger	2	-
27	R30UB8155-14	-	-	08554-01	U-Bolt Assembly, Rd. Bend, 3/4"-16 Thd x 5" Wide x 14" Long	8	-
	R30UB8151-14	-	-	08541-01	U-Bolt Assembly, Rd. Bend, 3/4"-16 Thd x 3" Wide x 14" Long	8	-
28	S.O.S.	R	-	11760-01	Top Plate	4	-
29	R302874	R	-	T-5515	Bottom Plate, Inverted U-Bolts	4	92
				09139-01		4	92

R Denotes Product is Genuine Reyco Granning

REYCO GRANNING

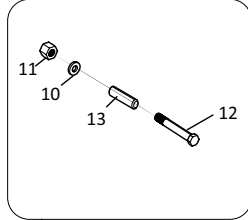
Model 73 Tandem Four Spring Suspension, 60" and 72" Axle Spacing Trailer

Torque Arm Bushing Kit

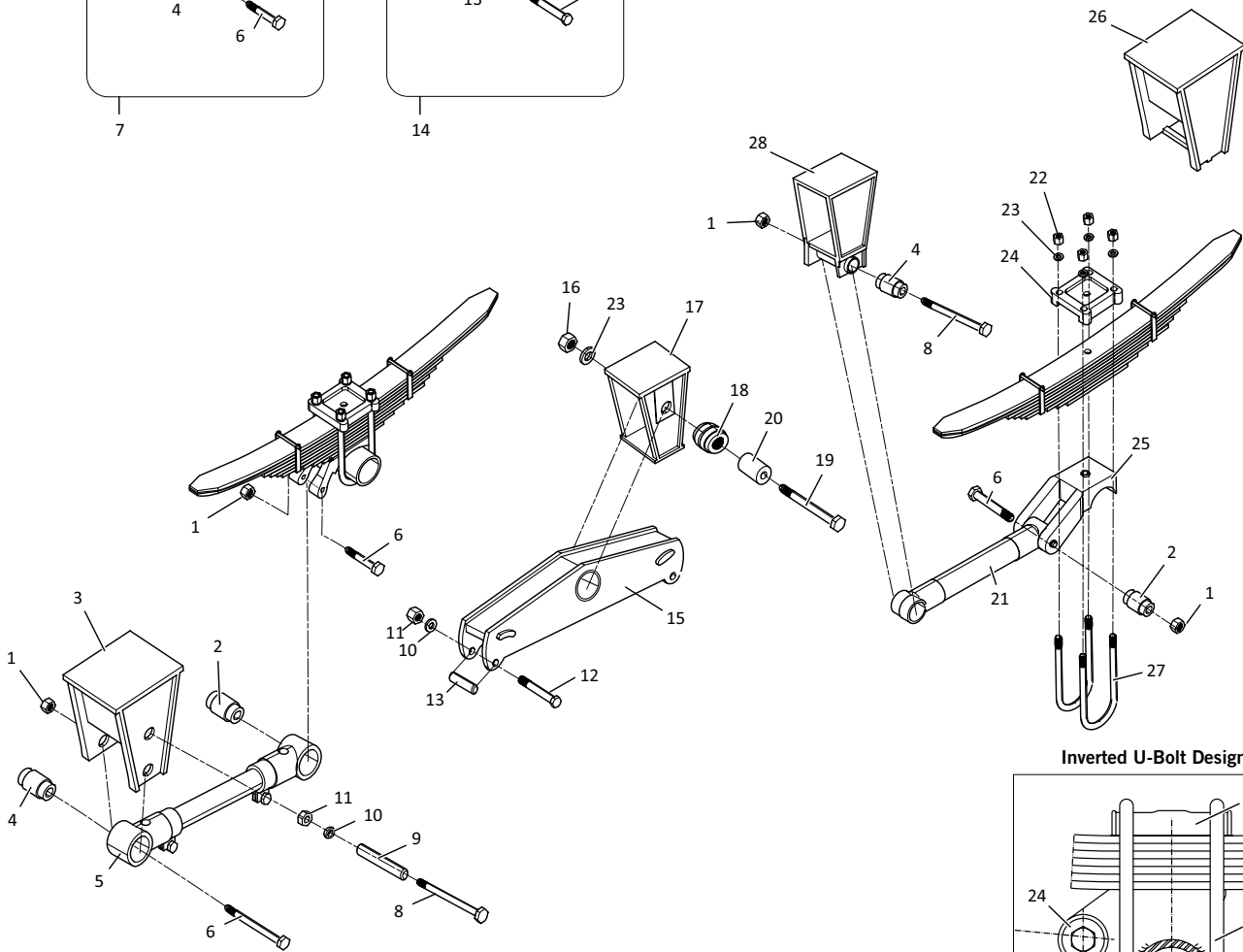


7

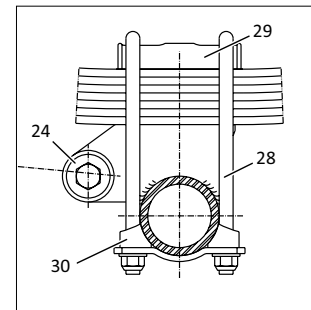
Spring Roller Assembly



14



Inverted U-Bolt Design



Model 73 Tandem Four Spring Suspension, 60" and 72" Axle Spacing Trailer

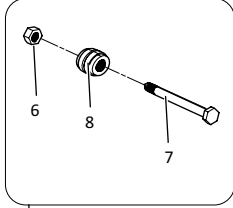
KEY NO.	MERITOR NO.	GENUINE	MACH NO.	OEM REF.	DESCRIPTION	QTY. PER TANDEM		PAGE NO.
						60" SPRD	72" SPRD	
1	R302983	-	-	10092-01	Locknut, 7/8"-9	4	4	-
2	R301980	-	-	09729-01	Torque Arm Bushing, Rubber, Axle Seat End	4	4	82
	R307520	-	-	-	Torque Arm Bushing, Poly, Axle Seat End	4	4	82
3	N/A	-	-	11387-01	Front Hanger	2	2	-
4	R307750	-	-	10051-01	Torque Arm Bushing, Hanger End	4	4	82
5	R307741	R	-	16031-01	Torque Arm, Adjustable with Bushings, Hanger End	1	1	82
	R307744	R	-	10040-01	Torque Arm, Rigid with Bushings, Hanger End	1	1	79
6	R30901	-	-	10033-01	Bolt, 7/8"-9 x 5 1/2"	8	8	83
7	R301981	-	-	-	Torque Arm Bushing Assembly, Axle Seat End, Rubber, Includes Key Nos. 1, 2, 6	4	4	81
	R309552	-	-	-	Torque Arm Bushing Assembly, Axle Seat End, Poly, Includes Key Nos. 1, 2, 6	4	4	81
8	R302022	-	-	T-5549	Bolt, 1/2"-20 x 5-1/2" Long	2	2	-
9	R3015273	R	-	0378-00	Spring Roller	2	2	-
10	R301974	-	-	T-2248	Lock Washer	6	6	-
11	R305032	-	-	T-1704	Flat Wheel Nut, 1/2"-20	6	6	-
12	R301972	-	-	T-5544	Bolt, 1/2" x 4-3/4" Long	4	4	-
13	R301971	R	G-1971	T-2106	Spring Roller	4	4	89
14	R301975	-	G-1975	-	Spring Roller Assembly Includes Key Nos. 10, 11, 12, 13	4	4	89
15	N/A	-	-	12419-01	Equalizer with Bushing	2	-	-
	R305246	R	-	11143-01		-	2	72
16	R30937	-	-	T-5495	Locknut, 1"-14	2	2	-
17	N/A	-	-	12369-01	Center Hanger	2	-	-
	N/A	-	-	12332-01		-	2	-
18	R301072	-	-	T-3214	Bushing, Rubber	2	2	74
	R308688	-	-	-	Bushing, Poly	2	2	74
19	R301166	-	-	T-5492	Equalizer Bolt	2	2	83
20	S.O.S.	R	-	12337-02	Equalizer Hub	-	2	-
21	R307742	R	-	16032-01	Torque Arm, Adjustable, Rear	-	1	78
	R307743	R	-	16034-01	Torque Arm, Adjustable, Rear	1	-	78
	R307744	R	-	10040-01	Torque Arm, Rigid, Rear	-	1	79
	R307746	R	-	12422-01	Torque Arm, Rigid, Rear	1	-	79
22	R303001	-	-	T-5497	Hi-Nut	16	16	-
23	R302545	-	-	T-5496	Washer 3/4"	16	16	-
24	R302875	R	G-2875	T-7175	Top Plate - 5" Round, Conventional U-Bolts	4	4	94
	-	-	-	T-5488		4	4	-
25	S.O.S.	R	-	T-3013	Axle Seat	4	4	-
26	N/A	R	-	12489-01	Rear Hanger	2	2	-
27	R30UB8155-14	-	-	08554-01	U-Bolt Assembly, Rd. Bend, 3/4"-16 Thd x 5" Wide x 14" Long	8	8	-
28	R30UB8151-14	-	-	08541-01	U-Bolt Assembly, Rd. Bend, 3/4"-16 Thd x 3" Wide x 14" Long	8	8	-
29	S.O.S.	R	-	11760-01	Top Plate	4	4	-
30	R302874	R	-	T-5515, 09139-01	Bottom Plate, Inverted U-Bolts	4	4	92

R Denotes Product is Genuine Reyco Granning

REYCO GRANNING

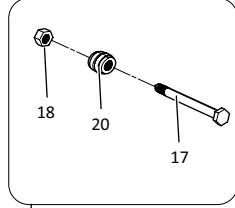
Model 74B Tandem Four Spring Suspension, 50", 54" and 60" Axle Spacing Trailer

Equalizer Bushing Assembly

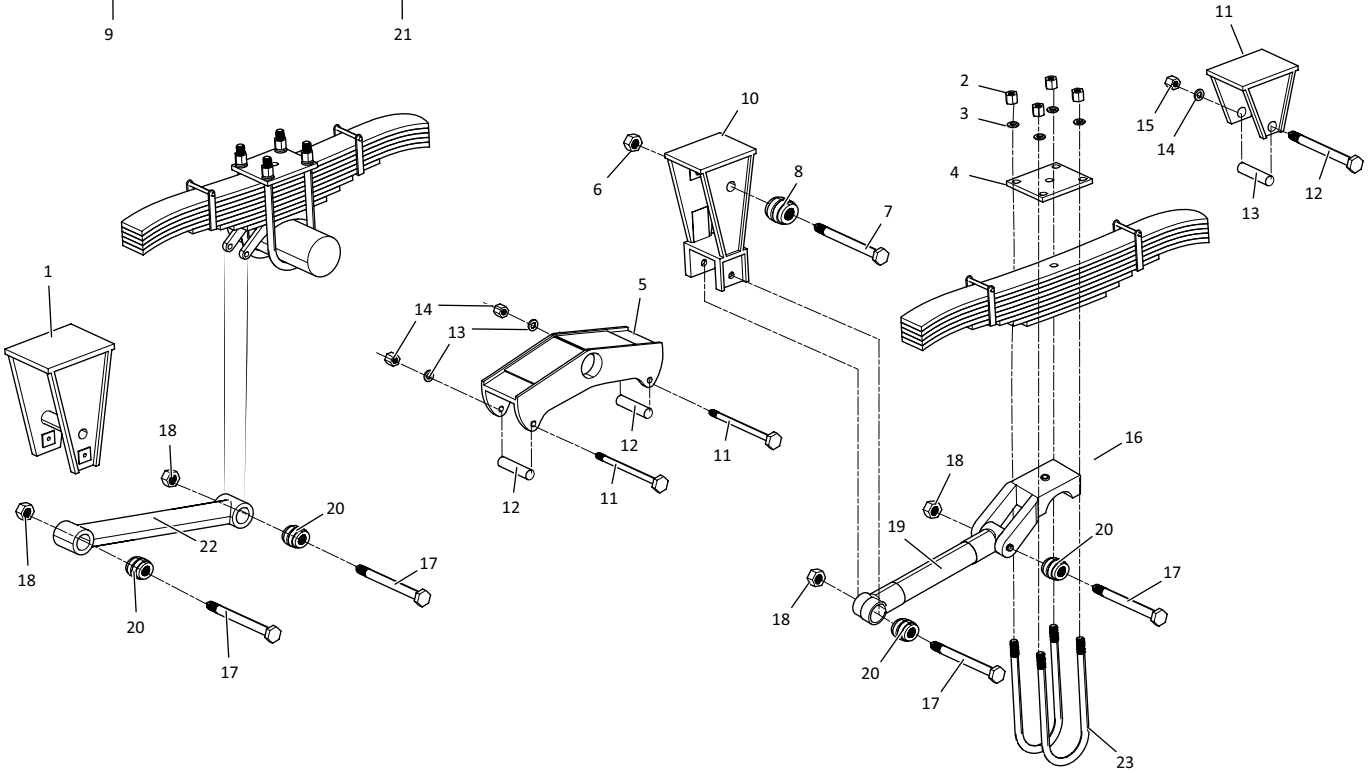


9

Torque Arm Bushing Assembly



21



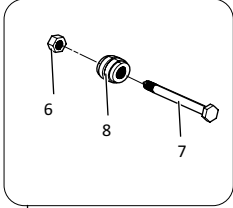
Model 74B Tandem Four Spring Suspension, 50", 54" and 60" Axle Spacing Trailer									
KEY NO.	MERITOR NO.	GENUINE	MACH NO.	OEM REF.	DESCRIPTION	QTY. PER TANDEM			PAGE NO.
						50" SPRD	54" SPRD	60" SPRD	
1	R309615	R	-	16671-01	Front Hanger	2	2	2	-
2	R303002A	-	-	-	Hi-Nut, 7/8"	2	16	16	-
3	R302546	-	-	T-7292	Flat Washer 7/8"	2	16	16	-
4	R309616	R	-	13798-01	Top Plate, 5" Round Axle	4	4	4	94
	R309617	R	-	14527-01	Top Plate, 5-3/4" Round Axle	4	4	4	-
5	S.O.S.	R	-	17512-01	Equalizer with Bushing R309550, 50" Axle Spacing	2	-	-	-
	R309586	R	-	13806-01	Equalizer with Bushing R309550, 54" Axle Spacing	-	2	-	71
	R3014724	R	-	14135-01	Equalizer with Bushing R309550, 60" Axle Spacing	-	-	2	-
6	R302854	-	-	08914-01	Equalizer Locknut	2	2	2	75
7	R302852	-	-	10949-01	Equalizer Bolt 1-1/4"-12 x 8-7/8" Long	2	2	2	83
8	R309550	-	G-9550	13805-01	Equalizer Bushing	2	2	2	81
9	R309801	-	-	-	Equalizer Bushing Assembly, Key No. 6, 7, 8	2	2	2	73
10	R309618	R	-	16672-01	Center Hanger	2	2	2	-
11	R309622	R	-	13814-01	Rear Hanger	2	2	2	-
12	R3015291	-	-	13817-01	Cap Screw 1/2"-20 x 5-3/4" Long	6	6	6	-
13	R3015292	R	-	13818-01	Spring Roller	6	6	6	90
14	R301974	-	-	T-1705	Lockwasher 1/2"	6	6	6	-
15	R305032	-	-	T-1704	Hex Nut 1/2"-20	6	6	6	-
16	R309626	R	-	15751-01	Axle Seat, 5" Round, 1" High	4	4	4	91
	S.O.S.	R	-	15752-01	Axle Seat, 5-3/4" Round Axle, 1" High	4	4	4	-
17	R301166	-	-	T-5492	Torque Arm Bolt 1"-14 x 6-3/4" Long	8	8	8	83
18	R30937	-	-	T-5495	Torque Arm Locknut 1"-14	8	8	8	-
19	S.O.S.	R	-	17534-01	Adjustable Torque Arm Assembly, 50" Axle Spacing, Rear	1	-	-	-
	R309620	R	-	16596-01	Adjustable Torque Arm Assembly, 54" Axle Spacing, Rear	-	1	-	78
	R3015294	R	-	16597-01	Adjustable Torque Arm Assembly, 60" Axle Spacing, Rear	-	-	1	78
	S.O.S.	R	-	17532-01	Rigid Torque Arm Assembly, 50" Axle Spacing, Rear, 19-1/4" Center-to-Center	1	-	-	-
	R309619	R	-	16588-01	Rigid Torque Arm Assembly, 54" Axle Spacing, Rear, 21-1/4" Center-to-Center	-	1	-	79
R3015293	R	-	16589-01	Rigid Torque Arm Assembly, 60" Axle Spacing, Rear, 24-1/4" Center-to-Center	-	-	1	79	
20	R309549	-	-	15737-01	Torque Arm Bushing	8	8	8	82
21	R309587	-	-	-	Torque Arm Bushing Assembly, Includes Key Nos. 17, 18, 20	8	8	8	81
22	R309585	R	-	16585-01	Rigid Torque Arm Assembly, Front, 14-1/4" Center-to-Center	1	1	1	79
	R309584	R	-	16595-01	Adjustable Torque Arm Assembly, Front	1	1	1	78
23	R30U88165-14	-	-	-	U-Bolt Assembly, Rd. Bend, 7/8"-14 Thd x 5" Wide x 14" Long	8	8	8	-
	S.O.S.	R	-	08950-01	U-Bolt Assembly, Rd. Bend, 7/8"-14 Thd x 5-3/4" Wide x 14" Long	8	8	8	-

R Denotes Product is Genuine Reyco Granning

REYCO GRANNING

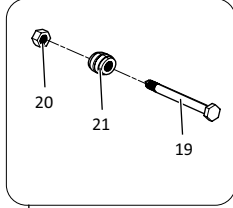
Model 74B Tandem Four Spring Suspension, 72", 77", 97" and 109" Axle Spacing Trailer

Equalizer Bushing Assembly

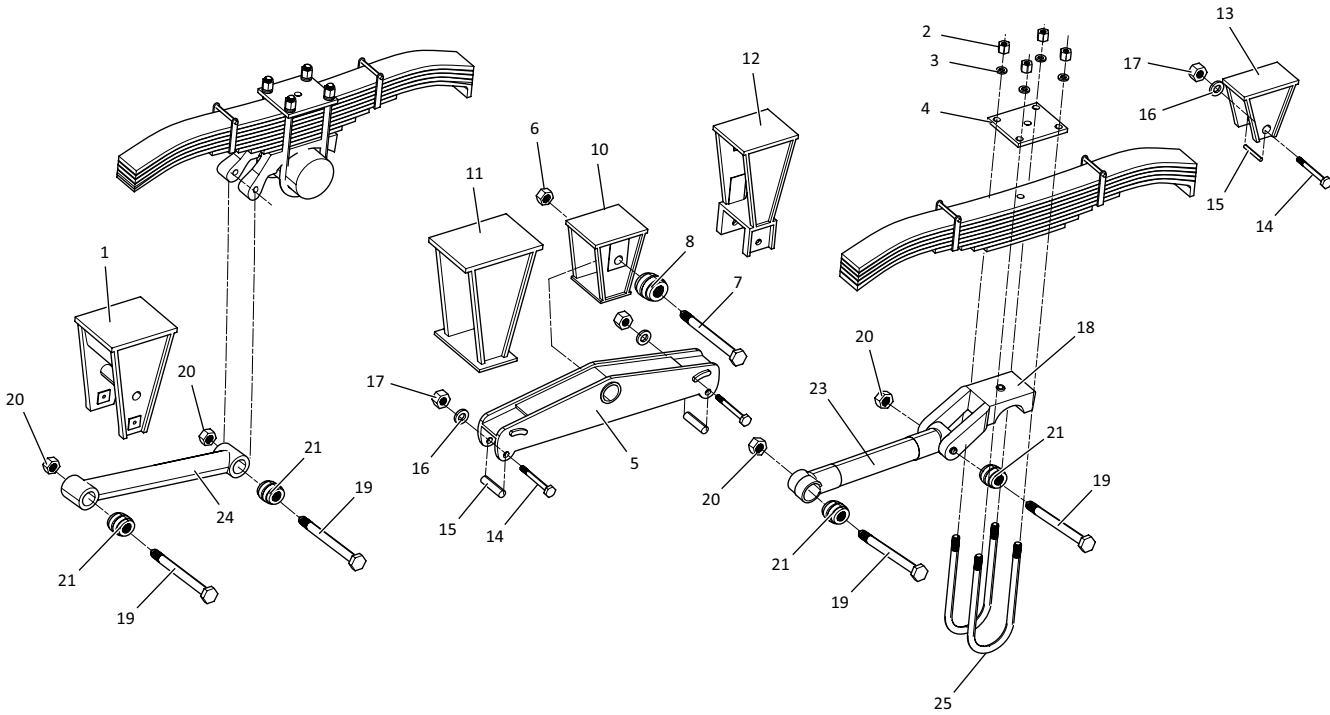


9

Torque Arm Bushing Assembly



22



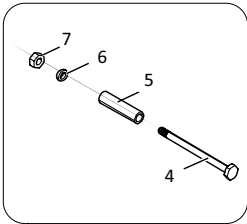
Model 74B Tandem Four Spring Suspension, 72", 77", 97" and 109" Axle Spacing Trailer										
KEY NO.	MERITOR NO.	GENUINE	MACH NO.	OEM REF.	DESCRIPTION	QTY. PER TANDEM				PAGE NO.
						72" SPRD	77" SPRD	97" SPRD	109" SPRD	
1	R309615	R	-	16671-01	Front Hanger	2	2	2	2	-
2	R303002A	-	-	-	Hi-Nut, 7/8"	16	16	16	16	-
3	R302546	-	-	T-7292	Flat Washer, 7/8"	16	16	16	16	-
4	R309616	R	-	13798-01	Top Plate, 5" Round Axle	4	4	4	4	94
	R309617	R	-	14527-01	Top Plate, 5-3/4" Round Axle	4	4	4	4	-
5	R3015295	R	-	13909-01	Equalizer with Bushing R309550, 72" Axle Spacing	2	-	-	-	72
	S.O.S.	R	-	15227-01	Equalizer with Bushing R309550, 77" Axle Spacing	-	2	-	-	-
	S.O.S.	R	-	15724-01	Equalizer with Bushing R309550, 97" Axle Spacing	-	-	2	-	-
	S.O.S.	R	-	15720-01	Equalizer with Bushing R309550, 109" Axle Spacing	-	-	-	2	-
6	R302854	-	-	08914-01	Equalizer Locknut	2	2	2	2	75
7	R302852	-	-	10949-01	Equalizer Bolt; 1-1/4"-12 x 8-7/8" Long	2	2	2	2	83
8	R309550	-	G-9550	13805-01	Equalizer Bushing	2	2	2	2	75
9	R309801	-	-	-	Equalizer Bushing Assembly, Key Nos. 6, 7, 8	2	2	2	2	73
10	R3015296	R	-	15735-01	Center Hanger	2	2	2	2	86
11	R3015297	R	-	13861-01	Equalizer Guide Bracket	2	2	2	2	-
12	R3015298	R	-	16673-01	Torque Arm Attachment Bracket	2	2	2	2	88
13	R309622	R	-	13814-01	Rear Hanger	2	2	2	2	-
14	R3015291	-	-	13817-01	Cap Screw 1/2"-20 x 5-3/4" Long	6	6	6	6	-
15	R3015292	R	-	13818-01	Spring Roller	6	6	6	6	90
16	R301974	-	-	T-1705	Lockwasher 1/2"	6	6	6	6	-
17	R305032	-	-	T-1704	Hex Nut 1/2"-20	6	6	6	6	-
18	R309626	R	-	15751-01	Axle Seat, 5" Round, 1" High	4	4	4	4	91
	S.O.S.	R	-	15752-01	Axle Seat, 5-3/4" Round Axle, 1" High	4	4	4	4	-
19	R301166	-	-	T-5492	Torque Arm Bolt 1"-14 x 6-3/4" Long	8	8	8	8	83
20	R30937	-	-	T-5495	Torque Arm Locknut 1"-14	8	8	8	8	-
21	R309549	-	-	15737-01	Torque Arm Bushing	8	8	8	8	82
22	R309587	-	-	-	Torque Arm Bushing Assembly, Includes Key Nos. 16, 17, 20	8	8	8	-	81
23	S.O.S.	R	-	16586-01	Rigid Torque Arm, 72" Axle Spacing, Rear, 20-1/4" Center-to-Center	1	-	-	-	-
	S.O.S.	R	-	16587-01	Rigid Torque Arm, 77"-109" Axle Spacing, Rear, 21" Center-to-Center	-	1	1	1	-
	R309620	R	-	16596-01	Adjustable Torque Arm, 72"-109" Axle Spacing, Rear	1	1	1	1	78
24	R309585	R	-	16585-01	Rigid Torque Arm Assembly, 72"-109" Axle Spacing, Front, 14-1/4" Center-to-Center	1	1	1	1	79
	R309584	R	-	16595-01	Adjustable Torque Arm Assembly, 72"-109" Axle Spacing, Front	1	1	1	1	78
25	R30UB8165-14	-	-	-	U-Bolt Assembly, Rd Bend, 7/8"-14 Thd x 5" Wide x 14" Long	8	8	8	8	-
	S.O.S.	R	-	08950-01	U-Bolt Assembly, Rd Bend, 7/8"-14 Thd x 5 3/4" Wide x 14" Long	8	8	8	8	-

R Denotes Product is Genuine Reyco Granning

REYCO GRANNING

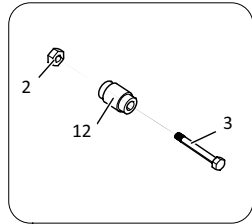
Model 83 Tandem Four Spring Suspension, 50" – 109" Axle Spacing Trailer

Spring Roller Assembly

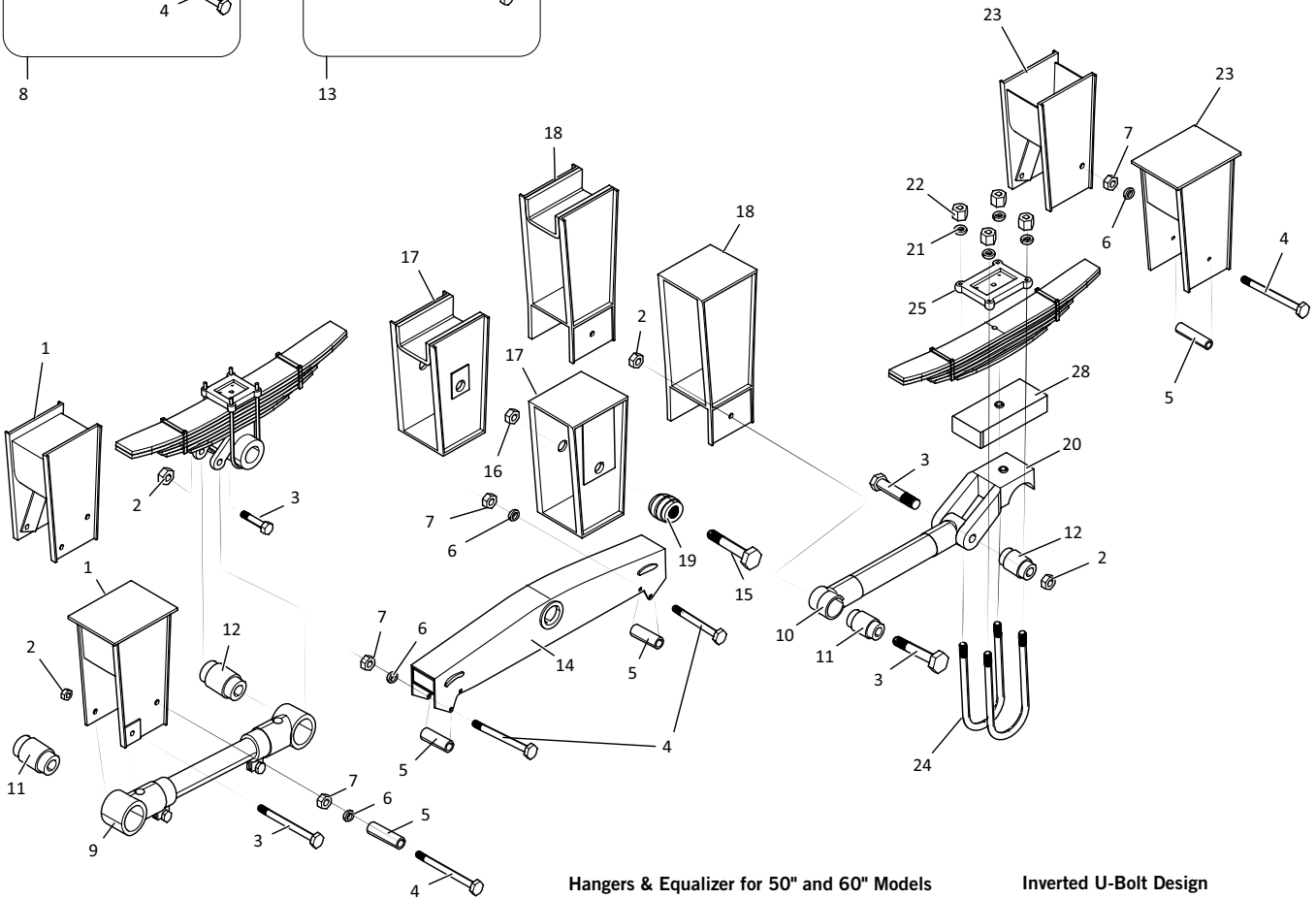


8

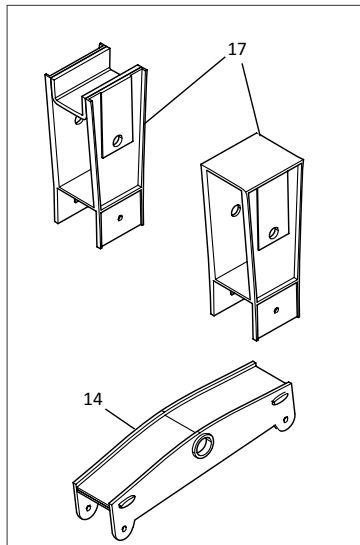
Torque Arm Bushing Assembly



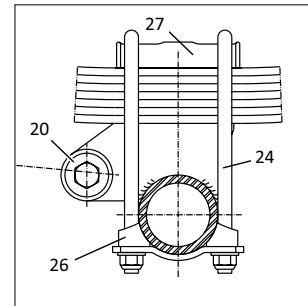
13



Hangers & Equalizer for 50" and 60" Models



Inverted U-Bolt Design



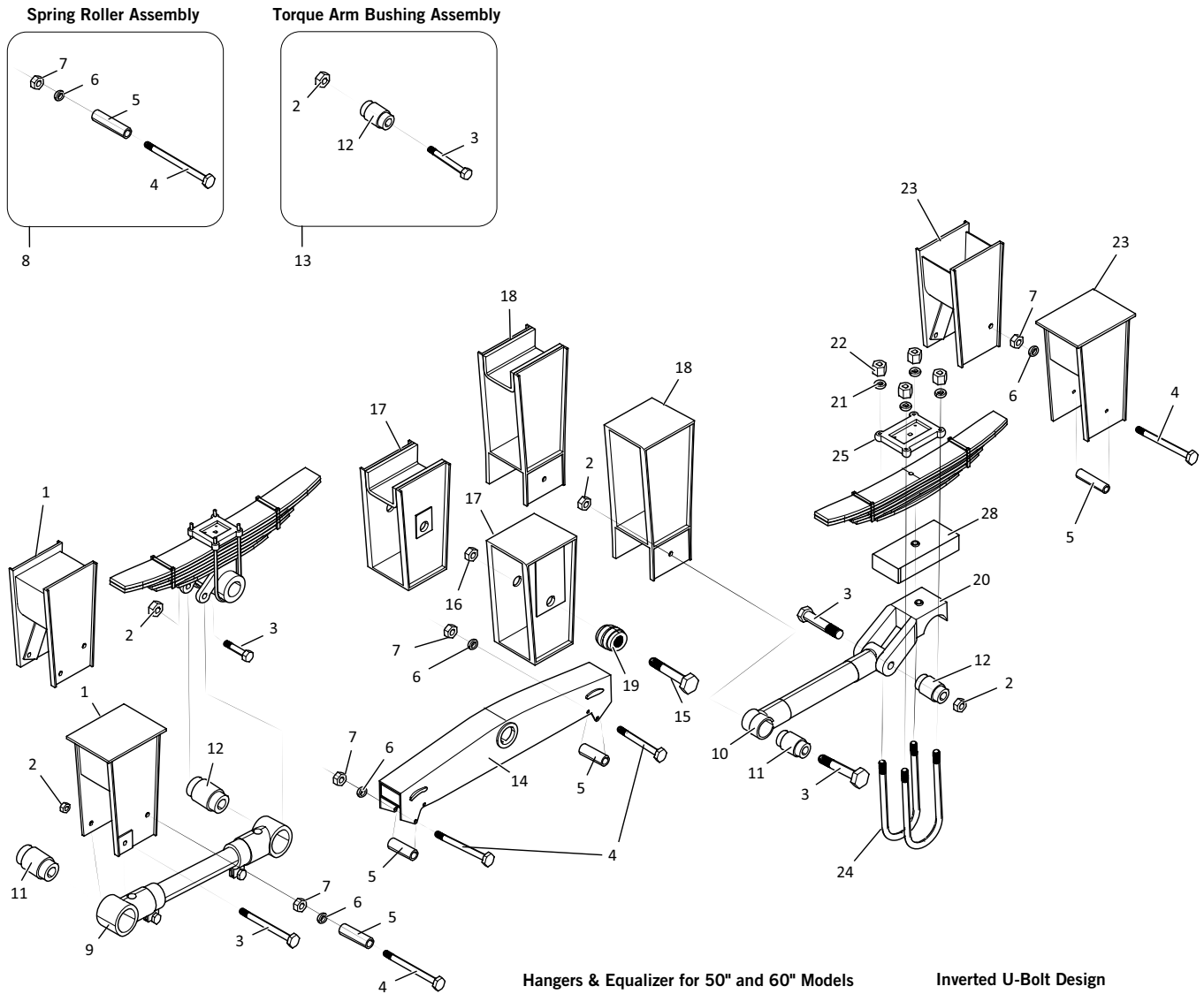
Model 83 Tandem Four Spring Suspension, 50" – 109" Axle Spacing Trailer

KEY NO.	MERITOR NO.	GENUINE	MACH NO.	OEM REF.	DESCRIPTION	QTY. PER TANDEM	PAGE NO.
1	R307727	R	-	149995-01	Front Hanger, Straddle Mount	2	87
	R3015311	R	-	15095-01	Front Hanger, Under Mount	2	87
2	R302983	-	-	10092-01	Lock Nut, 7/8"-9	4	-
3	R30901	-	-	10033-01	Bolt, 7/8"-9 x 5 1/2" Long	4	83
4	R3015312	-	-	T-1703	Bolt, 1/2"-20 x 5" Long, Straddle Mount	6	-
	R301972	-	-	T-5544	Cap Screw 1/2" x 4-3/4" Long, Under Mount	6	-
5	R301971	R	G-1971	T-2106	Spring Roller	6	89
6	R301974	-	-	T-2248, T-1705	Lock Washer, 1/2"	6	-
7	R305032	-	-	T-1704	Hex Nut, 1/2"-20	6	-
8	R301975	-	G-1975	TK19011	Spring Roller Assembly Includes Key Nos. 4, 5, 6, 7, Under Mount Hanger Only	4	89
9	R307741	R	-	16031-01	Adjustable Torque Arm with Bushings; Front	2	78
	R307744	R	-	10040-01	Rigid Torque Arm with Bushings; Front	2	79
10	R307742	R	-	16032-01	Adjustable Torque Arm, Rear, 50" Axle Spacing	1	78
	R307743	R	-	16034-01	Adjustable Torque Arm, Rear, 60" Axle Spacing	1	78
	S.O.S.	R	-	Various	Adjustable Torque Arms, Other Axle Spreads	1	-
11	R307750	-	-	10051-01	Torque Arm Bushing, Hanger End	2	82
12	R301980	-	-	09729-01	Torque Arm Bushing, Axle Seat End, Rubber	8	82
	R307520	-	-	-	Torque Arm Bushing, Axle Seat End, Poly	8	82
13	R301981	-	-	-	Torque Arm Bushing Assembly; Axle Seat End Includes Key Nos. 2, 3, 12, Rubber	4	81
	R309552	-	-	-	Torque Arm Bushing Assembly; Axle Seat End Includes Key Nos. 2, 3, 12, Poly	4	81
14	R307709	R	-	14689-01	Equalizer; 50" Axle Spacing	2	71
	R3016184	R	-	14693-01	Equalizer; 54" Axle Spacing	2	71
	R307710	R	-	14696-01	Equalizer; 60" Axle Spacing	2	71
	R3016197	R	-	14700-01	Equalizer; 65 1/2" Axle Spacing	2	72
	S.O.S.	R	-	14763-01	Equalizer; 72" Axle Spacing	2	-
	S.O.S.	R	-	14764-01	Equalizer; 97" Axle Spacing	2	-
15	R307719	-	-	14683-01	Equalizer Bolt	2	75
	R302854	-	-	08014-01	Nut, 1 1/4"-12	2	75
17	S.O.S.	R	-	15062-01	Center Hanger, Straddle Mount, 50" thru 65 1/2" Axle Spacing	2	-
	S.O.S.	R	-	15105-01	Center Hanger, Under Mount, 50" thru 65 1/2" Axle Spacing	2	-
	S.O.S.	R	-	15008-01	Center Hanger, Straddle Mount, 72" thru 109" Axle Spacing	2	-
	S.O.S.	R	-	14668-01	Center Hanger, Under Mount, 72" thru 109" Axle Spacing	2	-
18	S.O.S.	R	-	15005-01	Torque Arm Bracket, Straddle Mount, 72" thru 109" Axle Spacing	2	-
	S.O.S.	R	-	15100-01	Torque Arm Bracket, Under Mount, 72" thru 109" Axle Spacing	2	-
19	R307713	R	G-7713	14682-01	Bushing, 50" thru 65 1/2" Axle Spacing	2	74
	R301072	-	-	T-3214	Bushing, 72" thru 109" Axle Spacing	2	74
20	S.O.S.	R	-	Various	Axle Seat	4	-
21	R302545	-	-	T-5496	Washer, 3/4"	16	-
22	R303001	-	-	T-5497	Nut, 3/4"-16	16	-
23	R307739	R	-	14999-01	Rear Hanger, Straddle Mount	2	87
	S.O.S.	R	-	15098-01	Rear Hanger, Under Mount	2	-

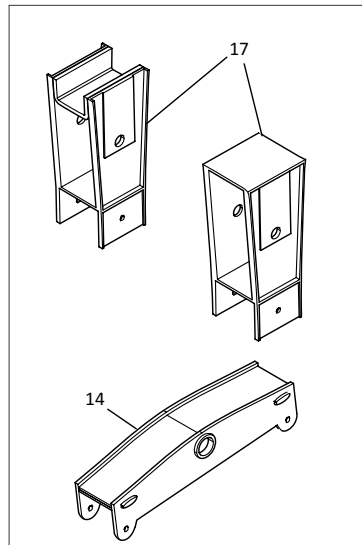
R Denotes Product is Genuine Reyco Granning

REYCO GRANNING

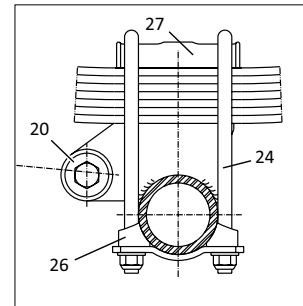
Model 83 Tandem Four Spring Suspension, 50" – 109" Axle Spacing Trailer



Hangers & Equalizer for 50" and 60" Models



Inverted U-Bolt Design



Model 83 Tandem Four Spring Suspension, 50" – 109" Axle Spacing
Trailer

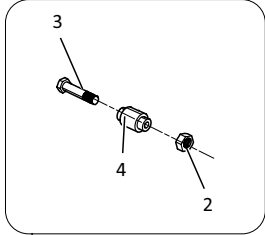
KEY NO.	MERITOR NO.	GENUINE	MACH NO.	OEM REF.	DESCRIPTION	QTY. PER TANDEM	PAGE NO.
24	R30UB5165-12	-	-	-	U-Bolt Assembly, Round Bend, 7/8"-14 Thd x 3" Wide x 12" Long	4	-
	R30UB5165-14	-	-	-	U-Bolt Assembly, Round Bend, 7/8"-14 Thd x 3" Wide x 14" Long	4	-
	R30UB8165-12	-	-	-	U-Bolt Assembly, Round Bend, 7/8"-14 Thd x 3" Wide x 12" Long	4	-
	R30UB8165-14	-	-	-	U-Bolt Assembly, Round Bend, 7/8"-14 Thd x 3" Wide x 14" Long	4	-
	R30UB8165-16	-	-	-	U-Bolt Assembly, Round Bend, 7/8"-14 Thd x 3" Wide x 16" Long	4	-
	R30UB8165-18	-	-	-	U-Bolt Assembly, Round Bend, 7/8"-14 Thd x 3" Wide x 18" Long	4	-
25	R302875	R	G-2875	T-7175, T-5488	Top Plate	4	94
	S.O.S.	R	-	11760-01	Top Plate	4	-
26	R302874	R	-	09139-01	Bottom Plate, Inverted U-Bolts	4	92
	S.O.S.	R	-	11791-01	Bottom Plate, Underslung	4	-
27	S.O.S.	R	-	0077-00	Top Plate, 3" Wide	4	-
28	R309563	R	-	T-7716	Spacer; 3" Width x 7-1/2" Long x 1" Thick	4	95
	R302878	R	-	T-7655	Spacer; 3" Width x 7-1/2" Long x 2" Thick	4	95

R Denotes Product is Genuine Reyco Granning

REYCO GRANNING

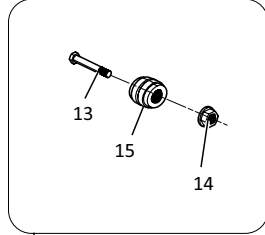
Model 86-88 Tandem Four Spring Suspension Trailer

Torque Arm Bushing Assembly



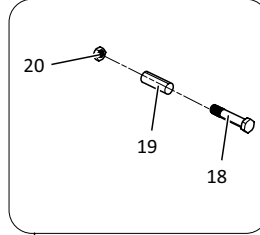
5

Equalizer Bushing Assembly



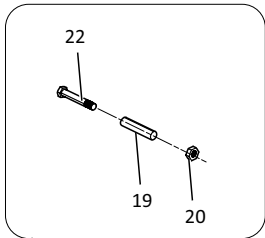
16

Equalizer Spring Roller Assembly

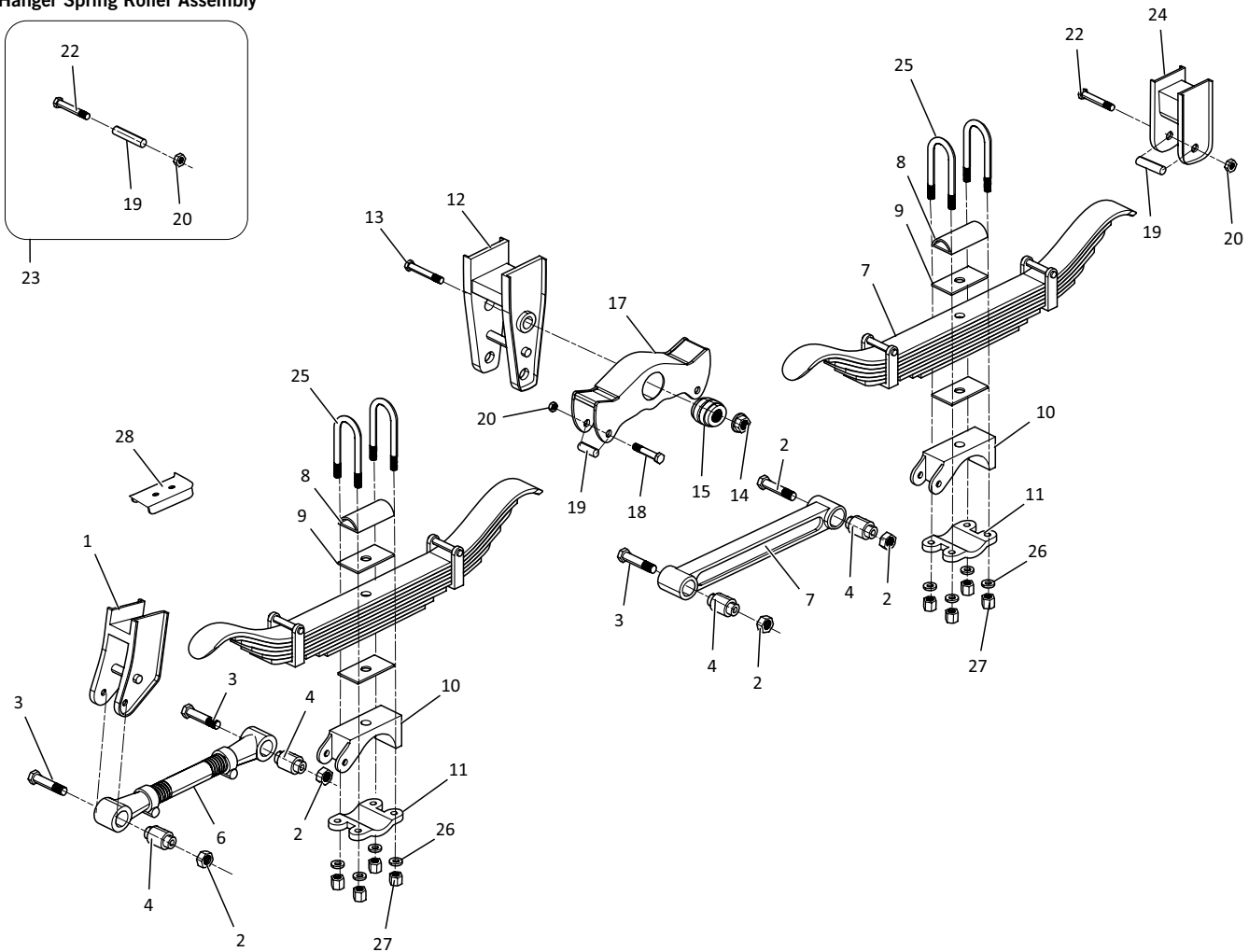


21

Hanger Spring Roller Assembly



23



Model 86-88 Tandem Four Spring Suspension Trailer

KEY NO.	MERITOR NO.	GENUINE	MACH NO.	OEM REF.	DESCRIPTION	QTY. PER TANDEM	PAGE NO.
1	R304807	R	-	0400-01, 0311-01	Front Hanger, Flange Mount, Left Hand 1/2" Dia Holes, Includes R304828 Wear Pad	1	87
	R304808	R	-	0400-02, 0311-02	Front Hanger, Flange Mount, Right Hand, 1/2" Dia Holes, Includes R304828 Wear Pad	1	87
	S.O.S.	R	-	1240-01	Front Hanger, Flange Mount, Left Hand, 5/8" Dia Holes, Includes R304828 Wear Pad	1	-
	S.O.S.	R	-	1240-02	Front Hanger, Flange Mount, Right Hand, 5/8" Dia Holes, Includes R304828 Wear Pad	1	-
	R304801	R	-	0046-20, 0046-00	Front Hanger, Left/Right, Straddle Mount, Includes R304828 Wear Pad	2	87
	R304804	R	-	0084-00, 0049-00	Front Hanger, Left/Right, Under Mount, Includes R304828 Wear Pad	2	88
	S.O.S.	R	-	0894-01	Front Hanger, Left, Side Mount, Includes R304828 Wear Pad	1	-
	S.O.S.	R	-	0894-02	Front Hanger, Right, Side Mount, Includes R304828 Wear Pad	1	-
2	R309607	-	-	14345-01	Flanged Lock Nut, 7/8"-14	8	-
3	R304833	-	-	0001-08	Torque Arm Bolt; 7/8" - 14" x 5-14" Long	8	-
4	R301980	-	-	09729-01	Torque Arm Bushing, Rubber	8	82
	R307520	-	-	-	Torque Arm Bushing, Poly	8	82
5	R304834A	-	-	K0022-01	Torque Arm Bushing Assembly w/ Rubber Bushing, Includes Key Nos. 2, 3, 4	8	82
	R309551	-	-	-	Torque Arm Bushing Assembly w/ Poly Bushing, Includes Key Nos. 2, 3, 4	8	82
6	R304824	R	G-4824	1035-20	Adjustable Torque Arm, Model 86: 49" & 54", Model 88: 49" - 121", 19-7/8" Center-to-Center, Includes R301980 Bushing	2	78
	S.O.S.	R	-	1035-23	Adjustable Torque Arm, Model 86 & 88: 54", 22-3/4" Center-to-Center, Includes R301980 Bushing	2	-
	S.O.S.	R	-	1035-25	Adjustable Torque Arm, Model 88: 60", 25-1/2" Center-to-Center, Includes R301980 Bushing	2	-
	S.O.S.	R	-	1035-31	Adjustable Torque Arm, Model 88: 72", 31" Center-to-Center, Includes R301980 Bushing	2	-
7	R304825	R	G-4825	0075-20	Rigid Torque Arm, Model 86: 49" & 54", Model 88: 49"-121", 19-7/8" Center-to-Center, Includes R301980 Bushing	2	79
	S.O.S.	R	-	0678-00	Rigid Torque Arm, Model 86: 54", , 22-3/4" Center-to-Center, Includes R301980 Bushing	2	-
8	R302907A	-	G-2907A	23334-01, 0077-00	Top Plate, Fabricated, 3" Wide	4	93
	R302873	R	-	08677-01	Top Plate, Cast, 3" Wide	4	93
	R302875	R	G-2875	T-7175, T-5488	Top Plate, 5" Round Axle, U-Bolts Up	4	94
	R309554	R	-	T-1734	Top Plate, 5" x 5" Square Axle, U-Bolts Up	4	94
	S.O.S.	R	-	0716-00	Top Plate, 4" x 6" Axle	4	-
9	R302842	-	-	16810-02	Delrin Spring Liner	4	93
10	R304814	R	-	0636-01	Axle Seat, 5" Round Axle, 1" High	4	91
	R304815	R	-	0636-02	Axle Seat, 5" Round Axle, 2" High	4	91
	R3016490	R	-	0636-03	Axle Seat, 5" Round Axle, 3" High	4	91
	R304817	R	-	0632-01	Axle Seat, 5" x 5" Square Axle, 1" High	4	92
	R304818	R	-	0632-02	Axle Seat, 5" x 5" Square Axle, 2" High	4	92
	S.O.S.	R	-	0637-01	Axle Seat, 5" Round Axle, 1" High, No Hop	4	-
	S.O.S.	R	-	0637-02	Axle Seat, 5" Round Axle, 2" High, No Hop	4	-
	R3016496	R	-	0637-03	Axle Seat, 5" Round Axle, 3" High, No Hop	4	91

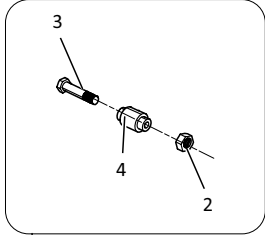
R Denotes Product is Genuine Reyco Granning
 U.S. 888-725-9355
 Canada 800-387-3889

MeritorPartsXpress.com
PB-9968-RYG (07-19)

REYCO GRANNING

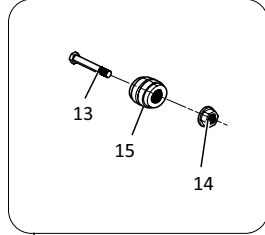
Model 86-88 Tandem Four Spring Suspension Trailer

Torque Arm Bushing Assembly



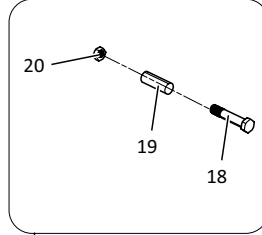
5

Equalizer Bushing Assembly



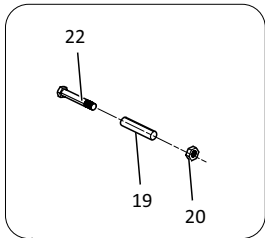
16

Equalizer Spring Roller Assembly

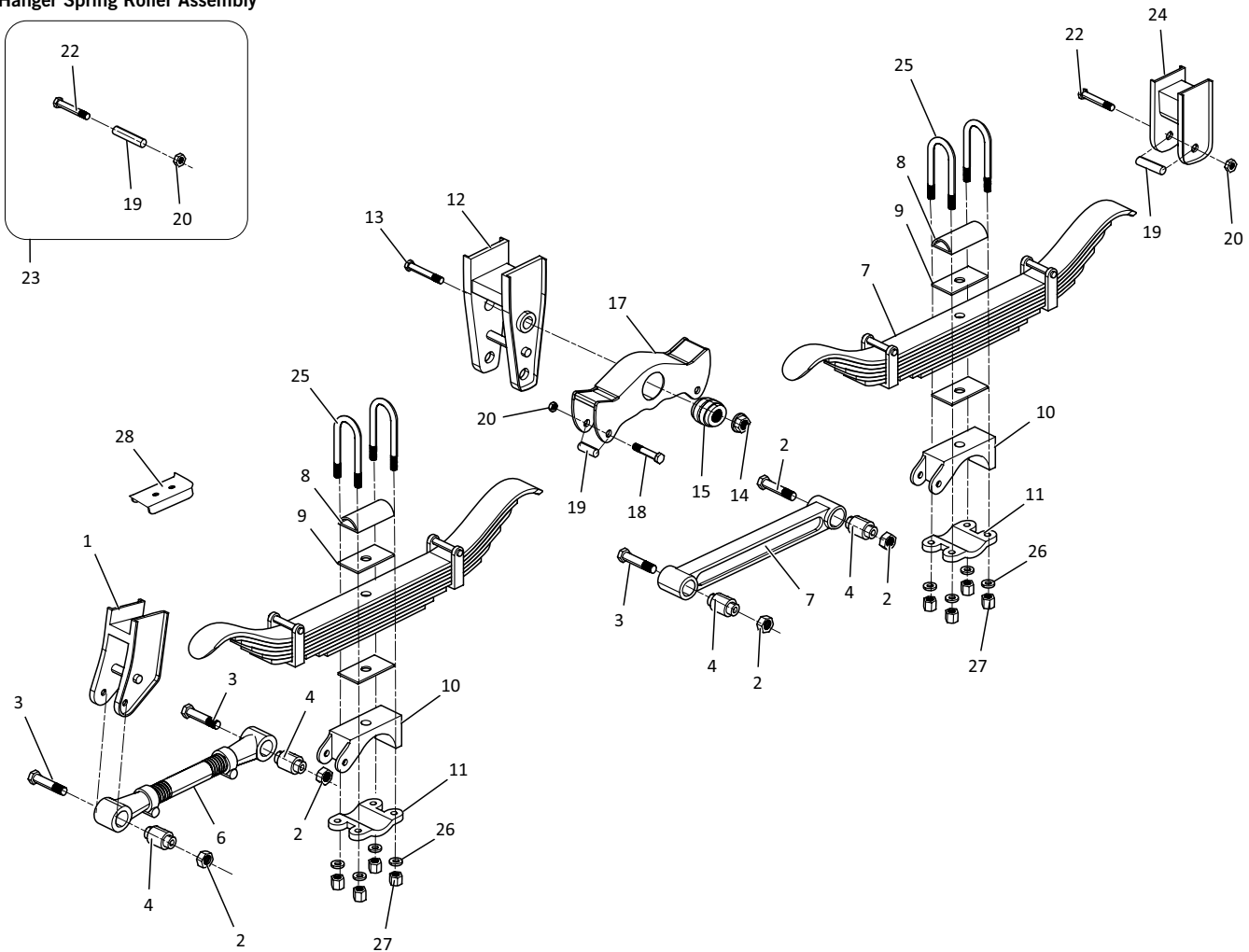


21

Hanger Spring Roller Assembly



23



Model 86-88 Tandem Four Spring Suspension Trailer

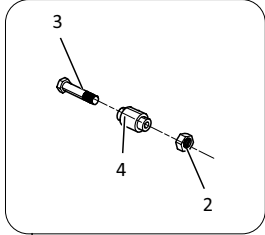
KEY NO.	MERITOR NO.	GENUINE	MACH NO.	OEM REF.	DESCRIPTION	QTY. PER TANDEM	PAGE NO.
11	R302909	-	G-2909	0538-00	Bottom Plate, 5" Round Axle, U-Bolts Down	4	92
	R304823	-	-	0149-00	Bottom Plate, 5" x 5" Square Axle, U-Bolts Down	4	-
	S.O.S.	R	-	0150-00	Bottom Plate, 4" x 6" Rectangular Axle	4	-
	R3016491	R	-	0858-00	Bottom Plate - Underslug, 5" Round/5" x 5" Square, 3 & 8 Leaf Spring	4	92
	S.O.S.	R	-	0508-00	Bottom Plate - Underslug, 5" Round/5" x 5" Square, 1 Leaf Spring	4	-
	S.O.S.	R	-	0415-00	Bottom Plate - No Hop, 5" Round Axle	4	-
	S.O.S.	R	-	0416-00	Bottom Plate - No Hop, 5" x 5" Square Axle	4	-
	S.O.S.	R	-	0417-00	Bottom Plate - No Hop, 4" x 6" Rectangular Axle	4	-
12	R304809	R	-	0401-00, 0312-00	Center Hanger, Left/Right, Flange Mount, 1/2" Dia Holes, 44", 49" & 54" Axle Spread	2	87
	S.O.S.	R	-	1465-05	Center Hanger, Left/Right, Flange Mount, 1/2" Dia Holes, 60" & 72" Axle Spread	2	-
	S.O.S.	R	-	1237-20	Center Hanger, Left/Right, Flange Mount, 5/8" Dia Holes, 44", 49" & 54" Axle Spread	2	-
	S.O.S.	R	-	1465-06	Center Hanger, Left/Right, Flange Mount, 5/8" Dia Holes, 60" & 72" Axle Spread	2	-
	R304802	R	-	0062-26, 0062-00	Center Hanger, Left/Right, Straddle Mount, 44", 49" & 54" Axle Spread	2	87
	S.O.S.	R	-	1463-00	Center Hanger, Left/Right, Straddle Mount, 60" & 72" Axle Spread	2	-
	S.O.S.	R	-	1359-00	Center Hanger, Left/Right, Straddle Mount, 109" & 121" Axle Spread	2	-
	R304805	R	-	0088-00, 0065-00	Center Hanger, Left/Right, Undermount, 44", 49" & 54" Axle Spread	2	88
	S.O.S.	R	-	1464-00	Center Hanger, Left/Right, Undermount, 60" & 72" Axle Spread	2	-
	S.O.S.	R	-	0893-01	Center hanger, Left/Right, Side Mount, 44", 49" & 54" Axle Spread	2	-
13	R304830	-	-	0001-14	Equalizer Bolt, 1" - 14" x 6-1/2" Long	2	75
14	R302892	-	-	0274-01	Flanged Nut Nut, Flange Lock; 1"-14	2	-
15	R304827	-	G-4827	0649-02	Equalizer Bushing, New Style	2	75
	S.O.S.	R	-	0106-06	Equalizer Bushing, Old Style Before Sept. 1986	2	-
16	R304832	-	-	K0649-04	Equalizer Bushing Assembly Includes Key No. 8, 9, 10	2	74
	S.O.S.	R	-	K0106-07	Equalizer Bushing Assembly, Old Style Before Sept. 1986	2	-
17	R304813	R	G-4813	0650-00	Fabricated Equalizer with Bushing, 49", Includes R304827 Bushing	2	70
	R304813-P	-	G-4813	0650-00	Fabricated Equalizer with Bushing, 49", Includes R304827 Bushing	2	70
	S.O.S.	R	-	1570-00	Fabricated Equalizer with Bushing, 54", Includes R304827 Bushing	2	-
	R3016492	R	-	0841-00	Fabricated Equalizer with Bushing, 60-1/2", Includes R304827 Bushing	2	71
	R3010250	R	G-10250	0850-00	Cast Equalizer with Bushing, 49", Includes R304827 Bushing	2	47
	S.O.S.	R	-	08801-00	Cast Equalizer with Bushing, 54", Includes R304827 Bushing	2	-
18	R303415	-	-	0001-04	Rebound Bolt, 5/8"-18 x 4-1/2" Long	4	-
19	R303416	-	G-3416	0741-01	Spring Roller	6	90
20	R302002	-	-	0002-07	Nut 5/8"-18	6	-
21	R304835	-	-	0741-00	Spring Roller Assembly includes Key Nos. 18, 19, 20	4	89
22	R304836	-	-	0001-02	Bolt, 5/8-18	2	-
23	R304837	-	-	K074105	Hanger Spring Roller Assembly Includes Key Nos. 19, 20, 22	2	89

R Denotes Product is Genuine Reyco Granning

REYCO GRANNING

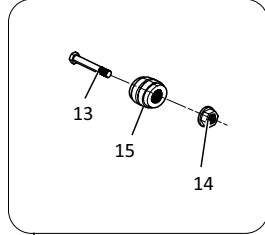
Model 86-88 Tandem Four Spring Suspension Trailer

Torque Arm Bushing Assembly



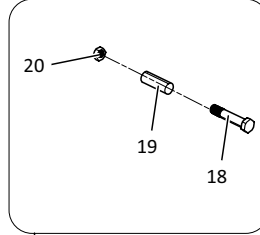
5

Equalizer Bushing Assembly



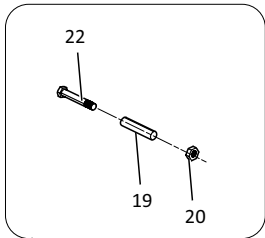
16

Equalizer Spring Roller Assembly

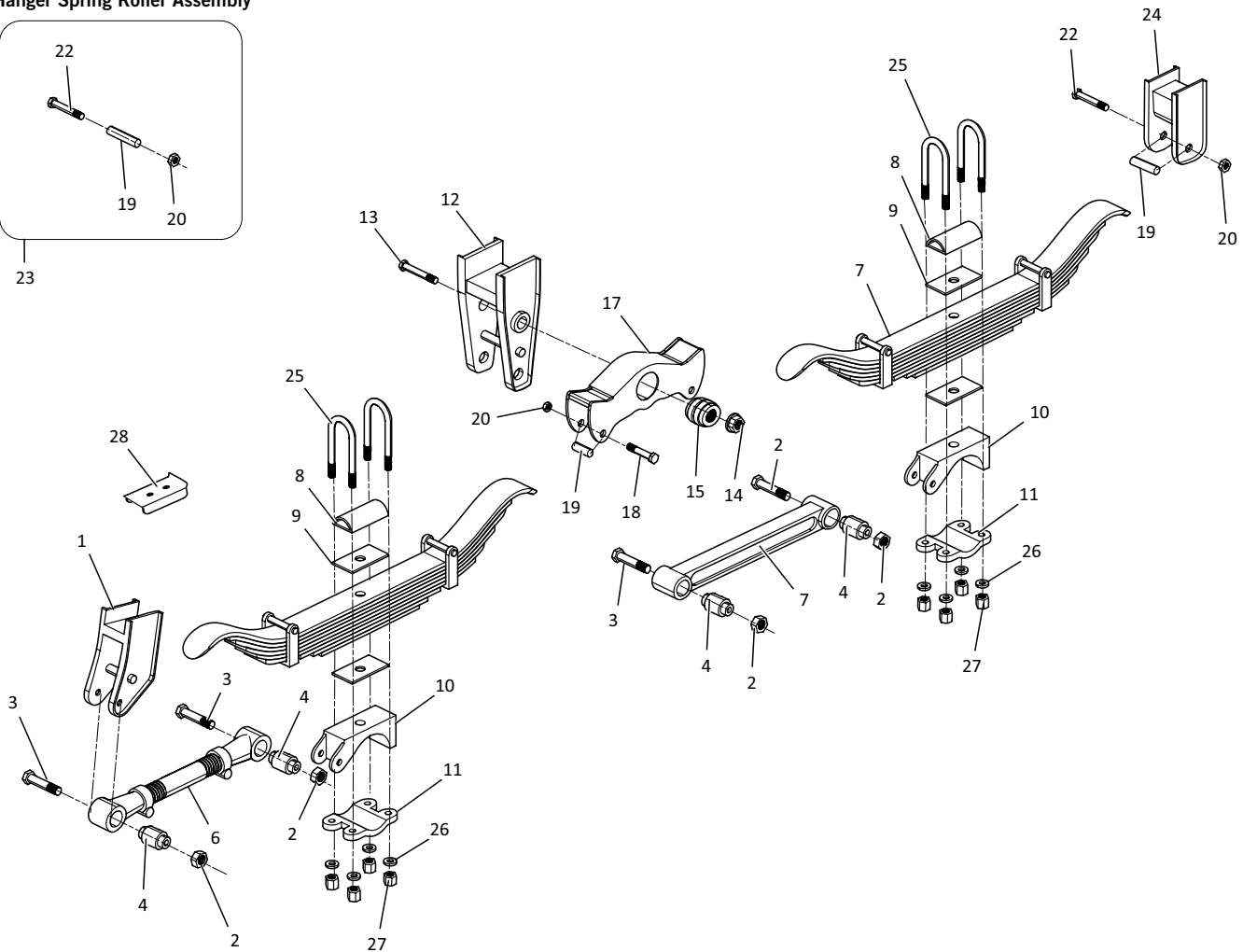


21

Hanger Spring Roller Assembly



23



Model 86-88 Tandem Four Spring Suspension Trailer

KEY NO.	MERITOR NO.	GENUINE	MACH NO.	OEM REF.	DESCRIPTION	QTY. PER TANDEM	PAGE NO.
24	R304810	R	-	0402-01, 0313-01	Rear Hanger, Left, Flange Mount, 1/2" Dia Holes, Includes R304828 Wear Pad	1	87
	R304811	R	-	0402-02, 0313-02	Rear Hanger, Right, Flange Mount, 1/2" Dia Holes, Includes R304828 Wear Pad	1	87
	S.O.S.	R	-	1241-01	Rear Hanger, Left, Flange Mount, 5/8" Dia Holes, Includes R304828 Wear Pad	1	-
	S.O.S.	R	-	1241-02	Rear Hanger, Right, Flange Mount, 5/8" Dia Holes, Includes R304828 Wear Pad	1	-
	R304803	R	-	0051-20, 0051-00;	Rear Hanger, Left/Right, Straddle Mount, Includes R304828 Wear Pad	2	88
	R304806	R	-	0086-00, 0053-00	Rear Hanger, Left/Right, Under Mount, Includes R304828 Wear Pad	2	88
	S.O.S.	R	-	0952-01	Rear Hanger, Left, Side Mount, Includes R304828 Wear Pad	1	-
	S.O.S.	R	-	0952-02	Rear Hanger, Right, Side Mount, Includes R304828 Wear Pad	1	-
25	R30UB5161-12	-	-	0078-10 Thru 18	U-Bolt Assembly Rd. Bend; 7/8"- 14 Thd. X 3" Wide x 12" Long	8	-
	R30UB5161-13	-	-	0078-10 Thru 18	U-Bolt Assembly Rd. Bend; 7/8"- 14 Thd. X 3" Wide x 13" Long	8	-
	R30UB5161-14	-	-	0078-10 Thru 18	U-Bolt Assembly Rd. Bend; 7/8"- 14 Thd. X 3" Wide x 14" Long	8	-
	R30UB5161-18	-	-	0078-10 Thru 18	U-Bolt Assembly Rd. Bend; 7/8"- 14 Thd. X 3" Wide x 18" Long	8	-
	R30UB5165-14	-	-	0102-10 Thru 17	U-Bolt Assembly Rd. Bend; 7/8"- 14 Thd. X 5" Wide x 14" Long	8	-
	R30UB5165-18	-	-	0102-10 Thru 17	U-Bolt Assembly Rd. Bend; 7/8"- 14 Thd. X 5" Wide x 18" Long	8	-
	R30UB5165-16	-	-	0159-12	U-Bolt Assembly Sq. Bend; 7/8"- 14 Thd. X 5" Wide x 12" Long	8	-
	R30UB8264-12	-	-	060-12 Thru 15	U-Bolt Assembly Sq. Bend; 7/8"- 14 Thd x 4" Wide x 12" Long	8	-
	R30UB8264-14	-	-	060-12 Thru 15	U-Bolt Assembly Sq. Bend; 7/8"- 14 Thd x 4" Wide x 14" Long	8	-
	R30UB8264-16	-	-	060-12 Thru 15	U-Bolt Assembly Sq. Bend; 7/8"- 14 Thd x 4" Wide x 16" Long	8	-
26	R302546	-	-	T-7292	Flat Washer, 7/8"	16	-
27	R303002A	-	-	-	Nut, 7/8"-14	16	-
28	R304828	R	-	0045-00	Hanger Wear Pad	2	90


R Denotes Product is Genuine Reyco Granning

REYCO GRANNING

Equalizers

Equalizer - Cast

FOR MODELS:
101A, 102, 102W




Rubber Bushing Included

MERITOR NO.	GENUINE	OEM REF.	OVERALL LENGTH
R3016494	R	14743-01	13-3/8"

Equalizer - Cast

FOR MODELS:
101A, 102, 102W




Rubber Bushing Included

MERITOR NO.	GENUINE	MACH NO.	OEM REF.	OVERALL LENGTH
R302845	R	G-2845	12859-01	16"

Equalizer - Fabricated

FOR MODEL:
21B Cast




Bushings Not Included

MERITOR NO.	GENUINE	OEM REF.	OVERALL LENGTH
R3016477	R	T-5427	14-1/2"

Equalizer - Cast

FOR MODELS:
101, 101A, 102




Rubber Bushing Included

MERITOR NO.	GENUINE	OEM REF.	OVERALL LENGTH
R302843	R	09120-01	16"

Equalizer - Cast

FOR MODELS:
101, 101A, 102, 102W




Rubber Bushing Included, Used on Ford Model

MERITOR NO.	GENUINE	MACH NO.	OEM REF.	OVERALL LENGTH
R302844	R	G-2844	08996-01	16"

Equalizer - Cast

FOR MODEL:
86-88



Rubber Bushing Included; 49" Axle Spacing

MERITOR NO.	GENUINE	MACH NO.	OEM REF.	OVERALL LENGTH
R3010250	R	G-10250	0850-00	16-1/2"

Equalizer - Cast

FOR MODEL:
101




Rubber Bushing Included

MERITOR NO.	GENUINE	MACH NO.	OEM REF.	OVERALL LENGTH
R303978	R	G-3978	14723-01	16"

Equalizer - Fabricated

FOR MODEL:
86-88



Rubber Bushing Included; 49" Axle Spacing

MERITOR NO.	GENUINE	MACH NO.	OEM REF.	OVERALL LENGTH
R304813	R	G-4813	0650-00	16-1/2"
R304813-P	-	G-4813	0650-00	16-1/2"

R Denotes Product is Genuine Reyco Granning

Equalizers

Equalizer - Cast

FOR MODEL:
21B Cast




Bushings Not Included; 42" - 44" Axle Spacing

MERITOR NO.	GENUINE	OEM REF.	OVERALL LENGTH
R3010768A	R	25222-01	17-1/2"

Equalizer - Fabricated

FOR MODELS:
74B 50"-60"




Rubber Bushing Included; 54" Axle Spacing

MERITOR NO.	GENUINE	OEM REF.	OVERALL LENGTH
R309586	R	13806-01	24"

Equalizer - Cast

FOR MODEL:
21B Cast




Bushings Not Included; 49" Axle Spacing

MERITOR NO.	GENUINE	OEM REF.	OVERALL LENGTH
R302846A	R	21725-01	18"

Equalizer - Fabricated

FOR MODEL:
86-88



Rubber Bushing Included; 60-1/2" Axle Spacing

MERITOR NO.	GENUINE	OEM REF.	OVERALL LENGTH
R3016492	R	0841-00	27-3/4"

Equalizer - Fabricated

FOR MODELS:
21B FAB, 83




Rubber Bushing Included; 50" Axle Spacing

MERITOR NO.	GENUINE	OEM REF.	OVERALL LENGTH
R307709	R	14689-01	18"

Equalizer - Fabricated

FOR MODELS:
21B FAB, 83




Rubber Bushing Included; 60" Axle Spacing

MERITOR NO.	GENUINE	OEM REF.	OVERALL LENGTH
R307710	R	14696-01	30"

Equalizer - Fabricated

FOR MODELS:
21B FAB, 83




Rubber Bushing Included; 54" Axle Spacing

MERITOR NO.	GENUINE	OEM REF.	OVERALL LENGTH
R3016184	R	14693-01	21"

Equalizer - Fabricated

FOR MODEL:
21B Cast



Rubber Bushing Included; 60" Axle Spacing

MERITOR NO.	GENUINE	OEM REF.	OVERALL LENGTH
R305245	R	09713-01	30"


R Denotes Product is Genuine Reyco Granning

REYCO GRANNING

Equalizers

Equalizer - Fabricated

FOR MODELS:
21B FAB, 83




Rubber Bushing Included; 63-1/2" - 65-1/2" Axle Spacing

MERITOR NO.	GENUINE	OEM REF.	OVERALL LENGTH
R3016197	R	14700-01	30-1/2"

Equalizer - Fabricated

FOR MODEL:
21B Cast




Rubber Bushing Included; 72" Axle Spacing

MERITOR NO.	GENUINE	OEM REF.	OVERALL LENGTH
R305246	R	11143-01	43"

Equalizer - Fabricated

FOR MODEL:
74B 72"-109"



Rubber Bushing Included; 72" Axle Spacing

MERITOR NO.	GENUINE	OEM REF.	OVERALL LENGTH
R3015295	R	13909-01	36"

Equalizer - Fabricated

FOR MODEL:
21B FAB




Rubber Bushing Included; 72" Axle Spacing


MERITOR NO.	GENUINE	OEM REF.	OVERALL LENGTH
R3016198	R	14763-01	43"


R Denotes Product is Genuine Reyco Granning

Equalizer Bushing & Hardware


Equalizer Bushing Assembly		
FOR MODELS: 101, 101A, 102, 102W		
		
MERITOR NO.	OEM REF.	NOTES
R302848	TK19163	Includes: 1 Bushing, 1 Bolt, 2 Washer, 1 Nut


Equalizer Bushing Assembly			
FOR MODEL: 21B Cast			
			
MERITOR NO.	GENUINE	OEM REF.	NOTES
R303976	R	TK18998	Includes: 1 Shaft, 2 Bushing (Rubber), 2 Washer, 2 Bolt, 2 Lock Washer


Equalizer Bushing Assembly		
FOR MODELS: 101, 101A, 102, 102W		
		
MERITOR NO.	OEM REF.	NOTES
R302847	TK19164	Includes: 1 Bushing, 1 Bolt, 2 Washer, 1 Nut

Equalizer Bushing Assembly	
FOR MODEL: 21B Cast	
	
MERITOR NO.	NOTES
R302116A	Includes: 1 Bushing, 1 Shaft, 1 Washer, 1 Nut

Equalizer Bushing Assembly		
FOR MODELS: 101, 101A, 102W		
		
MERITOR NO.	OEM REF.	NOTES
R301970	TK19056	Includes: 1 Bushing, 1 Shaft, 1 Washer, 1 Nut

Equalizer Bushing Assembly	
FOR MODEL: 21B Cast	
	
MERITOR NO.	NOTES
R305247	Includes: 1 Bushing, 1 Shaft, 1 Washer, 1 Nut


Equalizer Bushing Assembly	
FOR MODEL: 21B Cast	
	
MERITOR NO.	NOTES
R309555	Includes: 1 Shaft, 2 Bushing (Poly), 2 Washer, 2 Bolt, 2 Lock Washer

Equalizer Bushing Assembly	
FOR MODELS: 74B 50"-60", 74B 72"-109"	
	
MERITOR NO.	NOTES
R309801	Includes: 1 Bushing, 1 Bolt, 1 Nut

R Denotes Product is Genuine Reyco Granning

REYCO GRANNING


Equalizer Bushing & Hardware

Equalizer Bushing Assembly		
FOR MODEL: 86-88		
		
MERITOR NO.	OEM REF.	NOTES
R304832	K0649-04	Includes: 1 Bushing, 1 Bolt, 1 Nut


Equalizer Bushing			
FOR MODELS: 101, 101A, 102W			
			
MERITOR NO.	MACH NO.	OEM REF.	NOTES
R301966	G-1966	08363-01	Rubber Bushing Both Ends Slotted

Equalizer Bushing			
FOR MODELS: 101, 101A, 102, 102W			
			
MERITOR NO.	MACH NO.	OEM REF.	NOTES
R302850	G-2850	08915-01	Rubber Bushing (GM/Volvo)

Equalizer Bushing		
FOR MODEL: 21B Cast		
		
MERITOR NO.	OEM REF.	NOTES
R301159	T-5524	Rubber Bushing
R308653	—	Poly Bushing

Equalizer Bushing			
FOR MODELS: 101, 101A, 102, 102W			
			
MERITOR NO.	MACH NO.	OEM REF.	NOTES
R303977	G-3977	14713-01	Rubber Bushing
R308654	—	—	Poly Bushing

Equalizer Bushing				
FOR MODELS: 21B FAB, 83				
				
MERITOR NO.	GENUINE	MACH NO.	OEM REF.	NOTES
R307713	R	G-7713	14682-01	Rubber Bushing

Equalizer Bushing		
FOR MODELS: 101, 101A, 102, 102W		
		
MERITOR NO.	OEM REF.	NOTES
R302849	08995-01	Rubber Bushing One End Slotted


Equalizer Bushing		
FOR MODELS: 73, 73 WS, 83		
		
MERITOR NO.	OEM REF.	NOTES
R301072	T-3214	Rubber Bushing
R308688	—	Poly Bushing


R Denotes Product is Genuine Reyco Granning

REYCO GRANNING


Equalizer Bushing & Hardware


Suspension


Equalizer Bushing			
FOR MODELS: 74B 50"-60", 74B 72"-109"			
			
MERITOR NO.	MACH NO.	OEM REF.	NOTES
R309550	G-9550	13805-01	Rubber Bushing


Equalizer Bushing			
FOR MODEL: 86-88			
			
MERITOR NO.	MACH NO.	OEM REF.	NOTES
R304827	G-4827	0649-02	Rubber Bushing

Equalizer Bushing		
FOR MODEL: 21B Cast WS		
		
MERITOR NO.	OEM REF.	NOTES
R30813	T-2102	Rubber Bushing
R308691	—	Poly Bushing

Equalizer Bolt Assembly	
FOR MODEL: 21B FAB	
	
MERITOR NO.	NOTES
R309538	Includes: 1 Bolt, 1 Nut 1-1/4"-12

Equalizer Bolt			
			
MERITOR NO.	MODEL	OEM REF.	NOTES
R301166	73 WS	T-5492	1"-14 x 6-3/4" Long
R307719	83	14683-01	1-1/4"-12 x 7-3/4" Long
R304830	86-88	0001-14	1"-14 x 6-1/2" Long
R302852	101, 101A, 102, 102W, 74B 50"-60", 74B 72"-109" (Used on 101-102W Ford, Volvo, GM models)	10949-01	1-1/4"-12 x 8-3/4" Long

Equalizer Nut		
FOR MODELS: 74B 50"-60", 74B 72"-109"		
		
MERITOR NO.	OEM REF.	NOTES
R302854	08914-01	1-1/4"-12


Equalizer Pad		
FOR MODEL: 21B Cast		
		
MERITOR NO.	GENUINE	OEM REF.
R309559	R	11851-01

R Denotes Product is Genuine Reyco Granning


REYCO GRANNING

Equalizer Bushing & Hardware

Equalizer Pad		
FOR MODEL: 21B Cast		
		
MERITOR NO.	GENUINE	OEM REF.
R309560	R	11852-01

Equalizer Shaft				
FOR MODELS: 101, 101A, 102, 102W				
				
MERITOR NO.	GENUINE	MACH NO.	OEM REF.	NOTES
R301967	R	G-1967	08686-01	1-1/2"


Equalizer Pad	
FOR MODELS: 73, 101A, 102	
	
MERITOR NO.	OEM REF.
R307717	10055-01


Equalizer Shaft		
FOR MODEL: 21B Cast		
		
MERITOR NO.	GENUINE	OEM REF.
R303972	R	14247-01


R Denotes Product is Genuine Reyco Granning

Equalizer Bushing & Hardware

Equalizer Shaft	
FOR MODEL: 21B FAB	
	
MERITOR NO.	NOTES
R30837	Equalizer Shaft Lock Screw for 60" Axle Spacing

Equalizer Shaft Assembly	
FOR MODELS: 101, 101A, 102	
	
MERITOR NO.	NOTES
R309840	Includes: 1 Shaft, 1 Nut, 1 Washer

Equalizer Shaft Lock Screw		
FOR MODEL: 21B Cast		
		
MERITOR NO.	OEM REF.	NOTES
R301987	14248-01	1"-8 x 2-1/2" Long

Equalizer Spring Roller Assembly			
FOR MODEL: 101			
			
MERITOR NO.	MACH NO.	OEM REF.	NOTES
R301975	G-1975	TK19011	Includes: 1 Bolt, 1 Roller, 1 Nut, 1 Washer

R Denotes Product is Genuine Reyco Granning

REYCO GRANNING

Torque Arms

Adjustable



Type 1



Type 2

MERITOR NO.	GENUINE	MACH NO.	OEM REF.	FOR MODELS	INCLUDES BUSHING, HANGER END	INCLUDES BUSHING, AXLE SEAT END	BUSHING ASSEMBLY, HANGER SEAT END	BUSHING ASSEMBLY, AXLE SEAT END	LENGTH	TYPE
R307741	R	—	16031-01	73, 73 WS, 83	R307750	R301980	R307749	R301981	12-3/4" to 15"	1
R309584	R	—	16595-01	74B 72"-109", 74B 50"-60", 74AR	R309549	R309549	R309587	R309587	13" to 15"	2
R3016541	R	—	20138-01	240AR	R3010057	R301980	R309350	R301981	15" to 17-1/4"	1
R303283A	R	G-3283A	15172-01	21B Cast, 21B FAB, 21AR	Not Included, Use R301160	Not Included, Use R301160	R301312A	R301312A	15-1/2" to 17-1/2"	1
R303284A	R	G-3284A	15173-01	21B Cast, 21B FAB	Not Included, Use R301160	Not Included, Use R301160	R301312A	R301312A	17-1/2" to 19-1/2"	1
R303764	R	—	15187-01	102W, 102AR	Not Included, Use R3010057	Not Included, Use R301980	R309350	R301981	17-1/2" to 19-1/2"	1
R302513	R	—	—	86AR	R301980	R301980	R301981	R301981	18-1/2" to 21-1/2"	2
R304824	R	G-4824	1035-20	86AR, 86-88	R301980	R301980	R304834A	R304834A	18-1/4" to 20-3/4"	1
R304796	R	—	15186-01	102W, 102AR	Not Included, Use R3010057	Not Included, Use R301980	R309350	R301981	19-1/2" to 21-1/2"	1
R302866A	R	—	15354-01	21B FAB, 102	Not Included, Use R3010057	Not Included, Use R301982	R309350	R301983	19-1/2" to 21-3/4"	1
R307742	R	—	16032-01	73, 73 WS, 83	Not Included, Use R307750	Not Included, Use R301980	R307749	R301981	19-1/2" to 21-3/4"	1
R309620	R	—	16596-01	74B 50"-60", 74B 72"-109"	R309549	R309549	R309587	R309587	21-1/4"	2
R305255A	R	—	15176-01	21B FAB, 102	Not Included, Use R3010057	Not Included, Use R301982	R309350	R301983	24" to 26-1/4"	1
R307743	R	—	16034-01	73 WS, 83	R307750	R301980	R307749	R301981	24" to 26-1/4"	1
R3015294	R	—	16597-01	74B 50"-60"	R309549	R309549	R309587	R309587	24-1/2"	2
R302292		—	16347-01	102CC	R301980	R301980	R301981	R301981	14-3/4" to 18-1/2"	2

R Denotes Product is Genuine Reyco Granning

Torque Arms

Rigid



Type 1



Type 2



Type 3



Type 4

MERITOR NO.	GENUINE	MACH NO.	OEM REF.	FOR MODELS	INCLUDES BUSHING, HANGER END	INCLUDES BUSHING, AXLE SEAT END	BUSHING ASSEMBLY, HANGER SEAT END	BUSHING ASSEMBLY, AXLE SEAT END	LENGTH	TYPE
R309585	R	—	16585-01	74B 50"-60", 74B 72"-109", 74 AR	R309549	R309549	R309587	R309587	14-1/4"	4
R307744	R	—	10040-01	73, 73 WS, 83	R307750	R301980	R307749	R301981	15"	3
R302855	R	—	15178-01	21B Cast, 21B FAB, 21AR	Not Included, Use R301160	Not Included, Use R301160	R301312A	R301312A	16-1/4"	1
R3016540	R	—	20121-01	240AR	R3010057	R301980	R309350	R301981	16-3/4"	4
R302856	R	—	15179-01	21B Cast	Not Included, Use R301160	Not Included, Use R301160	R301312A	R301312A	18-5/8"	1
R304825	R	G-4825	0075-20	86AR, 86-88	R301980	R301980	R304834A	R304834A	19-5/8"	4
R302860	R	—	12051-01	101A, 102W, 102AR	R301964 (101A) R3010057 (102W/102AR)	R301980	R301963 (101A) R309350 (102W/102AR)	R301981	20-1/2"	2
R302858	R	—	15012-01	102	Not Included, Use R3010057	Not Included, Use R301982	R309350	R301983	21"	1
R309619	R	—	16588-01	74B 50"-60"	R309549	R301982	R309587	R301983	21-1/4"	4
R3015293	R	—	16589-01	74B 50"-60"	R309549	R301982	R309587	R301983	24-1/2"	4
R305256	R	—	09686-01	21B FAB	Not Included, Use R301160	Not Included, Use R301160	R301312A	R301312A	25"	1
R307746	R	—	12422-01	73 WS	R307750	R301980	R307749	R301981	25-1/4"	4

R Denotes Product is Genuine Reyco Granning

REYCO GRANNING

Torque Arms

Track Rod - Adjustable



MERITOR NO.	GENUINE	OEM REF.	FOR MODELS	INCLUDES BUSHING, HANGER END	INCLUDES BUSHING, AXLE SEAT END	BUSHING ASSEMBLY, HANGER SEAT END	BUSHING ASSEMBLY, AXLE SEAT END	LENGTH
R3016495	R	16429-01	102AR	R301980	R301980	R301981	R301981	—


Track Rod - Rigid





MERITOR NO.	GENUINE	OEM REF.	FOR MODELS	INCLUDES BUSHING, HANGER END	INCLUDES BUSHING, AXLE SEAT END	BUSHING ASSEMBLY, HANGER SEAT END	BUSHING ASSEMBLY, AXLE SEAT END	LENGTH
R3015266	R	20012-01	21AR, 74AR, 86AR	R301980	R301980	R301981	R301981	38"
R3015276	R	10910-01	21AR, 74AR, 86AR	R301980	R301980	R301981	R301981	44"


R Denotes Product is Genuine Reyco Granning

Torque Arm Bushings & Hardware


Eccentric Torque Leaf Bushing, Poly/Rubber			
FOR MODELS: 101, 101A			
			
MERITOR NO.	MACH NO.	OEM REF.	NOTES
R308689	—	—	Poly Bushing
R301964	G-1964	T-1723	Rubber Bushing

Torque Arm Bushing Assembly		
FOR MODELS: 21B Cast, 21B FAB, 21AR, 21B Cast, 21B FAB, 21AR, 101A		
		
MERITOR NO.	OEM REF.	NOTES
R301312A	TK18997	Includes: 2 Rubber Bushings, 1 Bolt, 1 Nut, 2 Washers
R309545	TK19166	Includes: 2 Poly Bushings, 1 Bolt, 1 Nut, 2 Washers


Torque Arm Bushing Assembly		
FOR MODEL: 101A		
		
MERITOR NO.	OEM REF.	NOTES
R301963	TK19166	Includes: 2 Rubber Bushings, 1 Bolt, 1 Nut, 2 Washers

Torque Arm Bushing Assembly	
FOR MODELS: 73, 73 WS, 79KB, 83	
	
MERITOR NO.	NOTES
R301981	Includes: 1 Rubber Bushing, 1 Bolt, 1 Nut
R309552	Includes: 1 Poly Bushing, 1 Bolt, 1 Nut

Torque Arm Bushing Assembly		
FOR MODEL: 102		
		
MERITOR NO.	OEM REF.	NOTES
R301983	TK19089	Includes: 2 Rubber Bushings, 1 Bolt, 1 Nut, 2 Washers

Torque Arm Bushing Assembly	
FOR MODEL: 73	
	
MERITOR NO.	NOTES
R307749	Includes: 1 Rubber Bushing, 1 Bolt, 1 Nut


Torque Arm Bushing Assembly		
FOR MODELS: 102, 102W, 102CC, 102AR		
		
MERITOR NO.	OEM REF.	NOTES
R309350	TK21640T	Includes: 2 Rubber Bushings, 1 Bolt, 1 Nut, 2 Washers
R309583	—	Includes: 2 Poly Bushings, 1 Bolt, 1 Nut, 2 Washers


Torque Arm Bushing Assembly	
FOR MODELS: 74B 50"-60", 74B 72"	
	
MERITOR NO.	NOTES
R309587	Includes: 1 Poly Bushing, 1 Bolt, 1 Nut

R Denotes Product is Genuine Reyco Granning


REYCO GRANNING

Torque Arm Bushings & Hardware


Torque Arm Bushing Assembly		
FOR MODEL: 86-88 <div style="text-align: center; margin-top: 10px;">  </div>		
MERITOR NO.	OEM REF.	NOTES
R304834A	K0022-01	Includes: 1 Rubber Bushing, 1 Bolt, 1 Nut
R309551	—	Includes: 1 Poly Bushing, 1 Bolt, 1 Nut


Torque Arm Bushing		
FOR MODELS: 73, 73 WS, 79KB, 83, 86-88, 102W, 102AR <div style="text-align: center; margin-top: 10px;">  </div>		
MERITOR NO.	OEM REF.	NOTES
R301980	09729-01	Rubber Bushing
R307520	—	Poly Bushing


Torque Arm Bushing		
FOR MODEL: 102 <div style="text-align: center; margin-top: 10px;">  </div>		
MERITOR NO.	OEM REF.	NOTES
R301982	T-2242	Rubber Bushing
R307522	—	Poly Bushing

Torque Arm Bushing		
FOR MODELS: 73, 73 WS, 83 <div style="text-align: center; margin-top: 10px;">  </div>		
MERITOR NO.	OEM REF.	NOTES
R307750	10051-01	Rubber Bushing

Torque Arm Bushing			
FOR MODELS: 102, 102W, 102CC, 102AR, 240AR <div style="text-align: center; margin-top: 10px;">  </div>			
MERITOR NO.	MACH NO.	OEM REF.	NOTES
R3010057	G-10057	21238-01S	Rubber Bushing
R309579	—	—	Poly Bushing

Torque Arm Bushing		
FOR MODELS: 74B 50"-60", 74B 72"-109" <div style="text-align: center; margin-top: 10px;">  </div>		
MERITOR NO.	OEM REF.	NOTES
R309549	15737-01	Rubber Bushing

Torque Arm Bushing		
FOR MODELS: 21B Cast, 21B FAB, 21AR <div style="text-align: center; margin-top: 10px;">  </div>		
MERITOR NO.	OEM REF.	NOTES
R301160	T-5493	Rubber Bushing
R307523	T-5493	Poly Bushing


Track Rod Bracket			
FOR MODELS: 21AR, 74AR, 86AR <div style="text-align: center; margin-top: 10px;">  </div>			
MERITOR NO.	GENUINE	OEM REF.	NOTES
R309358	R	21491-01	Includes Bracket and Hardware

R Denotes Product is Genuine Reyco Granning

REYCO GRANNING

Torque Arm Bushings & Hardware

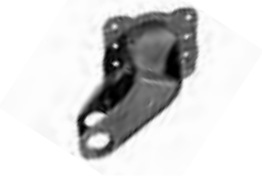
Suspension


Torque Arm Bolts				
				
MERITOR NO.	GENUINE	MODEL	OEM REF.	NOTES
R30900	—	102, 102CC	17161-01	1"-8 x 6-3/4" Long
R301166	—	21B FAB, 21AR, 73, 74B 50"-60", 74B 72"-109", 102CC, 102AR	T-5492	1"-14 x 6-3/4" Long
R30901	—	79KB	10033-01	7/8"-9 x 5-1/2" Long
R302852	—	86-88	0001-08	7/8" - 14" x 5-1/4" Long


R Denotes Product is Genuine Reyco Granning

REYCO GRANNING


Hangers


Front Hanger - Flange Mount			
FOR MODEL: 102AR			
			
MERITOR NO.	GENUINE	OEM REF.	NOTES
R304794	R	22521-01	Left Hand, Includes Wear Pad Assembly (Shown)
R304795	R	22521-02	Right Hand, Includes Wear Pad Assembly


Center Hanger - Flange Mount			
FOR MODELS: 101, 101A, 102, 102W			
			
MERITOR NO.	GENUINE	OEM REF.	NOTES
R302886	R	22274-01	Undrilled


Front Hanger - Flange Mount			
FOR MODEL: 240AR			
			
MERITOR NO.	GENUINE	OEM REF.	NOTES
R3015318	R	20981-01	Left Hand
R3015319	R	20982-01	Right Hand (Shown)

Rear Hanger - Flange Mount			
FOR MODELS: 101, 101A, 102, 102W			
			
MERITOR NO.	GENUINE	OEM REF.	NOTES
R302887	R	22299-01	Left Hand, Undrilled (Shown)
R302888	R	22299-02	Right Hand, Undrilled

Front Hanger - Flange Mount			
FOR MODELS: 101, 101A, 102, 102W			
			
MERITOR NO.	GENUINE	OEM REF.	NOTES
R302884	R	22272-02	Left Hand, Undrilled (Shown)
R302885	R	22272-01	Right Hand, Undrilled


Front Hanger - Under Mount		
FOR MODEL: 21AR		
		
MERITOR NO.	GENUINE	OEM REF.
R3015265	R	21949-01


Center Hanger - Flange Mount		
FOR MODELS: 101, 101A, 102, 102W		
		
MERITOR NO.	GENUINE	OEM REF.
R3014388	R	22335-01


Front Hanger - Straddle Mount		
FOR MODEL: 86AR		
		
MERITOR NO.	GENUINE	OEM REF.
R309351A	R	22662-01


R Denotes Product is Genuine Reyco Granning

Hangers


Front Hanger - Flange Mount			
FOR MODEL: 21B Cast			
			
MERITOR NO.	GENUINE	OEM REF.	NOTES
R302880	R	T-5425	Left Hand
R302879	R	T-5424	Right Hand (Shown)

Front Hanger - Under Mount			
FOR MODEL: 21B Cast			
			
MERITOR NO.	GENUINE	OEM REF.	NOTES
R3016180	R	24022-01	Heavy Duty

Center Hanger - Flange Mount		
FOR MODEL: 21B Cast		
		
MERITOR NO.	GENUINE	OEM REF.
R302881	R	T-5426

Front Hanger - Under Mount			
FOR MODEL: 21B Cast			
			
MERITOR NO.	GENUINE	OEM REF.	NOTES
R305257	R	T-5563	Left Hand (Shown)
R305258	R	T-5562	Right Hand

Rear Hanger - Flange Mount			
FOR MODEL: 21B Cast			
			
MERITOR NO.	GENUINE	OEM REF.	NOTES
R302883	R	T-5429	Left Hand
R302882	R	T-5428	Right Hand (Shown)

Center Hanger - Under Mount		
FOR MODEL: 21B Cast		
		
MERITOR NO.	GENUINE	OEM REF.
R305259	R	T-5564

Front Hanger - Under Mount			
FOR MODEL: 21B Cast			
PHOTO COMING SOON			
MERITOR NO.	GENUINE	OEM REF.	NOTES
R3016179	R	20478-01	

Rear Hanger - Under Mount			
FOR MODEL: 21B Cast			
			
MERITOR NO.	GENUINE	OEM REF.	NOTES
R3016478	R	24023-01	Heavy Duty


R Denotes Product is Genuine Reyco Granning


REYCO GRANNING


Hangers


Rear Hanger - Under Mount			
FOR MODEL: 21B Cast			
			
MERITOR NO.	GENUINE	OEM REF.	NOTES
R305260	R	T-5565	Left Hand
R305261	R	T-5566	Right Hand (Shown)


Rear Hanger - Under Mount		
FOR MODEL: 21B FAB		
		
MERITOR NO.	GENUINE	OEM REF.
R309541	R	08595-01

Front Hanger - Under Mount		
FOR MODEL: 21B FAB		
		
MERITOR NO.	GENUINE	OEM REF.
R309537	R	09832-01

Center Hanger - Under Mount		
FOR MODELS: 74B 72"-109"		
		
MERITOR NO.	GENUINE	OEM REF.
R3015296	R	15735-01

Center Hanger - Under Mount			
FOR MODEL: 21B FAB			
			
MERITOR NO.	GENUINE	OEM REF.	NOTES
R3016195	R	14688-01	72" - 109" Axle Spread


Front Hanger - Flange Mount			
FOR MODEL: 79KB			
			
MERITOR NO.	GENUINE	OEM REF.	NOTES
R3015302	R	22404-01	Left Hand (Shown)
R3015303	R	22404-02	Right Hand


Center Hanger - Under Mount			
FOR MODEL: 21B FAB			
			
MERITOR NO.	GENUINE	OEM REF.	NOTES
R309539	R	14684-01	44" - 65-1/2" Axle Spread

Rear Hanger - Flange Mount			
FOR MODEL: 79KB			
			
MERITOR NO.	GENUINE	OEM REF.	NOTES
R3015307	R	22407-01	Left Hand (Shown)
R3015308	R	22407-02	Right Hand

R Denotes Product is Genuine Reyco Granning


Hangers


Front Hanger - Straddle Mount		
FOR MODEL: 83		
		
MERITOR NO.	GENUINE	OEM REF.
R307727	R	149995-01

Center Hanger - Flange Mount			
FOR MODEL: 86-88			
			
MERITOR NO.	GENUINE	OEM REF.	NOTES
R304809	R	0401-00, 0312-00	44", 49" & 54" Axle Spread


Rear Hanger - Straddle Mount		
FOR MODEL: 83		
		
MERITOR NO.	GENUINE	OEM REF.
R307739	R	14999-01

Rear Hanger - Flange Mount			
FOR MODEL: 86-88			
			
MERITOR NO.	GENUINE	OEM REF.	NOTES
R304810	R	0402-01, 0313-01	Left Hand, Includes Wear Pad (Shown)
R304811	R	0402-02, 0313-02	Right Hand, Includes Wear Pad

Front Hanger - Under Mount		
FOR MODEL: 83		
		
MERITOR NO.	GENUINE	OEM REF.
R3015311	R	15095-01

Front Hanger - Straddle Mount			
FOR MODEL: 86-88			
			
MERITOR NO.	GENUINE	OEM REF.	NOTES
R304801	R	0046-20, 0046-00	Includes Wear Pad

Front Hanger - Flange Mount			
FOR MODEL: 86-88			
			
MERITOR NO.	GENUINE	OEM REF.	NOTES
R304807	R	0400-01, 0311-01	Left Hand, Includes Wear Pad (Shown)
R304808	R	0400-02, 0311-02	Right Hand, Includes Wear Pad


Center Hanger - Straddle Mount			
FOR MODEL: 86-88			
			
MERITOR NO.	GENUINE	OEM REF.	NOTES
R304802	R	0062-26, 0062-00	44", 49" & 54" Axle Spread


R Denotes Product is Genuine Reyco Granning


REYCO GRANNING


Hangers


Rear Hanger - Straddle Mount			
FOR MODEL: 86-88			
			
MERITOR NO.	GENUINE	OEM REF.	NOTES
R304803	R	0051-20, 0051-00	Includes Wear Pad

Torque Arm Bracket		
FOR MODEL: 21B FAB		
		
MERITOR NO.	GENUINE	OEM REF.
R305264	R	11610-01

Front Hanger - Under Mount			
FOR MODEL: 86-88			
			
MERITOR NO.	GENUINE	OEM REF.	NOTES
R304804	R	0084-00, 0049-00	Includes Wear Pad

Torque Arm Bracket		
FOR MODEL: 74B 72"-109"		
		
MERITOR NO.	GENUINE	OEM REF.
R3015298	R	16673-01

Center Hanger - Under Mount			
FOR MODEL: 86-88			
			
MERITOR NO.	GENUINE	OEM REF.	NOTES
R304805	R	0088-00, 0065-00	44", 49" & 54" Axle Spread

Track Rod Hanger		
FOR MODEL: 86AR		
		
MERITOR NO.	GENUINE	OEM REF.
R3015314	R	19772-01


Rear Hanger - Under Mount			
FOR MODEL: 86-88			
			
MERITOR NO.	GENUINE	OEM REF.	NOTES
R304806	R	0086-00, 0053-00	Includes Wear Pad

Track Rod Hanger		
FOR MODEL: 74 AR		
		
MERITOR NO.	GENUINE	OEM REF.
R3015269	R	18919-01


R Denotes Product is Genuine Reyco Granning

Hanger & Spring Hardware

Rear Hanger Bushing	
FOR MODELS: 101A, 102AR	
	
MERITOR NO.	OEM REF.
R301061	T-3016


Spring Roller Assembly		
FOR MODEL: 86-88		
		
4 1/2" Bolt		
MERITOR NO.	OEM REF.	NOTES
R304835	0741-00	Includes Bolt, Roller and Nut


Front Hanger Roller Assembly		
FOR MODEL: 102CC		
		
MERITOR NO.	OEM REF.	NOTES
R3016537	TK19212	Includes Bolt, Lockwashers, and Spring Roller

Spring Roller Assembly		
FOR MODEL: 86-88		
		
5 1/2" Bolt		
MERITOR NO.	OEM REF.	NOTES
R304837	K074105	Includes Bolt, Roller and Nut

Spring Roller Assembly		
FOR MODEL: 102CC		
		
MERITOR NO.	OEM REF.	NOTES
R3016538	TK19169	Includes Bolt, Lockwashers, Spring Roller, Rear Hangers, Bushings, and Nut

Rubber Roller		
FOR MODEL: 240AR		
		
Rubber Roller, 2 1/2"		
MERITOR NO.	GENUINE	OEM REF.
R3015324	R	13677-08

Spring Roller Assembly			
FOR MODELS: 21B Cast, 21B FAB, 73 WS, 83, 101A, 102, 102W			
			
MERITOR NO.	MACH NO.	OEM REF.	NOTES
R301975	G-1975	TK19011	Includes Bolt, Washers, Roller and Nut

Spring Roller			
FOR MODELS: 21B Cast, 21B FAB, 73 WS, 79KB, 83, 101, 101A, 102, 102W, 102CC			
			
Spring Roller			
MERITOR NO.	GENUINE	MACH NO.	OEM REF.
R301971	R	G-1971	T-2106


R Denotes Product is Genuine Reyco Granning

REYCO GRANNING

Hanger & Spring Hardware

Spring Roller		
FOR MODELS: 74B 50"-60" 74B 72"-109"		
		
MERITOR NO.	GENUINE	OEM REF.
R3015292	R	13818-01

Wear Pad				
FOR MODEL: 21B Cast				
				
MERITOR NO.	GENUINE	MACH NO.	OEM REF.	NOTES
R309561	R	G-9561	15630-01	Includes Bolt, Plate, and Wear Pad

Spring Roller		
FOR MODEL: 86-88		
		
MERITOR NO.	MACH NO.	OEM REF.
R303416	G-3416	0741-01


Wear Pad			
FOR MODEL: 86-88			
			
MERITOR NO.	GENUINE	OEM REF.	NOTES
R304828	R	0045-00	Includes Bolt, Plate, and Wear Pad


Wear Pad				
FOR MODELS: 101, 101A, 102, 102W, 102AR, 240AR				
				
MERITOR NO.	GENUINE	MACH NO.	OEM REF.	NOTES
R302867A	R	G-2867A	TK19168	Includes Bolt, Plate, and Wear Pad


R Denotes Product is Genuine Reyco Granning

Axle Attaching Parts

Axle Seat - 5" Round Axle			
FOR MODEL: 21AR			
			
MERITOR NO.	GENUINE	OEM REF.	
R3015270	R	20051-01	

Axle Seat - 5" Round Axle			
FOR MODELS: 21B Cast, 21B FAB			
			
MERITOR NO.	GENUINE	OEM REF.	HEIGHT
R3016479	R	11336-01	1-3/4"
R305254	R	09730-01	1-3/4"
R309557	R	08757-01	3/4"

Axle Seat - 5" Round Axle			
FOR MODELS: 74AR, 74B 50"-60", 74B 72"-109"			
			
MERITOR NO.	GENUINE	OEM REF.	HEIGHT
R309626	R	15751-01	1"

Axle Seat - 5" Round Axle			
FOR MODELS: 86AR, 86-88			
			
MERITOR NO.	GENUINE	OEM REF.	HEIGHT
R304814	R	0636-01	1"
R309355	R	0636-025	2-1/2"
R304815	R	0636-02	2"
R3016490	R	0636-03	3"

Axle Seat - No Hop, 5" Round Axle			
FOR MODELS: 21B Cast, 21B FAB			
			
MERITOR NO.	GENUINE	OEM REF.	HEIGHT
R3016191	R	10114-01	3/4"

Axle Seat - No Hop, 5" Round Axle			
FOR MODEL: 86-88			
			
MERITOR NO.	GENUINE	OEM REF.	HEIGHT
R3016496	R	0637-03	3" - No Hop


R Denotes Product is Genuine Reyco Granning

REYCO GRANNING

Axle Attaching Parts

Axle Seat - 5" x 5" Square Axle

FOR MODELS:
21B Cast, 21B FAB



MERITOR NO.	GENUINE	OEM REF.	HEIGHT
R309573	R	07980-01	3/4"

Bottom Plate - 5" Round Axle


FOR MODELS:
21AR, 86AR, 86-88



MERITOR NO.	MACH NO.	OEM REF.
R302909	G-2909	0538-00

Axle Seat 5" x 5" Square Axle

FOR MODEL:
86-88




HEIGHT

MERITOR NO.	GENUINE	OEM REF.	HEIGHT
R304817	R	0632-01	1"
R304818	R	0632-02	2"

Bottom Plate - 5" Round Axle

FOR MODELS:
21B Cast, 73, 73 WS, 83



MERITOR NO.	GENUINE	OEM REF.
R302874	R	09139-01

Axle Seat - No Hop, 5" x 5" Square Axle


FOR MODEL:
21B FAB



MERITOR NO.	GENUINE	OEM REF.	HEIGHT
R3016484	R	09103-01	3/4"

Bottom Plate - 5" Round/5" x 5" Square Axle


FOR MODEL:
86-88



MERITOR NO.	GENUINE	OEM REF.
R3016491	R	0858-00

Bottom Clip - 5" x 5" Square Axle


FOR MODELS:
21B Cast, 21B FAB



MERITOR NO.	GENUINE	OEM REF.
R3016482	R	T-5587

Bottom Plate - 5" x 5" Square Axle


FOR MODELS:
21B Cast, 21B FAB




MERITOR NO.	GENUINE	OEM REF.
R3016480	R	09229-01

R Denotes Product is Genuine Reyco Granning

Axle Attaching Parts

Bottom Plate - 5" x 5" Square Axle	
FOR MODELS: 86AR, 86-88	
	
MERITOR NO.	OEM REF.
R304823	0149-00


Stabilizer - No Hop, 5" Square Axle	
FOR MODEL: 21B Cast	
	
MERITOR NO.	OEM REF.
R309572	08061-01


Delrin Spring Liner	
FOR MODELS: 86-88, 102AR, 240AR	
	
MERITOR NO.	OEM REF.
R302842	16810-02

Top Plate		
FOR MODELS: 21B FAB, 86-88		
		
	R302907A	G-2907A
MERITOR NO.	MACH NO.	OEM REF.
R302907A	G-2907A	16868-01 7029-00

Galvanized Spring Liner		
FOR MODEL: 86AR		
		
MERITOR NO.	GENUINE	OEM REF.
R3011305	R	16810-00

Top Plate		
FOR MODELS: 21B Cast, 79KB, 86-88, 101, 101A, 102, 102W, 102CC, 102AR, 240AR		
		
MERITOR NO.	GENUINE	OEM REF.
R302873	R	08677-01


Stabilizer - No Hop, 5" Round Axle		
FOR MODEL: 21B Cast		
		
MERITOR NO.	GENUINE	OEM REF.
R309558	R	08480-01


Top Plate		
FOR MODEL: 21AR		
		
MERITOR NO.	GENUINE	OEM REF.
R309553	R	20050-01


R Denotes Product is Genuine Reyco Granning


REYCO GRANNING


Axle Attaching Parts

U-Bolt Spacer		
FOR MODEL: 23-25-30 AR		
		
MERITOR NO.	GENUINE	OEM REF.
R3016206	R	23939-01

Top Plate		
FOR MODELS: 21B Cast, 21B FAB, 86-88		
		
MERITOR NO.	GENUINE	OEM REF.
R309554	R	T-1734

Top Plate		
FOR MODEL: 86AR		
		
MERITOR NO.	GENUINE	OEM REF.
R309353	R	1098-00

Top Plate		
FOR MODELS: 74B		
		
MERITOR NO.	GENUINE	OEM REF.
R309616	R	13798-01

Top Plate			
FOR MODELS: 21B Cast, 21B FAB, 73, 73			
			
MERITOR NO.	GENUINE	MACH NO.	OEM REF.
R302875	R	G-2875	T-7175

R Denotes Product is Genuine Reyco Granning

Axle Attaching Parts

Spacer Blocks



With Center Hole




With Center Pin


MERITOR NO.	GENUINE	OEM REF.	FOR MODELS	WIDTH	LENGTH	THICKNESS	NOTES
R309562	R	T-7555	21B Cast, 102CC	3"	7"	1/2"	w/ 13/16" Hole
R309563	R	T-7716	21B Cast & Fab, Models 83 & 102CC	3"	7 1/2"	1"	w/ 3/4" Dia. Pin
R309564	R	T-7654	21B Cast & Fab, 102CC	3"	7 1/2"	1 1/2"	w/ 3/4" Dia. Pin
R302878	R	T-7655	21B Cast & Fab, Model 83	3"	7 1/2"	2"	w/ 3/4" Dia. Pin


R Denotes Product is Genuine Reyco Granning


REYCO GRANNING


Air Valves


Height Control Valve	
FOR MODELS: 102AR, 240AR, 21 AR, 23-25-30AR	
	
MERITOR NO.	NOTES
R309623	3/8" Fittings, No Dump

Height Control Valve	
FOR MODELS: 86AR	
	
MERITOR NO.	NOTES
R3014729	3/8" Fittings, No Dump

Height Control Valve		
FOR MODELS: 20AR & 22AR		
		
MERITOR NO.	OEM REF.	NOTES
R3015241	700318-14	No Dump

Linkage Assembly	
FOR MODELS: 23-25-30AR	
	
MERITOR NO.	NOTES
R307852	3-5/8" to 19-5/8" Range

Height Control Valve			
FOR MODELS: 74AR, 86AR			
			
MERITOR NO.	GENUINE	OEM REF.	NOTES
R3015271	R	23329-01	1/4" Fittings, Includes Linkage, No Dump

Pressure Protection Valve		
FOR MODELS: 74AR, 86AR		
		
MERITOR NO.	OEM REF.	NOTES
R304324	12915-03	Includes Filter

R Denotes Product is Genuine Reyco Granning

REYCO GRANNING CROSS REFERENCE

Suspension

OEM REF.	MERITOR NO.
0001-02	R304836
0001-04	R303415
0001-08	R304833
0001-14	R304830
0002-07	R302002
0022-00, 09729-01	R301980
0045-00	R304828
0046-20, 0046-00	R304801
0051-20, 0051-00;	R304803
0062-26, 0062-00	R304802
0075-20	R304825
0078-10 Thru 18	R30UB5161-12
0078-10 Thru 18	R30UB5161-13
0078-10 Thru 18	R30UB5161-14
0078-10 Thru 18	R30UB5161-18
0084-00, 0049-00	R304804
0086-00, 0053-00	R304806
0088-00, 0065-00	R304805
0102-10 Thru 17	R30UB5165-14
0102-10 Thru 17	R30UB5165-18
0149-00	R304823
0159-12	R30UB5165-16
0274-01	R302892
0378-00	R3015273
0400-01, 0311-01	R304807
0400-02, 0311-02	R304808
0401-00, 0312-00	R304809
0402-01, 0313-01	R304810
0402-02, 0313-02	R304811
0538-00	R302909
060-12 Thru 15	R30UB8264-12
060-12 Thru 15	R30UB8264-14
060-12 Thru 15	R30UB8264-16
0632-01	R304817
0632-02	R304818
0636-01	R304814
0636-02	R304815
0636-025	R309355
0636-03	R3016490
0637-03	R3016496
0649-02	R304827
0650-00	R304813, R304813-P
0741-00	R304835
0741-01	R303416
07980-01	R309573

OEM REF.	MERITOR NO.
08014-01	R302854
08061-01	R309572
08210-01	R3015267
08211-01	R301107
08363-01	R301966
0841-00	R3016492
08480-01	R309558
08494-01	R30UB8165-12
08498-01	R30UB8161-16
0850-00	R3010250
08512-01	R30UB8165-13
08515-01	R30UB8165-14
08520-01	R30UB8165-16
08541-01	R30UB8151-14
08554-01	R30UB8155-14
0858-00	R3016491
08595-01	R309541
08677-01	R302873
08686-01	R301967
08687-01	R301968
08757-01	R309557
08913-01	R302853
08914-01	R302854
08915-01	R302850
08995-01	R302849
08996-01	R302844
09103-01	R3016484
09120-01	R302843
09139-01	R302874
09229-01	R3016480
09686-01	R305256
09713-01	R305245
09729-01	R301980
09729-01	R307520
09730-01	R305254
09741-01	R30UB8151-18
09741-01 thru 09751-01	R30UB8151-18
09744-01	R30UB-815116
09752-01	R30UB-815118
09832-01	R309537
10033-01	R30901
10040-01	R307744
10051-01	R307750
10092-01	R302983
10114-01	R3016191

OEM REF.	MERITOR NO.
1035-20	R304824
10910-01	R3015276
10949-01	R302852
1098-00	R309353
11011-02	R302860
11012-03	R302860
11143-01	R305246
11150-01	R305263
11336-01	R3016479
11610-01	R305264
11851-01	R309559
11852-01	R309560
12051-01	R302860
12422-01	R307746
12859-01	R302845
12884-01	FS9223
12887-01	M85013
12889-02	R3015240
12891-01	R3015322
12898-02	R302545
12915-03	R304324
12920-01	R3015256
12920-01	E15256
13677-04	R301061
13677-08	R3015324
13798-01	R309616
13805-01	R309550
13806-01	R309586
13814-01	R309622
13817-01	R3015291
13818-01	R3015292
13861-01	R3015297
13909-01	R3015295
14135-01	R3014724
14246-01	R301969
14247-01	R303972
14248-01	R301987
14249-01	R301986A
14250-01	R303975
14344-01	R304961A
14345-01	R301835
14345-01	R309607
14527-01	R309617
14682-01	R307713
14683-01	R307719

REYCO GRANNING

CROSS REFERENCE

OEM REF.	MERITOR NO.
14684-01	R309539
14688-01	R3016195
14689-01	R307709
14693-01	R3016184
14696-01	R307710
14700-01	R3016197
14713-01	R303977
14723-01	R303978
14743-01	R3016494
14763-01	R3016198
14999-01	R307739
149995-01	R307727
15012-01	R302858
15095-01	R3015311
15172-01	R303283A
15173-01	R303284A
15176-01	R305255A
15178-01	R302855
15179-01	R302856
15186-01	R304796
15187-01	R303764
15354-01	R302866A
15630-01	R309561
15669-01	R3015315
15735-01	R3015296
15737-01	R309549
15751-01	R309626
16031-01	R307741
16032-01	R307742
16034-01	R307743
16347-01	R302292
16418-01	R3015325
16429-01	R3016495
16585-01	R309585
16588-01	R309619
16589-01	R3015293
16595-01	R309584
16596-01	R309620
16597-01	R3015294
16671-01	R309615
16672-01	R309618
16673-01	R3015298
16810-00	R3011305
16810-02	R302842
17161-01	R30900

OEM REF.	MERITOR NO.
17210-01	R301965
17856-01	R3015277
18165-01	M85006
18259-01	R3015317
18842-01	R3015286
18885-01	R30UB8161-14
18919-01	R3015269
19495-01	M85030
19772-01	R3015314
19780-110 to 120	R30UB-8151-12
19780-125 to 140	R30UB-8151-14
19780-145 to 160	R30UB-8151-16
19879-01	R3010774
19880-01	R3010775
19897-01	R3015284
19898-01	R3015285
19913-01	R3010772
19914-01	R3010773
19983-01	FS7557
20012-01	R3015266
20018-01	FS7555
20029-01	R3015257
20029-01	R3015251
20050-01	R309553
20051-01	R3015270
20121-01	R3016540
20124-12	FS9966
20126-01	M89440
20129-01	M85713
20138-01	R3016541
20142-01	FS9947
20478-01	R3016179
20852-01	R302545
20981-01	R3015318
20982-01	R3015319
21238-01S	R3010057
21491-01	R309358
21725-01	R302846A
21778-01	R3015268
21949-01	R3015265
22272-01	R302885
22272-02	R302884
22274-01	R302886
22299-01	R302887
22299-02	R302888

OEM REF.	MERITOR NO.
22335-01	R3014388
22404-01	R3015302
22404-02	R3015303
22407-01	R3015307
22407-02	R3015308
22521-01	R304794
22521-02	R304795
22662-01	R309351A
23138-01S	R3010057
23286-02	R3015264
23329-01	R3015271
23421-01	R3016203
23427-01	R3015246
23432-02	R3015245
23433-01	FS8740
23521-02	FS8856
23523-01	M85738
23553-01	M85938
23631-01	FS8050
23656-01	R3015247
23656-01	R3016202
23673-01	R3015247
23673-02	R3015248
23674-02	R3015244
23882-01	R301166
23939-01	R3016206
23952-01	R3015249
24022-01	R3016180
24023-01	R3016478
24398-01	R3015251
24453-01	R3015261
25017-44	R3015279
25222-01	R3010768A
25396-01	FS9560
25770-01	R3015243
700098-03	M85052
700318-14	R3015241
704671-01	FS8855
K002201	R304834A
K0022-01	R304834A
K0649-04	R304832
K074105	R304837
K701163-1	R3016199
K701311	R3016200
K70221805	R3016201

REYCO GRANNING CROSS REFERENCE

Suspension

OEM REF.	MERITOR NO.
T-1703	R301972
T-1703	R3015312
T-1704	R305032
T-1705	R301974
T-1723	R301964
T1724	R30905
T-1724	R30905
T-1734	R309554
T-1859	R3015254
T-2106	R301971
T-2131	R3015323
T-2212-5	R305262
T-2224	R30907
T-2242	R301982
T-2248	R301974
T-2248, T-1705	R301974
T-2293	R302856
T-3016	R301061
T-3099	R3016493
T-3164	R3015253
T-3214	R301072
T-5166	R302842
T-5424	R302879
T-5425	R302880
T-5426	R302881
T-5427	R3016477

OEM REF.	MERITOR NO.
T-5428	R302882
T-5429	R302883
T-5488	R302875
T-5488, T-7175	R302875
T-5492	R301166
T-5493	R301160
T-5493	R307523
T-5495	R30937
T-5496	R302545
T-5497	R303001
T-5515, 09139-01	R302874
T-5524	R301159
T-5544	R301972
T-5549	R302022
T-5562	R305258
T-5563	R305257
T-5564	R305259
T-5565	R305260
T-5566	R305261
T-5587	R3016482
T-5770	R302975
T-7175	R302875
T-7175, T-5488	R302875
T-7292	R302546
T-7555	R309562
T-7635	R302855

OEM REF.	MERITOR NO.
T-7654	R309564
T-7655	R302878
T-7716	R309563
T-7175, T-5488	R302875
TK14168	R302867A
TK16657	R301312A
TK18997	R301312A
TK18998	R303976
TK19011	R301975
TK19056	R301970
TK19089	R301983
TK19163	R302848
TK19164	R302847
TK19166	R301963
TK19166	R309545
TK19168	R302867A
TK19169	R3016538
TK19212	R3016537
TK21640T	R309350
TK21962	R309358
TK23532	R3016215
TK23535	R3016210
TK23658	R3016214
TK23961	R30UB8168-082
TK24778	R3016216

REYCO GRANNING

NUMERICAL LISTING

PART NO.	PAGE NO.	PART NO.	PAGE NO.	PART NO.	PAGE NO.
FS7555	31, 39	R30UB5161-12	37, 69	R301967	13, 17, 23, 25, 76
FS7557	33, 37	R30UB5161-13	37, 69	R301968	13, 17, 21, 25
FS8050	35	R30UB5161-14	7, 37, 45, 69	R301969	13, 17, 23, 25
FS8740	35	R30UB5161-18	45, 69	R301970	13, 17, 25, 73
FS8855	35	R30UB5165-12	63	R301971	11, 13, 17, 21, 25, 29, 43, 49, 55, 61, 89
FS8856	35	R30UB5165-14	45, 51, 63, 69	R301972	5, 13, 17, 21, 25, 43, 49, 55, 61
FS9223	7	R30UB5165-16	51, 69	R301974	5, 11, 13, 17, 21, 25, 29, 31, 37, 39, 43, 49, 53, 55, 57, 59, 61
FS9560	35	R30UB5165-18	45, 69	R301975	13, 17, 21, 25, 43, 49, 55, 61, 77, 89
FS9947	9	R30UB8151-12	39	R301980	5, 7, 9, 11, 13, 19, 23, 25, 27, 29, 33, 37, 39, 53, 55, 61, 65, 78, 79, 80, 82
FS9966	9	R30UB8151-14	39, 53, 55	R301981	11, 53, 55, 61, 78, 79, 80, 81
G-1160	49	R30UB8151-16	27, 39	R301982	21, 29, 78, 79, 82
G-1964	13, 17, 81	R30UB8151-18	15, 19, 23, 27	R301983	21, 29, 78, 79, 81
G-1966	13, 17, 25, 74	R30UB8155-14	53, 55	R301986A	43
G-1967	13, 17, 76	R30UB8161-12	9, 11	R301987	43, 77
G-1971	11, 13, 17, 21, 25, 29, 43, 49, 55, 61, 89	R30UB8161-13	11	R302002	67
G-1975	13, 17, 21, 25, 43, 49, 55, 61, 77, 89	R30UB8161-14	11, 33	R302022	11, 13, 19, 23, 25, 29, 53, 55
G-2844	13, 17, 21, 25, 70	R30UB8161-15	9, 11	R302116A	45, 73
G-2845	17, 21, 25, 70	R30UB8161-16	33	R302292	29, 78
G-2850	13, 17, 21, 25, 74	R30UB8161-17	11	R302513	39, 78
G-2867A	5, 9, 15, 19, 23, 90	R30UB8161-20	11	R302545	5, 9, 39, 53, 55, 61
G-2875	45, 53, 55, 63, 65, 94	R30UB8165-12	29, 63	R302546	11, 39, 45, 53, 57, 59, 69
G-2907A	51, 65, 93	R30UB8165-13	29	R302842	5, 9, 65, 93
G-2909	33, 41, 67, 92	R30UB8165-14	29, 57, 59, 63	R302843	13, 17, 21, 70
G-3283A	33, 43, 49, 78	R30UB8165-16	29, 63	R302844	13, 17, 21, 25, 70
G-3284A	43, 49, 78	R30UB8165-18	63	R302845	17, 21, 25, 70
G-3416	67, 90	R30UB8168-082	35	R302846A	43, 71
G-3977	13, 17, 74	R30UB8264-12	69	R302847	13, 17, 23, 25, 73
G-3978	13, 70	R30UB8264-14	69	R302848	13, 17, 23, 25, 73
G-4813	67, 70	R30UB8264-16	69	R302849	13, 17, 21, 25, 74
G-4824	39, 65, 78	R30813	43, 75, 97	R302850	13, 17, 21, 25, 74
G-4825	39, 65, 79	R30837	43, 77	R302852	13, 17, 23, 25, 57, 59, 75, 83
G-4827	67, 75	R30873	43	R302853	13, 17, 23, 25
G-7713	49, 61, 74	R30900	21, 29, 83	R302854	13, 17, 23, 25, 49, 57, 59, 61, 75
G-9550	57, 59, 75	R30901	5, 9, 11, 19, 27, 29, 33, 37, 53, 55, 61, 83	R302855	33, 45, 51, 79
G-9561	47, 90	R30905	5, 9, 13, 17, 21, 25, 29	R302856	45, 79
G-10057	5, 21, 25, 29, 82	R30907	21, 29, 33, 43, 49	R302858	21, 79
G-10250	67, 70	R30937	5, 9, 13, 17, 21, 25, 29, 33, 37, 43, 49, 53, 55, 57, 59	R302860	5, 19, 27, 79
M85006	39	R301061	5, 19, 89	R302866A	21, 49, 78
M85013	7, 33, 37	R301072	53, 55, 61, 74	R302867A	5, 9, 15, 19, 23, 27, 29, 90
M85030	11	R301107	7, 37, 39	R302873	5, 9, 11, 15, 19, 23, 27, 29, 45, 65, 93
M85052	31	R301159	43, 74	R302874	45, 53, 55, 63, 92
M85713	9	R301160	33, 43, 49, 78, 79, 82	R302875	45, 51, 53, 55, 63, 65, 94
M85738	35	R301166	5, 9, 21, 25, 29, 33, 37, 43, 49, 53, 55, 57, 59, 75, 83	R302878	47, 51, 63, 95
M85938	35	R301312A	33, 43, 49, 78, 79, 81	R302879	43, 85
M89414	33, 37	R301835	11, 31, 37, 39	R302880	43, 85
M89440	9	R301963	17, 79, 81	R302881	43, 85
MAF7555	31, 39	R301964	13, 17, 79, 81	R302882	45, 85
MAF8050	35	R301965	13, 17	R302883	45, 85
MAF8740	35	R301966	13, 17, 21, 25, 74	R302884	13, 17, 21, 25, 84
MAF8855	35			R302885	13, 17, 21, 25, 84
MAF9223	7				

REYCO GRANNING

NUMERICAL LISTING

Suspension

PART NO.	PAGE NO.	PART NO.	PAGE NO.	PART NO.	PAGE NO.
R302886	13, 17, 23, 27, 84	R304835	67, 89	R309549	37, 57, 59, 78, 79, 82
R302887	15, 19, 23, 27, 84	R304836	67	R309550	57, 59, 75
R302888	15, 19, 23, 27, 84	R304837	67, 89	R309551	65, 82
R302892	67	R304961A	5, 9, 31, 33, 37, 39	R309552	11, 53, 55, 61, 81
R302907A	51, 65, 93	R305032	11, 13, 17, 21, 25, 29, 43, 49, 53, 55, 57, 59, 61	R309553	33, 93
R302909	33, 41, 67, 92	R305245	43, 71	R309554	45, 51, 65, 94
R302975	53	R305246	47, 55, 72	R309555	45, 73
R302983	5, 9, 11, 19, 27, 29, 33, 37, 53, 55, 61	R305247	47, 73	R309557	45, 51, 91
R303001	45, 53, 55, 61	R305254	45, 51, 91	R309558	45, 51, 93
R303002A	57, 59, 69	R305255A	21, 43, 49, 78	R309559	47, 75
R303283A	33, 43, 49, 78	R305256	51, 79	R309560	47, 76
R303284A	43, 49, 78	R305257	43, 85	R309561	47, 90
R303415	67	R305258	43, 85	R309562	29, 47, 95
R303416	67, 90	R305259	43, 85	R309563	29, 47, 51, 63, 95
R303764	5, 27, 78	R305260	45, 86	R309564	29, 47, 51, 95
R303972	43, 76	R305261	45, 86	R309572	45, 93
R303975	43	R305262	43	R309573	45, 51, 92
R303976	45, 73	R305263	43	R309579	5, 21, 25, 82
R303977	13, 17, 21, 25, 74	R305264	51, 88	R309583	5, 9, 21, 25, 29, 81
R303978	13, 70	R307520	5, 11, 13, 19, 23, 25, 29, 33, 39, 53, 55, 61, 65, 82	R309584	37, 57, 59, 78
R303979	43	R307522	21, 29, 82	R309585	37, 57, 59, 79
R304324	37, 41, 96	R307523	33, 43, 49, 82	R309586	57, 71
R304345	11	R307709	49, 61, 71	R309587	37, 57, 59, 78, 79, 81
R304347	11	R307710	49, 61, 71	R309607	65
R304794	5, 84	R307713	49, 61, 74	R309615	37, 57, 59
R304795	5, 84	R307719	49, 61, 75	R309616	57, 59, 94
R304796	5, 27, 78	R307727	61, 87	R309617	57, 59
R304801	65, 87	R307739	61, 87	R309618	57
R304802	67, 87	R307741	53, 55, 61, 78	R309619	57, 79
R304803	69, 88	R307742	53, 55, 61, 78	R309620	57, 59, 78
R304804	65, 88	R307743	55, 61, 78	R309622	57, 59
R304805	67, 88	R307744	53, 55, 61, 79	R309623	7, 9, 33, 35, 96
R304806	69, 88	R307746	55, 79	R309626	37, 57, 59, 91
R304807	65, 87	R307749	53, 78, 79, 81	R309801	57, 59, 73
R304808	65, 87	R307750	53, 55, 61, 78, 79, 82	R309840	13, 17, 23, 77
R304809	67, 87	R307852	7, 9, 31, 33, 35, 96	R3010057	5, 9, 21, 25, 29, 78, 79, 82
R304810	69, 87	R308653	43, 74	R3010250	67, 70
R304811	69, 87	R308654	13, 17, 21, 25, 74	R3010768A	43, 71
R304813	67, 70	R308688	55, 74	R3010772	41
R304813	67, 70	R308689	13, 17, 81	R3010773	41
R304814	41, 65, 91	R308691	43, 75	R3010774	33
R304815	65, 91	R309350	5, 9, 21, 25, 29, 78, 79, 81	R3010775	33
R304817	65, 92	R309351A	39, 84	R3011305	41, 93
R304818	65, 92	R309353	39, 94	R3014388	13, 17, 23, 27, 84
R304823	41, 67, 93	R309355	41, 91	R3014724	57
R304824	39, 65, 78	R309358	33, 37, 39, 82	R3014729	41, 96
R304825	39, 65, 79	R309537	49, 86	R3015240	31
R304827	67, 75	R309538	49, 75	R3015241	31, 96
R304828	65, 69, 90	R309539	49, 86	R3015243	31
R304830	67, 75	R309541	51, 86	R3015244	31
R304832	67, 74	R309545	17, 33, 43, 49, 81	R3015245	31
R304833	39, 65			R3015246	31
R304834A	39, 65, 78, 79, 82			R3015247	31

REYCO GRANNING

NUMERICAL LISTING

PART NO.	PAGE NO.	PART NO.	PAGE NO.	PART NO.	PAGE NO.
R3015248	31	R3015297	59	R3016206	35, 94
R3015249	31	R3015298	59, 88	R3016210	35
R3015250	31	R3015302	11, 86	R3016214	35
R3015251	31, 35, 37	R3015303	11, 86	R3016215	35
R3015253	31, 37, 39	R3015307	11, 86	R3016216	35
R3015254	33, 37, 39	R3015308	11, 86	R3016477	43, 70
R3015256	7, 31, 37, 39	R3015311	61, 87	R3016478	45, 85
R3015257	33, 39	R3015312	61	R3016479	45, 51, 91
R3015261	31	R3015314	39, 88	R3016480	45, 51, 92
R3015264	31	R3015315	5	R3016482	45, 51, 92
R3015265	33, 84	R3015317	5	R3016484	51, 92
R3015266	33, 37, 39, 80	R3015318	9, 84	R3016490	65, 91
R3015267	33, 37, 39	R3015319	9, 84	R3016491	67, 92
R3015268	33	R3015322	9	R3016492	67, 71
R3015269	33, 37, 88	R3015323	9	R3016493	13, 17, 25, 29
R3015270	33, 91	R3015324	9, 89	R3016494	17, 21, 25, 70
R3015271	37, 41, 96	R3015325	9	R3016495	7, 80
R3015273	53, 55	R3016179	43, 85	R3016496	65, 91
R3015276	33, 37, 39, 80	R3016180	43, 85	R3016537	29, 89
R3015277	33, 39	R3016184	49, 61, 71	R3016538	29, 89
R3015279	33	R3016191	45, 51, 91	R3016540	9, 79
R3015284	37	R3016195	49, 86	R3016541	9, 78
R3015285	37	R3016197	49, 61, 72	R3016726	5
R3015286	37	R3016198	49, 72	R3016725	5
R3015291	57, 59	R3016199	35	R3016724	5
R3015292	57, 59, 90	R3016200	35	R3016728	5
R3015293	57, 79	R3016201	35	R3016729	5
R3015294	57, 78	R3016202	35	R3016727	7
R3015295	59, 72	R3016203	35	R3016730	7
R3015296	59, 86	R3016204	35	R3016731	7

NOTES: _____

Vehicle models, trademarks, brands, and names depicted herein are the property of their respective owners, and may not be associated with Meritor, Inc. or its affiliates.



Meritor Heavy Vehicle Systems, LLC
7975 Dixie Highway
Florence, Kentucky 41042 USA

888-725-9355 U.S.
800-387-3889 Canada
MeritorPartsXpress.com
meritor.com

©2019 Meritor, Inc.
Litho in USA, PB-9968-RYG
Issued 07-19 (87410)