

SUSPENSION CATALOG

HENDRICKSON



MERITOR



PB-9968-HND

GENUINE PARTS

MAKING DOWN TIME UPTIME.

Original parts. Original fit. Original performance.



 **HENDRICKSON**

1-866-755-5968
www.hendrickson-intl.com

Demand Hendrickson Genuine Parts. Whether it's bushings, torque rods, air springs, shock absorbers, steel springs or aftermarket kits, Hendrickson Genuine Parts deliver the same quality and durability as those installed in OEM production models. Fleets and owner operators rely on Hendrickson Genuine Parts for quality, ride and stability, weight savings and dependability. Hendrickson Genuine Parts — Original parts, Original fit, Original performance.

HENDRICKSON SUSPENSION

Table of Contents

TRUCK, TRACTOR & BUS SUSPENSIONS

AIRTEK For Blue Bird Bus- - - - - 4

SOFTEK For Blue Bird Bus - - - - - 6

AIRTEK For Freightliner Vehicles Built Prior to May 2010, Sterling Vehicles Built Prior to April 2009 & Western Star Vehicles Built Prior to June 2010 - - - - - 8

AIRTEK For Freightliner Vehicles Built Between May 2010 & November 2011 and All Cascadia & Coronado Models Built After November 2011 - - - - - 10

AIRTEK With STEERTEK NXT For Freightliner Motor Home Chassis- - - - - 12

SOFTEK For Freightliner Motorhome Chassis - - - - - 14

AIRTEK For International Vehicles - - - - - 16

SOFTEK For International Vehicles - - - - - 20

AIRTEK For International Integrated Coach Bus - - - - - 22

AIRTEK For Mack- - - - - 24

AIRTEK For Spartan Motorhome Chassis w/Drum Brakes - - - - - 28

SOFTEK For Spartan - - - - - 30

AIRTEK For Volvo- - - - - 32

AIRTEK For Western Star Built After November 2011 w/STEERTEK NXT Axles and Model 4900SA Vehicles Built Between June 2010 and November 2011 with STEERTEK Axles - - 36

COMFORT AIR Single Axle Suspension For Blue Bird Bus - - - - - 38

AR2 400/460 Air Over Walking Beam Tandem Axle Suspension - - - - - 40

HA 360/400/460 Tandem Axle Air Suspension - - - - - 42

HAS 120/150/190/210/230 Single Axle Air Suspension - - - - - 44

HAS 360/400/460 Tandem Axle Air Suspension - - - - - 46

HAS 210/230/400/460 Single/Tandem Axle Air Suspension with Air Disc Brakes - - - - - 48

HAS 40LH Light Weight Tandem Axle Air Suspension - - - - - 50

PARASTEER Air Suspension For Blue Bird - - - - - 52

PRIMAAX Single/Tandem Axle Air Suspension- - - - - 54

PRIMAAX EX Single/Tandem Axle Air Suspension - - - - - 58

E4 340/360/380/400 Tandem Axle Four Spring Suspension - - - - - 62

HFS 360/400/400 LH Tandem Axle Four Spring Suspension - - - - - 64

HTS 210/230/260/310 Single Axle Suspension For Autocar & Spartan Type C School Bus - 66

RT/RTE 340/400/460/480/520 Tandem Axle Suspension - - - - - 70

HENDRICKSON SUSPENSION

Suspension

RT/RTE 650/700 Series Tandem Axle Suspension - - - - -	74
U2/UE2-340 Tandem Axle Suspension - - - - -	76
HAULMAAX Rubber Bolster Spring Suspension - - - - -	78
HN 400/460 Rubber Bolster Spring - - - - -	82
HN-402/462/522 & HN-FR Rubber Bolster Spring - - - - -	86
HTB 400LT For International - - - - -	90
R400/460/480/520 Series Tandem Axle Suspension - - - - -	92
RS 340/400/460/480/520 Series Tandem Axle Suspension - - - - -	94
RS 650 Series Tandem Axle Suspension - - - - -	98
SR 340/380 Tandem Axle Suspension - - - - -	100
V4 340/380 Series Tandem Axle Suspension - - - - -	102

TRAILER SUSPENSIONS

How To Identify Hendrickson Trailer Suspensions in This Meritor Catalog - - - - -	104
INTRAAAX AAL, AANL, AANLS, AAEDL, AAZL 23/46K Slider, VANTRAAX HKAL 46K & HKARL 46K - - - - -	106
INTRAAAX AAT, AAEDT 30K and VANTRAAX HKAT- - - - -	108
INTRAAAX AANT 23K & AAZNT AND VANTRAAX, HKAT 50K/HKA250, ULTRAA-K UTKNT 40K - - - - -	110
Model HT190T, HT230T, HT300T - Also used on Slider Models HK190, HK230, HS190T, HS230T, HS300T, HK190T, HT230 - - - - -	112
Model HT190U Underslung - - - - -	114
Model HT250T - - - - -	116
Model HT250U, US, HT300U, US - - - - -	118
Model HT250YS / HT250YB / HT250U-Y- - - - -	120

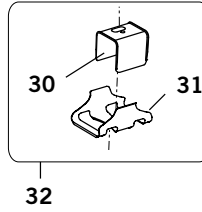
AUXILIARY SUSPENSIONS

COMPOSILITE SC Series - Lift-Truck & Trailer - - - - -	122
HLQ, Q Series - Lift-Truck - - - - -	124
HLU/ HLU S/ HLUP/ HULR2T/ UCL/ UC/ FBT Series - Lift-Truck - - - - -	126
PT/ PST/ST Series - Lift-Truck - - - - -	128
HLU / ST / UC2 - Lift-Trailer- - - - -	130
AUXILIARY MT45, MTL45, MTL50 - Lift-Trailer- - - - -	132
TOUGHLIFT FM / HLM-2, HLM / HLM-1, LK - Lift-Truck - - - - -	134
Component Parts Table of Contents - - - - -	137

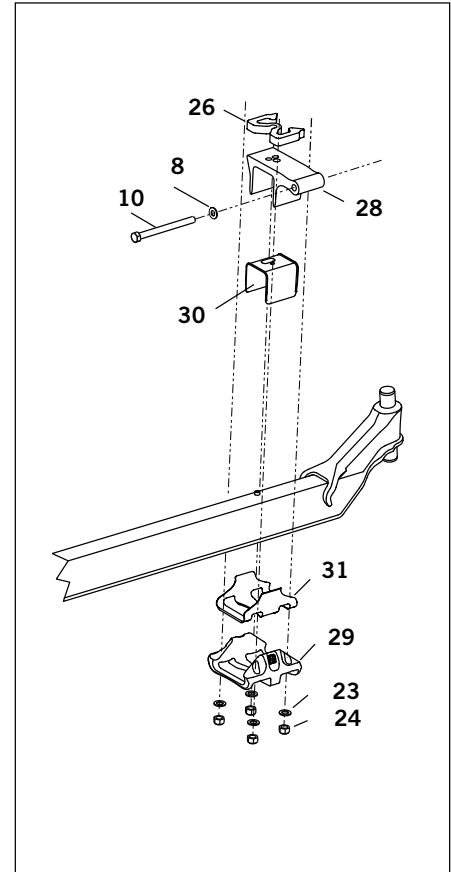
HENDRICKSON SUSPENSION

AIRTEK For Blue Bird Bus

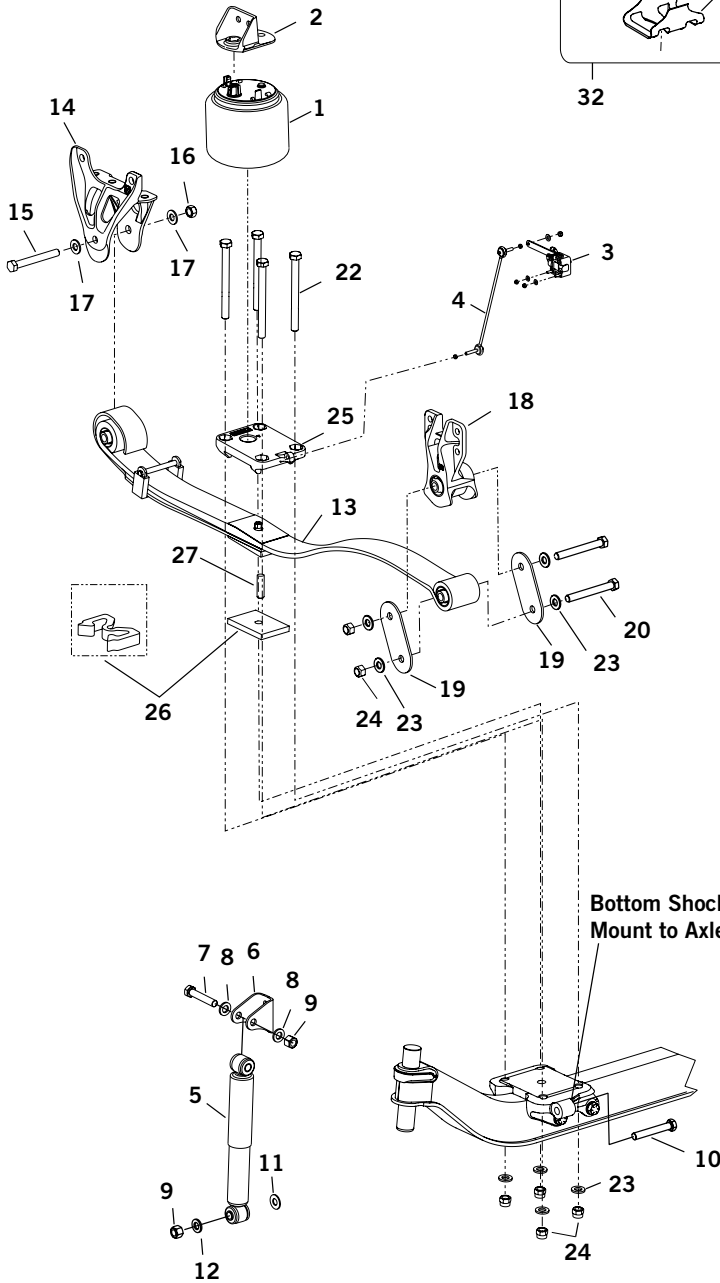
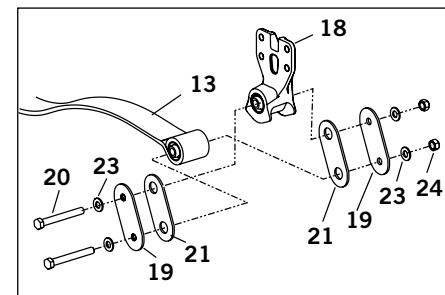
Axle Wrap Liner Kit



Vehicles Built Prior To October 2012
(Non-NXT Axles)

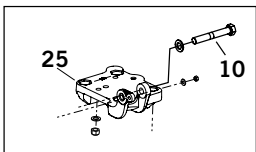


Vehicles Built Prior To November 2006




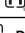
Bottom Shock Mount to Axle


Axle Cap with Bottom Shock Mount



AIRTEK For Blue Bird Bus						
KEY NO.	MERITOR NO.	GENUINE	OEM REF.	DESCRIPTION	QTY. PER AXLE	PAGE NO.
1	FS9912	-	64075-002	Air Spring	2	-
2	R3016425	☒	60850-001	Air Spring Bracket, 10K Capacity	2	216
	S.O.S.	☒	60807-002	Air Spring Bracket, 13.2/14.6K Capacity	2	-
3	S.O.S.	☒	59935-004	Height Control Valve, 10K Capacity	1	-
	R3016407	☒	60501-000; 60501-001	Height Control Valve, 13.2/14.6K Capacity	1	215
4	R3015133	☒	59428-001	Height Control Valve Linkage Kit, 10K Capacity	1	216
	S.O.S.	☒	59428-005	Height Control Valve Linkage Kit, 13.2/14.6K Capacity	1	-
5	M85959	-	58913-009 58913-011	Shock Absorber	2	-
6	S.O.S.	☒	59423-002	Shock Bracket, 10K Capacity	2	-
	R3015177	☒	67463-002	Shock Bracket, 13.2/14.6K Capacity	2	186
7	S.O.S.	-	-	Bolt, Top Shock, 3/4"-10 X 4" Long	2	-
8	R302545	-	-	Hardened Washer, 3/4"	4	-
9	R304347	-	-	Lock Nut, 3/4"-10	4	-
10	S.O.S.	-	Various	Bolt, Lower Shock Mount, 3/4"-10 X Various Lengths	2	-
11	S.O.S.	☒	22962-046	Shock Spacer, .118" Thick, 10K Capacity Built After October 2012	2	-
	S.O.S.	☒	59946-006	Shock Spacer, 13.2/14.6K Capacity	2	-
	R3016419	☒	59946-001	Shock Spacer, 10K Capacity Built Before October 2012	2	216
12	R302545	-	-	Harden Washer, 3/4"	2	-
13	S.O.S.	☒	Various	Leaf Spring Assembly	2	-
14	S.O.S.	☒	64488-002	Front Hanger	2	-
15	S.O.S.	-	-	Bolt, M20-2.5 X 170 mm Long	2	-
16	R3016229	-	-	Lock Nut, M20-2.5	6	-
17	S.O.S.	-	-	Washer, 20 mm	12	-
18	S.O.S.	☒	66510-001	Rear Shackle Bracket and Bushing	2	-
	S.O.S.	☒	64316-000	Rear Shackle Bracket and Bushing, 10 K Capacity Built Before Nov. 2006	2	-
19	S.O.S.	☒	66314-000	Rear Shackle Plate	4	-
20	R3016413	-	-	Bolt, M20-2.5 X 150 mm Long	4	230
21	R3016432	☒	64159-000	Thrust Washer, 10 K Capacity Built Before Nov. 2006	4	215
22	S.O.S.	-	-	Bolt, 3/4"-16 X Various	8	-
23	R302545	-	-	Washer, 3/4"	8	-
24	R3016467	-	-	Lock Nut, 3/4"-16, Nylon Insert	8	-
25	S.O.S.	☒	Various	Top Pad	2	-
26	S.O.S.	☒	Various	Front Axle Spacer	2	-
27	S.O.S.	☒	Various	Dowel Pin	2	-
28	S.O.S.	☒	Various	Top Axle Wrap, Vehicles Built Before October 2012	2	-
29	R3015108	☒	64722-003	Bottom Axle Wrap, Vehicles Built Before October 2012	2	215
30	R3015147	☒	60508-000	Top Axle Wrap Liner, Vehicles Built Before October 2012	2	215
31	R3015110	☒	59845-000	Bottom Axle Wrap Liner. Vehicles Built Before October 2012	2	215
32	R3015727	☒	60961-015	Axle Wrap Liner Kit, Vehicles Built Before October 2012, Includes Key Nos. 30, 31	2	215

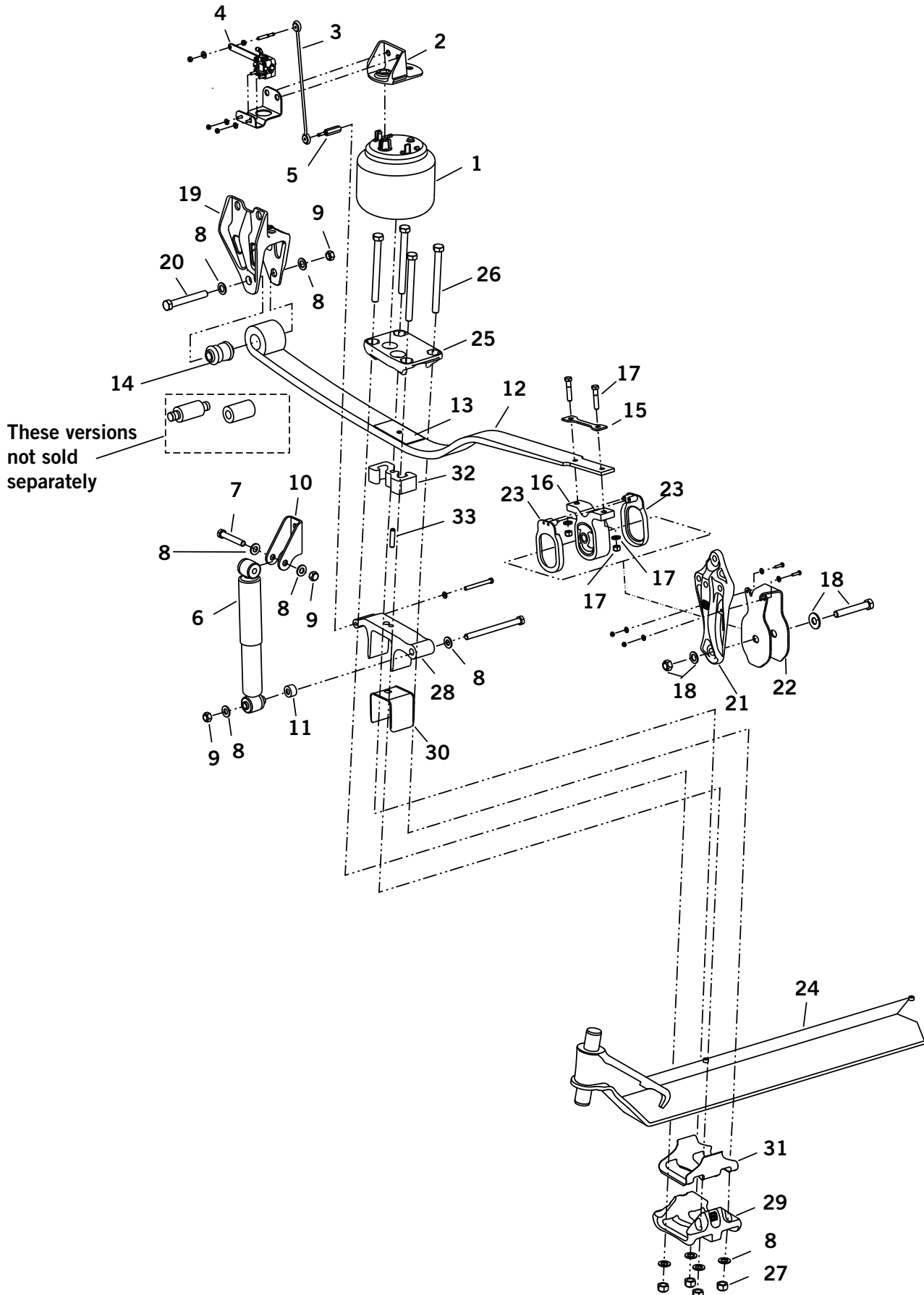
☒ Denotes Product is Genuine Hendrickson

SOFTEK For Blue Bird Bus						
KEY NO.	MERITOR NO.	GENUINE	OEM REF.	DESCRIPTION	QTY. PER AXLE	PAGE NO.
1	M85959	-	58913-009 58913-011	Shock Absorber, 8.5/10K Capacities	2	-
	S.O.S.	-	58913-010	Shock Absorber, 13.2/14.6K Capacities	2	-
2	S.O.S.		59423-002	Shock Bracket, 8.5/10K Capacities	2	-
	R3015177		67463-002	Shock Bracket, 13.2/14.6K Capacity	2	186
3	S.O.S.	-	-	Bolt, Top Shock, 3/4"-10 X 4" Long	2	-
4	R302545	-	-	Hardened Washer, 3/4"	4	-
5	R304347	-	-	Lock Nut, 3/4"-10	4	-
6	S.O.S.	-	Various	Bolt, Lower Shock Mount, 3/4"-10 X Various Lengths	2	-
7	S.O.S.		22962-046	Shock Spacer, .118" Thick, 8.5/10K Capacities Built After October 2012	2	
	R3016419		59946-001	Shock Spacer, Other Than Noted Above	2	216
8	S.O.S.		Various	Leaf Spring Assembly	2	-
9	S.O.S.		64488-002	Front Hanger	2	-
10	S.O.S.	-		Bolt, M20-2.5 X 170 mm Long	2	-
11	S.O.S.	-		Washer, 20 mm	12	
12	R3016229	-		Lock Nut, M20-2.5	6	-
13	S.O.S.		66510-001	Rear Shackle Bracket and Bushing, Built After Nov. 2006	2	-
	S.O.S.		64316-000	Rear Shackle Bracket and Bushing, Built Before Nov. 2006	2	-
14	S.O.S.		66314-000	Rear Shackle Plate	4	-
15	R3016413	-		Bolt, M20-2.5 X 150 mm Long	4	230
16	R3016432		64159-000	Thrust Washer, 8.5/10K Capacities Built Before Nov. 2006	4	215
17	R30U8154-10	-	Various	U-Bolt Assembly 3/4"-16 X 4" Wide X 10" Long, Rd. Bend. Includes Nuts, Washers	4	215
	R30U8154-12	-	Various	U-Bolt Assembly 3/4"-16 X 4" Wide X 12" Long, Rd. Bend. Includes Nuts, Washers	4	215
	S.O.S.	-	Various	U-Bolt Assembly 3/4"-16 X 4" Wide X Various Lengths, Rd. Bend. Includes Nuts, Washers	4	-
18	S.O.S.		Various	Top Pad	2	-
19	R3015148		64080-000	Axle Stop, Rubber	2	227
20	S.O.S.		Various	Front Axle Spacer	2	-
21	S.O.S.		Various	Dowel Pin	2	-
22	S.O.S.		Various	Top Axle Wrap, Vehicles Built Before October 2012	2	-
23	R3015108		64722-003	Bottom Axle Wrap, Vehicles Built Before October 2012	2	215
24	R3015147		60508-000	Top Axle Wrap Liner, Vehicles Built Before October 2012	2	215
25	R3015110		59845-000	Bottom Wrap Liner, Vehicles Built Before October 2012	2	215
26	R3015727		60961-015	Axle Wrap Liner Kit, Vehicles Built Before October 2012, Includes Key Nos. 23 & 24	2	215
27	S.O.S.		66164-000	Thrust Pad Washer, 8.5K Built Before October 2012	4	-
28	S.O.S.		66366-001	U-Bolt Spacer, 8.5K Built Before October 2012	8	-

 Denotes Product is Genuine Hendrickson

HENDRICKSON SUSPENSION

AIRTEK For Freightliner Vehicles Built Prior to May 2010,
Sterling Vehicles Built Prior to April 2009 &
Western Star Vehicles Built Prior to June 2010



HENDRICKSON SUSPENSION

Suspension

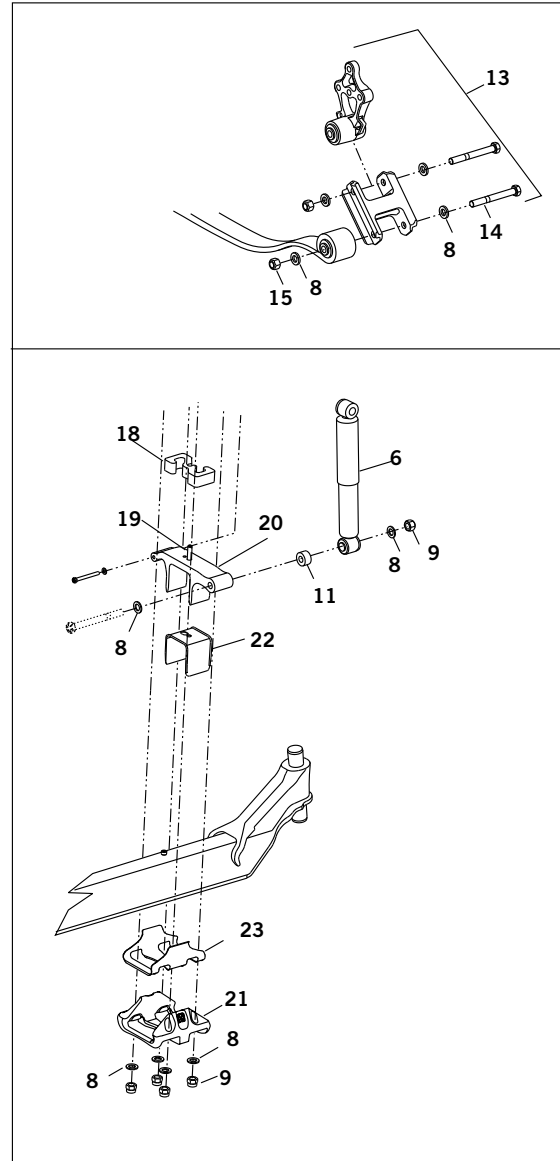
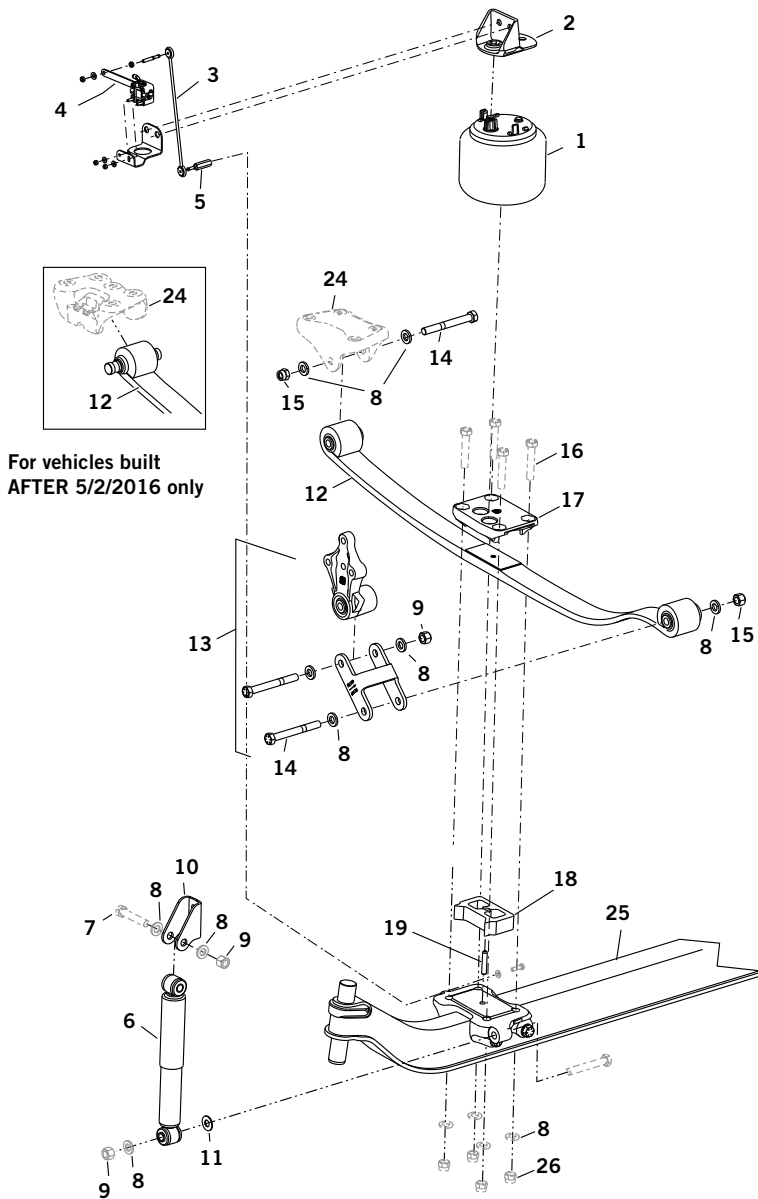
AIRTEK For Freightliner Vehicles Built Prior to May 2010, Sterling Vehicles Built Prior to April 2009 & Western Star Vehicles Built Prior to June 2010

KEY NO.	MERITOR NO.	GENUINE	OEM REF.	DESCRIPTION	QTY. PER AXLE	PAGE NO.
1	S.O.S.	-	69782-002	Air Spring	2	-
2	R3016425	☒	60850-001	Air Spring Bracket, Left Hand	1	214
	R3015132	☒	60850-002	Air Spring Bracket, Right Hand	1	222
3	R3015133	☒	59428-001	Height Control Valve Linkage Assembly, 13 1/8" Center-to-Center	1	214
	R3015134	☒	59428-002	Height Control Valve Linkage Assembly, 14 1/2" Center-to-Center	1	222
4	S.O.S.	☒	59935-013	Height Control Valve, Left Hand	1	-
	R3013995	☒	59935-002	Height Control Valve, Right Hand	1	221
5	R3016426	☒	59429-001	Link Mount	2	222
6	M85932	-	58913-003	Shock Absorber	2	-
7	S.O.S.	-	50764-004	Bolt, 3/4"-10 X 3 3/4" Long, Upper Shock	2	-
8	R302545	-	-	Washer, 3/4"	As Required	-
9	R304347	-	-	Locknut, 3/4"-10	As Required	-
10	S.O.S.	☒	59423-001	Shock Bracket	2	-
11	R3016419	☒	59946-001	Shock Spacer	2	216
12	S.O.S.	☒	Various	Leaf Spring Assembly	2	-
13	S.O.S.	☒	59937-001	Galvanized Liner	2	-
14	R3014632	☒	59259-002	Spring Eye Bushing, Only Century Class S/T, Columbia, Western Star Set Forward. Others not sold separately	2	220
15	R3015118	☒	58920-001 58920-000	Spring End Plate	2	220
16	R3014633	☒	58918-000	Rear Spring Mount	2	220
17	S.O.S.	☒	60961-616	Rear Spring Mount Kit, Includes Key No. 15, 16 & Hardware	2	-
18	R3015136	☒	60961-003	Rear Spring Eye Hardware Kit	2	220
19	R3015137	☒	59832-001	Front Hanger, Left, Century Class S/T, Columbia, Western Star	1	221
	S.O.S.	☒	60573-001	Front Hanger, Left, Other Models	1	-
	R3015138	☒	59832-002	Front Hanger, Right, Century Class S/T, Columbia, Western Star	1	220
	S.O.S.	☒	60573-002	Front Hanger, Right, Other Models	1	-
20	R3015140	-	50764-002	Bolt, 3/4"-10 X 5 1/2" Long	2	221
21	S.O.S.	☒	59829-001	Rear Hanger, Casting No. 59825-000;59829-000	2	-
22	S.O.S.	☒	59830-001 59830-000	Rear Hanger Clamp	2	-
23	S.O.S.	☒	59346-001 59346-000	Thrust Washer	4	-
24	S.O.S.	☒	Various	Axle Assembly	1	-
25	R3015146	☒	59826-000	Top Pad	2	221
26	R3015102	-	58917-016	Bolt, 3/4"-10 X 8 1/2" Long	8	221
	R3016435	-	-	Bolt, 3/4"-10 X 10" Long	8	221
	R3016436	-	-	Bolt, 3/4"-10 X 11 1/2" Long	8	221
27	R3015094	-	17700-033	Lock Nut, 3/4"-10, Nylock	8	-
28	S.O.S.	☒	Various	Top Axle Wrap	2	-
29	S.O.S.	☒	64722-001	Bottom Axle Wrap	2	-
30	R3015145	☒	59449-000	Top Axle Wrap Liner	2	221
31	R3015110	☒	59845-000	Bottom Axle Wrap Liner	2	221
32	S.O.S.	☒	Various	Axle Spacer	2	-
33	S.O.S.	☒	Various	Dowel Pin	2	-

























☒ Denotes Product is Genuine Hendrickson

HENDRICKSON SUSPENSION

**AIRTEK For Freightliner Vehicles Built Between May 2010 & November 2011 and
All Cascadia & Coronado Models Built After November 2011**



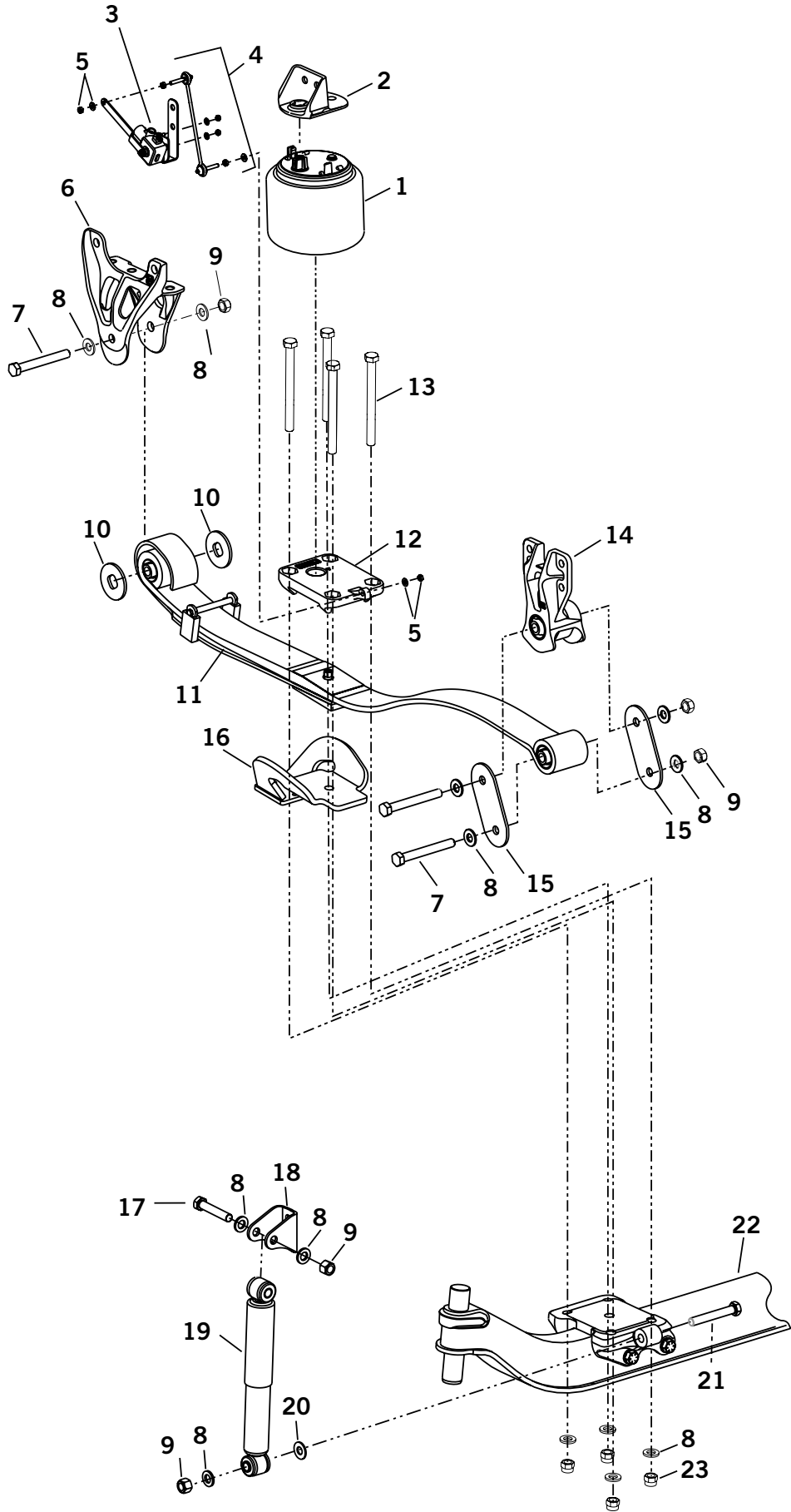
**All Cascadia & Coronado Models and
Freightliner Vehicles Built After Nov. 2011**

AIRTEK For Freightliner Vehicles Built Between May 2010 & November 2011 and All Cascadia & Coronado Models Built After November 2011							
KEY NO.	MERITOR NO.	GENUINE	OEM REF.	DESCRIPTION	QTY. PER AXLE		PAGE NO.
					FREIGHTLINER BUILT 5/2010 - 11/2011	ALL CASCADIA AND CORONADO AND FREIGHTLINER AFTER NOV 2011	
1	S.O.S.		69116-002	Air Spring	2	2	-
2	R3016425		60850-001	Air Spring Bracket, Left Hand	1	1	216
	R3015132		60850-002	Air Spring Bracket, Right Hand	1	1	222
3	R3015133		59428-001	Height Control Valve Linkage Assembly, 13 1/8" Center-to-Center	1	1	222
	R3015134		59428-002	Height Control Valve Linkage Assembly, 14 1/2" Center-to-Center	-	1	222
4	S.O.S.		59935-013	Height Control Valve, Left Hand	1 Set Back	1	-
	S.O.S.		59935-023	Height Control Valve, Left Hand	1 Set Forward	-	-
	S.O.S.		59935-024	Height Control Valve, Right Hand	-	1	-
	R3013995		59935-002	Height Control Valve, Right Hand	1	-	221
5	R3016426		59429-001	Link Mount, Left Hand	1 Set Back	1	222
	R3015098		59429-002	Link Mount, Right Hand	1 LH Set Forward; 1 RH	1	222
6	M85932	-	58913-012	Shock Absorber	2	2	-
	M89453	-	58913-012	Shock Absorber	2	2	-
7	S.O.S.	-	-	Bolt, 3/4"-10 X 4" Long, Upper Shock	-	2	-
	S.O.S.	-	-	Bolt, 3/4"-10 X 3 3/4" Long, Upper Shock	2	-	-
8	R302545	-	-	Washer, 3/4"	As Required	As Required	-
9	R304347	-	-	Locknut, 3/4"-10	4	4	-
10	S.O.S.		59423-001	Shock Bracket	2	2	-
11	S.O.S.		22762-046	Shock Spacer	2	2	-
12	S.O.S.		Various	Leaf Spring Assembly	2	2	-
13	S.O.S.		Various	Shackle Bracket Assembly	2	2	-
14	S.O.S.	-	-	Bolt, 3/4"-16 X 6 1/2" Long	6	6	-
15	R3016467	-	-	Lock Nut, 3/4"-16, Nylock	4	4	-
16	R3015102	-	58917-016	Bolt, 3/4"-10 X 8 1/2" Long	8	-	221
	R3016435	-	-	Bolt, 3/4"-10 X 10" Long	8	-	221
	R3016436	-	-	Bolt, 3/4"-10 X 11 1/2" Long	8	-	221
17	R3015146		59826-000	Top Pad	2	2	221
18	S.O.S.		Various	Axle Spacer	2	2	-
19	S.O.S.		Various	Dowel Pin	2	2	-
20	S.O.S.		Various	Top Axle Wrap	2	-	-
21	S.O.S.		64722-001	Bottom Axle Wrap	2	-	-
22	R3015145		59449-000	Top Axle Wrap Liner	2	-	221
23	R3015110		59845-000	Bottom Axle Wrap Liner	2	-	221
24	S.O.S.		Various	Front Hanger	2	2	-
25	S.O.S.		Various	Axle Assembly	1	1	-
26	R3015094	-	17700-033	Lock Nut, 3/4"-10, Nylock	8	8	-

 Denotes Product is Genuine Hendrickson











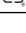






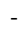




HENDRICKSON SUSPENSION

AIRTEK With STEERTEK NXT For Freightliner Motor Home Chassis



AIRTEK With STEERTEK NXT For Freightliner Motor Home Chassis						
KEY NO.	MERITOR NO.	GENUINE	OEM REF.	DESCRIPTION	QTY. . PER AXLE	PAGE NO.
1	FS9912	-	64075-002	Air Spring	2	-
2	R3016425	☒	60850-001	Air Spring Bracket	2	-
3	R3016407	☒	60501-000	Height Control Valve	1	221
4	R3015134	☒	59428-002	Height Control Valve Linkage Kit	1	222
5	S.O.S.	☒	70417-000	Height Control Valve Linkage Kit and Mounting Hardware, Includes Key No. 4	1	-
6	S.O.S.	☒	66297-000	Front Hanger	2	-
7	S.O.S.	-	-	Bolt, 3/4"-10 X 6 1/2" Long	6	-
8	R302545	-	-	Hardened Washer, 3/4"	As Required	-
9	R304347	-	-	Lock Nut, 3/4"-10	6	-
10	R3016430	☒	67493-000; 65899-000	Thrust Washer, Front Hanger	2	-
11	S.O.S.	☒	53468-000	Leaf Spring Assembly	2	-
12	S.O.S.	☒	64516-001	Top Pad, Left Hand	1	-
	S.O.S.	☒	64516-002	Top Pad, Right Hand	1	-
13	S.O.S.	-	59952-024	Bolt, 3/4"-16 X 5 1/2" Long	2	-
14	S.O.S.	☒	66510-001	Rear Shackle Bracket and Bushing	2	-
15	S.O.S.	☒	66314-000	Rear Shackle Plate	2	-
16	S.O.S.	☒	68759-004	Sway Bar Bracket	2	-
17	S.O.S.	-	-	Bolt, 3/4"-10 X 4" Long, Upper Shock	2	-
18	S.O.S.	☒	59423-002	Shock Bracket	2	-
19	-	☒	-	Shock Absorber	2	-
20	S.O.S.	☒	-	Shock Spacer, 1/8" Thick	2	-
21	S.O.S.	-	-	Bolt, 3/4"-10 X 5" Long, Lower Shock	2	-
22	S.O.S.	☒	Various	Axle & King Pin Assembly	1	-
23	R304961A	-	-	Lock Nut, 3/4"-16	6	-

☒ Denotes Product is Genuine Hendrickson

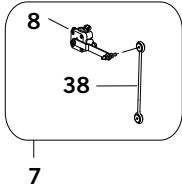
SOFTEK For Freightliner Motorhome Chassis						
KEY NO.	MERITOR NO.	GENUINE	OEM REF.	DESCRIPTION	QTY. PER AXLE	PAGE NO.
1	-	-	-	Shock Absorber	2	-
2	S.O.S.	-	-	Bolt, 3/4"-10 X 4" Long, Upper Shock	2	-
3	S.O.S.	-	-	Bolt, 3/4"-10 X 5" Long, Lower Shock	2	-
4	R304347	-	-	Lock Nut, 3/4"-10	6	-
5	R302545	-	-	Hardened Washer, 3/4"	As Required	-
6	S.O.S.		59946-002	Shock Spacer, Vehicles Built Prior to May 2010	2	-
	S.O.S.		-	Shock Spacer, 1/8" Thick, Vehicles Built After May 2010	2	-
7	S.O.S.		59423-002	Shock Bracket	2	-
8	S.O.S.		66415-002	Spring Assembly, Includes Spring Eye Bushings, 9K Single Leaf	2	-
	S.O.S.		65710-002	Spring Assembly, Includes Spring Eye Bushings, 10K Leaf & Half	2	-
	S.O.S.		68115-001	Spring Assembly, Includes Spring Eye Bushings, 12K Two Leaf	2	-
9	R3016430		67493-000 65899-000	Thrust Washer, Front Hanger	2	-
10	S.O.S.		65714-000	Top Pad, Vehicles Built After May 2010	2	-
	S.O.S.		65925-000	Top Pad, Vehicles Built Prior to May 2010	2	-
11	S.O.S.		68759-004	Sway Bar Bracket, Vehicles Built After March 2012	2	-
	S.O.S.		68759-003 66233-001	Sway Bar Bracket, Vehicles Built Prior to March 2012	2	-
12	S.O.S.		66297-000	Front Hanger	2	-
13	S.O.S.	-	-	Bolt, 3/4"-10 X 6 1/2" Long	6	-
14	S.O.S.		64316-000	Rear Shackle Bracket and Bushing	2	-
15	R3016431		66413-000	Rear Shackle Plate	2	220
16	R3016432		64159-000	Rear Shackle Wear Pad	2	220
17	R3016434		60631-000	Shackle Stop Tube	2	220
18	R3015094	-	-	Lock Nut, 3/4"-10, Nylock	6	-
19	S.O.S.		59952-024	Top Axle Wrap, Vehicles Built Prior to May 2010	2	-
20	R3015147		60508-000	Top Axle Wrap Liner, Vehicles Built Prior to May 2010	2	224
21	S.O.S.		64723-002	Bottom Axle Wrap, Vehicles Built Prior to May 2010	2	-
22	R3015110		59845-000	Bottom Axle Wrap Liner, Vehicles Built Prior to May 2010	2	221
23	R3015727		60961-015	Axle Wrap Liner Kit, Vehicles Built Before October 2012, Includes Key Nos. 20 & 22	2	215
24	S.O.S.	-	Various	U-Bolt Assembly, 3/4"-16	8	-
25	S.O.S.		Various	Axle & King Pin Assembly	1	-

 Denotes Product is Genuine Hendrickson

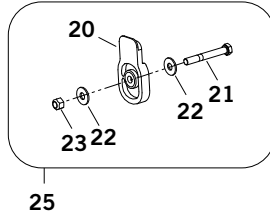
HENDRICKSON SUSPENSION

AIRTEK For International Vehicles

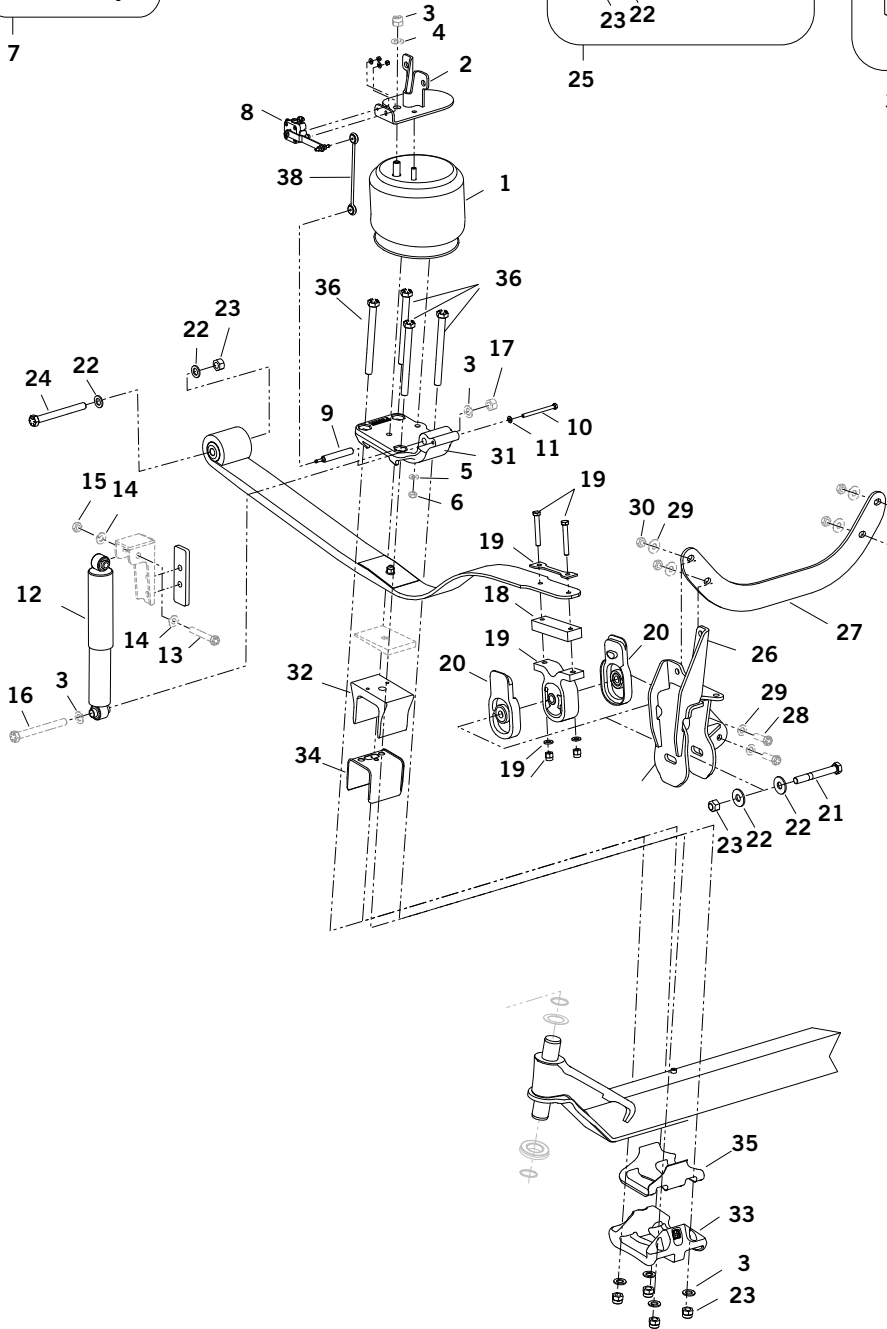
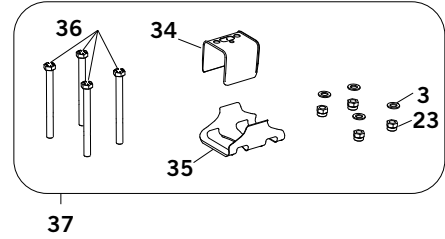
HCV & Linkage Assembly




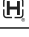


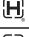


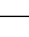




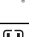
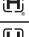
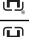









Rear Spring Hardware Kit



Top/Bottom Axle Wrap Liner Service Kit



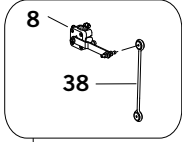
AIRTEK For International Vehicles						
KEY NO.	MERITOR NO.	GENUINE	OEM REF.	DESCRIPTION	QTY. PER AXLE	COMP. PAGE
1	FS8597	-	65790-002	Air Spring	2	-
2	R3015113		66775-000	Air Spring Bracket LH, Vehicles Built After 09/06	1	226
	R3015114		66776-000	Air Spring Bracket RH, Vehicles Built After 09/06	1	226
	S.O.S.		64583-000	Air Spring Bracket LH, Vehicles Built Before 09/06	1	-
	S.O.S.		64586-000	Air Spring Bracket RH, Vehicles Built Before 09/06	1	-
3	R302545	-	22962-001	Washer, 3/4"	As Required	-
4	R3016467	-	17700-015	Locknut, 3/4"-16 Nylon	2	-
5	R309603	-	22962-011	Washer, 1/2"	2	-
6	R3016468	-	17700-010	Locknut, 1/2"-13 Nylon	2	-
7	R3015095		59427-013	HCV & Linkage Assembly LH, If Equipped, Includes Hardware	1	225
	S.O.S.		59427-014	HCV & Linkage Assembly RH, Includes Hardware	1	-
8	R3013996		59935-011	Height Control Valve LH, If Equipped	1	225
	R3013997		59935-018	Height Control Valve RH	1	225
-	R3015097		60961-071	Lower Link Mount Service Kit, One Side, Includes Key No. 9 - 11, Vehicles Built Before 09/06	1	225
-	S.O.S.		60961-154	Lower Link Mount Service Kit, One Side, Includes Key No. 9 - 11, Vehicles Built After 09/06	1	-
9	R3015098		59429-002	Lower Link Mount, Vehicles Built Before 09/06	2	222
	R3015121		59429-003	Lower Link Mount, Vehicles Built After 09/06	2	226
10	R3015099	-	58035-006	Bolt, 3/8" - 16 X 3 1/2" Long, Vehicles Built Before 09/06	2	225
	S.O.S.	-	58035-002	Bolt, 3/8" - 16 X 1 3/8" Long, Vehicles Built After 09/06	2	-
11	S.O.S.	-	22962-015	Washer, 3/8"	2	-
12	M85955	-	65992-001	Sleeper Shock Absorber	2	-
	M85955	-	65992-002	Day Cab Shock Absorber	2	-
13	S.O.S.	-	32043-008	Upper Shock Bolt, 5/8"-11 X 4" Long	2	-
14	R302547	-	22962-004	Upper Shock Washer, 5/8"	4	-
15	R302988	-	47764-000	Upper Shock Locknut, 5/8"-11	2	-
16	S.O.S.	-	58917-014	Lower Shock Bolt, 3/4"-10 X 8" Long, Vehicles Built Before 09/06	2	-
	S.O.S.	-	58917-002	Lower Shock Bolt, 3/4"-10 X 5" Long, Vehicles Built After 09/06	2	-
17	R304347	-	49842-000	Lower Shock Locknut, 3/4"-10	2	-
18	R3015100		65772-000	Rear Mount Spacer, Used in Kit 60691-000, Vehicles Built Before 09/06	2	223
19	S.O.S.		60961-109	Rear Spring Mount Service Kit, Vehicles Built Before 09/06, Includes R3015100	2	-
	R3015120		60961-158	Rear Spring Mount Service Kit, Vehicles Built After 09/06	2	223
20	S.O.S.		65856-000	Thrust Washer, Vehicles Built Before 09/06	4	-
	R3015123		66779-000	Thrust Washer, Vehicles Built After 09/06	4	223
21	R3015101	-	58917-008	Bolt, 3/4"-10 X 6" Long	2	-
22	R302545	-	22962-033	Washer, 3/4"	4	-
23	R3015094	-	17700-033	Locknut, 3/4"-10, Nylock		-
24	R3015102		58917-016	Bolt, 3/4"-10 X 8 1/2" Long	2	221
25	R3015122		60961-159	Rear Spring Hardware Kit, Includes Key No. 20, 21, 22, 23. Requires 2 Kits Per Axle	2	-
26	R3015103		68317-001	Rear Hanger LH, Vehicles Built Before 09/06	1	223
	R3015124		66382-001	Rear Hanger LH, Vehicles Built After 09/06	1	223
	R3015104		68317-002	Rear Hanger RH, Vehicles Built Before 09/06	1	223
	R3015125		66382-002	Rear Hanger RH, Vehicles Built After 09/06	1	223

 Denotes Product is Genuine Hendrickson

HENDRICKSON SUSPENSION

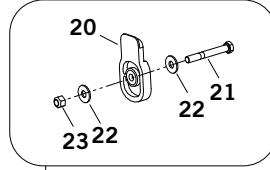
AIRTEK For International Vehicles

HCV & Linkage Assembly



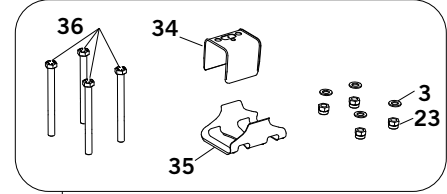
7

Rear Spring Hardware Kit

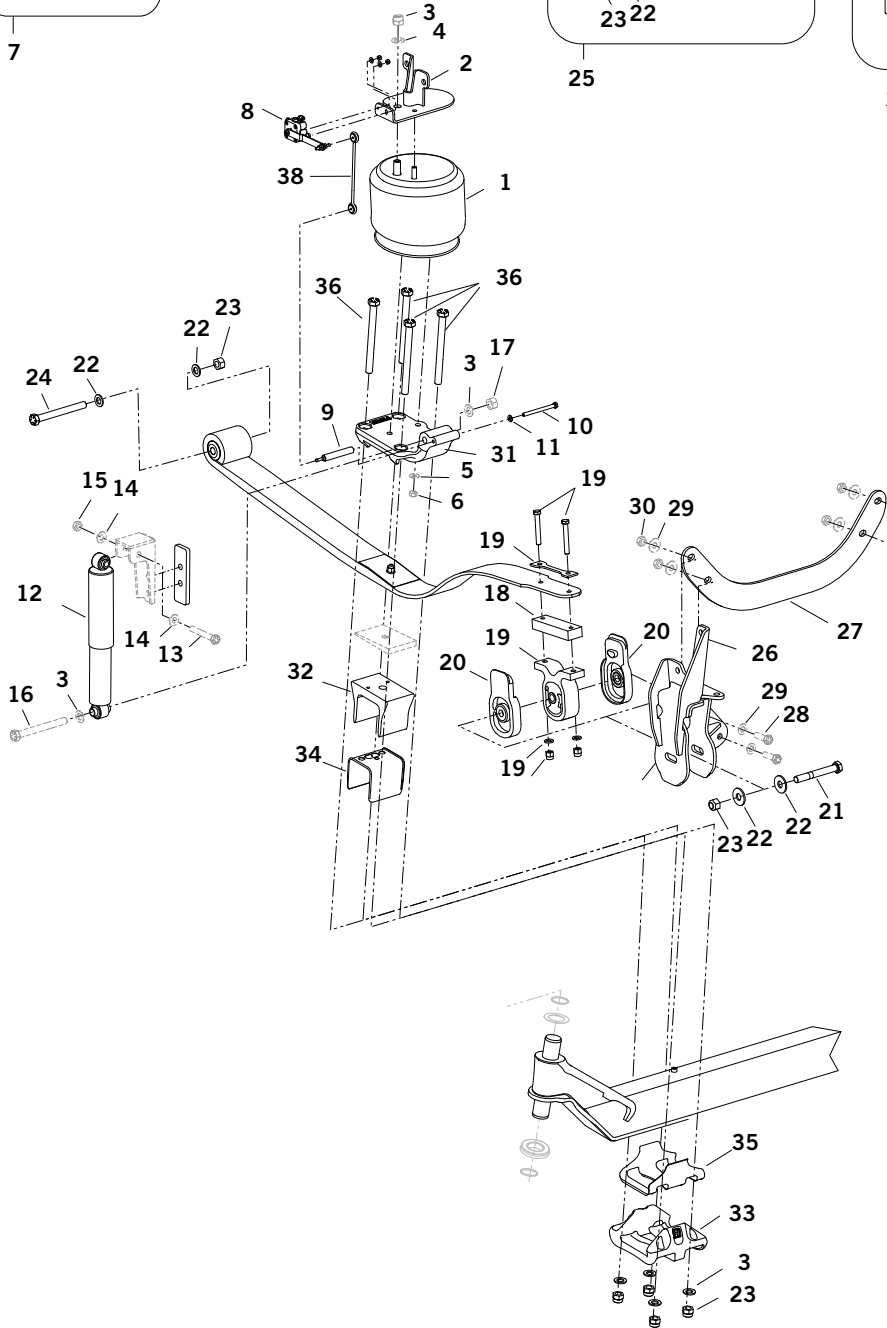












25

Top/Bottom Axle Wrap Liner Service Kit



37

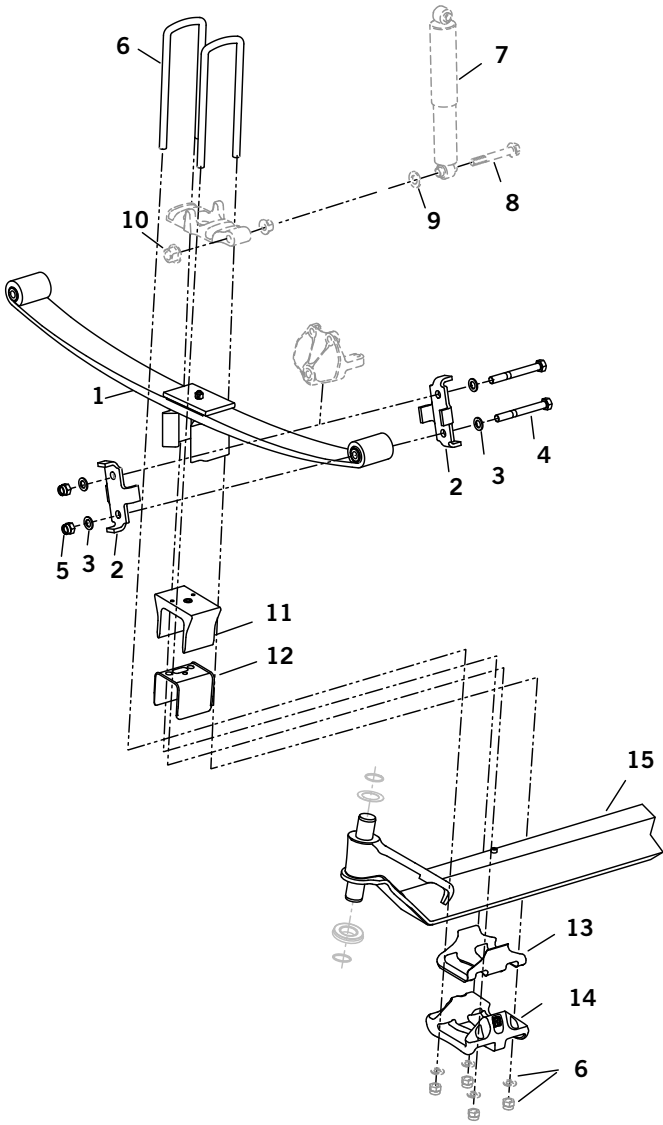


AIRTEK For International Vehicles						
KEY NO.	MERITOR NO.	GENUINE	OEM REF.	DESCRIPTION	QTY. PER AXLE	COMP. PAGE
27	S.O.S.		66019-000	Belly Band, Vehicles Built Before 09/06	1	-
	R3015126		66419-000	Belly Band, Vehicles Built After 09/06	1	225
28	S.O.S.	-	32043-006	Bolt, 5/8"-11 X 2" Long	4	-
29	R302547		22962-004	Washer, 5/8", O.D. 1 3/8", Vehicles Built Before 09/06	4	-
	R3015106	-	22962-003	Washer, 5/8", O.D. 1 3/4"	4	-
30	R302988	-	47764-000	Locknut, 5/8"-11	4	-
31	S.O.S.		64580-000	Top Pad, Vehicles Built Before 09/06	2	-
	R3015127		68318-001	Top Pad Left Hand, Vehicles Built After 09/06	1	224
	R3015128		68318-002	Top Pad Right Hand, Vehicles Built After 09/06	1	224
32	R3015107		59952-023	Top Axle Wrap	2	224
33	R3015108		64722-003	Bottom Axle Wrap	2	227
34	R3015109		65757-000	Top Axle Wrap Liner	2	224
35	R3015110		59845-000	Bottom Axle Wrap Liner	2	233
36	R3015102	-	58917-016	Bolt, 3/4"-10 X 8 1/2" Long	8	225
37	R3015119		60961-110	Top/Bottom Axle Wrap Liner Service Kit, Includes Key Nos. 3, 23, 34, 35, 36	As Req.	224
38	R3015096		59428-004	Linkage Kit	2	228

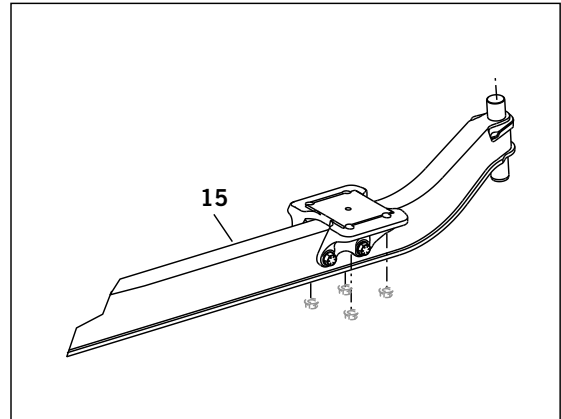
 Denotes Product is Genuine Hendrickson










HENDRICKSON SUSPENSION


SOFTEK For International Vehicles



STEERTEK NXT



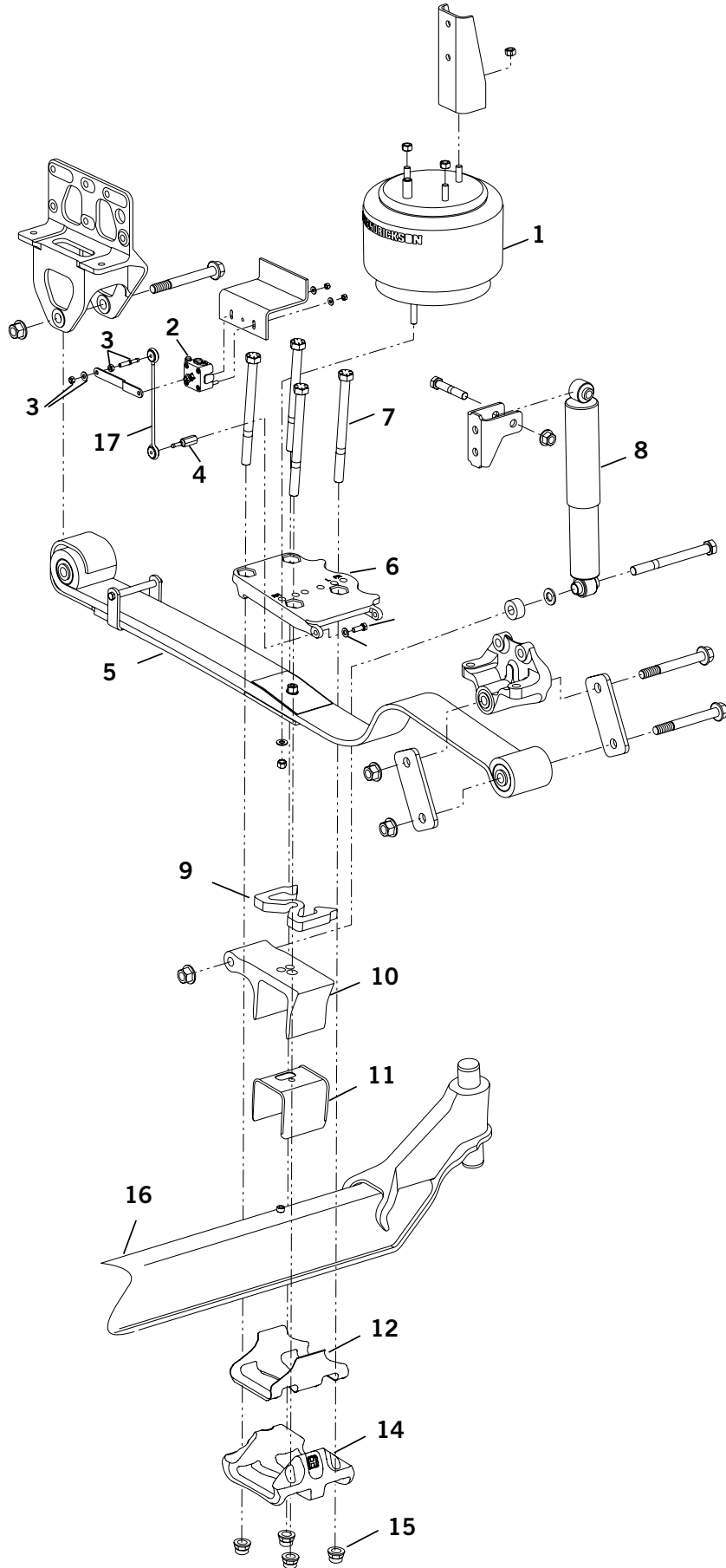
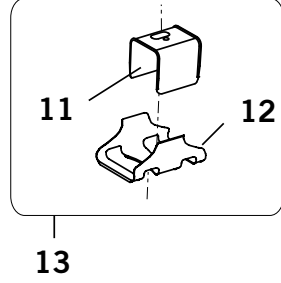
SOFTEK For International Vehicles						
KEY NO.	MERITOR NO.	GENUINE	OEM REF.	DESCRIPTION	QTY. PER AXLE	COMP. PAGE
1	S.O.S.		Various	Spring Assembly, Includes Bushings	2	-
2	R3016420		66545-000	Shackle Plate	4	223
3	R302545	-	-	Washer, 3/4"	8	-
4	R304961A	-	-	Locknut, 3/4"-16	4	-
5	S.O.S.	-	-	Bolt, 3/4"-16 X 6 1/2" Long	4	-
6	S.O.S.	-	-	U-Bolt Assembly, Semi Round Bend, 3/4"-16 Thd. X 4" Wide, Specify Length	4	-
7	S.O.S.	-	-	Shock Absorber, Specify Model	2	-
8	S.O.S.	-	-	Lower Shock Flange Bolt, 3/4"-10 X 5" Long	2	-
9	S.O.S.		-	Shock Spacer or Hardened Washer, Certain Models	2	-
10	S.O.S.	-	-	Flange Locknut, 3/4"-10	2	-
11	R3015107		59952-023	Top Axle Wrap, Lone Star 9200/9400/8600, Not Required on NXT	2	224
	S.O.S.		59952-032	Top Axle Wrap, ProStar, Not Required on NXT	2	-
12	R3015109		65757-000	Top Axle Wrap Liner, Not Required on NXT	2	224
13	R3015110		59845-000	Bottom Axle Wrap Liner, Not Required on NXT	2	225
14	R3015108		64722-003	Bottom Axle Wrap, Not Required on NXT	2	225
15	S.O.S.		Various	Axle Assembly	1	-

 Denotes Product is Genuine Hendrickson

HENDRICKSON SUSPENSION

AIRTEK For International Integrated Coach Bus

Axle Wrap Liner Kit



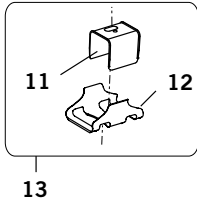
AIRTEK For International Integrated Coach Bus						
KEY NO.	MERITOR NO.	GENUINE	OEM REF.	DESCRIPTION	QTY. PER AXLE	PAGE NO.
1	S.O.S.	-	67568-002	Air Spring	2	-
2	R3013996	☒	59935-011	Height Control Valve Assembly, Left Hand	1	225
	R3013997	☒	59935-018	Height Control Valve Assembly, Right Hand	1	225
3	R3015095	☒	59427-013	Height Control Valve Assembly, Left Hand, Includes Key 2 and Mounting Hardware	1	225
	S.O.S.	☒	59427-014	Height Control Valve Assembly, Right Hand, Includes Key 2 and Mounting Hardware	1	-
4	R3015121	☒	59429-003	Height Control Valve Link Mount, Rear Engine	2	226
	R3015121	☒	59429-003	Height Control Valve Link Mount, Front Engine, Left Hand	1	226
	S.O.S.	☒	64724-002	Height Control Valve Link Mount, Front Engine, Right Hand	1	-
5	S.O.S.	☒	67420-000	Leaf Spring Assembly	2	-
6	S.O.S.	☒	67719-000	Top Pad	2	-
7	R307703	-		Bolt, 3/4"-16 X 9" Long	8	-
8	M85955	-	65992-006 65992-001	Shock	2	-
9	S.O.S.	☒	64536-020	Z-Spacer, 20MM	2	-
10	S.O.S.	☒	59952-030	Top Axle Wrap	2	-
11	R3015147	☒	60508-000	Top Axle Wrap Liner	2	224
12	R3015110	☒	59845-000	Bottom Axle Wrap Liner	2	221
13	R3015727	☒	60961-015	Axle Wrap Liner Kit, Vehicles Built Before October 2012, Includes Key Nos. 11 & 12	2	224
14	R3015108	☒	64722-003	Bottom Axle Wrap	2	225
15	R3016421	-	-	Flange Lock Nut, 3/4"-16	8	-
16	S.O.S.	☒	70952-318	STEERTEK Axle Assembly, 14.6K, 200" Wheelbase	1	-
	S.O.S.	☒	70952-328	STEERTEK Axle Assembly, 12K, 200" Wheelbase	1	-
17	R3015096	☒	59428-004	Linkage Kit	2	228

☒ Denotes Product is Genuine Hendrickson

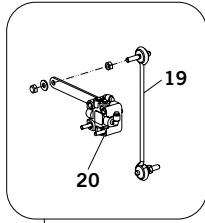
HENDRICKSON SUSPENSION

AIRTEK For Mack

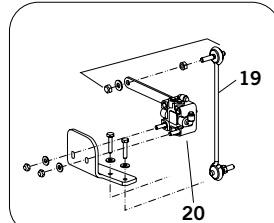
Axle Wrap Liner Kit



Single Height Control Valves For Vehicles Built Before March 2005

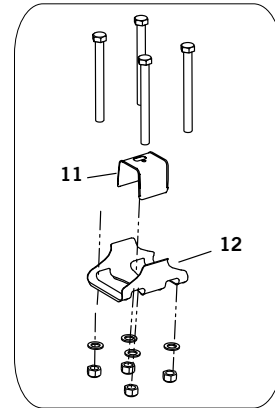


21

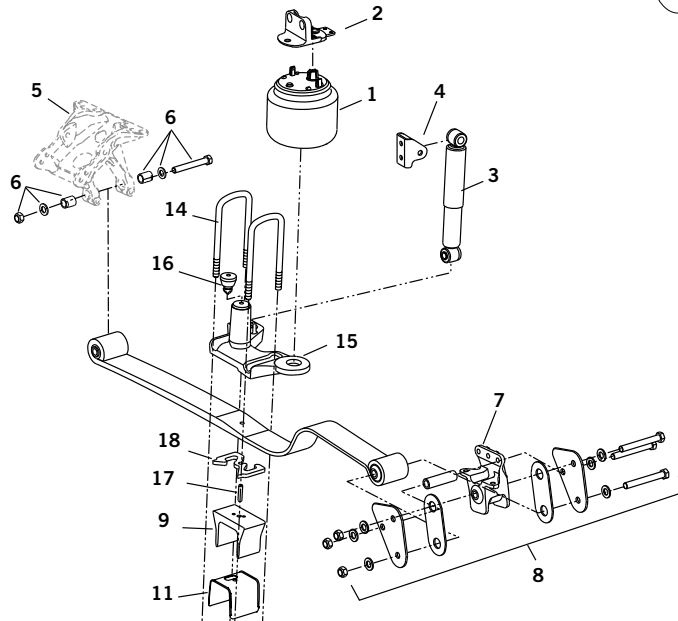
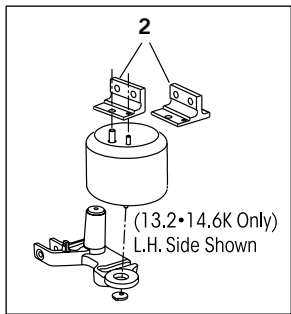


22

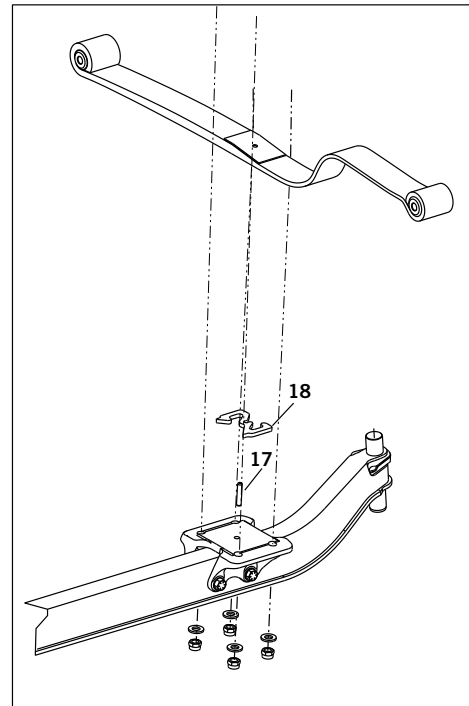
Straight Bolt Clamp Kit



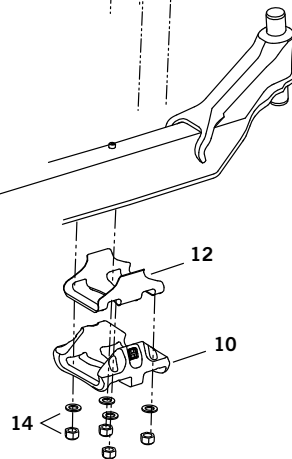
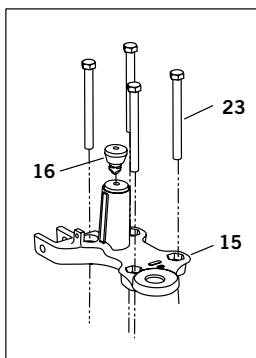
23






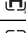









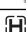
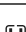

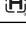



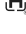


STEERTEK NXT
Vehicles Built After July 2011



Axle Connection For
Vehicles Built Before
July 2007



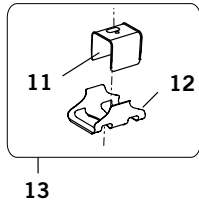
AIRTEK For Mack								
KEY NO.	MERITOR NO.	GENUINE	OEM REF.	DESCRIPTION	QTY. PER AXLE			COMP. PAGE
					PRE 2007	BEFORE JULY 2007	AFTER JULY 2007	
1	FS9913	-	66349-002	Air Spring, 12 & 12.5K	2	2	2	-
	FS9554	-	60716-002	Air Spring, 13.2 & 14.6K	2	2	2	-
2	S.O.S.		Various	Air Spring Bracket	2	2	2	-
3	M85933	-	64838-002 64838-003	Shock Absorber	2	2	2	-
	M89454	-	64838-002 64838-003	Shock Absorber, Premium Adjustable	2	2	2	-
4	S.O.S.		64241-001	Upper Shock Bracket	2	2	-	-
	S.O.S.		59423-008	Upper Shock Bracket	-	-	2	-
5	S.O.S.		Various	Spring Hanger	2	2	2	-
6	R3016412		60961-033	Front Hanger Repair Kit	2	2	2	227
7	S.O.S.		Various	Rear Shackle Bracket, Left Hand with Bushing	1	1	1	-
	S.O.S.		Various	Rear Shackle Bracket, Right Hand with Bushing	1	1	1	-
8	R3016409		60961-034 60961-635	Shackle Bracket Service Kit, One Axle, Omit Thrust Washer For Post July 2007 Vehicles	1	1	1	227
9	S.O.S.		59952-017 59952-013 59952-014	Top Axle Wrap	2	2	-	-
10	R3015108		64722-003 64014-003 60622-003	Bottom Axle Wrap	2	2	-	227
11	R3015147		60508-000	Top Axle Wrap Liner	2	2	-	227
12	R3015110		59845-000	Bottom Axle Wrap Liner	2	2	-	231
13	R3015727		60961-015	Axle Wrap Liner Kit, Vehicles Built Before October 2012, Includes Key Nos. 11 & 12	2			227
14	S.O.S.	-	Various	U-Bolt Assembly, Specify Ride Height	-	4	4	-
15	S.O.S.		Various	Top Pad, Specify Left or Right Hand, Pre or Post 2007 Engine and Frame Rail Size	2	2	2	-
16	R3015148		64080-000	Rubber Axle Stop	2	2	2	227
17	S.O.S.		Various	Dowel Pin, Specify Length	-	2	2	-
18	S.O.S.		64318-028	Spacer, All Vehicles with Dual Height Control Valves March 2005 - July 2011 & All Post July 2011 Vehicles	-	2	2	-
	S.O.S.		Various	Spacer, Other Configurations	-	2	2	-
19	R3015096		59428-004	Linkage Kit, Single Height Control Valve, Vehicles Built Prior to 3/05	-	-	-	228
20	R3015151		59935-003	Height Control Valve, Vehicles Built Prior to 3/05	-	-	-	228
21	R3015150		59427-006	Height Control Valve and Linkage Kit for Vehicles Built Prior to 3/05, Includes Key No. 19, 20	-	-	-	228
22	R3014013		64089-000	Height Control Valve Assembly, Includes Key No. 19 & 20 plus Bracket, Vehicles Built Prior to 3/05 w/ 12 & 12.5K Axles	-	-	-	-
	R3014014		64094-000	Height Control Valve Assembly, Includes Key No. 19 & 20 plus Bracket, Vehicles Built Prior to 3/05 w/ 13.2 & 14.6K Axles	-	-	-	-

 Denotes Product is Genuine Hendrickson

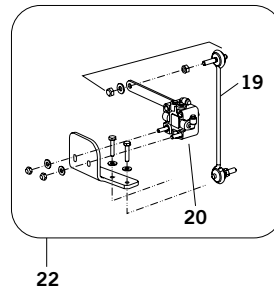
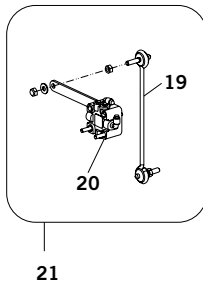
HENDRICKSON SUSPENSION

AIRTEK For Mack

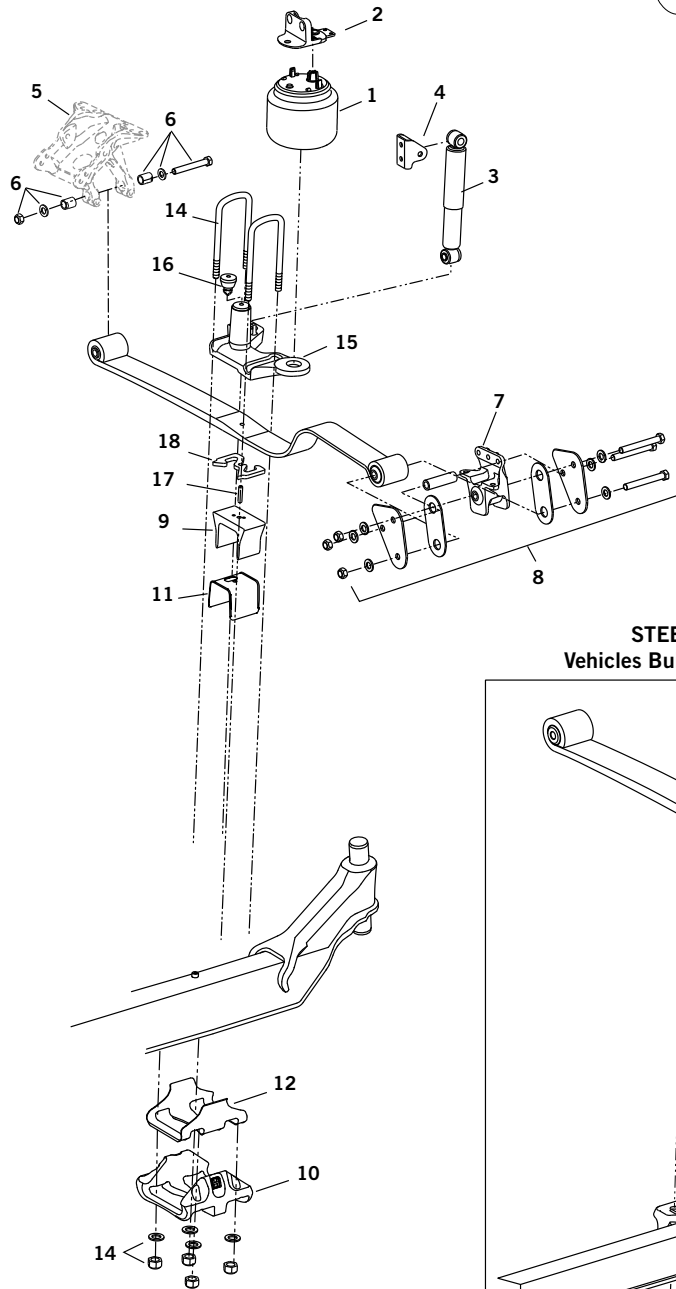
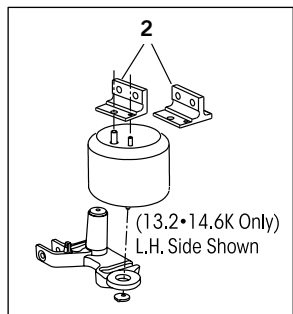
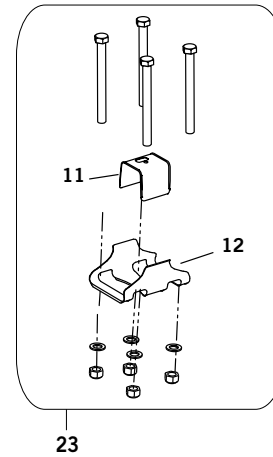
Axle Wrap Liner Kit



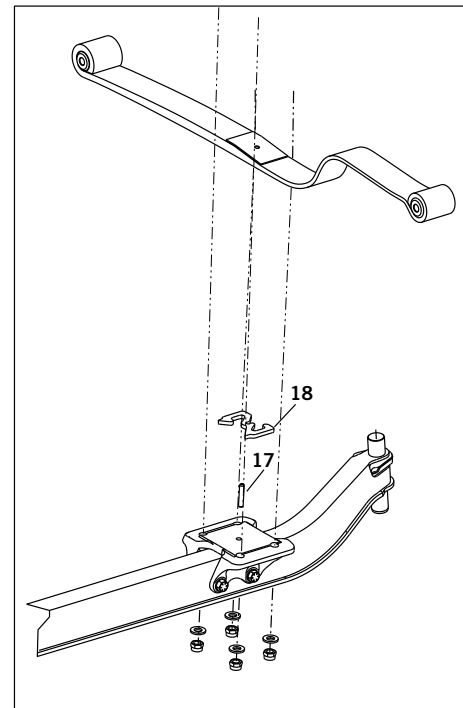
Single Height Control Valves For Vehicles Built Before March 2005



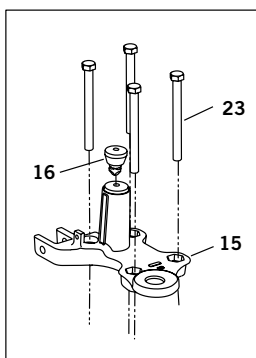
Straight Bolt Clamp Kit








STEERTEK NXT
Vehicles Built After July 2011



Axle Connection For
Vehicles Built Before
July 2007



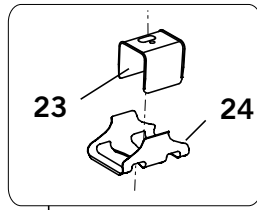
AIRTEK For Mack								
KEY NO.	MERITOR NO.	GENUINE	OEM REF.	DESCRIPTION	QTY. PER AXLE			COMP. PAGE
					PRE 2007	BEFORE JULY 2007	AFTER JULY 2007	
23	R3016410		60961-035	Straight Bolt Clamp Kit, Vehicles with Dual Height Control Valves, 13 1/4" Ride Height, Includes Key Nos. 11 & 12, Bolts, Nuts, Washer for One Side	2	-	-	227
	R3016411		60961-037	Straight Bolt Clamp Kit, Vehicles with Single Height Control Valve, 14 3/8" Ride Height, Includes Key Nos. 11 & 12, Bolts, Nuts, Washer for One Side	2	-	-	228
	S.O.S.		Various	Straight Bolt Clamp Kit, Other Configurations, Includes Key No. 11, Bolts, Nuts, Washer for One Side	2	-	-	-
-	R3014019		60961-101	Dual Height Control Valve & Linkage Conversion Kit, Convert Single HCV to Dual, 12 & 12.5K Capacity	1	-	-	-
-	R3014020		60961-102	Dual Height Control Valve & Linkage Conversion Kit, Convert Single HCV to Dual, 13.2 & 14.6K Capacity	1	-	-	-

 Denotes Product is Genuine Hendrickson

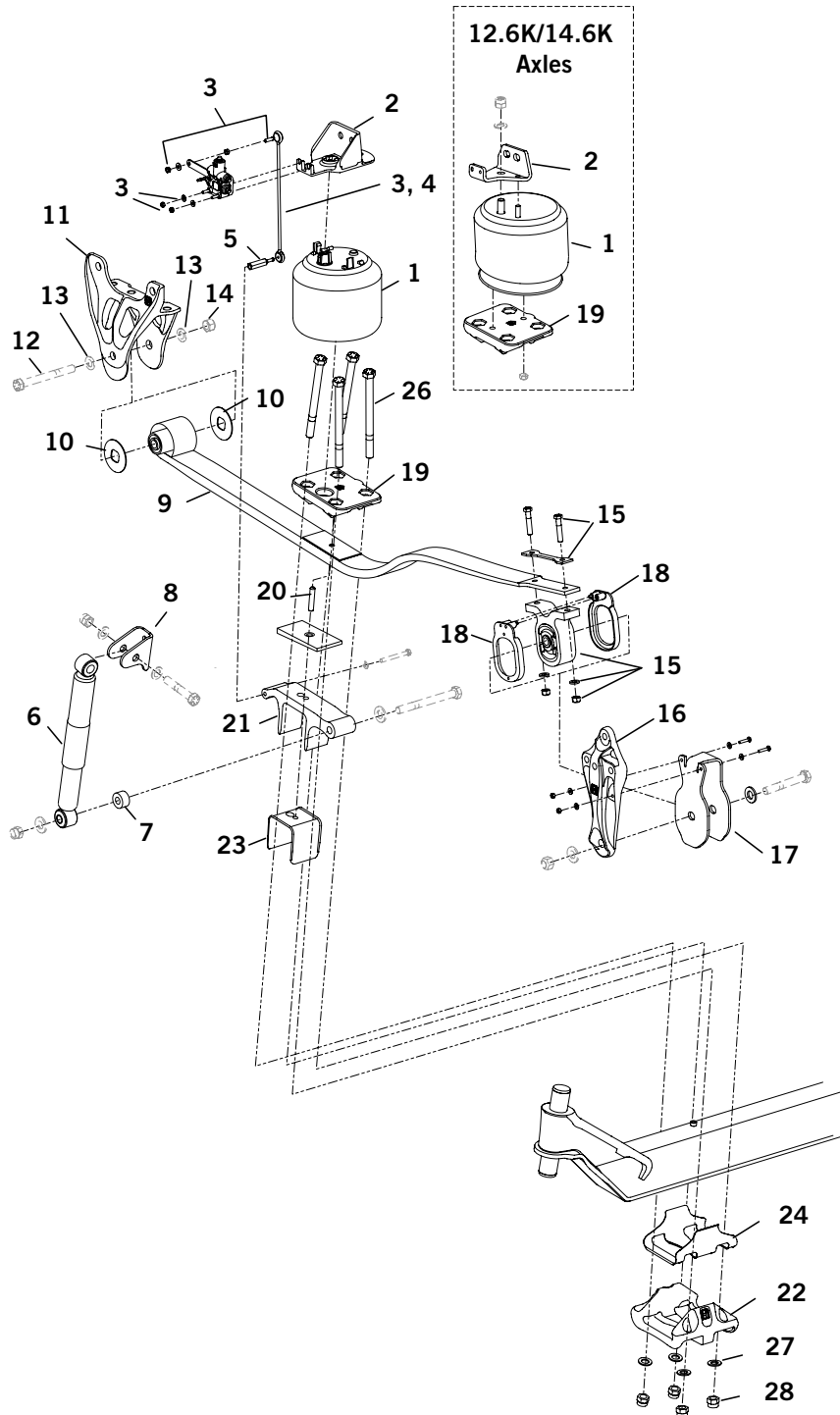
HENDRICKSON SUSPENSION


















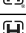

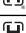

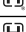
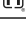

AIRTEK For Spartan Motorhome Chassis w/Drum Brakes


Axle Wrap Liner Kit



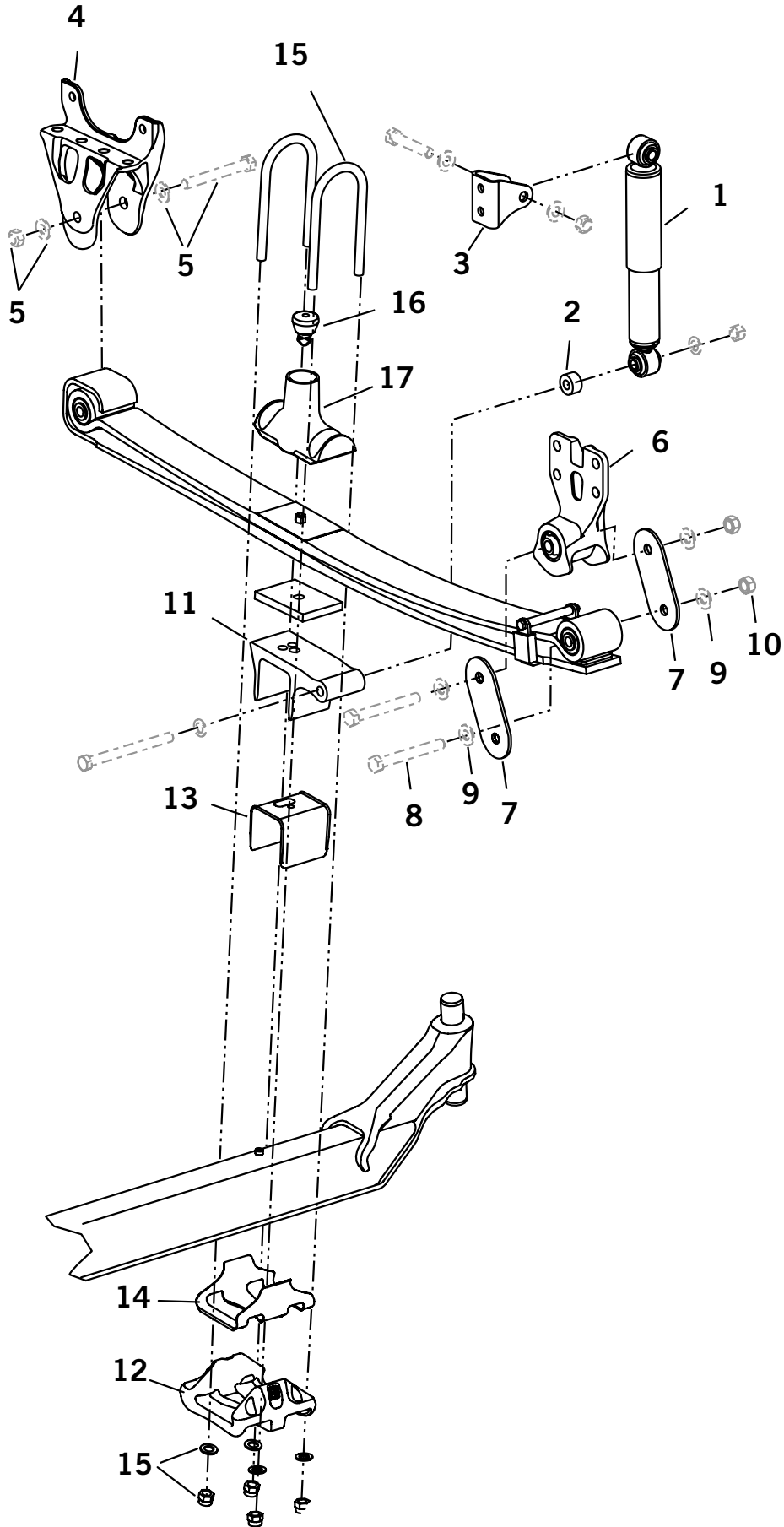
25




AIRTEK For Spartan Motorhome Chassis w/Drum Brakes						
KEY NO.	MERITOR NO.	GENUINE	OEM REF.	DESCRIPTION	QTY. PER AXLE	PAGE NO.
1	FS9913	-	66349-002	Air Spring, 10.5 & 12K	2	-
	FS8597	-	65790-002	Air Spring, 12.6 & 14.6K	2	-
2	R3015132		60850-002	Upper Air Spring Bracket, 10.5 & 12K	2	222
	S.O.S.		66140-000	Upper Air Spring Bracket, 12.6 & 14.6K	2	-
3	R3016417		66277-001	Height Control Valve & Linkage Assembly, LH, Includes Key No. 4	1	230
	R3016418		66277-002	Height Control Valve & Linkage Assembly, RH, Includes Key No. 4	1	230
4	R3015133		59428-001	Height Control Linkage	2	230
5	R3016426		59429-001	Height Control Linkage Lower Link Mount	2	234
6	S.O.S.	-	66153-006	Shock Absorber, 10.5, 12, 12.5K	2	-
	S.O.S.	-	66153-007	Shock Absorber, 14.6K	2	-
7	R3016419		59946-001	Shock Spacer	2	230
8	S.O.S.		66589-002	Shock Bracket	2	-
9	S.O.S.		59930-031	Leaf Spring Assembly, Left Hand, Includes Key No. 10, 15, 18	1	-
	S.O.S.		59930-032	Leaf Spring Assembly, Right Hand, Includes Key No. 10, 15, 18	1	-
10	S.O.S.		67495-000	Thrust Washer, Front Hanger	2	-
11	S.O.S.		64488-000	Front Hanger	2	-
12	R3016415		-	Bolt, M20-2.5 X 170 MM Long	2	230
13	R302546	-	-	Washer	4	-
14	R3016229	-	-	Lock Nut, M20	2	-
15	R3015135		60961-002	Rear Spring Mount Service Kit. One Side	2	229
16	S.O.S.		59825-000	Rear Hanger	2	-
17	S.O.S.		59830-001	Rear Hanger Clamp	2	-
18	S.O.S.		59346-001	Thrust Washer, Rear Hanger	2	-
19	S.O.S.		66144-000	Top Pad, 10.5 & 12K	2	-
	S.O.S.		66191-000	Top Pad, 12.6 & 14.6K	2	-
20	S.O.S.		57159-004	Dowel, 1/2" Dia. X 2 5/8" Long	2	-
21	S.O.S.		59952-028	Top Axle Wrap	2	-
			59952-001			
22	S.O.S.		64723-005	Bottom Axle Wrap	2	-
23	R3015145		59449-000	Top Axle Wrap Liner	2	229
24	R3015110		59845-000	Bottom Axle Wrap Liner	2	231
25	R3015727		60961-015	Axle Wrap Liner Kit, Vehicles Built Before October 2012, Includes Key Nos. 23 & 24	2	227
26	R3015102		58917-016	Bolt, 3/4"-10 Thd. X 8 1/2" Long, For 10.5, 12 & 12.6K Vehicles Built Before 2/07	8	230
	S.O.S.	-	68715-323	Bolt, 3/4"-10 Thd. X 9" Long, For Vehicles Built After 2/08	8	-
27	R302545	-	-	Washer	8	-
28	R3015094	-	-	Lock Nut, 3/4"-10, Nylok	8	-

 Denotes Product is Genuine Hendrickson

HENDRICKSON SUSPENSION SOFTEK For Spartan



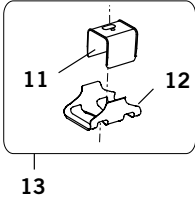
SOFTEK For Spartan						
KEY NO.	MERITOR NO.	GENUINE	OEM REF.	DESCRIPTION	QTY. PER AXLE	PAGE NO.
1	M85959	-	58913-009	Shock Absorber	2	-
2	R3016419		59946-001	Shock Spacer	2	230
3	S.O.S.		59423-002	Upper Shock Bracket	2	-
4	S.O.S.		64488-002	Front Hanger	2	-
5	R3016089	-	-	Hanger Fastener Kit, M20 X180MM Long Bolt w/ Nut and Washers	2	-
6	S.O.S.		66510-001	Rear Shackle Bracket	2	-
7	R3016414		64314-000	Rear Shackle Plate	4	-
8	R3016413	-	-	Bolt, M20-2.5 X 150 MM Long	4	230
9	R302546	-	-	Washer	8	-
10	R3016229	-	-	Lock Nut, M20	4	-
11	S.O.S.		59952-003	Top Axle Wrap	2	-
12	R3015108		64722-003	Bottom Axle Wrap	2	229
13	R3015147		60508-000	Top Axle Wrap Liner	2	229
14	R3015110		59845-000	Bottom Axle Wrap Liner	2	227
15	R30U8154-12	-	-	U-Bolt Assembly, Round Bend, 3/4"-16 Thd X 4" Wide X 12" Long	4	230
16	R3015148		64080-000	Rubber Axle Stop	2	227
17	S.O.S.		64519-000	Top Pad	2	-
-	S.O.S.		18831-021	Dowel Pin, 2" Long (Not Shown)	2	-

 Denotes Product is Genuine Hendrickson

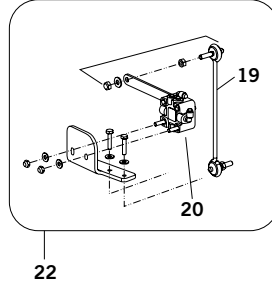
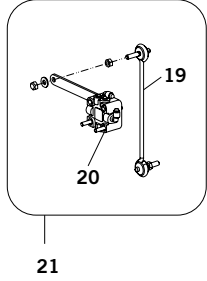
HENDRICKSON SUSPENSION

AIRTEK For Volvo

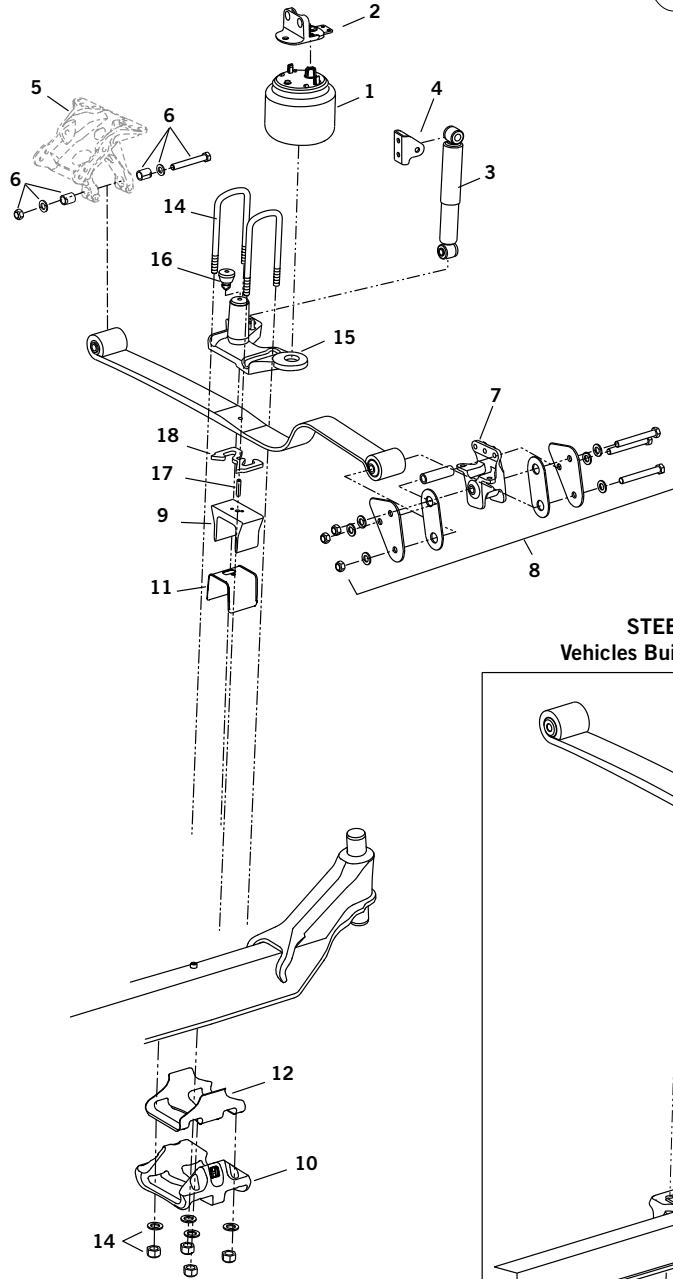
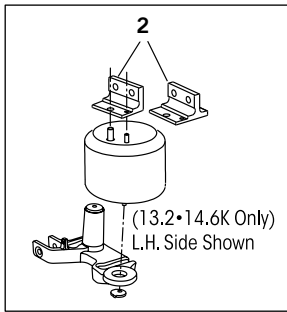
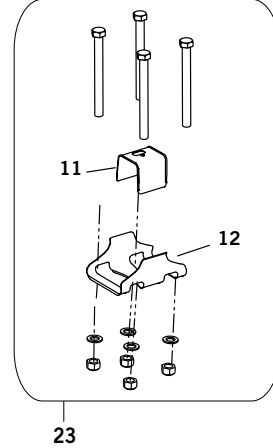
Axle Wrap Liner Kit



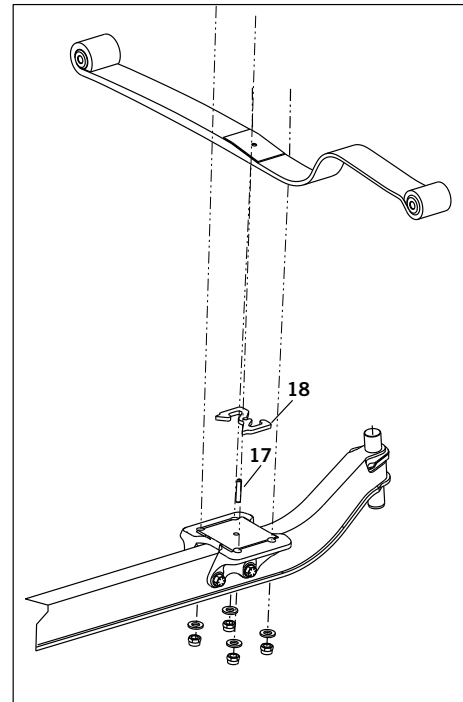
Single Height Control Valves For Vehicles Built Before March 2005



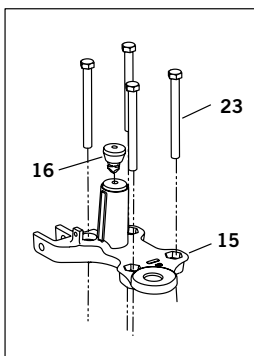
Straight Bolt Clamp Kit



STEERTEK NXT
Vehicles Built After July 2011







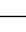









Axle Connection For
Vehicles Built Before
July 2007



HENDRICKSON SUSPENSION

Suspension

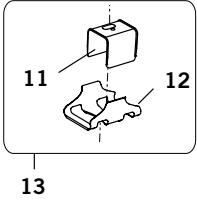
AIRTEK For Volvo								
KEY NO.	MERITOR NO.	GENUINE	OEM REF.	DESCRIPTION	QTY. PER AXLE			PAGE NO.
					PRE 2007	BEFORE JULY 2007	AFTER JULY 2007	
1	FS9913	-	66349-002	Air Spring, 12 & 12.5K	2	2	2	-
	FS9554	-	60716-002	Air Spring, 13.2 & 14.6K	2	2	2	-
2	S.O.S.		Various	Air Spring Bracket	2	2	2	-
3	M85933	-	64838-002 64838-003	Shock Absorber	2	2	2	-
3	M89454	-	64838-002 64838-003	Shock Absorber, Premium Adjustable	2	2	2	-
4	S.O.S.		64241-001	Upper Shock Bracket	2	2	-	-
	S.O.S.		59423-008	Upper Shock Bracket	-	-	2	-
5	S.O.S.		Various	Spring Hanger	2	2	2	-
6	R3016412		60961-033	Front Hanger Repair Kit	2	2	2	231
7	S.O.S.		Various	Rear Shackle Bracket, Left Hand with Bushing	1	1	1	-
7	S.O.S.		Various	Rear Shackle Bracket, Right Hand with Bushing	1	1	1	-
8	R3016409		60961-034 60961-635	Shackle Bracket Service Kit, One Axle, Omit Thrust Washer For Post July 2007 Vehicles	1	1	1	231
9	S.O.S.		59952-017 59952-013 59952-014	Top Axle Wrap	2	2	-	-
10	R3015108		64722-003 64014-003 60622-003	Bottom Axle Wrap	2	2	-	229
11	R3015147		60508-000	Top Axle Wrap Liner	2	2	-	229
12	R3015110		59845-000	Bottom Axle Wrap Liner	2	2	-	227
13	R3015727		60961-015	Axle Wrap Liner Kit, Vehicles Built Before October 2012, Includes Key Nos. 11 & 12	2			229
14	S.O.S.	-	Various	U-Bolt Assembly, Specify Ride Height	-	4	4	-
15	S.O.S.		Various	Top Pad, Specify Left or Right Hand, Pre or Post 2007 Engine and Frame Rail Size	2	2	2	-
16	R3015148		64080-000	Rubber Axle Stop	2	2	2	229
17	S.O.S.		Various	Dowel Pin, Specify Length	-	2	2	-
18	S.O.S.		64318-028	Spacer, All Vehicles with Dual Height Control Valves March 2005 - July 2011 & All Post July 2011 Vehicles	-	2	2	-
	S.O.S.		Various	Spacer, Other Configurations	-	2	2	-
19	R3015096		59428-004	Linkage Kit, Single Height Control Valve, Vehicles Built Prior to 3/05	-	-	-	228
20	R3015151		59935-003	Height Control Valve, Vehicles Built Prior to 3/05	-	-	-	228
21	R3015150		59427-006	Height Control Valve and Linkage Kit for Vehicles Built Prior to 3/05, Includes Key No. 19, 20	-	-	-	228

 Denotes Product is Genuine Hendrickson

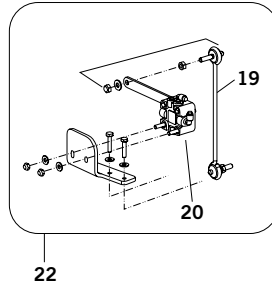
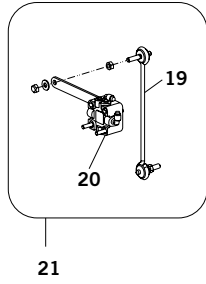
HENDRICKSON SUSPENSION

AIRTEK For Volvo

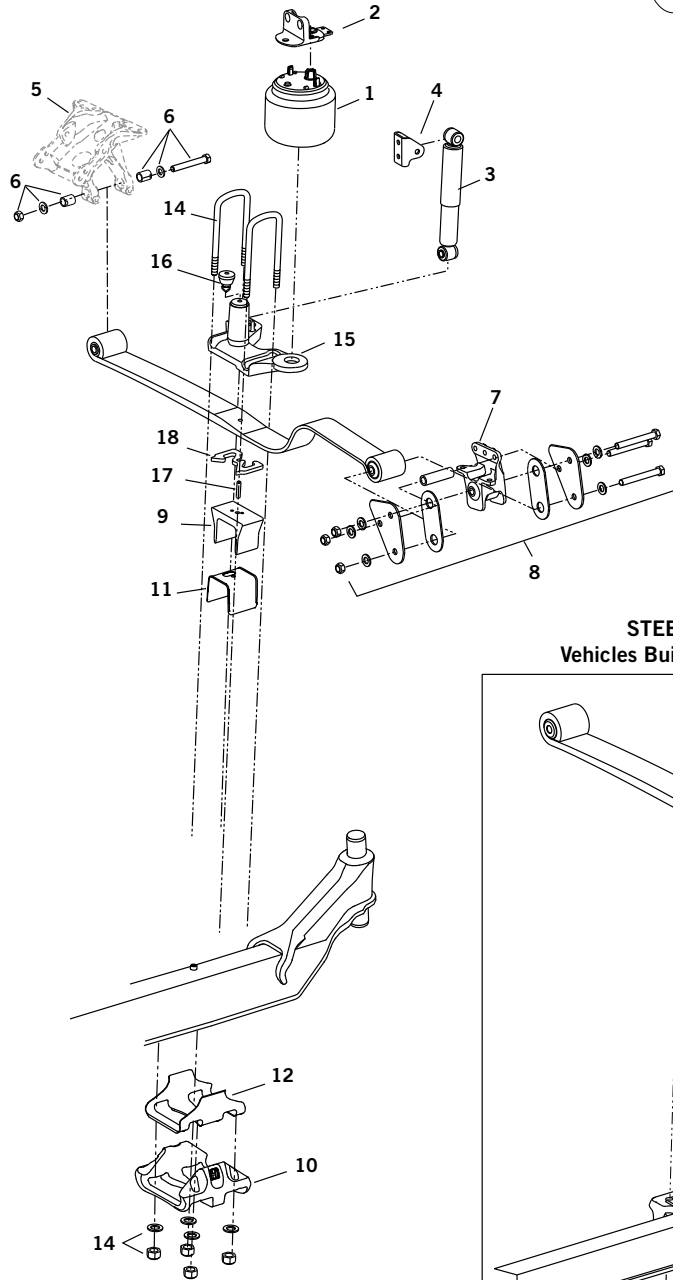
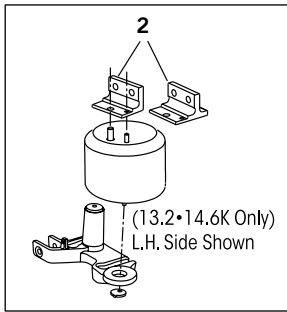
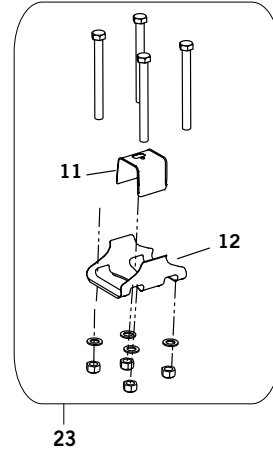
Axle Wrap Liner Kit



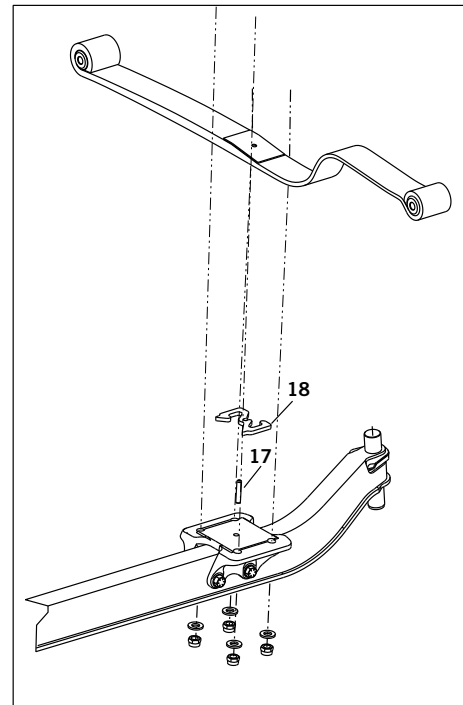
Single Height Control Valves For Vehicles Built Before March 2005



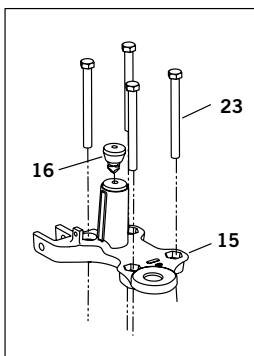
Straight Bolt Clamp Kit











STEERTEK NXT
Vehicles Built After July 2011



Axle Connection For
Vehicles Built Before
July 2007

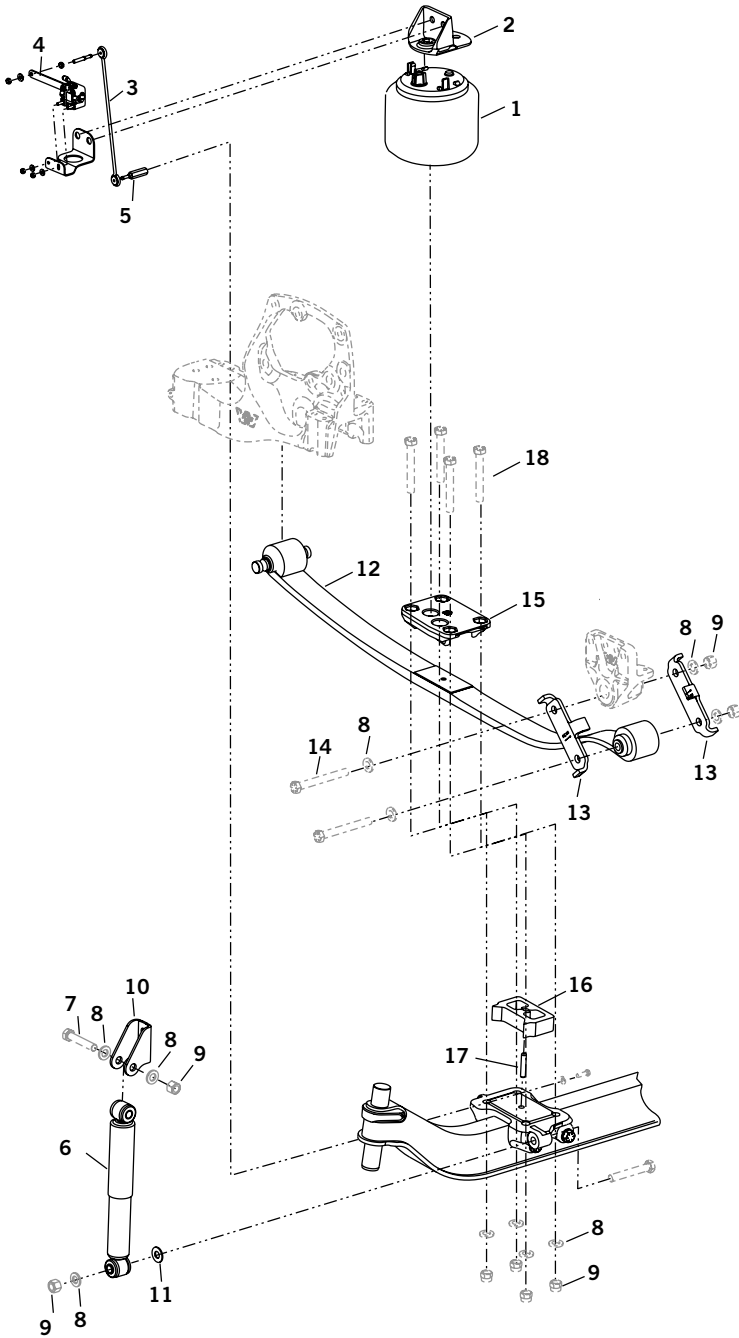


AIRTEK For Volvo								
KEY NO.	MERITOR NO.	GENUINE	OEM REF.	DESCRIPTION	QTY. PER AXLE			PAGE NO.
					PRE 2007	BEFORE JULY 2007	AFTER JULY 2007	
22	R3014013		64089-000	Height Control Valve Assembly, Includes Key No. 19, 20 plus Bracket, Vehicles Built Prior to 3/05 w/ 12 & 12.5K Axles	-	-	-	-
	R3014014		64094-000	Height Control Valve Assembly, Includes Key No. 19, 20 plus Bracket, Vehicles Built Prior to 3/05 w/ 13.2 & 14.6K Axles	-	-	-	-
23	R3016410		60961-035	Straight Bolt Clamp Kit, Vehicles with Dual Height Control Valves, 13 1/4" Ride Height, Includes Key No. 11 and 12, Bolts, Nuts, Washer for One Side	2	-	-	227
	R3016411		60961-037	Straight Bolt Clamp Kit, Vehicles with Single Height Control Valve, 14 3/8" Ride Height, Includes Key No. 11 and 12, Bolts, Nuts, Washer for One Side	2	-	-	228
	S.O.S.		Various	Straight Bolt Clamp Kit, Other Configurations, Includes Key No. 11, Bolts, Nuts, Washer for One Side	2	-	-	-
-	R3014019		60961-101	Dual Height Control Valve & Linkage Conversion Kit, Convert Single HCV to Dual, 12 & 12.5K Capacity	1	-	-	-
	R3014020		60961-102	Dual Height Control Valve & Linkage Conversion Kit, Convert Single HCV to Dual, 13.2 & 14.6K Capacity	1			-

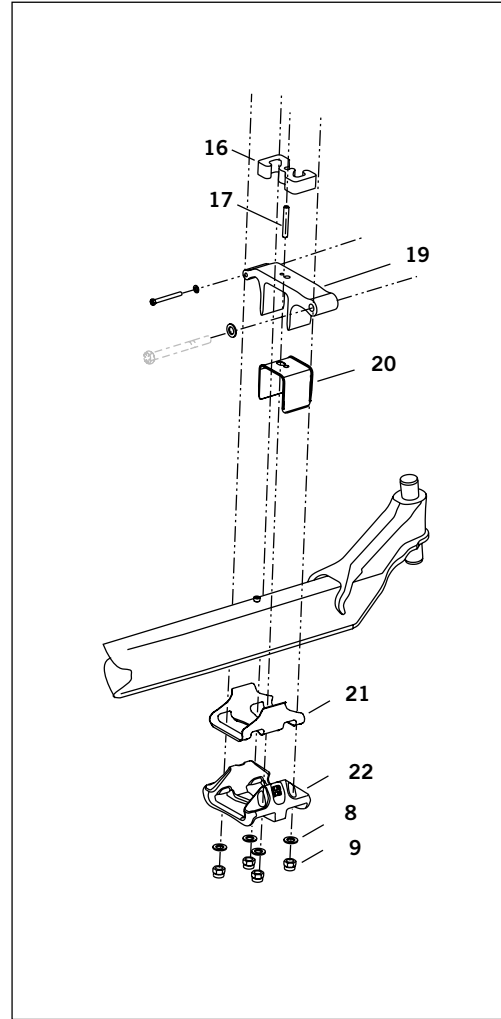
 Denotes Product is Genuine Hendrickson

HENDRICKSON SUSPENSION

AIRTEK For Western Star Built After November 2011 w/STEERTEK NXT Axles and Model 4900SA Vehicles Built Between June 2010 and November 2011 with STEERTEK Axles















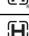
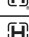
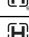
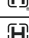
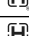
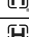




STEERTEK NXT Axle




STEERTEK Axle

HENDRICKSON SUSPENSION

Suspension

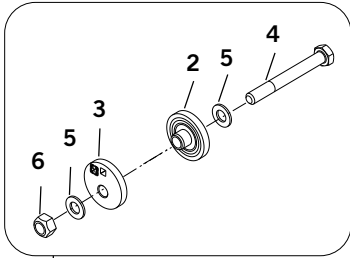
AIRTEK For Western Star Built After November 2011 w/STEERTEK NXT Axles and Model 4900SA Vehicles Built Between June 2010 and November 2011 with STEERTEK Axles						
KEY NO.	MERITOR NO.	GENUINE	OEM REF.	DESCRIPTION	QTY. PER VEHICLE	PAGE NO.
1	S.O.S.	-	69116-002	Air Spring	2	-
2	R3016425		60850-001	Air Spring Bracket, Left Hand	1	234
	R3015132		60850-002	Air Spring Bracket, Right Hand	1	230
3	R3015133		59428-001	Height Control Valve Linkage Assembly, 13 1/8" Center-to-Center	1	233
	R3015134		59428-002	Height Control Valve Linkage Assembly, 14 1/2" Center-to-Center	1	233
	S.O.S.	-	Various	Height Control Valve Linkage Kit	2	-
	R309625	-	-	Height Control Valve Linkage Kit, Universal, Length Range of 3 5/8 -19 5/8"	2	233
4	S.O.S.		59935-013	Height Control Valve, Left Hand, Set Back Axle	1	-
	S.O.S.		59935-023	Height Control Valve, Left Hand, Set Forward Axle	1	-
	S.O.S.		59935-024	Height Control Valve, Right Hand, Vehicles After November 2011	1	-
	R3013995		59935-002	Height Control Valve, Right Hand, Vehicles Built Between June 2010 & November 2011, (Non NXT Axles)	1	221
5	R3016426		59429-001	Link Mount, Left Hand, Set Back Axle	1	234
	R3015098		59429-002	Link Mount, Left Hand, Set Forward Axle and All Right Hand	1	234
6	M85932	-	58913-012	Shock Absorber	2	-
	M89453	-	58913-012	Shock Absorber, Premium Adjustable	2	-
7	S.O.S.	-	-	Bolt, 3/4"-10 X 4" Long, Upper Shock	2	-
8	R302545	-	-	Washer, 3/4"	22	-
9	R304347	-	-	Locknut, 3/4"-10	16	-
10	S.O.S.	-	59423-001	Shock Bracket	2	-
11	R3016419		59946-001	Shock Spacer, Vehicles Built Between June 2010 & November 2011, (Non NXT Axles)	2	230
	S.O.S.		22962-046	Shock Spacer, Vehicles Built After November 2012	2	-
12	S.O.S.		Various	Leaf Spring Assembly	2	-
13	S.O.S.		68089-001	Shackle Plate	4	-
14	S.O.S.		Various	Shackle Bolt, 3/4"-10	8	-
15	R3015146		59826-000	Top Pad	2	221
16	S.O.S.		Various	Front Axle Spacer	2	-
17	S.O.S.		Various	Dowel	2	-
18	R3015102	-	58917-016	Bolt, 3/4"-10 X 8 1/2" Long	8	233
	R3016435	-	58917-017	Bolt, 3/4"-10 X 10" Long	8	233
	R3016436	-	58917-018	Bolt, 3/4"-10 X 11 1/2" Long	8	233
19	S.O.S.		Various	Top Wrap, Vehicles Built Between June 2010 & November 2011 (Non NXT Axles)	2	-
20	R3015145		59449-000	Top Axle Wrap Liner, Vehicles Built Between June 2010 & November 2011 (Non NXT Axles)	2	233
21	R3015110		58945-000	Bottom Axle Wrap Liner, Vehicles Built Between June 2010 & November 2011 (Non NXT Axles)	2	227
22	S.O.S.		64772-001	Bottom Wrap, Vehicles Built Between June 2010 & November 2011 (Non NXT Axles)	2	-

 Denotes Product is Genuine Hendrickson

HENDRICKSON SUSPENSION

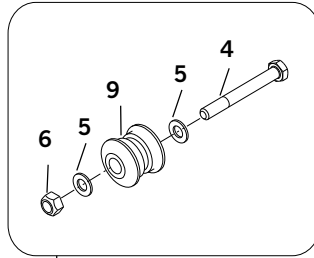
COMFORT AIR Single Axle Suspension For Blue Bird Bus

QUIK-ALIGN™ Collar Service Kit



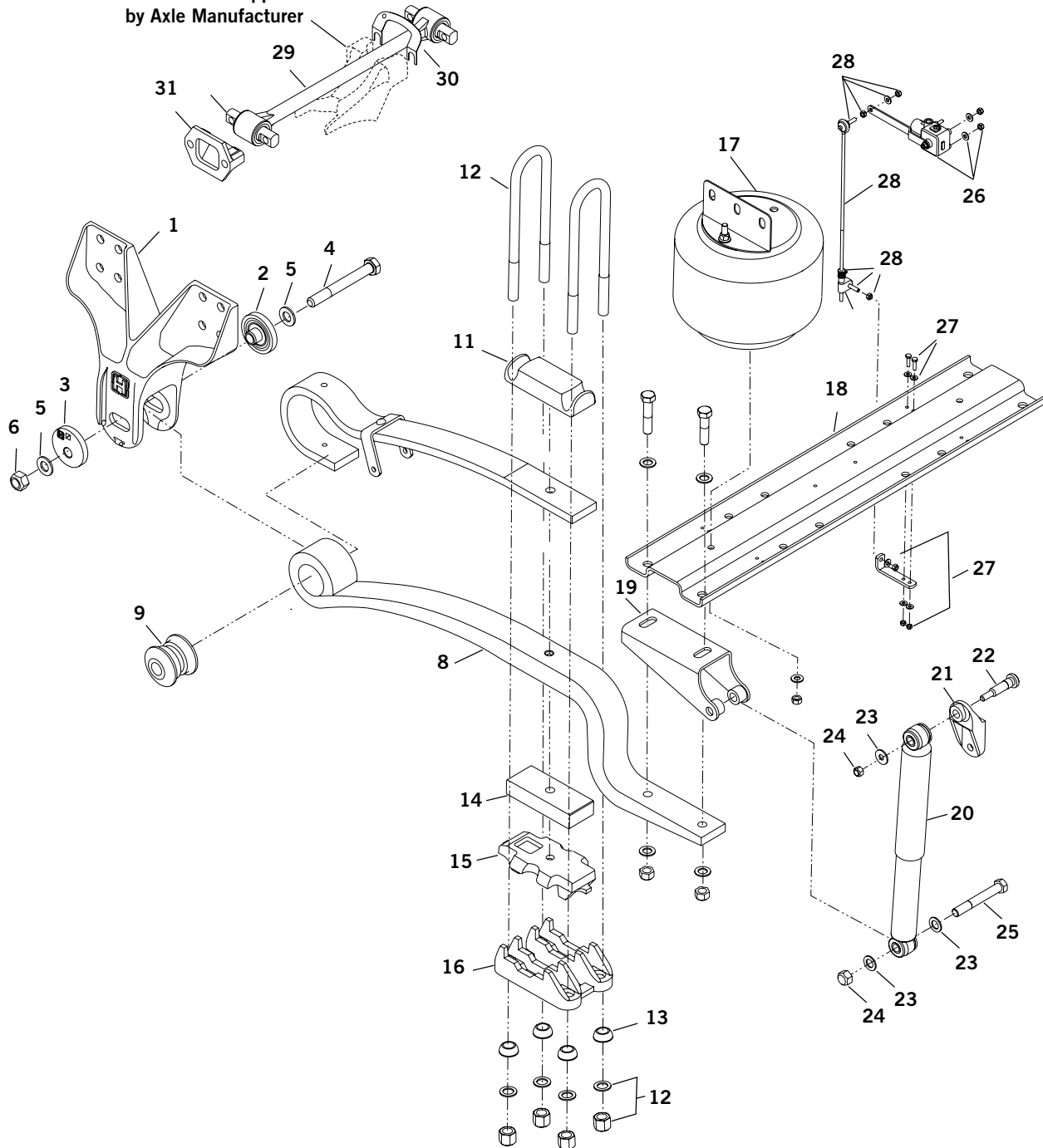
7

QUIK-ALIGN™ Pivot Bushing Kit


















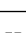






10

Bracket Supplied
by Axle Manufacturer



TRANSVERSE TORQUE RODS MUST BE USED WITH THIS SUSPENSION

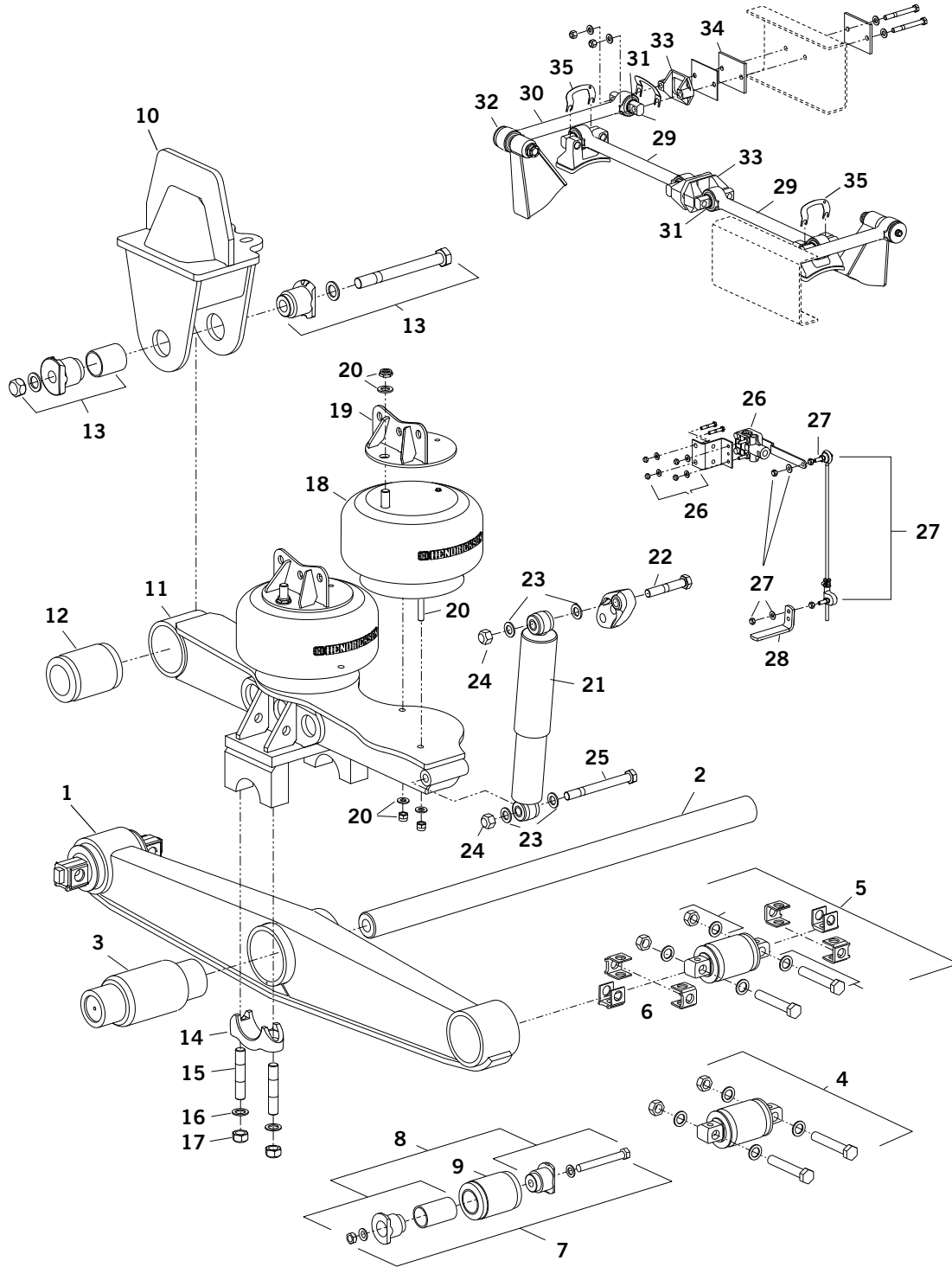
COMFORT AIR Single Axle Suspension For Blue Bird Bus						
KEY NO.	MERITOR NO.	GENUINE	OEM REF.	DESCRIPTION	QTY. PER AXLE	PAGE NO.
1	S.O.S.		60784-000	Frame Hanger	2	-
2	R3015716		64633-000	QUIK-ALIGN™ Concentric Collar	3	217
3	R3015162		64632-000	QUIK-ALIGN™ Eccentric Collar	1	-
4	S.O.S.	-	68217-000	Bolt, 1"-14 X 7 1/2" Long	2	-
5	R302546	-	-	Washer, 1" ID	4	-
6	R301828	-	-	Lock Nut, 1"-14	2	-
7	R3014809		60632-013	QUIK-ALIGN™ Collar Service Kit - Axle Set, Includes Key No. 2, 3, 4, 5, 6	1	217
8	S.O.S.		60779-000	Main Support Member Assembly	2	-
9	R3013992		58648-000L	QUIK-ALIGN™ Pivot Bushing	2	217
10	R3016465		34013-103	QUIK-ALIGN™ Pivot Bushing Kit - One Side, Includes Key No. 4, 5, 6, 9	2	217
11	R309397		56805-000	Top Pad, 21K, 23K Capacity	2	217
	S.O.S.		57724-000	Top Pad, 15K Capacity	2	-
12	R30U8161-15S1	-	-	U-Bolt Assembly, Rd. Bend, 7/8"-14 Thd. X 3" wide X 15" Long, Includes Key No. 11, 21K, 23K Capacity	4	218
	R30U8161-18S1	-	-	U-Bolt Assembly, Rd. Bend, 7/8"-14 Thd. X 3" wide X 18" Long, Includes Key No. 11, 21K, 23K Capacity	4	218
	R30U8161-16	-	-	U-Bolt Assembly, Rd. Bend, 7/8"-14 Thd. X 3" wide X 16" Long, Requires Key No. 11, 15K Capacity	4	218
13	S.O.S.		49947-000	Spherical Washer, 3/4"	8	-
	R303738		48574-000	Spherical Washer, 7/8"	8	217
14	S.O.S.		Various	Spacer, Specify Height	2	-
15	S.O.S.		Various	Spring Seat, Specify Axle and Pinion Angle	2	-
16	S.O.S.		Various	Axle Bottom Cap, Specify Axle and Pinion Angle	2	-
17	FS8816	-	60929-002	Air Spring Assembly, Front Engine, Includes Bracket	2	-
	FS8817	-	60925-002	Air Spring Assembly, Rear Engine, Includes Bracket	2	-
18	S.O.S.		Various	Cross Channel	1	-
19	R3016239		57356-000	Shock Bracket	2	218
20	M85006	-	60998-003	Shock Absorber	2	-
21	R3015177		67463-002	Shock Bracket, Upper	2	218
22	S.O.S.		50764-010	Bolt, 3/4"-10 Serrated Shank	2	-
23	R302545	-	-	Washer, 3/4" Dia	4	-
24	R304347	-	-	Lock Nut, 3/4"-10	4	-
25	R3015140	-	50764-002	Bolt, 3/4"-10 X 5 1/2" Long	2	221
26	S.O.S.		59013-000	Height Control Valve Kit, Includes Mounting Hardware, Axle Set	1	-
27	S.O.S.		57430-000	Height Control Valve Lower Bracket Kit, Includes Mounting Hardware, Front Engine	1	-
	S.O.S.		57430-003	Height Control Valve Lower Bracket Kit, Includes Mounting Hardware, Rear Engine	1	-
28	R307852	-	-	Height Control Valve Linkage Assembly, Universal Kit	1	218
29	See Torque Rod Section		Various	Transverse Torque Rod	1	161
30	R305281		49689-000L	Torque Rod Shim	As Required	218
31	R302634		22186-000	Transverse Torque Rod Frame Bracket	1	218

 Denotes Product is Genuine Hendrickson

TRANSVERSE TORQUE RODS MUST BE USED WITH THIS SUSPENSION

HENDRICKSON SUSPENSION

AR2 400/460 Air Over Walking Beam Tandem Axle Suspension



AR2 400/460 Air Over Walking Beam Tandem Axle Suspension

KEY NO.	MERITOR NO.	GENUINE	OEM REF.	DESCRIPTION	QTY. PER TANDEM	PAGE NO.
1	S.O.S.		Various	Walking Beam	2	-
2	R301842		44643-009	Cross Tube, 44 7/8" Long	1	144
3	R306979		49400-000	Center Bushing, Rubber, 40K, Welded End Plug	2	138
	R306980		49600-000	Center Bushing, Rubber, 40K, Loose End Plug	2	138
	R309359		29483-005	Center Bushing, Rubber, 46K, Welded End Plug	2	138
	R3016416		34013-097	Center Bushing, Rubber, 46K, Loose End Plug	2	138



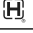



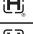




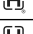
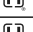
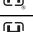

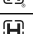
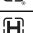


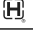
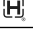



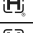


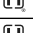
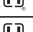

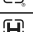
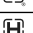

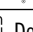
Denotes Product is Genuine Hendrickson


MeritorPartsXpress.com

PB-9968-HND (06-19)

U.S. 888-725-9355
Canada 800-387-3889

AR2 400/460 Air Over Walking Beam Tandem Axle Suspension

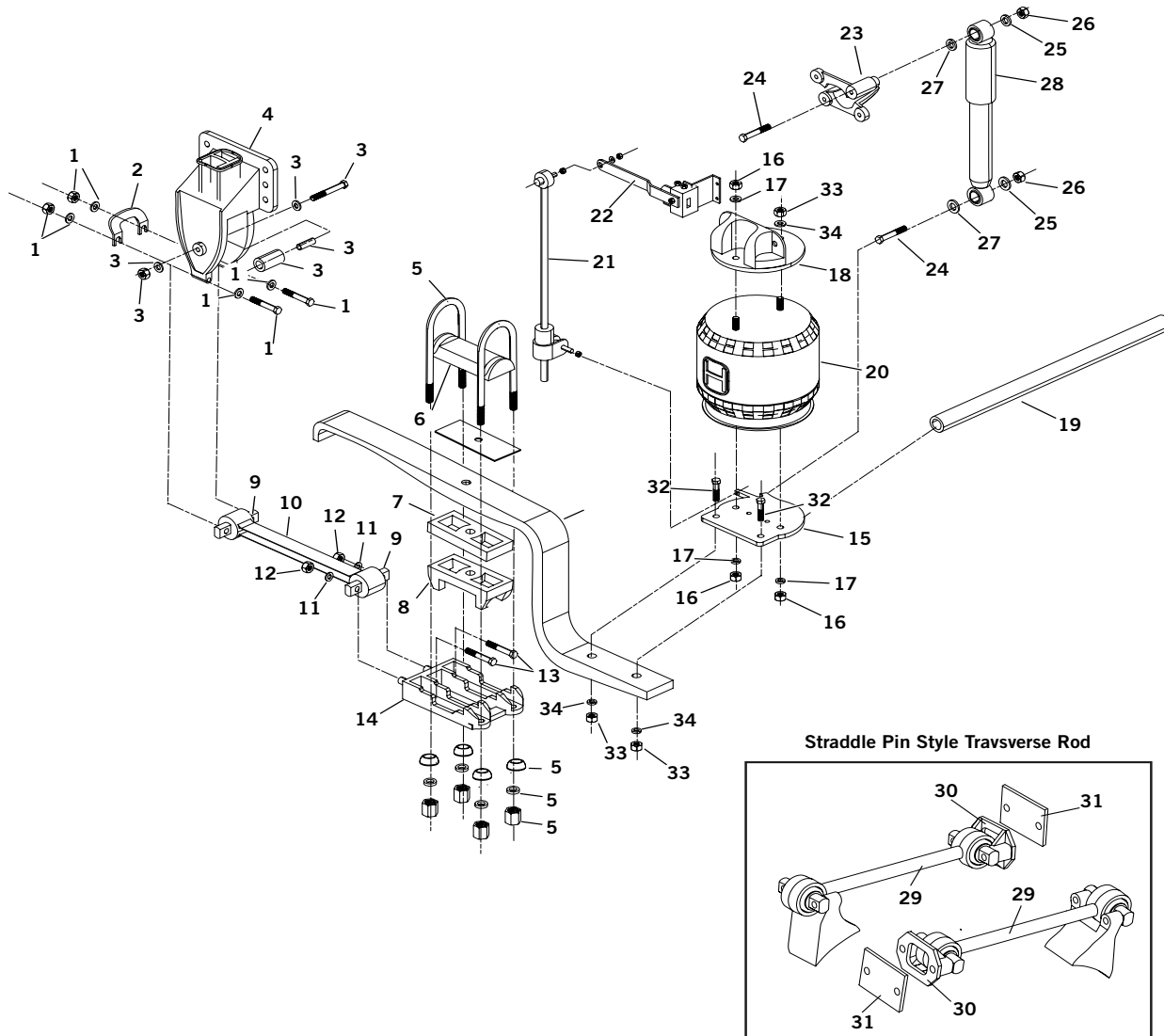
KEY NO.	MERITOR NO.	GENUINE	OEM REF.	DESCRIPTION	QTY. PER TANDEM	PAGE NO.
4	R309325		34013-087	Bar Pin Bushing Kit, Non-Shim Type, One Wheel End	2	
5	R309326		34013-088	Bar Pin Bushing Kit, Shim Type, One Wheel End	2	
	R3014725		34013-188	Bar Pin Bushing Kit, Rotating Pin, Shim Type, One Wheel End	2	
6	R309328		50131-000	Bar Pin Shim, 1/8" & 1/4"	As Required	
	R309327		50130-000	Bar Pin Shim, 3/16"	As Required	
	R309329		57026-000	Bar Pin Shim, 3/8"	As Required	
7	R305309		34013-049	End Beam Bushing Kit, Old Style, 40K, Includes Key No. 8, 9	2	
	R309576		34013-073	End Beam Bushing Kit, Old Style, 46K, Includes Key No. 8, 9	2	
8	R302374		45000-007	End Beam Adapter, Old Style, 40K, One Wheel End	2	141
	R309420		21140-034	End Beam Adapter, Old Style, 46K, One Wheel End	2	141
9	R301341A		45900-000	Rubber End Beam Bushing	As Required	141
10	S.O.S.		Various	Frame Hanger, Specify Left or Right and Frame Width	2	-
11	S.O.S.		Various	Trailing Arm Assembly	2	-
12	R301341A		45900-000	Trailing Arm Bushing, 40K	2	141
	R302771		29878-001	Trailing Arm Bushing, 46K	2	141
13	S.O.S.		21140-053	Trailing Arm Adapter Assembly	2	-
14	R301833A		58795-000	Saddle Cap	2	146
15	R301830		06696-000	7/8"-14 UNF Saddle Cap Stud	4	146
16	R301834	-	22962-002	7/8" Hardened Washer	4	-
17	R301835	-	04842-000	7/8"-14 UNF Saddle Cap Locknut	4	-
18	S.O.S.	-	65455-002	Air Spring Assembly, Front	2	-
	S.O.S.	-	65652-002	Air Spring Assembly, Rear	2	-
19	S.O.S.		65426-000	Air Spring Bracket, Front	2	-
	S.O.S.		65680-000	Air Spring Bracket, Rear	2	-
20	S.O.S.		49177-017	Air Spring Fastener Kit, Includes Washers, Lock Nuts, Stud	1	-
21	S.O.S.	-	60665-012	Shock Absorber	2	-
22	S.O.S.	-	50764-010	Bolt, 3/4"-10 X 4 3/4" Long	2	-
23	R302545	-	22962-001	Washer, 3/4"	8	-
24	R304347	-	49842-000	Lock Nut, 3/4"-10	4	-
25	S.O.S.	-	50764-013	Bolt, 3/4"-10 X 7 1/2" Long	2	-
26	R3011870		49177-017	Height Control Valve Assembly, Includes Bracket and Mounting Hardware	2	178
27	R307852	-	-	Height Control Linkage Assembly, Universal Includes Hardware	2	218
28	S.O.S.		49177-017	Height Control Lower Bracket	2	-
29	R3013989		49177-017	Torque Rod Kit, Longitudinal, Straddle/Straddle Ends	2	165
30	R3013988		60215-000	Torque Rod Kit, Transverse, Straddle/Taper Ends	2	165
31	R305275		47691-000	Torque Rod Bushing, Straddle Mount, ULTRA ROD PLUS	6	174
32	R3010309		64697-000H	Torque Rod Bushing, Tapered Mount, ULTRA ROD PLUS	2	163
33	R302634		22186-000	Torque Rod Bracket	4	174
34	S.O.S.		45045-001	Torque Rod Back-up Plate, 1/8" Thick	As Required	-
	S.O.S.		45045-002	Torque Rod Back-up Plate, 1/4" Thick	As Required	-
	R3015153		45045-003	Torque Rod Back-up Plate, 3/8" Thick	As Required	-
35	R305281		49689-000	Torque Rod Shim	As Required	171
-	S.O.S.		34013-111	Trailing Arm Bushing Service Kit, 40K, Includes Key No. 12, 13	2	-
	S.O.S.		34013-112	Trailing Arm Bushing Service Kit, 46K, Includes 12, 13	2	-

 Denotes Product is Genuine Hendrickson

TRANSVERSE TORQUE RODS MUST BE USED WITH THIS SUSPENSION

HENDRICKSON SUSPENSION

HA 360/400/460 Tandem Axle Air Suspension



HA 360/400/460 Tandem Axle Air Suspension							
KEY NO.	MERITOR NO.	GENUINE	OEM REF.	DESCRIPTION	QTY. PER AXLE	PAGE NO.	
1	R305277	-	49176-000	Torque Rod Fastener Kit	2	174	
2	R305281		49689-000	Torque Rod Shim	As Required	174	
3	R309432A	-	49175-005	Rebound Roller Assembly	2	176	
4	R305299		56673-001	Front Spring Hanger Casting Nos. 56672001,49723000,49726001,49047000	2	176	
	S.O.S.		56830-000	Front Spring Hanger Casting Nos. 56829001,48442000,4853000	2	-	
5	R30U8161-18S1	-	Various	U-bolt Assembly Rd. Bend, 7/8"-14 X 18" Long, Includes Spherical Washer	4	218	
	R30U8161-15S1	-	Various	U-bolt Assembly Rd. Bend, 7/8"-14 X 15" Long, Includes Spherical Washer	4	218	

Denotes Product is Genuine Hendrickson

HA 360/400/460 Tandem Axle Air Suspension

KEY NO.	MERITOR NO.	GENUINE	OEM REF.	DESCRIPTION	QTY. PER AXLE	PAGE NO.
6	R308926		49337-000	Top Pad	2	174
7	R303740		48902-000	Spring Spacer, 1"	2	175
	R303741		48903-000	Spring Spacer, 1-1/2"	2	175
8	S.O.S.		Various	Spring Seat Assembly, (See Selection Guide)	2	-
9	R305275		47691-000	Torque Rod Bushing, HA360, HA400	4	171
	R309395		57256-000	Torque Rod Bushing, HA460	4	174
10	R303731		48411-001	Torque Rod Assembly, 15 13/16" Center-to-Center, HA360, HA400	2	174
	S.O.S.		48411-003	Torque Rod Assembly, 16 1/2" Center-to-Center, HA360, HA400	2	-
	S.O.S.		50376-002	Torque Rod Assembly, 15 13/16" Center-to-Center, HA460	2	-
	S.O.S.		50376-003	Torque Rod Assembly, 16 1/2" Center-to-Center, HA460	2	-
11	R302547	-	22962-004	Flat Washer, 5/8" Hardened	4	-
12	R302988	-	47764-000	Lock Nut, 5/8"-11	4	-
13	R303755		49063-000	Axle Cap Bolt	4	175
14	S.O.S.		Various	Axle Bottom Cap (Call Tech Support with Model No.)	1	-
15	S.O.S.		48908-001	Air Spring Bracket Assembly with Hardware, Left Hand	1	-
	S.O.S.		48908-002	Air Spring Bracket Assembly with Hardware, Right Hand	1	-
16	R3016468	-	17700-010	Lock Nut, 1/2"-13 Nylock	6	-
17	R309603	-	22962-014	Flat Washer, 1/2 in. Hardened	6	-
18	R309392		50804-002	Air Spring Frame Hanger	2	177
19	R3015152		44642-022	Cross Tube	1	144
20	FS9287	-	50405-000	Air Spring, 1991-Up	2	-
	FS9466	-	49048-000	Air Spring, Up to 1991	2	-
21	R303760A		58994-021	Adjustable Height Control Valve Linkage Assembly	1	178
22	R3011494		60826-000	Leveling Valve, Barksdale Type	1	177
23	S.O.S.		48924-000	Shock Frame Hanger Includes Key Nos. 24, 25, 26	2	-
24	S.O.S.	-	50368-000	Shock Bolt	2	-
25	R309603	-	22962-031	Flat Washer, 1/2 in. Hardened	4	-
26	R3016402	-	49846-000	Lock Nut, 1/2"-13 Replaces 49140	4	-
27	R302545	-	22962-001	Flat Washer, 3/4" Hardened	4	-
28	M83122	-	47902-008 60670-003	Shock Absorber	2	-
	M89406	-	47902-008 60670-003	Shock Absorber, Premium	2	-
	M83123	-	47902-009 60670-001	Shock Absorber, Mack	2	-
	M89405	-	47902-009 60670-001	Shock Absorber, Premium, Mack	2	-
	M83149	-	47902-013 60670-003	Shock Absorber, Ford	2	-
29	R3013989		60218-000	Transverse Torque Rod Assembly, HA360, HA400	1	165
	R3013988		60215-000	Transverse Torque Rod Assembly, HA460	1	165
30	R302634		22186-000	Torque Rod Frame Bracket	2	174
31	R3015153		45045-003	Torque Rod Bracket Back Up Plate	2	-
32	S.O.S.	-	50369-000	3/4"-10 X 4" Main Support Bolt	4	-
33	R304961A	-	17700-031	Lock Nut, 3/4"-16	4	-
34	R302545	-	22962-001	Flat Washer, 3/4 in. Hardened	4	-

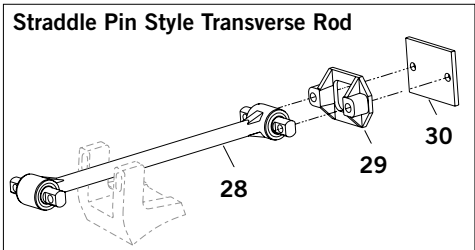
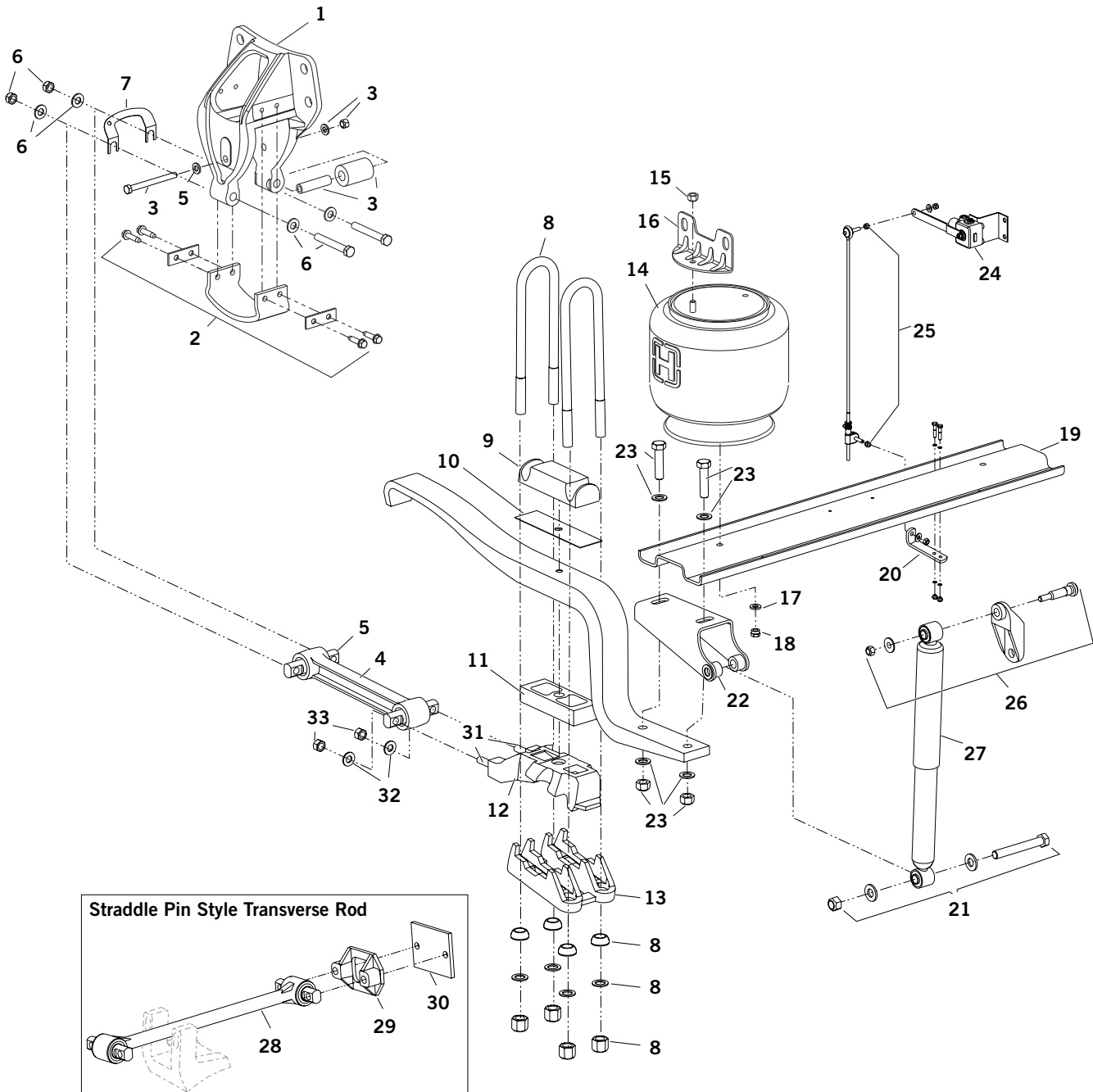
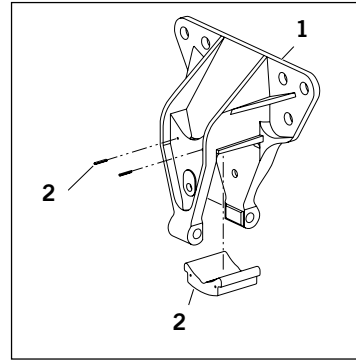
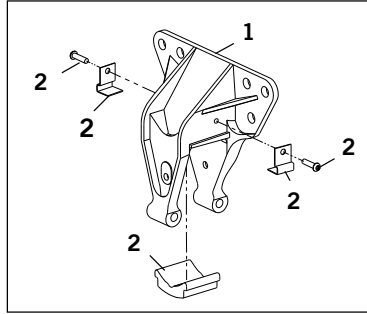
 Denotes Product is Genuine Hendrickson

TRANSVERSE TORQUE RODS MUST BE USED WITH THIS SUSPENSION

HENDRICKSON SUSPENSION


























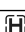


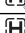
HAS 120/150/190/210/230 Single Axle Air Suspension


Alternate Hanger & Slipper Pad



TRANSVERSE TORQUE RODS MUST BE USED WITH THIS SUSPENSION

HAS 120/150/190/210/230 Single Axle Air Suspension

KEY NO.	MERITOR NO.	GENUINE	OEM REF.	DESCRIPTION	QTY. PER AXLE	PAGE NO.
1	R309386		58425-001 57190-001 50752-001	Front Frame Hanger Assembly, Standard Frame, Casting No. 57188-001 Includes Key No. 2	2	176
	S.O.S.		Various	Front Frame Hanger Assembly, Reinforced Frame, Includes Key No. 2	2	-
2	See Slipper Pad Guide		Various	Slipper Pad Kit	2	179
3	R309432A	-	49175-014	Rebound Roller Kit	2	176
4	R309409		48411-006	Torque Rod, 14 13/32" Center-to-Center HAS 120/150/190, Includes Key No 5	2	174
	R309394		62007-365	Torque Rod, 14 13/32" Center-to-Center HAS 230, Includes Key No 5	2	174
5	R305275		47691-000	Torque Rod Bushing	4	173
6	R305277	-	49176-001	Bolt Assembly 5/8"-18 x 4 1/2" Lg. Incl. Bolt, Nut, Washers	4	174
7	R305281		49689-000	1/16" Torque Rod Shim	As Req.	174
	S.O.S.		57856-000	1/32" Torque Rod Shim	As Req.	-
8	R30U8161-15S1	-	Various	U-bolt Assembly 7/8"-14 X 15" Incl. Nuts, Washers and Spherical Washer	4	218
	R30U8161-18S1	-	Various	U-bolt Assembly 7/8"-14 X 18" Incl. Nuts, Washers and Spherical Washer	4	218
9	S.O.S.		57224-000	Top Pad - HAS 120/150	2	-
	R309397		56805-000	Top Pad - HAS 190/210/230	2	175
10	R309393		47905-000	Delrin Liner	2	175
11	S.O.S.		48531-009	Spring Seat Spacer 1", HAS 120/150 - 6¼. length	2	-
	R303740		48902-000	Spring Seat Spacer 1", HAS 190/210/230 - 7¼. length	2	175
	R303741		48903-000	Spring Seat Spacer 1½., HAS 190/210/230 - 7¼. length	2	175
12	See Spring Seat Guide		Various	Spring Seat Assembly	2	192
13	S.O.S.		Various	Axle Bottom Cap	2	-
14	FS8868	-	57920-002	Air Spring, HAS120L (Low Profile), Includes Key Nos. 15-16	2	-
	FS9335	-	56917-002	Air Spring HAS 150L/190L/210L/230L (Low Profile), Includes Key Nos 15-16	2	-
	FS9373	-	57122-002	Air Spring HAS 190/210/230, Includes Key Nos 15-16	2	-
	MAF9373	-	57122-002	Meritor All Fit Air Spring HAS 190/210/230, Includes Key Nos 15-16	2	-
15	R309392	-	50804-002	Air Spring Frame Bracket	2	177
16	R3016468	-	17700-010	Lock Nut, ½"-13 Nylon Insert	2	-
17	R309603	-	22962-014	Washer, ½.	2	-
18	R3016468	-	17700-010	Lock Nut, ½"-13 Nylon Insert	2	-
19	S.O.S.		Various	Cross Channel	1	-
20	S.O.S.		57430-000	Control Valve Linkage Bracket Kit, Includes Bracket and fasteners	1	-
21	R3016123	-	21777-026	Lower Shock Bracket Fastener Asm, 3/4"-16 x 5 1/2" Bolt, Nut & Washers	2	177
22	R3016238		49324-002	Lower Shock Bracket Low Profile Models	2	177
	R3016239		57355-000	Lower Shock Bracket - HAS 190, 210, 230 models	2	177
23	R309384		50763-001	Cross Channel Fastener Kit HAS 120/150/190/210	1	177
	R309385		50763-003	Cross Channel Fastener Kit HAS 230	1	177
24	R3011870		57977-000	Height Control Valve	1	178
25	R303760A		Various	Adjustable Height Control Valve Linkage Assembly	1	178
26	R309390		57322-001	Upper Shock Bracket Assembly	2	177
27	M83121	-	60670-005	Shock Absorber HAS 190/210/230 Standard	2	-
	M85072	-	60675-003	Shock Absorber Hi-Torque, Replaces 57905-001	2	-
	S.O.S.	-	60670-010	Shock Absorber HAS 120L (Low Profile)	2	-
	M83149	-	60670-003	Shock Absorber HAS 150L (Low Profile)	2	-
	M83123	-	60670-008	Shock Absorber HAS 190L/210L/230L (Low Profile)	2	-
28	R3013989		60218-000	Two-Piece Transverse Torque Rod Kit, Includes Bushings	1	165
29	R302634		22186-000	Transverse Torque Rod Frame Bracket	1	174
30	R3015153		45045-003	Torque Rod Back up Plate	1	-
31	R3015200		50918-000	Spring Seat Stud	4	175
32	R302547	-	22962-004	Washer, 5/8"	4	-
33	R302988	-	47764-000	Lock Nut, 5/8"-11	4	-

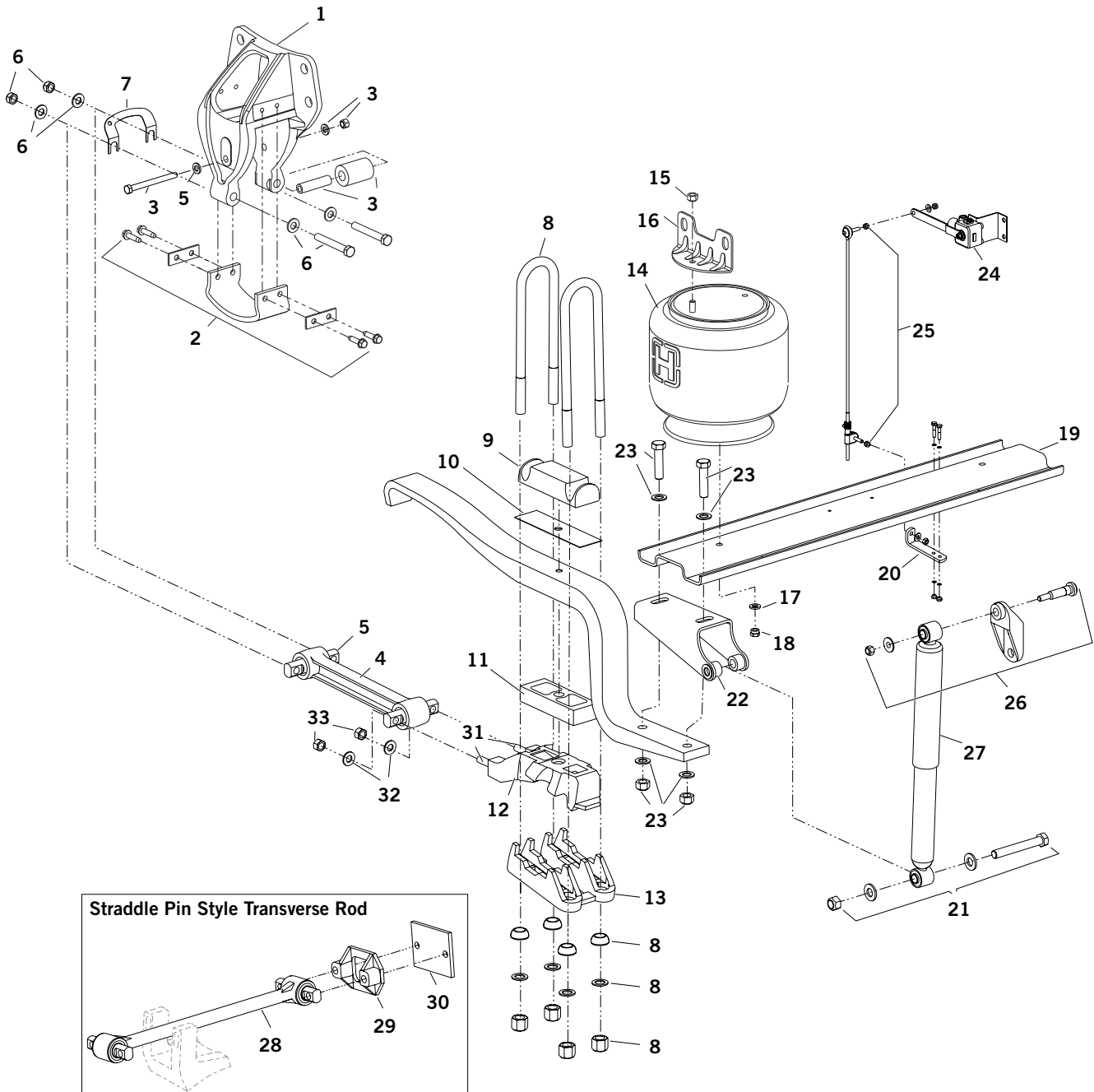
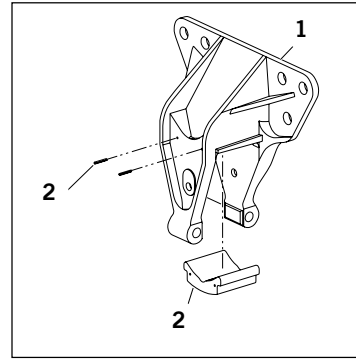
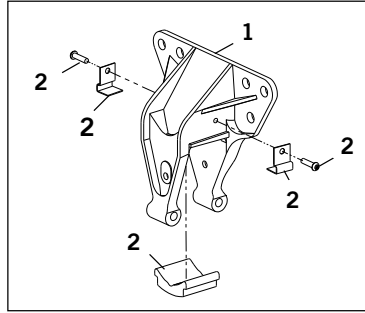
 Denotes Product is Genuine Hendrickson

TRANSVERSE TORQUE RODS MUST BE USED WITH THIS SUSPENSION

HENDRICKSON SUSPENSION














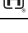


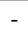
HAS 360/400/460 Tandem Axle Air Suspension


Alternate Hanger & Slipper Pad



TRANSVERSE TORQUE RODS MUST BE USED WITH THIS SUSPENSION

HAS 360/400/460 Tandem Axle Air Suspension

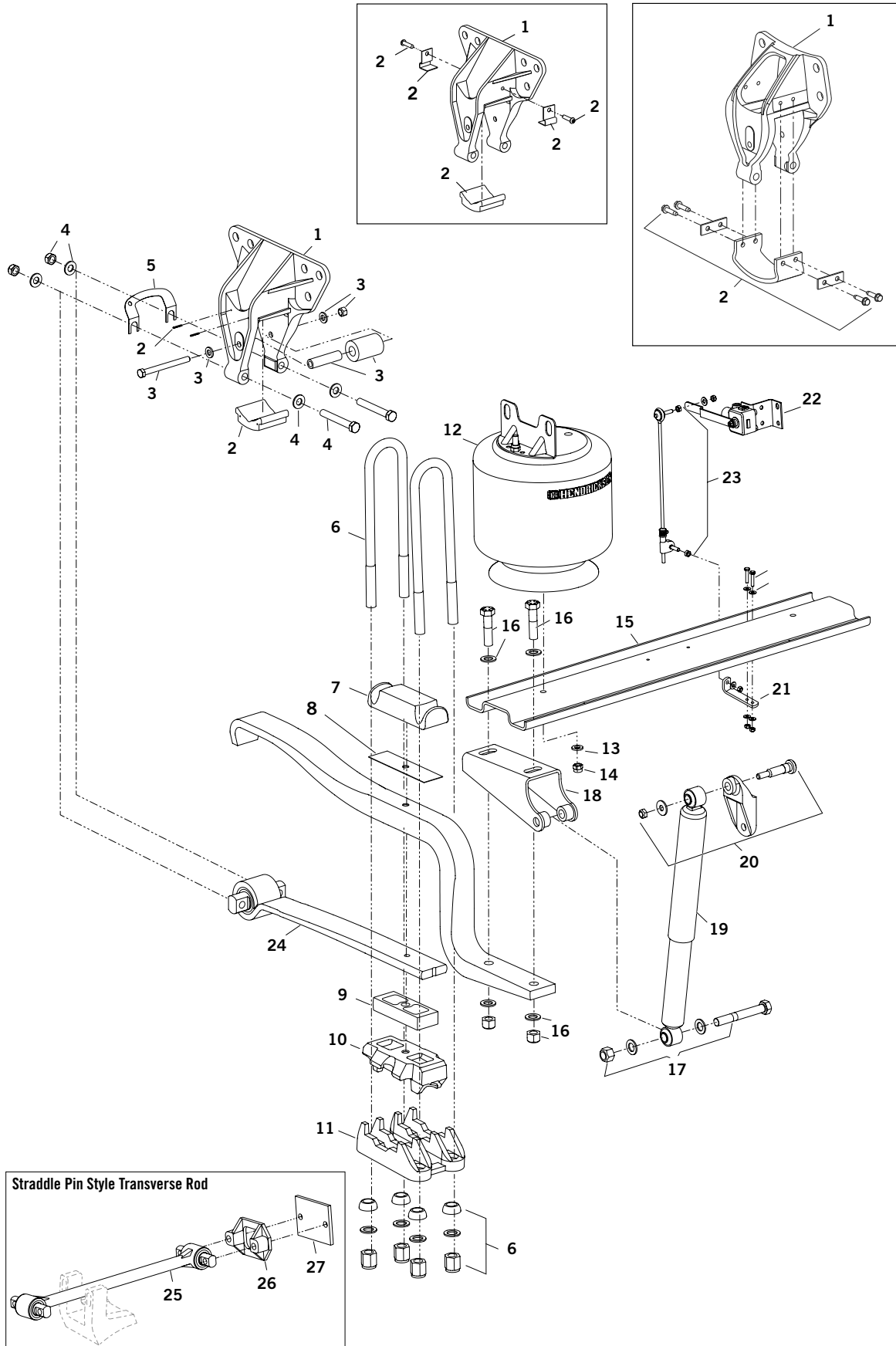
KEY NO.	MERITOR NO.	GEN-UINE	OEM REF.	DESCRIPTION	QTY. PER AXLE	PAGE NO.
1	See Hanger Guide		Various	Front Frame Hanger Assembly, Includes Key No. 2	2	179
2	See Slipper Pad Guide		Various	Slipper Pad	2	179
3	R309432A	-	49175-014	Rebound Roller Kit	2	176
4	R309409		48411-006	Torque Rod, 14 13/32" Center-to-Center HAS360, 400 Includes Key No. 5	2	174
	R309394		62007-365	Torque Rod, 14 13/32" Center-to-Center HAS460 Includes Key No. 5	2	174
5	R305275		47691-000	Torque Rod Bushing	4	174
6	R305277	-	49176-001	Bolt Assembly 5/8"-18 x 4 1/2" Lg. Incl. Bolt, Nut, Washers	4	174
7	R305281		49689-000	1/16" Torque Rod Shim	As Req.	174
	S.O.S.		57856-000	1/32" Torque Rod Shim	As Req.	-
8	R30U8161-15S1	-	Various	U-bolt Assembly Rd. Bend, 7/8"-14 X 15" Long, Includes Spherical Washer	4	218
	R30U8161-18S1	-	Various	U-bolt Assembly Rd. Bend, 7/8"-14 X 18" Long, Includes Spherical Washer	4	218
9	R309397		56805-000	Top Pad	2	217
10	R309393		47905-000	Delrin Liner	2	175
11	R303740		48902-000	Spring Spacer, 1"	2	175
	R303741		48903-000	Spring Spacer, 1 1/2"	2	175
12	See Spring Seat Guide		Various	Spring Seat Assembly	2	192
13	S.O.S.		Various	Axle Bottom Cap	2	-
14	FS9373	-	57122-002	Air Spring, HAS400, 460 includes Key Nos. 15,16	2	-
	MAF9373	-	57122-002	Meritor All Fit Air Spring, HAS400, 460 includes Key Nos. 15,16	2	-
	FS9335	-	56917-002	Air Spring, HAS400, Low Profile Includes Key Nos. 15,16	2	-
	FS9297	-	50898-002	Air Spring, HAS400, Low Profile Kenworth Only includes Key Nos. 15,16	2	-
	MAF9297	-	50898-002	Meritor All Fit Air Spring, HAS400, Low Profile Kenworth Only Includes Key Nos. 15,16	2	-
15	R3016468	-	17700-010	Lock Nut, 1/2"-13 Nylon Insert	2	-
16	R309392	-	50804-002	Air Spring Frame Hanger	2	177
17	R309603	-	22962-014	Washer, 1/2.	2	-
18	R3016468	-	17700-010	Lock nut, 1/2"-13 Nylon Insert	2	-
19	S.O.S.		Various	Cross Channel (Call Tech Support with Model and Dowel Pin Spacing)	1	-
20	S.O.S.		57430-000	Control Valve Linkage Bracket Kit, Includes Bracket and fasteners	1	-
21	R3016123	-	21777-026	Lower Shock Bracket Fastener Assembly. 3/4"-16 x 5 1/2" Bolt, Nut & Washers	2	193
22	R3016238		49324-002	Lower Shock Bracket HAS400 Low Profile	2	177
	R3016239		57355-000	Lower Shock Bracket HAS360, 400, 460	2	177
23	R309384	-	50763-001	Cross Channel Fastener Kit HAS360, HAS400	1	177
	R309385	-	50763-003	Cross Channel Fastener Kit HAS460	1	177
24	R3011870		57977-000	Height Control Valve	1	178
25	R303760A		Various	Adjustable Height Control Valve Linkage Assembly	1	178
26	R309390		57322-001	Upper Shock Bracket Assembly	2	177
27	M83148	-	60670-005	Shock Absorber HAS360, 400, 460 Standard	2	-
	M85030	-	60670-007	Shock Absorber HAS400, 460 Standard Inboard Rear	2	-
	M85072	-	60675-003	Shock Absorber HAS360, 400, 460 Hi-Torque	2	-
	M85909	-	60675-006	Shock Absorber HAS400, 460 Hi-Torque Inboard Rear	2	-
	M83123	-	60670-008	Shock Absorber HAS400, 460 Low Profile	2	-
28	R3013989		60218-000	Two-Piece Transverse Torque Rod Kit, Includes Bushings	1	165
29	R302634		22186-000	Transverse Rod Frame Bracket	1	174
30	R3015153		45045-003	Torque Rod Back Up Plate	1	-
31	R3015200		50918-000	Spring Seat Stud	4	175
32	R302547	-	22962-004	Washer, 5/8"	4	-
33	R302988	-	47764-000	Lock Nut, 5/8"-11	4	-

 Denotes Product is Genuine Hendrickson

HENDRICKSON SUSPENSION


HAS 210/230/400/460 Single/Tandem Axle Air Suspension with Air Disc Brakes

Alternate Hanger & Slipper Pad



TRANSVERSE TORQUE RODS MUST BE USED WITH THIS SUSPENSION

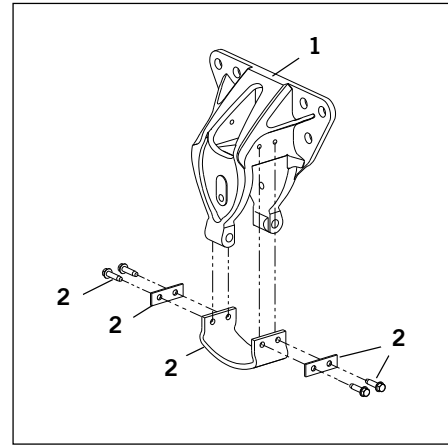
HAS 210/230/400/460 Single/Tandem Axle Air Suspension with Air Disc Brakes						
KEY NO.	MERITOR NO.	GENUINE	OEM REF.	DESCRIPTION	QTY. PER AXLE	PAGE NO.
1	R309386		58425-001	Frame Hanger Assembly, Includes Key No. 2	2	173
2	R3016333		56557-005	Slipper Pad Kit Includes Pad, Lock Pins	2	176
3	R309432A	-	49175-014	Rebound Roller Kit	2	176
4	R305277	-	49176-001	Bolt Assembly, 5/8"-18 x 4 1/2" Lg. Incl. Bolt, Nut, Washers	4	174
5	R305281		49689-000	Shim, 1/16"	As Req.	174
6	R30U8161-15S1	-	Various	U-bolt Assembly Rd. Bend, 7/8"-14 X 15" Long, Includes Spherical Washer	4	218
	R30U8161-18S1	-	Various	U-bolt Assembly Rd. Bend, 7/8"-14 X 18" Long, Includes Spherical Washer	4	218
7	R309397		56805-000	Top Pad	2	175
8	R309393		47905-000	Delrin Liner	2	175
9	S.O.S.		48531-020	Spring Seat Spacer, 1 1/4" Height	2	-
10	See Spring Seat Guide		Various	Spring Seat Assembly	2	192
11	S.O.S.		Various	Axle Bottom Cap	2	-
12	FS9297	-	50898-002	Air Spring Assembly	2	-
	MAF9297	-	50898-002	Meritor All Fit Air Spring Assembly	2	-
13	R309603	-	22962-014	Washer, 1/2"	2	-
14	R3016468	-	17700-010	Lock Nut, 1/2"-13 Nylon Insert	2	-
15	S.O.S.		57317-001	Cross Channel, 40" Dowel Pin Centers	1	-
16	R309385	-	50763-003	Cross Channel Fastener Kit	1	177
17	R3016123	-	21777-026	Lower Shock Bracket Fastener Assembly, 3/4"-16 x 5 1/2" Bolt, Nut & Washers	2	177
18	R3016239		57355-000	Lower Shock Bracket	2	177
19	M83121	-	60670-005	Shock Absorber	2	-
20	R309390		57322-001	Upper Shock Bracket Assembly	2	177
21	S.O.S.		57430-000	Control Valve Linkage Lower Bracket, Includes Bracket and Fasteners	1	-
22	R3011870		57977-000	Height Control Valve	1	178
23	R303760A		Various	Adjustable Height Control Valve Linkage Assembly	1	178
24	S.O.S.		53350-000	Torque Leaf, Includes Bushing	2	-
25	R3013989		60218-000	Two-Piece Transverse Torque Rod Kit	1	165
26	R302634		22186-000	Transverse Torque Rod Frame Bracket	1	-
27	R3015153		45045-003	Torque Rod Back up Plate	1	-

 Denotes Product is Genuine Hendrickson

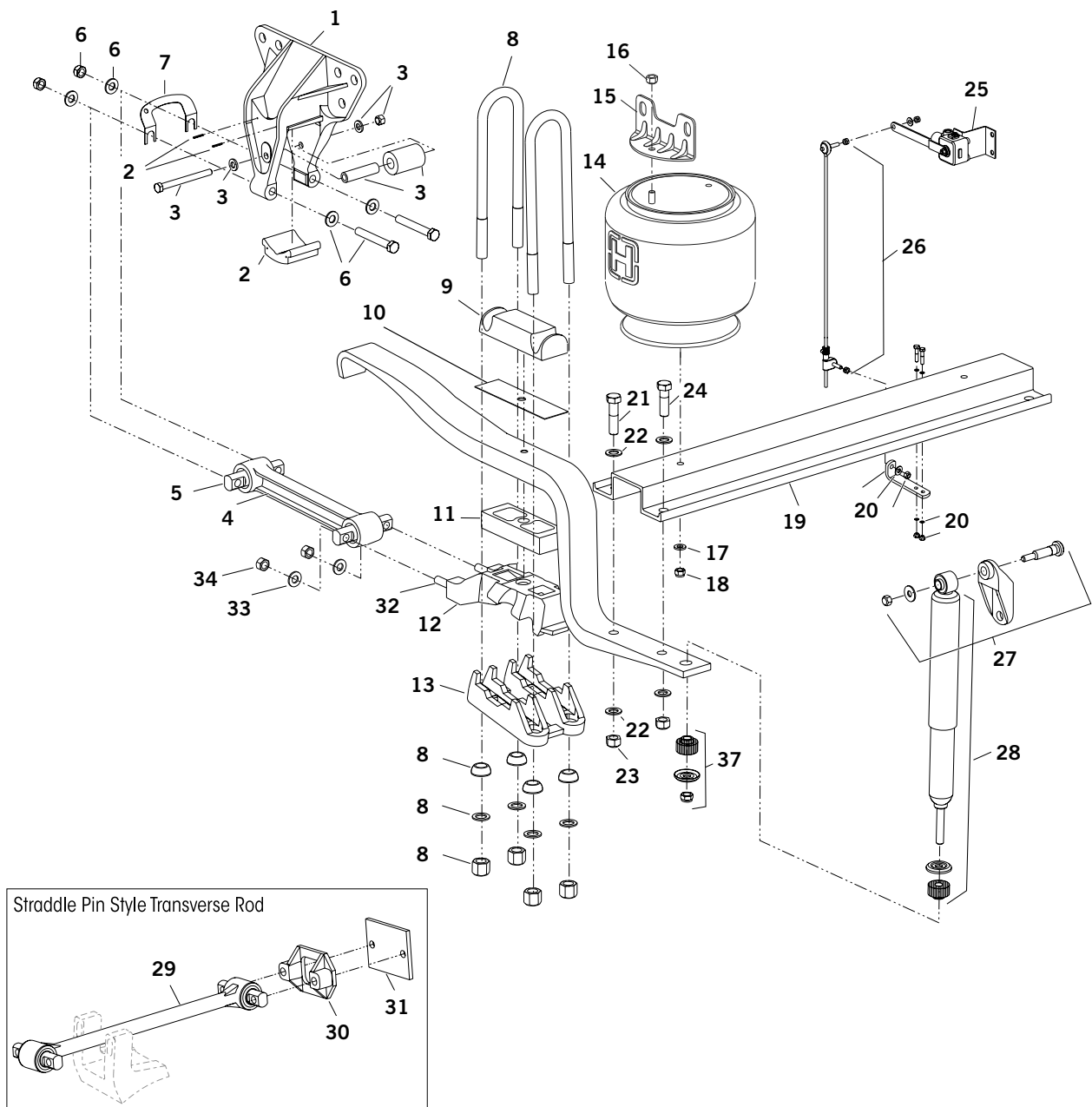
TRANSVERSE TORQUE RODS MUST BE USED WITH THIS SUSPENSION

HENDRICKSON SUSPENSION














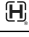
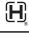
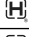
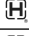

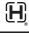



HAS 40LH Light Weight Tandem Axle Air Suspension



Alternate Hanger & Slipper Pad



TRANSVERSE TORQUE RODS MUST BE USED WITH THIS SUSPENSION

HAS 40LH Light Weight Tandem Axle Air Suspension						
KEY NO.	MERITOR NO.	GENUINE	OEM REF.	DESCRIPTION	QTY. PER AXLE	PAGE NO.
1	R309386		58425-001 57190-001 50752-001	Front Frame Hanger Assembly, Standard Frame, Casting No. 57188-001 Includes Key No. 2	2	176
	S.O.S.		58688-001 57478-001	Front Frame Hanger Assembly, Reinforced Frame, Casting No. 57476-001 Includes Key No. 2	2	-
2	See Slipper Pad Guide	-	Various	Slipper Pad	2	179
3	R309432A	-	49175-014	Rebound Roller Kit	2	176
4	R309409		48411-006	Torque Rod Assembly Includes Key No. 5	2	174
5	R305275		47691-000	Torque Rod Bushing	4	173
6	R305277	-	49176-001	Bolt Assembly, 5/8"-18 x 4 1/2" Long, Includes Bolt, Nut, Washers	4	174
7	R305281		49689-000	Torque Rod Shim, 1/16"	As Req.	174
	S.O.S.		57856-000	Torque Rod Shim, 1/32"	As Req.	-
8	R30U8161-15S1	-	Various	U-bolt Assembly Rd. Bend, 7/8"-14 X 15" Long, Includes Spherical Washer	4	218
	R30U8161-18S1	-	Various	U-bolt Assembly Rd. Bend, 7/8"-14 X 18" Long, Includes Spherical Washer	4	218
9	R309397		56805-000	Top Pad	2	175
10	R309393		47905-000	Delrin Liner	2	175
11	R303740		48902-000	Spring Seat Spacer, 1"	2	175
	R303741		48903-000	Spring Seat Spacer, 1 1/2"	2	175
12	See Spring Seat Guide		Various	Spring Seat Assembly	2	192
13	S.O.S.		Various	Axle Bottom Cap	2	177
14	FS9297	-	50898-002	Air Spring, Includes Key Nos. 15-16	2	-
	MAF9297	-	50898-002	Meritor All Fit Air Spring, Includes Key Nos. 15-16	2	-
15	R309392		50804-002	Air Spring Frame Bracket	2	-
16	R3016468	-	17700-010	Locknut, 1/2"-13	2	-
17	R309603	-	22962-014	Washer, 1/2"	2	-
18	R3016468	-	17700-010	Locknut, 1/2"-13	2	-
19	S.O.S.		Various	Cross Channel	1	-
20	S.O.S.		57430-000	Control Valve Linkage Bracket Kit, Includes Bracket and fasteners	1	-
21	R3015140	-	50764-002	Bolt, 3/4"-10 X 5 1/2"	2	218
22	R302545	-	22962-001	Washer, 3/4"	4	-
23	R304347	-	49842-000	Locknut, 3/4"-10	2	-
24	R309384	-	50764-005	Bolt, 3/4"-10 X 3"	2	177
25	R3011870		57977-000	Height Control Valve	1	178
26	R303760A		Various	Adjustable Height Control Valve Linkage Assembly	1	178
27	R309390		57322-001	Upper Shock Bracket Assembly	2	177
28	S.O.S.	-	60680-001	Standard Shock Absorber	2	-
	S.O.S.	-	60685-001	Hi-Torque Shock Absorber	2	-
29	R3013989		60218-000	Two-Piece Transverse Torque Rod Kit, Includes Bushings	1	165
30	R302634		22186-000	Transverse Torque Rod Frame Bracket	1	174
31	R3015153		45045-003	Torque Rod Back up Plate	1	-
32	R3015200		50918-000	Spring Seat Stud	4	175
33	R302547	-	22962-004	Washer, 5/8"	4	-
34	R302988	-	47764-000	Lock Nut, 5/8"-11	4	-

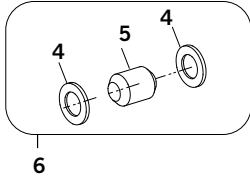
 Denotes Product is Genuine Hendrickson

TRANSVERSE TORQUE RODS MUST BE USED WITH THIS SUSPENSION

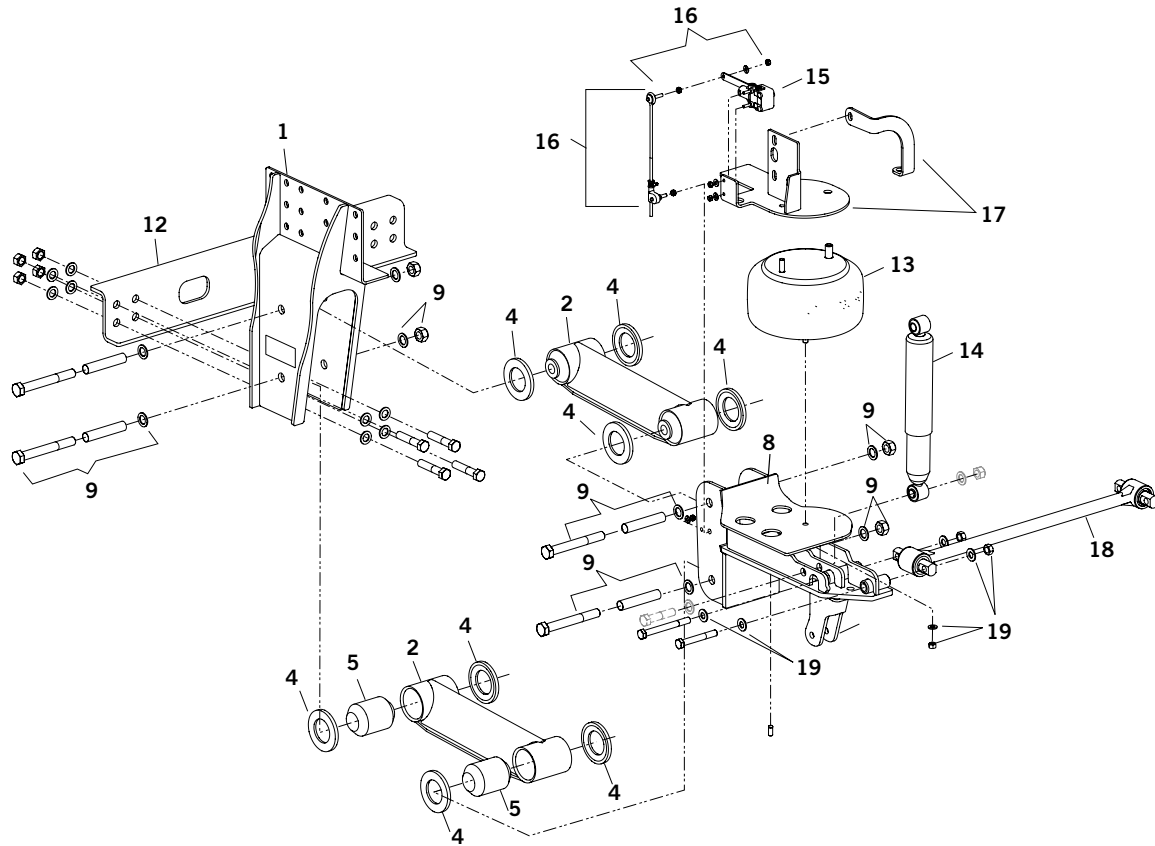
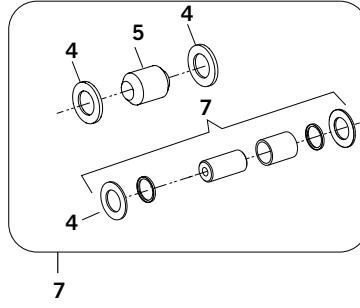
HENDRICKSON SUSPENSION

PARASTEER Air Suspension For Blue Bird

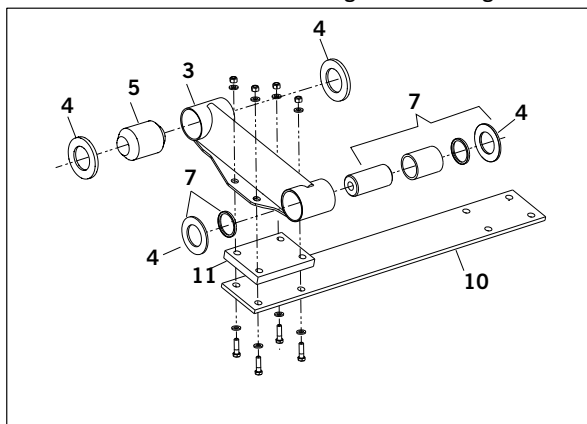
For Vehicles Built after Jan. 2000
Includes 4 Sets of Components
to Rebuild 4 Beams




For Vehicles Built Between 9/98 - 12/99
Includes Components to
Rebuild 2 Upper & 2 Lower Beams



Models built between 9/98 through 12/99 configuration



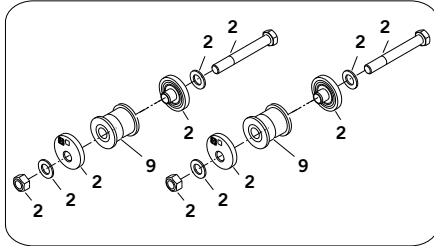
PARASTEER Air Suspension For Blue Bird						
KEY NO.	MERITOR NO.	GENUINE	OEM REF.	DESCRIPTION	QTY. PER AXLE	PAGE NO.
1	S.O.S.		22186-000	Frame Hanger	2	-
2	S.O.S.		59536-000	Beam Assembly, Models with Transverse Torque Rod, Built After January 2000. Includes Key No. 5	4	-
				Beam Assembly, Models with Transverse Torque Rod, Built 9/98 - 12/99. Includes Key No. 5	2	-
3	S.O.S.		34013-108	Beam Assembly, Models with Transverse Leaf, Built 9/98-12/99. Includes Key No. 5	2	-
4	S.O.S.		59803-000	Thrust Washer, Included in Kits R3016403 and R3016404	16	-
5	R3016405		59528-001	Beam Bushing, Models w/ Transverse Leaf Built After January 2000	8	219
				Beam Bushing, Models w/ Transverse Leaf Built 9/98 - 12/99	6	
6	R3016403		34013-105	Bushing Service Kit, Axle Set, Models with Transverse Torque Rod, Built After January 2000, Includes Key No. 4, 5	1	219
7	R3016404		34013-100	Bushing Service Kit, Axle Set, Models with Transverse Leaf, Built 9/98-12/99. Includes Key No. 4, 5, PTFE Bushing, Rubber Seal, Inner Metal Liner	1	219
8	S.O.S.		Various	Axle Seat, Specify Vehicle Model And Left or Right Hand	2	-
9	R3016406		59568-001	Pivot Bolt Kit, Axle Set	1	219
10	S.O.S.		60206-001 59485-000	Transverse Leaf Built 9/98 - 12/99	1	-
11	S.O.S.		59524-000	Spacer Plate, Not Used On All Models	As Required	-
12	S.O.S.		59538-000	Cross Member, Models w/Transverse Torque Rod Built After January 2000	1	-
	S.O.S.		59540-000	Cross Member, Models w/Transverse Torque Rod Built Before January 2000	1	-
13	FS8971	-	59484-002	Air Spring	2	-
	S.O.S.	-	59601-002	Air Spring	2	-
14	M85919	-	60665-005 60998-002	Shock Absorber	2	-
15	R3016407		60501-000	Height Control Valve	2	219
16	S.O.S.		58994-010	Linkage Kit, Height Control Valve	2	-
17	S.O.S.		59553-000	Air Spring Bracket Service Kit, Axle Set	1	-
18	R3016408		62000-745	Transverse Torque Rod, Models Built After January 2000	2	219
19	S.O.S.		49176-010	Transverse Torque Rod Mounting Kit, Includes Bolts, Nuts & Washers	1	-

 Denotes Product is Genuine Hendrickson

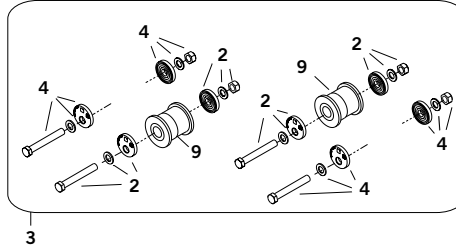
HENDRICKSON SUSPENSION

PRIMAAX Single/Tandem Axle Air Suspension

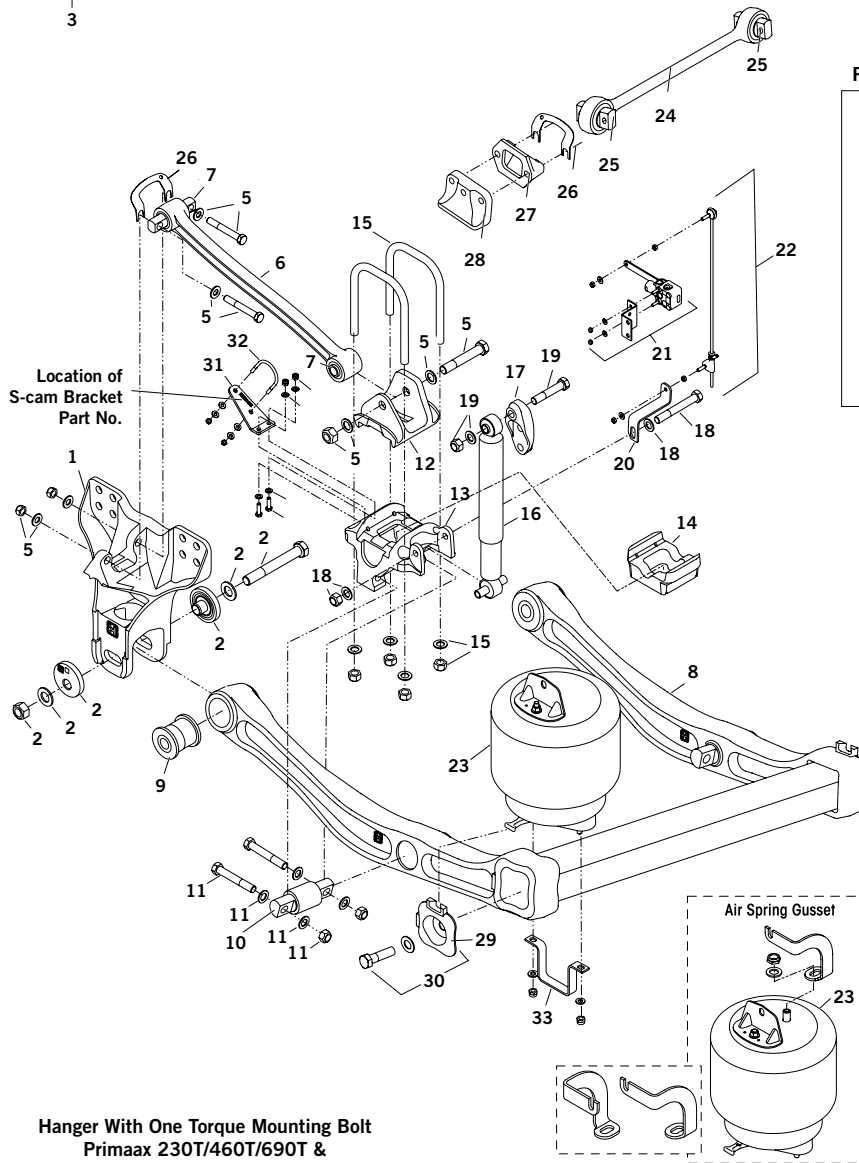
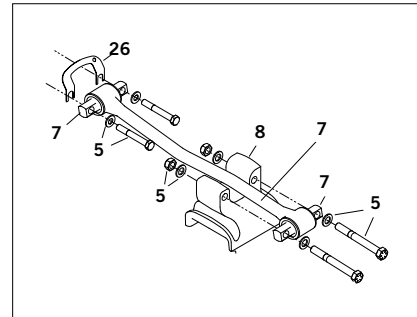
QUIK-ALIGN™ Pivot Bushing Kit
8 1/2" - 10" Ride Height



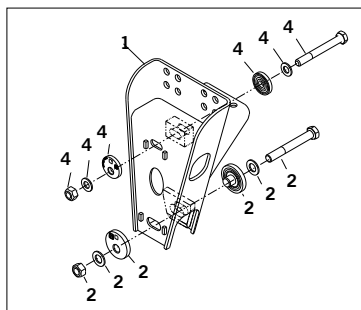
QUIK-ALIGN™ Pivot Bushing Kit
For 12 1/2" Ride Heights and Larger



Torque Rod Connection
Primaax 260/520/780 & Firemax 270/540

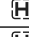
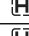
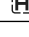

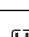



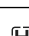
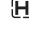
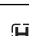
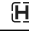
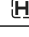




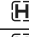
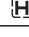
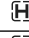
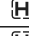
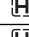
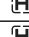
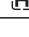



Hanger With One Torque Mounting Bolt
Primaax 230T/460T/690T &
Firemax 240T/480T



TRANSVERSE TORQUE RODS MUST BE USED WITH THIS SUSPENSION

PRIMAAX Single/Tandem Axle Air Suspension

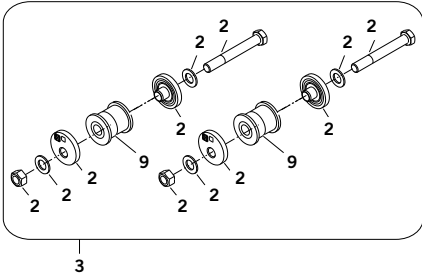
KEY NO.	MERITOR NO.	GENUINE	OEM REF.	DESCRIPTION	QTY. PER AXLE			PAGE NO.
					PRIMAAX® 230/460/690 FIREMAAX 240/480	PRIMAAX® 230T/460T/ 690T FIREMAAX 240T/480T	PRIMAAX® 260/520/780 FIREMAAX 270/540	
1	R3015169SC		60821-001	Hanger Cast; Standard; 8 1/2"-10" Ride Hgt.	2	-	2	194
	S.O.S.		67706-000	Hanger Cast; IHC; 9" Ride Hgt.	2	-	-	-
	S.O.S.		65702-001	Hanger Cast; Volvo/Mack	2	-	-	-
	S.O.S.		64451-001	Hanger; LH Fabricated; 12 1/2"-15 1/2" Ride Hgt.; Terex IPI	-	1	-	-
	S.O.S.		64451-002	Hanger; RH Fabricated; 12 1/2"-15 1/2" Ride Hgt.; Terex IPI	-	1	-	-
	S.O.S.		64451-003	Hanger; LH Fabricated; 12 1/2"-15 1/2" Ride Hgt.; Oshkosh	-	1	-	-
	S.O.S.		64451-004	Hanger; RH Fabricated; 12 1/2"-15 1/2" Ride Hgt.; Oshkosh	-	1	-	-
2	R3014673A		60632-019; 60632-006	QUIK-ALIGN™ Collar Service Kit, One Wheel End, Cast Hangers	2	-	2	193
	S.O.S.		60632-023	QUIK-ALIGN™ Collar Service Kit, One Wheel End, Fabricated Hangers	-	2	-	-
3	R3014025		60632-020	QUIK-ALIGN™ Pivot Bushing Service Kit, Axle Set, Includes Key No. 9	1	-	1	193
	R3014033		60632-022; 60632-009	QUIK-ALIGN™ Pivot Bushing Service Kit, Axle Set, Includes Key No. 4, 9	-	1	-	-
4	R3016262		58821-011	Torque Rod Fastener & Alignment Kit, One Wheel End	-	2	-	193
5	S.O.S.	-	-	Torque Rod Bolt Kit, 3/4"-16 x 4" Long	4	-	4	-
	S.O.S.	-	-	Torque Rod Bolt Kit, 7/8"-14 x 7 3/4" Long,	-	2	-	-
	S.O.S.	-	-	Torque Rod Bolt Kit, 5/8"-11 x 8" Long IHC, Mack/Volvo	4	-	-	-
	R305278	-	58821-012	Torque Rod Bolt Kit, 7/8"-14 x 5 1/2" Long 230/240	2	2	-	193
	R3015188	-	-	Torque Rod Bolt, 3/4"-16 x 6" Long, Bolt only	-	4	-	-
6	See Chart		Various	Torque Rod Assembly See Selection Guide	2	2	2	161
7	R3010322		69210-000	Torque Rod Bushing; Straddle Type, 4 3/8" Center-to-Center w/ 3/4" Bolts	2	-	4	-
	R305276		47692-000	Torque Rod Bushing, Through Holes, 7/8" ID x 2 1/32" OD x 3" Long	2	4	-	162
8	S.O.S.		Various	U-Beam Assembly	1	1	1	-
9	R3013992		58648-000	Pivot Bushing	2	2	2	193
10	R3014026		60383-000	"D" Pin Bushing Use with 3/4" Bolts	2	2	-	193
	S.O.S.		65381-000	"D" Pin Bushing Use with 7/8" Bolts	-	-	2	-
11	R3016351	-	-	Bolt Kit 3/4"-16 x 5" Long, Includes Bolt and Hardware	1	1	-	193
	R3016123	-	-	Bolt Kit 3/4"-16 x 5 1/2" Long, Includes Bolt and Hardware	4	4	-	193
	R305278	-	-	Bolt Kit 7/8"-14 x 5 1/2" Long, Includes Bolt and Hardware	-	-	2	193
12	R3015489		60877-001	Bracket, Top Cap With Thru Bolt Design, Drum Brakes	2	2	-	194
	R3015193		65641-000	Bracket, Top Cap With Thru Bolt Design, Disc Brakes	2	2	-	194
	S.O.S.		Various	Bracket, Top Cap, See Selection Guide	-	-	2	-
13	S.O.S.		Various	Bottom Cap Bracket	2	2	2	-
14	S.O.S.		Various	Axle Spacer	2	2	2	-
15	R30U8257-087	-	-	U-Bolt Assembly, Sq. Bend, 3/4"-16 Thd. x 6 3/8" Wide x 8 7/8" Long	4	4	-	-
	R30U8257-11	-	-	U-Bolt Assembly, Sq. Bend, 3/4"-16 Thd. x 6 3/8" Wide x 11" Long	4	4	4	-
	R30U8257-12	-	-	U-Bolt Assembly, Sq. Bend, 3/4"-16 Thd. x 6 3/8" Wide x 12" Long	4	4	4	-

 Denotes Product is Genuine Hendrickson

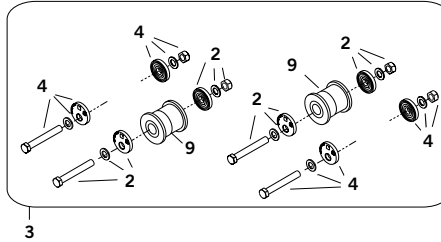
HENDRICKSON SUSPENSION

PRIMAAX Single/Tandem Axle Air Suspension

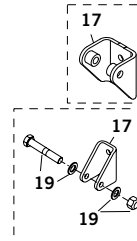
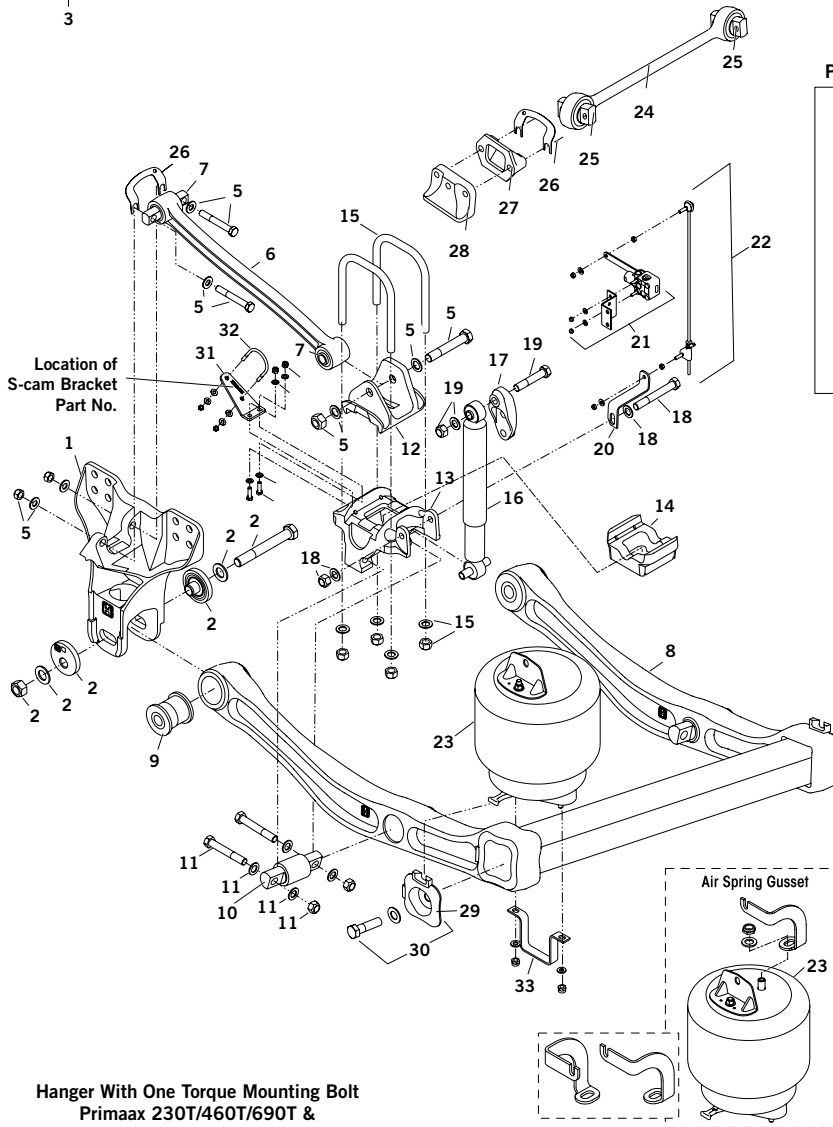
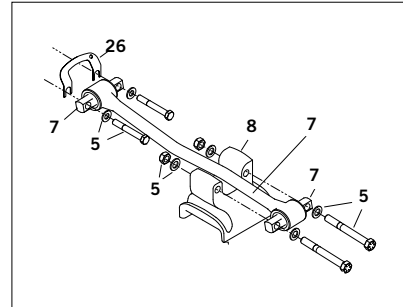
QUIK-ALIGN™ Pivot Bushing Kit
8 1/2" - 10" Ride Height



QUIK-ALIGN™ Pivot Bushing Kit
For 12 1/2" Ride Heights and Larger

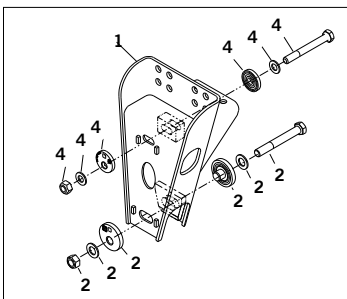


Torque Rod Connection
Primaax 260/520/780 & Firemax 270/540



Alternate Shock Brackets

Hanger With One Torque Mounting Bolt
Primaax 230T/460T/690T &
Firemax 240T/480T



TRANSVERSE TORQUE RODS MUST BE USED WITH THIS SUSPENSION

PRIMAAX Single/Tandem Axle Air Suspension								
KEY NO.	MERITOR NO.	GENUINE	OEM REF.	DESCRIPTION	QTY. PER AXLE			PAGE NO.
					PRIMAAX® 230/460/690 FIREMAAX 240/480	PRIMAAX® 230T/460T/ 690T FIREMAAX 240T/480T	PRIMAAX® 260/520/780 FIREMAAX 270/540	
16	M85072	-	60657-003	Shock Absorber	2	-	-	-
	M85967	-	60665-011	Shock Absorber	-	2	-	-
	M85862	-	60665-014	Shock Absorber	2	-	-	-
	M85961	-	60665-018	Shock Absorber	2	-	-	-
	M85965	-	60665-013	Shock Absorber	-	-	2	-
	M85966	-	60665-015	Shock Absorber	-	-	2	-
17	R3015177	H	67463-002	Upper Shock Frame Bracket Cast	2	-	2	194
	S.O.S.	H	59423-001	Upper Shock Frame Bracket Stamped	2	2	-	-
	S.O.S.	H	67463-006	Upper Shock Frame Bracket Mack/Volvo	2	-	-	-
18	S.O.S.	-	-	Lower Shock Bolt Kit, 5/8"-11 x 6" Long, Includes Bolt and Hardware	2	2	-	-
	S.O.S.	-	-	Lower Shock Bolt Kit, 5/8"-11 x 7" Long, Includes Bolt and Hardware	-	-	2	-
19	S.O.S.	-	-	Upper Shock Bolt Kit, 3/4"-16 x 4 1/4" Long, Includes Bolt and Hardware	2	2	2	-
20	R3015154	H	60921-000	Height Control Valve Linkage Bracket	1	-	1	195
21	R3011870	H	57977-000	Height Control Valve with Dump	1	1	1	195
22	R309625	-	-	Universal Adjustable Linkage Kit 3 5/8"-19 5/8" Range	1	1	1	195
23	FS9663	-	60271-002	Air Spring Assembly, Includes Upper Frame Bracket, PRIMAAX	2	-	-	-
	MAF9663	-	60271-002	Air Spring Assembly, Includes Upper Frame Bracket, PRIMAAX	2	-	-	-
	S.O.S.	H	65183-002	Air Spring Assembly, Includes Upper Frame Bracket, FIREMAAX	2	-	-	-
	FS9654	-	65032-002	Air Spring Assembly	-	2	-	-
	S.O.S.	H	66255-002	Air Spring Assembly, Includes Upper Frame Bracket, PRIMAAX	-	-	2	-
	S.O.S.	H	69153-002	Air Spring Assembly, Air Spring Only, FIREMAAX	-	-	2	-
24	R3013993	H	58757-006	Transverse Torque Rod, Straddle Mount Bushings, 22" Center-to-Center	1	-	-	193
	See Chart	H	Various	Transverse Torque Rod, See Ultra Rod Section in Catalog	1	1	1	161
25	R3013961	H	64400-002	Torque Rod Bushing Straddle Pin 4 3/8" Center-to-Center, 5/8" Bolts	2	-	2	-
	R305275	H	47691-000	Torque Rod Bushing, Straddle Pin 2"OD x 4 3/8" Center-to-Center, 5/8" Bolts	-	1	-	173
	R3010308	H	64809-000	Torque Rod Bushing, Taper Pin	-	1	-	-
26	R305281	H	49659-000	Shim; 1/16" Thick, 4 3/8" Center-to-Center	As Required	As Required	As Required	174
27	R302634	H	22186-000	Transverse Rod Frame Bracket	1	-	1	174
28	R3015179	H	60593-000	Frame Mounted Axle Stop, Most Freightliner, International, KW, & Caterpillar Models	2	-	2	194
	S.O.S.	H	Various	Frame Mounted Axle Stop, Other Models	2	2	2	-
29	R3015170	H	60822-000	End Cap	2	2	2	-
30	S.O.S.	H	46772-001	End Cap And Fastener Kit, Axle Set	1	1	1	-
31	S.O.S.	H	Various	Bracket, "S" Cam See Part Number on Component	2	2	2	-
32	S.O.S.	H	64202-000	U-Bolt, S Cam	2	2	2	-
33	R3015174	H	60911-000	Lower Air Spring Bracket	2	2	2	-

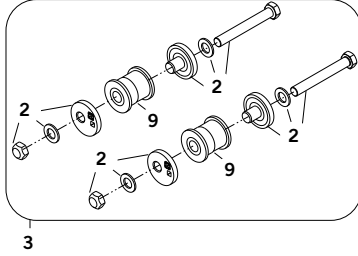
H Denotes Product is Genuine Hendrickson

TRANSVERSE TORQUE RODS MUST BE USED WITH THIS SUSPENSION

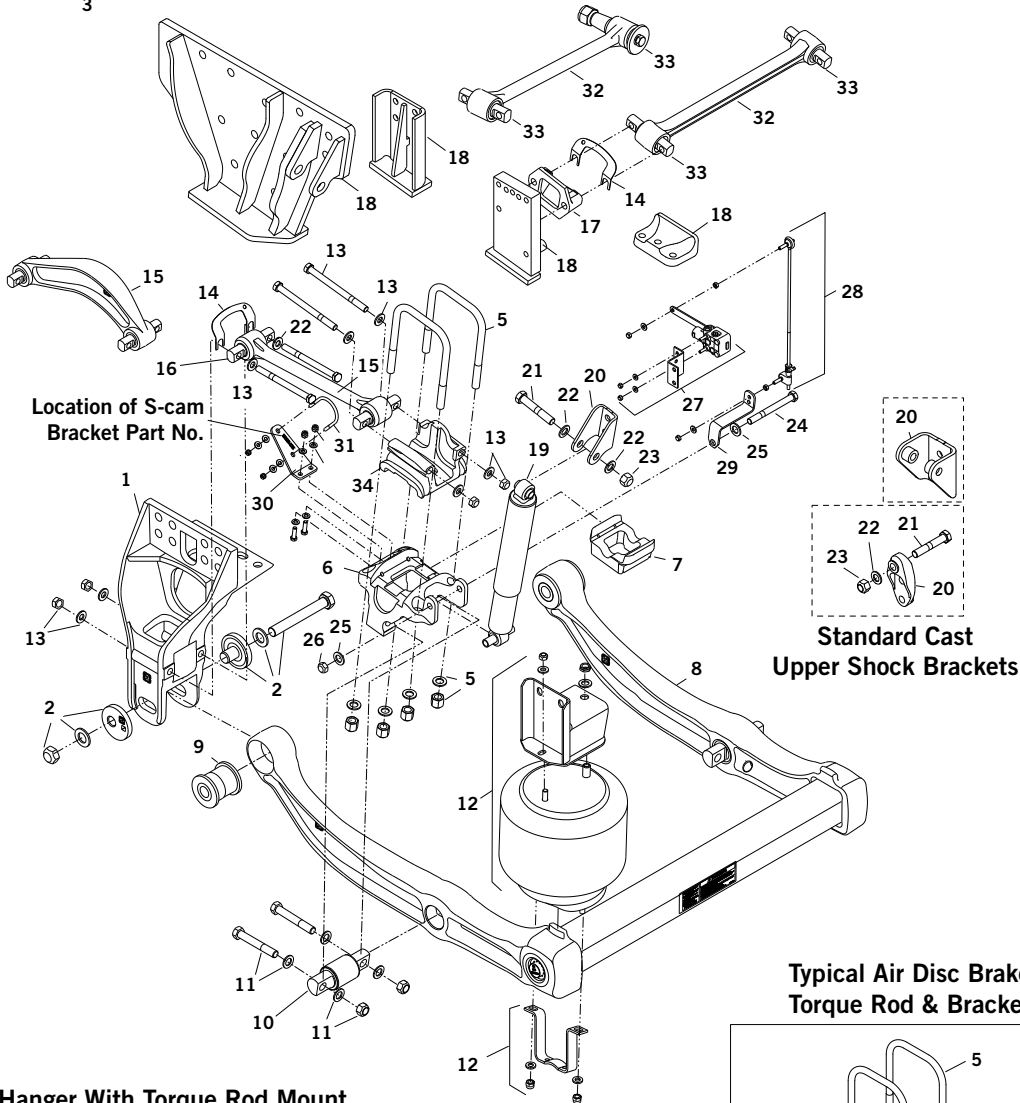
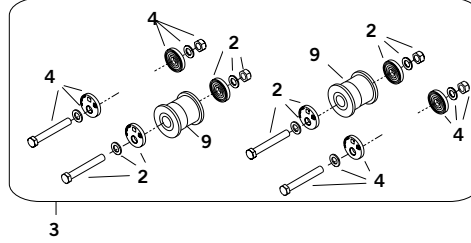
HENDRICKSON SUSPENSION

PRIMAAX EX Single/Tandem Axle Air Suspension

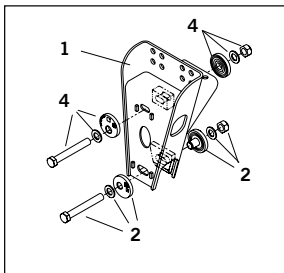
QUIK-ALIGN™ Pivot Bushing Kit
 Except for 12 1/2" Ride Heights and Disc Brakes



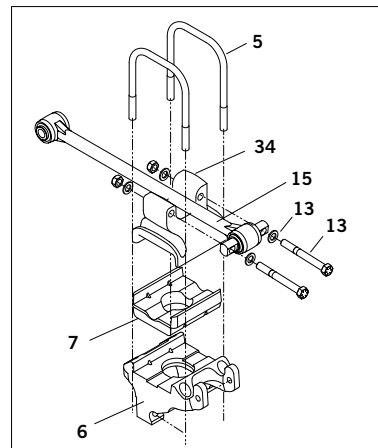
QUIK-ALIGN™ Pivot Bushing Kit
 For 12 1/2" Ride Heights and Larger with ADB



Hanger With Torque Rod Mount
 PRIMAAX EX 26KT / 56 KT / 76KT
 FIREMAAX EX 27KT / 54KT / 62 KT



Typical Air Disc Brake
Torque Rod & Bracket



TRANSVERSE TORQUE RODS MUST BE USED WITH THIS SUSPENSION

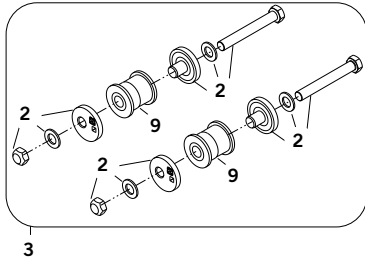
PRIMAAX EX Single/Tandem Axle Air Suspension							
KEY NO.	MERITOR NO.	GEN-UINE	OEM REF.	DESCRIPTION	QTY. PER AXLE		PAGE NO.
					PRIMAAX® EX 23K/26K S/46K/52K S/69K/78K S, FIREMAAX EX 24K/27K S 48K/54K PAGE 8 & 10	PRIMAAX® EX 26K/52K/78K, FIREMAAX EX 27K/31K/54K/62K PAGE 12 - 18	
1	S.O.S.	☒	67706-000	Hanger 8 1/2" - 10 1/2" Ride Height, Most Applications	2	2	-
	S.O.S.	☒	67222-000	Hanger 8 1/2" - 10" Ride Height Mack & Volvo, Drum Brakes	2	-	-
	S.O.S.	☒	67222-002	Hanger 8 1/2" - 10" Ride Height Mack & Volvo, Air Disc Brakes	2	-	-
	S.O.S.	☒	67299-001	Hanger, Left Hand, Ride Heights 12" and higher for Caterpillar, International and Kenworth	2	2	-
	S.O.S.	☒	67299-002	Hanger; Right Hand, Ride Heights 12" and higher for Caterpillar, International and Kenworth	2	2	-
	S.O.S.	☒	Various	Hangers, Other Applications	2	2	-
2	R3014673A	☒	60632-019 60632-006	QUIK-ALIGN™ Collar Service Kit, Not For Pierce Vehicles, One Wheel End	2	2	193
	S.O.S.	☒	60632-015	QUIK-ALIGN™ Collar Service Kit, Severe Service, One Wheel End, 8 1/2" & 10" Ride Heights	2	2	-
	S.O.S.	☒	60632-026	QUIK-ALIGN™ Collar Service Kit, For Pierce Vehicles, One Wheel End	-	2	-
	S.O.S.	☒	60632-023	QUIK-ALIGN™ Collar Service Kit, 12 1/2" or Larger Ride Heights With Disc Brakes, One Wheel End	-	1	-
3	R3014025	☒	60632-020	QUIK-ALIGN™ Pivot Bushing Service Kit, Except For 12 1/2" or Larger Ride Heights With Disc Brakes, Includes Key No. 9, Axle Set. For Wheel End Kit: E-16350	1	1	193
	R3014033	☒	60632-022 60632-009	QUIK-ALIGN™ Collar, Pivot Bushing & Single Bolt Torque Rod Service Kit, 12 1/2" Ride Height and Larger With Disc Brakes, Axle Set, Includes Key No. 4, 9	-	1	-
4	R3016262	☒	58821-011	Torque Rod Fastener & Alignment Kit, One Wheel End	-	2	193
5	R30U8257-087	-	-	U-Bolt Assembly, Sq. Bend, 3/4"-16 Thd. x 6 3/8" Wide x 8 7/8" Long	4		-
	R30U8257-11	-	-	U-Bolt Assembly, Sq. Bend, 3/4"-16 Thd. x 6 3/8" Wide x 11" Long	4	4	-
	R30U8257-12	-	-	U-Bolt Assembly, Sq. Bend, 3/4"-16 Thd. x 6 3/8" Wide x 12" Long	-	4	-
6	S.O.S.	☒	Various	Bottom Cap Bracket	2	2	-
7	S.O.S.	☒	Various	Axle Spacer	2	2	-
8	S.O.S.	☒	Various	U-Beam Assembly	1	1	-
9	R3013992	☒	58648-000	Pivot Bushing	2	2	193
10	R3014026	☒	60383-000	"D" Pin Bushing Use with 3/4" Bolts	2	-	193
	S.O.S.	☒	65381-000	"D" Pin Bushing Use with 7/8" Bolts	-	2	-
11	R3016351	-	21867-036	Bolt Kit 3/4"-16 x 5" Long, Includes Bolt and Hardware	1	-	193
	R3016123	-	21777-026	Bolt Kit 3/4"-16 x 5 1/2" Long, Includes Bolt and Hardware	4	-	193
	S.O.S.	-	30418-011	Bolt Kit 7/8"-14 x 5" Long, Includes Bolt and Hardware	-	4	-
12	See Chart	-	Various	Air Spring Assembly See Selection Guide	2	2	192
13	S.O.S.	-	49176-032	Torque Rod Fastener Kit 5/8"-11 x 8" Long, Includes 4 Bolts & Hardware	2	1	-
	S.O.S.	-	-	Torque Rod Fastener Kit, 3/4"-16 X 6" Long, Includes 2 Bolts & Hardware	-	2	-
	S.O.S.	-	-	Torque Rod Fastener Kit, 3/4"-16 X 3 3/4" Long, Includes 2 Bolts & Hardware	-	4	-
14	R305281	☒	49689-000	Shim; 1/16" Thick, 4 3/8" Center-to-Center	As Required	-	173

☒ Denotes Product is Genuine Hendrickson

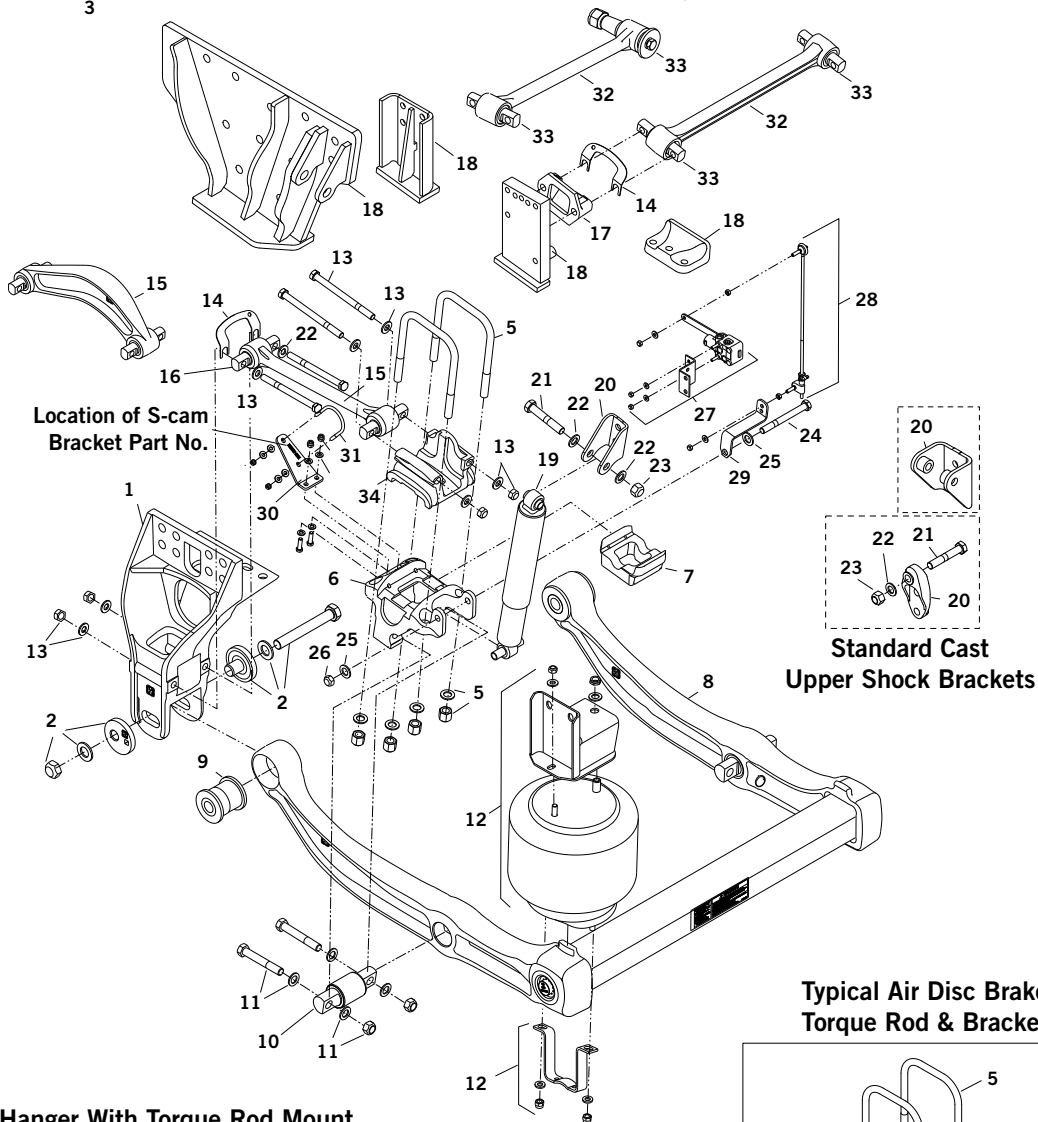
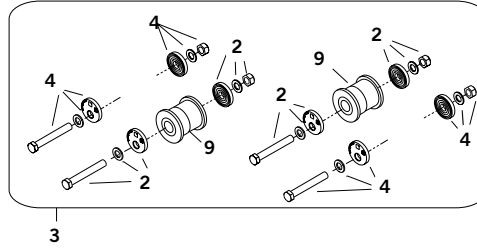
HENDRICKSON SUSPENSION

PRIMAAX EX Single/Tandem Axle Air Suspension

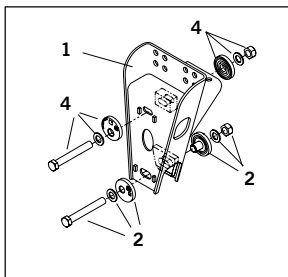
QUIK-ALIGN™ Pivot Bushing Kit
 Except for 12 1/2" Ride Heights and Disc Brakes



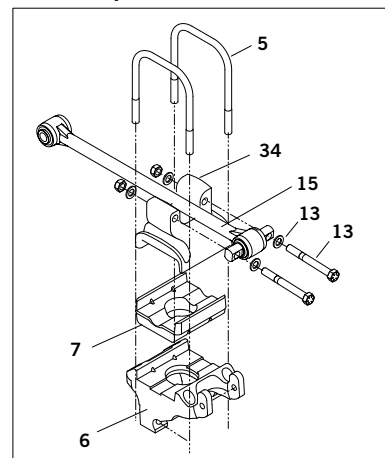
QUIK-ALIGN™ Pivot Bushing Kit
 For 12 1/2" Ride Heights and Larger with ADB








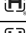





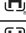

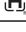





Hanger With Torque Rod Mount
 PRIMAAX EX 26KT / 56 KT / 76KT
 FIREMAX EX 27KT / 54KT / 62 KT




Typical Air Disc Brake
Torque Rod & Bracket



TRANSVERSE TORQUE RODS MUST BE USED WITH THIS SUSPENSION

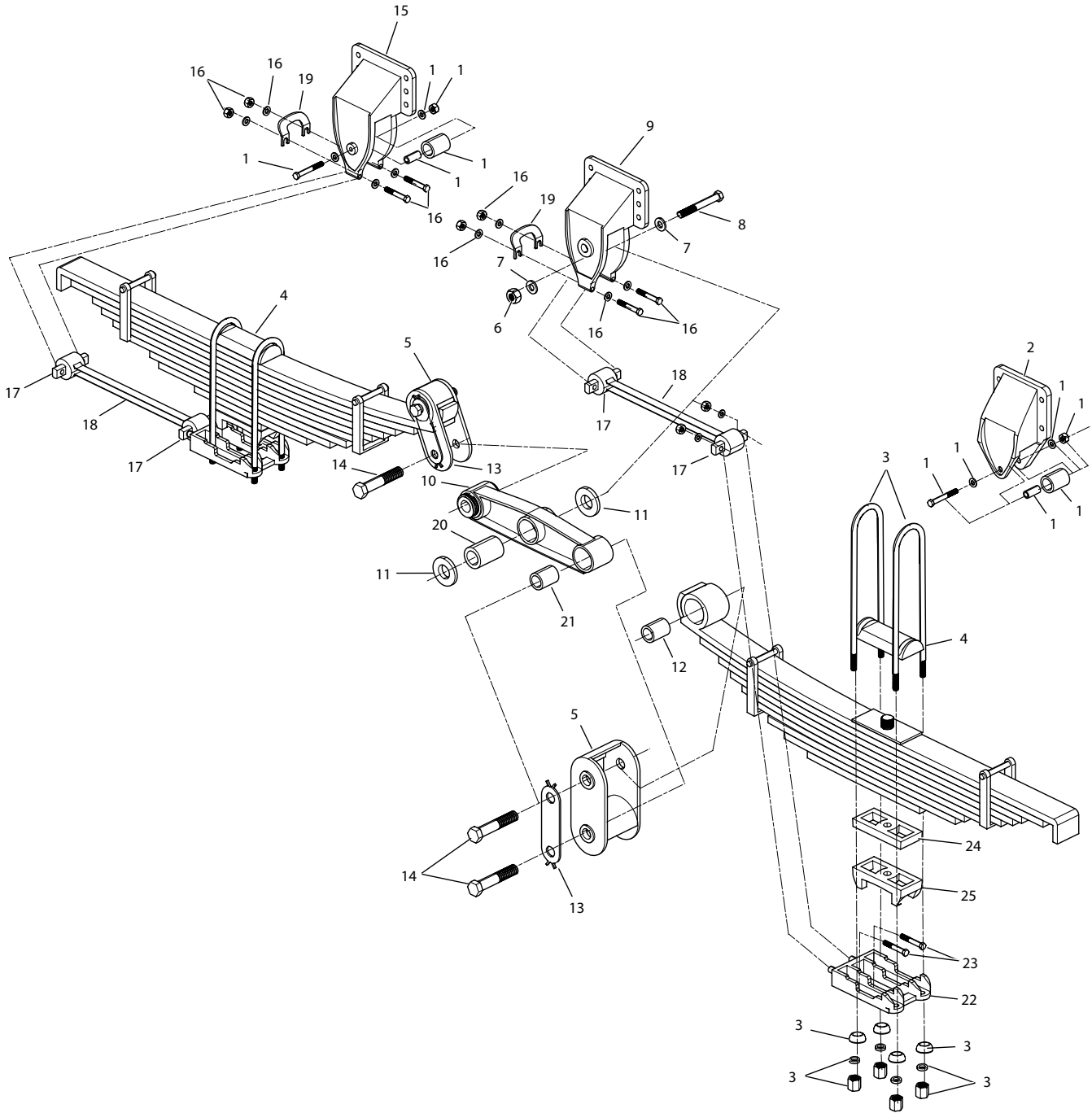
PRIMAAX EX Single/Tandem Axle Air Suspension							
KEY NO.	MERITOR NO.	GEN-UINE	OEM REF.	DESCRIPTION	QTY. PER AXLE		PAGE NO.
					PRIMAAX® EX 23K/26K S/46K/52K S/69K/78K S, FIREMAAX EX 24K/27K S 48K/54K PAGE 8 & 10	PRIMAAX® EX 26K/52K/78K, FIREMAAX EX 27K/31K/54K/62K PAGE 12 - 18	
15	S.O.S.		Various	Torque Rod Assembly See Selection Guide	2	2	-
16	R3010322		69210-000	Torque Rod Bushing; 4 3/8" Center-to-Center x 3/4" Bolts	-	-	-
	R305276		47692-000	Torque Rod Bushing, Through Holes, 7/8"ID x 2 1/32" OD x 3"Long	-	-	162
	See Chart		Various	Torque Rod Bushing, Other Applications	-	-	161
17	R302634		22186-000	Transverse Rod Frame Bracket	1	1	174
18	R3015179		60593-000	Frame Mounted Axle Stop, 8 1/2" & 10" Ride Height	1	1	194
	S.O.S.		Various	Frame Mounted Axle Stop, 12" and Larger Ride Height	1	1	-
19	M85072	-	60657-003; 60657-004; 60657-005; 60657-007	Shock Absorber, PRIMAAX EX	2	-	-
	S.O.S.	-	70807-001	Shock Absorber, Firemax EX	2	-	-
	M85965	-	60665-013	Shock Absorber, PRIMAAX EX, w/ Drum Brakes	-	2	-
	M85966	-	60665-015	Shock Absorber, PRIMAAX EX, w/ Air Disc Brakes	-	2	-
	M85967	-	60665-011	Shock Absorber, Oshkosh	2	-	-
	S.O.S.	-	68069-002	Shock Absorber, Firemax EX, 31K/62K Old Set-up	-	2	-
20	S.O.S.	-	70807-002	Shock Absorber, Firemax EX, New and Retrofitted Vehicles	-	2	-
	R3015177		67463-002	Upper Shock Frame Bracket, Standard Cast	2	2	194
	S.O.S.		Various	Upper Shock Frame Bracket	2	2	-
21	S.O.S.	-	Various	Upper Shock Bolt, 3/4"-10. Various Lengths	2	2	-
22	S.O.S.	-	R302545	Washer, 3/4"	4	4	-
23	S.O.S.	-	R304347	Lock Nut, 3/4"-10	2	2	-
24	R308909	-	-	Lower Shock Bolt, 5/8"-11 X 6" Long	2	2	-
	R3015199	-	-	Lower Shock Bolt, 5/8"-11 X 7" Long	-	2	-
25	R302547	-	-	Washer, 5/8"	4	4	-
26	R302988	-	-	Lock Nut, 5/8"-11	2	2	-
27	R3011870		57977-000	Height Control Valve with Dump	1	1	195
28	R309625	-	-	Linkage Assembly; Universal Adjustable 3 5/8"-19 5/8" Range	1	1	195
29	R3015154		60921-000	Height Control Valve Linkage Bracket	1	1	195
30	S.O.S.		Various	Bracket, "S" Cam See Part Number on Component	2	2	-
31	S.O.S.		64202-000	U-Bolt, "S" Cam	2	2	-
32	Various		Various	Transverse Torque Rod, See Ultra Rod Section in Catalog	1	1	161
33	R3013961		64400-002	Torque Rod Bushing, Straddle Mount w/ 5/8" Bolt Holes, Use on Rods with 2 Straddle Mt Bushings	2	2	-
	R305275		47691-000	Torque Rod Bushing, Straddle Mount w/ 5/8" Bolt Holes, Use on Rods With 1 Tapered Bushing	1	As Required	174
	R3010308		64809-000	Torque Rod Bushing, Tapered	1	As Required	-
34	R3015180		65289-000	Bracket, Top Cap Where U-Bolts Are 4 1/4" Apart	2	-	194
	S.O.S.		Various	Bracket, Top Cap See Selection Guide	-	2	-

 Denotes Product is Genuine Hendrickson

TRANSVERSE TORQUE RODS MUST BE USED WITH THIS SUSPENSION


HENDRICKSON SUSPENSION

E4 340/360/380/400 Tandem Axle Four Spring Suspension



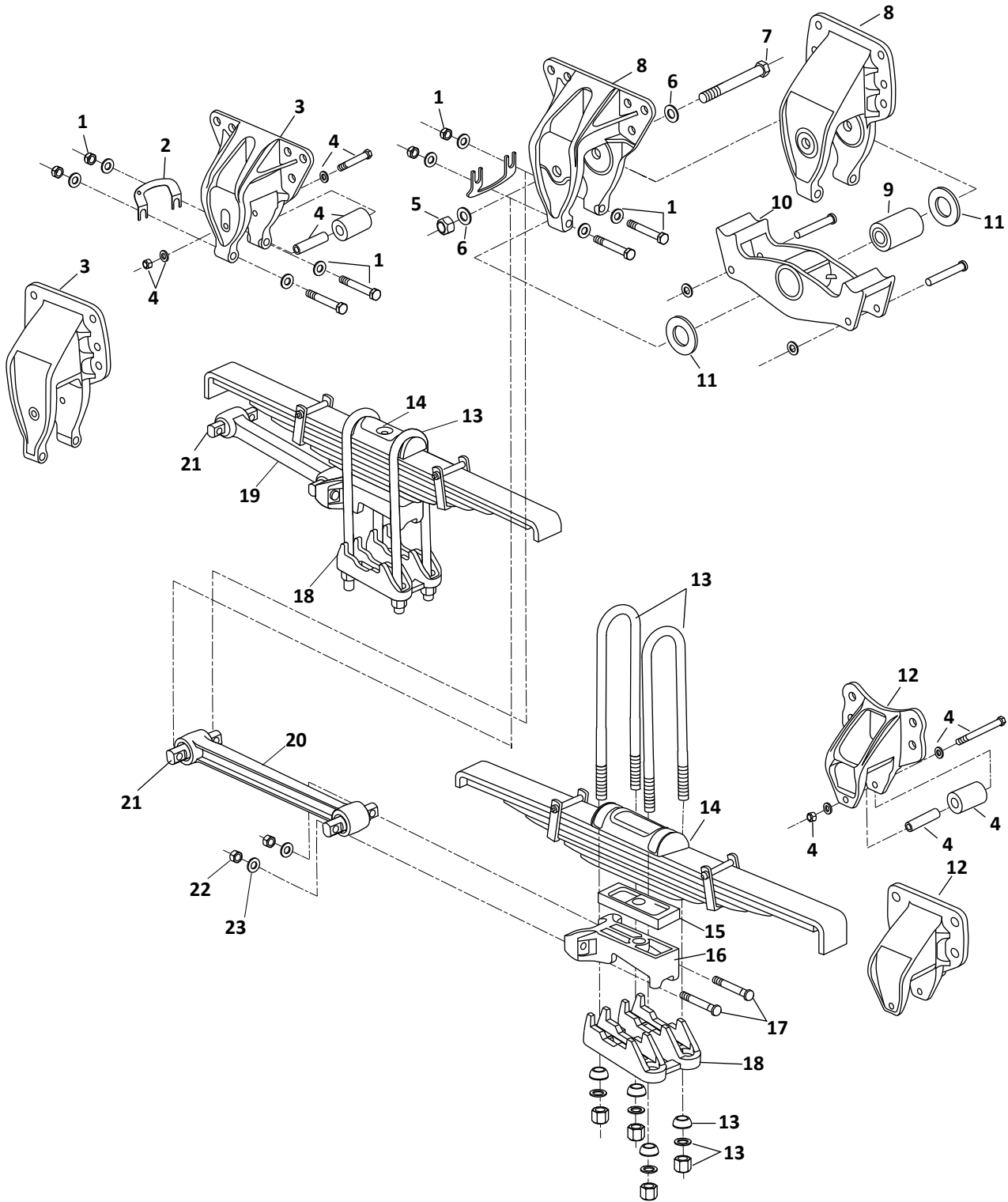
E4 340/360/380/400 Tandem Axle Four Spring Suspension

KEY NO.	MERITOR NO.	GENUINE	OEM REF.	CASTING NO.	DESCRIPTION	QTY. PER TANDEM	PAGE NO.
1	R309432A		49175-013	-	Rebound Roller Kit	4	170
2	R305301		47436-003 48530-004	48991	Rear Spring Hanger (Obsolete)	2	170
	S.O.S.		Various	-	Rear Spring Hanger - Most Obsolete - Call Tech Support	2	-
3	R30U8161-18S1	-	48718-050	-	U-bolt Assembly 7/8" -14 X 3" Wide X 18" Long. Incl. Nuts, Washers and Spherical Washer	8	218
4	R309408		50788-000	-	Top Pad, Included with Spring	4	172
	R303739		48797-000	-	Top Pad, Separate From Spring	4	173
5	R305267		47440-000	47439	Spring Shackle (Obsolete)	2	168
	R305268		47442-000	47441	Spring Shackle (Obsolete)	2	168
6	R301828	-	08017-000	-	Lock Nut, Center Bushing, 1" -14	2	-
7	R302573		22962-006	-	Washer, 1" ID	4	-
8	R305271		30550-035	-	Equalizer Center Bolt, 1"-14 X 7" Long	2	171
9	R305300		47434-002	47433 50642-000	Center Spring Hanger (Obsolete)	2	170
10	R305265		47444-001	47437	Equalizing Beam Assembly (Obsolete)	2	168
11	R305273		47416-000	-	Thrust Washer	4	168
12	R305270		47421-000	-	Spring Eye Bushing	4	168
13	R305274		47459-000	-	Shackle Bolt Retainer	4	169
14	R305272	-	48728-000	-	Shackle Bolt, 7/8" - 9 x 4 1/2" Long	8	168
15	R305299		56673-001	56672-000	Front Spring Hanger	2	170
	S.O.S.		Various	-	Front Spring Hanger - Most Obsolete - Call Tech Support	2	-
16	R305277	-	49176-001	-	Torque Rod Fastener Kit	8	169
17	R305275		47691-000	-	Torque Rod Bushing	8	171
18	R305282		48158-001	-	Torque Rod Assembly, Front 15 7/8". Center-to-Center	2	169
	R305283		48258-002	-	Torque Rod Assembly, Rear 21 15/16" Center-to-Center	2	169
19	R305281		49689-000	-	Torque Rod Shim	As Req.	171
20	R305269		47420-000	-	Center Bushing	2	171
21	R305270		47421-000; 48401-000	-	Equalize End Bushing	4	168
22	R303753A		56857-000	56855	Axle Bottom Cap, Left Hand Rear, 9.5-13° Pinion Angle	2	175
	R303754A		56854-000	56852	Axle Bottom Cap, Right Hand Rear, 9.5-13° Pinion Angle	2	175
	S.O.S.		Various	-	Axle Bottom Cap - Most Obsolete - Call Tech Support	2	-
23	R303755	-	49063-000	-	Axle Bottom Cap Bolt	8	175
24	R303740		48902-000	-	Spacer, 1"	4	175
	R303741		48903-000	-	Spacer, 1 1/2"	4	175
25	S.O.S.		Various	-	Spring Seat - Most Obsolete - Call Tech Support	4	-























 Denotes Product is Genuine Hendrickson


HENDRICKSON SUSPENSION

HFS 360/400/400 LH Tandem Axle Four Spring Suspension



HFS 360/400/400 LH Tandem Axle Four Spring Suspension

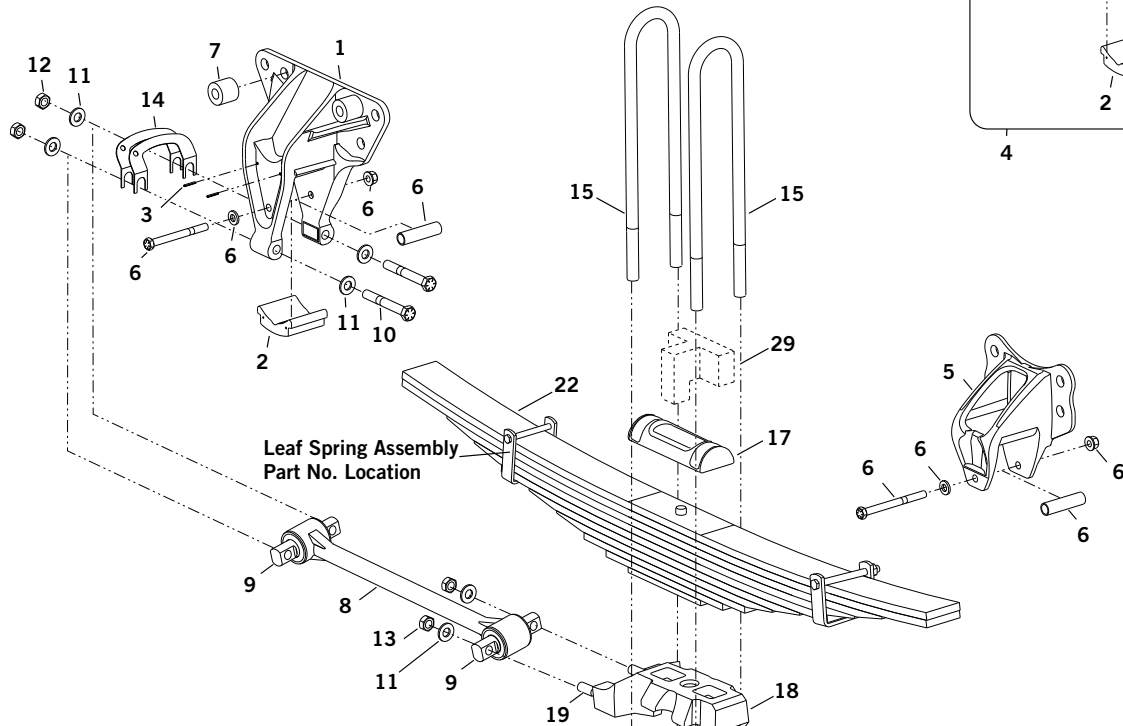
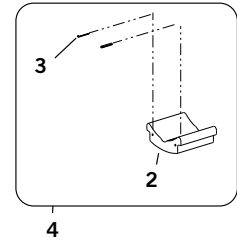
KEY NO.	MERITOR NO.	GENUINE	OEM REF.	CASTING NO.	DESCRIPTION	QTY. PER TANDEM	PAGE NO.
1	R305277	-	49176-001	-	Torque Rod Fastener Kit	8	171
2	R305281		49689-000	-	Torque Rod Shim	As Req.	173
3	R309404		56667-001	56666-000	Front Spring Hanger - Models HFS360	2	171
	R309405		56670-001	56669-000, 50291-000	Front Spring Hanger - Models HFS400/400LH	2	172
	S.O.S.		Various	Various	Front Spring Hanger Call Technical Support	2	-
4	R309432A	-	49175-013	-	Rebound Roller Assembly	4	172
5	R301828	-	08017-000	-	Nut, 1"-14	2	-
6	R302573		22962-006	-	Washer, 1"	4	-
7	R305271		30550-035	-	Center Bushing Bolt, 1"-14 x 7" Long	2	171
8	R309400		56676-001	56675-000, 50289-000	Center Spring Hanger	2	172
	S.O.S.		Various	Various	Center Spring Hanger Call Technical Support	2	-
9	R305269		47420-000	-	Center Bushing	2	171
10	R309402		49803-002	49801-002	Equalizing Beam Assembly, Includes Center Bushing, Clevis Pin, Washer and Cotter Pin	2	171
11	R305273		47416-000	-	Thrust Washer	4	171
12	R309406		50028-001	49954-000	Rear Spring Hanger	2	172
	S.O.S.		Various	Various	Rear Spring Hanger Call Technical Support	2	-
13	R30U8161-18S1	-	48718-050	-	U-bolt Assembly 7/8"-14 x 3" Wide x 18" Long. Includes Nuts, Washers and Spherical Washer - All models except 40LH	8	218
	S.O.S.	-	-	-	U-bolt Assembly 3/4"-16 X 3" Wide Requires Nuts, Washers and Spherical Washer - 40LH Only	8	-
14	R309408		50788-000	-	Top Pad	4	172
15	R303740		48902-000	-	Spring Spacer, 1"	As Req.	172
	R303741		48903-000	-	Spring Spacer, 1 1/2"	As Req.	172
16	S.O.S.		Various	-	Spring Seat Assembly	2	-
17	R303755		49063-000	-	Spring Seat Bolt	8	175
18	S.O.S.		Various	-	Axle Bottom Cap	2	-
19	R309409		48411-006	-	Front Torque Rod, 14 7/16" Center-to-Center	2	171
20	R309407		48411-007	-	Rear Torque Rod, 20 5/16" Center-to-Center	2	171
21	R305275		47691-000L	-	Torque Rod Bushing	8	171
22	R302988	-	47764-000	-	Nut, 5/8"-11	8	-
23	R302547	-	22962-004	-	Washer, 5/8" Dia.	8	-

 Denotes Product is Genuine Hendrickson

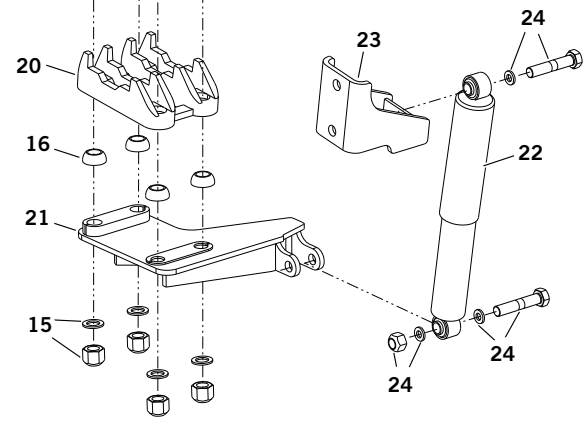
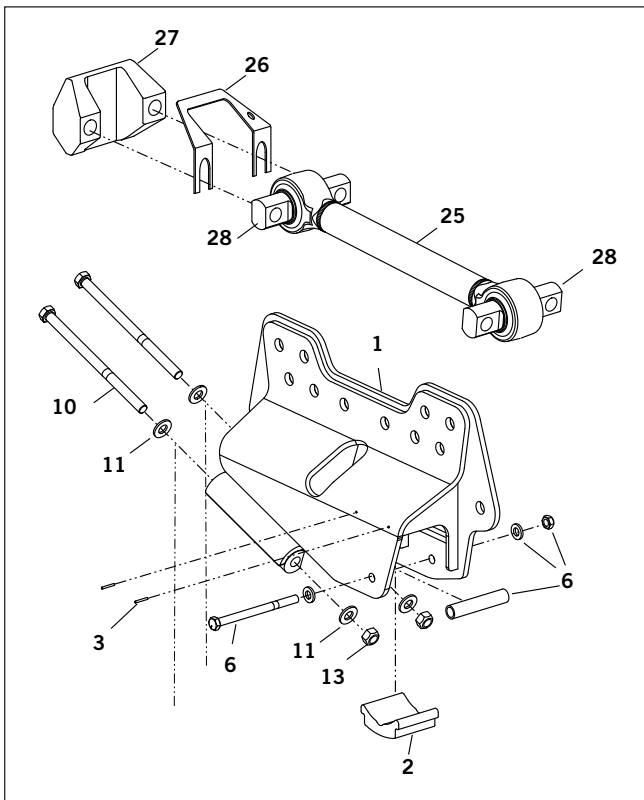
HENDRICKSON SUSPENSION

HTS 210/230/260/310 Single Axle Suspension For Autocar & Spartan Type C School Bus

Slipper Pad Kit





















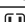



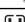
31K Model Front Hanger & Upper Torque Rod




HENDRICKSON SUSPENSION

Suspension

HTS 210/230/260/310 Single Axle Suspension For Autocar & Spartan Type C School Bus

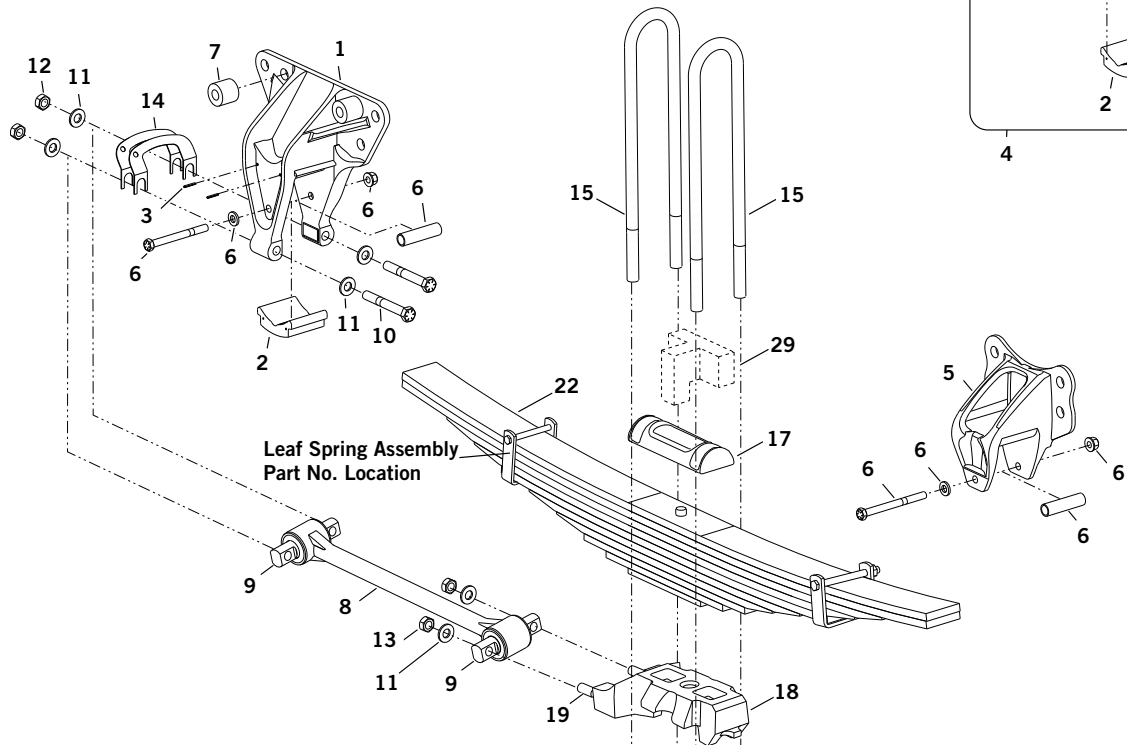
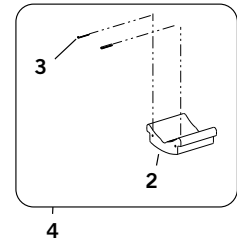
KEY NO.	MERITOR NO	GENUINE	OEM REF.	DESCRIPTION	HTS 21K/23K	HTS 26K	HTS 31K	SPARTAN TYPE C SCHOOL BUS	PAGE NO.
1	R309386		58425-001	Front Hanger Assembly Includes Key Nos. 2, 3	2	2	-	2	173
	S.O.S.		70628-001 70628-002	Front Hanger Assembly Includes Key Nos. 2, 4	-	-	2	-	-
2	R3016335		56929-000	Slipper Pad	2	2	2	-	173
3	S.O.S.		58287-001	Retainer Lock Pin	2	2	2	-	-
4	R3016333		56557-005	Slipper Pad Service Kit; One Hanger; Includes Key Nos. 2, 3	2	2	2	2	173
5	R309406		50028-001	Rear Hanger	2	-	-	2	172
	S.O.S.		50028-002	Rear Hanger	-	2	2	-	-
6	S.O.S.		49175-032	Front and Rear Rebound Roller Service Kit; Axle Set	1	-	-	1	-
	S.O.S.		49175-035	Front Rebound Roller Service Kit; Axle Set	-	-	1	-	-
	S.O.S.		49175-036	Rear Rebound Roller Service Kit; Axle Set	-	-	1	-	-
	S.O.S.		49175-037	Front Rebound Roller Service Kit; Axle Set	-	1	-	-	-
	S.O.S.		49175-038	Rear Rebound Roller Service Kit; Axle Set	-	1	-	-	-
7	R3016419		59946-001	Spacer	4	-	-	-	216
8	S.O.S.		62044-495	Longitudinal Torque Rod Assembly, ULTRA ROD, Includes Key No. 7	-	-	-	2	-
	S.O.S.		62044-505	Longitudinal Torque Rod Assembly, Includes Key No. 8	2	-	-	-	-
	S.O.S.		92407-500	Torque Rod Assembly, XTRB, Includes Key No. 8	-	2	-	-	-
	S.O.S.		92446-430	Lower Torque Rod Assembly; XTRB; Includes Key No. 8	-	-	2	-	-
9	R305275		47691-000	Torque Rod Bushing, ULTRA ROD, Straddle Mount	4	-	-	4	171
	R3014641		66649-002	Torque Rod Bushing, XTRB, Straddle Type	-	4	4	-	173
10	R303792	-	-	Hex Bolt, 5/8"-18 x 4 1/2" Long	4	4	-	4	-
	S.O.S.	-	32043-013	Hex Bolt, 5/8"- 11 x 10" Long	-	-	4	-	-
11	R302547		22962-004	Washer, 5/8"	12	12	12	12	-
12	R301943			Lock Nut, 5/8"-18	4	4	-	4	-
13	R302988		47764-000	Lock Nut, 5/8"-11	8	8	12	-	-
14	R305281		49689-000	Torque Rod Shim	As Required				171
15	R30U8161-18S1	-	47417-003	U-Bolt Assembly, Round Bend, 7/8"-14 X 17 1/2" Long, Includes Nuts and Flat Washers. Includes Key No. 16	-	-	4	-	218
	R30U8161-20		47417-010	U-Bolt Assembly, Round Bend, 7/8"-14 X 19" Long, Includes Nuts and Flat Washers. Key No. 16 Required and Ordered Separately	4	-	4	4	-
	S.O.S.		47417-014	U-Bolt Assembly, Round Bend, 7/8"-14 X 22 1/2" Long, Includes Nuts and Flat Washers. Key No. 16 Required and Ordered Separately	4	4	-	-	-
	S.O.S.		47417-015	U-Bolt Assembly, Round Bend, 7/8"-14 X 22" Long, Includes Nuts and Flat Washers. Key No. 16 Required and Ordered Separately	-	4	-	-	-
16	R303738		48574-000	Spherical Washer, 7/8" ID	8	8	8	8	176
17	R303739		48797-000	Top Pad	2	-	-	2	173
	S.O.S.		56805-002	Top Pad	-	2	2	-	-

 Denotes Product is Genuine Hendrickson

HENDRICKSON SUSPENSION

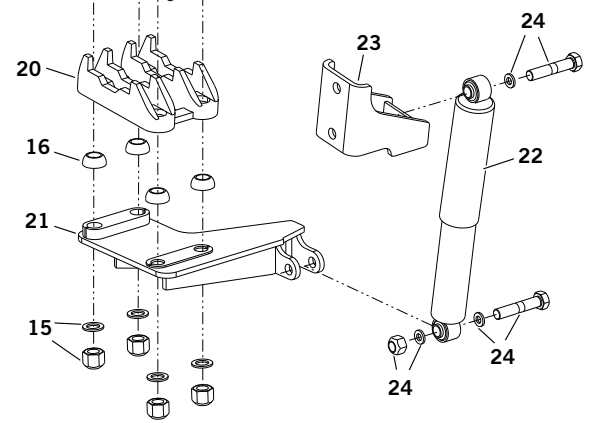
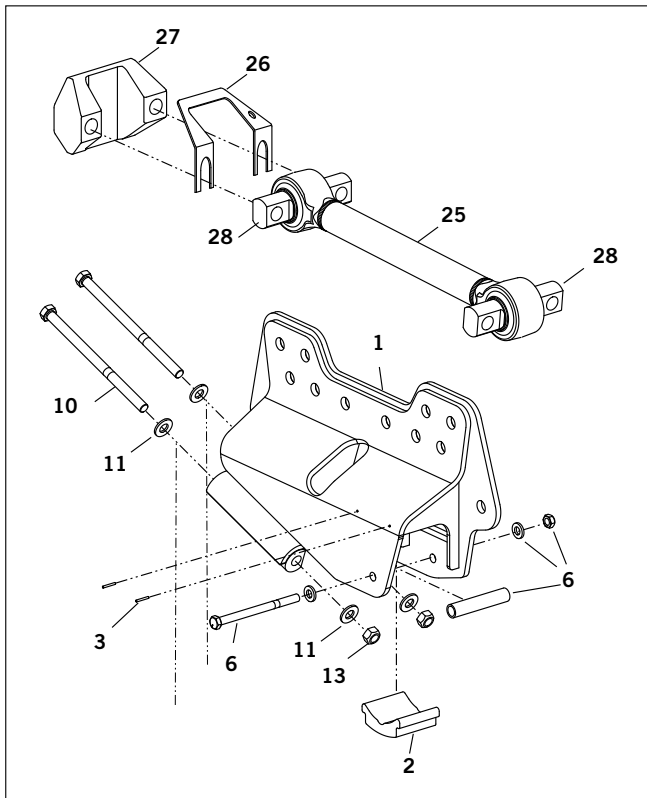
HTS 210/230/260/310 Single Axle Suspension For Autocar & Spartan Type C School Bus

Slipper Pad Kit














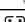






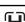


Leaf Spring Assembly
Part No. Location


31K Model Front Hanger & Upper Torque Rod



HENDRICKSON SUSPENSION

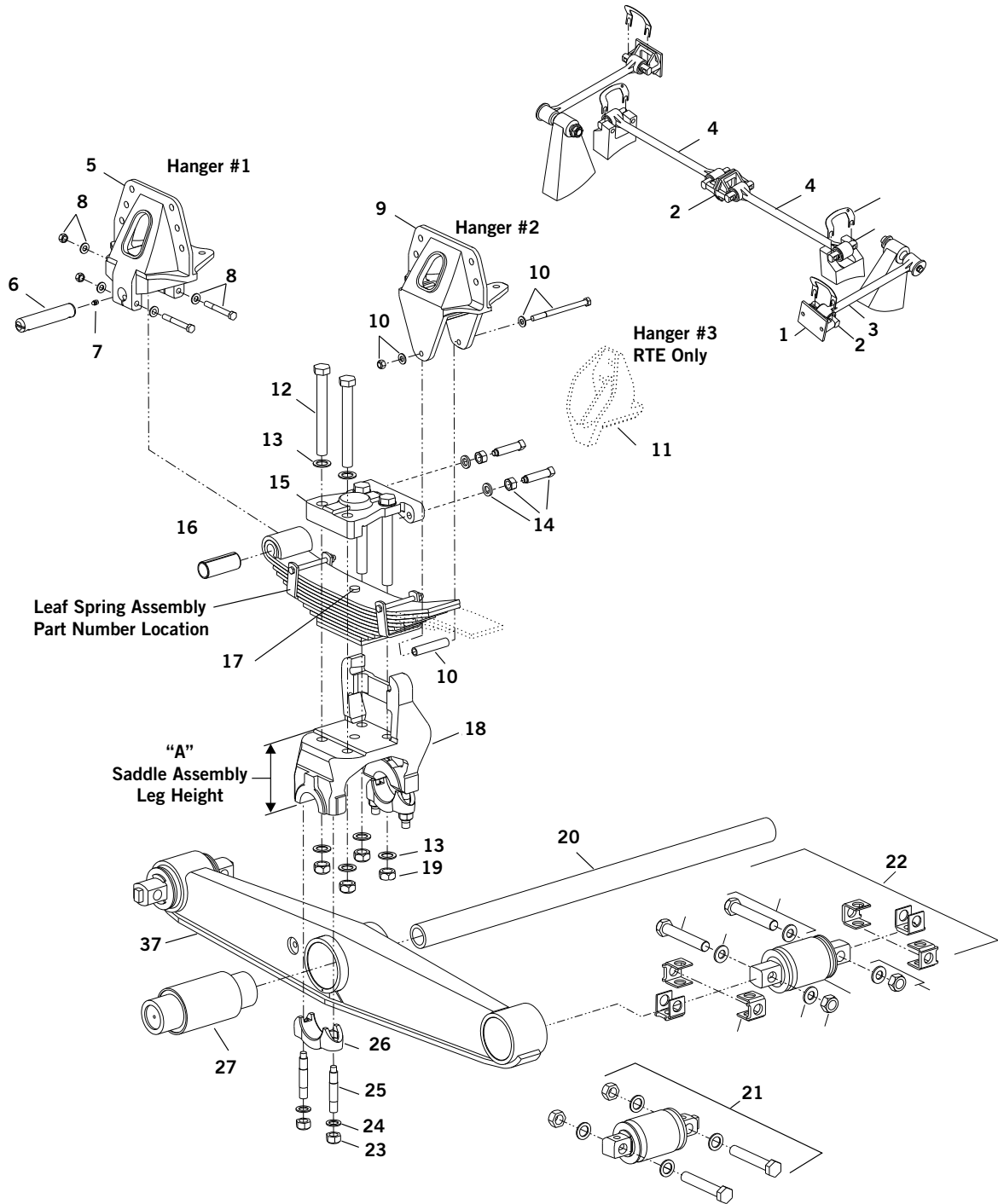
Suspension

HTS 210/230/260/310 Single Axle Suspension For Autocar & Spartan Type C School Bus									
KEY NO.	MERITOR NO	GENUINE	OEM REF.	DESCRIPTION	HTS 21K/23K	HTS 26K	HTS 31K	SPARTAN TYPE C SCHOOL BUS	PAGE NO.
18	S.O.S.		50970-005	Spring Seat Assembly, Includes Key No. 10, 12, 18	2	-	-	-	-
	S.O.S.		50970-002	Spring Seat Assembly, Includes Key No. 10, 12, 19	-	-	-	2	-
	S.O.S.		50988-024	Spring Seat Assembly, Right Hand, Includes Key No. 10, 12, 18	-	-	1	-	-
	S.O.S.		50988-025	Spring Seat Assembly, Left Hand, Includes Key No. 18 Plus Nuts and Washers	-	-	1	-	-
	S.O.S.		50988-026	Spring Seat Assembly, Left Hand 5 Degrees, Includes Key No. 11, 13, 19	-	1	-	-	-
	S.O.S.		50988-027	Spring Seat Assembly, Right Hand 5 Degrees, Includes Key No. 11, 13, 19	-	1	-	-	-
19	R3015200		50918-000	5/8"-11 Stud	4	4	4	-	175
20	S.O.S.		50216-000	Axle Bottom Cap	2	-	-	2	-
	S.O.S.		58424-002	Axle Bottom Cap, Left Hand	-	1	-	-	-
	S.O.S.		58424-001	Axle Bottom Cap, Right Hand	-	1	-	-	-
	S.O.S.		58424-004	Axle Bottom Cap, Left Hand	-	-	1	-	-
	S.O.S.		58424-000	Axle Bottom Cap, Right Hand	-	-	1	-	-
21	S.O.S.		Various	Lower Shock Bracket, Specify Model and Left or Right Hand	2	2	-	2	-
22	M85036	-	60665-025	Shock Absorber	2	2	-	2	-
23	S.O.S.		67530-000	Upper Shock Bracket	2	2	-	2	-
24	S.O.S.		69588-004	Upper and Lower Shock Absorber Fastener Kit; Axle Set	1	-	-	1	-
	S.O.S.		69588-005	Upper and Lower Shock Absorber Fastener Kit; Axle Set	-	1	-	-	-
25	S.O.S.		72100-535	Upper Torque Rod Assembly; ULTRA ROD PLUS; Includes Key No.26	-	-	1	-	-
26	S.O.S.		67779-002	Upper Torque Rod Shim	-	-	As Required	-	-
27	R3015183		46015-000	Upper Torque Rod Bracket	-	-	2	-	-
28	R3013971		64400-003	Torque Rod Bushing, ULTRA ROD PLUS, Straddle Mount	-	-	2	-	163
29	S.O.S.		69883-000	Bump Stop Assembly	-	-	-	2	-

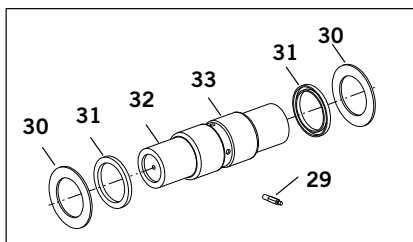
 Denotes Product is Genuine Hendrickson

HENDRICKSON SUSPENSION

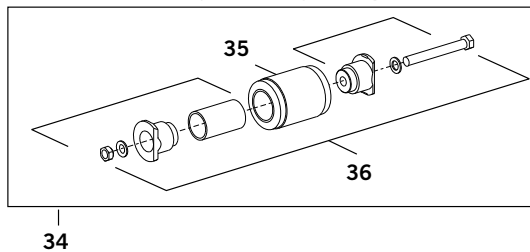
RT/RTE 340/400/460/480/520 Tandem Axle Suspension



Optional Bronze Center Bushing




Old Style Bushing & Adapter



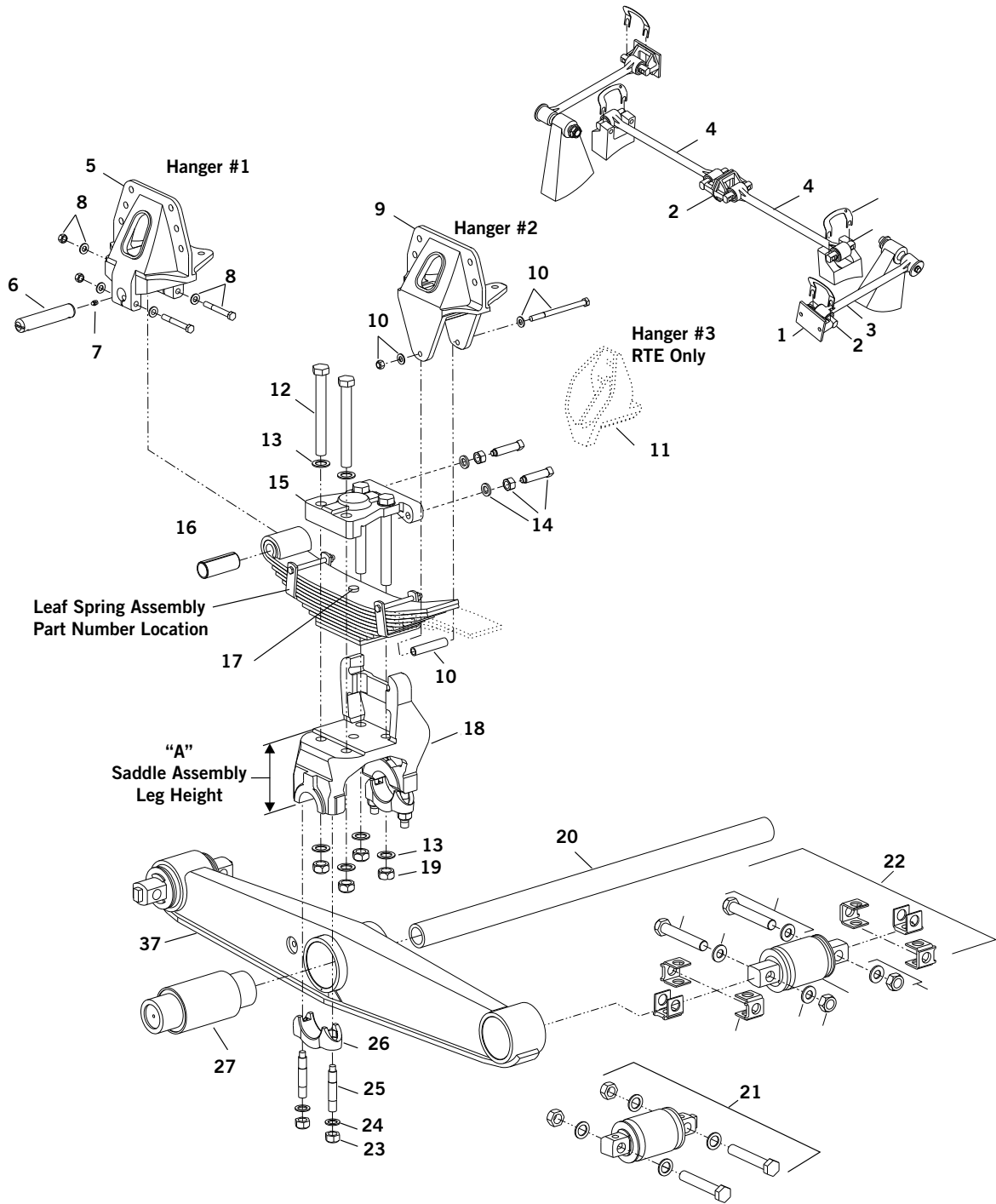
RT/RTE 340/400/460/480/520 Tandem Axle Suspension

KEY NO.	MERITOR NO.	GENU-INE	OEM REF.	CASTING NO.	DESCRIPTION	QTY. PER TANDEM RT/RTE					PAGE NO.
						340	400	460	480	520	
1	R3015153		45045-003	-	Torque Rod Backup Plate	2	2	2	2	2	-
2	R302634		22186-000	-	Torque Rod Frame Bracket	2	2	2	2	2	174
3	R3013988		60215-000	-	Two-Piece Transverse Torque Rod Kit, Includes Straddle Bushings	2	2	2	2	2	165
4	See Torque Rod Section		Various	-	Longitudinal Torque Rod Assembly	2	2	2	2	2	167
5	See Hanger Section		Various	-	#1 Front Spring Hanger, Double Lock Bolt	2	2	2	2	2	151
6	R301818		32277-000	-	Spring Pin, Single Lock Pin/Groove	2	2	-	-	-	147
	R303761		43146-000	-	Spring Pin, Double Lock Pin/Groove	2	2	2	2	2	147
7	R301307	-	33117-000	-	Lube Fitting	2	2	2	2	2	147
8	R309427		29828-035	-	Lock Bolt Kit	2	2	2	2	2	-
9	See Hanger Section		Various	-	#2 Rear Spring Hanger	2	2	2	2	2	152
10	R309428		29828-023	-	Rebound Bolt & Spacer Assembly	2	2	2	2	2	-
11	See Hanger Section		Various	-	#3 Spring Hanger, Extended Leaf Spring RTE Model Only	2	2	2	2	2	153
12	See Top Pad Bolts	-	Various	-	Top Pad Bolt, Length Varies By Spring Size	8	8	8	8	8	-
13	R302573		22962-006	-	1" Hardened Washer	16	16	16	16	16	-
14	R309429		35370-002	-	Set Screw Kit	4	4	4	4	4	145
15	R301869		35064-000	47880	Top Pad	2	2	2	2	2	145
16	R301877		30057-008	-	Spring Eye Bushing 1 3/8" I.D.	2	2	2	2	2	147
17	S.O.S.	-	66662-001	-	Spring Center Bolt, Cut to Length	2	2	2	2	2	-
18	R301853		31017-022	42933	Saddle Assembly, 6" Height	2	2	-	-	-	145
	R301854		31017-096	45605	Saddle Assembly, 6" Height	-	-	2	-	-	145
	R3010058		31017-109	57143	Saddle Assembly, 7 3/16" Height	2	2	-	-	-	164
	R307530		31017-110	57155	Saddle Assembly, 7 3/16" Height	-	-	2	-	-	145
	R301849		31017-023	46529	Saddle Assembly, 6 3/16" Height	2	-	-	-	-	145
	R301850		31017-025	46138	Saddle Assembly, 7 3/16" Height	2	-	-	-	-	145
	R307531		31017-053	32796	Saddle Assembly, 6" Height	-	-	-	2	2	145
	S.O.S.		31017-077	47476	Saddle Assembly, 7 3/16" Height	-	-	-	2	2	-
S.O.S.		31017-108	50965	Saddle Assembly, 11" Height	-	-	-	2	2	-	
19	R301828	-	08017-000	-	Top Pad Bolt Nut	8	8	8	8	8	-
20	Various		Various	-	Cross Tube, See Selection Guide	1	1	1	1	1	144
21	R309325		34013-087	-	Bar Pin Bushing Kit, Non-Shim Type	4	4	4	4	4	140
22	R309326		34013-088	-	Bar Pin Bushing Kit, Shim Type	4	4	4	4	4	140
	R3014725		34013-188	-	Bar Pin Bushing Kit, Free Rotating Bushing, Shim Type	4	4	4	4	4	140
23	R301835	-	04842-000	-	Nut, Saddle Cap Stud	8	8	8	8	8	-
24	R301834	-	22962-002	-	7/8" Hardened Washer	8	8	8	8	8	-
25	R301830		06696-000	-	7/8" - 14 Saddle Cap Stud	-	8	8	8	8	146
	R301829		07002-000	-	7/8" - 14 Saddle Cap Stud	8	-	-	-	-	146
26	R301833A		58795-000	-	Saddle Cap	-	4	4	4	4	146
	R3016464		06662-000	-	Saddle Cap	4	-	-	-	-	146

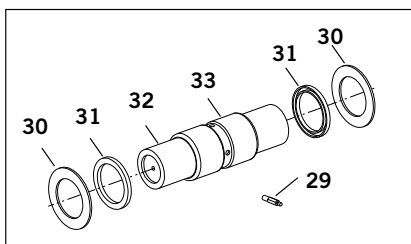
 Denotes Product is Genuine Hendrickson

HENDRICKSON SUSPENSION

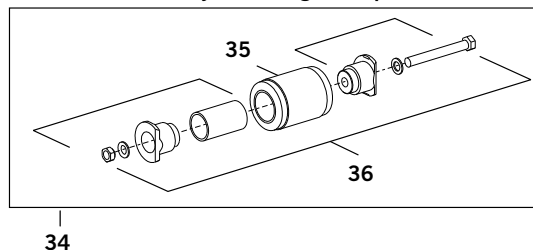
RT/RTE 340/400/460/480/520 Tandem Axle Suspension









Optional Bronze Center Bushing




Old Style Bushing & Adapter



RT/RTE 340/400/460/480/520 Tandem Axle Suspension											
KEY NO.	MERITOR NO.	GENU-INE	OEM REF.	CASTING NO.	DESCRIPTION	QTY. PER TANDEM RT/RTE					PAGE NO.
						340	400	460	480	520	
27	R301338		06664-000	-	Rubber Center Bushing with Welded End Plug	2	-	-	-	-	138
	R301594		22279-000	-	Rubber Center Bushing with Loose End Plug	2	-	-	-	-	138
	R306979		49400-000	-	Rubber Center Bushing with Welded End Plug	2	2	-	-	-	138
	R306980		49600-000	-	Rubber Center Bushing with Loose End Plug	2	2	-	-	-	138
	R309359		29483-005	-	Rubber Center Bushing with Welded End Plug	-	-	2	2	2	138
	R3016416		34013-097	-	Rubber Center Bushing with Loose End Plug	-	-	2	2	2	138
28	R301546		30437-000	-	Kit, Bronze Center Bushings, Includes Key Nos. 30,31,32,33,34	1	1	1	1	1	139
29	S.O.S.		30087-000	-	Lube Fitting	2	2	2	2	2	-
30	R302021		32365-000	-	Thrust Washer	As Required					139
31	R301553		30334-000	-	Seal	4	4	4	4	4	139
32	R301551		14685-000	-	Sleeve	2	2	2	2	2	139
33	R301552		30240-002	-	Bronze Center Bushing	2	2	2	2	2	139
34	R305309		34013-049	-	End Beam Bushing Kit, Old Style, Includes Key Nos. 35, 36	4	4	-	-	-	140
	R309576		34013-073	-	End Beam Bushing Kit, Old Style, Includes Key Nos. 35, 36	-	-	4	-	-	140
	R309577		34013-050	-	End Beam Bushing Kit, Old Style, 5 3/4" Long Bushing, Includes Key Nos. 35, 36	-	-	-	4	4	140
	S.O.S.		34013-051	-	End Beam Bushing Kit, Old Style, 6" Long Bushing, Includes Key Nos. 35, 36	-	-	-	4	4	-
35	R301341A		45900-000	-	End Beam Bushing, 5 3/4" Long	4	4	4			141
	R302771		29878-001	-	End Beam Bushing, 5 3/4" Long	-	-	-	4	4	141
	R309419		45407-000	-	End Beam Bushing, 6" Long	-	-	-	4	4	141
36	R302374		45000-007	-	End Beam Adapter, Old Style, For 5 3/4" Long Bushing	4	4	-	-	-	141
	R309420		21140-034	-	End Beam Adapter, Old Style, For 5 3/4" Long Bushing	-	-	4	4	4	141
	R309421		21140-033	-	End Beam Adapter, Old Style, For 6" Long Bushing	-	-	-	4	4	141
37	S.O.S.		Various	-	Walking Beam Assembly	2	2	2	2	2	-

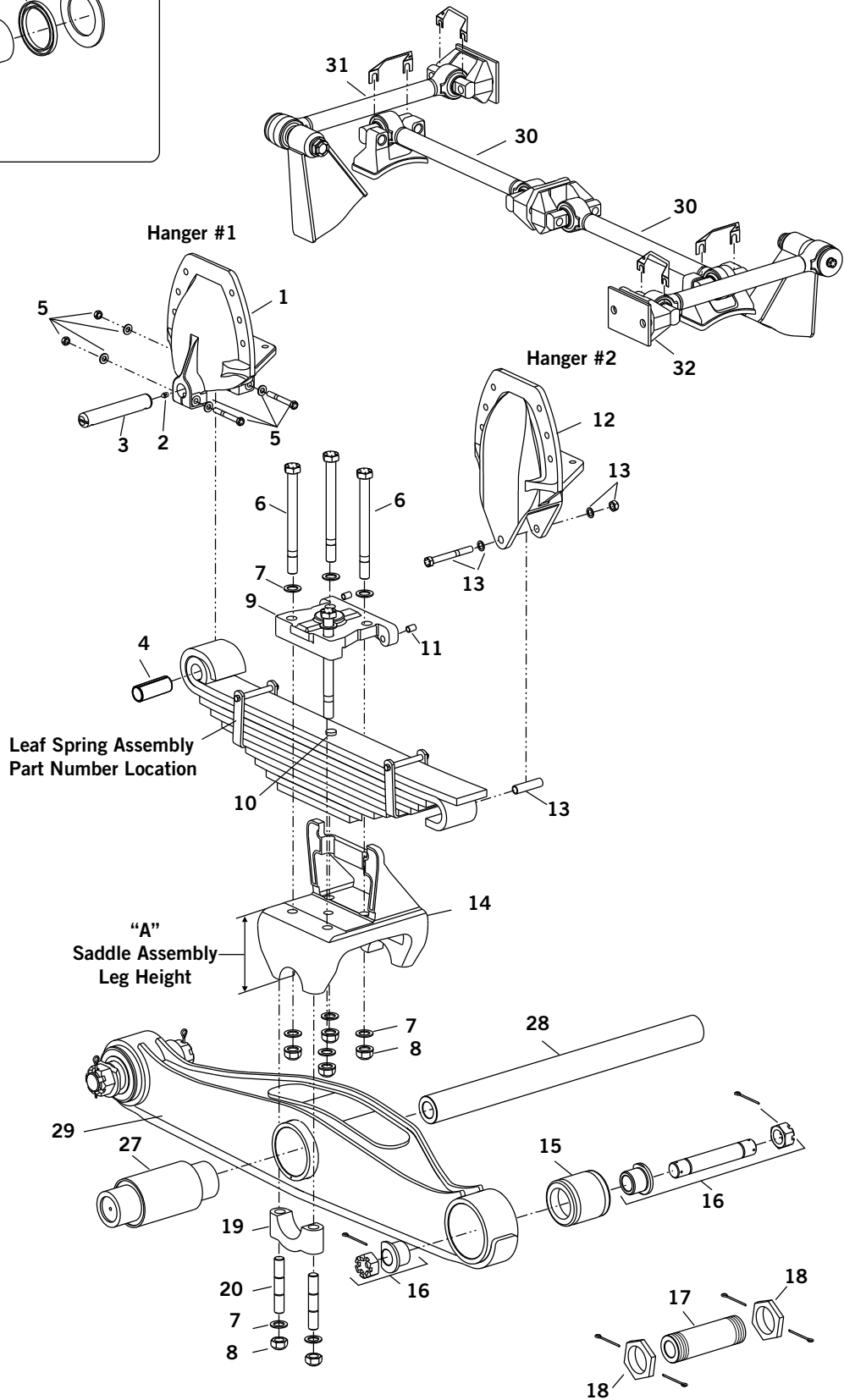
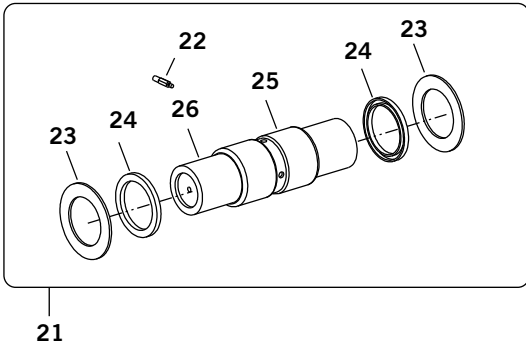
* Transverse Torque Rods are required to maintain 46,000 lb. rating when rubber center bushings are used.

 Denotes Product is Genuine Hendrickson













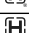







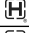


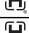
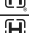
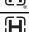







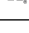


HENDRICKSON SUSPENSION


RT/RTE 650/700 Series Tandem Axle Suspension

Optional Bronze Center Bushing



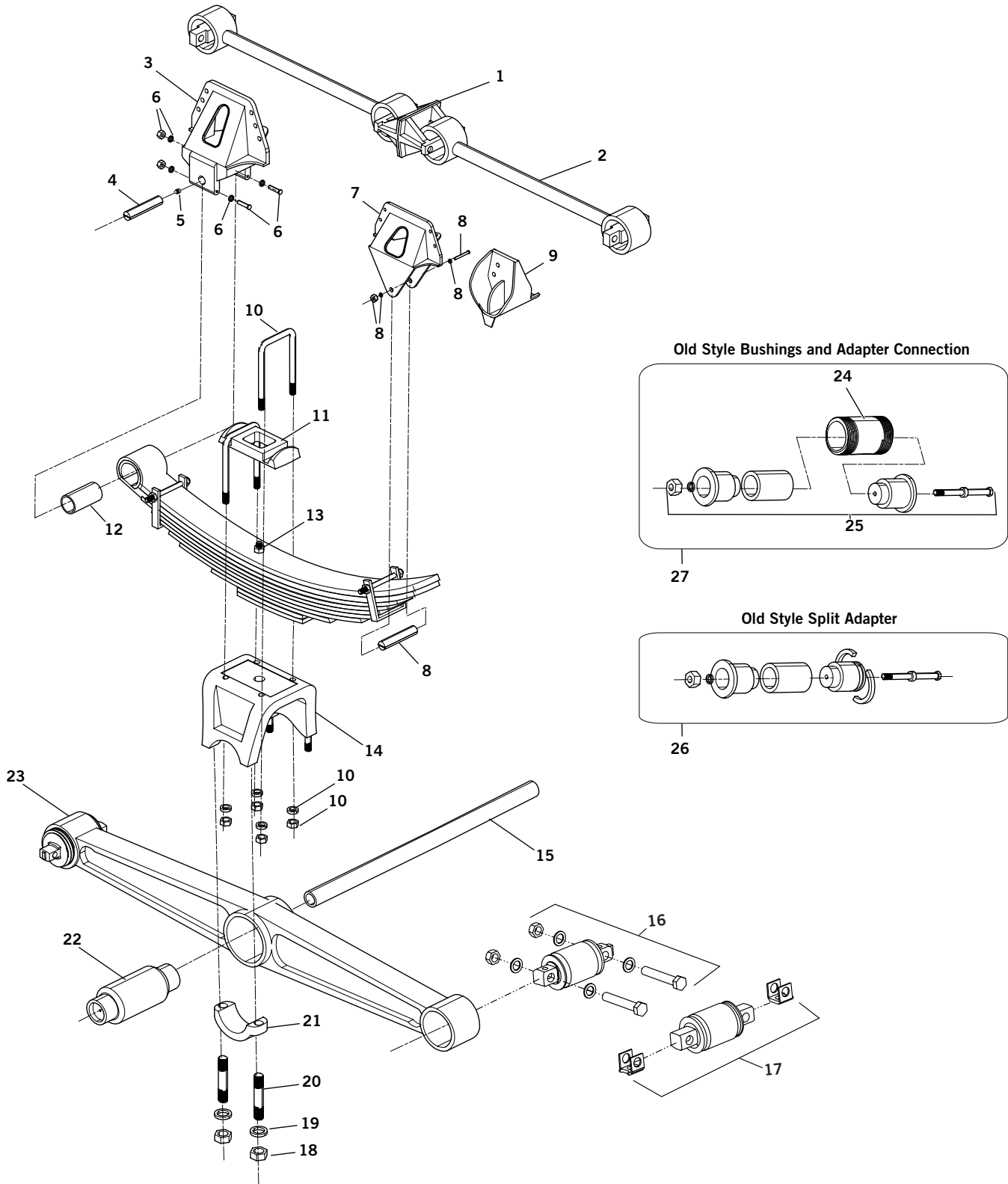
RT/RTE 650/700 Series Tandem Axle Suspension










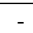

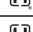
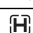

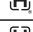
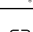



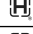
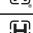


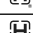

KEY NO.	MERITOR NO.	GENUINE	OEM REF.	CASTING NO.	DESCRIPTION	QTY. PER TANDEM	PAGE NO.
1	S.O.S.		46549-003	46548	#1 Spring Hanger, Double Lock Pin	2	-
	S.O.S.		45790-001	45789	#1 Spring Hanger, Double Lock Pin	2	-
2	R301307	-	33117-000	-	Lube Fitting	As Required	147
3	R301818		32277-000	-	Spring Pin, Single Lock Pin/Groove	2	147
	R3012001		45797-000	-	Spring Pin, Double Lock Pin/Groove	2	147
4	R302557		22285-000	-	Spring Eye Bushing Bronze 1 1/2" I.D.	2	147
5	S.O.S.		48625-001	-	Lock Bolt Kit	2	-
6	See Top Pad Bolts		Various	-	Top Pad Bolt, Length Varies By Spring Size	8	?
7	R302573		22962-006	-	Washer, 1"	24	-
8	R301828	-	08017-000	-	Locknut, 1"-14	8	-
9	S.O.S.		19199-000	35431 48491	Top Pad, 8 9/16" Wide	2	-
10	S.O.S.		66662-001	-	Spring Center Bolt, Cut to Length	2	-
11	S.O.S.		19201-002	-	Set Screw	4	-
12	S.O.S.		45792-001	45791	#2 Spring Hanger	2	-
	S.O.S.		46551-003	46550	#2 Spring Hanger	2	-
13	R3015161		29828-033	-	Rebound Bolt & Spacer Assembly	2	-
14	R3015159		31017-004	15784	Saddle Assembly, 7 1/8" Height	2	145
	S.O.S.		31017-069	-	Saddle Assembly, 11 1/8" Height	2	-
	S.O.S.		31017-070	-	Saddle Assembly, 10 1/8" Height	2	-
	S.O.S.		31017-071	-	Saddle Assembly, 9 3/8" Height	2	-
15	R302554		10363-000	-	Rubber End Bushing 6" Long	4	141
	S.O.S.		10364-000	-	Rubber End Bushing 7" Long	4	-
16	R302555		21140-007	-	Beam End Adapter Assembly for 6" Bushing	4	142
	S.O.S.		21140-004	-	Beam End Adapter Assembly for 7" Bushing	4	-
17	R302566		10372-000	-	Optional Beam Hanger Tube	2	142
18	R302567		10371-000	-	Beam Hanger Tube Nut	4	143
19	S.O.S.		15785-000	-	Saddle Cap	4	-
20	S.O.S.		10948-000	-	1"-14 UNS Saddle Cap Stud	8	-
21	S.O.S.		45374-000	-	Bronze Center Bushings Kit Includes Key Nos. 24, 25, 26, 27, 28	1	-
22	S.O.S.		30087-000	-	Lube Fitting	2	-
23	S.O.S.		45261-000	-	Thrust Washer	4	-
24	S.O.S.		31577-000	-	Seal	4	-
25	S.O.S.		25102-000	-	Sleeve	2	-
26	S.O.S.		30240-005	-	Center Bushing, Bronze	2	-
27	R302553		10366-000	-	Center Bushing, Rubber	2	138
28	Various		Various	-	Cross Tube, See Selection Guide	1	144
29	S.O.S.		Various	-	Walking Beam	2	-
30	See Torque Rod Section		Various	-	Longitudinal Torque Rod	2	167
31	See Torque Rod Chart		Various	-	Transverse Torque Rod Bushing	2	167
32	R3015183		46015-000	-	Torque Rod Frame Bracket	2	-


 Denotes Product is Genuine Hendrickson

HENDRICKSON SUSPENSION

U2/UE2-340 Tandem Axle Suspension



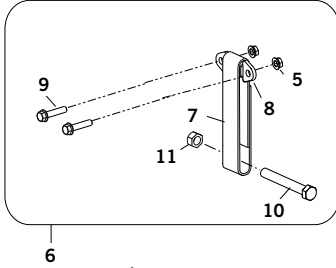
U2/UE2-340 Tandem Axle Suspension							
KEY NO.	MERITOR NO.	GENUINE	OEM REF.	CASTING NO.	DESCRIPTION	QTY. PER TANDEM	PAGE NO.
1	R302634		22186-000	-	Torque Rod Frame Bracket	2	174
2	See Torque Rod Section		-	-	Torque Rod Assembly	2	167
3	See Hanger Section		-	-	#1 Front Spring Hanger, Double Lock Bolt	2	151
4	R303761		43146-000	-	Lock Pin, Double Groove	2	147
5	R301307	-	33117-000	-	Lube Fitting	2	147
6	R309427		29828-035	-	Lock Bolt Assembly	2	-
7	See Hanger Section		-	-	#2 Rear Spring Hanger	2	152
8	R309428		29828-023	-	Rebound Bolt & Spacer Assembly	2	-
9	See Hanger Section		-	-	#3 Spring Hanger, Extended Leaf Spring	2	153
10	R30U8264-083	-	22303-002	-	U-Bolt Assembly, Sq. Bend, 7/8"-14 Thd. x 4" Wide x 8 3/8" Long	4	-
11	R3015093		19281-001	-	Top Pad	2	-
12	R301877		30057-008	-	Spring Eye Bushing	2	147
13	S.O.S.		05069-000	-	Spring Center Bolt	2	-
14	R301851		31017-075	43184	Saddle Assembly, 6 3/16" Height, Includes Key Nos. 18 Thru 21	2	145
	R301852		31017-076	43145	Saddle Assembly, 7 5/16" Height, Includes Key Nos. 18 Thru 21	2	145
15	R301840		44642-008	-	Cross Tube	1	144
16	R309325		34013-087	-	Bar Pin Bushing Kit	4	140
17	R309326		34013-088	-	Bar Pin Bushing Kit, Shim Type	As Required	140
18	R304961A	-	30191-000	-	Locknut, 3/4"-16	8	-
19	R302545	-	22962-001	-	Washer, 3/4"	8	-
20	R302229		23441-004	-	Stud	8	146
21	R301832		19283-002	-	Cap	4	146
22	R301338		06664-000	-	Center Bushing	2	138
	R301594		22279-000	-	Center Bushing with Loose End Plug	2	138
23	S.O.S.		Various	-	Walking Beam Assembly	2	-
24	R301340		06969-000		End Beam Bushing, Old Style	4	141
25	R302372		45000-013		End Beam Adapter, Old Style	4	141
26	R302373		45000-014		End Beam Adapter, Split Flange	4	141
27	R305308		34013-048		End Beam Bushing Kit, Includes Key No. 24, 25	4	140

 Denotes Product is Genuine Hendrickson

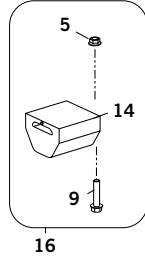
HENDRICKSON SUSPENSION

HAULMAX Rubber Bolster Spring Suspension

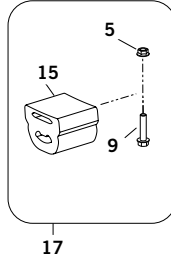
Rebound Rebound Strap Service Kit



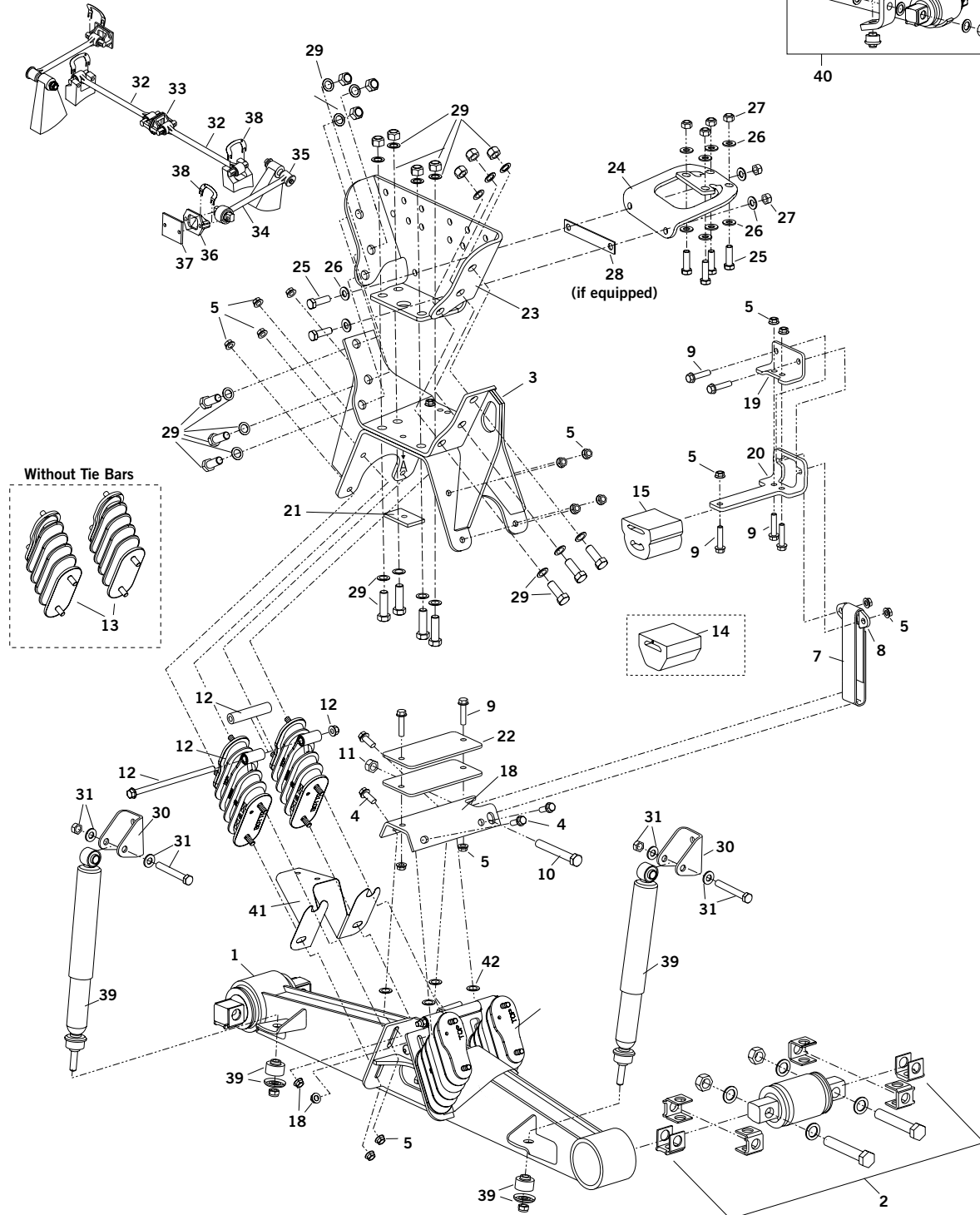
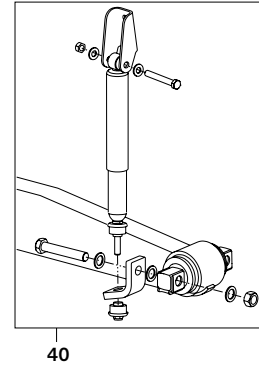
Auxiliary Spring Service Kit



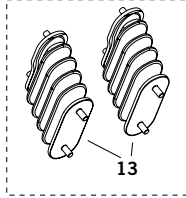
Progressive Load Spring Service Kit







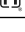


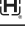

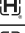
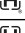
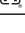



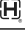

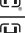





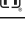



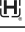
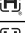
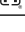

Shock Retro-Fit Kit



Without Tie Bars



TRANSVERSE TORQUE RODS MUST BE USED WITH THIS SUSPENSION

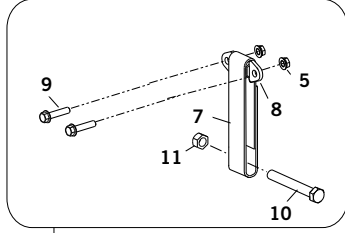
HAULMAX Rubber Bolster Spring Suspension						
KEY NO.	MERITOR NO.	GENUINE	OEM REF.	DESCRIPTION	QTY. PER TANDEM	PAGE NO.
1	R3016353		64846-001	Equalizing Beam Assembly 54" With Shock Bracket	2	184
	S.O.S.		Various	Equalizing Beam Assembly Specify Length and With or With Out Shock Bracket	2	-
2	R309326		34013-088	Bar Pin Bushing Kit, Shim Type	4	140
	R3014725		34013-188	Bar Pin Bushing Kit, Rotating Bushing, Shim Type	4	140
3	S.O.S.		Various	Saddle Assembly	2	-
4	S.O.S.	-	60818-001	Flange Bolt 1/2"-13 X 1 1/2" Long	As Required	-
5	R3016354	-	60819-000	Flange Lock Nut 1/2"-13	As Required	-
6	R3015168		64179-028	Rebound Strap Service Kit, Includes Key Nos. 5, 7, 8, 9, 10 & 11	As Required	183
7	R3013986		57878-003	Rebound Strap	2	183
8	R3015167		60612-000	Rebound Clip	2	184
9	R3015189	-	60818-002	Flange Bolt 1/2"-13 X 2 1/4" Long	As Required	-
10	R3015188	-	21867-007	Hex Bolt 3/4"-16 UNF X 6" Long	2	-
11	R304961A	-	30191-000	Lock Nut 3/4"-16 UNF	2	-
12	R3014807		64179-048	Tire-Bar Bolster Spring Service Kit, Includes Key No. 41	4	182
13	R3016356		64179-049	Bolster Spring w/o Tire-Bar Service Kit, Includes Key No. 41	4	182
14	R3014047		60314-000	Auxiliary Load Spring For Vehicles Built Before 07/15/14	4	182
15	R3014896		67778-000	Progressive Load Spring For Vehicles Built After 07/15/14	4	182
16	R3014534		64179-004	Auxiliary Spring Service Kit For Vehicles Built Before 07/15/14, Includes Key Nos 5, 9, 14. One Side	2	-
17	R3016357		60961-747	Progressive Load Spring Service Kit For Vehicles Built After 07/15/14, Includes Key Nos. 5, 9, 15. Tandem Set	1	182
18	S.O.S.		57974-046	Contact Plate Kit, Includes Fasteners, One Side	2	-
19	S.O.S.		60613-000	Rebound Support Angle	2	-
20	S.O.S.		59384-000	Auxiliary Spring Bracket	2	-
21	S.O.S.		60874-000	Auxiliary Spring Spacer	2	-
22	R3015155		60791-000	Auxiliary Spring Shim - 0.25"	6	183
23	S.O.S.		Various	Outboard Frame Bracket	2	-
24	S.O.S.		Various	Inboard Frame Bracket	2	-
25	S.O.S.	-	32043-004	Hex Bolt 5/8"-11 X 2 1/4" Long	12	-
26	R302547	-	22962-004	Hardened Washer 5/8"	24	-
27	R302988	-	47764-000	Lock Nut 5/8"-11	12	-
28	S.O.S.		Various	Inboard Spacer (If Equipped)	2	-
29	R3016355		64179-039	Outboard Frame Bracket to Saddle Assembly Fastener Kit	2	185
30	S.O.S.		60304-000	Upper Shock Bracket (if equipped)	4	-
31	R305277	-	49176-001	Bolt Assembly 5/8"-18 x 4 1/2" Long, Includes Bolt, Nut, Washers	4	
32	See Torque Rod Section		Various	Ultra Rod Longitudinal Torque Rod Straddle/Straddle Assembly	2	167
33	R305275		47691-000	Ultra Rod Straddle Bushing	4	174
34	See Torque Rod Section		62350-000	Ultra Rod Transverse Torque Rod Straddle/Taper Assembly	2	167
35	R3010309		64697-000H	Ultra Rod Taper Bushing	2	163
36	R302634		22186-000	Transverse Rod Frame Bracket	2	174
37	R3015153		45045-003	Back-up Plate (for Torque Rod)	2	-
38	R305281		49689-000	Torque Rod Shim	As Required	169

 Denotes Product is Genuine Hendrickson

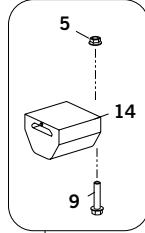
HENDRICKSON SUSPENSION

HAULMAX Rubber Bolster Spring Suspension

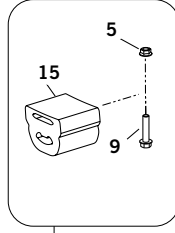
Rebound Rebound Strap Service Kit



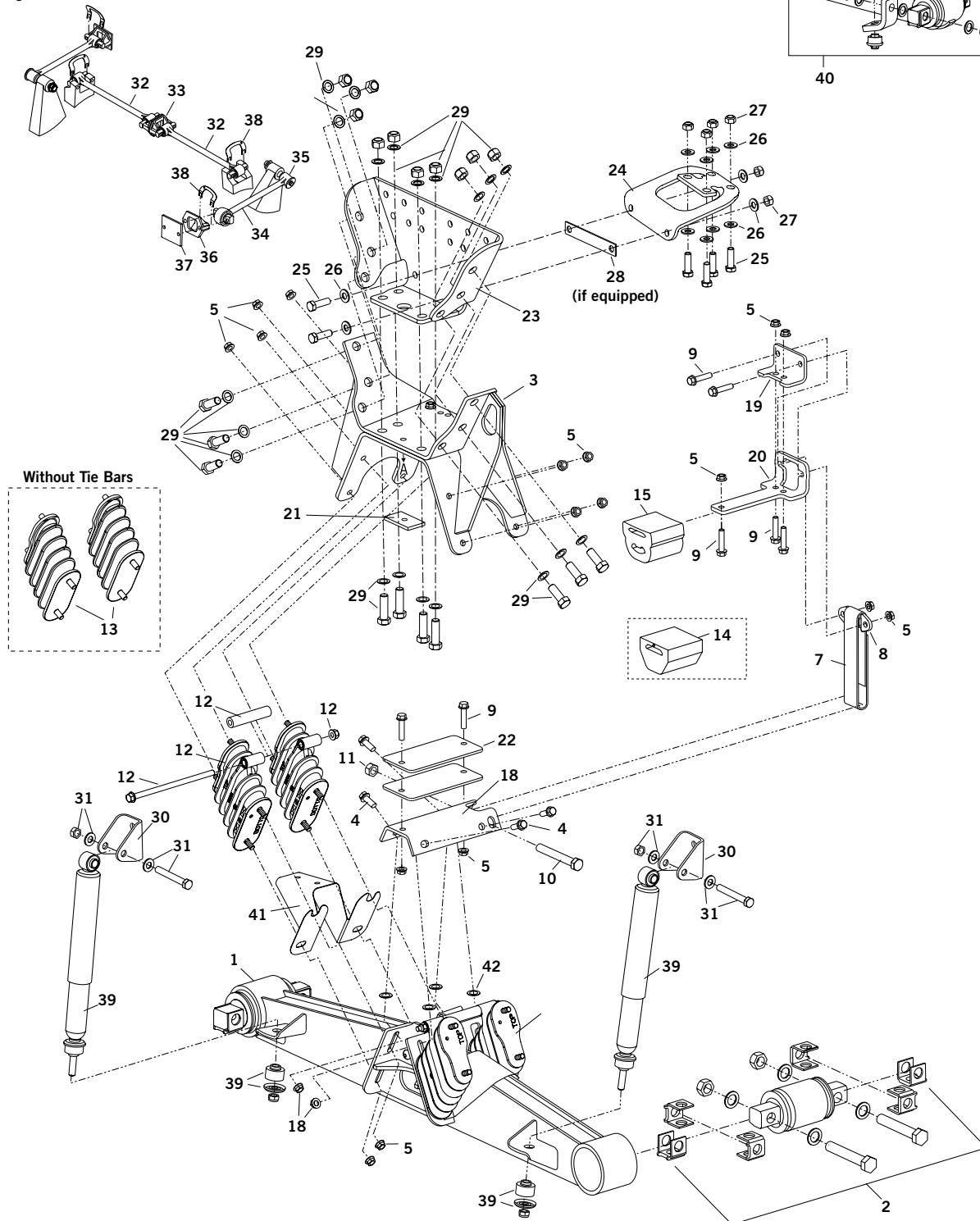
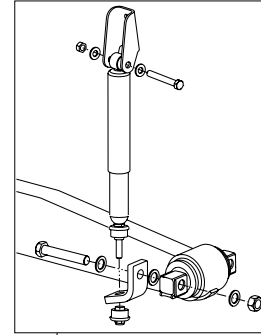
Auxiliary Spring Service Kit



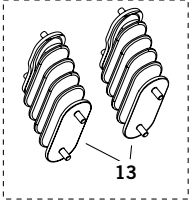
Progressive Load Spring Service Kit








Shock Retro-Fit Kit




Without Tie Bars



TRANSVERSE TORQUE RODS MUST BE USED WITH THIS SUSPENSION

HAULMAAX Rubber Bolster Spring Suspension						
KEY NO.	MERITOR NO.	GENUINE	DEM REF.	DESCRIPTION	QTY. PER TANDEM	PAGE NO.
39	M83143	-	60680-004	Shock Absorber Assembly, 16 1/2" Saddle Ht.	4	-
	M83142	-	60680-005	Shock Absorber Assembly, 17 1/2" & 18 1/2" Saddle Ht.	4	-
40	S.O.S.		64178-003	Aftermarket Shock Absorber Service Kit, Tandem Set 16 1/2" Saddle Height Includes Shock, Brackets and Hardware	1	-
	S.O.S.		64178-004	Aftermarket Shock Absorber Service Kit, Tandem Set 17 1/2" & 18 1/2" Saddle Height Includes Shock, Brackets and Hardware	1	-
	S.O.S.		64178-009	Aftermarket Shock Absorber Service Kit, Tandem Set 16 1/2" Saddle Height - Mack Only Includes Shock, Brackets and Hardware	1	--
41	R3014535		64890-000 60498-001 60498-002	Wear Plate, Also Included in Bolster Spring Service Kit, Key No. 12 and 13	2	184
42	S.O.S.		22962-014	Contact Plate Spacer - Required for Vehicles Built Prior to 11/07	8	

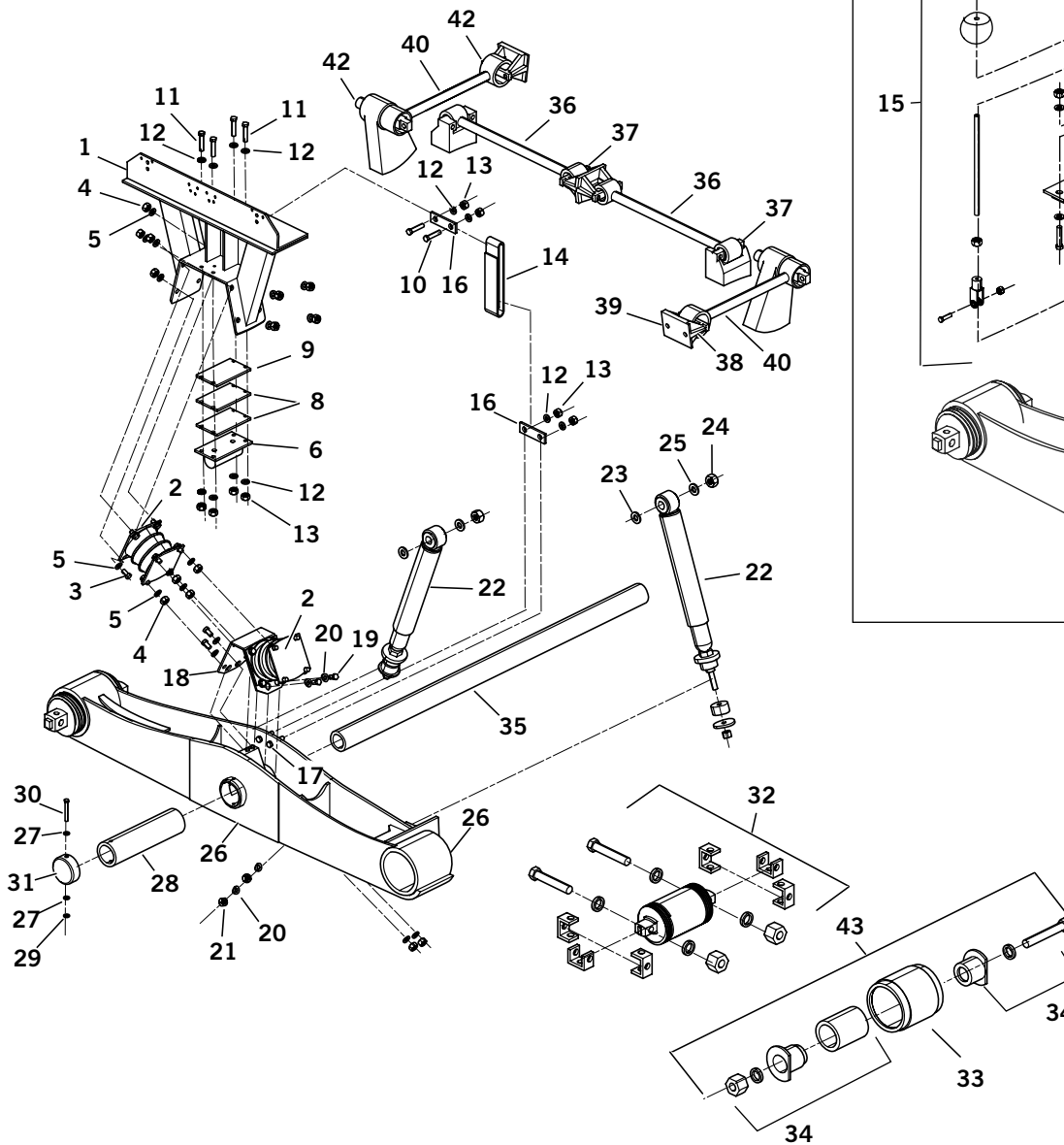
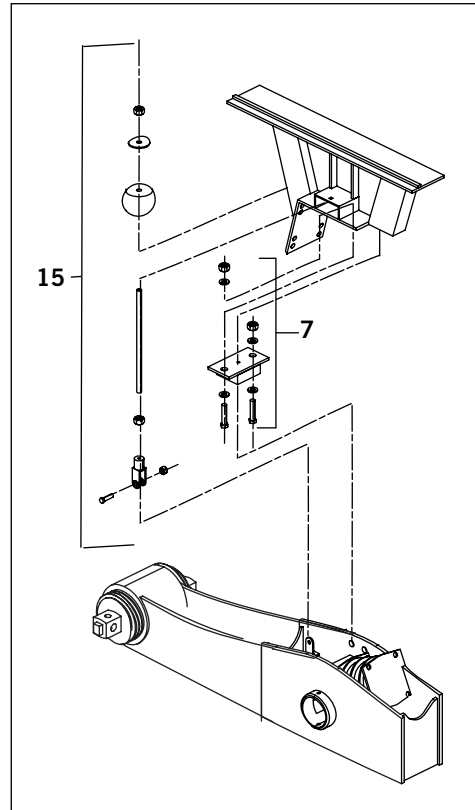
 Denotes Product is Genuine Hendrickson

TRANSVERSE TORQUE RODS MUST BE USED WITH THIS SUSPENSION

HENDRICKSON SUSPENSION

HN 400 - 460 Rubber Bolster Spring Built Between 11/88 & 9/97

Rebound Bumper Stop For
Vehicles Manufactured
Prior to February 1996




TRANSVERSE TORQUE RODS MUST BE USED WITH THIS SUSPENSION

HENDRICKSON SUSPENSION

Suspension

HN 400 - 460 Rubber Bolster Spring Built Between 11/88 & 9/97

KEY NO.	MERITOR NO.	GENUINE	OEM REF.	DESCRIPTION	VEHICLE BUILD DATES		PAGE NO.
					BEFORE 02/96	03/96 - 09/97	
1	S.O.S.		58223-0XX	Saddle Assembly	2	X	-
2	S.O.S.		64718-000	Bolster Spring set of 2, Vehicles Manufactured Before 02/96	2	-	-
	R3011496		60879-000	Bolster Spring set of 2, Vehicles Manufactured After 03/96	-	2	182
-	R3016398	-	-	Bolster Spring Fastener Kit For One Bolster Spring, Includes Key Nos. 3, 4, 5	4	4	182
3	R3015191	-	25114-011	Bolt, 7/16"-20 X 1 1/4" Long	32	32	-
4	R3016336	-	48949-000	Locknut, 7/16" 1-20 UNF	32	32	176
5	R3016399	-	22962-027	Washer, 7/16"	64	64	-
6	S.O.S.		57962-000	Auxiliary Spring Assembly	-	2	-
7	R309417		49399-000	Rebound Rubber Stop Kit Vehicle Manufactured Before 02/96	2	-	184
8	R3015165		57993-002	Auxiliary Spring Shim	-	4	183
9	S.O.S.		57993-003	Auxiliary Spring Shim	-	6	-
10	S.O.S.	-	24531-018	Bolt, 1/2"-13 X 2 3/4" Long	-	4	-
11	S.O.S.	-	24531-019	Bolt, 1/2"-13 X 1 3/4" Long	-	8	-
12	S.O.S.	-	22962-014	Washer, 1/2"	-	40	-
13	R3016402	-	49846-000	Locknut, 1/2"-13	-	16	-
14	R3013986		57878-003	Rebound Strap	-	2	183
15	R309414		49768-000	Rebound Control Kit - Vehicle Manufactured Before 02/96	2	-	184
16	S.O.S.		57787-000	Anchor Plate	-	2	-
17	S.O.S.	-	24531-017	Bolt, 1/2"-13 X 2 1/4" Long	-	4	-
18	R3016401		57461-000	Saddle Vee Bracket	-	2	184
-	S.O.S.		58440-001	Vee Plate Fastener Kit, includes Key Nos. 19, 20, 21	-	1	-
19	S.O.S.	-	50764-006	Bolt, 3/4"-10 X 2" Long	-	8	-
20	R302545	-	22962-001	Washer, 3/4"	-	16	-
21	R304347	-	49842-000	Locknut, 3/4" -10	-	8	-
22	M83109	-	60680-002	Shock Absorber - Vehicle Manufactured Before 02/96	4	-	-
	M83112	-	60680-003	Shock Absorber - Vehicle Manufactured After 03/96	-	4	-
23	R302545	-	22962-001	Washer, 3/4"	4	4	-
24	R301943	-	30585-000	Locknut, 5/8"	4	4	-
25	R302547	-	22962-004	Washer, 5/8"	4	4	-
26	S.O.S.		Various	Equalizing Beam Assembly (Specify Length and Model Year)	2	2	-
27	S.O.S.	-	22962-028	Washer, 1/4"	4	4	-
28	R309411		49972-000	Nylon Center Bushing	2	2	185
29	S.O.S.	-	49983-000	Locknut, 1/4"-20	2	2	-
30	S.O.S.	-	50698-000	Bolt, 1/4"-20 X 4 1/2" Long	2	2	-
31	R309413		56910-000	Center End Cap	2	2	185
32	R309325		34013-087	Bar Pin Bushing Kit, Non-Shim Type (Includes Mounting Hrdw)	4	4	140
	R309326		34013-088	Bar Pin Bushing Kit, Shim Type (Includes Mounting Hrdw & Shims)	4	4	140
-	R309327		50130-000	Bar Pin Shim .19/.19	As Required	As Required	-
-	R309328		50131-000	Bar Pin Shim.25/.12	As Required	As Required	140
33	R301341A		45900-000	End Beam Bushing, Old Style	4	-	141

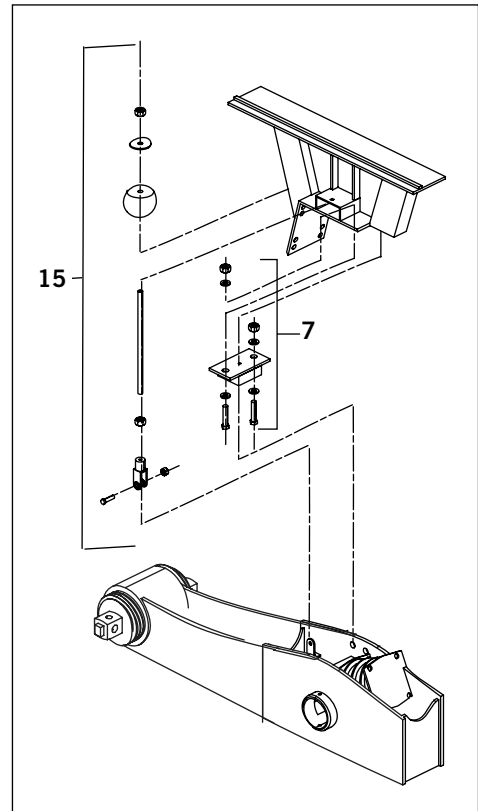
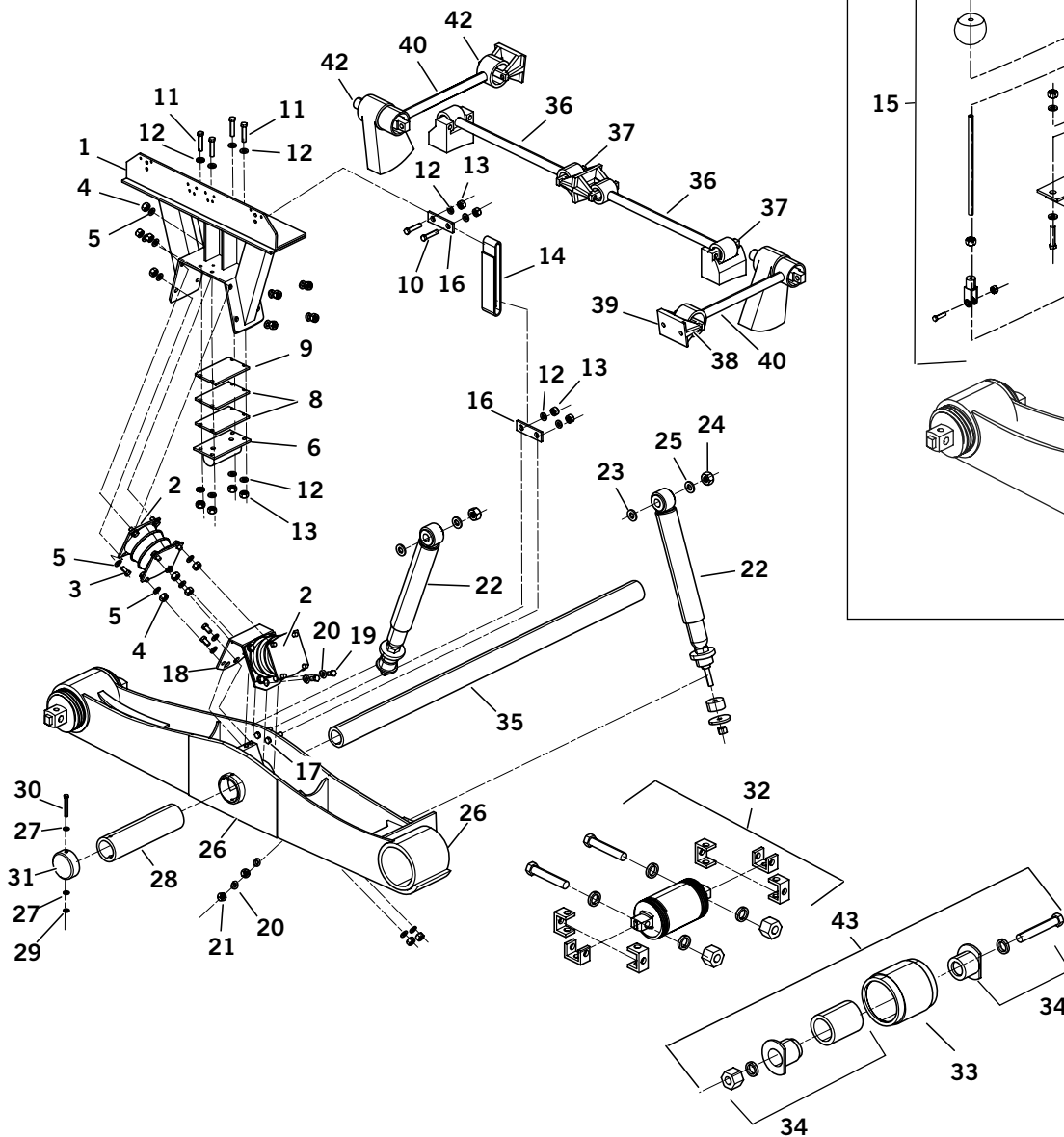
 Denotes Product is Genuine Hendrickson

TRANSVERSE TORQUE RODS MUST BE USED WITH THIS SUSPENSION

HENDRICKSON SUSPENSION

HN 400 - 460 Rubber Bolster Spring Built Between 11/88 & 9/97

**Rebound Bumper Stop For
Vehicles Manufactured
Prior to February 1996**
















TRANSVERSE TORQUE RODS MUST BE USED WITH THIS SUSPENSION

HENDRICKSON SUSPENSION

Suspension

HN 400 - 460 Rubber Bolster Spring Built Between 11/88 & 9/97

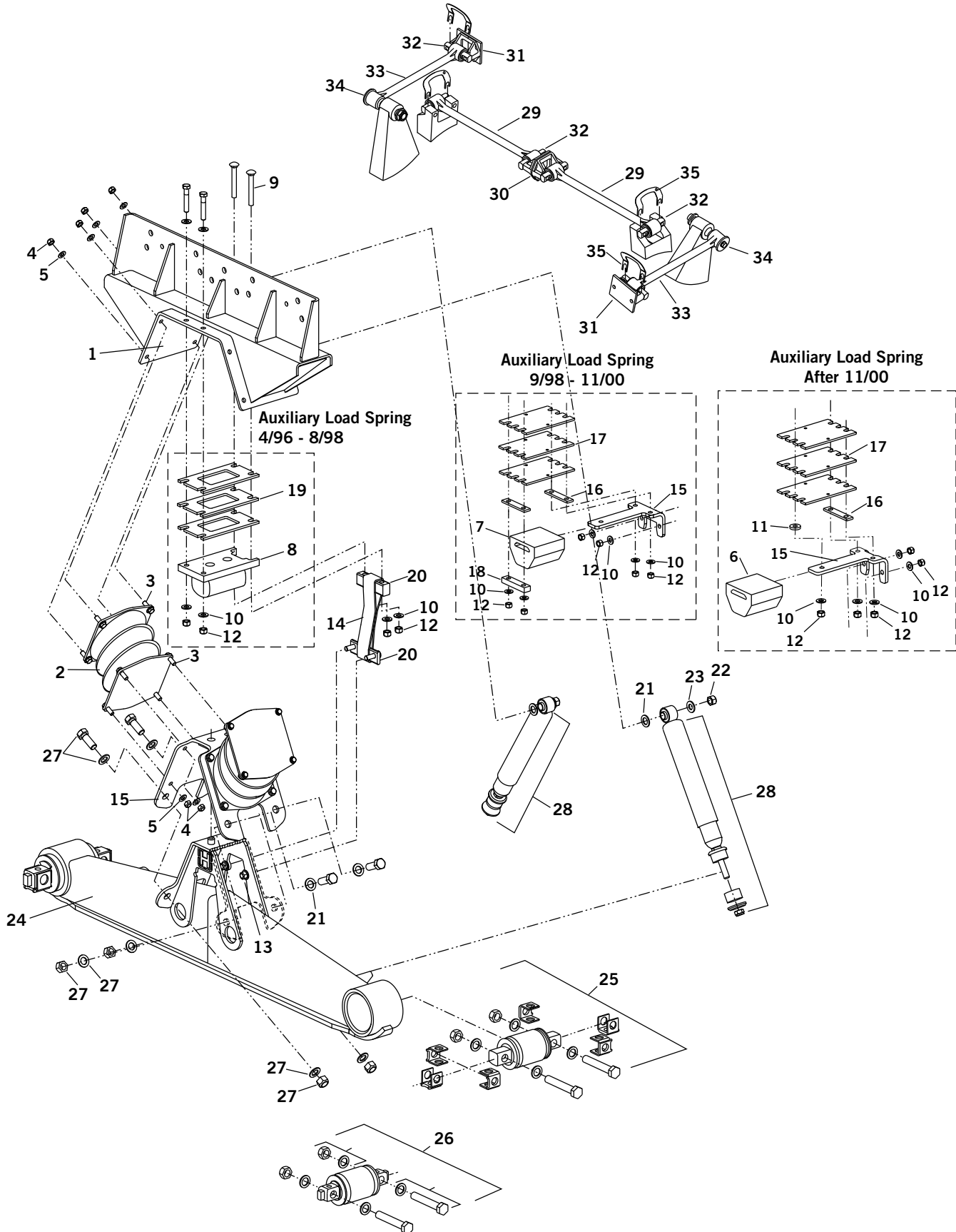
KEY NO.	MERITOR NO.	GENUINE	OEM REF.	DESCRIPTION	VEHICLE BUILD DATES		PAGE NO.
					BEFORE 02/96	03/96 - 09/97	
34	R309420		21140-034	End Beam Adapter, Old Style, 46K	4		141
	R302374		45000-007	End Beam Adapter, Old Style, 40K	4		141
35	R309412		44643-011	Cross Tube	1	1	144
36	R3013989		60218-000	Two Piece ULTRA ROD Longitudinal Torque Rod Straddle/Straddle Kit	2	2	165
37	R305275		47691-000	ULTRA ROD Straddle Bushing	4	4	169
38	R302634		22186-000	Torque Rod Frame Bracket	4	4	174
39	R3015153		45045-003	Backup Plate	2	2	-
40	R3013988		60215-000	Two Piece ULTRA ROD Transverse Torque Rod Straddle/Taper Kit	2	2	165
41	R305275		47691-000	ULTRA ROD Straddle Bushing	2	2	169
42	R3010309		64697-000	ULTRA ROD Taper Bushing	2	2	163
43	R305309		34013-049	End Beam Bushing and Adapter Kit - 40K	4	4	140
	R309576		34013-073	End Beam Bushing and Adapter Kit - 46K	4	4	140

 Denotes Product is Genuine Hendrickson

TRANSVERSE TORQUE RODS MUST BE USED WITH THIS SUSPENSION

HENDRICKSON SUSPENSION

Hendrickson HN-402/462/522 & HN-FR
Rubber Bolster Spring Built Between 4/96 & 11/00



TRANSVERSE TORQUE RODS MUST BE USED WITH THIS SUSPENSION

HENDRICKSON SUSPENSION

Suspension

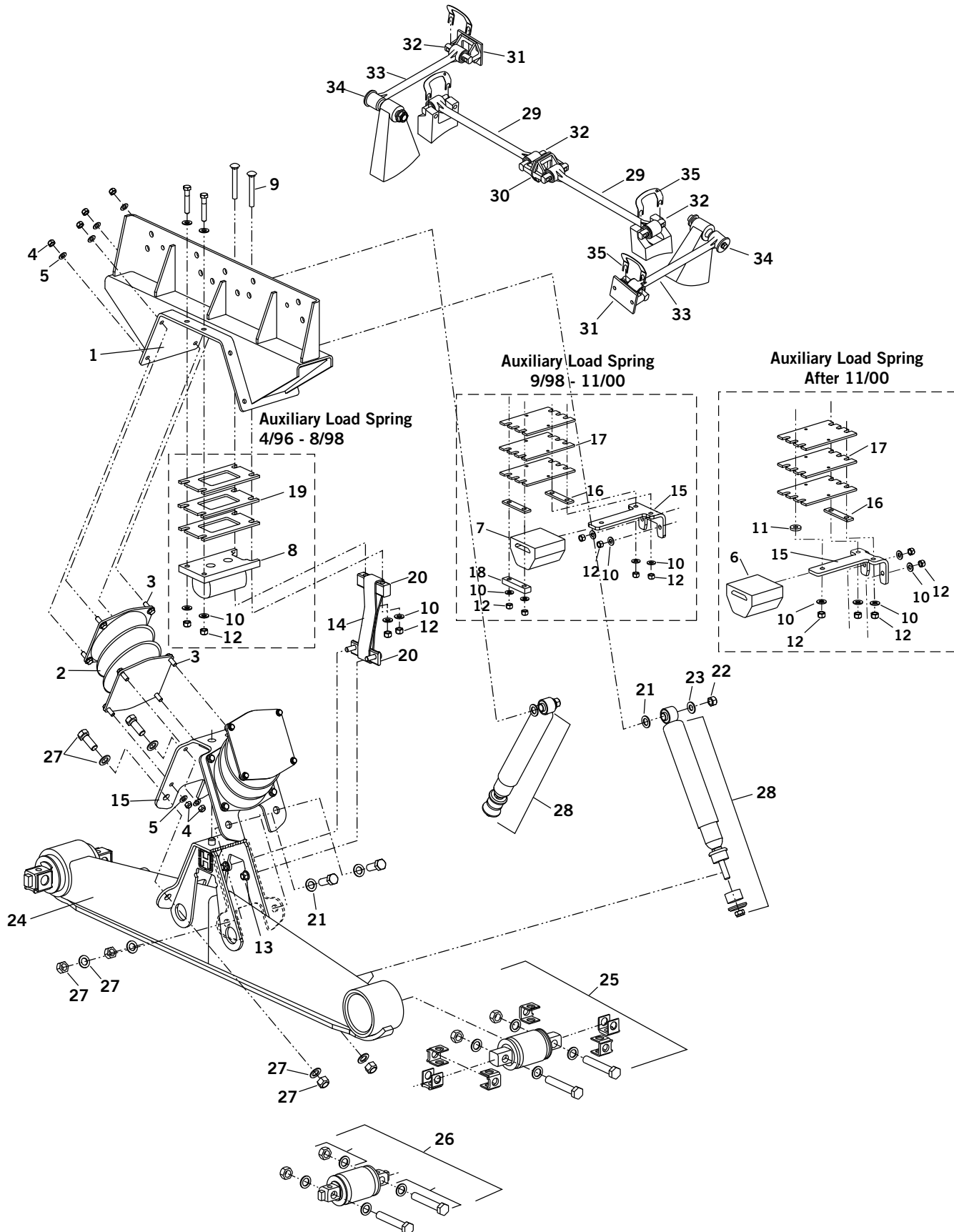
Hendrickson HN-402/462/522 & HN-FR Rubber Bolster Spring Built Between 4/96 & 11/00

KEY NO.	MERITOR NO.	GENUINE	OEM REF.	DESCRIPTION	QTY. PER TANDEM				PAGE NO.
					HN 402/462/522 VEHICLE BUILD DATE				
					4/96 - 8/98	9/98 - 11/00	AFTER 11/00	HN-FR	
1	S.O.S.		Various	HN-402/462/522 Saddle Assembly	2	2	2	2	-
2	R3011496		60879-000	Bolster Spring Service Kit, 1 Pair for One Side (Must be replaced in pairs)	2	2	2	2	182
-	R3016398	-	-	Bolster Spring Fastener Kit For One Bolster Spring, Includes Key Nos. 3, 4, 5	4	4	4	4	182
3	R3015191	-	25114-011	7/16"-20-1.25" Bolt	32	32	32	32	-
4	R3016336	-	48949-000	7/16"-20 Locknut	32	32	32	32	-
5	R3016399	-	22962-027	7/16" Washer	64	64	64	64	-
6	R3014047		60314-000	Auxiliary Load Spring, 3 3/8" High	-	-	2	2	182
7	S.O.S.		58947-000	Auxiliary Load Spring, 2 1/8" High	-	2	-	2	-
8	R3015164		58189-000	Auxiliary Load Spring, no longer available, use conversion kit R3015164	2	-	-	-	182
9	S.O.S.		58196-006	1/2"-13 x 2.75" Round Head Square Neck Bolt	-	-	6	6	-
	S.O.S.		58196-004	1/2" -13 x 2.25" Round Head Bolt	-	4	-	-	-
	S.O.S.		24531-016	1/2" - 13 x 3.50" Hex Head Bolt	-	4	-	-	-
	S.O.S.		58196-002	1/2" - 13 x 3.50" Round Head Bolt	4	-	-	-	-
	S.O.S.		24531-017	1/2"-13 x 2.25" Hex Head Bolt	4	-	-	-	-
10	R309603	-	22962-011	1/2" Washer	16	12	6	6	-
11	S.O.S.		22962-020	Outboard Spacer (0.250" thick)	-	-	2	2	-
12	R3016402		49846-000	1/2"-13 Locknut	6	6	6	6	-
13	R3015176		58343-001	Saddle Vee Bracket	2	2	2	2	184
14	R3013986		57878-003	Rebound Strap	2	2	2	2	183
15	R3015171		58948-001 58948-000	Auxiliary Load Spring Mounting Plate - 1/4" thick	-	2	2	2	183
16	R3015172		58949-000	Auxiliary Spring Mounting Plate Shim	-	4	2	2	183
17	R3015173		58960-003	Auxiliary Spring Mounting Shim	-	-	6	6	183
18	R3015166		58524-000	7/8" Rebound Strap Mounting Plate	-	6	-	-	184
19	R3015165		57993-002	Auxiliary Spring Mounting Shim	6	-	-	-	183
20	R3016400		60639-000	Anchor Plate Assembly includes anchor plate 1/2" washer 1/2" lock nut	4	4	4	4	183
21	R302545	-	22962-001	Washer, 3/4"	4	4	4	4	-
22	R301943	-	30585-000	Locknut, 5/8" -18	4	4	4	4	-
23	R302547	-	22962-004	Washer, 5/8"	4	4	4	4	-
24	S.O.S.		Various	Equalizing Beam Assembly, specify model, length, bushing type & production date	2	2	2	2	-
25	R309326		34013-088	Bar Pin Bushing Service Kit, Shim Type (includes mounting hrdw & shims)	4	4	4	4	140
	R3014725		34013-188	Bar Pin Bushing Service Kit, Rotating & Shim Type (includes mounting hrdw & shims)	4	4	4	4	140
-	R309327		50130-000	Bar Pin Shim .19/.19	As Required				140
-	R309328		50131-000	Bar Pin Shim.25/.12	As Required				140
26	R309325		34013-087	Bar Pin Bushing Service Kit, Non-Shim Type (Includes Mounting Hrdw)	4	4	4	4	140
27	S.O.S.		58440-001	Vee Plate Fastener Service Kit (includes 3/4" bolt,nut and washer)	2	2	2	2	-
28	M83112	-	60680-003	Shock Absorber	4	4	4	4	-

Denotes Product is Genuine Hendrickson

HENDRICKSON SUSPENSION

Hendrickson HN-402/462/522 & HN-FR
Rubber Bolster Spring Built Between 4/96 & 11/00



TRANSVERSE TORQUE RODS MUST BE USED WITH THIS SUSPENSION

Hendrickson HN-402/462/522 & HN-FR Rubber Bolster Spring Built Between 4/96 & 11/00

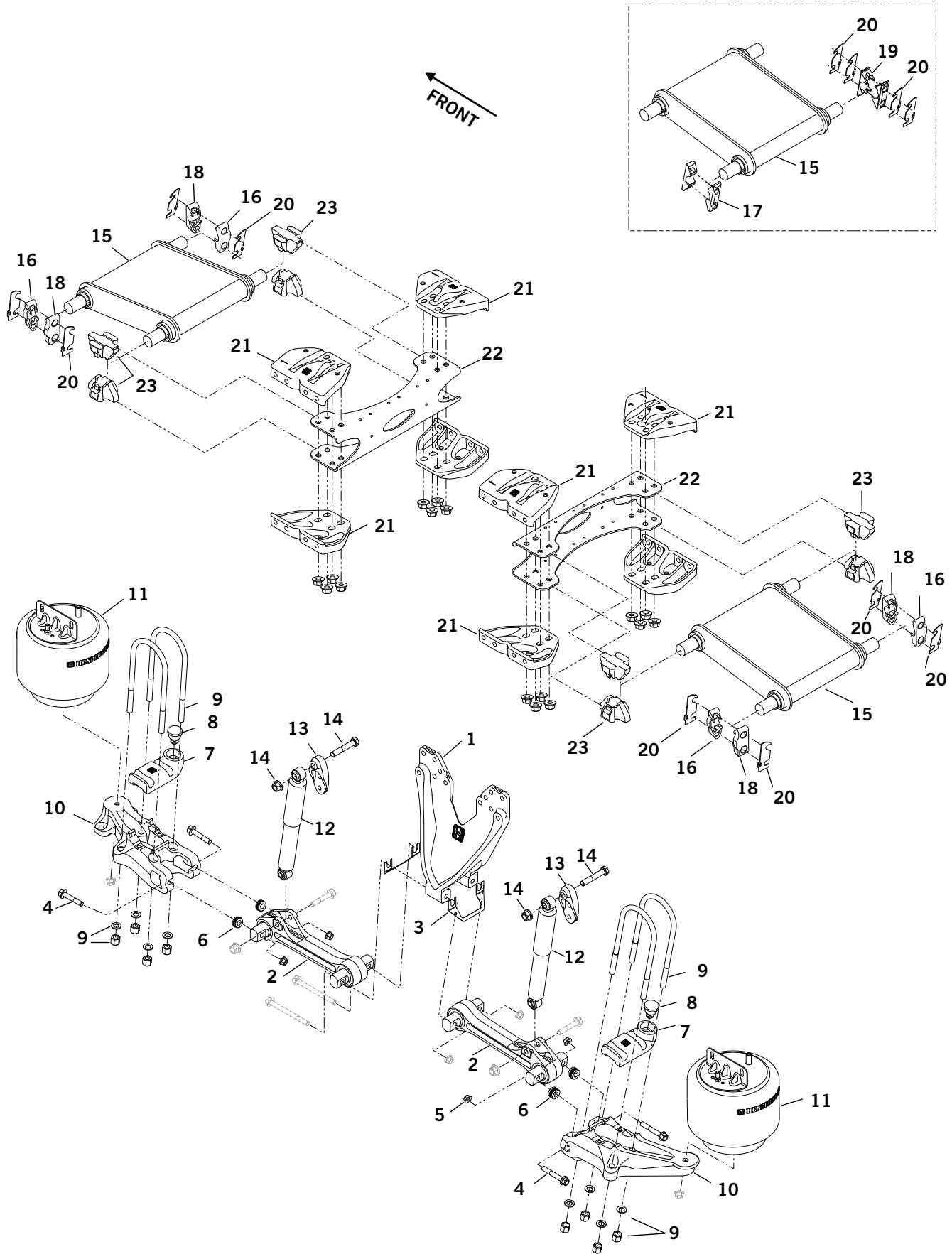
KEY NO.	MERITOR NO.	GENUINE	OEM REF.	DESCRIPTION	QTY. PER TANDEM				PAGE NO.
					HN 402/462/522 VEHICLE BUILD DATE				
					4/96 - 8/98	9/98 - 11/00	AFTER 11/00	HN-FR	
29	R3013989	☒	60218-000	Torque Rod Kit, ULTRA ROD, Two Straddle Mount Bushing, 27" Max Length	2	2	2	2	165
	S.O.S.	☒	60223-000	Torque Rod Kit, ULTRA ROD, Two Straddle Mount Bushing, 35" Max Length	-	-	-	2	-
30	R302634	☒	22186-000	Transverse Rod Frame Bracket, 4 3/8" Holes Center-to-Center	2	2	2	2	174
	R3015183	☒	46015-000	Transverse Rod Frame Bracket, 5 1/4" Holes Center-to-Center	-	-	-	2	-
31	R3015153	☒	45045-003	Back Up Plate, 4 3/8" Holes Center-to-Center	2	2	2	2	-
	S.O.S.	☒	46869-005	Back Up Plate, 5 1/4" Holes Center-to-Center	-	-	-	2	-
32	R305275	☒	47691-000	ULTRA ROD Straddle Bushing	2	2	2	2	174
33	R3013988	☒	60215-000	Transverse Torque Rod Kit, ULTRA ROD, Straddle and Tapered Bushings	2	2	2	2	165
34	R3010309	☒	64697-000	ULTRA ROD Tapered Bushing	-	-	-	2	163
35	R305281	☒	49689-000	Torque Rod Shim	As Required				174

☒ Denotes Product is Genuine Hendrickson

TRANSVERSE TORQUE RODS MUST BE USED WITH THIS SUSPENSION

HENDRICKSON SUSPENSION

HTB 400LT For International



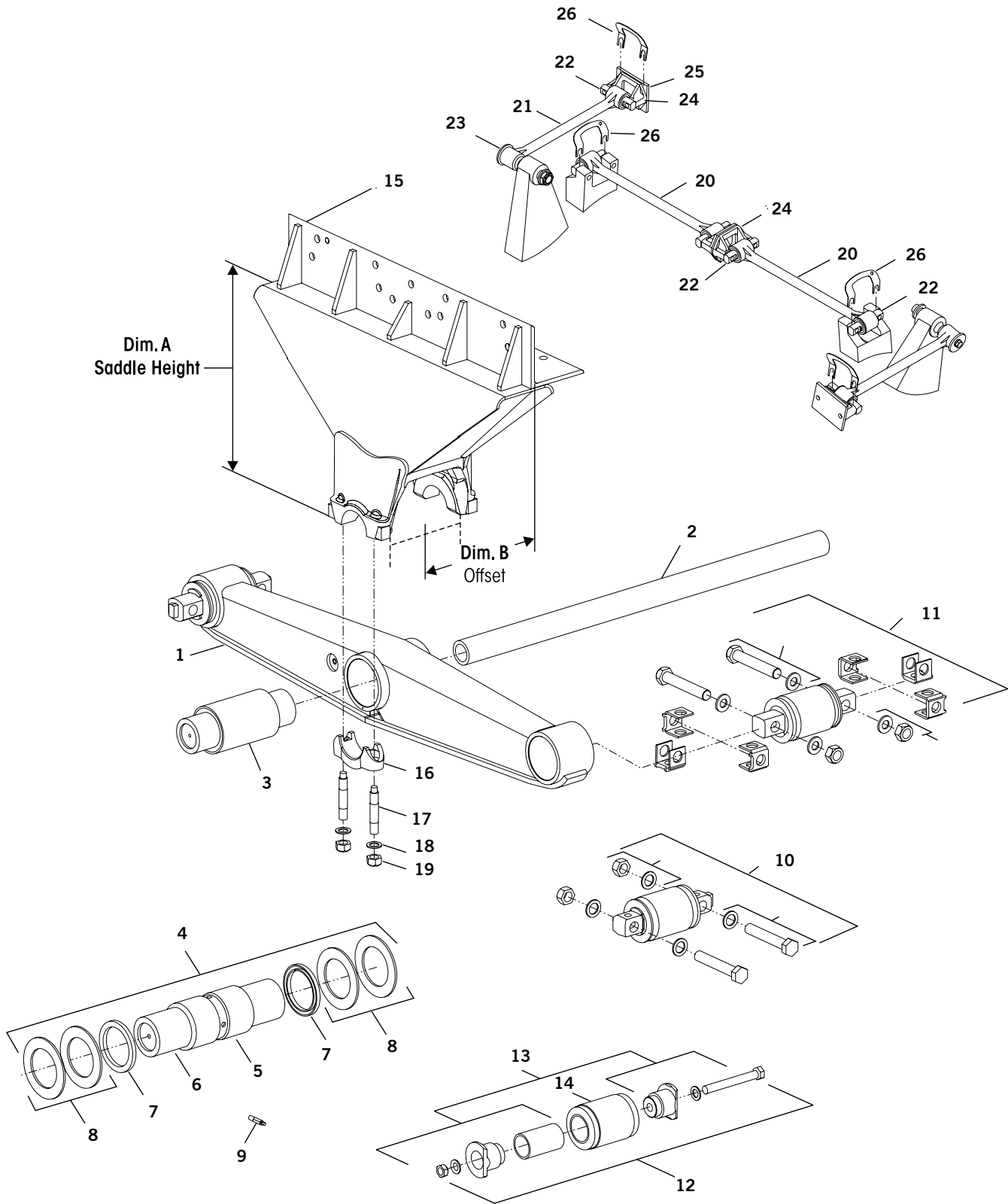
HTB 400LT For International						
KEY NO.	MERITOR NO.	GENUINE	OEM REF.	DESCRIPTION	QTY. PER TANDEM	PAGE NO.
1	S.O.S.	☒	65700-000	Frame Hanger	2	-
2	R3016364	☒	77906-398	Torque Rod Assembly; New Style. Non-replaceable Bushings; Replaces 64768-398	4	186
	-	☒	64768-398	Torque Rod Assembly; Old Style w/ Replaceable Bushings	4	-
3	S.O.S.	☒	65640-001	.030" Torque Rod Shims	As Required	-
	S.O.S.	☒	65640-002	.060" Torque Rod Shims	As Required	-
	S.O.S.	☒	65640-003	.120" Torque Rod Shims	As Required	-
4	S.O.S.	☒	Various	5/8"- 11 Torque Rod Flange Bolt (See Chart Below)	8	-
5	R308911	-	66637-000	5/8"- 11 Torque Rod Flange Locknut	8	-
6	S.O.S.	☒	Various	Pinion Spacer (See Chart Below)	8	-
7	S.O.S.	☒	65708-000	Axle Top Pad Assembly; Includes Key No. 8	4	-
8	R3015148	☒	64080-000	Axle Stop	4	186
9	S.O.S.	☒	48718-116	U-bolt Assembly Incl. Nuts, Washers	4	-
10	S.O.S.	☒	Various	Lower Air Spring Bracket (See Chart Below)	2	-
11	S.O.S.	☒	66643-002	Air Spring Assembly; Replaces 60977-002L	4	-
12	M85102	-	60657-008	Shock Absorber - All Models	4	-
			60657-006			
			60657-010			
			60657-011			
13	R3015177	☒	67463-002	Shock Absorber Frame Bracket; Replaces 65000-002	4	194
14	S.O.S.	☒	50754-022	Upper Shock Mount Fastener Kit, One Shock	4	-
15	R3016366	☒	64785-007B	Torque Box Assembly; Replaces 64785-001, 64785-002B	2	186
16	S.O.S.	☒	67157-001	Axle Bracket Bar Pin Clamp LH; Vehicles Built After 10/07	4	-
17	S.O.S.	☒	66174-000	Axle Bracket Bar Pin Clamp Non-Adjustable; Vehicles Built prior to 10/07	4	-
18	S.O.S.	☒	67157-002	Axle Bracket Bar Pin Clamp RH; Vehicles Built After 10/07	4	-
19	S.O.S.	☒	66274-000	Axle Bracket Bar Pin Clamp Adjustable; Vehicles Built prior to 10/07	4	-
20	S.O.S.	☒	67237-001	Axle Bracket Spacer (3/32") Vehicles Built After 10/07	8	-
	S.O.S.	☒	65737-001	Axle Bracket Spacer (3/32") Vehicles Built prior to 10/07	8	-
21	S.O.S.	☒	65705-001	Cross Member Gusset LH Top; RH Bottom	4	-
	S.O.S.	☒	65705-002	Cross Member Gusset LH Bottom; RH Top	4	-
22	S.O.S.	☒	67478-000	Cross Member C-Channel; Replaces 64970-000	2	-
23	S.O.S.	☒	65144-000	Cross Member Bar Pin Clamp	8	-











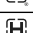







☒ Denotes Product is Genuine Hendrickson


HTB LT PINION ANGLE CHART							
		KEY NO. 10		KEY NO. 6		KEY NO. 4	
		HENDRICKSON AIR SPRING BRACKET		HENDRICKSON PINION SPACER		HENDRICKSON TORQUE ROD	
		PART NO.		PART NO.		FLANGE BOLT	
	PINION ANGLE	LEFT HAND	RIGHT HAND	THICKNESS	PART NO.	LENGTH	PART NO.
FRONT	2°	-	-	None	None	3½"	66636-004
	3°	65638-001	65638-002	8 mm	66193-001	4"	66636-003
	4°	-	-	16 mm	66193-002	-	-
	5°	-	-	24 mm	66193-003	4½"	66636-002
REAR	8°	-	-	24 mm	66193-003	4½"	66636-002
	9°	65698-001	65698-002	16 mm	66193-002	4"	66636-003
	10°	-	-	8 mm	66193-001	-	-
REAR	11°	-	-	24 mm	66193-003	4½"	66636-002
	12°	64764-001	64764-002	16 mm	66193-002	-	-
	13°	-	-	8 mm	66193-001	4"	66636-003

HENDRICKSON SUSPENSION

R400/460/480/520 Series Tandem Axle Suspension

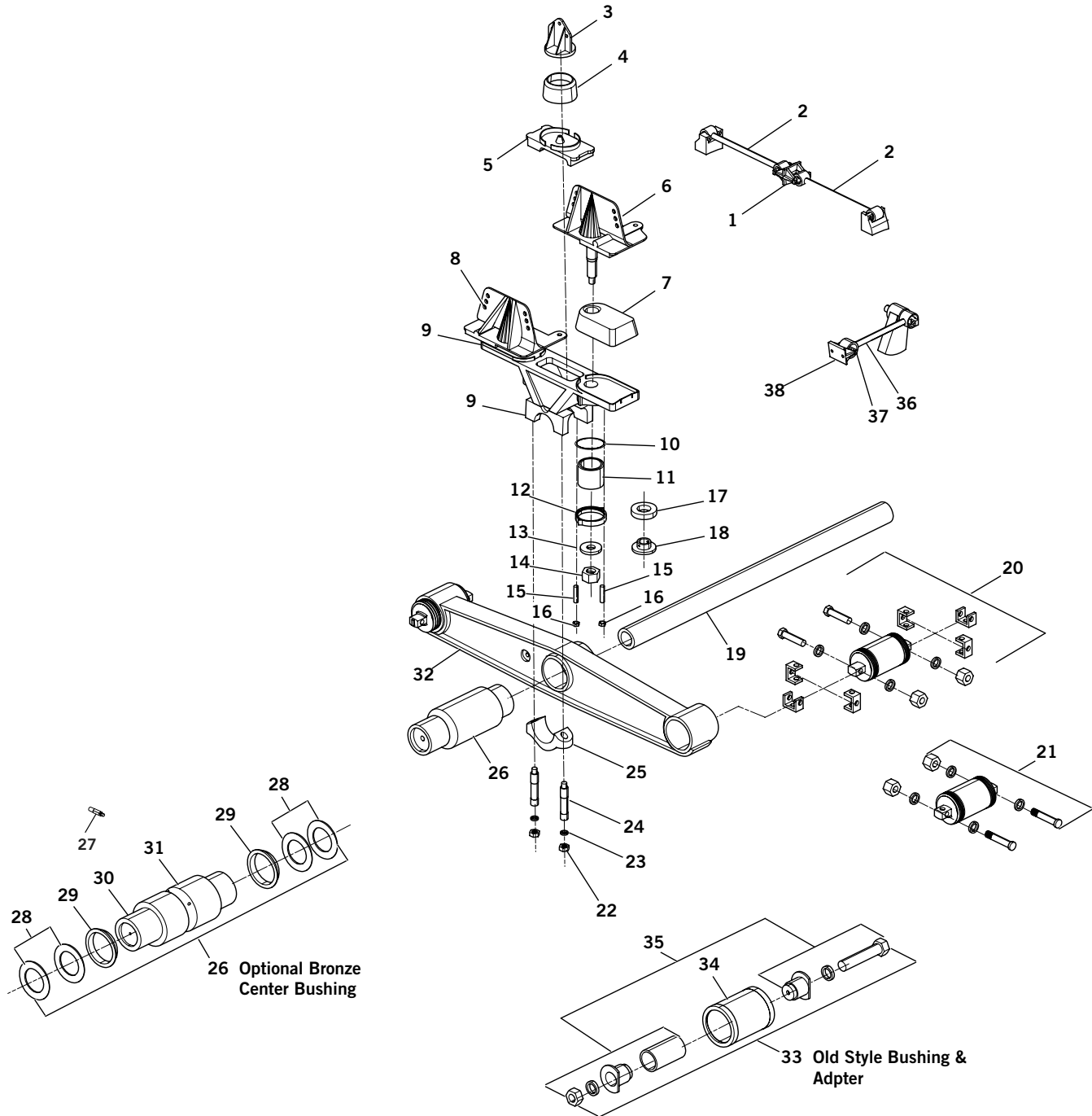


R400/460/480/520 Series Tandem Axle Suspension						
KEY NO.	MERITOR NO.	GENUINE	OEM REF.	DESCRIPTION	VEHICLE TANDEM	PAGE NO.
1	S.O.S.		Various	Equalizing Beam Assembly	2	-
2	R301842		44643-009	Cross Tube, 44 7/8" Length used on 400/460/480 Series.	1	144
	R309426		07622-003	Cross Tube, 46" Length used on 520 Series.	1	144
3	R306979		49400-000	Rubber Center Bushing R400/460 Series with Welded End Plug	2	138
	R306980		49600-000	Rubber Center Bushing R400/460 Series with Loose End Plug	2	138
	R309359		29483-005	Rubber Center Bushing R480/520 Series with Welded End Plug	2	138
	R3016416		34013-097	Rubber Center Bushing R480/520 Series with Loose End Plug	2	138
4	R301546		30437-000	Bronze Center Bushing Service Kit For Two Beams, Includes Key Nos. 5-9	2	139
5	R301552		30240-002	Bronze Center Bushing	2	139
6	R301551		14685-000	Beam Center Sleeve	2	139
7	R301553		30334-000	Beam Center Seal	4	139
8	R302021		32365-000	Thrust Washer	8	139
9	S.O.S.		30087-000	Grease Fitting	2	-
10	R309325		34013-087	Bar Pin Bushing Kit, Non-Shim Type	4	140
11	R309326		34013-088	Bar Pin Bushing Kit, Shim Type	4	140
	R3014725		34013-188	Bar Pin Bushing Kit, Rotating Shim Type	4	140
12	R305309		34013-049	Rubber End Bushing and Adapter Service Kit, R400	4	140
	R309576		34013-073	Rubber End Bushing and Adapter Service Kit, R460	4	140
	R309577		34013-050	Rubber End Bushing and Adapter Service Kit, R480	4	140
	S.O.S.		34013-051	Rubber End Bushing and Adapter Service Kit, R520	4	-
13	R302374		45000-007	Adapter w/o Bushing Service Kit, R400 Series	4	141
	R309420		21140-034	Adapter w/o Bushing Service Kit, R460/480/520 Series For 5 3/4" Long Bushing	4	141
	R309421		21140-033	Adapter w/o Bushing Service Kit, R520 Series For 6" Long Bushing	4	141
14	R301341A		45900-000	Rubber End Bushing, R400/460 Series	4	141
	R302771		29878-001	Rubber End Bushing, R480/520 Series 5 3/4" Long Bushing	4	141
	R309419		45407-000	Rubber End Bushing, R520 Series 6" Long Bushing	4	141
15	S.O.S.		Various	Saddle Assembly	2	-
16	R301833A		58795-000	Saddle Cap	4	146
17	R301830		06696-000	7/8"-14 UNF Saddle Cap Stud	8	146
18	R301834	-	22962-002	Washer, 7/8" Hardened	8	-
19	R301835	-	04842-000	Locknut, 7/8"-14 UNF Saddle Cap	8	-
20	R3013989		60218-000	Two-Piece ULTRA ROD Assembly with Bushings Straddle/Straddle	2	165
21	R3013988		60215-000	Two-Piece ULTRA ROD Assembly with Bushings Straddle/Taper	2	165
22	R305275		47691-000	Ultra Rod Straddle Bushing	4	174
23	R3010309		64697-000H	Ultra Rod Taper Bushing	2	163
24	R302634		22186-000	Torque Rod Bracket	4	-
25	R3015153		45045-003	Torque Rod Back-up Plate	2	-
26	R305281		49689-000	Torque Rod Shim	As Required	174








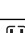
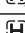
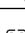
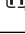


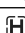





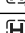





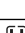
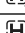









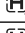
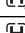
 Denotes Product is Genuine Hendrickson


HENDRICKSON SUSPENSION

RS 340/400/460/480/520 Series Tandem Axle Suspension



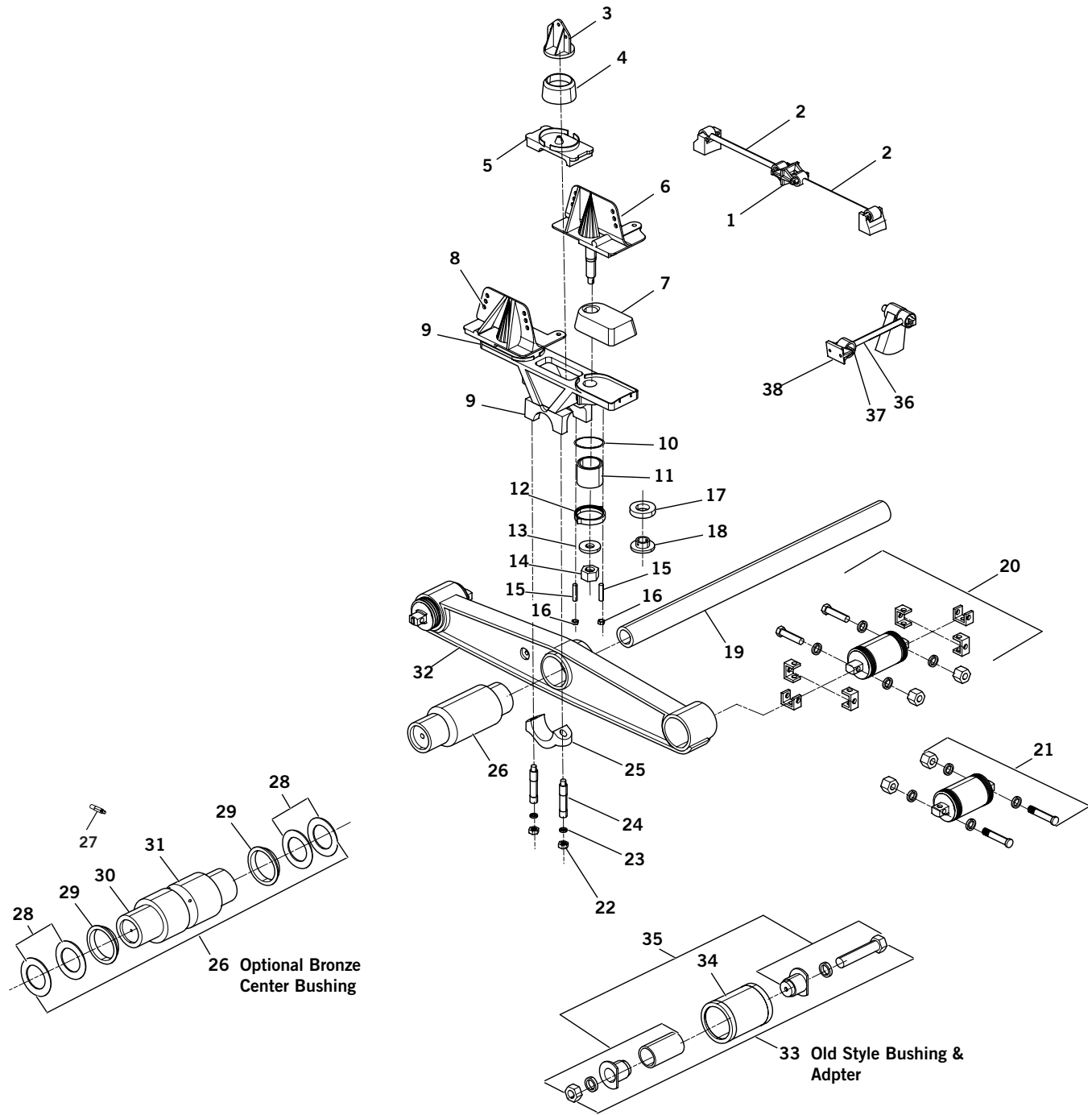
RS 340/400/460/480/520 Series Tandem Axle Suspension

KEY NO.	MERITOR NO.	GENUINE	OEM REF.	DESCRIPTION	QTY. PER TANDEM	COMP. PAGE
1	R302634		22186-000	Frame Bracket, Torque Rod RS340/400/460/480/520	2	174
2	See Chart		Various	Torque Rod Assembly, See Torque Rod Section	2	167
3	R307617		48523-001	Frame Hanger, 34" Frame Width RS340/400/460/480/520	2	-
	R307619		48525-001	Frame Hanger, 34 1/2" Frame Width RS480/520	2	-
4	R302232		24209-000	Heavy-Duty Load Cushion RS-340/400/460/480/520	2	
5	R302604		20781-000	Saddle Plate RS340/400/460/480/520	2	
6	See Chart		Various	Frame Hanger, Left Hand Front/Right Hand Rear, See Hanger Section, Includes Key Nos. 13, 14	2	150
7	R301598A		48973-000	Load Cushion, 60 Durometer, Discontinued used R301960	4	159
	R301960		26953-000	Load Cushion, 70 Durometer	4	159
8	S.O.S.		Various	Frame Hanger, Right Hand Front/Left Hand Rear, See Hanger Section, Includes Key Nos. 13, 14	2	-
9	S.O.S.		Various	Saddle Assembly, Call Tech Support with Casting No. and Height. Includes Key Nos. 10,11,12,15,16,22,23,24,25	2	-
10	R309418		50780-000	Saddle Bushing Ring	4	159
11	R301940		19279-000	Bushing	4	159
12	R301941		05917-000	Cap	4	159
13	R301945		08536-000	Washer	4	159
14	R301946		25151-000	Nut, 1 1/2" - 12	4	159
15	R301942		19111-001	5/8"-18, 5/8"-11 Bushing Cap Stud	8	159
16	R301943	-	19114-000	Nut, 5/8"-18	8	-
17	R302233		30208-000	Rebound Bumper	As Required	160
18	R307620		30251-000	Stop Nut	As Required	160
19	R301842		44643-009	Cross Tube, 44 7/8"	1	144
	R309426		07622-003	Cross Tube, 46"	1	144
20	R309325		34013-087	Bar Pin Bushing Kit, Non-Shim Type	4	140
21	R309326		34013-088	Bar Pin Bushing Kit, Shim Type	4	140
22	R301835	-	04842-000	7/8"-14 Saddle Cap Locknut	8	-
23	R301834	-	22962-002	7/8" Hardened Washer	8	-
24	R301947		09030-000	7/8"-14, 7/8"-9 Saddle Cap Stud	8	146
25	R301833A		48545-000	Saddle Cap	4	146
26	R301338		6664-000	Rubber Center Bushing Welded End Plug, RS340	2	138
	R301594		22279-000	Rubber Center Bushing Loose End Plug, RS340	2	138
	R306979		49400-000	Rubber Center Bushing Welded End Plug, RS400/460	2	138
	R306980		49600-000	Rubber Center Bushing Loose End Plug, RS400/460	2	138
	R309359		29483-005	Rubber Center Bushing Welded End Plug, RS460/480/520 Extreme Duty Transverse Rods Required	2	138
	R301545		30436-000	Bronze Center Bushing Kit, RS340	2	139
	R301546		30437-000	Bronze Center Bushing Kit Includes Key Nos. 27 to 31, RS400/460/480/520	2	139
27	S.O.S.		30087-000	Lube Fitting	2	-
28	R302021		32365-000	Thrust Washer	As Required	139
29	R301553		30334-000	Seal	4	139
30	R301551		14685-000	Beam Center Sleeve	2	139
31	R301552		30240-002	Bronze Bushing	2	139
32	S.O.S.		Various	Walking Beam	2	-




 Denotes Product is Genuine Hendrickson


HENDRICKSON SUSPENSION

RS 340/400/460/480/520 Series Tandem Axle Suspension



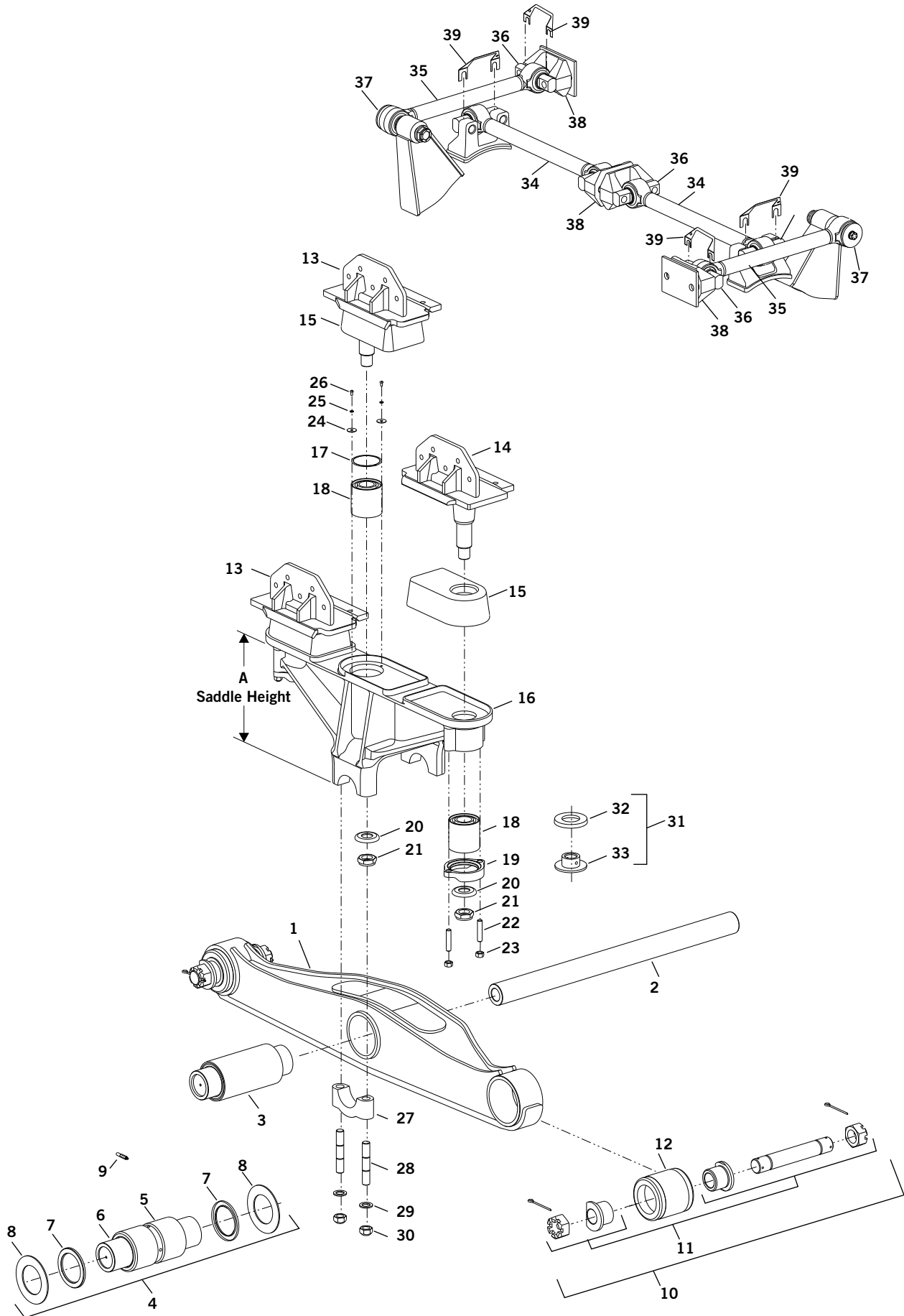
RS 340/400/460/480/520 Series Tandem Axle Suspension











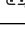





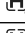









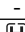
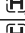
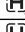
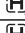
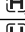
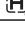
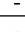



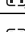


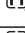
KEY NO.	MERITOR NO.	GENUINE	OEM REF.	DESCRIPTION	QTY. PER TANDEM	COMP. PAGE
33	R305308		34013-048	End Beam Bushing Kit, RS340. Includes Key Nos. 34,35	4	140
	R305309		34013-049	End Beam Bushing Kit, RS400. Includes Key Nos. 34,35	4	140
	R309576		34013-073	End Beam Bushing Kit, RS460. Includes Key Nos. 34,35	4	140
	R309577		34013-050	End Beam Bushing Kit, RS480 / 520 Includes Key Nos. 34,35	4	140
34	R301340		06969-000	End Beam Bushing, Old Style, RS340	4	141
	R301341A		45900-000	End Beam Bushing, Old Style, RS460	4	141
	R302771		29878-001	End Beam Bushing, Old Style, RS480	4	141
	R309419		45407-000	End Beam Bushing, Old Style, RS520	4	141
35	R302372		45000-013	End Beam Adapter, Old Style, RS340	4	141
	R302374		45000-007	End Beam Adapter, Old Style, RS400	4	141
	R309420		21140-034	End Beam Adapter, Old Style, RS460	4	141
	R309421		21140-033	End Beam Adapter, Old Style, RS520	4	141
36	R3013988		60215-000	Two-Piece Transverse Torque Rod Kit, Includes Bushings	2	165
37	R302634		22186-000	Transverse Rod Frame Bracket	2	174
38	R3015153		45045-003	Torque Rod Back Up Plate	2	-


 Denotes Product is Genuine Hendrickson

HENDRICKSON SUSPENSION

RS 650 Series Tandem Axle Suspension

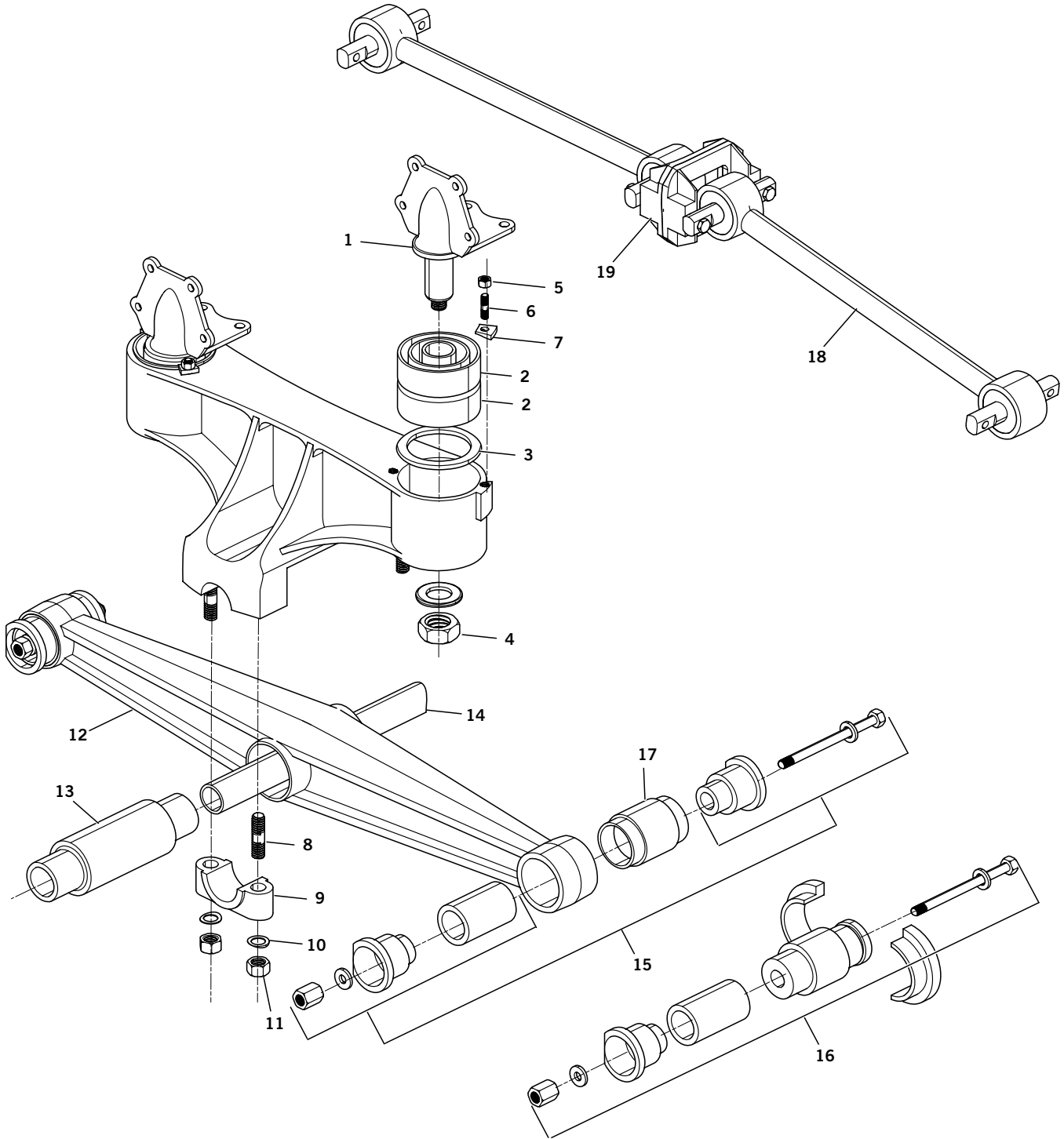


RS 650 Series Tandem Axle Suspension						
KEY NO.	MERITOR NO.	GENU-INE	OEM REF.	DESCRIPTION	QTY. PER TANDEM	PAGE NO.
1	S.O.S.		Various	Equalizing Beam Assembly See Selection Guide	2	-
2	See Chart		10397-XXX	Cross Tube, See Selection Guide	1	144
3	R302553		10366-000	Rubber Center Bushing	2	138
4	S.O.S.		45374-000	Bronze Center Bushing Service Kit, Includes Key Nos. 5-9	1	-
5	S.O.S.		30240-005	Bronze Center Bushing	2	-
6	S.O.S.		25102-000	Beam Center Sleeve	2	-
7	S.O.S.		31577-000	Beam Center Seal	4	-
8	S.O.S.		45261-000	Thrust Washer	4	-
9	S.O.S.		30087-000	Grease Fitting	2	-
10	S.O.S.		34013-052	Rubber End Bushing and Adapter Service Kit, Tandem Set for 6" Bushing, Includes Key Nos. 11, 12	1	-
	S.O.S.		34013-110	Rubber End Bushing and Adapter Service Kit, Tandem Set for 7" Bushing, Includes Key Nos. 11, 12	1	-
11	R302555		21140-007	End Bushing Adapter Service Kit, 6" Length	4	142
	S.O.S.		21140-004	End Bushing Adapter Service Kit, 7" Length	4	-
12	R302554		10363-000	End Bushing 6" Length	4	141
	S.O.S.		10364-000	End Bushing 7" Length	4	-
13	See Charts		Various	Frame Hanger, Includes Key Nos. 20-21, See Selection Guide LH Front/RH Rear	2	150
14	See Charts		Various	Frame Hanger, Includes Key Nos. 20-21, See Selection Guide RH Front/RH Rear	2	150
15	R301960		26953-000	Load Cushion, 70 Durometer	6	159
16	S.O.S.		Various	Saddle Assembly, Includes Key Nos. 17,18,19,22-30	2	-
17	S.O.S.		22586-000	Saddle Bearing Ring	2	-
-	S.O.S.		34013-232	Single Vertical Drive Bushing Service Kit, Includes Key Nos. 18-23	-	-
18	R301940		19279-000	Vertical Drive Bushing	6	159
19	R301941		05917-000	Vertical Drive Bushing Cap	4	159
20	R301945		08536-000	1½" Concave Washer	6	159
21	R301946		25151-000	Lock Nut, 1½"-12	6	159
22	S.O.S.		19111-004	Drive Bushing Cap Stud, 5/8"-18	8	-
23	R301943	-	19114-000	Locknut,5/8"-18	8	-
24	S.O.S.		17487-000	Drive Bushing Retainer Washer	4	-
25	S.O.S.		17497-001	Drive Bushing Retainer Lock Washer	4	-
26	S.O.S.		17860-003	Drive Bushing Retainer Lock Screw	4	-
27	S.O.S.		15785-000	Saddle Cap	4	-
28	S.O.S.		10948-000	Stud, 1"-14 Saddle Cap	8	-
29	R302975	-	22962-008	Washer, 1" Saddle Cap	8	-
30	R301828	-	08017-000	Lock Nut, 1"-14	8	-
31	S.O.S.		31005-001	Optional Rebound Control Stop Nut Service Kit, Includes Key Nos. 32-33	2	-
32	R302233		30208-000	Rebound Bumper	4	160
33	R307620		30251-000	Stop Nut	4	160
34	-		Various	One-piece Longitudinal Torque Rod Assembly, Straddle/Straddle, P/N Stamped on Rod Call Tech Support, Ultra Rod Plus Includes Key No. 36	2	167
35	-		Various	One-piece Transverse Torque Rod Assembly, Straddle/Taper, P/N Stamped on Rod Call Tech Support. Ultra Rod Plus includes Key Nos. 36, 37. XTRB Includes Key Nos. 36, 37	2	167
36	R3013971		64400-003	Straddle Bushing, Ultra Rod Plus	6	163
	R3014642		66649-003	Straddle Bushing, XTRB	6	164
37	R3013972		64400-006	Taper Bushing, Ultra Rod Plus	2	163
	R3014643		66649-004	Taper Bushing, XTRB	2	164
38	R3015183		46015-000	Torque Rod Bracket	4	-
39	S.O.S.		67779-002	Torque Rod Shim	As Req.	-

 Denotes Product is Genuine Hendrickson

HENDRICKSON SUSPENSION

SR 340/380 Tandem Axle Suspension

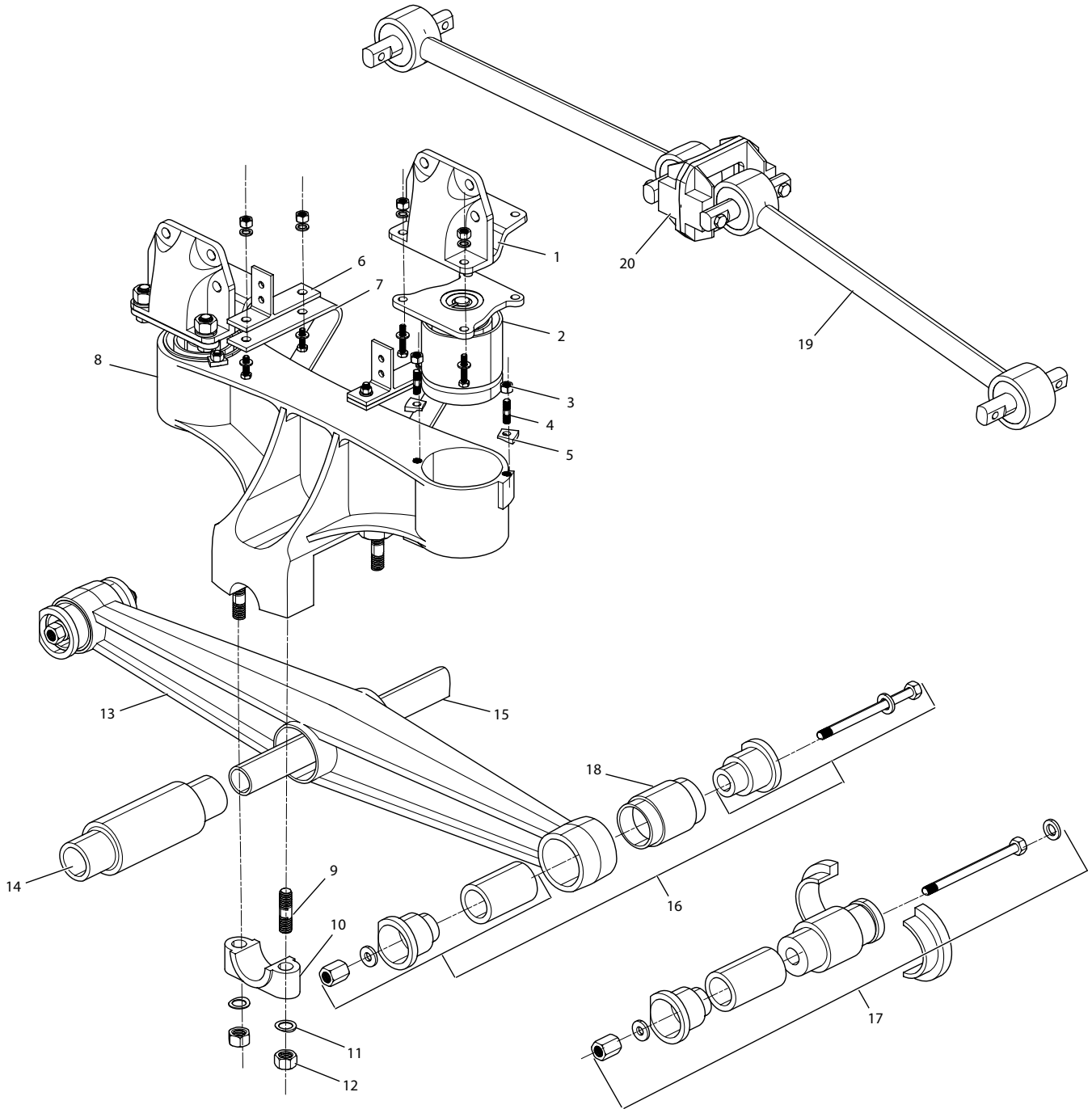


SR 340/380 Tandem Axle Suspension							
KEY NO.	MERITOR NO.	GENUINE	OEM REF.	DESCRIPTION	SR 34K	SR 38K	PAGE NO.
1	S.O.S.	☒	Various	Frame Hanger- Undrilled.	4	4	-
2	-	-	15137-000	Shear Spring - No Longer Available.	8	8	-
3	S.O.S.	-	21278-000	Spacer Ring	4	4	-
4	R301946	☒	25151-000	Locknut - 1 1/2" - 12	4	4	159
5	R301943	-	19114-000	Locknut - 5/8"-18	8	8	-
6	R301942	☒	19111-001	Stud - 5/8"-18	8	8	159
7	-	-	21297-000	Clamp - No Longer Available.	8	8	-
8	R301944	☒	09029-000	Saddle Cap Stud SR 34K 7/8" - 14/ 9 - 4 1/2" Long	8	-	146
	R301947	☒	09030-000	Saddle Cap Stud SR 38K 7/8" - 14/ 9 - 5" Long	-	8	146
9	R3016464	☒	06662-000	Saddle Cap - SR 34	4	-	146
	R301833A	☒	58795-000	Saddle Cap - SR 38K	-	4	146
10	R301834	-	22962-002	Hardened Washer - 7/8" Dia	8	8	-
11	R301835	-	04842-000	Saddle Cap Locknut	8	8	-
12	S.O.S.	☒	Various	Equalizing Beam Assembly	2	2	-
13	R301338	☒	06664-000	Center Bushing W/ Welded Plug - SR 34K	2	-	138
	R301594	☒	22279-000	Center Bushing W/ Loose Plug - SR 34K	2	-	138
	R301339	☒	05919-000	Center Bushing W/ Welded Plug - SR 38K	-	2	138
	R301595	☒	22282-000	Center Bushing W/ Loose Plug - SR 38K	-	2	138
14	R301840	☒	44642-008	Cross Tube - SR 34K 1 15/16"OD X 44 7/8" Long	1	-	144
	R301842	☒	44643-009	Cross Tube - SR 38K 1 15/16"OD X 44 7/8" Long	-	1	144
15	R302372	☒	45000-013	End Bushing & Adapter Kit - One Wheel End - SR 34K. 5 1/4" Long	2	-	141
	R302374	☒	45000-007	End Bushing & Adapter Kit - One Wheel End - SR 34K & 38K. 5 3/4" Long	2	2	141
16	R302373	☒	45000-014	End Bushing & Adapter Kit - Split Ring Type - One Wheel End - SR 34K. 5 1/4" Long	2	-	141
	R302375	☒	45000-008	End Bushing & Adapter Kit - Split Ring Type - One Wheel End - SR 34K & 38K. 5 3/4" Long	2	2	141
17	R301340	☒	06969-000	End Bushing SR 34K. 5 1/4" Long	4	-	141
	R301341A	☒	45900-000	End Bushing SR 34K & 38K. 5 3/4" Long	4	4	141
18	R3013989	☒	60218-000	Two Piece Torque Rod Kit - Replaces 32271	2	2	165
19	R302634	☒	22186-000	Torque Rod Frame Bracket	2	2	174
-	R305308	☒	34013-048	End Beam Bushing and Adapter Kit, SR34K, Includes Key Nos. 15 & 17	4	-	140
	R305309	☒	34013-049	End Beam Bushing and Adapter Kit, SR34K & SR38K, Includes Key Nos. 15 & 17	4	4	140

☒ Denotes Product is Genuine Hendrickson


HENDRICKSON SUSPENSION

V4 340/380 Series Tandem Axle Suspension



V4 340/380 Series Tandem Axle Suspension

KEY NO.	MERITOR NO.	GENUINE	OEM REF.	DESCRIPTION	QTY. PER TANDEM		PAGE NO.
					34K	38K	
1	-	-	Various	Frame Hanger, Undrilled - No Longer Available.	4	4	-
2	-	-	47585-075	Visco Elastic Module - 34K No Longer Available.	4	-	-
	-	-	47585-085	Visco Elastic Module - 38K No Longer Available.	-	4	-
3	R301943	-	19114-000	Locknut - 5/8"-18	8	8	-
4	R301942		19111-001	Stud - 5/8"-18	8	8	159
5	-	-	21297-000	Clamp- No Longer Available.	8	8	-
6	-	-	46970-002	Jounce Stop Hanger- No Longer Available.	4	4	-
7	-	-	46210-000	Rebound Stop- No Longer Available.	4	4	-
8	-	-	Various	Saddle Assembly- No Longer Available.	2	2	-
9	R301944		09029-000	Saddle Cap Stud 7/8"-14/ 9; 4 1/2" Long	8	-	146
	R301947		09030-000	Saddle Cap Stud, 7/8"-14/ 9; 5" Long	-	8	146
10	R3016464		06662-000	Saddle Cap -34K	4	-	146
	R301833A		58795-000	Saddle Cap -38K	-	4	146
11	R301834	-	22962-002	Washer - 7/8" Dia	8	8	-
12	R301835	-	04842-000	Locknut - 7/8"-14	8	8	-
13	S.O.S.		Various	Equalizing Beam Assembly	2	2	-
14	R301338		06664-000	Center Bushing W/ Welded Plug - 34K	2	-	138
	R301594		22279-000	Center Bushing W/ Loose Plug - 34K	2	-	138
	R301339		05919-000	Center Bushing W/ Welded Plug - 38K	-	2	138
	R301595		22282-000	Center Bushing W/ Loose Plug - 38K	-	2	138
15	R301840		44642-008	Cross Tube - 34K; 44 7/8" Long	1	-	144
	R301842		44643-009	Cross Tube - 38K; 44 7/8" Long	-	1	144
16	R302372		45000-013	End Bushing Adapter Kit -34K; 5 1/4" Long	4	-	141
	R302374		45000-007	End Bushing Adapter Kit -34 & 38K; 5 3/4" Long	4	4	141
17	R302373		45000-014	End Bushing Adapter Kit -34K W/ Split Ring. 5 1/4" Long; Includes Bushing Item 24	4	-	141
	R302375		45000-008	End Bushing Adapter Kit -34 & 38K W/ Split Ring. 5 3/4" Long; Includes Bushing Item 24	4	4	141
18	R301340		06969-000	End Bushing -34K; 5 1/4" Long	4	-	141
	R301341A		45900-000	End Bushing -34 & 38K; 5 3/4" Long	4	4	141
19	R3013989		60218-000	Torque Rod Kit	2	2	165
20	R302634		22186-000	Torque Rod Frame Bracket	2	2	174
-	R305308		34013-048	End Beam Bushing and Adapter Kit, 34K, Includes Key Nos. 15 & 17	4	-	140
	R305309		34013-049	End Beam Bushing and Adapter Kit, 34K & 38K, Includes Key Nos. 15 & 17	4	4	140

 Denotes Product is Genuine Hendrickson

HENDRICKSON TRAILER AXLES

How To Identify Hendrickson Trailer Axles in This Meritor Catalog

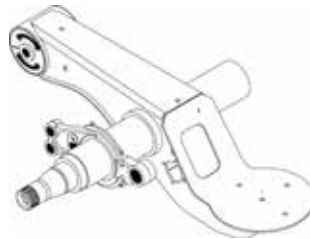
There are Two Ways to Find the Proper Trailer Axle in This Catalog:

1. Most Hendrickson Trailer Axles have an Identification tag on the front of the roadside frame bracket/hanger. If this tag can be located and the model number can be determined, then simply locate the model from the following listing to see the exploded view and parts list.
2. If the model number is not known, then the Hendrickson trailer axles can be found by simply matching the beam style to one of the eight styles noted below. Since the exploded views and parts lists in this section are grouped by the style of the beam, this will allow the quick identification of the proper exploded view

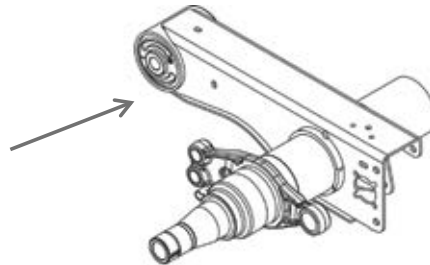
For Intraax Axles, there are three style of beams.

Note: All Intraax models have integrated axles that are welded to the beam. There are no u-bolts used to connect the beam to the axle

Intraax AAL, AANL AANLS, AAEDL –
See Page 106

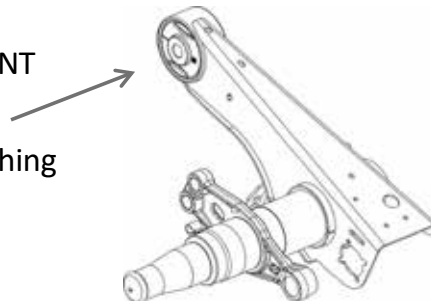


AAT, AAEDT –
See Page 108
Wide Bushing



Intraax AANT 23K & AAZNT
See Page 110

Narrow Bushing

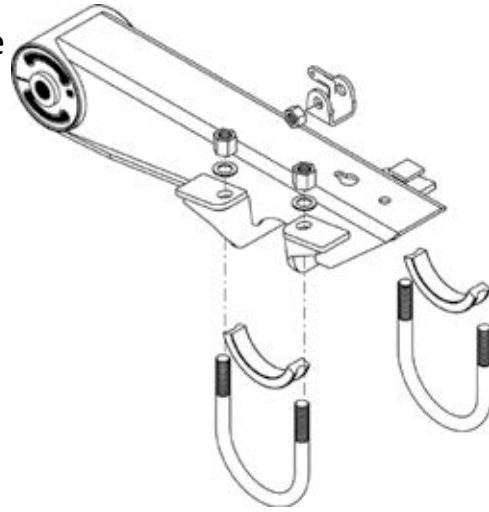


HENDRICKSON TRAILER AXLES

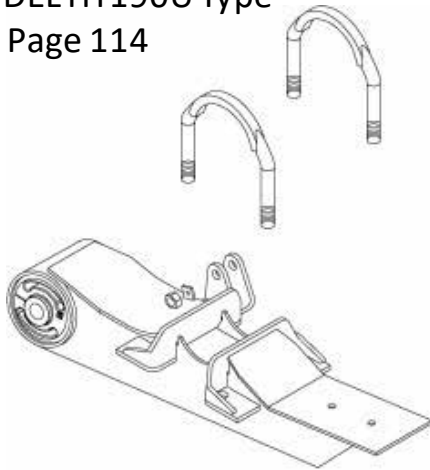
How To Identify Hendrickson Trailer Axles in This Meritor Catalog

HT Models Use Traditional U-Bolts to Connect the Axle to the Beam

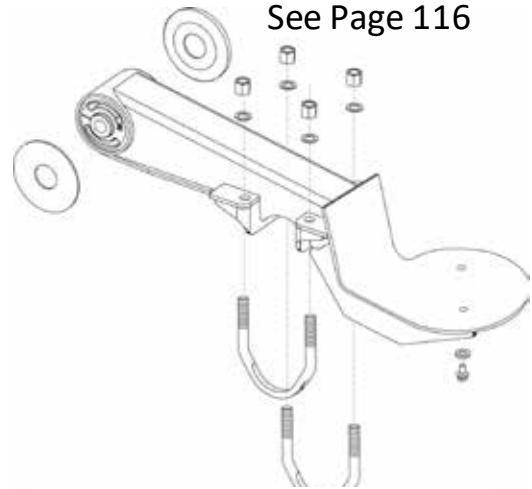
MODEL HT190T Type
See Page 112



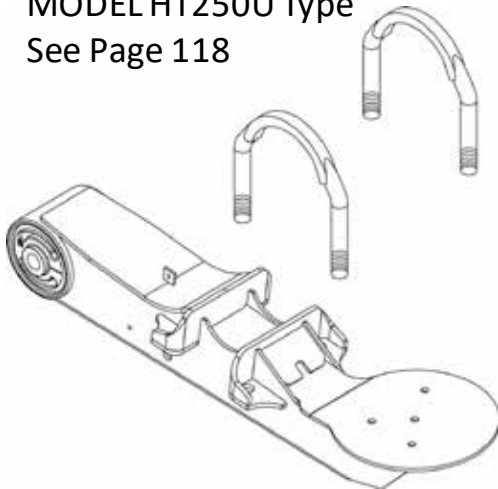
MODEL HT190U Type
See Page 114



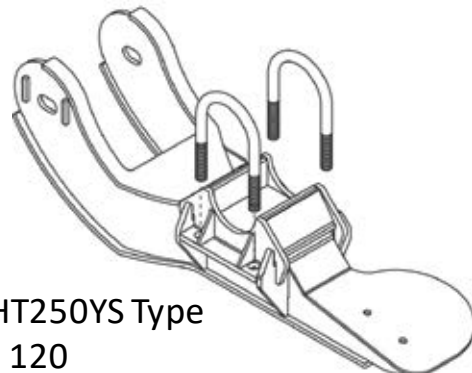
MODEL HT250T Type
See Page 116



MODEL HT250U Type
See Page 118



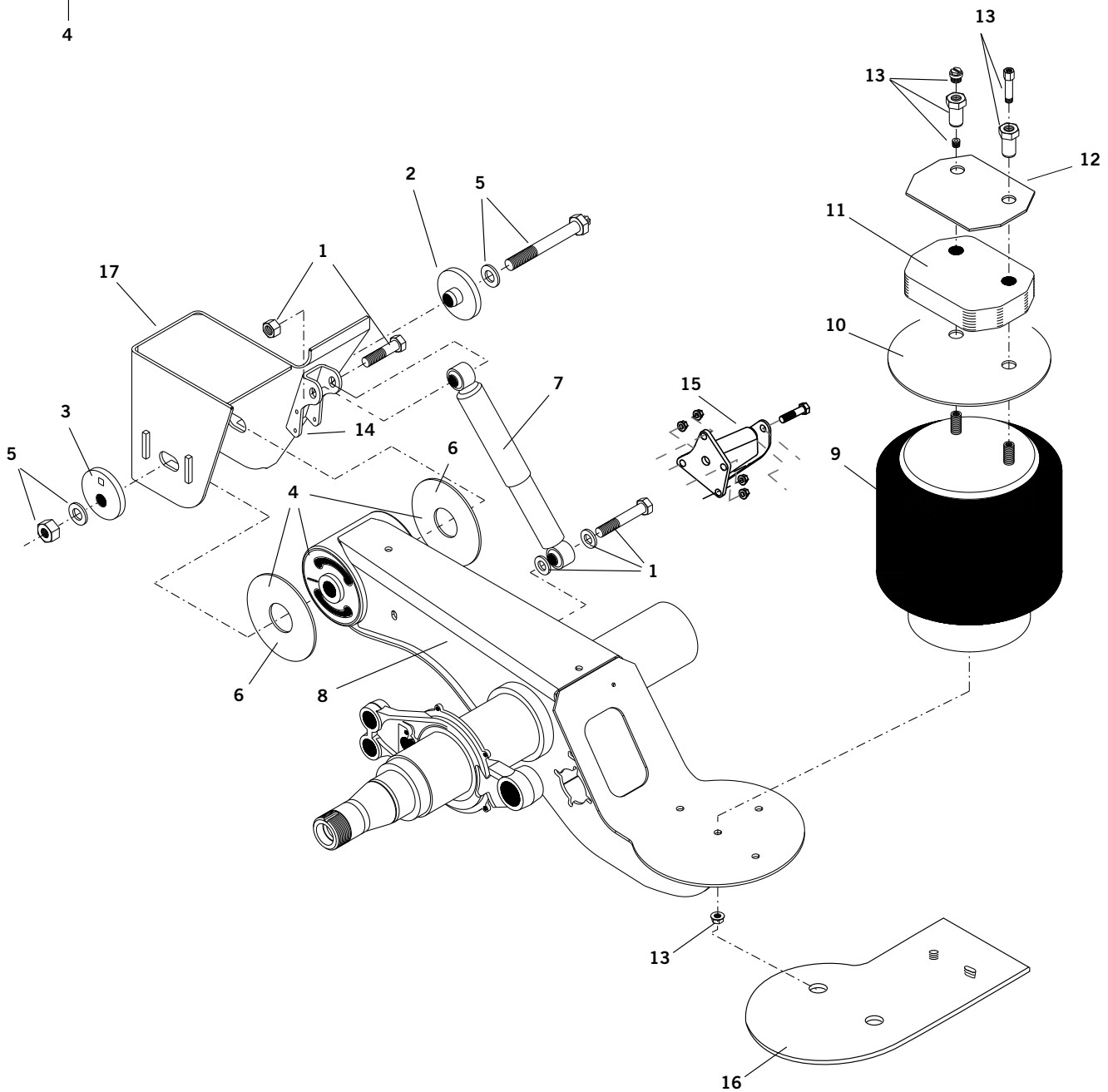
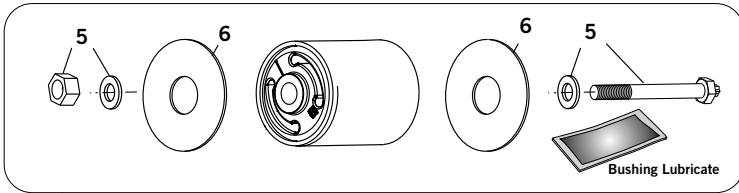
MODEL HT250YS Type
See Page 120












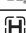

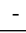


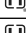
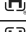

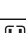




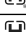
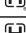
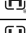


HENDRICKSON SUSPENSION

INTRAAX AAL, AANL, AANLS, AAEDL, AAZL 23/46K Slider, VANTRAAX HKAL 46K & HKARL 46K


Tri-Function Bushing Kit



INTRAAX AAL, AANL, AANLS, AAEDL, AAZL 23/46K Slider, VANTRAAX HKAL 46K & HKARL 46K

KEY NO.	MERITOR NO.	GENUINE	OEM REF.	DESCRIPTION	QTY. PER AXLE	PAGE NO.
1	R3016352		S-24757/2	Shock Bolt Kit, 5" Dia. Axles for AAL, AAEDL AAZL Fronts; All HKA Models	2	205
	R3014780		S-2157/2	Shock Bolt Kit, AAL, AANL, AAEDL Rear	2	205
	S.O.S.		Various	Shock Bolt Kit, AANLS & AANL Front; All Large Diameter Axles (LDA)	2	-
2	R3010755		S-20924	Alignment Collar - Concentric (Inner) QUIK-ALIGN™	2	198
3	R3010754		S-20925	Alignment Collar - Eccentric (Outer) QUIK-ALIGN™	2	198
4	R3010729A		S-24691	Tri-Function Bushing Kit - QUIK-ALIGN™, Includes Key Nos. 5 & 6. All Models Except AANL & AANLS	2	196
	R3014377		S-26321	Tri-Function Bushing Kit - QUIK-ALIGN™, Includes Key Nos. 5 & 6. Does 1 Axle. AANL & AANLS Models	1	196
5	R3010730A		S-24679	Pivot Bolt Kit - QUIK-ALIGN™, 10 1/2" Long Bolt, All Models Except AANL & AANLS	2	198
	R3014635		S-24705	Pivot Bolt Kit - QUIK-ALIGN™, 7" Long Bolt, AANL & AANLS Models	2	198
6	R306122		S-21099	Bushing Wear Pad, All Models Except AANL & AANLS	4	199
	R3014782		S-26807	Bushing Wear Pad, AANL & AANLS Models	4	199
7	See Chart	-	Various	Shock Absorber	2	207
8	S.O.S.		Various	Axle Beam Weldment	2	-
9	See Chart	-	Various	Air Spring	2	192
10	S.O.S.		Various	Air Spring Plate	2	-
11	R3014777		B-22510-4	Air Spring Spacer 3/4" Thick, Plastic	2	203
	R3014340		B-22510-2	Air Spring Spacer 1 7/8" Thick, Plastic	2	203
	R3014341		B-22510-3	Air Spring Spacer 3 1/8" Thick, Plastic	2	203
	S.O.S.		Various	Air Spring Spacer	2	-
12	R3014338		S-20905	Air Spring Plate - Upper, Weld On Certain AAL, AANL, AANLS & AAEDL Models	2	203
	R3014337		S-21145	Air Spring Plate - Upper, Bolt-On, Certain AAL & AAEDL Models	2	
	S.O.S.		Various	Air Spring Plate - Upper, Certain AANLS & AAEDL Models	2	-
13	R3014342		S-22619/2	Air Spring Fitting Kit; w/out Plastic Spacer;	2	203
	R3014343		S-22630/2	Air Spring Fitting Kit; Use With 1-1/8 in. Thick Plastic Spacer;	2	203
	R3014345		S-22632/2	Air Spring Fitting Kit; Use With 3-1/8 in. Thick Plastic Spacer;	2	204
	S.O.S.		Various	Air Spring Mounting Kit, All AAL & AAEDL	2	-
	R3014344		S-22631/2	Air Spring Mounting Kit, All HKA Models	2	204
14	S.O.S.		C-20918	Shock Mount, AAZL	2	-
15	S.O.S.		Various	Rear Shock Mount/Tower, AANLS	2	-
16	S.O.S.		Various	Air Spring Mounting Plate, AANLS	2	-
17	S.O.S.		Various	Frame Bracket	2	-
Not Shown	R3011855		VS-227	Height Control Valve	1	204
	R3014789		S-14187	Linkage Kit	1	204
	R309575		S-21307	Rebush tool (Wide Bushing), Except AANL & AANLS	As Required	199
	R3014634		S-24736	Rebush tool (Narrow Bushing), AANL & AANLS Models	As Required	199

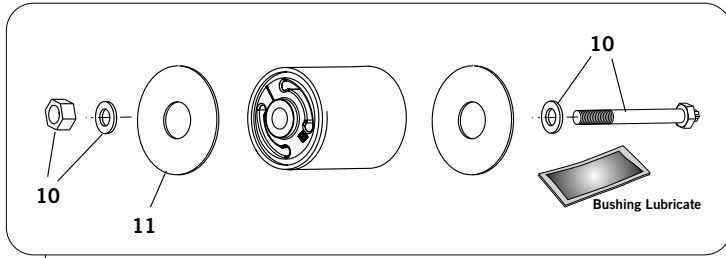
Suspension identification tag can typically be found on the front of the roadside frame bracket or the inside of the curbside beam

 Denotes Product is Genuine Hendrickson

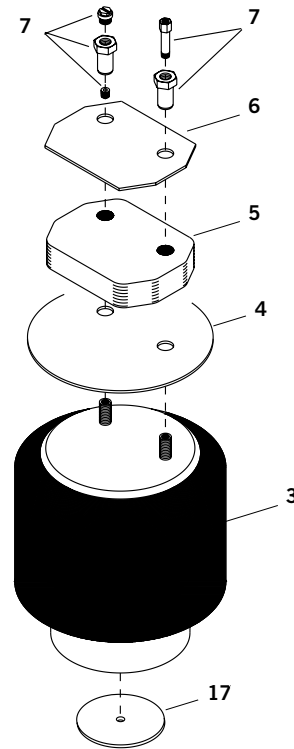
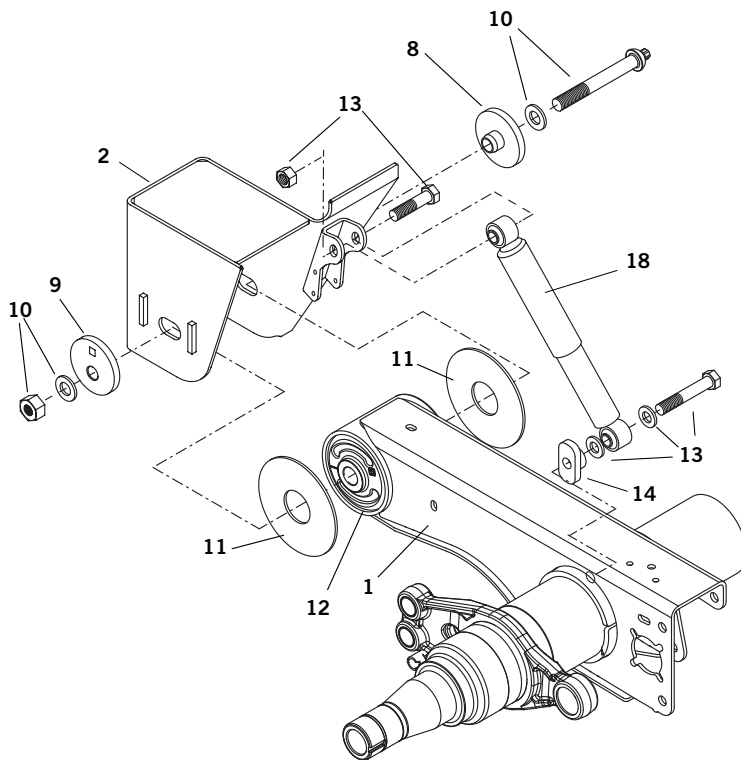
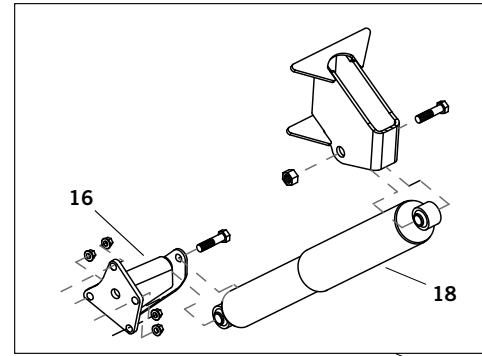
HENDRICKSON TRAILER & AUX. SUSPENSION

INTRAAX AAT, AAEDT 30K and VANTRAAX HKAT Models

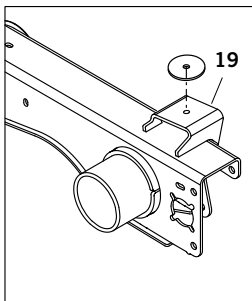
Quik-Align™ Bushing Kit



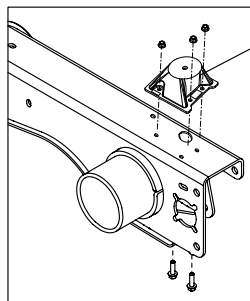
Rear Shock Option



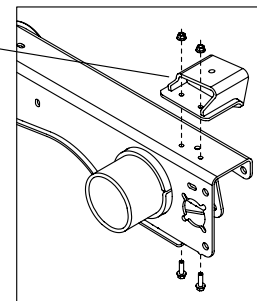
Weld On





Bolt on Cast




Bolt on Fabricated



INTRAAX AAT, AAEDT 30K and VANTRAAX HKAT Models						
KEY NO.	MERITOR NO.	GENUINE	REPLACES NO.	DESCRIPTION	QTY. PER AXLE	PAGE NO.
1	S.O.S.		Various	Half-Traax Axle Beam Kits, Contact Tech-Service	-	-
2	S.O.S.		Various	Frame Bracket, Contact Tech Service with Model & Serial No.	2	-
3	See Charts	-	Various	Air Spring Assembly	2	192
4	R3016369		S-23294	Air Spring Mounting Plate; Weld On - AAT & AAEDT 30K	2	203
	S.O.S.		Various	Air Spring Mounting Plate; Bolt On	2	-
5	R3014339		B-22510-1	Air Spring Spacer, 1-1/8 in. Thick Plastic	2	203
	R3014340		B-22510-2	Air Spring Spacer, 1-7/8 in. Thick Plastic	2	203
	R3014341		B-22510-3	Air Spring Spacer, 3-1/8 in. Thick Plastic	2	203
	R3014777		B-22510-4	Air Spring Spacer, 3/4" in. Thick Plastic	2	203
6	R3014337		B-21145	Air Spring Plate, Bolt-On	2	-
	R3014338		B-20905	Air Spring Plate, Weld-On	2	203
7	R3014342		S-22619/2	Air Spring Fitting Kit; w/out Plastic Spacer; All Models Except AAEDT	2	203
	R3014343		S-22630/2	Air Spring Fitting Kit; Use With 1-1/8 in. Thick Plastic Spacer; All Models Except AAEDT	2	203
	R3014344		S-22631/2	Air Spring Fitting Kit; Use With 1-7/8 in. Thick Plastic Spacer; All Models Except AAEDT	2	204
	R3014345		S-22632/2	Air Spring Fitting Kit; Use With 3-1/8 in. Thick Plastic Spacer; All Models Except AAEDT	2	204
	R3016368		S-22635/2	Air Spring Fitting Kit; Use With 3/4 in. Thick Plastic Spacer; All Models Except AAEDT	2	203
	S.O.S.		Various	Air Spring Fitting Kit; AAEDT Models	2	-
8	R3010755		S-20924	Inboard Concentric Alignment Collar, Nipple In Center	2	198
9	R3010754		S-20925	Outboard Eccentric Alignment Collar, Offset Nipple	2	198
10	R3010730A		S-24679	QUIK-ALIGN™ Pivot Bolt Kit, Includes Bolt, Nut, Washers	2	198
11	R306122		S-21099	Standard Wear Pad, Part of R3010729A	4	199
12	R3010729A		S-24691	QUIK-ALIGN™ Bushing Kit, Includes Key 10 & 11	2	196
13	S.O.S.		S-24049/2	Shock Bolt Kit, HKAT 46 & 50K, Includes Key No. 14	2	-
	S.O.S.		S-24021	Shock Bolt Kit All AAT 30K Front, AAT 23 & 25K after 9/11/95 & HKAT 69K, Includes Key No. 14	2	-
	R3014778		S-20031/2	Shock Bolt Kit AAT Rear Mount, Includes Key No. 14	2	205
	S.O.S.		Various	Shock Bolt Kit; AAEDT, AAT 23 & 25K Before 8/11/95	2	-
14	R3016370		S-27196	Shock Spacer	2	202
15	S.O.S.		Various	Rear Shock Retrofit Kit - AAEDT	2	-
16	S.O.S.		Various	Rear Shock Tower Replacement - AAEDT	2	-
17	R3016371		S-21786	Air Spring Bottom Disk -AAT	2	203
18	See Charts	-	Various	Shock Absorbers	As Reqd.	207
19	S.O.S.		Various	Air Spring Pedestal	2	-
Not Shown	R3011855		VS-227	Height Control Valve	1	204
	R309575		S-21307	Rebush tool	As Reqd.	199

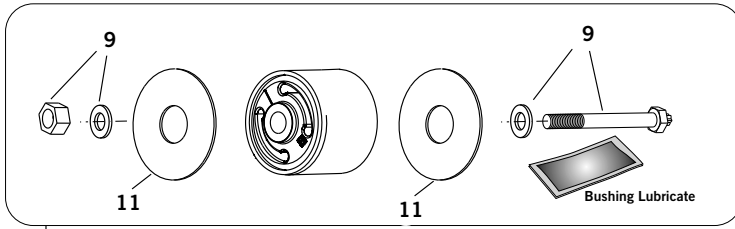
Identification tag can typically be found on the inside of the curbside beam

 Denotes Product is Genuine Hendrickson

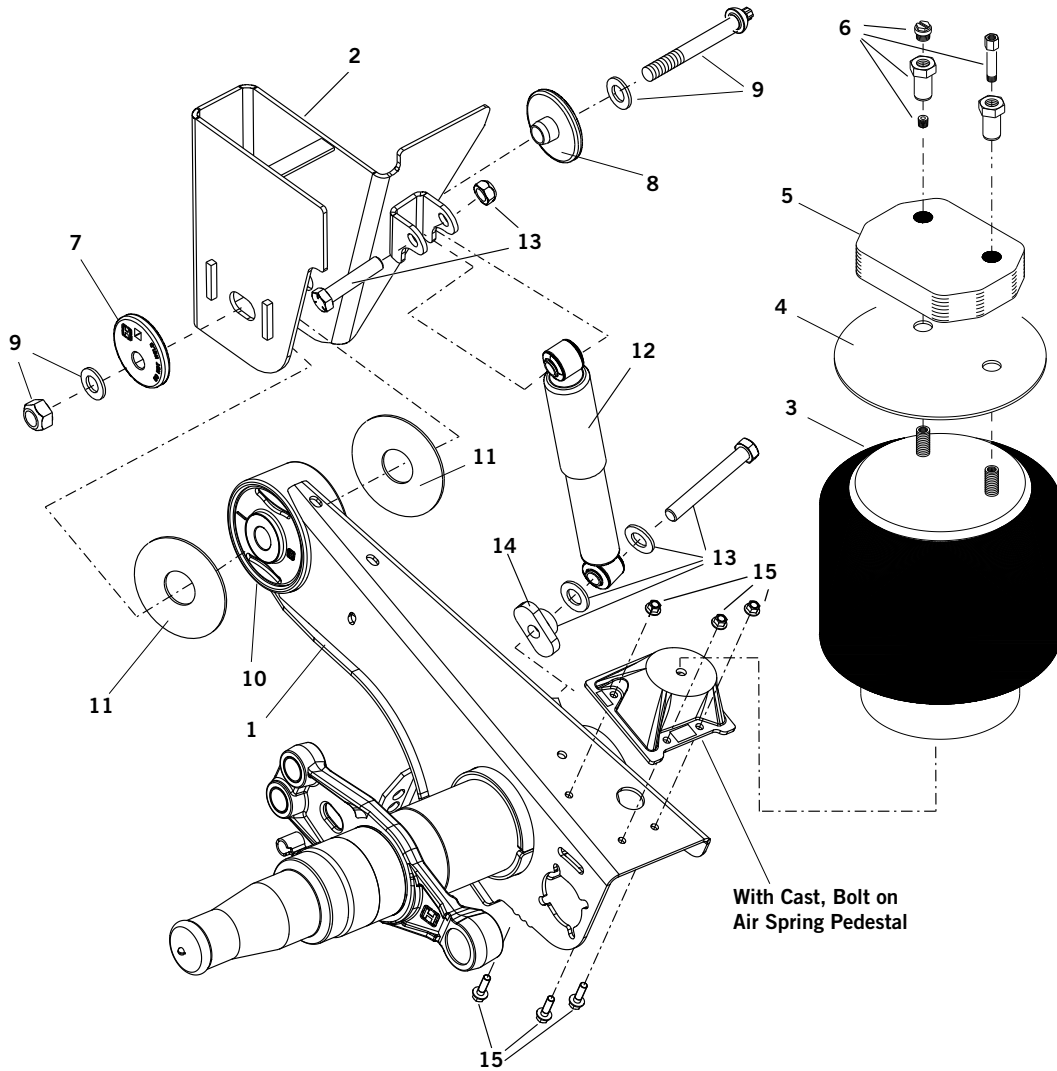
HENDRICKSON TRAILER & AUX. SUSPENSION

INTRAAAX AANT 23K & AAZNT AND VANTRAAX,
HKAT 50K/HKA250, ULTRAA-K UTKNT 40K

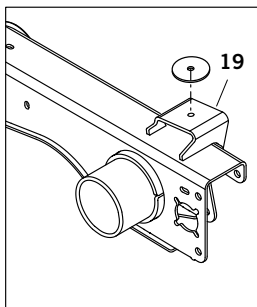
Quik-Align™ Bushing Kit



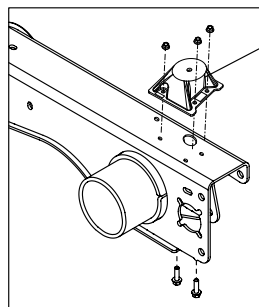
10



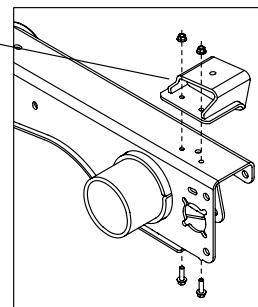
Weld On























Bolt on Cast




Bolt on Fabricated



INTRAAX AANT 23K & AAZNT AND VANTRAAX, HKAT 50K/HKA250, ULTRAA-K UTKNT 40K						
KEY NO.	MERITOR NO.	GENUINE	REPLACES NO.	DESCRIPTION	QTY. PER AXLE	PAGE NO.
1	S.O.S.		Various	Half-Traax Axle Beam Kits, Contact Tech-Service		-
2	S.O.S.		Various	Frame Bracket, Contact Tech Service with Model & Serial No.	2	-
3	See Chart	-	Various	Air Spring Assembly	2	192
4	R3014337		B-21145	Air Spring Plate, Bolt-On, AANT w/ Standard Air Spring Mounting Plate	2	-
	R3014338		B-20905	Air Spring Plate, Weld-On; AANT	2	203
	S.O.S.		S-27042	Air Spring Plate, HKA Models when Required	2	-
	S.O.S.		Various	Air Spring Plate, AANT w/ Non Standard Air Spring Mounting Plate	2	-
5	R3014339		B-22510-1	Air Spring Spacer, 1-1/8 in. Thick Plastic, All Models Except HKANT 69K & ULTRAA-K	2	203
	R3014340		B-22510-2	Air Spring Spacer, 1-7/8 in. Thick Plastic, All Models Except HKANT 69K & ULTRAA-K	2	203
	R3014341		B-22510-3	Air Spring Spacer, 3-1/8 in. Thick Plastic, All Models Except HKANT 69K & ULTRAA-K	2	203
	R3014777		B-22510-4	Air Spring Spacer, 3/4" in. Thick Plastic, All Models Except HKANT 69K & ULTRAA-K	2	203
6	S.O.S.		S-22907/2	Air Spring Fitting Kit	2	-
	R3014342		S-22619/2	Air Spring Fitting Kit, w/out Plastic Spacer;	2	203
	R3014343		S-22630/2	Air Spring Fitting Kit, Use With 1-1/8 in. Thick Plastic Spacer	2	203
	R3014344		S-22631/2	Air Spring Fitting Kit, Use With 1-7/8 in. Thick Plastic Spacer	2	203
	R3014345		S-22632/2	Air Spring Fitting Kit, Use With 3-1/8 in. Thick Plastic Spacer	2	204
	R3016368		S-22635/2	Air Spring Fitting Kit, Use With 3/4 in. Thick Plastic Spacer	2	203
7	R3010754		S-20925	Outboard Eccentric Alignment Collar, Offset Nipple	2	198
8	R3010755		S-20924	Inboard Concentric Alignment Collar, Nipple In Center	2	198
9	R3014635		S-24705	QUIK-ALIGN™ Pivot Bolt Kit, Includes Bolt, Nut, Washers	2	198
10	R3014377		S-26321	QUIK-ALIGN™ Bushing Kit, Axle Set, Includes Key 9 & 11	1	196
11	R3014782		S-26807	Standard Wear Pad, Part of R3014377	4	199
12	See Chart	-	Various	Shock Absorber	2	207
13	S.O.S.		S-24049/2	Shock Bolt Kit, All Models Except HKANT 69K & ULTRAA-K, Includes Key No. 14	2	-
	S.O.S.		S-24021	Shock Bolt Kit, HKANT69K, Includes Key No. 14	2	-
14	R3016370		S-27196	Shock Spacer	2	
15	S.O.S.		Various	Air Spring Pedestal	2	-
Not Shown	R3011855		VS-227	Height Control Valve	1	204
	R309575		S-21307	Rebush tool	As Required	199

Identification tag can typically be found on the inside of the curbside beam

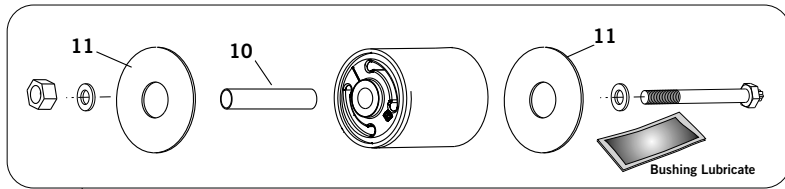
 Denotes Product is Genuine Hendrickson

HENDRICKSON TRAILER & AUX. SUSPENSION

Model HT190T, HT230T, HT300T

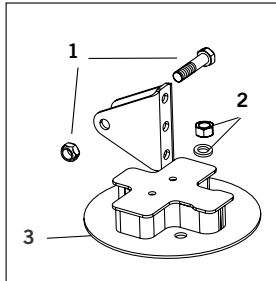
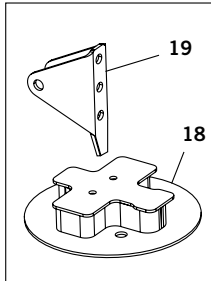
Also used on Slider Models HK190/230 and HS190T, 230T and HS300T
and HK190T and 230 Suspensions on K-2 Sliders

Tri-Function Bushing Kit

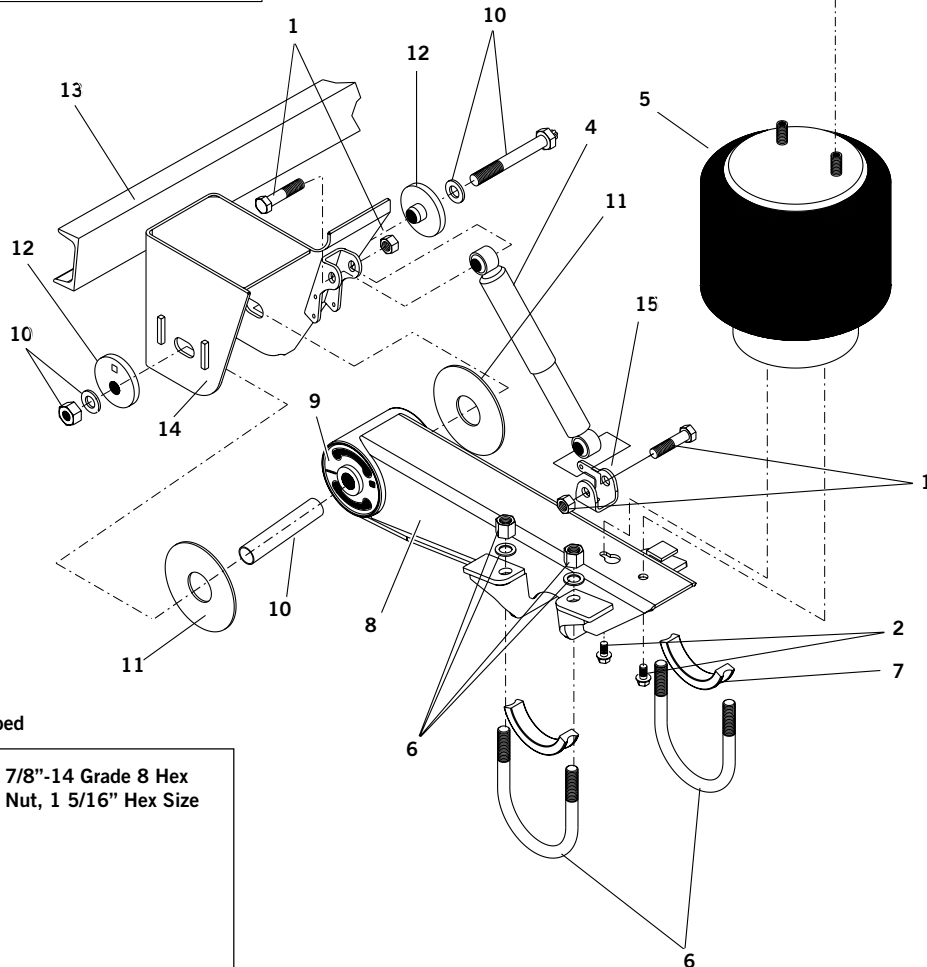
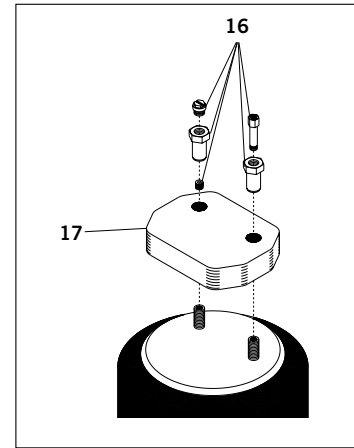


9

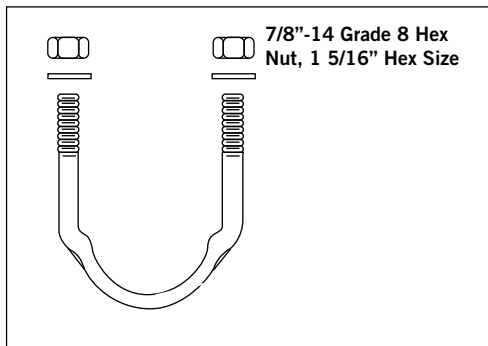
Alternate Upper Shock Bracket & Air Spring Spacer



HK190T/230
Suspension with K-2 Slider



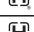

U-Bolt Stepped




Newer U-Bolt Design with E-UB8466-073H.
Eliminates need for Spacer Key No. 7

HENDRICKSON TRAILER & AUX. SUSPENSION

Suspension

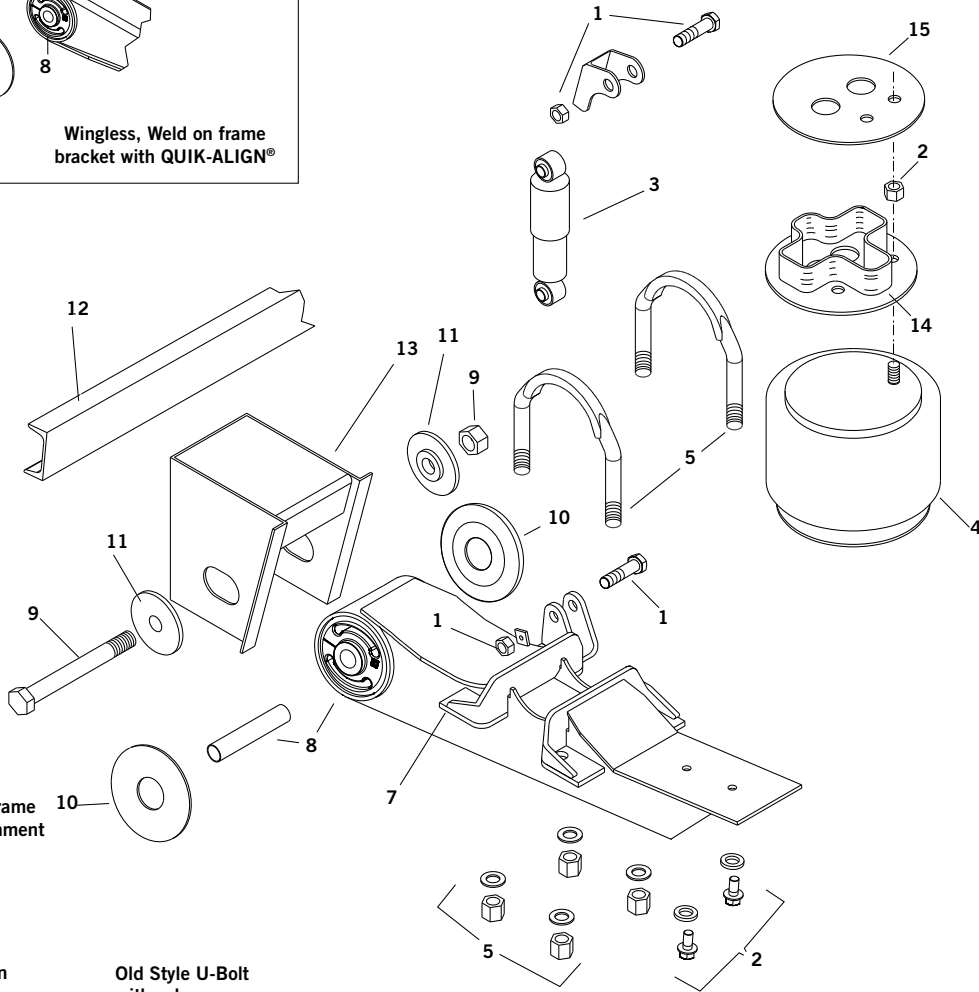
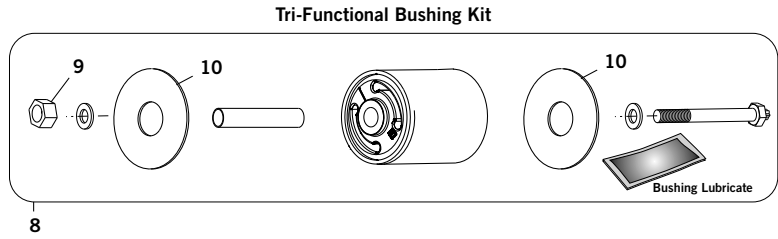
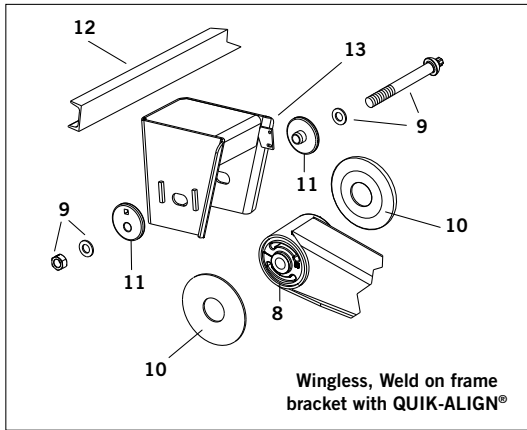
Model HT190T, HT230T, HT300T Also used on Slider Models HK190/230 and HS190T, 230T and HS300T and HK190T and 230 Suspensions on K-2 Sliders						
KEY NO.	MERITOR NO.	GENUINE	REPLACES NO.	DESCRIPTION	QTY. PER AXLE	PAGE NO.
1	R3014778		S-20031/2	Shock Bolt Kit, (2) 3/4" -10 X 3" Long Hex Bolt w/ Hardware - Most Models	2	205
	R3014780		S-2157/2 S-20218/2	Shock Bolt Kit, (2) 3/4" -10 X 3 1/2" Long Hex Bolt w/ Hardware	2	205
2	S.O.S.		Various	Air Spring Bolt/Mounting Kit	2	-
3	S.O.S.		Various	Air Spring/Shock Mounting Assembly Includes Air Spring Plate and Shock Bracket	2	-
4	See Chart	-	Various	Shock Absorber	2	207
5	See Chart	-	Various	Air Spring	2	192
6	R30U8168-082	-	S-20032	U-Bolt Assembly, Rd. Bend, 7/8"-14 Thd. x 6" Wide x 8 1/4" Long, Use with Key No. 7	4	201
	R30U8466-073H	-	S-21140	U-Bolt Stepped, Rd. Bend, 7/8"-14 Thd. x 6" Wide x 7 3/8" Long, Does Not Require Key No. 7	4	201
7	R306124		S-20701	Axle Spacer	4	201
8	R3015503		S-20000-1	Beam Assembly, Roadside, Most Models Except HT300T	1	-
	R3015504		S-20000-2	Beam Assembly, Curbside, Most Models Except HT300T	1	-
	S.O.S.		Various	Beam Assembly, One per Side	1	-
9	R306121		S-6914	Tri-Functional Bushing Kit, Weld Alignment, Includes Key Nos. 10 & 11	2	196
	R3010729A		S-24691	Tri-Function Bushing Kit, QUIK-ALIGN™ Key Nos. 10 & 11	2	196
10	R303768		S-3646	Pivot Bolt Kit, Weld Alignment, Includes Sleeve	2	197
	R3010730A		S-24679	Pivot Bolt Kit, QUIK-ALIGN™	2	198
11	R306122		S-21099	Bushing Wear Pad	2	199
12	R303771		S-2770	Alignment Collar, Welded Alignment	4	198
	R3010754		S-20925	Alignment Collar, Eccentric, Outer, Quik- Align	2	198
	R3010755		S-20924	Alignment Collar, Concentric, Inner, Quik- Align	2	198
13	R3015091		A-1631-19	Frame Bracket Channel, Not Required for HK Models	1	-
14	S.O.S.		Various	Frame Bracket	2	-
15	S.O.S.		S-20069	Lower Shock Clevis	2	-
16	R3014775		S-22908/2	Air Spring Bolt/Mounting Kit, 16 1/2" & 17 1/2" Ride Height, 3/4" Thick Spacer, HK190 & 230	2	204
	R3014776		S-22909/2	Air Spring Bolt/Mounting Kit, 18" Ride Height, 1 7/8" Thick Spacer, HK190 & 230	2	204
	S.O.S.		Various	Air Spring Mounting Kit, HK190 & 230	2	-
17	R3014777		B-22510-4	Air Spring Spacer 3/4" Thick, Plastic, HK190 & 230	2	203
	R3014340		B-22510-2	Air Spring Spacer 1 7/8" Thick, Plastic, HK190 & 230	2	203
	R3014341		B-22510-3	Air Spring Spacer 3 1/8" Thick, Plastic, HK190 & 230	2	203
18	S.O.S.		Various	Air Spring Spacer, All HT Models	2	-
19	S.O.S.		Various	Upper Shock Mount, All HT Models	2	-
Not Shown	R3011855		VS-227	Height Control Valve	1	204
	R3014789		S-14187	Linkage Kit	1	204
	R309575		S-21307	Rebush tool	As Req'd	199

Suspension identification tag can typically be found on the front of the roadside frame bracket or the inside of the curbside beam

 Denotes Product is Genuine Hendrickson

HENDRICKSON TRAILER & AUX. SUSPENSION

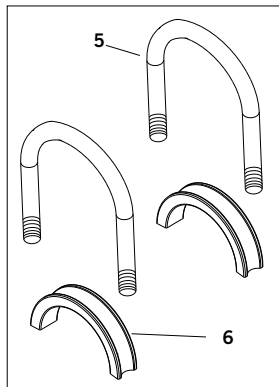
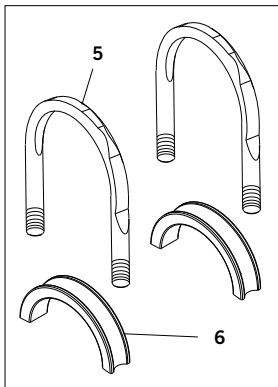
Model HT190U Underslung



Wingless, weld on frame bracket, welded alignment

Flattened U-Bolt used in 17.5" tire application

Old Style U-Bolt with axle spacer



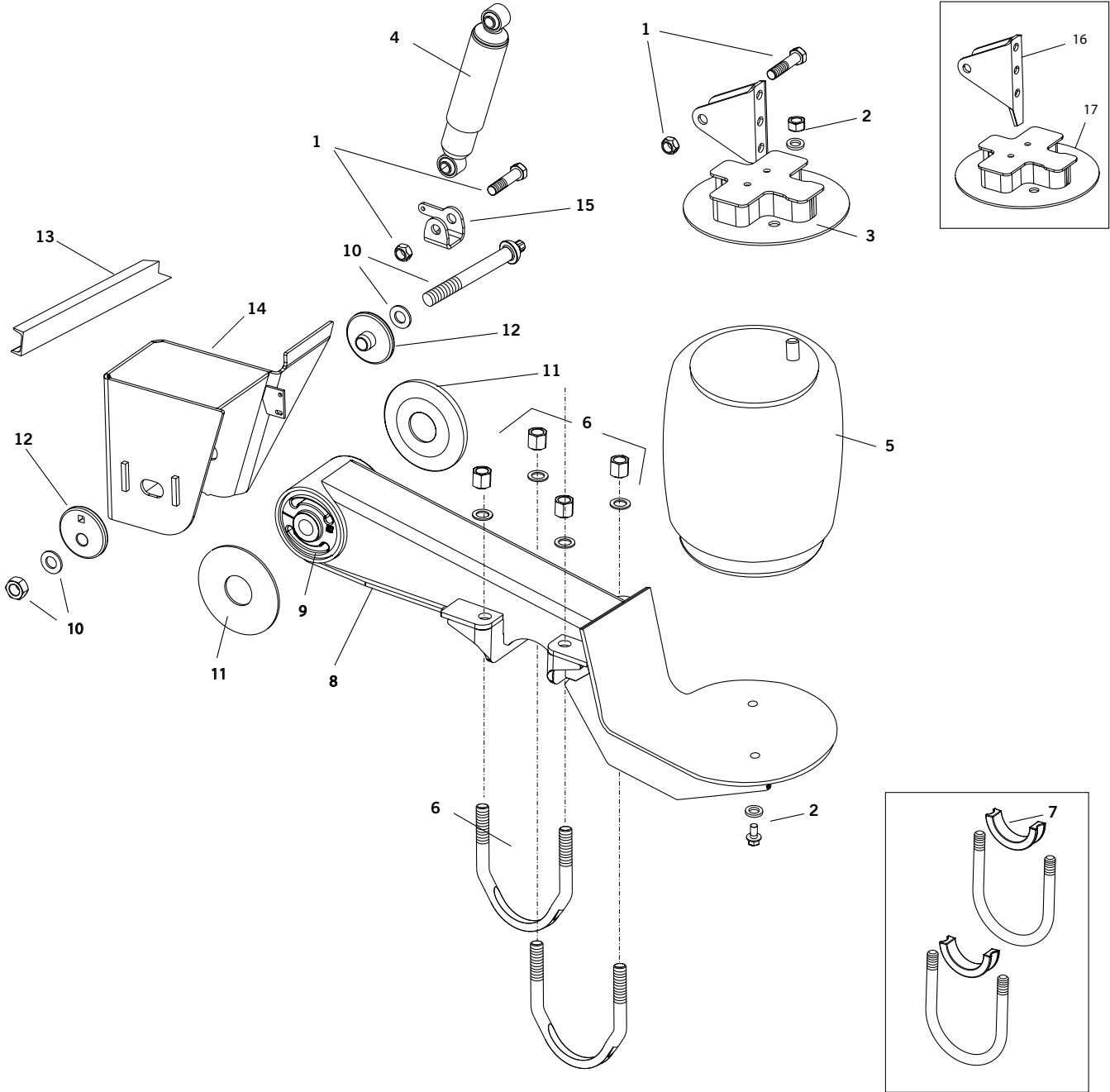
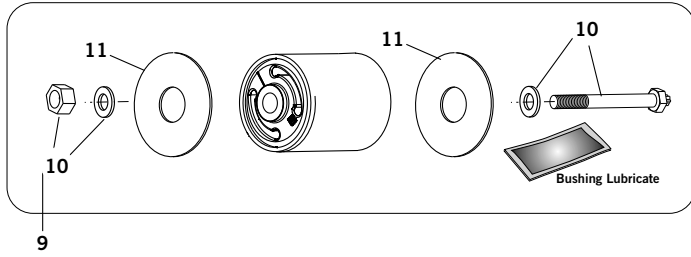
Model HT190U Underslung						
KEY NO.	MERITOR NO.	GENUINE	REPLACES NO.	DESCRIPTION	QTY. PER AXLE	PAGE NO.
1	R3014780		S-2157/2 S-20218/2	Shock Bolt Kit, (2) 3/4" -10 X 3 1/2" Long Hex Bolt w/ Hardware	2	205
2	S.O.S.		S-20217	Air Spring Bolt Kit	2	-
3	M83128	-	S-20001	Shock Absorber	2	-
	M89436	-	S-20002	Premium Adjustable Shock Absorber	2	-
	M85029	-	S-2212	Shock Absorber	2	-
	M85938	-	S-23649	Shock Absorber	2	-
4	FS8944	-	S-20217	Firestone Air Spring	2	-
	MAF8944	-	S-20217	Meritor Air Spring	2	-
5	R30U8168-082	-	S-20032	U-Bolt Assembly, Rd. Bend, 7/8"-14 Thd. x 6" Wide x 8 1/4" Long, Use with Key No. 6	4	201
	R30U8168-082H	-	S22894	U-Bolt Assembly, Rd. Bend, 7/8"-14 Thd. x 6" Wide x 8 1/4" Long, except with Clearance Flats. Use with Key No. 6	-	201
	R30U8466-073H	-	S-21140	U-Bolt Stepped, Rd. Bend, 7/8"-14 Thd. x 6" Wide x 7 3/8" Long, Does Not Require Key No. 6	4	201
6	R306124		S-20701	Axle Spacer	4	201
7	S.O.S.		Various	Beam Assembly, Roadside	1	-
	S.O.S.		Various	Beam Assembly, Curbside	1	-
8	R306121		S-6914	Tri-Functional Bushing Kit, Weld Alignment, Includes Key Nos. 9 & 10	2	196
	R3010729A		S-24691	Tri-Function Bushing Kit, QUIK-ALIGN™ Key Nos. 9 & 10	2	196
9	R303768		S-3646	Pivot Bolt Kit, Weld Alignment Includes Sleeve	2	197
	R3010730A		S-24679	Pivot Bolt Kit, QUIK-ALIGN™	2	198
10	R306122		S-21099	Bushing Wear Pad	4	199
11	R303771		S-2770	Alignment Collar	4	198
	R3010754		S-20925	Alignment Collar, Eccentric, Outer, Quik- Align	2	198
	R3010755		S-20924	Alignment Collar, Concentric, Inner, Quik- Align	2	198
12	R3015091		A-1631-19	Frame Bracket Channel	1	-
13	S.O.S.		Various	Frame Bracket	2	-
14	S.O.S.		S-20016-1	Air Spring Spacer, Models U-7.5	2	-
	S.O.S.		S-20016-2	Air Spring Spacer, Models U-9	2	-
	S.O.S.		S-20016-3	Air Spring Spacer, Models U-12	2	-
15	S.O.S.		B-21258	Air Spring Plate	2	-
Not Shown	S.O.S.		Various	Upper Shock Clevis	2	-
	R3011855		VS-227	Height Control Valve	1	204
	R3014789		S-14187	Linkage Kit	1	204
	R309575		S-21307	Rebush Tool	As Req'd	199

Denotes Product is Genuine Hendrickson

HENDRICKSON TRAILER & AUX. SUSPENSION

Model HT250T











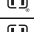


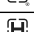




Tri-Function Bushing Kit




Old Style U-Bolt
with Axle Spacer

HENDRICKSON TRAILER & AUX. SUSPENSION

Suspension

Model HT250T						
KEY NO.	MERITOR NO.	GENUINE	REPLACES NO.	DESCRIPTION	QTY. PER AXLE	COMP. PAGE
1	R3014778		S-20031/2	Shock Bolt Kit, (2) 3/4" -10 X 3" Long Hex Bolt w/ Hardware - Most Models	2	205
2	S.O.S.		S-20033/2	Air Spring Mounting Kit	2	-
3	S.O.S.		Various	Air Spring/Shock Mounting Assembly Includes Air Spring Plate and Shock Bracket	2	-
4	M85029	-	S-2212	Shock Absorber	2	-
5	FS9265	-	S-20124	Air Spring, All Models Excepted as Noted on Next Item	2	-
	MAF9265	-	S-20124	Air Spring, All Models Excepted as Noted on Next Item	2	-
	FS9580	-	S-20127	Air Spring, For T-17-022 & TB15-025	2	-
	MAF9580	-	S-20127	Air Spring, For T-17-022 & TB15-026	2	-
6	R30U8168-082	-	S-20032/4	U-Bolt Assembly, Rd. Bend, 7/8"-14 Thd. x 6" Wide x 8 1/4" Long, Use with Key No. 7	4	201
	R30U8466-073H	-	S-21140	U-Bolt Stepped, Rd. Bend, 7/8"-14 Thd. x 6" Wide x 7 3/8" Long, Does Not Require Key No. 7	4	201
7	R306124		S-20701	Axle Spacer	4	201
8	R3015506		S-20602-1	Beam Assembly, Roadside	1	-
	R3015507		S-20602-2	Beam Assembly, Curbside	1	-
9	R306121		S-6914	Tri-Functional Bushing Kit - Weld Alignment, Includes Key Nos. 10 & 11	2	196
	R3010729A		S-24691	Tri-Function Bushing Kit, QUIK-ALIGN™ Key Nos. 10 & 11	2	196
10	R303768		S-3646	Pivot Bolt Kit, Weld Alignment, Includes Sleeve	2	197
	R3010730A		S-24679	Pivot Bolt Kit, QUIK-ALIGN™	2	198
11	R306122		S-21099	Bushing Wear Pad	2	199
12	R303771		S-2770	Alignment Collar, Welded	4	198
	R3010754		S-20925	Alignment Collar, Eccentric, Outer, Quik- Align	2	198
	R3010755		S-20924	Alignment Collar, Concentric, Inner, Quik- Align	2	198
13	R3015091		A-1631-19	Frame Bracket Channel	1	-
14	S.O.S.		Various	Frame Bracket	2	-
15	R3015505		S-20069	Lower Shock Clevis	2	205
16	S.O.S.		S-20023	Upper Shock Mount	2	-
17	S.O.S.		Various	Air Spring Spacer	2	-
Not Shown	R3011855		VS-227	Height Control Valve	1	204
	R3014789		S-14187	Linkage Kit	1	204
	R309575		S-21307	Rebush Tool	As Req'd	199

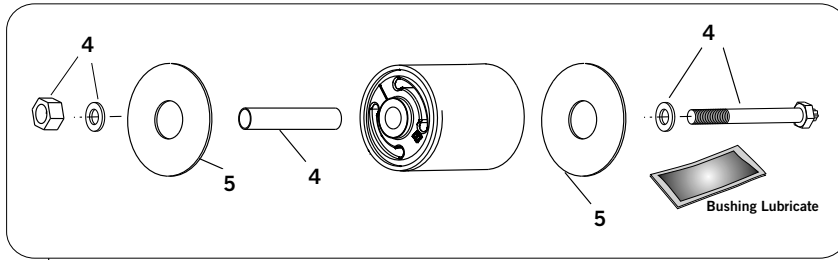
Suspension Identification Tag Can Typically Be Found On The Front Of The Roadside Frame Bracket Or The Inside Of The Curbside Beam

 Denotes Product is Genuine Hendrickson

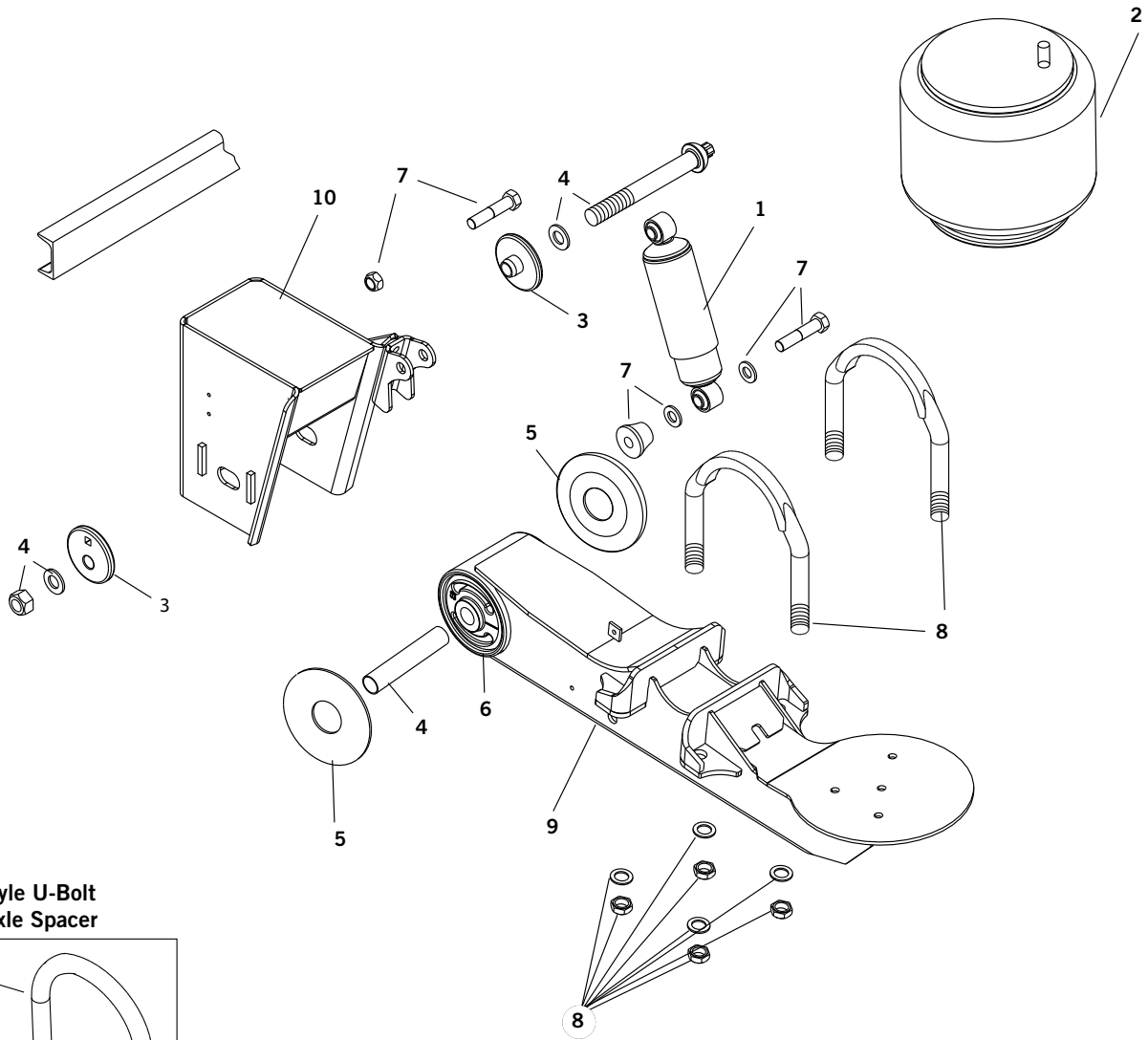
HENDRICKSON TRAILER & AUX. SUSPENSION

Model HT250U, US, HT300U, US

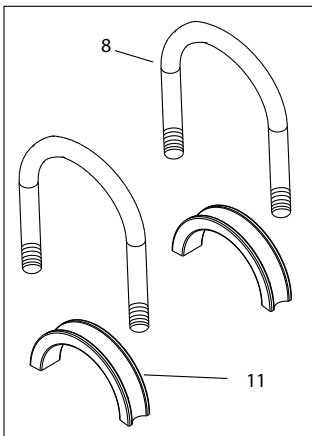
Tri-Function Bushing Kit



6









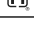






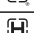

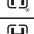



Old Style U-Bolt with Axle Spacer




HENDRICKSON TRAILER & AUX. SUSPENSION

Suspension

Model HT250U, US, HT300U, US						
KEY NO.	MERITOR NO.	GENUINE	REPLACES NO.	DESCRIPTION	QTY. PER AXLE	COMP. PAGE
1	See Chart	-	Various	Shock Absorber	2	207
2	See Chart	-	Various	Air Spring	2	192
3	R303771		S-2770	Alignment Collar, Welded Alignment	4	198
	R3010754		S-20925	Alignment Collar, Eccentric, Outer, Quik- Align	2	198
	R3010755		S-20924	Alignment Collar, Concentric, Inner, Quik- Align	2	198
4	R303768		S-3646	Pivot Bolt Kit, Weld Alignment, Includes Sleeve	2	197
	R3010730A		S-24679	Pivot Bolt Kit, QUIK-ALIGN™	2	198
5	R306122		S-21099	Wear Pad	4	199
6	R306121		A-6914	Tri-Functional Bushing Kit - Weld Alignment, Includes Key Nos. 4 & 5	2	199
	R3010729A		S-24691	Tri-Function Bushing Kit, QUIK-ALIGN™ Key Nos. 4 & 5	2	196
7	R3014780		S-2157 / 2	Shock Bolt Kit 3/4"-10 X 3 1/2" Long Incl. Hardware. All HT250U & 300U Models & HT250US & 300US Models w/ Remote mount	2	205
	R3015490		S-24185/2	Shock Bolt Kit 3/4"-10 X 3 1/2" Long Incl. Special Spacer & Hardware - HT250 & 300US w/ std Shock Mount	2	205
8	R30U8466-073H	-	S-21140	U-Bolt Stepped, Rd. Bend, 7/8"-14 Thd. x 6" Wide x 7 3/8" Long, Does Not Require Key No. 11. All 300US Models. For 250US w/ 19 1/2" Tires and Larger	4	201
	R30U8168-082	-	S-20032	U-Bolt Assembly, Rd. Bend, 7/8"-14 Thd. x 6" Wide x 8 1/4" Long, Use with Key No. 11. All 300US Models. For 250US w/ 19 1/2" Tires and Larger	4	201
	R30U8168-082H	-	S-22894	U-Bolt Assembly, Rd. Bend With Clearance Flats, 7/8"-14 Thd. x 6" Wide x 8 1/4" Long. Requires Key No. 11. For HT250US Model w/ 17 1/2" tires	4	201
	R30U8165-10	-	S-3650	U-Bolt Assembly Rd. Bend, 7/8 "-14 Thd. X 5" Wide x 10 in. Long, 250U & 300U Models	4	201
9	S.O.S.		Various	Beam	2	-
10	S.O.S.		Various	Frame Bracket	2	-
11	R306124		S-20701	Axle spacer	4	
Not Shown	S.O.S.		Various	Upper & Lower Shock Brkt- Hanger Mounted	2	-
	S.O.S.		Various	Upper & Lower Shock Brkt- Remote Mount	2	-
	S.O.S.		Various	Upper Air Spring Plate	2	-
	R3011855		VS-227	Height Control Valve	1	204
	R3014789		S-14187	Linkage Kit	1	204
	R309575		S-21307	Rebush tool	As Required	199

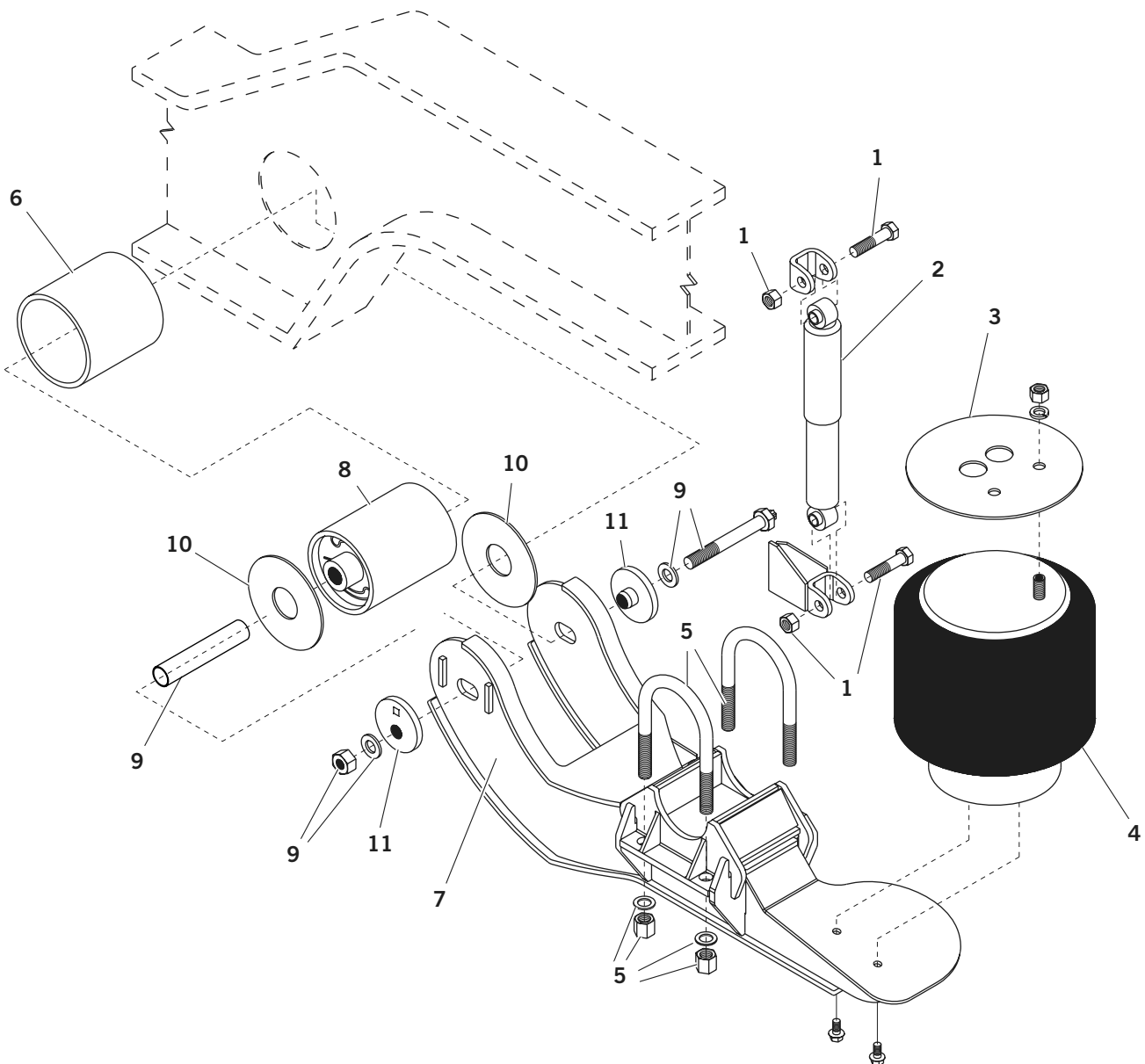
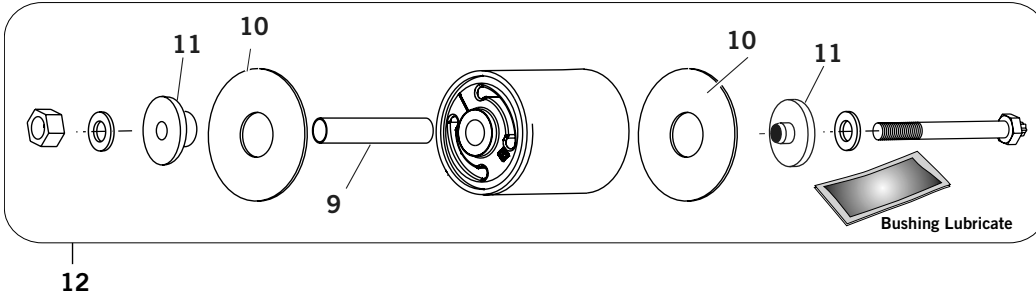
Suspension Identification Tag Can Typically Be Found On The Front Of The Roadside Frame Bracket Or The Inside Of The Curbside Beam

 Denotes Product is Genuine Hendrickson

HENDRICKSON TRAILER & AUX. SUSPENSION

Model HT250YS / HT250YB / HT250U-Y

Tri-Function Bushing Kit




HENDRICKSON TRAILER & AUX. SUSPENSION

Suspension

Model HT250YS / HT250YB / HT250U-Y								
KEY NO.	MERITOR NO.	GENUINE	OEM REF.	DESCRIPTION	QTY. PER AXLE			PAGE NO.
					HT250YS	HT250YB	HT250U-Y	
1	R3014780		S-2157/2	Shock Bolt Kit, (2) 3/4" -10 X 3 1/2" Long Hex Bolt w/ Hardware	-	2	2	205
	S.O.S.		S-31929/2	Shock Bolt Kit	2	-	-	-
2	M89436	-	S-20002	Gas Shock Absorber, Standard Service	-	2	2	-
	M85045	-	S-23651	Shock Absorber	2	-	-	-
	M85738	-	S-21553	Shock Absorber, Extended Service, High Damping	-	2	2	-
	M85938	-	S-23649	Shock Absorber, Remote Mounted	-	2	-	-
3	S.O.S.		S-21209	Air Spring Plate	2	2	2	-
4	FS9580	-	S-20127	Air Spring - 10 3/4" Bottom Piston Diameter; 4" C-To-C Bottom Stud Spacing	2	2	2	-
	MAF9580	-	S-20127	Air Spring - 10 3/4" Bottom Piston Diameter; 4" C-To-C Bottom Stud Spacing	2	2	2	-
	FS9581	-	S-20414	Air Spring - 10 3/4" Bottom Piston Diameter; 5 5/8" C-To-C Bottom Stud Spacing	2	2	2	-
	FS9265	-	S-20124	Air Spring - 10 3/4" Bottom Piston Diameter; 5 5/8" C-To-C Bottom Stud Spacing	2	2	2	-
	MAF9265	-	S-20124	Air Spring - 11 1/16" Bottom Piston Diameter	2	2	2	-
5	R30U8165-10	-	S-3650	U-Bolt, Rd. Bend, 7/8"-14 Thd. x 5" Wide x 10" Long; All Models Except as Noted	4	4	4	201
	R30U8466-073H	-	S-21140	U-Bolt Stepped, Rd. Bend, 7/8"-14 Thd. x 6" Wide x 7 3/8" Long, HT250YS Models w/ 16 1/2" Brakes	4	-	-	201
	S.O.S.		A-22237	U-Bolt Flattened w/ Spacer Kit, HT250YS Models w/ 12 1/4" Brakes	4	-	-	-
6	S.O.S.		S-7342	Tube Sleeve	2	2	2	-
7	S.O.S.		Various	Beam Assembly, Roadside	1	1	1	-
	S.O.S.		Various	Beam Assembly, Curbside	1	1	1	-
8	R3016359		S-7343	Bushing, Weld Alignment	-	-	2	197
	R3016360		S-30862	Bushing, QUIK-ALIGN™	2	2	-	197
9	R3016361		S-7345	Pivot Bolt Kit, Weld Alignment	-	-	2	119
	R3016362		S-25948	Pivot Bolt Kit, QUIK-ALIGN™	2	2	-	198
10	R306122		S-21099	Bushing Wear Pad	4	4	4	199
11	R3016363		S-7349	Alignment Collar, Welded	-	-	2	198
	R3010754		S-20925	Alignment Collar, Eccentric (Outer) QUIK-ALIGN™	2	2	-	198
	R3010755		S-20924	Alignment Collar, Concentric (Inner) QUIK-ALIGN™	2	2	-	198
12	R3016358		S-13136	Tri-Functional Bushing Kit, Weld Alignment, Includes Key Nos. 8, 9,10,11	-	-	2	196
13	S.O.S.		S-26000	Tri-Function Bushing Kit, QUIK-ALIGN™ Key Nos. 8,9,10.	2	2	-	-

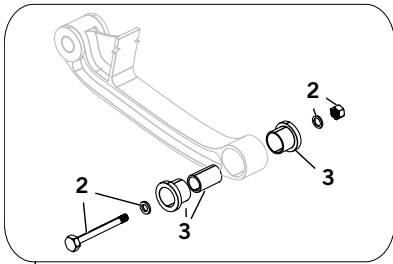
Suspension Identification Tag Can Typically Be Found On The Front Of The Roadside Frame Bracket Or The Inside Of The Curbside Beam

 Denotes Product is Genuine Hendrickson

HENDRICKSON AUXILIARY SUSPENSION

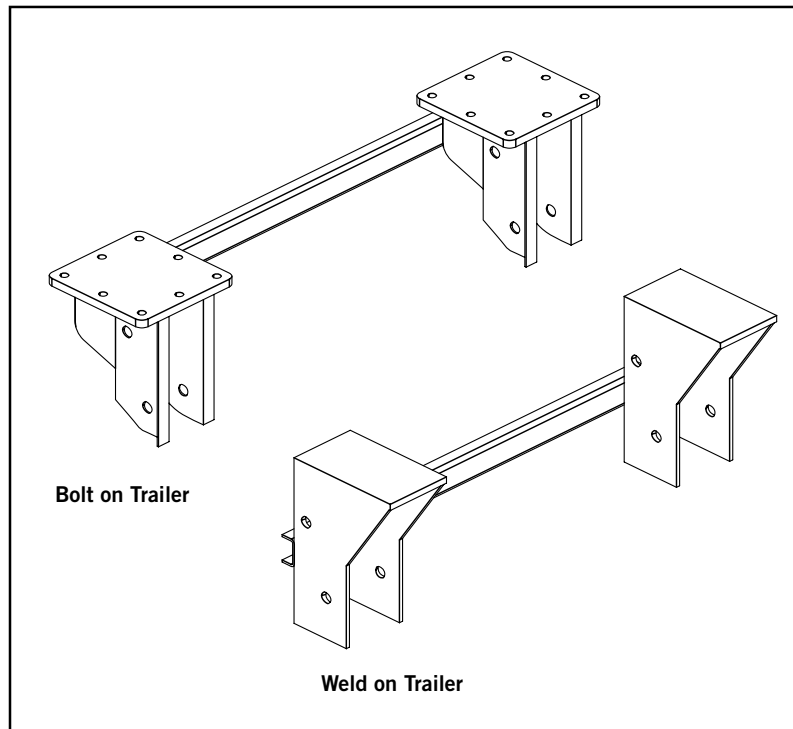
COMPOSITITE SC Series; Lift -Truck & Trailer

Bushing & Pivot Bolt Kit



3 Includes (8) sets of items shown

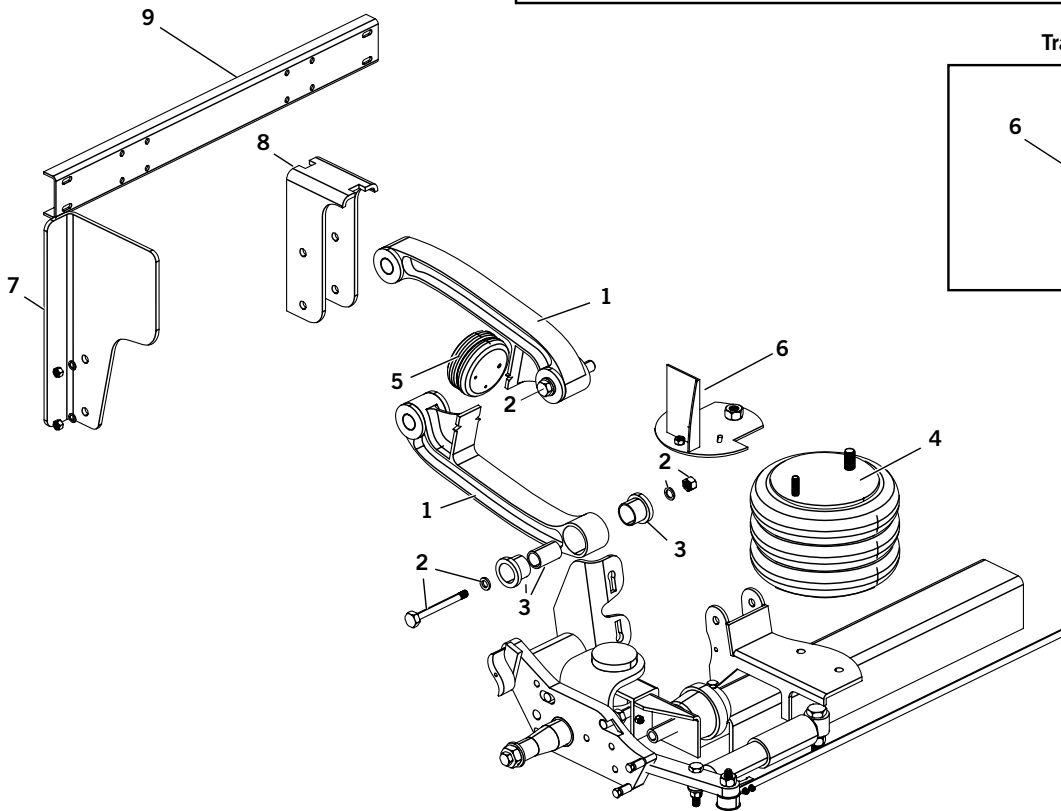
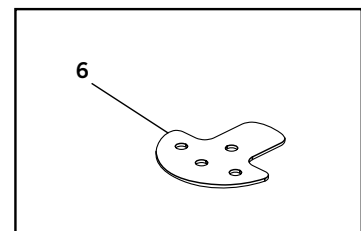
Trailer Mount



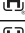
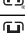






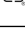
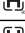






Bolt on Trailer

Weld on Trailer

Trailer Mount

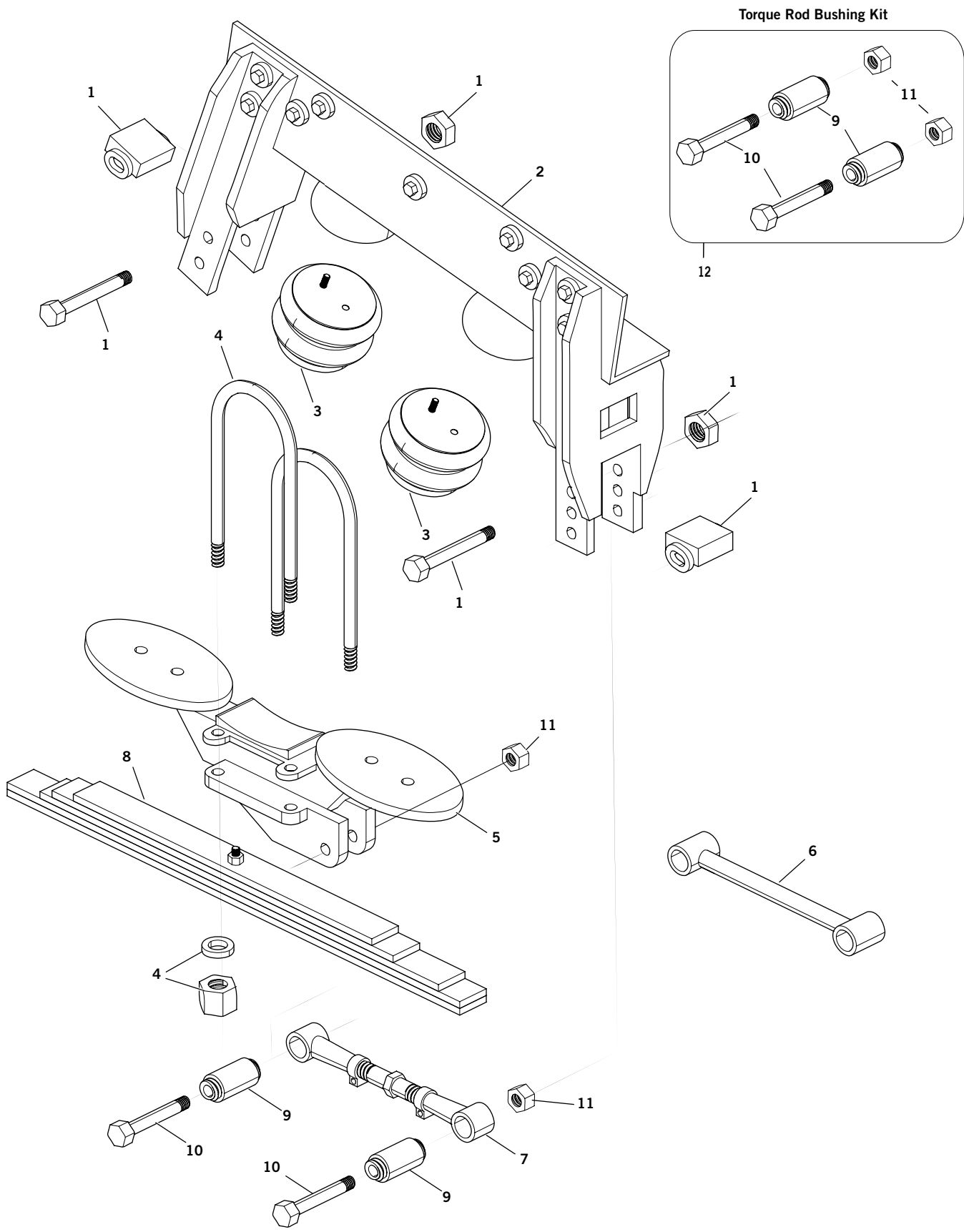


COMPOSILITE SC Series; Lift -Truck & Trailer													
KEY NO.	MERITOR NO.	GENUINE	OEM REF.	DESCRIPTION	QTY. PER SUSPENSION								PAGE NO.
					SC 10K (TRUCK SERIES PREFIX SCT10)	SC10K ADJ (TRUCK SERIES PREFIX SCT10)	SC13K (TRUCK SERIES PREFIX SCT13)	SC13K ADJ (TRUCK SERIES PREFIX SCT13)	SC20K (TRUCK SERIES PREFIX SCT20)	SC 20K ADJ (TRUCK SERIES PREFIX SCT20)	SCW (TRAILER SERIES PREFIX SCW13)	SCB (TRAILER SERIES PREFIX SCB13)	
1	S.O.S.		R-009690	Beam Assembly	4	4	-	-	-	-	-	-	-
	S.O.S.		R-008940	Beam Assembly	-	-	4	4	-	-	4	4	-
	S.O.S.		R-010125	Beam Assembly	-	-	-	-	4	4	-	-	-
2	R3016341		R-005009	Pivot Bolt Kit	8	-	8	-	-	-	1	1	197
	S.O.S.		R-007659	Pivot Bolt Kit	-	1	-	1	-	-	-	-	-
	S.O.S.		R-007040	Pivot Bolt Kit	-	-	-	-	1	-	-	-	-
	S.O.S.		R-007961	Pivot Bolt Kit	-	-	-	-	-	1	-	-	-
3	R3016343		R-008839	Bushing and Pivot Bolt Kit	1	-	1	-	-	-	1	1	196
	S.O.S.		R-008839-1	Bushing and Pivot Bolt Kit	-	1	-	1	-	-	-	-	-
	S.O.S.		R-008839-2	Bushing and Pivot Bolt Kit	-	-	-	-	1	-	-	-	-
	R3016346		R-008839-3	Bushing and Pivot Bolt Kit	-	-	-	-	-	1	-	-	196
4	FS8033	-	R-B-14487	Air Spring - Ride	2	2	2	2	-	-	-	-	-
	FS7797	-	R-001346	Air Spring - Ride	-	-	-	-	2	2	-	-	-
	FS8042	-	R-001015	Air Spring - Ride	-	-	-	-	-	-	2	2	-
5	FS7659	-	R-005079	Air Spring - Lift	2	2	2	2	-	-	2	2	-
	S.O.S.	-	R-010214	Air Spring - Lift	-	-	-	-	2	2	-	-	-
6	S.O.S.		Various	Upper Air Spring Plate	2	2	2	2	2	2	2	2	-
7	S.O.S.		Various	Hanger Side Rail	2	2	2	2	2	2	2	2	-
8	S.O.S.		Various	Bushing Saddle	2	2	2	2	2	2	2	2	-
9	S.O.S.		Various	Cross Member	1	1	1	1	1	1	1	1	-

 Denotes Product is Genuine Hendrickson

HENDRICKSON AUXILIARY SUSPENSION

HLQ, Q Series - Lift-Truck



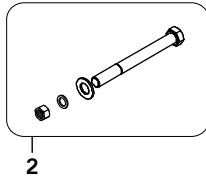
HLQ, Q Series - Lift-Truck								
KEY NO.	MERITOR NO.	GENUINE	OEM REF.	DESCRIPTION	QTY. PER SUSPENSION			PAGE NO.
					Q-AH HLQ-AH	Q-LF HLQ-LF	Q-SR HLQ SR	
1	R303779	-	S-1156	Slider Block Assembly Includes Block, bolt & nut. Slider Length 2 7/8"	4	4	-	200
	R303777	-	S-1367	Slider Block Assembly Includes Block, bolt & nut. Slider Length 2 5/8"	-	-	2	200
2	S.O.S.	☒	D-1152-1	Side Rail Assembly, Curbside	-	-	1	-
	S.O.S.	☒	D-1152-2	Side Rail Assembly, Roadside	-	-	1	-
	S.O.S.	☒	D-1257-1	Side Rail Assembly, Curbside	-	1	-	-
	S.O.S.	☒	D-1257-2	Side Rail Assembly, Roadside	-	1	-	-
	S.O.S.	☒	D-1268-1	Side Rail Assembly, Curbside	1	-	-	-
	S.O.S.	☒	D-1268-2	Side Rail Assembly, Roadside	1	-	-	-
3	FS7403	-	S-1159	Air Spring	4	4	4	-
4	R30U8165-12	-	S-1135	U-Bolt Assembly, Rd. Bend, 7/8"-14Thd. x 5" Wide x 12" Long	-	4	-	-
	S.O.S.	-	A-7566	U-Bolt Assembly, Rd. Bend, 7/8"-14Thd. x 6" Wide x 9 1/2" Long	4	-	4	-
5	S.O.S.	☒	C-3334	Lower Arm Assembly	2	-	-	-
	S.O.S.	☒	C-3419	Lower Arm Assembly	-	2	-	-
	S.O.S.	☒	C-7565	Lower Arm Assembly	-	-	2	-
6	R303773	☒	S-1031	Torque Rod, Rigid 15 1/2" Center-to-Center	-	-	1	200
	R303774A-2	☒	S-1031-1	Torque Rod, Rigid 19" Center-to-Center	1	-	-	200
7	R302512	-	S-1032-2	Torque Rod, Adjustable, 14"- 18 1/2" Center-to-Center	-	-	1	200
	R302513	-	S-1032-1	Torque Rod, Adjustable, 18 1/2" - 21 3/8" Center-to-Center	1	-	-	200
8	S.O.S.	☒	C-1733	Return Spring Assembly	2	-	-	-
	S.O.S.	☒	B-1152	Return Spring Assembly	-	-	2	-
	S.O.S.	☒	C-1012	Return Spring Assembly	-	2	-	-
9	R301980	-	S-1712	Torque Rod Bushing	4	4	4	200
10	R30901	-	-	Bolt, 7/8"- 9 X 5 1/2" Long	4	4	4	-
11	R302893	-	-	Lock Nut, 7/8"-9	4	4	4	-
12	R301981	-	-	Torque Rod Bushing Assembly Includes Key No. 9, 10, 11.	4	4	4	200

☒ Denotes Product is Genuine Hendrickson

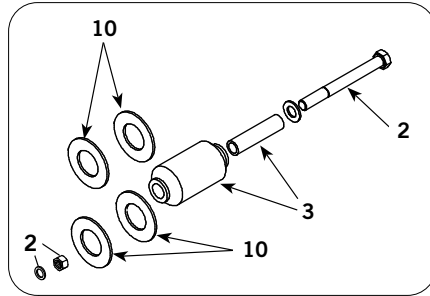
HENDRICKSON AUXILIARY SUSPENSION

HLU/ HLU/ HLUP/ HULR2T/ UCL/ UC/ FBT Series - Truck

Pivot Bolt Kit

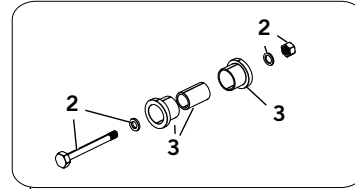


Bushing & Pivot Bolt Kit

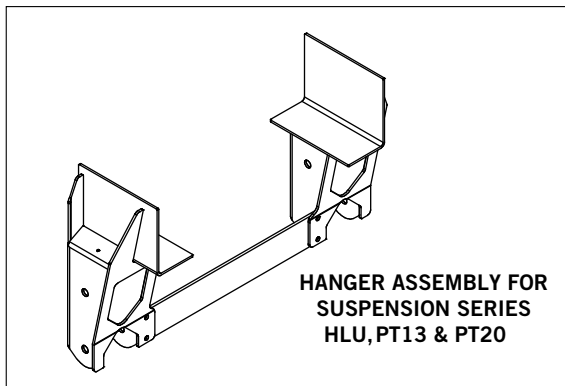
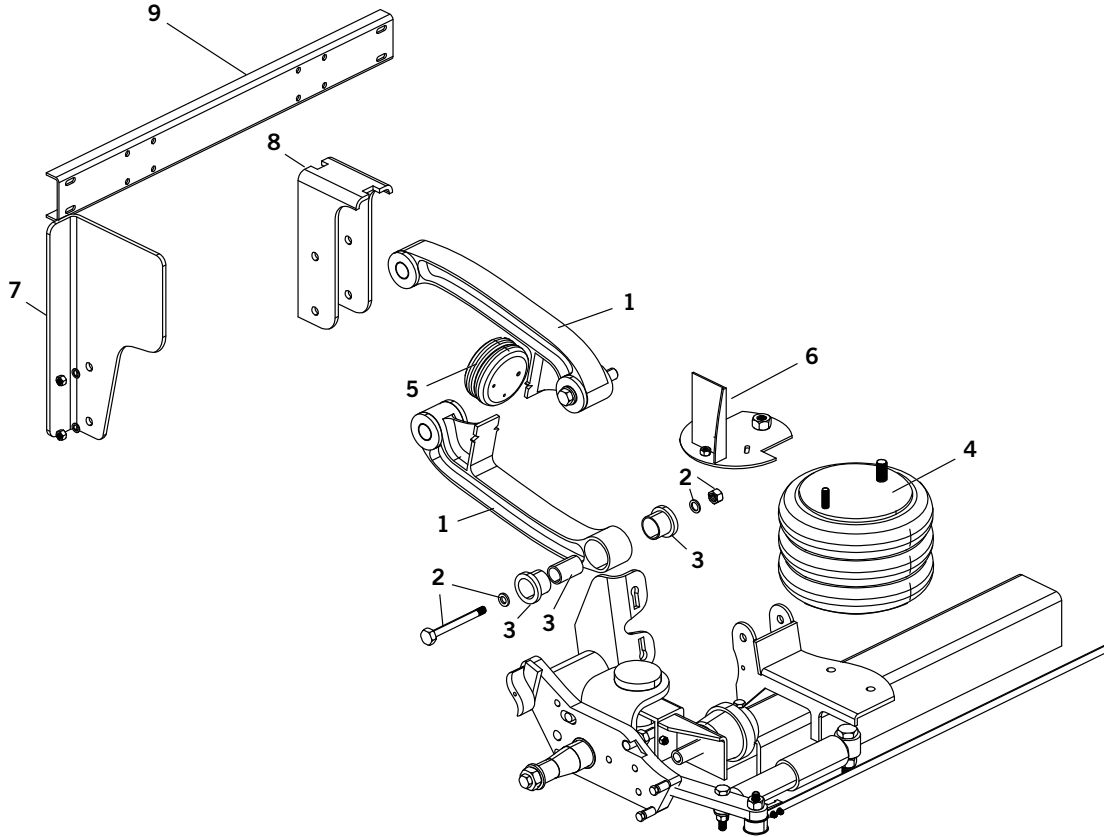


3 E-16342 Includes (8) of Items Shown

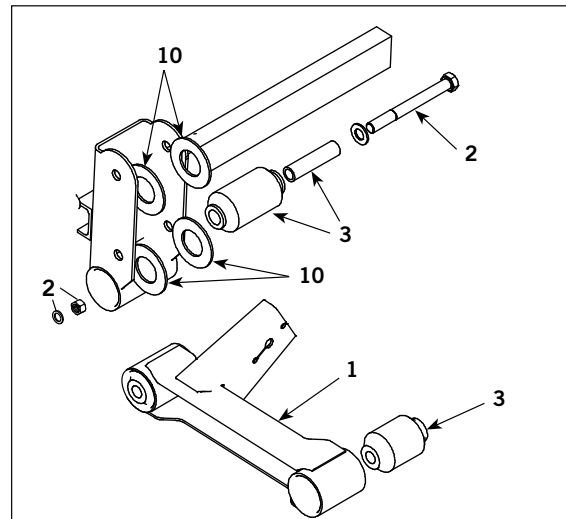
Bushing & Pivot Bolt Kit



3 E-16343 Includes (8) of Items Shown



HANGER ASSEMBLY FOR
SUSPENSION SERIES
HLU, PT13 & PT20



REVERSE CASTER SUSPENSION SERIES
HLUR & HLUR2

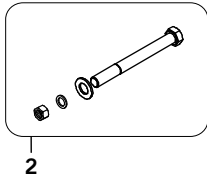
HLU/ HLUS/ HLUP/ HULR2T/ UCL/ UC/ FBT Series - Truck										
KEY NO.	MERITOR NO.	GENUINE	OEM REF	DESCRIPTION	TRUCK SUSPENSION SERIES (TRUCK PREFIX IN PARENTHESIS)					
					HLU (UT13) 1997 - 1997	HLUS/ HLUS2 (UST13 & US2T13) 1997-2005	HLUR (URT13) 1999 - 2000	HLUR2T (UR2T13) 2000 - 2013	UCL (UCLT13) 2002 - 2002	UC2, UC3, UC4, (C2T13 (OR 3, OR 4)) 2002 - 2007 & FBC (FBT08 OR FBT10) 2004-2007 & ST13K (STT10) 2007-2010
1	R3016337	H	R-D-14784-1	Beam Assembly	2	-	-	-	-	-
	R3016338	H	R-D-14784-2	Beam Assembly	2	-	-	-	-	-
	R3016339	H	R-002006-1	Beam Assembly	-	2	-	-	-	-
	R3016340	H	R-002006-2	Beam Assembly	-	2	-	-	-	-
	S.O.S.	H	Various	Beam Assembly	-	-	4	4	4	4
2	R3016345	H	R-A-14488	Pivot Bolt Kit	1	1	-	-	1	-
	R3016341	H	R-005009	Pivot Bolt Kit	-	-	-	-	-	8
	S.O.S.	H	Various	Pivot Bolt Kit	-	-	1	1	-	-
3	R3016342	H	R-009560	Bushing & Pivot Bolt Kit	1	1	-	-	-	-
	R3016343	H	R-008839	Bushing & Pivot Bolt Kit	-	-	-	-	-	1
	S.O.S.	H	Various	Bushing & Pivot Bolt Kit	-	-	1	1	8	-
4	FS8033	-	R-B-14487	Air Spring (Ride)	2	2	2	2	2	2
	MAF8033	-	R-B-14487	Air Spring (Ride)	2	2	2	2	2	2
5	FS7795	-	R-B-14486	Air Spring (Lift)	2	2	-	2	-	-
	MAF7795	-	R-B-14486	Air Spring (Lift)	2	2	-	2	-	-
	FS7897	-	R-002878	Air Spring (Lift)	-	-	2	-	-	-
	MAF7897	-	R-002878	Air Spring (Lift)	-	-	2	-	-	-
	FS3420	-	R-004647	Air Spring (Lift)	-	-	-	-	2	-
	FS7659	-	R-005079	Air Spring (Lift)	-	-	-	-	-	2
	FS7505	-	R-001347	Air Spring (Lift)	-	-	-	-	-	-
6	S.O.S.	H	R-C-14489-1/-2	Upper Air Spring Plate	1	1	1	1	1	1
7	R3016348	H	R-D-14786-1	Hanger Side Rail	1	-	-	-	-	-
	R3016349	H	R-D-14786-2	Hanger Side Rail	1	-	-	-	-	-
	S.O.S.	H	Various	Hanger Side Rail	-	2	2	2	2	2
8	S.O.S.	H	Various	Bushing Saddle	2	2	2	2	2	2
9	S.O.S.	H	Various	Cross Member	1	1	1	1	1	1
10	R3016344	H	R-B-14495	Wear Pads Included w/ Bushing & Pivot Bolt Kit	4	4	4	4	4	-

H Denotes Product is Genuine Hendrickson

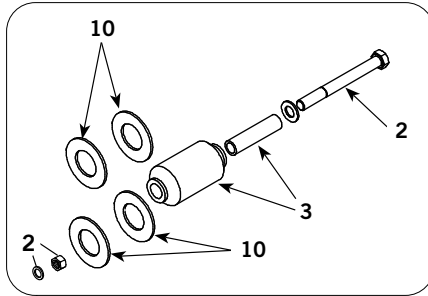
HENDRICKSON AUXILIARY SUSPENSION

PT/ PST/ST Series - Truck

Pivot Bolt Kit

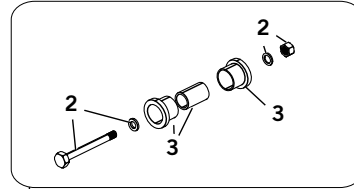


Bushing & Pivot Bolt Kit

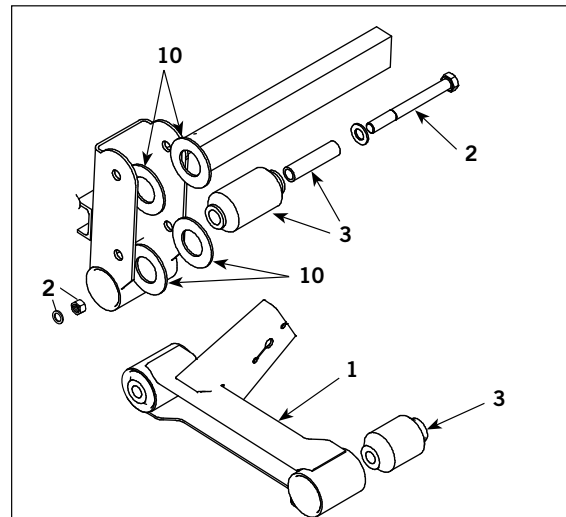
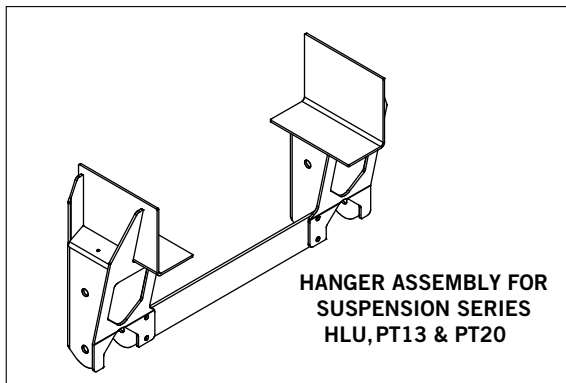
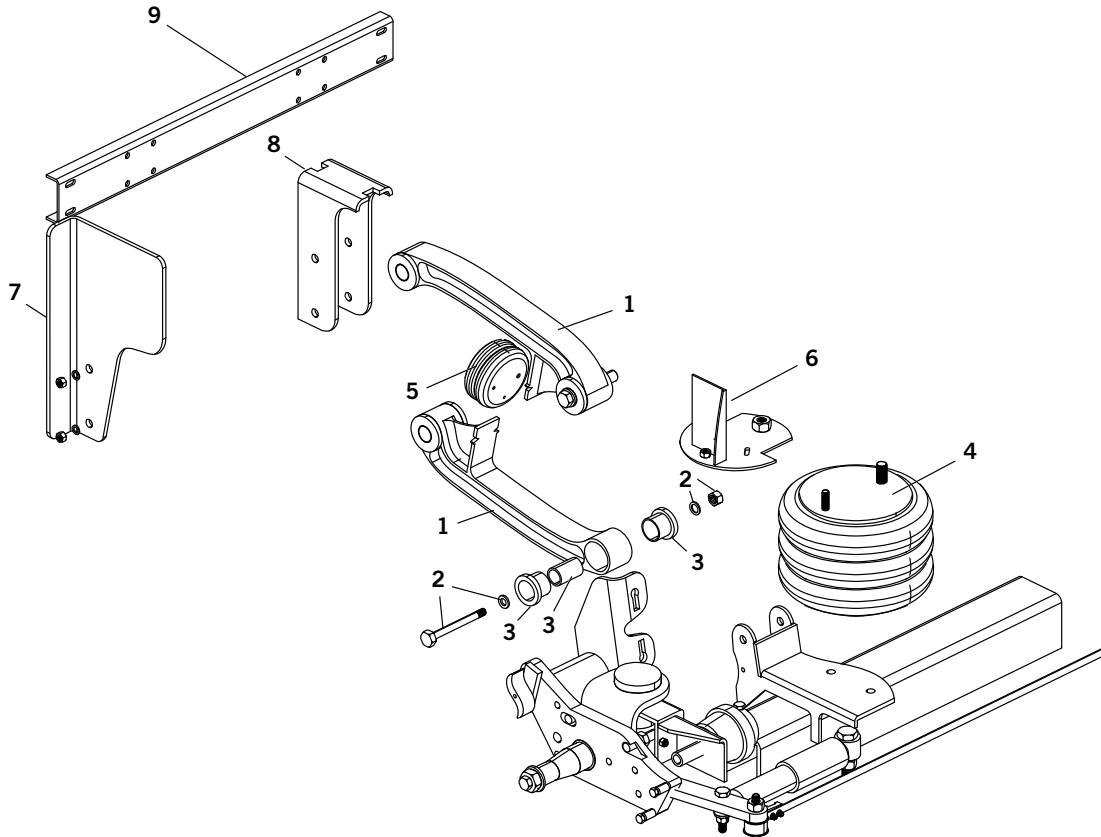


3 E-16342 Includes (8) of Items Shown








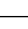








Bushing & Pivot Bolt Kit




3 E-16343 Includes (8) of Items Shown



**REVERSE CASTER SUSPENSION SERIES
HLR & HLR2**

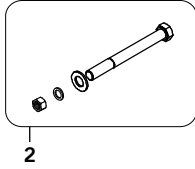
PT/ PST/ST Series - Truck											
KEY NO.	MERITOR NO.	GENU-INE	OEM REF	DESCRIPTION	TRUCK SUSPENSION SERIES (TRUCK PREFIX IN PARENTHESIS)						PAGE NO.
					PT20 (PT20) 1996 - 2008	PST13 KIT ONLY (PST13) 1999 - 2012	PST20 (PST20) 2008 - 2012	PST20 ADJ (PST20) 2009 - 2012	ST13K (STT10) 2007- 2010	ST 13K ADJ (STT13) 2007 - 2010	
1	R3016339		R-002006-1	Beam Assembly	-	2	-	-	-	-	202
	R3016340		R-002006-2	Beam Assembly	-	2	-	-	-	-	202
	S.O.S.		Various	Beam Assembly	4	-	4	4	4	4	-
2	R3016345		R-A-14488	Pivot Bolt Kit	1	1	-	-	-	-	-
	R3016341		R-005009	Pivot Bolt Kit	-	-	-	-	8	-	197
	S.O.S.		Various	Pivot Bolt Kit	-	-	1	1	-	1	-
3	R3016342		R-009560	Bushing & Pivot Bolt Kit	1	1	-	-	-	-	196
	R3016343		R-008839	Bushing & Pivot Bolt Kit	-	-	-	-	1	-	196
	S.O.S.		Various	Bushing & Pivot Bolt Kit	-	-	1	1	-	1	-
4	FS8033	-	R-B-14487	Air Spring (Ride)	-	2	-	-	2	2	-
	MAF8033	-	R-B-14487	Air Spring (Ride)	-	2	-	-	2	2	-
	FS7797	-	R-001346	Air Spring (Ride)	2	-	2	2	-	-	-
	MAF7797	-	R-001346	Air Spring (Ride)	2	-	2	2	-	-	-
5	FS7795	-	R-B-14486	Air Spring (Lift)	-	2	2	-	-	-	-
	MAF7795	-	R-B-14486	Air Spring (Lift)	-	2	2	-	-	-	-
	FS7659	-	R-005079	Air Spring (Lift)	-	-	-	-	2	2	-
	FS7505	-	R-001347	Air Spring (Lift)	2	-	-	-	-	-	-
6	S.O.S.		R-C-14489-1/2	Upper Air Spring Plate	1	1	1	1	1	1	-
7	R3016348		R-D-14786-1	Hanger Side Rail	1	-	-	-	-	-	202
	R3016349		R-D-14786-2	Hanger Side Rail	1	-	-	-	-	-	202
	S.O.S.		Various	Hanger Side Rail		2	2	2	2	2	-
8	S.O.S.		Various	Bushing Saddle	2	2	2	2	2	2	-
9	S.O.S.		Various	Cross Member	1	1	1	1	1	1	-
10	R3016344		R-B-14495	Wear Pads Includ- ed w/ Bushing & Pivot Bolt Kit	4	4	-	-	-	-	199

 Denotes Product is Genuine Hendrickson

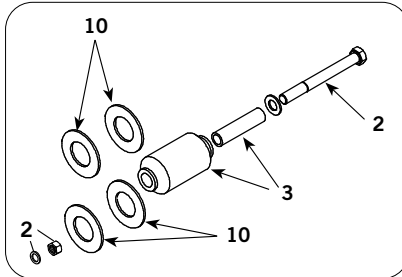
HENDRICKSON AUXILIARY SUSPENSION

HLU / ST / UC2 Trailer

Pivot Bolt Kit

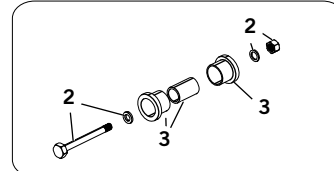


Bushing & Pivot Bolt Kit

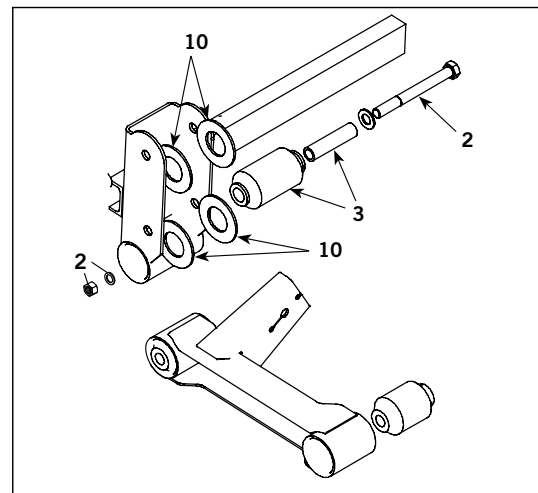
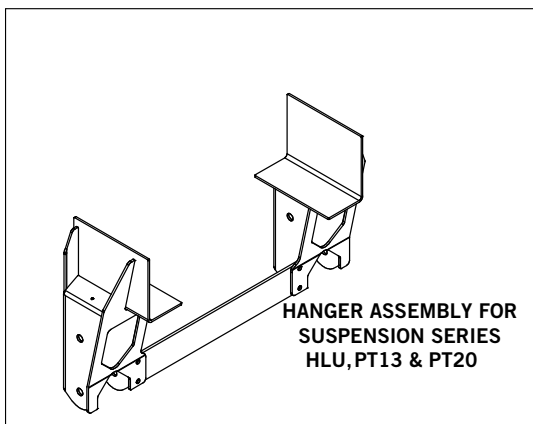
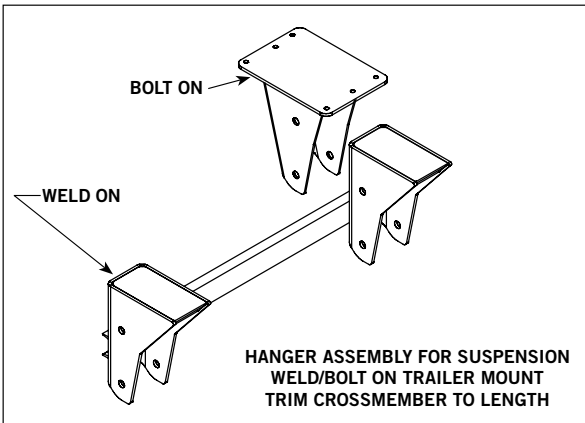
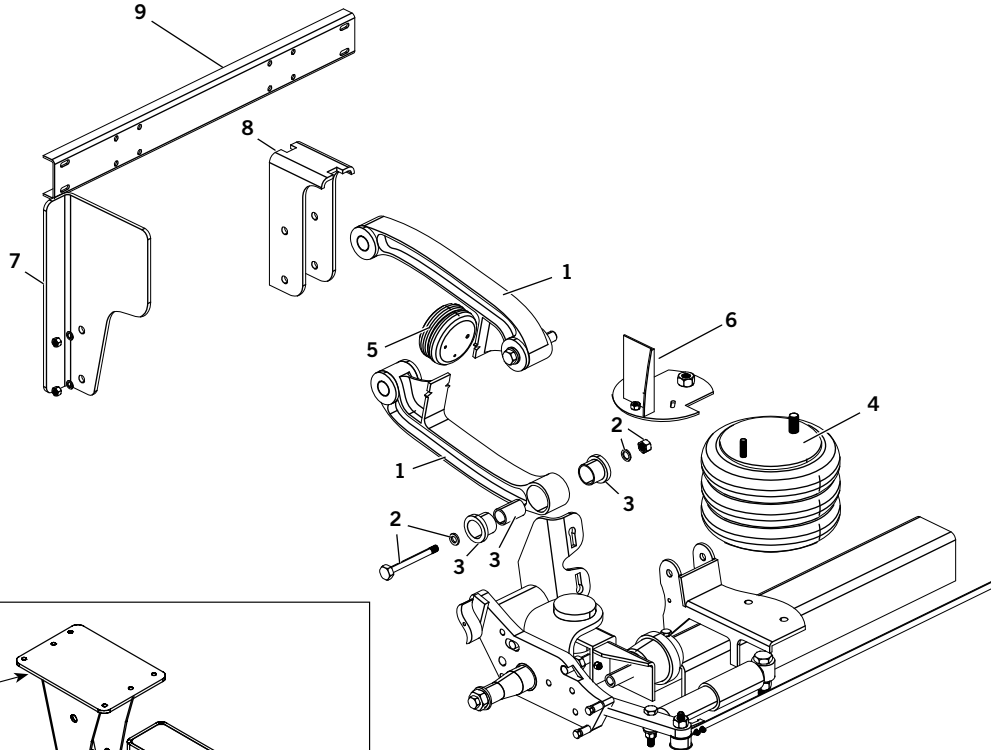


3 E-16342 Includes (8) of Items Shown

Bushing & Pivot Bolt Kit



3 E-16343 Includes (8) of Items Shown



REVERSE CASTER SUSPENSION SERIES
HLU SERIES

HLU / ST / UC2 Trailer

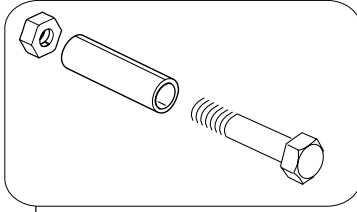
KEY NO.	PART NO.	GENUINE	OEM REF.	DESCRIPTION	QTY. PER SUSPENSION				PAGE NO.
					HLUW/HLUB TRAILER SERIES PREFIX UW13 & UB13 (1997 - 1997)	HLUS2B/HLUS2W TRAILER SERIES PREFIX US2B13 & US2W13 (1999 - 2005)	UC2B/UC2W TRAILER SERIES PREFIX UC2B & UC2W (2002 - 2005)	STB/STW TRAILER SERIES PREFIX STB13 & STW13 (2007)	
1	R3016337	☒	R-D-14784-1	Beam Assembly	2	-	-	-	202
	R3016338	☒	R-D-14784-2	Beam Assembly	2	-	-	-	202
	R3016339	☒	R-002006-1	Beam Assembly	-	2	-	-	202
	R3016340	☒	R-002006-2	Beam Assembly	-	2	-	-	202
	S.O.S.	☒	R-005733	Beam Assembly	-	-	4	4	-
2	R3016345	☒	R-A-14488	Pivot Bolt Kit	1	1	-	-	197
	R3016341	☒	R-005009	Pivot Bolt Kit	-	-	8	8	197
3	R3016342	☒	R-009560	Bushing And Pivot Bolt Kit	1	1	-	-	196
	R3016343	☒	R-008839	Bushing And Pivot Bolt Kit	-	-	1	1	196
4	FS8042	-	R-001015	Air Spring (Ride)	2	2	2	2	-
	MAF8042	-	R-001015	Air Spring (Ride)	2	2	2	2	-
5	FS8033	-	R-B-14487	Air Spring (Lift)	2	-	-	-	-
	MAF8033	-	R-B-14487	Air Spring (Lift)	2	-	-	-	-
	FS7795	-	R-B-14486	Air Spring (Lift)	-	2	-	-	-
	MAF7795	-	R-B-14486	Air Spring (Lift)	-	2	-	-	-
	FS7659	-	R-005079	Air Spring (Lift)	-	-	2	2	-
6	S.O.S.	☒	Various	Upper Air Spring Plate	2	2	2	2	-
7	S.O.S.	☒	Various	Frame Bracket Weldment Includes 2 Saddles And Crossmember	1	1	1	1	-
8	S.O.S.	☒	Various	Bushing Saddle	2	2	2	2	-
9	S.O.S.	☒	R-002948-30	Cross Member	1	1	1	1	-
10	R3016344	☒	R-B-14495	Wear Pads (Included With Key No 3)	1	1	-	-	199

☒ Denotes Product is Genuine Hendrickson

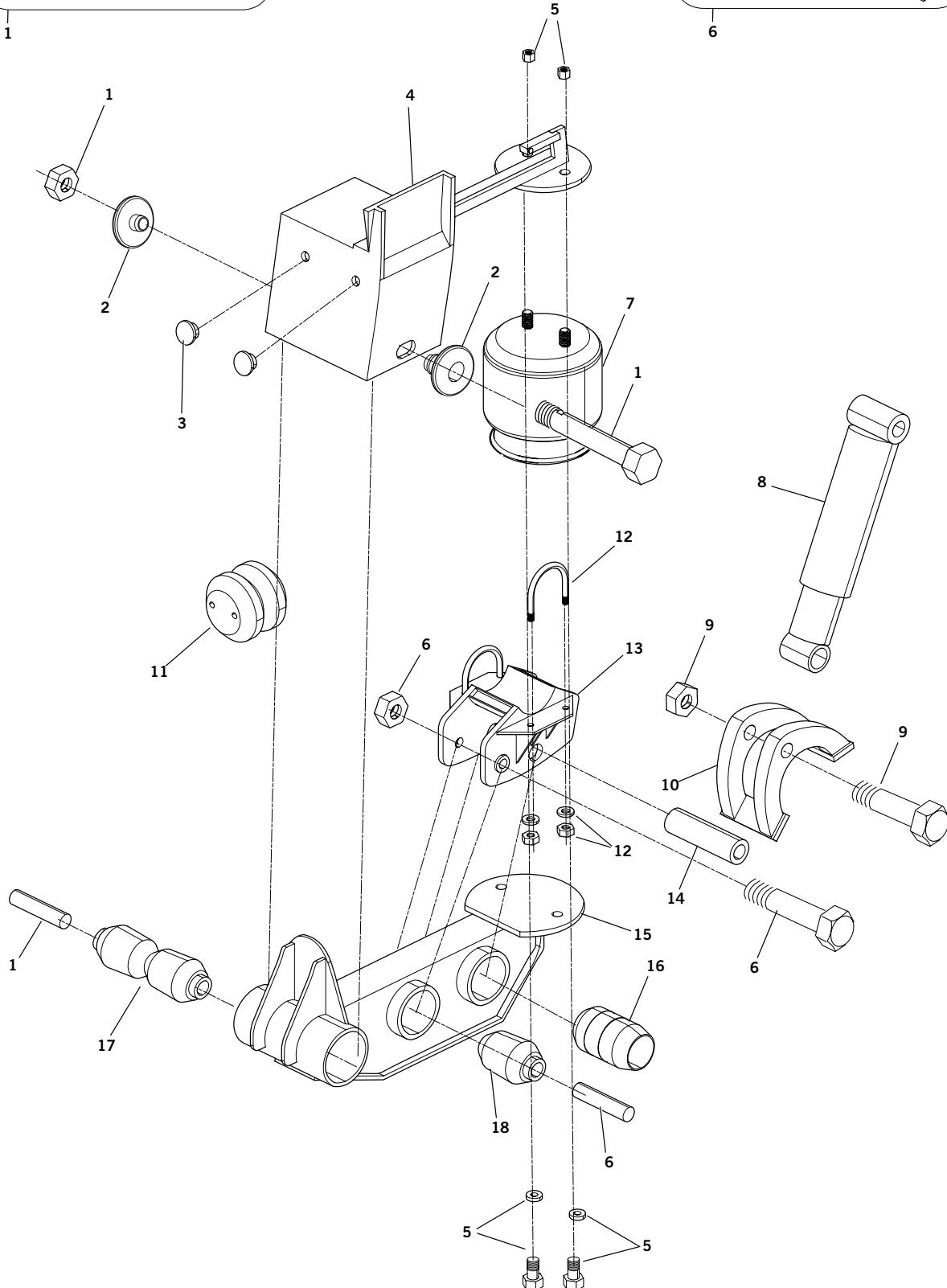
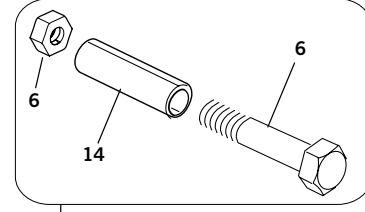
HENDRICKSON AUXILIARY SUSPENSION

AUXILIARY MT45, MTL45, MTL50 - Lift-Trailer




Pivot Bolt Kit




Alignment Bolt Kit



AUXILIARY MT45, MTL45, MTL50 - Lift-Trailer

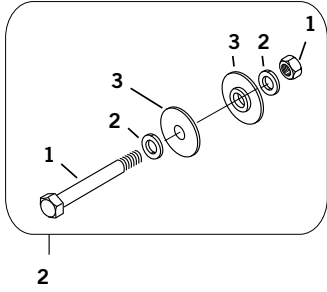
KEY NO.	MERITOR NO.	GENUINE	OEM REF.	DESCRIPTION	QTY. PER AXLE			PAGE NO.
					MT-45	MTL-45	MTL-50	
1	R306129		S-3142	Pivot Bolt Kit	2	2	2	197
2	R303771		S-2770	Alignment Collar	4	4	-	198
	R306131		B-2848	Alignment Collar	-	-	4	198
3	S.O.S.		A-4710	Plastic Bolt Hole Plug	4	4	4	-
4	S.O.S.		C-12350-1	Side Rail Assembly, Roadside	1	-	-	-
	S.O.S.		C-12350-2	Side Rail Assembly, Curbside	1	-	-	-
	S.O.S.		C-11728-1	Side Rail Assembly, Roadside	-	1	1	-
	S.O.S.		C-11728-2	Side Rail Assembly, Curbside	-	1	1	-
5	S.O.S.		S-1981, A-1981	Air Spring Bolt Kit (Ride)	2	2	2	-
6	R306130		A-3141	Alignment Bolt Kit	2	2	2	197
7	FS9321	-	S-4375	Air Spring - Ride	2	2	2	-
	FS9367	-	S-14249	Air Spring - Ride	2	2	2	-
	MAF9367	-	S-14249	Air Spring - Ride	2	2	2	-
8	M85000	-	S-1667	Shock Absorber	2	2	2	-
	M89436	-	S-1667	Shock Absorber	2	2	2	-
9	S.O.S.		A-12355	Shock Bolt Kit	1	1	1	-
10	S.O.S.		B-3896	Lower Shock Bracket Assembly	-	2	2	-
11	FS6902	-	S-2630	Air Spring (Lift)	2	2	2	-
12	R30U8165-076	-	S-3139	U-Bolt Assembly, Rd. Bend, 7/8"-14 Thd.x 5" Wide x 7 3/4" Long	4	4	4	-
13	S.O.S.		C-6042	Axle Seat Assembly	2	2	2	-
14	S.O.S.		A-6041-3	Shaft	2	2	-	-
	S.O.S.		B-3111-2	Shaft	-	-	2	-
	S.O.S.	-	D-11679-1	Beam with Bushings, Roadside	1	1	-	-
15	S.O.S.	-	D-11679-2	Beam with Bushings, Curbside	1	1	-	-
	S.O.S.	-	D-6200-1	Beam with Bushings, Roadside	-	-	1	-
	S.O.S.	-	D-6200-2	Beam with Bushings, Curbside	-	-	1	-
	S.O.S.	-	D-6200-2	Beam with Bushings, Curbside	-	-	1	-
16	R306128		S-2159-1	Bushing	2	2	2	197
17	R306126		S-2841	Pivot Bushing	2	2	2	197
18	R306127		S-2841-1	Bushing	2	2	2	197
-	S.O.S.		A-1631-1	C-Channel 3" x 20"	-	-	-	-
-	S.O.S.	-	A-1633-1	Frame Bracket Brace	-	-	-	-
-	S.O.S.	-	A-2849	Air Spring Bolt Kit (Lift)	-	-	-	-

 Denotes Product is Genuine Hendrickson

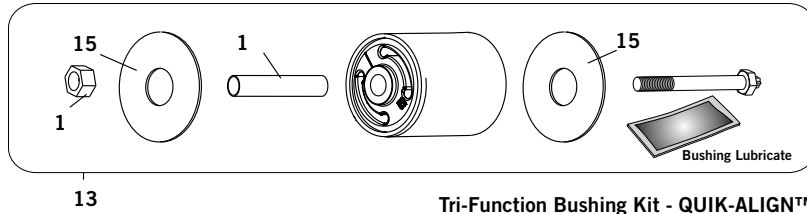
HENDRICKSON AUXILIARY SUSPENSION

TOUGHLIFT FM / HLM-2, HLM / HLM-1, LK - Lift Truck

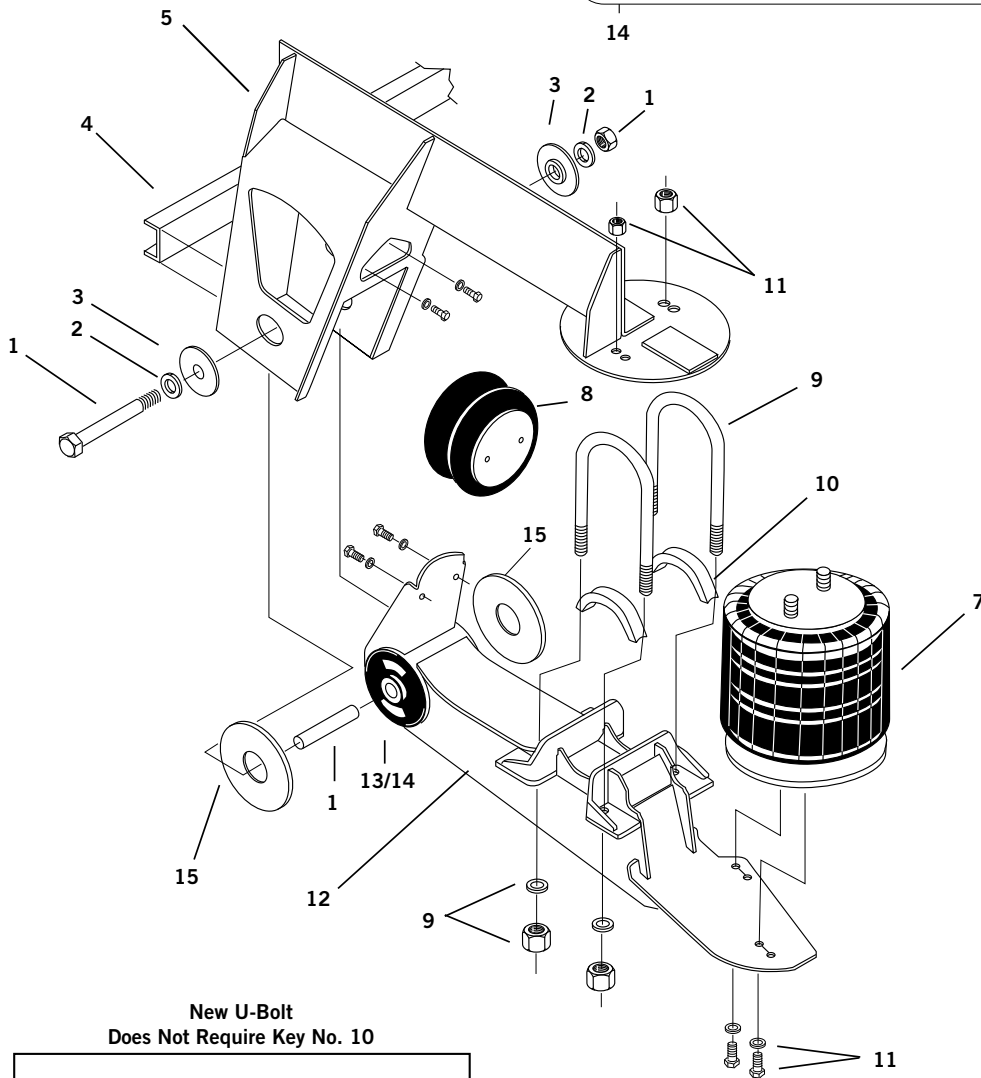
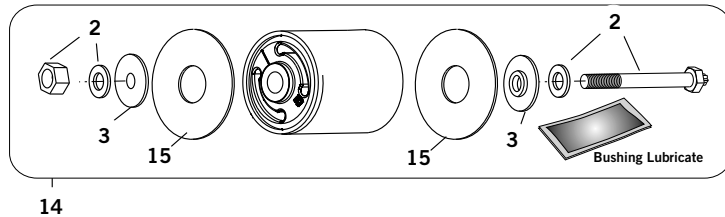
Quick Align Pivot Bolt Kit



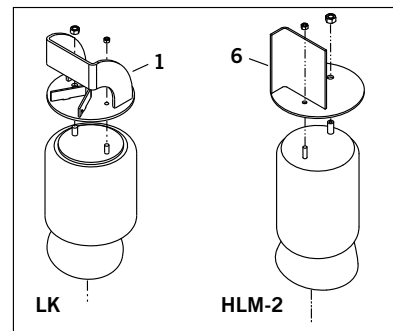
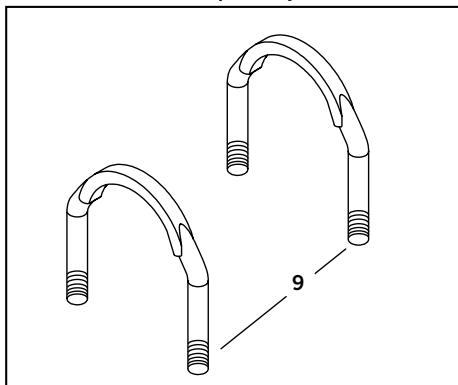
Tri-Function Bushing Kit - Welded Alignment








Tri-Function Bushing Kit - QUIK-ALIGN™



New U-Bolt
Does Not Require Key No. 10



TOUGHLIFT FM / HLM-2, HLM / HLM-1, LK - Lift Truck									
KEY NO.	MERITOR NO.	GENUINE	OEM REF.	DESCRIPTION	QTY. PER AXLE				PAGE NO.
					HLM	HLM-1	HLM-1-TR	LK	
1	R303768		S-3646	Pivot Bolt Kit, Welded Alignment	2	2	-	-	197
2	R3016422		A-21116	Quick Align Pivot Bolt Kit - Includes Bolt, Nut and Washers plus Concentric and Eccentric Collars Key No. 3	-	-	2	2	198
3	R303771		S-2770	Alignment Collar, Welded Alignment	4	4	-	-	198
	R3010755		S-20924	Alignment Collar, Concentric, Inner, QUIK-ALIGN™	-	-	2	2	198
	R3010754		S-20925	Alignment Collar, Eccentric, Outer, QUIK-ALIGN™	-	-	2	2	198
4	R3015091		A-1631-19	Side Rail Cross Channel	1	1	-	-	
	S.O.S.		R-002948-19	Side Rail Cross Channel	-	-	1		-
5	S.O.S.		Various	Side Rail Assembly	2	2	2	2	-
6	S.O.S.		Various	Upper Air Spring Plate	-	-	2	2	-
7	FS9367	-	S-14249	Air Spring (Ride)	2	2	2	2	
8	FS6935	-	S-14318	Air Spring (Lift)	2	2	2	2	
9	R30U8168-082	-	S-20032/4	U-Bolt Assembly, Rd. Bend, 7/8"-14 Thd. x 6" Wide x 8 1/4" Long, use with Spacer Key No. 10	4	4	-	-	201
	R30U8466-082H	-	R6362	U-Bolt Assembly, Special Bend, 7/8"-14 Thd. x 6" Wide x 8 1/4". Key No. 10 Not Required	-	-	4	4	201
10	R306124		S-20701	Axle Spacer	4	4	-	-	
11	R3015092		S-1981/2	Air Spring Bolt Kit	2	2	2	2	204
12	S.O.S.		Various	Beam Assembly	2	2	2	2	-
13	R306121		A-6914	Tri-Functional Bushing Kit Welded Alignment, Includes Bushing plus Key Nos. 1, 15 and Lubricate	2	2			196
14	R3016423		R-004588	Tri-Functional Bushing Kit QUIK-ALIGN™, includes Bushing plus Key Nos. 2, 15 and Lubricate			2	2	199
15	R306122		S-21099	Bushing Wear Pad	4	4			199
	R3016424		B-11613	Bushing Wear Pad			4	4	199
16	S.O.S.		R-013495	Upper Air Spring Assembly				2	-
	S.O.S.		R-001951-1/2	Upper Air Spring Assembly			2		-

 Denotes Product is Genuine Hendrickson

HENDRICKSON SUSPENSION

Component Photos - Table of Contents

Suspension

Center Beam Bushings - - - - -	138
End Beam Bushings & Adapters - - - - -	140
Equalizer Beam Rebuild Kits & Cross Tubes- - - - -	144
Spring Saddles & Components - - - - -	145
Spring Hanger & Attaching Hardware - - - - -	147
RT/RTE Hangers - - - - -	150
RS Hangers - - - - -	156
RS Components - - - - -	159
Torque Rods & Bushings - - - - -	161
E4 Series Components - - - - -	168
HFS Components - - - - -	171
HTS Components - - - - -	173
HA and HAS Components - - - - -	174
HN and HAULMAAX - - - - -	182
HTB For International - - - - -	186
PRIMAAX/FIREMAAX & PRIMAAX EX/FIREMAAX - - - - -	188
Trailer & Auxiliary Pivot & Beam Bushing Kits - - - - -	198
Trailer & Auxiliary Torque Arms & Components - - - - -	200
Trailer & Auxiliary Axle Attaching- - - - -	201
Trailer & Auxiliary Beams and Hangers - - - - -	202
Trailer & Auxiliary Air Spring Components- - - - -	203
Trailer & Auxiliary Shock Absorber Components - - - - -	205
Trailer & Auxiliary Air Spring & Shock Absorbers- - - - -	205
AIRTEK / SOFTEK For Blue Bird Bus - - - - -	215
COMFORT AIR For Blue Bird Bus - - - - -	217
PARASTEER For Blue Bird Bus - - - - -	219
AIRTEK For Freightliner - - - - -	220
AIRTEK / SOFTEK For International - - - - -	223
AIRTEK For Mack- - - - -	227
AIRTEK / SOFTEK For Spartan Motor Homes - - - - -	229
AIRTEK For Volvo- - - - -	231
AIRTEK For Western Star - - - - -	233

HENDRICKSON SUSPENSION

Center Beam Bushings & Components

Center Beam Bushing								
								
TYPE 1				TYPE 2				
MERITOR NO.	GENUINE	OEM REF.	TYPE	SMALL O.D.	LARGE O.D.	LENGTH	PLUG	APPLICATION
R301338		06664-000	1	2 3/4"	3 5/8"	12"	Welded	Standard Duty Rubber, 340 Series
R301594		22279-000	1	2 3/4"	3 5/8"	12"	Loose	Standard Duty, Rubber 340 Series
R301339		05919-000	1	3 1/2"	4 3/4"	12"	Welded	Standard Duty Rubber, 380 Series
R309510	-	-	1	3 1/2"	4 3/4"	12"	Welded	Standard Duty Poly, 380 Series
R301595		22282-000	1	3 1/2"	4 3/4"	12"	Loose	Standard Duty Rubber, 380 Series
R306979		49400-000	2	3 1/2"	4 3/4"	12"	Welded	High Confinement, Rubber, 400-460 Series Outer Sleeve Confines Rubber.
R306980		49600-000	2	3 1/2"	4 3/4"	12"	Loose	High Confinement, Rubber, 400-460 Series Outer Sleeve Confines Rubber.
R309359		29483-005	1	3 1/2"	4 3/4"	12"	Welded	Severe Duty, Rubber, 380-520 Series*
R3016416		34013-097	1	3 1/2"	4 3/4"	12"	Loose	Severe Duty, Rubber*, 380 to 520 Series
R302553		10366-000	1	4"	5 1/2"	14 5/8"	Welded	Severe Duty, Rubber, 650 Series*
R3014398		15464-000	1	4"	5 1/2"	18"	Welded	Rubber, 850 Series

* These bushings require the use of Transverse Torque Rods as do other selected applications as noted below

Important Information on Transverse Torque Rods

- Transverse torque rods MUST NOT be used in Bronze center bushing applications
- Transverse torque rods MUST be used on any of the following suspensions regardless of axle spacing.
 - AR2
 - COMFORT AIR
 - HA and HAS
 - HAULMAAX and HN
 - PRIMAAX and PRIMAAX EX


Transverse Torque Rods are REQUIRED for vehicles equipped with walking beams and rubber center bushings for Hendrickson rear suspensions as noted below:			
		Walking Beam Length	
SUSPENSION MODEL	CAPACITY	LESS THAN 60"	60" & LONGER
R, RS, RT, RTE	34K	*	Required
	40K	*	
	44-52K	Required	
R, RS, RT, RTE	65K	*	
RT	70K	Required	
		LESS THAN 64"	64" & LONGER
R, RS	85-120K	*	Required

* Transverse Torque Rods Are REQUIRED for all refuse, mining and logging applications.

 Denotes Product is Genuine Hendrickson

Center Beam Bushings & Components

Center Bushing Plug



MERITOR NO.	GENUINE	OEM REF.	O.D.	THICKNESS	APPLICATION
R301594-2		22278	1 15/16"	3/16"	Use w/ R301594 Bushing
R301595-2		22281	2 7/16"	3/16"	Use with R301595 & R306980 Bushing


Bronze Center Beam Bushing

FOR MODELS:
340 Series;



MERITOR NO.	GENUINE	OEM REF.	I.D.	O.D.	LENGTH
R301548		30240-001	2 3/4"	3 5/8"	5 7/8"

Bronze Center Beam Bushing Kit




Two Beams

MERITOR NO.	GENUINE	OEM REF.	APPLICATION
R301545		30436-000	340 Series
R301546		30437-000	380-520 Series

Bronze Center Beam Bushing


FOR MODELS:
380 to 520 Series



MERITOR NO.	GENUINE	OEM REF.	I.D.	O.D.	LENGTH
R301552		30240-002	3 1/2"	4 3/4"	5 7/8"

Bronze Bushing Seal

FOR MODELS:
380 to 520 Series



MERITOR NO.	GENUINE	OEM REF.	I.D.	O.D.	THICKNESS
R301553		30334-000	3 1/2"	4 3/4"	1/4"

Center Sleeve


FOR MODELS:
380 to 520 Series



MERITOR NO.	GENUINE	OEM REF.	DIA.	LENGTH
R301551		14685-000	3 1/2"	12"

Center Bushing Thrust Washer

FOR MODELS:
380 to 520 Series










MERITOR NO.	GENUINE	OEM REF.	ID	OD	THICKNESS
R302021		32365-000	3 1/2"	5 3/4"	1/8"

Denotes Product is Genuine Hendrickson



HENDRICKSON SUSPENSION

End Beam Bushings & Adapters




End Beam Bushing Kit			
			
MERITOR NO.	GENUINE	OEM REF.	APPLICATIONS
R305308		34013-048	340 Series Includes: 1 R301340 Bushing & 1 R302372 Adapter
R305309		34013-049	400 and 440 Series Includes: 1 R301341 Bushing & 1 R302374 Adapter
R309576		34013-073	460 Series Includes: 1 R301341 Bushing & 1 R309420 Adapter
R309577		34013-050	480 & 520 Series Includes: 1 R302771 Bushing & 1 R309420 Adapter

Alignment Shims			
			
Thickness: 3/16"			
MERITOR NO.	GENUINE	OEM REF.	NOTES
R309327		50130-000	Used with R309326 Bushings to correct alignment

Alignment Shims			
			
Thickness: 1/8" & 1/4"			
MERITOR NO.	GENUINE	OEM REF.	NOTES
R309328		50131-000	Used with R309326 Bushings to correct alignment






Bar Pin Bushing Kit, Non-Shim Type				
FOR MODELS: 340 to 520 Series				
				
MERITOR NO.	GENUINE	OEM REF.	O.D.	NOTES
R309325		34013-087	4 3/8"	Includes Mounting Hardware






Alignment Shims			
			
Thickness: 3/8"			
MERITOR NO.	GENUINE	OEM REF.	NOTES
R309329		57026-000	Used with R309326 Bushings to correct alignment




Bar Pin Bushing Kit, Shim Type				
FOR MODELS: 340 to 520 Series				
				
MERITOR NO.	GENUINE	OEM REF.	O.D.	NOTES
R309326		34013-088	4 3/8"	Incl: Mounting Hrdwr & Shims
R3014725		34013-188	4 3/8"	Rotating Pin For Easy Alignment

 Denotes Product is Genuine Hendrickson

End Beam Bushings & Adapters

Beam End Bushing						
MERITOR NO.	GENUINE	OEM REF.	I.D.	O.D.	LENGTH	APPL.
R301340		06969-000	2 1/2"	4 3/8"	5 1/4"	340 Series
R302771		29878-001	2 1/2"	4 3/8"	5 3/4"	480 & 520 Series. Same as R301341A except for Rubber Durometer
R301341A		45900-000	2 1/2"	4 3/8"	5 3/4"	400 to 460 Series
R309512A	-					Poly Version, 400 to 460 Series
R309419		45407-000	2 1/2"	4 3/8"	6"	520 Series
R302554		10363-000	3"	6"	6"	650 Series

End Beam Adapter Assembly, Old Style				
MERITOR NO.	GENUINE	OEM REF.	APPLICATION	NOTES
R3014400		45000-011	280 Series	3/4" Dia. x 5 1/4" Long Bolt
R302372		45000-013	340 Series,	3/4" Dia. x 6" Long Bolt
R302374		45000-007	400-460 Series,	3/4" Dia. x 6 1/2" Long Bolt
R309420		21140-034	460 Series	1" Dia. x 10 1/2" Long Bolt, Use with R301341A
R309421		21140-033	520 Series	1" Dia. x 11 1/4" Long Bolt, Use with R309419


End Beam Adapter Assembly				
MERITOR NO.	GENUINE	OEM REF.	APPLICATION	NOTES
R302373		45000-014	340 Series	3/4" Dia. x 6" Long Bolt
R302375		45000-008	400 and 460 Series	3/4" Dia. x 6 1/2" Long Bolt
R3015158		21140-040	480 and 520 Series	1" Dia. x 10 3/4" Long Bolt


1 Set of Split Flanges


 Denotes Product is Genuine Hendrickson


HENDRICKSON SUSPENSION

End Beam Bushings & Adapters

End Beam Adapter Assembly			
FOR MODELS: 480 and 520 Series			
			
2 Sets of Split Flanges			
MERITOR NO.	GENUINE	OEM REF.	NOTES
R3015157	☒	21140-028	Use with 5 3/4" Long Bushing R302771, 1" Dia. X 10 3/4" Long Bolt
R3015156	☒	21140-023	Use with 6" Long Bushing R309419, 1" Dia. X 11 1/4" Long Bolt

Beam End Adapter Assembly				
FOR MODELS: 650 Series				
				
Solid Shaft				
MERITOR NO.	GENUINE	OEM REF.	LENGTH	NOTES
R302555	☒	21140-007	12 1/2"	2" Shaft Dia, 1 7/8"-12 Thread,




Beam End Adapter Assembly				
FOR MODELS: 650				
				
Includes Shaft, Nuts, & Cotter Pins				
MERITOR NO.	GENUINE	OEM REF.	LENGTH	THREAD
R3011995	☒	21140-006	9 5/8"	1 3/8" - 12

Alignment Adapter Assembly			
FOR MODELS: 400 / 460			
			
Use with Bushing R301341A			
MERITOR NO.	GENUINE	OEM REF.	LENGTH
R304844	-	-	5 3/4"
Align Hendrickson, Neway, Reyco and Ridewell Suspensions without cutting and rewelding the hanger using the Alignment Adapter Assembly. The precision-fit Alignment Adapter Assembly replaces the original beam end adapter assembly without any modifications. Each unit provides a total of 1/2" positive adjustment. One adapter in each beam is usually sufficient for alignment correction.			

Beam Hanger Tube						
For Off-Highway & Severe Service						
MERITOR NO.	GENUINE	OEM REF.	I.D.	O.D.	LENGTH	APPLI-CATION
R302566	☒	10372-000	2 1/8"	3"	9 3/4"	650 Series
R303882	☒	6998	1 7/8"	2 1/2"	9 1/2"	440 Series (Old), 460 Series (New)

☒ Denotes Product is Genuine Hendrickson

End Beam Bushings & Adapters


Beam Hanger Tube Nut					
					
MERITOR NO.	GENUINE	OEM REF.	THREAD	APPLICATION	NOTES
R302567		10371-000	3"-12	650 Series	Use with R302566 Tube
R303881		6994	2 1/2"-12	440 Series (Old), 460 Series (New)	Use with R303882 Tube

Bronze End Beam Bushing Shaft				
				
MERITOR NO.	GENUINE	OEM REF.	LENGTH	THREAD
R302034		-	9 5/8"	1 3/8"- 12

Bronze End Beam Bushing Nut				
				
MERITOR NO.	GENUINE	OEM REF.	LENGTH	
R302035		-	1 3/8"- 12	

Bronze End Beam Bushing Assembly			
			
MERITOR NO.	GENUINE	OEM REF.	NOTES
R302031A		34013-057	Includes R302034 Shaft, R302035 Nut & R303913 Seals

Bronze End Beam Bushing Seal			
			
MERITOR NO.	GENUINE	OEM REF.	NOTES
R303913		-	Used in R302031A Kit


 Denotes Product is Genuine Hendrickson

HENDRICKSON SUSPENSION


Equalizer Beam Rebuild Kits & Cross Tubes

Equalizer Beam Rebuild Kit

FOR MODELS:
400 Series



Rubber Center Bushings

MERITOR NO.	GENUINE	OEM REF.	NOTES
R302863A		-	Includes: 4 Adapters, 4 End Beam Bushing and 2 Center Beam Bushings

Equalizer Beam Rebuild Kit

FOR MODELS:
400 Series




Bronze Center Bushings


MERITOR NO.	GENUINE	OEM REF.	NOTES
R302865A		-	Includes: 4 Adapters, 4 End Beam Bushing and 2 Bronze Center Beam Bushings and Shafts, 4 Grease Seals, 8 Thrust Washers and 2 Grease Fittings

Equalizer Beam Rebuild Kit


FOR MODELS:
400 Series








Rubber Center Bushings

MERITOR NO.	GENUINE	OEM REF.	NOTES
R302864A		-	Includes: 4 Adapters, 4 End Beam Bushing and 2 Center Beam Bushings with Loose Plug

Cross Tube



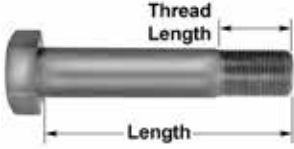
MERITOR NO.	GENUINE	OEM REF.	O.D.	LENGTH	FOR MODELS
R3015152		44642-022	1 15/16"	36 1/2"	HA Models
R301840		44642-008	1 15/16"	44 7/8"	Most 340 Series
R309412		44643-011	2 7/16"	40 3/4"	HN Models
R301842		44643-009	2 7/16"	44 7/8"	Most 380-520 Series
R309426		07622-003	2 7/16"	46"	Select 480-520 Series



 Denotes Product is Genuine Hendrickson

HENDRICKSON SUSPENSION




Spring Saddles & Components

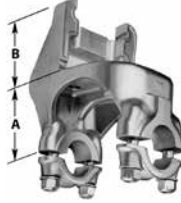








Suspension


Spring Saddle Top Pad Bolts				
				
1 7/8" Thread Length. Use with R301828 Nut & R302573 Washer				
MERITOR NO.	GEN-UINE	OEM REF.	LENGTH	THREAD
R301860	-	30550-002	9"	1"-14 Thread
R301859	-	30550-004	9 1/2"	
R301856	-	30550-006	10"	
R301855	-	30550-007	10 1/4"	
R302570	-	30550-010	11"	
R309430	-	30550-008	10 1/2"	

Set Screw Assembly				
				
Includes: Set Screw, Lock Washer, Nut				
MERITOR NO.	GENUINE	OEM REF.	LENGTH	THREAD
R309429		35370-002	3 1/4"	3/4"-10

Spring Saddle Top Pad			
FOR MODELS: RT Series			
			
MERITOR NO.	GENUINE	OEM REF.	CASTING NO.
R301869		35064	47880

Spring Saddle				
FOR MODELS: U 340				
				
MERITOR NO.	GEN-UINE	OEM REF.	CASTING NO.	HEIGHT
R301851		31017-075	19266-2 or 43184	6 3/16"
R301852		31017-076	26213-1 or 43145	7 5/16"







Spring Saddle						
						
MERITOR NO.	GEN-UINE	OEM REF.	FOR MODEL	CASTING NO.	A	B
R301853		31017-022	RT340 - 400 Series	57167 or 42933	6"	6 7/8"
R301854		31017-096	RT460 Series	57457, 13088-2 or 45605	6"	8"
R307531		31017-053	RT480 - 520 Series	32796	6"	8"
R301849		31017-023	RT 340	6611 or 46529	6 3/16"	6 1/2"
R3015159		31017-004	RT650 - 700	15784, 46895	7 1/8"	8"
R301850		31017-025	RT 340	7979 or 46138	7 3/16"	6 1/2"
R3010058		31017-109	RT 340 - 400 Series	57143	7 3/16"	7"
R307530		31017-110	RT460 Series	57155	7 3/16"	8"

 Denotes Product is Genuine Hendrickson


HENDRICKSON SUSPENSION

Spring Saddles & Components



Saddle Cap				
FOR MODELS: U 340				
				
MERITOR NO.	GENUINE	OEM REF.	LENGTH	HOLE SIZE
R301832		19283-002	4"	3/4"




Saddle Cap Stud					
					
MERITOR NO.	GEN-UINE	OEM REF.	FOR MODEL	LENGTH	THREAD
R301829		07002-000	RT 340 Series	4 3/8"	7/8"-14
R301830		06696-000	R & RT 400 to 520 Series	4 13/16"	7/8"-14
R301944		09029-000	AR, RS, SR, V4 340 Series	4 7/16"	7/8"-14 & 7/8"-9
R301947		09030-000	AR, RS, SR, V4 380-520 Series	5"	7/8"-14 & 7/8"-9
R302229		23441-004	U/UE Series	4 7/64"	3/4"-16



Saddle Cap					
					
R301833A Shc					
MERITOR NO.	GEN-UINE	OEM REF.	FOR MODEL	LENGTH	HOLE SIZE
R3016464		06662-000	340 Series	4"	7/8"
R301833A		48545-000, 58795-000	380 - 520 Series	4 3/4"	7/8"



 Denotes Product is Genuine Hendrickson


Spring Hanger & Attaching Hardware





Spring Hanger Spacer					
FOR MODELS: RT Series					
					
MERITOR NO.	GEN-UINE	OEM REF.	I.D.	O.D.	LENGTH
R301821		00194-000	5/8"	13/16"	4"

Spring Hanger Pin - Double Lock						
						
MERITOR NO.	GEN-UINE	OEM REF.	FOR MODEL	O.D.	LENGTH	C-T-C SLOTS
R303761		43146-000	RT/UE Series	1 3/8"	6 7/8"	5 3/8"
R3012001		45797-000	RT 650 Series	1 1/2"	8 1/2"	7 1/8"

Spring Hanger Pin - Single Lock					
					
<small>Use E-1327 Grease Zerk</small>					
					
MERITOR NO.	GEN-UINE	OEM REF.	FOR MODEL	O.D.	LENGTH
R301817		32276-000	RT/RU 340 Series	1 1/4"	7 5/16"
R301818		32277-000	RT Series	1 3/8"	7 5/16"
R302556		00005-000	RT 650 Series	1 1/2"	7 1/2"

Spring Hanger Lock Bolt Assembly					
					
Thread: 1/2"-13					
MERITOR NO.	GEN-UINE	OEM REF.	FOR MODEL	LENGTH	NOTES
R301819	-	000062-001	RT/UE Series	3 1/8"	Use with R301817
R302558		00081-001	RT 650 Series	3 3/4"	Use with R302556

Grease Zerk				
				
MERITOR NO.	GEN-UINE	OEM REF.	THREAD	NOTES
R301307	-	33117-000	1/8"-27 NPT	Use with Single Lock Spring Pins

Spring Eye Bushing						
						
R301877 Shown						
MERITOR NO.	GEN-UINE	OEM REF.	FOR MODEL	I.D.	O.D.	LENGTH
R301876		30057-007	RT/UE Series	1 1/4"	1 1/2"	3 15/16"
R301877		30057-008	RT/UE Series	1 3/8"	1 5/8"	3 15/16"
R302557		22285-000	RT 650 Series	1 1/2"	1 3/4"	4"


 Denotes Product is Genuine Hendrickson

HENDRICKSON SUSPENSION


Spring Hanger & Attaching Hardware

Spring Pin Lock Bolt Kit

FOR MODELS:
RT Series



1/2" -13 x 4" Long.

MERITOR NO.	GENUINE	OEM REF.	NOTES
R309427		29828-035	For One Hanger. Includes: 2 Bolts, 2 Washers, 2 Lock Nuts,


Spring Hanger Kit - 340 Series

FOR MODELS:
RT 340 Series





MERITOR NO.	NOTES
R301878	Includes Spring Pin, Lock Bolt Assembly, Spring Eye Bushing, Spring Eye Spacer, Lock Washer, Nut, Zerk Fitting

Rebound Bolt & Spacer Assembly




Includes Bolt, Spacer, Lock Nut


MERITOR NO.	GENUINE	OEM REF.	FOR MODELS	NOTES
R309428		29828-023	U2/UE2, RT 340-520 Series	1/2"-13 X 6 1/2" Long Bolt
R3015161		29828-033	RT 650/700 Series	3/4"-16 X 6 1/2" Long Bolt

Spring Hanger Kit - All 400, 460, 480 Series

FOR MODELS:
RT 400-480
Series



MERITOR NO.	NOTES
R301879	Includes Spring Pin, Lock Bolt Assembly, Spring Eye Bushing, Spring Eye Spacer, Lock Washer, Nut, Zerk Fitting

 Denotes Product is Genuine Hendrickson

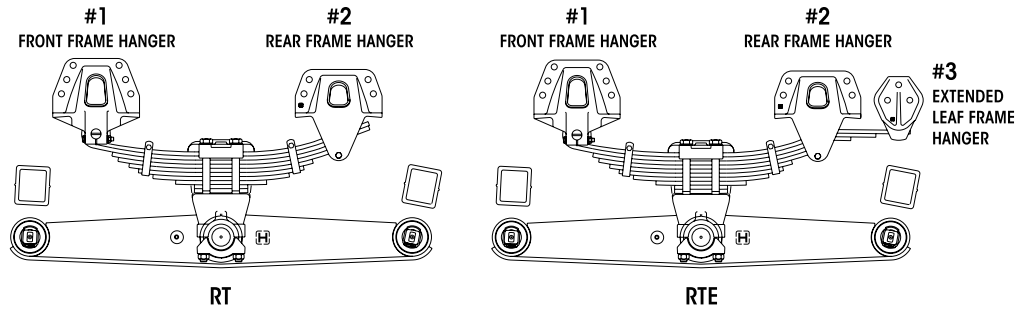
Introduction

This RT/RTE Frame Hanger Selection Guide is intended to aid in the proper identification for aftermarket replacement of originally equipped RT/RTE/RU/RUE/U/UE drilled hangers.

Selection Guide Instructions

STEP 1

Identify Hanger

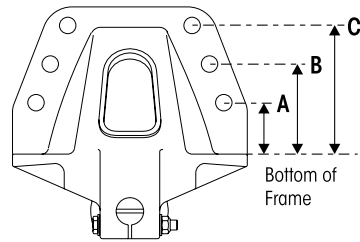


STEP 2

Find Bolt Hole Pattern Dimensions

Common 6 - Hole Bolt Patterns

A	B	C
2 1/16"	5 3/8"	7 5/8"
2 1/16"	4 1/2"	6 7/16"

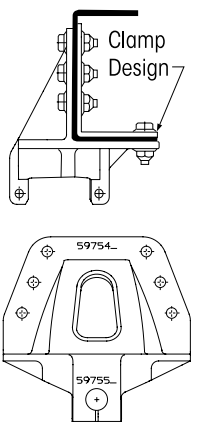


STEP 3

Confirm the Vehicle Year, Manufacturer and Obtain the Casting Part Number

Contact Technical Support for questions regarding a casting number or vehicle manufacturer not listed,

Note: 1 1/4" Spring Pin Diameters are Obsolete

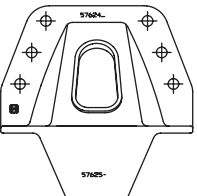
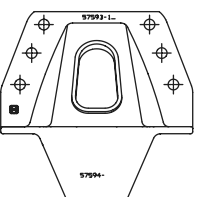
RT Series - #1 Cast Front Frame Hangers 1 3/8" Spring Pin Diameter							
MERITOR NO.	CASTING NO.		HENDRICKSON NO.		APPLICATION		
	ORIGINAL	CURRENT	ORIGINAL	CURRENT			
	R3010264	20395-000	50188-000	24311-000	50189-003	-	
				25913-000	50189-003	-	
				32503-000	50189-003	-	
				45404-001	50189-003	-	
				45404-002	50189-003	-	
R3010267	43180-000	50184-000	45404-003	50185-001	Volvo with 3/4" bolts		
			45729-001	50185-001	Mack with body bound bolts		
R3010264	45159-000	50188-000	45404-002	50189-003	Mack, Volvo		
			43181-003	50189-003	GMC, Mack, Volvo		
R309632	45527-000	50180-000	45528-001	50181-005	Ford		
R309629			45736-001	50181-002	-		
R309628	50180-000	50180-000	50181-001	50181-001	Ford		
R309629			50181-002	50181-002	Kenworth		
R309630			50181-003	50181-003	Peterbilt 34" Frame		
R309631			50181-004	50181-004	International		
R309632			50181-005	50181-005	Mack		
S.O.S.			50181-007	50181-007	Oshkosh		
S.O.S.			50181-008	50181-008	Peterbilt		
R3010267			50184-000	50184-000	50185-001	50185-001	Mack, Volvo
R3016458					50185-002	50185-002	Freightliner 34.3" Frame
R3016459					50185-003	50185-003	Mack w/ body bound bolts
R3010263	50188-000	50188-000	50189-001	50189-001	Ford		
R3010264			50189-003	50189-003	Peterbilt 34.75" Frame		
R3010266			50189-004	50189-006	Freightliner		
R3010266			50189-006	50189-006	International		
S.O.S.			59754-000	59754-000	59755-001	59755-001	Volvo 33.4" Frame

Note: 1 1/4" Spring Pin Diameters are Obsolete

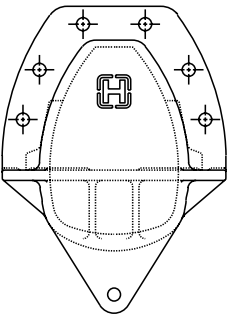
RT 65K/70K Series - #1 Cast Front Frame Hangers				
MERITOR NO.	CASTING NO.	HENDRICKSON NO.	APPLICATION	
S.O.S.	45789-000	45790-001	Crane Carrier; GMC; Oshkosh; Freightliner; Peterbilt 34" Frame; Volvo	
S.O.S.		45790-002	Peterbilt 35" Frame	
S.O.S.		45790-003	Peterbilt 34.75" Frame	
S.O.S.		45790-004	Volvo, Mack	
S.O.S.	46548-000	46549-001	Oshkosh; Peterbilt; Volvo	
S.O.S.		46549-002	Ford; GMC	
S.O.S.		46549-003	International; Volvo	
S.O.S.		46549-004	Western Star; Kenworth	
S.O.S.		46549-005	GMC; International with 5th wheel clearance	
S.O.S.		46549-006	Kenworth	
S.O.S.		46549-007		

HENDRICKSON SUSPENSION

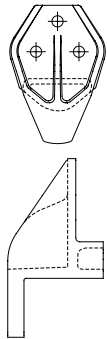
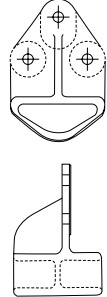
RT Series - #2 Cast Rear Frame Hangers

	MERITOR NO.	CASTING NO.		HENDRICKSON NO.		APPLICATION
		ORIGINAL	CURRENT	ORIGINAL	CURRENT	
	R303605	35399-001	35399-001	35400-001	35400-001	International
	R303604			35400-002	35400-002	
	R303606	35399-003	35399-003	35400-003	35400-003	International
	R307570	45732-000	45732-001	45734-000	45734-000	International
	R307571	45733-000	45733-001	45735-000	45735-000	International
	R307566	43182-000	47865-001	45730-001	47875-001	Mack, Volvo Mack w/body bound bolts
	S.O.S.			45730-002	47875-002	Mack, Volvo
	S.O.S.			45730-003	47875-001	
	R307566	49229-001	47865-001	49230-001	47875-001	Mack, Volvo
	R307579	47865-001	47865-001	47865-001	47865-001	Mack, Volvo
	R309633A	45160-000	57624-001	43183-003	57625-003	GMC, Mack, Volvo
	R309633A			43183-004	57625-003	
	R307572A	46049-000	57624-001	46050-001	57625-001	Ford
	R309633A			46050-003	57625-003	
	R309634A			46050-004	57625-004	Freightliner
	R309633A	47073-000	57624-001	47074-001	57625-003	
	S.O.S.	48592-001	57624-001	48602-001	57625-001	Ford
	S.O.S.			48602-002	57625-003	All Others
	S.O.S.			48602-003	57625-004	Freightliner
	R307572A	57624-001	57624-001	57625-001	57625-001	Ford
	R309633A			57625-003	57625-003	GMC, Mack, Volvo
	R309634A			57625-004	57625-004	Freightliner
	R307568A	45229-000	57593-001	45530-001	57594-001	Ford
	R307569A			45737-001	57594-002	
	R309635A			45737-002	57594-003	
	S.O.S.			45737-003	57594-004	AM General
	R307568A	47075-000	57593-001	47076-001	57594-001	Ford
	R307569A			47076-002	57594-002	
	R309635A			47076-003	57594-003	Peterbilt
	S.O.S.			47076-004	57594-004	AM General
	R307568A	48581-001	57593-001	48598-001	57594-001	Ford
	R307569A			48598-002	57594-002	All Others
	R309635A			48598-003	57594-003	Peterbilt
	R307568A	57593-001	57593-001	57594-001	57594-001	Ford
	R307569A			57594-002	57594-002	All Others
	R309635A			57594-003	57594-003	Peterbilt
		R309636	50182-001	50182-001	50183-001	50183-001
R309637		50183-002			50183-002	Kenworth
R309638		50183-003			50183-002	Peterbilt 34" Frame
R3016451		50183-004			50183-004	International
R3016452		50183-005			50183-005	Mack
R309639		50186-000	50186-001	50187-001	50187-001	Mack, Volvo
R309640				50187-002	50187-002	Freightliner 34.3 Frame
R309641		50190-000	50190-001	50191-001	50191-001	Ford
R309642				50191-003	50191-003	Peterbilt 34.75" Frame
R3010277				50191-004	50191-006	Freightliner
R3010277				50191-006	50191-006	International
S.O.S.				59756-001	59756-001	59756-001

RT 65K/70K Series - #2 Cast Rear Frame Hangers 1 1/2" Spring Pin Diameter

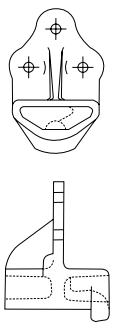
	MERITOR NO.	CASTING NO.		HENDRICKSON NO.		APPLICATION
		ORIGINAL	CURRENT	ORIGINAL	CURRENT	
	S.O.S.	45791-000	50595-000	45792-001	45792-001	Crane Carrier; GMC; Oshkosh; Peterbilt; Volvo; Freightliner
	S.O.S.			45792-002	45792-002	Peterbilt
	S.O.S.			45792-003	45792-003	Peterbilt
	S.O.S.			45792-004	45792-004	Volvo
	S.O.S.			50595-001	45792-001	-
	S.O.S.	46550-000	57795-000	46551-001	46551-001	Oshkosh; Peterbilt; Volvo
	S.O.S.			46551-002	46551-002	Ford; GMC
	S.O.S.			46551-003	46551-003	International; Volvo
	S.O.S.			46551-004	46551-004	Western Star; Kenworth
	S.O.S.			46551-005	46551-005	GMC; International
	S.O.S.			46551-006	46551-006	Kenworth
	S.O.S.			46551-007	46551-007	Volvo
	S.O.S.			46551-008	46551-008	Peterbilt
	S.O.S.			57796-001	46551-004	

#3 RT Extended Leaf Frame Hanger

	MERITOR NO.	CASTING NO.		HENDRICKSON NO.		APPLICATION	
		ORIGINAL	CURRENT	ORIGINAL	CURRENT		
<p>WITH AXLE STOP</p> 	With Axle Stop						
	S.O.S.	46278-002	46278-003	46331-006	46331-003	Ford, GMC • Freightliner	
	S.O.S.			46331-008		Ford, • GMC	
	S.O.S.	46278-003	46278-003	46331-002	46331-002	Ford, • GMC	
	S.O.S.			46331-003	46331-003	GMC; Western Star	
	S.O.S.			46331-004	46331-004	• Freightliner, • GMC	
	S.O.S.	47313-000	47313-000	46331-007	46331-007	Ford, GMC	
	S.O.S.			46331-013	46331-013	Peterbilt	
	S.O.S.	49251-000	49251-000	46331-011	46331-011	Ford, GMC	
	S.O.S.			46331-014	46331-014	Peterbilt	
	<p>WITHOUT AXLE STOP</p> 	Without Axle Stop					
		R302625	26727-000	-	26727-000	27761-006	
		R307582		-	27761-001	27761-008	
		S.O.S.		-	27761-002	27761-002	1 3/8" Hole Location
		R302625		-	27761-003	27761-006	
		R307582		-	27761-004	27761-008	
R302625		-		27761-005	27761-006		
R302625		-		27761-006	27761-006	1 7/8" Hole Location	
R307582		-		27761-007	27761-008		
R307582		-		27761-008	27761-008	2 1/4" Hole Location	
R302625	34987-000	26727-000	45213-000	27761-006			
S.O.S.	47313-000	47313-000	47610-000	47610-000	Ford		

HENDRICKSON SUSPENSION

RT Hangers #3 Inboard Extended Leaf Frame Hanger

WITH AXLE STOP 	MERITOR NO.	CASTING NO.		HENDRICKSON NO.		APPLICATION
		ORIGINAL	CURRENT	ORIGINAL	CURRENT	
With Axle Stop						
S.O.S.	35397-002	35348-003	35398-002	35398-002	-	
S.O.S.	35397-003	35397-003	35398-003	35398-003	-	
S.O.S.	35397-005	35397-005	35398-005	35398-005	-	
S.O.S.	45812-005	45812-005	45813-005	45813-005	-	

RS™ Rear Suspension Hangers**Introduction**

This RS Frame Hanger Selection Guide is intended to aid in the proper identification for aftermarket replacement of originally equipped RS drilled hangers and heavy-duty center hangers. On glider kit installations, where we do not have control of hanger usage, ensure that the proper hangers are used for the glider frame width.

Selection Guide Instructions**STEP 1**

Obtain the frame hanger part number

STEP 2

Identify the truck manufacturer.

STEP 3

Measure outside to outside frame width.

STEP 4

If needed, refer to the hole diameters Dimension "A" and where available the measurement taken from the bottom of the frame to the first line of holes of the hanger Dimension "B."

STEP 5

In some cases the vehicle manufacturer has changed the drill patterns while still using the same casting number, contact vehicle manufacturer to request specifications. Always use hole location dimensions as a final check.

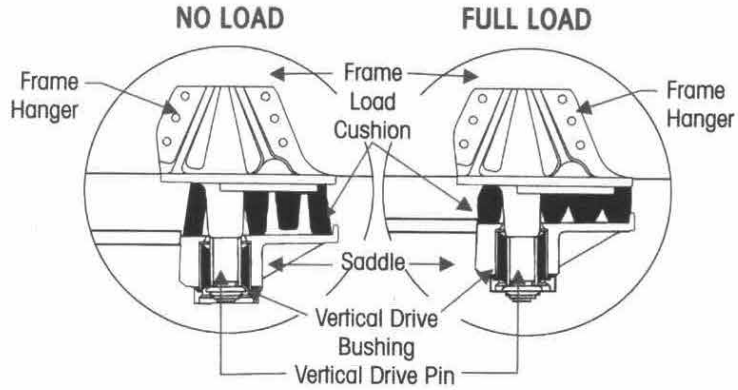
NOTE:

When replacing RS suspension hangers, Hendrickson recommends a minimum of a 5/8" Grade 8 bolt, Grade C locknut and hardened washers to attach frame hangers to the vehicle frame, in some vehicles the holes in the frame may need to be enlarged to accommodate 5/8" fasteners.

Contact Technical Support for questions regarding a casting number or vehicle manufacturer not listed,

Load Cushions

The RS Series suspensions are equipped with standard four rubber load cushions. Each cushion has an inner cross bar that helps support the load when the vehicle is loaded. An empty vehicle is supported only by the outer edges of the cushions.

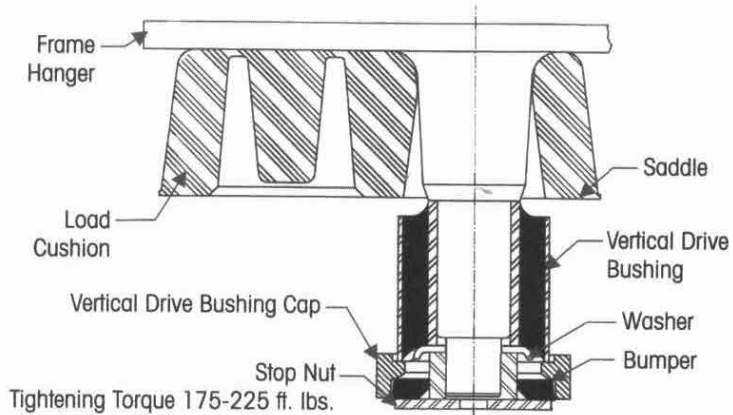


Vertical Drive Pin

The RS Series frame hangers have vertical drive pins that extend down through the load cushions and are secured to rubber vertical drive bushings in the saddle.

Rebound Control Stop Kit

A rebound control stop kit consisting of special stop nuts and elastomer bumpers is available to increase stability in high center of gravity or offset loading vehicles. Rebound control stop kit is optional for 40,000 through 48,000 pounds capacities and standard on 52,000 pounds units.

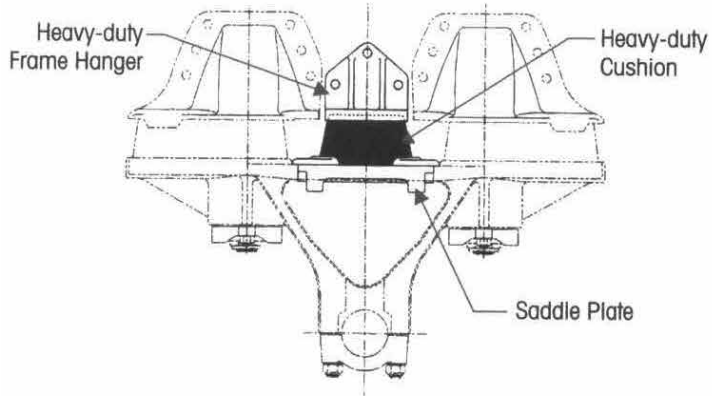


REBOUND CONTROL STOP KIT

Meritor	HENDRICKSON
PART NO.	KIT NO.
S.O.S.	31005-001 One Side
S.O.S.	31005-002 Both Sides

Heavy-Duty Load Cushion Kit

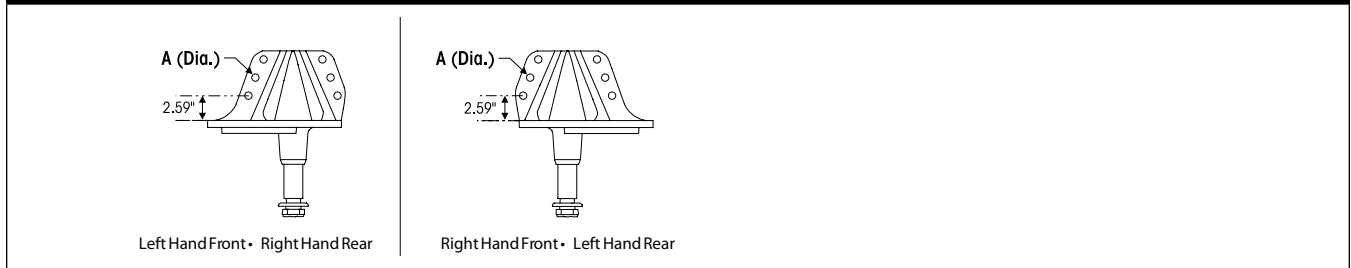
The heavy-duty load cushion kit for increased stability consists of an additional round center cushion and related frame hanger for each side of the chassis. Heavy-duty Load Cushion Kit is optional for 40,000 pounds capacities and standard on 46,000 through 52,000 pounds units.



HEAVY-DUTY LOAD CUSHION KIT

Meritor	HENDRICKSON	
PART NO.	KIT NO.	FRAME WIDTH
S.O.S.	20681-072	34"
S.O.S.	20681-077	34½"

RS Cast Hangers - Vehicles Built From 1990 To Present

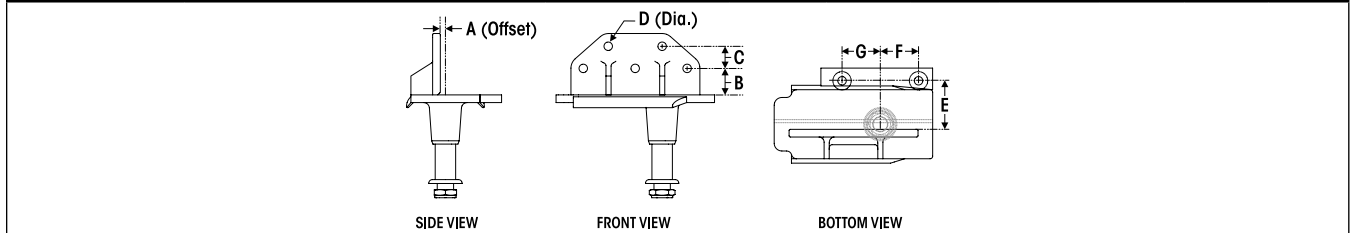


MERITOR NO.	CASTING NO. 57063-000. REPLACED CASTING NO. 48219-000 IN 1994		MERITOR NO.	CASTING NO. 57066-000. REPLACED CASTING NO. 48221-000 IN 1994		DIMENSION A HOLE DIA. (INCHES)	APPLICATION
	HENDRICKSON NO.			HENDRICKSON NO.			
	ORIGINAL	CURRENT		CURRENT	ORIGINAL		

Fits Frame Width 33.94" to 34.19" (0.09" Hanger Offset)							
R3010068	48220-001	57065-001	R3010069	48222-001	57068-001	0.83	Ford • Sterling
R3010069	48220-002	57065-002	R3010072	48222-002	57068-002	0.66	Duplex Truck • Emergency One Freightliner • HME International Truck (PrR301997) Kenworth • Mack • Marmon Oshkosh • Peterbilt • Peter Pirsch • Pierce • Savage Mfg. • Sutphen • Western Star
R3010070	48220-003	57065-003	R3010073	48222-003	57068-003	0.66	Peterbilt
R3016442	48220-004	57065-004	R3016445	48222-004	57068-004	0.69	Mack
S.O.S.	48220-006	57065-006	S.O.S.	48222-006	57068-006	0.66	International Truck

Fits Frame Width 34.75" to 35.00" (0.50" Hanger Offset)							
R3010060	48212-001	57053-001	R3010061	48214-001	57056-001	0.83	Ford • International • Sterling
S.O.S.	48212-002	57053-002	S.O.S.	48214-002	57056-002	0.66	Mack • Osterlund • Spartan • Volvo

Fabricated RS Hangers

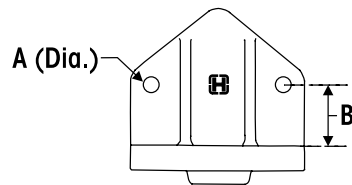


MERITOR NO.	HENDRICKSON NO.	MERITOR NO.	HENDRICKSON NO.	A OFFSET	B	C	D HOLE DIA.	E	F	G
LEFT HAND FRONT RIGHT HAND REAR	LEFT HAND FRONT RIGHT HAND REAR	LEFT HAND FRONT RIGHT HAND REAR	LEFT HAND FRONT RIGHT HAND REAR							

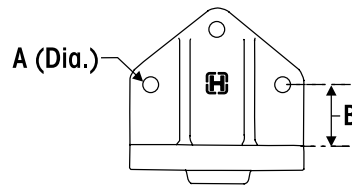
Fits Frame Width 33.94" to 35.00"										
S.O.S.	048082-033	S.O.S.	048082-034	0.09	2.25	1.88	0.66	4.50	3.70	3.70
S.O.S.	048082-031	S.O.S.	048082-032		2.60	2.17	0.83	4.60		
S.O.S.	048082-037	S.O.S.	048082-038		0.66					
S.O.S.	048082-023	S.O.S.	048082-024	0.34	2.25	1.88	0.66	4.50	3.70	3.70
R3016460	048082-035	R3016463	048082-036	0.50	2.36	2.19	0.76	4.63	3.70	3.70
R3016461	048082-025	R3016462	048082-026		2.60	2.17	0.83	4.75		
S.O.S.	048082-003	S.O.S.	048082-004	0.63	2.25	1.88	0.66	4.50	2.44	7.69
S.O.S.	048082-043	S.O.S.	048082-044					5.00		
S.O.S.	048082-021	S.O.S.	048082-022	0.84	2.25	1.88	0.66	5.00	2.44	7.69
S.O.S.	048082-041	S.O.S.	048082-042					5.19		
S.O.S.	048082-001	S.O.S.	048082-002	0.91	2.25	1.88	0.66	4.37	1.37	6.62
S.O.S.	048082-015	S.O.S.	048082-016					4.50	2.44	7.69

HENDRICKSON SUSPENSION

RS™ Hangers - Heavy Duty Frame Hanger



2-Bolt Design



3-Bolt Design

MERITOR NO.	NUMBER OF BOLTS	DIMENSION B (IN INCHES)	HENDRICKSON NO.	DIMENSION A HOLE DIA. (IN INCHES)	OEM
Fits Frame Width 33.50" (0.19" Hanger Offset) - Casting No. 49117-000					
S.O.S.	2.00	2.12	49118-000	0.66	Mack
Fits Frame Width 33.94" to 34.19" (0.09" Hanger Offset) - Casting No. 48522-000					
R307617	3.00	1.88	48523-001	0.66	Advance Mixer • Crane Carrier • Duplex Truck Freightliner (Pre 1984) • Mack • Marmon International Truck • Western Star (Pre 1988)
R3016457	3.00	2.25	48523-002	0.66	Kenworth • International Truck • Pierce Mfg. Savage Mfg. • Western Star
R307618	3.00	2.25	48523-003	0.66	Freightliner • HME • Peterbilt
S.O.S.	2.00	2.25	48523-004	0.66	Oshkosh
R3016439	2.00	2.38	48523-005	0.66	Ford • Sterling
S.O.S.	3.00	1.88	48523-006	0.53	Oshkosh
S.O.S.	2.00	2.12	48523-007	0.66	Mack
Fits Frame Width 33.44" to 34.69" (0.34" Hanger Offset) - Casting No. 48524-000					
R307619	3.00	2.25	48525-001	0.66	Freightliner • GM • Mack • Peterbilt • Volvo
S.O.S.	3.00	2.25	48525-006	0.66	International Truck
S.O.S.	3.00	2.50	48525-008	0.66	International Truck
S.O.S.	3.00	2.50	48525-009	0.66	Peterbilt
Fits Frame Width 34.75" to 35.00" (0.50" Hanger Offset) - Casting No. 49119-000					
S.O.S.	2.00	2.36	49120-001	0.66	Ford • Sterling
S.O.S.	3.00	2.25	49120-002	0.66	Ford (Pre 1983) • Osterlund • Spartan

HENDRICKSON SUSPENSION


RS Components

Suspension

Load Cushion - Front & Rear

FOR MODELS:
RS Series



MERITOR NO.	GEN-UINE	OEM REF.	NOTES
R301598A		48973-000	60 Durometer, Discont'd. Use R301960
R301960		26953-000	70 Durometer

Saddle Bushing Cap

FOR MODELS:
RS Series




MERITOR NO.	GENUINE	OEM REF.
R301941		5917-000

Load Cushion - Center


FOR MODELS:
RS Series




MERITOR NO.	GENUINE	OEM REF.
R302232		24209-000

Frame Hanger Pin Washer


FOR MODELS:
RS Series




MERITOR NO.	GEN-UINE	OEM REF.	I.D.	O.D.	THICKNESS
R301945		8536-000	1 1/2"	3 1/4"	3/16"

Saddle Bushing

FOR MODELS:
RS Series





R309515: Poly Version of R301940

MERITOR NO.	GEN-UINE	OEM REF.	I.D.	O.D.	LENGTH	NOTES
R301940		19279-000	2"	4 1/8"	4"	Rubber
R309515			2"	4 1/8"	4"	Poly

Frame Hanger Pin Nut


FOR MODELS:
RS & SR Series




MERITOR NO.	GEN-UINE	OEM REF.	THREAD	NOTES
R301946		25151-000	1 1/2"-12	2 3/16" Hex

Saddle Bearing Ring


FOR MODELS:
RS 340-520 Series




MERITOR NO.	GEN-UINE	OEM REF.	I.D.	O.D.	THICKNESS
R309418		50780-000	3 23/32"	4 7/32"	3/32"

Saddle Bushing Cap Stud

FOR MODELS:
RS, SR, V4 Series






MERITOR NO.	GEN-UINE	OEM REF.	LENGTH	THREAD
R301942		19111-001	2 7/8"	5/8"-11 5/8"-18



 Denotes Product is Genuine Hendrickson


HENDRICKSON SUSPENSION

RS Components








Saddle Plate		
FOR MODELS: RS 340-520 Series		
		
MERITOR NO.	GENUINE	OEM REF.
R302604		20781-000

Rebound Bumper - Rubber					
FOR MODELS: RS Series					
					
MERITOR NO.	GENUINE	OEM REF.	I.D.	O.D.	THICK
R302233		30208-000	2 3/8"	4 7/16"	1/2"

Stop Nut				
FOR MODELS: RS Series				
				
MERITOR NO.	GENU-INE	OEM REF.	O.D.	THREAD
R307620		30251-000	4 5/16"	1 1/2"-12

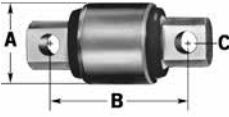
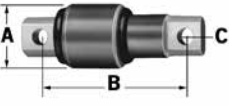
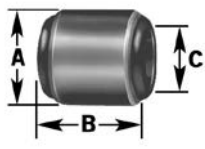
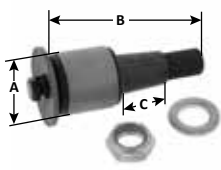
 Denotes Product is Genuine Hendrickson

Torque Arms


ONE PIECE TORQUE RODS	DESCRIPTION
	<p>These are available in variety of sizes and bushing styles depending on the application. These torque rods can be found in the parts list or illustrated section for each suspension type or in the back section of the catalog containing all Meritor Torque Rods. And almost any one piece torque rod that is not included in this catalog can be ordered through Meritor's S.O.S. program</p>
<p>TWO PIECE TORQUE RODS</p>	
<p>Three different styles of two piece torque rods are available from Meritor and Hendrickson. These require measurement, cutting to length and welding in the field to produce the required torque rod. This design reduces inventory and provides the maximum flexibility when servicing a fleet customer.</p>	
	<p>Hendrickson Ultra Rod - Meritor stocks both ends with a wide variety of bushings to cover virtually every application. The empty hub end and empty spacer ends that require the proper bonded bushings without the outer metal sleeve</p> <p>See Page 164</p>
	<p>Hendrickson Ultra Rod Plus - Meritor stocks the empty hub end and empty spacer ends that require Ultra Rod Plus Bushings.</p> <p>See Page 167</p>
	<p>Hendrickson Ultra Rod Plus with XTRB Bushings - These two piece torque rods are available with the severe duty XTRB bushings via Meritor's S.O. S. program.</p>
TYPES OF BUSHINGS	DESCRIPTION
	<p>Conventional (Clevite Style) Bushings with Outer Metal Sleeve - Used for many years by many different manufacturers. Most suitable for standard duty applications.</p> <p>See Page 162</p>
	<p>Ultra Rod and Ultra Rod Plus Bushings (No Outer Metal Sleeve) - Newer designs with improved rubber to metal bonding and recommended for vocational applications.</p> <p>See Page 163</p>
	<p>XTRB Bushings with Outer Metal Sleeve - Designed with superior bonding and mechanical designs including hardened steel pin and steel sleeve for severe duty applications.</p> <p>See Page 164</p>


HENDRICKSON SUSPENSION

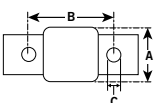
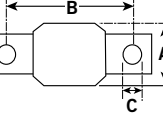
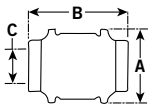
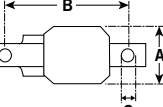
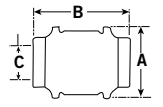
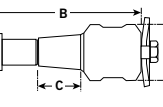
Replacement Cartridges for Conventional Clevite Style Torque Rods (With Outer Metal Sleeve)






	MERITOR NO.	OEM REF.	A	B	C	SERIES	THREADS
	R302225	Clevite 227710; Hendrickson 44694-000	2 1/2"	4 3/8"	5/8"	340	-
	R309395	Hendrickson 57256-001	2 1/2"	4 3/8"	5/8"	-	-
	R302226	Clevite 227720; Hendrickson 44695-000	2 3/4"	4 3/8"	5/8"	400/460	-
	R303868	Clevite 227723; Hendrickson 49210-000	2 3/4"	4 3/8"	3/4"	400/460	-
	R3015175	Hendrickson 48304-000	3 1/2"	5 1/4"	7/8"	650/700	-
	R302814	Clevite 233931 (Offset Pin); Hendrickson 46734-000	2 3/4"	5 11/16"	3/4"	Navistar	-
	R303411	Clevite 4224001; Navistar 438506C91; Hendrickson 47699-001	3"	5 11/16"	3/4"	-	-
	R305276	47692-000	2"	3"	7/8"	-	-
	R3011447	Hendrickson 65477-000	2"	3 1/4"	1 1/8"	Navistar	-
	R302816	Clevite 229612; Hendrickson 46736-000	2 3/4"	3 1/4"	1 1/8"	Navistar	-
	R301351	24504-000	2 7/8"	3 1/4"	1 1/8"	-	-
	R302238	Clevite 224993; Hendrickson 45477-000	3"	3 1/4"	1 1/8"	Navistar	-
	R301352	44993-000	3 3/8"	3 1/4"	1 1/8"	-	-
	R302227	Clevite 229270; Hendrickson 44809-000	2 1/2"	1 7/8"	6 5/8"	340	1 1/8"
	R302815	Clevite 229240; Hendrickson 46735-000	2 3/4"	1 7/8"	7"	Mack	1 1/4"
	R302916	Clevite 233890; Hendrickson 46737-000	2 3/4"	1 7/8"	6 5/8"	340	1 1/8"
	R302228	Clevite 229610; Hendrickson 44697-000	2 3/4"	3"	8"	400; 460	1 1/4"

Lock Nuts and Washers for Tapered Stud Torque Rods

	MERITOR NO.	OEM REF.	THREAD	HEX	HIGH	SERIES
	R302079	Hendrickson 29896	1 1/8" -12	1 5/8"	1 3/16	340
	R302017	Hendrickson 29749	1 1/4" -12	1 13/16"	11/16"	400, 460

	MERITOR NO.	OEM REF.	O.D.	I.D.	THICK	SERIES
	R302018	Hendrickson 30574	2 1/4"	1 5/16"	1/4"	400,460

Replacement Bonded Bushings for Hendrickson Ultra Rods (No Metal Outer Sleeve)							
Straddle	MERITOR NO.	OEM REF.	A	B	C	NOTES	APPLICATION
	R305275	47691-000	2"	4 3/8"	5/8"		For Use in Ultra Rod Torque Rods
	R3010322	69210-000	2"	4 3/8"	3/4"		
	R3016466	67746-000	2	4 3/8"	7/8"		
	R3013970	664400-005	3 1/4"	4 3/8"	3/4"	Can Replace R303868 Metal Sleeve Style Bushing	For Use in Ultra Rod PLUS Torque Rods
	R3013971	64400-003	3 1/4"	5 1/4"	7/8"		
	R3013961	64400-002	3 1/4"	4 3/8"	5/8"	Can Replace R302226 Metal Sleeve Style Bushing	For Use in Ultra Rod PLUS Torque Rods
	R3013964	64400-009	3 1/4"	5 11/16"	3/4"		
	R3010320	66734-000	2"	5 11/16"	3/4"		For Use in Ultra Rod PLUS Torque Rods
Hollow Sleeve							
	R3013967	64400-010	3 1/4"	3 1/4"	1 1/8"	Can Replace R302816 Metal Sleeve Style Bushing	For Use in Ultra Rod PLUS Torque Rods
Tapered							
	R3010308	64809-000	2"	6 5/8"	2"		For Use in Ultra Rod Torque Rods
	R3010321	66735-000	2"	7"	1 7/8"		
	R3010309	64697-000	2"	8"	3"		
	R3013969	64400-008	3 1/4"	6 5/8"	1 7/8"	Can Replace R302916 Metal Sleeve Style Bushing	For Use in Ultra Rod PLUS Torque Rods
	R3013965	64400-007	3 1/4"	7"	1 3/4"	Can Replace R302815 Metal Sleeve Style Bushing	
	R3013962	64400-004	3 1/4"	8"	3"	Can Replace R302228 Metal Sleeve Style Bushing	
	R3013972	64400-006	3 1/4"	8 3/4"	3"		

	MERITOR NO.	GENUINE	OEM REF.	APPLICATION	
	R3014346		66086-001	Installation Tool For Ultra Rod Bushings	
	R3013974		66086-000	Installation Tool For Ultra Rod Plus Bushings	

HENDRICKSON SUSPENSION

Replacement XTRB Bushings for Hendrickson Ultra Rod® Plus™								
	MERITOR NO.	OEM REF.	A	B	C			
Straddle								
	R3014641	66649-002	2	4 3/8"	5/8"			
	R3014642	66649-003	2	5 1/4"	15/16"			
	R3014644	66649-005	2	4 3/8"	13/16"			
	MERITOR NO.	REPLACES	A	B	C	FASTENER THREAD	FASTENER LOCKNUT	FASTENER WASHER
	R3014643	66649-004	2 3/4"	8"	3"	1 1/4"	R302017	R302018

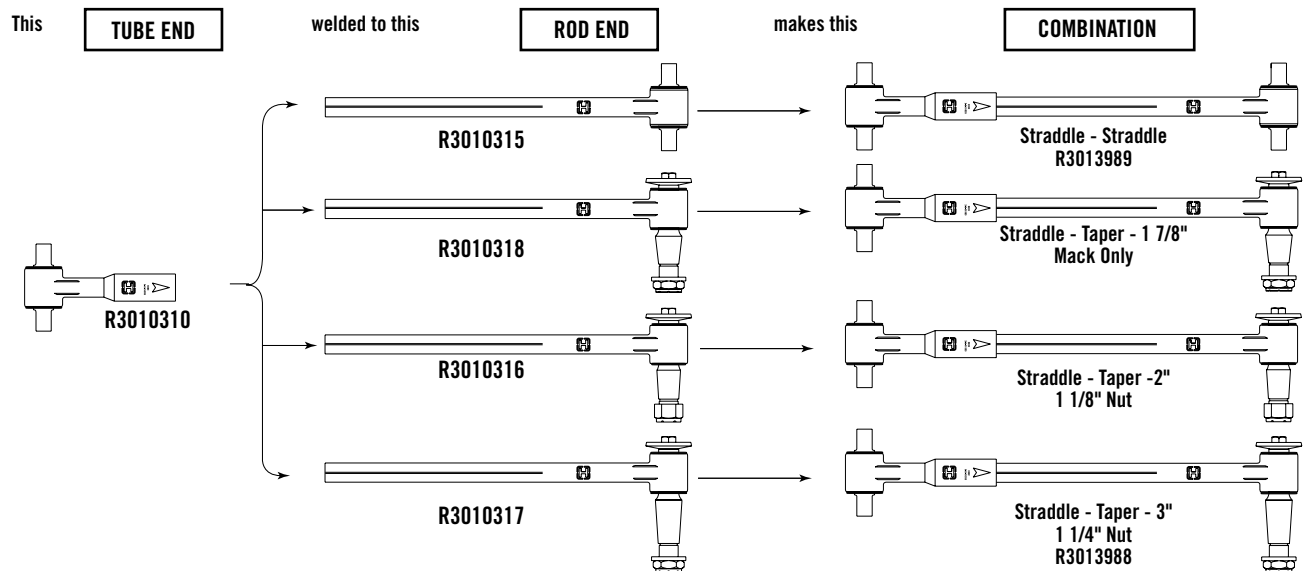
Ultra Rod - Tube End					
	MERITOR NO.	HENDRICKSON NO.	REPLACEMENT BUSHING	MOUNTING CENTER (A)	HOLE DIAMETER (INCHES)
Straddle Mount Tube End					
	R3010310	66610-000	R305275	4 3/8"	5/8"
	R3011784	66766-000	R3016466	4 3/8"	7/8"
	R3011748	66767-000	R3010322	4 3/8"	3/4"
Offset Straddle Mount - Tube End					
	R3010313	66640-000	R3010320	5 11/16"	3/4"
Hollow Sleeve Tube End					
	R3010314	66650-000	R3011447	-	1 5/16"
Tapered Stud Tube End					
	R3010311	66620-000	R3010308	1 7/8"	1 1/8"
	S.O.S.	66769-000	R3010321	1 3/4"	1 1/4"
	R3010312	66630-000	R3010309	2 3/4"	1 1/4"

Denotes Product is Genuine Hendrickson

Ultra Rod - Spacer End

	MERITOR NO.	OEM REF.	REPLACEMENT BUSHING	LENGTH (A)	MOUNTING CENTER (B)	HOLE DIAMETER (INCHES)
Straddle Mount Rod						
	R3010315	6661-000	R305275	22 7/16"	4 3/8"	5/8"
	R3014727	67047-000	R3010322	22 7/16"	4 3/8"	3/4"
	S.O.S.	67048-000	R3016466	22 7/16"	4 3/8"	7/8"
	S.O.S.	66768-000	R3010320	22 7/16"	5 11/16"	3/4"
Hollow Sleeve Rod						
	R3010319	66701-000	R3011447	22 7/16"	-	1 5/16"
Tapered Stud Rod						
	R3010318	66691-000	R3010321	22 7/16"	1 3/4"	1 1/4"
	R3010316	66671-000	R3010308	22 7/16"	1 7/8"	1 1/8"
	R3010317	66681-000	R3010309	22 7/16"	2 3/4"	1 1/4"

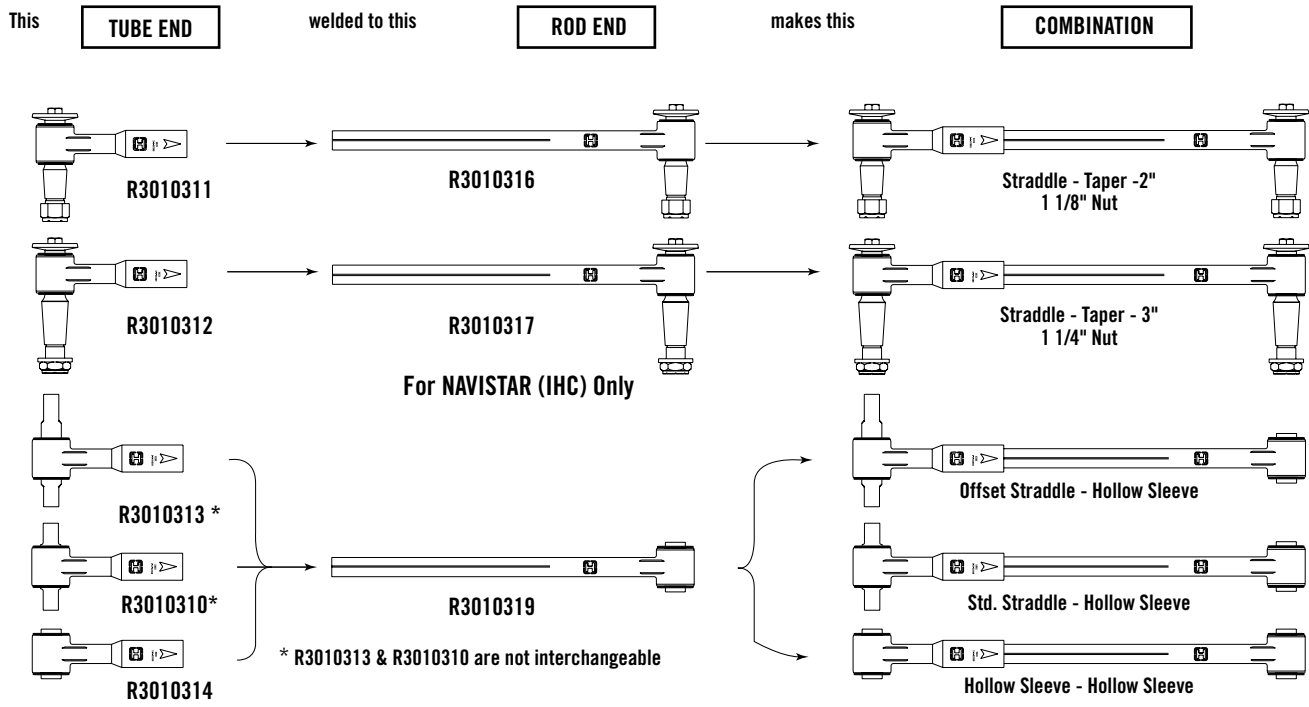
Ultra Rod® - Option Configurations



Continued on next page.

HENDRICKSON SUSPENSION

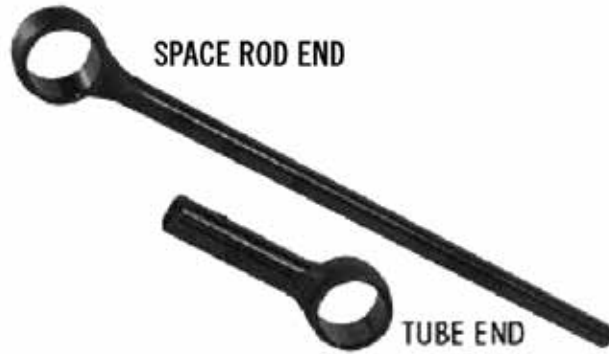
Ultra Rod® - Option Configurations



HENDRICKSON SUSPENSION

Suspension

Ultra Rod® Plus™



An excellent replacement option for vocational and on-highway applications. Tube and spacer are made from One-Piece forgings.

Empty Ends Hubs - offer added versatility to ULTRA ROD® PLUS™ torque rods. Empty end hubs allow the use of any PLUS™ bushing configuration from existing Hendrickson torque rods. The two-piece design requires stocking only two part numbers, eliminating multiple torque rod inventory. Refer to Torque Rod Bushings Section for specific torque rod bushing information

Female Tube End			
Bushing and I.D. 2 3/4"			
MERITOR NO.	GENUINE	OEM REF.	DESCRIPTION
R3011820		64473-000	Tube End

Male Spacer Rod End			
Bushing and I.D. 2 3/4"			
MERITOR NO.	GENUINE	OEM REF.	DESCRIPTION
R3011821		64474-000	Spacer End

Ultra Rod® Bushing Installtion Tool			
MERITOR NO.	GENUINE	OEM REF.	APPLICATION
R3013974		66086-000	For Ultra Rod Plus Bushings

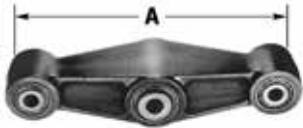
Denotes Product is Genuine Hendrickson


HENDRICKSON SUSPENSION

E4 Series Components

Equalizer


FOR MODELS:
E4




MERITOR NO.	GEN-UINE	OEM REF.	CASTING NO.	NOTES
R305265		47444-001; Ford E4HZ5889A	47437	A = 14". Obsolete, For Reference Only

Shackle - Left Front, Right Rear


FOR MODELS:
E4




MERITOR NO.	GEN-UINE	OEM REF.	CASTING NO.	NOTES
R305267		47440-000 Ford E4HZ5776A	47439	A=5", Obsolete, For Reference Only

Equalizer Center Bushing


FOR MODELS:
E4




MERITOR NO.	GEN-UINE	OEM REF.	I.D.	O.D.	LENGTH
R305269		47420-000, Ford E4HZ5872A REF	1"	2 3/4"	4 5/8"

Shackle - Right Front, Left Rear


FOR MODELS:
E4



MERITOR NO.	GEN-UINE	OEM REF.	CASTING NO.	NOTES
R305268		47442-000 Ford E4HZ5776B	47441	A=5", Obsolete, For Reference Only

Equalizer Center Bolt


FOR MODELS:
E4




MERITOR NO.	GEN-UINE	OEM REF.	LENGTH	THREAD
R305271	-	30550-035	7"	1"-14

Equalizer & Spring Eye Bushing


FOR MODELS:
E4




MERITOR NO.	GEN-UINE	OEM REF.	I.D.	O.D.	LENGTH
R305270		47421-000 Ford E4HZ5872A	7/8"	2 3/8"	3"

Thrust Washer

FOR MODELS:
E4



MERITOR NO.	GEN-UINE	OEM REF.	I.D.	O.D.	THICK
R305273		47416-000	1 29/32"	3 11/16"	1/8"

Shackle Bolt

FOR MODELS:
E4



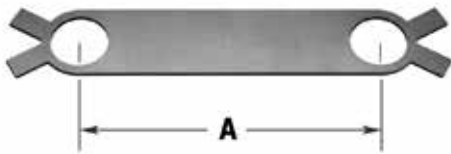
MERITOR NO.	GEN-UINE	OEM REF.	LENGTH	THREAD
R305272	-	48728-000	4 1/4"	7/8"-9


 Denotes Product is Genuine Hendrickson

E4 Series Components

Shackle Bolt Retainer


FOR MODELS:
E4



MERITOR NO.	GENUINE	OEM REF.	NOTES
R305274		47459-000 Ford EHZ5A879A	A=5"; Crimp End Tabs Over Head of Bolt to Prevent Turning

Torque Rod Fastener Kit - Axle Seat End

FOR MODELS:
E4





Includes: Bolt, Nut, Washer

MERITOR NO.	OEM REF.	C-T-C LENGTH	THREAD
R305277	-	4 1/2"	5/8"-18

Torque Rod Bushing, Straddle Mount


FOR MODELS:
E4



MERITOR NO.	GENUINE	OEM REF.	O.D.	NOTES
R305275		47691-000	2"	Hanger End, 5/8" Bolt Holes

Torque Rod Fastener Kit - Hanger End

FOR MODELS:
E4




Includes: Bolt, Nut, Washer


MERITOR NO.	OEM REF.	LENGTH	THREAD
R305278	-	5 1/2"	7/8"-14

Torque Rod Bushing

FOR MODELS:
E4





Axle Seat End

MERITOR NO.	GENUINE	OEM REF.	I.D.	O.D.	LENGTH
R305276		47692-000	7/8"	2"	3"

Torque Rod Shim


FOR MODELS:
E4




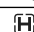
MERITOR NO.	GENUINE	OEM REF.	C-T-C LENGTH	THICK
R305281		47457-000; Ford E4HZ4002A	4 3/8"	1/16"

Torque Rod - Front & Rear

FOR MODELS:
E4



R305282 Shown

MERITOR NO.	GENUINE	OEM REF.	C-T-C LENGTH
R305282		48158-001; Ford E4HZ4612A	15 7/8"
R305283		48158-002; Ford E4HZ4612B	21 15/16"

Top Pad

FOR MODELS:
E4







MERITOR NO.	GENUINE	OEM REF.	LENGTH	WIDTH
R303739		48797-000	8 1/4"	3"



 Denotes Product is Genuine Hendrickson


HENDRICKSON SUSPENSION


E4 Series Components

Front Hanger			
FOR MODELS: E4			
			
Obsolete, For Reference Only			
MERITOR NO.	GENUINE	OEM REF.	CASTING NO.
R305299		56673-001; Ford E4HZ5775A	47431

Rear Hanger			
FOR MODELS: E4			
			
Obsolete, For Reference Only			
MERITOR NO.	GENUINE	OEM REF.	CASTING NO.
R305301		547436-003; Ford E5HZ5775A	47435

Center Hanger			
FOR MODELS: E4			
			
Obsolete, For Reference Only			
MERITOR NO.	GENUINE	OEM REF.	CASTING NO.
R305300		47434-002, 56833-003	47433

Rebound Roller Kit				
FOR MODELS: E4				
				
Includes: Bolt, Spacer, Roller, Nut, Washer				
MERITOR NO.	GEN- UINE	OEM REF.	O.D.	LENGTH
R309432A	-	49175-013	2 1/2"	2 15/16"

 Denotes Product is Genuine Hendrickson


HENDRICKSON SUSPENSION


HFS Components

Suspension

Equalizer Assembly

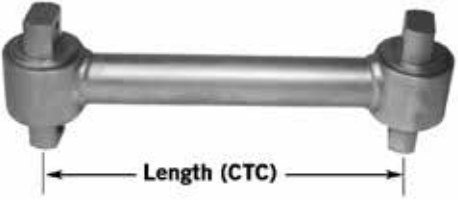
FOR MODELS:
HFS





MERITOR NO.	GEN-UINE	OEM REF.	CASTING NO.	NOTES
R309402		49803-002	49801-002	Includes Bushing, Rebound Pins, Cotter Pins, Washers

Torque Rod


FOR MODELS:
HFS




MERITOR NO.	GENUINE	OEM REF.	C-T-C LENGTH	NOTES
R309409		48411-006	14 13/32"	Front
R309407		48411-007	20 5/16"	Rear

Equalizer Bushing

FOR MODELS:
HFS



MERITOR NO.	GEN-UINE	OEM REF.	I.D.	O.D.	LENGTH
R305269		47420-000	1"	2 3/4"	4 5/8"

Torque Rod Bushing, Straddle Mount


FOR MODELS:
HFS




MERITOR NO.	GENUINE	OEM REF.	O.D.	NOTES
R305275		47691-000	2"	Hanger End, 5/8" Bolt Holes

Equalizer Center Bolt


FOR MODELS:
HFS



MERITOR NO.	GEN-UINE	OEM REF.	LENGTH	THREAD
R305271		30550-035	7"	1"-14

Torque Rod Fastener Kit

FOR MODELS:
HFS




Includes Bolt, Nut, Washer

MERITOR NO.	GENUINE	OEM REF.	LENGTH	THREAD
R305277	-	-	4 1/2"	5/8"-18

Thrust Washer


FOR MODELS:
HFS




MERITOR NO.	GEN-UINE	OEM REF.	I.D.	O.D.	THICK
R305273	-	47416-000	1 29/32"	3 11/16"	1/8"

Torque Rod Shim

FOR MODELS:
HFS





MERITOR NO.	GENUINE	OEM REF.	C-T-C LENGTH	THICK
R305281		47457-000	4 3/8"	1/16"

 Denotes Product is Genuine Hendrickson

HENDRICKSON SUSPENSION


HFS Components


Spring Spacer			
FOR MODELS: HFS			
			
MERITOR NO.	GENUINE	OEM REF.	NOTES
R303740	☒	48902-000	Height = 1"; A=7 3/4; B= 3"
R303741	☒	48903-000	Height = 1 1/2"; A=7 3/4; B= 3"

Center Hanger			
FOR MODELS: HFS			
			
MERITOR NO.	GENUINE	OEM REF.	CASTING NO.
R309400	☒	56676-001	56675-000; 50289-000

Top Pad				
FOR MODELS: HFS				
				
MERITOR NO.	GENUINE	OEM REF.	LENGTH	WIDTH
R309408	☒	50788-000	8 15/16"	3"

Rear Hanger			
FOR MODELS: HFS			
			
MERITOR NO.	GENUINE	OEM REF.	CASTING NO.
R309406	☒	50028-001	49954-000

Front Hanger				
FOR MODELS: HFS				
				
MERITOR NO.	GENUINE	OEM REF.	FOR MODELS	CASTING NO.
R309404	☒	56667-001; 50027-001	Models HFS360	56666-000; 49848-000
R309405	☒	56670-001; 50292-001	Models HFS400 / 400LH	56669-000; 50291-000

Rebound Roller Kit					
FOR MODELS: HFS					
					
Includes Bolt, Spacer, Roller, Nut, Washer					
MERITOR NO.	GENUINE	OEM REF.	O.D.	LENGTH	NOTES
R309432A	-	49175-013	2 1/2"	2 15/16"	Bolt 1/2" X 5 1/2" Long

☒ Denotes Product is Genuine Hendrickson

HENDRICKSON SUSPENSION

HTS Components

Suspension

Slipper Pad Kit


FOR MODELS:
HTS




MERITOR NO.	GENUINE	OEM REF.	NOTES
R3016333		56557-005	Includes Slipper Pad and Lock Pins

Torque Rod Shim

FOR MODELS:
HTS



MERITOR NO.	GENUINE	OEM REF.	NOTES
R305281		47457-000	4 3/8" Center-to-Center, 1/16" Thick

Slipper Pad


FOR MODELS:
HTS




MERITOR NO.	GENUINE	OEM REF.	NOTES
R3016335		56929-000	Included in R3016333

Top Pad

FOR MODELS:
HTS




Spartan Type C School Bus


MERITOR NO.	GENUINE	OEM REF.	LENGTH	WIDTH
R303739		48797-000	8 1/4"	3"

Torque Rod Bushing, Straddle Mount

FOR MODELS:
HTS





ULTRA Rods, 21/23K Capacity & Spartan Type C School Bus

MERITOR NO.	GENUINE	OEM REF.	O.D.	C-T-C LENGTH	NOTES
R305275		47691-000	2"	4 3/8"	5/8" Bolt Holes

Front Hanger Assembly


FOR MODELS:
HTS




MERITOR NO.	GENUINE	OEM REF.	NOTES
R309386		58425-001	Includes R3016333 Slipper Pad and Lock Pins

Torque Rod Bushing, Straddle Mount

FOR MODELS:
HTS



XTRB Type, 26/31K Capacity

MERITOR NO.	GENUINE	OEM REF.	O.D.	C-T-C LENGTH	NOTES
R3014641		66649-002	2"	4 3/8"	5/8" Bolt Holes

Rear Hanger

FOR MODELS:
HTS






MERITOR NO.	GENUINE	OEM REF.	CASTING NO.
R309406		50028-001	49954-000



 Denotes Product is Genuine Hendrickson



HENDRICKSON SUSPENSION




HA and HAS Parts



Torque Rod Bushing					
FOR MODELS: Most HA & HAS Models					
					
MERITOR NO.	GENUINE	OEM REF.	O.D.	C-T-C LENGTH	NOTES
R305275		47691-000	2"	4 3/8"	5/8" Bolt Holes




Torque Rod Fastener Kit				
FOR MODELS: HA & HAS				
				
Includes 1 Bolt, 2 Washers, 1 Lock Nut				
MERITOR NO.	GENUINE	OEM REF.	LENGTH	THREAD
R305277	-	Torque Rod Fastener Kit	4 1/2"	5/8"-18

Torque Rod Bushing					
FOR MODELS: HA 460					
					
MERITOR NO.	GENUINE	OEM REF.	O.D.	C-T-C LENGTH	NOTES
R309395		57256-000	2 1/2"	4 3/8"	5/8" Bolt Holes

Torque Rod Shim				
				
MERITOR NO.	GENUINE	OEM REF.	C-T-C LENGTH	THICK
R305281		47457-000	4 3/8"	1/16"

Torque Rod			
FOR MODELS: HA Series			
			
MERITOR NO.	GENUINE	OEM REF.	C-T-C LENGTH
R303731		48411-001	15 27/32"
R303732		48411-002	21 15/16"

Torque Rod Bracket			
FOR MODELS: All Models			
			
MERITOR NO.	GENUINE	OEM REF.	NOTES
R302634		22186-000	For Mounting Transverse Torque Rods

Torque Rod				
FOR MODELS: HAS				
				
MERITOR NO.	GENUINE	OEM REF.	C-T-C LENGTH	APPLICATION
R309394		62007-365	14 13/32"	HAS 230/460
R309409		48411-006		All HAS Models Except HAS 230/460

Top Pad		
FOR MODELS: HA Series		
		
MERITOR NO.	GENUINE	OEM REF.
R308926		49337-000

 Denotes Product is Genuine Hendrickson

HA and HAS Parts

Top Pad

FOR MODELS:
HAS Series



MERITOR NO.	GENUINE	OEM REF.
R309397		56805-000

Delrin Liner


FOR MODELS:
HAS Series





MERITOR NO.	GENUINE	OEM REF.
R309393		47905-000

Spring Spacer


FOR MODELS:
All Models





MERITOR NO.	GENUINE	OEM REF.	HEIGHT	A	B
R303740		48902-000	1"	7 3/4"	3"
R303741		48903-000	1 1/2"	7 3/4"	3"

Bottom Axle Plate

FOR MODELS:
HA Series





Includes Studs, Nuts, Washers

MERITOR NO.	GENUINE	OEM REF.	CASTING NO.	NOTES
R303753A		56857-000	56855-000	9.5-13 Degree Pinion Angle, Left Front
R303754A		56854-000	56852-000	9.5-13 Degree Pinion Angle, Right Front

Bottom Plate Stud


FOR MODELS:
HA Series




MERITOR NO.	GENUINE	OEM REF.	LENGTH	THREAD
R303755		49063-000	3 13/16"	5/8"-11

Spring Seat Stud

FOR MODELS:
HAS 360/400/
460





MERITOR NO.	GENUINE	OEM REF.	THREAD
R3015200		50918-000	5/8"-11



 Denotes Product is Genuine Hendrickson



HENDRICKSON SUSPENSION

HA and HAS Parts



Spherical Washer				
FOR MODELS: HAS Series				
				
MERITOR NO.	GEN-UINE	OEM REF.	ID	APPLICATION
R303738		48574-000	7/8"	For Use With 7/8" Diameter U-Bolts

Front Hanger			
FOR MODELS: HA Series			
			
MERITOR NO.	GENUINE	OEM REF.	CASTING NO.
R305299		56673-001	56672-001; 49723-000; 47431-000


Slipper pad kit			
FOR MODELS: HAS 360 Series			
			
Includes 2 Mounting Plates and 4 Self-Tapping Screws			
MERITOR NO.	GEN-UINE	OEM REF.	NOTES
R309391		56557-002	Use With R309387 Hanger


Frame Hanger Assembly			
FOR MODELS: Most HAS Models			
			
Includes R3016333 Slipper Pad			
MERITOR NO.	GENUINE	OEM REF.	CASTING NO.
R309386		58425-001, 57190-001, 50752-001	57188-001

Slipper Pad Kit			
FOR MODELS: Most HAS Models			
			
Use with R309386 Hanger			
MERITOR NO.	GENUINE	OEM REF.	NOTES
R3016333		56557-005	Includes R3016335 Pad, Mounting Spring Pins




Frame Hanger Assembly			
FOR MODELS: HAS 360 Series			
			
Includes R309391 Slipper Pad			
MERITOR NO.	GENUINE	OEM REF.	CASTING NO.
R309387		50753-001	49848-000; 56666-001


Slipper Pad Kit			
FOR MODELS: Most HAS Models			
			
MERITOR NO.	GENU-INE	OEM REF.	NOTES
R3016334		56557-004	Includes R3016335 Pad, Mounting Brackets and Screws


Rebound Roller Kit				
FOR MODELS: HAS Series				
				
Bolt 1/2"-13 Thread X 5" Long				
MERITOR NO.	GENUINE	OEM REF.	O.D.	LENGTH
R309432A		49175-005	2 1/2"	Roller Length 2 15/16"



 Denotes Product is Genuine Hendrickson


HA and HAS Parts

Cross Channel Fastener Kit				
				
MERITOR NO.	GENU-INE	OEM REF.	FOR MODEL	NOTES
R309384		50763-001	HAS 120 / 150 / 190 / 210 / 360 / 400	Includes: 4 Bolts 3/4"X 3", 4 Bolts 3/4" X 2 1/2", 16 Washers, 8 Lock Nuts
R309385		50763-003	HAS 230/460	Includes: 4 Bolts 3/4"X 3", 4 Bolts 3/4" X 3 1/2", 16 Washers, 8 Lock Nuts



Lower Shock Bracket		
FOR MODELS: Most HAS Models		
		
MERITOR NO.	GENUINE	OEM REF.
R3016239		57355-000

Lower Shock Bracket Fastener Assembly				
FOR MODELS: Most HAS Models				
				
Includes: Bolt, Nut and 2 Washers				
MERITOR NO.	GENU-INE	OEM REF.	LENGTH	THREAD
R3016123	-	21777-026	5 1/2"	3/4"-16

Upper Shock Bracket Assembly			
FOR MODELS: HAS Series			
			
MERITOR NO.	GENUINE	OEM REF.	NOTES
R309390		57322-001	Includes Bolt, Nut and Washer

Air Spring Frame Hanger		
FOR MODELS: Most HAS Models		
		
MERITOR NO.	GENUINE	OEM REF.
R309392	-	50804-002


Lower Shock Bracket, Low Profile			
			
MERITOR NO.	GENUINE	OEM REF.	APPLICATION
R3016238		49324-002	HAS Low Profile Models

Height Control Valve			
FOR MODELS: HA Series			
			
MERITOR NO.	GENUINE	OEM REF.	NOTES
R3011494		60826-000	Includes Mounting Bracket and Hardware


 Denotes Product is Genuine Hendrickson

HENDRICKSON SUSPENSION

HA and HAS Parts

Height Control Valve			
			
MERITOR NO.	GENUINE	OEM REF.	NOTES
R3011870	☒	57977-000	Includes Mounting Bracket and Hardware

Pressure Protection Valve		
		
MERITOR NO.	GENUINE	OEM REF.
R303762	☒	30272-000

Adjustable Height Control Valve Linkage Assembly		
FOR MODELS: All Models		
		
MERITOR NO.	GENUINE	OEM REF.
R303760A	☒	58994-021

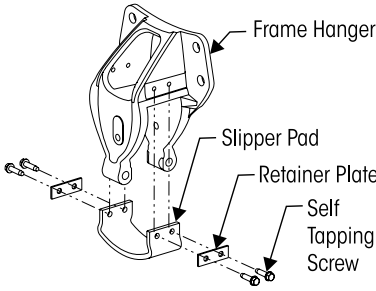

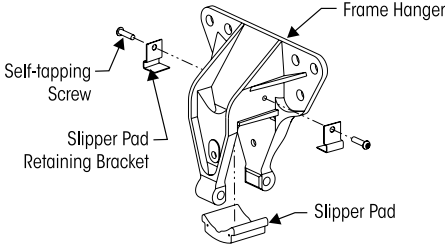

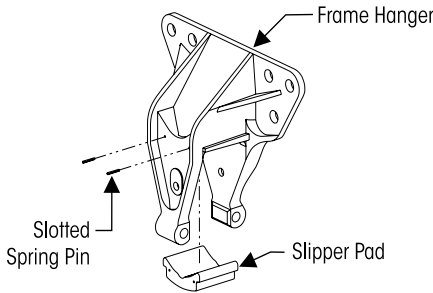

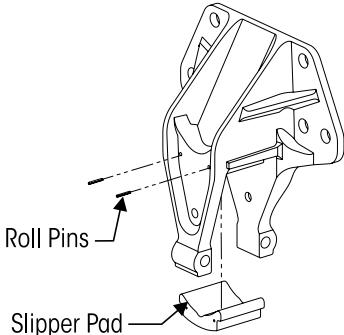
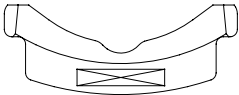
Quick Release Kit			
			
MERITOR NO.	GENUINE	OEM REF.	NOTES
R309389	☒	48689-001	Includes Sync Relay Valve, Air Dump Switch, Name Plate

☒ Denotes Product is Genuine Hendrickson

HENDRICKSON SUSPENSION

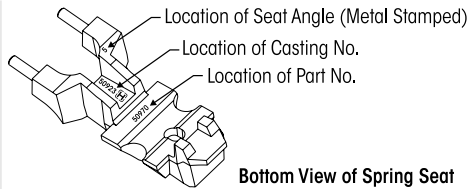
HAS Slipper Pad and Hanger Selection Guide

Suspension

SLIPPER PAD SERVICE KITS		HANGERS				
MERITOR NO.	HENDRICKSON		MERITOR NO.	HENDRICKSON	HENDRICKSON	
R309391	KIT NO. 56557-002				CASTING NO	PART NO.
	KIT INCLUDES:			S.O.S.	49676-000	50849-
	• 1 Slipper Pad			S.O.S.	49676-000	56552-
	• 2 Retaining Plates			S.O.S.	49848-000	50027-001
	• 4 Self Tapping Screws			R309387	56666-001	50753-001
	SLIPPER PAD			S.O.S.	56669-001	56670-
S.O.S.	PART NO. 50612-000			S.O.S.	56669-001	50752-
				S.O.S.	56885-001	56887-000
MERITOR NO.	HENDRICKSON		MERITOR NO.	HENDRICKSON	HENDRICKSON	
					CASTING NO	PART NO.
R3016334	KIT NO. 56557-004			S.O.S.	57188-001	57190-
	KIT INCLUDES:			S.O.S.	57476-001	57478-
	1 Slipper Pad					
	2 Retaining Brackets					
	2 Self Tapping Screws					
	SLIPPER PAD					
R3016335	PART NO. 56929-000					
						
MERITOR NO.	HENDRICKSON		MERITOR NO.	HENDRICKSON	HENDRICKSON	
					CASTING NO	PART NO.
R3016333	KIT NO. 56557-005			R309386	57188-001	58425-
	KIT INCLUDES:			S.O.S.	57476-001	58688-
	• 1 Slipper Pad			S.O.S.	57543-001	57544-
	• 2 Slotted Spring Pins			S.O.S.	58659-001	58661-001
	SLIPPER PAD			S.O.S.	59043-001	59045-
R3016335	PART NO. 56929-000			S.O.S.	59050-001	59052-002
				S.O.S.	59747-001	59768-
MERITOR NO.	HENDRICKSON		MERITOR NO.	HENDRICKSON	HENDRICKSON	
					CASTING NO	PART NO.
S.O.S.	KIT NO. 56557-006			S.O.S.	59050-001	59052-002
	KIT INCLUDES:					
	• 1 Slipper Pad					
	• 2 Roll Pins					
	SLIPPER PAD					
R3016335	PART NO. 58959-000					
						

HENDRICKSON SUSPENSION

HAS Spring Seat Selection Guide



HAS Tandem • HAS 40K LH Equipped with Drum Brakes

Include fasteners. Total of four (4) spring seats are required per tandem.
 One of each located at the left / right front, and left / right rear.

HAS SPRING SEAT SELECTION GUIDE

		LEFT FRONT			RIGHT FRONT		
		Dana D341/402/403/404/ 405/454, DSP40/41 DSH40/44 DSS40/462/463 D40/46-170 Meritor SL100/SQ100, SQHD RT40/41/44-145 RT46/50-160 RT40-160 RT46-157/158,SSHD	Dana D461	Dana 404/405/454, DSP40/41, DSH40/44 DSS40/462/463 D40/46-170 Meritor RS21-145/160 RS23-160/161 RT40/41/44-145 RT46/50-160 RT40-160, RT46-158	Dana D341/402/403		Dana D461
	HENDRICKSON CASTING NO.	50923-000	50986-000	50923-000	50974-000	50974-000	50992-000
	SEAT ANGLE	HEND. PART NO.	HEND. PART NO.	PARTNO.	PARTNO.	PARTNO.	PARTNO.
	2°	50970-001	50988-001	50970-001	50976-001	50976-012	50994-001
	2.5°	50970-002	50988-002	50970-002	50976-002	50976-016	50994-002
	3°	50970-003	50988-003	50970-003	50976-003	50976-013	50994-003
	3.5°	50970-004	50988-004	50970-004	50976-004	50976-017	50994-004
	4°	50970-005	50988-005	50970-005	50976-005	50976-014	50994-005
	4.5°	50970-006	50988-006	50970-006	50976-006	50976-018	50994-006
	5°	50970-007	50988-007	50970-007	50976-007		50994-007
	5.5°	50970-008	50988-008	50970-008	50976-008		50994-008
	6°	50970-009	50988-009	50970-009			50994-009
	6.5°	50970-010	50988-010	50970-010	50976-010		50994-010
		LEFT REAR			RIGHT REAR		
		Dana 404/405/454 DSP40/41, DSH40/44 DSS40/462/463 D40/46-170 Meritor RT40/41/44-145 RT46/50-160 RT40-160, RT46-158	Dana D341/402/403 Meritor SL100/SQ100, SQHP	Meritor RT46-157, SSHD	Dana D461	Dana D341/402/403/404/ 405/454, DSP40/41 DSH40/44 DSS40/462/463 D40/46-170 Meritor SL100/SQ100, SQHD RT40/41/44-145 RT46/50-160 RT40-160 RT46-157/158,SSHD	Dana D461
	HENDRICKSON CASTING NO.	50971-000	50977-000	50977-000	50995-000	50971-000	50989-000
	SEAT ANGLE	HEND. PART NO.	HEND. PART NO.	PARTNO.	PARTNO.	PARTNO.	PARTNO.
	5°	50973-011	50979-011	50979-013	50997-011	50973-011	50991-011
	6.5°	50973-012	50979-012		50997-012	50973-012	50991-012
	7.5°	50973-013	50979-014			50973-013	
	8°	50973-001	50979-001		50997-001	50973-001	50991-001
	8.5°	50973-002	50979-002		50997-002	50973-002	50991-002
	9°	50973-003	50979-003		50997-003	50973-003	50991-003
	9.5°	50973-004	50979-004		50997-004	50973-004	50991-004
	10°	50973-005	50979-005		50997-005	50973-005	50991-005
	10.5°	50973-006	50979-006	50979-020	50997-006	50973-006	50991-006
	11°	50973-007	50979-007		50997-007	50973-007	50991-007
	11.5°	50973-008	50979-008	50979-019	50997-008	50973-008	50991-008
	12°	50973-009	50979-009		50997-009	50973-009	50991-009
	12.5°	50973-010	50979-010	50979-015	50997-010	50973-010	50991-010
	13°	50973-015	50979-017		50997-013	50973-015	50991-013
	13.5°	50973-014	50979-018	50979-016		50973-014	
	14°	50973-016				50973-016	

All Axle Seats Are Available from Meritor via. S.O.S.

HAS Spring Seat Selection Guide

HAS Single Equipped with Drum Brakes

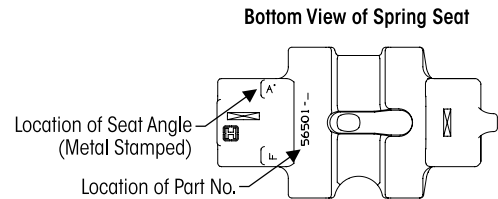
Includes fasteners, total of two (2) spring seats required per single suspension.
One of each at the left front and right front location.

HAS SPRING SEAT SELECTION GUIDE

LEFT / RIGHT				
	Dana 19060/21060/21080/21090/ 23090/26090, S21/23/26-170 /190 Meritor RS21-145/160, RS23-160/161	Dana 23080/23105/26015	Meritor RS13-120, RS15-120, RS15-210	Meritor RS13-120, RS15-120, RS15-210
CASTING NO.	50923-000	50986-000	57021-000	59793-000
SEAT ANGLE	HENDRICKSON PART NO.	HENDRICKSON PART NO.	HENDRICKSON PART NO.	HENDRICKSON PART NO.
2°	50970-001	50988-001		
2.5°	50970-002	50988-002	57033-002	
3°	50970-003	50988-003	57033-003	59795-001
3.5°	50970-004	50988-004		
4°	50970-005	50988-005	57033-005	59795-002
4.5°	50970-006	50988-006		
5°	50970-007	50988-007		
5.5°	50970-008	50988-008		
6°	50970-009	50988-009		
6.5°	50970-010	50988-010		
7°	50970-011	50988-011		

HAS Single and Tandem 23K • 46K Equipped with Air Disc Brakes

Total of four (4) spring seats required per tandem.
One of each located at the left / right front and left / right rear.



RIGHT		LEFT	
	Dana 17060, 19060, 21060, 21080, 21090, 23090, 26090, P20060, P22060, DS-402 Meritor SQ-100, SSHD, RT-40, RT-46		
CASTING NO.	56500-000	56504-000	
SEAT ANGLE	HENDRICKSON PART NO.	SEAT ANGLE	HENDRICKSON PART NO.
0.0°	056501-037	8.0°	70856-001
0.5°	056501-038	8.5°	70856-002
1.0°	056501-039	9.0°	70856-003
1.5°	056501-040	9.5°	70856-004
2.0°	056501-035	10.0°	70856-005
2.5°	056501-036	10.5°	70856-006
3.0°	056501-028	11.0°	70856-007
3.5°	056501-029	11.5°	70856-008
4.0°	056501-030	12.0°	70856-009
4.5°	056501-031	12.5°	70856-010
5.0°	056501-032	13.0°	70856-011
5.5°	056501-033	13.5°	70856-012
6.0°	056501-034		


All Axle Seats Are Available from Meritor via. S.O.S.


HENDRICKSON SUSPENSION

HN and HAULMAAX

Bolster Spring


FOR MODELS:
HN400/460
Vehicles Built
After 03/96




MERITOR NO.	GENUINE	OEM REF.	NOTES
R3011496		60879-000	One Side/Pair. Replace in Pairs

Auxiliary Load Spring


FOR MODELS:
HAULMAAX &
HN Series




MERITOR NO.	GENUINE	OEM REF.	NOTES
R3014047		60314-000	3 3/8" High. 1 Slot

Bolster Spring w/o Tire-Bar Service Kit

FOR MODELS:
HAULMAAX





NOTE: One Side

MERITOR NO.	GENUINE	OEM REF.	NOTES
R3016356		64179-049	Bolster Springs, Wear Pad, Flange Nut

Auxiliary Load Spring Conversion Kit


FOR MODELS:
HN402 / 462 /
522




MERITOR NO.	GENUINE	OEM REF.	NOTES
R3015164		57974-011 58189-000	Conversion Kit For Vehicles Built Before 8/98

Bolster Spring Service Kit w/ Tire-Bar

FOR MODELS:
HAULMAAX




NOTE: One Side


MERITOR NO.	GENUINE	OEM REF.	NOTES
R3014807		64179-048	Includes 2 Bolster Springs, Tie Bar, Wear Pad, Spacers, Flange Nuts

Progressive Load Spring Service Kit

FOR MODELS:
HAULMAAX, Built
After 07/15/14




Tandem Set, 2 Slots

MERITOR NO.	GENUINE	OEM REF.	NOTES
R3016357		60961-747	Includes 2 Load Springs & Mounting Hardware

Bolster Spring Fastener Kit

FOR MODELS:
HN Series




For One Bolster Spring


MERITOR NO.	GENUINE	OEM REF.	NOTES
R3016398	-	-	Includes 8 Bolts, Nuts, Washers


Progressive Load Spring

FOR MODELS:
HAULMAAX



2 Slots

MERITOR NO.	GENUINE	OEM REF.	NOTES
R3014896		67778-000	Vehicles Built After 07/15/14

 Denotes Product is Genuine Hendrickson


HENDRICKSON SUSPENSION

HN and HAULMAAX


Suspension

Auxiliary Spring Mounting Shim

FOR MODELS:
HN Series




Thickness - 1/4"

MERITOR NO.	GEN-UINE	OEM REF.	NOTES
R3015165		57993-002	Vehicles Built 03/96 - 09/97

Auxiliary Spring Mounting Shim

FOR MODELS:
HN402/462/522



MERITOR NO.	GEN-UINE	OEM REF.	NOTES
R3015173		58960-003	Vehicles Built After 11/00 8" Long x 5 1/2" Wide

Auxiliary Spring Shim

FOR MODELS:
HAULMAAX



MERITOR NO.	GENUINE	OEM REF.	NOTES
R3015155		60791-000	Thickness - 1/4"

Rebound Strap Service Kit


FOR MODELS:
HAULMAAX




MERITOR NO.	GEN-UINE	OEM REF.	NOTES
R3015168		64179-028	Includes Strap, Anchor Plate, Hardware

Auxiliary Load Spring Mounting Plate

FOR MODELS:
HN Series



MERITOR NO.	GEN-UINE	OEM REF.	LENGTH	NOTES
R3015171		58948-001	9 3/8"	3" High; 1/2" Dia. Holes

Rebound Strap


FOR MODELS:
HAULMAAX &
HN Series




MERITOR NO.	GENUINE	OEM REF.	NOTES
R3013986		57878-003	-

Auxiliary Spring Mounting Plate Shim

FOR MODELS:
HN402/462/522




MERITOR NO.	GEN-UINE	OEM REF.	NOTES
R3015172		58949-000	5/8" Dia. Holes 4 1/2" Long x 1/4" Thick

Anchor Plate Assembly

FOR MODELS:
HN402/462/522







MERITOR NO.	GEN-UINE	OEM REF.	NOTES
R3016400		60639-000	Includes Anchor Plate, Washers, Lock nuts

 Denotes Product is Genuine Hendrickson



HENDRICKSON SUSPENSION



HN and HAULMAAX

Rebound Strap Mounting Plate			
FOR MODELS: HN Series			
			
Built 09/98 - 11/00			
MERITOR NO.	GEN-UINE	OEM REF.	NOTES
R3015166		58524-000	Hole Diameter - 1" 3" Center-to-Center of Holes



Equalizing Beam Assembly			
FOR MODELS: HAULMAAX			
			
MERITOR NO.	GEN-UINE	OEM REF.	NOTES
R3016353		64846-001	54" With Shock Bracket and End Beam Bushings



Rebound Clip		
FOR MODELS: HAULMAAX		
		
MERITOR NO.	GENUINE	OEM REF.
R3015167		60612-000


Saddle Vee Bracket		
FOR MODELS: HN402/462/522		
		
MERITOR NO.	GENUINE	OEM REF.
R3015176		58343-001

Rebound Rubber Stop Kit			
FOR MODELS: HN400/460 Built Before 02/96			
			
MERITOR NO.	GEN-UINE	OEM REF.	NOTES
R309417		49399-000	Includes Rubber Stop, Mounting Bolts, Nuts, Washers

Saddle Vee Bracket		
FOR MODELS: HN400/460 Built After 03/96		
		
MERITOR NO.	GENUINE	OEM REF.
R3016401		57461-000

Rebound Control Kit			
FOR MODELS: HN400/460 Built Before 02/96			
			
MERITOR NO.	GEN-UINE	OEM REF.	NOTES
R309414		49768-000	Includes Rebound Spring, Rod, Clevis, Bolt, Lock Nut, Hex Nut, Washer

Wear Plate		
FOR MODELS: HAULMAAX		
		
MERITOR NO.	GENUINE	OEM REF.
R3014535		64890-000, 60498-001, 60498-002

 Denotes Product is Genuine Hendrickson


HENDRICKSON SUSPENSION


HN and HAULMAAX

Suspension

Frame Bracket to Saddle Fastener Kit


FOR MODELS:
HAULMAAX




MERITOR NO.	GENUINE	OEM REF.	NOTES
R3016355		64179-039	One Side

Nylon Center Bushing


FOR MODELS:
HN400/460
Series




MERITOR NO.	GENUINE	OEM REF.	I.D.	O.D.	LENGTH
R309411		49972-000	2 1/2"	2 15/16"	12 7/16"

Cross Tube


FOR MODELS:
HN400/460
Series





MERITOR NO.	GENUINE	OEM REF.	O.D.	LENGTH
R309412		44643-011	2 7/16"	40 3/4"

Center End Cap

FOR MODELS:
HN400/460
Series





MERITOR NO.	GENUINE	OEM REF.	I.D.	O.D.	DEPTH
R309413		56910-000	3 7/8"	4"	1 7/16"



 Denotes Product is Genuine Hendrickson



HENDRICKSON SUSPENSION


HTB For International

Torque Box Assembly		
FOR MODELS: HTB		
		
MERITOR NO.	GENUINE	OEM REF.
R3016366		64785-007B, 64785-002B, 64785-001

Axle Stop		
FOR MODELS: HTB		
		
Diameter 2"		
MERITOR NO.	GENUINE	OEM REF.
R3015148		64080-000

Torque Rod Assembly			
FOR MODELS: HTB			
			
MERITOR NO.	GENUINE	OEM REF.	NOTES
R3016364		77906-398	Non-replaceable Bushings

Shock Absorber Frame Bracket		
FOR MODELS: HTB		
		
1 - 3/4" Dia. Hole, 2 - 5/8" Dia. Holes		
MERITOR NO.	GENUINE	OEM REF.
R3015177		67463-002

 Denotes Product is Genuine Hendrickson

PRIMAAX/FIREMAAX & PRIMAAX EX/FIREMAAX EX Model Identification

The following information is intended to assist in determining which suspension is equipped on the vehicle.

As an example, in Figure 1, the end cap / frame hanger help identify whether the suspension is the current model PRIMAAX EX or the previous production model PRIMAAX (out of production since May 2010).

OEM Specific PRIMAAX EX Parts lists — Caterpillar (SP-234) • Freightliner (SP-230) • International Truck (SP-233) • Kenworth (SP-225) • Mack (SP-231) and Volvo (SP-226) are available online at www.hendrickson-intl.com.

FIGURE 1 PRIMAAX EX • FIREMAAX EX or PRIMAAX • FIREMAAX

PRIMAAX EX | Enhanced U-beam Assembly with Integrated End Cap
FIREMAAX EX | Integrated End Cap

PRIMAAX | Support Beam with Detachable End Cap
FIREMAAX | Support Beam with Detachable End Cap
 Out of Production May 2010

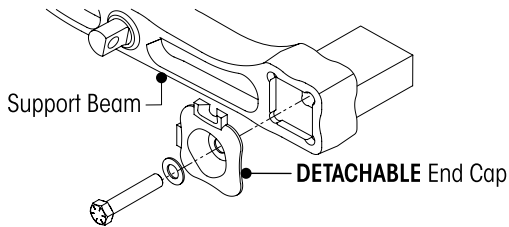
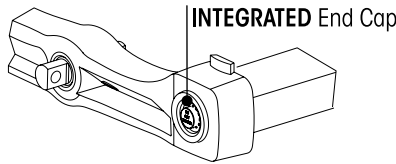


FIGURE 2 SUSPENSION RATING • CAPACITY

S – designates Small Clamp Group • T – designates Tall Ride Height 12½" – 14¾" – 15½"

SMALL CLAMP GROUP

U-bolts
 4¼" Distance between U-bolts
 Suspension Rating:
PRIMAAX EX
 23K•46K•69K|23K T•46K T•69K T
 26K S•52K S•78K S|26K ST•52K ST•78K ST
FIREMAAX EX
 24K•48K|24K T•48K T
 27K S•54K S|27K ST•54K ST

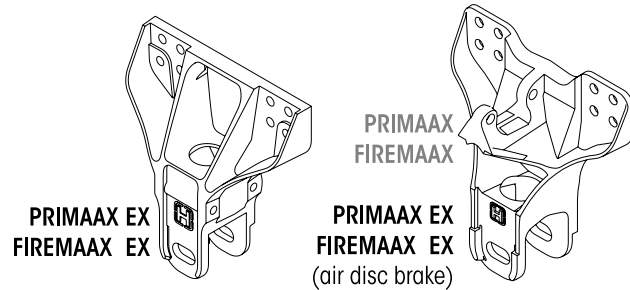
PRIMAAX
 230•460•690|230 T•460 T•690 T
FIREMAAX
 240•480|240 T•480 T

U-bolts
 5" Distance between U-bolts
 Suspension Rating:
PRIMAAX EX
 26K •52K •78K |26K T•52K T•78K T
FIREMAAX EX
 27K•31K•54K•62K
 27K T•31K T•54K T•62K T

PRIMAAX
 260•520•780|260 T•520 T•780 T
FIREMAAX
 270•540|270 T•540 T

FIGURE 3 RIDE HEIGHT

Frame Hangers: 8½"-10" Ride Height



Frame Hangers: 12½"-15½" Ride Height

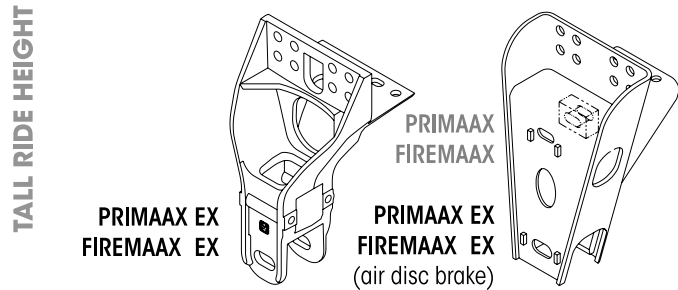
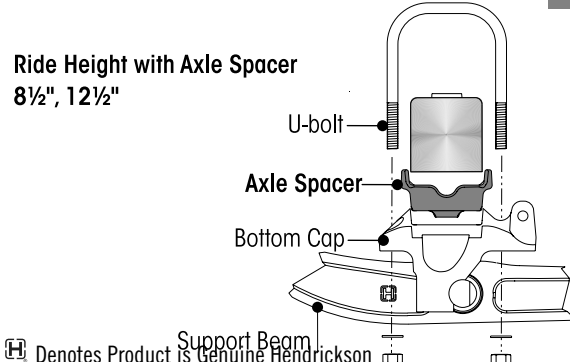
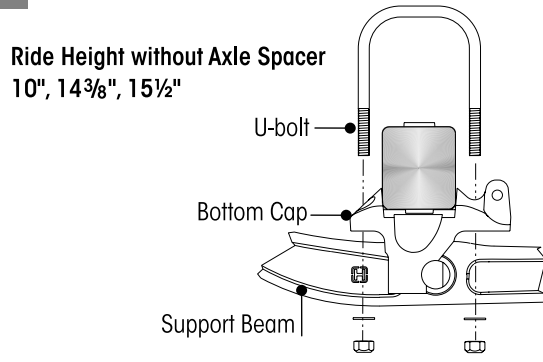


FIGURE 4 AXLE SPACER

Ride Height with Axle Spacer
 8½", 12½"



Ride Height without Axle Spacer
 10", 14¾", 15½"



Denotes Product is Genuine Hendrickson

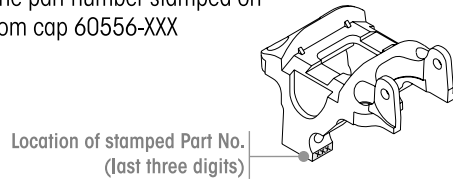
PRIMAAX/FIREMAAX & PRIMAAX EX/FIREMAAX EX Bottom Cap and One Piece Torque Rod Selection

Bottom Cap and Longitudinal Torque Rod Assembly

BOTTOM CAP

- 8½", 12½", 14¾", 15½" Ride Heights

Locate the part number stamped on the bottom cap 60556-XXX

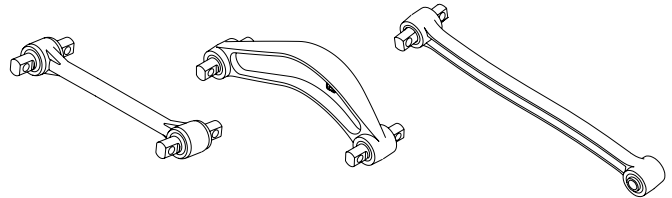


- 10" Ride Height See tables below

LONGITUDINAL TORQUE ROD ASSEMBLY

PRIMAAX EX 23K • 46K • 69K | 23KT • 46KT • 69KT
 26K • 52K • 78K | 26KT • 52KT • 78KT
 FIREMAAX EX 24K • 48K | 24KT • 48KT
 27K • 54K | 27KT • 54KT

PRIMAAX 230•460•690
 230T•460T•690T
 FIREMAAX 240•480
 240T•480T



PRIMAAX EX 23K•46K•69K 26K S•52K S•78K S 23KT•46KT•69KT 26K ST•52K ST•78K ST		FIREMAAX EX 24K•48K 24KT•48KT	
D-pin Bolt Length	Pinion Angle	10" RIDE HEIGHT Bottom Cap Part No.	*Longitudinal Torque Rod Assembly Part No.
			DRUM BRAKE
			DISC BRAKE
			LEFT FRONT
			RIGHT FRONT
5"	1.5	60556-035	67428-425
	2.0	60556-040	
	2.5	60556-025	
	3.0	60556-030	
	3.5	60556-035	
	4.0	60556-040	
5¼"	4.5	60556-045	67428-435
5½"	5.0	60556-050	67219-435
	5.5	60556-055	
	6.0	60556-060	
	6.5	60556-065	
REAR			
5"	7.0	60556-110	67428-450
	7.5	60556-115	
	8.0	60556-120	
5¼"	8.5	60556-125	67428-460
5½"	9.0	60556-130	
4¾"	9.5	60556-135	67428-475
	10.0	60556-100	
	10.5	60556-105	
	11.0	60556-110	
	11.5	60556-115	
	12.0	60556-120	
5¼"	12.5	60556-125	67219-475
5½"	13.0	60556-130	
5½"	13.5	60556-135	
	14.0	60556-140	
**5¾"	14.5	60556-145	

* Non-serviceable torque rod bushings, requires replacement of complete torque rod assembly with bushings.

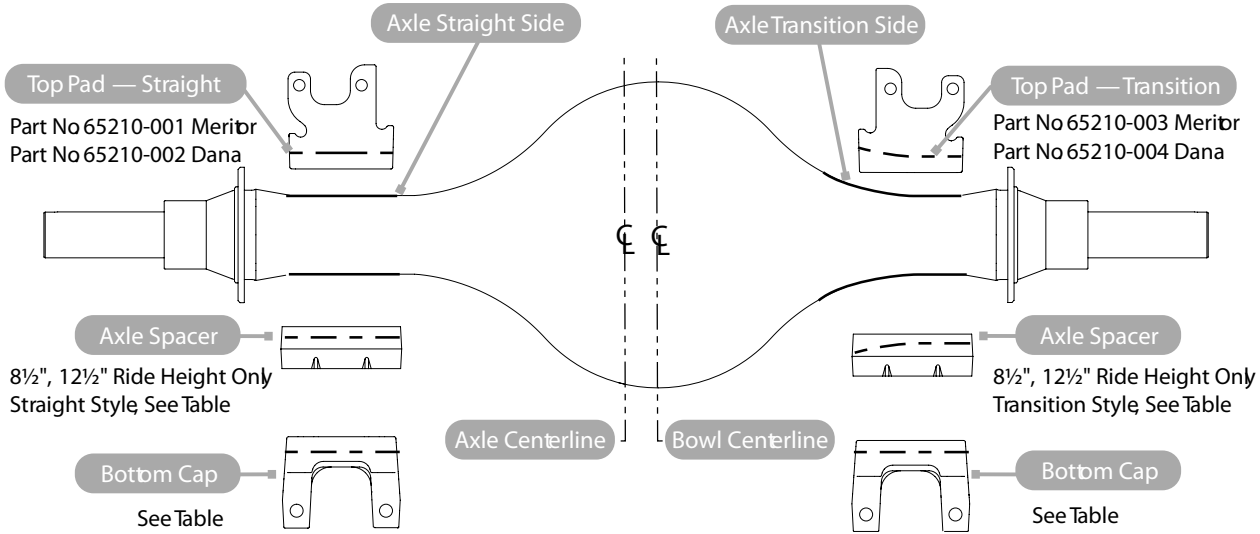
** May replace with 5½" bolts.

PRIMAAX 230•460•690 230T•460T•690T		FIREMAAX 240•480 240T•480T	
Pinion Angle	10" RIDE HEIGHT Bottom Cap Part No.	Longitudinal Torque Rod Assembly Part No.	
		LEFT FRONT	RIGHT FRONT
2.5	60556-025	60827-605A	60827-605B
3.0	60556-030		
3.5	60556-035		
4.0	60556-040		
4.5	60556-045		
5.0	60556-050		
5.5	60556-055		
6.0	60556-060		
6.5	60556-065		
7.0	60556-110	64717-620A	64717-620B
7.5	60556-115		
8.0	60556-120		
8.5	60556-125		
9.0	60556-130		
9.5	60556-135		
10.0	60556-100		
10.5	60556-105		
11.0	60556-110		
11.5	60556-115		
12.0	60556-120	60827-645A	60827-645B
12.5	60556-125		
13.0	60556-130		
13.5	60556-135		
14.0	60556-140		
14.5	60556-145		

HENDRICKSON SUSPENSION

PRIMAAX/FIREMAAX & PRIMAAX EX/FIREMAAX EX Top, Bottom Cap, and Axle Spacer Selection Guide

Top Pad • Bottom Cap • Axle Spacer

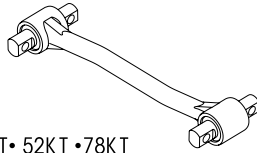


		PRIMAAX EX 26K • 52K • 78K PRIMAAX EX 26KT • 52KT • 78KT PRIMAAX 260 • 520 • 780				FIREMAAX EX 27K • 31K • 54K • 62K FIREMAAX EX 27KT • 31KT • 54KT • 62KT FIREMAAX 270 • 540					
Key No. 12		BOTTOM CAP PART NUMBER									
Axle Manufacturer	Beam Centers	TANDEM				SINGLE					
		StraightSide		TransitionSide				StraightSide		TransitionSide	
		8½", 12½", 10", 14 ⅜", 15½" Ride Height		8½", 12½" Ride Height		10", 14 ⅜", 15½" Ride Height		8½", 12½", 10", 14 ⅜", 15½" Ride Height		8½", 12½" Ride Height 10", 14 ⅜", 15½" Ride Height	
		FRONT	REAR	FRONT	REAR	FRONT	REAR				
MERITOR	40.0"					65208-106	65208-109				65208-105
	40.5"	65208-101	65208-103	65208-101	65208-103	67913-006	67913-009	65208-101	65208-101		67913-005
	40.8"					67913-106	67913-109				67913-105
DANA	40.0"					65208-108	65208-111	See Page 3		See Page 3	
	40.5"	65208-102	65208-104	65208-102	65208-104	67913-008	67913-011				
	40.8"					67913-108	67913-111				
Key No. 13		AXLESPACER PART NUMBER									
Axle Manufacturer	Beam Centers	8½", 12½" Ride Height		8½", 12½" Ride Height		10", 14 ⅜", 15½" Ride Height		8½", 12½" Ride Height	8½", 12½" Ride Height	10", 14 ⅜", 15½" Ride Height	
		FRONT	REAR	FRONT	REAR	FRONT	REAR				
MERITOR	40.0"	65276-000		65277-000		Notequipped		65276-000	65277-000	Not equipped	
	40.5"	—		67973-004				65139-003	65139-003		
DANA	40.0"	65274-000		65275-000				65139-003	65139-003		
	40.5"	—		67973-002							

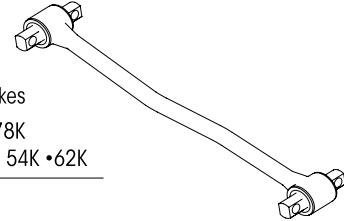
PRIMAAX/FIREMAAX & PRIMAAX EX/FIREMAAX EX Bottom Cap and One Piece Torque Rod Selection Guide for 26K/Axle Rating and Larger

Longitudinal Torque Rod Assembly

- **8½", 10" Ride Heights** – See table below
- **All Other Ride Heights** – See specific parts list in this publication



PRIMAAX EX
26K • 52K • 78K | 26KT • 52KT • 78KT
FIREMAAX EX
27K • 31K • 54K • 62K | 27KT • 31KT • 54KT • 62KT



Equipped with Air Disc Brakes
PRIMAAX EX 26K • 52K • 78K
FIREMAAX EX 27K • 31K • 54K • 62K

PRIMAAX 260•520•780
FIREMAAX 270•540

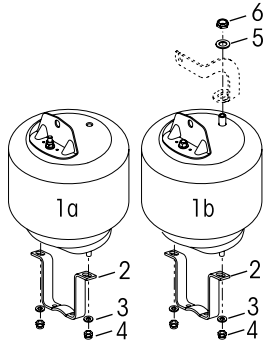
PINION ANGLE	PRIMAAXEX 26K • 52K • 78K 26KT • 52KT • 78KT	FIREMAAXEX 27K • 31K • 54K • 62K 27KT • 31KT • 54 KT • 62KT
	*LONGITUDINAL TORQUEROD ASSEMBLY PART NO.	
	LEFT	RIGHT
1.0–2.0	65302-455A	65302-455B
2.5–3.0	65302-470A	65302-470B
3.5–4.0	65302-475A	65302-475B
9.0–9.5	65302-510A	65302-510B
10.0–10.5	65302-515A	65302-515B
11.0–11.5	65302-520A	65302-520B
* Non-serviceable torque rod bushings, requires replacement of complete torque rod assembly with bushings.		

PINION ANGLE	PRIMAAXEX 26K • 52K • 78K PRIMAAX 260 • 520 • 780	FIREMAAXEX 27K • 31K • 54K • 62K FIREMAAX 270 • 540
	LONGITUDINAL TORQUEROD ASSEMBLY PART NO.	
	LEFT	RIGHT
2.0–3.5	66359-650A	66359-650B
4.0–5.5	66359-660A	66359-660B
2.0–3.5	66359-670A	66359-670B
10.0–10.5	66359-585A	66359-585B
11.0–11.5	66359-590A	66359-590B
12.0–12.5	66359-595A	66359-595B
11.0–11.5	66359-600A	66359-600B
Pierce		

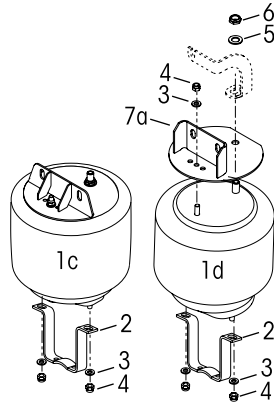
PRIMAAX/FIREMAAX & PRIMAAX EX/FIREMAAX EX Air Spring Selection Guide

Air Spring Assembly

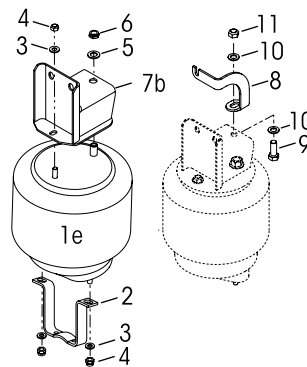
PRIMAAX EX 23K•46K•69K
FIREMAAX EX 24K•48K



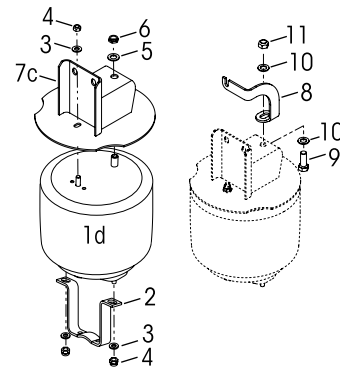
PRIMAAX EX
26K S•52K S•78K S | 26K •522•782
FIREMAAX EX
27K S•54K S | 27K •31K •54K •62K



PRIMAAX EX 23KT•46KT•69KT
FIREMAAX EX 24KT•48KT



PRIMAAX EX
26K ST•52K ST•78K ST | 26KT•52KT•78KT
FIREMAAX EX
27K ST•54K ST | 27KT•31KT•54KT•62KT



KEY NO.	PART NO.	DESCRIPTION	VEHICLE QTY
		Air Spring Service Kit, Single	
	60961-230	Includes Key Nos. 1a, 2-4	
	60961-229	Includes Key Nos. 1b, 2-4	
	60961-744	Includes Key Nos. 1c, 2-4	
	60961-231	Includes Key Nos. 1d, 2-6	
	68056-002	Includes Key Nos. 1d, 3-6, 7a	
	60961-227	Includes Key Nos. 1e, 2-6	
1		Air Spring Equipped w/Upper Air Spring Bracket	4
a	67043-002L	PRIMAAX EX 23K•46K•69K	
b	67392-002	FIREMAAX EX 24K•48K	
c	67247-002	PRIMAAX EX 26K S•52K S•78K S; 26K•52K•78K	
	78761-001	PRIMAAX EX 26K ST•52K ST•78K ST; FIREMAAX EX 27K ST•54K ST, Includes Key No. 7c	
d	67044-002	Air Spring Only PRIMAAX EX 23KT•46KT•69KT; 26K ST•52K ST•78K ST; 26KT•52KT•78KT FIREMAAX EX 24KT•48KT for Oshkosh Vehicles; 27K S•54K S; 27K ST•54K ST; 27K •31K •54K •62K ; 27KT•31KT• 54KT•62KT	
e	67391-002L	PRIMAAX EX 23KT•46KT•69KT; FIREMAAX EX 24KT•48KT	
2	60911-002	Lower Air Spring Mounting Bracket	4

KEY NO.	PART NO.	DESCRIPTION	VEHICLE QTY
		Air Spring Fastener Service Kit, Single	
	49177-006	Lower, Includes Key Nos. 3-4	
	49177-023	Upper/Lower, Includes Key Nos. 3-6	
	49177-025	Upper/Lower, Includes Key Nos. 3-6, 9-11	
	49177-033	Lower, Includes Key Nos. 2-4	
3		*1/2" Flat Washer	8
4		*1/2"-13 UN Locknut	8
5		*3/4" Flat Washer	4
6		*3/4"-16 UN Locknut	4
7		Upper Air Spring Bracket	4
a	65868-000	FIREMAAX 27K S•54K S 8 1/2"-10" Ride Height	
b	65031-003	PRIMAAX EX 23KT•46KT•69KT; FIREMAAX EX 24KT•48KT	
	65031-004	12 1/2", 14 3/8" Ride Height	
c	65031-008	PRIMAAX EX 26K ST•52K ST•78K ST; FIREMAAX EX 27K ST•54K ST	
	65031-009	12 1/2", 14 3/8" Ride Height 15 1/2" Ride Height	
8 a	59479-003	Air Spring Gusset (if equipped)	2
b	59479-004	Air Spring Gusset (if equipped)	2
9		*3/4"-10 UNC x 2" Bolt	4
10		*3/4" Flat Washer	8
11		*3/4"-10 UN Locknut	4


HENDRICKSON SUSPENSION

PRIMAAX & PRIMAAX EX Suspension Parts


Suspension

QUIK-ALIGN™ Pivot Bushing Kit

FOR MODELS:
PRIMAAX.
PRIMAAX EX




Cast Hangers, Axle Set. For Wheel End Set use R3016350.


MERITOR NO.	GENUINE	OEM REF.	NOTES
R3014025		60632-008	Includes Bushings, Alignment Collars, Bolts, Nuts, Washers

"D" Pin Bushing

FOR MODELS:
PRIMAAX.
PRIMAAX EX



3/4" Bolt Holes

MERITOR NO.	GENUINE	OEM REF.	O.D.	C-T-C LENGTH
R3014026		60383-000	2 1/2"	5 1/2"

Pivot Bushing


FOR MODELS:
PRIMAAX.
PRIMAAX EX




MERITOR NO.	GENUINE	OEM REF.	I.D.	LENGTH
R3013992		58648-000	1 1/4"	3 5/8"

Torque Rod

FOR MODELS:
PRIMAAX.
PRIMAAX EX



Includes 2 - R3013961 Bushings

MERITOR NO.	GENUINE	OEM REF.	C-T-C LENGTH
R3013993		58757-006	22"

QUIK-ALIGN™ Collar Kit


FOR MODELS:
PRIMAAX.
PRIMAAX EX
with
Cast Hangers



For Cast Hangers, Wheel End Set

MERITOR NO.	GENUINE	OEM REF.	NOTES
R3014673A		60632-019, 60632-006	Includes Alignment Collars, Bolt, Nut, Washers

Bolt Kit



MERITOR NO.	GENUINE	OEM REF.	APPLICATION	NOTES
R3016351	-	21867-036	PRIMAAX. PRIMAAX EX	Includes 1 3/4"-16 x 5" Long Bolt, Nut, 2 Washers
R3016123	-	-	PRIMAAX. PRIMAAX EX	Includes 1 3/4"-16 x 5 1/2" Long Bolt, Nut, 2 Washers
R305278	-	-	PRIMAAX	Includes 1 7/8"-14 x 5 1/2" Long Bolt, Nut, 2 Washers

Torque Rod Fastener & Alignment Kit, One Wheel End

FOR MODELS:
PRIMAAX EX



MERITOR NO.	GENUINE	OEM REF.	NOTES
R3016262		58821-011	Includes Alignment Collars, Bolt, Nut, Washers

 Denotes Product is Genuine Hendrickson



HENDRICKSON SUSPENSION


PRIMAAX & PRIMAAX EX Suspension Parts


Top Pad			
FOR MODELS: PRIMAAX			
			
MERITOR NO.	GENUINE	OEM REF.	NOTES
R3015180		65289-000	Models With 4 1/4" Spacing Between U-Bolts



Frame Mounted Axle Stop		
FOR MODELS: PRIMAAX, PRIMAAX EX, Most Models		
		
MERITOR NO.	GENUINE	OEM REF.
R3015179		60593-000



Top Pad			
FOR MODELS: PRIMAAX			
			
MERITOR NO.	GENUINE	OEM REF.	NOTES
R3015489		060877-001	Models with Thru Bolt Design & Drum Brakes


Hanger Cast - Standard			
FOR MODELS: PRIMAAX			
			
MERITOR NO.	GENUINE	OEM REF.	NOTES
R3015169SC		60821-001	Standard Hanger for Most 8 1/2"-10" Ride Heights

Top Pad			
FOR MODELS: PRIMAAX			
			
MERITOR NO.	GENUINE	OEM REF.	NOTES
R3015193		65641-000	Models with Thru Bolt Design & Disc Brakes

Shock Absorber Bracket			
FOR MODELS: PRIMAAX, PRIMAAX EX			
			
1 - 3/4" Diameter Hole and 2 - 5/8" Diameter Holes			
MERITOR NO.	GENUINE	OEM REF.	NOTES
R3015177		67463-002	Cast Construction

Top Pad			
FOR MODELS: PRIMAAX, PRIMAAX EX			
			
MERITOR NO.	GENUINE	OEM REF.	NOTES
R3015181		65290-001	Most International Models with Thru Bolt Design



Lower Air Spring Bracket		
FOR MODELS: PRIMAAX		
		
MERITOR NO.	GENUINE	OEM REF.
R3015174		60911-000



 Denotes Product is Genuine Hendrickson

HENDRICKSON SUSPENSION


PRIMAAX & PRIMAAX EX Suspension Parts

Suspension

Height Control Valve			
FOR MODELS: PRIMAAX. PRIMAAX EX			
			
With Dump			
MERITOR NO.	GENUINE	OEM REF.	NOTES
R3011870		57977-000	Includes Bracket and Mounting Hardware

Height Control Valve Linkage Bracket		
FOR MODELS: PRIMAAX. PRIMAAX EX		
		
MERITOR NO.	GENUINE	OEM REF.
R3015154		60921-000

Universal Linkage Assembly			
FOR MODELS: PRIMAAX. PRIMAAX EX			
			
MERITOR NO.	GENUINE	OEM REF.	NOTES
R309625	-	-	Adjustable From 3 5/8"-19 5/8"

 Denotes Product is Genuine Hendrickson

Pivot & Beam Bushing Kits

Tri-Functional Bushing Kit - Wide Bushing

FOR MODELS:
HT and INTRAAX



MERITOR NO.	GEN-UINE	OEM REF.	NOTES
R306121		S-26321	Includes: 2 Bushing, 2 Bolt, 2 Nut, 4 Washers, 4 Wear Pads, 2 Tube Lubricant - Axle Set

Tri-Functional Bushing Kit - Y Beam


FOR MODELS:
HT



MERITOR NO.	GEN-UINE	OEM REF.	NOTES
R3016358		S-13136	Includes: 1 Bushing, 1 Bolt, 1 Nut, 2 Wear Pads, 2 Alignment Collars, 1 Bolt Liner

Tri-Functional Bushing Kit- Wide Bushing


FOR MODELS:
HT and INTRAAX




MERITOR NO.	GEN-UINE	OEM REF.	NOTES
R3010729A		S-24691	Includes: 1 Bushing, 1 Bolt, 1 Nut, 2, Washers, 2 Wear Pads, 1 Tube Lubricant

Pivot Bushing and Bolt Kit

FOR MODELS:
HLU, PST, PT



Kit will Rebush 4 Beams (1 Axle)

MERITOR NO.	GEN-UINE	OEM REF.	NOTES
R3016342		R-009560	Includes: Bushings, Sleeves, Wear Pads, Bolts, Nuts, Washers.

Tri-Functional Bushing Kit - Narrow Bushing


FOR MODELS:
INTRAAX




MERITOR NO.	GEN-UINE	OEM REF.	NOTES
R3014377		S-26321	Includes: 2 Bushing, 2 Bolt, 2 Nut, 4 Washers, 4 Wear Pads, 2 Tube Lubricant - Axle Set

Pivot Bushing and Bolt Kit

FOR MODELS:
SC20K Adj.




Kit will Rebush 4 Beams (1 Axle) -1/2 Kit Shown

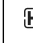
MERITOR NO.	GEN-UINE	OEM REF.	NOTES
R3016346		R-008839-3	Includes: Bushings, Bolts, Nuts, Washers

Tri-Functional Bushing Kit

FOR MODELS:
HLM-1 and LK




1 Eccentric and 1 Concentric Alignment Collar


MERITOR NO.	GEN-UINE	OEM REF.	NOTES
R3016423		R-004588	Includes: 1 Bushing, 2 Alignment Collar, 1 Bolt, 2 Washers, 1 Nut, 2 Wear Pads

Pivot Bushing and Bolt Kit

FOR MODELS:
SC, SCB, SCW



Kit will Rebush 4 Beams (1 Axle) -1/2 Kit Shown

MERITOR NO.	GEN-UINE	OEM REF.	NOTES
R3016343		R-008839	Includes: Bushings, Spacer Sleeves, Bolts, Nuts, Washers

 Denotes Product is Genuine Hendrickson

Pivot & Beam Bushing and Components

Bushing, QUIK-ALIGN™, Y-Beam

FOR MODELS:
HT Y Beam




Center Sleeve
Extends Beyond
Outer Shell

MERITOR NO.	GENUINE	OEM REF.	I.D.	O.D.
R3016360	☒	S-30862	-	-

Pivot Bushing

FOR MODELS:
MTL



MERITOR NO.	GENUINE	OEM REF.	I.D.	O.D.	LENGTH
R306126	☒	S-2841	1 1/4"	3 3/8"	10 1/2"

Bushing, Welded Align, Y-Beam


FOR MODELS:
HT, Y Beam



Recessed Center
Sleeve

MERITOR NO.	GENUINE	OEM REF.	I.D.	O.D.
R3016359	☒	S-7343	-	-

Bolt Kit




Optional

MERITOR NO.	GENUINE	OEM REF.	FOR MODEL	NOTES
R3016341	☒	R-005009	FBC, SC, ST, UC	Includes: 1 Bolt, 3/4"-10 X 5" Long, 2 Washers, 1 Nut. Included in R3016343 Pivot Bushing Kit
R3016345	☒	R-A-14488	Aux Axles	Includes: 8 Bolts, 8 Nuts, 16 Washers. Included in R3016342 Pivot Bushing Kit
R306130	☒	S-3141	MTL	Includes: 1 Bolt 1 1/8"-7 X 8 1/2" Long, 1 Sleeve, 1 Nut
R303768	☒	S3646	HT	Includes: 1 Bolt, 1 Nut, 1 Sleeve
R306129	☒	S-3142	MTL	Includes: 1 Bolt 1 1/8"-7 X 13 1/2" Long, 1 Sleeve, 1 Nut
R3016361	☒	S-7345	HT	Includes: 1 Bolt, 1 Sleeve, 1 Nut Bolt 1 1/8"-7 X 12 1/2" long

Beam Bushing

FOR MODELS:
MTL



MERITOR NO.	GENUINE	OEM REF.	I.D.	O.D.	LENGTH
R306127	☒	S-2841-1	1 1/4"	3 3/8"	5 1/4"

Beam Bushing

FOR MODELS:
MTL




MERITOR NO.	GENUINE	OEM REF.	I.D.	O.D.	LENGTH
R306128	☒	S-2159-1	2 1/2"	3 7/8"	5 1/4"

☒ Denotes Product is Genuine Hendrickson


Pivot & Beam Bushing and Components

Pivot Bolt Kit - QUIK-ALIGN™

FOR MODELS:
HT, Y Beam



Bolt Length 12 1/2"

MERITOR NO.	GENUINE	OEM REF.	NOTES
R3016362		S-25948	Includes 1 Bolt, 2 Washers, 1 Nut

Alignment Collar - Concentric

FOR MODELS:
MTL, HT




Weld Alignment



MERITOR NO.	GENUINE	OEM REF.	I.D.	O.D.	HEIGHT
R306131		-		4"	-
R303771		S2770	1 1/8"	4 1/2"	5/8"
R3016363		S-7349		4 1/2"	2"

Pivot Bolt Kit - QUIK ALIGN™

FOR MODELS:
HT and INTRAAX




Includes: 1 Bolt, 1 Nut, 2 Washers


MERITOR NO.	GENUINE	OEM REF.	LENGTH
R3010730A		S-24679	10 1/2"
R3014635		S-24705	7"

Pivot Bolt Kit - QUIK ALIGN™

FOR MODELS:
HLM-1 and LK





1 Eccentric and 1 Concentric Alignment Collar.

MERITOR NO.	GENUINE	OEM REF.	NOTES
R3016422		A21116	1 Bolt, 2 Alignment Collars, 1 Nut, 2 Washers. Bolt Length 10"

Alignment Collar - Concentric

FOR MODELS:
INTRAAX




MERITOR NO.	GENUINE	OEM REF.	NOTES
R3010755		S-20924	Inboard Mounted

Alignment Collar - Eccentric

FOR MODELS:
INTRAAX



MERITOR NO.	GENUINE	OEM REF.	NOTES
R3010754		S-20925	Outboard Mounted

 Denotes Product is Genuine Hendrickson

Pivot & Beam Bushing and Components

Wear Pad

FOR MODELS:
HLU, PST, UCL

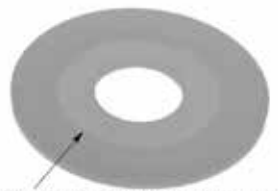


Thickness: 3/16"

MERITOR NO.	GENUINE	OEM REF.	O.D.	I.D.
R3016344		R-B-14495	4 1/4"	2 3/16"


Wear Pad

FOR MODELS:
HT, INTRAAX



Thickness 11/32"

Install Recessed Side Toward Bushing

MERITOR NO.	GENUINE	OEM REF.	I.D.	O.D.
R306122		S-21099	2 3/8"	7 1/4"


Wear Pad

FOR MODELS:
INTRAAX




MERITOR NO.	GENUINE	OEM REF.	I.D.	O.D.
R3014782		S-26807	2 15/16"	7"

Bushing Installation Tool - Wide Bushing



Bushings Not Included

MERITOR NO.	GENUINE	OEM REF.	NOTES
R309575		S-21307	For Installation of Wide Tri-Functional Bushings.

Wear Pad

FOR MODELS:
HLM-1 and LK




Thickness 3/16"

Install Recessed Side Toward Bushing


MERITOR NO.	GENUINE	OEM REF.	I.D.	O.D.
R3016424		B11613	2 3/8"	7 1/4"

Bushing Installation Tool - Narrow Bushing

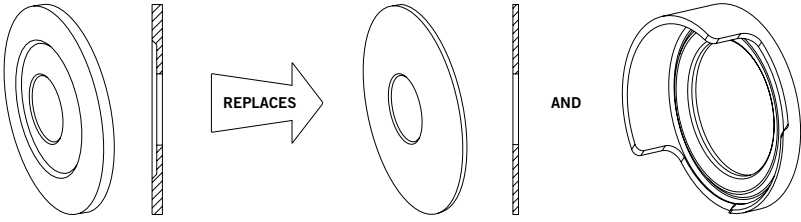
FOR MODELS:



Bushings Not Included

MERITOR NO.	GENUINE	OEM REF.	DESCRIPTION
R3014634		S-24736	For Installation of Narrow Bushing; AANL & AANLS Models

Hendrickson Aftermarket Wear Pad Recommendations



REPLACES

AND

Replacement aftermarket spacer R306122 (thick)

Original flat spacer (thin)

Previously available or current spacer

Cap style spacer

Many Intraax and HT Suspensions with wide bushings and 23-30K ratings for certain severe applications are manufactured with the cap style spacer shown above. This is ONLY used on new production and is NOT available as an aftermarket service part. Hendrickson recommends the use of R306122 for this application as well as for the replacement of early revision wear pads that were thinner and did not include the machined recess


 Denotes Product is Genuine Hendrickson

HENDRICKSON TRAILER & AUX. SUSPENSION

Torque Arms & Components

Torque Rod Bushing Assembly


FOR MODELS:
HLQ, Q



MERITOR NO.	OEM REF.	LENGTH	NOTES
R301981	-	-	Includes: 1 R301980 Bushing, 1 R30901 Bolt, 1 R302893 Locknut

Bushing

FOR MODELS:
HLQ



MERITOR NO.	OEM REF.	I.D.	O.D.	LENGTH
R301980	S-1712	7/8"	1 29/32"	3"

Rigid Torque Arm


FOR MODELS:
HLQ, Q



MERITOR NO.	GENUINE	OEM REF.	BUSHING NO.	BUSHING ASSY. NO.	LENGTH C-T-C
R303773		S-1031	R301980	R301981	15 1/2"
R303774A-2		S-1031-1	R301980	R301981	19"

Adjustable Torque Arm

FOR MODELS:
HLQ, Q






Includes Bushings

MERITOR NO.	OEM REF.	BUSHING NO.	BUSHING ASSY. NO.	LENGTH C-T-C
R302512	S-1032-2	R301980	R301981	14 3/4" - 18"
R302513	S-1032-1	R301980	R301981	18 1/2" - 21 3/8"

Slider Block Assembly

FOR MODELS:
HLQ




MERITOR NO.	GENUINE	OEM REF.	BLOCK LENGTH	NOTES
R303777		S-1367	2 5/8"	Includes Slider Block, Bolt, Nut. For Model HLQ-SR
R303779		S-1156	2 7/8"	Includes Slider Block, Bolt, Nut. For Model HLQ-AH, HLQ-LF


 Denotes Product is Genuine Hendrickson

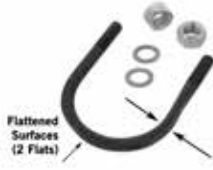
HENDRICKSON TRAILER & AUX. SUSPENSION



Axle Attaching


Suspension

U-Bolt Assembly			
FOR MODELS: HT, HLM			
			
MERITOR NO.	GENUINE	OEM REF.	NOTES
R30U8168-082	-	S20032	Rd. Bend, 7/8"-14 Thd. x 6" Wide x 8 1/4" Long; Use with Spacer R306124
R30U8165-10	-	S-3650/4	Rd. Bend Flattened Top, 7/8"-14 Thd. 5" Wide x 10 in. Long

U-Bolt Assembly			
			
Does Not Require Spacer R30612			
MERITOR NO.	GENUINE	OEM REF.	NOTES
R30U8466-073H	-	S-21140	Rd. Bend, 7/8"-14 Thd. x 6" Wide x 7 3/8" Long, Used on HT
R30U8466-082H	-	R-6362	Rd. Bend, 7/8"-14 Thd. x 6" Wide x 8 1/4" Long, Used on HLM, LK

U-Bolt Assembly			
FOR MODELS: HT250US			
			
MERITOR NO.	GENUINE	OEM REF.	NOTES
R30U8168-082H	-	S-22894	Rd. Bend, 7/8"-14 Thd. x 6" Wide x 8 1/4" Long, Use with Spacer R306124



Axle Spacer			
			
MERITOR NO.	GENUINE	OEM REF.	NOTES
R306124		S-20701	Use with Standard Round Bend U-Bolts

 Denotes Product is Genuine Hendrickson



HENDRICKSON TRAILER & AUX. SUSPENSION


Beams and Hangers

Beam Assembly			
FOR MODELS: HLU			
			
MERITOR NO.	GENUINE	OEM REF.	NOTES
R3016337		R-D-14784-1	Road Side


Hanger Side Rail			
FOR MODELS: HLU, PT			
			
MERITOR NO.	GENUINE	OEM REF.	NOTES
R3016348		R-D-14786-1	Road Side

Beam Assembly			
FOR MODELS: HLU			
			
MERITOR NO.	GENUINE	OEM REF.	NOTES
R3016338		R-D-14784-2	Curb Side

Hanger Side Rail			
FOR MODELS: HLU, PT			
			
MERITOR NO.	GENUINE	OEM REF.	NOTES
R3016349		R-D-14786-2	Curb Side

Beam Assembly			
FOR MODELS: HLUS			
			
MERITOR NO.	GENUINE	OEM REF.	NOTES
R3016339		R-002006-1	Road Side






Beam Assembly			
FOR MODELS: HLUS			
			
MERITOR NO.	GENUINE	OEM REF.	NOTES
R3016340		R-002006-2	Curb Side


 Denotes Product is Genuine Hendrickson

HENDRICKSON TRAILER & AUX. SUSPENSION



Air Spring Components



Suspension



Air Spring Spacer, Plastic			
FOR MODELS: HT, INTRAAX			
			
R3014340 Shown			
MERITOR NO.	GENUINE	OEM REF.	THICKNESS
R3014777		B-22510-4	3/4"
R3014339		B-22510-1	1 1/8"
R3014340		B-22510-2	1 7/8"
R3014341		B-22510-3	3 1/8"



Air Spring Plate, Weld-On		
FOR MODELS: INTRAAX		
PHOTO COMING SOON		
MERITOR NO.	GENUINE	OEM REF.
R3014338		B-20905

Air Spring Fitting Kit			
FOR MODELS: INTRAAX			
			
MERITOR NO.	GENUINE	OEM REF.	NOTES
R3014342		S-22619/2	Use When No Plastic Spacer Is Used

Air Spring Bottom Disk					
FOR MODELS: INTRAAX					
					
MERITOR NO.	GENUINE	OEM REF.	I.D.	O.D.	THICKNESS
R3016371		S-21786	-	-	-



Air Spring Fitting Kit			
FOR MODELS: INTRAAX			
			
MERITOR NO.	GENUINE	OEM REF.	NOTES
R3016368		S-22635/2	Use with 3/4" Plastic Spacer


Air Spring Mounting Plate, Weld On					
FOR MODELS: INTRAAX					
					
MERITOR NO.	GENUINE	OEM REF.	I.D.	O.D.	THICKNESS
R3016369		S-23294	-	-	-



Air Spring Fitting Kit			
FOR MODELS: INTRAAX			
			
MERITOR NO.	GENUINE	OEM REF.	NOTES
R3014343		S-22630/2	Use with 1 1/8" Plastic Spacer



 Denotes Product is Genuine Hendrickson

Air Spring Components



Air Spring Fitting Kit			
FOR MODELS: INTRAAX			
			
MERITOR NO.	GENUINE	OEM REF.	NOTES
R3014344		S-22631/2	Use with 1 7/8" Plastic Spacer


Air Spring Bolt/Mounting Kit			
FOR MODELS: HT			
			
MERITOR NO.	GENUINE	OEM REF.	NOTES
R3014776		S-22909/2	Use With 1 7/8" Thick Spacer


Air Spring Fitting Kit			
FOR MODELS: INTRAAX			
			
MERITOR NO.	GENUINE	OEM REF.	NOTES
R3014345		S-22632/2	Use with 3 1/8" Plastic Spacer

Air Spring Bolt/Mounting Kit			
FOR MODELS: HLM, LK, MT, MTL			
			
MERITOR NO.	GENUINE	OEM REF.	NOTES
R3015092		S-1981/2	-

Air Spring Bolt/Mounting Kit			
FOR MODELS: HT			
			
MERITOR NO.	GENUINE	OEM REF.	NOTES
R3014775		S-22908/2	Use With 3/4" Thick Spacer

Height Control Valve		
		
MERITOR NO.	GENUINE	OEM REF.
R3011855		VS-227


Linkage Kit		
PHOTO COMING SOON		
MERITOR NO.	GENUINE	OEM REF.
R3014789		S-14187


 Denotes Product is Genuine Hendrickson


HENDRICKSON TRAILER & AUX. SUSPENSION

Shock Absorber Components


Suspension


Lower Shock Clevis		
FOR MODELS: HT		
PHOTO COMING SOON		
MERITOR NO.	GENUINE	OEM REF.
R3015505		S-20069

Shock Bolt Kit				
FOR MODELS: INTRAAX				
PHOTO COMING SOON				
MERITOR NO.	GENUINE	OEM REF.	BOLT	LENGTH
R3016352		S-24757/2	3/4"-10	7 1/4"
			3/4"-10	3 1/4"

Shock Bolt Kit		
FOR MODELS: HT and INTRAAX		
		
MERITOR NO.	OEM REF.	NOTES
R3014778	S-20031/2	3/4"-10 x 3" Long
R3014780	S-2157/2	3/4"-10 x 3 1/2" Long

Shock Spacer			
FOR MODELS: INTRAAX			
			
MERITOR NO.	GENUINE	OEM REF.	HOLE DIA
R3016370		S-27196	13/16"

Shock Bolt Kit				
FOR MODELS: HT				
PHOTO COMING SOON				
MERITOR NO.	GENUINE	OEM REF.	BOLT	LENGTH
R3015490		S-24185/2	3/4"-10	3 1/2"
			3/4"-10	7 1/2"

 Denotes Product is Genuine Hendrickson

INTRAAAX Series Suspension Air Spring Selection Guide

**Note: Part Numbers Beginning with FS are Genuine Firestone Air Springs
Part Numbers Beginning with MAF are Meritor Air Springs**

MODEL	MERITOR NO.	OEM REF.	NOTES AND COMMENTS
AAEDL	S.O.S.	S-24445	9" Ride Height
	S.O.S.	S-24446	12 - 19" Ride Height
AAEDT 30K	S.O.S.	S-25319	All
AAL 23K/25K/30K	FS9626 / MAF9626	S-23720	23K - 6 1/2 - 7 1/2" Ride Height
	FS9621	S-23613	23K - 8 - 9" Ride Height
	FS9619	S-23614	23K - 12 - 19" Ride Height
	FS9644 / MAF9644	S-23721	25K - 6 1/2 - 7 1/2" Ride Height
	FS9646 / MAF9646	S-23611	25K - 8 - 9" Ride Height
	FS9645 / MAF9645	S-23612	25K - 12 - 19" Ride Height
	S.O.S.	S-25871	30K - 8 - 9" Ride Height
	S.O.S.	S-25872	30K - 12 - 19" Ride Height
AANL 23K	FS9626 / MAF9626	S-23720	6 1/2-7 1/2" Ride Height Standard Pressure
	FS9621	S-23613	8 - 9" Ride Height Standard Pressure
	FS9619	S-23614	12 - 17" Ride Height Standard Pressure
	FS9644 / MAF9644	S-23721	6 1/2 - 7 1/2" Ride Height Low Pressure
	FS9646 / MAF9646	S-23611	8 - Ride Height Low Pressure
	FS9645 / MAF9645	S-23612	12 - 17" Ride Height Low Pressure
AANLS 20K	FS9644 / MAF9644	S-23721	All
AANT 23K	FS8614	S-26773	12 - 13" Ride Height
	FS8709 / MAF8709	S-21800	13 1/2 - 19" Ride Height Standard Pressure
	FS8091 / MAF8091	S-20901	13 1/2 - 19" Ride Height Low Pressure
AAT	FS8709 / MAF8709	S-21800	23K Models
	FS8091 / MAF8091	S-20901	25K Models
	FS8774 / MAF8774	S-25873	30K Models
AAZL 23/46K	FS9626 / MAF9626	S-23720	6 1/2 - 7 1/2" Ride Height Standard Pressure
	FS9621	S-23613	8 - 9" Ride Height Standard Pressure
	FS9619	S-23614	12" Ride Height Standard Pressure
	FS9644 / MAF9644	S-23721	6 1/2 - 7 1/2" Ride Height Low Pressure
	FS9646 / MAF9646	S-23611	8 - 9" Ride Height Low Pressure
	FS9645 / MAF9645	S-23612	12" Ride Height Low Pressure
AAZNT 23K	FS8709 / MAF8709	S-21800	13 1/2 - 17" Ride Height Standard Pressure
	FS8091 / MAF8091	S-20901	13 1/2 - 17" Ride Height Low Pressure
HKANT 40K	FS8713 / MAF8713	S-22948	Before Jan 2008
	FS9977	S-28929	After Jan 2008
HKANT69K23	FS8709 / MAF8709	S-21800	15" Ride Height
	FS8708 / MAF8708	C-21966	16 & 18" Ride Height
HKANT/HKAT 46K /HKA200	FS8709 / MAF8709	S-21800	Less Than 16" Ride Height
	FS8713 / MAF8713	S-22948	16" & Larger Ride Height
HKAT 50K/HKA250	FS8091 / MAF8091	S-20901	14 - 15" Ride Height
	FS8093	S-23748	16 - 19" Ride Height
HKAT 69K25	FS8093	S-23748	All
ULTRAA-K UTKNT 40K	S.O.S. - ZMD	S-34733	All
Vantraax HKAL 46K	FS9621	S-23613	9, 10, and 11" Ride Height
Vantraax HKARL 46K Slider	FS9619	S-23614	12" Ride Height
	FS9621	S-23613	All

INTRAAX Series Suspension Shock Absorber Selection Guide				
MODEL	MERITOR NO.	OEM REF.	DESCRIPTION	NOTES AND COMMENTS
AAEDL	M85939	S-24579	Standard Duty Shock	Front; 9" Ride Height
	M85738	S-24023	Standard Duty Shock	Front; 12" Ride Height
	M85382	S-23316	Standard Duty Shock	Front; 14 - 19" Ride Height
	M85916	S-25436	Standard Duty Shock	Rear; 9 - 12" Ride Height
	M85337	S-25437	Standard Duty Shock	Rear; 14 - 17" Ride Height
AAEDT 30K	M85382	S-23316	Standard Duty Shock	Front; 14" Ride Height; Extended Service & High Damping
	M85338	S-25515	Standard Duty Shock	Front; 15 & 17" Ride Height; Extd Service & High Damping
	M85916	S-25436	Standard Duty Shock	Rear; 14 & 15" Ride Height; Extended Service
	S.O.S.	S-25512	Standard Duty Shock	Rear; 16 & 17" Ride Height; Extended Service
AAL 23K/25K/30K	M85045	S-23651	Standard Duty Shock	Front Standard; 6 1/2 - 9" Ride Height
	M85000	S-23566	Standard Duty Shock	Front Standard; 12" Ride Height
	M85029	S-2212	Standard Duty Shock	Front Standard; 14 - 19" Ride Height
	S.O.S.	S-20345	Standard Duty Shock	Rear; 6 1/2 - 7 1/2"; Ride Height
	M85939	S-24579	Standard Duty Shock	Rear; 6 1/2 - 9" Ride Height; Extended Service
	M85916	S-25436	Standard Duty Shock	Rear; 9 - 12" Ride Height
	M89430		Premium Adjustable Shock Absorber	
	M85738	S-24023	Standard Duty Shock	Rear; 12" Ride Height; Extended Service
	M85382	S-23316	Standard Duty Shock	Rear; 14 - 19" Ride Height; Extended Service
	M85337	S-25437	Standard Duty Shock	Rear; 14 - 17 1/2" Ride Height
AANL 23K	M85045	S-23651	Standard Duty Shock	6 1/2 - 9" Ride Height; Standard
	M85939	S-24579	Standard Duty Shock	6 1/2 - 9" Ride Height; Extended Service
	M85338	S-25515	Standard Duty Shock	12 - 17" Ride Height; Extended Service
AANLS 20K	M85045	S-23651	Standard Duty Shock	Front Standard; 6 1/4 - 9" Ride Height
	M85000	S-23566	Standard Duty Shock	Front Standard; 12" Ride Height
	M85338	S-25515	Standard Duty Shock	Rear; 6 1/4 - 7" Ride Height
	M85382	S-23316	Standard Duty Shock	Rear; 9" Ride Height
	M85939	S-24579	Standard Duty Shock	6 1/4 - 9" Ride Height; Extended Service & High Damping
	M85738	S-24023	Standard Duty Shock	12" Ride Height; Extended Service & High Damping
AANT 23K	M85938	S-23743	Standard Duty Shock	Front; 12" Ride Height; Extended Service and High Damping
	M85939	S-24579	Standard Duty Shock	Front; 13" Ride Height; Extended Service
	M85045	S-23651	Standard Duty Shock	Front; 13" Ride Height; Standard
	M85911	S-23361	Standard Duty Shock	13 1/2 - 17" Ride Height; Standard / 13 1/2 - 19" Ride Height Limited Rebound
	M85000	S-23566	Standard Duty Shock	13 1/2 - 19" Ride Height; Standard
	M85738	S-24023	Standard Duty Shock	13 1/2" - 19" Ride Height; Extended Service with High Damping
AAT	M85738	S-24023	Standard Duty Shock	All 30K & some 23 & 25K with High Damping
	M85000	S-23566	Standard Duty Shock	Standard Duty all 23 & 25K
	M85911	S-23361	Standard Duty Shock	Limited rebound all 23 & 25K
AAZL 23/46K	M85045	S-23651	Standard Duty Shock	6 1/2 - 9" Ride Height; Standard
	M85000	S-23566	Standard Duty Shock	12" Ride Height; Standard
	M85939	S-24579	Standard Duty Shock	6 1/2 - 9" Ride Height; Extended Service
	M85738	S-24023	Standard Duty Shock	12" Ride Height; Extended Service
AAZNT 23K	M85000	S-23566	Standard Duty Shock	12 - 17" Ride Height; Standard Travel
	M85738	S-24023	Standard Duty Shock	12 - 17" Ride Height
HKANT 40K	M83128	S-24088	Standard Duty Shock	All
HKANT46K	M85000	S-23566	Standard Duty Shock	All
HKANT69K	M85000	S-23566	Standard Duty Shock	All
HKAT 46K /HKA200	M85000	S-23566	Standard Duty Shock	All

INTRAAX Series Suspension Shock Absorber Selection Guide

MODEL	MERITOR NO.	OEM REF.	DESCRIPTION	NOTES AND COMMENTS
HKAT 50K/HKA250	M85738	S-24023	Standard Duty Shock	All
HKAT 69K25	M85738	S-24023	Standard Duty Shock	All
"ULTRAA-K UTKNT 40K"	ZMD Air Spring/Shock Absorber	Various	Shock Absorber	All
Vantraax HKAL 46K	M85000	S-23566	Standard Duty Shock	All
Vantraax HKARL 46K Slider	M85000	S-23566	Standard Duty Shock	With Drum Brakes
	M85916	S-25436	Standard Duty Shock	With Air Disk Brakes

HT Series Suspension Air Spring Selection Guide**Note: Part Numbers Beginning with FS are Genuine Firestone Air Springs****Part Numbers Beginning with MAF are Meritor Air Springs**

MODEL	MERITOR NO.	OEM REF.	REMARKS	NOTES AND COMMENTS
HT 190U	FS8944 / MAF8944	S-20217		All
HT250YS/YB/U-Y	FS9580 / MAF9580	S-20127	Standard - 10 3/4" Bottom Piston Diameter; 4" Center-To-Center Bottom Stud Spacing	Used on models: HT250U - 6.5Y -005, 006; -9Y-006, 031, 037, 706 HT250YB -6.5-006, 031, 037; -7.5-006, 031, 037-9.0-006, 031, 037 HT250YS-006, 106
	FS9581	S-20414	Rotated Stud- 10 3/4" Bottom Piston Diameter; 5 5/8" Center-To-Center Bottom Stud Spacing	Used on models: HT250U-9Y-010; HT250YB-6.5-010, -7.5-010, -9.0-010; HT250YS-001, 101
	FS9265 / MAF9265	S-20124	Standard High PressurR30 10 3/4" Bottom Piston Diameter; 5 5/8" Center-To-Center Bottom Stud Spacing	Used on models: HT250U-6.5Y, -001, -9Y-001, 021, 027; HT250YB-6.5-001, 021, 027, -7.5-001, .21, 027, -9.0-001, 021, 027 HT250YS-001, 101
HT250T	FS9580 / MAF9580	S-20127	Standard - 10 3/4" Bottom Piston Diameter; 4" Center-To-Center Bottom Stud Spacing	Used on Models: T-17-022; TB15-025
	FS9265 / MAF9265	S-20124	Standard High PressurR30 10 3/4" Bottom Piston Diameter; 5 5/8" Center-To-Center Bottom Stud Spacing	All Except as noted
HT250U	FS9265 / MAF9265	S-20124	Standard High PressurR30 10 3/4" Bottom Piston Diameter; 5 5/8" Center-To-Center Bottom Stud Spacing	All Except as noted below
	FS9580 / MAF9580	S-20127	Standard - 10 3/4" Bottom Piston Diameter; 4" Center-To-Center Bottom Stud Spacing	Used on models: U-9-006; U-9-028; U-9-029; U-12-006; U-14-006; U-14-028; UB12-006; UB12-028; UB14-006; UB14-028
	FS9581	S-20414	Rotated Stud- 10 3/4" Bottom Piston Diameter; 5 5/8" Center-To-Center Bottom Stud Spacing	Used on models: U-9-010; UB9-010
	S.O.S.	S-21413		Used on models: U-6.5-011; U-6.5-023
	FS9299	S-20716		Used on models: U-6.5-002; U-6.5-003; U-6.5-031
	FS9264	S-13122		Used on models: U-9-020; U-9-021; U-9-023; U-9.2-026; U-15-022; UB9-022; UB15-022
	FS9367 / MAF9367	S-14249		Used on models: U-7.5-021; U-7.5-022
HT250US	FS9581	S-20414	Rotated Stud- 10 3/4" Bottom Piston Diameter; 5 5/8" Center-To-Center Bottom Stud Spacing	Rotated Mount, 5 1/2" - 14" Ride Height
	FS9265 / MAF9265	S-20124	Standard High PressurR30 10 3/4" Bottom Piston Diameter; 5 5/8" Center-To-Center Bottom Stud Spacing	Standard Mount, 7 1/2" - 14" Ride Height, High Pressure
	FS9640 / MAF9640	S-20223		Standard Mount -3 1/2" & 4" Ride Height, High Pressure
	FS9580 / MAF9580	S-20127		Standard Mount, 5 1/2" - 14" Ride Height
	FS9265 / MAF9265	S-20413		Rotated Mount, 7 1/2"- 14" Ride Height, High Pressure
	FS9299	S-20716		6 1/2" High Pressure, Short Bellows
	FS9270 / MAF9270	S-20010		Standard Mount - 4" Ride Height

HT Series Suspension Air Spring Selection Guide				
Note: Part Numbers Beginning with FS are Genuine Firestone Air Springs				
Part Numbers Beginning with MAF are Meritor Air Springs				
MODEL	MERITOR NO.	OEM REF.	REMARKS	NOTES AND COMMENTS
HT300U	FS9122 / MAF9122	S-3830		Used on models: U-7.5-001; U-7.5-501; U-7.5-519; U-9-001; U-9-005; U-9-011; U-9-020; U-9-021; U-9-024; U-9-501; U-9-519; U-9-701; U-12-001; U-12-005; U-12-020; U-12-024; U-14-001; U-14-005; U-14-020; U-14-021; U-14-022; U-14-023; U-14-701; U-17-001; U-17-020; U-17-021
	FS5511	S-22173		Used on models: U-9-022; U-12-011; U-12-015; U-14-011; U-14-015; U-15-011; U-17-011; UB9-022
HT300US	S.O.S.	S-25319		All
HT190T/HS190T	FS9640 / MAF9640	S-20223		All
HT230 Top Mount/ HS230	FS9270 / MAF9270	S-20010		All except noted below
	FS8800	S-21208		Used on models: -14-007; -14-011; -14-032; -15-007; -15-011; -15-012; -15-028; -15-032; -16-007; -17-007; -17-011; -17-012; -17-032; -TA14-007; -TA15-007; -TA15-011; -TA15-012; -TA16-007; -TA17-007; -TB14-033; -TB15-028
	FS8614	S-26773		Used on models: TA15-525
HT300T/HS300	FS8050 / MAF8050	S-4771		All Models
HK 190 & 230 Slider	FS8755 / MAF8755	S-22045		All HK190 Models
	FS8710	S-22046		All HK230 Models

HT Series Suspension Shock Absorber Selection Guide



MODELS	MERITOR NO.	OEM REF.	DESCRIPTION	REMARKS	NOTES AND COMMENTS
HK 190 & 230 Slider	M85052	S-21292	Standard Duty Shock		All
HT 190U	M83128	S-20001	Standard Duty Shock		Used on Models:U-6-020; U-7-001; U-7-020; U-7-021; U-7-024; U-7.5-001; U-7.5-020; U-7.5-501; U-9-001; U-9-003; U-9-007; U-9-020; U-9-024; U-9-030; U-12-001; U-12-030; U-12-031; UB6-020; UB6-022; UB6-030; UB7-001; UB7-020; UB7.5-001; UB7.5-020; UB9-001; UB9-020; UB12-001; UB12-003
	M89436		Premium Adjustable Shock Absorber		
	M85029	S-2212	Standard Duty Shock		Used on Models: U6.75-001; U6.75-002; U6.75-003; U6.75-020
	M85938	S-23649	Standard Duty Shock		Used on Models: U-9-022; UB7-021
	M85000	S-20002	Standard Duty Shock		Model U-7.5-517
	M89436		Premium Adjustable Shock Absorber		
HT 250T	M85029	S-2212	Standard Duty Shock		All
HT190T	M83128	S-20001	Standard Duty Shock		All
HT230 Top Mt	M85000	S-20002	Standard Duty Shock		All Except as Noted Below
	M89436		Premium Adjustable Shock Absorber		
	M85029	S-2212	Standard Duty Shock		Used on Models: -14-020; -14-021; TA14-021; TB14-021
	M85323	S-20126	Standard Duty Shock		Used on Models: -14-017; -15-017; -15-517; -17-017; -17-517; TA14-520; TA15-517; TA17-517
	M89436		Premium Adjustable Shock Absorber		
	M85014	S-2160	Standard Duty Shock		Used on Models: -14-007; -14-011; -14-032; -15-007; -15-011; -15-012; -15-028; -15-032; -16-007; -17-007; -17-011; -17-012; -17-032; -TA14-007; TA15-007; TA15-011; TA15-012; TA16-007;TA17-007; TB14-033; TB15-028
	S.O.S.	S-21699	Shock Absorber		Used on Models: TA15-522; TA15-524; TA15-525; TA17-522
	M85030	S-2218	Standard Duty Shock		Model -16-021
	M89440		Premium Adjustable Shock Absorber		
	M85911	B-23361	Standard Duty Shock		Model TA14-020
HT250U (L938)	M85000	S-20002	Standard Duty Shock		All Except as Noted Below
	M89436		Premium Adjustable Shock Absorber		
	M85029	S-2212	Shock Absorber		Used on Models: U-9-020; U-9-021; U-9-023; U-9.2-026; U-15-022; UB9-022; UB15-022
	M85738	S-21553	Standard Duty Shock	Extended service, high damping	Used on Models: U-6.5-027; U-9-027; U-9-028; U-14-028; UB6.5-522; U-7.5-027; UB7.5-522; UB9-522; UB12-027; UB12-028; UB14-027; UB14-028

HT Series Suspension Shock Absorber Selection Guide					
MODELS	MERITOR NO.	OEM REF.	DESCRIPTION	REMARKS	NOTES AND COMMENTS
HT250U (L938)	M85323	S-20126	Standard Duty Shock		Used on Models: U-6.5-517; U-7.5-017; U-7.5-517; U-9-517; U-12-517; U-14-517; UB-6.5-517; UB-7.5-517
	M85014	S-2160	Standard Duty Shock		Used on Models: U-6.5-030; U-6.5-031
	M85000	S-1667	Standard Duty Shock		Used on Models: U-9-020; U-9-021; U-9-023; U-9.2-026; U-15-022; UB9-022; UB15-022
HT250US	M85079	S-23548	Standard Shock Mount	Standard Travel	3 1/2" - 4" Ride Ht
	M85052	S-23650	Standard Shock Mount	Standard Travel	5 1/2" - 6 1/2" Ride Ht
	M85938	S-23649	Standard Shock Mount	Standard Travel	7 1/2" - 14" Ride Ht
	S.O.S.	S-23744	Standard Shock Mount	Standard Travel - High Damping	5 1/2" - 6 1/2" Ride Ht
	M85938	S-23743	Standard Shock Mount	Standard Travel - High Damping	7 1/2" - 14" Ride Ht
	M85938	S-23649	Standard Shock Mount	Limited Jounce	6 1/2" - 12" Ride Ht
	M85938	S-23743	Standard Shock Mount	Limited Jounce - High Damping	6 1/2" - 12" Ride Ht
	M85045	S-23651	Standard Shock Mount	Extended Rebound	6 1/2" Ride Ht
	M85939	S-24579	Standard Shock Mount	Extended Rebound - High Damping	6 1/2" Ride Ht
	M85052	S-23650	Remote Shock Mount	Standard Travel	5 1/2" - 6 1/2" Ride Ht
	M85938	S-23649	Remote Shock Mount	Standard Travel	7 1/2" - 9" Ride Ht
	M85029	S-2212	Remote Shock Mount	Standard Travel	12 - 14" Ride Ht
	S.O.S.	S-23744	Remote Shock Mount	Standard Travel - High Damping	5 1/2" - 6 1/2" Ride Ht
	M85938	S-23743	Remote Shock Mount	Standard Travel - High Damping	7 1/2" - 9" Ride Ht
	M85029	S-2212	Remote Shock Mount	Extended Rebound	6 1/2" - 9" Ride Ht
	S.O.S.	S-23316	Remote Shock Mount	Extended Rebound - High Damping	6 1/2" - 9" Ride Ht
	M85045	S-23651	Angled and Frame Clearance Mounting	Standard Travel	6 1/2", 7 1/2", 14" Ride Ht
M85939	S-24579	Angled and Frame Clearance Mounting	Standard Travel - High Damping	6 1/2", 7 1/2", 14" Ride Ht	
HT250YS/YB/U-Y	M85938	S-23649	Standard Duty Shock		HT250YB-7.5-DB2 & -9-DB2 Remote Shocks
	M85045	S-23651	Standard Duty Shock	Standard on the HT 250YS	All HT250YS
	M85738	S-21553	Standard Duty Shock	Extended service, high damping	Used on Models: HT250U-9Y-027, 037; HT250YB-6.5-027, 037; -7.5-027, 037; -9.0-027, 037
	M85000	S-20002	Standard Duty Shock		Used on Models: HT250U-6.5Y-001, 006; 7.5Y-001, 006; 9.0Y-001, 006, 010, 021, 031, 706; HT250YB-6.5-001, 006, 010, 021, 031; -7.5-001, 006, 010, 021, 031; 9.0-001, 006, 010, 021, 031, 706
	M89436		Premium Adjustable Shock Absorber		



HT Series Suspension Shock Absorber Selection Guide



MODELS	MERITOR NO.	OEM REF.	DESCRIPTION	REMARKS	NOTES AND COMMENTS
HT300T	M85323	S-20126	Standard Duty Shock		All Except as Noted Below
	M89436		Premium Adjustable Shock Absorber		
	M85738	S-21553	Shock Absorber - Extended Service, High Damping	Extended service, high damping	Used on Models: -15-017; -15-518; -17-518; -17-520
	M85323	S-20126	Standard Duty Shock		All Except others as Noted
	M85014	S-2160	Standard Duty Shock		Used on Models: -15-007; -15-011; -15-021; -17-007; -17-011; -17-012; -TB19-007; TB19-020
	M85939	S-24579	Standard Duty Shock		Model TB15-027
	S.O.S.	S-21699	Standard Duty Shock		Model TB15-518
HT300U	M85323	S-20126	Standard Duty Shock		Used on Models: U-7.5-001; U-7.5-501; U-9-001; U-9-005; U-9-020; U-9-021; U-9-022; U-9-024; U-9-501; U-9-701; U-12-001; U-12-005; U-12-020; U-12-024; U-14-001; U-14-005; U-15-020; U-14-021; U-14-022; U-14-023; U-14-701; U-15-011; U-17-001; U-17-020; U-17-021; U-17-024; UB9-022; UB14-022
	S.O.S.	S-21699	Standard Duty Shock		Used on Models: U-7.5-519; U-9-011; U-9-519; U-12-011; U-12-015; U-14-011; U-14-015; U-17-011
HT300US	S.O.S.	S-23744	Standard Shock Mount	Standard Travel	5 1/2" - 6 1/2" Ride Ht
	M85938	S-23743	Standard Shock Mount	Standard Travel & Limited Jounce	7 1/2" - 17" Ride Ht
	S.O.S.	S-23744	Standard Shock Mount	Limited Jounce Travel	6 1/2" Ride Ht
	M85939	S-24579	Standard Shock Mount	Extended Rebound Travel	6 1/2" Ride Ht
	S.O.S.	S-23744	Remote Shock Mount	Standard Travel	5 1/2" - 6 1/2" Ride Ht
	S.O.S.	S-23316	Remote Shock Mount	Standard Travel	14 -17" Ride Ht
	M85938	S-23743	Remote Shock Mount	Standard Travel & Limited Jounce	7 1/2" - 12" Ride Ht
	S.O.S.	S-23744	Remote Shock Mount	Limited Jounce Travel	6 1/2" Ride Ht
	S.O.S.	S-23316	Remote Shock Mount	Limited Jounce Travel	14 -17" Ride Ht
	S.O.S.	S-23316	Remote Shock Mount	Extended Rebound Travel	6 1/2" Ride Ht
Vantraax HS190T/ HS230/HS300T Slider	M83128	S-20001	Shock Absorber		All HS190T
	M85323	S-20126	Standard Duty Shock		All HS300T
	M85000	S-20002	Standard Duty Shock		All HS230
	M89436	S-20001; S-20002; S-20126	Premium Adjustable Shock Absorber		All HS300T & HS230

AIRTEK / SOFTEK For Blue Bird Bus


Thrust Washer					
FOR MODELS: SOFTEK					
					
8.5/10 K Capacity Built Before Nov. 2006					
MERITOR NO.	GEN-UINE	OEM REF.	WIDTH	LENGTH	NOTES
R3016432		64159-000	3 1/2"	8 1/8"	1/4" Thick, 4 7/8" Center-to-Center

Bottom Axle Wrap		
FOR MODELS: AIRTEK & SOFTEK		
		
Vehicles Built Before October 2012		
MERITOR NO.	GENUINE	OEM REF.
R3015108		64722-003



Axle Wrap Liner Kit		
FOR MODELS: AIRTEK		
		
Includes R3015147 & R3015110 Liners		
MERITOR NO.	GENUINE	OEM REF.
R3015727		60961-015

Axle Stop, Rubber		
FOR MODELS: SOFTEK		
		
MERITOR NO.	GENUINE	OEM REF.
R3015148		64080-000

Top Axle Wrap Liner		
FOR MODELS: AIRTEK & SOFTEK		
		
Vehicles Built Before October 2012		
MERITOR NO.	GENUINE	OEM REF.
R3015147		60508-000

U-Bolt Assembly					
FOR MODELS: SOFTEK					
					
Round Bend, Includes Nuts, Washers					
MERITOR NO.	GEN-UINE	OEM REF.	WIDTH	LENGTH	THREAD
R30U8154-10	-	-	4"	10"	3/4"-16
R30U8154-12	-	-	4"	12"	3/4"-16

Bottom Axle Wrap		
FOR MODELS: AIRTEK & SOFTEK		
		
Vehicles Built Before October 2012		
MERITOR NO.	GENUINE	OEM REF.
R3015110		59845-000

Height Control Valve			
FOR MODELS: AIRTEK			
			
MERITOR NO.	GENUINE	OEM REF.	NOTES
R3016407		60501-000 60501-001	13.2/14.6K Capacity, With Integrated Dump Feature


 Denotes Product is Genuine Hendrickson

HENDRICKSON SUSPENSION


AIRTEK / SOFTEK For Blue Bird Bus

Height Control Valve Linkage Kit

FOR MODELS:
AIRTEK




10K Capacity - 13 1/8" C-T-C


MERITOR NO.	GENUINE	OEM REF.
R3015133		59428-001

Shock Bracket

FOR MODELS:
AIRTEK & SOFTEK




1 - 3/4" Dia. Hole, 2 - 5/8" Dia. Holes


MERITOR NO.	GENUINE	OEM REF.	NOTES
R3015177		67463-002	13.2/14.6K Capacity

Shock Spacer

FOR MODELS:
AIRTEK & SOFTEK



10K Capacity Built Before October 2012


MERITOR NO.	GENUINE	OEM REF.	I.D.
R3016419		59946-001	3/4"

Air Spring Bracket


FOR MODELS:
AIRTEK



MERITOR NO.	GENUINE	OEM REF.	NOTES
R3016425		60850-001	-

 Denotes Product is Genuine Hendrickson

COMFORT AIR For Blue Bird Bus

Pivot Bushing Kit, QUIK-ALIGN™			
FOR MODELS: COMFORT AIR			
PHOTO COMING SOON			
Includes Pivot Bushing, Bolt, Nut, Washers			
MERITOR NO.	GENUINE	OEM REF.	NOTES
R3016465		34013-103	Wheel End

Eccentric Collar, QUIK-ALIGN™		
FOR MODELS: COMFORT AIR		
		
MERITOR NO.	GENUINE	OEM REF.
R3015162		64632-000

Pivot Bushing, QUIK-ALIGN™					
FOR MODELS: COMFORT AIR					
					
MERITOR NO.	GENUINE	OEM REF.	I.D.	O.D.	LENGTH
R3013992		58648-000	1 1/4"	3 3/4"	3 5/8"

Top Pad			
FOR MODELS: COMFORT AIR			
			
MERITOR NO.	GENUINE	OEM REF.	NOTES
R309397		56805-000	21K, 23K Capacity

Collar Kit, QUIK-ALIGN™					
FOR MODELS: COMFORT AIR					
					
PHOTO COMING SOON Temporary					
Includes Alignment Collars, Bolt, Nut, Washers					
MERITOR NO.	GENUINE	OEM REF.	LENGTH	THREAD	NOTES
R3014809		60632-013	7 1/2"	1"-14	Axle Set

Spherical Washer			
FOR MODELS: COMFORT AIR			
			
MERITOR NO.	GENUINE	OEM REF.	I.D.
R303738		48574-000	7/8"

Concentric Collar, QUIK-ALIGN™		
FOR MODELS: COMFORT AIR		
		
PHOTO COMING SOON Temporary		
MERITOR NO.	GENUINE	OEM REF.
R3015716		64633-000


 Denotes Product is Genuine Hendrickson

HENDRICKSON SUSPENSION

COMFORT AIR For Blue Bird Bus

U-Bolt Assembly

FOR MODELS:
COMFORT AIR




R303728 Spherical Washers Included with some kits.

MERITOR NO.	O.D.	LENGTH	THREAD	NOTES
R30U8161-15S1	3"	15"	7/8"-14	Round Bend, 21K, 23K Capacity Includes Nuts, Spherical & Standard Washers
R30U8161-16	3"	16"	7/8"-14	Round Bend, 15K Capacity, Order Spherical Washer R303738 Separately Includes Nuts, Standard Washers.
R30U8161-18S1	3"	18"	7/8"-14	Round Bend, 21K, 23K Capacity Includes Nuts, Spherical & Standard Washers

Bolt


FOR MODELS:
COMFORT AIR




MERITOR NO.	GEN-UINE	OEM REF.	LENGTH	THREAD
R3015140	-	50764-002	5 1/2"	3/4"-10

Torque Rod Shim


FOR MODELS:
COMFORT AIR




MERITOR NO.	GENUINE	OEM REF.	C-T-C LENGTH	NOTES
R305281		49689-000	4 3/8"	1/16" Thick

Shock Bracket, Upper

FOR MODELS:
COMFORT AIR




1 - 3/4" Dia. Hole, 2 - 5/8" Dia. Holes

MERITOR NO.	GENUINE	OEM REF.
R3015177		67463-002

Transverse Torque Rod Frame Bracket

FOR MODELS:
COMFORT AIR




MERITOR NO.	GENUINE	OEM REF.
R302634		22186-000

Shock Bracket, Lower


FOR MODELS:
COMFORT AIR




MERITOR NO.	GENUINE	OEM REF.
R3016239		57356-000

Height Control Valve Linkage Assembly

FOR MODELS:
COMFORT AIR



MERITOR NO.	GENUINE	OEM REF.	NOTES
R307852	-	-	Universal Kit

 Denotes Product is Genuine Hendrickson

PARASTEER For Blue Bird Bus

Bushing Kit

FOR MODELS:
PARASTEER

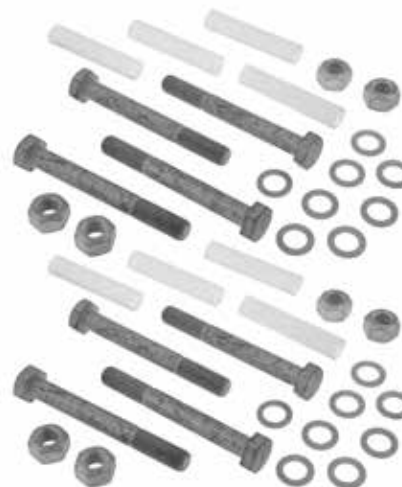


Axle Set, Models with Transverse Leaf, Built 9/98-12/9

MERITOR NO.	GENUINE	OEM REF.	NOTES
R3016404		34013-100	Axle Set, Models with Transverse Leaf, Built 9/98-12/9 Includes Rubber Bushings, Thrust Washers, PTFE Bushings, Rubber Seals, Inner Metal Liners to Rebuild 4 Beams

Pivot Bolt Kit

FOR MODELS:
PARASTEER



MERITOR NO.	GENUINE	OEM REF.	NOTES
R3016406		59568-001	Axle Set

Bushing Kit

FOR MODELS:
PARASTEER



Includes Rubber Bushings, Thrust Washers to Rebuild 4 Beams

MERITOR NO.	GENUINE	OEM REF.	NOTES
R3016403		34013-105	Models with Transverse Torque Rod, Built After January 2000, Axle Set

Transverse Torque Rod

FOR MODELS:
PARASTEER



MERITOR NO.	GENUINE	OEM REF.	NOTES
R3016408		62000-745	Models Built After January 2000

Beam Bushing

FOR MODELS:
PARASTEER



MERITOR NO.	GENUINE	OEM REF.	NOTES
R3016405		59528-001	Models w/ Transverse Leaf Built After January 2000

Height Control Valve

FOR MODELS:
PARASTEER





MERITOR NO.	GENUINE	OEM REF.
R3016407		60501-000



Denotes Product is Genuine Hendrickson



HENDRICKSON SUSPENSION



AIRTEK For Freightliner



Spring Eye Bushing				
FOR MODELS: Freightliner Prior to 5/10				
				
Only Century Class S/T, Columbia, Western Star Set Forward.				
MERITOR NO.	GENUINE	OEM REF.	I.D.	LENGTH
R3014632		59259-002	3/4"	3 1/4"

Rear Shackle Wear Pad			
FOR MODELS: FCCC Motor Home Chassis SOFTEK			
			
MERITOR NO.	GENUINE	OEM REF.	NOTES
R3016432		64159-000	8 1/8" Long, 3 1/2" Wide, 1/4" Thick, 4 7/8" Center-to-Center

Rear Spring Mount		
FOR MODELS: Freightliner Prior to 5/10		
		
MERITOR NO.	GENUINE	OEM REF.
R3014633		58918-000


Rear Spring Eye Hardware Kit			
FOR MODELS: Freightliner Prior to 5/10			
			
MERITOR NO.	GENUINE	OEM REF.	NOTES
R3015136		60961-003	Includes Bolt, Nut, Washers

Spring End Plate		
FOR MODELS: Freightliner Prior to 5/10		
		
MERITOR NO.	GENUINE	OEM REF.
R3015118		58920-001 58920-000

Shackle Stop Tube					
FOR MODELS: FCCC Motor Home Chassis SOFTEK					
					
MERITOR NO.	GENUINE	OEM REF.	I.D.	O.D.	LENGTH
R3016434		60631-000	-	-	-

Rear Shackle Plate		
FOR MODELS: FCCC Motor Home Chassis SOFTEK		
		
MERITOR NO.	GENUINE	OEM REF.
R3016431		66413-000

Front Hanger, Right Hand		
FOR MODELS: Freightliner Prior to 5/10, Century Class S/T, Columbia, Western Star		
		
MERITOR NO.	GENUINE	OEM REF.
R3015138		59832-002

 Denotes Product is Genuine Hendrickson


AIRTEK For Freightliner



Front Hanger, Left Hand		
FOR MODELS: Freightliner Prior to 5/10, Century Class S/T, Columbia, Western Star		
		
MERITOR NO.	GENUINE	OEM REF.
R3015137		59832-001



Top Pad		
FOR MODELS: All Truck/Tractor		
		
MERITOR NO.	GENUINE	OEM REF.
R3015146		59826-000

Top Axle Wrap Liner		
FOR MODELS: All Truck/Tractor		
		
MERITOR NO.	GENUINE	OEM REF.
R3015145		59449-000

Bottom Axle Wrap Liner		
FOR MODELS: All Truck/Tractor, FCCC Motor Home Chassis w/ SOFTEK Built Prior to May 2010		
		
MERITOR NO.	GENUINE	OEM REF.
R3015110		59845-000

Bolt					
					
MERITOR NO.	GENUINE	OEM REF.	LENGTH	THREAD	APPLICATION
R3015140	-	50764-002	5 1/2"	3/4"-10	Freightliner Prior to 5/10
R3015102	-	58917-016	8 1/2"	3/4"-10	All Truck/ Tractor
R3016435	-	-	10"	3/4"-10	All Truck/ Tractor
R3016436	-	-	11 1/2"	3/4"-10	All Truck/ Tractor



Height Control Valve, Right Hand		
FOR MODELS: All Truck/Tractor		
		
MERITOR NO.	GENUINE	OEM REF.
R3013995		59935-002

Height Control Valve			
FOR MODELS: FCCC Motor Home Chassis AIRTEK			
			
MERITOR NO.	GENUINE	OEM REF.	NOTES
R3016407		60501-000	With Integrated Dump Feature



 Denotes Product is Genuine Hendrickson

HENDRICKSON SUSPENSION

AIRTEK For Freightliner

Height Control Valve Linkage Assembly			
FOR MODELS: All Truck/Tractor			
			
MERITOR NO.	GENUINE	OEM REF.	LENGTH
R3015133		59428-001	13 1/8" Center-to-Center


Link Mount		
FOR MODELS: All Truck/Tractor		
		
MERITOR NO.	GENUINE	OEM REF.
R3016426		59429-001

Height Control Valve Linkage Assembly			
FOR MODELS: All Truck/Tractor & FCCC Motor Home Chassis w/ SOFTEK			
			
MERITOR NO.	GENUINE	OEM REF.	LENGTH
R3015134		59428-002	14 1/2" Center-to-Center

Air Spring Bracket, Right Hand		
FOR MODELS: All Truck/Tractor		
		
MERITOR NO.	GENUINE	OEM REF.
R3015132		60850-002

Link Mount, Right Hand			
FOR MODELS: Freightliner Between 5/10 & 11/11 & All Cascadia & Coronado Models			
			
MERITOR NO.	GENUINE	OEM REF.	NOTES
R3015098		59429-002	Also used as Left Hand for 5/10-11/11 Set Forward Axles



Air Spring Bracket			
FOR MODELS: All Truck/Tractor			
			
MERITOR NO.	GENUINE	OEM REF.	NOTES
R3016425		60850-001	-

 Denotes Product is Genuine Hendrickson

HENDRICKSON SUSPENSION



AIRTEK / SOFTEK For International Trucks / Tractors

Suspension

Rear Spring Mount Kit			
FOR MODELS: AIRTEK Truck			
			
Vehicles Built After 09/06			
MERITOR NO.	GENUINE	OEM REF.	NOTES
R3015120		60961-158	Includes Spring Mount,, Spring End Plate and Hardware

Rear Hanger Right Hand			
FOR MODELS: AIRTEK Truck			
			
MERITOR NO.	GENUINE	OEM REF.	NOTES
R3015104		68317-002	Vehicles Built Before 09/06



Shackle Plate		
FOR MODELS: SOFTEK		
		
MERITOR NO.	GENUINE	OEM REF.
R3016420		66545-000

Rear Hanger Left Hand			
FOR MODELS: AIRTEK Truck			
			
MERITOR NO.	GENUINE	OEM REF.	NOTES
R3015103		68317-001	Vehicles Built Before 09/06

Thrust Washer			
FOR MODELS: AIRTEK Truck			
			
MERITOR NO.	GENUINE	OEM REF.	NOTES
R3015123		66779-000	Vehicles Built After 09/06

Rear Hanger Right Hand			
FOR MODELS: AIRTEK Truck			
			
MERITOR NO.	GENUINE	OEM REF.	NOTES
R3015125		66382-002	Vehicles Built After 09/06

Rear Mount Spacer			
FOR MODELS: AIRTEK Truck			
			
MERITOR NO.	GENUINE	OEM REF.	NOTES
R3015100		65772-000	Vehicles Built Before 09/06



Rear Hanger Left Hand			
FOR MODELS: AIRTEK Truck			
			
MERITOR NO.	GENUINE	OEM REF.	NOTES
R3015124		66382-001	Vehicles Built After 09/06


 Denotes Product is Genuine Hendrickson



HENDRICKSON SUSPENSION



AIRTEK / SOFTEK For International Trucks / Tractors

Top Pad Right Hand			
FOR MODELS: AIRTEK Truck			
			
MERITOR NO.	GENUINE	OEM REF.	NOTES
R3015128		68318-002	Vehicles Built After 09/06



Top Axle Wrap Liner			
FOR MODELS: AIRTEK & SOFTEK Truck			
			
MERITOR NO.	GENUINE	OEM REF.	NOTES
R3015109		65757-000	Not Required on NXT

Top Pad Left Hand			
FOR MODELS: AIRTEK Truck			
			
MERITOR NO.	GENUINE	OEM REF.	NOTES
R3015127		68318-001	Vehicles Built After 09/06


Top Axle Wrap Liner		
FOR MODELS: AIRTEK For IC Buses		
		
MERITOR NO.	GENUINE	OEM REF.
R3015147		60508-000

Top/Bottom Axle Wrap Liner Kit			
FOR MODELS: AIRTEK Truck			
			
MERITOR NO.	GENUINE	OEM REF.	NOTES
R3015119		60961-110	Includes Top and Bottom Axle Liners and Hardware

Top Axle Wrap			
FOR MODELS: AIRTEK & SOFTEK Truck			
			
MERITOR NO.	GENUINE	OEM REF.	NOTES
R3015107		59952-023	Lone Star 9200/9400/8600, Not Required on NXT

Axle Wrap Liner Kit		
FOR MODELS: AIRTEK Truck		
		
Includes R3015147 & R3015110 Liners		
MERITOR NO.	GENUINE	OEM REF.
R3015727		60961-015



Bottom Axle Wrap Liner			
FOR MODELS: AIRTEK Truck & IC Buses, SOFTEK Truck			
			
MERITOR NO.	GENUINE	OEM REF.	NOTES
R3015110		59845-000	Not Required on NXT

 Denotes Product is Genuine Hendrickson



HENDRICKSON SUSPENSION



AIRTEK / SOFTEK For International Trucks / Tractors

Suspension

Bottom Axle Wrap			
FOR MODELS: AIRTEK Truck & IC Buses, SOFTEK Truck			
			
MERITOR NO.	GENUINE	OEM REF.	NOTES
R3015108		64722-003	Not Required on NXT



Height Control Valve, Right Hand		
FOR MODELS: AIRTEK Truck & IC Buses		
PHOTO COMING SOON		
MERITOR NO.	GENUINE	OEM REF.
R3013997		59935-018

Belly Band			
FOR MODELS: AIRTEK Truck			
			
MERITOR NO.	GENUINE	OEM REF.	NOTES
R3015126		66419-000	Vehicles Built After 09/06

Height Control Valve Left hand		
FOR MODELS: AIRTEK Truck & IC Buses		
		
MERITOR NO.	GENUINE	OEM REF.
R3013996		59935-011

Bolt					
					
MERITOR NO.	GENUINE	OEM REF.	LENGTH	THREAD	APPLICATION
R3015099	-	58035-006	3 1/2"	3/8" - 16	AIRTEK Truck
R3015102	-	58917-016	8 1/2"	3/4" - 10	AIRTEK Truck
R307703	-	-	9"	3/4" - 16	AIRTEK For IC Buses



Height Control Valve Assembly, Left Hand			
AIRTEK Truck & IC Buses			
			
MERITOR NO.	GENUINE	OEM REF.	NOTES
R3015095		59427-013	Includes Linkage

Lower Link Mount Kit			
FOR MODELS: AIRTEK Truck			
			
Vehicles Built Before 09/06			
MERITOR NO.	GENUINE	OEM REF.	NOTES
R3015097		60961-071	Includes R3015098 Link, Bolt, Washer



 Denotes Product is Genuine Hendrickson

HENDRICKSON SUSPENSION


AIRTEK / SOFTEK For International Trucks / Tractors

Lower Link Mount			
FOR MODELS: AIRTEK Truck			
			
MERITOR NO.	GENUINE	OEM REF.	NOTES
R3015098		59429-002	Vehicles Built Before 09/06

Air Spring Bracket Right Hand			
FOR MODELS: AIRTEK Truck			
			
MERITOR NO.	GENUINE	OEM REF.	NOTES
R3015114		66776-000	Vehicles Built After 09/06


Lower Link Mount			
FOR MODELS: AIRTEK Truck & IC Buses			
			
Trucks Built After 09/06			
MERITOR NO.	GENU-INE	OEM REF.	NOTES
R3015121		59429-003	All Buses w/ Rear Engines, Buses With Front Engine Left Hand Valve

Air Spring Bracket Left Hand			
FOR MODELS: AIRTEK Truck			
			
MERITOR NO.	GENUINE	OEM REF.	NOTES
R3015113		66775-000	Vehicles Built After 09/06


 Denotes Product is Genuine Hendrickson

AIRTEK For Mack

Shackle Bracket Service Kit



Axle Set, Omit Thrust Washer For Post July 2007 Vehicles - 1/2 Kit Shown

MERITOR NO.	GENUINE	OEM REF.	NOTES
R3016409		60961-034 60961-635	Includes 4 Shackle Plates, 4 Wear Plates, Spacer and Hardware

Bottom Axle Wrap Liner



MERITOR NO.	GENUINE	OEM REF.
R3015110		59845-000

Front Hanger Repair Kit



MERITOR NO.	GENUINE	OEM REF.	NOTES
R3016412		60961-033	Includes 2 Hanger Adapters, M20 X 230mm Long Bolt, Nut, Washers


Bottom Axle Wrap




MERITOR NO.	GENUINE	OEM REF.
R3015108		64722-003; 64014-003; 60622-003

Axle Wrap Liner Kit

FOR MODELS:
AIRTEK



Includes R3015147 & R3015110 Liners

MERITOR NO.	GENUINE	OEM REF.
R3015727		60961-015

Rubber Axle Stop



MERITOR NO.	GENUINE	OEM REF.
R3015148		64080-000

Top Axle Wrap Liner




Elongated Slot


MERITOR NO.	GENUINE	OEM REF.
R3015147		60508-000

Straight Bolt Clamp Kit

FOR MODELS:
Vehicles with Dual Height Control Valves, 13 1/4" Ride Height



Includes Top & Bottom Axle Wrap Liners, Bolts, Nuts, Washer

MERITOR NO.	GENUINE	OEM REF.	LENGTH	THREAD	NOTES
R3016410		60961-035	220mm	20mm	One Wheel End


 Denotes Product is Genuine Hendrickson

HENDRICKSON SUSPENSION


AIRTEK For Mack

Straight Bolt Clamp Kit

FOR MODELS:
Vehicles with
Single Height
Control Valve,
14 3/8" Ride Height





Includes Top & Bottom Axle Wrap Liners, Bolts, Nuts, Washer

MERITOR NO.	GENU-INE	OEM REF.	LENGTH	THREAD	NOTES
R3016411		60961-037	230mm	20mm	One Wheel End

Height Control Valve and Linkage Kit


FOR MODELS:
Vehicles Built
Prior to 3/05




MERITOR NO.	GENUINE	OEM REF.
R3015150		59427-006

Height Control Valve

FOR MODELS:
Vehicles Built
Prior to 3/05





MERITOR NO.	GENUINE	OEM REF.	NOTES
R3015151		59935-003	Vehicles Built Prior to 3/05

Linkage Kit

FOR MODELS:
Vehicles Built
Prior to 3/05





MERITOR NO.	GENUINE	OEM REF.	NOTES
R3015096		59428-004	For Use With Single Height Control Valves



 Denotes Product is Genuine Hendrickson

HENDRICKSON SUSPENSION

AIRTEK / SOFTEK For Spartan Motor Homes

Suspension

Rear Spring Mount Kit			
FOR MODELS: AIRTEK			
			
Wheel End			
MERITOR NO.	GENUINE	OEM REF.	NOTES
R3015135		60961-002	Includes Spring Mount, Spring End Plate and Hardware

Top Axle Wrap Liner		
FOR MODELS: SOFTEK		
		
MERITOR NO.	GENUINE	OEM REF.
R3015147		60508-000



Rear Shackle Plate				
FOR MODELS: SOFTEK				
				
4 7/8" Center-to-Center of Holes				
MERITOR NO.	GENUINE	OEM REF.	WIDTH	LENGTH
R3016414		64314-000	3 1/2"	8 1/4"

Bottom Axle Wrap Liner		
FOR MODELS: AIRTEK & SOFTEK		
		
MERITOR NO.	GENUINE	OEM REF.
R3015110		59845-000

Top Axle Wrap Liner		
FOR MODELS: AIRTEK		
		
MERITOR NO.	GENUINE	OEM REF.
R3015145		59449-000

Bottom Axle Wrap		
FOR MODELS: SOFTEK		
		
MERITOR NO.	GENUINE	OEM REF.
R3015108		64722-003


Axle Wrap Liner Kit		
FOR MODELS: AIRTEK		
		
Includes R3015147 & R3015110 Liners		
MERITOR NO.	GENUINE	OEM REF.
R3015727		60961-015



Rubber Axle Stop		
FOR MODELS: SOFTEK		
		
MERITOR NO.	GENUINE	OEM REF.
R3015148		64080-000



 Denotes Product is Genuine Hendrickson


HENDRICKSON SUSPENSION

AIRTEK / SOFTEK For Spartan Motor Homes



Bolt				
FOR MODELS: AIRTEK				
				
MERITOR NO.	GEN-UINE	OEM REF.	LENGTH	THREAD
R3015102	-	58917-016	8 1/2"	3/4"-10
R3016413	-	-	150 MM	M20-2.5
R3016415	-	-	170 MM	M20-2.5



Height Control Valve & Linkage Assembly			
FOR MODELS: AIRTEK			
			
Includes R3015133 Linkage			
MERITOR NO.	GENUINE	OEM REF.	NOTES
R3016417		66277-001	Left Hand


Height Control Linkage		
FOR MODELS: AIRTEK		
		
13 1/8" Center-to-Center		
MERITOR NO.	GENUINE	OEM REF.
R3015133		59428-001

U-Bolt Assembly				
FOR MODELS: SOFTEK				
				
Round Bend, Includes Nuts, Washers				
MERITOR NO.	OEM REF.	WIDTH	LENGTH	THREAD
R30U8154-12	-	4"	12"	3/4"-16

Shock Spacer			
FOR MODELS: AIRTEK			
			
MERITOR NO.	GENUINE	OEM REF.	I.D.
R3016419		59946-001	3/4"


Height Control Valve & Linkage Assembly			
FOR MODELS: AIRTEK			
			
Includes R3015133 Linkage			
MERITOR NO.	GENUINE	OEM REF.	NOTES
R3016418		66277-002	Right Hand

Upper Air Spring Bracket			
FOR MODELS: AIRTEK			
			
MERITOR NO.	GENUINE	OEM REF.	NOTES
R3015132		60850-002	10.5 & 12K Capacity


 Denotes Product is Genuine Hendrickson

AIRTEK For Volvo

Shackle Bracket Kit



Axle Set - 1/2 Kit Shown

MERITOR NO.	GENUINE	OEM REF.	NOTES
R3016409		60961-034; 60961-635	Includes 4 Shackle Plates, 4 Wear Plates, Spacer and Hardware

Bottom Axle Wrap Liner



MERITOR NO.	GENUINE	OEM REF.
R3015110		59845-000

Front Hanger Repair Kit



MERITOR NO.	GENUINE	OEM REF.	NOTES
R3016412		60961-033	Includes 2 Hanger Adapters, M20 X 230mm Long Bolt, Nut, Washers


Bottom Axle Wrap




MERITOR NO.	GENUINE	OEM REF.
R3015108		64722-003; 64014-003; 60622-003

Axle Wrap Liner Kit

FOR MODELS:
AIRTEK



Includes R3015147 & R3015110 Liners

MERITOR NO.	GENUINE	OEM REF.
R3015727		60961-015

Rubber Axle Stop



MERITOR NO.	GENUINE	OEM REF.
R3015148		64080-000

Top Axle Wrap Liner




Elongated Slot


MERITOR NO.	GENUINE	OEM REF.
R3015147		60508-000

Straight Bolt Clamp Kit

FOR MODELS:
Vehicles with
Dual Height
Control Valves,
13 1/4" Ride Height



One Wheel End

MERITOR NO.	GENUINE	OEM REF.	NOTES
R3016410		60961-035	Includes Bolts, Nuts, Washer


 Denotes Product is Genuine Hendrickson

HENDRICKSON SUSPENSION


AIRTEK For Volvo

Straight Bolt Clamp Kit

FOR MODELS:
Vehicles with
Single Height
Control Valve,
13 1/4" Ride Height





One Wheel End

MERITOR NO.	GENUINE	OEM REF.	NOTES
R3016411		60961-037	Includes Bolts, Nuts, Washer

Height Control Valve & Linkage Assembly


FOR MODELS:
Vehicles Built
Prior to 3/05



MERITOR NO.	GENUINE	OEM REF.
R3015150		59427-006

Height Control Valve

FOR MODELS:
Vehicles Built
Prior to 3/05




MERITOR NO.	GENUINE	OEM REF.
R3015151		59935-003

Linkage Kit



FOR MODELS:
Vehicles Built
Prior to 3/05 With
Single Height
Control Valve



MERITOR NO.	GENUINE	OEM REF.
R3015096		59428-004



 Denotes Product is Genuine Hendrickson


AIRTEK For Western Star



Top Axle Wrap Liner			
			
MERITOR NO.	GEN-UINE	OEM REF.	APPLICATION
R3015145		59449-000	Vehicles Built Between June 2010 & November 2011 (Non NXT Axles)

Height Control Valve, Right Hand			
			
MERITOR NO.	GEN-UINE	OEM REF.	APPLICATION
R3013995		59935-002	Vehicles Built Between June 2010 & November 2011, (Non NXT Axles)

Bottom Axle Wrap Liner			
			
MERITOR NO.	GEN-UINE	OEM REF.	APPLICATION
R3015110		58945-000	Vehicles Built Between June 2010 & November 2011 (Non NXT Axles)

Height Control Valve Linkage Assembly			
			
MERITOR NO.	GEN-UINE	OEM REF.	LENGTH
R3015133		59428-001	13 1/8" Center-to-Center

Bolt			
			
MERITOR NO.	OEM REF.	LENGTH	THREAD
R3015102	58917-016	8 1/2"	3/4"-10
R3016435	58917-017	10"	3/4"-10
R3016436	58917-018	11 1/2"	3/4"-10

Height Control Valve Linkage Assembly			
			
MERITOR NO.	GENUINE	OEM REF.	LENGTH
R3015134		59428-002	14 1/2" Center-to-Center

Height Control Valve Linkage Kit			
			
MERITOR NO.	GENUINE	OEM REF.	LENGTH
R309625		-	Length Range of 3 5/8 - 19 5/8"

 Denotes Product is Genuine Hendrickson

HENDRICKSON SUSPENSION

AIRTEK for Western Star

Link Mount, Left Hand			
			
MERITOR NO.	GENUINE	OEM REF.	APPLICATION
R3016426	☒	59429-001	Set Back Axle

Air Spring Bracket, Right Hand		
		
MERITOR NO.	GENUINE	OEM REF.
R3015132	☒	60850-002

Link Mount, Left Hand			
			
MERITOR NO.	GENUINE	OEM REF.	APPLICATION
R3015098	☒	59429-002	Set Forward Axle and All Right Hand

Air Spring Bracket, Left Hand			
			
MERITOR NO.	GENUINE	OEM REF.	NOTES
R3016425	☒	60850-001	

☒ Denotes Product is Genuine Hendrickson

HENDRICKSON NUMERICAL LISTING

Suspension

PART NO.	PAGE NO.
R30901	125
R301307	71, 75, 77, 147
R301338	73, 77, 95, 101, 103, 138
R301339	101, 103, 138
R301340	77, 97, 101, 103, 141
R301341A	41, 73, 83, 93, 97, 101, 103, 141
R301351	162
R301352	162
R301545	95, 139
R301546	73, 93, 95, 139
R301548	139
R301551	73, 93, 95, 139
R301552	73, 93, 95, 139
R301553	73, 93, 95, 139
R301594	73, 77, 95, 101, 103, 138
R301594-2	139
R301595	101, 103, 138
R301595-2	139
R301598A	95, 159
R301817	147
R301818	71, 75, 147
R301819	147
R301821	147
R301828	39, 63, 65, 71, 75, 99
R301829	71, 146
R301830	41, 71, 93, 146
R301832	77, 146
R301833A	41, 71, 93, 95, 101, 103, 146
R301834	41, 71, 93, 95, 101, 103
R301835	41, 71, 93, 95, 101, 103
R301840	77, 101, 103, 144
R301842	40, 93, 95, 101, 103, 144
R301849	71, 145
R301850	71, 145
R301851	77, 145
R301852	77, 145
R301853	71, 145
R301854	71, 145
R301855	145
R301856	145
R301859	145
R301860	145
R301869	71, 145
R301876	147
R301877	71, 77, 147

PART NO.	PAGE NO.
R301878	148
R301879	148
R301940	95, 99, 159
R301941	95, 99, 159
R301942	95, 101, 103, 159
R301943	67, 83, 87, 95, 99, 101, 103
R301944	101, 103, 146
R301945	95, 99, 159
R301946	95, 99, 101, 159
R301947	95, 101, 103, 146
R301960	95, 99, 159
R301980	125, 200
R301981	125, 200
R302017	162
R302018	162
R302021	73, 93, 95, 139
R302031A	143
R302034	143
R302035	143
R302079	162
R302225	162
R302226	162
R302227	162
R302228	162
R302229	77, 146
R302232	95, 159
R302233	95, 99, 160
R302238	162
R302372	77, 97, 101, 103, 141
R302373	77, 101, 103, 141
R302374	41, 73, 85, 93, 97, 101, 103, 141
R302375	101, 103, 141
R302512	125, 200
R302513	125, 200
R302545	5, 7, 9, 11, 13, 15, 17, 21, 29, 37, 39, 41, 43, 51, 77, 83, 87
R302546	29, 31, 39
R302547	17, 19, 43, 45, 47, 51, 61, 65, 67, 83, 87
R302553	75, 99, 138
R302554	75, 99, 141
R302555	75, 99, 142
R302556	147
R302557	75, 147
R302558	147

PART NO.	PAGE NO.
R302566	75, 142
R302567	75, 143
R302570	145
R302573	63, 65, 71, 75
R302604	95, 160
R302625	153
R302634	39, 41, 43, 45, 47, 49, 51, 57, 61, 71, 77, 79, 85, 89, 93, 95, 97, 101, 103, 174, 218
R302771	41, 73, 93, 97, 141
R302814	162
R302815	162
R302816	162
R302863A	144
R302864A	144
R302865A	144
R302893	125
R302916	162
R302975	99
R302988	17, 19, 43, 45, 47, 51, 61, 65, 67, 79
R303411	162
R303604	152
R303605	152
R303606	152
R303731	43, 174
R303732	174
R303738	39, 67, 176, 217
R303739	63, 67, 169, 173
R303740	43, 45, 47, 51, 63, 65, 172, 175
R303741	43, 45, 47, 51, 63, 65, 172, 175
R303753A	63, 175
R303754A	63, 175
R303755	43, 63, 65, 175
R303760A	43, 45, 47, 49, 51, 178
R303761	71, 77, 147
R303762	178
R303768	113, 115, 117, 119, 135, 197
R303771	113, 115, 117, 119, 133, 135, 198
R303773	125, 200
R303774A-2	125, 200
R303777	125, 200
R303779	125, 200

HENDRICKSON NUMERICAL LISTING

PART NO.	PAGE NO.
R303792	67
R303868	162
R303881	143
R303882	142
R303913	143
R304347	5, 7, 9, 11, 13, 15, 17, 37, 39, 41, 51, 83
R304961A	13, 21, 43, 77, 79
R305265	63, 168
R305267	63, 168
R305268	63, 168
R305269	63, 65, 168, 171
R305270	63, 168
R305271	63, 65, 168, 171
R305272	63, 168
R305273	63, 65, 168, 171
R305274	63, 169
R305275	41, 43, 45, 47, 51, 57, 61, 63, 65, 67, 79, 85, 89, 93, 163, 169, 171, 173, 174
R305276	55, 61, 162, 169
R305277	42, 45, 47, 49, 51, 63, 65, 79, 169, 171, 174
R305278	55, 169, 193
R305281	39, 41, 42, 45, 47, 49, 51, 57, 61, 63, 65, 67, 79, 89, 93, 169, 171, 173, 174, 218
R305282	63, 169
R305283	63, 169
R305299	42, 63, 170, 176
R305300	63, 170
R305301	63, 170
R305308	77, 97, 101, 103, 140
R305309	41, 73, 85, 93, 97, 101, 103, 140
R306121	113, 115, 117, 119, 135, 196
R306122	107, 109, 113, 115, 117, 119, 121, 135, 199
R306124	113, 115, 117, 119, 135, 201
R306126	133, 197
R306127	133, 197
R306128	133, 197
R306129	133, 197
R306130	133, 197
R306131	133, 198

PART NO.	PAGE NO.
R306979	40, 73, 93, 95, 138
R306980	40, 73, 93, 95, 138
R307530	71, 145
R307531	71, 145
R307566	152
R307568A	152
R307569A	152
R307570	152
R307571	152
R307572A	152
R307579	152
R307582	153
R307617	95, 158
R307618	158
R307619	95, 158
R307620	95, 99, 160
R307703	23, 225
R307852	39, 41, 218
R308909	61
R308911	91
R308926	43, 174
R309325	41, 71, 77, 83, 87, 93, 95, 140
R309326	41, 71, 77, 79, 83, 87, 93, 95, 140
R309327	41, 83, 87, 140
R309328	41, 83, 87, 140
R309329	41, 140
R309359	40, 73, 93, 95, 138
R309384	45, 47, 51, 177
R309385	45, 47, 49, 177
R309386	45, 49, 51, 67, 173, 176, 179
R309387	176
R309389	178
R309390	45, 47, 49, 51, 177
R309391	176, 179
R309392	43, 45, 47, 51, 177
R309393	45, 47, 49, 51, 175
R309394	45, 47, 174
R309395	43, 162, 174
R309397	39, 45, 47, 49, 51, 175, 217
R309400	65, 172
R309402	65, 171
R309404	65, 172
R309405	65, 172

PART NO.	PAGE NO.
R309406	65, 67, 172, 173
R309407	65, 171
R309408	63, 65, 172
R309409	45, 47, 51, 65, 171, 174
R309411	83, 185
R309412	85, 144, 185
R309413	83, 185
R309414	83, 184
R309417	83, 184
R309418	95, 159
R309419	73, 93, 97, 141
R309420	41, 73, 85, 93, 97, 141
R309421	73, 93, 97, 141
R309426	93, 95, 144
R309427	71, 77, 148
R309428	71, 77, 148
R309429	71, 145
R309430	145
R309432A	42, 45, 47, 49, 51, 63, 65, 170, 172, 176
R309510	138
R309512A	141
R309515	159
R309575	107, 109, 111, 113, 115, 117, 119, 199
R309576	41, 73, 85, 93, 97, 140
R309577	73, 93, 97, 140
R309603	17, 43, 45, 47, 49, 51, 87
R309625	37, 57, 61, 195, 233
R309628	151
R309629	151
R309630	151
R309631	151
R309632	151
R309633A	152
R309634A	152
R309635A	152
R309636	152
R309637	152
R309638	152
R309639	152
R309640	152
R309641	152
R309642	152
R3010058	71, 145
R3010060	157
R3010061	157

HENDRICKSON NUMERICAL LISTING

Suspension

PART NO.	PAGE NO.
R3010068	157
R3010069	157
R3010070	157
R3010072	157
R3010073	157
R3010263	151
R3010264	151
R3010266	151
R3010267	151
R3010277	152
R3010308	57, 61, 163
R3010309	41, 79, 85, 89, 93, 163
R3010310	164, 165, 166
R3010311	164, 166
R3010312	164, 166
R3010313	164, 166
R3010314	164, 166
R3010315	165
R3010316	165, 166
R3010317	165, 166
R3010318	165
R3010319	165, 166
R3010320	163
R3010321	163
R3010322	55, 61, 163
R3010729A	107, 109, 113, 115, 117, 119, 196
R3010730A	107, 109, 113, 115, 117, 119, 198
R3010754	107, 109, 111, 113, 115, 117, 119, 121, 135, 198
R3010755	107, 109, 111, 113, 115, 117, 119, 121, 135, 198
R3011447	162
R3011494	43, 177
R3011496	83, 87, 182
R3011748	164
R3011784	164
R3011820	167
R3011821	167
R3011855	107, 109, 111, 113, 115, 117, 119, 204
R3011870	41, 45, 47, 49, 51, 57, 61, 178, 195
R3012001	75, 147
R3013961	57, 61, 163
R3013962	163
R3013964	163

PART NO.	PAGE NO.
R3013965	163
R3013967	163
R3013969	163
R3013970	163
R3013971	69, 99, 163
R3013972	99, 163
R3013974	163, 167
R3013986	79, 83, 87, 183
R3013988	41, 43, 71, 85, 89, 93, 97, 165
R3013989	41, 43, 45, 47, 49, 51, 85, 89, 93, 101, 103, 165
R3013992	39, 55, 59, 193, 217
R3013993	57, 193
R3013995	9, 11, 37, 221, 233
R3013996	17, 23, 225
R3013997	17, 23, 225
R3014013	25, 35
R3014014	25, 35
R3014019	27, 35
R3014020	27, 35
R3014025	55, 59, 193
R3014026	55, 59, 193
R3014033	55, 59
R3014047	79, 87, 182
R3014337	107, 109, 111
R3014338	107, 109, 111, 203
R3014339	109, 111, 203
R3014340	107, 109, 111, 113, 203
R3014341	107, 109, 111, 113, 203
R3014342	107, 109, 111, 203
R3014343	107, 109, 111, 203
R3014344	107, 109, 111, 204
R3014345	107, 109, 111, 204
R3014346	163
R3014377	107, 111, 196
R3014398	138
R3014400	141
R3014534	79
R3014535	81, 184
R3014632	9, 220
R3014633	9, 220
R3014634	107, 199
R3014635	107, 111, 198
R3014641	67, 164, 173
R3014642	99, 164
R3014643	99, 164
R3014644	164

PART NO.	PAGE NO.
R3014673A	55, 59, 193
R3014725	41, 71, 79, 87, 93, 140
R3014727	165
R3014775	113, 204
R3014776	113, 204
R3014777	107, 109, 111, 113, 203
R3014778	109, 113, 117, 205
R3014780	107, 113, 115, 119, 121, 205
R3014782	107, 111, 199
R3014789	107, 113, 115, 117, 119, 204
R3014807	79, 182
R3014809	39, 217
R3014896	79, 182
R3015091	113, 115, 117, 135
R3015092	135, 204
R3015093	77
R3015094	9, 11, 15, 17, 29
R3015095	17, 23, 225
R3015096	19, 23, 25, 33, 228, 232
R3015097	17, 225
R3015098	11, 17, 37, 222, 226, 234
R3015099	17, 225
R3015100	17, 223
R3015101	17
R3015102	9, 11, 17, 19, 29, 37, 221, 225, 230, 233
R3015103	17, 223
R3015104	17, 223
R3015106	19
R3015107	19, 21, 224
R3015108	5, 7, 19, 21, 23, 25, 31, 33, 215, 225, 227, 229, 231
R3015109	19, 21, 224
R3015110	5, 7, 9, 11, 15, 19, 21, 23, 25, 29, 31, 33, 37, 215, 221, 224, 227, 231, 233
R3015113	17, 226
R3015114	17, 226
R3015118	9, 220
R3015119	19, 224
R3015120	17, 223
R3015121	17, 23, 226
R3015122	17
R3015123	17, 223

HENDRICKSON NUMERICAL LISTING

PART NO.	PAGE NO.
R3015124	17, 223
R3015125	17, 223
R3015126	19, 225
R3015127	19, 224
R3015128	19, 224
R3015132	9, 11, 29, 37, 222, 230, 234
R3015133	5, 9, 11, 29, 37, 216, 222, 230, 233
R3015134	9, 11, 13, 37, 222, 233
R3015135	29, 229
R3015136	9, 220
R3015137	9, 221
R3015138	9, 220
R3015140	9, 39, 51, 218, 221
R3015145	9, 11, 29, 37, 221, 229, 233
R3015146	9, 11, 37, 221
R3015147	5, 7, 15, 23, 25, 31, 33, 215, 224, 227, 229, 231
R3015148	7, 25, 31, 33, 91, 186, 215, 227, 229, 231
R3015150	25, 33, 228, 232
R3015151	25, 33, 228, 232
R3015152	43, 144
R3015153	41, 43, 45, 47, 49, 51, 71, 79, 85, 89, 93, 97
R3015154	57, 61, 195
R3015155	79, 183
R3015156	142
R3015157	142
R3015158	141
R3015159	145
R3015161	75, 148
R3015162	39, 217
R3015164	87, 182
R3015165	83, 87, 183
R3015166	87, 184
R3015167	79, 184
R3015168	79, 183
R3015169SC	55, 194
R3015170	57
R3015171	87, 183
R3015172	87, 183
R3015173	87, 183
R3015174	57, 194
R3015175	162

PART NO.	PAGE NO.
R3015176	87, 184
R3015177	5, 7, 39, 57, 61, 91, 186, 194, 216, 218
R3015179	57, 61, 194
R3015180	61, 194
R3015181	194
R3015183	69, 75, 89, 99
R3015188	55, 79
R3015189	79
R3015191	83, 87
R3015193	55, 194
R3015199	61
R3015200	45, 47, 51, 69, 175
R3015489	55, 194
R3015490	119, 205
R3015503	113
R3015504	113
R3015505	117, 205
R3015506	117
R3015507	117
R3015716	39, 217
R3015727	5, 7, 15, 23, 25, 29, 33, 215, 224, 227, 229, 231
R3016089	31
R3016123	45, 47, 49, 55, 59, 177, 193
R3016229	5, 7, 29, 31
R3016238	45, 47, 177
R3016239	39, 45, 47, 49, 177, 218
R3016262	55, 59, 193
R3016333	49, 67, 173, 176, 179
R3016334	176, 179
R3016335	67, 173, 179
R3016336	83, 87
R3016337	127, 131, 202
R3016338	127, 131, 202
R3016339	127, 129, 131, 202
R3016340	127, 129, 131, 202
R3016341	123, 127, 129, 131, 197
R3016342	127, 129, 131, 196
R3016343	123, 127, 129, 131, 196
R3016344	127, 129, 131, 199
R3016345	127, 129, 131, 197
R3016346	123, 196

PART NO.	PAGE NO.
R3016348	127, 129, 202
R3016349	127, 129, 202
R3016351	55, 59, 193
R3016352	107, 205
R3016353	79, 184
R3016354	79
R3016355	79, 185
R3016356	79, 182
R3016357	79, 182
R3016358	121, 196
R3016359	121
R3016360	121, 197
R3016361	121, 197
R3016362	121, 198
R3016363	121, 198
R3016364	91, 186
R3016366	91, 186
R3016368	109, 111, 203
R3016369	109, 203
R3016370	109, 111, 205
R3016371	109, 203
R3016398	83, 87, 182
R3016399	83, 87
R3016400	87, 183
R3016401	83, 184
R3016402	43, 83, 87
R3016403	53, 219
R3016404	53, 219
R3016405	53, 219
R3016406	53, 219
R3016407	5, 13, 53, 215, 219, 221
R3016408	53, 219
R3016409	25, 33, 227, 231
R3016410	27, 35, 227, 231
R3016411	27, 35, 228, 232
R3016412	25, 33, 227, 231
R3016413	5, 7, 31, 230
R3016414	31
R3016415	29, 230
R3016416	40, 73, 93, 138
R3016417	29, 230
R3016418	29, 230
R3016419	5, 7, 29, 31, 37, 67, 216, 230
R3016420	21, 223
R3016421	23

HENDRICKSON NUMERICAL LISTING

Suspension

PART NO.	PAGE NO.
R3016422	135, 198
R3016423	135, 196
R3016424	135, 199
R3016425	5, 9, 11, 13, 37, 216, 222, 234
R3016426	9, 11, 29, 37, 222, 234
R3016430	13, 15
R3016431	15, 220
R3016432	5, 7, 15, 215, 220
R3016434	15, 220
R3016435	9, 11, 37, 221, 233
R3016436	9, 11, 37, 221, 233
R3016439	158
R3016442	157
R3016445	157
R3016451	152
R3016452	152
R3016457	158
R3016458	151
R3016459	151
R3016460	157
R3016461	157
R3016462	157
R3016463	157
R3016464	71, 101, 103, 146
R3016465	217
R3016465	39
R3016466	163
R3016467	5, 11, 17
R3016468	17, 43, 45, 47, 49, 51
R30U8154-10	7, 215
R30U8154-12	7, 31, 215, 230
R30U8161-15S1	39, 42, 45, 47, 49, 51, 218
R30U8161-16	39, 218
R30U8161-18S1	39, 42, 45, 47, 49, 51, 63, 65, 67, 218
R30U8161-20	67
R30U8165-10	119, 121, 201
R30U8165-12	125
R30U8165-076	133
R30U8168-082	113, 115, 117, 119, 135, 201
R30U8168-082H	115, 119, 201
R30U8257-11	55, 59
R30U8257-12	55, 59

PART NO.	PAGE NO.
R30U8257-087	55, 59
R30U8264-083	77
R30U8466-073H	113, 115, 117, 119, 121, 201
R30U8466-082H	135, 201
FS3420	127
FS5511	211
FS6902	133
FS6935	135
FS7403	125
FS7505	127, 129
FS7659	123, 127, 129, 131
FS7795	127, 129, 131
FS7797	123, 129
FS7897	127
FS8033	123, 127, 129, 131
FS8042	123, 131
FS8050	211
FS8091	206
FS8093	206
FS8597	17, 29
FS8614	206, 211
FS8708	206
FS8709	206
FS8710	211
FS8713	206
FS8755	211
FS8774	206
FS8800	211
FS8816	39
FS8817	39
FS8868	45
FS8944	115, 210
FS8971	53
FS9122	211
FS9264	210
FS9265	117, 121, 210
FS9270	210, 211
FS9287	43
FS9297	47, 49, 51
FS9299	210
FS9321	133
FS9335	45, 47
FS9367	133, 135, 210
FS9373	45, 47
FS9466	43
FS9554	25, 33

PART NO.	PAGE NO.
FS9580	117, 121, 210
FS9581	121, 210
FS9619	206
FS9621	206
FS9626	206
FS9640	210, 211
FS9644	206
FS9645	206
FS9646	206
FS9654	57
FS9663	57
FS9912	5, 13
FS9913	25, 29, 33
FS9977	206
M83109	83
M83112	83, 87
M83121	45, 49
M83122	43
M83123	43, 45, 47
M83128	115, 207, 212, 214
M83142	81
M83143	81
M83148	47
M83149	43, 45
M85000	133, 207, 208, 212, 213, 214
M85006	39
M85014	212, 213, 214
M85029	115, 117, 207, 212, 213
M85030	47, 212
M85036	69
M85045	121, 207, 213
M85052	212, 213
M85072	45, 47, 57, 61
M85079	213
M85102	91
M85323	212, 213, 214
M85337	207
M85338	207
M85382	207
M85738	121, 207, 208, 212, 213, 214
M85862	57
M85909	47
M85911	207, 212
M85916	207, 208

HENDRICKSON NUMERICAL LISTING

PART NO.	PAGE NO.
M85919	53
M85932	9, 11, 37
M85933	25, 33
M85938	115, 121, 207, 212, 213, 214
M85939	207, 213, 214
M85955	17, 23
M85959	5, 7, 31
M85961	57
M85965	57, 61
M85966	57, 61
M85967	57, 61
M89405	43
M89406	43
M89430	207

PART NO.	PAGE NO.
M89436	115, 121, 133, 212, 213, 214
M89440	212
M89453	11, 37
M89454	25, 33
MAF7795	127, 129, 131
MAF7797	129
MAF7897	127
MAF8033	127, 129, 131
MAF8042	131
MAF8050	211
MAF8091	206
MAF8708	206
MAF8709	206
MAF8713	206
MAF8755	211

PART NO.	PAGE NO.
MAF8774	206
MAF8944	115, 210
MAF9122	211
MAF9265	117, 121, 210
MAF9270	210, 211
MAF9297	47, 49, 51
MAF9367	133, 210
MAF9373	45, 47
MAF9580	117, 121, 210
MAF9626	206
MAF9640	210, 211
MAF9644	206
MAF9645	206
MAF9646	206
MAF9663	57

Vehicle models, trademarks, brands, and names depicted herein are the property of their respective owners, and may not be associated with Meritor, Inc. or its affiliates.



Meritor Heavy Vehicle Systems, LLC
7975 Dixie Highway
Florence, Kentucky 41042 USA

888-725-9355 U.S.
800-387-3889 Canada
MeritorPartsXpress.com
meritor.com

©2019 Meritor, Inc.
Litho in USA, PB-9968-HND
Issued 06-19 (87410)