

October 2021

# SUSPENSION CATALOG

## GAFF® POLYURETHANE COMPONENTS





<b>Chalmers</b> .....	<b>4</b>
800 Series Tandem Axle, Truck .....	4
Suspension Components.....	5
<b>Freightliner</b> .....	<b>6</b>
FAS II AIR RIDE.....	6
Truck/Tractor.....	6
TufTrac Suspension .....	7
Suspension Components.....	8
Cab Mounts.....	10
Hood Latches & Hood Hinges.....	12
Motor Mounts.....	14
Radiator & Exhaust Mounts.....	16
Clutch & Transmission Bushings .....	17
<b>Fruehauf</b> .....	<b>18</b>
F-2 Standard / F-2 Wide-Base Hangers - Leaf Spring.....	18
Suspension Components.....	19
<b>Hendrickson</b> .....	<b>20</b>
HA 360/400/460 Tandem Axle Air Suspension .....	20
HAS 360/400/460 Tandem Axle Air Suspension .....	21
HAULMAAX Rubber Bolster Spring Suspension .....	22
HN-402/462/522 & HN-FR Rubber Bolster Spring Built Between 4/96 & 11/00 .....	24
RT/RTE 340/400/460/480/520 Tandem Axle Suspension .....	26
RS 340/400/460/480/520 Series Tandem Axle Suspension .....	28
PRIMAAX EX Single/Tandem Axle Air Suspension .....	30
INTRAAX AAL, AANL, AANLS, AAEDL, AAZL 23/46K Slider, VANTRAAX HKAL 46K & HKARL 46K .....	32
INTRAAX AANT 23K & AAZNT AND VANTRAAX, HKAT 50K/HKA250, ULTRAA-K UTKNT 40K.....	34
Suspension Components.....	35
<b>Hutchens</b> .....	<b>42</b>
Single Point Suspension H900 .....	42
Four Spring Suspension H/CH 7600/9600 .....	43
Four Spring Suspension H/CH 7700/9700 .....	44
Suspension Components.....	45
<b>Kenworth</b> .....	<b>46</b>
C500, K110/300, T300/400/450/600/800/200, W900 Model.....	46
Airglide 100 Air Ride .....	47
Airglide 200 / 400 Air Ride .....	48
Airglide 380.....	49
Suspension Components.....	50
Cab Mounts.....	54
Hood Latches & Hood Hinges.....	56
Motor Mounts.....	58
Radiator, Air Cooler Mounts & Exhaust Mounts .....	60

# CONTENTS

Mack.....	62
Maxlite 40EZ .....	62
SS34 & 38 Tandem Suspension 4 in. Wide Spring .....	63
SS44 Series (Formerly SWS 573) 4 in. Wide Spring .....	64
SS50C Series 4 in. Wide Spring.....	65
SS58C & SS65-C Series 5 in. Wide Spring .....	66
Suspension Components.....	67
Cab Mounts.....	72
Hood Latches & Hood Hinges.....	72
Motor Mounts.....	73
Radiator & Air Cooler Mounts .....	74
Meritor .....	75
RHP/MPA Series, Trailer, Air Suspension .....	75
MTA23-30 Top Mount, MTA25-30 Low Mount, Trailer, Air Suspension.....	76
Suspension Components.....	77
Navistar / International.....	78
Four Spring.....	78
Corporate Air Ride “Z” Spring .....	79
New Corporate Air Ride - “Hockey Stick” Spring .....	80
Suspension Components.....	81
Cab Mounts.....	85
Hood Latches & Hood Hinges.....	86
Motor Mounts.....	86
Radiator & Air Cooler Mounts .....	87
Peterbilt .....	88
Cab Over and Conventional 4 in. Wide Spring.....	88
Air Leaf .....	89
Air Trac .....	90
Low Mount Air Leaf.....	91
Airglide 210.....	92
Flex Air.....	93
Suspension Components.....	94
Cab Mounts.....	96
Hood Latches & Hood Hinges.....	97
Motor Mounts.....	99
Radiator, Air Cooler Mounts & Exhaust Mounts .....	100
Reyco Granning .....	102
101A Four Spring Suspension.....	102
102 Four Spring Suspension.....	103
102AR & 240AR Air Suspension.....	104
21AR Air Suspension .....	105
21B Cast Four Spring Suspension, 42 - 72 Axle Spacing.....	106
86-88 Four Spring Suspension .....	107
86AR Air Suspension .....	108
Suspension Components.....	109

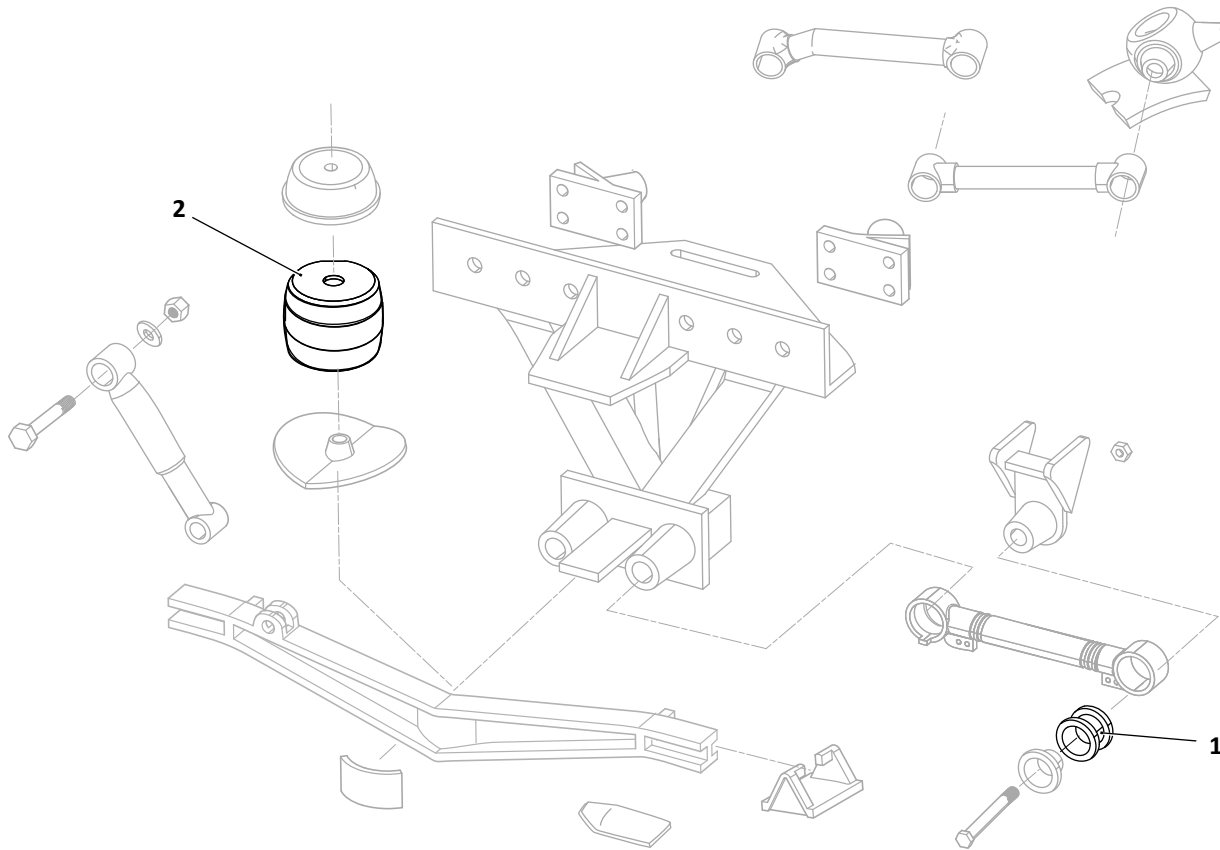


# CONTENTS

SAF-Holland .....	112
AD-123/246/369 .....	112
ARD-125-6, -8, -244-6, -8.....	113
ARD-234-6 .....	114
ARDST/ARDSTM & L.....	115
ART 500/505/551/555.....	116
Air Spring, AR-41/45/75-6,-9,-12/75-1-12/85-A.....	117
Air Spring, AR-50-US, -F, -F-1, -F-2.....	118
Air Spring, AR-90/AR-90-1/AR-92/AR-93 .....	119
Air Spring, RL-196/196A, RL228, RL-230 .....	120
Air Spring, RL-250, RL-300 .....	121
Air Spring, CBX23/CBX25/CBX40 .....	122
Leaf, Four Spring, Binkley-Duralite SP900.....	123
Suspension Components.....	124
Volvo .....	126
Corporate Air Ride .....	126
T-Ride 2006 and Later.....	127
Suspension Components.....	128
Cab Mounts.....	129
Motor Mounts.....	130
Radiator, Air Cooler Mounts & Exhaust Mounts .....	131
Cab Mounts.....	132
Carrier Bearings.....	137
Exhaust Mounts.....	138
Fifth Wheel Bushings.....	140
Hood Latches & Hinge Bushings .....	146
Motor Mounts.....	151
Radiator Mounts.....	159
Torque Rods.....	161
Suspension Bushings & Spring Pins .....	169
Wheel Chocks.....	185
Numerical Index.....	188

# CHALMERS


## 800 Series Tandem Axle, Truck





CHALMERS TORQUE ARM CONNECTIONS			
	TYPE 0	TYPE 1	TYPE 2
Bushing - Standard Poly	GAFF18919	GAFF18919	GAFF11739
Bushing - Oversize Poly	GAFF18920	GAFF18920	GAFF18921


800 Series Tandem Axle, Truck				
KEY NO.	GAFF NO.	OEM REF.	DESCRIPTION	QTY PER TANDEM
1	GAFF18919	22082 22128	Torque Arm Bushing, Type 0 & 1 Joint	16
	GAFF18920	22129	Torque Arm Bushing, Type 0 & 1 Joint, Oversized	16
	GAFF11739	800010	Torque Arm Bushing, Type 2 Joint	16
	GAFF18921	800009	Torque Arm Bushing, Type 2 Joint, Oversized	16
2	GAFF11740	15002	Load Spring	2


## Suspension Components

Torque Arm Bushing, Type 0 & 1 Joint				
Series 300 - 1000				
				
PART NO.	OEM REF.	OD	ID	LENGTH
<b>GAFF18919</b>	22082, 22128	3-21/32 in.	2-3/8 in.	3-3/4 in.

Torque Arm Bushing, Type 2 Joint, Oversized				
Series 700 - 1000				
				
PART NO.	OEM REF.	OD	ID	LENGTH
<b>GAFF18921</b>	800009	4-1/2 in.	2-1/2 in.	4-9/32 in.

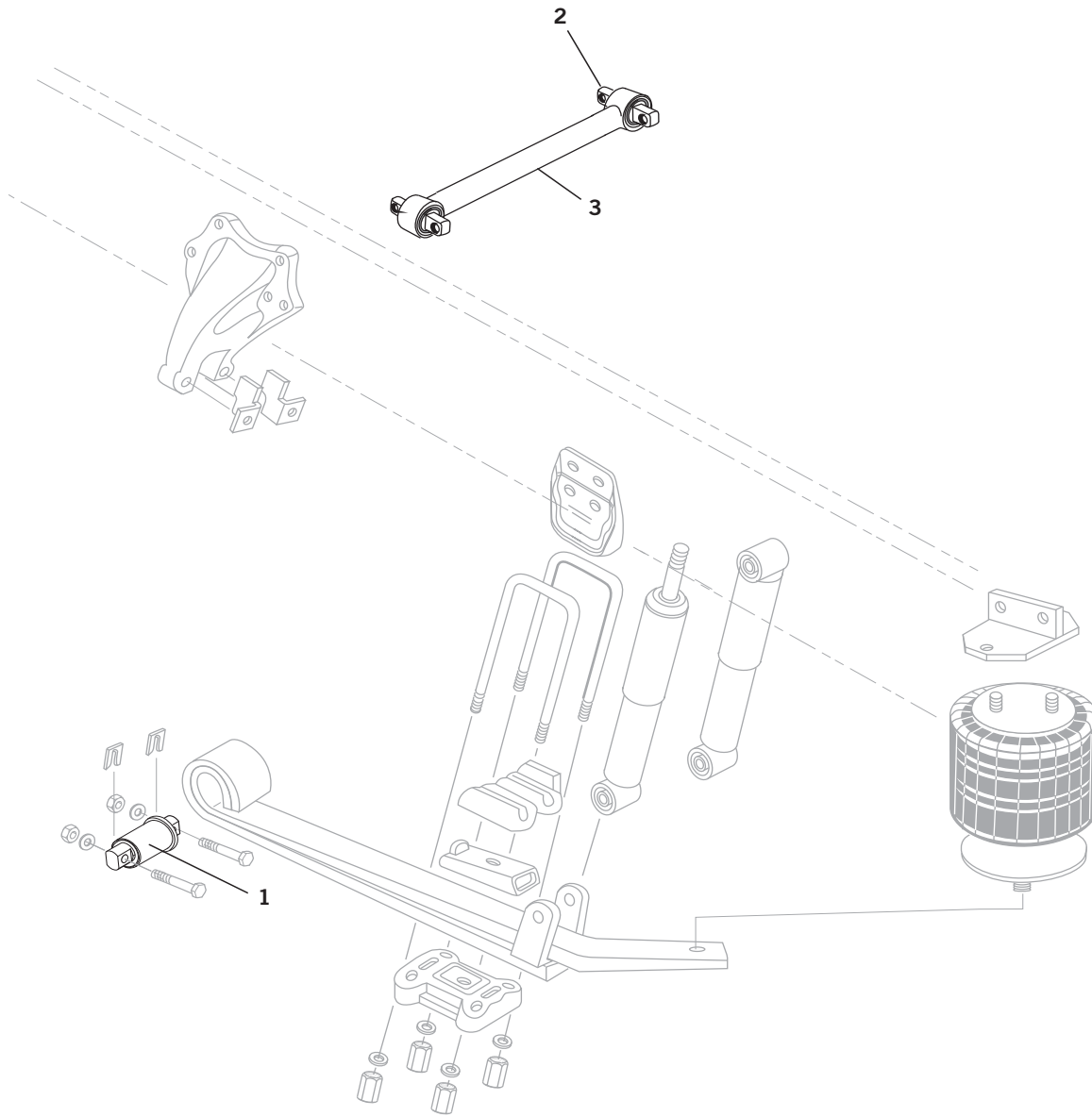
Torque Arm Bushing, Type 0 & 1 Joint, Oversized				
Series 300 - 1000				
				
PART NO.	OEM REF.	OD	ID	LENGTH
<b>GAFF18920</b>	22129	3-21/32 in.	2-3/8 in.	3-3/4 in.

Load Spring				
Series 700 - 1000				
				
PART NO.	OEM REF.	OD	ID	LENGTH
<b>GAFF11740</b>	15002	9 1/4 in	2 in.	8 in.

Torque Arm Bushing, Type 2 Joint				
Series 700 - 1000				
				
PART NO.	OEM REF.	OD	ID	LENGTH
<b>GAFF11739</b>	800010	4-1/4 in.	2-19/32 in.	4-5/32 in.

# FREIGHTLINER

## FAS II AIR RIDE Truck/Tractor



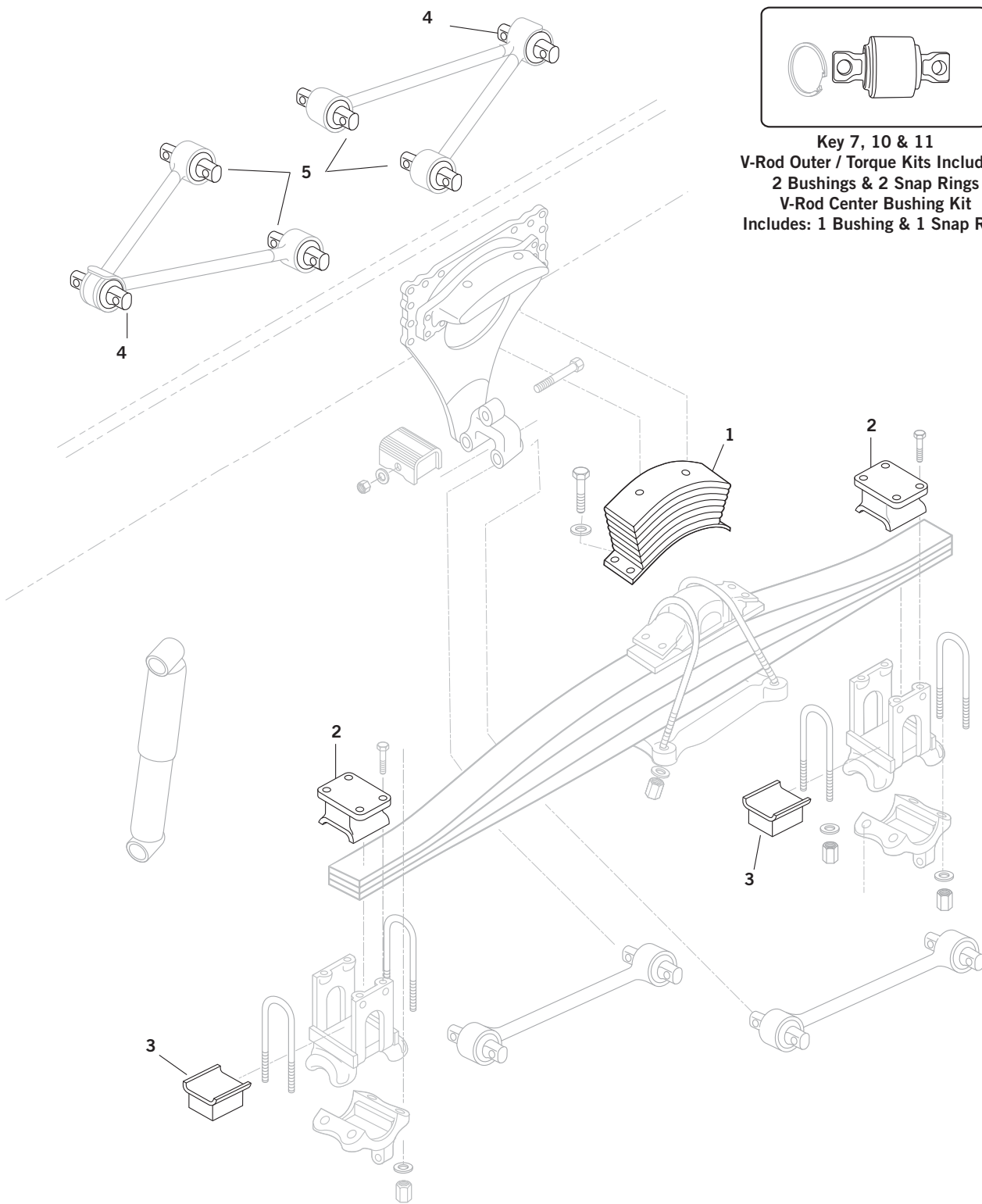
FAS II Air Ride				
KEY NO.	PART NO.	OEM REF.	DESCRIPTION	QTY PER TANDEM
1	GAFF11083	16-16412-001	Spring Eye Bushing, Anti-Walk	2
	GAFF11005	681-325-01-50	Spring Eye Bushing, Old Style	2
	GAFF11084	-	Spring Eye Bushing, Anti-Walk, Oversized	2
2	GAFF11004	47691	Torque Arm Bushing, Straddle Mount, for Rebrushable Torque Arm	2
3	GAFF11078	681-326-67-16	Torque Arm, 24 3/8 in. Center-to-Center	1
	GAFF11081	16-16749-002	Torque Arm, 24 1/2 in. Center-to-Center	1

MeritorPartsXpress.com

**PB-2194-GAFF (10-21)**

U.S. 888-725-9355  
Canada 800-387-3889

## TufTrac Suspension





**Key 7, 10 & 11**  
**V-Rod Outer / Torque Kits Includes:**  
 2 Bushings & 2 Snap Rings  
**V-Rod Center Bushing Kit**  
 Includes: 1 Bushing & 1 Snap Ring


TufTrac Suspension				
KEY NO.	GAFF NO.	OEM REF.	DESCRIPTION	QTY PER TANDEM
1	GAFF11159	16-15010-000	Bolster Spring	2
2	GAFF11164	11-19581-000	Insulator Cap	4
3	GAFF11165	11-20807-000	Insulator Pad	4
4	GAFF11162	A348634	V-Rod Bushing, Apex, Includes Snap Ring	2
5	GAFF11163	A237903	V-Rod Bushing, End, Includes Snap Ring	2


# FREIGHTLINER

## Suspension Components


Bolster Spring			
Model: TufTrac			
			
PART NO.	OEM REF.	BOLT DIA.	LENGTH
GAFF11159	16-15010-000	11/16 in.	10-19/32 in.


Spring Eye Bushing, Old Style			
Model: FAS II			
			
PART NO.	OEM REF.	OD	BOLT DIA.
GAFF11005	681-325-01-50, 16-13962-000	2-1/2 in.	3/4 in.


Insulator Cap			
Model: TufTrac			
			
PART NO.	OEM REF.	LENGTH	HEIGHT
GAFF11164	11-19581-000	5-1/16 in.	2-1/2 in.

Spring Eye Bushing, Anti Walk, Oversized		
		
PART NO.	OD	BOLT DIA.
GAFF11084	2-3/4 in.	3/4 in.

Insulator Pad			
Model: TufTrac			
			
PART NO.	OEM REF.	LENGTH	HEIGHT
GAFF11165	11-20807-000	4 in.	2-3/16 in.


Torque Arm		
Model: FAS II		
		
PART NO.	OEM REF.	LENGTH
GAFF11078	681-326-67-16	23-13/16 in.

Spring Eye Bushing, Anti-Walk			
Model: FAS II			
			
PART NO.	OEM REF.	OD	BOLT DIA.
GAFF11083	16-16412-001	2-1/2 in.	3/4 in.

Torque Arm		
Model: FAS II		
		
PART NO.	OEM REF.	LENGTH
GAFF11081	16-16749-002	24-7/32 in.

## Suspension Components

**Torque Rod Assembly**




PART NO.	OEM REF.	BOLT DIA.	LENGTH	NOTES
<b>GAFF11152</b>	16-18972-000	5/8 in.	24 3/16 in.	Includes 2 Qty GAFF13520 Bushings

**Shock Bushing**




PART NO.	OEM REF.	BOLT DIA.	LENGTH	NOTES
<b>GAFF30545</b>	-	1 in.	1-3/32 in.	-

**Spring Bushing**




PART NO.	OEM REF.	BOLT DIA.	LENGTH	OD
<b>GAFF11066</b>	680-322-01-50	3/4 in.	4-1/4 in.	2-1/4 in.

**Torque Rod Assembly**



PART NO.	OEM REF.	BOLT DIA.	OD	NOTES
<b>GAFF11153</b>	16-16749-000	22 7/8 in.	5/8 in.	Includes 2 Qty GAFF13521 Bushings


**Spring Mount**



PART NO.	OEM REF.	BOLT DIA.	LENGTH	HEIGHT
<b>GAFF18994</b>	58918-000	17/32 in.	6-5/32 in.	6 in.

**Torque Arm Bushing, Straddle Mount**

Model:  
FAS II



PART NO.	OEM REF.	OD	BOLT DIA.
<b>GAFF11004</b>	47691, A-16-119448, 47691-000L	2 in.	5/8 in.


**Shock Bushing**



PART NO.	OEM REF.	BOLT DIA.	LENGTH	NOTES
<b>GAFF18566</b>	-	1 in.	1 in.	-

**V-Rod Bushing, Apex, Includes Snap Ring**

Model:  
TufTrac




PART NO.	OEM REF.	OD	BOLT DIA.
<b>GAFF11162</b>	A348634	3-15/16 in.	29/32 in.

# FREIGHTLINER

## Suspension Components

**V-Rod Bushing, End, Includes Snap Ring**


Model:  
TufTrac



PART NO.	OEM REF.	OD	BOLT DIA.
GAFF11163	A237903	2-15/16 in.	29/32 in.

### Cab Mounts

**Cab Mount**



PART NO.	OEM REF.	ID	OD	OD<	LENGTH
GAFF11007	7007-05	5/8 in.	3 in.	2-3/4 in.	2-1/8 in.

**Cab Mount Kit**



PART NO.	OEM REF.	LENGTH	NOTES
GAFF31624	-	-	-

**Cab Mount**



PART NO.	OEM REF.	OD	LENGTH	NOTES
GAFF11111	680-891-04-01, 68-08910-401	4-1/8 in.	2-7/16 in.	1/2-13 UNC

**Cab Mount**



PART NO.	OEM REF.	ID	OD	OD<	LENGTH
GAFF11523	HUN 12004 3401, J7165-1, K066-251, 07-03286	5/8 in.	2-7/8 in.	1-13/16 in.	1-5/16 in.

**Cab Mount**



PART NO.	OEM REF.	ID	OD	OD<	LENGTH
GAFF11520	HUN 12004 3401, J7165-1, K066-228, 07-03286	5/8 in.	2-7/8 in.	1-7/8 in.	1-5/16 in.

**Cab Mount**




PART NO.	OEM REF.	ID	OD	OD<	LENGTH
GAFF11707	CBA28-1050, M501, 05-08968	5/8 in.	2-1/2 in.	1-5/8 in.	2 in.



## Cab Mounts

**Cab Mount Bushing**




PART NO.	OEM REF.	ID	OD	LENGTH
<b>GAFF11075</b>	18-44009-00, 18-45384-00, 18-34678-000, 18-41005-000, 18-42727-000, LORD BJ-1769	5/8 in.	3-3/4 in.	3-1/8 in.

**Lower Cab Mount**



PART NO.	OEM REF.	ID	OD	LENGTH
<b>GAFF11008</b>	LORSB33310017A	1-3/16 in.	3-3/4 in.	1-5/16 in.

**Cab Mount Kit**




PART NO.	OEM REF.	NOTES
<b>GAFF11086</b>	681-890-00-01, 681-891-00-01	Includes 2 Upper Mounts (GAFF11009), 2 Lower Mounts (GAFF011008) and Hardware

**Upper Cab Mount**



PART NO.	OEM REF.	ID	OD	LENGTH
<b>GAFF11009</b>	LORSB33310017B	3/4 in.	3-25/32 in.	2-9/16 in.

**Cab Mount Kit**



PART NO.	OEM REF.	NOTES
<b>GAFF11113</b>	J-20120, J-19791, 17-1843, J197911, J201204	Note Includes 1 Upper Mount and 1 Lower Mount


**Cab Mount Kit**




PART NO.	OEM REF.	LENGTH	NOTES
<b>GAFF11092</b>	18-45384-000	3-1/8 in.	Includes 2 Lower Mounts and Hardware

# FREIGHTLINER

## Hood Latches & Hood Hinges

Hood Guide					
					
PART NO.	OEM REF.	ID	OD<	OD	LENGTH
GAFF11020	A17-10464-001	1/2 in.	1-7/8 in.	4 in.	3 in.

Hood Latch		
		
PART NO.	OEM REF.	LENGTH
GAFF12365	680-880-01-60, L56-0001	8-7/8 in.

Hood Guide		
		
PART NO.	OEM REF.	LENGTH
GAFF11124	A17-13666-000	3-7/16 in.

Hood Latch			
			
PART NO.	OEM REF.	LENGTH	NOTES
GAFF11103	680-880-01-60	8-7/8 in.	Includes GAFF12365 Latch and Hinge

Hood Latch		
		
PART NO.	OEM REF.	LENGTH
GAFF11102	17-12434-000, 17-12438-000	10-15/16 in.


Hood Latch			
			
PART NO.	OEM REF.	LENGTH	NOTES
GAFF11104	LH17-12435-000	11-1/4 in.	Includes Mount, Left Hand

Hood Latch			
			
PART NO.	OEM REF.	LENGTH	NOTES
GAFF11176	17-12434-000	10-15/16 in.	Includes GAFF11102 Latch and Hinge

Hood Latch			
			
PART NO.	OEM REF.	LENGTH	NOTES
GAFF11105	RH17-12435-000, RH17-12435-001	11-1/4 in.	Includes Mount, Right Hand

## Hood Latches & Hood Hinges

Hood Latch			
			
PART NO.	OEM REF.	LENGTH	NOTES
<b>GAFF11106</b>	RH17-15553-001	11-1/4 in.	Includes Mount, Right Hand

Hood Latch Hook		
		
PART NO.	OEM REF.	LENGTH
<b>GAFF11097</b>	681-887-24-14	3-9/16 in.

Hood Latch			
			
PART NO.	OEM REF.	LENGTH	NOTES
<b>GAFF11107</b>	LH17-15553-001, 17-15553-000	11-1/4 in.	Includes Mount, Left Hand

Hood Latch Hook		
		
PART NO.	OEM REF.	LENGTH
<b>GAFF11109</b>	17-14781-000, 17QM263A	3-27/32 in.

Hood Latch Assembly			
			
PART NO.	OEM REF.	LENGTH	NOTES
<b>GAFF11185</b>	17-12348-000, 17-12434-000	10-15/16 in.	Includes GAFF11096 Hook and GAFF11176 Latch

Hood Hinge Bushing				
				
PART NO.	OEM REF.	ID	OD	LENGTH
<b>GAFF11019</b>	J17700-5	1/2 in.	1-3/8 in.	2-3/16 in.


Hood Latch Hook		
		
PART NO.	OEM REF.	LENGTH
<b>GAFF11096</b>	17-12434-000	4-7/8 in.


Hood Hinge Bushing					
					
PART NO.	OEM REF.	ID	OD<	OD	LENGTH
<b>GAFF11544</b>	CB1121-10	17/32 in.	1-1/4 in.	1-3/4 in.	1-1/4 in.


## Motor Mounts


Motor Mount				
				
PART NO.	OEM REF.	ID	OD	LENGTH
GAFF11725	CBA24-650-17	5/8 in.	2-3/8 in.	2-3/32 in.


Motor Mount			
			
PART NO.	OEM REF.	ID	OD
GAFF11112	J-19791	1-5/16 in.	3-5/16 in.

Motor Mount		
		
PART NO.	OEM REF.	ID
GAFF11065	J20941-3, J209414, J209415, J209416, J2094136, 2094167	21/32 in.

Motor Mount Kit					
					
PART NO.	OEM REF.	ID	OD	LENGTH	NOTES
GAFF11018	SSB3310018 01-15047-000, LOR SSB33 1001 7, LOR SSB33 1001 8	3/4 in.	3-1/4 in.	2-1/4 in.	Includes 1 Upper Mount, 1 Lower Mount and 1 Spacer Sleeve


Motor Mount		
		
PART NO.	OEM REF.	NOTES
GAFF11074	BCD 28945-1, BCD 26704 1, BCD 276511, BCD 27651 3, BCD 27651-1, BCD 27651-2	Includes 1 Upper Mount and 1 Lower Mount

Motor Mount Kit					
					
PART NO.	OEM REF.	ID	OD	LENGTH	NOTES
GAFF11085	CBA24-650-17	5/8 in.	2-3/8 in.	2-3/32 in.	Includes 4 GAFF11725 Motor Mounts and Hardware


Motor Mount			
			
PART NO.	OEM REF.	ID	LENGTH
GAFF11077	BCD 27330-1	13/16 in.	9-7/8 in.


Motor Mount Kit					
					
PART NO.	OEM REF.	ID	OD	LENGTH	NOTES
GAFF11087	SSB3310017, SSB3310018, 01-15047-000	3/4 in.	3-1/4 in.	2-1/4 in.	Includes 2 GAFF11018 Motor Mount Kits and Hardware


## Motor Mounts

Motor Mount Kit			
			
PART NO.	OEM REF.	ID	NOTES
<b>GAFF11088</b>	J20941-3, LOR J20941-3-6, LORJ209417, J20941-4	21/32 in.	Includes 2 GAFF11065 Motor Mounts and Hardware

Motor Mount Kit		
		
PART NO.	OEM REF.	NOTES
<b>GAFF11113</b>	J20120-4, J-20120, J-19791, 17-1843, J197911, J201204	Includes 1 Upper Motor Mount and 1 Lower Motor Mount

Motor Mount Kit		
		
PART NO.	OEM REF.	NOTES
<b>GAFF11090</b>	BCD 28945-1, BCD267041, BCD276511, BCD276513	Includes 2 GAFF11074 Motor Mount Kits and Hardware


Motor Mount, Rear		
		
PART NO.	OEM REF.	LENGTH
<b>GAFF11014</b>	-	3-5/16 in.

Motor Mount Kit				
				
PART NO.	OEM REF.	ID	LENGTH	NOTES
<b>GAFF11089</b>	BCD 27330-1	13/16 in.	9-7/8 in.	Includes 2 GAFF11077 Motor Mounts and Hardware

# FREIGHTLINER

## Radiator & Exhaust Mounts

**Radiator Mount**




PART NO.	OEM REF.	ID	OD	LENGTH	NOTES
<b>GAFF11021</b>	05-16070-000	7/8 in.	2-31/32 in.	1-13/16 in.	Includes 1 Upper Mount, 1 Lower Mount and 1 Spacer Sleeve

**Exhaust Mount**




PART NO.	ID	OD<	OD	LENGTH
<b>GAFF30504</b>	17/32 in.	1-1/4 in.	2-11/32 in.	1-11/16 in.

**Radiator Mount**




PART NO.	OEM REF.	LENGTH	HEIGHT	NOTES
<b>GAFF11117</b>	A6805040382, LOR SM1035 9, A6805040182	3-15/16 in.	1-5/8 in.	3/4 in. x 1 in. UNC

**Radiator Mount**



PART NO.	OEM REF.	LENGTH	NOTES
<b>GAFF11129</b>	BCD 28721-1, BCD-28847-1	4 in.	1/2-13 UNC Thread

**Radiator Mount**



PART NO.	OEM REF.	LENGTH	HEIGHT	NOTES
<b>GAFF11144</b>	A6805040382	3-15/16 in.	2-1/8 in.	3/4 in. x 1 in. UNC

# FREIGHTLINER

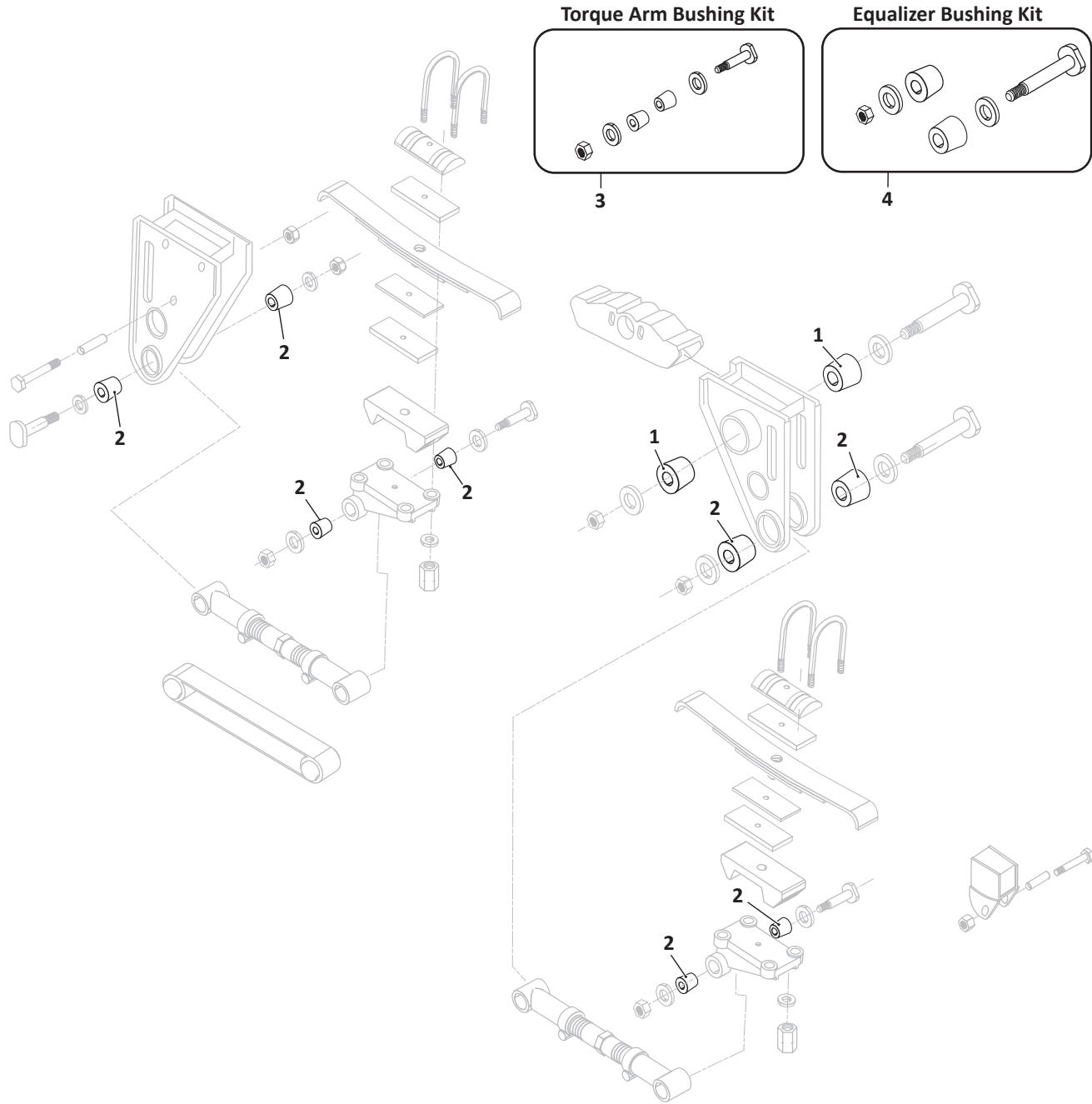
## Clutch & Transmission Bushings

GAFF® Polyurethane  
Components

Shifter Bushing				
PART NO.	OEM REF.	ID	OD	LENGTH
GAFF11611	-	13/16 in.	1-1/2 in.	2-5/16 in.

# FRUEHAUF

## F-2 Standard / F-2 Wide-Base Hangers - Leaf Spring



F-2 Standard / F-2 Wide-Base Hangers - Leaf Spring				
KEY NO.	GAFF NO.	OEM REF.	DESCRIPTION	QTY PER TANDEM
1	GAFF13005	UXA-000004	Equalizer Bushing	4
	GAFF13007	UXA-000004	Equalizer Bushing, Easy Fit	4
2	GAFF13001	UXA-000011	Torque Rod Bushing,	16
	GAFF13043	UXA-000011	Torque Rod Bushing, Easy Fit	16
3	GAFF13042	UXA-000011-900(1/2)	Torque Rod Bushing Kit, Includes Bushings and Hardware	8
4	GAFF13041	UXA-000004-900	Equalizer Bushing Kit, Includes Bushings and Hardware	2




# FRUEHAUF

## Suspension Components


GAFF® Polyurethane  
Components

Equalizer Bushing				
				
PART NO.	OEM REF.	ID	OD	LENGTH
GAFF13005	UXA-000004	2 in.	3-1/2 in.	4-7/16 in.

Torque Rod Bushing				
				
PART NO.	OEM REF.	ID	OD	LENGTH
GAFF13001	UXA-000011	1-1/4 in.	2-3/16 in.	2-3/8 in.

Equalizer Bushing				
				
PART NO.	OEM REF.	ID	OD	LENGTH
GAFF13007	UXA-000004	2 in.	3-7/16 in.	4-7/16 in.

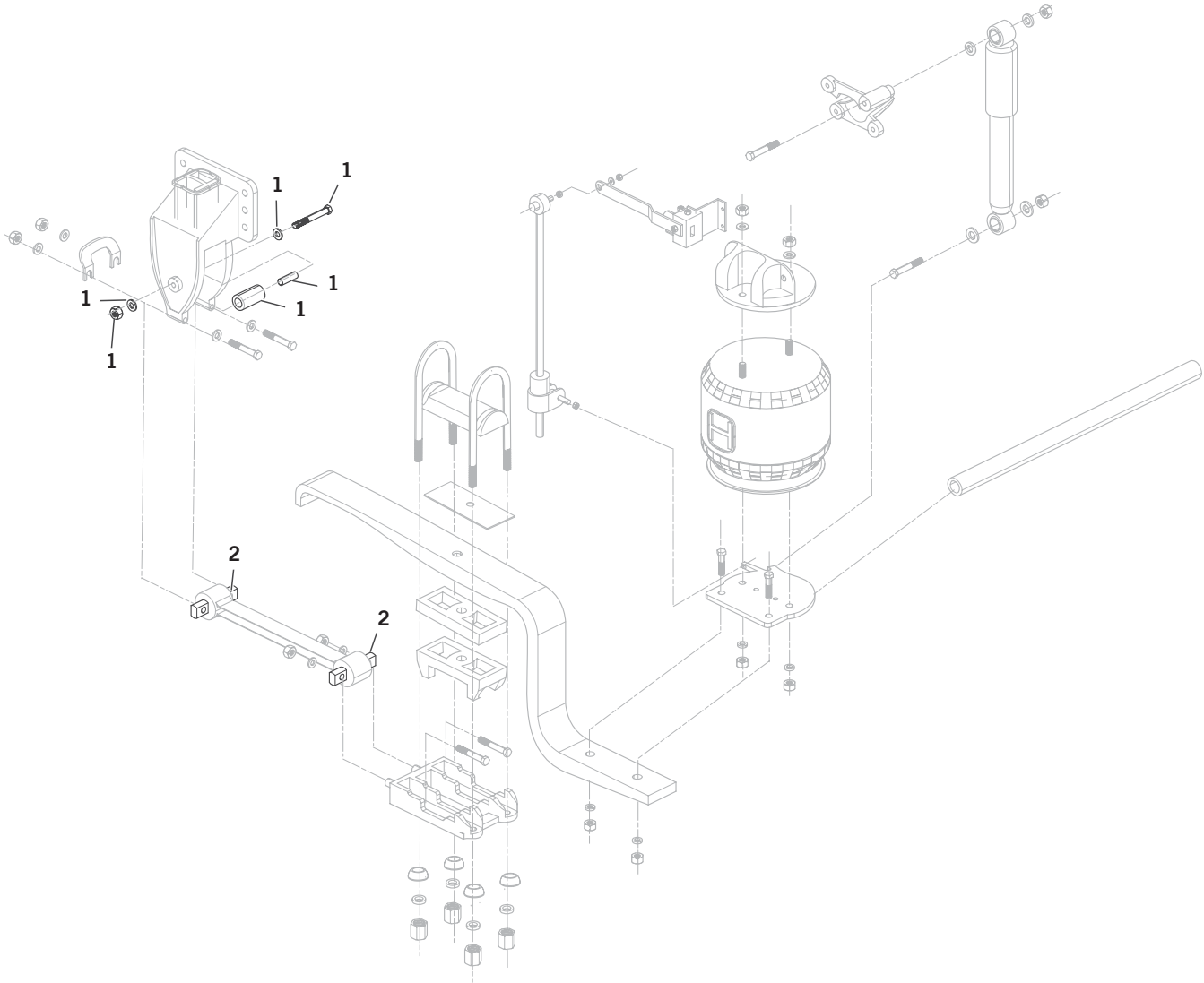
Torque Rod Bushing				
				
PART NO.	OEM REF.	ID	OD	LENGTH
GAFF13043	UXA-000011	1-1/4 in.	2-1/8 in.	2-3/8 in.

Torque Rod Bushing Kit					
					
PART NO.	OEM REF.	ID	OD	LENGTH	NOTES
GAFF13041	05-16070-000	2 in.	3-1/2 in.	4-7/16 in.	Includes 2 GAFF13001 Bushings and Hardware

Equalizer Bushing Kit					
					
PART NO.	OEM REF.	ID	OD	LENGTH	NOTES
GAFF13042	UXA-000004-900	1-1/4 in.	2-3/16 in.	2-3/8	Includes 2 GAFF13005 Bushings and Hardware

# HENDRICKSON

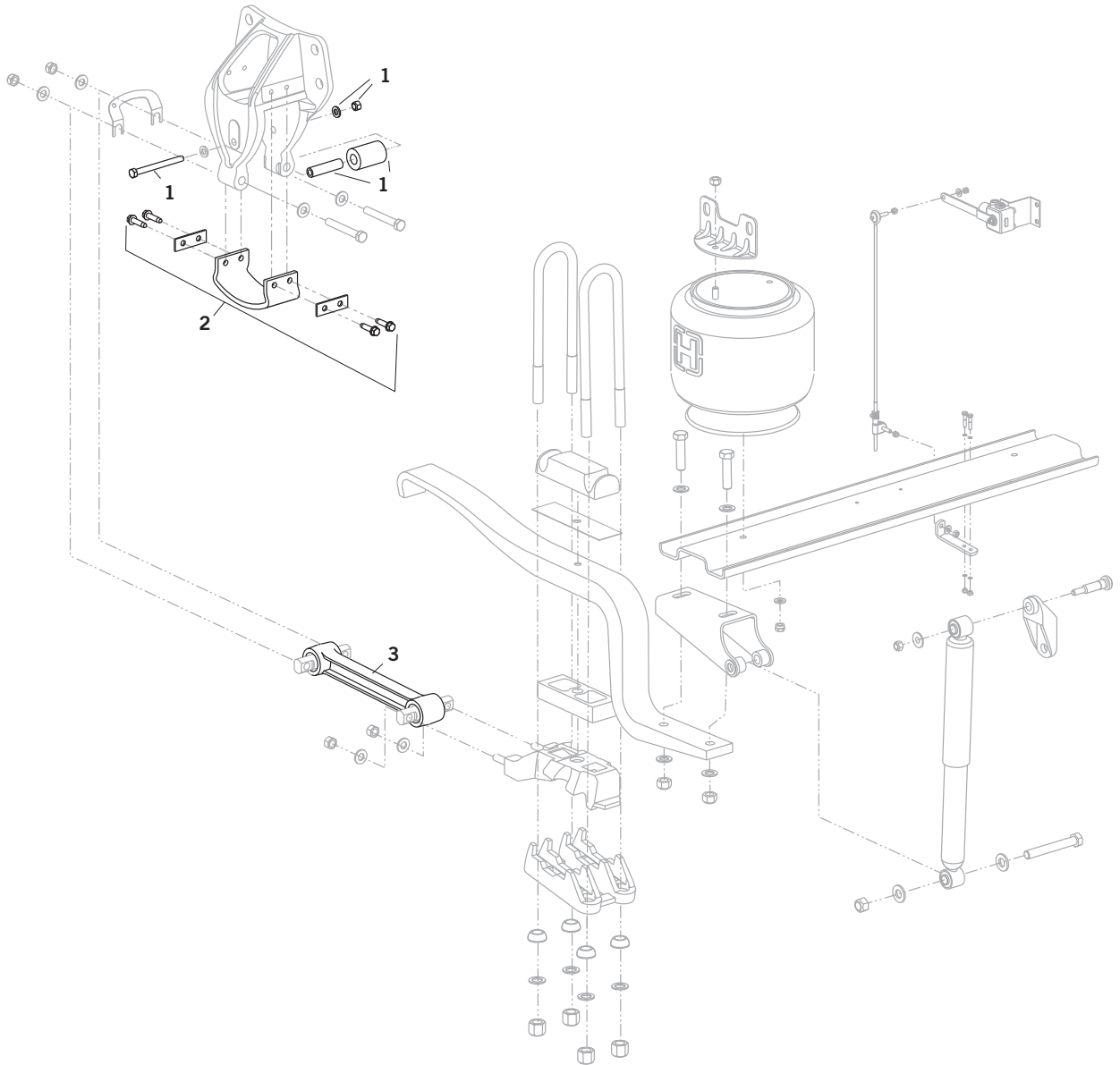
## HA 360/400/460 Tandem Axle Air Suspension



### HA 360/400/460 Tandem Axle Air Suspension

KEY NO.	GAFF NO.	OEM REF.	DESCRIPTION	QTY PER TANDEM
1	<b>GAFF11747</b>	49175-005	Rebound Roller Assembly	2
2	<b>GAFF13521</b>	47691-000	Torque Rod Bushing, HA360, HA400	4

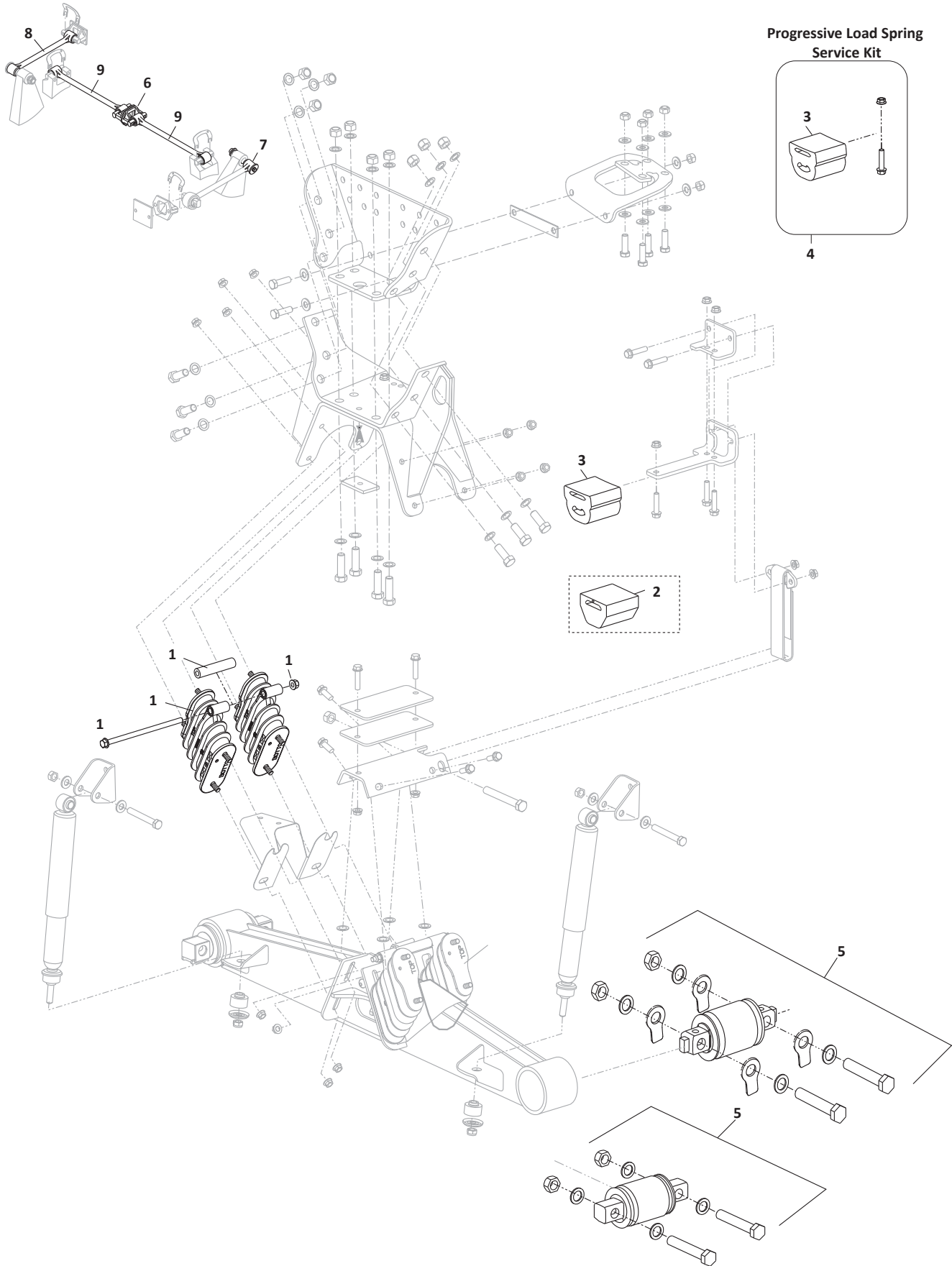
## HAS 360/400/460 Tandem Axle Air Suspension



HAS 360/400/460 Tandem Axle Air Suspension				
KEY NO.	GAFF NO.	OEM REF.	DESCRIPTION	QTY PER TANDEM
1	GAFF11747	49175-005	Rebound Roller Assembly	2
2	GAFF13524	56557-002	Slipper Pad	2
3	GAFF13735	62007-365	Torque Rod, 13/32 Center-to-Center	2

# HENDRICKSON

## HAULMAX Rubber Bolster Spring Suspension

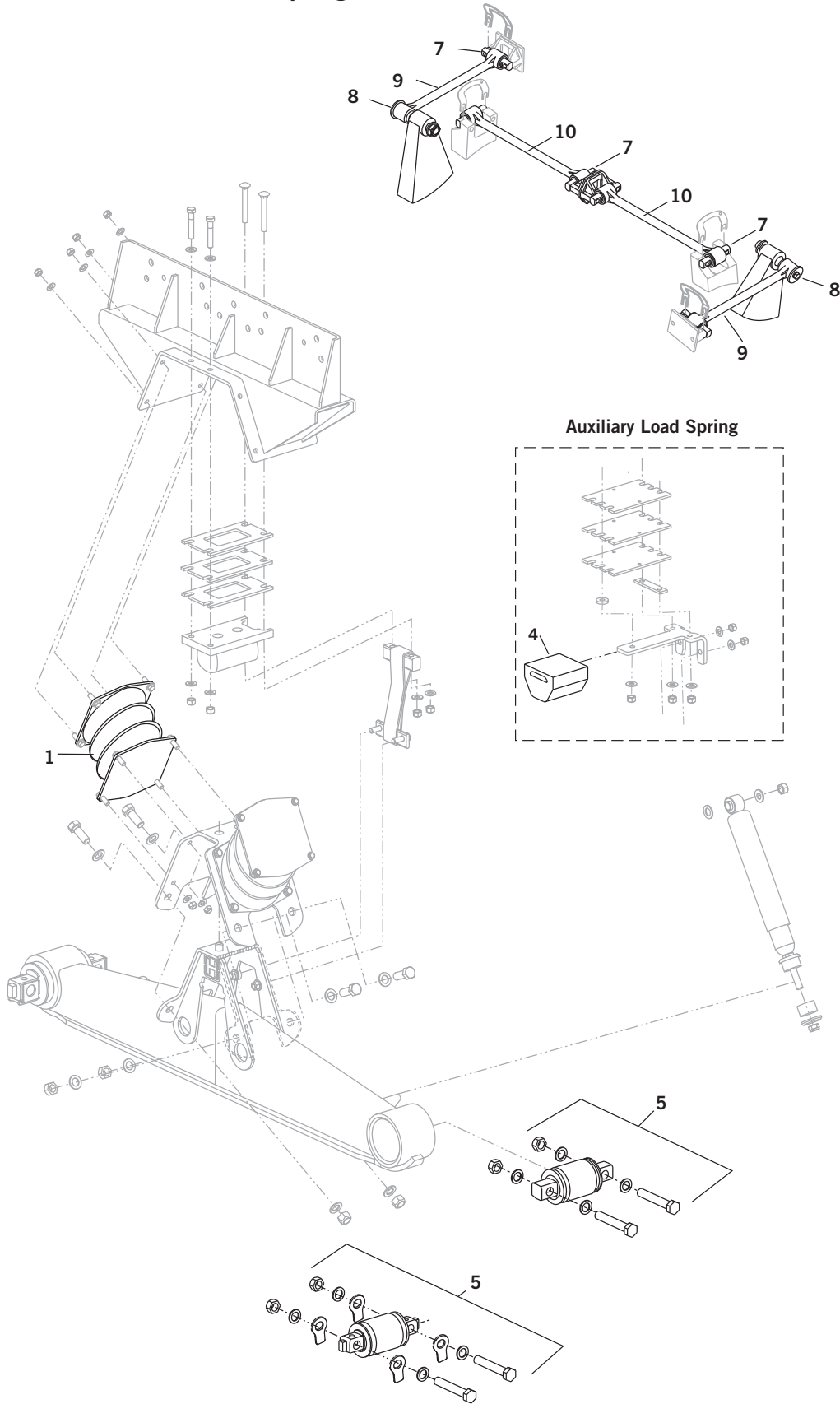


HAULMAAX Rubber Bolster Spring Suspension				
KEY NO.	GAFF NO.	OEM REF.	DESCRIPTION	QTY PER TANDEM
1	GAFF13626	64179-048	Bolster Spring Kit	2
2	GAFF13611	60314-000	Auxiliary Load Spring, Before July 15, 2014	2
	GAFF13807	-	Auxiliary Load Spring, Severe Duty	2
3	GAFF13812	67778-000	Auxiliary Load Spring, After July 15, 2014	2
4	GAFF13814	60961-747	Auxiliary Load Spring Kit, Tandem Set	2
5	GAFF13607	34013-087L	End Beam Bushing Kit, Non Shim Type, Includes Hardware	4
	GAFF13596	34013-088	End Beam Bushing Kit, Shim Type, Includes Hardware	4
	GAFF83596	34013-188	End Beam Bushing Kit, Free Rotating, Shim Type, Includes Hardware	4
6	GAFF13521	47691-000	Straddle Bushing	4
	GAFF13520	44695-000	Torque Rod Bushing	6
	GAFF83520	44695-000	Torque Rod Bushing, Free Rotating Easy Mount	6
7	GAFF13582	64697-000H	Tapered Bushing, 2 in. OD	2
	GAFF13518	44697-000	Tapered Bushing, 2-3/4 in. OD	2
8	GAFF11080	-	Torque Rod, 24 in. Center-to-Center	2
	GAFF13657	-	Torque Rod, 22 in. Center-to-Center	2
	GAFF13733	-	Torque Rod, 24-1/4 in. Center-to-Center	2
	GAFF13679	-	Torque Rod, 25 in. Center-to-Center	2
	GAFF11835	-	Torque Rod, 24 in. Center-to-Center, Easy Mount	2
9	GAFF12396	-	Torque Rod, 17-15/16 in. Center-to-Center	2
	GAFF12398	-	Torque Rod, 25-5/8 in. Center-to-Center	2

# HENDRICKSON

## HN-402/462/522 & HN-FR

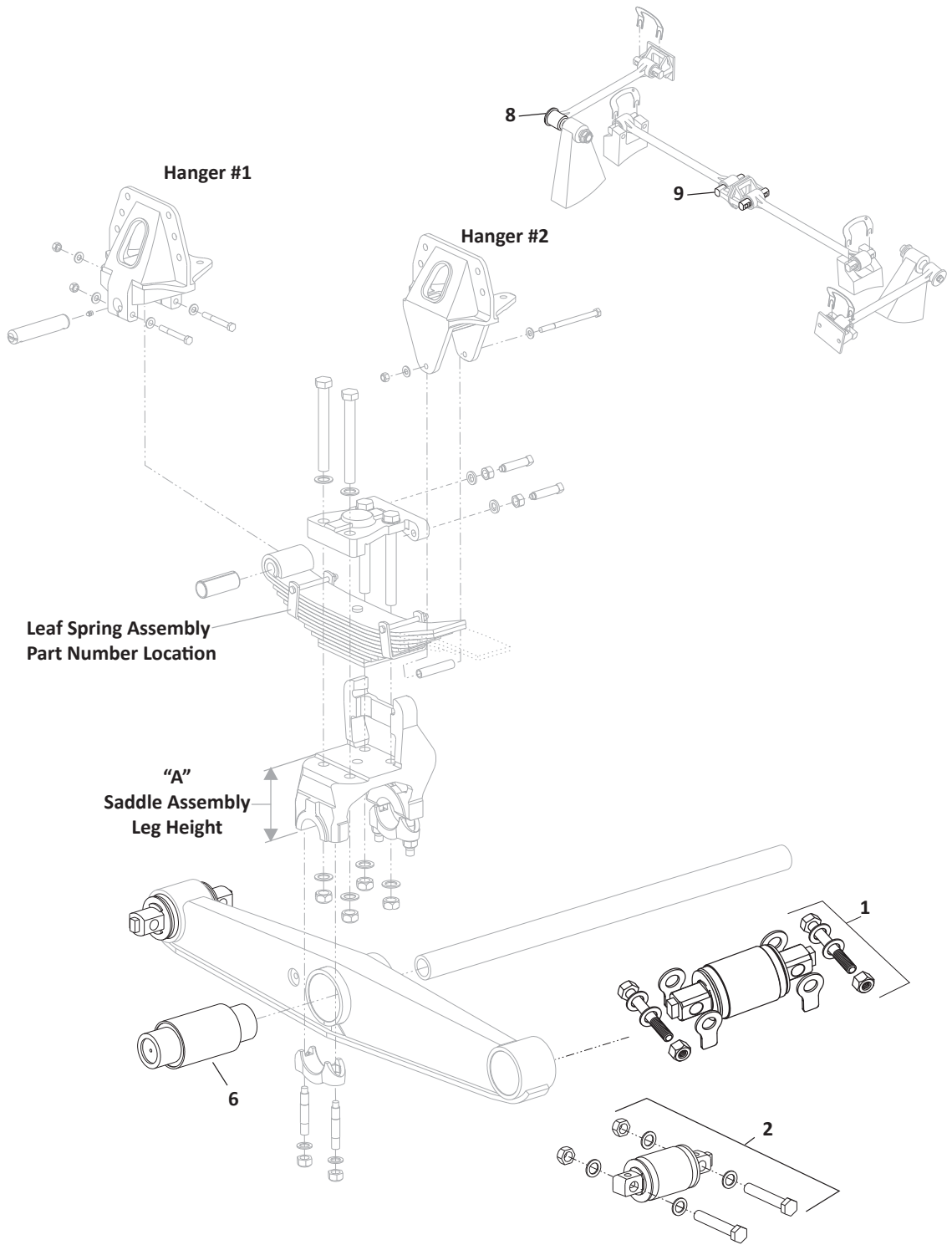
### Rubber Bolster Spring Built Between 4/96 & 11/00



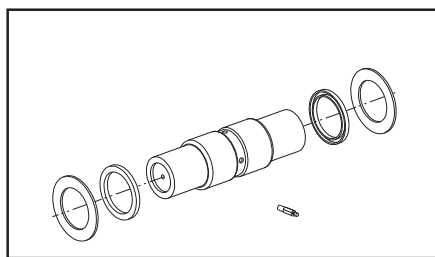
HN-402/462/522 & HN-FR Rubber Bolster Spring Built Between 4/96 & 11/00				
KEY NO.	GAFF NO.	OEM REF.	DESCRIPTION	QTY PER TANDEM
1	GAFF13601	60879-000	Bolster Spring	4
2	GAFF13721	60879-000	Bolster Spring Kit, 1 Pair for One Side, Includes Hardware	2
3	GAFF13722	60879-000	Bolster Spring Kit, 1 Pair for One Side, Includes Hardware and Auxiliary Spring	2
4	GAFF13611	60314-000	Auxiliary Load Spring	2
	GAFF13807	-	Auxiliary Load Spring, Severe Duty	2
	GAFF13812	67778-000	Auxiliary Load Spring, Progressive	2
5	GAFF13607	34013-087L	End Beam Bushing Kit, Non Shim Type, Includes Hardware	4
	GAFF13596	34013-088	End Beam Bushing Kit, Shim Type, Includes Hardware	4
	GAFF83596	34013-188	End Beam Bushing Kit, Free Rotating, Shim Type, Includes Hardware	4
6	GAFF13607	34013-087	End Beam Bushing Kit, Includes Hardware	4
7	GAFF13521	47691-000	Straddle Bushing	6
	GAFF13520	44695-000	Torque Rod Bushing	6
	GAFF83520	44695-000	Torque Rod Bushing, Free Rotating Easy Mount	6
8	GAFF13582	64697-000H	Tapered Bushing, 2 in. OD	2
	GAFF13518	44697-000	Tapered Bushing, 2-3/4 in. OD	2
9	GAFF13733	62350-615	Torque Rod	2
	GAFF11080	-	Torque Rod, 24 in. Center-to-Center	2
	GAFF13657	-	Torque Rod, 22 in. Center-to-Center	2
	GAFF13733	-	Torque Rod, 24-1/4 in. Center-to-Center	2
	GAFF13679	-	Torque Rod, 25 in. Center-to-Center	2
	GAFF11835	-	Torque Rod, 24 in. Center-to-Center, Easy Mount	2
	GAFF12396	-	Torque Rod, 17-15/16 in. Center-to-Center	2
10	GAFF12398	-	Torque Rod, 25-5/8 in. Center-to-Center	2

# HENDRICKSON

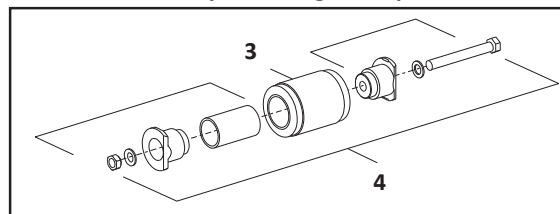
## RT/RTE 340/400/460/480/520 Tandem Axle Suspension



Optional Bronze Center Bushing



Old Style Bushing & Adapter

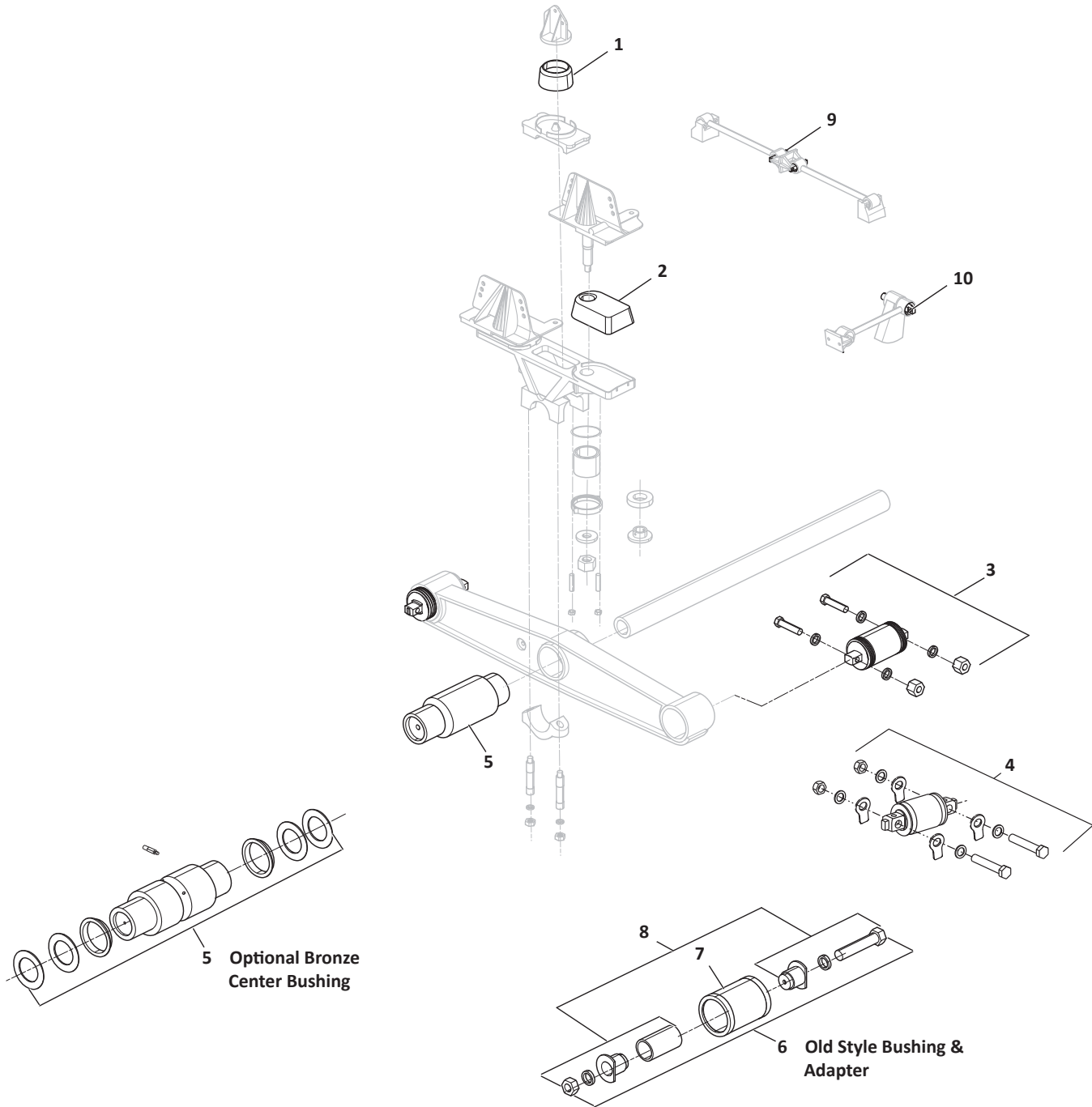




RT/RTE 340/400/460/480/520 Tandem Axle Suspension				
KEY NO.	GAFF NO.	OEM REF.	DESCRIPTION	QTY PER TANDEM
1	GAFF13596	34013-088	End Beam Bushing Kit, Shim Type, Includes Hardware	4
	GAFF83596	34013-188	End Beam Bushing Kit, Free Rotating, Shim Type, Includes Hardware	4
2	GAFF13607	34013-087	End Beam Bushing Kit, Includes Hardware	4
3	GAFF13501	06969-000	End Beam Bushing, Model 340	4
	GAFF13553	29878-001	End Beam Bushing, Model 480, 520	4
4	GAFF13502	45000-007	End Beam Adapter, Model 340, 400	4
	GAFF13609	21140-034	End Beam Adapter, Model 460, 480, 520	4
5	GAFF13566	34013-049	End Beam Bushing Kit	4
6	GAFF13500	06664-000	Center Bushing with Welded End Plug, Model 340	4
	GAFF13543	49600-000	Center Bushing with Loose End Plug, Model 340, 400	4
	GAFF13505	49400-000	Center Bushing with Welded End Plug, Model 340, 400	4
7	GAFF13534	30437-000	Optional Bronze Center Bushing	4
8	GAFF13520	44695-000	Torque Rod Bushing	6
	GAFF83520	44695-000	Torque Rod Bushing, Free Rotating Easy Mount	6
9	GAFF13518	44697-000	Tapered Bushing, 2-3/4 in. OD	2

# HENDRICKSON

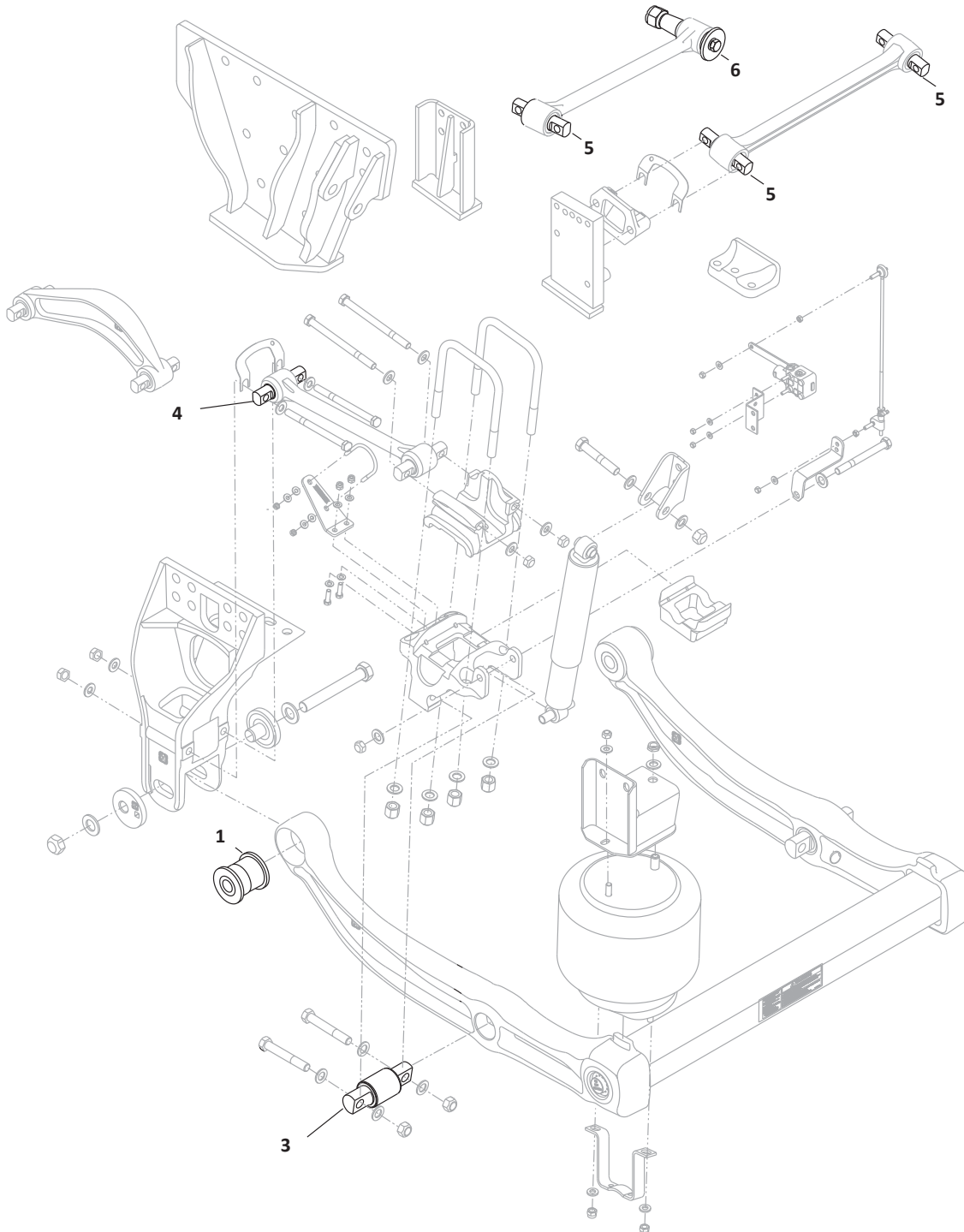
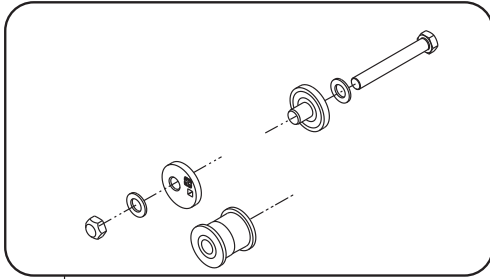
## RS 340/400/460/480/520 Series Tandem Axle Suspension



RS 340/400/460/480/520 Series Tandem Axle Suspension				
KEY NO.	GAFF NO.	OEM REF.	DESCRIPTION	QTY PER TANDEM
1	GAFF13649	24209-000	Heavy Duty Load Cushion	2
2	GAFF13650	26953-000	Load Cushion	4
3	GAFF13607	34013-087	End Beam Bushing Kit, Includes Hardware	4
4	GAFF13596	34013-088	End Beam Bushing Kit, Shim Type, Includes Hardware	4
	GAFF83596	34013-188	End Beam Bushing Kit, Free Rotating, Shim Type, Includes Hardware	4
5	GAFF13543	49600-000	Center Bushing with Loose End Plug, Model 400, 460	4
	GAFF13534	30437-000	Optional Bronze Center Bushing	4
	GAFF13500	06664-000	Center Bushing with Welded End Plug, Model 340	4
6	GAFF13566	34013-049	End Beam Bushing Kit	4
7	GAFF13501	06969-000	End Beam Bushing, Model 340	4
	GAFF13553	29878-001	End Beam Bushing, Model 460	4
8	GAFF13502	45000-007	End Beam Adapter, Model 340	4
	GAFF13609	21140-034	End Beam Bushing Kit, Model 460	4
9	GAFF13520	44695-000	Torque Rod Bushing	6
	GAFF83520	44695-000	Torque Rod Bushing, Free Rotating Easy Mount	6
10	GAFF13518	44697-000	Tapered Bushing, 2-3/4 in. OD	2

## PRIMAAX EX Single/Tandem Axle Air Suspension

Pivot Bushing Kit, Axle Set

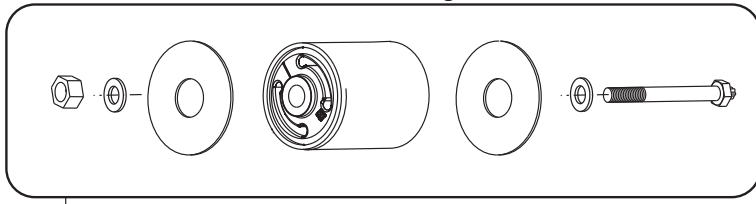


PRIMAAX EX Single/Tandem Axle Air Suspension				
KEY NO.	GAFF NO.	OEM REF.	DESCRIPTION	QTY PER TANDEM
1	GAFF18821	58648-000	Pivot Bushing	2
2	GAFF13817	60632-20, 60632-8	Pivot Bushing Kit, Axle Set	1
3	GAFF13627	60383-000	"D" Pin Bushing, Use with 3/4 in. Bolts	2
4	GAFF13672	69210-000	Torque Rod Bushing, Straddle Mount, 4-3/8 in. Long, 3/4 in. Bolts	-
	GAFF14010	47692-000	Torque Rod Bushing, Through Bolt, 7/8 in. ID x 2-1/32 in. OD, 3 in. Long	-
	GAFF13652	47692-000	Torque Rod Bushing, Through Bolt, 7/8 in. ID x 2-1/32 in. OD, 3 in. Long	-
5	GAFF11004	47691-000	Torque Rod Bushing, Straddle Mount, 5/8 in. Bolts, Used on Rods with 1 Tapered Bushing	1
	GAFF13521	47691-000	Straddle Bushing	-
6	GAFF13582	64697-000H	Tapered Bushing, 2 in. OD	-

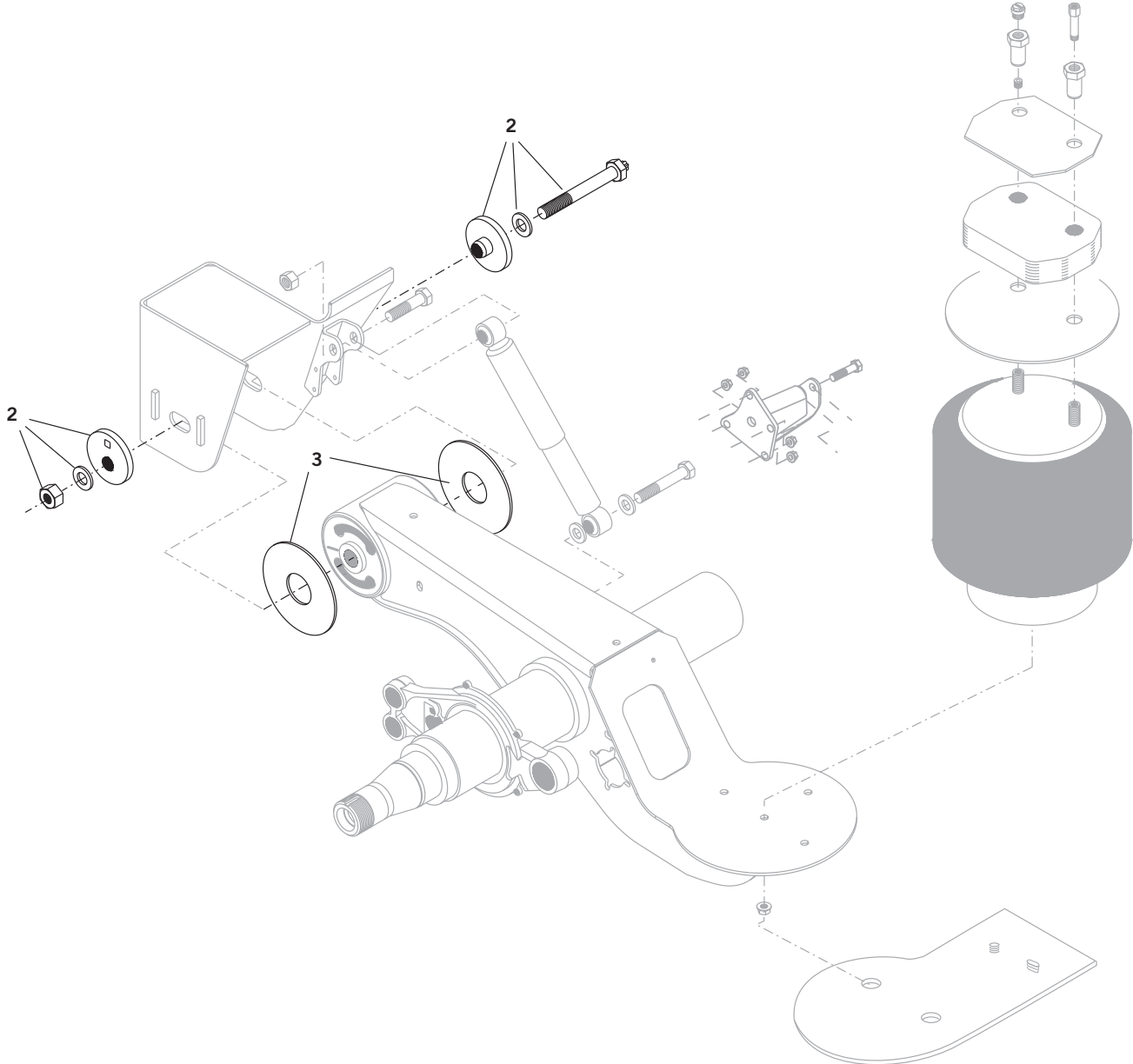
# HENDRICKSON

## INTRAAX AAL, AANL, AANLS, AAEDL, AAZL 23/46K Slider, VANTRAAX HKAL 46K & HKARL 46K

Tri-Function Bushing Kit



1

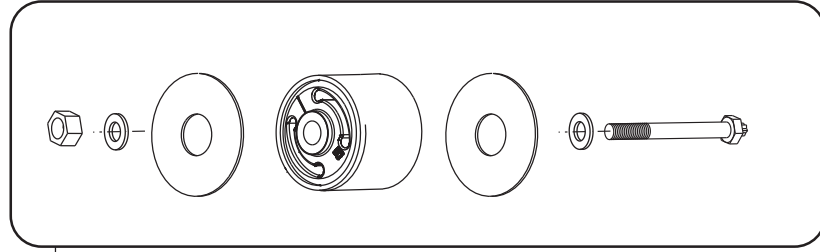


INTRAAX AAL, AANL, AANLS, AAEDL, AAZL 23/46K Slider, VANTRAAX HKAL 46K & HKARL 46K				
KEY NO.	GAFF NO.	OEM REF.	DESCRIPTION	QTY PER TANDEM
1	<b>GAFF13594</b>	S-26321	Pivot Bushing Kit, Includes Hardware and Alignment Washers	2
	<b>GAFF13743</b>	S-26321	Pivot Bushing Kit, Includes Hardware, Alignment Washer Not Included, Axle Set	1
2	<b>GAFF13673</b>	S-24705	Pivot Bolt Kit, 7 in. Long Bolt, Includes Alignment Washers	2
3	<b>GAFF13648</b>	S-21099	Wear Shims	4

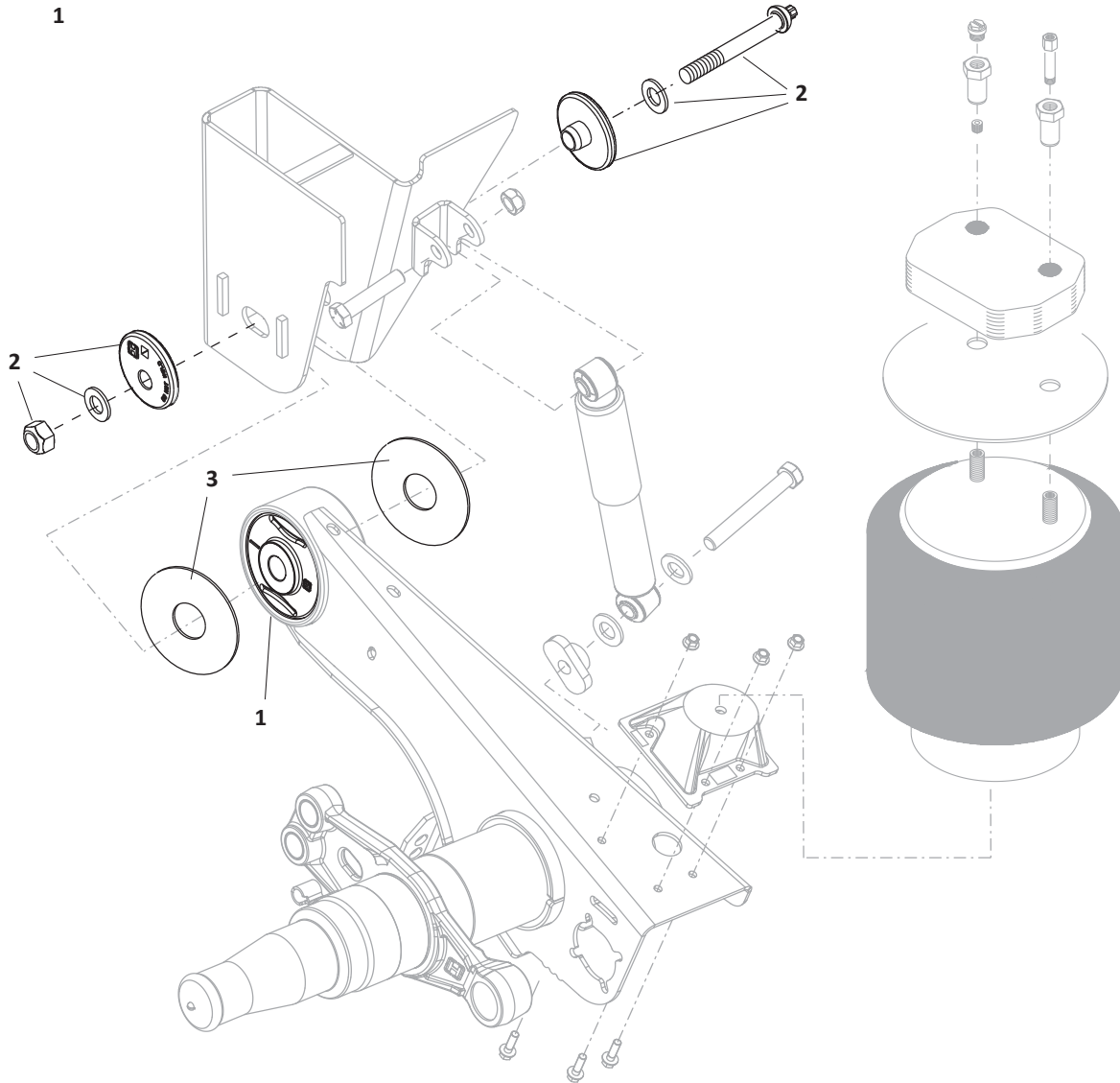
# HENDRICKSON

## INTRAAAX AANT 23K & AAZNT AND VANTRAAX, HKAT 50K/HKA250, ULTRAA-K UTKNT 40K

### Tri-Function Bushing Kit



1




INTRAAAX AANT 23K & AAZNT AND VANTRAAX, HKAT 50K/HKA250, ULTRAA-K UTKNT 40K				
KEY NO.	GAFF NO.	OEM REF.	DESCRIPTION	QTY PER TANDEM
1	GAFF13565	S-6914	Pivot Bushing	2
	GAFF13600	S-24691	Pivot Bushing with Wear Shims	2
	GAFF13628	S-24691	Pivot Bushing with Hardware and Alignment Washers	2
	GAFF13744	S-24691	Pivot Bushing with Hardware, Alignment Washers Not Included	2
	GAFF13510	S-6914	Pivot Bushing with Hardware, Use for all HT Applications	2
2	GAFF13604	S-24679	Pivot Bolt Kit, 10 1/2 in. Long Bolt	2
3	GAFF13542	S-1161-3	Wear Shims	4



## Suspension Components

**"D" Pin Bushing**


PRIMAAX,  
PRIMAAX EX



PART NO.	OEM REF.	OD	BOLT DIA.	LENGTH
<b>GAFF13627</b>	60383-000	2-1/2 in.	7/8 in.	5-1/2 in.

**Auxiliary Load Spring**


HAULMAAX & HN Series



PART NO.	OEM REF.	NOTES
<b>GAFF13611</b>	60314-000	1 Slot

**Pivot Bushing Kit, Axle Set**


PRIMAAX,  
PRIMAAX EX



PART NO.	OEM REF.	OD	ID	LENGTH	NOTES
<b>GAFF13817</b>	60632-20, 60632-8	3-11/16 in.	1-1/4 in.	3-5/8 in.	Includes Bushing, Hardware and Alignment Washers

**Bolster Spring**


HN Series



PART NO.	OEM REF.	BOLT DIA.	LENGTH	NOTES
<b>GAFF13601</b>	60879-000	15/32 in.	10-7/8 in.	1 Spring

**Auxiliary Load Spring Kit, Tandem Set**

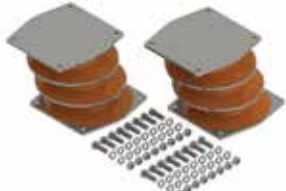
HAULMAAX



PART NO.	OEM REF.	NOTES
<b>GAFF13814</b>	60961-747	Includes 2 Load Springs & Mounting Hardware

**Bolster Spring Kit**


HN Series



PART NO.	OEM REF.	BOLT DIA.	LENGTH	NOTES
<b>GAFF13721</b>	60879-000	15/32 in.	10-7/8 in.	1 Pair for One Side, Includes Hardware

**Auxiliary Load Spring**


HAULMAAX



PART NO.	OEM REF.	NOTES
<b>GAFF13812</b>	67778-000	2 Slots, Vehicles Built After 07/15/14

**Bolster Spring Kit**

HN Series




PART NO.	OEM REF.	BOLT DIA.	LENGTH	NOTES
<b>GAFF13722</b>	60879-000	15/32 in.	10-7/8 in.	1 Pair for One Side, Includes Hardware & Auxiliary Load Spring

# HENDRICKSON

## Suspension Components

**Bolster Spring Kit**


HAULMAAX



PART NO.	OEM REF.	NOTES
<b>GAFF13626</b>	64179-048	Includes 2 Bolster Springs, Tie Bar and Hardware

**Center Bushing with Welded End Plug**


400-460 Series



PART NO.	OEM REF.	OD	ID	LENGTH	NOTES
<b>GAFF13505</b>	49400-000	4-3/4 in.	2-1/2 in.	12 in.	Welded End Plug

**Bronze Center Bushing**


RT & RS Series



PART NO.	OEM REF.	OD	ID	LENGTH
<b>GAFF13534</b>	30437-000	4-3/4 in.	2-1/2 in.	12 in.

**End Beam Adapter**

400-460 Series



PART NO.	OEM REF.	NOTES
<b>GAFF13502</b>	45000-007	3/4 in. Dia. x 6-1/2 in. Long Bolt

**Center Bushing with Loose End Plug**


400-460 Series



PART NO.	OEM REF.	OD	ID	LENGTH	NOTES
<b>GAFF13543</b>	49600-000	4-3/4 in.	2-1/2 in.	12 in.	Loose End Plug

**End Beam Adapter**


460 Series



PART NO.	OEM REF.	NOTES
<b>GAFF13609</b>	21140-034	1 in. Dia x 10-1/2 in. Long Bolt

**Center Bushing with Welded End Plug**

340 Series



PART NO.	OEM REF.	OD	LENGTH	NOTES
<b>GAFF13500</b>	06664-000	3-5/8 in.	12 in.	Welded End Plug

**End Beam Adapter**


480 & 520 Series




PART NO.	OEM REF.	OD	ID	LENGTH
<b>GAFF13553</b>	29878-001	4-3/8 in.	2-1/2 in.	5-3/4 in.


## Suspension Components


End Beam Adapter				
340 Series				
				
PART NO.	OEM REF.	OD	ID	LENGTH
<b>GAFF13501</b>	06969-000	4-3/8 in.	2-1/2 in.	5-1/4 in.


End Beam Bushing Kit, Free Rotating, Shim Type			
340 - 520 Series			
			
PART NO.	OEM REF.	OD	NOTES
<b>GAFF83596</b>	34013-088	4-3/8 in.	Includes Mounting Hardware & Alignment Washers


End Beam Bushing Kit				
340 - 520 Series				
				
PART NO.	OEM REF.	OD	BOLT DIA.	NOTES
<b>GAFF13607</b>	34013-087	4-3/8 in.	1-1/16 in.	Includes Mounting Hardware

Heavy Duty Load Cushion				
RS Series				
				
PART NO.	OEM REF.	OD	ID	LENGTH
<b>GAFF13649</b>	24209-000	7 in.	1 in.	4 in.

End Beam Bushing Kit		
400 & 440 Series		
		
PART NO.	OEM REF.	NOTES
<b>GAFF13566</b>	34013-049	Includes GAFF13506 Bushing & GAFF13609 Beam Adapter

Load Cushion	
RS Series	
	
PART NO.	OEM REF.
<b>GAFF13650</b>	26953-000

End Beam Bushing Kit, Shim Type			
340 - 520 Series			
			
PART NO.	OEM REF.	OD	NOTES
<b>GAFF13596</b>	34013-088	4-3/8 in.	Includes Mounting Hardware & Alignment Washers


Pivot Bolt Kit			
INTRAAX, VANTRAAX - Wide Bushing Version			
			
PART NO.	OEM REF.	LENGTH	NOTES
<b>GAFF13604</b>	S-24679	10-1/2 in.	7/8-9 UNC, Includes Hardware and Alignment Washers

# HENDRICKSON

## Suspension Components

**Pivot Bolt Kit**


INTRAAX,  
VANTRAAX,  
ULTRAA-K  
- Narrow  
Bushing  
Version



PART NO.	OEM REF.	LENGTH	NOTES
<b>GAFF13673</b>	S-24705	7 in.	7/8-9 UNC, Includes Hardware and Alignment Washers

**Pivot Bushing Kit - Wide Bushing**

INTRAAX,  
VANTRAAX -  
Wide  
Bushing  
Version



PART NO.	OEM REF.	OD	ID	LENGTH
<b>GAFF13628</b>	S-24691	6 in.	1-1/4 in.	6-3/4 in.

**Pivot Bushing**

PRIMAAX,  
PRIMAAX EX



PART NO.	OEM REF.	OD	ID	LENGTH
<b>GAFF18821</b>	58648-000	3-11/16 in.	1-1/4 in.	3-5/8 in.

**Wear Shims**


INTRAAX,  
VANTRAAX,  
ULTRAA-K -  
Narrow Bushing  
Version



PART NO.	OEM REF.	OD	ID
<b>GAFF13648</b>	S-21099	7-7/16 in.	2-15/16 in.

**Pivot Bushing Kit - Narrow Bushing**


INTRAAX,  
VANTRAAX,  
ULTRAA-K  
- Narrow  
Bushing  
Version



PART NO.	OEM REF.	OD	ID	LENGTH	NOTES
<b>GAFF13594</b>	S-26321	6 in.	1-1/4 in.	3-5/8 in.	Includes Bushing, Hardware and Alignment Washers

**Pivot Bushing**


INTRAAX,  
VANTRAAX -  
Wide  
Bushing  
Version



PART NO.	OEM REF.	OD	ID	LENGTH	NOTES
<b>GAFF13565</b>	S-6914	5-13/16 in.	1-1/4 in.	6-3/4 in.	Bushing Only

**Pivot Bushing Kit - Narrow Bushing**

INTRAAX,  
VANTRAAX,  
ULTRAA-K  
- Narrow  
Bushing  
Version



PART NO.	OEM REF.	OD	ID	LENGTH	NOTES
<b>GAFF13743</b>	S-26321	6 in.	1-1/4 in.	3-5/8 in.	Axle Set, Includes Bushings and Hardware

**Pivot Bushing with Wear Shims**

INTRAAX,  
VANTRAAX -  
Wide  
Bushing  
Version




PART NO.	OEM REF.	OD	ID	LENGTH	NOTES
<b>GAFF13600</b>	S-24691	5-13/16 in.	1-1/4 in.	6-3/4 in.	Includes Wear Shims

## Suspension Components

**Pivot Bushing with Hardware and Alignment Washers**


INTRAAAX,  
VANTRAAX  
- Wide  
Bushing  
Version



PART NO.	OEM REF.	OD	ID	LENGTH	NOTES
<b>GAFF13628</b>	S-24691	5-13/16 in.	1-1/4 in.	6-3/4 in.	Includes Bolt, Nut, Alignment Washers, Wear Washers, Bolt Washers

**Rebound Roller Assembly**


HA & HAS  
Series



PART NO.	OEM REF.	OD	ID	LENGTH	NOTES
<b>GAFF11747</b>	49175-005	2-1/2 in.	9/16 in.	3-5/8 in.	Includes Roller and Hardware

**Pivot Bushing with Hardware, Alignment Washers Not Included**

INTRAAAX,  
VANTRAAX  
- Wide  
Bushing  
Version



PART NO.	OEM REF.	OD	ID	LENGTH	NOTES
<b>GAFF13744</b>	S-24691	5-13/16 in.	1-1/4 in.	6-3/4 in.	Includes Bolt, Nut, Wear Washers, Bolt Washers

**Slipper Pad**


HAS Series



PART NO.	OEM REF.	BOLT DIA.	NOTES
<b>GAFF13524</b>	56557-002	7/16 in.	3/8-16 UNC

**Pivot Bushing With Hardware, Use for all HT Applications**


HT190 -  
HT300



PART NO.	OEM REF.	OD	ID	LENGTH	NOTES
<b>GAFF13510</b>	S-6914	5-13/16 in.	1-1/4 in.	6-3/4 in.	Includes Bolt, Nut, Wear Washers, Bolt Washers

**Tapered Bushing**

HAULMAAX &  
HN Series



PART NO.	OEM REF.	OD	LENGTH	NOTES
<b>GAFF13582</b>	64697-000H	2 in.	8-1/16 in.	1-1/4-12 UNF

**Wear Shims**

INTRAAAX,  
VANTRAAX -  
Wide Bushing  
Version



PART NO.	OEM REF.	OD	ID
<b>GAFF13542</b>	S-1161-3	7 in.	2-3/8 in.


**Tapered Bushing**





PART NO.	OEM REF.	OD	LENGTH	NOTES
<b>GAFF13518</b>	64400-004L	2-3/4 in.	8-1/16 in.	1-1/4-12 UNF


# HENDRICKSON


## Suspension Components


Torque Rod				
HAS Series				
				
PART NO.	OEM REF.	BOLT DIA.	LENGTH	NOTES
GAFF13735	62007-365	5/8 in.	14-3/8 in.	Straddle Mount Bushings


Torque Rod			
HAULMAAX & HN Series			
			
PART NO.	OEM REF.	LENGTH	NOTES
GAFF13679	-	25 in.	1 Straddle Mount Bushing & 1 Tapered Bushing, 1-1/4-12 UNF


Torque Rod				
HAULMAAX & HN Series				
				
PART NO.	OEM REF.	BOLT DIA.	LENGTH	NOTES
GAFF13733	62350-615	5/8 in.	24-1/4 in.	1 Straddle Mount Bushing & 1 Tapered Bushing, 1-1/4-12 UNF

Torque Rod, Easy Mount			
HAULMAAX & HN Series			
			
PART NO.	OEM REF.	LENGTH	NOTES
GAFF11835	-	24 in.	1 Straddle Mount Bushing & 1 Tapered Bushing, 1-1/4-12 UNF, Straddle Bushing is Free Rotating


Torque Rod			
HAULMAAX & HN Series			
			
PART NO.	OEM REF.	LENGTH	NOTES
GAFF11080	-	24 in.	1 Straddle Mount Bushing & 1 Tapered Bushing, 1-1/4-12 UNF


Torque Rod			
HAULMAAX & HN Series			
			
PART NO.	OEM REF.	LENGTH	NOTES
GAFF12396	-	17-15/16 in.	2 Straddle Mount Bushings

Torque Rod			
HAULMAAX & HN Series			
			
PART NO.	OEM REF.	LENGTH	NOTES
GAFF13657	-	22 in.	1 Straddle Mount Bushing & 1 Tapered Bushing, 1-1/4-12 UNF

Torque Rod			
HAULMAAX & HN Series			
			
PART NO.	OEM REF.	LENGTH	NOTES
GAFF12398	-	25-5/8 in.	2 Straddle Mount Bushings

## Suspension Components

Torque Rod Bushing				
HAS, HAULMAAX & HN Series				
				
PART NO.	OEM REF.	OD	ID	
<b>GAFF13521</b>	47691-000	2 in.	5/8 in.	

Torque Rod Bushing				
PRIMAAX, PRIMAAX EX				
				
PART NO.	OEM REF.	OD	BOLT DIA.	NOTES
<b>GAFF11004</b>	47691-000, A-16-119448, 47691-000L	2 in.	5/8 in.	Torque Rod Bushing, Straddle Mount, Used on Rods with 1 Tapered Bushing

Torque Rod Bushing				
HAULMAAX, HN Series, RT Series & RS Series				
				
PART NO.	OEM REF.	OD	ID	LENGTH
<b>GAFF13520</b>	44695-000	-	-	-

Torque Rod Bushing				
PRIMAAX, PRIMAAX EX				
				
PART NO.	OEM REF.	OD	BOLT DIA.	LENGTH
<b>GAFF13652</b>	65831-000	-	15/16 in.	6-1/4 in.

Torque Rod Bushing, Easy Mount				
HAULMAAX, HN Series, RT Series & RS Series				
				
PART NO.	OEM REF.	OD	ID	NOTES
<b>GAFF83520</b>	44695-000	-	-	Bushing is Free Rotating

Torque Rod Bushing				
PRIMAAX, PRIMAAX EX				
				
PART NO.	OEM REF.	OD	BOLT DIA.	LENGTH
<b>GAFF13672</b>	69210-000	2 in.	3/4 in.	4-3/8 in.

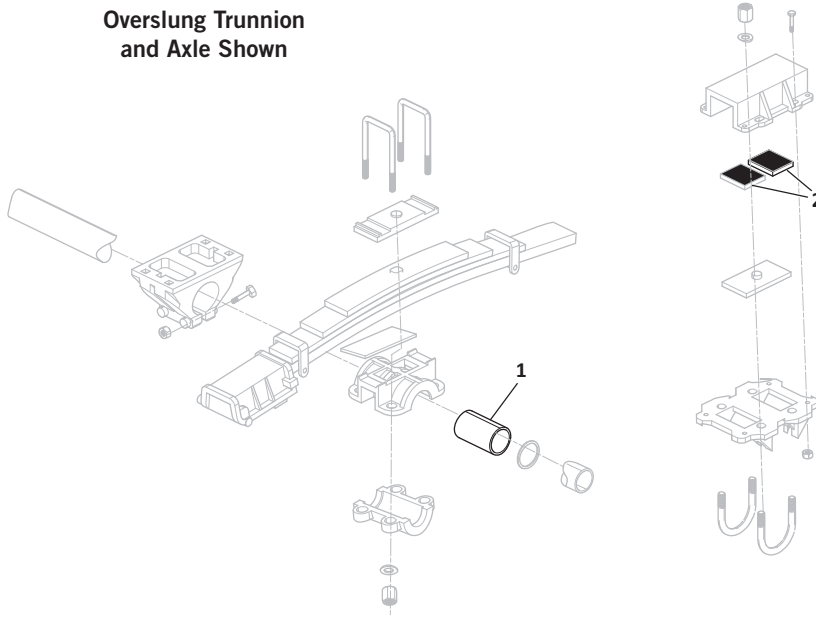
Torque Rod Bushing					
PRIMAAX, PRIMAAX EX					
					
PART NO.	OEM REF.	OD	ID	LENGTH	NOTES
<b>GAFF14010</b>	47692-000	2 in.	7/8 in.	3 in.	Torque Rod Bushing, Through Bolt Style



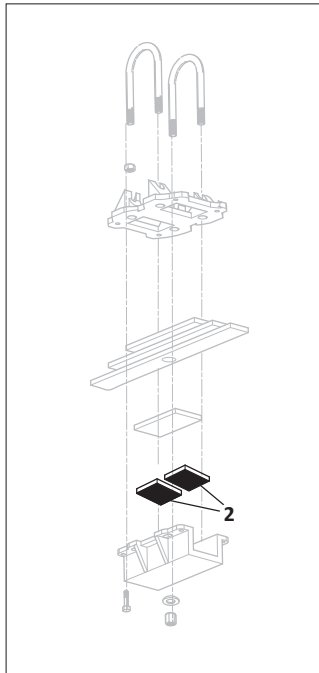
# HUTCHENS

## Single Point Suspension H900

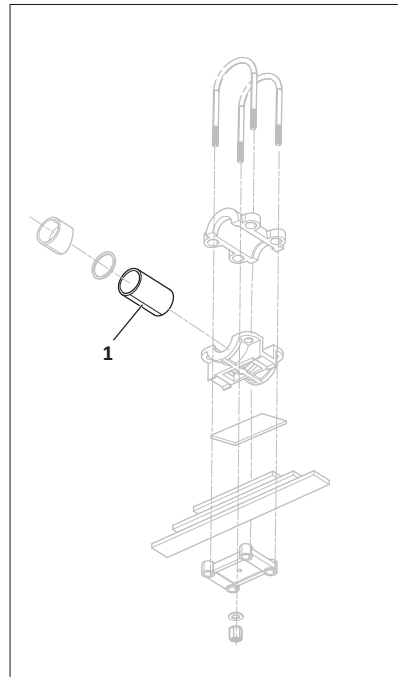
Overslung Trunnion  
and Axle Shown



Underslung Axles



Underslung  
Trunnion Assembly

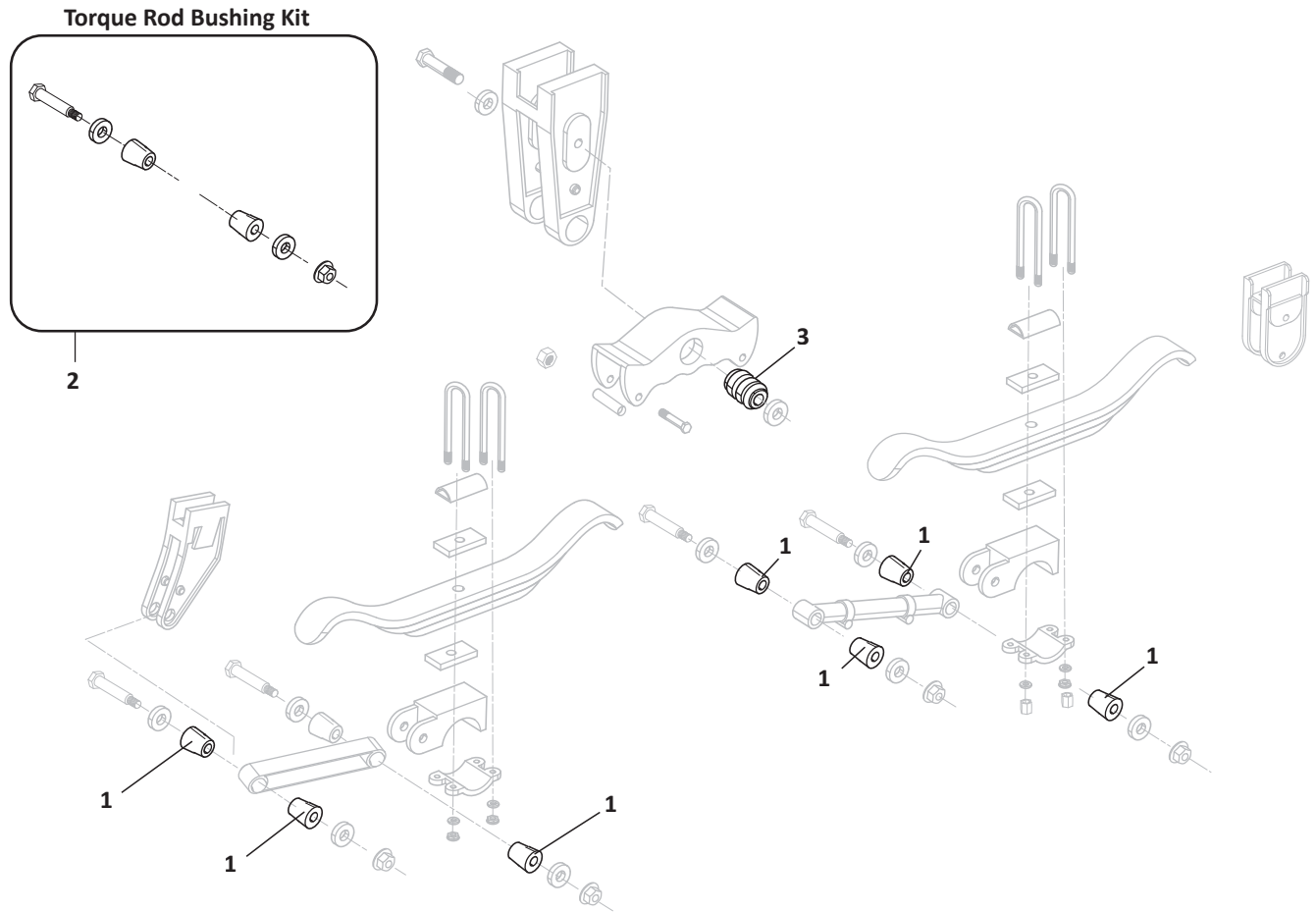


### Single Point Suspension H900

KEY NO.	GAFF NO.	OEM REF.	DESCRIPTION	QTY PER TANDEM
1	GAFF14027	890-00	Trunnion Bushings	2
2	GAFF14087	814-00	Spring End Pad	8



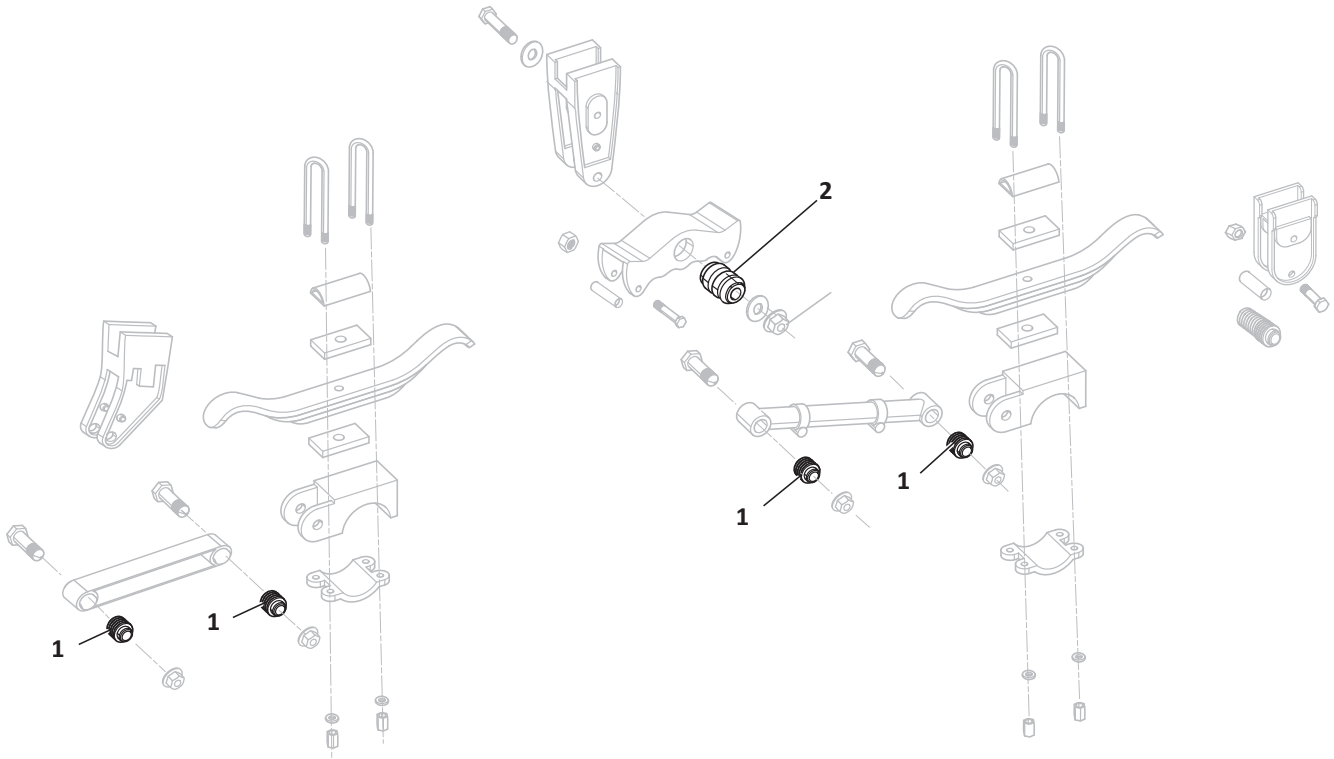
## Four Spring Suspension H/CH 7600/9600



Four Spring Suspension H/CH 7600/9600				
KEY NO.	GAFF NO.	OEM REF.	DESCRIPTION	QTY PER TANDEM
1	GAFF13001	7620-00	Torque Rod Bushing	16
2	GAFF13042	-	Torque Rod Bushing Kit	8
3	GAFF14038	18723-01	Equalizer Bushing	2

# HUTCHENS


## Four Spring Suspension H/CH 7700/9700





### Four Spring Suspension H/CH 7700/9700


KEY NO.	GAFF NO.	OEM REF.	DESCRIPTION	QTY PER TANDEM
1	<b>GAFF14008</b>	722-00	Torque Rod Bushing	8
	<b>GAFF14073</b>	722-00	Torque Rod Bushing	8
2	<b>GAFF14038</b>	18723-01	Equalizer Bushing	2


## Suspension Components

Equalizer Bushing				
Model: H/CH 7700/9700				
				
PART NO.	OEM REF.	OD	ID	LENGTH
GAFF14038	18723-01	3-5/16 in.	1-5/32 in.	3-7/8 in.

Torque Rod Bushing				
Model: H/CH 7600/9600				
				
PART NO.	OEM REF.	OD	ID	LENGTH
GAFF14073	722-00	1-15/16 in.	1 in.	3 in.

Spring End Pad				
Model: H900				
				
PART NO.	OEM REF.	LENGTH	WIDTH	THICKNESS
GAFF14087	814-00	5 in.	2-7/8 in.	13/16 in.

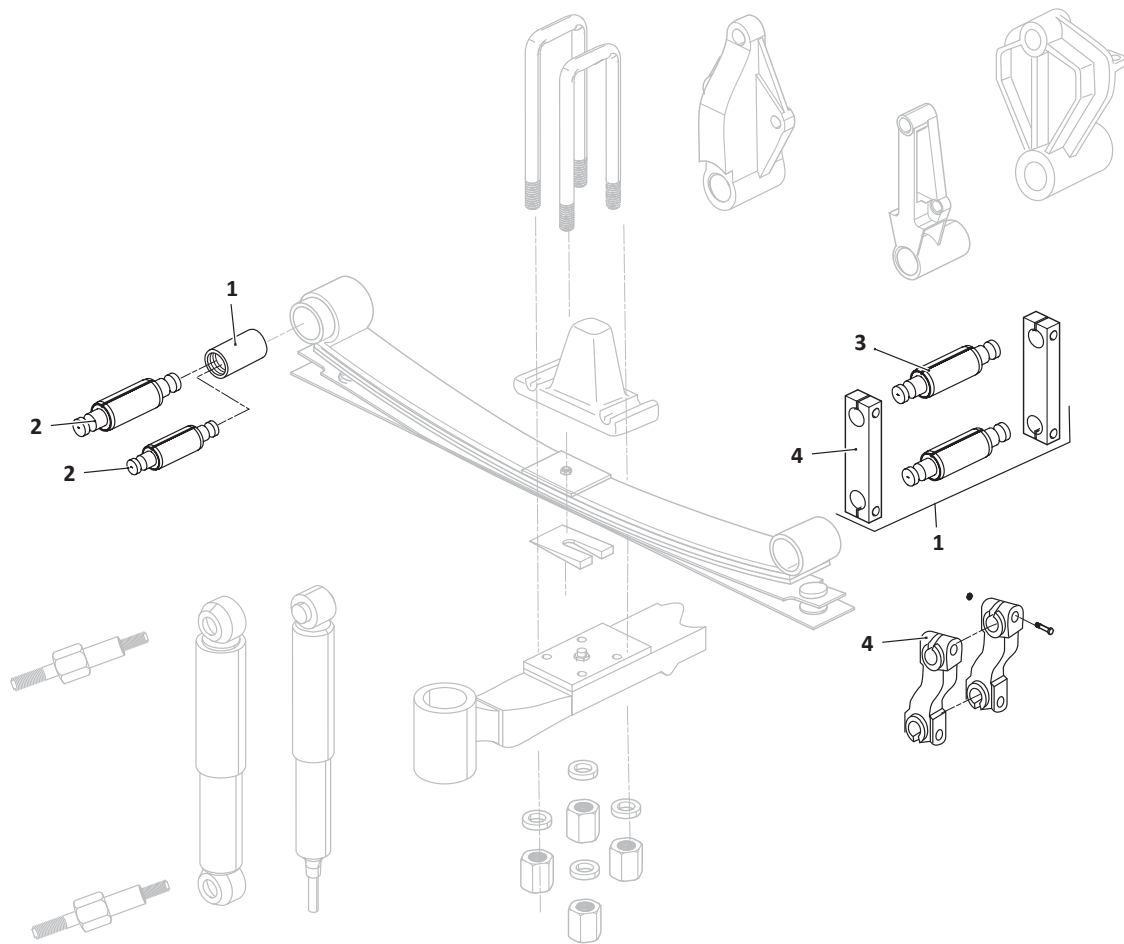
Torque Rod Bushing Kit				
Model: H/CH 7600/9600				
				
PART NO.	OD	ID	LENGTH	NOTES
GAFF13042	2-3/16 in.	1-1/4 in.	2-3/8 in.	1-1/4 in. Bolt

Torque Rod Bushing				
Model: H/CH 7600/9600				
				
PART NO.	OEM REF.	OD	ID	LENGTH
GAFF13001	7620-00	2-3/16 in.	1-1/4 in.	2-3/8 in.

Trunnion Bushings				
Model: H900				
				
PART NO.	OEM REF.	OD	ID	LENGTH
GAFF14027	890-00	5 in.	4 in.	9 in.

Torque Rod Bushing				
Model: H/CH 7700/9700				
				
PART NO.	OEM REF.	OD	ID	LENGTH
GAFF14008	722-00	1-29/32 in.	1 in.	3 in.

## C500, K110/300, T300/400/450/600/800/200, W900 Model



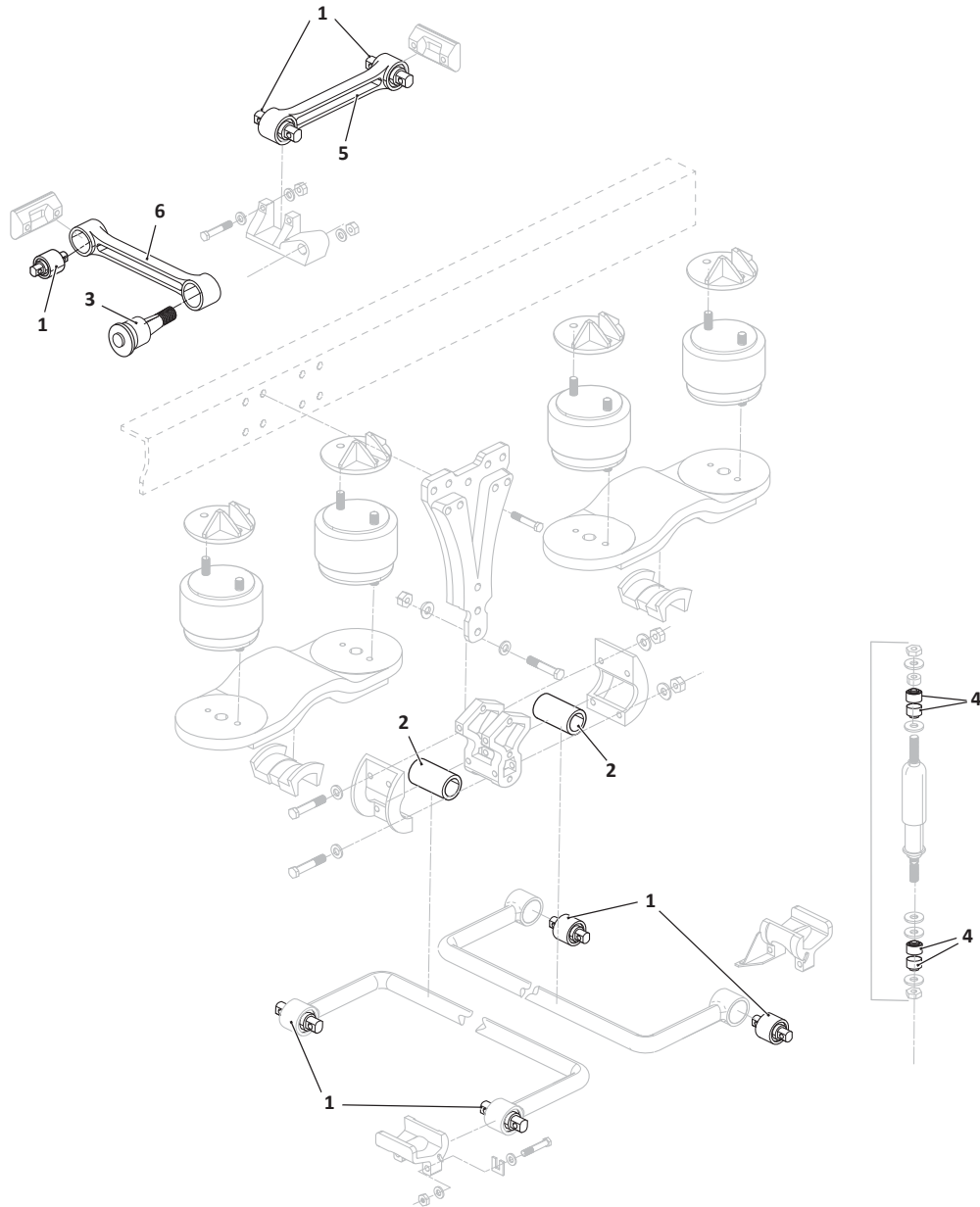
### C500, K110/300, T300/400/450/600/800/200, W900 Model

KEY NO.	GAFF NO.	OEM REF.	DESCRIPTION	QTY PER TANDEM
1	GAFF11757	5295	Spring Pin Bushing Kit	6
2	GAFF11753	B65-1006	Spring Pin Bushing, 6-3/16 in. Center-to-Center	6
	GAFF11763	B65-1007, B65-1012	Spring Pin Bushing, 6-5/16 in. Center-to-Center	6
3	GAFF11758	B65-1001	Spring Pin Bushing, 5-3/4 in. Center-to-Center	6
	GAFF11767	B65-6005	Spring Pin Bushing, 5-1/2 in. Center-to-Center	6
	GAFF11802	B65-6005	Spring Pin Bushing, 5-1/2 in. Center-to-Center, Includes 2 Washers	6
4	GAFF18601	K209-59	Shackle, Offset	4
	GAFF18602	K209-82, K209-87	Shackle	4

# KENWORTH

## Airglide 100 Air Ride

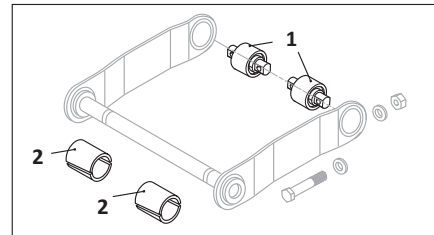
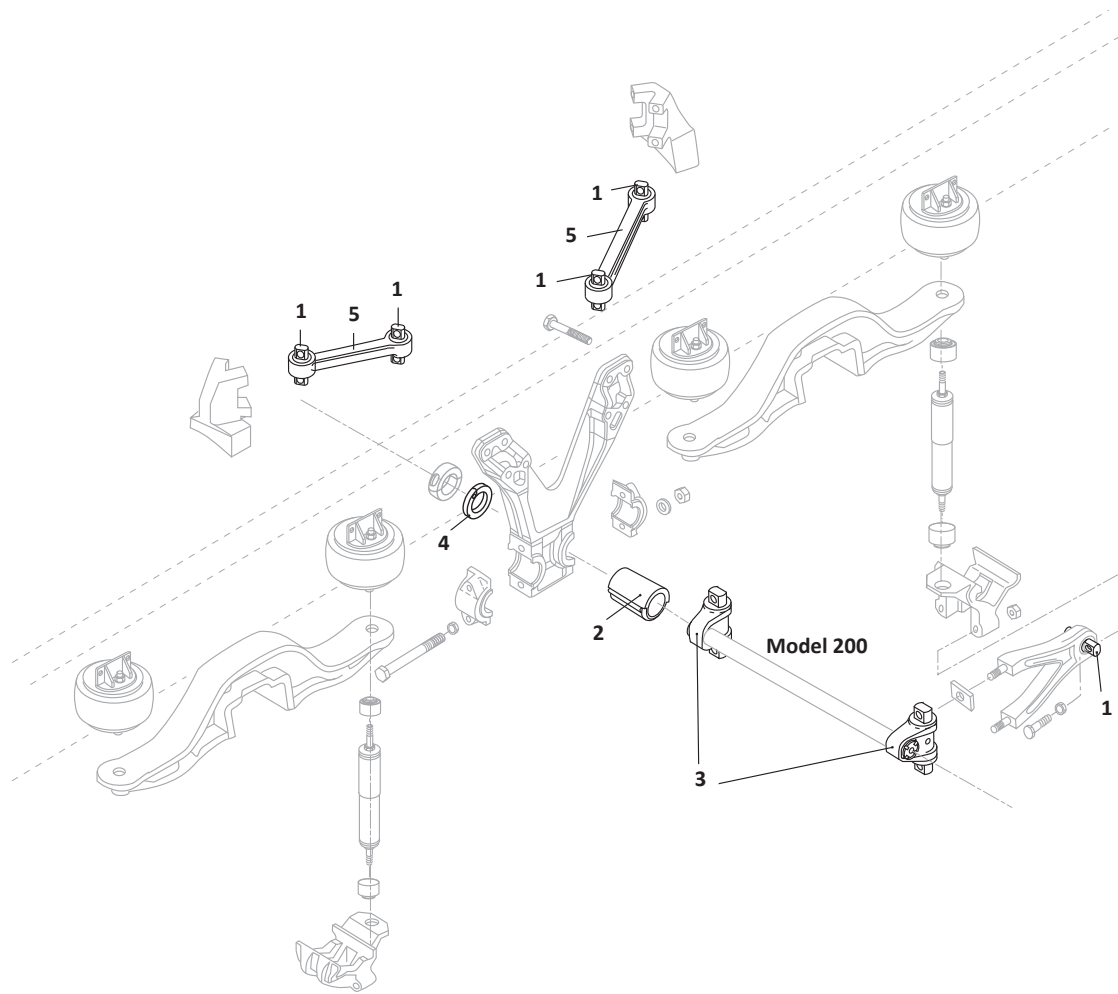
GAFF® Polyurethane  
Components



Airglide 100 Air Ride				
KEY NO.	GAFF NO.	OEM REF.	DESCRIPTION	QTY PER TANDEM
1	GAFF11729	836940	Torque Rod & Stabilizer Rod Bushing	8
	GAFF13520	227720	Torque Rod Bushing	8
	GAFF83520	227720	Torque Rod Bushing, Easy-Mount	8
2	GAFF11502	K066-58, K066-50	Stabilizer Bushing	4
	GAFF11719	K066-058, K066-293, K066-449	Stabilizer Bushing, Oversized with Tabs	4
3	GAFF13518	229610	Torque Rod Bushing, Tapered Stud	2
4	GAFF22660	CA368-6	Shocks Absorber Bushing	16
5	GAFF11751	K195-375, 925031	Torque Rod, 24 in. Center-to-Center, Straddle Bushings	2
6	GAFF11080	K195-376	Torque Rod, 24 in. Center-to-Center, 1 Straddle Bushing & 1 Tapered Bushing	2

# KENWORTH

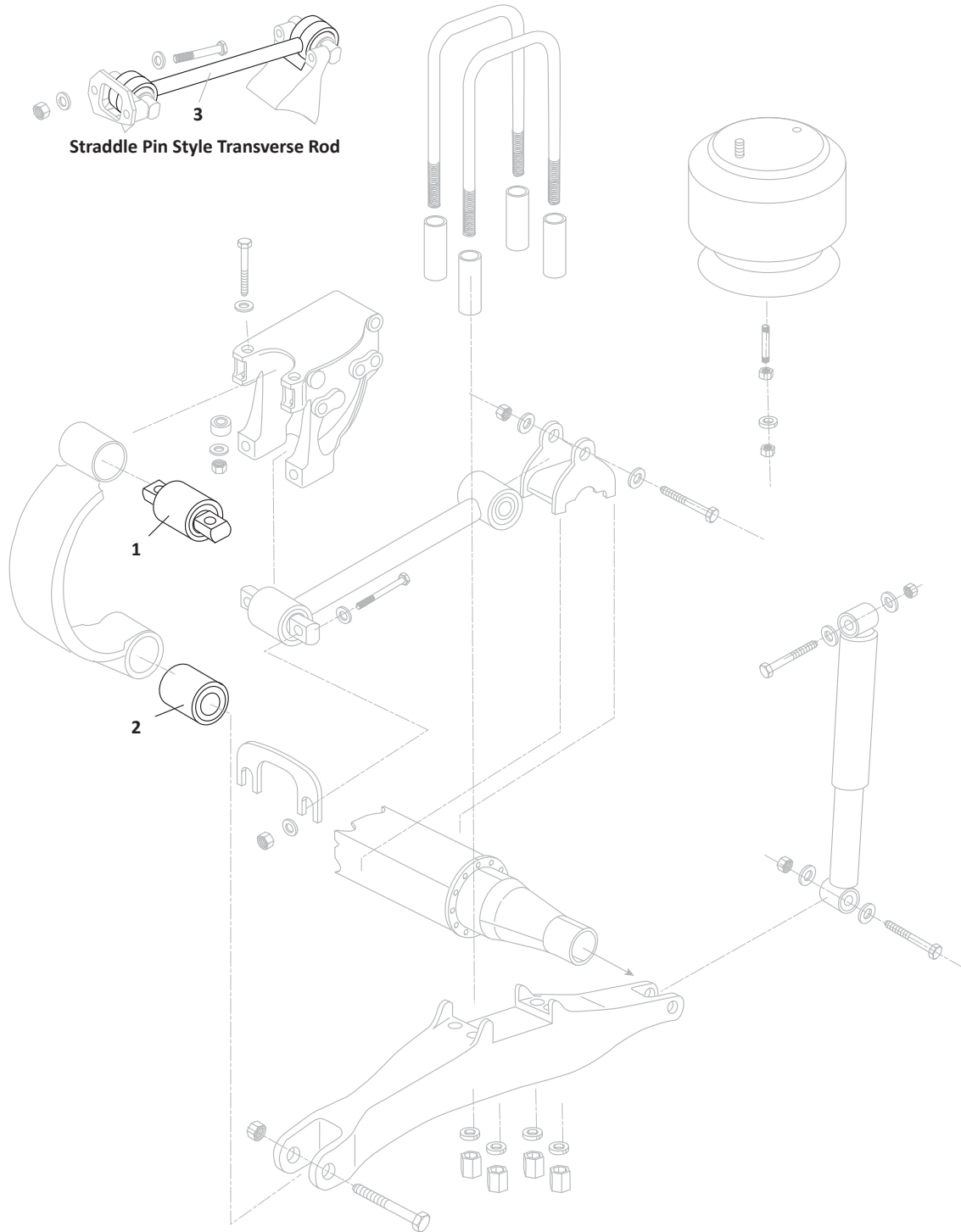
## Airglide 200 / 400 Air Ride



Model 380 / 400 / 460

Airglide 200 / 400 Air Ride				
KEY NO.	GAFF NO.	OEM REF.	DESCRIPTION	QTY PER TANDEM
1	<b>GAFF11729</b>	836940	Torque Rod & Stabilizer Rod Bushing	8
2	<b>GAFF11720</b>	K066-450	Trunnion Bushing, 40K Model	4
	<b>GAFF11743</b>	C13-26005	Trunnion Bushing, 46K Model	4
3	<b>GAFF11766</b>	K345-5156, K345-5032	Sway Bar Repair Kit, Includes Plug	4
4	<b>GAFF11734</b>	K345-5156, K345-5032	Sway Bar Bushing	4
5	<b>GAFF11773</b>	K195-474	Torque Rod Assembly	8

## Airglide 380





Airglide 380				
KEY NO.	GAFF NO.	OEM REF.	DESCRIPTION	QTY PER TANDEM
1	GAFF11765	C13-6001	Torque Rod Bushing	2
2	GAFF11764	C65-1002	Spring Eye Hollow Bushing	2
3	GAFF11792	C65-6009, C65-6002	Torque Arm	2
	GAFF12397	C65-6011-001	Torque Rod, 23-3/4 in. Center-to-Center, 1 Straddle Bushing & 1 Hollow Bushing	2
	GAFF11795	C65-6011-001	Torque Rod, 23-11/16 in. Center-to-Center, 1 Straddle Bushing & 1 Hollow Bushing	2


# KENWORTH

## Suspension Components


Shackle, Offset		
Model: C500, K110/300, T300/400/450/600/800/200, W900 Model		
		
PART NO.	OEM REF.	LENGTH
<b>GAFF18601</b>	K209-59	6-7/16 in.

Spring Pin Bushing			
Model: C500, K110/300, T300/400/450/600/ 800/200, W900 Model			
			
PART NO.	OEM REF.	OD	NOTES
<b>GAFF11753</b>	B65-1006	1-3/4 in.	6-3/16 in. Center-to-Center of Notches


Shackle		
Model: C500, K110/300, T300/400/450/600/800/200, W900 Model		
		
PART NO.	OEM REF.	LENGTH
<b>GAFF18602</b>	K209-82, K209-87	6-7/16 in.

Spring Pin Bushing			
Model: C500, K110/300, T300/400/450/600/ 800/200, W900 Model			
			
PART NO.	OEM REF.	OD	NOTES
<b>GAFF11758</b>	B65-1001	1-3/4 in.	5-3/4 in. Center-to-Center of Notches

Shocks Absorber Bushing				
Model: Airglide 200/400				
				
PART NO.	OEM REF.	OD	ID	LENGTH
<b>GAFF11550</b>	CA368-6, K066-266	2 in.	5/8 in.	1 in.

Spring Pin Bushing			
Model: C500, K110/300, T300/400/450/ 600/800/200, W900 Model			
			
PART NO.	OEM REF.	OD	NOTES
<b>GAFF11763</b>	B65-1007, B65-1012	2-1/8 in.	6-5/16 in. Center-to-Center of Notches

Spring Eye Hollow Bushing				
Model: Airglide 380				
				
PART NO.	OEM REF.	OD	ID	LENGTH
<b>GAFF11764</b>	C65-1002, K221-5086	2-3/8 in.	7/8 in.	2-19/32 in.


Spring Pin Bushing			
Model: C500, K110/300, T300/400/450/ 600/800/200, W900 Model			
			
PART NO.	OEM REF.	OD	NOTES
<b>GAFF11767</b>	B65-6005	1-3/4 in.	5-1/2 in. Center-to-Center of Notches



## Suspension Components

**Spring Pin Bushing**

Model:  
C500, K110/300,  
T300/400/450/  
600/800/200,  
W900 Model



PART NO.	OEM REF.	OD	NOTES
<b>GAFF11802</b>	B65-6005	1-3/4 in.	5-1/2 in. C-to-C Includes GAFF11767 & 2 Washers

**Sway Bar Bushing**


Model:  
Airglide  
200/400



PART NO.	OEM REF.	OD	ID	LENGTH
<b>GAFF11734</b>	K066-502-2, K066-461, K066-454	3-9/16 in.	2-1/8 in.	1/2 in.

**Spring Pin Bushing Kit**

Model:  
C500, K110/300,  
T300/400/450/  
600/800/200,  
W900 Model



PART NO.	OEM REF.	NOTES
<b>GAFF11757</b>	5295	Includes 2 Qty. GAFF11758 Spring Bushing Front & 2 Qty. GAFF11759 Shackle Side Bar

**Sway Bar Repair Kit, Includes Plug**

Model:  
Airglide 200/400



PART NO.	OEM REF.	NOTES
<b>GAFF11766</b>	K345-5156, K345-5032	Includes 1 Plug, 1 Sway Bar Bushing, 1 Sway Bar Pin & 2 Grease Seals

**Stabilizer Bushing**


Model:  
Airglide 100



PART NO.	OEM REF.	OD	ID	LENGTH
<b>GAFF11502</b>	K066-58, K066-50, K066-449, K066-293	2-7/8 in.	2 in.	4 in.

**Torque Rod & Stabilizer Rod Bushing**

Model:  
Airglide 100,  
Airglide 200/400



PART NO.	OEM REF.	OD	ID
<b>GAFF11729</b>	836940	2-3/4 in.	11/16 in.

**Stabilizer Bushing, Oversized with Tabs**


Model:  
Airglide  
100



PART NO.	OEM REF.	OD	ID	LENGTH	NOTES
<b>GAFF11719</b>	K066-058, K066-293, K066-449	2-7/8 in.	2 in.	4 in.	Oversize with Tabs

**Torque Rod Assembly**


Model:  
Airglide  
200/400





PART NO.	OEM REF.	LENGTH	BOLT DIA.	NOTES
<b>GAFF11773</b>	K195-474	19-3/4 in.	11/16 in.	Includes 2 Qty GAFF11729 Bushings


# KENWORTH


## Suspension Components


Torque Rod Assembly				
				
PART NO.	OEM REF.	LENGTH	BOLT DIA.	NOTES
<b>GAFF11751</b>	K195-375	24 in.	5/8 in.	Includes 2 Qty GAFF13520 Bushings


Torque Rod Assembly				
				
PART NO.	OEM REF.	LENGTH	BOLT DIA.	NOTES
<b>GAFF12397</b>	C65-6000-001, C65-6011-001	23-3/4 in.	5/8 in.	Includes 1 Qty GAFF13521 & 1 Qty GAFF14091 Bushings


Torque Rod Assembly				
				
PART NO.	OEM REF.	LENGTH	BOLT DIA.	NOTES
<b>GAFF11792</b>	C65-6002, C65-6009	25-9/16 in.	5/8 in.	Includes 2 Qty GAFF13521 Bushings

Torque Rod Assembly				
				
PART NO.	OEM REF.	LENGTH	BOLT DIA.	NOTES
<b>GAFF13679</b>	925150, 62350-635	25 in.	5/8 in.	Includes 1 Qty GAFF13520 & 1 Qty GAFF13518 Bushings

Torque Rod Assembly				
				
PART NO.	OEM REF.	LENGTH	BOLT DIA.	NOTES
<b>GAFF11793</b>	C65-1008, C65-1009	20-1/4 in.	11/16 in.	Includes 2 Qty GAFF11729 Bushings

Torque Rod Assembly				
				
PART NO.	OEM REF.	LENGTH	BOLT DIA.	NOTES
<b>GAFF13735</b>	32271-102, 62007-365, 50376-001, 48411-008	14-3/8 in.	5/8 in.	Includes 2 Qty GAFF13520 Bushings


Torque Rod Assembly				
				
PART NO.	OEM REF.	LENGTH	BOLT DIA.	NOTES
<b>GAFF11795</b>	C65-6000-002, C65-6011-002	24-11/16 in.	5/8 in.	Includes 1 Qty GAFF13521 & 1 Qty GAFF14010 Bushings

Torque Rod Assembly				
Kenworth Airglide 380				
				
PART NO.	OEM REF.	LENGTH	BOLT DIA.	NOTES
<b>GAFF11751</b>	K195-375, 925031	24 in.	5/8 in.	Includes 2 Qty GAFF13520 Bushings

## Suspension Components

**Torque Rod Assembly**

Kenworth  
Airglide 380



PART NO.	OEM REF.	LENGTH	BOLT DIA.	NOTES
<b>GAFF11080</b>	K195-376	24 in.	5/8 in.	Includes 1 Qty GAFF13520 & 1 Qty GAFF13518 Bushings

**Torque Rod Bushing, Tapered Stud**


Model:  
Airglide 100



PART NO.	OEM REF.	OD	LENGTH	NOTES
<b>GAFF13518</b>	229610	2-3/4 in.	8-1/16 in.	1-1/4-12 UNF

**Torque Rod Bushing**

Model:  
Airglide 100



PART NO.	OEM REF.	OD	ID	BOLT DIA.	NOTES
<b>GAFF13520</b>	227720, 44695-000	2-3/4 in.	21/32 in.	5/8 in.	Use GAFF83520 for Easy-Mount (Free Rotating Bushing)

**Trunnion Bushing, 40K Model**


Model:  
Airglide 200/400



PART NO.	OEM REF.	OD	ID	LENGTH
<b>GAFF11720</b>	K066-450	3-1/16 in.	2-5/32 in.	2-13/16 in.

**Torque Rod Bushing**

Model:  
Airglide 380



PART NO.	OEM REF.	LENGTH C-TO-C	OD	BOLT DIA.
<b>GAFF11765</b>	C13-6001	4-13/32 in.	2-3/8 in.	5/8 in.

**Trunnion Bushing, 46K Model**


Model:  
Airglide 200/400



PART NO.	OEM REF.	OD	ID	LENGTH
<b>GAFF11743</b>	C13-26005	3-3/32 in.	2-1/4 in.	2-7/8 in.


**Torque Rod Bushing, Easy-Mount**

Model:  
Airglide 100



PART NO.	OEM REF.	OD	ID	BOLT DIA.	NOTES
<b>GAFF83520</b>	227720	2-3/4 in.	21/32 in.	5/8 in.	Easy-Mount (Free Rotating Bushing)

## Cab Mounts


Cab Mount					
					
PART NO.	ID	OD	OD<	LENGTH	NOTES
GAFF11519	5/8 in.	2-7/8 in.	1-13/16 in.	1-5/16 in.	No Metal Sleeve

Cab Mount				
				
PART NO.	ID	OD	OD<	LENGTH
GAFF11529	7/8 in.	2-7/16 in.	1-9/16 in.	1-7/8 in.

Cab Mount					
					
PART NO.	OEM REF.	ID	OD	OD<	LENGTH
GAFF11520	K066-228	5/8 in.	2-7/8 in.	1-7/8 in.	1-5/16 in.

Cab Mount					
					
PART NO.	OEM REF.	ID	OD	OD<	LENGTH
GAFF11531	M500-70NR	5/8 in.	2-9/16 in.	1-1/2 in.	2-1/8 in.

Cab Mount					
					
PART NO.	OEM REF.	ID	OD	OD<	LENGTH
GAFF11523	K066-251	5/8 in.	2-7/8 in.	1-13/16 in.	1-5/16 in.


Cab Mount				
				
PART NO.	OEM REF.	OD	ID	LENGTH
GAFF11532	K174-225	1-1/8 in.	3/8 in.	6-3/4 in.


Cab Mount					
					
PART NO.	OEM REF.	ID	OD	OD<	LENGTH
GAFF11527	K066-177, 05-08968	5/8 in.	2-9/16 in.	1-9/16 in.	2-1/16 in.

Cab Mount					
					
PART NO.	OEM REF.	ID	OD	OD<	LENGTH
GAFF11533	K066-336, M602-70NR, 04-9009990	5/8 in.	3 in.	1-13/16 in.	1-15/16 in.

## Cab Mounts

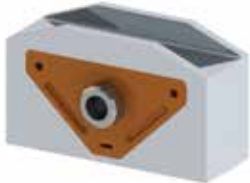
Cab Mount						
						
PART NO.	OEM REF.	ID	OD	OD<	LENGTH	
GAFF11612	M500-70NR, K066-177, K066-229	5/8 in.	2-5/8 in.	1-5/8 in.	2-1/16 in.	

Cab Mount			
			
PART NO.	OEM REF.	ID	LENGTH
GAFF11742	26509-11	1-1/2 in.	4-13/16 in.

Cab Mount						
						
PART NO.	OEM REF.	ID	OD	OD<	LENGTH	
GAFF11705	K066-176	5/8 in.	3 in.	1-13/16 in.	2-3/8 in.	

Cab Mount						
						
PART NO.	OEM REF.	ID	OD	OD<	LENGTH	NOTES
GAFF18938	K066-435-3	5/8 in.	3 in.	3/4 in.	3-7/16 in.	Use with GAFF11742

Cab Mount						
						
PART NO.	OEM REF.	ID	OD	OD<	LENGTH	NOTES
GAFF11707	M501	5/8 in.	2-1/2 in.	1-5/8 in.	2 in.	Chamfered OD<

Cab Mount				
				
PART NO.	OEM REF.	ID	WIDTH	LENGTH
GAFF18949	26732-2	11/16 in.	2-1/4 in.	6-1/16 in.

## Hood Latches & Hood Hinges

### Hood Guide



PART NO.	OEM REF.	OD	OD<	LENGTH	NOTES
<b>GAFF11545</b>	K176-8-6344, K179-528, K179-450, K179-499	3-3/16 in.	1-1/2 in.	3-7/8 in.	1/2-13 UNC

### Hood Mount Kit



PART NO.	OEM REF.	NOTES
<b>GAFF12414</b>	13-04154, 13-04164	1 Qty. GAFF12410 Hood Hinge Bushing & 3 Qty. GAFF12370 Hood Mount

### Hood Hinge Bushing



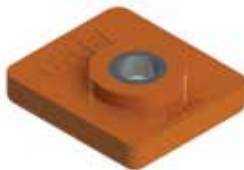
PART NO.	OEM REF.	ID	OD	LENGTH
<b>GAFF12367</b>	13-03440	1/2 in.	1-5/15 in.	2 in.

### Hood Hinge Bushing



PART NO.	OEM REF.	ID	OD	OD<	LENGTH
<b>GAFF11557</b>	M300-70NR	1/2 in.	1-3/4 in.	1-1/8 in.	1-5/16 in.

### Hood Mount



PART NO.	OEM REF.	LENGTH
<b>GAFF12410</b>	-	2-1/4 in.

### Hood Latch



PART NO.	OEM REF.	LENGTH
<b>GAFF11543</b>	K147-107, K147C106	9-3/32 in.

### Hood Hinge Bushing



PART NO.	OEM REF.	ID	OD	LENGTH
<b>GAFF12370</b>	-	1/2 in.	1-25/32 in.	5/8 in.

### Hood Latch



PART NO.	OEM REF.	LENGTH
<b>GAFF11768</b>	37-99-344, 37-41-295-60	10-3/4 in.

## Hood Latches & Hood Hinges


Hood Latch		
		
PART NO.	OEM REF.	LENGTH
GAFF12365	L56-0001	8-7/8 in.


Hood Latch Assembly			
			
PART NO.	OEM REF.	LENGTH	NOTES
GAFF11134	L56-0001, 23-13857, 17-124338-000, 680-080-01-60, HLK035, 1304339	4-3/16 in.	Use GAFF11851 for Latch and Hook


Hood Latch Kit		
		
PART NO.	LENGTH	NOTES
GAFF11851	4-3/16 in.	Includes Latch and Hook


## Motor Mounts

Motor Mount, Front				
				
PART NO.	ID	OD<	OD	LENGTH
GAFF11536	27/32 in.	2-1/4 in.	3-11/16 in.	2-1/2 in.

Motor Mount, Front					
					
PART NO.	OEM REF.	ID	OD	LENGTH	NOTES
GAFF11615	K066-404, K066-405, K066-406, K066-407	13/16 in.	3-1/2 in.	2-3/32 in.	Includes 1 Qty. Upper Motor Mount & 1 Qty. Lower Motor Mount, Use GAFF11762 for Complete Kit


Motor Mount, Front					
					
PART NO.	OEM REF.	ID	OD<	OD	LENGTH
GAFF11537	K066-177, K066-229	3/4 in.	2-1/16 in.	3-3/4 in.	2-1/2 in.

Motor Mount, Front		
		
PART NO.	OEM REF.	NOTES
GAFF11762	K066-385, K066-404, K066-406	2 Qty. GAFF11615 Motor Mount Kit, Front & 2 Qty. Bolts & 2 Qty. Nylon Insert Nut & 4 Qty. Washer

Motor Mount			
			
PART NO.	OEM REF.	LENGTH	NOTES
GAFF11821	-	9-7/32 in.	2-3/4 in. Center-to-Center, Includes M16 x 20 Bolts, Washer, & Nuts


Motor Mount, Rear			
			
PART NO.	OEM REF.	ID	LENGTH
GAFF11539	K066-247, 05-15646, K066-320, M506-70NR	5/8 in.	5-3/4 in.

Motor Mount				
				
PART NO.	OEM REF.	ID	OD	LENGTH
GAFF18102	05-16919	3/4 in.	3-5/8 in.	2-15/32 in.

Motor Mount, Rear		
		
PART NO.	OEM REF.	NOTES
GAFF11760	K066-377, K066-391, K066-421, D13-1001-1	2 Qty. GAFF11541 Motor Mount & 2 Qty. GAFF11540 Motor Mount Rear & 2 Qty. Bolts & 2 Qty. Nylon Insert Nut & 8 Qty. Washer



## Motor Mounts


Motor Mount, Rear		
		
PART NO.	OEM REF.	NOTES
<b>GAFF11761</b>	K066-247, K066-282, K066-320	2 Qty. GAFF11539 Motor Mount & 4 Qty. Bolts & 4 Qty. Nut & 8 Qty. Washers


Motor Mount, Rear (Lower)				
				
PART NO.	OEM REF.	ID	LENGTH	NOTES
<b>GAFF11541</b>	K066-421, D13-1001-1	13/16 in.	4-3/16 in.	Use GAFF11760 for Complete Kit


Motor Mount, Rear (Upper)				
				
PART NO.	OEM REF.	ID	LENGTH	NOTES
<b>GAFF11540</b>	K066-377, K066-391, D13-1001-1	13/16 in.	7-7/8 in.	Use GAFF11760 for Complete Kit


## Radiator, Air Cooler Mounts & Exhaust Mounts

Air Cooler Mount					
					
PART NO.	OEM REF.	ID	OD	OD<	LENGTH
GAFF11554	M200-70EP	3/8 in.	1-1/8 in.	3/4 in.	7/8 in.

Radiator Kit		
		
PART NO.	OEM REF.	NOTES
GAFF11804	N4751001, CB-2203-73	4 Qty. Air Cooler Mount Kit & 4 Qty. Bolts & 4 Qty. Washer & 4 Qty. Nut

Radiator Mount				
				
PART NO.	ID	OD	LENGTH	NOTES
GAFF11548	1/2 in.	1-5/8 in.	1-3/8 in.	1 Qty. Upper Radiator Mount & 1 Qty. Lower Radiator Mount

Exhaust Mount				
				
PART NO.	OEM REF.	ID	OD	NOTES
GAFF12357	14-14656; 14-B656	13/32 in.	1-5/16 in.	Includes Upper and Lower Exhaust Mount

Radiator Mount					
					
PART NO.	OEM REF.	ID	OD	OD<	LENGTH
GAFF11549	K264-84	5/8 in.	1-5/8 in.	13/16 in.	13/16 in.

Exhaust Mount Kit				
				
PART NO.	OEM REF.	ID	OD	NOTES
GAFF12381	14-14656; PB-B4656	13/32 in.	1-5/16 in.	Includes 8 Qty GAFF12357

Exhaust Bushing					
					
PART NO.	OEM REF.	ID	LENGTH C-TO-C	WIDTH	NOTES
GAFF11809	M13-1009	15/32 in.	2-3/4 in.	2 in.	3/8 in. Bolt Holes

Exhaust Bushing Kit				
				
PART NO.	OEM REF.	OD	LENGTH	NOTES
GAFF11810	13-6001	1-25/32 in.	7-29/32 in.	2 Qty. GAFF11812 Bushing & 1 Qty. Pin & 1 Qty. Washers & 2 Qty. E-Clips

## Radiator, Air Cooler Mounts & Exhaust Mounts

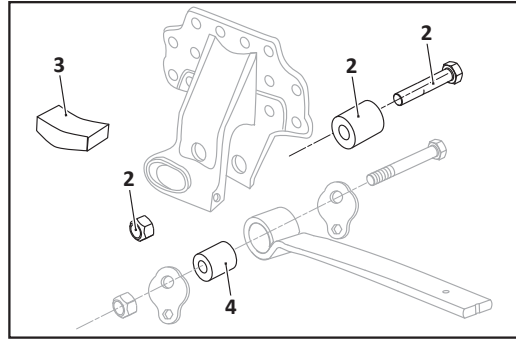
Exhaust Bushing Kit		
		
PART NO.	OEM REF.	NOTES
<b>GAFF11811</b>	M13-6001, M13-1009, CB-2203-73	1 Qty. GAFF11809 Exhaust Mount & 1 Qty. GAFF11810 Exhaust Mount

Exhaust Bushing Kit			
			
PART NO.	ID	OD	OD<
<b>GAFF11812</b>	7/16 in.	1-3/4 in.	3/4 in.

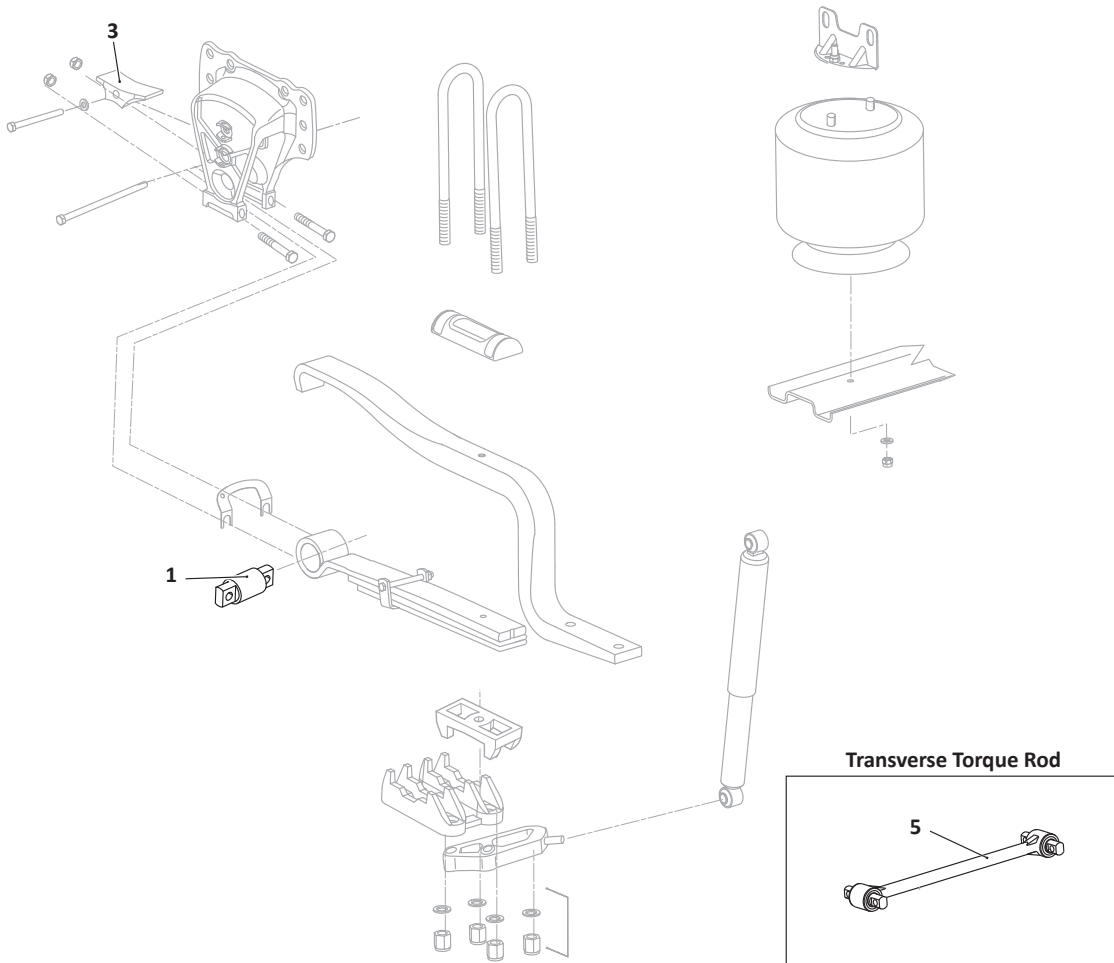
# MACK

## Maxlite 40EZ

### Alternate Hanger & Slipper Pad



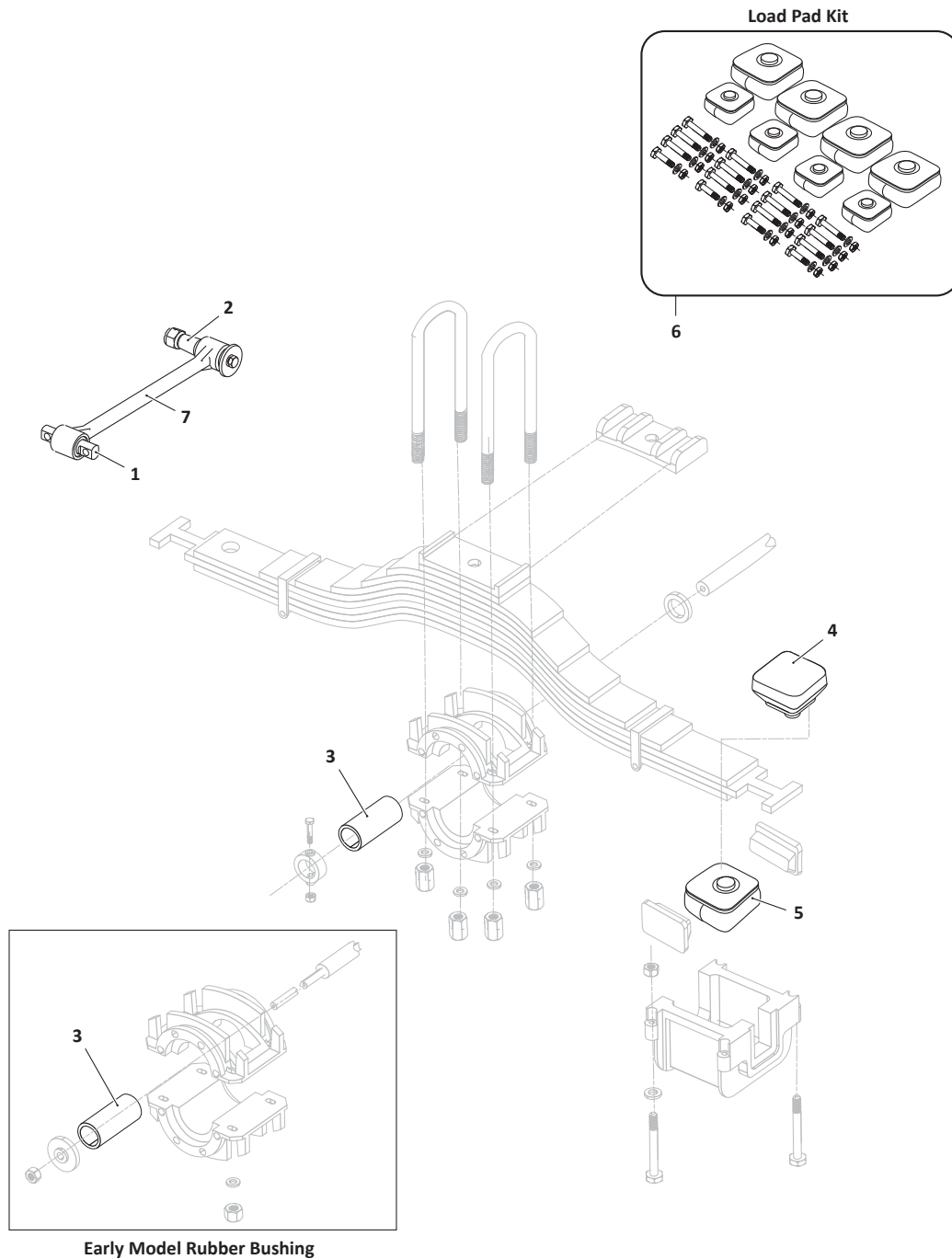
2007 and Later



Transverse Torque Rod

Maxlite 40EZ				
KEY NO.	GAFF NO.	OEM REF.	DESCRIPTION	QTY PER TANDEM
1	<b>GAFF13522</b>	35033-3201, 227710	Torque Rod Bushing	2
2	<b>GAFF11747</b>	57989000C05D	Roller Kit	2
3	<b>GAFF31144</b>	20703083	Wear Pad, 2007 and later	2
	<b>GAFF31145</b>	8079889, 20568741	Wear Pad, 1999-2006	2
4	<b>GAFF31129</b>	20558810	Spring Eye Bushing	2
5	<b>GAFF18860</b>	30SQ4525	Transverse Torque Rod	2

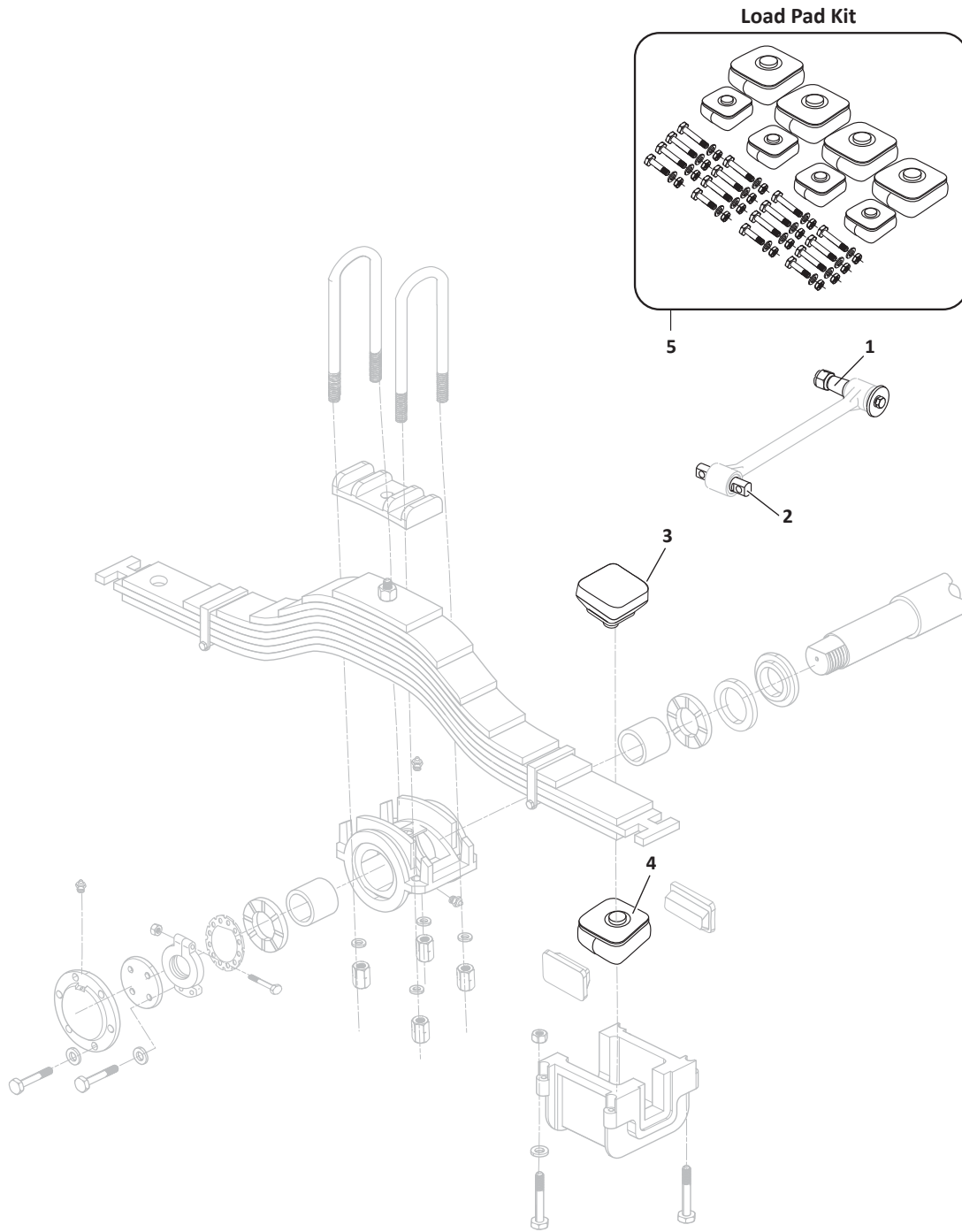
## SS34 & 38 Tandem Suspension 4 in. Wide Spring



Early Model Rubber Bushing

SS34 & 38 Tandem Suspension 4 in. Wide Spring				
KEY NO.	GAFF NO.	OEM REF.	DESCRIPTION	QTY PER TANDEM
1	GAFF13520	227720	Torque Rod Bushing	1
	GAFF83520	227720	Torque Rod Bushing, Easy-Mount	1
2	GAFF12031	46735	Torque Rod Bushing, Tapered Stud	2
3	GAFF12015	10QK276	Trunnion Bushing, 6-5/16 in. Long	2
	GAFF12028	10QK130P1	Trunnion Bushing, 8-3/8 in. Long	2
4	GAFF12006	10QK365A	Upper Insulator Pad	4
	GAFF12010	10QK370	Upper Insulator Pad	4
5	GAFF12014	10QK36B	Lower Insulator Pad	4
6	GAFF12039	-	Load Pad Kit, Includes Upper & Lower Pads with Hardware	1
7	GAFF12072	17QF464P180, 1RY48P23, 17QF251P11, 25162529	Torque Rod	4

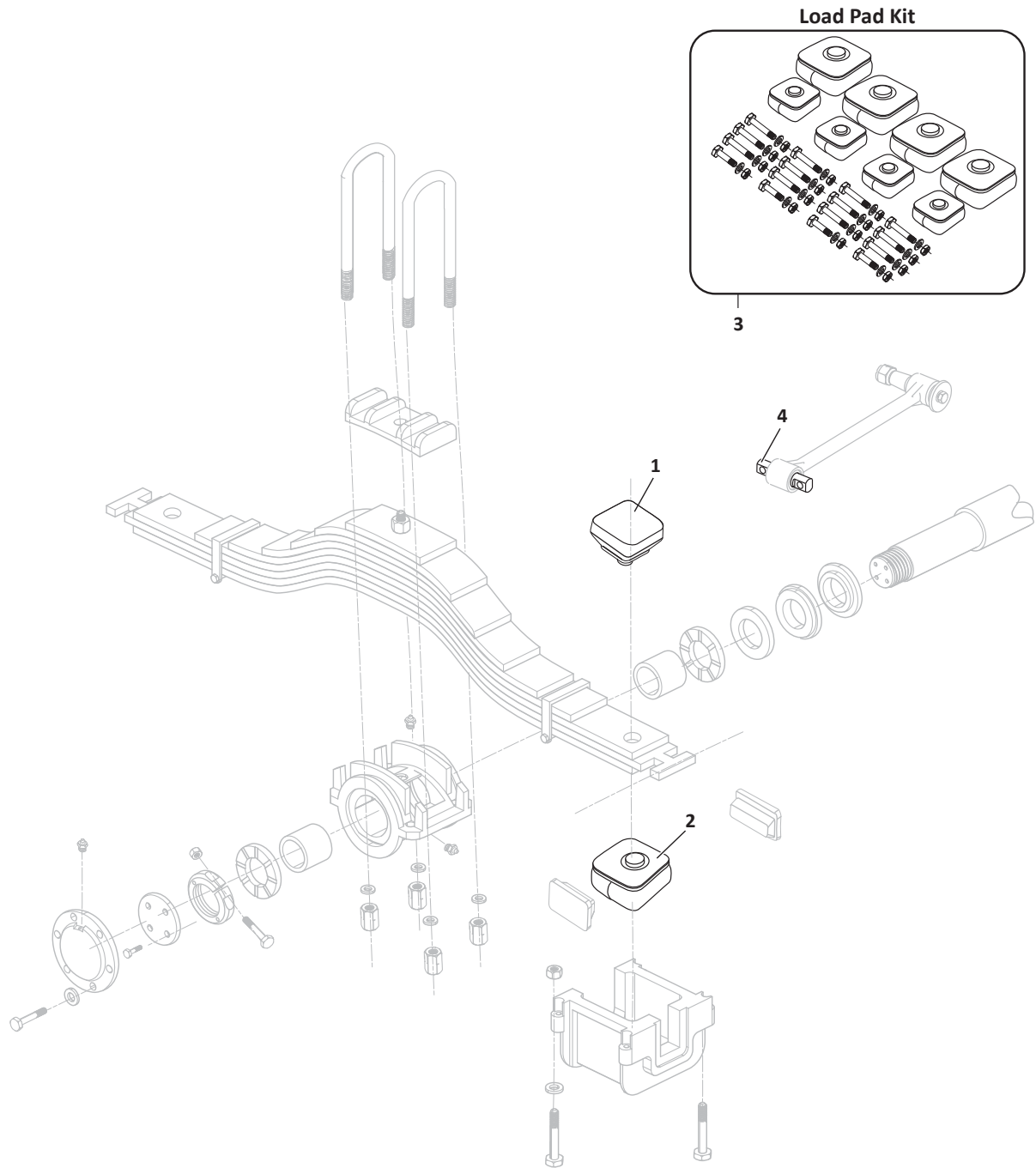
**SS44 Series (Formerly SWS 573) 4 in. Wide Spring**



**SS44 Series (Formerly SWS 573) 4 in. Wide Spring**

KEY NO.	GAFF NO.	OEM REF.	DESCRIPTION	QTY PER TANDEM
1	GAFF12031	46735	Torque Rod Bushing, Tapered Stud	2
2	GAFF13528	49210, 64400-005L, 57750528, 1693063C1	Torque Rod Bushing, Straddle Mount	2
		1694129C1		
3	GAFF12010	10QK370	Upper Insulator Pad	4
4	GAFF12014	10QK36B	Lower Insulator Pad	4
5	GAFF12036	-	Load Pad Kit, Includes Upper & Lower Pads with Hardware	1

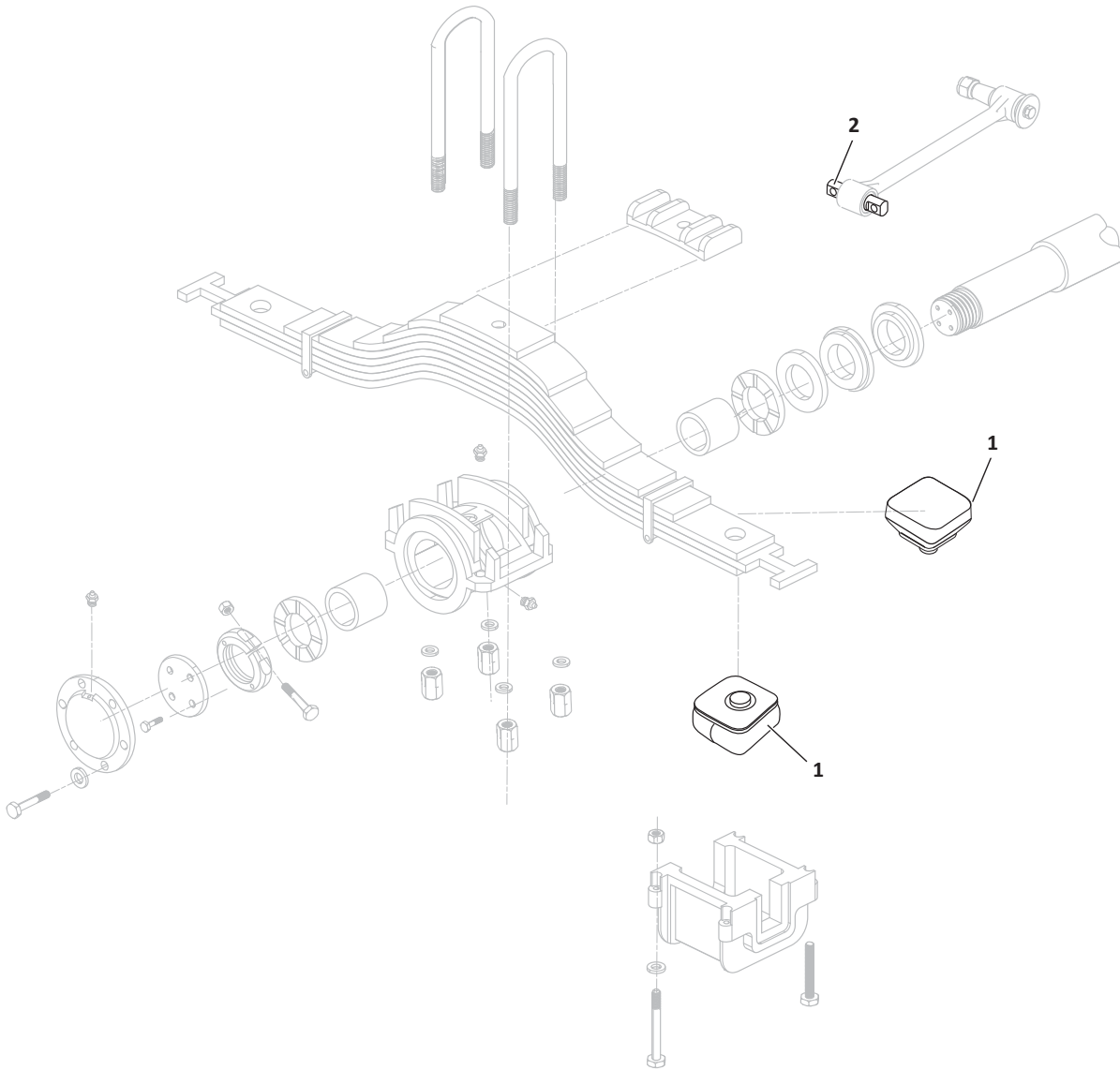
## SS50C Series 4 in. Wide Spring



### SS50C Series 4 in. Wide Spring

KEY NO.	GAFF NO.	OEM REF.	DESCRIPTION	QTY PER TANDEM
1	GAFF12006	10QK365A	Upper Insulator Pad	4
	GAFF12010	10QK370	Upper Insulator Pad	4
2	GAFF12014	10QK36B	Lower Insulator Pad	4
3	GAFF12036	-	Load Pad Kit, Includes GAFF12010 Upper Pad and GAFF12014 Lower Pad	1
	GAFF12039	-	Load Pad Kit, Includes GAFF12006 Upper Pad and GAFF12014 Lower Pad	1
4	GAFF13528	49210, 64400-005L, 57750528, 1693063C1	Torque Rod Bushing, Straddle Mount	2
	GAFF13685	1694129C1	Torque Rod Bushing, Straddle Mount	2


**SS58C & SS65-C Series 5 in. Wide Spring**





SS58C & SS65-C Series 5 in. Wide Spring				
KEY NO.	GAFF NO.	OEM REF.	DESCRIPTION	QTY PER TANDEM
1	GAFF12053	10QK32BP1	Upper Insulator Pad	4
	GAFF12009	10QK372	Lower Insulator Pad	4
2	GAFF13528	49210, 64400-005L, 57750528, 1693063C1	Torque Rod Bushing, Straddle Mount	2
		GAFF13685	1694129C1	Torque Rod Bushing, Straddle Mount




## Suspension Components


Load Pad Kit		
Model: SS34 & 38		
		
PART NO.	OEM REF.	NOTES
<b>GAFF12039</b>	-	Includes 4 GAFF12006 Upper Pads & 4 GAFF12014 Lower Pads with Hardware

Torque Rod Assembly					
					
PART NO.	OEM REF.	LENGTH	BOLT DIA.	THD	NOTES
<b>GAFF11080</b>	25164994, 17QF455P240, K195-376	24 in.	5/8 in.	1-1/4-12 UNF	Includes 1 Qty GAFF13520 & 1 QTY GAFF13518 Bushings


Load Pad Kit		
Model: SS44		
		
PART NO.	OEM REF.	NOTES
<b>GAFF12036</b>	-	Includes 4 GAFF12010 Upper Pads & 4 GAFF12014 Lower Pads with Hardware

Torque Rod Assembly				
				
PART NO.	OEM REF.	LENGTH	BOLT DIA.	NOTES
<b>GAFF12069</b>	251170832, 17QF460P210, 17QF473M2, 17QF474P209	21 in.	5/8 in.	Includes 2 Qty GAFF13520 Bushings

Lower Insulator Pad				
Model: SS34 & 38, SS44, SS50C				
				
PART NO.	OEM REF.	LENGTH	HEIGHT	WIDTH
<b>GAFF12014</b>	10QK36B	7-5/32 in.	3-3/4 in.	7 in.


Torque Rod Assembly				
				
PART NO.	OEM REF.	LENGTH	BOLT DIA.	NOTES
<b>GAFF12070</b>	17QF460P200, 17QF473M, 3226713, 25170831	20 in.	5/8 in.	Includes 2 Qty GAFF13520 Bushings

Lower Insulator Pad				
Model: SS58C & SS65-C				
				
PART NO.	OEM REF.	LENGTH	HEIGHT	WIDTH
<b>GAFF12009</b>	10QK372	7-25/32 in.	4 in.	7-25/32 in.

Torque Rod Assembly				
				
PART NO.	OEM REF.	LENGTH	BOLT DIA.	NOTES
<b>GAFF12071</b>	17QF460P243, 25170833, 62000-615	24-3/16 in.	5/8 in.	Includes 2 Qty GAFF13520 Bushings


**Suspension Components**

**Torque Rod Assembly**




PART NO.	OEM REF.	LENGTH	BOLT DIA.	NOTES
<b>GAFF12072</b>	17QF464P180, 1RY48P23, 17QF251P11, 25162529	18 in.	5/8 in. & 1-1/4-12 UNF	Includes 1 Qty GAFF13520 & 1 QTY GAFF12031 Bushings

**Torque Rod Assembly**




PART NO.	OEM REF.	LENGTH	BOLT DIA.	NOTES
<b>GAFF13634</b>	25174706, 17QF460P220	22 in.	11/16 in.	Includes 2 Qty GAFF11729 Bushings

**Torque Rod Assembly**




PART NO.	OEM REF.	LENGTH	BOLT DIA.	NOTES
<b>GAFF12073</b>	25174658, 17QF460P215	21-1/2 in.	5/8 in.	Includes 2 Qty GAFF13520 Bushings

**Torque Rod Assembly**




PART NO.	OEM REF.	LENGTH	BOLT DIA.	NOTES
<b>GAFF13733</b>	62350-615, 25171605, 17QF455P243	14-3/8 in.	5/8 in.	Includes 1 Qty GAFF13520 & 1 QTY GAFF13518 Bushings

**Torque Rod Assembly**




PART NO.	OEM REF.	LENGTH	BOLT DIA.	NOTES
<b>GAFF12074</b>	25160749, 25164945, 17QF457P238, 17QF460P238	23-3/4 in.	11/16 in.	Includes 2 Qty GAFF11729 Bushings

**Torque Rod Assembly**




PART NO.	OEM REF.	LENGTH	BOLT DIA.	NOTES
<b>GAFF13735</b>	17QF357M	14-3/8 in.	5/8 in.	Includes 2 Qty GAFF13520 Bushings

**Torque Rod Assembly**



PART NO.	OEM REF.	LENGTH	BOLT DIA.	NOTES
<b>GAFF12396</b>	4000- 62010455	17-5/16 in.	5/8 in.	Includes 2 Qty GAFF13520 Bushings


**Torque Rod Assembly**



PART NO.	OEM REF.	LENGTH	BOLT DIA.	NOTES
<b>GAFF34555</b>	4000- 62350645	25-1/4 in.	5/8 in. & 1-1/4-12 UNF	Includes 1 Qty GAFF13520 & 1 QTY GAFF13518 Bushings

## Suspension Components


**Torque Rod Assembly**



PART NO.	OEM REF.	LENGTH	BOLT DIA.	NOTES
<b>GAFF34556</b>	4000-62000590, 4000-62001590	23-1/4 in.	5/8 in.	Includes 2 Qty GAFF13520 Bushings


**Torque Rod Bushing**

Model:  
Maxlite 40EZ



PART NO.	OEM REF.	OD	BOLT DIA.
<b>GAFF13522</b>	35033-3201, 227710, 44694-000	2-1/2 in.	5/8 in.


**Torque Rod Assembly**



PART NO.	OEM REF.	LENGTH	BOLT DIA.	NOTES
<b>GAFF18860</b>	30SQ4525, 3187322, 35801-0068	22-1/8 in.	5/8 in.	Includes 2 Qty GAFF13520 Bushings


**Torque Rod Bushing**

Model:  
SS34 & 38



PART NO.	OEM REF.	OD	ID	BOLT DIA.	NOTES
<b>GAFF13520</b>	227720, 44695-000	2-3/4 in.	21/32 in.	5/8 in.	Use GAFF83520 for Easy-Mount (Free Rotating Bushing)


**Torque Rod Assembly**



PART NO.	OEM REF.	LENGTH	BOLT DIA.	NOTES
<b>GAFF12042</b>	35801-5018	26 in.	5/8 in. & 1-1/4-12 UNF	Includes 1 Qty GAFF13520 & 1 Qty GAFF12031 Bushing


**Torque Rod Bushing**

Model:  
SS34 & 38,  
SS44



PART NO.	OEM REF.	OD	BOLT DIA.
<b>GAFF13528</b>	49210, 64400-005L, 57750528, 1693063C1	2-3/4 in.	3/4 in.


**Torque Rod Assembly**



PART NO.	OEM REF.	LENGTH	BOLT DIA.	NOTES
<b>GAFF13657</b>	35801-0033	22 in.	5/8 in. & 1-1/4-12 UNF	Includes 1 Qty GAFF13520 & 1 Qty GAFF13518 Bushing

**Torque Rod Bushing**

Model:  
SS34 & 38, SS44




PART NO.	OEM REF.	OD	BOLT DIA.
<b>GAFF13685</b>	1694129C1	2-3/4 in.	7/8 in.

**Suspension Components**

**Torque Rod Bushing, Easy-Mount**


Model:  
SS34 & 38



PART NO.	OEM REF.	OD	ID	BOLT DIA.	NOTES
<b>GAFF83520</b>	227720, 44695-000	2-3/4 in.	21/32 in.	5/8 in.	Easy-Mount (Free Rotating Bushing)

**Roller Kit**


Model:  
Maxlite 40EZ



PART NO.	OEM REF.	NOTES
<b>GAFF11747</b>	57989000C05D	1 Qty. Bushing & 1 Qty. Sleeve & 1 Qty. Nylon Insert Nut & 2 Qty. Washer & 1 Qty. Bolt

**Torque Rod Bushing, Tapered Stud**

Model:  
SS34 & 38,  
SS44



PART NO.	OEM REF.	OD	LENGTH	NOTES
<b>GAFF12031</b>	46735	2-3/4 in.	7 in.	1-1/4-12 UNF

**Wear Pad**

Model:  
Maxlite 40EZ



PART NO.	OEM REF.	NOTES
<b>GAFF31144</b>	20703083	2007 and Later

**Trunnion Bushing**

Model:  
SS34 & 38



PART NO.	OEM REF.	OD	ID	LENGTH
<b>GAFF12015</b>	10QK276	4-11/16 in.	3-7/16 in.	6-5/16 in.

**Wear Pad**

Model:  
Maxlite 40EZ



PART NO.	OEM REF.	NOTES
<b>GAFF31145</b>	8079889, 20568741	1999 to 2006

**Trunnion Bushing**

Model:  
SS34 & 38



PART NO.	OEM REF.	OD	ID	LENGTH
<b>GAFF12028</b>	10QK130P1	4-7/16 in.	3-7/16 in.	8-3/8 in.


**Spring Eye Bushing**

Model:  
Maxlite 40EZ



PART NO.	OEM REF.	OD	ID
<b>GAFF31129</b>	20558810	2-17/32 in.	7/8 in.

## Suspension Components

Transverse Torque Rod			
Model: Maxlite 40EZ 			
PART NO.	OEM REF.	LENGTH	NOTES
<b>GAFF18860</b>	30SQ4525	22-1/8 in.	Includes 2 Qty GAFF13520 Bushings

Upper Insulator Pad				
Model: SS34 & 38, SS50C 				
PART NO.	OEM REF.	LENGTH	HEIGHT	WIDTH
<b>GAFF12006</b>	10QK365A	6-9/16 in.	2-3/8 in.	4-11/32 in.

Upper Insulator Pad				
Model: SS34 & 38, SS50C 				
PART NO.	OEM REF.	LENGTH	HEIGHT	WIDTH
<b>GAFF12010</b>	10QK370	6-1/2 in.	3 in.	5-3/16 in.

Upper Insulator Pad				
Model: SS58C & SS65-C 				
PART NO.	OEM REF.	LENGTH	HEIGHT	WIDTH
<b>GAFF12053</b>	10QK32BP1	7-15/32 in.	3-3/4 in.	6-3/16 in.

# MACK

## Cab Mounts

**Cab Mount**



PART NO.	OEM REF.	ID	OD	OD<	LENGTH
<b>GAFF12004</b>	20QL2101	5/8 in.	2-5/8 in.	1-3/8 in.	1-1/2 in.

**Cab Mount**



PART NO.	OEM REF.	ID	WIDTH	LENGTH
<b>GAFF12052</b>	30QS3479AM	13/16 in.	3-1/8 in.	6 in.

**Cab Mount**



PART NO.	OEM REF.	ID	WIDTH	LENGTH
<b>GAFF12084</b>	-	11/16 in.	3-1/8 in.	3-1/16 in.

## Hood Latches & Hood Hinges

**Hood Hinge Bushing**



PART NO.	OEM REF.	ID	OD	OD<	LENGTH
<b>GAFF11544</b>	20QL231P1	1/2 in.	1-3/4 in.	1-1/4 in.	1-1/4 in.


**Hood Guide**



PART NO.	OEM REF.	OD	OD<	LENGTH
<b>GAFF11545</b>	25QM-31	3-3/16 in.	1-1/2 in.	5-1/4 in.


## Motor Mounts

Motor Mount					
					
PART NO.	OEM REF.	ID	OD	OD<	LENGTH
<b>GAFF12000</b>	20QL1175, 20QL1118A, 25167342	3/4 in.	3-1/4 in.	2 in.	1-15/32 in.


Motor Mount Kit, Front					
					
PART NO.	OEM REF.	ID	WIDTH	LENGTH	NOTES
<b>GAFF12045</b>	20QL322, 20QL329, 25164809, 25172757	5/8 in.	3 in.	6-23/32 in.	1 Qty. Upper Motor Mount & 1 Qty. Lower Motor Mount

Motor Mount					
					
PART NO.	OEM REF.	ID	OD	OD<	LENGTH
<b>GAFF12002</b>	20QL2110, 20QL258	7/8 in.	3-1/2 in.	2-1/4 in.	3 in.

Motor Mount Kit, Front					
					
PART NO.	OEM REF.	ID	OD	LENGTH	NOTES
<b>GAFF12047</b>	20QL312M2	5/8 in.	2-5/8 in.	1-1/16 in.	2 Qty. GAFF12046 Motor Mount, Front & 1 Qty. Spacer Sleeve

Motor Mount Kit		
		
PART NO.	OEM REF.	NOTES
<b>GAFF12034</b>	204SX216, 20QL1175, 20QL1118A	8 Qty. GAFF12000 Motor Mount & 4 Qty. 3/4 in.-16 UNF x 6-1/2 in. Bolts & 4 Qty. Nylon Insert Nut & 8 Qty. Washer


Motor Mount, Front					
					
PART NO.	OEM REF.	ID	OD<	OD	LENGTH
<b>GAFF12046</b>	20QL312M2	11/16 in.	1-7/16 in.	2-5/8 in.	1-5/16 in.

Motor Mount Kit		
		
PART NO.	OEM REF.	NOTES
<b>GAFF12035</b>	204SX389	8 Qty. GAFF12000 Motor Mount & 4 Qty. 3/4 in.-16 UNF x 5 in. Bolts & 4 Qty. Nylon Insert Nut & 8 Qty. Washer

Motor Mount, Rear					
					
PART NO.	OEM REF.	ID	OD	OD<	LENGTH
<b>GAFF12023</b>	20QK324M	7/8 in.	3-5/8 in.	2-5/16 in.	1-15/16 in.

# MACK


## Motor Mounts


Motor Mount, Rear			
			
PART NO.	OEM REF.	LENGTH	NOTES
GAFF12372	20QL338M	8-7/8 in.	1-1/4-12 UNF

## Radiator & Air Cooler Mounts

Air Cooler Mount				
				
PART NO.	OEM REF.	ID	OD	LENGTH
GAFF12049	20QL37P3	3/8 in.	1-1/4 in.	1-1/16 in.

Radiator Mount				
				
PART NO.	OEM REF.	ID	OD	LENGTH
GAFF12032	20QL259A	9/16 in.	1-7/8 in.	1-13/16 in.

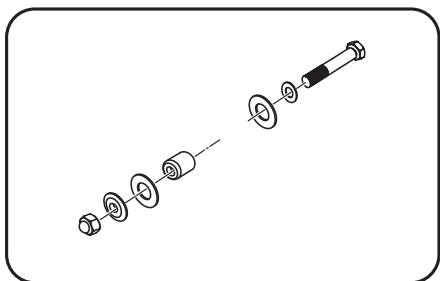
Radiator Mount				
				
PART NO.	OEM REF.	ID	OD	LENGTH
GAFF12026	25121334, 20QL295, 20QL295M	5/8 in.	2-1/2 in.	2-1/2 in.

Radiator Mount					
					
PART NO.	OEM REF.	ID	OD	OD<	LENGTH
GAFF18837	20QL231P1, 20QL231P12	5/8 in.	2 in.	1-5/16 in.	1-1/4 in.



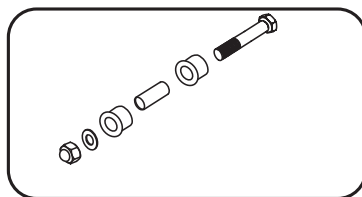
## RHP/MPA Series, Trailer, Air Suspension

Torque Arm Bushing & Bolt Kit

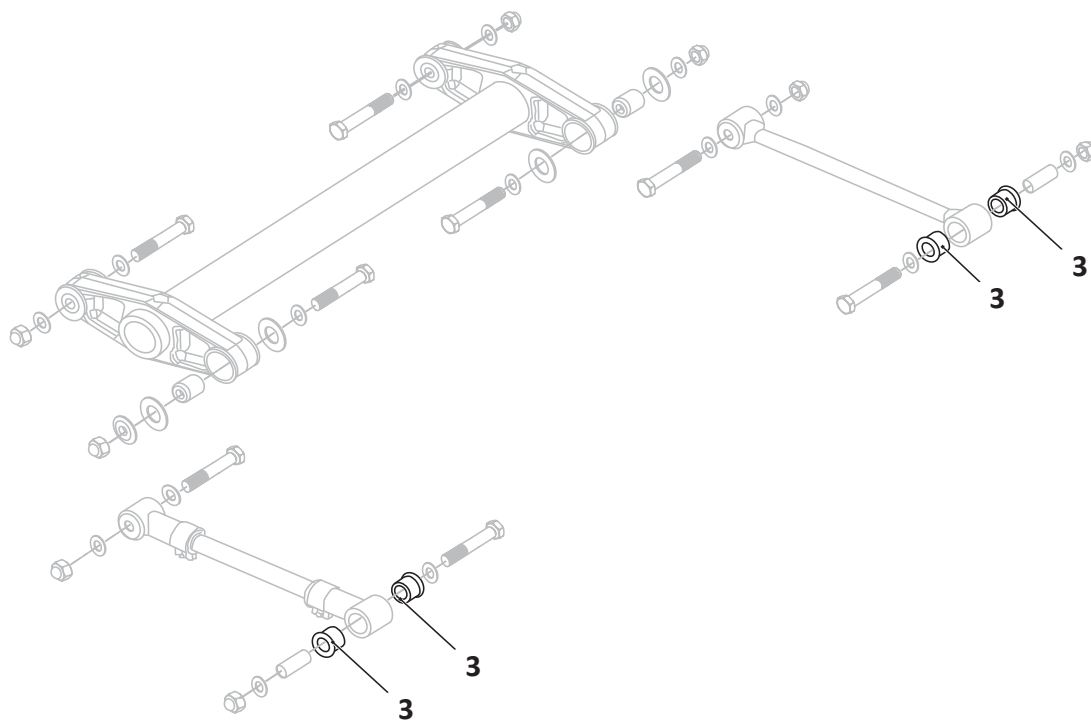


1

Torque Arm Bushing & Bolt Kit



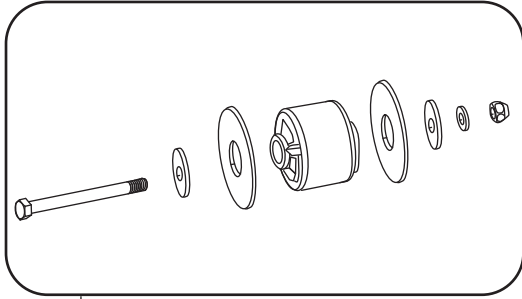
2



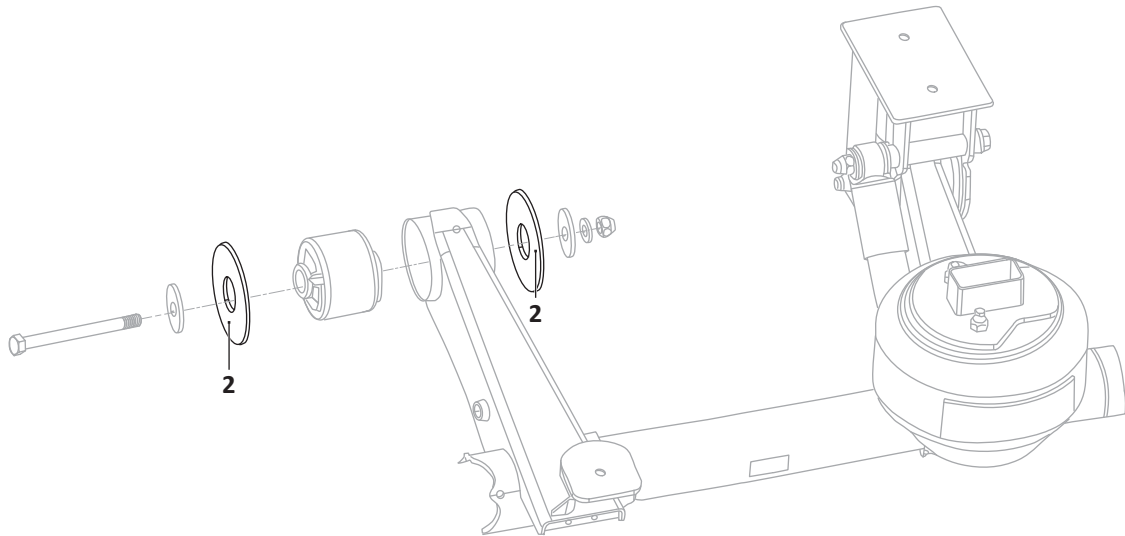
RHP/MPA Series, Trailer, Air Suspension				
KEY NO.	GAFF NO.	OEM REF.	DESCRIPTION	QTY PER TANDEM
1	GAFF50032	KIT11300	Control Arm Bushing & Bolt Kit	2
2	GAFF50033	KIT11102	Torque Arm Bushing & Bolt Kit	8
3	GAFF34514	1225-W-1349	Torque Arm Bushing	16

## MTA23-30 Top Mount, MTA25-30 Low Mount, Trailer, Air Suspension

Pivot Bolt & Bushing Kit




1





MTA23-30 Top Mount, MTA25-30 Low Mount, Trailer, Air Suspension				
KEY NO.	GAFF NO.	OEM REF.	DESCRIPTION	QTY PER TANDEM
1	GAFF13599	KIT11201	Pivot Bolt & Bushing Kit	2
2	GAFF13542	21226663	Wear Washer	4


## Suspension Components

Control Arm Bushing & Bolt Kit					
Model: RHP/MPA Series Suspension					
					
PART NO.	OEM REF.	OD	ID	LENGTH	NOTES
GAFF50032	KIT11300	2-3/8 in.	7/8 in.	3 in.	4 Qty. Torque Rod Bushing & 4 Qty. Bolts & 2 Qty. Pivot Washer & 4 Qty. Nut & 8 Qty. Washer & 8 Qty. Washer

Wear Washer			
Model: MTA23-30 Top Mount, MTA25-30 Low Mount			
			
PART NO.	OEM REF.	OD	ID
GAFF13542	21226663	7 in.	2-3/8 in.

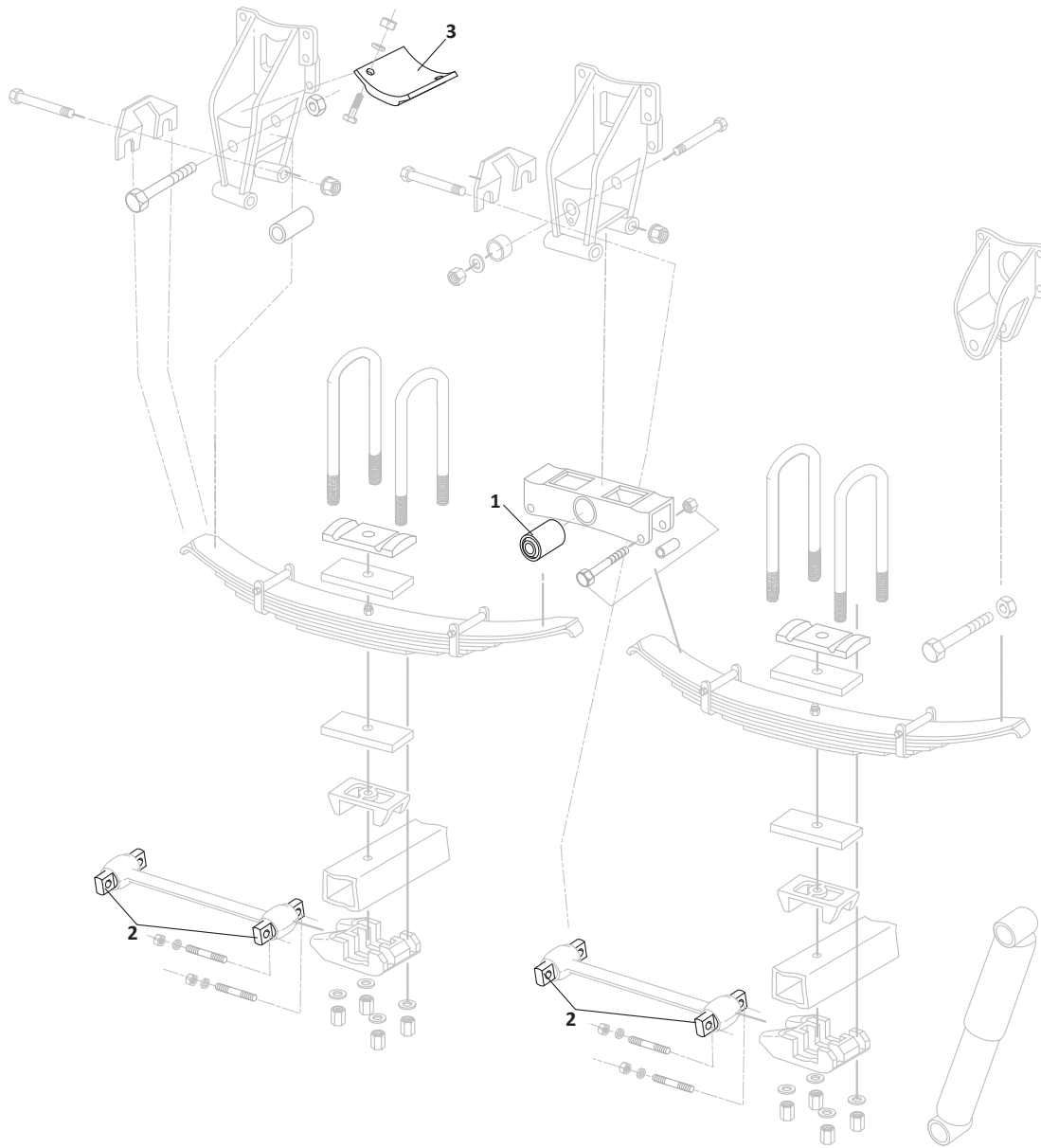
Torque Rod Bushing & Bolt Kit					
Model: RHP/MPA Series Suspension					
					
PART NO.	OEM REF.	OD	ID	LENGTH	NOTES
GAFF50033	KIT11102	3 in.	1-1/2 in.	1-7/16 in.	2 Qty. GAFF34514 Torque Rod Bushing & 1 Qty. Steel Bushing & 1 Qty. Bolt & 1 Qty. Nylon Insert Nut & 2 Qty. Washer

Torque Rod Bushing				
Model: RHP/MPA Series Suspension				
				
PART NO.	OEM REF.	OD	ID	LENGTH
GAFF34514	1225-W-1349	3 in.	1-1/2 in.	1-7/16 in.

Pivot Bolt & Bushing Kit					
Model: MTA23-30 Top Mount, MTA25-30 Low Mount					
					
PART NO.	OEM REF.	OD	ID	LENGTH	NOTES
GAFF13599	KIT11201	5-15/16 in.	1-9/16 in.	5-3/4 in.	1 Qty. Tri-Functional Bushing & 2 Qty. Tri-Functional Washers Bushing & 1 Qty. Steel Bushing & 1 Qty. Nylon Insert Nut & 1 Qty. Washer & 1 Qty. Bolt

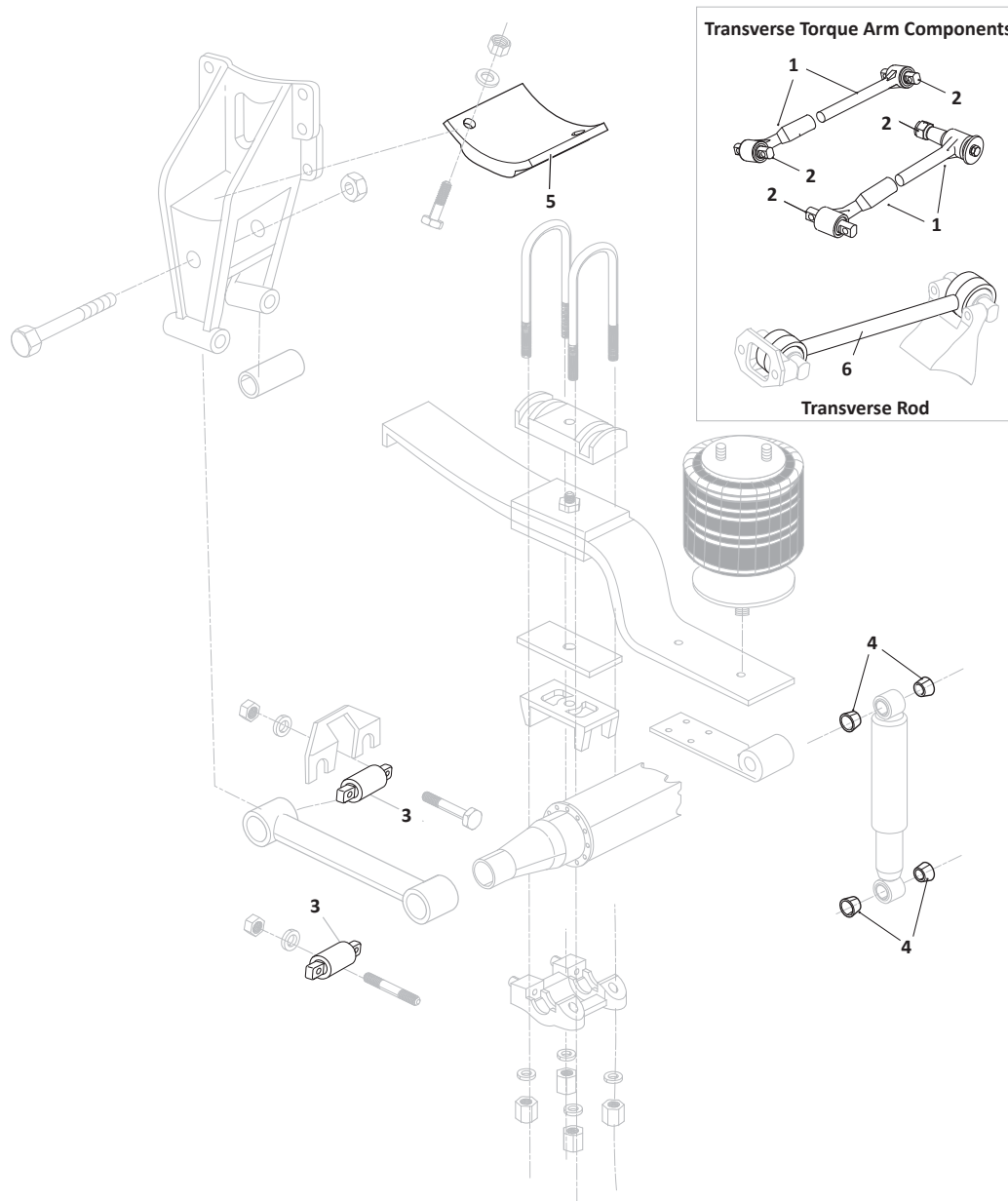
# NAVISTAR / INTERNATIONAL

## Four Spring



Four Spring				
KEY NO.	GAFF NO.	OEM REF.	DESCRIPTION	QTY PER TANDEM
1	GAFF13513	497501C2	Equalizer Bushing	2
2	GAFF13520	227720, 44695-000	Torque Rod Bushing, 2-3/4 in. OD	8
	GAFF83520	227720, 44695-000	Torque Rod Bushing, 2-3/4 in. OD, Easy Mount Free Rotating Bushing	8
	GAFF13522	1693060C1, 227710	Torque Rod Bushing, 2-1/2 in. OD	8
	GAFF83522	1693060C1, 227710	Torque Rod Bushing, 2-1/2 in. OD, Easy Mount Free Rotating Bushing	8
3	GAFF30544	571960C1	Wear Pad	2

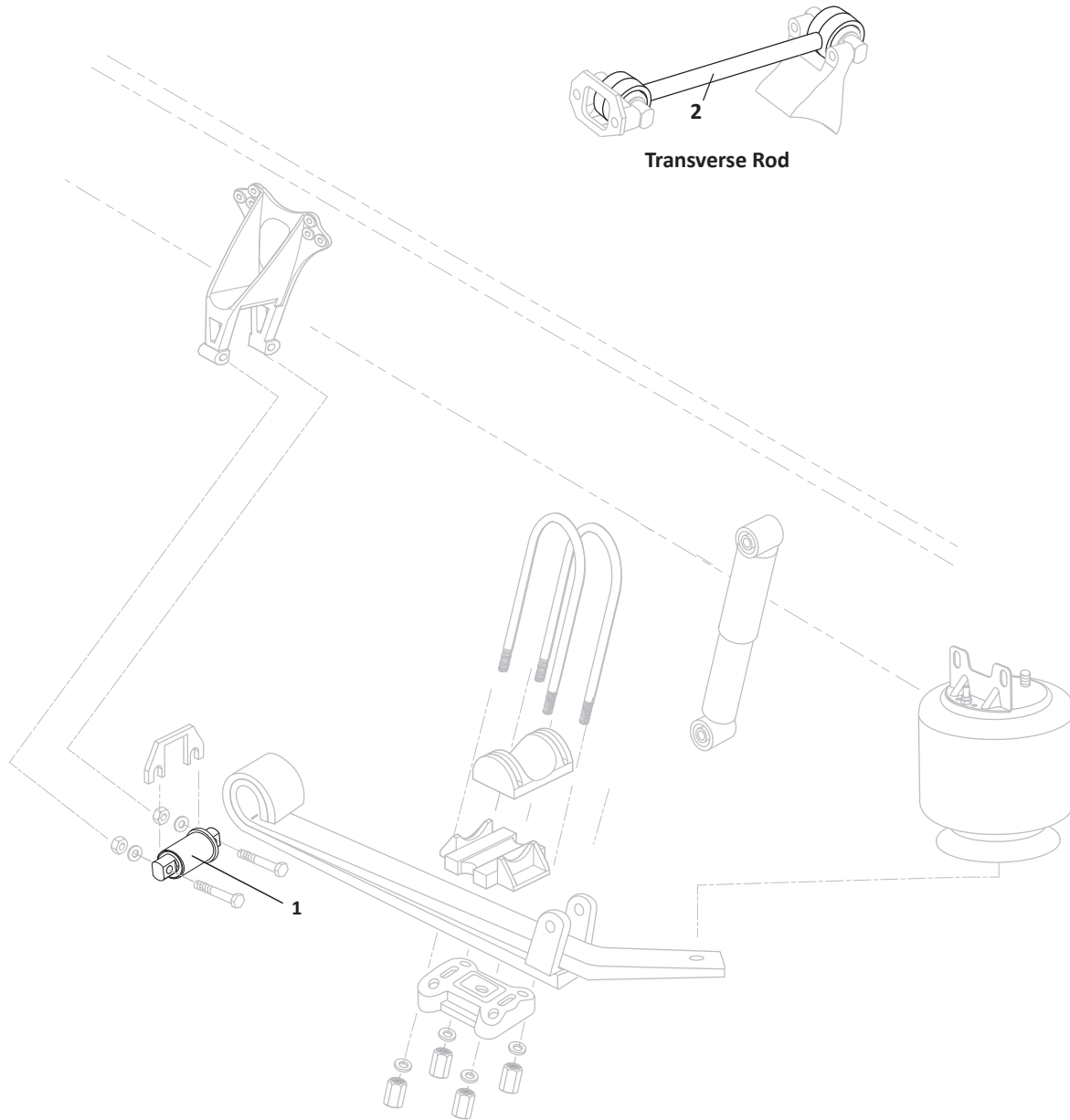
## Corporate Air Ride "Z" Spring



Corporate Air Ride "Z" Spring				
KEY NO.	GAFF NO.	OEM REF.	DESCRIPTION	QTY PER TANDEM
1	GAFF13683	66610-000	Torque Rod End, Includes GAFF13520 Bushing	1
	GAFF13690	66661-000	Torque Rod End, Includes GAFF13520 Bushing	1
2	GAFF11004	47691-000	Torque Rod Bushing, Straddle Mount	As Req.
	GAFF13521	47691-000	Torque Rod Bushing, Straddle Mount	As Req.
	GAFF34534	-	Torque Rod Bushing, Tapered Stud	As Req.
3	GAFF13520	227720, 44695-000	Torque Rod Bushing, 2-3/4 in. OD	4
	GAFF83520	227720, 44695-000	Torque Rod Bushing, 2-3/4 in. OD, Easy Mount Free Rotating Bushing	4
	GAFF13522	1693060C1, 227710	Torque Rod Bushing, 2-1/2 in. OD	4
	GAFF83522	1693060C1, 227710	Torque Rod Bushing, 2-1/2 in. OD, Easy Mount Free Rotating Bushing	4
	GAFF11714	-	Torque Rod Bushing, 2-15/32 in. OD	4
4	GAFF18566	-	Shock Absorber Bushing	8
5	GAFF30544	571960C1	Wear Pad	2
6	GAFF34563	3580088C1, 3548381C1	Transverse Torque Rod	2

# NAVISTAR / INTERNATIONAL

## New Corporate Air Ride - "Hockey Stick" Spring



New Corporate Air Ride - "Hockey Stick" Spring				
KEY NO.	GAFF NO.	OEM REF.	DESCRIPTION	QTY PER TANDEM
1	GAFF11005	3538115C5, 353811SC1	Spring Pin Bushing	2
	GAFF11083	3538115C5	Spring Pin Bushing, Anti-Walk	2
	GAFF11084	3538115C5	Spring Pin Bushing, Anti-Walk, Oversized	2
2	GAFF34563	3580088C1, 3548381C1	Transverse Torque Arm	1

## Suspension Components

**Equalizer Bushing**

Model:  
Navistar /  
International  
Four Spring



PART NO.	OEM REF.	OD	ID	LENGTH
<b>GAFF13513</b>	497501C2	2-1/2 in.	1 in.	4-23/32 in.

**Spring Pin Bushing, Anti-Walk**


Model:  
Navistar /  
International  
New Corporate  
Air Ride -  
“Hockey Stick”  
Spring



PART NO.	OEM REF.	OD	BOLT DIA.
<b>GAFF11083</b>	3538115C5	2-1/2 in.	3/4 in.

**Shock Absorber Bushing**

Model:  
Navistar /  
International  
Corporate Air  
Ride “Z” Spring



PART NO.	OD	ID	LENGTH
<b>GAFF18566</b>	1-7/8 in.	1 in.	31/32 in.

**Torque Rod Bushing, Straddle Mount**


Model:  
Navistar /  
International  
Corporate Air  
Ride “Z” Spring



PART NO.	OEM REF.	OD	BOLT DIA.
<b>GAFF13521</b>	47691-000	2 in.	5/8 in.

**Spring Pad**


Model:  
Navistar /  
International  
Corporate Air  
Ride “Z” Spring



PART NO.	OEM REF.	HEIGHT	LENGTH	BOLT DIA.
<b>GAFF30544</b>	571960C7, WP55-29007	2 in.	5-9/16 in.	13/32 in.

**Spring Pin Bushing, Anti-Walk Oversized OD**


Model:  
Navistar / In-  
ternational New  
Corporate Air  
Ride - “Hockey  
Stick” Spring



PART NO.	OEM REF.	OD	BOLT DIA.
<b>GAFF11084</b>	3538115C5	2-9/16 in.	3/4 in.


**Spring Pin Bushing**

Model:  
Navistar /  
International  
New Corporate  
Air Ride -  
“Hockey Stick”  
Spring



PART NO.	OEM REF.	OD	BOLT DIA.
<b>GAFF11005</b>	3538115C5, 353811SC1	2-1/2 in.	3/4 in.


**Torque Rod Assembly**



PART NO.	OEM REF.	LENGTH	BOLT DIA.	NOTES
<b>GAFF12074</b>	1516350C91	23-3/4 in.	11/16 in.	Includes GAFF11729 Bushings

## Suspension Components


**Torque Rod Assembly**



PART NO.	OEM REF.	LENGTH	BOLT DIA.	NOTES
<b>GAFF34563</b>	3548381C1, 3580088C1	25-3/8 in.	5/8 in.	Includes GAFF13521 Bushings


**Torque Rod Bushing**

Model:  
Navistar /  
International  
Corporate Air  
Ride "Z" Spring



PART NO.	OEM REF.	OD	BOLT DIA.
<b>GAFF11004</b>	47691-000, A-16-119448, 47691-000L	2 in.	5/8 in.


**Torque Rod Assembly**



PART NO.	OEM REF.	LENGTH	BOLT DIA.	NOTES
<b>GAFF11751</b>	1661925C91	24 in.	5/8 in.	Includes GAFF13520 Bushings

**Torque Rod Bushing, Easy Mount Free Rotating Bushing**

Model:  
Navistar /  
International 4  
Spring, Navistar  
/ International  
Corporate Air  
Ride "Z" Spring



PART NO.	OEM REF.	OD	BOLT DIA.
<b>GAFF83520</b>	227720, 44695-000	2-1/2 in.	5/8 in.


**Torque Rod Assembly**



PART NO.	OEM REF.	LENGTH	BOLT DIA.	NOTES
<b>GAFF12044</b>	1693537C1, 35801-5012	26 in.	5/8 in.	Includes GAFF13520 Bushings


**Torque Rod Bushing, Easy Mount Free Rotating Bushing**

Model:  
Navistar /  
International 4  
Spring, Navistar  
/ International  
Corporate Air  
Ride "Z" Spring



PART NO.	OEM REF.	OD	BOLT DIA.
<b>GAFF83522</b>	1693060C1, 227710	2-3/4 in.	5/8 in.


**Torque Rod Assembly**



PART NO.	OEM REF.	LENGTH	BOLT DIA.	THD	NOTES
<b>GAFF11080</b>	3581270C1, K195-376	24 in.	5/8 in.	1-1/4-12 UNF	Includes 1 Qty GAFF13520 & 1 Qty GAFF13518 Bushing

**Torque Rod Bushing**


Model:  
Navistar /  
International  
Corporate Air  
Ride "Z" Spring





PART NO.	OEM REF.	OD	BOLT DIA.
<b>GAFF11714</b>	-	2-15/32 in.	5/8 in.




## Suspension Components


Torque Rod Bushing			
Model: Navistar / International Four Spring, Navistar / International Corporate Air Ride "Z" Spring			
			
PART NO.	OEM REF.	OD	BOLT DIA.
<b>GAFF13522</b>	1693060C1, 227710, 44694-000	2-1/2 in.	5/8 in.


Torque Rod End				
Model: Navistar / International Corporate Air Ride "Z" Spring				
				
PART NO.	OEM REF.	LENGTH	BOLT DIA.	NOTES
<b>GAFF13690</b>	66661-000	33-7/16 in.	5/8 in.	Includes GAFF13520 Bushings


Torque Rod Bushing, 2-3/4 in. OD				
Model: Navistar / International Four Spring, Navistar / International Corporate Air Ride "Z" Spring				
				
PART NO.	OEM REF.	OD	BOLT DIA.	NOTES
<b>GAFF13520</b>	227720, 44695-000	2-3/4 in.	5/8 in.	Use GAFF83520 for Easy-Mount (Free Rotating Bushing)

Torque Rod End				
				
PART NO.	OEM REF.	LENGTH	BOLT DIA.	NOTES
<b>GAFF13686</b>	1693533C1	8-9/16 in.	1-1/4-12 UNF	Includes GAFF13518 Bushings

Torque Rod Bushing, Tapered Stud		
Model: Navistar / International Corporate Air Ride "Z" Spring		
		
PART NO.	OEM REF.	NOTES
<b>GAFF34534</b>	-	1-1/4-12 UNF


Torque Rod End				
				
PART NO.	OEM REF.	LENGTH	BOLT DIA.	NOTES
<b>GAFF13703</b>	1693559C1	25-7/16 in.	3/4 in.	Includes GAFF13528 Bushings

Torque Rod End				
Model: Navistar / International Corporate Air Ride "Z" Spring				
				
PART NO.	OEM REF.	LENGTH	BOLT DIA.	NOTES
<b>GAFF13683</b>	66610-000	8-9/16 in.	5/8 in.	Includes GAFF13520 Bushings

Torque Rod End				
				
PART NO.	OEM REF.	LENGTH	BOLT DIA.	NOTES
<b>GAFF13691</b>	1693536C1	25-7/16 in.	5/8 in.	Includes GAFF13520 Bushings


## Suspension Components

**Torque Rod End**




PART NO.	OEM REF.	LENGTH	NOTES
<b>GAFF13692</b>	1691035C91	33-7/16 in.	Includes GAFF13684 Bushing

**Torque Rod End**



PART NO.	OEM REF.	ID	LENGTH	BOLT DIA.	NOTES
<b>GAFF13699</b>	1693535C1	1-1/8 in.	25-7/16 in.	1-1/8 in.	Includes GAFF13516 Bushing


**Torque Rod End**



PART NO.	OEM REF.	LENGTH	BOLT DIA.	NOTES
<b>GAFF13694</b>	1693542C1	33-7/16 in.	1-1/4-12 UNF	Includes GAFF13518 Bushing


**Transverse Torque Arm**

Model:  
Navistar /  
International  
New Corporate  
Air Ride -  
"Hockey Stick"  
Spring




PART NO.	OEM REF.	LENGTH	BOLT DIA.	NOTES
<b>GAFF34563</b>	3580088C1, 3548381C1	25-3/8 in.	3/4 in.	Includes GAFF13521 Bushings

**Torque Rod End**



PART NO.	OEM REF.	LENGTH	BOLT DIA.	NOTES
<b>GAFF13695</b>	1693543C1	25-7/16 in.	1-1/4-12 UNF	Includes GAFF13518 Bushing

**Torque Rod End**



PART NO.	OEM REF.	LENGTH	BOLT DIA.	NOTES
<b>GAFF13697</b>	1693545C1	25-7/16 in.	1-1/4-12 UNF	Includes GAFF12031 Bushing


## Cab Mounts

**Cab Mount**



PART NO.	OEM REF.	ID	OD<	OD	LENGTH
<b>GAFF11705</b>	476869C1	5/8 in.	1-13/16 in.	3 in.	2-3/8 in.

**Cab Mount**




PART NO.	OEM REF.	OD<	ID	LENGTH
<b>GAFF34515</b>	3515345C1, 3515345C2	3-3/8 in.	25/32 in.	6-3/16 in.

**Cab Mount**



PART NO.	OEM REF.	ID	OD	LENGTH
<b>GAFF34552</b>	3595976C5 / 03595976C4	11/16 in.	2-7/8 in.	3-5/16 in.

**Cab Mount**




PART NO.	OEM REF.	ID	OD	LENGTH
<b>GAFF34516</b>	3574670C91, 3574671C91, 3574678C1, 3574680C1, 3589599C91, 3844147C91	1/2 in.	2-7/8 in.	3-3/8 in.

**Hood Mount**




PART NO.	OEM REF.	NOTES
<b>GAFF34583</b>	-	Hood Mount Left

**Cab Mount Kit**



PART NO.	OEM REF.	OD<	ID	LENGTH
<b>GAFF34528</b>	3512064C4, 28398-3	3-3/8 in.	5/8 in.	6-3/16 in.

**Hood Mount**



PART NO.	OEM REF.	NOTES
<b>GAFF34589</b>	-	Hood Mount Right

## Hood Latches & Hood Hinges


Hood Latch	
	
PART NO.	LENGTH
<b>GAFF10024</b>	5-7/8 in.

Hood Hinge Bushing				
				
PART NO.	OEM REF.	ID	OD	LENGTH
<b>GAFF34530</b>	1668960C1	3/8 in.	1-1/2 in.	2-3/16 in.


Hood Latch Assembly		
		
PART NO.	OEM REF.	LENGTH
<b>GAFF10506</b>	1699929C9, 499523C3, 16899930C91	8 in.

## Motor Mounts

Motor Mount			
			
PART NO.	OEM REF.	ID	OD
<b>GAFF34507</b>	1664730C5, 1664730C7, 2014777C2, 1664726C2	5/8 in.	3 in.


Motor Mount Kit, Front					
					
PART NO.	OEM REF.	ID	LENGTH	NOTES	
<b>GAFF34509</b>	1664723C1, 1664723C2, 1664723C3, 1664724C1, 1664724C2	11/16 in.	4-1/16 in.	1 Qty. GAFF34569 Motor Mount, (Upper) & 1 Qty. GAFF34593 Motor Mount, (Lower)	

Motor Mount Kit			
			
PART NO.	OEM REF.	LENGTH	NOTES
<b>GAFF34500</b>	1664728C1, 1664728C2	5-1/2 in.	1 Qty. GAFF34508 Motor Mount Rear & 1 Qty. GAFF34593 Motor Mount, (Lower)

Motor Mount Kit, Front				
				
PART NO.	OEM REF.	ID	LENGTH	NOTES
<b>GAFF34510</b>	1664729C4, BCD274772	13/16 in.	7 in.	1 Qty Upper Mount & 1 Qty Lower Mount


## Motor Mounts

**Motor Mount Kit, Front**



PART NO.	OEM REF.	NOTES
<b>GAFF34526</b>	1664723C2, 1664723C3, 1664724C2	2 Qty. GAFF34569 Motor Mount (Upper) & 2 Qty. GAFF34593 Motor Mount, (Lower) & 2 Qty. 5/8-18 UNF Bolts & 2 Qty. Nut & 2 Qty. Washer

**Motor Mount, Front**



PART NO.	OEM REF.	ID	OD	OD<	LENGTH
<b>GAFF10503</b>	470031C2, 470031, EE14003053	5/8 in.	2-13/16 in.	1-1/12 in.	2-3/8 in.

**Motor Mount Kit, Rear**




PART NO.	OEM REF.	NOTES
<b>GAFF34524</b>	1664728C1, 1664728C2	2 Qty. GAFF34508 Motor Mount (Upper) & 2 Qty. GAFF34593 Motor Mount, (Lower) & 2 Qty. 5/8-18 UNF Bolts & 2 Qty. Nut & 2 Qty. Washer

**Motor Mount, Rear**



PART NO.	OEM REF.	ID	OD	LENGTH
<b>GAFF10075</b>	507569C91, 503579C1, 503837C1, 470031, EE14003053	1-1/2 in.	3 in.	3 in.

**Motor Mount Kit, Rear**



PART NO.	OEM REF.	NOTES
<b>GAFF34525</b>	1664729C1, 1664730C5	2 Qty. GAFF34510 Motor Mount Kit & 2 Qty. 3/4-16 UNF Bolts & 2 Qty. Nylon Insert Nut & 4 Qty. Washer


**Motor Mount, Rear**



PART NO.	OEM REF.	ID	OD	OD<	LENGTH
<b>GAFF10505</b>	479237C1, 583955C1, 14003030, 14003052	5/8 in.	3-1/16 in.	1-5/8 in.	2-5/8 in.

## Radiator & Air Cooler Mounts

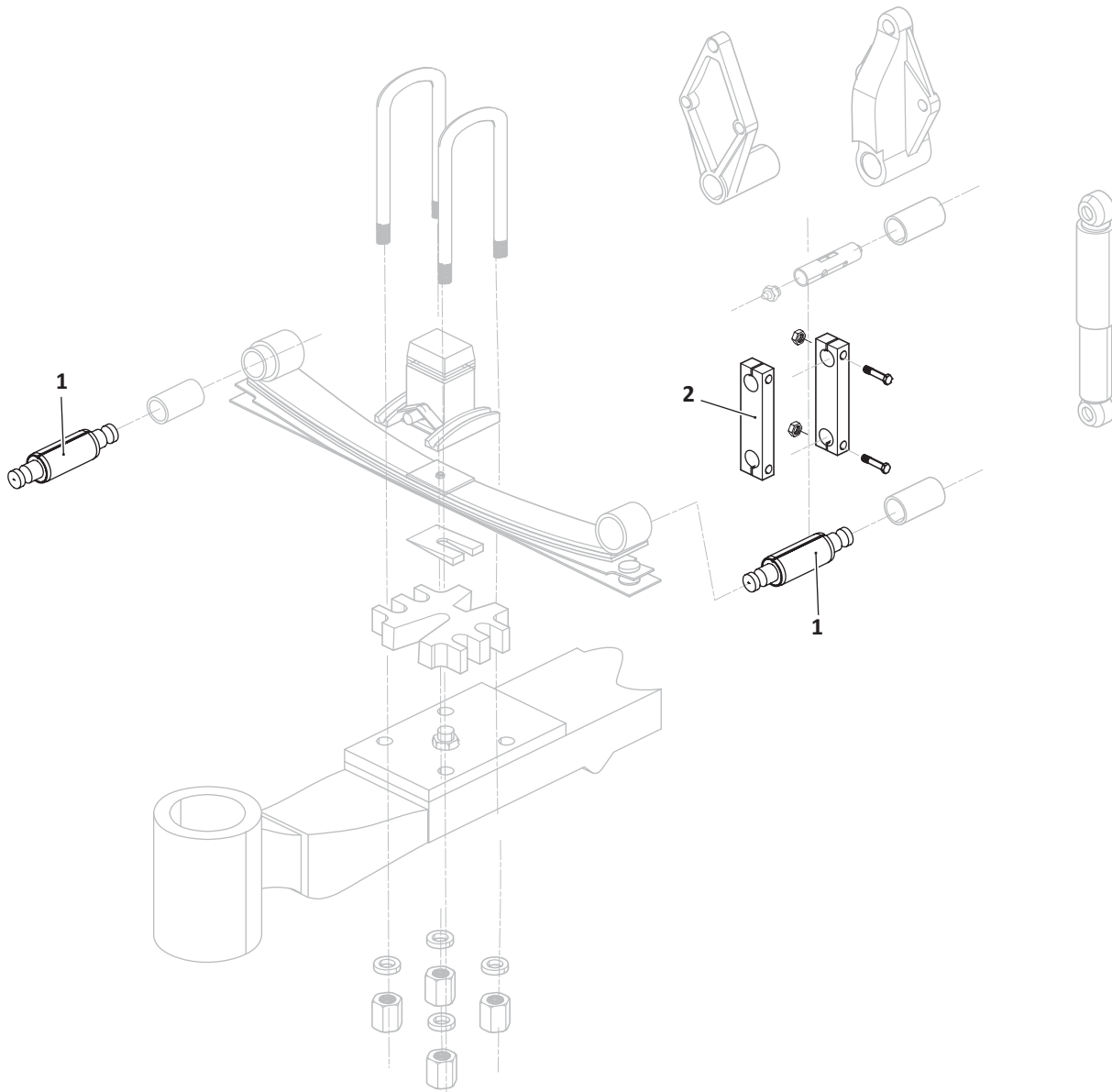
**Radiator Mount**



PART NO.	ID	OD	LENGTH
<b>GAFF34545</b>	1/2 in.	2-1/16 in.	1-1/8 in.

# PETERBILT

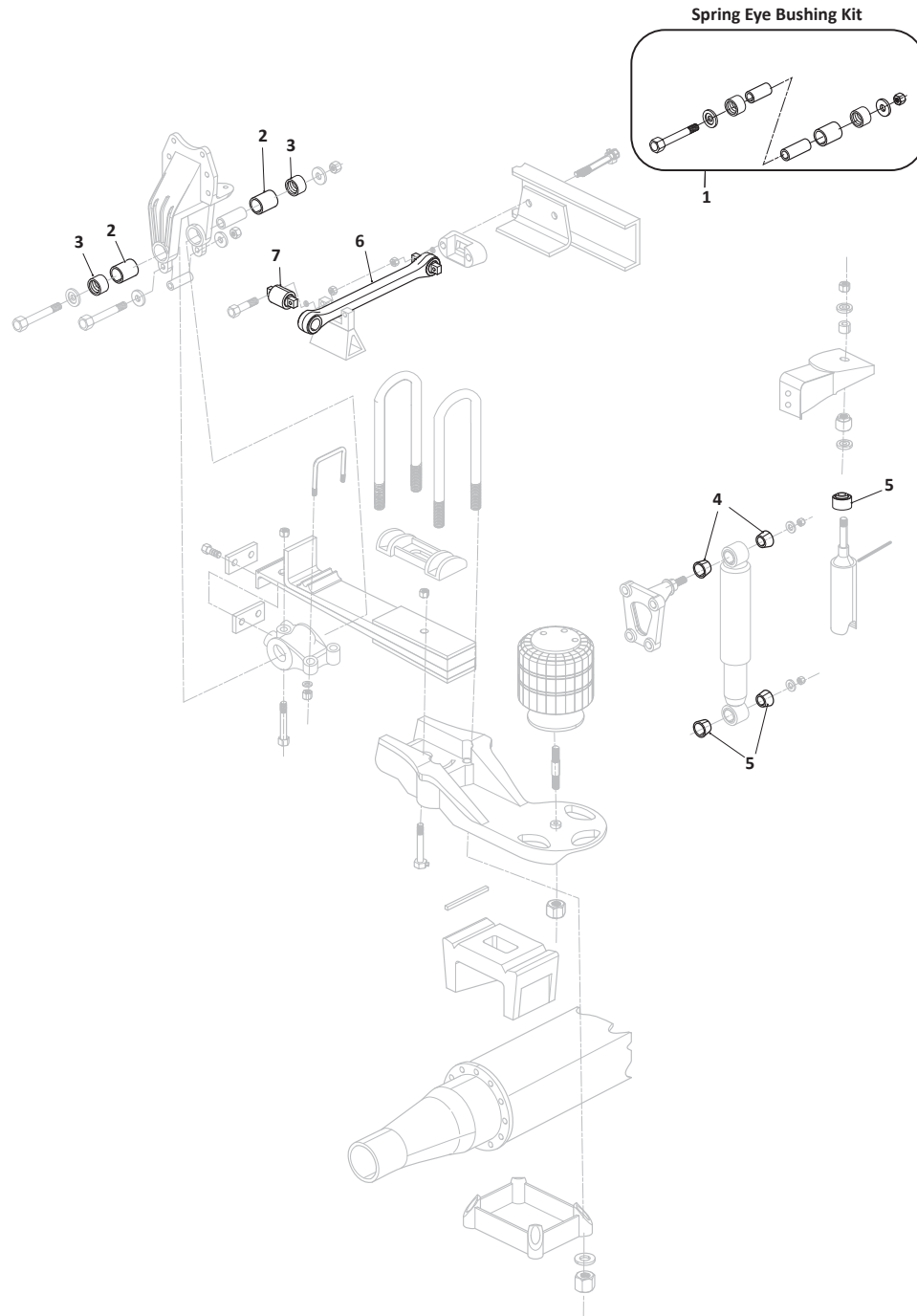
## Cab Over and Conventional 4 in. Wide Spring



### Cab Over and Conventional 4 in. Wide Spring

KEY NO.	GAFF NO.	OEM REF.	DESCRIPTION	QTY PER TANDEM
1	GAFF11753	B65-1006	Spring Pin Bushing	6
	GAFF11763	B65-1007, B65-1012	Spring Pin Bushing	6
2	GAFF11759	-	Spring Pin Shackle	4

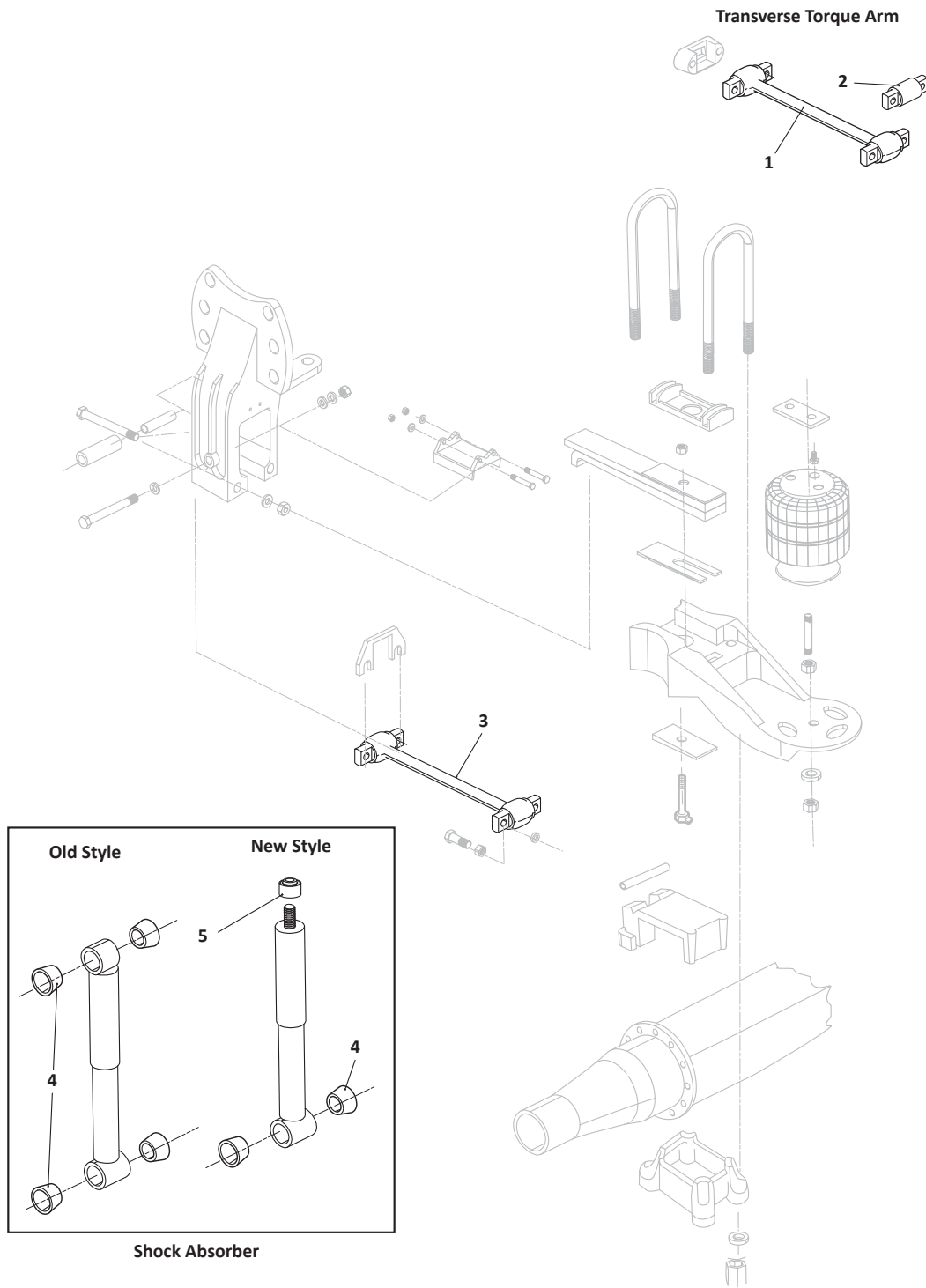
## Air Leaf



Air Leaf				
KEY NO.	GAFF NO.	OEM REF.	DESCRIPTION	QTY PER TANDEM
1	GAFF12361	03AL1	Spring Eye Bushing Kit	2
2	GAFF12350	03-01674	Spring Eye Bushing	4
3	GAFF12351	03-01675	Spring Hanger Spacer Washer	4
4	GAFF18566	-	Shock Bushing	As Required
5	GAFF11550	-	Shock Bushing	As Required
6	GAFF34554	03-04059	Torque Rod Assembly	2
7	GAFF13522	227710	Torque Rod Bushing	4
	GAFF83522	227710	Torque Rod Bushing, Easy Mount Free Rotating	4

# PETERBILT

## Air Trac



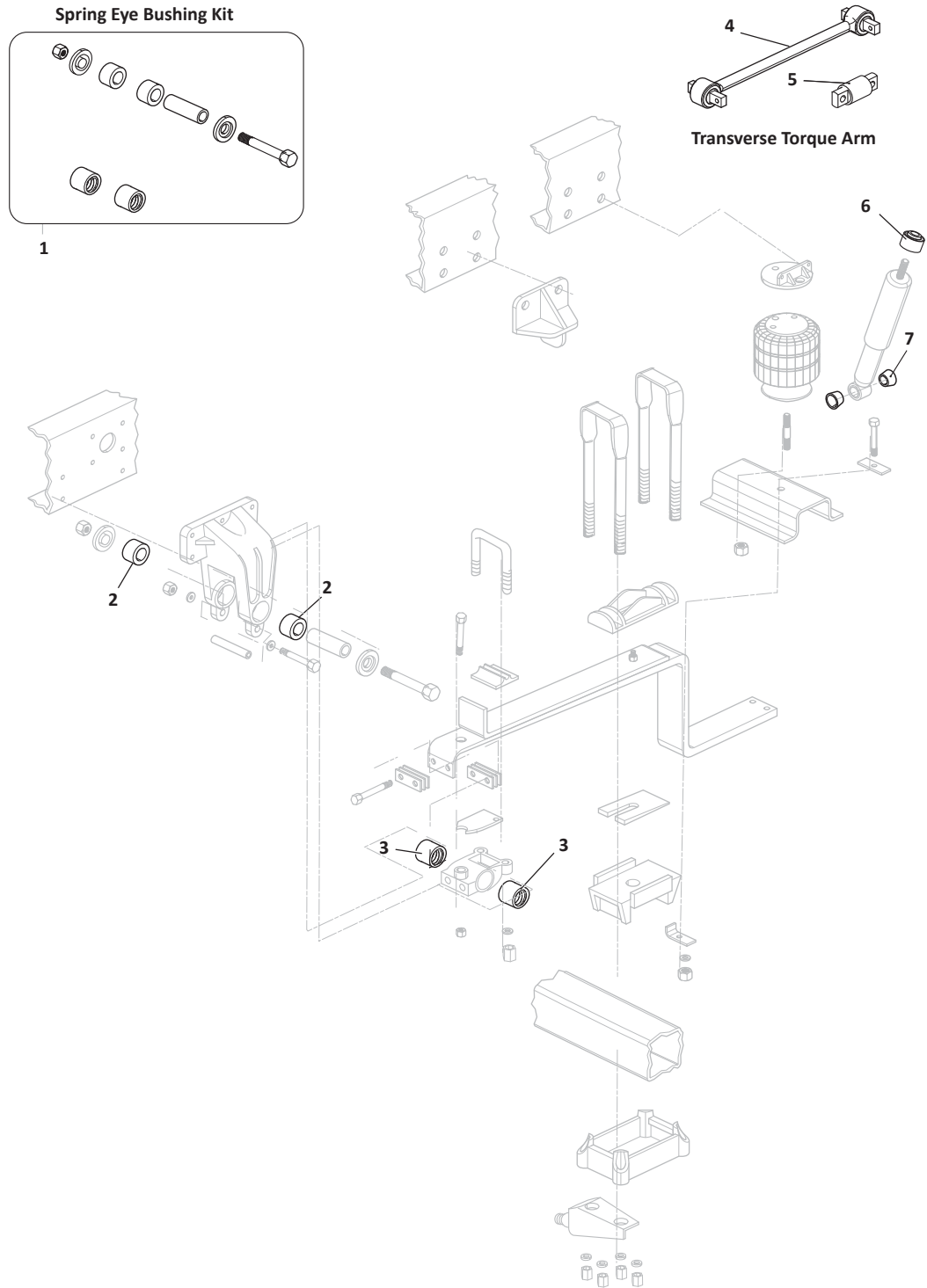
Air Trac				
KEY NO.	GAFF NO.	OEM REF.	DESCRIPTION	QTY PER TANDEM
1	GAFF34554	03-04059	Torque Rod Assembly	2
2	GAFF13522	227710	Torque Rod Bushing	4
	GAFF83522	227710	Torque Rod Bushing, Easy Mount Free Rotating	2
3	GAFF12395	03-04327	Torque Rod Assembly	2
4	GAFF18566	-	Shock Bushing	As Required
5	GAFF11550	-	Shock Bushing	As Required



# PETERBILT

## Low Mount Air Leaf

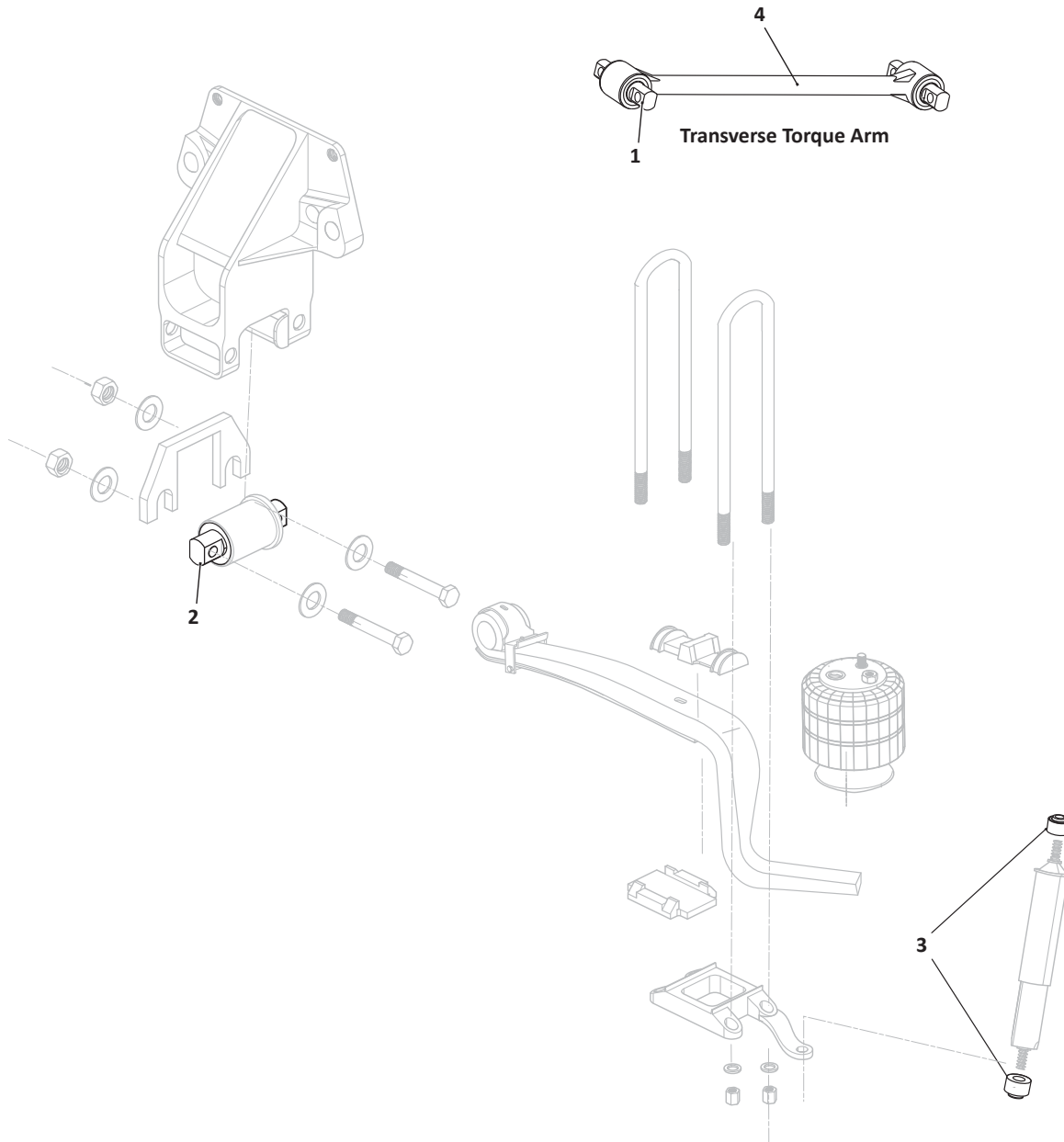
GAFF® Polyurethane Components



Low Mount Air Leaf				
KEY NO.	GAFF NO.	OEM REF.	DESCRIPTION	QTY PER TANDEM
1	GAFF12362	03-AL2	Spring Eye Bushing Kit	2
2	GAFF12351	03-01675	Spring Hanger Spacer Washer	4
3	GAFF12354	03-05101	Spring Eye Bushing	4
4	GAFF12398	03-05198	Torque Rod Assembly	2
5	GAFF13522	227710	Torque Rod Bushing	4
	GAFF83522	227710	Torque Rod Bushing, Easy Mount Free Rotating	2
6	GAFF11550	-	Shock Bushing	4
7	GAFF18566	-	Shock Bushing	4

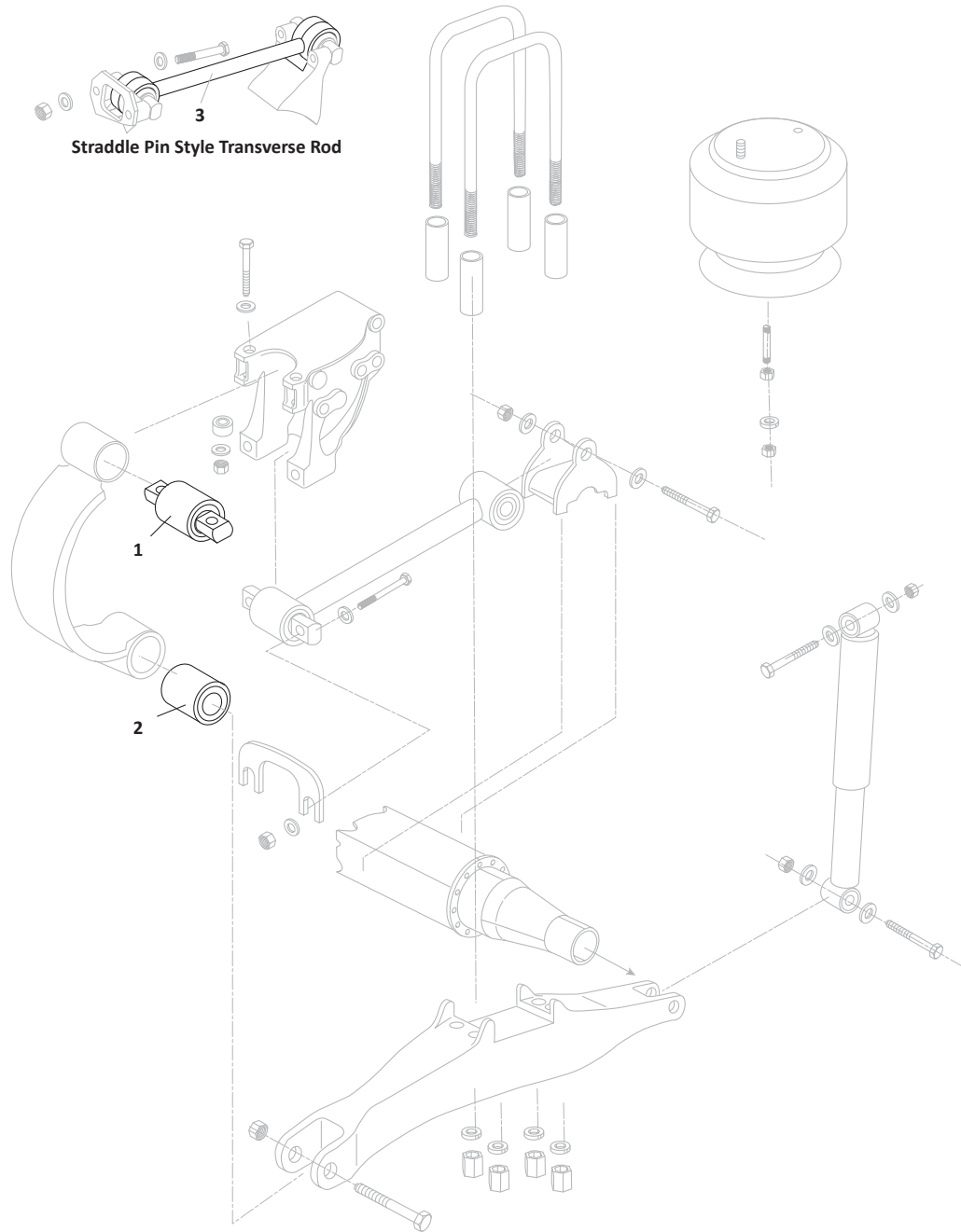
# PETERBILT

## Airglide 210



Airglide 210				
KEY NO.	GAFF NO.	OEM REF.	DESCRIPTION	QTY PER TANDEM
1	GAFF11792	-	Torque Rod Assembly	2
2	GAFF11083	-	Spring Pin Bushing	2
	GAFF11084	-	Spring Pin Bushing, Anti-Walk Oversized OD	2
3	GAFF11550	-	Shock Bushing	4


## Flex Air




Flex Air				
KEY NO.	GAFF NO.	OEM REF.	DESCRIPTION	QTY PER TANDEM
1	GAFF11765	C13-6001	Torque Rod Bushing	2
2	GAFF11764	C65-1002	Spring Eye Hollow Bushing	2
3	GAFF11792	C65-6009, C65-6002	Torque Arm	2
	GAFF12397	C65-6011-001	Torque Rod, 23-3/4 in. Center-to-Center, 1 Straddle Bushing & 1 Hollow Bushing	2
	GAFF11795	C65-6011-001	Torque Rod, 23-11/16 in. Center-to-Center, 1 Straddle Bushing & 1 Hollow Bushing	2


# PETERBILT


## Suspension Components

Shock Bushing			
Model: Peterbilt Air Leaf, Peterbilt Air Trac, Peterbilt Low Mount Air Leaf			
			
PART NO.	OD	ID	LENGTH
GAFF18566	1-7/8 in.	1 in.	31/32 in.


Spring Eye Bushing Kit			
Model: Peterbilt Air Leaf			
			
PART NO.	OEM REF.	LENGTH	NOTES
GAFF12361	03AL1	8-1/2 in.	2 Qty. GAFF12350 Bushing & 2 Qty. GAFF12351 Beam End Washer & 1 Qty. Bolt & 1 Qty. Nut & 2 Qty. Washers

Shock Bushing				
Model: Peterbilt Air Leaf, Peterbilt Air Trac, Peterbilt Low Mount Air Leaf				
				
PART NO.	OEM REF.	OD	ID	LENGTH
GAFF11550	K066-266 / COM368-6	2 in.	5/8 in.	1 in.

Spring Eye Bushing Kit			
Model: Peterbilt Low Mount Air Leaf			
			
PART NO.	OEM REF.	LENGTH	NOTES
GAFF12362	03-AL2	8 in.	2 Qty. GAFF12354 Bushing & 2 Qty. GAFF12351 Beam End Washer & 1 Qty. Bolt & 1 Qty. Nut & 2 Qty. Washers

Spring Eye Bushing				
Model: Peterbilt Air Leaf				
				
PART NO.	OEM REF.	OD	ID	LENGTH
GAFF12350	03-01674	2-1/2 in.	1-3/4 in.	2-5/8 in.

Spring Eye Hollow Bushing				
Model: Peterbilt Flex Air				
				
PART NO.	OEM REF.	OD	ID	LENGTH
GAFF11764	C65-1002, K221-5086	2-3/8 in.	7/8 in.	2-19/32 in.

Spring Eye Bushing				
Model: Peterbilt Low Mount Air Leaf				
				
PART NO.	OEM REF.	OD	ID	LENGTH
GAFF12354	03-05101	2-1/2 in.	1-3/4 in.	2-3/8 in.


Spring Hanger Spacer Washer				
Model: Peterbilt Air Leaf, Peterbilt Low Mount Air Leaf				
				
PART NO.	OEM REF.	OD	ID	LENGTH
GAFF12351	03-01675	2-5/8 in.	1-3/4 in.	15/16 in.

# PETERBILT

## Suspension Components

GAFF® Polyurethane Components


**Spring Pin Bushing**



PART NO.	OEM REF.	LENGTH	OD
<b>GAFF11753</b>	B65-1006	6-5/16 in.	1-3/4 in.


**Torque Rod Assembly**

Model:  
Peterbilt Air Leaf, Peterbilt Air Trac



PART NO.	OEM REF.	LENGTH	BOLT DIA.
<b>GAFF34554</b>	03-04059	22-7/8 in.	5/8 in.


**Spring Pin Bushing**



PART NO.	OEM REF.	OD	NOTES
<b>GAFF11763</b>	B65-1007, B65-1012	2-1/8 in.	6-5/16 in. Center-to-Center of Notches

**Torque Rod Assembly**


Model:  
Peterbilt Air Trac



PART NO.	OEM REF.	LENGTH	BOLT DIA.
<b>GAFF12395</b>	03-04327	17-5/16 in.	Hanger End: 5/8 in., Axle End: 3/4 in

**Spring Pin Bushing**


Model:  
Peterbilt Airglide 210



PART NO.	OEM REF.	OD
<b>GAFF11083</b>	-	2-1/2 in.

**Torque Rod Assembly**


Model:  
Peterbilt Low Mount Air Leaf



PART NO.	OEM REF.	LENGTH	BOLT DIA.
<b>GAFF12398</b>	03-05198	25-9/16 in.	5/8 in.

**Spring Pin Bushing, Anti-Walk Oversized OD**


Model:  
Peterbilt Airglide 210



PART NO.	OEM REF.	OD	BOLT DIA.
<b>GAFF11084</b>	-	2-3/4 in.	3/4 in.

**Torque Rod Assembly**


Model:  
Peterbilt Airglide 210, Peterbilt Flex Air





PART NO.	OEM REF.	LENGTH	BOLT DIA.
<b>GAFF11792</b>	C65-6009, C65-600	25-9/16 in.	5/8 in.


# PETERBILT


## Suspension Components

Torque Rod Assembly				
Model: Peterbilt Flex Air				
				
PART NO.	OEM REF.	LENGTH	BOLT DIA.	NOTES
<b>GAFF11795</b>	C65-6000-002, C65-6011-002	24-11/16 in.	5/8 in.	Includes 1 Qty GAFF13521 & 1 Qty GAFF14010 Bushings

Torque Rod Bushing				
Model: Peterbilt Air Leaf, Peterbilt Air Trac, Peterbilt Low Mount Air Leaf				
				
PART NO.	OEM REF.	OD	BOLT DIA.	NOTES
<b>GAFF83522</b>	227710 44694-000, 35033-3201	2-1/2 in.	5/8 in.	Easy-Mount version of GAFF13522

Torque Rod Assembly				
Model: Peterbilt Flex Air				
				
PART NO.	OEM REF.	LENGTH	BOLT DIA.	NOTES
<b>GAFF12397</b>	C65-6000-001, C65-6011-001	23-3/4 in.	5/8 in.	Includes 1 Qty GAFF13521 & 1 Qty GAFF14091 Bushings

Torque Rod Bushing				
Model: Peterbilt Flex Air				
				
PART NO.	OEM REF.	LENGTH C-TO-C	OD	BOLT DIA.
<b>GAFF11765</b>	C13-6001	4-13/32 in.	2-3/8 in.	5/8 in.

Torque Rod Bushing				
Model: Peterbilt Air Leaf, Peterbilt Air Trac, Peterbilt Low Mount Air Leaf				
				
PART NO.	OEM REF.	OD	BOLT DIA.	NOTES
<b>GAFF13522</b>	227710 44694-000	2-1/2 in.	5/8 in.	Use GAFF83522 for Easy-Mount (Free Rotating Bushing)

## Cab Mounts

Cab Mount					
					
PART NO.	OEM REF.	ID	OD	OD<	LENGTH
<b>GAFF11705</b>	05-14794	5/8 in.	3 in.	1-13/16 in.	2-3/8 in.

Cab Mount					
					
PART NO.	OEM REF.	ID	OD	OD<	LENGTH
<b>GAFF11707</b>	05-08968	5/8 in.	2-1/2 in.	1-5/8 in.	2 in.

Hood Latches & Hood Hinges

Hood Hinge Bushing					
					
PART NO.	OEM REF.	ID	OD	OD<	LENGTH
GAFF11709	M300-70NR	1/2 in.	1-3/4 in.	1-3/16 in.	1-3/8 in.

Hood Hinge Bushing					
					
PART NO.	OEM REF.	ID	OD	LENGTH	
GAFF12363	13-03593 13-04588	5/8 in.	1-1/2 in.	1-1/2 in.	

Hood Mount				
				
PART NO.	OEM REF.	ID	LENGTH	HEIGHT
GAFF12410	-	1/2 in.	2-1/4 in.	5/8 in.

Hood Hinge Bushing					
					
PART NO.	OEM REF.	ID	OD<	LENGTH	OD
GAFF12370	13-04154	1/2 in.	1-3/16 in.	5/8 in.	1-13/16 in.


Hood Mount Kit		
		
PART NO.	OEM REF.	NOTES
GAFF12414	-	1 Qty. GAFF12410 Hood Hinge Bushing & 3 Qty. GAFF12370 Hood Mount


Hood Latch		
		
PART NO.	OEM REF.	LENGTH
GAFF12365	23-13857 L56-0001	8-7/8 in.


Hood Hinge Bushing				
				
PART NO.	OEM REF.	ID	OD	LENGTH
GAFF12367	13-03440 13-04588	1/2 in.	1-5/16 in.	2 in.

Hood Latch Assembly			
			
PART NO.	OEM REF.	LENGTH	NOTES
GAFF11103	37-41-295-80	8-11/16 in.	Includes bracket & GAFF12365 Latch

**Hood Latches & Hood Hinges**


Hood Latch Assembly		
		
PART NO.	OEM REF.	NOTES
<b>GAFF11851</b>	L56-0001, 23-13857, L03-0001	Included 1 Qty. GAFF11097 Hood hook, 1 Qty. GAFF11134 Latch, includes metal bracket

Hood Mount				
				
PART NO.	OEM REF.	LENGTH	HEIGHT	WIDTH
<b>GAFF12364</b>	13-04711, 13-03510	3-1/8 in.	2 in.	2-3/8 in.

Hood Mount				
				
PART NO.	OEM REF.	LENGTH	HEIGHT	WIDTH
<b>GAFF12359</b>	13-03510, 13-04711	3-1/8 in.	2-3/8 in.	1-15/16 in.





## Motor Mounts


Motor Mount					
					
PART NO.	OEM REF.	ID	OD	OD<	LENGTH
GAFF12355	05-08968	5/8 in.	2-1/2 in.	1-5/8 in.	2 in.

Motor Mount				
				
PART NO.	OEM REF.	ID	OD	LENGTH
GAFF12369	CB2203-72	5/8 in.	2-17/32 in.	2-3/8 in.

Motor Mount					
					
PART NO.	OEM REF.	ID	OD	OD<	LENGTH
GAFF12356	05-10197	13/16 in.	2-11/16 in.	1-9/16 in.	2-7/16 in.

Motor Mount					
					
PART NO.	OEM REF.	ID	OD	OD<	LENGTH
GAFF18786	05-18263, CB2203-2	15/16 in.	3-7/16 in.	1-15/32 in.	2-7/8 in.


Motor Mount						
						
PART NO.	OEM REF.	ID	OD	OD<	LENGTH	NOTES
GAFF12360	20-08257, 20-08867	5/8 in.	3-1/8 in.	1-13/16 in.	2-3/4 in.	Includes mounts and spacer


Motor Mount, Front						
						
PART NO.	OEM REF.	ID	OD	OD<	LENGTH	NOTES
GAFF11613	05-08969, 05-10103, 05-16401	3/4 in.	3-13/16 in.	2-1/6 in.	2-9/16 in.	With Metal Sleeve


Motor Mount				
				
PART NO.	OEM REF.	ID	OD	LENGTH
GAFF12368	CB2203-70, CB2203-77, CB2203-78	3/4 in.	2-17/32 in.	2-3/8 in.

Motor Mount, Front					
					
PART NO.	OEM REF.	ID	OD	OD<	LENGTH
GAFF18102	05-16919	3/4 in.	3-5/8 in.	2-3/16 in.	2-7/16 in.

## Radiator, Air Cooler Mounts & Exhaust Mounts


Air Cooler Mount					
					
PART NO.	OEM REF.	ID	OD	OD<	LENGTH
GAFF11554	13-01633	3/8 in.	1-1/8 in.	3/4 in.	7/8 in.

Radiator Bushing					
					
PART NO.	OEM REF.	ID	OD	OD<	LENGTH
GAFF12366	07-02552	5/8 in.	1-3/16 in.	1 in.	23/32 in.

Exhaust Bushing				
				
PART NO.	OEM REF.	ID	OD	LENGTH
GAFF17284	M13-1011	15/32 in.	1-15/16 in.	1-3/16 in.

Exhaust Bushing					
					
PART NO.	OEM REF.	ID	LENGTH C-TO-C	WIDTH	NOTES
GAFF11809	M13-1009	15/32 in.	2-3/4 in.	2 in.	3/8 in. Bolt Holes


Exhaust Bushing Kit					
					
PART NO.	OEM REF.	ID	OD	LENGTH	NOTES
GAFF12381	14-14656, PB-14656U	3/8 in.	1-5/16 in.	1-1/4 in.	Includes 8 Qty. GAFF12357

Exhaust Bushing Kit					
					
PART NO.	OEM REF.	OD	LENGTH	NOTES	
GAFF11810	13-6001	1-25/32 in.	7-29/32 in.	2 Qty. GAFF11812 Bushing & 1 Qty. Pin & 1 Qty. Washers & 2 Qty. E-Clips	

Exhaust Mount				
				
PART NO.	OEM REF.	ID	OD	LENGTH
GAFF12357	14-14656, PB-14656U	3/8 in.	1-5/16 in.	1-1/4 in.

Exhaust Bushing Kit		
		
PART NO.	OEM REF.	NOTES
GAFF11811	M13-6001, M13-1009, CB-2203-73	1 Qty. GAFF11809 Exhaust Mount & 1 Qty. GAFF11810 Exhaust Mount

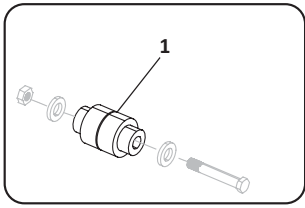
## Radiator, Air Cooler Mounts & Exhaust Mounts

Exhaust Bushing Kit			
			
PART NO.	ID	OD	OD<
<b>GAFF11812</b>	7/16 in.	1-3/4 in.	3/4 in.

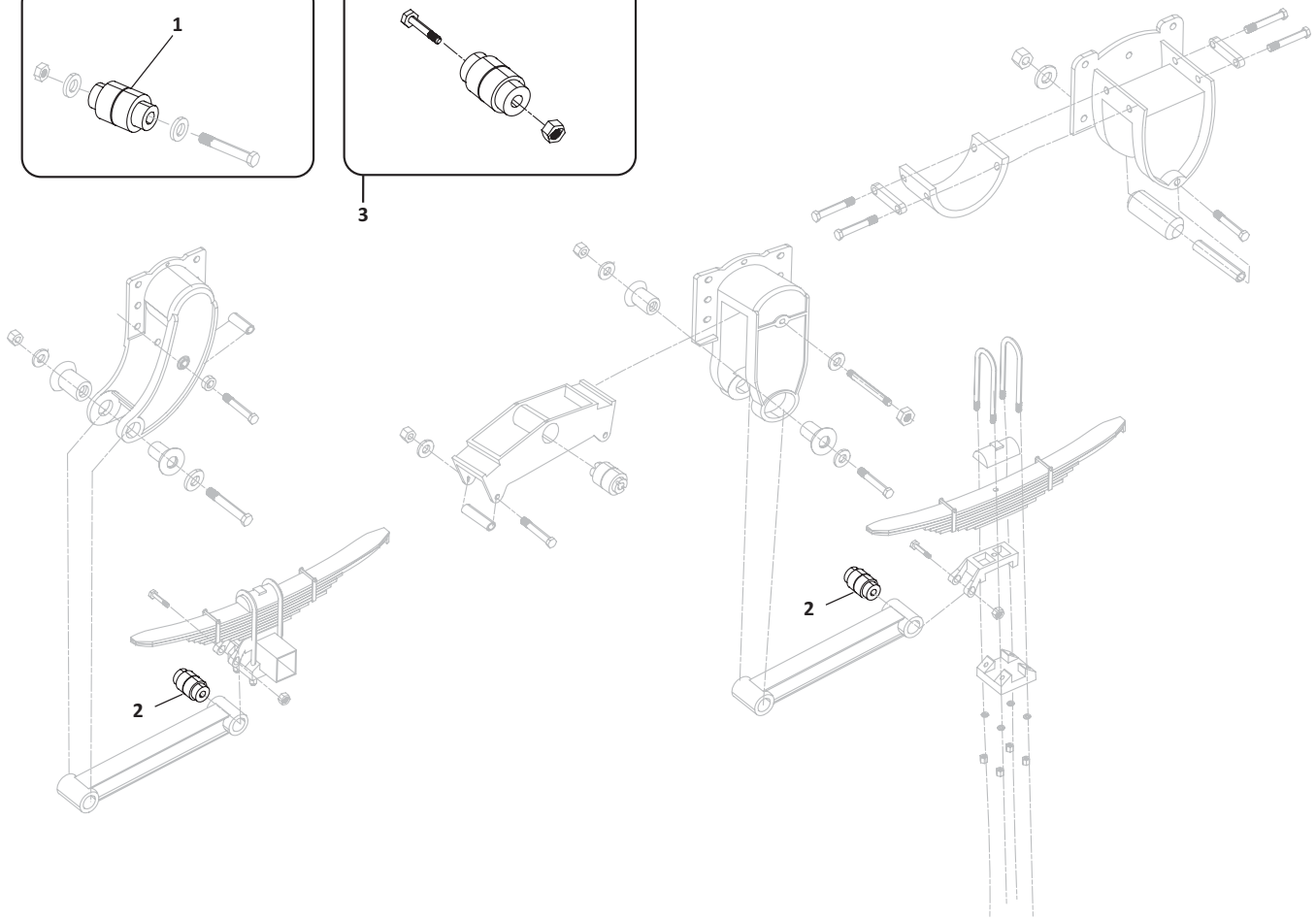
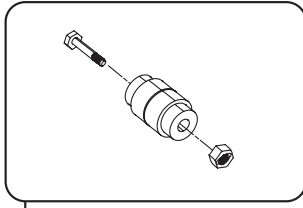
# REYCO GRANNING

## 101A Four Spring Suspension

Ford/GM/Volvo Bushing Assembly



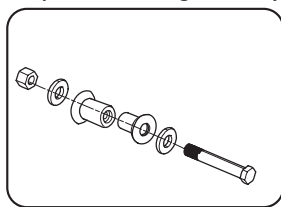
Torque Rod Bushing Kit



101A Four Spring Suspension				
KEY NO.	GAFF NO.	OEM REF.	DESCRIPTION	QTY PER TANDEM
1	GAFF15001	08915-01	Equalizer Bushing, No Slots	2
2	GAFF15013	09729-01	Torque Rod Bushing	4
3	GAFF15063	-	Torque Rod Bushing Kit	2

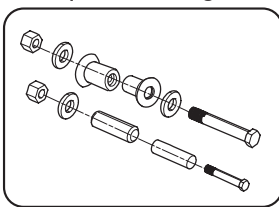
## 102 Four Spring Suspension

Torque Arm Bushing Assembly

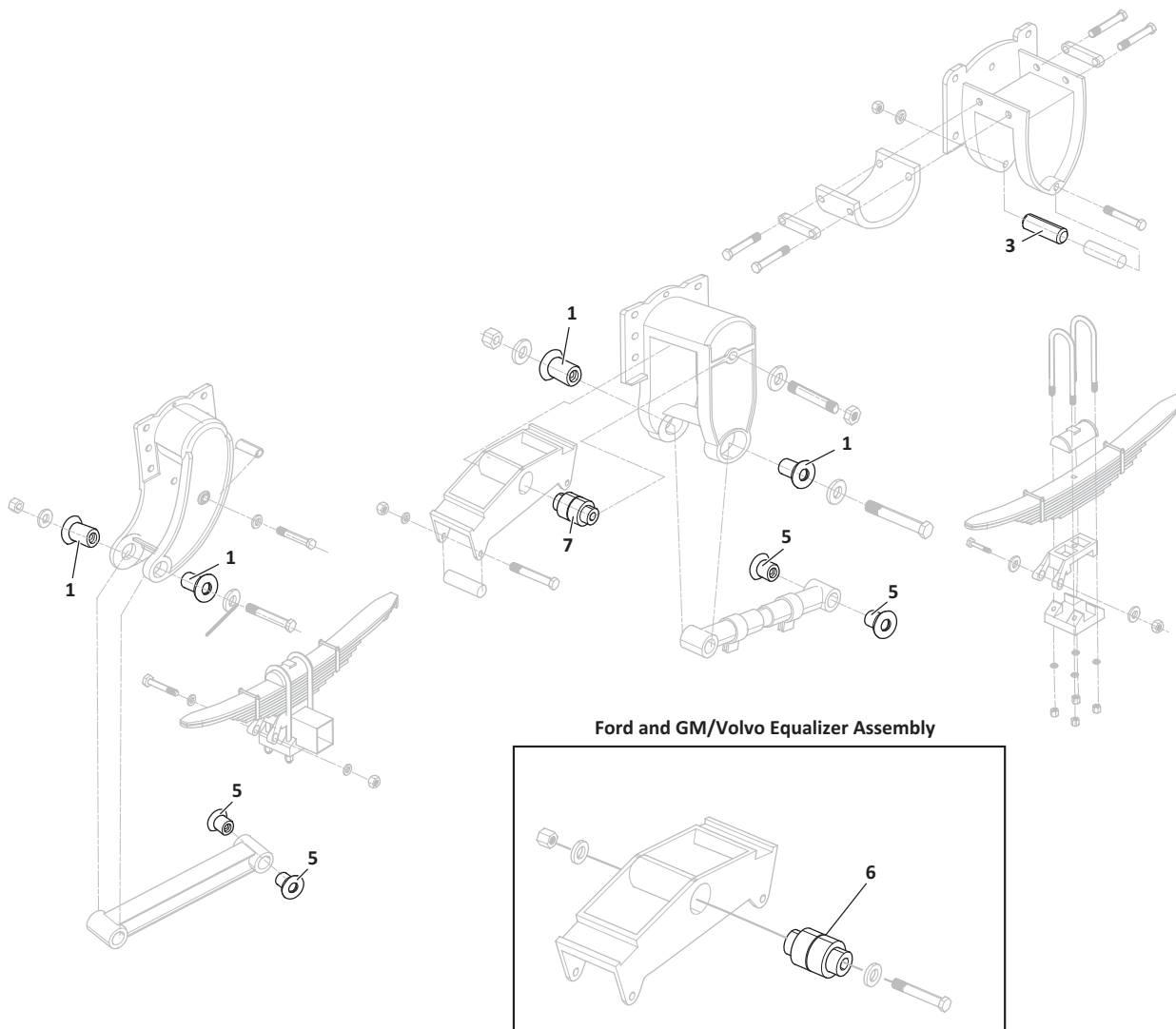


2

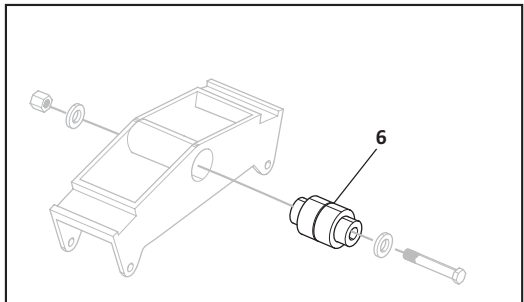
Torque Rod Bushing Kit



4



Ford and GM/Volvo Equalizer Assembly

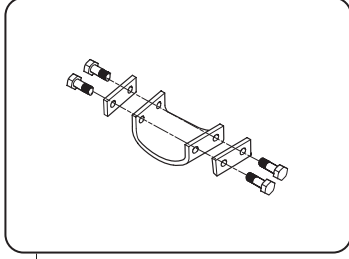


102 Four Spring Suspension				
KEY NO.	GAFF NO.	OEM REF.	DESCRIPTION	QTY PER TANDEM
1	GAFF15020	21238-01S	Torque Rod Bushing	4
	GAFF15008	-	Torque Rod Bushing	4
2	GAFF15061	TK21640T	Torque Rod Bushing Kit	4
3	GAFF15013	09729-01	Hanger Roller Bushing	2
4	GAFF15064	TK19089	Torque Rod Bushing Kit	4
5	GAFF15051	T-2242	Torque Rod Bushing	4
6	GAFF15000	08915-01	Equalizer Bushing, No Slots, Ford and GM/Volvo	2
7	GAFF15001	14713-01	Equalizer Bushing, No Slots	2

# REYCO GRANNING

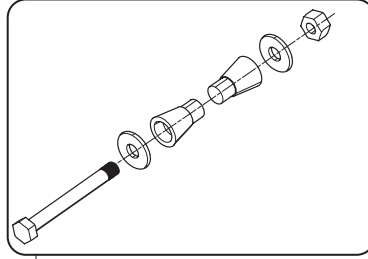
## 102AR & 240AR Air Suspension

Hanger Pad Assembly, Includes Hardware



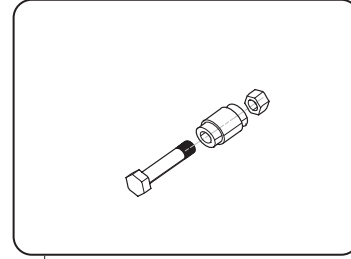
1

Torque Arm Bushing Kit

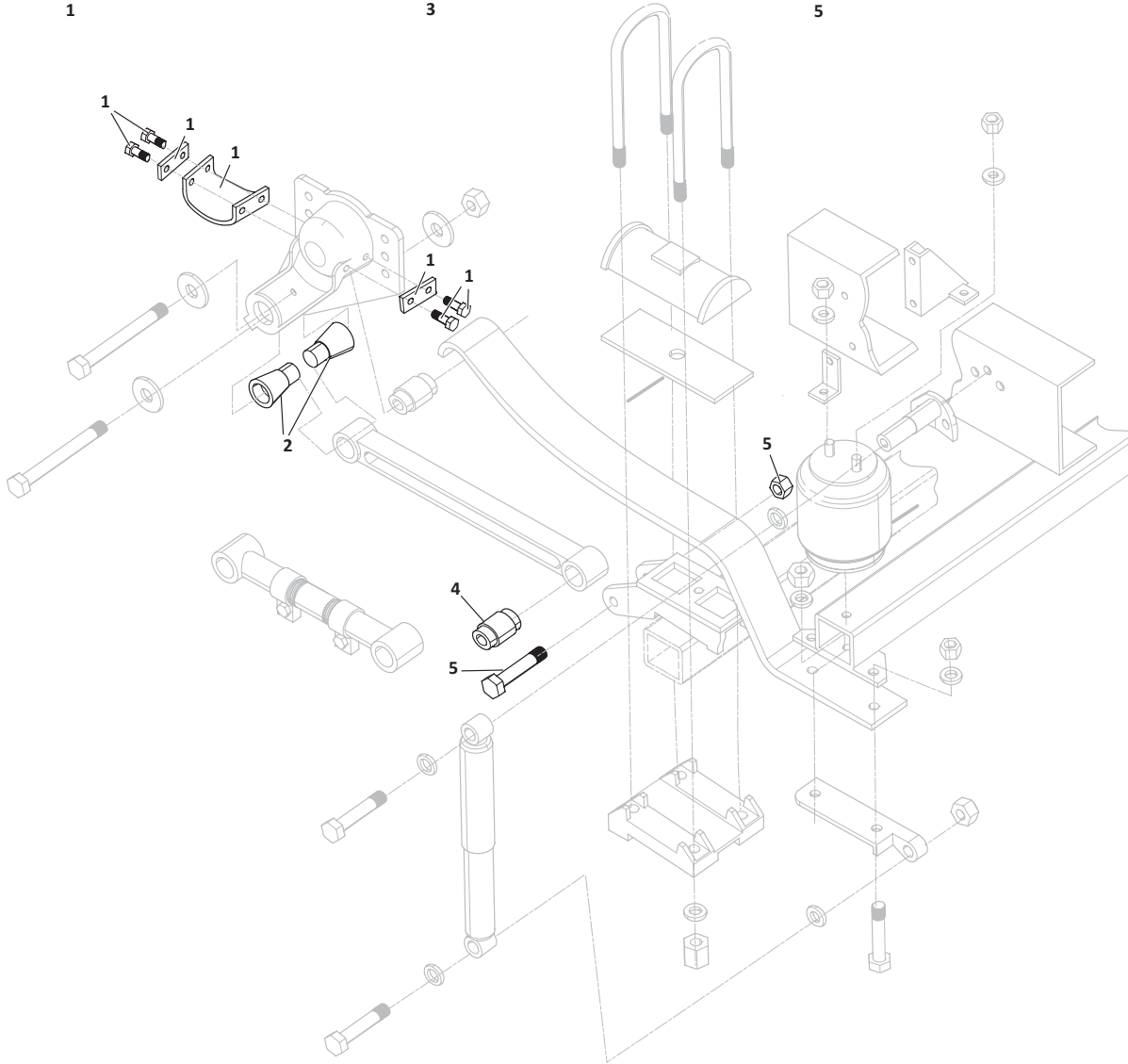


3

Torque Rod Bushing Kit



5

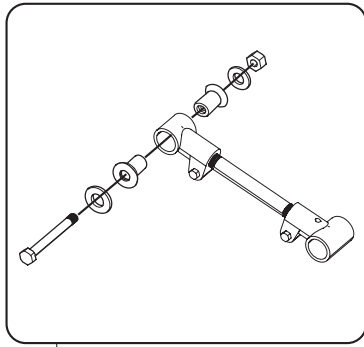


### 102AR & 240AR Air Suspension

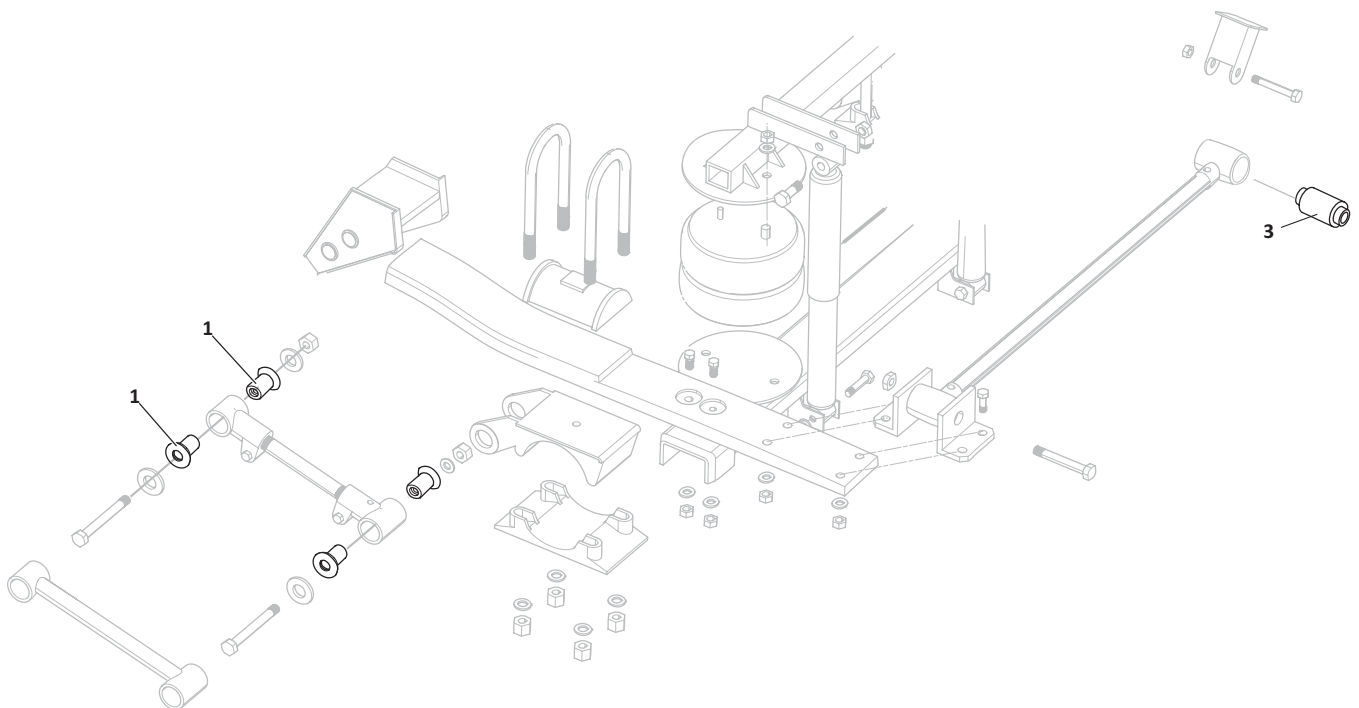
KEY NO.	GAFF NO.	OEM REF.	DESCRIPTION	QTY PER TANDEM
1	GAFF13524	TK19168	Hanger Pad Assembly, Includes Hardware	4
2	GAFF15020	21238-01S	Torque Rod Bushing	8
3	GAFF15061	TK21640T	Torque Rod Bushing Kit	4
4	GAFF15013	09729-01	Torque Rod Bushing	4
5	GAFF15063	K0022-01	Torque Rod Bushing Kit	4

## 21AR Air Suspension

Torque Arm Bushing & Bolt Kit



2



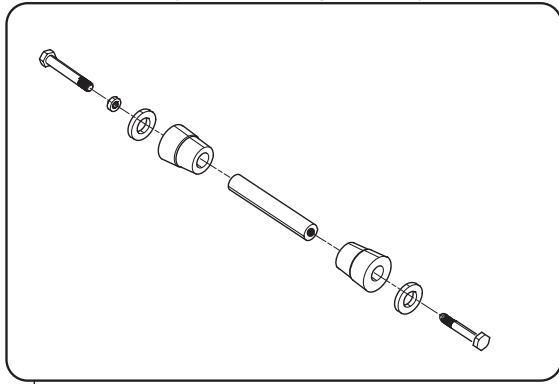
### 21AR Air Suspension

KEY NO.	GAFF NO.	OEM REF.	DESCRIPTION	QTY PER TANDEM
1	GAFF15011	T-5493	Torque Rod Bushing	16
	GAFF15073	T-5493	Torque Rod Bushing	16
2	GAFF15064	TK18997	Torque Rod Bushing Kit	8
3	GAFF15013	09729-01	Torque Rod Bushing	4

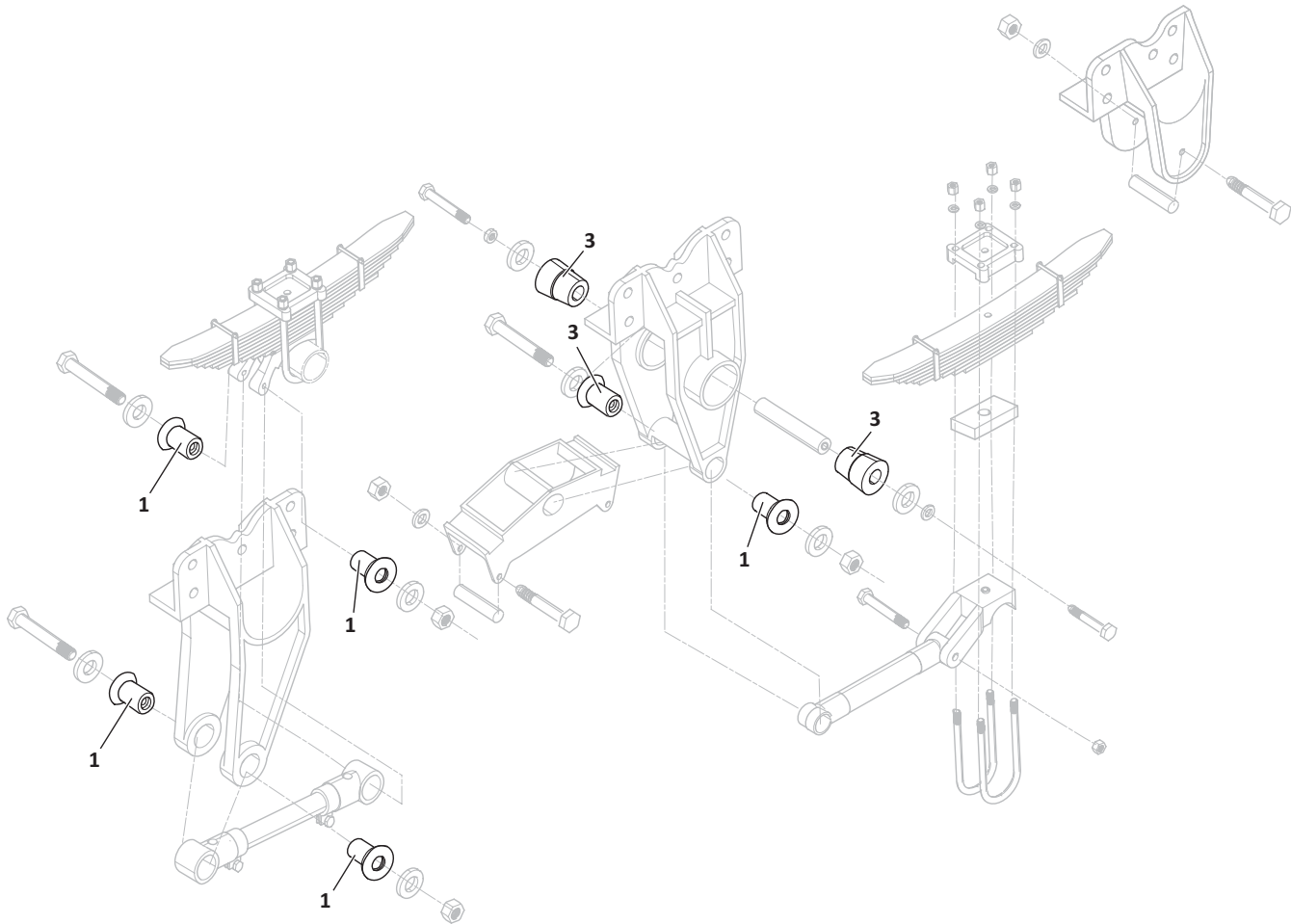
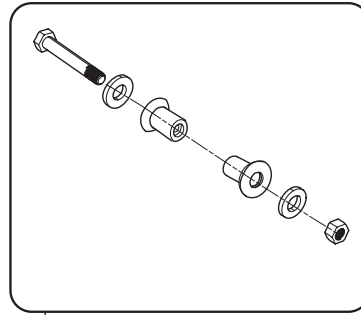
# REYCO GRANNING

## 21B Cast Four Spring Suspension, 42 - 72 Axle Spacing

Equalizer Bushing Assembly



Torque Arm Bushing Kit



### 21B Cast Four Spring Suspension, 42 - 72 Axle Spacing

KEY NO.	GAFF NO.	OEM REF.	DESCRIPTION	QTY PER TANDEM
1	GAFF15011	T-5493	Torque Rod Bushing	16
	GAFF15073	T-5493	Torque Rod Bushing	16
2	GAFF15064	TK18997	Torque Rod Bushing Kit	8
3	GAFF15076	T-5524	Equalizer Bushing	4
4	GAFF15075	TK18998	Equalizer Bushing Kit, Includes GAFF15076	2

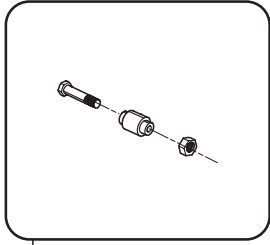


# REYCO GRANNING

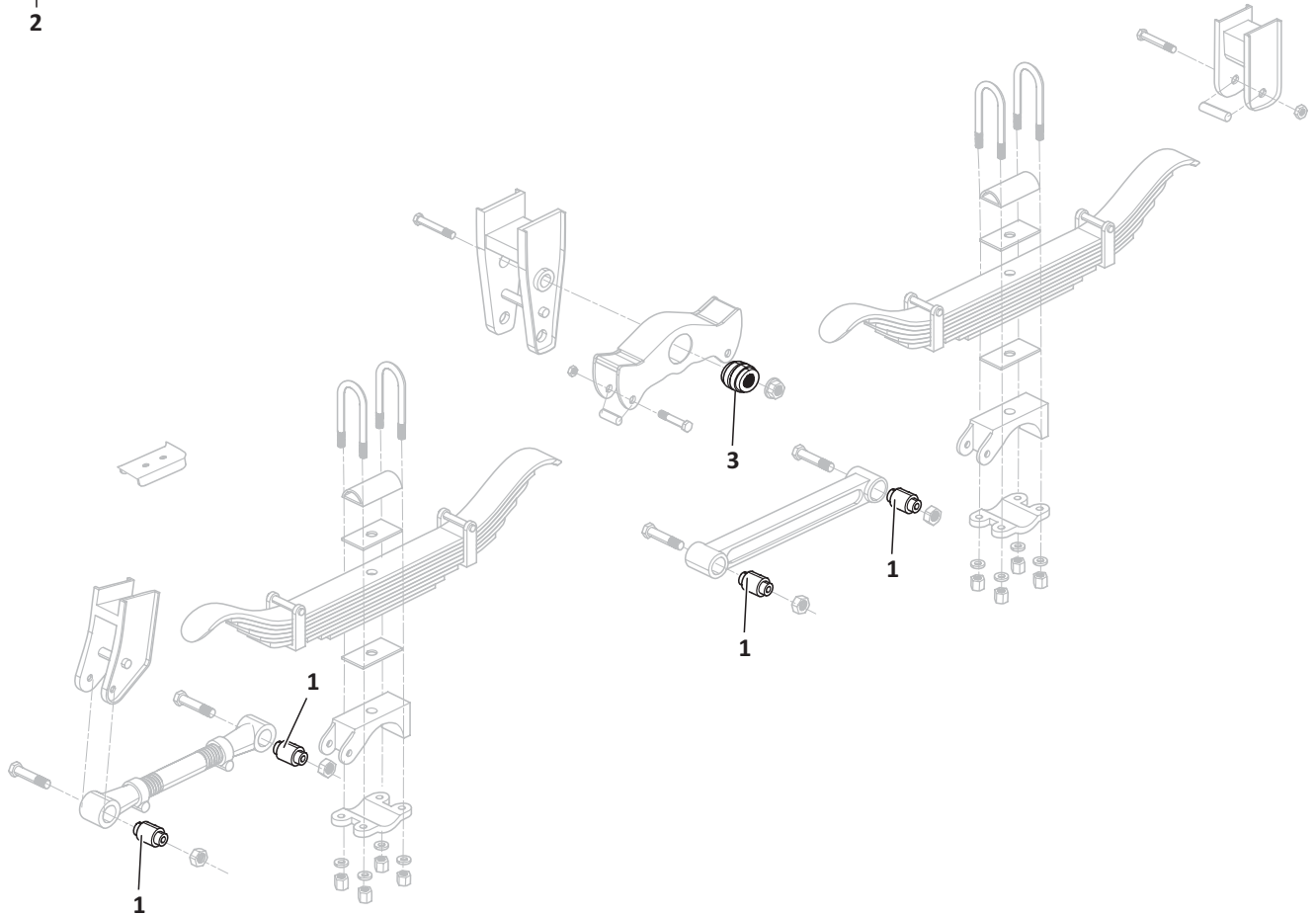
## 86-88 Four Spring Suspension

GAFF® Polyurethane  
Components

### Torque Arm Bushing Assembly



2



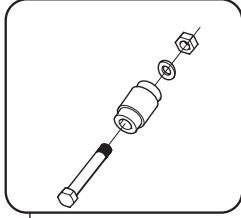
### 86-88 Four Spring Suspension

KEY NO.	GAFF NO.	OEM REF.	DESCRIPTION	QTY PER TANDEM
1	<b>GAFF15013</b>	09729-01	Torque Rod Bushing	8
2	<b>GAFF15063</b>	K0022-01	Torque Rod Bushing Kit	8
3	<b>GAFF15054</b>	0649-02	Equalizer Bushing	2

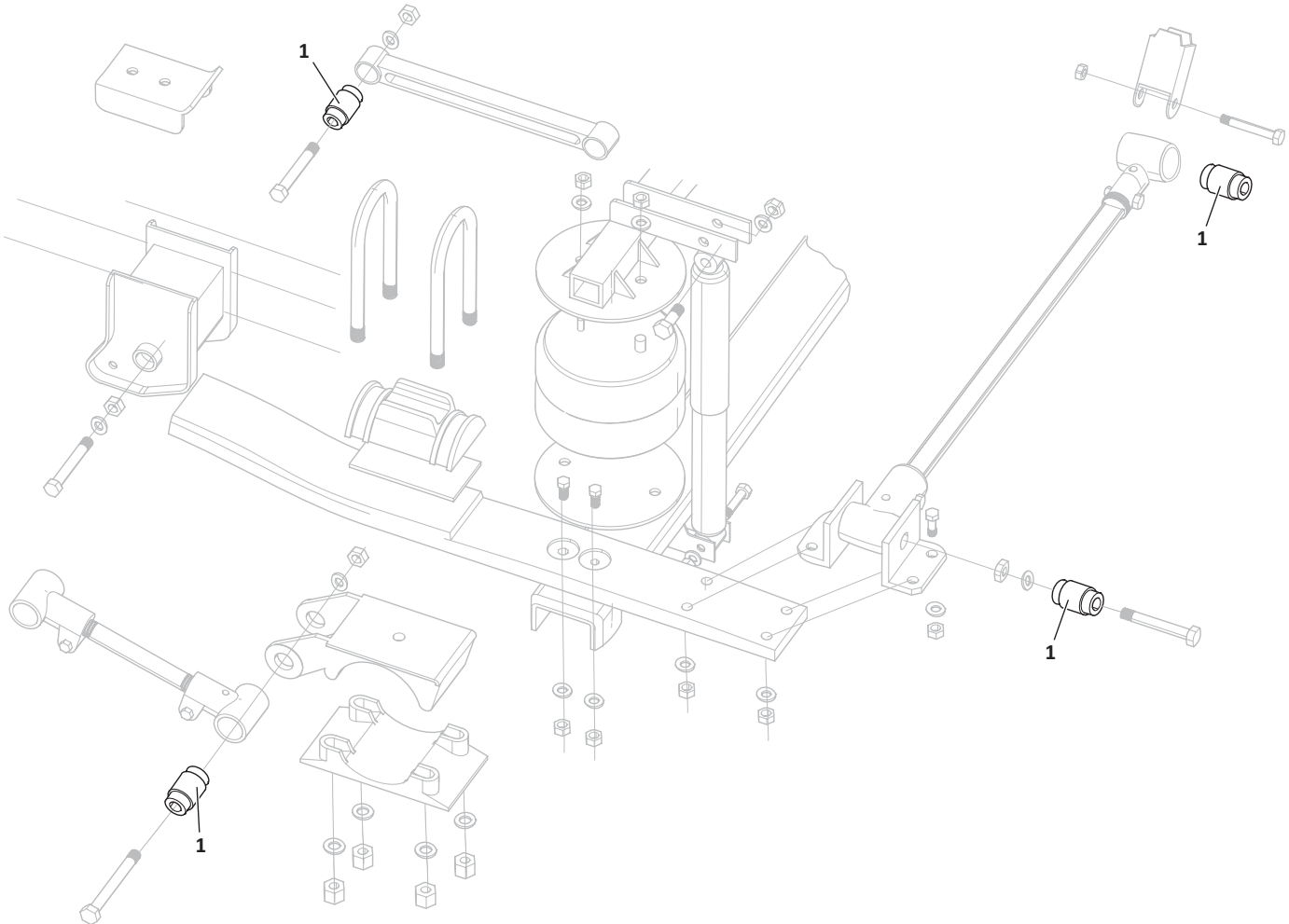
# REYCO GRANNING

## 86AR Air Suspension

Torque Arm/Track Rod Bushing Assembly



2



86AR Air Suspension				
KEY NO.	GAFF NO.	OEM REF.	DESCRIPTION	QTY PER TANDEM
1	GAFF15013	0022-00, 09729-01	Torque Rod Bushing	12
2	GAFF15063	K0022-01	Torque Rod Bushing Kit	12


## Suspension Components

Equalizer Bushing				
Model: Reyco Granning 86-88 Four Spring Suspension				
				
PART NO.	OEM REF.	OD	ID	LENGTH
GAFF15054	0649-02	3-7/16 in.	1 in.	4 in.

Equalizer Bushing, No Slots, Ford and GM/Volvo				
Model: Reyco Granning 101A & 102 Four Spring Suspension				
				
PART NO.	OEM REF.	OD	ID	LENGTH
GAFF15000	08915-01	3-1/8 in.	1-1/4 in.	4-1/2 in.


Equalizer Bushing				
Model: Reyco Granning 21B Cast Four Spring Suspension				
				
PART NO.	OEM REF.	OD	ID	LENGTH
GAFF15076	T-5524	3-1/2 in.	1-5/8 in.	4-13/32 in.

Hanger Pad Assembly, Includes Hardware					
Model: Reyco Granning 102AR & 240AR Air Suspension					
					
PART NO.	OEM REF.	LENGTH	HEIGHT	BOLT DIA.	NOTES
GAFF13524	TK19168	6-25/32 in.	2-7/8 in.	3/8-16 UNC	1 Qty. Pad & 2 Qty. Metallic Plates & 4 Qty. Bolts & 4 Qty. Washer

Equalizer Bushing Kit		
Model: Reyco Granning 21B Cast Four Spring Suspension		
		
PART NO.	OEM REF.	NOTES
GAFF15075	TK18998	2 Qty. GAFF15076 Equalizer Bushing & 1 Qty. Pin & 2 Qty. Washer & 2 Qty. Spring Washer & 2 Qty. Bolt


Torque Rod Bushing				
Model: Reyco Granning 21AR & 21B				
				
PART NO.	OEM REF.	OD	ID	LENGTH
GAFF15011	T-5493	2-5/16 in.	1 in.	2-9/16 in.


Equalizer Bushing, No Slots				
Model: Reyco Granning 102 Four Spring Suspension				
				
PART NO.	OEM REF.	OD	ID	LENGTH
GAFF15001	14713-01	3-1/8 in.	1-1/2 in.	4-1/2 in.


Torque Rod Bushing				
Model: Reyco Granning 101A, 102, 102AR, 240AR, 21AR, 86- 88, 86AR				
				
PART NO.	OEM REF.	OD	ID	LENGTH
GAFF15013	09729-01	1-15/16 in.	7/8 in.	3 in.


# REYCO GRANNING


## Suspension Components


Torque Rod Bushing				
Model: Reyco Granning 102, 102AR & 240AR				
				
PART NO.	OEM REF.	OD	ID	LENGTH
GAFF15020	21238-01S	3-1/8 in.	1-1/16 in.	2-11/16 in.

Torque Rod Bushing Kit		
Model: Reyco Granning 102, 102AR & 240AR		
		
PART NO.	OEM REF.	NOTES
GAFF15061	TK21640T	2 Qty. GAFF15008 Bushing & 1 Qty. Bolt & 1 Qty. Nut & 2 Qty. Washer

Torque Rod Bushing				
Model: Reyco Granning 102 Four Spring Suspension				
				
PART NO.	OEM REF.	OD	ID	LENGTH
GAFF15051	T-2242	2-3/8 in.	1 in.	2-15/16 in.

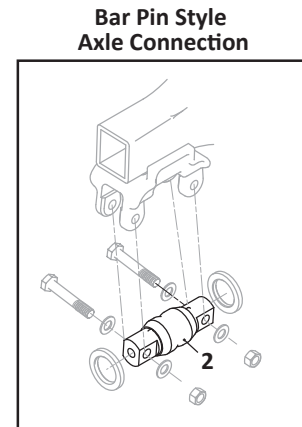
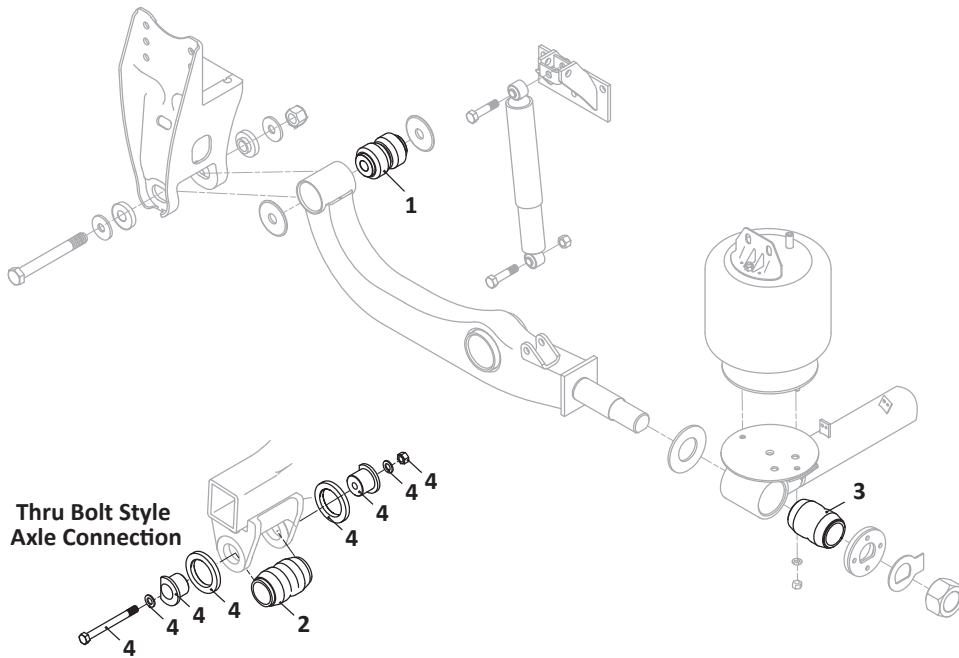
Torque Rod Bushing Kit		
Model: Reyco Granning 86-88 & 86AR		
		
PART NO.	OEM REF.	NOTES
GAFF15063	K0022-01	1 Qty. GAFF15013 Bushing & 1 Qty. Bolt & 1 Qty. Nut

Torque Rod Bushing				
Model: Reyco Granning 102 Four Spring Suspension				
				
PART NO.	OEM REF.	OD	ID	LENGTH
GAFF15008	-	3-1/8 in.	1-1/16 in.	4 in.

Torque Rod Bushing Kit		
Model: Reyco Granning 102, 21AR & 21B		
		
PART NO.	OEM REF.	NOTES
GAFF15064	TK19089	2 Qty. Torque Rod Bushing & 1 Qty. Bolt & 1 Qty. Nylon Insert Nut & 2 Qty. Washer

Torque Rod Bushing				
Model: Reyco Granning 21AR & 21B				
				
PART NO.	OEM REF.	OD	ID	LENGTH
GAFF15073	T-5493	2-11/32 in.	1 in.	3 in.



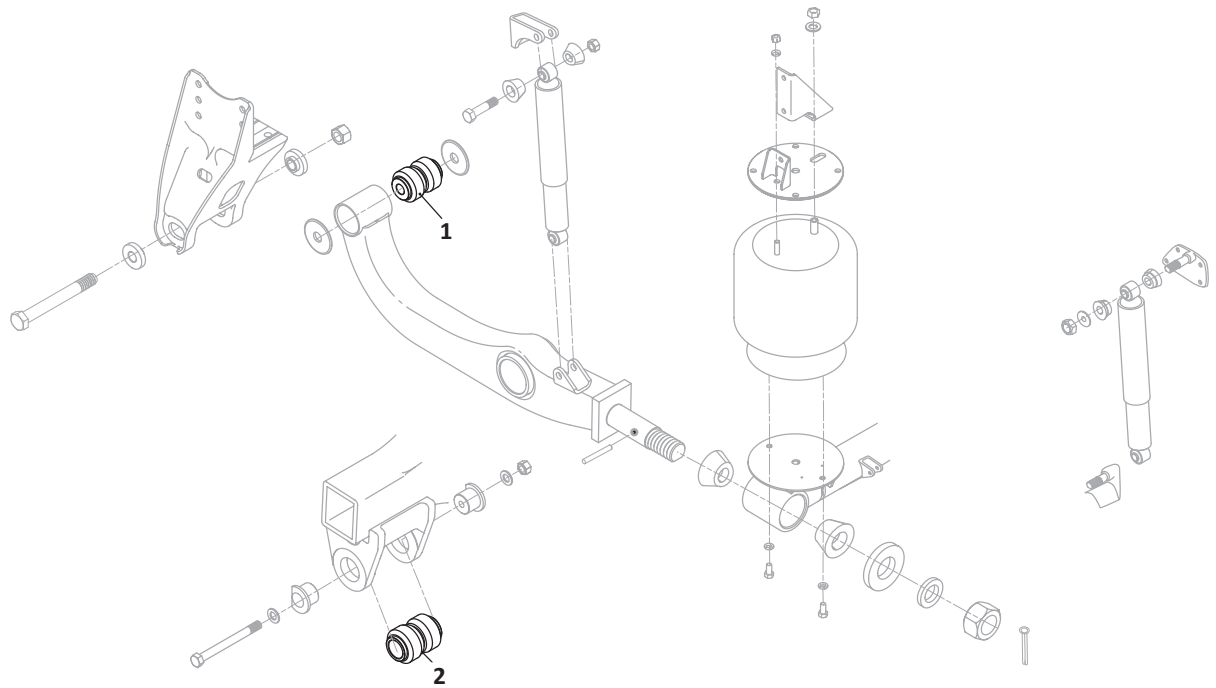


AD-123/246/369				
KEY NO.	GAFF NO.	OEM REF.	DESCRIPTION	QTY PER TANDEM
1	GAFF14514	90008252	Pivot Bushing	2
2	GAFF14527	90008008	Bushing, Axle Connection, Thru Bolt Style	2
	GAFF14532	90008005	Bushing, Axle Connection, Bar Pin Style	2
3	GAFF31592	90008219	Beam End Bushing	2
4	GAFF13507	-	Adapter Kit	2

# SAF-HOLLAND

## ARD-125-6, -8, -244-6, -8

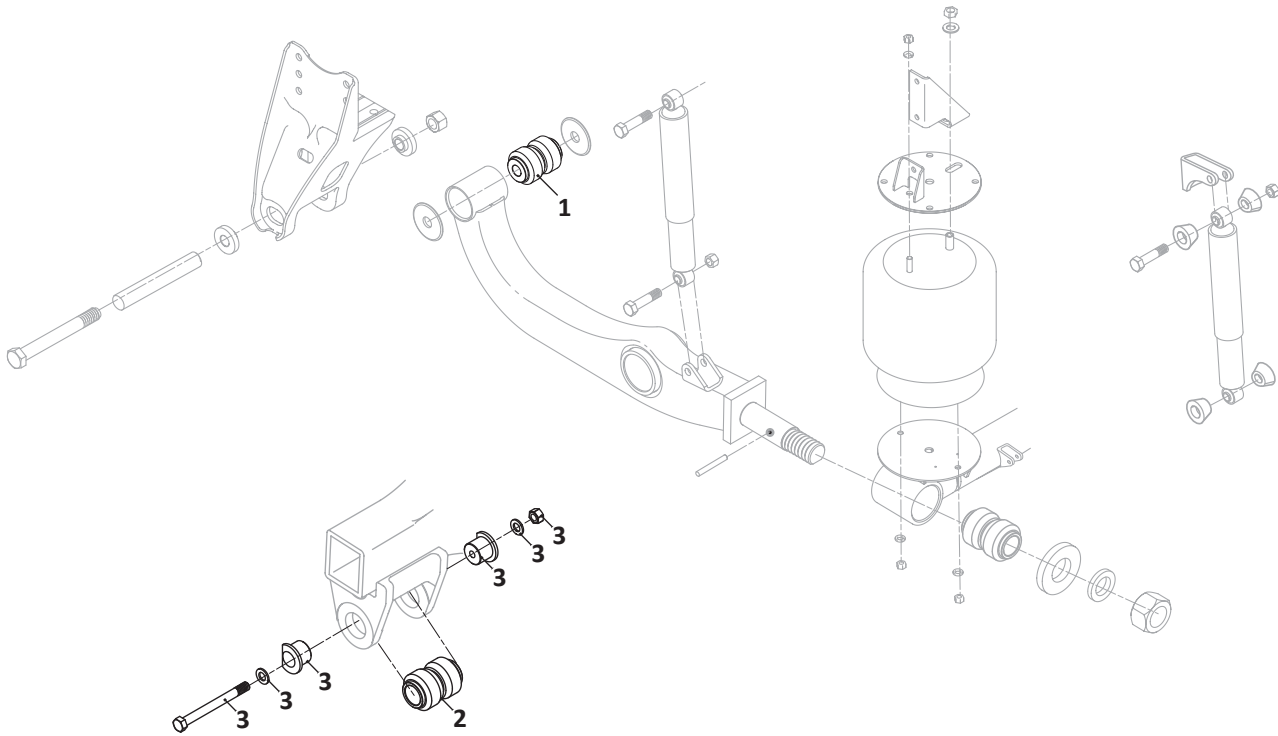
GAFF® Polyurethane  
Components



ARD-125-6, -8, -244-6, -8				
KEY NO.	GAFF NO.	OEM REF.	DESCRIPTION	QTY PER TANDEM
1	<b>GAFF14514</b>	90008151	Pivot Bushing	2
2	<b>GAFF14527</b>	90008008	Bushing, Axle Connection, Thru Bolt Style, 5-3/4 in. Axle Connection	2
	<b>GAFF31592</b>	90008006	Bushing, Axle Connection, Thru Bolt Style, 5-1/4 in. Axle Connection	2

# SAF-HOLLAND

## ARD-234-6



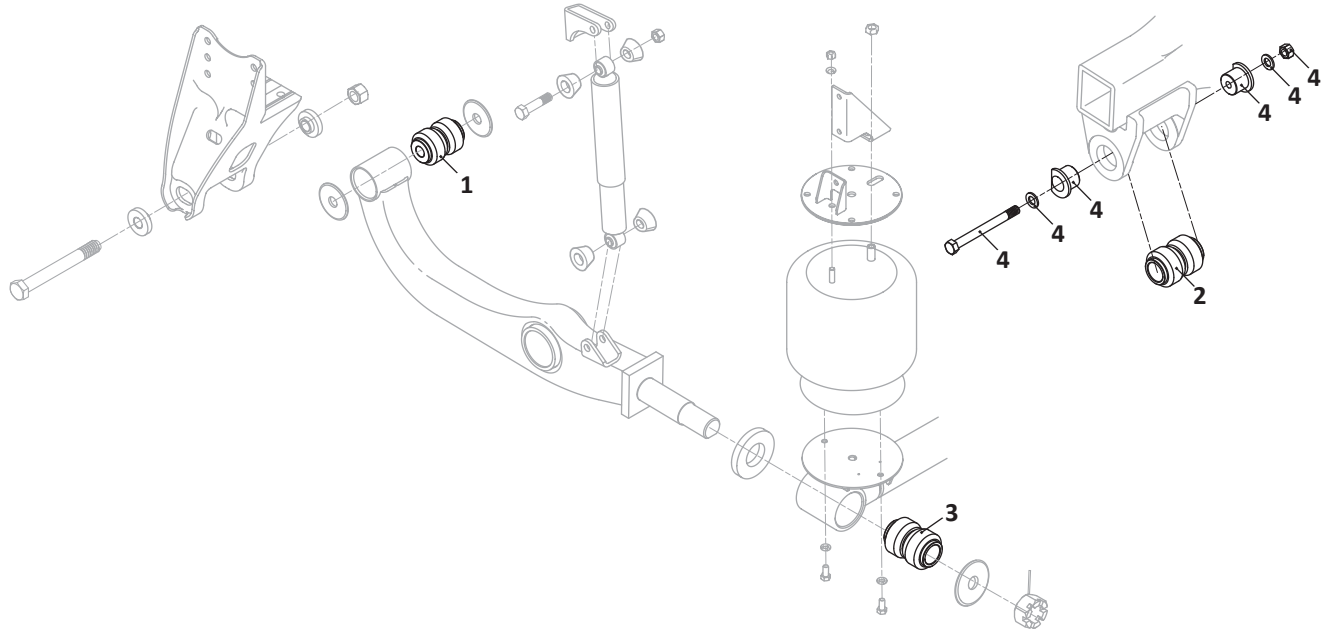
ARD-234-6				
KEY NO.	GAFF NO.	OEM REF.	DESCRIPTION	QTY PER TANDEM
1	GAFF14533	90008148	Pivot Bushing	2
2	GAFF14527	90008008	Bushing, Axle Connection, Thru Bolt Style	2
3	GAFF13507	-	Adapter Kit	2



# SAF-HOLLAND

## ARDST/ARDSTM & L

GAFF® Polyurethane  
Components



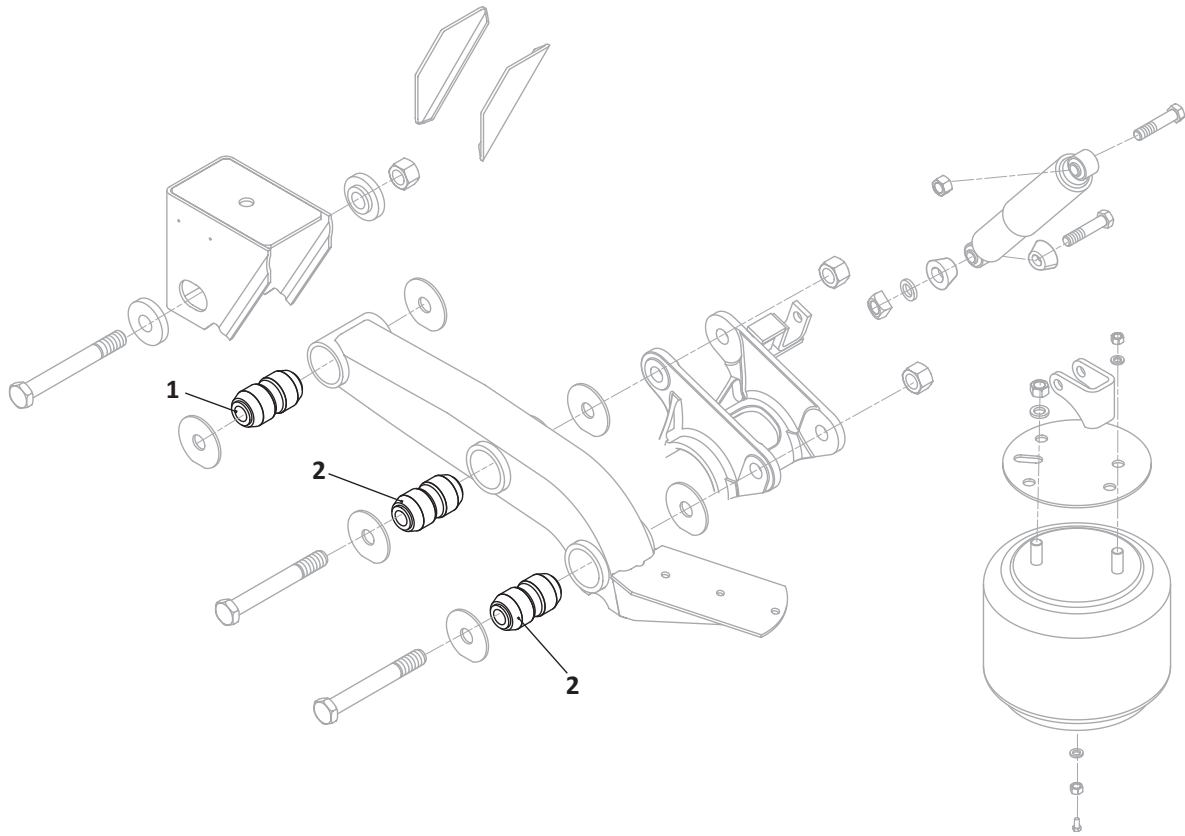
ARDST/ARDSTM & L				
KEY NO.	GAFF NO.	OEM REF.	DESCRIPTION	QTY PER TANDEM
1	GAFF14514	90008151	Pivot Bushing	2
2	GAFF14527	90008008	Bushing, Axle Connection, Thru Bolt Style	2
3	GAFF31592	90008135	Beam End Bushing	2
4	GAFF13507	-	Adapter Kit	2







## Air Spring, AR-90/AR-90-1/AR-92/AR-93

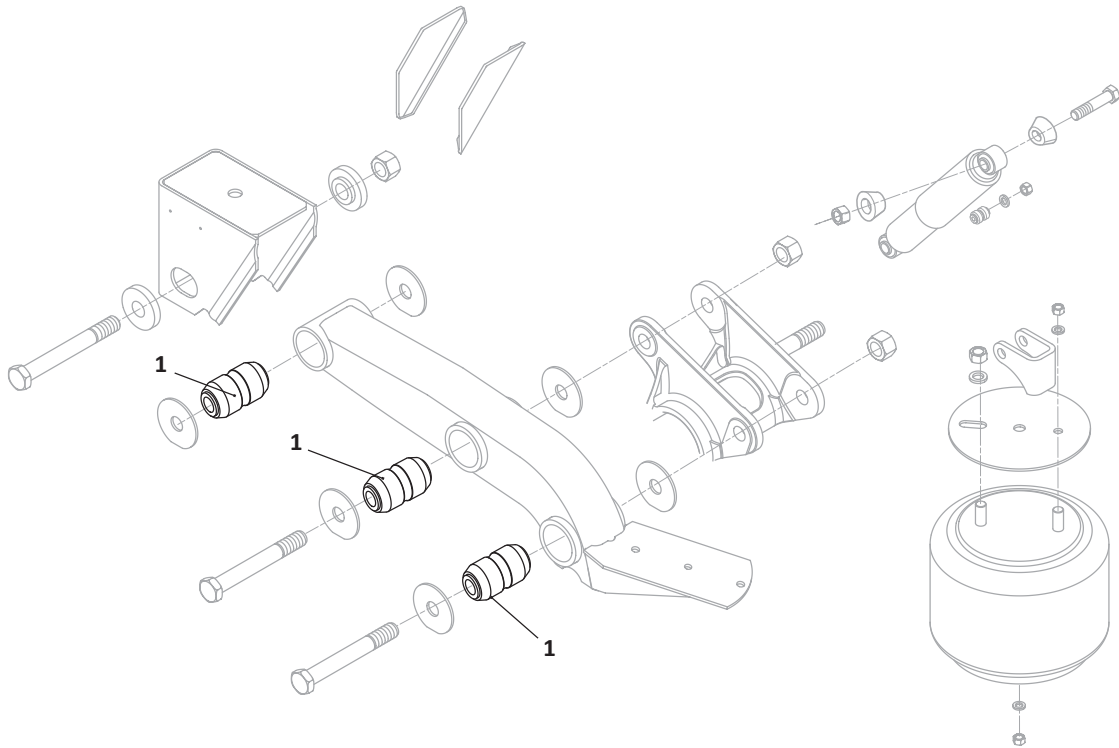


### Air Spring, AR-90/AR-90-1/AR-92/AR-93

KEY NO.	GAFF NO.	OEM REF.	DESCRIPTION	QTY PER TANDEM
1	<b>GAFF14513</b>	90018139	Pivot Bushing	2
2	<b>GAFF14533</b>	90008149	Axle Bushing	4

# SAF-HOLLAND

## Air Spring, RL-196/196A, RL228, RL-230



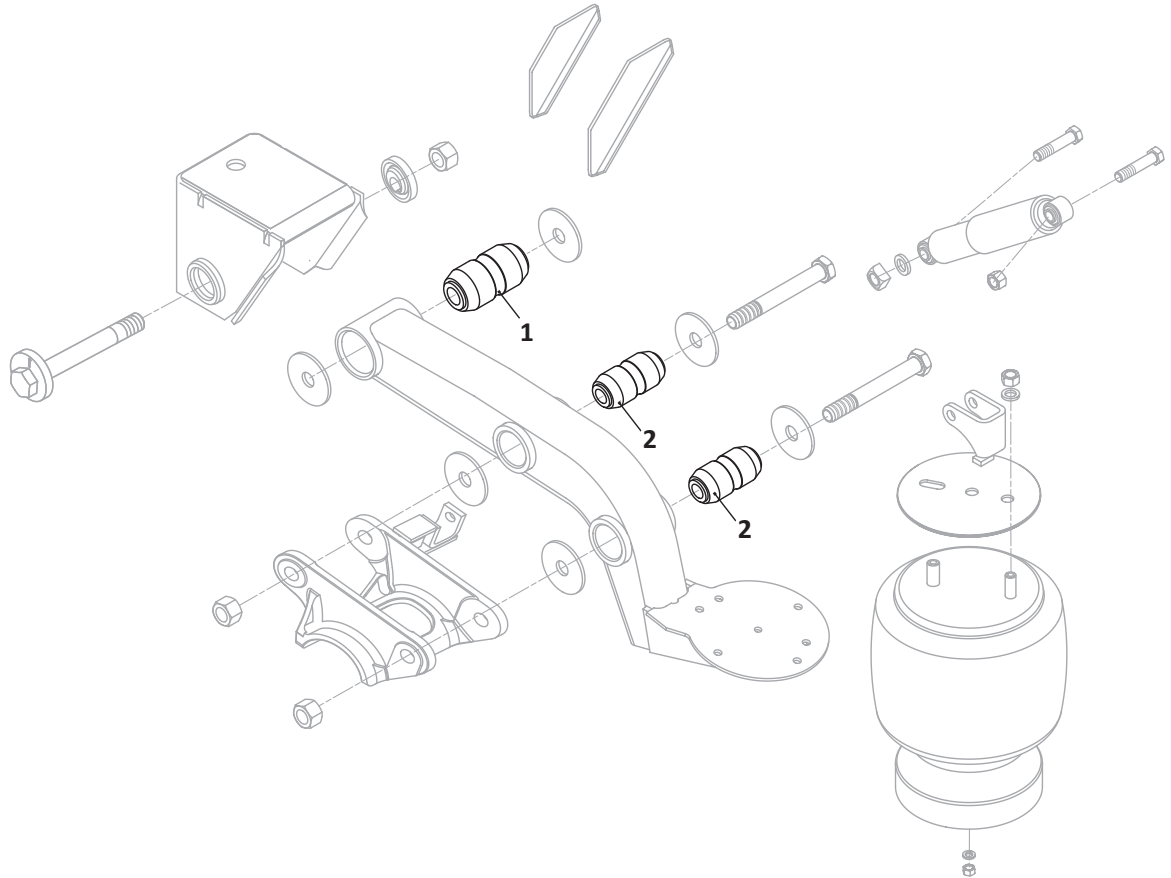
### Air Spring, RL-196/196A, RL228, RL-230

KEY NO.	GAFF NO.	OEM REF.	DESCRIPTION	QTY PER TANDEM
1	GAFF14533	90008149	Pivot & Axle Bushing	4

# SAF-HOLLAND

## Air Spring, RL-250, RL-300

GAFF® Polyurethane  
Components

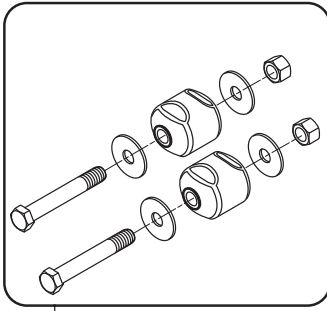


Air Spring, RL-250, RL-300				
KEY NO.	GAFF NO.	OEM REF.	DESCRIPTION	QTY PER TANDEM
1	GAFF14513	90018139	Pivot Bushing	2
2	GAFF14533	90008149	Axle Bushing	4

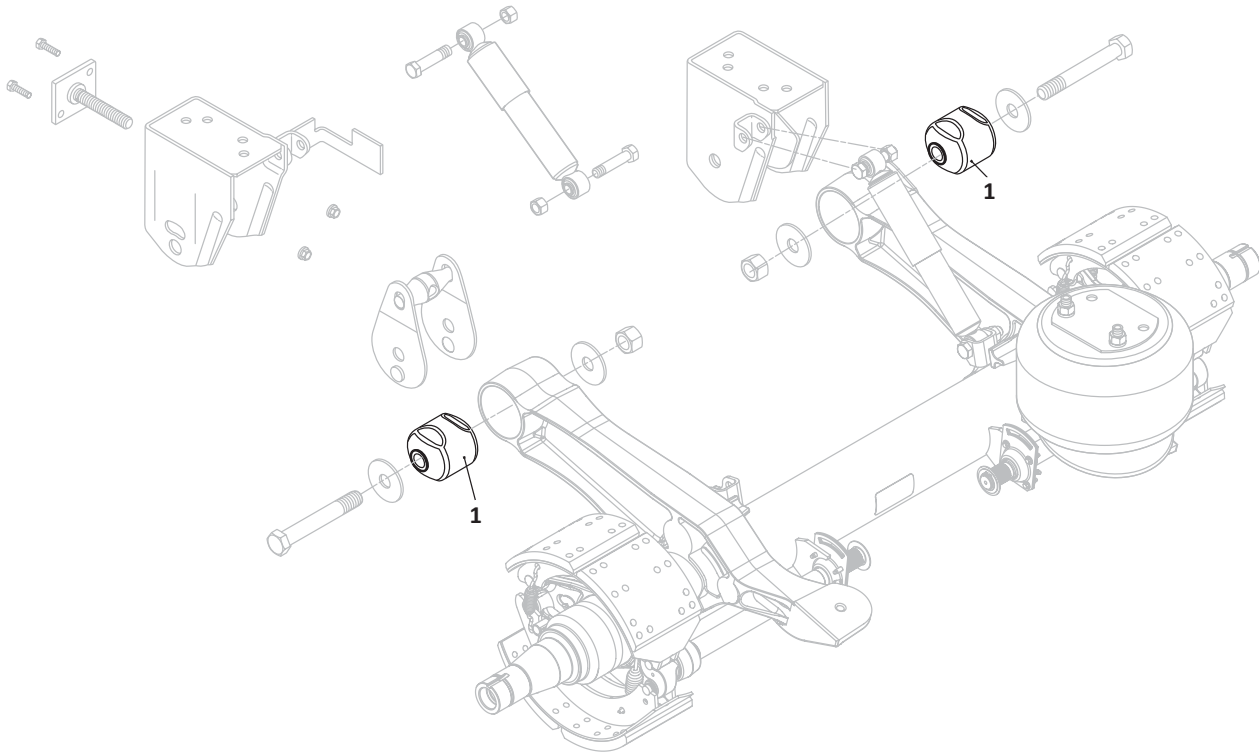
# SAF-HOLLAND

## Air Spring, CBX23/CBX25/CBX40

Pivot Bushing Kit



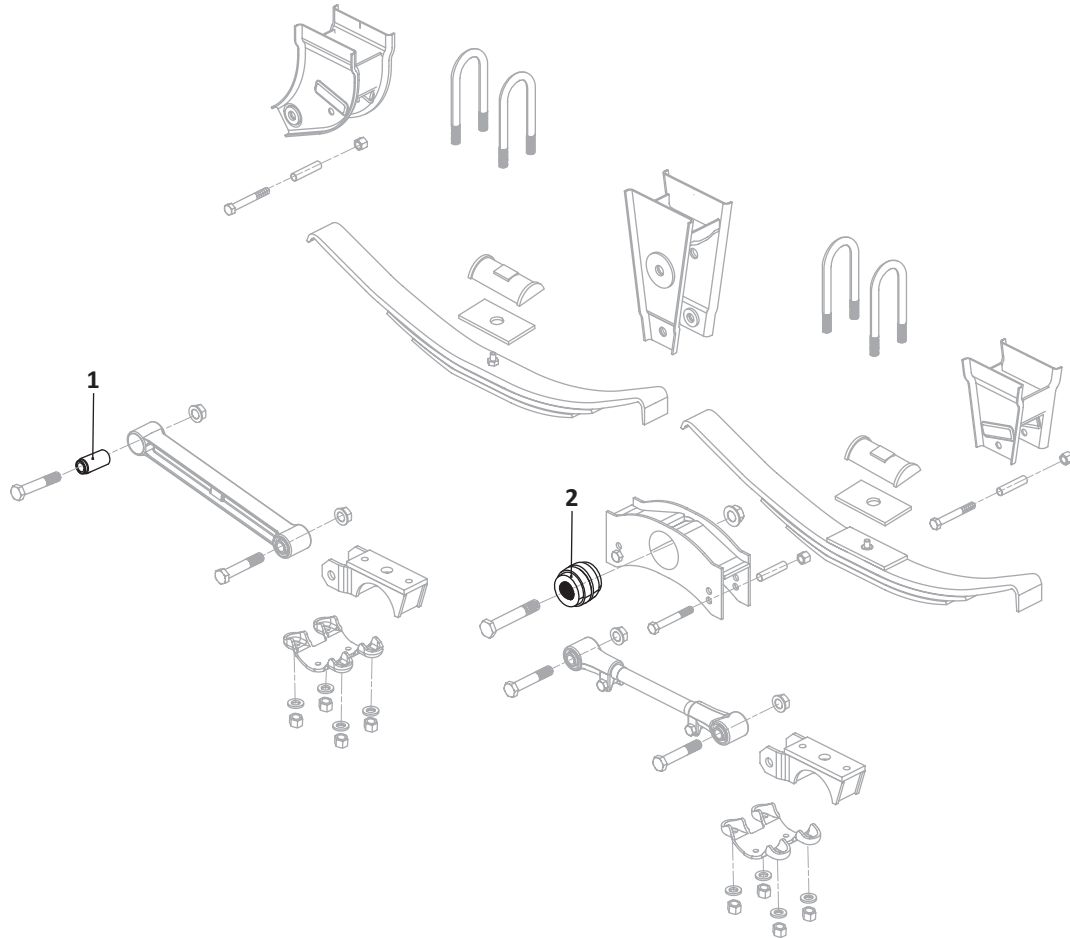
2



Air Spring, CBX23/CBX25/CBX40				
KEY NO.	GAFF NO.	OEM REF.	DESCRIPTION	QTY PER TANDEM
1	GAFF50046	90008247	Pivot Bushing	2
2	GAFF50047	48100394 / SRK-530	Pivot Bushing Kit	2




## Leaf, Four Spring, Binkley-Duralite SP900




Leaf, Four Spring, Binkley-Duralite SP900				
KEY NO.	GAFF NO.	OEM REF.	DESCRIPTION	QTY PER TANDEM
1	<b>GAFF15013</b>	XB-SP0054-02	Torque Rod Bushing	8
2	<b>GAFF15054</b>	XB-SP0054-05	Equalizer Bushing	2


# SAF-HOLLAND

## Suspension Components


Bushings, Axle Connection, Bar Pin Style			
Model: AD-123			
			
PART NO.	OEM REF.	OD	ID
<b>GAFF14532</b>	90008005 90008175	3-27/32 in.	1-1/16 in.


Equalizer Bushing				
Model: Duralite				
				
PART NO.	OEM REF.	OD	ID	LENGTH
<b>GAFF15054</b>	XB-SP0054-05	3-5/16 in.	1 in.	4 in.


Bushings, Axle Connection, Thru Bolt Style				
Model: AD-123, ARD-125, ARD-234 & ARDST Series				
				
PART NO.	OEM REF.	OD	ID	LENGTH
<b>GAFF14527</b>	90008008	3-7/8 in.	2-1/2 in.	5-3/4 in.

Pivot & Axle Bushing				
Model: ARD-234, AR90-93 Series, RL Series				
				
PART NO.	OEM REF.	OD	ID	LENGTH
<b>GAFF14533</b>	90008149	2-13/16 in.	1-1/8 in.	5 in.


Bushings, Axle Connection, Thru Bolt Style				
Model: AD-123, ARD-125, ARDST				
				
PART NO.	OEM REF.	OD	ID	LENGTH
<b>GAFF31592</b>	90008006 90008219	3-7/8 in.	2-1/2 in.	5-1/4 in.


Pivot Bushing				
Model: ARD-125-6, -8, -244-6, -8, AR-50-US, -F, -F-1, -F-2				
				
PART NO.	OEM REF.	OD	ID	LENGTH
<b>GAFF14510</b>	90008131	2-3/8 in.	1-1/8 in.	5 in.


Adapter Kit		
Model: AD-123, ARD-125, ARD-234 & ARDST Series		
		
PART NO.	OEM REF.	NOTES
<b>GAFF13507</b>	-	Includes adapter, nut, bolt and washers


Pivot Bushing				
Model: ART500 Series, AR41, AR75, AR85, AR90-93 Series, RL Series				
				
PART NO.	OEM REF.	OD	ID	LENGTH
<b>GAFF14513</b>	90018139	3-1/2 in.	1-1/8 in.	5-1/4 in.

## Suspension Components

Pivot Bushing				
Model: AD-123 & ARDST Series				
				
PART NO.	OEM REF.	OD	ID	LENGTH
<b>GAFF14514</b>	90008151 90008252	3-1/2 in.	1-1/8 in.	5 in.

Pivot Bushing Kit		
Model: CBX23/CBX25/CBX40		
		
PART NO.	OEM REF.	NOTES
<b>GAFF50047</b>	48100394 / SRK-530	2 Qty GAFF50046 Pivot Bushing & 4 Qty. Washer & 2 Qty. Nylon Insert Nut & 2 Qty. Bolts

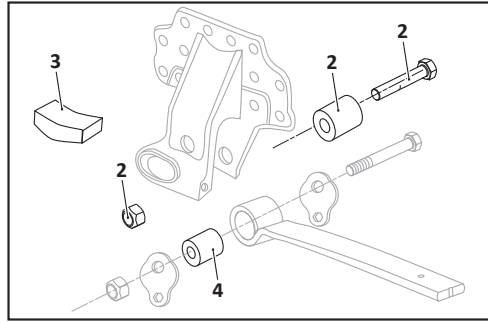
Pivot Bushing				
Model: CBX23/CBX25/CBX40				
				
PART NO.	OEM REF.	OD	ID	LENGTH
<b>GAFF50046</b>	90008247	5 in.	1-1/8 in.	5 in.

Torque Rod Bushing				
Model: Duralite				
				
PART NO.	OEM REF.	OD	ID	LENGTH
<b>GAFF15013</b>	XB-SP0054-02	1-15/16 in.	7/8 in.	3 in.

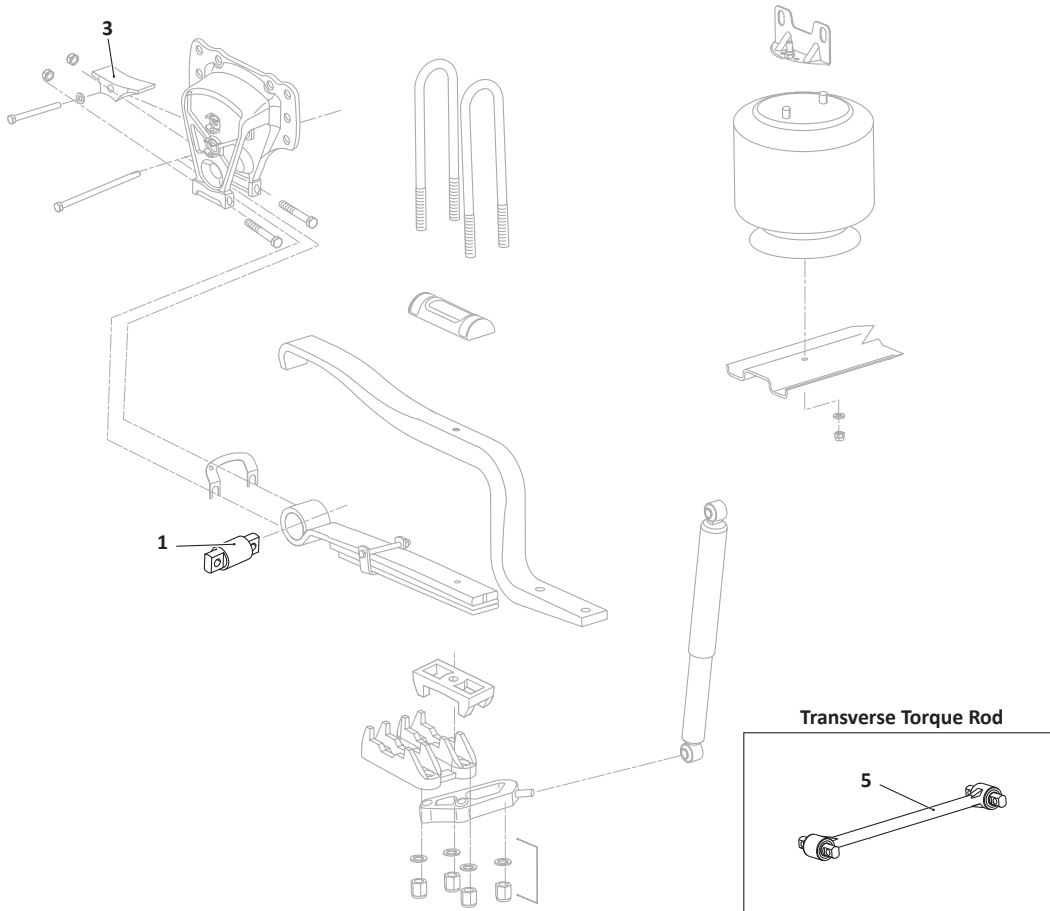
# VOLVO

## Corporate Air Ride

### Alternate Hanger & Slipper Pad



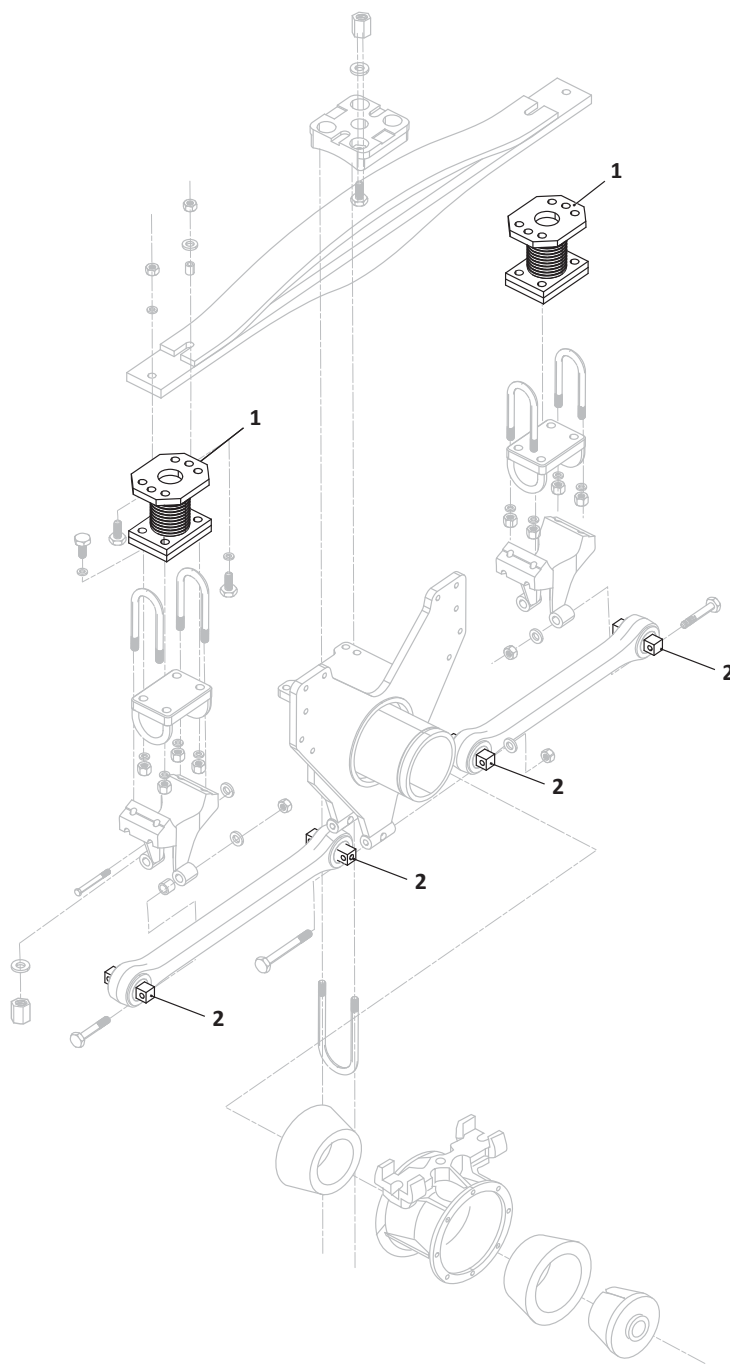
2007 and Later



Transverse Torque Rod

Corporate Air Ride				
KEY NO.	GAFF NO.	OEM REF.	DESCRIPTION	QTY PER TANDEM
1	GAFF13522	35033-3201, 227710	Torque Rod Bushing	2
2	GAFF11747	57989000C05D	Roller Kit	2
3	GAFF31144	20703083	Wear Pad, 2007 and later	2
	GAFF31145	8079889, 20568741	Wear Pad, 1999-2006	2
4	GAFF31129	20558810	Spring Eye Bushing	2
5	GAFF18860	30SQ4525	Transverse Torque Rod	2

## T-Ride 2006 and Later




T-Ride 2006 and Later				
KEY NO.	GAFF NO.	OEM REF.	DESCRIPTION	QTY PER TANDEM
1	<b>GAFF12333</b>	1629553	Load Spring	4
2	<b>GAFF32031</b>	550806, 1112506	Torque Rod Bushing	4

Suspension Components

**Load Spring**

Model:  
Volvo T-Ride 2006 and Later



PART NO.	OEM REF.	LENGTH	HEIGHT	WIDTH
<b>GAFF12333</b>	1629553, 3090971, 1089501, 20390836	8-1/4 in.	5-7/8 in.	5-15/16 in.

**Wear Pad**


Model:  
Volvo Corporate  
Air Ride



PART NO.	OEM REF.	NOTES
<b>GAFF31144</b>	20703083	2007 and Later

**Torque Rod Bushing**

Model:  
Volvo Corporate Air Ride



PART NO.	OEM REF.	OD	LENGTH	BOLT DIA.	NOTES
<b>GAFF13522</b>	35033-3201, 227710, 44694-000	2-1/2 in.	4-3/8 in.	5/8 in.	Use GAFF83520 for Easy-Mount (Free Rotating Bushing)

**Wear Pad**


Model:  
Volvo Corporate  
Air Ride



PART NO.	OEM REF.	NOTES
<b>GAFF31145</b>	8079889, 20568741	1999 to 2006

**Torque Rod Bushing**

Model:  
Volvo T-Ride  
2006 and Later



PART NO.	OD	LENGTH	BOLT DIA.
<b>GAFF32031</b>	2-15/16 in.	4-1/2 in.	5/8 in.

**Spring Eye Bushing**


Model:  
Volvo Corporate  
Air Ride



PART NO.	OEM REF.	OD	ID
<b>GAFF31129</b>	20558810	2-17/32 in.	7/8 in.

**Roller Kit**


Model:  
Volvo Corporate  
Air Ride



PART NO.	OEM REF.	NOTES
<b>GAFF11747</b>	57989000C05D	1 Qty. Bushing & 1 Qty. Sleeve & 1 Qty. Nylon Insert Nut & 2 Qty. Washer & 1 Qty. Bolt


**Transverse Torque Rod**


Model:  
Volvo Corporate  
Air Ride




PART NO.	OEM REF.	LENGTH	NOTES
<b>GAFF18860</b>	30SQ4525	22-1/8 in.	Includes 2 Qty GAFF13520 Bushings


Cab Mounts

Cab Mount				
				
PART NO.	OEM REF.	ID	OD	LENGTH
<b>GAFF12340</b>	80744666	11/16 in.	2-11/16 in.	4-5/16 in.


Torsion Spring Mount			
			
PART NO.	OEM REF.	LENGTH	NOTES
<b>GAFF12344</b>	20769319	5-13/16 in.	7/16 in. Bolt Holes


Cab Mount, Rear				
				
PART NO.	OEM REF.	ID	OD	LENGTH C-TO-C
<b>GAFF12322</b>	66001-3204	5/8 in.	2 in.	2-7/8 in.

**Motor Mounts**

Motor Mount, Front			
			
PART NO.	OEM REF.	LENGTH	NOTES
<b>GAFF12304</b>	12005-001, 12005-3207	10 in.	5/8 in. Bolt Holes

Motor Mount, Rear		
		
PART NO.	OEM REF.	LENGTH
<b>GAFF12301</b>	04-9009997	6-1/4 in.

Motor Mount, Front			
			
PART NO.	OEM REF.	ID	OD
<b>GAFF12305</b>	12005-3208, 12005-0002, 3081659	5/8 in.	2-13/16 in.

Motor Mount, Rear		
		
PART NO.	OEM REF.	LENGTH
<b>GAFF16009</b>	2422749	5-1/2 in.





## Radiator, Air Cooler Mounts &amp; Exhaust Mounts

Exhaust Mount				
				
PART NO.	OEM REF.	OD	LENGTH	BOLT DIA.
<b>GAFF31008</b>	6850 149-3	1-15/16 in.	2-3/4 in.	7/16 in.-14 UNC


# CAB MOUNTS

## Suspension Components


Cab Mount — Kenworth					
					
PART NO.	OEM REF.	ID	WIDTH	HEIGHT	LENGTH
<b>GAFF10004</b>	14003022, 14004200, 449713C1, 449713C2	3/4 in.	3 in.	1-29/32 in.	3-1/2 in.


Cab Mount, Rear — Navistar		
		
PART NO.	OEM REF.	LENGTH
<b>GAFF10009</b>	436149R1, 555645C1, AM52137	2-13/16 in.


Cab Mount — Kenworth					
					
PART NO.	OEM REF.	ID	OD	OD<	LENGTH
<b>GAFF10005</b>	80446	5/8 in.	2-7/8 in.	1-3/4 in.	2-11/16 in.

Cab Mount — Freightliner					
					
PART NO.	OEM REF.	ID	OD	OD<	LENGTH
<b>GAFF11007</b>	7007-05	5/8 in.	3 in.	2-3/4 in.	2-1/8 in.

Cab Mount — Mack				
				
PART NO.	OEM REF.	ID	OD	LENGTH
<b>GAFF10007</b>	80446	5/8 in.	2-3/4 in.	1-5/16 in.

Lower Cab Mount — Freightliner				
				
PART NO.	OEM REF.	ID	OD	LENGTH
<b>GAFF11008</b>	LORSB3310017A, A6818910001, 681-891-00-01	1-3/16 in.	3-3/4 in.	1-5/16 in.

Cab Mount, Front — Navistar		
		
PART NO.	OEM REF.	LENGTH
<b>GAFF10008</b>	7007-05	3-5/16 in.


Upper Cab Mount — Freightliner				
				
PART NO.	OEM REF.	ID	OD	LENGTH
<b>GAFF11009</b>	LORSB33310017B, 681-890-00-01, A6818900001	3/4 in.	3-25/32 in.	2-9/16 in.

# CAB MOUNTS

GAFF® Polyurethane Components


## Suspension Components

**Cab Mount Bushing — Freightliner**




PART NO.	OEM REF.	ID	OD	LENGTH
<b>GAFF11075</b>	18-44009-00, 18-45384-00, 18-34678-000, 18-41005-000, 18-42727-000, LORD BJ-1769	5/8 in.	3-3/4 in.	3-1/8 in.

**Cab Mount Kit — Freightliner**




PART NO.	OEM REF.	NOTES
<b>GAFF11113</b>	J-20120, J-19791, 17-1843, J197911, J201204	Includes 1 Upper Mount and 1 Lower Mount

**Cab Mount Kit — Freightliner**




PART NO.	OEM REF.	NOTES
<b>GAFF11086</b>	681-890-00-01 681 891 00 01	Includes 2 Upper Mounts (GAFF11009), 2 Lower Mounts (GAFF011008) and Hardware

**Cab Mount — Kenworth**



PART NO.	ID	OD	OD<	LENGTH	NOTES
<b>GAFF11519</b>	5/8 in.	2-7/8 in.	1-13/16 in.	1-5/16 in.	No Metal Sleeve

**Cab Mount Kit — Freightliner**




PART NO.	OEM REF.	NOTES
<b>GAFF11092</b>	18-45384-000	Includes 2 Lower Mounts and Hardware

**Cab Mount — Freightliner, Navistar, Peterbilt**



PART NO.	OEM REF.	ID	OD	OD<	LENGTH
<b>GAFF11520</b>	HUN 12004 3401, J7165-1, K066-228, 07-03286	5/8 in.	2-7/8 in.	1-7/8 in.	1-5/16 in.

**Cab Mount — Freightliner**



PART NO.	OEM REF.	OD	LENGTH	NOTES
<b>GAFF11111</b>	680-891-04-01, 68-08910-401	4-1/8 in.	2-7/16 in.	1/2-13 UNC

**Cab Mount — Freightliner, Navistar, Volvo**



PART NO.	OEM REF.	ID	OD	OD<	LENGTH
<b>GAFF11523</b>	HUN 12004 3401, J7165-1, K066-251, 07-03286	5/8 in.	2-7/8 in.	1-13/16 in.	1-5/16 in.

# CAB MOUNTS


## Suspension Components

**Cab Mount — Kenworth**



PART NO.	OEM REF.	ID	OD	OD<	LENGTH
GAFF11527	K066-177, 05-08968	5/8 in.	2-9/16 in.	1-9/16 in.	2-1/16 in.

**Cab Mount — Kenworth**



PART NO.	OEM REF.	ID	OD	OD<	LENGTH
GAFF11533	K066-336	5/8 in.	3 in.	1-13/16 in.	1-15/16 in.

**Cab Mount — Kenworth**



PART NO.	ID	OD	OD<	LENGTH
GAFF11529	7/8 in.	2-7/16 in.	1-9/16 in.	1-7/8 in.

**Cab Mount — Kenworth**



PART NO.	OEM REF.	ID	OD	OD<	LENGTH
GAFF11612	M500-70NR, K066-177, K066-229	5/8 in.	2-5/8 in.	1-5/8 in.	2-1/16 in.

**Cab Mount — Kenworth**



PART NO.	ID	OD	OD<	LENGTH
GAFF11531	5/8 in.	2-9/16 in.	1-1/2 in.	2-1/8 in.

**Cab Mount — Kenworth, Peterbilt, Volvo**



PART NO.	OEM REF.	ID	OD	OD<	LENGTH
GAFF11705	K066-176, 476869C1, 05-14794	5/8 in.	3 in.	1-13/16 in.	2-3/8 in.

**Cab Mount — Kenworth**



PART NO.	OEM REF.	OD	LENGTH
GAFF11532	K174-225	1-1/8 in.	6-3/4 in.

**Cab Mount — Kenworth, Peterbilt, Volvo**




PART NO.	OEM REF.	ID	OD	OD<	LENGTH
GAFF11707	CBA28-1050, M501, 05-08968	5/8 in.	2-1/2 in.	1-5/8 in.	2 in.

# CAB MOUNTS

## Suspension Components

GAFF® Polyurethane Components

**Cab Mount — Kenworth**




PART NO.	OEM REF.	ID	LENGTH
<b>GAFF11742</b>	26509-11	1-1/2 in.	4-13/16 in.

**Cab Mount — Navistar**




PART NO.	OEM REF.	ID	OD	LENGTH
<b>GAFF12340</b>	80744666	11/16 in.	2-11/16 in.	4-5/16 in.

**Cab Mount — Kenworth**



PART NO.	OEM REF.	ID	OD	OD<	LENGTH
<b>GAFF12004</b>	20QL2101	5/8 in.	2-5/8 in.	1-3/8 in.	1-1/2 in.

**Torsion Spring Mount — Navistar**



PART NO.	OEM REF.	LENGTH	NOTES
<b>GAFF12344</b>	20769319	5-13/16 in.	7/16 in. Bolt Holes

**Cab Mount — Kenworth**



PART NO.	OEM REF.	ID	LENGTH
<b>GAFF12052</b>	20QL295M	13/16 in.	6 in.

**Cab Mount — Kenworth, Peterbilt**



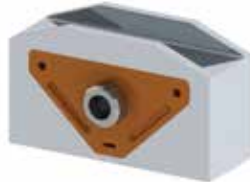
PART NO.	OEM REF.	ID	OD	LENGTH	NOTES
<b>GAFF18938</b>	K066-435-3	5/8 in.	3 in.	3-7/16 in.	Use with GAFF11742

**Cab Mount, Rear — Navistar**



PART NO.	OEM REF.	ID	OD	LENGTH
<b>GAFF12322</b>	66001-3204	5/8 in.	2 in.	4-15/16 in.


**Cab Mount — Kenworth**





PART NO.	OEM REF.	ID	WIDTH	LENGTH
<b>GAFF18949</b>	26732-2	11/16 in.	2-1/4 in.	6-1/16 in.

# CAB MOUNTS

## Suspension Components


Cab Mount — Navistar				
				
PART NO.	OEM REF.	OD<	ID	LENGTH
<b>GAFF34515</b>	3515345C1, 3515345C2	3-3/8 in.	25/32 in.	6-3/16 in.

Cab Mount Kit — Navistar			
			
PART NO.	OEM REF.	OD<	LENGTH
<b>GAFF34528</b>	3512064C4, 28398-3	3-3/8 in.	6-3/16 in.

Cab Mount — Navistar				
				
PART NO.	OEM REF.	ID	OD	LENGTH
<b>GAFF34516</b>	3574670C91, 3574671C91, 3574678C1, 3574680C1, 3589599C91, 3844147C91	1/2 in.	2-7/8 in.	3-3/8 in.

Cab Mount — Mack			
			
PART NO.	ID	OD	LENGTH
<b>GAFF34552</b>	11/16 in.	2-7/8 in.	3-5/16 in.

## Suspension Components

Carrier Bearing Assembly					
					
PART NO.	OEM REF.	ID	BOLT DIA.	HEIGHT	NOTES
<b>GAFF40074</b>	2106611X, 210661-1X, D4TZ4800J	2-3/8 in.	1/2 in.	3-3/8 in.	1810 Series

Carrier Bearing Bushing	
	
PART NO.	NOTES
<b>GAFF18002</b>	Replacement Bushing for GAFF40074


Carrier Bearing Assembly					
					
PART NO.	OEM REF.	ID	BOLT DIA.	HEIGHT	NOTES
<b>GAFF40075</b>	2101211X, 210121-1X, D4TZ4800G	2 in.	1/2 in.	2-13/16 in.	1710 Series

Carrier Bearing Bushing	
	
PART NO.	NOTES
<b>GAFF18725</b>	Replacement Bushing for GAFF40075

# EXHAUST MOUNTS

## Suspension Components

**Exhaust Bushing — Kenworth/Peterbilt**




PART NO.	OEM REF.	ID	LENGTH C-TO-C	WIDTH	NOTES
GAFF11809	M13-1009	15/32 in.	2-3/4 in.	2 in.	3/8 in. Bolt Holes

**Exhaust Mount — Peterbilt**



PART NO.	OEM REF.	ID	OD	HEIGHT
GAFF12357	14-14656, PB-14656U	3/8 in.	1-5/16 in.	1-1/4 in.

**Exhaust Bushing Kit — Kenworth/Peterbilt**




PART NO.	OEM REF.	OD	LENGTH	NOTES
GAFF11810	13-6001	1-25/32 in.	7-29/32 in.	2 Qty. GAFF11812 Bushing & 1 Qty. Pin & 1 Qty. Washers & 2 Qty. E-Clips

**Exhaust Bushing Kit — Peterbilt**




PART NO.	OEM REF.	ID	OD	HEIGHT	NOTES
GAFF12381	14-14656, PB-14656U	3/8 in.	1-5/16 in.	1-1/4 in.	Includes 8 Qty. GAFF12357

**Exhaust Bushing Kit — Kenworth/Peterbilt**



PART NO.	OEM REF.	NOTES
GAFF11811	M13-6001, M13-1009, CB-2203-73	1 Qty. GAFF11809 Exhaust Mount & 1 Qty. GAFF11810 Exhaust Mount

**Exhaust Bushing — Peterbilt**



PART NO.	OEM REF.	ID	OD	HEIGHT
GAFF17284	M13-1011	1-5/32 in.	1-15/16 in.	1-3/16 in.

**Exhaust Bushing Kit — Kenworth/Peterbilt**



PART NO.	ID	OD	LENGTH
GAFF11812	7/16 in.	1-3/4 in.	3/4 in.

**Exhaust Mount**



PART NO.	ID	OD<	OD	LENGTH
GAFF30504	17/32 in.	1-1/4 in.	2-11/32 in.	1-11/16 in.



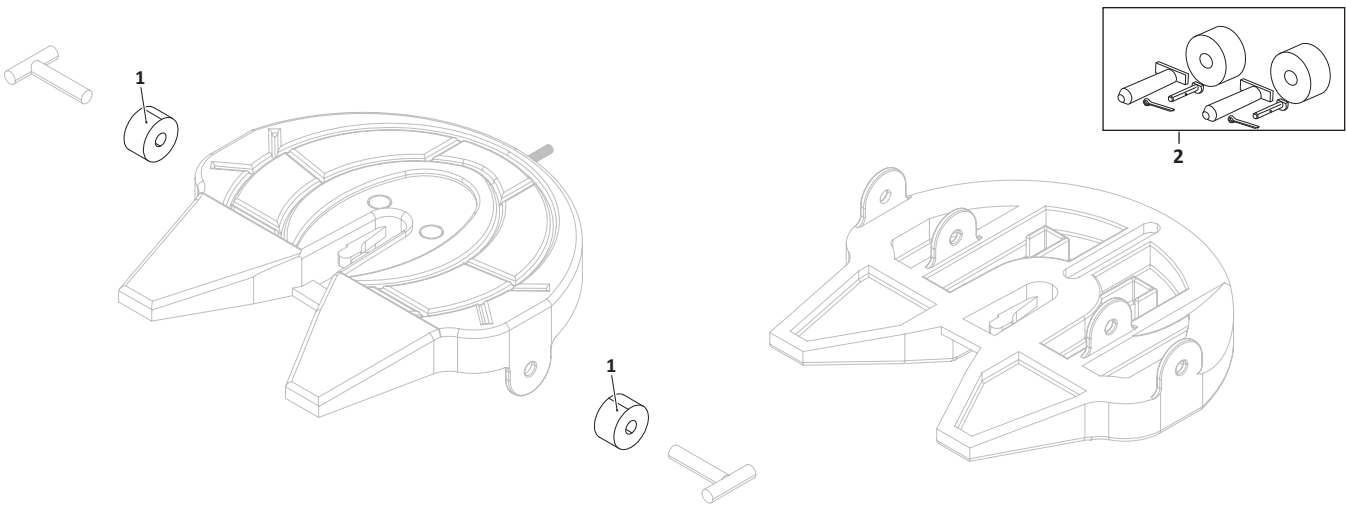
# EXHAUST MOUNTS

GAFF® Polyurethane  
Components

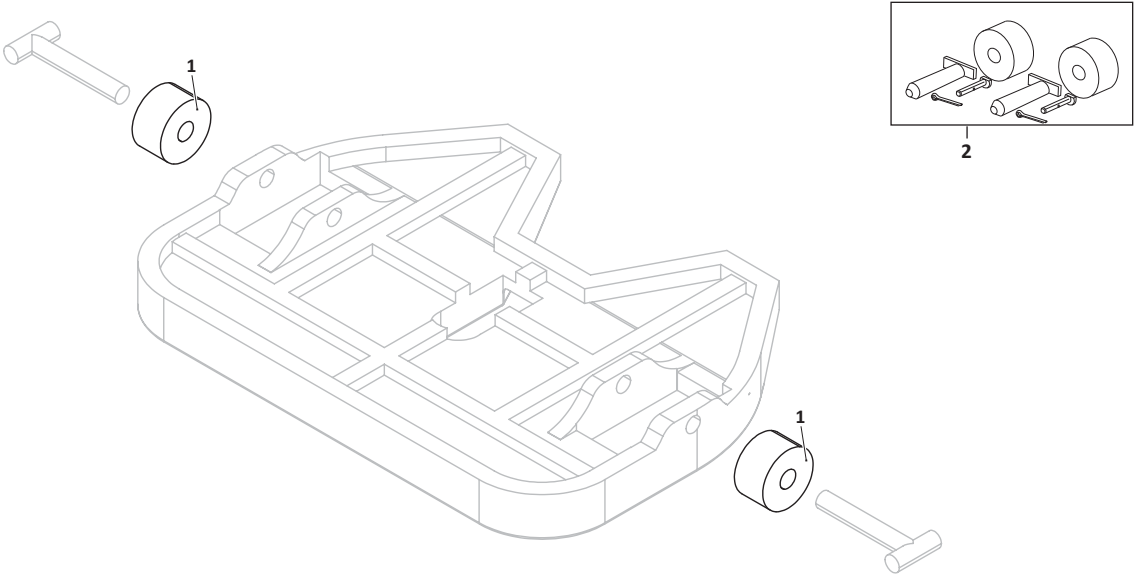
## Suspension Components

Exhaust Mount — Volvo				
				
PART NO.	OEM REF.	OD	HEIGHT	NOTES
<b>GAFF31008</b>	6850 149-3	1-15/16 in.	2-3/4 in.	7/16 in.-14 UNC

# FIFTH WHEEL BUSHINGS



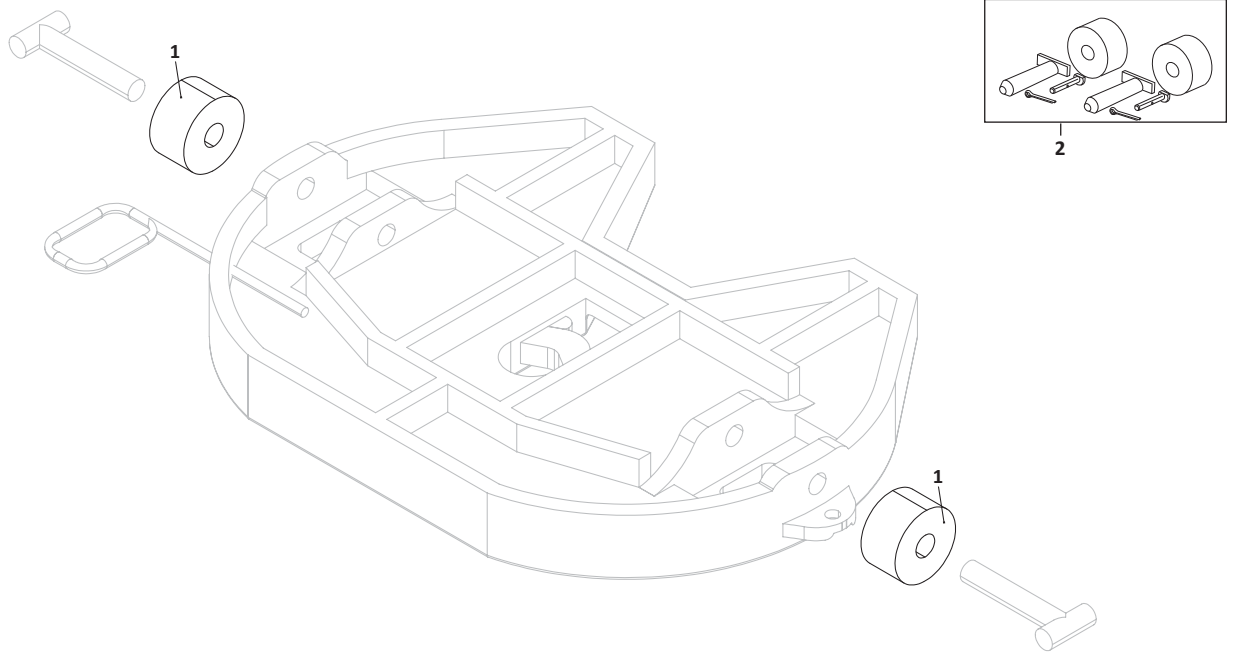
Fontaine H-5092/X-5092 Series				
KEY NO.	GAFF NO.	OEM REF.	DESCRIPTION	QTY PER TANDEM
1	GAFF10002	BSH-150	Fifth Wheel Bushing	2
2	GAFF40141	BSH-150	Fifth Wheel Bushing Kit	1



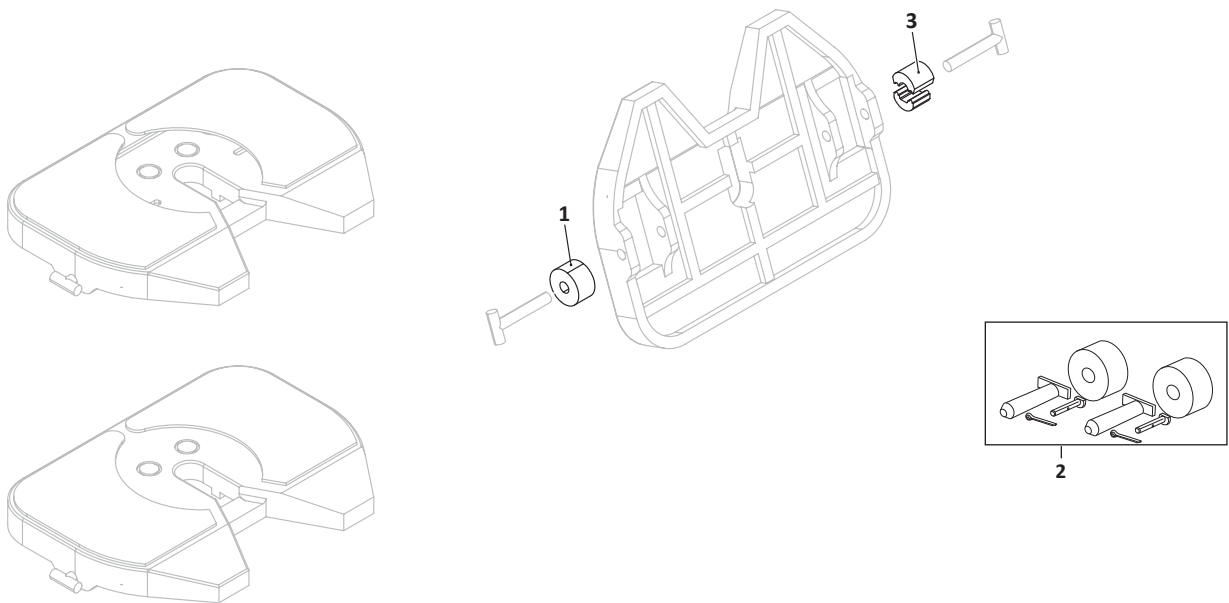
Fontaine CD 600/700 Series				
KEY NO.	GAFF NO.	OEM REF.	DESCRIPTION	QTY PER TANDEM
1	GAFF10002	BSH-150	Fifth Wheel Bushing	2
2	GAFF40141	BSH-150	Fifth Wheel Bushing Kit	1

# FIFTH WHEEL BUSHINGS

GAFF® Polyurethane Components

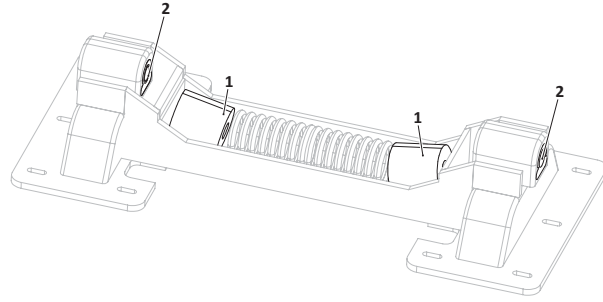
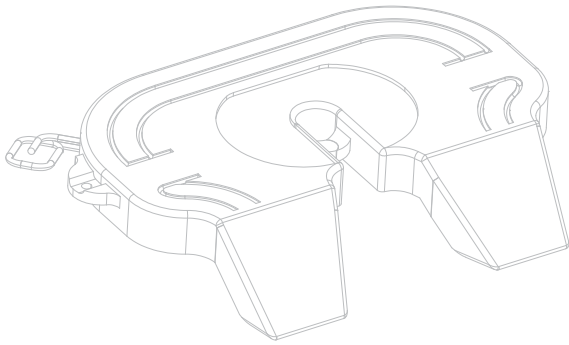


Fontaine TPL3000 Series				
KEY NO.	GAFF NO.	OEM REF.	DESCRIPTION	QTY PER TANDEM
1	GAFF10002	BSH-150	Fifth Wheel Bushing	2
2	GAFF40141	BSH-150	Fifth Wheel Bushing Kit	1



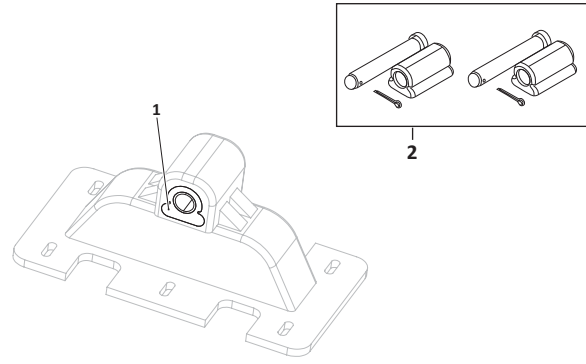
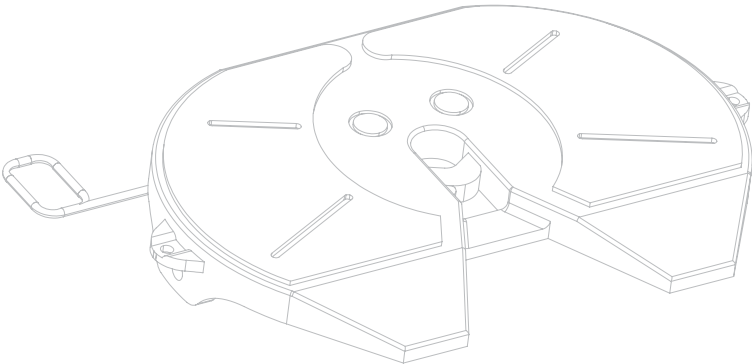
Fontaine TPL6000/7000/7000CC Series				
KEY NO.	GAFF NO.	OEM REF.	DESCRIPTION	QTY PER TANDEM
1	GAFF10002	BSH-150	Fifth Wheel Bushing	2
2	GAFF40141	BSH-150	Fifth Wheel Bushing Kit	1
3	GAFF10079	BSH-109-L	Fifth Wheel Bushing	4

# FIFTH WHEEL BUSHINGS



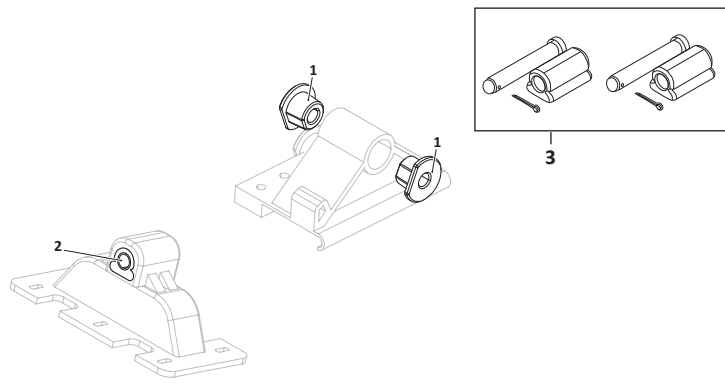
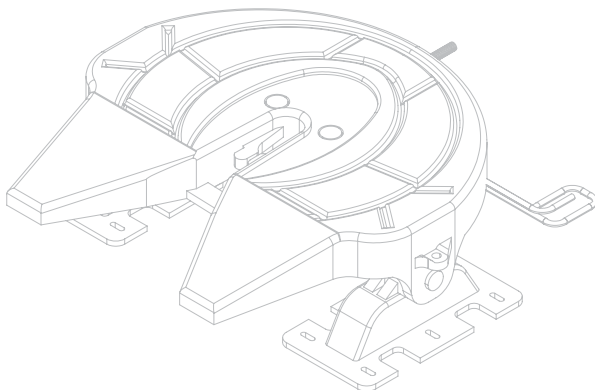
## SAF Holland Kompensator

KEY NO.	GAFF NO.	OEM REF.	DESCRIPTION	QTY PER TANDEM
1	<b>GAFF18215</b>	XB0011	Fifth Wheel Bushing	2
2	<b>GAFF18221</b>	XB0009	Fifth Wheel Bushing	2



## SAF Holland FW3500 & FW3100

KEY NO.	GAFF NO.	OEM REF.	DESCRIPTION	QTY PER TANDEM
1	<b>GAFF11517</b>	XB-0011-2	Fifth Wheel Bushing	2
	<b>GAFF11724</b>	XB-0012-3	Fifth Wheel Bushing	2
2	<b>GAFF40140</b>	RK004413	Fifth Wheel Bushing Kit	1

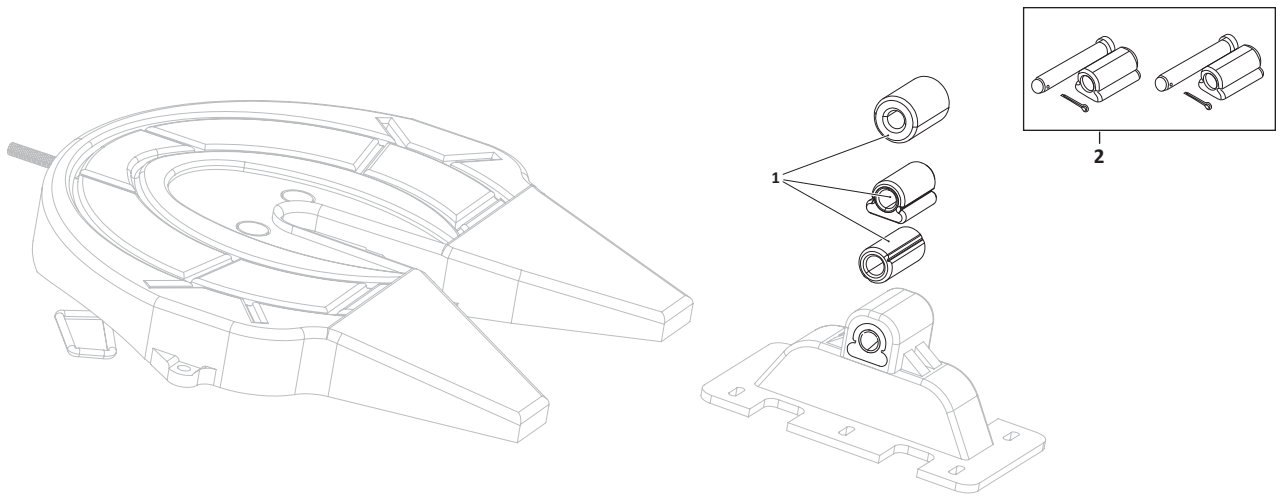


## SAF Holland FW17EK & FW3510

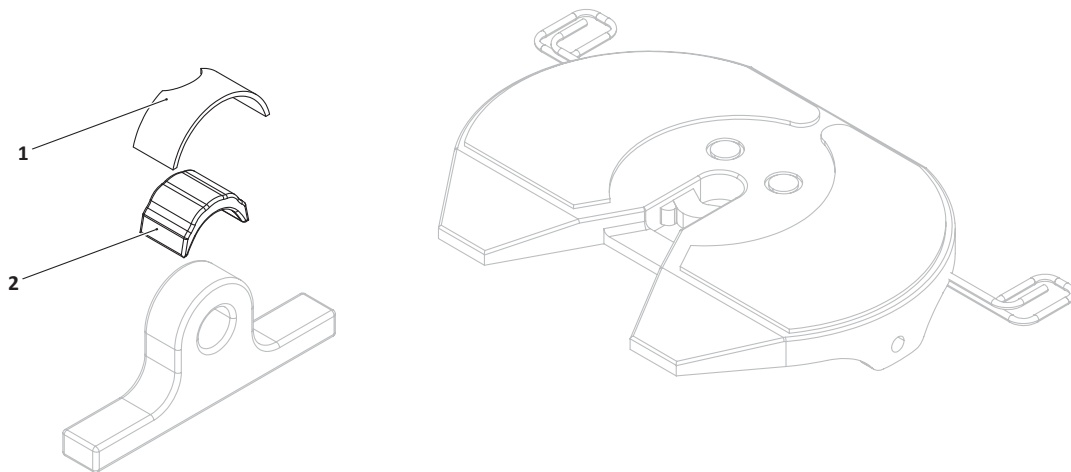
KEY NO.	GAFF NO.	OEM REF.	DESCRIPTION	QTY PER TANDEM
1	<b>GAFF40035</b>	XB10605	Fifth Wheel Bushing	4
2	<b>GAFF11517</b>	XB-0011-2	Fifth Wheel Bushing	2
	<b>GAFF11724</b>	XB-0012-3	Fifth Wheel Bushing	2
3	<b>GAFF40140</b>	RK004413	Fifth Wheel Bushing Kit	1

# FIFTH WHEEL BUSHINGS

GAFF® Polyurethane Components



SAF Holland FW070 Series				
KEY NO.	GAFF NO.	OEM REF.	DESCRIPTION	QTY PER TANDEM
1	GAFF11515	XB16045	Fifth Wheel Bushing	2
	GAFF11517	XB-0011-2	Fifth Wheel Bushing	2
	GAFF11724	XB-0012-3	Fifth Wheel Bushing	2
	GAFF18094	XB-0011-1	Fifth Wheel Bushing	2
2	GAFF40140	RK004413	Fifth Wheel Bushing Kit	1



SAF Holland Simplex, Simplex IIR & Simplex Lite				
KEY NO.	GAFF NO.	OEM REF.	DESCRIPTION	QTY PER TANDEM
1	GAFF10080	ASF-0329-47	Fifth Wheel Bushing Pad	2
2	GAFF40056	ATP-0328-03	Fifth Wheel Bushing Pad	2

# FIFTH WHEEL BUSHINGS

## Suspension Components

**Fifth Wheel Bushing — Fontaine**



PART NO.	OEM REF.	ID	OD	LENGTH
<b>GAFF10002</b>	BSH-150	1-1/4 in.	4 in.	2-1/4 in.

**Fifth Wheel Bushing — SAF Holland**



PART NO.	OEM REF.	ID	OD	LENGTH
<b>GAFF18215</b>	XB0011	1-1/8 in.	2 in.	4-1/4 in.

**Fifth Wheel Bushing — SAF Holland**



PART NO.	OEM REF.	ID	OD	LENGTH
<b>GAFF11515</b>	XB16045	1-1/16 in.	2-13/16 in.	4-1/8 in.

**Fifth Wheel Bushing — SAF Holland**



PART NO.	OEM REF.	ID	OD	LENGTH
<b>GAFF18221</b>	XB0009	1-1/4 in.	3-1/2 in.	3-3/4 in.

**Fifth Wheel Bushing — SAF Holland**



PART NO.	OEM REF.	ID	LENGTH	HEIGHT
<b>GAFF11517</b>	XB-0011-2	1-1/8 in.	4-1/4 in.	2-11/32 in.

**Fifth Wheel Bushing — SAF Holland**



PART NO.	OEM REF.	ID	OD	LENGTH
<b>GAFF40035</b>	XB10605	1-1/8 in.	3-7/8 in.	2-1/8 in.

**Fifth Wheel Bushing — SAF Holland**



PART NO.	OEM REF.	ID	OD	LENGTH
<b>GAFF18094</b>	XB-0011-1	1-1/8 in.	2-1/8 in.	4-3/8 in.

**Fifth Wheel Bushing — SAF Holland**




PART NO.	OEM REF.	ID	LENGTH	HEIGHT
<b>GAFF11724</b>	XB-0012-3	1-1/2 in.	4-3/16 in.	2-11/32 in.

# FIFTH WHEEL BUSHINGS

GAFF® Polyurethane Components

## Suspension Components

**Fifth Wheel Bushing — Fontaine**




PART NO.	OEM REF.	ID	OD	LENGTH
<b>GAFF10079</b>	BSH-109-L	1-1/4 in.	3-1/32 in.	2-11/16 in.

**Fifth Wheel Bushing Pad — SAF Holland**



PART NO.	OEM REF.	LENGTH
<b>GAFF40056</b>	ATP-0328-03	3-15/16 in.

**Fifth Wheel Bushing Kit — SAF Holland**



PART NO.	OEM REF.	NOTES
<b>GAFF40140</b>	RK004413, RK069731, XB-0011-2, XA-2016	2 Qty. GAFF11517 Fifth Wheel Bushing & 2 Qty. Pin & 2 Qty. Cotter Pin

**Fifth Wheel Mount — Jost**



PART NO.	OEM REF.	LENGTH
<b>GAFF18708</b>	KP127, SK210525	4-1/2 in.

**Fifth Wheel Bushing Kit — Fontaine**



PART NO.	OEM REF.	NOTES
<b>GAFF40141</b>	BSH-150	2 Qty. GAFF10002 Bushing & 2 Qty. Pin & 2 Qty. Lock Pin & 2 Qty. Cotter Pin

**Fifth Wheel Mount — Jost**



PART NO.	OEM REF.	LENGTH
<b>GAFF18709</b>	KP126, SK1259, TT4442	7 in.

**Fifth Wheel Bushing Pad — SAF Holland**




PART NO.	OEM REF.	LENGTH
<b>GAFF10080</b>	ASF-0329-47	10 in.

# HOOD LATCHES & HINGE BUSHINGS

## Suspension Components

**Hood Guide — Navistar**




PART NO.	OEM REF.	OD	LENGTH	NOTES
<b>GAFF10026</b>	1685916C1, 472697C1	2-3/16 in.	2-1/16 in.	3/8 in.-16 UNC

**Hood Hinge Bushing — Navistar**



PART NO.	ID	OD	LENGTH
<b>GAFF10025</b>	7/8 in.	1-15/16 in.	1-7/16 in.

**Hood Guide — Freightliner**




PART NO.	OEM REF.	ID	OD	LENGTH
<b>GAFF11020</b>	A17-10464- 001	1/2 in.	4 in.	3 in.

**Hood Hinge Bushing — Kenworth**



PART NO.	OEM REF.	ID	OD<	OD	LENGTH
<b>GAFF11557</b>	M300- 70NR	1/2 in.	1-1/8 in.	1-3/4 in.	1-5/16 in.

**Hood Guide — Freightliner**




PART NO.	OEM REF.	LENGTH
<b>GAFF11124</b>	A17-13666-000	3-7/16 in.

**Hood Hinge Bushing — Peterbilt**



PART NO.	OEM REF.	ID	OD<	OD	LENGTH
<b>GAFF11709</b>	M300-70NR	1/2 in.	1-3/16 in.	1-3/4 in.	1-3/8 in.

**Hood Guide — Kenworth, Mack**



PART NO.	OEM REF.	OD	OD<	LENGTH	NOTES
<b>GAFF11545</b>	K179-528, K179D450, 70100, 25QM-31, K176-8-6344, K179-499	3-3/16 in.	1-1/2 in.	3-7/8 in.	1/2-13 UNC

**Hood Hinge Bushing — Peterbilt**



PART NO.	OEM REF.	ID	OD	LENGTH
<b>GAFF12363</b>	13-03593, 13-04588	5/8 in.	1-1/2 in.	1-1/2 in.



## Suspension Components

Hood Hinge Bushing — Peterbilt				
				
PART NO.	OEM REF.	ID	OD	LENGTH
GAFF12367	13-03440	1/2 in.	1-5/16 in.	2 in.

Hood Hinge Bushing — Navistar				
				
PART NO.	OEM REF.	ID	OD	LENGTH
GAFF34530	1668960C1	3/8 in.	1-1/2 in.	2-3/16 in.


Hood Hinge Bushing — Peterbilt					
					
PART NO.	OEM REF.	ID	OD<	OD	LENGTH
GAFF12370	13-04154	1/2 in.	1-3/16 in.	1-13/16 in.	5/8 in.

Hood Latch — Navistar	
	
PART NO.	LENGTH
GAFF10024	5-7/8 in.

Hood Hinge Bushing — Freightliner				
				
PART NO.	OEM REF.	ID	OD	LENGTH
GAFF11019	J17700-5, LORJ17002, J17002	1/2 in.	1-3/8 in.	2-3/16 in.


Hood Latch — Freightliner		
		
PART NO.	OEM REF.	LENGTH
GAFF11102	17-12434-000	10-15/16 in.


Hood Hinge Bushing — Freightliner, Mack					
					
PART NO.	OEM REF.	ID	OD<	OD	LENGTH
GAFF11544	CB1121-10, 20QL231P1	1/2 in.	1-1/4 in.	1-3/4 in.	1-1/4 in.


Hood Latch — Freightliner, Peterbilt			
			
PART NO.	OEM REF.	LENGTH	NOTES
GAFF11103	680-880-01-60, 37-41-295-80	11-5/8 in.	Includes GAFF12365 Latch and Hinge

# HOOD LATCHES & HINGE BUSHINGS

## Suspension Components


Hood Latch — Freightliner			
			
PART NO.	OEM REF.	LENGTH	NOTES
<b>GAFF11104</b>	LH17-12435-000	11-1/4 in.	Includes Mount, Left Hand


Hood Latch — Freightliner			
			
PART NO.	OEM REF.	LENGTH	NOTES
<b>GAFF11176</b>	17-12434-000	10-15/16 in.	Includes GAFF11102 Latch and Hinge


Hood Latch — Freightliner			
			
PART NO.	OEM REF.	LENGTH	NOTES
<b>GAFF11105</b>	RH17-12435-000, RH17-12435-001	11-1/4 in.	Includes Mount, Right Hand

Hood Latch — Kenworth, Peterbilt		
		
PART NO.	OEM REF.	LENGTH
<b>GAFF11543</b>	K147-107, K147C106	9-3/32 in.

Hood Latch — Freightliner			
			
PART NO.	OEM REF.	LENGTH	NOTES
<b>GAFF11106</b>	RH17-15553-001	11-1/4 in.	Includes Mount, Right Hand


Hood Latch — Kenworth		
		
PART NO.	OEM REF.	LENGTH
<b>GAFF11768</b>	37-99-344, 37-41-295-60	10-3/4 in.


Hood Latch — Freightliner			
			
PART NO.	OEM REF.	LENGTH	NOTES
<b>GAFF11107</b>	LH17-15553-001, 17-15553-000	11-1/4 in.	Includes Mount, Left Hand

Hood Latch — Freightliner, Kenworth, Peterbilt		
		
PART NO.	OEM REF.	LENGTH
<b>GAFF12365</b>	680-880-01-60, L56-0001, 23-13857	8-7/8 in.


## Suspension Components


Hood Latch Assembly — Navistar		
		
PART NO.	OEM REF.	LENGTH
<b>GAFF10506</b>	1699929C9, 499523C3, 16899930C91	8 in.

Hood Latch Hook — Freightliner		
		
PART NO.	OEM REF.	LENGTH
<b>GAFF11097</b>	681-887-24-14, 8574 FL, 1431 000 87002, 67101-3418	3-9/16 in.


Hood Latch Assembly — Kenworth			
			
PART NO.	OEM REF.	LENGTH	NOTES
<b>GAFF11134</b>	L56-0001, 23-13857	4-3/16 in.	Use GAFF11851 for Latch and Hook

Hood Latch Hook — Freightliner		
		
PART NO.	OEM REF.	LENGTH
<b>GAFF11109</b>	17-14781-000	3-27/32 in.

Hood Latch Assembly — Freightliner			
			
PART NO.	OEM REF.	LENGTH	NOTES
<b>GAFF11185</b>	17-12348-000, 17-12434-000	10-15/16 in.	Includes GAFF11096 Hook and GAFF11176 Latch

Hood Latch Assembly — Kenworth, Peterbilt			
			
PART NO.	OEM REF.	LENGTH	NOTES
<b>GAFF11851</b>	L56-0001, 23-13857, L03-0001	4-3/16 in.	Includes 1 Qty. GAFF11097 Hood hook, 1 Qty. GAFF11134 Latch, includes metal bracket

Hood Latch Hook — Freightliner			
			
PART NO.	OEM REF.	LENGTH	NOTES
<b>GAFF11096</b>	17-12434-000	4-7/8 in.	Includes 1 Qty. GAFF 11096 Hood hook, 1 Qty. GAFF11176 Latch, includes metal bracket

Hood Mount — Peterbilt				
				
PART NO.	OEM REF.	WIDTH	HEIGHT	LENGTH
<b>GAFF12359</b>	13-03510, 13-04711	1-15/16 in.	2-3/8 in.	3-1/8 in.

## Suspension Components

Hood Mount — Peterbilt




PART NO.	OEM REF.	WIDTH	HEIGHT	LENGTH
<b>GAFF12364</b>	13-04711, 13-03510	2-3/8 in.	2 in.	3-1/8 in.


## Suspension Components

Motor Mount — Freightliner		
		
PART NO.	OEM REF.	ID
GAFF11065	J20941-3	21/32 in.

Motor Mount — Freightliner				
				
PART NO.	OEM REF.	ID	OD	LENGTH
GAFF11725	CBA24-650-17	5/8 in.	2-3/8 in.	2-3/32 in.

Motor Mount — Freightliner		
		
PART NO.	OEM REF.	NOTES
GAFF11074	BCD 26704 1, BCD 276511, BCD 27651 3, BCD 27651-1, BCD 27651-2 BCD 28945-1	Includes 1 Upper Mount and 1 Lower Mount

Motor Mount — Mack					
					
PART NO.	OEM REF.	ID	OD	LENGTH	NOTES
GAFF12000	20QL1175, 20QL1118A	3/4 in.	3-1/4 in.	2 in.	1-5/32 in.

Motor Mount — Freightliner			
			
PART NO.	OEM REF.	ID	LENGTH
GAFF11077	BCD 27330-1, BCD 288051	13/16 in.	9-7/8 in.

Motor Mount — Mack					
					
PART NO.	OEM REF.	ID	OD	LENGTH	NOTES
GAFF12002	20QL2110, 20QL258	7/8 in.	3-1/2 in.	2-1/4 in.	3 in.

Motor Mount — Freightliner			
			
PART NO.	OEM REF.	ID	OD
GAFF11112	J-19791	1-5/16 in.	3-5/16 in.

Motor Mount — Peterbilt					
					
PART NO.	OEM REF.	ID	OD	OD<	LENGTH
GAFF12355	05-08968	5/8 in.	2-1/2 in.	1-5/8 in.	2 in.

# MOTOR MOUNTS


## Suspension Components

**Motor Mount — Peterbilt**




PART NO.	OEM REF.	ID	OD	OD<	LENGTH
<b>GAFF12356</b>	05-10197	13/16 in.	2-11/16 in.	1-9/16 in.	2-7/16 in.

**Motor Mount — Peterbilt**



PART NO.	OEM REF.	ID	OD	OD<	LENGTH
<b>GAFF18786</b>	05-18263, CB2203-2	15/16 in.	3-7/16 in.	1-15/32 in.	2-7/8 in.

**Motor Mount — Peterbilt**



PART NO.	OEM REF.	ID	OD	OD<	LENGTH	NOTES
<b>GAFF12360</b>	20-08257, 20-08867	5/8 in.	3-1/8 in.	1-13/16 in.	2-3/4 in.	Includes mounts and spacer

**Motor Mount — Navistar**




PART NO.	OEM REF.	ID	OD
<b>GAFF34507</b>	1664730C5, 1664730C7, 2014777C2, 1664726C2	5/8 in.	3 in.

**Motor Mount — Peterbilt**



PART NO.	OEM REF.	ID	OD	LENGTH
<b>GAFF12368</b>	CB2203-70, CB2203-77, CB2203-78	3/4 in.	2-17/32 in.	2-3/8 in.

**Motor Mount Kit — Freightliner**




PART NO.	OEM REF.	ID	OD	LENGTH	NOTES
<b>GAFF11018</b>	SSB3310018, 01-15047-000, LORSSB3310017, LORSSB3310018	3/4 in.	3-1/4 in.	2-1/4 in.	Includes 1 Upper Mount, 1 Lower Mount and 1 Spacer Sleeve

**Motor Mount — Peterbilt**



PART NO.	OEM REF.	ID	OD	LENGTH
<b>GAFF12369</b>	CB2203-72	5/8 in.	2-17/32 in.	2-3/8 in.


**Motor Mount Kit — Freightliner**



PART NO.	OEM REF.	ID	OD	LENGTH	NOTES
<b>GAFF11085</b>	CBA24-650-17	5/8 in.	2-3/8 in.	2-3/32 in.	Includes 4 GAFF11725 Motor Mounts and Hardware


## Suspension Components

**Motor Mount Kit — Freightliner**




PART NO.	OEM REF.	ID	OD	LENGTH	NOTES
<b>GAFF11087</b>	SSB3310018, SSB3310017, 01-15047-000	3/4 in.	3-1/4 in.	2-1/4 in.	Includes 2 GAFF11018 Motor Mount Kits and Hardware

**Motor Mount Kit — Freightliner**




PART NO.	OEM REF.	NOTES
<b>GAFF11113</b>	J20120-4, J-20120, J-19791, 17-1843, J197911, J201204	Includes 1 Upper Motor Mount and 1 Lower Motor Mount

**Motor Mount Kit — Freightliner**




PART NO.	OEM REF.	ID	NOTES
<b>GAFF11088</b>	J20941-3, LOR J20941-3-6, LORJ209417, J20941-4	21/32 in.	Includes 2 GAFF11065 Motor Mounts and Hardware

**Motor Mount Kit — Mack**




PART NO.	OEM REF.	NOTES
<b>GAFF12034</b>	204SX216, 20QL1175, 20QL1118A	8 Qty. GAFF12000 Motor Mount & 4 Qty. 3/4 in.-16 UNF x 6-1/2 in. Bolts & 4 Qty. Nylon Insert Nut & 8 Qty. Washer

**Motor Mount Kit — Freightliner**




PART NO.	OEM REF.	ID	LENGTH	NOTES
<b>GAFF11089</b>	BCD 27330-1	13/16 in.	9-7/8 in.	Includes 2 GAFF11077 Motor Mounts and Hardware

**Motor Mount Kit — Mack**




PART NO.	OEM REF.	NOTES
<b>GAFF12035</b>	204SX389	8 Qty. GAFF12000 Motor Mount & 4 Qty. 3/4 in.-16 UNF x 5 in. Bolts & 4 Qty. Nylon Insert Nut & 8 Qty. Washer

**Motor Mount Kit — Freightliner**



PART NO.	OEM REF.	NOTES
<b>GAFF11090</b>	BCD 28945-1, BCD267041, BCD276511, BCD276513	Includes 2 GAFF11074 Motor Mount Kits and Hardware

**Motor Mount Kit — Navistar**



PART NO.	OEM REF.	LENGTH	NOTES
<b>GAFF34500</b>	1664728C1, 1664728C2	5-1/2 in.	1 Qty. GAFF34508 Motor Mount Rear & 1 Qty. GAFF34593 Motor Mount, (Lower)



# MOTOR MOUNTS

## Suspension Components

**Motor Mount Kit, Front — Kenworth, Peterbilt**



PART NO.	OEM REF.	NOTES
<b>GAFF11762</b>	K066-385, K066-404, K066-406, K066-407	2 Qty. GAFF11615 Motor Mount Kit, Front & 2 Qty. Bolts & 2 Qty. Nylon Insert Nut & 4 Qty. Washer

**Motor Mount Kit, Front — Navistar**



PART NO.	OEM REF.	ID	LENGTH	NOTES
<b>GAFF34510</b>	1664724C3, BCD274772	13/16 in.	7 in.	1 Qty Upper Mount & 1 Qty Lower Mount

**Motor Mount Kit, Front — Mack**



PART NO.	OEM REF.	LENGTH	NOTES
<b>GAFF12045</b>	20QL322, 20QL329, 25164809, 25172757	7-1/4 in.	1 Qty. Upper Motor Mount & 1 Qty. Lower Motor Mount

**Motor Mount Kit, Front — Navistar**



PART NO.	OEM REF.	NOTES
<b>GAFF34526</b>	1664723C2, 1664723C3, 1664724C2	2 Qty. GAFF34569 Motor Mount (Upper) & 2 Qty. GAFF34593 Motor Mount, (Lower) & 2 Qty. 5/8-18 UNF Bolts & 2 Qty. Nut & 2 Qty. Washer

**Motor Mount Kit, Front — Mack**



PART NO.	OEM REF.	ID	OD	LENGTH	NOTES
<b>GAFF12047</b>	20QL312M2	5/8 in.	2-5/8 in.	1-1/16 in.	2 Qty. GAFF12046 Motor Mount, Front & 1 Qty. Spacer Sleeve

**Motor Mount Kit, Rear — Kenworth, Peterbilt**



PART NO.	OEM REF.	NOTES
<b>GAFF11761</b>	K066-247, K066-282, K066-320, 05-15646	2 Qty. GAFF11539 Motor Mount & 4 Qty. Bolts & 4 Qty. Nut & 8 Qty. Washers

**Motor Mount Kit, Front — Navistar**



PART NO.	OEM REF.	ID	LENGTH	NOTES
<b>GAFF34509</b>	1664723C1, 1664723C2, 1664723C3, 1664724C1, 1664724C2	11/16 in.	4-1/16 in.	1 Qty. GAFF34569 Motor Mount, (Upper) & 1 Qty. GAFF34593 Motor Mount, (Lower)

**Motor Mount Kit, Rear — Navistar**



PART NO.	OEM REF.	NOTES
<b>GAFF34524</b>	1664728C1, 1664728C2	2 Qty. GAFF34508 Motor Mount (Upper) & 2 Qty. GAFF34593 Motor Mount, (Lower) & 2 Qty. 5/8-18 UNF Bolts & 2 Qty. Nut & 2 Qty. Washer




## Suspension Components

**Motor Mount Kit, Rear — Navistar**



PART NO.	OEM REF.	NOTES
<b>GAFF34525</b>	1664729C1, 1664730C5, 1664729C4	2 Qty. GAFF34510 Motor Mount Kit & 2 Qty. 3/4-16 UNF Bolts & 2 Qty. Nylon Insert Nut & 4 Qty. Washer

**Motor Mount, Front — Kenworth**




PART NO.	ID	OD	LENGTH
<b>GAFF11536</b>	27/32 in.	3-11/16 in.	2-1/2 in.

**Motor Mount Kit, Rear — Navistar**



PART NO.	OEM REF.	ID	LENGTH	NOTES
<b>GAFF34529</b>	3549169C1, 3549169C2	11/16 in.	5 in.	1 Qty Upper Mount & 1 Qty Lower Mount

**Motor Mount, Front — Kenworth, Peterbilt**




PART NO.	OEM REF.	ID	OD<	OD	LENGTH
<b>GAFF11537</b>	K066-229, 05-08969, 05-10103, 05-16401	3/4 in.	2-1/16 in.	3-3/4 in.	2-1/2 in.

**Motor Mount, Front — Navistar**



PART NO.	OEM REF.	ID	OD	OD<	LENGTH
<b>GAFF10020</b>	753997C91, 753997C92, 753997C93	5/8 in.	3 in.	1-15/16 in.	2-3/16 in.

**Motor Mount, Front — Peterbilt**




PART NO.	OEM REF.	ID	OD	OD<	LENGTH	NOTES
<b>GAFF11613</b>	05-08969, 05-10103, 05-16401	3/4 in.	3-13/16 in.	2-1/6 in.	2-9/16 in.	With Metal Sleeve

**Motor Mount, Front — Navistar**



PART NO.	OEM REF.	ID	OD	OD<	LENGTH
<b>GAFF10503</b>	470031C2	5/8 in.	2-13/16 in.	1-1/12 in.	2-3/8 in.

**Motor Mount, Front — Kenworth, Peterbilt**



PART NO.	OEM REF.	ID	OD	OD<	LENGTH	NOTES
<b>GAFF11615</b>	K066-404, K066-405, K066-406, K066-407, K066-423	13/16 in.	3-1/2 in.	2 in.	2-1/4 in.	Includes 1 Qty. Upper Motor Mount & 1 Qty. Lower Motor Mount, Use GAFF11762 for Complete Kit

# MOTOR MOUNTS


## Suspension Components

**Motor Mount, Front — Mack**




PART NO.	OEM REF.	ID	OD<	OD	LENGTH
GAFF12046	20QL312M2	11/16 in.	1-7/16 in.	2-5/8 in.	1-1/16 in.

**Motor Mount, Front — Navistar**




PART NO.	OEM REF.	ID	LENGTH	LENGTH C-TO-C
GAFF30517	AZ-14840-06, 17-1780	11/16 in.	6-1/4 in.	5-1/8 in.

**Motor Mount, Front — Volvo**




PART NO.	OEM REF.	ID	OD	LENGTH	NOTES
GAFF12304	12005-001, 12005-3207, 12005-3208, 12005-0002	5/8 in.	2-13/16 in.	10 in.	5/8 in. Bolt Holes

**Motor Mount, Front — Navistar**



PART NO.	ID	OD	LENGTH
GAFF30518	11/16 in.	2-7/16 in.	21/32 in.

**Motor Mount, Front — Volvo**




PART NO.	OEM REF.	ID	OD
GAFF12305	12005-3208, 12005-0002, 3081659	5/8 in.	2-13/16 in.

**Motor Mount, Rear — Navistar**



PART NO.	OEM REF.	ID	OD	LENGTH
GAFF10075	507569C91, 503579C1, 503837C1	1-1/2 in.	3 in.	3 in.

**Motor Mount, Front — Peterbilt**




PART NO.	OEM REF.	ID	OD	OD<	LENGTH
GAFF18102	05-16919	3/4 in.	3-5/8 in.	2-3/16 in.	2-7/16 in.

**Motor Mount, Rear — Navistar**





PART NO.	OEM REF.	ID	OD	OD<	LENGTH
GAFF10505	479237C1, 583955C1, 14003030, 14003052	5/8 in.	3-1/16 in.	1-5/8 in.	2-5/8 in.

## Suspension Components


Motor Mount, Rear — Freightliner		
		
PART NO.	OEM REF.	LENGTH
GAFF11014	-	3-5/16 in.

Motor Mount, Rear — Mack					
					
PART NO.	OEM REF.	ID	OD	OD<	LENGTH
GAFF12023	20QL324M	7/8 in.	3-5/8 in.	2-5/16 in.	1-15/16 in.

Motor Mount, Rear — Kenworth, Peterbilt				
				
PART NO.	OEM REF.	ID	LENGTH	NOTES
GAFF11539	K066-247, 05-15646, K066-320, M506-70NR	5/8 in.	5-3/4 in.	Used in GAFF11761

Motor Mount, Rear — Volvo		
		
PART NO.	OEM REF.	LENGTH
GAFF12301	04-9009997	6-1/4 in.

Motor Mount, Rear — Peterbilt			
			
PART NO.	OEM REF.	ID	LENGTH
GAFF11614	05-15646, K066-320, K056-70NR, M506-70NR	5/8 in.	5-9/16 in.

Motor Mount, Rear — Mack			
			
PART NO.	OEM REF.	LENGTH	NOTES
GAFF12372	20QL338M	8-7/8 in.	1-1/4-12 UNF

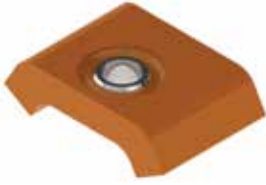
Motor Mount, Rear — Kenworth		
		
PART NO.	OEM REF.	NOTES
GAFF11760	K066-377, K066-391, K066-421, D13-1001-1	2 Qty. GAFF11541 Motor Mount & 2 Qty. GAFF11540 Motor Mount Rear & 2 Qty. Bolts & 2 Qty. Nylon Insert Nut & 8 Qty. Washer

Motor Mount, Rear — Volvo		
		
PART NO.	OEM REF.	LENGTH
GAFF16009	2422749	5-1/2 in.

# MOTOR MOUNTS

## Suspension Components

Motor Mount, Rear (Lower) — Kenworth



PART NO.	OEM REF.	ID	LENGTH	NOTES
<b>GAFF11541</b>	K066-421, D13-1001-1	13/16 in.	4-3/16 in.	Use GAFF11760 for Complete Kit

Motor Mount, Rear (Upper) — Kenworth





PART NO.	OEM REF.	ID	LENGTH	NOTES
<b>GAFF11540</b>	K066-377, K066-391, D13-1001-1	13/16 in.	7-7/8 in.	Use GAFF11760 for Complete Kit


# RADIATOR MOUNTS


GAFF® Polyurethane Components


## Suspension Components


Radiator Mount — Freightliner					
					
PART NO.	OEM REF.	ID	OD	LENGTH	NOTES
GAFF11021	05-16070-000	7/8 in.	2-31/32 in.	1-13/16 in.	Includes 1 Upper Mount, 1 Lower Mount and 1 Spacer Sleeve


Radiator Mount — Freightliner			
			
PART NO.	OEM REF.	LENGTH	NOTES
GAFF11129	BCD 28721-1, BCD-28847-1	4 in.	1/2-13 in. UNC Thread


Radiator Mount — Freightliner				
				
PART NO.	OEM REF.	LENGTH	HEIGHT	NOTES
GAFF11117	A6805040382, LOR SM1035 9, A6805040182	3-15/16 in.	1-5/8 in.	3/4 in. x 1 in. UNC

Air Cooler Mount — Kenworth/Peterbilt					
					
PART NO.	OEM REF.	ID	OD	OD<	LENGTH
GAFF11554	M200-70EP 13-01633	3/8 in.	1-1/8 in.	3/4 in.	7/8 in.

Radiator Mount — Freightliner				
				
PART NO.	OEM REF.	LENGTH	HEIGHT	NOTES
GAFF11144	A6805040382	3-15/16 in.	2-1/8 in.	3/4 in. x 1 in. UNC

Radiator Mount — Kenworth				
				
PART NO.	ID	OD	LENGTH	NOTES
GAFF11548	1/2 in.	1-5/8 in.	1-3/8 in.	1 Qty. Upper Radiator Mount & 1 Qty. Lower Radiator Mount

Radiator Mount — Freightliner					
					
PART NO.	OEM REF.	ID	OD<	OD	LENGTH
GAFF18837	CB1121-10	5/8 in.	1-5/16 in.	2 in.	1-1/4 in.

Radiator Mount — Kenworth					
					
PART NO.	OEM REF.	ID	OD	OD<	LENGTH
GAFF11549	K264-84	5/8 in.	1-5/8 in.	13/16 in.	13/16 in.

# RADIATOR MOUNTS


## Suspension Components

**Air Cooler Mount — Mack**




PART NO.	OEM REF.	ID	OD	LENGTH
<b>GAFF12049</b>	20QL37P3	3/8 in.	1-1/4 in.	1-1/16 in.

**Radiator Mount — Navistar**




PART NO.	OEM REF.	ID	OD	LENGTH
<b>GAFF10011</b>	987395A2	5/8 in.	1-9/16 in.	13/16 in.

**Radiator Mount — Mack**



PART NO.	OEM REF.	ID	OD	LENGTH
<b>GAFF12026</b>	25121334, 20QL295, 20QL295M	5/8 in.	2-1/2 in.	2-1/2 in.

**Radiator Mount — Navistar**




PART NO.	OEM REF.	ID	OD	OD<	LENGTH
<b>GAFF18063</b>	270203C1	1/2 in.	1-5/8 in.	13/16 in.	3/4 in.

**Radiator Mount — Mack**




PART NO.	OEM REF.	ID	OD	LENGTH
<b>GAFF12032</b>	20QL259A	9/16 in.	1-7/8 in.	1-13/16 in.

**Radiator Mount — Navistar**




PART NO.	OEM REF.	ID	OD<	OD	LENGTH
<b>GAFF34545</b>	3560-217-C, 3560-217-C1, 3560-217-C2, 3560-217-C3	1/2 in.	1-7/32 in.	2-1/16 in.	1-1/8 in.

**Radiator Mount — Mack**



PART NO.	OEM REF.	ID	OD	OD<	LENGTH
<b>GAFF18837</b>	20QL231P1, 20QL231P12	5/8 in.	2 in.	1-5/16 in.	1-1/4 in.

**Radiator Bushing — Peterbilt**




PART NO.	OEM REF.	ID	OD	OD<	LENGTH
<b>GAFF12366</b>	07-02552	5/8 in.	1-3/16 in.	1 in.	23/32 in.

# TORQUE RODS

GAFF® Polyurethane Components


## Suspension Components

**Torque Rod Assembly — Freightliner**




PART NO.	OEM REF.	BOLT DIA.	LENGTH	NOTES
<b>GAFF11078</b>	681-326-67-16	5/8 in.	23-13/16 in.	Includes 2 Qty GAFF11004

**Torque Rod Assembly — Hendrickson**




PART NO.	OEM REF.	BOLT DIA.	LENGTH	NOTES
<b>GAFF11773</b>	K195-474	11/16 in.	19-3/4 in.	Includes 2 Qty GAFF11729 Bushings

**Torque Rod Assembly — Freightliner**



PART NO.	OEM REF.	BOLT DIA.	LENGTH	NOTES
<b>GAFF11081</b>	16-16749-002	5/8 in.	24-7/32 in.	Includes 2 Qty GAFF11004

**Torque Rod Assembly — Kenworth**



PART NO.	OEM REF.	BOLT DIA.	LENGTH	NOTES
<b>GAFF11751</b>	K195-375	5/8 in.	24 in.	Includes 2 Qty GAFF13520 Bushings

**Torque Rod Assembly — Hendrickson**




PART NO.	OEM REF.	BOLT DIA.	LENGTH	NOTES
<b>GAFF13735</b>	62007-365	5/8 in.	14-3/8 in.	Straddle Mount Bushings

**Torque Rod Assembly — Kenworth**




PART NO.	OEM REF.	BOLT DIA.	LENGTH	NOTES
<b>GAFF11792</b>	C65-6002, C65-6009	5/8 in.	25-9/16 in.	Includes 2 Qty GAFF13521 Bushings

**Torque Rod Assembly — Hendrickson**



PART NO.	OEM REF.	BOLT DIA.	LENGTH	NOTES
<b>GAFF13733</b>	62350-615	5/8 in. & 1-1/4-12 UNF	24-1/4 in.	Includes 1 Qty GAFF13520 & 1 Qty GAFF13518 Bushings

**Torque Rod Assembly — Kenworth**




PART NO.	OEM REF.	BOLT DIA.	LENGTH	NOTES
<b>GAFF11793</b>	C65-1008, C65-1009	11/16 in.	20-1/4 in.	Includes 2 Qty GAFF11729 Bushings

# TORQUE RODS


## Suspension Components

**Torque Rod Assembly — Kenworth**




PART NO.	OEM REF.	BOLT DIA.	LENGTH	NOTES
<b>GAFF11795</b>	C65-6000-002, C65-6011-002	5/8 in.	24-11/16 in.	Includes 1 Qty GAFF13521 & 1 Qty GAFF14010 Bushings

**Torque Rod Assembly — Kenworth, Navistar, Mack**




PART NO.	OEM REF.	BOLT DIA.	THD	LENGTH	NOTES
<b>GAFF11080</b>	25164994, 17QF455P240, K195-376	5/8 in.	1-1/4- 12 UNF	24 in.	Includes 1 Qty GAFF13520 & 1 QTY GAFF13518 Bushings

**Torque Rod Assembly — Kenworth**




PART NO.	OEM REF.	BOLT DIA.	LENGTH	NOTES
<b>GAFF12397</b>	C65-6000-001, C65-6011-001	5/8 in.	23-3/4 in.	Includes 1 Qty GAFF13521 & 1 Qty GAFF14091 Bushings

**Torque Rod Assembly — Mack**




PART NO.	OEM REF.	BOLT DIA.	LENGTH	NOTES
<b>GAFF12069</b>	251170832, 17QF460P210, 17QF473M2, 17QF474P209	5/8 in.	21 in.	Includes 2 Qty GAFF13520 Bushings

**Torque Rod Assembly — Kenworth, Hendrickson**




PART NO.	OEM REF.	BOLT DIA.	LENGTH	NOTES
<b>GAFF13679</b>	925150 62350- 635	5/8 in. & 1-1/4-12 UNF	25 in.	Includes 1 Qty GAFF13520 & 1 Qty GAFF13518 Bushings

**Torque Rod Assembly — Mack**




PART NO.	OEM REF.	BOLT DIA.	LENGTH	NOTES
<b>GAFF12070</b>	17QF460P200, 17QF473M, 3226713, 25170831	5/8 in.	20 in.	Includes 2 Qty GAFF13520 Bushings

**Torque Rod Assembly — Kenworth**



PART NO.	OEM REF.	BOLT DIA.	LENGTH	NOTES
<b>GAFF13735</b>	32271-102, 62007- 365, 50376-001, 48411-008	5/8 in.	14-3/8 in.	Includes 2 Qty GAFF13520 Bushings

**Torque Rod Assembly — Mack**




PART NO.	OEM REF.	BOLT DIA.	LENGTH	NOTES
<b>GAFF12071</b>	17QF460P243, 25170833, 62000-615	5/8 in.	24-3/16 in.	Includes 2 Qty GAFF13520 Bushings




## Suspension Components

**Torque Rod Assembly — Mack**




PART NO.	OEM REF.	BOLT DIA.	LENGTH	NOTES
<b>GAFF12072</b>	17QF464P180, 1RY48P23, 17QF251P11, 25162529	5/8 in. & 1-1/4-12 UNF	18 in.	Includes 1 Qty GAFF13520 & 1 QTY GAFF12031 Bushings

**Torque Rod Assembly — Mack**




PART NO.	OEM REF.	BOLT DIA.	LENGTH	NOTES
<b>GAFF13634</b>	25174706, 17QF460P220	11/16 in.	22 in.	Includes 2 Qty GAFF11729 Bushings

**Torque Rod Assembly — Mack**




PART NO.	OEM REF.	BOLT DIA.	LENGTH	NOTES
<b>GAFF12073</b>	25174658, 17QF460P215	5/8 in.	21-1/2 in.	Includes 2 Qty GAFF13520 Bushings

**Torque Rod Assembly — Mack**



PART NO.	OEM REF.	BOLT DIA.	LENGTH	NOTES
<b>GAFF13733</b>	62350-615, 25171605, 17QF455P243	5/8 in. & 1-1/4-12 UNF	14-3/8 in.	Includes 1 Qty GAFF13520 & 1 QTY GAFF13518 Bushings

**Torque Rod Assembly — Mack**




PART NO.	OEM REF.	BOLT DIA.	LENGTH	NOTES
<b>GAFF12074</b>	25160749, 25164945, 17QF457P238, 17QF460P238	11/16 in.	23-3/4 in.	Includes 2 Qty GAFF11729 Bushings

**Torque Rod Assembly — Mack**




PART NO.	OEM REF.	BOLT DIA.	LENGTH	NOTES
<b>GAFF13735</b>	17QF357M	5/8 in.	14-3/8 in.	Includes 2 Qty GAFF13520 Bushings

**Torque Rod Assembly — Mack, Hendrickson**



PART NO.	OEM REF.	BOLT DIA.	LENGTH	NOTES
<b>GAFF12396</b>	4000-62010455	5/8 in.	17-5/16 in.	Includes 2 Qty GAFF13520 Bushings

**Torque Rod Assembly — Mack**




PART NO.	OEM REF.	BOLT DIA.	LENGTH	NOTES
<b>GAFF34555</b>	4000-62350645	5/8 in. & 1-1/4-12 UNF	25-1/4 in.	Includes 1 Qty GAFF13520 & 1 QTY GAFF13518 Bushings

# TORQUE RODS


## Suspension Components

**Torque Rod Assembly — Mack**




PART NO.	OEM REF.	BOLT DIA.	LENGTH	NOTES
<b>GAFF34556</b>	4000-62000590, 4000-62001590	5/8 in.	23-1/4 in.	Includes 2 Qty GAFF13520 Bushings

**Torque Rod Assembly — Kenworth, Navistar**



PART NO.	OEM REF.	BOLT DIA.	LENGTH	NOTES
<b>GAFF11751</b>	1661925C91	5/8 in.	24 in.	Includes 2 Qty GAFF13520 Bushings

**Torque Rod Assembly — Mack**




PART NO.	OEM REF.	BOLT DIA.	LENGTH	NOTES
<b>GAFF18860</b>	30SQ4525, 3187322, 35801-0068	5/8 in.	22-1/8 in.	Includes 2 Qty GAFF13520 Bushings

**Torque Rod Assembly — Navistar**




PART NO.	OEM REF.	BOLT DIA.	LENGTH	NOTES
<b>GAFF12044</b>	1693537C1 35801-5012	5/8 in.	26 in.	Includes 2 Qty GAFF13520 Bushings

**Torque Rod Assembly — Navistar**



PART NO.	OEM REF.	BOLT DIA.	LENGTH	NOTES
<b>GAFF12074</b>	1516350C91	11/16 in.	23-3/4 in.	Includes 2 Qty GAFF11729 Bushings

**Torque Rod Assembly — Navistar**



PART NO.	OEM REF.	BOLT DIA.	THD	LENGTH	NOTES
<b>GAFF11080</b>	3581270C1 K195-376	5/8 in.	1-1/4- 12 UNF	24 in.	Includes 1 Qty GAFF13520 & 1 Qty GAFF13518 Bushing

**Torque Rod Assembly — Navistar**



PART NO.	OEM REF.	BOLT DIA.	LENGTH	NOTES
<b>GAFF34563</b>	3548381C1	5/8 in.	25-3/8 in.	Includes 2 Qty GAFF13521 Bushings


**Torque Rod End — Navistar**



PART NO.	OEM REF.	BOLT DIA.	LENGTH	NOTES
<b>GAFF13683</b>	66610-000	5/8 in.	8-9/16 in.	Includes GAFF13520 Bushing


## Suspension Components

**Torque Rod End — Navistar**




PART NO.	OEM REF.	BOLT DIA.	LENGTH	NOTES
<b>GAFF13690</b>	66661-000	5/8 in.	33-7/16 in.	Includes GAFF13520 Bushing

**Torque Rod End — Navistar**




PART NO.	OEM REF.	LENGTH	NOTES
<b>GAFF13692</b>	1691035C91	33-7/16 in.	Includes GAFF13684 Bushing

**Torque Rod End — Navistar**




PART NO.	OEM REF.	BOLT DIA.	LENGTH	NOTES
<b>GAFF13686</b>	1693533C1	1-1/4-12 UNF	8-9/16 in.	Includes GAFF13518 Bushing

**Torque Rod End — Navistar**




PART NO.	OEM REF.	BOLT DIA.	LENGTH	NOTES
<b>GAFF13694</b>	1693542C1	1-1/4-12 UNF	33-7/16 in.	Includes GAFF13518 Bushing

**Torque Rod End — Navistar**



PART NO.	OEM REF.	BOLT DIA.	LENGTH	NOTES
<b>GAFF13703</b>	1693559C1	3/4 in.	25-7/16 in.	Includes GAFF13528 Bushing

**Torque Rod End — Navistar**




PART NO.	OEM REF.	BOLT DIA.	LENGTH	NOTES
<b>GAFF13695</b>	1693543C1	1-1/4-12 UNF	25-7/16 in.	Includes GAFF13518 Bushing

**Torque Rod End — Navistar**



PART NO.	OEM REF.	BOLT DIA.	LENGTH	NOTES
<b>GAFF13691</b>	1693536C1	5/8 in.	25-7/16 in.	Includes GAFF13520 Bushing

**Torque Rod End — Navistar**




PART NO.	OEM REF.	BOLT DIA.	LENGTH	NOTES
<b>GAFF13697</b>	1693545C1	1-1/4-12 UNF	25-7/16 in.	Includes GAFF12031 Bushing

# TORQUE RODS


## Suspension Components

**Torque Rod End — Navistar**




PART NO.	OEM REF.	BOLT DIA.	LENGTH	NOTES
<b>GAFF13699</b>	1693535C1	1-1/8 in.	25-7/16 in.	Includes GAFF13516 Bushing

**Torque Rod Assembly — Peterbilt, Hendrickson**




PART NO.	OEM REF.	BOLT DIA.	LENGTH	NOTES
<b>GAFF12398</b>	03-05198	5/8 in.	25-9/16 in.	Includes 2 Qty GAFF13520 Bushings

**Transverse Torque Arm — Navistar**




PART NO.	OEM REF.	BOLT DIA.	LENGTH	NOTES
<b>GAFF34563</b>	3580088C1, 3548381C1	3/4 in.	25-3/8 in.	Includes 2 Qty GAFF13521 Bushings

**Torque Rod Assembly — Peterbilt**




PART NO.	OEM REF.	BOLT DIA.	LENGTH	NOTES
<b>GAFF11792</b>	C65-6009, C65-600	5/8 in.	25-9/16 in.	Includes 2 Qty GAFF13521 Bushings

**Torque Rod Assembly — Peterbilt**




PART NO.	OEM REF.	BOLT DIA.	LENGTH	NOTES
<b>GAFF34554</b>	03-04059, 35800088C1, 3548381C1, 50151565C2	5/8 in.	22-7/8 in.	Includes 2 Qty GAFF13520 Bushings

**Torque Rod Assembly — Freightliner**




PART NO.	OEM REF.	BOLT DIA.	LENGTH	NOTES
<b>GAFF11152</b>	16-18972-000, 25164947, 17QF460P245, 16-15632-000	5/8 in.	24 3/16 in.	Includes 2 Qty GAFF13520 Bushings

**Torque Rod Assembly — Peterbilt**



PART NO.	OEM REF.	BOLT DIA.	LENGTH	NOTES
<b>GAFF12395</b>	03-04327	Hanger End: 5/8 in., Axle End: 3/4 in	17-5/16 in.	Includes 1 Qty GAFF13520 & 1 Qty GAFF13528 Bushing


**Torque Rod Assembly — Freightliner**



PART NO.	OEM REF.	BOLT DIA.	LENGTH	NOTES
<b>GAFF11153</b>	16-16749-000	5/8 in.	22 7/8 in.	Includes 2 Qty GAFF13521 Bushings


## Suspension Components

**Torque Rod Assembly — Kenworth/Peterbilt**




PART NO.	OEM REF.	BOLT DIA.	LENGTH	NOTES
<b>GAFF11794</b>	925150	5/8 in. & 1-1/4-12 UNF	25 in.	Includes 1 Qty GAFF13520 & 1 Qty GAFF13518 Bushing

**Torque Rod End**



PART NO.	BOLT DIA.	LENGTH	NOTES
<b>GAFF13687</b>	3/4 in.	8 9/16 in.	Includes GAFF13517 Bushing

**Torque Rod End, Easy Mount**




PART NO.	BOLT DIA.	LENGTH	NOTES
<b>GAFF11835</b>	5/8 in.	24 in.	Includes 1 Qty GAFF83520 Free Rotating & 1 Qty GAFF13518 Bushing

**Torque Rod End**




PART NO.	BOLT DIA.	LENGTH	NOTES
<b>GAFF13688</b>	1-1/8 in.	8 9/16 in.	Includes GAFF13516 Bushing

**Torque Rod Assembly — Mack/Volvo**




PART NO.	OEM REF.	BOLT DIA.	LENGTH	NOTES
<b>GAFF12042</b>	35801-5018	5/8 in. & 1-1/4-12 UNF	26 in.	Includes 1 Qty GAFF13520 & 1 Qty GAFF12031 Bushing

**Torque Rod End**




PART NO.	BOLT DIA.	LENGTH	NOTES
<b>GAFF13704</b>	7/8 in.	25 7/16 in.	Includes GAFF13685 Bushing

**Torque Rod Assembly — Mack/Volvo, Hendrickson**



PART NO.	OEM REF.	BOLT DIA.	LENGTH	NOTES
<b>GAFF13657</b>	35801-0033	5/8 in. & 1-1/4-12 UNF	22 in.	Includes 1 Qty GAFF13520 & 1 Qty GAFF13518 Bushing

**Torque Rod End**




PART NO.	OEM REF.	BOLT DIA.	LENGTH	NOTES
<b>GAFF13789</b>	1693536C1, 1693537C1, 35801-5012	5/8 in.	27 in.	Includes GAFF13520 Bushing

# TORQUE RODS

## Suspension Components

Torque Rod End				
				
PART NO.	OEM REF.	BOLT DIA.	LENGTH	NOTES
<b>GAFF13790</b>	64473-000, 66610-00H, 46610, 1693531C1, VSO2000, IPC928610	5/8 in.	8 9/16 in.	Includes GAFF13520 Bushing

Torque Rod Assembly		
		
PART NO.	ID	LENGTH
<b>GAFF34527</b>	2-7/16 in.	14 1/2 in.

## Suspension Components

**"D" Pin Bushing — Hendrickson**



PART NO.	OEM REF.	OD	LENGTH	BOLT DIA.
<b>GAFF13627</b>	60383-000	2-1/2 in.	5-1/ in.	7/8 in.

**Bushing, Axle Connection, Thru Bolt Style — SAF-Holland**



PART NO.	OEM REF.	OD	ID	LENGTH
<b>GAFF14527</b>	90008008	3-7/8 in.	2-1/2 in.	5-3/4 in.

**Adapter Kit — SAF Holland**



PART NO.	NOTES
<b>GAFF13507</b>	Includes adapter, nut, bolt and washers

**Bushing, Axle Connection, Thru Bolt Style — SAF-Holland**



PART NO.	OEM REF.	OD	ID	LENGTH
<b>GAFF31592</b>	90008006, 90008219	3-7/8 in.	2-1/2 in.	5-1/4 in.

**Bronze Center Bushing — Hendrickson**



PART NO.	OEM REF.	OD	ID	LENGTH
<b>GAFF13534</b>	30437-000	4-3/4 in.	2-1/2 in.	12 in.

**Center Bushing with Loose End Plug — Hendrickson**



PART NO.	OEM REF.	OD	ID	LENGTH	NOTES
<b>GAFF13543</b>	49600-000	4-3/4 in.	2-1/2 in.	12 in.	Loose End Plug

**Bushing, Axle Connection, Bar Pin Style — SAF-Holland**



PART NO.	OEM REF.	OD	ID
<b>GAFF14532</b>	90008005, 90008175	3-27/32 in.	1-1/16 in.

**Center Bushing with Welded End Plug — Hendrickson**



PART NO.	OEM REF.	OD	LENGTH	NOTES
<b>GAFF13500</b>	06664-000	3-5/8 in.	12 in.	Welded End Plug


## Suspension Components

**Center Bushing with Welded End Plug — Hendrickson**




PART NO.	OEM REF.	OD	ID	LENGTH	NOTES
<b>GAFF13505</b>	49400-000	4-3/4 in.	2-1/2 in.	12 in.	Welded End Plug

**End Beam Bushing Kit — Hendrickson**



PART NO.	OEM REF.	OD	BOLT DIA.	NOTES
<b>GAFF13607</b>	34013-087	4-3/8 in.	1-1/16 in.	Includes Mounting Hardware

**Control Arm Bushing & Bolt Kit — Meritor**



PART NO.	OEM REF.	OD	ID	LENGTH	NOTES
<b>GAFF50032</b>	KIT11300	2-3/8 in.	7/8 in.	3 in.	4 Qty. Torque Rod Bushing & 4 Qty. Bolts & 2 Qty. Pivot Washer & 4 Qty. Nut & 8 Qty. Washer & 8 Qty. Washer

**End Beam Bushing Kit, Free Rotating, Shim Type, Includes Hardware — Hendrickson**




PART NO.	OEM REF.	OD	NOTES
<b>GAFF83596</b>	34013-188	4-3/8 in.	Free Rotating version of GAFF13596

**End Beam Bushing — Hendrickson**



PART NO.	OEM REF.	OD	ID	LENGTH
<b>GAFF13553</b>	29878-001	4-3/8 in.	2-1/2 in.	5-3/4 in.

**End Beam Bushing Kit — Hendrickson**




PART NO.	OEM REF.	NOTES
<b>GAFF13566</b>	34013-049	Includes GAFF13506 Bushing & GAFF13609 Beam Adapter

**End Beam Bushing — Hendrickson**



PART NO.	OEM REF.	OD	ID	LENGTH
<b>GAFF13501</b>	06969-000	4-3/8 in.	2-1/2 in.	5-1/4 in.

**End Beam Bushing Kit — Hendrickson**




PART NO.	OEM REF.	OD	NOTES
<b>GAFF83596</b>	34013-188, 44694-000, 35033-3201, 227710	4-3/8 in.	Free Rotating version of GAFF13596



## Suspension Components

**End Beam Bushing Kit — Hendrickson**



PART NO.	OEM REF.	NOTES
<b>GAFF13596</b>	34013-088	Includes Mounting Hardware & Alignment Washers & 1 Qty. GAFF13651 Beam Bushing

**Equalizer Bushing — Navistar**




PART NO.	OEM REF.	OD	ID	LENGTH
<b>GAFF13513</b>	497501C2	2-1/2 in.	1 in.	4-23/32 in.

**Equalizer Bushing — Fruehauf**



PART NO.	OEM REF.	OD	ID	LENGTH
<b>GAFF13007</b>	UXA-000004	3-7/16 in.	2 in.	4-7/16 in.

**Equalizer Bushing — Reyco**



PART NO.	OEM REF.	OD	ID	LENGTH
<b>GAFF15016</b>	T-5524	3-3/8 in.	1-5/8 in.	4-1/2 in.

**Equalizer Bushing — Fruehauf**



PART NO.	OEM REF.	OD	ID	LENGTH
<b>GAFF13005</b>	UXA-000004	3-1/2 in.	2 in.	4-7/16 in.

**Equalizer Bushing — Reyco**



PART NO.	OEM REF.	OD	ID	LENGTH
<b>GAFF15054</b>	0649-02	3-7/16 in.	1 in.	4 in.

**Equalizer Bushing — Hutch**



PART NO.	OEM REF.	OD	ID	LENGTH
<b>GAFF14038</b>	18723-01	3-5/16 in.	1-5/32 in.	3-7/8 in.

**Equalizer Bushing — Reyco**



PART NO.	OEM REF.	OD	ID	LENGTH
<b>GAFF15076</b>	T-5524	3-1/2 in.	1-5/8 in.	4-13/32 in.

## Suspension Components

**Equalizer Bushing — SAF Holland**




PART NO.	OEM REF.	OD	ID	LENGTH
<b>GAFF15054</b>	XB-SP0054-05	3-5/16 in.	1 in.	4 in.

**Equalizer Bushing — Reyco**



PART NO.	OEM REF.	OD	ID	LENGTH	NOTES
<b>GAFF15000</b>	08915-01	3-1/8 in.	1-1/4 in.	4-1/2 in.	No Slots, Ford and GM/Volvo

**Equalizer Bushing Kit — Fruehauf**



PART NO.	OEM REF.	OD	ID	LENGTH	NOTES
<b>GAFF13042</b>	UXA-000004-900	2-3/16 in.	1-1/4 in.	2-3/8 in.	Includes 2 GAFF13005 Bushings and Hardware

**Pivot & Axle Bushing — SAF-Holland**




PART NO.	OEM REF.	OD	ID	LENGTH
<b>GAFF14533</b>	90008149	2-13/16 in.	1-1/8 in.	5 in.

**Equalizer Bushing Kit — Reyco**



PART NO.	OEM REF.	NOTES
<b>GAFF15075</b>	TK18998	2 Qty. GAFF15076 Equalizer Bushing & 1 Qty. Pin & 2 Qty. Washer & 2 Qty. Spring Washer & 2 Qty. Bolt

**Pivot Bolt & Bushing Kit — Meritor**




PART NO.	OEM REF.	OD	ID	LENGTH	NOTES
<b>GAFF13599</b>	KIT11201	5-15/16 in.	1-9/16 in.	5-3/4 in.	1 Qty. Tri-Functional Bushing & 2 Qty. Tri-Functional Washers Bushing & 1 Qty. Steel Bushing & 1 Qty. Nylon Insert Nut & 1 Qty. Washer & 1 Qty. Bolt

**Equalizer Bushing — Reyco**



PART NO.	OEM REF.	OD	ID	LENGTH	NOTES
<b>GAFF15001</b>	14713-01	3-1/8 in.	1-1/2 in.	4-1/2 in.	No Slots

**Pivot Bushing — Hendrickson**



PART NO.	OEM REF.	OD	ID	BOLT DIA.	NOTES
<b>GAFF13565</b>	S-6914	5-13/16 in.	1-1/4 in.	6-3/4 in.	Bushing Only


## Suspension Components

**Pivot Bushing — Hendrickson**



PART NO.	OEM REF.	OD	ID	LENGTH
<b>GAFF18821</b>	58648-000	3-11/16 in.	1-1/4 in.	3-5/8 in.

**Pivot Bushing — SAF-Holland**




PART NO.	OEM REF.	OD	ID	LENGTH
<b>GAFF50046</b>	90008247	4-19/32 in.	1-1/8 in.	5 in.

**Pivot Bushing — SAF-Holland**



PART NO.	OEM REF.	OD	ID	LENGTH
<b>GAFF14510</b>	90008131	2-3/8 in.	1-1/8 in.	5 in.

**Pivot Bushing Kit — SAF-Holland**




PART NO.	OEM REF.	NOTES
<b>GAFF50047</b>	48100394 / SRK-530	2 Qty GAFF50046 Pivot Bushing & 4 Qty. Washer & 2 Qty. Nylon Insert Nut & 2 Qty. Bolts

**Pivot Bushing — SAF-Holland**



PART NO.	OEM REF.	OD	ID	LENGTH
<b>GAFF14513</b>	90018139	3-1/2 in.	1-1/8 in.	5-1/4 in.

**Pivot Bushing Kit, Axle Set — Hendrickson**




PART NO.	OEM REF.	OD	ID	BOLT DIA.	NOTES
<b>GAFF13817</b>	60632-20, 60632-8	3-11/16 in.	1-1/4 in.	3-5/8 in.	Includes Bushing, Hardware and Alignment Washers

**Pivot Bushing — SAF-Holland**



PART NO.	OEM REF.	OD	ID	LENGTH
<b>GAFF14514</b>	90008151, 90008252	3-1/2 in.	1-1/8 in.	5 in.


**Pivot Bushing Kit - Narrow Bushing — Hendrickson**



PART NO.	OEM REF.	OD	ID	LENGTH	NOTES
<b>GAFF13594</b>	S-26321	6 in.	1-1/4 in.	3-5/8 in.	Includes Bushing, Hardware and Alignment Washers

## Suspension Components

**Pivot Bushing Kit - Narrow Bushing — Hendrickson**




PART NO.	OEM REF.	OD	ID	LENGTH	NOTES
<b>GAFF13743</b>	S-26321	6 in.	1-1/4 in.	3-5/8 in.	Axle Set, Includes Bushings and Hardware

**Pivot Bushing with Wear Shims — Hendrickson**



PART NO.	OEM REF.	OD	ID	BOLT DIA.	NOTES
<b>GAFF13600</b>	S-24691	5-13/16 in.	1-1/4 in.	6-3/4 in.	Includes Wear Shims

**Pivot Bushing Kit - Wide Bushing — Hendrickson**




PART NO.	OEM REF.	OD	ID	LENGTH	NOTES
<b>GAFF13628</b>	S-24691	6 in.	1-1/4 in.	6-3/4 in.	

**Rebound Roller Assembly — Hendrickson**




PART NO.	OEM REF.	OD	ID	LENGTH	NOTES
<b>GAFF11747</b>	49175-005	2-1/2 in.	9/16 in.	3-5/8 in.	Includes Roller and Hardware

**Pivot Bushing with Hardware, Alignment Washers Not Included — Hendrickson**




PART NO.	OEM REF.	OD	ID	BOLT DIA.	NOTES
<b>GAFF13744</b>	S-24691	5-13/16 in.	1-1/4 in.	6-3/4 in.	Includes Bolt, Nut, Wear Washers, Bolt Washers

**Shock Absorber Bushing — Navistar/Peterbilt**




PART NO.	OD	ID	LENGTH
<b>GAFF18566</b>	1-7/8 in.	1 in.	1 in.

**Pivot Bushing With Hardware, Use for all HT Applications — Hendrickson**



PART NO.	OEM REF.	OD	ID	BOLT DIA.	NOTES
<b>GAFF13510</b>	S-6914	5-13/16 in.	1-1/4 in.	6-3/4 in.	Includes Bolt, Nut, Wear Washers, Bolt Washers

**Spring Eye Bushing — Peterbilt**



PART NO.	OEM REF.	OD	ID	LENGTH
<b>GAFF12354</b>	03-05101	2-1/2 in.	1-3/4 in.	2-3/8 in.

## Suspension Components

**Spring Eye Bushing — Peterbilt**



PART NO.	OEM REF.	OD	ID	LENGTH
<b>GAFF12350</b>	03-01674	2-1/2 in.	1-3/4 in.	2-5/8 in.

**Spring Eye Bushing — Mack, Volvo**




PART NO.	OEM REF.	OD	ID
<b>GAFF31129</b>	20558810	2-17/32 in.	7/8 in.

**Shock Absorber Bushing — Kenworth/Peterbilt**



PART NO.	OEM REF.	OD	ID	LENGTH
<b>GAFF11550</b>	CA368-6, K066-266	2 in.	5/8 in.	1 in.

**Spring Eye Bushing, Anti-Walk, Oversized — Freightliner, Navistar, Peterbilt**



PART NO.	OEM REF.	OD	BOLT DIA.	NOTES
<b>GAFF11084</b>	3538115C5	2-3/4 in.	3/4 in.	Oversized Bushing

**Shock Bushing — Freightliner**



PART NO.	OEM REF.	OD	ID	LENGTH
<b>GAFF30545</b>	-	1-15/16 in.	1 in.	1-3/32 in.

**Spring Eye Bushing Kit — Peterbilt**



PART NO.	OEM REF.	LENGTH	NOTES
<b>GAFF12361</b>	03AL1	8-1/2 in.	2 Qty. GAFF12350 Bushing & 2 Qty. GAFF12351 Beam End Washer & 1 Qty. Bolt & 1 Qty. Nut & 2 Qty. Washers

**Spring Bushing — Freightliner**



PART NO.	OEM REF.	OD	ID	LENGTH
<b>GAFF11066</b>	680-322-01-50	2-1/4 in.	3/4 in.	4-1/4 in.

**Spring Eye Bushing Kit — Peterbilt**



PART NO.	OEM REF.	LENGTH	NOTES
<b>GAFF12362</b>	03-AL2	8 in.	2 Qty. GAFF12354 Bushing & 2 Qty. GAFF12351 Beam End Washer & 1 Qty. Bolt & 1 Qty. Nut & 2 Qty. Washers

## Suspension Components

**Spring Eye Bushing, Anti-Walk — Freightliner/Navistar/Peterbilt**



PART NO.	OEM REF.	OD	BOLT DIA.
<b>GAFF11083</b>	16-16412-001, 3538115C5	2-1/2 in.	3/4 in.

**Spring Pin Bushing — Kenworth**



PART NO.	OEM REF.	LENGTH	OD	NOTES
<b>GAFF11753</b>	B65-1006	6-5/16 in.	1-3/4 in.	6-3/16 in. Center-to-Center of Notches

**Spring Eye Bushing, Old Style — Freightliner**



PART NO.	OEM REF.	OD	BOLT DIA.
<b>GAFF11005</b>	681-325-01-50, 16-13962-000, 353811SC1	2-1/2 in.	3/4 in.

**Spring Pin Bushing — Kenworth**



PART NO.	OEM REF.	OD	NOTES
<b>GAFF11758</b>	B65-1001	1-3/4 in.	5-3/4 in. Center-to-Center of Notches

**Spring Eye Bushing — Kenworth/Peterbilt**



PART NO.	OEM REF.	OD	ID	LENGTH
<b>GAFF11764</b>	C65-1002, K221-5086	2-3/8 in.	7/8 in.	2-19/32 in.

**Spring Pin Bushing — Kenworth**



PART NO.	OEM REF.	OD	NOTES
<b>GAFF11767</b>	B65-6005	1-3/4 in.	5-1/2 in. Center-to-Center

**Spring Mount — Freightliner**



PART NO.	OEM REF.	OD	LENGTH	BOLT DIA.
<b>GAFF18994</b>	58918-000	17/32 in.	6-5/32 in.	6 in.


**Spring Pin Bushing — Kenworth**



PART NO.	OEM REF.	OD	NOTES
<b>GAFF11802</b>	B65-6005	1-3/4 in.	5-1/2 in. Center-to-Center, Includes GAFF11767 & 2 Washers

## Suspension Components

**Spring Pin Bushing — Kenworth/Peterbilt**




PART NO.	OEM REF.	OD	NOTES
<b>GAFF11763</b>	B65-1007, B65-1012	2-1/8 in.	6-5/16 in. Center-to-Center of Notches

**Stabilizer Bushing — Kenworth**



PART NO.	OEM REF.	OD	ID	LENGTH
<b>GAFF11502</b>	K066-58, K066-50, K066-449, K066-293	2-7/8 in.	2 in.	4 in.

**Spring Pin Bushing — Navistar**




PART NO.	OEM REF.	OD	BOLT DIA.
<b>GAFF11005</b>	3538115C5, 16-13962-000, 353811SC1	2-1/2 in.	3/4 in.

**Stabilizer Bushing, Oversized with Tabs — Kenworth**



PART NO.	OEM REF.	OD	ID	LENGTH	NOTES
<b>GAFF11719</b>	K066-058, K066-293, K066-449	2-7/8 in.	2 in.	4 in.	Oversize with Tabs

**Spring Pin Bushing — Peterbilt**




PART NO.	OEM REF.	LENGTH	OD
<b>GAFF11753</b>	B65-1006	6-5/16 in.	1-3/4 in.

**Sway Bar Repair Kit, Includes Plug — Kenworth**



PART NO.	OEM REF.	NOTES
<b>GAFF11766</b>	K345-5156, K345-5032	Includes 1 Plug, 1 Sway Bar Bushing, 1 Sway Bar Pin & 2 Grease Seals

**Spring Pin Bushing Kit — Kenworth**



PART NO.	OEM REF.	NOTES
<b>GAFF11757</b>	5295	Includes 2 Qty. GAFF11758 Spring Bushing Front & 2 Qty. GAFF11759 Shackle Side Bar

**Sway Bar Bushing — Kenworth**



PART NO.	OEM REF.	OD	ID	LENGTH
<b>GAFF11734</b>	K066-502-2, K066-461, K066-454	3-9/16 in.	2-1/8 in.	1/2 in.



## Suspension Components

**Sway Bar Pin Kit — Kenworth**




PART NO.	OEM REF.	NOTES
<b>GAFF11733</b>	K345-5156, K179-531	Includes 1 Sway Bar Bushing, 1 Sway Bar Pin & 2 Grease Seals

**Torque Rod Bushing, Type 0 & 1 Joint, Oversized — Chalmers**



PART NO.	OEM REF.	OD	ID	LENGTH
<b>GAFF18920</b>	22129	3-21/32 in.	2-3/8 in.	3-3/4 in.

**Tapered Bushing — Hendrickson**




PART NO.	OEM REF.	OD	LENGTH	NOTES
<b>GAFF13582</b>	64697-000H	2 in.	8-1/16 in.	1-1/4-12 UNF

**Torque Rod Bushing, Type 2 Joint — Chalmers**



PART NO.	OEM REF.	OD	ID	LENGTH
<b>GAFF11739</b>	800010	4-1/4 in.	2-19/32 in.	4-5/32 in.

**Torque Rod Bushing, Straddle Mount — Freightliner**



PART NO.	OEM REF.	OD	BOLT DIA.
<b>GAFF11004</b>	47691, A-16-119448, 47691-000L	2 in.	5/8 in.

**Torque Rod Bushing, Type 2 Joint, Oversized — Chalmers**




PART NO.	OEM REF.	OD	ID	LENGTH
<b>GAFF18921</b>	800009	4-1/2 in.	2-1/2 in.	4-9/32 in.

**Torque Rod Bushing, Type 0 & 1 Joint — Chalmers**



PART NO.	OEM REF.	OD	ID	LENGTH
<b>GAFF18919</b>	22128	3-21/32 in.	2-3/8 in.	3-3/4 in.

**Torque Rod Bushing & Bolt Kit — Meritor**



PART NO.	OEM REF.	OD	ID	LENGTH	NOTES
<b>GAFF50033</b>	KIT11102	3 in.	1-1/2 in.	1-7/16 in.	2 Qty. GAFF34514 Torque Rod Bushing & 1 Qty. Steel Bushing & 1 Qty. Bolt & 1 Qty. Nylon Insert Nut & 2 Qty. Washer



## Suspension Components

**Torque Rod & Stabilizer Rod Bushing — Kenworth**




PART NO.	OEM REF.	OD	ID
<b>GAFF11729</b>	836940	2-3/4 in.	11/16 in.

**Torque Rod Bushing — Hendrickson**




PART NO.	OEM REF.	OD	ID	LENGTH	NOTES
<b>GAFF14010</b>	47692-000	2 in.	7/8 in.	3 in.	Torque Rod Bushing, Through Bolt Style

**Torque Rod Bushing — Fruehauf**




PART NO.	OEM REF.	OD	ID	LENGTH
<b>GAFF13043</b>	UXA-000011	2-1/8 in.	1-1/4 in.	2-3/8 in.

**Torque Rod Bushing — Hendrickson**



PART NO.	OEM REF.	OD	BOLT DIA.	NOTES
<b>GAFF11004</b>	47691-000, A-16-119448, 47691-000L	2 in.	5/8 in.	Torque Rod Bushing, Straddle Mount, Used on Rods with 1 Tapered Bushing

**Torque Rod Bushing — Fruehauf/Hutch**



PART NO.	OEM REF.	OD	ID	LENGTH
<b>GAFF13001</b>	UXA-000011, 7620-00	2-3/16 in.	1-1/4 in.	2-3/8 in.

**Torque Rod Bushing — Hendrickson**



PART NO.	OEM REF.	OD	ID	LENGTH
<b>GAFF14073</b>	722-00	1-15/16 in.	1 in.	3 in.

**Torque Rod Bushing — Hendrickson**



PART NO.	OEM REF.	OD	BOLT DIA.
<b>GAFF13521</b>	47691-000	2 in.	5/8 in.

**Torque Rod Bushing — Hendrickson**



PART NO.	LENGTH	BOLT DIA.
<b>GAFF13652</b>	15/16 in.	6-1/4 in.


## Suspension Components

**Torque Rod Bushing — Hutch**




PART NO.	OEM REF.	OD	ID	LENGTH
<b>GAFF14008</b>	722-00	1-29/32 in.	1 in.	3 in.

**Torque Rod Bushing — Mack/Navistar**



PART NO.	OEM REF.	OD	ID	BOLT DIA.	NOTES
<b>GAFF13520</b>	227720, 44695-000	2-3/4 in.	21/32 in.	5/8 in.	Use GAFF83520 for Easy-Mount (Free Rotating Bushing)

**Torque Rod Bushing — Mack/Navistar/Peterbilt/Volvo**




PART NO.	OEM REF.	OD	BOLT DIA.	NOTES
<b>GAFF13522</b>	35033-3201, 227710, 44694-000	2-1/2 in.	5/8 in.	Use GAFF83520 for Easy-Mount (Free Rotating Bushing)

**Torque Rod Bushing — Meritor**




PART NO.	OEM REF.	OD	ID	LENGTH
<b>GAFF34514</b>	1225-W-1349	3 in.	1-1/2 in.	1-7/16 in.

**Torque Rod Bushing — Mack**



PART NO.	OEM REF.	OD	BOLT DIA.
<b>GAFF13528</b>	49210, 64400-005L, 57750528, 1693063C1	2-3/4 in.	3/4 in.

**Torque Rod Bushing — Navistar**



PART NO.	OEM REF.	OD	BOLT DIA.
<b>GAFF11004</b>	47691-000, A-16-119448, 47691-000L	2 in.	5/8 in.

**Torque Rod Bushing — Mack**



PART NO.	OEM REF.	OD	BOLT DIA.
<b>GAFF13685</b>	1694129C1	2-3/4 in.	7/8 in.


**Torque Rod Bushing — Navistar**



PART NO.	OEM REF.	OD	BOLT DIA.
<b>GAFF11714</b>	-	2-15/32 in.	5/8 in.

## Suspension Components

**Torque Rod Bushing — Mack/Navistar/Peterbilt/Volvo**




PART NO.	OEM REF.	OD	BOLT DIA.	NOTES
<b>GAFF83522</b>	227710, 44694-000, 35033-3201	2-1/2 in.	5/8 in.	Easy-Mount version of GAFF13522

**Torque Rod Bushing — Reyco**



PART NO.	OEM REF.	OD	ID	LENGTH
<b>GAFF15011</b>	T-5493	2-5/16 in.	1 in.	2-9/16 in.

**Torque Rod Bushing — Peterbilt**



PART NO.	OEM REF.	OD	LENGTH C-TO-C	BOLT DIA.
<b>GAFF11765</b>	C13-6001	2-3/8 in.	4-13/32 in.	5/8 in.

**Torque Rod Bushing — Reyco**



PART NO.	OEM REF.	OD	ID	LENGTH
<b>GAFF15020</b>	21238-01S	3-1/8 in.	1-1/16 in.	2-11/16 in.

**Torque Rod Bushing — Reyco**



PART NO.	OEM REF.	OD	ID	LENGTH
<b>GAFF15008</b>	-	3-1/8 in.	1-1/16 in.	4 in.

**Torque Rod Bushing — Reyco**



PART NO.	OEM REF.	OD	ID	LENGTH
<b>GAFF15051</b>	T-2242	2-3/8 in.	1 in.	2-15/16 in.

**Torque Rod Bushing — Reyco**



PART NO.	OEM REF.	OD	ID	LENGTH
<b>GAFF15073</b>	T-5493	2-11/32 in.	1 in.	3 in.


**Torque Rod Bushing — Reyco/SAF-Holland**



PART NO.	OEM REF.	OD	ID	LENGTH
<b>GAFF15013</b>	XB-SP0054-02, 09729-01	1-15/16 in.	7/8 in.	3 in.

## Suspension Components

**Torque Rod Bushing — Volvo**




PART NO.	OD	LENGTH	BOLT DIA.
<b>GAFF32031</b>	2-15/16 in.	4-1/2 in.	5/8 in.

**Torque Rod Bushing Kit — Reyco**



PART NO.	OEM REF.	NOTES
<b>GAFF15063</b>	K0022-01	1 Qty. GAFF15013 Bushing & 1 Qty. Bolt & 1 Qty. Nut

**Torque Rod Bushing Kit — Fruehauf**



PART NO.	OEM REF.	OD	ID	LENGTH	NOTES
<b>GAFF13042</b>	UXA-000011-900(1/2)	3-1/2 in.	2 in.	4-7/16 in.	Includes 2 GAFF13001 Bushings and Hardware

**Torque Rod Bushing Kit — Reyco**




PART NO.	OEM REF.	NOTES
<b>GAFF15064</b>	TK19089	2 Qty. Torque Rod Bushing & 1 Qty. Bolt & 1 Qty. Nylon Insert Nut & 2 Qty. Washer

**Torque Rod Bushing Kit — Fruehauf**




PART NO.	OD	ID	LENGTH	NOTES
<b>GAFF13042</b>	2-3/16 in.	1-1/4 in.	2-3/8 in.	1-1/4 in. Bolt

**Torque Rod Bushing, Easy-Mount — Kenworth/Mack**



PART NO.	OEM REF.	OD	ID	BOLT DIA.	NOTES
<b>GAFF83520</b>	227720, 44695-000	2-3/4 in.	21/32 in.	5/8 in.	Easy-Mount (Free Rotating Bushing)

**Torque Rod Bushing Kit — Reyco**



PART NO.	OEM REF.	NOTES
<b>GAFF15061</b>	TK21640T	2 Qty. GAFF15008 Bushing & 1 Qty. Bolt & 1 Qty. Nut & 2 Qty. Washer


**Torque Rod Bushing, Tapered Stud — Kenworth**



PART NO.	OEM REF.	OD	LENGTH	NOTES
<b>GAFF13518</b>	229610	2-3/4 in.	8-1/16 in.	1-1/4-12 UNF

## Suspension Components

**Torque Rod Bushing, Tapered Stud — Mack**



PART NO.	OEM REF.	OD	LENGTH	NOTES
<b>GAFF12031</b>	46735	2-3/4 in.	7 in.	1-1/4-12 UNF

**Trunnion Bushing — Mack**



PART NO.	OEM REF.	OD	ID	LENGTH
<b>GAFF12028</b>	10QK130P1	4-7/16 in.	3-7/16 in.	8-3/8 in.

**Torque Rod Bushing, Tapered Stud — Navistar**



PART NO.	NOTES
<b>GAFF34534</b>	1-1/4-12 UNF

**Trunnion Bushing, 40K Model — Kenworth**



PART NO.	OEM REF.	OD	ID	LENGTH
<b>GAFF11720</b>	K066-450 K066-478	3-1/16 in.	2-5/32 in.	2-13/16 in.

**Torque Rod Bushing — Hendrickson**



PART NO.	OEM REF.	OD	LENGTH	BOLT DIA.
<b>GAFF13672</b>	69210-000	2 in.	4-3/8 in.	3/4 in.

**Trunnion Bushing, 46K Model — Kenworth**



PART NO.	OEM REF.	OD	ID	LENGTH
<b>GAFF11743</b>	C13-26005	3-3/32 in.	2-1/4 in.	2-7/8 in.

**Trunnion Bushing — Mack**



PART NO.	OEM REF.	OD	ID	LENGTH
<b>GAFF12015</b>	10QK276	4-11/16 in.	3-7/16 in.	6-5/16 in.

**Trunnion Bushings — Hutch**



PART NO.	OEM REF.	OD	ID	LENGTH
<b>GAFF14027</b>	890-00	5 in.	4 in.	9 in.

## Suspension Components

### V-Rod Bushing, Apex, Includes Snap Ring — Freightliner



PART NO.	OEM REF.	OD	BOLT DIA.
<b>GAFF11162</b>	A348634, 80480078000	3-15/16 in.	29/32 in.

### Wear Shims — Hendrickson



PART NO.	OEM REF.	OD	ID
<b>GAFF13648</b>	S-21099	7-7/16 in.	2-15/16 in.

### V-Rod Bushing, End, Includes Snap Ring — Freightliner



PART NO.	OEM REF.	OD	BOLT DIA.
<b>GAFF11163</b>	A237903, 062-480-041-000	2-15/16 in.	21/32 in.

### Wear Shims — Hendrickson, Meritor



PART NO.	OEM REF.	OD	ID
<b>GAFF13542</b>	S-1161-3, 21226663	7 in.	2-3/8 in.

### Wear Pad — Mack, Volvo



PART NO.	OEM REF.	NOTES
<b>GAFF31144</b>	20703083	2007 and Later

### Wear Pad — Mack, Volvo





PART NO.	OEM REF.	NOTES
<b>GAFF31145</b>	8079889, 20568741	1999 to 2006

# WHEEL CHOCKS

GAFF® Polyurethane  
Components

## Suspension Components

Wheel Chock			
			
PART NO.	HEIGHT	LENGTH	WIDTH
<b>GAFF18455</b>	6-7/16 in.	8-23/32 in.	5-5/8 in.

Wheel Chock			
			
PART NO.	HEIGHT	LENGTH	WIDTH
<b>GAFF40095</b>	7-29/32 in.	12-1/8 in.	8-13/32 in.

# NUMERICAL INDEX

PART NO.	PAGE NO.
GAFF10002	140, 141, 144
GAFF10004	132
GAFF10005	132
GAFF10007	132
GAFF10008	132
GAFF10009	132
GAFF10011	160
GAFF10020	155
GAFF10024	86, 147
GAFF10025	146
GAFF10026	146
GAFF10075	87, 156
GAFF10079	141, 145
GAFF10080	143, 145
GAFF10503	87, 155
GAFF10505	87, 156
GAFF10506	86, 149
GAFF11004	6, 9, 31, 41, 79, 82, 178, 179, 180
GAFF11005	6, 8, 80, 81, 176, 177
GAFF11007	10, 132
GAFF11008	11, 132
GAFF11009	11, 132
GAFF11014	15, 157
GAFF11018	14, 152
GAFF11019	13, 147
GAFF11020	12, 146
GAFF11021	16, 159
GAFF11065	14, 151
GAFF11066	9, 175
GAFF11074	14, 151
GAFF11075	11, 133
GAFF11077	14, 151
GAFF11078	6, 8, 161
GAFF11080	23, 25, 40, 47, 53, 67, 82, 162, 164
GAFF11081	6, 8, 161

PART NO.	PAGE NO.
GAFF11083	6, 8, 80, 81, 92, 95, 176
GAFF11084	6, 8, 80, 81, 92, 95, 175
GAFF11085	14, 152
GAFF11086	11, 133
GAFF11087	14, 153
GAFF11088	15, 153
GAFF11089	15, 153
GAFF11090	15, 153
GAFF11092	11, 133
GAFF11096	13, 149
GAFF11097	13, 149
GAFF11102	12, 147
GAFF11103	12, 97, 147
GAFF11104	12, 148
GAFF11105	12, 148
GAFF11106	13, 148
GAFF11107	13, 148
GAFF11109	13, 149
GAFF11111	10, 133
GAFF11112	14, 151
GAFF11113	11, 15, 133, 153
GAFF11117	16, 159
GAFF11124	12, 146
GAFF11129	16, 159
GAFF11134	57, 149
GAFF11144	16, 159
GAFF11152	9, 166
GAFF11153	9, 166
GAFF11159	7, 8
GAFF11162	7, 9, 184
GAFF11163	7, 10, 184
GAFF11164	7, 8
GAFF11165	7, 8
GAFF11176	12, 148
GAFF11185	13, 149
GAFF11502	47, 51, 177

PART NO.	PAGE NO.
GAFF11515	143, 144
GAFF11517	142, 143, 144
GAFF11519	54, 133
GAFF11520	10, 54, 133
GAFF11523	10, 54, 133
GAFF11527	54, 134
GAFF11529	54, 134
GAFF11531	54, 134
GAFF11532	54, 134
GAFF11533	54, 134
GAFF11536	58, 155
GAFF11537	58, 155
GAFF11539	58, 157
GAFF11540	59, 158
GAFF11541	59, 158
GAFF11543	56, 148
GAFF11544	13, 72, 147
GAFF11545	56, 72, 146
GAFF11548	60, 159
GAFF11549	60, 159
GAFF11550	50, 89, 90, 91, 92, 94, 175
GAFF11554	60, 100, 159
GAFF11557	56, 146
GAFF11611	17
GAFF11612	55, 134
GAFF11613	99, 155
GAFF11614	157
GAFF11615	58, 155
GAFF11705	55, 85, 96, 134
GAFF11707	10, 55, 96, 134
GAFF11709	97, 146
GAFF11714	79, 82, 180
GAFF11719	47, 51, 177
GAFF11720	48, 53, 183
GAFF11724	142, 143, 144
GAFF11725	14, 151



# NUMERICAL INDEX

GAFF® Polyurethane  
Components

PART NO.	PAGE NO.
GAFF11729	47, 48, 51, 179
GAFF11733	178
GAFF11734	48, 51, 177
GAFF11739	4, 5, 178
GAFF11740	4, 5
GAFF11742	55, 135
GAFF11743	48, 53, 183
GAFF11747	20, 21, 39, 62, 70, 126, 128, 174
GAFF11751	47, 52, 82, 161, 164
GAFF11753	46, 50, 88, 95, 176, 177
GAFF11757	46, 51, 177
GAFF11758	46, 50, 176
GAFF11759	88
GAFF11760	58, 157
GAFF11761	59, 154
GAFF11762	58, 154
GAFF11763	46, 50, 88, 95, 177
GAFF11764	49, 50, 93, 94, 176
GAFF11765	49, 53, 93, 96, 181
GAFF11766	48, 51, 177
GAFF11767	46, 50, 176
GAFF11768	56, 148
GAFF11773	48, 51, 161
GAFF11792	49, 52, 92, 93, 95, 161, 166
GAFF11793	52, 161
GAFF11794	167
GAFF11795	49, 52, 93, 96, 162
GAFF11802	46, 51, 176
GAFF11804	60
GAFF11809	60, 100, 138
GAFF11810	60, 100, 138
GAFF11811	61, 100, 138
GAFF11812	61, 101, 138
GAFF11821	58
GAFF11835	23, 25, 40, 167

PART NO.	PAGE NO.
GAFF11851	57, 98, 149
GAFF12000	73, 151
GAFF12002	73, 151
GAFF12004	72, 135
GAFF12006	63, 65, 71
GAFF12009	66, 67
GAFF12010	63, 64, 65, 71
GAFF12014	63, 64, 65, 67
GAFF12015	63, 70, 183
GAFF12023	73, 157
GAFF12026	74, 160
GAFF12028	63, 70, 183
GAFF12031	63, 64, 70, 183
GAFF12032	74, 160
GAFF12034	73, 153
GAFF12035	73, 153
GAFF12036	64, 65, 67
GAFF12039	63, 65, 67
GAFF12042	69, 167
GAFF12044	82, 164
GAFF12045	73, 154
GAFF12046	73, 156
GAFF12047	73, 154
GAFF12049	74, 160
GAFF12052	72, 135
GAFF12053	66, 71
GAFF12069	67, 162
GAFF12070	67, 162
GAFF12071	67, 162
GAFF12072	63, 68, 163
GAFF12073	68, 163
GAFF12074	68, 81, 163, 164
GAFF12084	72
GAFF12301	130, 157
GAFF12304	130, 156
GAFF12305	130, 156
GAFF12322	129, 135

PART NO.	PAGE NO.
GAFF12333	127, 128
GAFF12340	129, 135
GAFF12344	129, 135
GAFF12350	89, 94, 175
GAFF12351	89, 91, 94
GAFF12354	91, 94, 174
GAFF12355	99, 151
GAFF12356	99, 152
GAFF12357	60, 100, 138
GAFF12359	98, 149
GAFF12360	99, 152
GAFF12361	89, 94, 175
GAFF12362	91, 94, 175
GAFF12363	97, 146
GAFF12364	98, 150
GAFF12365	12, 57, 97, 148
GAFF12366	100, 160
GAFF12367	56, 97, 147
GAFF12368	99, 152
GAFF12369	99, 152
GAFF12370	56, 97, 147
GAFF12372	74, 157
GAFF12381	60, 100, 138
GAFF12395	90, 95, 166
GAFF12396	23, 25, 40, 68, 163
GAFF12397	49, 52, 93, 96, 162
GAFF12398	23, 25, 40, 91, 95, 166
GAFF12410	56, 97
GAFF12414	56, 97
GAFF13001	18, 19, 43, 45, 179
GAFF13005	18, 19, 171
GAFF13007	18, 19, 171
GAFF13041	18, 19
GAFF13042	18, 19, 43, 45, 172, 182
GAFF13043	18, 19, 179
GAFF13500	27, 29, 36, 169

# NUMERICAL INDEX

PART NO.	PAGE NO.
GAFF13501	27, 29, 37, 170
GAFF13502	27, 29, 36
GAFF13505	27, 36, 170
GAFF13507	112, 114, 115, 124, 169
GAFF13510	34, 39, 174
GAFF13513	78, 81, 171
GAFF13518	23, 25, 27, 29, 39, 47, 53, 182
GAFF13520	23, 25, 27, 29, 41, 47, 53, 63, 69, 78, 79, 83, 180
GAFF13521	20, 23, 25, 31, 41, 79, 81, 179
GAFF13522	62, 69, 78, 79, 83, 89, 90, 91, 96, 126, 128, 180
GAFF13524	21, 39, 104, 109
GAFF13528	64, 65, 66, 69, 180
GAFF13534	27, 29, 36, 169
GAFF13542	34, 39, 76, 77, 184
GAFF13543	27, 29, 36, 169
GAFF13553	27, 29, 36, 170
GAFF13565	34, 38, 172
GAFF13566	27, 29, 37, 170
GAFF13582	23, 25, 31, 39, 178
GAFF13594	33, 38, 173
GAFF13596	23, 25, 27, 29, 37, 171
GAFF13599	76, 77, 172
GAFF13600	34, 38, 174
GAFF13601	25, 35
GAFF13604	34, 37
GAFF13607	23, 25, 27, 29, 37, 170
GAFF13609	27, 29, 36
GAFF13611	23, 25, 35
GAFF13626	23, 36
GAFF13627	31, 35, 169
GAFF13628	34, 38, 39, 174
GAFF13634	68, 163
GAFF13648	33, 38, 184

PART NO.	PAGE NO.
GAFF13649	29, 37
GAFF13650	29, 37
GAFF13652	31, 41, 179
GAFF13657	23, 25, 40, 69, 167
GAFF13672	31, 41, 183
GAFF13673	33, 38
GAFF13679	23, 25, 40, 52, 162
GAFF13683	79, 83, 164
GAFF13685	64, 65, 66, 69, 180
GAFF13686	83, 165
GAFF13687	167
GAFF13688	167
GAFF13690	79, 83, 165
GAFF13691	83, 165
GAFF13692	84, 165
GAFF13694	84, 165
GAFF13695	84, 165
GAFF13697	84, 165
GAFF13699	84, 166
GAFF13703	83, 165
GAFF13704	167
GAFF13721	25, 35
GAFF13722	25, 35
GAFF13733	23, 25, 40, 68, 161, 163
GAFF13735	21, 40, 52, 68, 161, 162, 163
GAFF13743	33, 38, 174
GAFF13744	34, 39, 174
GAFF13789	167
GAFF13790	168
GAFF13807	23, 25
GAFF13812	23, 25, 35
GAFF13814	23, 35
GAFF13817	31, 35, 173
GAFF14008	44, 45, 180
GAFF14010	31, 41, 179
GAFF14027	42, 45, 183

PART NO.	PAGE NO.
GAFF14038	43, 44, 45, 171
GAFF14073	44, 45, 179
GAFF14087	42, 45
GAFF14510	118, 124, 173
GAFF14513	116, 117, 119, 121, 124, 173
GAFF14514	112, 113, 115, 125, 173
GAFF14527	112, 113, 114, 115, 124, 169
GAFF14532	112, 124, 169
GAFF14533	114, 119, 120, 121, 124, 172
GAFF15000	103, 109, 172
GAFF15001	102, 103, 109, 172
GAFF15008	103, 110, 181
GAFF15011	105, 106, 109, 181
GAFF15013	102, 103, 104, 105, 107, 108, 109, 123, 125, 181
GAFF15016	171
GAFF15020	103, 104, 110, 181
GAFF15051	103, 110, 181
GAFF15054	107, 109, 123, 124, 171, 172
GAFF15061	103, 104, 110, 182
GAFF15063	102, 104, 107, 108, 110, 182
GAFF15064	103, 105, 106, 110, 182
GAFF15073	105, 106, 110, 181
GAFF15075	106, 109, 172
GAFF15076	106, 109, 171
GAFF16009	130, 157
GAFF17284	100, 138
GAFF18002	137
GAFF18063	160
GAFF18094	143, 144
GAFF18102	58, 99, 156
GAFF18215	142, 144
GAFF18221	142, 144
GAFF18455	185

# NUMERICAL INDEX

PART NO.	PAGE NO.
GAFF18566	9, 79, 81, 89, 90, 91, 94, 174
GAFF18601	46, 50
GAFF18602	46, 50
GAFF18708	145
GAFF18709	145
GAFF18725	137
GAFF18786	99, 152
GAFF18821	31, 38, 173
GAFF18837	74, 159, 160
GAFF18860	62, 69, 71, 126, 128, 164
GAFF18919	4, 5, 178
GAFF18920	4, 5, 178
GAFF18921	4, 5, 178
GAFF18938	55, 135
GAFF18949	55, 135
GAFF18994	9, 176
GAFF22660	47
GAFF30504	16, 138
GAFF30517	156
GAFF30518	156
GAFF30544	78, 79, 81
GAFF30545	9, 175
GAFF31008	131, 139
GAFF31129	62, 70, 126, 128, 175
GAFF31144	62, 70, 126, 128, 184
GAFF31145	62, 70, 126, 128, 184
GAFF31592	112, 113, 115, 124, 169
GAFF31624	10
GAFF32031	127, 128, 182
GAFF34500	86, 153
GAFF34507	86, 152
GAFF34509	86, 154
GAFF34510	86, 154
GAFF34514	75, 77, 180
GAFF34515	85, 136

PART NO.	PAGE NO.
GAFF34516	85, 136
GAFF34524	87, 154
GAFF34525	87, 155
GAFF34526	87, 154
GAFF34527	168
GAFF34528	85, 136
GAFF34529	155
GAFF34530	86, 147
GAFF34534	79, 83, 183
GAFF34545	87, 160
GAFF34552	85, 136
GAFF34554	89, 90, 95, 166
GAFF34555	68, 163
GAFF34556	69, 164
GAFF34563	79, 80, 82, 84, 164, 166
GAFF34583	85
GAFF34589	85
GAFF40035	142, 144
GAFF40056	143, 145
GAFF40074	137
GAFF40075	137
GAFF40095	185
GAFF40140	142, 143, 145
GAFF40141	140, 141, 145
GAFF50032	75, 77, 170
GAFF50033	75, 77, 178
GAFF50046	122, 125, 173
GAFF50047	122, 125, 173
GAFF83520	23, 25, 27, 29, 41, 47, 53, 63, 70, 78, 79, 82, 182
GAFF83522	78, 82, 89, 90, 91, 96, 181
GAFF83596	23, 25, 27, 29, 37, 170











## Xcelerated Parts Xpertise.

Expedite your search for more than 100,000 aftermarket products with powerful self-service tools to help boost your parts operations. For fast access to parts ordering on all Meritor aftermarket brands, plus enhanced Xact Search and Visual Search tools, competitive cross-references, product information, catalogs and more, visit [MeritorPartsXpress.com](https://MeritorPartsXpress.com).



Vehicle models, trademarks, brands, and names depicted herein are the property of their respective owners, and may not be associated with Meritor, Inc. or its affiliates.



Meritor Heavy Vehicle Systems, LLC  
7975 Dixie Highway  
Florence, Kentucky 41042 USA

1-888-725-9355 U.S.  
1-800-387-3889 Canada  
[MeritorPartsXpress.com](https://MeritorPartsXpress.com)  
[meritor.com](https://meritor.com)

©2021 Meritor, Inc.  
Litho in USA  
PB-2194-GAFF  
Issued 10-21