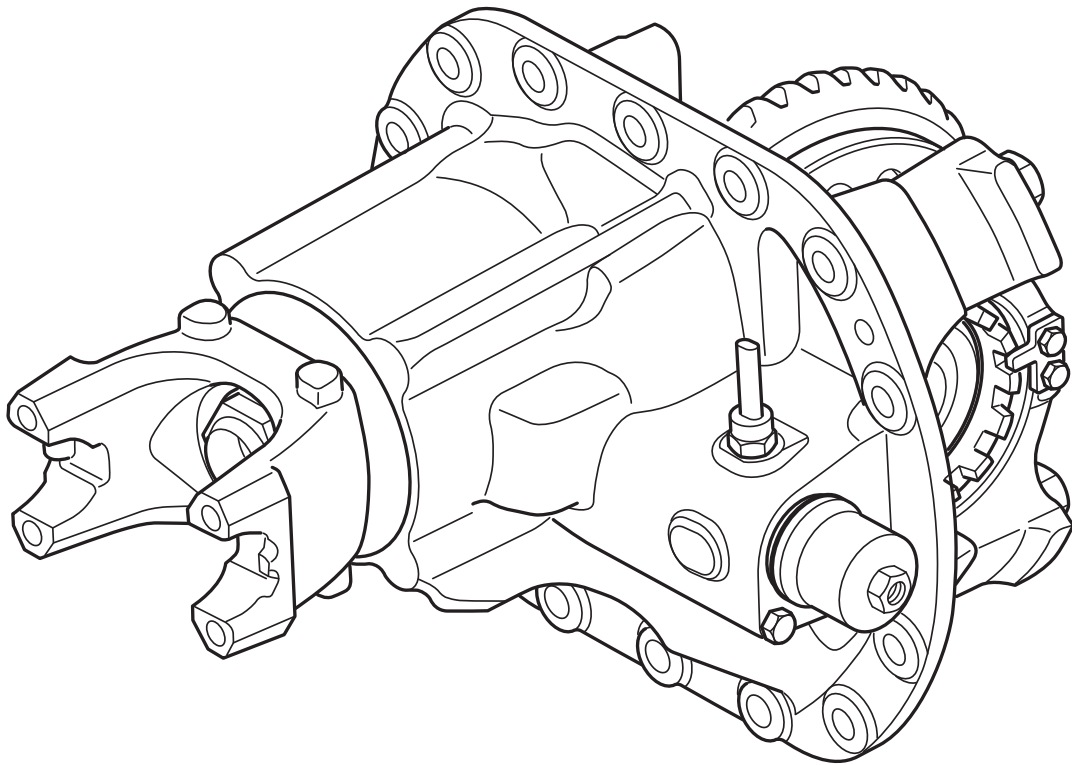


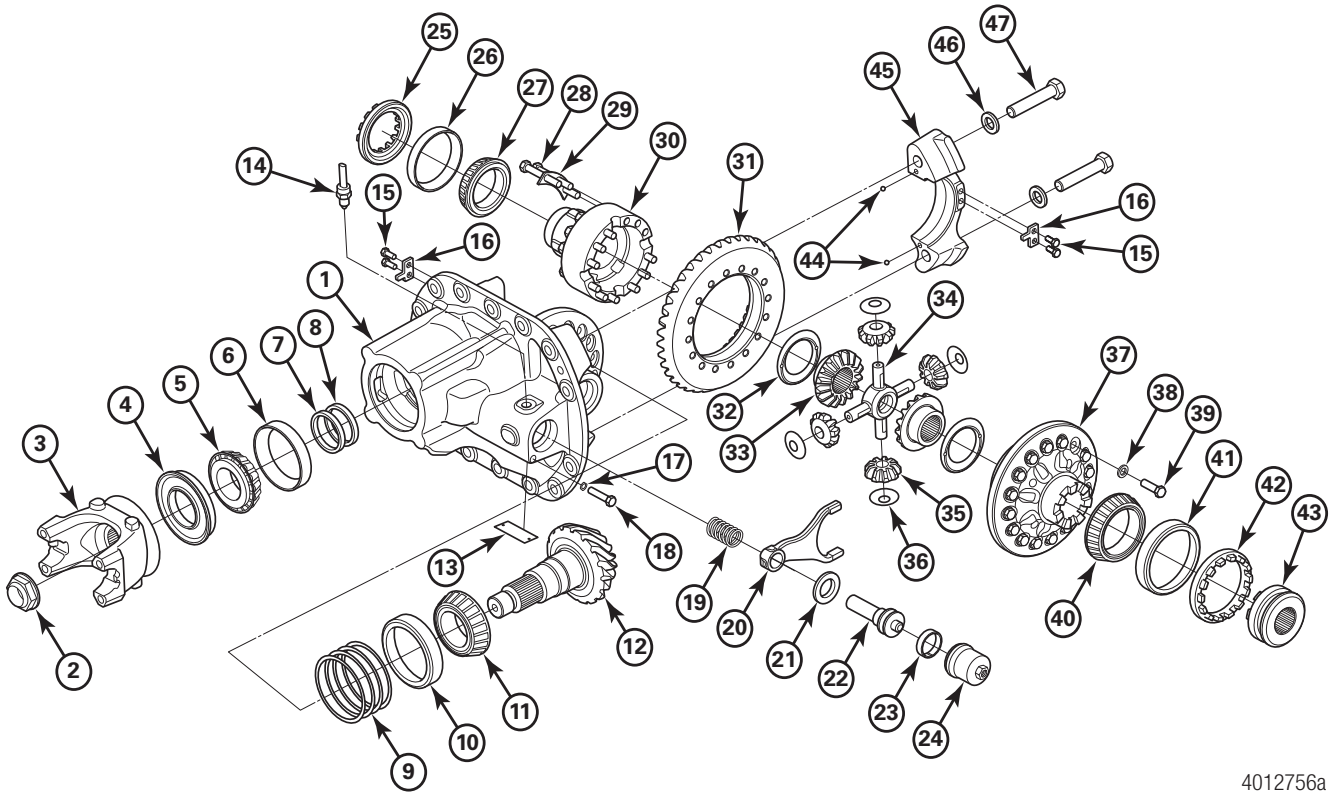
# M-810 SERIES DIFFERENTIAL CARRIER



**MERITOR**



# FRONT DRIVE STEER CARRIER



4012756a

ITEM	PART NUMBER	DESCRIPTION	QUANTITY
1	A2 3200-B-2212	Differential Carrier Housing	1
2	40X-1241	Locknut (M39 X 1.5)	1
3	17TYS32-99A4	Yoke	1
4	A-1205-N-2276	Oil Seal	1
5	1228-C-1875	Bearing Cone	1
6	1228-B-1874	Bearing Cup	1
7	2203-K-9761	Spacer, included in Kit 7222	1
8	2203-L-9762	Spacer, included in Kit 7222	1
9	2803-W-3637	Shim	4
10	1228-H-1880	Bearing Cup	1
11	1228-J-1882	Bearing Cone	1
12	See Gear Set Table	Bevel Pinion	1
13		Name Plate, included in item 1	1
14	3237-W-1167	Switch Assembly, replace with Kit 4429 – includes switch and pigtail	1
15	MS-208020-A-2	Capscrew (M8 X 1.25-6g X 20)	4



ITEM	PART NUMBER	DESCRIPTION	QUANTITY
16	1220-S-1111	Locking Tab	2
17	5X-521	Sealing Ring	1
18	41X-1368	Capscrew	1
19	2258-U-411	Spring	1
20	3296-Y-1377	Shift Fork	1
21	1244-Z-3016	Differential Lock Spacer	1
22	2244-R-1240	Inter-Axle Differential Push Rod	1
23	1229-J-5002	Piston Wear Ring	1
24	A-3261-A-1067	Air Shift Assembly	1
25	2214-H-1100	Bearing Adjuster Ring	1
26	1228-X-1870	Bearing Cup	1
27	1228-Y-1871	Bearing Cone	1
28	MS-212080-A-2	Capscrew (M12 X 1.75-6g X 80)	12
29	42X-1409	Washer Plate	4
30	See Main Differential	Differential Plain Case Half	1
31	See Gear Set Table	Bevel Gear	1
32	1229-N-5084	Thrust Washer	2
33	2234-P-1446	Differential Side Gear	2
34	3278-X-1116	Differential Spider	1
35	2233-E-1123	Differential Pinion	4
36	1229-L-4276	Differential Pinion Thrust Washer	4
37	See Main Differential	Differential Flange Case Half	1
38	1229-C-1511	Washer	16
39	MS-212040-A-2	Capscrews (M12 X 1.75-6g X 40)	16
40	1228-M-1729	Bearing Cone	1
41	1228-L-1728	Bearing Cup	1
42	2214-C-1095	Bearing Adjuster Ring	1
43	3107-S-1319	Clutch Collar	1
44	1898-Z-1066	Ball	2
45		Differential Bearing Cap, included in item 1	1
46	MWA-520	Hardened Washer (21.8 ID 39 OD 4 THK)	2
47	MS-220100-2	Capscrew (M20 X 2.5-6g X 100)	2

# MAIN DIFFERENTIAL

ITEM NUMBER			37	30
PART NAME	RATIO	DCDL	CASE-DIFF, FLANGE HALF, FIN.	CASE DIFF, (COVER) FIN.
PART NUMBER	2.44 TO 2.79	YES	3235B3044	3235L2794
		NO	3235V3350	
	3.07 TO 3.90	YES	3235K2793	
		NO	3235Y2807	

# GEAR SETS

GEAR PART NUMBER	RATIO	PINION PART NUMBER (FOR REFERENCE ONLY)	TOOTH COUNT PINION X GEAR
B44048-1-244	2.44	44205K5F	16 X 39
B44920-1-264	2.64	45115K5F	14 X 37
B44052-1-269	2.69	44209K5F	16 X 43
B44922-1-279	2.79	45117K5F	14 X 39
B41656-1-307	3.07	41915K5F	14 X 43
B43492-1-342	3.42	43499K5F	12 X 41
B44924-1-358	3.58	45119K5F	12 X 43
B41102-1-390	3.90	41633K5F	10 X 39

NOTE: Not sold separately.

