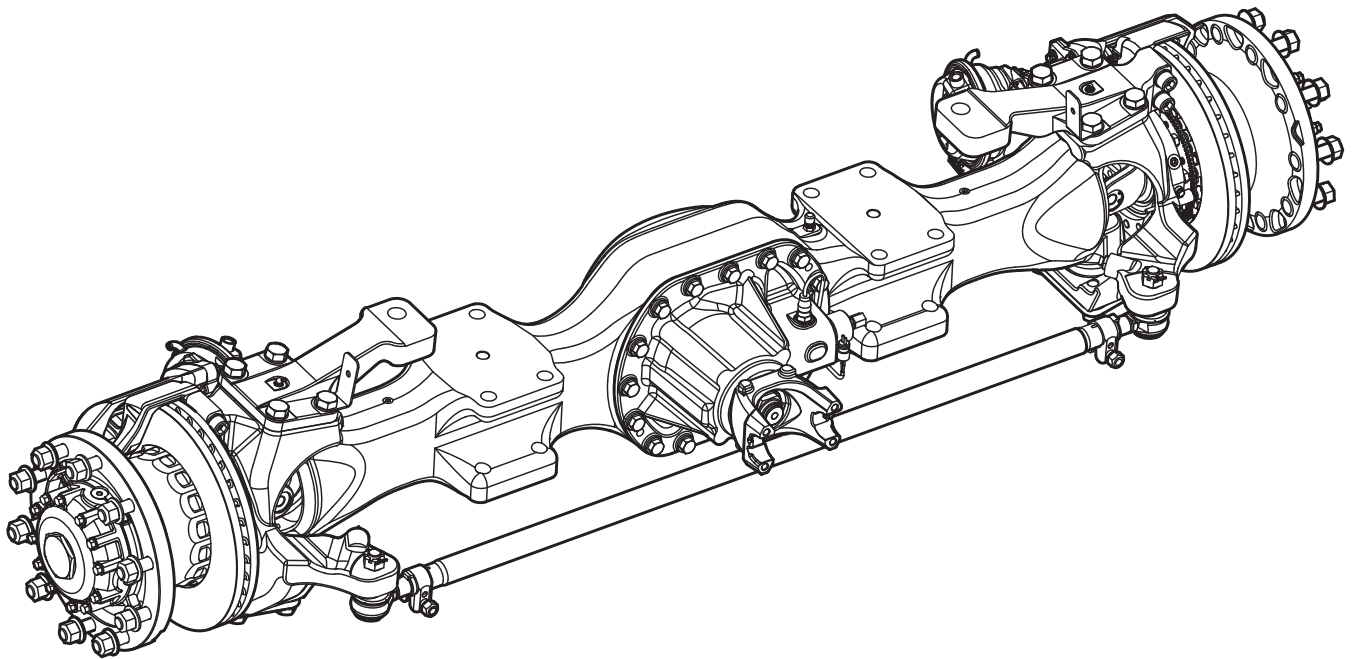


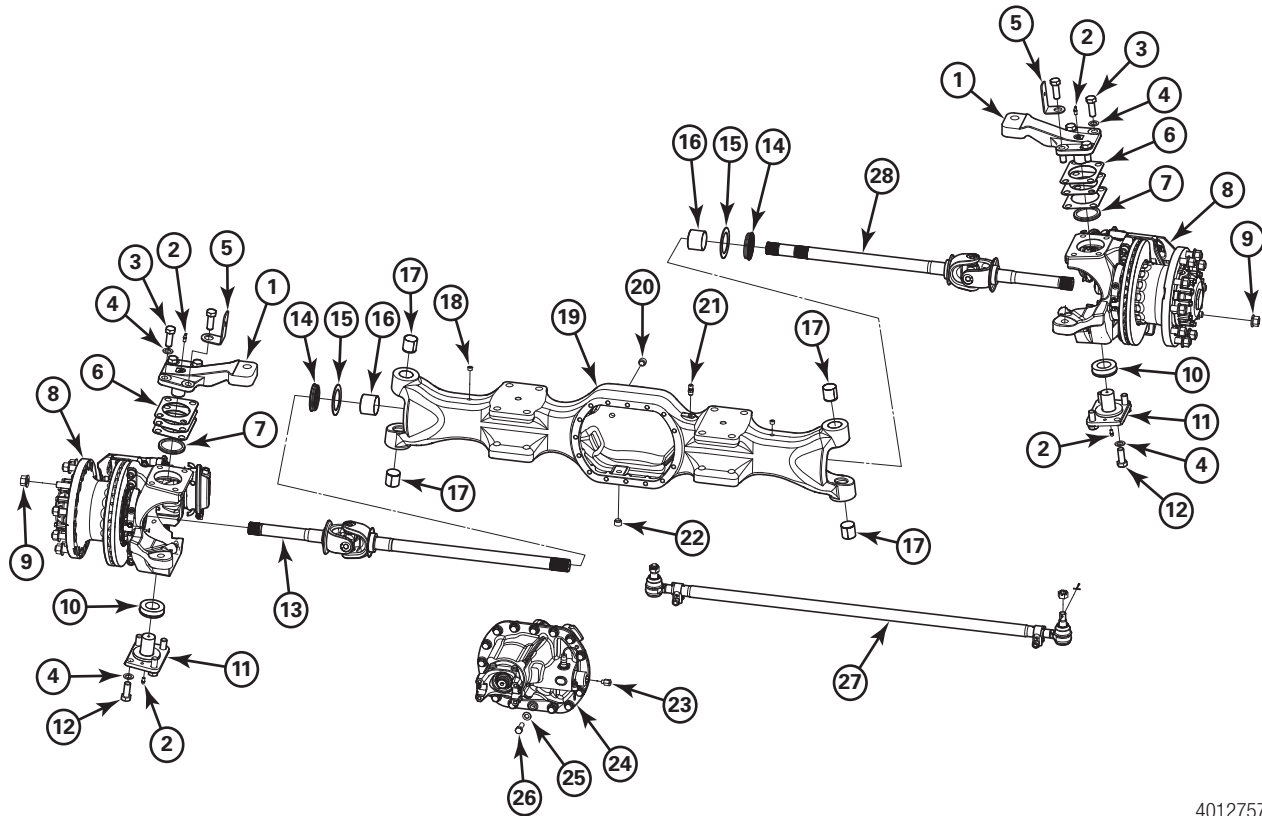
MX-810 SERIES FRONT DRIVE STEER AXLE



MERITOR



FRONT DRIVE STEER AXLE



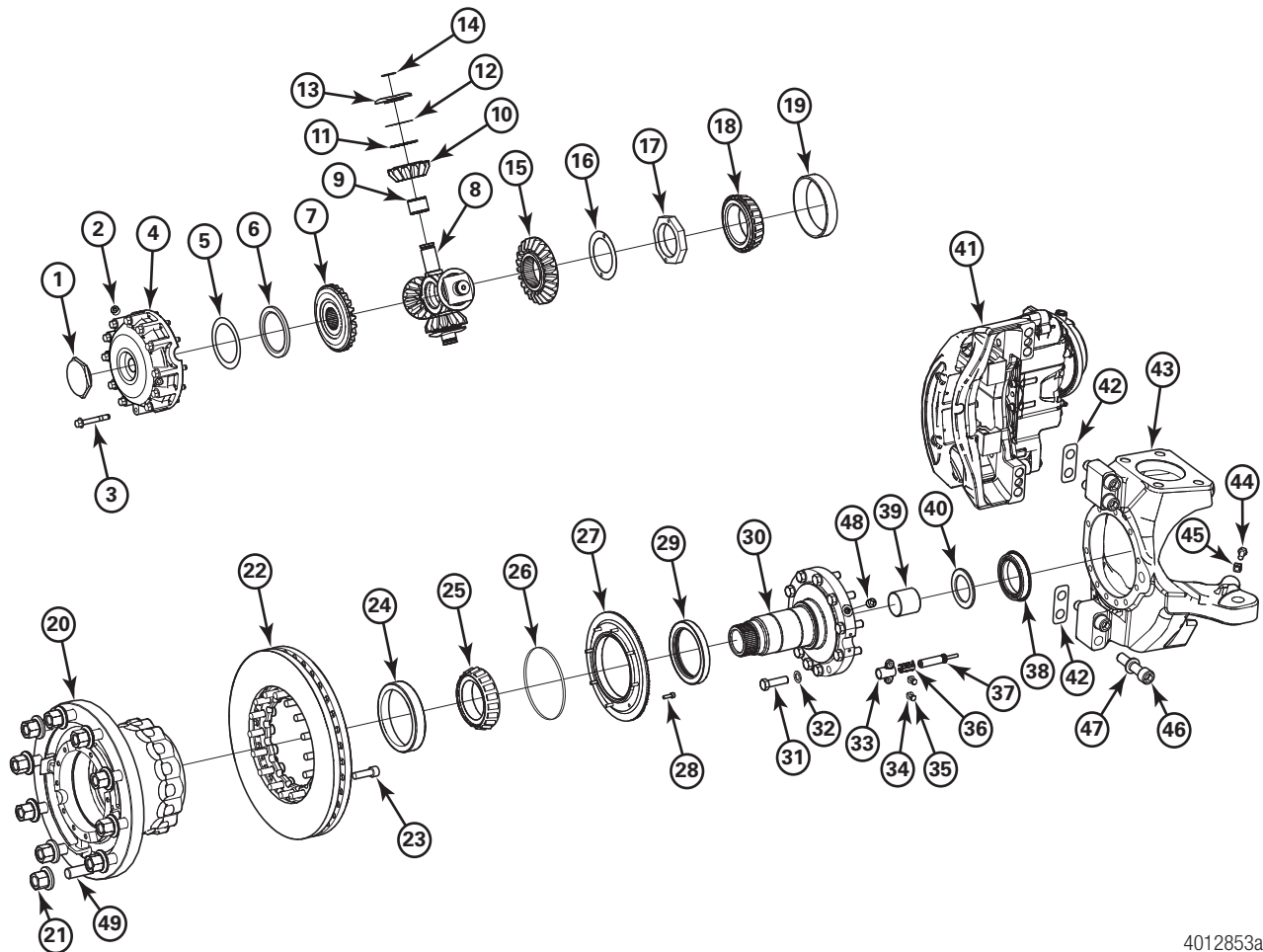
4012757a

ITEM	PART NUMBER	DESCRIPTION	QUANTITY
1	3133L9528	Steering Arm, LH	1
	3133M9529	Steering Arm, RH	1
2	1199-B-3226	Grease Fitting	4
3	S-21420-A-2	Capscrew (0.875-9 UNC x 2.5)	8
4	1229-M-1625	Hardened Washer	14
5	3155-S-1839	L-Bracket	2
6	2203-Q-9845	Shim (0.076 mm)	As required
	2203-R-9846	Shim (0.127 mm)	
	2203-S-9847	Shim (0.254 mm)	
7	1205F2164	Grease Seal	2
8	A-3111D4814	Wheel-End Assembly, LH	1
	A-3111F4816	Wheel-End Assembly, RH	1
9	40-X-1353	Wheel Stud Nut	20
10	A-1228D1382	Thrust Bearing	2
11	3262T1528	Lower King Pin Cap	2
12	S-21418-A-2	Capscrew (0.875-9 UNC x 2.25")	8
13	953-01-50-573	LH Axle Shaft Assembly	1



ITEM	PART NUMBER	DESCRIPTION	QUANTITY
14	A-1205-D-2344	Oil Seal	2
15	1229-T-4570	Thrust Washer	2
16	1225-K-817	Bushing	2
17	1225-K-1259	King Pin Trunnion Bushing	4
18	P-46-K	Shipping Plug	2
19	A-3201Y9723	Axle Housing Assembly	1
20	1250-E-473	Magnetic Fill Plug	1
21	A-1199-R-4048	Breather Assembly	1
22	1250-E-473	Magnetic Drain Plug	1
23	2206-C-1563	Adapter	1
24	See BOM	Carrier Assembly (For additional part information, see PB-16134)	1
25	MWA-516	Hardened Washer (17.25 ID, 320D, 3.6 mm THK)	15
26	MS-216050-A-2	Capscrew (M16 x 2 – 6 x 50)	15
27	A1-3102D4788	Tie Rod Assembly (See tie rod assembly section for additional detail)	1
28	953-01-50-575	RH Axle Shaft Assembly	1

WHEEL-END ASSEMBLY



4012853a

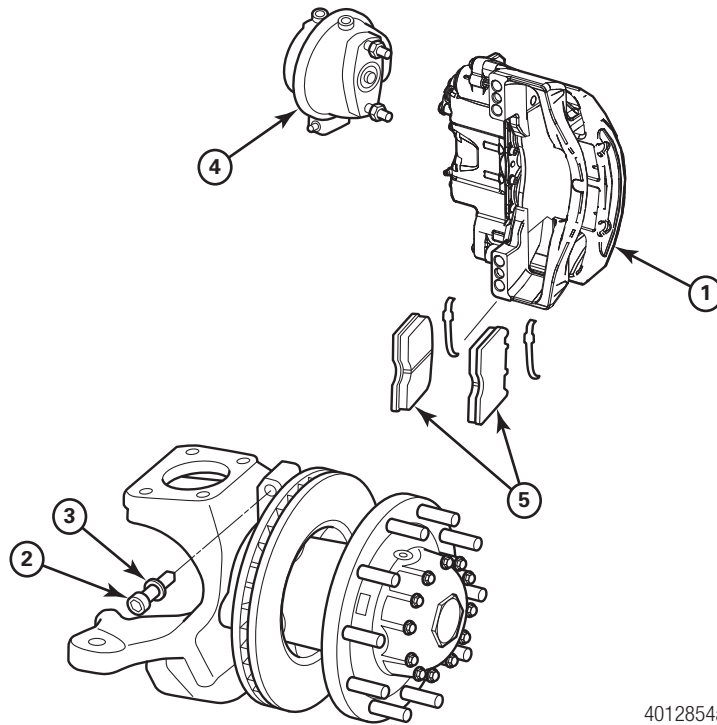
ITEM	PART NUMBER	DESCRIPTION	QUANTITY
1	1250-T-1086	Cover Plug	1
2	1850-T-124	Plug	1
3	10X1731	Capscrew	12
4	3266-A-1275	Hub Cover	1
5	1229-A-4161	Thrust Washer	1
6	1228-J-1154	Thrust Bearing	1
7	2234-F-1202	Outer Bevel Gear	1
8	3278-Z-1118	Spider	1
9	1228-H-1152	Bearing	4
10	2233-J-1102	Bevel Pinion	4
11	1228-K-1155	Thrust Bearing	4
12	1229-Z-4160	Thrust Washer	4
13	1229-W-4157	Thrust Washer	4
14	5X-1155	O-Ring	4
15	2234-E-1201	Inner Bevel Gear	1



ITEM	PART NUMBER	DESCRIPTION	QUANTITY
16	2203-J-9500	Shim (0.012")	As required
	2203-K-9501	Shim (0.015")	
	2203-L-9502	Shim (0.020")	
	2203-M-9503	Shim (0.025")	
	2203-N-9504	Shim (0.031")	
17	A-1227-X-1480	Wheel Bearing Locknut	1
18	1228Q1577	Outer Bearing Cone	1
19	08203065	Bearing Cup	1
20	0516237001	Hub Assembly (Includes hub [0516237], studs and bearing cups [no cones])	1
	0516237002	Hub Assembly (Includes hub [0516237] and bearing cups [no cones], without studs)	
	0516237	Hub Only	
21	40-X-1353	Wheel Stud Nut	10
22	23123829	Rotor	1
23	41X1746	Rotor Mounting Capscrew	16
24	1228G2503	Bearing Cup	1
25	A-1228-J-2506	Bearing Cone	1
26	5X1483	O-Ring	1
27	3237C1355	Tooth Wheel	1
28	41X1705	Tooth Wheel Mounting Bolt	8
29	A-1205-N-1392	Hub Oil Seal	1
30	A-3213-E-2111 (LH)	Spindle Assembly	1
	A-3213-F-2112 (RH)		
31	S-2916-A-2	Bolt	12
32	1229-Y-2443	Flat Spindle Washer	12
33	3155M1833	ABS Sensor Bracket	1
34	WA-34	Flat Washer	2
35	S-246-A-2	Bracket Bolt	2
36	See sensor	ABS Sensor Retainer Clip (See sensor)	1
37	R955337	ABS Sensor (Includes sensor retainer clip and grease)	1
38	A1205D2344	Axle Shaft Seal	1
39	1225-K-817	Bushing	1
40	1229-T-4570	Thrust Washer	1
41	EX225L210	Caliper Assembly, LH (Service caliper P/N EX225L210XX000)	1
	EX225L209	Caliper Assembly, RH (Service caliper P/N EX225L209XX000)	1
42	1244W3377	Spacer (Required for axles with serial numbers lower than LRS00962355)	2
43	3111D4814 (LH)	Steering Knuckle Assembly	1
	3111F4816 (RH)		
44	26X227	Steer Stop – Bolt	1
45	N-39-1	Steer Stop Bolt Locknut	1
46	10X1776	Caliper Mounting Bolt (Allen-head M20 x 1.5)	4
47	42X1499	Flat Washer	4

ITEM	PART NUMBER	DESCRIPTION	QUANTITY
48	P-44	Plug	1
49	09001988	Wheel Stud	10

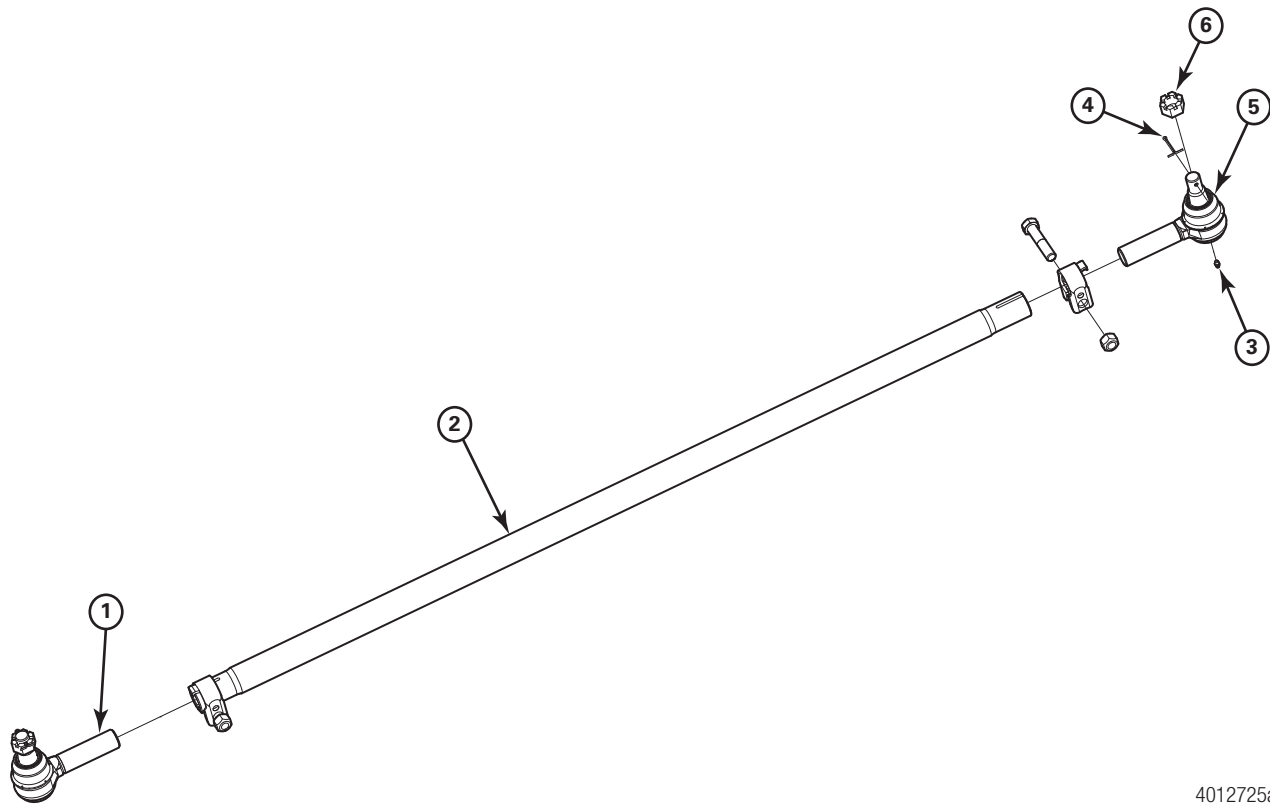
BRAKE ASSEMBLY



ITEM	PART NUMBER	DESCRIPTION	QUANTITY
1	EX225L210	Caliper Assembly, LH (Service caliper P/N EX225L210XX000)	1
	EX225L209	Caliper Assembly, RH (Service caliper P/N EX225L209XX000)	1
2	10 X 1776	Caliper Mounting Bolts	4
3	42-X-1499	Washer	4
4	B63-3276-X-24	Brake Chamber	1
5	KIT 2252L2BFM	Brake Pad Kit	1



TIE ROD ASSEMBLY



4012725a

ITEM	PART NUMBER	DESCRIPTION	QUANTITY
1	R230071	LH Tie Rod End	1
2	A1-3102D4788	Tie Rod Assembly (Includes cotter pins and nuts)	1
3	2206N1054	Grease Fitting	2
4	K2414	Cotter Pin	2
5	R230070	RH Tie Rod End	1
6	1227E1799	Castle Nut	2



Meritor Heavy Vehicle Systems, LLC
7975 Dixie Highway
Florence, Kentucky 41042 USA

Call 1-888-725-9355
or visit meritor.com

©2017 Meritor, Inc.
Litho in USA, PB-16133
Issued 01-17 (16579)