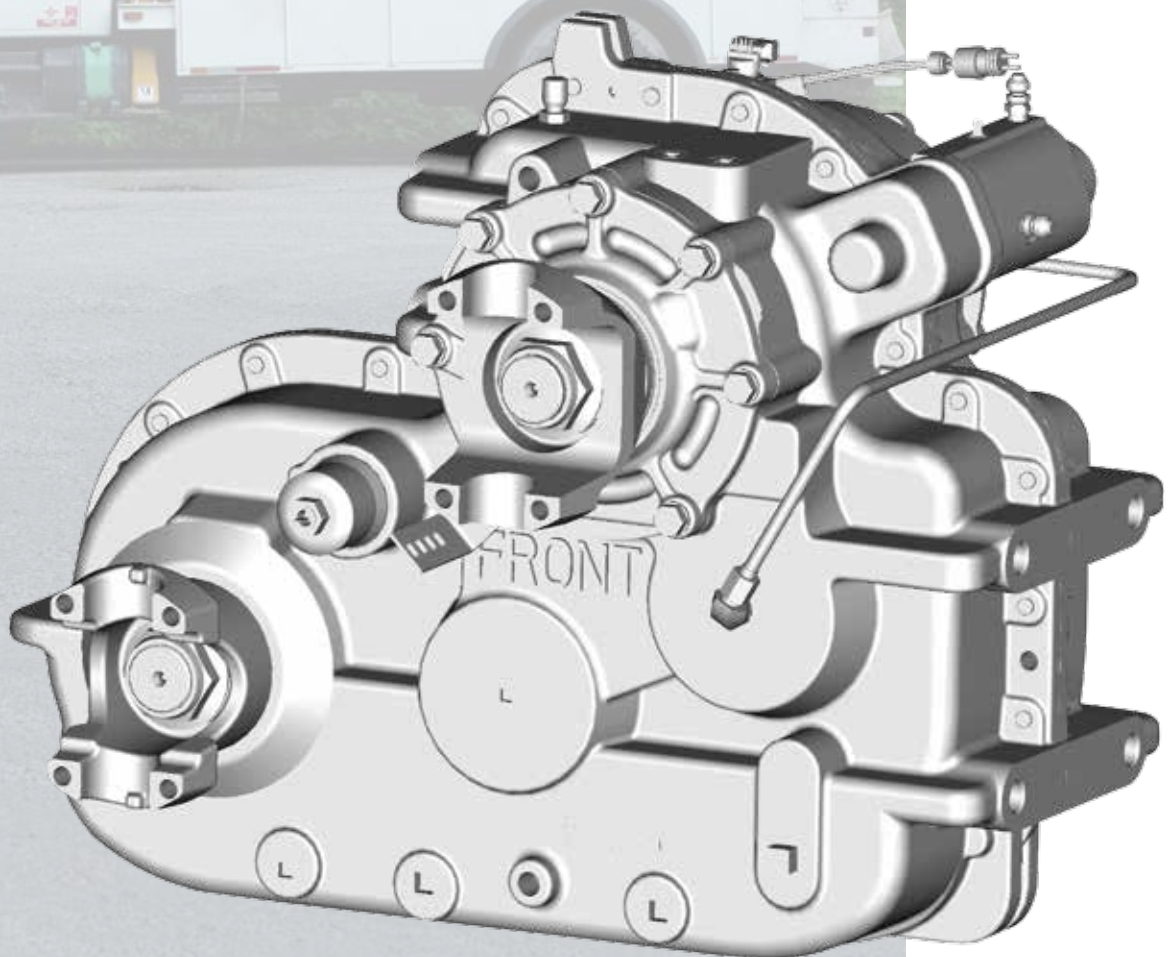


MERITOR® TRANSFER CASE MTC4210XLEV



MERITOR



MTC4210XLEV YOKES

TRANSFER CASE MODEL NUMBERS	PART NUMBERS		
	FRONT OUTPUT	FRONT INPUT	REAR OUTPUT
MTC4210XLEV 100 100 205	140TYS38A	17TYS38-76	140TYS38A
MTC4210XLEV 101 100 205	140TYS38A	17TYS38-76	170TYS38A-4A
MTC4210XLEV 102 100 205	16N-4-7341-1X	17TYS38-76	17TYS38A-76A
MTC4210XLEV 103 100 205	16NYS38-8A	17NYS38-61	17NYS38-61A
MTC4210XLEV 104 100 205	16N-4-7341-1X	176TYS38-27	176TYS38-27A
MTC4210XLEV 105 100 205	16NYS38-8A	176NYS38-14	176NYS38-14A
MTC4210XLEV 106 100 205	140TYS38A	140TYS38	140TYS38A
MTC4210XLEV 107 100 205	140TYS38A	140TYS38	140TYS38A
MTC4210XLEV 108 100 205	17TYS38-76A	17TYS38-76	17TYS38-76A

NOTE: Other yokes under RAP and RCE spline code (2-3/8"-46T) will fit. However, all yokes must be compatible with unitized seals. For more information about yoke type or compatibility, see xpresswayplus.meritor.com, meritorhvs.com/LODSearch.aspx or call 1-866-ONTRAC1.

SEAL REPLACEMENT

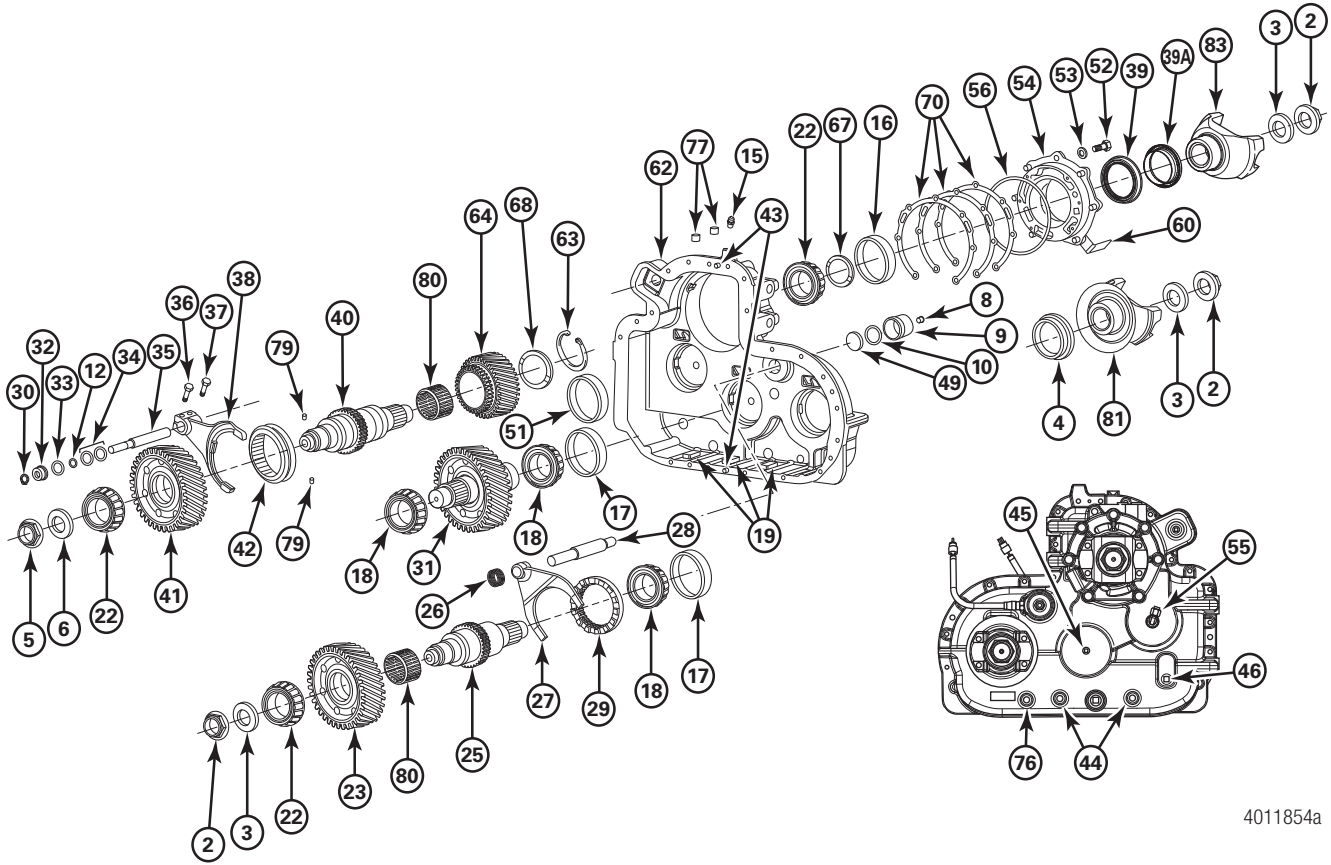
Meritor has released the Multiple-Lip Seal (MLS) for use in the INPUT POSITION ONLY on the MTC-4208, -4210 and -4213 transfer cases. The multiple-lip seal is compatible with current input shaft seal and can be used in service.

TRANSFER CASE MODEL	SEAL POSITION	SEAL SERVICE PART NUMBER	PREVIOUS SEAL PART NUMBER	SEAL DRIVER	SLEEVE DRIVER
MTC-4208, -4210 and -4213	Input Shaft	A1-1205X2728	A-1205R2592	2728T1	2728T2
MTC-4208 and -4210	Forward and Rear Output	R945007	A-1205R2592	KIT 4454	NA
MTC-4213	Forward Output	R945007	A-1205R2592	KIT 4454	NA
MTC-4213	Rear Output	R945007	A-1205Q2591	KIT 4454	NA

NOTE: The MTC4208XLEV/MTC4210XLEV transfer case models are NOT directly interchangeable with MTC-4208/MTC-4210 transfer case specifications. Interface points for the oil cooler lines (if equipped) on the XL models are different, which affect the lengths of the oil cooler lines. The exterior geometry of the housing and location of lubrication lines has also changed, which potentially impacts clearances to surrounding components. In addition, current models cannot be used in place of the new models in applications with “engage-on-the-fly” systems or mid-ship pumps.



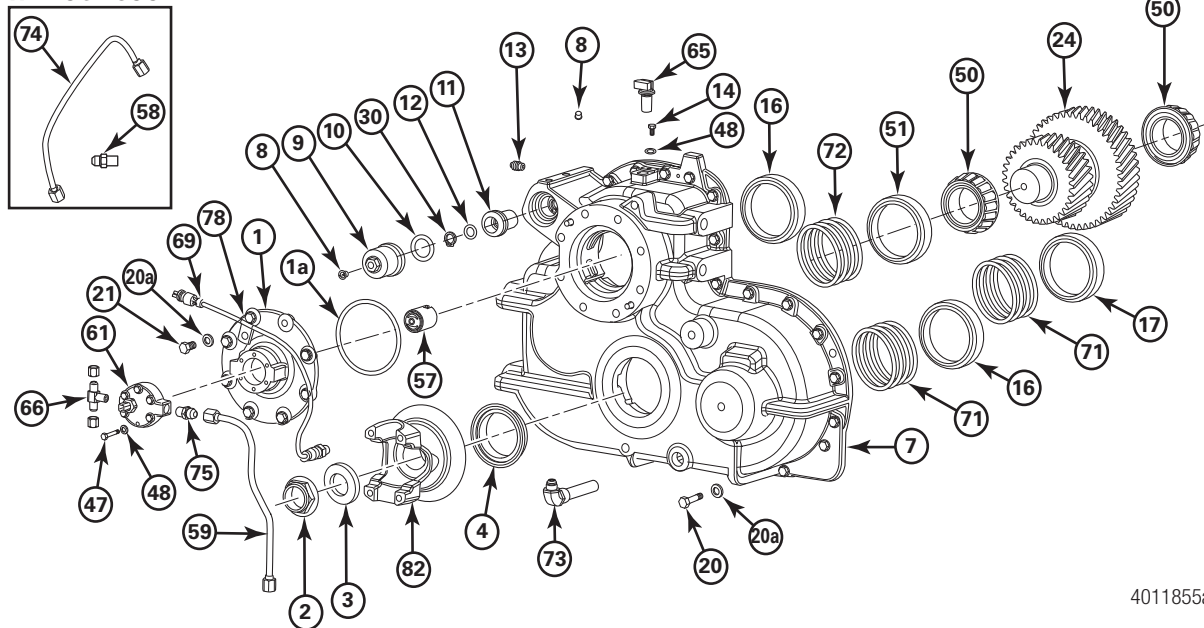
MTC4210XLEV – FRONT



4011854a

MTC4210XLEV – REAR

WITHOUT COOLER



4011855a

MTC4210XLEV

ITEM	PART NUMBER	DESCRIPTION	QUANTITY	REMARKS
1	3266-Z-1534	Pump Cover	1	
1a	5X-1348	O-Ring (Pump Cover)	1	
2	40X-1233	Lock Nut, FIN.	4	M45 x 1.5 thd.
3	1229-N-1730	Flat Washer	4	1.79" ID x 3.00" OD x 0.19" wide
4	A1-1205-R-2592	Seal Assembly (Front and Rear Output)	2	3.25" ID x 4.25" OD x 0.86" long
5	40X-1341	Lock Nut, FIN.	1	2.25"-12 thd.
6	1229-E-4113	Washer	1	2.28" ID x 3.25" OD x 0.32" wide
7	3289-L-1182	Rear Transfer Case Cover	1	
8	1779-F-344	Shipping Plug	3	
9	3261-A-1067	Shift Cylinder	2	
10	5X-1326	O-Ring	2	1.459" ID x 0.208" thick
11	2230-Q-1369	Piston (Outer)	1	
12	5X-1290	O-Ring (Inner)	2	0.734" ID x 0.139" thick
13	A-1199-C-1043	Breather Assembly	1	
14	S244-2	Capscrew (Speed Sensor Retainer)	1	
15	A-1199-R-4048	Breather Assembly	1	
16	HM813810	Bearing Cup	3	5.00" OD cup
17	HM212011	Bearing Cup	3	4.8125" OD cup
18	HM212049	Bearing Cone	3	2.625" ID cone
19	2297-K-6771	Magnet	3	
20	S2714A-2	Bolt/Capscrew	29	7/16"-14 thd x 1.75"
20a	1229-E-1513	Flat Washer	37	0.47" ID x 0.81" OD x 0.09" wide
21	S2710A-2	Bolt/Capscrew	8	
22	HM813843	Bearing Cone	3	2.4375" ID cone
23	3892-L-5862	Front Output Gear	1	
24	3892-X-6316	Idler Gear	1	
25	3297-G-1567	Output Shaft	1	
26	2258-U-411	Spring	1	
27	3296-T-1346	Shift Fork	1	
28	2244-S-1189	Push Rod (Differential Lock Out)	1	
29	3107-S-1397	Clutch Collar	1	
30	1229-U-4857	Snap Ring	2	0.689" ID
31	3892-H-5676	Rear Output Gear	1	
32	2230-T-1346	Inner Piston	1	
33	5X-1292	O-Ring	1	1.17" ID x 0.139" thick



ITEM	PART NUMBER	DESCRIPTION	QUANTITY	REMARKS
34	5X-1291	O-Ring (Housing)	2	0.984" ID x 0.139" thick
35	2244-T-1190	Shifter Shaft	1	
36	S1712A-2	Bolt/Capscrew	1	7/16" x 1.5"
37	S1612A-2	Bolt/Capscrew	1	3/8" x 1.5"
38	3296-Q-1317	Shift Fork	1	
39	A-1205-X-2728	Seal Assembly (Input)	1	3.25" ID x 4.25" OD x 0.58" long
39A	A-1199-U-4025	Yoke Sleeve	1	
40	3297-P-1810	Input Shaft	1	
41	3892-R-5660	Input Gear (High)	1	
42	3107-K-1181	Clutch Collar	1	
43	1246-T-1190	Dowel	2	0.375" dia x 1.00" long
44	1250-E-473	Magnet Plug	2	3/4"-14 NPT square socket
45	P-26	Plug	2	3/8"-18 NPT square socket
46	P-112	Fill Plug	1	
47	S2414-2	Bolt/Capscrew	6	1/4"-20 thd - 1.75"
48	WA-34	Flat Washer	7	
49	2230-T-1190	Piston	1	
50	A-1228-M-1807	Bearing Cone	2	
51	1228-J-1804	Bearing Cup	2	
52	S2814A-2	Bolt/Capscrew	7	1/2"-13 thd x 1.75"
53	1229-C-1511	Flat Washer	7	0.53" ID x 0.88" OD x 0.09" wide
54	3226-D-1512	Bearing Cage Assembly	1	
55	A-2206-K-1545	Elbow Assembly	1	3/8"-18 NPT
56	5X-1327	O-Ring (Bearing Cage)	1	7.483" x 0.139" thick
57	A-3303-X-1038	Pump Assembly	1	
58	2206-Z-1430	Connector Fitting	1	Without Oil Cooler
59	A-2296-V-1166	Tube Assembly	1	
60	3155-Q-1499	Angle Bracket	1	
61	3266-G-1567	Cover	1	
62	3290-B-1276	Transfer Case (Front)	1	
63	1229-R-5322	Snap Ring	1	
64	3892-F-6194	Input Gear (Low)	1	
65	A-3380-L-1858	Speed Sensor	1	
66	2206-G-1541	T-Fitting	1	Cooler Equipped
66A	2206-C-1433	T-Fitting Caps	2	Cooler Equipped

ITEM	PART NUMBER	DESCRIPTION	QUANTITY	REMARKS
67	1244-P-2694	Spacer	1	
68	1229-H-5312	Thrust Washer	1	
69	3237-W-1167	Connector Assembly	1	
70	2203-K-9241	Shim - 0.003"	1	Input Bearing Cage
	2203-L-9242	Shim - 0.005"	1	
	2203-M-9243	Shim - 0.010"	1	
	2803-F-2866	Shim - 0.197"	1	
	2803-P-3110	Shim - 0.010"	2	
71	2803-Q-3111	Shim - 0.005"	2	Output Bearing Cup
	2803-R-3112	Shim - 0.003"	2	
	2803-N-4252	Shim - 0.010"	1	
72	2803-P-4254	Shim - 0.005"	1	Idler Shaft Bearing Cup
	2803-Q-4255	Shim - 0.003"	1	
73	A-2206-S-1527	Filter Assembly Elbow	1	(Elbow - 2206-S-1527 Filter - 2297-S-3841)
74	A-2296-M-1183	Pump Outlet Tube Assembly	1	Without Oil Cooler
75	2206-D-1434	Connector Fitting	1	
76	P-28	Drain Plug		
77	P-18	Plug	2	
78	2257-M-1235	Speed Sensor Clip	1	
79	1246-S-1163	Pump Drive Pin	2	
80	A-1228-K-2273	Needle Bearing	2	
81	See table page 2	Front Output Yoke	1	
82	See table page 2	Rear Output Yoke	1	
83	See table page 2	Input Yoke	1	



SERVICE KITS

SEAL/SNAP RING — KIT 2562

PART NUMBER	DESCRIPTION	QUANTITY	REMARKS
R945007	Seal Assembly (Front and Rear Output)	2	3.25" ID x 4.25" OD x 0.86" long
A1-1205-X-2728	Seal Assembly (Input)	1	3.25" ID x 4.25" OD x 0.58" long
5X-1326	O-Ring	2	1.459" ID x 0.208" thick
5X-1290	O-Ring (Innver)	2	0.734" ID x 0.139" thick
1229-U-4857	Snap Ring	2	0.689" ID
5X-1292	O-Ring	1	1.17" ID x 0.139" thick
5X-1291	O-Ring (Housing)	2	0.984" ID x 0.139" thick
5X-1327	O-Ring (Bearing Cage)	1	7.483" x 0.139" thick
5X-1348	O-Ring (Pump Cover)	1	

SHIM — INPUT/OUTPUT BEARING — KIT 2889

PART NUMBER	DESCRIPTION	QUANTITY	REMARKS
2203-K-9241	SHIM - 0.003"	5	
2203-L-9242	SHIM - 0.005"	5	Input bearing cage
2203-M-9243	SHIM - 0.010"	5	
2803-R-3112	SHIM - 0.003"	5	
2803-Q-3111	SHIM - 0.005"	5	Housing bearing cups
2803-P-3110	SHIM - 0.010"	5	
2803-F-2866	SHIM - 0.197"	5	

SHIM — IDLER BEARING — KIT 2947

PART NUMBER	DESCRIPTION	QUANTITY	REMARKS
2803-Q-4255	SHIM - 0.003" (Idler)	5	
2803-P-4254	SHIM - 0.005" (Idler)	5	Housing bearing cups
2803-N-4252	SHIM - 0.010" (Idler)	5	

SEAL AND BEARING — KIT 2946

PART NUMBER	DESCRIPTION	QUANTITY	REMARKS
A-3226-D-1512	Bearing Cage Assembly	1	
40X-1233	Lock Nut	4	M45 x 1.5 thd.
1229-N-1730	Flat Washer	4	1.79" ID x 3.00" OD x 0.19" wide
R945007	Seal Assembly (Front & Rear Output)	2	3.25" ID x 4.25" OD x 0.86" long
A1-1205-X-2728	Seal Assembly (Input)	1	3.25" ID x 4.25" OD x 0.58" long
40X-1341	Lock Nut	1	2.25"-12 thd.
1229-E-4113	Washer	1	2.28" ID x 3.25" OD x 0.32" wide
A-1228-K-2273	Needle Bearing	2	
HM813810	Bearing Cup	3	5.00" OD cup
HM212011	Bearing Cup	3	4.8125" OD cup
1228-J-1804	Bearing Cup	2	(1228-V-2362)
HM212049	Bearing Cone	3	2.625" ID cone
HM813843	Bearing Cone	3	2.4375" ID cone
A-1228-M-1807	Bearing Cone	2	

SHIFT CYLINDER — KIT 2598

PART NUMBER	DESCRIPTION	QUANTITY	REMARKS
3261-A-1067	Shift Cylinder	1	
5X-1326	O-Ring	1	1.459" ID x 0.208" thick
5X-1290	O-Ring (Inner)	1	0.734" ID x 0.139" thick
2230-Q-1369	Piston (Outer)	1	



MERITOR AFTERMARKET PARTS WARRANTY

We warrant all new parts for one year from date of shipment to the buyer against defective material or workmanship (but not against damage caused by accident, abuse or improper installation, maintenance or repair) when such parts are used on vehicles the specifications of which have been approved by our Engineering Department.

As the exclusive remedy under this warranty, we will, at our option, repair or replace such parts free of charge, or take back the nonconforming parts and refund the monies paid by buyer for such parts, if found on examination by us to be nonconforming and if any necessary return charges are prepaid.

If it is necessary to return any parts under this warranty, buyer agrees not to make any deduction on account thereof from remittances on current accounts while claims are in the process of disposition. Any expense incurred without our consent for repairs or replacement will not be allowed.

THIS WARRANTY IS EXPRESSLY IN LIEU OF ALL OTHER WARRANTIES OR CONDITIONS, EXPRESS, IMPLIED OR STATUTORY, INCLUDING ANY IMPLIED WARRANTY OF MERCHANTABILITY OR FITNESS FOR PARTICULAR PURPOSE. IN NO EVENT SHALL SELLER BE LIABLE FOR INCIDENTAL OR CONSEQUENTIAL DAMAGES OF ANY NATURE.

Only genuine Meritor replacement parts are covered by this aftermarket parts warranty.

Vehicle models, brands and names depicted herein are the property of their respective owners, and are not in any way associated with Meritor, Inc., or its affiliates.



Meritor Heavy Vehicle Systems, LLC
7975 Dixie Highway
Florence, Kentucky 41042 USA

888-725-9355 U.S.
800-387-3889 Canada
meritorpartsonline.com
meritor.com

©2015 Meritor, Inc.
Litho in USA, PB-1583
Issued 09-15 (47865/FLOA)