



FRONT AXLE PARTS

MEDIUM- AND HEAVY-DUTY APPLICATIONS

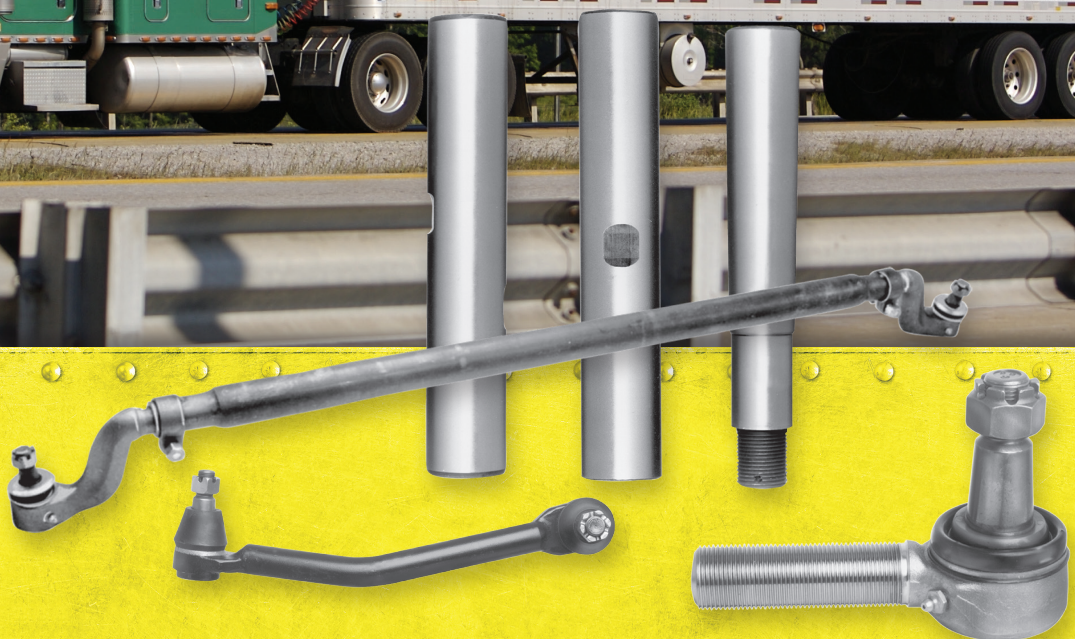


TABLE OF CONTENTS

King Pins

Tie Rods

Cross Tubes

Drag Links

**Application Guide
A-F**

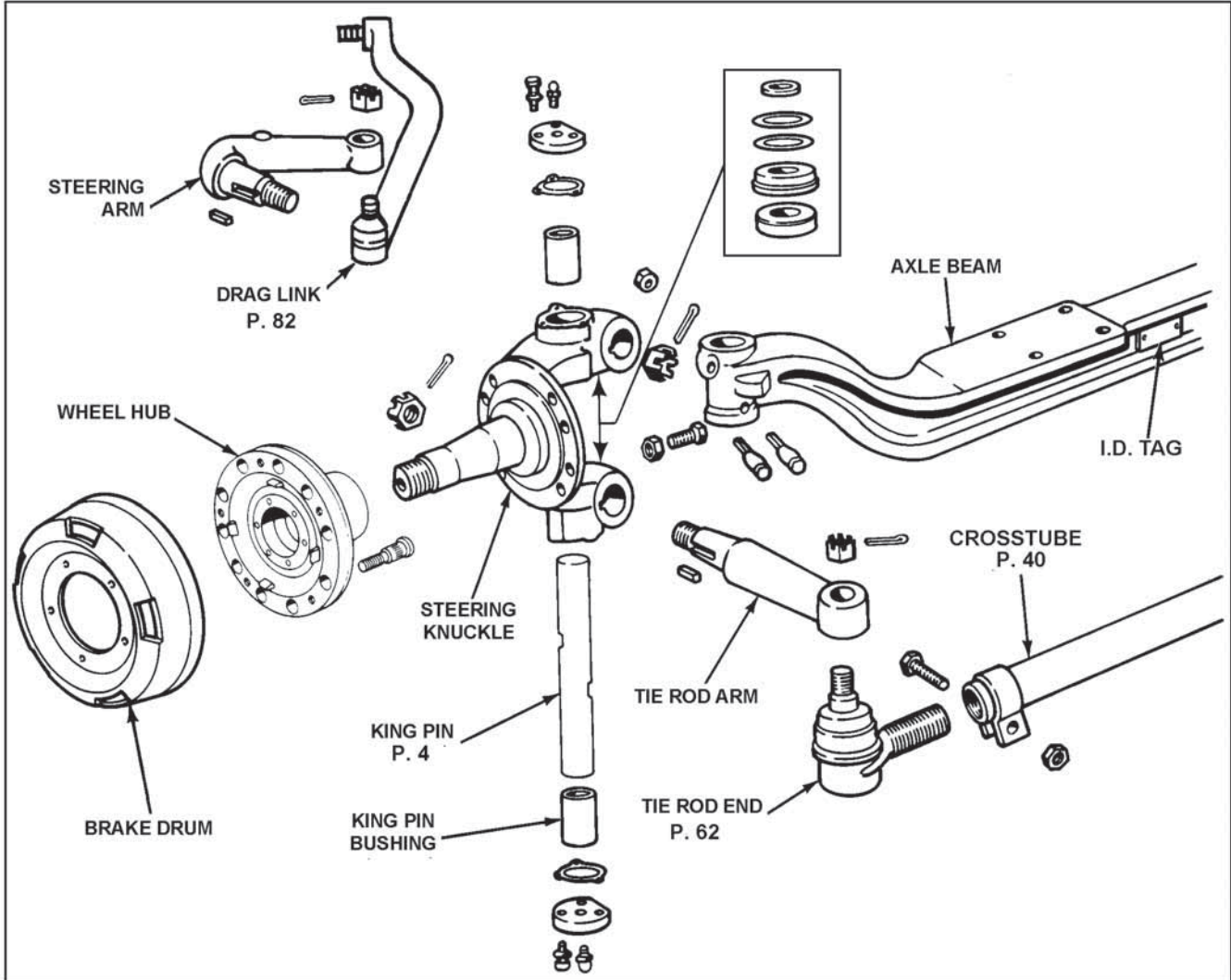
**Application Guide
G-M**

**Application Guide
N-Z**

**Interchange/
Part Number Index**

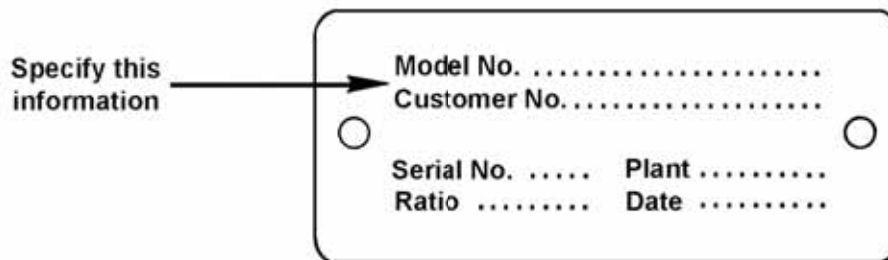
TYPICAL FRONT AXLE COMPONENTS

This exploded view represents a typical front axle assembly.



Location and Identification of Meritor Axle Specifications

To correctly identify your specific axle model, there is an I.D. tag riveted on the front of the axle beam. The information on this tag will be useful in tracking down hard to find parts. This information should also be available when calling Meritor for assistance. Contact the Meritor Information Services Department in Florence, KY at 888-725-9355.



Example of the I.D. Tag

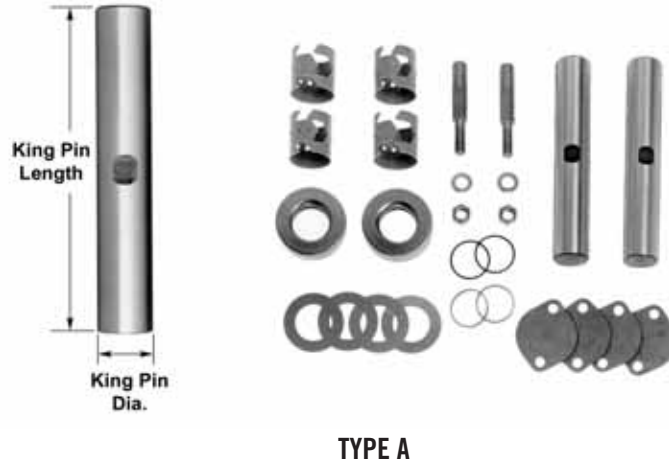
INDEX

King Pins	Page
Bushings to Kits.....	12
Kits to Bushings.....	11
Kit Identification - Straight Type	6
Kit Identification - Tapered Type.....	10
Shims by I.D.	23
Crosstubes	37
Drag Links	38
Listed by Length.....	39
Listed by Part Number.....	44
Tie Rod and Drag Link Ends	24

HOW TO USE KING PIN IDENTIFICATION CHART

If only type and size of King Pin are known, refer to the Identification Charts.

A typical King Pin Kit containing the particular type of pin is shown to aid in identification.

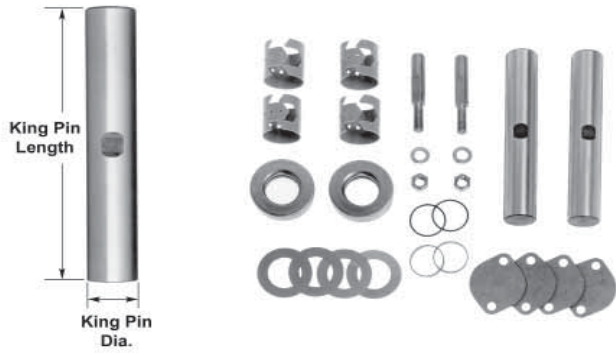


TYPE A

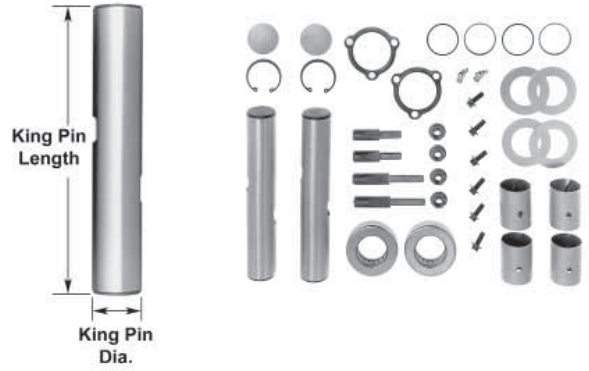
King Pin Kits are listed in order by King Pin diameter.

King Pin Kit Part No.	King Pin Dia.	King Pin Length	King Pin Type	Bushing Type	Bushing	Shim	Additional Contents / Notes
E-6453B	0.859"	6.670"	A	Bronze	(4) E-10185	(4) E-9220	(4) Fittings, (4) Plugs, (2) Seals, (2) Washers, (2) Lock Pins
E-6451B	1.054"	6.685"	A	Bronze	(4) E-10186	(4) E-4572	(4) Fittings, (4) Plugs, (2) Seals, (2) Washers, (2) Lock Pins

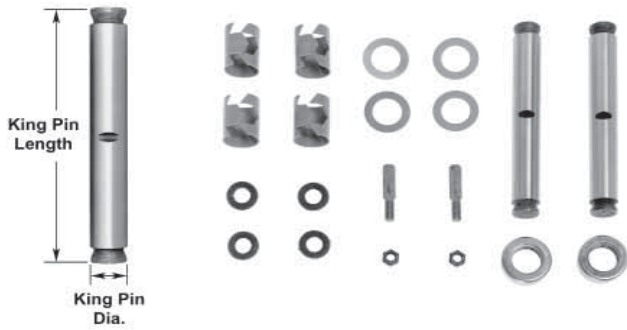
KING PIN KIT IDENTIFICATION



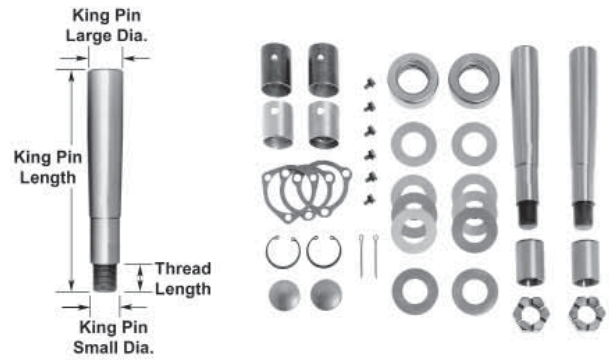
Type A



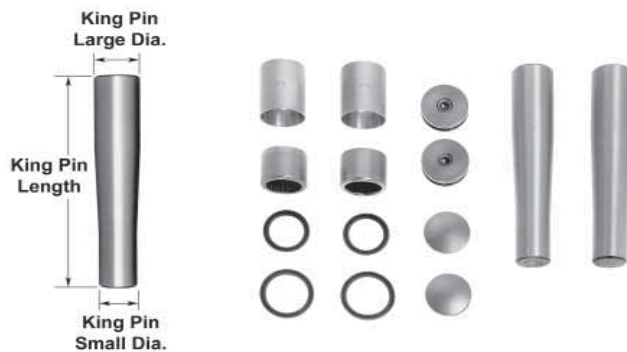
Type B



Type C



Type D



Type E

Pictures represent typical king pin kit contents. Parts may vary by application.

KING PIN KIT IDENTIFICATION - STRAIGHT TYPE

KING PINS

King Pin Kit Part No.	King Pin Dia.	King Pin Length	King Pin Type	Bushing Type	Bushing	Shim	Additional Contents / Notes
E-6453B	0.859"	6.670"	A	Bronze	(4) E-10185	(4) E-9220	(4) Fittings, (4) Plugs, (2) Seals, (2) Washers, (2) Lock Pins, (2) Nuts.
E-6451B	1.054"	6.685"	A	Bronze	(4) E-10186	(4) E-4572	(4) Fittings, (4) Plugs, (2) Seals, (2) Washers, (2) Lock Pins, (2) Nuts.
E-6450B	1.054"	6.969"	A	Bronze	(4) E-10186	(4) E-4572	(4) Fittings, (4) Plugs, (2) Seals, (2) Washers, (2) Lock Pins, (2) Nuts.
E-4444B	1.109"	6.343"	A	Bronze	(4) E-4513	(2) E-10170 (2) E-4575 (2) E-4576	(4) Gaskets, (2) Seals, (2) Washers, (2) Lock Pins, (2) Nuts.
E-4444N	1.109"	6.343"	A	Nylon		(2) E-10170 (2) E-4575 (2) E-4576	(2) Spacers, (2) Seals, (2) Washers, (4) Gaskets, (2) Lock Pins, (2) Nuts.
E-4430B	1.109"	6.344"	A	Bronze	(4) E-4513	(2) E-10170 (2) E-4575 (2) E-4576	(4) Gaskets, (8) Plugs, (2) Seals, (2) Washers, (2) Lock Pins, (2) Nuts.
E-6865B	1.109"	6.810"	A	Bronze		(4) E-4572	(2) Snap Rings, (2) Plugs, (4) Retainers, (2) Washers, (4) Lock Pins, (2) Nuts, (2) Felts.
E-6454B	1.179"	6.360"	A	Bronze		(12) E-4573	(4) Gaskets, (4) Seals, (2) Washers, (2) Lock Pins, (2) Nuts, (4) Bushings.
E-4453B	1.179"	6.360"	A	Bronze	(4) E-4547	(6) E-4573	(4) Gaskets, (2) Seals, (2) Washers, (2) Lock Pins, (2) Nuts.
E-6454C	1.179"	6.360"	A	Composite	(4) E-10188	(12) E-4573	(4) Gaskets, (4) Seals, (2) Washers, (2) Lock Pins, (2) Nuts.
E-4440B	1.231"	7.860"	C	Bronze	(4) E-4536	(2) E-10170 (2) E-4575 (2) E-4576	(4) Seals, (2) Lock Pins, (2) Nuts.
E-4445B	1.231"	8.910"	C	Bronze	(4) E-4541	(2) E-10170 (2) E-4575 (2) E-4576	(4) Seals, (2) Lock Pins, (2) Nuts.
E-4445N	1.231"	8.910"	C	Nylon	(4) E-4542	(2) E-10170 (2) E-4575 (2) E-4576	(4) Seals, (2) Lock Pins, (2) Nuts.
E-11815C	1.234"	6.781"	A	Composite			(4) Bushings, (8) Shims, (6) Seals, (2) Draw Keys, (2) Nuts, (4) Caps.
E-4438B	1.234"	7.438"	B	Bronze		(2) E-10170 (2) E-4575 (2) E-4576	(2) Snap Rings, (2) Plugs, (4) Screws, (2) Gaskets, (4) Lock Pins.
E-4438N	1.234"	7.438"	B	Nylon	(4) E-4532	(2) E-10170 (2) E-4575 (2) E-4576	(2) Snap Rings, (2) Plugs, (4) Screws, (2) Gaskets, (4) Lock Pins.
E-4431B	1.234"	7.656"	A	Bronze	(4) E-4514	(2) E-10170 (2) E-4575 (2) E-4576	(4) Gaskets, (2) Washers, (2) Lock Pins, (2) Nuts.
E-4443B	1.249"	7.888"	A	Bronze	(4) E-4538	(2) E-10170 (2) E-4575 (2) E-4576	(2) O-Rings, (4) Gaskets, (2) Washers, (2) Lock Pins, (2) Nuts.
E-4443N	1.249"	7.888"	A	Nylon	(4) E-4539	(2) E-10170 (2) E-4575 (2) E-4576	(2) O-Rings, (4) Gaskets, (2) Washers, (2) Lock Pins, (2) Nuts.
E-6455B	1.299"	7.270"	A	Bronze		(4) E-4577	(2) Seals, (4) Plugs, (2) Washers, (2) Lock Pins, (2) Nuts.

KING PIN KIT IDENTIFICATION - STRAIGHT TYPE

King Pin Kit Part No.	King Pin Dia.	King Pin Length	King Pin Type	Bushing Type	Bushing	Shim	Additional Contents / Notes
E-6455C	1.299"	7.270"	A	Composite	(4) E-10187	(4) E-4577	(2) Seals, (4) Plugs, (2) Washers, (2) Lock Pins, (2) Nuts.
E-6195B	1.299"	7.748"	B	Bronze	(4) E-10190	(4) E-4577	(4) Plugs, (4) Seals, (4) Lock Pins, (4) Nuts.
E-4460B	1.359"	7.968"	A	Bronze	(4) E-4555	(4) E-4577	(8) Seals, (2) Lock Pins, (2) Nuts.
E-6198B	1.359"	8.070"	B	Bronze	(4) E-4555	(4) E-4577	(4) Fittings, (8) Seals, (8) Screws, (8) Washers, (18) Lock Pins.
E-9943B	1.433"	8.250"	B	Bronze	(4) E-4546	(2) E-10172 (2) E-4579	(4) Plugs, (4) Seals, (4) Lock Pins, (4) Nuts.
E-4452B	1.433"	8.250"	B	Bronze	(4) E-4546	(2) E-10172 (2) E-4579	(2) Fittings, (2) Snap Rings, (2) Plugs, (2) Gaskets, (4) Seals, (6) Screws, (4) Lock Pins, (4) Nuts.
E-4441B	1.434"	8.500"	B	Bronze	(4) E-4523	(2) E-10172 (2) E-4579	(2) Snap Rings, (2) Gaskets, (2) Plugs, (6) Screws, (4) Lock Pins.
E-4448B	1.480"	8.866"	B	Bronze	(4) E-4543	(2) E-10172 (2) E-4579	(4) Gaskets, (12) Screws, (12) Washers, (4) Lock Pins.
E-4461B	1.484"	8.866"	A	Bronze	(4) E-4543	(2) E-10172 (2) E-4579	(4) O-rings, (4) Seals, (12) Screws, (12) Washers, (2) Lock Pins, (2) Nuts.
E-11816C	1.498"	7.153"	B	Composite			(4) Bushings, (4) Shims, (6) Seals, (4) Draw Keys, (4) Nuts, (4) Caps.
E-11812C	1.499"	7.511"	B	Composite			(4) Bushings, (4) Shims, (6) Seals, (4) Draw Keys, (4) Nuts, (4) Caps, (4) Fittings.
E-4449B	1.607"	8.740"	B	Bronze	(4) E-4519	(2) E-10167 (2) E-10171 (2) E-4580	(2) Snap Rings, (2) Plugs, (2) Gaskets, (4) Screws, (4) Lock Pins.
E-6197B	1.607"	9.080"	B	Bronze	(4) E-4552	(2) E-10167 (2) E-10171 (2) E-4580	(4) Plugs, (4) Seals, (4) Lock Pins, (4) Nuts.
E-4457B	1.607"	9.080"	B	Bronze	(4) E-4552	(2) E-10167 (2) E-10171 (2) E-4580	(2) Fittings, (2) Snap Rings, (2) Plugs, (2) Gaskets, (4) Seals, (6) Screws, (4) Lock Pins, (4) Nuts.
E-4595B	1.607"	9.375"	B	Bronze	(4) E-5450	(2) E-10167 (2) E-10171 (2) E-4580	(4) Fittings, (4) Gaskets, (6) Seals, (12) Screws, (12) Washers, (12) Lock Pins.
E-4463B	1.609"	9.160"	A	Bronze	(4) E-4544	(2) E-10167 (2) E-10171 (2) E-4580	(8) Seals, (12) Screws, (12) Washers, (2) Lock Pins, (2) Nuts.
E-4697B	1.609"	9.160"	B	Bronze	(4) E-4544	(2) E-10167 (2) E-10171 (2) E-4580	(4) Seals, (4) O-Rings, (4) Lock Pins.
E-4462B	1.609"	9.660"	A	Bronze	(4) E-4544	(2) E-10167 (2) E-10171 (2) E-4580	(8) Seals, (12) Screws, (12) Washers, (4) Lock Pins, (2) Nuts.
E-4693B	1.609"	9.660"	B	Bronze	(4) E-4544	(2) E-10167 (2) E-10171 (2) E-4580	(6) Fittings, (2) O-Rings, (4) Gaskets, (4) Seals, (12) Screws, (12) Washers, (10) Lock Pins.
E-4451B	1.609"	9.660"	B	Bronze	(4) E-4544	(2) E-10167 (2) E-10171 (2) E-4580	(4) Gaskets, (8) Seals, (12) Screws, (12) Washers, (4) Lock Pins.
E-6875C	1.609"	9.660"	B	Composite	(4) E-10191	(2) E-10167 (2) E-10171 (2) E-4580	(6) Fittings, (4) Seals, (4) O-Rings, (12) Screws, (18) Lock Pins.

KING PIN KIT IDENTIFICATION - STRAIGHT TYPE

King Pin Kit Part No.	King Pin Dia.	King Pin Length	King Pin Type	Bushing Type	Bushing	Shim	Additional Contents / Notes
E-4696B	1.625"	9.195"	A	Bronze	(4) E-10192	(2) E-10176 (2) E-10177	(4) Fittings, (4) Gaskets, (2) Seals, (12) Screws, (12) Washers, (2) Lock Pins, (2) Nuts.
E-6869C	1.625"	9.195"	A	Composite	(4) E-5446	(2) E-10176 (2) E-10177	(4) Fittings, (4) Gaskets, (2) Seals, (12) Screws, (12) Washers, (2) Lock Pins, (2) Nuts.
E-4696C	1.625"	9.195"	A	Composite	(2) E-5446	(2) E-10176 (2) E-10177	(4) Fittings, (4) Gaskets, (2) Seals, (12) Screws, (12) Washers, (2) Lock Pins, (2) Nuts.
E-4469B	1.745"	9.380"	B	Bronze	(4) E-4563	(2) E-10168 (2) E-10169 (2) E-4581	(2) Snap Rings, (2) Plugs, (4) Gaskets, (4) Seals, (8) Lock Pins.
E-11808C	1.794"	8.844"	B	Composite			(4) Bushings, (4) Shims, (4) Seals, (4) Draw Keys, (4) Nuts, (4) Caps, (4) Fittings.
E-11394B	1.794"	9.02"	A	Bronze	(4) E-11791	(2) E-10168 (2) E-10169 (2) E-4581	(4) Fittings, (2) Lock Pins, (2) Nuts, (4) Seals, (4) O-Rings
E-4442B	1.794"	9.120"	B	Bronze	(4) E-4534	(2) E-10168 (2) E-10169 (2) E-4581	(2) Retainers, (2) Snap Rings, (2) Plugs, (2) Gaskets, (6) Screws, (4) Lock Pins.
E-6196B	1.794"	10.070"	B	Bronze	(4) E-4554	(2) E-10168 (2) E-10169 (2) E-4581	(4) Plugs, (4) Seals, (4) Lock Pins, (4) Nuts.
E-4459B	1.794"	10.070"	B	Bronze	(4) E-4554	(2) E-10168 (2) E-10169 (2) E-4581	(4) Fittings, (4) Gaskets, (4) Seals, (12) Screws, (4) Lock Pins, (4) Nuts.
E-4459C	1.794"	10.070"	B	Composite	(4) E-5445	(2) E-10168 (2) E-10169 (2) E-4581	(4) Fittings, (4) Gaskets, (4) Seals, (12) Screws, (4) Lock Pins, (4) Nuts.
E-6868B	1.794"	10.392"	B	Bronze	(4) E-4545	(2) E-10168 (2) E-10169 (2) E-4581	(4) Fittings, (4) Gaskets, (6) Seals, (12) Screws, (12) Washers, (4) Lock Pins, (4) Nuts. No lubrication fitting. Special seal and thrust bearing T-1921.
E-6199B	1.794"	10.392"	B	Bronze	(4) E-4545	(2) E-10168 (2) E-10169 (2) E-4581	(4) Fittings, (4) Gaskets, (4) Seals, (12) Screws, (12) Washers, (4) Lock Pins, (4) Nuts.
E-4468B	1.794"	10.392"	B	Bronze	(4) E-4545	(2) E-10168 (2) E-10169 (2) E-4581	(2) Fittings, (2) Snap Rings, (2) Plugs, (2) Gaskets, (4) Seals, (6) Screws, (2) Washers, (4) Lock Pins, (4) Nuts.
E-6199C	1.794"	10.392"	B	Composite	(4) E-5445	(2) E-10168 (2) E-10169 (2) E-4581	(4) Fittings, (4) Gaskets, (6) Seals, (12) Screws, (12) Washers, (4) Lock Pins, (4) Nuts.
E-4695C	1.794"	10.392"	B	Composite	(4) E-5445	(2) E-10168 (2) E-10169 (2) E-4581	(4) Fittings, (4) Gaskets, (6) Seals, (12) Screws, (12) Washers, (4) Lock Pins, (4) Nuts. No lubrication fitting. Special seal and thrust bearing T-1921.
E-4694C	1.794"	10.392"	B	Composite	(4) E-5445	(2) E-10168 (2) E-10169 (2) E-4581	(4) Fittings, (4) Gaskets, (4) Seals, (12) Screws, (12) Washers, (4) Lock Pins, (4) Nuts.
E-11810C	1.794"	10.392"	B	Composite			(4) Bushings, (8) Shims, (6) Seals, (4) Draw Keys, (4) Nuts, (4) Caps, (12) Washers, (12) Capscrews, (4) Gaskets.
E-11811C	1.794"	10.392"	B	Composite			(4) Bushings, (8) Shims, (4) Seals, (4) Draw Keys, (4) Nuts, (4) Caps, (4) Fittings, (12) Washers, (12) Capscrews, (4) Gaskets.
E-4450B	1.794"	10.410"	B	Bronze	(4) E-4545	(2) E-10168 (2) E-10169 (2) E-4581	(4) Gaskets, (2) Seals, (12) Screws, (4) Lock Pins.

KING PIN KIT IDENTIFICATION - STRAIGHT TYPE

King Pin Kit Part No.	King Pin Dia.	King Pin Length	King Pin Type	Bushing Type	Bushing	Shim	Additional Contents / Notes
E-9945B	1.810"	10.531"	B	Bronze	(4) E-4564		(6) Shims, (4) Fittings, (4) Caps, (4) Seals, (4) Lock Pins, (4) Nuts.
E-4471B	1.810"	10.531"	A	Bronze	(4) E-4564	(2) E-10173 (2) E-4582	(2) Gaskets, (2) Seals, (2) Lock Pins.
E-4470B	1.810"	10.531"	A	Bronze	(4) E-4564	(2) E-10173 (2) E-4582	(2) Gaskets, (2) Seals, (2) Lock Pins.
E-4598B	1.810"	10.781"	A	Bronze	(4) E-4564	(2) E-10173 (2) E-4582	(4) Gaskets, (2) Washers, (2) Lock Pins, (2) Nuts.
E-6194B	1.873"	9.965"	A	Bronze	(4) E-10196	(2) E-10174 (2) E-10175 (2) E-4583	(4) Fittings, (4) Seals, (16) Screws, (16) Washers, (2) Lock Pins, (2) Nuts.
E-6194C	1.873"	9.965"	A	Composite	(4) E-10189	(2) E-10174 (2) E-10175 (2) E-4583	(4) Fittings, (2) Seals, (16) Screws, (16) Washers, (2) Lock Pins, (2) Nuts.
E-10105B	1.892"	9.188"	D	Bronze			(2) Bushings, (2) Gaskets, (4) Seals, (2) Nuts.
E-10106B	1.892"	9.594"	D	Bronze			(2) Bushings, (2) Gaskets, (4) Seals, (2) Nuts.
E-9941B	1.921"	9.87"	B	Bronze	(4) E-10193		(6) Shims, (4) Fittings, (6) Seals, (4) Lock Pins, (4) Nuts, (4) O-Rings.
E-14051C	1.999"	10.787"	B	Easy Steer			(4) Bushings, (8) Shims, (6) Seals, (4) Draw Keys, (4) Nuts, (4) Caps, (4) Fittings, (12) Washers, (12) Capscrews, (4) Gaskets.
E-4454B	1.999"	11.040"	B	Bronze	(4) E-4549	(2) E-10174 (2) E-10175 (2) E-4583	(2) Snap Rings, (2) Plugs, (2) Gaskets, (6) Screws, (4) Lock Pins.
E-4454N	1.999"	11.040"	B	Nylon	(4) E-4550	(2) E-10174 (2) E-10175 (2) E-4583	(2) Snap Rings, (2) Plugs, (2) Gaskets, (6) Screws, (4) Lock Pins.
E-4458B	1.999"	11.212"	B	Bronze	(4) E-4553	(2) E-10174 (2) E-10175 (2) E-4583	(4) Fittings, (4) Gaskets, (6) Seals, (12) Screws, (4) Lock Pins, (4) Nuts.
E-11813C	1.999"	11.212"	B	Composite			(4) Bushings, (10) Shims, (6) Seals, (4) Draw Keys, (4) Nuts, (4) Caps, (4) Fittings, (12) Washers, (12) Capscrews, (4) Gaskets.
E-11814C	1.999"	11.212"	B	Composite			(4) Bushings, (10) Shims, (6) Seals, (4) Draw Keys, (4) Nuts, (4) Caps, (4) Fittings, (12) Washers, (12) Capscrews, (4) Gaskets.
E-12512B	1.999"	11.212"	B	Bronze			(4) Bushings, (8) Shims, (6) Seals, (4) Draw Keys, (4) Nuts, (4) Caps, (4) Fittings, (12) Washers, (12) Capscrews, (4) Gaskets.
E-4458C	1.999"	11.212"	B	Composite	(4) E-5442	(2) E-10174 (2) E-10175 (2) E-4583	(4) Fittings, (4) Gaskets, (6) Seals, (12) Screws, (4) Lock Pins, (4) Nuts.
E-9942B	2.046"	10.120"	B	Bronze	(4) E-10194		(4) Fittings, (2) Seals, (4) Lock Pins, (4) Nuts.
E-11785B	2.046"	11.00"	B	Bronze	(4) E-10194		(6) Shims, (4) Fittings, (4) Lock Pins, (4) Nuts, (6) Seals, (4) O-Rings.

KING PIN KIT IDENTIFICATION - TAPERED TYPE

KING PINS

King Pin Kit Part No.	King Pin Large Dia.	King Pin Small Dia.	King Pin Length	King Pin Type	Bushing Type	Bushing	Shim	Additional Contents / Notes
E-10104B	1.614"		8.035"	D	Bronze			(2) Bushings, (2) Gaskets, (4) Seals, (2) Nuts.
E-4435B	1.434"	1.186"	8.750"	D	Bronze	(2) E-4521 (2) E-4522 (2) E-4523	(6) E-4573	(2) Cotter Pins, (2) Lock Rings, (2) Plugs, (4) Gaskets, (6) Screws, (2) Washers, (2) Nuts
E-4435N	1.434"	1.186"	8.750"	D	Bronze Nylon Nylon	(2) E-4521 (2) E-4524 (2) E-4525	(6) E-4573	(2) Cotter Pins, (2) Lock Rings, (2) Plugs, (4) Gaskets, (6) Screws, (2) Retainers, (2) Washers, (2) Nuts
E-5441B	1.434"	1.186"	9.406"	D	Bronze	(2) E-5449 (4) E-4523	(6) E-4573	(2) Cotter Pins, (2) Snap Rings, (2) Plugs, (2) Gaskets, (6) Screws, (2) Nuts
E-4434N	1.607"	1.308"	9.750"	D	Bronze Nylon	(2) E-4518 (4) E-4520	(4) E-4577	(2) Cotter Pins, (2) Spacers, (2) Snap Rings, (2) Plugs, (2) Gaskets, (2) Retainers, (6) Screws, (12) Washers, (2) Nuts
E-4434B	1.607"	1.308"	9.750"	D	Bronze	(2) E-4518 (4) E-4519	(4) E-4577	(2) Cotter Pins, (2) Snap Rings, (2) Plugs, (2) Gaskets, (2) Retainers, (6) Screws, (12) Washers, (2) Nuts
E-4467B	1.625"	1.375"	7.470"	E	Bronze	(2) E-4562		(2) Needle Bearings, (4) Seals, (2) Plugs
E-10165N	1.969"	1.375"	8.69"	F	Nylon			Volvo 10,000 & 12,000
E-10166N	1.969"	1.500"	9.875"	F	Nylon			Volvo 14,000
E-4599B	2.125"	1.750"	8.750"	E	Bronze	(2) E-5444		(2) Needle Bearings, (4) Seals, (2) Plugs

KING PIN KIT TO BUSHING

King Pin Kit	Bushing Type	Bushing Number	Qty per Kit
E-4430B	Bronze	E-4513	(4)
E-4431B	Bronze	E-4514	(4)
E-4434B	Bronze	E-4519	(4)
	Bronze	E-4518	(2)
E-4434N	Bronze	E-4518	(2)
	Nylon	E-4520	(4)
E-4435B	Bronze	E-4521	(2)
	Bronze	E-4523	(2)
	Bronze	E-4522	(2)
E-4435N	Nylon	E-4525	(2)
	Nylon	E-4524	(2)
	Bronze	E-4521	(2)
E-4438B	Bronze	E-4531	(4)
E-4438N	Nylon	E-4532	(4)
E-4440B	Bronze	E-4536	(4)
E-4441B	Bronze	E-4523	(4)
E-4442B	Bronze	E-4534	(4)
E-4443B	Bronze	E-4538	(4)
E-4443N	Nylon	E-4539	(4)
E-4444B	Bronze	E-4513	(4)
E-4444N	Nylon	E-4540	(4)
E-4445B	Bronze	E-4541	(4)
E-4445N	Nylon	E-4542	(4)
E-4448B	Bronze	E-4543	(4)
E-4449B	Bronze	E-4519	(4)
E-4450B	Bronze	E-4545	(4)
E-4451B	Bronze	E-4544	(4)
E-4452B	Bronze	E-4546	(4)
E-4453B	Bronze	E-4547	(4)
E-4454B	Bronze	E-4549	(4)
E-4454N	Nylon	E-4550	(4)
E-4457B	Bronze	E-4552	(4)
E-4458B	Bronze	E-4553	(4)
E-4458C	Composite	E-5442	(4)
E-4459B	Bronze	E-4554	(4)
E-4459C	Composite	E-5445	(4)
E-4460B	Bronze	E-4555	(4)
E-4461B	Bronze	E-4543	(4)
E-4462B	Bronze	E-4544	(4)
E-4463B	Bronze	E-4544	(4)

King Pin Kit	Bushing Type	Bushing Number	Qty per Kit
E-4467B	Bronze	E-4562	(2)
E-4468B	Bronze	E-4545	(4)
E-4469B	Bronze	E-4563	(4)
E-4470B	Bronze	E-4564	(4)
E-4471B	Bronze	E-4564	(4)
E-4595B	Bronze	E-5450	(4)
E-4598B	Bronze	E-4564	(4)
E-4599B	Bronze	E-5444	(2)
E-4693B	Bronze	E-4544	(4)
E-4694C	Composite	E-5445	(4)
E-4695C	Composite	E-5445	(4)
E-4696B	Bronze	E-10192	(4)
E-4696C	Composite	E-5446	(2)
E-4697B	Bronze	E-4544	(4)
E-5441B	Bronze	E-4523	(4)
E-5441B	Bronze	E-5449	(2)
E-6194B	Bronze	E-10196	(4)
E-6194C	Composite	E-10189	(4)
E-6195B	Bronze	E-10190	(4)
E-6196B	Bronze	E-4554	(4)
E-6197B	Bronze	E-4552	(4)
E-6198B	Bronze	E-4555	(4)
E-6199B	Bronze	E-4545	(4)
E-6199C	Composite	E-5445	(4)
E-6450B	Bronze	E-10186	(4)
E-6451B	Bronze	E-10186	(4)
E-6453B	Bronze	E-10185	(4)
E-6454C	Composite	E-10188	(4)
E-6455B	Bronze	E-10195	(4)
E-6455C	Composite	E-10187	(4)
E-6868B	Bronze	E-4545	(4)
E-6869C	Composite	E-5446	(4)
E-6875C	Composite	E-10191	(4)
E-9941B	Bronze	E-10193	(4)
E-9942B	Bronze	E-10194	(4)
E-9943B	Bronze	E-4546	(4)
E-9945B	Bronze	E-4564	(4)
E-11394B	Bronze	E-11791	(4)
E-11785B	Bronze	E-10194	(4)

BUSHING TO KING PIN KIT

Bushing Number	Bushing Type	King Pin Kit	Qty per Kit
E-4513	Bronze	E-4430B	(4)
	Bronze	E-4444B	(4)
E-4514	Bronze	E-4431B	(4)
E-4518	Bronze	E-4434B	(2)
	Bronze	E-4434N	(2)
E-4519	Bronze	E-4434B	(4)
	Bronze	E-4449B	(4)
E-4520	Nylon	E-4434N	(4)
E-4521	Bronze	E-4435B	(2)
	Bronze	E-4435N	(2)
E-4522	Bronze	E-4435B	(2)
E-4523	Bronze	E-4435B	(2)
	Bronze	E-4441B	(4)
	Bronze	E-5441B	(4)
E-4524	Nylon	E-4435N	(2)
E-4525	Nylon	E-4435N	(2)
E-4531	Bronze	E-4438B	(4)
E-4532	Nylon	E-4438N	(4)
E-4534	Bronze	E-4442B	(4)
E-4536	Bronze	E-4440B	(4)
E-4538	Bronze	E-4443B	(4)
E-4539	Nylon	E-4443N	(4)
E-4540	Nylon	E-4444N	(4)
E-4541	Bronze	E-4445B	(4)
E-4542	Nylon	E-4445N	(4)
E-4543	Bronze	E-4448B	(4)
	Bronze	E-4461B	(4)
E-4544	Bronze	E-4451B	(4)
	Bronze	E-4462B	(4)
	Bronze	E-4463B	(4)
	Bronze	E-4693B	(4)
	Bronze	E-4697B	(4)
E-4545	Bronze	E-4450B	(4)
	Bronze	E-4468B	(4)
	Bronze	E-6199B	(4)
	Bronze	E-6868B	(4)
E-4546	Bronze	E-4452B	(4)
	Bronze	E-9943B	(4)
E-4547	Bronze	E-4453B	(4)
E-4549	Bronze	E-4454B	(4)

Bushing Number	Bushing Type	King Pin Kit	Qty per Kit
E-4550	Nylon	E-4454N	(4)
E-4552	Bronze	E-4457B	(4)
	Bronze	E-6197B	(4)
E-4553	Bronze	E-4458B	(4)
E-4554	Bronze	E-4459B	(4)
	Bronze	E-6196B	(4)
E-4555	Bronze	E-4460B	(4)
	Bronze	E-6198B	(4)
E-4562	Bronze	E-4467B	(2)
E-4563	Bronze	E-4469B	(4)
E-4564	Bronze	E-4470B	(4)
	Bronze	E-4471B	(4)
	Bronze	E-4598B	(4)
	Bronze	E-9945B	(4)
E-5442	Composite	E-4458C	(4)
E-5444	Bronze	E-4599B	(2)
E-5445	Composite	E-4459C	(4)
	Composite	E-4694C	(4)
	Composite	E-4695C	(4)
E-5446	Composite	E-6199C	(4)
	Composite	E-4696C	(2)
E-5449	Composite	E-6869C	(4)
	Composite	E-4696C	(2)
E-5449	Bronze	E-5441B	(2)
E-5450	Bronze	E-4595B	(4)
E-10185	Bronze	E-6453B	(4)
E-10186	Bronze	E-6450B	(4)
	Bronze	E-6451B	(4)
E-10187	Composite	E-6455C	(4)
E-10188	Composite	E-6454C	(4)
E-10189	Composite	E-6194C	(4)
E-10190	Bronze	E-6195B	(4)
E-10191	Composite	E-6875C	(4)
E-10192	Bronze	E-4696B	(4)
E-10193	Bronze	E-9941B	(4)
E-10194	Bronze	E-11785B	(4)
	Bronze	E-9942B	(4)
E-10195	Bronze	E-6455B	(4)
E-10196	Bronze	E-6194B	(4)
E-11791	Bronze	E-11394B	(4)



MERITORPARTSONLINE.COM

Your 24/7/365 access to genuine Euclid® parts ordering, plus real-time pricing, parts comparisons and in-depth technical information.



©2016 Meritor, Inc.

KIT1320

Easy Steer



Meritor
Production
Number

Cross
Reference

E-4430B

Bronze



Meritor
Production
Number

Cross
Reference

300107
FKP38B
SP621475

E-4598B

Bronze



Meritor
Production
Number

Cross
Reference

300136
300142
306134
FKP59B
SP621443

E-4442B

Bronze



Meritor
Production
Number

Cross
Reference

171158
171159
300171
300182
306160
306163
FKP37B
FKP37N
FKP50B
FK-
P53B10

E-4443N

Nylon



Meritor
Production
Number

Cross
Reference

300172
FKP39N
SP621473

E-4448B

Bronze



Meritor
Production
Number

Cross
Reference

300194
306132
460.161B
FKP51B

E-6453B

Bronze



Meritor
Production
Number

Cross
Reference

300198
FKP61B
460.695B
SP621524

E-4451B

Nylon




Meritor
Production
Number

Cross
Reference


FKP68N

E-4452B Bronze




Meritor Production Number	Cross Reference	300207 306124 470.162B	FKP69B SP62153
----------------------------------	------------------------	------------------------------	-------------------

E-4453B Bronze



Meritor Production Number	Cross Reference	300208 300209 306117 460.164B	FKP70B FKP70N SP621548
----------------------------------	------------------------	--	------------------------------

E-6451B Bronze




Meritor Production Number	Cross Reference	300214 460.172B	FKP74B SP621549
----------------------------------	------------------------	--------------------	--------------------

E-4457B Bronze




Meritor Production Number	Cross Reference	300215 306126 460.170B	FKP73B SP621551
----------------------------------	------------------------	------------------------------	--------------------

E-4459B Bronze




Meritor Production Number	Cross Reference	171164 300217 306165	460.168B FKP72B SP621550
----------------------------------	------------------------	----------------------------	--------------------------------

E-4462B Bronze




Meritor Production Number	Cross Reference	171060 171061 300221 300222	306139 460.165B FKP77B
----------------------------------	------------------------	--------------------------------------	------------------------------

E-6450B Bronze



Meritor Production Number	Cross Reference	FKP77N KFP77N	
----------------------------------	------------------------	------------------	--

E-4469B Bronze



Meritor Production Number	Cross Reference	171294 300233 306135	460.196B FKP86B SP621582
----------------------------------	------------------------	----------------------------	--------------------------------

E-4470B

Bronze



**Meritor
Production
Number**

**Cross
Reference**

300234
306138
460.201B
FKP89B
SP621577

E-4471B

Bronze



**Meritor
Production
Number**

**Cross
Reference**

300235
306137
FKP88B
SP621576

R200070

Nylon



**Meritor
Production
Number**

**Cross
Reference**

FKP60N

E-4451B

Bronze



**Meritor
Production
Number**

**Cross
Reference**

460.467B
FKP77B2

E-4441B

Bronze



**Meritor
Production
Number** KIT 142

**Cross
Reference**

300158
300159
306161
FKP53B
FKP53N
SP621414

E-4438N

Bronze



**Meritor
Production
Number** KIT 143

**Cross
Reference**

460.116B
FKP46B
SP621421

E-4438N

Nylon



**Meritor
Production
Number** KIT 155

**Cross
Reference**

300-140
FKP46N
SP621431

E-4449B


Bronze





**Meritor
Production
Number** KIT 157


**Cross
Reference**


171140
171141
300195
300196
306168
460.122B
FKP49B
FKP49N
SP621506


E-4454N		Nylon	
			
Meritor Production Number	KIT 156	Cross Reference	171179 FKP52N 300211 SP621512

E-6865B		Bronze	
			
Meritor Production Number	KIT 173	Cross Reference	SP621515

E-4450B		Bronze	
			
Meritor Production Number	KIT 193	Cross Reference	171172 460.148B 20-2570 FKP62B 300204

E-4468B		Bronze	
			
Meritor Production Number	KIT 195	Cross Reference	171174 460.204B 20-2610 FKP90B 300232 SP621572 306166

E-12512B		Bronze	
			
Meritor Production Number	KIT 198	Cross Reference	300216 FKP71B 460.166B SP621554

E-6869C		Composite	
			
Meritor Production Number		Cross Reference	300258 FKP101C 300275 FKP116B 460.220CW FKP98C FKP101B SP621553

E-4696C

Composite



**Meritor
Production
Number**

**Cross
Reference** 300257
FKP98B
FKP98C

E-6198B

Bronze



**Meritor
Production
Number**

**Cross
Reference** 300268
460.244B
FKP110B

E-4696B

Bronze



**Meritor
Production
Number**

**Cross
Reference** 300274
460.254B
FKP115B

E-6869C

Bronze



**Meritor
Production
Number**

**Cross
Reference** 460.254BW
FKP116B

E-6195B

Bronze



**Meritor
Production
Number**

**Cross
Reference** 300260
460.454B
FKP104B

E-4459C

Easy Steer



**Meritor
Production
Number**

**Cross
Reference** 300261 FKP107B
460.168C FKP107C

E-11785B

Bronze



**Meritor
Production
Number**

**Cross
Reference** 300278
460.457B
460.506C


E-9943B

Bronze




**Meritor
Production
Number**


**Cross
Reference** 300286
460.264B
FKP120B

E-11394B		Bronze	
			
Meritor Production Number	Cross Reference	300293 300297	460.286B FKP131B


E-4458B		Easy Steer	
			
Meritor Production Number	Cross Reference	171180 300216	306167 FKP71B

E-4694C		Easy Steer	
			
Meritor Production Number	Cross Reference	300242 460.204C FKP97B	FKP97C SP621593
KIT 1307			

E-4695C		Easy Steer	
			
Meritor Production Number	Cross Reference	300244 460.208C	FKP100C SP621592
KIT 1309			

E-6868B		Bronze	
			
Meritor Production Number	Cross Reference	300-264 460.208B	FKP92B SP621583
KIT 1310			

E-4458C		Easy Steer	
			
Meritor Production Number	Cross Reference	300265 460.166C	FKP99C SP621590
KIT 1312			

E-6199C		Easy Steer	
			
Meritor Production Number	Cross Reference	300266 460.246C FKP111B	FKP111C SP621604
KIT 1315			

R201318		Easy Steer	
			
Meritor Production Number	Cross Reference	300324 460.325C	

E-11810C

Easy Steer



**Meritor
Production
Number**

**Cross
Reference** 300332
460.469C

E-11808C

Easy Steer



**Meritor
Production
Number** KIT 1419

**Cross
Reference** 300295
300299
460.518C

E-9941B

Easy Steer



**Meritor
Production
Number**

**Cross
Reference** 2621635 460.260B
300276 FKP-118-B

E-9942B

Bronze



**Meritor
Production
Number**

**Cross
Reference** 300277
FKP119B

E-11811C

Easy Steer



**Meritor
Production
Number**

**Cross
Reference** 300334
460.533C

E-11812C

Easy Steer



**Meritor
Production
Number**

**Cross
Reference** 300316
460.530C

E-11813C

Easy Steer



**Meritor
Production
Number**

**Cross
Reference** 300310
460.528C
460.537C



E-11814C


Easy Steer



**Meritor
Production
Number**

**Cross
Reference** 300330

E-11815C Easy Steer	
	
Meritor Production Number	Cross Reference
E-14051C Easy Steer	
	
Meritor Production Number	Cross Reference

E-11816C Easy Steer	
	
Meritor Production Number	Cross Reference
	300314 460.532C

E-4435B

Nylon



**Meritor
Production
Number**

Cross Reference 300128 FKP27B
306127 SP621406

E-4435N

Bronze



**Meritor
Production
Number**

Cross Reference 300163 FKP27N
SP621467

E-4599B

Easy Steer



**Meritor
Production
Number**

Cross Reference 300245 460.212B
306158 FKP94B

E-4434N

Nylon



**Meritor
Production
Number** KIT 123

Cross Reference 171231 FKP11N
300-150 SP621422

E-4434B

Bronze



**Meritor
Production
Number** KIT 144

Cross Reference 171230 FKP11B
300-125 SP621364
306136

E-10106B

Bronze



**Meritor
Production
Number**

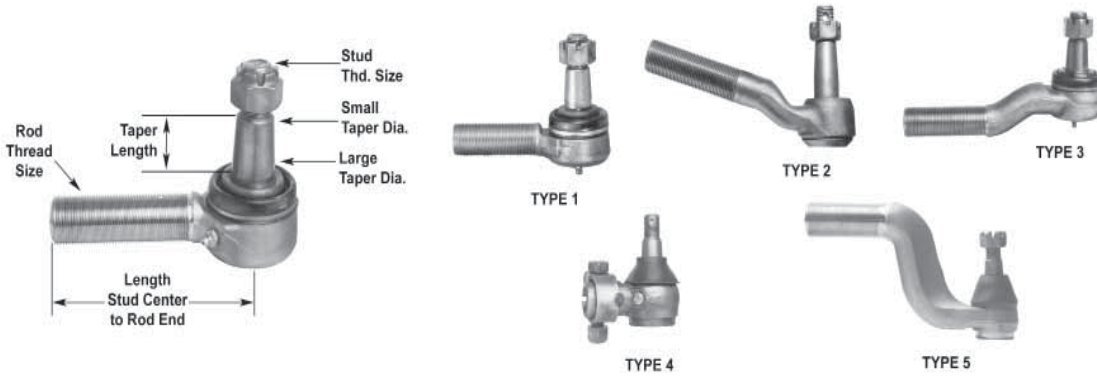
Cross Reference 300289
460.492B FKP123B

SHIMS BY I.D.



Part Number	Inside Diameter	Outside Diameter	Thickness
E-9220	.875"	1.562"	.005"
E-9221	.953"	1.750"	.005"
E-4572	1.156"	1.750"	.010"
E-4573	1.200"	1.938"	.005"
E-4576	1.281"	1.875"	.010"
E-4575	1.281"	2.000"	.005"
E-10170	1.281"	2.000"	.015"
E-4577	1.391"	2.234"	.005"
E-4579	1.500"	2.375"	.005"
E-10172	1.516"	2.375"	.015"
E-10167	1.625"	2.687"	.010"
E-10171	1.625"	2.687"	.015"
E-4580	1.625"	2.688"	.005"
E-10176	1.660"	2.625"	.005"
E-10177	1.660"	2.625"	.010"
E-4581	1.805"	2.500"	.005"
E-10169	1.805"	2.500"	.010"
E-10168	1.805"	2.500"	.015"
E-4582	1.875"	2.812"	.005"
E-10173	1.875"	2.812"	.015"
E-10174	2.010"	3.250"	.015"
E-4583	2.010"	3.260"	.005"
E-10175	2.010"	3.260"	.030"

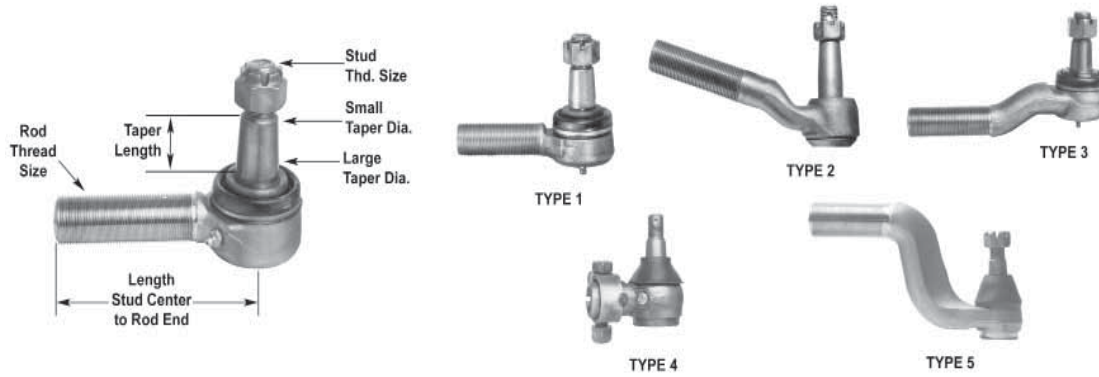
TIE ROD AND DRAG LINK ENDS



TIE ROD ENDS

Part Number	Stud Center to Rod End	Rod Thread Size	Taper Length	Large Taper Dia.	Small Taper Dia.	Stud Thread Size	Style	Type	Industry Number	Comments
E-10114	2.75"	.875"-14	1.375"	1.250"	1.077"	.875"-14		4		
E-5392	3.12"	.937"-20 RH	1.112"	1.035"	.896"	.75"-16	Curbside	4	ES2030R	
E-9967	3.12"	1.00"-16 RH	1.08"	1.102"	.967"	.875"-14	Curbside	4	ES3304R	
E-6665	3.38"	.875"-18 LH	.75"	.773"	.675"	.625"-18	Roadside	1	ES2010L	
E-4635	3.50"	.75"-16 RH	.75"	.701"	.612"	.563"-18	Curbside	1	ES150R	
E-4634	3.50"	.75"-16 LH	.75"	.701"	.612"	.563"-18	Roadside	1	ES150L	
E-4601	3.875"	1.00"-16 RH	.87"	.773"	.664"	.625"-18	Curbside	1	ES235NR	
E-4600	3.875"	1.00"-16 LH	.87"	.773"	.664"	.625"-18	Roadside	1	ES235NL	
E-4637	3.875"	1.00"-16 RH	.90"	.874"	.762"	.625"-18	Curbside	1	ES176R	
E-4636	3.875"	1.00"-16 LH	.90"	.874"	.762"	.625"-18	Roadside	1	ES176L	
E-4603	3.875"	1.00"-16 RH	.95"	.899"	.78"	.75"-16	Curbside	1	ES304R	
E-4602	3.875"	1.00"-16 LH	.95"	.899"	.78"	.75"-16	Roadside	1	ES304L	
E-6720	4.125"	1.00"-18 RH	.75"	.773"	.675"	.625"-18	Curbside	1	ES2011R	
E-4605	4.438"	1.00"-16 RH	.93"	.899"	.783"	.75"-16	Curbside	1	ES373R	
E-4604	4.438"	1.00"-16 LH	.93"	.899"	.783"	.75"-16	Roadside	1	ES373L	
E-10163	4.72"	M30 x 1.50 RH	1.10"	1.126"	.942"	M20 x 1.50	Curbside	1	V1698846	
E-10164	4.72"	M30 x 1.50 LH	1.10"	1.126"	.942"	M20 x 1.50	Roadside	1	V1698847	
E-6722	4.80"	.875"-18 RH	.75"	.773"	.675"	.625"-18	Curbside	1	ES2234R	
E-4609	4.875"	1.125"-12 RH	1.11"	1.031"	.896"	.75"-16	Curbside	1	ES2069R	Anti-tilt seal
E-4608	4.875"	1.125"-12 LH	1.11"	1.031"	.896"	.75"-16	Roadside	1	ES2070L	
E-4611	4.875"	1.125"-12 RH	1.08"	1.102"	.967"	.875"-14	Curbside	1	ES187R	
E-4610	4.875"	1.125"-12 LH	1.08"	1.102"	.967"	.875"-14	Roadside	1	ES187L	
E-4640	4.875"	1.125"-16 RH	1.08"	1.102"	.967"	.875"-14	Curbside	1	ES2118L	
E-4613	4.938"	1.00"-16 RH	.93"	.899"	.783"	.75"-16	Curbside	1	ES2062R	
E-4612	4.938"	1.00"-16 LH	.93"	.899"	.783"	.75"-16	Roadside	1	ES2061L	
E-6678	4.98"	.875"-18 RH	1.00"	.733"	.664"	.625"-18	Curbside	2	ES2147R	
E-4607	5.00"	1.125"-12 RH	1.07"	1.031"	.896"	.75"-16	Curbside	1	ES405R	
E-4606	5.00"	1.125"-12 LH	1.07"	1.031"	.896"	.75"-16	Roadside	1	ES405L	
E-10113	5.02"	1.00"-16 RH	.87"	1.024"	.915"	.75"-16	Curbside	1	ES3269R	
E-10112	5.02"	1.00"-16 LH	.87"	1.024"	.915"	.75"-16	Roadside	1	ES3268L	
E-6789	5.39"	1.00"-18 RH	.75"	.703"	.615"	M14 x 1.50	Curbside	1	ES2914R	

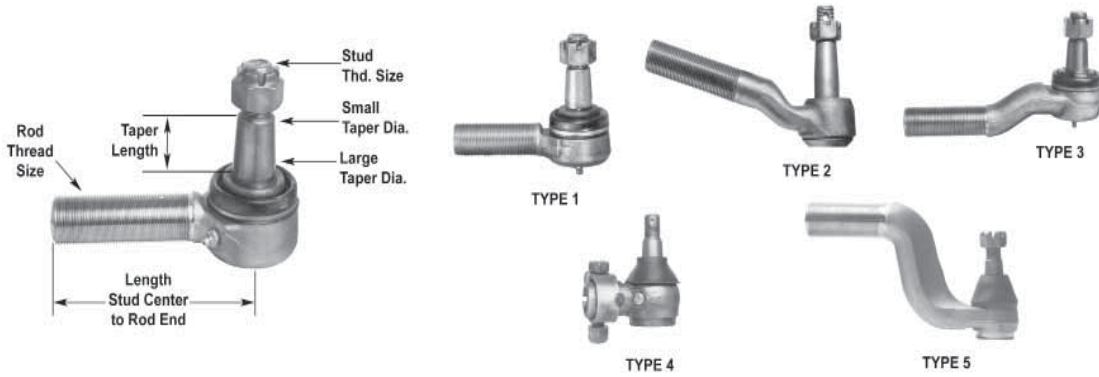
TIE ROD AND DRAG LINK ENDS



Part Number	Stud Center to Rod End	Rod Thread Size	Taper Length	Large Taper Dia.	Small Taper Dia.	Stud Thread Size	Style	Type	Industry Number	Comments
E-10111	5.44"	1.125"-12 RH	.87"	1.024"	.915"	.75"-16	Curbside	1	ES3271R	
E-10110		1.125"-12 LH					Roadside	ES3270L		
E-4615	5.44"	1.125"-12 RH	1.08"	1.102"	.967"	.875"-14	Curbside	1	ES423R	
E-4614		1.125"-12 LH					Roadside	ES423L		
E-5470	5.44"	1.125"-12 RH	1.08"	1.102"	.967"	.875"-14	Curbside	1	ES2614R	
E-14326		1.125"-12 LH					Roadside	1	-	
E-5469	5.44"	1.125"-14 RH	1.08"	1.102"	.967"	.875"-14	Curbside	1	ES2613L	
E-10109	5.44"	1.125"-12 RH	1.14"	1.181"	1.038"	.875"-14	Curbside	1	ES3275R	
E-10108		1.125"-12 LH					Roadside	ES3274L		
E-6849	5.50"	1.25"-12 RH	1.08"	1.102"	.967"	.875"-14	Curbside	1	ES2203R	
E-5402	5.75"	1.25"-12 RH	1.06"	1.25"	1.117"	.875"-14	Curbside	1	ES2225R	
E-5391		1.25"-12 LH	1.10"	Roadside	ES2224L					
E-4618	5.75"	1.25"-12 RH	1.41"	1.25"	1.08"	.875"-14	Curbside	1	ES346L	Anti-tilt seal. Side zerk
E-4619		1.25"-12 LH					Roadside	ES346R		
E-9878	5.75"	1.25"-12 LH	1.36"	1.25"	1.08"	.875"-14	Roadside	1		Side zerk
E-9877		1.25"-12 RH					Curbside			
E-4617	5.75"	1.25"-12 RH	1.36"	1.25"	1.08"	.875"-14	Curbside	1	ES431R	Zerk on bottom
E-4616		1.25"-12 LH					Roadside	ES431L		
E-9881	5.75"	1.25"-12 RH	1.36"	1.25"	1.25"	.875"-14	Curbside	1	ES3252R	
E-4642	5.75"	1.25"-16 RH	1.40"	1.25"	1.08"	.875"-14	Curbside	1	ES2208R	
E-6858	5.75"	1.25"-18 RH	1.40"	1.25"	1.08"	.875"-14	Roadside		ES3032R	
E-4621	5.84"	1.00"-16 RH	.93"	.899"	.783"	.75"-16	Curbside	1	ES330R	
E-4620		1.00"-16 LH					Roadside	ES330L		
E-9963	6.00"	1.125"-12 RH	1.08"	1.102"	.967"	.875"-14	Curbside	1	ES3176R	
E-9962		1.125"-12 LH					Roadside	ES3177L		
E-10137	6.00"	1.125"-12 RH	1.08"	1.102"	.967"	.875"-14	Curbside	1	ES3476	
E-10138		1.125"-12 LH					Roadside	ES3477		
E-4623	6.07"	1.00"-16 RH	.93"	.899"	.783"	.75"-16	Curbside	1	ES2036R	
E-4622		1.00"-16 LH					Roadside	ES2035L		
E-6404	6.34"	.875"-18 LH	.620"	.793"	.715"	.625"-18	Roadside	1	ES2027L	





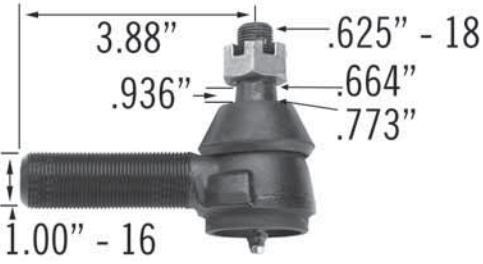
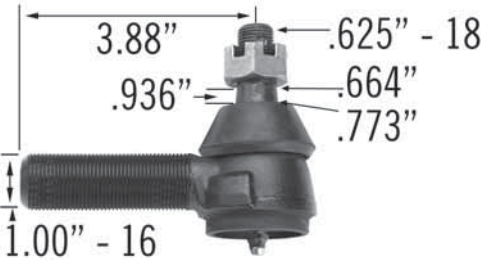
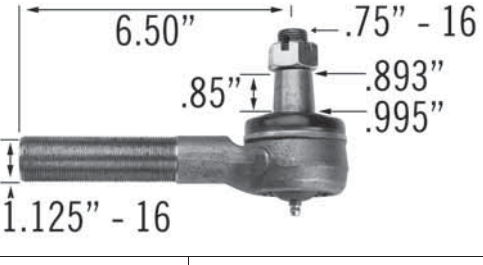
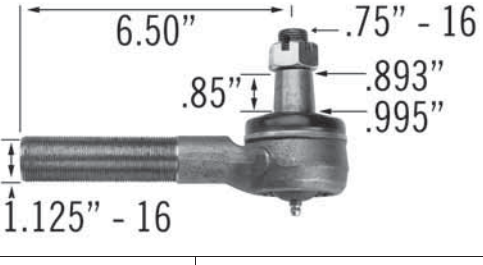
TIE ROD ENDS

TIE ROD AND DRAG LINK ENDS



TIE ROD ENDS

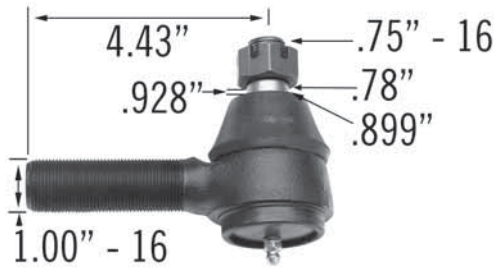
Part Number	Stud Center to Rod End	Rod Thread Size	Taper Length	Large Taper Dia.	Small Taper Dia.	Stud Thread Size	Style	Type	Industry Number	Comments
E-4625	6.50"	1.125"-16 RH	.75"	.995"	.893"	.75"-16	Curbside	1	ES332R	
E-4624		1.125"-16 LH					Roadside		ES332L	
E-6694	6.84"	1.00"-16 LH	.75"	.72"	.613"	M14 x 1.50	Curbside	1	ES2925L	
E-9966	7.188"	1.00"-16 RH	.93"	.899"	.783"	.75"-16	Curbside	1	ES3283R	
E-9965		1.00"-16 LH					Roadside		ES3284L	
E-9879	7.37"	1.25"-12 RH	1.25"	1.25"	1.08"	.875"-14	Curbside	1	ES3034R	Side zerk
E-9880		1.25"-12 LH					Roadside		ES3033L	
E-4628	7.37"	1.25"-12 LH	1.36"	1.25"	1.08"	.875"-14	Roadside	1	ES2090L	Zerk on bottom
E-4629		1.25"-12 RH					Curbside		ES2091R	
E-11788	7.75"	1.25"-12 RH	1.08"	1.102"	.967"	.875"-14	Curbside	1	ES3442R	
E-11789		1.25"-12 LH					Roadside		ES3443L	
E-8758	8.125"	1.25"-12 RH	1.20"	1.102"	.967"	.875"-14	Curbside	3	ES3297R	
E-8757		1.25"-12 LH					Roadside		ES3298L	
E-6403	8.34"	.875"-18 RH	.620"	.793"	.715"	.625"-18	Curbside	1	ES2026R	
E-4631	9.188"	1.125"-12 RH	1.08"	1.102"	.967"	.875"-14	Curbside	1	ES411R	
E-4630		1.125"-12 LH					Roadside		ES411L	
E-9952	9.438"	1.125"-12 RH	1.08"	1.102"	.967"	.875"-14	Curbside	1	ES3220R	
E-9951		1.125"-12 LH					Roadside		ES3219L	
E-6848	10.50"	1.625"-12 RH	1.08"	1.102"	.967"	.875"-14	Curbside	5	ES2201R	
E-6847		1.625"-12 LH					Roadside		ES2200L	
E-6855	10.81"	1.375"-12 RH	.93"	.899"	.783"	.75"-16	Curbside	5	ES3027R	
E-6854		1.375"-12 LH					Roadside		ES3026L	
E-6136	10.84"	1.875"-12 RH	1.08"	1.102"	.967"	.875"-14	Curbside	5	ES3087R	
E-6135		1.875"-12 LH					Roadside		ES3086L	
E-10149	11.890	1.375"-12 RH	-	.874"	.762"	-	-	1	ES3205R	
E-10148		1.375"-12 LH						-	-	ES3204L
E-9948	12.375"	1.25"-12 RH	1.25"	1.25"	1.08"	.875"-14	Curbside	4	ES3214R	
E-6856	12.688"	1.875"-12 RH	1.36"				Curbside	3	ES3030R	
E-6857		1.875"-12 LH	Roadside		ES3031L					
E-6864	13.25"	1.438"-12 RH	.93"	.899"	.783"	.75"-16	Curbside	3	ES3040R	
E-6863		1.438"-12 LH					Roadside		ES3039L	

E-4634		LH		E-4635		RH	
							
Meritor Production Number	Cross Reference	310112 462.ES150L	ES150L SP692022	Meritor Production Number	Cross Reference	310113 462.ES150R	ES150R SP692023
E-4636		LH		E-4637		RH	
							
Meritor Production Number	Cross Reference	310115 310121 ES176L		Meritor Production Number	Cross Reference	310116 ES176R	
E-4600		LH		E-4601		RH	
							
Meritor Production Number	Cross Reference	310129 462.ES235L	ES235L SP692051	Meritor Production Number	Cross Reference	310130 462.ES235R	ES235R SP692052
E-4624		LH		E-4625		RH	
							
Meritor Production Number	Cross Reference	310164 462.ES332L	ES332L SP692142	Meritor Production Number	Cross Reference	310165 462.ES332R	ES332R SP692143

TIE ROD ENDS

E-4604

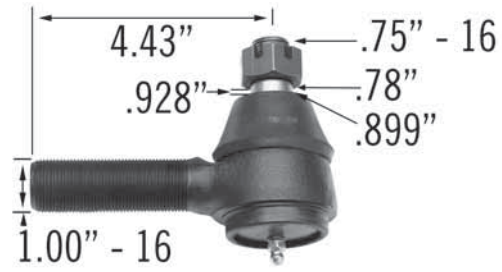
LH



Meritor Production Number	Cross Reference	31018 462.ES373L	ES373L SP692189
---------------------------------	--------------------	---------------------	--------------------

E-4605

RH



Meritor Production Number	Cross Reference	310184 462.ES373R	ES373R SP692190
---------------------------------	--------------------	----------------------	--------------------

E-4606

LH



Meritor Production Number	Cross Reference	310208 462.ES405L	ES405L SP692314
---------------------------------	--------------------	----------------------	--------------------

E-4607

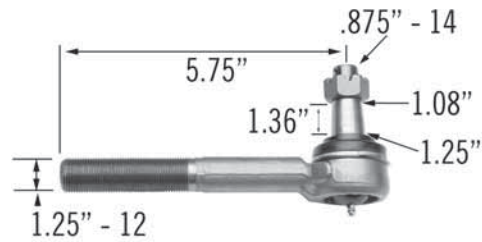
RH



Meritor Production Number	Cross Reference	310209 462.ES405R	ES405R SP692315
---------------------------------	--------------------	----------------------	--------------------

E-4630

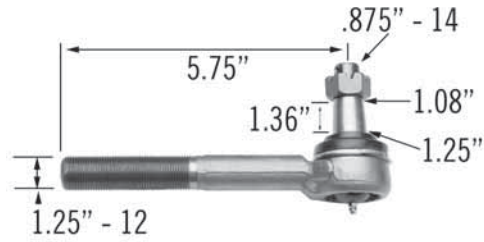
LH



Meritor Production Number	Cross Reference	310215 462.ES411L ES411L	
---------------------------------	--------------------	--------------------------------	--

E-4631

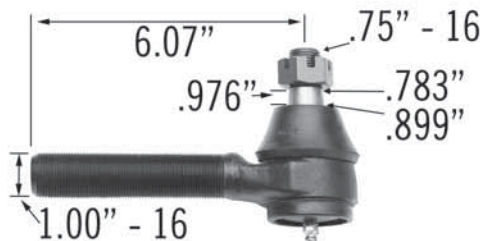
RH



Meritor Production Number	Cross Reference	310216 462.ES411R ES411R	
---------------------------------	--------------------	--------------------------------	--

E-4622

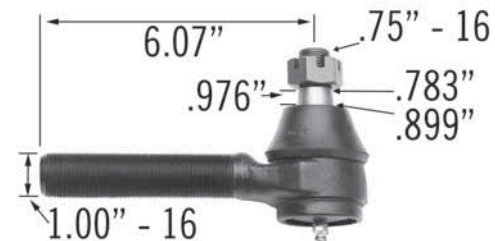
LH



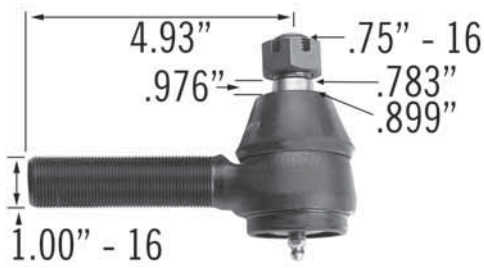
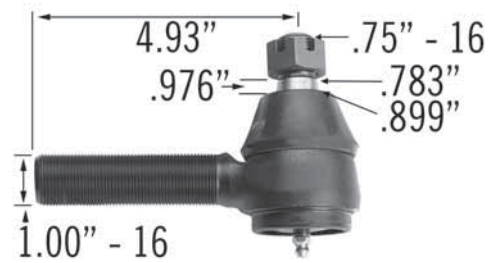
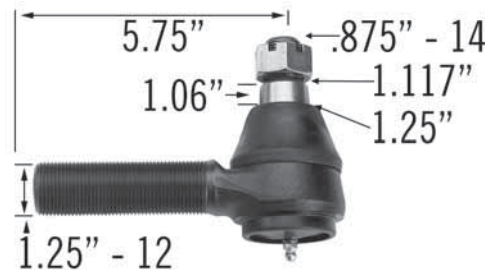
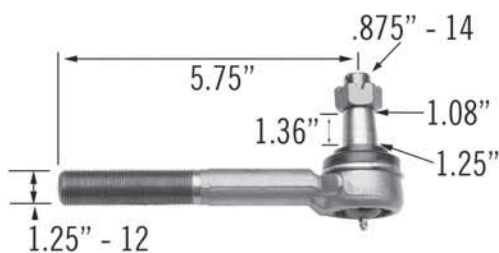
Meritor Production Number	Cross Reference	310266 462.ES2035L	ES2035L SP692437
---------------------------------	--------------------	-----------------------	---------------------

E-4623

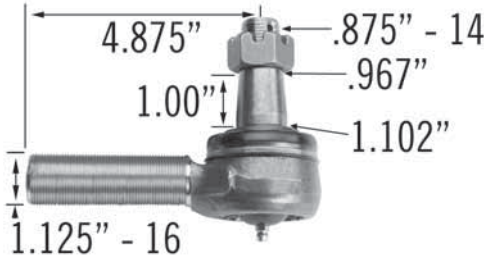
RH



Meritor Production Number	Cross Reference	310267 462.ES2036R	ES2036R SP692438
---------------------------------	--------------------	-----------------------	---------------------

E-4612**LH**Meritor
Production
NumberCross
Reference310271
ES2061L
SP692466**E-4613****RH**Meritor
Production
NumberCross
Reference310272
ES2062R
SP692467**E-4608****LH**Meritor
Production
NumberCross
Reference21-2069R
310277
462.ES2069R
ES2069R
SP692474**E-4609****RH**Meritor
Production
NumberCross
Reference21-2070L
310278
462.ES2070L
ES2070L
SP692475**E-5391****LH**Meritor
Production
NumberCross
Reference310290
310292
310293
310326
310327
310425
462.ES2224L
ES2224L
ES434L
SP692700**E-5402****LH**Meritor
Production
NumberCross
Refer-
ence310-327
462.ES2225R
ES2225R
SP692701**E-4616****LH**Meritor
Production
NumberCross
Reference310229SF
462.
ES431LS
ES2041L
ES2116L
ES376L**E-4617****RH**Meritor
Production
NumberCross
Refer-
ence310228SF
462.ES431RS
ES2040R
ES2113R
ES2114R
ES2115R
ES376R

E-4640 LH RH



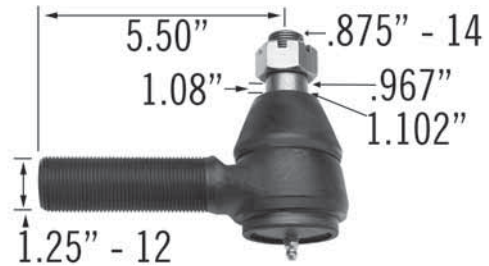
No Right Hand of version of this part is available

Meritor Production Number	Cross Reference	310296 462. ES2118L	ES2118L SP692653
---------------------------	-----------------	---------------------------	---------------------

Meritor Production Number	Cross Reference	ES2077R SP692522
---------------------------	-----------------	---------------------

LH E-6849 RH

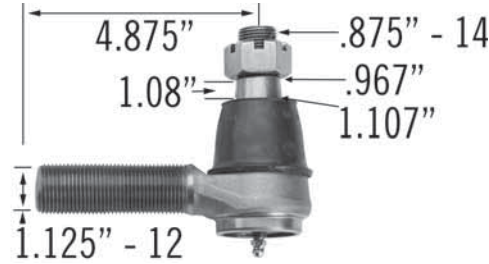
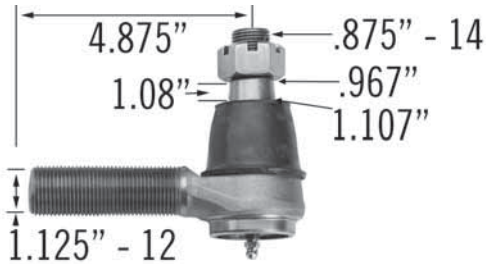
No Left Hand of version of this part is available



Meritor Production Number	Cross Reference	
---------------------------	-----------------	--

Meritor Production Number	Cross Reference	310317 462.ES2203R ES2203R	SP692705 SP692707
---------------------------	-----------------	----------------------------------	----------------------

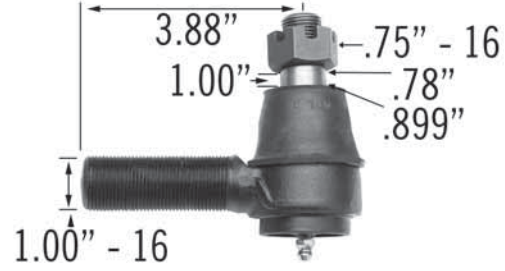
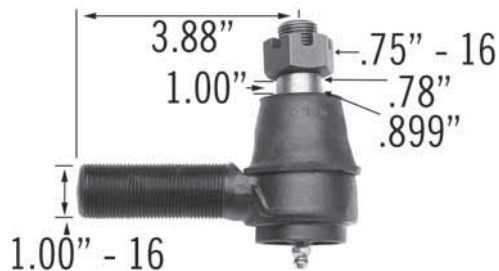
E-4610 LH E-4611 RH



Meritor Production Number	A-3144-K-193	Cross Reference	310-122 ES187L SP692042
---------------------------	--------------	-----------------	-------------------------------

Meritor Production Number	A-3144-Q-225	Cross Reference	310-121 ES187R SP692041
---------------------------	--------------	-----------------	-------------------------------

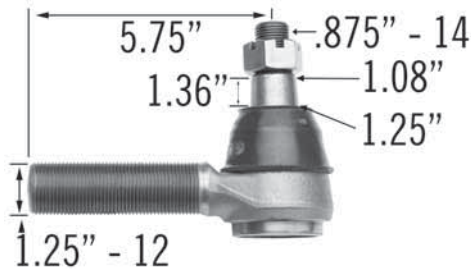
E-4602 LH E-4603 RH



Meritor Production Number	A-3144-U-385	Cross Reference	310-142 ES304L SP692097
---------------------------	--------------	-----------------	-------------------------------

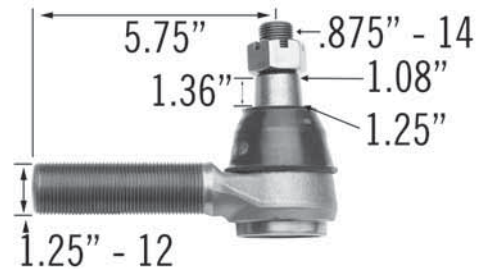
Meritor Production Number	A-3144-V-386	Cross Reference	310-143 ES304R SP692098
---------------------------	--------------	-----------------	-------------------------------

E-4619 LH



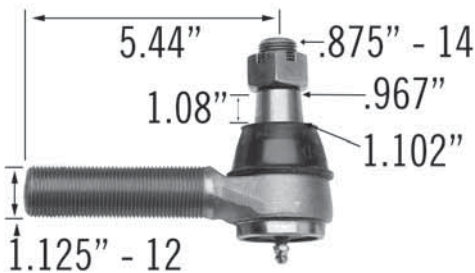
Meritor Production Number	A-3144-D-238	Cross Reference	310169 310170 310229SF	310424 ES346R
---------------------------	--------------	-----------------	------------------------------	------------------

E-4618 RH



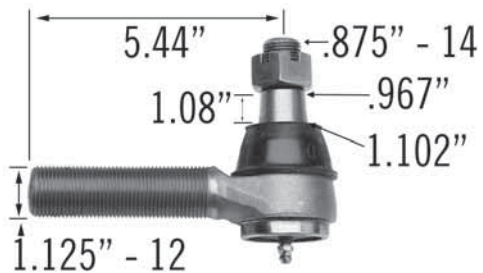
Meritor Production Number	A-3144-C-237	Cross Reference	310169 310170 310228SF	310321 310322 ES346L
---------------------------	--------------	-----------------	------------------------------	----------------------------

E-4614 LH



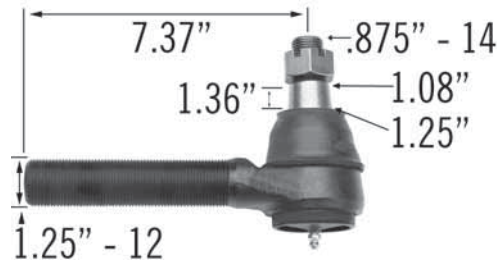
Meritor Production Number	A-3144-D-524	Cross Reference	140TR110 310-223 462.ES423L	ES423R SP692244
---------------------------	--------------	-----------------	-----------------------------------	--------------------

E-4615 RH



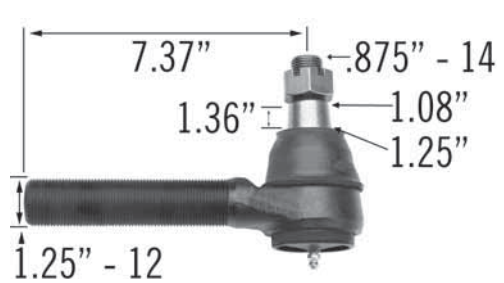
Meritor Production Number	A-3144-E-525	Cross Reference	140TR109 310-222 462.ES423R	ES3217L ES423L SP692243
---------------------------	--------------	-----------------	-----------------------------------	-------------------------------

E-4628 LH



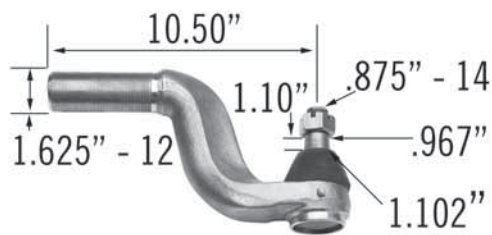
Meritor Production Number	A-3144-G-449	Cross Reference	212033L 310283 310324 310397	310398 310433 462.ES2090LS ES2090L
---------------------------	--------------	-----------------	---------------------------------------	---

E-4629 RH



Meritor Production Number	A-3144-F-448	Cross Reference	212202R 310284 310316 310318 310323	310397 310398 310434 ES2091R ES2202R
---------------------------	--------------	-----------------	---	--

E-6847 LH



Meritor Production Number	A-3144-N-534	Cross Reference	310314 462.ES2200L
---------------------------	--------------	-----------------	-----------------------

E-6848 RH



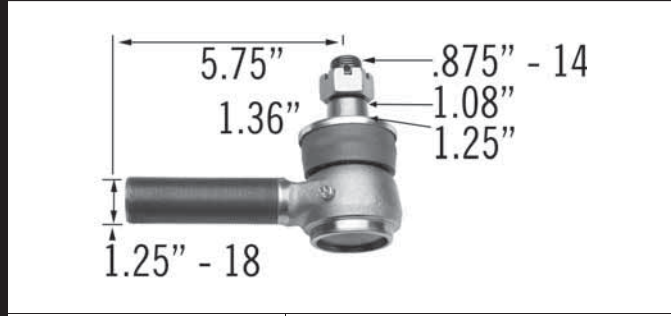
Meritor Production Number	A-3144-M-533	Cross Reference	310313 462.ES2201R
---------------------------	--------------	-----------------	-----------------------

LH

No Left Hand of version
of this part is available

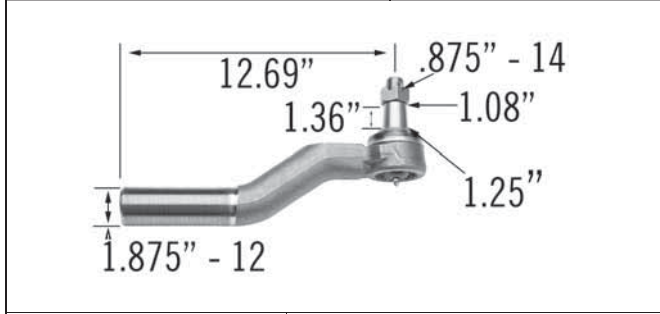
Meritor Production Number	Cross Reference
---------------------------------	--------------------

E-6858 RH



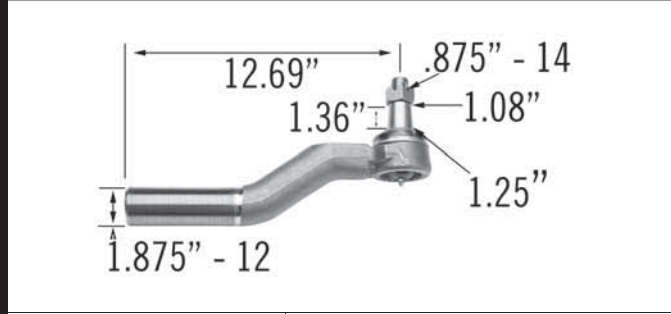
Meritor Production Number	Cross Reference	310399 ES3032R
---------------------------------	--------------------	-------------------

E-6857 LH



Meritor Production Number	A-3144-C-549	Cross Reference	310396 462.ES3031L ES3031L
---------------------------------	--------------	--------------------	----------------------------------

E-6856 RH



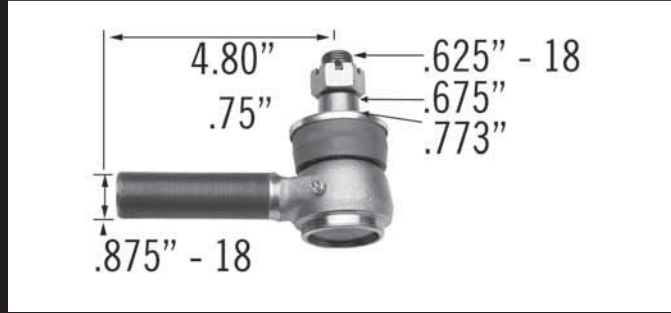
Meritor Production Number	A3144D550	Cross Reference	310395 462.3030R ES3030R
---------------------------------	-----------	--------------------	--------------------------------

LH

No Left Hand of version
of this part is available

Meritor Production Number	Cross Reference
---------------------------------	--------------------

E-6722 RH



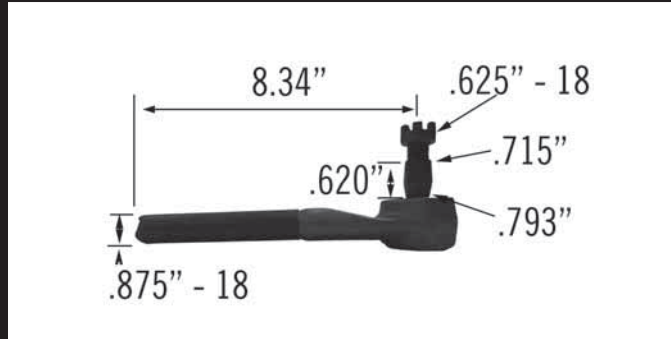
Meritor Production Number	Cross Reference	310338 ES2234R ES2234R SP692553
---------------------------------	--------------------	--

LH

No Left Hand of version
of this part is available

Meritor Production Number	Cross Reference
---------------------------------	--------------------

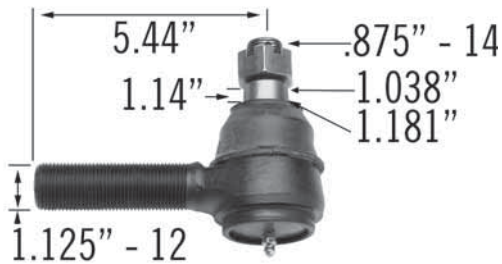
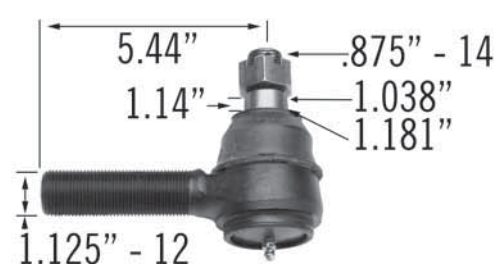
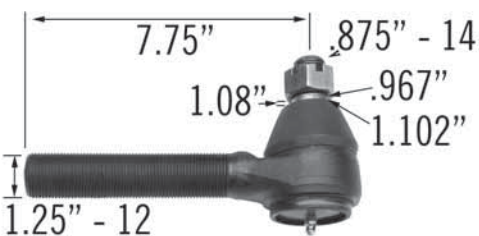
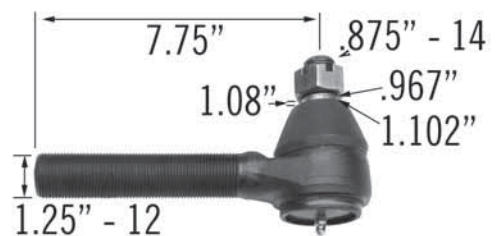
E-6403 RH

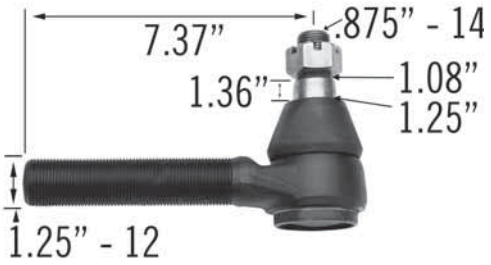



Meritor Production Number	Cross Reference	310262 ES2026R SP672441 SP692441
---------------------------------	--------------------	---


E-6404**LH**

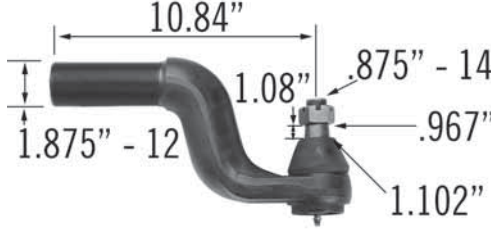
Image not available at time of printing.

Meritor
Production
NumberCross
Reference310263
ES2027L
SP692442**RH**No Right Hand of version
of this part is availableMeritor
Production
NumberCross
Reference**E-10108****LH**Meritor
Production
NumberCross
Reference310467
462.ES3274L
ES3274L**E-10109****RH**Meritor
Production
NumberCross
Reference310468
ES3275R**E-10110****LH**Meritor
Production
NumberCross
Reference310469
462.ES3270L**E-10111****RH**Meritor
Production
NumberCross
Reference310470
462.ES3271R**E-11789****LH**Meritor
Production
NumberCross
Reference310484
462.ES3443L**E-11788****RH**Meritor
Production
NumberCross
Reference310483
462.ES3442R**TIE ROD ENDS**


E-9880		LH	
			
Meritor Production Number	Cross Reference	462.ES3033L	

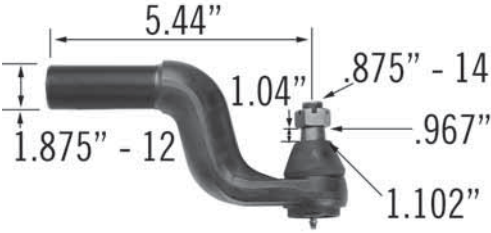
E-9879		RH	
			
Meritor Production Number	Cross Reference	462.ES3034R	

E-6135		LH	
			
Meritor Production Number	Cross Reference	310350 462.ES3086L	

E-6136		RH	
			
Meritor Production Number	Cross Reference	310351 462.ES3087R	

LH	
<p>No Left Hand of version of this part is available</p>	
Meritor Production Number	Cross Reference

E-5470		RH	
			
Meritor Production Number	Cross Reference	A-3144-F-552 310380 310381 ES2614R	

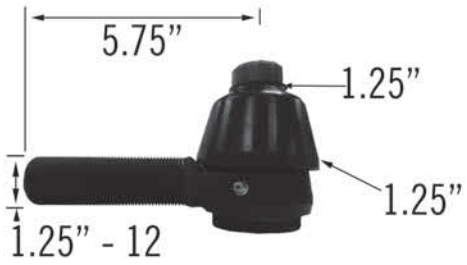
E-5469		LH	
			
Meritor Production Number	Cross Reference	310380 310381 ES2613L	

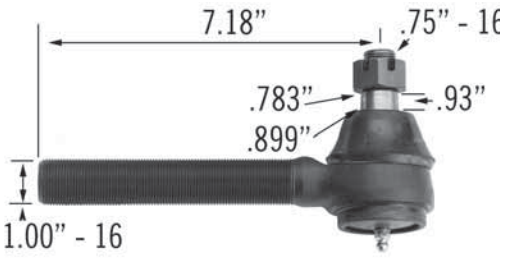
RH	
<p>No Right Hand of version of this part is available</p>	
Meritor Production Number	Cross Reference

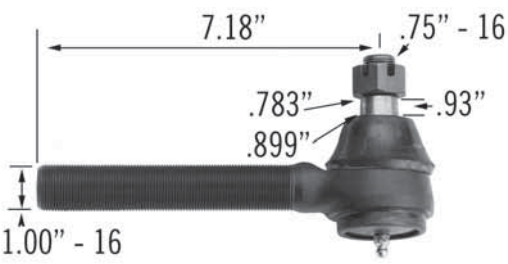
LH		E-5392		RH			
No Left Hand of version of this part is available							
Meritor Production Number	Cross Reference	Meritor Production Number	Cross Reference	310264 462.ES2030R	ES2030R SP692432		
E-9962		LH		E-9963		RH	
Meritor Production Number	Cross Reference	310471 462.ES3177L	Meritor Production Number	Cross Reference	310472 462.ES3176R		
LH		E-9948		RH			
No Left Hand of version of this part is available							
Meritor Production Number	Cross Reference	Meritor Production Number	Cross Reference	462.ES3214R			
E-9951		LH		E-9952		RH	
Meritor Production Number	Cross Reference	140TR111 462.ES3219L ES3219L	Meritor Production Number	Cross Reference	140TR112 462.ES3220R ES3220R		

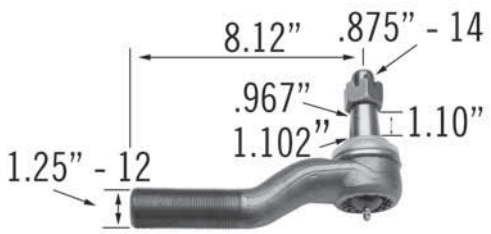
TIE ROD ENDS

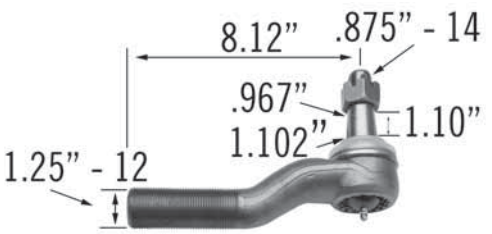
LH	
No Left Hand of version of this part is available	
Meritor Production Number	Cross Reference

E-9881		RH	
			
Meritor Production Number	Cross Reference	462.ES3252R	

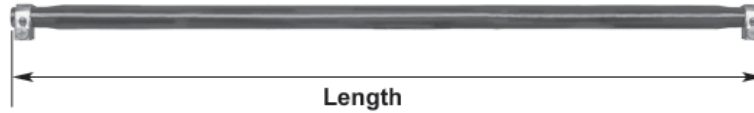
E-9965		LH	
			
Meritor Production Number	Cross Reference	310473 462.ES3284L ES3284L	

E-9966		RH	
			
Meritor Production Number	Cross Reference	310474 462.ES3283R ES3283R	

E-8757		LH	
			
Meritor Production Number	Cross Reference	310285 ES3298L ES9009	

E-8758		RH	
			
Meritor Production Number	Cross Reference	310286 ES3297R ES9010	

CROSSTUBES

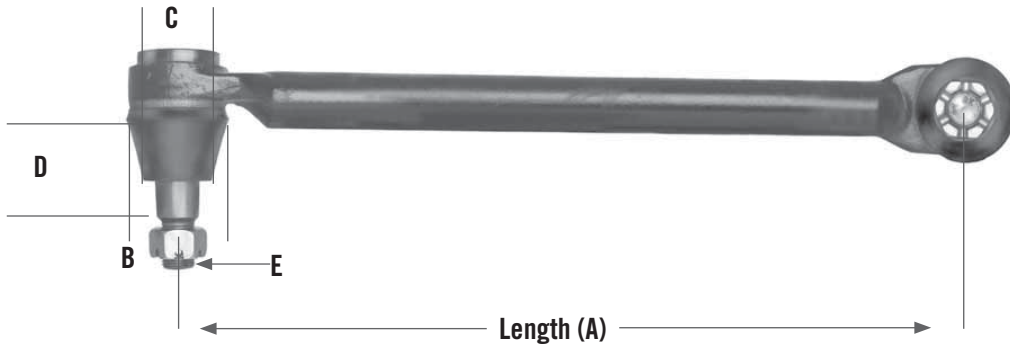


Part Number	Length C/L-C/L of Ends	Length w/o Ends	Crosstube Diameter	Thread Size	Adjustment Range	Tie Rod Ends	OEM Reference	Industry Number
Crosstube Assemblies with Tie Rod Ends								
E-9959	65.80"	59.50"	1.50"	1.125"-12	63.86"-66.14"	E-4614 (LH) E-4615 (RH)	E4HZ-3208B	DS1367A
E-9964	66.03"	60.50"	1.75"	1.125"-12	65.76"-68.02"	E-9962 (LH) E-9963 (RH)	F5HZ-3290A	DS1368A
E-9961	66.54"	58.00"	1.50"	1.25"-12	65.19"-68.37"	E-11788 (RH) E-11789 (LH)	F1HZ-3280C	DS1261
Crosstubes without Tie Rod Ends								
E-9958		55.49"	1.75"	1.125"-12			F0HZ-3281A	DS1380S
E-9960		57.63"	1.50"	1.00"-16			F0HZ-3281B	DS1362S
E-9957		59.34"	1.50"	1.125"-12			D0HZ-3181A	DS1379S

HOW TO USE DRAG LINK IDENTIFICATION CHART









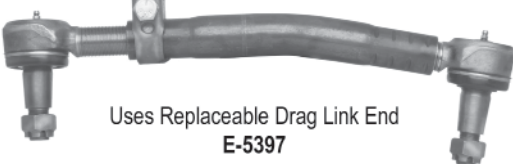
Drag Link Identification Chart is listed by length
(measured from Stud Center to Stud Center).

Photos of each Drag Link provide assistance with identification.



	A	B	C	D	E	
	Length Stud Ctr to Stud Ctr	Large Taper Dia.	Small Taper Dia.	Taper Length	Stud Thread Size	Industry Number
Part Number						
E-6818	14.21"	1.25"	1.08"	1.36"	.875"-14	DS1179










DRAG LINKS LISTED BY LENGTH

	Part Number	Length Stud Ctr to Stud Ctr	Large Taper Dia.	Small Taper Dia.	Taper Length	Stud Thread Size	Industry Number
	E-6818	14.21"	1.25"	1.08"	1.36"	.875"-14	DS1179
 <p>Uses Replaceable Drag Link End E-4629</p>	E-5386	16.27"	1.25"	1.08"	1.36"	.875"-14	DS1020
	E-5310	16.64"	.905"	.783"	.99"	.75"-16	DS800
	E-5390	16.84"	.874"	.762"	.89"	.625"-18	DS1034
	E-6815	16.89"	1.03"	.896"	1.07"	.75"-16	DS1044
	E-6817	16.89"	1.035"	.904"	1.12"	.75"-16	DS1067
	E-6816	17.00"	.902"	.785"	.98"	.75"-16	DS1064
 <p>Uses Replaceable Drag Link End E-6849</p>	E-6804	17.13"	1.102"	.967"	1.08"	.875"-14	DS1022
 <p>Uses Replaceable Drag Link End E-5397</p>	E-6808	17.29"	1.25"	1.08"	1.36"	.875"-14	DS1028

DRAG LINKS

Note: All drag links are one piece — non-replaceable ends except as noted.

DRAG LINKS LISTED BY LENGTH

	Part Number	Length Stud Ctr to Stud Ctr	Large Taper Dia.	Small Taper Dia.	Taper Length	Stud Thread Size	Industry Number
 <p>Uses Replaceable Drag Link End E-6849</p>	E-6878	17.37"	1.102"	.967"	1.08"	.875"-14	DS1031
	E-11463	17.47"	.874"	.762"	.896"	.625"-18	DS1215
	E-9925	17.53"	1.25" 1.102"	1.080" .967"	1.36" 1.08"	.875"-14 .875"-14	DS1265
	E-9911	17.68"	1.102"	.967"	1.08"	.875"-14	DS1214
	E-5326	17.70"	1.03"	.896"	1.07"	.75"-16	DS910
	E-5374	17.90"	1.03"	.896"	1.07"	.75"-16	DS988
	E-9933	17.91"	1.102"	.967"	1.08"	.875"-14	DS1270
	E-5372	17.93"	1.102"	.967"	1.08"	.875"-14	DS986
	E-5373	17.96"	1.103"	.973"	1.04"	.875"-14	DS987

DRAG LINKS

Note: All drag links are one piece — non-replaceable ends except as noted.










DRAG LINKS LISTED BY LENGTH

	Part Number	Length Stud Ctr to Stud Ctr	Large Taper Dia.	Small Taper Dia.	Taper Length	Stud Thread Size	Industry Number
	E-5325	18.03"	1.256" 1.107"	1.080" .967"	1.41" 1.12"	.875"-14 .875"-14	DS908
	E-5366	18.14"	1.103"	.973"	1.04"	.875"-14	DS979
 <p>Uses Replaceable Drag Link Ends E-5391 (LH) and E-5402 (RH)</p>	E-6806	18.38"	1.25"	1.117"	1.10"	.875"-14	DS1024
	E-6833	18.50"	1.102"	.967"	1.08"	.875"-14	DS1199
	E-6834	18.58"	1.102"	.967"	1.08"	.875"-14	DS1200
	E-11790	18.24"	1.25" 1.102"	1.08" .967"	1.36" 1.08"	.875"-14 .875"-14	DS1442
	E-6836	19.23"	1.102" 1.25"	.967" 1.08"	1.08" 1.36"	.875"-14 .875"-14	DS1204
	E-5339	19.23"	1.25" 1.102"	1.08" .967"	1.36" 1.08"	.875"-14 .875"-14	DS949
	E-5338	19.25"	.899"	.783"	.928"	.75"-16	DS948

DRAG LINKS

Note: All drag links are one piece — non-replaceable ends except as noted.










DRAG LINKS LISTED BY LENGTH

	Part Number	Length Stud Ctr to Stud Ctr	Large Taper Dia.	Small Taper Dia.	Taper Length	Stud Thread Size	Industry Number
	E-9936	19.43"	1.25" 1.25"	1.08" 1.08"	1.36" 1.08"	.875"-14 .875"-14	DS1369
	E-9934	19.47"	1.102"	.967"	1.08"	.875"-14	DS1271
	E-6827	20.66"	.904"	.78"	.92"	.75"-16	DS1191
	E-9937	21.23"	1.03"	.915"	1.08"	.75"-16	DS1366
	E-9929	22.61"	1.102" 1.25"	.967" 1.08"	1.08" 1.36"	.875"-14 .825"-14	DS1269
	E-8732	28.25"	1.25"	1.08"	1.36"	.875"-14	DS1454
	E-6825	28.28"	1.25"	1.08"	1.36"	.875"-14	DS1186
	E-9897	28.87"	1.102"	.967"	1.08"	.875"-14	DS1218
 Uses Replaceable Drag Link End E-4629	E-5378	29.56"	1.25"	1.08"	1.41"	.875"-14	DS992

DRAG LINKS

Note: All drag links are one piece — non-replaceable ends except as noted.

DRAG LINKS LISTED BY LENGTH

	Part Number	Length Stud Ctr to Stud Ctr	Large Taper Dia.	Small Taper Dia.	Taper Length	Stud Thread Size	Industry Number
 Uses Replaceable Drag Link End E-4629	E-5379	29.56"	1.25"	1.08"	1.41"	.875"-14	DS993
 Uses Replaceable Drag Link End E-4629	E-5380	30.56"	1.25"	1.08"	1.36"	.875"-14	DS994
	E-6819	31.69"	1.25"	1.08"	1.36"	.875"-14	DS1180
	E-9926	32.53"	1.102"	.967"	1.08"	.875"-14	DS1266
	E-9927	32.53"	1.102"	.967"	1.08"	.875"-14	DS1268
	E-6839	32.62"	1.255" 1.105"	1.090" .970"	1.43" 1.12"	.875"-14 .875"-14	DS1207
	E-6835	36.15"	1.105" 1.255"	.970" 1.080"	1.12" 1.42"	.875"-14 .875"-14	DS1203
	E-5342	36.31"	1.256" 1.107"	1.080" .967"	1.41" 1.12"	.875"-14 .875"-14	DS943
	E-9931	37.13"	1.25" 1.102"	1.080" .967"	1.36" 1.08"	.875"-14 .875"-14	DS1234

DRAG LINKS

Note: All drag links are one piece — non-replaceable ends except as noted.

DRAG LINK PART NUMBER TO LENGTH

Part Number	Length
E-5310	16.64"
E-5325	18.03"
E-5326	17.70"
E-5338	19.25"
E-5339	19.23"
E-5342	36.31"
E-5366	18.14"
E-5372	17.93"
E-5373	17.96"
E-5374	17.90"
E-5378	29.56"
E-5379	29.56"
E-5380	30.56"
E-5386	16.27"
E-5390	16.84"

Part Number	Length
E-6804	17.13"
E-6806	18.38"
E-6808	17.29"
E-6815	16.89"
E-6816	17.00"
E-6817	16.89"
E-6818	14.21"
E-6819	31.69"
E-6825	28.28"
E-6827	20.66"
E-6833	18.50"
E-6834	18.58"
E-6835	36.15"
E-6836	19.23"
E-6839	32.62"

Part Number	Length
E-6878	17.37"
E-8732	28.25"
E-9897	28.87"
E-9911	17.68"
E-9925	17.53"
E-9926	32.53"
E-9927	32.53"
E-9929	22.61"
E-9931	37.13"
E-9933	17.91"
E-9934	19.47"
E-9936	19.43"
E-9937	21.23"
E-11463	17.47"
E-11790	19.06"

INDEX

BLUEBIRD 46
DANA/SPICER 47
EATON 53
FORD 55
FREIGHTLINER 92
GMC/CHEVROLET 94
HINO 135
ISUZU 136
KENWORTH 137
MACK 147
MERITOR 161
NAVISTAR 173
PETERBILT 207
STERLING 212
THOMAS BUILT 215
VOLVO 216
WATSON/CHALIN 222
WESTERN STAR 224
WESTPORT 226
WHITE 228

BLUEBIRD

INDEX

Model	Page
All American FE	46

BLUEBIRD

ALL AMERICAN FE

King Pin Kits

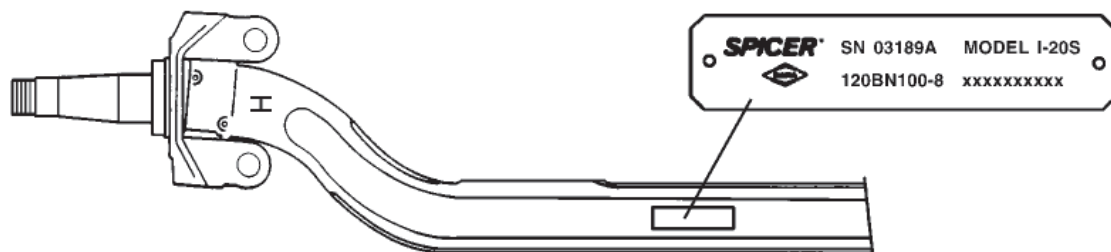
Axle Rating Lbs.	Axle Code/Year	Part No./Bushing	King Pin Size	Type	OEM REF	Notes
13200	FF982, 984, 986	E-11808C Easy Steer	1.794" x 8.844"	B	300-317	

INDEX

Model	Page	
D-800F/W, D-850F/W.....	48	EFA18FE, EFA20F4, EFA22T2/T5.....
E-1000I/W, E-1200I/W, E-1320I/W	48	I100SA thru I146SA.....
E-1002I/W, E-1202I/W, E1302I.....	48	I50 thru I132.....
E-1203I.....	49	I60, I80.....
E-1322I/W, E-1462I/W.....	49	I100IW, I120I/W.....
EFA10FA, EFA12FE, EFA13FE.....	49	I60S thru I200S.....
EF12F, EFA13F5.....	50	I132, I140, I146, I140W.....

FRONT NON-DRIVE STEERING AXLE

EXAMPLE OF TAG USED IN I-BEAM FRONT AXLE



MODEL DESIGNATION:

I - 120 S

FRONT NON DRIVE
STEERING AXLE

NOMINAL LOAD
CARRYING CAPACITY CODE (below)

SPICER

50 = 5,000 lbs.	100 = 10,000 lbs.
60 = 6,000 lbs.	108 = 10,800 lbs.
75 = 7,500 lbs.	120 = 12,000 lbs.
80 = 8,000 lbs.	132 = 13,200 lbs.
90 = 9,000 lbs.	140 = 14,000 lbs.

DANA/SPICER

D-800F/W, D-850F/W

King Pin Kits

Axle Rating Lbs.	Axle Code/Year	Part No./Bushing	King Pin Size	Type	OEM REF	Notes
6000 - 8500	101KK111	E-6198B	1.359" x 7.970"	B	M2384	

Tie Rod Ends

Axle Rating Lbs.	Axle Code/Year	Part NO./Location	STUD CTR to ROD END	OEM REF	Notes
6000 - 8500	101KK111	E-10137 Curbside	6.00"	1668408C91	Straight "I" beam.
		E-10138 Roadside		1668407C91	

E-1000I/W, E-1200I/W, E-1320I/W

Tie Rod Ends

Axle Rating Lbs.	Axle Code/Year	Part NO./Location	STUD CTR to ROD END	OEM REF	Notes
10000-13000	817019	E-10137 Curbside	6.00"	310455, 817019, ES9001R, M2310455, FTR3476, 2693039, L20SV8150A13, 11987, ES3476, 462.ES9001R	Straight "I" beam.
	817018	E-10138 Roadside		310456, 817018, ES9001L, M2310456, FTR3477, 2693040, L20SV8151A13, 11988, ES3477, 462.ES9001L	

E-1002I/W, E-1202I/W, E-1302I

Tie Rod Ends

Axle Rating Lbs.	Axle Code/Year	Part NO./Location	STUD CTR to ROD END	OEM REF	Notes
10000-13000	817019	E-10137 Curbside	6.00"	310455, 817019, ES9001R, M2310455, FTR3476, 2693039, L20SV8150A13, 11987, ES3476, 462.ES9001R	Straight "I" beam.
	817018	E-10138 Roadside		310456, 817018, ES9001L, M2310456, FTR3477, 2693040, L20SV8151A13, 11988, ES3477, 462.ES9001L	

DANA/SPICER

E-1203I

Tie Rod Ends

Axle Rating Lbs.	Axle Code/Year	Part NO./Location	STUD CTR to ROD END	OEM REF	Notes
10000-13000	817019	E-10137 Curbside	6.00"	310455, 817019, ES9001R, M2310455, FTR3476, 2693039, L20SV8150A13, 11987, ES3476, 462.ES9001R	Straight "I" beam.
	817018	E-10138 Roadside		310456, 817018, ES9001L, M2310456, FTR3477, 2693040, L20SV8151A13, 11988, ES3477, 462.ES9001L	

E-1322I/W, E-1462I/W

Tie Rod Ends

Axle Rating Lbs.	Axle Code/Year	Part NO./Location	STUD CTR to ROD END	OEM REF	Notes
13000-14600	817019	E-10137 Curbside	6.00"	310455, 817019, ES9001R, M2310455, FTR3476, 2693039, L20SV8150A13, 11987, ES3476, 462.ES9001R	Straight "I" beam.
	817018	E-10138 Roadside		310456, 817018, ES9001L, M2310456, FTR3477, 2693040, L20SV8151A13, 11988, ES3477, 462.ES9001L	

EFA10F4, EFA12FE, EFA13FE

Tie Rod Ends

Axle Rating Lbs.	Axle Code/Year	Part NO./Location	STUD CTR to ROD END	OEM REF	Notes
10000-13000	1009010	E-8758 Curbside	8.12"	310456, 817018, ES9001L, M2310456, FTR3477, 2693040, L20SV8151A13, 11988, ES3477, 462.ES9001L	Straight "I" beam.
	1009009	E-8757 Roadside		310285	

DANA/SPICER

EFA12F, EFA13F5

Tie Rod Ends

Axle Rating Lbs.	Axle Code/Year	Part No./Location	STUD CTR to ROD END	OEM REF	Notes
10000-13000	1009009	E-4615 Curbside	5.44"	ARE9988	Straight "I" beam.
	1009009	E-4614 Roadside		PAI9989	
12000-13000	1009010	E-8758 Curbside	8.12"	2E-8758	
	1009009	E-8757 Roadside		310285	
	140TR109	E-4615 Curbside	5.44"	ARE9988	
	140TR110	E-4614 Roadside	PAI9989		

EFA18F3, EFA20F4, EFA22T2/T5

King Pin Kits

Axle Rating Lbs.	Axle Code/Year	Part No./Bushing	King Pin Size	Type	OEM REF	Notes
18000-24000	811525	E-6198B	1.359" x 7.970"	B	M2384	

I100SA thru I146SA

Tie Rod Ends

Axle Rating Lbs.	Axle Code/Year	Part No./Location	STUD CTR to ROD END	OEM REF	Notes
14000, 14600	I140SA, I146SA	E-4615 Curbside	5.44"	1668408C91	Straight "I" beam.
		E-4614 Roadside		1668407C91	
		E-4630 Curbside	9.18"	1668409C91	
		E-4631 Roadside	1668410C91		

I50 thru I132

King Pin Kits

Axle Rating Lbs.	Axle Code/Year	Part No./Bushing	King Pin Size	Type	OEM REF	Notes
5000, 6000, 7500	150, 160, 175	E-4460B	1.359" x 7.968"	A	1648204C91	
8000	180	E-6198B	1.359" x 7.970"	B	1660271C91	
9000	190	E-4697B	1.609" x 9.16"	B	586806C91	
		E-4463B	1.61" x 9.16"	A	493095C92	
10800, 12000, 13200	I108, I120, I132	E-4462B Nylon	1.609" x 9.660"	A	493094C95	
		E-6875C Composite	1.609" x 9.660"	B	1658394C91	
		E-4693B	1.611" x 9.66"	B	588808C91	

Tie Rod Ends

Axle Rating Lbs.	Axle Code/Year	Part No./ Location	STUD CTR to ROD END	OEM REF	Notes
5000, 6000, 7500, 8000	150, 160, 175, 180	E-4605 Curbside	4.43"	1660273C91	
		E-4604 Roadside		1660272C91	
9000, 10800, 12000, 13200	190, I108, I120, I132	E-5470 Curbside	5.44"	506662C92	Dropped "I" beam.
		E-5469 Roadside		506661C92	
		E-4630 Curbside	9.18"	1649637C91	Straight "I" beam.
		E-4631 Roadside	1649638C91		

DANA/SPICER

I60, I80

King Pin Kits

Axle Rating Lbs.	Axle Code/Year	Part No./Bushing	King Pin Size	Type	OEM REF	Notes
6000, 8000	811525	E-6198B	1.359" x 7.970"	B	M2384	

I100I/W, I120I/W

Tie Rod Ends

Axle Rating Lbs.	Axle Code/Year	Part No./ Location	STUD CTR to ROD END	OEM REF	Notes
10000, 12000	140TR112	E-9952 Curbside	9.43"	140TR112, ES3220R, ES3220R, 1668410C91, FTR8410, ES3220R, L24LV8442A13	
	140TR111	E-9951 Roadside		140TR111, ES3219L, ES3219L, 1668409C91, FTR8409, ES3219L, L24LV8441A13	
	220TR119	E-6856 Curbside	12.69"	M3186L	
	220TR118	E-6857 Roadside		M3186R	
	817019	E-10137 Curbside	6.00"	310455, 817019, ES9001R, M2310455, FTR3476, 2693039, L20SV8150A13, 11987, ES3476, 462.ES9001R	
	817018	E-10138 Roadside		310456, 817018, ES9001L, M2310456, FTR3477, 2693040, L20SV8151A13, 11988, ES3477, 462.ES9001L	

I60S thru I200S

King Pin Kits

Axle Rating Lbs.	Axle Code/Year	Part No./ Bushing	King Pin Size	Type	OEM REF	Notes
6000, 8000	I60S, I80S, 02ADA, 02ADB	E-4460B	1.359" x 7.968"	A	473695C92	
		E-6198B	1.359" x 7.970"	B	1660271C91	
10000, 12000	I100S, I120S, 02ADC, 02ADD, 02ADG	E-9941B	1.921" x 9.87"	B	1668411C91	
14000	I140S, 02ADE	E-9942B	2.046" x 10.120"	B	1668412C91	
16000, 18000, 20000	I160S, I180S, I200S	E-11785B Composite	2.046" x 11.00"	B	220KK100	

APPLICATION GUIDE (A-F)

DANA/SPICER I60S thru I200S (continued)

Tie Rod Ends

Axle Rating Lbs.	Axle Code/Year	Part No./ Location	STUD CTR to ROD END	OEM REF	Notes
10000, 12000	I100S, I120S, 02ADC, 02ADD, 02ADG	E-4615 Curbside	5.44"	507838C91	
		E-4614 Roadside		507837C91	
		E-4630 Curbside	9.18"	1649637C91	
		E-4631 Roadside		1649638C91	
14000	I140S, 02ADE	E-4615 Curbside	5.44"	1668408C91	Straight "I" beam.
		E-4614 Roadside		1668407C91	
		E-4630 Curbside	9.18"	1668409C91	
		E-4631 Roadside		1668410C91	
16000, 18000, 20000	I160S, I180S, I200S	E-4616 Roadside	5.75"	220TR115	
		E-6856 Curbside	12.69"	220TR119	Dropped "I" beam.
		E-6857 Roadside		220TR118	

I132, I140, I146, I140W

King Pin Kits

Axle Rating Lbs.	Axle Code/Year	Part No./Bushing	King Pin Size	Type	OEM REF	Notes
14000, 14600	140KK100	E-9942B	2.046" x 10.120"	B	300277, FKP119B, FAK5456, 1668412C91, 1668412C92, FAK5456, TK636	

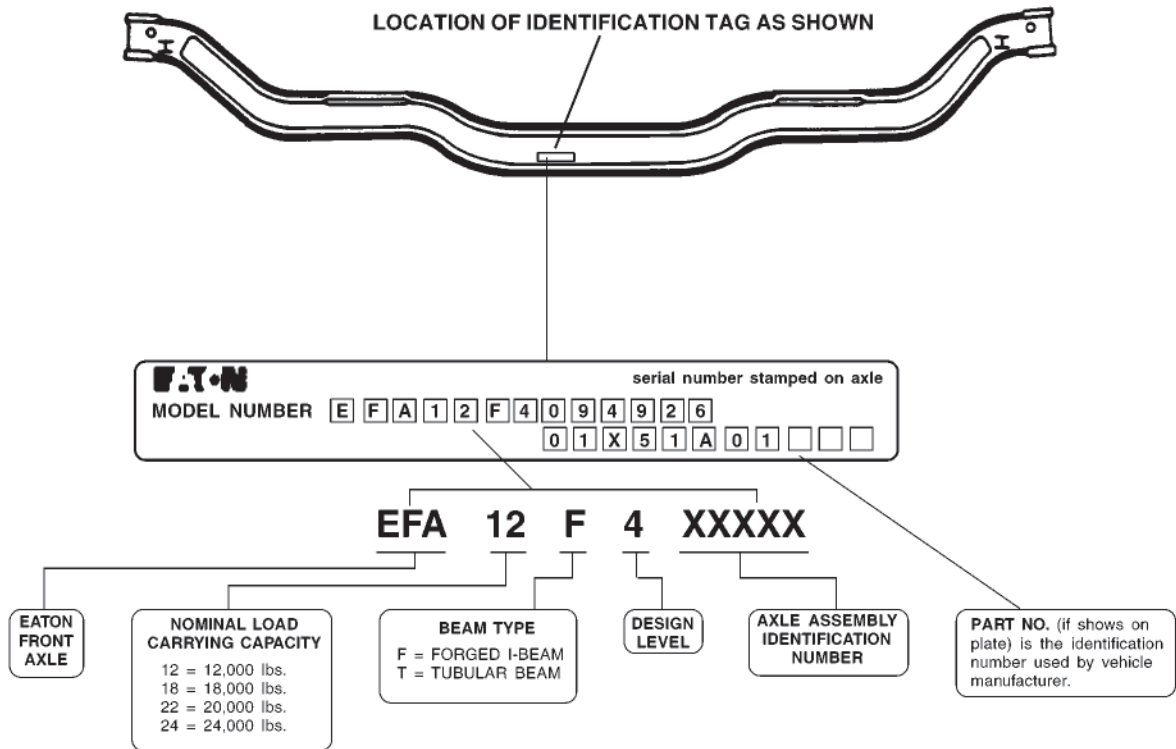
Tie Rod Ends

Axle Rating Lbs.	Axle Code/Year	Part No./ Location	STUD CTR to ROD END	OEM REF	Notes
10000, 12000	140TR112	E-9952 Curbside	9.43"	140TR112,	
				ES3220R, ES3220R,	
	1668410C91,				
	FTR8410, ES3220R,				
	L24LV8442A13				
	140TR111,				
	ES3219L, ES3219L,				
	1668409C91,				
	FTR8409, ES3219L,				
	L24LV8441A13				
220TR119	E-6856 Curbside	12.69"	M3186L		
220TR118			M3186R		
817019	E-10137 Curbside	6.00"	310455, 817019, ES9001R, M2310455, FTR3476, 2693039, L20SV8150A13, 11987, ES3476, 462. ES9001R		
817018	E-10138 Roadside		310456, 817018, ES9001L, M2310456, FTR3477, 2693040, L20SV8151A13, 11988, ES3477, 462. ES9001L		

INDEX

Model	Page
Conventional Steering Arm Axles.....	54
Integral Steering Arm Axle.....	54

NON-DRIVE FRONT STEERING AXLE



APPLICATION GUIDE (A-F)

EATON

Conventional Steering Arm Axles

King Pin Kits

Axle Rating Lbs.	Axle Code/Year	PART NO./BUSHING	King Pin Size	Type	OEM REF	Notes
12000, 13000	EFA-12F3, EFA-13F3	E-6869C Composite E-6869B	1.625" x 9.195"	A	806356	
	EFA12F4, EFA-13F5	E-4696C Easy Steer E-4696B	1.625" x 9.195"	A	806355	
18000, 20000, 22000, 24000	EFA-18F3, EFA-20F4, EFA-22T2, EFA-22T5, EFA-24T2, EFA-24T5	E-6194C Composite	1.873" x 9.965"	A	1008500	

Tie Rod Ends

Axle Rating Lbs.	Axle Code/Year	PART NO./LOCATION	STUD CTR to ROD END	OEM REF	Notes
12000, 13000	EFA-12F3, EFA-13F3, EFA-12F4, EFA-13F5	E-4615 Curbside	5.44"	1006148	
		E-4614 Roadside		1006149	
	E-8758 Curbside	8.12"	1009010		
	E-8757 Roadside		1009009		
18000, 20000, 22000, 24000	EFA-18F3, EFA-20F4, EFA-22T2, EFA-22T5, EFA-24T2, EFA-24T5	E-4629 Curbside	7.37"	820695	
		E-4628 Roadside		820694	

Integral Steering Arm Axle

King Pin Kits

Axle Rating Lbs.	Axle Code/Year	PART NO./BUSHING	King Pin Size	Type	OEM REF	Notes
10000, 12000, 13200	E1000I, E1200I, E1320I	E-11394B	1.794" x 9.05"	A	823078	

Tie Rod Ends

Axle Rating Lbs.	Axle Code/Year	PART NO./LOCATION	STUD CTR to ROD END	OEM REF	Notes
10000, 12000, 13200	E1000I, E1200I, E1320I	E-10137 Curbside	6.00"	817019	
		E-10138 Roadside		817018	
14600	E-1460I	E-4629 Curbside	7.37"	820695	
		E-4628 Roadside		820694	

INDEX

Model	Page
A85.....	56
AT85.....	56
Aeromax (New Design) A and AT 95.....	56
B500, F500.....	56
B600, B6000.....	57
B700, B750, B7000.....	60
C500, C550, C600, CT600, C700, CT700, C7000, C750, CT750, C800, C8000, CT800, CT8000, C850, CT850, C900, CT900, C9000, CT9000, C950, CT950, C1000, C1100.....	63
CF600, CF700.....	65
CF800, CFT800.....	66
CL900, CLT900, CL9000, CLT9000.....	67
E100, E150, EF150.....	67
E100, E350.....	67
F1000, F1100.....	67
F250.....	68
F350, P35, P400 Straight Axle.....	68
F500.....	68
F600, F6000, FT600, FT6000, F700, F7000, FT700 ...	69
F750.....	71
F800, FT800, F880, F8000.....	72

Model	Page
F850, F950.....	74
F900, F9000, FT900, FT9000.....	75
HT950, H1000.....	77
L800, L8000 (Incls. LN, LNT, LS, LT, LTL& LTS)	78
L900, L9000 (Incls. L, LL, LN, LNT, LS, LT, LTL and LTS)	83
LCFC450.....	86
LLA900, LLS900, LTLA900, LTLS900.....	86
LN500.....	87
LN600.....	87
LN700, LN750.....	88
LNT880, LT880.....	88
Louisville (New Design) L and LT 85/95.....	89
M400 Motor Home Chassis.....	89
N500, N600, N6000, N8000, N850, NT850, N950, NT950, N1000, N1100.....	90
N700, T700, T750.....	90
P400, P500, P600.....	90
T800, T850, T950.....	91
W900, WT900, W9000, WT9000, W1000, WT10000.....	91

FORD

A85

King Pin Kits

Axle Rating Lbs.	Axle Code/Year	PART NO./BUSHING	King Pin Size	Type	OEM REF	Notes
9000	1997-1998	E-6197B	1.607" x 9.080"	B	E9HZ-3111B	

Tie Rod Ends

Axle Rating Lbs.	Axle Code/Year	PART NO./LOCATION	STUD CTR to ROD END	OEM REF	Notes
9000	1997-1998	E-9966 Curbside	7.188"	F5HZ-3A131A	
		E-9965 Roadside		F5HZ-3A130A	

AT85

King Pin Kits

Axle Rating Lbs.	Axle Code/Year	PART NO./BUSHING	King Pin Size	Type	OEM REF	Notes
18-2000	1996-1998	E-4458B Easy Steer	1.999" x 11.212"	B	D5HZ3111C	

Tie Rod Ends

Axle Rating Lbs.	Axle Code/Year	PART NO./LOCATION	STUD CTR to ROD END	OEM REF	Notes
18000	1996-1999	E-9963 Curbside	6.00"	F4HZ-3A130A	
		E-9962 Roadside		F4HZ-3A131A	

Aeromax (New Design) A and AT 95

Tie Rod Ends

Axle Rating Lbs.	Axle Code/Year	PART NO./LOCATION	STUD CTR to ROD END	OEM REF	Notes
12000, 13000	1996-98	E-11788 Curbside	7.75"	F6HZ-3A130AA	
		E-11789 Roadside		F6HZ-3A131AA	

Drag Links

Axle Rating Lbs.	Axle Code/Year	Part Number	STUD CTR to Stud CTR	OEM REF	Notes
13000	1996-97	E-11790	18.24"	F6HZ-3304FB	

B500, F500

King Pin Kits

Axle Rating Lbs.	Axle Code/Year	PART NO./BUSHING	King Pin Size	Type	OEM REF	Notes
5000	1961-77	E-4440B	1.231" x 7.860"	C	C3TZ-3111A	

Tie Rod Ends

Axle Rating Lbs.	Axle Code/Year	PART NO./LOCATION	STUD CTR to ROD END	OEM REF	Notes
5000	1953-66	E-4635 Curbside	3.50"	C1TZ-3A130A	w/Manual steering.
		E-4634 Roadside		C1TZ-3A131A	
	1967-77	E-4605 Curbside	4.438"	C7TZ-3A130D	
		E-4604 Roadside		C7TZ-3A131D	

Drag Links

Axle Rating Lbs.	Axle Code/Year	Part Number	STUD CTR to Stud CTR	OEM REF	Notes
5000	1967-77	E-5310	16.64"	C7TZ-3304A	

Axle Rating Lbs.	Axle Code/Year	PART NO./BUSHING	King Pin Size	Type	OEM REF	Notes
5000	1961-85	E-4440B	1.231" x 7.860"	C	C3TZ-3111A	
5500	1963-85	E-4440B	1.231" x 7.860"	C	C3TZ-3111A	
6000	1967-88	E-4445B E-4445N Nylon	1.231" x 8.910"	C	C7TZ-3111A	
7000	1961-66	E-4438N	1.234" x 7.438"	B	B7TZ-3111F	
		E-4438N Nylon				
	1967-75	E-4445B	1.231" x 8.910"	C	C7TZ-3111A	Before W40,001.
		E-4445N Nylon				
1975-88	E-4452B	1.433" x 8.250"	B	D6TZ-3111A	From W40,001 w/air brakes.	
1980-88	E-4445B E-4445N Nylon	1.231" x 8.910"	C	C7TZ-3111A	w/Hydraulic brakes.	
7500	1980-86	E-4452B	1.433" x 8.250"	B	D6TZ-3111A	w/Air brakes.
8000	1984-90	E-4452B	1.433" x 8.250"	B	D6TZ-3111A	w/Air brakes.
	1989-99	E-9943B			E9HZ-3111C	w/Air brakes from 2/91.
9000	1975-90	E-4452B	1.433" x 8.250"	B	D6TZ-3111A	
	1989-99	E-9943B			E9HZ-3111C	w/Air brakes from 2/91.

Tie Rod Ends

Axle Rating Lbs.	Axle Code/Year	PART NO./LOCATION	STUD CTR to ROD END	OEM REF	Notes	
4700	1957-62	E-4635 Curbside	3.50"	C1TZ-3A130A		
		E-4634 Roadside		C1TZ-3A131A		
5000	1961-66	E-4635 Curbside	3.50"	C1TZ-3A130A	w/Manual steering.	
		E-4634 Roadside		C1TZ-3A131A		
	1967-85	E-4605 Curbside	4.438"	C7TZ-3A130D		
		E-4604 Roadside		C7TZ-3A131D		
5500	1963-66	E-4635 Curbside	3.50"	C1TZ-3A130A	w/Manual steering.	
		E-4634 Roadside		C1TZ-3A131A		
	1967-83	E-4605 Curbside	4.438"	C7TZ-3A130D		
		E-4604 Roadside		C7TZ-3A131D		
6000	1967-89	E-4605 Curbside	4.438"	C7TZ-3A130D, E8HZ-3A130A		
		E-4604 Roadside		C7TZ-3A131D, E8HZ-3A131A		
	1990-98	E-4613 Curbside	4.93"	FOHZ-3A130C		
		E-4612 Roadside		FOHZ-3A131C		
			E-4623 Curbside	6.07"	FOHZ-3A131E	
			E-4622 Roadside		FOHZ-3A131F	
1995-99		E-9966 Curbside	7.188"	F5HZ-3A131B		
		E-9965 Roadside		F5HZ-3A130B		

FORD
B600, B6000 (continued)
Tie Rod Ends (continued)

Axle Rating Lbs.	Axle Code/Year	PART NO./LOCATION	STUD CTR to ROD END	OEM REF	Notes	
7000	1961-66	E-4603 Curbside	3.88"	C1TZ-3A130B		
		E-4602 Roadside		C1TZ-3A131B		
	1967-89	E-4605 Curbside	4.438"	C7TZ-3A130D		w/Hydraulic brakes.
		E-4604 Roadside		C7TZ-3A131D		
	1973-75	E-4605 Curbside	4.438"	C7TZ-3A130D		w/Air brakes before W40,001.
		E-4604 Roadside		C7TZ-3A131D		
	1975-88	E-4623 Curbside	6.07"	D5TZ-3A131A		w/Air brakes from W40,001.
		E-4622 Roadside		D5TZ-3A130A		
	1990-94	E-4613 Curbside	4.93"	F0HZ-3A130C		
				E-4612 Roadside		
		E-4623 Curbside	6.07"	F0HZ-3A131E		
				E-4622 Roadside		
1995-99	E-9963 Curbside	6.00"	F3HZ-3A130B			
			E-9962 Roadside		F3HZ-3A131B	
	E-9966 Curbside	7.188"	F5HZ-3A131B			
			E-9965 Roadside		F5HZ-3A130B	
7500	1980-89	E-4623 Curbside	6.07"	D5TZ-3A131A	w/Air brakes.	
				E-4622 Roadside		D5TZ-3A130A
	1990-92	E-4623 Curbside	6.07"	F0HZ-3A131B		
				E-4622 Roadside		F0HZ-3A130B
8000	1984-98	E-4623 Curbside	6.07"	F0HZ-3A131B, D5TZ-3A131A F0HZ-3A130B, D5TZ-3A130A		
				E-4622 Roadside		
	1995-98	E-9966 Curbside	7.188"	F5HZ-3A131B		
				E-9965 Roadside		F5HZ-3A130B
9000	1975-94	E-4623 Curbside	6.07"	F0HZ-3A131B, D5TZ-3A131A F0HZ-3A130B, D5TZ-3A130A		
				E-4622 Roadside		
	1995-98	E-9966 Curbside	7.188"	F5HZ-3A131B		
				E-9965 Roadside		F5HZ-3A130B
14600	1995-98	E-9963 Curbside	6.00"	F3HZ-3A130B		
		E-9962 Roadside		F3HZ-3A131B		

APPLICATION GUIDE (A-F)

FORD
B600, B6000 (continued)
Drag Links

Axle Rating Lbs.	Axle Code/Year	Part Number	STUD CTR to Stud CTR	OEM REF	Notes
5000, 5500	1967-79	E-5310	16.64"	C7TZ-3304A	
6000	1967-79	E-5310	16.64"	C7TZ-3304A	w/Manual steering.
	1980-88	E-5338	19.25"	E0HZ-3304A	To 12/87.
	1989-92	E-6827	20.66"	E8HZ-3304B, F0HZ-3304G	
	1995-98	E-9937	21.23"	F5HZ-3304A	
7000	1967-79	E-5310	16.64"	C7TZ-3304A	w/Manual steering.
	1980-88	E-5338	19.25"	E0HZ-3304A	To 12/87.
	1989-92	E-6827	20.66"	E8HZ-3304B, F0HZ-3304G	
	1995-98	E-9937	21.23"	F5HZ-3304A	
7500	1980-88	E-5338	19.25"	E0HZ-3304A	
8000	1980-87	E-5539	19.23"	E0HZ-3304B	
	1992-93	E-9934	19.47"	F2HZ-3304D	Before 5/93.
	1993-98	E-9936	19.43"	F4HZ-3304A	After 5/93.
9000	1980-87	E-5539	19.23"	E0HZ-3304B	
	1992-93	E-9934	19.47"	F2HZ-3304D	Before 5/93.
	1993-98	E-9936	19.43"	F4HZ-3304A	After 5/93.
10000, 12000	1990-91	E-6836	19.23"	F0HZ-3304A	

FORD

B700, B750, B7000

King Pin Kits

Axle Rating Lbs.	Axle Code/Year	PART NO./BUSHING	King Pin Size	Type	OEM REF	Notes
5000, 5500	1961-76	E-4440B	1.231" x 7.860"	C	C3TZ-3111A	
6000	1967-88	E-4445B	1.231" x 8.910"	C	C7TZ-3111A	
		E-4445N Nylon				
7000	1967-75	E-4445B	1.231" x 8.910"	C	C7TZ-3111A	1973-83 w/hydraulic brakes. w/Air brakes from W40,001. w/Air brakes.
		E-4445N Nylon				
	1967-86	E-4445B				
		E-4445N Nylon				
	1975	E-4452B				
	1980-88	E-4452B	1.433" x 8.250"	B	D6TZ-3111A	w/Air brakes.
7500	1980-86	E-4452B	1.433" x 8.250"	B	D6TZ-3111A	w/Air brakes.
8000	1984-90	E-4452B	1.433" x 8.250"	B	D6TZ-3111A	w/Air brakes.
	1989-99	E-9943B			E9HZ-3111C	w/Air brakes from 2/91.
	1971-78	E-4441B			1.434" x 8.500"	B
	E-4442B Bronze	1.443" x 8.500"				
9000	1977-90	E-4452B	1.433" x 8.250"	B	D6TZ-3111A	w/Air brakes from 2/91.
	1989-99	E-9943B			E9HZ-3111C	

Tie Rod Ends

Axle Rating Lbs.	Axle Code/Year	PART NO./LOCATION	STUD CTR to ROD END	OEM REF	Notes
5000	1967-76	E-4605 Curbside	4.438"	C7TZ-3A130D	
		E-4604 Roadside		C7TZ-3A131D	
5500	1961-66	E-4635 Curbside	3.50"	C1TZ-3A130A	w/Manual steering.
		E-4634 Roadside		C1TZ-3A131A	
	1967-76	E-4605 Curbside	4.438"	C7TZ-3A130D	
		E-4604 Roadside		C7TZ-3A131D	
6000	1967-89	E-4605 Curbside	4.438"	C7TZ-3A130D, E8HZ-3A130A	
		E-4604 Roadside		C7TZ-3A131D, E8HZ-3A131A	
	1990-98	E-4613 Curbside	4.93"	F0HZ-3A130C	
		E-4612 Roadside		F0HZ-3A131C	
		E-4623 Curbside	6.07"	F0HZ-3A131E	
		E-4622 Roadside		F0HZ-3A131F	
	1995-99	E-9963 Curbside	6.00"	F3HZ-3A130B	
				E-9962 Roadside	
		E-9966 Curbside	7.188"	F5HZ-3A131B	
				E-9965 Roadside	

B700, B750, B7000 (continued)

Tie Rod Ends (continued)

Axle Rating Lbs.	Axle Code/Year	PART NO./LOCATION	STUD CTR to ROD END	OEM REF	Notes	
7000	1967-75	E-4605 Curbside	4.438"	C7TZ-3A130D	w/Air brakes to W40,001.	
		E-4604 Roadside		C7TZ-3A131D		
	1967-88	E-4605 Curbside		C7TZ-3A130D	1973-83 w/hydraulic brakes.	
		E-4604 Roadside		C7TZ-3A131D		
	1975-88	E-4623 Curbside	6.07"	D5TZ-3A131A	w/Air brakes from W40,001.	
		E-4622 Roadside		D5TZ-3A130A		
	1989	E-4605 Curbside		C7TZ-3A130D, E8HZ-3A130A	w/Air brakes.	
		E-4604 Roadside		C7TZ-3A131D, E8HZ-3A131A		
	1990-94	E-4623 Curbside	6.07"	F0HZ-3A131E, D5TZ-3A130A		
		E-4622 Roadside		F0HZ-3A131F, D5TZ-3A131A		
1995-99	E-9963 Curbside		F3HZ-3A130B			
			F3HZ-3A131B			
	E-9966 Curbside		7.188"	F5HZ-3A131B		
			E-9965 Roadside	F5HZ-3A130B		
7500	1977-86	E-4623 Curbside	6.07"	D5TZ-3A131A	w/Air brakes.	
		E-4622 Roadside		D5TZ-3A130A		
8000	1984-98	E-4623 Curbside	6.07"	D5TZ-3A131A		
		E-4622 Roadside		D5TZ-3A130A		
	1995-99	E-9966 Curbside		7.188"	F5HZ-3A131B	
		E-9965 Roadside		F5HZ-3A130B		
9000	1977-94	E-4623 Curbside	6.07"	D5TZ-3A131A		
		E-4622 Roadside		D5TZ-3A130A		
	1995-98	E-9966 Curbside		7.188"	F5HZ-3A131B	
		E-9965 Roadside		F5HZ-3A130B		
14600	1995-98	E-9963 Curbside	6.00"	F3HZ-3A130B		
		E-9962 Roadside		F3HZ-3A131B		

FORD

B700, B750, B7000 (continued)

Drag Links

Axle Rating Lbs.	Axle Code/Year	Part Number	STUD CTR to Stud CTR	OEM REF	Notes
5000, 5500	1973-75	E-5310	16.64"	C7TZ-3304A	To W20,001.
6000	1967-68	E-5310	16.64"	C7TZ-3304A	w/Power steering.
	1967-75	E-5310			w/Manual steering.
	1977-79	E-5310	19.25"	E0HZ-3304A	w/Hydraulic brakes.
	1980-87	E-5338			
	1989-92	E-6827			E8HZ-3304B, F0HZ-3304G
	1995-98	E-9937			F5HZ-3304A
7000	1967-68	E-5310	16.64"	C7TZ-3304A	w/Power steering.
	1967-72	E-5310	19.25"	E0HZ-3304A	w/Manual steering.
	1973-75	E-5310			w/Power steering to W20,001.
	1980-87	E-5338	20.66"	E8HZ-3304B, F0HZ-3304G	
	1989-92	E-6827			
	1995-98	E-9937			F5HZ-3304A
7500	1980-88	E-5338			19.25"
8000	1980-87	E-5539	19.23"	E3HZ-3304B, E0HZ-3304B	Before 5/93.
	1992-93	E-9934	19.47"	F2HZ-3304D	
	1993-98	E-9936	19.43"	F4HZ-3304A	After 5/93.
	9000	1977-79	E-5310	16.64"	C7TZ-3304A
1980-87		E-5539	19.23"	E3HZ-3304B, E0HZ-3304B	Before 5/93.
1992-93		E-9934	19.47"	F2HZ-3304D	
1993-98		E-9936	19.43"	F4HZ-3304A	After 5/93.
10000, 12000	1990-91	E-6836	19.23"	F0HZ-3304A	

FORD

C500, C550, C600, CT600, C700, CT700, C7000, C750, CT750, C800, C8000, CT800, CT8000, C850, CT850, C900, CT900, C9000, CT9000, C950, CT950, C1000, C1100

King Pin Kits

Axle Rating Lbs.	Axle Code/Year	PART NO./BUSHING	King Pin Size	Type	OEM REF	Notes
6000	1968-70	E-4438N E-4438N Nylon	1.234" x 7.438"	B	B7TZ-3111F C2TZ-3111F	From C70,001-G90,001.
	1970-79	E-4445B E-4445N Nylon	1.231" x 8.910"	C	C7TZ-3111A	From G90,001.
7000	1957-70	E-4438N E-4438N Nylon	1.234" x 7.438"	B	B7TZ-3111F C2TZ-3111F	Before G90,001.
	1970-89	E-4445B E-4445N Nylon	1.231" x 8.910"	C	C7TZ-3111A	w/Hydraulic brakes from G90,001 or w/Air brakes from G90,001 - W40,001.
	1975-90	E-4452B	1.433" x 8.250"	B	D6TZ-3111A	w/Air brakes from W40,001.
8000	1989-99	E-9943B	1.433" x 8.250"	B	E9HZ-3111C	Air brakes from 2/91.
9000	1960-90	E-4441B	1.434" x 8.500"	B	C2TZ-3111G, D1HZ-3111A	w/Hydraulic brakes.
	1970-81	E-4445B E-4445N Nylon	1.231" x 8.910"	C	C7TZ-3111A	w/Hydraulic brakes from 1973, 1970-72 all brakes.
	1973-90	E-4457B	1.607" x 9.080"	B	D6HZ-3111B	w/Air brakes from W40,001.
	1980-86	E-4459C Easy Steer	1.794" x 10.070"		D6HZ-3111C	w/Air brakes.
	1987-89	E-4452B	1.433" x 8.250"		D6TZ-3111A	
	1989-99	E-9943B			E9HZ-3111C	Air brakes from 2/91.
	1990	E-4457B E-4459C Easy Steer	1.607" x 9.080" 1.794" x 10.070"		D6HZ-3111B D6HZ-3111C	
10000	1990	E-6196B	1.794" x 10.070"	B	F0HZ-3111A	Aluminum axle.
11000	1964-78	E-4449B Bronze	1.607" x 8.740"	B	DOHZ-3111A	Center point steering. Contains dust cap and screws.
	1975-79	E-4457B	1.607" x 9.080"	B	D6HZ-3111B	
	1975-90	E-4459B	1.794" x 10.070"		D6HZ-3111A	Except aluminum axle. Bearing 3.26" OD x .94" thick.
	1980-89	E-4457B	1.607" x 9.080"		D6HZ-3111B	
	1990	E-6196B	1.794" x 10.070"		F0HZ-3111A	Aluminum axle.
15000	1975-79	E-12512B E-4458C Easy Steer	1.999" x 11.212"	B	D5HZ-3111C	w/Air brakes from W40,001.
16000	1975-90	E-12512B E-4458C Easy Steer	1.999" x 11.212"	B	D5HZ-3111C	
18000	1975-90	E-12512B E-4458C Easy Steer	1.999" x 11.212"	B	D5HZ-3111C	w/Air brakes from W40,001.

FORD

C500, C550, C600, CT600, C700, CT700, C7000, C750, CT750, C800, C8000, CT800, CT8000, C850, CT850, C900, CT900, C9000, CT9000, C950, CT950, C1000, C1100 (continued)

Tie Rod Ends

Axle Rating Lbs.	Axle Code/Year	PART NO./LOCATION	STUD CTR to ROD END	OEM REF	Notes
5000	1961-66	E-4635 Curbside	3.50"	C1TZ-3A130A	w/Manual steering.
		E-4634 Roadside		C1TZ-3A131A	
5500	1963-66	E-4635 Curbside	3.50"	C1TZ-3A130A	w/Manual steering.
		E-4634 Roadside		C1TZ-3A131A	
	1967-79	E-4605 Curbside	4.438"	C7TZ-3A130D	
		E-4604 Roadside		C7TZ-3A131D	
6000	1968-70	E-4603 Curbside	3.88"	C1TZ-3A130B	From C70,001-G90,001, C550 only.
		E-4602 Roadside		C1TZ-3A131B	
	1970-79	E-4605 Curbside	4.438"	C7TZ-3A130D	From G90,001.
		E-4604 Roadside		C7TZ-3A131D	
7000	1953-70	E-4603 Curbside	3.88"	C1TZ-3A130B	To G90,001.
		E-4602 Roadside		C1TZ-3A131B	
	1970-89	E-4605 Curbside	4.438"	C7TZ-3A130D	w/Hydraulic brakes from G90,001.
		E-4604 Roadside		C7TZ-3A131D	
	1971-75	E-4605 Curbside		C7TZ-3A130D	w/Air brakes to W40,001.
		E-4604 Roadside		C7TZ-3A131D	
1975-89	E-4623 Curbside	6.07"	D5TZ-3A131A	w/Air brakes from W40,001.	
	E-4622 Roadside		D5TZ-3A130A		
9000	1960-89	E-4611 Curbside	4.875"	C8TZ-3A130A	
		E-4610 Roadside		C1TZ-3A131C	
	1975-90	E-4623 Curbside	6.07"	D5TZ-3A131A	
		E-4622 Roadside		D5TZ-3A130A	
10000, 11000	1990	E-4615 Curbside	5.44"	E3HZ-3A130A, E4HZ-3A130A	w/Aluminum axle.
		E-4614 Roadside		E3HZ-3A131A, E4HZ-3A131A	
12000	1961-70	E-4618 Curbside	5.75"	B8TZ-3A131B	Before G70,001.
		E-4619 Roadside		B8TZ-3A130B	
	1975-90	E-4615 Curbside	5.44"	DOHZ-3A130A	
		E-4614 Roadside		DOHZ-3A131A	
1980-90	E-4615 Curbside		E3HZ-3A130A, E4HZ-3A130A	w/Aluminum axle.	
	E-4614 Roadside		E3HZ-3A131A, E4HZ-3A131A		
15000	1964-70	E-4618 Curbside	5.75"	B8TZ-3A131B	
		E-4619 Roadside		B8TZ-3A130B	
	1975-80	E-4615 Curbside	5.44"	E3HZ-3A130A, E4HZ-3A130A	w/Air brakes from W40,001.
		E-4614 Roadside		E3HZ-3A131A, E4HZ-3A131A	
16000	1975-89	E-4615 Curbside	5.44"	DOHZ-3A130A	w/Air brakes from W40,001. 1980-81 all brakes.
		E-4614 Roadside		DOHZ-3A131A	
	1975-90	E-4615 Curbside		E3HZ-3A130A, E4HZ-3A130A	
		E-4614 Roadside		E3HZ-3A131A, E4HZ-3A131A	

FORD

C500, C550, C600, CT600, C700, CT700, C7000, C750, CT750, C800, C8000, CT800, CT8000, C850, CT850, C900, CT900, C9000, CT9000, C950, CT950, C1000, C1100 (continued)
Tie Rod Ends (continued)

Axle Rating Lbs.	Axle Code/Year	PART NO./LOCATION	STUD CTR to ROD END	OEM REF	Notes
18000	1975-89	E-4615 Curbside	5.44"	DOHZ-3A130A	From W40,001.
		E-4614 Roadside		DOHZ-3A131A	
	1975-90	E-4615 Curbside	5.44"	E3HZ-3A130A, E4HZ-3A130A	
		E-4614 Roadside		E3HZ-3A131A, E4HZ-3A131A	
	1998	E-9966 Curbside	7.188"	F5HZ-3A131B	
		E-9965 Roadside		F5HZ-3A130B	
20000	1998	E-9966 Curbside	7.188"	F5HZ-3A131B	
		E-9965 Roadside		F5HZ-3A130B	

Drag Links

Axle Rating Lbs.	Axle Code/Year	Part Number	STUD CTR to Stud CTR	OEM REF	Notes
6000	1980-87	E-5338	19.25"	E0HZ-3304A	
7000, 7500	1980-86	E-5338	19.25"	E0HZ-3304A	
8000, 9000	1980-86	E-5539	19.23"	E3HZ-3304B	

CF600, CF700
King Pin Kits

Axle Rating Lbs.	Axle Code/Year	PART NO./BUSHING	King Pin Size	Type	OEM REF	Notes
9000	1986-89	E-4457B	1.607" x 9.080"	B	D6HZ-3111B	
		E-4459C Easy Steer	1.794" x 10.070"		D6HZ-3111C	
	1989-98	E-6197B	1.607" x 9.080"	E9HZ-3111B	w/Screw-in end caps.	
11000	1987-89	E-4459B	1.794" x 10.070"	B	D6HZ-3111A	Bearing 3.26" OD x .94" thick.
12000	1986-90	E-4459B	1.794" x 10.070"	B	D6HZ-3111A	Bearing 3.26" OD x .94" thick.
	1989-91	E-6196B			E9HZ-3111A	w/Screw-in end caps.
13000	1990-98	E-6196B	1.794" x 10.070"	B	E9HZ-3111A	w/Steel axle.

Tie Rod Ends

Axle Rating Lbs.	Axle Code/Year	PART NO./LOCATION	STUD CTR to ROD END	OEM REF	Notes
9000	1990-94	E-4623 Curbside	6.07"	F0HZ-3A131E, E6HZ-3A130A	
		E-4622 Roadside		F0HZ-3A131F, E6HZ-3A131A	
12000	1990-91	E-4615 Curbside	5.44"	E4HZ-3A130A	w/Steel axle.
		E-4614 Roadside		E4HZ-3A131A	
	1992-94	E-9963 Curbside	6.00"	F1HZ-3A130A, F3HZ-3A130B	
		E-9962 Roadside		F1HZ-3A131A, F3HZ-3A131B	
13000	1990-91	E-4615 Curbside	5.44"	E4HZ-3A130A	w/Steel axle.
		E-4614 Roadside		E4HZ-3A131A	
	1992-98	E-9963 Curbside	6.00"	F1HZ-3A130A, F3HZ-3A130B	
		E-9962 Roadside		F1HZ-3A131A, F3HZ-3A131B	

FORD

CF800, CFT800

King Pin Kits

Axle Rating Lbs.	Axle Code/Year	PART NO./BUSHING	King Pin Size	Type	OEM REF	Notes
9000	1986-88	E-4459C Easy Steer	1.794" x 10.070"	B	D6HZ-3111C	
	1986-89	E-4457B	1.607" x 9.080"		D6HZ-3111B	To 1/89
	1989-98	E-6197B			E9HZ-3111B	From 1/89, with screw-in end caps.
11000	1987-89	E-4459B	1.794" x 10.070"	B	D6HZ-3111A	Bearing 3.26" OD x .94" thick.
12000	1986-89	E-4459B	1.794" x 10.070"	B	D6HZ-3111A	Bearing 3.26" OD x .94" thick.
	1989-91	E-6196B			E9HZ-3111A	w/Screw-in end caps.
13000	1987-90	E-4459B	1.794" x 10.070"	B	D6HZ-3111A	Bearing 3.26" OD x .94" thick.
	1990-91	E-6196B			E9HZ-3111A	w/Steel axle.

Tie Rod Ends

Axle Rating Lbs.	Axle Code/Year	PART NO./LOCATION	STUD CTR to ROD END	OEM REF	Notes
9000	1986-94	E-4623 Curbside	6.07"	F0HZ-3A131B	
		E-4622 Roadside		F0HZ-3A130B	
	1995-98	E-9966 Curbside	7.188"	F5HZ-3A131B	
		E-9965 Roadside		F5HZ-3A130B	
11000	1987-98	E-4623 Curbside	6.07"	F0HZ-3A131B, E6HZ-3A130A	
		E-4622 Roadside		F0HZ-3A130B, E6HZ-3A131A	
12000	1986-98	E-4623 Curbside	6.07"	F0HZ-3A131B, E6HZ-3A130A	
		E-4622 Roadside		F0HZ-3A130B, E6HZ-3A131A	
	1990-91	E-4615 Curbside	5.44"	E4HZ-3A130A	w/Steel axle.
		E-4614 Roadside		E4HZ-3A131A	
	1992-94	E-9963 Curbside	6.00"	F1HZ-3A130A, F3HZ-3A130B	
E-9962 Roadside			F1HZ-3A131A, F3HZ-3A131B		
13000	1987-92	E-4623 Curbside	6.07"	F0HZ-3A131B, E6HZ-3A130	
		E-4622 Roadside		F0HZ-3A130B, E6HZ-3A131A	
	1990-91	E-4615 Curbside	5.44"	E4HZ-3A130A	
		E-4614 Roadside		E4HZ-3A131A	
	1992-98	E-9963 Curbside	6.00"	F1HZ-3A130A, F3HZ-3A130B	
		E-9962 Roadside		F1HZ-3A131A, F3HZ-3A131B	

FORD CL900, CLT900, CL9000, CLT9000

King Pin Kits

Axle Rating Lbs.	Axle Code/Year	PART NO./BUSHING	King Pin Size	Type	OEM REF	Notes
11000	1987-89	E-4459B	1.794" x 10.070"	B	D6HZ-3111A	Bearing 3.26" OD x .94" thick. w/Steel or aluminum axle.
12000	1978-86	E-4459B	1.794" x 10.070"	B	D6HZ-3111A	Bearing 3.26" OD x .94" thick. w/Steel axle.
	1987-88	E-4459B				Bearing 3.26" OD x .94" thick. w/Steel or aluminum axle.
	1989-91	E-6196B				E9HZ-3111A
13000	1978-88	E-4459B	1.794" x 10.070"	B	D6HZ-3111A	Bearing 3.26" OD x .94" thick. w/Steel axle.
	1989	E-6196B				E9HZ-3111A

Tie Rod Ends

Axle Rating Lbs.	Axle Code/Year	PART NO./LOCATION	STUD CTR to ROD END	OEM REF	Notes
11000	1987-89	E-4615 Curbside	5.44"	E3HZ-3A130A	w/Steel or aluminum axles.
		E-4614 Roadside		E3HZ-3A131A	
12000	1978-91	E-4615 Curbside	5.44"	DOHZ-3A130A	w/Steel or aluminum axles.
		E-4614 Roadside		DOHZ-3A131A	
13000	1980-86	E-4615 Curbside	5.44"	DOHZ-3A130A	
		E-4614 Roadside		DOHZ-3A131A	

E100, E150, F150

King Pin Kits

Axle Rating Lbs.	Axle Code/Year	PART NO./BUSHING	King Pin Size	Type	OEM REF	Notes
2600	1968-72	E-6453B Bronze	0.859" x 6.670"	A	D5TZ-3111A C4UZ-3111B D5HA-3304EA	
		E-6451B Bronze	1.054" x 6.685"	A	D5UZ3111B	
		E-6450B Bronze	1.054" x 6.969"		E0TZ3111A	
6200-6900	1975-84	E-6453B Bronze	0.859" x 6.670"	A	D5UZ-3111A	

E100, E350

King Pin Kits

Axle Rating Lbs.	Axle Code/Year	PART NO./BUSHING	King Pin Size	Type	OEM REF	Notes
2600	1975-date	E-6451B Bronze	1.054" x 6.685"	A	D5UZ-3111B	
		E-6450B Bronze	1.054" x 6.969"		E0TZ-3111A	
					D5TZ3111A	

F1000, F1100

King Pin Kits

Axle Rating Lbs.	Axle Code/Year	PART NO./BUSHING	King Pin Size	Type	OEM REF	Notes
9000	1962-69	E-4441B	1.434" x 8.500"	B	D1HZ-3111A	
12000	1962-69		1.794" x 9.120"	B	D1HZ-3111B	

FORD F1000, F1100 (continued)

Tie Rod Ends

Axle Rating Lbs.	Axle Code/Year	PART NO./LOCATION	STUD CTR to ROD END	OEM REF	Notes
9000	1962-69	E-4611 Curbside	4.875"	C8TZ-3A130A	
		E-4610 Roadside		C1TZ-3A131C	
12000, 15000	1962-69	E-4618 Curbside	5.75"	B8TZ-3A131B	
		E-4619 Roadside		B8TZ-3A130B	

F250

King Pin Kits

Axle Rating Lbs.	Axle Code/Year	PART NO./BUSHING	King Pin Size	Type	OEM REF	Notes
	1980-1986	E-6450B Bronze	1.054" x 6.969"	A	E0TZ-3111A C8TZ-3111A D5TZ-3111A	

F350, P35, P400 STRAIGHT AXLE

King Pin Kits

Axle Rating Lbs.	Axle Code/Year	PART NO./BUSHING	King Pin Size	Type	OEM REF	Notes
3800	1957-date	E-9311B Bronze	0.921" x 7.00"	C	B7Y-3111A	

F500

King Pin Kits

Axle Rating Lbs.	Axle Code/Year	PART NO./BUSHING	King Pin Size	Type	OEM REF	Notes
4700	1963-date	E-4440B	1.231" x 7.860"	C	C3TZ-3111A	
5000					D2TZ-3111D	

Axle Rating Lbs.	Axle Code/Year	PART NO./BUSHING	King Pin Size	Type	OEM REF	Notes
5000	1961-79	E-4440B	1.231" x 7.860"	C	C3TZ-3111A	
5500	1961-86	E-4440B	1.231" x 7.860"	C	C3TZ-3111A	
6000	1967-88	E-4445B E-4445N Nylon	1.231" x 8.910"	C	C7TZ-3111A	
7000	1960-70	E-4438N	1.234" x 7.438"	B	B7TZ-3111F	To G90,001.
		E-4438N Nylon			C2TZ-3111F	
	1967-75	E-4445B E-4445N Nylon	1.231" x 8.910"	C	C7TZ-3111A	w/Air brakes before W40,001.
	1970-88	E-4445B E-4445N Nylon				w/Hydraulic brakes from G90,001.
	1975-88	E-4452B	1.433" x 8.250"	B	D6TZ-3111A	w/Air brakes from W40,001.
8000	1987-90	E-4452B	1.433" x 8.250"	B	E7TZ-3111A	w/Air brakes.
	1989-99	E-9943B			E9HZ-3111C	w/Air brakes from 2/91.
9000	1975-90	E-4452B	1.433" x 8.250"	B	D6TZ-3111A	w/Air brakes from W40,001; 1980-84 all brakes.
	1983	E-4459C Easy Steer	1.794" x 10.070"		D6HZ-3111C	w/Air brakes.
	1983-90	E-4457B	1.607" x 9.080"		D6HZ-3111B	Heavy duty w/air brakes.
	1989-99	E-9943B	1.433" x 8.250"		E9HZ-3111C	w/Air brakes from 2/91.
	10000	1987-90	E-4459B	1.794" x 10.070"	B	D6HZ-3111A
	1990-99	E-6196B			E9HZ-3111A	w/Steel axle.
12000	1982-88	E-4459B	1.794" x 10.070"	B	D6HZ-3111A	
	1989-94	E-6196B			E9HZ-3111A	w/Screw-in end caps.

Tie Rod Ends

Axle Rating Lbs.	Axle Code/Year	PART NO./LOCATION	STUD CTR to ROD END	OEM REF	Notes
4700	1957-62	E-4635 Curbside	3.50"	C1TZ-3A130A	
		E-4634 Roadside		C1TZ-3A131A	
5000	1953-66	E-4635 Curbside	3.50"	C1TZ-3A130A	w/Manual steering.
		E-4634 Roadside		C1TZ-3A131A	
	1967-79	E-4605 Curbside E-4604 Roadside	4.438"	C7TZ-3A130D C7TZ-3A131D	
5500	1961-66	E-4635 Curbside	3.50"	C1TZ-3A130A	w/Manual steering.
		E-4634 Roadside		C1TZ-3A131A	
	1967-86	E-4605 Curbside E-4604 Roadside	4.438"	C7TZ-3A130D C7TZ-3A131D	
6000	1967-90	E-4605 Curbside	4.438"	C7TZ-3A130D	
		E-4604 Roadside		C7TZ-3A131D	
	1990	E-4613 Curbside	4.93"	FOHZ-3A130C	Except low profile option.
		E-4612 Roadside		FOHZ-3A131C	
	1990-94	E-4623 Curbside	6.07"	FOHZ-3A131E	
		E-4622 Roadside		FOHZ-3A131F	
1995	E-9966 Curbside	7.188"	F5HZ-3A131B		
	E-9965 Roadside		F5HZ-3A130B		

FORD

F600, F6000, FT600, FT6000, F700, F7000, FT700 (continued)

Tie Rod Ends (continued)

Axle Rating Lbs.	Axle Code/Year	PART NO./LOCATION	STUD CTR to ROD END	OEM REF	Notes
7000	1961-66	E-4603 Curbside	3.88"	C1TZ-3A130B	
		E-4602 Roadside		C1TZ-3A131B	
	1967-90	E-4605 Curbside	4.438"	C7TZ-3A130D	w/Hydraulic brakes; 1989-90 except low profile option.
		E-4604 Roadside		C7TZ-3A131D	
	1973-75	E-4605 Curbside		C7TZ-3A130D	w/Air brakes to W40,001.
		E-4604 Roadside		C7TZ-3A131D	
	1975-88	E-4623 Curbside	6.07"	D5TZ-3A131A	w/Air brakes from W40,001.
		E-4622 Roadside		D5TZ-3A130A	
	1990-94	E-4623 Curbside		F0HZ-3A131E	
		E-4622 Roadside		F0HZ-3A131F	
1995	E-9966 Curbside	7.188"	F5HZ-3A131B		
	E-9965 Roadside		F5HZ-3A130B		
1995-99	E-9963 Curbside	6.00"	F3HZ-3A130B		
	E-9962 Roadside		F3HZ-3A131B		
8000	1987-98	E-4623 Curbside	6.07"	D5TZ-3A131A	
		E-4622 Roadside		D5TZ-3A130A	
	1995-99	E-9966 Curbside	7.188"	F5HZ-3A131B	
		E-9965 Roadside		F5HZ-3A130B	
9000	1968-79	E-4611 Curbside	4.875"	C8TZ-3A130A	w/Hydraulic brakes from 1973. w/Manual steering only.
		E-4610 Roadside		C1TZ-3A131C	
	1973-75	E-4611 Curbside		C8TZ-3A130A	w/Air brakes to W40,001. w/Manual steering only.
		E-4610 Roadside		C1TZ-3A131C	
	1975-94	E-4623 Curbside	6.07"	D5TZ-3A131A	
		E-4622 Roadside		D5TZ-3A130A	
	1995-99	E-9966 Curbside	7.188"	F5HZ-3A131B	
		E-9965 Roadside		F5HZ-3A130B	
10000	1987-98	E-4615 Curbside	5.44"	E3HZ-3A130A, E4HZ-3A130A	
		E-4614 Roadside		E3HZ-3A131A, E4HZ-3A131A	
	1992-98	E-9963 Curbside	6.00"	F1HZ-3A130A, F3HZ-3A130B	
		E-9962 Roadside		F1HZ-3A131A, F3HZ-3A131B	
12000	1982-98	E-4615 Curbside	5.44"	E3HZ-3A130A, E4HZ-3A130A	
		E-4614 Roadside		E3HZ-3A131A, E4HZ-3A131A	
	1992-98	E-9963 Curbside	6.00"	F1HZ-3A130A, F3HZ-3A130B	
		E-9962 Roadside		F1HZ-3A131A, F3HZ-3A131B	
	1995-99	E-11788 Curbside	7.75"	F5HZ-3A130AA	
		E-11789 Roadside		F5HZ-3A131AA	
14600	1995-98	E-9963 Curbside	6.00"	F3HZ-3A130B	
		E-9962 Roadside		F3HZ-3A131B	

F600, F6000, FT600, FT6000, F700, F7000, FT700 (continued)

Drag Links

Axle Rating Lbs.	Axle Code/Year	Part Number	STUD CTR to Stud CTR	OEM REF	Notes
5000	1967-79	E-5310	16.64"	C7TZ-3304A	
5500	1967-79	E-5310	16.64"	C7TZ-3304A	
	1980-86	E-5338	19.25"	E0HZ-3304A	
6000	1967-68	E-5310	16.64"	C7TZ-3304A	w/Power steering.
	1967-79	E-5310			w/Manual steering.
	1973-79	E-5310			
	1980-88	E-5338	19.25"	E0HZ-3304A	
	1989-92	E-6827	20.66"	E8HZ-3304B, F0HZ-3304G	
	1995-98	E-9937	21.23"	F5HZ-3304A	
7000	1967-68	E-5310	16.64"	C7TZ-3304A	w/Power steering.
	1967-79	E-5310			w/Manual steering to W20,001.
	1980-90	E-5338	19.25"	E0HZ-3304A	
	1989-92	E-6827	20.66"	E8HZ-3304B, F0HZ-3304G	w/Hydraulic brakes.
	1995-98	E-9937	21.23"	F5HZ-3304A	
8000	1984-87	E-5539	19.23"	E3HZ-3304B	w/Air brakes.
	1988-92	E-6827	20.66"	E8HZ-3304B	
	1992-93	E-9934	19.47"	F2HZ-3304D	Before 5/93
	1993-98	E-9936	19.43"	F4HZ-3304A	After 5/93.
9000	1980-87	E-5539	19.23"	E0HZ-3304B	
	1992-93	E-9934	19.47"	F2HZ-3304D	Before 5/93.
	1993-98	E-9936	19.43"	F4HZ-3304A	After 5/93.
10000	1987-91	E-6836	19.23"	E3HZ-3304A, F0HZ-3304A	
12000	1982-91	E-6836	19.23"	E3HZ-3304A, F0HZ-3304A	

APPLICATION GUIDE (A-F)

F750
King Pin Kits

Axle Rating Lbs.	Axle Code/Year	PART NO./BUSHING	King Pin Size	Type	OEM REF	Notes
7000	1960-70	E-4438N	1.234" x 7.438"	B	B7TZ-3111F	Before G90,001.
		E-4438N Nylon			C2TZ-3111F	
	1970-77	E-4445B	1.231" x 8.910"	C	C7TZ-3111A	w/Hydraulic brakes from G90,001.
	1973-88	E-4445B				w/Air brakes before W40,001.
		E-4445N Nylon				
9000	1973-75	E-4441B	1.434" x 8.500"	B	D1HZ-3111A	w/Air brakes before W40,001.
	1975-88	E-4452B	1.433" x 8.250"		D6TZ-3111A	w/Air brakes from W40,001.
	1989-99	E-9943B			E9HZ-3111C	w/Air brakes from 2/91.

FORD

F750 (continued)

Tie Rod Ends

Axle Rating Lbs.	Axle Code/Year	PART NO./LOCATION	STUD CTR to ROD END	OEM REF	Notes
7000	1961-66	E-4603 Curbside	3.88"	C1TZ-3A130B	
		E-4602 Roadside		C1TZ-3A131B	
	1967-88	E-4605 Curbside	4.438"	C7TZ-3A130D	w/Hydraulic brakes.
		E-4604 Roadside		C7TZ-3A131D	
1973-75	E-4605 Curbside		C7TZ-3A130D	w/Air brakes before W40,001.	
	E-4604 Roadside		C7TZ-3A131D		
9000	1973-75	E-4611 Curbside	4.875"	C8TZ-3A130A	w/Air brakes before W40,001. w/Manual steering only.
		E-4610 Roadside		C1TZ-3A131C	
	1975-77	E-4623 Curbside	6.07"	D5TZ-3A131A	w/Air brakes from W40,001.
		E-4622 Roadside		D5TZ-3A130A	

Drag Links

Axle Rating Lbs.	Axle Code/Year	Part Number	STUD CTR to Stud CTR	OEM REF	Notes
7000	1967-68	E-5310	16.64"	C7TZ-3304A	w/Power steering.
	1967-79	E-5310			w/Manual steering before W20,001.

F800, FT800, F880, F8000

King Pin Kits

Axle Rating Lbs.	Axle Code/Year	PART NO./BUSHING	King Pin Size	Type	OEM REF	Notes
5500	1980-83	E-4440B	1.231" x 7.860"	C	C3TZ-3111A	
6000	1984-90	E-4445B	1.231" x 8.910"	C	C7TZ-3111A	
		E-4445N Nylon				
	1989-99	R200072	1.299" x 7.748"	B	E8HZ-3111A	
7000	1960-70	E-4438N	1.234" x 7.438"	B	B7TZ-3111F	Before G90,001.
		E-4438N Nylon			C2TZ-3111F	
	1970-88	E-4445B	1.231" x 8.910"	C	C7TZ-3111A	w/Hydraulic brakes from G90,001.
		E-4445N Nylon				
	1973-75	E-4445B			w/Air brakes before W40,001.	
	1980-88	E-4452B	1.433" x 8.250"	B	D6TZ-3111A	w/Air brakes.
8000	1989-99	E-9943B	1.433" x 8.250"	B	E9HZ-3111C	
9000	1973-75	E-4441B	1.434" x 8.500"	B	D1HZ-3111A	w/Air brakes before W40,001.
		E-4452B			D6TZ-3111A	
	1983	E-4457B	1.607" x 9.080"	B	D6HZ-3111B	Heavy duty w/air brakes.
		E-4459C Easy Steer	1.794" x 10.070"		D6HZ-3111C	
	1989-99	E-9943B	1.433" x 8.250"	B	E9HZ-3111C	w/Air brakes from 2/91.
10000	1987-90	E-4459B	1.794" x 10.070"	B	D6HZ-3111A	Except aluminum axle.
	1990-94	E-6196B			E9HZ-3111A	
12000	1983-88	E-4459B	1.794" x 10.070"	B	D6HZ-3111A	
	1989-94	E-6196B			E9HZ-3111A	

Axle Rating Lbs.	Axle Code/Year	PART NO./LOCATION	STUD CTR to ROD END	OEM REF	Notes
5500	1980-83	E-4605 Curbside	4.438"	C7TZ-3A130D	
		E-4604 Roadside		C7TZ-3A131D	
6000	1984-90	E-4605 Curbside	4.438"	C7TZ-3A130D	
		E-4604 Roadside		C7TZ-3A131D	
	1990	E-4613 Curbside	4.93"	F0HZ-3A130C	Except low profile option.
		E-4612 Roadside		F0HZ-3A131C	
	1990-94	E-4623 Curbside	6.07"	F0HZ-3A131E	
		E-4622 Roadside		F0HZ-3A131F	
	1995	E-9966 Curbside	7.188"	F5HZ-3A131B	
		E-9965 Roadside		F5HZ-3A130B	
1995-99	E-9963 Curbside	6.00"	F3HZ-3A130B		
	E-9962 Roadside		F3HZ-3A131B		
7000	1961-66	E-4603 Curbside	3.88"	C1TZ-3A130B	
		E-4602 Roadside		C1TZ-3A131B	
	1967-90	E-4605 Curbside	4.438"	C7TZ-3A130D	w/Hydraulic brakes except low profile option.
		E-4604 Roadside		C7TZ-3A131D	
	1973-75	E-4605 Curbside		C7TZ-3A130D	w/Air brakes before W40,001.
		E-4604 Roadside		C7TZ-3A131D	
	1980-88	E-4623 Curbside	6.07"	D5TZ-3A131A	w/Air brakes.
		E-4622 Roadside		D5TZ-3A130A	
	1990-94	E-4623 Curbside		F0HZ-3A131E	
		E-4622 Roadside		F0HZ-3A131F	
1995	E-9966 Curbside	7.188"	F5HZ-3A131B		
	E-9965 Roadside		F5HZ-3A130B		
1995-99	E-9963 Curbside	6.00"	F3HZ-3A130B		
	E-9962 Roadside		F3HZ-3A131B		
8000	1987-98	E-4623 Curbside	6.07"	D5TZ-3A131A	
		E-4622 Roadside		D5TZ-3A130A	
	1995-99	E-9966 Curbside	7.188"	F5HZ-3A131B	
9000	1973-75	E-4611 Curbside	4.875"	C8TZ-3A130A	w/Air brakes before W40,001. w/Manual steering only.
		E-4610 Roadside		C1TZ-3A131C	
	1975-94	E-4623 Curbside	6.07"	D5TZ-3A130A	w/Air brakes from W40,001; 1980-83 all brakes.
		E-4622 Roadside		D5TZ-3A131A	
	1995-98	E-9966 Curbside	7.188"	F5HZ-3A131B	
	E-9965 Roadside		F5HZ-3A130B		
10000	1987-98	E-4615 Curbside	5.44"	E3HZ-3A130A, E4HZ-3A130A	
		E-4614 Roadside		E3HZ-3A131A, E4HZ-3A131A	
	1992-98	E-9963 Curbside	6.00"	F1HZ-3A130A, F3HZ-3A130B	
	E-9962 Roadside		F1HZ-3A131A, F3HZ-3A131B		

FORD

F800, FT800, F880, F8000 (continued)

Tie Rod Ends (continued)

Axle Rating Lbs.	Axle Code/Year	PART NO./LOCATION	STUD CTR to ROD END	OEM REF	Notes	
12000	1983-98	E-4615 Curbside	5.44"	DOHZ-3A130A, E3HZ-3A130A, E4HZ-3A130A DOHZ-3A131A, E3HZ-3A131A, E4HZ-3A131A	w/Air brakes.	
		E-4614 Roadside				
	1992-94	E-9963 Curbside	6.00"			
		E-9962 Roadside				
	1995-99	E-11788 Curbside	7.75"			F5HZ-3A130AA F5HZ-3A131AA
		E-11789 Roadside				
14600	1995-98	E-9963 Curbside	6.00"	F3HZ-3A130B F3HZ-3A131B		
		E-9962 Roadside				

Drag Links

Axle Rating Lbs.	Axle Code/Year	Part Number	STUD CTR to Stud CTR	OEM REF	Notes	
5500	1980-83	E-5338	19.25"	E0HZ-3304A		
6000	1984-88	E-5338	19.25"	E0HZ-3304A		
	1989-92	E-6827	20.66"	E8HZ-3304B, F0HZ-3304G		
	1995-98	E-9937	21.23"	F5HZ-3304A	Except low profile option.	
7000	1967-68	E-5310	16.64"	C7TZ-3304A	w/Power steering.	
	1967-75	E-5310			w/Manual steering before W20,001.	
	1976-88	E-5338	19.25"	E0HZ-3304A		
	1989-92	E-6827	20.66"	E8HZ-3304B		
	1995-98	E-9937	21.23"	F5HZ-3304A	Except low profile option.	
	8000	1992-93	E-9934	19.47"	F2HZ-3304D	Before 5/93.
		1993-98	E-9936	19.43"	F4HZ-3304A	After 5/93.
9000	1980-87	E-5539	19.23"	E0HZ-3304B, E3HZ-3304D		
	1992-93	E-9934			F2HZ-3304D	Before 5/93.
	1993-98	E-9936	19.43"	F4HZ-3304A	After 5/93.	
10000, 12000	1982-91	E-6836	19.23"	E3HZ-3304A, F0HZ-3304A		

F850, F950

King Pin Kits

Axle Rating Lbs.	Axle Code/Year	PART NO./BUSHING	King Pin Size	Type	OEM REF	Notes
7000	1961-69	E-4438N	1.234" x 7.438"	B	B7TZ-3111F	
		E-4438N Nylon			C2TZ-3111F	
9000	1961-69	E-4441B	1.434" x 8.500"	B	D1HZ-3111A	
12000	1961-69		1.794" x 9.120"	B	D1HZ-3111B	

FORD

F850, F950 (continued)

Tie Rod Ends

Axle Rating Lbs.	Axle Code/Year	PART NO./LOCATION	STUD CTR to ROD END	OEM REF	Notes
7000	1961-69	E-4603 Curbside	3.88"	C1TZ-3A130B	
		E-4602 Roadside		C1TZ-3A131B	
9000	1961-69	E-4611 Curbside	4.875"	C8TZ-3A130A	
		E-4610 Roadside		C1TZ-3A131C	
12000	1961-69	E-4618 Curbside	5.75"	B8TZ-3A131B	
		E-4619 Roadside		B8TZ-3A130B	

F900, F9000, FT900, FT9000

King Pin Kits

Axle Rating Lbs.	Axle Code/Year	PART NO./BUSHING	King Pin Size	Type	OEM REF	Notes	
5500	1980-83	E-6199C Easy Steer	1.794" x 10.392"	B	C3TZ-3111A		
6000	1984-90	E-4445B	1.231" x 8.910"	C	C7TZ-3111A		
		E-4445N Nylon					
	1995-99	R200072	1.299" x 7.748"	B	F1HZ-3111A		
7000	1980-88	E-4445B	1.231" x 8.910"	C	D7TZ-3111A	w/Hydraulic brakes.	
		E-4445N Nylon					
		E-4452B				1.433" x 8.250"	B
8000	1987-92	E-4452B	1.433" x 8.250"	B	D6TZ-3111A	w/Air brakes.	
	1989-99	E-9943B				E9HZ-3111C	w/Air brakes from 2/91.
9000	1980-92	E-4452B	1.433" x 8.250"	B	D6TZ-3111A		
	1983	E-4457B	1.607" x 9.080"			D6HZ-3111B	Heavy duty w/air brakes.
		E-4459C Easy Steer	1.794" x 10.070"			D6HZ-3111C	
	1989-99	E-9943B	1.433" x 8.250"			E9HZ-3111C	w/Air brakes from 2/91.
10000	1987-90	E-4459B	1.794" x 10.070"	B	D6HZ-3111A	Except aluminum axle. Bearing 3.26" OD x .94" thick.	
	1990-99	E-6196B				E9HZ-3111A	w/Steel axle.
12000	1982-88	E-4459B	1.794" x 10.070"	B	D6HZ-3111A	Bearing 3.26" OD x .94" thick.	
	1989-94	E-6196B				E9HZ-3111A	Screw-in end caps w/steel axle.

FORD

F900, F9000, FT900, FT9000 (continued)

Tie Rod Ends

Axle Rating Lbs.	Axle Code/Year	PART NO./LOCATION	STUD CTR to ROD END	OEM REF	Notes	
5500	1980-83	E-4605 Curbside	4.438"	C7TZ-3A130D		
		E-4604 Roadside		C7TZ-3A131D		
6000	1984-90	E-4605 Curbside	4.438"	C7TZ-3A130D		
		E-4604 Roadside		C7TZ-3A131D		
	1990	E-4613 Curbside	4.93"	F0HZ-3A130C		Except low profile option.
		E-4612 Roadside		F0HZ-3A131C		
	1990-94	E-4623 Curbside	6.07"	F0HZ-3A131E		
		E-4622 Roadside		F0HZ-3A131F		
1995-99	E-9966 Curbside	7.188"	F5HZ-3A131B			
	E-9965 Roadside		F5HZ-3A130B			
7000	1980-88	E-4623 Curbside	6.07"	D5TZ-3A131A	w/Air brakes.	
		E-4622 Roadside		D5TZ-3A130A		
	1980-90	E-4605 Curbside	4.438"	C7TZ-3A130A	w/Hydraulic brakes except low profile option.	
		E-4604 Roadside		C7TZ-3A131A		
	1990-94	E-4623 Curbside	6.07"	F0HZ-3A131E		
		E-4622 Roadside		F0HZ-3A131F		
	1995-99	E-9966 Curbside	7.188"	F5HZ-3A131B		
		E-9965 Roadside		F5HZ-3A130B		
8000	1987-89	E-4623 Curbside	6.07"	D5TZ-3A131A		
		E-4622 Roadside		D5TZ-3A130A		
	1990-98	E-4623 Curbside		F0HZ-3A131B		
		E-4622 Roadside		F0HZ-3A130B		
	1995-99	E-9966 Curbside	7.188"	F5HZ-3A131B		
E-9965 Roadside		F5HZ-3A130B				
9000	1980-94	E-4623 Curbside	6.07"	D5TZ-3A131A		
		E-4622 Roadside		D5TZ-3A130A		
	1995-98	E-9966 Curbside	7.188"	F5HZ-3A131B		
		E-9965 Roadside		F5HZ-3A130B		
10000	1987-91	E-4615 Curbside	5.44"	E3HZ-3A130A, E4HZ-3A130A		
		E-4614 Roadside		E3HZ-3A131A, E4HZ-3A131A		
	1992-94	E-9962 Roadside	6.00"	F1HZ-3A131A, F3HZ-3A131B		
	1992-98	E-9963 Curbside		F1HZ-3A130A, F3HZ-3A130B		
12000	1982-91	E-4615 Curbside	5.44"	E3HZ-3A130A, E4HZ-3A130A		
		E-4614 Roadside		E3HZ-3A131A, E4HZ-3A131A		
	1992-94	E-9963 Curbside	6.00"	F1HZ-3A130A, F3HZ-3A130B		
		E-9962 Roadside		F1HZ-3A131A, F3HZ-3A131B		
	1995-99	E-11788 Curbside	7.75"	F5HZ-3A130AA		
		E-11789 Roadside		F5HZ-3A131AA		
14600	1995-98	E-9963 Curbside	6.00"	F3HZ-3A130B		
		E-9962 Roadside		F3HZ-3A131B		

FORD

F900, F9000, FT900, FT9000 (continued)

Drag Links

Axle Rating Lbs.	Axle Code/Year	Part Number	STUD CTR to Stud CTR	OEM REF	Notes
5500	1980-83	E-5338	19.25"	E0HZ-3304A	
6000	1984-88	E-5338	19.25"	E0HZ-3304A	
	1989-91	E-6827	20.66"	E8HZ-3304B, F0HZ-3304G	
	1995-98	E-9937	21.23"	F5HZ-3304A	
7000	1980-88	E-5338	19.25"	E0HZ-3304A	
	1989-91	E-6827	20.66"	E8HZ-3304B	w/Hydraulic brakes.
	1995-98	E-9937	21.23"	F5HZ-3304A	
8000	1992-93	E-9934	19.47"	F2HZ-3304D	Before 5/93.
	1993-98	E-9936	19.43"	F4HZ-3304A	After 5/93.
9000	1980-87	E-5539	19.23"	E0HZ-3304B, E3HZ-3304B	
	1992-93	E-9934	19.47"	F2HZ-3304D	Before 5/93
	1993-98	E-9936	19.43"	F4HZ-3304A	After 5/93.
10000, 12000	1987-91	E-6836	19.23"XB	E3HZ-3304A, F0HZ-3304A	

HT950, H1000

King Pin Kits

Axle Rating Lbs.	Axle Code/Year	PART NO./BUSHING	King Pin Size	Type	OEM REF	Notes
9000	1964-66	E-4441B	1.434" x 8.500"	B	D1HZ-3111A	

Tie Rod Ends

Axle Rating Lbs.	Axle Code/Year	PART NO./LOCATION	STUD CTR to ROD END	OEM REF	Notes
9000	1964-66	E-4611 Curbside	4.875"	C8TZ-3A130A	
		E-4610 Roadside		C1TZ-3A131C	
12000	1964-66	E-4618 Curbside	5.75"	B8TZ-3A131B	
		E-4619 Roadside		B8TZ-3A130B	
15000	1964-66	E-4618 Curbside	5.75"	B8TZ-3A131B	
		E-4619 Roadside		B8TZ-3A130B	

FORD

L800, L8000 (Includes LN, LNT, LS, LT, LTL and LTS)

King Pin Kits

Axle Rating Lbs.	Axle Code/Year	PART NO./BUSHING	King Pin Size	Type	OEM REF	Notes
6000	1967-89	E-4445B	1.231" x 8.910"	C	C7TZ-3111A	
		E-4445N Nylon				
7000	1963-73	E-4445B	1.231" x 8.910"	C	C7TZ-3111A	
		E-4445N Nylon				
	1967-88	E-4445B				1980-86 w/hydraulic brakes.
		E-4445N Nylon				
	1973-75	E-4445B				w/Air brakes before W40,001.
		E-4445N Nylon				
1975-98	E-4452B	1.433" x 8.250"	B	D6TZ-3111A	w/Air brakes from W40,001	
1987-88	E-4452B				w/Hydraulic brakes.	
9000	1962-86	E-4441B	1.434" x 8.500"	B	D1HZ-3111A	w/Air brakes before W40,001.
	1975-86	E-457B	1.607" x 9.080"		D6HZ-3111B	w/Air brakes from W40,001.
	1980-86	E-4459C Easy Steer	1.794" x 10.070"		D6HZ-3111C	w/Air brakes.
	1987-88	E-4452B	1.433" x 8.250"		D6TZ-3111A	
	1989-98	E-6197B	1.607" x 9.080"		E9HZ-3111B	w/Screw-in end caps.
	1990-98	E-457B			D6HZ-3111B	w/Steel axle.
10000	1987-91	E-4459B	1.794" x 10.070"	B	D6HZ-3111A	w/Steel axle. Bearing 3.26" OD x .94" thick.
	1990-97	E-6196B			E9HZ-3111A	w/Steel axle.
11000	1987-89	E-4459B	1.794" x 10.070"	B	D6HZ-3111A	w/Air brakes. Bearing 3.26" OD x .94" thick.
12000	1970-86		1.794" x 9.120"	B	D1HZ-3111B	w/Hydraulic brakes from 1973, 1970-72 all brakes.
	1973-75					
	1975-89	E-4459B	1.794" x 10.070"		D6HZ-3111A	w/Air brakes from W40,001. Bearing 3.26" OD x .94" thick.
1989-98	E-6196B			E9HZ-3111A	w/Steel axle & screw-in end caps.	
16000	1970-75	E-4454B	1.999" x 11.040"	B	D0HZ-3111E	Gasket 2208-S-513.
		E-4454N Nylon				
1975-98	E-12512B	1.999" x 11.212"			D5HZ-3111C	
	E-4458C Easy Steer					
18000	1980-98	E-12512B	1.999" x 11.212"	B	D5HZ-3111C	
		E-4458C Easy Steer				
20000	1980-98	E-12512B	1.999" x 11.212"	B	D5HZ-3111C	
		E-4458C Easy Steer				

L800, L8000 (Includes LN, LNT, LS, LT, LTL and LTS) (continued)

Tie Rod Ends

Axle Rating Lbs.	Axle Code/Year	PART NO./LOCATION	STUD CTR to ROD END	OEM REF	Notes
6000	1967-89	E-4605 Curbside	4.438"	C7TZ-3A130D	
		E-4604 Roadside		C7TZ-3A131D	
7000	1967-73	E-4605 Curbside	4.438"	C7TZ-3A130D	
		E-4604 Roadside		C7TZ-3A131A	
	1973-75	E-4605 Curbside		C7TZ-3A130D	w/Air brakes to W40,001.
		E-4604 Roadside		C7TZ-3A131A	
	1973-79	E-4605 Curbside		C7TZ-3A130D	w/Hydraulic brakes.
		E-4604 Roadside		C7TZ-3A131A	
	1975-79	E-4623 Curbside	6.07"	D5TZ-3A131A	w/Air brakes from W40,001.
		E-4622 Roadside		D5TZ-3A130A	
	1980-89	E-4623 Curbside		D5TZ-3A131A	1987-88 w/hydraulic brakes. 1980-88 w/air brakes.
		E-4622 Roadside		D5TZ-3A130A	
1980-90	E-4605 Curbside	4.438"	C7TZ-3A130A	1989-90, 1980-86 all w/hydraulic brakes.	
	E-4604 Roadside		C7TZ-3A131A		
1990-94	E-4623 Curbside	6.07"	F0HZ-3A131B		
	E-4622 Roadside		F0HZ-3A130B		
1995-97	E-9966 Curbside	7.188"	F5HZ-3A131B		
	E-9965 Roadside		F5HZ-3A130B		
9000	1962-69	E-4611 Curbside	4.875"	C8TZ-3A130A	
		E-4610 Roadside		C1TZ-3A131C	
	1970-72	E-4605 Curbside	4.438"	C7TZ-3A130A	
		E-4604 Roadside		C7TZ-3A130D	
	1973-75	E-4605 Curbside		C7TZ-3A131D	w/air brakes to W40,001
		E-4604 Roadside		C7TZ-3A130D	
	1973-86	E-4615 Curbside	5.44"	D0HZ-3A130A	w/Hydraulic brakes.
		E-4614 Roadside		D0HZ-3A131A	
1975-89	E-4623 Curbside	6.07"	D5TZ-3A131A	1975-86 w/air brakes from W40,001, 1987-89 all.	
	E-4622 Roadside		D5TZ-3A130A		
1990-97	E-4623 Curbside		D5TZ-3A131A	w/Steel axle.	
	E-4622 Roadside		D5TZ-3A130A		
10000	1987-91	E-4615 Curbside	5.44"	E3HZ-3A130A, E4HZ-3A130A	
		E-4614 Roadside		E3HZ-3A131A, E4HZ-3A131A	
	1992-98	E-9963 Curbside	6.00"	F1HZ-3A130A, F3HZ-3A130B	
		E-9962 Roadside		F1HZ-3A131A, F3HZ-3A131B	
11000	1987-89	E-4615 Curbside E-4614 Roadside	5.44"	E3HZ-3A130A, E4HZ-3A130A E3HZ-3A131A, E4HZ-3A131A	w/Air brakes.
12000	1970-91	E-4614 Roadside	5.44"	D0HZ-3A131A	w/Air brakes to 1984.
		E-4615 Curbside		D0HZ-3A130A	w/Hydraulic brakes to 1983.
	1992-98	E-9963 Curbside E-9962 Roadside	6.00"	F1HZ-3A130A, F3HZ-3A130B F1HZ-3A131A, F3HZ-3A131B	

FORD

L800, L8000 (Includes LN, LNT, LS, LT, LTL and LTS) (continued)

Tie Rod Ends (continued)

Axle Rating Lbs.	Axle Code/Year	PART NO./LOCATION	STUD CTR to ROD END	OEM REF	Notes
16000	1970-75	E-4616 Roadside	5.75"	D0HZ-3A131B	
		E-4615 Curbside	5.44"	E3HZ-3A130A, E4HZ-3A130A	
	E-4614 Roadside		E3HZ-3A131A, E4HZ-3A131A		
	1991-98	E-9963 Curbside	6.00"	F1HZ-3A130A, F3HZ-3A130B	
		E-9962 Roadside		F1HZ-3A131A, F3HZ-3A131B	
18000	1980-90	E-4615 Curbside	5.44"	E3HZ-3A130A, E4HZ-3A130A	
		E-4614 Roadside		E3HZ-3A131A, E4HZ-3A131A	
	1991-98	E-9963 Curbside	6.00"	F1HZ-3A130A, F3HZ-3A130B	
		E-9962 Roadside		F1HZ-3A131A, F3HZ-3A131B	
	20000	1980-92	E-4615 Curbside	5.44"	E3HZ-3A130A, E4HZ-3A130A
E-4614 Roadside				E3HZ-3A131A, E4HZ-3A131A	
1991-98		E-9963 Curbside	6.00"	F1HZ-3A130A, F3HZ-3A130B	
		E-9962 Roadside		F1HZ-3A131A, F3HZ-3A131B	

L800, L8000 (Includes LN, LNT, LS, LT, LTL and LTS) (continued)

Drag Links

Axle Rating Lbs.	Axle Code/Year	Part Number	STUD CTR to Stud CTR	OEM REF	Notes
6000	1973-75	E-5324	18.03"	D5HZ-3304D, E4HZ-3304B	
7000	1973-91	E-5324	18.03"	E3HZ-3304H, E4HZ-3304B	
9000	1973-91	E-5324	18.03"	E4HZ-3304B	
	1980-87	E-5342	36.31"	E3HZ-3304J	LTS models.
	1987-97	E-6835	36.15"	E8HZ-3304E, E8HZ-3304F	
	1990	E-6839	32.62"	F0HZ-3304E, F0HZ-3304F	
10000	1980-87	E-5342	36.31"	E3HZ-3304J	LTS models.
	1980-91	E-5324	18.03"	E3HZ-3304H, E4HZ-3304B	
	1987-90	E-6835	36.15"	E8HZ-3304E, E8HZ-3304F	
	1990-91	E-6839	32.62"	F0HZ-3304E, F0HZ-3304F	
11000	1987	E-5342	36.31"	E3HZ-3304J	LTS models.
	1987-89	E-5324	18.03"	E3HZ-3304H, E4HZ-3304B	w/Air brakes.
		E-6835	36.15"	E8HZ-3304E, E8HZ-3304F	
12000	1973-91	E-5324	18.03"	E4HZ-3304B	
	1980-87	E-5342	36.31"	E3HZ-3304J	
	1987-97	E-6835	36.15"	E8HZ-3304E, E8HZ-3304F	
	1990-91	E-6839	32.62"	F0HZ-3304E, F0HZ-3304F	
16000	1973-90	E-5324	18.03"	E3HZ-3304H, E4HZ-3304B	
		E-5342	36.31"	E3HZ-3304J	
		E-6835	36.15"	E8HZ-3304E, E8HZ-3304F	
	1991-97	E-9925	17.53"	F1HZ-3304A, F1HZ-3304B	w/LH power steering gear.
		E-9927	32.53"	F1HZ-3304E, F1HZ-3304F	w/RH power steering gear.
	1992-94	E-9933	17.91"	F2HZ-3304C	
18000	1980-87	E-5342	36.31"	E3HZ-3304J	
	1980-91	E-5324	18.03"	E3HZ-3304H, E4HZ-3304B	
	1987-90	E-6835	36.15"	E8HZ-3304E, E8HZ-3304F	
	1991-97	E-9925	17.53"	F1HZ-3304A, F1HZ-3304B	w/LH power steering gear.
		E-9927	32.53"	F1HZ-3304E, F1HZ-3304F	w/RH power steering gear.
	1992-94	E-9933	17.91"	F2HZ-3304C	

APPLICATION GUIDE (A-F)

FORD

L800, L8000 (Includes LN, LNT, LS, LT, LTL and LTS) (continued)

Drag Links (continued)

Axle Rating Lbs.	Axle Code/Year	Part Number	STUD CTR to Stud CTR	OEM REF	Notes
20000	1980-87	E-5342	36.31"	E3HZ-3304J	
	1980-91	E-5324	18.03"	E3HZ-3304H, E4HZ-3304B	
	1987-90	E-6835	36.15"	E8HZ-3304E, E8HZ-3304F	
	1991-97	E-9925	17.53"	F1HZ-3304A, F1HZ-3304B	w/LH power steering gear.
		E-9927	32.53"	F1HZ-3304E, F1HZ-3304F	w/RH power steering gear.
	1992-94	E-9933	17.91"	F2HZ-3304C	L, LN, LNT, LT models.

L900, L9000 (Includes L, LL, LN, LNT, LS, LT, LTL and LTS)

King Pin Kits

Axle Rating Lbs.	Axle Code/Year	PART NO./BUSHING	King Pin Size	Type	OEM REF	Notes
7000	1970-86	E-4445B	1.231" x 8.910"	C	C7TZ-3111A	w/Hydraulic brakes from 1973, 1970-72 all brakes.
		E-4445N Nylon				
	1973-75	E-4445B E-4445N Nylon				w/Air brakes to W40,001.
	1975-98	E-4452B	1.433" x 8.250"	B	D6TZ-3111A	1980-86 w/air brakes from W40,001, 1987-88 w/hydraulic brakes.
9000	1970-86	E-4441B	1.434" x 8.500"	B	D1HZ-3111A	w/Hydraulic brakes from 1973, 1970-72 all brakes.
		E-4441B				w/Air brakes before W40,001.
	1975-86	E-457B	1.607" x 9.080"		D6HZ-3111B	w/Air brakes from W40,001.
		E-4459C Easy Steer	1.794" x 10.070"		D6HZ-3111C	w/Air brakes.
	1980-86	E-4459C Easy Steer				w/Air brakes from W40,001.
	1987-88	E-4452B	1.433" x 8.250"		D6TZ-3111A	
	1989	E-6197B	1.607" x 9.080"		E9HZ-3111B	w/Screw-in end caps.
1990-98	E-457B			D6HZ-3111B	w/Steel axle.	
10000	1987-91	E-4459B	1.794" x 10.070"	B	D6HZ-3111A	w/Steel axle. Bearing 3.26" OD x .94" thick.
	1990-97	E-6196B				E9HZ-3111A
11000	1987-89	E-4459B	1.794" x 10.070"	B	D6HZ-3111A	w/Steel axle. Bearing 3.26" OD x .94" thick.
12000	1970-86		1.794" x 9.120"	B	D1HZ-3111B	w/Hydraulic brakes from 1975, 1970-75 all brakes.
		E-4459B				1.794" x 10.070"
	1989-98	E-6196B			E9HZ-3111A	w/Steel axle. Screw-in end caps.
16000	1970-86	E-4454B	1.999" x 11.040"	B	D0HZ-3111E	w/Hydraulic brakes from 1973-79, 1970-72 all brakes. 1980-86 all brakes.
		E-4454N Nylon				
	1973-75	E-4454B				w/Air brakes to W40,001.
		E-4454N Nylon				
1980-98	E-12512B E-4458C Easy Steer	1.999" x 11.212"		D5HZ-3111C	w/Air brakes from W40,001.	

L900, L9000 (Includes L, LL, LN, LNT, LS, LT, LTL and LTS) (continued)

King Pin Kits (continued)

Axle Rating Lbs.	Axle Code/Year	PART NO./BUSHING	King Pin Size	Type	OEM REF	Notes
18000	1970-75	E-4454B	1.999" x 11.040"	B	D0HZ-3111E	Before W40,001.
		E-4454N Nylon				
	1980-98	E-12512B	1.999" x 11.212"		D5HZ-3111C	From W40,001.
		E-4458C Easy Steer				
20000	1970-75	E-4454B	1.999" x 11.040"	B	D0HZ-3111E	Before W40,001.
		E-4454N Nylon				
	1980-98	E-12512B	1.999" x 11.212"		D5HZ-3111C	
		E-4458C Easy Steer				

Tie Rod Ends

Axle Rating Lbs.	Axle Code/Year	PART NO./LOCATION	STUD CTR to ROD END	OEM REF	Notes
7000	1970-90	E-4605 Curbside	4.438"	C7TZ-3A130D	1973-86 w/hydraulic brakes. 1989-90 all, 1970-72 all brakes.
		E-4604 Roadside		C7TZ-3A131D	
	1973-75	E-4605 Curbside	6.07"	C7TZ-3A130D	w/Air brakes before W40,001.
		E-4604 Roadside		C7TZ-3A131D	
1975-88	E-4623 Curbside	6.07"	D5TZ-3A131A	1980-86 w/air brakes from W40,001, 1987-88 w/hydraulic brakes.	
	E-4622 Roadside		D5TZ-3A130A		
	1995-97	E-9966 Curbside	7.188"	F5HZ-3A131B	
		E-9965 Roadside		F5HZ-3A130B	
9000	1970-86	E-4615 Curbside	5.44"	E4HZ-3A130A	w/Hydraulic brakes from 1973, 1970-72 all brakes.
		E-4614 Roadside		E4HZ-3A131A	
	1975-97	E-4623 Curbside	6.07"	D5TZ-3A131A	1975 w/air brakes from W40,001, 1987-89 all.
		E-4622 Roadside		D5TZ-3A130A	
10000	1987-91	E-4615 Curbside	5.44"	E3HZ-3A130A, E4HZ-3A130A	
		E-4614 Roadside		E3HZ-3A131A, E4HZ-3A131A	
	1992-98	E-9963 Curbside	6.00"	F1HZ-3A130A, F3HZ-3A130B	
		E-9962 Roadside		F1HZ-3A131A, F3HZ-3A131B	
		11000	1987-89	E-4615 Curbside	5.44"
		E-4614 Roadside		E3HZ-3A131A, E4HZ-3A131A	
		12000	1970-91	E-4615 Curbside	5.44"
		E-4614 Roadside		D0HZ-3A131A	
		1992-98	E-9963 Curbside	6.00"	F1HZ-3A130A, F3HZ-3A130B
		E-9962 Roadside		F1HZ-3A131A, F3HZ-3A131B	

APPLICATION GUIDE (A-F)

FORD

L900, L9000 (Includes L, LL, LN, LNT, LS, LT, LTL and LTS) (continued)

Tie Rod Ends (continued)

Axle Rating Lbs.	Axle Code/Year	PART NO./LOCATION	STUD CTR to ROD END	OEM REF	Notes
16000	1970-79	E-4616 Roadside	5.75"	DOHZ-3A131B	w/Hydraulic brakes from 1973, 1970-72 all brakes.
	1973-75	E-4616 Roadside		DOHZ-3A131B	w/Air brakes to W40,001.
	1975-90	E-4615 Curbside	5.44"	DOHZ-3A130A	w/Air brakes from W40,001, 1980-90 all brakes.
		E-4614 Roadside		DOHZ-3A131A	
	1980-90	E-4615 Curbside		E3HZ-3A130A, E4HZ-3A130A	
		E-4614 Roadside		E3HZ-3A131A, E4HZ-3A131A	
1991-98	E-9963 Curbside	6.00"	F1HZ-3A130A, F3HZ-3A130B		
	E-9962 Roadside		F1HZ-3A131A, F3HZ-3A131B		
18000	1970-75	E-4616 Roadside	5.75"	DOHZ-3A131B	To W40,001.
	1975-90	E-4615 Curbside	5.44"	DOHZ-3A130A	From W40,001.
		E-4614 Roadside		DOHZ-3A131A	
	1980-90	E-4615 Curbside		E3HZ-3A130A, E4HZ-3A130A	
		E-4614 Roadside		E3HZ-3A131A, E4HZ-3A131A	
	1991-98	E-9963 Curbside	6.00"	F1HZ-3A130A, F3HZ-3A130B	
E-9962 Roadside			F1HZ-3A131A, F3HZ-3A131B		
20000	1970-75	E-4616 Roadside	5.75"	DOHZ-3A131B	To W40,001.
	1975-90	E-4615 Curbside	5.44"	DOHZ-3A130A	From W40,001.
		E-4614 Roadside		DOHZ-3A131A	
	1980-90	E-4615 Curbside		E3HZ-3A130A, E4HZ-3A130A	
		E-4614 Roadside		E3HZ-3A131A, E4HZ-3A131A	
	1991-98	E-9963 Curbside	6.00"	F1HZ-3A130A, F3HZ-3A130B	
E-9962 Roadside			F1HZ-3A131A, F3HZ-3A131B		

L900, L9000 (Includes L, LL, LN, LNT, LS, LT, LTL and LTS) (continued)

Drag Links

Axle Rating Lbs.	Axle Code/Year	Part Number	STUD CTR to Stud CTR	OEM REF	Notes
7000	1973-91	E-5324	18.03"	D5HZ-3304D	
9000	1973-91	E-5324	18.03"	D5HZ-3304D	
		E-5342	36.31"	D0HZ-3304B	
	1987-97	E-6835	36.15"	E8HZ-3304E, E8HZ-3304F	
	1990	E-6839	32.62"	F0HZ-3304E, F0HZ-3304F	
10000	1980-91	E-5324	18.03"	E3HZ-3304H, E4HZ-3304B	
	1987	E-5342	36.31"	E3HZ-3304J	LTS models.
	1987-90	E-6835	36.15"	E8HZ-3304E, E8HZ-3304F	1990 LS-LTS models w/unitized tractor application.
	1990-91	E-6839	32.62"	F0HZ-3304E, F0HZ-3304F	
11000	1987-89	E-5324	18.03"	E3HZ-3304H, E4HZ-3304B	
		E-6835	36.15"	E8HZ-3304E	
12000	1973-87	E-5342	36.31"	D0HZ-3304B	
	1973-91	E-5324	18.03"	D5HZ-3304B, E4HZ-3304B	
	1987-89	E-6835	36.15"	E8HZ-3304E, E8HZ-3304F	
	1990	E-6839	32.62"	F0HZ-3304E, F0HZ-3304F	
	1990-91	E-6839			Except 5400/12000 lb. front spring capacity (taper leaf).
16000	1973-87	E-5342	36.31"	D0HZ-3304B	
	1980-90	E-5324	18.03"	E3HZ-3304H, E4HZ-3304B	
	1987-90	E-6835	36.15"	E8HZ-3304E, E8HZ-3304F	
	1991-97	E-9925	17.53"	F1HZ-3304A, F1HZ-3304B	w/LH power steering gear.
		E-9927	32.53"	F1HZ-3304E, F1HZ-3304F	w/RH power steering gear.
	1992-94	E-9933	17.91"	F2HZ-3304C	L, LN, LNT, LT models.
18000	1973-87	E-5342	36.31"	D0HZ-3304B	
	1980-90	E-5324	18.03"	E3HZ-3304H, E4HZ-3304B	
	1987-90	E-6835	36.15"	E8HZ-3304E, E8HZ-3304F	
	1991-97	E-9925	17.53"	F1HZ-3304A, F1HZ-3304B	w/LH power steering gear.
		E-9927	32.53"	F1HZ-3304E, F1HZ-3304F	w/RH power steering gear.
	1992-94	E-9933	17.91"	F2HZ-3304C	L, LN, LNT, LT models.

APPLICATION GUIDE (A-F)

FORD

L900, L9000 (Includes L, LL, LN, LNT, LS, LT, LTL and LTS) (continued)

Drag Links (continued)

Axle Rating Lbs.	Axle Code/Year	Part Number	STUD CTR to Stud CTR	OEM REF	Notes
20000	1973-87	E-5342	36.31"	D0HZ-3304B	
	1980-90	E-5324	18.03"	E3HZ-3304H, E4HZ-3304B	
	1987-90	E-6835	36.15"	E8HZ-3304E, E8HZ-3304F	
	1991-97	E-9925	17.53"	F1HZ-3304A, F1HZ-3304B	w/LH power steering gear.
		E-9927	32.53"	F1HZ-3304E, F1HZ-3304F	w/RH power steering gear.
1992-94	E-9933	17.91"	F2HZ-3304C	L, LN, LNT, LT models.	

LCFC450

Tie Rod Ends

Axle Rating Lbs.	Axle Code/Year	PART NO./LOCATION	STUD CTR to ROD END	OEM REF	Notes
4500-5000	2006-09	E-10137 Curbside	6.00"	817019	
		E-10138 Roadside		817018	

LLA900, LLS900, LTLA900, LTLS900

King Pin Kits

Axle Rating Lbs.	Axle Code/Year	PART NO./BUSHING	King Pin Size	Type	OEM REF	Notes
14600, 16000, 18000	1991-98	E-12512B	1.999" x 11.212"	B	D5HZ-3111C	

Tie Rod Ends

Axle Rating Lbs.	Axle Code/Year	PART NO./LOCATION	STUD CTR to ROD END	OEM REF	Notes
14600, 16000, 18000	1991-98	E-9963 Curbside	6.00"	F1HZ-3A130A, F3HZ-3A130B	
		E-9962 Roadside		F1HZ-3A131A, F3HZ-3A131B	

Drag Links

Axle Rating Lbs.	Axle Code/Year	Part Number	STUD CTR to Stud CTR	OEM REF	Notes
14600, 16000, 18000	1992-97	E-9929	22.61"	F1HZ-3304J	Used with F1HT-3304VA.

FORD LN500

King Pin Kits

Axle Rating Lbs.	Axle Code/Year	PART NO./BUSHING	King Pin Size	Type	OEM REF	Notes
5000	1967-72	E-5018	1.231" x 7.860"	C	C3TZ-3111A	

Tie Rod Ends

Axle Rating Lbs.	Axle Code/Year	PART NO./LOCATION	STUD CTR to ROD END	OEM REF	Notes
5000	1967-72	E-4605 Curbside	4.438"	C7TZ-3A130D	
		E-4604 Roadside		C7TZ-3A131D	

Drag Links

Axle Rating Lbs.	Axle Code/Year	Part Number	STUD CTR to Stud CTR	OEM REF	Notes
5000	1971	E-5310	16.64"	C7TZ-3304A	

LN600

King Pin Kits

Axle Rating Lbs.	Axle Code/Year	PART NO./BUSHING	King Pin Size	Type	OEM REF	Notes
5000	1967-73	E-5018	1.231" x 7.860"	C	C3TZ-3111A	
5500	1967-89	E-5018	1.231" x 7.860"	C	C3TZ-3111A	
6000	1967-95	E-4445B	1.231" x 8.910"	C	C7TZ-3111A	
		E-4445N Nylon				
7000	1967-75	E-4445B	1.231" x 8.910"	C	C7TZ-3111A	Before W40,001.
		E-4445N Nylon				.01 oversize. Before W40,001.
	1975-95	E-4452B	1.433" x 8.250"	B	D6TZ-3111A	From W40,001. w/Air brakes 1980-83.
	1980-95	E-4445B	1.231" x 8.910"	C	C7TZ-3111A	w/Hydraulic brakes.
9000	1967-95	E-4452B	1.433" x 8.250"	B	D6TZ-3111A	From W40,001.
	1973-95	E-4441B	1.434" x 8.500"		D1HZ-3111A	Before W40,001.

Tie Rod Ends

Axle Rating Lbs.	Axle Code/Year	PART NO./LOCATION	STUD CTR to ROD END	OEM REF	Notes
5000	1967-73	E-4605 Curbside	4.438"	C7TZ-3A130D	
		E-4604 Roadside		C7TZ-3A131D	
5500	1967-89	E-4605 Curbside	4.438"	C7TZ-3A130D	
		E-4604 Roadside		C7TZ-3A131D	
6000	1967-95	E-4605 Curbside	4.438"	C7TZ-3A130D	
		E-4604 Roadside		C7TZ-3A131D	
7000	1973-75	E-4605 Curbside	4.438"	C7TZ-3A130D	w/Air brakes before W40,001.
		E-4604 Roadside		C7TZ-3A131D	
	1973-95	E-4605 Curbside	4.438"	C7TZ-3A130D	w/Hydraulic brakes.
		E-4604 Roadside		C7TZ-3A131D	
1975-95	E-4623 Curbside	6.07"	D5TZ-3A131A	w/Air brakes from W40,001.	
	E-4622 Roadside		D5TZ-3A130A		
9000	1973-75	E-4611 Curbside	4.875"	C8TZ-3A130A	w/Air brakes before W40,001.
		E-4610 Roadside		C1TZ-3A131C	
1975-95	E-4623 Curbside	6.07"	D5TZ-3A131A	w/Air brakes from W40,001.	
	E-4622 Roadside		D5TZ-3A130A		

FORD

LN700, LN750

King Pin Kits

Axle Rating Lbs.	Axle Code/Year	PART NO./BUSHING	King Pin Size	Type	OEM REF	Notes
5000	1970-73	E-5018	1.231" x 7.860"	C	C3TZ-3111A	
5500	1970-89	E-5018	1.231" x 7.860"	C	C3TZ-3111A	
6000	1970-97	E-4445B E-4445N Nylon	1.231" x 8.910"	C	C7TZ-3111A	
7000	1970-86	E-4445B	1.231" x 8.910"	C	C7TZ-3111A	w/Hydraulic brakes from 1973.
		E-4445N Nylon				
	1971-97	E-4445B E-4445N Nylon			w/Air brakes before W40,001.	
	1975-97	E-4452B	1.433" x 8.250"	B	D6TZ-3111A	w/Air brakes from W40,001.
9000	1970-83	E-4441B	1.434" x 8.500"	B	D1HZ-3111A	w/Hydraulic brakes from 1973.
	1973-97	E-4441B				w/Air brakes before W40,001.
	1975-97	E-4452B	1.433" x 8.250"	D6TZ-3111A	w/Air brakes from W40,001; 1984-89 all brakes.	

Tie Rod Ends

Axle Rating Lbs.	Axle Code/Year	PART NO./LOCATION	STUD CTR to ROD END	OEM REF	Notes
5000	1970-73	E-4605 Curbside	4.438"	C7TZ-3A130D	
		E-4604 Roadside		C7TZ-3A131D	
5500	1970-89	E-4605 Curbside	4.438"	C7TZ-3A130D	
		E-4604 Roadside		C7TZ-3A131D	
6000	1970-97	E-4605 Curbside	4.438"	C7TZ-3A130D	
		E-4604 Roadside		C7TZ-3A131D	
7000	1970-97	E-4605 Curbside	4.438"	C7TZ-3A130D	w/Hydraulic brakes from 1973.
		E-4604 Roadside		C7TZ-3A131D	
	1973-75	E-4605 Curbside	4.438"	C7TZ-3A130D	w/Air brakes before W40,001.
		E-4604 Roadside		C7TZ-3A131D	
1975-97	E-4623 Curbside	6.07"	D5TZ-3A131A	w/Air brakes from W40,001.	
	E-4622 Roadside		D5TZ-3A130A		
9000	1970-89	E-4611 Curbside	4.875"	C8TZ-3A130C	w/Manual steering. w/Hydraulic brakes.
		E-4610 Roadside		C1TZ-3A131C	
	1973-75	E-4611 Curbside E-4610 Roadside		C8TZ-3A130C C1TZ-3A131C	w/Manual steering. w/Air brakes before W40,001.
	1975-97	E-4623 Curbside E-4622 Roadside	6.07"	D5TZ-3A131A D5TZ-3A130A	w/Air brakes from W40,001.

LNT880, LT880

King Pin Kits

Axle Rating Lbs.	Axle Code/Year	PART NO./BUSHING	King Pin Size	Type	OEM REF	Notes
7000	1972-77	E-4445B E-4445N Nylon	1.231" x 8.910"	C	C7TZ-3111A	
9000	1972-77	E-4441B	1.434" x 8.500"	B	D1HZ-3111A	

FORD
LNT880, LT880 (continued)
Tie Rod Ends

Axle Rating Lbs.	Axle Code/Year	PART NO./LOCATION	STUD CTR to ROD END	OEM REF	Notes
7000, 9000	1972-77	E-4605 Curbside	4.438"	C7TZ-3A130D	
		E-4604 Roadside		C7TZ-3A131D	
12000	1972-77	E-4615 Curbside	5.44"	D0HZ-3A130A	
		E-4614 Roadside		D0HZ-3A131A	

Louisville (New Design) L and LT 85/95
King Pin Kits

Axle Rating Lbs.	Axle Code/Year	PART NO./BUSHING	King Pin Size	Type	OEM REF	Notes
9000	1996-97	E-6197B	1.607" x 9.080"	B	E9HZ-3111B	
18000, 20000	1996-97	E-12512B	1.999" x 11.212"	B	D5HZ-3111C	

Tie Rod Ends

Axle Rating Lbs.	Axle Code/Year	PART NO./LOCATION	STUD CTR to ROD END	OEM REF	Notes
9000	1996-98	E-9966 Curbside	7.188"	F4HZ-3A130AA	
		E-9965 Roadside		F4HZ-3A131AA	
10000, 12000, 13000, 18000, 20000	1996-97	E-11788 Curbside	7.75"	F6HZ-3A130AA	
		E-11789 Roadside		F6HZ-3A131AA	

Drag Links

Axle Rating Lbs.	Axle Code/Year	Part Number	STUD CTR to Stud CTR	OEM REF	Notes
13000	1996-97	E-11790	18.24"	F6HZ-3304FB	

M400 Motor Home Chassis
King Pin Kits

Axle Rating Lbs.	Axle Code/Year	PART NO./BUSHING	King Pin Size	Type	OEM REF	Notes
	1973-76	E-5018	1.231" x 7.860"	C	C3TZ-3111A	

Tie Rod Ends

Axle Rating Lbs.	Axle Code/Year	PART NO./LOCATION	STUD CTR to ROD END	OEM REF	Notes
	1973-76	E-4605 Curbside	4.438"	C3TZ-3A130D	
		E-4604 Roadside		C3TZ-3A131D	

APPLICATION GUIDE (A-F)

FORD

N500, N600, N6000, N8000, N850, NT850, N950, NT950, N1000, N1100

King Pin Kits

Axle Rating Lbs.	Axle Code/Year	PART NO./BUSHING	King Pin Size	Type	OEM REF	Notes
5000, 5500	1963-69	E-5018	1.231" x 7.860"	C	C3TZ-3111A	
6000	1967-69	E-4445B E-4445N Nylon	1.231" x 8.910"	C	C7TZ-3111A	From C70,001.
7000	1963-69	E-4438N E-4438N Nylon	1.234" x 7.438"	B	B7TZ-3111F C2TZ-3111F	
	1967-69	E-4445B E-4445N Nylon	1.231" x 8.910"	C	C7TZ-3111A	
9000	1962-69	E-4441B	1.434" x 8.500"	B	D1HZ-3111A	
12000	1962-69		1.794" x 9.120"	B	D1HZ-3111B	
	1968-69	E-4454B E-4454N Nylon	1.999" x 11.040"		D0HZ-3111E	Center point steering.

Tie Rod Ends

Axle Rating Lbs.	Axle Code/Year	PART NO./LOCATION	STUD CTR to ROD END	OEM REF	Notes
5000, 5500	1963-66	E-4635 Curbside	3.50"	C1TZ-3A130A	w/Manual steering.
		E-4634 Roadside		C1TZ-3A131A	
	1967-69	E-4605 Curbside	4.438"	C7TZ-3A130D	
		E-4604 Roadside		C7TZ-3A131D	
6000	1967-69	E-4605 Curbside	4.438"	C7TZ-3A130D	
		E-4604 Roadside		C7TZ-3A131D	
7000	1963-69	E-4603 Curbside	3.88"	C1TZ-3A130B	
		E-4602 Roadside		C1TZ-3A131B	
	1967-69	E-4605 Curbside	4.438"	C7TZ-3A130D	
		E-4604 Roadside		C7TZ-3A131D	
9000	1962-69	E-4611 Curbside	4.875"	C1TZ-3A130C	Except 1968-69 power steering.
		E-4610 Roadside		C1TZ-3A131C	
12000	1962-69	E-4618 Curbside	5.75"	B8TZ-3A131B	
		E-4619 Roadside		B8TZ-3A130B	
15000	1964-69	E-4618 Curbside	5.75"	B8TZ-3A131B	
		E-4619 Roadside		B8TZ-3A130B	

N700, T700, T750

King Pin Kits

Axle Rating Lbs.	Axle Code/Year	PART NO./BUSHING	King Pin Size	Type	OEM REF	Notes
7000	1957-1966	E-5018	1.231" x 7.860"	C	C7TZ-3111A	

P400, P500, P600

King Pin Kits

Axle Rating Lbs.	Axle Code/Year	PART NO./BUSHING	King Pin Size	Type	OEM REF	Notes
4700	1963-79	E-5018	1.231" x 7.860"	C	C3TZ-3111A	
5000	1978-79	E-5018	1.231" x 7.860"	C	C3TZ-3111A	

FORD P400, P500, P600 (continued)

Tie Rod Ends

Axle Rating Lbs.	Axle Code/Year	PART NO./LOCATION	STUD CTR to ROD END	OEM REF	Notes
3800	1957-78	E-4635 Curbside	3.50"	C1TZ-3A130A	
		E-4634 Roadside		C1TZ-3A131A	
4700	1961-90	E-4635 Curbside	3.50"	C1TZ-3A130A	
		E-4634 Roadside		C1TZ-3A131A	
5000	1978-79	E-4605 Curbside	4.438"	C7TZ-3A130D	
		E-4604 Roadside		C7TZ-3A131D	

T800, T850, T950

King Pin Kits

Axle Rating Lbs.	Axle Code/Year	PART NO./BUSHING	King Pin Size	Type	OEM REF	Notes
7000	1967-69	E-4438N	1.234" x 7.438"	B	B7TZ-3111F	
		E-4438N Nylon			C2TZ-3111F	
9000	1961-69	E-4441B	1.434" x 8.500"	B	D1HZ-3111A	
12000	1962-69		1.794" x 9.120"	B	D1HZ-3111B	
18000	1964-69	E-4454B	1.999" x 11.040"	B	D0HZ-3111E	
		E-4454N Nylon				

Tie Rod Ends

Axle Rating Lbs.	Axle Code/Year	PART NO./LOCATION	STUD CTR to ROD END	OEM REF	Notes
7000	1967-69	E-4603 Curbside	3.88"	C1TZ-3A130B	
		E-4602 Roadside		C1TZ-3A131B	
9000	1961-69	E-4611 Curbside	4.875"	C8TZ-3A130A	
		E-4610 Roadside		C1TZ-3A131C	
12000, 15000	1962-69	E-4618 Curbside	5.75"	B8TZ-3A131B	
		E-4619 Roadside		B8TZ-3A130B	
18000	1964-69	E-4618 Curbside	5.75"	B8TZ-3A131B	
		E-4619 Roadside		B8TZ-3A130B	

W900, WT900, W9000, WT9000, W1000, WT10000

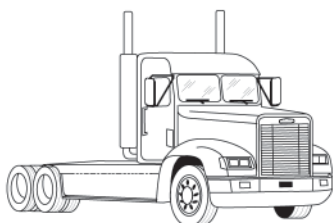
King Pin Kits

Axle Rating Lbs.	Axle Code/Year	PART NO./BUSHING	King Pin Size	Type	OEM REF	Notes
12000	1975-77	E-4459B	1.794" x 10.070"	B		

Tie Rod Ends

Axle Rating Lbs.	Axle Code/Year	PART NO./LOCATION	STUD CTR to ROD END	OEM REF	Notes
12000	1966-70	E-4618 Curbside	5.75"	B8TZ-3A131B	
		E-4619 Roadside		B8TZ-3A130B	
	1970-75	E-4616 Roadside		D0HZ-3A131C	Before W40,001.
15000	1966-70	E-4618 Curbside	5.75"	B8TZ-3A131B	
		E-4619 Roadside		B8TZ-3A130B	
	1973-74	E-4616 Roadside		D0HZ-3A131C	

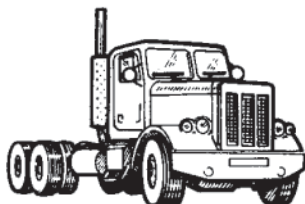
Model	Page
All Models (Conventional and COE).....	93



CONVENTIONAL(FLD)



COE (FLP, FLT)



CONVENTIONAL (FLC)



**BUSINESS CLASS
(FL/MB SERIES)**

FREIGHTLINER

All Models (Conventional and COE)

King Pin Kits

Axle Rating Lbs.	Axle Code/Year	PART NO./BUSHING	King Pin Size	Type	OEM REF	Notes
12000	(FE900)	E-4434B	9.75"	D	KIT 144	Tapered pin.
		E-4434N Nylon			KIT 123	
	(FE970)	E-4449B	1.607" x 8.740"	B	KIT 157	Contains washers.
	(FF921)	E-4450B	1.794" x 10.410"		KIT 193	
	(FF931)	E-468B	1.794" x 10.392"		KIT 195	
16000	(FH901)	E-4595B	1.607" x 9.375"	B	KIT 1300	
		E-4454B			1.999" x 11.040"	
	(FL931)	E-4454N Nylon		KIT 168		
18000	(FL901)	E-12512B	1.999" x 11.212"	B	KIT 198	
		E-4458C Easy Steer			KIT 1312	
		E-4454B			1.999" x 11.040"	
		E-4454N Nylon			KIT 168	

Tie Rod Ends

Axle Rating Lbs.	Axle Code/Year	PART NO./LOCATION	STUD CTR to ROD END	OEM REF	Notes	
12000	(FE900)	E-4611 Curbside	4.875"	A3144R226		
		E-4610 Roadside		A3144Q225		
	(FE970)	E-4611 Curbside	4.875"	A3144R226		
		E-4610 Roadside		A3144Q225		
	(FF901)	E-4611 Curbside	4.875"	A3144R226		
				E-4610 Roadside		A3144Q225
		E-4618 Curbside	5.75"	A3144D238		Anti-tilt seal type.
				E-4619 Roadside		A3144C237
	(FF921)	E-4616 Roadside	5.44"	A3144K297	Conventional seal type.	
				E-4615 Curbside	A3144D524	Greaseable type.
		E-4614 Roadside		A3144E525		
	(FF931)	E-4615 Curbside	5.44"	A3144D524		
		E-4614 Roadside		A3144E525		
	(FF943)	E-4615 Curbside	5.44"	A3144D524		
		E-4614 Roadside		A3144E525		
(FF961)	E-4615 Curbside	5.44"	A3144D524			
	E-4614 Roadside		A3144E525			
16000	(FH901)	E-4616 Roadside	5.75"	A3144K297		
	(FL931)	E-4629 Curbside	7.37"	A3144F448		
			E-4628 Roadside		A3144G449	
18000	(FL901)	E-4616 Roadside	5.75"	A3144K297		
20000	(FG903)	E-4616 Roadside	5.75"	A3144K297		
24000	(FL931)	E-4615 Curbside	5.44"	A3144D524	Dual steer axle.	
		E-4614 Roadside		A3144E525		

Drag Links

Axle Rating Lbs.	Axle Code/Year	Part Number	STUD CTR to Stud CTR	OEM REF	Notes
12000, 16000, 18000	(All)	E-4616	5.75" Stud center to rod end	A3144K297	Drag link end - LH thread.
16000, 20000	(FL931)	E-9897	28.87"	14-12098-001	w/Sheppard M100 steering.

APPLICATION GUIDE (A-F)

Model	Page	Model	Page
3500 (1 Ton) 2WD	95	M50	118
A60	95	M60, M6000	119
A80, N80, Q80, V80	95	M65, M6500	119
B60, B6P, B6000	96	M90, M9500	120
B70, C7500, Kodiak, TopKick	97	N50	121
Bison, General, N9E, N9F	98	N60, Y60	121
Bruin, Brigadier, J8C, J9C	100	P1500 (1/2 Ton) 2WD	122
C40	101	P2500 (3/4 Ton) 2WD	122
C50, C5D, C5000, E5500, H5500, C4500, E4500	102	P40	123
C5500, Kodiak, TopKick	102	P4500	123
C60, C6D, C6000, C6H042, Kodiak, TopKick	103	P50	123
C65, E6500	105	P60	123
C6500, Kodiak, TopKick	106	P6000	124
C70, C7D, C7H042, C7H064, Kodiak, TopKick	107	Q60, V60, X60	125
C8500, Kodiak, TopKick	108	R8500	125
C9500	108	S50, Q50	125
D50	108	S60, S6000	126
D60	109	S70, S7T, S7500	126
D90, D9500	109	T50, T5500	127
D9K-D9L	110	T60, T6000	128
F90	111	T65, T6500	128
F9500	111	T70, T7500	129
H70, H7500	112	T80, T8500	129
H80, H8500	113	T90, T9500	130
H90, H9500	113	Titan, Astro, D9K, D9L	131
J70, J7500	114	Transit, Coach	132
J80	115	W60, W6N	132
J8500	116	W70	132
J90, J9500	117	W70, W7N, W7500	133
L50	117	W80, W8500	133
L60, C80, E80, L80, M80, U80	118	W90, W9500	133

GMC/CHEVROLET 3500 (1 Ton) 2WD

King Pin Kits

Axle Rating Lbs.	Axle Code/Year	PART NO./BUSHING	King Pin Size	Type	OEM REF	Notes
	(F050) 1965-66	E-4444B E-4444N Nylon	1.109" x 6.343"	A	3927942	

Tie Rod Ends

Axle Rating Lbs.	Axle Code/Year	PART NO./LOCATION	STUD CTR to ROD END	OEM REF	Notes
	(F040) 1965-66	E-4625 Curbside E-4624 Roadside	6.50"	3864354 3864353	
	(F050) 1965-66	E-4621 Curbside E-4620 Roadside	5.84"	3864348 3864347	

A60 King Pin Kits

Axle Rating Lbs.	Axle Code/Year	PART NO./BUSHING	King Pin Size	Type	OEM REF	Notes
7000	1965	E-4607 E-4606 Nylon	1.249" x 7.888"	A	3927943	
11000	1965	E-4434B E-4434N Nylon	9.75"	D	2264897	Tapered pin.

Tie Rod Ends

Axle Rating Lbs.	Axle Code/Year	PART NO./LOCATION	STUD CTR to ROD END	OEM REF	Notes
7000	1965	E-4625 Curbside E-4624 Roadside	6.50"	3864354 3864353	

A80, N80, Q80, V80 King Pin Kits

Axle Rating Lbs.	Axle Code/Year	PART NO./BUSHING	King Pin Size	Type	OEM REF	Notes
7000	1965	E-4443B E-4443N Nylon	1.249" x 7.888"	A	3927943	
11000	1965	E-4434B E-4434N Nylon	9.75"	D	2264897	Tapered pin.

Tie Rod Ends

Axle Rating Lbs.	Axle Code/Year	PART NO./LOCATION	STUD CTR to ROD END	OEM REF	Notes
7000	1965	E-4625 Curbside E-4624 Roadside	6.50"	3864354 3864353	

GMC/CHEVROLET

B60, B6P, B6000

King Pin Kits

Axle Rating Lbs.	Axle Code/Year	PART NO./BUSHING	King Pin Size	Type	OEM REF	Notes
6000	(F070) 1979-82	E-4607 E-4606 Nylon	1.249" x 7.888"	A	3927943	
7000	(F070) 1979-91	E-4607 E-4606 Nylon	1.249" x 7.888"	A	3927943	
7500	(F070) 1979-91	E-4607 E-4606 Nylon	1.249" x 7.888"	A	3927943	
9000	(F090) 1983-88 (F120D) 1979-92	E-4469B E-4469B	1.745" x 9.38"	B	8885621	
12000	(F120) 1983-92	E-4469B	1.745" x 9.38"	B	8885621	Second design.

Tie Rod Ends

Axle Rating Lbs.	Axle Code/Year	PART NO./LOCATION	STUD CTR to ROD END	OEM REF	Notes
6000	(F070D) 1979-82	E-4613 Curbside E-4612 Roadside	4.93"	462390 462389	
7000, 7500	(F070) 1979-92	E-4613 Curbside E-4612 Roadside	4.93"	462390 462389	
8100	(F090) 1983-92	E-4609 Curbside E-4608 Roadside	4.875"	2037140 2037142	Has three piece grease retainer.
9000	(F090) 1980-82 (F090), (F120D) 1979-92	E-4607 Curbside E-4606 Roadside E-4609 Curbside E-4608 Roadside	4.875"	671489 671488 2037140 2037142	Rubber dust boot. Has three piece grease retainer.
12000	(F120) 1980-82 (F120) 1983-92	E-4607 Curbside E-4606 Roadside E-4609 Curbside E-4608 Roadside	4.875"	671489 671488 2037140 2037142	Has three piece grease retainer.

Drag Links

Axle Rating Lbs.	Axle Code/Year	Part Number	STUD CTR to Stud CTR	OEM REF	Notes
6000	(F070) 1979-82	E-6816	17.00"	718797, 15506689	
7000	(F070) 1979-91	E-6816	17.00"	718797, 15506689	
8100	(F090D) 1983-88	E-5373	17.96"	718798	
9000	(F090) 1979-88 (F120D) 1979-91 (F120D) 1988-91	E-5373 E-5373 E-6833	17.96" 18.50"	718798 15625713	
12000	(F120) 1979-90	E-5373	17.96"	718798	

GMC/CHEVROLET

B70, C7500, Kodiak, TopKick

King Pin Kits

Axle Rating Lbs.	Axle Code/Year	PART NO./BUSHING	King Pin Size	Type	OEM REF	Notes
7000	(F070) 1979-92	E-4607 E-4606 Nylon	1.249" x 7.888"	A	3927943	
8100	(F090D) 1984-92	E-4469B	1.745" x 9.38"	B	8885621	
9000	(F120D) 1979-90	E-4469B	1.745" x 9.38"	B	8885621	
12000	(F120) 1979-90	E-4469B	1.745" x 9.38"	B	8885621	

Tie Rod Ends

Axle Rating Lbs.	Axle Code/Year	PART NO./LOCATION	STUD CTR to ROD END	OEM REF	Notes
7000	(F070) 1979-90	E-4613 Curbside	4.93"	462390	
		E-4612 Roadside		462389	
8100	(F090) 1983-87	E-4613 Curbside	4.93"	462390	
		E-4612 Roadside		462389	
	(FL1) 1994-99	E-10111 Curbside	5.44"	12548111	Second design
		E-10110 Roadside		12548110	
9000	(F090) 1979-82	E-4607 Curbside	4.875"	671489	Except 2035126 axle assembly. Rubber dust boot.
		E-4606 Roadside		671488	
	(F090) 1979-92	E-4609 Curbside		2037140	For 2035126 axle assembly. Has three piece grease retainer.
		E-4608 Roadside		2037142	
	(F120D) 1980-85	E-4607 Curbside		671489	Rubber dust boot.
		E-4606 Roadside		671488	
(F120D) 1983-92	E-4609 Curbside		2037140	Has three piece grease retainer.	
	E-4608 Roadside		2037142		
9000, 11000, 12000, 14000	(F43), (FL2), (FS7), (FH0), (FL3) 1990-00	E-10109 Curbside	5.44"	12548108	
		E-10108 Roadside		12548107	
12000	(F120) 1979-86	E-4607 Curbside	4.875"	671489	Rubber dust boot.
		E-4606 Roadside		671488	
	(F120) 1983-92	E-4609 Curbside		2037140	Has three piece grease retainer.
		E-4608 Roadside		2037142	
16000	(FH4) 1993-00	E-4629 Curbside	7.37"	12541320	
		E-4628 Roadside		12541319	

GMC/CHEVROLET

B70, C7500, Kodiak, TopKick (continued)

Drag Links

Axle Rating Lbs.	Axle Code/Year	Part Number	STUD CTR to Stud CTR	OEM REF	Notes
7000	(F070) 1979-92	E-6816	17.00"	71897, 15506689	1979-82 All; 1983-88 w/Saginaw power steering; 1988-92 w/power steering except Saginaw.
8100	(F090D) 1983-87	E-5373	17.96"	718798	
9000	(F090) 1979-88	E-5373	17.96"	718798	
	(F090D) 1979-90	E-5373			Except Saginaw power steering.
	(F120D) 1988-90	E-6833	18.50"	15625713	w/Saginaw power steering.
12000	(F120) 1979-90	E-5373	17.93"	718796	Use w/power ram cylinder.

Bison, General, N9E, N9F

King Pin Kits

Axle Rating Lbs.	Axle Code/Year	PART NO./BUSHING	King Pin Size	Type	OEM REF	Notes
9000, 10860	(F120D) 1979-80	E-4469B	1.745" x 9.38"	B	8885621	
12000	(F120) 1975-87	E-4469B	1.745" x 9.38"	B	8885621	
	(FF931) 1979-87	E-468B	1.794" x 10.392"		2010021	
	(FF933) 1979-80	E-468B			2010021	
16000, 18000	(FL931) 1977-88	E-12512B	1.999" x 11.212"	B	2036352	
		E-4458C Easy Steer			15585841	
18000	(FL941) 1979-87	E-12512B	1.999" x 11.212"	B	2036352	
		E-4458C Easy Steer			15585841	

Tie Rod Ends

Axle Rating Lbs.	Axle Code/Year	PART NO./LOCATION	STUD CTR to ROD END	OEM REF	Notes
9000, 10860	(F120D) 1979-80	E-4609 Curbside	4.875"	2037140	Has three piece grease retainer.
		E-4608 Roadside		2037142	
12000	(F120) 1977-87	E-4609 Curbside	4.875"	2037140	Has three piece grease retainer.
		E-4608 Roadside		2037142	
		E-4607 Curbside		671489	w/Axle models 2015558, 559, 580; 2019775; 2030613. Rubber dust boot.
		E-4606 Roadside		671488	
	(FF931) 1979-87	E-4615 Curbside	5.44"	698572	
		E-4614 Roadside		698571	
	(FF933) 1977-80	E-4607 Curbside	4.875"	671489	w/Axle models 2015558, 559, 580; 2019775; 2030613. Rubber dust boot.
		E-4606 Roadside		671488	
		E-4615 Curbside	5.44"	698572	use w/2013302 axle.
		E-4614 Roadside		698571	
	(FF933) 1979-80	E-4609 Curbside	4.875"	2037140	Has three piece grease retainer.
		E-4608 Roadside		2037142	
	(FF941) 1986-87	E-4615 Curbside	5.44"	698572, 15515805	
		E-4614 Roadside		698571, 15515804	
16000	(FL931) 1977-87	E-4629 Curbside	7.37"	798203	use w/794290; 2025885 axles.
		E-4628 Roadside		798204	

GMC/CHEVROLET

Bison, General, N9E, N9F (continued)

Tie Rod Ends (continued)

Axle Rating Lbs.	Axle Code/Year	Part Number	STUD CTR to Stud CTR	OEM REF	Notes
18000	(FL931) 1979-87	E-4629 Curbside	7.37"	798203	
		E-4628 Roadside		798204	
	(FL941) 1979-87	E-4629 Curbside	7.37"	798203	
		E-4628 Roadside		798204	

Drag Links

Axle Rating Lbs.	Axle Code/Year	Part Number	STUD CTR to Stud CTR	OEM REF	Notes	
9000, 10860	(F120D) 1979-80)	E-5326	17.70"	669335	w/Power steering.	
		E-5374	17.90"	684196	w/Manual steering.	
12000	(F120) 1977-84	E-6815	16.89"	15501673	w/Ross power steering 1983-87.	
		E-5326	17.70"	669335	w/Saginaw power steering 1983-84.	
		E-5374	17.90"	684196	w/Manual steering 1983-85.	
	(F120) 1977-87	E-6815	16.89"	15501673	w/Ross or Sheppard pwr. strg. 1983-87.	
		E-5326	17.70"	669335	w/Saginaw power steering.	
		E-5374	17.90"	684196	w/Manual steering.	
		E-5326	17.70"	669335	w/Power steering.	
	(FF931) 1979-84	E-5326	17.70"	669335	w/Power steering.	
		E-5374	17.90"	684196	w/Manual steering.	
	(FF933) 1977-84	E-5326	17.70"	669335	w/Power steering.	
		E-5374	17.90"	684196	w/Manual steering.	
	(FF941) 1986-87	E-6815	16.89"	15501673	w/Ross or Sheppard pwr. strg. 1983-87.	
	16000	(FL931)1977-84	E-5326	17.70"	669335	w/Power steering - LH.
	18000	(FL931) 1979-84	E-5326	17.70"	669335	w/Power steering - LH.
(FL931) 1983-87		E-6815	16.89"	15501673	w/Ross or Sheppard pwr. steering - LH.	
(FL941) 1977-84		E-5326	17.70"	669335	w/Saginaw power steering.	
(FL941) 1983-87		E-6815	16.89"	15501673	w/Ross or Sheppard power steering - LH.	
(FL941) 1984-87		E-6815		15501673	w/Ross or Sheppard pwr. string - LH.	

GMC/CHEVROLET

Bruin, Brigadier, J8C, J9C

King Pin Kits

Axle Rating Lbs.	Axle Code/Year	PART NO./BUSHING	King Pin Size	Type	OEM REF	Notes
7000	(F070) 1979-88	E-4443B E-4443N Nylon	1.249" x 7.888"	A	3927943, 300-173, 300-172, 300-241	
9000	(F090) 1979-84	E-4435B E-4435N Nylon	8.75"	D	2321013 300-128 8885021	Tapered pin.
	(F120D) 1979-82	E-4469B	1.745" x 9.38"	B	8885621	
10860	(F120D) 1979-82	E-4469B	1.745" x 9.38"	B	8885621	
12000	(F120) 1979-88	E-4469B E-468B	1.745" x 9.38" 1.794" x 10.392"	B	8885621 300-233, 300-232, 300-242	
16000	(FL931) 1979-88	E-12512B E-4458C Easy Steer	1.999" x 11.212"	B	2036352, 300-216, 300-265 15585841	
18000	(FL931), (FL941) 1979-88	E-12512B E-4458C Easy Steer	1.999" x 11.212"	B	2036352 300-216, 300-265 15585841	

Tie Rod Ends

Axle Rating Lbs.	Axle Code/Year	PART NO./LOCATION	STUD CTR to ROD END	OEM REF	Notes
7000	(F070) 1979-84	E-4613 Curbside E-4612 Roadside	4.93"	462390 310-271, 310-272 462389	
9000	(F090) 1979-88	E-4609 Curbside E-4608 Roadside	4.875"	2037140 310-278, 310-277 2037142	
	(F120D) 1979-88	E-4609 Curbside E-4608 Roadside		2037140 2037142	
10860	(F120D) 1979-88	E-4609 Curbside E-4608 Roadside	4.875"	2037140 2037142	
12000	(F120) 1979-88	E-4609 Curbside E-4608 Roadside	4.875"	2037140 2037142	
	(FF941) 1979-88	E-4615 Curbside E-4614 Roadside	5.44"	698572 310-222, 310-223 698571	
13200	(FF932) 1979-88	E-4615 Curbside E-4614 Roadside	5.44"	698572 698571	
16000	(FL931) 1979-88	E-4629 Curbside E-4628 Roadside	7.37"	798203 310-433, 310-434 798204	Bottom mount grease fitting
18000	(FL931), (FL941) 1979-88	E-4629 Curbside E-4628 Roadside	7.37"	798203 310-433, 310-434 798204	Bottom mount grease fitting

GMC/CHEVROLET

Bruin, Brigadier, J8C, J9 (continued)

Drag Links

Axle Rating Lbs.	Axle Code/Year	Part Number	STUD CTR to Stud CTR	OEM REF	Notes
9000	(F090), (F120D) 1979-88	E-5326	17.70"	669335, 346- 258, 346-190	w/Power steering.
		E-5374	17.90"	684196	w/Manual steering.
10860	(F120D) 1979-88	E-5326	17.70"	669335	w/Power steering.
		E-5374	17.90"	684196	w/Manual steering.
12000	(F120) 1979-82	E-6815	16.89"	15501673	w/Ross power steering.
	(F120) 1979-88	E-5326	17.70"	669335	w/Power steering.
		E-5374	17.90"	684196 346- 258, 346-190, 346-310, 346-258, 346-310	w/Manual steering.
	(FF931) 1983-84	E-5374			
	(FF941) 1983-84	E-5374			
	(FF941) 1985-87	E-6815	16.89"	15501673	w/Sheppard power steering.
13200	(FF932) 1979-88	E-5326	17.70"	669335	w/Power steering - LH.
16000	(FL931) 1979-88	E-5326	17.70"	669335, 346- 190, 346-310, 346-339	w/Power steering - LH.
	(FL931) 1985-87	E-6815 R250046	16.89"	15501673 15501674	w/Sheppard power steering.
18000	(FL931) 1979-88	E-5326	17.70"	669335, 346- 190, 346-310, 346-339	w/Power steering - LH.
	(FL931), (FL941) 1985-87	E-6815	16.89"	15501673	w/Sheppard power steering.
	(FL941) 1979-80	E-5326	17.70"	669335	w/Power steering - LH.

C40

King Pin Kits

Axle Rating Lbs.	Axle Code/Year	PART NO./BUSHING	King Pin Size	Type	OEM REF	Notes
5000	(F050) 1964-72	E-4444B	1.109" x 6.343"	A	3927942	
		E-4444N Nylon				
7000	1971-72	E-4607	1.249" x 7.888"	A	3927943	
		E-4606 Nylon				

Tie Rod Ends

Axle Rating Lbs.	Axle Code/Year	PART NO./LOCATION	STUD CTR to ROD END	OEM REF	Notes
5000	(F050) 1964-72	E-4621 Curbside	5.84"	3864348	
		E-4620 Roadside		3864347	
7000	1971-72	E-4625 Curbside	6.50"	3864354	
		E-4624 Roadside		3864353	

GMC/CHEVROLET

C50, C5D, C5000, E5500, H5500, C4500, E4500

King Pin Kits

Axle Rating Lbs.	Axle Code/Year	PART NO./BUSHING	King Pin Size	Type	OEM REF	Notes
5000	(F050) 1975-92	E-4453B	1.179" x 6.360"	A	722166	From 1975, second design.
	1964	E-4444B	1.109" x 6.343"		3927942	Second design w/thrust bearing.
		E-4444N Nylon				
5000/5500	1965-75	E-4444B	1.109" x 6.343"	A	3927942	
		E-4444N Nylon				
5000	1973-75	E-4430B	1.109" x 6.344"	A	3854744	Before 1975, second design.
7000	(F070) 1971-75	E-4607	1.249" x 7.888"	A	3927943	
		E-4606 Nylon				

Tie Rod Ends

Axle Rating Lbs.	Axle Code/Year	PART NO./LOCATION	STUD CTR to ROD END	OEM REF	Notes
5000	(F050) 1978-90	E-4613 Curbside	4.93"	462390	
		E-4612 Roadside		462389	
5000/5500	1963-77	E-4621 Curbside	5.84"	3864348	
		E-4620 Roadside		3864347	
7000	(F070) 1971-75	E-4625 Curbside	6.50"	3864354	
		E-4624 Roadside		3864353	

Drag Links

Axle Rating Lbs.	Axle Code/Year	Part Number	STUD CTR to Stud CTR	OEM REF	Notes
5000	(F050) 1975-90	E-6816	17.00"	718797, 15506689	From 1975, second design.
7000	(F070) 1979-80	E-6816	17.00"	718797, 15506689	

C5500, Kodiak, TopKick

King Pin Kits

Axle Rating Lbs.	Axle Code/Year	PART NO./BUSHING	King Pin Size	Type	OEM REF	Notes
5000	(F050) 1975-92	E-4453B	1.179" x 6.360"	A	722166	From 1975, second design.
	1964	E-4444B	1.109" x 6.343"		3927942	Second design w/thrust bearing.
		E-4444N Nylon				
5000/5500	1965-75	E-4444B	1.109" x 6.343"	A	3927942	
		E-4444N Nylon				
5000	1973-75	E-4430B	1.109" x 6.344"	A	3854744	Before 1975, second design.
7000	(F070) 1971-75	E-4607	1.249" x 7.888"	A	3927943	
		E-4606 Nylon				

GMC/CHEVROLET

C5500, Kodiak, TopKick (continued)

Tie Rod Ends

Axle Rating Lbs.	Axle Code/Year	PART NO./LOCATION	STUD CTR to ROD END	OEM REF	Notes
5000	(F050) 1978-90	E-4613 Curbside	4.93"	462390	
		E-4612 Roadside		462389	
5000/5500	1963-77	E-4621 Curbside	5.84"	3864348	
		E-4620 Roadside		3864347	
7000	(F070) 1971-75	E-4625 Curbside	6.50"	3864354	
		E-4624 Roadside		3864353	
8100	(FL1) 1994-99	E-10111 Curbside	5.44"	12548111	Second Design
		E-10110 Roadside		12548110	
9000, 11000, 12000, 14000	(F43), (FL2), (FS7), (FH0), (FL3) 1990-00	E-10109 Curbside	5.44"	12548108	
		E-10108 Roadside		12548107	
16000	(FH4) 1993-00	E-4629 Curbside	7.37"	12541320	
		E-4628 Roadside		12541319	

Drag Links

Axle Rating Lbs.	Axle Code/Year	Part Number	STUD CTR to Stud CTR	OEM REF	Notes
5000	(F050) 1975-90	E-6816	17.00"	718797, 15506689	From 1975, second design.
7000	(F070) 1979-80	E-6816	17.00"	718797, 15506689	

C60, C6D, C6000, C6H042, Kodiak, TopKick

King Pin Kits

Axle Rating Lbs.	Axle Code/Year	PART NO./BUSHING	King Pin Size	Type	OEM REF	Notes
5000	(F050) 1975-90	E-4453B	1.179" x 6.360"	A	722166	Second design.
		E-4444B	1.109" x 6.343"		3927942	First design.
	1964-72	E-4444N Nylon		3972942		
		E-4430B	1.109" x 6.344"	3854744		
7000	(F070) 1964-90	E-4607	1.249" x 7.888"	A	3927943	
		E-4606 Nylon				
8100	(F090D) 1984-92	E-4469B	1.745" x 9.38"	B	8885621	
9000	(F120D) 1983-92	E-4469B	1.745" x 9.38"	B	8885621	
12000	(F120) 1982-92	E-4469B	1.745" x 9.38"	B	8885621	

GMC/CHEVROLET

C60, C6D, C6000, C6H042, Kodiak, TopKick (continued)

Tie Rod Ends

Axle Rating Lbs.	Axle Code/Year	PART NO./LOCATION	STUD CTR to ROD END	OEM REF	Notes
5000	(F050) 1978-92	E-4613 Curbside	4.93"	462390	
		E-4612 Roadside		462389	
	1963-77	E-4621 Curbside	5.84"	3864348	
		E-4620 Roadside		3864347	
7000	(F070) 1978-90	E-4613 Curbside	4.93"	462390	
		E-4612 Roadside		462389	
	1963-77	E-4625 Curbside	6.50"	3864354	
		E-4624 Roadside		3864353	
8100	(F090) 1984-92	E-4609 Curbside	4.875"	2037140	Has three piece grease retainer.
		E-4608 Roadside		2037142	
9000	(F090), (F120D) 1979-82	E-4607 Curbside	4.875"	671489	Rubber dust boot.
		E-4606 Roadside		671488	
	(F090), (F120D) 1983-92	E-4609 Curbside	4.875"	2037140	Has three piece grease retainer.
		E-4608 Roadside		2037142	
12000	(F120) 1979-82	E-4607 Curbside	4.875"	671489	Rubber dust boot.
		E-4606 Roadside		671488	
	(F120) 1983-92	E-4609 Curbside	4.875"	2037140	Has three piece grease retainer.
		E-4608 Roadside		2037142	

Drag Links

Axle Rating Lbs.	Axle Code/Year	Part Number	STUD CTR to Stud CTR	OEM REF	Notes
5000	(F050) 1975-92	E-6816	17.00"	718797, 15506689	From 1975, second design.
7000	(F070) 1975-92	E-6816	17.00"	718797, 15506689	1983-88 power steering exc. Saginaw. From 1975, second design.
8100	(F090D) 1983-87	E-5373	17.96"	718798	
9000	(F090) 1979-88	E-5373	17.96"	718798	
	(F120D) 1979-92	E-5373			
	(F120D) 1988-92	E-6833	18.50"	15625713	
12000	(F120D) 1983-90	E-5373	17.93"	718796	w/Power steering and ram cylinder.
		E-5373	17.96"	718798	Except ram cylinder.
	(F120D) 1988-90	E-6833	18.50"	15625713	

Axle Rating Lbs.	Axle Code/Year	PART NO./BUSHING	King Pin Size	Type	OEM REF	Notes
7000	(F070) 1973-78	E-4607 E-4606 Nylon	1.249" x 7.888"	A	3927943	
9000	(F120D) 1975-78	E-4469B	1.745" x 9.38"	B	8885621	
11000	(F110) 1969-72	E-4434B E-4434N Nylon	9.75"	D	2264897	Tapered pin.
12000	(F120) 1973-75	E-4434B E-4434N Nylon	9.75"	D	2264897	Tapered pin.
	(F120) 1975-78	E-4469B	1.745" x 9.38"	B	8885621	

Tie Rod Ends

Axle Rating Lbs.	Axle Code/Year	PART NO./LOCATION	STUD CTR to ROD END	OEM REF	Notes
7000	(F070) 1973-78	E-4625 Curbside E-4624 Roadside	6.50"	3864354 3864353	
9000	(F090), (F120D) 1975-78	E-4607 Curbside E-4606 Roadside	4.875"	671489 671488	Rubber dust boot.
12000	(F120) 1973-78	E-4607 Curbside E-4606 Roadside	4.875"	671489 671488	
	(F120) 1975-78	E-4609 Curbside E-4608 Roadside		2037140, 2007728 2037142, 2007731	w/Axle models 718934, 36, 37; 719597; 2000763; 2002084, 85, 86, 87. Has three piece grease retainer.

Drag Links

Axle Rating Lbs.	Axle Code/Year	Part Number	STUD CTR to Stud CTR	OEM REF	Notes
7000	(F070) 1975-78	E-6816	17.00"	718797, 15506689	
9000	(F090) 1973-78	E-5392 E-5373	3.12" Stud center to rod end 17.93"	3892946 718796	Power steering cylinder end.
	(F090) 1975-78	E-5373	17.96"	718798	Second design.
	(F120D) 1975-78	E-6816 E-5373	17.00" 17.96"	718797 718798	Second design. CD65-1978 only.
12000	(F120) 1975-78	E-5392 E-6816 E-5373	3.12" Stud center to rod end 17.00" 17.96"	3892946 718797 718798	Second design. Power steering cylinder end. Second design. CD65-1978 only. Second design.

GMC/CHEVROLET

C6500, Kodiak, TopKick

King Pin Kits

Axle Rating Lbs.	Axle Code/Year	PART NO./BUSHING	King Pin Size	Type	OEM REF	Notes
7000	(F070) 1973-78	E-4607 E-4606 Nylon	1.249" x 7.888"	A	3927943	
9000	(F120D) 1975-78	E-4469B	1.745" x 9.38"	B	8885621	
11000	(F110) 1969-72	E-4434B E-4434N Nylon	9.75"	D	2264897	Tapered pin.
12000	(F120) 1973-75	E-4434B E-4434N Nylon	9.75"	D	2264897	Tapered pin.
	(F120) 1975-78	E-4469B	1.745" x 9.38"	B	8885621	

Tie Rod Ends

Axle Rating Lbs.	Axle Code/Year	PART NO./LOCATION	STUD CTR to ROD END	OEM REF	Notes
7000	(F070) 1973-78	E-4625 Curbside E-4624 Roadside	6.50"	3864354 3864353	
8100	(FL1) 1994-99	E-10111 Curbside E-10110 Roadside	5.44"	12548111 12548110	Second Design
9000	(F090), (F120D) 1975-78	E-4607 Curbside E-4606 Roadside	4.875"	671489 671488	Rubber dust boot.
9000, 11000, 12000, 14000	(F43), (FL2), (FS7), (FH0), (FL3) 1990-00	E-10109 Curbside E-10108 Roadside	5.44"	12548108 12548107	
12000	(F120) 1973-78	E-4607 Curbside E-4606 Roadside	4.875"	671489 671488	
	(F120) 1975-78	E-4609 Curbside E-4608 Roadside		2037140, 2007728 2037142, 2007731	w/Axle models 718934, 36, 37; 719597; 2000763; 2002084, 85, 86, 87. Has three piece grease retainer.
16000	(FH4) 1993-00	E-4629 Curbside E-4628 Roadside	7.37"	12541320 12541319	

Drag Links

Axle Rating Lbs.	Axle Code/Year	Part Number	STUD CTR to Stud CTR	OEM REF	Notes
7000	(F070) 1975-78	E-6816	17.00"	718797, 15506689	
9000	(F090) 1973-78	E-5392 E-5373	3.12" Stud center to rod end 17.93"	3892946 718796	Power steering cylinder end.
	(F090) 1975-78	E-5373	17.96"	718798	Second design.
	(F120D) 1975-78	E-6816 E-5373	17.00" 17.96"	718797 718798	Second design. CD65-1978 only. Second design.
12000	(F120) 1975-78	E-5392 E-6816 E-5373	3.12" Stud center to rod end 17.00" 17.96"	3892946 718797 718798	Second design. Power steering cylinder end. Second design. CD65-1978 only. Second design.

GMC/CHEVROLET

C70, C7D, C7H042, C7H064, Kodiak, TopKick

King Pin Kits

Axle Rating Lbs.	Axle Code/Year	PART NO./BUSHING	King Pin Size	Type	OEM REF	Notes
7000	(F070) 1979-92	E-4607 E-4606 Nylon	1.249" x 7.888"	A	3927943	
8100	(F090D) 1984-92	E-4469B	1.745" x 9.38"	B	8885621	
9000	(F120D) 1979-90	E-4469B	1.745" x 9.38"	B	8885621	
12000	(F120) 1979-90	E-4469B	1.745" x 9.38"	B	8885621	

Tie Rod Ends

Axle Rating Lbs.	Axle Code/Year	PART NO./LOCATION	STUD CTR to ROD END	OEM REF	Notes
7000	(F070) 1979-90	E-4613 Curbside E-4612 Roadside	4.93"	462390 462389	
8100	(F090) 1983-87	E-4613 Curbside E-4612 Roadside	4.93"	462390 462389	
9000	(F090) 1979-82	E-4607 Curbside E-4606 Roadside	4.875"	671489 671488	Except 2035126 axle assembly. Rubber dust boot.
	(F090) 1979-92	E-4609 Curbside E-4608 Roadside		2037140 2037142	For 2035126 axle assembly. Has three piece grease retainer.
	(F120D) 1980-85	E-4607 Curbside E-4606 Roadside		671489 671488	Rubber dust boot.
	(F120D) 1983-92	E-4609 Curbside E-4608 Roadside		2037140 2037142	Has three piece grease retainer.
12000	(F120) 1979-86	E-4607 Curbside E-4606 Roadside	4.875"	671489 671488	Rubber dust boot.
	(F120) 1983-92	E-4609 Curbside E-4608 Roadside		2037140 2037142	Has three piece grease retainer.

Drag Links

Axle Rating Lbs.	Axle Code/Year	Part Number	STUD CTR to Stud CTR	OEM REF	Notes
7000	(F070) 1979-92	E-6816	17.00"	71897, 15506689	1979-82 All; 1983-88 w/Saginaw power steering; 1988-92 w/power steering except Saginaw.
8100	(F090D) 1983-87	E-5373	17.96"	718798	
9000	(F090) 1979-88	E-5373	17.96"	718798	
	(F090D) 1979-90	E-5373			Except Saginaw power steering.
	(F120D) 1988-90	E-6833	18.50"	15625713	w/Saginaw power steering.
12000	(F120) 1979-90	E-5373	17.93"	718796	Use w/power ram cylinder.

GMC/CHEVROLET

C8500, Kodiak, TopKick

Tie Rod Ends

Axle Rating Lbs.	Axle Code/Year	PART NO./LOCATION	STUD CTR to ROD END	OEM REF	Notes
8100	(FL1) 1994-99	E-10111 Curbside E-10110 Roadside	5.44"	12548111 12548110	Second Design
9000, 11000, 12000, 14000	(F43), (FL2), (FS7), (FH0), (FL3) 1990-00	E-10109 Curbside E-10108 Roadside	5.44"	12548108 12548107	
16000	(FH4) 1993-00	E-4629 Curbside E-4628 Roadside	7.37"	12541320 12541319	

C9500

King Pin Kits

Axle Rating Lbs.	Axle Code/Year	PART NO./BUSHING	King Pin Size	Type	OEM REF	Notes
12000	(F120) 1973-78	E-4434B E-4434N Nylon	9.75"	D	2264897	Tapered pin.

COACH, TRANSIT & RTS

King Pin Kits

Axle Rating Lbs.	Axle Code/Year	PART NO./BUSHING	King Pin Size	Type	OEM REF	Notes
7000, 12000, 15000, 16000		E-4438N	1.234" x 7.438"	B	2470621, 2362900, 2237497, 2254366, IC-2-40, 689914	

D50

King Pin Kits

Axle Rating Lbs.	Axle Code/Year	PART NO./BUSHING	King Pin Size	Type	OEM REF	Notes
5000	1965-66	E-4444B E-4444N Nylon	1.109" x 6.343"	A	3927942	

Tie Rod Ends

Axle Rating Lbs.	Axle Code/Year	PART NO./LOCATION	STUD CTR to ROD END	OEM REF	Notes
5000	1965-66	E-4621 Curbside E-4620 Roadside	5.84"	3864348 3864347	

GMC/CHEVROLET D60

King Pin Kits

Axle Rating Lbs.	Axle Code/Year	PART NO./BUSHING	King Pin Size	Type	OEM REF	Notes
5000	1964-70	E-4444B E-4444N Nylon	1.109" x 6.343"	A	3927942	From 1964, second design.
7000	1964-70	E-4607 E-4606 Nylon	1.249" x 7.888"	A	3927943	From 1964, second design.
11000	1965-70	E-4434B E-4434N Nylon	9.75"	D	2264897	Tapered pin.

Tie Rod Ends

Axle Rating Lbs.	Axle Code/Year	PART NO./LOCATION	STUD CTR to ROD END	OEM REF	Notes
5000	1963-70	E-4621 Curbside E-4620 Roadside	5.84"	3864348 3864347	
7000	1963-70	E-4625 Curbside E-4624 Roadside	6.50"	3864354 3864353	

D90, D9500

King Pin Kits

Axle Rating Lbs.	Axle Code/Year	PART NO./BUSHING	King Pin Size	Type	OEM REF	Notes
11000	(F110) 1963-69	E-4434B E-4434N Nylon	9.75"	D	2264897	Tapered pin.
12000	(F120) 1975-78	E-4469B	1.745" x 9.38"	B	8885621	
	(F120), (FE970) 1970-74	E-4434B E-4434N Nylon	9.75"	D	2264897	Tapered pin.
16000, 18000	(FL901) 1969-78	E-4454B E-4454N Nylon	1.999" x 11.040"	B	2452865	
16000	(FL931) 1973-78	E-12512B E-4458C Easy Steer	1.999" x 11.212"	B	2036352 15585841	

GMC/CHEVROLET

D90, D9500 (continued)

Tie Rod Ends

Axle Rating Lbs.	Axle Code/Year	PART NO./LOCATION	STUD CTR to ROD END	OEM REF	Notes
12000	(F120) 1970-75	E-4607 Curbside	4.875"	671489	Before 1975 second design. Rubber dust boot.
		E-4606 Roadside		671488	
	(F120) 1975-78	E-4609 Curbside	2037140	From 1975 second design. Has three piece grease retainer.	
		E-4608 Roadside	2037142		
	(FE900) 1970-72	E-4611 Curbside	2456811		
		E-4610 Roadside	2456810		
16000	(F160) 1970-72	E-4607 Curbside	4.875"	671489	Rubber dust boot.
		E-4606 Roadside		671488	
16000, 18000	(FL901)	E-4616 Roadside	5.75"	2452861	
16000	(FL931) 1973-74	E-4616 Roadside	5.75"	2452861	
	(FL931) 1975-78	E-4629 Curbside	7.37"	798203	
		E-4628 Roadside	7.37"	798204	

Drag Links

Axle Rating Lbs.	Axle Code/Year	Part Number	STUD CTR to Stud CTR	OEM REF	Notes
	(All)	E-5374	17.90"	684196	Color coded white.

D9K-D9L

King Pin Kits

Axle Rating Lbs.	Axle Code/Year	PART NO./BUSHING	King Pin Size	Type	OEM REF	Notes
12000	F120, FF931, 941	E-468B	1.794" x 10.392"	B	303-233, 300-232, 300-242	
16000	FL931	E-12512B	1.999" x 11.212"	B	300-216, 300-265	
		E-4458C Easy Steer				
18000	FL941	E-12512B	1.999" x 11.212"	B	300-216, 300-265	
		E-4458C Easy Steer				

Tie Rod Ends

Axle Rating Lbs.	Axle Code/Year	PART NO./LOCATION	STUD CTR to ROD END	OEM REF	Notes
12000	F120, FF931, 941	E-4609 Curbside	4.875"	310-278, 310-277, 310-222, 310-223	
		E-4608 Roadside			

Drag Links

Axle Rating Lbs.	Axle Code/Year	Part Number	STUD CTR to Stud CTR	OEM REF	Notes
All	All	E-5374	17.90"	346-258	
12000	F120, 941	E-5374	17.90"	346-258	
16000, 18000	FL931, 941	E-6815	16.89"	346-310	w/Sheppard power steering
		E-6817	16.89"	346-339	

GMC/CHEVROLET

F90

King Pin Kits

Axle Rating Lbs.	Axle Code/Year	PART NO./BUSHING	King Pin Size	Type	OEM REF	Notes
12000	(F120) 1975-78	E-4469B	1.745" x 9.38"	B	8885621	
	(F120), (FE900) 1970-74	E-4434B E-4434N Nylon	9.75"	D	2264897	Tapered pin.

Tie Rod Ends

Axle Rating Lbs.	Axle Code/Year	PART NO./LOCATION	STUD CTR to ROD END	OEM REF	Notes
12000	(F120) 1970-75	E-4607 Curbside	4.875"	671489	Before 1975 second design. Rubber dust boot.
		E-4606 Roadside		671488	
	(F120) 1975-78	E-4609 Curbside	2037140	From 1975 second design. Has three piece grease retainer.	
		E-4608 Roadside	2037142		
	(FE900) 1970-72	E-4611 Curbside	2456811		
		E-4610 Roadside	2456810		

Drag Links

Axle Rating Lbs.	Axle Code/Year	Part Number	STUD CTR to Stud CTR	OEM REF	Notes
12000	(All)	E-5374	17.90"	684196	Color coded white.

F9500

King Pin Kits

Axle Rating Lbs.	Axle Code/Year	PART NO./BUSHING	King Pin Size	Type	OEM REF	Notes
11000	(F110) 1963-69	E-4434B	9.75"	D	2264897	Tapered pin.
		E-4434N Nylon				
12000	(F120) 1963-74	E-4434B	9.75"	D	2264897	Tapered pin.
		E-4434N Nylon				

Tie Rod Ends

Axle Rating Lbs.	Axle Code/Year	PART NO./LOCATION	STUD CTR to ROD END	OEM REF	Notes
12000	(F120) 1970-74	E-4607 Curbside	4.875"	671489	Rubber dust boot.
		E-4606 Roadside		671488	
	(F120) 1975-78	E-4609 Curbside	2007728	Has three piece grease retainer.	
		E-4608 Roadside	2007731		
16000	(F160) 1970-72	E-4607 Curbside	4.875"	671489	Rubber dust boot.
		E-4606 Roadside		671488	

GMC/CHEVROLET F9500 (continued)

Drag Links

Axle Rating Lbs.	Axle Code/Year	Part Number	STUD CTR to Stud CTR	OEM REF	Notes
12000	All 1973-78	E-5374	17.90"	684196	Color coded white.

H70, H7500

King Pin Kits

Axle Rating Lbs.	Axle Code/Year	PART NO./BUSHING	King Pin Size	Type	OEM REF	Notes
7000	(F070) 1966-78	E-4607 E-4606 Nylon	1.249" x 7.888"	A	3927943	
11000	(F110) 1966-72	E-4434B E-4434N Nylon	9.75"	D	2264897	Tapered pin.
12000	(F120) 1966-74	E-4434B E-4434N Nylon	9.75"	D	2264897	Tapered pin.
	(F120) 1975-78	E-4469B	1.745" x 9.38"	B	8885621	
16000	(FL901) 1966-72	E-4454B E-4454N Nylon	1.999" x 11.040"	B	2452865	

Tie Rod Ends

Axle Rating Lbs.	Axle Code/Year	PART NO./LOCATION	STUD CTR to ROD END	OEM REF	Notes
7000	(F070) 1966-78	E-4625 Curbside E-4624 Roadside	6.50"	3864354 3864353	
	(F070) 1978	E-4613 Curbside E-4612 Roadside	4.93"	462390 462389	Use w/6V-53 engine and 465018 axle.
9000	(F090) 1973-78	E-4609 Curbside E-4608 Roadside	4.875"	2037140 2037142	Exc. 688561; 688568; 2000765, 7, 8; 2002081, 83 axles.
12000	(F120) 1973-78	E-4609 Curbside E-4608 Roadside	4.875"	2037140 2037142	Exc. 688561; 688568; 2000765, 7, 8; 2002081, 83 axles.
16000	(FL901) 1966-72	E-4616 Roadside	5.75"	2452861	

Drag Links

Axle Rating Lbs.	Axle Code/Year	Part Number	STUD CTR to Stud CTR	OEM REF	Notes
7000	(F070) 1973-78	E-5374	17.90"	684196	w/Manual steering.
9000	(F090) 1973-78	E-5326 E-5374	17.70" 17.90"	669335 684196	w/Power steering. w/Manual steering.
	(F120D) 1973-78	E-5326 E-5374	17.70" 17.90"	669335 684196	w/Power steering. w/Manual steering.
12000	(F120) 1973-78	E-5326 E-5374	17.70" 17.90"	669335 684196	w/Power steering. w/Manual steering.

GMC/CHEVROLET H80, H8500

King Pin Kits

Axle Rating Lbs.	Axle Code/Year	PART NO./BUSHING	King Pin Size	Type	OEM REF	Notes
7000	(F070) 1973-78	E-4607 E-4606 Nylon	1.249" x 7.888"	A	3927943	
12000	(F120) 1973-74	E-4434B E-4434N Nylon	9.75"	D	2264897	Tapered pin.
	(F120) 1975-78	E-4469B	1.745" x 9.38"	B	8885621	

Tie Rod Ends

Axle Rating Lbs.	Axle Code/Year	PART NO./LOCATION	STUD CTR to ROD END	OEM REF	Notes
7000	(F070) 1973-78	E-4625 Curbside E-4624 Roadside	6.50"	3864354 3864353	
9000	(F090) 1973-78	E-4609 Curbside E-4608 Roadside	4.875"	2037140 2037142	Exc. 688561; 688568; 2000765, 7, 8; 2002081, 83 axles.
12000	(F120) 1973-78	E-4609 Curbside E-4608 Roadside	4.875"	2037140 2037142	Exc. 688561; 688568; 2000765, 7, 8; 2002081, 83 axles.

Drag Links

Axle Rating Lbs.	Axle Code/Year	Part Number	STUD CTR to Stud CTR	OEM REF	Notes
7000	(F070) 1973-78	E-5374	17.90"	684196	w/Manual steering.
9000	(F090) 1973-78	E-5326 E-5374	17.70" 17.90"	669335 684196	w/Power steering. w/Manual steering.
12000	(F120) 1973-78	E-5326 E-5374	17.70" 17.90"	669335 684196	w/Power steering. w/Manual steering.

H90, H9500

King Pin Kits

Axle Rating Lbs.	Axle Code/Year	PART NO./BUSHING	King Pin Size	Type	OEM REF	Notes
7000	(F070) 1966-72	E-4607 E-4606 Nylon	1.249" x 7.888"	A	3927943	
9000	(F120D) 1975-78	E-4469B	1.745" x 9.38"	B	8885621	
12000	(F120) 1975-78	E-4469B	1.745" x 9.38"	B	8885621	
	(F120, FE900) 1970-74	E-4434B E-4434N Nylon	9.75"	D	2264897	Tapered pin.

GMC/CHEVROLET

H90, H9500

Tie Rod Ends

Axle Rating Lbs.	Axle Code/Year	PART NO./LOCATION	STUD CTR to ROD END	OEM REF	Notes
7000	(F070) 1966-72	E-4625 Curbside	6.50"	3864354	
		E-4624 Roadside		3864353	
9000	(F090) 1970-78	E-4607 Curbside	4.875"	671489	Rubber dust boot.
		E-4606 Roadside		671488	
	(F120D) 1975-78	E-4607 Curbside		671489	
		E-4606 Roadside		671488	
12000	(F120) 1970-75	E-4607 Curbside	4.875"	671489	Before 1975 second design. Rubber dust boot.
		E-4606 Roadside		671488	
	(F120) 1975-78	E-4609 Curbside	2037140	From 1975 second design. Has three piece grease retainer.	
		E-4608 Roadside	2037142		
	(FE900) 1970-72	E-4611 Curbside	2456811		
		E-4610 Roadside	2456810		
16000	(F160) 1970-72	E-4607 Curbside	4.875"	671489	
		E-4606 Roadside		671488	

Drag Links

Axle Rating Lbs.	Axle Code/Year	Part Number	STUD CTR to Stud CTR	OEM REF	Notes
9000	(F090) 1970-78	E-5326	17.70"	669335	w/Power steering.
		E-5374	17.90"	684196	w/Manual steering.
12000	(F120) 1970-78	E-5326	17.70"	669335	w/Power steering.
		E-5374	17.90"	684196	w/Manual steering.

J70, J7500

King Pin Kits

Axle Rating Lbs.	Axle Code/Year	PART NO./BUSHING	King Pin Size	Type	OEM REF	Notes
7000	(F070) 1966-78	E-4607	1.249" x 7.888"	A	3927943	
		E-4606 Nylon				
9000	(F120D) 1975-78	E-4469B	1.745" x 9.38"	B	8885621	
11000	(F110) 1966-72	E-4434B	9.75"	D	2264897	Tapered pin.
		E-4434N Nylon				
12000	(F120) 1966-74	E-4434B	9.75"	D	2264897	Tapered pin.
		E-4434N Nylon				
	(F120) 1975-78	E-4469B	1.745" x 9.38"	B	8885621	
16000, 18000	(FL901) 1966-78	E-4454B	1.999" x 11.040"	B	2452865	
		E-4454N Nylon				
	(FL931) 1973-78	E-12512B	1.999" x 11.212"		2036352	
		E-4458C Easy Steer			15585841	

GMC/CHEVROLET J70, J7500 (continued)

Tie Rod Ends

Axle Rating Lbs.	Axle Code/Year	PART NO./LOCATION	STUD CTR to ROD END	OEM REF	Notes
7000	(F070) 1966-78	E-4625 Curbside	6.50"	3864354	
		E-4624 Roadside		3864353	
	(F070) 1978	E-4613 Curbside	4.93"	462390	
		E-4612 Roadside		462389	
9000	(F090) 1973-78	E-4609 Curbside	4.875"	2037140	Except 688561; 688568; 2000765, 7, 8; 2002081, 83 axles.
		E-4608 Roadside		2037142	
	(F120D) 1974-78	E-4609 Curbside	2037140	2037140	
		E-4608 Roadside		2037142	
12000	(F120) 1973-78	E-4609 Curbside	4.875"	2037140	Except 688561; 688568; 2000765, 7, 8; 2002081, 83 axles.
		E-4608 Roadside		2037142	
16000, 18000	(FL901) 1966-78	E-4616 Roadside	5.75"	2452861	
	(FL931) 1973-78	E-4629 Curbside	7.37"	798203	
		E-4628 Roadside		798204	

Drag Links

Axle Rating Lbs.	Axle Code/Year	Part Number	STUD CTR to Stud CTR	OEM REF	Notes
7000	(F070) 1973-78	E-5374	17.90"	684196	w/Manual steering.
9000	(F090) 1973-78	E-5374	17.90"	684196	Use w/6V-53; 432; 478M engines.
	(F090), (F120D) 1970-78	E-5326	17.70"	669335	w/Power steering.
		E-5374	17.90"	684196	w/Manual steering.
12000	(F120) 1970-78	E-5326	17.70"	669335	w/Power steering.
		E-5374	17.90"	684196	w/Manual steering.
16000, 18000	(FL901) 1973-78	E-5374	17.90"	684196	w/Manual steering.
	(FL931) 1973-78	E-5326	17.70"	669335	w/Power steering - RH

J80

King Pin Kits

Axle Rating Lbs.	Axle Code/Year	PART NO./BUSHING	King Pin Size	Type	OEM REF	Notes
12000	(F120) 1973-74	E-4434B	9.75"	D	2264897	Tapered pin.
		E-4434N Nylon			2664897	
	(F120) 1975-78	E-4469B	1.745" x 9.38"	B	8885621	
16000, 18000	(FL901) 1973-74	E-4454B	1.999" x 11.040"	B	2452865	
		E-4454N Nylon				

Tie Rod Ends

Axle Rating Lbs.	Axle Code/Year	PART NO./LOCATION	STUD CTR to ROD END	OEM REF	Notes
9000	(F090) 1973-78	E-4609 Curbside	4.875"	2037140	Except 688561; 688568; 2000765, 7, 8; 2002081, 83 axles.
		E-4608 Roadside		2037142	
12000	(F120) 1973-78	E-4609 Curbside	4.875"	2037140	Except 688561; 688568; 2000765, 7, 8; 2002081, 83 axles.
		E-4608 Roadside		2037142	
16000, 18000	(FL901) 1973-74	E-4616 Roadside	5.75"	2452861	

GMC/CHEVROLET

J80 (continued)

Drag Links

Axle Rating Lbs.	Axle Code/Year	Part Number	STUD CTR to Stud CTR	OEM REF	Notes
9000	(F090) 1973-74	E-5326	17.70"	669335	w/Power steering.
		E-5374	17.90"	684196	w/Manual steering. Use w/6V-53; 432; 478M engines.
12000	(F120) 1973-74	E-5326	17.70"	669335	w/Power steering.
		E-5374	17.90"	684196	w/Manual steering.
16000, 18000	(FL901) 1973-74	E-5374	17.90"	684196	w/Manual steering. Use w/6V-53; 432; 478M engines.

J8500

King Pin Kits

Axle Rating Lbs.	Axle Code/Year	PART NO./BUSHING	King Pin Size	Type	OEM REF	Notes
12000	(F120) 1963-74	E-4434B	9.75"	D	2264897	Tapered pin.
		E-4434N Nylon				
	(FL901) 1973-74	E-4454B	1.999" x 11.040"	B	2452865	
		E-4454N Nylon				

Tie Rod Ends

Axle Rating Lbs.	Axle Code/Year	PART NO./LOCATION	STUD CTR to ROD END	OEM REF	Notes
9000	(F090), (F120) 1973-78	E-4607 Curbside	4.875"	671489	Rubber dust boot.
		E-4606 Roadside		671488	
12000	(F120) 1973-78	E-4607 Curbside	4.875"	671489	
		E-4606 Roadside		671488	
16000	(FL901) 1973-74	E-4616 Roadside	5.75"	2452861	

Drag Links

Axle Rating Lbs.	Axle Code/Year	Part Number	STUD CTR to Stud CTR	OEM REF	Notes
9000	(F090) 1973-78	E-5326	17.70"	669335	w/Power steering.
		E-5374	17.90"	684196	w/Manual steering. Use w/6V-53; 432; 478 engines.
12000	(F120) 1973-78	E-5326	17.70"	669335	w/Power steering.
		E-5374	17.90"	684196	
16000	(FL901) 1973-74	E-5374	17.90"	684196	w/6V-53 engine.

GMC/CHEVROLET

J90, J9500

King Pin Kits

Axle Rating Lbs.	Axle Code/Year	PART NO./BUSHING	King Pin Size	Type	OEM REF	Notes
12000	(F120) 1970-74	E-4434B E-4434N Nylon	9.75"	D	2264897	Tapered pin.
16000, 18000	(FL901) 1970-78	E-4454B E-4454N Nylon	1.999" x 11.040"	B	2452865	
16000	(FL931) 1973-78	E-12512B E-4458C Easy Steer	1.999" x 11.212"	B	2036352 15585841	

Tie Rod Ends

Axle Rating Lbs.	Axle Code/Year	PART NO./LOCATION	STUD CTR to ROD END	OEM REF	Notes
9000	(F090) 1970-78	E-4607 Curbside E-4606 Roadside	4.875"	671489 671488	Rubber dust boot.
12000	(F120) 1970-75	E-4607 Curbside E-4606 Roadside	4.875"	671489 671488	Before 1975 second design. Rubber dust boot.
	(F120) 1975-78	E-4609 Curbside E-4608 Roadside		2037140 2037142	From 1975 second design. Has three piece grease retainer.
	(FE900) 1970-72	E-4611 Curbside E-4610 Roadside		2456811 2456810	
16000	(F160) 1970-72	E-4607 Curbside E-4606 Roadside	4.875"	671489 671488	Rubber dust boot.
16000, 18000	(FL901) 1973-78	E-4616 Roadside	5.75"	2452861	
16000	(FL931) 1973-78	E-4629 Curbside E-4628 Roadside	7.37"	798203 798204	w/Axle models 718314; 719708; 719831; 2025882, 86 axles.

Drag Links

Axle Rating Lbs.	Axle Code/Year	Part Number	STUD CTR to Stud CTR	OEM REF	Notes
9000	(F090) 1970-78	E-5326 E-5374	17.70" 17.90"	669335 684196	w/Power steering. w/Manual steering.
12000	(F120) 1970-78	E-5326 E-5374	17.70" 17.90"	669335 684196	w/Power steering. w/Manual steering.
16000	(FL931) 1973-78	E-5326	17.70"	669335	w/Power steering - LH

L50 King Pin Kits

Axle Rating Lbs.	Axle Code/Year	PART NO./BUSHING	King Pin Size	Type	OEM REF	Notes
5000	1964 1965-70	E-4444B E-4444N Nylon E-4444B E-4444N Nylon	1.109" x 6.343"	A	3927942	Second design w/thrust bearing.
7000	1965-70	E-4607 E-4606 Nylon	1.249" x 7.888"	A	3927943	
11000	1965-70	E-4434B E-4434N Nylon	9.75"	D	2264897	Tapered pin.

GMC/CHEVROLET

L50 (continued)

Tie Rod Ends

Axle Rating Lbs.	Axle Code/Year	PART NO./LOCATION	STUD CTR to ROD END	OEM REF	Notes
5000	1963-66	E-4621 Curbside	5.84"	3864348	
		E-4620 Roadside		3864347	
7000	1965-70	E-4625 Curbside	6.50"	3864354	
		E-4624 Roadside		3864353	

L60, C80, E80, L80, M80, U80

King Pin Kits

Axle Rating Lbs.	Axle Code/Year	PART NO./BUSHING	King Pin Size	Type	OEM REF	Notes
5000	1965-66	E-4444B	1.109" x 6.343"	A	3927942	
		E-4444N Nylon				
7000	1964-66	E-4607	1.249" x 7.888"	A	3927943	
		E-4606 Nylon				
11000	1963-66	E-4434B	9.75"	D	2264897	Tapered pin.
		E-4434N Nylon				

Tie Rod Ends

Axle Rating Lbs.	Axle Code/Year	PART NO./LOCATION	STUD CTR to ROD END	OEM REF	Notes
5000	1965-66	E-4621 Curbside	5.84"	3864348	
		E-4620 Roadside		3864347	
7000	1963-66	E-4625 Curbside	6.50"	3864354	
		E-4624 Roadside		3864353	

M50

King Pin Kits

Axle Rating Lbs.	Axle Code/Year	PART NO./BUSHING	King Pin Size	Type	OEM REF	Notes
5000	1967-70	E-4444B	1.109" x 6.343"	A	3927942	
		E-4444N Nylon				
7000	1967-72	E-4607	1.249" x 7.888"	A	3927943	
		E-4606 Nylon				

Tie Rod Ends

Axle Rating Lbs.	Axle Code/Year	PART NO./LOCATION	STUD CTR to ROD END	OEM REF	Notes
5000	1967-70	E-4621 Curbside	5.84"	3864348	
		E-4620 Roadside		3864347	
7000	1967-73	E-4625 Curbside	6.50"	3864354	
		E-4624 Roadside		3864353	

GMC/CHEVROLET

M60, M6000

King Pin Kits

Axle Rating Lbs.	Axle Code/Year	PART NO./BUSHING	King Pin Size	Type	OEM REF	Notes
5000	1964-70	E-4444B E-4444N Nylon	1.109" x 6.343"	A	3927942	First design.
7000	1964-78	E-4607 E-4606 Nylon	1.249" x 7.888"	A	3927943	
11000	1965-70	E-4434B E-4434N Nylon	9.75"	D	2264897	Tapered pin.
12000	(F120) 1975-78 1973-75	E-4469B E-4434B E-4434N Nylon	1.745" x 9.38" 9.75"	B D	8885621 2264897	Tapered pin.

Tie Rod Ends

Axle Rating Lbs.	Axle Code/Year	PART NO./LOCATION	STUD CTR to ROD END	OEM REF	Notes
5000	1963-70	E-4621 Curbside E-4620 Roadside	5.84"	3864348 3864347	
7000	1963-78	E-4625 Curbside E-4624 Roadside	6.50"	3864354 3864353	w/Axle models 348136, 42; 349041, 42, 44, 46, 47, 48, 52, 53, 59, 60; 45977
	1973-78	E-4613 Curbside E-4612 Roadside	4.93"	462390 462389	w/Axle models 465005; 474376, 7, 8.
9000	1975-78	E-4607 Curbside E-4606 Roadside	4.875"	671489 671488	
12000	1973-78	E-4607 Curbside E-4606 Roadside	4.875"	671489 671488	

Drag Links

Axle Rating Lbs.	Axle Code/Year	Part Number	STUD CTR to Stud CTR	OEM REF	Notes
7000, 9000, 12000	1978	E-6816	17.00"	718797, 15506689	

M65, M6500

King Pin Kits

Axle Rating Lbs.	Axle Code/Year	PART NO./BUSHING	King Pin Size	Type	OEM REF	Notes
7000	(F070) 1973-78	E-4607 E-4606 Nylon	1.249" x 7.888"	A	3927943	
9000	(F120D) 1975-78	E-4469B	1.745" x 9.38"	B	8885621	
11000	(F110) 1969-72	E-4434B E-4434N Nylon	9.75"	D	2264897	Tapered pin.
12000	(F120) 1973-75	E-4434B E-4434N Nylon	9.75"	D	2264897	Tapered pin.
	(F120) 1975-78	E-4469B	1.745" x 9.38"	B	8885621	

GMC/CHEVROLET

M65, M6500 (continued)

Tie Rod Ends

Axle Rating Lbs.	Axle Code/Year	PART NO./LOCATION	STUD CTR to ROD END	OEM REF	Notes
7000	(F070) 1973-78	E-4625 Curbside	6.50"	3864354	
		E-4624 Roadside		3864353	
9000	(F090), (F120D) 1975-78	E-4607 Curbside	4.875"	671489	Rubber dust boot.
		E-4606 Roadside		671488	
12000	(F120) 1973-78	E-4607 Curbside	4.875"	671489	Rubber dust boot.
		E-4606 Roadside		671488	
	(F120) 1975-78	E-4609 Curbside		2037140, 2007728	w/Axle Models 718934, 36, 37; 719597; 2000763; 2002084, 85, 86, 87. Has three piece grease retainer.
		E-4608 Roadside		2037142, 2007731	

Drag Links

Axle Rating Lbs.	Axle Code/Year	Part Number	STUD CTR to Stud CTR	OEM REF	Notes
7000	(F070) 1975-78	E-6816	17.00"	718797, 15506689	Second design.
9000	(F090) 1975-78	E-5392	3.12" Stud center to rod end	3892946	Power steering cylinder end.
		E-5373	17.96"	718798	Second design.
	(F120D) 1975-78	E-6816	17.00"	718797	
		E-5373	17.96"	718798	
1973-78	E-5392	3.12" Stud center to rod end	3892946	Power steering cylinder end.	
12000	(F120) 1973-78	E-5392	3.12" Stud center to rod end	3892946	Power steering cylinder end.

M90, M9500

King Pin Kits

Axle Rating Lbs.	Axle Code/Year	PART NO./BUSHING	King Pin Size	Type	OEM REF	Notes
9000	(F120D) 1975-78	E-4469B	1.745" x 9.38"	B	8885621	
12000	(F120) 1975-78	E-4469B	1.745" x 9.38"	B	8885621	
		E-4434B	9.75"	D	2264897	Tapered pin.
	(F120), (FE900) 1970-74	E-4434N Nylon				
16000	(FL901) 1970-78	E-4454B	1.999" x 11.040"	B	2452865	
		E-4454N Nylon				
	(FL931) 1973-78	E-12512B	1.999" x 11.212"		2036352	
18000	(FL901) 1973-78	E-4458C Easy Steer			15585841	
		E-4454B	1.999" x 11.040"	B	2452865	
		E-4454N Nylon			720383	

GMC/CHEVROLET

M90, M9500 (continued)

Tie Rod Ends

Axle Rating Lbs.	Axle Code/Year	PART NO./LOCATION	STUD CTR to ROD END	OEM REF	Notes
9000	(F090) 1970-78	E-4607 Curbside	4.875"	671489	Rubber dust boot.
		E-4606 Roadside		671488	
	(F120D) 1975-78	E-4607 Curbside		671489	
		E-4606 Roadside		671488	
12000	(F120) 1970-75	E-4607 Curbside	4.875"	671489	Before 1975 second design. Rubber dust boot.
		E-4606 Roadside		671488	
	(F120) 1975-78	E-4609 Curbside		2037140	From 1975 second design. Has three piece grease retainer.
		E-4608 Roadside		2037142	
	(FE900) 1970-72	E-4611 Curbside		2456811	
		E-4610 Roadside		2456810	
16000	(F160) 1970-72	E-4607 Curbside	4.875"	671489	Rubber dust boot.
		E-4606 Roadside		671488	
	(FL901) 1973-78	E-4616 Roadside		2456861	
	(FL901) 1973-78	E-4616 Roadside		2452860	

Drag Links

Axle Rating Lbs.	Axle Code/Year	Part Number	STUD CTR to Stud CTR	OEM REF	Notes
9000	(F090) 1970-78	E-5326	17.70"	669335	w/Power steering.
		E-5374	17.90"	684196	w/Manual steering.
12000	(F120) 1970-78	E-5326	17.70"	669335	w/Power steering.
		E-5374	17.90"	684196	w/Manual steering.
16000	(FL931) 1973-78	E-5326	17.70"	669335	w/Power steering - LH

N50

King Pin Kits

Axle Rating Lbs.	Axle Code/Year	PART NO./BUSHING	King Pin Size	Type	OEM REF	Notes
7000	1965-66	E-4607	1.249" x 7.888"	A	3927943	
		E-4606 Nylon				

Tie Rod Ends

Axle Rating Lbs.	Axle Code/Year	PART NO./LOCATION	STUD CTR to ROD END	OEM REF	Notes
7000	1965-66	E-4625 Curbside	6.50"	3864354	
		E-4624 Roadside		3864353	

N60, Y60

King Pin Kits

Axle Rating Lbs.	Axle Code/Year	PART NO./BUSHING	King Pin Size	Type	OEM REF	Notes
7000	1965-66	E-4607	1.249" x 7.888"	A	3927943	
		E-4606 Nylon				
11000	1965-66	E-4434B	9.75"	D	2264897	Tapered pin.
		E-4434N Nylon				

GMC/CHEVROLET

N60, Y60 (continued)

Tie Rod Ends

Axle Rating Lbs.	Axle Code/Year	PART NO./LOCATION	STUD CTR to ROD END	OEM REF	Notes
7000	1965-66	E-4625 Curbside	6.50"	3864354	
		E-4624 Roadside		3864353	

P1500 (1/2 Ton) 2WD

King Pin Kits

Axle Rating Lbs.	Axle Code/Year	PART NO./BUSHING	King Pin Size	Type	OEM REF	Notes
	1966	E-4430B	1.109" x 6.344"	A	3854744	

Tie Rod Ends

Axle Rating Lbs.	Axle Code/Year	PART NO./LOCATION	STUD CTR to ROD END	OEM REF	Notes
	1966	E-4621 Curbside	5.84"	3864348	
		E-4620 Roadside		3864347	

P2500 (3/4 Ton) 2WD

King Pin Kits

Axle Rating Lbs.	Axle Code/Year	PART NO./BUSHING	King Pin Size	Type	OEM REF	Notes
	1960-63	E-4430B	1.109" x 6.344"	A	3854744	
	1964-65	E-4444B	1.109" x 6.343"		3927942	
		E-4444N Nylon				
	1966	E-4430B	1.109" x 6.344"		3854744	
	1967	E-4444B	1.109" x 6.343"		3927942	
		E-4444N Nylon				

Tie Rod Ends

Axle Rating Lbs.	Axle Code/Year	PART NO./LOCATION	STUD CTR to ROD END	OEM REF	Notes
	1960-63	E-4621 Curbside	5.84"	3864348	
		E-4620 Roadside		3864347	
	1966-67	E-4621 Curbside		3864348	
		E-4620 Roadside		3864347	

King Pin Kits

Axle Rating Lbs.	Axle Code/Year	PART NO./BUSHING	King Pin Size	Type	OEM REF	Notes
5000	(F050) 1979-90	E-4453B	1.179" x 6.360"	A	722166, 15536398	
7000	(F070) 1979-84	E-4607 E-4606 Nylon	1.249" x 7.888"	A	8885857	

Tie Rod Ends

Axle Rating Lbs.	Axle Code/Year	PART NO./LOCATION	STUD CTR to ROD END	OEM REF	Notes
5000, 7000	(F050), (F070) 1979-90	E-4613 Curbside E-4612 Roadside	4.93"	462390 462389	

P4500

King Pin Kits

Axle Rating Lbs.	Axle Code/Year	PART NO./BUSHING	King Pin Size	Type	OEM REF	Notes
5000	(F050) 1979-90	E-4453B	1.179" x 6.360"	A	722166	
7000	(F070) 1979-84	E-4607 E-4606 Nylon	1.249" x 7.888"	A	8885857	

Tie Rod Ends

Axle Rating Lbs.	Axle Code/Year	PART NO./LOCATION	STUD CTR to ROD END	OEM REF	Notes
5000, 7000	(F050), (F070) 1979-90	E-4613 Curbside E-4612 Roadside	4.93"	462390 462389	

P50

King Pin Kits

Axle Rating Lbs.	Axle Code/Year	PART NO./BUSHING	King Pin Size	Type	OEM REF	Notes
5000	1965-66	E-4444B E-4444N Nylon	1.109" x 6.343"	A	3927942	

Tie Rod Ends

Axle Rating Lbs.	Axle Code/Year	PART NO./LOCATION	STUD CTR to ROD END	OEM REF	Notes
5000	1965-66	E-4621 Curbside E-4620 Roadside	5.84"	3864348 3864347	

P60

King Pin Kits

Axle Rating Lbs.	Axle Code/Year	PART NO./BUSHING	King Pin Size	Type	OEM REF	Notes
5000	(F050) 1983-90	E-4453B	1.179" x 6.360"	A	1553698	
7000	(F070) 1983-90	E-4607 E-4606 Nylon	1.249" x 7.888"	A	8885857	
9000	(F090) 1984-90 (F120D) 1987-90	E-4469B E-4469B	1.745" x 9.38"	B	8885856	
12000	(F120) 1983-90	E-4469B	1.745" x 9.38"	B	8885856	

GMC/CHEVROLET

P60 (continued)

Tie Rod Ends

Axle Rating Lbs.	Axle Code/Year	PART NO./LOCATION	STUD CTR to ROD END	OEM REF	Notes
5000	(F050) 1983-90	E-4613 Curbside	4.93"	462390	
		E-4612 Roadside		462389	
7000	(F070) 1983-87	E-4613 Curbside	4.93"	462390	
		E-4612 Roadside		462389	
8000	(FL1) 1994-99	E-10111 Curbside	5.44"	12548111	Second design.
		E-10110 Roadside		12548110	
9000	(F090) 1983-90	E-4609 Curbside	4.875"	2037140	
		E-4608 Roadside		2037142	
	(F120D) 1987-90	E-4609 Curbside		2037140	
		E-4608 Roadside		2037142	
11000	(FL2) 1992-96	E-10109 Curbside	5.44"	12548108	
		E-10108 Roadside		12548107	
12000	(F120) 1983-90	E-4609 Curbside	4.875"	2037140	
		E-4608 Roadside		2037142	

Drag Links

Axle Rating Lbs.	Axle Code/Year	Part Number	STUD CTR to Stud CTR	OEM REF	Notes
5000	(F050) 1983-90	E-6816	17.00"	15506689	
7000	(F070) 1983-90	E-6816	17.00"	15506689	Except motor home applications.
9000	(F120D) 1983-90	E-5373	17.96"	718798	w/Saginaw power steering and hydraulic brakes.
	(F120D) 1988-90	E-6833	18.50"	15625713	
12000	(F120) 1983-90	E-5373	17.96"	718798	w/Saginaw power steering and hydraulic brakes.
	(F120) 1988-90	E-6833	18.50"	15625713	

P6000

King Pin Kits

Axle Rating Lbs.	Axle Code/Year	PART NO./BUSHING	King Pin Size	Type	OEM REF	Notes
5000	(F050) 1983-90	E-4453B	1.179" x 6.360"	A	15536398	
7000	(F070) 1983-90	E-4607	1.249" x 7.888"	A	8885857	
		E-4606 Nylon				
9000	(F090) 1984-90	E-4469B	1.745" x 9.38"	B	8885856	
12000	(F120) 1984-90	E-4469B	1.745" x 9.38"	B	8885856	

Tie Rod Ends

Axle Rating Lbs.	Axle Code/Year	PART NO./LOCATION	STUD CTR to ROD END	OEM REF	Notes
5000	(F050) 1983-90	E-4613 Curbside	4.93"	462390	
		E-4612 Roadside		462389	
7000	(F070) 1983-87	E-4613 Curbside	4.93"	462390	
		E-4612 Roadside		462389	
9000	(F090) 1983-90	E-4609 Curbside	4.875"	2037140	
		E-4608 Roadside		2037142	

GMC/CHEVROLET P6000 (CONTINUED)

Drag Links

Axle Rating Lbs.	Axle Code/Year	Part Number	STUD CTR to Stud CTR	OEM REF	Notes
5000	(F050) 1983-90	E-6816	17.00"	15506689	
7000	(F070) 1983-90	E-6816	17.00"	15506689	Except motor home applications.
9000	(F120D) 1983-90	E-5373	17.96"	718798	w/Saginaw power steering and hydraulic brakes.
	(F120D) 1988-90	E-6833	18.50"	15625713	

Q60, V60, X60

King Pin Kits

Axle Rating Lbs.	Axle Code/Year	PART NO./BUSHING	King Pin Size	Type	OEM REF	Notes
5000	1965-66	E-4444B E-4444N Nylon	1.109" x 6.343"	A	3927942	
7000	1965-66	E-4607 E-4606 Nylon	1.249" x 7.888"	A	3927943	

Tie Rod Ends

Axle Rating Lbs.	Axle Code/Year	PART NO./LOCATION	STUD CTR to ROD END	OEM REF	Notes
5000	1965-66	E-4621 Curbside E-4620 Roadside	5.84"	3864348 3864347	
7000	1965-66	E-4625 Curbside E-4624 Roadside	6.50"	3864354 3864353	

R8500

Tie Rod Ends

Axle Rating Lbs.	Axle Code/Year	PART NO./LOCATION	STUD CTR to ROD END	OEM REF	Notes
9000	(F090) 1973	E-4607 Curbside E-4606 Roadside	4.875"	671489 671488	

S50, Q50

King Pin Kits

Axle Rating Lbs.	Axle Code/Year	PART NO./BUSHING	King Pin Size	Type	OEM REF	Notes
5000	1964	E-4444B E-4444N Nylon	1.109" x 6.343"	A	3927942	Second design w/thrust bearing.
	1965-75	E-4444B E-4444N Nylon				
7000	1964-75	E-4607 E-4606 Nylon	1.249" x 7.888"	A	3927943	From 1964, second design.

GMC/CHEVROLET

S50, Q50 (continued)

Tie Rod Ends

Axle Rating Lbs.	Axle Code/Year	PART NO./LOCATION	STUD CTR to ROD END	OEM REF	Notes
5000	1963-75	E-4621 Curbside	5.84"	3864348	
		E-4620 Roadside		3864347	
7000	1963-75	E-4625 Curbside	6.50"	3864354	
		E-4624 Roadside		3864353	

S60, S6000

King Pin Kits

Axle Rating Lbs.	Axle Code/Year	PART NO./BUSHING	King Pin Size	Type	OEM REF	Notes
5000	1964-69	E-4444B	1.109" x 6.343"	A	3927942	First design.
		E-4444N Nylon				
5500	1973-75	E-4444B	1.109" x 6.343"	A	3927942	First design.
		E-4444N Nylon				
	1975-79	E-4453B	1.179" x 6.360"		722166	Second design.
7000	1964-69	E-4607	1.249" x 7.888"	A	3927943	
		E-4606 Nylon				
	1973-79	E-4607				
		E-4606 Nylon				

Tie Rod Ends

Axle Rating Lbs.	Axle Code/Year	PART NO./LOCATION	STUD CTR to ROD END	OEM REF	Notes
5000	1963-69	E-4621 Curbside	5.84"	3864348	
		E-4620 Roadside		3864347	
5500	1973-79	E-4621 Curbside	5.84"	3864348	
		E-4620 Roadside		3864347	
7000	1963-69	E-4625 Curbside	6.50"	3864354	
		E-4624 Roadside		3864353	
	1978-79	E-4613 Curbside	4.93"	462390	
		E-4612 Roadside		462389	
9000	1975-79	E-4607 Curbside	4.875"	671489	
		E-4606 Roadside		671488	

Drag Links

Axle Rating Lbs.	Axle Code/Year	Part Number	STUD CTR to Stud CTR	OEM REF	Notes
5500, 7000	1975-79	E-6816	17.00"	15506689, 718797	From 1975, second design.

S70, S7T, S7500

King Pin Kits

Axle Rating Lbs.	Axle Code/Year	PART NO./BUSHING	King Pin Size	Type	OEM REF	Notes
12000	(F120) 1983-90	E-4469B	1.745" x 9.38"	B	8885621	
13200	(FG943) 1987-90	E-468B	1.794" x 10.392"	B	2010021	

GMC/CHEVROLET

S70, S7T, S7500 (continued)

Tie Rod Ends

Axle Rating Lbs.	Axle Code/Year	PART NO./LOCATION	STUD CTR to ROD END	OEM REF	Notes
9000, 12000	(F120D) 1983-90	E-4609 Curbside	4.875"	2037142	
		E-4608 Roadside		2037140	
13200	(FG943) 1987-90	E-4615 Curbside	5.44"	15515805, 698572	
		E-4614 Roadside		15515804, 698571	

Drag Links

Axle Rating Lbs.	Axle Code/Year	Part Number	STUD CTR to Stud CTR	OEM REF	Notes
9000, 12000	(F120), (F120D) 1983-84	E-5326	17.70"	669335	w/Power steering.
13200	(FF932) 1983-84	E-5326	17.70"	669335	w/Power steering.

T50, T5500

King Pin Kits

Axle Rating Lbs.	Axle Code/Year	PART NO./BUSHING	King Pin Size	Type	OEM REF	Notes
5000	1965-72	E-4444B	1.109" x 6.343"	A	3927942	
		E-4444N Nylon				
7000	1965-72	E-4607	1.249" x 7.888"	A	3927943	
		E-4606 Nylon				
11000	1965-72	E-4434B	9.75"	D	2264897	Tapered pin.
		E-4434N Nylon				

Tie Rod Ends

Axle Rating Lbs.	Axle Code/Year	PART NO./LOCATION	STUD CTR to ROD END	OEM REF	Notes
5000	1965-72	E-4621 Curbside	5.84"	3864348	
		E-4620 Roadside		3864347	
7000	1965-72	E-4625 Curbside	6.50"	3864354	
		E-4624 Roadside		3864353	
8100	(FL1) 1997	E-10111 Curbside	5.44"	12548111	
		E-10110 Roadside		12548110	
9000	1970-72	E-4607 Curbside	4.875"	671489	
		E-4606 Roadside		671488	
11000	(FL2) 1997	E-10109 Curbside	5.44"	12548108	
		E-10108 Roadside		12548107	
12000	(FS7) 1997	E-10109 Curbside	5.44"	12548108	
		E-10108 Roadside		12548107	
14600	(FL3) 1997	E-10109 Curbside	5.44"	12548108	
		E-10108 Roadside		12548107	

GMC/CHEVROLET

T60, T6000

King Pin Kits

Axle Rating Lbs.	Axle Code/Year	PART NO./BUSHING	King Pin Size	Type	OEM REF	Notes
7000	1964-78	E-4607 E-4606 Nylon	1.249" x 7.888"	A	3927943	
11000	1963-69	E-4434B E-4434N Nylon	9.75"	D	2264897	Tapered pin.
12000	1970-72	E-4434B E-4434N Nylon	9.75"	D	2264897	Tapered pin.

Tie Rod Ends

Axle Rating Lbs.	Axle Code/Year	PART NO./LOCATION	STUD CTR to ROD END	OEM REF	Notes
7000	1963-77	E-4625 Curbside E-4624 Roadside	6.50"	3864354 3864353	
	1978	E-4613 Curbside E-4612 Roadside	4.93"	462390 462389	
9000	1975-78	E-4607 Curbside E-4606 Roadside	4.875"	671489 671488	Second design.
12000	1970-72	E-4607 Curbside E-4606 Roadside	4.875"	671489 671488	

T65, T6500

King Pin Kits

Axle Rating Lbs.	Axle Code/Year	PART NO./BUSHING	King Pin Size	Type	OEM REF	Notes
7000	(F070) 1973-78	E-4607 E-4606 Nylon	1.249" x 7.888"	A	3927943	
9000	(F120D) 1975-78	E-4469B	1.745" x 9.38"	B	8885621	
12000	(F120) 1973-78	E-4434B E-4434N Nylon	9.75"	D	2264897	Tapered pin.
	(F120) 1975-78	E-4469B	1.745" x 9.38"	B	8885621	

Tie Rod Ends

Axle Rating Lbs.	Axle Code/Year	PART NO./LOCATION	STUD CTR to ROD END	OEM REF	Notes
7000	(F070) 1973-78	E-4625 Curbside E-4624 Roadside	6.50"	3864354 3864353	
8100	(FL1) 1997	E-10111 Curbside E-10110 Roadside	5.44"	12548111 12548110	
9000	(F090), (F120D) 1975-78	E-4607 Curbside E-4606 Roadside	4.875"	671489 671488	Rubber dust boot.
11000	(FL2) 1997	E-10109 Curbside E-10108 Roadside	5.44"	12548108 12548107	
12000	(F120) 1973-78	E-4607 Curbside E-4606 Roadside	4.875"	671489 671488	Rubber dust boot.
	(F120) 1975-78	E-4609 Curbside E-4608 Roadside		2037140, 2007728 2037142, 2007731	w/Axle Models 718934, 36, 37; 719597; 2000763; 2002084, 85, 86, 87. Has three piece grease retainer.
	(FS7) 1997	E-10109 Curbside E-10108 Roadside	5.44"	12548108 12548107	
14600	(FL3) 1997	E-10109 Curbside E-10108 Roadside	5.44"	12548108 12548107	

GMC/CHEVROLET

T70, T7500

King Pin Kits

Axle Rating Lbs.	Axle Code/Year	PART NO./BUSHING	King Pin Size	Type	OEM REF	Notes
7000	(F070) 1966-78	E-4607 E-4606 Nylon	1.249" x 7.888"	A	3927943	
11000	(F110) 1966-72	E-4434B E-4434N Nylon	9.75"	D	2664897	Tapered pin.
12000	(F120) 1966-74	E-4434B E-4434N Nylon	9.75"	D	2264897	Tapered pin.
	(F120) 1975-78	E-4469B	1.745" x 9.38"	B	8885621	

Tie Rod Ends

Axle Rating Lbs.	Axle Code/Year	PART NO./LOCATION	STUD CTR to ROD END	OEM REF	Notes
7000	(F070) 1973-78	E-4625 Curbside E-4624 Roadside	6.50"	3864354 3864353	
	(F070) 1978	E-4613 Curbside E-4612 Roadside	4.93"	462390 462389	Use w/6V-53 engine and 465018 axle.
8100	(FL1) 1997	E-10111 Curbside E-10110 Roadside	5.44"	12548111 12548110	
9000	(F090) 1972-78	E-4609 Curbside E-4608 Roadside	4.875"	2037140 2037142	Except 688561; 688568; 2000765, 7, 8; 2002081, 83 axles.
11000	(FL2) 1997	E-10109 Curbside E-10108 Roadside	5.44"	12548108 12548107	
12000	(F120) 1973-78	E-4609 Curbside E-4608 Roadside	4.875"	2037140 2037142	Except 688561; 688568; 2000765, 7, 8; 2002081, 83 axles.
	(FS7) 1997	E-10109 Curbside E-10108 Roadside	5.44"	12548108 12548107	
14600	(FL3) 1997	E-10109 Curbside E-10108 Roadside	5.44"	12548108 12548107	

T80, T8500

King Pin Kits

Axle Rating Lbs.	Axle Code/Year	PART NO./BUSHING	King Pin Size	Type	OEM REF	Notes
7000	1964-66	E-4607 E-4606 Nylon	1.249" x 7.888"	A	3927943	From 1964, second design.
11000	(F110) 1963-66	E-4434B E-4434N Nylon	9.75"	D	2264897	Tapered pin.
12000	(F120) 1973-78	E-4434B E-4434N Nylon	9.75"	D	2264897	Tapered pin.

GMC/CHEVROLET

T80, T8500 (continued)

Tie Rod Ends

Axle Rating Lbs.	Axle Code/Year	PART NO./LOCATION	STUD CTR to ROD END	OEM REF	Notes
7000	1963-66	E-4625 Curbside	6.50"	3864354	
		E-4624 Roadside		3864353	
8100	(FL1) 1997	E-10111 Curbside	5.44"	12548111	
		E-10110 Roadside		12548110	
9000	(F090) 1973-78	E-4609 Curbside	4.875"	2037140	Exc. 688561; 688568; 2000765, 7, 8; 2002081, 83 axles.
		E-4608 Roadside		2037142	
11000	(FL2) 1997	E-10109 Curbside	5.44"	12548108	
		E-10108 Roadside		12548107	
12000	(F120) 1973-78	E-4609 Curbside	4.875"	2037140	Exc. 688561; 688568; 2000765, 7, 8; 2002081, 83 axles.
		E-4608 Roadside		2037142	
	(FS7) 1997	E-10109 Curbside	5.44"	12548108	
		E-10108 Roadside		12548107	
14600	(FL3) 1997	E-10109 Curbside	5.44"	12548108	
		E-10108 Roadside		12548107	

T90, T9500

King Pin Kits

Axle Rating Lbs.	Axle Code/Year	PART NO./BUSHING	King Pin Size	Type	OEM REF	Notes
11000	(F110) 1963-72	E-4434B	9.75"	D	2264897	Tapered pin.
		E-4434N Nylon				
12000	(F120) 1963-78	E-4434B	9.75"	D	2264897	Tapered pin.
		E-4434N Nylon				

Tie Rod Ends

Axle Rating Lbs.	Axle Code/Year	PART NO./LOCATION	STUD CTR to ROD END	OEM REF	Notes
9000	(F090) 1970-72	E-4607 Curbside	4.875"	671489	
		E-4606 Roadside		671488	
12000	(F120) 1970-78	E-4607 Curbside	4.875"	671489	
		E-4606 Roadside		671488	

GMC/CHEVROLET

Titan, Astro, D9K, D9L

King Pin Kits

Axle Rating Lbs.	Axle Code/Year	PART NO./BUSHING	King Pin Size	Type	OEM REF	Notes
9000	(F120D) 1981-82	E-4469B	1.745" x 9.38"	B	8885621	
12000	(F120) 1979-87	E-4469B	1.745" x 9.38"	B	8885621	
	(FF941) 1983-87	E-468B	1.794" x 10.392"		2010021	
16000	(FL931) 1979-83	E-12512B	1.999" x 11.212"	B	2036352	
		E-4458C Easy Steer			15585841	
18000	(FL941) 1983-87	E-12512B	1.999" x 11.212"	B	2036352	
		E-4458C Easy Steer			15585841	

Tie Rod Ends

Axle Rating Lbs.	Axle Code/Year	PART NO./LOCATION	STUD CTR to ROD END	OEM REF	Notes
12000	(F120) 1979-87	E-4609 Curbside	4.875"	2037140	
		E-4608 Roadside		2037142	
	(FF931) 1979-80	E-4615 Curbside	5.44"	698572	
		E-4614 Roadside		698571	
	(FF931) 1983-87	E-4615 Curbside		698572,	
		E-4614 Roadside		15515805	
	(FF941) 1983-86	E-4615 Curbside		698571,	
				E-4614 Roadside	15515804
16000	(FL931) 1979-83	E-4629 Curbside	7.37"	798203	
		E-4628 Roadside		798204	
18000	(FL941) 1983-87	E-4629 Curbside	7.37"	798203	
		E-4628 Roadside		798204	

Drag Links

Axle Rating Lbs.	Axle Code/Year	Part Number	STUD CTR to Stud CTR	OEM REF	Notes
12000	(F120) 1979-80	E-6815	16.89"	15501673	
		E-5374		684196	Color coded white.
	(F120) 1984-87	E-6815	16.89"	15501673	w/Ross or Sheppard power steering.
		E-5374		684196	Color coded white.
	(FF941) 1983-84	E-5374		684196	
		E-6815		15501673	w/Sheppard power steering.
	(FF971) 1983	E-5374	17.90"	684196	Color coded white.
16000	(FL931) 1979-83	E-5374	17.90"	684196	
	(FL931) 1984-87	E-6815	16.89"	15501673	w/Sheppard power steering - LH.
18000	(FL941) 1983-84	E-5374	17.90"	684196	Color coded white.
		E-6815		15501673	w/Sheppard power steering - LH.

GMC/CHEVROLET

Transit, Coach

King Pin Kits

Axle Rating Lbs.	Axle Code/Year	PART NO./BUSHING	King Pin Size	Type	OEM REF	Notes
7000	(F120) 1970-74	E-4438N	1.234" x 7.438"	B	2470621	

W60, W6N

King Pin Kits

Axle Rating Lbs.	Axle Code/Year	PART NO./BUSHING	King Pin Size	Type	OEM REF	Notes
7000	(F070) 1979-80	E-4607 E-4606 Nylon	1.249" x 7.888"	A	3927943	

Tie Rod Ends

Axle Rating Lbs.	Axle Code/Year	PART NO./LOCATION	STUD CTR to ROD END	OEM REF	Notes
7000	(F070) 1979-80	E-4613 Curbside	4.93"	462390	
		E-4612 Roadside		462389	
9000	(F090) 1979-80	E-4609 Curbside	4.875"	2037140	
		E-4608 Roadside		2037142	

W70

King Pin Kits

Axle Rating Lbs.	Axle Code/Year	PART NO./BUSHING	King Pin Size	Type	OEM REF	Notes
12000	(F120) 1970-74	E-4434B E-4434N Nylon	9.75"	D	2264897	Tapered pin.
16000	(FL901) 1971-74	E-4454B E-4454N Nylon	1.999" x 11.040"	B	2452865	

Tie Rod Ends

Axle Rating Lbs.	Axle Code/Year	PART NO./LOCATION	STUD CTR to ROD END	OEM REF	Notes
9000	(F090) 1972-74	E-4609 Curbside	4.875"	2037140	Except 688561; 688568; 2000765, 7, 8; 2002081, 83 axles. Has 3 piece grease retainer.
		E-4608 Roadside		2037142	
12000	(F120) 1970	E-4607 Curbside	4.875"	671489	Rubber dust boot.
		E-4606 Roadside		671488	
	(F120) 1973-74	E-4609 Curbside	4.875"	2037140	Except 688561; 688568; 2000765, 7, 8; 2002081, 83 axles. Has 3 piece grease retainer.
		E-4608 Roadside		2037142	
16000	(FL901) 1971-74	E-4616 Roadside	5.75"	2451861	

GMC/CHEVROLET

W70, W7N, W7500

King Pin Kits

Axle Rating Lbs.	Axle Code/Year	PART NO./BUSHING	King Pin Size	Type	OEM REF	Notes
7000	(F070) 1979-80	E-4607 E-4606 Nylon	1.249" x 7.888"	A	3927943	
9000	(F120D) 1975-80	E-4469B	1.745" x 9.38"	B	8885621	
12000	(F120) 1970-74	E-4434B E-4434N Nylon	9.75"	D	2264897	Tapered pin.
	(F120, F120D) 1975-80	E-4469B	1.745" x 9.38"	B	8885621	
16000	(FL901) 1971-74	E-4454B E-4454N Nylon	1.999" x 11.040"	B	2452865	

Tie Rod Ends

Axle Rating Lbs.	Axle Code/Year	PART NO./LOCATION	STUD CTR to ROD END	OEM REF	Notes
7000	(F070) 1979-80	E-4613 Curbside E-4612 Roadside	4.93"	462390 462389	
9000	(F090) 1972-74	E-4609 Curbside E-4608 Roadside	4.875"	2037140 2037142	Except 688561, 68; 2000765, 67, 68; 2002081, 83 axles. Has three piece grease retainer.
	(F120, F120D) 1979-80	E-4609 Curbside E-4608 Roadside		2037140 2037142	
12000	(F120) 1970	E-4607 Curbside E-4606 Roadside	4.875"	671489 671488	Rubber dust boot.
	(F120) 1973-74	E-4609 Curbside E-4608 Roadside		2037140 2037142	Except 688561, 68; 2000765, 67, 68; 2002081, 83 axles. Has three piece grease retainer.
	(F120) 1979-80	E-4609 Curbside E-4608 Roadside		2037140 2037142	
	(FL901) 1971-74	E-4616 Roadside	5.75"	2452861	

W80, W8500

King Pin Kits

Axle Rating Lbs.	Axle Code/Year	PART NO./BUSHING	King Pin Size	Type	OEM REF	Notes
7000	1964-65	E-4607 E-4606 Nylon	1.249" x 7.888"	A	3927943	From 1964, second design.
11000	1964-65	E-4434B E-4434N Nylon	9.75"	D	2264897	Tapered pin.
12000	(F120) 1973-78	E-4434B E-4434N Nylon	9.75"	D	2264897	Tapered pin.

Tie Rod Ends

Axle Rating Lbs.	Axle Code/Year	PART NO./LOCATION	STUD CTR to ROD END	OEM REF	Notes
7000	1964-65	E-4625 Curbside E-4624 Roadside	6.50"	3864354 3864353	
9000	(F090) 1973-78	E-4609 Curbside E-4608 Roadside	4.875"	2037140 2037142	Exc. 688561, 688568; 2000765, 7, 8; 2002081, 83 axles.
12000	(F120) 1973-78	E-4609 Curbside E-4608 Roadside	4.875"	2037140 2037142	Exc. 688561, 688568; 2000765, 7, 8; 2002081, 83 axles.

GMC/CHEVROLET

W90, W9500

King Pin Kits

Axle Rating Lbs.	Axle Code/Year	PART NO./BUSHING	King Pin Size	Type	OEM REF	Notes
11000	(F110) 1963-72	E-4434B E-4434N Nylon	9.75"	D	2264897	Tapered pin.
12000	(F120) 1963-78	E-4434B E-4434N Nylon	9.75"	D	2264897	Tapered pin.

Tie Rod Ends

Axle Rating Lbs.	Axle Code/Year	PART NO./LOCATION	STUD CTR to ROD END	OEM REF	Notes
9000	(F090) 1970-72	E-4607 Curbside E-4606 Roadside	4.875"	671489 671488	
12000	(F120) 1970-78	E-4607 Curbside E-4606 Roadside	4.875"	671489 671488	

HINO

INDEX

Model	Page	Model	Page
NA, NB, NC, ND, NE, NU-258, A-LP, NJ, NV	125		

HINO

NA,NB, NC, ND, NE, NJ-258 A-LP,ND, NE, NJ, NV

King Pin Kits

Axle Rating Lbs.	Axle Code/Year	PART NO./BUSHING	King Pin Size	Type	OEM REF	Notes
8000, 10000	2005-08	E-11815C Easy Steer	1.234" x 6.781"	A		
		E-11812C Easy Steer	1.499" x 7.511"	B		
		E-6199C Easy Steer	1.794" x 10.392"	B	KIT 1315	Uses 1 drawkey 3.68" long and 1 drawkey 3.25" long.

Model	Page	Model	Page
FTR.....	126		

ISUZU
FTR

King Pin Kits

Axle Rating Lbs.	Axle Code/Year	PART NO./BUSHING	King Pin Size	Type	OEM REF	Notes
11000	1996-2002	E-10105B Bronze	1.890" x 1.500"	D	8125403290 12540329	

INDEX

Model	Page	Model	Page
C500	138	T450	142
K100	139	T600	143
K300	140	T800	144
L700	140	W900	145
T400	141		

KENWORTH

C500

King Pin Kits

Axle Rating Lbs.	Axle Code/Year	PART NO./BUSHING	King Pin Size	Type	OEM REF	Notes
12000	(FE900)	E-4434B	9.75"	D	KIT 144	Tapered pin.
		E-4434N Nylon			KIT 123	
	(FF921)	E-4450B	1.794" x 10.410"	B	KIT 193	
	(FF931)	E-468B	1.794" x 10.392"		KIT 195	
	(FF971)	E-4595B	1.607" x 9.375"		KIT 1300	
16000	(FH901)	E-4454B	1.999" x 11.040"	B	KIT 170	
		E-4454N Nylon			KIT 168	
16000, 18000, 20000	(FL931)	E-12512B	1.999" x 11.212"	B	KIT 198	
		E-4458C Easy Steer			KIT 1312	
18000	(FL901)	E-4454B	1.999" x 11.040"	B	KIT 170	
		E-4454N Nylon			KIT 168	
22000	(FL951)	E-12512B	1.999" x 11.212"	B	KIT 198	
		E-4458C Easy Steer			KIT 1312	

Tie Rod Ends

Axle Rating Lbs.	Axle Code/Year	PART NO./LOCATION	STUD CTR to ROD END	OEM REF	Notes	
12000	(FE900)	E-4611 Curbside	4.875"	A3144R226		
		E-4610 Roadside		A3144Q225		
		E-4616 Roadside		A3144K297		
	(FE970)	E-4611 Curbside	4.875"	A3144R226		
		E-4610 Roadside		A3144Q225		
		E-4616 Roadside		A3144K297		
	(FF901)	E-4611 Curbside	4.875"	A3144R226		
				E-4610 Roadside	A3144Q225	
		E-4618 Curbside	5.75"	A3144D238	Anti-tilt seal type.	
				E-4619 Roadside		A3144C237
		E-4616 Roadside	5.75"	A3144K297		
				(FF921), (FF931)	E-4615 Curbside	5.44"
		E-4614 Roadside		A3144E525		
	16000	(FH901)	E-4616 Roadside	5.75"	A3144K297	
	16000, 18000, 20000	(FL931)	E-4616 Roadside	5.75"	A3144J296	
E-4629 Curbside			7.37"	A3144V438		
E-4628 Roadside				A3144U437		
E-6856 Curbside			12.69"	A3144D550		
E-6857 Roadside				A3144C549		

KENWORTH

C500 (continued)

Tie Rod Ends (continued)

18000	(FDS1805)	E-4642 Curbside	5.75"	A1-3144F370	After 2/2/83. 1.25" -16 RH thread.
		E-6858 Roadside		A3144E551	After 2/2/83. 1.25" -18 RH thread.
		E-4619 Roadside		A3144C237	Before 2/2/83. 1.25" -12 RH thread.
	(FL901)	E-4616 Roadside		A3144K297	
20000	(FL931)	E-4616 Roadside	5.75"	A3144K297	
		E-4629 Curbside		A3144V438	
		E-4628 Roadside		A3144U437	

K100

King Pin Kits

Axle Rating Lbs.	Axle Code/Year	PART NO./BUSHING	King Pin Size	Type	OEM REF	Notes
12000	(FE900)	E-4434B	9.75"	D	KIT 144	Tapered pin.
		E-4434N Nylon			KIT 123	
		(FF931)			E-4450B	
	(FF971)	E-468B	1.794" x 10.392"		KIT 195	
16000	(FH901)	E-4454B	1.999" x 11.040"	B	KIT 170	
		E-4454N Nylon			KIT 168	
16000, 18000, 20000	(FL931)	E-12512B	1.999" x 11.212"	B	KIT 198	
		E-4458C Easy Steer			KIT 1312	
18000	(FL901)	E-4454B	1.999" x 11.040"	B	KIT 170	
		E-4454N Nylon			KIT 168	

Tie Rod Ends

Axle Rating Lbs.	Axle Code/Year	PART NO./LOCATION	STUD CTR to ROD END	OEM REF	Notes
12000	(FE900)	E-4611 Curbside	4.875"	A3144R226	
		E-4610 Roadside		A3144Q225	
		E-4616 Roadside		A3144K297	
	(FE970)	E-4611 Curbside	4.875"	A3144R226	
E-4610 Roadside		A3144Q225			
E-4616 Roadside		A3144K297			
	(FF901)	E-4611 Curbside	4.875"	A3144R226	
E-4610 Roadside		A3144Q225			
	(FF921)	E-4611 Curbside	4.875"	A3144R226	
E-4610 Roadside		A3144Q225			
E-4618 Curbside		5.75"		A3144D238	Anti-tilt seal type.
		E-4619 Roadside		A3144C237	
		Curbside		A3144J296	
		E-4616 Roadside		A3144K297	
	(FF921), (FF931)	E-4615 Curbside	5.44"	A3144D524	Greaseable type.
E-4614 Roadside		A3144E525			

KENWORTH

K100 (continued)

Tie Rod Ends

16000	(FH901)	E-4616 Roadside	5.75"	A3144K297
16000, 18000, 20000	(FL931)	E-4616 Roadside	5.75"	A3144K297
		E-4629 Curbside	7.37"	A3144F448
		E-4628 Roadside		A3144G449
		E-6856 Curbside	12.69"	A3144D550
		E-6857 Roadside		A3144C549
18000	(FL901)	E-4616 Roadside	5.75"	A3144K297

Drag Links

Axle Rating Lbs.	Axle Code/Year	Part Number	STUD CTR to Stud CTR	OEM REF	Notes
All	All	E-4628	7.37" Stud center to rod end	L28SV5203A1	Drag link end. Has LH thread.
		E-4629		L28SV5202A1	Drag link end. Has RH thread.

K300

Tie Rod Ends

Axle Rating Lbs.	Axle Code/Year	PART NO./LOCATION	STUD CTR to ROD END	OEM REF	Notes
12000	E12001	E-10137 Curbside	6.00"	817019	
		E-10138 Roadside		817018	
	EFA-12F4	E-4615 Curbside	5.44"	1006149	Greaseable type.
		E-4614 Roadside		1006148	
		E-8758 Curbside	8.125"	1009010	
		E-8757 Roadside		1009009	

L700

King Pin Kits

Axle Rating Lbs.	Axle Code/Year	PART NO./BUSHING	King Pin Size	Type	OEM REF	Notes
12000	(FE900)	E-4434B	9.75"	D	KIT 144	Tapered pin.
		E-4434N Nylon			KIT 123	
	(FF921)	E-4450B	1.794" x 10.410"	B	KIT 193	
	(FF931)	E-468B	1.794" x 10.392"		KIT 195	
	(FF971)	E-4595B	1.607" x 9.375"		KIT 1300	
16000	(FH901)	E-4454B	1.999" x 11.040"	B	KIT 170	
		E-4454N Nylon			KIT 168	
16000, 18000, 20000	(FL931)	E-12512B	1.999" x 11.212"	B	KIT 198	
		E-4458C Easy Steer			KIT 1312	
18000	(FL901)	E-4454B	1.999" x 11.040"	B	KIT 170	
		E-4454N Nylon			KIT 168	

KENWORTH

L700 (continued)

Tie Rod Ends

Axle Rating Lbs.	Axle Code/Year	PART NO./LOCATION	STUD CTR to ROD END	OEM REF	Notes	
12000	(FE900)	E-4611 Curbside	4.875"	A3144R226		
		E-4610 Roadside		A3144Q225		
		E-4616 Roadside	5.75"	A3144K297		
	(FE970)	E-4611 Curbside	4.875"	A3144R226		
		E-4610 Roadside		A3144Q225		
		E-4616 Roadside	5.75"	A3144K297		
	(FF901)	E-4611 Curbside	4.875"	A3144R226		
		E-4610 Roadside		A3144Q225		
		E-4618 Curbside	5.75"	A3144D238		Anti-tilt seal type.
		E-4619 Roadside		A3144C237		
		E-4616 Roadside		A3144K297		
	(FF921), (FF931)	E-4615 Curbside	5.44"	A3144D524		Greaseable type.
E-4614 Roadside			A3144E525			
16000	(FH901)	E-4616 Roadside	5.75"	A3144K297		
16000, 18000, 20000	(FL931)	E-4616 Roadside	5.75"	A3144K297		
		E-4629 Curbside	7.37"	A3144F448		
		E-4628 Roadside		A3144G449		
18000	(FL901)	E-4616 Roadside	5.75"	A3144K297		

T400

King Pin Kits

Axle Rating Lbs.	Axle Code/Year	PART NO./BUSHING	King Pin Size	Type	OEM REF	Notes
10000	(FD961)	E-6199C Easy Steer	1.794" x 10.392"	B	KIT 1315	Uses 1 drawkey 3.68" long and 1 drawkey 3.25" long.
12000	(FF941)	E-468B	1.794" x 10.392"	B	KIT 195	
	(FF961)	E-6199C Easy Steer			KIT 1315	Uses 1 drawkey 3.68" long and 1 drawkey 3.25" long.
12000, 13000	EFA-12F4, EFA-13F5	E-4696B E-4696C Easy Steer	1.625" x 9.195"	A	806355	
14600	(FG941)	E-4695C Easy Steer	1.794" x 10.392"	B	KIT 1309	
		E-6868B			KIT 1310	

KENWORTH

T400 (continued)

Tie Rod Ends

Axle Rating Lbs.	Axle Code/Year	PART NO./LOCATION	STUD CTR to ROD END	OEM REF	Notes
10000	(FD961)	E-4615 Curbside E-4614 Roadside	5.44"	A3144D524 A3144E525	Greaseable type.
12000	(FF941), (FF961)	E-4615 Curbside E-4614 Roadside	5.44"	A3144D524 A3144E525	Greaseable type.
	E1200I	E-10137 Curbside E-10138 Roadside	6.00"	817019 817018	
12000, 13000	EFA-12F3, EFA-13F3, EFA-12F4, EFA-13F5	E-4615 Curbside E-4614 Roadside E-8758 Curbside E-8757 Roadside	5.44" 8.125"	1006149 1006148 1009010 1009009	Greaseable type.
14600	(FG941)	E-4615 Curbside E-4614 Roadside	5.44"	A3144D524 A3144E525	Greaseable type.

Drag Links

Axle Rating Lbs.	Axle Code/Year	Part Number	STUD CTR to Stud CTR	OEM REF	Notes
All	All	E-6825	28.28"	L24VU8008A11	Non-replaceable ends.

T450

King Pin Kits

Axle Rating Lbs.	Axle Code/Year	PART NO./BUSHING	King Pin Size	Type	OEM REF	Notes
10000	(FD961)	E-6199C Easy Steer	1.794" x 10.392"	B	KIT 1315	Uses 1 drawkey 3.68" long and 1 drawkey 3.25" long.
12000	(FF941)	E-468B	1.794" x 10.392"	B	KIT 195	
	(FF961)	E-6199C Easy Steer			KIT 1315	Uses 1 drawkey 3.68" long and 1 drawkey 3.25" long.
12000, 13000	EFA-12F4, EFA-13F5	E-4696B E-4696C Easy Steer	1.625" x 9.195"	A	806355	
14600	(FG941)	E-4695C Easy Steer E-6868B	1.794" x 10.392"	B	KIT 1309 KIT 1310	
16000, 18000, 20000	(FL941), (FL943)	E-12512B E-4458C Easy Steer	1.999" x 11.212"	B	KIT 198 KIT 1312	

KENWORTH

T450 (continued)

Tie Rod Ends

Axle Rating Lbs.	Axle Code/Year	PART NO./LOCATION	STUD CTR to ROD END	OEM REF	Notes
10000	(FD961)	E-4615 Curbside E-4614 Roadside	5.44"	A3144D524 A3144E525	Greaseable type.
12000	(FF941), (FF943), (FF961)	E-4615 Curbside E-4614 Roadside	5.44"	A3144D524 A3144E525	Greaseable type.
	E12001	E-10137 Curbside E-10138 Roadside	6.00"	817019 817018	
12000, 13000	EFA-12F3, EFA-13F3, EFA-12F4, EFA-13F5	E-4615 Curbside E-4614 Roadside E-8758 Curbside E-8757 Roadside	5.44" 8.125"	1006149 1006148 1009010 1009009	Greaseable type.
14600	(FG941)	E-4615 Curbside E-4614 Roadside	5.44"	A3144D524 A3144E525	Greaseable type.
16000, 18000, 20000	(FL941), (FL943)	E-4616 Roadside E-4629 Curbside E-4628 Roadside E-6856 Curbside E-6857 Roadside	5.75" 7.37" 12.69"	A3144K297 A3144F448 A3144G449 A3144D550 A3144C549	

Drag Links

Axle Rating Lbs.	Axle Code/Year	Part Number	STUD CTR to Stud CTR	OEM REF	Notes
All	All	E-6825	28.28"	L24VU8008A11	Non-replaceable ends.

T600

King Pin Kits

Axle Rating Lbs.	Axle Code/Year	PART NO./BUSHING	King Pin Size	Type	OEM REF	Notes
12000	(FF941), (FF943), (FF961)	E-468B E-6199C Easy Steer	1.794" x 10.392"	B	KIT 195 KIT 1315	Uses 1 drawkey 3.68" long and 1 drawkey 3.25" long.
12000, 13000	EFA-12F4, EFA-13F5	E-4696B E-4696C Easy Steer	1.625" x 9.195"	A	806355	
14600	(FG941)	E-4695C Easy Steer E-6868B	1.794" x 10.392"	B	KIT 1309 KIT 1310	

Tie Rod Ends

Axle Rating Lbs.	Axle Code/Year	PART NO./LOCATION	STUD CTR to ROD END	OEM REF	Notes
12000	(FF941), (FF943), (FF961)	E-4615 Curbside E-4614 Roadside	5.44"	A3144D524 A3144E525	Greaseable type.
	E12001	E-10137 Curbside E-10138 Roadside	6.00"	817019 817018	
12000, 13000	EFA-12F3, EFA-13F3, EFA-12F4, EFA-13F5	E-4615 Curbside E-4614 Roadside E-8758 Curbside E-8757 Roadside	5.44" 8.125"	1006149 1006148 1009010 1009009	Greaseable type.
14600	(FG941)	E-4615 Curbside E-4614 Roadside	5.44"	A3144D524 A3144E525	Greaseable type.

KENWORTH

T600 (continued)

Drag Links

Axle Rating Lbs.	Axle Code/Year	Part Number	STUD CTR to Stud CTR	OEM REF	Notes
All	All	E-6825	28.28"	L24VU8008A11	Non-replaceable ends.

T800

King Pin Kits

Axle Rating Lbs.	Axle Code/Year	PART NO./BUSHING	King Pin Size	Type	OEM REF	Notes
12000	(FF941) (FF961)	E-468B E-6199C Easy Steer	1.794" x 10.392"	B	KIT 195 KIT 1315	Uses 1 drawkey 3.68" long and 1 drawkey 3.25" long.
12000, 13000	EFA-12F4, EFA-13F5	E-4696B E-4696C Easy Steer	1.625" x 9.195"	A	806355	
14600	(FG941)	E-4695C Easy Steer E-6868B	1.794" x 10.392"	B	KIT 1309 KIT 1310	
16000, 18000, 20000	(FL941), (FL943)	E-12512B E-4458C Easy Steer	1.999" x 11.212"	B	KIT 198 KIT 1312	

Tie Rod Ends

Axle Rating Lbs.	Axle Code/Year	PART NO./LOCATION	STUD CTR to ROD END	OEM REF	Notes
12000	(FF941), (FF943), (FF961) E12001	E-4615 Curbside E-4614 Roadside E-10137 Curbside E-10138 Roadside	5.44" 6.00"	A3144D524 A3144E525 817019 817018	Greaseable type.
12000, 13000	EFA-12F3, EFA-13F3, EFA-12F4, EFA-13F5	E-4615 Curbside E-4614 Roadside E-8758 Curbside E-8757 Roadside	5.44" 8.125"	1006149 1006148 1009010 1009009	Greaseable type.
14600	(FG941)	E-4615 Curbside E-4614 Roadside	5.44"	A3144D524 A3144E525	Greaseable type.
16000, 18000, 20000	(FL941), (FL943)	E-4616 Roadside E-4629 Curbside E-4628 Roadside E-6856 Curbside E-6857 Roadside	5.75" 7.37" 12.69"	A3144K297 A3144F448 A3144G449 A3144D550 A3144C549	

Drag Links

Axle Rating Lbs.	Axle Code/Year	Part Number	STUD CTR to Stud CTR	OEM REF	Notes
All	All	E-6825 E-4629	28.28" 7.37" Stud center to rod end	L24VU8008A11 A3144V438	Non-replaceable ends. End only.

Axle Rating Lbs.	Axle Code/Year	PART NO./BUSHING	King Pin Size	Type	OEM REF	Notes
12000	(FE900)	E-4434B	9.75"	D		Tapered pin.
		E-4434N Nylon				
	(FF921)	E-4450B	1.794" x 10.410"	B	KIT 193	
	(FF931), (FF941)	E-468B	1.794" x 10.392"		KIT 195	
	(FF971)	E-4595B	1.607" x 9.375"		KIT 1300	
12000, 13000	EFA-12F4, EFA-13F5	E-4696B	1.625" x 9.195"	A	806355	
		E-4696C Easy Steer				
14600	(FG941)	E-4695C Easy Steer	1.794" x 10.392"	B	KIT 1309	
		E-6868B				KIT 1310
16000	(FH901)	E-4454B	1.999" x 11.040"	B	KIT 170	
		E-4454N Nylon				KIT 168
16000, 18000, 20000	(FL931), (FL941)	E-12512B	1.999" x 11.212"	B	KIT 198	
		E-4458C Easy Steer				KIT 1312
18000	(FL901)	E-4454B	1.999" x 11.040"	B	KIT 170	
		E-4454N Nylon				KIT 168
18000, 20000, 22000	EFA-18F3, EFA-20F4	E-6194C Composite	1.873" x 9.965"	A	1008500	

Tie Rod Ends

Axle Rating Lbs.	Axle Code/Year	PART NO./LOCATION	STUD CTR to ROD END	OEM REF	Notes	
12000	(FE900)	E-4611 Curbside	4.875"	A3144R226		
		E-4610 Roadside		A3144Q225		
		E-4616 Roadside		A3144K297		
	(FE970)	E-4611 Curbside	4.875"	A3144R226		
		E-4610 Roadside		A3144Q225		
		E-4616 Roadside		A3144K297		
	(FF901)	E-4611 Curbside	4.875"	A3144R226		
		E-4610 Roadside		L28SV5052A1		
		E-4618 Curbside		5.75"	A3144D238	Anti-tilt seal type.
		E-4619 Roadside			A3144C237	
		E-4616 Roadside			A3144K297	
		E-4615 Curbside		5.44"	A3144D524	Greaseable type.
	12000, 13200	EFA-12F4, EFA-13F5	E-4615 Curbside	5.44"	1006149	
			E-4614 Roadside		1006148	
			E-8758 Curbside		8.125"	1009010
E-8757 Roadside			1009009			
E-4616 Roadside			5.75"		A3144K297	
16000	(FH901)	E-4616 Roadside	5.75"	A3144K297		
16000, 18000, 20000	(FL931)	E-4616 Roadside	5.75"	A3144K297		

KENWORTH

W900 (continued)

Tie Rod Ends (continued)

Axle Rating Lbs.	Axle Code/Year	PART NO./LOCATION	STUD CTR to ROD END	OEM REF	Notes
18000	(FL901)	E-4616 Roadside	5.75"	A3144K297	
	(FL931)	E-4629 Curbside	7.37"	A3144F448	
		E-4628 Roadside		A3144G449	
18000, 20000, 22000	EFA-18F3,	E-4629 Curbside	7.37"	820627, 820695	
	EFA-20F4	E-4628 Roadside		820626, 820694	

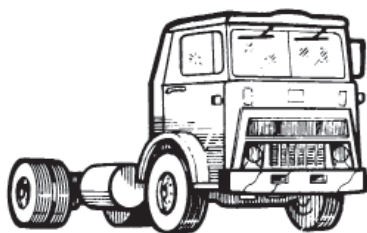
Drag Links

Axle Rating Lbs.	Axle Code/Year	Part Number	STUD CTR to Stud CTR	OEM REF	Notes
All	(All)	E-9877	5.75" Stud center to rod end		Drag link end used on R225056.
		E-4629	7.37" Stud center to rod end	L28SV5202A1	Drag link end used on R225055 and R225057.

INDEX

Model	Page
B53, B57	148
DM400, MB400, MB600.....	148
DM600, DM606S, DM607S, DM685S, DM685T.....	149
DM800.....	150
DMM600, RD700	152
MC400, MR400, MC600, MR600.....	154
R400	155
R600, R685R, R685ST, R686ST	156

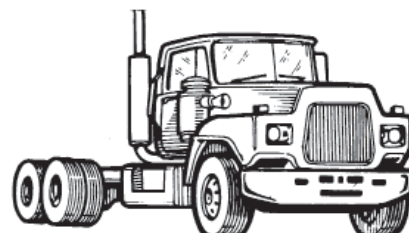
Model	Page
R600L, R600LS, R700L, R700LS, RWL700S, RWS700S, WL700L, W700LS, WS700L, WS700LS	157
RD400	158
RD600, R700.....	159
U600, U68ST, F700, F786ST, R767ST.....	160



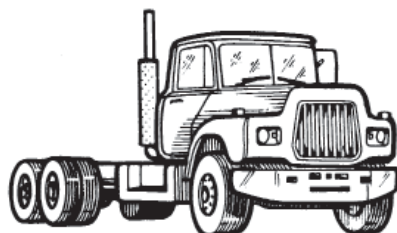
MB SERIES



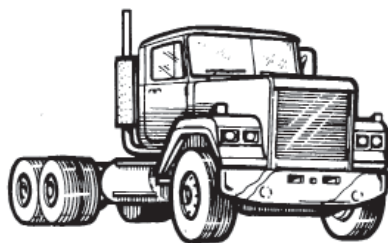
MC & MR SERIES



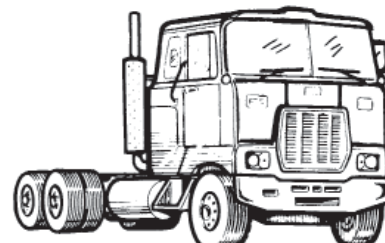
R SERIES



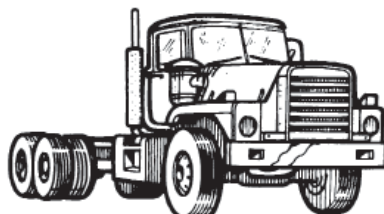
U SERIES



**VALUE-LINER &
SUPER LINER**



**CRUISE-LINER &
F SERIES**



DM SERIES

MACK

B53, B57

King Pin Kits

Axle Rating Lbs.	Axle Code/Year	PART NO./BUSHING	King Pin Size	Type	OEM REF	Notes
18000	FA604 (FL901)	E-4454B E-4454N Nylon	1.999" x 11.040"	B	301SQ44	

Tie Rod Ends

Axle Rating Lbs.	Axle Code/Year	PART NO./LOCATION	STUD CTR to ROD END	OEM REF	Notes
18000	FA604 (FL901)	E-9878 Curbside E-9877 Roadside E-4616 Roadside	5.75"	10QH310P1	Side zerk.

DM400, MB400, MB600

King Pin Kits

Axle Rating Lbs.	Axle Code/Year	PART NO./BUSHING	King Pin Size	Type	OEM REF	Notes
10500	FA532, FA(W)536	E-4467B	7.470"	E	301SQ47CP1	Tapered pin.
12000	FA(W)537	E-4467B	7.470"	E	301SQ47CP1	Tapered pin.
18000	FA(W)616	E-4599B	8.75"	E	301SQ52	Tapered pin.
20000	FA(W)617	E-4599B	8.75"	E	301SQ52	Tapered pin.

Tie Rod Ends

Axle Rating Lbs.	Axle Code/Year	PART NO./LOCATION	STUD CTR to ROD END	OEM REF	Notes
10500	FA(W)536	E-4611 Curbside	4.875"	10QH242P1	Coarse thread.
		E-4610 Roadside		10QH243P2	
		E-4640 Curbside		10QH243P1	
		E-9878 Curbside	5.75"		Side zerk.
		E-9877 Roadside			
		E-4616 Roadside		10QH310P1	
FA532	E-4607 Curbside	4.875"	10QH38		
12000	FA(W)537	E-9878 Curbside	5.75"		Side zerk.
		E-9877 Roadside			
		E-4616 Roadside		10QH310P1	
18000	FA(W)616	E-9878 Curbside	5.75"		Side zerk.
		E-9877 Roadside			
		E-4616 Roadside		10QH310P1	
		E-4629 Curbside	7.37"	10QH311P1	Use with tube 7QH253P3, 7QH253P4. Bottom zerk.
		E-4628 Roadside		10QH312P1	
20000	FA(W)617	E-9878 Curbside	5.75"		Side zerk.
		E-9877 Roadside			
		E-4616 Roadside		10QH310P1	
		E-4629 Curbside	7.37"	10QH311P1	Use with tube 7QH253P3, 7QH253P4. Bottom zerk.
		E-4628 Roadside		10QH312P1	

DM400, MB400, MB600 (continued)

Drag Links

Axle Rating Lbs.	Axle Code/Year	Part Number	STUD CTR to Stud CTR	OEM REF	Notes
12000	FA(W)537	E-9877	5.75" Stud center to rod end	18QK23A	Drag link end socket - RH thread.
		E-9877		18QK29301	Drag link end socket - RH thread. Use w/tube stamped 39305.
		E-9878		18QK28A	Drag link end socket - LH thread.
18000	FA(W)616	E-9877	5.75" Stud center to rod end	18QK23A	Drag link end socket - RH thread.
		E-9877		18QK29301	Drag link end socket - RH thread. Use w/tube stamped 39305.
		E-9878		18QK28A	Drag link end socket - LH thread.
20000	FA(W)617	E-9877	5.75" Stud center to rod end	18QK23A	Drag link end socket - RH thread.
		E-9877		18QK29301	Drag link end socket - RH thread. Use w/tube stamped 39305.
		E-9878		18QK28A	Drag link end socket - LH thread.

DM600, DM606S, DM607S, DM685S, DM685T

King Pin Kits

Axle Rating Lbs.	Axle Code/Year	PART NO./BUSHING	King Pin Size	Type	OEM REF	Notes
10500	FA532, FA(W)536	E-4467B	7.470"	E	301SQ47CP1	Tapered pin.
12000	FA(W)537, FA(W)537C	E-4467B	7.470"	E	301SQ47CP1	Tapered pin.
18000	FA(W)616	E-4599B	8.75"	E	301SQ52	Tapered pin.
20000	FA(W)617	E-4599B	8.75"	E	301SQ52	Tapered pin.

Tie Rod Ends

Axle Rating Lbs.	Axle Code/Year	PART NO./LOCATION	STUD CTR to ROD END	OEM REF	Notes	
10500	FA(W)536	E-4611 Curbside	4.875"	10QH242P1	Coarse thread.	
		E-4610 Roadside		10QH243P2		
		E-4640 Curbside		10QH243P1		
		E-9878 Curbside	5.75"		Side zerk.	
		E-9877 Roadside				
		E-4616 Roadside		10QH310P1		
12000	FA532	E-4607 Curbside	4.875"	10QH38		
		FA(W)537, FA(W)537C	E-9878 Curbside	5.75"		Side zerk.
			E-9877 Roadside			
			E-4616 Roadside		10QH310P1	
18000	FA(W)616	E-9878 Curbside	5.75"		Side zerk.	
		E-9877 Roadside				
		E-4616 Roadside		10QH310P1		Use with tube 7QH253P1, 7QH253P2. For units built before 2/20/84.
		E-4629 Curbside	7.37"	10QH311P1	Use with tube 7QH253P3,	
		E-4628 Roadside		10QH312P1	7QH253P4. For units built after 2/20/84.	
20000	FA(W)617	E-4629 Curbside	7.37"	10QH311P1	Use with tube 7QH253P3, 7QH253P4.	
		E-4628 Roadside		10QH312P1		
	FA(W)617, FA(W)617D	E-9878 Curbside	5.75"		Side zerk.	
		E-9877 Roadside				
		E-4616 Roadside		10QH310P1		Use with tube 7QH253P1, 7QH253P2.

MACK

DM600, DM606S, DM607S, DM685S, DM685T (continued)

Drag Links

Axle Rating Lbs.	Axle Code/Year	Part Number	STUD CTR to Stud CTR	OEM REF	Notes
10500	FA(W)536	E-9877	5.75" Stud center to rod end	18QK29301	Drag link end socket - RH thread. Use w/tube stamped 39305.
		E-9877		18QK23A	Drag link end socket - RH thread.
		E-9878		18QK28A	Drag link end socket - LH thread.
12000	FA(W)537	E-9877	5.75" Stud center to rod end	18QK29301	Drag link end socket - RH thread. Use w/tube stamped 39305.
		E-9877		18QK23A	Drag link end socket - RH thread.
		E-9878		18QK28A	Drag link end socket - LH thread.
18000	FA(W)616	E-9877	5.75" Stud center to rod end	18QK29301	Drag link end socket - RH thread. Use w/tube stamped 39305.
		E-9877		18QK23A	Drag link end socket - RH thread.
		E-9878		18QK28A	Drag link end socket - LH thread.
20000	FA(W)617	E-9877	5.75" Stud center to rod end	18QK23A	Drag link end socket - RH thread.
		E-9877		18QK29301	Drag link end socket - RH thread. Use w/tube stamped 39305.
		E-9878		18QK28A	Drag link end socket - LH thread.

DM800

King Pin Kits

Axle Rating Lbs.	Axle Code/Year	PART NO./BUSHING	King Pin Size	Type	OEM REF	Notes
18000	FA(W)616	E-4599B	8.75"	E	301SQ52	Tapered pin.
20000	FA(W)617	E-4599B	8.75"	E	301SQ52	Tapered pin.

MACK
DM800 (continued)
Tie Rod Ends

Axle Rating Lbs.	Axle Code/Year	PART NO./LOCATION	STUD CTR to ROD END	OEM REF	Notes
18000	FA(W)616	E-9878 Curbside	5.75"		Side zerk.
		E-9877 Roadside			
		E-4616 Roadside		10QH310P1	Use with tube 7QH2531P1, 7QH253P2.
		E-4629 Curbside	7.37"	10QH311P1	Use with tube 7QH253P3, 7QH253P4.
		E-4628 Roadside		10QH312P1	
20000	FA(W)617	E-9878 Curbside	5.75"		Side zerk.
		E-9877 Roadside			
		E-4616 Roadside		10QH310P1	Use with tube 7QH2531P1, 7QH253P2. For units built before 2/20/84.
		E-4629 Curbside	7.37"	10QH311P1	Use with tube 7QH253P3, 7QH253P4. For units built after 2/20/84.
		E-4628 Roadside		10QH312P1	Use with tube 7QH253P3, 7QH253P4. For units built after 2/20/84. Side zerk.

Drag Links

Axle Rating Lbs.	Axle Code/Year	Part Number	STUD CTR to Stud CTR	OEM REF	Notes
18000	FA616	E-9877	5.75" Stud center to rod end	18QK23A	Drag link end socket - RH thread.
		E-9877		18QK29301	Drag link end socket - RH thread. Use w/tube stamped 39305.
		E-9878		18QK28A	Drag link end socket - LH thread.
20000	FA617	E-9877	5.75" Stud center to rod end	18QK23A	Drag link end socket - RH thread.
		E-9877		18QK29301	Drag link end socket - RH thread. Use w/tube stamped 39305.
		E-9878		18QK28A	Drag link end socket - LH thread.

MACK

DMM600, RD700

King Pin Kits

Axle Rating Lbs.	Axle Code/Year	PART NO./BUSHING	King Pin Size	Type	OEM REF	Notes
10500	FA532, FA(W)536	E-4467B	7.470"	E	301SQ47CP1	Tapered pin.
12000	FA(W)537	E-4467B	7.470"	E	301SQ47CP1	Tapered pin.
18000	FA(W)616	E-4599B	8.75"	E	301SQ52	Tapered pin.
20000	FA(W)617	E-4599B	8.75"	E	301SQ52	Tapered pin.

Tie Rod Ends

Axle Rating Lbs.	Axle Code/Year	PART NO./LOCATION	STUD CTR to ROD END	OEM REF	Notes
10500	FA(W)536	E-4611 Curbside	4.875"	10QH242P1	Coarse thread.
		E-4610 Roadside		10QH243P2	
		E-4640 Curbside		10QH243P1	
		E-9878 Curbside	5.75"		Side zerk.
		E-9877 Roadside			
		E-4616 Roadside		10QH310P1	
12000	FA532 FA(W)537	E-4607 Curbside	4.875"	10QH38	
		E-9878 Curbside	5.75"		Side zerk.
		E-9877 Roadside			
18000	FA(W)616	E-4616 Roadside		10QH310P1	
		E-9878 Curbside	5.75"		Side zerk.
		E-9877 Roadside			
		E-4616 Roadside		10QH310P1	Use with tube 7QH253P1, 7QH253P2.
		E-4629 Curbside	7.37"	10QH311P1	Use with tube 7QH253P3, 7QH253P4.
20000	FA(W)617	E-4628 Roadside		10QH312P1	
		E-9878 Curbside	5.75"		Side zerk.
		E-9877 Roadside			
		E-4629 Curbside	7.37"	10QH311P1	Use with tube 7QH253P3, 7QH253P4.
		E-4628 Roadside		10QH312P1	
	FA(W)617, FA(W)617D	E-4616 Roadside	5.75"	10QH39P1	Use with tube 7QH253P1, 7QH253P2.

MACK

DMM600, RD700 (continued)

Drag Links

Axle Rating Lbs.	Axle Code/Year	Part Number	STUD CTR to Stud CTR	OEM REF	Notes
10500	FA(W)536	E-9877	5.75" Stud center to rod end	18QK29301	Drag link end socket - RH thread. Use w/tube stamped 39305.
		E-9877		18QK23A	Drag link end socket - RH thread.
		E-9878		18QK28A	Drag link end socket - LH thread.
12000	FA(W)537	E-9877	5.75" Stud center to rod end	18QK29301	Drag link end socket - RH thread. Use w/tube stamped 39305.
		E-9877		18QK23A	Drag link end socket - RH thread.
		E-9878		18QK28A	Drag link end socket - LH thread.
18000	FA(W)616	E-9877	5.75" Stud center to rod end	18QK29301	Drag link end socket - RH thread. Use w/tube stamped 39305.
		E-9877		18QK23A	Drag link end socket - RH thread.
		E-9878		18QK28A	Drag link end socket - LH thread.
20000	FA(W)617	E-9877	5.75" Stud center to rod end	18QK23A	Drag link end socket - RH thread.
		E-9877		18QK29301	Drag link end socket - RH thread. Use w/tube stamped 39305.
		E-9878		18QK28A	Drag link end socket - LH thread.

MACK

MC400, MR400, MC600, MR600

King Pin Kits

Axle Rating Lbs.	Axle Code/Year	PART NO./BUSHING	King Pin Size	Type	OEM REF	Notes
10500	FA(W)536	E-4467B	7.470"	E	301SQ47CP1	Tapered pin.
12000	FA(W)537	E-4467B	7.470"	E	301SQ47CP1	Tapered pin.
18000	FA(W)616	E-4599B	8.75"	E	301SQ52	Tapered pin.
20000	FA(W)617	E-4599B	8.75"	E	301SQ52	Tapered pin.

Tie Rod Ends

Axle Rating Lbs.	Axle Code/Year	PART NO./LOCATION	STUD CTR to ROD END	OEM REF	Notes
10500	FA(W)536	E-4611 Curbside	4.875"	10QH242P1	Coarse thread.
		E-4610 Roadside		10QH243P2	
		E-4640 Curbside		10QH243P1	Fine thread.
		E-9878 Curbside	5.75"		Side zerk.
		E-9877 Roadside			
12000	FA(W)537	E-4616 Roadside		10QH310P1	
		E-9878 Curbside	5.75"		Side zerk.
		E-9877 Roadside			
		E-4616 Roadside		10QH310P1	
18000	FA(W)616	E-9878 Curbside	5.75"		Side zerk.
		E-9877 Roadside			
		E-4616 Roadside		10QH310P1	
		E-4629 Curbside	7.37"	10QH311P1	Use with tube 7QH253P3, 7QH253P4
		E-4628 Roadside		10QH312P1	
20000	FA(W)617	E-9878 Curbside	5.75"		Side zerk.
		E-9877 Roadside			
		E-4616 Roadside		10QH310P1	
		E-4629 Curbside	7.37"	10QH311P1	Use with tube 7QH253P3, 7QH253P4
		E-4628 Roadside		10QH312P1	

MC400, MR400, MC600, MR600 (continued)

Drag Links

Axle Rating Lbs.	Axle Code/Year	Part Number	STUD CTR to Stud CTR	OEM REF	Notes
10500	FA(W)536	E-9877	5.75" Stud center to rod end	18QK29301	Drag link end socket - RH thread. Use w/tube stamped 39305.
		E-9877		18QK23A	Drag link end socket - RH thread.
		E-9878		18QK28A	Drag link end socket - LH thread.
12000	FA(W)537	E-9877	5.75" Stud center to rod end	18QK29301	Drag link end socket - RH thread. Use w/tube stamped 39305.
		E-9877		18QK23A	Drag link end socket - RH thread.
		E-9878		18QK28A	Drag link end socket - LH thread.
18000	FA(W)616	E-9877	5.75" Stud center to rod end	18QK29301	Drag link end socket - RH thread. Use w/tube stamped 39305.
		E-9877		18QK23A	Drag link end socket - RH thread.
		E-9878		18QK28A	Drag link end socket - LH thread.
20000	FA(W)617	E-9877	5.75" Stud center to rod end	18QK23A	Drag link end socket - RH thread.
		E-9877		18QK29301	Drag link end socket - RH thread. Use w/tube stamped 39305.
		E-9878		18QK28A	Drag link end socket - LH thread.

R400

King Pin Kits

Axle Rating Lbs.	Axle Code/Year	PART NO./BUSHING	King Pin Size	Type	OEM REF	Notes
10500	FA532, FA(W)536	E-4467B	7.470"	E	301SQ47CP1	Tapered pin.
12000	FA(W)537	E-4467B	7.470"	E	301SQ47CP1	Tapered pin.
18000	FA(W)616	E-4599B	8.75"	E	301SQ52	Tapered pin.

Tie Rod Ends

Axle Rating Lbs.	Axle Code/Year	PART NO./LOCATION	STUD CTR to ROD END	OEM REF	Notes		
10500	FA(W)536	E-4611 Curbside	4.875"	10QH242P1	Coarse thread.		
		E-4610 Roadside		10QH243P2			
		E-4640 Curbside		10QH243P1			
		E-9878 Curbside	5.75"	10QH310P1	Side zerk.		
		E-9877 Roadside					
		E-4616 Roadside					
12000	FA532	E-4607 Curbside	4.875"	10QH38			
		E-9878 Curbside	5.75"	10QH310P1	Side zerk.		
E-9877 Roadside							
18000	FA(W)616	E-4616 Roadside				5.75"	10QH310P1
		E-9878 Curbside					
		E-9877 Roadside					
		E-4616 Roadside	10QH310P1	Use with tube 7QH253P1, 7QH253P2.			
		E-4629 Curbside	7.37"	10QH311P1	Use with tube 7QH253P3, 7QH253P4.		
E-4628 Roadside		10QH312P1					

MACK

R400 (continued)

Drag Links

Axle Rating Lbs.	Axle Code/Year	Part Number	STUD CTR to Stud CTR	OEM REF	Notes
10500	FA(W)536	E-9877	5.75" Stud center to rod end	18QK23A	Drag link end socket - RH thread.
		E-9877		18QK29301	Drag link end socket - RH thread. Use w/tube stamped 39305.
		E-9878		18QK28A	Drag link end socket - LH thread.
12000	FA(W)537	E-9877	5.75" Stud center to rod end	18QK29301	Drag link end socket - RH thread. Use w/tube stamped 39305.
		E-9877		18QK23A	Drag link end socket - RH thread.
		E-9878		18QK28A	Drag link end socket - LH thread.
18000	FA(W)616	E-9877	5.75" Stud center to rod end	18QK29301	Drag link end socket - RH thread. Use w/tube stamped 39305.
		E-9877		18QK23A	Drag link end socket - RH thread.
		E-9878		18QK28A	Drag link end socket - LH thread.

R600, R685R, R685ST, R686ST

King Pin Kits

Axle Rating Lbs.	Axle Code/Year	PART NO./BUSHING	King Pin Size	Type	OEM REF	Notes
10500	FA532, FA(W)536	E-4467B	7.470"	E	301SQ47CP1	Tapered pin.
12000	FA(W)537, FA(W)537C	E-4467B	7.470"	E	301SQ47CP1	Tapered pin.
18000	FA(W)616	E-4599B	8.75"	E	301SQ52	Tapered pin.
20000	FA(W)617	E-4599B	8.75"	E	301SQ52	Tapered pin.

Tie Rod Ends

Axle Rating Lbs.	Axle Code/Year	PART NO./LOCATION	STUD CTR to ROD END	OEM REF	Notes	
10500	FA(W)536, FA(W)536C	E-4611 Curbside	4.875"	10QH242P1	Coarse thread.	
		E-4610 Roadside		10QH243P2		
		E-4640 Curbside		10QH243P1		
		E-9878 Curbside	5.75"		Side zerk.	
		E-9877 Roadside				
		E-4616 Roadside		10QH310P1		
12000	FA532	E-4607 Curbside	4.875"	10QH38		
		FA(W)537, FA(W)537C	E-9878 Curbside	5.75"		Side zerk.
			E-9877 Roadside			
			E-4616 Roadside		10QH310P1	
18000	FA(W)616	E-9878 Curbside	5.75"		Side zerk.	
		E-9877 Roadside				
		E-4616 Roadside		10QH310P1		Use with tube 7QH2531P1, 7QH253P2
		E-4629 Curbside	7.37"	10QH311P1	Use with tube 7QH253P3, 7QH253P4	
		E-4628 Roadside		10QH312P1		
20000	FA(W)617	E-9878 Curbside	5.75"		Side zerk.	
		E-9877 Roadside				
		E-4616 Roadside		10QH310P1		Use with tube 7QH2531P1, 7QH253P2
		E-4629 Curbside	7.37"	10QH311P1	Use with tube 7QH253P3, 7QH253P4	
		E-4628 Roadside		10QH312P1		

MACK
R600, R685R, R685ST, R686ST (continued)
Drag Links

Axle Rating Lbs.	Axle Code/Year	Part Number	STUD CTR to Stud CTR	OEM REF	Notes
10500	FA(W)536	E-9877	5.75" Stud center to rod end	18QK29301	Drag link end socket - RH thread. Use w/tube stamped 39305.
		E-9877		18QK23A	Drag link end socket - RH thread.
		E-9878		18QK28A	Drag link end socket - LH thread.
12000	FA(W)537	E-9877	5.75" Stud center to rod end	18QK23A	Drag link end socket - RH thread.
		E-9877		18QK29301	Drag link end socket - RH thread. Use w/tube stamped 39305.
		E-9878		18QK28A	Drag link end socket - LH thread.
18000	FA(W)616	E-9877	5.75" Stud center to rod end	18QK29301	Drag link end socket - RH thread. Use w/tube stamped 39305.
		E-9877		18QK23A	Drag link end socket - RH thread.
		E-9878		18QK28A	Drag link end socket - LH thread.

R600L, R600LS, R700L, R700LS, RWL700S, RWS700S, WL700L, W700LS, WS700L, WS700LS
King Pin Kits

Axle Rating Lbs.	Axle Code/Year	PART NO./BUSHING	King Pin Size	Type	OEM REF	Notes
10500	FA(W)536	E-4467B	7.470"	E	301SQ47CP1	Tapered pin.
12000	FA(W)537	E-4467B	7.470"	E	301SQ47CP1	Tapered pin.
	FF931	E-468B	1.794" x 10.392"	B	KIT 195	
18000	FL931	E-12512B	1.999" x 11.212"	B	KIT 198	
		E-4458C Easy Steer			KIT 1312	

Tie Rod Ends

Axle Rating Lbs.	Axle Code/Year	PART NO./LOCATION	STUD CTR to ROD END	OEM REF	Notes
10500	FA(W)536	E-4611 Curbside	4.875"	10QH242P1	Coarse thread.
		E-4610 Roadside		10QH243P2	
		E-4640 Curbside		10QH243P1	
		E-9878 Curbside	5.75"		Side zerk.
		E-9877 Roadside			
E-4616 Roadside	10QH310P1				
12000	FA(W)537	E-9878 Curbside	5.75"		Side zerk.
		E-9877 Roadside			
		E-4616 Roadside		10QH310P1	
	FF931	E-4615 Curbside	5.44"	A3144E524	Greaseable type.
E-4614 Roadside	A3144E525				
18000	FL931	E-4629 Curbside	7.37"	A3144V437	
		E-4628 Roadside		A3144U438	

MACK

R600L, R600LS, R700L, R700LS, RWL700S, RWS700S, WL700L, W700LS, WS700L, WS700LS (cont'd)

Drag Links

Axle Rating Lbs.	Axle Code/Year	Part Number	STUD CTR to Stud CTR	OEM REF	Notes
10500	FA(W)536	E-9877	5.75" Stud center to rod end	18QK29301	Drag link end socket - RH thread. Use w/tube stamped 39305.
		E-9877		18QK23A	Drag link end socket - RH thread.
		E-9878		18QK28A	Drag link end socket - LH thread.
12000	FA(W)537	E-9877	5.75" Stud center to rod end	18QK29301	Drag link end socket - RH thread. Use w/tube stamped 39305.
		E-9877		18QK23A	Drag link end socket - RH thread.
		E-9878		18QK28A	Drag link end socket - LH thread.
18000	FA616	E-9877	5.75" Stud center to rod end	18QK29301	Drag link end socket - RH thread. Use w/tube stamped 39305.
		E-9877		18QK23A	Drag link end socket - RH thread.
		E-9878		18QK28A	Drag link end socket - LH thread.

RD400

King Pin Kits

Axle Rating Lbs.	Axle Code/Year	PART NO./BUSHING	King Pin Size	Type	OEM REF	Notes
10500	FA532, FA(W)536	E-4467B	7.470"	E	301SQ47CP1	Tapered pin.
12000	FA(W)537	E-4467B	7.470"	E	301SQ47CP1	Tapered pin.
18000	FA(W)616	E-4599B	8.75"	E	301SQ52	Tapered pin.

Tie Rod Ends

Axle Rating Lbs.	Axle Code/Year	PART NO./LOCATION	STUD CTR to ROD END	OEM REF	Notes	
10500	FA(W)536	E-4611 Curbside	4.875"	10QH242P1	Coarse thread.	
		E-4610 Roadside		10QH243P2		
		E-4640 Curbside		10QH243P1		
		E-9878 Curbside	5.75"		Side zerk.	
		E-9877 Roadside				
		E-4616 Roadside		10QH310P1		
12000	FA(W)537	E-9878 Curbside	5.75"		Side zerk.	
		E-9877 Roadside				
		E-4616 Roadside		10QH310P1		
18000	FA(W)616	E-9878 Curbside	5.75"		Side zerk.	
		E-9877 Roadside				
		E-4616 Roadside		10QH310P1	Use with tube 7QH2531P1, 7QH253P2	
		E-4629 Curbside	7.37"	10QH311P1		Use with tube 7QH253P3, 7QH253P4
		E-4628 Roadside		10QH312P1		

MACK

RD400 (continued)

Drag Links

Axle Rating Lbs.	Axle Code/Year	Part Number	STUD CTR to Stud CTR	OEM REF	Notes
10500	FA(W)536	E-9877	5.75" Stud center to rod end	18QK29301	Drag link end socket - RH thread. Use w/tube stamped 39305.
		E-9877		18QK23A	Drag link end socket - RH thread.
		E-9878		18QK28A	Drag link end socket - LH thread.
12000	FA(W)537	E-9877	5.75" Stud center to rod end	18QK23A	Drag link end socket - RH thread.
		E-9877		18QK29301	Drag link end socket - RH thread. Use w/tube stamped 39305.
		E-9878		18QK28A	Drag link end socket - LH thread.
18000	FA(W)616	E-9877	5.75" Stud center to rod end	18QK23A	Drag link end socket - RH thread.
		E-9877		18QK29301	Drag link end socket - RH thread. Use w/tube stamped 39305.
		E-9878		18QK28A	Drag link end socket - LH thread.

RD600, R700

King Pin Kits

Axle Rating Lbs.	Axle Code/Year	PART NO./BUSHING	King Pin Size	Type	OEM REF	Notes
10500	FA532, FA(W)536	E-4467B	7.470"	E	301SQ47CP1	Tapered pin.
12000	FA(W)537	E-4467B	7.470"	E	301SQ47CP1	Tapered pin.
18000	FA(W)616	E-4599B	8.75"	E	301SQ52	Tapered pin.
20000	FA(W)617	E-4599B	8.75"	E	301SQ52	Tapered pin.

Tie Rod Ends

Axle Rating Lbs.	Axle Code/Year	PART NO./LOCATION	STUD CTR to ROD END	OEM REF	Notes	
10500	FA(W)536	E-4611 Curbside	4.875"	10QH242P1	Coarse thread.	
		E-4610 Roadside		10QH243P2		
		E-4640 Curbside	5.75"	10QH243P1	Fine thread.	
		E-9878 Curbside		10QH310P1	Side zerk.	
		E-9877 Roadside				
		E-4616 Roadside				
12000	FA532	E-4607 Curbside	4.875"		10QH38	
		FA(W)537	E-9878 Curbside	5.75"		Side zerk.
			E-9877 Roadside			
18000	FA(W)616	E-4616 Roadside		10QH310P1		
		E-9878 Curbside	5.75"		Side zerk.	
		E-9877 Roadside				
		E-4616 Roadside	10QH310P1	Use with tube 7QH2531P1, 7QH253P2. For units built before 2/20/84.		
		E-4629 Curbside		7.37"	10QH311P1	Use with tube 7QH253P3, 7QH253P4.
		E-4628 Roadside		10QH312P1	For units built after 2/20/84.	
20000	FA(W)617	E-9878 Curbside	5.75"		Side zerk.	
		E-9877 Roadside				
		E-4616 Roadside	10QH310P1	Use with tube 7QH2531P1, 7QH253P2. For units built before 2/20/84.		
		E-4629 Curbside		7.37"	10QH311P1	Use with tube 7QH253P3, 7QH253P4.
		E-4628 Roadside		10QH312P1	For units built after 2/20/84.	

MACK

RD600, R700 (continued)

Drag Links

Axle Rating Lbs.	Axle Code/Year	Part Number	STUD CTR to Stud CTR	OEM REF	Notes
10500	FA(W)536	E-9877	5.75" Stud center to rod end	18QK23A	Drag link end socket - RH thread.
		E-9877		18QK29301	Drag link end socket - RH thread. Use w/tube stamped 39305.
		E-9878		18QK28A	Drag link end socket - LH thread.
12000	FA(W)537	E-9877	5.75" Stud center to rod end	18QK29301	Drag link end socket - RH thread. Use w/tube stamped 39305.
		E-9877		18QK23A	Drag link end socket - RH thread.
		E-9878		18QK28A	Drag link end socket - LH thread.
18000	FA(W)616	E-9877	5.75" Stud center to rod end	18QK23A	Drag link end socket - RH thread.
		E-9877		18QK29301	Drag link end socket - RH thread. Use w/tube stamped 39305.
		E-9878		18QK28A	Drag link end socket - LH thread.

U600, U68ST, F700, F786ST, R767ST

King Pin Kits

Axle Rating Lbs.	Axle Code/Year	PART NO./BUSHING	King Pin Size	Type	OEM REF	Notes
10500	FA532, FA(W)536	E-4467B	7.470"	E	301SQ47CP1	Tapered pin.
12000	FA(W)537	E-4467B	7.470"	E	301SQ47CP1	Tapered pin.

Tie Rod Ends

Axle Rating Lbs.	Axle Code/Year	PART NO./LOCATION	STUD CTR to ROD END	OEM REF	Notes
10500	FA(W)536	E-4611 Curbside	4.875"	10QH242P1	Coarse thread.
		E-4610 Roadside		10QH243P2	
		E-4640 Curbside		10QH243P1	
		E-9878 Curbside	5.75"		Side zerk.
		E-9877 Roadside			
		E-4616 Roadside		10QH310P1	
	FA532	E-4607 Curbside	4.875"	10QH38	
12000	FA(W)537	E-9878 Curbside	5.75"		Side zerk.
		E-9877 Roadside			
		E-4616 Roadside		10QH310P1	

Drag Links

Axle Rating Lbs.	Axle Code/Year	Part Number	STUD CTR to Stud CTR	OEM REF	Notes
10500	FA(W)536	E-9877	5.75" Stud center to rod end	18QK23A	Drag link end socket - RH thread.
		E-9877		18QK29301	Drag link end socket - RH thread. Use w/tube stamped 39305.
		E-9878		18QK28A	Drag link end socket - LH thread.
12000	FA(W)537	E-9877	5.75" Stud center to rod end	18QK29301	Drag link end socket - RH thread. Use w/tube stamped 39305.
		E-9877		18QK23A	Drag link end socket - RH thread.
		E-9878		18QK28A	Drag link end socket - LH thread.

INDEX

Model	Page	Model	Page
16612, 16613, 16616.....	165	FF-931, FF-932, FF-933, FF-934, FF-941, FF-942, FF-943, FF-944.....	168
16930, 16931.....	165	FF-931A, FF-941A - Aluminum Axles.....	168
17100, 17101, 17111.....	165	FF-971.....	168
27460-A, 27465-A.....	165	FF-981, FF-982, FF-986.....	169
FC-901, FC-902, FC-903.....	165	FG-900, FG-903.....	169
FC-921.....	166	FG-931, FG-933, FG-941, FG943.....	169
FC-931.....	166	FG-943.....	169
FD-901, FD-902, FD-203.....	166	FH-901.....	169
FD-931, FD-933.....	166	FL-901.....	170
FD-961, FF-961.....	166	FL-931, FL-933.....	170
FDS1805FWD, FDS1807FWD.....	167	FL-941, FL-943.....	170
FE-900, FE-903, FE-910.....	167	FL-951.....	170
FE-970.....	167	FU-910.....	171
FF-901, FF-903.....	167	MFS.....	172
FF-921, FF-923.....	168	Meritor Easy Steer™ Front Axle Specifications.....	164
FF-930.....	168	Meritor Model Nomenclature.....	162

MERITOR NON-DRIVING FRONT AXLE

ORIGINAL MODEL NOMENCLATURE

Brake Type

- H = Hydraulic Brake
- L = Q Plus™ Cam Brake
- N = None
- P = Cam-Master® "P" Series Cam Brake
- Q = Cam-Master® "Q" Series Cam Brake
- T = Cam-Master® "T" Series Cam Brake
- W = Cam-Master® "W" Series Cam Brake
- RDA = Stopmaster® Wedge Brakes (Dual Air Chambers)
- RDH = Stopmaster® Wedge Brakes (Dual Hydraulic Cylinders)
- RSA = Stopmaster® Wedge Brakes (Single Air Chamber)
- RSH = Stopmaster® Wedge Brakes (Single Hydraulic Cylinder)
- R, U = Cast Plus™ Cam Brakes

Basic Capacity

- C = 7,000-8,000 lbs. (3175-3629 kg)
- D = 10,000 lbs. (4536 kg)
- F = 12,000-13,200 lbs. (5443-5987 kg)
- G = 14,600 lbs. (6623 kg)
- L = 16,000-20,000 lbs. (7258-9072 kg)



Front Axle

Basic Series

Specification Number

Major Variation

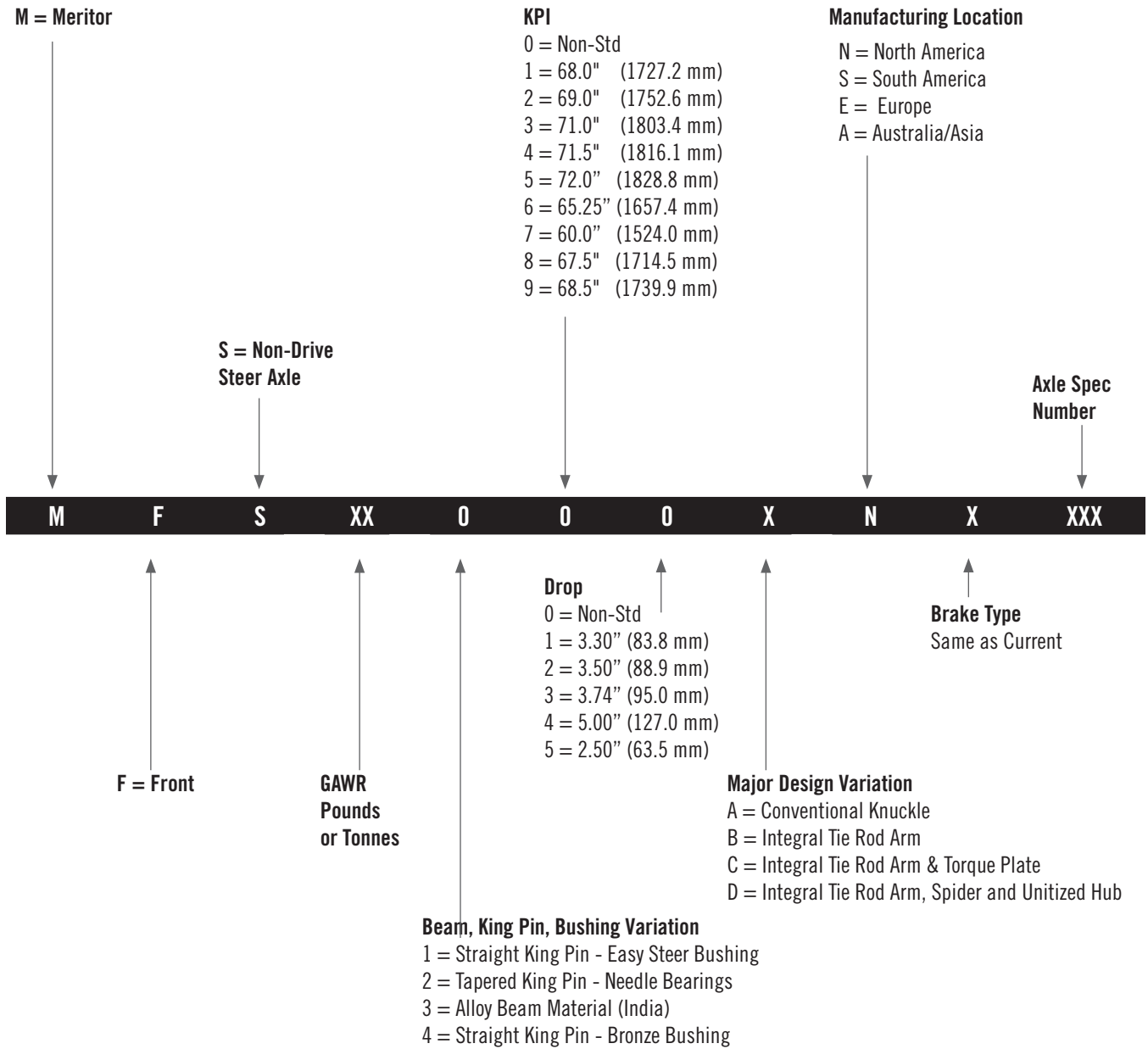
- 0 = Pre-FMVSS-121 Design
- 1 = Straight Sealed Knuckle Pin and New Rod Assembly
- 2 = Sealed Knuckle Pin construction
- 3 = Larger Axle Beam and Knuckles
- 4 = Easy Steer Design
- 5 = Tubular Axle Beam
- 6 = Lightweight Axle Beam
- 7 = King Pin Center-Point Design (manual return)
- 8 = East Steer Plus™ Unitized Axle Design

Number Design Variation

- 0 = Tapered King Pin
- 1 = Straight King Pin
- 2 = Special Tie Rods
- 3 = 5" Drop from Center of Spindle to Pad
- 4 = 5" Drop from Center of Spindle to Pad and Special Tie Rods
- 5 = Special Wheel Ends
- 6 = Double Drop Beam - 12,000 lbs. GAW
- 7 = Double Drop Beam - 13,200 lbs. GAW

MERITOR NON-DRIVING FRONT AXLE

CURRENT MODEL NOMENCLATURE



APPLICATION GUIDE (G-M)

Meritor Easy Steer™ Non-Drive Front Axle Specifications

Axle Model Part Numbers	Rating Lbs.	Wheel End Options	KPI Inches	Drop Inches	Nominal Track Inches	Weight Lbs. *
MFS-6-151A-N	6,000	D	72	3.30	84	268
MFS-7-113C-N	7,000	D	68	3.74	80	289
MFS-7-153C-N	7,000	D	72	3.74	84	308
MFS-7-163C-N	7,000	D	65.25	3.74	77.25	275
MFS-8-113B-N	8,000	B	68	3.74	78.05	270
MFS-8-153B-N	8,000	B	72	3.74	82.05	289
MFS-8-163B-N	8,000	B	65.25	3.74	75.3	266
FC-941	8,000	A	68	3.60	78.05	280
FC-965	8,000	A	69	3.50	78.99	330
FD-965	10,000	A	69	3.50	78.99	330
MFS-10-143A-N	10,000	A	71.5	3.74	82	330
MFS-10-143D-N	10,000	C	71.5	3.74	80.4	523*
MFS-10-144A-N	10,000	A	71.5	5.00	82	368
MFS-10-144D-N	10,000	C	71.5	5.00	82	561*
MFS-12-143A-N	12,000	A	71.5	3.74	82	330
MFS-12-143D-N	12,000	C	71.5	3.74	80.4	523*
MFS-12-144A-N	12,000	A	71.5	5.00	82	368
MFS-12-144D-N	12,000	C	71.5	5.00	82	561*
FF-941	12,000	A	69	3.50	78.99	355
FF-943	12,000	A	69	5.00	78.99	363
FF-961	12,000	A	69	3.50	78.99	330
FF-966	12,000	A	69	3.5/2	78.96	342
FF-981	12,000	C	69	3.50	79.55	523*
FF-983	12,000	C	69	5.00	79.55	538*
FF-986	12,000	C	69	3.5/2	79.55	535*
FF-982	13,200	C	69	3.50	79.55	538*
FF-984	13,200	C	69	5.00	79.55	560*
FF-987	13,200	C	69	3.5/2	79.55	540*
FF-967	13,200	A	69	3.5/2	79.54	347
FF-942	13,200	A	69	3.50	78.99	363
FF-944	13,200	A	69	5.00	78.99	385
MFS-13-143A-N	13,200	A	71.5	3.74	81	388
MFS-13-144A-N	13,200	A	71.5	5.00	81	368
MFS-13-144D-N	13,200	C	71.5	5.00	81	561*
FG-941	14,600	A	69	3.50	78.32	370
FG-943	14,600	A	69	5.00	78.32	380
MFS-14-143A-N	14,700	A	71.5	3.74	81	388
MFS-14-144A-N	14,700	A	71.5	5.00	81	368
MFS-16-143A-N	16,000	A	71.5	3.74	84.75	425
MFS-16-122A-N	16,000	A	69	3.50	82.25	456
FL-941	16,000	A	68.5	3.50	81.74	470
FL-943	16,000	A	68.83	5.00	81.74	480
FL-941	18,000	A	68.5	3.50	81.74	470
MFS-18-133A-N	18,000	A	71	3.74	84.25	460
FL-943	18,000	A	68.83	5.00	81.74	480
FL-941	20,000	A	68.5	3.50	81.74	470
FL-943	20,000	A	68.83	5.00	81.74	480
MFS-20-133A-N	20,000	A	71	3.74	84.25	460

APPLICATION GUIDE (G-M)

Wheel End Options: A - Conventional Hub with Standard Knuckle
 B - Conventional Hub with Integral Tie Rod Knuckle
 C - Unitized Wheel End with Integral Tie Rod and Spider Knuckle
 D - Conventional Hub with Integral Tie Rod and Torque Plate

* Weights shown for axles with unitized wheel ends include: standard track axles with one steering arm and both hubs (includes bearings and seals) but no brakes.

MERITOR

16612, 16613, 16616

King Pin Kits

Axle Rating Lbs.	Axle Code/Year	PART NO./BUSHING	King Pin Size	Type	OEM REF	Notes
12000		E-4434B	9.75"	D	KIT 144	Tapered pin. Contains cotter pins and nuts.
		E-4434N Nylon			KIT 123	Tapered pin.

16930, 16931

Tie Rod Ends

Axle Rating Lbs.	Axle Code/Year	PART NO./LOCATION	STUD CTR to ROD END	OEM REF	Notes
12000		E-4615 Curbside	5.44"	A3144D524	Greaseable type.
		E-4614 Roadside		A3144E525	
		E-4616 Roadside	5.75"	A3144K297	

17100, 17101, 17111

King Pin Kits

Axle Rating Lbs.	Axle Code/Year	PART NO./BUSHING	King Pin Size	Type	OEM REF	Notes
14600		E-4695C Easy Steer	1.794" x 10.392"	B	KIT 1309	
		E-6868B			KIT 1310	

Tie Rod Ends

Axle Rating Lbs.	Axle Code/Year	PART NO./LOCATION	STUD CTR to ROD END	OEM REF	Notes
14600		E-4616 Roadside	5.75"	A3144K297	Greaseable type.

27460-A, 27465-A

Tie Rod Ends

Axle Rating Lbs.	Axle Code/Year	PART NO./LOCATION	STUD CTR to ROD END	OEM REF	Notes
		E-4611 Curbside	4.875"	A3144R226	
		E-4610 Roadside		A3144Q225	

FC-901, FC-902, FC-903

Tie Rod Ends

Axle Rating Lbs.	Axle Code/Year	PART NO./LOCATION	STUD CTR to ROD END	OEM REF	Notes
7000		E-4603 Curbside	3.88"	A3144V386	
		E-4602 Roadside		A3144U385	

MERITOR

FC-921

Tie Rod Ends

Axle Rating Lbs.	Axle Code/Year	PART NO./LOCATION	STUD CTR to ROD END	OEM REF	Notes
7000		E-4603 Curbside	3.88"	A3144V386	
		E-4602 Roadside		A3144U385	

FC-931

Tie Rod Ends

Axle Rating Lbs.	Axle Code/Year	PART NO./LOCATION	STUD CTR to ROD END	OEM REF	Notes
7000		E-4611 Curbside	4.875"	A2-3144J192	
		E-4610 Roadside		A2-3144K193	

FD-901, FD-902, FD-203

King Pin Kits

Axle Rating Lbs.	Axle Code/Year	PART NO./BUSHING	King Pin Size	Type	OEM REF	Notes
9000		E-4441B	1.434" x 8.500"	B	KIT 142	

Tie Rod Ends

Axle Rating Lbs.	Axle Code/Year	PART NO./LOCATION	STUD CTR to ROD END	OEM REF	Notes
9000		E-4611 Curbside	4.875"	A3144R226	
		E-4610 Roadside		A3144Q225	

FD-931, FD-933

Tie Rod Ends

Axle Rating Lbs.	Axle Code/Year	PART NO./LOCATION	STUD CTR to ROD END	OEM REF	Notes
9000		E-4615 Curbside	5.44"	A3144D524	Greaseable type.
		E-4614 Roadside		A3144E525	

FD-961, FF-961

King Pin Kits

Axle Rating Lbs.	Axle Code/Year	PART NO./BUSHING	King Pin Size	Type	OEM REF	Notes
10000, 12000		E-6199C Easy Steer	1.794" x 10.392"	B	E-6199C	3.68" and 3.25" Draw Key.

Tie Rod Ends

Axle Rating Lbs.	Axle Code/Year	PART NO./LOCATION	STUD CTR to ROD END	OEM REF	Notes
10000, 12000		E-4615 Curbside	5.44"	A3144D524	Greaseable type.
		E-4614 Roadside		A3144E525	

MERITOR

FDS1805FWD, FDS1807FWD

Tie Rod Ends

Axle Rating Lbs.	Axle Code/Year	PART NO./LOCATION	STUD CTR to ROD END	OEM REF	Notes
18000		E-4642 Curbside	5.75"	E-4642	After 2/2/83. 1.25"-16 RH thread.
		E-6858 Roadside		E-6858	After 2/2/83. 1.25"-18 RH thread.
		E-4619 Roadside		E-4618	Before 2/2/83. 1.25"-12 RH thread.

FE-900, FE-903, FE-910

King Pin Kits

Axle Rating Lbs.	Axle Code/Year	PART NO./BUSHING	King Pin Size	Type	OEM REF	Notes
11000		E-4434B	9.75"	D	KIT 144	Tapered pin.
		E-4434N Nylon			857328 KIT 123	

Tie Rod Ends

Axle Rating Lbs.	Axle Code/Year	PART NO./LOCATION	STUD CTR to ROD END	OEM REF	Notes
11000		E-4611 Curbside	4.875"	A3144R226	
		E-4610 Roadside		A3144Q225	
		E-4616 Roadside	5.75"	A3144K297	

FE-970

Tie Rod Ends

Axle Rating Lbs.	Axle Code/Year	PART NO./LOCATION	STUD CTR to ROD END	OEM REF	Notes
11000		E-4611 Curbside	4.875"	A2-3144J192	
		E-4610 Roadside		A2-3144K193	

FF-901, FF-903

King Pin Kits

Axle Rating Lbs.	Axle Code/Year	PART NO./BUSHING	King Pin Size	Type	OEM REF	Notes
12000			1.794" x 9.120"	B	KIT 172	

Tie Rod Ends

Axle Rating Lbs.	Axle Code/Year	PART NO./LOCATION	STUD CTR to ROD END	OEM REF	Notes
12000		E-4611 Curbside	4.875"	A3144R226	
		E-4610 Roadside		A3144Q225	
		E-4618 Curbside	5.75"	A3144D238	Lube fitting, bottom.
		E-4619 Roadside		A3144C237	
		E-4616 Roadside		A3144K297	Lube fitting, side

MERITOR

FF-921, FF-923

King Pin Kits

Axle Rating Lbs.	Axle Code/Year	PART NO./BUSHING	King Pin Size	Type	OEM REF	Notes
12000		E-4450B	1.794" x 10.410"	B	KIT 193	

Tie Rod Ends

Axle Rating Lbs.	Axle Code/Year	PART NO./LOCATION	STUD CTR to ROD END	OEM REF	Notes
12000		E-4615 Curbside	5.44"	A3144D524	Greaseable type.
		E-4614 Roadside		A3144E525	

FF-930

Tie Rod Ends

Axle Rating Lbs.	Axle Code/Year	PART NO./LOCATION	STUD CTR to ROD END	OEM REF	Notes
12000		E-4615 Curbside	5.44"	A3144D524	Greaseable type.
		E-4614 Roadside		A3144E525	
		E-4616 Roadside	5.75"	A3144K297	

FF-931, FF-932, FF-933, FF-934, FF-941, FF-942, FF-943, FF-944, FF-961, FF-962, FF-966, FF-967

King Pin Kits

Axle Rating Lbs.	Axle Code/Year	PART NO./BUSHING	King Pin Size	Type	OEM REF	Notes
12000		E-468B	1.794" x 10.392"	B	E-468B	
		E-6199C Easy Steer			E-6199C	3.68" and 3.25" Draw Key.

Tie Rod Ends

Axle Rating Lbs.	Axle Code/Year	PART NO./LOCATION	STUD CTR to ROD END	OEM REF	Notes
12000		E-4615 Curbside	5.44"	A3144D524	Greaseable type.
		E-4614 Roadside		A3144E525	

FF-931A, FF-941A - Aluminum Axles

Tie Rod Ends

Axle Rating Lbs.	Axle Code/Year	PART NO./LOCATION	STUD CTR to ROD END	OEM REF	Notes
12000		E-4615 Curbside	5.44"	A3144D524	Greaseable type.
		E-4614 Roadside		A3144E525	

FF-971

King Pin Kits

Axle Rating Lbs.	Axle Code/Year	PART NO./BUSHING	King Pin Size	Type	OEM REF	Notes
12000		E-4595B	1.607" x 9.375"	B	KIT 1300	Center point steering.

MERITOR

FF-981, FF-982, FF-986

Tie Rod Ends

Axle Rating Lbs.	Axle Code/Year	PART NO./LOCATION	STUD CTR to ROD END	OEM REF	Notes
12000		E-4615 Curbside E-4614 Roadside	5.44"	A3144E525 A3144D524	

FG-900, FG-903

Tie Rod Ends

Axle Rating Lbs.	Axle Code/Year	PART NO./LOCATION	STUD CTR to ROD END	OEM REF	Notes
14600		E-4611 Curbside E-4610 Roadside	4.875"	A3144R226 A3144Q225	

FG-931, FG-933, FG-941, FG943

King Pin Kits

Axle Rating Lbs.	Axle Code/Year	PART NO./BUSHING	King Pin Size	Type	OEM REF	Notes
14600		E-4695C Easy Steer E-6868B	1.794" x 10.392"	B	KIT 1309 KIT 1310	

Tie Rod Ends

Axle Rating Lbs.	Axle Code/Year	PART NO./LOCATION	STUD CTR to ROD END	OEM REF	Notes
14600		E-4615 Curbside E-4614 Roadside	5.44"	A3144D524 A3144E525	Greaseable type.

FG-943

King Pin Kits

Axle Rating Lbs.	Axle Code/Year	PART NO./BUSHING	King Pin Size	Type	OEM REF	Notes
14600		E-4695C Easy Steer E-6868B	1.794" x 10.392"	B	KIT 1309 KIT 1310	

Tie Rod Ends

Axle Rating Lbs.	Axle Code/Year	PART NO./LOCATION	STUD CTR to ROD END	OEM REF	Notes
14600		E-4615 Curbside E-4614 Roadside	5.44"	A3144D524 A3144E525	Greaseable type.

FH-901

King Pin Kits

Axle Rating Lbs.	Axle Code/Year	PART NO./BUSHING	King Pin Size	Type	OEM REF	Notes
16000		E-4454B E-4454N Nylon	1.999" x 11.040"	B	KIT 170 KIT 168	

Tie Rod Ends

Axle Rating Lbs.	Axle Code/Year	PART NO./LOCATION	STUD CTR to ROD END	OEM REF	Notes
16000		E-4616 Roadside	5.75"	A3144K297	Greaseable type.

MERITOR

FL-901

King Pin Kits

Axle Rating Lbs.	Axle Code/Year	PART NO./BUSHING	King Pin Size	Type	OEM REF	Notes
18000		E-4454B	1.999" x 11.040"	B	KIT 170	
		E-4454N Nylon			KIT 168	

Tie Rod Ends

Axle Rating Lbs.	Axle Code/Year	PART NO./LOCATION	STUD CTR to ROD END	OEM REF	Notes
		E-4616 Roadside	5.75"	A3144K297	Greaseable type.

FL-931, FL-933

King Pin Kits

Axle Rating Lbs.	Axle Code/Year	PART NO./BUSHING	King Pin Size	Type	OEM REF	Notes
16000, 18000, 20000		E-12512B	1.999" x 11.212"	B	KIT 198	
		E-4458C Easy Steer			KIT 1312	

Tie Rod Ends

Axle Rating Lbs.	Axle Code/Year	PART NO./LOCATION	STUD CTR to ROD END	OEM REF	Notes
16000, 18000, 20000		E-4616 Roadside	5.75"	A3144K297	
		E-4629 Curbside	7.37"	A3144F448	
		E-4628 Roadside		A3144G449	
		E-6856 Curbside	12.69"	A3144D550	
		E-6857 Roadside		A3144C549	

FL-941, FL-943

King Pin Kits

Axle Rating Lbs.	Axle Code/Year	PART NO./BUSHING	King Pin Size	Type	OEM REF	Notes
16000, 18000, 20000		E-12512B	1.999" x 11.212"	B	KIT 198	
		E-4458C Easy Steer			KIT 1312	

Tie Rod Ends

Axle Rating Lbs.	Axle Code/Year	PART NO./LOCATION	STUD CTR to ROD END	OEM REF	Notes
16000, 18000, 20000		E-4616 Roadside	5.75"	A3144K297	
		E-4629 Curbside	7.37"	A3144F448	
		E-4628 Roadside		A3144G449	
		E-6856 Curbside	12.69"	A3144D550	
		E-6857 Roadside		A3144C549	

FL-951

King Pin Kits

Axle Rating Lbs.	Axle Code/Year	PART NO./BUSHING	King Pin Size	Type	OEM REF	Notes
22000		E-12512B	1.999" x 11.212"	B	KIT 198	
		E-4458C Easy Steer			KIT 1312	

MERITOR FL-951 (continued)

Tie Rod Ends

Axle Rating Lbs.	Axle Code/Year	PART NO./LOCATION	STUD CTR to ROD END	OEM REF	Notes
16000	MFS16	E-4615 Curbside	5.44"	A3144D524	
		E-4614 Roadside		A3144E525	
		E-4629 Curbside	7.37"	A3144F448	
		E-4628 Roadside		A3144G449	
		E-6856 Curbside	12.69"	A3144D550	
		E-6857 Roadside		A3144C549	
18000	MFS18	E-4615 Curbside	5.44"	A3144D524	
		E-4614 Roadside		A3144E525	
		E-4629 Curbside	7.37"	A3144F448	
		E-4628 Roadside		A3144G449	
		E-6856 Curbside	12.69"	A3144D550	
		E-6857 Roadside		A3144C549	
20000	MFS20	E-4615 Curbside	5.44"	A3144D524	
		E-4614 Roadside		A3144E525	
		E-4629 Curbside	7.37"	A3144F448	
		E-4628 Roadside		A3144G449	
		E-6856 Curbside	12.69"	A3144D550	
		E-6857 Roadside		A3144C549	
22000		E-4629 Curbside	7.37"	A3144F448	
		E-4628 Roadside		A3144G449	

FU-910

Tie Rod Ends

Axle Rating Lbs.	Axle Code/Year	PART NO./LOCATION	STUD CTR to ROD END	OEM REF	Notes
28000		E-4611 Curbside	4.875"	A3144R226	
		E-4610 Roadside		A3144Q225	

MERITOR MFS

King Pin Kits

Axle Rating Lbs.	Axle Code/Year	PART NO./BUSHING	King Pin Size	Type	OEM REF	Notes
6000	MFS06	E-11815C Easy Steer	1.234" x 6.781"	A		
7000	MFS07	E-11816C Easy Steer	1.498" x 7.153"	B		
8000	MFS08	E-6199C Easy Steer	1.794" x 10.392"	B		
		E-11812C Easy Steer	1.499" x 7.511"	B	300-316	
10000	MFS10	E-6199C Easy Steer	1.794" x 10.392"	B	300-284, 300-266	
		E-11808C Easy Steer	1.794" x 8.844"	B		
11000	MFS11	E-6199C Easy Steer	1.794" x 10.392"	B		
12000	MFS12	E-11808C Easy Steer	1.794" x 8.844"	B		
		E-6199C Easy Steer	1.794" x 10.392"	B	300-284, 300-266	Uses Drawkeys 7-X-1002 & 7-X-1003
		E-11811C Easy Steer	1.794" x 10.392"	B	300-333, 300-334	Uses drawkeys 7-X-111 & 7-X-1003
13000	MFS13	E-6199C Easy Steer	1.794" x 10.392"	B		
		E-11810C Easy Steer	1.794" x 10.392"	B		
		E-11808C Easy Steer	1.794" x 8.844"	B	300-317, 300-299	
		E-11811C Easy Steer	1.794" x 10.392"	B		
14000	MFS14	E-6199C Easy Steer	1.794" x 10.392"	B		
		E-11810C Easy Steer	1.794" x 10.392"	B	300-331, 300-332	
16000	MFS16	E-11814C Easy Steer	1.999" x 11.212"	B		
		E-14051C Easy Steer	1.999" x 10.787"	B		
		E-11813C Easy Steer	1.999" x 11.212"	B	300-310, 300- 329, 300-330	Uses drawkeys 7-X-111 & 7-X-1003
18000	MFS18	E-11813C Easy Steer	1.999" x 11.212"	B	300-310, 300- 329, 300-330	Uses drawkeys 7-X-111 & 7-X-1003
		E-11814C Easy Steer	1.999" x 11.212"	B		
		E-14051C Easy Steer	1.999" x 10.787"	B		
20000	MFS20	E-11814C Easy Steer	1.999" x 11.212"	B		
		E-14051C Easy Steer	1.999" x 10.787"	B		

Tie Rod Ends

Axle Rating Lbs.	Axle Code/Year	PART NO./LOCATION	STUD CTR to ROD END	OEM REF	Notes
8000	MFS08	E-4615 Curbside	5.44"	A3144D524	
		E-4614 Roadside		A3144E525	
10000	MFS10	E-4615 Curbside	5.44"	A3144D524	
		E-4614 Roadside		A3144E525	
11000	MFS11	E-4615 Curbside	5.44"	A3144D524	
		E-4614 Roadside		A3144E525	
12000	MFS12	E-4615 Curbside	5.44"	A3144D524	
		E-4614 Roadside		A3144E525	
13000	MFS13	E-4615 Curbside	5.44"	A3144D524	
		E-4614 Roadside		A3144E525	
14000	MFS14	E-4615 Curbside	5.44"	A3144D524	
		E-4614 Roadside		A3144E525	
		E-4629 Curbside	7.37"	A3144F448	
		E-4628 Roadside		A3144G449	

INDEX

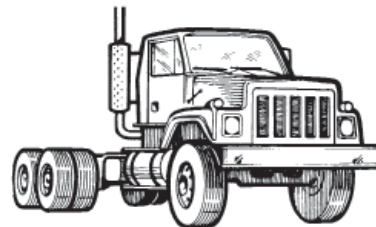
Model	Page	Model	Page
1300A, 1300B, 1300C 4WD	174	Loadstar and School Bus Models 1600, C01600, F1600, 1700, C01700, F1700, 1750, C01750, 1800, C01800, F1800, 1850, C01850, F1850, 1890.....	193
1300D 4WD	174	M1400, 1452, 1652, M1600	194
1310 4WD.....	174	Paystar Models 5010, F5010, 5050, F5050, F5050SF, F5050SF-LW, 5070, F5070, F5070SF, F5070SF-LW, C05370, COF5370.....	195
3700, 3800, 3900.....	174	S-Series Heavy Duty Models 2275, F2275, 2276, F2276, 2375, F2375, 2524, F2524, 2554, F2554, 2574, F2574, 2575, F2575, 2624, F2624, 2654, F2654, 2674, F2674, 2675, F2675	197
4600, 4700, 4800, 4900.....	175	S-Series Heavy Duty Models 2554, 2574, 2654, 2674 (Built 1989 and Later).....	198
7100.....	176	S-Series Medium Duty Models 1624, 1654, 1658, 1723, 1724, 1753, 1754, 1758, 1823, 1824, 1853, 1854, 1858, 1924, F1924, 1925, 1954, F1954, 1955, 1958, 2125, F2125, 2155.....	202
8100, 8200, 8300 (Built 1989 and Later).....	177	Transtar 4070B, C04070B, F4070B, COF4070B, 4170, F4170.....	204
9200.....	177	Transtar C04070A, COF4070A.....	205
9300, 9400.....	178	Transtar Models 4200, F4200, 4300, F4300	206
9600, 9700.....	181		
Additional Navistar Axles	183		
C1200 4WD	186		
CO/COF9670, Eagle.....	186		
CO4000, COF4000, COT4000.....	187		
COF5870	188		
Cargostar Models C01610, C01630, C01710, C01730, C01750, C01810, COF1810, C01830, C01850, C01910, COF1910, C01950, COF1950.....	190		
D400, DC400, DCF400, DCF400M, DF400, D405, DC405, DCF405, DCT405, DF405, DT405.....	190		
Fleetstar Models 1900, F1900, T1900, F1900A, 1910A, 1950, F1950, T1950, 2000, F2000, T2000, 2010A, F2010A, 2050A, F2050A, 2070A, F2070A, 2110A.....	191		



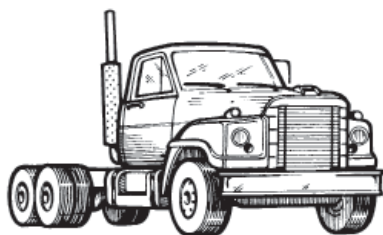
"S" SERIES SCHOOL BUS



TILT CAB-CARGOSTAR



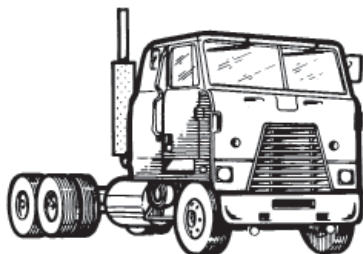
"S" SERIES (2100-2600)



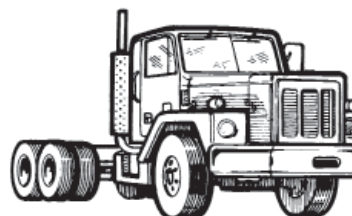
FLEETSTAR



TRANSTAR CONVENTIONAL (4200, 4300)



TRANSTAR COE (4700)



PAYSTAR (5000)

NAVISTAR

1300A, 1300B, 1300C 4WD

Tie Rod Ends

Axle Rating Lbs.	Axle Code/Year	PART NO./LOCATION	STUD CTR to ROD END	OEM REF	Notes
	1965-68	E-4636 Roadside	3.88"	219403R91	w/FA52 axle.

1300D 4WD

Tie Rod Ends

Axle Rating Lbs.	Axle Code/Year	PART NO./LOCATION	STUD CTR to ROD END	OEM REF	Notes
	1967-69	E-4636 Roadside	3.88"	219403R91	w/FA52 axle.

1310 4WD

Tie Rod Ends

Axle Rating Lbs.	Axle Code/Year	PART NO./LOCATION	STUD CTR to ROD END	OEM REF	Notes
	1972-73	E-4636 Roadside	3.88"	219403R91	w/FA52 axle.

3700, 3800, 3900

King Pin Kits

Axle Rating Lbs.	Axle Code/Year	PART NO./BUSHING	King Pin Size	Type	OEM REF	Notes
6000	I60S (02ADA), I80S (02ADB)	E-6198B	1.359" x 7.970"	B	1660271C92	
8000	I60S (02ADA), I80S (02ADB)	E-6198B	1.359" x 7.970"	B	1660271C92	
10000, 12000	I100S, I120S	E-9941B	1.921" x 9.87"	B	1668411C91	
10000	I140S	E-9942B	2.046" x 10.120"	B	1668412C91	
16000	FA231 (02231)	E-12512B E-4458C Easy Steer	1.999" x 11.212"	B	474520C91 597258C91	Meritor axle FL941.

Tie Rod Ends

Axle Rating Lbs.	Axle Code/Year	PART NO./LOCATION	STUD CTR to ROD END	OEM REF	Notes	
10000	I100S (02ADC)	E-4615 Curbside	5.44"	507838C91	w/126"-225" WB.	
		E-4614 Roadside		507837C91		
		E-4630 Curbside	9.18"	1649638C91	w/226"-280" WB.	
		E-4631 Roadside		1649637C91		
12000	FA082 (02EY8)	E-4611 Curbside	4.875"	110363R92	Fabco SDA12.	
		E-4610 Roadside		110362R92		
	FA083 (02083)	E-4611 Curbside	110363R92	110363R92		
		E-4610 Roadside		110362R92		
	I120S (02ADD)	I120S (02ADD)	E-4615 Curbside	5.44"	507838C91	w/126"-225" WB.
			E-4614 Roadside		507837C91	
E-4630 Curbside			9.18"	1649638C91	w/226"-280" WB.	
E-4631 Roadside				1649637C91		

Drag Links

Axle Rating Lbs.	Axle Code/Year	Part Number	STUD CTR to Stud CTR	OEM REF	Notes
		E-9911	17.68"	1661437C91	

NAVISTAR 4600, 4700, 4800, 4900

King Pin Kits

Axle Rating Lbs.	Axle Code/Year	PART NO./BUSHING	King Pin Size	Type	OEM REF	Notes
6000	I60S (02ADA), I80S (02ADB)	E-6198B	1.359" x 7.970"	B	1660271C92	
8000	I60S (02ADA), I80S (02ADB)	E-6198B	1.359" x 7.970"	B	1660271C92	
10000	I100S (02ADC)	E-9941B	1.921" x 9.87"	B	1668411C91	
12000	I120S (02ADD)	E-9941B	1.921" x 9.87"	B	1668411C91	
14000	I140S (02ADE)	E-9942B	2.046" x 10.120"	B	1668412C91	
16000	FA231 (02231)	E-12512B E-4458C Easy Steer	1.999" x 11.212"	B	474520C91 597258C91	Meritor FL941
16000, 18000, 20000	I160S (02ADH), I200S (02ADK)	E-11785B	2.046" x 11.00"	B	1685405C91	

Tie Rod Ends

Axle Rating Lbs.	Axle Code/Year	PART NO./LOCATION	STUD CTR to ROD END	OEM REF	Notes
10000	I100S (02ADC)	E-4615 Curbside	5.44"	507838C91	w/126"-225" WB.
		E-4614 Roadside		507837C91	
		E-4630 Curbside	9.18"	1649638C91	w/226"-280" WB.
		E-4631 Roadside		1649637C91	
12000	FA082 (02EYB), FA083 (02083)	E-4611 Curbside	4.875"	110363R92	Fabco SDA12.
		E-4610 Roadside		11036R92	
	I120S (02ADD)	E-4615 Curbside	5.44"	507838C91	w/126"-225" WB.
		E-4614 Roadside		507837C91	
		E-4630 Curbside	9.18"	1649638C91	w/226"-280" WB.
		E-4631 Roadside		1649637C91	
14000	I140S (02ADE)	E-4615 Curbside	5.44"	507838C91	
		E-4614 Roadside		507837C91	
	SDA14	E-4611 Curbside	4.875"	110363R92	
		E-4610 Roadside		110362R92	
16000	FA231 (02231)	E-4629 Curbside	7.37"	590583C91	w/Disc wheels.
		E-4628 Roadside		590584C91	
	FA231 (02231), FL941	E-4616 Roadside	5.75"	969055R91	
		E-4629 Curbside	7.37"	590583C91	w/130"-179" WB.
		E-4628 Roadside		590584C91	
		E-6856 Curbside	12.69"		w/ABS brakes.
	I160S (02ADH)	E-6857 Roadside			179" and up WB.
		E-6856 Curbside			
18000	I180S (02ADJ)	E-6856 Curbside E-6857 Roadside	12.69"		179" and up WB.
20000	I200S (02ADK)	E-4616 Roadside	5.75"	969055R91	
		E-6856 Curbside	12.69"		179" and up WB.
		E-6857 Roadside			

Drag Links

Axle Rating Lbs.	Axle Code/Year	Part Number	STUD CTR to Stud CTR	OEM REF	Notes
		E-11463	17.47"	1661867C91	4600LP/UH code 05PRG only.
		E-9911	17.68"	1661437C91	Codes 05PRH, 05PRJ, 05PSA.

NAVISTAR

7100

King Pin Kits

Axle Rating Lbs.	Axle Code/Year	PART NO./BUSHING	King Pin Size	Type	OEM REF	Notes
6000, 8000	I60S (02ADA), I80S (02ADB)	E-6198B	1.359" x 7.970"	B	1660271C92	
9000	I100S, I120S, 02A, 02ADC, 02ADN	E-9941B	1.921" x 9.87"	B	FAK5455	
10000	I100S, I120S, 02A, 02ADC, 02ADN	E-9941B	1.921" x 9.87"	B	FAK5455	
11000	I100S, I120S, 02A, 02ADC, 02ADN	E-9941B	1.921" x 9.87"	B	FAK5455	
12000	E1200I (02AED)	E-11394B Bronze	1.794" x 9.02"	A	823078	
	I120S (02ADD)	E-9941B	1.921" x 9.87"	B	FAK5455	
14000	I140S (02ADE)	E-9942B	2.046" x 10.120"	B	FAK5456	
16000	FA231 (02231)	E-12512B	1.999" x 11.212"	B	474520C91	Double Drawkey.
		E-4458C Easy Steer			597258C91	

Tie Rod Ends

Axle Rating Lbs.	Axle Code/Year	PART NO./LOCATION	STUD CTR to ROD END	OEM REF	Notes
10000	I100S (02ADC)	E-4615 Curbside	5.44"	507838C91	w/126"-225" WB.
		E-4614 Roadside		507837C91	
		E-4630 Curbside	9.18"	1649638C91	w/226"-280" WB.
		E-4631 Roadside		1649637C91	
12000	E1200I (02AED)	E-10137 Curbside	6.00"	817019	
		E-10138 Roadside		817018	
	FA082 (02EYB), FA083 (02083)	E-4611 Curbside	4.875"	110363R92	Fabco SDA12.
		E-4610 Roadside		110362R92	
	I120S (02ADD)	E-4615 Curbside	5.44"	507838C91	w/126"-225" WB.
		E-4614 Roadside		507837C91	
		E-4630 Curbside	9.18"	1649638C91	w/226"-280" WB.
		E-4631 Roadside		1649637C91	
16000	FA231 (02231)	E-6856 Curbside	12.69"	1668480C91	w/Cast wheels.
		E-6857 Roadside		1668479C91	

Drag Links

Axle Rating Lbs.	Axle Code/Year	Part Number	STUD CTR to Stud CTR	OEM REF	Notes
		E-11463	17.47"	1661867C91	7100 w/05PRG.
		E-9911	17.68"	1661437C91	w/05PRH, 05PRJ, 05PSH, w/Power or manual steering.

Axle Rating Lbs.	Axle Code/Year	PART NO./BUSHING	King Pin Size	Type	OEM REF	Notes
10000	I100S (02ADC)	E-9941B	1.921" x 9.87"	B	FAK5455	
12000	E1200I (02AED)	E-11394B Bronze	1.794" x 9.02"	A	823078	
	EFA12 (02250)	E-4696B	1.625" x 9.195"	A	FAK4572	
		E-4696C Easy Steer				
	FA226, FF941, FF942, 02226, 02227	E-468B	1.794" x 10.392"	B	FAK4564	
	FA337, I120, 02337	E-4693B	1.609" x 9.660"		1658934C93	
	FF961 (02ARA)	E-6199C Easy Steer	1.794" x 10.392"		1665531C91	
	I120S, 02ADD, 02ADG	E-9941B	1.921" x 9.87"		FAK5453	
13200	EFA12 (02AEA)	E-4696B	1.625" x 9.195"	A	FAK4572	
		E-4696C Easy Steer				
	FA227 (02227)	E-468B	1.794" x 10.392"	B	549800C91	
		E-6199C Easy Steer			1665531C91	
	FA343, I132, 02343	E-4693B	1.609" x 9.660"		1658934C93	
FF942 (02227)	E-6199C Easy Steer	1.794" x 10.392"		1665531C91		
14000	I140S (02ADE)	E-9942B	2.046" x 10.120"	B	FAK5456	
16000	FA231 (02231), FA232 (02232), FA233 (02233), FL941 (02231)	E-12512B	1.999" x 11.212"	B	474520C91	
		E-4458C Easy Steer			597258C91	
18000	FA231 (02231), FA232 (02232), FA233 (02233), FL941 (02232)	E-12512B	1.999" x 11.212"	B	474520C91	
		E-4458C Easy Steer			597258C91	
20000	FA231 (02231), FA232 (02232), FA233 (02233), FL941 (02233)	E-12512B	1.999" x 11.212"	B	474520C91	
		E-4458C Easy Steer			597258C91	

NAVISTAR

8100, 8200, 8300 (Built 1989 and Later) (continued)

Tie Rod Ends

Axle Rating Lbs.	Axle Code/Year	PART NO./LOCATION	STUD CTR to ROD END	OEM REF	Notes
10000	I100S (02ADC)	E-4615 Curbside	5.44"	507838C91	w/126" -225" WB.
		E-4614 Roadside		507837C91	
		E-4630 Curbside	9.18"	1649638C91	w/226" -280" WB.
		E-4631 Roadside		1649637C91	
12000	FF961 (02ARA)	E-4615 Curbside	5.44"	507838C91	
		E-4614 Roadside		507837C91	
	I120S (02ADD)	E-4615 Curbside		507838C91	w/126" -225" WB.
		E-4614 Roadside		507837C91	
		E-4630 Curbside	9.18"	1649638C91	w/226" -280" WB.
		E-4631 Roadside		1649637C91	
	I120S (02ADG)	E-9952 Curbside	9.43"	1668410C91	
		E-9951 Roadside		1668409C91	
13200	FA227 (02227), FF942 (02227)	E-4615 Curbside	5.44"	507838C91	
		E-4614 Roadside		507837C91	
14000	I140S (02ADE)	E-4615 Curbside	5.44"	1668408C91	
		E-4614 Roadside		1668407C91	
16000	FA231 (02231), FA233 (02233), FL941 (02231)	E-4629 Curbside	7.37"	590583C91	
		E-4628 Roadside		590584C91	
18000	FA231 (02231), FA232 (02232), FA233 (02233), FL941 (02232)	E-4629 Curbside	7.37"	590583C91	
		E-4628 Roadside		590584C91	
20000	FA231 (02231), FA232 (02232), FA233 (02233), FL941 (02233)	E-4629 Curbside	7.37"	590583C91	
		E-4628 Roadside		590584C91	

Drag Links

Axle Rating Lbs.	Axle Code/Year	Part Number	STUD CTR to Stud CTR	OEM REF	Notes
		E-9911	17.68"	1661437C91	

9200

King Pin Kits

Axle Rating Lbs.	Axle Code/Year	PART NO./BUSHING	King Pin Size	Type	OEM REF	Notes
10000	I100S	E-9941B	1.921" x 9.87"	B	1668411C91	
12000	EFA12 (02250)	E-4696B	1.625" x 9.195"	A	FAK4572	
		E-6199C Easy Steer	1.794" x 10.392"	B	1665531C91	
13200	FF942 (02227)	E-6199C Easy Steer	1.794" x 10.392"	B	1665531C91	
14000	I140S	E-9942B	2.046" x 10.120"	B	1668412C91	
16000, 18000	FL941 (02231), (02232)	E-4458C Easy Steer	1.999" x 11.212"	B	597258C91	
		I160S (02ADH), I180S (02ADJ), I200S (02ADK)	E-11785B	2.046" x 11.00"		1685405C91

NAVISTAR 9200 (continued)

Tie Rod Ends

Axle Rating Lbs.	Axle Code/Year	PART NO./LOCATION	STUD CTR to ROD END	OEM REF	Notes
12000	EFA12 (02250), FF961 (02ARA)	E-4615 Curbside	5.44"	507838C91	
		E-4614 Roadside		507837C91	
	I120S (02ADD)	E-4615 Curbside	9.18"	507838C91	
		E-4614 Roadside		507837C91	
		E-4630 Curbside		1649638C91	
	E-4631 Roadside	1649637C91			
13200	FF942 (02227)	E-4615 Curbside	5.44"	507838C91	
		E-4614 Roadside		507837C91	
14000	I140S (02ADE)	E-4615 Curbside	5.44"	1668408C91	
		E-4614 Roadside		1668407C91	
		E-9952 Curbside	9.43"	1668410C91	
		E-9951 Roadside		1668409C91	
16000, 18000	E12001 (02AED), E13201 (02AEG)	E-10137 Curbside	6.00"	817019	
		E-10138 Roadside		817018	
	FL941 (02231), (02232)	E-4629 Curbside	7.37"	486355C91	
		E-4628 Roadside		486354C91	

9300, 9400

King Pin Kits

Axle Rating Lbs.	Axle Code/Year	PART NO./BUSHING	King Pin Size	Type	OEM REF	Notes
12000	EFA12 (02250)	E-4696B	1.625" x 9.195"	A	ETN0806355	
		E-4696C Easy Steer				
	FA223 (02223)	E-6199C Easy Steer	1.794" x 10.392"	B	1665531C91	
	FA234 (02234)	E-4595B	1.607" x 9.375"		577684C91	
	FF961 (02ARA)	E-6199C Easy Steer	1.794" x 10.392"		1665531C91	
	I100S, I120S	E-9941B	1.921" x 9.87"		1668411C91	
13200	FA227 (02227)	E-6199C Easy Steer	1.794" x 10.392"	B	1665531C91	
14000	I140S (02ADE)	E-9942B	2.046" x 10.120"	B	1668412C91	
14600	FG940 (02ARG)	E-4695C Easy Steer	1.794" x 10.392"	B		
		E-6868B				
16000	FA231 (02231), FA232 (02232)	E-12512B	1.999" x 11.212"	B	474520C91	
		E-4458C Easy Steer			597258C91	
16000, 18000	I160S (02ADH), I180S (02ADJ), I200S (02ADK)	E-11785B	2.046" x 11.00"	B	1685405C91	
18000	FA231 (02231), FA232 (02232)	E-12512B	1.999" x 11.212"	B	474520C91	
		E-4458C Easy Steer			597258C91	

NAVISTAR 9300, 9400 (continued)

Tie Rod Ends

Axle Rating Lbs.	Axle Code/Year	PART NO./LOCATION	STUD CTR to ROD END	OEM REF	Notes
12000	EFA12 (02250), FA226 (02226), FF931 (02226), FF961 (02ARA)	E-4615 Curbside	5.44"	507838C91	
		E-4614 Roadside		507837C91	
	FA337 (02337), FA339 (02339)	E-4630 Curbside	9.18"	1649638C91	
		E-4631 Roadside		1649637C91	
	I120S (02ADD)	E-4615 Curbside	5.44"	507838C91	w/1659687C91 axle.
		E-4614 Roadside		507837C91	
		E-4630 Curbside	9.18"	1649638C91	w/1659688C91 axle.
		E-4631 Roadside		1649637C91	
13200	FA227 (02227)	E-4615 Curbside	5.44"	507838C91	Meritor axle FF942.
		E-4614 Roadside		507837C91	
	I132 (02343)	E-6136 Curbside	10.84"	1658947C91	
		E-6135 Roadside		1658946C91	
14000	I140S (02ADE)	E-4615 Curbside	5.44"	1668408C91	140" through 188" WB.
		E-4614 Roadside		1668407C91	154" through 188" WB.
		E-9952 Curbside	9.43"	1668410C91	189" WB and up.
		E-9951 Roadside		1668409C91	
14600	FG941 (02ARG)	E-4615 Curbside	5.44"	507838C91	
		E-4614 Roadside		507837C91	
16000, 18000	E1200I (02AED), E1320I (02AEG)	E-10137 Curbside	6.00"	817019	
		E-10138 Roadside		817018	
16000	FA231 (02231)	E-4629 Curbside	7.37"	590583C91	Meritor axle FL931.
		E-4628 Roadside		590584C91	
	FA232 (02232)	E-4629 Curbside		590583C91	Meritor axle FL941.
		E-4628 Roadside		590584C91	
18000	FA231 (02231), FA232 (02232)	E-4628 Roadside	7.37"	590584C91	Meritor axle FL931.
		E-4629 Curbside		590583C91	

Drag Links

Axle Rating Lbs.	Axle Code/Year	Part Number	STUD CTR to Stud CTR	OEM REF	Notes
		E-9948	12.40" Stud center to rod end	1658897C91	Drag link end for codes 05PRJ, 3600, 05PRK.3601.
		E-5386	16.27"	503523C94	Includes 506684C91 (E-4629) end, and 1658897C91 (E-9948) long end.

NAVISTAR

9600, 9700

King Pin Kits

Axle Rating Lbs.	Axle Code/Year	PART NO./BUSHING	King Pin Size	Type	OEM REF	Notes
12000	EFA12 (02250)	E-4696B	1.625" x 9.195"	A	ETN0806355	
		E-4696C Easy Steer				
	FA223 (02223), FA226 (02226)	E-468B	1.794" x 10.392"	B	549800C91	
		E-6199C Easy Steer				1665531C91
	FA234 (02234)	E-4595B	1.607" x 9.375"		577684C91	
	FF931 (02223)	E-468B	1.794" x 10.392"		549800C91	
	FF941 (02226)	E-6199C Easy Steer		1665531C91		
FF961 (02ARA)	E-6199C Easy Steer		1665531C91			
13200	FA227 (02227)	E-468B	1.794" x 10.392"	B	549800C91	Meritor axle FF931.
		E-6199C Easy Steer			1665531C91	Meritor axle FF931.
16000	FA231 (02231), FA232 (02232)	E-12512B	1.999" x 11.212"	B	474520C91	
		E-4458C Easy Steer			597258C91	
18000	FA231 (02231), FA232 (02232)	E-12512B	1.999" x 11.212"	B	474520C91	
		E-4458C Easy Steer			597258C91	

NAVISTAR

9600, 9700 (continued)

Tie Rod Ends

Axle Rating Lbs.	Axle Code/Year	PART NO./LOCATION	STUD CTR to ROD END	OEM REF	Notes		
10800	FA341 (02341)	E-4630 Curbside	9.18"	1649638C91			
		E-4631 Roadside		1649637C91			
12000	EFA12 (02250), FF931 (02223), FF941 (02226), FF961 (02ARA), FA223 (02223), FA226 (02226)	E-4615 Curbside	5.44"	507838C91			
		E-4614 Roadside		507837C91			
	FA339 (02339)	E-5470 Curbside	5.44"	506662C91	Drop end.		
		E-5469 Roadside		506661C91			
			E-4630 Curbside	9.18"	1649638C91	Straight end, greaseable type.	
			E-4631 Roadside		1649637C91		
	FA340 (02340)		E-4630 Curbside		1649638C91		
			E-4631 Roadside		1649637C91		
	I120 (02337)		E-5470 Curbside	5.44"	506662C91	Drop end.	
			E-5469 Roadside		506661C91		
			E-4630 Curbside		9.18"		1649638C91
	E-4631 Roadside	1649637C91					
I120S (02ADD, 02ADG)		E-4615 Curbside	5.44"	507838C91			
		E-4614 Roadside		507837C91			
		E-9952 Curbside		9.43"		1668410C91	w/04AZA ABS brakes /9700.
E-9951 Roadside	1668409C91						
13200	FA227 (02227)	E-4615 Curbside	5.44"	507838C91			
		E-4614 Roadside		507837C91			
	I132 (02343)		E-5470 Curbside		506662C91	Dropped I-beam.	
			E-5469 Roadside		506661C91		
			E-4630 Curbside	9.18"	1649638C91		Straight end, greaseable type.
			E-4631 Roadside	1649637C91			
		E-6136 Curbside	10.84"	1658947C91	Drop end, greaseable type.		
		E-6135 Roadside	1658946C91				
14000	I140S	E-4615 Curbside	5.44"	507838C91	110" WB and up/9600		
		E-4614 Roadside		507837C91			
		E-9952 Curbside		9.43"		1668410C91	w/04AZA ABS brakes /9700.
		E-9951 Roadside		1668409C91			
16000	FA231 (02231), FA232 (02232)	E-4629 Curbside	7.37"	590583C91			
		E-4628 Roadside		590584C91			
18000	FA231 (02231), FA232 (02232)	E-4629 Curbside	7.37"	590583C91			
		E-4628 Roadside		590584C91			
24000	FA248 (02248)	E-4630 Curbside	9.18"	1649638C91			
		E-4631 Roadside		1649637C91			

Drag Links

Axle Rating Lbs.	Axle Code/Year	Part Number	STUD CTR to Stud CTR	OEM REF	Notes
		E-9948	12.375" Stud center to rod end	1658897C91	Drag link end for codes 05PRJ.4510, 05PSA.4518.

NAVISTAR

Additional Navistar Axles

King Pin Kits

Axle Rating Lbs.	Axle Code/Year	PART NO./BUSHING	King Pin Size	Type	OEM REF	Notes
5000	FA71 (02071)	E-4460B	1.359" x 7.968"	A	473695C91	2WD
5500	FA89 (02089)	E-4431B	1.234" x 7.656"	A	61556R91	2WD
6000	FA73 (02073), FA74 (02074), I60	E-4460B	1.359" x 7.968"	A	473695C91	2WD
7000	FA95 (02095)	E-4438N E-4438N Nylon	1.234" x 7.438"	B		2WD, Meritor axle FC901.
	FA97 (02097)	E-4431B	1.234" x 7.656"	A	61556R91	2WD
7500	FA101 (02101), FA103 (02103)	E-4460B	1.359" x 7.968"	A	473695C91	2WD
	FA65 (02065)	E-4431B	1.234" x 7.656"		61556R91	
	FA80 (02080), FA91 (02091), FA98 (02098), FA99 (02099)	E-4431B				2WD
	I75	E-4460B	1.359" x 7.968"		473695C91	
9000	FA100 (02100), FA102 (02102), FA105 (02105)	E-4441B	1.434" x 8.500"	B	303136C92	2WD Meritor axle FD900.
	FA208 (02208)	E-4441B	1.434" x 8.500"		303136C92	
	FA209 (02209)	E-4441B				
	I90	E-4697B E-4693B	1.609" x 9.160" 1.609" x 9.660"		586809C91 588808C91	For steering code 02309. Exc. steering code 02309.
10800	I108	E-4697B E-4693B	1.609" x 9.160" 1.609" x 9.660"	B	586809C91 588808C91	For steering code 02309. Exc. steering code 02309.
12000	FA110 (02110), FA111 (02111)	E-4434B E-4434N Nylon	9.75"	D	69576R92	Tapered pin. 2WD Meritor axle FE900.
	FA115 (02115)	E-4434B E-4434N Nylon				Tapered pin. 2WD exc. model DC0200 w/diesel eng.
	FA225 (02225)	E-4450B	1.794" x 10.410"	B	452344C91	2WD Meritor axle FF921.
	FA226 (02226)	E-468B	1.794" x 10.392"		549800C91	2WD Meritor axle FF931.
	FA228 (02228), FA229 (02229)	E-4450B	1.794" x 10.410"		452344C91	Meritor axle FF921.
	FA234 (02234)	E-4595B	1.607" x 9.375"		577684C91	Meritor axle FF971.
	I120	E-4697B E-4693B	1.609" x 9.160" 1.609" x 9.660"		586809C91 588808C91	For steering code 02309. Exc. steering code 02309.
13000	FA401 (02401)	E-4693B	1.609" x 9.660"	B	588808C91	Paystar series.
16000	FA136 (02136), FA137 (02137)	E-4454B E-4454N Nylon	1.999" x 11.040"	B	303140C92	2WD Meritor axle FH901.
	FA231 (02231), FA237 (02237)	E-12512B E-4458C Easy Steer	1.999" x 11.212"		474520C91 597258C91	2WD Meritor axle FL931.

NAVISTAR

Additional Navistar Axles (continued)

King Pin Kits (continued)

Axle Rating Lbs.	Axle Code/Year	PART NO./BUSHING	King Pin Size	Type	OEM REF	Notes
18000	FA182 (02182)	E-4454B	1.999" x 11.040"	B	303140C92	2WD Meritor axle FL901.
		E-4454N Nylon				
	FA232 (02232), FA238 (02238)	E-12512B	1.999" x 11.212"		474520C91 597258C91	2WD Meritor axle FL931.
		E-4458C Easy Steer				
20000	FA183 (02183)	E-4454B	1.999" x 11.040"	B	303140C92	2WD Meritor axle FL901.
		E-4454N Nylon				
	FA233 (02233), FA239 (02239)	E-12512B	1.999" x 11.212"		474520C91 597258C91	2WD Meritor axle FL931.
		E-4458C Easy Steer				

Tie Rod Ends

Axle Rating Lbs.	Axle Code/Year	PART NO./LOCATION	STUD CTR to ROD END	OEM REF	Notes
3500	FA18 (02018)	E-4635 Curbside	3.50"	894145R91	4WD To 1968 Dana axle model 44.
		E-4634 Roadside		894144R91	
4700	FA18 (02018)	E-4635 Curbside	3.50"	894145R91	4WD To 1968 Dana axle model 44.
		E-4634 Roadside		894144R91	
5000	FA71 (02071)	E-4605 Curbside	4.438"	450062C91	2WD
		E-4604 Roadside		450063C91	
	I50	E-4605 Curbside		450062C91	
		E-4604 Roadside		450063C91	
5500	FA60 (02060)	E-4601 Curbside	3.88"	263499C91	2WD w/Manual steering.
		E-4600 Roadside		263498C91	
	FA68 (02068), FA70 (02070), FA72 (02072), FA89 (02089)	E-4601 Curbside		263499C91	
		E-4600 Roadside		263498C91	
6000	FA51 (02051)	E-4636 Roadside	3.88"	219403R91	4WD Dana axle.
		E-4636 Roadside			4WD Dana axle model 70F.
	FA69 (02069)	E-4601 Curbside		263499C91	2WD
		E-4600 Roadside		263498C91	
	FA73 (02073), FA74 (02074)	E-4605 Curbside	4.438"	450062C91	
		E-4604 Roadside		450063C91	
	I60	E-4605 Curbside		450062C91	
		E-4604 Roadside		450063C91	
7000	FA97 (02097)	E-4601 Curbside	3.88"	263499C91	2WD
		E-4600 Roadside		263498C91	
7500	FA101 (02101), FA103 (02103)	E-4605 Curbside	4.438"	450062C91	2WD
		E-4604 Roadside		450063C91	
	FA65 (02065)	E-4601 Curbside	3.88"	263499C91	2WD w/Manual steering.
		E-4600 Roadside		263498C91	
	FA80 (02080), FA98 (02098), FA99 (02099)	E-4601 Curbside		263499C91	2WD
		E-4600 Roadside		263498C91	
	FA91 (02091)	E-4601 Curbside		263499C91	2WD Exc. C01950 w/power steering.
		E-4600 Roadside		263498C91	
	I75	E-4605 Curbside	4.438"	450062C91	
		E-4604 Roadside		450063C91	

Additional Navistar Axles (continued)

Tie Rod Ends (continued)

Axle Rating Lbs.	Axle Code/Year	PART NO./LOCATION	STUD CTR to ROD END	OEM REF	Notes
9000	FA100 (02100), FA102 (02102), FA105 (02105)	E-4611 Curbside	4.875"	110363R92	2WD Meritor axle FD900.
		E-4610 Roadside		110362R92	
	FA201 (02201)	E-4611 Curbside		110363R92	2WD
		E-4610 Roadside		110362R92	
12000	FA208 (02208), FA209 (02209)	E-4611 Curbside	4.875"	110363R92	2WD Meritor axle FE900. Meritor axle FE900. 2WD Exc. model DC0200 w/diesel engine.
		E-4610 Roadside		110362R92	
	FA110 (02110), FA111 (02111)	E-4611 Curbside		110363R92	
		E-4610 Roadside		110362R92	
	FA115 (02115)	E-4611 Curbside		110363R92	
		E-4610 Roadside		110362R92	
	FA211 (02211)	E-4611 Curbside		110363R92	
		E-4610 Roadside		110362R92	
	FA212 (02212), FA213 (02213)	E-4611 Curbside		110363R92	
		E-4610 Roadside		110362R92	
	FA215 (02215)	E-4611 Curbside		110363R92	
		E-4610 Roadside		110362R92	
	FA218 (02218)	E-4611 Curbside		110363R92	
E-4610 Roadside		110362R92			
FA219 (02219)	E-4611 Curbside	110363R92			
	E-4610 Roadside	110362R92			
13000	FA401 (02401)	Curbside	5.75"	969056R91	2WD Paystar series.
		E-4616 Roadside		969055R91	
15000	FA132 (02132), FA133 (02133)	E-4611 Curbside	4.875"	110363R92	2WD Meritor axle FG900.
		E-4610 Roadside		110362R92	
16000	FA136 (02136), FA137 (02137)	Curbside	5.75"	969056R91	2WD Meritor axle FH901.
		E-4616 Roadside		969055R91	
	FA231 (02231), FA237 (02237)	E-4628 Roadside	7.37"	486354C91	2WD Meritor Axle FL931.
		E-4629 Curbside		486355C91	
18000	FA182 (02182)	Curbside	5.75"	969056R91	2WD Meritor axle FL901.
		E-4616 Roadside		969055R91	
	FA194 (02194)	E-4619 Roadside		491665C91	4WD Meritor drive FDS1807. 1.25"-12 RH thread.
		E-4642 Curbside		491666C91	4WD Meritor drive FDS1807. 1.25"-16 RH thread.
		E-6858 Roadside		592872C91	4WD Meritor drive FDS1807. 1.25"-18 RH thread.
	FA232 (02232), FA238 (02238)	E-4629 Curbside	7.37"	486355C91	2WD Meritor axle FL931.
		E-4628 Roadside		486354C91	
20000	FA183 (02183)	Curbside	5.75"	969056R91	2WD Meritor axle FL901.
		E-4616 Roadside		969055R91	
	FA233 (02233), FA239 (02239)	E-4629 Curbside E-4628 Roadside	7.37"	486355C91 486354C91	2WD Meritor axle FL931.

NAVISTAR

Additional Navistar Axles (continued)

Tie Rod Ends (continued)

Axle Rating Lbs.	Axle Code/Year	PART NO./LOCATION	STUD CTR to ROD END	OEM REF	Notes
21000	FA195 (02195)	E-4619 Roadside	5.75"	491665C91	4WD Meritor drive FDS1807. 1.25"-12 RH thread.
		E-4642 Curbside		491666C91	4WD Meritor drive FDS1807. 1.25"-16 RH thread.
		E-6858 Roadside		592872C91	4WD Meritor drive FDS1807. 1.25"-18 RH thread.

C1200 4WD

Tie Rod Ends

Axle Rating Lbs.	Axle Code/Year	PART NO./LOCATION	STUD CTR to ROD END	OEM REF	Notes
	1967-69	E-4635 Curbside	3.50"	894145R91	w/FA18 axle.
		E-4634 Roadside		894144R91	

CO/COF9670, Eagle

King Pin Kits

Axle Rating Lbs.	Axle Code/Year	PART NO./BUSHING	King Pin Size	Type	OEM REF	Notes
10800	FA341 (02341)	E-4462B	1.609" x 9.660"	A	493094C92	
12000	FA223 (02223)	E-468B	1.794" x 10.392"	B	549800C91	Meritor axle FF941.
	FA226 (02226)	E-468B			549800C91	Meritor axle FF931.
	FA234 (02234)	E-4595B	1.607" x 9.375"		577684C91	Meritor axle FF971. Center point steering.
	FA337 (02337), FA339 (02339)	E-4693B	1.609" x 9.660"		588808C91	
	FA340 (02340)	E-4462B	1.609" x 9.660"	A	493094C92	
16000	FA231 (02231)	E-12512B E-4458C Easy Steer	1.999" x 11.212"	B	474520C91 597258C91	Meritor axle FL931.
18000	FA232 (02232)	E-12512B E-4458C Easy Steer	1.999" x 11.212"	B	474520C91 597258C91	Meritor axle FL931.
24000	FA340 (02340)	E-4462B	1.609" x 9.660"	A	493094C92	Dual 12,000 lb. Navistar axles.

NAVISTAR

CO/COF9670, Eagle (continued)

Tie Rod Ends

Axle Rating Lbs.	Axle Code/Year	PART NO./LOCATION	STUD CTR to ROD END	OEM REF	Notes
10800	FA341 (02341)	E-4630 Curbside E-4631 Roadside	9.18"	507835C91 507836C91	Greaseable type.
12000	FA223 (02223)	E-4615 Curbside E-4614 Roadside	5.44"	507838C91 507837C91	Meritor axle FF941.
	FA226 (02226)	E-4615 Curbside E-4614 Roadside		507838C91 507837C91	Meritor axle FF931.
	FA337 (02337), FA339 (02339), FA340 (02340)	E-5470 Curbside E-5469 Roadside E-4630 Curbside E-4631 Roadside	5.44" 9.18"	506662C91 506661C91 507836C91 507835C91	Drop end. Straight end, greaseable type.
16000	FA231 (02231)	E-4629 Curbside E-4628 Roadside	7.37"	486355C91 486354C91	Meritor axle FL931.
18000	FA232 (02232)	E-4629 Curbside E-4628 Roadside	7.37"	486355C91 486354C91	Meritor axle FL931.
24000	FA340 (02340)	E-4630 Curbside E-4631 Roadside	9.18"	507836C91 507835C91	Greaseable type. Dual 12,000 lb. Navistar axles.
24500	FA344 (02340)	E-4630 Curbside E-4631 Roadside	9.18"	507836C91 507835C91	

Drag Links

Axle Rating Lbs.	Axle Code/Year	Part Number	STUD CTR to Stud CTR	OEM REF	Notes
		E-4629	7.37" Stud center to rod end	581063C91	End only. Use with 503523C91 (E-5386).
		E-5386	16.27"	503523C91	Includes 581063C91 (E-4629) end.

C04000, COF4000, COT4000

King Pin Kits

Axle Rating Lbs.	Axle Code/Year	PART NO./BUSHING	King Pin Size	Type	OEM REF	Notes
16000	FA136 (02136)	E-4454B E-4454N Nylon	1.999" x 11.040"	B	303140C92	Meritor axle FH901.
18000	FA182 (02182)	E-4454B E-4454N Nylon	1.999" x 11.040"	B	303140C92	Meritor axle FL901.

NAVISTAR

CO4000, COF4000, COT4000 (continued)

Tie Rod Ends

Axle Rating Lbs.	Axle Code/Year	PART NO./LOCATION	STUD CTR to ROD END	OEM REF	Notes
9000	FA109 (02109)	E-4630 Curbside	9.18"	377636C91	Greaseable type from 1970.
		E-4631 Roadside		377635C91	
12000	FA112	E-4616 Roadside	5.75"	969055R91	Greaseable type from 1970.
	FA119 (02119)	E-4630 Curbside	9.18"	377636C91	
		E-4631 Roadside		377635C91	
	FA215 (02215)	E-4611 Curbside	4.875"	110363R92	
E-4610 Roadside		110362R92			
16000	FA136 (02136)	E-4616 Roadside	5.75"	969055R91	Meritor axle FH901.
18000	FA182 (02182)	E-4616 Roadside	5.75"	969055R91	Meritor axle FL901.

COF5870

King Pin Kits

Axle Rating Lbs.	Axle Code/Year	PART NO./BUSHING	King Pin Size	Type	OEM REF	Notes
16000	FA231 (02231)	E-12512B	1.999" x 11.212"	B	474520C91	Meritor axle FH901.
		E-4458C Easy Steer			597258C91	
	FL941 (02231)	E-4458C Easy Steer				
18000, 20000	FA232 (02231), FA233 (02233)	E-12512B	1.999" x 11.212"	B	474520C91	Meritor axle FL931.
		E-4458C Easy Steer			597258C91	
	FL941 (02232), (02233)	E-4458C Easy Steer				
24000	FA242 (02242)	E-4451B	1.609" x 9.660"	B	399942C93	Dual 12,000 lb. Navistar axles.
		E-4697B			1658934C91 586808C91	
32000	FA241 (02241)	E-12512B	1.999" x 11.212"	B	474520C91	Dual Meritor 16,000 lb. FL931 axles.
		E-4458C Easy Steer			597258C91	
	FL941 (02241)	E-4458C Easy Steer				

Tie Rod Ends

Axle Rating Lbs.	Axle Code/Year	PART NO./LOCATION	STUD CTR to ROD END	OEM REF	Notes
16000, 18000, 20000, 32000	FL941	E-4629 Curbside	7.37"	486355C91	Meritor axle codes 02231, 02232, 02233, 02241.
		E-4628 Roadside		486354C91	
21000	FDS1805 (02195)	E-4642 Curbside	5.75"	491666C91	After 2/2/83. 1.25"-16 RH thread.
		E-6858 Roadside		592872C91	After 2/2/83. 1.25"-18 RH thread.
		E-4619 Roadside		491665C91	Before 2/2/83. 1.25"-12 RH thread.
24000	I120 (02242)	E-4630 Curbside	9.18"	1649638C91	Spicer axle code 02242.
		E-4631 Roadside		1649637C91	

Cargostar Models C01610, C01630, C01710, C01730, C01750, C01810, C0F1810, C01830, C01850, C01910, C0F1910, C01950, C0F1950

King Pin Kits

Axle Rating Lbs.	Axle Code/Year	PART NO./BUSHING	King Pin Size	Type	OEM REF	Notes
6000	FA74 (02074)	E-4460B	1.359" x 7.968"	A	473695C91	
7000	FA99 (02099)	E-4431B	1.234" x 7.656"	A	61556R91	
7500	FA103 (02103)	E-4460B	1.359" x 7.968"	A	473695C91	
	FA99 (02099)	E-4431B	1.234" x 7.656"	A	61556R91	
9000	FA109 (02109)	E-4484B	1.480" x 8.866"	B	408547C93	
		E-4481B	1.484" x 8.866"	A	493092C91	
	FA209 (02209)	E-4441B	1.434" x 8.500"	B	303136C92	
	FA309 (02309)	E-4463B	1.609" x 9.160"	A	493095C91	
10800	FA329 (02329)	E-4697B		B	586809C91	
		E-4451B	1.609" x 9.660"	B	399942C93	
12000	FA139 (02139)	E-4462B		A	493094C92	
		E-4462B	1.609" x 9.660"	A	493094C92	
		E-4451B	1.609" x 9.660"	B	399942C93	
16000	FA231 (02231)	E-4462B		A	493094C92	
		E-4454B	1.999" x 11.040"	B	303140C92	Meritor axle FH901.
		E-4454N Nylon				
18000	FA232 (02232)	E-4458C Easy Steer			474520C91	Meritor axle FL931.
		E-12512B	1.999" x 11.212"		597258C91	
		E-4458C Easy Steer			474520C91	Meritor axle FL931.
		E-12512B	1.999" x 11.212"	B	597258C91	

Tie Rod Ends

Axle Rating Lbs.	Axle Code/Year	PART NO./LOCATION	STUD CTR to ROD END	OEM REF	Notes
6000	FA69 (02069)	E-4601 Curbside	3.88"	263499C91	
		E-4600 Roadside		263498C91	
	FA74 (02074)	E-4605 Curbside	4.438"	450062C91	
		E-4604 Roadside		450063C91	
7000	FA99 (02099)	E-4601 Curbside	3.88"	263499C91	
		E-4600 Roadside		263498C91	
7500	FA103 (02103)	E-4605 Curbside	4.438"	450062C91	
		E-4604 Roadside		450063C91	
	FA99 (02099)	E-4601 Curbside	3.88"	263499C91	
		E-4600 Roadside		263498C91	
9000	FA109 (02109), FA309 (02309)	E-4615 Curbside	5.44"	507838C91	
		E-4614 Roadside		507837C91	
	FA209 (02209)	E-4611 Curbside	4.875"	110363R92	
		E-4610 Roadside		110362R92	
10800	FA329	E-4615 Curbside	5.44"	507838C91	
		E-4614 Roadside		507837C91	
12000	FA139 (02139), FA339 (02139)	E-4615 Curbside	5.44"	507838C91	
		E-4614 Roadside		507837C91	
	FA219 (02219)	E-4611 Curbside	4.875"	110363R92	
		E-4610 Roadside		110362R92	

NAVISTAR

Cargostar Models C01610, C01630, C01710, C01730, C01750, C01810, COF1810, C01830, C01850, C01910, COF1910, C01950, COF1950 (continued)

Tie Rod Ends (continued)

16000	FA136 (02136)	E-4616 Roadside	5.75"	969055R91	Meritor axle FH901.
	FA231 (02231)	E-4629 Curbside	7.37"	486355C91	Meritor axle FL931.
		E-4628 Roadside		486354C91	
18000	FA232 (02232)	E-4629 Curbside	7.37"	486355C91	Meritor axle FL931.
		E-4628 Roadside		486354C91	

D400, DC400, DCF400, DCF400M, DF400, D405, DC405, DCF405, DCT405, DF405, DT405

King Pin Kits

Axle Rating Lbs.	Axle Code/Year	PART NO./BUSHING	King Pin Size	Type	OEM REF	Notes
12000	FA139 (02139)	E-4451B	1.609" x 9.660"	B	399942C93	
	FA228 (02228)	E-4450B	1.794" x 10.410"		452344C91	Meritor axle FF921.
16000	FA136 (02136)	E-4454B	1.999" x 11.040"	B	303140C92	Meritor axle FH901.
		E-4454N Nylon				
18000	FA182 (02182)	E-4454B	1.999" x 11.040"	B	303140C92	Meritor axle FL901.
		E-4454N Nylon				

Tie Rod Ends

Axle Rating Lbs.	Axle Code/Year	PART NO./LOCATION	STUD CTR to ROD END	OEM REF	Notes
12000	FA119 (02119)	E-4630 Curbside	9.18"	447095C91	From chassis numbers G297629, Y17500. Greaseable type.
		E-4631 Roadside		447094C91	
	FA139 (02139)	E-4630 Curbside	4.875"	447095C91	Greaseable type.
		E-4631 Roadside		447094C91	
	FA215 (02215), FA218 (02218)	E-4611 Curbside	4.875"	110363R92	
		E-4610 Roadside		110362R92	
FA228 (02228)	E-4615 Curbside	5.44"	438369C91	Meritor axle FF921.	
	E-4614 Roadside		438368C91		
16000	FA136 (02136)	E-4616 Roadside	5.75"	969055R91	Meritor axle FH901.
18000	FA182 (02182)	E-4616 Roadside	5.75"	969055R91	Meritor axle FL901.

Fleetstar Models 1900, F1900, T1900, F1900A, 1910A, 1950, F1950, T1950, 2000, F2000, T2000, 2010A, F2010A, 2050A, F2050A, 2070A, F2070A, 2110A

King Pin Kits

Axle Rating Lbs.	Axle Code/Year	PART NO./BUSHING	King Pin Size	Type	OEM REF	Notes
7000	FA91 (02091), FA98 (02098)	E-4431B	1.234" x 7.656"	A	61556R91	
7500	FA101(02101)	E-4460B	1.359" x 7.968"	A	473695C91	
	FA91 (02091), FA98 (02098)	E-4431B	1.234" x 7.656"		61556R91	
9000	FA105 (02105)	E-4441B	1.434" x 8.500"	B	363136C92	Meritor axle FD900.
	FA109 (02109)	E-4484B	1.480" x 8.866"		408547C93	
		E-4481B	1.484" x 8.866"	A	493092C91	
	FA309 (02309)	E-4463B	1.609" x 9.160"		493095C91	
		E-4451B	1.609" x 9.660"	B	399942C93	
10800	FA329 (02329)	E-4451B	1.609" x 9.660"	B	399942C93	
		E-4462B		A	493094C92	
		E-4693B		B	588808C91	Contains lubrication fittings.
12000	FA139 (02139)	E-4451B	1.609" x 9.660"	B	399942C93	
		E-4462B	1.609" x 9.660"	A	493094C92	
	FA228 (02228)	E-4450B	1.794" x 10.410"	B	452344C91	Meritor axle FF921.
	FA339 (02339)	E-4451B	1.609" x 9.660"		399942C93	
		E-4462B	1.609" x 9.660"	A	493094C92	
16000	FA136 (02136)	E-4454B	1.999" x 11.040"	B	303140C92	Meritor axle FH901.
		E-4454N Nylon				
	FA231 (02231)	E-12512B	1.999" x 11.212"		474520C91	
		E-4458C Easy Steer			597258C91	
18000	FA182 (02182)	E-4454B	1.999" x 11.040"	B	303140C92	Meritor axle FL901.
		E-4454N Nylon				
	FA232 (02232)	E-12512B	1.999" x 11.212"		474520C91	Meritor axle FL931.
		E-4458C Easy Steer			597258C91	

NAVISTAR

Fleetstar Models 1900, F1900, T1900, F1900A, 1910A, 1950, F1950, T1950, 2000, F2000, T2000, 2010A, F2010A, 2050A, F2050A, 2070A, F2070A, 2110A (continued)

Tie Rod Ends

Axle Rating Lbs.	Axle Code/Year	PART NO./LOCATION	STUD CTR to ROD END	OEM REF	Notes
7000	FA91 (02091), FA98 (02098)	E-4601 Curbside	3.88"	263499C91	
		E-4600 Roadside		263498C91	
7500	FA101 (02101)	E-4605 Curbside	4.438"	450062C91	
		E-4604 Roadside		450063C91	
	FA91 (02091), FA98 (02098)	E-4601 Curbside	3.88"	263499C91	
		E-4600 Roadside		263498C91	
9000	FA105 (02105)	E-4611 Curbside	4.875"	110363R92	
		E-4610 Roadside		110362R92	
	FA109 (02109), FA309 (02309)	E-4630 Curbside E-4631 Roadside	9.18"	447095C91 447094C91	Greaseable type.
10800	FA329 (02329)	E-4630 Curbside	9.18"	447095C91	Greaseable type.
		E-4631 Roadside		447094C91	
12000	FA119 (02119), FA139 (02139), FA339 (02339)	E-4630 Curbside	9.18"	447095C91	Greaseable type.
		E-4631 Roadside		447094C91	
	FA211 (02211), FA215 (02215)	E-4611 Curbside	4.875"	110363R92	
		E-4610 Roadside		110362R92	
	FA228 (02228)	E-4615 Curbside E-4614 Roadside	5.44"	438369C91 438368C91	Meritor axle FF921.
16000	FA136 (02136)	Curbside	5.75"	969056R91	Meritor axle FH901.
		E-4616 Roadside		969055R91	
	FA231 (02231)	E-4629 Curbside E-4628 Roadside	7.37"	486355C91 486354C91	
18000	FA182 (02182)	Curbside	5.75"	969056R91	Meritor axle FL901.
		E-4616 Roadside		969055R91	
	FA232 (02232)	E-4629 Curbside E-4628 Roadside	7.37"	486355C91 486354C91	Meritor axle FL931.

Loadstar and School Bus Models 1600, C01600, F1600, 1700, C01700, F1700, 1750, C01750, 1800, C01800, F1800, 1850, C01850, F1850, 1890

King Pin Kits

Axle Rating Lbs.	Axle Code/Year	PART NO./BUSHING	King Pin Size	Type	OEM REF	Notes
5000	FA71 (02071)	E-4460B	1.359" x 7.968"	A	473695C91	
		E-6198B	1.359" x 7.970"	B	1660271C92	
5500	FA89 (02089)	E-4431B	1.234" x 7.656"	A	61556R91	
6000	FA73 (02073)	E-4460B	1.359" x 7.968"	A	473695C91	
		E-6198B	1.359" x 7.970"	B	1660271C92	
7000	FA91 (02091), FA98 (02098)	E-4431B	1.234" x 7.656"	A	61556R91	
7500	FA101 (02101)	E-4460B	1.359" x 7.968"	A	473695C91	
		E-6198B	1.359" x 7.970"	B	1660271C92	
9000	FA105 (02105)	E-4441B	1.434" x 8.500"	B	303136C92	Meritor axle FD900.
	FA109 (02109)	E-4484B	1.480" x 8.866"		408547C91	
		E-4481B	1.484" x 8.866"	A	493092C91	
	FA208 (02208)	E-4441B	1.434" x 8.500"	B	303136C92	
	FA309 (02309)	E-4463B	1.609" x 9.160"	A	493095C91	
E-4451B		1.609" x 9.660"	B	399942C93		
10500, 10800	FA329 (02329)	E-4451B	1.609" x 9.660"	B	399942C93	
		E-4462B		A	493094C92	
12000	FA139 (02139), FA339 (02339)	E-4451B	1.609" x 9.660"	B	399942C93	
		E-4462B		A	493094C92	
	FA228 (02228)	E-4450B	1.794" x 10.410"		452344C91	Meritor axle FF921.
16000	FA136 (02136)	E-4454B	1.999" x 11.040"	B	303140C92	Meritor axle FH901.
		E-4454N Nylon				

Tie Rod Ends

Axle Rating Lbs.	Axle Code/Year	PART NO./LOCATION	STUD CTR to ROD END	OEM REF	Notes
5000	FA68 (02068)	E-4601 Curbside	3.88"	463499C91	
		E-4600 Roadside		263498C91	
	FA71 (02071)	E-4605 Curbside	4.438"	450062C91	
		E-4604 Roadside		450063C91	
5500	FA72 (02072), FA89 (02089)	E-4601 Curbside	3.88"	463499C91	
		E-4600 Roadside		263498C91	
6000	FA73 (02073)	E-4605 Curbside	4.438"	450062C91	
		E-4604 Roadside		450063C91	
7000	FA91 (02091), FA98 (02098)	E-4601 Curbside	3.88"	463499C91	
		E-4600 Roadside		263498C91	
7500	FA101 (02101)	E-4605 Curbside	4.438"	450062C91	
		E-4604 Roadside		450063C91	
	FA91 (02091), FA98 (02098)	E-4601 Curbside	3.88"	463499C91	
		E-4600 Roadside		263498C91	
9000	FA105 (02105)	E-4611 Curbside	4.875"	110363R92	Meritor axle FD900.
		E-4610 Roadside		110362R92	
	FA109 (02109), FA309 (02309)	E-4630 Curbside	9.18"	447095C91	Greaseable type.
		E-4631 Roadside		447094C91	
FA208 (02208)	E-4611 Curbside	4.875"	110363R92		
	E-4610 Roadside		110362R92		

NAVISTAR

Loadstar and School Bus Models 1600, C01600, F1600, 1700, C01700, F1700, 1750, C01750, 1800, C01800, F1800, 1850, C01850, F1850, 1890 (continued)

Tie Rod Ends (continued)

Axle Rating Lbs.	Axle Code/Year	PART NO./LOCATION	STUD CTR to ROD END	OEM REF	Notes
10500, 10800	FA329 (02329)	E-4630 Curbside	9.18"	447095C91	Greaseable type.
		E-4631 Roadside		447094C91	
12000	FA139 (02139), FA339 (02339)	E-4630 Curbside	9.18"	447095C91	Greaseable type.
		E-4631 Roadside		447094C91	
	FA215 (02215), FA218 (02218)	E-4611 Curbside	4.875"	110363R92	
		E-4610 Roadside		110362R92	
16000	FA136 (02136)	E-4615 Curbside	5.44"	438369C91	Meritor axle FF921.
		E-4614 Roadside		438368C91	
		E-4616 Roadside	5.75"	969055R91	Meritor axle FH901.

M1400, 1452, 1652, M1600

King Pin Kits

Axle Rating Lbs.	Axle Code/Year	PART NO./BUSHING	King Pin Size	Type	OEM REF	Notes
6000	I60 (02ADA)	E-6198B	1.359" x 7.970"	B	1660271C92	
8000	I80 (02ADB)	E-6198B	1.359" x 7.970"	B	1660271C92	
16000	FA231 (02231)	E-12512B	1.999" x 11.212"	B	474520C91	
		E-4458C Easy Steer			597258C91	

Tie Rod Ends

Axle Rating Lbs.	Axle Code/Year	PART NO./LOCATION	STUD CTR to ROD END	OEM REF	Notes
10000	I100S (02ADC)	E-4615 Curbside	5.44"	507838C91	w/126"-225" WB.
		E-4614 Roadside		507837C91	
		E-4630 Curbside	9.18"	1649638C91	w/226"-280" WB.
		E-4631 Roadside		1649637C91	
12000	I120S (02ADD)	E-4615 Curbside	5.44"	507838C91	w/126"-225" WB.
		E-4614 Roadside		507837C91	
		E-4630 Curbside	9.18"	1649638C91	w/226"-280" WB.
		E-4631 Roadside		1649637C91	
	SDA12 (02083)	E-4611 Curbside	4.875"	110363R92	
		E-4610 Roadside		110362R92	
16000	FA231 (02231)	E-4629 Curbside	7.37"	590583C91	
		E-4628 Roadside		590584C91	

Drag Links

Axle Rating Lbs.	Axle Code/Year	Part Number	STUD CTR to Stud CTR	OEM REF	Notes
6000	I60 (02ADA)	E-11463	17.47"	F1215	
8000	I80 (02ADB)	E-11463	17.47"	F1215	
16000	FA231 (02231)	E-11463	17.47"	1661867C91	

Paystar Models 5010, F5010, 5050, F5050, F5050SF, F5050SF-LW, 5070, F5070, F5070SF, F5070SF-LW, C05370, C0F5370

King Pin Kits

Axle Rating Lbs.	Axle Code/Year	PART NO./BUSHING	King Pin Size	Type	OEM REF	Notes
12000	FA139 (02139)	E-4451B	1.609" x 9.660"	B	399942C93	Before 1981.
	FA339 (02339)	E-4451B				
		E-4462B		A	493094C92	
		E-4693B		B	588808C91	
16000	FA136 (02136)	E-4454B	1.999" x 11.040"	B	303140C92	Meritor axle FH901.
		E-4454N Nylon				
	FA231 (02231)	E-12512B	1.999" x 11.212"	474520C91	597258C91	Meritor axle FH901 before 1981. Meritor axle FL931 from 1981. Meritor axle FL941 from Feb. 1981.
		E-4458C Easy Steer				
16000, 18000, 20000	I160S (02ADH), I180S (02ADJ), I200S (02ADK)	E-11785B	2.046" x 11.00"	B	1685405C91	
18000	FA182 (02182)	E-4454B	1.999" x 11.040"	B	303140C92	Meritor axle FL901.
		E-4454N Nylon				
	FA232 (02232), FA238 (02238)	E-12512B	1.999" x 11.212"	474520C91	597258C91	Meritor axle FL931. Meritor axle FL941 from Feb. 1981.
		E-4458C Easy Steer				
20000	FA183 (02183)	E-4454B	1.999" x 11.040"	B	303140C92	Meritor axle FL901.
		E-4454N Nylon				
	FA233 (02233), FA239 (02239)	E-12512B	1.999" x 11.212"	474520C91	597258C91	Meritor axle FL931. Meritor axle FL941 from Feb. 1981.
		E-4458C Easy Steer				

NAVISTAR

Paystar Models 5010, F5010, 5050, F5050, F5050SF, F5050SF-LW, 5070, F5070, F5070SF, F5070SF-LW, C05370, C0F5370 (continued)

Tie Rod Ends

Axle Rating Lbs.	Axle Code/Year	PART NO./LOCATION	STUD CTR to ROD END	OEM REF	Notes
12000	FA136 (02136)	E-4616 Roadside	5.75"	969055R91	Meritor axle FH901.
	FA136 (02139), FA339 (02339)	E-4630 Curbside E-4631 Roadside	9.18"	507836C91 507835C91	Greaseable type.
	I120 (02339)	E-4630 Curbside		1649638C91	
		E-4631 Roadside		1649637C91	
16000	FA136 (02136)	E-4616 Roadside	5.75"	969055R91	Meritor axle FH901.
	FA231 (02231)	E-4629 Curbside	7.37"	486355C91	Meritor axle FH901 before 1981.
		E-4628 Roadside		486354C91	Meritor axle FL931 from 1981.
18000	FA182 (02182)	E-4616 Roadside	5.75"	969055R91	Meritor axle FL901.
	FA194 (02194)	E-4619 Roadside		491665C91	Meritor axle FDS1807 to 7/27/82. 1.25"-12 RH thread.
		E-6858 Roadside		592872C91	Meritor axle FDS1807 to 7/27/82. 1.25"-18 RH thread.
		E-4642 Curbside		491666C91	Meritor axle FDS1807. 1.25"-16 RH thread.
	FA232 (02232), FA238 (02238)	E-4629 Curbside	7.37"	486355C91	Meritor axle FL931.
		E-4628 Roadside		486354C91	
	21000	FA196 (02196) (02ERA)	E-4619 Roadside	5.75"	491665C91
E-6858 Roadside				592872C91	Meritor axle FDS1807 to 7/27/82. 1.25"-18 RH thread.
E-4642 Curbside				491666C91	Meritor axle FDS1807. 1.25"-16 RH thread.

**S-Series Heavy Duty Models 2275, F2275, 2276, F2276, 2375, F2375, 2524, F2524, 2554, F2554, 2574, F2574, 2575, F2575, 2624, F2624, 2654, F2654, 2674, F2674, 2675, F2675
King Pin Kits**

Axle Rating Lbs.	Axle Code/Year	PART NO./BUSHING	King Pin Size	Type	OEM REF	Notes
7000	FA97 (02097)	E-4431B	1.234" x 7.656"	A	61556R91	
9000	FA309 (02309)	E-4463B	1.609" x 9.160"	A	493095C91	
		E-4697B	1.609" x 9.160"	B	586809C91	Before August 1981.
		E-4693B	1.609" x 9.660"	B	588808C91	From August 1981. Contains lubrication fittings.
	190 (02309)	E-4697B	1.609" x 9.160"	B	586809C91	From February 1981.
10800	FA329 (02329)	E-4451B	1.609" x 9.660"	B	399942C93	Before August 1981.
		E-4693B			588808C91	From August 1981. Contains lubrication fittings.
			FA341 (02341)	E-4462B		A
	1108 (02329)	E-4693B		B	588808C91	Contains lubrication fittings.
12000	EFA12 (02250)	E-4696B	1.625" x 9.195"	A	ETN0806355	
		E-4696C Easy Steer				
	FA226 (02226)	E-468B	1.794" x 10.392"	B	549800C91	Meritor axles FF931, FF941.
		E-6199C Easy Steer			1665531C91	Meritor axles FF931, FF941.
	FA336 (02336), FA337 (02337)	E-4693B	1.609" x 9.660"		588808C91	Contains lubrication fittings.
	FA338 (02338)	E-4693B			588808C91	Contains lubrication fittings.
	FA339 (02339)	E-4451B			399942C93	Before August 1981.
		E-4693B			588808C91	From August 1981. Contains lubrication fittings.
	FA340 (02340)	E-4462B	1.609" x 9.660"	A	493094C92	
	FF961 (02ARA)		1.794" x 10.392"	B		
		E-6199C Easy Steer			1665531C91	
13200	FF942 (02227)	E-6199C Easy Steer	1.794" x 10.392"	B	1665531C91	Meritor axle FF942NX609.
16000	FA231 (02231)	E-12512B	1.999" x 11.212"	B	474520C91	FH901, FL931 from August 1981.
		E-4458C Easy Steer			597258C91	Meritor axle FL941.
16000, 18000, 20000	1160S (02ADH)	E-11785B	2.046" x 11.00"	B	1685405C91	
18000	FA232 (02232)	E-12512B	1.999" x 11.212"	B	474520C91	Meritor axles FL931, FL941.
		E-4458C Easy Steer			597258C91	
20000	FA233 (02233)	E-12512B	1.999" x 11.212"	B	474520C91	Meritor axles FL931, FL941.
		E-4458C Easy Steer			597258C91	
24000	FA248 (02248)	E-4462B	1.609" x 9.660"	A	493094C92	To February 1981.

NAVISTAR

S-Series Heavy Duty Models 2275, F2275, 2276, F2276, 2375, F2375, 2524, F2524, 2554, F2554, 2574, F2574, 2575, F2575, 2624, F2624, 2654, F2654, 2674, F2674, 2675, F2675 (continued)

Tie Rod Ends

Axle Rating Lbs.	Axle Code/Year	PART NO./LOCATION	STUD CTR to ROD END	OEM REF	Notes	
7000	FA97 (02097)	E-4601 Curbside	3.88"	263499C91		
		E-4600 Roadside		263498C91		
9000	FA309 (02309)	E-4630 Curbside	9.18"	507836C91	Greaseable type.	
		E-4631 Roadside		507835C91		
	I90 (02309)	E-4630 Curbside	1649638C91			
		E-4631 Roadside	1649637C91			
10800	FA329 (02329), FA341 (02341)	E-4630 Curbside	9.18"	507836C91		
		E-4631 Roadside		507835C91		
	I108 (02329)	E-4630 Curbside	1649638C91			
		E-4631 Roadside	1649637C91			
12000	E1200I (02AED)	E-10137 Curbside	6.00"	817019		
		E-10138 Roadside		817018		
	EFA12 (02250)	E-4615 Curbside	5.44"	507838C91		
		E-4614 Roadside		507837C91		
	FA226 (02226)	E-4615 Curbside		507838C91		Meritor axle FF931.
		E-4614 Roadside		507837C91		
	FA336 (02336)	E-5470 Curbside		506662C91		For dropped I-beam.
		E-5469 Roadside		506661C91		
	FA337 (02337)	E-4630 Curbside	9.18"	1649638C91		For straight I-beam.
		E-4631 Roadside		1649637C91		
FA338 (02338)	E-5470 Curbside	5.44"	506662C91	Drop-end type.		
	E-5469 Roadside		506661C91			
FA339 (02339), FA340 (23040)	E-4630 Curbside	9.18"	507836C91	Greaseable type.		
	E-4631 Roadside		507835C91			
16000	FA231 (02231)	E-4629 Curbside	7.37"	486355C91	Meritor axle FH901 to August 1981.	
		E-4628 Roadside		486354C91		
18000	FA232 (02232)	E-4629 Curbside	7.37"	486355C91	Meritor axle FL931.	
		E-4628 Roadside		486354C91		
20000	FA233 (02233)	E-4629 Curbside	7.37"	486355C91	Meritor axle FL931.	
		E-4628 Roadside		486354C91		
24000	FA248 (02248)	E-4630 Curbside	9.18"	1649638C91		
		E-4631 Roadside		1649637C91		

S-Series Heavy Duty Models 2275, F2275, 2276, F2276, 2375, F2375, 2524, F2524, 2554, F2554, 2574, F2574, 2575, F2575, 2624, F2624, 2654, F2654, 2674, F2674, 2675, F2675 (continued)

Drag Links

Axle Rating Lbs.	Axle Code/Year	Part Number	STUD CTR to Stud CTR	OEM REF	Notes
		E-6849	5.50" Stud center to rod end	486807C91	End only. Use with , .
		E-5390	16.84"	489023C91	For steering code 05057.1600.
			17.13"	493652C91	For steering codes 05344, exc. models F2624, F2654, F2674. Includes end 486807C91 (E-6849).
			17.37"	490425C91	For steering codes 05337, 05338, exc. models 2624, F2624, 2654, F2654, 2674, F2674. Includes end 486407C91 (E-6849).
		E-5366	18.14"	480645C92	For steering codes 05057, 05058, 05171, 05318, 05319, 05332, 05333, 05334, 05335, 05336, 05339, 05342, exc. models F2624, F2625, F2654, F2674.

S-Series Heavy Duty Models 2554, 2574, 2654, 2674 (Built 1989 and Later)

King Pin Kits

Axle Rating Lbs.	Axle Code/Year	PART NO./BUSHING	King Pin Size	Type	OEM REF	Notes
12000	FF961 (02ARA)	E-6199C Easy Steer	1.794" x 10.392"	B	1665531C91	
13200	FA227 (02227)	E-468B	1.794" x 10.392"	B	549800C91	
		E-6199C Easy Steer			1665531C91	
	FF942 (02227)	E-6199C Easy Steer			1665531C91	
16000, 18000, 20000	FA231 (02231), FA232 (02232), FA233 (02233), FL941 (02231)	E-12512B	1.999" x 11.212"	B	474520C91	
		E-4458C Easy Steer			597258C91	

NAVISTAR

S-Series Heavy Duty Models 2275, F2275, 2276, F2276, 2375, F2375, 2524, F2524, 2554, F2554, 2574, F2574, 2575, F2575, 2624, F2624, 2654, F2654, 2674, F2674, 2675, F2675 (continued)

Tie Rod Ends

Axle Rating Lbs.	Axle Code/Year	PART NO./LOCATION	STUD CTR to ROD END	OEM REF	Notes
10000	I100S (02ADC)	E-4615 Curbside	5.44"	507838C91	w/126"-225" WB.
		E-4614 Roadside		507837C91	
		E-4630 Curbside	9.18"	1649638C91	w/226"-280" WB.
		E-4631 Roadside		1649637C91	
12000	I120S (02ADD)	E-4630 Curbside	9.18"	1649638C91	w/226"-280" WB.
		E-4631 Roadside		1649637C91	
	I120S (02ADD), FF961 (02ARA)	E-4615 Curbside	5.44"	507838C91	w/126"-225" WB.
		E-4614 Roadside		507837C91	
	I120S (02ADG)	E-9952 Curbside	9.43"	1668410C91	
		E-9951 Roadside		1668409C91	
13200	FA227, FF942 (02227)	E-4615 Curbside	5.44"	507838C91	
		E-4614 Roadside		507837C91	
14000	I140S (02ADE)	E-4615 Curbside	5.44"	1668408C91	
		E-4614 Roadside		1668407C91	

Drag Links

Axle Rating Lbs.	Axle Code/Year	Part Number	STUD CTR to Stud CTR	OEM REF	Notes
		E-9911	17.68"	1661437C92	Used on 05PTA, 05PRH (2500).
		E-5366	18.14"	480645C92	Used on 05PTB 2004 LH P/S.

**S-Series Medium Duty Models 1624, 1654, 1658, 1723, 1724, 1753, 1754, 1758, 1823, 1824, 1853, 1854, 1858, 1924, F1924, 1925, 1954, F1954, 1955, 1958, 2125, F2125, 2155
King Pin Kits**

Axle Rating Lbs.	Axle Code/Year	PART NO./BUSHING	King Pin Size	Type	OEM REF	Notes
5000	FA71, I50 (02071)	E-4460B	1.359" x 7.968"	A	473695C91	
		E-6198B	1.359" x 7.970"	B	1660271C92	
6000	FA73, I60 (02073)	E-4460B	1.359" x 7.968"	A	473695C91	
		E-6198B	1.359" x 7.970"	B	1660271C92	
7500	FA101, I75 (02101)	E-4460B	1.359" x 7.968"	A	473695C91	
		E-6198B	1.359" x 7.970"	B	1660271C92	
8000	FA104, I80 (02104)	E-4460B	1.359" x 7.968"	A	473695C91	
		E-6198B	1.359" x 7.970"	B	1660271C92	
9000	FA109 (02109)	E-4484B	1.480" x 8.866"	B	408547C93	
		E-4481B	1.484" x 8.866"	A	493092C91	
	FA118 (02118)	E-4451B	1.609" x 9.660"	B	399942C93	Before 1981.
		E-4462B		A	493094C92	
		E-4693B		B	588808C91	From 1981. Contains lubrication fittings.
	FA309, FA242 (02309)	E-4463B	1.609" x 9.160"	A	493095C91	
		E-4697B		B	586809C91	
	I90 (02309)	E-4697B				
10800	FA127 (02127)	E-4451B	1.609" x 9.660"	B	399942C93	Before 1981.
		E-4462B		A	493094C92	
		E-4693B		B	588808C91	From 1981. Contains lubrication fittings.
	FA329, FA337 (02329)	E-4451B			399942C93	
	I108 (02329)	E-4693B			588808C91	
12000	FA139 (02139)	E-4451B	1.609" x 9.660"	B	399942C93	Before 1981.
		E-4462B		A	493094C92	
		E-4693B		B	588808C91	From 1981. Contains lubrication fittings.
	FA223 (02223)	E-468B	1.794" x 10.392"		549800C91	
		E-6199C Easy Steer			1665531C91	
	FA226 (02226)	E-468B			549800C91	Meritor axle FF941.
		E-6199C Easy Steer			1665531C91	
	FA227 (02227)	E-468B			549800C91	Meritor axle FF942.
		E-6199C Easy Steer			1665531C91	
	FA339 (02339)	E-4451B	1.609" x 9.660"		399942C93	
	I120 (02339)	E-4693B			588808C91	

NAVISTAR

S-Series Medium Duty Models 1624, 1654, 1658, 1723, 1724, 1753, 1754, 1758, 1823, 1824, 1853, 1854, 1858, 1924, F1924, 1925, 1954, F1954, 1955, 1958, 2125, F2125, 2155 (continued)

King Pin Kits (continued)

Axle Rating Lbs.	Axle Code/Year	PART NO./BUSHING	King Pin Size	Type	OEM REF	Notes
13200	FA227 (02227)	E-468B E-6199C Easy Steer	1.794" x 10.392"	B	549800C91 1665531C91	Meritor axles FF931, FF942.
14000	FA342 (02342)	E-4451B E-4693B	1.609" x 9.660"	B	399942C93 588808C91	Before 1981. From 1981. Contains lubrication fittings.
16000	FA231 (02231)	E-12512B E-4458C Easy Steer	1.999" x 11.212"	B	474520C91 597258C91	Meritor axle FL941.
18000	FA232 (02232)	E-12512B E-4458C Easy Steer	1.999" x 11.212"	B	474520C91 597258C91	Meritor axle FL941.
20000	FA233 (02233)	E-12512B E-4458C Easy Steer	1.999" x 11.212"	B	474520C91 597258C91	Meritor axle FL941.

Tie Rod Ends

Axle Rating Lbs.	Axle Code/Year	PART NO./LOCATION	STUD CTR to ROD END	OEM REF	Notes	
5000	FA71, I50 (02071)	E-4605 Curbside	4.438"	450062C91		
		E-4604 Roadside		450063C91		
6000	FA73, I60 (02073)	E-4605 Curbside	4.438"	450062C91		
		E-4604 Roadside		450063C91		
7500	FA101, I75 (02101)	E-4605 Curbside	4.438"	450062C91		
		E-4604 Roadside		450063C91		
8000	FA104, I80 (02104)	E-4605 Curbside	4.438"	450062C91		
		E-4604 Roadside		450063C91		
9000	FA109 (02109)	E-4615 Curbside	5.44"	507838C91	From February 1981, greaseable type.	
		E-4614 Roadside		507837C91		
		E-4630 Curbside	9.18"	507836C91		Greaseable type.
		E-4631 Roadside		507835C91		
	FA118 (02118), FA309 (02309)	E-4630 Curbside	5.44"	507836C91		
		E-4631 Roadside		507835C91		
	I90 (02309)	E-5470 Curbside	5.44"	506662C91	Drop-end type.	
				E-5469 Roadside		506661C91
		E-4630 Curbside	9.18"	1649638C91		For straight I-beam.
				E-4631 Roadside		
E-6136 Curbside	10.84"		1658947C91	For dropped I-beam.		
			E-6135 Roadside		1658946C91	

S-Series Medium Duty Models 1624, 1654, 1658, 1723, 1724, 1753, 1754, 1758, 1823, 1824, 1853, 1854, 1858, 1924, F1924, 1925, 1954, F1954, 1955, 1958, 2125, F2125, 2155 (continued)
Tie Rod Ends (continued)

Axle Rating Lbs.	Axle Code/Year	PART NO./LOCATION	STUD CTR to ROD END	OEM REF	Notes	
10800	FA127 (02127)	E-4630 Curbside	9.18"	507836C91	Greaseable type.	
		E-4631 Roadside		507835C91		
	FA329 (02329)	E-4630 Curbside		507836C91		
		E-4631 Roadside		507835C91		
	FA337 (02329)	E-4630 Curbside		1649638C91	For straight I-beam.	
		E-4631 Roadside		1649637C91		
	1108 (02329)	E-5470 Curbside		5.44"	506662C91	Drop-end type.
					E-5469 Roadside	
		E-4630 Curbside		9.18"	1649638C91	For straight I-beam.
					E-4631 Roadside	
E-6136 Curbside			10.84"	1658947C91	For dropped I-beam.	
	E-6135 Roadside			1658946C91		
12000	FA139 (02139)	E-4630 Curbside	9.18"	507836C91	Greaseable type.	
		E-4631 Roadside		507835C91		
	FA226 (02226)	E-4615 Curbside		5.44"	507838C91	Meritor axle FF941.
		E-4614 Roadside			507837C91	
	FA227 (02227)	E-4615 Curbside			507838C91	
		E-4614 Roadside			507837C91	
	FA228 (02228)	E-4615 Curbside			507838C91	
		E-4614 Roadside			507837C91	
	FA339 (02339)	E-4630 Curbside		9.18"	507836C91	Greaseable type.
		E-4631 Roadside			507835C91	
	1120 (02337) (02339)	E-5470 Curbside		5.44"	506662C91	Drop-end type.
					E-5469 Roadside	
		E-4630 Curbside		9.18"	1649638C91	For straight I-beam.
E-4631 Roadside					1649637C91	
E-6136 Curbside			10.84"	1658947C91	For dropped I-beam.	
	E-6135 Roadside			1658946C91		
SDA12 (02EYB)	E-4611 Curbside		4.875"	110363R92	Front driving axle (02032, 02083).	
	E-4610 Roadside			110362R92		
13200	FA227 (02227)	E-4615 Curbside	5.44"	507838C91	Meritor axle FF942.	
		E-4614 Roadside		507837C91		
	1132 (02342)	E-4630 Curbside	9.18"	1649638C91	For straight I-beam.	
		E-4631 Roadside		1649637C91		
13500	1132 (02342)	E-6136 Curbside	10.84"	1658947C91	For dropped I-beam.	
		E-6135 Roadside		1658946C91		
14000	FA342 (02342)	E-4630 Curbside	9.18"	507836C91	Greaseable type.	
		E-4631 Roadside		507835C91		
			E-4629 Curbside	7.37"	468355C91	Meritor axle FL941.
			E-4628 Roadside	486354C91		
18000	FA231 (02231)	E-4629 Curbside	7.37"	486355C91	Meritor axle FL941.	
		E-4628 Roadside		486354C91		
20000	FA231 (02231)	E-4629 Curbside	7.37"	486355C91	Meritor axle FL941.	
		E-4628 Roadside		486354C91		

NAVISTAR

S-Series Medium Duty Models 1624, 1654, 1658, 1723, 1724, 1753, 1754, 1758, 1823, 1824, 1853, 1854, 1858, 1924, F1924, 1925, 1954, F1954, 1955, 1958, 2125, F2125, 2155 (continued)

Drag Links

Axle Rating Lbs.	Axle Code/Year	Part Number	STUD CTR to Stud CTR	OEM REF	Notes
5000	FA71 (02071)	E-5390	16.84"	489023C91	For steering codes 05165, 05345.
	I50 (02071)	E-5390			
6000	FA73 (02073)	E-5390	16.84"	489023C91	For steering codes 05165, 05345.
	I60 (02073)	E-5390			
7500	FA101 (02101)	E-5390	16.84"	489023C91	For steering codes 05057, 05345.
	I75 (02101)	E-5390			
8000	FA104, I80 (02104)	E-5390	16.84"	489023C91	
9000	FA109 (02109), FA118 (02118), FA309 (02309)	E-5366	18.14"	480645C92	For steering codes 05057, 05333, 05342.
	I90 (02309)	E-5366			
10800	FA127 (02127)	E-5366	18.14"	480645C92	For steering codes 05335 without flotation tires.
	FA329 (02329)	E-5366			For steering codes 05058, 05332, 05335 without flotation tires (exc. 1853FC model from 1981).
	I108 (02329)	E-5366			Exc. 1853FC model from 1981.
12000	FA139 (02139)	E-5366	18.14"	480645C92	For steering code 05335 without flotation tires before 1981 or for 2100 model from 1981.
	FA226 (02226)	E-5366			Meritor axles FF941, FF942. For code 05335.0004.
	FA339 (02339)	E-5366			For steering code 05335 without flotation tires (exc. 1853FC model from 1981).
	I120 (02329)	E-5366			For models without flotation tires from 1981 exc. 1853FC model.
14000	FA342 (02342)		17.13"	486979C92	For codes 05298, 05337.

Transtar 4070B, C04070B, F4070B, C0F4070B, 4170, F4170

King Pin Kits

Axle Rating Lbs.	Axle Code/Year	PART NO./BUSHING	King Pin Size	Type	OEM REF	Notes
10800	FA329 (02329)	E-4451B	1.609" x 9.660"	B	399942C93	Steel I-beam axle.
		E-4462B		A	493094C92	
		E-4462B				
12000	FA139 (02139)	E-4451B	1.609" x 9.660"	B	399942C93	Steel I-beam axle.
	FA228 (02228)	E-4450B	1.794" x 10.410"		452344C91	
	FA339 (02339)	E-4451B	1.609" x 9.660"		399942C93	
		E-4462B		A	493094C92	
	FA340 (02340)	E-4462B				
16000	FA136 (02136)	E-4454B	1.999" x 11.040"	B	303140C92	Meritor axle FH901.
		E-4454N Nylon				
	FA231 (02231)	E-12512B	1.999" x 11.212"		474520C91	
		E-4458C Easy Steer			597258C91	

Transtar 4070B, C04070B, F4070B, C0F4070B, 4170, F4170 (continued)

Tie Rod Ends

Axle Rating Lbs.	Axle Code/Year	PART NO./LOCATION	STUD CTR to ROD END	OEM REF	Notes
10800	FA329 (02329),	E-4630 Curbside	9.18"	507836C91	Greaseable type.
	FA341 (02341)	E-4631 Roadside		507835C91	
12000	FA139 (02139),	E-4630 Curbside	9.18"	507836C91	Greaseable type.
	FA339 (02339),	E-4631 Roadside		507835C91	
	FA340 (02340)	E-4615 Curbside	5.44"	438369C91	
	FA228 (02228)	E-4614 Roadside		438368C91	
16000	FA136 (02136)	E-4616 Roadside	5.75"	969055R91	Meritor axle FH901.
	FA231 (02231)	E-4629 Curbside	7.37"	486355C91	
		E-4628 Roadside		486354C91	

Drag Links

Axle Rating Lbs.	Axle Code/Year	Part Number	STUD CTR to Stud CTR	OEM REF	Notes
16000	All	E-4629	7.37" Stud center to rod end	486355C91	End only. Use with .

Transtar C04070A, C0F4070A

King Pin Kits

Axle Rating Lbs.	Axle Code/Year	PART NO./BUSHING	King Pin Size	Type	OEM REF	Notes
12000	FA139 (02139)	E-4451B	1.609" x 9.660"	B	399942C93	
16000	FA136 (02136)	E-4454B	1.999" x 11.040"	B	303140C92	Meritor axle FH901.
		E-4454N Nylon				
18000	FA182 (02182)	E-4454B	1.999" x 11.040"	B	303140C92	Meritor axle FL901.
		E-4454N Nylon				

Tie Rod Ends

Axle Rating Lbs.	Axle Code/Year	PART NO./LOCATION	STUD CTR to ROD END	OEM REF	Notes
12000	FA119 (02119)	E-4630 Curbside	9.18"	377636C91	Greaseable type from 1970.
		E-4631 Roadside		377635C91	
	FA139 (02139)	E-4630 Curbside	5.75"	507836C91	Greaseable type.
		E-4631 Roadside		507835C91	
16000	FA215 (02215)	E-4611 Curbside	4.875"	110363R92	
		E-4610 Roadside		110362R92	
16000	FA136 (02136)	E-4616 Roadside	5.75"	969055R91	Meritor axle FH901.
18000	FA182 (02182)	E-4616 Roadside	5.75"	969055R91	Meritor axle FL901.

NAVISTAR

Transtar Models 4200, F4200, 4300, F4300

King Pin Kits

Axle Rating Lbs.	Axle Code/Year	PART NO./BUSHING	King Pin Size	Type	OEM REF	Notes
10800	FA329 (02329)	E-4451B	1.609" x 9.660"	B	399942C93	
		E-4462B		A	493094C92	
	FA341 (02341)	E-4462B				Steel axle.
12000	FA139 (02139), FA339 (02339)	E-4451B	1.609" x 9.660"	B	399942C93	
		E-4462B		A	493094C92	
	FA218 (02218)		1.794" x 9.120"	B	303139C92	
	FA223 (02223)	E-468B	1.794" x 10.392"		549800C91	Meritor axle FF941.
	FA226 (02226)	E-468B			549800C91	Meritor axle FF931.
	FA228 (02228)	E-4450B	1.794" x 10.410"		452344C91	Meritor axle FF921.
	FA234 (02234)	E-4595B	1.607" x 9.375"		577684C91	Meritor axle FF971. Center point steering.
	FA340 (02340)	E-4462B	1.609" x 9.660"	A	493094C92	Steel axle.
13200	FA227 (02227)	E-468B	1.794" x 10.392"	B	549800C91	Meritor axle FF932.
16000	FA136 (02136)	E-4454B	1.999" x 11.040"	B	303140C92	Meritor axle FH901.
		E-4454N Nylon				
	FA231 (02231)	E-12512B	1.999" x 11.212"		474520C91	Meritor axle FH901 before 1981.
		E-4458C Easy Steer			597258C91	Meritor axle FL931 from 08/1981.

Tie Rod Ends

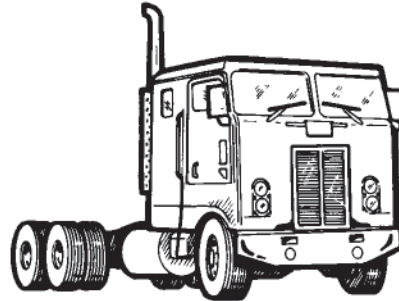
Axle Rating Lbs.	Axle Code/Year	PART NO./LOCATION	STUD CTR to ROD END	OEM REF	Notes
10800	FA329 (02329), FA341 (02341)	E-4630 Curbside	9.18"	507836C91	Greaseable type.
		E-4631 Roadside		507835C91	
12000	FA139 (02139), FA339 (02339), FA340 (02340)	E-4630 Curbside	9.18"	507836C91	Greaseable type.
		E-4631 Roadside		507835C91	
	FA218 (02218)	E-4611 Curbside	4.875"	110363R92	
		E-4610 Roadside		11036R92	
	FA223 (02223)	E-4615 Curbside	5.44"	507838C91	Meritor axle FF941.
		E-4614 Roadside		507837C91	
	FA224 (02224)	E-4615 Curbside	5.44"	507838C91	Meritor axle FF931A.
		E-4614 Roadside		507837C91	
FA226 (02226)	E-4615 Curbside	5.44"	507838C91	Meritor axle FF931.	
	E-4614 Roadside		507837C91		
FA228 (02228)	E-4615 Curbside	5.44"	438369C91	Meritor axle FF921.	
	E-4614 Roadside		438368C91		
13200	FA227 (02227)	E-4615 Curbside	5.44"	507838C91	Meritor axle FF932.
		E-4614 Roadside		507837C91	
16000	FA136 (02136)	E-4616 Roadside	5.75"	969055R91	Meritor axle FH901.
	FA231 (02231)	E-4629 Curbside	7.37"	486355C91	Meritor axle FH901 before 1981.
		E-4628 Roadside		486354C91	

Drag Links

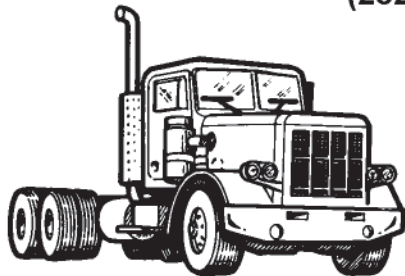
Axle Rating Lbs.	Axle Code/Year	Part Number	STUD CTR to Stud CTR	OEM REF	Notes
10800, 16000	All	E-4629	7.37" Stud center to rod end	486355C91	End only. Use with .

INDEX

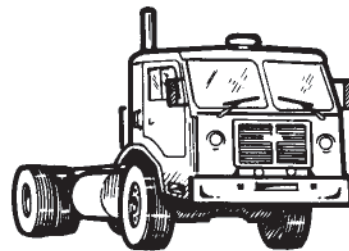
Model	Page
252, 282, 289, 300, 348, 352, 352H, 353, 359	208
310, 320, 330, 357, 362, 372, 375, 376, 377, 378, 379, 385, 387	209



ALUMINUM TILT CAB
(282, 352, 352-H)



CONVENTIONAL
(252, 289, 348, 353, 359)



LOW CAB FORWARD
(300)

PETERBILT

252, 282, 289, 300, 348, 352, 352H, 353, 359

King Pin Kits

Axle Rating Lbs.	Axle Code/Year	PART NO./BUSHING	King Pin Size	Type	OEM REF	Notes
12000	(FE900)	E-4434B	9.75"	D	KIT 144	Tapered pin.
		E-4434N Nylon			KIT 123	
	(FF901)		1.794" x 9.120"	B	KIT 172	
	(FF921)	E-4450B	1.794" x 10.410"		KIT 199	
	(FF931)	E-468B	1.794" x 10.392"		KIT 195	
	(FF971)	E-4595B	1.607" x 9.375"		KIT 1300	
16000	(FH901)	E-4454B	1.999" x 11.040"	B	KIT 170	
		E-4454N Nylon			KIT 168	
	(FL931)	E-12512B	1.999" x 11.212"	KIT 198		
		E-4458C Easy Steer		KIT 1312		
18000	(FL901)	E-4454B	1.999" x 11.040"	B	KIT 170	
		E-4454N Nylon			KIT 168	

Tie Rod Ends

Axle Rating Lbs.	Axle Code/Year	PART NO./LOCATION	STUD CTR to ROD END	OEM REF	Notes	
12000	(FE900)	E-4611 Curbside	4.875"	A3144R226		
		E-4610 Roadside		A3144Q225		
	(FE970)	E-4611 Curbside		A3144R226		
		E-4610 Roadside		A3144Q225		
	(FF901)	E-4611 Curbside		4.875"	A3144R226	
			E-4610 Roadside		A3144Q225	
		E-4618 Curbside		5.75"	A3144D238	Anti-tilt seal type.
			E-4619 Roadside		A3144C237	
	(FF921)	E-4615 Curbside		5.44"	A3144D524	Greaseable type.
			E-4614 Roadside		A3144E525	
	(FF931)	E-4615 Curbside			A3144D524	
			E-4614 Roadside		A3144E525	
16000	(FH901)	E-4616 Roadside	5.75"	A3144K297		
	(FL931)	E-4629 Curbside	7.37"	A3144F448		
		E-4628 Roadside		A3144G449		
18000	(FL901)	E-4616 Roadside	5.75"	A3144K297		

Drag Links

Axle Rating Lbs.	Axle Code/Year	Part Number	STUD CTR to Stud CTR	OEM REF	Notes
All	All	E-6818	14.21"	10-02163	L24VU7050B12, DS1179, Rpl/10-2131.
		E-6819	31.69"	10-02260	L24VU7051B12, DS1180, Rpl/10-2132.

310, 320, 330, 357, 362, 372, 375, 376, 377, 378, 379, 385, 387

King Pin Kits

Axle Rating Lbs.	Axle Code/Year	PART NO./BUSHING	King Pin Size	Type	OEM REF	Notes
11000	(FE900)	E-4434B E-4434N Nylon	9.75"	D	KIT 144 KIT 123	Tapered pin.
12000	(FF901)		1.794" x 9.120"	B	KIT 172	
	(FF921)	E-4450B	1.794" x 10.410"		KIT 199	
	(FF931)	E-468B	1.794" x 10.392"		KIT 195	
	(FF941), (FF942), (FF943), (FF944)	E-468B E-6199C Easy Steer			KIT 195 KIT 1315	
	(FF961)	E-6199C Easy Steer			KIT 1315	
	(FF971)	E-4595B	1.607" x 9.375"		KIT 1300	
	EFA12F4	E-4696B E-4696C Easy Steer	1.625" x 9.195"	A	806355	
13200	EFA12F4	E-4696B E-4696C Easy Steer	1.625" x 9.195"	A	806355	
14600	(FG941)	E-4695C Easy Steer E-6868B	1.794" x 10.392"	B	KIT 1309 KIT 1310	
16000	(FH901)	E-4454B E-4454N Nylon	1.999" x 11.040"	B	KIT 170 KIT 168	
16000, 18000	(FL931)	E-12512B E-4458C Easy Steer	1.999" x 11.212"	B	KIT 198 KIT 1312	
18000	(FL901)	E-4454B E-4454N Nylon	1.999" x 11.040"	B	KIT 170 KIT 168	
18000, 20000	(FL941)	E-12512B E-4458C Easy Steer	1.999" x 11.212"	B	KIT 198 KIT 1312	
18000	EFA18F3	E-6194C Composite	1.873" x 9.965"	A	1008500	
36000	(FL941)	E-12512B E-4458C Easy Steer	1.999" x 11.212"	B	KIT 198 KIT 1312	Dual steer axle.

PETERBILT

310, 320, 330, 357, 362, 372, 375, 376, 377, 378, 379, 385, 387 (continued)

Tie Rod Ends

Axle Rating Lbs.	Axle Code/Year	PART NO./LOCATION	STUD CTR to ROD END	OEM REF	Notes
11000	(FE900)	E-4611 Curbside	4.875"	A3144R226	
		E-4610 Roadside		A3144Q225	
		E-4616 Roadside	5.75"	A3144K297	
12000	(FE970)	E-4611 Curbside	4.875"	A3144R226	
		E-4610 Roadside		A3144Q225	
		E-4616 Roadside	5.75"	A3144K297	
	(FF901)	E-4611 Curbside	4.875"	A3144R226	
		E-4610 Roadside		A3144Q225	
		E-4618 Curbside	5.75"	A3144D238	Anti-tilt seal type.
		E-4619 Roadside		A3144C237	
		E-4616 Roadside		A3144K297	Conventional seal type.
	(FF921)	E-4615 Curbside	5.44"	A3144D524	Greaseable type.
		E-4614 Roadside		A3144E525	
	(FF931)	E-4615 Curbside		A3144D524	
		E-4614 Roadside		A3144E525	
	(FF941), (FF942), (FF943), (FF944)	E-4615 Curbside		A3144D524	
		E-4614 Roadside		A3144E525	
	(FF961)	E-4615 Curbside		A3144D524	
		E-4614 Roadside		A3144E525	
E1200I	E-10137 Curbside	6.00"	817019		
	E-10138 Roadside		817018		
12000, 13200	EFA12F4	E-4615 Curbside	5.44"	1006148	
		E-4614 Roadside		1006149	
		E-8758 Curbside	8.125"	1009010	
		E-8757 Roadside		1009009	
14600	(FG941)	E-4615 Curbside	5.44"	A3144D524	Greaseable type.
		E-4614 Roadside		A3144E525	
16000	(FH901)	E-4616 Roadside	5.75"	A3144K297	
16000, 18000	(FL931)	E-4616 Roadside	5.75"	A3144K297	
		E-4629 Curbside	7.37"	A3144F448	
		E-4628 Roadside		A3144G449	
		E-6856 Curbside	12.69"	A3144V438	
		E-6857 Roadside		A3144U437	
18000	(FL901)	E-4616 Roadside	5.75"	A3144K297	

310, 320, 330, 357, 362, 372, 375, 376, 377, 378, 379, 385, 387 (continued)

Tie Rod Ends (continued)

Axle Rating Lbs.	Axle Code/Year	PART NO./LOCATION	STUD CTR to ROD END	OEM REF	Notes
18000, 20000	(FL941)	E-4616 Roadside	5.75"	A3144K297	
		E-4629 Curbside	7.37"	A3144F448	
		E-4628 Roadside		A3144G449	
		E-6856 Curbside	12.69"	A3144U437	
		E-6857 Roadside		A3144V438	
18000	EFA18F3	E-4629 Curbside	7.37"	820695	
		E-4628 Roadside		820694	
36000	(FL941)	E-4616 Roadside	5.75"	A3144K297	Dual steer axle.
		E-4629 Curbside	7.37"	A3144F448	
		E-4628 Roadside		A3144G449	
		E-6856 Curbside	12.69"	A3144U437	
		E-6857 Roadside		A3144V438	

Drag Links

Axle Rating Lbs.	Axle Code/Year	Part Number	STUD CTR to Stud CTR	OEM REF	Notes
All	All	E-6818	14.21"	1002163	L24VU7050B12, DS1179, Rpl/10-2131.
		E-6819	31.69"	1002260	

579, 587

Drag Links

Axle Rating Lbs.	Axle Code/Year	Part Number	STUD CTR to Stud CTR	OEM REF	Notes
All	All	E-6818	14.21"	1002498	
				1002613	
		E-6819	31.69"	1002499	
				1002260	

Model	Page	Model	Page
A, L & S	213		
ACL	214		
Acterra	214		
Cargo	214		

Axle Rating Lbs.	Axle Code/Year	PART NO./BUSHING	King Pin Size	Type	OEM REF	Notes
12000	FF961	E-6199C Easy Steer	1.794" x 10.392"	B	300-276, 300-271, 300-284, 300-266	
		E-9941B	1.921" x 9.87"			
		E-11811C Easy Steer	1.794" x 10.392"		300-333, 300-334	
12000, 13000	MFS12, 13	E-11808C Easy Steer	1.794" x 8.844"	B	300-317, 300-299	
12000, 13200, 14000, 14600	I120W, 02ADE, 132SG, 02ADG, 140S/SG/W	E-9942B	2.046" x 10.120"	B	300-277, 300-272	
14000	MFS14	E-11810C Easy Steer	1.794" x 10.392"	B	300-331, 300-332	
16000	I160W	E-11810C Easy Steer	1.794" x 10.392"	B	300-322	
16000, 18000, 20000	I160S/SG, 180S/SG, 200S/SG, MFS16, 18, 20	E-11785B	2.046" x 11.00"	B	300-278, 300-310, 300-329, 300-330	
		E-11813C Easy Steer	1.999" x 11.212"			
		E-11814C Easy Steer				

Tie Rod Ends

Axle Rating Lbs.	Axle Code/Year	PART NO./LOCATION	STUD CTR to ROD END	OEM REF	Notes
12000, 13000, 13200, 14000, 14600, 16000, 18000, 20000	I120S/SG, 02ADD, 132SG, 1405/SA/SG, 146SA, MFS12, 13, 14, 16, 18, 20	E-4615 Curbside E-4614 Roadside	5.44"	310-223 310-222	
12000, 13200, 14000, 14600, 16000, 18000, 20000	I120S/SG, 02ADD, 132SG, 140S/SA/SG, 146SA, 160S/SG, 180S/SG, 200S/SG	E-4616 Roadside	5.75"	310-229	
12000, 13200, 14000, 14600, 16000, 18000, 20000, 22000	D2000F, 2200F, I120S/SG, 02ADD, 132SG, 140S/SA/SG, 146SA, 160S/SG, 180S/SG, 200S/SG	E-6856 Curbside E-6857 Roadside	12.69"	310-395 310-396	
12000, 14000, 16000, 18000, 20000	I120W, 140W, MFS14, 16, 18, 20	E-4629 Curbside	7.37"	310-434	
13200 14000, 14600	I132SG, I140SA, 146SA	E-10137 Curbside E-10138 Roadside	6.00"	310-455, 310-456	
		E-4630 Curbside E-4631 Roadside	9.18"	310-215 310-216	

STERLING

ACL

King Pin Kits

Axle Rating Lbs.	Axle Code/Year	PART NO./BUSHING	King Pin Size	Type	OEM REF	Notes
12000	FF961	E-6199C Easy Steer	1.794" x 10.392"	B	KIT 1315	
14600	FG941	E-4695C Easy Steer E-6868B	1.794" x 10.392"	B	KIT 1309 KIT 1310	
16000, 18000, 20000	FL941	E-12512B E-4458C Easy Steer	1.999" x 11.212"	B	KIT 198 KIT 1312	

ACTERRA

King Pin Kits

Axle Rating Lbs.	Axle Code/Year	PART NO./BUSHING	King Pin Size	Type	OEM REF	Notes
8000	MFS08	E-11812C Easy Steer	1.499" x 7.511"	B	300-316	
10000, 12000	MFS10, 12	E-6199C Easy Steer	1.794" x 10.392"	B	300-284 300-266	
12000	MFS12	E-11811C Easy Steer	1.794" x 10.392"		300-333 300-334	
12000, 13000	MFS12, 13	E-11808C Easy Steer	1.794" x 8.844"	B	300-317 300-299	
14000	MFS14	E-11810C Easy Steer	1.794" x 10.392"	B	300-331 300-332	
16000, 18000, 20000	MFS16, 18, 20	E-11813C Easy Steer E-11814C Easy Steer	1.999" x 11.212"	B	300-310 300-329 300-330	

Tie Rod Ends

Axle Rating Lbs.	Axle Code/Year	PART NO./LOCATION	STUD CTR to ROD END	OEM REF	Notes
8000, 10000, 12000, 13000, 14000, 16000, 18000, 20000	MFS08, 10, 12, 13, 14, 16, 18, 20	E-4615 Curbside E-4614 Roadside	5.44"	310-223 310-222	
14000, 16000, 18000, 20000	MFS14, 16, 18, 20	E-4629 Curbside E-4628 Roadside	7.37"	310-434 310-433	
16000, 18000, 20000	MFS16, 18, 20	E-6856 Curbside E-6857 Roadside	12.69"	310-395 310-396	

CARGO

King Pin Kits

Axle Rating Lbs.	Axle Code/Year	PART NO./BUSHING	King Pin Size	Type	OEM REF	Notes
8000	MFS08	E-11812C Easy Steer	1.499" x 7.511"	B	300-316	
12000	MFS12	E-6199C Easy Steer	1.794" x 10.392"	B	300-284 300-266	

Tie Rod Ends

Axle Rating Lbs.	Axle Code/Year	PART NO./LOCATION	STUD CTR to ROD END	OEM REF	Notes
8000, 10000, 12000	MFS08, 10, 12	E-4615 Curbside E-4614 Roadside	5.44"	310-223 310-222	

INDEX

Model	Page	Model	Page
Saf-T-Liner C2.....	215		

SAF-T-LINER C2

King Pin Kits

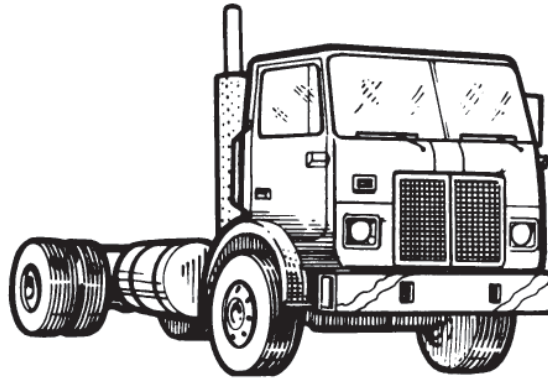
Axle Rating Lbs.	Axle Code/Year	PART NO./BUSHING	King Pin Size	Type	OEM REF	Notes
10000, 12000	FF971, FF931, 932, 933, 934, 941, 942, 943	E-6199C Easy Steer	1.794" x 10.392"	B	300-284 300-266	
12000	FD961, FF931, 932, 933, 934, 941, 942, 943, 961	E-468B E-4595B	1.794" x 10.392" 1.607" x 9.375"	B	300-232 300-242 300-240	

Tie Rod Ends

Axle Rating Lbs.	Axle Code/Year	PART NO./LOCATION	STUD CTR to ROD END	OEM REF	Notes
8000	FC921, FC941	E-4603 Curbside E-4602 Roadside	3.88"	310-142 310-143	
10000, 12000	FD961, FF931, 932, 933, 934, 941, 942, 943, 961	E-4615 Curbside E-4614 Roadside	5.44"	310-222 310-223	

INDEX

Model	Page	Model	Page
AC Series.....	217	WG Series.....	220
ACL Series.....	217	WHR, WIL, WIA, Series.....	220
AERO Series.....	218	XPEDITOR.....	221
Autohauler Tractors.....	219		



ROAD XPEDITOR 2

VOLVO

AC Series

King Pin Kits

Axle Rating Lbs.	Axle Code/Year	PART NO./BUSHING	King Pin Size	Type	OEM REF	Notes
12000	FF961	E-6199C Easy Steer	1.794" x 10.392"	B	KIT 1315	
16000, 18000, 20000	FL941	E-12512B E-4458C Easy Steer	1.999" x 11.212"	B	KIT 198 KIT 1312	

Tie Rod Ends

Axle Rating Lbs.	Axle Code/Year	PART NO./LOCATION	STUD CTR to ROD END	OEM REF	Notes
12000	FF961	E-4615 Curbside E-4614 Roadside	5.44"	37024-0005 37024-0004	
16000, 18000, 20000	FL941	E-4616 Roadside E-4629 Curbside E-4628 Roadside E-6856 Curbside E-6857 Roadside	5.75" 7.37" 12.69"	AA3144K297 37024-5002 37024-5001 A3144D550 A3144C549	

ACL Series

King Pin Kits

Axle Rating Lbs.	Axle Code/Year	PART NO./BUSHING	King Pin Size	Type	OEM REF	Notes
12000	FF961	E-6199C Easy Steer	1.794" x 10.392"	B	KIT 1315	
14600	FG941	E-4695C Easy Steer E-6868B	1.794" x 10.392"	B	KIT 1309 KIT 1310	
16000, 18000, 20000	FL941	E-12512B E-4458C Easy Steer	1.999" x 11.212"	B	KIT 198 KIT 1312	

VOLVO

ACL Series (continued)

Tie Rod Ends

Axle Rating Lbs.	Axle Code/Year	PART NO./LOCATION	STUD CTR to ROD END	OEM REF	Notes
12000, 14600	FF961, FG941	E-4615 Curbside	5.44"	37024-0005	
		E-4614 Roadside		37024-0004	
16000, 18000, 20000	FL941	E-4616 Roadside	5.75"	A3144K297	
		E-4629 Curbside	7.37"	37024-5002	
		E-4628 Roadside		37024-5001	
		E-6856 Curbside	12.69"	A3144D550	
		E-6857 Roadside		A3144C549	

AERO Series

King Pin Kits

Axle Rating Lbs.	Axle Code/Year	PART NO./BUSHING	King Pin Size	Type	OEM REF	Notes
12000	EFA-12F4	E-4696B	1.625" x 9.195"	A		
		E-4696C Easy Steer			806355	
	FF943	E-468B	1.794" x 10.392"	B	KIT 195	
	FF961	E-6199C Easy Steer			KIT 1315	
14600	FG943	E-4695C Easy Steer	1.794" x 10.392"	B	KIT 1309	
		E-6868B			KIT 1310	
16500	VF16		9.875"	F	3090266	Tapered pin.

Tie Rod Ends

Axle Rating Lbs.	Axle Code/Year	PART NO./LOCATION	STUD CTR to ROD END	OEM REF	Notes
12000	EFA-12F4	E-4615 Curbside	5.44"	1006148/37024-0004	
		E-4614 Roadside		1006149/37024-0005	
		E-8758 Curbside	8.125"	1009010	
		E-8757 Roadside		1009009	
12000, 14600	FF943, FF961, FG943	E-4615 Curbside	5.44"	1006148/37024-0004	
		E-4614 Roadside		1006149/37024-0005	

VOLVO

Autohauler Tractors

King Pin Kits

Axle Rating Lbs.	Axle Code/Year	PART NO./BUSHING	King Pin Size	Type	OEM REF	Notes
12000	EFA-12F4, E-1200I	E-4696B	1.625" x 9.195"	A	806355	
		E-4696C Easy Steer				
	FF943	E-468B	1.794" x 10.392"	B	KIT 195	
14600	FG943	E-4695C Easy Steer	1.794" x 10.392"	B	KIT 1309	
		E-6868B				

Tie Rod Ends

Axle Rating Lbs.	Axle Code/Year	PART NO./LOCATION	STUD CTR to ROD END	OEM REF	Notes	
12000	E1200I	E-10137 Curbside	6.00"	817019		
		E-10138 Roadside		817018		
	EFA-12F4	E-4615 Curbside	5.44"	1006148		
		E-4614 Roadside		1006149		
		E-8758 Curbside		8.125"	1009010	
		E-8757 Roadside			1009009	
12000, 14600	FF943, FF961, FG943	E-4615 Curbside	5.44"	37024-0004		
		E-4614 Roadside		37024-0005		

VOLVO

WG Series

King Pin Kits

Axle Rating Lbs.	Axle Code/Year	PART NO./BUSHING	King Pin Size	Type	OEM REF	Notes
12000	EFA-12F4	E-4696B	1.625" x 9.195"	A	806355	
		E-4696C Easy Steer				
	FF943	E-468B	1.794" x 10.392"	B	KIT 195	
	FF961	E-6199C Easy Steer			KIT 1315	
12000, 14600	FG943	E-4695C Easy Steer	1.794" x 10.392"	B	KIT 1309	
		E-6868B			KIT 1310	
20000	FL941	E-12512B	1.999" x 11.212"	B	KIT 198	
		E-4458C Easy Steer			KIT 1312	

Tie Rod Ends

Axle Rating Lbs.	Axle Code/Year	PART NO./LOCATION	STUD CTR to ROD END	OEM REF	Notes
12000	EFA-12F4	E-4615 Curbside	5.44"	1006148/37024-0004	
		E-4614 Roadside			1006149/37024-0005
		E-8758 Curbside	8.125"	1009010	
		E-8757 Roadside			1009009
12000, 14600	FF961, FG943	E-4615 Curbside	5.44"	1006148/37024-0004	
		E-4614 Roadside		1006149/37024-0005	
16000, 18000, 20000	FL941, FL943	E-4616 Roadside	5.75"	A3144K297	
		E-4629 Curbside	7.37"	37024-5002	
		E-4628 Roadside		37024-5001	
		E-6856 Curbside	12.69"	A3144D550	
		E-6857 Roadside		A3144C549	

WHR, WIL, WIA, Series

King Pin Kits

Axle Rating Lbs.	Axle Code/Year	PART NO./BUSHING	King Pin Size	Type	OEM REF	Notes
12000	EFA-12F4	E-4696B	1.625" x 9.195"	A	806355	
		E-4696C Easy Steer				
	FF943	E-468B	1.794" x 10.392"	B	KIT 195	
	FF961	E-6199C Easy Steer			KIT 1315	
14600	FG943	E-4695C Easy Steer	1.794" x 10.392"	B	KIT 1309	
		E-6868B			KIT 1310	

WHR, WIL, WIA, Series (continued)

Tie Rod Ends

Axle Rating Lbs.	Axle Code/Year	PART NO./LOCATION	STUD CTR to ROD END	OEM REF	Notes
12000	EFA-12F4	E-4615 Curbside	5.44"	1006148/37024-0004	
		E-4614 Roadside		1006149/37024-0005	
		E-8758 Curbside	8.125"	1009010	
		E-8757 Roadside		1009009	
12000, 14600	FF943, FF961, FG943	E-4615 Curbside	5.44"	1006148/37024-0004	
		E-4614 Roadside		1006149/37024-0005	

XPEDITOR

King Pin Kits

Axle Rating Lbs.	Axle Code/Year	PART NO./BUSHING	King Pin Size	Type	OEM REF	Notes
12000	FF943	E-468B	1.794" x 10.392"	B	KIT 195	
14600	FG943	E-4695C Easy Steer	1.794" x 10.392"	B	KIT 1309	
		E-6868B			KIT 1310	
16000, 18000, 20000	FL941, FL943	E-12512B	1.999" x 11.212"	B	KIT 198	
		E-4458C Easy Steer			KIT 1312	

Tie Rod Ends

Axle Rating Lbs.	Axle Code/Year	PART NO./LOCATION	STUD CTR to ROD END	OEM REF	Notes
12000, 14600	FF943, FG943	E-4615 Curbside	5.44"	1006148/37024-0004	
		E-4614 Roadside		1006149/37024-0005	
16000, 18000, 20000	FL941, FL943	E-4616 Roadside	5.75"	A3144K297	
		E-4629 Curbside	7.37"	37024-5002	
		E-4628 Roadside		37024-5001	
		E-6856 Curbside	12.69"	A3144D550	
		E-6857 Roadside		A3144C549	

Drag Links

Axle Rating Lbs.	Axle Code/Year	Part Number	STUD CTR to Stud CTR	OEM REF	Notes
All		E-5402	5.75" Stud center to rod end	02-7092963	Drag link end. Use w/ – RH thread.

	Model	Page
All.....		223

WATSON/CHALIN

F3W, F5W, F6W, WS16

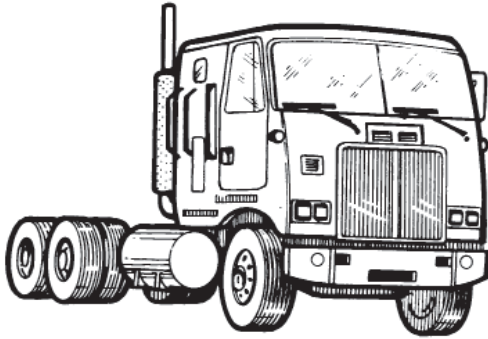
Tie Rod Ends

Axle Rating Lbs.	Axle Code/Year	PART NO./LOCATION	STUD CTR to ROD END	OEM REF	Notes
9000, 14600	F3W-1200, F3W-1400, F3W-1600, F5W-900, F5W-1200, F5W-1400, F6W-1200, F6W-1400, F6W-1600, WS16	E-4615 Curbside E-4614 Roadside	5.44"	1006148/37024-0004 1006149/37024-0005	

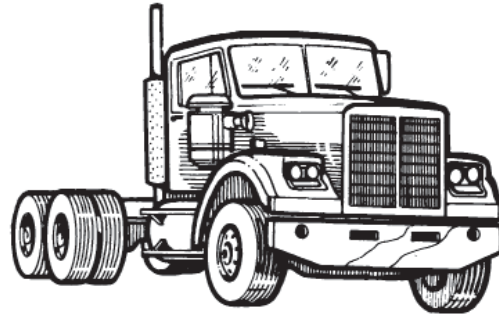
King Pin Kits

Axle Rating Lbs.	Axle Code/Year	PART NO./BUSHING	King Pin Size	Type	OEM REF	Notes
12000, 14000	F3W1200 F6W1200, F1300, F6W100, F6W1200, F6W1400	E-4598B	1.810" x 10.781"	A	216446	
12000	F3W1200 F6W1200, F1300, F6W100, F6W1200, F6W1400	E-4471B	1.810" x 10.531"	A	37090-5005	
14000	F3W1200 F6W1200, F1300, F6W100, F6W1200, F6W1400	E-4470B	1.810" x 10.531"	A	217175	

	Model	Page
All.....		225



WESTERN STAR COE



WESTERN STAR CONVENTIONAL

Axle Rating Lbs.	Axle Code/Year	PART NO./BUSHING	King Pin Size	Type	OEM REF	Notes
12000	EFA-12F4	E-4696B	1.625" x 9.195"	A	806355	
		E-4696C Easy Steer				
14600	FF961	E-6199C Easy Steer	1.794" x 10.392"	B	KIT 1315	
	FG941	E-4695C Easy Steer				
16000, 18000, 20000	FL941	E-12512B	1.999" x 11.212"	B	KIT 198	
		E-4458C Easy Steer				

Tie Rod Ends

Axle Rating Lbs.	Axle Code/Year	PART NO./LOCATION	STUD CTR to ROD END	OEM REF	Notes
12000	EFA-12F4	E-4615 Curbside	5.44"	1006148	
		E-4614 Roadside		1006149	
		E-8758 Curbside	8.125"	1009010	
		E-8757 Roadside		1009009	
14600	FF961, FG941	E-4615 Curbside	5.44"	1006148	
		E-4614 Roadside		1006149	
16000, 18000, 20000	FL941	E-4616 Roadside	5.75"	A3144K297	
		E-4629 Curbside	7.37"	A3144F448	
		E-4628 Roadside		A3144G449	
		E-6856 Curbside	12.69"	A3144D550	
		E-6857 Roadside		A3144C549	

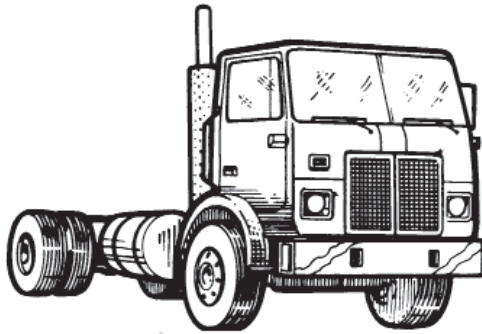
	Model	Page
All.....		227

Axle Rating Lbs.	Axle Code/Year	PART NO./BUSHING	King Pin Size	Type	OEM REF	Notes
12000	F3W1200 F6W1200, F1300, F6W100, F6W1200, F6W1400	E-4471B	1.810" x 10.531"	A	37090-5005	
13200, 14600	F3W-1200, F5W-1200, F6W-1200	E-4451B	1.609" x 9.660"	B	216446	
		E-4470B	1.810" x 10.531"	A	217175	
		E-4471B			37090-5005	
14000	F3W1200 F6W1200, F1300, F6W100, F6W1200, F6W1400	E-4470B	1.810" x 10.531"	A	217175	
16000	F3W-1600, F6W-1600	E-4471B	1.810" x 10.531"	A	37090-4405	Western Star (WS-16 Axle)

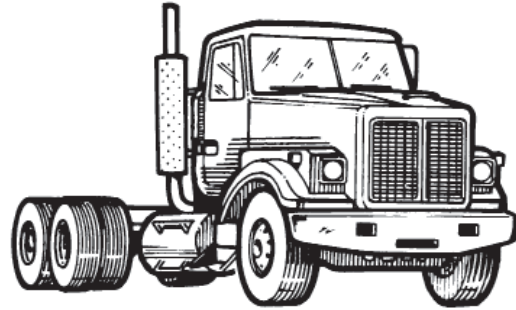
Tie Rod Ends

Axle Rating Lbs.	Axle Code/Year	PART NO./LOCATION	STUD CTR to ROD END	OEM REF	Notes
9000	F3W-1200, F5W-0900, F5W-1200, F6W-1200	E-4615 Curbside	5.44"	37025-0005	
				140TR110	
		E-4614 Roadside		37025-0004	
				140TR109	
13200, 14600, 16000	F3W-1400, F5W-1400, F6W-1400, WS-16	E-4616 Roadside	5.75"	143640-004	Western Star (WS-16 Axle) 839307B

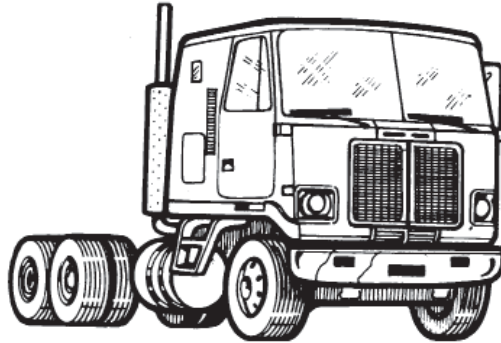
Model	Page
FDS1805FWD, FDS1807FWD	229
RB2-42T, RC2-42T, RX2-42T, RB2-64T, RC2-64T, RX2-64T, 4842, 4864, 4942, 4964	229
RBW-42T, RCS-42T, WSH-42T, RBW-64T, RCW-64T, WSH-64T	229
WFC-12042T, WFC-12064, WFC-12064T	230
WFP-6342T, WFT-6342T, WFP-6364, WFP-6364T, WFT-6364, WFP-6364T, WFP-7564T, WFT-7564T, WFT-8164T, WFT-9664T	231
White Axles	232



ROAD XPEDITOR 2



ROAD BOSS 2



ROAD COMMANDER 2

WHITE

FDS1805FWD, FDS1807FWD

Tie Rod Ends

Axle Rating Lbs.	Axle Code/Year	PART NO./LOCATION	STUD CTR to ROD END	OEM REF	Notes
18000		E-4619 Roadside	5.75"	A3144C237	Front drive axle. 1.25"-12 RH thread.
		E-4642 Curbside		A1-3144F370	Front drive axle. 1.25"-16 RH thread.
		E-6858 Roadside		A3144E551	Front drive axle. 1.25"-18 RH thread.

RB2-42T, RC2-42T, RX2-42T, RB2-64T, RC2-64T, RX2-64T, 4842, 4864, 4942, 4964

King Pin Kits

Axle Rating Lbs.	Axle Code/Year	PART NO./BUSHING	King Pin Size	Type	OEM REF	Notes
12000	F6W-1200	E-4471B	1.810" x 10.531"	A	37090-5005	Thrust bearing O.D. is 3.365".
	FF933	E-468B	1.794" x 10.392"	B	KIT 195	
14000	F6W-1400	E-4470B	1.810" x 10.531"	A	217175	
20000	FL931	E-12512B	1.999" x 11.212"	B	KIT 198	
		E-4458C Easy Steer			KIT 1312	

Tie Rod Ends

Axle Rating Lbs.	Axle Code/Year	PART NO./LOCATION	STUD CTR to ROD END	OEM REF	Notes
12000	F6W-1200, FF933	E-4615 Curbside	5.44"	37024-0005	
		E-4614 Roadside		37024-0004	
14000	F6W-1400	E-4616 Roadside	5.75"	839308B	
20000	FL931	E-4616 Roadside	5.75"	839308B	
		E-4629 Curbside	7.37"	37024-5002	
		E-4628 Roadside		37024-5001	
		E-6856 Curbside	12.69"	A3144D550	
		E-6857 Roadside		A3144C549	

Drag Links

Axle Rating Lbs.	Axle Code/Year	Part Number	STUD CTR to Stud CTR	OEM REF	Notes
		E-5391	5.75" Stud center to rod end	02-7092962	Drag link end. Use w/ - LH thread.
		E-5402		02-7092963	Drag link end. Use w/ - RH thread.

RBW-42T, RCS-42T, WSH-42T, RBW-64T, RCW-64T, WSH-64T

King Pin Kits

Axle Rating Lbs.	Axle Code/Year	PART NO./BUSHING	King Pin Size	Type	OEM REF	Notes
12000	F3W-1200	E-4471B	1.810" x 10.531"	A	37090-5005	
	FF931	E-468B	1.794" x 10.392"	B	KIT 195	
	FF933	E-468B			KIT 195	
14000	F3W-1400	E-4470B	1.810" x 10.531"	A	217175	

WHITE

RBW-42T, RCS-42T, WSH-42T, RBW-64T, RCW-64T, WSH-64T (continued)

Tie Rod Ends

Axle Rating Lbs.	Axle Code/Year	PART NO./LOCATION	STUD CTR to ROD END	OEM REF	Notes
12000	F3W-1200, FF931	E-4615 Curbside	5.44"	37024-0005	
		E-4614 Roadside		37024-0004	
	FF933	E-4615 Curbside		37024-0005	
		E-4614 Roadside		37024-0004	
14000	F3W-1400	E-4616 Roadside	5.75"	839308B	

Drag Links

Axle Rating Lbs.	Axle Code/Year	Part Number	STUD CTR to Stud CTR	OEM REF	Notes
		E-5391	5.75" Stud center to rod end	02-7092962	Drag link end. Use w/ - LH thread.
		E-5402		02-7092963	Drag link end. Use w/ - RH thread.

WFC-12042T, WFC-12064, WFC-12064T

King Pin Kits

Axle Rating Lbs.	Axle Code/Year	PART NO./BUSHING	King Pin Size	Type	OEM REF	Notes
12000	(FE900)	E-4434B	9.75"	D	KIT 144	Tapered pin.
		E-4434N Nylon			KIT 123	
	(FF921)	E-4450B	1.794" x 10.410"	B	KIT 193	
	(FF931)	E-468B	1.794" x 10.392"		KIT 195	
16000	(FH901)	E-4454B	1.999" x 11.040"	B	KIT 170	
		E-4454N Nylon			KIT 168	
	(FL931)	E-12512B	1.999" x 11.212"	KIT 198		
		E-4458C Easy Steer		KIT 1312		
18000	(FL901)	E-4454B	1.999" x 11.040"	B	KIT 170	
		E-4454N Nylon			KIT 168	

WHITE

WFC-12042T, WFC-12064, WFC-12064T (continued)

Tie Rod Ends

Axle Rating Lbs.	Axle Code/Year	PART NO./LOCATION	STUD CTR to ROD END	OEM REF	Notes
12000	(FE900), (FE970)	E-4611 Curbside	4.875"	A3144R226	
		E-4610 Roadside		A3144Q225	
	(FF901)	E-4611 Curbside	4.875"	A3144R226	
		E-4610 Roadside		A3144Q225	
		E-4618 Curbside	5.75"	A3144D238	Anti-tilt seal type.
		E-4619 Roadside		A3144C237	
		E-4616 Roadside		A3144K297	Coventional seal type.
		(FF921), (FF931)	E-4615 Curbside	5.44"	A3144D524
	E-4614 Roadside		A3144E525		
	16000	(FH901)	E-4616 Roadside	5.75"	A3144K297
(FL931)		E-4616 Roadside		839308B	
		E-4629 Curbside	7.37"	A3144U437	
		E-4628 Roadside		A3144V438	
		E-6856 Curbside	12.69"	A3144D550	
		E-6857 Roadside		A3144C549	
18000	(FL901)	E-4616 Roadside	5.75"	A3144K297	

Drag Links

Axle Rating Lbs.	Axle Code/Year	Part Number	STUD CTR to Stud CTR	OEM REF	Notes
12000, 16000, 18000	(All)	E-5391	5.75" Stud center to rod end	L28SV5019A1	Drag link end - LH thread
		E-9877		L28S-V5004D1	Drag link end - RH thread

WFP-6342T, WFT-6342T, WFP-6364, WFP-6364T, WFT-6364, WFP-6364T, WFP-7564T, WFT-7564T, WFT-8164T, WFT-9664T

King Pin Kits

Axle Rating Lbs.	Axle Code/Year	PART NO./BUSHING	King Pin Size	Type	OEM REF	Notes
12000	(FE900)	E-4434B	9.75"	D	KIT 144	Tapered pin.
		E-4434N Nylon			KIT 123	
	(FF921)	E-4450B	1.794" x 10.410"	B	KIT 193	
	(FF931)	E-468B	1.794" x 10.392"		KIT 195	
16000	(FH901)	E-4454B	1.999" x 11.040"	B	KIT 170	
		E-4454N Nylon			KIT 168	
	(FL931)	E-12512B	1.999" x 11.212"	KIT 198		
		E-4458C Easy Steer		KIT 1312		
18000	(FL901)	E-4454B	1.999" x 11.040"	B	KIT 170	
		E-4454N Nylon			KIT 168	

WHITE

WFP-6342T, WFT-6342T, WFP-6364, WFP-6364T, WFT-6364, WFP-6364T, WFP-7564T, WFT-7564T, WFT-8164T, WFT-9664T (continued)

Tie Rod Ends

Axle Rating Lbs.	Axle Code/Year	PART NO./LOCATION	STUD CTR to ROD END	OEM REF	Notes
12000	(FE900), (FE970)	E-4611 Curbside	4.875"	A3144R226	
		E-4610 Roadside		A3144Q225	
	(FF901)	E-4611 Curbside		A3144R226	
		E-4610 Roadside		A3144Q225	
		E-4618 Curbside	5.75"	A3144D238	Anti-tilt seal type.
	(FF921), (FE931)	E-4619 Roadside		A3144C237	
		E-4616 Roadside		A3144K297	Conventional seal type.
		E-4615 Curbside	5.44"	A3144D524	Greaseable seal type.
		E-4614 Roadside		A3144E525	
16000	(FH901)	E-4616 Roadside	5.75"	A3144K297	
	(FL931)	E-4629 Curbside	7.37"	A3144V437	
		E-4628 Roadside		A3144U438	
18000	(FL901)	E-4616 Roadside	5.75"	A3144K297	

White Axles

King Pin Kits

Axle Rating Lbs.	Axle Code/Year	PART NO./BUSHING	King Pin Size	Type	OEM REF	Notes
12000	F120, F3-120, F3W-120, F5-120, F5W-120, F6W-120	E-4451B	1.609" x 9.660"	B	216446	
14000	F3W-140, F5-140, F5W-140	E-4451B	1.609" x 9.660"	B	216446	
	F6W-140	E-4470B	1.810" x 10.531"	A	217175	

CROSS REFERENCE LISTING

PART#	COMPETITOR	EUCLID#	PART#	COMPETITOR	EUCLID#
22800	Batco	E-5310	202570	Batco	E-4450B
22908	Batco	E-5324	202610	Batco	E-468B
22910	Batco	E-5326	202620	Batco	E-4470B
22948	Batco	E-5338	202650	Batco	E-4471B
22949	Batco	E-5339	202670	Batco	E-12512B
22953	Batco	E-5342	202671	Batco	E-12512B
22979	Batco	E-5366	202680	Batco	E-4454B
22986	Batco	E-5373	202681	Batco	E-4454N
22987	Batco	E-5373	202820	Batco	E-4467B
22988	Batco	E-5374	202850	Batco	E-4599B
102163	Peterbilt	E-6818	202870	Batco	E-4434B
102260	Peterbilt	E-6819	202871	Batco	E-4434N
102498	Peterbilt	E-6818	217175	VolvoWhiteGMC	E-4470B
171060	Batco	E-4462B	221020	Batco	E-5386
171061	Batco	E-4462B	221064	Batco	E-6816
171150	Batco	E-4451B	221180	Batco	E-6819
171164	Batco	E-4459B	221191	Batco	E-6827
171172	Batco	E-4450B	221199	Batco	E-6833
171174	Batco	E-468B	300107	DaytonParts	E-4430B
171178	Batco	E-4454B	300110	DaytonParts	E-4431B
171179	Batco	E-4454N	300125	DaytonParts	E-4434B
171180	Batco	E-12512B	300140	DaytonParts	E-4438N
171230	Batco	E-4434B	300150	DaytonParts	E-4434N
171231	Batco	E-4434N	300155	DaytonParts	E-5018
171260	Batco	E-4467B	300158	DaytonParts	E-4441B
171294	Batco	E-4469B	300159	DaytonParts	E-4441B
202070	Batco	E-4430B	300172	DaytonParts	E-4606
202081	Batco	E-4444B	300173	DaytonParts	E-4607
202082	Batco	E-4444N	300174	DaytonParts	E-4444N
202190	Batco	E-4453B	300175	DaytonParts	E-4444B
202201	Batco	E-4445B	300179	DaytonParts	E-4445N
202203	Batco	E-4445N	300180	DaytonParts	E-4445B
202211	Batco	E-5018	300194	DaytonParts	E-4484B
202241	Batco	E-4438N	300204	DaytonParts	E-4450B
202243	Batco	E-4438N	300205	DaytonParts	E-4451B
202271	Batco	E-4431B	300207	DaytonParts	E-4452B
202281	Batco	E-4607	300209	DaytonParts	E-4453B
202282	Batco	E-4606	300210	DaytonParts	E-4454B
202330	Batco	E-4460B	300211	DaytonParts	E-4454N
202340	Batco	E-4441B	300215	DaytonParts	E-457B
202341	Batco	E-4441B	300216	DaytonParts	E-12512B
202350	Batco	E-4452B	300217	DaytonParts	E-4459B
202360	Batco	E-4484B	300218	DaytonParts	E-4460B
202370	Batco	E-4481B	300220	DaytonParts	E-4481B
202390	Batco	E-457B	300221	DaytonParts	E-4462B
202410	Batco	E-4595B	300222	DaytonParts	E-4462B
202430	Batco	E-4697B	300223	DaytonParts	E-4463B
202440	Batco	E-4463B	300231	DaytonParts	E-4467B
202450	Batco	E-4463B	300232	DaytonParts	E-468B
202470	Batco	E-4693B	300233	DaytonParts	E-4469B
202480	Batco	E-4462B	300234	DaytonParts	E-4470B
202481	Batco	E-4462B	300235	DaytonParts	E-4471B
202490	Batco	E-4451B	300240	DaytonParts	E-4595B
202520	Batco	E-4469B	300245	DaytonParts	E-4599B
202560	Batco	E-4459B	300248	DaytonParts	E-4697B

CROSS REFERENCE LISTING

PART#	COMPETITOR	EUCIID#	PART#	COMPETITOR	EUCIID#
300249	DaytonParts	E-4693B	310434	DaytonParts	E-4629
300262	DaytonParts	E-6196B	310455	DaytonParts	E-10137
300263	DaytonParts	E-6197B	310456	DaytonParts	E-10138
300264	DaytonParts	E-6868B	310467	DaytonParts	E-10108
300268	DaytonParts	E-6198B	310469	DaytonParts	E-10110
300274	DaytonParts	E-4696B	310470	DaytonParts	E-10111
300276	DaytonParts	E-9941B	310471	DaytonParts	E-9963
300277	DaytonParts	E-9942B	310472	DaytonParts	E-9962
300286	DaytonParts	E-9943B	310473	DaytonParts	E-9965
310112	DaytonParts	E-4634	310474	DaytonParts	E-9966
310113	DaytonParts	E-4635	346142	DaytonParts	E-5310
310115	DaytonParts	E-4636	346188	DaytonParts	E-6816
310116	DaytonParts	E-4637	346189	DaytonParts	E-5324
310121	DaytonParts	E-4610	346190	DaytonParts	E-5326
310122	DaytonParts	E-4611	346218	DaytonParts	E-5338
310129	DaytonParts	E-4600	346219	DaytonParts	E-5339
310130	DaytonParts	E-4601	346223	DaytonParts	E-5342
310142	DaytonParts	E-4602	346249	DaytonParts	E-5366
310143	DaytonParts	E-4603	346256	DaytonParts	E-5373
310160	DaytonParts	E-4620	346257	DaytonParts	E-5373
310161	DaytonParts	E-4621	346258	DaytonParts	E-5374
310164	DaytonParts	E-4624	346279	DaytonParts	E-5386
310165	DaytonParts	E-4625	346293	DaytonParts	E-5390
310183	DaytonParts	E-4604	346310	DaytonParts	E-6815
310184	DaytonParts	E-4605	346341	DaytonParts	E-6827
310208	DaytonParts	E-4606	346345	DaytonParts	E-6835
310209	DaytonParts	E-4607	346350	DaytonParts	E-6833
310215	DaytonParts	E-4631	346351	DaytonParts	E-6834
310222	DaytonParts	E-4614	346370	DaytonParts	E-6818
310223	DaytonParts	E-4615	346371	DaytonParts	E-6819
310228	DaytonParts	E-4616	346377	DaytonParts	E-6825
310264	DaytonParts	E-5392	346379	DaytonParts	E-6836
310266	DaytonParts	E-4622	346383	DaytonParts	E-6839
310267	DaytonParts	E-4623	346384	DaytonParts	E-9911
310271	DaytonParts	E-4612	346385	DaytonParts	E-11463
310272	DaytonParts	E-4613	346405	DaytonParts	E-9925
310277	DaytonParts	E-4609	346408	DaytonParts	E-9927
310278	DaytonParts	E-4608	346409	DaytonParts	E-9929
310285	DaytonParts	E-8757	346410	DaytonParts	E-9933
310286	DaytonParts	E-8758	346411	DaytonParts	E-9934
310296	DaytonParts	E-4640	346413	DaytonParts	E-9936
310317	DaytonParts	E-6849	346436	DaytonParts	E-9937
310326	DaytonParts	E-5391	346446	DaytonParts	E-11790
310327	DaytonParts	E-5402	384608	Trailmobile	E-4608
310350	DaytonParts	E-6135	384614	Trailmobile	E-4614
310380	DaytonParts	E-5469	384615	Trailmobile	E-4615
310381	DaytonParts	E-5470	384616	Trailmobile	E-4616
310395	DaytonParts	E-6856	384622	Trailmobile	E-4622
310396	DaytonParts	E-6857	384623	Trailmobile	E-4623
310397	DaytonParts	E-4629	385325	Trailmobile	E-5324
310398	DaytonParts	E-4628	462389	GMC	E-4612
310399	DaytonParts	E-6858	462390	GMC	E-4613
310424	DaytonParts	E-4616	669335	GMC	E-5326
310424	DaytonParts	E-4619	671488	GMC	E-4606
310433	DaytonParts	E-4628			

CROSS REFERENCE LISTING

PART#	COMPETITOR	EUCLID#	PART#	COMPETITOR	EUCLID#
671489	GMC	E-4607	2621491	PerfectCircle	E-4451B
684196	GMC	E-5374	2621509	PerfectCircle	E-4484B
698571	GMC	E-4614	2621512	PerfectCircle	E-4454N
698572	GMC	E-4615	2621513	PerfectCircle	E-4454B
718796	GMC	E-5373	2621525	PerfectCircle	E-4450B
718798	GMC	E-5373	2621537	PerfectCircle	E-4452B
798203	GMC	E-4629	2621548	NAPAUnited	E-4453B
798204	GMC	E-4628	2621548	PerfectCircle	E-4453B
817018	Eaton	E-10138	2621550	NAPAUnited	E-4459B
817019	Eaton	E-10137	2621550	PerfectCircle	E-4459B
820626	Eaton	E-4628	2621551	PerfectCircle	E-457B
820627	Eaton	E-4629	2621554	PerfectCircle	E-12512B
820694	Eaton	E-4628	2621555	PerfectCircle	E-4460B
820695	Eaton	E-4629	2621557	PerfectCircle	E-4481B
872469	Autocar	E-4611	2621558	PerfectCircle	E-4462B
872470	Autocar	E-4610	2621559	PerfectCircle	E-4462B
1006148	Eaton	E-4614	2621560	PerfectCircle	E-4463B
1006149	Eaton	E-4615	2621561	PerfectCircle	E-4463B
1009009	Eaton	E-8757	2621569	PerfectCircle	E-4467B
1009010	Eaton	E-8758	2621572	PerfectCircle	E-468B
1243756	Chrysler	E-4636	2621576	PerfectCircle	E-4471B
1643277	Chrysler	E-4611	2621577	PerfectCircle	E-4470B
1643278	Chrysler	E-4610	2621579	PerfectCircle	E-4697B
1795584	Chrysler	E-4636	2621580	PerfectCircle	E-4595B
1818854	Chrysler	E-4603	2621582	PerfectCircle	E-4469B
1818855	Chrysler	E-4602	2621583	PerfectCircle	E-6868B
2007728	GMC	E-4609	2621584	PerfectCircle	E-4693B
2007731	GMC	E-4608	2621591	PerfectCircle	E-4599B
2010021	GMC	E-468B	2621603	PerfectCircle	E-6198B
2037140	GMC	E-4609	2621635	Dana/Spicer	E-9941B
2037142	GMC	E-4608	2692022	PerfectCircle	E-4634
2330712	GMC	E-4637	2692023	PerfectCircle	E-4635
2330713	GMC	E-4636	2692032	NAPAUnited	E-4636
2362836	GMC	E-4636	2692032	PerfectCircle	E-4636
2452861	GMC	E-4616	2692033	PerfectCircle	E-4637
2456810	GMC	E-4610	2692041	NAPAUnited	E-4610
2456811	GMC	E-4611	2692041	PerfectCircle	E-4610
2466811	GMC	E-4611	2692042	PerfectCircle	E-4611
2621012	PerfectCircle	E-4430B	2692051	PerfectCircle	E-4600
2621016	PerfectCircle	E-4444B	2692052	PerfectCircle	E-4601
2621017	PerfectCircle	E-4607	2692097	PerfectCircle	E-4602
2621018	PerfectCircle	E-4445B	2692098	PerfectCircle	E-4603
2621336	PerfectCircle	E-4431B	2692138	PerfectCircle	E-4620
2621364	PerfectCircle	E-4434B	2692139	PerfectCircle	E-4621
2621414	PerfectCircle	E-4441B	2692142	PerfectCircle	E-4624
2621421	PerfectCircle	E-4438N	2692143	PerfectCircle	E-4625
2621422	PerfectCircle	E-4434N	2692158	PerfectCircle	E-4618
2621425	PerfectCircle	E-4441B	2692159	PerfectCircle	E-4619
2621431	PerfectCircle	E-4438N	2692189	PerfectCircle	E-4604
2621461	PerfectCircle	E-5018	2692190	PerfectCircle	E-4605
2621463	PerfectCircle	E-4444B	2692234	PerfectCircle	E-4631
2621472	PerfectCircle	E-4444N	2692243	PerfectCircle	E-4614
2621473	PerfectCircle	E-4606	2692244	PerfectCircle	E-4615
2621475	PerfectCircle	E-4430B	2692311	PerfectCircle	E-4616
2621483	PerfectCircle	E-4445N	2692312	PerfectCircle	E-4616

CROSS REFERENCE LISTING

PART#	COMPETITOR	EUCIID#	PART#	COMPETITOR	EUCIID#
2692314	PerfectCircle	E-4606	3838004	Chrysler	E-4637
2692315	PerfectCircle	E-4607	3838005	Chrysler	E-4636
2692432	PerfectCircle	E-5392	3853990	GMC	E-4444B
2692437	PerfectCircle	E-4622	3854744	GMC	E-4430B
2692438	PerfectCircle	E-4623	3864347	GMC	E-4620
2692446	PerfectCircle	E-4616	3864348	GMC	E-4621
2692466	PerfectCircle	E-4612	3864353	GMC	E-4624
2692467	NAPAUnited	E-4613	3864354	GMC	E-4625
2692467	PerfectCircle	E-4613	3892946	GMC	E-5392
2692474	PerfectCircle	E-4609	3948867	VolvoWhiteGMC	E-4610
2692475	PerfectCircle	E-4608	3948868	VolvoWhiteGMC	E-4611
2692485	PerfectCircle	E-4629	8885021	GMC	E-4469B
2692486	PerfectCircle	E-4628	8885621	GMC	E-4469B
2692645	PerfectCircle	E-4616	8885856	GMC	E-4469B
2692653	PerfectCircle	E-4640	8885857	GMC	E-4606
2692663	PerfectCircle	E-5470	8885857	GMC	E-4607
2692664	PerfectCircle	E-5469	12548107	GMC	E-10108
2692698	PerfectCircle	E-4629	12548110	GMC	E-10110
2692700	PerfectCircle	E-5391	12548111	GMC	E-10111
2692701	PerfectCircle	E-5402	15501673	GMC	E-6815
2692705	PerfectCircle	E-6849	15506689	GMC	E-6816
2692710	PerfectCircle	E-4618	15510849	GMC	E-468B
2692753	PerfectCircle	E-6858	15515804	GMC	E-4614
2693039	PerfectCircle	E-10137	15515805	GMC	E-4615
2693040	PerfectCircle	E-10138	15536398	GMC	E-4453B
2695098	PerfectCircle	E-6856	15622057	GMC	E-6834
2695099	PerfectCircle	E-6857	15625713	GMC	E-6833
2721020	PerfectCircle	E-5310	27092962	VolvoWhiteGMC	E-5391
2721036	PerfectCircle	E-5374	27092963	VolvoWhiteGMC	E-5402
2721131	PerfectCircle	E-5326	370240004	Autocar	E-4614
2721150	PerfectCircle	E-5324	370240004	VolvoWhiteGMC	E-4614
2721174	PerfectCircle	E-6816	370240005	Autocar	E-4615
2721579	PerfectCircle	E-5373	370240005	VolvoWhiteGMC	E-4615
2721582	PerfectCircle	E-5373	370245001	Autocar	E-4628
2721583	PerfectCircle	E-5366	370245001	VolvoWhiteGMC	E-4628
2721590	PerfectCircle	E-5339	370245002	Autocar	E-4629
2721593	PerfectCircle	E-6815	370245002	VolvoWhiteGMC	E-4629
2721600	PerfectCircle	E-5338	370245010	VolvoWhiteGMC	E-4615
2721604	PerfectCircle	E-5390	370245011	VolvoWhiteGMC	E-4614
2721608	PerfectCircle	E-6835	370904405	WesternStar	E-4471B
2721620	PerfectCircle	E-5386	370905005	VolvoWhiteGMC	E-4471B
2721646	PerfectCircle	E-6827	1412098001	Freightliner	E-9897
2721650	PerfectCircle	E-6833	10QH242P1	Mack	E-4611
2721651	PerfectCircle	E-6834	10QH243P1	Mack	E-4640
2721652	PerfectCircle	E-6818	10QH243P2	Mack	E-4610
2721654	PerfectCircle	E-6836	10QH248	Mack	E-4611
2724148	PerfectCircle	E-5342	10QH248P3	Mack	E-9877
2724179	PerfectCircle	E-6825	10QH248P4	Mack	E-9878
2724182	PerfectCircle	E-6819	10QH310P1	Mack	E-4616
2724183	PerfectCircle	E-6835	10QH310P1	Mack	E-9878
2724186	PerfectCircle	E-6839	10QH311P1	Mack	E-4629
3310316	DaytonParts	E-4629	10QH312P1	Mack	E-4628
3634207	Chrysler	E-4616	10QH39P1	Mack	E-9877
3744496	Chrysler	E-4615	110362R92	Navistar	E-4610
3744497	Chrysler	E-4614	110363R92	Navistar	E-4611

CROSS REFERENCE LISTING

INTERCHANGE

PART#	COMPETITOR	EUCLID#	PART#	COMPETITOR	EUCLID#
1160271C92	Navistar	E-6198B	21304R	Batco	E-4603
1649637C91	Navistar	E-4631	21330L	Batco	E-4620
1658897C91	Navistar	E-9948	21330R	Batco	E-4621
1658934C93	Navistar	E-4451B	21332L	Batco	E-4624
1658934C93	Navistar	E-4693B	21332R	Batco	E-4625
1658946C91	Navistar	E-6135	21346L	Batco	E-4618
1658947C91	Navistar	E-6136	21346R	Batco	E-4619
1660271C91	Navistar	E-6198B	21373L	Batco	E-4604
1660271C92	Navistar	E-6198B	21373R	Batco	E-4605
1661437C92	Navistar	E-9911	21376L	Batco	E-4616
1662305C91	Navistar	E-4434B	21405L	Batco	E-4606
1662305C91	Navistar	E-4434N	21405R	Batco	E-4607
1662306C91	Navistar	E-4450B	21411L	Batco	E-4631
1668407C91	Navistar	E-4614	21423L	Batco	E-4614
1668408C91	Navistar	E-4615	21423R	Batco	E-4615
1668409C91	Navistar	E-9951	21431R	Batco	E-4616
1668410C91	Navistar	E-9952	219403R91	Navistar	E-4636
1668411C91	Navistar	E-9941B	219404R91	Navistar	E-4637
1668412C91	Navistar	E-9942B	263498C91	Navistar	E-4600
1668480C91	Navistar	E-6856	263499C91	Navistar	E-4601
1677271C91	Navistar	E-4629	301SQ47CP1	Mack	E-4467B
18QK28A	Mack	E-4616	301SQ52	Mack	E-4599B
205SQ12	Mack	E-4454N	303136C92	Navistar	E-4441B
21150L	Batco	E-4634	303137C92	Navistar	E-4434B
21150R	Batco	E-4635	303137C92	Navistar	E-4434N
21176L	Batco	E-4636	303140C92	Navistar	E-4454B
21187L	Batco	E-4610	310228SF	DaytonParts	E-9877
21187R	Batco	E-4611	310229SF	DaytonParts	E-9878
212033L	Batco	E-4628	310-483	DaytonParts	E-11788
212035L	Batco	E-4622	310-484	DaytonParts	E-11789
212036R	Batco	E-4623	377635C91	Navistar	E-4631
212041L	Batco	E-4616	384460B	Trailmobile	E-4460B
212061L	Batco	E-4612	384693B	Trailmobile	E-4693B
212062R	Batco	E-4613	399942C93	Navistar	E-4451B
212069R	Batco	E-4609	408547C91	Navistar	E-4484B
212070L	Batco	E-4608	408547C93	Navistar	E-4484B
212090L	Batco	E-4628	438368C91	Navistar	E-4614
212091R	Batco	E-4629	438369C91	Navistar	E-4615
212116L	Batco	E-4616	442354C91	Navistar	E-4629
212118L	Batco	E-4640	442354C92	Navistar	E-4629
212202R	Batco	E-4629	447094C91	Navistar	E-4631
212204R	Batco	E-4629	450062C91	Navistar	E-4605
212207R	Batco	E-4618	450063C91	Navistar	E-4604
212209R	Batco	E-4629	452344C91	Navistar	E-4450B
212224L	Batco	E-5391	459307C91	Navistar	E-4613
212225R	Batco	E-5402	461665C91	Navistar	E-4618
21235NL	Batco	E-4600	472094C91	Navistar	E-4462B
21235NR	Batco	E-4601	473695C92	Navistar	E-4460B
212613L	Batco	E-5469	474520C91	Navistar	E-12512B
212614R	Batco	E-5470	480645C92	Navistar	E-5366
213030R	Batco	E-6856	486354C91	Navistar	E-4628
213031L	Batco	E-6857	486355C91	Navistar	E-4629
213032R	Batco	E-6858	486355C91F	Navistar	E-4629
213034R	Batco	E-4629	486355R91	Navistar	E-4629
21304L	Batco	E-4602	486806C93	Navistar	E-4697B

CROSS REFERENCE LISTING

INTERCHANGE

PART#	COMPETITOR	EUCLID#	PART#	COMPETITOR	EUCLID#
486807C91	Navistar	E-6849	8581B	Moog	E-4462B
489023C91	Navistar	E-5390	8581N	Moog	E-4462B
491665C91	Navistar	E-4618	8583B	Moog	E-4463B
493092C92	Navistar	E-4481B	8583N	Moog	E-4463B
493094C94	Navistar	E-4462B	8590B	Moog	E-468B
493095C91	Navistar	E-4463B	8601B	Moog	E-4467B
493095C92	Navistar	E-4481B	8603B	Moog	E-4469B
493095C93	Navistar	E-4463B	8605B	Moog	E-4471B
503523C91	Navistar	E-5386	8607B	Moog	E-4470B
506661C91	Navistar	E-5469	8610B	Moog	E-4697B
506662C91	Navistar	E-5470	8611B	Moog	E-6868B
506684C91	Navistar	E-4629	8612B	Moog	E-4595B
507835C91	Navistar	E-4631	8613B	Moog	E-4469B
507837C91	Navistar	E-4614	8617B	Moog	E-4693B
507838C91	Navistar	E-4615	8637B	Moog	E-6198B
549800C91	Navistar	E-468B	8641B	Moog	E-6197B
577684C91	Navistar	E-4595B	8643B	Moog	E-6196B
581063C91	Navistar	E-4629	8645B	Moog	E-4484B
586806C91	Navistar	E-4697B	887783A	Autocar	E-4616
586806C92	Navistar	E-4697B	894144R91	Navistar	E-4634
586806C93	Navistar	E-4697B	894145R91	Navistar	E-4635
588808C91	Navistar	E-4693B	969055R91	Navistar	E-4616
590583C91	Navistar	E-4628	A3144C237	Freightliner	E-4618
590584C91	Navistar	E-4629	A3144C237	Kenworth	E-4618
591945C92	Navistar	E-4484B	A3144C237	Marmon	E-4618
592872C91	Navistar	E-6858	A3144C237	Peterbilt	E-4618
61556R91	Navistar	E-4431B	A3144C237	VolvoWhiteGMC	E-4618
8375B	Moog	E-4431B	A3144D238	Freightliner	E-4619
838308B	VolvoWhiteGMC	E-4616	A3144D238	Kenworth	E-4619
8386B	Moog	E-4434B	A3144D238	Marmon	E-4619
8386N	Moog	E-4434N	A3144D238	Peterbilt	E-4619
8488B	Moog	E-5018	A3144D238	VolvoWhiteGMC	E-4619
8490T	Moog	E-4430B	A3144D524	Freightliner	E-4615
8491B	Moog	E-4607	A3144D524	Kenworth	E-4615
8491N	Moog	E-4606	A3144D524	Mack	E-4615
8492B	Moog	E-4444B	A3144D524	Marmon	E-4615
8492N	Moog	E-4444N	A3144D524	Peterbilt	E-4615
8500B	Moog	E-4445B	A3144D524	VolvoWhiteGMC	E-4615
8500N	Moog	E-4445N	A3144E525	Freightliner	E-4614
8507B	Moog	E-4438N	A3144E525	Kenworth	E-4614
8507N	Moog	E-4438N	A3144E525	Mack	E-4614
8517B	Moog	E-4484B	A3144E525	Marmon	E-4614
8518B	Moog	E-4454B	A3144E525	Peterbilt	E-4614
8518N	Moog	E-4454N	A3144E525	VolvoWhiteGMC	E-4614
8519B	Moog	E-4441B	A3144F448	Freightliner	E-4629
8519N	Moog	E-4441B	A3144G449	Freightliner	E-4628
8553B	Moog	E-4450B	A3144J296	Freightliner	E-4616
8567B	Moog	E-4451B	A3144K297	Kenworth	E-4616
8568B	Moog	E-4452B	A3144K297	Marmon	E-4616
8570B	Moog	E-4453B	A3144K297	Peterbilt	E-4616
8571B	Moog	E-12512B	A3144K297	VolvoWhiteGMC	E-4616
8572B	Moog	E-4459B	A3144Q225	Freightliner	E-4610
8573B	Moog	E-457B	A3144Q225	Kenworth	E-4610
8577B	Moog	E-4460B	A3144Q225	Marmon	E-4610
8579B	Moog	E-4481B	A3144Q225	Peterbilt	E-4610

CROSS REFERENCE LISTING

INTERCHANGE

PART#	COMPETITOR	EUCLID#	PART#	COMPETITOR	EUCLID#
A3144Q225	VolvoWhiteGMC	E-4610	DL2451	Eaton	E-5342
A3144R226	Freightliner	E-4611	DL2452	Eaton	E-5324
A3144R226	Kenworth	E-4611	DL800	Unimotive	E-5310
A3144R226	Marmon	E-4611	DL908	Unimotive	E-5324
A3144R226	Peterbilt	E-4611	DL910	Unimotive	E-5326
A3144R226	VolvoWhiteGMC	E-4611	DL948	Unimotive	E-5338
A3144U438	Mack	E-4628	DL949	Unimotive	E-5339
A3144U438	VolvoWhiteGMC	E-4628	DL953	Unimotive	E-5342
A3144V437	VolvoWhiteGMC	E-4629	DL979	Unimotive	E-5366
AKP3490	PAI	E-4467B	DL986	Unimotive	E-5373
AKP9819	PAI	E-4599B	DL987	Unimotive	E-5373
AKP9821	PAI	E-4454N	DL988	Unimotive	E-5374
AKP9822	PAI	E-468B	DS1020	Flagg	E-5386
AKP9823	PAI	E-12512B	DS1020	McQuay	E-5386
ARE9950	PAI	E-4616	DS1020	Moog	E-5386
ARE9955	PAI	E-4611	DS1020	TRW	E-5386
ARE9984	PAI	E-4610	DS1034	Flagg	E-5390
ARE9985	PAI	E-4640	DS1034	McQuay	E-5390
ARE9986	PAI	E-4629	DS1034	Moog	E-5390
ARE9987	PAI	E-4628	DS1034	TRW	E-5390
ARE9988	PAI	E-4615	DS1044	Flagg	E-6815
ARE9989	PAI	E-4614	DS1044	Moog	E-6815
B7TZ3111F	Ford	E-4438N	DS1044	TRW	E-6815
B8TZ3A130B	Ford	E-4619	DS1064	Flagg	E-6816
B8TZ3A131B	Ford	E-4618	DS1064	McQuay	E-6816
C1TZ3A130A	Ford	E-4635	DS1064	Moog	E-6816
C1TZ3A130B	Ford	E-4603	DS1064	TRW	E-6816
C1TZ3A131A	Ford	E-4636	DS1179	Flagg	E-6818
C1TZ3A131B	Ford	E-4602	DS1179	Moog	E-6818
C1TZ3A131C	Ford	E-4610	DS1179	TRW	E-6818
C2TZ3111F	Ford	E-4438N	DS1180	Flagg	E-6819
C2TZ3111G	Ford	E-4441B	DS1180	Moog	E-6819
C3TZ3111A	Ford	E-5018	DS1180	TRW	E-6819
C7TZ3304A	Ford	E-5310	DS1186	TRW	E-6825
C7TZ3A130D	Ford	E-4605	DS1191	Flagg	E-6827
C7TZ3A131D	Ford	E-4604	DS1191	Moog	E-6827
C8TZ3A130A	Ford	E-4611	DS1191	TRW	E-6827
D0HZ3304B	Ford	E-5342	DS1199	Flagg	E-6833
D0HZ3A130A	Ford	E-4615	DS1199	Moog	E-6833
D0HZ3A131A	Ford	E-4614	DS1199	TRW	E-6833
D1HZ3111A	Ford	E-4441B	DS1200	Flagg	E-6834
D2TZ3111D	Ford	E-5018	DS1200	Moog	E-6834
D5HZ3304D	Ford	E-5324	DS1200	TRW	E-6834
D5TZ3A130A	Ford	E-4622	DS1203	Flagg	E-6835
D5TZ3A131A	Ford	E-4623	DS1203	Moog	E-6835
D6HZ3111A	Ford	E-4459B	DS1203	TRW	E-6835
D6HZ3111B	Ford	E-457B	DS1204	Flagg	E-6836
D6TZ3111A	Ford	E-4452B	DS1204	Moog	E-6836
DL1020	Unimotive	E-5386	DS1204	TRW	E-6836
DL1034	Unimotive	E-5390	DS1207	Flagg	E-6839
DL2351	Eaton	E-5386	DS1207	Moog	E-6839
DL2360	Eaton	E-5366	DS1207	TRW	E-6839
DL2449	Eaton	E-5373	DS1214	Flagg	E-9911
DL2450	Eaton	E-5373	DS1214	Moog	E-9911
			DS1214	TRW	E-9911

CROSS REFERENCE LISTING

INTERCHANGE

PART#	COMPETITOR	EUCLID#	PART#	COMPETITOR	EUCLID#
DS1215	Flagg	E-11463	DS988	TRW	E-5374
DS1215	TRW	E-11463	E0HZ3304A	Ford	E-5338
DS1218	Flagg	E-9897	E0HZ3304B	Ford	E-5339
DS1218	Moog	E-9897	E0HZ3304D	Ford	E-5339
DS1218	TRW	E-9897	E-10108	Meritor	E-10108
DS1265	TRW	E-9925	E-10110	Meritor	E-10110
DS1268	TRW	E-9927	E-10111	Meritor	E-10111
DS1269	TRW	E-9929	E-10137	Meritor	E-10137
DS1270	TRW	E-9933	E-10138	Meritor	E-10138
DS1271	TRW	E-9934	E-11463	Meritor	E-11463
DS1366	TRW	E-9937	E-11788	Meritor	E-11788
DS1369	TRW	E-9936	E-11789	Meritor	E-11789
DS1442	TRW	E-11790	E-11790	Meritor	E-11790
DS800	Flagg	E-5310	E-12512B	Meritor	E-12512B
DS800	McQuay	E-5310	E2HT3304AA	Ford	E-5339
DS800	Moog	E-5310	E3HZ3304A	Ford	E-6836
DS800	TRW	E-5310	E3HZ3304B	Ford	E-5339
DS907	McQuay	E-6816	E3HZ3304H	Ford	E-5324
DS907	Moog	E-6816	E3HZ3304J	Ford	E-5342
DS907	TRW	E-6816	E3HZ3A130A	Ford	E-4615
DS908	Flagg	E-5324	E3HZ3A131A	Ford	E-4614
DS908	McQuay	E-5324	E-4430B	Meritor	E-4430B
DS908	Moog	E-5324	E-4431B	Meritor	E-4431B
DS908	TRW	E-5324	E-4434B	Meritor	E-4434B
DS910	Flagg	E-5326	E-4434N	Meritor	E-4434N
DS910	McQuay	E-5326	E-4438N	Meritor	E-4438N
DS910	Moog	E-5326	E-4438N	Meritor	E-4438N
DS910	TRW	E-5326	E-4441B	Meritor	E-4441B
DS948	Flagg	E-5338	E-4444B	Meritor	E-4444B
DS948	McQuay	E-5338	E-4444N	Meritor	E-4444N
DS948	Moog	E-5338	E-4445B	Meritor	E-4445B
DS948	TRW	E-5338	E-4445N	Meritor	E-4445N
DS949	Flagg	E-5339	E-4450B	Meritor	E-4450B
DS949	McQuay	E-5339	E-4451B	Meritor	E-4451B
DS949	Moog	E-5339	E-4452B	Meritor	E-4452B
DS949	TRW	E-5339	E-4453B	Meritor	E-4453B
DS953	Flagg	E-5342	E-4454B	Meritor	E-4454B
DS953	McQuay	E-5342	E-4454N	Meritor	E-4454N
DS953	Moog	E-5342	E-4459B	Meritor	E-4459B
DS953	TRW	E-5342	E-4460B	Meritor	E-4460B
DS979	Flagg	E-5366	E-4462B	Meritor	E-4462B
DS979	McQuay	E-5366	E-4462B	Meritor	E-4462B
DS979	Moog	E-5366	E-4463B	Meritor	E-4463B
DS979	TRW	E-5366	E-4467B	Meritor	E-4467B
DS986	Flagg	E-5373	E-4469B	Meritor	E-4469B
DS986	McQuay	E-5373	E-4470B	Meritor	E-4470B
DS986	Moog	E-5373	E-4471B	Meritor	E-4471B
DS986	TRW	E-5373	E-4481B	Meritor	E-4481B
DS987	Flagg	E-5373	E-4484B	Meritor	E-4484B
DS987	McQuay	E-5373	E-457B	Meritor	E-457B
DS987	Moog	E-5373	E-4595B	Meritor	E-4595B
DS987	TRW	E-5373	E-4599B	Meritor	E-4599B
DS988	Flagg	E-5374	E-4600	Meritor	E-4600
DS988	McQuay	E-5374	E-4601	Meritor	E-4601
DS988	Moog	E-5374	E-4602	Meritor	E-4602

CROSS REFERENCE LISTING

INTERCHANGE

PART#	COMPETITOR	EUCLID#	PART#	COMPETITOR	EUCLID#
E-4603	Meritor	E-4603	E-6197B	Meritor	E-6197B
E-4604	Meritor	E-4604	E-6198B	Meritor	E-6198B
E-4605	Meritor	E-4605	E-6815	Meritor	E-6815
E-4606	Meritor	E-4606	E-6816	Meritor	E-6816
E-4607	Meritor	E-4607	E-6818	Meritor	E-6818
E-4608	Meritor	E-4608	E-6819	Meritor	E-6819
E-4609	Meritor	E-4609	E-6825	Meritor	E-6825
E-4610	Meritor	E-4610	E-6833	Meritor	E-6833
E-4611	Meritor	E-4611	E-6835	Meritor	E-6835
E-4612	Meritor	E-4612	E-6839	Meritor	E-6839
E-4613	Meritor	E-4613	E-6849	Meritor	E-6849
E-4614	Meritor	E-4614	E-6856	Meritor	E-6856
E-4615	Meritor	E-4615	E-6857	Meritor	E-6857
E-4616	Meritor	E-4616	E-6858	Meritor	E-6858
E-4618	Meritor	E-4619	E-6868B	Meritor	E-6868B
E-4619	Meritor	E-4618	E6HZ3A130A	Ford	E-4623
E-4620	Meritor	E-4620	E6HZ3A131A	Ford	E-4622
E-4621	Meritor	E-4621	E-8757	Meritor	E-8757
E-4622	Meritor	E-4622	E-8758	Meritor	E-8758
E-4623	Meritor	E-4623	E8HZ3304B	Ford	E-6827
E-4624	Meritor	E-4624	E8HZ3304E	Ford	E-6835
E-4625	Meritor	E-4625	E8HZ3304F	Ford	E-6835
E-4628	Meritor	E-4628	E8HZ3A130A	Ford	E-4605
E-4629	Meritor	E-4629	E8HZ3A131A	Ford	E-4604
E-4630	Meritor	E-4631	E-9877	Meritor	E-9877
E-4634	Meritor	E-4634	E-9878	Meritor	E-9878
E-4635	Meritor	E-4635	E-9897	Meritor	E-9897
E-4636	Meritor	E-4636	E-9911	Meritor	E-9911
E-4640	Meritor	E-4640	E-9925	Meritor	E-9925
E-468B	Meritor	E-468B	E-9927	Meritor	E-9927
E-4693B	Meritor	E-4693B	E-9929	Meritor	E-9929
E-4696B	Meritor	E-4696B	E-9933	Meritor	E-9933
E-4697B	Meritor	E-4697B	E-9941B	Meritor	E-9941B
E4HZ3304B	Ford	E-5324	E-9942B	Meritor	E-9942B
E4HZ3A130A	Ford	E-4615	E-9948	Meritor	E-9948
E4HZ3A130B	Ford	E-4615	E-9951	Meritor	E-9951
E4HZ3A131A	Ford	E-4614	E-9952	Meritor	E-9952
E-5018	Meritor	E-5018	E-9962	Meritor	E-9962
E-5310	Meritor	E-5310	E-9962	Meritor	E-9963
E-5324	Meritor	E-5324	E-9963	Meritor	E-9962
E-5326	Meritor	E-5326	E-9963	Meritor	E-9963
E-5342	Meritor	E-5342	E-9965	Meritor	E-9965
E-5366	Meritor	E-5366	E-9966	Meritor	E-9966
E-5373	Meritor	E-5373	E9HZ3111A	Ford	E-6196B
E-5374	Meritor	E-5374	E9HZ3111B	Ford	E-6197B
E-5386	Meritor	E-5386	E9HZ3111C	Ford	E-9943B
E-5390	Meritor	E-5390	ES150L	Flagg	E-4634
E-5391	Meritor	E-5391	ES150L	McQuay	E-4634
E-5392	Meritor	E-5392	ES150L	Moog	E-4634
E-5402	Meritor	E-5402	ES150L	O&SMfg.	E-4634
E-5469	Meritor	E-5469	ES150L	TRW	E-4634
E-5470	Meritor	E-5470	ES150R	Flagg	E-4635
E-6135	Meritor	E-6135	ES150R	McQuay	E-4635
E-6136	Meritor	E-6136	ES150R	Moog	E-4635
E-6196B	Meritor	E-6196B	ES150R	O&SMfg.	E-4635

CROSS REFERENCE LISTING

PART#	COMPETITOR	EUCRID#	PART#	COMPETITOR	EUCRID#
ES150R	TRW	E-4635	ES2070L	Flagg	E-4608
ES176L	Flagg	E-4636	ES2070L	McQuay	E-4608
ES176L	McQuay	E-4636	ES2070L	Moog	E-4608
ES176L	Moog	E-4636	ES2070L	O&SMfg.	E-4608
ES176L	O&SMfg.	E-4636	ES2070L	TRW	E-4608
ES176L	TRW	E-4636	ES2090L	Flagg	E-4628
ES176R	Flagg	E-4637	ES2090L	McQuay	E-4628
ES176R	McQuay	E-4637	ES2090L	Moog	E-4628
ES176R	Moog	E-4637	ES2090L	O&SMfg.	E-4628
ES176R	O&SMfg.	E-4637	ES2090L	TRW	E-4628
ES176R	TRW	E-4637	ES2090L	TRW	E-4629
ES187L	Flagg	E-4610	ES2091R	TRW	E-4628
ES187L	McQuay	E-4610	ES2091R	Flagg	E-4629
ES187L	Moog	E-4610	ES2091R	McQuay	E-4629
ES187L	O&SMfg.	E-4610	ES2091R	Moog	E-4629
ES187L	TRW	E-4610	ES2091R	O&SMfg.	E-4629
ES187R	Flagg	E-4611	ES2091R	TRW	E-4629
ES187R	McQuay	E-4611	ES2116L	Flagg	E-4616
ES187R	Moog	E-4611	ES2116L	McQuay	E-4616
ES187R	O&SMfg.	E-4611	ES2116L	Moog	E-4616
ES187R	TRW	E-4611	ES2116L	TRW	E-4616
ES2030R	Flagg	E-5392	ES2118L	Flagg	E-4640
ES2030R	McQuay	E-5392	ES2118L	McQuay	E-4640
ES2030R	Moog	E-5392	ES2118L	Moog	E-4640
ES2030R	TRW	E-5392	ES2118L	O&SMfg.	E-4640
ES2035L	Flagg	E-4622	ES2118L	TRW	E-4640
ES2035L	McQuay	E-4622	ES2202R	Flagg	E-4629
ES2035L	Moog	E-4622	ES2202R	McQuay	E-4629
ES2035L	O&SMfg.	E-4622	ES2202R	Moog	E-4629
ES2035L	TRW	E-4622	ES2202R	TRW	E-4629
ES2036R	Flagg	E-4623	ES2203R	Flagg	E-6849
ES2036R	McQuay	E-4623	ES2203R	TRW	E-6849
ES2036R	Moog	E-4623	ES2204R	McQuay	E-4629
ES2036R	O&SMfg.	E-4623	ES2204R	Moog	E-4629
ES2036R	TRW	E-4623	ES2204R	TRW	E-4629
ES2041L	McQuay	E-4616	ES2207R	McQuay	E-4618
ES2041L	Moog	E-4616	ES2207R	Moog	E-4618
ES2041L	O&SMfg.	E-4616	ES2207R	O&SMfg.	E-4618
ES2041L	TRW	E-4616	ES2207R	TRW	E-4618
ES2061L	Flagg	E-4612	ES2209R	McQuay	E-4629
ES2061L	McQuay	E-4612	ES2209R	Moog	E-4629
ES2061L	Moog	E-4612	ES2209R	TRW	E-4629
ES2061L	O&SMfg.	E-4612	ES2210L	McQuay	E-4628
ES2061L	TRW	E-4612	ES2210L	Moog	E-4628
ES2062R	Flagg	E-4613	ES2210L	TRW	E-4628
ES2062R	McQuay	E-4613	ES2224L	Flagg	E-5391
ES2062R	Moog	E-4613	ES2224L	McQuay	E-5391
ES2062R	O&SMfg.	E-4613	ES2224L	Moog	E-5391
ES2062R	TRW	E-4613	ES2224L	TRW	E-5391
ES2063R	McQuay	E-4623	ES2225R	Flagg	E-5402
ES2069R	Flagg	E-4609	ES2225R	Moog	E-5402
ES2069R	McQuay	E-4609	ES2225R	TRW	E-5402
ES2069R	Moog	E-4609	ES235L	Flagg	E-4600
ES2069R	O&SMfg.	E-4609	ES235L	McQuay	E-4600
ES2069R	TRW	E-4609	ES235L	Moog	E-4600

CROSS REFERENCE LISTING

INTERCHANGE

PART#	COMPETITOR	EUCLID#	PART#	COMPETITOR	EUCLID#
ES235L	O&SMfg.	E-4600	ES3284L	TRW	E-9965
ES235NL	Flagg	E-4600	ES3297R	Flagg	E-8758
ES235NL	McQuay	E-4600	ES3297R	TRW	E-8758
ES235NL	Moog	E-4600	ES3298L	Flagg	E-8757
ES235NR	McQuay	E-4601	ES3298L	TRW	E-8757
ES235NR	Moog	E-4601	ES330L	Flagg	E-4620
ES235R	Flagg	E-4601	ES330L	McQuay	E-4620
ES235R	McQuay	E-4601	ES330L	Moog	E-4620
ES235R	Moog	E-4601	ES330L	O&SMfg.	E-4620
ES235R	O&SMfg.	E-4601	ES330L	TRW	E-4620
ES2613L	Flagg	E-5469	ES330R	Flagg	E-4621
ES2613L	TRW	E-5469	ES330R	McQuay	E-4621
ES2614R	Flagg	E-5470	ES330R	Moog	E-4621
ES2614R	TRW	E-5470	ES330R	O&SMfg.	E-4621
ES3030R	Flagg	E-6856	ES330R	TRW	E-4621
ES3030R	Moog	E-6856	ES332L	Flagg	E-4624
ES3030R	TRW	E-6856	ES332L	McQuay	E-4624
ES3031L	Flagg	E-6857	ES332L	Moog	E-4624
ES3031L	Moog	E-6857	ES332L	O&SMfg.	E-4624
ES3031L	TRW	E-6857	ES332L	TRW	E-4624
ES3032R	Flagg	E-6858	ES332R	Flagg	E-4625
ES3032R	Moog	E-6858	ES332R	McQuay	E-4625
ES3032R	TRW	E-6858	ES332R	Moog	E-4625
ES3033L	TRW	E-4629	ES332R	O&SMfg.	E-4625
ES3034R	TRW	E-4628	ES332R	TRW	E-4625
ES3035L	TRW	E-4622	ES3442R	TRW	E-11788
ES3036R	TRW	E-4623	ES3443L	TRW	E-11789
ES3037R	TRW	E-4613	ES346L	Flagg	E-4618
ES3038L	TRW	E-4612	ES346L	McQuay	E-4618
ES304L	Flagg	E-4602	ES346L	Moog	E-4618
ES304L	McQuay	E-4602	ES346L	O&SMfg.	E-4618
ES304L	Moog	E-4602	ES346L	TRW	E-4618
ES304L	O&SMfg.	E-4602	ES346L	Flagg	E-4619
ES304L	TRW	E-4602	ES346R	McQuay	E-4619
ES304R	Flagg	E-4603	ES346R	Moog	E-4619
ES304R	McQuay	E-4603	ES346R	O&SMfg.	E-4619
ES304R	Moog	E-4603	ES346R	TRW	E-4619
ES304R	O&SMfg.	E-4603	ES3476	TRW	E-10137
ES304R	TRW	E-4603	ES3477	TRW	E-10138
ES3057	TRW	E-4616	ES373L	Flagg	E-4604
ES3086L	TRW	E-6135	ES373L	McQuay	E-4604
ES3087R	TRW	E-6136	ES373L	Moog	E-4604
ES3176R	TRW	E-9963	ES373L	O&SMfg.	E-4604
ES3177L	TRW	E-9962	ES373L	TRW	E-4604
ES3214R	TRW	E-9948	ES373R	Flagg	E-4605
ES3217L	TRW	E-4614	ES373R	McQuay	E-4605
ES3218R	TRW	E-4615	ES373R	Moog	E-4605
ES3219L	TRW	E-9951	ES373R	O&SMfg.	E-4605
ES3220R	TRW	E-9952	ES373R	TRW	E-4605
ES3270L	TRW	E-10110	ES376L	Flagg	E-4616
ES3271R	TRW	E-10111	ES376L	McQuay	E-4616
ES3274L	TRW	E-10108	ES376L	Moog	E-4616
ES3283R	Flagg	E-9966	ES376L	O&SMfg.	E-4616
ES3283R	TRW	E-9966	ES376L	TRW	E-4616
ES3284L	Flagg	E-9965	ES405L	Flagg	E-4606

CROSS REFERENCE LISTING

INTERCHANGE

PART#	COMPETITOR	EUCLID#	PART#	COMPETITOR	EUCLID#
ES405L	McQuay	E-4606	F5HZ3A131B	Ford	E-9966
ES405L	Moog	E-4606	F6HZ3304FB	Ford	E-11790
ES405L	O&SMfg.	E-4606	F6HZ3A130AA	Ford	E-11788
ES405L	TRW	E-4606	F6HZ3A131AA	Ford	E-11789
ES405R	Flagg	E-4607	FAK4444	Navistar	E-4430B
ES405R	McQuay	E-4607	FAK4446	Navistar	E-4431B
ES405R	Moog	E-4607	FAK4461	Navistar	E-5018
ES405R	O&SMfg.	E-4607	FAK4467	Navistar	E-4606
ES405R	TRW	E-4607	FAK4468	Navistar	E-4607
ES411L	Flagg	E-4631	FAK4469	Navistar	E-4444N
ES411L	McQuay	E-4631	FAK4470	Navistar	E-4444B
ES411L	Moog	E-4631	FAK4471	Navistar	E-4445N
ES411L	O&SMfg.	E-4631	FAK4472	Navistar	E-4445B
ES411L	TRW	E-4631	FAK4477	Navistar	E-4484B
ES423L	Flagg	E-4614	FAK4485	Navistar	E-4451B
ES423L	McQuay	E-4614	FAK4487	Navistar	E-4452B
ES423L	Moog	E-4614	FAK4489	Navistar	E-4453B
ES423L	O&SMfg.	E-4614	FAK4493	Navistar	E-457B
ES423L	TRW	E-4614	FAK4494	Navistar	E-4459B
ES423R	Flagg	E-4615	FAK4495	Navistar	E-4460B
ES423R	McQuay	E-4615	FAK4497	Navistar	E-4481B
ES423R	Moog	E-4615	FAK4498	Navistar	E-4462B
ES423R	O&SMfg.	E-4615	FAK4500	Navistar	E-4463B
ES423R	TRW	E-4615	FAK4508	Navistar	E-4467B
ES431L	TRW	E-4616	FAK4509	Navistar	E-4469B
ES431R	Flagg	E-4616	FAK4510	Navistar	E-4470B
ES431R	McQuay	E-4616	FAK4511	Navistar	E-4471B
ES431R	Moog	E-4616	FAK4514	Navistar	E-4599B
ES431R	O&SMfg.	E-4616	FAK4516	Navistar	E-4697B
ES434L	Flagg	E-5391	FAK4517	Navistar	E-4693B
ES434L	McQuay	E-5391	FAK4518	Navistar	E-4462B
ES434L	Moog	E-5391	FAK4527	Navistar	E-4434N
ES434L	TRW	E-5391	FAK4531	Navistar	E-4441B
ES9001L	Flagg	E-10138	FAK4532	Navistar	E-4438N
ES9001R	Flagg	E-10137	FAK4533	Navistar	E-4434B
ES9009	Flagg	E-8757	FAK4536	Navistar	E-4441B
ES9010	Flagg	E-8758	FAK4537	Navistar	E-4438N
FOHZ3304A	Ford	E-6836	FAK4541	Navistar	E-4454N
FOHZ3304E	Ford	E-6839	FAK4542	Navistar	E-4454B
FOHZ3304F	Ford	E-6839	FAK4548	Navistar	E-4441B
FOHZ3304G	Ford	E-6827	FAK4549	Navistar	E-4434B
FOHZ3A131B	Ford	E-4622	FAK4549	Navistar	E-4434N
FOHZ3A131B	Ford	E-4623	FAK4553	Navistar	E-4450B
F1HZ3304A	Ford	E-9925	FAK4555	Navistar	E-468B
F1HZ3304E	Ford	E-9927	FAK4558	Navistar	E-12512B
F1HZ3304J	Ford	E-9929	FAK4559	Navistar	E-4450B
F1HZ3A130A	Ford	E-9962	FAK4560	Navistar	E-4595B
F1HZ3A130B	Ford	E-9963	FAK4567	Navistar	E-6868B
F2HZ3304C	Ford	E-9933	FAK4571	Navistar	E-4454B
F2HZ3304D	Ford	E-9934	FAK4572	Navistar	E-4696B
F3HZ3A130B	Ford	E-9962	FAK4582	Navistar	E-6198B
F3HZ3A131B	Ford	E-9963	FAK4587	Navistar	E-6196B
F4HZ3304A	Ford	E-9936	FAK4589	Navistar	E-6197B
F5HZ3304A	Ford	E-9937	FAK5444	Navistar	E-4460B
F5HZ3A130B	Ford	E-9965	FAK5445	Navistar	E-4462B

CROSS REFERENCE LISTING

PART#	COMPETITOR	EUCLID#	PART#	COMPETITOR	EUCLID#
FAK5447	Navistar	E-4463B	FKP69B	Flagg	E-4452B
FAK5451	Navistar	E-4697B	FKP70B	Flagg	E-4453B
FAK5452	Navistar	E-4460B	FKP71B	Flagg	E-12512B
FAK5454	Navistar	E-6198B	FKP72B	Flagg	E-4459B
FAK5455	Navistar	E-9941B	FKP73B	Flagg	E-457B
FAK5456	Navistar	E-9942B	FKP75B	Flagg	E-4460B
FDL1020	Navistar	E-5386	FKP76B	Flagg	E-4481B
FDL1034	Navistar	E-5390	FKP77B	Flagg	E-4462B
FDL1044	Navistar	E-6815	FKP77N	Flagg	E-4462B
FDL1064	Navistar	E-6816	FKP78B	Flagg	E-4463B
FDL1179	Navistar	E-6818	FKP78N	Flagg	E-4463B
FDL1180	Navistar	E-6819	FKP85B	Flagg	E-4467B
FDL1186	Navistar	E-6825	FKP86B	Flagg	E-4469B
FDL1191	Navistar	E-6827	FKP88B	Flagg	E-4471B
FDL1199	Navistar	E-6833	FKP89B	Flagg	E-4470B
FDL1200	Navistar	E-6834	FKP8B	Flagg	E-4431B
FDL1203	Navistar	E-6835	FKP90B	Flagg	E-468B
FDL1204	Navistar	E-6836	FKP91B	Flagg	E-4697B
FDL1207	Navistar	E-6839	FKP92B	Flagg	E-6868B
FDL1214	Navistar	E-9911	FKP93B	Flagg	E-4595B
FDL1215	Navistar	E-11463	FKP94B	Flagg	E-4599B
FDL800	Navistar	E-5310	FKP96B	Flagg	E-4693B
FDL908	Navistar	E-5324	FTR150L	Navistar	E-4634
FDL910	Navistar	E-5326	FTR150R	Navistar	E-4635
FDL948	Navistar	E-5338	FTR176L	Navistar	E-4636
FDL949	Navistar	E-5339	FTR176R	Navistar	E-4637
FDL953	Navistar	E-5342	FTR187L	Navistar	E-4610
FDL979	Navistar	E-5366	FTR187R	Navistar	E-4611
FDL986	Navistar	E-5373	FTR2035L	Navistar	E-4622
FDL987	Navistar	E-5373	FTR2036R	Navistar	E-4623
FDL988	Navistar	E-5374	FTR2061L	Navistar	E-4612
FKP105B	Flagg	E-6196B	FTR2062R	Navistar	E-4613
FKP106B	Flagg	E-6197B	FTR2069R	Navistar	E-4609
FKP110B	Flagg	E-6198B	FTR2070L	Navistar	E-4608
FKP115B	Flagg	E-4696B	FTR2090L	Navistar	E-4628
FKP11B	Flagg	E-4434B	FTR2091R	Navistar	E-4629
FKP11N	Flagg	E-4434N	FTR2116L	Navistar	E-4616
FKP120B	Flagg	E-9943B	FTR2118L	Navistar	E-4640
FKP36B	Flagg	E-5018	FTR2202R	Navistar	E-4629
FKP38B	Flagg	E-4430B	FTR2203R	Navistar	E-6849
FKP39B	Flagg	E-4607	FTR2204R	Navistar	E-4629
FKP39N	Flagg	E-4606	FTR2207R	Navistar	E-4618
FKP40B	Flagg	E-4444B	FTR2209R	Navistar	E-4629
FKP40N	Flagg	E-4444N	FTR2210L	Navistar	E-4628
FKP43B	Flagg	E-4445B	FTR2224L	Navistar	E-5391
FKP43N	Flagg	E-4445N	FTR2225R	Navistar	E-5402
FKP46B	Flagg	E-4438N	FTR235NL	Navistar	E-4600
FKP46N	Flagg	E-4438N	FTR235NR	Navistar	E-4601
FKP51B	Flagg	E-4484B	FTR2613L	Navistar	E-5469
FKP52B	Flagg	E-4454B	FTR2614R	Navistar	E-5470
FKP52N	Flagg	E-4454N	FTR3030R	Navistar	E-6856
FKP53B	Flagg	E-4441B	FTR3031L	Navistar	E-6857
FKP53N	Flagg	E-4441B	FTR3032R	Navistar	E-6858
FKP62B	Flagg	E-4450B	FTR3033L	Navistar	E-4629
FKP68B	Flagg	E-4451B	FTR3034R	Navistar	E-4628

CROSS REFERENCE LISTING

INTERCHANGE

PART#	COMPETITOR	EUCRID#	PART#	COMPETITOR	EUCRID#
FTR304L	Navistar	E-4602	K554B	TRW	E-4463B
FTR304R	Navistar	E-4603	K555D	TRW	E-4463B
FTR3057	Navistar	E-4616	K562B	TRW	E-4467B
FTR330L	Navistar	E-4620	K563B	TRW	E-468B
FTR330R	Navistar	E-4621	K564B	TRW	E-4470B
FTR332L	Navistar	E-4624	K565B	TRW	E-4471B
FTR332R	Navistar	E-4625	K567B	TRW	E-4469B
FTR346L	Navistar	E-4618	K570B	TRW	E-4595B
FTR346R	Navistar	E-4619	K572B	TRW	E-4693B
FTR373L	Navistar	E-4604	K582	TRW	E-6868B
FTR373R	Navistar	E-4605	K588	TRW	E-6196B
FTR376L	Navistar	E-4616	K589	TRW	E-6197B
FTR405L	Navistar	E-4606	K592	TRW	E-6198B
FTR405R	Navistar	E-4607	K75F	Kaiser	E-4452B
FTR411L	Navistar	E-4631	K921L	Kaiser	E-4450B
FTR423L	Navistar	E-4614	K931C	Kaiser	E-4459B
FTR423R	Navistar	E-4615	K931F	Kaiser	E-4459B
FTR431R	Navistar	E-4616	K931L	Kaiser	E-4459B
FTR8407	Navistar	E-4614	K95F	Kaiser	E-457B
FTR8408	Navistar	E-4615	K98I	Kaiser	E-4431B
FTR8409	Navistar	E-9951	KA124R	McQuay	E-4430B
FTR8410	Navistar	E-9952	KA140	McQuay	E-4431B
K102I	Kaiser	E-6198B	KA218	McQuay	E-4441B
K109I	Kaiser	E-4484B	KA219	McQuay	E-4438N
K124R	McQuay	E-4430B	KA227	McQuay	E-4434N
K391C	TRW	E-4430B	KA235	McQuay	E-4438N
K401N	TRW	E-4431B	KA236	McQuay	E-4434B
K450	TRW	E-4434B	KA239	McQuay	E-4438N
K477	TRW	E-4438N	KA241	McQuay	E-5018
K489	TRW	E-4434N	KA246	McQuay	E-4607
K493	TRW	E-5018	KA249	McQuay	E-4444N
K496	TRW	E-4441B	KA250	McQuay	E-4606
K496B	TRW	E-4441B	KA264	McQuay	E-4445N
K503	TRW	E-4438N	KA277	McQuay	E-4454N
K506	TRW	E-4606	KA278	McQuay	E-4454B
K506B	TRW	E-4607	KA279	McQuay	E-4451B
K507	TRW	E-4444N	KA280	McQuay	E-4484B
K507B	TRW	E-4444B	KA281	McQuay	E-4445B
K509	TRW	E-4445N	KA282	McQuay	E-4441B
K509B	TRW	E-4445B	KA291	McQuay	E-4450B
K50F	Kaiser	E-5018	KA298	McQuay	E-4444B
K524B	TRW	E-4484B	KA300	McQuay	E-457B
K534B	TRW	E-4450B	KA301	McQuay	E-4459B
K535B	TRW	E-4451B	KA302	McQuay	E-12512B
K538B	TRW	E-4452B	KA306	McQuay	E-4453B
K540B	TRW	E-4453B	KA307	McQuay	E-4460B
K541B	TRW	E-4454B	KA309	McQuay	E-4463B
K542D	TRW	E-4454N	KA310	McQuay	E-4462B
K546B	TRW	E-457B	KA312	McQuay	E-4481B
K547B	TRW	E-12512B	KA313	McQuay	E-4463B
K548B	TRW	E-4459B	KA314	McQuay	E-4462B
K549B	TRW	E-4460B	KA317	McQuay	E-4452B
K551B	TRW	E-4481B	KA321	McQuay	E-468B
K552B	TRW	E-4462B	KA325	McQuay	E-4467B
K553D	TRW	E-4462B	KA328	McQuay	E-4471B

CROSS REFERENCE LISTING

INTERCHANGE

PART#	COMPETITOR	EUCLID#	PART#	COMPETITOR	EUCLID#
KA331	McQuay	E-4469B	KB565B	Unimotive	E-4471B
KB325	Elgin	E-4451B	KB567B	Unimotive	E-4469B
KB391C	Unimotive	E-4430B	KB571NR	Elgin	E-4445N
KB401N	Unimotive	E-4431B	KB571R	Elgin	E-4445B
KB425	Elgin	E-4484B	KB645	Elgin	E-4460B
KB450	Unimotive	E-4434B	KB700	Elgin	E-4454B
KB450A	Elgin	E-4434B	KB700N	Elgin	E-4454N
KB450AN	Elgin	E-4434N	KB722	Elgin	E-4453B
KB462B	Elgin	E-4430B	KB816	Elgin	E-4481B
KB465A	Elgin	E-4441B	KB817	Elgin	E-4462B
KB465AN	Elgin	E-4441B	KB817N	Elgin	E-4462B
KB471	Elgin	E-4431B	KB818	Elgin	E-4463B
KB477	Unimotive	E-4438N	KB818N	Elgin	E-4463B
KB477ANR	Elgin	E-4438N	KB823	Elgin	E-468B
KB477AR	Elgin	E-4438N	KB829	Elgin	E-4467B
KB489	Unimotive	E-4434N	KB830	Elgin	E-4469B
KB491A	Elgin	E-4444B	KB832	Elgin	E-4471B
KB491AN	Elgin	E-4444N	KB834	Elgin	E-4599B
KB492ANR	Elgin	E-4606	KB835	Elgin	E-4697B
KB492AR	Elgin	E-4607	KB837	Elgin	E-4595B
KB493	Elgin	E-5018	KB838	Elgin	E-4470B
KB493	Unimotive	E-5018	KB840	Elgin	E-4693B
KB496	Unimotive	E-4441B	KIT123	Freightliner	E-4434N
KB496B	Unimotive	E-4441B	KIT123	Kenworth	E-4434N
KB503	Unimotive	E-4438N	KIT123	Marmon	E-4434N
KB506	Unimotive	E-4606	KIT123	Meritor	E-4434N
KB506B	Unimotive	E-4607	KIT123	Peterbilt	E-4434N
KB507	Unimotive	E-4444N	KIT123	VolvoWhiteGMC	E-4434N
KB507B	Unimotive	E-4444B	KIT1300	Freightliner	E-4595B
KB509	Unimotive	E-4445N	KIT1300	Kenworth	E-4595B
KB509B	Unimotive	E-4445B	KIT1300	Marmon	E-4595B
KB524B	Unimotive	E-4484B	KIT1300	Meritor	E-4595B
KB534B	Elgin	E-4450B	KIT1300	Peterbilt	E-4595B
KB534B	Unimotive	E-4450B	KIT1310	Meritor	E-6868B
KB535B	Unimotive	E-4451B	KIT142	Meritor	E-4441B
KB537	Elgin	E-4452B	KIT143	Meritor	E-4438N
KB538B	Unimotive	E-4452B	KIT144	Freightliner	E-4434B
KB540B	Unimotive	E-4453B	KIT144	Kenworth	E-4434B
KB541B	Unimotive	E-4454B	KIT144	Marmon	E-4434B
KB542D	Unimotive	E-4454N	KIT144	Meritor	E-4434B
KB546	Elgin	E-457B	KIT144	Peterbilt	E-4434B
KB546B	Unimotive	E-457B	KIT144	VolvoWhiteGMC	E-4434B
KB547	Elgin	E-12512B	KIT154	Meritor	E-4441B
KB547B	Unimotive	E-12512B	KIT155	Meritor	E-4438N
KB548	Elgin	E-4459B	KIT168	Kenworth	E-4454N
KB548B	Unimotive	E-4459B	KIT168	Marmon	E-4454N
KB549B	Unimotive	E-4460B	KIT168	Meritor	E-4454N
KB551B	Unimotive	E-4481B	KIT168	Peterbilt	E-4454N
KB552B	Unimotive	E-4462B	KIT168	VolvoWhiteGMC	E-4454N
KB553D	Unimotive	E-4462B	KIT170	Freightliner	E-4454B
KB554B	Unimotive	E-4463B	KIT170	Kenworth	E-4454B
KB555D	Unimotive	E-4463B	KIT170	Marmon	E-4454B
KB562B	Unimotive	E-4467B	KIT170	Meritor	E-4454B
KB563B	Unimotive	E-468B	KIT170	Peterbilt	E-4454B
KB564B	Unimotive	E-4470B	KIT170	VolvoWhiteGMC	E-4454B

CROSS REFERENCE LISTING

PART#	COMPETITOR	EUCIID#	PART#	COMPETITOR	EUCIID#
KIT195	Freightliner	E-468B	KP2339	Eaton	E-4595B
KIT195	Kenworth	E-468B	KP2340	Eaton	E-4693B
KIT195	Mack	E-468B	KP2344	Eaton	E-5018
KIT195	Marmon	E-468B	L18VU8000A12	TRW	E-11463
KIT195	Meritor	E-468B	L20LV8041A14	TRW	E-8757
KIT195	Peterbilt	E-468B	L20LV8042A14	TRW	E-8758
KIT195	VolvoWhiteGMC	E-468B	L20SV8100D12	TRW	E-4614
KIT198	Mack	E-12512B	L20SV8101D12	TRW	E-4615
KIT198	Marmon	E-12512B	L20SV8102B12	TRW	E-10110
KIT198	Meritor	E-12512B	L20SV8103B12	TRW	E-10111
KIT198	VolvoWhiteGMC	E-12512B	L20SV8115A12	TRW	E-4610
KIT199	Freightliner	E-4450B	L20SV8116A12	TRW	E-4611
KIT199	Kenworth	E-4450B	L20SV8150A13	TRW	E-10137
KIT199	Marmon	E-4450B	L20SV8151A13	TRW	E-10138
KIT199	Meritor	E-4450B	L24SV5000H17	Freightliner	E-4608
KIT199	Peterbilt	E-4450B	L24SV5001A13	Freightliner	E-4611
KIT199	VolvoWhiteGMC	E-4450B	L24SV5001A14	Freightliner	E-4611
KKIT168	Freightliner	E-4454N	L24SV5001D23	Freightliner	E-4609
KP2262	Eaton	E-4431B	L24SV5042A12	Autocar	E-4615
KP2266	Eaton	E-4434B	L24SV5042A12	Chrysler	E-4615
KP2271	Eaton	E-4434N	L24SV5042A12	Eaton	E-4615
KP2277	Eaton	E-4444N	L24SV5042A12	Freightliner	E-4615
KP2278	Eaton	E-4444B	L24SV5042A12	GMC	E-4615
KP2279	Eaton	E-4606	L24SV5042A12	Kenworth	E-4615
KP2280	Eaton	E-4607	L24SV5042A12	Marmon	E-4615
KP2281	Eaton	E-4430B	L24SV5042A12	Peterbilt	E-4615
KP2283	Eaton	E-4445N	L24SV5042A12	VolvoWhiteGMC	E-4615
KP2284	Eaton	E-4445B	L24SV5042B12	Freightliner	E-4615
KP2288	Eaton	E-4441B	L24SV5043A12	Autocar	E-4614
KP2289	Eaton	E-4438N	L24SV5043A12	Chrysler	E-4614
KP2290	Eaton	E-4438N	L24SV5043A12	Eaton	E-4614
KP2293	Eaton	E-4484B	L24SV5043A12	Freightliner	E-4614
KP2294	Eaton	E-4441B	L24SV5043A12	GMC	E-4614
KP2296	Eaton	E-4454N	L24SV5043A12	Kenworth	E-4614
KP2297	Eaton	E-4454B	L24SV5043A12	Marmon	E-4614
KP2305	Eaton	E-4450B	L24SV5043A12	Peterbilt	E-4614
KP2311	Eaton	E-4451B	L24SV5043A12	VolvoWhiteGMC	E-4614
KP2313	Eaton	E-4452B	L24SV5043A12	TRW	E-4615
KP2314	Eaton	E-12512B	L24SV5043A14	Freightliner	E-4614
KP2315	Eaton	E-4459B	L24SV5700A12	Freightliner	E-6849
KP2316	Eaton	E-457B	L24SV8002B12	TRW	E-10108
KP2318	Eaton	E-4453B	L24SV8100A13	TRW	E-4628
KP2320	Eaton	E-4460B	L24SV8100D18	TRW	E-11789
KP2322	Eaton	E-4481B	L24SV8101A21	TRW	E-4629
KP2323	Eaton	E-4462B	L24SV8101E19	TRW	E-11788
KP2324	Eaton	E-4462B	L24SV8206A13	TRW	E-5391
KP2325	Eaton	E-4463B	L24SV8208B12	TRW	E-9878
KP2326	Eaton	E-4463B	L24SV8209B12	TRW	E-9877
KP2327	Eaton	E-468B	L24VU7061A11	Kenworth	E-6825
KP2330	Eaton	E-4467B	L24VU8008B11	Kenworth	E-6825
KP2331	Eaton	E-4469B	L24VU8108A11	TRW	E-11790
KP2333	Eaton	E-4471B	L28SV5000A14	Freightliner	E-4616
KP2334	Eaton	E-4470B	L28SV5000A18	Freightliner	E-4616
KP2336	Eaton	E-4599B	L28SV5000A30	Freightliner	E-4618
KP2337	Eaton	E-4697B	L28SV5000H29	Freightliner	E-4616

CROSS REFERENCE LISTING

PART#	COMPETITOR	EUCLID#	PART#	COMPETITOR	EUCLID#
L28SV5000H35	Freightliner	E-4616	M2300274	Midland	E-4696B
L28SV5003A14	Freightliner	E-4619	M2300276	Midland	E-9941B
L28SV5200A12	Freightliner	E-4629	M2301	BWP	E-4431B
L28SV5200D12	Freightliner	E-4629	M2305	BWP	E-4434B
L28SV5201A12	Freightliner	E-4628	M2309	BWP	E-4434N
L28SV5201D12	Freightliner	E-4628	M2310	BWP	E-5018
L28SV5202A1	Kenworth	E-4629	M2310455	Midland	E-10137
L28SV5203A1	Kenworth	E-4628	M2310456	Midland	E-10138
L28SV5207B16	Freightliner	E-4629	M2311	BWP	E-4441B
LS0SV8116A12	TRW	E-4610	M2312	BWP	E-4441B
M2300	BWP	E-4430B	M2316	BWP	E-4606
M2300107	Midland	E-4430B	M2317	BWP	E-4607
M2300110	Midland	E-4431B	M2318	BWP	E-4444N
M2300125	Midland	E-4434B	M2319	BWP	E-4444B
M2300140	Midland	E-4438N	M2320	BWP	E-4445N
M2300150	Midland	E-4434N	M2321	BWP	E-4445B
M2300155	Midland	E-5018	M2325	BWP	E-4484B
M2300158	Midland	E-4441B	M2331	BWP	E-4450B
M2300159	Midland	E-4441B	M2332	BWP	E-4451B
M2300170	Midland	E-4438N	M2334	BWP	E-4452B
M2300172	Midland	E-4606	M2336	BWP	E-4454B
M2300173	Midland	E-4607	M2338	BWP	E-457B
M2300174	Midland	E-4444N	M2339	BWP	E-12512B
M2300175	Midland	E-4444B	M2340	BWP	E-4459B
M2300179	Midland	E-4445N	M2341	BWP	E-4460B
M2300180	Midland	E-4445B	M2342	BWP	E-4481B
M2300194	Midland	E-4484B	M2343	BWP	E-4462B
M2300204	Midland	E-4450B	M2344	BWP	E-4462B
M2300205	Midland	E-4451B	M2345	BWP	E-4463B
M2300207	Midland	E-4452B	M2347	BWP	E-4467B
M2300209	Midland	E-4453B	M2348	BWP	E-468B
M2300210	Midland	E-4454B	M2349	BWP	E-4471B
M2300211	Midland	E-4454N	M2350	BWP	E-4469B
M2300215	Midland	E-457B	M2352	BWP	E-4454N
M2300216	Midland	E-12512B	M2358	BWP	E-4595B
M2300217	Midland	E-4459B	M2363	BWP	E-4438N
M2300218	Midland	E-4460B	M2370	BWP	E-4453B
M2300220	Midland	E-4481B	M2373	BWP	E-4463B
M2300221	Midland	E-4462B	M2378	BWP	E-4470B
M2300222	Midland	E-4462B	M2379	BWP	E-4697B
M2300223	Midland	E-4463B	M2380	BWP	E-4693B
M2300224	Midland	E-4463B	M2384	BWP	E-6198B
M2300231	Midland	E-4467B	M2DS1020	Midland	E-5386
M2300232	Midland	E-468B	M2DS1034	Midland	E-5390
M2300233	Midland	E-4469B	M2DS1044	Midland	E-6815
M2300234	Midland	E-4470B	M2DS1064	Midland	E-6816
M2300235	Midland	E-4471B	M2DS1179	Midland	E-6818
M2300240	Midland	E-4595B	M2DS1180	Midland	E-6819
M2300245	Midland	E-4599B	M2DS1186	Midland	E-6825
M2300248	Midland	E-4697B	M2DS1191	Midland	E-6827
M2300249	Midland	E-4693B	M2DS1199	Midland	E-6833
M2300262	Midland	E-6196B	M2DS1200	Midland	E-6834
M2300263	Midland	E-6197B	M2DS1203	Midland	E-6835
M2300264	Midland	E-6868B	M2DS1204	Midland	E-6836
M2300268	Midland	E-6198B	M2DS1214	Midland	E-9911

CROSS REFERENCE LISTING

INTERCHANGE

PART#	COMPETITOR	EUCRID#	PART#	COMPETITOR	EUCRID#
M2DS1218	Midland	E-9897	M2ES405R	Midland	E-4607
M2DS1265	Midland	E-9925	M2ES411L	Midland	E-4631
M2DS1268	Midland	E-9927	M2ES423L	Midland	E-4614
M2DS1269	Midland	E-9929	M2ES423R	Midland	E-4615
M2DS1270	Midland	E-9933	M2ES431L	Midland	E-4616
M2DS1271	Midland	E-9934	R200024	Meritor	E-4606
M2DS1366	Midland	E-9937	R200025	Meritor	E-4607
M2DS1369	Midland	E-9936	R200154	Meritor	E-4441B
M2DS800	Midland	E-5310	R200186	Meritor	E-4434B
M2DS908	Midland	E-5324	R200189	Meritor	E-4454B
M2DS910	Midland	E-5326	R200199	Meritor	E-4450B
M2DS948	Midland	E-5338	R200280	Meritor	E-9943B
M2DS949	Midland	E-5339	R230005	Meritor	E-4637
M2DS953	Midland	E-5342	R230022	Meritor	E-9878
M2DS979	Midland	E-5366	R230023	Meritor	E-9877
M2DS986	Midland	E-5373	R230050	Meritor	E-4629
M2DS987	Midland	E-5373	R230052	Meritor	E-4629
M2DS988	Midland	E-5374	R230055	Meritor	E-4628
M2ES176L	Midland	E-4636	R230076	Meritor	E-4618
M2ES176R	Midland	E-4637	R230088	Meritor	E-4610
M2ES187L	Midland	E-4610	R230102	Meritor	E-4629
M2ES187R	Midland	E-4611	R230103	Meritor	E-4628
M2ES2035L	Midland	E-4622	R230407	Meritor	E-6858
M2ES2036R	Midland	E-4623	R230413	Meritor	E-4614
M2ES2061L	Midland	E-4612	R230414	Meritor	E-4615
M2ES2062R	Midland	E-4613	R250033	Meritor	E-5338
M2ES2069R	Midland	E-4609	R250034	Meritor	E-5339
M2ES2070L	Midland	E-4608	R250052	Meritor	E-5373
M2ES2090L	Midland	E-4628	R250095	Meritor	E-6827
M2ES2091R	Midland	E-4629	R250104	Meritor	E-6834
M2ES2118L	Midland	E-4640	R250105	Meritor	E-6836
M2ES2202R	Midland	E-4629	R250362	Meritor	E-9934
M2ES2224L	Midland	E-5391	R250392	Meritor	E-9937
M2ES2225R	Midland	E-5402	R250395	Meritor	E-9936
M2ES235NL	Midland	E-4600	S3596	S&SParts	E-4481B
M2ES235NR	Midland	E-4601	S4382	S&SParts	E-5324
M2ES2613L	Midland	E-5469	S4603	S&SParts	E-5390
M2ES2614R	Midland	E-5470	S4760	S&SParts	E-4629
M2ES3031L	Midland	E-6857	S4767	S&SParts	E-4605
M2ES3032R	Midland	E-6858	S4768	S&SParts	E-4604
M2ES3030R	Midland	E-6856	S4948	S&SParts	E-4462B
M2ES304L	Midland	E-4602	S4949	S&SParts	E-4463B
M2ES304R	Midland	E-4603	S4988	S&SParts	E-4693B
M2ES3057	Midland	E-4616	S4996	S&SParts	E-4431B
M2ES3297R	Midland	E-8758	S5048	S&SParts	E-4616
M2ES3298L	Midland	E-8757	S5056	S&SParts	E-4610
M2ES330L	Midland	E-4620	S5057	S&SParts	E-4611
M2ES332L	Midland	E-4624	S5134	S&SParts	E-4697B
M2ES332R	Midland	E-4625	S5223	S&SParts	E-4460B
M2ES330R	Midland	E-4621	S5988	S&SParts	E-4629
M2ES346L	Midland	E-4618	S6072	S&SParts	E-4467B
M2ES346R	Midland	E-4619	S6073	S&SParts	E-4599B
M2ES373L	Midland	E-4604	S6488	S&SParts	E-4445B
M2ES373R	Midland	E-4605	S6492	S&SParts	E-4438N
M2ES405L	Midland	E-4606	S6493	S&SParts	E-5018

CROSS REFERENCE LISTING

INTERCHANGE

PART#	COMPETITOR	EUCLID#	PART#	COMPETITOR	EUCLID#
S6494	S&SParts	E-4445N	SP621513	Spicer	E-4454B
S6500	S&SParts	E-4623	SP621525	Spicer	E-4450B
S6502	S&SParts	E-4459B	SP621537	Spicer	E-4452B
S6503	S&SParts	E-457B	SP621548	Spicer	E-4453B
S6504	S&SParts	E-4452B	SP621550	Spicer	E-4459B
S6634	S&SParts	E-4444N	SP621551	Spicer	E-457B
S6635	S&SParts	E-4606	SP621554	Spicer	E-12512B
S6643	S&SParts	E-4469B	SP621555	Spicer	E-4460B
S6659	S&SParts	E-4628	SP621557	Spicer	E-4481B
S6663	S&SParts	E-4484B	SP621558	Spicer	E-4462B
S6936	S&SParts	E-4434N	SP621559	Spicer	E-4462B
S6938	S&SParts	E-4441B	SP621560	Spicer	E-4463B
S6939A	S&SParts	E-4434B	SP621561	Spicer	E-4463B
S6945	S&SParts	E-4454N	SP621569	Spicer	E-4467B
S6946	S&SParts	E-4454B	SP621572	Spicer	E-468B
S6948	S&SParts	E-468B	SP621576	Spicer	E-4471B
S6949	S&SParts	E-12512B	SP621577	Spicer	E-4470B
S6950	S&SParts	E-4450B	SP621580	Spicer	E-4595B
S6963	S&SParts	E-4595B	SP621582	Spicer	E-4469B
S7191	S&SParts	E-4471B	SP692022	Spicer	E-4634
S7357	S&SParts	E-4615	SP692023	Spicer	E-4635
S7358	S&SParts	E-4614	SP692032	Spicer	E-4636
S7459	S&SParts	E-4631	SP692033	Spicer	E-4637
S7673	S&SParts	E-4622	SP692041	Spicer	E-4610
S7721	S&SParts	E-4607	SP692042	Spicer	E-4611
S7801	S&SParts	E-4451B	SP692051	Spicer	E-4600
S8184	S&SParts	E-6835	SP692052	Spicer	E-4601
S8292	S&SParts	E-5310	SP692097	Spicer	E-4602
S8293	S&SParts	E-6816	SP692098	Spicer	E-4603
S8294	S&SParts	E-5339	SP692138	Spicer	E-4620
S8371	S&SParts	E-4696B	SP692139	Spicer	E-4621
S8513	S&SParts	E-6868B	SP692142	Spicer	E-4624
S8634	S&SParts	E-4609	SP692143	Spicer	E-4625
S8635	S&SParts	E-4608	SP692158	Spicer	E-4618
S8999	S&SParts	E-8757	SP692159	Spicer	E-4619
S9000	S&SParts	E-8758	SP692189	Spicer	E-4604
S9327	S&SParts	E-4430B	SP692190	Spicer	E-4605
SP621016	Spicer	E-4444B	SP692234	Spicer	E-4631
SP621017	Spicer	E-4607	SP692243	Spicer	E-4614
SP621018	Spicer	E-4445B	SP692244	Spicer	E-4615
SP621336	Spicer	E-4431B	SP692314	Spicer	E-4606
SP621364	Spicer	E-4434B	SP692315	Spicer	E-4607
SP621414	Spicer	E-4441B	SP692432	Spicer	E-5392
SP621421	Spicer	E-4438N	SP692437	Spicer	E-4622
SP621422	Spicer	E-4434N	SP692438	Spicer	E-4623
SP621425	Spicer	E-4441B	SP692466	Spicer	E-4612
SP621431	Spicer	E-4438N	SP692467	Spicer	E-4613
SP621461	Spicer	E-5018	SP692474	Spicer	E-4609
SP621472	Spicer	E-4444N	SP692475	Spicer	E-4608
SP621473	Spicer	E-4606	SP692485	Spicer	E-4629
SP621475	Spicer	E-4430B	SP692486	Spicer	E-4628
SP621483	Spicer	E-4445N	SP692645	Spicer	E-4616
SP621491	Spicer	E-4451B	SP692653	Spicer	E-4640
SP621509	Spicer	E-4484B	SP692698	Spicer	E-4629
SP621512	Spicer	E-4454N	SP692700	Spicer	E-5391

CROSS REFERENCE LISTING

INTERCHANGE

PART#	COMPETITOR	EUCOLID#	PART#	COMPETITOR	EUCOLID#
SP692701	Spicer	E-5402	TR176L	Unimotive	E-4636
SP692705	Spicer	E-6849	TR176R	Unimotive	E-4637
SP692709	Spicer	E-4618	TR187L	Unimotive	E-4610
SP721020	Spicer	E-5310	TR187R	Unimotive	E-4611
SP721036	Spicer	E-5374	TR2030R	Unimotive	E-5392
SP721131	Spicer	E-5326	TR2035L	Unimotive	E-4622
SP721150	Spicer	E-5324	TR2036R	Unimotive	E-4623
SP721579	Spicer	E-5373	TR2041L	Unimotive	E-4616
SP721582	Spicer	E-5373	TR2061L	Unimotive	E-4612
SP721583	Spicer	E-5366	TR2062R	Unimotive	E-4613
SP721590	Spicer	E-5339	TR2069R	Unimotive	E-4609
SP721593	Spicer	E-6815	TR2070L	Unimotive	E-4608
SP721600	Spicer	E-5338	TR2090L	Unimotive	E-4628
SP721603	Spicer	E-6816	TR2091R	Unimotive	E-4629
SP721604	Spicer	E-5390	TR2116L	Unimotive	E-4616
SP721620	Spicer	E-5386	TR2118L	Unimotive	E-4640
SP724148	Spicer	E-5342	TR2202R	Unimotive	E-4629
TE2003	Eaton	E-4634	TR2204R	Unimotive	E-4629
TE2004	Eaton	E-4635	TR2207R	Unimotive	E-4618
TE2005	Eaton	E-4636	TR2209R	Unimotive	E-4629
TE2006	Eaton	E-4637	TR2210L	Unimotive	E-4628
TE2007	Eaton	E-4610	TR2224L	Unimotive	E-5391
TE2008	Eaton	E-4611	TR235NL	Unimotive	E-4600
TE2009	Eaton	E-4600	TR235NR	Unimotive	E-4601
TE2010	Eaton	E-4601	TR304L	Unimotive	E-4602
TE2011	Eaton	E-4602	TR304R	Unimotive	E-4603
TE2012	Eaton	E-4603	TR330L	Unimotive	E-4620
TE2013	Eaton	E-4620	TR330R	Unimotive	E-4621
TE2014	Eaton	E-4621	TR332L	Unimotive	E-4624
TE2015	Eaton	E-4624	TR332R	Unimotive	E-4625
TE2016	Eaton	E-4625	TR346L	Unimotive	E-4618
TE2017	Eaton	E-4619	TR346R	Unimotive	E-4619
TE2018	Eaton	E-4618	TR373L	Unimotive	E-4604
TE2019	Eaton	E-4604	TR373R	Unimotive	E-4605
TE2020	Eaton	E-4605	TR376L	Unimotive	E-4616
TE2021	Eaton	E-4616	TR405L	Unimotive	E-4606
TE2023	Eaton	E-4606	TR405R	Unimotive	E-4607
TE2024	Eaton	E-4607	TR411L	Unimotive	E-4631
TE2027	Eaton	E-4631	TR423L	Unimotive	E-4614
TE2029	Eaton	E-4614	TR423R	Unimotive	E-4615
TE2030	Eaton	E-4615	TR431R	Unimotive	E-4616
TE2033	Eaton	E-4622	V1091562	VolvoWhiteGMC	E-4614
TE2034	Eaton	E-4623	V1091563	VolvoWhiteGMC	E-4615
TE2035	Eaton	E-4612	V1110067	VolvoWhiteGMC	E-4628
TE2036	Eaton	E-4613	V1110068	VolvoWhiteGMC	E-4629
TE2037	Eaton	E-4608	V111067	VolvoWhiteGMC	E-4629
TE2038	Eaton	E-4609	V111068	VolvoWhiteGMC	E-4628
TE2041	Eaton	E-4628			
TE2042	Eaton	E-4629			
TE2045	Eaton	E-4616			
TE2046	Eaton	E-4640			
TE2349	Eaton	E-4629			
TE2350	Eaton	E-4629			
TR150L	Unimotive	E-4634			
TR150R	Unimotive	E-4635			

NUMERICAL PARTS LISTING

PART NUMBER	PAGE	PART NUMBER	PAGE	PART NUMBER	PAGE
E-457B.....	78, 82	E-4457B.....	7, 11, 15, 63, 65, 66, 69, 72, 75	E-4562.....	12
.....	93, 99, 101, 111, 127, 132, 139	E-4458B.....	9, 11, 19, 56	E-4563.....	12
.....	140, 141, 142, 143, 44, 145, 146, 160	E-4458C.....	9, 11, 19, 63, 78, 82, 83, 93, 99	E-4564.....	12
.....	171, 181, 185, 187, 190, 201, 203, 205	..101, 110, 111, 115, 118, 121, 132, 139, 140	..141, 143, 145, 146, 160, 173, 178, 179, 180	E-4572.....	23
.....	206, 212, 213, 220, 223, 224, 225, 226	..181, 182, 183, 185, 187, 188, 190, 192, 193	..195, 198, 199, 201, 203, 206, 212, 213, 218	E-4573.....	23
.....	234, 235, 236	222, 225, 226, 230, 234, 235, 236	E-4575.....	23
E-4430B.....	6, 11, 14, 103, 104, 123	E-4459B.....	8, 11, 15, 63, 65, 66, 67, 69, 72	E-4576.....	23
E-4431B.....	6, 11, 187, 193, 195, 197, 201	75, 78, 82, 91	E-4577.....	23
E-4434B.....	10, 11, 22, 93, 96, 106, 107, 109	E-4459C.....	8, 11, 18, 63, 65, 66, 69, 72, 75	E-4579.....	23
.....	110, 112, 113, 114, 115, 116, 117, 118	78, 82	E-4580.....	23
.....	119, 120, 121, 122, 128, 129, 130, 131	E-4460B.....	7, 11, 187, 193, 195, 197, 205	E-4581.....	23
.....	133, 134, 135, 139, 140, 141, 146, 168	E-4461B.....	7, 11	E-4582.....	23
.....	170, 187, 212, 213, 235, 236	E-4462B.....	7, 11, 15, 190, 193, 195, 197, 199	E-4583.....	23
E-4434N.....	10, 11, 22, 93, 96, 106, 107, 109	201, 205	E-4595B.....	7, 11, 93, 139, 141, 146, 171, 183
.....	110, 112, 113, 114, 115, 116, 117, 118	E-4463B.....	7, 11, 193, 195, 197, 201, 205	185, 187, 190, 212, 213, 220
.....	119, 120, 121, 122, 128, 129, 130, 131	E-4467B.....	10, 11, 149, 150, 154, 156, 157	E-4598B.....	9, 11, 14, 228
.....	133, 134, 135, 139, 140, 141, 146, 168	158, 160, 161, 162, 163	E-4599B.....	10, 11, 22, 149, 150, 152, 154, 156
.....	170, 187, 212, 213, 235, 236	E-4468B.....	8, 11, 17	157, 158, 161, 162
E-4435B.....	10, 11, 22, 101	E-4469B.....	8, 11, 15, 97, 98, 99, 101, 104	E-4600.....	24, 27, 188, 193, 196, 197, 202
E-4435N.....	10, 11, 22, 101	..106, 107, 108, 110, 112, 113, 114, 115, 116	..120, 121, 124, 125, 127, 129, 130, 132, 134	E-4601.....	24, 27, 188, 193, 196, 197, 202
E-4438B.....	6, 11	E-4470B.....	9, 11, 16, 228, 232, 234, 237	E-4602.....	24, 30, 58, 64, 70, 72, 73, 75, 90, 91
E-4438N.....	6, 11, 16, 57, 63, 69, 71, 72, 74	E-4471B.....	9, 11, 16, 228, 232, 234	168, 169, 220
.....	90, 91, 109, 133, 187	E-4481B.....	193, 195, 197, 205	E-4603.....	24, 30, 58, 64, 70, 72, 73, 75, 90, 91
E-4440B.....	6, 11, 56, 57, 60, 68, 69, 72	E-4484B.....	193, 195, 197, 205	168, 169, 220
E-4441B.....	7, 11, 16, 60, 63, 67, 71, 72, 74	E-4513.....	12	E-4604.....	24, 28, 56, 57, 58, 60, 61, 64, 69
.....	77, 78, 82, 87, 88, 90, 91, 169, 187	E-4514.....	12	70, 72, 73, 76, 79, 83, 87, 88, 89, 90, 91
.....	193, 195, 197	E-4518.....	12	188, 193, 196, 197, 206
E-4442B.....	8, 11, 14, 60	E-4519.....	12	E-4605.....	24, 28, 56, 57, 58, 60, 61, 64, 69
E-4443B.....	6, 11, 96, 101	E-4520.....	12	70, 72, 73, 76, 79, 83, 87, 88, 89, 90, 91
E-4443N.....	6, 11, 14, 96, 101	E-4521.....	12	188, 193, 196, 197, 206
E-4444B.....	6, 11, 96, 102, 103, 104, 109	E-4522.....	12	E-4606.....	24, 28, 96, 97, 98, 99, 102, 103
..110, 118, 119, 120, 123, 124, 126, 127, 128		E-4523.....	12	104, 105, 106, 107, 108, 110, 111, 112
E-4444N.....	6, 11, 96, 102, 103, 104, 109, 110	E-4524.....	12	113, 114, 115, 117, 118, 119, 120, 121
.....	118, 119, 120, 123, 124, 126, 127, 128	E-4525.....	12	122, 124, 125, 126, 127, 128, 129, 130
E-4445B.....	6, 11, 57, 60, 63, 69, 71, 72, 75	E-4531.....	12	131, 133, 134, 135
.....	78, 82, 87, 88, 90	E-4532.....	12	E-4607.....	24, 28, 96, 97, 98, 99, 102, 103
E-4445N.....	6, 11, 57, 60, 63, 69, 71, 72, 75	E-4533.....	12	104, 105, 106, 107, 108, 110, 111, 112,
.....	78, 82, 87, 88, 90	E-4534.....	12	113, 114, 115, 117, 118, 119, 120, 121
E-4448B.....	7, 11, 14	E-4536.....	12	122, 124, 125, 126, 127, 128, 129, 130
E-4449B.....	7, 11, 16, 63, 93	E-4538.....	12	131, 133, 134, 135, 149, 151, 154, 157
E-4450B.....	8, 11, 17, 93, 139, 140, 141, 146	E-4539.....	12	159, 162, 163
..171, 187, 194, 195, 197, 212, 213, 235, 236		E-4540.....	12	E-4608.....	24, 29, 97, 98, 99, 101, 105, 106
E-4451B.....	7, 11, 14, 16, 192, 193, 194, 195	E-4541.....	12	107, 108, 111, 112, 113, 114, 115, 116
.....	197, 199, 201, 205, 206, 232, 237	E-4542.....	12	118, 121, 122, 125, 128, 129, 130, 131
E-4452B.....	7, 11, 15, 57, 60, 63, 69, 71, 72, 75	E-4543.....	12	132, 133, 134
.....	78, 82, 87, 88	E-4544.....	12	E-4609.....	24, 29, 97, 98, 99, 101, 105, 106
E-4453B.....	6, 11, 15, 103, 104, 124, 125, 127	E-4545.....	12	107, 108, 111, 112, 113, 114, 115, 116
E-4454B.....	9, 11, 78, 82, 83, 90, 91, 93, 110	E-4546.....	12	118, 121, 122, 125, 128, 129, 130, 131
.....	113, 115, 116, 117, 118, 121, 133, 134	E-4547.....	12	132, 133, 134
.....	139, 140, 141, 149, 172, 173, 187, 188	E-4549.....	12	E-4610.....	24, 30, 64, 68, 70, 72, 73, 75, 77
.....	191, 193, 194, 195, 197, 199, 212, 213	E-4550.....	12	79, 87, 88, 90, 91, 93, 111, 112, 115, 118
.....	235, 236	E-4552.....	12	122, 139, 140, 142, 146, 149, 151, 154
E-4454N.....	9, 11, 17, 78, 82, 83, 90, 91, 93	E-4553.....	12	156, 157, 159, 160, 161, 162, 163, 168
..110, 113, 115, 116, 117, 118, 121, 133, 134		E-4554.....	12	169, 170, 172, 174, 178, 179, 180, 189
..139, 140, 141, 146, 149, 172, 173, 187, 188		E-4555.....	12	192, 193, 194, 196, 197, 198, 212, 214
..191, 193, 194, 195, 197, 199, 212, 213, 235				236, 237
.....	236			E-4611.....	24, 30, 64, 68, 70

NUMERICAL PARTS LISTING

PART NUMBER	PAGE
E-4611 (continued)	70, 72, 73, 75, 77, 79
.....	87, 88, 90, 91, 93, 111, 112, 115, 118
.....	122, 139, 140, 142, 146, 149, 151, 154
.....	156, 157, 159, 160, 161, 162, 163, 168
.....	169, 170, 172, 174, 178, 179, 180, 189
.....	192, 193, 194, 196, 197, 198, 212, 214
.....	236, 237
E-4612	24, 29, 57, 58, 60, 69, 73, 76, 97
.....	98, 101, 103, 104, 105, 108, 113, 116
.....	120, 124, 125, 127, 129, 130, 133, 134
E-4613	24, 29, 57, 58, 60, 69, 73, 76, 97
.....	98, 101, 103, 104, 105, 108, 113, 116,
.....	120, 124, 125, 127, 129, 130, 133, 134
E-4614	25, 31, 50, 54, 64, 65, 66, 67, 70
.....	73, 74, 76, 79, 80, 83, 84, 89, 93, 94, 99
.....	101, 128, 132, 139, 140, 141, 142, 143
.....	144, 145, 146, 160, 168, 169, 171, 172
.....	175, 176, 178, 179, 180, 182, 183, 184
.....	186, 189, 191, 193, 194, 196, 198, 202
.....	204, 206, 212, 214, 217, 218, 219, 220
.....	222, 223, 224, 225, 226, 228, 230, 232
.....	234, 235, 236, 237
E-4615	25, 31, 50, 54, 64, 65, 66, 67, 70
.....	73, 74, 76, 79, 80, 83, 84, 89, 93, 94, 99
.....	101, 128, 132, 139, 140, 141, 142, 143
.....	144, 145, 146, 160, 168, 169, 171, 172
.....	175, 176, 178, 179, 180, 182, 183, 184
.....	186, 189, 191, 193, 194, 196, 198, 202
.....	204, 206, 212, 214, 217, 218, 219, 220
.....	222, 223, 224, 225, 226, 228, 230, 232
.....	234, 235, 236, 237
E-4616	25, 29, 80, 84, 91, 93, 94, 111
.....	113, 116, 117, 118, 122, 133, 134, 139
.....	140, 141, 142, 144, 146, 147, 149, 151
.....	153, 154, 156, 157, 159, 160, 161, 162
.....	163, 168, 170, 171, 172, 173, 179, 189
.....	192, 194, 196, 198, 200, 212, 214, 215
.....	217, 222, 223, 225, 226, 230, 232, 234
.....	235, 236, 237
E-4617	25, 29, 25, 3, 64, 68, 75, 77, 90
.....	91, 93, 139, 140, 142, 146, 170, 212, 214
.....	236, 237
E-4619	25, 31, 64, 68, 75, 77, 90, 91, 93
.....	139, 140, 142, 146, 170, 189, 190, 192
.....	200, 212, 214, 234, 236, 237
E-4620	25, 96, 102, 103, 104, 105, 109
.....	110, 119, 120, 123, 124, 126, 127, 128
E-4621	25, 96, 102, 103, 104, 105, 109
.....	110, 119, 120, 123, 124, 126, 127, 128
E-4622	25, 28, 57, 58, 60, 61, 64, 65, 66
.....	69, 70, 72, 73, 76, 79, 83, 87, 88
E-4623	25, 28, 57, 58, 60, 61, 64, 65, 66
.....	69, 70, 72, 73, 76, 79, 83, 87, 88
E-4624	26, 27, 96, 102, 103, 104, 105
.....	106, 107, 110, 113, 114, 115, 116, 119
.....	120, 121, 122, 123, 126, 127, 128, 129
.....	130, 131, 134
E-4625	26, 27, 96, 102, 103, 104, 105

PART NUMBER	PAGE
E-4625 (continued)	106, 107, 110, 113
.....	114, 115, 116, 119, 120, 121, 122, 123
.....	126, 127, 128, 129, 130, 131, 134
E-4628	26, 31, 54, 93, 98, 99, 100, 101
.....	104, 107, 109, 111, 116, 118, 132, 139
.....	140, 141, 142, 144, 145, 147, 149, 153
.....	153, 154, 156, 157, 159, 160, 161, 162
.....	173, 174, 175, 176, 179, 182, 183, 184
.....	186, 189, 191, 192, 194, 196, 198, 200
.....	202, 212, 214, 215, 218, 222, 223, 225
.....	226, 230, 234, 236, 237
E-4629	26, 31, 54, 93, 98, 99, 100, 101
.....	104, 107, 109, 111, 116, 118, 132, 139
.....	140, 141, 142, 144, 145, 147, 149, 151
.....	153, 154, 156, 157, 159, 160, 161, 162
.....	173, 174, 175, 176, 179, 182, 183, 184
.....	186, 189, 191, 192, 194, 196, 198, 200
.....	202, 212, 214, 215, 217, 218, 222, 223
.....	225, 226, 230, 234, 236, 237
E-4630	26, 28, 50, 178, 179, 180, 182, 183
.....	184, 186, 191, 192, 194, 196, 197, 198
.....	200, 202, 204, 206, 207, 217
E-4631	26, 28, 50, 178, 179, 180, 182, 183
.....	184, 186, 191, 192, 194, 196, 197, 198
.....	200, 202, 204, 206, 207, 217
E-4634	24, 27, 56, 57, 60, 64, 69, 90, 91
.....	188, 190
E-4635	24, 27, 56, 57, 60, 64, 69, 90, 91
.....	188, 190
E-4636	24, 27, 178, 188
E-4637	24, 27
E-4640	24, 30, 149, 151, 154, 156, 157
.....	159, 160, 161, 162, 163
E-4642	25, 140, 170, 189, 190, 192, 200
.....	234
E-4693B	7, 11, 181, 187, 190, 195, 199
.....	201, 205, 206
E-4694C	8, 11, 19
E-4695C	8, 11, 19, 142, 143, 144, 145, 146
.....	168, 172, 183, 213, 218, 222, 223, 224
.....	225, 226, 230
E-4696B	8, 11, 18, 54, 142, 143, 144, 145
.....	146, 181, 182, 183, 185, 201, 213, 223
.....	224, 225, 230
E-4696C	8, 11, 18, 54, 142, 143, 144, 145
.....	146, 181, 183, 185, 201, 213, 223
.....	224, 225, 230
E-4697B	7, 11, 187, 192, 193, 201, 205
E-5018	87, 88, 89, 90
E-5310	39, 44, 56, 59, 62, 71, 74, 87
E-5324	81, 82, 85, 86
E-5325	41, 44
E-5326	40, 44, 100, 102, 113, 114, 115
.....	116, 117, 118, 122, 128
E-5338	41, 44, 59, 62, 65, 71, 74, 77
E-5339	41, 44
E-5342	43, 44, 81, 82, 85, 86

PART NUMBER	PAGE
E-5366	41, 44, 203, 204
E-5372	40, 44
E-5373	40, 44, 97, 99, 105, 106, 107, 108
.....	121, 125, 126
E-5374	40, 44, 100, 102, 111, 112, 113
.....	114, 115, 116, 117, 118, 122, 132
E-5378	42, 44
E-5379	43, 44
E-5380	43, 44
E-5386	39, 44, 184, 191
E-5390	39, 44, 203
E-5391	25, 29, 234, 235, 236
E-5392	24, 35, 106, 107, 121
E-5402	25, 29, 226, 234, 235
E-5441B	10, 11
E-5442	12
E-5444	12
E-5445	12
E-5446	12
E-5449	12
E-5450	12
E-5469	25, 34, 186, 191, 202, 206, 207
E-5470	25, 34, 186, 191, 202, 206, 207
E-5539	59, 62, 65, 71, 74, 77
E-6135	26, 34, 184, 186, 206, 207
E-6136	26, 34, 184, 186, 206, 207
E-6194B	9, 11
E-6194C	9, 11, 54, 146, 213
E-6195B	7, 11, 18
E-6196B	8, 11, 63, 65, 66, 67, 69, 72, 75
.....	78, 82
E-6197B	7, 11, 56, 65, 66, 78, 82, 89
E-6198B	7, 11, 18, 48, 50, 178, 179, 180
.....	197, 198, 205
E-6199B	8, 11
E-6199C	8, 11, 19, 75, 136, 142, 143, 144
.....	145, 169, 171, 174, 181, 182, 183, 185
.....	201, 203, 205, 206, 213, 217, 218, 219
.....	220, 222, 223, 225, 230
E-6403	26, 32
E-6404	25, 33
E-6450B	6, 11, 15, 67, 68
E-6451B	6, 11, 15, 67
E-6453B	6, 11, 14, 67
E-6454B	6
E-6454C	6, 11
E-6455B	6, 11
E-6455C	7, 11
E-6665	24
E-6678	24
E-6694	26
E-6720	24
E-6722	24, 32
E-6789	24
E-6804	39, 44
E-6806	41, 44
E-6808	39, 44

NUMERICAL PARTS LISTING

PART NUMBER	PAGE	PART NUMBER	PAGE	PART NUMBER	PAGE
E-6815	39, 44, 100, 102, 111, 132	E-9927	43, 44, 81, 82, 85, 86	E-10169	23
E-6816	39, 44, 97, 99, 103, 104, 105, 106	E-9929	42, 44, 86	E-10170	23
	107, 108, 120, 121, 125, 126, 127	E-9931	43, 44	E-10171	23
E-6817	39, 44, 111	E-9933	40, 44, 81, 82, 85, 86	E-10172	23
E-6818	39, 44, 212, 215	E-9934	42, 44, 59, 62, 71, 74, 77	E-10173	23
E-6819	43, 44, 212, 215	E-9936	42, 44, 59, 62, 71, 74, 77	E-10174	23
E-6825	42, 44, 143, 144, 145	E-9937	42, 44, 59, 62, 71, 74, 77	E-10175	23
E-6827	42, 44, 59, 62, 71, 74, 77	E-9941B	9, 11, 20, 178, 179, 180, 181	E-10176	23
E-6833	41, 44, 97, 99, 105, 108, 125, 126		182, 183, 217	E-10177	23
E-6834	41, 44	E-9942B	9, 11, 20, 178, 179, 180, 181, 182	E-10185	12
E-6835	43, 44, 81, 82, 85, 86		183, 217	E-10186	12
E-6836	41, 44, 59, 62, 71, 74, 77	E-9943B	7, 11, 18, 57, 60, 63, 69, 71, 72, 75	E-10187	12
E-6839	43, 44, 81, 85	E-9945B	9, 11	E-10188	12
E-6847	26, 31	E-9948	26, 35, 184, 186	E-10189	12
E-6848	26, 31	E-9951	26, 35, 182, 183, 184, 186, 204	E-10190	12
E-6849	25, 30, 203	E-9952	26, 35, 182, 183, 184, 186, 204	E-10191	12
E-6854	26	E-9957	37	E-10192	12
E-6855	26	E-9958	37	E-10193	12
E-6856	26, 32, 139, 141, 144, 145, 173	E-9959	37	E-10194	12
	176, 179, 180, 214, 215, 217, 218, 222	E-9960	37	E-10195	12
	223, 225, 226, 230, 234, 236	E-9961	37	E-10196	12
E-6857	26, 32, 139, 141, 144, 145, 173	E-9962	25, 35, 56, 58, 60, 61, 65, 66, 70	E-11394B	8, 11, 19, 54, 180, 181
	176, 179, 180, 214, 215, 217, 218, 222		73, 74, 76, 79, 80, 83, 84, 86	E-11463	40, 44, 179, 180, 198
	223, 225, 226, 230, 234, 236	E-9963	25, 35, 56, 58, 60, 61, 65, 66, 70	E-11785B	9, 11, 18, 179, 182, 183, 199
E-6858	25, 32, 140, 170, 189, 190, 192		73, 74, 76, 79, 80, 83, 84, 86		201, 217
	200, 234	E-9964	37	E-11788	26, 33, 56, 70, 74, 76, 89
E-6863	26	E-9965	26, 36, 56, 57, 58, 60, 61, 65, 66	E-11789	26, 33, 56, 70, 74, 76, 89
E-6864	26		69, 70, 73, 76, 79, 83, 89	E-11790	41, 44, 56, 89
E-6865B	6, 17	E-9966	26, 36, 56, 57, 58, 60, 61, 65, 66	E-11791	12
E-6868B	8, 11, 19, 142, 143, 144, 145, 146		69, 70, 73, 76, 79, 83, 89	E-11808C	8, 20, 46, 174, 217, 218
	168, 172, 183, 213, 218, 222, 223	E-9967	24	E-11810C	8, 20, 174, 217, 218
	224, 225, 226, 230	E-10104B	10	E-11811C	8, 20, 174, 217, 218
E-6869B	54	E-10105B	9, 137	E-11812C	7, 20, 136, 174, 218, 219
E-6869C	8, 11, 17, 18, 54	E-10106B	9, 22	E-11813C	9, 20, 175, 217, 218
E-6875C	7, 11	E-10108	25, 33, 98, 104, 107, 109, 125	E-11814C	9, 20, 175, 217, 218
E-6878	40, 44		128, 129, 130, 131	E-11815C	6, 21, 136, 174
E-8732	42, 44	E-10109	25, 33, 98, 104, 107, 109, 125	E-11816C	7, 21, 174
E-8757	26, 36, 49, 50, 54, 141, 143, 144		128, 129, 130, 131	E-12512B	9, 17, 63, 78, 82, 83, 86, 89, 93
	145, 146, 214, 223, 224, 225, 226, 230	E-10110	25, 33, 98, 104, 107, 109, 125		99, 101, 110, 111, 115, 118, 121, 132
E-8758	26, 36, 49, 50, 54, 141, 143, 144		128, 129, 130, 131		139, 140, 141, 143, 145, 146, 160, 173
	145, 146, 214, 223, 224, 225, 226, 230	E-10111	25, 33, 98, 104, 107, 109, 125		178, 179, 180, 181, 183, 185, 187, 188
E-9220	23		128, 129, 130, 131		190, 192, 193, 195, 198, 199, 201, 203
E-9221	23	E-10112	24		206, 212, 213, 218, 222, 225, 226, 230
E-9311B	68	E-10113	24		234, 235, 236
E-9877	25, 147, 150, 152, 153, 155, 157	E-10114	24	E-14051C	9, 21, 175
	149, 151, 153, 154, 156, 157, 158	E-10137	25, 48, 49, 54, 86, 141, 143, 144	E-14326	25
	159, 160, 161, 162, 163, 236		145, 180, 183, 184, 202, 214, 217, 224		
E-9878	25, 149, 150, 151, 152, 153, 154	E-10138	25, 48, 49, 54, 86, 141, 143, 144		
	155, 156, 157, 158, 159, 160, 161		145, 180, 183, 184, 202, 214, 217, 224		
	162, 163	E-10148	26		
E-9879	26, 34	E-10149	26		
E-9880	26, 34	E-10163	24		
E-9881	25, 36	E-10164	24		
E-9897	42, 44, 94	E-10165N	10		
E-9911	40, 44, 178, 179, 180, 182, 204	E-10166N	10		
E-9925	40, 44, 81, 82, 85, 86	E-10167	23		
E-9926	43, 44	E-10168	23		

MERITOR AFTERMARKET PARTS WARRANTY

We warrant all new parts for one year from date of shipment to the buyer against defective material or workmanship (but not against damage caused by accident, abuse or improper installation, maintenance or repair) when such parts are used on vehicles the specifications of which have been approved by our Engineering Department.

As the exclusive remedy under this warranty, we will, at our option, repair or replace such parts free of charge, or take back the nonconforming parts and refund the monies paid by buyer for such parts, if found on examination by us to be nonconforming and if any necessary return charges are prepaid.

If it is necessary to return any parts under this warranty, buyer agrees not to make any deduction on account thereof from remittances on current accounts while claims are in the process of disposition. Any expense incurred without our consent for repairs or replacement will not be allowed.

THIS WARRANTY IS EXPRESSLY IN LIEU OF ALL OTHER WARRANTIES OR CONDITIONS, EXPRESS, IMPLIED OR STATUTORY, INCLUDING ANY IMPLIED WARRANTY OF MERCHANTABILITY OR FITNESS FOR PARTICULAR PURPOSE. IN NO EVENT SHALL SELLER BE LIABLE FOR INCIDENTAL OR CONSEQUENTIAL DAMAGES OF ANY NATURE.

Only genuine Meritor replacement parts are covered by this aftermarket parts warranty.



Aftermarket

Meritor Heavy Vehicle Systems, LLC
7975 Dixie Highway
Florence, KY 41042

U.S. 888-725-9355
Canada 800-387-3889

MeritorPartsOnline.com