

EUCLID SUSPENSION CATALOG

Blue Bird
Chalmers
Dana
Dayton

Freightliner
Fruehauf
Great Dane
Hendrickson

Hino
Hutchens
Kenworth
Mack

Meritor
Navistar
Page
Peterbilt

Reyco Granning
Ridewell
SAF-Holland Neway
Spartan

Trailmobile
Volvo
Watson & Chalin
Western Star



TRUST MATTERS.

EUCLID SUSPENSION TABLE OF CONTENTS

BLUE BIRD BUS

Front Suspensions

AIRTEK BLU-2
SOFTEK..... BLU-6

Rear Suspensions

COMFORT AIR Single Axle Suspension BLU-8
PARASTEER Air Suspension BLU-10

Blue Bird Bus Components..... BLU-12

CHALMERS

600 Series Tandem Axle — Truck CHM-2
800 Series Tandem Axle — Truck CHM-4
1023 and 1030 Series Single Axle — Truck CHM-8
300 Series Tandem Axle — Trailer CHM-10
500 Series Single Axle — Trailer..... CHM-12
700 Series Tandem Axle — Trailer CHM-14

Chalmers Components..... CHM-16

DANA

55 Series — Trailer DNA-2
62 Series — Trailer DNA-4
68 Series — Trailer DNA-6

Dana Components..... DNA-8

DAYTON

Dayton “Truckmaster” — Truck/Tractor DYT-2
Dayton/Navistar — Truck/Tractor DYT-4
Dayton “Tri-Lite” Trailer DYT-6

Dayton Components DYT-8

FREIGHTLINER

Front Suspensions

AIRTEK for Freightliner Newer Cascadia Vehicles 12.5 and 13.3K Capacity FRT-2
AIRTEK for Freightliner Vehicles Built Prior to May 2010, Sterling Vehicles Built Prior to April 2009 &
Western Star Vehicles Built Prior to June 2010 FRT-4
AIRTEK for Freightliner Vehicles Built Between May 2010 & November 2011 and
All Cascadia & Coronado Models Built After November 2011 FRT-8
AIRTEK with STEERTEK NXT for Freightliner Motor Home Chassis..... FRT-12
SOFTEK for Freightliner Motor Home Chassis FRT-14
3-1/2" Wide Springs or 4" Wide Springs with Cutdown Eyes To 3-1/2" — Truck/Tractor FRT-16
4" Wide Springs — FLD112, 120 Conventional, COE FRT-18

EUCLID SUSPENSION TABLE OF CONTENTS

Rear Suspensions

FAS I AIR RIDE — Truck/Tractor.....	FRT-20
FAS II AIR RIDE — Truck/Tractor.....	FRT-22
FH34A – 44A, 4" Wide Leaf Spring Suspension — Truck/Tractor	FRT-26
FH36 – 40, 3" Wide Leaf Spring Suspension — Truck/Tractor	FRT-28
TufTrac Suspension	FRT-30
Freightliner Components	FRT-32

FRUEHAUF

NT — Air Suspension.....	FRU-2
T / W24T1 — Air Suspension.....	FRU-4
F-2 Standard / F-2 Wide-Base Hangers — Leaf Spring	FRU-6
J-2 — Leaf Spring	FRU-10
NF-2 — Trailer	FRU-12
M2 Overslung/Underslung — Trailer	FRU-14
Fruehauf Components	FRU-16

GREAT DANE

Model "H"	GRD-2
Model "R"	GRD-4
Great Dane Components	GRD-6

HENDRICKSON

Hendrickson Front Suspensions

AIRTEK for Blue Bird Bus	HND-4
SOFTEK for Blue Bird Bus.....	HND-8
AIRTEK for Freightliner Newer Cascadia Vehicles 12.5 and 13.3K Capacity.....	HND-10
AIRTEK for Freightliner Vehicles Built Prior to May 2010, Sterling Vehicles Built Prior to April 2009 & Western Star Vehicles Built Prior to June 2010	HND-12
AIRTEK for Freightliner Vehicles Built Between May 2010 & November 2011 and All Cascadia & Coronado Models Built After November 2011	HND-16
AIRTEK with STEERTEK NXT for Freightliner Motor Home Chassis.....	HND-20
SOFTEK for Freightliner Motor Home Chassis.....	HND-22
AIRTEK for International Vehicles	HND-24
SOFTEK and STEERTEK NXT Axles for International Vehicles.....	HND-28
AIRTEK for International Integrated Coach Bus	HND-30
AIRTEK for Mack.....	HND-32
AIRTEK for Spartan Motor Home Chassis	HND-36
SOFTEK for Spartan.....	HND-40
AIRTEK for Volvo	HND-42
AIRTEK for Western Star Built After November 2011 w/STEERTEK NXT Axles and Vehicles Built Between June 2010 and November 2011 with STEERTEK Axles	HND-46

EUCLID SUSPENSION TABLE OF CONTENTS

Suspension

Hendrickson Truck and Bus Rear Suspensions

COMFORT AIR Single Axle Suspension for Blue Bird Bus	HND-50
COMFORT AIR for Hino.....	HND-52
AR2 400/460 Air Over Walking Beam Tandem Axle Suspension.....	HND-56
HA 360/400/460 Tandem Axle Air Suspension	HND-60
HAS 12K/15K/19K/21K/23K Single Axle Air Suspension	
HAS 36K/40K/46K Tandem Axle Air Suspension	
HAS 21K/23K/40K/46K Single/Tandem Axle Air Suspension with Air Disc Brakes	
HAS 40LH Light Weight Tandem Axle Air Suspension	HND-62
PARASTEER Air Suspension for Blue Bird.....	HND-66
PRIMAAX Single/Tandem Axle Air Suspension Built Before May 2010 with Detachable End Cap.....	HND-68
PRIMAAX EX Single/Tandem Axle Air Suspension	HND-74
E4 340/360/380/400 Tandem Axle Four Spring Suspension	HND-80
HFS 360/400/400 LH Tandem Axle Four Spring Suspension.....	HND-82
HTS 210/230/260/310 Single Axle Suspension for Autocar & Spartan Type C School Bus	HND-84
RT/RTE 340/400/460/480/520 Tandem Axle Suspension	HND-88
RT/RTE 650/700 Series Tandem Axle Suspension	HND-92
U2/UE2-340 Tandem Axle Suspension	HND-94
HAULMAAX Rubber Bolster Spring Suspension	HND-96
HAULMAAX EX.....	HND-100
HN 400 – 460 Rubber Bolster Spring Built Between 11/88 & 9/97	HND-102
Hendrickson HN-402/462/522 & HN-FR Rubber Bolster Spring Built Between 4/96 & 11/00	HND-106
HTB 400LT for International.....	HND-110
R400/460/480/520 Series Tandem Axle Suspension	HND-112
RS 340/400/460/480/520 Series Tandem Axle Suspension	HND-114
RS 650 Series Tandem Axle Suspension.....	HND-118
SR 340/380 Tandem Axle Suspension.....	HND-122
V4 340/380 Series Tandem Axle Suspension	HND-124

Hendrickson Trailer Suspensions

How To Identify Hendrickson Trailer Suspensions in This Euclid Catalog.....	HND-126
INTRAAX AAL, AANL, AANLS, AAEDL, AAZL 23/46K Slider, VANTRAAX HKAL 46K & HKARL 46K	HND-128
INTRAAX AAT, AAEDT 30K and VANTRAAX HKAT Models	HND-130
INTRAAX AANT 23K & AAZNT AND VANTRAAX, HKAT 50K/HKA250, ULTRAA-K UTKNT 40K.....	HND-132
Model HT190T, HT230T, HT300T Also used on Slider Models HK190/230 and HS190T, 230T and HS300T and HK190T and 230 Suspensions on K-2 Sliders	HND-134
Model HT190U Underslung.....	HND-136
Model HT250T.....	HND-138
Model HT250U, US / HT300U, US	HND-140
Model HT250YS / HT250YB / HT250U-Y	HND-142

Hendrickson Auxiliary Suspensions

Composilite SC Series; Lift — Truck & Trailer.....	HND-144
HLQ, Q Series — Lift-Truck	HND-146

EUCLID SUSPENSION TABLE OF CONTENTS

PT / PST / ST Series — Truck	HND-150
HLU / ST / UC2 Trailer	HND-152
AUXILIARY MT45, MTL45, MTL50 — Lift-Trailer.....	HND-154
TOUGHLIFT FM / HLM-2, HLM / HLM-1, LK — Lift Truck.....	HND-156
Hendrickson Components	HND-158

HINO

COMFORT AIR for Hino.....	HIN-2
Hino Components	HIN-6

HUTCHENS

H2200 Leaf Spring — Tractor	HUT-2
H440 Single Point — Trailer	HUT-4
H900 Single Point — Trailer	HUT-6
H7600/9600, CH7600/9600 Series Leaf Spring 49" Axle Spacing — Trailer.....	HUT-10
H7700/9700, CH7700/9700 Series Leaf Spring and Series 10 Sliders 42-1/2", 44", 49" and 50" Axle Spacing — Trailer	HUT-14
H7700/9700US, CH7700/9700US Underslung Series Leaf Spring — Trailer 49" Axle Spacing Shown, Underslung Option Available on Most Axle Spacings	HUT-22
H7600/9600 & CH7600/9600, H7700/9700 & CH7700/9700 TWS 54-1/2" and 57-1/2" Axle Spacing — Trailer.....	HUT-28
H7600/9600 & CH7600/9600, H7700/9700 & CH7700/9700 TWS 61" – 81" Axle Spacing — Trailer	HUT-34
H7700/9700 & CH7700/9700 TWS 97" – 121" Axle Spacing — Trailer.....	HUT-40
H11455 Tri-Axle — Trailer	HUT-44
Hutchens Components	HUT-46

KENWORTH

Front Suspension

C500, K110/300, T300/400/450/600/800/200, W900 Models	KEN-2
---	-------

Rear Suspensions

Airglide® 100 Air Ride, Truck / Tractor	KEN-6
Airglide® 200 / 400 Air Ride	KEN-8
Big 6®	KEN-10
Kenworth Components	KEN-12

MACK

Front Suspensions

AIRTEK for Mack.....	MAK-2
F / R / RU / U — Series 3-1/2" Wide Springs, Rubber Pad	MAK-6

Rear Suspensions

Maxlite 40EZ (Volvo Corporate Air Ride).....	MAK-8
MaxAir Twisted Sister®	MAK-10

EUCLID SUSPENSION TABLE OF CONTENTS

SS34 & 38 Tandem Suspension 4" Wide Spring — Rubber / Poly Trunnion Bushing	MAK-12
SS44 Series (Formerly SWS 573) 4" Wide Spring — Bronze Trunnion Bushing — 3-1/2" ID.....	MAK-16
SS50C Series, 4" Wide Spring — Bronze Trunnion Bushing — 4" ID	MAK-20
SS58C Series 5" Wide Spring — Bronze Trunnion Bushing — 4" ID	MAK-22
SS65C-W Series 5" Wide Spring — Bronze Trunnion Bushing — 5" ID	MAK-24
ST Series — Tapered Leaf	MAK-26
SW — SWW Walking Beam.....	MAK-28
Mack Components	MAK-30
 MERITOR	
Model Nomenclature	
Rockwell Fabricated Suspension (RFS) SeriesMER-2
RHP RideStar™/MPA RideSentry™ SeriesMER-2
Meritor Trailing Arm Suspension (MTA)MER-4
Meritor Trailing Arm Suspension (MTM)MER-7
Trailer Air Suspensions	
RFS23T/RFS25T/RFS30T SeriesMER-8
RHP/MPA SeriesMER-10
MTA23-30 Top Mount, MTA25-30 Low MountMER-14
MTM23T / MTM23LMER-18
Meritor ComponentsMER-22
 NAVISTAR / INTERNATIONAL	
Front Suspensions	
AIRTEK for International Vehicles	NVI-2
SOFTEK and STEERTEK NXT Axles for International Vehicles	NVI-6
AIRTEK for International Integrated Coach Bus	NVI-8
Rear Suspensions	
Corporate Air Ride “Z” Spring	NVI-10
New Corporate Air Ride — “Hockey Stick” Spring	NVI-14
4 Spring — Tractor	NVI-16
HTB 400LT for International.....	NVI-18
Navistar / International Components	NVI-20
 PAGE	
Page LM-2000 Series Lift Axle — Truck/Tractor	PAG-2
Page LM-3000 Series Lift Axle — Truck/Tractor	PAG-4
Page Trailmaster Air Spring — Trailer	PAG-6
Page Single Point — Trailer	PAG-8
Page Components	PAG-10

EUCLID SUSPENSION TABLE OF CONTENTS

PETERBILT

Front Suspension

Cab Over and Conventional 4" Wide Spring.....PET-2

Rear Suspensions

Air Trac®PET-4

Low Mount Air Leaf®PET-8

Air Leaf®PET-10

Airglide® 210PET-12

Flex Air®PET-14

4-Spring — Early VersionPET-16

Quadraflex® 4-Spring 1992 to CurrentPET-18

Peterbilt Components.....PET-20

REYCO GRANNING

Model 102AR Air Suspension — Tractor RYG-2

Model 240AR Air Suspension — Tractor RYG-6

Model 79KB Single Axle Spring Suspension — Tractor..... RYG-8

Model 101 Tandem Four Spring Suspension — Tractor RYG-10

Model 101A Tandem Four Spring Suspension — Tractor RYG-14

Model 102 Tandem Four Spring Suspension — Tractor RYG-18

Model 102W Tandem Four Spring Suspension — Tractor RYG-22

Model 102CC Single Axle Spring Suspension — Tractor..... RYG-26

Model 20AR/22AR Air Suspension — Trailer..... RYG-28

Model 21AR Air Suspension — Trailer..... RYG-30

Model 23AR/25AR/30AR Air Suspension — Trailer..... RYG-32

Model 74AR Air Suspension — Trailer..... RYG-34

Model 86AR Air Suspension — Trailer..... RYG-36

Model 21B Cast Tandem Four Spring Suspension, 42" - 72" Axle Spacing — Trailer..... RYG-40

Model 21B Fabricated Tandem Four Spring Suspension, 44" - 109" Axle Spacing — Trailer..... RYG-46

Model 73 Tandem Four Spring Suspension, 49" Axle Spacing — Trailer RYG-50

Model 73 Tandem Four Spring Suspension, 60" and 72" Axle Spacing — Trailer RYG-52

Model 74B Tandem Four Spring Suspension, 50", 54" and 60" Axle Spacing — Trailer..... RYG-54

Model 74B Tandem Four Spring Suspension, 72", 77", 97" and 109" Axle Spacing — Trailer..... RYG-56

Model 83 Tandem Four Spring Suspension, 50" – 109" Axle Spacing — Trailer..... RYG-58

Model 86-88 Tandem Four Spring Suspension — Trailer..... RYG-62

Reyco Granning Components RYG-68

RIDEWELL

RDS-209 — Tandem Drive / Steerable Suspension RDW-2

RD-202S — Tandem Drive Truck Suspension..... RDW-4

RAR-240 — 25K / 30K — Trailer Suspension..... RDW-8

EUCLID SUSPENSION TABLE OF CONTENTS

RAR-260 — 25K / 30K — Trailer Suspension.....	RDW-10
RAR-266 — 23K / 25K — Trailer Suspension.....	RDW-12
RCA-215 & RCA-215T — Lifiable Truck & Trailer Suspension	RDW-14
RSS-233 — 8K-20K — Lifiable Truck Suspension.....	RDW-16
RSS-233T — 8K-20K — Lifiable Trailer Suspension.....	RDW-18
RUL-245 — Lifiable Truck & Trailer Suspension	RDW-20
Ridewell Components.....	RDW-22

SAF-HOLLAND NEWAY

Neway Model Identification — Truck Suspensions	SAF-3
Neway Model Identification — Trailer Suspensions	SAF-5
AD-123/246/369, AD-126/252/378, AD-130/260/390 Series — Truck, Air Suspension.....	SAF-12
AD-200-7, -8, -9, -11 — Truck, Air Suspension	SAF-16
ADZ-123, -246, -369, ADZ-126, -252, -378 — Truck, Air Suspension	SAF-18
ADL-120 — Truck, Air Suspension.....	SAF-22
ARD-120, ARD-125, ARD-234 Series — Truck, Air Suspension.....	SAF-24
ARDAB-120-5, -240-5 — Truck, Air Suspension.....	SAF-30
ARDST/ARDSTM & L Series — Truck, Air Suspension	SAF-34
ART 500/505/551/555 Models — Truck, Air Suspension.....	SAF-36
AR-41/45/75-6,-9,-12/75-1-12/85-A Models — Trailer, Air Suspension	SAF-40
AR-50-US, -F, -F-1, -F-2 — Trailer, Air Suspension	SAF-44
AR-70, AR-80, AR-95 Models — Trailer, Air Suspension.....	SAF-46
AR-80-9FM — Trailer, Air Suspension.....	SAF-50
AR-90/AR-90-1/AR-92/AR-93 Models — Trailer, Air Suspension.....	SAF-52
AR-95A-9-HD, -12-HD, -14-HD, -17-HD — Trailer, Air Suspension.....	SAF-56
AR-120, AR-120-L, AR-125, AR-125-L — Trailer, Air Suspension.....	SAF-60
AR-120-US, AR-120-US-L, AR-125-US, AR-125-US-L — Trailer, Air Suspension	SAF-64
AR-250-12, -14, -15, -16, -17 — Trailer, Air Suspension	SAF-68
ARU-92-8, -9, -10, -12 — Trailer, Air Suspension.....	SAF-72
CBX23/CBX25/CBX40 Models — Trailer, Air Suspension.....	SAF-74
RL Models — Trailer, Air Suspension.....	SAF-76
TS-426-A, -432, -436, -442, -536, -542 — Trailer, Single Point Spring Suspension.....	SAF-82
RTS-536, RTS-544 — Trailer, Tandem Spring Suspension.....	SAF-84
TL-636-1, -2, -3, -4, -5 — Trailer, Four Spring Suspension	SAF-86
Binkley-Duralite SP900 — Trailer, Four Spring Suspension	SAF-88
T-8540, TR-8540, TR-8600 — Tri-Axle Trailer Suspension.....	SAF-90
TR-8750/TR-8900 Series Mechanical — Tri-Axle Trailer Suspension.....	SAF-92
SAF-Holland Neway Components.....	SAF-94

EUCLID SUSPENSION TABLE OF CONTENTS

SPARTAN

Front Suspensions

AIRTEK for Spartan Motor Home Chassis	SPT-2
SOFTEK for Spartan.....	SPT-6

Rear Suspension

HTS 210/230/260/310 Single Axle Suspension for Autocar & Spartan Type C School Bus	SPT-8
--	-------

Spartan Components.....	SPT-12
-------------------------	--------

TRAILMOBILE

Late Model — Fabricated, Uses 3-1/2" Wide Springs — Trailer	TLM-2
---	-------

Early Model — Cast Short Equalizer, Uses 3-1/2" Wide Springs — Trailer	TLM-4
--	-------

Trailmobile Components.....	TLM-6
-----------------------------	-------

VOLVO

Front Suspension

AIRTEK for Volvo	VLV-2
------------------------	-------

Rear Suspensions

Volvo Corporate Air Ride	VLV-6
--------------------------------	-------

Volvo 4 Spring, Before 1985.....	VLV-8
----------------------------------	-------

Volvo 4 Spring, 1985 and After.....	VLV-10
-------------------------------------	--------

Volvo T-Ride Up To 2005	VLV-12
-------------------------------	--------

Volvo T-Ride 2006 and Later	VLV-14
-----------------------------------	--------

Volvo Components	VLV-16
------------------------	--------

WATSON & CHALIN

AL-2200 Non-Steerable Auxiliary Truck Suspension.....	WCN-2
---	-------

SL Series Steerable Auxiliary Truck Suspension	WCN-4
--	-------

SL-1000/1100-LP/LR/LW/RO/SR/SSR, SL-1800/1800-SR Steer Auxiliary Truck Suspension.....	WCN-6
--	-------

TA250/251/255/300 (Early) Trailer Air Suspensions	WCN-8
---	-------

TA250T (Top Mount), U (Under Mount), TA300T, U Trailer Air New Style with Multifunction Bushing...	WCN-10
--	--------

TA250/300 TY Series Trailer Air Suspension	WCN-12
--	--------

TI 250/300T Integra Series Trailer Air Suspension	WCN-14
---	--------

TL-1100 "Light Weight" Auxiliary Trailer Suspension	WCN-16
---	--------

TL-2200 Auxiliary Trailer Suspension	WCN-18
--	--------

Single Point Trailer Suspension.....	WCN-20
--------------------------------------	--------

Watson & Chalin Components	WCN-22
----------------------------------	--------

WESTERN STAR

Front Suspensions

AIRTEK for Western Star Vehicles Built Prior to June 2010	WTS-2
---	-------

AIRTEK for Western Star Built After November 2011 w/STEERTEK NXT Axles and Vehicles Built Between June 2010 and November 2011 with STEERTEK Axles.....	WTS-6
---	-------

Western Star Components.....	WTS-10
------------------------------	--------

EUCLID SUSPENSION TABLE OF CONTENTS

SUSPENSION COMPONENTS

Suspension Polyurethane.....CMP-3

Service Tools.....CMP-32

Trailer King Pin / Fifth Wheel / Dolly.....CMP-35

Threaded Rods & U-Bolt Assemblies.....CMP-38

U-Bolt AssembliesCMP-42

Spring Center Bolts.....CMP-49

Miscellaneous Suspension Bolts.....CMP-50

Miscellaneous Suspension NutsCMP-53

Miscellaneous Suspension WashersCMP-55

Equalizers.....CMP-57

Torque ArmsCMP-67

BushingsCMP-96

Spring PinsCMP-104

Spring Eye BushingsCMP-108

Valves & Accessories.....CMP-110

NUMERICAL LISTING.....NUM-1



Not sure which suspension you have?
Check out Meritor's Suspension Identification
Xact Search to find the right part by
scanning the QR code

EUCLID® AFTERMARKET WHEEL ATTACHING PORTFOLIO

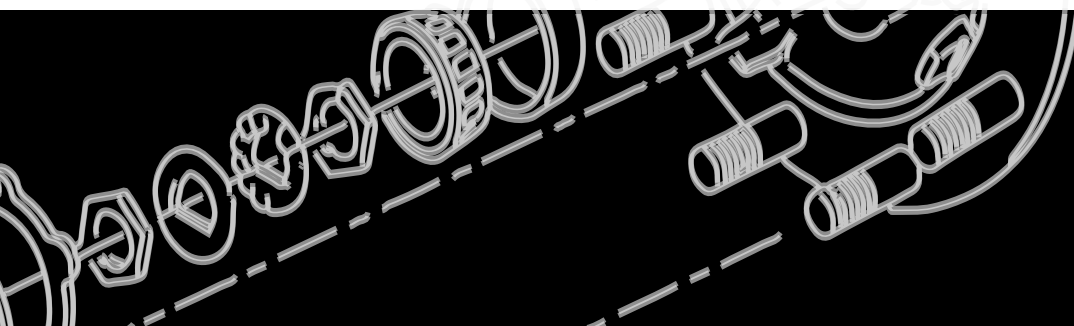


TRUST MATTERS.

Complete Wheel Attaching Coverage To Keep You On The Road.

Euclid® offers an extensive line of wheel attaching parts in our brake and wheel end portfolio. This comprehensive offering covers all aspects of the wheel fastener system for the needs of medium- and heavy-duty vehicles, as well as specialty and off-highway applications.

Our broad line encompasses both disc and spoke wheels and includes studs, nuts, wheel rim clamps, hubs and Temper-Loc® nuts for the Doctor Preload® Wheel Bearing Adjustment System.



EUCLID AFTERMARKET WHEEL ATTACHING PORTFOLIO

Metric Studs

Spoke Wheel

- Rim studs
- Rim nuts
- Drum attaching
- Rim clamps

Wheel Studs

- Collar shoulder studs
- Bus and heavy-duty studs
 - Collar shoulder
 - Wedge head
- Front wheel studs
- Drive and trailer wheel studs
 - Clipped head studs

Cap Nuts

- Inner cap nuts
- Cap nuts
- Flanged cap nuts
- Wheel nuts
- Spoke wheel rim nuts

Traditional Axle Spindle Nuts

- Trailer axle
- Steer axle
- Drive axle

Temper-Loc® Spindle Nuts

- Trailer axle
- Steer axle
- Drive axle

Drive Flange

- Studs
- Wedges
- Nuts



Euclid® High-Quality All-Makes Parts

are designed and engineered for trusted performance with exceptional quality and value for independent distributors and their customers. Euclid is an established brand that customers have trusted for over 80 years.

Complete Customer Support.

Trusted and complete customer support is available for all Euclid products. Customer care for product information, specifying assistance, training and technical support is available with one-call solution. For more information, call U.S. Customer Care at 888-725-9355. In Canada, call 800-387-3889. Euclid products are available on [MeritorPartsXpress.com](https://www.MeritorPartsXpress.com)

Vehicle models, trademarks, brands, and names depicted herein are the property of their respective owners, and may not be associated with Meritor, Inc. or its affiliates.

Meritor Heavy Vehicle Systems, LLC
7975 Dixie Highway
Florence, Kentucky 41042 USA

U.S. 888-725-9355
Canada 800-387-3889
[MeritorPartsXpress.com](https://www.MeritorPartsXpress.com)
[meritor.com](https://www.meritor.com)

©2022 Meritor, Inc.
Litho in USA, SP-2245
Issued 09-22

EUCLID[®] AFTERMARKET S.O.S. — SPECIAL ORDER SERVICE



TRUST MATTERS.

Trouble Sourcing Products? Let Euclid's Special Order Service (S.O.S.) Help.

Euclid's position as the market leader provides you access to a comprehensive array of truck parts products from the industries leading manufacturers. Through Euclid, these entire product lines are available to you just by placing a phone call to Euclid's S.O.S. Department.



U.S. 888-725-9355
Canada 800-387-3889

TABLE OF CONTENTS

Front Suspensions

AIRTEK BLU-2
SOFTEK..... BLU-6

Rear Suspensions

COMFORT AIR Single Axle Suspension BLU-8
PARASTEER Air Suspension BLU-10

Blue Bird Bus Components BLU-12

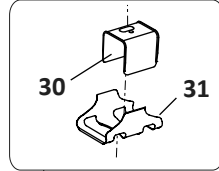


Not sure which suspension you have?
Check out Meritor's Suspension Identification
Xact Search to find the right part by
clicking the QR code

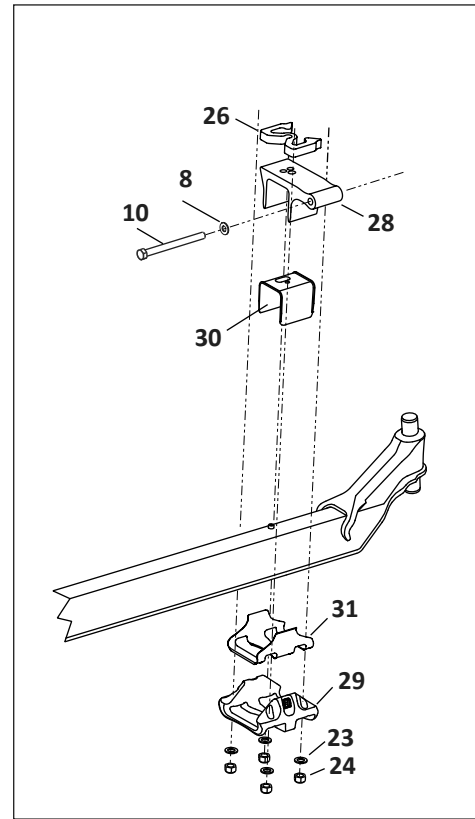
BLUE BIRD BUS

AIRTEK

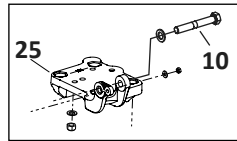
Axle Wrap Liner Kit



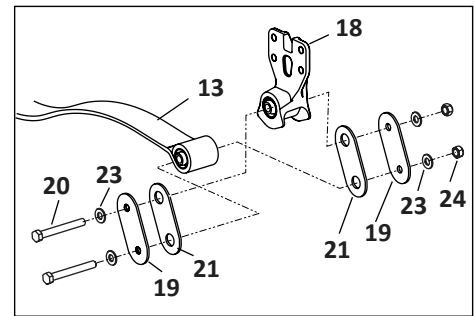
Vehicles Built Prior To October 2012 (Non-NXT Axles)



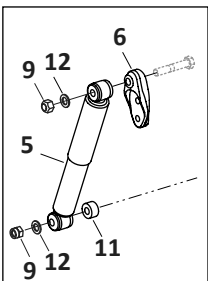
Axle Cap with Bottom Shock Mount



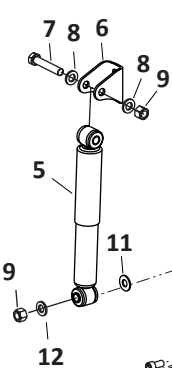
Vehicles Built Prior To November 2006



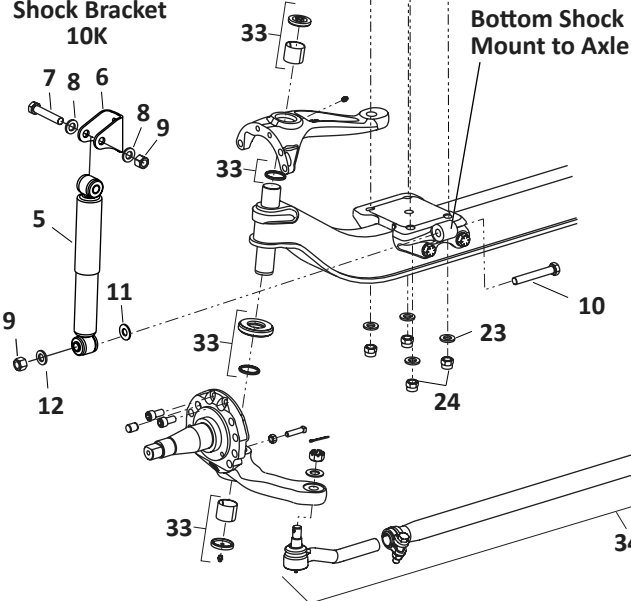
Shock Bracket 13 & 14.6K




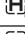
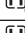

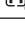

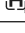
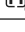

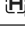

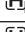
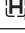

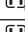
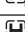
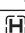



Shock Bracket 10K



Bottom Shock Mount to Axle



For more information on King Pins, Tie Rod Ends and Assemblies see 760C Front Axle Parts — Medium- and Heavy-Duty Applications

AIRTEK						
KEY NO.	EUCLID NO.	GENUINE	OEM REF.	DESCRIPTION	QTY. PER AXLE	PAGE NO.
1	FS9912	-	64075-002	Air Spring	2	-
	E-17589		60850-001	Air Spring, 13.2 & 14.6K Capacity	2	-
2	E-16425		60850-001	Air Spring Bracket, 10K Capacity	2	BLU-13
	S.O.S.		60807-002	Air Spring Bracket, 13.2/14.6K Capacity	2	-
3	E-17588		59935-004	Height Control Valve, 10K Capacity	1	BLU-13
	S.O.S.		59935-004	Height Control Valve, 10K Capacity	1	-
	E-16407		60501-000; 60501-001	Height Control Valve, 13.2/14.6K Capacity	1	BLU-12
4	E-15133		59428-001	Height Control Valve Linkage Kit, 10K Capacity	1	BLU-13
	S.O.S.		59428-005	Height Control Valve Linkage Kit, 13.2/14.6K Capacity	1	-
5	M85959	-	58913-009 58913-011	Shock Absorber	2	-
6	S.O.S.		59423-002	Shock Bracket, 10K Capacity	2	-
	E-15177		67463-002	Shock Bracket, 13.2/14.6K Capacity	2	BLU-13
7	S.O.S.	-	-	Bolt, Top Shock, 3/4"-10 X 4" Long	2	-
8	E-2545	-	-	Hardened Washer, 3/4"	4	-
9	E-4347	-	-	Lock Nut, 3/4"-10	4	-
10	S.O.S.	-	Various	Bolt, Lower Shock Mount, 3/4"-10 X Various Lengths	2	-
11	S.O.S.		22962-046	Shock Spacer, .118" Thick, 10K Capacity Built After October 2012	2	-
	S.O.S.		59946-006	Shock Spacer, 13.2/14.6K Capacity	2	-
	E-16419		59946-001	Shock Spacer, 10K Capacity Built Before October 2012	2	BLU-13
12	E-2545	-	-	Hardened Washer, 3/4"	2	-
13	S.O.S.		Various	Leaf Spring Assembly	2	-
14	S.O.S.		64488-002	Front Hanger	2	-
15	E-16415	-	-	Bolt, M20-2.5 X 170 mm Long	2	-
16	E-16229	-	-	Lock Nut, M20-2.5	6	-
17	S.O.S.	-	-	Washer, 20 mm	12	-
18	S.O.S.		66510-001	Rear Shackle Bracket and Bushing	2	-
	S.O.S.		64316-000	Rear Shackle Bracket and Bushing, 10 K Capacity Built Before Nov. 2006	2	-
19	S.O.S.		66314-000	Rear Shackle Plate	4	-
20	E-16413	-	-	Bolt, M20-2.5 X 150 mm Long	4	BLU-13
21	E-16432		64159-000	Thrust Washer, 10 K Capacity Built Before Nov. 2006	4	BLU-12
22	S.O.S.	-	-	Bolt, 3/4"-16 X Various	8	-
23	E-2545	-	-	Washer, 3/4"	8	-
24	E-16467	-	-	Lock Nut, 3/4"-16, Nylon Insert	8	-
25	S.O.S.		Various	Top Pad	2	-
26	S.O.S.		Various	Front Axle Spacer	2	-
27	S.O.S.		Various	Dowel Pin	2	-
28	S.O.S.		Various	Top Axle Wrap, Vehicles Built Before October 2012	2	-
29	E-15108		64722-003	Bottom Axle Wrap, Vehicles Built Before October 2012	2	BLU-12
30	E-15147		60508-000	Top Axle Wrap Liner, Vehicles Built Before October 2012	2	BLU-12
31	E-15110		59845-000	Bottom Axle Wrap Liner, Vehicles Built Before October 2012	2	BLU-12
32	E-15727		60961-015	Axle Wrap Liner Kit, Vehicles Built Before October 2012, Includes Key Nos. 30 & 31	2	BLU-12

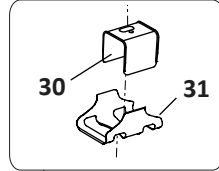
 Denotes Product is Genuine Hendrickson

For more information on King Pins, Tie Rod Ends and Assemblies
see *760C Front Axle Parts — Medium- and Heavy-Duty Applications*

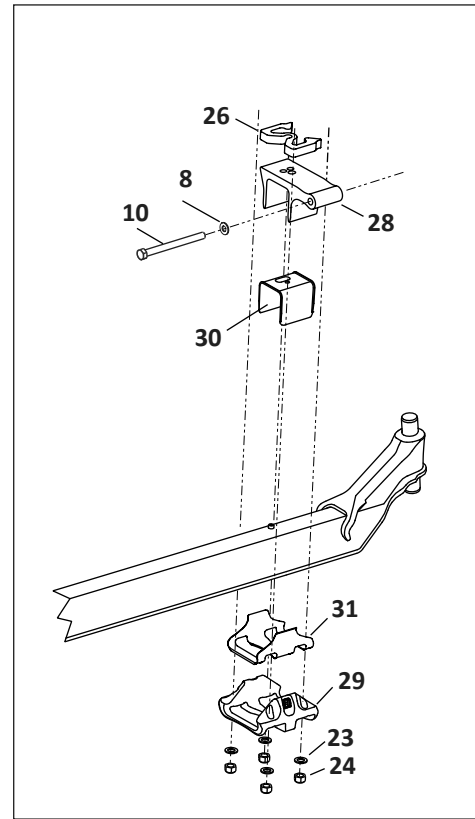
BLUE BIRD BUS

AIRTEK

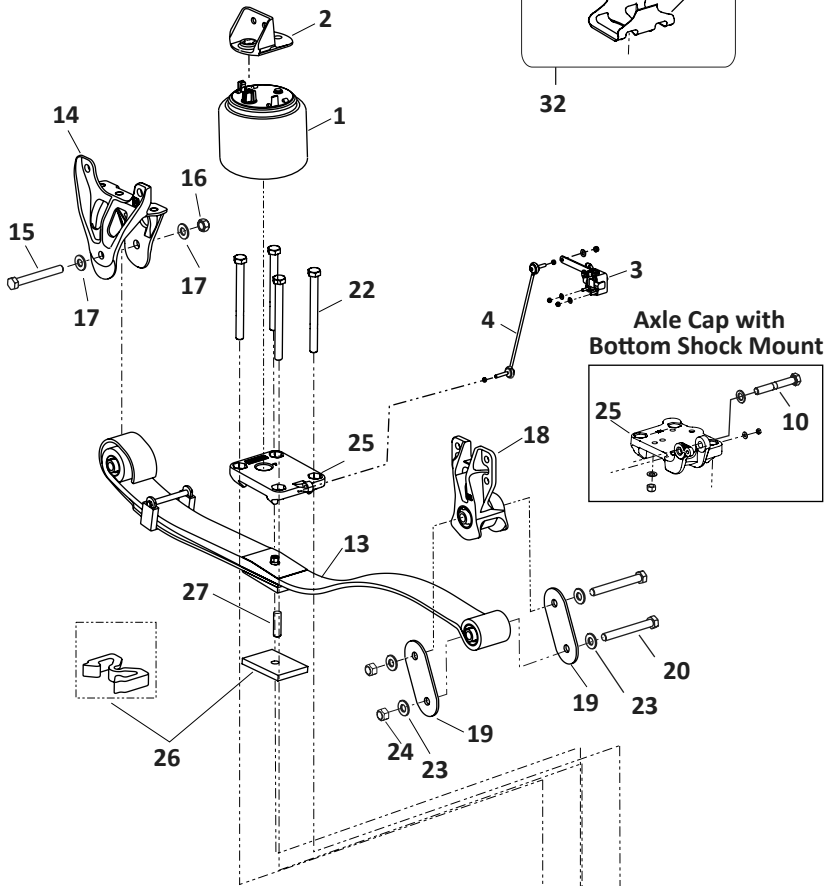
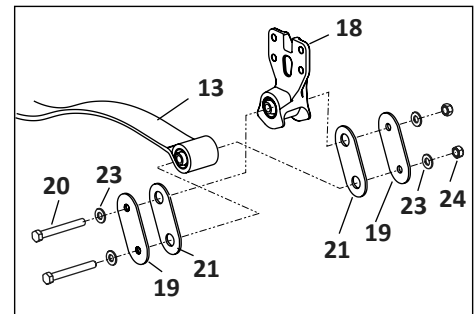
Axle Wrap Liner Kit



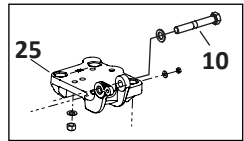
Vehicles Built Prior To October 2012 (Non-NXT Axles)



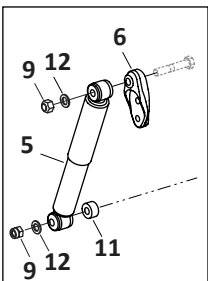
Vehicles Built Prior To November 2006



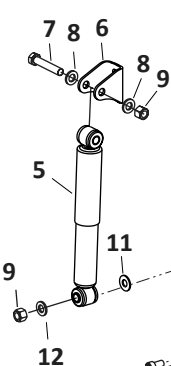
Axle Cap with Bottom Shock Mount



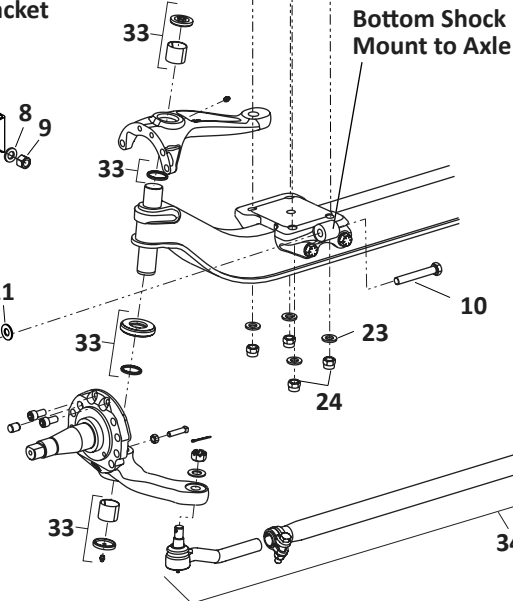
Shock Bracket 13 & 14.6K



Shock Bracket 10K



Bottom Shock Mount to Axle



For more information on King Pins, Tie Rod Ends and Assemblies see 760C Front Axle Parts — Medium- and Heavy-Duty Applications

AIRTEK						
KEY NO.	EUCLID NO.	GENUINE	OEM REF.	DESCRIPTION	QTY. PER AXLE	PAGE NO.
33	E-13999		60961-040	Kingpin Bushing and Bearing Service Kits, Axle Set Includes Left and Right Hand Kit (E-14000 and E-14001), Vehicles Built Before October 2012	1	-
	E-14000		60961-009	Kingpin Bushing and Bearing Service Kit, Left Hand with Composite Thrust Bearings, Vehicles Built Before October 2012	1	-
	E-14001		60961-039	Kingpin Bushing and Bearing Service Kit, Right Hand with Roller Thrust Bearings, Vehicles Built Before October 2012	1	-
	E-17644		60961-628	Kingpin Bushing and Bearing Service Kits, Axle Set Includes Left and Right Hand Kit (E-17645 and E-17646), Vehicles Built After October 2012	1	-
	E-17645		60961-629	Kingpin Bushing and Bearing Service Kit, Left Hand with Composite Thrust Bearings, Vehicles Built After October 2012	1	-
	E-17646		60961-630	Kingpin Bushing and Bearing Service Kit, Right Hand with Roller Thrust Bearings, Vehicles Built After October 2012	1	-
34	-		Various	Tie Rod Ends and Assembly. See Front Axle Catalog	As Req'd	-

 Denotes Product is Genuine Hendrickson

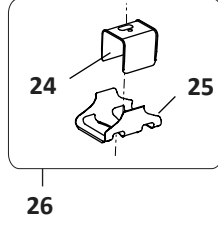
For more information on King Pins, Tie Rod Ends and Assemblies
see *760C Front Axle Parts — Medium- and Heavy-Duty Applications*

BLUE BIRD BUS

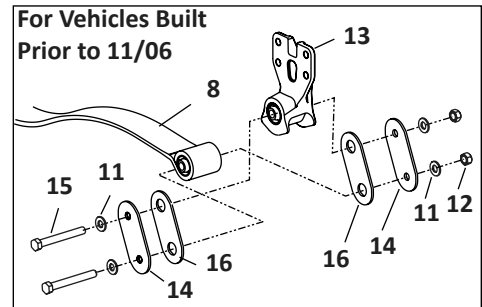
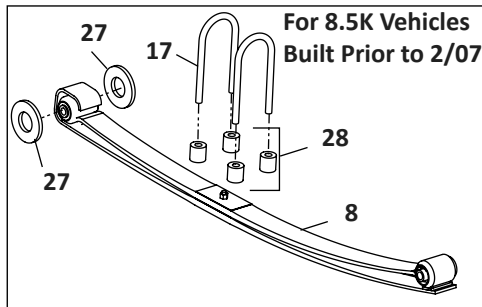
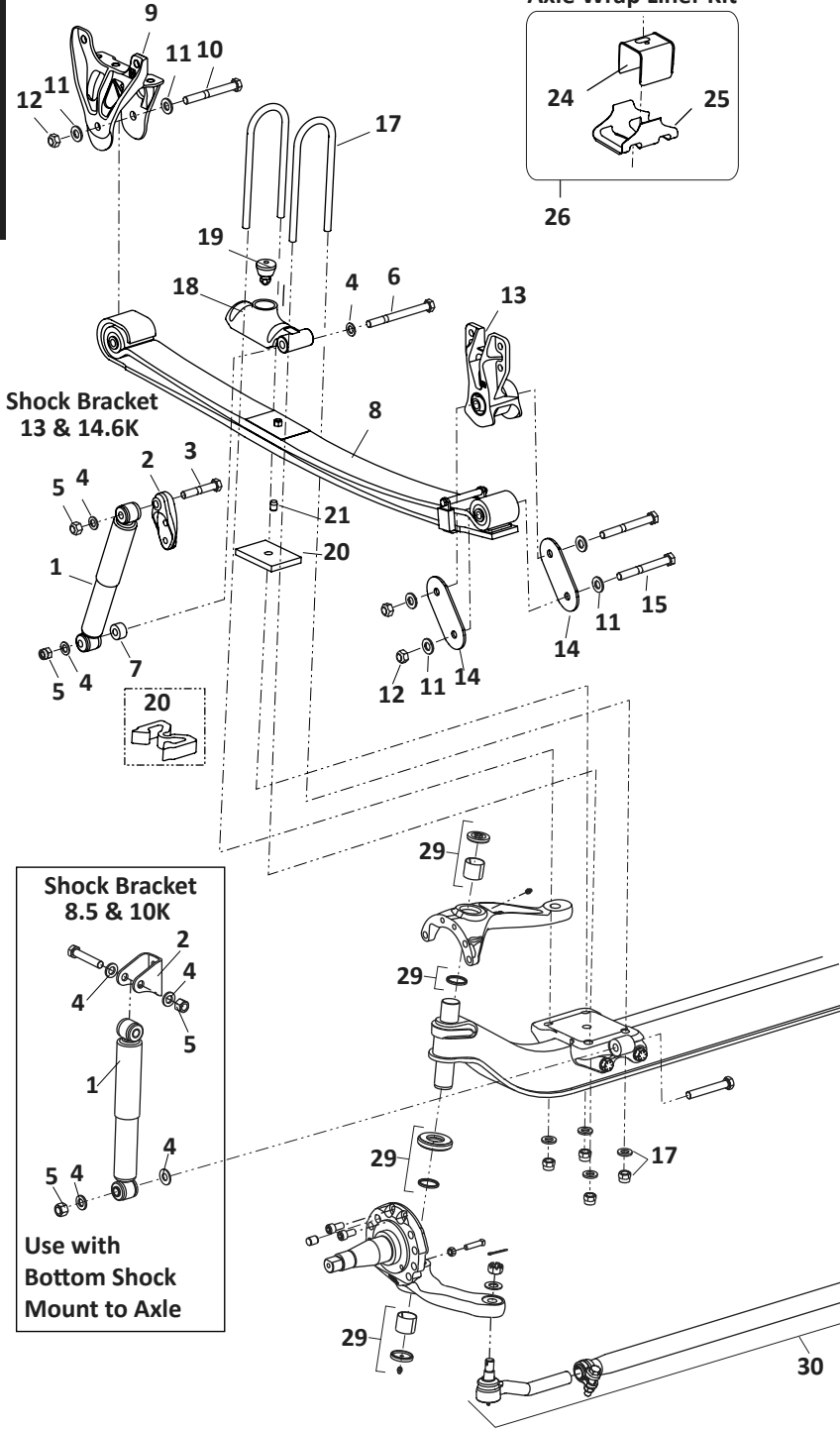
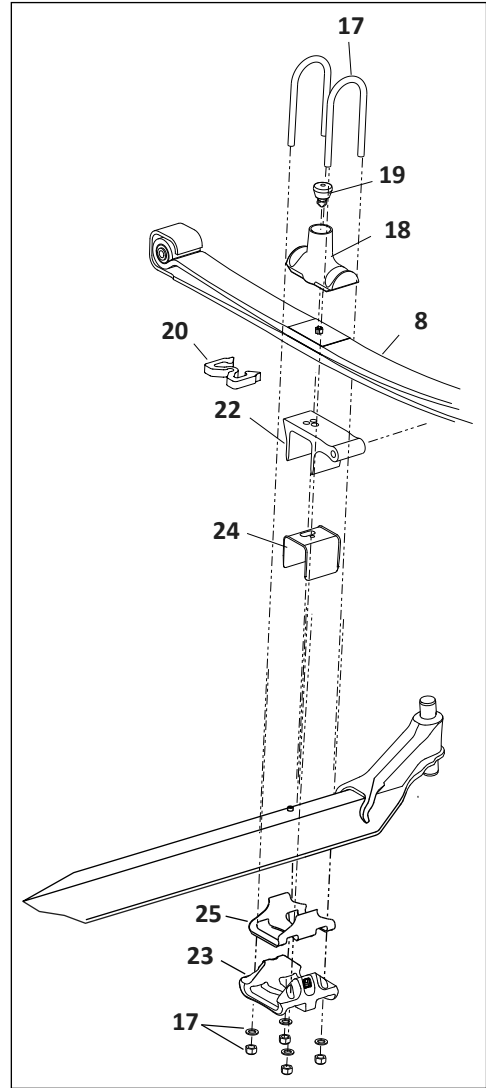
SOFTEK

BLUE BIRD BUS

Axle Wrap Liner Kit



Vehicles Built Prior to October 2012 (Non-NXT Axles)





















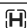





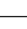
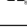




For more information on King Pins, Tie Rod Ends and Assemblies see 760C Front Axle Parts — Medium- and Heavy-Duty Applications

BLUE BIRD BUS

Suspension

BLUE BIRD BUS

SOFTEK						
KEY NO.	EUCLID NO.	GENUINE	OEM REF.	DESCRIPTION	QTY. PER AXLE	PAGE NO.
1	M85959	-	58913-009 58913-011	Shock Absorber, 8.5/10K Capacities	2	-
	S.O.S.	-	58913-010	Shock Absorber, 13.2/14.6K Capacities	2	-
2	S.O.S.		59423-032	Shock Bracket, 8.5/10K Capacities, Built After June 2020	2	-
	S.O.S.		59423-002	Shock Bracket, 8.5/10K Capacities, Built Before June 2020	2	-
	E-15177		67463-002	Shock Bracket, 13.2/14.6K Capacity	2	BLU-13
3	S.O.S.	-	-	Bolt, Top Shock, 3/4"-10 X 4" Long	2	-
4	E-2545	-	-	Hardened Washer, 3/4"	4	-
5	E-4347	-	-	Lock Nut, 3/4"-10	4	-
6	S.O.S.	-	Various	Bolt, Lower Shock Mount, 3/4"-10 X Various Lengths	2	-
7	S.O.S.		22962-046	Shock Spacer, .118" Thick, 8.5/10K Capacities Built After October 2012	2	-
	E-16419		59946-001	Shock Spacer, Other Than Noted Above	2	BLU-13
8	S.O.S.		Various	Leaf Spring Assembly	2	-
9	S.O.S.		64488-002	Front Hanger	2	-
10	E-16415	-	-	Bolt, M20-2.5 X 170 mm Long	2	-
11	S.O.S.	-	-	Washer, 20 mm	12	-
12	E-16229	-	-	Lock Nut, M20-2.5	6	-
13	S.O.S.		66510-001	Rear Shackle Bracket and Bushing, Built After Nov. 2006	2	-
	S.O.S.		64316-000	Rear Shackle Bracket and Bushing, Built Before Nov. 2006	2	-
14	S.O.S.		66314-000	Rear Shackle Plate	4	-
15	E-16413	-	-	Bolt, M20-2.5 X 150 mm Long	4	BLU-13
16	E-16432		64159-000	Thrust Washer, 8.5/10K Capacities Built Before Nov. 2006	4	BLU-12
17	E-UB8154-10	-	Various	U-Bolt Assembly 3/4"-16 X 4" Wide X 10" Long, Rd. Bend. Includes Nuts, Washers	4	BLU-12
	E-UB8154-12	-	Various	U-Bolt Assembly 3/4"-16 X 4" Wide X 12" Long, Rd. Bend. Includes Nuts, Washers	4	BLU-12
	S.O.S.	-	Various	U-Bolt Assembly 3/4"-16 X 4" Wide X Various Lengths, Rd. Bend. Includes Nuts, Washers	4	-
18	S.O.S.		Various	Top Pad	2	-
19	E-15148		64080-000	Axle Stop, Rubber	2	BLU-12
20	S.O.S.		Various	Front Axle Spacer	2	-
21	S.O.S.		Various	Dowel Pin	2	-
22	S.O.S.		Various	Top Axle Wrap, Vehicles Built Before October 2012	2	-
23	E-15108		64722-003	Bottom Axle Wrap, Vehicles Built Before October 2012	2	BLU-12
24	E-15147		60508-000	Top Axle Wrap Liner, Vehicles Built Before October 2012	2	BLU-12
25	E-15110		59845-000	Bottom Wrap Liner, Vehicles Built Before October 2012	2	BLU-12
26	E-15727		60961-015	Axle Wrap Liner Kit, Vehicles Built Before October 2012, Includes Key Nos. 23 & 24	2	BLU-12
27	S.O.S.		66164-000	Thrust Pad Washer, 8.5K Built Before October 2012	4	-
28	S.O.S.		66366-001	U-Bolt Spacer, 8.5K Built Before October 2012	8	-
29	E-13999		60961-040	Kingpin Bushing and Bearing Service Kits, Axle Set Includes Left and Right Hand Kit (E-14000 and E-14001), Vehicles Built Before October 2012	1	-
	E-14000		60961-009	Kingpin Bushing and Bearing Service Kit, Left Hand with Composite Thrust Bearings, Vehicles Built Before October 2012	1	-
	E-14001		60961-039	Kingpin Bushing and Bearing Service Kit, Right Hand with Roller Thrust Bearings, Vehicles Built Before October 2012	1	-
	E-17644		60961-628	Kingpin Bushing and Bearing Service Kits, Axle Set Includes Left and Right Hand Kit (E-17645 and E-17646), Vehicles Built After October 2012	1	-
	E-17645		60961-629	Kingpin Bushing and Bearing Service Kit, Left Hand with Composite Thrust Bearings, Vehicles Built After October 2012	1	-
	E-17646		60961-630	Kingpin Bushing and Bearing Service Kit, Right Hand with Roller Thrust Bearings, Vehicles Built After October 2012	1	-
30	-		Various	Tie Rod Ends and Assembly. See Front Axle Catalog	As Req'd	-

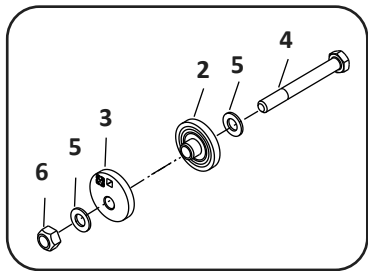
 Denotes Product is Genuine Hendrickson For more information on King Pins, Tie Rod Ends and Assemblies see 760C Front Axle Parts

BLUE BIRD BUS

COMFORT AIR Single Axle Suspension

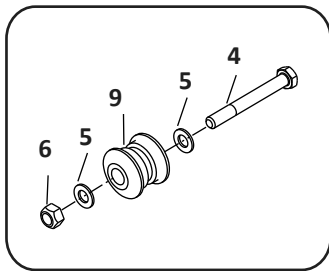
BLUE BIRD BUS

QUIK-ALIGN™ Collar Service Kit



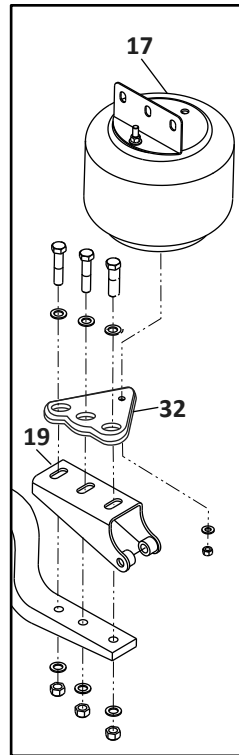
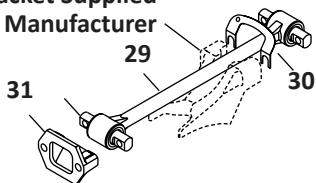
7

QUIK-ALIGN™ Pivot Bushing Kit

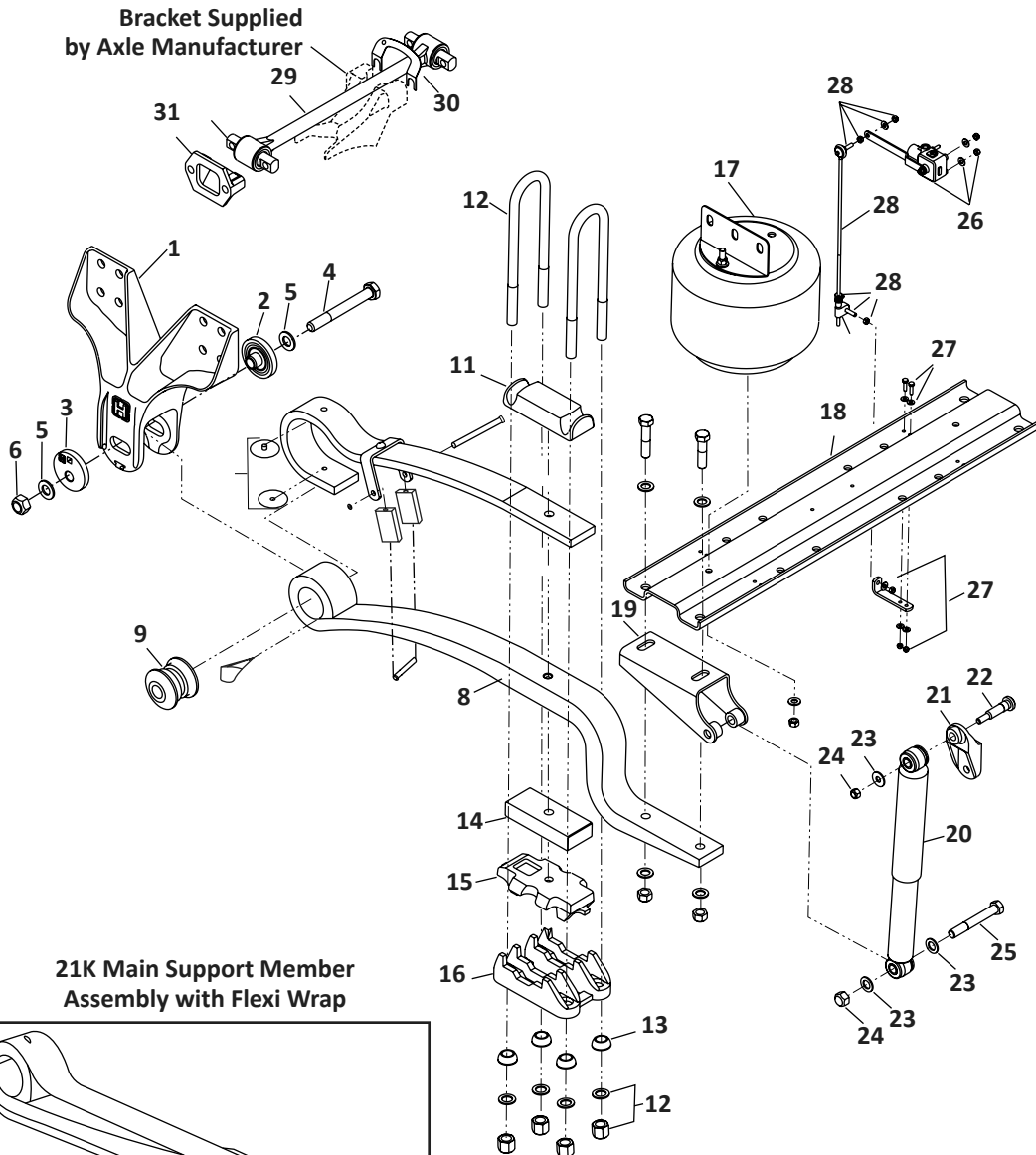


10

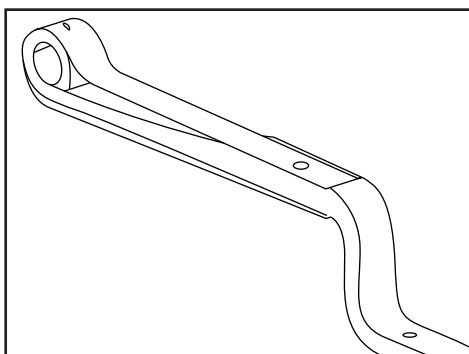
Bracket Supplied by Axle Manufacturer








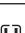





















Air Spring Mounting After January 2021



21K Main Support Member Assembly with Flexi Wrap



Transverse Torque Rods must be used with this Suspension

COMFORT AIR Single Axle Suspension						
KEY NO.	EUCLID NO.	GENUINE	OEM REF.	DESCRIPTION	QTY. PER AXLE	PAGE NO.
1	S.O.S.		60784-000	Frame Hanger	2	-
2	E-15716		64633-000	QUIK-ALIGN™ Concentric Collar	3	BLU-14
3	E-15162		64632-000	QUIK-ALIGN™ Eccentric Collar	1	BLU-14
4	S.O.S.	-	68217-000	Bolt, 1"-14 X 7 1/2" Long	2	-
5	E-2546	-	-	Washer, 1" ID	4	-
6	E-1828	-	-	Lock Nut, 1"-14	2	-
7	E-14809		60632-013	QUIK-ALIGN™ Collar Service Kit, Axle Set, Includes Key Nos. 2, 3, 4, 5, 6	1	BLU-14
8	S.O.S.		82432-000	Main Support Member Assembly, 21K Axle	2	-
	S.O.S.		82433-00; 60779-000	Main Support Member Assembly, 23K Axle	2	-
9	E-13992		58648-000L	QUIK-ALIGN™ Pivot Bushing	2	BLU-14
10	E-16465		34013-103	QUIK-ALIGN™ Pivot Bushing Kit, One Side, Includes Key Nos. 4, 5, 6, 9	2	BLU-14
11	E-9397		56805-000	Top Pad, 21K, 23K Capacity	2	BLU-14
12	E-UB8161-15S1	-	-	U-Bolt Assembly, Rd. Bend, 7/8"-14 Thd. X 3" Wide X 15" Long, Includes Key No. 11, 21K	4	BLU-15
	E-UB8161-18S1	-	-	U-Bolt Assembly, Rd. Bend, 7/8"-14 Thd. X 3" Wide X 18" Long, Includes Key No. 11	4	BLU-15
	E-UB8161-16	-	-	U-Bolt Assembly, Rd. Bend, 3/4"-16 Thd. X 3" Wide X 16" Long, Requires Key No. 11	4	BLU-15
13	S.O.S.		49947-000	Spherical Washer, 3/4"	8	-
	E-3738		48574-000	Spherical Washer, 7/8"	8	BLU-14
14	S.O.S.		Various	Spacer, Specify Height	2	-
15	S.O.S.		Various	Spring Seat, Specify Axle and Pinion Angle	2	-
16	S.O.S.		Various	Axle Bottom Cap, Specify Axle and Pinion Angle	2	-
17	FS8816	-	60929-002	Air Spring Assembly, Front Engine, Includes Bracket, Before 01/21	2	-
	FS8817	-	60925-002	Air Spring Assembly, Rear Engine, Includes Bracket, Before 01/21	2	-
	E-17652		91347-000	Air Spring Assembly with Standard Bumper, Includes Bracket, After 01/21	2	-
	E-17653		91350-000	Air Spring Assembly with Tall Bumper, Includes Bracket, After 01/21	2	-
18	S.O.S.		Various	Cross Channel	1	-
19	E-16239		57356-000	Shock Bracket, Lower, 2 Slots, Before 01/21	2	BLU-15
	S.O.S.		67463-002	Shock Bracket, Lower, 3 Slots, After 01/21	2	-
20	M85006	-	60998-003	Shock Absorber	2	-
21	E-15177		67463-002	Shock Bracket, Upper	2	BLU-15
22	S.O.S.		50764-010	Bolt, 3/4"-10 Serrated Shank	2	-
23	E-2545	-	-	Washer, 3/4" Dia.	4	-
24	E-4347	-	-	Lock Nut, 3/4"-10	4	-
25	E-15140	-	50764-002	Bolt, 3/4"-10 X 5 1/2" Long	2	BLU-15
26	S.O.S.		59013-000	Height Control Valve Kit, Includes Mounting Hardware, Axle Set	1	-
27	S.O.S.		57430-000	Height Control Valve Lower Bracket Kit, Includes Mounting Hardware, Front Engine, Before 01/21	1	-
	S.O.S.		57430-003	Height Control Valve Lower Bracket Kit, Includes Mounting Hardware, Rear Engine, Before 01/21	1	-
28	E-7852	-	-	Height Control Valve Linkage Assembly, Universal Kit	1	BLU-15
29	See Hendrickson Torque Rod Selection Guide		Various	Transverse Torque Rod	1	-
30	E-5281		49689-000L	Torque Rod Shim	As Req.	BLU-15
31	E-2634		22186-000	Transverse Torque Rod Frame Bracket	1	BLU-15
32	S.O.S.		80502-000	Lower Air Spring Bracket, After 01/21	2	-

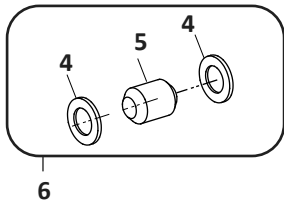
 Denotes Product is Genuine Hendrickson

Transverse Torque Rods must be used with this Suspension

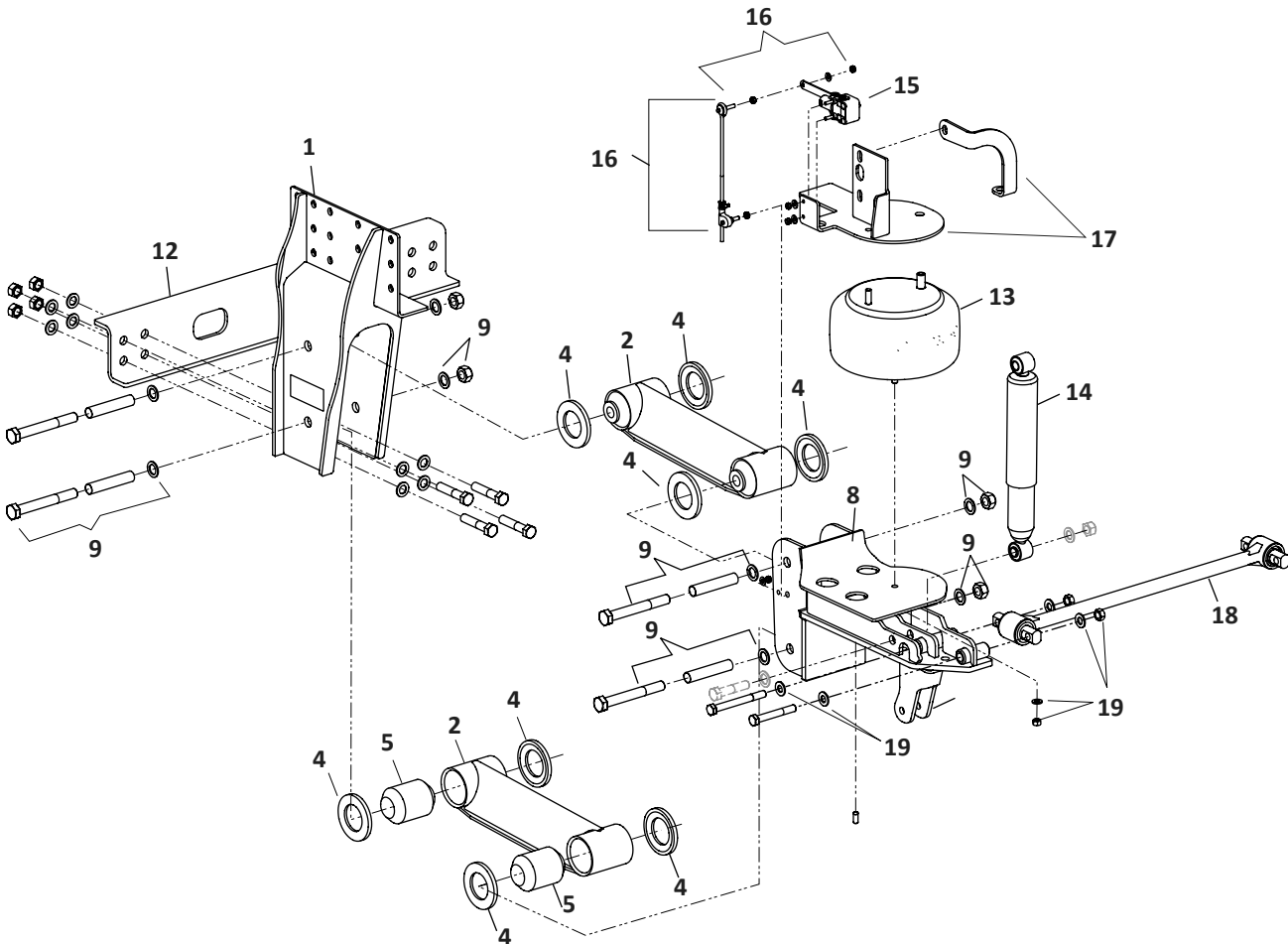
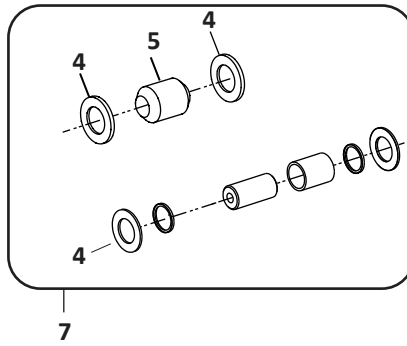
BLUE BIRD BUS

PARASTEER Air Suspension

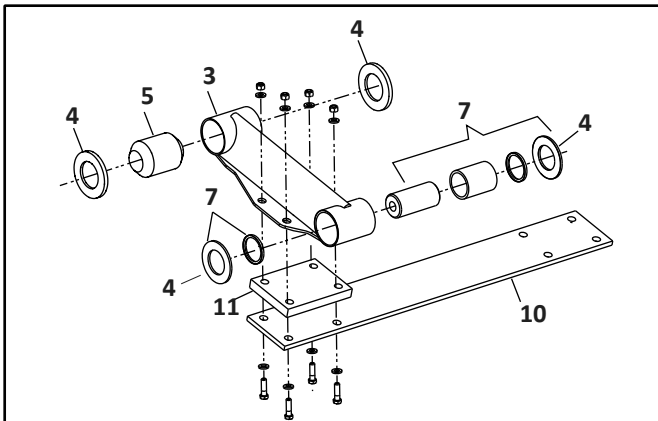
For Vehicles Built after Jan. 2000
Includes 4 Sets of Components
to Rebrush 4 Beams

















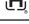
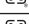

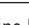
For Vehicles Built Between 9/98 - 12/99
Includes Components to
Rebrush 2 Upper & 2 Lower Beams



Models built between 9/98 through 12/99 configuration



BLUE BIRD BUS

PARASTEER Air Suspension						
KEY NO.	EUCLID NO.	GENUINE	OEM REF.	DESCRIPTION	QTY. PER AXLE	PAGE NO.
1	S.O.S.		Various	Frame Hanger	2	-
2	S.O.S.		59536-000	Beam Assembly, Models with Transverse Torque Rod, Built After January 2000. Includes Key No. 5	4	-
				Beam Assembly, Models with Transverse Torque Rod, Built 9/98 – 12/99. Includes Key No. 5	2	-
3	S.O.S.		34013-108	Beam Assembly, Models with Transverse Leaf, Built 9/98 – 12/99. Includes Key No. 5	2	-
4	S.O.S.		59803-000	Thrust Washer, Included in Kits E-16403 and E-16404	16	-
5	E-16405		59528-001	Beam Bushing, Models w/ Transverse Leaf Built After January 2000	8	BLU-16
				Beam Bushing, Models w/ Transverse Leaf Built 9/98 – 12/99	6	
6	E-16403		34013-105	Bushing Service Kit, Axle Set, Models with Transverse Torque Rod, Built After January 2000, Includes Key Nos. 4 & 5	1	BLU-16
7	E-16404		34013-100	Bushing Service Kit, Axle Set, Models with Transverse Leaf, Built 9/98 – 12/99. Includes Key Nos. 4 & 5, PTFE Bushing, Rubber Seal, Inner Metal Liner	1	BLU-16
8	S.O.S.		Various	Axle Seat, Specify Vehicle Model and Left or Right Hand	2	-
9	E-16406		59568-001	Pivot Bolt Kit, Axle Set	1	BLU-16
10	S.O.S.		60206-001 59485-000	Transverse Leaf Built 9/98 – 12/99	1	-
11	S.O.S.		59524-000	Spacer Plate, Not Used on All Models	As Req.	-
12	S.O.S.		59538-000	Cross Member, Models w/Transverse Torque Rod Built After January 2000	1	-
	S.O.S.		59540-000	Cross Member, Models w/Transverse Torque Rod Built Before January 2000	1	-
13	FS8971	-	59484-002	Air Spring	2	-
	S.O.S.	-	59601-002	Air Spring	2	-
14	M85919	-	60665-005 60998-002	Shock Absorber	2	-
15	E-16407		60501-000	Height Control Valve	2	BLU-16
16	S.O.S.		58994-010	Linkage Kit, Height Control Valve	2	-
17	S.O.S.		59553-000	Air Spring Bracket Service Kit, Axle Set	1	-
18	E-16408		62000-745	Transverse Torque Rod, Models Built After January 2000	2	BLU-16
19	S.O.S.		49176-010	Transverse Torque Rod Mounting Kit, Includes Bolts, Nuts & Washers	1	-

 Denotes Product is Genuine Hendrickson


BLUE BIRD BUS

AIRTEK / SOFTEK


BLUE BIRD BUS

Thrust Washer

FOR MODEL:
SOFTEK



8.5/10 K Capacity Built Before Nov. 2006

EUCLID NO.	GENUINE	OEM REF.	WIDTH	LENGTH	NOTES
E-16432		64159-000	3 1/2"	8 1/8"	1/4" Thick, 4-7/8" Center-to-Center

Bottom Axle Wrap

FOR MODELS:
AIRTEK & SOFTEK




Vehicles Built Before October 2012


EUCLID NO.	GENUINE	OEM REF.
E-15108		64722-003

Axle Wrap Liner Kit

FOR MODEL:
AIRTEK



Includes E-15147 & E-15110 Liners

EUCLID NO.	GENUINE	OEM REF.
E-15727		60961-015

Axle Stop, Rubber

FOR MODEL:
SOFTEK



EUCLID NO.	GENUINE	OEM REF.
E-15148		64080-000

Top Axle Wrap Liner

FOR MODEL:
AIRTEK & SOFTEK




Elongated Slot

Vehicles Built Before October 2012

EUCLID NO.	GENUINE	OEM REF.
E-15147		60508-000

U-Bolt Assembly

FOR MODEL:
SOFTEK



Round Bend, Includes Nuts, Washers

EUCLID NO.	GENUINE	OEM REF.	WIDTH	LENGTH	THREAD
E-UB8154-10	-	-	4"	10"	3/4"-16
E-UB8154-12	-	-	4"	12"	3/4"-16

Bottom Axle Wrap

FOR MODELS:
AIRTEK & SOFTEK





Vehicles Built Before October 2012

EUCLID NO.	GENUINE	OEM REF.
E-15110		59845-000

Height Control Valve

FOR MODEL:
AIRTEK





EUCLID NO.	GENUINE	OEM REF.	NOTES
E-16407		60501-000 60501-001	13.2/14.6K Capacity, with Integrated Dump Feature

 Denotes Product is Genuine Hendrickson

Height Control Valve

FOR MODELS:
AIRTEK



EUCLID NO.	GENUINE	OEM REF.	NOTES
E-17588		59935-004	10K Capacity

Shock Bracket

FOR MODELS:
AIRTEK & SOFTEK




1 3/4" Dia. Hole, 2 5/8" Dia. Holes


EUCLID NO.	GENUINE	OEM REF.	NOTES
E-15177		67463-002	13.2/14.6K Capacity

Height Control Valve Linkage Kit

FOR MODEL:
AIRTEK



10K Capacity — 13-1/8" C-T-C

EUCLID NO.	GENUINE	OEM REF.
E-15133		59428-001

Air Spring Bracket


FOR MODEL:
AIRTEK





EUCLID NO.	GENUINE	OEM REF.	NOTES
E-16425		60850-001	-

Shock Spacer


FOR MODELS:
AIRTEK & SOFTEK




EUCLID NO.	GENUINE	OEM REF.	ID	THICKNESS	NOTES 10K CAPACITY
E-16419		59946-001	3/4"	7/8"	Built Before Oct. 2012
E-17585		22962-046	3/4"	1/8"	Built After Oct. 2012

Bolt

FOR MODEL:
AIRTEK



EUCLID NO.	GENUINE	OEM REF.	LENGTH	THREAD
E-16413	-	-	150 MM	M20-2.5

 Denotes Product is Genuine Hendrickson

BLUE BIRD BUS COMFORT AIR

BLUE BIRD BUS

Pivot Bushing Kit, QUIK-ALIGN™

FOR MODEL:
COMFORT AIR



Includes Pivot Bushing, Bolt, Nut, Washers

EUCLID NO.	GENUINE	OEM REF.	NOTES
E-16465		34013-103	Wheel End

Eccentric Collar, QUIK-ALIGN™

FOR MODEL:
COMFORT AIR



EUCLID NO.	GENUINE	OEM REF.
E-15162		64632-000

Pivot Bushing, QUIK-ALIGN™

FOR MODEL:
COMFORT AIR



EUCLID NO.	GENUINE	OEM REF.	ID	OD	LENGTH
E-13992		58648-000	1-1/4"	3-3/4"	3 5/8"

Top Pad

FOR MODEL:
COMFORT AIR



EUCLID NO.	GENUINE	OEM REF.	NOTES
E-9397		56805-000	21K, 23K Capacity

Collar Kit, QUIK-ALIGN™

FOR MODEL:
COMFORT AIR



Includes Alignment Collars, Bolt, Nut, Washers

EUCLID NO.	GENUINE	OEM REF.	LENGTH	THREAD	NOTES
E-14809		60632-013	7-1/2"	1"-14	Axle Set

Spherical Washer

FOR MODEL:
COMFORT AIR



EUCLID NO.	GENUINE	OEM REF.	ID
E-3738		48574-000	7/8"

Concentric Collar, QUIK-ALIGN™

FOR MODEL:
COMFORT AIR




EUCLID NO.	GENUINE	OEM REF.
E-15716		64633-000


Denotes Product is Genuine Hendrickson



BLUE BIRD BUS COMFORT AIR



Suspension



BLUE BIRD BUS

U-Bolt Assembly				
FOR MODEL: COMFORT AIR				
				
E-3728 Spherical Washers Included with some kits.				
EUCLID NO.	OD	LENGTH	THREAD	NOTES
E-UB8161-15S1	3"	15"	7/8"-14	Round Bend, 21K, 23K Capacity Includes Nuts, Spherical & Standard Washers
E-UB8161-16	3"	16"	7/8"-14	Round Bend, 15K Capacity, Order Spherical Washer E-3738 Separately Includes Nuts, Standard Washers.
E-UB8161-18S1	3"	18"	7/8"-14	Round Bend, 21K, 23K Capacity Includes Nuts, Spherical & Standard Washers


Bolt				
FOR MODEL: COMFORT AIR				
				
EUCLID NO.	GENUINE	OEM REF.	LENGTH	THREAD
E-15140	-	50764-002	5-1/2"	3/4"-10

Torque Rod Shim				
FOR MODEL: COMFORT AIR				
				
EUCLID NO.	GENUINE	OEM REF.	C-T-C LENGTH	NOTES
E-5281		49689-000	4-3/8"	1/16" Thick

Shock Bracket, Upper		
FOR MODEL: COMFORT AIR		
		
1-3/4" Dia. Hole, 2-5/8" Dia. Holes		
EUCLID NO.	GENUINE	OEM REF.
E-15177		67463-002

Transverse Torque Rod Frame Bracket		
FOR MODEL: COMFORT AIR		
		
EUCLID NO.	GENUINE	OEM REF.
E-2634		22186-000

Shock Bracket, Lower		
FOR MODEL: COMFORT AIR		
		
EUCLID NO.	GENUINE	OEM REF.
E-16239		57356-000

Height Control Valve Linkage Assembly			
FOR MODEL: COMFORT AIR			
			
EUCLID NO.	GENUINE	OEM REF.	NOTES
E-7852	-	-	Universal Kit

 Denotes Product is Genuine Hendrickson

BLUE BIRD BUS PARASTEER

BLUE BIRD BUS

Bushing Kit

FOR MODEL:
PARASTEER

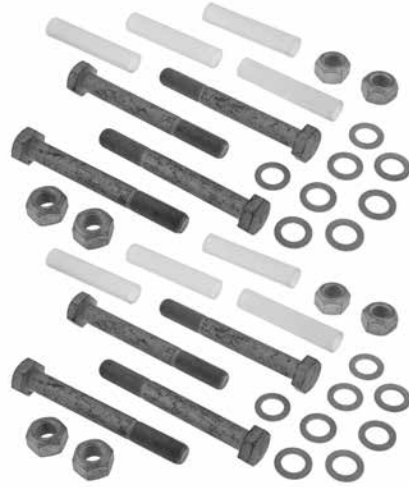


Axle Set, Models with Transverse Leaf, Built 9/98-12/9

EUCLID NO.	GENUINE	OEM REF.	NOTES
E-16404		34013-100	Axle Set, Models with Transverse Leaf, Built 9/98-12/9 Includes Rubber Bushings, Thrust Washers, PTFE Bushings, Rubber Seals, Inner Metal Liners to Rebuild 4 Beams

Pivot Bolt Kit

FOR MODEL:
PARASTEER



EUCLID NO.	GENUINE	OEM REF.	NOTES
E-16406		59568-001	Axle Set

Bushing Kit

FOR MODEL:
PARASTEER



Includes Rubber Bushings, Thrust Washers to Rebuild 4 Beams

EUCLID NO.	GENUINE	OEM REF.	NOTES
E-16403		34013-105	Models with Transverse Torque Rod, Built After January 2000, Axle Set

Transverse Torque Rod

FOR MODEL:
PARASTEER



EUCLID NO.	GENUINE	OEM REF.	NOTES
E-16408		62000-745	Models Built After January 2000

Beam Bushing

FOR MODEL:
PARASTEER



EUCLID NO.	GENUINE	OEM REF.	NOTES
E-16405		59528-001	Models w/ Transverse Leaf Built After January 2000

Height Control Valve

FOR MODEL:
PARASTEER



EUCLID NO.	GENUINE	OEM REF.
E-16407		60501-000

Denotes Product is Genuine Hendrickson

TABLE OF CONTENTS

600 Series Tandem Axle — Truck CHM-2

800 Series Tandem Axle — Truck CHM-4

1023 and 1030 Series Single Axle — Truck CHM-8

300 Series Tandem Axle — Trailer CHM-10

500 Series Single Axle — Trailer..... CHM-12

700 Series Tandem Axle — Trailer CHM-14

Chalmers Components..... CHM-16

CHALMERS

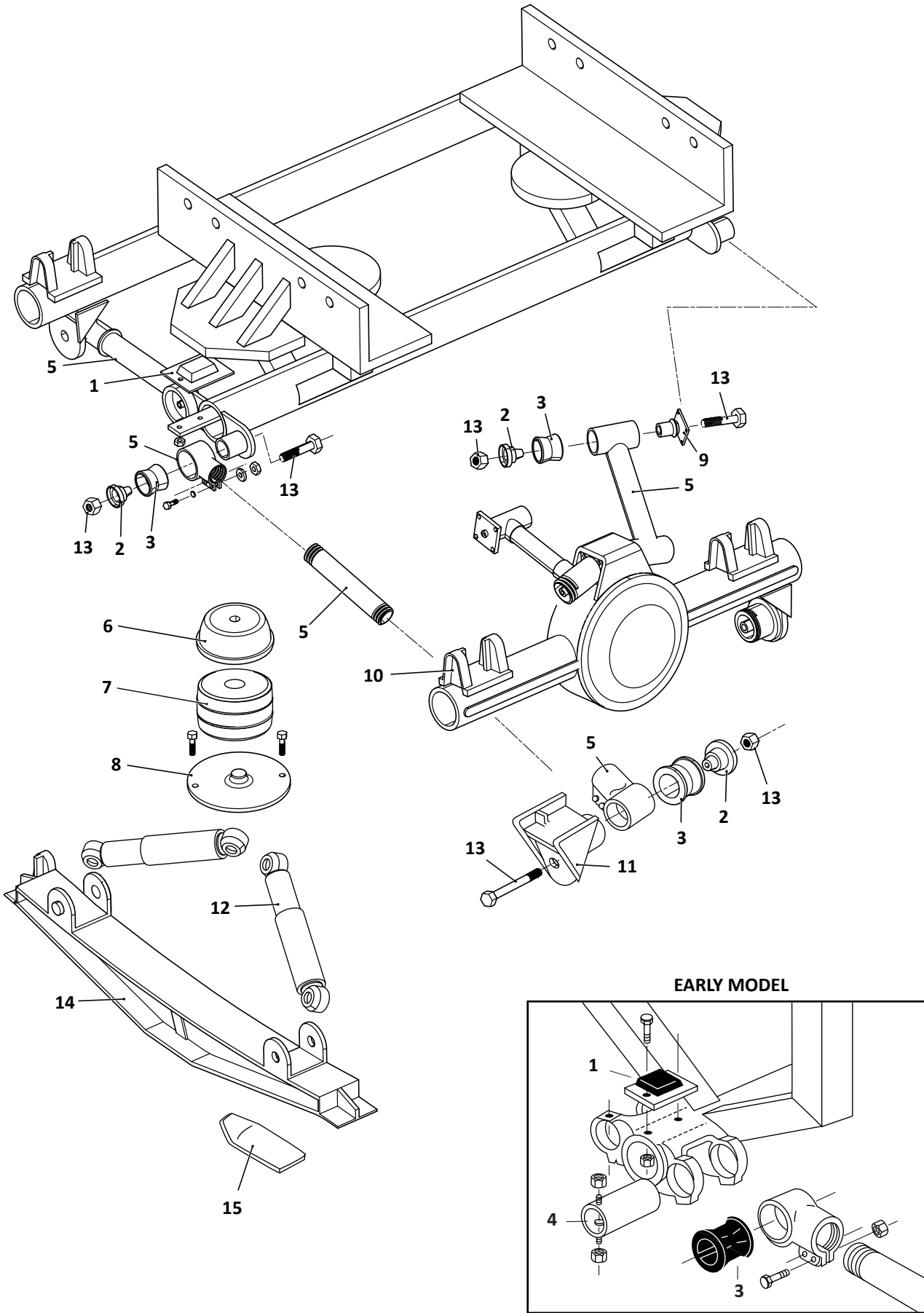



















Not sure which suspension you have?
 Check out Meritor's Suspension Identification
 Xact Search to find the right part by
 clicking the QR code


CHALMERS

600 Series Tandem Axle — Truck

CHALMERS



600 Series Tandem Axle — Truck						
KEY NO.	EUCLID NO.	GENUINE	OEM REF.	DESCRIPTION	QTY. PER SUSPENSION	PAGE NO.
1	E-4675		48045	Rebound Stop	2	CHM-22
2	E-4680		260002	Spigot Cap, Type 0 Joint, Discontinued	16	CHM-18
3	E-4677A		22128	Torque Arm Bushing, Rubber	16	CHM-19
	E-8701	-	22128	Torque Arm Bushing, Rubber, Oversized Version, OE Equivalent	As Required	CHM-19
	GAFF18919	-	-	Torque Arm Bushing, Poly	16	CHM-19
	E-4678A		22129	Torque Arm Bushing, Rubber, Oversized Version	As Required	CHM-19
	E-8702	-	22129	Torque Arm Bushing, Rubber, Oversized Version, OE Equivalent	As Required	CHM-19
	GAFF18920	-	-	Torque Arm Bushing, Poly, Oversized Version	As Required	CHM-19
4	E-4676		22037	Wrist Pin, Discontinued	8	CHM-19
5	E-4789		216214	Adjustable Torque Arm, 21-1/2" Center-to-Center, Type 0 & 1 Joints	2	CHM-20
	E-4790		216240	Adjustable Torque Arm, 24" Center-to-Center, Type 0 & 1 Joints	2	CHM-20
	E-4791		223214	Rigid Torque Arm, 21-1/2" Center-to-Center, Type 0 & 1 Joints	2	CHM-20
6	E-4688A		373028 373020	Restrictor Can #28, Replaces Restrictor Can #20, 4 7/16" High X 12-5/8" Diameter	2	CHM-16
	E-7758		373029	Restrictor Can #29, 5-1/8" High X 11-1/2" Diameter	2	CHM-17
7	E-4685		15002	Load Spring #20, 9-1/2" Diameter, Rubber	2	CHM-16
	GAFF11740	-	-	Load Spring #20 , 9-1/2" Diameter, Poly	2	CHM-16
8	E-4786		22116	Spring Plate	2	CHM-17
9	E-4679		260001	Spigot, Discontinued	4	-
10	E-14972		248001	Saddle, Rockwell/Meritor Axles	4	-
	E-14973		248027	Saddle, High Version	4	-
11	S.O.S.		Various	Axle Bracket	4	-
12	M85060	-	665174	Shock Absorber	4	-
13	E-7772		K880230	Hardware Kit, Type 0 Joint	2	CHM-18
14	S.O.S.		Various	Beam	2	-
15	E-7765		700313	Wear Plate	As Required	CHM-21

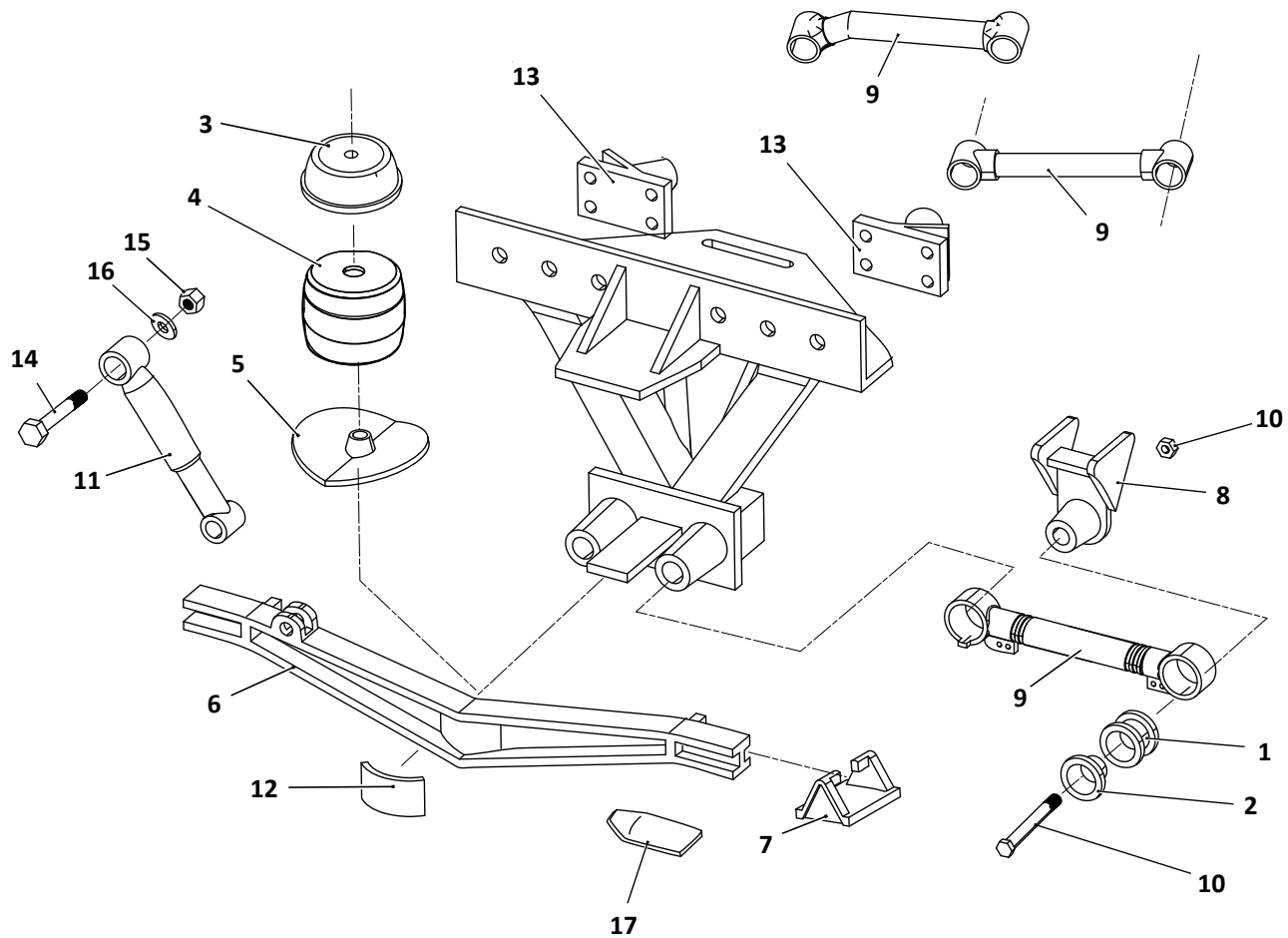
 Denotes Product is Genuine Chalmers

CHALMERS

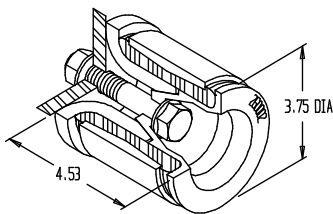
CHALMERS

800 Series Tandem Axle — Truck

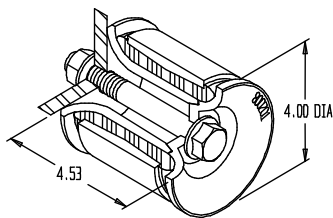
CHALMERS



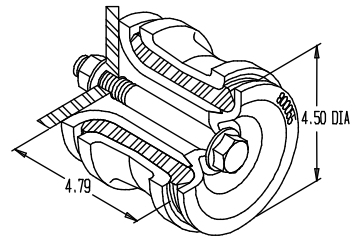
Joint Types



Type 0





















Type 1




Type 2

Chalmers Torque Arm Connections

	TYPE 0	TYPE 1	TYPE 2
Bushing- Standard Rubber	E-4677A / E-8701	E-4677A / E-8701	E-7766
Bushing- Standard Poly	GAFF18919	GAFF18919	GAFF11739
Bushing- Oversize Rubber	E-4678A / E-8702	E-4678A / E-8702	E-7767
Bushing- Oversize Poly	GAFF18920	GAFF18920	GAFF18921
Spigot Cap	No Longer Available	E-9571 / E-9571-P	E-7768 / E-7768-P
Hardware Kit	E-7772	E-7774	E-7773

800 Series Tandem Axle — Truck						
KEY NO.	EUCLID NO.	GENUINE	OEM REF.	DESCRIPTION	QTY PER SUSPENSION	PAGE NO.
1	E-4677A		22128	Torque Arm Bushing, Rubber, Type 0 & 1 Joints	16	CHM-19
	E-8701	-	22128	Torque Arm Bushing, Rubber, Type 0 & 1 Joints, OE Equivalent	As Required	CHM-19
	GAFF18919	-	-	Torque Arm Bushing, Poly, Type 0 & 1 Joints	16	CHM-19
	E-7766		800010	Torque Arm Bushing, Rubber, Type 2 Joints	16	CHM-19
	GAFF11739	-	-	Torque Arm Bushing, Poly, Type 2 Joints	16	CHM-19
	E-4678A		22129	Torque Arm Bushing, Rubber, Oversized, Type 0 & 1 Joints	As Required	CHM-19
	E-8702	-	22129	Torque Arm Bushing, Rubber, Oversized Version, OE Equivalent	As Required	CHM-19
	GAFF18920	-	-	Torque Arm Bushing, Poly, Oversized Version, Type 0 & 1 Joints	As Required	CHM-19
	E-7767		800009	Torque Arm Bushing, Rubber, Oversized, Type 2 Joints	As Required	CHM-19
	GAFF18921	-	-	Torque Arm Bushing, Poly, Oversized, Type 2 Joints	As Required	CHM-19
2	E-4680		260002	Spigot Cap, Type 0 Joint, Discontinued	16	CHM-18
	E-9571		800201	Spigot Cap, Type 1 Joint	16	CHM-18
	E-9571-P	-	800201	Spigot Cap, Type 1 Joint, Price Point	16	CHM-18
	E-7768		800055	Spigot Cap, Type 2 Joint	16	CHM-18
	E-7768-P	-	800055	Spigot Cap, Type 2 Joint, Price Point	16	CHM-18
3	E-4688A		373028 373020	Restrictor Can #28, Replaces Restrictor Can #20, 4-7/16" High X 12-5/8" Diameter	2	CHM-16
	E-7758		373029	Restrictor Can #29, 5-1/8" High X 11-1/2" Diameter, High Center of Gravity	2	CHM-17
4	E-4685		15002	Load Spring #20, 9-1/2" Diameter, Rubber	2	CHM-16
	GAFF11740	-	-	Load Spring #20, 9-1/2" Diameter, Poly	2	CHM-16
5	E-7769		800117, 800689	Spring Plate, 46-58K High Mount for 54" Axle Spread	2	CHM-17
	E-7770		800125, 800691	Spring Plate, 46-58K Low Mount for 54" Axle Spread	2	CHM-17
	E-14982		800685, 800119	Spring Plate, 40-58K High Mount For 60" Axle Spread, 46-58K Low Mount for 72" Axle Spread	2	CHM-17
	S.O.S.		Various	Spring Plate, Various Axle Spreads and Capacities	2	-
6	E-14767		800061	Walking Beam, 46K High Mount, 54" Spread	2	CHM-21
	E-14768		800688	Walking Beam, 50-58K High Mount, 54" Spread	2	CHM-21
	E-14769		800087	Walking Beam, 46K Low Mount, 54" Spread	2	CHM-21
	E-14770		800690	Walking Beam, 50-58K Low Mount, 54" Spread	2	CHM-21
	E-14983		800079	Walking Beam, 40K Low Mount, 54" Spread	2	CHM-21
	E-14984		800684	Walking Beam, 50-58K High Mount, 60" Spread	2	CHM-21
	S.O.S.		Various	Walking Beam, Various Axle Spreads and Capacities	2	-
7	E-7756		222083	Saddle, Most Axles	4	CHM-22
	S.O.S.		Various	Saddle	4	-
8	S.O.S.		Various	Axle Bracket	4	-

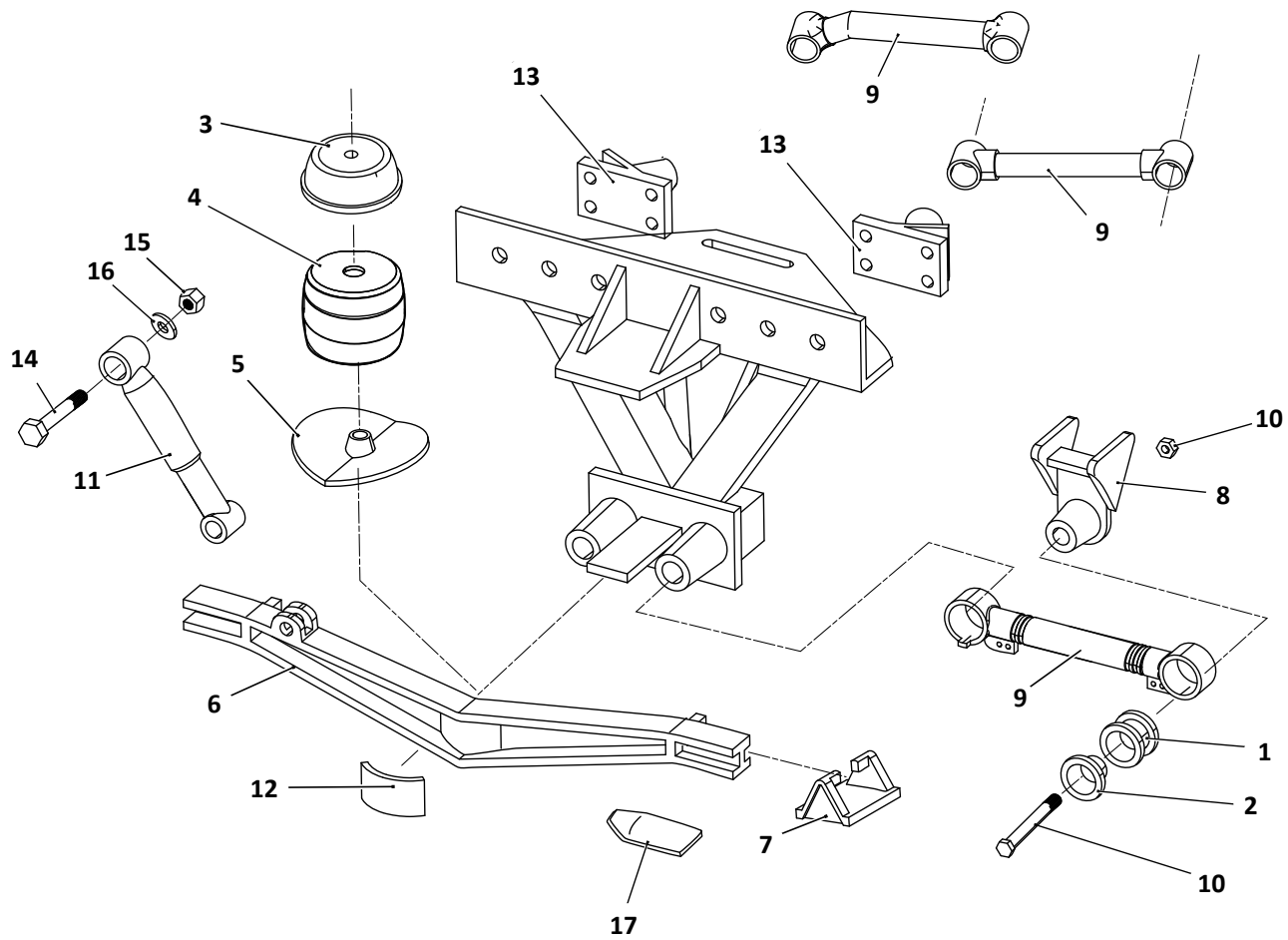
 Denotes Product is Genuine Chalmers

CHALMERS

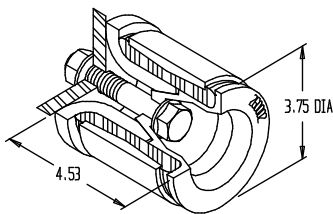
CHALMERS

800 Series Tandem Axle — Truck

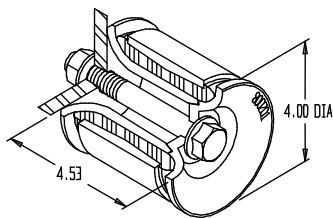
CHALMERS



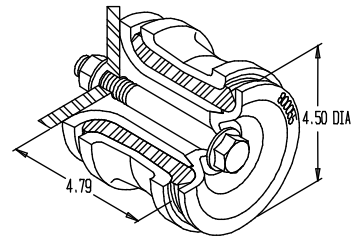
Joint Types



Type 0





















Type 1




Type 2

Chalmers Torque Arm Connections

	TYPE 0	TYPE 1	TYPE 2
Bushing- Standard Rubber	E-4677A / E-8701	E-4677A / E-8701	E-7766
Bushing- Standard Poly	GAFF18919	GAFF18919	GAFF11739
Bushing- Oversize Rubber	E-4678A / E-8702	E-4678A / E-8702	E-7767
Bushing- Oversize Poly	GAFF18920	GAFF18920	GAFF18921
Spigot Cap	No Longer Available	E-9571 / E-9571-P	E-7768 / E-7768-P
Hardware Kit	E-7772	E-7774	E-7773

800 Series Tandem Axle — Truck						
KEY NO.	EUCLID NO.	GENUINE	OEM REF.	DESCRIPTION	QTY PER SUSPENSION	PAGE NO.
9	E-14985		223157	Rigid Torque Arm, Upper, 15-7/8" Center-to-Center, Type 0 & 1 Joints	4	CHM-20
	E-14986		800049	Rigid Torque Arm, Upper, Curved Design 46-50K, Type 2 Joints	4	CHM-21
	E-14773		807250	Adjustable Torque Arm, 46K 21-3/4" Center-to-Center, Type 2 Joints	1	CHM-20
	E-14774		807216	Adjustable Torque Arm, 46K 25" Center-to-Center, Type 2 Joints	1	CHM-20
	E-14987		807214	Adjustable Torque Arm, 21-1/2" Center-to-Center, Type 2 Joints	1	CHM-20
	E-14976		807240	Adjustable Torque Arm, 24" Center-to-Center, Type 2 Joints	1	CHM-20
	E-14989		807220	Adjustable Torque Arm, 22" Center-to-Center, Type 2 Joints	1	CHM-20
	E-14978		805214	Rigid Torque Arm, 21-1/2" Center-to-Center, Type 2 Joints	1	CHM-20
	E-14990		805216	Rigid Torque Arm, 21-3/4" Center-to-Center, Type 2 Joints	1	CHM-20
	E-14991		805220	Rigid Torque Arm, 22" Center-to-Center, Type 2 Joints	1	CHM-20
	S.O.S.		Various	Torque Arm, Various Lengths and Capacities	As Required	-
10	E-7772		K880230	Hardware Kit, Type 0 Joint, 3-1/2" Bolts	4	CHM-18
	E-7774		K880640	Hardware Kit, Type 1 Joint, 5" Bolts	4	CHM-18
	E-7773		K880231	Hardware Kit, Type 2 Joint, 5-1/2" Bolts	4	CHM-18
11	M85301	-	800670	Shock Absorber, High Mount	4	-
	M85305	-	800781	Shock Absorber, Low Mount	4	-
	M85060	-	665174	Shock Absorber, Standard Mount	4	-
12	E-14992		800599	Reinforcement Gusset	As Required	CHM-21
13	E-14993		800057	Torque Rod Bracket	4	CHM-18
	S.O.S.		Various	Torque Rod Bracket	4	-
14	E-14994	-	HDW372	Bolt, Shock Absorber 3/4"-10 X 5-1/2" Long	4	-
	E-4345	-	HDW375	Bolt, Shock Absorber 3/4"-10 X 3-1/2" Long	4	-
15	E-4347	-	HDW 018	Lock Nut, 3/4"-10 Thread	4	-
16	E-2545	-	HDW 031	Washer, 3/4" Hardened	4	-
17	E-7765		700313	Wear Plate	As Required	CHM-21

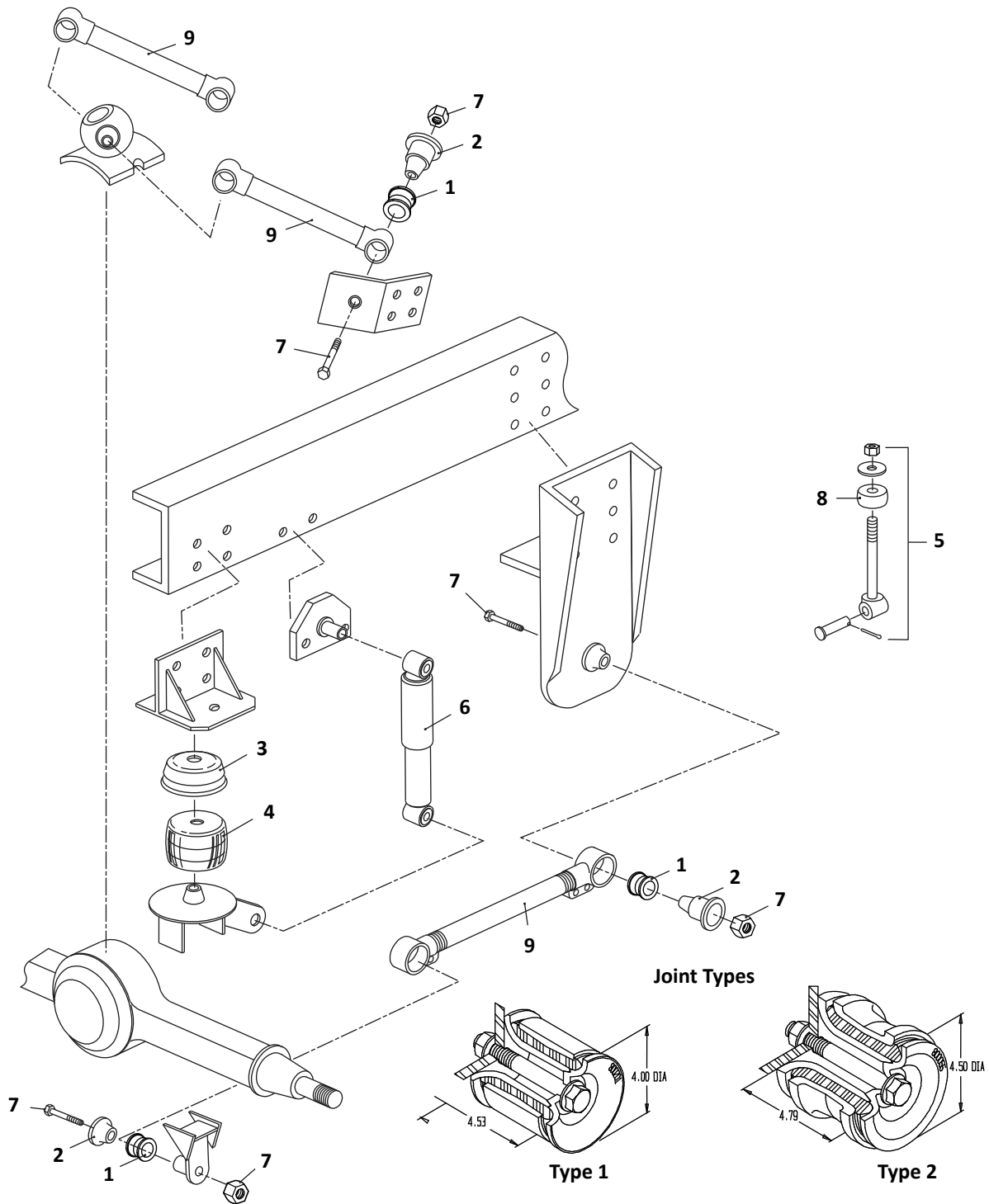
 Denotes Product is Genuine Chalmers

CHALMERS

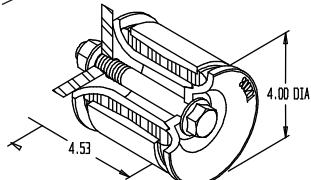
CHALMERS

1023 and 1030 Series Single Axle — Truck

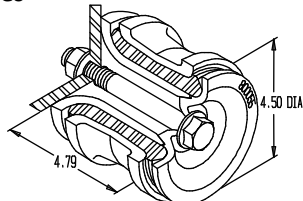
CHALMERS



Joint Types





















Type 1



Type 2

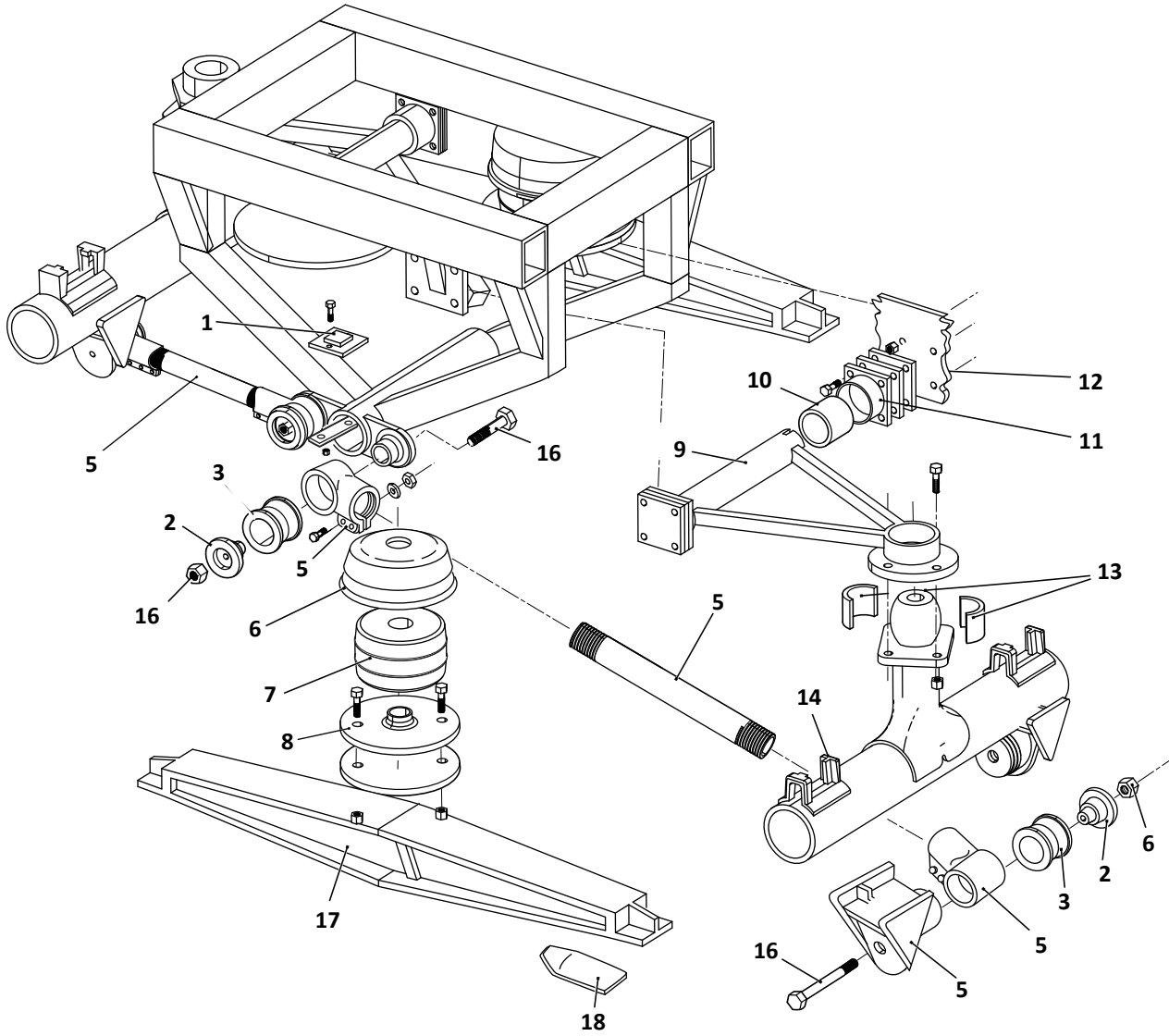
Chalmers Torque Arm Connections			
	TYPE 0	TYPE 1	TYPE 2
Bushing- Standard Rubber	E-4677A / E-8701	E-4677A / E-8701	E-7766
Bushing- Standard Poly	GAFF18919	GAFF18919	GAFF11739
Bushing- Oversize Rubber	E-4678A / E-8702	E-4678A / E-8702	E-7767
Bushing- Oversize Poly	GAFF18920	GAFF18920	GAFF18921
Spigot Cap	No Longer Available	E-9571 / E-9571-P	E-7768 / E-7768-P
Hardware Kit	E-7772	E-7774	E-7773

1023 and 1030 Series Single Axle — Truck						
KEY NO.	EUCLID NO.	GENUINE	OEM REF.	DESCRIPTION	QTY. PER SUSPENSION	PAGE NO.
1	E-4677A		22128	Torque Arm Bushing, Rubber, Type 0 & 1 Joints	16	CHM-19
	E-8701	-	22128	Torque Arm Bushing, Rubber, Oversized Version, OE Equivalent	As Required	CHM-19
	GAFF18919	-	-	Torque Arm Bushing, Poly, Type 0 & 1 Joints	16	CHM-19
	E-7766		800010	Torque Arm Bushing, Rubber, Type 2 Joints	16	CHM-19
	GAFF11739	-	-	Torque Arm Bushing, Poly, Type 2 Joints	16	CHM-19
	E-4678A		22129	Torque Arm Bushing, Rubber, Oversized, Type 0 & 1 Joints	As Required	CHM-19
	E-8702	-	22129	Torque Arm Bushing, Rubber, Oversized Version, OE Equivalent	As Required	CHM-19
	GAFF18920	-	-	Torque Arm Bushing, Poly, Oversized Version, Type 0 & 1 Joints	As Required	CHM-19
	E-7767		800009	Torque Arm Bushing, Rubber, Oversized, Type 2 Joints	As Required	CHM-19
GAFF18921	-	-	Torque Arm Bushing, Poly, Oversized, Type 2 Joints	As Required	CHM-19	
2	E-9571		800201	Spigot Cap, Type 1 Joint	16	CHM-18
	E-9571-P	-	800201	Spigot Cap, Type 1 Joint, Price Point	16	CHM-18
	E-7768		800055	Spigot Cap, Type 2 Joint	16	CHM-18
	E-7768-P	-	800055	Spigot Cap, Type 2 Joint, Price Point	16	CHM-18
3	E-14971		373010	Restrictor Can #10, 4-3/8" High X 9-3/8" Diameter	2	CHM-16
	E-4687		373015	Restrictor Can #15, 4-3/8" High X 11-3/16" Diameter	2	CHM-16
4	E-7755		15010	Load Spring #10, 8" Diameter, 1023 Series	2	CHM-16
	S.O.S.		15009	Load Spring #10, 1023 Series Reduced Height	2	-
	E-4686		15015	Load Spring #15, 8-1/2" Diameter, 1030 Series	2	CHM-16
	E-14995		15017	Load Spring #15, 7" Diameter, 1030 Series Reduced Height	2	CHM-16
5	E-7771		K403017	Rebound Bolt Assembly, Includes Key 8	2	CHM-22
6	M85060	-	665174	Shock Absorber	2	-
7	E-7774		K880640	Hardware Kit, Type 1 Joint, 5" Bolts	2	CHM-18
	E-7773		K880231	Hardware Kit, Type 2 Joint, 5-1/2" Bolts	2	CHM-18
8	E-14970		22096	Rebound Stop Included in E-7771	2	CHM-22
9	S.O.S.		Various	Torque Arm, Rigid and Adjustable	2	-

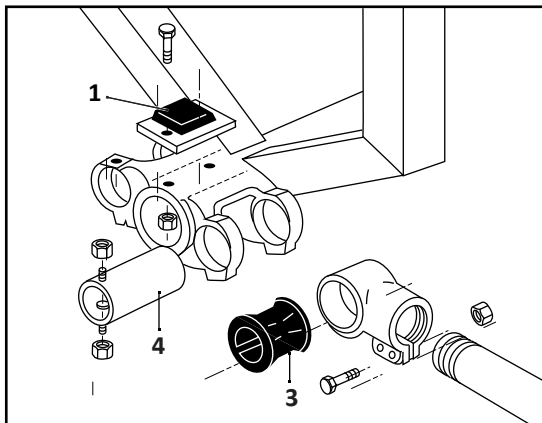
 Denotes Product is Genuine Chalmers





























300 Series Tandem Axle — Trailer


CHALMERS



EARLY MODEL



300 Series Tandem Axle — Trailer						
KEY NO.	EUCLID NO.	GENUINE	OEM REF.	DESCRIPTION	QTY PER SUSPENSION	PAGE NO.
1	E-4675		48045	Rebound Stop	2	CHM-22
2	E-4680		260002	Spigot Cap, Type 0 Joint, Discontinued	8	CHM-18
3	E-4677A		22128	Torque Arm Bushing, Rubber	8	CHM-19
	E-8701	-	22128	Torque Arm Bushing, Rubber, Oversized Version, OE Equivalent	As Required	CHM-19
	GAFF18919	-	-	Torque Arm Bushing, Poly	8	CHM-19
	E-4678A		22129	Torque Arm Bushing, Rubber, Oversized Version	As Required	CHM-19
	E-8702	-	22129	Torque Arm Bushing, Rubber, Oversized Version, OE Equivalent	As Required	CHM-19
	GAFF18920	-	-	Torque Arm Bushing, Poly, Oversized Version	As Required	CHM-19
4	E-4676		22037	Wrist Pin, Discontinued	8	CHM-19
5	E-4789		216214	Adjustable Torque Arm, 21-1/2" Center-to-Center , Type 0 Joint	2	CHM-20
	E-4790		216240	Adjustable Torque Arm, 24" Center-to-Center, Type 0 Joint	2	CHM-20
	E-14969		216230	Adjustable Torque Arm, 23" Center-to-Center, Type 0 Joint	2	CHM-20
	S.O.S.		22045	Adjustable Torque Arm End, Right Hand	As Required	-
	S.O.S.		22046	Adjustable Torque Arm End, Left Hand	As Required	-
	E-4791		223214	Rigid Torque Arm, 21-1/2" Center-to-Center, Type 0 Joint	2	CHM-20
	S.O.S.		223230	Rigid Torque Arm, 23" Center-to-Center, Type 0 Joint	2	-
	E-4792		223240	Rigid Torque Arm, 24" Center-to-Center, Type 0 Joint	2	CHM-20
6	E-4688A		373020 373028	Restrictor Can #28, Replaces Restrictor Can #20, 4-7/16" High X 12-5/8" Diameter	2	CHM-16
7	E-4685		15002	Load Spring #20, 9-1/2" Diameter, Rubber	2	CHM-16
	GAFF11740	-	-	Load Spring #20, 9-1/2" Diameter, Poly	2	CHM-16
8	E-4786		22116	Spring Plate	2	CHM-17
9	E-7764		68017	Wishbone, Discontinued	2	-
10	E-4683		22115	Wishbone End Bushing	4	CHM-22
11	E-4682		22107	Wishbone End	4	CHM-22
12	E-4681	-	22105	Shim, 16 Gauge	As Required	CHM-22
	S.O.S.		22099	Shim, 25 Gauge	As Required	-
13	E-4674		22036	Wishbone Apex Bushing, 2-Piece	2	CHM-22
14	E-7756		222083	Saddle, Most Axles	4	CHM-22
	S.O.S.		Various	Saddle	4	-
15	E-7757		222139	Axle Bracket, 5" Round Axle, Type 0 Joints	4	CHM-18
	S.O.S.		228006	Axle Bracket, 4" x 6" Rectangular, Type 0 Joints	4	-
	S.O.S.		231000	Axle Bracket, 5" Square, Type 0 Joints	4	-
16	E-7772		K880230	Hardware Kit, Type 0 Joint	2	CHM-18
17	S.O.S.		Various	Beam	2	-
18	E-7765		700313	Wear Plate	As Required	CHM-21

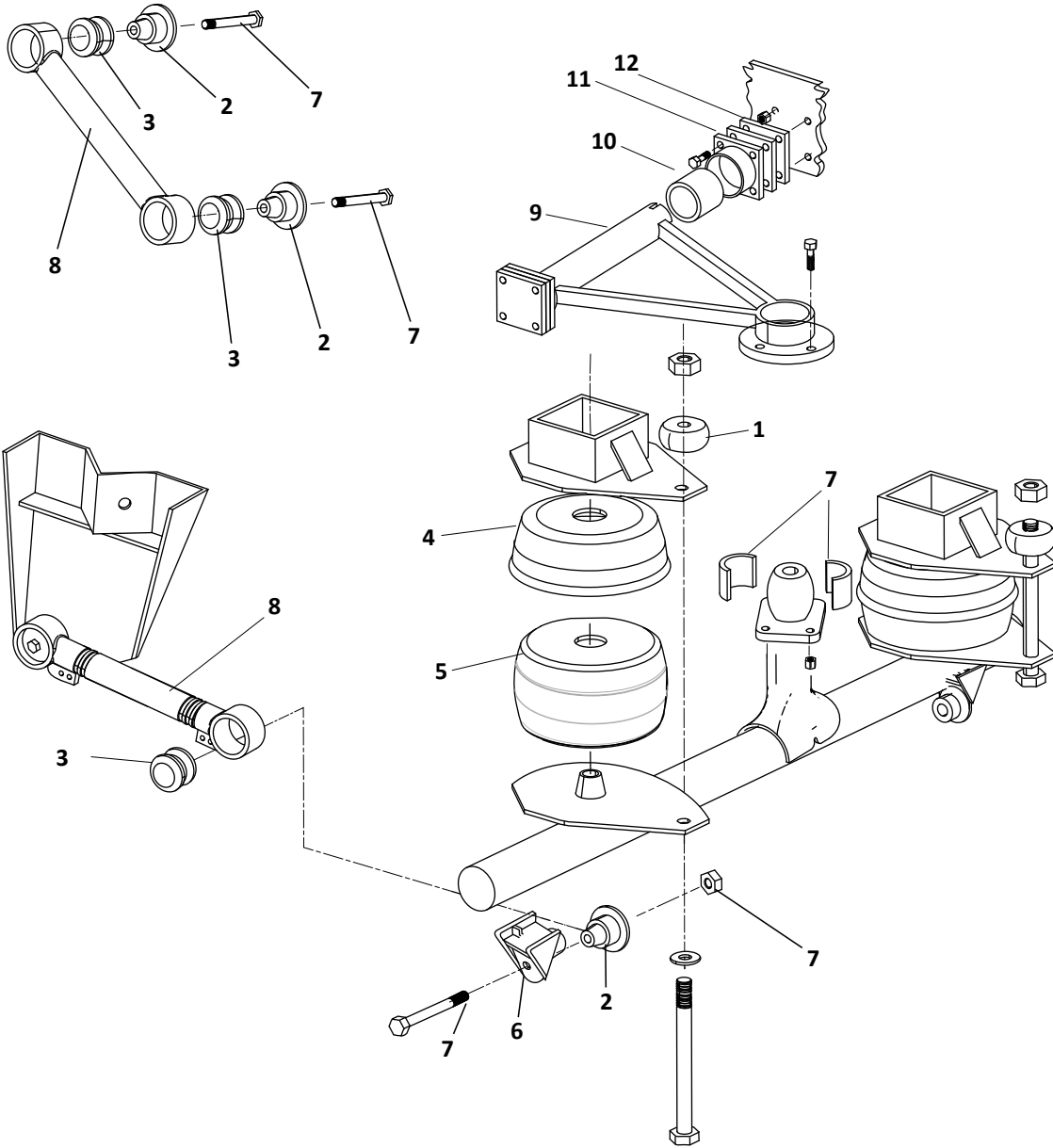
 Denotes Product is Genuine Chalmers

CHALMERS


CHALMERS

500 Series Single Axle — Trailer

CHALMERS



500 Series Single Axle — Trailer						
KEY NO.	EUCLID NO.	GENUINE	OEM REF.	DESCRIPTION	QTY. PER SUSPENSION	PAGE NO.
1	E-14970		22096	Rebound Stop	2	CHM-22
2	E-4680		260002	Spigot Cap, Type 0 Joint, Discontinued	4	CHM-18
3	E-4677A		22128	Torque Arm Bushing, Rubber	4	CHM-19
	E-8701	-	22128	Torque Arm Bushing, Rubber, Oversized Version, OE Equivalent	As Required	CHM-19
	GAFF18919	-	-	Torque Arm Bushing, Poly	4	CHM-19
	E-4678A		22129	Torque Arm Bushing, Rubber, Oversized	As Required	CHM-19
	E-8702	-	22129	Torque Arm Bushing, Rubber, Oversized Version, OE Equivalent	As Required	CHM-19
	GAFF18920	-	-	Torque Arm Bushing, Poly, Oversized Version	As Required	CHM-19
4	E-4688A		373028, 373020	Restrictor Can #28, Replaces Restrictor Can #20, 4-7/16" High X 12-5/8" Diameter	2	CHM-16
	E-14971		373010	Restrictor Can #10, 4-3/8" High X 9-3/8" Diameter	2	CHM-16
	E-4687		373015	Restrictor Can #15, 4-3/8" High X 11-3/16" Diameter	2	CHM-16
5	E-4685		15002	Load Spring #20, 9-1/2" Diameter, Rubber	2	CHM-16
	GAFF11740	-	-	Load Spring #20, 9-1/2" Diameter, Poly	2	CHM-16
	E-4686		15015	Load Spring #15, 8-1/2" Diameter	2	CHM-16
	E-7755		15010	Load Spring #10, 8" Diameter	2	CHM-16
6	E-7757		222139	Axle Bracket, 5" Round, Type 0 Joint	4	CHM-18
	S.O.S.		228006	Axle Bracket, 4" x 6" Rectangular, Type 0 Joint	4	-
	S.O.S.		231000	Axle Bracket, 5" Square, Type 0 Joint	4	-
7	E-7772		K880230	Hardware Kit, Type 0 Joint	2	CHM-18
8	S.O.S.		216220	Adjustable Torque Arm, Lower, 22" Center-to-Center	4	-
	S.O.S.		223200	Rigid Torque Arm, Upper, 20" Center-to-Center	4	-
	S.O.S.		223220	Rigid Torque Arm, Lower, 22" Center-to-Center	4	-
9	E-7764		68017	Wishbone, Discontinued	2	-
10	E-4683		22115	Wishbone End Bushing	4	CHM-22
11	E-4682		22107	Wishbone End	4	CHM-22
12	E-4681	-	22105	Shim, 16 Gauge	As Required	CHM-22
	S.O.S.		22099	Shim, 25 Gauge	As Required	-
13	E-4674		22036	Wishbone Apex Bushing, 2-Piece	2	CHM-22

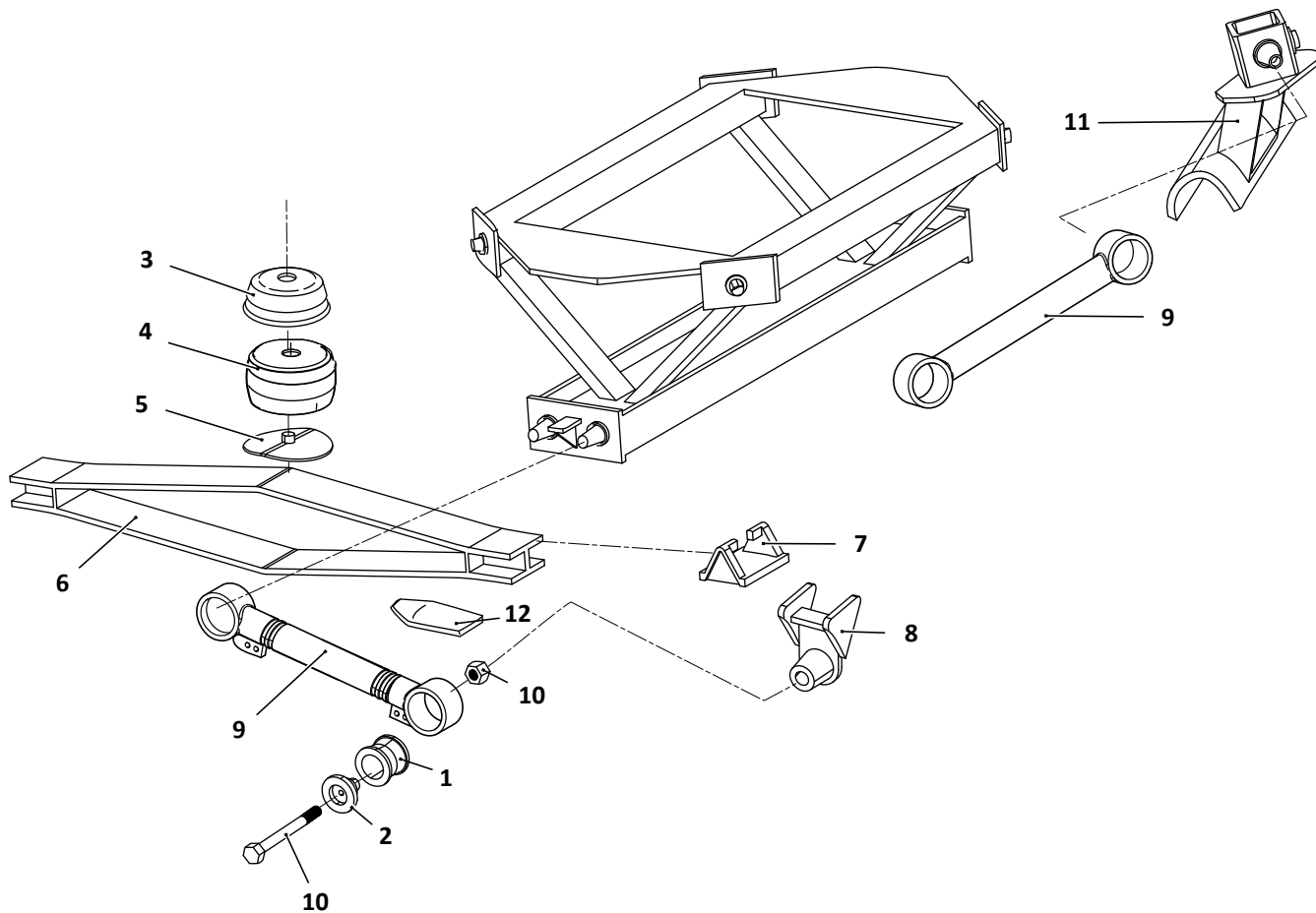
 Denotes Product is Genuine Chalmers

CHALMERS

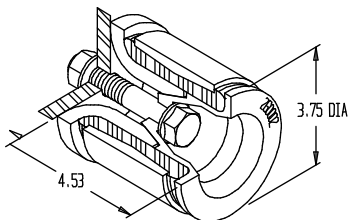
CHALMERS

700 Series Tandem Axle — Trailer

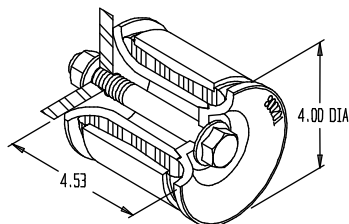
CHALMERS



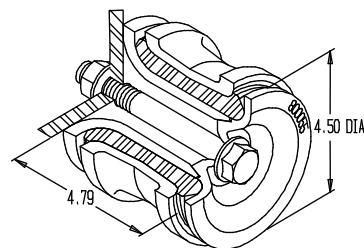
Joint Types



Type 0



Type 1



Type 2

Chalmers Torque Arm Connections


	TYPE 0	TYPE 1	TYPE 2
Bushing- Standard Rubber	E-4677A / E-8701	E-4677A / E-8701	E-7766
Bushing- Standard Poly	GAFF18919	GAFF18919	GAFF11739
Bushing- Oversize Rubber	E-4678A / E-8702	E-4678A / E-8702	E-7767
Bushing- Oversize Poly	GAFF18920	GAFF18920	GAFF18921
Spigot Cap	No Longer Available	E-9571 / E-9571-P	E-7768 / E-7768-P
Hardware Kit	E-7772	E-7774	E-7773


700 Series Tandem Axle — Trailer						
KEY NO.	EUCLID NO.	GENUINE	OEM REF.	DESCRIPTION	QTY PER TANDEM	PAGE NO.
1	E-4677A		22128	Torque Arm Bushing, Rubber, Type 0 & 1 Joints	16	CHM-19
	E-8701	-	22128	Torque Arm Bushing, Rubber, Oversized Version, OE Equivalent	As Required	CHM-19
	GAFF18919	-	-	Torque Arm Bushing, Poly, Type 0 & 1 Joints	16	CHM-19
	E-7766		800010	Torque Arm Bushing, Rubber, Type 2 Joints	16	CHM-19
	GAFF11739	-	-	Torque Arm Bushing, Poly, Type 2 Joints	16	CHM-19
	E-4678A		22129	Torque Arm Bushing, Rubber, Oversized, Type 0 & 1 Joints	As Required	CHM-19
	E-8702	-	22129	Torque Arm Bushing, Rubber, Oversized Version, OE Equivalent	As Required	CHM-19
	GAFF18920	-	-	Torque Arm Bushing, Poly, Oversized Version, Type 0 & 1 Joints	As Required	CHM-19
	E-7767		800009	Torque Arm Bushing, Rubber, Oversized, Type 2 Joints	As Required	CHM-19
	GAFF11739	-	-	Torque Arm Bushing, Poly, Oversized, Type 2 Joints	As Required	CHM-19
2	E-4680		260002	Spigot Cap, Type 0 Joint, Discontinued	16	CHM-18
	E-9571		800201	Spigot Cap, Type 1 Joint	16	CHM-18
	E-9571-P	-	800201	Spigot Cap, Type 1 Joint, Price Point	16	CHM-18
	E-7768		800055	Spigot Cap, Type 2 Joint	16	CHM-18
	E-7768-P	-	800055	Spigot Cap, Type 2 Joint, Price Point	16	CHM-18
3	E-4688A		373028 373020	Restrictor Can #28, Replaces Restrictor Can #20, 4-7/16" High X 12-5/8" Diameter	2	CHM-16
4	E-4685		15002	Load Spring #20, 9-1/2" Diameter	2	CHM-16
5	E-4788A		700520	Spring Plate, Prior to 1988	2	CHM-17
	E-14974		700204	Spring Plate, 46K with 54" & 63" Axle Spreads, All 60K	2	-
	S.O.S.		700203	Spring Plate, 46K with 72" Axle Spread	2	-
	S.O.S.		700062	Spring Plate, 46K Xtra Low Mounting	2	-
6	E-4793		700083	Walking Beam, 54" Axle Spread	2	CHM-21
	S.O.S.		Various	Walking Beam, Various Axle Spreads and Capacities	2	-
7	E-7756		222083	Saddle, Most Axles	4	CHM-22
	S.O.S.		Various	Saddle	4	-
8	E-7757		222139	Axle Bracket, 5" Round Axle, Type 0 Joint	4	CHM-18
	S.O.S.		Various	Axle Bracket, Various Axles	4	-
9	E-4790		216240	Adjustable Torque Arm, 24" Center-to-Center, Type 0 & 1 Joints	2	CHM-20
	E-14975		216330	Adjustable Torque Arm, 33" Center-to-Center, Type 0 & 1 Joints	2	CHM-20
	E-14976		807240	Adjustable Torque Arm, 24" Center-to-Center, Type 2 Joints	2	CHM-20
	E-4791		223214	Upper Rigid Torque Arm, 21-1/2" Center-to-Center, Type 0 & 1 Joints	4	CHM-20
	E-4792		223240	Rigid Torque Arm, 24" Center-to-Center, Type 0 & 1 Joints	2	CHM-20
	E-14977		223330	Rigid Torque Arm, 33" Center-to-Center, Type 0 & 1 Joints	2	CHM-20
	E-14978		805214	Rigid Torque Arm, 21-1/2" Center-to-Center, Type 2 Joint	2	CHM-20
	E-14979		805240	Rigid Torque Arm, 24" Center-to-Center, Type 2 Joint	2	CHM-20
	S.O.S.		Various	Torque Arm	2	-
10	E-7772		K880230	Hardware Kit, Type 0 Joint, 3" Bolts	4	CHM-18
	E-7774		K880640	Hardware Kit, Type 1 Joint, 5" Bolts	4	CHM-18
	E-7773		K880231	Hardware Kit, Type 2 Joint, 5-1/2" Bolts	4	CHM-18
11	E-14980		700337	Tower, 5" Round Axles	2	-
12	E-7765		700313	Wear Plate	As Required	CHM-21

Denotes Product is Genuine Chalmers

#10 Load Spring

FOR MODELS:
500 & 1023 Series



EUCLID NO.	GENUINE	OEM REF.	NOTES
E-7755		15010	Standard Height for 1023 Series. Use Chalmers 15009 For Reduced Height

#10 Restrictor Can


FOR MODELS:
500 & 1023 Series




EUCLID NO.	GENUINE	OEM REF.	NOTES
E-14971		373010	Use with E-7755 #10 Load Spring

#15 Load Spring

FOR MODELS:
500 & 1030 Series



EUCLID NO.	GENUINE	OEM REF.	NOTES
E-4686		15015	Standard Height for 1030 Series

#15 Restrictor Can


FOR MODELS:
500 & 1030 Series




EUCLID NO.	GENUINE	OEM REF.	NOTES
E-4687		373015	Use with E-4686 #15 Load Spring

#15 Load Spring

FOR MODEL:
1030 Series



EUCLID NO.	GENUINE	OEM REF.	NOTES
E-14995		15017	1030 Series Reduced Height

#15 Restrictor Can


FOR MODEL:
1300 Series




EUCLID NO.	GENUINE	OEM REF.	NOTES
E-7763		373017	DISCONTINUED Use with E-4686 #15 Load Spring

#20 Load Spring

FOR MODELS:
300 Thru 800 Series



EUCLID NO.	GENUINE	OEM REF.	MATERIAL
E-4685		15002	Rubber
GAFF11740	-	-	Poly

#28 Restrictor Can

FOR MODELS:
300 Thru 800 Series



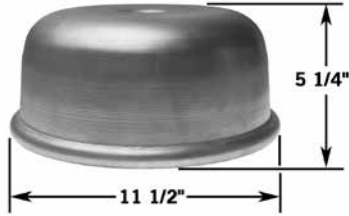
EUCLID NO.	GENUINE	OEM REF.	NOTES
E-4688A		373020 373028	Replaces Restrictor Can #20. Use with E-4686 #20 Load Spring


 Denotes Product is Genuine Chalmers

Suspension Parts

#29 Restrictor Can

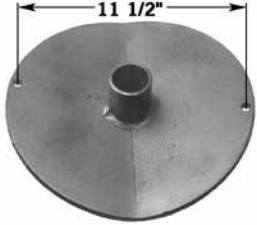
FOR MODELS:
600 & 800 Series




EUCLID NO.	GENUINE	OEM REF.	NOTES
E-7758		373029	High Center of Gravity. Use with E-4686 #20 Load Spring

Spring Plate

FOR MODEL:
800 Series

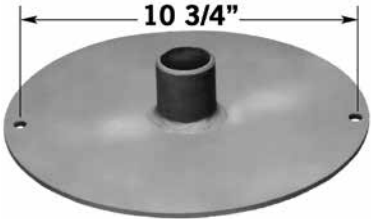



12.5° Bend, 1/2" Thick

EUCLID NO.	GENUINE	OEM REF.	NOTES
E-7770		800125 800691	46-58K Low Mount For 54" Axle Spread

Spring Plate


FOR MODELS:
300 & 600 Series




EUCLID NO.	GENUINE	OEM REF.	NOTES
E-4786		22036	1/4" Thick

Spring Plate

FOR MODEL:
800 Series

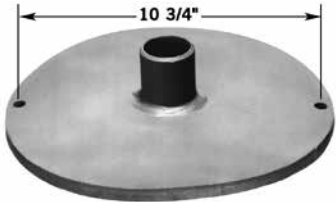



8" Bend

EUCLID NO.	GENUINE	OEM REF.	NOTES
E-14982		800685 800119	40-58K High Mount 60" Axle Spread, All 50-58K 72" Axle Spread, 46K 72" Axle Spread

Spring Plate

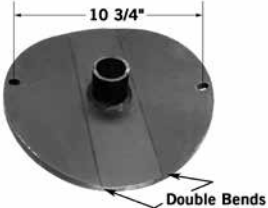
FOR MODEL:
700 Series




EUCLID NO.	GENUINE	OEM REF.	NOTES
E-4788A		700021	1/2" Thick

Spring Plate

FOR MODEL:
800 Series



9.3° Bend, 1/2" Thick

EUCLID NO.	GENUINE	OEM REF.	NOTES
E-7769		800117 800689	46-58K High Mount For 54" Axle Spread

 Denotes Product is Genuine Chalmers

CHALMERS

Spigot Cap

FOR MODELS:
300 Thru 800 Series

3 3/4" O.D.

Discontinued

EUCLID NO.	GENUINE	OEM REF.	SPIGOT / JOINT TYPE
E-4680		260002	0

Spigot Cap

FOR MODELS:
700 Thru 1000 Series

4" O.D.

EUCLID NO.	GENUINE	OEM REF.	SPIGOT / JOINT TYPE
E-9571		800201	1
E-9571-P	-		

Spigot Cap

FOR MODELS:
700 Thru 1000 Series

4 1/2" O.D.

EUCLID NO.	GENUINE	OEM REF.	SPIGOT / JOINT TYPE
E-7768		800055	2
E-7768-P	-		

Spigot Hardware Kit

EUCLID NO.	GENUINE	OEM REF.	FOR MODELS	SPIGOT TYPE	NOTES
E-7772		K880230	300 Thru 800 Series	Type 0	Includes 4 Bolts 5/8" Dia. X 3 1/2" Long and Nuts
E-7774		K880231	700 Thru 1000 Series	Type 1	Includes 4 Bolts 5/8" Dia. X 5" Long and Nuts
E-7773		K880640	700 Thru 1000 Series	Type 2	Includes 4 Bolts 5/8" Dia. X 5 1/2" Long and Nuts

Axle Bracket, 5" Round Axle

FOR MODELS:
300, 500 & 700 Series

EUCLID NO.	GENUINE	OEM REF.	NOTES
E-7757		222139	Type 0 Joint

Torque Rod Bracket

FOR MODEL:
800 Series

EUCLID NO.	GENUINE	OEM REF.	NOTES
E-14993		800057	Type 2 Joint

Denotes Product is Genuine Chalmers

Suspension Parts

Wrist Pin

FOR MODELS:
300 & 600 Series




Old Style Joints - Discontinued

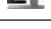
EUCLID NO.	GENUINE	OEM REF.	OD	ID	LENGTH
E-4676		22037	2-3/8"	2"	6"

Torque Arm Bushing, Type 2 Joints

FOR MODELS:
700 Thru 1000 Series




ID 2 9/16" OD


EUCLID NO.	GENUINE	OEM REF.	LIP OD	LENGTH	MATERIAL
E-7766		800010	4-1/4"	4-1/8"	Rubber
GAFF11739	-	-			Poly

Torque Arm Bushing, Type 0 & 1 Joints

FOR MODELS:
300 Thru 1000 Series




ID 2 3/8" OD


EUCLID NO.	GENUINE	OEM REF.	LIP OD	LENGTH	MATERIAL
E-4677A		22128	3-5/8"	3-3/4"	Rubber
E-8701	-				Poly
GAFF18919	-				

Oversize Torque Arm Bushing, Type 2 Joints

FOR MODELS:
700 Thru 1000 Series




ID 2 1/2" OD


EUCLID NO.	GENUINE	OEM REF.	LIP OD	LENGTH	MATERIAL
E-7767		800009	4-1/2"	4-1/8"	Rubber
GAFF18921	-	-			Poly

Oversize Torque Arm Bushing, Type 0 & 1 Joints

FOR MODELS:
300 Thru 1000 Series



ID 2 3/4" LIP OD 3 11/16"

EUCLID NO.	GENUINE	OEM REF.	LENGTH	NOTES	MATERIAL
E-4678A		22129	3-3/4"	-	Rubber
E-8702	-			OE Equivalent	
GAFF18920	-			-	-

 Denotes Product is Genuine Chalmers

U.S. 888-725-9355
Canada 800-387-3889

MeritorPartsXpress.com
700F-CHM (07-23)

CHM-19

CHALMERS

CHALMERS

Suspension Parts

CHALMERS

Adjustable Torque Arms



EUCLID NO.	GENUINE	OEM REF.	FOR MODELS	JOINT TYPE	NOMINAL CENTER TO CENTER	BUSHINGS				NOTES
						STANDARD SIZE RUBBER	STANDARD SIZE POLY	OVERSIZE RUBBER	OVERSIZE POLY	
E-4789		216214	300 & 600 Series	0 & 1	21-1/2"	E-4677A	GAFF18919	E-4678A	GAFF18920	-
E-14987		807214	800 Series	2	21-1/2"	E-7766	GAFF11739	E-7767	GAFF18921	-
E-14773		807250	800 Series	2	21-3/4"	E-7766	GAFF11739	E-7767	GAFF18921	46K
E-14989		807220	800 Series	2	22"	E-7766	GAFF11739	E-7767	GAFF18921	-
E-14969		216230	300 Series	0	23"	E-4677A	GAFF18919	E-4678A	GAFF18920	-
E-4790		216240	300, 600 & 700 Series	0 & 1	24"	E-4677A	GAFF18919	E-4678A	GAFF18920	-
E-14976		807240	700 & 800 Series	2	24"	E-7766	GAFF11739	E-7767	GAFF18921	-
E-14774		807216	800 Series	2	25"	E-7766	GAFF11739	E-7767	GAFF18921	46K
E-14975		216330	700 Series	1	33"	E-4677A	GAFF18919	E-4678A	GAFF18920	-

Rigid Torque Arms



EUCLID NO.	GENUINE	OEM REF.	FOR MODELS	JOINT TYPE	CENTER TO CENTER	BUSHINGS			
						STANDARD SIZE RUBBER	STANDARD SIZE POLY	OVERSIZE RUBBER	OVERSIZE POLY
E-14985		223157	800 Series	1	15-7/8"	E-4677A	GAFF18919	E-4678A	GAFF18920
E-4791		223214	300, 600 & 700 Series	0 & 1	21-1/2"	E-4677A	GAFF18919	E-4678A	GAFF18920
E-14978		805214	700 & 800 Series	2	21-1/2"	E-7766	GAFF11739	E-7767	GAFF18921
E-14990		805216	800 Series	2	21-3/4"	E-7766	GAFF11739	E-7767	GAFF18921
E-14991		805220	800 Series	2	22"	E-7766	GAFF11739	E-7767	GAFF18921
E-4792		223240	300 & 700 Series	0 & 1	24"	E-4677A	GAFF18919	E-4678A	GAFF18920
E-14979		805240	700 Series	2	24"	E-7766	GAFF11739	E-7767	GAFF18921
E-14977		223330	700 Series	1	33"	E-4677A	GAFF18919	E-4678A	GAFF18920

Denotes Product is Genuine Chalmers

Suspension Parts

Rigid Torque Arm

FOR MODEL:
800 Series



EUCLID NO.	GENUINE	OEM REF.	JOINT TYPE	CENTER TO CENTER	BUSHINGS				NOTES
					STANDARD SIZE RUBBER	STANDARD SIZE POLY	OVERSIZE RUBBER	OVERSIZE POLY	
E-14986		800049	2	24-1/4"	E-7766	GAFF11739	E-7767	GAFF18921	46-50K

Walking Beam

FOR MODEL:
700 Series



EUCLID NO.	GENUINE	OEM REF.	CAPACITY	AXLE SPREAD	NOTES
E-4793		700083	46-60K	54"	-

Walking Beam

FOR MODEL:
800 Series



EUCLID NO.	GENUINE	OEM REF.	HEIGHT	LENGTH A	AXLE SPREAD	NOTES
E-14983		800079	11-1/8"	52"	54"	40K Low Mount
E-14769		800087	11-1/4"	52"	54"	46K Low Mount
E-14767		800061	10"	52"	54"	46K High Mount
E-14770		800690	11-1/4"	52"	54"	50-58K Low Mount
E-14768		800688	10"	52"	54"	50-58K High Mount
E-14984		800684	10"	58"	60"	50-58K High Mount

Wear Plate

FOR MODELS:
All Models with Beams



See Chalmers Suspensions New 800 Series Appendix C for instructions

EUCLID NO.	GENUINE	OEM REF.	NOTES
E-7765		700313	Weld To Bottom of Beam When Wear Is Less Than .062" and Replace Beam When Wear Exceeds .062"

Reinforcement Gusset

FOR MODEL:
800 Series



See Chalmers Suspensions New 800 Series Appendix E for instructions

EUCLID NO.	GENUINE	OEM REF.
E-14992		800599

Denotes Product is Genuine Chalmers

Saddle, Truck/Trailer

FOR MODELS:
300, 700 & 800 Series



EUCLID NO.	GENUINE	OEM REF.	NOTES
E-7756		222083	Fits Most Axles

Wishbone End Bushing

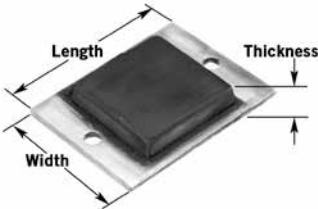
FOR MODELS:
300 & 500 Series




EUCLID NO.	GENUINE	OEM REF.	OD	ID	LENGTH
E-4683		22115	4-1/16"	3-1/2"	3-1/4"

Rebound Stop

FOR MODELS:
300 & 600 Series



EUCLID NO.	GENUINE	OEM REF.	LENGTH	WIDTH	THICKNESS
E-4675		48045	4-1/2"	3-1/2"	5/8"

Wishbone Apex Bushing, 2-Piece

FOR MODELS:
300 & 500 Series



EUCLID NO.	GENUINE	OEM REF.	NOTES
E-4674		22036	Two Pieces Included

Rebound Stop

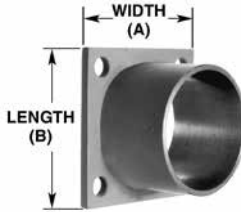
FOR MODELS:
500 & 1000 Series




EUCLID NO.	GENUINE	OEM REF.	OD	THICKNESS
E-14970		22096	3"	2"

Wishbone End


FOR MODELS:
300 & 500 Series




EUCLID NO.	GENUINE	OEM REF.	A	B	OD	ID
E-4682		22107	5-1/2"	5-1/2"	4-1/2"	4-1/8"

Rebound Bolt Assembly

FOR MODEL:
1000 Series



Axle Set

EUCLID NO.	GENUINE	OEM REF.	NOTES
E-7771		K403017	Includes E-14970 Rebound Stop and Other Installation Hardware

Wishbone Shim, 16 Gauge

FOR MODELS:
300 & 500 Series



EUCLID NO.	GENUINE	OEM REF.	A	B
E-4681		22105	5-1/2"	5-1/2"


 Denotes Product is Genuine Chalmers

TABLE OF CONTENTS

55 Series — TrailerDNA-2
62 Series — TrailerDNA-4
68 Series — TrailerDNA-6
Dana Components.....DNA-8

DANA

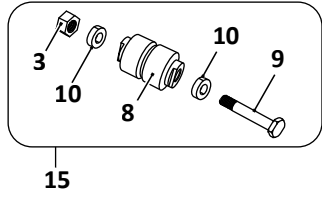


Not sure which suspension you have?
Check out Meritor's Suspension Identification
Xact Search to find the right part by
clicking the QR code

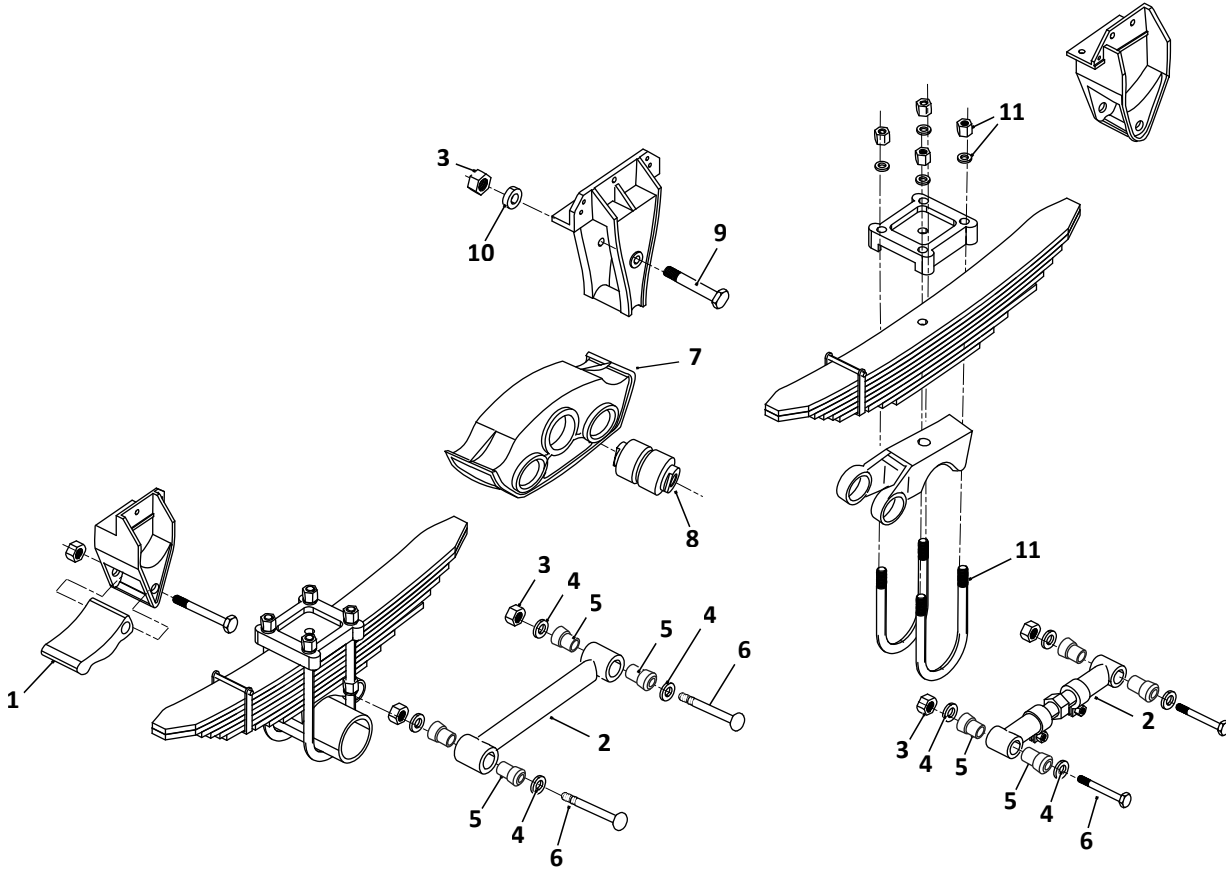
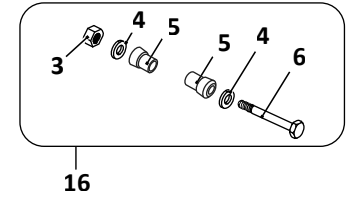
DANA

55 Series — Trailer

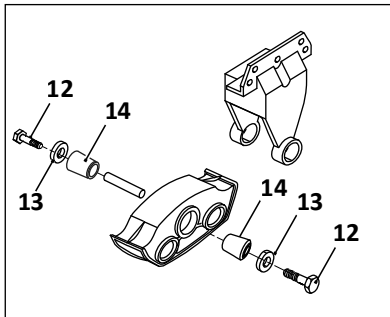
Equalizer Bushing Assembly



Torque Arm Bushing Assembly



Old Style Equalizer (2pc Bushing)



DANA

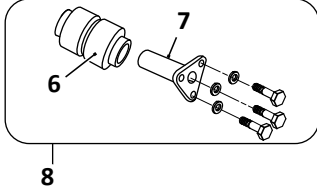
55 Series — Trailer

KEY NO.	EUCLID NO.	OEM REF.	DESCRIPTION	QTY. PER TANDEM	PAGE NO.
1	E-3031	L3049	Rubber Spring Retainer	2	DNA-9
2	-	M209475	Rigid Torque Arm, 17-1/2" Center-to-Center	2	-
	E-2295	M109102	Adjustable Torque Arm, 18-1/2" - 21-3/8" Center-to-Center. Rigid Torque Arms Not Available. Use Adjustable Torque Arms	2	DNA-9
	E-2294	M109101	Adjustable Torque Arm, 14" - 18-1/2" Center-to-Center. Rigid Torque Arms Not Available. Use Adjustable Torque Arms	2	DNA-9
3	E-4421	H76008	Nut, 1"-8	10	-
4	E-907	H231	Washer	8	DNA-10
5	E-1982	L1132	Torque Arm Bushing, Rubber	16	DNA-9
	GAFF15051	-	Torque Arm Bushing, Poly	16	DNA-9
6	E-900	H80063	Bolt, 1"-8 X 6-3/8" Long	8	DNA-10
7	E-3012	B55536	Equalizer	2	DNA-8
8	E-2273	L1425	Equalizer Bushing	2	DNA-8
9	E-2274	H80080	Bolt, 1"-8 X 8" Long	2	DNA-10
10	E-2275	H230	Washer	2	DNA-10
11	E-UB5165-14	-	U-Bolt Assembly, Rd. Bend, 7/8"-14 Thd. x 5" Wide x 14" Long	8	-
12	E-1987	H80025	Bolt, 1"-8 X 2-1/2" Long	4	DNA-10
13	E-1986A	H241	Washer	4	DNA-10
14	E-1984	L1325	Equalizer Bushing, Old Style	4	DNA-8
15	E-2272	L4025	Equalizer Bushing Assembly Includes Key Nos. 3, 8, 9, 10	2	DNA-8
16	E-1983	L4032	Torque Arm Bushing Assembly Includes Key Nos. 3, 4, 5, 6	8	DNA-9

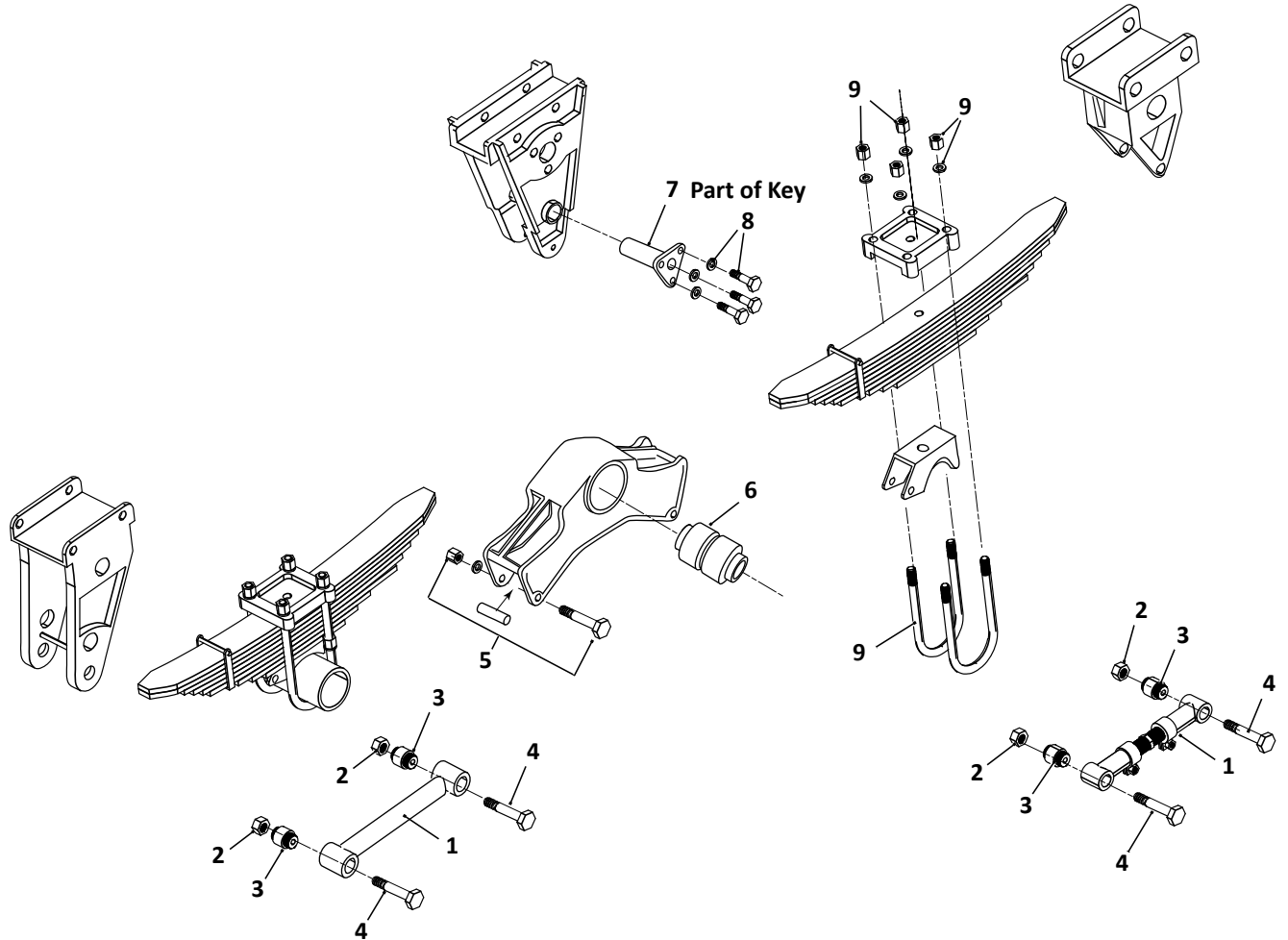
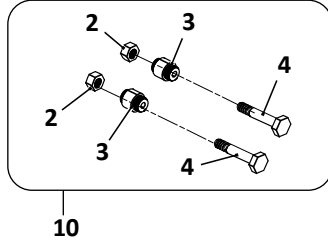
DANA

62 Series — Trailer

Equalizer Bushing Assembly



Torque Arm Bushing Assembly



DANA

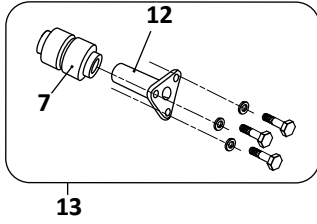
62 Series — Trailer

KEY NO.	EUCLID NO.	OEM REF.	DESCRIPTION	QTY. PER TANDEM	PAGE NO.
1	E-2512	M109201	Adjustable Torque Arm, 14"- 18-1/2" Center-to-Center. Rigid Torque Arms Not Available. Use Adjustable Torque Arms. Includes E-1980 Bushings	2	DNA-9
	E-2513	M109202	Adjustable Torque Arm, 18-1/2" - 21-3/8" Center-to-Center. Rigid Torque Arms Not Available. Use Adjustable Torque Arms. Includes E-1980 Bushings	2	DNA-9
2	E-2983	H75809	Nut, 7/8"-9	8	-
3	E-1980	L1032	Torque Arm Bushing, Rubber	8	DNA-9
	GAFF15013		Torque Arm Bushing, Poly	8	DNA-9
4	E-901	H88755	Bolt, 7/8"-9 X 5-1/2" Long	8	DNA-10
5	E-1975	-	Spring Roller Assembly	4	DNA-9
6	E-1072	L1025	Equalizer Bushing	2	DNA-8
7	E-1993	K1124	Equalizer Shaft	2	DNA-8
8	E-1995	L4026	Equalizer Bushing Assembly Including Key 6, 7 & Lock Screws and Washers	2	DNA-8
9	E-UB5165-14	-	U-Bolt Assembly, Rd. Bend, 7/8"-14 Thd. x 5" Wide x 14" Long	4	-
10	E-1981	L4032	Torque Arm Bushing Assembly, Rubber, Includes Key Nos. 2, 3, 4.	8	DNA-9
	GAFF15063	-	Torque Arm Bushing Assembly, Poly, Includes Key Nos. 2, 3, 4.	8	DNA-9

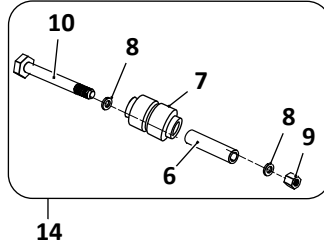
DANA

68 Series — Trailer

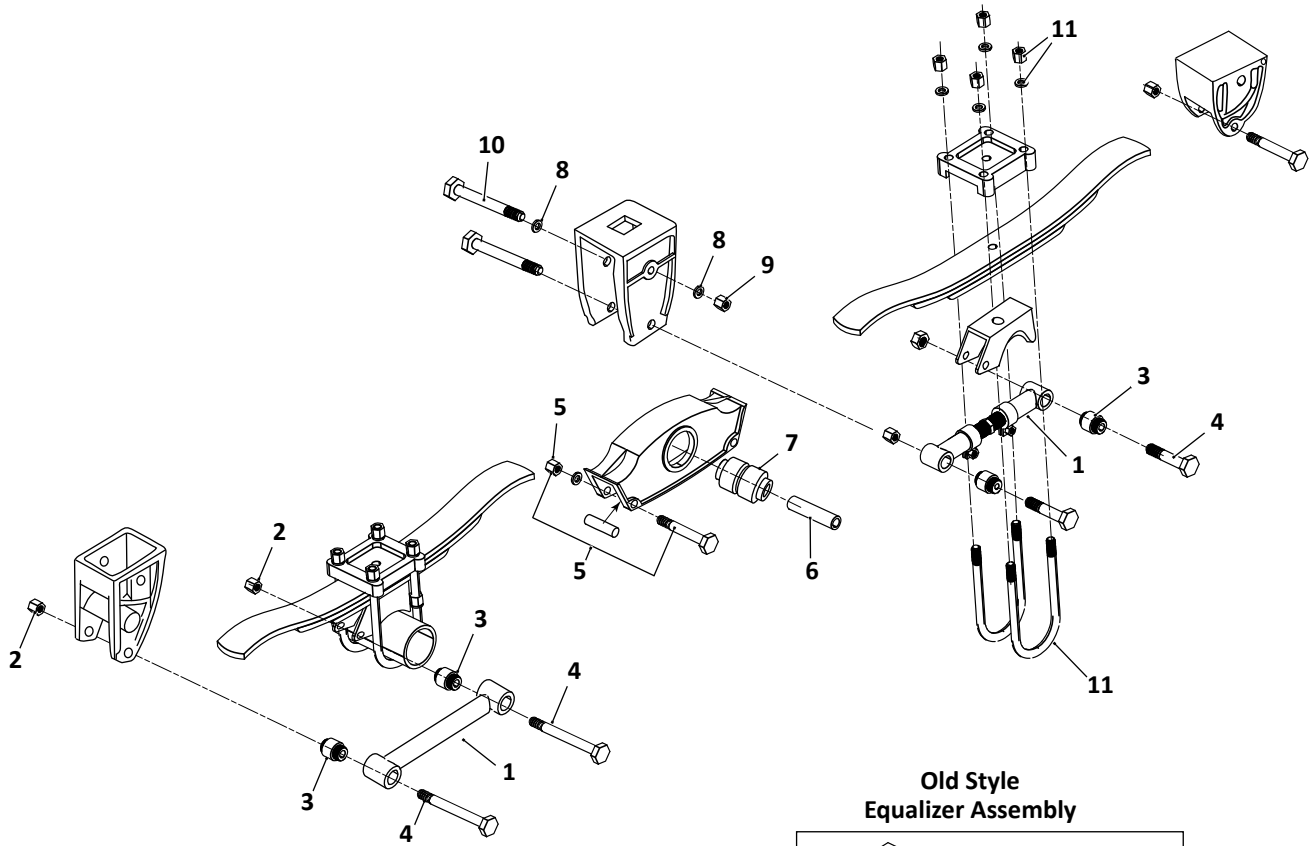
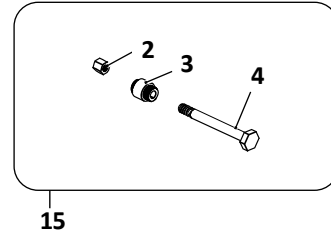
Equalizer Old Style
Bushing Assembly



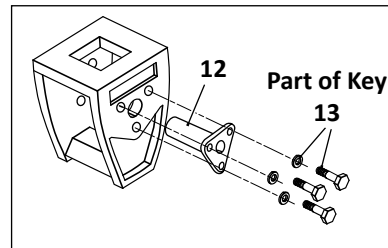
Equalizer Bushing Assembly
New Style



Torque Arm Bushing Assembly



Old Style
Equalizer Assembly




DANA

68 Series — Trailer

KEY NO.	EUCLID NO.	OEM REF.	DESCRIPTION	QTY. PER TANDEM	PAGE NO.
1	E-2512	M109201	Adjustable Torque Arm, 14"- 18-1/2" Center-to-Center. Rigid Torque Arms Not Available. Use Adjustable Torque Arms. Includes E-1980 Bushings	2	DNA-9
	E-2513	M109202	Adjustable Torque Arm, 18-1/2" - 21-3/8" Center-to-Center. Rigid Torque Arms Not Available. Use Adjustable Torque Arms. Includes E-1980 Bushings	2	DNA-9
2	E-2983	H75809	Nut, 7/8"-9	8	-
3	E-1980	L1032	Torque Arm Bushing, Rubber	8	DNA-9
	GAFF15013	-	Torque Arm Bushing, Poly	8	DNA-9
4	E-901	H88755	Bolt, 7/8"-9 X 5-1/2" Long	8	DNA-10
5	E-1975	-	Spring Roller Assembly	2	DNA-9
6	E-1996	K1424	Equalizer Shaft	2	-
7	E-1072	L1025	Equalizer Bushing	2	DNA-8
8	E-1986A	H241	Washer	4	DNA-10
9	E-1828	H76008	Nut, 1"-14	2	-
10	E-5271	-	Bolt, 1"-14 X 7" Long	2	DNA-10
11	E-UB5165-14	-	U-Bolt Assembly, Rd. Bend, 7/8"-14 Thd. x 5" Wide x 14" Long	4	-
12	E-1993	K1124	Equalizer Shaft, Old Style	2	DNA-8
13	E-1995	-	Equalizer Bushing Assembly, Old Style Including Key 7, 12 & Lock Screws and Washers	2	DNA-8
14	E-1998A	L4425	Equalizer Bushing Assembly Includes Key Nos. 6, 7, 8, 9, 10.	2	DNA-8
15	E-1981	L4032	Torque Arm Bushing Assembly, Rubber, Includes Key Nos. 2, 3, 4.	8	DNA-9
	GAFF15063	-	Torque Arm Bushing Assembly, Poly, Includes Key Nos. 2, 3, 4.	8	DNA-9

Equalizer

FOR MODEL:
55



15 3/4"

EUCLID NO.	OEM REF.	NOTES
E-3012	855536	Includes E-2273 Bushing

Equalizer Bushing


FOR MODEL:
Old Style 55



EUCLID NO.	OEM REF.	OD	ID	LENGTH
E-1984	L1325	3-5/8"	1-3/4"	4-1/16"

Equalizer Bushing Assembly

FOR MODEL:
55




Includes E-2273 Bushing

EUCLID NO.	OEM REF.	NOTES
E-2272	L4025	Bushing, Shaft, Washer (2), Nut

Equalizer Bushing


FOR MODEL:
55



EUCLID NO.	OEM REF.	OD	ID	LENGTH
E-2273	L1425	3-1/8"	1-1/64"	5"

Equalizer Bushing Assembly

FOR MODELS:
62, Old Style 68



Includes E-1072 Bushing

EUCLID NO.	OEM REF.	NOTES
E-1995	L4026	Bushing, Shaft, Lock Screws, Washer

Equalizer Bushing


FOR MODELS:
62, 68



EUCLID NO.	OEM REF.	OD	ID	LENGTH	MATERIAL
E-1072	L1025	3-1/8"	2"	4-1/4"	Rubber

Equalizer Bushing Assembly

FOR MODEL:
68




Includes E-1072 Bushing

EUCLID NO.	OEM REF.	NOTES
E-1998A	L4425	Bushing, Bolts, Shaft, 2 Washers, Nut

Equalizer Shaft

FOR MODELS:
62, 68




EUCLID NO.	OEM REF.	OD	LENGTH
E-1993	K1124	2"	6-1/2"

DANA

Spring Roller Assembly


FOR MODELS:
62, 68



EUCLID NO.	NOTES
E-1975	Bolt, Roller, Nut, Washer

Torque Arm Bushing Assembly

FOR MODELS:
62, 68



EUCLID NO.	OEM REF.	INCLUDES	MATERIAL
E-1981	L4032	Bushing, E-1980; Bolt, E-901; Nut, E-2983	Rubber
GAFF15063	-		Poly

Adjustable Torque Arms

FOR MODELS:
62, 68




Includes E-1980 Bushings

EUCLID NO.	OEM REF.	WITHOUT BUSHINGS	LENGTH
E-2512	M109201	E-2292	14-3/4" to 18-1/2"
E-2513	M109202	E-2293	18-1/2" to 21-3/8"

Torque Arm Bushing

FOR MODEL:
55




Length 2 11/16"

EUCLID NO.	OEM REF.	OD	ID	MATERIAL
E-1982	L1132	1-3/4" Small 2-3/8" Large	1"	Rubber
GAFF15051	-			Poly

Adjustable Torque Arms

FOR MODEL:
55



Requires E-1982 Bushings (Not Included)

EUCLID NO.	OEM REF.	LENGTH
E-2294	M109101	14" to 18-1/2"
E-2295	M109102	18-1/2" to 21-3/8"

Torque Arm Bushing


FOR MODELS:
62, 68



EUCLID NO.	OEM REF.	OD	ID	LENGTH	MATERIAL
E-1980	L1032	1-29/32"	7/8"	3"	Rubber
GAFF15013	-				Poly

Torque Arm Bushing Assembly


FOR MODEL:
55



EUCLID NO.	OEM REF.	NOTES
E-1983	L4032	Bushing (2), Bolt, Washer (2), Nut

Rubber Spring Retainer

FOR MODEL:
Late Model 55



EUCLID NO.	OEM REF.	NOTES
E-3031	L3049	Use with 1, 3, 7, 8 & 9 Leaf Springs

DANA

Bolts



EUCLID NO.	OEM REF.	THREAD SIZE	BOLT LENGTH	FOR MODEL
E-901	H88755	7/8" - 9	5-1/2"	62
E-1987	H80025	1" - 8	2-1/2"	55
E-900	H80063	1" - 8	6-3/8"	55
E-5271	-	1" - 14	7"	68
E-2274	H80080	1" - 8	8"	55

Washers



EUCLID NO.	OEM REF.	OD	ID	THICKNESS	FOR MODEL
E-2275	H230	2"	1-1/16"	1/8"	55
E-907	H231	2-3/4"	1-1/16"	3/16"	55
E-1986A	H241	3-3/4"	1-1/16"	1/2"	55, 68

DANA

TABLE OF CONTENTS

Dayton "Truckmaster" — Truck/TractorDYT-2

Dayton/Navistar — Truck/TractorDYT-4

Dayton "Tri-Lite" TrailerDYT-6

Dayton ComponentsDYT-8



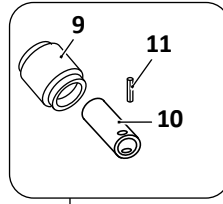
Not sure which suspension you have?
 Check out Meritor's Suspension Identification
 Xact Search to find the right part by
 clicking the QR code

DAYTON

DAYTON

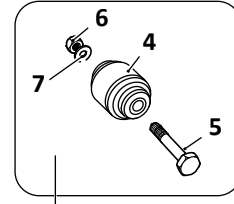
Dayton "Truckmaster" — Truck/Tractor

Equalizer Bushing Assembly

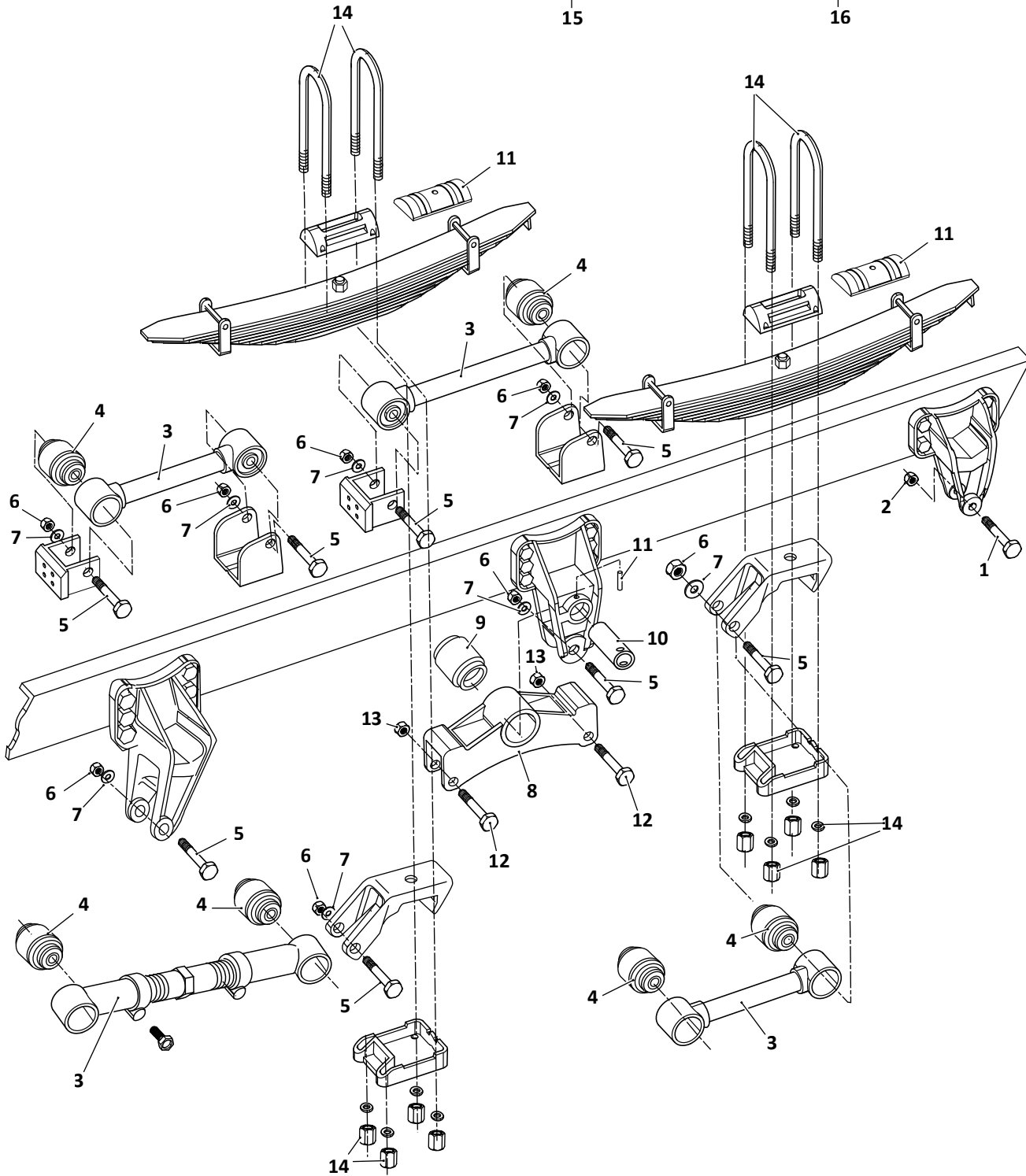


15

Torque Arm Bushing Assembly



16



DAYTON

Dayton "Truckmaster" — Truck/Tractor					
KEY NO.	EUCLID NO.	OEM REF.	DESCRIPTION	QTY. PER TANDEM	PAGE NO.
1	E-3224	08-203551	Spring Rebound Bolt, 5/8"-11 X 5-1/2" Long, Rear Hanger	2	DYT-9
2	E-2988	08-203440	Spring Rebound Nut, 5/8"-11, Rear Hanger	2	DYT-9
3	E-2512	39090029; 39090035	Adjustable Torque Arm, Front, 14-3/4" - 18" Center-to-Center, Includes Bushings. Rigid Torque Arms Not Available. Use Adjustable Torque Arms	3	DYT-8
	E-2513	39090030; 39090036	Adjustable Torque Arm, Rear, 18-1/2" - 21-1/2" Center-to-Center, Includes Bushings. Rigid Torque Arms Not Available. Use Adjustable Torque Arms	3	DYT-8
4	E-1980	39400016	Torque Arm Bushing, Rubber, For E-2512 and E-2513 Torque Arms	12	DYT-9
	E-3086	39400013	Torque Arm Bushing, Rubber, For 39090035 and 39090036 Original OEM Torque Arms	12	DYT-9
	GAFF15013	39400016	Torque Arm Bushing, Poly, For E-2512 and E-2513 Torque Arms	12	DYT-9
5	E-901	08-203488	Torque Arm Bolt, All, 7/8"-9 X 5-1/2" Long	12	DYT-9
6	E-2983	08-204568	Torque Arm Nut, 7/8"-9, All	12	DYT-9
7	E-2546	08-204565	Torque Arm Washer, For 39090035 / 39090036 Original OEM Torque Arms	12	-
8	E-3080	39240007	Equalizer Assembly, Includes Bushing	2	DYT-8
9	E-3082	39400014	Equalizer Bushing	2	DYT-8
10	E-3083A	39400089	Equalizer Shaft, 2" OD x 6-7/8" Long	2	DYT-8
11	E-1279	08-204569	Groove Pin	2	DYT-8
12	E-1972	08-203531	Spring Rebound Bolt, Equalizer, 1/2"-20 X 4-3/4" Long,	4	-
13	E-3560	-	Spring Rebound Lock Nut, 1/2"-20	4	DYT-9
14	E-UB8161-12	-	U-Bolt Assembly, Rd. Bend, 7/8"-14 Thd. x 3" Wide x 12" Long	8	-
	E-UB8161-14	-	U-Bolt Assembly, Rd. Bend, 7/8"-14 Thd. x 3" Wide x 14" Long	8	-
	E-UB8161-16	-	U-Bolt Assembly, Rd. Bend, 7/8"-14 Thd. x 3" Wide x 16" Long	8	-
	E-UB8161-18	-	U-Bolt Assembly, Rd. Bend, 7/8"-14 Thd. x 3" Wide x 18" Long	8	-
	E-UB8165-12	-	U-Bolt Assembly, Rd. Bend, 7/8"-14 Thd. x 5" Wide x 12" Long	8	-
	E-UB8165-14	-	U-Bolt Assembly, Rd. Bend, 7/8"-14 Thd. x 5" Wide x 14" Long	8	-
15	E-3085A	-	Equalizer Bushing Assembly, Includes Key Nos. 9, 10, 11	2	DYT-8
16	E-3087	-	Torque Arm Bushing Assembly, For 39090035 and 39090036. Includes Key Nos. 4, 5, 6, 7	12	DYT-9
	E-1981	-	Torque Arm Bushing Assembly, Rubber, For E-2512 and E-2513 Torque Arms, Includes Key Nos. 8, 9, 10	12	DYT-9
	GAFF15063	-	Torque Arm Bushing Assembly, Poly, For E-2512 and E-2513 Torque Arms, Includes Key Nos. 8, 9, 11	12	DYT-9

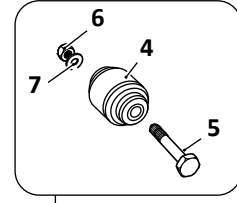
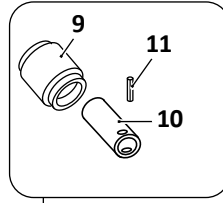
DAYTON

DAYTON

Dayton/Navistar — Truck/Tractor

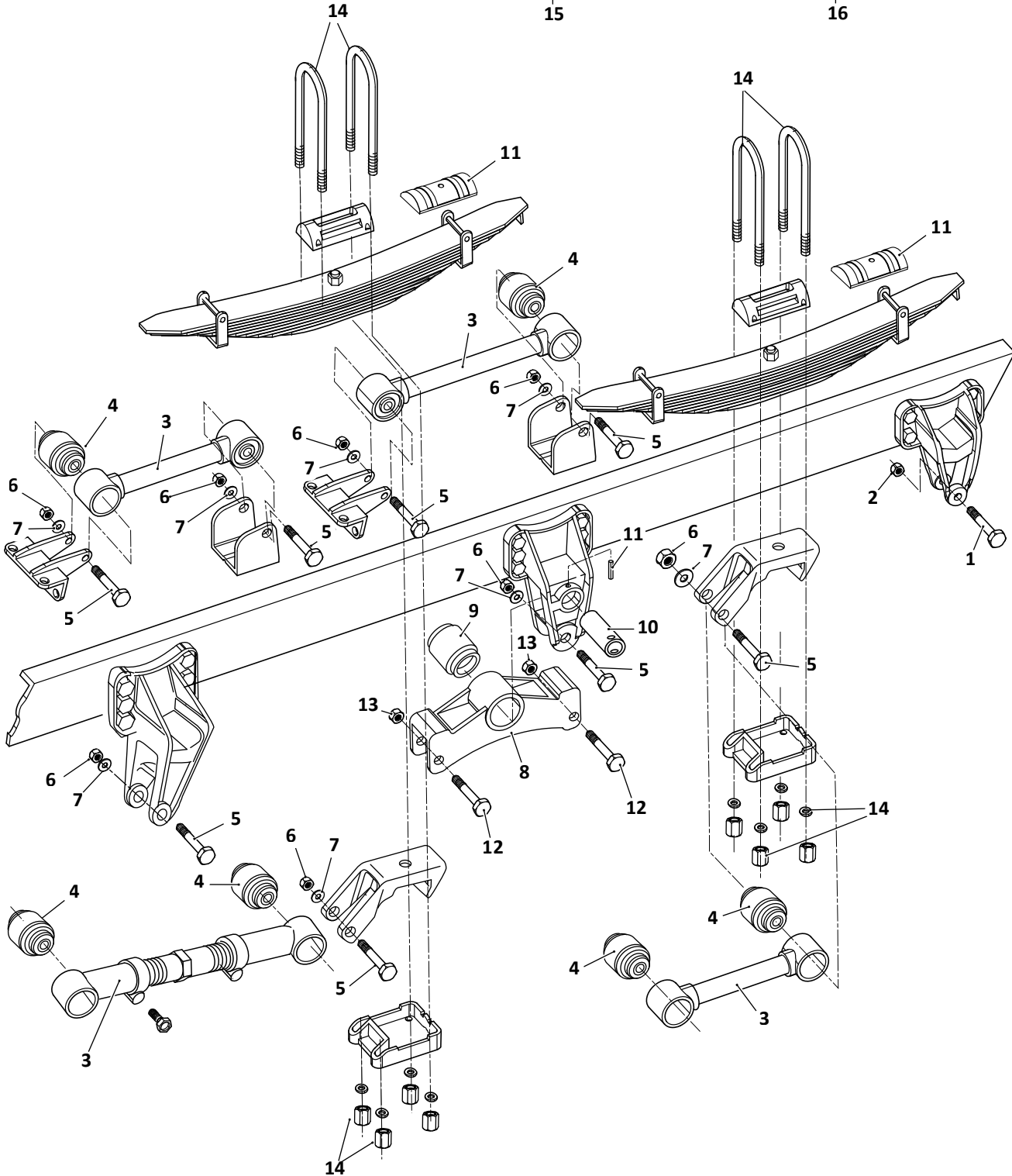
Equalizer Bushing Assembly

Torque Arm Bushing Assembly



15

16



DAYTON

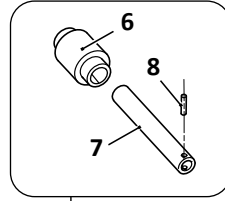
Dayton/Navistar — Truck/Tractor

KEY NO.	EUCLID NO.	OEM REF.	DESCRIPTION	QTY. PER TANDEM	PAGE NO.
1	E-3224	08-203551	Spring Rebound Bolt, 5/8"-11 X 5-1/2" Long, Rear Hanger	2	DYT-9
2	E-2988	08-203440	Spring Rebound Nut, 5/8"-11, Rear Hanger	2	DYT-9
3	E-2512	412594C93; 412595C93	Adjustable Torque Arm, Front, 14-3/4" - 18" Center-to-Center, Includes Bushings. Rigid Torque Arms Not Available. Use Adjustable Torque Arms	3	DYT-8
	E-2513	412592C91; 412593C91	Adjustable Torque Arm, Rear, 18-1/2" - 21-1/2" Center-to-Center, Includes Bushings. Rigid Torque Arms Not Available. Use Adjustable Torque Arms	3	DYT-8
4	E-1980	39400016	Torque Arm Bushing, Rubber, For E-2512 and E-2513 Torque Arms	12	DYT-9
	E-3086	412587C1	Torque Arm Bushing, Rubber, For Original OEM Torque Arms	12	DYT-9
	GAFF15013	-	Torque Arm Bushing, Poly, For E-2512 and E-2513 Torque Arms	12	DYT-9
5	E-901	346951C1	Torque Arm Bolt, All, 7/8"-9 X 5-1/2" Long	12	DYT-9
6	E-2983	414001	Torque Arm Nut, 7/8"-9, All	12	DYT-9
7	E-2546	08-204568	Torque Arm Washer, For Original OEM Torque Arms	12	-
8	E-3081	377202C11	Equalizer Assembly, Includes Bushing	2	DYT-8
9	E-3082	377203C11	Equalizer Bushing	2	DYT-8
10	E-3083A	A365350C1	Equalizer Shaft, 2" OD x 6-7/8" Long	2	DYT-8
11	E-1279	08-204569	Groove Pin	2	DYT-8
12	E-1972	08-203531	Spring Rebound Bolt, Equalizer, 1/2"-20 X 4-3/4" Long,	4	-
13	E-3560	334-490	Spring Rebound Nut, Equalizer, 1/2"-20	4	DYT-9
14	E-UB8161-12	-	U-Bolt Assembly, Rd. Bend, 7/8"-14 Thd. x 3" Wide x 12" Long	8	-
	E-UB8161-14	-	U-Bolt Assembly, Rd. Bend, 7/8"-14 Thd. x 3" Wide x 14" Long	8	-
	E-UB8161-16	-	U-Bolt Assembly, Rd. Bend, 7/8"-14 Thd. x 3" Wide x 16" Long	8	-
	E-UB8161-18	-	U-Bolt Assembly, Rd. Bend, 7/8"-14 Thd. x 3" Wide x 18" Long	8	-
	E-UB8165-12	-	U-Bolt Assembly, Rd. Bend, 7/8"-14 Thd. x 5" Wide x 12" Long	8	-
	E-UB8165-14	-	U-Bolt Assembly, Rd. Bend, 7/8"-14 Thd. x 5" Wide x 14" Long	8	-
15	E-3085A	-	Equalizer Bushing Assembly, Includes Key Nos. 9, 10, 11	2	DYT-8
16	E-3087	-	Torque Arm Bushing Assembly, For Original OEM Torque Arms Includes Key Nos. 4, 5, 6, 7	12	DYT-9
	E-1981	-	Torque Arm Bushing Assembly, Rubber, For E-2512 and E-2513 Torque Arms, Includes Key Nos. 8, 9, 10	12	DYT-9
	GAFF15063	-	Torque Arm Bushing Assembly, Poly, For E-2512 and E-2513 Torque Arms, Includes Key Nos. 8, 9, 11	12	DYT-9

DAYTON

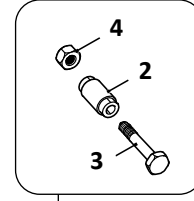
Dayton "Tri-Lite" Trailer

Equalizer Bushing Assembly

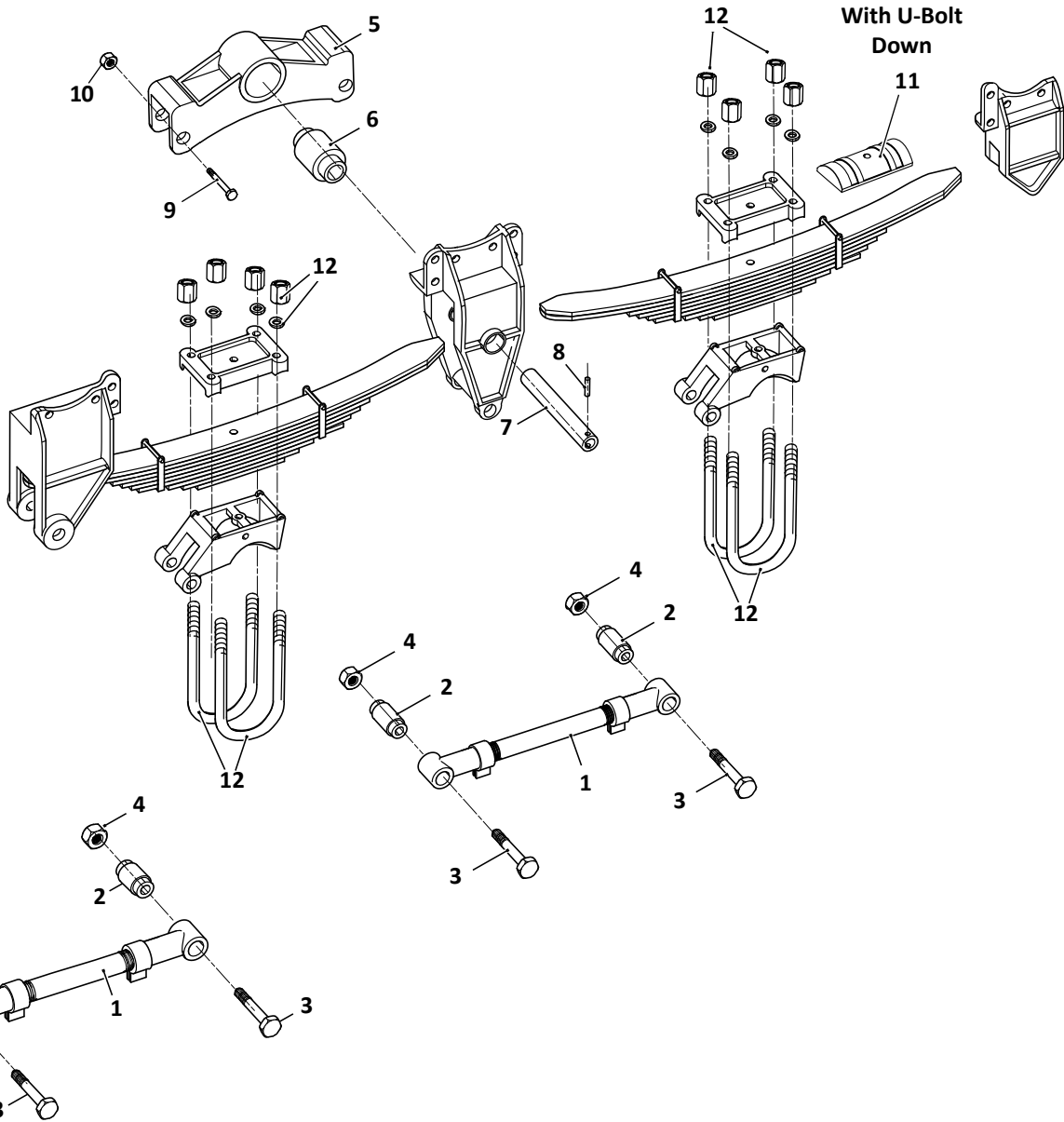


13

Torque Arm Bushing Assembly



14



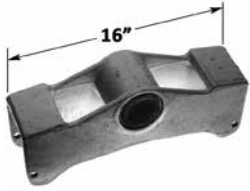
DAYTON

Dayton "Tri-Lite" Trailer					
KEY NO.	EUCLID NO.	OEM REF.	DESCRIPTION	QTY. PER TANDEM	PAGE NO.
1	E-2512	39090029; 39080011; 39080063	Adjustable Torque Arm, 14-3/4"-18" Center-to-Center, Includes Bushings	2	DYT-8
	E-2513	39090030; 39080089; 39080092	Adjustable Torque Arm, 18-1/2"- 21-1/2" Center-to-Center, Includes Bushings	2	DYT-8
2	E-1980	39400016	Torque Arm Bushing, Rubber, For E-2512 and E-2513	8	DYT-9
	GAFF15013	-	Torque Arm Bushing, Poly	8	DYT-9
3	E-901	08-203488	Torque Arm Bolt, 7/8"-9 X 5-1/2" Long	8	DYT-9
4	E-2983	08-204568	Torque Arm Nut, 7/8"-9	8	DYT-9
5	E-3080	39240007	Equalizer Assembly, Includes Bushing	2	DYT-8
6	E-3082	39400014	Equalizer Bushing	2	DYT-8
7	E-3083A	39400089	Equalizer Shaft, 2" OD x 6-7/8" Long	2	DYT-8
8	E-1279	08-204569	Groove Pin	2	DYT-8
9	E-1972	08-203531	Spring Rebound Bolt, Equalizer, 1/2"-20 X 4-3/4" Long,	4	-
10	E-3560	08-203440	Spring Rebound Nut, Equalizer, 1/2"-20	4	DYT-9
11	E-2840	39050021	Top Plate, 5" Rd. and 5" Sq. Axles, with U-Bolts Down	As Required	DYT-9
12	E-UB8161-12	-	U-Bolt Assembly, Rd. Bend, 7/8"-14 Thd. x 3" Wide x 12" Long	8	-
	E-UB8161-14	-	U-Bolt Assembly, Rd. Bend, 7/8"-14 Thd. x 3" Wide x 14" Long	8	-
	E-UB8161-16	-	U-Bolt Assembly, Rd. Bend, 7/8"-14 Thd. x 3" Wide x 16" Long	8	-
	E-UB8161-18	-	U-Bolt Assembly, Rd. Bend, 7/8"-14 Thd. x 3" Wide x 18" Long	8	-
	E-UB8165-12	-	U-Bolt Assembly, Rd. Bend, 7/8"-14 Thd. x 5" Wide x 12" Long	8	-
	E-UB8165-14	-	U-Bolt Assembly, Rd. Bend, 7/8"-14 Thd. x 5" Wide x 14" Long	8	-
13	E-3085A	-	Equalizer Bushing Assembly, Includes Key Nos. 6, 7, 8	2	DYT-8
14	E-1981	-	Torque Arm Bushing Assembly, Rubber, Includes Key Nos. 2, 3, 4	8	DYT-9
	GAFF15063	-	Torque Arm Bushing Assembly, Poly, Includes Key Nos. 2, 3, 4	8	DYT-9

DAYTON

Equalizer


FOR MODELS:
"Truckmaster",
Tri-Lite



EUCLID NO.	OEM REF.	INCLUDES
E-3080	Dayton 39240007	Includes E-3082 Bushing

Shaft


FOR MODELS:
All



EUCLID NO.	OEM REF.	OD	LENGTH
E-3083A	39400089	2"	6-7/8"

Equalizer


FOR MODEL:
Navistar



EUCLID NO.	OEM REF.	NOTES
E-3081	377202-C11	Includes E-3082 Bushing

Pin


FOR MODELS:
All



EUCLID NO.	OEM REF.	OD	LENGTH
E-1279	08-204569	1/2"	2-3/4"

Equalizer Bushing Assembly

FOR MODELS:
All



EUCLID NO.	OEM REF.	INCLUDES
E-3085A	39400014, 39400021, 08-204566	Bushing, Shaft, and Groove Pin

Universal Torque Arm Assembly

FOR MODELS:
All



Includes Bushings

EUCLID NO.	BUSHING NO.	LENGTH (C-T-C)
E-2512	E-1980	14-3/4" to 18"
E-2513	E-1980	18-1/2" to 21-3/8"

Equalizer Bushing

FOR MODELS:
All




EUCLID NO.	OEM REF.	OD	ID	LENGTH
E-3082	39400014	3-1/8"	2"	4-1/4"

DAYTON

Torque Arm Bushing Assembly


FOR MODELS:
"Truckmaster",
Navistar



For Original OEM Torque Arms

EUCLID NO.	INCLUDES
E-3087	Bushing, E-3086; Bolt, E-901; Washer, E-2546; Nut, E-2983


Bolt



EUCLID NO.	OEM REF.	THREAD	BOLT LENGTH
E-901	08-203488	7/8" - 9	5-1/2"
E-3224	08-203551	5/8" - 11	5-1/2"

Torque Arm Bushing Assembly


FOR MODELS:
ALL



For E-2512 and E-2513 Torque Arms

EUCLID NO.	MATERIAL	INCLUDES
E-1981	Rubber	Bushing, E-1980; Bolt, E-901; Nut, E-2983
GAFF15063	Poly	


Lock Nuts



EUCLID NO.	OEM REF.	THREAD
E-3560	08-203440	1/2" - 20
E-2988	934 00 488	5/8" - 11
E-2983	08-204568	7/8" - 9

Torque Arm Bushing


FOR MODELS:
"Truckmaster",
Navistar



For Original OEM Torque Arms

EUCLID NO.	OEM REF.	OD	ID	LENGTH	MATERIAL
E-3086	Dayton 39400013 Navistar 412587-C1	2-3/8"	7/8"	3"	Rubber

Torque Arm Bushing




For E-2512 and E-2513 Torque Arms

EUCLID NO.	OEM REF.	OD	ID	LENGTH	MATERIAL
E-1980	39400016	1-29/32"	7/8"	3"	Rubber
GAFF15013					Poly

Top Plate

FOR MODEL:
"Tri-Lite"



EUCLID NO.	OEM REF.
E-2840	39050021

DAYTON

TABLE OF CONTENTS

Front Suspensions

AIRTEK for Freightliner Newer Cascadia Vehicles 12.5 and 13.3K Capacity.....FRT-2

AIRTEK for Freightliner Vehicles Built Prior to May 2010, Sterling Vehicles Built Prior to April 2009 & Western Star Vehicles Built Prior to June 2010FRT-4

AIRTEK for Freightliner Vehicles Built Between May 2010 & November 2011 and All Cascadia & Coronado Models Built After November 2011FRT-8

AIRTEK with STEERTEK NXT for Freightliner Motor Home Chassis.....FRT-12

SOFTEK for Freightliner Motor Home ChassisFRT-14

3-1/2" Wide Springs or 4" Wide Springs with Cutdown Eyes To 3-1/2" — Truck/TractorFRT-16

4" Wide Springs — FLD112, 120 Conventional, COE.....FRT-18

Rear Suspensions

FAS I AIR RIDE — Truck/Tractor.....FRT-20

FAS II AIR RIDE — Truck/Tractor.....FRT-22

FH34A – 44A, 4" Wide Leaf Spring Suspension — Truck/TractorFRT-26

FH36 – 40, 3" Wide Leaf Spring Suspension — Truck/TractorFRT-28

TufTrac SuspensionFRT-30

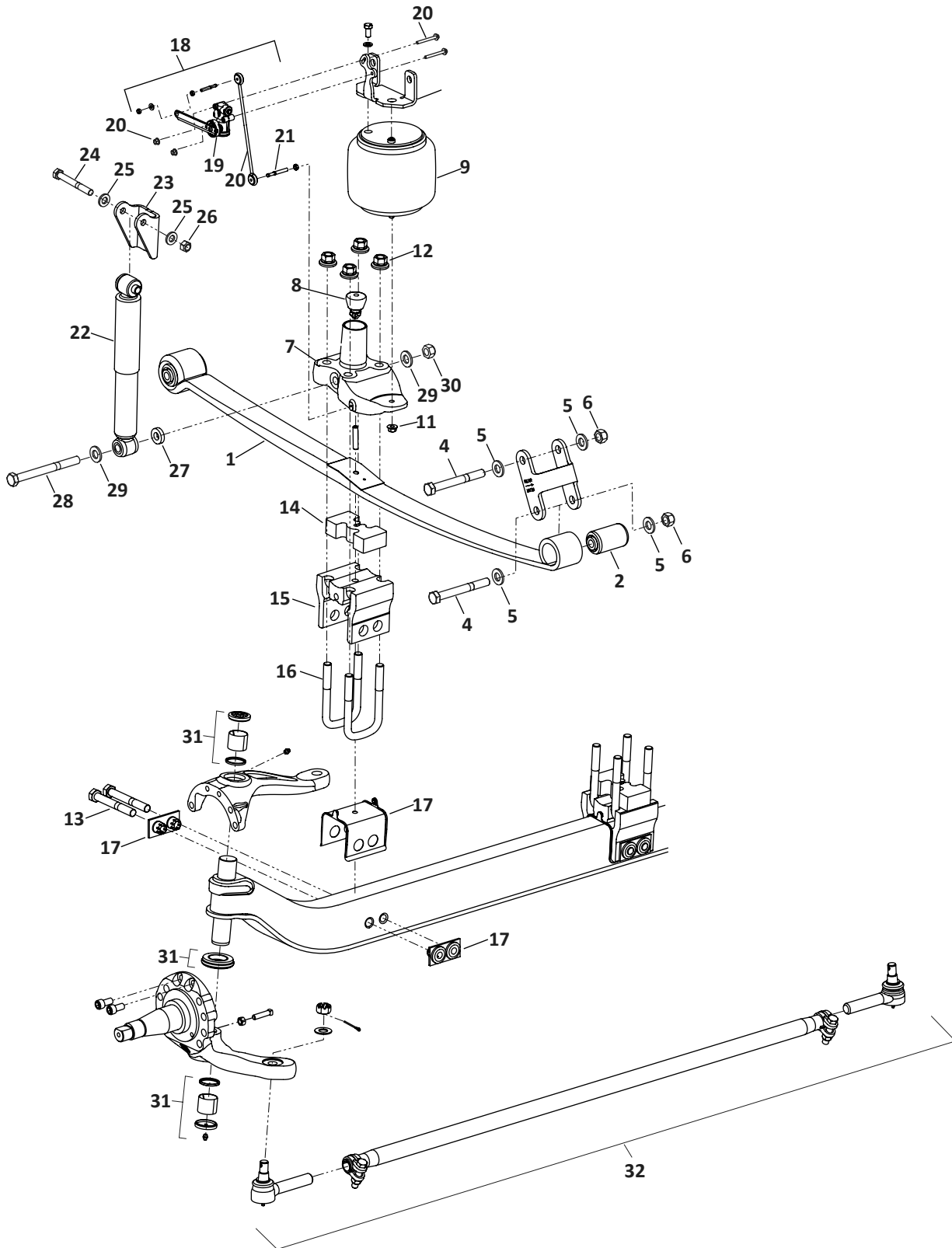
Freightliner ComponentsFRT-32



Not sure which suspension you have?
 Check out Meritor's Suspension Identification
 Xact Search to find the right part by
 clicking the QR code





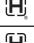





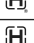





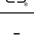


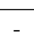






FREIGHTLINER FRONT


AIRTEK for Freightliner Newer Cascadia Vehicles 12.5 and 13.3K Capacity



FREIGHTLINER

For more information on King Pins, Tie Rod Ends and Assemblies
see 760C Front Axle Parts — Medium- and Heavy-Duty Applications

AIRTEK for Freightliner Newer Cascadia Vehicles 12.5 and 13.3K Capacity						
KEY NO.	EUCLID NO.	GENUINE	OEM REF.	DESCRIPTION	QTY. PER AXLE	PAGE NO.
1	S.O.S.		82922-000; 53622-000	Leaf Spring Assembly, 12.5K, Includes Front Eye Bushing Which is Not Replaceable	2	-
	S.O.S.		82967-000; 53767-000	Leaf Spring Assembly, 13.3K, Includes Front Eye Bushing Which is Not Replaceable	2	-
2	E-17601		60961-867	Rear Spring Eye Bushing and Lube	2	FRT-32
3	E-17581		78046-001	Shackle Plate	2	FRT-32
4	E-16415	-	-	Shackle Bolt, M20 x 2.5 x 170mm	4	-
5	E-2546	-	-	Washer, M20	8	-
6	E-16229	-	-	Locknut, M20	4	-
7	S.O.S.	-	Various	Top Pad & Shock Bracket	-	-
8	E-15148		64080-000	Bumper Stop, Rubber	2	-
9	E-17582		79115-002L	Air Spring Assembly, Includes Upper Fasteners	2	-
10	S.O.S.		78762-101	Air Spring and Height Control Valve Bracket	2	-
11	S.O.S.		68974-000	M12 x 1.75 Flange Locknut	2	-
12	S.O.S.		75989-000	M20 x 1.5 Two-piece Nut	8	-
13	S.O.S.		57159-015	1/2" x 2-1/2" Dowel Pin, 390mm Ride Height	2	-
	S.O.S.		57159-014	1/2" x 4-1/16" Dowel Pin, 430mm Ride Height	2	-
14	S.O.S.		77517-040	Leaf Spring Spacer, 430mm Ride Height Only	2	-
15	S.O.S.		78044-101	Axle Wrap	2	-
16	S.O.S.		78025-175	Semi Round U-Bolt M20 x 1.5 x 175mm, 390mm Ride Height	4	-
	S.O.S.		78025-215	Semi Round U-Bolt M20 x 1.5 x 215mm, 430mm Ride Height	4	-
17	S.O.S.		60961-802	Axle Clamp Service Kit, Wheel End	2	-
18	S.O.S.		59427-101L	Height Control Valve and Linkage Assembly, Left Hand	1	-
	S.O.S.		59427-102L	Height Control Valve and Linkage Assembly, Right Hand	1	-
19	E-17583		59935-101	Height Control Valve, Left Hand	1	FRT-34
	E-17584		59935-102	Height Control Valve, Right Hand	1	FRT-34
20	E-17604		59428-101	Leveling Valve Linkage Assembly	2	FRT-34
21	S.O.S.		59169-003	Link Mount	2	-
22	S.O.S.		58913-015L	Shock Absorber	2	-
23	S.O.S.		78047-001	Upper Shock Bracket, Left Hand	1	-
	S.O.S.		78047-002	Upper Shock Bracket, Right Hand	1	-
24	S.O.S.	-	-	Upper Shock Bolt, M16 x 2.0 x 130mm	2	-
25	E-2547	-	-	Washer, 16mm	4	-
26	E-8841	-	-	Nut, M16 x 2.00	2	-
27	S.O.S.		59946-012	Lower Shock Spacer (10mm)	2	-
28	S.O.S.	-	-	Lower Shock Bolt, M20 x 2.5 x 210mm	2	-
29	E-2545	-	-	Washer, 20mm	4	-
30	E-16229	-	-	Lock Nut, M20 x 2.5	2	-
31	E-17644	-	60961-628	Kingpin Bushing and Bearing Service Kits, Axle Set Includes Left and Right Hand Kit (E-17645 and E-17646)	1	-
	E-17645	-	60961-629	Kingpin Bushing and Bearing Service Kit, Left Hand with Composite Thrust Bearings	1	-
	E-17646	-	60961-630	Kingpin Bushing and Bearing Service Kit, Right Hand with Roller Thrust Bearings	1	-
32	-	-	Various	Tie Rod Ends and Assembly. See Front Axle Catalog	As Req'd	-

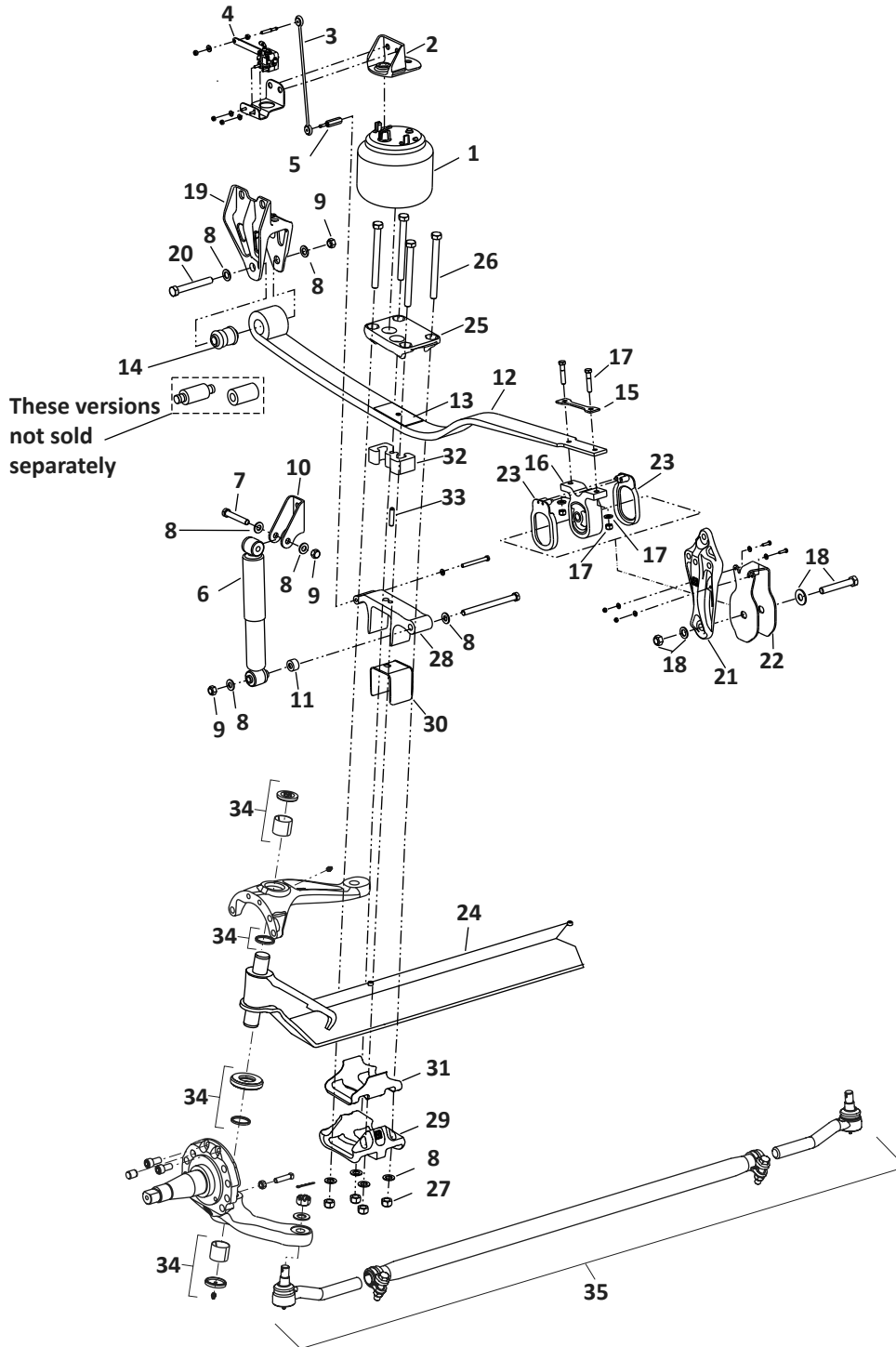
 Denotes Product is Genuine Hendrickson

For more information on King Pins, Tie Rod Ends and Assemblies see 760C Front Axle Parts — Medium- and Heavy-Duty Applications

FREIGHTLINER

FREIGHTLINER FRONT

AIRTEK for Freightliner Vehicles Built Prior to May 2010,
Sterling Vehicles Built Prior to April 2009 &
Western Star Vehicles Built Prior to June 2010




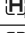
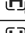

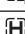


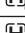




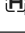
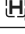
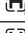
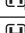
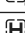






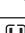

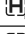
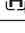
FREIGHTLINER

For more information on King Pins, Tie Rod Ends and Assemblies
see 760C Front Axle Parts — Medium- and Heavy-Duty Applications

FREIGHTLINER FRONT

Suspension

AIRTEK for Freightliner Vehicles Built Prior to May 2010, Sterling Vehicles Built Prior to April 2009 & Western Star Vehicles Built Prior to June 2010

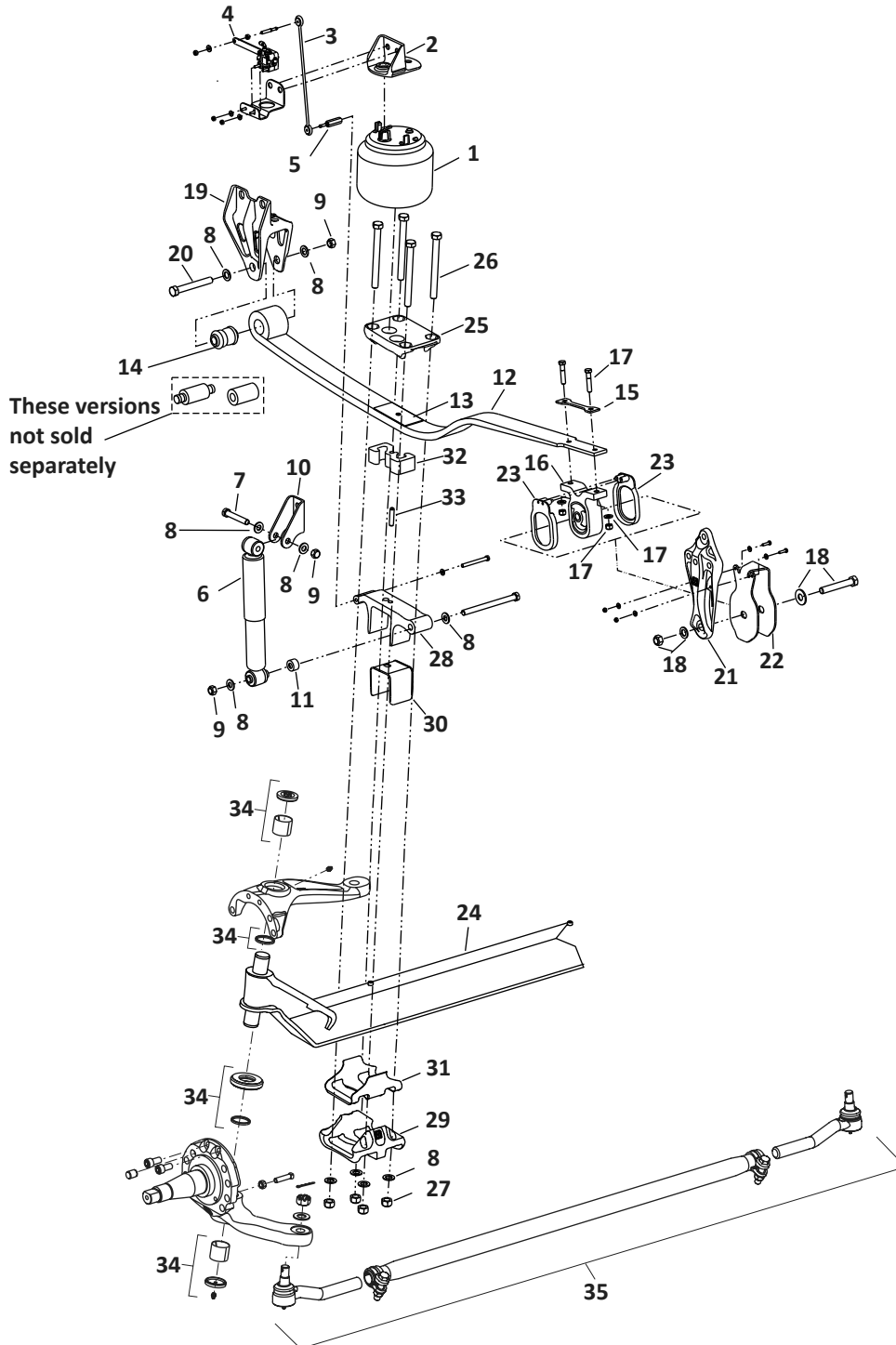
KEY NO.	EUCLID NO.	GENUINE	OEM REF.	DESCRIPTION	QTY. PER AXLE	PAGE NO.
1	S.O.S.	-	69782-002	Air Spring	2	-
2	E-16425		60850-001	Air Spring Bracket, Left Hand	1	FRT-35
	E-15132		60850-002	Air Spring Bracket, Right Hand	1	FRT-35
3	E-15133		59428-001	Height Control Valve Linkage Assembly, 13-1/8" Center-to-Center	1	FRT-34
	E-15134		59428-002	Height Control Valve Linkage Assembly, 14-1/2" Center-to-Center	1	FRT-34
4	S.O.S.		59935-013	Height Control Valve, Left Hand	1	-
	E-13995		59935-002	Height Control Valve, Right Hand	1	FRT-34
5	E-16426		59429-001	Link Mount	2	FRT-35
6	M85932	-	58913-003	Shock Absorber	2	-
7	S.O.S.	-	50764-004	Bolt, 3/4"-10 X 3-3/4" Long, Upper Shock	2	-
8	E-2545	-	-	Washer, 3/4"	As Required	-
9	E-4347	-	-	Locknut, 3/4"-10	As Required	-
10	E-17586		59423-001	Shock Bracket	2	FRT-35
11	E-16419		59946-001	Shock Spacer	2	-
12	S.O.S.		Various	Leaf Spring Assembly	2	-
13	S.O.S.		59937-001	Galvanized Liner	2	-
14	E-14632		59259-002	Spring Eye Bushing, Only Century Class S/T, Columbia, Western Star Set Forward. Others not sold separately	2	FRT-32
15	E-15118		58920-001	Spring End Plate	2	FRT-32
			58920-000			
16	E-14633		58918-000	Rear Spring Mount	2	FRT-32
17	S.O.S.		60961-616	Rear Spring Mount Kit, Includes Key Nos. 15, 16 & Hardware	2	-
18	E-15136		60961-003	Rear Spring Eye Hardware Kit	2	FRT-32
19	E-15137		59832-001	Front Hanger, Left, Century Class S/T, Columbia, Western Star	1	FRT-33
	S.O.S.		60573-001	Front Hanger, Left, Other Models	1	-
	E-15138		59832-002	Front Hanger, Right, Century Class S/T, Columbia, Western Star	1	FRT-33
	S.O.S.		60573-002	Front Hanger, Right, Other Models	1	-
20	E-15140	-	50764-002	Bolt, 3/4"-10 X 5-1/2" Long	2	FRT-33
21	S.O.S.		59829-001	Rear Hanger, Casting No. 59825-000;59829-000	2	-
22	S.O.S.		59830-001 59830-000	Rear Hanger Clamp	2	-
23	S.O.S.		59346-001 59346-000	Thrust Washer	4	-
24	S.O.S.		Various	Axle Assembly	1	-
25	E-15146		59826-000	Top Pad	2	FRT-33
26	E-15102	-	58917-016	Bolt, 3/4"-10 X 8-1/2" Long	8	FRT-33
	E-16435	-	-	Bolt, 3/4"-10 X 10" Long	8	FRT-33
	E-16436	-	-	Bolt, 3/4"-10 X 11-1/2" Long	8	FRT-33
27	E-15094	-	17700-033	Lock Nut, 3/4"-10, Nylock	8	-
28	S.O.S.		Various	Top Axle Wrap	2	-
29	S.O.S.		64722-001	Bottom Axle Wrap	2	-

 Denotes Product is Genuine Hendrickson

For more information on King Pins, Tie Rod Ends and Assemblies
see 760C Front Axle Parts — Medium- and Heavy-Duty Applications

FREIGHTLINER FRONT





AIRTEK for Freightliner Vehicles Built Prior to May 2010,
Sterling Vehicles Built Prior to April 2009 &
Western Star Vehicles Built Prior to June 2010



FREIGHTLINER

For more information on King Pins, Tie Rod Ends and Assemblies
see 760C Front Axle Parts — Medium- and Heavy-Duty Applications

AIRTEK for Freightliner Vehicles Built Prior to May 2010, Sterling Vehicles Built Prior to April 2009 & Western Star Vehicles Built Prior to June 2010

KEY NO.	EUCLID NO.	GENUINE	OEM REF.	DESCRIPTION	QTY. PER AXLE	PAGE NO.
30	E-15145		59449-000	Top Axle Wrap Liner	2	FRT-33
31	E-15110		59845-000	Bottom Axle Wrap Liner	2	FRT-33
32	S.O.S.		Various	Axle Spacer	2	-
33	S.O.S.		Various	Dowel Pin	2	-
34	E-13999		60961-040	Kingpin Bushing and Bearing Service Kits, Axle Set Includes Left and Right Hand Kit (E-14000 and E-14001), Vehicles Built Before October 2012	1	-
	E-14000		60961-009	Kingpin Bushing and Bearing Service Kit, Left Hand with Composite Thrust Bearings, Vehicles Built Before October 2012	1	-
	E-14001		60961-039	Kingpin Bushing and Bearing Service Kit, Right Hand with Roller Thrust Bearings, Vehicles Built Before October 2012	1	-
	E-17644		60961-628	Kingpin Bushing and Bearing Service Kits, Axle Set Includes Left and Right Hand Kit (E-17645 and E-17646), Vehicles Built After October 2012	1	-
	E-17645		60961-629	Kingpin Bushing and Bearing Service Kit, Left Hand with Composite Thrust Bearings, Vehicles Built After October 2012	1	-
	E-17646		60961-630	Kingpin Bushing and Bearing Service Kit, Right Hand with Roller Thrust Bearings, Vehicles Built After October 2012	1	-
35	-		Various	Tie Rod Ends and Assembly. See Front Axle Catalog	As Req'd	-

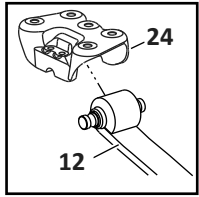
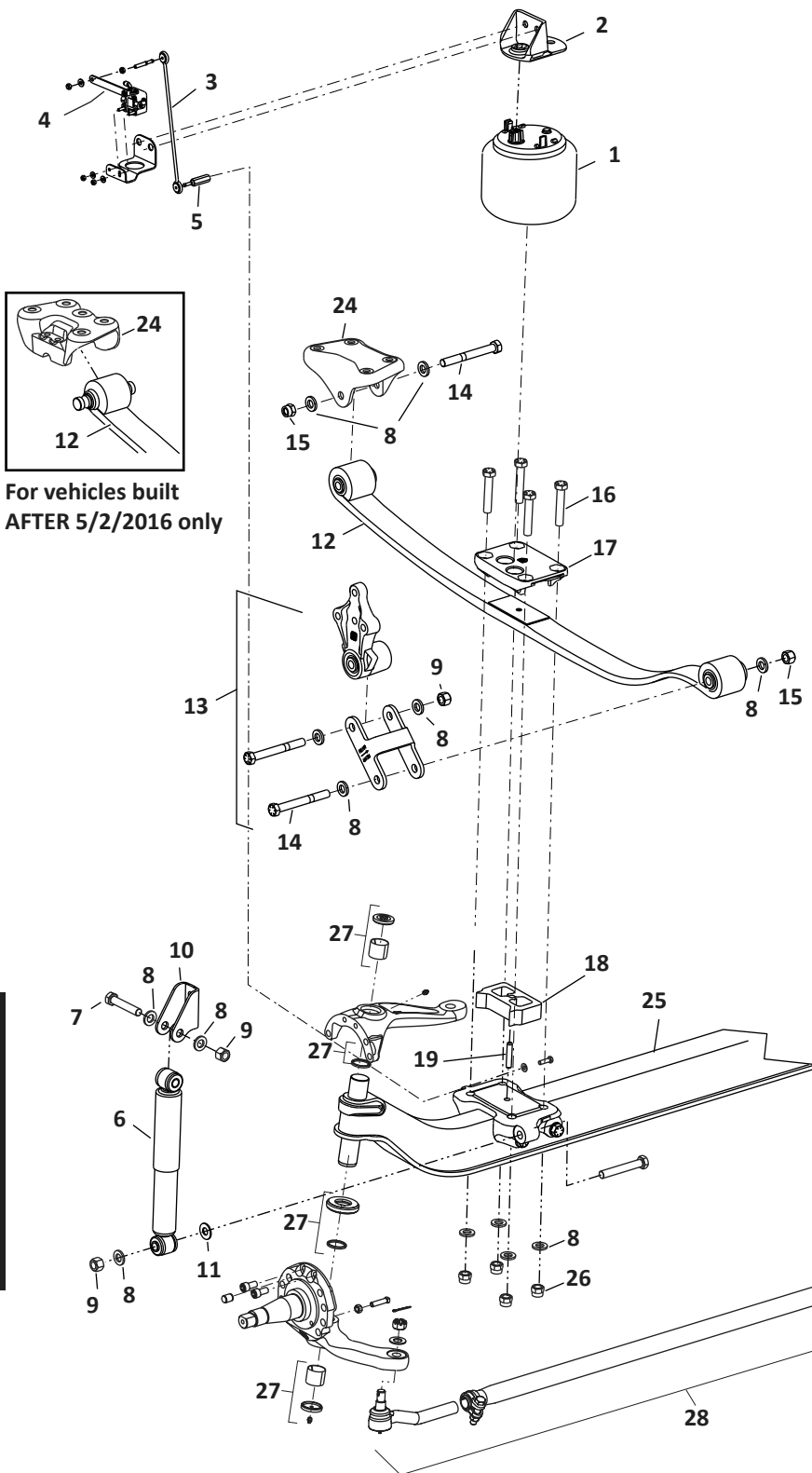
 Denotes Product is Genuine Hendrickson

FREIGHTLINER

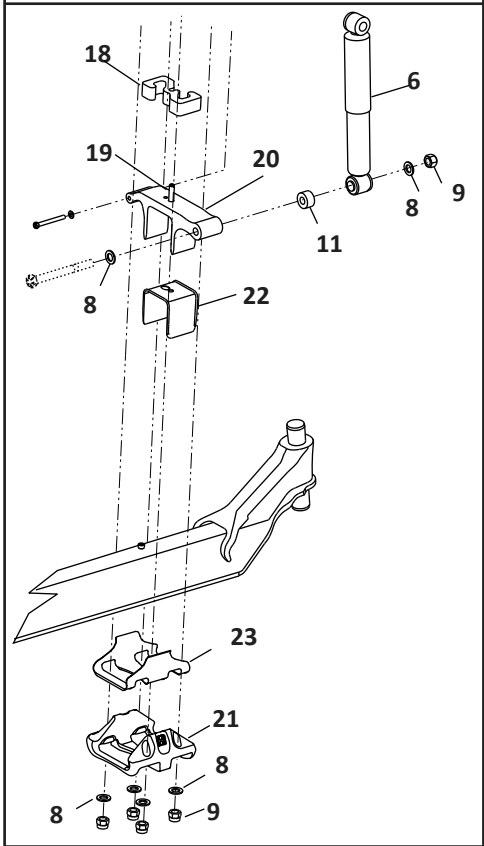
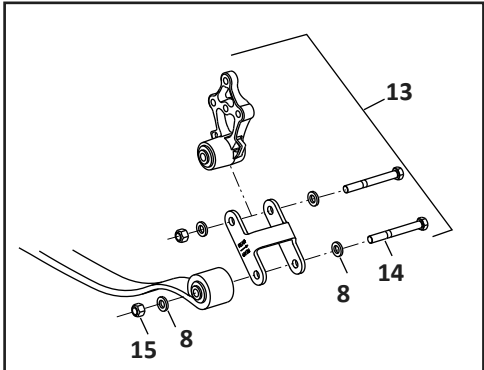
For more information on King Pins, Tie Rod Ends and Assemblies
see *760C Front Axle Parts — Medium- and Heavy-Duty Applications*

FREIGHTLINER FRONT

AIRTEK for Freightliner Vehicles Built Between May 2010 & November 2011 and All Cascadia & Coronado Models Built After November 2011



For vehicles built AFTER 5/2/2016 only











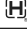












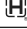


Vehicles Built Between May 2010 and Nov. 2011

All Cascadia & Coronado Models and Freightliner Vehicles Built After Nov. 2011

For more information on King Pins, Tie Rod Ends and Assemblies see 760C Front Axle Parts — Medium- and Heavy-Duty Applications

FREIGHTLINER

AIRTEK for Freightliner Vehicles Built Between May 2010 & November 2011 and All Cascadia & Coronado Models Built After November 2011

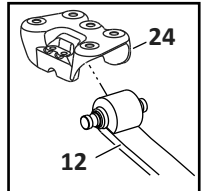
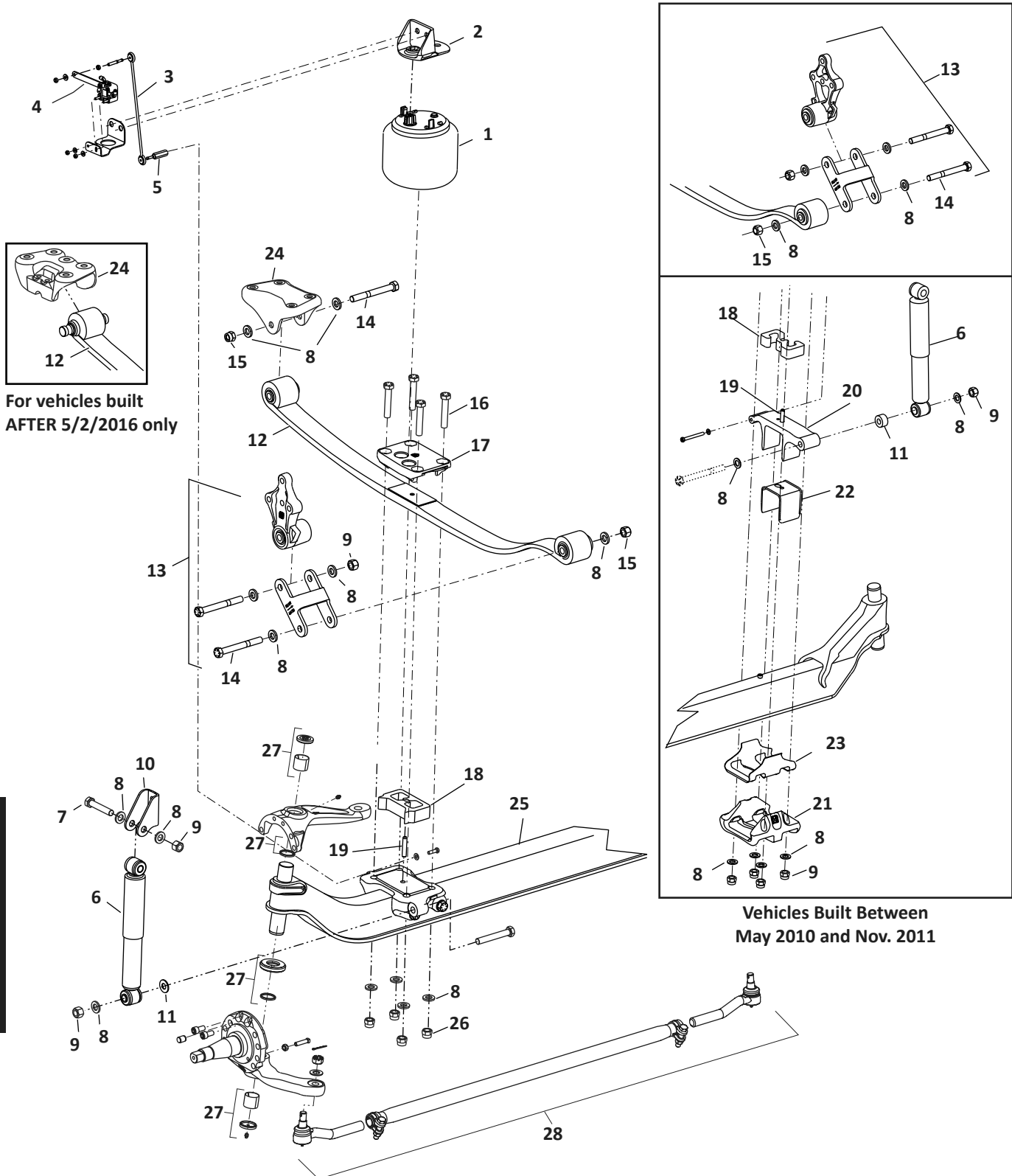
KEY NO.	EUCLID NO.	GENUINE	OEM REF.	DESCRIPTION	QTY. PER AXLE		PAGE NO.
					FREIGHTLINER BUILT 5/2010 – 11/2011	ALL CASCADIA AND CORONADO AND FREIGHTLINER AFTER NOV 2011	
1	S.O.S.		69116-002	Air Spring	2	2	-
2	E-16425		60850-001	Air Spring Bracket, Left Hand	1	1	FRT-35
	E-15132		60850-002	Air Spring Bracket, Right Hand	1	1	FRT-35
3	E-15133		59428-001	Height Control Valve Linkage Assembly, 13-1/8" Center-to-Center	1	1	FRT-34
	E-15134		59428-002	Height Control Valve Linkage Assembly, 14-1/2" Center-to-Center	-	1	FRT-34
4	S.O.S.		59935-013	Height Control Valve, Left Hand	1 Set Back	1	-
	S.O.S.		59935-023	Height Control Valve, Left Hand	1 Set Forward	-	-
	E-17587		59935-024	Height Control Valve, Right Hand	-	1	FRT-34
	E-13995		59935-002	Height Control Valve, Right Hand	1	-	FRT-34
5	E-16426		59429-001	Link Mount, Left Hand	1 Set Back	1	FRT-35
	E-15098		59429-002	Link Mount, Right Hand	1 LH Set Forward; 1 RH	1	FRT-35
6	M85932	-	58913-012	Shock Absorber	2	2	-
	M89453	-	58913-012	Shock Absorber	2	2	-
7	S.O.S.	-	-	Bolt, 3/4"-10 X 4" Long, Upper Shock	-	2	-
	S.O.S.	-	-	Bolt, 3/4"-10 X 3-3/4" Long, Upper Shock	2	-	-
8	E-2545	-	-	Washer, 3/4"	As Req.	As Req.	-
9	E-4347	-	-	Locknut, 3/4"-10	4	4	-
10	E-17586		59423-001	Shock Bracket	2	2	FRT-35
11	S.O.S.		22762-046	Shock Spacer	2	2	-
12	S.O.S.		Various	Leaf Spring Assembly	2	2	-
13	S.O.S.		Various	Shackle Bracket Assembly	2	2	-
14	S.O.S.	-	-	Bolt, 3/4"-16 X 6-1/2" Long	6	6	-
15	E-16467	-	-	Lock Nut, 3/4"-16, Nylock	4	4	-
16	E-15102	-	58917-016	Bolt, 3/4"-10 X 8-1/2" Long	8	-	FRT-33
	E-16435	-	-	Bolt, 3/4"-10 X 10" Long	8	-	FRT-33
	E-16436	-	-	Bolt, 3/4"-10 X 11-1/2" Long	8	-	FRT-33
17	E-15146		59826-000	Top Pad	2	2	FRT-33
18	S.O.S.		Various	Axle Spacer	2	2	-
19	S.O.S.		Various	Dowel Pin	2	2	-
20	S.O.S.		Various	Top Axle Wrap	2	-	-
21	S.O.S.		64722-001	Bottom Axle Wrap	2	-	-
22	E-15145		59449-000	Top Axle Wrap Liner	2	-	FRT-33
23	E-15110		59845-000	Bottom Axle Wrap Liner	2	-	FRT-33
24	S.O.S.		Various	Front Hanger	2	2	-
25	S.O.S.		Various	Axle Assembly	1	1	-
26	E-15094	-	17700-033	Lock Nut, 3/4"-10, Nylock	8	8	-

 Denotes Product is Genuine Hendrickson

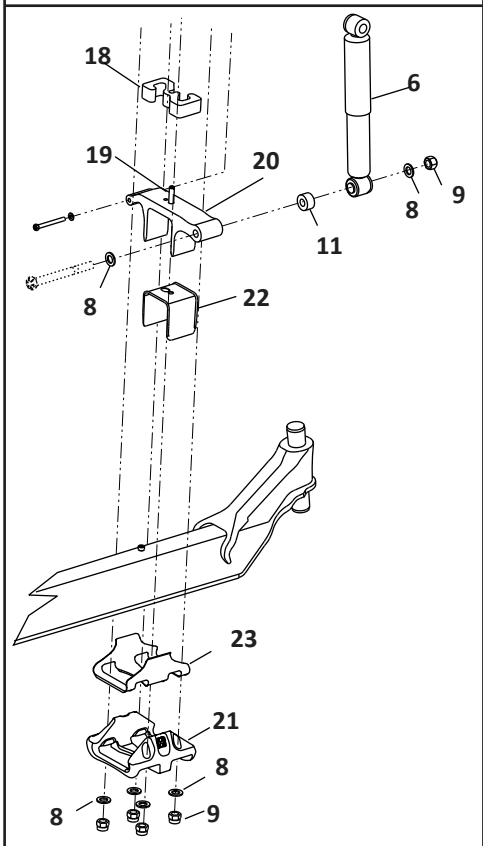
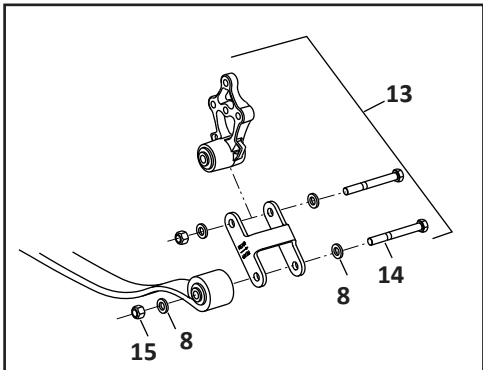
For more information on King Pins, Tie Rod Ends and Assemblies see 760C Front Axle Parts — Medium- and Heavy-Duty Applications

FREIGHTLINER FRONT

AIRTEK for Freightliner Vehicles Built Between May 2010 & November 2011 and All Cascadia & Coronado Models Built After November 2011



For vehicles built AFTER 5/2/2016 only










Vehicles Built Between May 2010 and Nov. 2011

All Cascadia & Coronado Models and Freightliner Vehicles Built After Nov. 2011

For more information on King Pins, Tie Rod Ends and Assemblies see 760C Front Axle Parts — Medium- and Heavy-Duty Applications

FREIGHTLINER

AIRTEK for Freightliner Vehicles Built Between May 2010 & November 2011 and All Cascadia & Coronado Models Built After November 2011

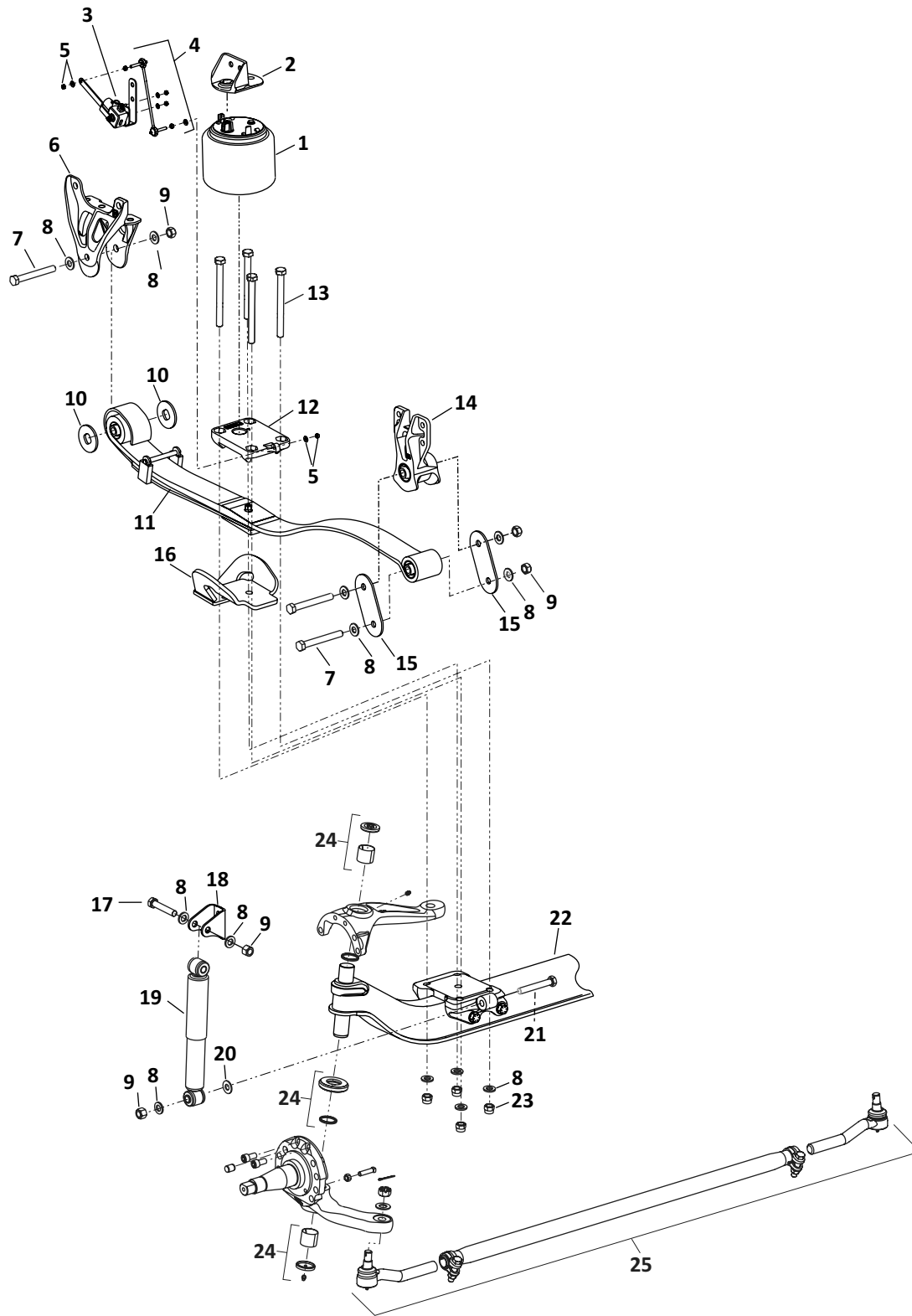
KEY NO.	EUCLID NO.	GENUINE	OEM REF.	DESCRIPTION	QTY. PER AXLE		PAGE NO.
					FREIGHTLINER BUILT 5/2010 – 11/2011	ALL CASCADIA AND CORONADO AND FREIGHTLINER AFTER NOV 2011	
27	E-13999		60961-040	Kingpin Bushing and Bearing Service Kits, Axle Set Includes Left and Right Hand Kit (E-14000 and E-14001), Vehicles Built Before October 2012	1	1	-
	E-14000		60961-009	Kingpin Bushing and Bearing Service Kit, Left Hand with Composite Thrust Bearings, Vehicles Built Before October 2012	1	1	-
	E-14001		60961-039	Kingpin Bushing and Bearing Service Kit, Right Hand with Roller Thrust Bearings, Vehicles Built Before October 2012	1	1	-
	E-17644		60961-628	Kingpin Bushing and Bearing Service Kits, Axle Set Includes Left and Right Hand Kit (E-17645 and E-17646), Vehicles Built After October 2012	-	1	-
	E-17645		60961-629	Kingpin Bushing and Bearing Service Kit, Left Hand with Composite Thrust Bearings, Vehicles Built After October 2012	-	1	-
	E-17646		60961-630	Kingpin Bushing and Bearing Service Kit, Right Hand with Roller Thrust Bearings, Vehicles Built After October 2012	-	1	-
28	-		Various	Tie Rod Ends and Assembly. See Front Axle Catalog	As Req'd	As Req'd	-

 Denotes Product is Genuine Hendrickson

For more information on King Pins, Tie Rod Ends and Assemblies see *760C Front Axle Parts — Medium- and Heavy-Duty Applications*

FREIGHTLINER FRONT

AIRTEK with STEERTEK NXT for Freightliner Motor Home Chassis



FREIGHTLINER

For more information on King Pins, Tie Rod Ends and Assemblies
see 760C Front Axle Parts — Medium- and Heavy-Duty Applications

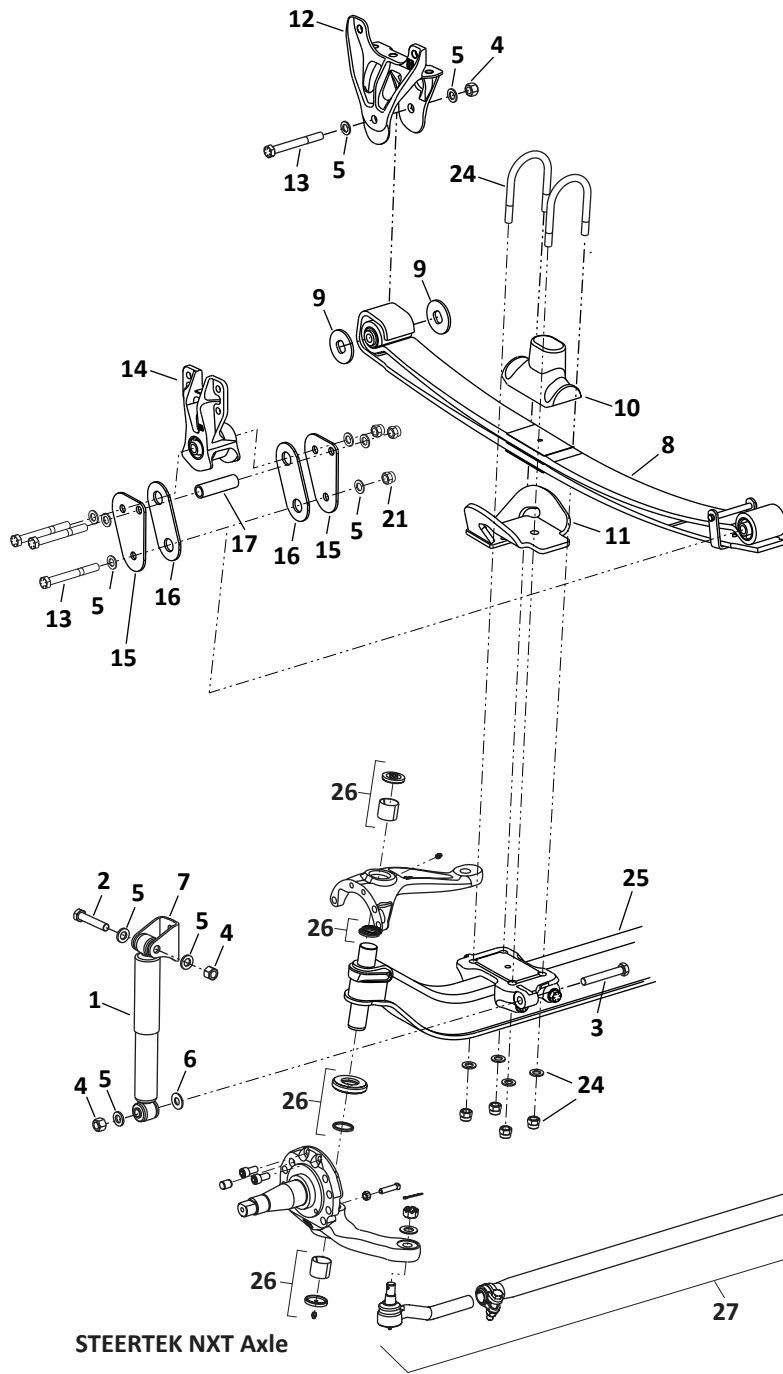
AIRTEK with STEERTEK NXT for Freightliner Motor Home Chassis						
KEY NO.	EUCLID NO.	GENUINE	OEM REF.	DESCRIPTION	QTY. PER AXLE	PAGE NO.
1	FS9912	-	64075-002	Air Spring	2	-
2	E-16425	☒	60850-001	Air Spring Bracket	2	FRT-35
3	E-16407	☒	60501-000	Height Control Valve	1	FRT-34
4	E-15134	☒	59428-002	Height Control Valve Linkage Kit	1	FRT-34
5	S.O.S.	☒	70417-000	Height Control Valve Linkage Kit and Mounting Hardware, Includes Key No. 4	1	-
6	S.O.S.	☒	66297-000	Front Hanger	2	-
7	S.O.S.	-	-	Bolt, 3/4"-10 X 6-1/2" Long	6	-
8	E-2545	-	-	Hardened Washer, 3/4"	As Required	-
9	E-4347	-	-	Lock Nut, 3/4"-10	6	-
10	E-16430	☒	67493-000; 65899-000	Thrust Washer, Front Hanger	2	-
11	S.O.S.	☒	53468-000	Leaf Spring Assembly	2	-
12	S.O.S.	☒	64516-001	Top Pad, Left Hand	1	-
	S.O.S.	☒	64516-002	Top Pad, Right Hand	1	-
13	S.O.S.	-	59952-024	Bolt, 3/4"-16 X 5-1/2" Long	2	-
14	S.O.S.	☒	66510-001	Rear Shackle Bracket and Bushing	2	-
15	S.O.S.	☒	66314-000	Rear Shackle Plate	2	-
16	S.O.S.	☒	68759-004	Sway Bar Bracket	2	-
17	S.O.S.	-	-	Bolt, 3/4"-10 X 4" Long, Upper Shock	2	-
18	S.O.S.	☒	59423-002	Shock Bracket	2	-
19	-	☒	-	Shock Absorber	2	-
20	S.O.S.	☒	-	Shock Spacer, 1/8" Thick	2	-
21	S.O.S.	-	-	Bolt, 3/4"-10 X 5" Long, Lower Shock	2	-
22	S.O.S.	☒	Various	Axle & King Pin Assembly	1	-
23	E-4961A	-	-	Lock Nut, 3/4"-16	6	-
24	E-17644	☒	60961-628	Kingpin Bushing and Bearing Service Kits, Axle Set Includes Left and Right Hand Kit (E-17645 and E-17646)	1	-
	E-17645	☒	60961-629	Kingpin Bushing and Bearing Service Kit, Left Hand with Composite Thrust Bearings	1	-
	E-17646	☒	60961-630	Kingpin Bushing and Bearing Service Kit, Right Hand with Roller Thrust Bearings	1	-
25	-	☒	Various	Tie Rod Ends and Assembly. See Front Axle Catalog	As Req'd	-

☒ Denotes Product is Genuine Hendrickson

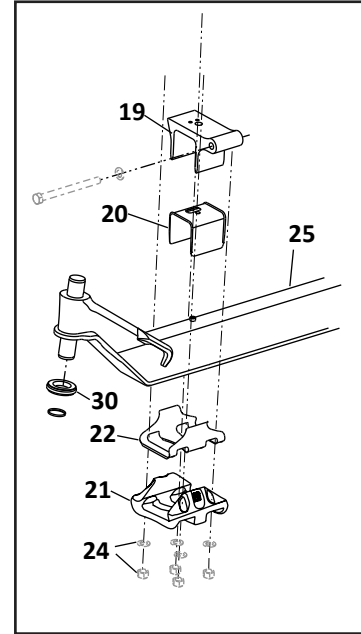
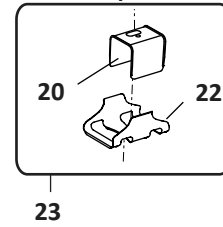
For more information on King Pins, Tie Rod Ends and Assemblies
see *760C Front Axle Parts — Medium- and Heavy-Duty Applications*

FREIGHTLINER FRONT

SOFTEK for Freightliner Motor Home Chassis

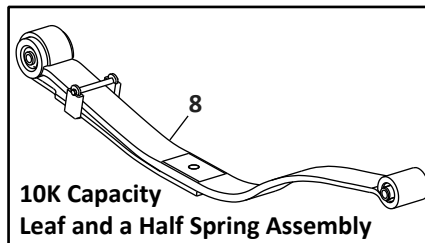
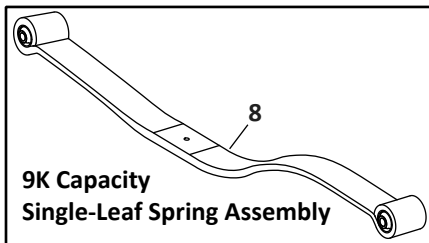


Axle Wrap Liner Kit














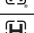

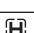

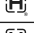


STEERTEK Axle Before May 2010

STEERTEK NXT Axle



FREIGHTLINER

For more information on King Pins, Tie Rod Ends and Assemblies
see 760C Front Axle Parts — Medium- and Heavy-Duty Applications

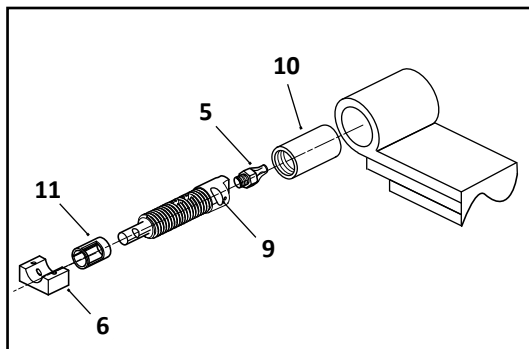
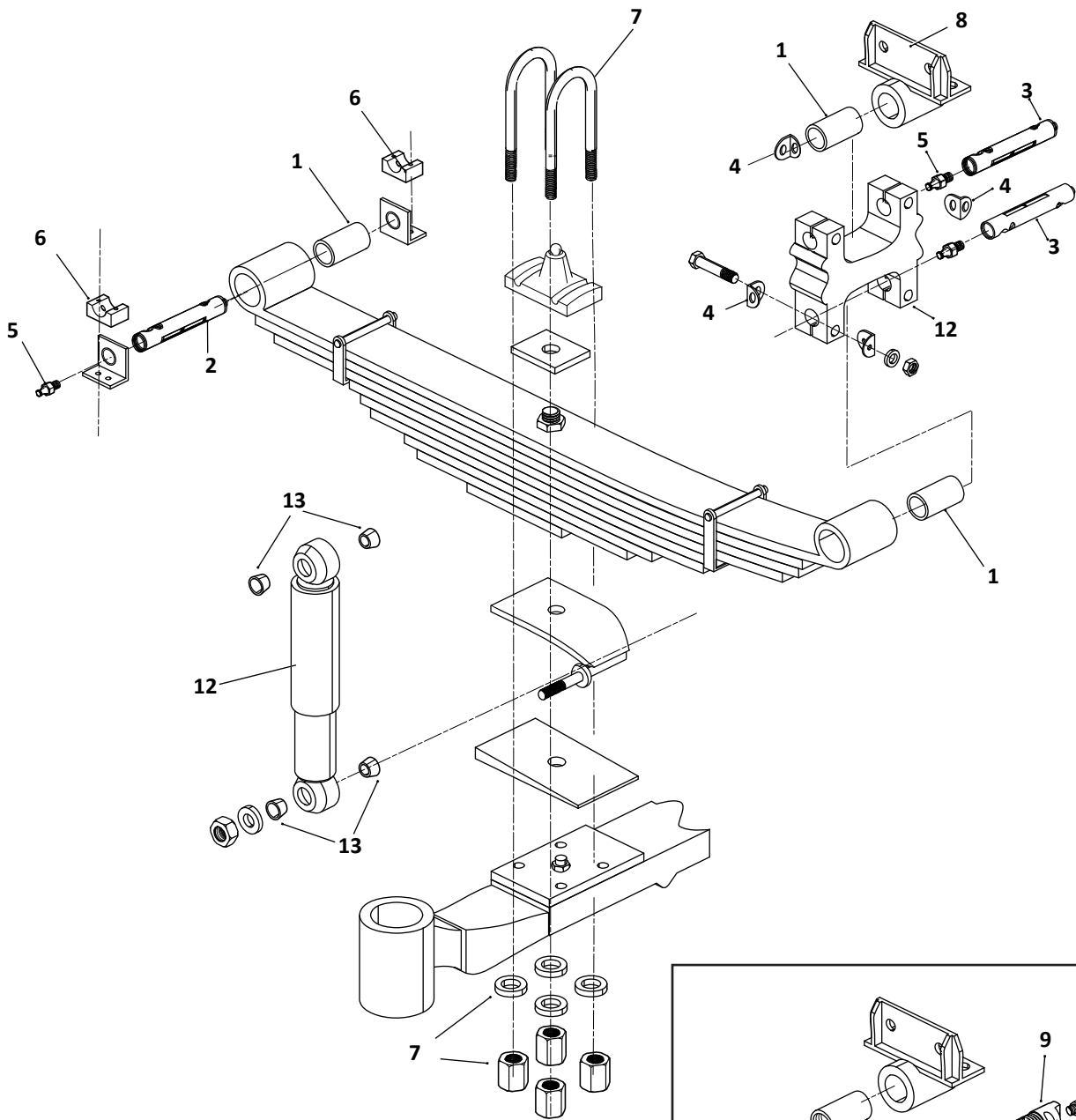
SOFTEK for Freightliner Motor Home Chassis						
KEY NO.	EUCLID NO.	GENUINE	OEM REF.	DESCRIPTION	QTY. PER AXLE	PAGE NO.
1	-	-	-	Shock Absorber	2	-
2	S.O.S.	-	-	Bolt, 3/4"-10 X 4" Long, Upper Shock	2	-
3	S.O.S.	-	-	Bolt, 3/4"-10 X 5" Long, Lower Shock	2	-
4	E-4347	-	-	Lock Nut, 3/4"-10	6	-
5	E-2545	-	-	Hardened Washer, 3/4"	As Required	-
6	S.O.S.		59946-002	Shock Spacer, Vehicles Built Prior to May 2010	2	-
	S.O.S.		-	Shock Spacer, 1/8" Thick, Vehicles Built After May 2010	2	-
7	S.O.S.		59423-002	Shock Bracket	2	-
8	S.O.S.		66415-002	Spring Assembly, Includes Spring Eye Bushings, 9K Single Leaf	2	-
	S.O.S.		65710-002	Spring Assembly, Includes Spring Eye Bushings, 10K Leaf & Half	2	-
	S.O.S.		68115-001	Spring Assembly, Includes Spring Eye Bushings, 12K Two Leaf	2	-
9	E-16430		67493-000 65899-000	Thrust Washer, Front Hanger	2	-
10	S.O.S.		65714-000	Top Pad, Vehicles Built After May 2010	2	-
	S.O.S.		65925-000	Top Pad, Vehicles Built Prior to May 2010	2	-
11	S.O.S.		68759-004	Sway Bar Bracket, Vehicles Built After March 2012	2	-
	S.O.S.		68759-003 66233-001	Sway Bar Bracket, Vehicles Built Prior to March 2012	2	-
12	S.O.S.		66297-000	Front Hanger	2	-
13	S.O.S.	-	-	Bolt, 3/4"-10 X 6-1/2" Long	6	-
14	S.O.S.		64316-000	Rear Shackle Bracket and Bushing	2	-
15	E-16431		66413-000	Rear Shackle Plate	2	FRT-32
16	E-16432		64159-000	Rear Shackle Wear Pad	2	FRT-32
17	E-16434		60631-000	Shackle Stop Tube	2	FRT-33
18	E-15094	-	-	Lock Nut, 3/4"-10, Nylock	6	-
19	S.O.S.		59952-024	Top Axle Wrap, Vehicles Built Prior to May 2010	2	-
20	E-15147		60508-000	Top Axle Wrap Liner, Vehicles Built Prior to May 2010	2	-
21	S.O.S.		64723-002	Bottom Axle Wrap, Vehicles Built Prior to May 2010	2	-
22	E-15110		59845-000	Bottom Axle Wrap Liner, Vehicles Built Prior to May 2010	2	FRT-33
23	E-15727		60961-015	Axle Wrap Liner Kit, Vehicles Built Before October 2012, Includes Key Nos. 20 & 22	2	FRT-35
24	S.O.S.	-	Various	U-Bolt Assembly, 3/4"-16	8	-
25	S.O.S.		Various	Axle & King Pin Assembly	1	-
26	E-14001		60961-039	Kingpin Bushing and Bearing Service Kit, Wheel End Set, Roller Thrust Bearings, Vehicles Built Before March 2012	2	-
	E-17646		60961-630	Kingpin Bushing and Bearing Service Kit, Wheel End Set, with Roller Thrust Bearings, Vehicles Built After March 2012	2	-
27	-		Various	Tie Rod Ends and Assembly. See Front Axle Catalog	As Req'd	-

 Denotes Product is Genuine Hendrickson

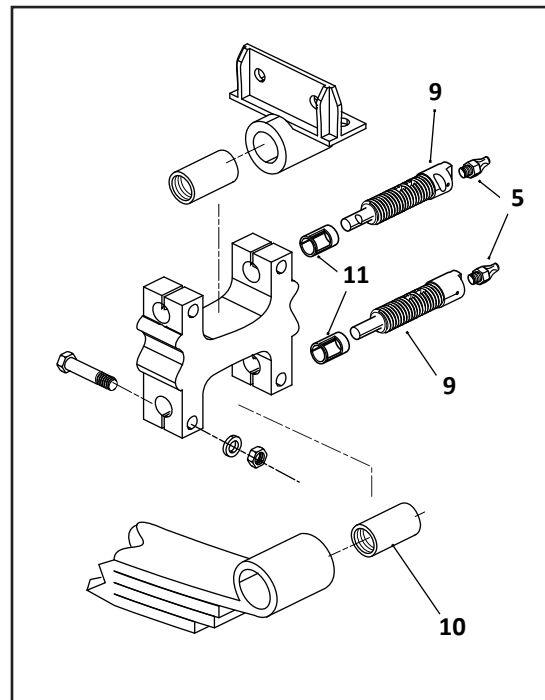
For more information on King Pins, Tie Rod Ends and Assemblies see 760C Front Axle Parts — Medium- and Heavy-Duty Applications

FREIGHTLINER FRONT

3-1/2" Wide Springs or 4" Wide Springs with Cutdown Eyes To 3-1/2" — Truck/Tractor



Threaded Pins & Bushings
Front End of Spring



Threaded Pins & Bushings
Rear of Spring

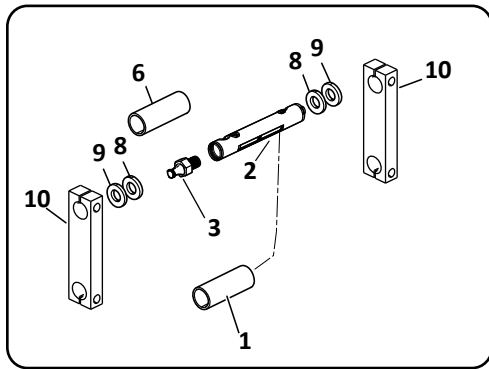
FREIGHTLINER

3-1/2" Wide Springs or 4" Wide Springs with Cutdown Eyes To 3-1/2" — Truck/Tractor					
KEY NO.	EUCLID NO.	OEM REF.	DESCRIPTION	QTY. PER AXLE	PAGE NO.
1	E-3533	16-01005-000	Front and Rear Spring Eye Bushing, Non-Threaded	4	FRT-36
2	E-3531	16-10509-000	Front Spring Pin, Non-Threaded	2	FRT-36
3	E-3530	16-10510-000	Rear Spring Pin, Non-Threaded	4	FRT-36
4	E-3537A	16-09040-002	Shim	As Required	FRT-37
5	E-1307	-	Zerk Fitting, 1/8" -27 NPT	6	-
6	E-16673	16-12323-000	Spring Pin Retainer	4	FRT-36
7	E-UB8153-10	-	U-Bolt Assembly, Rd. Bend, 3/4"-16 Thd. X 3-1/2" Wide x 10" Long	4	-
	E-UB8153-12	-	U-Bolt Assembly, Rd. Bend, 3/4"-16 Thd. X 3-1/2" Wide x 12" Long	4	-
	E-UB8153-14	-	U-Bolt Assembly, Rd. Bend, 3/4"-16 Thd. X 3-1/2" Wide x 14" Long	4	-
8	-	16-09906, 16-1003-1	Spring Hanger, Includes Bushing. Use with Non-Threaded Pins and Bushings	2	-
9	E-3532	16-09597-000	Front and Rear Spring Pin, Threaded	6	FRT-36
10	E-3534	16-09926-000	Front and Rear Spring Eye Bushing, Threaded, Discontinued	4	FRT-36
11	E-16643	16-09598-000	Threaded Bushing Sleeve, 1-1/4" OD, 1" ID X 1" Long with Slot	6	FRT-36
12	M85302	70042	Shock Absorber	2	-
	M85320	10-12032-2	Shock Absorber	2	-
13	E-401754	16-10722-000	Shock Absorber Bushing, Rubber	8	-
	GAFF18566	-	Shock Absorber Bushing, Poly	8	-

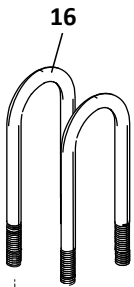
FREIGHTLINER FRONT

4" Wide Springs — FLD112, 120 Conventional, COE

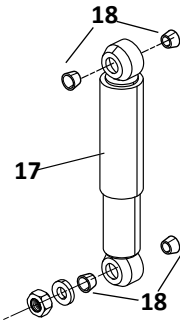
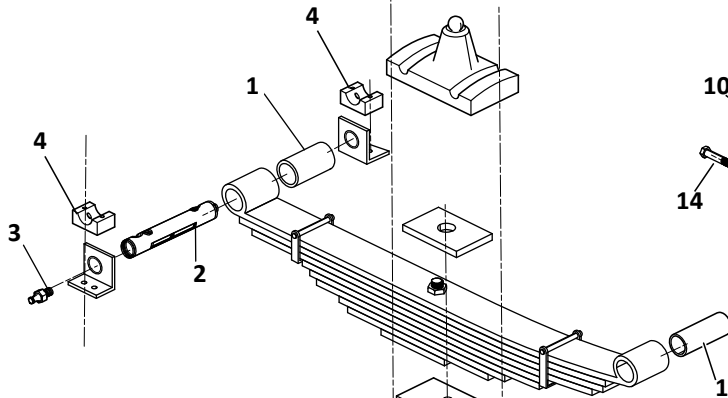
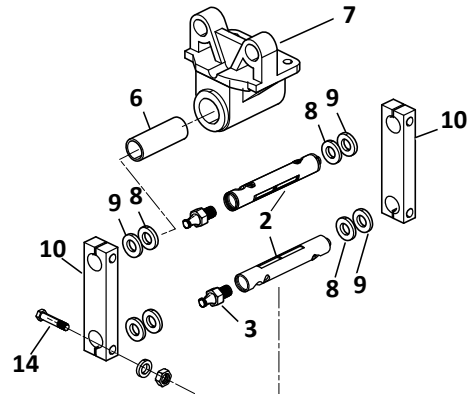
Shackle Kit Smooth Pin



5

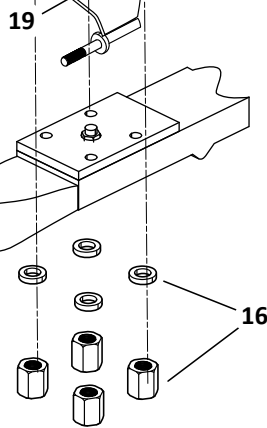


16

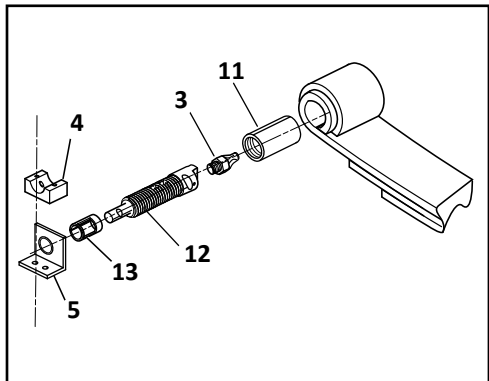


17

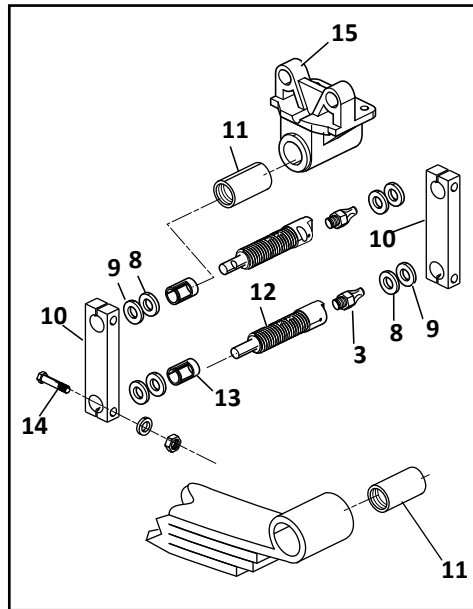
18



16



Threaded Pins & Bushings
Front End of Spring



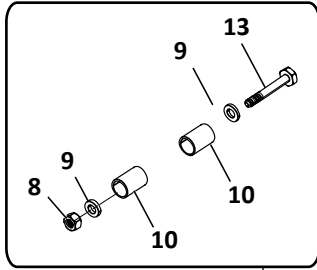
Threaded Pins & Bushings
Rear End of Spring

FREIGHTLINER

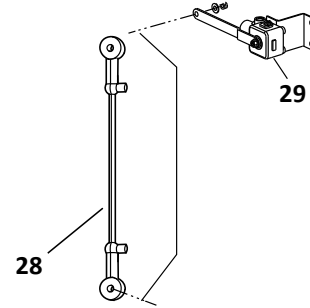
4" Wide Springs — FLD112, 120 Conventional, COE					
KEY NO.	EUCLID NO.	OEM REF.	DESCRIPTION	QTY. PER AXLE	PAGE NO.
1	E-1876	16-12399-001	Bi-Metal Bushing, 1-1/2" OD x 1-1/4" ID x 4"	4	FRT-36
2	E-8796	16-13470-000	Spring Pin, 1-1/4" OD x 6-7/8" OAL	6	FRT-36
3	E-1307	-	Zerk Fitting, 1/8" -27 NPT	6	-
4	E-16673	16-12323-000	Spring Pin Retainer	2	FRT-36
5	E-15598	-	Shackle Kit, Smooth Bushings, Includes 1, 2, 3, 6, 8, 9, 10	2	FRT-37
6	E-8797	16-01005-002	Bronze Bushing, 1-5/8" OD x 1-1/4" x 4", Hanger Bushing for 1-1/2" OD, use E-1876	2	FRT-36
7	E-8854	A16-12358-000	Rear Shackle Hanger, Smooth Plus, Ductile Iron, Includes E-8797 Bronze Bushing	2	FRT-37
8	E-16641	16-09860-012	Shim Washer 1-1/4" ID, 1-7/8" OD X .031" Thick	As Required	FRT-37
9	E-16642	23-11656-018	Shim Washer 1-1/4" ID, 2-1/4" OD X .156" Thick	As Required	FRT-37
10	E-8795	16-11890-000	Shackle Side Bar, Steel 7-5/8" Long	4	FRT-37
11	E-8799	16-12301-000	Threaded Bushing, 1-1/2" OD x 1-1/4"-8 x 4"	6	FRT-36
12	E-8800	16-12302-000	Spring Pin, Threaded	6	FRT-36
13	E-16643	16-09598-000	Threaded Bushing Sleeve, 1-1/4" OD, 1" ID X 1" Long with Slot	6	FRT-36
14	E-16232	-	Hex Bolt, 1/2"-20 X 3" Long	8	-
15	E-8855	A16-12358-001	Rear Shackle Hanger, Ductile Iron, Threaded Bushing, Discontinued	2	FRT-37
16	E-UB8154-10	11-09363-110	U-Bolt Assembly, Round Bend 3/4"-16 Thd. x 4" Wide x 10" Long	4	-
	E-UB8154-12	11-09363-110	U-Bolt Assembly, Round Bend 3/4"-16 Thd. x 4" Wide x 12" Long	4	-
	E-UB8164-10	11-09624-120	U-Bolt Assembly, Round Bend 7/8"-14 Thd. x 4" Wide x 10" Long	4	-
	E-UB8164-12	11-09624-120	U-Bolt Assembly, Round Bend 7/8"-14 Thd. x 4" Wide x 12" Long	4	-
17	M85302	70042	Shock Absorber	2	-
	M89420	70042	Shock Absorber, Premium Adjustable	2	-
	M85320	10-12302-000	Shock Absorber	2	-
	M89429	10-12302-000	Shock Absorber, Premium Adjustable	2	-
	M85918	10-12396-000	Shock Absorber	2	-
	M89449	10-12396-000	Shock Absorber, Premium Adjustable	2	-
18	E-401754	16-10722-000	Shock Absorber Bushing, Rubber	8	-
	GAFF18566	-	Shock Absorber Bushing, Poly	8	-
19	E-16644	10-12535-000	Shock Bracket, LH	1	FRT-37
	E-16645	10-12535-001	Shock Bracket, RH	1	FRT-37

FREIGHTLINER REAR FAS I AIR RIDE — Truck/Tractor

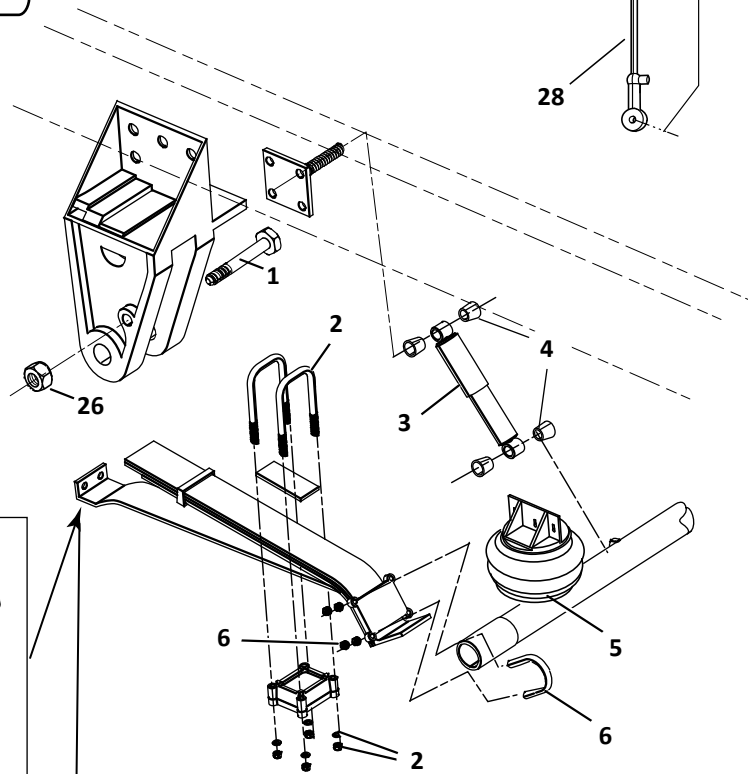
Spring Hanger Bracket
Bushings Assembly - 1st Design



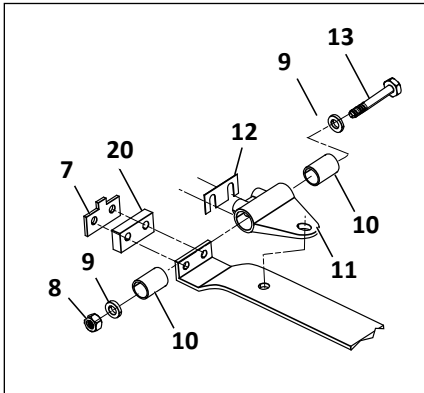
27



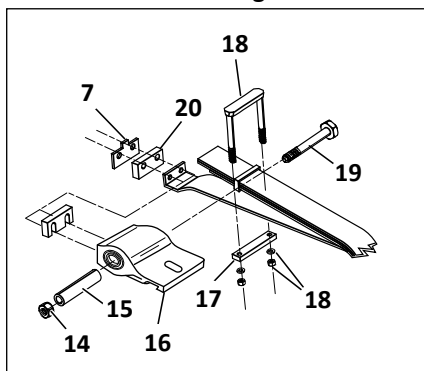
28



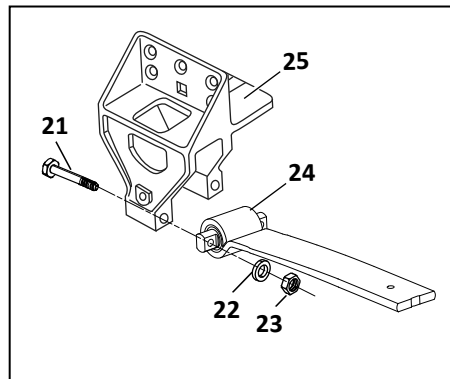
1st Design



2nd Design



3rd Design



FREIGHTLINER

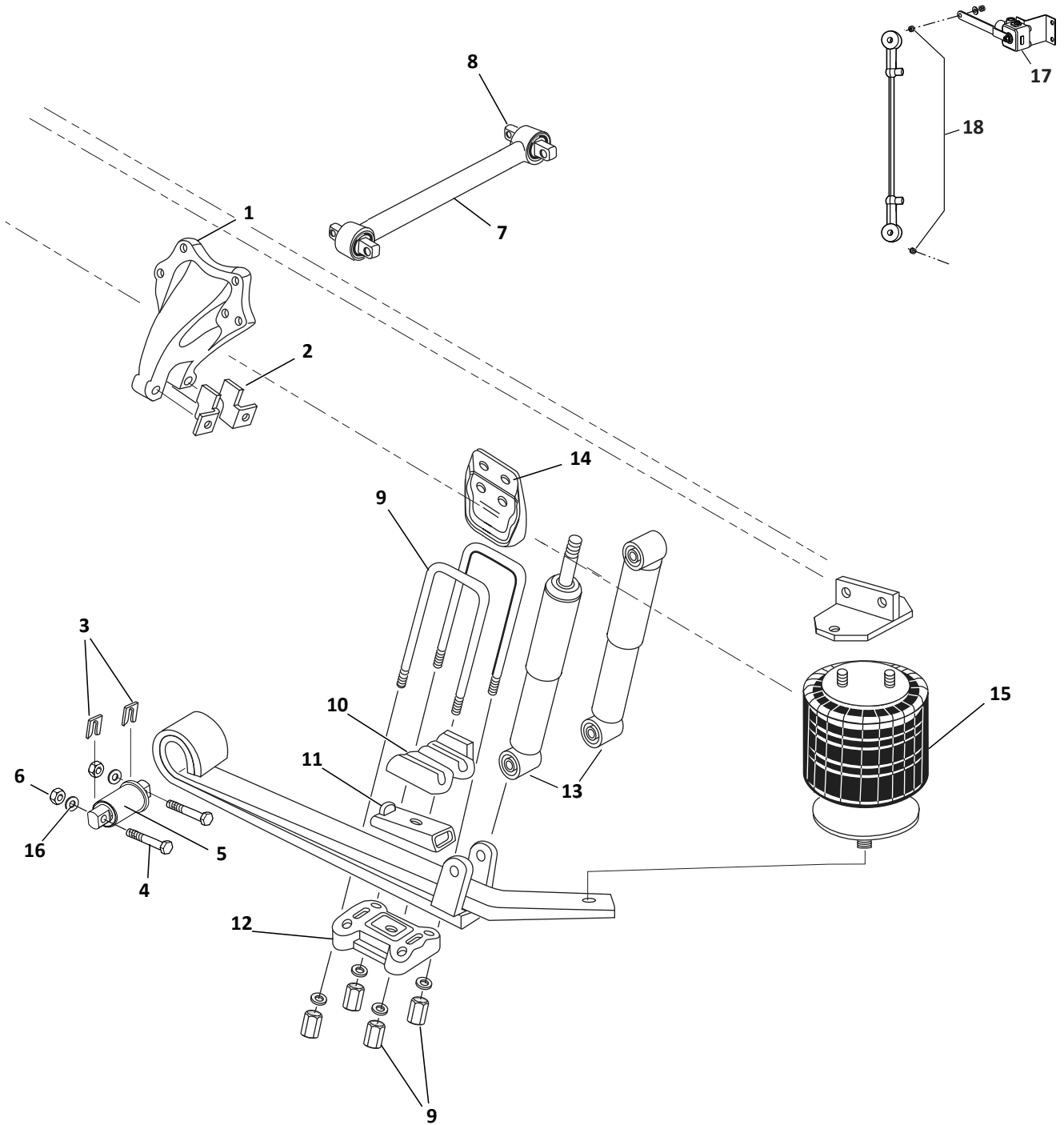
FREIGHTLINER REAR

Suspension

FAS I AIR RIDE — Truck/Tractor					
KEY NO.	EUCLID NO.	OEM REF.	DESCRIPTION	QTY. PER AXLE	PAGE NO.
1	E-9376	-	Rebound Bolt, 3/4"-16 X 7" Long	2	-
2	E-UB8164-16	11-09624-160	U-Bolt Assembly, Sq. Bend, 7/8"-14 Thd. X 4" Wide x 16" Long	4	-
3	M85007	16-11133; 16-12117-000	Shock Absorber	2	-
	M89412	16-12117-000; 665236	Shock Absorber, Premium Adjustable	2	-
	M85319	16-13947-000; 681-326-0400	Shock Absorber	2	-
4	E-401754	-	Shock Bushing, 1" ID, Rubber	8	-
	GAFF18566	-	Shock Bushing, 1" ID, Poly	8	-
5	FS7410	16-11378-000	Air Spring	2	-
	EAS7410	-	Air Spring	2	-
	FS7400	16-10796-000	Air Spring	2	-
	EAS7400	-	Air Spring	2	-
6	E-UB8143-074	16-10794	U-Bolt Assembly, Round Bend, 5/8"- 18 Thd. X 3-1/2" Wide x 7-1/2" Long	4	-
	E-UB5121-075	16-12450-000	U-Bolt Assembly, Round Bend, 1/2"-20 Thd. X 3-1/2" Wide X 7-5/8" Long	4	-
7	E-3568	16-10790-1	Shim Lock	2	FRT-38
8	E-1828	23-9901-216	Lock Nut, 1"-14 Thd.	2	-
9	E-3565	16-10784	Washer, 1-1/16" ID X 2-1/2" OD X 5/16" Thick	4	-
10	E-3563	16-11376-0	Spring Hanger Bushing, First Design	4	FRT-38
11	E-3569	16-10795-000	Spring Hanger Bracket, First Design, Use w/ E-3563 Bushing, Discontinued	2	FRT-38
12	E-3567	16-10790	Shim	As Required	FRT-39
13	E-3564	16-10782	Bolt, 1"-14 Thd. X 8" Long	2	-
14	E-1835	23-09598-14	Lock Nut, 7/8"-14 Thd	2	-
15	E-3817	236840	Spring Eye Bushing, Silent Block, 7/8" ID X 1-3/4" OD X 4" Long Used in E-3816 Bracket, Discontinued	2	FRT-38
16	E-3816	A16-12314-000	Spring Hanger Bracket, Second Design	2	FRT-38
17	E-3819	16-11935	U-Bolt Bottom Pad	2	FRT-38
18	E-UB8554-033	16-11934	U-Bolt Assembly, Flat Sq. Bend, 3/4"-16 Thd. X 4" Wide x 3-3/8" Long, Second Design	2	-
19	E-3818	16-11908-01	Spring Eye Bolt, 7/8"-14 X 7-3/4" Long	2	-
20	E-3821A	16-11941-002	Spacer Block, Discontinued	2	FRT-38
21	E-16227	-	Torque Arm Bolt, 5/8"-11 X 5" Long	4	-
22	E-2547	-	Washer, 5/8"	4	-
23	E-2988	-	Lock Nut, 5/8" -11 Thd.	4	-
24	E-9874	HRI-HBUS41, A16-11944	Torque Leaf Bushing, Third Design, 1-3/4" OD X 5-3/8" Center-to-Center of Holes, 5/8" Bolt Hole Dia., Discontinued	2	FRT-39
25	E-16674	16-12571-000	Spring Hanger Bracket, Third Design	2	FRT-40
26	E-4961A	-	Lock Nut, 3/4"-16 Thd.	2	-
27	E-3562	-	Spring Hanger Bracket Bushing Assembly, First Design, Includes Key Nos. 8, 9, 10, 13	2	FRT-38
28	E-9625	HPB450-3	Linkage Kit, Universal	1	-
29	E-9624	H00500C	Universal Height Control Valve, Hadley Model 500, Apply Air To Dump	1	FRT-41
	E-14731	H01501UD	Universal Height Control Valve, Hadley Next Gen, Apply Air To Dump	1	FRT-41

FREIGHTLINER

FREIGHTLINER REAR FAS II AIR RIDE — Truck/Tractor



FREIGHTLINER

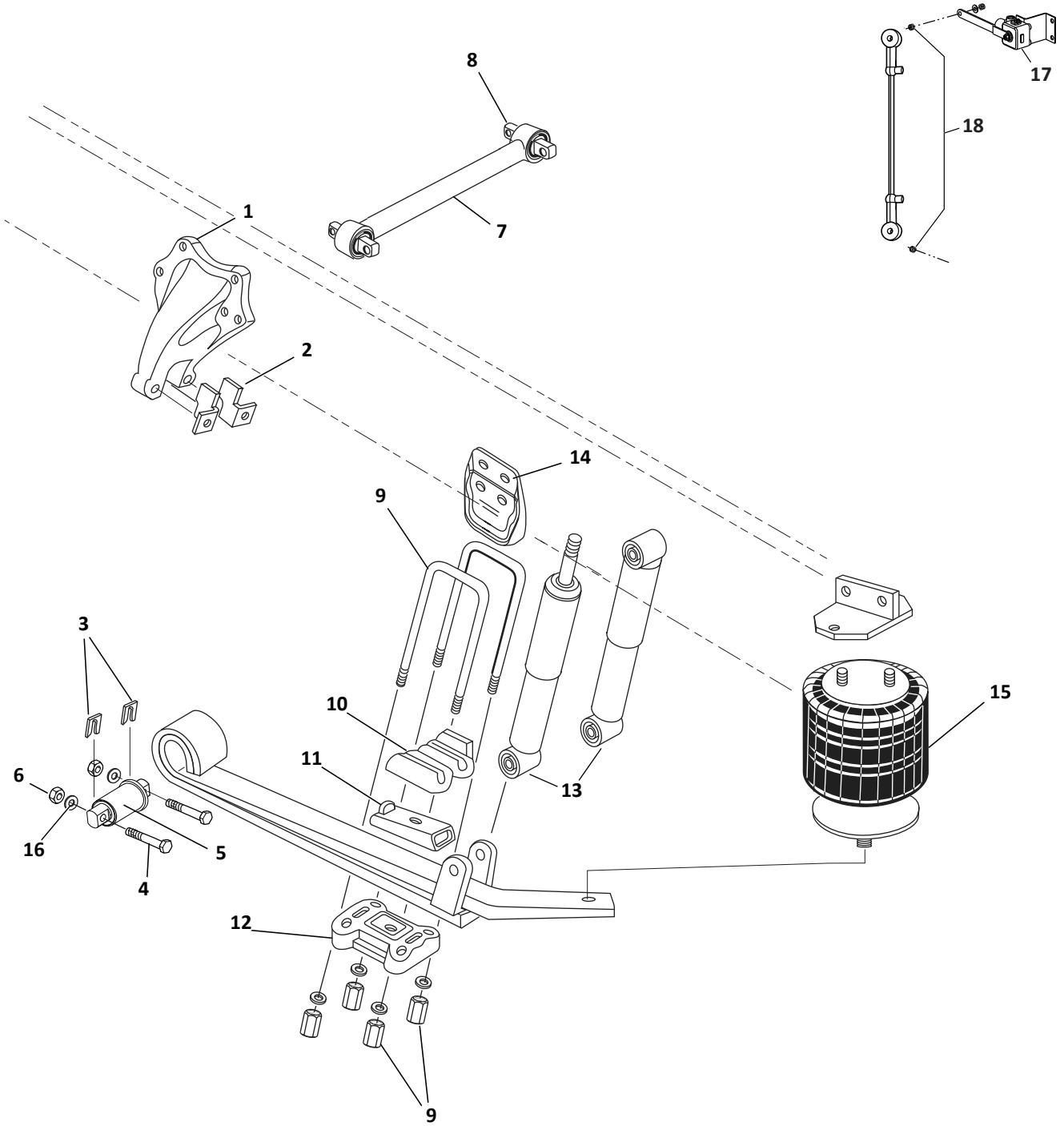
FREIGHTLINER REAR

Suspension

FAS II AIR RIDE — Truck/Tractor					
KEY NO.	EUCLID NO.	OEM REF.	DESCRIPTION	QTY. PER AXLE	PAGE NO.
1	E-16649	16-13901-000	Hanger, Ductile Iron, Standard Flange - 1-1/4" Thick	2	FRT-40
2	E-8803	681-325-22-09	Hanger Wear Pad, Right Hand	2	FRT-40
	E-8802	681-325-21-09	Hanger Wear Pad, Left Hand	2	FRT-40
	E-16651	16-16456-001	Hanger Wear Pad, Right Hand, Use With Anti-Walk Bushing E-15541	2	FRT-40
	E-16652	16-16456-000	Hanger Wear Pad, Left Hand, Use With Anti-Walk Bushing E-15541	2	FRT-40
3	E-8805	681-328-13-84	Alignment Shim, 1/8"	As Required	FRT-39
	E-8806	681-328-21-84	Alignment Shim, 1/16"	As Required	FRT-39
	E-8809	681-328-16-84	Alignment Shim, 1/16" Thick x 4-3/8" Long	As Required	FRT-39
	E-8810	681-328-19-84	Alignment Shim, 1/8" Thick x 4-3/8" Long	As Required	FRT-39
4	E-15194	-	Hanger Bolt 3/4"-16 X 5-1/2" Long	4	-
5	E-8804	681-325-01-50	Spring Eye Bushing, Rubber, Old Style	2	FRT-39
	GAFF11005	-	Spring Eye Bushing, Poly, Old Style	2	FRT-39
	E-15541	16-16412-001	Spring Eye Bushing, Rubber, Anti-Walk	2	FRT-39
	GAFF11083	-	Spring Eye Bushing, Poly, Anti-Walk	2	FRT-39
	E-15600	-	Spring Eye Bushing, Rubber, Anti-Walk, .050" Oversize OD	As Required	FRT-39
	GAFF11084	-	Spring Eye Bushing, Poly, Anti-Walk, .050" Oversize OD	As Required	FRT-39
6	E-4961A	-	Lock Nut, 3/4"-16	4	-
7	E-8808	681-326-63-16	Rigid Torque Arm, 22-15/16" Center-to-Center, Tubular Center Bar, Includes E-5275 Rubber Bushings	1	FRT-40
	E-15536	681-326-67-16	Rigid Torque Arm, 23-15/16" Center-to-Center, Tubular Center Bar, Includes E-5275 Rubber Bushings	1	FRT-40
	E-15542	16-16749-002	Rigid Torque Arm, 24-3/8" Center-to-Center, Tubular Center Bar, Includes E-5275 Rubber Bushings	1	FRT-40
	E-16277	16-16749-001	Rigid Torque Arm, 23-15/16" Center-to-Center, Solid Center Bar, Rubber Bushings, Not Rebushable	1	FRT-40
	GAFF11078	16-16749-001	Rigid Torque Arm, 23-15/16" Center-to-Center, Solid Center Bar, Includes GAFF11004 Poly Bushings	1	FRT-40
	GAFF11152	16-18972-000 ; 16-15632-000	Rigid Torque Arm, 24-3/16" Center-to-Center, Solid Center Bar, Includes GAFF13520 Poly Bushings	1	FRT-40
	E-16653	16-14149-002	Rigid Torque Arm, 24-7/16" with 7° Twist, Center-to-Center, E-16653 Includes E-10303 Straddle Bushing & E-2228 Taper Pin Bushing	1	FRT-40
8	E-5275	47691	Torque Arm Bushing, Straddle Mount, For Rebushable Torque Arm	2	FRT-39
9	E-UB8267-153	681-325-03-25	U-Bolt Assembly, Special Bend, 7/8"- 14 Thd. X 5-3/16" Wide x 15-3/8" Long	4	-
10	E-16656	16-14783-000	U-Bolt Top Pad, Use with Round Bend U-Bolts	2	FRT-41
	E-16654	16-14786-000	U-Bolt Top Pad, Right & Left Hand, Use with Square U-Bolts & 0° Axle Seat	2	FRT-41
11	E-16664	6813281626	Axle Seat, Wedge Style, 5° Angle	2	FRT-42
	E-16665	16-14071-000	Axle Seat, Wedge Style, 5° Angle	2	FRT-42
	E-16662	16-14059-001	Axle Seat, "V" Notch on One Side, Right Hand, 3° Angle	1	FRT-42
	E-16660	16-14140-000	Axle Seat, "V" Notch on Both Sides, 2° Angle	2	FRT-42
	E-16281	16-14051-000	Axle Seat, "V" Notch on Both Sides, 5.5° Angle	2	FRT-42
	E-16658	16-14294-000	Axle Seat, Long Narrow Notches on Both Sides, 2° Angle	2	FRT-42
	E-16661	16-14677-000	Axle Seat, Long Narrow Notches on Both Sides, 4.5° Angle	2	FRT-42
	E-16659	16-14295-000	Axle Seat, Long Narrow Notches on Both Sides, 5.5° Angle	2	FRT-42
12	E-16655	16-14016-001	U-Bolt Top Pad, Round Bend U-Bolts	2	FRT-41
13	M85319	681-326-04-00	Shock Absorber	2	-
	M89428	681-326-04-00	Shock Absorber, Premium Adjustable	2	-
	M85724	16-13957-000	Shock Absorber	2	-
14	-	681-328-18-40	Axle Rebound Bracket	2	-

FREIGHTLINER

FREIGHTLINER REAR FAS II AIR RIDE — Truck/Tractor



FREIGHTLINER

FREIGHTLINER REAR

Suspension

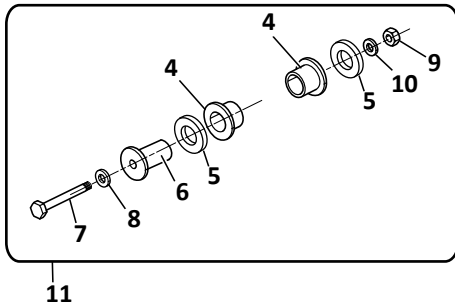
FAS II AIR RIDE — Truck/Tractor					
KEY NO.	EUCLID NO.	OEM REF.	DESCRIPTION	QTY. PER AXLE	PAGE NO.
15	FS9781	681-320-00-17, 16-14004-000, 16-16773-000	Firestone Air Spring	2	-
	EAS9781	681-320-00-17, 16-14004-000, 16-16773-000	Euclid Air Spring	2	-
	FS9780	16-14377-000	Firestone Air Spring	2	-
	EAS9780	16-14377-000	Euclid Air Spring	2	-
16	E-2545	-	Washer, 3/4" ID	2	-
17	E-9624	H00500C	Universal Height Control Valve, Hadley Model 500, Apply Air To Dump	1	FRT-41
	E-14731	H01501UD	Universal Height Control Valve, Hadley Next Gen, Apply Air To Dump	1	FRT-41
18	E-9625	-	Universal Leveling Valve Link Kit	1	-

FREIGHTLINER

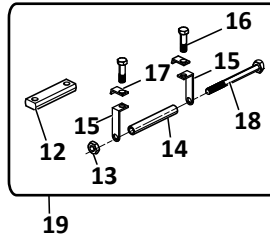
FREIGHTLINER REAR

FH34A – 44A, 4" Wide Leaf Spring Suspension — Truck/Tractor

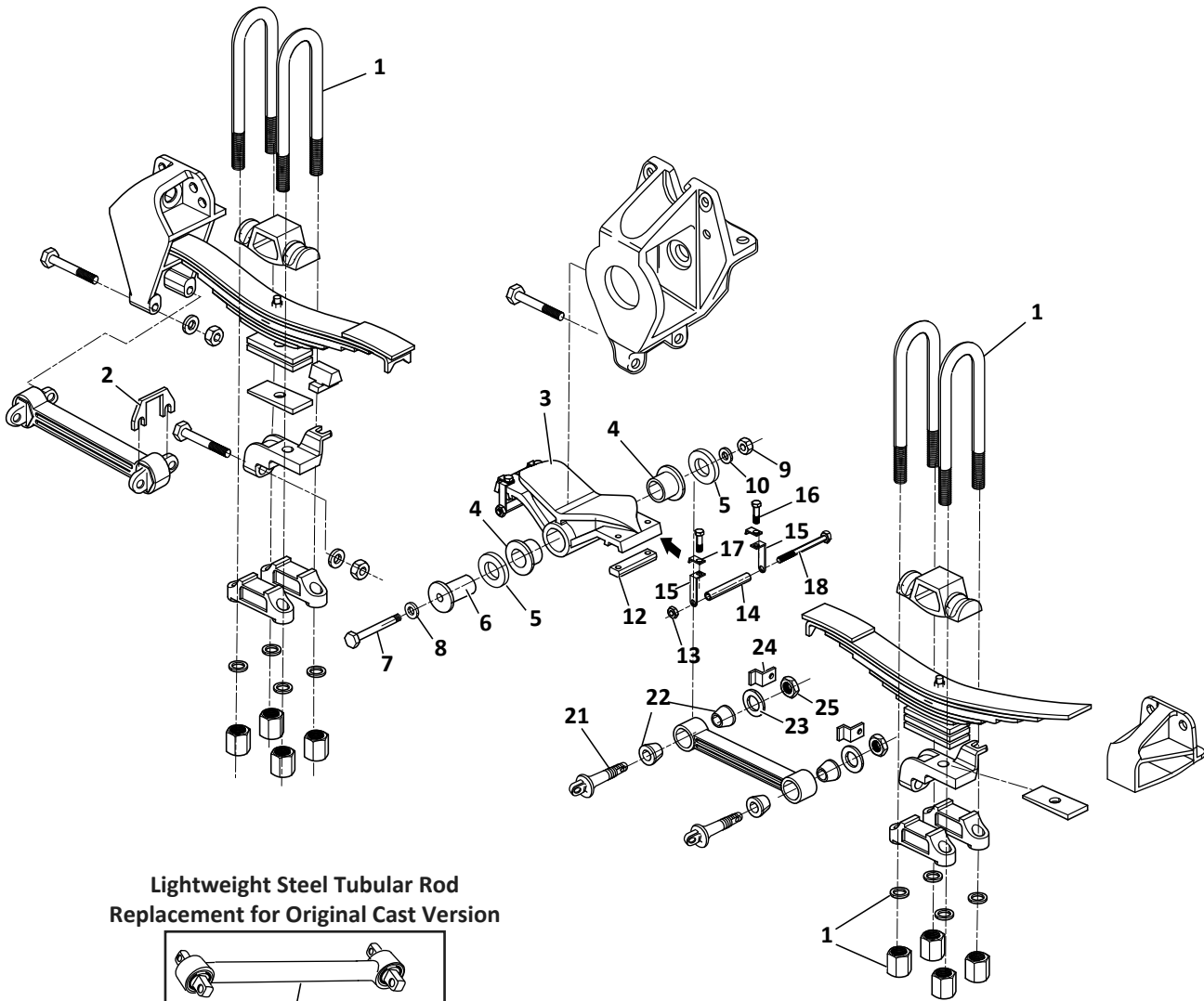
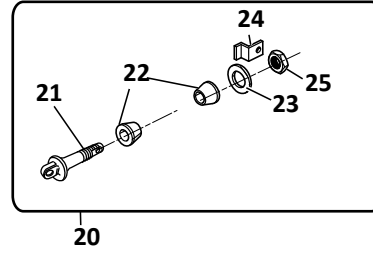
Equalizer Bushing Assembly



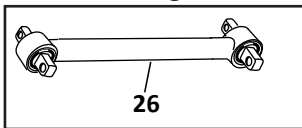
Equalizer Bracket Kit



Torque Arm Bushing Assembly
Cast Torque Arms



Lightweight Steel Tubular Rod
Replacement for Original Cast Version



Torque Arm

FREIGHTLINER

FREIGHTLINER REAR

Suspension

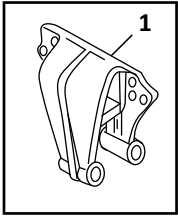
FH34A – 44A, Wide Leaf Spring Suspension — Truck/Tractor					
KEY NO.	EUCLID NO.	OEM REF.	DESCRIPTION	QTY. PER TANDEM	PAGE NO.
1	E-UB8154-18	-	U-Bolt Assembly, Rd. Bend, 3/4"- 16 Thd. X 4" Wide x 18" Long	8	-
2	E-3790	11-9588-1	Torque Arm Shim	As Required	FRT-45
3	-	16-10175-001	Equalizer, Ductile Iron, Discontinued	2	-
4	GAFF11064	16-13568-000	Equalizer Bushing, Poly	4	FRT-43
5	E-3541	A16-10177	Washer	4	FRT-44
6	E-3539	A16-10550	Cap & Tube Assembly	2	FRT-43
7	E-3542	-	Bolt, 3/4"-16 X 8-1/2" Long	2	-
8	E-2545	23-09114-004	Washer, 3/4" ID	2	-
9	E-4961A	23-461-6	Lock Nut, 3/4"-16 Thd.	2	-
10	E-3543	23-09427-05	Washer, 13/16" ID X 2" OD X 1/8" Thick	2	-
11	E-3538	-	Equalizer Bushing Assembly Includes Key Nos. 4 - 10.	2	FRT-43
12	E-3557	16-09895-000	Wear Pad	4	FRT-43
13	E-3560	23-9900-208	Lock Nut, 1/2"-20 Thd.	4	-
14	E-3558	16-09943-000	Spacer, 4-1/8" Long	4	FRT-44
15	E-3677	16-09893-000	Restraint Bracket, Included in Key Nos. 19 & 27	8	FRT-44
16	E-3555	23-09441-175	Capscrew, 1/2"-20 X 1-3/4" Long	8	-
17	E-3556	16-10414-000	Bolt Lock	8	FRT-44
18	E-2022	23-10751-550	Bolt, 1/2"-20 X 5-1/2" Long	4	-
19	E-3561A	-	Equalizer Bracket Kit Includes Key Nos. 12 -18	4	FRT-43
20	E-3294	-	Torque Arm Bushing Assembly, Old Style Cast Torque Arm, Includes Key Nos. 21 -25, Discontinued	8	FRT-45
21	E-3295	R16-9848	Torque Arm Pin, Old Style Cast Torque Arm, Discontinued	8	-
22	E-3296	R16-11351	Torque Arm Bushing, Poly, Old Style Cast Torque Arm	16	FRT-45
23	E-3297	16-10431-000	Washer, Old Style Cast Torque Arm	8	-
24	E-3299	16-10429	Tab Lock, Old Style Cast Torque Arm, Discontinued	8	-
25	E-3298	16-10429	Nut, 1-5/16"-12, 1-3/4" Hex, 5/16" High, Old Style Cast Torque Arm, Discontinued	8	-
26	E-3546	16-10420-001	Torque Arm, Tubular Steel, 18-3/16" Center-to-Center, 10° and 3° Bushing Angles, Not Rebushable	4	FRT-44
	E-8941	16-13053-000	Torque Arm, Tubular Steel, 16-5/8" Center-to-Center, Standard Duty with 1-1/2" Diameter Center Bar, 12° and 2° Bushing Angles, Not Rebushable	4	FRT-44

FREIGHTLINER

FREIGHTLINER REAR

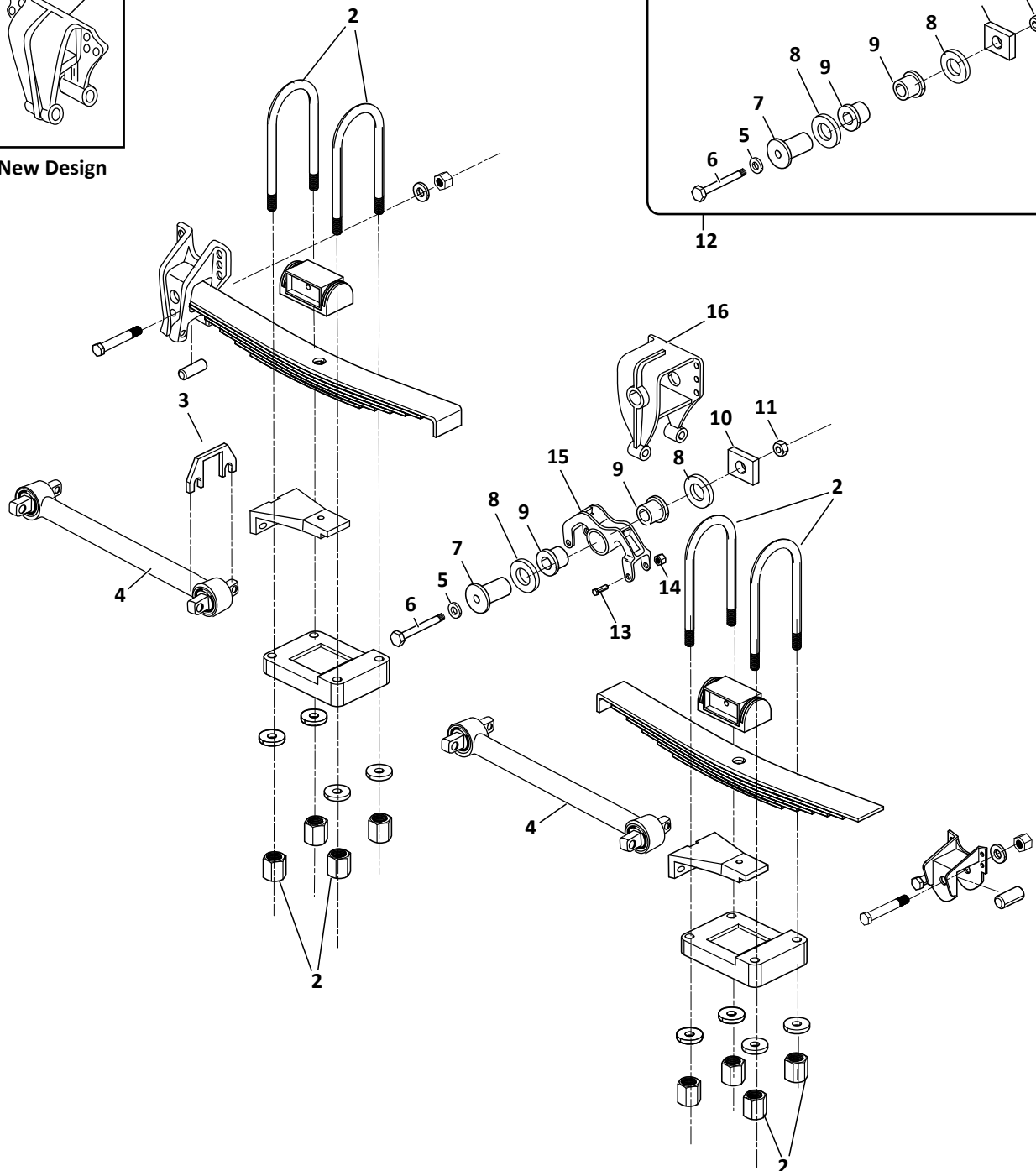
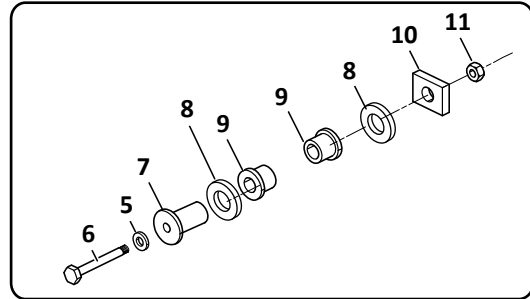
FH36 – 40, 3" Wide Leaf Spring Suspension — Truck/Tractor

Front Hanger



New Design

Equalizer Bushing Assembly



FREIGHTLINER

FREIGHTLINER REAR

Suspension

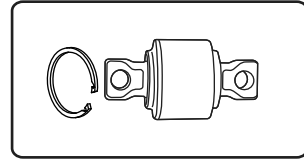
FH36 – 40, 3" Wide Leaf Spring Suspension — Truck/Tractor					
KEY NO.	EUCLID NO.	OEM REF.	DESCRIPTION	QTY. PER TANDEM	PAGE NO.
1	E-16648	16-12563-000	Front Hanger, Ductile Iron Replacement for Aluminum OE Hanger	2	FRT-45
2	E-UB8162-18	681-322-01-25, 681-322-0925, 681-322-12-25	U-Bolt Assembly, Rd. Bend, 7/8"- 14 Thd. X 3-1/8" Wide x 18" Long	4	-
	E-UB8162-22	681-322-03-25, 681-322-13-25	U-Bolt Assembly, Rd. Bend, 7/8"- 14 Thd. X 3-1/8" Wide x 22" Long	4	-
3	E-3790	11-9588-1	Torque Arm Shim, 1/16" Thick	As Required	FRT-45
4	E-8941	16-13053-000	Rigid Torque Arm, Steel, Cast, 16-5/8" Center-to-Center, 1-9/16" Tube Diameter, Not Rebushable	4	FRT-44
	E-9869	16-13054-000	Rigid Torque Arm, Steel, Cast, 16-5/8" Center-to-Center, Heavy Duty 1-15/16" Tube Diameter, Not Rebushable	4	FRT-44
5	E-2545	29-9114-4	Washer, 3/4" Diameter	2	-
6	E-7703	23-9447-900	Bolt, 3/4"-16 X 9" Long	2	-
7	E-7702	A16-12591-000	Cap & Tube Assembly	2	FRT-43
8	E-3541	A16-10177	Washer, 2-1/4" ID X 3-3/4" OD x 1/16" Thick	4	FRT-44
9	GAFF11064	16-13568-000	Equalizer Bushing, Poly	4	FRT-43
10	E-7704	16-12590-000	Retainer Plate	2	FRT-44
11	E-4961A	23-11480-144	Lock Nut, 3/4"-16 Thread	2	-
12	E-7706	A16-12591-000	Equalizer Bushing Assembly, Includes Key Nos. 5-11	2	FRT-43
13	E-16227	-	Rebound Bolt, 5/8"-11 X 5" Long	4	-
14	E-2988	-	Lock Nut, 5/8"-11 Thread	4	-
15	E-7700	681-325-01-27	Equalizer	2	FRT-43
16	E-15596	681-325-0005, 681-325-0805	Center Hanger	2	FRT-45

FREIGHTLINER

FREIGHTLINER REAR

TufTrac Suspension

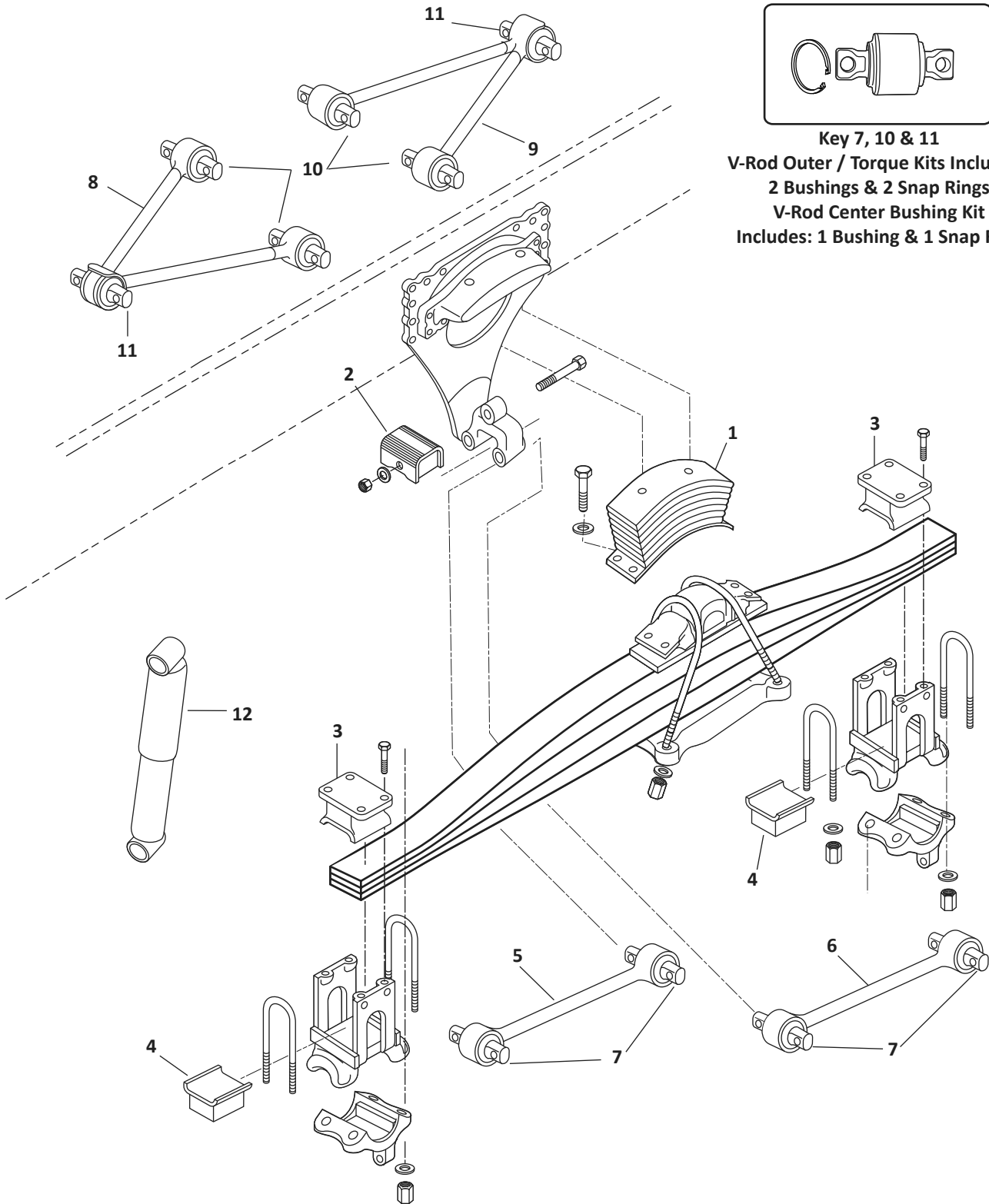
Torque Rod Bushing Kits



Key 7, 10 & 11

V-Rod Outer / Torque Kits Includes:
2 Bushings & 2 Snap Rings

V-Rod Center Bushing Kit
Includes: 1 Bushing & 1 Snap Ring



FREIGHTLINER

TufTrac Suspension					
KEY NO.	EUCLID NO.	OEM REF.	DESCRIPTION	QTY. PER SUSPENSION	PAGE NO.
1	E-16060	16-15010-000	Bolster Spring, Rubber	2	FRT-46
	GAFF11159	-	Bolster Spring, Poly	2	FRT-46
2	E-16671	16-15067-001	Rebound Stop, Cast	2	FRT-46
	E-16672	16-15067-002	Rebound Stop, Cast	2	FRT-46
3	E-16053	11-22805-000	Upper Insulator Cap, Rubber, 40K	4	FRT-46
	E-16051	11-19581-000	Upper Insulator Cap, Rubber, 46K	4	FRT-46
	GAFF11164	-	Upper Insulator Cap, Poly, 46K	4	FRT-46
4	E-15588	11-20807-000	Lower Insulator Pad, Rubber	4	FRT-46
	GAFF11165	-	Lower Insulator Pad, Poly	4	FRT-46
5	E-16058	16-15002-000	Torque Rod, Front w/ 54" Axle Spacing	2	FRT-47
	E-16055	16-14998-000	Torque Rod, Front w/ 56" Axle Spacing	2	FRT-47
	-	16-15004-000	Torque Rod, Front w/ 60" Axle Spacing	2	-
6	E-16059	16-15002-001	Torque Rod, Rear w/ 54" Axle Spacing	2	FRT-47
	E-16054	16-14998-001	Torque Rod, Rear w/ 56" Axle Spacing	2	FRT-47
	-	16-15004-001	Torque Rod, Rear w/ 60" Axle Spacing	2	-
7	E-16064	-	Torque Rod Bushing Kit, Includes (1) Bushing and (1) Snap Ring. For Torque Arms E-16058 & E-16059 w/ 54" Axle Spacing	8	FRT-46
	E-16063	-	Torque Rod Bushing Kit, Includes (1) Bushing and (1) Snap Ring. For Torque Arms E-16054 & E-16055 w/ 56" Axle Spacing	8	FRT-47
	GAFF11163	-	Torque Arm Bushing, Poly Version of E-16063	8	FRT-47
8	E-16056	16-15001-000	V-Rod, Front 40K, 54" Axle Spacing	1	FRT-48
	E-16061	16-15069-000	V-Rod, Front 46-52K, 56" Axle Spacing	1	FRT-48
	-	16-15003-000	V-Rod, Front 46-52K, 60" Axle Spacing	1	-
9	E-16057	16-15001-001	V-Rod, Rear 40K, 54" Axle Spacing	1	FRT-48
	E-16062	16-15069-001	V-Rod, Rear 46-52K, 56" Axle Spacing	1	FRT-48
	-	16-15003-001	V-Rod, Rear 46-52K, 60" Axle Spacing	1	-
10	E-16066	-	V-Rod Bushing Kit, Outer Bushings, Includes (1) Bushing and (1) Snap Ring. For All V-Rods	4	FRT-47
11	E-16069	-	V-Rod Center Bushing Kit, Includes (1) Bushing and (1) Snap Ring for V-Rods E-16056 & E-16057	2	FRT-47
	E-16070	-	V-Rod Center Bushing Kit, Includes (1) Bushing and (1) Snap Ring for V-Rods E-16061, E-16062	2	FRT-47
	GAFF11162	-	Torque Arm Bushing, Poly Version of E-16070	2	FRT-47
12	M85956	16-15770-000	Shock Absorber	2	-

FREIGHTLINER

AIRTEK for Freightliner

Spring Eye Bushing

FOR MODELS:
Freightliner
Prior to 5/10



Only Century Class S/T, Columbia, Western Star Set Forward.

EUCLID NO.	GENUINE	OEM REF.	ID	LENGTH
E-14632		59259-002	3/4"	3-1/4"

Rear Shackle Plate

FOR MODELS:
FCCC Motor
Home Chassis
SOFTEK



EUCLID NO.	GENUINE	OEM REF.
E-16431		66413-000

Spring Eye Bushing

FOR MODELS:
Newer Cascadia
Models



EUCLID NO.	GENUINE	OEM REF.	ID	OD	LENGTH	NOTES
E-17601		60961-867	7/8"	2-1/4"	4-1/4"	Includes Adhesive

Shackle Plate

FOR MODELS:
Newer Cascadia
Models



EUCLID NO.	GENUINE	OEM REF.
E-17581		78046-001

Rear Spring Mount

FOR MODELS:
Freightliner
Prior to 5/10



EUCLID NO.	GENUINE	OEM REF.
E-14633		58918-000

Rear Shackle Wear Pad

FOR MODELS:
FCCC Motor
Home Chassis
SOFTEK



EUCLID NO.	GENUINE	OEM REF.	NOTES
E-16432		64159-000	8-1/8" Long, 3-1/2" Wide, 1/4" Thick, 4-7/8" Center-to-Center

Spring End Plate

FOR MODELS:
Freightliner
Prior to 5/10



EUCLID NO.	GENUINE	OEM REF.
E-15118		58920-001 58920-000

Rear Spring Eye Hardware Kit

FOR MODELS:
Freightliner
Prior to 5/10



EUCLID NO.	GENUINE	OEM REF.	NOTES
E-15136		60961-003	Includes Bolt, Nut, Washers

Denotes Product is Genuine Hendrickson

AIRTEK for Freightliner

Shackle Stop Tube


FOR MODELS:
FCCC Motor
Home Chassis
SOFTEK




EUCLID NO.	GENUINE	OEM REF.	ID	OD	LENGTH
E-16434		60631-000	-	-	-

Top Axle Wrap Liner

FOR MODELS:
All Truck/Tractor



EUCLID NO.	GENUINE	OEM REF.
E-15145		59449-000

Front Hanger, Right Hand

FOR MODELS:
Freightliner
Prior to 5/10,
Century Class
S/T, Columbia,
Western Star



EUCLID NO.	GENUINE	OEM REF.
E-15138		59832-002

Bottom Axle Wrap Liner

FOR MODELS:
All Truck/Tractor,
FCCC Motor Home
Chassis w/
SOFTEK Built
Prior to May 2010



EUCLID NO.	GENUINE	OEM REF.
E-15110		59845-000


Front Hanger, Left Hand

FOR MODELS:
Freightliner
Prior to 5/10,
Century Class S/T,
Columbia,
Western Star



EUCLID NO.	GENUINE	OEM REF.
E-15137		59832-001

Bolt



EUCLID NO.	GENUINE	OEM REF.	LENGTH	THREAD	APPLICATION
E-15140	-	50764-002	5-1/2"	3/4"-10	Freightliner Prior to 5/10
E-15102	-	58917-016	8-1/2"	3/4"-10	All Truck/ Tractor
E-16435	-	-	10"	3/4"-10	All Truck/ Tractor
E-16436	-	-	11-1/2"	3/4"-10	All Truck/ Tractor

Top Pad

FOR MODELS:
All Truck/Tractor



EUCLID NO.	GENUINE	OEM REF.
E-15146		59826-000

 Denotes Product is Genuine Hendrickson

FREIGHTLINER

AIRTEK for Freightliner

Height Control Valve, Right Hand

FOR MODELS:
All Truck/Tractor



EUCLID NO.	GENUINE	OEM REF.
E-13995		59935-002

Height Control Valve, Right Hand

FOR MODELS:
Newer Cascadia Models



EUCLID NO.	GENUINE	OEM REF.	NOTES
E-17587		59935-024	-

Height Control Valve

FOR MODELS:
FCCC Motor Home
Chassis AIRTEK



EUCLID NO.	GENUINE	OEM REF.	NOTES
E-16407		60501-000	with Integrated Dump Feature

Height Control Valve Linkage Assembly

FOR MODELS:
All Truck/Tractor



EUCLID NO.	GENUINE	OEM REF.	LENGTH
E-15133		59428-001	13-1/8" Center-to-Center

Height Control Valve, Left Hand

FOR MODELS:
Newer Cascadia Models



EUCLID NO.	GENUINE	OEM REF.	NOTES
E-17583		59935-101	-

Height Control Valve Linkage Assembly

FOR MODELS:
All Truck/Tractor &
FCCC Motor Home
Chassis w/ SOFTEK



EUCLID NO.	GENUINE	OEM REF.	LENGTH
E-15134		59428-002	14-1/2" Center-to-Center

Height Control Valve, Right Hand

FOR MODELS:
Newer Cascadia Models



EUCLID NO.	GENUINE	OEM REF.	NOTES
E-17584		59935-102	-

Height Control Valve Linkage Assembly

FOR MODELS:
Newer Cascadia Models



EUCLID NO.	GENUINE	OEM REF.	NOTES
E-17604		59428-101	-

Denotes Product is Genuine Hendrickson

Link Mount, Right Hand


FOR MODELS:
Freightliner Between
5/10 & 11/11 &
All Cascadia &
Coronado Models




EUCLID NO.	GENUINE	OEM REF.	NOTES
E-15098		59429-002	Also used as Left Hand for 5/10-11/11 Set Forward Axles

Axle Wrap Liner Kit

FOR MODELS:
AIRTEK



Includes E-15147 & E-15110 Liners

EUCLID NO.	GENUINE	OEM REF.
E-15727		60961-015

Link Mount


FOR MODELS:
All Truck/Tractor




EUCLID NO.	GENUINE	OEM REF.
E-16426		59429-001

Shock Bracket

FOR MODELS:
Freightliner and
Western Star
AIRTEK Models



EUCLID NO.	GENUINE	OEM REF.	NOTES
E-17586		59423-001	-

Air Spring Bracket, Right Hand

FOR MODELS:
All Truck/Tractor



EUCLID NO.	GENUINE	OEM REF.
E-15132		60850-002

Air Spring Bracket

FOR MODELS:
All Truck/Tractor



EUCLID NO.	GENUINE	OEM REF.	NOTES
E-16425		60850-001	-


 Denotes Product is Genuine Hendrickson

FREIGHTLINER

Front Suspension Parts

Spring Pin


FOR MODELS:
3-1/2" Wide Springs



EUCLID NO.	OEM REF.	POSITION	OD	OAL
E-3530	16-10510	Rear	1-1/4"	5-3/4"
E-3531	16-10509	Front	1-1/2"	6-3/8"

Spring Pin - Threaded


FOR MODELS:
3-1/2" Wide Springs
4" Springs



EUCLID NO.	OEM REF.	LENGTH	THREAD
E-3532	16-09597-000	6-1/8"	1-1/4"-8
E-8800	16-12302-000	7-1/8"	1-1/4"-8

Spring Pin


FOR MODELS:
4" Springs



EUCLID NO.	OEM REF.	OD	LENGTH
E-8796	16-13470-000	1-1/4"	6-7/8"

Spring Pin Sleeve

FOR MODELS:
4" Springs



EUCLID NO.	OEM REF.	OD	ID	LENGTH
E-16643	16-09598-000	1-1/4"	1"	1"


Spring Pin Bushing - Bi-Metal

FOR MODELS:
4" Springs



EUCLID NO.	OEM REF.	OD	ID	LENGTH
E-1876	16-12399-001	1-1/2"	1-1/4"	4"

Spring Pin Bushing - Threaded



Thread 1-1/4"-8

EUCLID NO.	OEM REF.	OD	LENGTH	NOTES
E-3534	16-09926-000	1-1/2"	3-1/2"	Discontinued
E-8799	16-12301-000	1-1/2"	4"	-

Spring Pin Bushing - Bronze




ID1 1/4"

EUCLID NO.	OEM REF.	FOR MODEL	OD	LENGTH
E-3533	16-01005-000	3-1/2" Wide Springs	1-1/2"	3-1/2"
E-8797	16-01005-002	4" Springs	1-5/8"	4"

Spring Pin Retainer

FOR MODELS:
3 1/2" Springs



EUCLID NO.	OEM REF.
E-16673	16-12323-000

FREIGHTLINER

Front Suspension Parts

Spring Hanger

FOR MODELS:
4" Springs

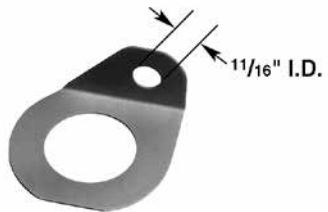


Ductile Iron

EUCLID NO.	OEM REF.	NOTES
E-8854	A16-12358-000	E-8854 Includes E-8797 Non-Threaded Bushing
E-8855	A16-12358-001	E-8855 Includes E-8799 Threaded Bushing Discontinued

Shim


FOR MODELS:
3-1/2" &
4" Wide Springs



EUCLID NO.	OEM REF.	ID	THICKNESS
E-3537A	16-9040-2	1-3/8"	1/16"

Shim

FOR MODELS:
4" Springs



EUCLID NO.	OEM REF.	OD	ID	THICKNESS
E-16641	16-09860-012	1-7/8"	1-1/4"	1/32"
E-16642	23-11656-018	2-1/4"	1-1/4"	5/32"

Shackle Kit

FOR MODELS:
4" Springs



Includes: Side Bars, Spring Pins, Bushings, Bolts, Nuts, Washers, Shims

EUCLID NO.	NOTES
E-15598	Smooth Pins

Shock Bracket - Left Hand


FOR MODELS:
4" Springs



EUCLID NO.	OEM REF.	LENGTH	WIDTH	THICKNESS	THREADS
E-16644	10-12535-000	9-1/4"	4"	5/8"	3/4"-16

Side Bar

FOR MODELS:
4 Wide Springs



Replaces Aluminum version 16-11890-001. Hole Dia. 1 1/4"

EUCLID NO.	OEM REF.	LENGTH	THICKNESS	WIDTH	NOTES
E-8795	16-11890-000	7-5/8"	1"	2"	Steel

Shock Bracket - Right Hand

FOR MODELS:
4" Springs



EUCLID NO.	OEM REF.	LENGTH	WIDTH	THICKNESS	THREADS
E-16645	10-12535-001	9-1/4"	4"	5/8"	3/4"-16

FREIGHTLINER

Rear Air Ride Suspension Components

Spring Hanger Bracket, Second Design

FOR MODELS:
FAS I



EUCLID NO.	OEM REF.	NOTES
E-3816	A16-12314-000	Includes E-3817 Bushing

Spring Hanger Bushing, Second Design

FOR MODELS:
FAS I



Used in E-3816 Bracket, Discontinued

EUCLID NO.	OEM REF.	OD	ID	LENGTH
E-3817	236840	1-3/4"	7/8"	4"

Spring Hanger Bracket, First Design

FOR MODELS:
FAS I

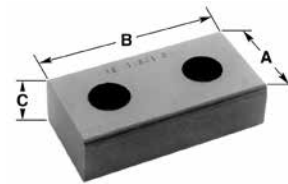


Use with E-3563 Bushing or E-3562 Kit, Discontinued

EUCLID NO.	OEM REF.	ID	LENGTH	THREAD
E-3569	16-10795-000	1-5/8"	7-1/8"	5/8"-11

Spacer Block, Second Design

FOR MODELS:
FAS I



Use with E-3816 Spring Hanger Bracket, Discontinued

EUCLID NO.	OEM REF.	LENGTH (B)	THICKNESS (C)	WIDTH (A)
E-3821A	16-11941-002	3-7/8"	1"	2"

Spring Hanger Bracket Bushing Assembly, First Design

FOR MODELS:
FAS I



EUCLID NO.	NOTES
E-3562	Used In E-3569. Includes Bushings, Bolt, Washers, Nut

U-Bolt Bottom Pad

FOR MODELS:
FAS I



EUCLID NO.	OEM REF.	LENGTH	NOTES
E-3819	16-11935	6-1/2"	3/4" Hole Dia. 4-3/4" Center-to-Center

Spring Hanger Bushing, First Design

FOR MODELS:
FAS I



Used in E-3569 Bracket

EUCLID NO.	OEM REF.	OD	ID	LENGTH
E-3563	16-11376-0	1-5/8"	1-1/16"	3-3/16"

Shim Lock

FOR MODELS:
FAS I



Use with First and Second Designs


EUCLID NO.	OEM REF.	LENGTH	THICKNESS
E-3568	16-10790-1	3-3/4"	1/16"

FREIGHTLINER

Rear Air Ride Suspension Components

Shim

FOR MODELS:
FAS I




Use with First and Second Designs

EUCLID NO.	OEM REF.	LENGTH	THICKNESS
E-3567	16-10790	3-3/4"	1/16"

Spring Eye Bushing - Anti-Walk

FOR MODELS:
FAS II
Improved Design




Oversize Version of E-15541

EUCLID NO.	OD	BOLT HOLE DIA	C-TO-C	MATERIAL	NOTES
E-15600	2-1/2"	3/4"	5-11/16"	Rubber	.050" Oversize OD
GAFF11084	2-1/2"	3/4"	5-11/16"	Poly	.050" Oversize OD

Spring Eye Bushing, Third Design

FOR MODELS:
FAS I



Used on Torque Leaf, Discontinued

EUCLID NO.	OEM REF.	OD	BOLT HOLE DIA	C-TO-C
E-9874	HRI-HBUS41, A16-11944	1-3/4"	5/8"	5-3/8"

Torque Arm Bushing


FOR MODELS:
FAS II



EUCLID NO.	OEM REF.	OD	BOLT HOLE DIA	C-TO-C
E-5275	Hendrickson 47691	2"	5/8"	4-3/8"

Spring Eye Bushing

FOR MODELS:
FAS II
Early Design




← Center - to - Center →

EUCLID NO.	OEM REF.	OD	BOLT HOLE DIA	MATERIAL	C-TO-C
E-8804	681-325-01-50	2-1/2"	3/4"	Rubber	5-11/16"
GAFF11005	-	2-1/2"	3/4"	Poly	5-11/16"

Alignment Shim


FOR MODELS:
FAS II



EUCLID NO.	OEM REF.	"A"	"B"	THICKNESS
E-8805	681-328-13-84	2-1/8"	1-5/8"	1/8"
E-8806	681-328-21-84	2-1/8"	1-5/8"	1/16"

Spring Eye Bushing - Anti-Walk

FOR MODELS:
FAS II
Improved Design

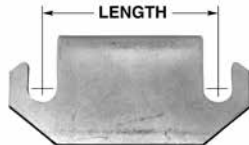


Improved Version of E-8804

EUCLID NO.	OEM REF.	OD	BOLT HOLE DIA	MATERIAL	C-TO-C
E-15541	16-16412-001	2-1/2"	3/4"	Rubber	5-11/16"
GAFF11083	-	2-1/2"	3/4"	Poly	5-11/16"

Torque Arm Shim

FOR MODELS:
FAS II



LENGTH

EUCLID NO.	OEM REF.	LENGTH	THICKNESS
E-8809	681-328-16-84	4-3/8"	1/16"
E-8810	681-328-19-84	4-3/8"	1/8"

FREIGHTLINER

Rear Air Ride Suspension Components

Rigid Torque Arm

FOR MODELS:
FAS II




5/8" Dia. Bolt Holes, Bushing Angles 0°, 35°

EUCLID NO.	OEM REF.	LENGTH (C-T-C)	CENTER BAR	BUSHING MATERIAL	BUSHINGS INCLUDED
E-8808	681-326-63-16	22-15/16"	Tubular	Rubber	E-5275
E-15536	681-326-67-16	23-15/16"	Tubular	Rubber	E-5275
GAFF11078	681-326-67-16	23-15/16"	Solid	Poly	GAFF11004
E-16277	16-16749-001	23-15/16"	Solid	Rubber	Not Rebushable
GAFF11152	16-18972-000 16-15632-000	24-3/16"	Solid	Poly	GAFF13520
E-15542	16-16749-002	24-3/8"	Tubular	Rubber	E-5275

Rigid Torque Arm, Twisted Ends

FOR MODELS:
FAS II




7.5° Twist, E-16653 Includes E-10303 and E-2228 Bushings

EUCLID NO.	OEM REF.	BOLT HOLE DIA	C-T-O-C	THREAD
E-16653	16-14149-002	5/8"	24-7/16"	1-1/4"-12

Spring Hanger - Standard Flange Thickness

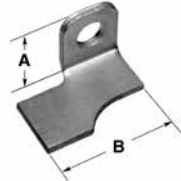
FOR MODELS:
FAS II



EUCLID NO.	OEM REF.	NOTES
E-16649	16-13901-000	Ductile Iron, 1-1/4" Flange Thickness

Hanger Wear Pad, Right & Left Hand

FOR MODELS:
FAS II



Hole Size: 13/16". Right Hand Shown

EUCLID NO.	OEM REF.	LOCATION	A DIM.	B DIM.	NOTES
E-8803	681-325-22-09	Right Hand	2-1/8"	3-5/16"	Use With E-8804 Bushing
E-8802	681-325-21-09	Left Hand	2-1/8"		Use With E-8804 Bushing
E-16651	16-16456-001	Left Hand	1-7/8"		Use With E-15641 Bushing
E-16652	16-16456-000	Right Hand	1-7/8"		Use With E-15641 Bushing

Spring Hanger

FOR MODELS:
FAS I



EUCLID NO.	OEM REF.	NOTES
E-16674	16-12571-000	Third Design, Newest Revision

U-Bolt Top Pad - Left & Right Hand

FOR MODELS:
FAS II




EUCLID NO.	OEM REF.	NOTES
E-16654	16-14786-000	Use with Square U-Bolts & 0° Axle Seat


FREIGHTLINER


Rear Air Ride Suspension Components


U-Bolt Top Pad - Right Hand		
FOR MODELS: FAS II		
		
EUCLID NO.	OEM REF.	NOTES
E-16472	16-14787-001	Use with Square U-Bolts & 2.5° Axle Seat


Axle Rebound Bracket		
FOR MODELS: FAS II		
		
5/8" Bolt Holes		
EUCLID NO.	OEM REF.	NOTES
E-16666	681-328-18-40	5" Tall

U-Bolt Top Pad		
FOR MODELS: FAS II		
		
EUCLID NO.	OEM REF.	NOTES
E-16656	16-14783-000	Use with Round U-Bolts

Universal Height Control Valve		
FOR MODELS: All Models		
		
EUCLID NO.	OEM REF.	NOTES
E-9624	H00500C	Hadley Model 500, Apply Air To Dump

U-Bolt Bottom Plate		
FOR MODELS: FAS II		
		
Most 40K Applications.		
EUCLID NO.	OEM REF.	NOTES
E-16473	16-14266-001	Use with Square U-Bolts

Universal Height Control Valve		
FOR MODELS: All Models		
		
EUCLID NO.	OEM REF.	NOTES
E-14731	H01501UD	Hadley Model Next Gen, Apply Air to Dump

Bottom Plate		
FOR MODELS: FAS II		
		
EUCLID NO.	OEM REF.	NOTES
E-16655	16-14016-001	Most 46K Applications. Use with Round U-Bolts

Rear Air Ride Components — FAS II Axle Seat Chart Suspension Components

EUCLID NO.	OEM REF.	TYPE	ANGLE	WIDTH	LEFT OR RIGHT HAND
E-16664	681 328 1626	1	5°	-	Both
E-16665	16-14071-000	1	5°	-	Both
E-16662	16-14059-001	2	3°	5"	Right
E-16660	16-14140-000	3	2°	4-3/4"	Both
E-16281	16-14051-000	3	5.5°	4-3/4"	Both
E-16658	16-14294-000	4	2°	4-3/4"	Both
E-16661	16-16477-000	4	4.5°	4-3/4"	Both
E-16659	16-14295-000	4	5.5°	4-3/4"	Both



TYPE 1 -
Wedge style



TYPE 2 -
"V" Notch One Side




TYPE 3 - "V" Notch Both Sides
For Square U-Bolts

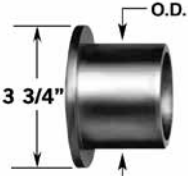


TYPE 4 - Small Notch Both Sides
For Round U-Bolts

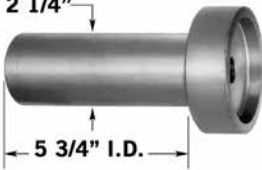
FREIGHTLINER


Rear Leaf Spring Suspension Components


Equalizer		
FOR MODELS: FH34A-44A		
		
EUCLID NO.	OEM REF.	NOTES
E-3917A	16-10175-001	Ductile Iron, Discontinued


Equalizer Bushing				
FOR MODELS: FH34A-44A, FH36-40				
				
Poly				
EUCLID NO.	OEM REF.	OD	ID	LENGTH
GAFF11064	A16-10549	2-3/4"	2-1/4"	2-9/32"

Equalizer		
FOR MODELS: FH36-44A		
		
EUCLID NO.	OEM REF.	NOTES
E-7700	681-325-01-27	Use Bushing GAFF11064 Not Included with Equalizer

Cap & Tube Assembly			
FOR MODELS: FH34A-44 FH36-40			
			
EUCLID NO.	OEM REF.	FOR MODEL	OVERALL LENGTH
E-3539	A16-10550	FH34A-44	6-9/16"
E-7702	A16-12591-000	FH36-40	7"

Equalizer Bushing Assembly	
FOR MODELS: FH34A-44A	
	
Includes 1- Bushing and Cap Assembly, plus items noted below.	
EUCLID NO.	NOTES
E-3538	2- Bushings, 2 - 3-3/4" OD Washers, 1 - Bolt, 1 - 2" OD Washer, 1 - 1-1/2" OD Washer, 1 - Lock Nut


Equalizer Bracket Kit	
FOR MODELS: FH34A-44A	
	
INCLUDES 2 BRACKETS AND ITEMS BELOW	
EUCLID NO.	INCLUDES 2 BRACKETS AND ITEMS BELOW
E-3561A	Wear Pad, Spacer, 1/2"-20 X 5-1/2" Bolt, 2-1/2" Lock Nuts, 2- Bolt Locks, 2-1/2"-20 X 1-3/4" Bolts


Equalizer Bushing Assembly		
FOR MODELS: FH36-40		
		
Includes 1- Bushing and Cap Assembly, plus items noted below		
EUCLID NO.	OEM REF.	NOTES
E-7706	A16-12591-000	2-Bushings, 2-Washers, 1-Bolt, 1-Retainer Plate, 1-3/4" ID Washer, 1 - Lock Nut


Wear Pad			
FOR MODELS: FH34A-44A			
			
EUCLID NO.	OEM REF.	LENGTH	THICKNESS
E-3557	16-09895-000	4-1/8"	1"


FREIGHTLINER


Rear Leaf Spring Suspension Components


Restraint Bracket		
FOR MODELS: FH34A-44A		
		
EUCLID NO.	OEM REF.	NOTES
E-3677	16-09893-000	Included in Kit E-3561A

Retainer Plate		
FOR MODELS: FH36-40		
		
EUCLID NO.	OEM REF.	NOTES
E-7704	16-12590-000	3" Square

Spacer			
FOR MODELS: FH34A-44A			
			
EUCLID NO.	OEM REF.	ID	LENGTH
E-3558	16-09943-000	5/8"	4-1/8"

Rigid Torque Arm				
FOR MODELS: FH34A-44A				
				
EUCLID NO.	OEM REF.	TUBE OD	LENGTH (C-T-C)	NOTES
E-8941	16-13053-000	1-9/16"	16-5/8"	Not Rebusable. Tubular Steel, 12° and 2° Bushing Angles, Replaces Original Cast Torque Arm, Models FH34A-44 & FH36-40
E-9869	16-13054-000	1-15/16"	16-5/8"	Not Rebusable. Tubular Steel, 12° and 2° Bushing Angles, Models FH34A-44 & FH36-40
E-3546	16-10420-001	1-9/16"	18-3/16"	Not Rebusable. Tubular Steel, 10° and 3° Bushing Angles. Models FH34A-44


Bolt Lock				
FOR MODELS: FH34A-44A				
				
EUCLID NO.	OEM REF.	ID	LENGTH	WIDTH
E-3556	16-10414-000	1/2"	1-1/2"	1"


Washer					
					
EUCLID NO.	OEM REF.	OD	ID	THICKNESS	FOR MODEL
E-3541	A16-10177	3-3/4"	2-1/4"	1/16"	FH36-40
E-3543	23-09427-05	2"	13/16"	1/8"	FH34A-44A


FREIGHTLINER


FREIGHTLINER


Rear Leaf Spring Suspension Components

Torque Arm Bushing Assembly	
FOR MODELS: FH34A-44A	
	
EUCLID NO.	NOTES
E-3294	For Old Style Cast Torque Arms, Includes Bushings, Pin, Washer, Nut, Discontinued

Front Hanger	
FOR MODELS: FH36-40	
	
EUCLID NO.	OEM REF.
E-16648	16-12563-000

Torque Arm Bushing, Poly				
FOR MODELS: FH34A-44A				
				
For Old Style Cast Torque Arm				
EUCLID NO.	OEM REF.	OD	ID	LENGTH
E-3296	R16-11351	Tapered	1-3/8"	1-3/16"

Center Hanger	
FOR MODELS: FH36-40	
	
EUCLID NO.	OEM REF.
E-15596	681-325-0005, 681-325-0805


Torque Arm Shim			
FOR MODELS: FH34A-44A, FH36-40			
			
EUCLID NO.	OEM REF.	LENGTH	THICKNESS
E-3790	11-9588-1	5-3/4"	1/16"


FREIGHTLINER

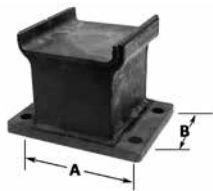
FREIGHTLINER


TufTrac® Rear Suspension Components

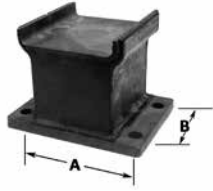
Bolster Spring			
FOR MODELS: 46K Axles <div style="text-align: center; margin-top: 10px;">  </div>			
EUCLID NO.	OEM REF.	MATERIAL	NOTES
E-16060	16-15010-000	Rubber	Bottom Bolt Holes 5/8" Dia., 9" Center-to-Center; Top Holes 1/2"-13 X 7-7/16" Center-to-Center
GAFF11159	-	Poly	Bottom Bolt Holes 5/8" Dia., 9" Center-to-Center; Top Holes 1/2"-13 X 7-7/16" Center-to-Center


Lower Insulator Pad					
FOR MODELS: 40/46K Axles <div style="text-align: center; margin-top: 10px;">  </div>					
EUCLID NO.	OEM REF.	OVERALL HEIGHT	WIDTH	LENGTH	MATERIAL
E-15588	11-20807-000	2-3/4"	4"	4"	Rubber
GAFF11165	-	2-3/4"	4"	4"	Poly

Rebound Bumper - Cast			
FOR MODELS: 40/46K Axles <div style="text-align: center; margin-top: 10px;">  </div>			
EUCLID NO.	OEM REF.	LENGTH	WIDTH
E-16671	16-15067-001	3-5/16"	3-3/16"

Upper Insulator Pad					
FOR MODELS: 46K Axles <div style="text-align: center; margin-top: 10px;">  </div>					
EUCLID NO.	OEM REF.	HEIGHT	A	B	MATERIAL
E-16051	11-19581-000	2-1/2"	4-1/4"	2-1/2"	Rubber
GAFF11164	-	2-1/2"	4-1/4"	2-1/2"	Poly

Rebound Bumper - Cast			
FOR MODELS: 40/46K Axles <div style="text-align: center; margin-top: 10px;">  </div>			
EUCLID NO.	OEM REF.	LENGTH	WIDTH
E-16672	16-15067-002	4-13/16"	3-3/16"

Upper Insulator Pad				
FOR MODELS: 40K Axles <div style="text-align: center; margin-top: 10px;">  </div>				
EUCLID NO.	OEM REF.	HEIGHT	A	B
E-16053	11-22805-000	3-1/4"	4-1/4"	2-1/2"

Torque Rod Bushing Kit					
FOR MODELS: 54" Axle Spacing <div style="text-align: center; margin-top: 10px;">  </div>					
For Torque Arms E-16058 & E-16059					
EUCLID NO.	OD	C-TO-C	HOLE DIA	A	NOTES
E-16064	2-5/8"	4-3/8"	5/8"	1-13/16"	Includes (1) Bushing and (1) Snap Ring


FREIGHTLINER

FREIGHTLINER

TufTrac® Rear Suspension Components

Torque Rod Bushing Kit

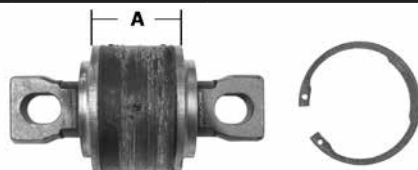
FOR MODELS:
56" & 60"
Axle Spacing



For Torque Arms E-16054, E-16055; 5/8" Dia. Bolt Holes

EUCLID NO.	OD	C-TO-C	MATERIAL	A	NOTES
E-16063	2-15/16"	4-3/8"	Rubber	2-1/16"	Includes (1) Bushing and (1) Snap Ring
GAFF11163	2-15/16"	4-3/8"	Poly	2-1/16"	Includes (1) Bushing and (1) Snap Ring


V-Rod Bushing Kit, Outer Bushings



For All V-Rods; 5/8" Dia. Bolt Holes, Elongated

EUCLID NO.	OD	C-TO-C	A	NOTES
E-16066	2-15/16"	4-3/8"	2-1/16"	Includes (1) Bushing and (1) Snap Ring

Torque Rod - Full Ball Design

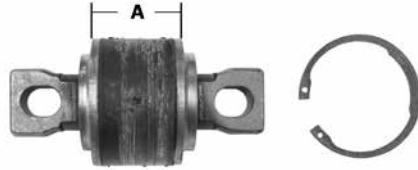


5/8" Dia. Bolt Holes

EUCLID NO.	OEM REF.	LENGTH	BUSHING ANGLES	NOTES
E-16058	16-15002-000	23-1/4"	Front Bushing +10°; Rear Bushing +7°	Includes E-16064 Bushings. 1-1/8" Bar Dia.
E-16055	16-14998-000	24-1/2"	Front & Rear Bushing 0°	Includes E-16063 Bushings. 1-1/4" Bar Dia.
E-16059	16-15002-001	23-1/4"	Front Bushing +6 1/2°; Rear Bushing +4°	Includes E-16064 Bushings. 1-1/8" Bar Dia.
E-16054	16-14998-001	24-7/16"	Front Bushing +4°; Rear Bushing +7°	Includes E-16063 Bushings. 1-1/4" Bar Dia.

V-Rod Center Bushing Kit

FOR MODELS:
54" Axle Spacing




For V-Rods E-16056 & E-16057; 7/8" Dia. Bolt Holes, Elongated

EUCLID NO.	OD	C-TO-C	A	NOTES
E-16069	3-5/16"	6-7/8"	2-1/4"	Includes (1) Bushing and (1) Snap Ring

V-Rod Center Bushing Kit

FOR MODELS:
56" & 60"
Axle Spacing



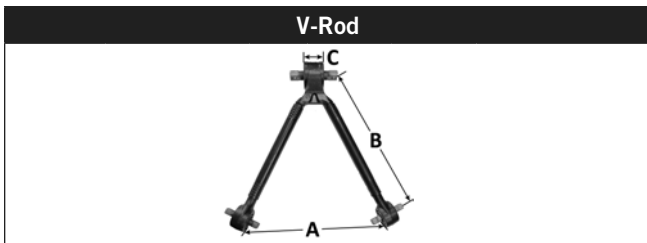
For V-Rods E-16061, E-16062; 7/8" Dia. Bolt Holes

EUCLID NO.	OD	C-TO-C	MATERIAL	A	NOTES
E-16070	3-15/16"	6-7/8"	Rubber	2-15/16"	Includes (1) Bushing and (1) Snap Ring
GAFF11162	3-15/16"	6-7/8"	Poly	2-15/16"	Includes (1) Bushing and (1) Snap Ring

FREIGHTLINER

FREIGHTLINER

TufTrac® Rear Suspension Components



Includes E-16066 Outer Bushings, and Center Bushings as Noted

EUCLID NO.	OEM REF.	A	B	C	NOTES
E-16056	16-15001-000	24"	27-3/4"	2-3/4"	Includes E-16069 Center Bushing
E-16061	16-15069-000	24"	26-7/8"	3-1/2"	Includes E-16070 Center Bushing
E-16057	16-15001-001	24"	27-3/4"	2-3/4"	Includes E-16069 Center Bushing
E-16062	16-15069-001	24"	26-7/8"	3-1/2"	Includes E-16070 Center Bushing

FREIGHTLINER

TABLE OF CONTENTS

NT — Air Suspension..... FRU-2

T / W24T1 — Air Suspension..... FRU-4

F-2 Standard / F-2 Wide-Base Hangers — Leaf Spring FRU-6

J-2 — Leaf Spring FRU-10

NF-2 — Trailer FRU-12

M2 Overslung/Underslung — Trailer FRU-14

Fruehauf Components FRU-16

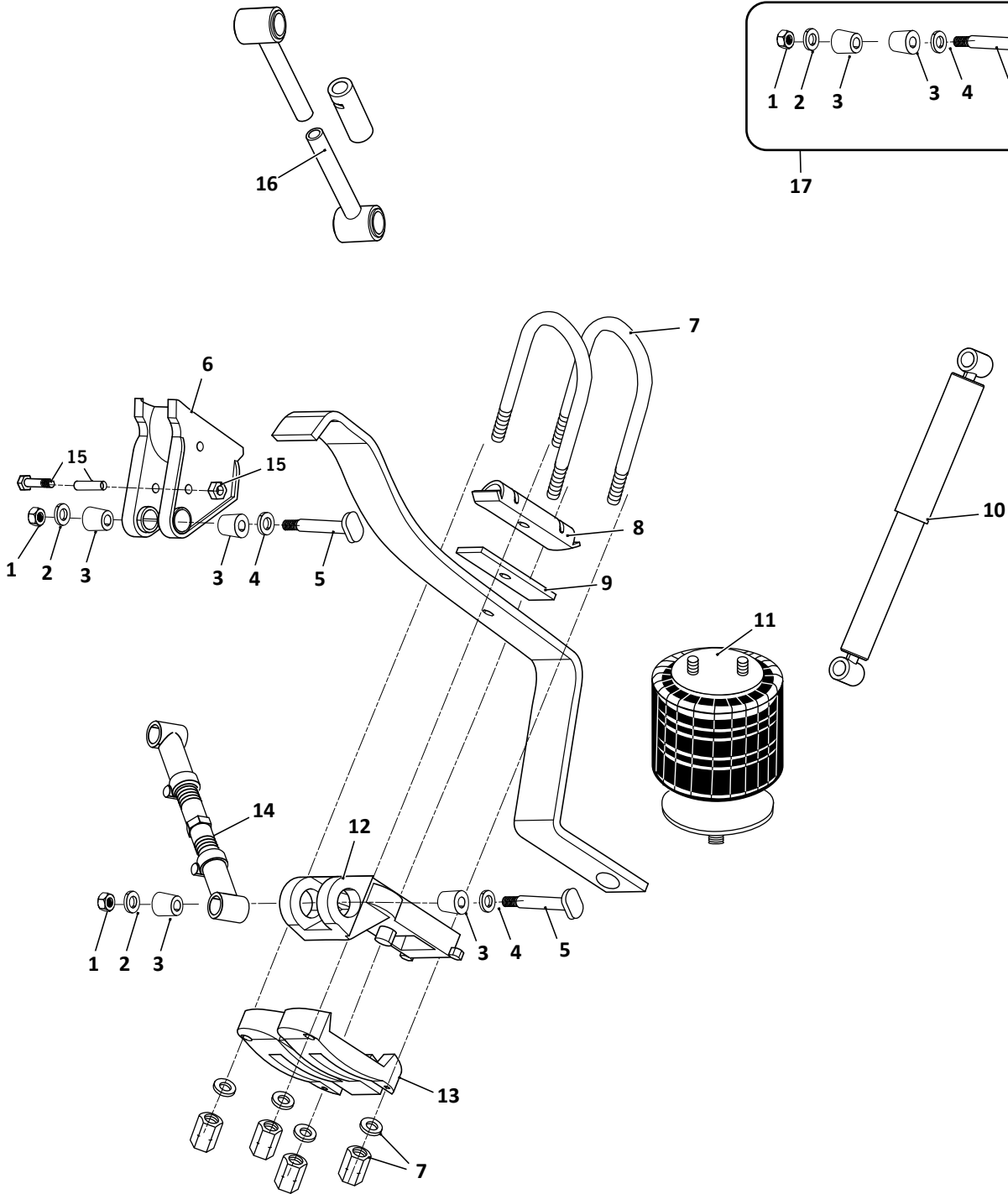
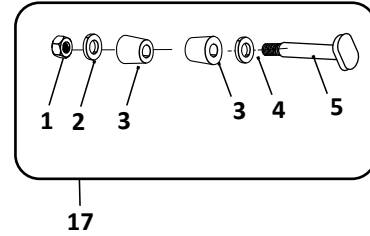


Not sure which suspension you have?
 Check out Meritor's Suspension Identification
 Xact Search to find the right part by
 clicking the QR code

FRUEHAUF — TRAILER

NT — Air Suspension

Bushing Assembly



FRUEHAUF

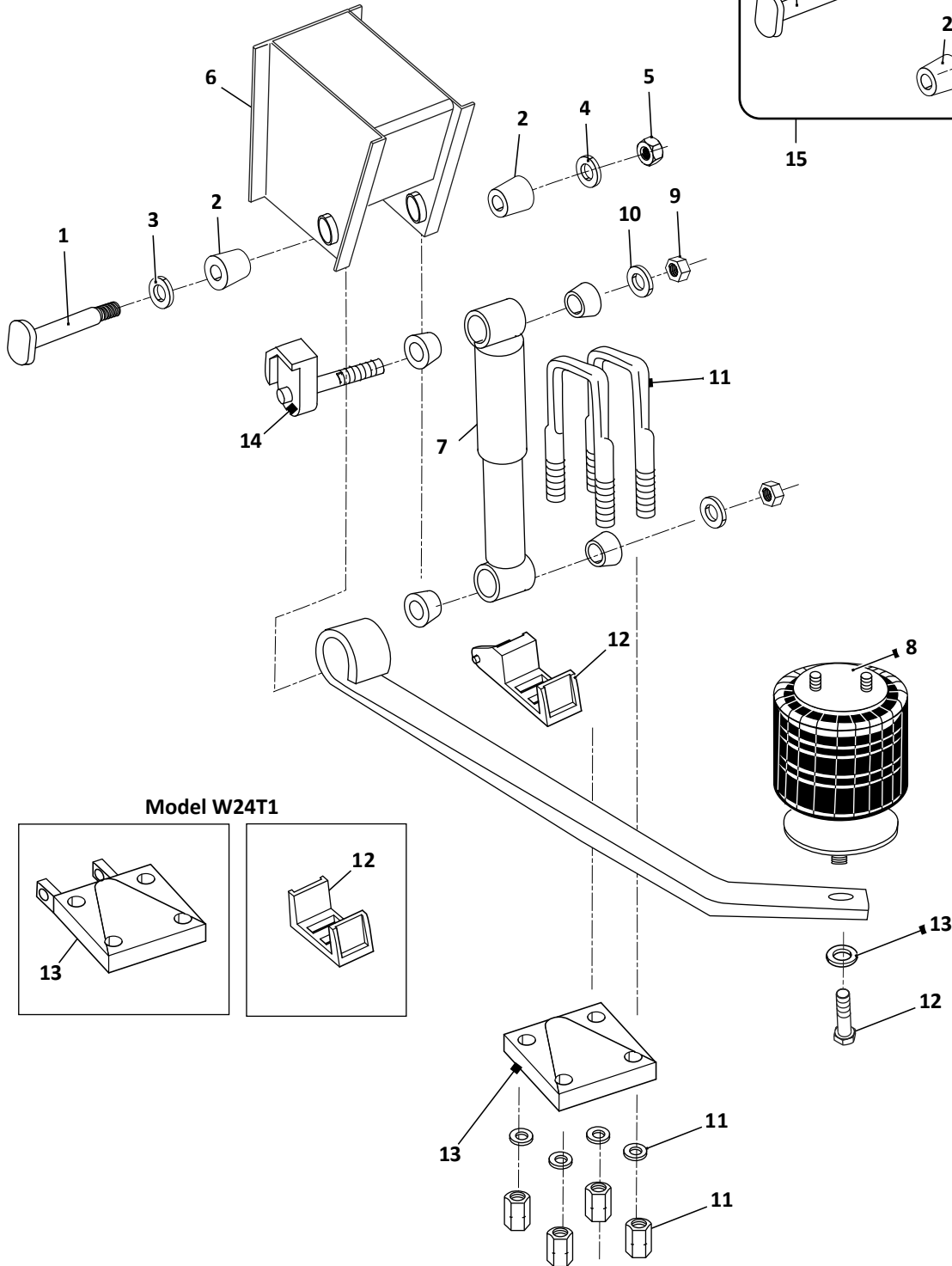
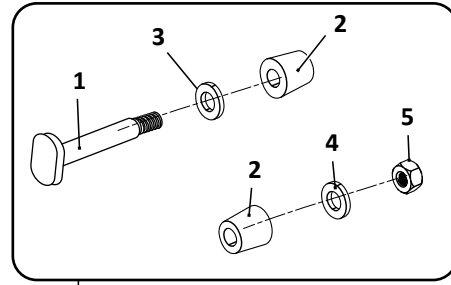
NT — Air Suspension					
KEY NO.	EUCLID NO.	OEM REF.	DESCRIPTION	QTY. PER AXLE	PAGE NO.
1	E-937	FSP-006-02-009	Nut, 1-1/4"-14 Thd.	4	-
2	E-1074	UXA-000002	Compression Washer, 2-1/2" OD x 1-1/16" ID x 1/4" Thick	4	FRU-17
3	E-927	UXA-000011	Torque Arm Bushing, Rubber	8	FRU-18
	GAFF13001	-	Torque Arm Bushing, Poly	8	FRU-18
4	E-2833	UXA-000356-001	Washer, 2-1/2" OD x 1-5/16" ID x 1/16" Thick	4	FRU-17
5	E-1018	UXA-000016	Torque Arm Bolt, 6" Length	4	FRU-18
6	E-9363	UCF006668-001	Front Hanger	2	FRU-19
7	E-UB8161-10	UXA-000046-915	U-Bolt Assembly, Rd. Bend, 7/8"-14 Thd. x 3" Wide x 10" Long	4	-
	E-UB8161-12	UXA-000046-916	U-Bolt Assembly, Rd. Bend, 7/8"-14 Thd. x 3" Wide x 12" Long	4	-
	E-UB8161-16	UXA-000046-917	U-Bolt Assembly, Rd. Bend, 7/8"-14 Thd. x 3" Wide x 16" Long	4	-
	E-UB8161-18	UXA-000046-918	U-Bolt Assembly, Rd. Bend, 7/8"-14 Thd. x 3" Wide x 18" Long	4	-
8	E-2840	UCD-007601-007; UCE-008801-001	Saddle	2	FRU-21
9	-	UCF006972-003	Spacer Plate	2	-
10	M85321	UCF-008339-001; UCF-008339-002; 680298	Shock	2	-
11	FS9394	UCE-09393-002	Air Spring	2	-
	EAS9394	-	Air Spring	2	-
12	E-10778	UCF006696-001	Axle Seat, on Top of Axle High Ride Height 14" to 15"	4	FRU-21
13	E-7636	UCF002610-001	Bottom Plate, High Ride	2	FRU-21
14	E-2514	UXA-000026-001	Rigid Torque Arm, 15-7/16" Center-to-Center, Does Not Include Bushings	2	FRU-18
	E-2515	UCF002640-001	Adjustable Torque Arm, 15-7/16" Center-to-Center, Does Not Include Bushings	2	FRU-18
15	E-2829	FSP-005-03-012; FSP-006-02-PK6; UXA-000020-001	Rebound Bolt Assembly, Includes Bolt, Nut and Roller	2	FRU-20
16	E-10758	FCF-008248-902	Uni-Rod Kit, 20"- 30" Long, 7/8" ID (use w/E-3173 Uni-Dapter)	1	-
17	E-1023	UXA-000011-900 (1/2)	Trailing Arm Bushing Assembly, Rubber, Includes Key Nos. 1, 2, 3, 4, 5	4	-
	E-9362	-	Trailing Arm Bushing Assembly, Poly, Includes Key Nos. 1, 2, 3, 4, 5	4	FRU-18

FRUEHAUF — TRAILER

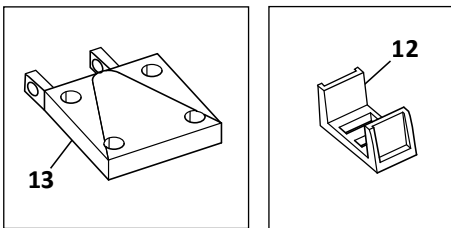
T / W24T1 — Air Suspension

Model T1
Shown

Bushing Assembly



Model W24T1

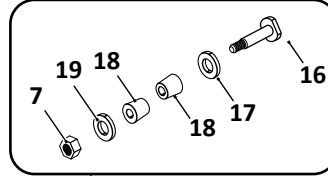


T / W24T1 — Air Suspension					
KEY NO.	EUCLID NO.	OEM REF.	DESCRIPTION	QTY. PER AXLE	PAGE NO.
1	E-1019	UXA-000015-001	Trailing Arm Bolt, Rubber	2	FRU-16
2	E-1020	UXA-000004	Trailing Arm Bushing, Rubber	4	FRU-16
	GAFF13005	UXA-000004	Trailing Arm Bushing, Poly	4	FRU-16
3	E-1021	UXA-000003	Compression Washer, 4" OD x 1-1/16" ID x 1/4" Thick	2	FRU-17
4	E-2832	UXA-000356-002	Outer Compression Washer, 4" OD x 2" ID x 1/16" Thick	2	FRU-17
5	E-937	FSP-006-02-PK9	Nut, 1-1/4"-14 Thd.	2	-
6	E-3586	UCE-001177-001	Hanger, Roadside	1	FRU-22
	E-3587	UCE-001177-002	Hanger, Curbside	1	FRU-23
7	M85300	UCE-001295-901	Shock Absorber, T Models, Includes Bushings	2	-
	M89419	UCE-001295-901	Shock Absorber, Premium Adjustable, T Models, Includes Bushings	2	-
	M85322	UCE-002983-001	Shock Absorber, W24T1 Model, Includes Bushings	2	-
8	FS9394	UCE-009393-002, UCE-009393-001	Firestone Air Spring, Current Style, T Models	2	-
	EAS9394	UCE-009393-002, UCE-009393-001	Euclid Air Spring, Current Style, T Models	2	-
	FS9053	UCE-001304-002	Firestone Air Spring, W24T1 Model	2	-
9	E-1835	FSP-006-02-013	Nut, 7/8"-14 Thd	4	-
10	E-2546	FSP-007-02-008	Washer, 7/8" ID	4	-
11	E-UB8575-126	BXE-000460-900	U-Bolt Assy, Flat Sq. Bend, 1"-14 Thd. x 5" Wide x 12-3/4" Long	4	-
12	E-3588	UCE-001660-001	Axle Seat, T Models, Curbside, Discontinued	1	FRU-23
	E-3589	UCE-001660-002	Axle Seat, T Models, Roadside, Discontinued	1	FRU-23
	-	UCE-001994-001	Axle Seat, W24T1 Models	2	-
13	E-3590	UCE-004461-001	Bottom Plate, T Models, Discontinued	2	FRU-23
	E-3594	UCE-001874-001	Bottom Plate Assembly, W24T1 Model, Roadside, No Longer Available	1	-
	E-3595	UCE-001874-002	Bottom Plate Assembly, W24T1 Model, Curbside, No Longer Available	1	-
14	E-3596	UCE-001656-001	Upper Shock Bracket, Discontinued	2	FRU-23
15	E-1024	UXA-000004-900	Trailing Arm Bushing Assembly, Rubber, Includes Key Nos. 1, 2, 3, 4, 5	2	FRU-16
	E-9361	UXA-000004-900	Trailing Arm Bushing Assembly, Poly, Includes Key Nos. 1, 2, 3, 4, 5	2	FRU-16

FRUEHAUF — TRAILER

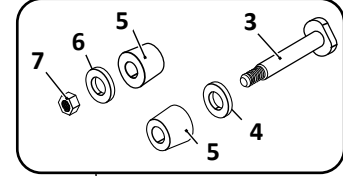
F-2 Standard / F-2 Wide-Base Hangers — Leaf Spring

Torque Arm Bushing Kit

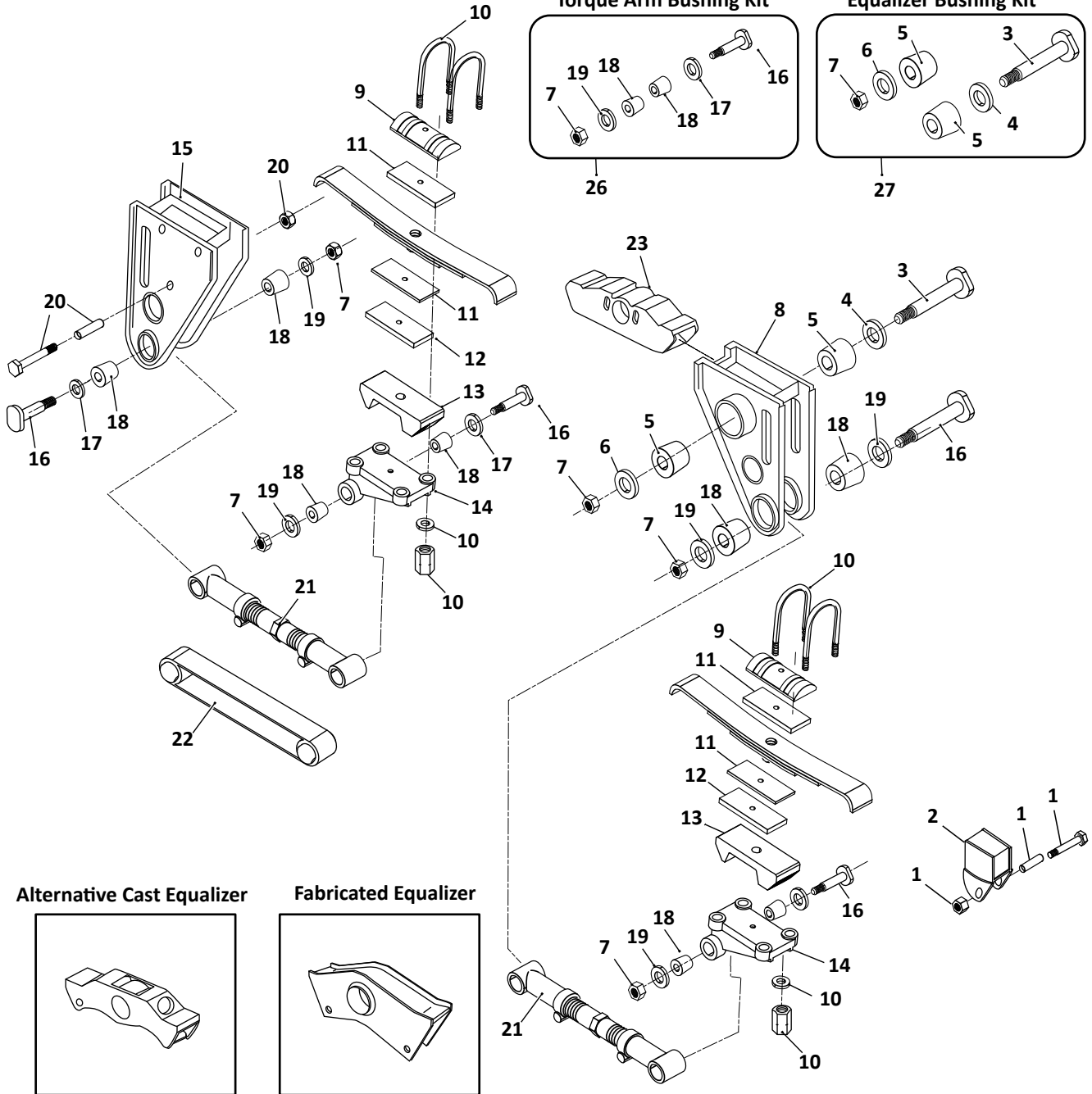


26

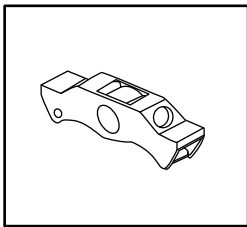
Equalizer Bushing Kit



27

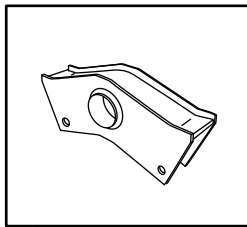


Alternative Cast Equalizer



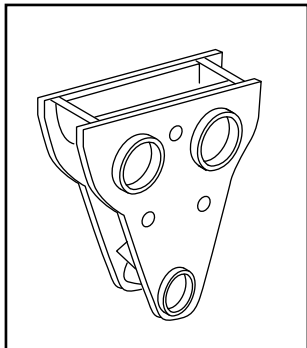
25

Fabricated Equalizer

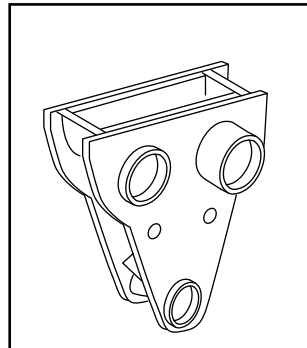


24

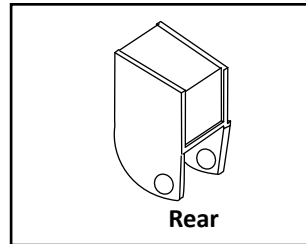
Wide Base Hangers



15 Front



8 Center



2 Rear

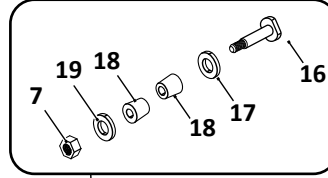
FRUEHAUF

F-2 Standard / F-2 Wide-Base Hangers — Leaf Spring					
KEY NO.	EUCLID NO.	OEM REF.	DESCRIPTION	QTY. PER TANDEM	PAGE NO.
1	E-2829	FSP-005-03-012; FSP-006-02-PK6; UXA-000020-001	Rebound Bolt Assembly	2	FRU-20
2	E-2828	UCF-002470-001	Rear Hanger, Standard Base, Under Mount	2	FRU-19
	E-2828-P	UCF-002470-001	Rear Hanger, Standard Base, Under Mount, Price Point	2	FRU-19
	-	UCF-002471-001	Rear Hanger, Standard Base, Straddle Mount	2	-
	-	UXA-00065	Rear Hanger, Standard Base, Cast Left Hand	1	-
	-	UXA-00065-001	Rear Hanger, Standard Base, Cast Right Hand	1	-
	E-2824	UCF-005858-001	Rear Hanger, Wide Base, Under Mount; 1, 3 or 4 Leaf Springs, Discontinued	2	FRU-19
	-	UCE-007745-001	Rear Hanger, Wide Base, Under Mount; 7, 8 or 9 Leaf Springs	2	-
3	E-1019	UXA-000015-001	Equalizer Bolt	2	FRU-16
4	E-2832	UXA-000356-002	Outer Compression Washer, 4" OD x 2" ID x 1/16" Thick	2	FRU-17
5	E-1020	UXA-000004	Equalizer Bushing, Rubber	4	FRU-16
	GAFF13005	UXA-000004	Equalizer Bushing, Poly	4	FRU-16
6	E-1021	UXA-000003	Compression Washer, 4" OD x 1-1/16" ID x 1/4" Thick	2	FRU-17
7	E-937	FSP-006-02-PK9	Equalizer Nut, 1-1/4"-14 Thd.	10	-
8	E-2827	UXA-000034	Equalizer Hanger, Standard Base, Under Mount, Center	2	FRU-19
	E-2827-P	UXA-000034	Equalizer Hanger, Standard Base, Under Mount, Center, Price Point	2	FRU-19
	-	UXA-000021	Equalizer Hanger, Standard Base, Straddle Mount	2	-
	-	UXA-000067	Equalizer Hanger, Standard Base, Cast, Left Hand	1	-
	-	UXA-000067-001	Equalizer Hanger, Standard Base, Cast, Right Hand	1	-
	E-2823	UCE-007746-001	Equalizer Hanger, Wide Base, Under Mount	2	FRU-19
9	E-2839	UCC-005998-001	Spring Saddle, Single Leaf Springs	4	-
	E-2840	UCD-007601-007; UCE-008801-001	Spring Saddle, Fabricated, Multi-Leaf Springs	4	FRU-21
10	E-UB8161-10	UXA-000046-915	U-Bolt Assembly, Rd. Bend, 7/8"-14 Thd. x 3" Wide x 10" Long	8	-
	E-UB8161-12	UXA-000046-916	U-Bolt Assembly, Rd. Bend, 7/8"-14 Thd. x 3" Wide x 12" Long	8	-
	E-UB8161-16	UXA-000046-917	U-Bolt Assembly, Rd. Bend, 7/8"-14 Thd. x 3" Wide x 16" Long	8	-
	E-UB8161-18	UXA-000046-918	U-Bolt Assembly, Rd. Bend, 7/8"-14 Thd. x 3" Wide x 18" Long	8	-
11	E-2842	UCE-006632-001; UCE-006632-002	Delrin Spring Liner Pad	8	FRU-21
12	E-2838	UXA-000048	Spring Spacer	4	FRU-21
13	E-2837	AXA-000512-001	Spring Seat	4	FRU-21
14	E-2836	AXA-000495-001	Axle Bracket, Most Models	4	-
15	E-2826	UCF-002467-001	Front Hanger, Standard Base, Under Mount	2	FRU-19
	E-2826-P	UCF-002467-001	Front Hanger, Standard Base, Under Mount, Price Point	2	FRU-19
	-	UCF-002473-001	Front Hanger, Standard Base, Straddle Mount	2	-
	-	UXA-000066	Front Hanger, Standard Base, Cast, Left Hand	1	-
	-	UXA-000066-001	Front Hanger, Standard Base, Cast, Right Hand	1	-
	E-2822	UCF-001466-001	Front Hanger, Wide Base, Under Mount	2	FRU-18
16	E-1018	UXA-000016	Torque Arm Bolt	8	FRU-18
17	E-2833	UXA-000356-001	Outer Washer, 2-1/2" OD x 1-5/16" ID x 1/16" Thick	8	FRU-17
18	E-927	UXA-000011	Torque Arm Bushing, Rubber	16	FRU-18
	GAFF13001	UXA-000011	Torque Arm Bushing, Poly	16	FRU-18
19	E-1074	UXA-000002	Compression Washer, 2-1/2" OD x 1-1/16" ID x 1/4" Thick	8	FRU-17
20	E-2829	FSP-005-03-012; FSP-006-02-PK6; UXA-000020-001	Rebound Bolt Assembly, Includes Bolt, Nut and Roller	2	FRU-20
21	E-2515	UCF-002640-001	Adjustable Torque Arm, 15-7/16" Center-to-Center, Does Not Include Bushings	2	FRU-18

FRUEHAUF — TRAILER

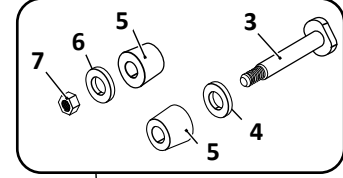
F-2 Standard / F-2 Wide-Base Hangers — Leaf Spring

Torque Arm Bushing Kit

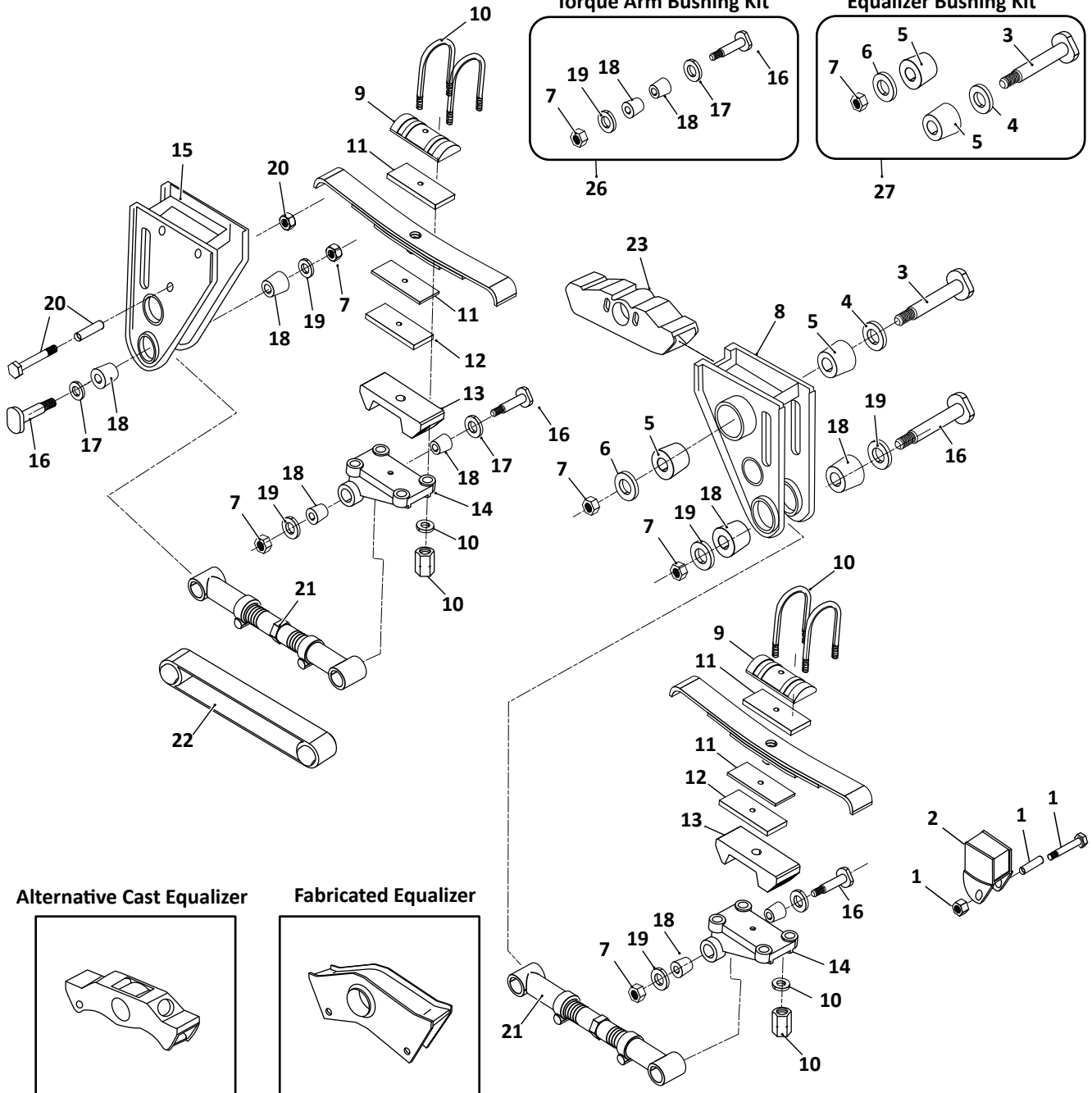


26

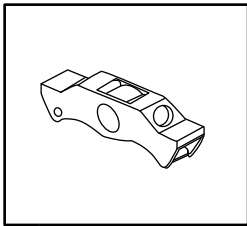
Equalizer Bushing Kit



27

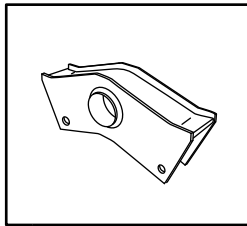


Alternative Cast Equalizer



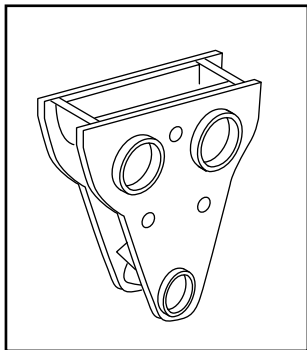
25

Fabricated Equalizer

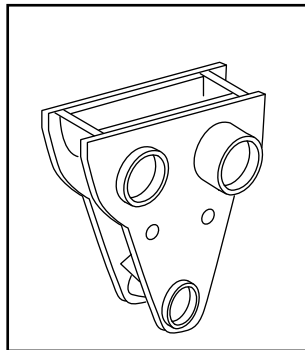


24

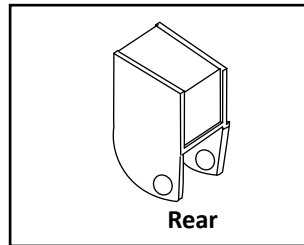
Wide Base Hangers



15 Front



8 Center



2

Rear

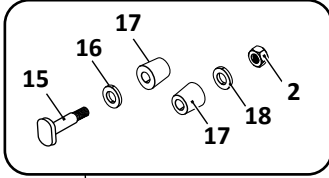
FRUEHAUF

F-2 Standard / F-2 Wide-Base Hangers — Leaf Spring					
KEY NO.	EUCLID NO.	OEM REF.	DESCRIPTION	QTY. PER TANDEM	PAGE NO.
22	E-2514	UXA-000026-001	Rigid Torque Arm, 15-7/16" Center-to-Center, Does Not Include Bushings	2	FRU-18
23	E-2830	UXA-000017	Equalizer, Cast Steel	2	FRU-16
	E-2830-P	UXA-000017	Equalizer, Cast Steel, Price Point	2	FRU-16
24	E-2831	UCF-001463-001	Equalizer, Fabricated	2	FRU-16
	-	Various	Equalizer, Widespread, No Longer Available	2	-
25	E-8931	UCF-006963-001	Equalizer, Ductile Iron (Replaces Fabricated Steel Version E-2831), Use With 1, 3 or 4 Leaf Springs	2	FRU-18
26	E-1023	UXA-000011-900 (1/2)	Torque Arm Bushing Assembly, Rubber, Includes Key Nos. 7, 16, 17, 18, 19	8	FRU-18
	E-9362	UXA-000011-900 (1/2)	Torque Arm Bushing Assembly, Poly, Includes Key Nos. 7, 16, 17, 18, 19	8	FRU-18
27	E-1024	UXA-000004-900	Equalizer Bushing Assembly, Rubber, Includes Key Nos. 3, 4, 5, 6, 7	2	FRU-16
	E-9361	UXA-000004-900	Equalizer Bushing Assembly, Poly, Includes Key Nos. 3, 4, 5, 6, 7	2	FRU-16

FRUEHAUF — TRAILER

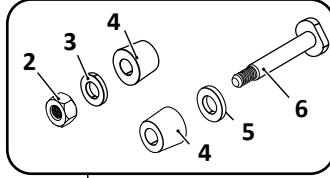
J-2 — Leaf Spring

Torque Arm Bushing Kit

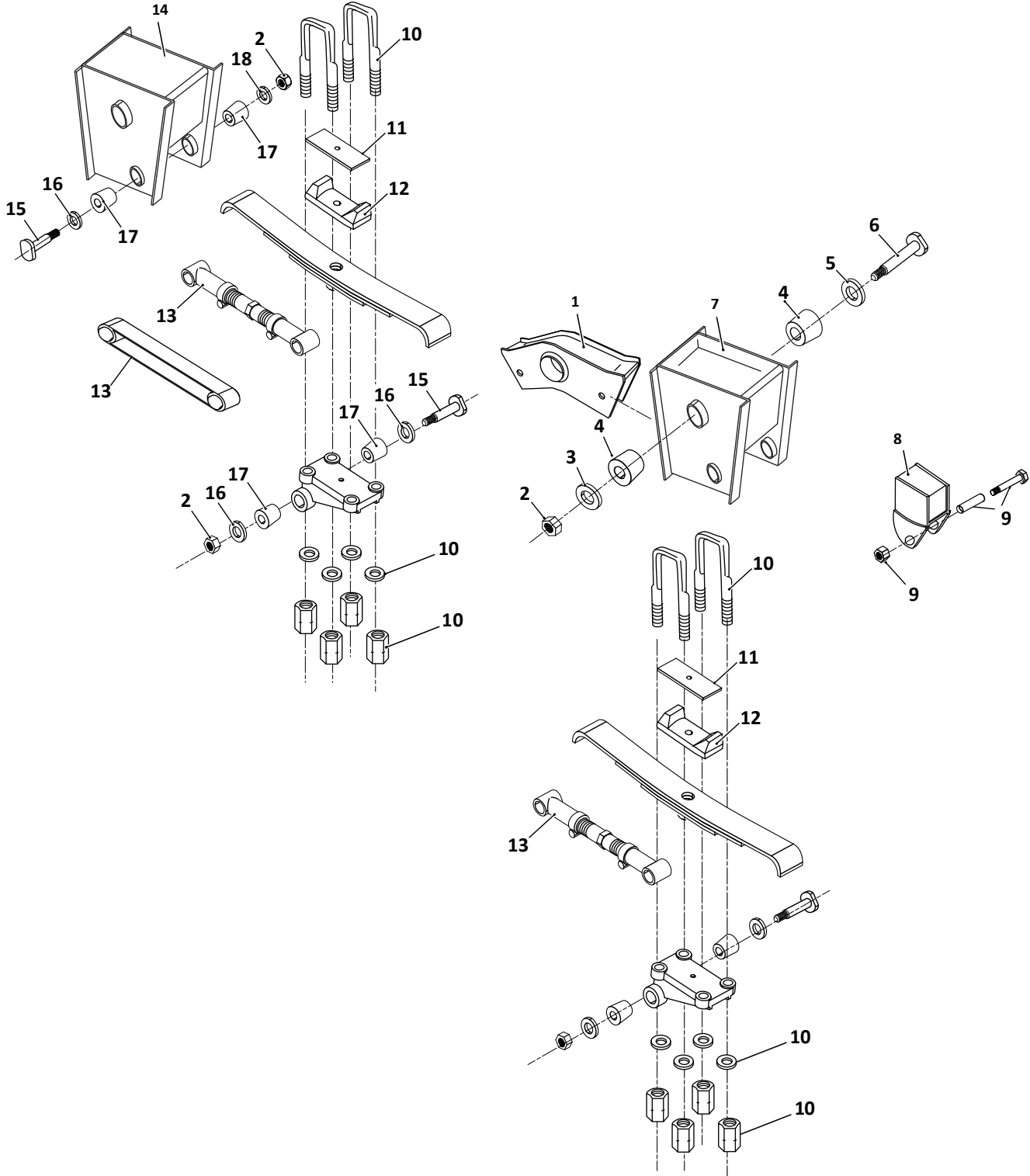


19

Equalizer Bushing Kit



20



FRUEHAUF

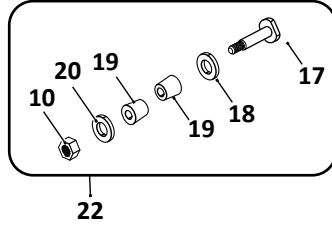
J-2 — Leaf Spring

KEY NO.	EUCLID NO.	OEM REF.	DESCRIPTION	QTY. PER TANDEM	PAGE NO.
1	E-2831	UCF-001463-001	Equalizer, Fabricated	2	FRU-16
	E-2830	UXA-000017	Equalizer, Cast Steel	2	FRU-16
	E-2830-P	UXA-000017	Equalizer, Cast Steel, Price Point	2	FRU-16
2	E-937	FSP-006-02-PK9	Nut, 1-1/4"-14 Thd.	10	-
3	E-1021	UXA-000003	Compression Washer, 4" OD x 1-1/16" ID x 1/4" Thick	2	FRU-17
4	E-1020	UXA-000004	Equalizer Bushing, Rubber	4	FRU-16
	GAFF13005	-	Equalizer Bushing, Poly	4	FRU-16
5	E-2832	UXA-000356-002	Equalizer Washer, 4" OD x 2" ID x 1/16" Thick	2	FRU-17
6	E-1019	UXA-000015-001	Equalizer Bolt, Rubber	2	FRU-16
7	-	UCE-004177-002	Equalizer Hanger	2	-
8	-	UCE-007745-002	Rear Hanger	2	-
9	E-2829	FSP-005-03-012; FSP-006-02-PK6; UXA-000020-001	Rebound Bolt Assembly	2	FRU-20
10	E-UB8575-126	BXE-000460-900	U-Bolt Assembly, Flat Sq. Bend, 1"-14 Thd. x 5" Wide x 12-3/4" Long	8	-
11	E-2842	UCD-006632-002	Delrin Liner	4	FRU-21
12	E-2837	AXA-000512-001	Spring Seat	4	FRU-21
13	E-2515	UCF002640-001	Adjustable Torque Arm, 15-7/16" Center-to-Center, Does Not Include Bushings	2	FRU-18
	E-2514	UXA-000026-001	Rigid Torque Arm, 15-7/16" Center-to-Center, Does Not Include Bushings	2	FRU-18
14	-	UCE-004169-002	Front Hanger, Straight Frame 12°	2	-
15	E-1018	UXA-000016	Torque Arm Bolt	8	FRU-18
16	E-2833	UXA-000356-001	Outer Washer, 2-1/2" OD x 1-5/16" ID x 1/16" Thick	8	FRU-17
17	E-927	UXA-000011	Torque Arm Bushing, Rubber	16	FRU-18
	GAFF13001	-	Torque Arm Bushing, Poly	16	FRU-18
18	E-1074	UXA-000002	Compression Washer, 2-1/2" OD x 1-1/16" ID x 1/4" Thick	8	FRU-17
19	E-1023	UXA-000011-900 (1/2)	Torque Arm Bushing Assembly, Rubber, Includes Key Nos. 2, 15, 16 17, 18	8	FRU-18
	E-9362	UXA-000011-900 (1/2)	Torque Arm Bushing Assembly, Poly, Includes Key Nos. 2, 15, 16 17, 18	8	FRU-18
20	E-1024	UXA-000004-900	Equalizer Bushing Assembly, Rubber, Includes Key Nos. 2, 3, 4, 5	2	FRU-16
	E-9361	UXA-000004-900	Equalizer Bushing Assembly, Poly, Includes Key Nos. 2, 3, 4, 5	2	FRU-16

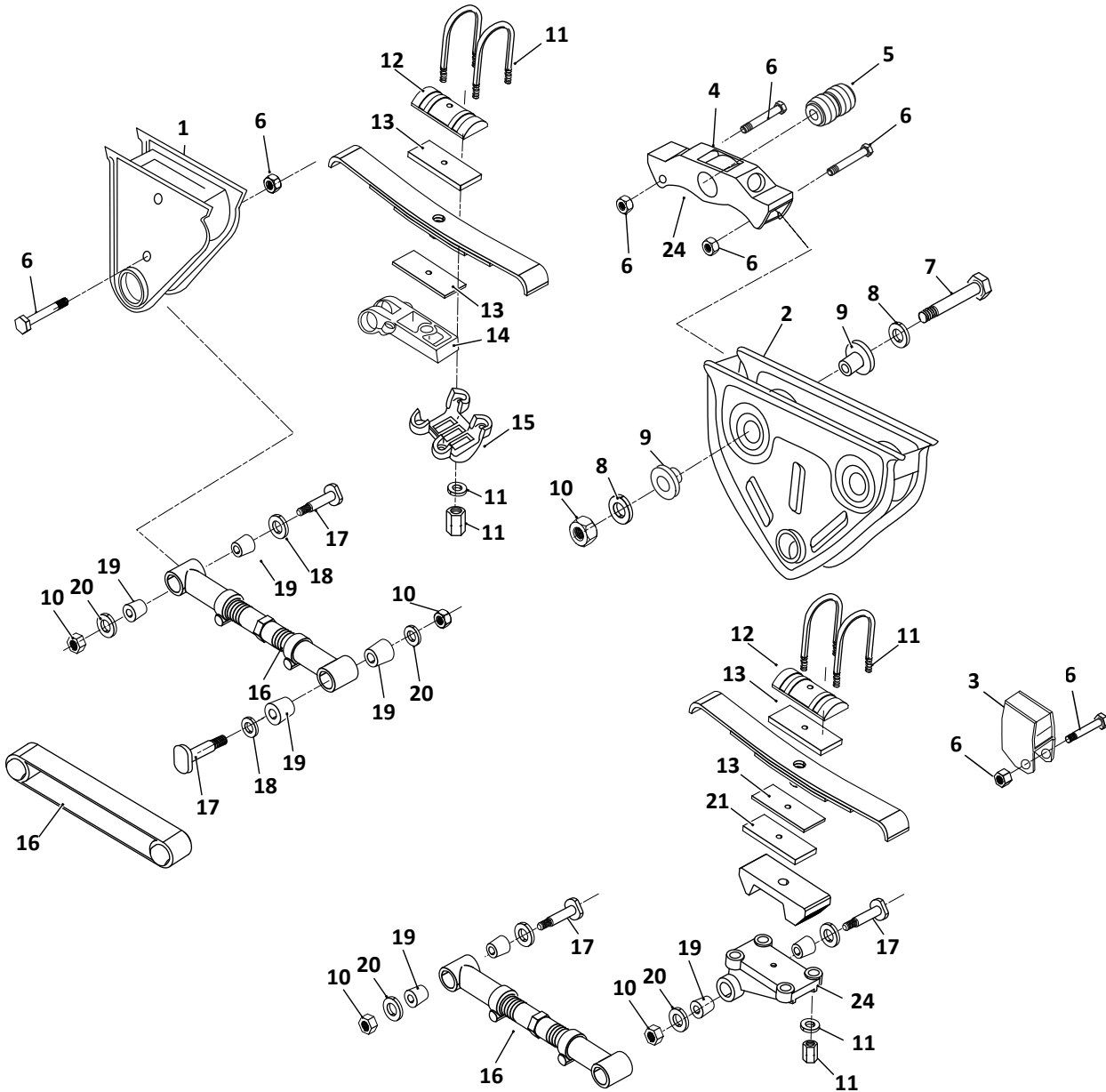
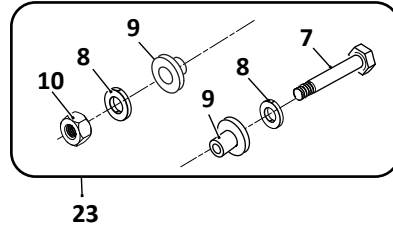
FRUEHAUF — TRAILER

NF-2 — Trailer

Torque Arm Bushing Assembly



Equalizer Bushing Kit



FRUEHAUF

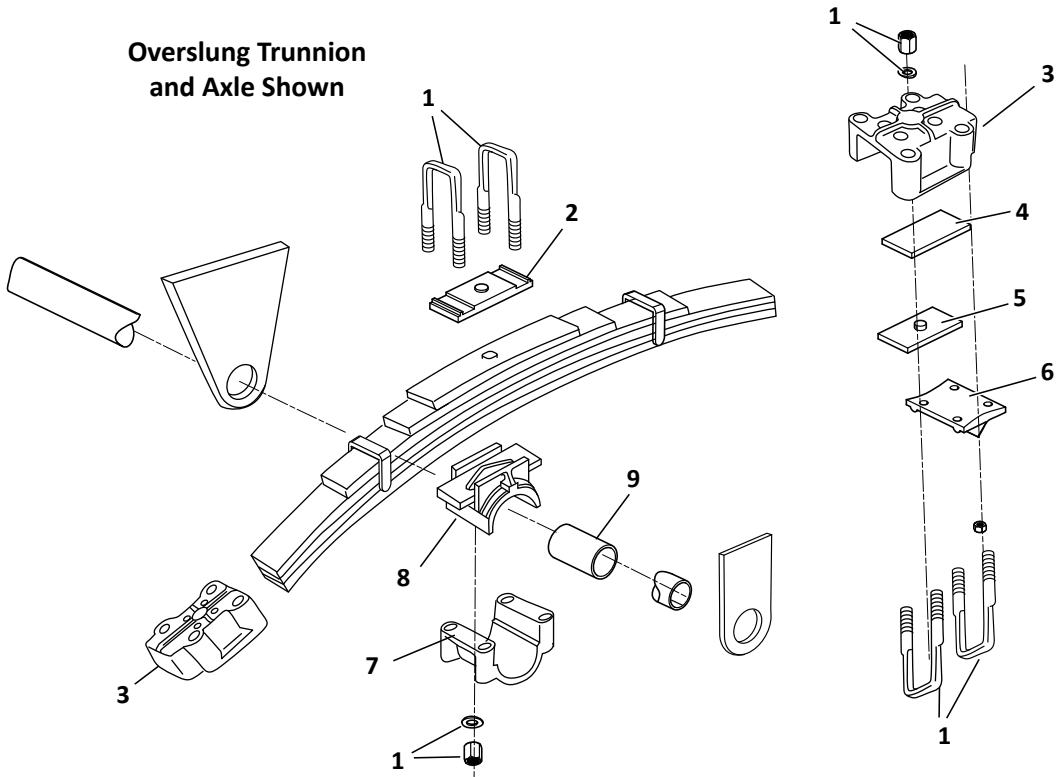
NF-2 — Trailer					
KEY NO.	EUCLID NO.	OEM REF.	DESCRIPTION	QTY. PER TANDEM	PAGE NO.
1	E-9363	UCF006668-001	Front Hanger	2	FRU-19
2	E-9364	UCF006672-001	Center Hanger	2	FRU-19
3	E-9365	UCF005858-002	Rear Hanger	2	FRU-20
4	E-9366-P	UCF008317-001	Equalizer, Includes Bushing	2	FRU-16
5	E-9368	UCF006699-001	Equalizer Bushing, Rubber	2	FRU-17
6	E-9372	FSP-005-03-054; FSP-006-02-006	Rebound Bolt and Nut	8	FRU-17
7	E-1166	FSP-005-03-028	Bolt, 1" -14 x 7" Long	2	FRU-17
8	E-2275	FSP-007-02-010	Washer, 2" OD x 1-1/16" ID x 1/8" Thick	2	FRU-17
9	E-9370	UCF006703-001	Spacer Bushing	4	FRU-17
10	E-937	FSP-006-02-PK9	Nut, 1-1/4"-14 Thd.	10	-
11	E-UB8161-10	UXA-000046-915	U-Bolt Assembly, Rd. Bend, 7/8"-14 Thd. x 3" Wide x 10" Long	8	-
	E-UB8161-12	UXA-000046-916	U-Bolt Assembly, Rd. Bend, 7/8"-14 Thd. x 3" Wide x 12" Long	8	-
	E-UB8161-16	UXA-000046-917	U-Bolt Assembly, Rd. Bend, 7/8"-14 Thd. x 3" Wide x 16" Long	8	-
	E-UB8161-18	UXA-000046-918	U-Bolt Assembly, Rd. Bend, 7/8"-14 Thd. x 3" Wide x 18" Long	8	-
12	E-2839	UCC-005998-001	Saddle, Single Leaf Spring	4	FRU-21
	E-2840	UCD-007601-007; UCE-008801-001	Spring Saddle, Fabricated, Multi-Leaf Springs	4	FRU-21
13	E-2842	UCD-006632-002	Delrin Spring Liner	As Required	FRU-21
14	E-10778	UCF006696-001	Axle Seat, High Ride	2	FRU-21
15	E-7636	UCF002610-001	Bottom Plate, High Ride	2	FRU-21
16	E-2514	UXA-000026-001	Rigid Torque Arm, 15-7/16" Center-to-Center, Does Not Include Bushings	2	FRU-18
16	E-2515	UCF002640-001	Adjustable Torque Arm, 15-7/16" Center-to-Center, Does Not Include Bushings	2	FRU-18
17	E-1018	UXA-000016	Torque Arm Bolt	-	FRU-18
18	E-2833	UXA-000356-001	Washer, 2-1/2" OD x 1-5/16" ID x 1/16" Thick	8	FRU-17
19	E-927	-	Torque Arm Bushing, Rubber	-	FRU-18
19	GAFF13001	UXA-000011	Torque Arm Bushing, Poly	16	FRU-18
20	E-1074	UXA-000002	Compression Washer, 2-1/2" OD x 1-1/16" ID x 1/4" Thick	8	FRU-17
21	E-2838	UXA-000048	Spring Spacer, 1-1/2" Thick	As Required	FRU-18
22	E-1023	UXA-000011-900 (1/2)	Torque Arm Bushing Assembly, Rubber, Includes Key Nos. 10, 17, 18, 19, 20	8	FRU-18
	E-9362	-	Torque Arm Bushing Assembly, Poly, Includes Key Nos. 10, 17, 18, 19, 20	8	FRU-18
23	E-9367	-	Equalizer Bushing Assembly, Includes Key Nos. 5, 7, 8, 9, 10	2	FRU-17
24	E-2837	AXA-000512-001	Spring Seat, Rear	2	FRU-17



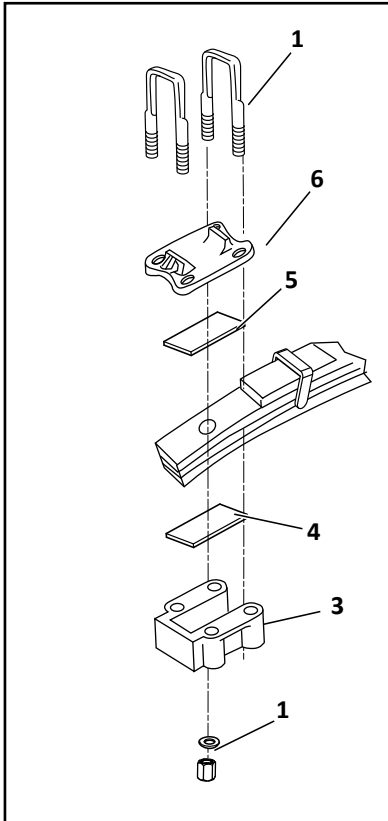
FRUEHAUF — TRAILER

M2 Overslung/Underslung — Trailer

Overslung Trunnion and Axle Shown



Underslung Axles



FRUEHAUF


M2 Overslung/Underslung — Trailer					
KEY NO.	EUCLID NO.	OEM REF.	DESCRIPTION	QTY. PER TANDEM	PAGE NO.
1	E-UB8585-132	UCD-008680-901	U-Bolt Assembly, Flat Sq. Bend, 1-1/8"-12 Thd. x 5" Wide x 13-1/4" Long	12	-
2	E-3576	UCD-005641-001	Saddle, Discontinued	2	FRU-22
3	E-3583	ACD-006849-001	Spring End Cap	4	FRU-22
4	E-3582	UCD-005635-001	Spring End Pad, Rubber, 7-5/8" Long x 4-3/4" Wide x 1" Thick	4	FRU-22
	GAFF13037	-	Spring End Pad, Poly, 7-5/8" Long x 4-3/4" Wide x 1" Thick	4	FRU-22
5	E-3581	UCE-001350-001	Plate Assembly	4	FRU-22
6	E-3580	ACD-006850-001	Axle Bracket - Discontinued	4	FRU-22
7	E-3578	UCD-005631-001	Lower Trunnion Casting	2	FRU-22
8	E-3577	UCD-005755-001	Upper Trunnion Casting, Discontinued	2	FRU-22
9	E-3579	UXA-000160	Trunnion Bushing, Rubber, 5" OD x 4" ID x 8-5/16" Long	2	FRU-22

FRUEHAUF — TRAILER

Equalizers, Equalizer Bushings, & Components

Cast Equalizer

FOR MODELS:
Early model F-2,
J-2




17 1/2"

Bushings Not Included.

EUCLID NO.	OEM REF.	NOTES
E-2830	UXA-000017	Use with E-1024 Equalizer Bushing Assembly
E-2830-P	UXA-000017	Price Point

Equalizer

FOR MODELS:
NF-2




16 3/8"

EUCLID NO.	OEM REF.	NOTES
E-9366-P	UCF-008317-001 Casting# 6964	Use E-9372 Rebound Bolt Assembly

Fabricated Equalizer

FOR MODELS:
F2, J2




Bushings Not Included.

EUCLID NO.	OEM REF.	LENGTH	NOTES
E-2831	UCF-001463-001	17"	Use with E-1024 Equalizer Bushing Assembly;

Equalizer Bolt


FOR MODELS:
F-2, J- 2,
T/W24T1



EUCLID NO.	OEM REF.	THREAD	LENGTH
E-1019	UXA-00015-001	1"-14	11-3/8"

Cast Equalizer, New Style

FOR MODELS:
F-2




16-3/8"

Bushings Not Included.

EUCLID NO.	OEM REF.	LENGTH	NOTES
E-8931	UCF-006963-001	16-3/8"	New Style Equalizer. Can Be Used In Place Of Fabricated E-2831 Steel Equalizer In F2 Suspensions; Use With 1, 3 Or 4 Leaf Spring; Use With E-1024 Equalizer Bushing Assembly

Equalizer & Trailing Arm Bushing Assembly

FOR MODELS:
F-2, J-2, T1, and
W24T1 Air
Suspensions



Bushing, Bolt, Washer (2), Nut

EUCLID NO.	OEM REF.	MATERIAL
E-1024	UXA-000004-900	Rubber
E-9361	UXA-000004-900	Poly

Equalizer & Trailing Arm Bushing

FOR MODELS:
T / W24T1,
F-2, J-2




EUCLID NO.	OEM REF.	OD	ID	LENGTH	MATERIAL
E-1020	UXA-000004	3-1/2"	2"	4-3/8"	Rubber
GAFF13005					Poly


FRUEHAUF

FRUEHAUF — TRAILER


Equalizers, Equalizer Bushings, & Components


Suspension


Equalizer Bushing Assembly	
FOR MODELS: NF-2	
	
EUCLID NO.	INCLUDES
E-9367	Bushing (3), Bolt, Washer, Nut

Washers				
FOR MODELS: Various				
				
EUCLID NO.	OEM REF.	OD	ID	THICKNESS
E-2275	FSP-007-02-010-	2"	1-1/16"	1/8"
E-1074	UXA-000002	2-1/2"	1-1/16"	1/4"
E-2833	UXA-000356-001	2-1/2"	1-5/16"	1/16"
E-1021	UXA-000003	4"	1-1/16"	1/4"
E-2832	UXA-000356-002	4"	2-1/16"	1/16"

Equalizer Bushing				
FOR MODELS: NF-2				
				
Rubber				
EUCLID NO.	OEM REF.	OD	ID	O.A.L.
E-9368	UCF-006699-001	3-1/2"	2"	4"

Equalizer Hanger Bushing				
FOR MODELS: NF-2				
				
EUCLID NO.	OEM REF.	OD	ID	THICKNESS
E-9370	UCF-006703-001	3-1/8"	1"	1-1/8"

Equalizer Bolt				
FOR MODELS: NF-2				
				
EUCLID NO.	OEM REF.	THREAD SIZE	BOLT LENGTH	THREAD LENGTH
E-1166	FSP-005-03-028	1" - 14	6-3/4"	1-1/2"


Rebound Bolt Assembly		
FOR MODELS: NF-2		
		
Includes Rebound Bolt Nut Assembly		
EUCLID NO.	OEM	NOTES
E-9372	FSP-005-03-054	5/8" - 11 Thread x 5" Long

FRUEHAUF — TRAILER

Torque Arms, Bushings & Components

Adjustable Torque Arm

FOR MODELS:
F-2, J-2,
NF-2, NT




Does Not Include Bushings, Use E-927 Bushing

EUCLID NO.	OEM REF.	BUSHING KIT NO.	LENGTH C-T-C
E-2515	UCF-002640-001	E-1023	15-7/16"

Torque Arm Bushing


FOR MODELS:
NF-2, NT,
F-2, J-2



EUCLID NO.	OEM REF.	OD	ID	LENGTH	MATERIAL
E-927	UXA-000011	2-3/16"	1-1/4"	2-3/8"	Rubber
GAFF13001					Poly

Rigid Torque Arm

FOR MODELS:
F-2, J-2,
NF-2, NT




Does Not Include Bushings, Use E-927 Bushing

EUCLID NO.	OEM REF.	BUSHING KIT NO.	LENGTH C-T-C
E-2514	UXA-000026-001	E-1023	15-7/16"

Torque Arm Bolt

FOR MODELS:
NF-2, NT,
F-2, J-2




E-7637, Discontinued

EUCLID NO.	OEM REF.	THREAD	LENGTH
E-1018	UXA-000016	1" - 14	6"
E-7637	UXA-000016-000	1" - 14	7"

Torque Arm Bushing Assembly

FOR MODELS:
F-2, J-2, NF-2,
NT





Bushing, Bolt, Washer (2), Nut


EUCLID NO.	OEM REF.	MATERIAL
E-1023	UXA-000011-900 (1/2)	Rubber
E-9362	UXA-000011-900 (1/2)	Poly

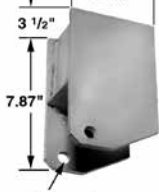
FRUEHAUF — TRAILER Hangers & Components

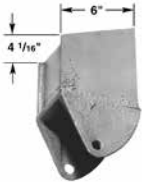
Suspension


Front Hanger		
FOR MODELS: F2 Standard		
		
EUCLID NO.	OEM REF.	NOTES
E-2826	UCF-002467-001	Standard Under Mount
E-2826-P	UCF-002467-001	Price Point


Center Hanger		
FOR MODELS: F-2 Wide Base		
		
EUCLID NO.	OEM REF.	NOTES
E-2823	UCE-007746-001	For "F" Series Wide-Base Under Mount


Center Hanger		
FOR MODELS: F2 Standard Base		
		
EUCLID NO.	OEM REF.	NOTES
E-2827	UXA-000034	Standard Under Mount
E-2827-P	UXA-000034	Price Point

Rear Hanger		
FOR MODELS: F-2 Wide Base		
		
Discontinued		
EUCLID NO.	OEM REF.	NOTES
E-2824	UCF-005858-001	For "F" Series Wide-Base Under Mount; For 1, 3, 4 Leaf Springs

Rear Hanger		
FOR MODELS: F2 Standard Base		
		
EUCLID NO.	OEM REF.	NOTES
E-2828	UCF-002470-001	Standard Under Mount
E-2828-P	UCF-002470-001	Price Point

Front Hanger		
FOR MODELS: NF-2, NT		
		
EUCLID NO.	OEM REF.	NOTES
E-9363	UCF-006668-001	

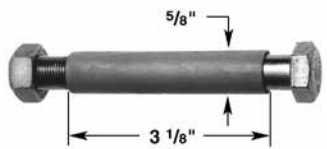
Front Hanger		
FOR MODELS: F-2 Wide Base		
		
EUCLID NO.	OEM REF.	NOTES
E-2822	UCF-001466-001	For "F" Series Wide-Base Under Mount

Center Hanger		
FOR MODELS: NF-2		
		
EUCLID NO.	OEM REF.	NOTES
E-9364	UCF-006672-001	

FRUEHAUF — TRAILER

Hangers & Components


Rear Hanger	
FOR MODELS: NF-2	
	
EUCLID NO.	OEM REF.
E-9365	UCF-005858-002

Spacer Assembly	
FOR MODELS: F-2, J-2, NT	
	
Spacer Assembly Includes: Bolt, Nut, Spacer	
EUCLID NO.	OEM REF.
E-2829	FSP-005-03-012 Bolt, FSP-006-02-PK6 Nut UXA-000020-001 Washer

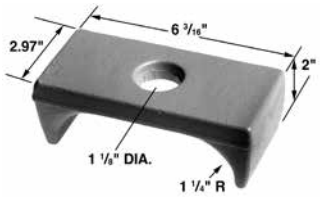
FRUEHAUF — TRAILER


Axle Attaching Components

Suspension


Spring Saddle		
FOR MODELS: F-2, NF-2, NT		
		
EUCLID NO.	OEM REF.	NOTES
E-2840	UCD-007601-007; UCE-008801-001	Multi-Leaf Springs

Axle Seat, High Ride	
FOR MODELS: NF-2, NT	
	
EUCLID NO.	OEM REF.
E-10778	UCF-006696-001

Spring Chair	
FOR MODELS: F-2, J-2, NF-2	
	
EUCLID NO.	OEM REF.
E-2837	AXA-000512-001

Spring Spacer		
FOR MODELS: F-2, NF-2		
		
EUCLID NO.	OEM REF.	NOTES
E-2838	UXA-000048	6-5/8" x 3" x 1-1/2"

Delrin Spring Liner	
FOR MODELS: Various	
	
EUCLID NO.	OEM REF.
E-2842	UCD-006632-002

Bottom Plate - 5" Axle	
FOR MODELS: NF-2, NT	
	
EUCLID NO.	OEM REF.
E-7636	UCF-006696-001

FRUEHAUF — TRAILER

M-2 Single Point Suspension

Trunnion Bushing

FOR MODELS:
M-2




Rubber

EUCLID NO.	OEM REF.	OD	ID	LENGTH
E-3579	UXA-000160	5"	4"	8-5/16"

Spring End Cap


FOR MODELS:
M-2



EUCLID NO.	OEM REF.	NOTES
E-3583	ACD-006849-001	M2 Overslung and Underslung

Upper Trunnion Half

FOR MODELS:
M-2




Discontinued

EUCLID NO.	OEM REF.	NOTES
E-3577	UCD-005755-001	M2 Overslung and Underslung

Bracket

FOR MODELS:
M2




Discontinued

EUCLID NO.	OEM REF.
E-3580	ACD-006850-001

Lower Trunnion Half

FOR MODELS:
M-2




Casting

EUCLID NO.	OEM REF.	NOTES
E-3578	UCD-005631-001	M2 Overslung and Underslung Fruehauf Models

Spring Top Pad

FOR MODELS:
M-2

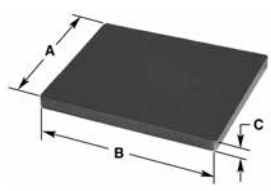


Discontinued

EUCLID NO.	OEM REF.	NOTES
E-3576	UCD-005641-001	M2 Overslung and Underslung Models

Spring End Pad

FOR MODELS:
M-2




Rubber

EUCLID NO.	OEM REF.	LENGTH (B)	WIDTH (A)	THICK (C)	MATERIAL
E-3582	UCD-005635-001	7-5/8"	4-3/4"	1"	Rubber
GAFF13037	-				Poly

Plate Assembly

FOR MODELS:
M2




EUCLID NO.	OEM REF.
E-3581	UCE-001350-001

FRUEHAUF

T1 & W24T1 Air Ride Parts

Hanger, Roadside & Curbside

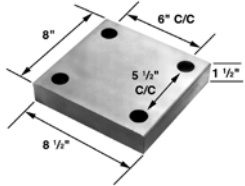
FOR MODELS:
T1 & W24T1



EUCLID NO.	OEM REF.	NOTES
E-3586	UCE-001177-001	Roadside
E-3587	UCE-001177-002	Curbside

Bottom Plate

FOR MODELS:
T1




Discontinued

EUCLID NO.	OEM REF.
E-3590	UCE-004461-001

Axle Seat

FOR MODELS:
T1




Discontinued

EUCLID NO.	OEM REF.	NOTES
E-3588	UCE-001660-001	LH - Roadside
E-3589	UCE-001660-002	RH - Curbside

Upper Shock Bracket

FOR MODELS:
T1 & W24T1

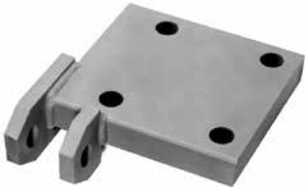


Discontinued

EUCLID NO.	OEM REF.
E-3596	UCE-001656-001

Bottom Plate Assembly

FOR MODELS:
W24T1



Discontinued

EUCLID NO.	OEM REF.	NOTES
E-3594	UCE-001874-001	Roadside
E-3595	UCE-001874-002	Curbside

TABLE OF CONTENTS

Model "H".....	GRD-2
Model "R".....	GRD-4
Great Dane Components.....	GRD-6



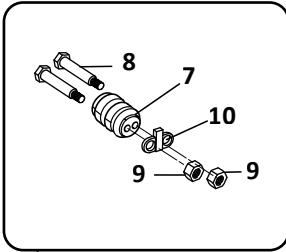
Not sure which suspension you have?
Check out Meritor's Suspension Identification
Xact Search to find the right part by
clicking the QR code

GREAT DANE TRAILER

Model "H"

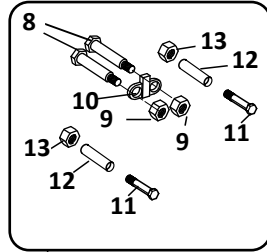
GREAT DANE

Equalizer Bushing & Bolt Kit



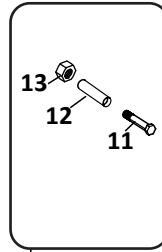
5

Equalizer Bolt & Rebound Bolt Kit



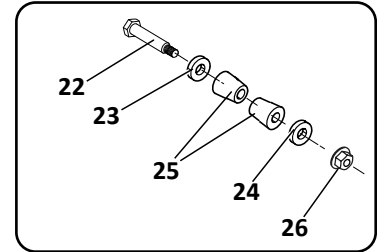
6

Rebound Bolt Kit

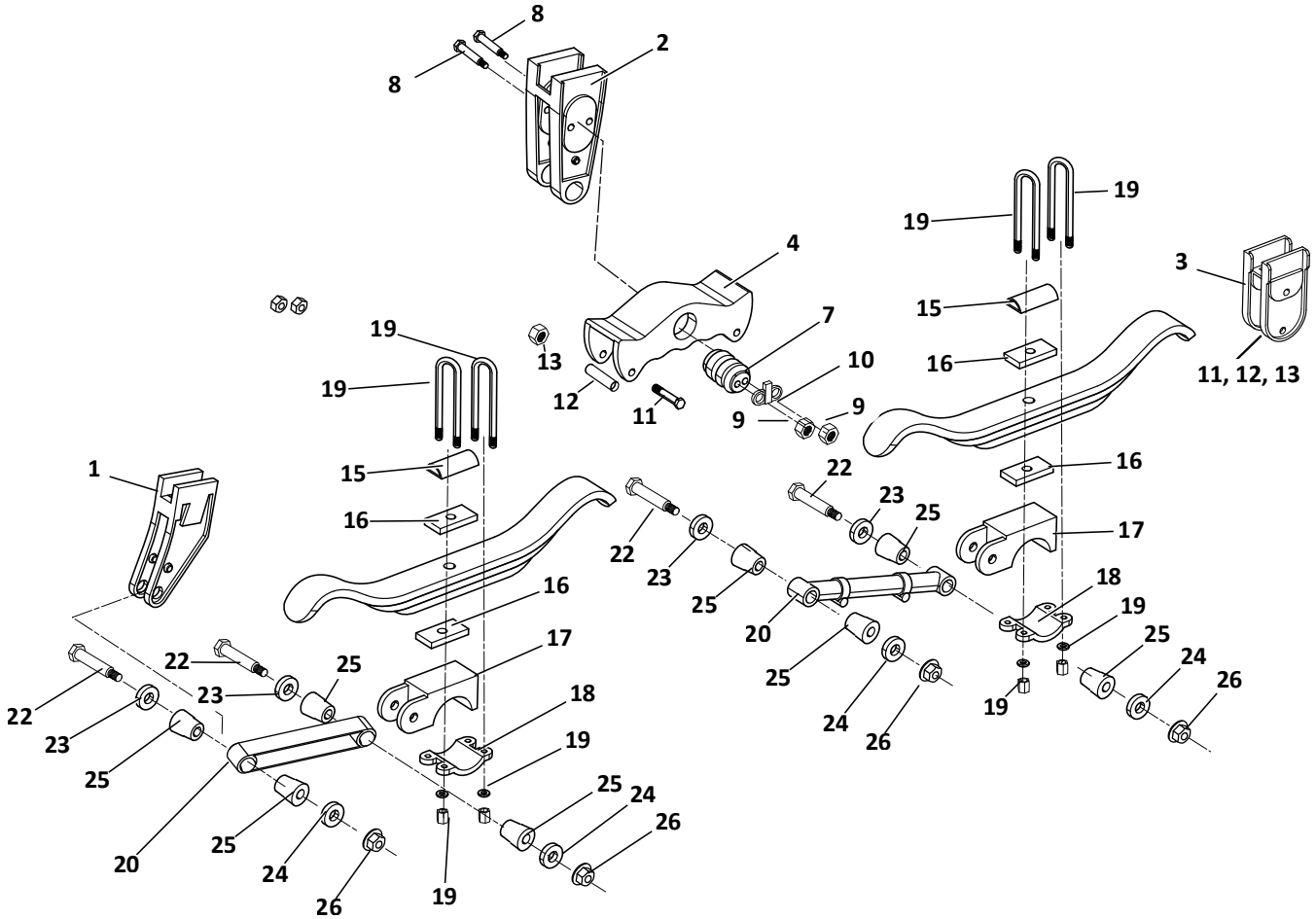


14

Torque Arm Bushing & Bolt Kit



21



Model "H"

KEY NO.	EUCLID NO.	OEM REF	DESCRIPTION	QTY. PER TANDEM	PAGE NO.
1	E-9493	7601-01	Front Hanger, Straddle Mount	2	GRD-7
	E-9494	20725-01; 7601-02	Front Hanger, Under Mount	2	GRD-7
2	E-9495	7602-01	Equalizer Hanger, Straddle Mount	2	GRD-7
	E-9496	7602-02	Equalizer Hanger, Under Mount	2	GRD-7
3	E-2912A	7703-01	Rear Hanger, Straddle Mount	2	GRD-7
	E-2915A	20732-01	Rear Hanger, Under Mount	2	GRD-7

GREAT DANE TRAILER

Suspension

GREAT DANE

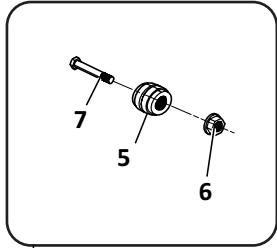
Model "H"					
KEY NO.	EUCLID NO.	OEM REF	DESCRIPTION	QTY. PER TANDEM	PAGE NO.
4	E-16392	750-03	Equalizer, Fabricated, Rubber Bushing, Two Bolt, O.E. Hutch	2	GRD-6
	E-2781	-	Equalizer, Fabricated, Rubber Bushing, Heavy Duty, Two Bolts, Includes Wear Plates	2	GRD-6
	E-2781A	750-03	Equalizer, Fabricated, Rubber Bushing, OE Equivalent, Two Bolts	2	GRD-6
	E-2781A-P	-	Equalizer, Fabricated, Rubber Bushing, OE Equivalent, Two Bolts, Price Point	2	GRD-6
	GAFF992781A	-	Equalizer, Fabricated, Poly Bushing, Two Bolt	2	GRD-6
5	E-2003	-	Equalizer Bushing, Rubber & Bolt Kit, Includes Key Nos. 7, 8, 9, 10	2	GRD-6
6	E-3414	-	Equalizer Bolt & Rebound Bolt Kit, Includes Key Nos. 8, 9, 10, 11, 12, 13	2	GRD-6
7	E-1999A	7010-00	Equalizer Bushing, Rubber, Two Hole	2	GRD-6
	GAFF14000	-	Equalizer Bushing, Poly, Two Hole	2	GRD-6
8	E-2000	7016-01	Equalizer Step Hex Bolt, 3/4" Body x 6" Long, 5/8"-18	4	GRD-6
9	E-2002	37-03	Equalizer Hex Nut, 5/8"-18	4	-
10	E-2001	729-00	Lock Tab Washer	2	GRD-6
11	E-3415	759-00	Equalizer Rebound Hex Bolt, 5/8"-18 x 4-1/2" Long	6	GRD-6
12	E-3416	756-00	Equalizer Rebound Spacer Sleeve	6	GRD-7
13	E-2002	37-03	Hex Nut, 5/8"-18	6	-
14	E-4835	10287-00	Rebound Bolt Kit, 5/8"- 18 x 4-1/2" Long, Includes Key Nos. 11, 12, 13	6	GRD-7
15	E-2907A	16868-01; 7029-00	U-Bolt Top Plate	4	GRD-8
	E-2907A-P	-	Top Plate, Fabricated, 3" Wide, Price Point	4	GRD-8
16	E-2842	-	Delrin Spring Liner Pad	8	GRD-8
17	E-9527	19361-02; 7617-01	Spring Seat, 3/4" High, 5" Round Axles	4	GRD-8
	E-9528	19361-04; 7617-02	Spring Seat, 2-1/4" High, 5" Round Axles	4	GRD-8
	E-9529	19361-06; 7617-03	Spring Seat, 3-1/4" High, 5" Round Axles	4	GRD-8
18	E-2909	710-00	Bottom Plate, 5" Round Axles	4	GRD-8
	E-2909-P	-	Bottom Plate, 5" Round Axle, Price Point	4	GRD-8
	E-15205	7622-00	Bottom Plate, Cast, 5" Round Axles	4	GRD-8
19	E-UB8161-14	7040-11; 7040-12; 7040-14	U-Bolt Assembly, Rd. Bend, 7/8"-14 Thd. x 3" Wide x 14" Long	8	-
	E-UB8161-16	7040-15; 7040-16; 7040-17; 7040-18	U-Bolt Assembly, Rd. Bend, 7/8"-14 Thd. x 3" Wide x 16" Long	8	-
	E-UB8161-18	7040-19	U-Bolt Assembly, Rd. Bend, 7/8"-14 Thd. x 3" Wide x 18" Long	8	-
20	E-9476	16167-04	Adjustable Torque Arm, 18-20" Center-to-Center, without Bushings	2	GRD-8
	E-9477	11953-01	Rigid Torque Arm, 19-1/4" Center-to-Center, without Bushings	2	GRD-8
21	E-9478	-	Torque Arm Bushing, Rubber, & Bolt Kit, Includes Key Nos. 22, 23, 24, 25, 26	8	GRD-9
	GAFF999478	-	Torque Arm Bushing, Poly, & Bolt Kit, Includes Key Nos. 22, 23, 24, 25, 26	8	GRD-9
22	E-9480	12709-01	Torque Arm Step Bolt, 7/8"-14	8	GRD-9
23	E-2833	12710-01	Washer, 1-5/16" ID	8	GRD-9
24	E-9482	12711-01	Washer, 15/16" ID	8	GRD-9
25	E-927	7620-00	Torque Arm Bushing, Rubber	16	GRD-9
	GAFF13001	-	Torque Arm Bushing, Poly	16	GRD-9
26	E-1835	34-02	Torque Arm Nut, 7/8"-14 Hex Locknut	8	GRD-9
-	E-9487	755-03	Replacement Hanger Wear Pad	As Required	GRD-9

GREAT DANE TRAILER

Model "R"

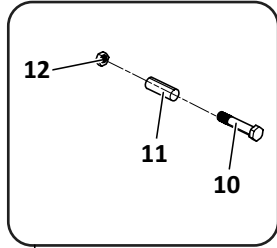
GREAT DANE

Equalizer Bushing Assembly



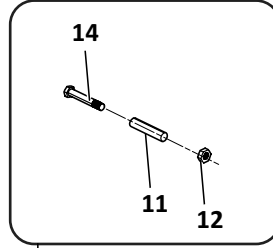
8

Equalizer Spring Roller Assembly

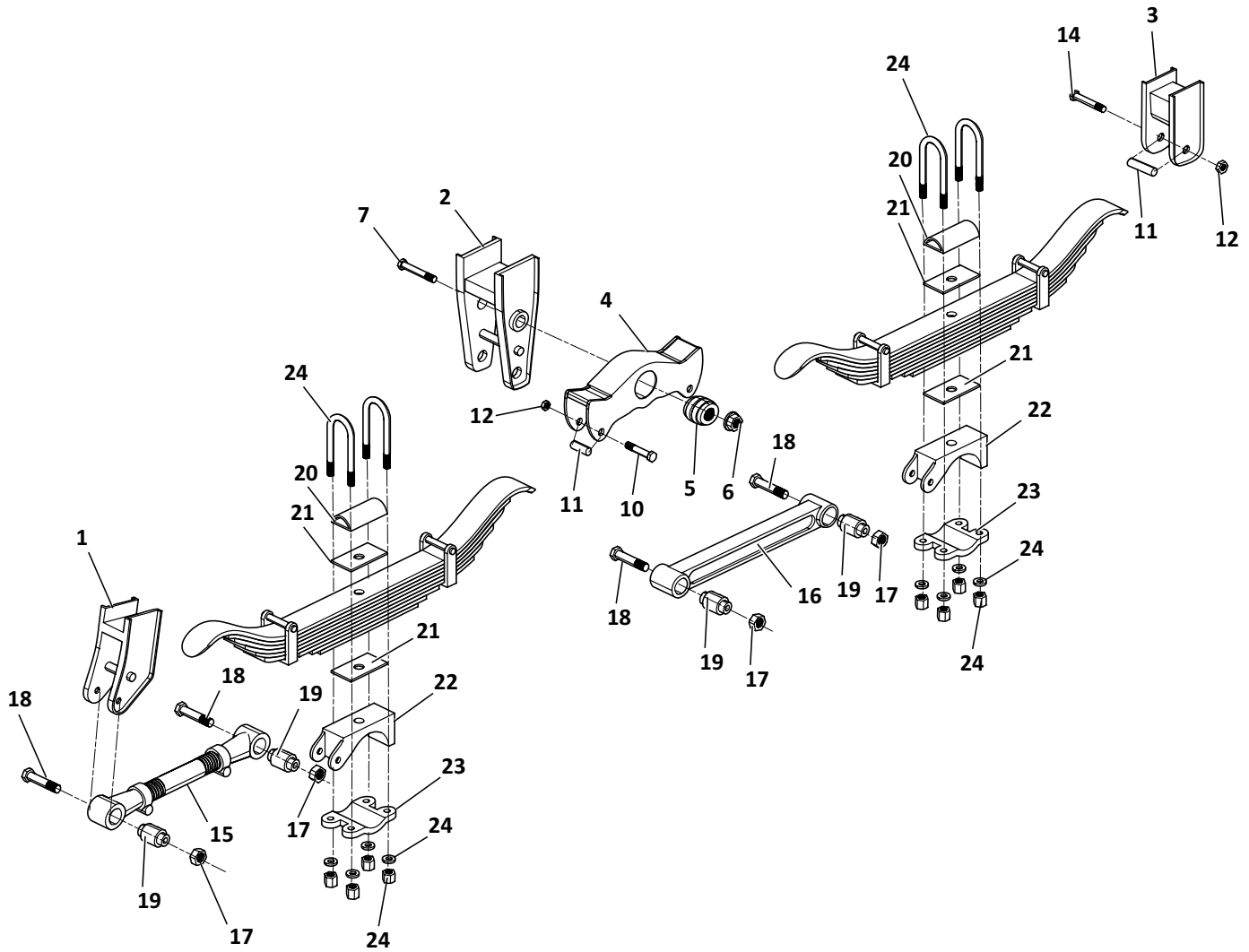


9

Hanger Spring Roller Assembly



13



GREAT DANE TRAILER

Suspension

GREAT DANE

Model "R"					
KEY NO.	EUCLID NO.	OEM REF	DESCRIPTION	QTY. PER TANDEM	PAGE NO.
1	-	Various	Front Hanger	1	-
2	-	Various	Center Hanger	2	-
3	-	Various	Rear Hanger	1	-
4	E-4813	0650-00	Fabricated Equalizer with Bushing, 49" Axle Spacing, Includes E-4827 Bushing	2	GRD-10
5	E-4827	0649-02	Equalizer Bushing, New Style, 1" Diameter Center Bolt	2	GRD-10
6	E-2892	0274-01	Flanged Nut, Flange Lock, 1"-14	2	-
7	E-4830	0001-14	Equalizer Bolt, 1" - 14 x 6-1/2" Long	2	GRD-10
8	E-4832	K0649-04	Equalizer Bushing Assembly Includes Key Nos. 5, 6, 7	2	GRD-10
9	E-4835	0741-00	Equalizer Spring Roller Assembly includes Key Nos. 10, 11, 12	4	GRD-10
10	E-3415	-	Rebound Bolt, 5/8"-18 x 4-1/2" Long	4	GRD-6
11	E-3416	0741-01	Spring Roller	6	GRD-10
12	E-2002	-	Nut 5/8"-18	6	-
13	E-4837	K074105	Hanger Spring Roller Assembly Includes Key Nos. 11, 12, 14	2	GRD-10
14	E-4836	-	Bolt, 5/8"-18	2	-
15	-	983-00	Adjustable Torque Arm, 17-1/4 - 19-1/2" Center-to-Center	2	-
16	-	984-00	Rigid Torque Arm, 19-1/4" Center-to-Center	2	-
17	-	-	Nut, 15/16"-16	8	-
18	-	-	Torque Arm Bolt, 15/16"-16 X 5-1/2" Long	8	-
19	-	965-00	Torque Arm Bushing	8	-
20	E-2873	08677-01	Top Plate, Cast, 3" Wide	4	GRD-11
	E-2907A	0077-00; 7029-00	Top Plate, Fabricated, 3" Wide	4	GRD-8
	E-2907A-P	-	Top Plate, Fabricated, 3" Wide, Price Point	4	GRD-8
21	E-2842	16810-02	Delrin Spring Liner	4	GRD-8
22	-	Various	Axle Seat	4	-
23	E-2909	0538-00; 710-00	Bottom Plate, 5" Round Axle	4	GRD-8
	E-2909-P	-	Bottom Plate, 5" Round Axle, Price Point	4	GRD-8
24	E-UB8161-12	-	U-Bolt Assembly Rd. Bend; Grade 8; 7/8"- 14 Thd. X 3" Wide x 12" Long	8	-
	E-UB8161-14	-	U-Bolt Assembly Rd. Bend; Grade 8; 7/8"- 14 Thd. X 3" Wide x 14" Long	8	-
	E-UB8161-16	-	U-Bolt Assembly Rd. Bend; Grade 8; 7/8"- 14 Thd. X 3" Wide x 16" Long	8	-
	E-UB8161-18	-	U-Bolt Assembly Rd. Bend; Grade 8; 7/8"- 14 Thd. X 3" Wide x 18" Long	8	-
	E-UB5161-12	-	U-Bolt Assembly Rd. Bend; Grade 5; 7/8"- 14 Thd. X 3" Wide x 12" Long	8	-
	E-UB5161-13	-	U-Bolt Assembly Rd. Bend; Grade 5; 7/8"- 14 Thd. X 3" Wide x 13" Long	8	-
	E-UB5161-14	-	U-Bolt Assembly Rd. Bend; Grade 5; 7/8"- 14 Thd. X 3" Wide x 14" Long	8	-
	E-UB5161-15	-	U-Bolt Assembly Rd. Bend; Grade 5; 7/8"- 14 Thd. X 3" Wide x 15" Long	8	-
	E-UB5161-18	-	U-Bolt Assembly Rd. Bend; Grade 5; 7/8"- 14 Thd. X 3" Wide x 18" Long	8	-

Equalizer - Fabricated



Fabricated, 2-Bolt - Includes Rubber Bushing Unless Noted

EUCLID NO.	OEM REF	NOTES
E-16392	750-03	O.E. Hutch
E-2781A		Standard Duty
E-2781A-P		Price Point
E-2781	-	Heavy-Duty Side Plates
GAFF992781A	-	Poly Bushing

Equalizer Bushing



EUCLID NO.	BUSHING TYPE
E-1999A	Rubber
GAFF14000	Poly

Equalizer Bolt



EUCLID NO.	OEM REF	NOTES
E-2000	7016-01	5/8"-18 thread, 3/4" Body X 6" Long

Equalizer Bushing Assembly



Includes 2 Step Bolts, 2 Nuts, 1 Lock Tab

EUCLID NO.	NOTES
E-2003	Includes: 1 Rubber Bushing

Equalizer Lock Tab



EUCLID NO.	OEM REF
E-2001	729-00

Equalizer Bolt Assembly





EUCLID NO.	NOTES
E-3414	Includes: 2 Step Bolts, 2 Rebound Bolts, 4 Nuts, 2 Sleeves, 1 Lock Tab


Rebound Bolt





EUCLID NO.	OEM REF	NOTES
E-3415	759-00	5/8"- 18 x 4-1/2" Long


Rebound Spacer		
		
EUCLID NO.	OEM REF	NOTES
E-3416	756-00	7/8" OD X 3-7/32" Long

Center Hanger - Straddle Mount	
	
EUCLID NO.	OEM REF
E-9495	7602-01


Rebound Bolt Assembly		
		
EUCLID NO.	OEM REF	NOTES
E-4835	10287-00	Includes: 1 Rebound Bolt, 1 Nut, 1 Sleeve

Center Hanger - Under Mount	
	
EUCLID NO.	OEM REF
E-9496	7602-02


Front Hanger - Under Mount	
	
EUCLID NO.	OEM REF.
E-9494	20725-01; 7601-02

Rear Hanger - Straddle Mount	
	
Includes Rebound Bolt, Nut and Sleeve	
EUCLID NO.	OEM REF
E-2912A	7703-01

Front Hanger - Straddle Mount	
	
EUCLID NO.	OEM REF.
E-9493	7601-01

Rear Hanger - Under Mount	
	
Includes Rebound Bolt, Nut and Sleeve	
EUCLID NO.	OEM REF
E-2915A	20732-01


U-Bolt Top Plate



E-2907A E-2907A-P


EUCLID NO.	OEM REF	NOTES
E-2907A	16868-01; 7029-00	-
E-2907A-P		Price Point

Bottom Plate, 5" Round Axle




EUCLID NO.	OEM REF
E-2909	710-00
E-2909-P	

Spring Seat - 5" Round Axles



EUCLID NO.	OEM REF	HEIGHT
E-9527	19361-01	3/4" High
E-9528	19361-04	2-1/4" High
E-9529	19361-06	3-1/4" High


Bottom Plate



Cast Plate for 5" Round Axles

EUCLID NO.	OEM REF
E-15205	7622-00

Torque Arm - Adjustable



EUCLID NO.	OEM REF	INCLUDES BUSHING NO.	USES BUSHING KIT	LENGTH
E-9476	16167-04	Not Included. Use E-927	E-9478	19-1/4"

Delrin Spring Liner Pad




EUCLID NO.	OEM REF.	HOLE DIAMETER	NOTES
E-2842	16810-02	1"	2-7/8" Wide X 8" Long

Torque Arm - Rigid



EUCLID NO.	OEM REF	INCLUDES BUSHING NO.	USES BUSHING KIT	LENGTH
E-9477	11953-01	Not Included. Use E-927	E-9478	19-1/4"


Torque Arm Bushing Assembly



Includes: 1 Bolt, 1 Nut, 2 Washers


EUCLID NO.	NOTES
E-9478	Includes: 2 Rubber Bushings
GAFF999478	Includes: 2 Poly Bushings

Torque Arm Nut



EUCLID NO.	OEM REF	NOTES
E-1835	34-02	7/8"-14 Hex Locknut

Torque Arm Bolt




EUCLID NO.	OEM REF	NOTES
E-9480	12709-01	1-1/4" Dia Body, 7/8"-14 Threads

Replacement Hanger Wear Pad



EUCLID NO.	OEM REF.	NOTES
E-9487	755-03	All Fabricated Front and Center Hangers

Torque Arm Washer



EUCLID NO.	OEM REF	NOTES
E-9482	12711-01	15/16" ID
E-2833	12710-01	1-5/16" ID

Torque Arm Bushing



NOTE: Large OD 2-3/16" ID 1-1/4" Length 2-3/8"

EUCLID NO.	OEM REF	NOTES
E-927	7620-00	Rubber
GAFF13001	7620-00	Poly

Equalizer - Fabricated



Rubber Bushing Included; 49" Axle Spacing

EUCLID NO.	OEM REF.	OVERALL LENGTH
E-4813	0650-00	16-1/2"

Spring Roller Assembly - Equalizer



4-1/2" Bolt

EUCLID NO.	OEM REF.	NOTES
E-4835	0741-00	Includes Bolt, Roller and Nut

Equalizer Bushing



EUCLID NO.	OEM REF.	NOTES
E-4827	0649-02	Rubber Bushing

Spring Roller



EUCLID NO.	OEM REF.
E-3416	0741-01

Equalizer Bolt



EUCLID NO.	OEM REF.	NOTES
E-4830	0001-14	1"-14 x 6-1/2" Long

Rebound Bolt



EUCLID NO.	OEM REF.	NOTES
E-3415	759-00	5/8" - 18 x 4-1/2" Long

Equalizer Bushing Assembly




EUCLID NO.	OEM REF.	NOTES
E-4832	K0649-04	Includes: 1 Bushing, 1 Bolt, 1 Nut

Spring Roller Assembly - Hanger



5-1/2" Bolt

EUCLID NO.	OEM REF.	NOTES
E-4837	K074105	Includes Bolt, Roller and Nut

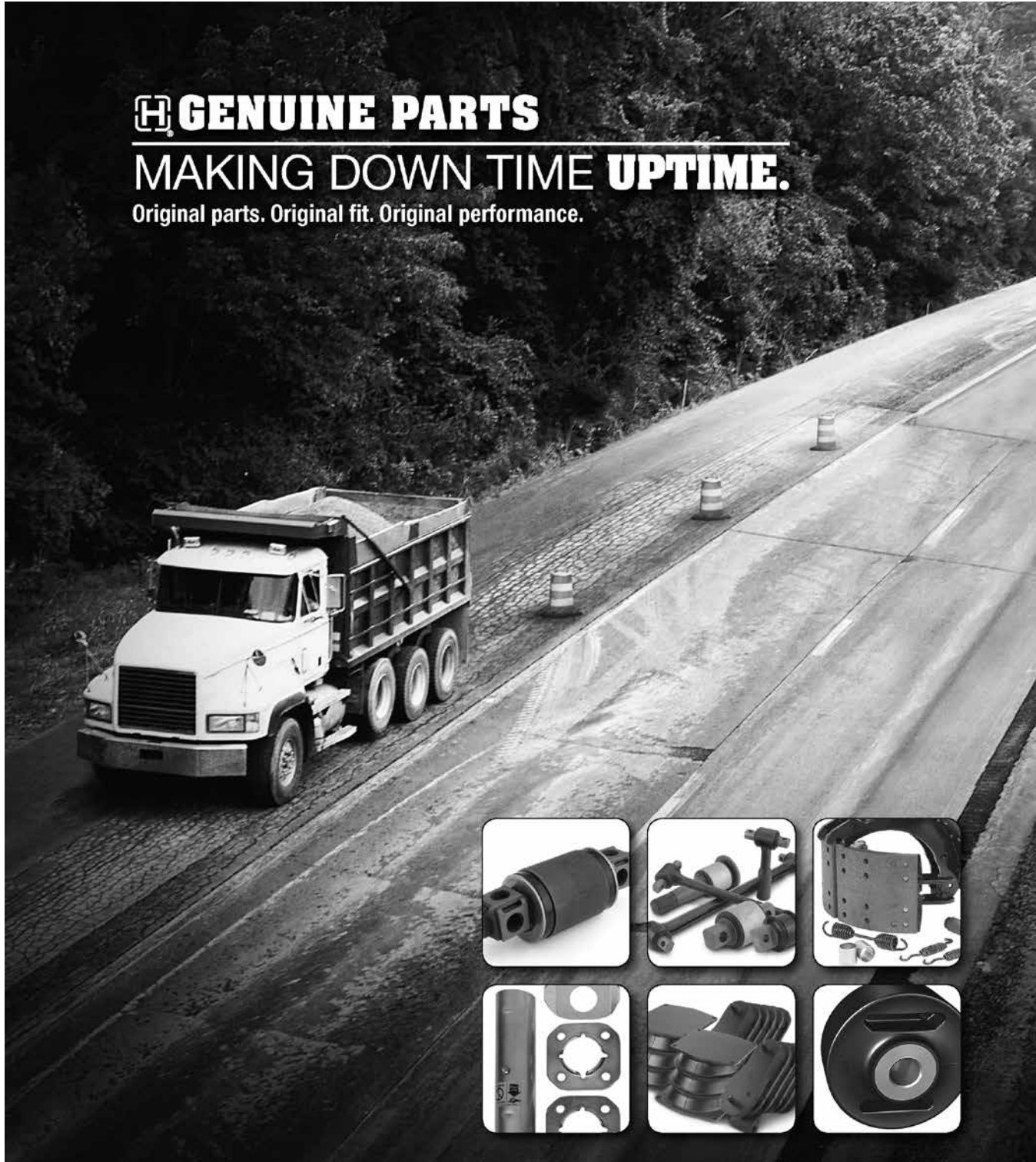
U-Bolt Top Plate		
		
E-2907A		E-2907A-P
EUCLID NO.	OEM REF	NOTES
E-2907A	16868-01; 7029-00	-
E-2907A-P		Price Point

Top Plate	
	
EUCLID NO.	OEM REF.
E-2873	08677-01

Delrin Spring Liner Pad			
			
EUCLID NO.	OEM REF.	HOLE DIAMETER	NOTES
E-2842	16810-02	1"	2-7/8" Wide X 8" Long

Bottom Plate - 5" Round Axle	
	
EUCLID NO.	OEM REF.
E-2909	0538-00; 710-00
E-2909-P	

H GENUINE PARTS
MAKING DOWN TIME UPTIME.
 Original parts. Original fit. Original performance.



HENDRICKSON

H HENDRICKSON

1-866-755-5968
 www.hendrickson-intl.com

Demand Hendrickson Genuine Parts. Whether it's bushings, torque rods, air springs, shock absorbers, steel springs or aftermarket kits, Hendrickson Genuine Parts deliver the same quality and durability as those installed in OEM production models. Fleets and owner operators rely on Hendrickson Genuine Parts for quality, ride and stability, weight savings and dependability. Hendrickson Genuine Parts — Original parts, Original fit, Original performance.

TABLE OF CONTENTS**Hendrickson Front Suspensions**

AIRTEK for Blue Bird Bus	HND-4
SOFTEK for Blue Bird Bus.....	HND-8
AIRTEK for Freightliner Newer Cascadia Vehicles 12.5 and 13.3K Capacity.....	HND-10
AIRTEK for Freightliner Vehicles Built Prior to May 2010, Sterling Vehicles Built Prior to April 2009 & Western Star Vehicles Built Prior to June 2010	HND-12
AIRTEK for Freightliner Vehicles Built Between May 2010 & November 2011 and All Cascadia & Coronado Models Built After November 2011	HND-16
AIRTEK with STEERTEK NXT for Freightliner Motor Home Chassis.....	HND-20
SOFTEK for Freightliner Motor Home Chassis.....	HND-22
AIRTEK for International Vehicles	HND-24
SOFTEK and STEERTEK NXT Axles for International Vehicles.....	HND-28
AIRTEK for International Integrated Coach Bus	HND-30
AIRTEK for Mack.....	HND-32
AIRTEK for Spartan Motor Home Chassis	HND-36
SOFTEK for Spartan.....	HND-40
AIRTEK for Volvo	HND-42
AIRTEK for Western Star Built After November 2011 w/STEERTEK NXT Axles and Vehicles Built Between June 2010 and November 2011 with STEERTEK Axles	HND-46

Hendrickson Truck and Bus Rear Suspensions

COMFORT AIR Single Axle Suspension for Blue Bird Bus	HND-50
COMFORT AIR for Hino.....	HND-52
AR2 400/460 Air Over Walking Beam Tandem Axle Suspension.....	HND-56
HA 360/400/460 Tandem Axle Air Suspension	HND-60
HAS 12K/15K/19K/21K/23K Single Axle Air Suspension	
HAS 36K/40K/46K Tandem Axle Air Suspension	
HAS 21K/23K/40K/46K Single/Tandem Axle Air Suspension with Air Disc Brakes	
HAS 40LH Light Weight Tandem Axle Air Suspension	HND-62
PARASTEER Air Suspension for Blue Bird.....	HND-66
PRIMAAX Single/Tandem Axle Air Suspension Built Before May 2010 with Detachable End Cap.....	HND-68
PRIMAAX EX Single/Tandem Axle Air Suspension	HND-74
E4 340/360/380/400 Tandem Axle Four Spring Suspension	HND-80
HFS 360/400/400 LH Tandem Axle Four Spring Suspension.....	HND-82
HTS 210/230/260/310 Single Axle Suspension for Autocar & Spartan Type C School Bus	HND-84
RT/RTE 340/400/460/480/520 Tandem Axle Suspension	HND-88
RT/RTE 650/700 Series Tandem Axle Suspension	HND-92
U2/UE2-340 Tandem Axle Suspension	HND-94
HAULMAAX Rubber Bolster Spring Suspension	HND-96
HAULMAAX EX.....	HND-100
HN 400 – 460 Rubber Bolster Spring Built Between 11/88 & 9/97	HND-102
Hendrickson HN-402/462/522 & HN-FR Rubber Bolster Spring Built Between 4/96 & 11/00	HND-106
HTB 400LT for International.....	HND-110

R400/460/480/520 Series Tandem Axle Suspension	HND-112
RS 340/400/460/480/520 Series Tandem Axle Suspension	HND-114
RS 650 Series Tandem Axle Suspension.....	HND-118
SR 340/380 Tandem Axle Suspension.....	HND-122
V4 340/380 Series Tandem Axle Suspension	HND-124
Hendrickson Trailer Suspensions	
How To Identify Hendrickson Trailer Suspensions in This Euclid Catalog.....	HND-126
INTRAAX AAL, AANL, AANLS, AAEDL, AAZL 23/46K Slider, VANTRAAX HKAL 46K & HKARL 46K	HND-128
INTRAAX AAT, AAEDT 30K and VANTRAAX HKAT Models	HND-130
INTRAAX AANT 23K & AAZNT AND VANTRAAX, HKAT 50K/HKA250, ULTRAA-K UTKNT 40K.....	HND-132
Model HT190T, HT230T, HT300T Also used on Slider Models HK190/230 and HS190T, 230T and HS300T and HK190T and 230 Suspensions on K-2 Sliders	HND-134
Model HT190U Underslung.....	HND-136
Model HT250T	HND-138
Model HT250U, US / HT300U, US	HND-140
Model HT250YS / HT250YB / HT250U-Y	HND-142
Hendrickson Auxiliary Suspensions	
Composilite SC Series; Lift — Truck & Trailer.....	HND-144
HLQ, Q Series — Lift-Truck	HND-146
PT / PST / ST Series — Truck	HND-150
HLU / ST / UC2 Trailer	HND-152
AUXILIARY MT45, MTL45, MTL50 — Lift-Trailer.....	HND-154
TOUGHLIFT FM / HLM-2, HLM / HLM-1, LK — Lift Truck.....	HND-156
Hendrickson Components	HND-158



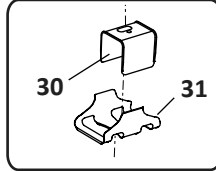
Not sure which suspension you have?
 Check out Meritor's Suspension Identification
 Xact Search to find the right part by
 clicking the QR code

HENDRICKSON SUSPENSION

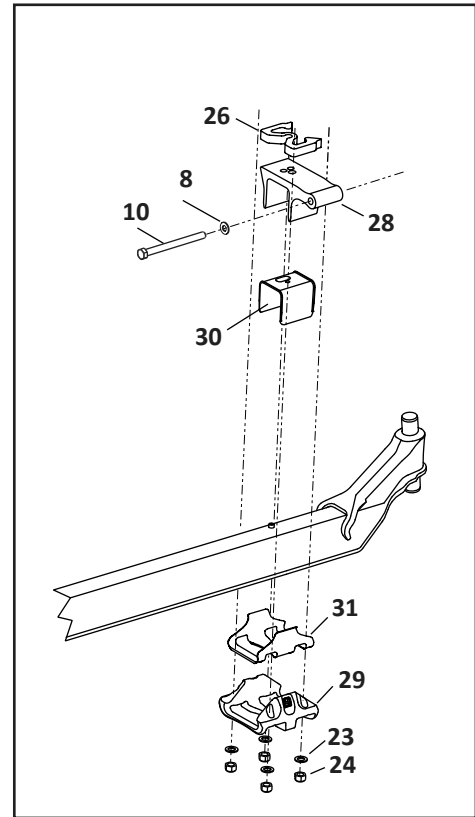
AIRTEK for Blue Bird Bus

HENDRICKSON

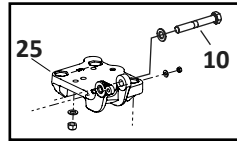
Axle Wrap Liner Kit



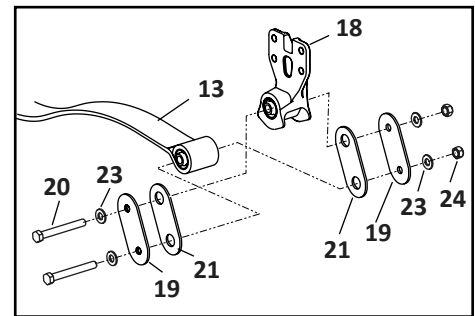
Vehicles Built Prior To October 2012 (Non-NXT Axles)



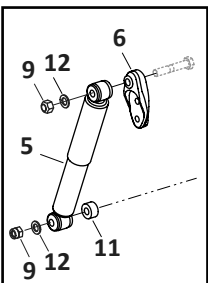
Axle Cap with Bottom Shock Mount



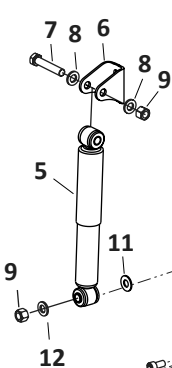
Vehicles Built Prior To November 2006



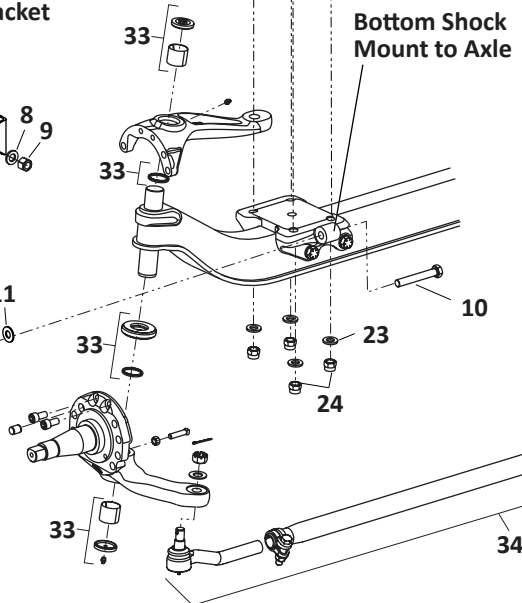
Shock Bracket 13 & 14.6K



Shock Bracket 10K



Bottom Shock Mount to Axle



For more information on King Pins, Tie Rod Ends and Assemblies see 760C Front Axle Parts — Medium- and Heavy-Duty Applications

AIRTEK for Blue Bird Bus						
KEY NO.	EUCLID NO.	GENUINE	OEM REF.	DESCRIPTION	QTY. PER AXLE	PAGE NO.
1	FS9912	-	64075-002	Air Spring	2	-
	E-17589		60850-001	Air Spring, 13.2 & 14.6K Capacity	2	-
2	E-16425		60850-001	Air Spring Bracket, 10K Capacity	2	HND-236
	S.O.S.		60807-002	Air Spring Bracket, 13.2/14.6K Capacity	2	-
3	S.O.S.		59935-004	Height Control Valve, 10K Capacity	1	-
	E-16407		60501-000; 60501-001	Height Control Valve, 13.2/14.6K Capacity	1	HND-235
4	E-15133		59428-001	Height Control Valve Linkage Kit, 10K Capacity	1	HND-236
	S.O.S.		59428-005	Height Control Valve Linkage Kit, 13.2/14.6K Capacity	1	-
5	M85959	-	58913-009 58913-011	Shock Absorber	2	-
6	S.O.S.		59423-002	Shock Bracket, 10K Capacity	2	-
	E-15177		67463-002	Shock Bracket, 13.2/14.6K Capacity	2	HND-205
7	S.O.S.	-	-	Bolt, Top Shock, 3/4"-10 X 4" Long	2	-
8	E-2545	-	-	Hardened Washer, 3/4"	4	-
9	E-4347	-	-	Lock Nut, 3/4"-10	4	-
10	S.O.S.	-	Various	Bolt, Lower Shock Mount, 3/4"-10 X Various Lengths	2	-
11	S.O.S.		22962-046	Shock Spacer, .118" Thick, 10K Capacity Built After October 2012	2	-
	S.O.S.		59946-006	Shock Spacer, 13.2/14.6K Capacity	2	-
	E-16419		59946-001	Shock Spacer, 10K Capacity Built Before October 2012	2	HND-236
12	E-2545	-	-	Harden Washer, 3/4"	2	-
13	S.O.S.		Various	Leaf Spring Assembly	2	-
14	S.O.S.		64488-002	Front Hanger	2	-
15	E-16415	-	-	Bolt, M20-2.5 X 170mm Long	2	-
16	E-16229	-	-	Lock Nut, M20-2.5	6	-
17	S.O.S.	-	-	Washer, 20mm	12	-
18	S.O.S.		66510-001	Rear Shackle Bracket and Bushing	2	-
	S.O.S.		64316-000	Rear Shackle Bracket and Bushing, 10 K Capacity Built Before Nov. 2006	2	-
19	S.O.S.		66314-000	Rear Shackle Plate	4	-
20	E-16413	-	-	Bolt, M20-2.5 X 150mm Long	4	HND-253
21	E-16432		64159-000	Thrust Washer, 10 K Capacity Built Before Nov. 2006	4	HND-235
22	S.O.S.	-	-	Bolt, 3/4"-16 X Various	8	-
23	E-2545	-	-	Washer, 3/4"	8	-
24	E-16467	-	-	Lock Nut, 3/4"-16, Nylon Insert	8	-
25	S.O.S.		Various	Top Pad	2	-
26	S.O.S.		Various	Front Axle Spacer	2	-
27	S.O.S.		Various	Dowel Pin	2	-
28	S.O.S.		Various	Top Axle Wrap, Vehicles Built Before October 2012	2	-
29	E-15108		64722-003	Bottom Axle Wrap, Vehicles Built Before October 2012	2	HND-235
30	E-15147		60508-000	Top Axle Wrap Liner, Vehicles Built Before October 2012	2	HND-235
31	E-15110		59845-000	Bottom Axle Wrap Liner, Vehicles Built Before October 2012	2	HND-235
32	E-15727		60961-015	Axle Wrap Liner Kit, Vehicles Built Before October 2012, Includes Key Nos. 30 & 31	2	HND-235

Denotes Product is Genuine Hendrickson

For more information on King Pins, Tie Rod Ends and Assemblies
see *760C Front Axle Parts — Medium- and Heavy-Duty Applications*

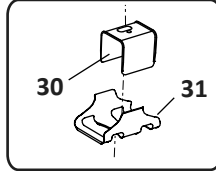
HENDRICKSON

HENDRICKSON SUSPENSION

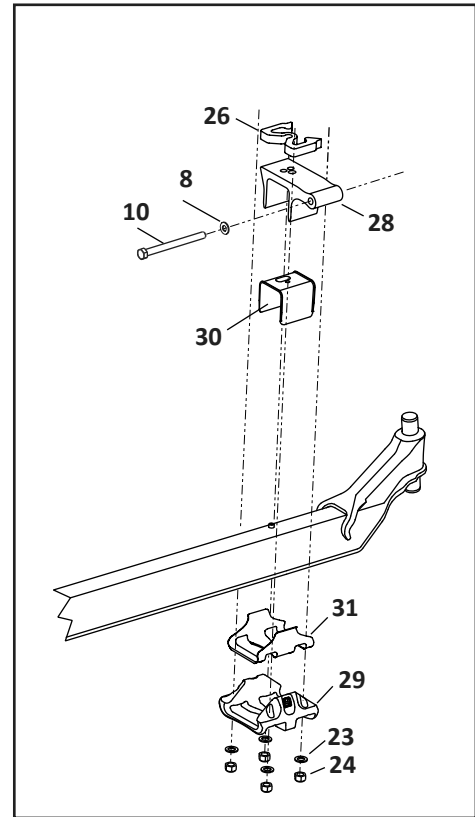
AIRTEK for Blue Bird Bus

HENDRICKSON

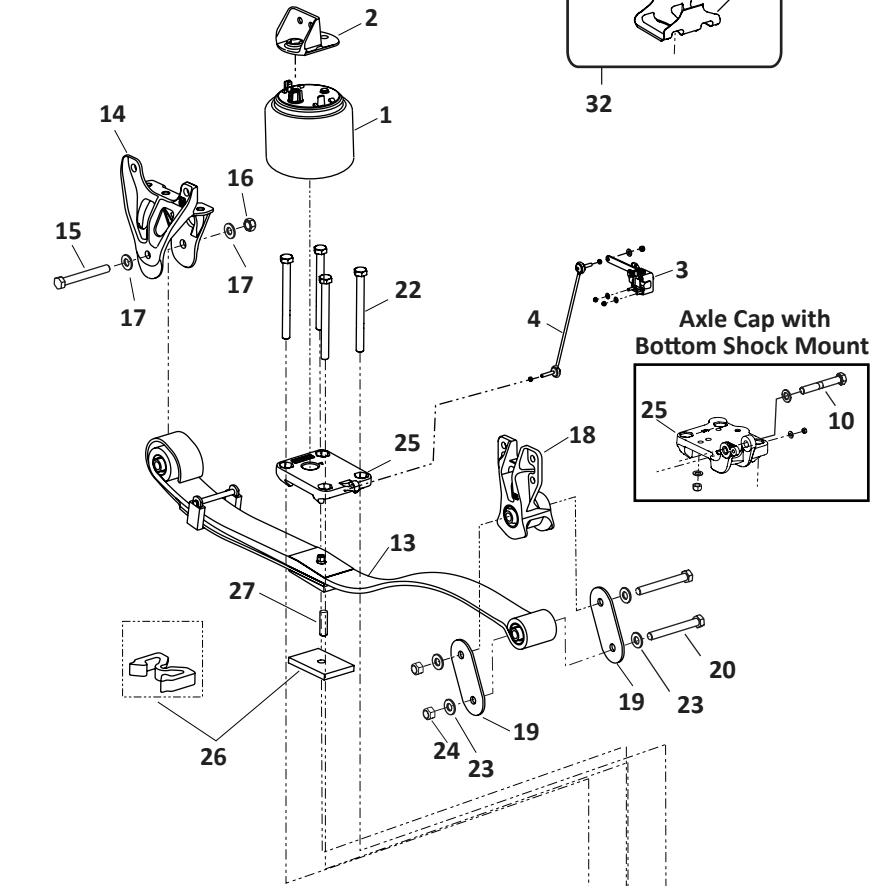
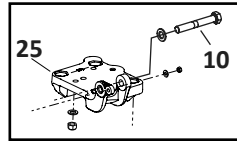
Axle Wrap Liner Kit



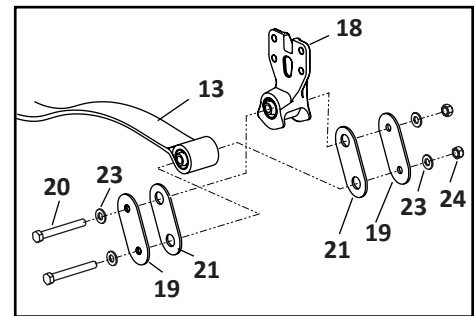
**Vehicles Built Prior To October 2012
(Non-NXT Axles)**



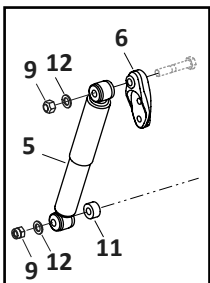
**Axle Cap with
Bottom Shock Mount**



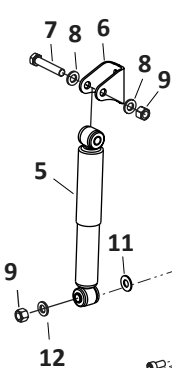
Vehicles Built Prior To November 2006



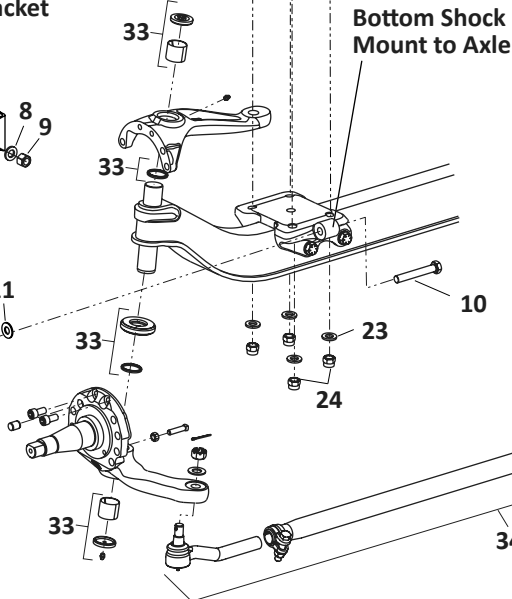
**Shock Bracket
13 & 14.6K**



**Shock Bracket
10K**



**Bottom Shock
Mount to Axle**



For more information on King Pins, Tie Rod Ends and Assemblies see 760C Front Axle Parts — Medium- and Heavy-Duty Applications

AIRTEK for Blue Bird Bus						
KEY NO.	EUCLID NO.	GENUINE	OEM REF.	DESCRIPTION	QTY. PER AXLE	PAGE NO.
33	E-13999		60961-040	Kingpin Bushing and Bearing Service Kits, Axle Set Includes Left and Right Hand Kit (E-14000 and E-14001), Vehicles Built Before October 2012	1	-
	E-14000		60961-009	Kingpin Bushing and Bearing Service Kit, Left Hand with Composite Thrust Bearings, Vehicles Built Before October 2012	1	-
	E-14001		60961-039	Kingpin Bushing and Bearing Service Kit, Right Hand with Roller Thrust Bearings, Vehicles Built Before October 2012	1	-
	E-17644		60961-628	Kingpin Bushing and Bearing Service Kits, Axle Set Includes Left and Right Hand Kit (E-17645 and E-17646), Vehicles Built After October 2012	1	-
	E-17645		60961-629	Kingpin Bushing and Bearing Service Kit, Left Hand with Composite Thrust Bearings, Vehicles Built After October 2012	1	-
	E-17646		60961-630	Kingpin Bushing and Bearing Service Kit, Right Hand with Roller Thrust Bearings, Vehicles Built After October 2012	1	-
34	-	-	Various	Tie Rod Ends and Assembly. See Front Axle Catalog	As Req'd	-

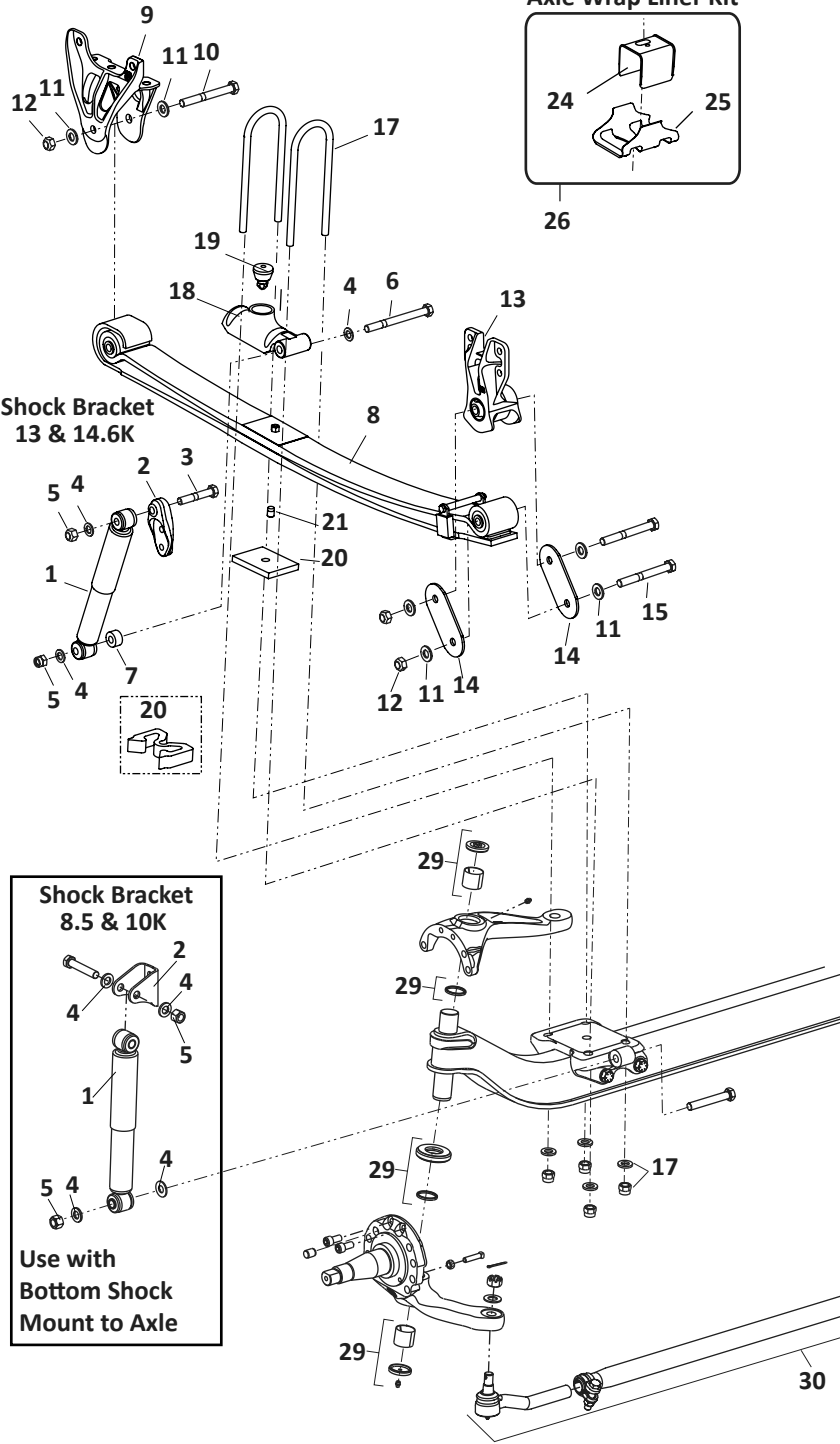
 Denotes Product is Genuine Hendrickson

For more information on King Pins, Tie Rod Ends and Assemblies
see *760C Front Axle Parts — Medium- and Heavy-Duty Applications*

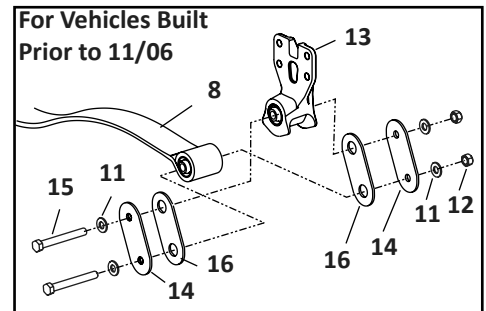
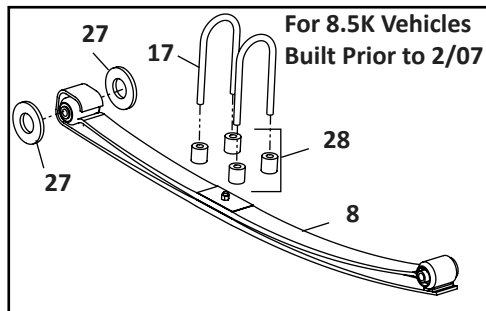
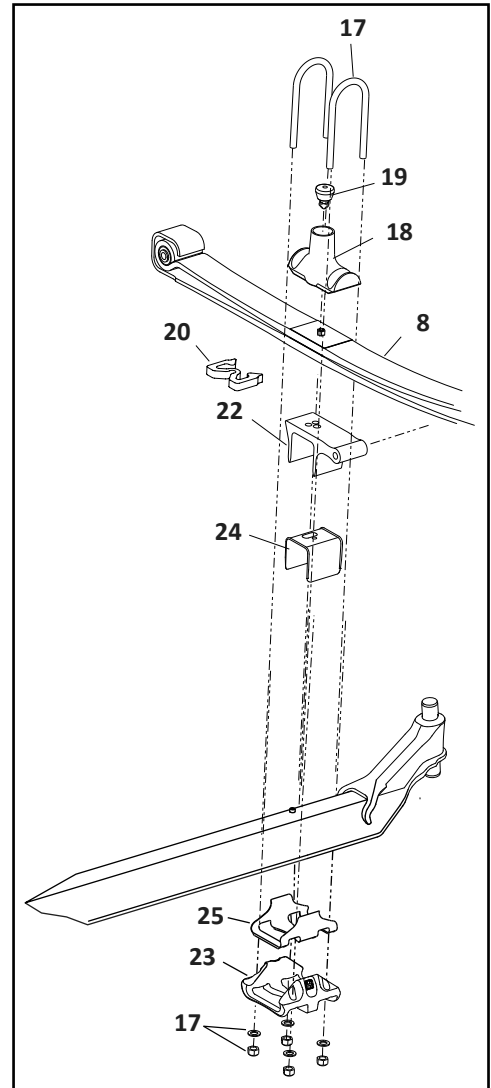
HENDRICKSON SUSPENSION

SOFTEK for Blue Bird Bus

HENDRICKSON
























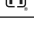

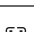




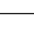
Vehicles Built Prior to October 2012 (Non-NXT Axles)



For more information on King Pins, Tie Rod Ends and Assemblies see 760C Front Axle Parts — Medium- and Heavy-Duty Applications

HENDRICKSON SUSPENSION

Suspension

SOFTEK for Blue Bird Bus						
KEY NO.	EUCLID NO.	GENUINE	OEM REF.	DESCRIPTION	QTY. PER AXLE	PAGE NO.
1	M85959	-	58913-009 58913-011	Shock Absorber, 8.5/10K Capacities	2	-
	S.O.S.	-	58913-010	Shock Absorber, 13.2/14.6K Capacities	2	-
2	S.O.S.		59423-032	Shock Bracket, 8.5/10K Capacities, Built After June 2020	2	-
	S.O.S.		59423-002	Shock Bracket, 8.5/10K Capacities, Built Before June 2020	2	-
	E-15177		67463-002	Shock Bracket, 13.2/14.6K Capacity	2	HND-205
3	S.O.S.	-	-	Bolt, Top Shock, 3/4"-10 X 4" Long	2	-
4	E-2545	-	-	Hardened Washer, 3/4"	4	-
5	E-4347	-	-	Lock Nut, 3/4"-10	4	-
6	S.O.S.	-	Various	Bolt, Lower Shock Mount, 3/4"-10 X Various Lengths	2	-
7	S.O.S.		22962-046	Shock Spacer, .118" Thick, 8.5/10K Capacities Built After October 2012	2	-
	E-16419		59946-001	Shock Spacer, Other Than Noted Above	2	HND-236
8	S.O.S.		Various	Leaf Spring Assembly	2	-
9	S.O.S.		64488-002	Front Hanger	2	-
10	E-16415	-	-	Bolt, M20-2.5 X 170mm Long	2	-
11	S.O.S.	-	-	Washer, 20mm	12	-
12	E-16229	-	-	Lock Nut, M20-2.5	6	-
13	S.O.S.		66510-001	Rear Shackle Bracket and Bushing, Built After Nov. 2006	2	-
	S.O.S.		64316-000	Rear Shackle Bracket and Bushing, Built Before Nov. 2006	2	-
14	S.O.S.		66314-000	Rear Shackle Plate	4	-
15	E-16413	-	-	Bolt, M20-2.5 X 150mm Long	4	HND-253
16	E-16432		64159-000	Thrust Washer, 8.5/10K Capacities Built Before Nov. 2006	4	HND-235
17	E-UB8154-10	-	Various	U-Bolt Assembly 3/4"-16 X 4" Wide X 10" Long, Rd. Bend. Includes Nuts, Washers	4	HND-235
	E-UB8154-12	-	Various	U-Bolt Assembly 3/4"-16 X 4" Wide X 12" Long, Rd. Bend. Includes Nuts, Washers	4	HND-235
	S.O.S.	-	Various	U-Bolt Assembly 3/4"-16 X 4" Wide X Various Lengths, Rd. Bend. Includes Nuts, Washers	4	-
18	S.O.S.		Various	Top Pad	2	-
19	E-15148		64080-000	Axle Stop, Rubber	2	HND-250
20	S.O.S.		Various	Front Axle Spacer	2	-
21	S.O.S.		Various	Dowel Pin	2	-
22	S.O.S.		Various	Top Axle Wrap, Vehicles Built Before October 2012	2	-
23	E-15108		64722-003	Bottom Axle Wrap, Vehicles Built Before October 2012	2	HND-235
24	E-15147		60508-000	Top Axle Wrap Liner, Vehicles Built Before October 2012	2	HND-235
25	E-15110		59845-000	Bottom Wrap Liner, Vehicles Built Before October 2012	2	HND-235
26	E-15727		60961-015	Axle Wrap Liner Kit, Vehicles Built Before October 2012, Includes Key Nos. 23 & 24	2	HND-235
27	S.O.S.		66164-000	Thrust Pad Washer, 8.5K Built Before October 2012	4	-
28	S.O.S.		66366-001	U-Bolt Spacer, 8.5K Built Before October 2012	8	-
29	E-13999		60961-040	Kingpin Bushing and Bearing Service Kits, Axle Set Includes Left and Right Hand Kit (E-14000 and E-14001), Vehicles Built Before October 2012	1	-
	E-14000		60961-009	Kingpin Bushing and Bearing Service Kit, Left Hand with Composite Thrust Bearings, Vehicles Built Before October 2012	1	-
	E-14001		60961-039	Kingpin Bushing and Bearing Service Kit, Right Hand with Roller Thrust Bearings, Vehicles Built Before October 2012	1	-
	E-17644		60961-628	Kingpin Bushing and Bearing Service Kits, Axle Set Includes Left and Right Hand Kit (E-17645 and E-17646), Vehicles Built After October 2012	1	-
	E-17645		60961-629	Kingpin Bushing and Bearing Service Kit, Left Hand with Composite Thrust Bearings, Vehicles Built After October 2012	1	-
	E-17646		60961-630	Kingpin Bushing and Bearing Service Kit, Right Hand with Roller Thrust Bearings, Vehicles Built After October 2012	1	-
30	-		Various	Tie Rod Ends and Assembly. See Front Axle Catalog	As Req'd	-

 Denotes Product is Genuine Hendrickson

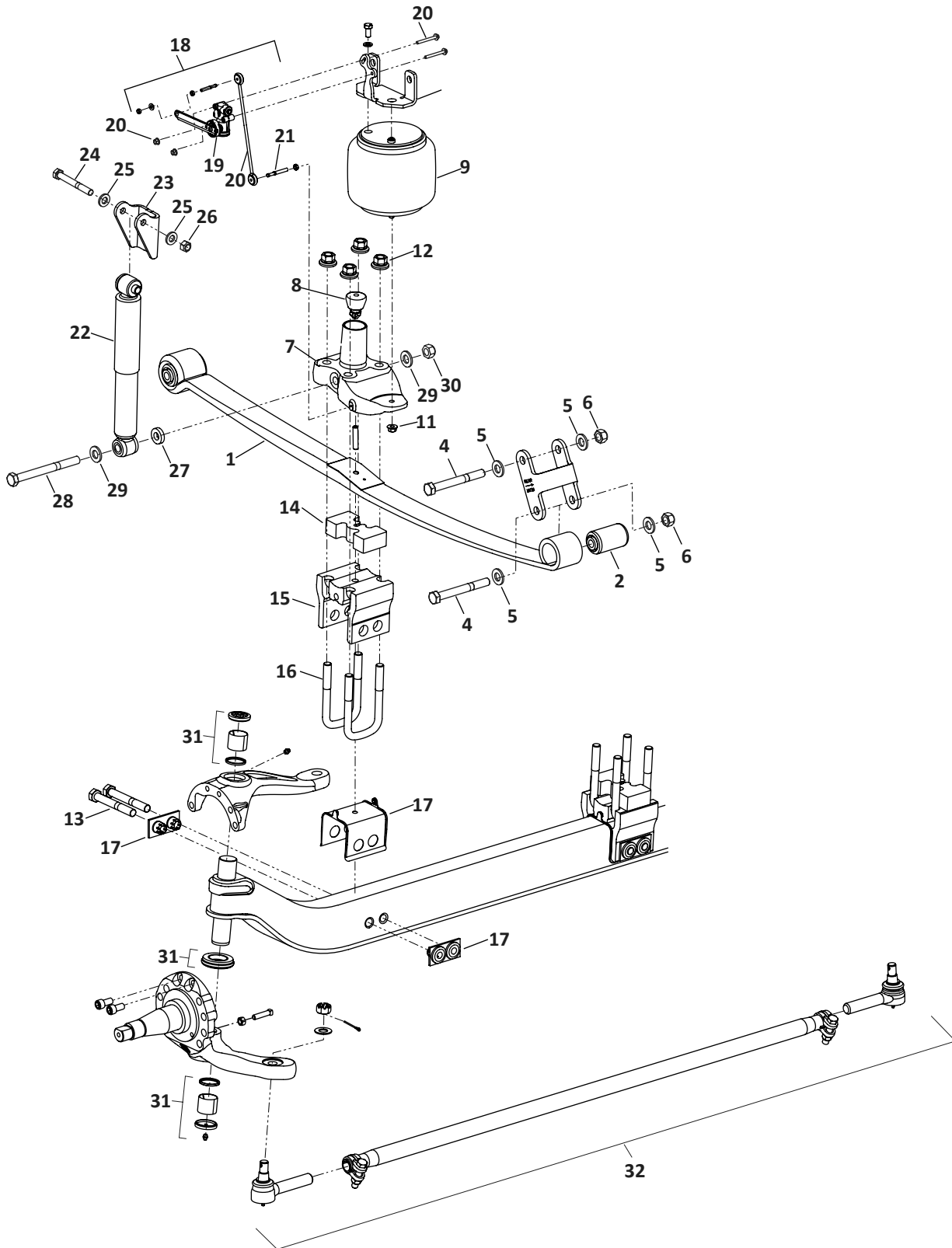
For more information on King Pins, Tie Rod Ends and Assemblies see 760C Front Axle Parts

HENDRICKSON

HENDRICKSON SUSPENSION

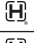






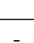

AIRTEK for Freightliner Newer Cascadia Vehicles 12.5 and 13.3K Capacity

HENDRICKSON



For more information on King Pins, Tie Rod Ends and Assemblies see 760C Front Axle Parts — Medium- and Heavy-Duty Applications

AIRTEK for Freightliner Newer Cascadia Vehicles 12.5 and 13.3K Capacity

KEY NO.	EUCLID NO.	GENUINE	OEM REF.	DESCRIPTION	QTY. PER AXLE	PAGE NO.
1	S.O.S.		82922-000; 53622-000	Leaf Spring Assembly, 12.5K, Includes Front Eye Bushing Which is Not Replaceable	2	-
	S.O.S.		82967-000; 53767-000	Leaf Spring Assembly, 13.3K, Includes Front Eye Bushing Which is Not Replaceable	2	-
2	E-17601		60961-867	Rear Spring Eye Bushing and Lube	2	HND-240
3	E-17581		78046-001	Shackle Plate	2	HND-240
4	E-16415	-	-	Shackle Bolt, M20 x 2.5 x 170mm	4	-
5	E-2546	-	-	Washer, M20	8	-
6	E-16229	-	-	Locknut, M20	4	-
7	S.O.S.	-	Various	Top Pad & Shock Bracket	-	-
8	E-15148		64080-000	Bumper Stop, Rubber	2	HND-252
9	E-17582		79115-002L	Air Spring Assembly, Includes Upper Fasteners	2	-
10	S.O.S.		78762-101	Air Spring and Height Control Valve Bracket	2	-
11	S.O.S.		68974-000	M12 x 1.75 Flange Locknut	2	-
12	S.O.S.		75989-000	M20 x 1.5 Two-piece Nut	8	-
13	S.O.S.		57159-015	1/2" x 2-1/2" Dowel Pin, 390mm Ride Height	2	-
	S.O.S.		57159-014	1/2" x 4-1/16" Dowel Pin, 430mm Ride Height	2	-
14	S.O.S.		77517-040	Leaf Spring Spacer, 430mm Ride Height Only	2	-
15	S.O.S.		78044-101	Axle Wrap	2	-
16	S.O.S.		78025-175	Semi Round U-Bolt M20 x 1.5 x 175mm, 390mm Ride Height	4	-
	S.O.S.		78025-215	Semi Round U-Bolt M20 x 1.5 x 215mm, 430mm Ride Height	4	-
17	S.O.S.		60961-802	Axle Clamp Service Kit, Wheel End	2	-
18	S.O.S.		59427-101L	Height Control Valve and Linkage Assembly, Left Hand	1	-
	S.O.S.		59427-102L	Height Control Valve and Linkage Assembly, Right Hand	1	-
19	E-17583		59935-101	Height Control Valve, Left Hand	1	HND-242
	E-17584		59935-102	Height Control Valve, Right Hand	1	HND-242
20	E-17604		59428-101	Leveling Valve Linkage Assembly	2	HND-242
21	S.O.S.		59169-003	Link Mount	2	-
22	S.O.S.		58913-015L	Shock Absorber	2	-
23	S.O.S.		78047-001	Upper Shock Bracket, Left Hand	1	-
	S.O.S.		78047-002	Upper Shock Bracket, Right Hand	1	-
24	S.O.S.	-	-	Upper Shock Bolt, M16 x 2.0 x 130mm	2	-
25	E-2547	-	-	Washer, 16mm	4	-
26	E-8841	-	-	Nut, M16 x 2.00	2	-
27	S.O.S.		59946-012	Lower Shock Spacer (10mm)	2	-
28	S.O.S.	-	-	Lower Shock Bolt, M20 x 2.5 x 210mm	2	-
29	E-2545	-	-	Washer, 20mm	4	-
30	E-16229	-	-	Lock Nut, M20 x 2.5	2	-
31	E-17644	-	60961-628	Kingpin Bushing and Bearing Service Kits, Axle Set Includes Left and Right Hand Kit (E-17645 and E-17646)	1	-
	E-17645	-	60961-629	Kingpin Bushing and Bearing Service Kit, Left Hand with Composite Thrust Bearings	1	-
	E-17646	-	60961-630	Kingpin Bushing and Bearing Service Kit, Right Hand with Roller Thrust Bearings	1	-
32	-	-	Various	Tie Rod Ends and Assembly. See Front Axle Catalog	As Req'd	-

 Denotes Product is Genuine Hendrickson

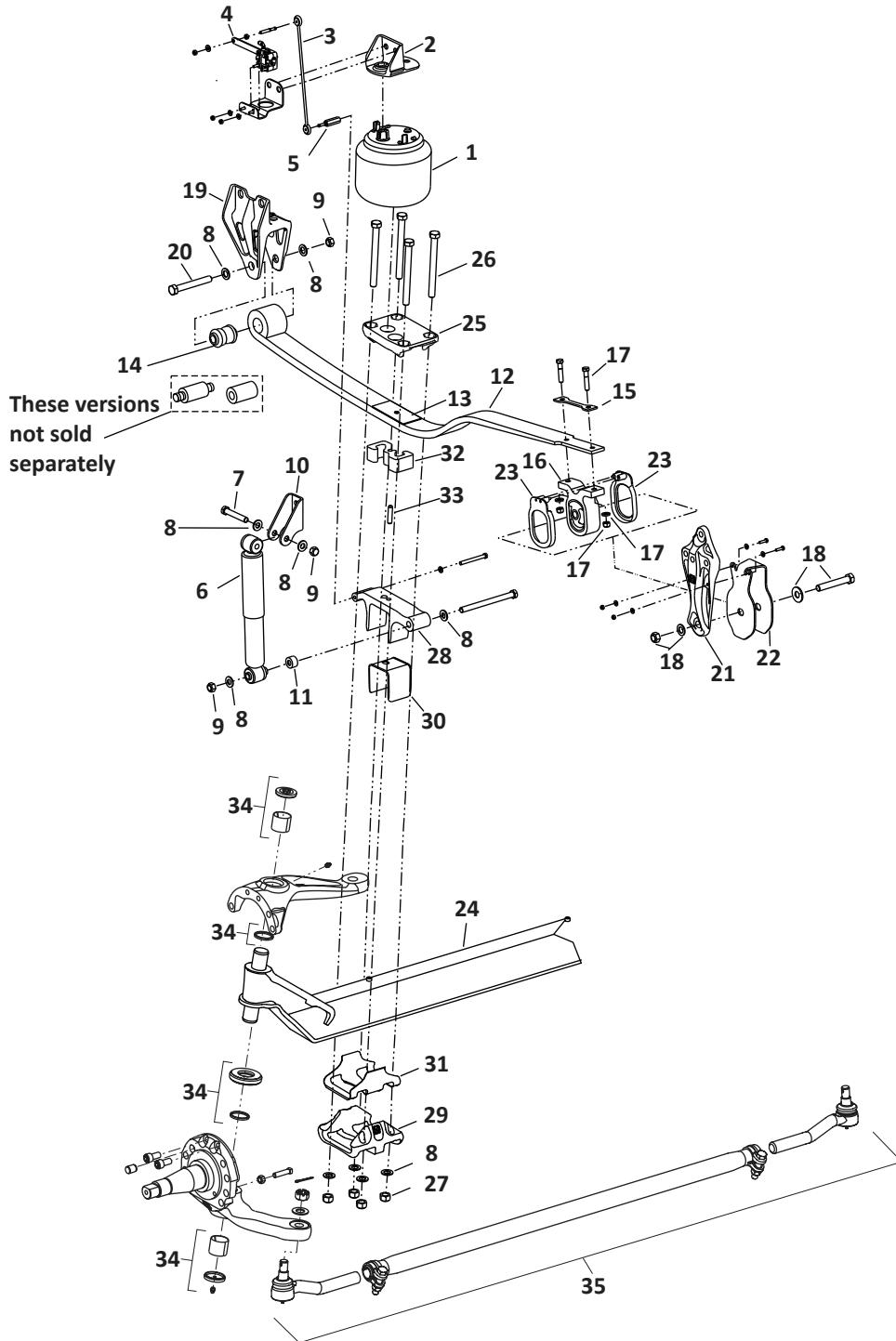
For more information on King Pins, Tie Rod Ends and Assemblies
see 760C Front Axle Parts — Medium- and Heavy-Duty Applications

HENDRICKSON

HENDRICKSON SUSPENSION

AIRTEK for Freightliner Vehicles Built Prior to May 2010,
Sterling Vehicles Built Prior to April 2009 &
Western Star Vehicles Built Prior to June 2010

HENDRICKSON













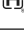

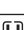
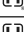
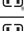
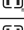
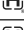
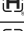
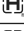




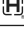
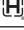




For more information on King Pins, Tie Rod Ends and Assemblies
see 760C Front Axle Parts — Medium- and Heavy-Duty Applications

HENDRICKSON SUSPENSION

Suspension

AIRTEK for Freightliner Vehicles Built Prior to May 2010, Sterling Vehicles Built Prior to April 2009 & Western Star Vehicles Built Prior to June 2010

KEY NO.	EUCLID NO.	GENUINE	OEM REF.	DESCRIPTION	QTY. PER AXLE	PAGE NO.
1	S.O.S.	-	69782-002	Air Spring	2	-
2	E-16425		60850-001	Air Spring Bracket, Left Hand	1	HND-243
	E-15132		60850-002	Air Spring Bracket, Right Hand	1	HND-243
3	E-15133		59428-001	Height Control Valve Linkage Assembly, 13-1/8" Center-to-Center	1	HND-242
	E-15134		59428-002	Height Control Valve Linkage Assembly, 14-1/2" Center-to-Center	1	HND-242
4	S.O.S.		59935-013	Height Control Valve, Left Hand	1	-
	E-13995		59935-002	Height Control Valve, Right Hand	1	HND-242
5	E-16426		59429-001	Link Mount	2	HND-243
6	M85932	-	58913-003	Shock Absorber	2	-
7	S.O.S.	-	50764-004	Bolt, 3/4"-10 X 3-3/4" Long, Upper Shock	2	-
8	E-2545	-	-	Washer, 3/4"	As Required	-
9	E-4347	-	-	Locknut, 3/4"-10	As Required	-
10	E-17586		59423-001	Shock Bracket	2	-
11	E-16419		59946-001	Shock Spacer	2	HND-236
12	S.O.S.		Various	Leaf Spring Assembly	2	-
13	S.O.S.		59937-001	Galvanized Liner	2	-
14	E-14632		59259-002	Spring Eye Bushing, Only Century Class S/T, Columbia, Western Star Set Forward. Others not sold separately	2	HND-240
15	E-15118		58920-001 58920-000	Spring End Plate	2	HND-240
16	E-14633		58918-000	Rear Spring Mount	2	HND-240
17	S.O.S.		60961-616	Rear Spring Mount Kit, Includes Key Nos. 15, 16 & Hardware	2	-
18	E-15136		60961-003	Rear Spring Eye Hardware Kit	2	HND-240
19	E-15137		59832-001	Front Hanger, Left, Century Class S/T, Columbia, Western Star	1	HND-241
	S.O.S.		60573-001	Front Hanger, Left, Other Models	1	-
	E-15138		59832-002	Front Hanger, Right, Century Class S/T, Columbia, Western Star	1	HND-241
	S.O.S.		60573-002	Front Hanger, Right, Other Models	1	-
20	E-15140	-	50764-002	Bolt, 3/4"-10 X 5-1/2" Long	2	HND-241
21	S.O.S.		59829-001	Rear Hanger, Casting No. 59825-000; 59829-000	2	-
22	S.O.S.		59830-001 59830-000	Rear Hanger Clamp	2	-
23	S.O.S.		59346-001 59346-000	Thrust Washer	4	-
24	S.O.S.		Various	Axle Assembly	1	-
25	E-15146		59826-000	Top Pad	2	HND-241
26	E-15102	-	58917-016	Bolt, 3/4"-10 X 8-1/2" Long	8	HND-241
	E-16435	-	-	Bolt, 3/4"-10 X 10" Long	8	HND-241
	E-16436	-	-	Bolt, 3/4"-10 X 11-1/2" Long	8	HND-241
27	E-15094	-	17700-033	Lock Nut, 3/4"-10, Nylock	8	-
28	S.O.S.		Various	Top Axle Wrap	2	-
29	S.O.S.		64722-001	Bottom Axle Wrap	2	-
30	E-15145		59449-000	Top Axle Wrap Liner	2	HND-241

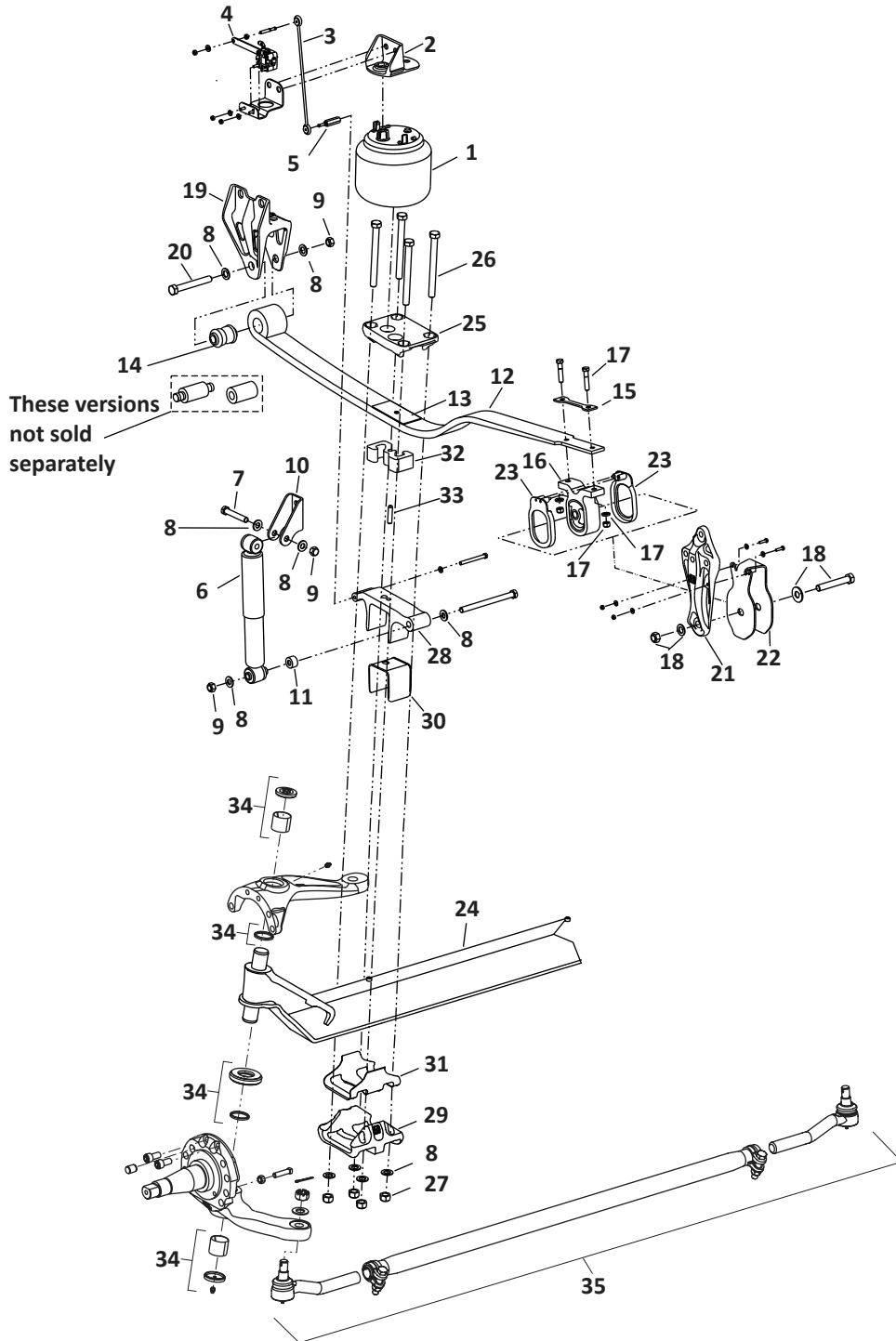
 Denotes Product is Genuine Hendrickson

For more information on King Pins, Tie Rod Ends and Assemblies
see 760C Front Axle Parts — Medium- and Heavy-Duty Applications

HENDRICKSON SUSPENSION








AIRTEK for Freightliner Vehicles Built Prior to May 2010,
Sterling Vehicles Built Prior to April 2009 &
Western Star Vehicles Built Prior to June 2010

HENDRICKSON



For more information on King Pins, Tie Rod Ends and Assemblies
see 760C Front Axle Parts — Medium- and Heavy-Duty Applications

**AIRTEK for Freightliner Vehicles Built Prior to May 2010,
Sterling Vehicles Built Prior to April 2009 &
Western Star Vehicles Built Prior to June 2010**

KEY NO.	EUCLID NO.	GENUINE	OEM REF.	DESCRIPTION	QTY. PER AXLE	PAGE NO.
31	E-15110		59845-000	Bottom Axle Wrap Liner	2	HND-241
32	S.O.S.		Various	Axle Spacer	2	-
33	S.O.S.		Various	Dowel Pin	2	-
34	E-13999		60961-040	Kingpin Bushing and Bearing Service Kits, Axle Set Includes Left and Right Hand Kit (E-14000 and E-14001), Vehicles Built Before October 2012	1	-
	E-14000		60961-009	Kingpin Bushing and Bearing Service Kit, Left Hand with Composite Thrust Bearings, Vehicles Built Before October 2012	1	-
	E-14001		60961-039	Kingpin Bushing and Bearing Service Kit, Right Hand with Roller Thrust Bearings, Vehicles Built Before October 2012	1	-
35	-		Various	Tie Rod Ends and Assembly. See Front Axle Catalog	As Req'd	-

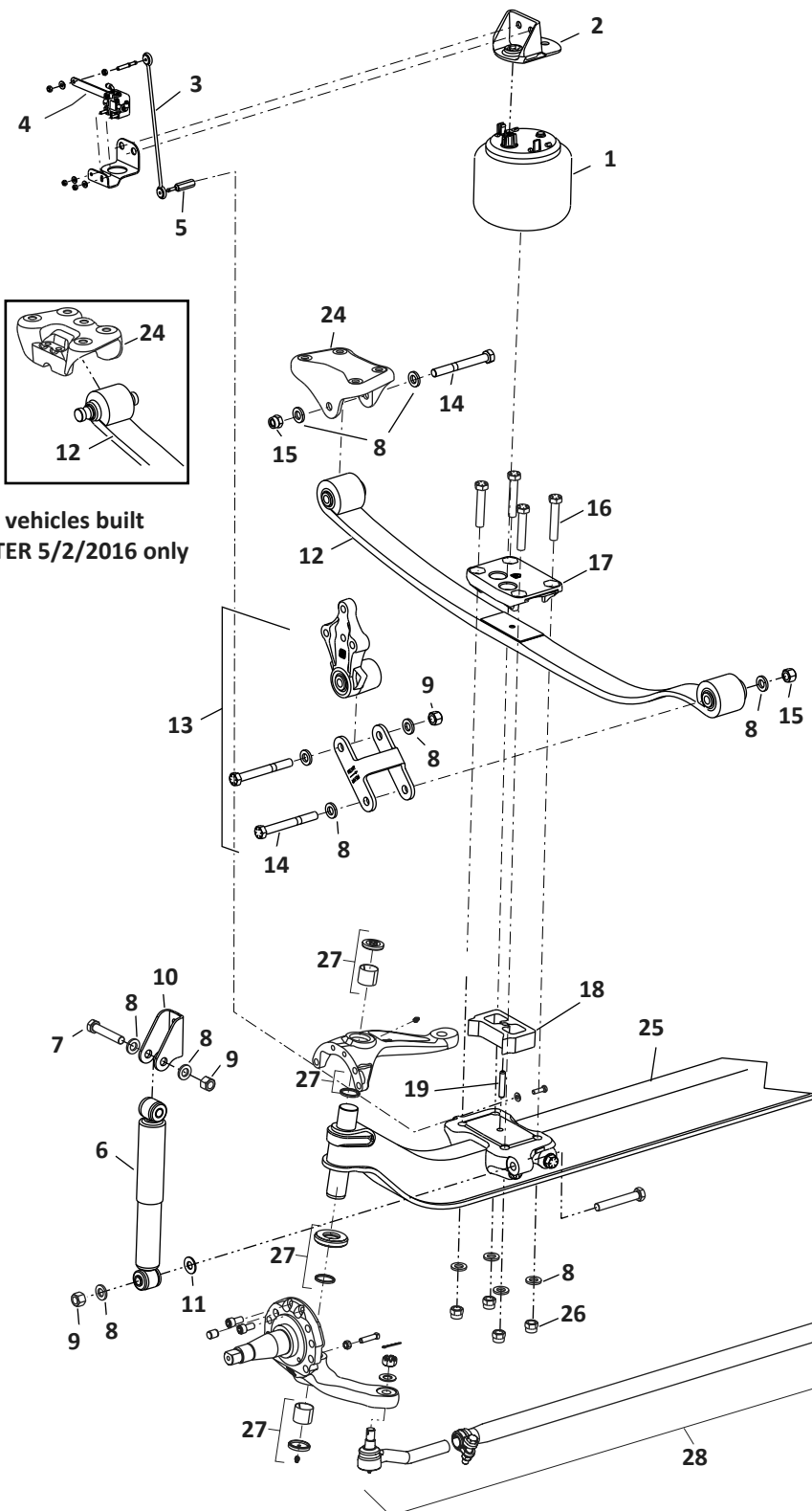
 Denotes Product is Genuine Hendrickson

For more information on King Pins, Tie Rod Ends and Assemblies
see *760C Front Axle Parts — Medium- and Heavy-Duty Applications*

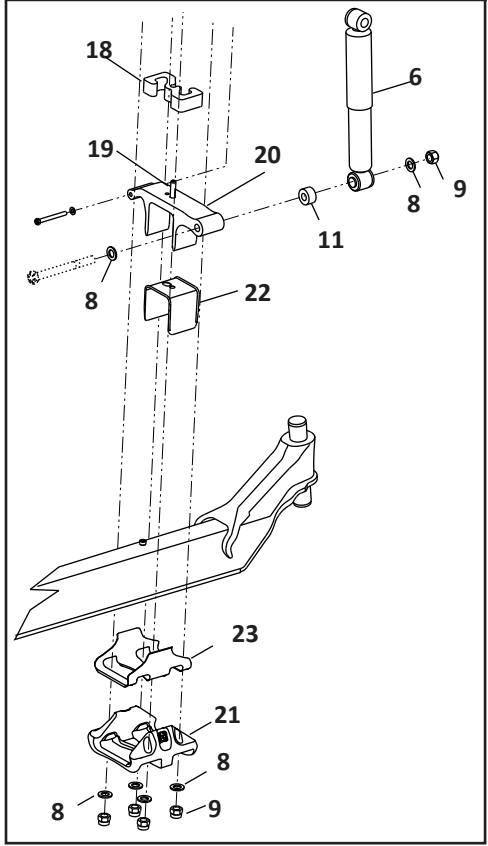
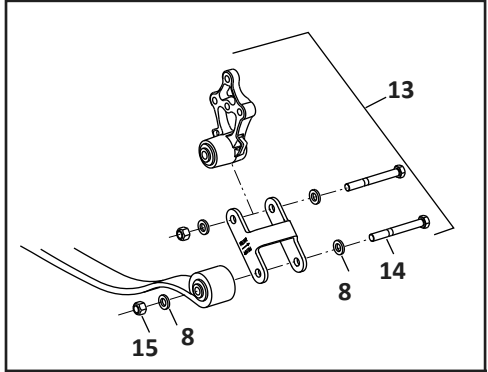
HENDRICKSON SUSPENSION

AIRTEK for Freightliner Vehicles Built Between May 2010 & November 2011 and All Cascadia & Coronado Models Built After November 2011

HENDRICKSON



For vehicles built AFTER 5/2/2016 only



Vehicles Built Between May 2010 and Nov. 2011






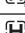
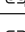

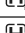


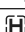
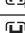



All Cascadia & Coronado Models and Freightliner Vehicles Built After Nov. 2011

For more information on King Pins, Tie Rod Ends and Assemblies see 760C Front Axle Parts — Medium- and Heavy-Duty Applications

HENDRICKSON SUSPENSION

Suspension

AIRTEK for Freightliner Vehicles Built Between May 2010 & November 2011 and All Cascadia & Coronado Models Built After November 2011

KEY NO.	EUCLID NO.	GENUINE	OEM REF.	DESCRIPTION	QTY. PER AXLE		PAGE NO.
					FREIGHTLINER BUILT 5/2010 – 11/2011	ALL CASCADIA AND CORONADO AND FREIGHTLINER AFTER NOV 2011	
1	S.O.S.		69116-002	Air Spring	2	2	-
2	E-16425		60850-001	Air Spring Bracket, Left Hand	1	1	HND-236
	E-15132		60850-002	Air Spring Bracket, Right Hand	1	1	HND-243
3	E-15133		59428-001	Height Control Valve Linkage Assembly, 13-1/8" Center-to-Center	1	1	HND-242
	E-15134		59428-002	Height Control Valve Linkage Assembly, 14-1/2" Center-to-Center	-	1	HND-242
4	S.O.S.		59935-013	Height Control Valve, Left Hand	1 Set Back	1	-
	S.O.S.		59935-023	Height Control Valve, Left Hand	1 Set Forward	-	-
	E-17587		59935-024	Height Control Valve, Right Hand	-	1	HND-242
	E-13995		59935-002	Height Control Valve, Right Hand	1	-	HND-242
5	E-16426		59429-001	Link Mount, Left Hand	1 Set Back	1	HND-243
	E-15098		59429-002	Link Mount, Right Hand	1 LH Set Forward; 1 RH	1	HND-243
6	M85932	-	58913-012	Shock Absorber	2	2	-
	M89453	-	58913-012	Shock Absorber	2	2	-
7	S.O.S.	-	-	Bolt, 3/4"-10 X 4" Long, Upper Shock	-	2	-
	S.O.S.	-	-	Bolt, 3/4"-10 X 3-3/4" Long, Upper Shock	2	-	-
8	E-2545	-	-	Washer, 3/4"	As Req.	As Req.	-
9	E-4347	-	-	Locknut, 3/4"-10	4	4	-
10	E-17586		59423-001	Shock Bracket	2	2	-
11	S.O.S.		22762-046	Shock Spacer	2	2	-
12	S.O.S.		Various	Leaf Spring Assembly	2	2	-
13	S.O.S.		Various	Shackle Bracket Assembly	2	2	-
14	S.O.S.	-	-	Bolt, 3/4"-16 X 6-1/2" Long	6	6	-
15	E-16467	-	-	Lock Nut, 3/4"-16, Nylock	4	4	-
16	E-15102	-	58917-016	Bolt, 3/4"-10 X 8-1/2" Long	8	-	HND-241
	E-16435	-	-	Bolt, 3/4"-10 X 10" Long	8	-	HND-241
	E-16436	-	-	Bolt, 3/4"-10 X 11-1/2" Long	8	-	HND-241
17	E-15146		59826-000	Top Pad	2	2	HND-241
18	S.O.S.		Various	Axle Spacer	2	2	-
19	S.O.S.		Various	Dowel Pin	2	2	-
20	S.O.S.		Various	Top Axle Wrap	2	-	-
21	S.O.S.		64722-001	Bottom Axle Wrap	2	-	-
22	E-15145		59449-000	Top Axle Wrap Liner	2	-	HND-241
23	E-15110		59845-000	Bottom Axle Wrap Liner	2	-	HND-241
24	S.O.S.		Various	Front Hanger	2	2	-
25	S.O.S.		Various	Axle Assembly	1	1	-
26	E-15094	-	17700-033	Lock Nut, 3/4"-10, Nylock	8	8	-

 Denotes Product is Genuine Hendrickson

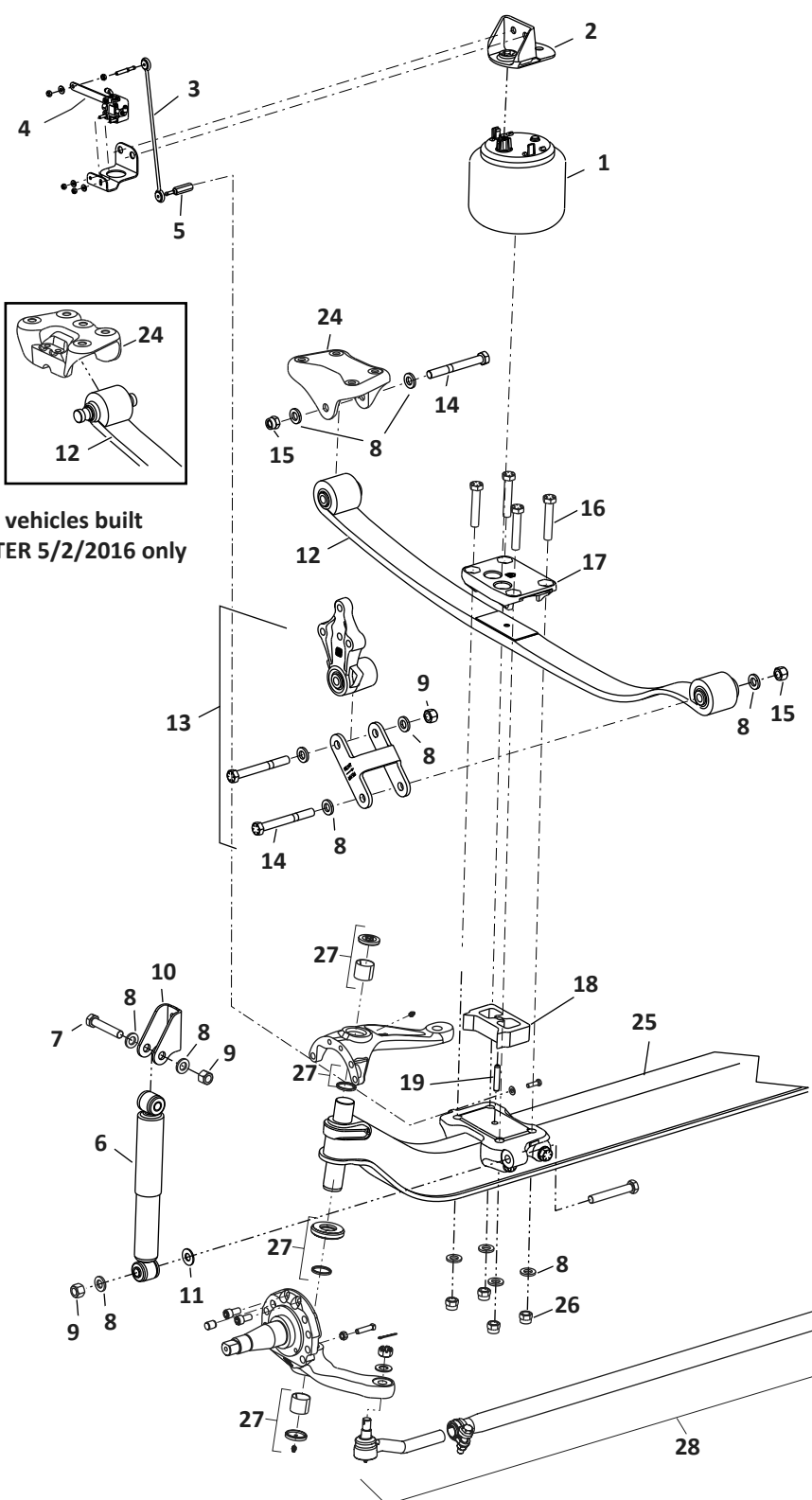
For more information on King Pins, Tie Rod Ends and Assemblies see 760C Front Axle Parts — Medium- and Heavy-Duty Applications

HENDRICKSON

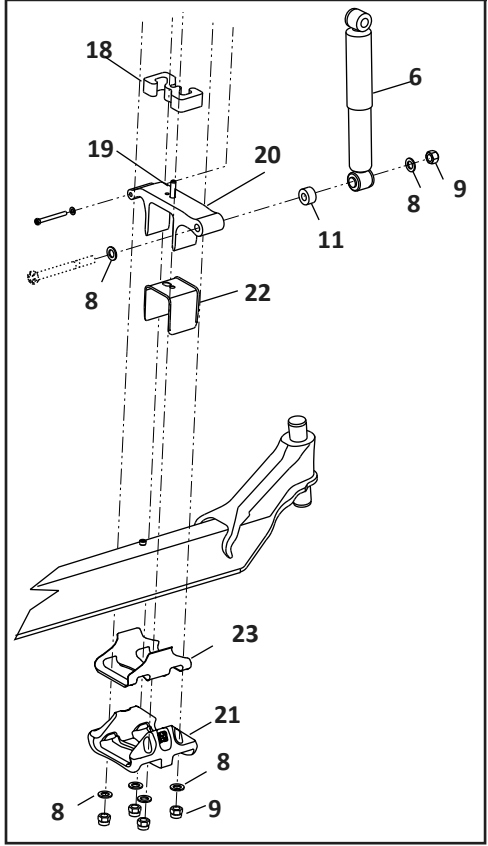
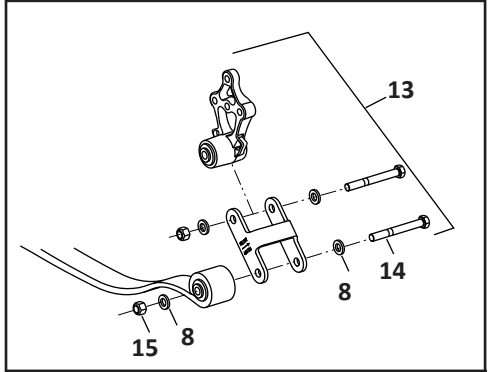
HENDRICKSON SUSPENSION

AIRTEK for Freightliner Vehicles Built Between May 2010 & November 2011 and All Cascadia & Coronado Models Built After November 2011

HENDRICKSON



For vehicles built AFTER 5/2/2016 only



Vehicles Built Between May 2010 and Nov. 2011

All Cascadia & Coronado Models and Freightliner Vehicles Built After Nov. 2011

For more information on King Pins, Tie Rod Ends and Assemblies see 760C Front Axle Parts — Medium- and Heavy-Duty Applications

AIRTEK for Freightliner Vehicles Built Between May 2010 & November 2011 and All Cascadia & Coronado Models Built After November 2011

KEY NO.	EUCLID NO.	GENUINE	OEM REF.	DESCRIPTION	QTY. PER AXLE		PAGE NO.
					FREIGHTLINER BUILT 5/2010 – 11/2011	ALL CASCADIA AND CORONADO AND FREIGHTLINER AFTER NOV 2011	
27	E-13999	☒	60961-040	Kingpin Bushing and Bearing Service Kits, Axle Set Includes Left and Right Hand Kit (E-14000 and E-14001), Vehicles Built Before October 2012	1	1	-
	E-14000	☒	60961-009	Kingpin Bushing and Bearing Service Kit, Left Hand with Composite Thrust Bearings, Vehicles Built Before October 2012	1	1	-
	E-14001	☒	60961-039	Kingpin Bushing and Bearing Service Kit, Right Hand with Roller Thrust Bearings, Vehicles Built Before October 2012	1	1	-
	E-17644	☒	60961-628	Kingpin Bushing and Bearing Service Kits, Axle Set Includes Left and Right Hand Kit (E-17645 and E-17646), Vehicles Built After October 2012	-	1	-
	E-17645	☒	60961-629	Kingpin Bushing and Bearing Service Kit, Left Hand with Composite Thrust Bearings, Vehicles Built After October 2012	-	1	-
	E-17646	☒	60961-630	Kingpin Bushing and Bearing Service Kit, Right Hand with Roller Thrust Bearings, Vehicles Built After October 2012	-	1	-
28	-	☒	Various	Tie Rod Ends and Assembly. See Front Axle Catalog	As Reqd	As Reqd	-

☒ Denotes Product is Genuine Hendrickson

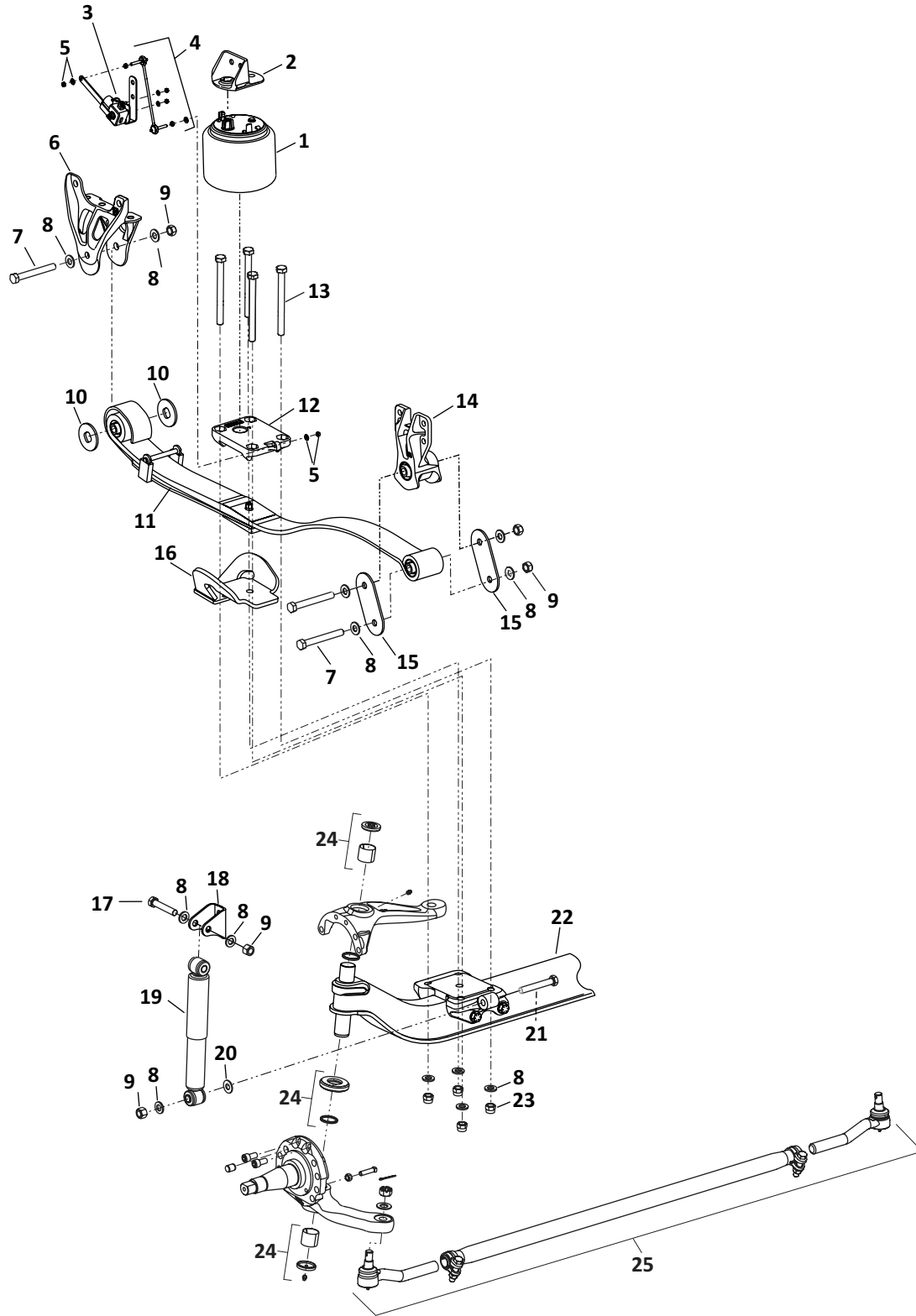
HENDRICKSON

For more information on King Pins, Tie Rod Ends and Assemblies see *760C Front Axle Parts — Medium- and Heavy-Duty Applications*




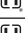
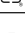


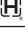
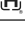


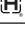

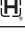
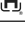





HENDRICKSON SUSPENSION


AIRTEK with STEERTEK NXT for Freightliner Motor Home Chassis

HENDRICKSON



For more information on King Pins, Tie Rod Ends and Assemblies see 760C Front Axle Parts — Medium- and Heavy-Duty Applications

AIRTEK with STEERTEK NXT for Freightliner Motor Home Chassis						
KEY NO.	EUCLID NO.	GENUINE	OEM REF.	DESCRIPTION	QTY. PER AXLE	PAGE NO.
1	FS9912	-	64075-002	Air Spring	2	-
2	E-16425		60850-001	Air Spring Bracket	2	-
3	E-16407		60501-000	Height Control Valve	1	HND-242
4	E-15134		59428-002	Height Control Valve Linkage Kit	1	HND-242
5	S.O.S.		70417-000	Height Control Valve Linkage Kit and Mounting Hardware, Includes Key No. 4	1	-
6	S.O.S.		66297-000	Front Hanger	2	-
7	S.O.S.	-	-	Bolt, 3/4"-10 X 6-1/2" Long	6	-
8	E-2545	-	-	Hardened Washer, 3/4"	As Required	-
9	E-4347	-	-	Lock Nut, 3/4"-10	6	-
10	E-16430		67493-000; 65899-000	Thrust Washer, Front Hanger	2	-
11	S.O.S.		53468-000	Leaf Spring Assembly	2	-
12	S.O.S.		64516-001	Top Pad, Left Hand	1	-
	S.O.S.		64516-002	Top Pad, Right Hand	1	-
13	S.O.S.	-	59952-024	Bolt, 3/4"-16 X 5-1/2" Long	2	-
14	S.O.S.		66510-001	Rear Shackle Bracket and Bushing	2	-
15	S.O.S.		66314-000	Rear Shackle Plate	2	-
16	S.O.S.		68759-004	Sway Bar Bracket	2	-
17	S.O.S.	-	-	Bolt, 3/4"-10 X 4" Long, Upper Shock	2	-
18	S.O.S.		59423-002	Shock Bracket	2	-
19	-		-	Shock Absorber	2	-
20	S.O.S.		-	Shock Spacer, 1/8" Thick	2	-
21	S.O.S.	-	-	Bolt, 3/4"-10 X 5" Long, Lower Shock	2	-
22	S.O.S.		Various	Axle & King Pin Assembly	1	-
23	E-4961A	-	-	Lock Nut, 3/4"-16	6	-
24	E-17644		60961-628	Kingpin Bushing and Bearing Service Kits, Axle Set Includes Left and Right Hand Kit (E-17645 and E-17646)	1	-
	E-17645		60961-629	Kingpin Bushing and Bearing Service Kit, Left Hand with Composite Thrust Bearings	1	-
	E-17646		60961-630	Kingpin Bushing and Bearing Service Kit, Right Hand with Roller Thrust Bearings	1	-
25	-		Various	Tie Rod Ends and Assembly. See Front Axle Catalog	As Req'd	-

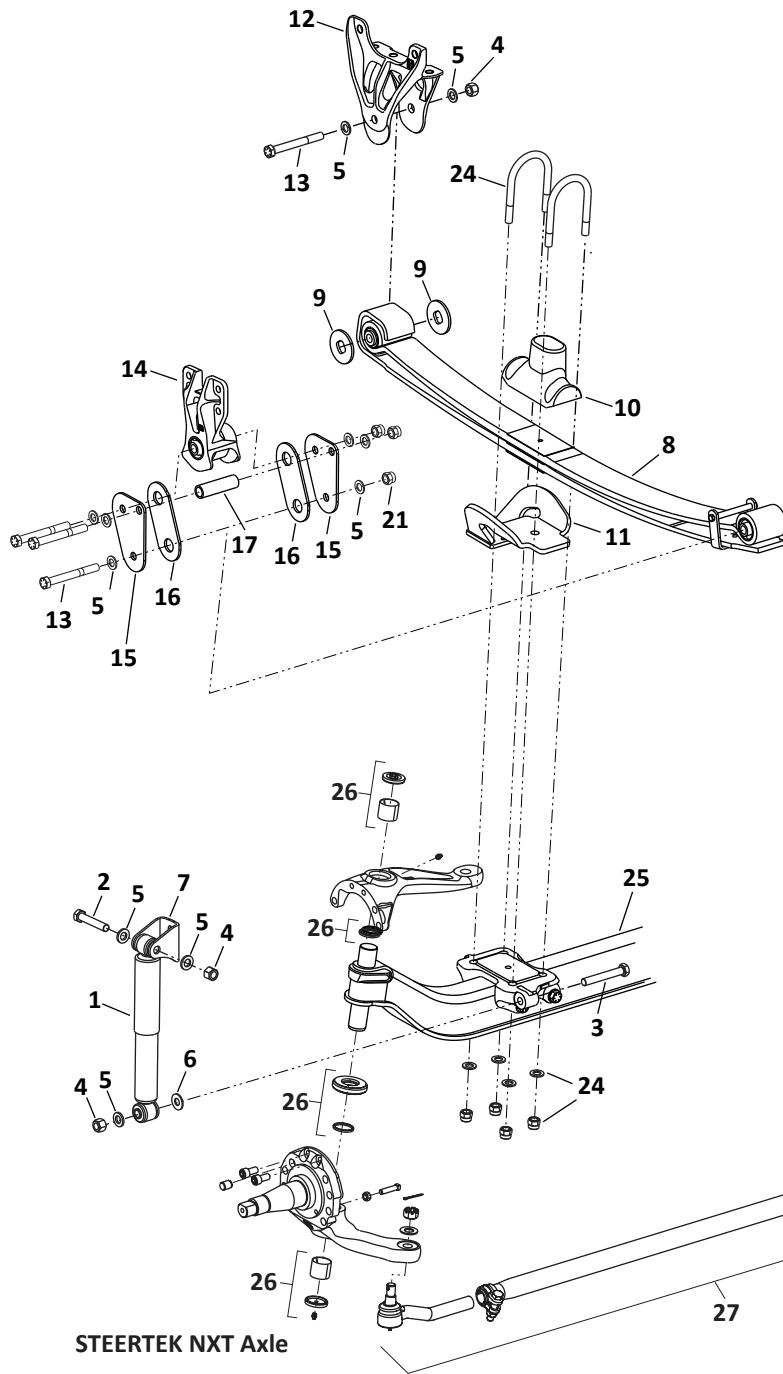
 Denotes Product is Genuine Hendrickson

For more information on King Pins, Tie Rod Ends and Assemblies
see *760C Front Axle Parts — Medium- and Heavy-Duty Applications*

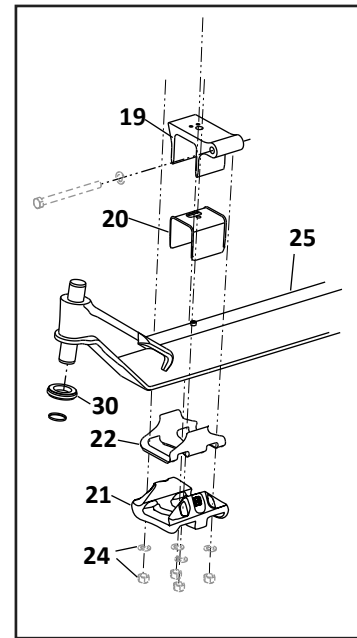
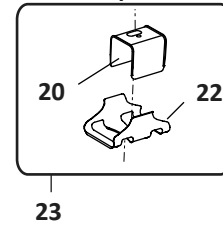
HENDRICKSON SUSPENSION

SOFTEK for Freightliner Motor Home Chassis

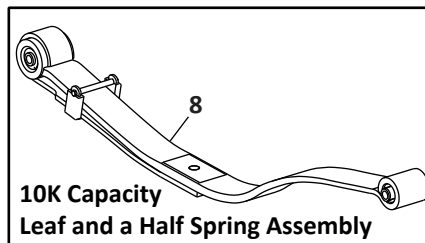
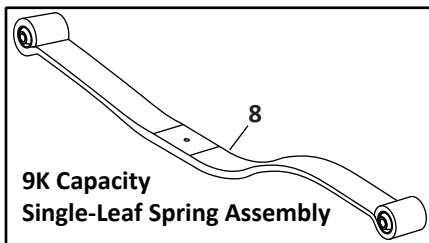
HENDRICKSON




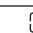
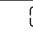

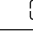

Axle Wrap Liner Kit



STEEERTEK Axle Before May 2010



For more information on King Pins, Tie Rod Ends and Assemblies
see 760C Front Axle Parts — Medium- and Heavy-Duty Applications

SOFTEK for Freightliner Motor Home Chassis						
KEY NO.	EUCLID NO.	GENUINE	OEM REF.	DESCRIPTION	QTY. PER AXLE	PAGE NO.
1	-	-	-	Shock Absorber	2	-
2	S.O.S.	-	-	Bolt, 3/4"-10 X 4" Long, Upper Shock	2	-
3	S.O.S.	-	-	Bolt, 3/4"-10 X 5" Long, Lower Shock	2	-
4	E-4347	-	-	Lock Nut, 3/4"-10	6	-
5	E-2545	-	-	Hardened Washer, 3/4"	As Required	-
6	S.O.S.		59946-002	Shock Spacer, Vehicles Built Prior to May 2010	2	-
	S.O.S.		-	Shock Spacer, 1/8" Thick, Vehicles Built After May 2010	2	-
7	S.O.S.		59423-002	Shock Bracket	2	-
8	S.O.S.		66415-002	Spring Assembly, Includes Spring Eye Bushings, 9K Single Leaf	2	-
	S.O.S.		65710-002	Spring Assembly, Includes Spring Eye Bushings, 10K Leaf & Half	2	-
	S.O.S.		68115-001	Spring Assembly, Includes Spring Eye Bushings, 12K Two Leaf	2	-
9	E-16430		67493-000 65899-000	Thrust Washer, Front Hanger	2	-
10	S.O.S.		65714-000	Top Pad, Vehicles Built After May 2010	2	-
	S.O.S.		65925-000	Top Pad, Vehicles Built Prior to May 2010	2	-
11	S.O.S.		68759-004	Sway Bar Bracket, Vehicles Built After March 2012	2	-
	S.O.S.		68759-003 66233-001	Sway Bar Bracket, Vehicles Built Prior to March 2012	2	-
12	S.O.S.		66297-000	Front Hanger	2	-
13	S.O.S.	-	-	Bolt, 3/4"-10 X 6-1/2" Long	6	-
14	S.O.S.		64316-000	Rear Shackle Bracket and Bushing	2	-
15	E-16431		66413-000	Rear Shackle Plate	2	HND-240
16	E-16432		64159-000	Rear Shackle Wear Pad	2	HND-240
17	E-16434		60631-000	Shackle Stop Tube	2	HND-241
18	E-15094	-	-	Lock Nut, 3/4"-10, Nylock	6	-
19	S.O.S.		59952-024	Top Axle Wrap, Vehicles Built Prior to May 2010	2	-
20	E-15147		60508-000	Top Axle Wrap Liner, Vehicles Built Prior to May 2010	2	HND-247
21	S.O.S.		64723-002	Bottom Axle Wrap, Vehicles Built Prior to May 2010	2	-
22	E-15110		59845-000	Bottom Axle Wrap Liner, Vehicles Built Prior to May 2010	2	HND-241
23	E-15727		60961-015	Axle Wrap Liner Kit, Vehicles Built Before October 2012, Includes Key Nos. 20 & 22	2	HND-235
24	S.O.S.	-	Various	U-Bolt Assembly, 3/4"-16	8	-
25	S.O.S.		Various	Axle & King Pin Assembly	1	-
26	E-14001		60961-039	Kingpin Bushing and Bearing Service Kit, Wheel End Set, Roller Thrust Bearings, Vehicles Built Before March 2012	2	-
	E-17646		60961-630	Kingpin Bushing and Bearing Service Kit, Wheel End Set, with Roller Thrust Bearings, Vehicles Built After March 2012	2	-
27	-		Various	Tie Rod Ends and Assembly. See Front Axle Catalog	As Req'd	-

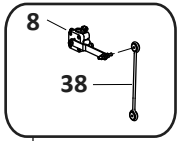
 Denotes Product is Genuine Hendrickson

For more information on King Pins, Tie Rod Ends and Assemblies
see 760C Front Axle Parts — Medium- and Heavy-Duty Applications

HENDRICKSON SUSPENSION

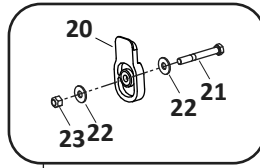
AIRTEK for International Vehicles

HCV & Linkage Assembly



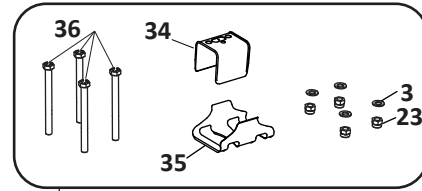
7

Rear Spring Hardware Kit

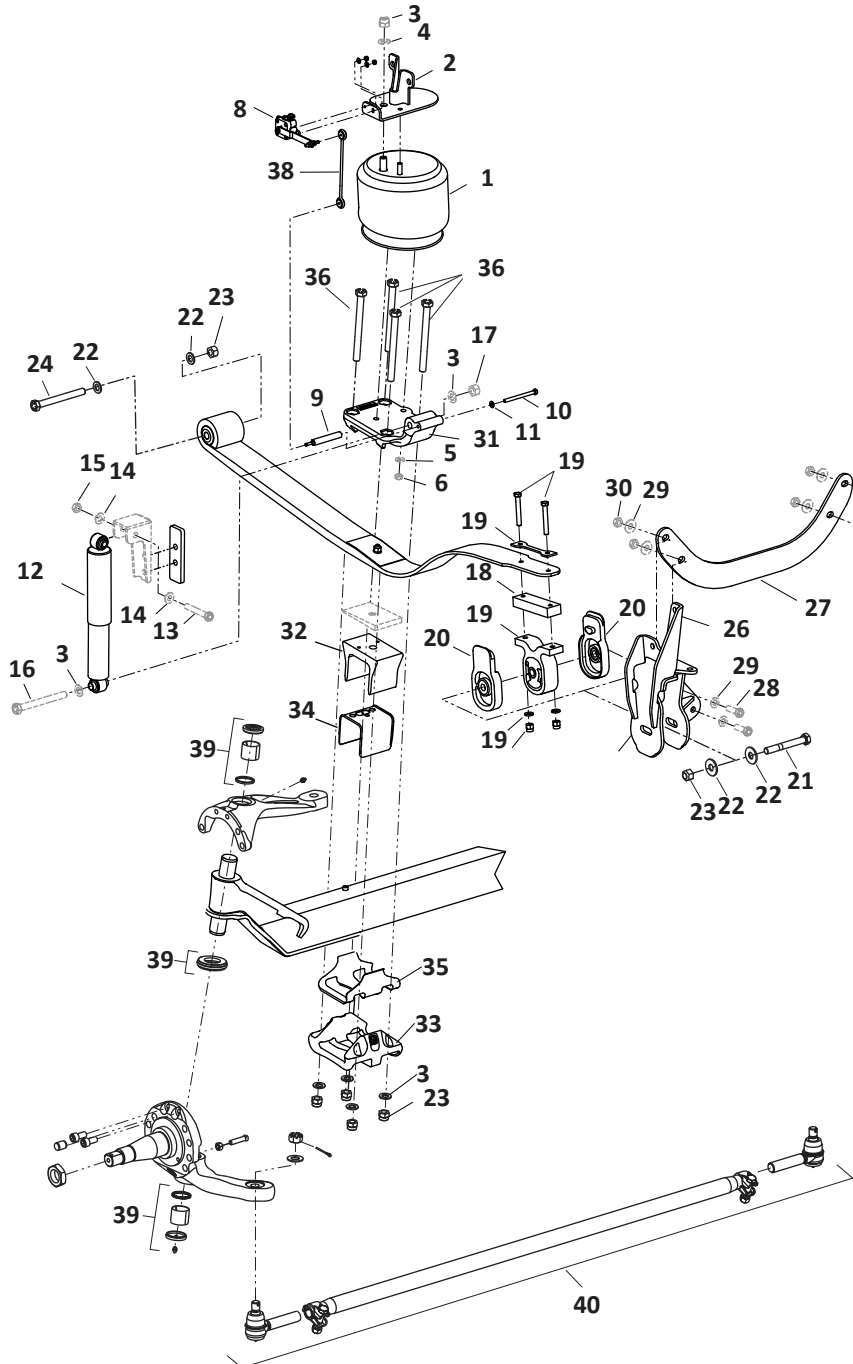


25

Top/Bottom Axle Wrap Liner Service Kit


























37



HENDRICKSON

For more information on King Pins, Tie Rod Ends and Assemblies see 760C Front Axle Parts — Medium- and Heavy-Duty Applications

AIRTEK for International Vehicles

KEY NO.	EUCLID NO.	GENUINE	OEM REF.	DESCRIPTION	QTY. PER AXLE	PAGE NO.
1	FS8597	-	65790-002	Air Spring	2	-
2	E-15113		66775-000	Air Spring Bracket LH, Vehicles Built After 09/06	1	HND-249
	E-15114		66776-000	Air Spring Bracket RH, Vehicles Built After 09/06	1	HND-249
	S.O.S.		64583-000	Air Spring Bracket LH, Vehicles Built Before 09/06	1	-
	S.O.S.		64586-000	Air Spring Bracket RH, Vehicles Built Before 09/06	1	-
3	E-2545	-	22962-001	Washer, 3/4"	As Req.	-
4	E-16467	-	17700-015	Locknut, 3/4"-16 Nylon	2	-
5	E-9603	-	22962-011	Washer, 1/2"	2	-
6	E-16468	-	17700-010	Locknut, 1/2"-13 Nylon	2	-
7	E-15095		59427-013	HCV & Linkage Assembly LH (If Equipped) Includes Hardware	1	HND-248
	S.O.S.		59427-014	HCV & Linkage Assembly RH, Includes Hardware	1	-
8	E-13996		59935-011	Height Control Valve LH (If Equipped)	1	HND-248
	E-13997		59935-018	Height Control Valve RH	1	HND-248
-	E-15097		60961-071	Lower Link Mount Service Kit, One Side, Includes Key Nos. 9-11, Vehicles Built Before Sept 2006	2	HND-248
-	S.O.S.		60961-154	Lower Link Mount Service Kit, One Side, Includes Key Nos. 9-11, Vehicles Built Between Sept 2006 & Nov 2010	2	-
9	E-15098		59429-002	Lower Link Mount, Vehicles Built Before Sept 2006	2	HND-243
	E-15121		59429-003	Lower Link Mount, Vehicles Built Between Sept 2006 & Nov 2010	2	HND-249
10	E-15099	-	58035-006	Bolt, 3/8"-16 X 3-1/2" Long, Vehicles Built Before Sept 2006	2	HND-248
	S.O.S.	-	58035-002	Bolt, 3/8"-16 X 1-3/8" Long, Vehicles Built After Sept 2006	2	-
11	S.O.S.	-	22962-015	Washer, 3/8"	2	-
12	M85955	-	65992-001	Shock Absorber, Sleeper	2	-
	M85955	-	65992-002	Shock Absorber, Day Cab	2	-
13	S.O.S.	-	32043-008	Upper Shock Bolt, 5/8"-11 X 4" Long	2	-
14	E-2547	-	22962-004	Upper Shock Washer, 5/8"	4	-
15	E-2988	-	47764-000	Upper Shock Locknut, 5/8"-11	2	-
16	S.O.S.	-	58917-014	Lower Shock Bolt, 3/4"-10 X 8" Long, Vehicles Built Before Sept 2006	2	-
	S.O.S.	-	58917-002	Lower Shock Bolt, 3/4"-10 X 5" Long, Vehicles Built After Sept 2006	2	-
17	E-4347	-	49842-000	Lower Shock Locknut, 3/4"-10	2	-
18	E-15100		65772-000	Rear Mount Spacer, Used in Kit 60691-000, Vehicles Built Before Sept 2006	2	HND-246
19	S.O.S.		60961-109	Rear Spring Mount Service Kit, Vehicles Built Before Sept 2006, Includes E-15100	2	-
	E-15120		60961-158	Rear Spring Mount Service Kit, Vehicles Built After Sept 2006	2	HND-246
20	S.O.S.		65856-000	Thrust Washer, Vehicles Built Before Sept 2006	4	-
	E-15123		66779-000	Thrust Washer, Vehicles Built After Sept 2006	4	HND-246
21	E-15101	-	58917-008	Bolt, 3/4"-10 X 6" Long	2	-
22	E-2545	-	22962-033	Washer, 3/4"	4	-
23	E-15094	-	17700-033	Locknut, 3/4"-10, Nylock		-
24	E-15102		58917-016	Bolt, 3/4"-10 X 8-1/2" Long	2	HND-241
25	E-15122		60961-159	Rear Spring Hardware Kit, Includes Key Nos. 20, 21, 22, 23. Requires 2 Kits Per Axle	2	-
26	E-15103		68317-001	Rear Hanger LH, Vehicles Built Before Sept 2006	1	HND-246
	E-15124		66382-001	Rear Hanger LH, Vehicles Built After Sept 2006	1	HND-246
	E-15104		68317-002	Rear Hanger RH, Vehicles Built Before Sept 2006	1	HND-246
	E-15125		66382-002	Rear Hanger RH, Vehicles Built After Sept 2006	1	HND-246

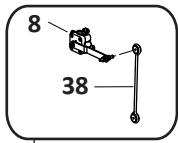
 Denotes Product is Genuine Hendrickson

For more information on King Pins, Tie Rod Ends and Assemblies
see 760C Front Axle Parts — Medium- and Heavy-Duty Applications

HENDRICKSON SUSPENSION

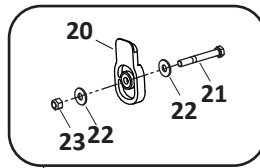
AIRTEK for International Vehicles

HCV & Linkage Assembly



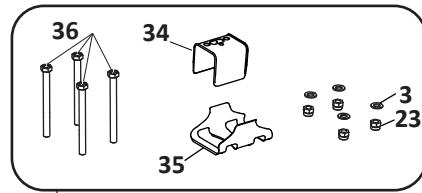
7

Rear Spring Hardware Kit



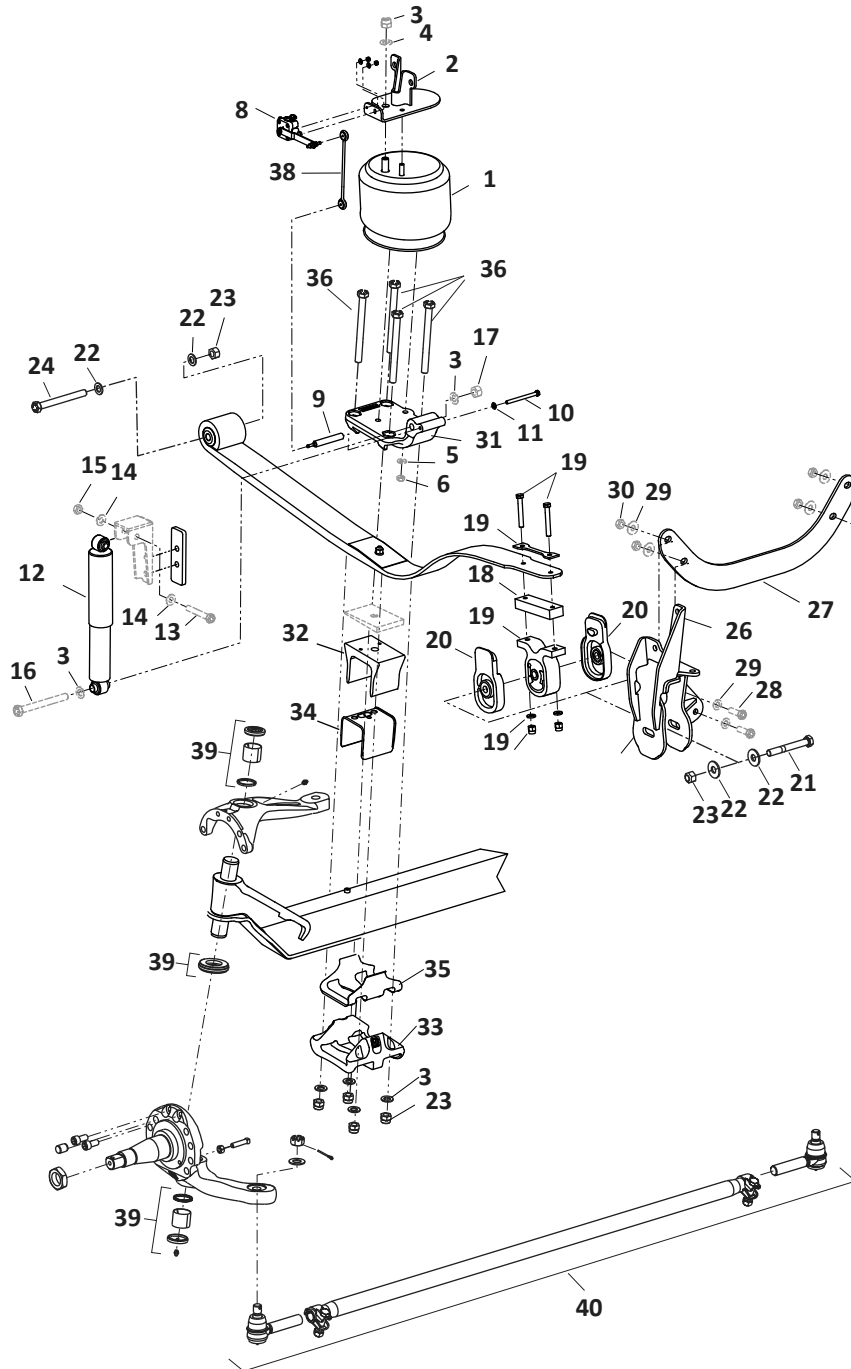
25

Top/Bottom Axle Wrap Liner Service Kit








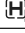
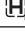
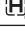

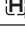







37

HENDRICKSON



For more information on King Pins, Tie Rod Ends and Assemblies see 760C Front Axle Parts — Medium- and Heavy-Duty Applications

AIRTEK for International Vehicles						
KEY NO.	EUCLID NO.	GENUINE	OEM REF.	DESCRIPTION	QTY. PER AXLE	PAGE NO.
27	S.O.S.		66019-000	Belly Band, Vehicles Built Before Sept 2006	1	-
	E-15126		66419-000	Belly Band, Vehicles Built After Sept 2006	1	HND-248
28	S.O.S.	-	32043-006	Bolt, 5/8"-11 X 2" Long	4	-
29	E-2547		22962-004	Washer, 5/8", OD 1-3/8", Vehicles Built Before Sept 2006	4	-
	E-15106	-	22962-003	Washer, 5/8", OD 1-3/4"	4	-
30	E-2988	-	47764-000	Locknut, 5/8"-11	4	-
31	S.O.S.		64580-000	Top Pad, Vehicles Built Before Sept 2006	2	-
	E-15127		68318-001	Top Pad Left Hand, Vehicles Built After Sept 2006	1	HND-247
	E-15128		68318-002	Top Pad Right Hand, Vehicles Built After Sept 2006	1	HND-247
32	E-15107		59952-023	Top Axle Wrap	2	HND-247
33	E-15108		64722-003	Bottom Axle Wrap	2	HND-250
34	E-15109		65757-000	Top Axle Wrap Liner	2	HND-247
35	E-15110		59845-000	Bottom Axle Wrap Liner	2	HND-257
36	E-15102	-	58917-016	Bolt, 3/4"-10 X 8-1/2" Long	8	HND-248
37	E-15119		60961-110	Top/Bottom Axle Wrap Liner Service Kit, Includes Key Nos. 3, 23, 34, 35, 36	As Req.	HND-247
38	E-15096		59428-004	Linkage Kit	2	HND-251
39	E-13999		60961-040	Kingpin Bushing and Bearing Service Kits, Axle Set Includes Left and Right Hand Kit (E-14000 and E-14001)	1	-
	E-14000		60961-009	Kingpin Bushing and Bearing Service Kit, Left Hand with Composite Thrust Bearings	1	-
	E-14001		60961-039	Kingpin Bushing and Bearing Service Kit, Right Hand with Roller Thrust Bearings	1	-
40	-		Various	Tie Rod Ends and Assembly. See Front Axle Catalog	As Reqd	-

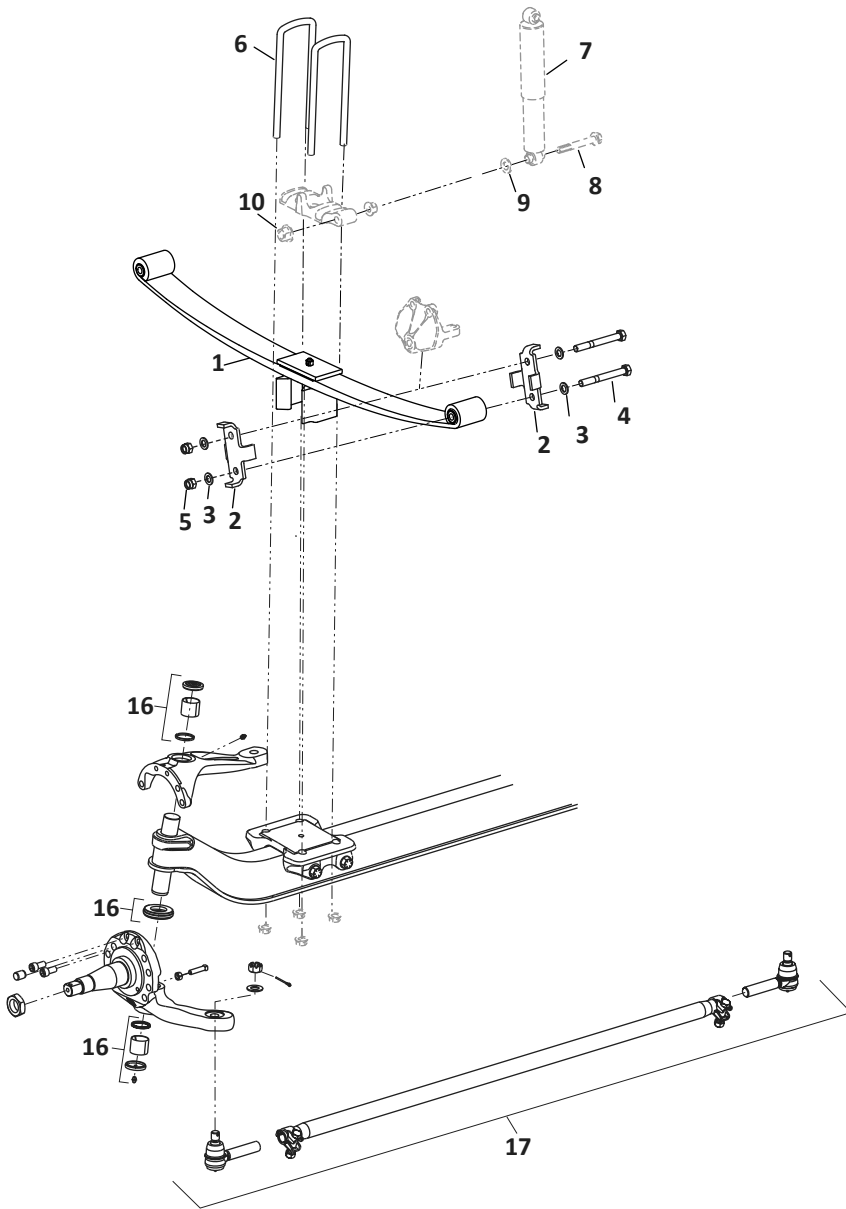
 Denotes Product is Genuine Hendrickson

For more information on King Pins, Tie Rod Ends and Assemblies
see 760C Front Axle Parts — Medium- and Heavy-Duty Applications

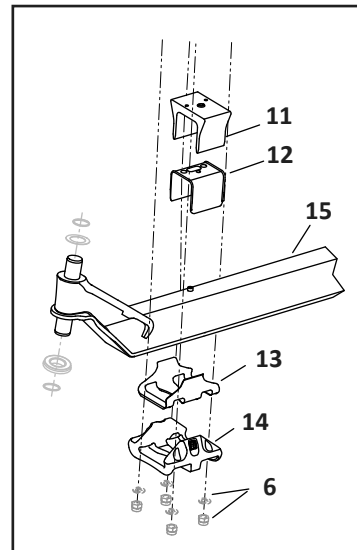
HENDRICKSON SUSPENSION

SOFTEK and STEERTEK NXT Axles for International Vehicles

HENDRICKSON



Vehicles Built Prior to August 1, 2011



For more information on King Pins, Tie Rod Ends and Assemblies
see 760C Front Axle Parts — Medium- and Heavy-Duty Applications

SOFTEK and STEERTEK NXT Axles for International Vehicles						
KEY NO.	EUCLID NO.	GENUINE	OEM REF.	DESCRIPTION	QTY. PER AXLE	PAGE NO.
1	S.O.S.	☒	Various	Spring Assembly, Includes Bushings	2	-
2	E-16420	☒	66545-000	Shackle Plate	4	HND-246
3	E-2545	-	-	Washer, 3/4"	8	-
4	E-4961A	-	-	Locknut, 3/4"-16	4	-
5	S.O.S.	-	-	Bolt, 3/4"-16 X 6-1/2" Long	4	-
6	S.O.S.	-	-	U-Bolt Assembly, Semi Round Bend, 3/4"-16 Thd. X 4" Wide, Specify Length	4	-
7	S.O.S.	-	-	Shock Absorber, Specify Model	2	-
8	S.O.S.	-	-	Lower Shock Flange Bolt, 3/4"-10 X 5" Long	2	-
9	S.O.S.	☒	-	Shock Spacer or Hardened Washer, Certain Models	2	-
10	S.O.S.	-	-	Flange Locknut, 3/4"-10	2	-
11	E-15107	☒	59952-023	Top Axle Wrap, Lone Star 9200/9400/8600, Not Required on NXT	2	HND-247
	S.O.S.	☒	59952-032	Top Axle Wrap, ProStar, Not Required on NXT	2	-
12	E-15109	☒	65757-000	Top Axle Wrap Liner, Not Required on NXT	2	HND-247
13	E-15110	☒	59845-000	Bottom Axle Wrap Liner, Not Required on NXT	2	HND-248
14	E-15108	☒	64722-003	Bottom Axle Wrap, Not Required on NXT	2	HND-248
15	S.O.S.	☒	Various	Axle Assembly	1	-
16	E-13999	☒	60961-040	Kingpin Bushing and Bearing Service Kits, Axle Set Includes Left and Right Hand Kit (E-14000 and E-14001), Vehicles Built Before August 2011	1	-
	E-14000	☒	60961-009	Kingpin Bushing and Bearing Service Kit, Left Hand with Composite Thrust Bearings, Vehicles Built Before August 2011	1	-
	E-14001	☒	60961-039	Kingpin Bushing and Bearing Service Kit, Right Hand with Roller Thrust Bearings, Vehicles Built Before August 2011	1	-
	E-17644	☒	60961-628	Kingpin Bushing and Bearing Service Kits, Axle Set Includes Left and Right Hand Kit (E-17645 and E-17646), Vehicles Built After August 2011	1	-
	E-17645	☒	60961-629	Kingpin Bushing and Bearing Service Kit, Left Hand with Composite Thrust Bearings, Vehicles Built After August 2011	1	-
	E-17646	☒	60961-630	Kingpin Bushing and Bearing Service Kit, Right Hand with Roller Thrust Bearings, Vehicles Built After August 2011	1	-
17	-	☒	Various	Tie Rod Ends and Assembly. See Front Axle Catalog	As Req'd	-

☒ Denotes Product is Genuine Hendrickson

HENDRICKSON

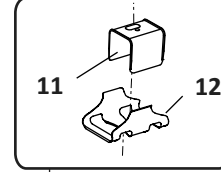
For more information on King Pins, Tie Rod Ends and Assemblies
see *760C Front Axle Parts — Medium- and Heavy-Duty Applications*

HENDRICKSON SUSPENSION

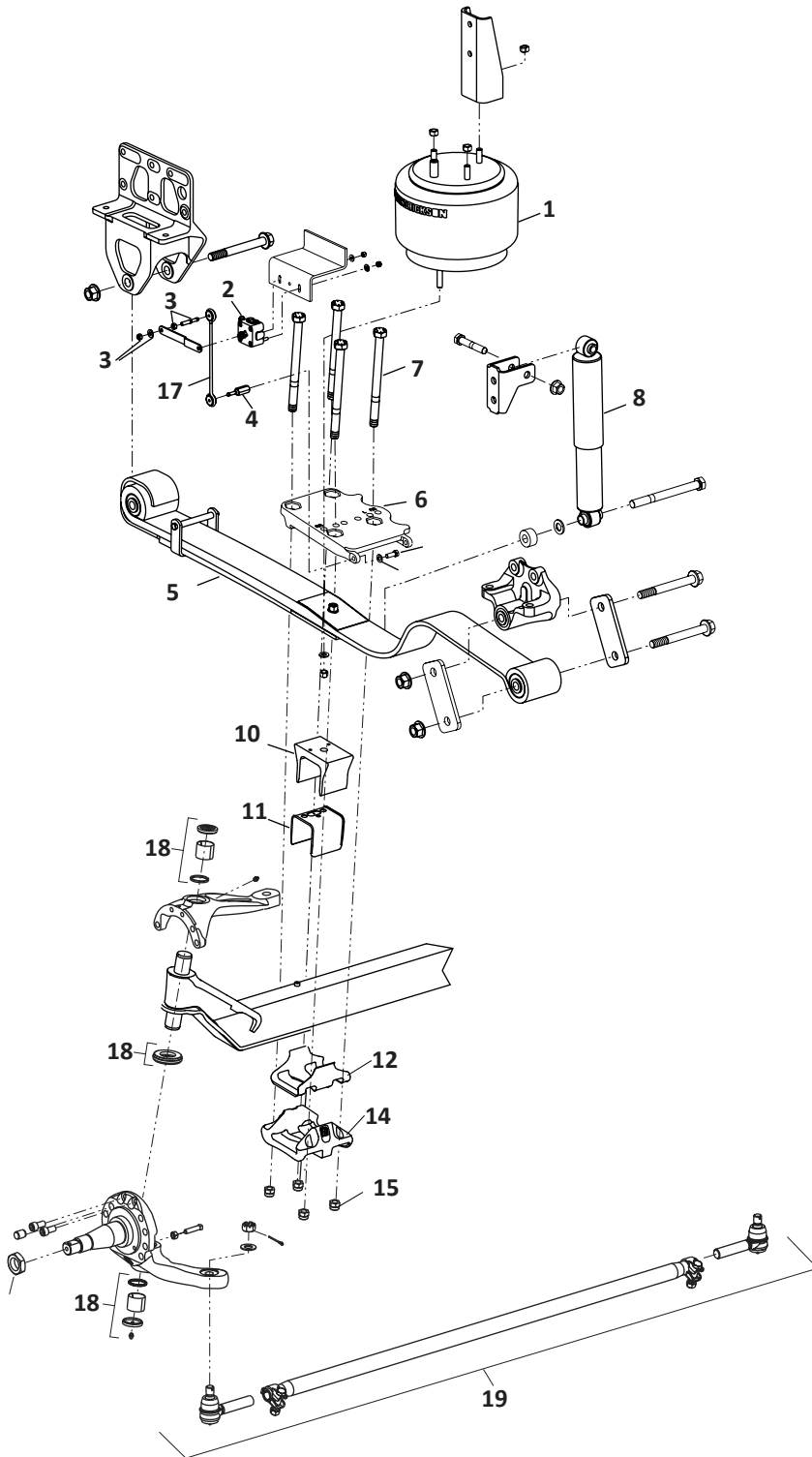
AIRTEK for International Integrated Coach Bus

HENDRICKSON







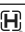












Axle Wrap Liner Kit



13



For more information on King Pins, Tie Rod Ends and Assemblies
see 760C Front Axle Parts — Medium- and Heavy-Duty Applications

AIRTEK for International Integrated Coach Bus						
KEY NO.	EUCLID NO.	GENUINE	OEM REF.	DESCRIPTION	QTY. PER AXLE	PAGE NO.
1	S.O.S.	-	67568-002	Air Spring	2	-
2	E-13996		59935-011	Height Control Valve Assembly, Left Hand	1	HND-248
	E-13997		59935-018	Height Control Valve Assembly, Right Hand	1	HND-248
3	E-15095		59427-013	Height Control Valve Assembly, Left Hand, Includes Key 2 and Mounting Hardware	1	HND-248
	S.O.S.		59427-014	Height Control Valve Assembly, Right Hand, Includes Key 2 and Mounting Hardware	1	-
4	E-15121		59429-003	Height Control Valve Link Mount, Rear Engine, Left Hand	1	HND-249
	S.O.S.		64724-002	Height Control Valve Link Mount, Front Engine, Right Hand	1	-
5	S.O.S.		67420-000	Leaf Spring Assembly	2	-
6	S.O.S.		67719-000	Top Pad	2	-
7	E-7703	-	-	Bolt, 3/4"-16 X 9" Long	8	-
8	M85955	-	65992-006 65992-001	Shock	2	-
9	S.O.S.		70105-010	Spacer, Replaces Z-Spacer 64536-020	2	-
10	S.O.S.		59952-030	Top Axle Wrap	2	-
11	E-15147		60508-000	Top Axle Wrap Liner	2	HND-247
12	E-15110		59845-000	Bottom Axle Wrap Liner	2	HND-241
13	E-15727		60961-015	Axle Wrap Liner Kit, Vehicles Built Before October 2012, Includes Key Nos. 11 & 12	2	HND-247
14	E-15108		64722-003	Bottom Axle Wrap	2	HND-248
15	E-16421	-	-	Flange Lock Nut, 3/4"-16	8	-
16	S.O.S.		64905-005	Axle and King Pin Assembly	1	-
17	E-15096		59428-004	Linkage Kit	2	HND-251
18	E-13999		60961-040	Kingpin Bushing and Bearing Service Kits, Axle Set Includes Left and Right Hand Kit (E-14000 and E-14001)	1	-
	E-14000		60961-009	Kingpin Bushing and Bearing Service Kit, Left Hand with Composite Thrust Bearings	1	-
	E-14001		60961-039	Kingpin Bushing and Bearing Service Kit, Right Hand with Roller Thrust Bearings	1	-
19	-		Various	Tie Rod Ends and Assembly. See Front Axle Catalog	As Req'd	-

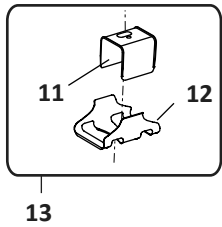
 Denotes Product is Genuine Hendrickson

For more information on King Pins, Tie Rod Ends and Assemblies
see *760C Front Axle Parts — Medium- and Heavy-Duty Applications*

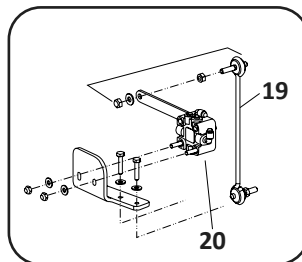
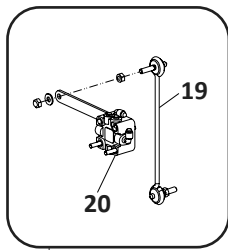
HENDRICKSON SUSPENSION

AIRTEK for Mack

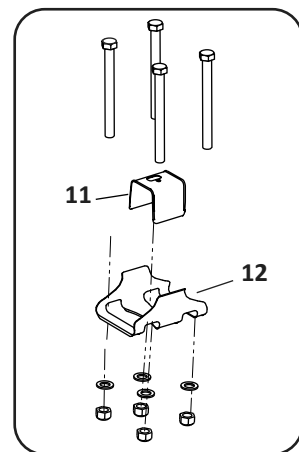
Axle Wrap Liner Kit



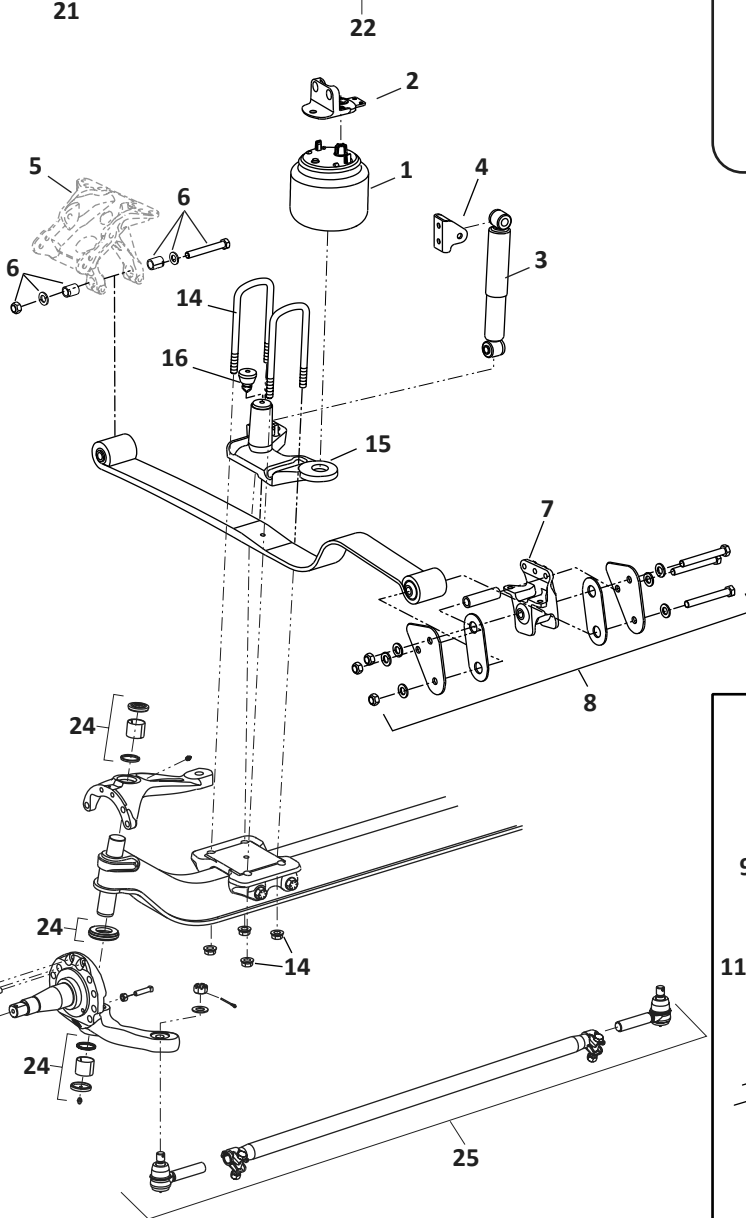
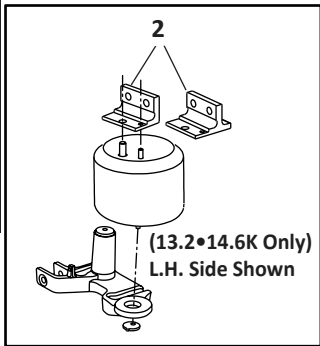
Single Height Control Valves For Vehicles Built Before March 2005



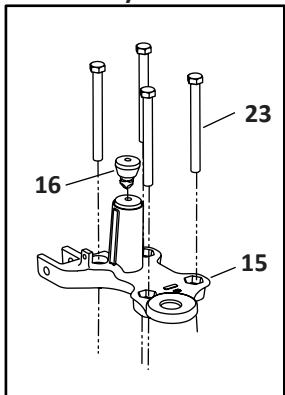
Straight Bolt Clamp Kit Pre 2007 Engines



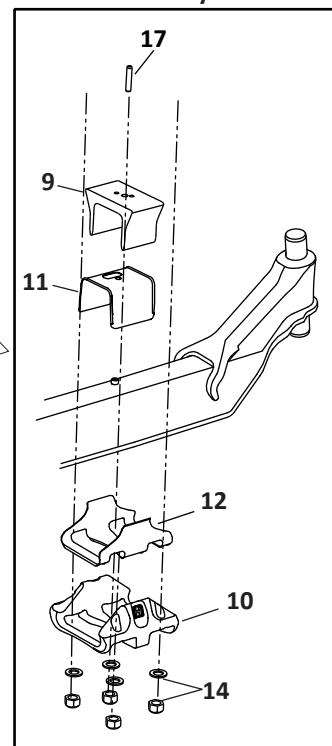
HENDRICKSON



Axle Connection For Vehicles Built Before July 2007





Vehicles Built Prior to July 2011



For more information on King Pins, Tie Rod Ends and Assemblies see 760C Front Axle Parts — Medium- and Heavy-Duty Applications

HENDRICKSON SUSPENSION

Suspension

AIRTEK for Mack								
KEY NO.	EUCLID NO.	GENUINE	OEM REF.	DESCRIPTION	QTY. PER AXLE			PAGE NO.
					PRE 2007 ENGINES	POST 2007 ENGINES TO JULY 2011	NXT AXLE — AFTER JULY 2011	
1	FS9913	-	66349-002	Air Spring, 12 & 12.5K	2	2	2	-
	FS9554	-	60716-002	Air Spring, 13.2 & 14.6K	2	2	2	-
2	S.O.S.		Various	Air Spring Bracket	2	2	2	-
3	M85933	-	64838-002 64838-003	Shock Absorber	2	2	2	-
	M89454	-	64838-002 64838-003	Shock Absorber, Premium Adjustable	2	2	2	-
4	S.O.S.		64241-001	Upper Shock Bracket	2	2	-	-
	S.O.S.		59423-008	Upper Shock Bracket, NXT Axles after July 2011	-	-	2	-
5	S.O.S.		Various	Spring Hanger	2	2	2	-
6	E-16412		60961-033	Front Hanger Repair Kit	2	2	2	HND-250
7	S.O.S.		Various	Rear Shackle Bracket, Left Hand with Bushing	1	1	1	-
	S.O.S.		Various	Rear Shackle Bracket, Right Hand with Bushing	1	1	1	-
8	E-16409		60961-034 60961-635	Shackle Bracket Service Kit, One Axle, Omit Thrust Washer for Post July 2007 Vehicles	1	1	1	HND-250
9	S.O.S.		59952-017 59952-013 59952-014	Top Axle Wrap	2	2	-	-
10	E-15108		64722-003 64014-003 60622-003	Bottom Axle Wrap	2	2	-	HND-250
11	E-15147		60508-000	Top Axle Wrap Liner	2	2	-	HND-250
12	E-15110		59845-000	Bottom Axle Wrap Liner	2	2	-	HND-255
13	E-15727		60961-015	Axle Wrap Liner Kit, Includes Key Nos. 11 & 12	2	2	-	HND-250
14	S.O.S.	-	Various	U-Bolt Assembly, Specify Ride Height	-	4	4	-
15	S.O.S.		Various	Top Pad, Specify Left or Right Hand, Pre or Post 2007 Engine and Frame Rail Size	2	2	2	-
16	E-15148		64080-000	Rubber Axle Stop	2	2	2	HND-250
17	S.O.S.		Various	Dowel Pin, Specify Length	-	2	2	-
18	S.O.S.		64318-028	Spacer, All Vehicles with Dual Height Control Valves March 2005 – July 2011 & All Post July 2011 Vehicles	-	2	2	-
	S.O.S.		Various	Spacer, Other Configurations	-	2	2	-
19	E-15096		59428-004	Linkage Kit, Single Height Control Valve, Vehicles Built Prior to 3/05	-	-	-	HND-251
20	E-15151		59935-003	Height Control Valve, Vehicles Built Prior to 3/05	-	-	-	HND-251
21	E-15150		59427-006	Height Control Valve and Linkage Kit for Vehicles Built Prior to 3/05, Includes Key Nos. 19 & 20	-	-	-	HND-251

 Denotes Product is Genuine Hendrickson

For more information on King Pins, Tie Rod Ends and Assemblies
see 760C Front Axle Parts — Medium- and Heavy-Duty Applications

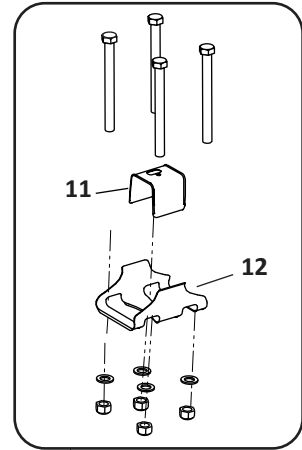
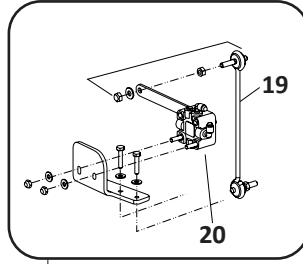
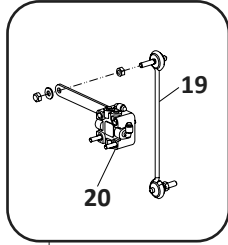
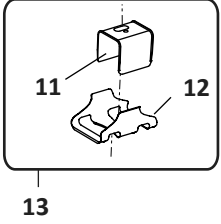
HENDRICKSON SUSPENSION

AIRTEK for Mack

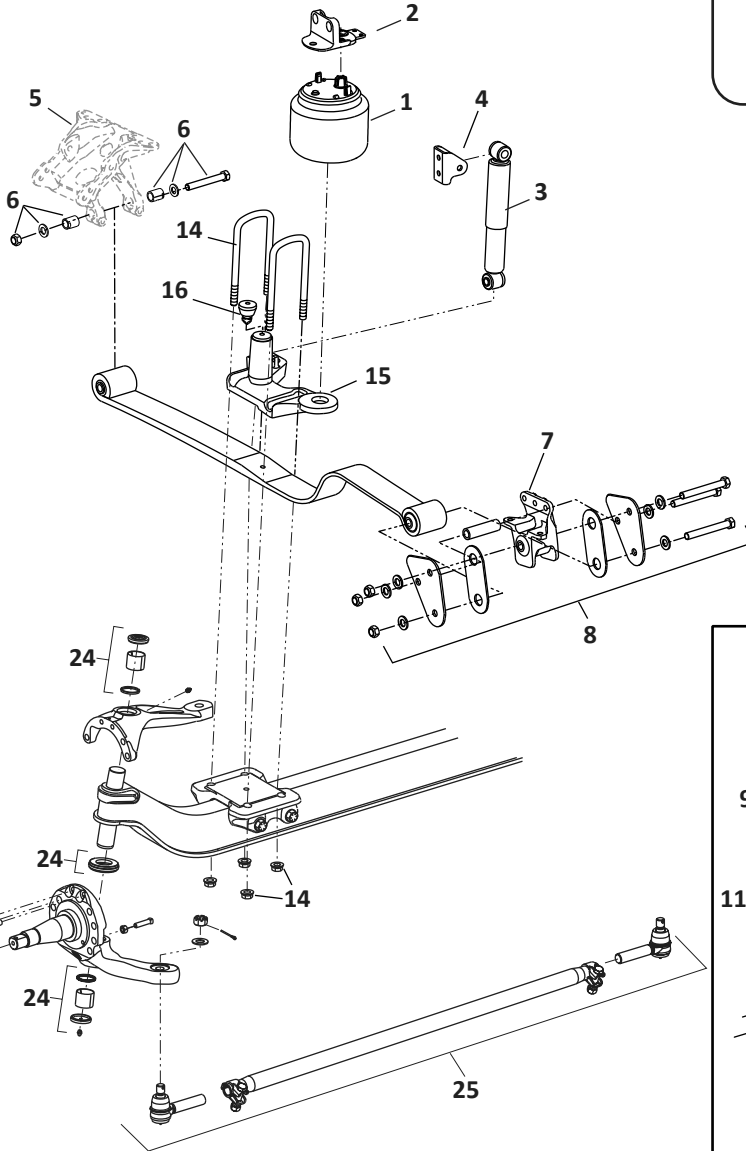
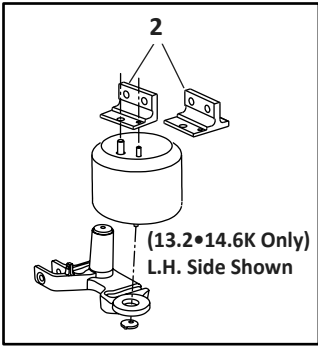
Single Height Control Valves For Vehicles
Built Before March 2005

Straight Bolt Clamp Kit
Pre 2007 Engines

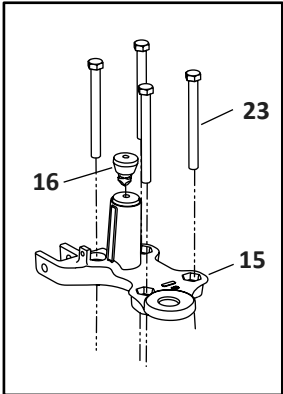
Axle Wrap Liner Kit



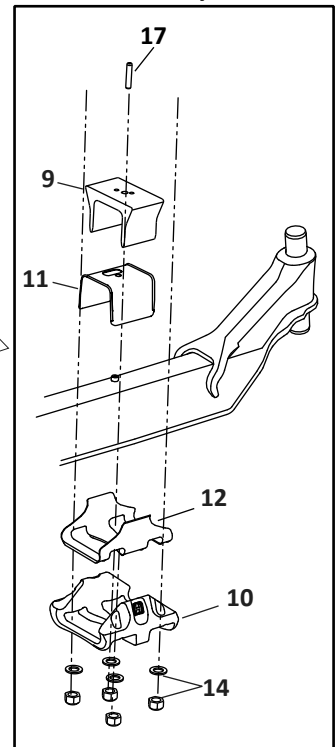
HENDRICKSON

















Axle Connection For
Vehicles Built Before
July 2007




Vehicles Built
Prior to July 2011



For more information on King Pins, Tie Rod Ends and Assemblies
see 760C Front Axle Parts — Medium- and Heavy-Duty Applications

AIRTEK for Mack								
KEY NO.	EUCLID NO.	GENUINE	OEM REF.	DESCRIPTION	QTY. PER AXLE			PAGE NO.
					PRE 2007 ENGINES	POST 2007 ENGINES TO JULY 2011	NXT AXLE — AFTER JULY 2011	
22	E-14013		64089-000	Height Control Valve Assembly, Includes Key Nos. 19 & 20 plus Bracket, Vehicles Built Prior to 3/05 w/ 12 & 12.5K Axles	-	-	-	-
	E-14014		64094-000	Height Control Valve Assembly, Includes Key Nos. 19 & 20 plus Bracket, Vehicles Built Prior to 3/05 w/ 13.2 & 14.6K Axles	-	-	-	-
23	E-16410		60961-035	Straight Bolt Clamp Kit, Vehicles with Dual Height Control Valves, 13-1/4" Ride Height, Includes Key Nos. 11 & 12, Bolts, Nuts, Washer for One Side	2	-	-	HND-250
	E-16411		60961-037	Straight Bolt Clamp Kit, Vehicles with Single Height Control Valve, 14-3/8" Ride Height, Includes Key Nos. 11 & 12, Bolts, Nuts, Washer for One Side	2	-	-	HND-251
	S.O.S.		Various	Straight Bolt Clamp Kit, Other Configurations, Includes Key No. 11, Bolts, Nuts, Washer for One Side	2	-	-	-
-	E-14019		60961-101	Dual Height Control Valve & Linkage Conversion Kit, Convert Single HCV to Dual, 12 & 12.5K Capacity	1	-	-	-
-	E-14020		60961-102	Dual Height Control Valve & Linkage Conversion Kit, Convert Single HCV to Dual, 13.2 & 14.6K Capacity	1	-	-	-
24	E-13999		60961-040	Kingpin Bushing and Bearing Service Kits, Axle Set Includes Left and Right Hand Kit (E-14000 and E-14001), Vehicles Built Before July 2011	1	-	-	-
	E-14000		60961-009	Kingpin Bushing and Bearing Service Kit, Left Hand with Composite Thrust Bearings, Vehicles Built Before July 2011	1	-	-	-
	E-14001		60961-039	Kingpin Bushing and Bearing Service Kit, Right Hand with Roller Thrust Bearings, Vehicles Built Before July 2011	1	-	-	-
	E-17644		60961-628	Kingpin Bushing and Bearing Service Kits, Axle Set Includes Left and Right Hand Kit (E-17645 and E-17646), Vehicles Built After July 2011	1	-	-	-
	E-17645		60961-629	Kingpin Bushing and Bearing Service Kit, Left Hand with Composite Thrust Bearings, Vehicles Built After July 2011	1	-	-	-
	E-17646		60961-630	Kingpin Bushing and Bearing Service Kit, Right Hand with Roller Thrust Bearings, Vehicles Built After July 2011	1	-	-	-
25	-		Various	Tie Rod Ends and Assembly. See Front Axle Catalog	As Req'd	-	-	-

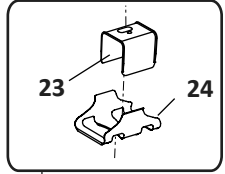
 Denotes Product is Genuine Hendrickson

For more information on King Pins, Tie Rod Ends and Assemblies
see *760C Front Axle Parts — Medium- and Heavy-Duty Applications*

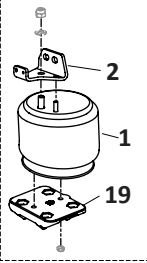
HENDRICKSON SUSPENSION

AIRTEK for Spartan Motor Home Chassis

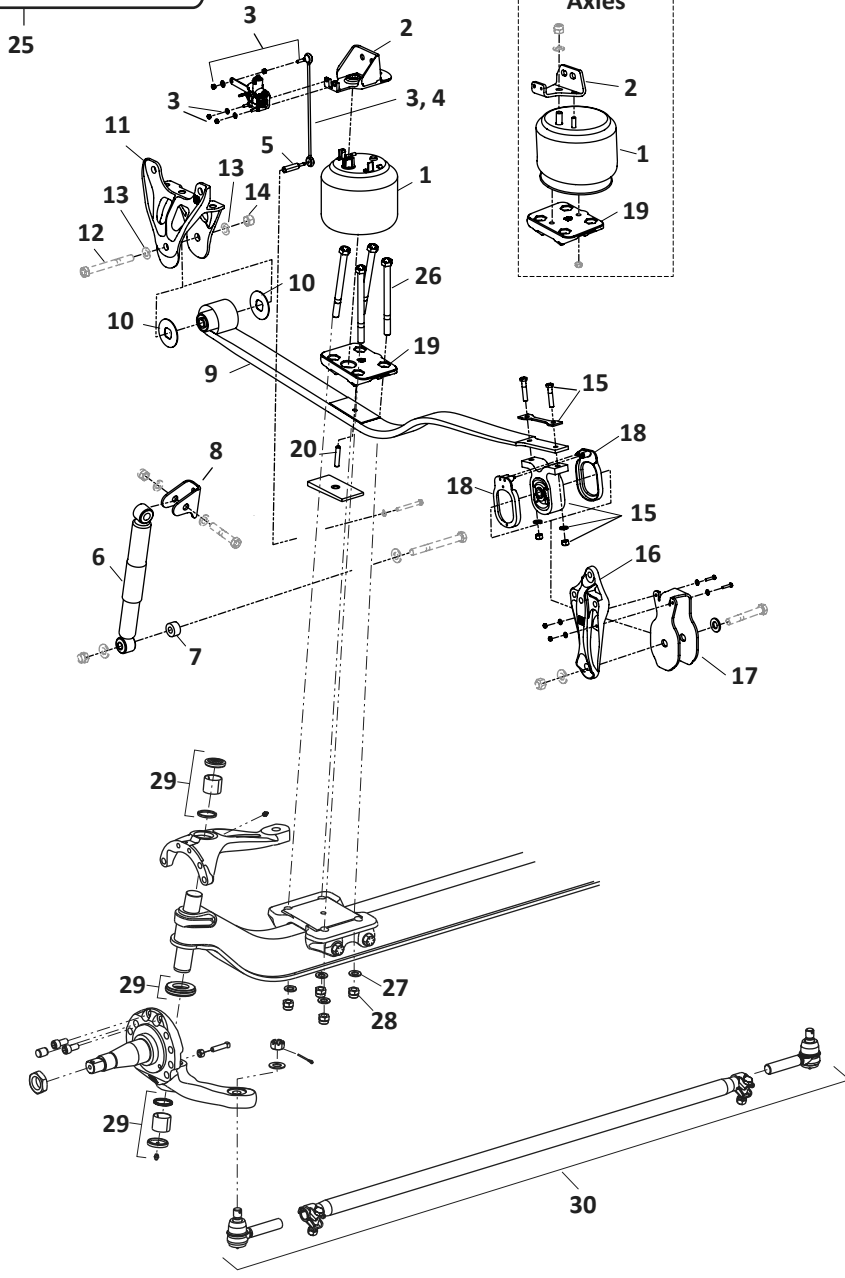
Axle Wrap Liner Kit



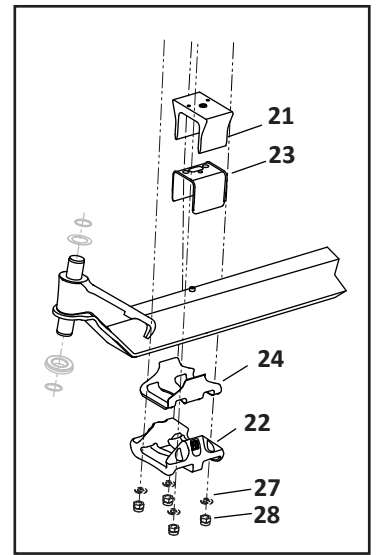
12.6K/14.6K Axles








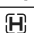














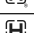
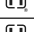

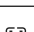




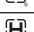
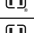
HENDRICKSON



Vehicles Built Prior to May 2019



For more information on King Pins, Tie Rod Ends and Assemblies see 760C Front Axle Parts — Medium- and Heavy-Duty Applications

AIRTEK for Spartan Motor Home Chassis						
KEY NO.	EUCLID NO.	GENUINE	OEM REF.	DESCRIPTION	QTY. PER AXLE	PAGE NO.
1	FS9913	-	66349-002	Air Spring, 10.5, 12 & 12.4K	2	-
	FS8597	-	65790-002	Air Spring, 12.6, 13.5 & 14.6K	2	-
2	E-15132		60850-002	Upper Air Spring Bracket, 10.5 & 12K	2	HND-243
	S.O.S.		66140-000	Upper Air Spring Bracket, 12.6 & 14.6K	2	-
3	E-16417		66277-001	Height Control Valve & Linkage Assembly, LH, 10.5, 12 & 12.4K, Includes Key No. 4	1	HND-253
	E-16418		66277-002	Height Control Valve & Linkage Assembly, RH, 10.5, 12 & 12.4K, Includes Key No. 4	1	HND-253
	E-17591		66277-005	Height Control Valve & Linkage Assembly, LH, 13.5 & 14.6K, Includes Key No. 4	1	HND-253
	E-17592		66277-006	Height Control Valve & Linkage Assembly, RH, 13.5 & 14.6K, Includes Key No. 4	1	HND-253
4	E-15133		59428-001	Height Control Linkage, 10.5, 12 & 12.4K	2	HND-253
	S.O.S.		59428-013	Height Control Linkage, ADB	2	-
5	E-16426		59429-001	Height Control Linkage Lower Link Mount, 10.5, 12 & 12.4K	2	HND-258
6	S.O.S.	-	Various	Shock Absorber	2	-
7	E-16419		59946-001	Shock Spacer, Drum Brake	2	HND-254
	E-17585		22962-046	Shock Spacer, ADB 12.4K	2	HND-253
8	S.O.S.		66589-002	Shock Bracket, Drum Brake	2	-
	S.O.S.		59423-002	Shock Bracket, ADB 12.4K	2	HND-236
9	S.O.S.		Various	Leaf Spring Assembly	1	-
10	S.O.S.		67495-000	Thrust Washer, Front Hanger, Prior to Jan 2019	4	-
11	S.O.S.		64488-000	Front Hanger	2	-
12	E-16415		-	Bolt, M20-2.5 X 170mm Long	2	HND-253
13	E-2546	-	-	Washer	4	-
14	E-16229	-	-	Lock Nut, M20	2	-
15	E-15135		60961-002	Rear Spring Mount Service Kit. One Side	2	HND-252
16	S.O.S.		59825-000	Rear Hanger	2	-
17	S.O.S.		59830-001	Rear Hanger Clamp	2	-
18	S.O.S.		59346-001	Thrust Washer, Rear Hanger	2	-
19	S.O.S.		Various	Top Pad	2	-
20	S.O.S.		57159-004	Dowel, 1/2" Dia. X 2-5/8" Long	2	-
21	S.O.S.		59952-028 59952-001	Top Axle Wrap	2	-
	S.O.S.		64723-005	Bottom Axle Wrap	2	-
23	E-15145		59449-000	Top Axle Wrap Liner	2	HND-252
24	E-15110		59845-000	Bottom Axle Wrap Liner	2	HND-255
25	E-15727		60961-015	Axle Wrap Liner Kit, Vehicles Built Before October 2012, Includes Key Nos. 23 & 24	2	HND-250
26	E-15102		58917-016	Bolt, 3/4"-10 Thd. X 8-1/2" Long, for 10.5, 12 & 12.6K Vehicles Built Before 2/07	8	HND-253
	S.O.S.	-	68715-323	Bolt, 3/4"-10 Thd. X 9" Long, for Vehicles Built After 2/08	8	-
	E-17024		58917-001	Bolt, 3/4"-10 Thd. X 4-1/2" Long, with Air Disc Brakes	8	-
27	E-2545	-	-	Washer	8	-
28	E-15094	-	-	Lock Nut, 3/4"-10, Nylok	8	-

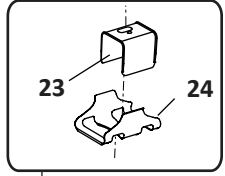
 Denotes Product is Genuine Hendrickson

For more information on King Pins, Tie Rod Ends and Assemblies
see 760C Front Axle Parts — Medium- and Heavy-Duty Applications

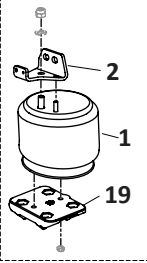
HENDRICKSON SUSPENSION

AIRTEK for Spartan Motor Home Chassis

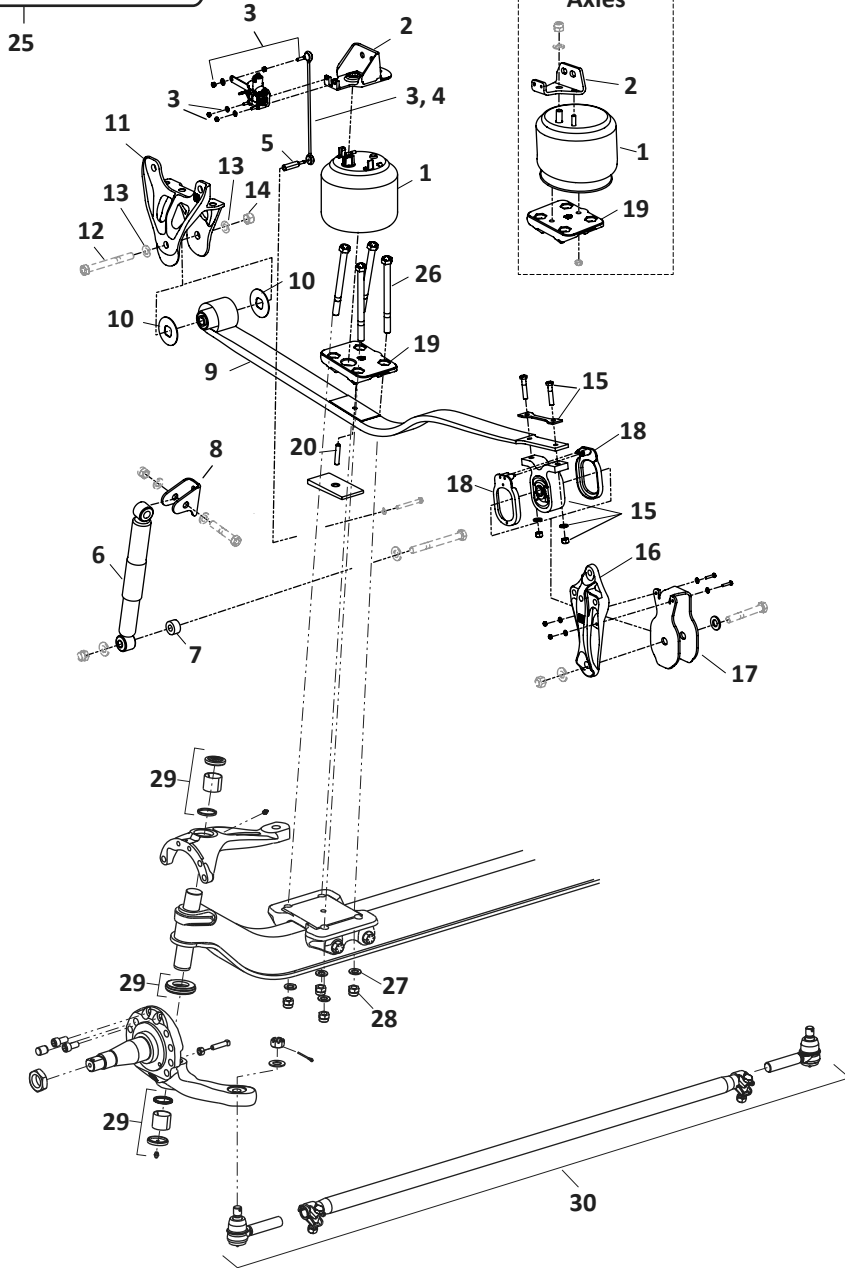
Axle Wrap Liner Kit



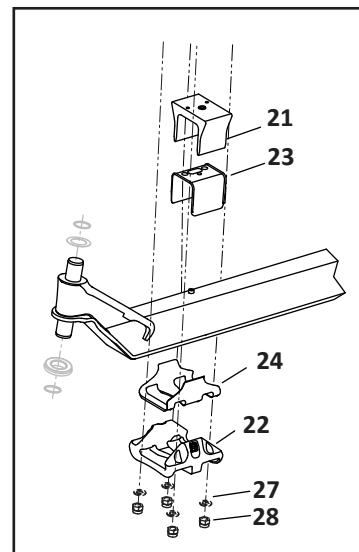
12.6K/14.6K Axles



HENDRICKSON



Vehicles Built Prior to May 2019



For more information on King Pins, Tie Rod Ends and Assemblies see 760C Front Axle Parts — Medium- and Heavy-Duty Applications

AIRTEK for Spartan Motor Home Chassis						
KEY NO.	EUCLID NO.	GENUINE	OEM REF.	DESCRIPTION	QTY. PER AXLE	PAGE NO.
29	E-13999		60961-040	Kingpin Bushing and Bearing Service Kits, Axle Set Includes Left and Right Hand Kit (E-14000 and E-14001), Vehicles Built Before May 2019	1	-
	E-14000		60961-009	Kingpin Bushing and Bearing Service Kit, Left Hand with Composite Thrust Bearings, Vehicles Built Before May 2019	1	-
	E-14001		60961-039	Kingpin Bushing and Bearing Service Kit, Right Hand with Roller Thrust Bearings, Vehicles Built Before May 2019	1	-
	E-17644		60961-628	Kingpin Bushing and Bearing Service Kits, Axle Set Includes Left and Right Hand Kit (E-17645 and E-17646), Vehicles Built After May 2019	1	-
	E-17645		60961-629	Kingpin Bushing and Bearing Service Kit, Left Hand with Composite Thrust Bearings, Vehicles Built After May 2019	1	-
	E-17646		60961-630	Kingpin Bushing and Bearing Service Kit, Right Hand with Roller Thrust Bearings, Vehicles Built After May 2019	1	-
30	-		Various	Tie Rod Ends and Assembly. See Front Axle Catalog	As Req'd	-

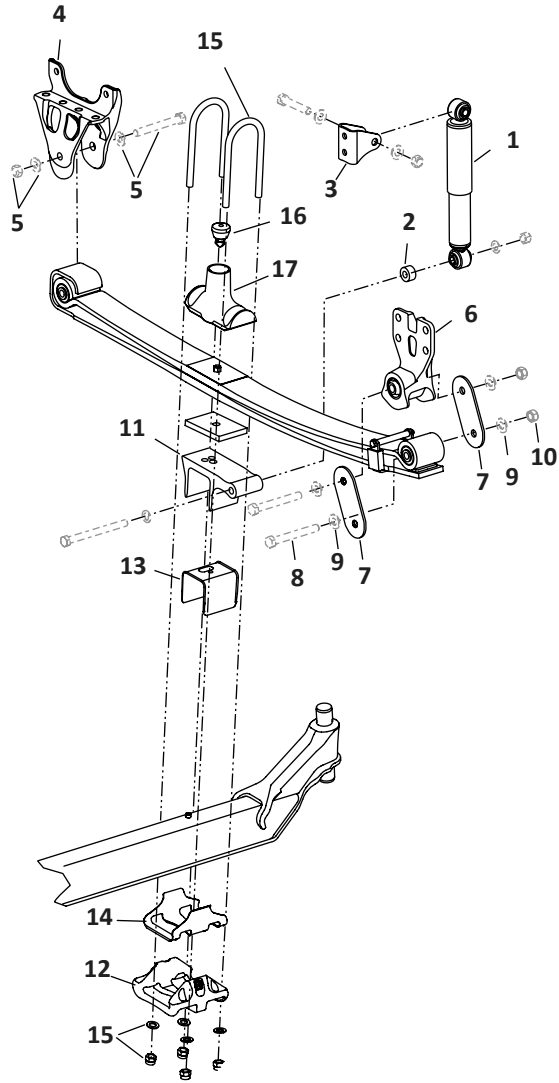
 Denotes Product is Genuine Hendrickson

For more information on King Pins, Tie Rod Ends and Assemblies
see *760C Front Axle Parts — Medium- and Heavy-Duty Applications*

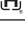


HENDRICKSON SUSPENSION

SOFTEK for Spartan

HENDRICKSON



For more information on King Pins, Tie Rod Ends and Assemblies
see 760C Front Axle Parts — Medium- and Heavy-Duty Applications

SOFTEK for Spartan						
KEY NO.	EUCLID NO.	GENUINE	OEM REF.	DESCRIPTION	QTY. PER AXLE	PAGE NO.
1	M85959	-	58913-009	Shock Absorber	2	-
2	E-16419		59946-001	Shock Spacer	2	HND-254
3	S.O.S.		59423-002	Upper Shock Bracket	2	-
4	S.O.S.		64488-002	Front Hanger	2	-
5	E-16089	-	-	Hanger Fastener Kit, M20 X180mm Long Bolt w/ Nut and Washers	2	-
6	S.O.S.		66510-001	Rear Shackle Bracket	2	-
7	E-16414		64314-000	Rear Shackle Plate	4	-
8	E-16413	-	-	Bolt, M20-2.5 X 150mm Long	4	HND-253
9	E-2546	-	-	Washer	8	-
10	E-16229	-	-	Lock Nut, M20	4	-
11	S.O.S.		59952-003	Top Axle Wrap	2	-
12	E-15108		64722-003	Bottom Axle Wrap	2	HND-252
13	E-15147		60508-000	Top Axle Wrap Liner	2	HND-252
14	E-15110		59845-000	Bottom Axle Wrap Liner	2	HND-250
15	E-UB8154-12	-	-	U-Bolt Assembly, Round Bend, 3/4"-16 Thd X 4" Wide X 12" Long	4	HND-253
16	E-15148		64080-000	Rubber Axle Stop	2	HND-250
17	S.O.S.		64519-000	Top Pad	2	-
-	S.O.S.		18831-021	Dowel Pin, 2" Long (Not Shown)	2	-

 Denotes Product is Genuine Hendrickson

For more information on King Pins, Tie Rod Ends and Assemblies
see 760C Front Axle Parts — Medium- and Heavy-Duty Applications

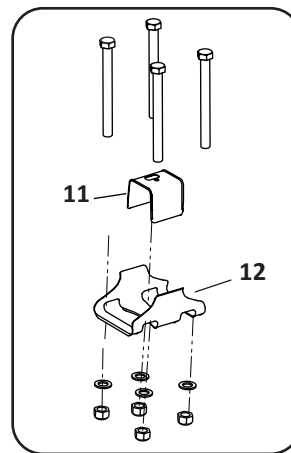
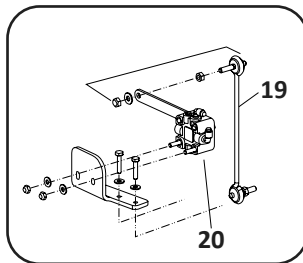
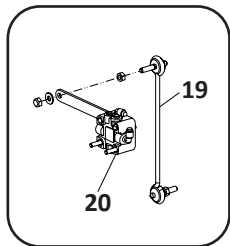
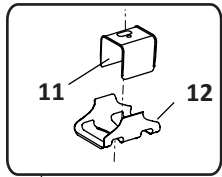
HENDRICKSON SUSPENSION

AIRTEK for Volvo

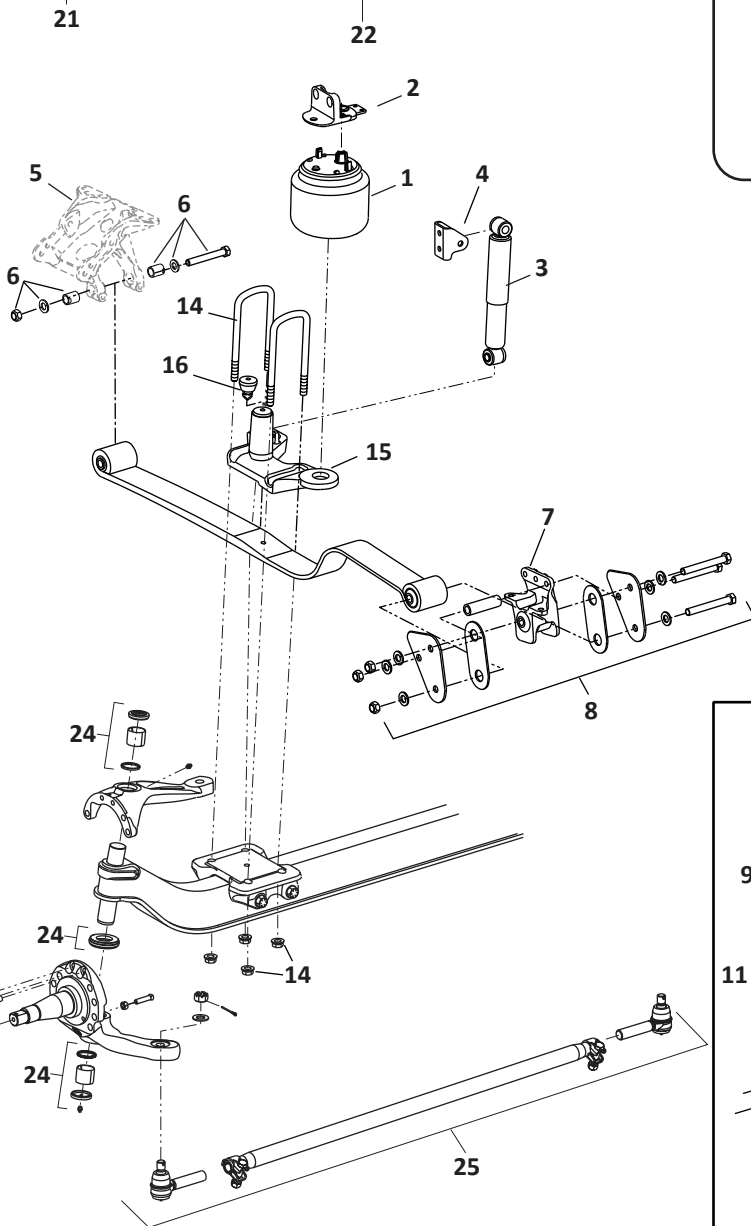
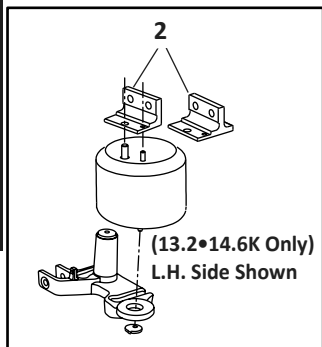
Single Height Control Valves For Vehicles
Built Before March 2005

Straight Bolt Clamp Kit
Pre 2007 Engines

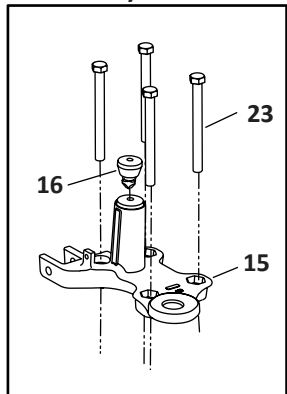
Axle Wrap Liner Kit



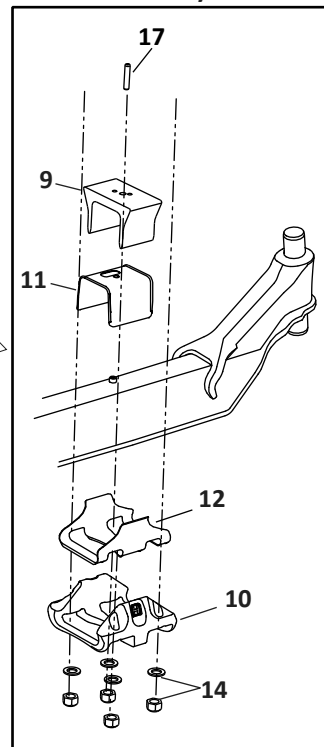
HENDRICKSON



Axle Connection For
Vehicles Built Before
July 2007



Vehicles Built
Prior to July 2011



For more information on King Pins, Tie Rod Ends and Assemblies
see 760C Front Axle Parts — Medium- and Heavy-Duty Applications

HENDRICKSON SUSPENSION

Suspension

AIRTEK for Volvo								
KEY NO.	EUCLID NO.	GENUINE	OEM REF.	DESCRIPTION	QTY. PER AXLE			PAGE NO.
					PRE 2007 ENGINES	POST 2007 ENGINES TO JULY 2011	NXT AXLE — AFTER JULY 2011	
1	FS9913	-	66349-002	Air Spring, 12 & 12.5K	2	2	2	-
	FS9554	-	60716-002	Air Spring, 13.2 & 14.6K	2	2	2	-
2	S.O.S.		Various	Air Spring Bracket	2	2	2	-
3	M85933	-	64838-002 64838-003	Shock Absorber	2	2	2	-
	M89454	-	64838-002 64838-003	Shock Absorber, Premium Adjustable	2	2	2	-
4	S.O.S.		64241-001	Upper Shock Bracket	2	2	-	-
	S.O.S.		59423-008	Upper Shock Bracket, NXT Axles after July 2011	-	-	2	-
5	S.O.S.		Various	Spring Hanger	2	2	2	-
6	E-16412		60961-033	Front Hanger Repair Kit	2	2	2	HND-250
7	S.O.S.		Various	Rear Shackle Bracket, Left Hand with Bushing	1	1	1	-
	S.O.S.		Various	Rear Shackle Bracket, Right Hand with Bushing	1	1	1	-
8	E-16409		60961-034 60961-635	Shackle Bracket Service Kit, One Axle, Omit Thrust Washer for Post July 2007 Vehicles	1	1	1	HND-250
9	S.O.S.		59952-017 59952-013 59952-014	Top Axle Wrap	2	2	-	-
10	E-15108		64722-003 64014-003 60622-003	Bottom Axle Wrap	2	2	-	HND-250
11	E-15147		60508-000	Top Axle Wrap Liner	2	2	-	HND-250
12	E-15110		59845-000	Bottom Axle Wrap Liner	2	2	-	HND-255
13	E-15727		60961-015	Axle Wrap Liner Kit, Includes Key Nos. 11 & 12	2	2	-	HND-250
14	S.O.S.	-	Various	U-Bolt Assembly, Specify Ride Height	-	4	4	-
15	S.O.S.		Various	Top Pad, Specify Left or Right Hand, Pre or Post 2007 Engine and Frame Rail Size	2	2	2	-
16	E-15148		64080-000	Rubber Axle Stop	2	2	2	HND-250
17	S.O.S.		Various	Dowel Pin, Specify Length	-	2	2	-
18	S.O.S.		64318-028	Spacer, All Vehicles with Dual Height Control Valves March 2005 – July 2011 & All Post July 2011 Vehicles	-	2	2	-
	S.O.S.		Various	Spacer, Other Configurations	-	2	2	-
19	E-15096		59428-004	Linkage Kit, Single Height Control Valve, Vehicles Built Prior to 3/05	-	-	-	HND-251
20	E-15151		59935-003	Height Control Valve, Vehicles Built Prior to 3/05	-	-	-	HND-251
21	E-15150		59427-006	Height Control Valve and Linkage Kit for Vehicles Built Prior to 3/05, Includes Key Nos. 19 & 20	-	-	-	HND-251
22	E-14013		64089-000	Height Control Valve Assembly, Includes Key Nos. 19 & 20 plus Bracket, Vehicles Built Prior to 3/05 w/ 12 & 12.5K Axles	-	-	-	-
	E-14014		64094-000	Height Control Valve Assembly, Includes Key Nos. 19 & 20 plus Bracket, Vehicles Built Prior to 3/05 w/ 13.2 & 14.6K Axles	-	-	-	-

Denotes Product is Genuine Hendrickson

For more information on King Pins, Tie Rod Ends and Assemblies see 760C Front Axle Parts — Medium- and Heavy-Duty Applications

HENDRICKSON

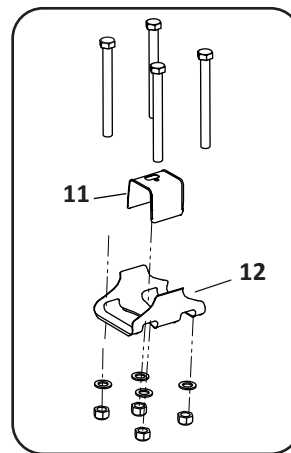
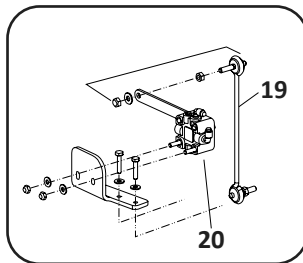
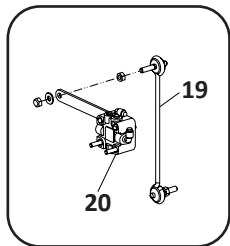
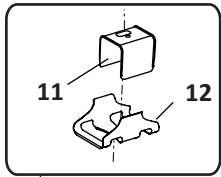
HENDRICKSON SUSPENSION

AIRTEK for Volvo

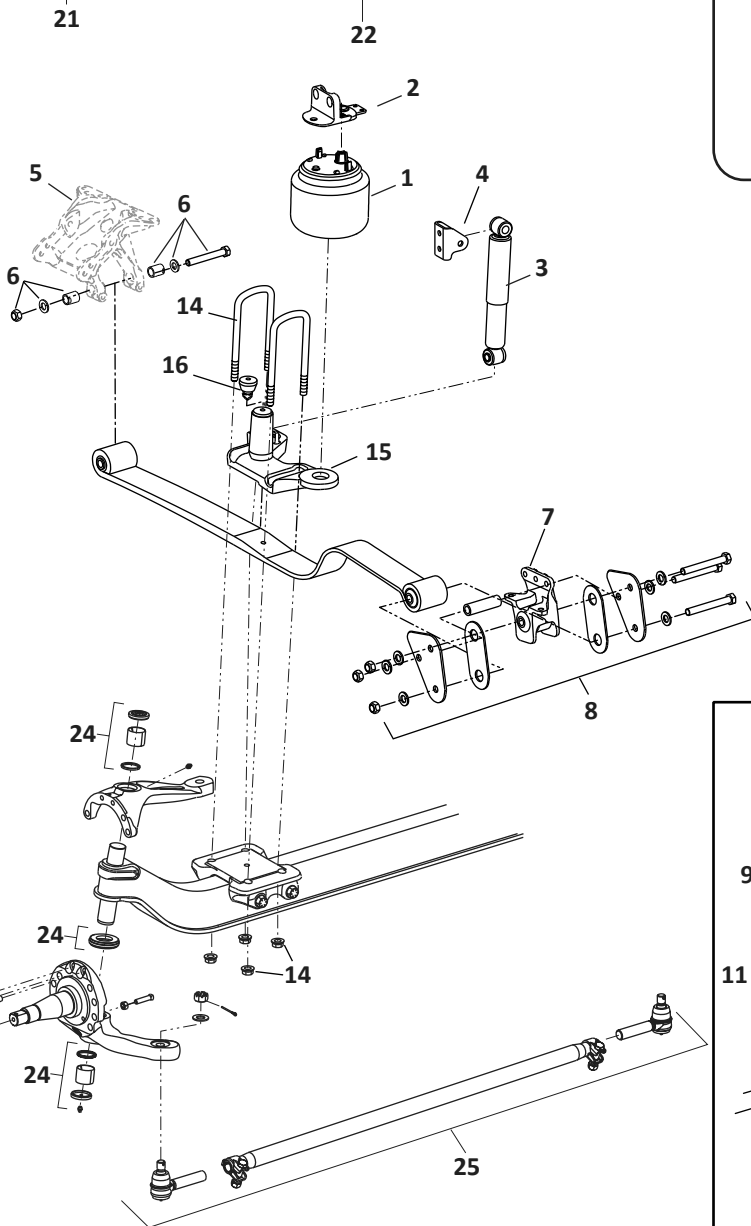
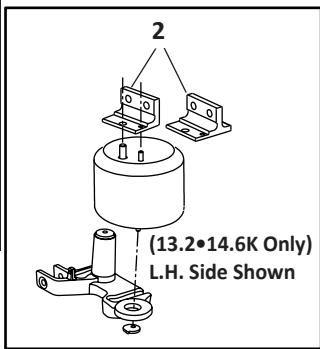
Single Height Control Valves For Vehicles
Built Before March 2005

Straight Bolt Clamp Kit
Pre 2007 Engines

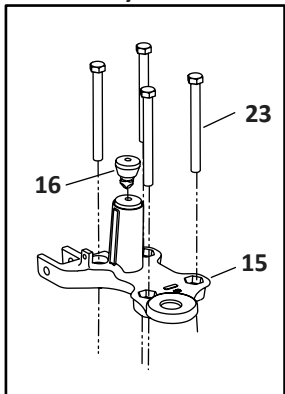
Axle Wrap Liner Kit



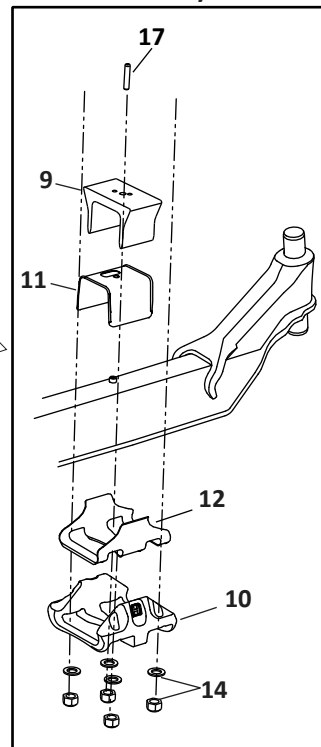
HENDRICKSON














Axle Connection For
Vehicles Built Before
July 2007




Vehicles Built
Prior to July 2011



For more information on King Pins, Tie Rod Ends and Assemblies
see 760C Front Axle Parts — Medium- and Heavy-Duty Applications

AIRTEK for Volvo								
KEY NO.	EUCLID NO.	GENUINE	OEM REF.	DESCRIPTION	QTY. PER AXLE			PAGE NO.
					PRE 2007 ENGINES	POST 2007 ENGINES TO JULY 2011	NXT AXLE — AFTER JULY 2011	
23	E-16410		60961-035	Straight Bolt Clamp Kit, Vehicles with Dual Height Control Valves, 13-1/4" Ride Height, Includes Key Nos. 11 & 12, Bolts, Nuts, Washer for One Side	2	-	-	HND-250
	E-16411		60961-037	Straight Bolt Clamp Kit, Vehicles with Single Height Control Valve, 14-3/8" Ride Height, Includes Key Nos. 11 & 12, Bolts, Nuts, Washer for One Side	2	-	-	HND-251
	S.O.S.		Various	Straight Bolt Clamp Kit, Other Configurations, Includes Key No. 11, Bolts, Nuts, Washer for One Side	2	-	-	-
-	E-14019		60961-101	Dual Height Control Valve & Linkage Conversion Kit, Convert Single HCV to Dual, 12 & 12.5K Capacity	1	-	-	-
-	E-14020		60961-102	Dual Height Control Valve & Linkage Conversion Kit, Convert Single HCV to Dual, 13.2 & 14.6K Capacity	1	-	-	-
24	E-13999		60961-040	Kingpin Bushing and Bearing Service Kits, Axle Set Includes Left and Right Hand Kit (E-14000 and E-14001), Vehicles Built Before July 2011	1	-	-	-
	E-14000		60961-009	Kingpin Bushing and Bearing Service Kit, Left Hand with Composite Thrust Bearings, Vehicles Built Before July 2011	1	-	-	-
	E-14001		60961-039	Kingpin Bushing and Bearing Service Kit, Right Hand with Roller Thrust Bearings, Vehicles Built Before July 2011	1	-	-	-
	E-17644		60961-628	Kingpin Bushing and Bearing Service Kits, Axle Set Includes Left and Right Hand Kit (E-17645 and E-17646), Vehicles Built After July 2011	1	-	-	-
	E-17645		60961-629	Kingpin Bushing and Bearing Service Kit, Left Hand with Composite Thrust Bearings, Vehicles Built After July 2011	1	-	-	-
	E-17646		60961-630	Kingpin Bushing and Bearing Service Kit, Right Hand with Roller Thrust Bearings, Vehicles Built After July 2011	1	-	-	-
25	-		Various	Tie Rod Ends and Assembly. See Front Axle Catalog	As Reqd	-	-	-

 Denotes Product is Genuine Hendrickson

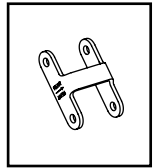
HENDRICKSON

For more information on King Pins, Tie Rod Ends and Assemblies
see *760C Front Axle Parts — Medium- and Heavy-Duty Applications*

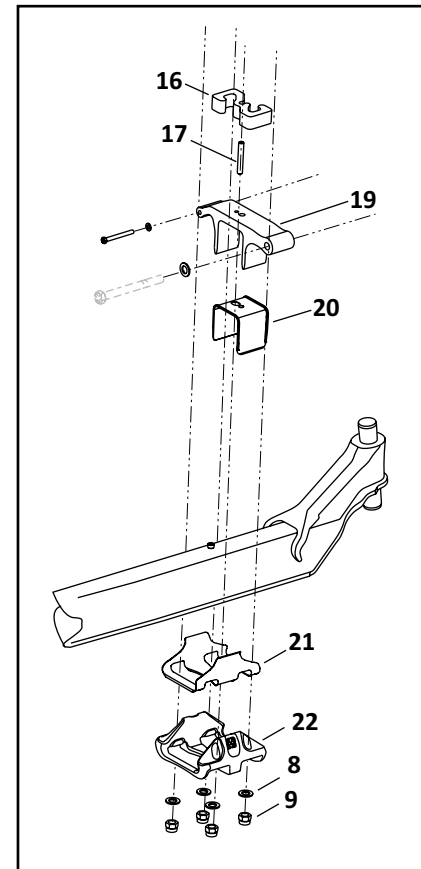
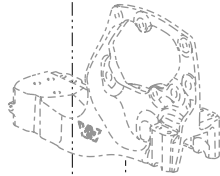
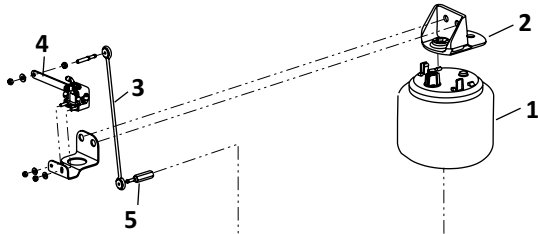
HENDRICKSON SUSPENSION

AIRTEK for Western Star Built After November 2011 w/STEERTEK NXT Axles and Vehicles Built Between June 2010 and November 2011 with STEERTEK Axles

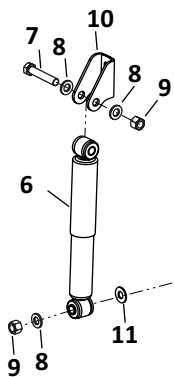
HENDRICKSON



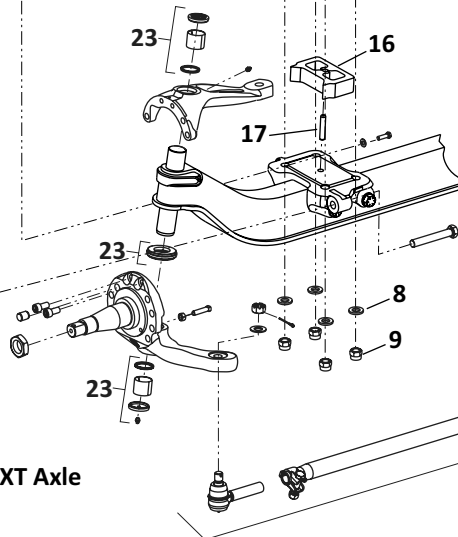
13.3K Rear Shackle



Non NXT Axles Built Between June 2010 and November 2011






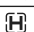

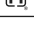

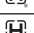


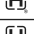




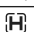






STEERTEK NXT Axle



For more information on King Pins, Tie Rod Ends and Assemblies see 760C Front Axle Parts — Medium- and Heavy-Duty Applications

AIRTEK for Western Star Built After November 2011 w/STEERTEK NXT Axles and Vehicles Built Between June 2010 and November 2011 with STEERTEK Axles

KEY NO.	EUCLID NO.	GENUINE	OEM REF.	DESCRIPTION	QTY. PER VEHICLE	PAGE NO.
1	S.O.S.	-	69116-002	Air Spring	2	-
2	E-16425		60850-001	Air Spring Bracket, Left Hand	1	HND-258
	E-15132		60850-002	Air Spring Bracket, Right Hand	1	HND-254
3	E-15133		59428-001	Height Control Valve Linkage Assembly, 13-1/8" Center-to-Center	1	HND-257
	E-15134		59428-002	Height Control Valve Linkage Assembly, 14-1/2" Center-to-Center	1	HND-257
	S.O.S.	-	Various	Height Control Valve Linkage Kit	2	-
	E-9625	-	-	Height Control Valve Linkage Kit, Universal, Length Range of 3-5/8 – 19-5/8"	2	HND-257
4	S.O.S.		59935-013	Height Control Valve, Left Hand, Set Back Axle	1	-
	S.O.S.		59935-023	Height Control Valve, Left Hand, Set Forward Axle	1	-
	E-17587		59935-024	Height Control Valve, Right Hand, Vehicles After November 2011	1	HND-242
	E-13995		59935-002	Height Control Valve, Right Hand, Vehicles Built Between June 2010 & November 2011, (Non NXT Axles)	1	HND-242
5	E-16426		59429-001	Link Mount, Left Hand, Set Back Axle	1	HND-258
	E-15098		59429-002	Link Mount, Left Hand, Set Forward Axle and All Right Hand	1	HND-258
6	M85932	-	58913-012	Shock Absorber	2	-
	M89453	-	58913-012	Shock Absorber, Premium Adjustable	2	-
7	S.O.S.	-	-	Bolt, 3/4"-10 X 4" Long, Upper Shock	2	-
8	E-2545	-	-	Washer, 3/4"	22	-
9	E-4347	-	-	Locknut, 3/4"-10	16	-
10	E-17586	-	59423-001	Shock Bracket	2	-
11	E-16419		59946-001	Shock Spacer, Vehicles Built Between June 2010 & November 2011, (Non NXT Axles)	2	HND-254
	S.O.S.		22962-046	Shock Spacer, Vehicles Built After November 2012	2	-
12	S.O.S.		Various	Leaf Spring Assembly	2	-
13	S.O.S.		68089-001	Shackle Plate	4	-
14	S.O.S.		Various	Shackle Bolt, 3/4"-10	8	-
15	E-15146		59826-000	Top Pad	2	HND-241
16	S.O.S.		Various	Front Axle Spacer	2	-
17	S.O.S.		Various	Dowel	2	-
18	E-15102	-	58917-016	Bolt, 3/4"-10 X 8-1/2" Long	8	HND-257
	E-16435	-	58917-017	Bolt, 3/4"-10 X 10" Long	8	HND-257
	E-16436	-	58917-018	Bolt, 3/4"-10 X 11-1/2" Long	8	HND-257
19	S.O.S.		Various	Top Wrap, Vehicles Built Between June 2010 & November 2011 (Non NXT Axles)	2	-
20	E-15145		59449-000	Top Axle Wrap Liner, Vehicles Built Between June 2010 & November 2011 (Non NXT Axles)	2	HND-257
21	E-15110		58945-000	Bottom Axle Wrap Liner, Vehicles Built Between June 2010 & November 2011 (Non NXT Axles)	2	HND-250
22	S.O.S.		64772-001	Bottom Wrap, Vehicles Built Between June 2010 & November 2011 (Non NXT Axles)	2	-

 Denotes Product is Genuine Hendrickson

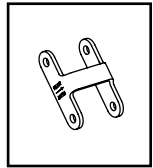
HENDRICKSON

For more information on King Pins, Tie Rod Ends and Assemblies
see 760C Front Axle Parts — Medium- and Heavy-Duty Applications

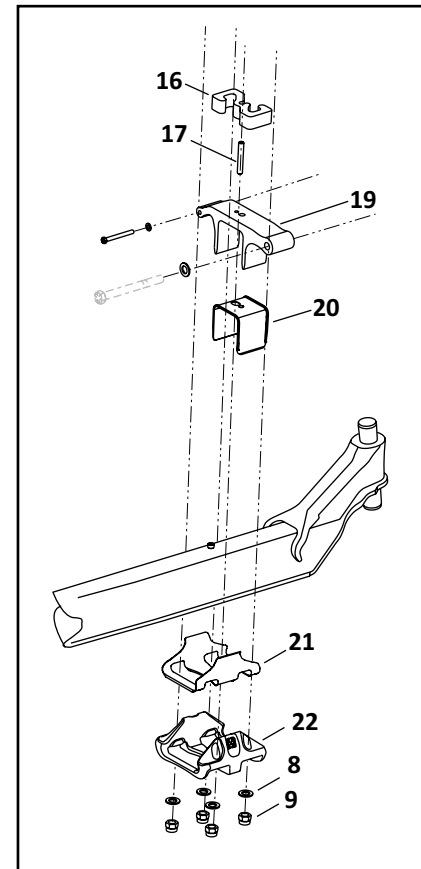
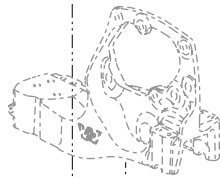
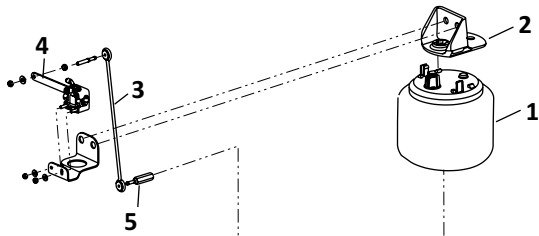
HENDRICKSON SUSPENSION

AIRTEK for Western Star Built After November 2011 w/STEERTEK NXT Axles and Vehicles Built Between June 2010 and November 2011 with STEERTEK Axles

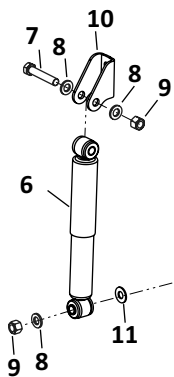
HENDRICKSON



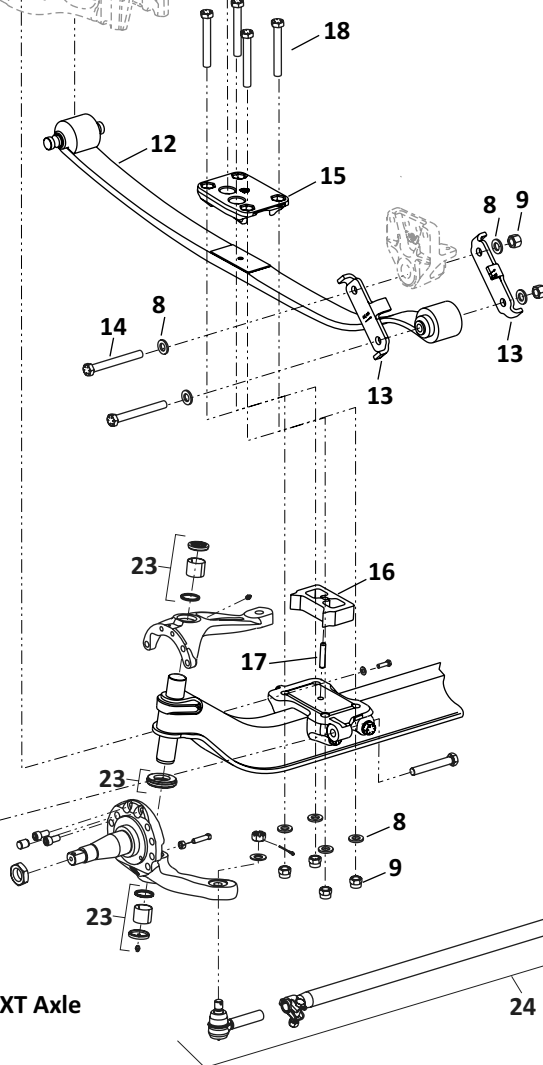
13.3K Rear Shackle



Non NXT Axles Built Between June 2010 and November 2011



STEERTEK NXT Axle



For more information on King Pins, Tie Rod Ends and Assemblies see 760C Front Axle Parts — Medium- and Heavy-Duty Applications

AIRTEK for Western Star Built After November 2011 w/STEERTEK NXT Axles and Vehicles Built Between June 2010 and November 2011 with STEERTEK Axles

KEY NO.	EUCLID NO.	GENUINE	OEM REF.	DESCRIPTION	QTY. PER VEHICLE	PAGE NO.
23	E-13999		60961-040	Kingpin Bushing and Bearing Service Kits, Axle Set Includes Left and Right Hand Kit (E-14000 and E-14001), Vehicles Built Before November 2011	1	-
	E-14000		60961-009	Kingpin Bushing and Bearing Service Kit, Left Hand with Composite Thrust Bearings, Vehicles Built Before November 2011	1	-
	E-14001		60961-039	Kingpin Bushing and Bearing Service Kit, Right Hand with Roller Thrust Bearings, Vehicles Built Before November 2011	1	-
	E-17644		60961-628	Kingpin Bushing and Bearing Service Kits, Axle Set Includes Left and Right Hand Kit (E-17645 and E-17646), Vehicles Built After November 2011	1	-
	E-17645		60961-629	Kingpin Bushing and Bearing Service Kit, Left Hand with Composite Thrust Bearings, Vehicles Built After November 2011	1	-
	E-17646		60961-630	Kingpin Bushing and Bearing Service Kit, Right Hand with Roller Thrust Bearings, Vehicles Built After November 2011	1	-
24	-		Various	Tie Rod Ends and Assembly. See Front Axle Catalog	As Reqd	-

 Denotes Product is Genuine Hendrickson

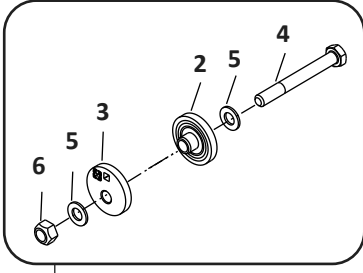
HENDRICKSON

For more information on King Pins, Tie Rod Ends and Assemblies
see *760C Front Axle Parts — Medium- and Heavy-Duty Applications*

HENDRICKSON SUSPENSION

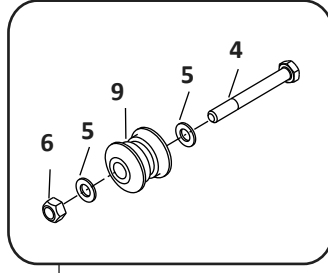
COMFORT AIR Single Axle Suspension for Blue Bird Bus

QUIK-ALIGN™ Collar Service Kit



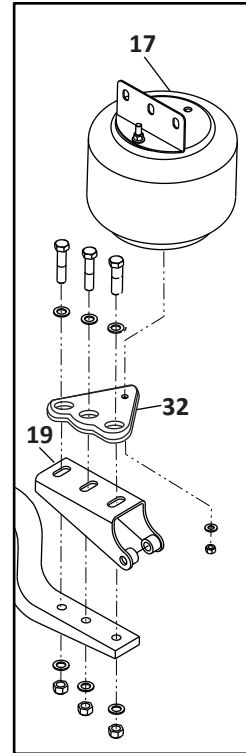
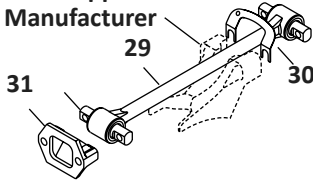
7

QUIK-ALIGN™ Pivot Bushing Kit

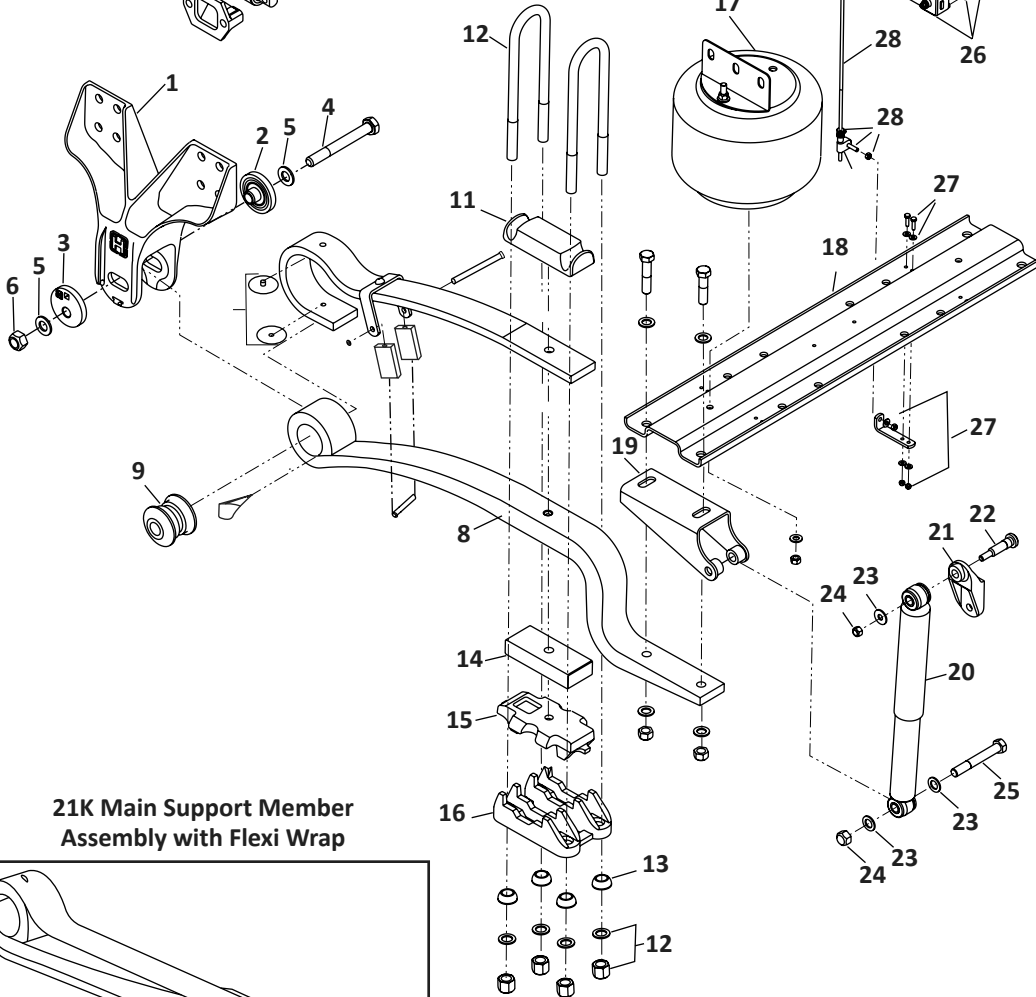


10

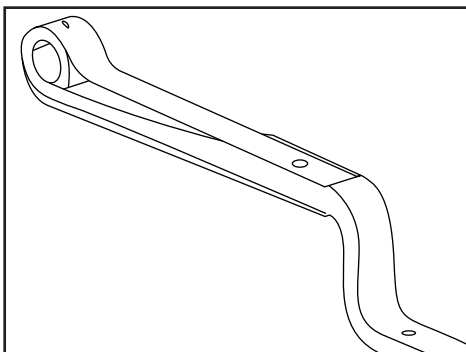
Bracket Supplied by Axle Manufacturer



Air Spring Mounting After January 2021



21K Main Support Member Assembly with Flexi Wrap



Transverse Torque Rods must be used with this Suspension

HENDRICKSON

COMFORT AIR Single Axle Suspension for Blue Bird Bus						
KEY NO.	EUCLID NO.	GENUINE	OEM REF.	DESCRIPTION	QTY. PER AXLE	PAGE NO.
1	S.O.S.		60784-000	Frame Hanger	2	-
2	E-15716		64633-000	QUIK-ALIGN™ Concentric Collar	3	HND-237
3	E-15162		64632-000	QUIK-ALIGN™ Eccentric Collar	1	-
4	S.O.S.	-	68217-000	Bolt, 1"-14 X 7-1/2" Long	2	-
5	E-2546	-	-	Washer, 1" ID	4	-
6	E-1828	-	-	Lock Nut, 1"-14	2	-
7	E-14809		60632-013	QUIK-ALIGN™ Collar Service Kit, Axle Set, Includes Key Nos. 2, 3, 4, 5, 6	1	HND-237
8	S.O.S.		82432-000	Main Support Member Assembly, 21K Axle	2	-
	S.O.S.		82433-00; 60779-000	Main Support Member Assembly, 23K Axle	2	-
9	E-13992		58648-000L	QUIK-ALIGN™ Pivot Bushing	2	HND-237
10	E-16465		34013-103	QUIK-ALIGN™ Pivot Bushing Kit, One Side, Includes Key Nos. 4, 5, 6, 9	2	HND-237
11	E-9397		56805-000	Top Pad, 21K, 23K Capacity	2	HND-237
12	E-UB8161-15S1	-	-	U-Bolt Assembly, Rd. Bend, 7/8"-14 Thd. X 3" Wide X 15" Long, Includes Key No. 11, 21K	4	HND-238
	E-UB8161-18S1	-	-	U-Bolt Assembly, Rd. Bend, 7/8"-14 Thd. X 3" Wide X 18" Long, Includes Key No. 11	4	HND-238
	E-UB8161-16	-	-	U-Bolt Assembly, Rd. Bend, 3/4"-16 Thd. X 3" Wide X 16" Long, Requires Key No. 11	4	HND-238
13	S.O.S.		49947-000	Spherical Washer, 3/4"	8	-
	E-3738		48574-000	Spherical Washer, 7/8"	8	HND-237
14	S.O.S.		Various	Spacer, Specify Height	2	-
15	S.O.S.		Various	Spring Seat, Specify Axle and Pinion Angle	2	-
16	S.O.S.		Various	Axle Bottom Cap, Specify Axle and Pinion Angle	2	-
17	FS8816	-	60929-002	Air Spring Assembly, Front Engine, Includes Bracket, Before 01/21	2	-
	FS8817	-	60925-002	Air Spring Assembly, Rear Engine, Includes Bracket, Before 01/21	2	-
	E-17652		91347-000	Air Spring Assembly with Standard Bumper, Includes Bracket, After 01/21	2	-
	E-17653		91350-000	Air Spring Assembly with Tall Bumper, Includes Bracket, After 01/21	2	-
18	S.O.S.		Various	Cross Channel	1	-
19	E-16239		57356-000	Shock Bracket, Lower, 2 Slots, Before 01/21	2	HND-238
	S.O.S.		67463-002	Shock Bracket, Lower, 3 Slots, After 01/21	2	-
20	M85006	-	60998-003	Shock Absorber	2	-
21	E-15177		67463-002	Shock Bracket, Upper	2	HND-238
22	S.O.S.		50764-010	Bolt, 3/4"-10 Serrated Shank	2	-
23	E-2545	-	-	Washer, 3/4" Dia.	4	-
24	E-4347	-	-	Lock Nut, 3/4"-10	4	-
25	E-15140	-	50764-002	Bolt, 3/4"-10 X 5-1/2" Long	2	HND-241
26	E-17650		59013-000	Height Control Valve Kit, Includes Mounting Hardware, Axle Set	1	-
27	S.O.S.		57430-000	Height Control Valve Lower Bracket Kit, Includes Mounting Hardware, Front Engine, Before 01/21	1	-
	S.O.S.		57430-003	Height Control Valve Lower Bracket Kit, Includes Mounting Hardware, Rear Engine, Before 01/21	1	-
28	E-7852	-	-	Height Control Valve Linkage Assembly, Universal Kit	1	HND-238
29	Torque Rod Selection Guide		Various	Transverse Torque Rod	1	HND-181
30	E-5281		49689-000L	Torque Rod Shim	As Req.	HND-238
31	E-2634		22186-000	Transverse Torque Rod Frame Bracket	1	HND-238
32	S.O.S.		80502-000	Lower Air Spring Bracket, After 01/21	2	-

Denotes Product is Genuine Hendrickson

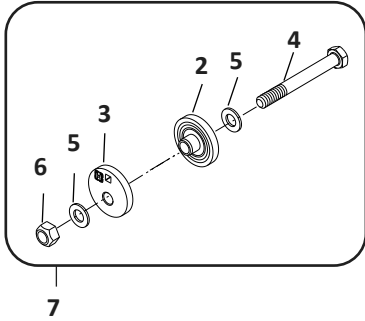
HENDRICKSON

Transverse Torque Rods must be used with this Suspension

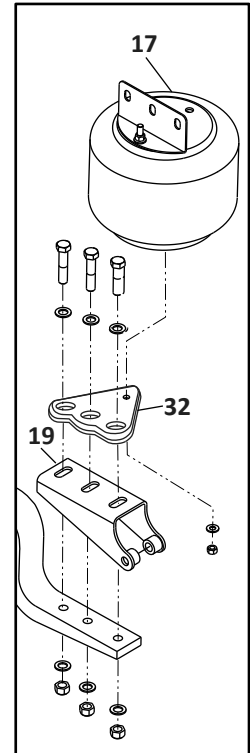
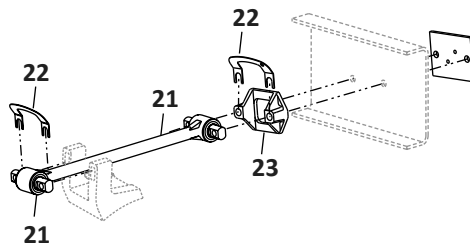
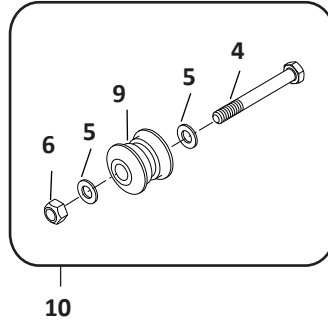
HENDRICKSON SUSPENSION

COMFORT AIR for Hino

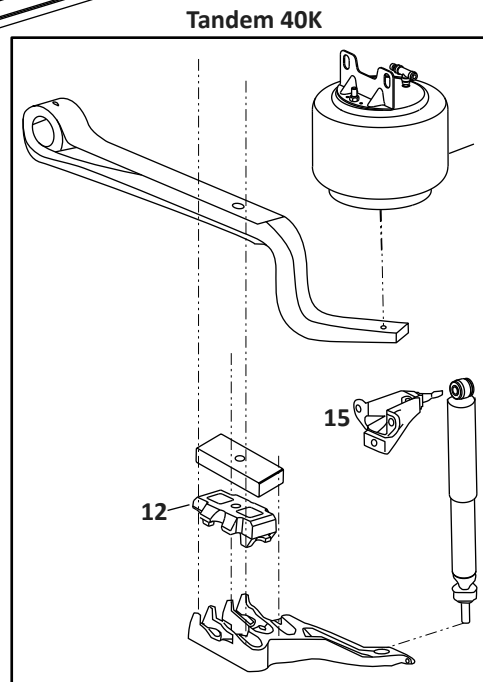
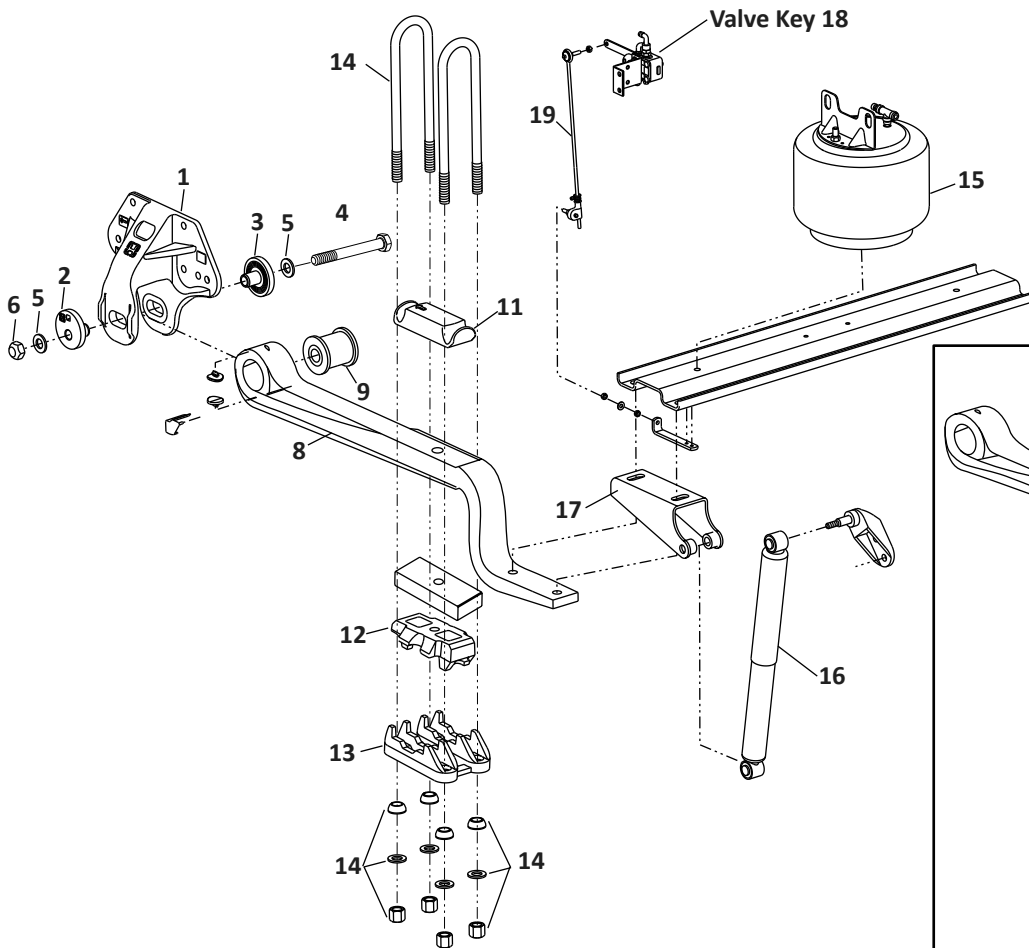
QUIK-ALIGN™ Collar Service Kit



QUIK-ALIGN™ Pivot Bushing Kit



Air Spring Mounting
After January 2021



Tandem 40K

Transverse Torque Rods must be used with this Suspension

HENDRICKSON

COMFORT AIR for Hino						
KEY NO.	EUCLID NO.	GENUINE	OEM REF	DESCRIPTION	QTY. PER AXLE	PAGE NO.
1	S.O.S.		91330-001; 65081-001	Frame Hanger, Left Hand	1	-
	S.O.S.		91330-002; 65081-002	Frame Hanger, Right Hand	1	-
	S.O.S.		65081-101	Frame Hanger, Left Hand with Reinforced Rail	1	-
	S.O.S.		65081-102	Frame Hanger, Right Hand with Reinforced Rail	1	-
2	S.O.S.		60661-000	QUIK-ALIGN™ Concentric Collar, 19-21K Axles	3	-
	E-15716		64633-000	QUIK-ALIGN™ Concentric Collar, 23K Axles	3	HND-237
3	S.O.S.		60662-000	QUIK-ALIGN™ Eccentric Collar, 19-21K Axles	1	-
	E-15162		64632-000	QUIK-ALIGN™ Eccentric Collar, 23K Axles	1	HND-246
4	E-5428	-	-	Bolt, 7/8"-14 X 8" Long, 19-21K Axles	2	-
	E-3564	-	68217-001	Bolt, 1"-14 X 8" Long, 23K Axles	2	-
5	E-2546	-	-	Washer, 7/8" ID, 19-21K Axles	4	-
	E-2975	-	-	Washer, 1" ID, 23K Axles	4	-
6	E-1835	-	-	Lock Nut, 7/8"-14, 19-21K Axles	2	-
	E-1828	-	-	Lock Nut, 1"-14, 23K Axles	2	-
7	S.O.S.		65119-001	QUIK-ALIGN™ Collar Service Kit, 19-21K Axles, Left Hand, Includes Key Nos. 2, 3, 4, 5, 6	1	-
	S.O.S.		65119-002	QUIK-ALIGN™ Collar Service Kit, 19-21K Axles, Right Hand, Includes Key Nos. 2, 3, 4, 5, 6	1	-
	S.O.S.		60632-029	QUIK-ALIGN™ Collar Service Kit, 23K Axles, Left Hand, Includes Key Nos. 2, 3, 4, 5, 6	1	-
	S.O.S.		60632-030	QUIK-ALIGN™ Collar Service Kit, 23K Axles, Right Hand, Includes Key Nos. 2, 3, 4, 5, 6	1	-
8	S.O.S.		Various	Main Support Member Assembly	2	-
9	E-13992		58648-000	Pivot Bushing	2	HND-247
10	E-17602		34013-109	Main Support Member Service Kit, One Wheel End, 19-21K Axles, Includes Key Nos. 2-6, 9	2	-
	E-17603		34013-189	Main Support Member Service Kit, One Wheel End, 23K Axles, Includes Key Nos. 2-6, 9	2	-
11	S.O.S.		65071-000	Top Pad	2	-
12	S.O.S.		Various	Spring Seat	2	-
13	S.O.S.		93302-000; 50216-000	Bottom Axle Cap, 19-23K Axles, Forward Axle on 46K Tandem	2	-
	S.O.S.		Various	Bottom Axle Cap, 19-23K Axles, Other Tandem Axles	2	-
14	S.O.S.		91430-082	U-Bolt Assembly, M22 X 1.5 X 15" Long, All Except 46K Tandem Axles	2	-
	S.O.S.		91430-083	U-Bolt Assembly, M22 X 1.5 X 16-1/8" Long, 46K Front Tandem Axle	2	-
	S.O.S.		91430-084	U-Bolt Assembly, M22 X 1.5 X 17-3/4" Long, 46K Rear Tandem Axle	2	-
15	S.O.S.		65086-002	Air Spring	2	-
	S.O.S.		76942-002	Air Spring	2	-
	S.O.S.		80760-002	Air Spring, 40K Tandem Axle	2	-
16	S.O.S.		60670-029; 60670-014; 60670-031; 60670-019; 60670-030; 60670-018	Shock Absorber	2	-
17	E-16238		49324-002	Lower Shock Bracket	2	HND-197
	S.O.S.		57124-000	Lower Shock Bracket, 23K Tractor Axles, Forward Axle on 46K Tandem	2	-
18	E-16407		60501-000	Height Control Valve	1	HND-239
19	S.O.S.		58994-032	Linkage Assembly	1	-
	E-7852	-	-	Linkage Assembly, Universal Kit	1	HND-238
20	S.O.S.		62000-595	Transverse Torque Rod Assembly, 19-21K Axles	1	-
	S.O.S.		72000-595S	Transverse Torque Rod Assembly, 23K Axles	1	-

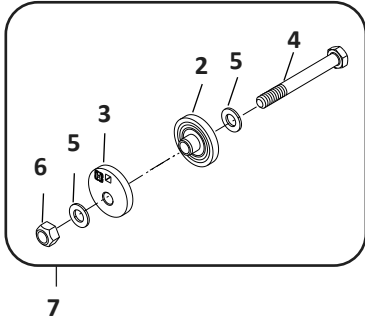
Denotes Product is Genuine Hendrickson

HENDRICKSON

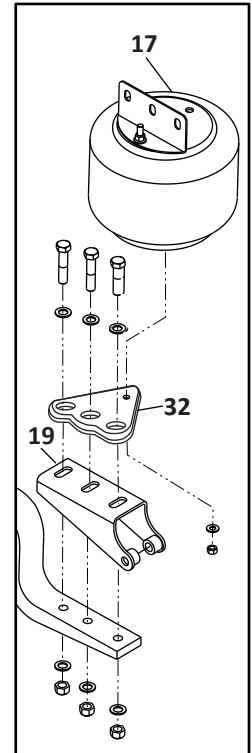
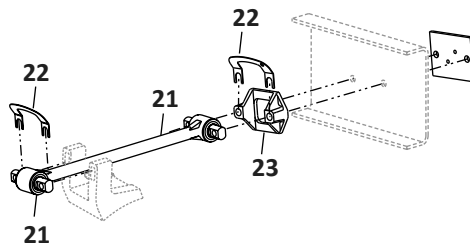
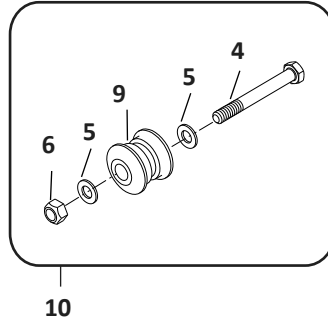
HENDRICKSON SUSPENSION

COMFORT AIR for Hino

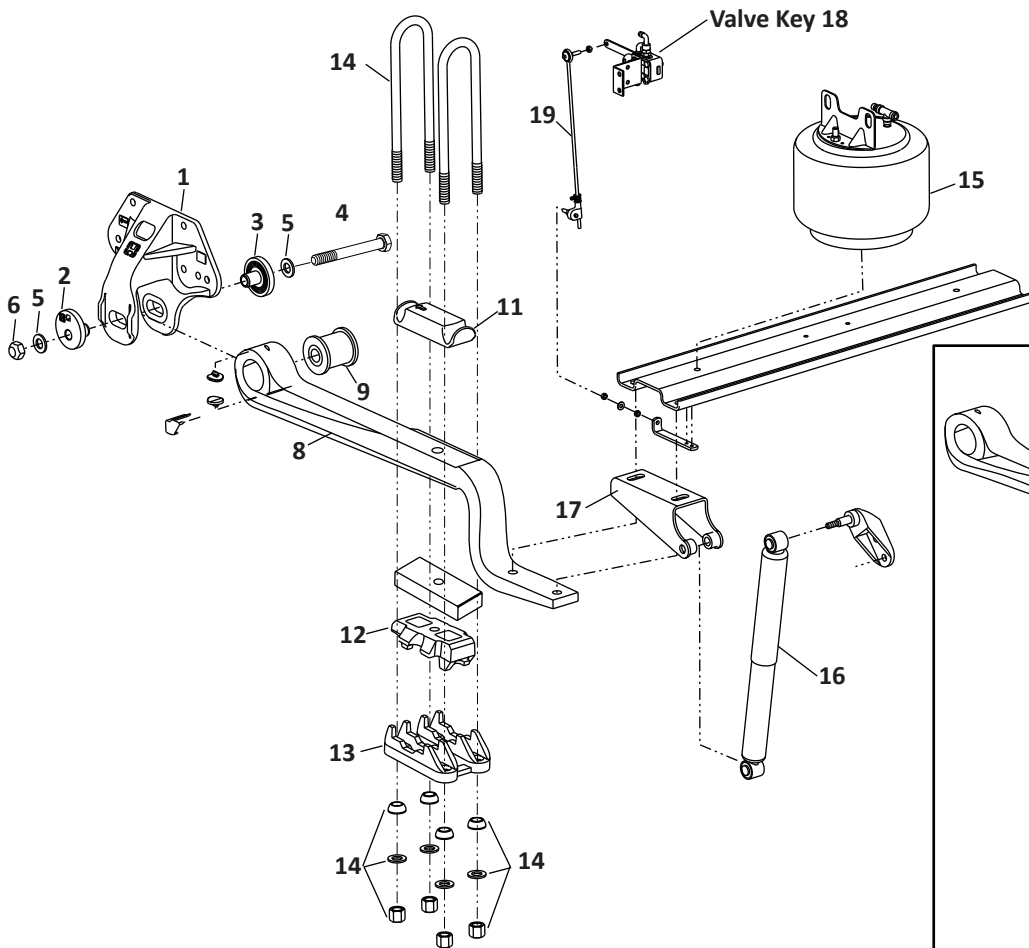
QUIK-ALIGN™ Collar Service Kit



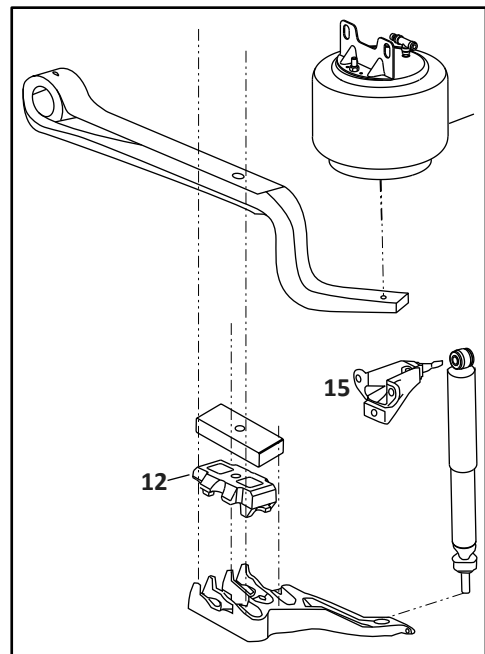
QUIK-ALIGN™ Pivot Bushing Kit







Air Spring Mounting
After January 2021




Tandem 40K



Transverse Torque Rods must be used with this Suspension

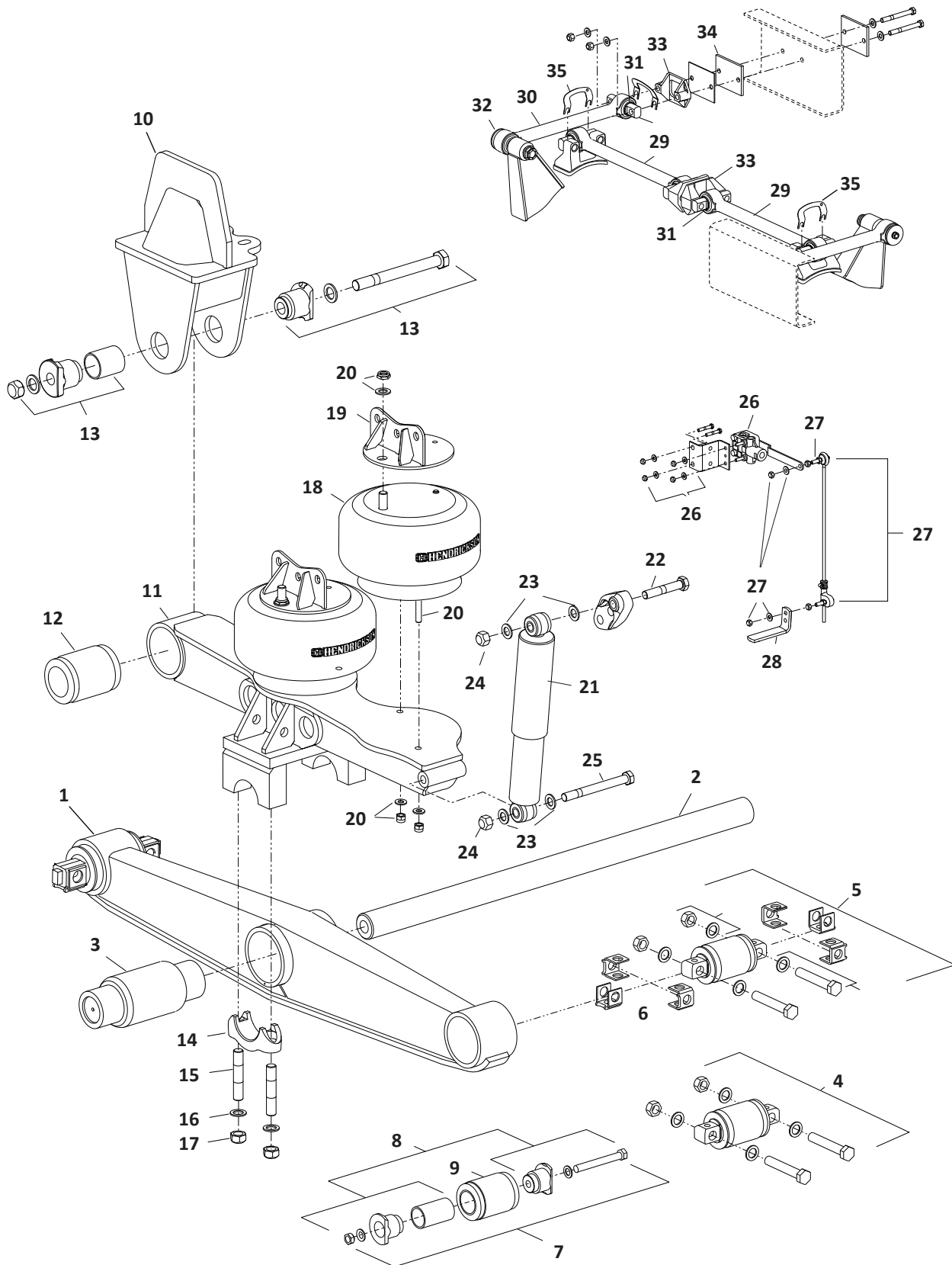
COMFORT AIR for Hino						
KEY NO.	EUCLID NO.	GENUINE	OEM REF	DESCRIPTION	QTY. PER AXLE	PAGE NO.
21	E-5275		47691-000	Torque Rod Bushing, 19-21K Axles	2	HND-194
	E-13961		64400-002	Torque Rod Bushing, 23K Axles	2	HND-243
22	E-5281	-	49689-000	Shim	As Required	HND-194
23	E-2634		22186-000	Torque Rod Frame Bracket	1	HND-194
	S.O.S.		Various	Spring Seat Spacer, Tandem Axles Only	2	-

 Denotes Product is Genuine Hendrickson

HENDRICKSON SUSPENSION






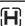







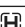

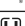

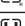
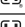
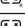
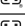
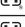
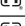
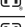
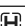
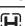
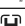


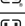
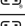
AR2 400/460 Air Over Walking Beam Tandem Axle Suspension

HENDRICKSON



Transverse Torque Rods must be used with this Suspension

AR2 400/460 Air Over Walking Beam Tandem Axle Suspension

KEY NO.	EUCLID NO.	GENUINE	OEM REF.	DESCRIPTION	QTY. PER TANDEM	PAGE NO.
1	S.O.S.		Various	Walking Beam	2	-
2	E-1842		44643-009	Cross Tube, 44-7/8" Long	1	HND-164
3	E-6979		49400-000	Center Bushing, Rubber, 40K, Welded End Plug	2	HND-158
	E-6980		49600-000	Center Bushing, Rubber, 40K, Loose End Plug	2	HND-158
	E-9359		29483-005	Center Bushing, Rubber, 46K, Welded End Plug	2	HND-158
	E-16416		34013-097	Center Bushing, Rubber, 46K, Loose End Plug	2	HND-158
4	E-9325		34013-087	Bar Pin Bushing Kit, Non-Shim Type, One Wheel End	2	HND-160
5	E-9326		34013-088	Bar Pin Bushing Kit, Shim Type, One Wheel End	2	HND-160
	E-14725		34013-188	Bar Pin Bushing Kit, Rotating Pin, Shim Type, One Wheel End	2	HND-160
6	E-9328		50131-000	Bar Pin Shim, 1/8" & 1/4"	As Required	HND-160
	E-9327		50130-000	Bar Pin Shim, 3/16"	As Required	HND-160
	E-9329		57026-000	Bar Pin Shim, 3/8"	As Required	HND-160
7	E-5309		34013-049	End Beam Bushing Kit, Old Style, 40K, Includes Key Nos. 8 & 9	2	HND-160
	E-9576		34013-073	End Beam Bushing Kit, Old Style, 46K, Includes Key Nos. 8 & 9	2	HND-160
8	E-2374		45000-007	End Beam Adapter, Old Style, 40K, One Wheel End	2	HND-161
	E-9420		21140-034	End Beam Adapter, Old Style, 46K, One Wheel End	2	HND-161
9	E-1341A		45900-000	Rubber End Beam Bushing	As Required	HND-161
10	S.O.S.		Various	Frame Hanger, Specify Left or Right and Frame Width	2	-
11	S.O.S.		Various	Trailing Arm Assembly	2	-
12	E-1341A		45900-000	Trailing Arm Bushing, 40K	2	HND-161
	E-2771		29878-001	Trailing Arm Bushing, 46K	2	HND-161
13	S.O.S.		21140-053	Trailing Arm Adapter Assembly	2	-
14	E-1833A		58795-000	Saddle Cap	2	HND-166
15	E-1830		06696-000	7/8"-14 UNF Saddle Cap Stud	4	HND-166
16	E-1834	-	22962-002	7/8" Hardened Washer	4	-
17	E-1835	-	04842-000	7/8"-14 UNF Saddle Cap Locknut	4	-
18	S.O.S.	-	65455-002	Air Spring Assembly, Front	2	-
	S.O.S.	-	65652-002	Air Spring Assembly, Rear	2	-
19	S.O.S.		65426-000	Air Spring Bracket, Front	2	-
	S.O.S.		65680-000	Air Spring Bracket, Rear	2	-
20	S.O.S.		49177-017	Air Spring Fastener Kit, Includes Washers, Lock Nuts, Stud	1	-
21	S.O.S.	-	60665-012	Shock Absorber	2	-
22	S.O.S.	-	50764-010	Bolt, 3/4"-10 X 4-3/4" Long	2	-
23	E-2545	-	22962-001	Washer, 3/4"	8	-
24	E-4347	-	49842-000	Lock Nut, 3/4"-10	4	-
25	S.O.S.	-	50764-013	Bolt, 3/4"-10 X 7-1/2" Long	2	-
26	E-11870		57977-000	Height Control Valve Assembly, Includes Bracket and Mounting Hardware	2	HND-198
27	E-7852	-	-	Height Control Linkage Assembly, Universal Includes Hardware	2	HND-238
28	S.O.S.		65427-000	Height Control Lower Bracket	2	-
29	E-13989		60218-000	Torque Rod Kit, Longitudinal, Straddle/Straddle Ends	2	HND-185
30	E-13988		60215-000	Torque Rod Kit, Transverse, Straddle/Taper Ends	2	HND-185

 Denotes Product is Genuine Hendrickson

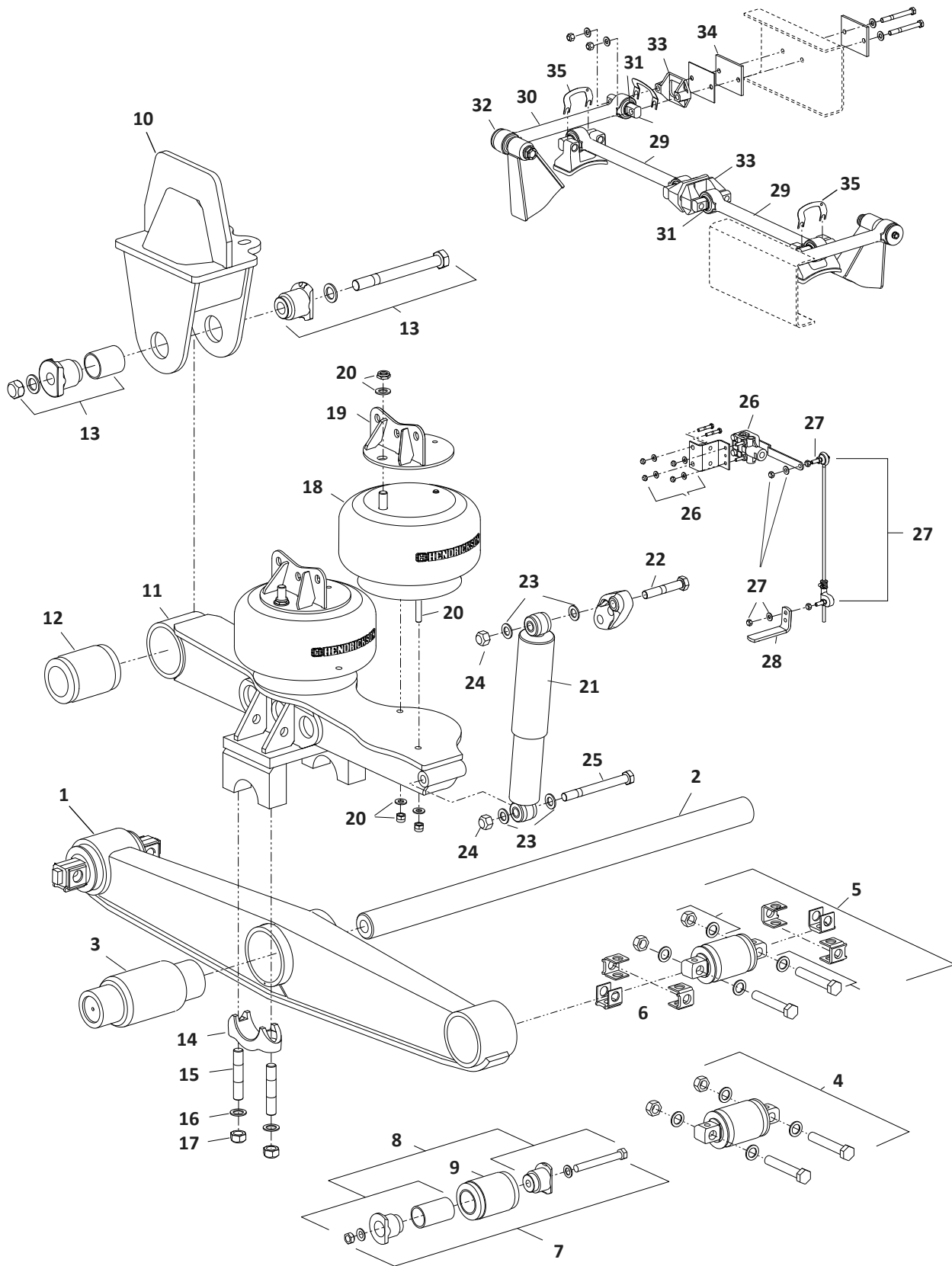
HENDRICKSON

Transverse Torque Rods must be used with this Suspension

HENDRICKSON SUSPENSION


AR2 400/460 Air Over Walking Beam Tandem Axle Suspension

HENDRICKSON



Transverse Torque Rods must be used with this Suspension

AR2 400/460 Air Over Walking Beam Tandem Axle Suspension						
KEY NO.	EUCLID NO.	GENUINE	OEM REF.	DESCRIPTION	QTY. PER TANDEM	PAGE NO.
31	E-5275		47691-000	Torque Rod Bushing, Straddle Mount, ULTRA ROD PLUS	6	HND-194
32	E-10309		64697-000H	Torque Rod Bushing, Tapered Mount, ULTRA ROD PLUS	2	HND-183
33	E-2634		22186-000	Torque Rod Bracket	4	HND-194
34	S.O.S.		45045-001	Torque Rod Back-up Plate, 1/8" Thick	As Req.	-
	S.O.S.		45045-002	Torque Rod Back-up Plate, 1/4" Thick	As Req.	-
	E-15153		45045-003	Torque Rod Back-up Plate, 3/8" Thick	As Req.	-
35	E-5281		49689-000	Torque Rod Shim	As Req.	HND-191
-	S.O.S.		34013-111	Trailing Arm Bushing Service Kit, 40K, Includes Key Nos. 12 & 13	2	-
	S.O.S.		34013-112	Trailing Arm Bushing Service Kit, 46K, Includes Key Nos. 12 & 13	2	-

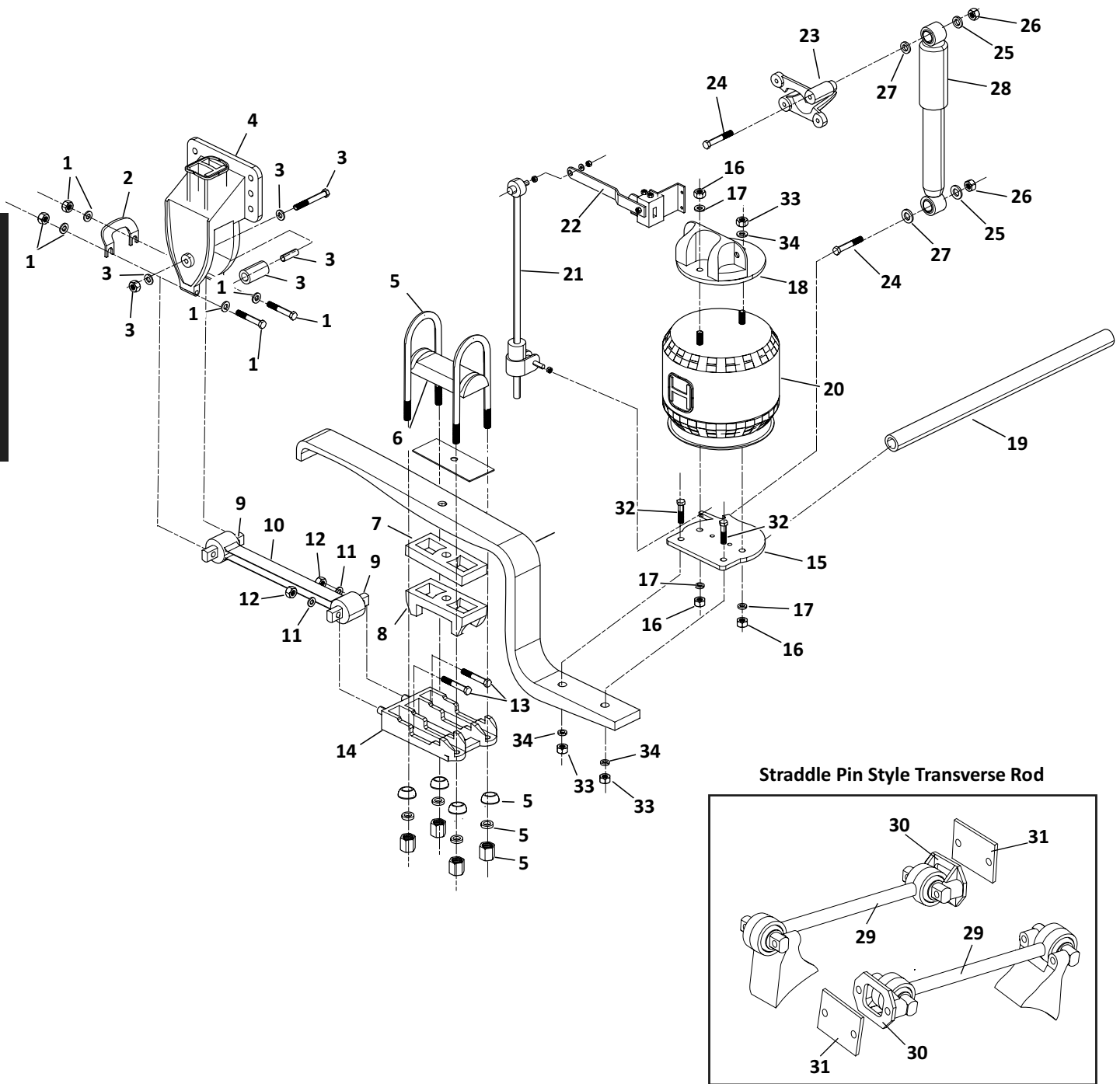
 Denotes Product is Genuine Hendrickson

Transverse Torque Rods must be used with this Suspension

HENDRICKSON SUSPENSION

HA 360/400/460 Tandem Axle Air Suspension

HENDRICKSON



HA 360/400/460 Tandem Axle Air Suspension							
KEY NO.	EUCLID NO.	GENUINE	OEM REF.	DESCRIPTION	QTY. PER AXLE	PAGE NO.	
1	E-5277	-	49176-000	Torque Rod Fastener Kit	2	HND-194	
2	E-5281		49689-000	Torque Rod Shim	As Req.	HND-194	
3	E-9432A	-	49175-005	Rebound Roller Assembly	2	HND-196	
4	E-5299		56673-001	Front Spring Hanger Casting Nos. 56672001,49723000,49726001,49047000	2	HND-196	
	S.O.S.		56830-000	Front Spring Hanger Casting Nos. 56829001,48442000,4853000	2	-	






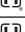

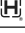




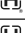

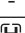
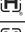
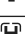
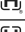

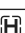

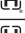
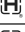
Denotes Product is Genuine Hendrickson

Transverse Torque Rods must be used with this Suspension

HENDRICKSON SUSPENSION

Suspension

HA 360/400/460 Tandem Axle Air Suspension

KEY NO.	EUCLID NO.	GENUINE	OEM REF.	DESCRIPTION	QTY. PER AXLE	PAGE NO.
5	E-UB8161-18S1	-	Various	U-Bolt Assembly Rd. Bend, 7/8"-14 X 18" Long, Includes Spherical Washer	4	HND-238
	E-UB8161-15S1	-	Various	U-Bolt Assembly Rd. Bend, 7/8"-14 X 15" Long, Includes Spherical Washer	4	HND-238
6	E-8926		49337-000	Top Pad	2	HND-194
7	E-3740		48902-000	Spring Spacer, 1"	2	HND-195
	E-3741		48903-000	Spring Spacer, 1-1/2"	2	HND-195
8	S.O.S.		Various	Spring Seat Assembly	2	-
9	E-5275		47691-000	Torque Rod Bushing, HA360, HA400	4	HND-191
	E-9395		57256-000	Torque Rod Bushing, HA460	4	HND-194
10	E-3731		48411-001	Torque Rod Assembly, 15-13/16" Center-to-Center, HA360, HA400	2	HND-194
	S.O.S.		48411-003	Torque Rod Assembly, 16-1/2" Center-to-Center, HA360, HA400	2	-
	S.O.S.		50376-002	Torque Rod Assembly, 15-13/16" Center-to-Center, HA460	2	-
	S.O.S.		50376-003	Torque Rod Assembly, 16-1/2" Center-to-Center, HA460	2	-
11	E-2547	-	22962-004	Flat Washer, 5/8" Hardened	4	-
12	E-2988	-	47764-000	Lock Nut, 5/8"-11	4	-
13	E-3755		49063-000	Axle Cap Bolt	4	HND-195
14	S.O.S.		Various	Axle Bottom Cap (Call Tech Support with Model No.)	1	-
15	S.O.S.		48908-001	Air Spring Bracket Assembly with Hardware, Left Hand	1	-
	S.O.S.		48908-002	Air Spring Bracket Assembly with Hardware, Right Hand	1	-
16	E-16468	-	17700-010	Lock Nut, 1/2"-13 Nylock	6	-
17	E-9603	-	22962-014	Flat Washer, 1/2 in. Hardened	6	-
18	E-9392		50804-002	Air Spring Frame Hanger	2	HND-197
19	E-15152		44642-022	Cross Tube	1	HND-164
20	FS9287	-	50405-000	Air Spring, 1991-Up	2	-
	FS9466	-	49048-000	Air Spring, Up to 1991	2	-
21	E-3760A		58994-021	Adjustable Height Control Valve Linkage Assembly	1	HND-198
22	E-11494		60826-000	Leveling Valve, Barksdale Type	1	HND-197
23	S.O.S.		48924-000	Shock Frame Hanger Includes Key Nos. 24, 25, 26	2	-
24	S.O.S.	-	50368-000	Shock Bolt	2	-
25	E-9603	-	22962-031	Flat Washer, 1/2 in. Hardened	4	-
26	E-16402	-	49846-000	Lock Nut, 1/2"-13 Replaces 49140	4	-
27	E-2545	-	22962-001	Flat Washer, 3/4" Hardened	4	-
28	M83122	-	47902-008 60670-003	Shock Absorber	2	-
	M89406	-	47902-008 60670-003	Shock Absorber, Premium	2	-
	M83123	-	47902-009 60670-001	Shock Absorber, Mack	2	-
	M89405	-	47902-009 60670-001	Shock Absorber, Premium, Mack	2	-
	M83149	-	47902-013 60670-003	Shock Absorber, Ford	2	-
29	E-13989		60218-000	Transverse Torque Rod Assembly, HA360, HA400	1	HND-185
	E-13988		60215-000	Transverse Torque Rod Assembly, HA460	1	HND-185
30	E-2634		22186-000	Torque Rod Frame Bracket	2	HND-194
31	E-15153		45045-003	Torque Rod Bracket Back Up Plate	2	-
32	S.O.S.	-	50369-000	3/4"-10 X 4" Main Support Bolt	4	-
33	E-4961A	-	17700-031	Lock Nut, 3/4"-16	4	-
34	E-2545	-	22962-001	Flat Washer, 3/4 in. Hardened	4	-

 Denotes Product is Genuine Hendrickson

Transverse Torque Rods must be used with this Suspension

U.S. 888-725-9355
Canada 800-387-3889

MeritorPartsXpress.com
700F-HND (07-23)

HND-61

HENDRICKSON

HENDRICKSON SUSPENSION

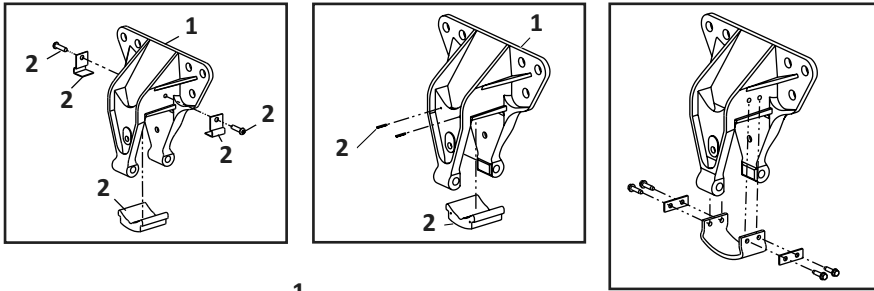
HAS 12K/15K/19K/21K/23K Single Axle Air Suspension

HAS 36K/40K/46K Tandem Axle Air Suspension

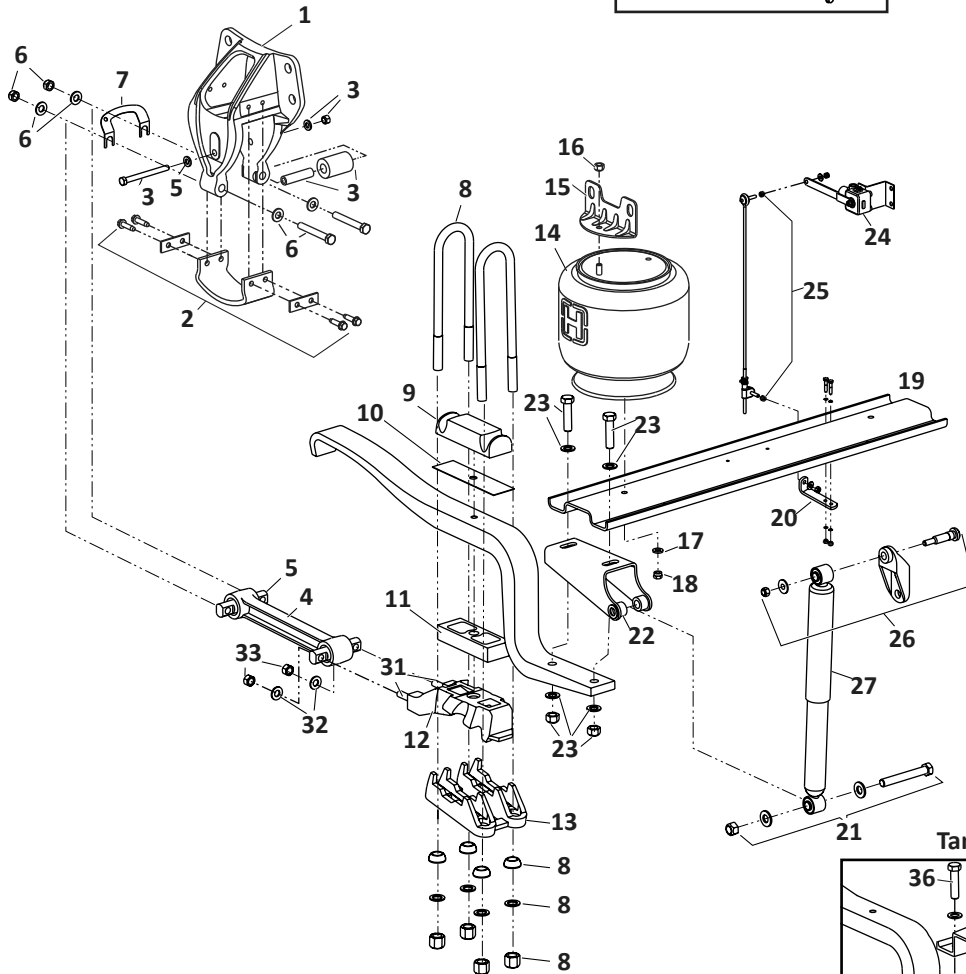
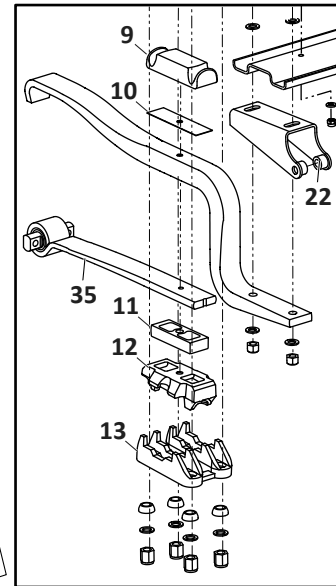
HAS 21K/23K/40K/46K Single/Tandem Axle Air Suspension with Air Disc Brakes

HAS 40LH Light Weight Tandem Axle Air Suspension

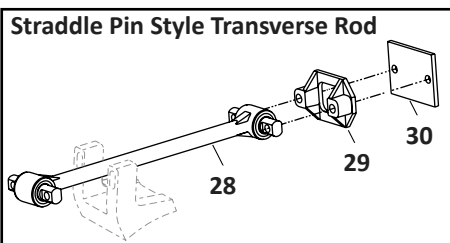
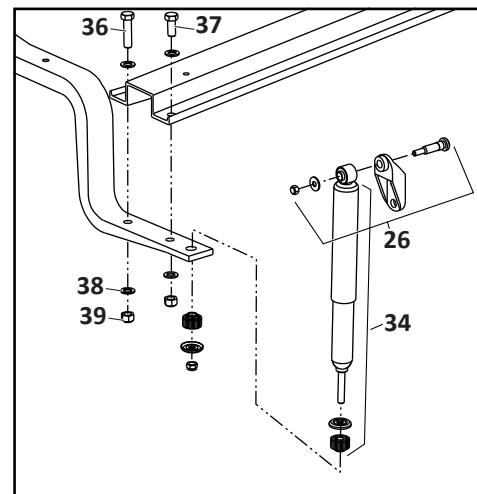
Alternate Hanger & Slipper Pad



HAS 21/23/40/46K with Air Disc Brakes



HAS 40/46K Tandem with Drum Brakes




Transverse Torque Rods must be used with this Suspension

HENDRICKSON SUSPENSION

Suspension

HAS 12K/15K/19K/21K/23K Single Axle Air Suspension HAS 36K/40K/46K Tandem Axle Air Suspension HAS 21K/23K/40K/46K Single/Tandem Axle Air Suspension with Air Disc Brakes HAS 40LH Light Weight Tandem Axle Air Suspension

KEY NO.	EUCLID NO.	GENUINE	OEM REF.	DESCRIPTION	QTY. PER AXLE			PAGE NO.
					12K/15K/19K/21K/23K/36K/40K/46K w/ Drum Brakes	21K/23K/40K/46K w/ Air Disc Brakes	40LH Tandem w/ Drum Brakes	
1	E-9386		58425-001 57190-001 50752-001	Front Frame Hanger Assembly, Standard Frame, Casting No. 57188-001 Includes Key No. 2	2	2	2	HND-196
	S.O.S.		Various	Front Frame Hanger Assembly, Reinforced Frame, Includes Key No. 2	2	-	2	-
2	HAS Slipper Pad Guide		Various	Slipper Pad Kit	2	2	2	HND-199
3	E-9432A	-	49175-014	Rebound Roller Kit	2	2	2	HND-196
4	E-9409		48411-006	Torque Rod, 14-13/32" Center-to-Center HAS 120/150/190, Includes Key No. 5	2	-	2	HND-194
	E-9394		62007-365	Torque Rod, 14-13/32" Center-to-Center HAS 230, Includes Key No. 5	2	-	-	HND-194
5	E-5275		47691-000	Torque Rod Bushing	2	-	2	HND-191
6	E-5277	-	49176-001	Bolt Assembly, 5/8"-18 x 4-1/2" Long. Includes Bolt, Nut, Washers	2	2	2	HND-194
7	E-5281		49689-000	1/16" Torque Rod Shim	As Req.	As Req.	As Req.	HND-194
	S.O.S.		57856-000	1/32" Torque Rod Shim	As Req.	As Req.	As Req.	-
8	E-UB8161-15S1	-	Various	U-Bolt Assembly 7/8"-14 X 15" Incl. Nuts, Washers and Spherical Washer	4	4	-	HND-238
	E-UB8161-18S1	-	Various	U-Bolt Assembly 7/8"-14 X 18" Incl. Nuts, Washers and Spherical Washer	4	4	-	HND-238
	S.O.S.		Various	U-Bolt Assembly 3/4"-16 X 3" Wide Requires Nuts, Washers and Spherical Washer	-	-	4	-
9	E-9397		56805-000	Top Pad, HAS 190/210/230 & Others as Shown	2	2	2	HND-195
	S.O.S.		57224-000	Top Pad, HAS 120/150	2	-	-	-
10	E-9393		47905-000	Delrin Liner	2	2	2	HND-195
11	S.O.S.		48531-009	Spring Seat Spacer, 1" Thick, 6-1/4" Length	2	-	-	-
	E-3740		48902-000	Spring Seat Spacer, 1" Thick, 7-3/4" Length	2	-	2	HND-195
	S.O.S.		48531-020	Spring Seat Spacer, 1-1/4" Thick	-	2	-	-
	E-3741		48903-000	Spring Seat Spacer, 1-1/2" Thick, 7-3/4" Length	2	-	2	HND-195
12	S.O.S.		Various	Spring Seat Assembly	2	2	2	-
13	S.O.S.		Various	Axle Bottom Cap	2	2	2	-
14	FS8868	-	57920-002	Air Spring, HAS120L (Low Profile), Includes Key Nos. 15 & 16	2	-	-	-
	FS9335	-	56917-002	Air Spring, HAS150L/190L/210L/230L/400 (Low Profile), Includes Key Nos. 15 & 16	2	-	-	-
	FS9373	-	57122-002	Air Spring, HAS190/210/230/400/460, Includes Key Nos. 15 & 16	2	-	-	-
	EAS9373	-	57122-002	Euclid Air Spring, HAS190/210/230/400/460, Includes Key Nos. 15 & 16	2	-	-	-
	FS9297	-	50898-002	Air Spring, HAS400, Low Profile Kenworth Only includes Key Nos. 15 & 16	2	2	2	-
	EAS9297	-	50898-002	Euclid Air Spring, HAS400, Low Profile Kenworth Only	2	2	2	-
15	E-9392	-	50804-002	Air Spring Frame Bracket	2	-	2	HND-197
16	E-16468	-	17700-010	Lock Nut, 1/2"-13 Nylon Insert	2	-	2	-
17	E-9603	-	22962-014	Washer, 1/2"	2	2	2	-
18	E-16468	-	17700-010	Lock Nut, 1/2"-13 Nylon Insert	2	2	2	-
19	S.O.S.		Various	Cross Channel	1	1	1	-

 Denotes Product is Genuine Hendrickson

Transverse Torque Rods must be used with this Suspension

HENDRICKSON SUSPENSION

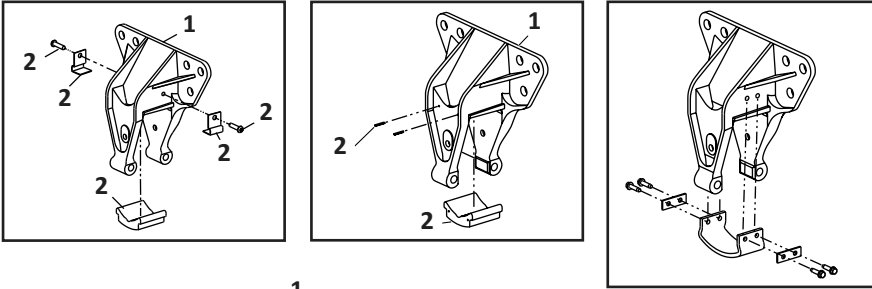
HAS 12K/15K/19K/21K/23K Single Axle Air Suspension

HAS 36K/40K/46K Tandem Axle Air Suspension

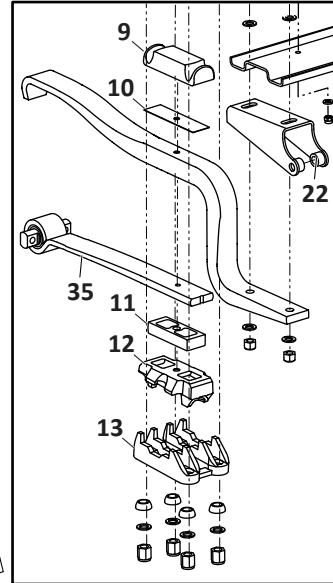
HAS 21K/23K/40K/46K Single/Tandem Axle Air Suspension with Air Disc Brakes

HAS 40LH Light Weight Tandem Axle Air Suspension

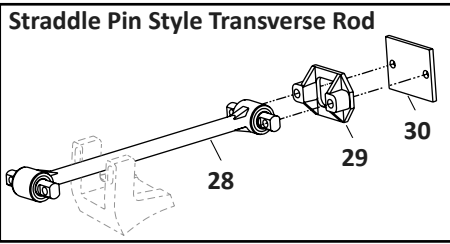
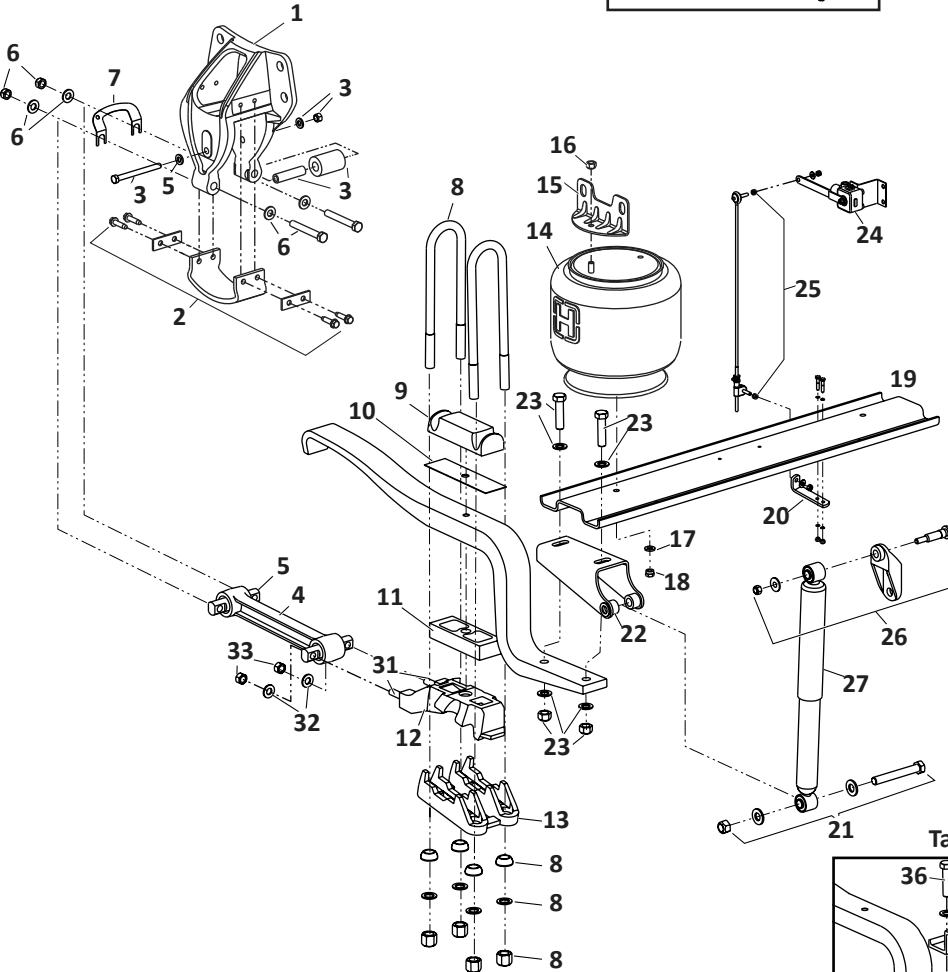
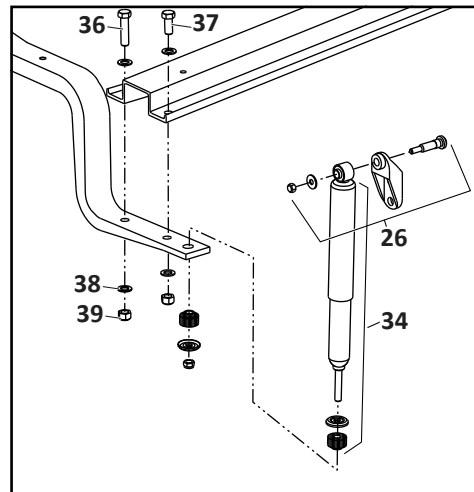
Alternate Hanger & Slipper Pad



HAS 21/23/40/46K with Air Disc Brakes



HAS 40/46K Tandem with Drum Brakes








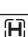


Transverse Torque Rods must be used with this Suspension

HENDRICKSON

HENDRICKSON SUSPENSION

Suspension

HAS 12K/15K/19K/21K/23K Single Axle Air Suspension HAS 36K/40K/46K Tandem Axle Air Suspension HAS 21K/23K/40K/46K Single/Tandem Axle Air Suspension with Air Disc Brakes HAS 40LH Light Weight Tandem Axle Air Suspension

KEY NO.	EUCLID NO.	GENUINE	OEM REF.	DESCRIPTION	QTY. PER AXLE			PAGE NO.
					12K/15K/19K/21K/23K/36K/40K/46K w/ Drum Brakes	21K/23K/40K/46K w/ Air Disc Brakes	40LH Tandem w/ Drum Brakes	
20	S.O.S.		57430-000	Control Valve Linkage Bracket Kit, Includes Bracket and Fasteners	1	1	1	-
21	E-16123	-	21777-026	Lower Shock Bracket Fastener Asm, 3/4"-16 x 5-1/2" Bolt, Nut & Washers	2	2	-	HND-197
22	E-16238		49324-002	Lower Shock Bracket, Low Profile Models	2	2	-	HND-197
	E-16239		57355-000	Lower Shock Bracket, HAS 190, 210, 230 models	2	2	-	HND-197
23	E-9384		50763-001	Cross Channel Fastener Kit, HAS120/150/190/210/360/400	1	1	-	HND-197
	E-9385		50763-003	Cross Channel Fastener Kit HAS 230/460	1	1	-	HND-197
24	E-11870		57977-000	Height Control Valve	1	1	1	HND-198
25	E-3760A		Various	Adjustable Height Control Valve Linkage Assembly	1	1	1	HND-198
26	E-9390		57322-001	Upper Shock Bracket Assembly	2	2	2	HND-197
27	M83121	-	60670-005	Shock Absorber HAS190/210/230 Standard	2	2	-	-
	M85072	-	60675-003	Shock Absorber Hi-Torque, Replaces 57905-001	2	-	-	-
	M83149	-	60670-010	Shock Absorber HAS120L (Low Profile)	2	-	-	-
		-	60670-003	Shock Absorber HAS150L (Low Profile)	2	-	-	-
	M83123	-	60670-008	Shock Absorber HAS190L/210L/230L/400/460 (Low Profile)	2	-	-	-
	M83148	-	60670-005	Shock Absorber HAS360, 400, 460 Standard	2	-	-	-
	M85030	-	60670-007	Shock Absorber HAS400, 460 Standard Inboard Rear	2	-	-	-
M85909	-	60675-006	Shock Absorber HAS400, 460 Hi-Torque Inboard Rear	2	-	-	-	
28	E-13989		60218-000	Two-Piece Transverse Torque Rod Kit, Includes Bushings	1	1	1	HND-185
29	E-2634		22186-000	Transverse Torque Rod Frame Bracket	1	1	1	HND-194
30	E-15153		45045-003	Torque Rod Back-Up Plate	1	1	1	-
31	E-15200		50918-000	Spring Seat Stud	4	-	4	HND-195
32	E-2547	-	22962-004	Washer, 5/8"	4	-	4	-
33	E-2988	-	47764-000	Lock Nut, 5/8"-11	4	-	4	-
34	M83111	-	60680-001	Standard Shock Absorber	-	-	2	-
	S.O.S.		60685-001	Hi-Torque Shock Absorber	-	-	2	-
35	S.O.S.		53350-000	Torque Leaf, Includes Bushing	-	2	-	-
36	E-15140	-	50764-002	Bolt, 3/4"-10 X 5-1/2"	-	-	2	-
37	S.O.S.	-	50764-005	Bolt, 3/4"-10 X 3"	-	-	2	-
38	E-2545	-	22962-001	Washer, 3/4"	-	-	4	-
39	E-4347	-	49842-000	Locknut, 3/4"-10	-	-	2	-

 Denotes Product is Genuine Hendrickson

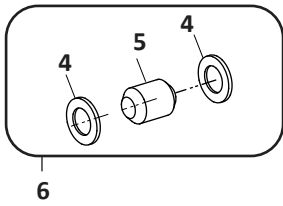
HENDRICKSON

Transverse Torque Rods must be used with this Suspension

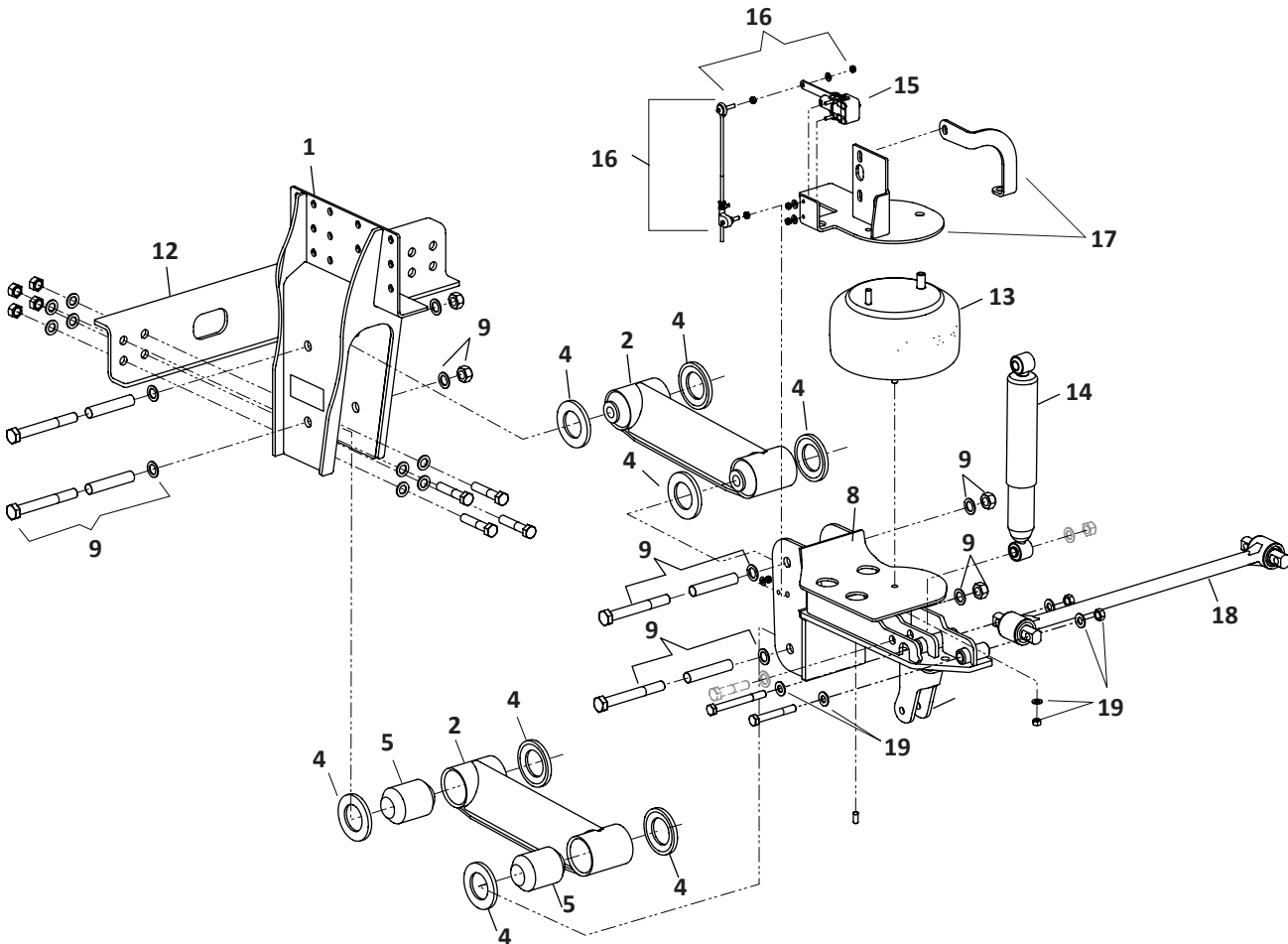
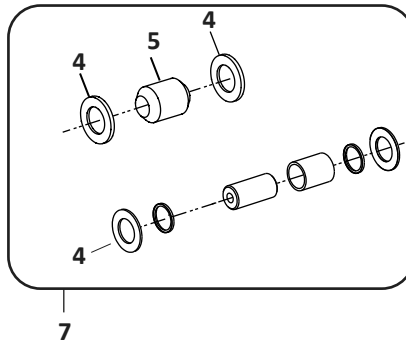
HENDRICKSON SUSPENSION

PARASTEER Air Suspension for Blue Bird

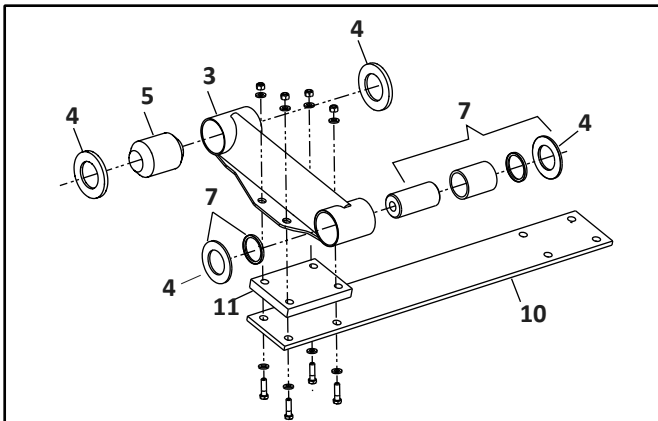
For Vehicles Built after Jan. 2000
Includes 4 Sets of Components
to Rebrush 4 Beams





















For Vehicles Built Between 9/98 - 12/99
Includes Components to
Rebrush 2 Upper & 2 Lower Beams




Models built between 9/98 through 12/99 configuration



HENDRICKSON

PARASTEER Air Suspension for Blue Bird						
KEY NO.	EUCLID NO.	GENUINE	OEM REF.	DESCRIPTION	QTY. PER AXLE	PAGE NO.
1	S.O.S.		Various	Frame Hanger	2	-
2	S.O.S.		59536-000	Beam Assembly, Models with Transverse Torque Rod, Built After January 2000. Includes Key No. 5	4	-
				Beam Assembly, Models with Transverse Torque Rod, Built 9/98 – 12/99. Includes Key No. 5	2	-
3	S.O.S.		34013-108	Beam Assembly, Models with Transverse Leaf, Built 9/98 – 12/99. Includes Key No. 5	2	-
4	S.O.S.		59803-000	Thrust Washer, Included in Kits E-16403 and E-16404	16	-
5	E-16405		59528-001	Beam Bushing, Models w/ Transverse Leaf Built After January 2000	8	HND-239
				Beam Bushing, Models w/ Transverse Leaf Built 9/98 – 12/99	6	
6	E-16403		34013-105	Bushing Service Kit, Axle Set, Models with Transverse Torque Rod, Built After January 2000, Includes Key Nos. 4 & 5	1	HND-239
7	E-16404		34013-100	Bushing Service Kit, Axle Set, Models with Transverse Leaf, Built 9/98 – 12/99. Includes Key Nos. 4 & 5, PTFE Bushing, Rubber Seal, Inner Metal Liner	1	HND-239
8	S.O.S.		Various	Axle Seat, Specify Vehicle Model and Left or Right Hand	2	-
9	E-16406		59568-001	Pivot Bolt Kit, Axle Set	1	HND-239
10	S.O.S.		60206-001 59485-000	Transverse Leaf Built 9/98 – 12/99	1	-
11	S.O.S.		59524-000	Spacer Plate, Not Used on All Models	As Req.	-
12	S.O.S.		59538-000	Cross Member, Models w/Transverse Torque Rod Built After January 2000	1	-
	S.O.S.		59540-000	Cross Member, Models w/Transverse Torque Rod Built Before January 2000	1	-
13	FS8971	-	59484-002	Air Spring	2	-
	S.O.S.	-	59601-002	Air Spring	2	-
14	M85919	-	60665-005 60998-002	Shock Absorber	2	-
15	E-16407		60501-000	Height Control Valve	2	HND-239
16	S.O.S.		58994-010	Linkage Kit, Height Control Valve	2	-
17	S.O.S.		59553-000	Air Spring Bracket Service Kit, Axle Set	1	-
18	E-16408		62000-745	Transverse Torque Rod, Models Built After January 2000	2	HND-239
19	S.O.S.		49176-010	Transverse Torque Rod Mounting Kit, Includes Bolts, Nuts & Washers	1	-

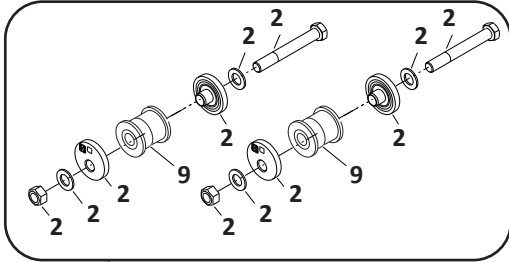
 Denotes Product is Genuine Hendrickson

HENDRICKSON

HENDRICKSON SUSPENSION

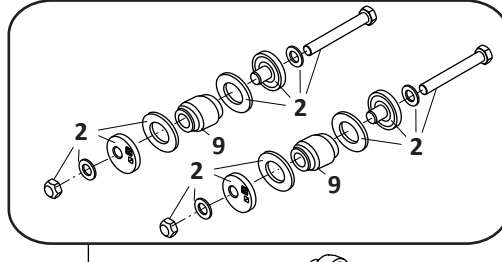
PRIMAAX Single/Tandem Axle Air Suspension Built Before May 2010 with Detachable End Cap (Key 29)

QUIK-ALIGN™ Pivot Bushing Kit



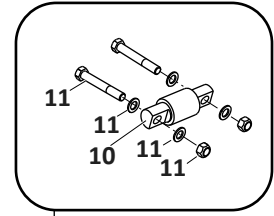
3

QUIK-ALIGN™ Pivot Bushing Kit Severe Service



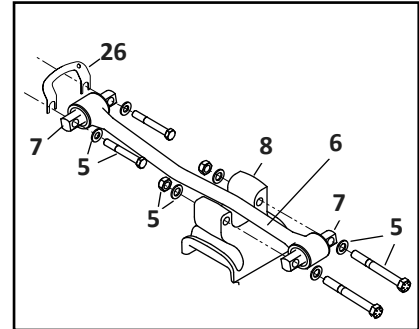
3

D-Pin Bushing & Fastener Kit

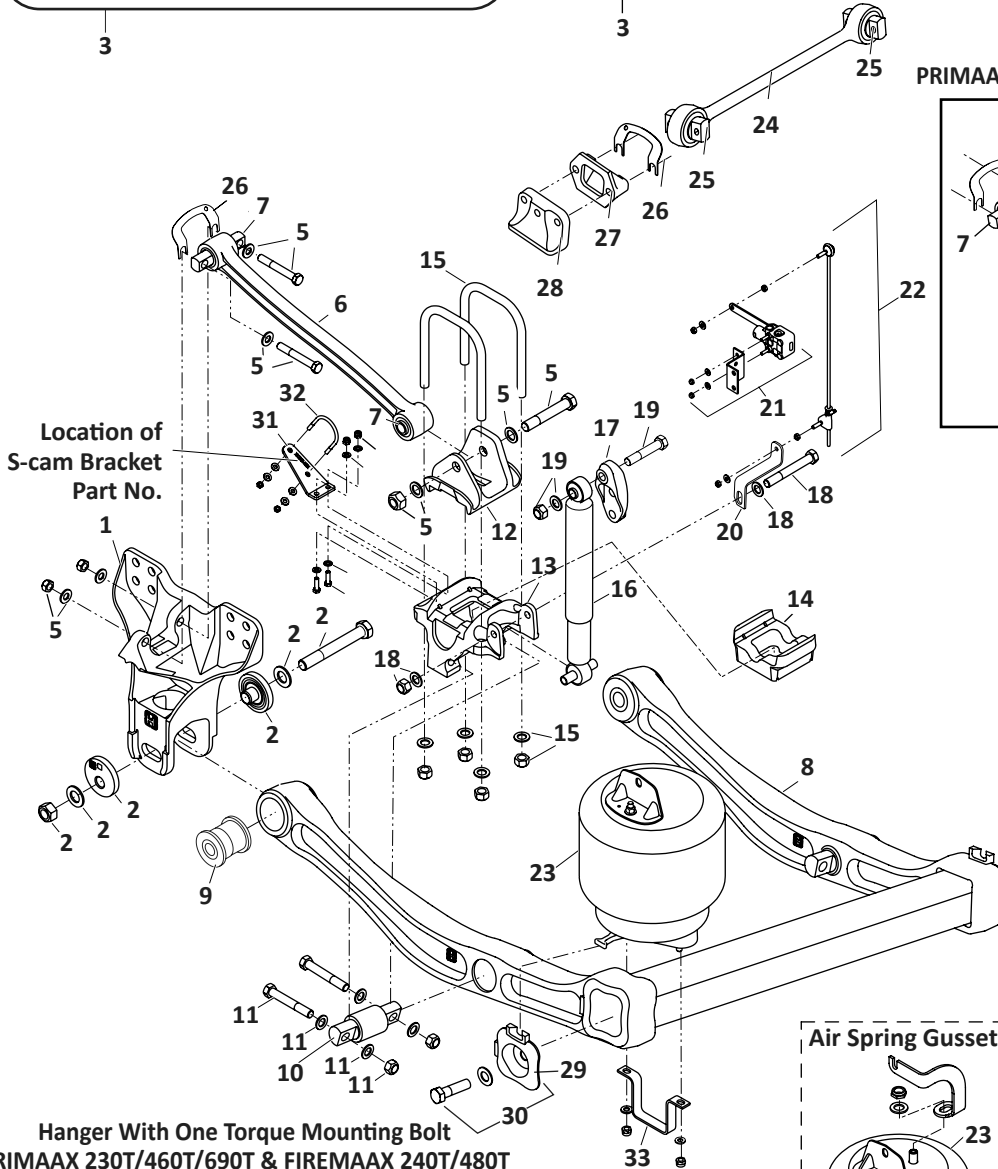
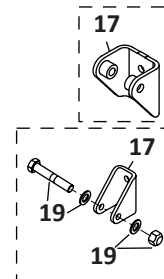


11

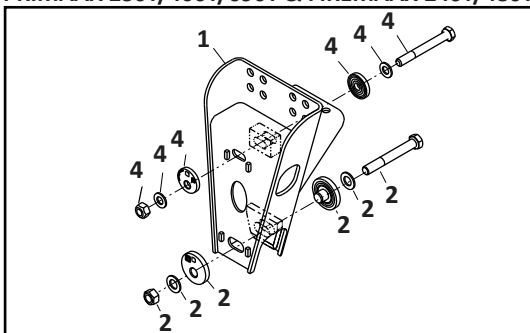
Torque Rod Connection
PRIMAAX 260/520/780 & FIREMAAX 270/540



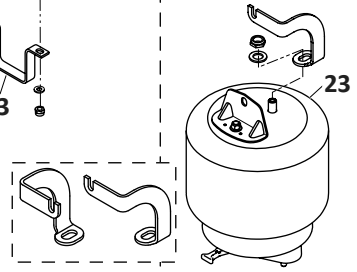
Alternate Upper Shock Brackets



Hanger With One Torque Mounting Bolt
PRIMAAX 230T/460T/690T & FIREMAAX 240T/480T



Air Spring Gusset



Transverse Torque Rods must be used with this Suspension

HENDRICKSON

PRIMAAX Single/Tandem Axle Air Suspension Built Before May 2010 with Detachable End Cap (Key 29)								
KEY NO.	EUCLID NO.	GENUINE	OEM REF.	DESCRIPTION	QTY. PER AXLE			PAGE NO.
					PRIMAAX® 230/460/690 FIREMAAX 240/480 <small>(DISTANCE BETWEEN U-BOLTS = 4-5/16")</small>	PRIMAAX® 230T/460T/690T FIREMAAX 240T/480T <small>(DISTANCE BETWEEN U-BOLTS = 4-5/16")</small>	PRIMAAX® 260/520/780 FIREMAAX 270/540 <small>(DISTANCE BETWEEN U-BOLTS = 5")</small>	
1	E-15169SC	☒	60821-001	Hanger Cast; Standard; 8-1/2"-10" Ride Hgt.	2	-	2	HND-215
	S.O.S.	☒	67706-000	Hanger Cast; IHC; 9" Ride Hgt.	2	-	-	-
	S.O.S.	☒	65702-001; 67222-000	Hanger Cast; Volvo/Mack	2	-	-	-
	S.O.S.	☒	64451-001	Hanger; LH Fabricated; 12-1/2" – 15-1/2" Ride Hgt.; Terex IPI	-	1	-	-
	S.O.S.	☒	64451-002	Hanger; RH Fabricated; 12-1/2" – 15-1/2" Ride Hgt.; Terex IPI	-	1	-	-
	S.O.S.	☒	64451-003	Hanger; LH Fabricated; 12-1/2" – 15-1/2" Ride Hgt.; Oshkosh	-	1	-	-
	S.O.S.	☒	64451-004	Hanger; RH Fabricated; 12-1/2" – 15-1/2" Ride Hgt.; Oshkosh	-	1	-	-
2	E-14673A	☒	60632-019; 60632-006	QUIK-ALIGN™ Collar Service Kit, One Wheel End, Cast Hangers	2	-	2	HND-213
	S.O.S.	☒	60632-023	QUIK-ALIGN™ Collar Service Kit, One Wheel End, Fabricated Hangers	-	2	-	-
3	E-14025	☒	60632-020	QUIK-ALIGN™ Pivot Bushing Service Kit, Axle Set, Includes Key No. 9	1	-	1	HND-213
	E-17574	☒	60632-043	QUIK-ALIGN™ Pivot Bushing Service Kit, Severe Service, 1" Dia. Bolts, with Severe Service Bushings and Wear Washers, Axle Set.	As Req.	As Req.	As Req.	HND-213
	S.O.S.	☒	60632-033	QUIK-ALIGN™ Pivot Bushing Service Kit, Severe Service, 1-1/4" Dia. Bolts, with Severe Service Bushings and Wear Washers, Axle Set.	As Req.	As Req.	As Req.	-
	E-14033	☒	60632-022; 60632-009	QUIK-ALIGN™ Pivot Bushing Service Kit, Axle Set, Includes Key Nos. 4 & 9	-	1	-	HND-213
4	E-16262	☒	58821-011	Torque Rod Fastener & Alignment Kit, One Wheel End	-	2	-	HND-213
5	S.O.S.	-	-	Torque Rod Bolt Kit, 3/4"-16 x 4" Long	4	-	4	-
	S.O.S.	-	-	Torque Rod Bolt Kit, 7/8"-14 x 7-3/4" Long	-	2	-	-
	S.O.S.	-	-	Torque Rod Bolt Kit, 5/8"-11 x 8" Long IHC, Mack/Volvo	4	-	-	-
	E-5278	-	58821-012	Torque Rod Bolt Kit, 7/8"-14 x 5-1/2" Long 230/240	2	2	-	HND-214
	E-15188	-	-	Torque Rod Bolt, 3/4"-16 x 6" Long, Bolt Only	-	4	-	-
6	PRIMAAX Torque Rod Selection Guide	☒	Various	Torque Rod Assembly	2	2	2	HND-208
7	Torque Rod Bushing Selection Guide	☒	Various	Torque Rod Bushing. Most Hendrickson OE Torque Rods Are Not Rebusable. If Torque Rod Bushings Can Be Replaced, See Torque Rod Bushing Section for Replacement Bushings.	As Req.	As Req.	As Req.	HND-181
8	S.O.S.	☒	Various	U-Beam Assembly	1	1	1	-
9	E-13992	☒	58648-000	Pivot Bushing	2	2	2	HND-213
10	E-14026	☒	60383-000	D-Pin Bushing Use with 3/4" Bolts	2	2	-	HND-214
	S.O.S.	☒	65381-000	D-Pin Bushing Use with 7/8" Bolts	-	-	2	-

☒ Denotes Product is Genuine Hendrickson

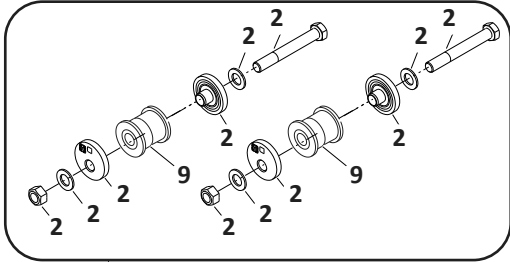
HENDRICKSON

Transverse Torque Rods must be used with this Suspension

HENDRICKSON SUSPENSION

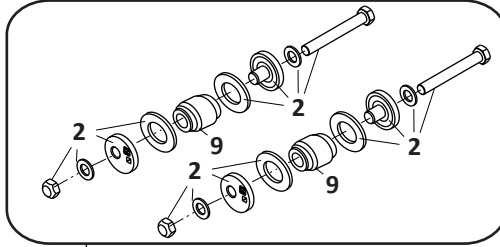
PRIMAAX Single/Tandem Axle Air Suspension
Built Before May 2010 with Detachable End Cap (Key 29)

QUIK-ALIGN™ Pivot Bushing Kit



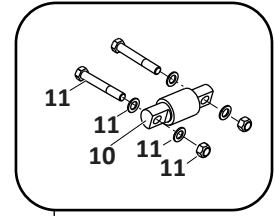
3

QUIK-ALIGN™ Pivot Bushing Kit Severe Service



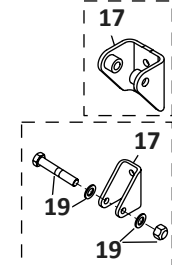
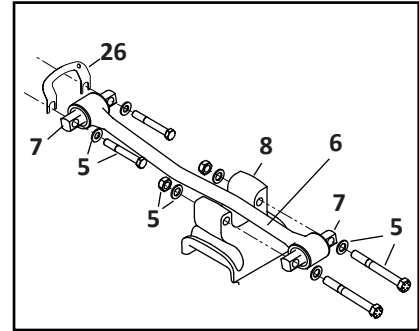
3

D-Pin Bushing & Fastener Kit

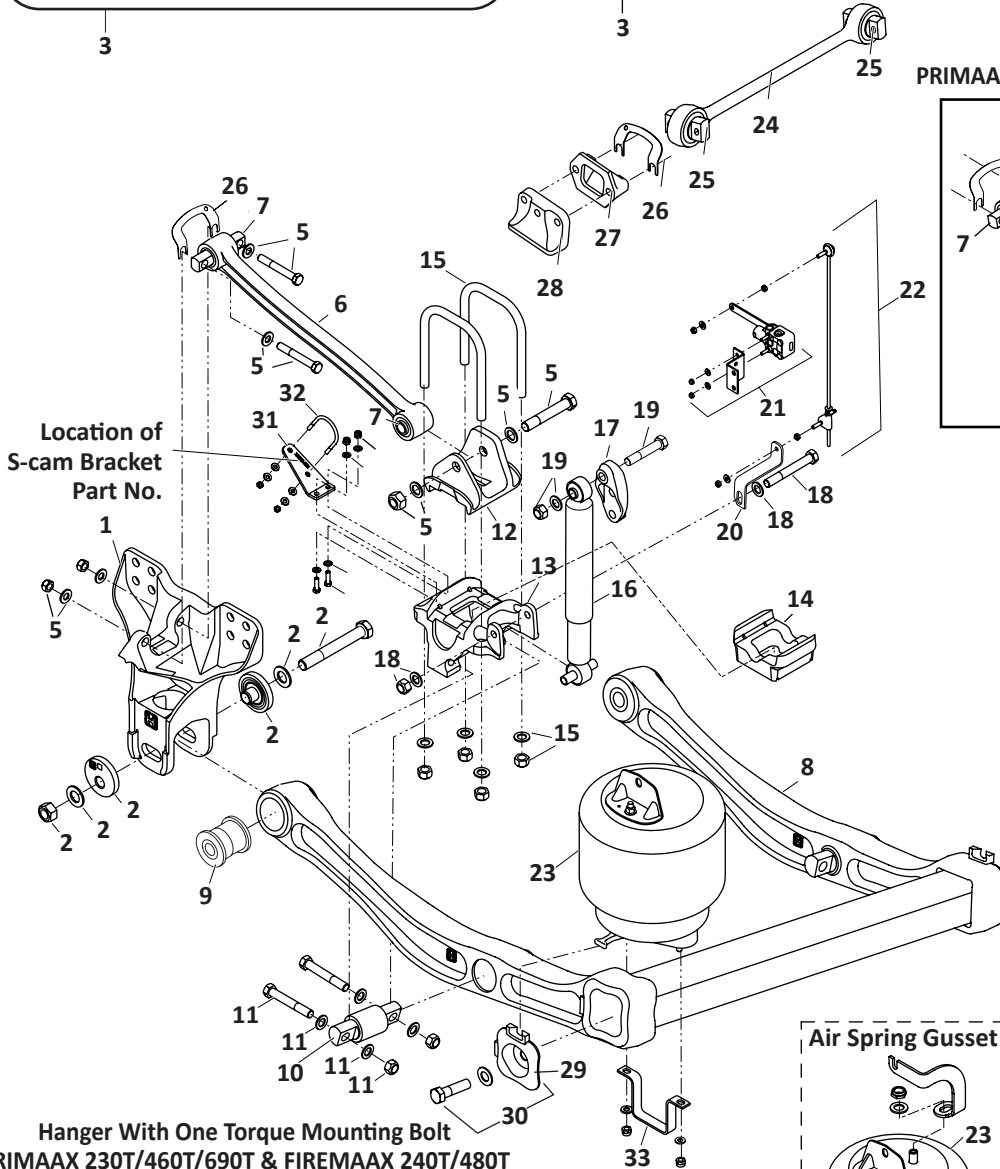


11

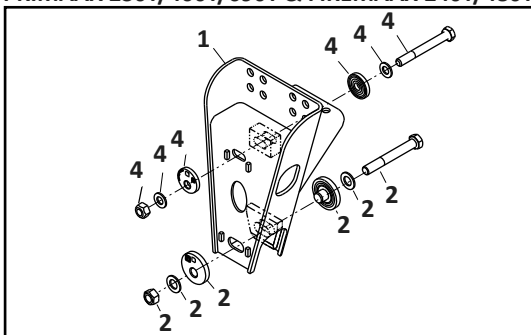
Torque Rod Connection
PRIMAAX 260/520/780 & FIREMAAX 270/540



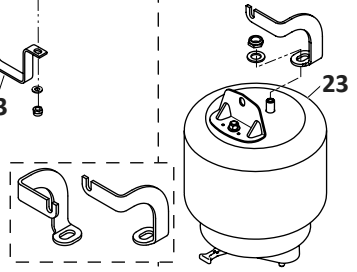
Alternate Upper Shock Brackets



Hanger With One Torque Mounting Bolt
PRIMAAX 230T/460T/690T & FIREMAAX 240T/480T



Air Spring Gusset

















Transverse Torque Rods must be used with this Suspension

HENDRICKSON SUSPENSION

Suspension

PRIMAAX Single/Tandem Axle Air Suspension Built Before May 2010 with Detachable End Cap (Key 29)

KEY NO.	EUCLID NO.	GENUINE	OEM REF.	DESCRIPTION	QTY. PER AXLE			PAGE NO.
					PRIMAAX® 230/460/690 FIREMAAX 240/480 (DISTANCE BETWEEN U-BOLTS = 4-5/16")	PRIMAAX® 230T/460T/690T FIREMAAX 240T/480T (DISTANCE BETWEEN U-BOLTS = 4-5/16")	PRIMAAX® 260/520/780 FIREMAAX 270/540 (DISTANCE BETWEEN U-BOLTS = 5")	
11	E-17596		34013-117	D-Pin Bushing and Fastener Kit, Includes E-14026 Bushing and 3/4"-16 x 4-3/4" Long Bolts, Wheel End Set	2	2	-	HND-213
	E-17597		34013-478	D-Pin Bushing and Fastener Kit, Includes E-17569 Bushing and 7/8"-14 x 4-1/2" Long Bolts, Wheel End Set	2	2	2	HND-213
	E-17598		34013-477	D-Pin Bushing and Fastener Kit, Includes E-17569 Bushing and 7/8"-14 x 4-3/4" Long Bolts, Wheel End Set	2	2	2	HND-213
	E-17599		34013-114	D-Pin Bushing and Fastener Kit, Includes E-17569 Bushing and 7/8"-14 x 5" Long Bolts, Wheel End Set	2	2	2	HND-213
	E-17600		34013-479	D-Pin Bushing and Fastener Kit, Includes E-17569 Bushing and 7/8"-14 x 5-1/2" Long Bolts, Wheel End Set	2	2	2	HND-213
12	E-15489		60877-001	Bracket, Top Cap with Thru Bolt Design Where U-Bolts Are 4-1/4" Apart, Drum Brakes	2	2	-	HND-214
	E-15193		65641-000	Bracket, Top Cap with Thru Bolt Design Where U-Bolts Are 4-1/4" Apart, Most Disc Brake Applications	2	2	-	HND-214
	S.O.S.		Various	Bracket, Top Cap	2	2	2	-
13	S.O.S.		Various	Bottom Cap Bracket	2	2	2	-
14	S.O.S.		Various	Axle Spacer	2	2	2	-
15	E-UB8257-087	-	-	U-Bolt Assembly, Sq. Bend, 3/4"-16 Thd. x 6-3/8" Wide x 8-7/8" Long	4	4	-	-
	E-UB8257-11	-	-	U-Bolt Assembly, Sq. Bend, 3/4"-16 Thd. x 6-3/8" Wide x 11" Long	4	4	4	-
	E-UB8257-12	-	-	U-Bolt Assembly, Sq. Bend, 3/4"-16 Thd. x 6-3/8" Wide x 12" Long	4	4	4	-
16	M85072	-	60657-003	Shock Absorber	2	-	-	-
	M85967	-	60665-011	Shock Absorber	-	2	-	-
	M85862	-	60665-014	Shock Absorber	2	-	-	-
	M85961	-	60665-018	Shock Absorber	2	-	-	-
	M85965	-	60665-013	Shock Absorber	-	-	2	-
	S.O.S.	-	60665-015	Shock Absorber	-	-	2	-
	S.O.S.	-	Various	Shock Absorber	2	2	2	-
17	E-15177		67463-002	Upper Shock Frame Bracket Cast	2	-	2	HND-215
	E-17586		59423-001	Upper Shock Frame Bracket Stamped	2	2	-	-
	S.O.S.		67463-006	Upper Shock Frame Bracket Mack/Volvo	2	-	-	-
18	S.O.S.	-	-	Lower Shock Bolt Kit, 5/8"-11 x 6" Long, Includes Bolt and Hardware	2	2	-	-
	S.O.S.	-	-	Lower Shock Bolt Kit, 5/8"-11 x 7" Long, Includes Bolt and Hardware	-	-	2	-
19	S.O.S.	-	-	Upper Shock Bolt Kit, 3/4"-16 x 4-1/4" Long, Includes Bolt and Hardware	2	2	2	-

 Denotes Product is Genuine Hendrickson

Transverse Torque Rods must be used with this Suspension

U.S. 888-725-9355
Canada 800-387-3889

MeritorPartsXpress.com
700F-HND (07-23)

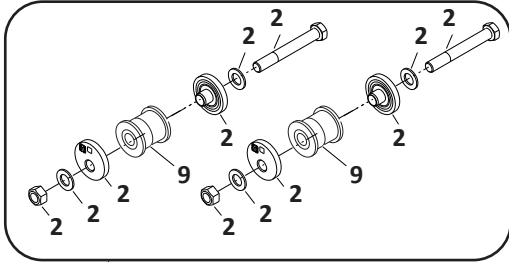
HND-71

HENDRICKSON

HENDRICKSON SUSPENSION

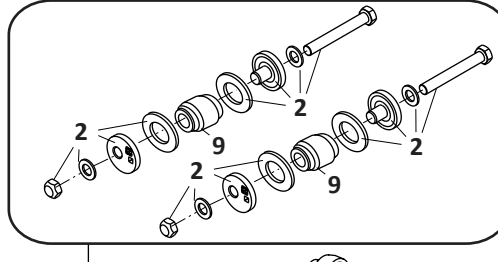
PRIMAAX Single/Tandem Axle Air Suspension Built Before May 2010 with Detachable End Cap (Key 29)

QUIK-ALIGN™ Pivot Bushing Kit



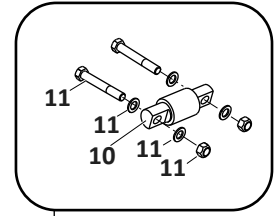
3

QUIK-ALIGN™ Pivot Bushing Kit Severe Service



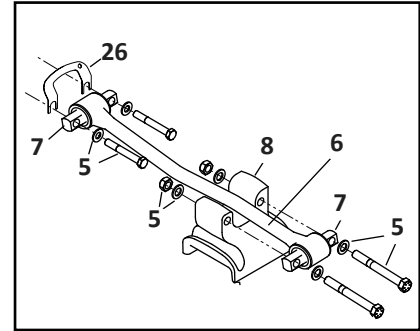
3

D-Pin Bushing & Fastener Kit

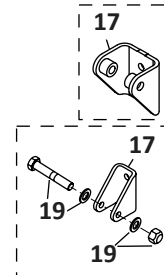


11

Torque Rod Connection
PRIMAAX 260/520/780 & FIREMAAX 270/540

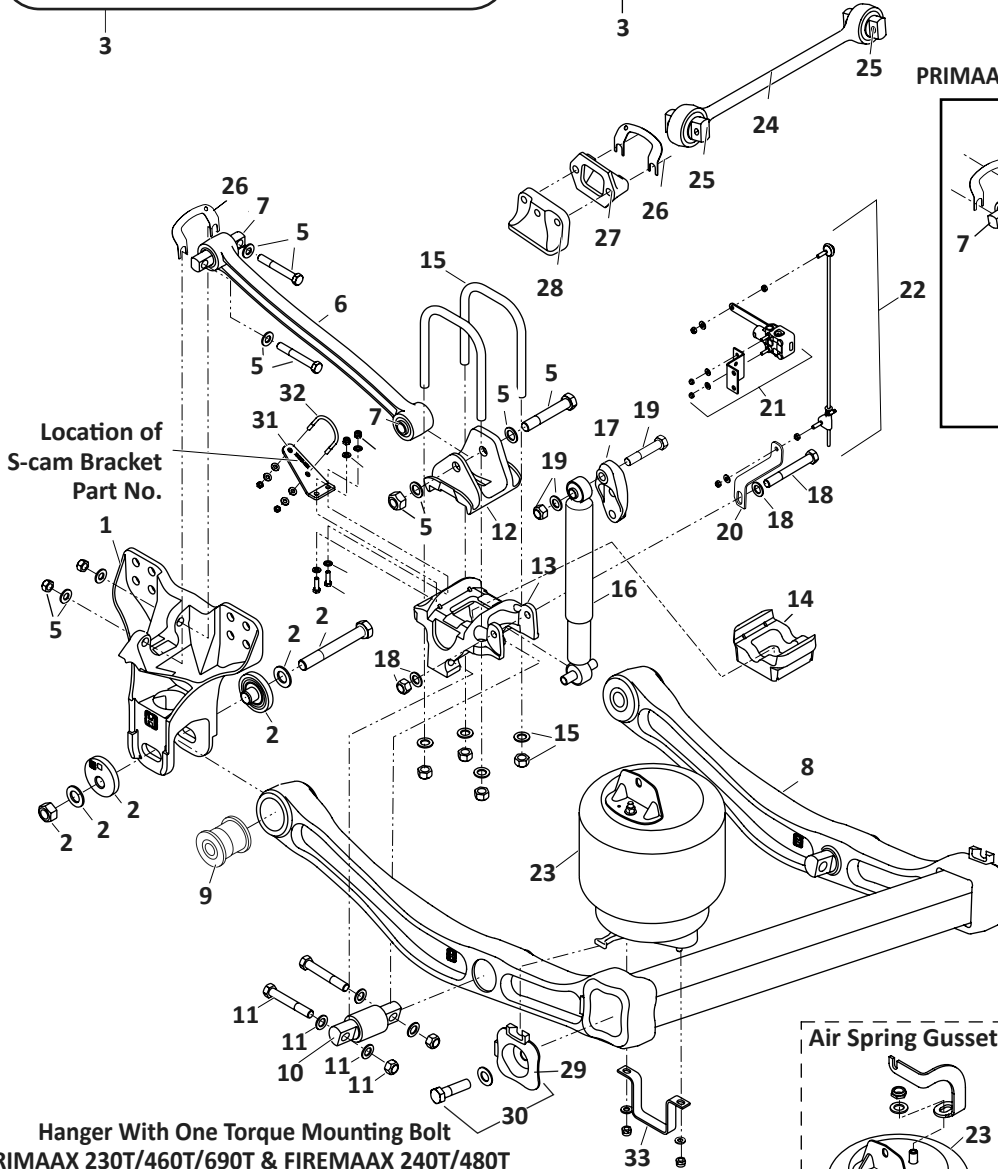


Alternate Upper Shock Brackets

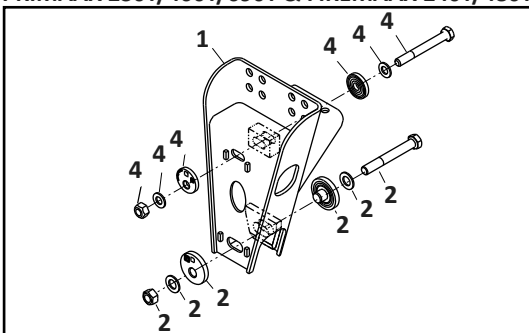


Location of S-cam Bracket Part No.

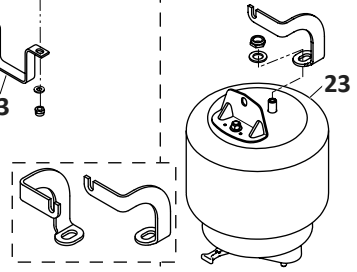
1



Hanger With One Torque Mounting Bolt
PRIMAAX 230T/460T/690T & FIREMAAX 240T/480T

















Air Spring Gusset



HENDRICKSON

PRIMAAX Single/Tandem Axle Air Suspension Built Before May 2010 with Detachable End Cap (Key 29)

KEY NO.	EUCLID NO.	GENUINE	OEM REF.	DESCRIPTION	QTY. PER AXLE			PAGE NO.
					PRIMAAX® 230/460/690 FIREMAAX 240/480 (DISTANCE BETWEEN U-BOLTS = 4-5/16")	PRIMAAX® 230T/460T/690T FIREMAAX 240T/480T (DISTANCE BETWEEN U-BOLTS = 4-5/16")	PRIMAAX® 260/520/780 FIREMAAX 270/540 (DISTANCE BETWEEN U-BOLTS = 5")	
20	E-15154		60921-000	Height Control Valve Linkage Bracket	1	-	1	HND-215
21	E-11870		57977-000	Height Control Valve with Dump	1	1	1	HND-215
22	E-9625	-	-	Universal Adjustable Linkage Kit 3-5/8"-19-5/8" Range	1	1	1	HND-215
23	FS9663	-	60271-002	Air Spring Assembly, Includes Upper Frame Bracket, PRIMAAX	2	-	-	-
	EAS9663	-	60271-002	Air Spring Assembly, Includes Upper Frame Bracket, PRIMAAX	2	-	-	-
	S.O.S.		65183-002	Air Spring Assembly, Includes Upper Frame Bracket, FIREMAAX	2	-	-	-
	FS9654	-	65032-002	Air Spring Assembly	-	2	-	-
	S.O.S.		66255-002	Air Spring Assembly, Includes Upper Frame Bracket, PRIMAAX	-	-	2	-
	S.O.S.		69153-002	Air Spring Assembly, Air Spring Only, FIREMAAX	-	-	2	-
24	E-13993		58757-006	Transverse Torque Rod, Straddle Mount Bushings, 22" Center-to-Center	1	-	-	HND-214
	PRIMAAX Torque Rod Selection Guide		Various	Transverse Torque Rod	1	1	1	HND-208
25	Torque Rod Bushing Selection Guide		Various	Torque Rod Bushing. Most Hendrickson OE Torque Rods Are Not Rebushable. If Torque Rod Bushings Can Be Replaced, See Torque Rod Bushing Section for Replacement Bushings.	As Req.	As Req.	As Req.	HND-181
26	E-5281		49659-000	Shim; 1/16" Thick, 4-3/8" Center-to-Center	As Req.	As Req.	As Req.	HND-194
27	E-2634		22186-000	Transverse Rod Frame Bracket	1	-	1	HND-194
28	E-15179		60593-000	Frame Mounted Axle Stop, Most Freightliner, International, KW, & Caterpillar Models	2	-	2	HND-215
	S.O.S.		Various	Frame Mounted Axle Stop, Other Models	2	2	2	-
29	E-15170		60822-000	End Cap	2	2	2	-
30	S.O.S.		46772-001	End Cap And Fastener Kit, Axle Set	1	1	1	-
31	E-15174		60911-000	Lower Air Spring Bracket	2	2	2	HND-215

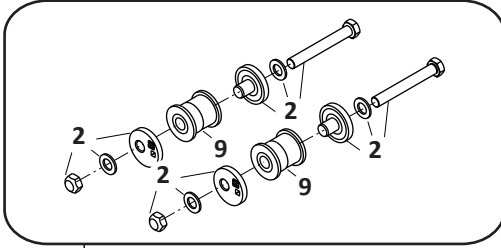
 Denotes Product is Genuine Hendrickson

HENDRICKSON

HENDRICKSON SUSPENSION

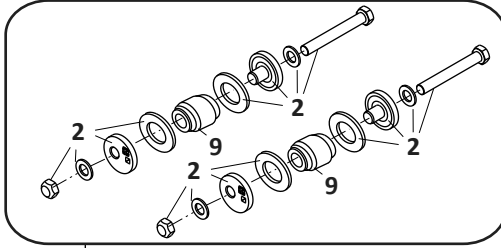
PRIMAAX EX Single/Tandem Axle Air Suspension

QUIK-ALIGN™ Pivot Bushing Kit



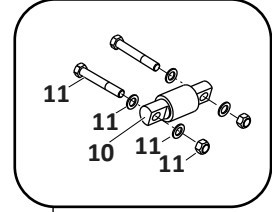
3

QUIK-ALIGN™ Pivot Bushing Kit Severe Service



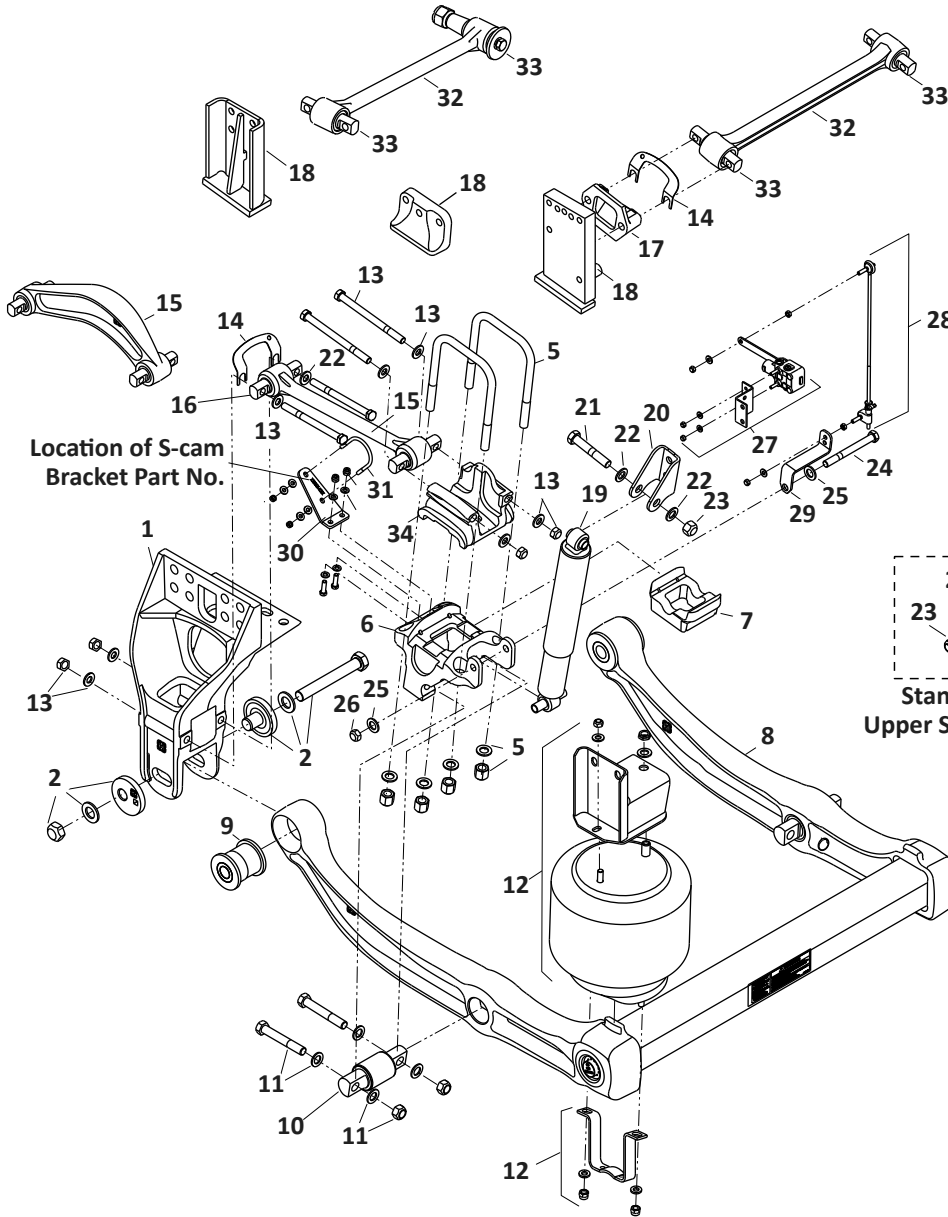
3

D-Pin Bushing & Fastener Kit



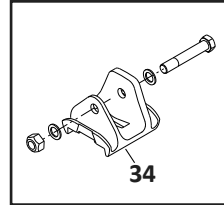
11

HENDRICKSON

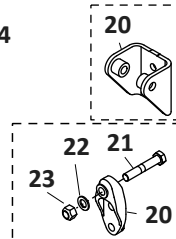


Location of S-cam Bracket Part No.

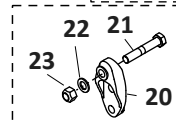
Bar Pin Top Plate



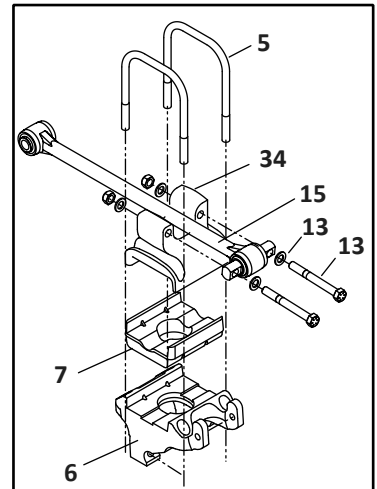
Optional Fabricated Shock Bracket



Standard Cast Upper Shock Bracket



Typical Air Disc Brake Torque Rod & Bracket



Transverse Torque Rods must be used with this Suspension

PRIMAAX EX Single/Tandem Axle Air Suspension							
KEY NO.	EUCLID NO.	GENUINE	OEM REF.	DESCRIPTION	QTY. PER AXLE		PAGE NO.
					PRIMAAX® EX 23K/26K S/ 46K/52K S/69K/78K S, FIREMAAX EX 24K/27K S 48K/54K (DISTANCE BETWEEN U-BOLTS = 4-5/16")	PRIMAAX® EX 26K/52K/78K, FIREMAAX EX 27K/31K/54K/62K (DISTANCE BETWEEN U-BOLTS = 5")	
1	S.O.S.		Various	Hangers	2	2	-
2	E-14673A		60632-019; 60632-006	QUIK-ALIGN™ Collar Service Kit, 1" Dia Bolts, One Wheel End	2	2	HND-213
	S.O.S.		60632-015	QUIK-ALIGN™ Collar Service Kit, Severe Service, 1-1/4" Dia. Bolts, Axle Set	2	2	-
3	E-14025		60632-020	QUIK-ALIGN™ Pivot Bushing Service Kit, 1" Dia. Bolts, Includes Key No. 9, Axle Set. For Wheel End Kit: E-16350	1	1	HND-213
	E-17574		60632-043	QUIK-ALIGN™ Pivot Bushing Service Kit, Severe Service, 1" Dia. Bolts, with Severe Service Bushings and Wear Washers, Axle Set.	As Req.	As Req.	HND-213
	S.O.S.		60632-033	QUIK-ALIGN™ Pivot Bushing Service Kit, Severe Service, 1-1/4" Dia. Bolts, with Severe Service Bushings and Wear Washers, Axle Set.	As Req.	As Req.	-
4	E-16262		58821-011	Torque Rod Fastener & Alignment Kit, One Wheel End	-	2	HND-213
5	E-UB8257-087	-	-	U-Bolt Assembly, Sq. Bend, 3/4"-16 Thd. x 6-3/8" Wide x 8-7/8" Long	4		-
	E-UB8257-11	-	-	U-Bolt Assembly, Sq. Bend, 3/4"-16 Thd. x 6-3/8" Wide x 11" Long	4	4	-
	E-UB8257-12	-	-	U-Bolt Assembly, Sq. Bend, 3/4"-16 Thd. x 6-3/8" Wide x 12" Long	-	4	-
6	S.O.S.		Various	Bottom Cap Bracket	2	2	-
7	S.O.S.		Various	Axle Spacer	2	2	-
8	S.O.S.		Various	U-Beam Assembly	1	1	-
9	E-13992		58648-000	Pivot Bushing	2	2	HND-213
10	E-14026		60383-000	D-Pin Bushing Use with 3/4" Bolts	2	-	HND-214
	E-17569		65381-000	D-Pin Bushing Use with 7/8" Bolts	-	2	HND-214
11	E-17596		34013-117	D-Pin Bushing and Fastener Kit, Includes E-14026 Bushing and 3/4"-16 x 4-3/4" Long Bolts, Wheel End Set	2	2	HND-213
	E-17597		34013-478	D-Pin Bushing and Fastener Kit, Includes E-17569 Bushing and 7/8"-14 x 4-1/2" Long Bolts, Wheel End Set	2	2	HND-213
	E-17598		34013-477	D-Pin Bushing and Fastener Kit, Includes E-17569 Bushing and 7/8"-14 x 4-3/4" Long Bolts, Wheel End Set	2	2	HND-213
	E-17599		34013-114	D-Pin Bushing and Fastener Kit, Includes E-17569 Bushing and 7/8"-14 x 5" Long Bolts, Wheel End Set	2	2	HND-213
	E-17600		34013-479	D-Pin Bushing and Fastener Kit, Includes E-17569 Bushing and 7/8"-14 x 5-1/2" Long Bolts, Wheel End Set	2	2	HND-213
12	PRIMAAX Air Spring Selection Guide		Various	Air Spring Assembly	2	2	HND-212
13	E-17570	-	49176-032	Torque Rod Fastener Kit 5/8"-11 x 8" Long, Most Models, Includes 4 Bolts & Hardware	1	1	HND-214
	E-17572	-	-	Torque Rod Fastener Kit, 3/4"-16 X 6" Long, Includes 2 Bolts & Hardware	-	2	HND-214
	E-17573	-	-	Torque Rod Fastener Kit, 7/8"-14 X 5-1/2" Long, Includes 2 Bolts & Hardware	1	-	HND-214
14	E-5281		49689-000	Shim;-1/16" Thick, 4-3/8" Center-to-Center	As Req.	-	HND-194

Denotes Product is Genuine Hendrickson

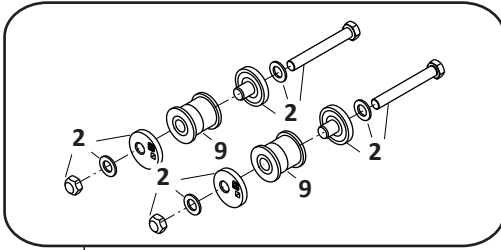
HENDRICKSON

Transverse Torque Rods must be used with this Suspension

HENDRICKSON SUSPENSION

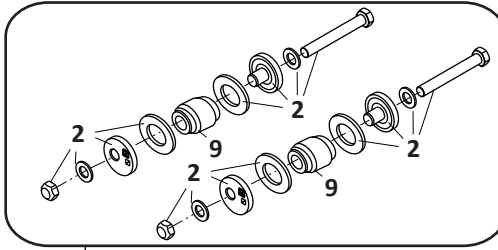
PRIMAAX EX Single/Tandem Axle Air Suspension

QUIK-ALIGN™ Pivot Bushing Kit



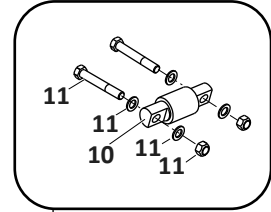
3

QUIK-ALIGN™ Pivot Bushing Kit Severe Service



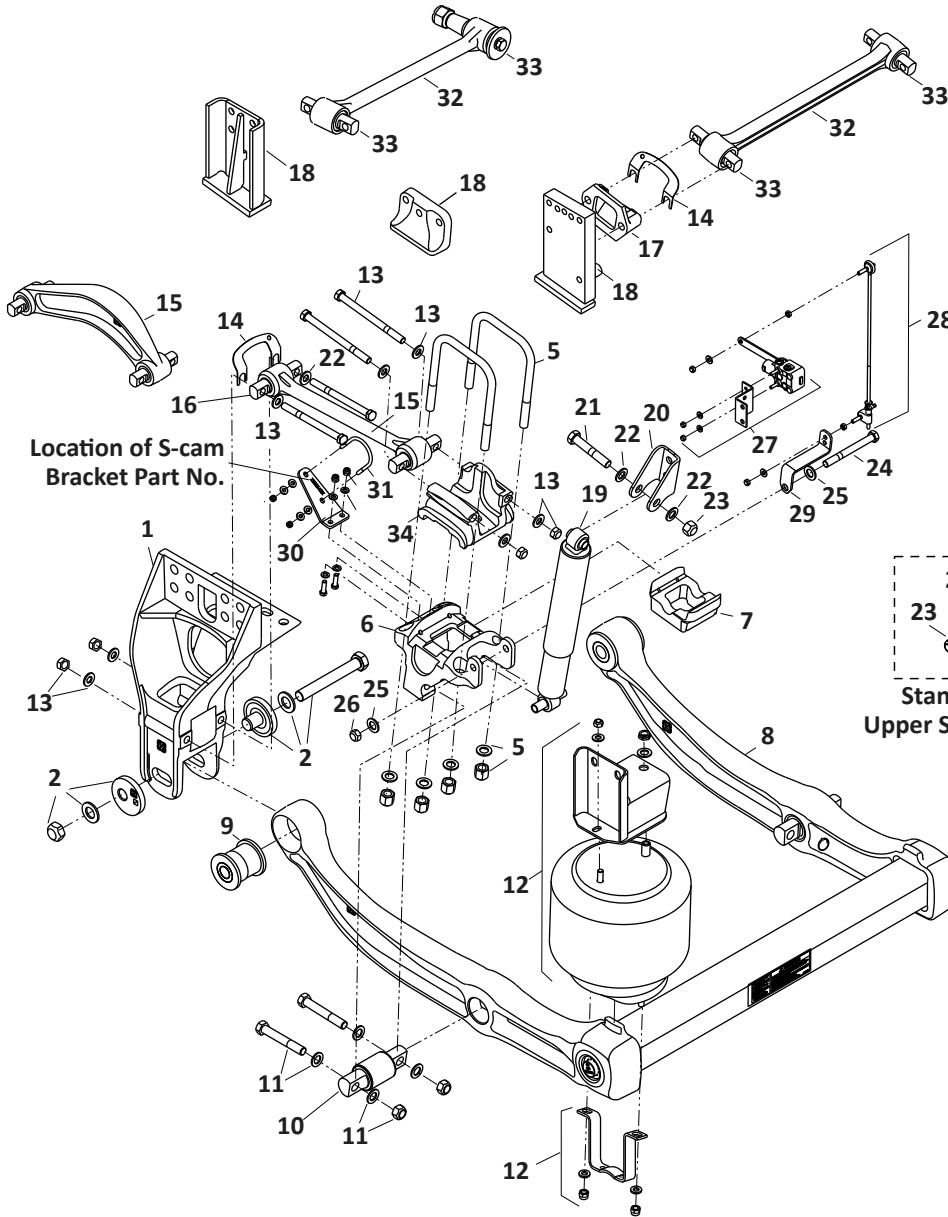
3

D-Pin Bushing & Fastener Kit



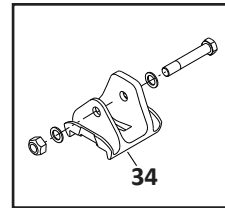
11

HENDRICKSON

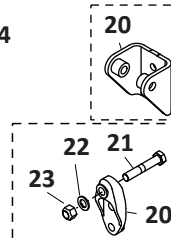


Location of S-cam Bracket Part No.

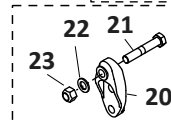
Bar Pin Top Plate



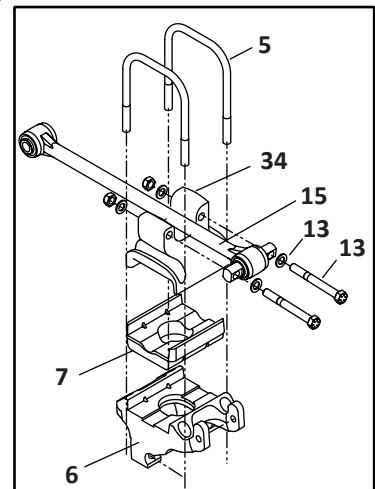
Optional Fabricated Shock Bracket














Standard Cast Upper Shock Bracket




Typical Air Disc Brake Torque Rod & Bracket



Transverse Torque Rods must be used with this Suspension

PRIMAAX EX Single/Tandem Axle Air Suspension							
KEY NO.	EUCLID NO.	GENUINE	OEM REF.	DESCRIPTION	QTY. PER AXLE		PAGE NO.
					PRIMAAX® EX 23K/26K S/ 46K/52K S/69K/78K S, FIREMAAX EX 24K/27K S 48K/54K (DISTANCE BETWEEN U-BOLTS = 4-5/16")	PRIMAAX® EX 26K/52K/78K, FIREMAAX EX 27K/31K/54K/62K (DISTANCE BETWEEN U-BOLTS = 5")	
15	PRIMAAX Torque Rod Selection Guide		Various	Torque Rod Assembly	2	2	HND-208
16	Torque Rod Bushing Selection Guide		Various	Torque Rod Bushing. Most Hendrickson OE Torque Rods Are Not Rebusable. If Torque Rod Bushings Can Be Replaced, See Torque Rod Bushing Section for Replacement Bushings.	As Req.	As Req.	HND-181
17	E-2634		22186-000	Transverse Rod Frame Bracket	1	1	HND-194
18	E-15179		60593-000	Frame Mounted Axle Stop, 8-1/2" & 10" Ride Height	1	1	HND-215
	S.O.S.		Various	Frame Mounted Axle Stop, 12" and Larger Ride Height	1	1	-
19	M85072	-	60657-003; 60657-004; 60657-005; 60657-007	Shock Absorber, PRIMAAX EX, Most Drum Brake Applications, Except 12" Ride Height	2	-	-
	M85967	-	60665-011	Shock Absorber, PRIMAAX EX, w/Drum Brake, 12" Ride Height	2	-	-
	M85962	-	68065-014	Shock Absorber, PRIMAAX EX, w/Air Disc Brakes, Except 12" Ride Height	2	-	-
	M85965	-	60665-013	Shock Absorber, PRIMAAX EX, w/ Drum Brakes, Except 12" Ride Height	-	2	-
	S.O.S.	-	60665-015	Shock Absorber, PRIMAAX EX, w/ Air Disc Brakes, Except 12" Ride Height	-	2	-
	S.O.S.	-	70807-001	Shock Absorber, FIREMAAX EX and Other Heavy Duty Applications, Heavy Duty Version of M85072	2	-	-
	S.O.S.	-	70807-002	Shock Absorber, FIREMAAX EX	-	2	-
	S.O.S.	-	80733-001	Shock Absorber, Mack Heavy Dump	-	2	-
20	E-15177		67463-002	Upper Shock Frame Bracket, Standard Cast	2	2	HND-215
	S.O.S.		Various	Upper Shock Frame Bracket	2	2	-
21	E-17024	-	-	Upper Shock Bolt, 3/4"-10 X 4-1/2" Long, All Applications Except Mack Heavy Duty Dump	2	2	-
	S.O.S.		50764-018	Upper Shock Bolt, 3/4"-10 X 6-1/2" Long, Mack Heavy Duty Dump	-	2	-
22	E-2545	-	-	Washer, 3/4"	4	4	-
23	E-4347	-	-	Lock Nut, 3/4"-10	2	2	-
24	E-8909	-	-	Lower Shock Bolt, 5/8"-11 X 6" Long	2	2	-
	E-15199	-	-	Lower Shock Bolt, 5/8"-11 X 7" Long	-	2	-
25	E-2547	-	-	Washer, 5/8"	4	4	-
26	E-2988	-	-	Lock Nut, 5/8"-11	2	2	-
27	E-11870		57977-000	Height Control Valve with Dump, Most Applications, Not Mack Heavy Duty Dump	1	1	HND-215
	S.O.S.		69031-004	Height Control Valve with Hardware, Left Side (Driver's Side), Mack Heavy Duty Dump. Use with Bracket 80748-001 (Not Shown)	-	1	-
	S.O.S.		69031-005	Height Control Valve with Hardware, Right Side (Driver's Side), Mack Heavy Duty Dump. Use with Bracket 80748-001 (Not Shown)	-	1	-

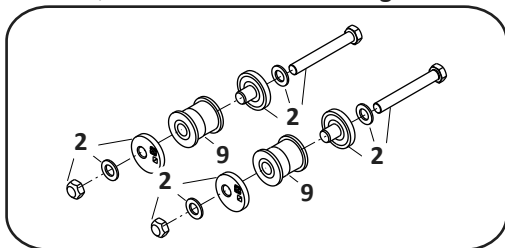
 Denotes Product is Genuine Hendrickson

Transverse Torque Rods must be used with this Suspension

HENDRICKSON SUSPENSION

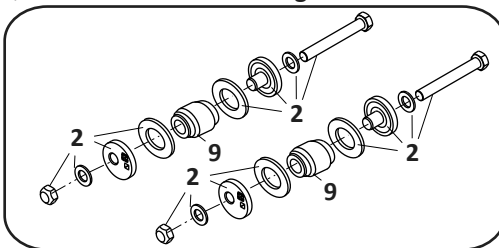
PRIMAAX EX Single/Tandem Axle Air Suspension

QUIK-ALIGN™ Pivot Bushing Kit



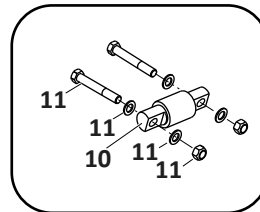
3

QUIK-ALIGN™ Pivot Bushing Kit Severe Service



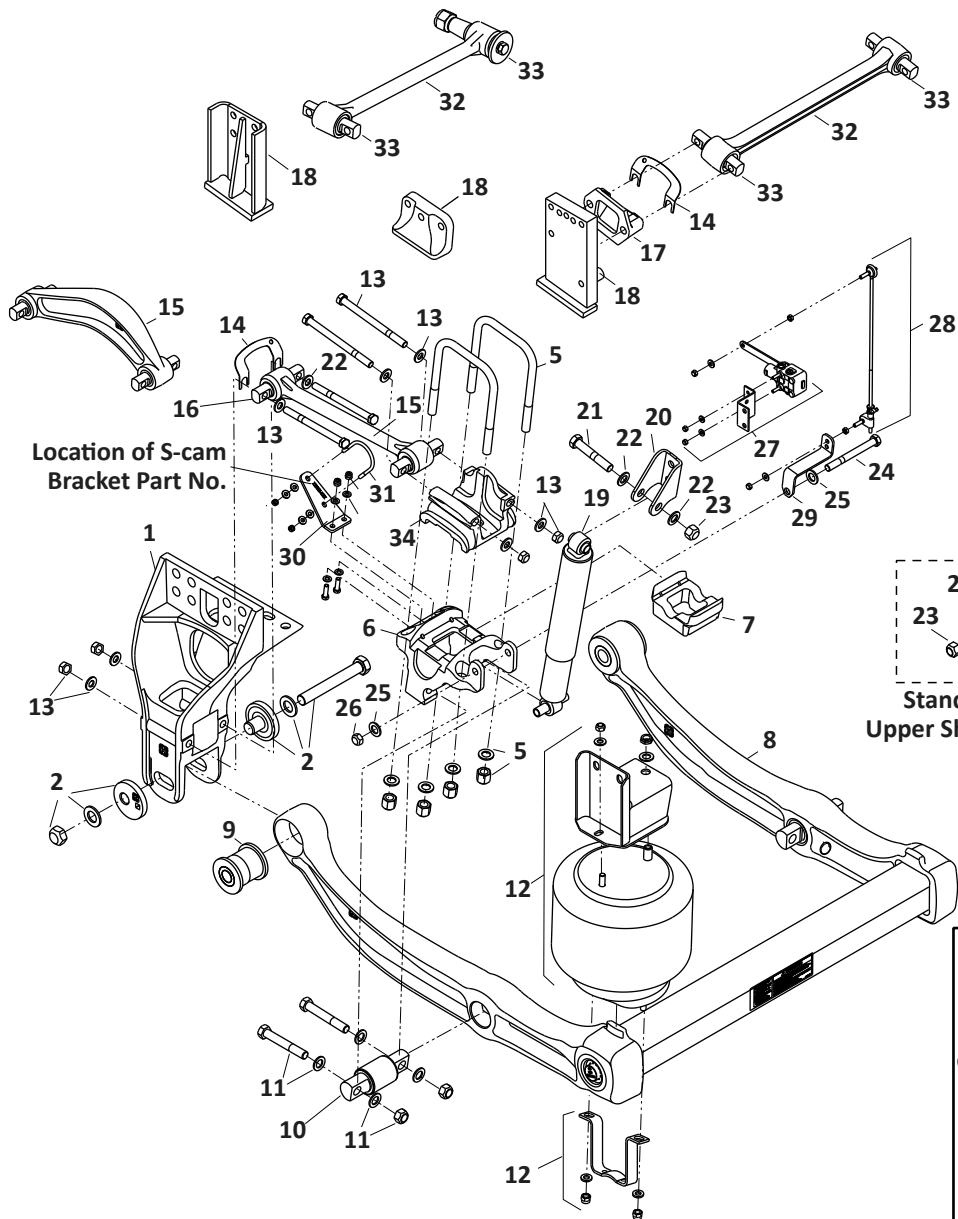
3

D-Pin Bushing & Fastener Kit



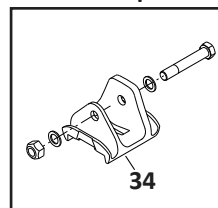
11

HENDRICKSON

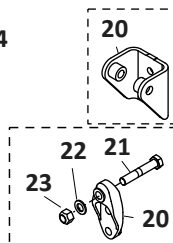


Location of S-cam
Bracket Part No.

Bar Pin Top Plate

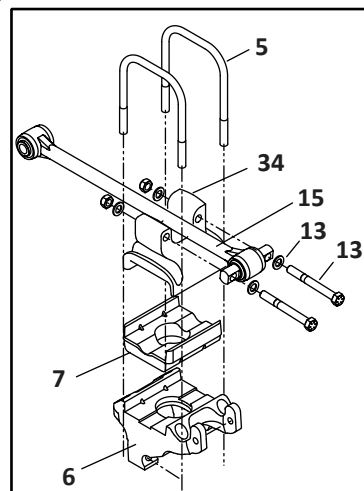


Optional Fabricated
Shock Bracket













Standard Cast
Upper Shock Bracket

Typical Air Disc Brake
Torque Rod & Bracket



PRIMAAX EX Single/Tandem Axle Air Suspension

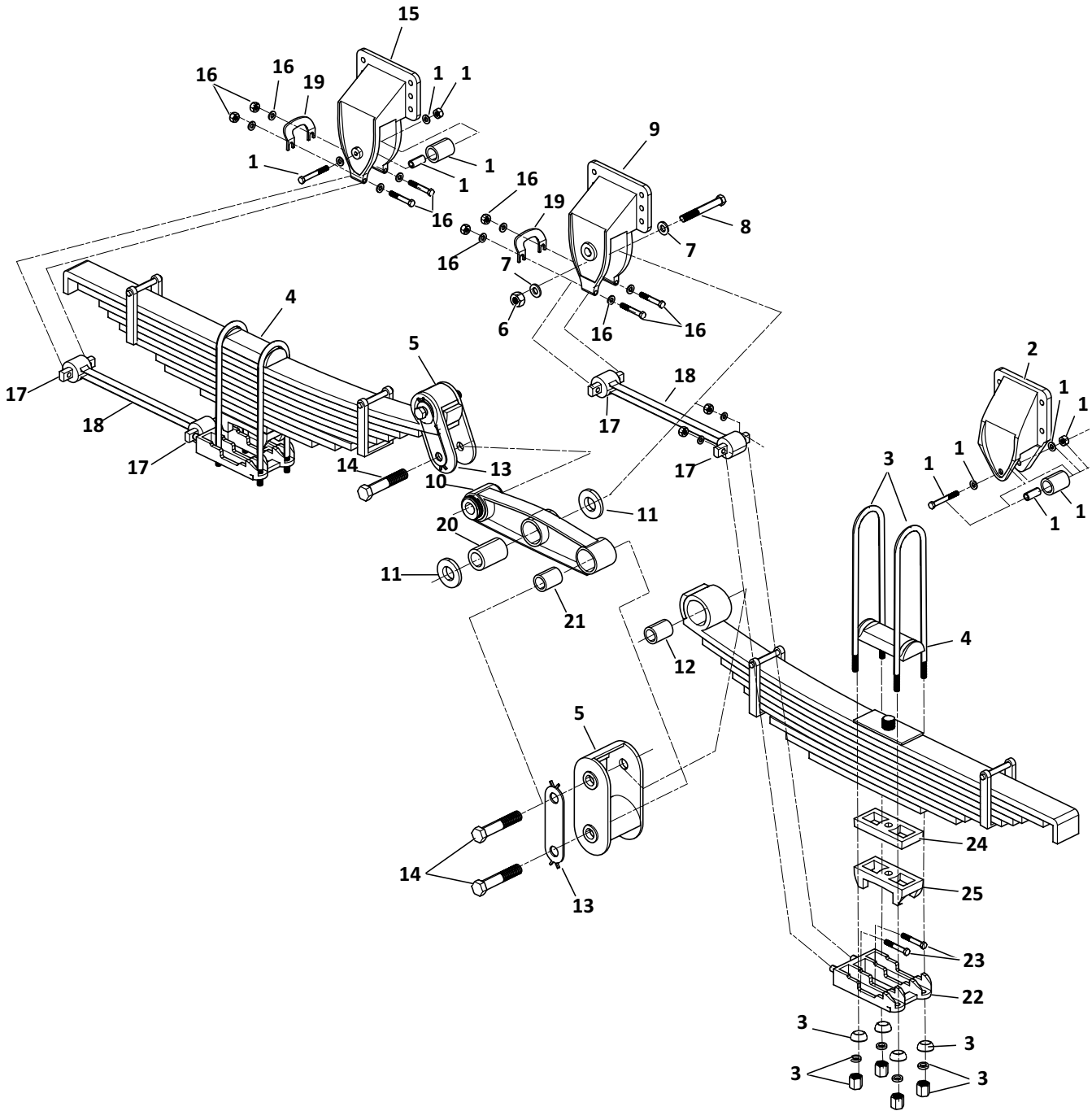
KEY NO.	EUCLID NO.	GENUINE	OEM REF.	DESCRIPTION	QTY. PER AXLE		PAGE NO.
					PRIMAAX® EX 23K/26K S/ 46K/52K S/69K/78K S, FIREMAAX EX 24K/27K S 48K/54K (DISTANCE BETWEEN U-BOLTS = 4-5/16")	PRIMAAX® EX 26K/52K/78K, FIREMAAX EX 27K/31K/54K/62K (DISTANCE BETWEEN U-BOLTS = 5")	
28	E-9625	-	-	Linkage Assembly, Universal Adjustable 3-5/8"-19-5/8" Range	1	1	HND-215
	S.O.S.		58994-062	Linkage Assembly, Mack Heavy Duty Dump	-	1	-
29	E-15154		60921-000	Height Control Valve Linkage Bracket, Most Applications, Not Mack Heavy Duty Dump	1	1	HND-215
	S.O.S.		80749-001	Height Control Valve Linkage Bracket, Mack Heavy Duty Dump	-	1	-
30	S.O.S.		Various	Bracket, "S" Cam, See Part Number on Component	2	2	-
31	S.O.S.		64202-000	U-Bolt, "S" Cam	2	2	-
32	PRIMAAX Torque Rod Selection Guide		Various	Transverse Torque Rod	1	1	HND-208
33	Torque Rod Bushing Selection Guide		Various	Torque Rod Bushing. Most Hendrickson OE Torque Rods Are Not Rebushable. If Torque Rod Bushings Can Be Replaced, See Torque Rod Bushing Section for Replacement Bushings.	As Req.	As Req.	HND-181
34	E-15180		65289-000	Bracket, Top Cap Where U-Bolts Are 4-1/4" Apart, Most Drum Brake with Bar Pin Bushing Applications	2	-	HND-214
	S.O.S.		Various	Bracket, Top Cap	2	2	-

 Denotes Product is Genuine Hendrickson

HENDRICKSON SUSPENSION


E4 340/360/380/400 Tandem Axle Four Spring Suspension

HENDRICKSON



E4 340/360/380/400 Tandem Axle Four Spring Suspension

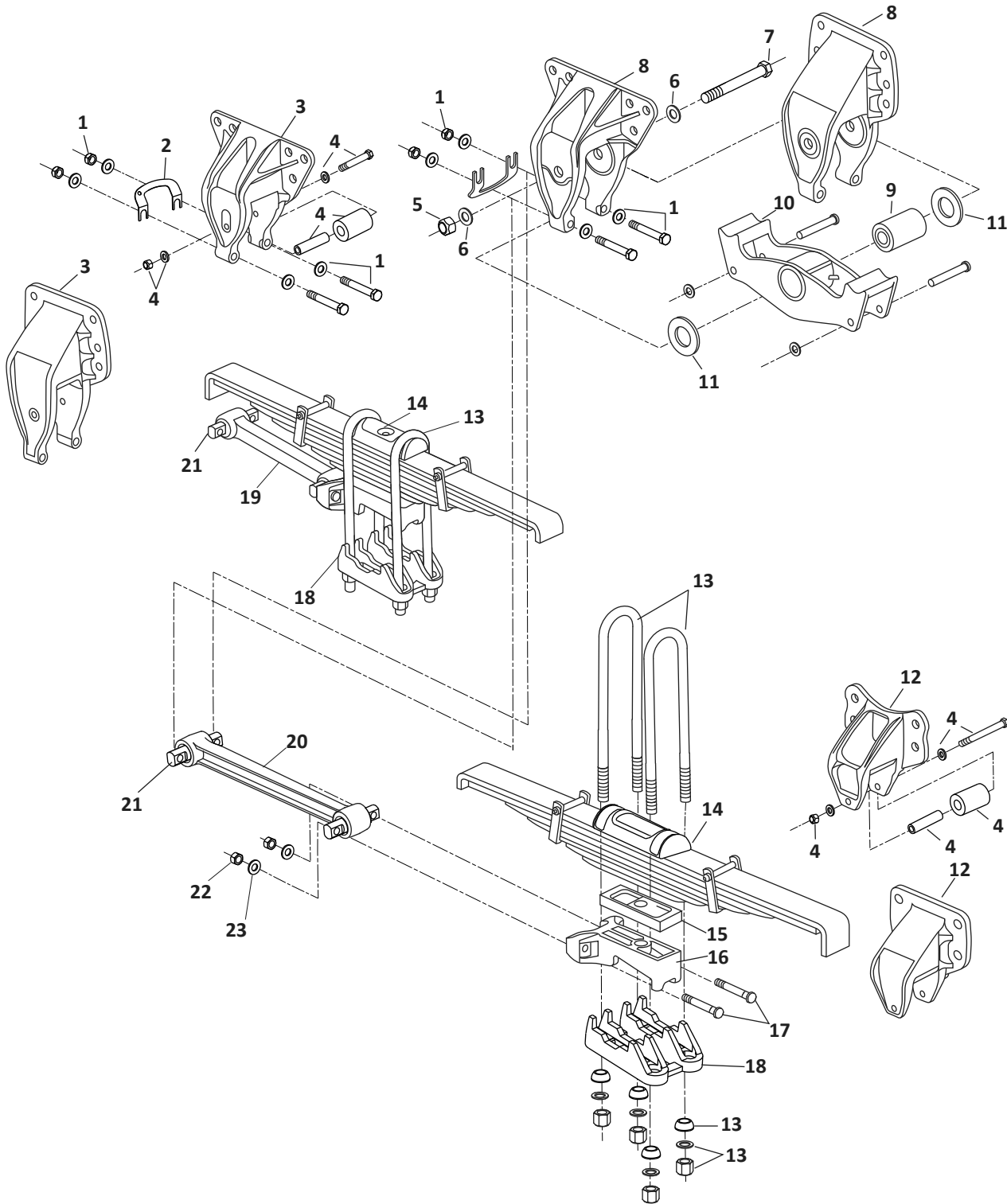
KEY NO.	EUCLID NO.	GENUINE	OEM REF.	CASTING NO.	DESCRIPTION	QTY. PER TANDEM	PAGE NO.
1	E-9432A		49175-013	-	Rebound Roller Kit	4	HND-190
2	E-5301		47436-003 48530-004	48991	Rear Spring Hanger (Obsolete)	2	HND-190
	S.O.S.		Various	-	Rear Spring Hanger (Most Obsolete) Call Tech Support	2	-
3	E-UB8161-18S1	-	48718-050	-	U-Bolt Assembly 7/8"-14 X 3" Wide X 18" Long. Incl. Nuts, Washers and Spherical Washer	8	HND-238
4	E-9408		50788-000	-	Top Pad, Included with Spring	4	HND-192
	E-3739		48797-000	-	Top Pad, Separate From Spring	4	HND-193
5	E-5267		47440-000	47439	Spring Shackle (Obsolete)	2	HND-188
	E-5268		47442-000	47441	Spring Shackle (Obsolete)	2	HND-188
6	E-1828	-	08017-000	-	Lock Nut, Center Bushing, 1"-14	2	-
7	E-2573		22962-006	-	Washer, 1" ID	4	-
8	E-5271		30550-035	-	Equalizer Center Bolt, 1"-14 X 7" Long	2	HND-191
9	E-5300		47434-002	47433 50642-000	Center Spring Hanger (Obsolete)	2	HND-190
10	E-5265		47444-001	47437	Equalizing Beam Assembly (Obsolete)	2	HND-188
11	E-5273		47416-000	-	Thrust Washer	4	HND-188
12	E-5270		47421-000	-	Spring Eye Bushing	4	HND-188
13	E-5274		47459-000	-	Shackle Bolt Retainer	4	HND-189
14	E-5272	-	48728-000	-	Shackle Bolt, 7/8" - 9 x 4-1/2" Long	8	HND-188
15	E-5299		56673-001	56672-000	Front Spring Hanger	2	HND-190
	S.O.S.		Various	-	Front Spring Hanger (Most Obsolete), Call Tech Support	2	-
16	E-5277	-	49176-001	-	Torque Rod Fastener Kit	8	HND-189
17	E-5275		47691-000	-	Torque Rod Bushing	8	HND-191
	E-5282		48158-001	-	Torque Rod Assembly, Front 15-7/8" Center-to-Center	2	HND-189
18	E-5283		48258-002	-	Torque Rod Assembly, Rear 21-15/16" Center-to-Center	2	HND-189
	E-5281		49689-000	-	Torque Rod Shim	As Req.	HND-191
19	E-5269		47420-000	-	Center Bushing	2	HND-191
20	E-5270		47421-000; 48401-000	-	Equalize End Bushing	4	HND-188
22	E-3753A		56857-000	56855	Axle Bottom Cap, Left Hand Rear, 9.5-13° Pinion Angle	2	HND-195
	E-3754A		56854-000	56852	Axle Bottom Cap, Right Hand Rear, 9.5-13° Pinion Angle	2	HND-195
	S.O.S.		Various	-	Axle Bottom Cap (Most Obsolete), Call Tech Support	2	-
23	E-3755	-	49063-000	-	Axle Bottom Cap Bolt	8	HND-195
24	E-3740		48902-000	-	Spacer, 1"	4	HND-195
	E-3741		48903-000	-	Spacer, 1-1/2"	4	HND-195
25	S.O.S.		Various	-	Spring Seat (Most Obsolete), Call Tech Support	4	-

 Denotes Product is Genuine Hendrickson

HENDRICKSON SUSPENSION

HFS 360/400/400 LH Tandem Axle Four Spring Suspension

HENDRICKSON



HFS 360/400/400 LH Tandem Axle Four Spring Suspension

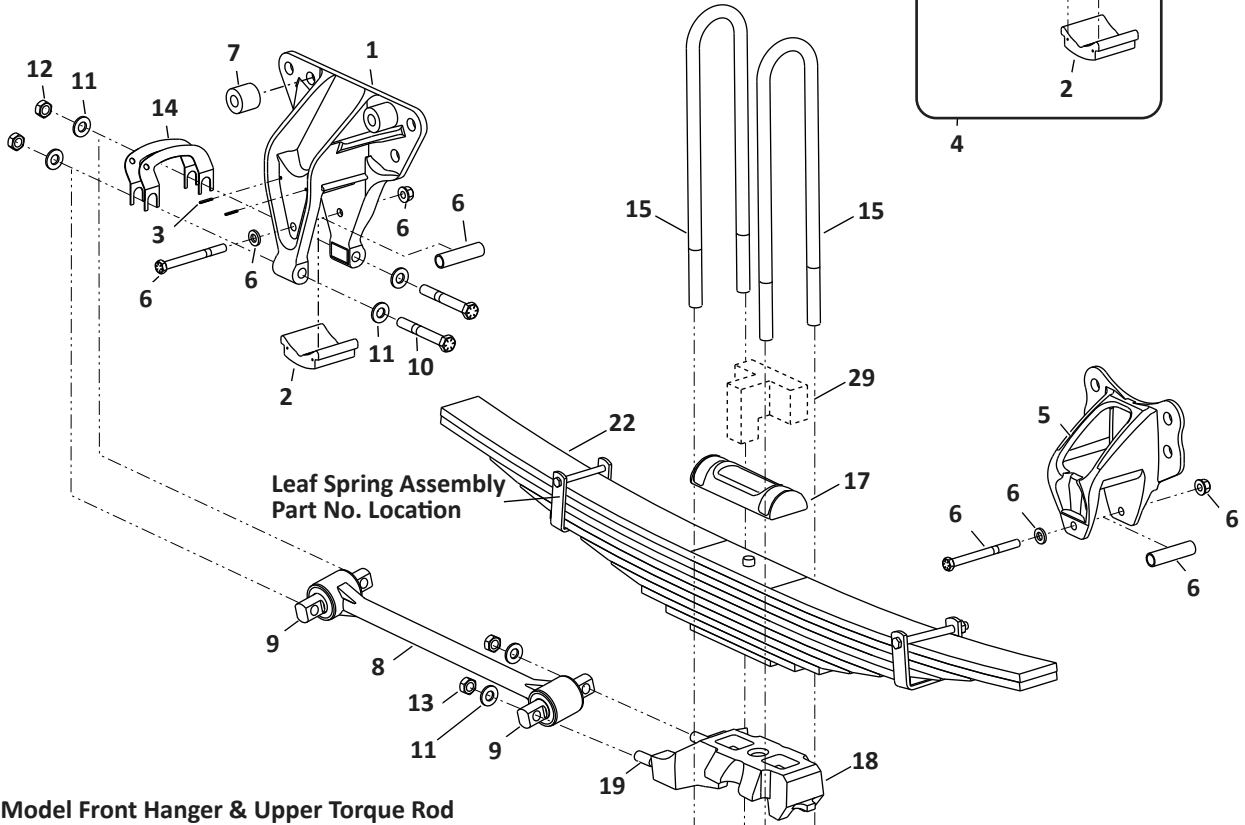
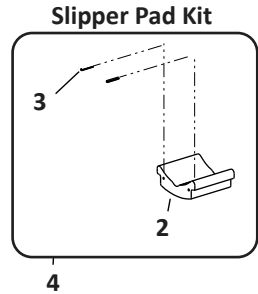
KEY NO.	EUCLID NO.	GENUINE	OEM REF.	CASTING NO.	DESCRIPTION	QTY. PER TANDEM	PAGE NO.
1	E-5277	-	49176-001	-	Torque Rod Fastener Kit	8	HND-191
2	E-5281		49689-000	-	Torque Rod Shim	As Req.	HND-193
3	E-9404		56667-001	56666-000	Front Spring Hanger, Models HFS360	2	HND-191
	E-9405		56670-001	56669-000, 50291-000	Front Spring Hanger, Models HFS400/400LH	2	HND-192
	S.O.S.		Various	Various	Front Spring Hanger, Call Technical Support	2	-
4	E-9432A	-	49175-013	-	Rebound Roller Assembly	4	HND-192
5	E-1828	-	08017-000	-	Nut, 1"-14	2	-
6	E-2573		22962-006	-	Washer, 1"	4	-
7	E-5271		30550-035	-	Center Bushing Bolt, 1"-14 x 7" Long	2	HND-191
8	E-9400		56676-001	56675-000, 50289-000	Center Spring Hanger	2	HND-192
	S.O.S.		Various	Various	Center Spring Hanger, Call Technical Support	2	-
9	E-5269		47420-000	-	Center Bushing	2	HND-191
10	E-9402		49803-002	49801-002	Equalizing Beam Assembly, Includes Center Bushing, Clevis Pin, Washer and Cotter Pin	2	HND-191
11	E-5273		47416-000	-	Thrust Washer	4	HND-191
12	E-9406		50028-001	49954-000	Rear Spring Hanger	2	HND-192
	S.O.S.		Various	Various	Rear Spring Hanger, Call Technical Support	2	-
13	E-UB8161-18S1	-	48718-050	-	U-Bolt Assembly 7/8"-14 x 3" Wide x 18" Long. Includes Nuts, Washers and Spherical Washer, All models except 40LH	8	HND-238
	S.O.S.	-	-	-	U-Bolt Assembly 3/4"-16 X 3" Wide Requires Nuts, Washers and Spherical Washer, 40LH Only	8	-
14	E-9408		50788-000	-	Top Pad	4	HND-192
15	E-3740		48902-000	-	Spring Spacer, 1"	As Req.	HND-192
	E-3741		48903-000	-	Spring Spacer, 1-1/2"	As Req.	HND-192
16	S.O.S.		Various	-	Spring Seat Assembly	2	-
17	E-3755		49063-000	-	Spring Seat Bolt	8	HND-195
18	S.O.S.		Various	-	Axle Bottom Cap	2	-
19	E-9409		48411-006	-	Front Torque Rod, 14-7/16" Center-to-Center	2	HND-191
20	E-9407		48411-007	-	Rear Torque Rod, 20-5/16" Center-to-Center	2	HND-191
21	E-5275		47691-000L	-	Torque Rod Bushing	8	HND-191
22	E-2988	-	47764-000	-	Nut, 5/8"-11	8	-
23	E-2547	-	22962-004	-	Washer, 5/8" Dia.	8	-

 Denotes Product is Genuine Hendrickson

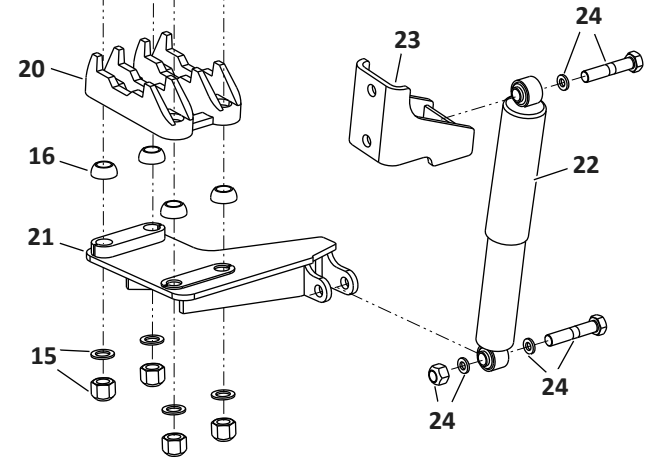
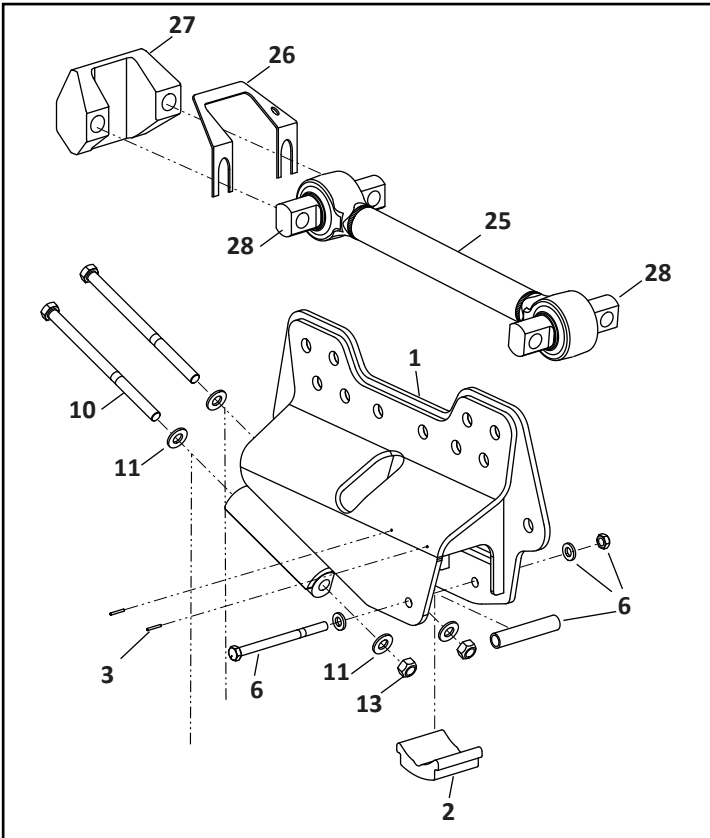
HENDRICKSON SUSPENSION

HTS 210/230/260/310 Single Axle Suspension for Autocar & Spartan Type C School Bus

HENDRICKSON


























31K Model Front Hanger & Upper Torque Rod




HENDRICKSON SUSPENSION

Suspension

HTS 210/230/260/310 Single Axle Suspension for Autocar & Spartan Type C School Bus

KEY NO.	EUCLID NO	GENUINE	OEM REF.	DESCRIPTION	HTS 21K/23K	HTS 26K	HTS 31K	SPARTAN TYPE C SCHOOL BUS	PAGE NO.
1	E-9386		58425-001	Front Hanger Assembly Includes Key Nos. 2 & 3	2	2	-	2	HND-193
	S.O.S.		70628-001 70628-002	Front Hanger Assembly Includes Key Nos. 2 & 4	-	-	2	-	-
2	E-16335		56929-000	Slipper Pad	2	2	2	-	HND-193
3	S.O.S.		58287-001	Retainer Lock Pin	2	2	2	-	-
4	E-16333		56557-005	Slipper Pad Service Kit; One Hanger; Includes Key Nos. 2 & 3	2	2	2	2	HND-193
5	E-9406		50028-001	Rear Hanger	2	-	-	2	HND-192
	S.O.S.		50028-002	Rear Hanger	-	2	2	-	-
6	S.O.S.		49175-032	Front and Rear Rebound Roller Service Kit; Axle Set	1	-	-	1	-
	S.O.S.		49175-035	Front Rebound Roller Service Kit; Axle Set	-	-	1	-	-
	S.O.S.		49175-036	Rear Rebound Roller Service Kit; Axle Set	-	-	1	-	-
	S.O.S.		49175-037	Front Rebound Roller Service Kit; Axle Set	-	1	-	-	-
	S.O.S.		49175-038	Rear Rebound Roller Service Kit; Axle Set	-	1	-	-	-
7	E-16419		59946-001	Spacer	4	-	-	-	HND-236
8	S.O.S.		62044-495	Longitudinal Torque Rod Assembly, ULTRA ROD, Includes Key No. 7	-	-	-	2	-
	S.O.S.		62044-505	Longitudinal Torque Rod Assembly, Includes Key No. 8	2	-	-	-	-
	S.O.S.		92407-500	Torque Rod Assembly, XTRB, Includes Key No. 8	-	2	-	-	-
	S.O.S.		92446-430	Lower Torque Rod Assembly; XTRB; Includes Key No. 8	-	-	2	-	-
9	E-5275		47691-000	Torque Rod Bushing, ULTRA ROD, Straddle Mount	4	-	-	4	HND-191
	E-14641		66649-002	Torque Rod Bushing, XTRB, Straddle Type	-	4	4	-	HND-193
10	E-3792	-	-	Hex Bolt, 5/8"-18 x 4-1/2" Long	4	4	-	4	-
	S.O.S.	-	32043-013	Hex Bolt, 5/8"-11 x 10" Long	-	-	4	-	-
11	E-2547	-	22962-004	Washer, 5/8"	12	12	12	12	-
12	E-1943	-	-	Lock Nut, 5/8"-18	4	4	-	4	-
13	E-2988	-	47764-000	Lock Nut, 5/8"-11	8	8	12	-	-
14	E-5281		49689-000	Torque Rod Shim	As Req.				HND-191
15	E-UB8161-18S1	-	47417-003	U-Bolt Assembly, Round Bend, 7/8"-14 X 17-1/2" Long, Includes Nuts and Flat Washers. Includes Key No. 16	-	-	4	-	HND-238
	E-UB8161-20	-	47417-010	U-Bolt Assembly, Round Bend, 7/8"-14 X 19" Long, Includes Nuts and Flat Washers. Key No. 16 Required and Ordered Separately	4	-	4	4	-
	S.O.S.	-	47417-014	U-Bolt Assembly, Round Bend, 7/8"-14 X 22-1/2" Long, Includes Nuts and Flat Washers. Key No. 16 Required and Ordered Separately	4	4	-	-	-
	S.O.S.	-	47417-015	U-Bolt Assembly, Round Bend, 7/8"-14 X 22" Long, Includes Nuts and Flat Washers. Key No. 16 Required and Ordered Separately	-	4	-	-	-
16	E-3738		48574-000	Spherical Washer, 7/8" ID	8	8	8	8	HND-196
17	E-3739		48797-000	Top Pad	2	-	-	2	HND-193
	S.O.S.		56805-002	Top Pad	-	2	2	-	-

 Denotes Product is Genuine Hendrickson

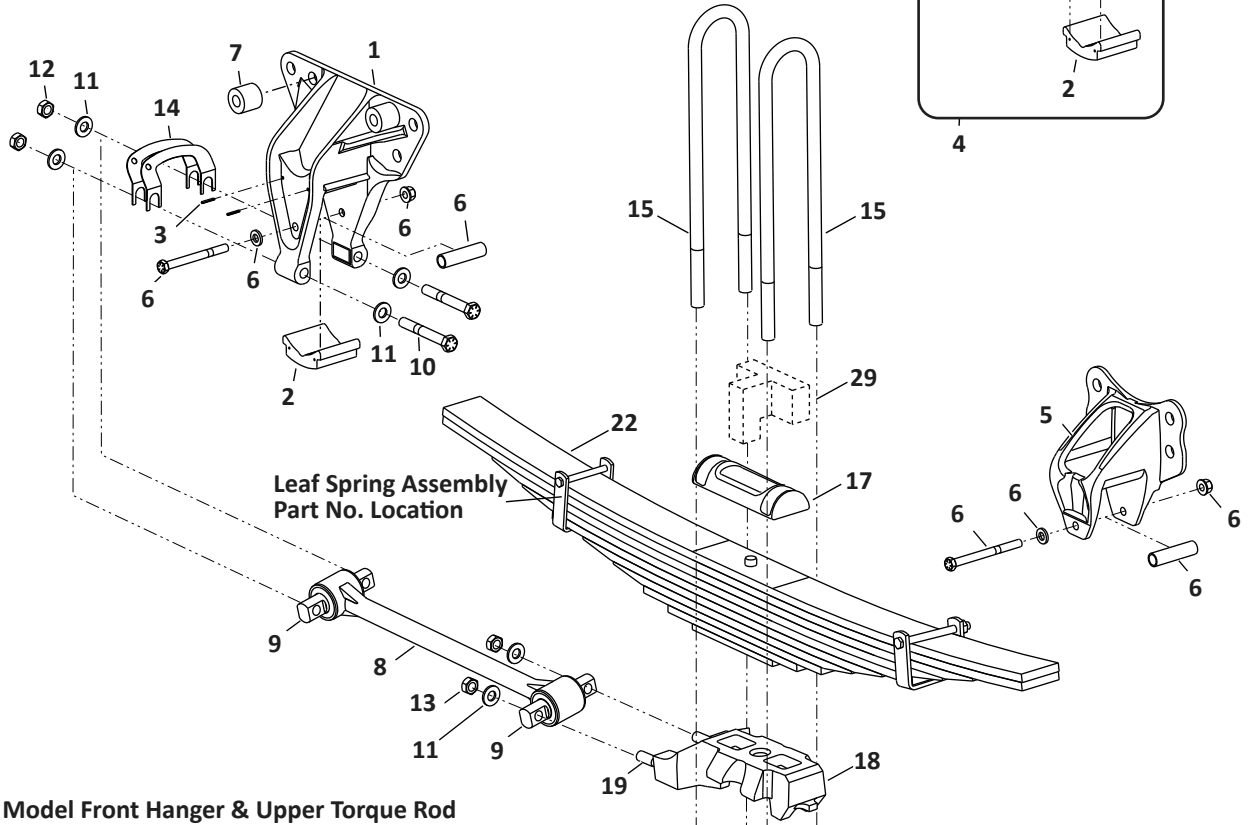
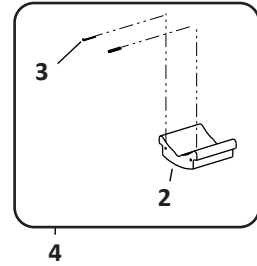
HENDRICKSON

HENDRICKSON SUSPENSION

HTS 210/230/260/310 Single Axle Suspension for Autocar & Spartan Type C School Bus

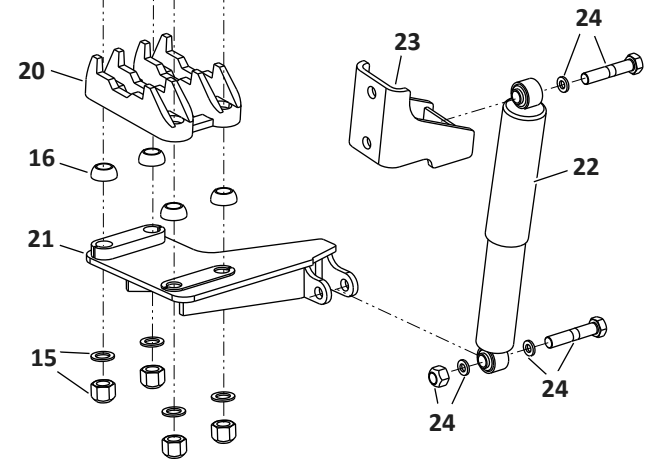
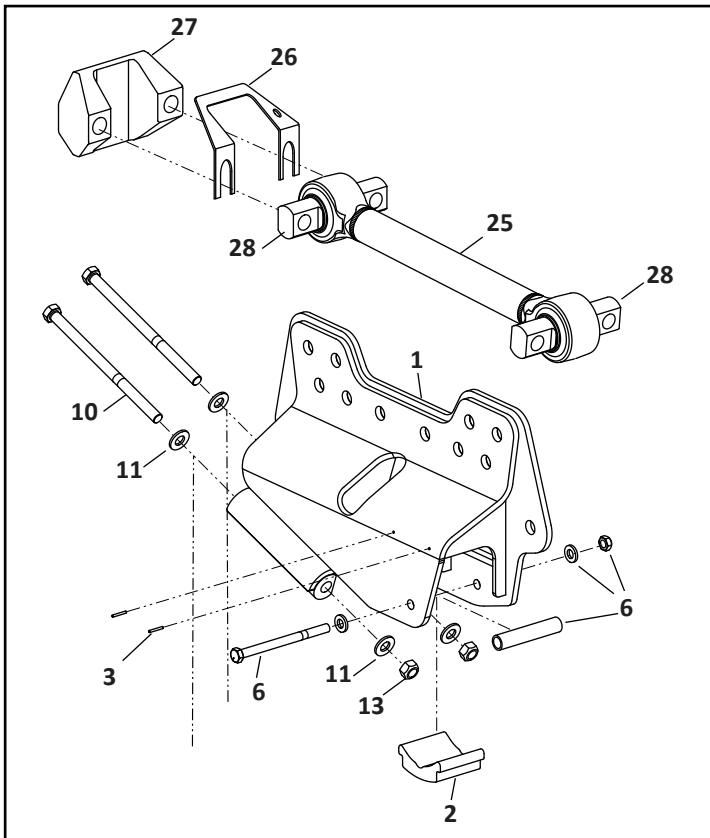
HENDRICKSON

Slipper Pad Kit



Leaf Spring Assembly
Part No. Location











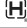
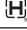

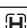


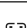
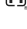



31K Model Front Hanger & Upper Torque Rod



HENDRICKSON SUSPENSION

Suspension

HTS 210/230/260/310 Single Axle Suspension for Autocar & Spartan Type C School Bus

KEY NO.	EUCLID NO	GENUINE	OEM REF.	DESCRIPTION	HTS 21K/23K	HTS 26K	HTS 31K	SPARTAN TYPE C SCHOOL BUS	PAGE NO.
18	S.O.S.		50970-005	Spring Seat Assembly, Includes Key Nos. 10, 12, 18	2	-	-	-	-
	S.O.S.		50970-002	Spring Seat Assembly, Includes Key Nos. 10, 12, 19	-	-	-	2	-
	S.O.S.		50988-024	Spring Seat Assembly, Right Hand, Includes Key Nos. 10, 12, 18	-	-	1	-	-
	S.O.S.		50988-025	Spring Seat Assembly, Left Hand, Includes Key No. 18, Plus Nuts and Washers	-	-	1	-	-
	S.O.S.		50988-026	Spring Seat Assembly, Left Hand 5°, Includes Key Nos. 11, 13, 19	-	1	-	-	-
	S.O.S.		50988-027	Spring Seat Assembly, Right Hand 5°, Includes Key Nos. 11, 13, 19	-	1	-	-	-
19	E-15200		50918-000	5/8"-11 Stud	4	4	4	-	HND-195
20	S.O.S.		50216-000	Axle Bottom Cap	2	-	-	2	-
	S.O.S.		58424-002	Axle Bottom Cap, Left Hand	-	1	-	-	-
	S.O.S.		58424-001	Axle Bottom Cap, Right Hand	-	1	-	-	-
	S.O.S.		58424-004	Axle Bottom Cap, Left Hand	-	-	1	-	-
	S.O.S.		58424-000	Axle Bottom Cap, Right Hand	-	-	1	-	-
21	S.O.S.		Various	Lower Shock Bracket, Specify Model and Left or Right Hand	2	2	-	2	-
22	M85036	-	60665-025	Shock Absorber	2	2	-	2	-
23	S.O.S.		67530-000	Upper Shock Bracket	2	2	-	2	-
24	S.O.S.		69588-004	Upper and Lower Shock Absorber Fastener Kit; Axle Set	1	-	-	1	-
	S.O.S.		69588-005	Upper and Lower Shock Absorber Fastener Kit; Axle Set	-	1	-	-	-
25	S.O.S.		72100-535	Upper Torque Rod Assembly; ULTRA ROD PLUS; Includes Key No. 26	-	-	1	-	-
26	S.O.S.		67779-002	Upper Torque Rod Shim	-	-	As Req.	-	-
27	E-15183		46015-000	Upper Torque Rod Bracket	-	-	2	-	-
28	E-13971		64400-003	Torque Rod Bushing, ULTRA ROD PLUS, Straddle Mount	-	-	2	-	HND-183
29	S.O.S.		69883-000	Bump Stop Assembly	-	-	-	2	-

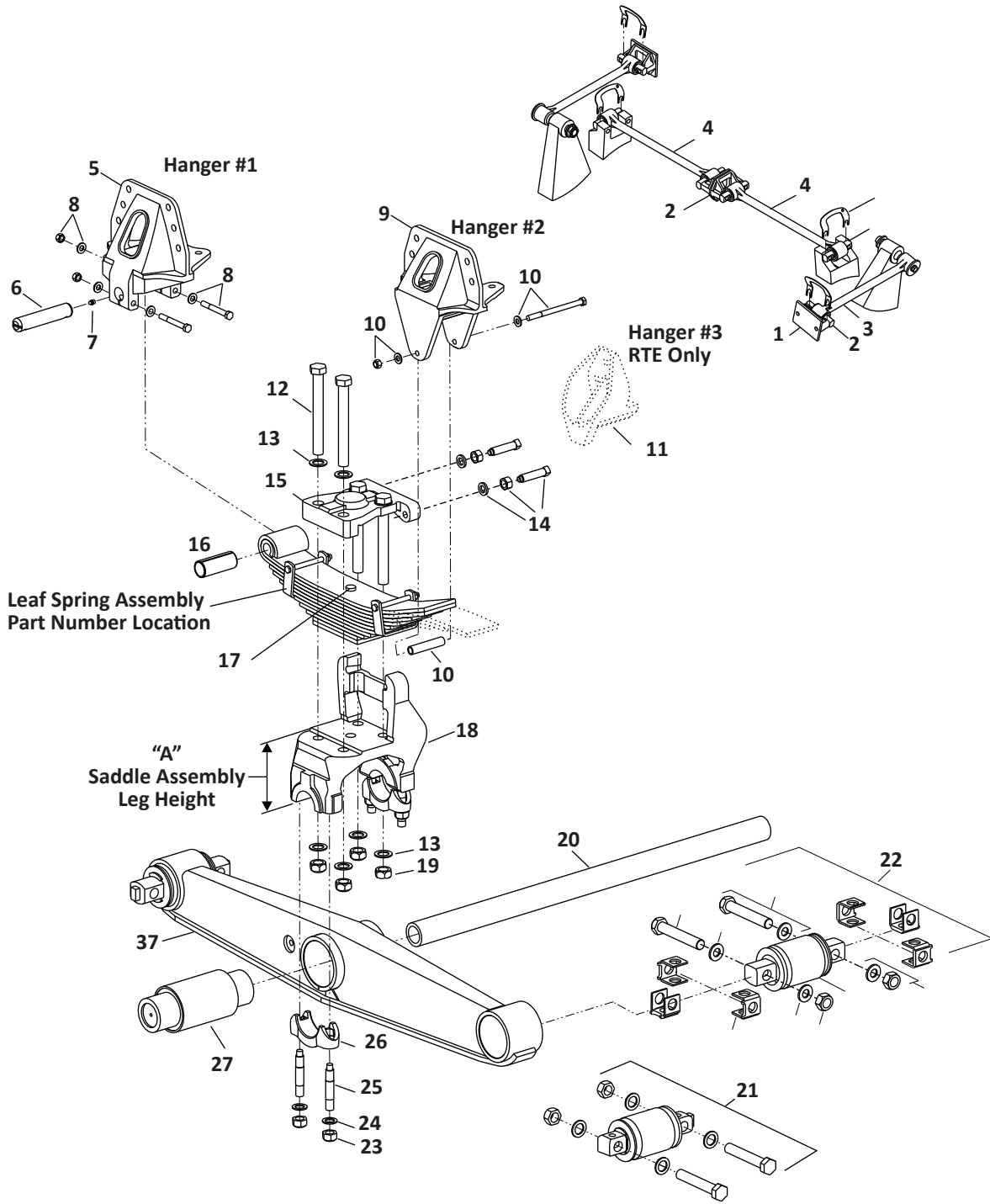
 Denotes Product is Genuine Hendrickson

HENDRICKSON

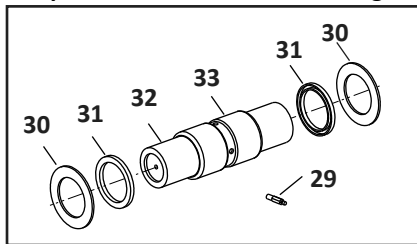
HENDRICKSON SUSPENSION

RT/RTE 340/400/460/480/520 Tandem Axle Suspension

HENDRICKSON

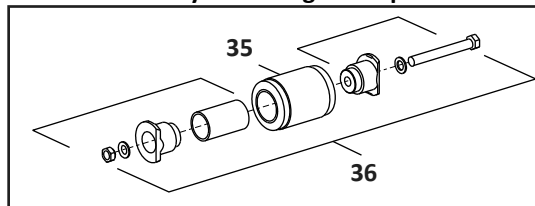


Optional Bronze Center Bushing



28

Old Style Bushing & Adapter



34

HENDRICKSON SUSPENSION

Suspension

RT/RTE 340/400/460/480/520 Tandem Axle Suspension

KEY NO.	EUCLID NO.	GENUINE	OEM REF.	CASTING NO.	DESCRIPTION	QTY. PER TANDEM RT/RTE					PAGE NO.
						340	400	460	480	520	
1	E-15153		45045-003	-	Torque Rod Backup Plate	2	2	2	2	2	-
2	E-2634		22186-000	-	Torque Rod Frame Bracket	2	2	2	2	2	HND-194
3	E-13988		60215-000	-	Two-Piece Transverse Torque Rod Kit, Includes Straddle Bushings	2	2	2	2	2	HND-185
4	Torque Rod Selection Guide		Various	-	Longitudinal Torque Rod Assembly	2	2	2	2	2	HND-181
5	RT Hanger Selection Guide		Various	-	#1 Front Spring Hanger, Double Lock Bolt	2	2	2	2	2	HND-170
6	E-1818		32277-000	-	Spring Pin, Single Lock Pin/Groove	2	2	-	-	-	HND-167
	E-3761		43146-000	-	Spring Pin, Double Lock Pin/Groove	2	2	2	2	2	HND-167
7	E-1307	-	33117-000	-	Lube Fitting	2	2	2	2	2	HND-167
8	E-9427		29828-035	-	Lock Bolt Kit	2	2	2	2	2	-
9	RT Hanger Selection Guide		Various	-	#2 Rear Spring Hanger	2	2	2	2	2	HND-170
10	E-9428		29828-023	-	Rebound Bolt & Spacer Assembly	2	2	2	2	2	-
11	RT Hanger Selection Guide		Various	-	#3 Spring Hanger, Extended Leaf Spring RTE Model Only	2	2	2	2	2	HND-170
12	See Top Pad Bolts		Various	-	Top Pad Bolt, Length Varies By Spring Size	8	8	8	8	8	HND-165
13	E-2573		22962-006	-	1" Hardened Washer	16	16	16	16	16	-
14	E-9429		35370-002	-	Set Screw Kit	4	4	4	4	4	HND-165
15	E-1869		35064-000	47880	Top Pad	2	2	2	2	2	HND-165
16	E-1877		30057-008	-	Spring Eye Bushing 1-3/8" ID	2	2	2	2	2	HND-168
17	S.O.S.	-	66662-001	-	Spring Center Bolt, Cut to Length	2	2	2	2	2	-
18	E-1853		31017-022	42933	Saddle Assembly, 6" Height	2	2	-	-	-	HND-165
	E-1854		31017-096	45605	Saddle Assembly, 6" Height	-	-	2	-	-	HND-165
	E-10058		31017-109	57143	Saddle Assembly, 7-3/16" Height	2	2	-	-	-	HND-165
	E-7530		31017-110	57155	Saddle Assembly, 7-3/16" Height	-	-	2	-	-	HND-165
	E-1849		31017-023	46529	Saddle Assembly, 6-3/16" Height	2	-	-	-	-	HND-165
	E-1850		31017-025	46138	Saddle Assembly, 7-3/16" Height	2	-	-	-	-	HND-165
	E-7531		31017-053	32796	Saddle Assembly, 6" Height	-	-	-	2	2	HND-165
	S.O.S.		31017-077	47476	Saddle Assembly, 7-3/16" Height	-	-	-	2	2	-
S.O.S.		31017-108	50965	Saddle Assembly, 11" Height	-	-	-	2	2	-	
19	E-1828	-	08017-000	-	Top Pad Bolt Nut	8	8	8	8	8	-
20	Cross Tube Selection Guide		Various	-	Cross Tube, See Selection Guide	1	1	1	1	1	HND-164
21	E-9325		34013-087	-	Bar Pin Bushing Kit, Non-Shim Type	4	4	4	4	4	HND-160
22	E-9326		34013-088	-	Bar Pin Bushing Kit, Shim Type	4	4	4	4	4	HND-160
	E-14725		34013-188	-	Bar Pin Bushing Kit, Free Rotating Bushing, Shim Type	4	4	4	4	4	HND-160
23	E-1835	-	04842-000	-	Nut, Saddle Cap Stud	8	8	8	8	8	-

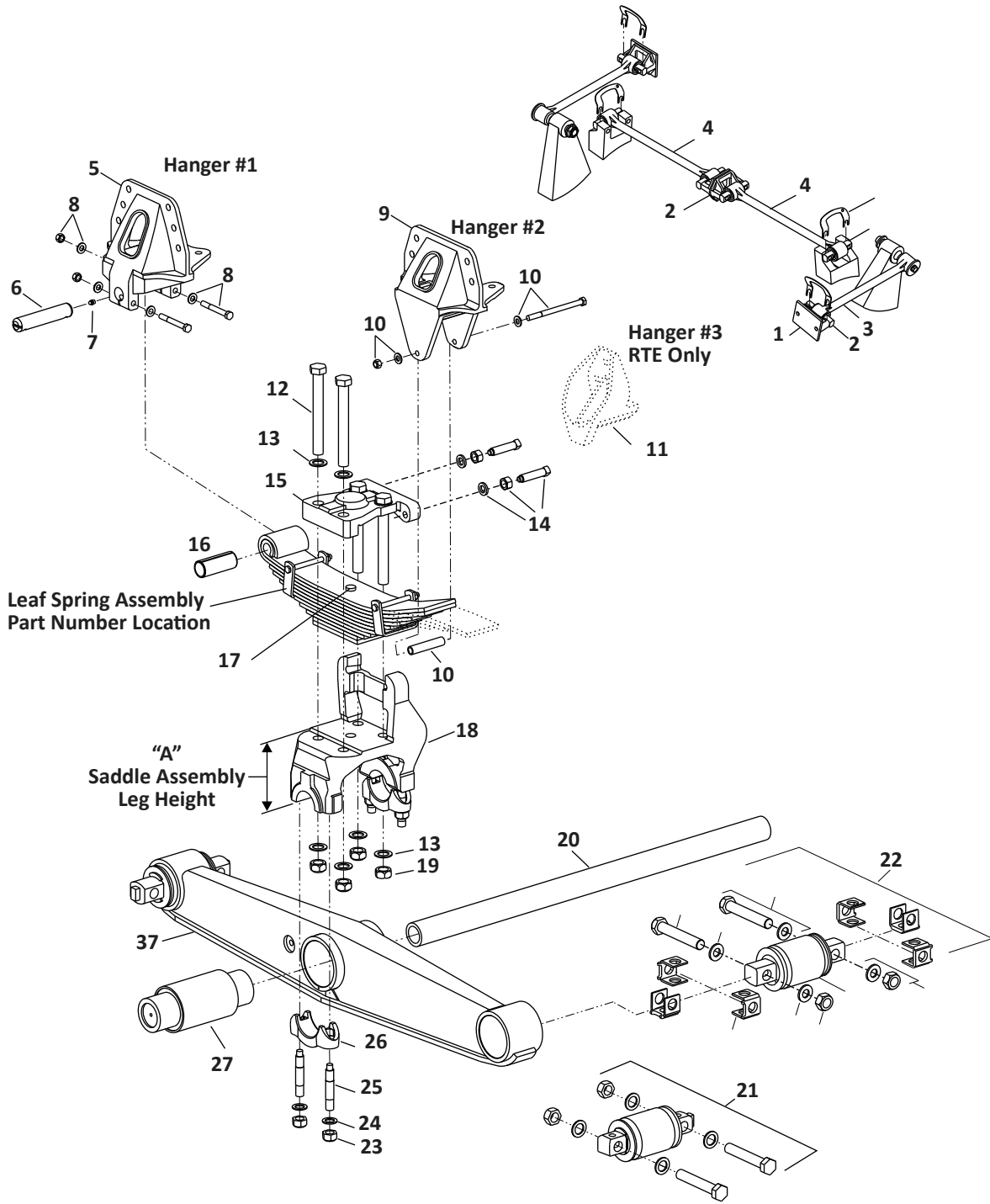
 Denotes Product is Genuine Hendrickson

HENDRICKSON

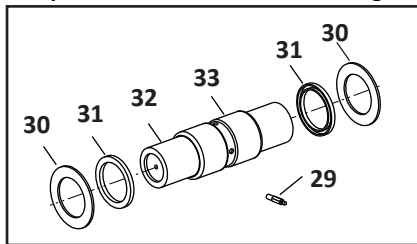
HENDRICKSON SUSPENSION

RT/RTE 340/400/460/480/520 Tandem Axle Suspension

HENDRICKSON

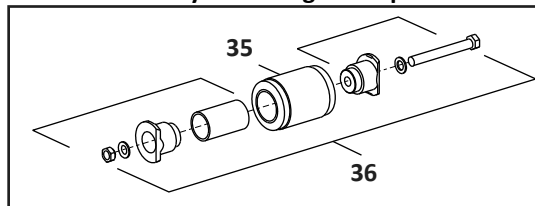


Optional Bronze Center Bushing



28

Old Style Bushing & Adapter



34

RT/RTE 340/400/460/480/520 Tandem Axle Suspension											
KEY NO.	EUCLID NO.	GENUINE	OEM REF.	CASTING NO.	DESCRIPTION	QTY. PER TANDEM RT/RTE					PAGE NO.
						340	400	460	480	520	
24	E-1834	-	22962-002	-	7/8" Hardened Washer	8	8	8	8	8	-
25	E-1830	☒	06696-000	-	7/8"-14 Saddle Cap Stud	-	8	8	8	8	HND-166
	E-1829	☒	07002-000	-	7/8"-14 Saddle Cap Stud	8	-	-	-	-	HND-166
26	E-1833A	☒	58795-000	-	Saddle Cap	-	4	4	4	4	HND-166
	E-16464	☒	06662-000	-	Saddle Cap	4	-	-	-	-	HND-166
27	E-1338	☒	06664-000	-	Rubber Center Bushing with Welded End Plug	2	-	-	-	-	HND-158
	E-1594	☒	22279-000	-	Rubber Center Bushing with Loose End Plug	2	-	-	-	-	HND-158
	E-6979	☒	49400-000	-	Rubber Center Bushing with Welded End Plug	2	2	-	-	-	HND-158
	E-6980	☒	49600-000	-	Rubber Center Bushing with Loose End Plug	2	2	-	-	-	HND-158
	E-9359	☒	29483-005	-	Rubber Center Bushing with Welded End Plug	-	-	2	2	2	HND-158
	E-16416	☒	34013-097	-	Rubber Center Bushing with Loose End Plug	-	-	2	2	2	HND-158
28	E-1546	☒	30437-000	-	Kit, Bronze Center Bushings, Includes Key Nos. 30, 31, 32, 33, 34	1	1	1	1	1	HND-159
29	S.O.S.	☒	30087-000	-	Lube Fitting	2	2	2	2	2	-
30	E-2021	☒	32365-000	-	Thrust Washer	As Req.					HND-159
31	E-1553	☒	30334-000	-	Seal	4	4	4	4	4	HND-159
32	E-1551	☒	14685-000	-	Sleeve	2	2	2	2	2	HND-159
33	E-1552	☒	30240-002	-	Bronze Center Bushing	2	2	2	2	2	HND-159
34	E-5309	☒	34013-049	-	End Beam Bushing Kit, Old Style, Includes Key Nos. 35 & 36	4	4	-	-	-	HND-160
	E-9576	☒	34013-073	-	End Beam Bushing Kit, Old Style, Includes Key Nos. 35 & 36	-	-	4	-	-	HND-160
	E-9577	☒	34013-050	-	End Beam Bushing Kit, Old Style, 5-3/4" Long Bushing, Includes Key Nos. 35 & 36	-	-	-	4	4	HND-160
	S.O.S.	☒	34013-051	-	End Beam Bushing Kit, Old Style, 6" Long Bushing, Includes Key Nos. 35 & 36	-	-	-	4	4	-
35	E-1341A	☒	45900-000	-	End Beam Bushing, 5-3/4" Long	4	4	4	-	-	HND-161
	E-2771	☒	29878-001	-	End Beam Bushing, 5-3/4" Long	-	-	-	4	4	HND-161
	E-9419	☒	45407-000	-	End Beam Bushing, 6" Long	-	-	-	4	4	HND-161
36	E-2374	☒	45000-007	-	End Beam Adapter, Old Style, for 5-3/4" Long Bushing	4	4	-	-	-	HND-161
	E-9420	☒	21140-034	-	End Beam Adapter, Old Style, for 5-3/4" Long Bushing	-	-	4	4	4	HND-161
	E-9421	☒	21140-033	-	End Beam Adapter, Old Style, for 6" Long Bushing	-	-	-	4	4	HND-161
37	S.O.S.	☒	Various	-	Walking Beam Assembly	2	2	2	2	2	-

☒ Denotes Product is Genuine Hendrickson

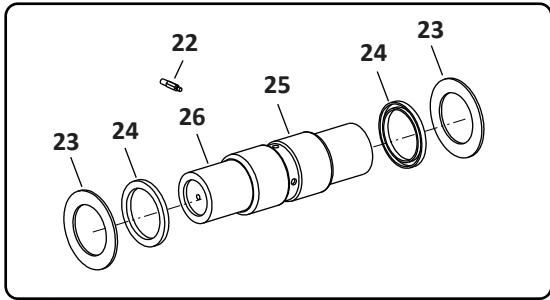
* Transverse Torque Rods are required to maintain 46,000 lb. rating when rubber center bushings are used.

HENDRICKSON

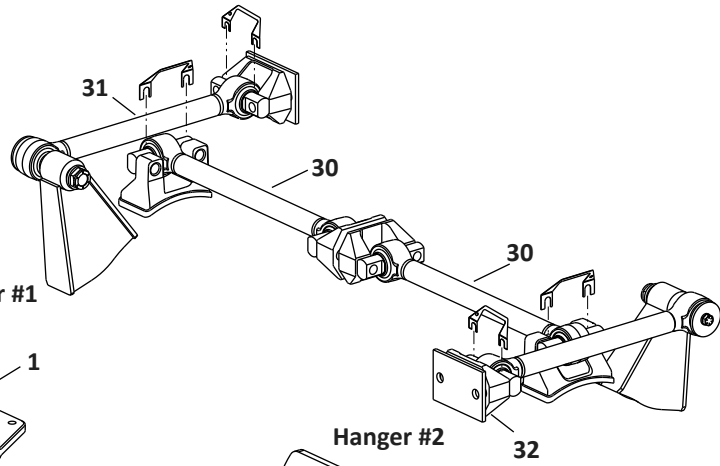
HENDRICKSON SUSPENSION

RT/RTe 650/700 Series Tandem Axle Suspension

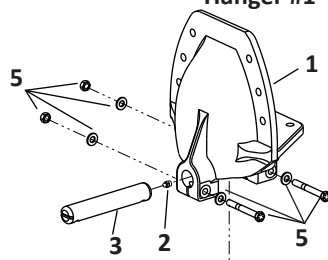
Optional Bronze Center Bushing



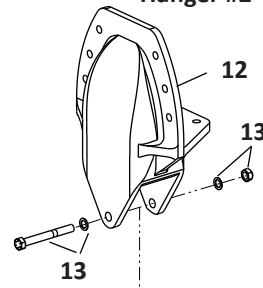
21



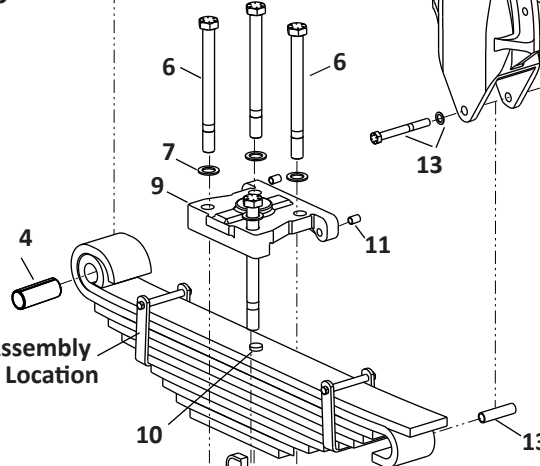
Hanger #1



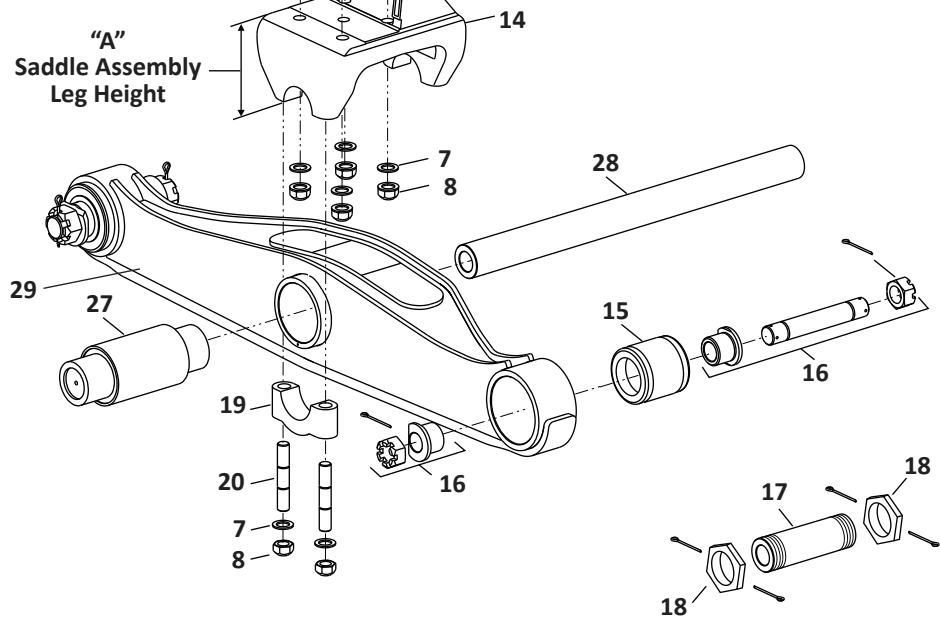
Hanger #2



Leaf Spring Assembly
Part Number Location







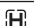


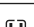
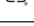

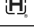












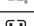
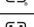
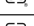
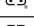
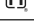
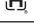

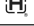




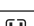
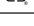
"A"
Saddle Assembly
Leg Height




HENDRICKSON

HENDRICKSON SUSPENSION

Suspension

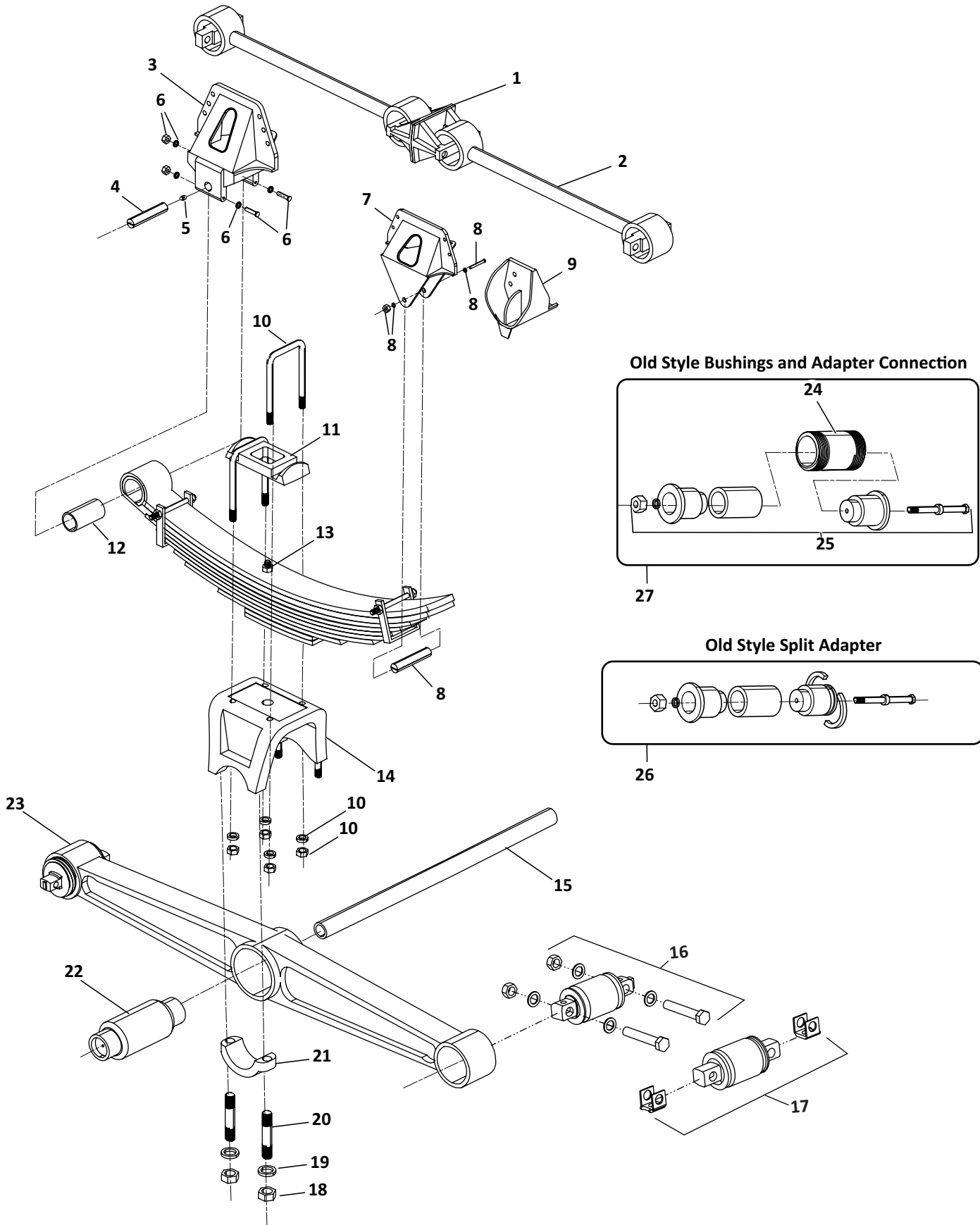
RT/RTe 650/700 Series Tandem Axle Suspension							
KEY NO.	EUCLID NO.	GENUINE	OEM REF.	CASTING NO.	DESCRIPTION	QTY. PER TANDEM	PAGE NO.
1	S.O.S.		46549-003	46548	#1 Spring Hanger, Double Lock Pin	2	-
	S.O.S.		45790-001	45789	#1 Spring Hanger, Double Lock Pin	2	-
2	E-1307	-	33117-000	-	Lube Fitting	As Req.	HND-167
3	E-1818		32277-000	-	Spring Pin, Single Lock Pin/Groove	2	HND-167
	E-12001		45797-000	-	Spring Pin, Double Lock Pin/Groove	2	HND-167
4	E-2557		22285-000	-	Spring Eye Bushing Bronze 1-1/2" ID	2	HND-168
5	S.O.S.		48625-001	-	Lock Bolt Kit	2	-
6	Top Pad Bolts		Various	-	Top Pad Bolt, Length Varies By Spring Size	8	HND-165
7	E-2573		22962-006	-	Washer, 1"	24	-
8	E-1828	-	08017-000	-	Locknut, 1"-14	8	-
9	S.O.S.		19199-000	35431 48491	Top Pad, 8-9/16" Wide	2	-
10	S.O.S.		66662-001	-	Spring Center Bolt, Cut to Length	2	-
11	S.O.S.		19201-002	-	Set Screw	4	-
12	S.O.S.		45792-001	45791	#2 Spring Hanger	2	-
	S.O.S.		46551-003	46550	#2 Spring Hanger	2	-
13	E-15161		29828-033	-	Rebound Bolt & Spacer Assembly	2	-
14	E-15159		31017-004	15784	Saddle Assembly, 7-1/8" Height	2	HND-165
	S.O.S.		31017-069	-	Saddle Assembly, 11-1/8" Height	2	-
	S.O.S.		31017-070	-	Saddle Assembly, 10-1/8" Height	2	-
	S.O.S.		31017-071	-	Saddle Assembly, 9-3/8" Height	2	-
15	E-2554		10363-000	-	Rubber End Bushing, 6" Long	4	HND-161
	S.O.S.		10364-000	-	Rubber End Bushing, 7" Long	4	-
16	E-2555		21140-007	-	Beam End Adapter Assembly for 6" Bushing	4	HND-162
	S.O.S.		21140-004	-	Beam End Adapter Assembly for 7" Bushing	4	-
17	E-2566		10372-000	-	Optional Beam Hanger Tube	2	HND-162
18	E-2567		10371-000	-	Beam Hanger Tube Nut	4	HND-163
19	S.O.S.		15785-000	-	Saddle Cap	4	-
20	S.O.S.		10948-000	-	1"-14 UNS Saddle Cap Stud	8	-
21	S.O.S.		45374-000	-	Bronze Center Bushings Kit Includes Key Nos. 24, 25, 26, 27, 28	1	-
22	S.O.S.		30087-000	-	Lube Fitting	2	-
23	S.O.S.		45261-000	-	Thrust Washer	4	-
24	S.O.S.		31577-000	-	Seal	4	-
25	S.O.S.		25102-000	-	Sleeve	2	-
26	S.O.S.		30240-005	-	Center Bushing, Bronze	2	-
27	E-2553		10366-000	-	Center Bushing, Rubber	2	HND-158
28	Cross Tube Selection Guide		Various	-	Cross Tube, See Selection Guide	1	HND-164
29	S.O.S.		Various	-	Walking Beam	2	-
30	Torque Rod Selection Guide		Various	-	Longitudinal Torque Rod	2	HND-181
31	Torque Rod Bushing Selection Guide		Various	-	Transverse Torque Rod Bushing	2	HND-181
32	E-15183		46015-000	-	Torque Rod Frame Bracket	2	-








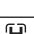








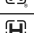
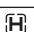

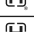






 Denotes Product is Genuine Hendrickson

HENDRICKSON SUSPENSION

U2/UE2-340 Tandem Axle Suspension

HENDRICKSON



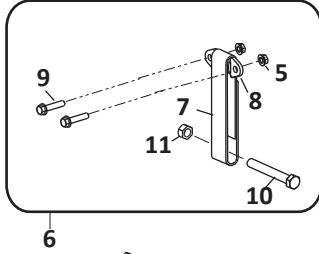
U2/UE2-340 Tandem Axle Suspension							
KEY NO.	EUCLID NO.	GENUINE	OEM REF.	CASTING NO.	DESCRIPTION	QTY. PER TANDEM	PAGE NO.
1	E-2634		22186-000	-	Torque Rod Frame Bracket	2	HND-194
2	Torque Rod Selection Guide		-	-	Torque Rod Assembly	2	HND-181
3	RT Hanger Selection Guide		-	-	#1 Front Spring Hanger, Double Lock Bolt	2	HND-170
4	E-3761		43146-000	-	Lock Pin, Double Groove	2	HND-167
5	E-1307		33117-000	-	Lube Fitting	2	HND-167
6	E-9427		29828-035	-	Lock Bolt Assembly	2	-
7	See Hanger Section		-	-	#2 Rear Spring Hanger	2	HND-170
8	E-9428		29828-023	-	Rebound Bolt & Spacer Assembly	2	-
9	RT Hanger Selection Guide		-	-	#3 Spring Hanger, Extended Leaf Spring	2	HND-170
10	E-UB8264-083	-	22303-002	-	U-Bolt Assembly, Sq. Bend, 7/8"-14 Thd. x 4" Wide x 8-3/8" Long	4	-
11	E-15093		19281-001	-	Top Pad	2	-
12	E-1877		30057-008	-	Spring Eye Bushing	2	HND-168
13	S.O.S.		05069-000	-	Spring Center Bolt	2	-
14	E-1851		31017-075	43184	Saddle Assembly, 6-3/16" Height, Includes Key Nos. 18 Thru 21	2	HND-165
	E-1852		31017-076	43145	Saddle Assembly, 7-5/16" Height, Includes Key Nos. 18 Thru 21	2	HND-165
15	E-1840		44642-008	-	Cross Tube	1	HND-164
16	E-9325		34013-087	-	Bar Pin Bushing Kit	4	HND-160
17	E-9326		34013-088	-	Bar Pin Bushing Kit, Shim Type	As Req.	HND-160
18	E-4961A	-	30191-000	-	Locknut, 3/4"-16	8	-
19	E-2545	-	22962-001	-	Washer, 3/4"	8	-
20	E-2229		23441-004	-	Stud	8	HND-166
21	E-1832		19283-002	-	Cap	4	HND-166
22	E-1338		06664-000	-	Center Bushing	2	HND-158
	E-1594		22279-000	-	Center Bushing with Loose End Plug	2	HND-158
23	S.O.S.		Various	-	Walking Beam Assembly	2	-
24	E-1340		06969-000	-	End Beam Bushing, Old Style	4	HND-161
25	E-2372		45000-013	-	End Beam Adapter, Old Style	4	HND-161
26	E-2373		45000-014	-	End Beam Adapter, Split Flange	4	HND-161
27	E-5308		34013-048	-	End Beam Bushing Kit, Includes Key Nos. 24 & 25	4	HND-160

 Denotes Product is Genuine Hendrickson

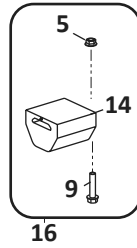
HENDRICKSON SUSPENSION

HAULMAX Rubber Bolster Spring Suspension

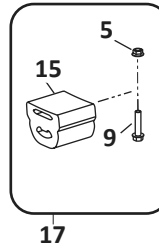
Rebound Rebound Strap Service Kit



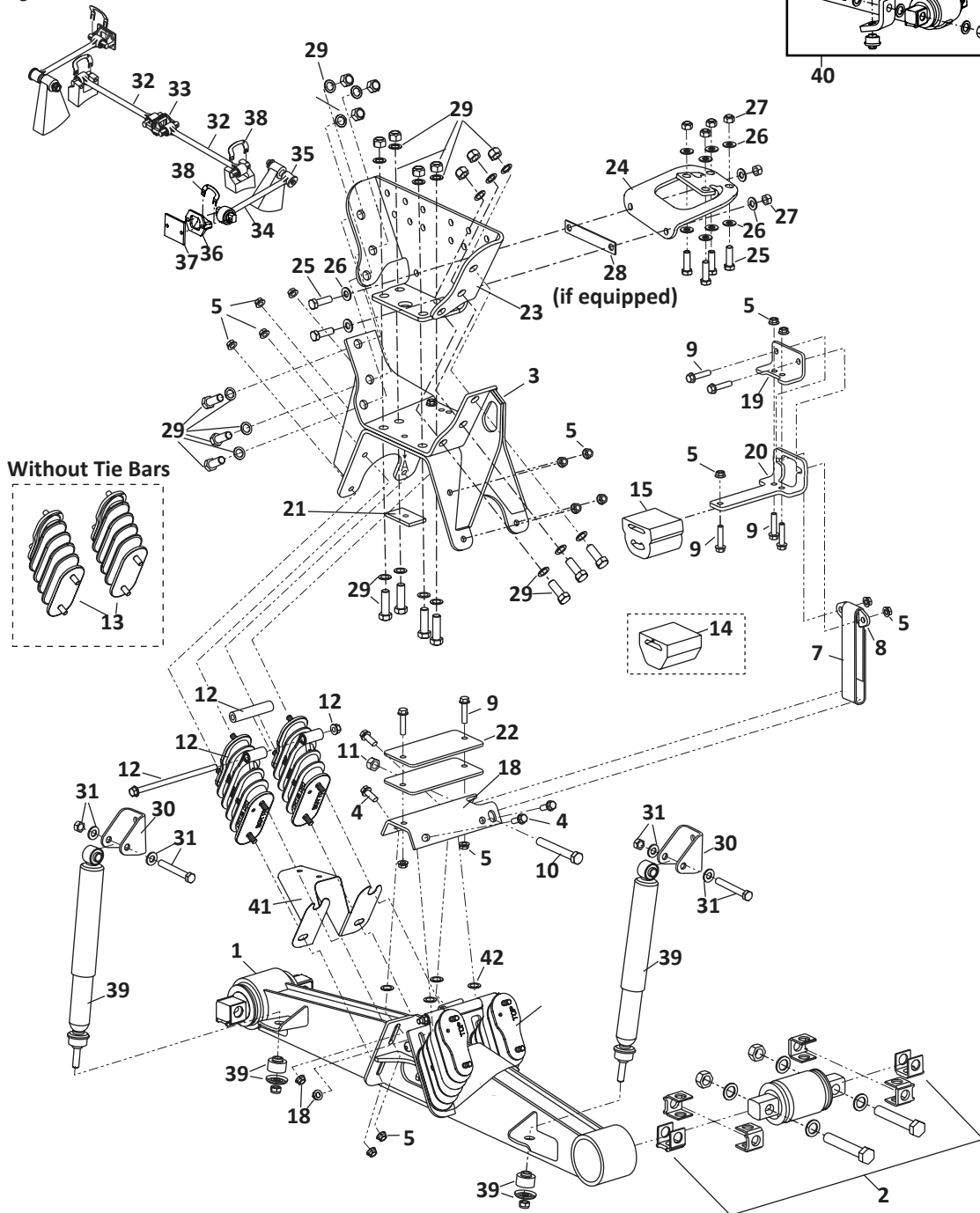
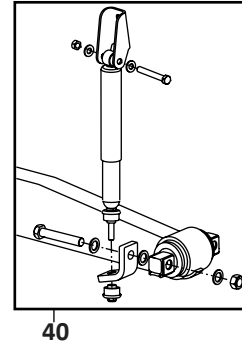
Auxiliary Spring Service Kit



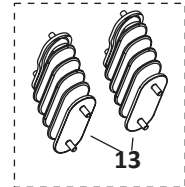
Progressive Load Spring Service Kit



Shock Retro-Fit Kit



































Without Tie Bars



Transverse Torque Rods must be used with this Suspension

HENDRICKSON

HAULMAAX Rubber Bolster Spring Suspension						
KEY NO.	EUCLID NO.	GENUINE	OEM REF.	DESCRIPTION	QTY. PER TANDEM	PAGE NO.
1	E-16353		64846-001	Equalizing Beam Assembly 54" with Shock Bracket	2	HND-203
	S.O.S.		Various	Equalizing Beam Assembly Specify Length and with or without Shock Bracket	2	-
2	E-9326		34013-088	Bar Pin Bushing Kit, Shim Type	4	HND-160
	E-14725		34013-188	Bar Pin Bushing Kit, Rotating Bushing, Shim Type	4	HND-160
3	S.O.S.		Various	Saddle Assembly	2	-
4	S.O.S.	-	60818-001	Flange Bolt 1/2"-13 X 1-1/2" Long	As Req.	-
5	E-16354	-	60819-000	Flange Lock Nut 1/2"-13	As Req.	-
6	E-15168		64179-028	Rebound Strap Service Kit, Includes Key Nos. 5, 7, 8, 9, 10 & 11	As Req.	HND-201
7	E-13986		57878-003	Rebound Strap	2	HND-202
8	E-15167		60612-000	Rebound Clip	2	HND-202
9	E-15189	-	60818-002	Flange Bolt 1/2"-13 X 2-1/4" Long	As Req.	-
10	E-15188	-	21867-007	Hex Bolt 3/4"-16 UNF X 6" Long	2	-
11	E-4961A	-	30191-000	Lock Nut 3/4"-16 UNF	2	-
12	E-14807		64179-048	Tie-Bar Bolster Spring Service Kit, Includes Key No. 41	4	HND-200
13	E-16356		64179-049	Bolster Spring w/o Tie-Bar Service Kit, Includes Key No. 41	4	HND-200
14	E-14047		60314-000	Auxiliary Load Spring for Vehicles Built Before 07/15/14	4	HND-200
15	E-14896		67778-000	Progressive Load Spring for Vehicles Built After 07/15/14	4	HND-201
16	E-14534		64179-004	Auxiliary Spring Service Kit for Vehicles Built Before 07/15/14, Includes Key Nos. 5, 9, 14. One Side	2	-
17	E-16357		60961-747	Progressive Load Spring Service Kit for Vehicles Built After 07/15/14, Includes Key Nos. 5, 9, 15. Tandem Set	1	HND-201
18	S.O.S.		57974-046	Contact Plate Kit, Includes Fasteners, One Side	2	-
19	S.O.S.		60613-000	Rebound Support Angle	2	-
20	S.O.S.		59384-000	Auxiliary Spring Bracket	2	-
21	S.O.S.		60874-000	Auxiliary Spring Spacer	2	-
22	E-15155		60791-000	Auxiliary Spring Shim, 0.25"	6	HND-201
23	S.O.S.		Various	Outboard Frame Bracket	2	-
24	S.O.S.		Various	Inboard Frame Bracket	2	-
25	S.O.S.	-	32043-004	Hex Bolt, 5/8"-11 X 2-1/4" Long	12	-
26	E-2547	-	22962-004	Hardened Washer, 5/8"	24	-
27	E-2988	-	47764-000	Lock Nut 5/8"-11	12	-
28	S.O.S.		Various	Inboard Spacer (if equipped)	2	-
29	E-16355		64179-039	Outboard Frame Bracket to Saddle Assembly Fastener Kit	2	HND-203
30	S.O.S.		60304-000	Upper Shock Bracket (if equipped)	4	-
31	E-5277	-	49176-001	Bolt Assembly 5/8"-18 x 4-1/2" Long, Includes Bolt, Nut, Washers	4	-
32	Torque Rod Selection Guide		Various	Ultra Rod Longitudinal Torque Rod Straddle/Straddle Assembly	2	HND-181
33	E-5275		47691-000	Ultra Rod Straddle Bushing	4	HND-194
34	Torque Rod Selection Guide		62350-000	Ultra Rod Transverse Torque Rod Straddle/Taper Assembly	2	HND-181
35	E-10309		64697-000H	Ultra Rod Taper Bushing	2	HND-183
36	E-2634		22186-000	Transverse Rod Frame Bracket	2	HND-194
37	E-15153		45045-003	Back-up Plate (for Torque Rod)	2	-
38	E-5281		49689-000	Torque Rod Shim	As Req.	HND-189
39	M83143	-	60680-004	Shock Absorber Assembly, 16-1/2" Saddle Ht.	4	-
	M83142	-	60680-005	Shock Absorber Assembly, 17-1/2" & 18-1/2" Saddle Ht.	4	-

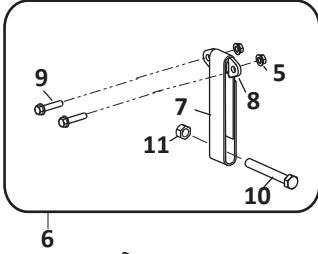
 Denotes Product is Genuine Hendrickson

Transverse Torque Rods must be used with this Suspension

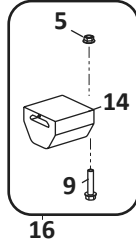
HENDRICKSON SUSPENSION

HAULMAX Rubber Bolster Spring Suspension

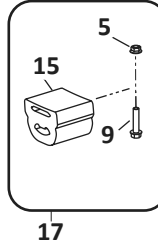
Rebound Rebound Strap Service Kit



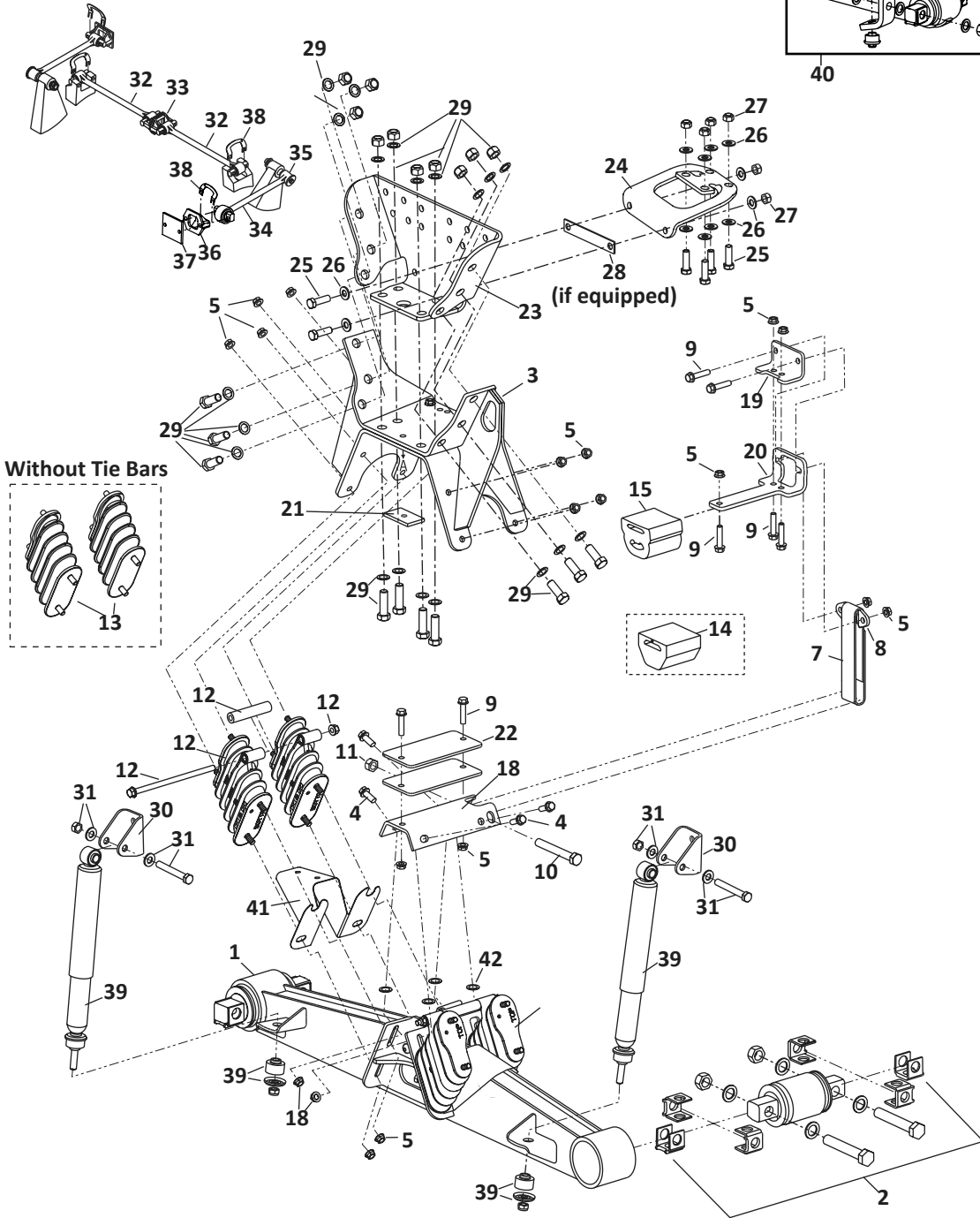
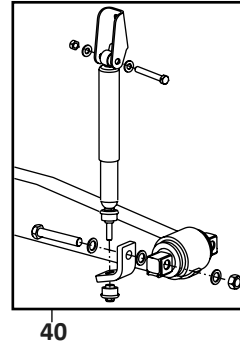
Auxiliary Spring Service Kit



Progressive Load Spring Service Kit



Shock Retro-Fit Kit



HENDRICKSON

Transverse Torque Rods must be used with this Suspension

HAULMAAX Rubber Bolster Spring Suspension						
KEY NO.	EUCLID NO.	GENUINE	OEM REF.	DESCRIPTION	QTY. PER TANDEM	PAGE NO.
40	S.O.S.		64178-003	Aftermarket Shock Absorber Service Kit, Tandem Set 16-1/2" Saddle Height Includes Shock, Brackets and Hardware	1	-
	S.O.S.		64178-004	Aftermarket Shock Absorber Service Kit, Tandem Set 17-1/2" & 18-1/2" Saddle Height Includes Shock, Brackets and Hardware	1	-
	S.O.S.		64178-009	Aftermarket Shock Absorber Service Kit, Tandem Set 16-1/2" Saddle Height, Mack Only Includes Shock, Brackets and Hardware	1	-
41	E-14535		64890-000 60498-001 60498-002	Wear Plate, Also Included in Bolster Spring Service Kit, Key Nos. 12 & 13	2	HND-203
42	S.O.S.		22962-014	Contact Plate Spacer, Required for Vehicles Built Prior to 11/07	8	-

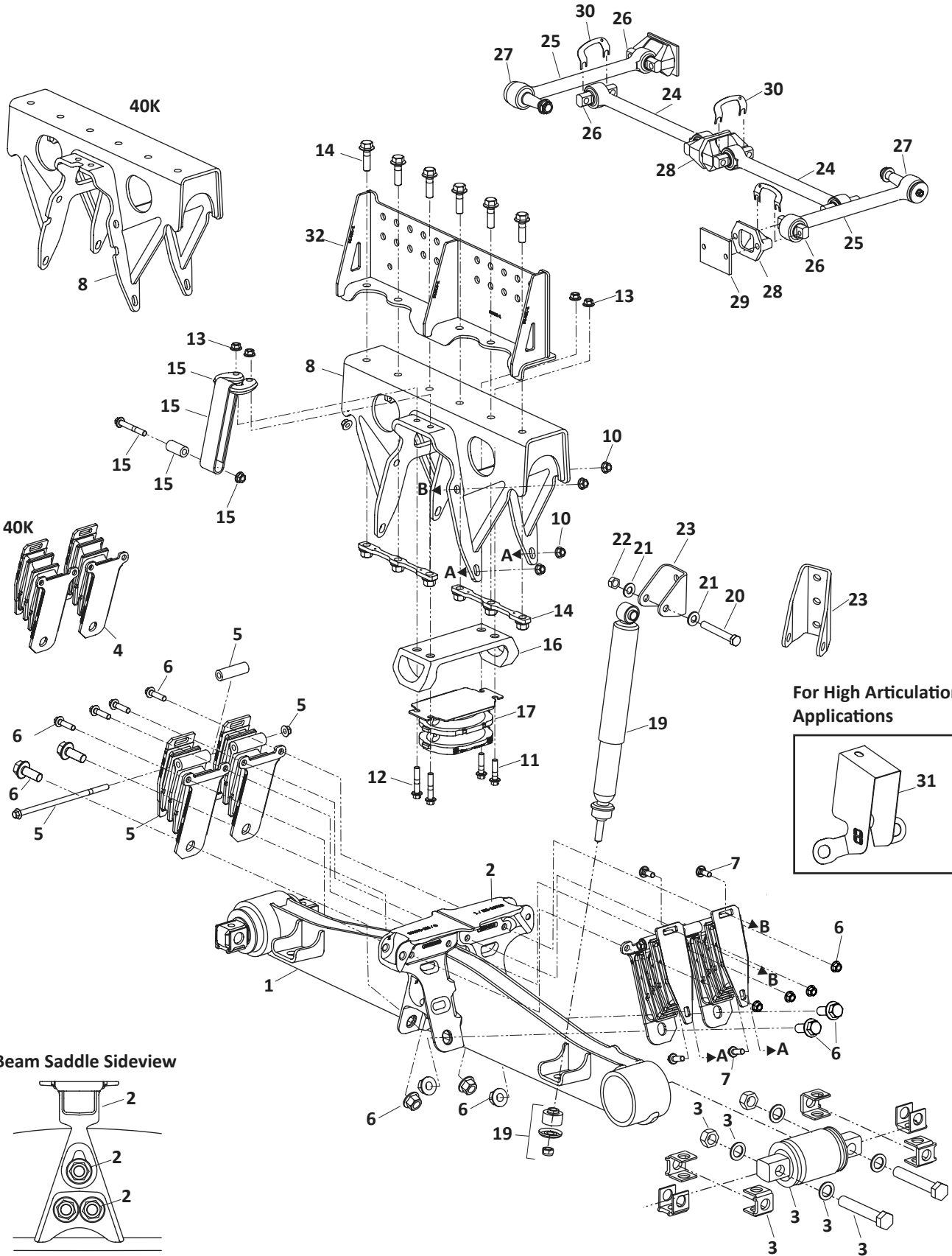
 Denotes Product is Genuine Hendrickson

Transverse Torque Rods must be used with this Suspension

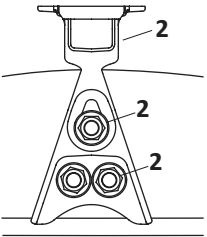
HENDRICKSON SUSPENSION

















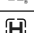

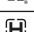



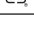










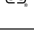



HAULMAX EX

HENDRICKSON



Beam Saddle Sideview



HAULMAX EX						
KEY NO.	EUCLID NO.	GENUINE	OEM REF.	DESCRIPTION	QTY. PER TANDEM	PAGE NO.
1	S.O.S.		Various	Equalizing Beam Assembly with Saddle	2	-
2	S.O.S.		34013-417	Equalizing Beam Saddle Service Kit, Includes Saddles and Hardware, One Beam	2	-
3	E-9326		34013-088L	Bar Pin Bushing Kit, Shim Type	4	HND-160
	E-14725		34013-188	Bar Pin Bushing Kit, Rotating Bushing, Shim Type, One Wheel End	4	HND-160
4	E-17654		34013-356	Bolster Spring w/o Tie-Bar Service Kit, Includes Mounting Hardware Key No. 6	4	HND-200
5	E-17655		34013-357	Tie-Bar Bolster Spring Service Kit, Includes Mounting Hardware Key No. 6	4	HND-200
6	-		-	Bolster Spring Mounting Hardware, Included in Bolster Spring Kits Key Nos. 4 & 5	-	-
7	S.O.S.		78875-035	Round Head Square Neck Bolt, M12 x 1.75-6G x 35mm. Included in Key No. 4, 5	16	-
8	S.O.S.		Various	Frame Saddle	2	-
9	S.O.S.		34013-359	Frame Saddle Service Kits, 40K Includes Key Nos. 7, 8, 10-14, One Side	2	-
	S.O.S.		34013-360	Frame Saddle Service Kits, 46K, 52K, Includes Key Nos. 7, 8, 10-14, One Side	2	-
	S.O.S.		34013-361	Frame Saddle Service Kits, 52K, Includes Key Nos. 7, 8, 10-14, One Side	2	-
10	S.O.S.		68974-000	Flange Nut, M12 x 1.75, Included in Frame Saddle Kits Key No. 4, 5, 9	16	-
11	S.O.S.		-	Flange Bolt, M12 x 1.75-6G x 50mm, Included in Frame Saddle Kits Key No. 9	4	-
12	S.O.S.		-	Flange Bolt, M12 x 1.75-6G x 65mm, Included in Frame Saddle Kits Key No. 9	4	-
13	S.O.S.		68974-000	Flange Nut, M12 x 1.75, Included in Frame Saddle Kits Key No. 9	18	-
14	S.O.S.		34013-362	Frame Saddle to Hanger Fastener Service Kit, One Side	2	-
15	E-17656		34013-354	Rebound Strap Service Kit, 40K, 46K Vehicles Originally equipped with One Strap, One Side	2	HND-202
	E-17657		34013-355	Rebound Strap Service Kit, 52K Vehicles Originally equipped with Dual Straps, One Side	2	HND-202
	E-17658		34013-363	Rebound Strap Service Kit, Aftermarket Dual Strap Enhancement, One Side	2	HND-202
16	S.O.S.		77234-090	Jounce Stop	2	-
17	S.O.S.		80329-070	Progressive Load Spring	2	-
18	S.O.S.		34013-358	Single Progressive Load Spring Service Kit, Vehicles Originally Equipped with One Strap, Includes Key Nos. 11-13, 17	1	-
	S.O.S.		34013-364	Single Progressive Load Spring Service Kit, Vehicles Originally Equipped with Dual Straps, Includes Key Nos. 12, 13, 17	1	-
19	M83143	-	60680-004	Shock Absorber, (if equipped), 14-7/8" – 15-1/2", 16", 16-1/2" Saddle Height	4	-
	M83142	-	60680-005	Shock Absorber, (if equipped), 17-1/4", 17-1/2" Saddle Height	4	-
	S.O.S.		60680-009	Shock Absorber, (if equipped), 18-3/4" – 18-1/2" Saddle Height	4	-
	S.O.S.		60680-010	Shock Absorber, (if equipped), 20-1/4", 20-1/2", 21-1/2", 22-1/2" Saddle Height	4	-
20	E-16227	-	-	Hex Bolt, 5/8"-11 UNC x 5" Hex Bolt (if equipped)	4	-
21	E-2547	-	-	Washer, 5/8" Dia. (if equipped)	8	-
22	E-2988	-	-	Locknut, 5/8"-11 UNC, (if equipped)	4	-
23	S.O.S.		60304-000	Upper Shock Bracket, (if equipped), Except for Volvo	4	-
	S.O.S.		94351-001	Upper Shock Bracket, (if equipped), Volvo Only	4	-
24	Torque Rod Selection Guide		Various	Ultra Rod Longitudinal Torque Rod Straddle/Straddle Assembly	2	HND-181
25	Torque Rod Selection Guide		62350-000	Ultra Rod Transverse Torque Rod Straddle/Taper Assembly	2	HND-181
26	E-5275		47691-000	Ultra Rod Straddle Bushing	6	HND-191
27	E-10309		64697-000	Ultra Rod Taper Bushing	2	HND-183
28	E-2634		22186-000	Transverse Rod Frame Bracket	4	HND-194
29	E-15153		45045-003	Back-Up Plate (for Torque Rod)	4	-
30	E-5281		49689-000L	Torque Rod Shim	As Req.	HND-194
31	S.O.S.		34013-413	Aftermarket Shield Plate Service Kit for High Articulation Applications, Includes Shield Plate and Hardware	1	-
32	S.O.S.		Various	Frame Hanger	2	-
-	E-17659	-	70867-001	Torque Rod Bushing P-80 Lubricant, 10 ml (Not Shown) per Bushing	1	HND-183

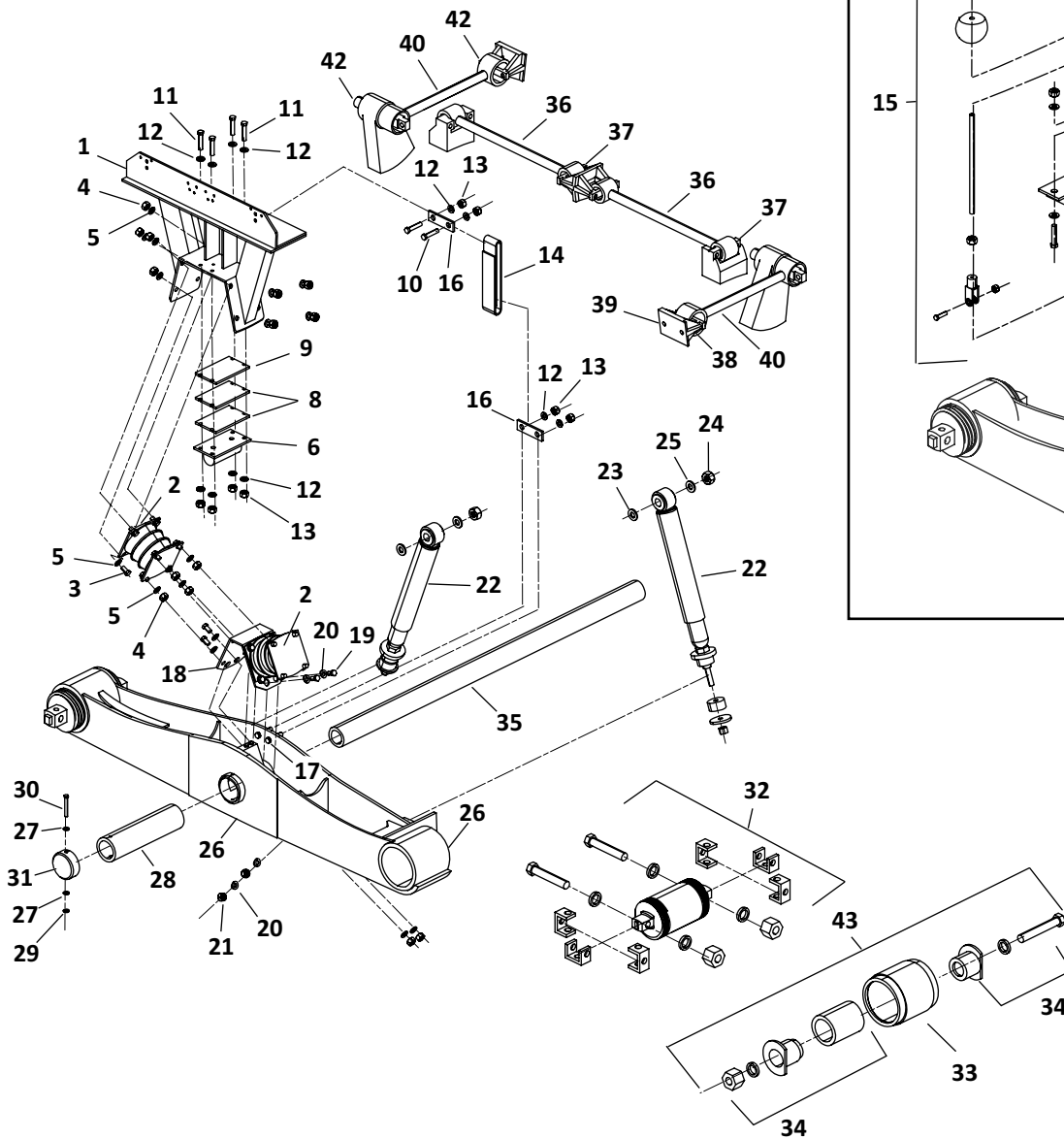
 Denotes Product is Genuine Hendrickson

HENDRICKSON SUSPENSION

HN 400 – 460 Rubber Bolster Spring Built Between 11/88 & 9/97

HENDRICKSON

Rebound Bumper Stop For
Vehicles Manufactured
Prior to February 1996



Transverse Torque Rods must be used with this Suspension

HN 400 – 460 Rubber Bolster Spring Built Between 11/88 & 9/97

KEY NO.	EUCLID NO.	GENUINE	OEM REF.	DESCRIPTION	VEHICLE BUILD DATES		PAGE NO.
					BEFORE 02/96	03/96 – 09/97	
1	S.O.S.	☒	58223-0XX	Saddle Assembly	2	2	-
2	S.O.S.	☒	64718-000	Bolster Spring, Set of 2, Vehicles Manufactured Before 02/96	2	-	-
	E-11496	☒	60879-000	Bolster Spring, Set of 2, Vehicles Manufactured After 03/96	-	2	HND-200
-	E-16398	-	-	Bolster Spring Fastener Kit for One Bolster Spring, Includes Key Nos. 3, 4, 5	4	4	HND-200
3	E-15191	-	25114-011	Bolt, 7/16"-20 X 1-1/4" Long	32	32	-
4	E-16336	-	48949-000	Locknut, 7/16" 1-20 UNF	32	32	HND-196
5	E-16399	-	22962-027	Washer, 7/16"	64	64	-
6	S.O.S.	☒	57962-000	Auxiliary Spring Assembly	-	2	-
7	E-9417	☒	49399-000	Rebound Rubber Stop Kit Vehicle Manufactured Before 02/96	2	-	HND-202
8	E-15165	☒	57993-002	Auxiliary Spring Shim	-	4	HND-201
9	S.O.S.	☒	57993-003	Auxiliary Spring Shim	-	6	-
10	S.O.S.	-	24531-018	Bolt, 1/2"-13 X 2-3/4" Long	-	4	-
11	S.O.S.	-	24531-019	Bolt, 1/2"-13 X 1-3/4" Long	-	8	-
12	S.O.S.	-	22962-014	Washer, 1/2"	-	40	-
13	E-16402	-	49846-000	Locknut, 1/2"-13	-	16	-
14	E-13986	☒	57878-003	Rebound Strap	-	2	HND-202
15	E-9414	☒	49768-000	Rebound Control Kit, Vehicle Manufactured Before 02/96	2	-	HND-203
16	S.O.S.	☒	57787-000	Anchor Plate	-	2	-
17	S.O.S.	-	24531-017	Bolt, 1/2"-13 X 2-1/4" Long	-	4	-
18	E-16401	☒	57461-000	Saddle Vee Bracket	-	2	HND-203
-	S.O.S.	☒	58440-001	Vee Plate Fastener Kit, Includes Key Nos. 19, 20, 21	-	1	-
19	S.O.S.	-	50764-006	Bolt, 3/4"-10 X 2" Long	-	8	-
20	E-2545	-	22962-001	Washer, 3/4"	-	16	-
21	E-4347	-	49842-000	Locknut, 3/4" -10	-	8	-
22	M83109	-	60680-002	Shock Absorber, Vehicle Manufactured Before 02/96	4	-	-
	M83112	-	60680-003	Shock Absorber, Vehicle Manufactured After 03/96	-	4	-
23	E-2545	-	22962-001	Washer, 3/4"	4	4	-
24	E-1943	-	30585-000	Locknut, 5/8"	4	4	-
25	E-2547	-	22962-004	Washer, 5/8"	4	4	-
26	S.O.S.	☒	Various	Equalizing Beam Assembly (Specify Length and Model Year)	2	2	-
27	S.O.S.	-	22962-028	Washer, 1/4"	4	4	-
28	E-9411	☒	49972-000	Nylon Center Bushing	2	2	HND-203
29	S.O.S.	-	49983-000	Locknut, 1/4"-20	2	2	-
30	S.O.S.	-	50698-000	Bolt, 1/4"-20 X 4-1/2" Long	2	2	-
31	E-9413	☒	56910-000	Center End Cap	2	2	HND-204
32	E-9325	☒	34013-087	Bar Pin Bushing Kit, Non-Shim Type (Includes Mounting Hrdw)	4	4	HND-160
	E-9326	☒	34013-088	Bar Pin Bushing Kit, Shim Type (Includes Mounting Hrdw & Shims)	4	4	HND-160
-	E-9327	☒	50130-000	Bar Pin Shim .19/.19	As Required	As Req.	-
-	E-9328	☒	50131-000	Bar Pin Shim.25/.12	As Req.	As Required	HND-160
33	E-1341A	☒	45900-000	End Beam Bushing, Old Style	4	-	HND-161

☒ Denotes Product is Genuine Hendrickson

HENDRICKSON

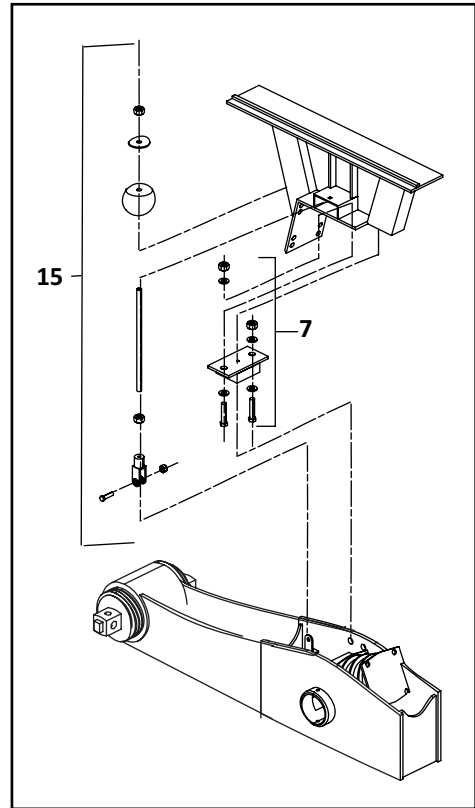
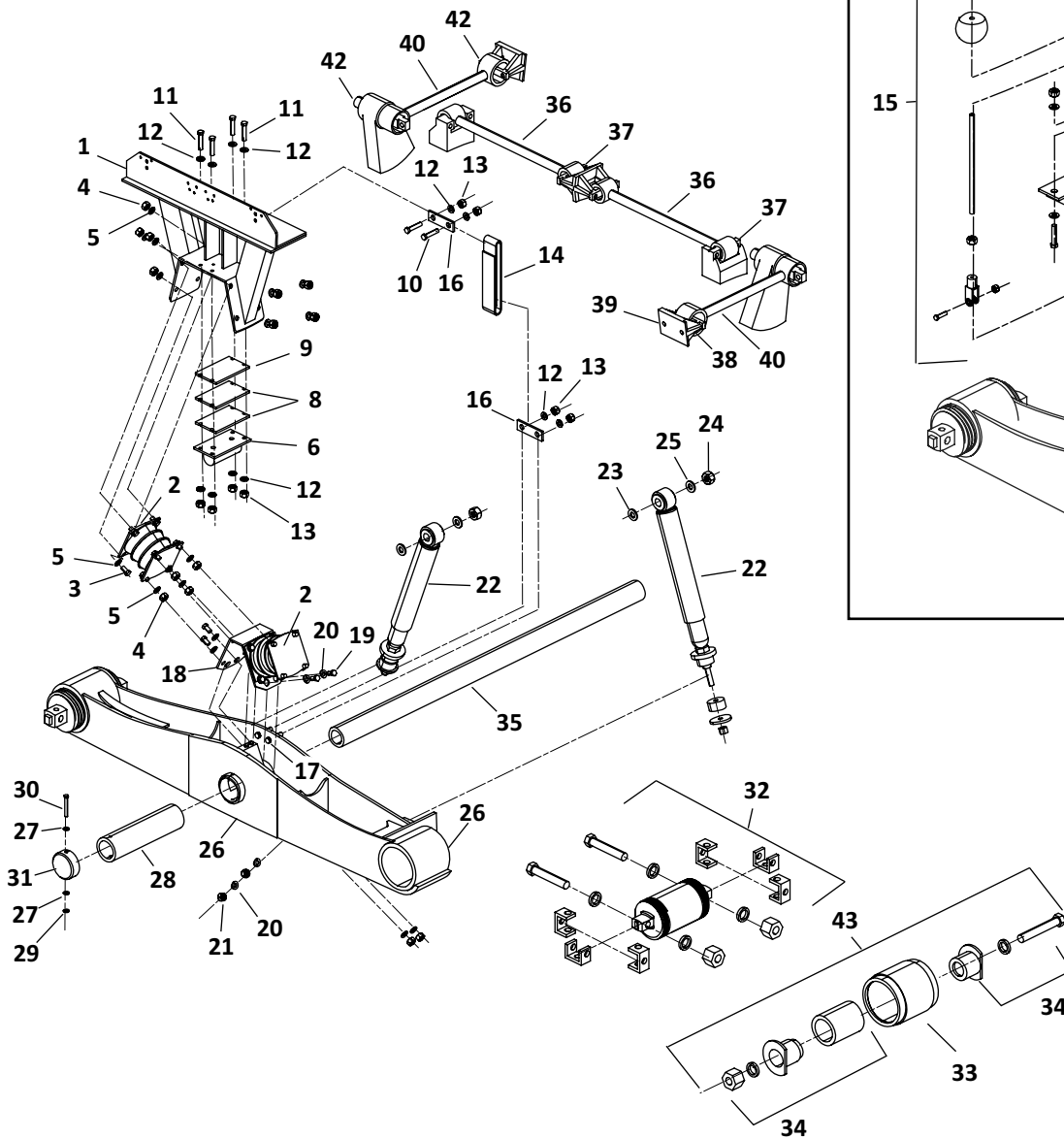
Transverse Torque Rods must be used with this Suspension

HENDRICKSON SUSPENSION

HN 400 – 460 Rubber Bolster Spring Built Between 11/88 & 9/97

HENDRICKSON

Rebound Bumper Stop For
Vehicles Manufactured
Prior to February 1996















Transverse Torque Rods must be used with this Suspension

HENDRICKSON SUSPENSION

Suspension

HN 400 – 460 Rubber Bolster Spring Built Between 11/88 & 9/97

KEY NO.	EUCLID NO.	GENUINE	OEM REF.	DESCRIPTION	VEHICLE BUILD DATES		PAGE NO.
					BEFORE 02/96	03/96 – 09/97	
34	E-9420		21140-034	End Beam Adapter, Old Style, 46K	4	-	HND-161
	E-2374		45000-007	End Beam Adapter, Old Style, 40K	4	-	HND-161
35	E-9412		44643-011	Cross Tube	1	1	HND-164
36	E-13989		60218-000	Two Piece ULTRA ROD Longitudinal Torque Rod Straddle/Straddle Kit	2	2	HND-185
37	E-5275		47691-000	ULTRA ROD Straddle Bushing	4	4	HND-189
38	E-2634		22186-000	Torque Rod Frame Bracket	4	4	HND-194
39	E-15153		45045-003	Backup Plate	2	2	-
40	E-13988		60215-000	Two Piece ULTRA ROD Transverse Torque Rod Straddle/Taper Kit	2	2	HND-185
41	E-5275		47691-000	ULTRA ROD Straddle Bushing	2	2	HND-189
42	E-10309		64697-000	ULTRA ROD Taper Bushing	2	2	HND-183
43	E-5309		34013-049	End Beam Bushing and Adapter Kit, 40K	4	4	HND-160
	E-9576		34013-073	End Beam Bushing and Adapter Kit, 46K	4	4	HND-160

 Denotes Product is Genuine Hendrickson

HENDRICKSON

Transverse Torque Rods must be used with this Suspension

U.S. 888-725-9355
Canada 800-387-3889

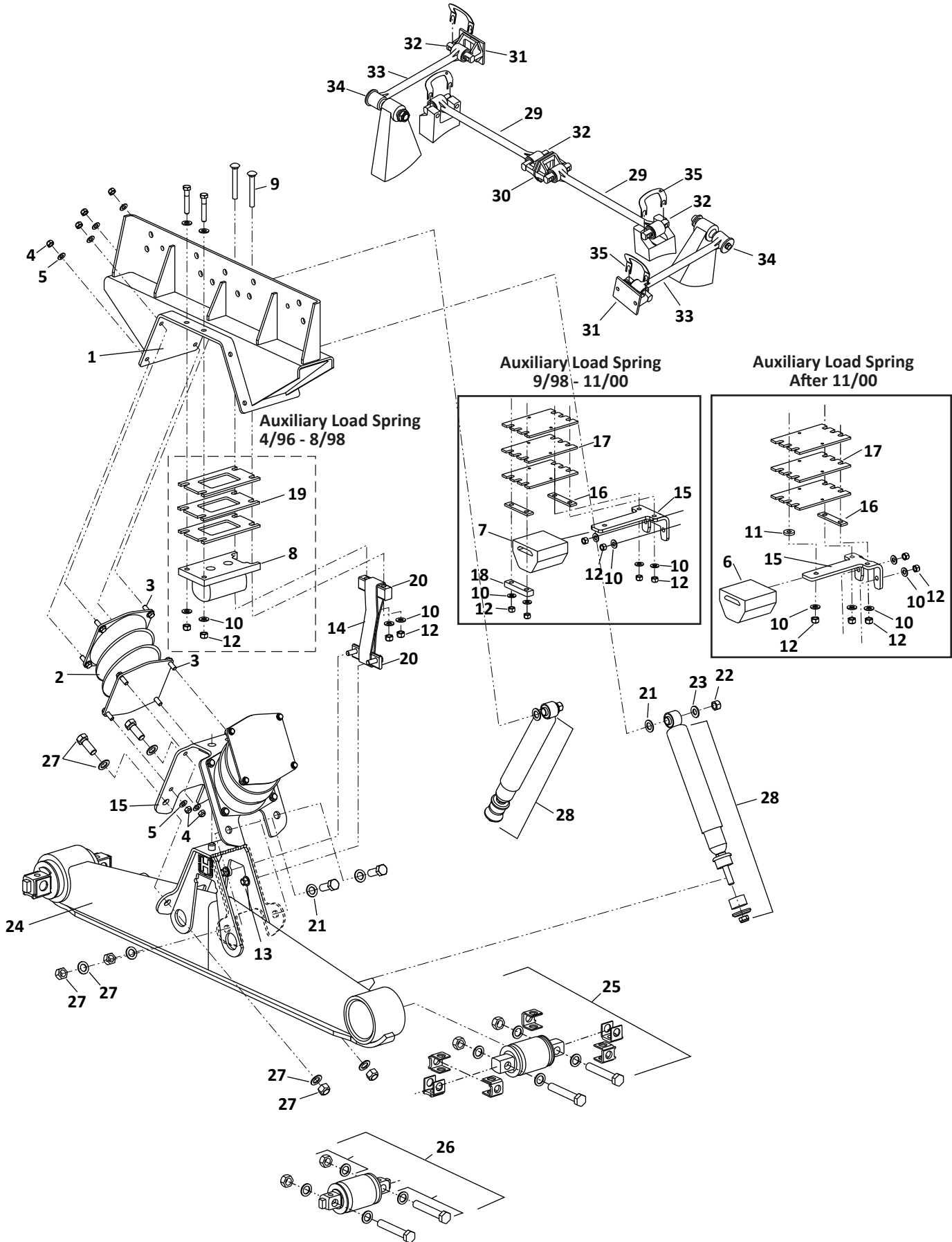
MeritorPartsXpress.com
700F-HND (07-23)

HND-105

HENDRICKSON SUSPENSION

Hendrickson HN-402/462/522 & HN-FR
Rubber Bolster Spring Built Between 4/96 & 11/00

HENDRICKSON



Transverse Torque Rods must be used with this Suspension

HENDRICKSON SUSPENSION

Suspension

Hendrickson HN-402/462/522 & HN-FR Rubber Bolster Spring Built Between 4/96 & 11/00

KEY NO.	EUCLID NO.	GENUINE	OEM REF.	DESCRIPTION	QTY. PER TANDEM				PAGE NO.
					HN 402/462/522 VEHICLE BUILD DATE				
					4/96 – 8/98	9/98 – 11/00	AFTER 11/00	HN-FR	
1	S.O.S.		Various	HN-402/462/522 Saddle Assembly	2	2	2	2	-
2	E-11496		60879-000	Bolster Spring Service Kit, 1 Pair for One Side (Must Be Replaced In Pairs)	2	2	2	2	HND-200
-	E-16398	-	-	Bolster Spring Fastener Kit for One Bolster Spring, Includes Key Nos. 3, 4, 5	4	4	4	4	HND-200
3	E-15191	-	25114-011	7/16"-20-1-1/4" Bolt	32	32	32	32	-
4	E-16336	-	48949-000	7/16"-20 Locknut	32	32	32	32	-
5	E-16399	-	22962-027	7/16" Washer	64	64	64	64	-
6	E-14047		60314-000	Auxiliary Load Spring, 3-3/8" High	-	-	2	2	HND-200
7	S.O.S.		58947-000	Auxiliary Load Spring, 2-1/8" High	-	2	-	2	-
8	E-15164		58189-000	Auxiliary Load Spring, No Longer Available, Use Conversion Kit E-15164	2	-	-	-	HND-200
9	S.O.S.		58196-006	1/2"-13 x 2-3/4" Round Head Square Neck Bolt	-	-	6	6	-
	S.O.S.		58196-004	1/2"-13 x 2-1/4" Round Head Bolt	-	4	-	-	-
	S.O.S.		24531-016	1/2"-13 x 3-1/2" Hex Head Bolt	-	4	-	-	-
	S.O.S.		58196-002	1/2"-13 x 3-1/2" Round Head Bolt	4	-	-	-	-
	S.O.S.		24531-017	1/2"-13 x 2-1/4" Hex Head Bolt	4	-	-	-	-
10	E-9603	-	22962-011	1/2" Washer	16	12	6	6	-
11	S.O.S.		22962-020	Outboard Spacer (1/4" Thick)	-	-	2	2	-
12	E-16402		49846-000	1/2"-13 Locknut	6	6	6	6	-
13	E-15176		58343-001	Saddle Vee Bracket	2	2	2	2	HND-203
14	E-13986		57878-003	Rebound Strap	2	2	2	2	HND-202
15	E-15171		58948-001 58948-000	Auxiliary Load Spring Mounting Plate, 1/4" Thick	-	2	2	2	HND-201
16	E-15172		58949-000	Auxiliary Spring Mounting Plate Shim	-	4	2	2	HND-201
17	E-15173		58960-003	Auxiliary Spring Mounting Shim	-	-	6	6	HND-201
18	E-15166		58524-000	7/8" Rebound Strap Mounting Plate	-	6	-	-	HND-202
19	E-15165		57993-002	Auxiliary Spring Mounting Shim	6	-	-	-	HND-201
20	E-16400		60639-000	Anchor Plate Assembly Includes Anchor Plate 1/2" Washer 1/2" Lock Nut	4	4	4	4	HND-202
21	E-2545	-	22962-001	Washer, 3/4"	4	4	4	4	-
22	E-1943	-	30585-000	Locknut, 5/8"-18	4	4	4	4	-
23	E-2547	-	22962-004	Washer, 5/8"	4	4	4	4	-
24	S.O.S.		Various	Equalizing Beam Assembly, Specify Model, Length, Bushing Type & Production Date	2	2	2	2	-
25	E-9326		34013-088	Bar Pin Bushing Service Kit, Shim Type (Includes Mounting Hrdw & Shims)	4	4	4	4	HND-160
	E-14725		34013-188	Bar Pin Bushing Service Kit, Rotating & Shim Type (Includes Mounting Hrdw & Shims)	4	4	4	4	HND-160
-	E-9327		50130-000	Bar Pin Shim .19/.19	As Req.				HND-160
-	E-9328		50131-000	Bar Pin Shim .25/.12	As Req.				HND-160
26	E-9325		34013-087	Bar Pin Bushing Service Kit, Non-Shim Type (Includes Mounting Hrdw)	4	4	4	4	HND-160
27	S.O.S.		58440-001	Vee Plate Fastener Service Kit (Includes 3/4" Bolt, Nut and Washer)	2	2	2	2	-

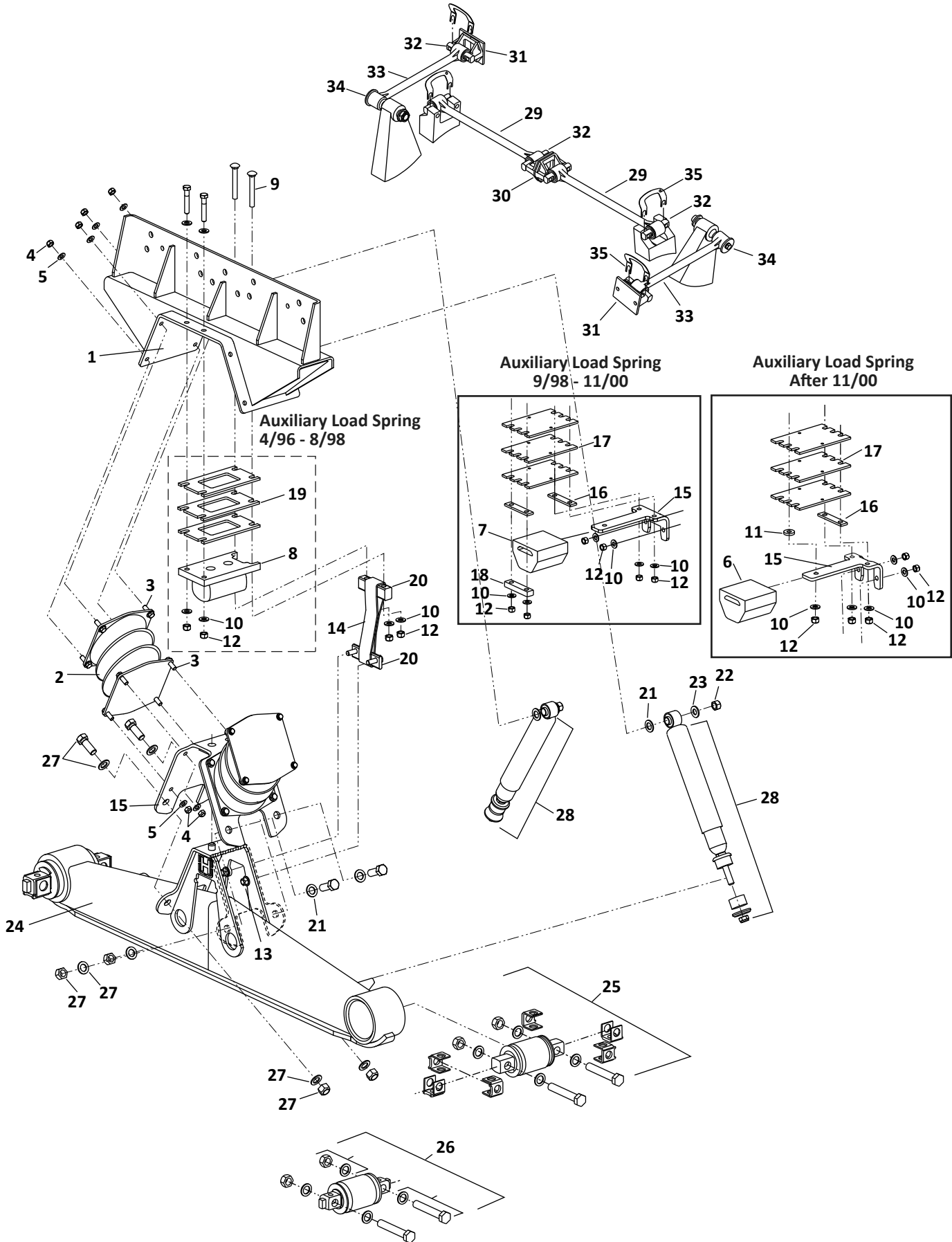
Denotes Product is Genuine Hendrickson

Transverse Torque Rods must be used with this Suspension

HENDRICKSON SUSPENSION






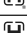

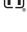


Hendrickson HN-402/462/522 & HN-FR
Rubber Bolster Spring Built Between 4/96 & 11/00


HENDRICKSON



Transverse Torque Rods must be used with this Suspension

Hendrickson HN-402/462/522 & HN-FR Rubber Bolster Spring Built Between 4/96 & 11/00

KEY NO.	EUCLID NO.	GENUINE	OEM REF.	DESCRIPTION	QTY. PER TANDEM HN 402/462/522 VEHICLE BUILD DATE				PAGE NO.
					4/96 – 8/98	9/98 – 11/00	AFTER 11/00	HN-FR	
					28	M83112	-	60680-003	
29	E-13989		60218-000	Torque Rod Kit, ULTRA ROD, Two Straddle Mount Bushing, 27" Max Length	2	2	2	2	HND-185
	S.O.S.		60223-000	Torque Rod Kit, ULTRA ROD, Two Straddle Mount Bushing, 35" Max Length	-	-	-	2	-
30	E-2634		22186-000	Transverse Rod Frame Bracket, 4-3/8" Holes Center-to-Center	2	2	2	2	HND-194
	E-15183		46015-000	Transverse Rod Frame Bracket, 5-1/4" Holes Center-to-Center	-	-	-	2	-
31	E-15153		45045-003	Back Up Plate, 4-3/8" Holes Center-to-Center	2	2	2	2	-
	S.O.S.		46869-005	Back Up Plate, 5-1/4" Holes Center-to-Center	-	-	-	2	-
32	E-5275		47691-000	ULTRA ROD Straddle Bushing	2	2	2	2	HND-194
33	E-13988		60215-000	Transverse Torque Rod Kit, ULTRA ROD, Straddle and Tapered Bushings	2	2	2	2	HND-185
34	E-10309		64697-000	ULTRA ROD Tapered Bushing	-	-	-	2	HND-183
35	E-5281		49689-000	Torque Rod Shim	As Req.				HND-194

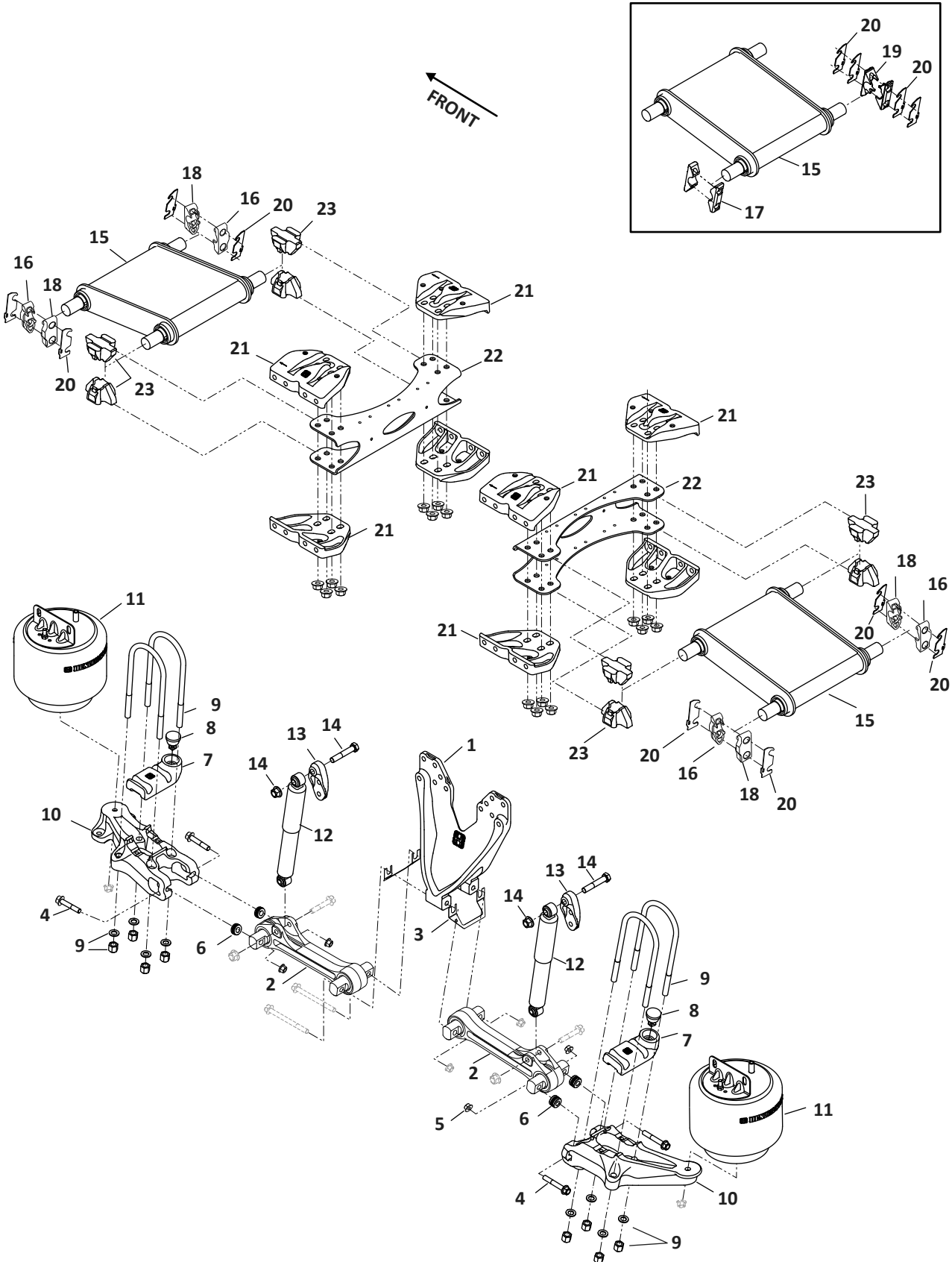
 Denotes Product is Genuine Hendrickson

Transverse Torque Rods must be used with this Suspension

HENDRICKSON SUSPENSION

HTB 400LT for International

HENDRICKSON



HTB 400LT for International						
KEY NO.	EUCLID NO.	GENUINE	OEM REF.	DESCRIPTION	QTY. PER TANDEM	PAGE NO.
1	S.O.S.	☒	65700-000	Frame Hanger	2	-
2	E-16364	☒	77906-398	Torque Rod Assembly; New Style. Non-Replaceable Bushings; Replaces 64768-398	4	HND-205
	-	☒	64768-398	Torque Rod Assembly; Old Style w/ Replaceable Bushings	4	-
3	S.O.S.	☒	65640-001	.030" Torque Rod Shims	As Req.	-
	S.O.S.	☒	65640-002	.060" Torque Rod Shims	As Req.	-
	S.O.S.	☒	65640-003	.120" Torque Rod Shims	As Req.	-
4	S.O.S.	☒	Various	5/8"-11 Torque Rod Flange Bolt, See Chart Below	8	-
5	E-8911	-	66637-000	5/8"-11 Torque Rod Flange Locknut	8	-
6	S.O.S.	☒	Various	Pinion Spacer, See Chart Below	8	-
7	S.O.S.	☒	65708-000	Axle Top Pad Assembly; Includes Key No. 8	4	-
8	E-15148	☒	64080-000	Axle Stop	4	HND-205
9	S.O.S.	☒	48718-116	U-Bolt Assembly Incl. Nuts, Washers	4	-
10	S.O.S.	☒	Various	Lower Air Spring Bracket, See Chart Below	2	-
11	S.O.S.	☒	66643-002	Air Spring Assembly; Replaces 60977-002L	4	-
12	M85102	-	60657-008 60657-006 60657-010 60657-011	Shock Absorber, All Models	4	-
13	E-15177	☒	67463-002	Shock Absorber Frame Bracket; Replaces 65000-002	4	HND-215
14	S.O.S.	☒	50754-022	Upper Shock Mount Fastener Kit, One Shock	4	-
15	E-16366	☒	64785-007B	Torque Box Assembly; Replaces 64785-001, 64785-002B	2	HND-205
16	S.O.S.	☒	67157-001	Axle Bracket Bar Pin Clamp LH; Vehicles Built After 10/07	4	-
17	S.O.S.	☒	66174-000	Axle Bracket Bar Pin Clamp Non-Adjustable; Vehicles Built Prior to 10/07	4	-
18	S.O.S.	☒	67157-002	Axle Bracket Bar Pin Clamp RH; Vehicles Built After 10/07	4	-
19	S.O.S.	☒	66274-000	Axle Bracket Bar Pin Clamp Adjustable; Vehicles Built Prior to 10/07	4	-
20	S.O.S.	☒	67237-001	Axle Bracket Spacer (3/32") Vehicles Built After 10/07	8	-
	S.O.S.	☒	65737-001	Axle Bracket Spacer (3/32") Vehicles Built Prior to 10/07	8	-
21	S.O.S.	☒	65705-001	Cross Member Gusset LH Top; RH Bottom	4	-
	S.O.S.	☒	65705-002	Cross Member Gusset LH Bottom; RH Top	4	-
22	S.O.S.	☒	67478-000	Cross Member C-Channel; Replaces 64970-000	2	-
23	S.O.S.	☒	65144-000	Cross Member Bar Pin Clamp	8	-

☒ Denotes Product is Genuine Hendrickson

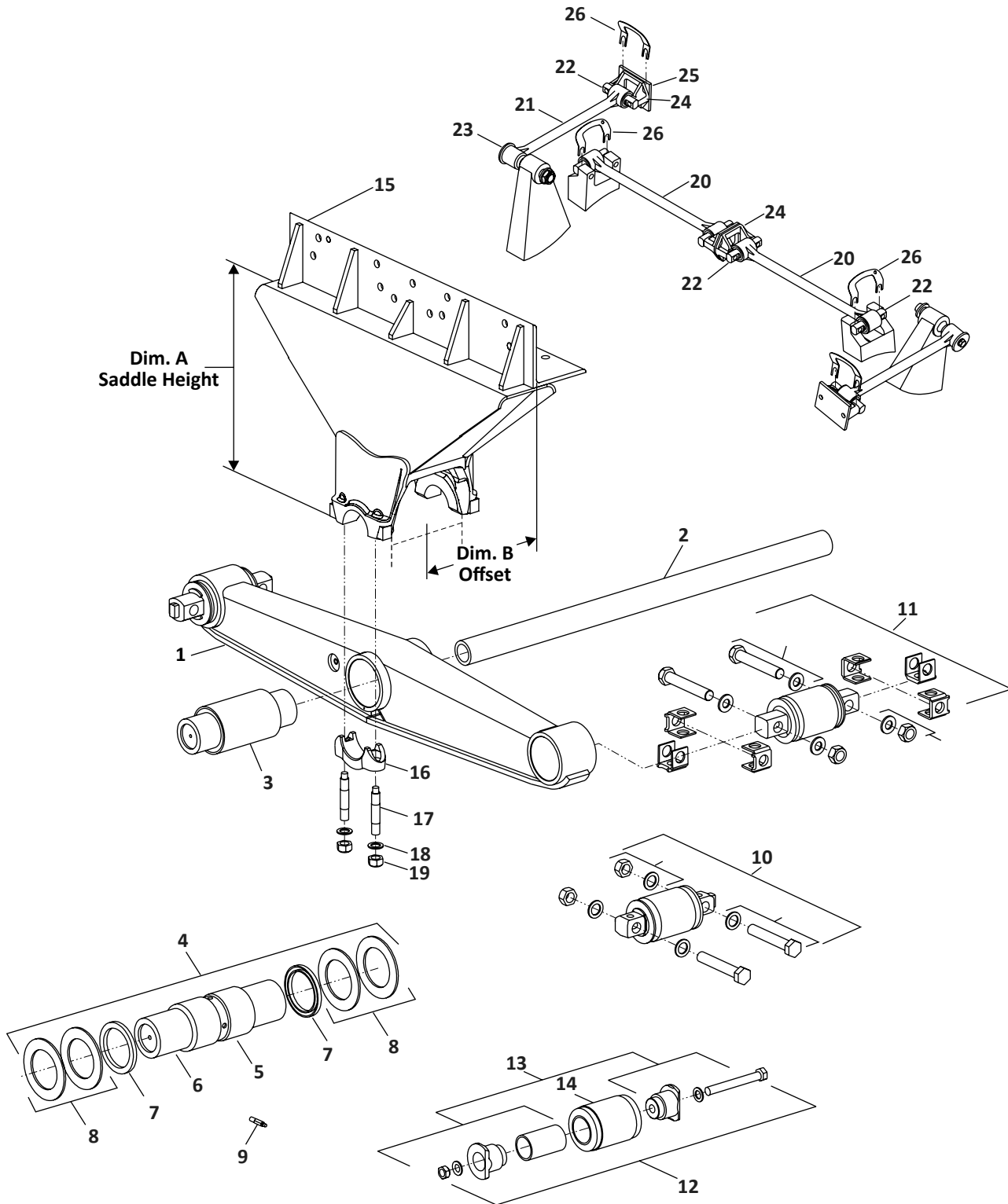
HENDRICKSON











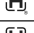

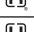
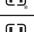
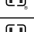
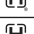


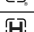


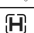













HTB LT PINION ANGLE CHART							
		KEY NO. 10		KEY NO. 6		KEY NO. 4	
		HENDRICKSON AIR SPRING BRACKET PART NO.		HENDRICKSON PINION SPACER PART NO.		HENDRICKSON TORQUE ROD FLANGE BOLT	
		PINION ANGLE	LEFT HAND	RIGHT HAND	THICKNESS	PART NO.	LENGTH
FRONT	2°	-	-	None	None	3-½"	66636-004
	3°	65638-001	65638-002	8mm	66193-001	4"	66636-003
	4°	-	-	16mm	66193-002	-	-
	5°	-	-	24mm	66193-003	4-½"	66636-002
REAR	8°	-	-	24mm	66193-003	4-½"	66636-002
	9°	65698-001	65698-002	16mm	66193-002	4"	66636-003
	10°	-	-	8mm	66193-001	-	-
REAR	11°	-	-	24mm	66193-003	4-½"	66636-002
	12°	64764-001	64764-002	16mm	66193-002	-	-
	13°	-	-	8mm	66193-001	4"	66636-003

HENDRICKSON SUSPENSION

R400/460/480/520 Series Tandem Axle Suspension

HENDRICKSON



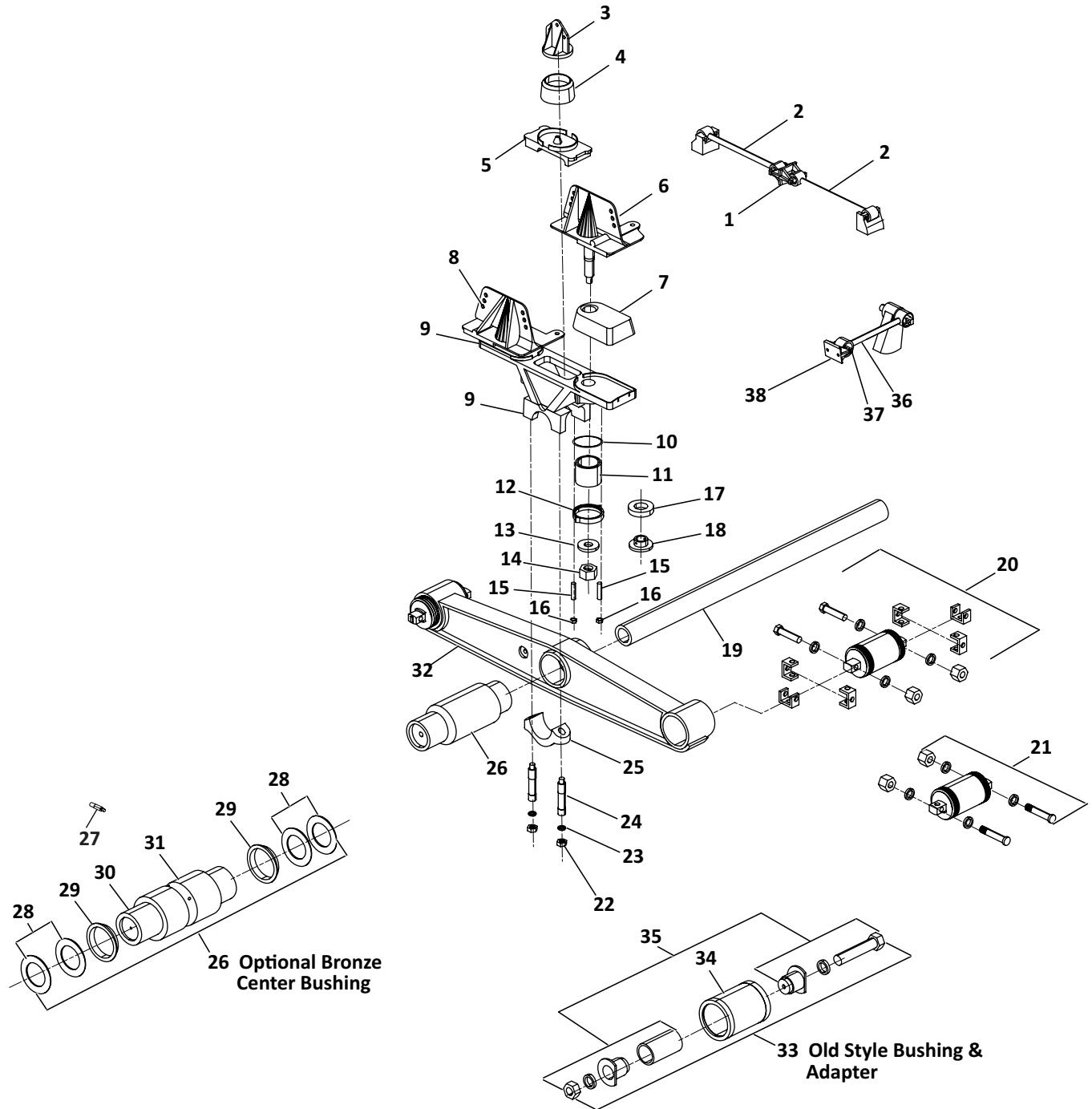
R400/460/480/520 Series Tandem Axle Suspension						
KEY NO.	EUCLID NO.	GENUINE	OEM REF.	DESCRIPTION	QTY. PER TANDEM	PAGE NO.
1	S.O.S.		Various	Equalizing Beam Assembly	2	-
2	E-1842		44643-009	Cross Tube, 44-7/8" Length used on 400/460/480 Series	1	HND-164
	E-9426		07622-003	Cross Tube, 46" Length used on 520 Series.	1	HND-164
3	E-6979		49400-000	Rubber Center Bushing R400/460 Series with Welded End Plug	2	HND-158
	E-6980		49600-000	Rubber Center Bushing R400/460 Series with Loose End Plug	2	HND-158
	E-9359		29483-005	Rubber Center Bushing R480/520 Series with Welded End Plug	2	HND-158
	E-16416		34013-097	Rubber Center Bushing R480/520 Series with Loose End Plug	2	HND-158
4	E-1546		30437-000	Bronze Center Bushing Service Kit for Two Beams, Includes Key Nos. 5-9	2	HND-159
5	E-1552		30240-002	Bronze Center Bushing	2	HND-159
6	E-1551		14685-000	Beam Center Sleeve	2	HND-159
7	E-1553		30334-000	Beam Center Seal	4	HND-159
8	E-2021		32365-000	Thrust Washer	8	HND-159
9	S.O.S.		30087-000	Grease Fitting	2	-
10	E-9325		34013-087	Bar Pin Bushing Kit, Non-Shim Type	4	HND-160
11	E-9326		34013-088	Bar Pin Bushing Kit, Shim Type	4	HND-160
	E-14725		34013-188	Bar Pin Bushing Kit, Rotating Shim Type	4	HND-160
	E-5309		34013-049	Rubber End Bushing and Adapter Service Kit, R400	4	HND-160
12	E-9576		34013-073	Rubber End Bushing and Adapter Service Kit, R460	4	HND-160
	E-9577		34013-050	Rubber End Bushing and Adapter Service Kit, R480	4	HND-160
	S.O.S.		34013-051	Rubber End Bushing and Adapter Service Kit, R520	4	-
13	E-2374		45000-007	Adapter w/o Bushing Service Kit, R400 Series	4	HND-161
	E-9420		21140-034	Adapter w/o Bushing Service Kit, R460/480/520 Series for 5-3/4" Long Bushing	4	HND-161
	E-9421		21140-033	Adapter w/o Bushing Service Kit, R520 Series for 6" Long Bushing	4	HND-161
14	E-1341A		45900-000	Rubber End Bushing, R400/460 Series	4	HND-161
	E-2771		29878-001	Rubber End Bushing, R480/520 Series 5-3/4" Long Bushing	4	HND-161
	E-9419		45407-000	Rubber End Bushing, R520 Series 6" Long Bushing	4	HND-161
15	S.O.S.		Various	Saddle Assembly	2	-
16	E-1833A		58795-000	Saddle Cap	4	HND-166
17	E-1830		06696-000	7/8"-14 UNF Saddle Cap Stud	8	HND-166
18	E-1834	-	22962-002	Washer, 7/8" Hardened	8	-
19	E-1835	-	04842-000	Locknut, 7/8"-14 UNF Saddle Cap	8	-
20	E-13989		60218-000	Two-Piece ULTRA ROD Assembly with Bushings Straddle/Straddle	2	HND-185
21	E-13988		60215-000	Two-Piece ULTRA ROD Assembly with Bushings Straddle/Taper	2	HND-185
22	E-5275		47691-000	Ultra Rod Straddle Bushing	4	HND-194
23	E-10309		64697-000H	Ultra Rod Taper Bushing	2	HND-183
24	E-2634		22186-000	Torque Rod Bracket	4	-
25	E-15153		45045-003	Torque Rod Back-up Plate	2	-
26	E-5281		49689-000	Torque Rod Shim	As Req.	HND-194

 Denotes Product is Genuine Hendrickson






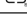

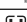





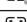








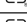

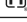



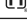








HENDRICKSON SUSPENSION


RS 340/400/460/480/520 Series Tandem Axle Suspension

HENDRICKSON



RS 340/400/460/480/520 Series Tandem Axle Suspension

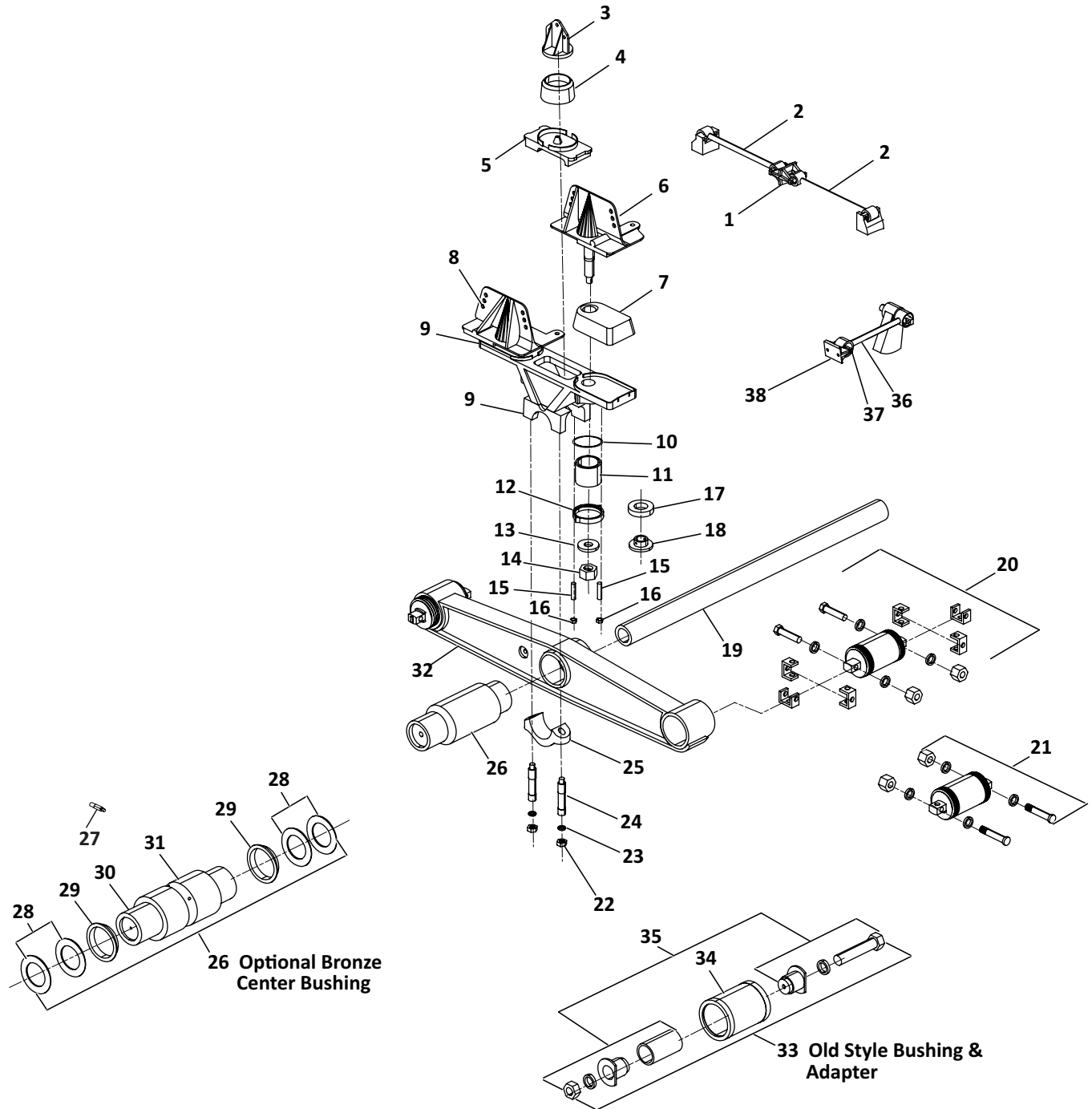
KEY NO.	EUCLID NO.	GENUINE	OEM REF.	DESCRIPTION	QTY. PER TANDEM	PAGE NO.
1	E-2634		22186-000	Frame Bracket, Torque Rod RS340/400/460/480/520	2	HND-194
2	Torque Rod Selection Guide		Various	Torque Rod Assembly	2	HND-181
3	E-7617		48523-001	Frame Hanger, 34" Frame Width RS340/400/460/480/520	2	-
	E-7619		48525-001	Frame Hanger, 34-1/2" Frame Width RS480/520	2	-
4	E-2232		24209-000	Heavy-Duty Load Cushion RS-340/400/460/480/520	2	HND-179
5	E-2604		20781-000	Saddle Plate RS340/400/460/480/520	2	HND-180
6	RS Hanger Selection Guide		Various	Frame Hanger, Left Hand Front/Right Hand Rear, See Hanger Section, Includes Key Nos. 13 & 14	2	HND-175
7	E-1598A		48973-000	Load Cushion, 60 Durometer, Discontinued used E-1960	4	HND-179
	E-1960		26953-000	Load Cushion, 70 Durometer	4	HND-179
8	RS Hanger Selection Guide		Various	Frame Hanger, Right Hand Front/Left Hand Rear, See Hanger Section, Includes Key Nos. 13 & 14	2	HND-175
9	S.O.S.		Various	Saddle Assembly, Call Tech Support with Casting No. and Height. Includes Key Nos. 10, 11, 12, 15, 16, 22, 23, 24, 25	2	-
10	E-9418		50780-000	Saddle Bushing Ring	4	HND-179
11	E-1940		19279-000	Bushing	4	HND-179
12	E-1941		05917-000	Cap	4	HND-179
13	E-1945		08536-000	Washer	4	HND-179
14	E-1946		25151-000	Nut, 1-1/2"-12	4	HND-179
15	E-1942		19111-001	5/8"-18, 5/8"-11 Bushing Cap Stud	8	HND-179
16	E-1943	-	19114-000	Nut, 5/8"-18	8	-
17	E-2233		30208-000	Rebound Bumper	As Req.	HND-180
18	E-7620		30251-000	Stop Nut	As Req.	HND-180
19	E-1842		44643-009	Cross Tube, 44-7/8"	1	HND-164
	E-9426		07622-003	Cross Tube, 46"	1	HND-164
20	E-9325		34013-087	Bar Pin Bushing Kit, Non-Shim Type	4	HND-160
21	E-9326		34013-088	Bar Pin Bushing Kit, Shim Type	4	HND-160
22	E-1835	-	04842-000	7/8"-14 Saddle Cap Locknut	8	-
23	E-1834	-	22962-002	7/8" Hardened Washer	8	-
24	E-1947		09030-000	7/8"-14, 7/8"-9 Saddle Cap Stud	8	HND-166
25	E-1833A		48545-000	Saddle Cap	4	HND-166
26	E-1338		6664-000	Rubber Center Bushing Welded End Plug, RS340	2	HND-158
	E-1594		22279-000	Rubber Center Bushing Loose End Plug, RS340	2	HND-158
	E-6979		49400-000	Rubber Center Bushing Welded End Plug, RS400/460	2	HND-158
	E-6980		49600-000	Rubber Center Bushing Loose End Plug, RS400/460	2	HND-158
	E-9359		29483-005	Rubber Center Bushing Welded End Plug, RS460/480/520 Extreme Duty Transverse Rods Required	2	HND-158
	E-1545		30436-000	Bronze Center Bushing Kit, RS340	2	HND-159
	E-1546		30437-000	Bronze Center Bushing Kit Includes Key Nos. 27 – 31, RS400/460/480/520	2	HND-159
27	S.O.S.		30087-000	Lube Fitting	2	-
28	E-2021		32365-000	Thrust Washer	As Req.	HND-159
29	E-1553		30334-000	Seal	4	HND-159
30	E-1551		14685-000	Beam Center Sleeve	2	HND-159
31	E-1552		30240-002	Bronze Bushing	2	HND-159

 Denotes Product is Genuine Hendrickson







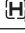

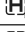

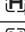
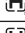
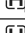
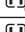
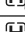
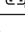
HENDRICKSON SUSPENSION


RS 340/400/460/480/520 Series Tandem Axle Suspension

HENDRICKSON



RS 340/400/460/480/520 Series Tandem Axle Suspension

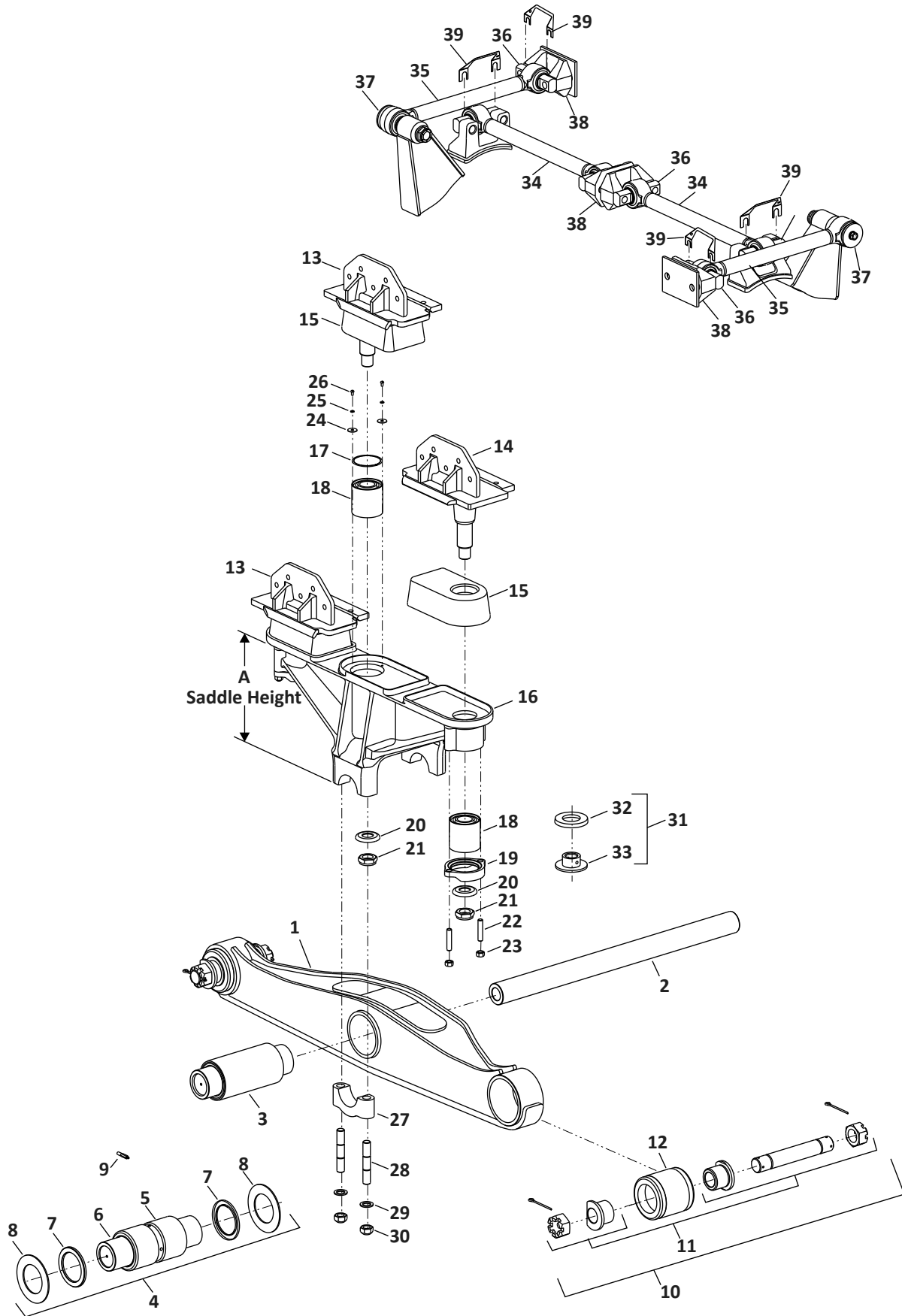
KEY NO.	EUCLID NO.	GENUINE	OEM REF.	DESCRIPTION	QTY. PER TANDEM	PAGE NO.
32	S.O.S.		Various	Walking Beam	2	-
33	E-5308		34013-048	End Beam Bushing Kit, RS340. Includes Key Nos. 34 & 35	4	HND-160
	E-5309		34013-049	End Beam Bushing Kit, RS400. Includes Key Nos. 34 & 35	4	HND-160
	E-9576		34013-073	End Beam Bushing Kit, RS460. Includes Key Nos. 34 & 35	4	HND-160
	E-9577		34013-050	End Beam Bushing Kit, RS480 / 520 Includes Key Nos. 34 & 35	4	HND-160
34	E-1340		06969-000	End Beam Bushing, Old Style, RS340	4	HND-161
	E-1341A		45900-000	End Beam Bushing, Old Style, RS460	4	HND-161
	E-2771		29878-001	End Beam Bushing, Old Style, RS480	4	HND-161
	E-9419		45407-000	End Beam Bushing, Old Style, RS520	4	HND-161
35	E-2372		45000-013	End Beam Adapter, Old Style, RS340	4	HND-161
	E-2374		45000-007	End Beam Adapter, Old Style, RS400	4	HND-161
	E-9420		21140-034	End Beam Adapter, Old Style, RS460	4	HND-161
	E-9421		21140-033	End Beam Adapter, Old Style, RS520	4	HND-161
36	E-13988		60215-000	Two-Piece Transverse Torque Rod Kit, Includes Bushings	2	HND-185
37	E-2634		22186-000	Transverse Rod Frame Bracket	2	HND-194
38	E-15153		45045-003	Torque Rod Back Up Plate	2	-





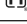
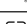






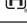




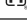



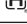
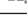


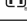
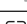


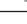

 Denotes Product is Genuine Hendrickson

HENDRICKSON SUSPENSION

RS 650 Series Tandem Axle Suspension

HENDRICKSON



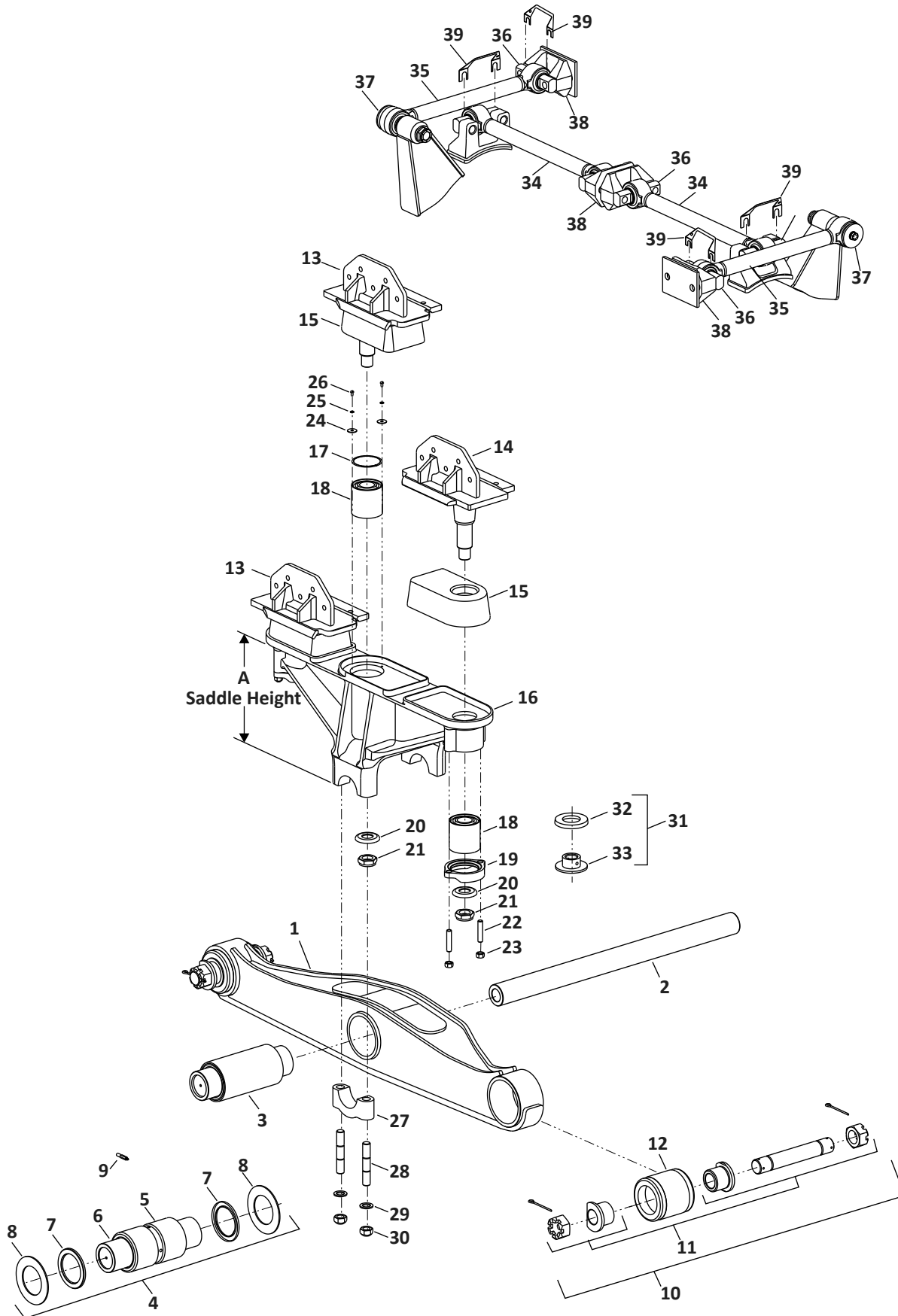
RS 650 Series Tandem Axle Suspension						
KEY NO.	EUCLID NO.	GENUINE	OEM REF.	DESCRIPTION	QTY. PER TANDEM	PAGE NO.
1	S.O.S.		Various	Equalizing Beam Assembly	2	HND-164
2	Cross Tube Selection Guide		Various	Cross Tube	1	HND-164
3	E-2553		10366-000	Rubber Center Bushing	2	HND-158
4	S.O.S.		45374-000	Bronze Center Bushing Service Kit, Includes Key Nos. 5-9	1	-
5	S.O.S.		30240-005	Bronze Center Bushing	2	-
6	S.O.S.		25102-000	Beam Center Sleeve	2	-
7	S.O.S.		31577-000	Beam Center Seal	4	-
8	S.O.S.		45261-000	Thrust Washer	4	-
9	S.O.S.		30087-000	Grease Fitting	2	-
10	S.O.S.		34013-052	Rubber End Bushing and Adapter Service Kit, Tandem Set for 6" Bushing, Includes Key Nos. 11, 12	1	-
	S.O.S.		34013-110	Rubber End Bushing and Adapter Service Kit, Tandem Set for 7" Bushing, Includes Key Nos. 11, 12	1	-
11	E-2555		21140-007	End Bushing Adapter Service Kit, 6" Length	4	HND-162
	S.O.S.		21140-004	End Bushing Adapter Service Kit, 7" Length	4	-
12	E-2554		10363-000	End Bushing 6" Length	4	HND-161
	S.O.S.		10364-000	End Bushing 7" Length	4	-
13	Frame Hanger Selection Guide		Various	Frame Hanger, Includes Key Nos. 20-21, See Selection Guide LH Front/RH Rear	2	HND-175
14	Frame Hanger Selection Guide		Various	Frame Hanger, Includes Key Nos. 20-21, See Selection Guide RH Front/RH Rear	2	HND-175
15	E-1960		26953-000	Load Cushion, 70 Durometer	6	HND-179
16	S.O.S.		Various	Saddle Assembly, Includes Key Nos. 17, 18, 19, 22-30	2	-
17	S.O.S.		22586-000	Saddle Bearing Ring	2	-
-	S.O.S.		34013-232	Single Vertical Drive Bushing Service Kit, Includes Key Nos. 18-23	-	-
18	E-1940		19279-000	Vertical Drive Bushing	6	HND-179
19	E-1941		05917-000	Vertical Drive Bushing Cap	4	HND-179
20	E-1945		08536-000	1-½" Concave Washer	6	HND-179
21	E-1946		25151-000	Lock Nut, 1-½"-12	6	HND-179
22	S.O.S.		19111-004	Drive Bushing Cap Stud, 5/8"-18	8	-
23	E-1943	-	19114-000	Locknut, 5/8"-18	8	-
24	S.O.S.		17487-000	Drive Bushing Retainer Washer	4	-
25	S.O.S.		17497-001	Drive Bushing Retainer Lock Washer	4	-
26	S.O.S.		17860-003	Drive Bushing Retainer Lock Screw	4	-
27	S.O.S.		15785-000	Saddle Cap	4	-
28	S.O.S.		10948-000	Stud, 1"-14 Saddle Cap	8	-
29	E-2975	-	22962-008	Washer, 1" Saddle Cap	8	-
30	E-1828	-	08017-000	Lock Nut, 1"-14	8	-
31	S.O.S.		31005-001	Optional Rebound Control Stop Nut Service Kit, Includes Key Nos. 32 & 33	2	-











 Denotes Product is Genuine Hendrickson

HENDRICKSON SUSPENSION

RS 650 Series Tandem Axle Suspension

HENDRICKSON



RS 650 Series Tandem Axle Suspension						
KEY NO.	EUCLID NO.	GENUINE	OEM REF.	DESCRIPTION	QTY. PER TANDEM	PAGE NO.
32	E-2233		30208-000	Rebound Bumper	4	HND-180
33	E-7620		30251-000	Stop Nut	4	HND-180
34	-		Various	One-piece Longitudinal Torque Rod Assembly, Straddle/Straddle, P/N Stamped on Rod Call Tech Support, Ultra Rod Plus Includes Key No. 36	2	-
35	-		Various	One-piece Transverse Torque Rod Assembly, Straddle/Taper, P/N Stamped on Rod Call Tech Support. Ultra Rod Plus includes Key Nos. 36 & 37. XTRB Includes Key Nos. 36 & 37	2	-
36	E-13971		64400-003	Straddle Bushing, Ultra Rod Plus	6	HND-183
	E-14642		66649-003	Straddle Bushing, XTRB	6	HND-184
37	E-13972		64400-006	Taper Bushing, Ultra Rod Plus	2	HND-183
	E-14643		66649-004	Taper Bushing, XTRB	2	HND-184
38	E-15183		46015-000	Torque Rod Bracket	4	-
39	S.O.S.		67779-002	Torque Rod Shim	As Req.	-

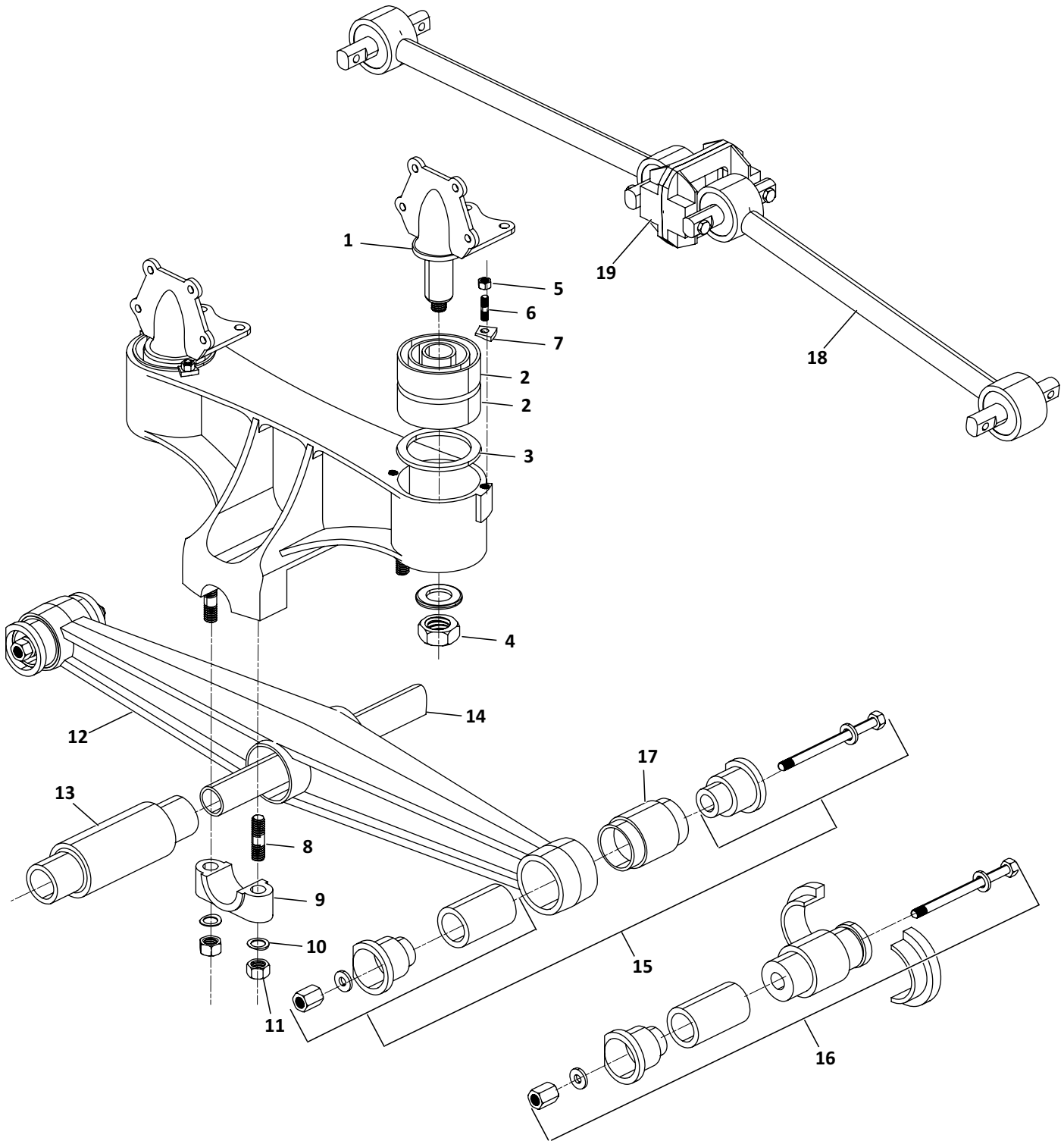
 Denotes Product is Genuine Hendrickson

HENDRICKSON













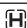




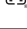




HENDRICKSON SUSPENSION

SR 340/380 Tandem Axle Suspension

HENDRICKSON



SR 340/380 Tandem Axle Suspension

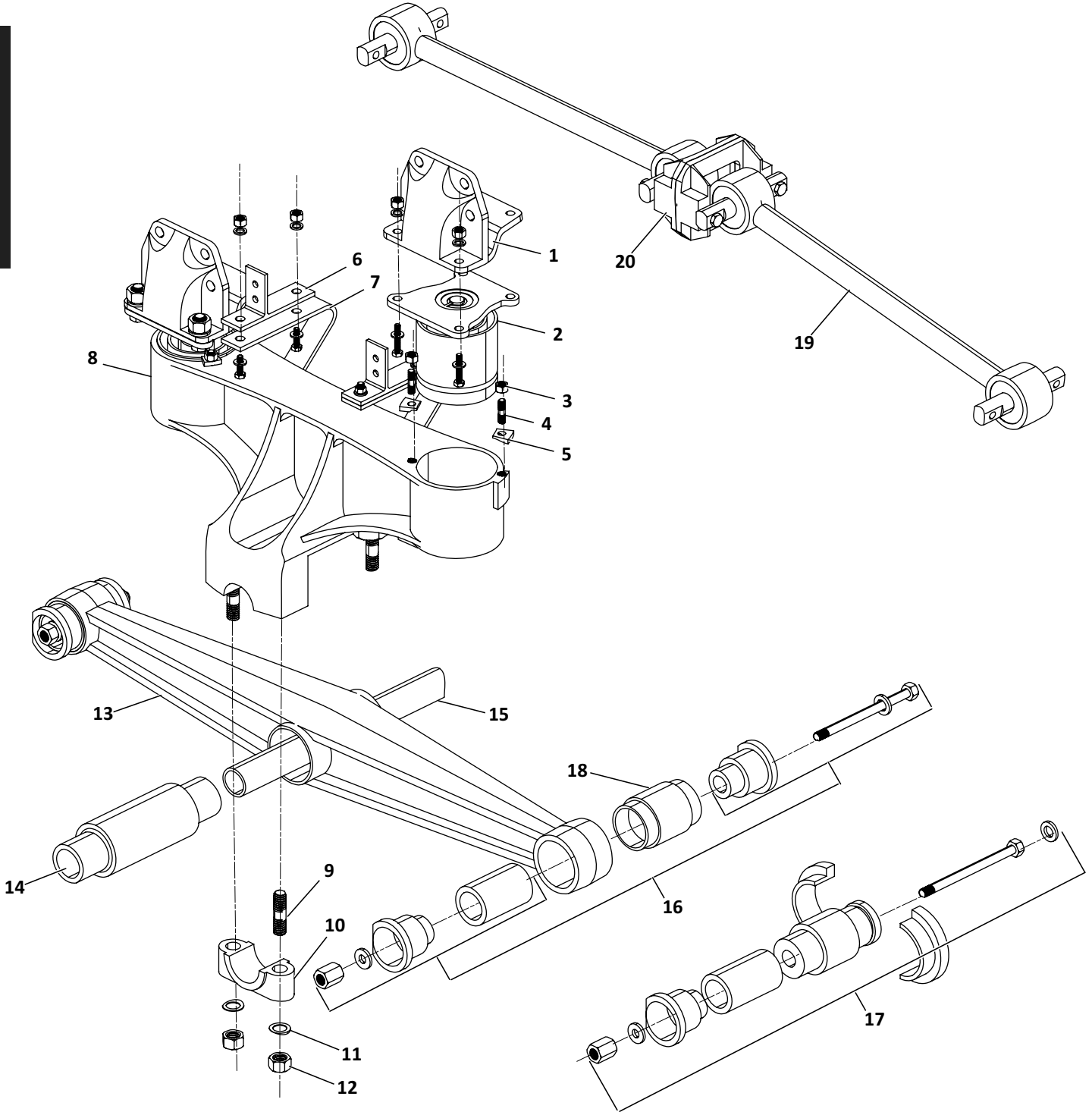
KEY NO.	EUCLID NO.	GENUINE	OEM REF.	DESCRIPTION	SR 34K	SR 38K	PAGE NO.
1	S.O.S.		Various	Frame Hanger, Undrilled.	4	4	-
2	-	-	15137-000	Shear Spring, No Longer Available	8	8	-
3	S.O.S.	-	21278-000	Spacer Ring	4	4	-
4	E-1946		25151-000	Locknut, 1-1/2"-12	4	4	HND-179
5	E-1943	-	19114-000	Locknut, 5/8"-18	8	8	-
6	E-1942		19111-001	Stud, 5/8"-18	8	8	HND-179
7	-	-	21297-000	Clamp, No Longer Available	8	8	-
8	E-1944		09029-000	Saddle Cap Stud SR 34K 7/8"-14/9-4-1/2" Long	8	-	HND-166
	E-1947		09030-000	Saddle Cap Stud SR 38K 7/8"-14/9-5" Long	-	8	HND-166
9	E-16464		06662-000	Saddle Cap, SR 34	4	-	HND-166
	E-1833A		58795-000	Saddle Cap, SR 38K	-	4	HND-166
10	E-1834	-	22962-002	Hardened Washer, 7/8" Dia.	8	8	-
11	E-1835	-	04842-000	Saddle Cap Locknut	8	8	-
12	S.O.S.		Various	Equalizing Beam Assembly	2	2	-
13	E-1338		06664-000	Center Bushing W/ Welded Plug, SR 34K	2	-	HND-158
	E-1594		22279-000	Center Bushing W/ Loose Plug, SR 34K	2	-	HND-158
	E-1339		05919-000	Center Bushing W/ Welded Plug, SR 38K	-	2	HND-158
	E-1595		22282-000	Center Bushing W/ Loose Plug, SR 38K	-	2	HND-158
14	E-1840		44642-008	Cross Tube, SR 34K 1-15/16" OD X 44-7/8" Long	1	-	HND-164
	E-1842		44643-009	Cross Tube, SR 38K 1-15/16" OD X 44-7/8" Long	-	1	HND-164
15	E-2372		45000-013	End Bushing & Adapter Kit, One Wheel End, SR 34K. 5-1/4" Long	2	-	HND-161
	E-2374		45000-007	End Bushing & Adapter Kit, One Wheel End, SR 34K & 38K. 5-3/4" Long	2	2	HND-161
16	E-2373		45000-014	End Bushing & Adapter Kit, Split Ring Type, One Wheel End, SR 34K. 5-1/4" Long	2	-	HND-161
	E-2375		45000-008	End Bushing & Adapter Kit, Split Ring Type, One Wheel End, SR 34K & 38K. 5-3/4" Long	2	2	HND-161
17	E-1340		06969-000	End Bushing SR 34K. 5-1/4" Long	4	-	HND-161
	E-1341A		45900-000	End Bushing SR 34K & 38K. 5-3/4" Long	4	4	HND-161
18	E-13989		60218-000	Two Piece Torque Rod Kit, Replaces 32271	2	2	HND-185
19	E-2634		22186-000	Torque Rod Frame Bracket	2	2	HND-194
-	E-5308		34013-048	End Beam Bushing and Adapter Kit, SR34K, Includes Key Nos. 15 & 17	4	-	HND-160
	E-5309		34013-049	End Beam Bushing and Adapter Kit, SR34K & SR38K, Includes Key Nos. 15 & 17	4	4	HND-160

 Denotes Product is Genuine Hendrickson

HENDRICKSON SUSPENSION

V4 340/380 Series Tandem Axle Suspension

HENDRICKSON



V4 340/380 Series Tandem Axle Suspension

KEY NO.	EUCLID NO.	GENUINE	OEM REF.	DESCRIPTION	QTY. PER TANDEM		PAGE NO.
					34K	38K	
1	-	-	Various	Frame Hanger, Undrilled, No Longer Available	4	4	-
2	-	-	47585-075	Visco Elastic Module, 34K No Longer Available	4	-	-
	-	-	47585-085	Visco Elastic Module, 38K No Longer Available	-	4	-
3	E-1943	-	19114-000	Locknut, 5/8"-18	8	8	-
4	E-1942		19111-001	Stud, 5/8"-18	8	8	HND-179
5	-	-	21297-000	Clamp, No Longer Available	8	8	-
6	-	-	46970-002	Jounce Stop Hanger, No Longer Available	4	4	-
7	-	-	46210-000	Rebound Stop, No Longer Available	4	4	-
8	-	-	Various	Saddle Assembly, No Longer Available	2	2	-
9	E-1944		09029-000	Saddle Cap Stud, 7/8"-14/9; 4-1/2" Long	8	-	HND-166
	E-1947		09030-000	Saddle Cap Stud, 7/8"-14/9; 5" Long	-	8	HND-166
10	E-16464		06662-000	Saddle Cap, 34K	4	-	HND-166
	E-1833A		58795-000	Saddle Cap, 38K	-	4	HND-166
11	E-1834	-	22962-002	Washer, 7/8" Dia.	8	8	-
12	E-1835	-	04842-000	Locknut, 7/8"-14	8	8	-
13	S.O.S.		Various	Equalizing Beam Assembly	2	2	-
14	E-1338		06664-000	Center Bushing w/ Welded Plug, 34K	2	-	HND-158
	E-1594		22279-000	Center Bushing w/ Loose Plug, 34K	2	-	HND-158
	E-1339		05919-000	Center Bushing w/ Welded Plug, 38K	-	2	HND-158
	E-1595		22282-000	Center Bushing w/ Loose Plug, 38K	-	2	HND-158
15	E-1840		44642-008	Cross Tube, 34K; 44-7/8" Long	1	-	HND-164
	E-1842		44643-009	Cross Tube, 38K; 44-7/8" Long	-	1	HND-164
16	E-2372		45000-013	End Bushing Adapter Kit, 34K; 5-1/4" Long	4	-	HND-161
	E-2374		45000-007	End Bushing Adapter Kit, 34 & 38K; 5-3/4" Long	4	4	HND-161
17	E-2373		45000-014	End Bushing Adapter Kit, 34K W/ Split Ring. 5-1/4" Long	4	-	HND-161
	E-2375		45000-008	End Bushing Adapter Kit, 34 & 38K W/ Split Ring. 5-3/4" Long	4	4	HND-161
18	E-1340		06969-000	End Bushing, 34K; 5-1/4" Long	4	-	HND-161
	E-1341A		45900-000	End Bushing, 34 & 38K; 5-3/4" Long	4	4	HND-161
19	E-13989		60218-000	Torque Rod Kit	2	2	HND-185
20	E-2634		22186-000	Torque Rod Frame Bracket	2	2	HND-194
-	E-5308		34013-048	End Beam Bushing and Adapter Kit, 34K, Includes Key Nos. 15 & 17	4	-	HND-160
	E-5309		34013-049	End Beam Bushing and Adapter Kit, 34K & 38K, Includes Key Nos. 15 & 17	4	4	HND-160

 Denotes Product is Genuine Hendrickson

HENDRICKSON

HENDRICKSON TRAILER AXLES

How To Identify Hendrickson Trailer Suspensions in This Euclid Catalog

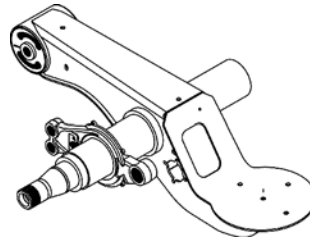
There are Two Ways to Find the Proper Trailer Axle in This Catalog:

1. Most Hendrickson Trailer Axles have an Identification tag on the front of the roadside frame bracket/hanger. If this tag can be located and the model number can be determined, then simply locate the model from the following listing to see the exploded view and parts list.
2. If the model number is not known, then the Hendrickson trailer axles can be found by simply matching the beam style to one of the eight styles noted below. Since the exploded views and parts lists in this section are grouped by the style of the beam, this will allow the quick identification of the proper exploded view

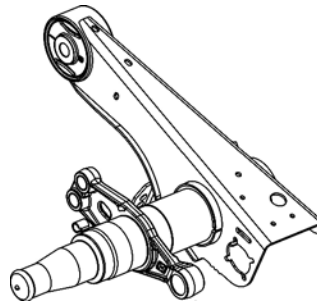
For INTRAAX Axles, there are three style of beams.

Note: All INTRAAX models have integrated axles that are welded to the beam. There are no u-bolts used to connect the beam to the axle

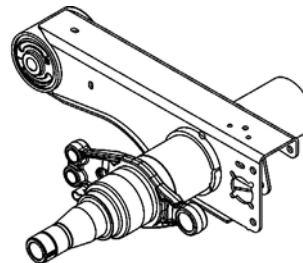
INTRAAX AAL, AANL AANLS, AAEDL



INTRAAX AAT, AAEDT Wide Bushing



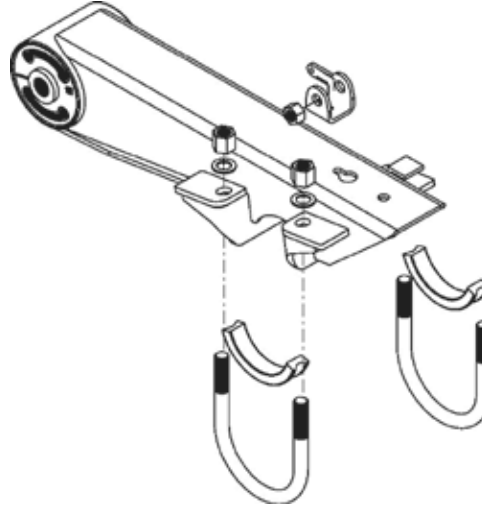
INTRAAX AANT 23K & AAZNT Narrow Bushing



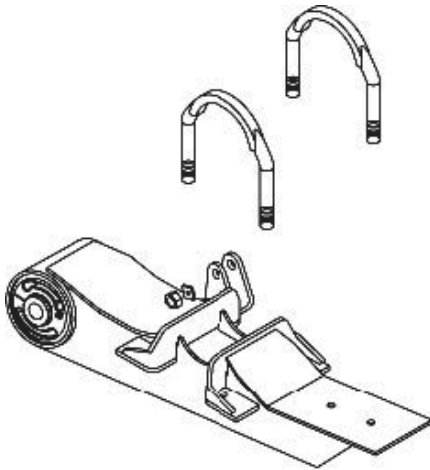
How To Identify Hendrickson Trailer Suspensions in This Euclid Catalog

HT Models Use Traditional U-Bolts to Connect the Axle to the Beam

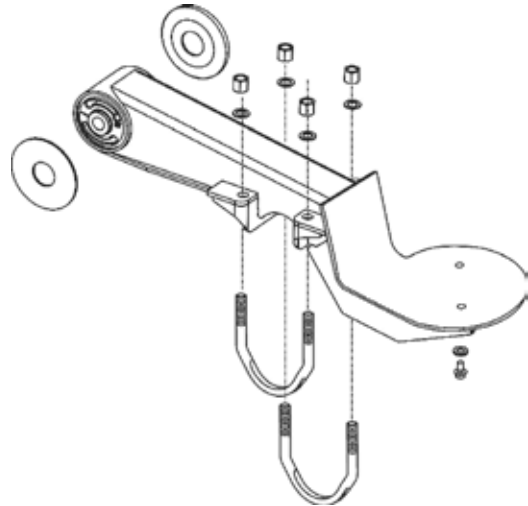
MODEL HT190T Type



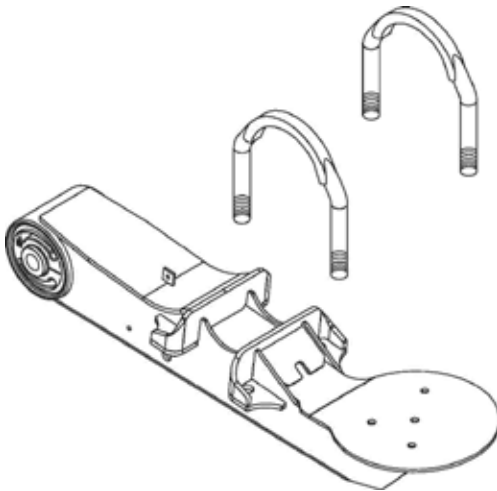
MODEL HT190U Type



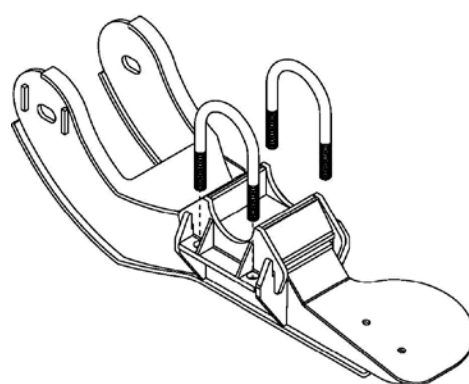
MODEL HT250T Type



MODEL HT250U Type



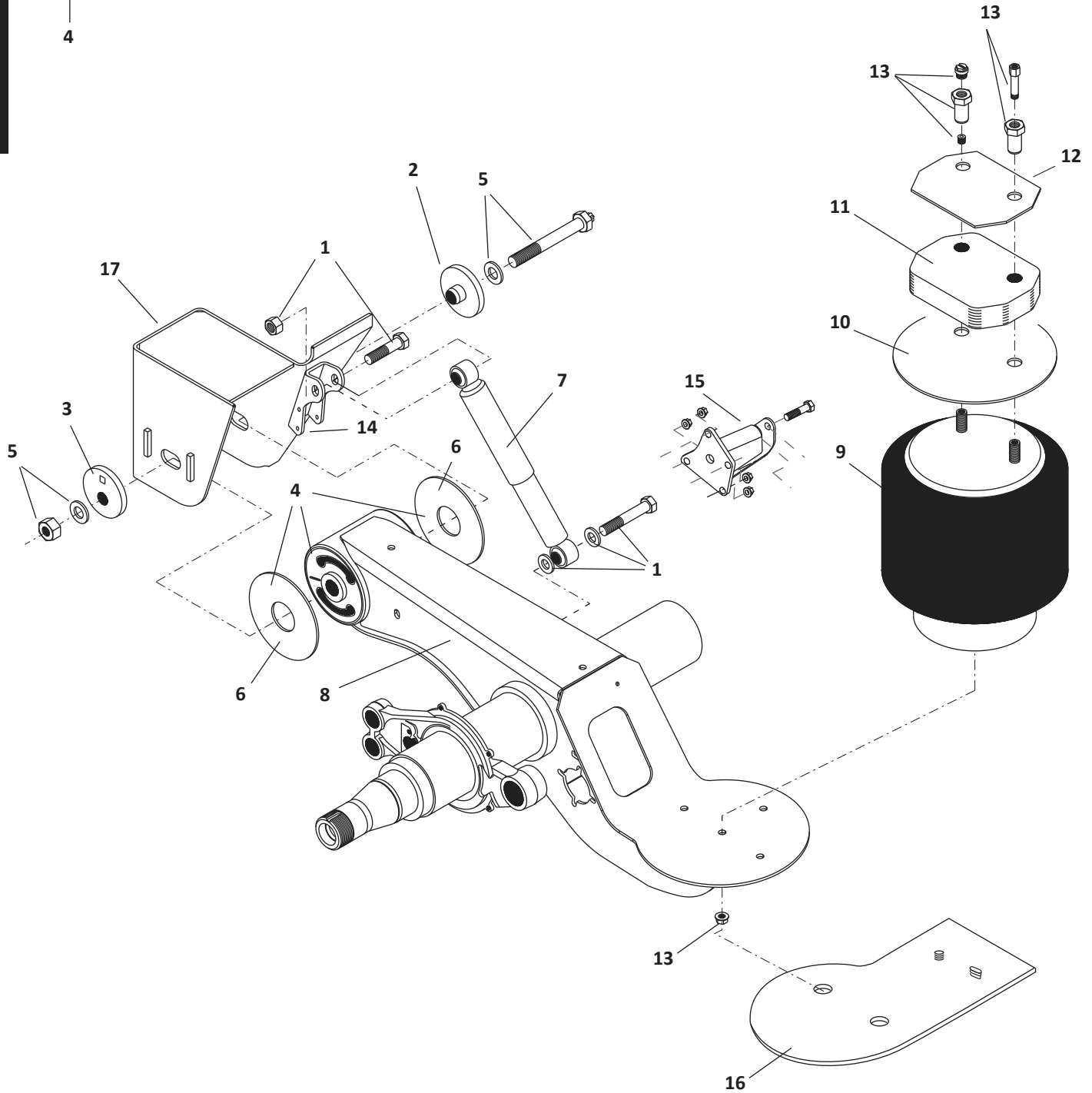
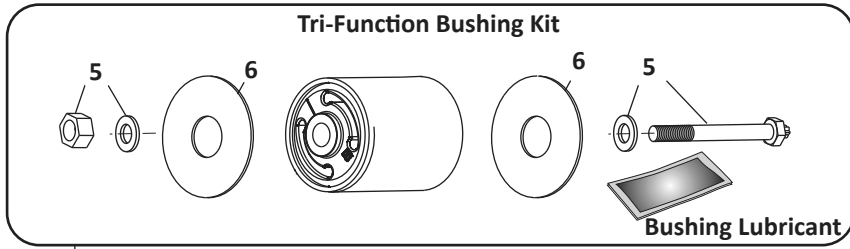
MODEL HT250YS Type



HENDRICKSON SUSPENSION

INTRAAX AAL, AANL, AANLS, AAEDL, AAZL 23/46K Slider,
VANTRAAX HKAL 46K & HKARL 46K





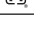





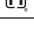











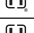

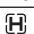








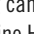

HENDRICKSON




HENDRICKSON SUSPENSION

Suspension

INTRAAX AAL, AANL, AANLS, AAEDL, AAZL 23/46K Slider, VANTRAAX HKAL 46K & HKARL 46K

KEY NO.	EUCLID NO.	GENUINE	OEM REF.	DESCRIPTION	QTY. PER AXLE	PAGE NO.
1	E-16352		S-24757/2	Shock Bolt Kit, 5" Dia. Axles for AAL, AAEDL AAZL Fronts; All HKA Models	2	HND-225
	E-14780		S-2157/2	Shock Bolt Kit, AAL, AANL, AAEDL Rear	2	HND-225
	S.O.S.		Various	Shock Bolt Kit, AANLS & AANL Front; All Large Diameter Axles (LDA)	2	-
2	E-10755		S-20924	Alignment Collar, Concentric (Inner) QUIK-ALIGN™	2	HND-218
3	E-10754		S-20925	Alignment Collar, Eccentric (Outer) QUIK-ALIGN™	2	HND-218
4	E-10729A		S-24691	Tri-Function Bushing Kit, QUIK-ALIGN™, Includes Key Nos. 5 & 6. All Models Except AANL & AANLS	2	HND-216
	E-14377		S-26321	Tri-Function Bushing Kit, QUIK-ALIGN™, Includes Key Nos. 5 & 6. Does 1 Axle. AANL & AANLS Models	1	HND-216
5	E-10730A		S-24679	Pivot Bolt Kit, QUIK-ALIGN™, 10-1/2" Long Bolt, All Models Except AANL & AANLS	2	HND-218
	E-14635		S-24705	Pivot Bolt Kit, QUIK-ALIGN™, 7" Long Bolt, AANL & AANLS Models	2	HND-218
6	E-6122		S-21099	Bushing Wear Pad, All Models Except AANL & AANLS	4	HND-219
	E-14782		S-26807	Bushing Wear Pad, AANL & AANLS Models	4	HND-219
7	INTRAAX Shock Absorber Selection Guide		Various	Shock Absorber	2	HND-228
8	S.O.S.		Various	Axle Beam Weldment	2	-
9	INTRAAX Air Spring Selection Guide		Various	Air Spring	2	HND-226
10	S.O.S.		Various	Air Spring Plate	2	-
11	E-14777		B-22510-4	Air Spring Spacer, 3/4" Thick, Plastic	2	HND-223
	E-14340		B-22510-2	Air Spring Spacer, 1-7/8" Thick, Plastic	2	HND-223
	E-14341		B-22510-3	Air Spring Spacer, 3-1/8" Thick, Plastic	2	HND-223
	S.O.S.		Various	Air Spring Spacer	2	-
12	E-14338		S-20905	Air Spring Plate, Upper, Weld On Certain AAL, AANL, AANLS & AAEDL Models	2	-
	E-14337		S-21145	Air Spring Plate, Upper, Bolt-On, Certain AAL & AAEDL Models	2	-
	S.O.S.		Various	Air Spring Plate, Upper, Certain AANLS & AAEDL Models	2	-
13	E-14342		S-22619/2	Air Spring Fitting Kit, w/out Plastic Spacer;	2	HND-223
	E-14343		S-22630/2	Air Spring Fitting Kit, Use with 1-1/8". Thick Plastic Spacer	2	HND-223
	E-14345		S-22632/2	Air Spring Fitting Kit, Use with 3-1/8". Thick Plastic Spacer	2	HND-224
	S.O.S.		Various	Air Spring Mounting Kit, All AAL & AAEDL	2	-
	E-14344		S-22631/2	Air Spring Mounting Kit, All HKA Models	2	HND-223
14	S.O.S.		C-20918	Shock Mount, AAZL	2	-
15	S.O.S.		Various	Rear Shock Mount/Tower, AANLS	2	-
16	S.O.S.		Various	Air Spring Mounting Plate, AANLS	2	-
17	S.O.S.		Various	Frame Bracket	2	-
Not Shown	E-11855		VS-227	Height Control Valve	1	HND-224
	E-14789		S-14187	Linkage Kit	1	HND-224
	E-9575		S-21307	Rebush Tool (Wide Bushing), Except AANL & AANLS	As Req.	HND-219
	E-14634		S-24736	Rebush Tool (Narrow Bushing), AANL & AANLS Models	As Req.	HND-219

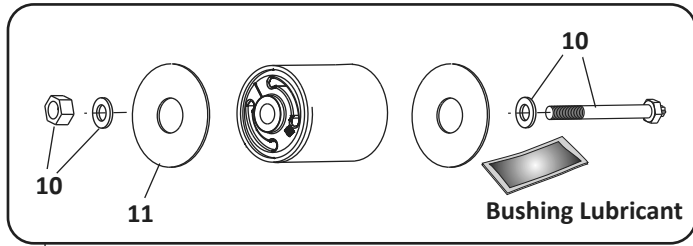
Suspension identification tag can typically be found on the front of the roadside frame bracket or the inside of the curbside beam

 Denotes Product is Genuine Hendrickson

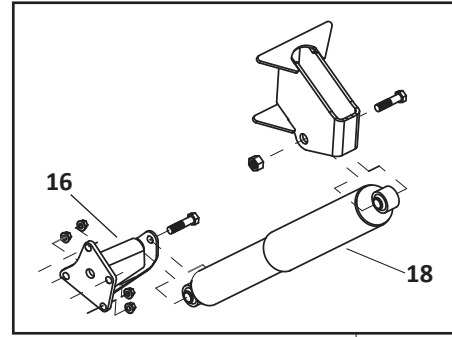
HENDRICKSON

Suspension **HENDRICKSON TRAILER & AUX. SUSPENSION**
INTRAAAX AAT, AAEDT 30K and VANTRAAX HKAT Models

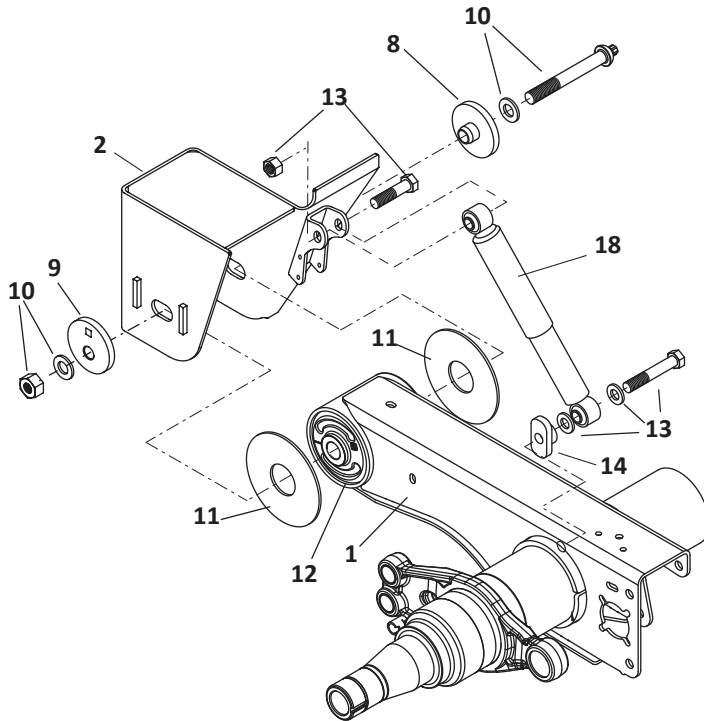
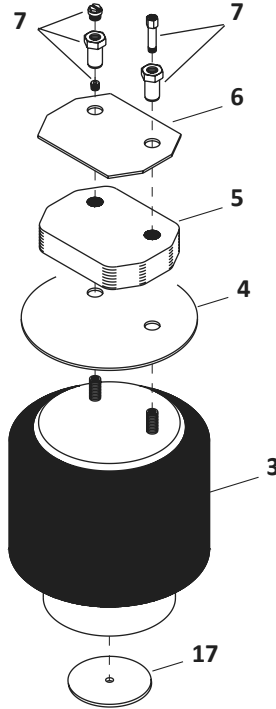
Quik-Align™ Bushing Kit



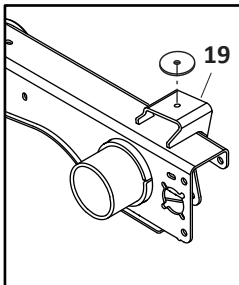
Rear Shock Option



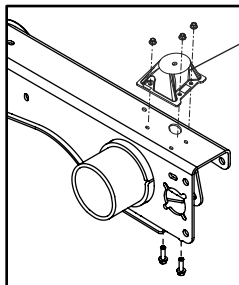
15



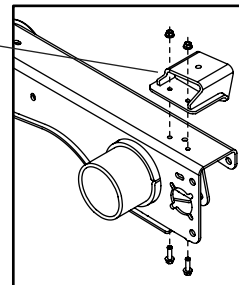
Weld On



Bolt on Cast














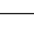




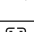



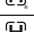
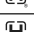
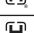
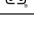











Bolt on Fabricated



19

HENDRICKSON

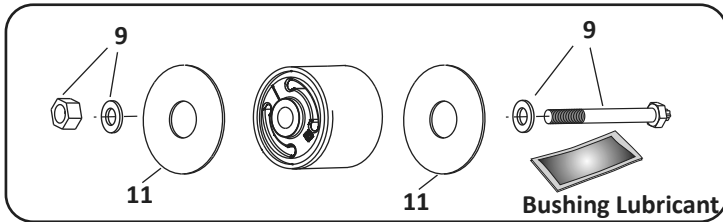
INTRAAX AAT, AAEDT 30K and VANTRAAX HKAT Models						
KEY NO.	EUCLID NO.	GENUINE	OEM REF.	DESCRIPTION	QTY. PER AXLE	PAGE NO.
1	S.O.S.		Various	Half-Traax Axle Beam Kits, Contact Tech-Service	-	-
2	S.O.S.		Various	Frame Bracket, Contact Tech Service with Model & Serial No.	2	-
3	INTRAAX Air Spring Selection Guide		Various	Air Spring Assembly	2	HND-226
4	E-16369		S-23294	Air Spring Mounting Plate, Weld On, AAT & AAEDT 30K	2	HND-223
	S.O.S.		Various	Air Spring Mounting Plate, Bolt On	2	-
5	E-14339		B-22510-1	Air Spring Spacer, 1-1/8". Thick Plastic	2	HND-223
	E-14340		B-22510-2	Air Spring Spacer, 1-7/8". Thick Plastic	2	HND-223
	E-14341		B-22510-3	Air Spring Spacer, 3-1/8". Thick Plastic	2	HND-223
	E-14777		B-22510-4	Air Spring Spacer, 3/4". Thick Plastic	2	HND-223
6	E-14337		B-21145	Air Spring Plate, Bolt-On	2	-
	E-14338		B-20905	Air Spring Plate, Weld-On	2	-
7	E-14342		S-22619/2	Air Spring Fitting Kit, w/out Plastic Spacer; All Models Except AAEDT	2	HND-223
	E-14343		S-22630/2	Air Spring Fitting Kit, Use with 1-1/8". Thick Plastic Spacer; All Models Except AAEDT	2	HND-223
	E-14344		S-22631/2	Air Spring Fitting Kit; Use with 1-7/8". Thick Plastic Spacer; All Models Except AAEDT	2	HND-223
	E-14345		S-22632/2	Air Spring Fitting Kit; Use with 3-1/8". Thick Plastic Spacer; All Models Except AAEDT	2	HND-224
	E-16368		S-22635/2	Air Spring Fitting Kit; Use with 3/4". Thick Plastic Spacer; All Models Except AAEDT	2	HND-223
	S.O.S.		Various	Air Spring Fitting Kit; AAEDT Models	2	-
8	E-10755		S-20924	Inboard Concentric Alignment Collar, Nipple in Center	2	HND-218
9	E-10754		S-20925	Outboard Eccentric Alignment Collar, Offset Nipple	2	HND-218
10	E-10730A		S-24679	QUIK-ALIGN™ Pivot Bolt Kit, Includes Bolt, Nut, Washers	2	HND-218
11	E-6122		S-21099	Standard Wear Pad, Part of E-10729A	4	HND-219
12	E-10729A		S-24691	QUIK-ALIGN™ Bushing Kit, Includes Key Nos. 10 & 11	2	HND-216
13	S.O.S.		S-24049/2	Shock Bolt Kit, HKAT 46 & 50K, Includes Key No. 14	2	-
	S.O.S.		S-24021	Shock Bolt Kit All AAT 30K Front, AAT 23 & 25K after 9/11/95 & HKAT 69K, Includes Key No. 14	2	-
	E-14778		S-20031/2	Shock Bolt Kit AAT Rear Mount, Includes Key No. 14	2	HND-225
	S.O.S.		Various	Shock Bolt Kit; AAEDT, AAT 23 & 25K Before 8/11/95	2	-
14	E-16370		S-27196	Shock Spacer	2	HND-222
15	S.O.S.		Various	Rear Shock Retrofit Kit, AAEDT	2	-
16	S.O.S.		Various	Rear Shock Tower Replacement, AAEDT	2	-
17	E-16371		S-21786	Air Spring Bottom Disk, AAT	2	HND-223
18	INTRAAX Shock Absorber Selection Guide		Various	Shock Absorbers	As Req.	HND-228
19	S.O.S.		Various	Air Spring Pedestal	2	-
Not Shown	E-11855		VS-227	Height Control Valve	1	HND-224
	E-9575		S-21307	Rebush Tool	As Req.	HND-219

Identification tag can typically be found on the inside of the curbside beam
 Denotes Product is Genuine Hendrickson

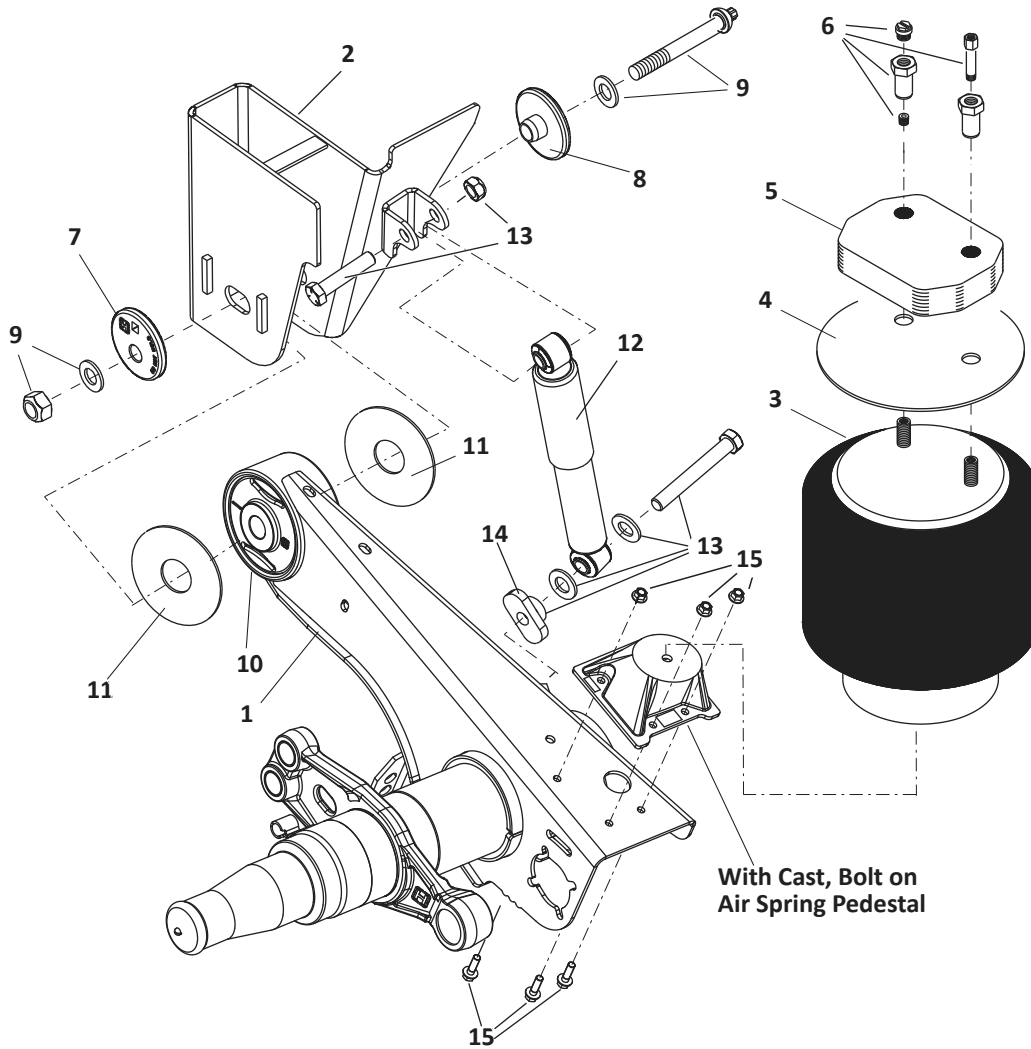
HENDRICKSON

INTRAAAX AANT 23K & AAZNT AND VANTRAAAX, HKAT 50K/HKA250, ULTRAA-K UTKNT 40K

Quik-Align™ Bushing Kit

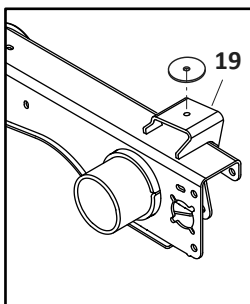


10

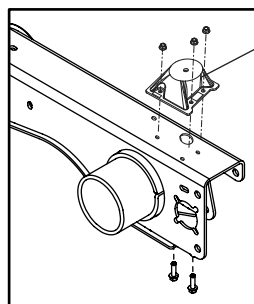


With Cast, Bolt on
Air Spring Pedestal

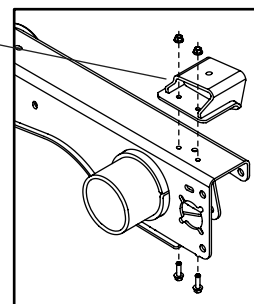
Weld On



Bolt on Cast



Bolt on Fabricated



19

HENDRICKSON

INTRAAX AANT 23K & AAZNT AND VANTRAAX, HKAT 50K/HKA250, ULTRAA-K UTKNT 40K						
KEY NO.	EUCLID NO.	GENUINE	OEM REF.	DESCRIPTION	QTY. PER AXLE	PAGE NO.
1	S.O.S.	☒	Various	Half-Traax Axle Beam Kits, Contact Tech-Service	-	-
2	S.O.S.	☒	Various	Frame Bracket, Contact Tech Service with Model & Serial No.	2	-
3	INTRAAX Air Spring Selection Guide	☒	Various	Air Spring Assembly	2	HND-226
4	E-14337	☒	B-21145	Air Spring Plate, Bolt-On, AANT w/ Standard Air Spring Mounting Plate	2	-
	E-14338	☒	B-20905	Air Spring Plate, Weld-On; AANT	2	-
	S.O.S.	☒	S-27042	Air Spring Plate, HKA Models when Required	2	-
	S.O.S.	☒	Various	Air Spring Plate, AANT w/ Non Standard Air Spring Mounting Plate	2	-
5	E-14339	☒	B-22510-1	Air Spring Spacer, 1-1/8". Thick Plastic, All Models Except HKANT 69K & ULTRAA-K	2	HND-223
	E-14340	☒	B-22510-2	Air Spring Spacer, 1-7/8". Thick Plastic, All Models Except HKANT 69K & ULTRAA-K	2	HND-223
	E-14341	☒	B-22510-3	Air Spring Spacer, 3-1/8". Thick Plastic, All Models Except HKANT 69K & ULTRAA-K	2	HND-223
	E-14777	☒	B-22510-4	Air Spring Spacer, 3/4". Thick Plastic, All Models Except HKANT 69K & ULTRAA-K	2	HND-223
6	S.O.S.	☒	S-22907/2	Air Spring Fitting Kit	2	-
	E-14342	☒	S-22619/2	Air Spring Fitting Kit, w/out Plastic Spacer;	2	HND-223
	E-14343	☒	S-22630/2	Air Spring Fitting Kit, Use with 1-1/8". Thick Plastic Spacer	2	HND-223
	E-14344	☒	S-22631/2	Air Spring Fitting Kit, Use with 1-7/8". Thick Plastic Spacer	2	HND-223
	E-14345	☒	S-22632/2	Air Spring Fitting Kit, Use with 3-1/8". Thick Plastic Spacer	2	HND-224
	E-16368	☒	S-22635/2	Air Spring Fitting Kit, Use with 3/4". Thick Plastic Spacer	2	HND-223
7	E-10754	☒	S-20925	Outboard Eccentric Alignment Collar, Offset Nipple	2	HND-218
8	E-10755	☒	S-20924	Inboard Concentric Alignment Collar, Nipple in Center	2	HND-218
9	E-14635	☒	S-24705	QUIK-ALIGN™ Pivot Bolt Kit, Includes Bolt, Nut, Washers	2	HND-218
10	E-14377	☒	S-26321	QUIK-ALIGN™ Bushing Kit, Axle Set, Includes Key Nos. 9 & 11	1	HND-216
11	E-14782	☒	S-26807	Standard Wear Pad, Part of E-14377	4	HND-219
12	INTRAAX Shock Absorber Selection Guide	☒	Various	Shock Absorber	2	HND-228
13	S.O.S.	☒	S-24049/2	Shock Bolt Kit, All Models Except HKANT 69K & ULTRAA-K, Includes Key No. 14	2	-
	S.O.S.	☒	S-24021	Shock Bolt Kit, HKANT69K, Includes Key No. 14	2	-
14	E-16370	☒	S-27196	Shock Spacer	2	-
15	S.O.S.	☒	Various	Air Spring Pedestal	2	-
Not Shown	E-11855	☒	VS-227	Height Control Valve	1	HND-224
	E-9575	☒	S-21307	Rebush Tool	As Req.	HND-219

Identification tag can typically be found on the inside of the curbside beam

☒ Denotes Product is Genuine Hendrickson

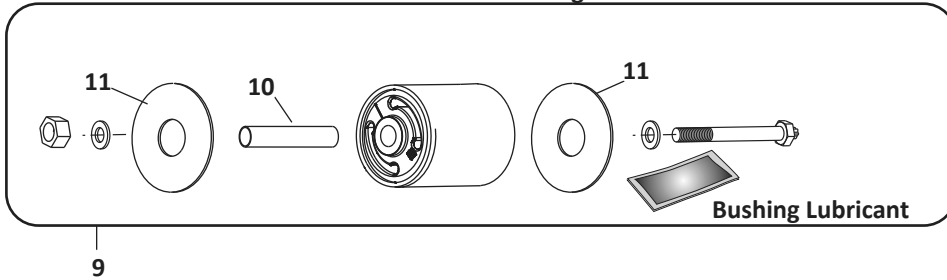
HENDRICKSON

Suspension **HENDRICKSON TRAILER & AUX. SUSPENSION**

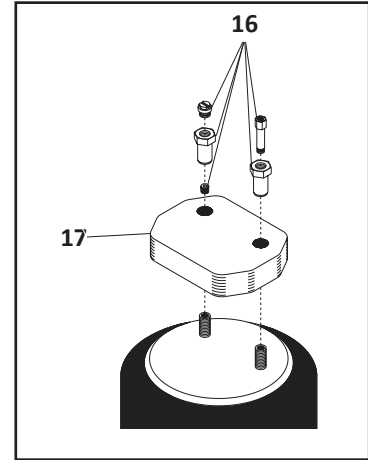
Model HT190T, HT230T, HT300T

Also used on Slider Models HK190/230 and HS190T, 230T and HS300T
and HK190T and 230 Suspensions on K-2 Sliders

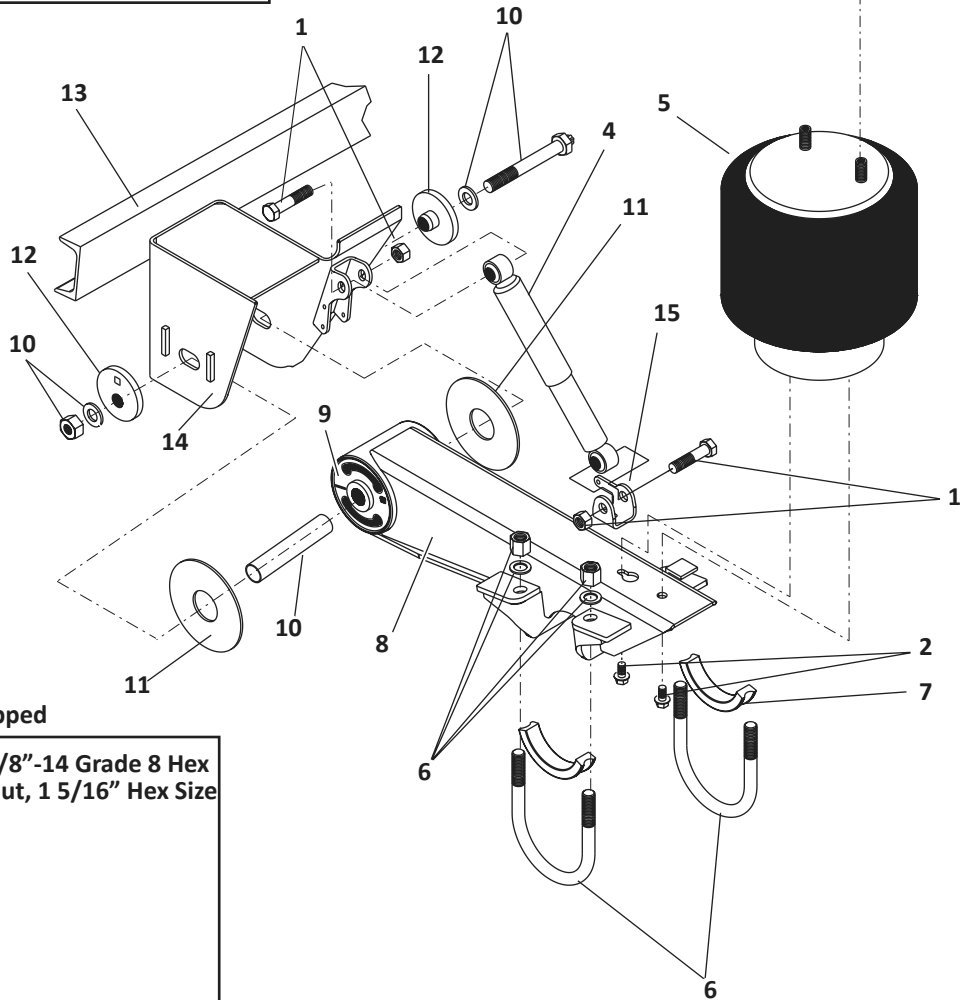
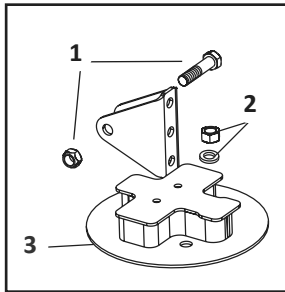
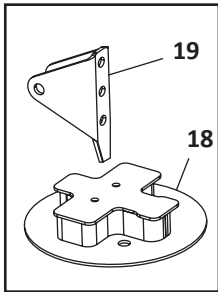
Tri-Function Bushing Kit



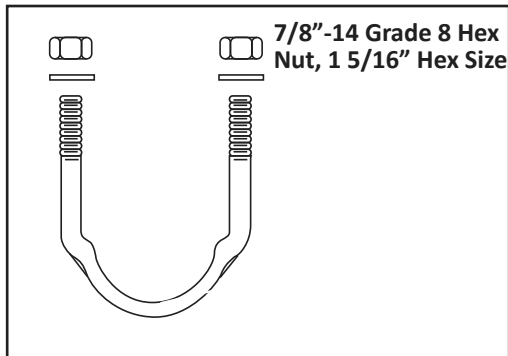
HK190T/230 Suspension with K-2 Slider



Alternate Upper Shock Bracket & Air Spring Spacer



U-Bolt Stepped



**Newer U-Bolt Design with E-UB8466-073H.
Eliminates need for Spacer Key No. 7**

HENDRICKSON

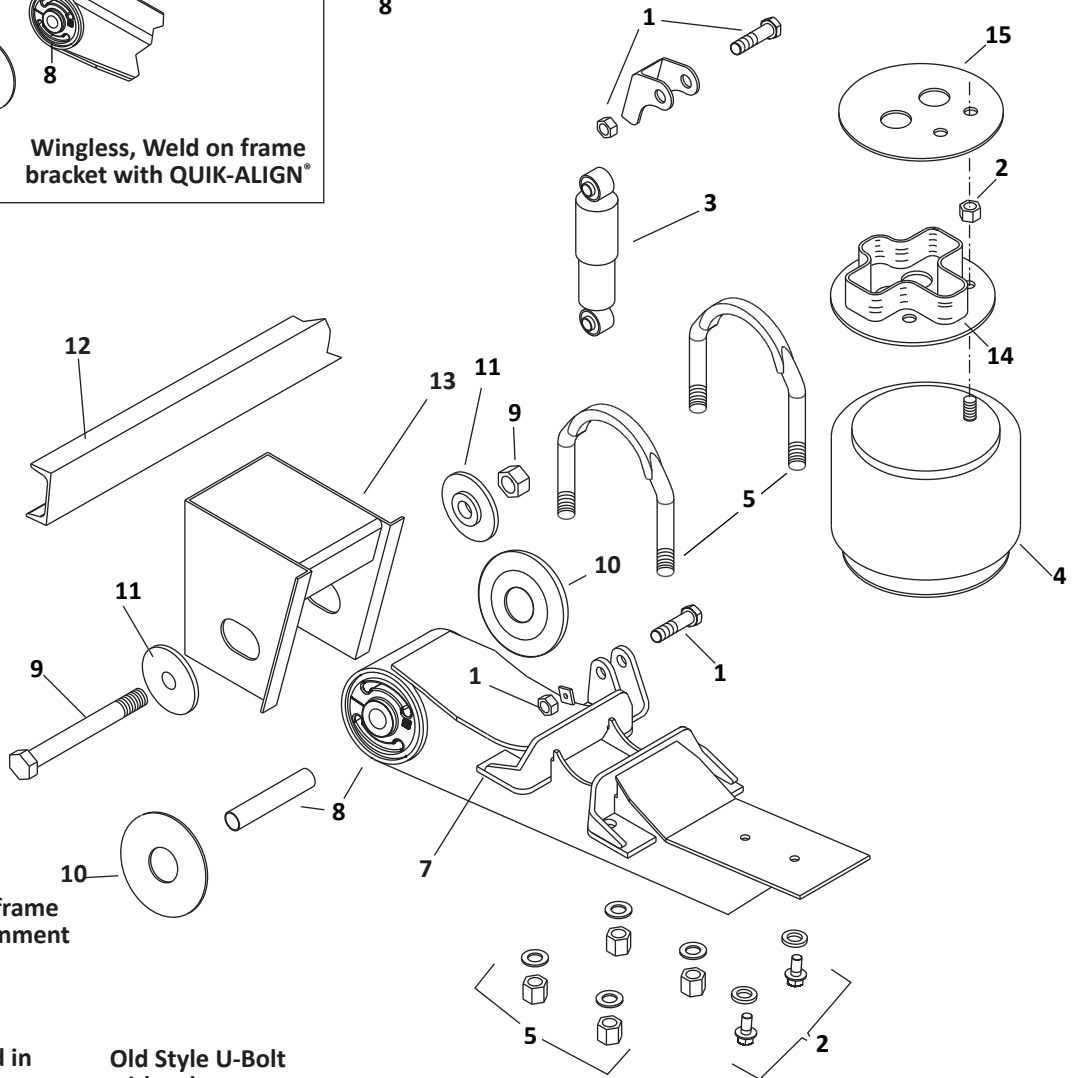
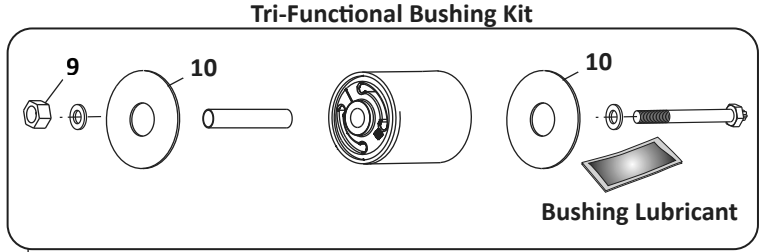
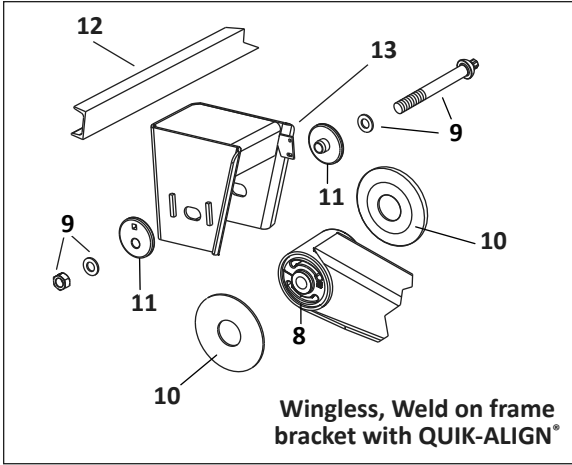
Model HT190T, HT230T, HT300T Also used on Slider Models HK190/230 and HS190T, 230T and HS300T and HK190T and 230 Suspensions on K-2 Sliders						
KEY NO.	EUCLID NO.	GENUINE	OEM REF.	DESCRIPTION	QTY. PER AXLE	PAGE NO.
1	E-14778		S-20031/2	Shock Bolt Kit, (2) 3/4" -10 X 3" Long Hex Bolt w/ Hardware, Most Models	2	HND-225
	E-14780		S-2157/2 S-20218/2	Shock Bolt Kit, (2) 3/4" -10 X 3-1/2" Long Hex Bolt w/ Hardware	2	HND-225
2	S.O.S.		Various	Air Spring Bolt/Mounting Kit	2	-
3	S.O.S.		Various	Air Spring/Shock Mounting Assembly Includes Air Spring Plate and Shock Bracket	2	-
4	HT Shock Absorber Selection Guide		Various	Shock Absorber	2	HND-232
5	HT Air Spring Selection Guide		Various	Air Spring	2	HND-230
6	E-UB8168-082	-	S-20032	U-Bolt Assembly, Rd. Bend, 7/8"-14 Thd. x 6" Wide x 8-1/4" Long, Use with Key No. 7	4	HND-221
	E-UB8466-073H	-	S-21140	U-Bolt Stepped, Rd. Bend, 7/8"-14 Thd. x 6" Wide x 7-3/8" Long, Does Not Require Key No. 7	4	HND-221
7	E-6124		S-20701	Axle Spacer	4	HND-221
8	E-15503		S-20000-1	Beam Assembly, Roadside, Most Models Except HT300T	1	-
	E-15504		S-20000-2	Beam Assembly, Curbside, Most Models Except HT300T	1	-
	S.O.S.		Various	Beam Assembly, One Per Side	1	-
9	E-6121		S-6914	Tri-Functional Bushing Kit, Weld Alignment, Includes Key Nos. 10 & 11	2	HND-216
	E-10729A		S-24691	Tri-Function Bushing Kit, QUIK-ALIGN™ Key Nos. 10 & 11	2	HND-216
10	E-3768		S-3646	Pivot Bolt Kit, Weld Alignment, Includes Sleeve	2	HND-217
	E-10730A		S-24679	Pivot Bolt Kit, QUIK-ALIGN™	2	HND-218
11	E-6122		S-21099	Bushing Wear Pad	2	HND-219
12	E-3771		S-2770	Alignment Collar, Welded Alignment	4	HND-218
	E-10754		S-20925	Alignment Collar, Eccentric, Outer, QUIK-ALIGN™	2	HND-218
	E-10755		S-20924	Alignment Collar, Concentric, Inner, QUIK-ALIGN™	2	HND-218
13	E-15091		A-1631-19	Frame Bracket Channel, Not Required for HK Models	1	-
14	S.O.S.		Various	Frame Bracket	2	-
15	S.O.S.		S-20069	Lower Shock Clevis	2	-
16	E-14775		S-22908/2	Air Spring Bolt/Mounting Kit, 16-1/2" & 17-1/2" Ride Height, 3/4" Thick Spacer, HK190 & 230	2	HND-224
	E-14776		S-22909/2	Air Spring Bolt/Mounting Kit, 18" Ride Height, 1-7/8" Thick Spacer, HK190 & 230	2	HND-224
	S.O.S.		Various	Air Spring Mounting Kit, HK190 & 230	2	-
17	E-14777		B-22510-4	Air Spring Spacer 3/4" Thick, Plastic, HK190 & 230	2	HND-223
	E-14340		B-22510-2	Air Spring Spacer 1-7/8" Thick, Plastic, HK190 & 230	2	HND-223
	E-14341		B-22510-3	Air Spring Spacer 3-1/8" Thick, Plastic, HK190 & 230	2	HND-223
18	S.O.S.		Various	Air Spring Spacer, All HT Models	2	-
19	S.O.S.		Various	Upper Shock Mount, All HT Models	2	-
Not Shown	E-11855		VS-227	Height Control Valve	1	HND-224
	E-14789		S-14187	Linkage Kit	1	HND-224
	E-9575		S-21307	Rebush Tool	As Req'd	HND-219

Suspension identification tag can typically be found on the front of the roadside frame bracket or the inside of the curbside beam
 Denotes Product is Genuine Hendrickson

HENDRICKSON

Model HT190U Underslung

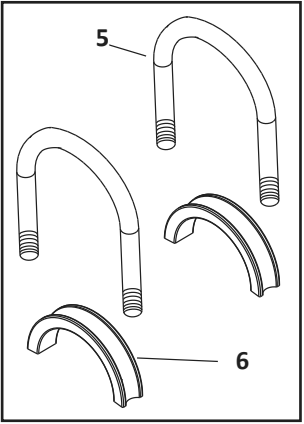
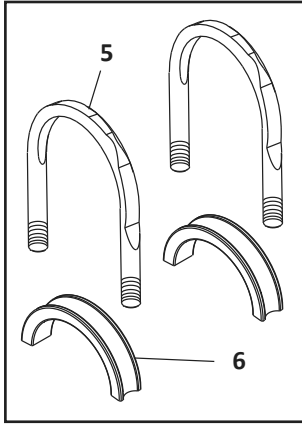
HENDRICKSON







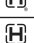



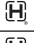

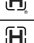







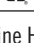




Wingless, weld on frame bracket, welded alignment

Flattened U-Bolt used in 17.5" tire application

Old Style U-Bolt with axle spacer

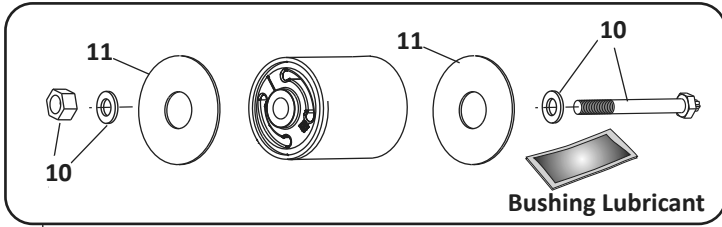


Model HT190U Underslung						
KEY NO.	EUCLID NO.	GENUINE	OEM REF.	DESCRIPTION	QTY. PER AXLE	PAGE NO.
1	E-14780		S-2157/2 S-20218/2	Shock Bolt Kit, (2) 3/4" -10 X 3-1/2" Long Hex Bolt w/ Hardware	2	-
2	S.O.S.		S-20217	Air Spring Bolt Kit	2	-
3	M83128	-	S-20001	Shock Absorber	2	-
	M89436	-	S-20002	Premium Adjustable Shock Absorber	2	-
	M85029	-	S-2212	Shock Absorber	2	-
	M85938	-	S-23649	Shock Absorber	2	-
4	FS8944	-	S-20217	Firestone Air Spring	2	-
	EAS8944	-	S-20217	Euclid Air Spring	2	-
5	E-UB8168-082	-	S-20032	U-Bolt Assembly, Rd. Bend, 7/8"-14 Thd. x 6" Wide x 8-1/4" Long, Use with Key No. 6	4	HND-221
	E-UB8168-082H	-	S22894	U-Bolt Assembly, Rd. Bend, 7/8"-14 Thd. x 6" Wide x 8-1/4" Long, Except with Clearance Flats. Use with Key No. 6	-	HND-221
	E-UB8466-073H	-	S-21140	U-Bolt Stepped, Rd. Bend, 7/8"-14 Thd. x 6" Wide x 7-3/8" Long, Does Not Require Key No. 6	4	HND-221
6	E-6124		S-20701	Axle Spacer	4	HND-221
7	S.O.S.		Various	Beam Assembly, Roadside	1	-
	S.O.S.		Various	Beam Assembly, Curbside	1	-
8	E-6121		S-6914	Tri-Functional Bushing Kit, Weld Alignment, Includes Key Nos. 9 & 10	2	HND-216
	E-10729A		S-24691	Tri-Function Bushing Kit, QUIK-ALIGN™, Includes Key Nos. 9 & 10	2	HND-216
9	E-3768		S-3646	Pivot Bolt Kit, Weld Alignment Includes Sleeve	2	HND-217
	E-10730A		S-24679	Pivot Bolt Kit, QUIK-ALIGN™	2	HND-218
10	E-6122		S-21099	Bushing Wear Pad	4	HND-219
11	E-3771		S-2770	Alignment Collar	4	HND-218
	E-10754		S-20925	Alignment Collar, Eccentric, Outer, QUIK-ALIGN™	2	HND-218
	E-10755		S-20924	Alignment Collar, Concentric, Inner, QUIK-ALIGN™	2	HND-218
12	E-15091		A-1631-19	Frame Bracket Channel	1	-
13	S.O.S.		Various	Frame Bracket	2	-
14	S.O.S.		S-20016-1	Air Spring Spacer, Models U-7.5	2	-
	S.O.S.		S-20016-2	Air Spring Spacer, Models U-9	2	-
	S.O.S.		S-20016-3	Air Spring Spacer, Models U-12	2	-
15	S.O.S.		B-21258	Air Spring Plate	2	-
Not Shown	S.O.S.		Various	Upper Shock Clevis	2	-
	E-11855		VS-227	Height Control Valve	1	HND-224
	E-14789		S-14187	Linkage Kit	1	HND-224
	E-9575		S-21307	Rebush Tool	As Req'd	HND-219

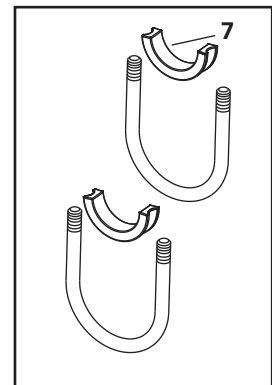
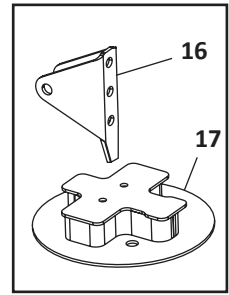
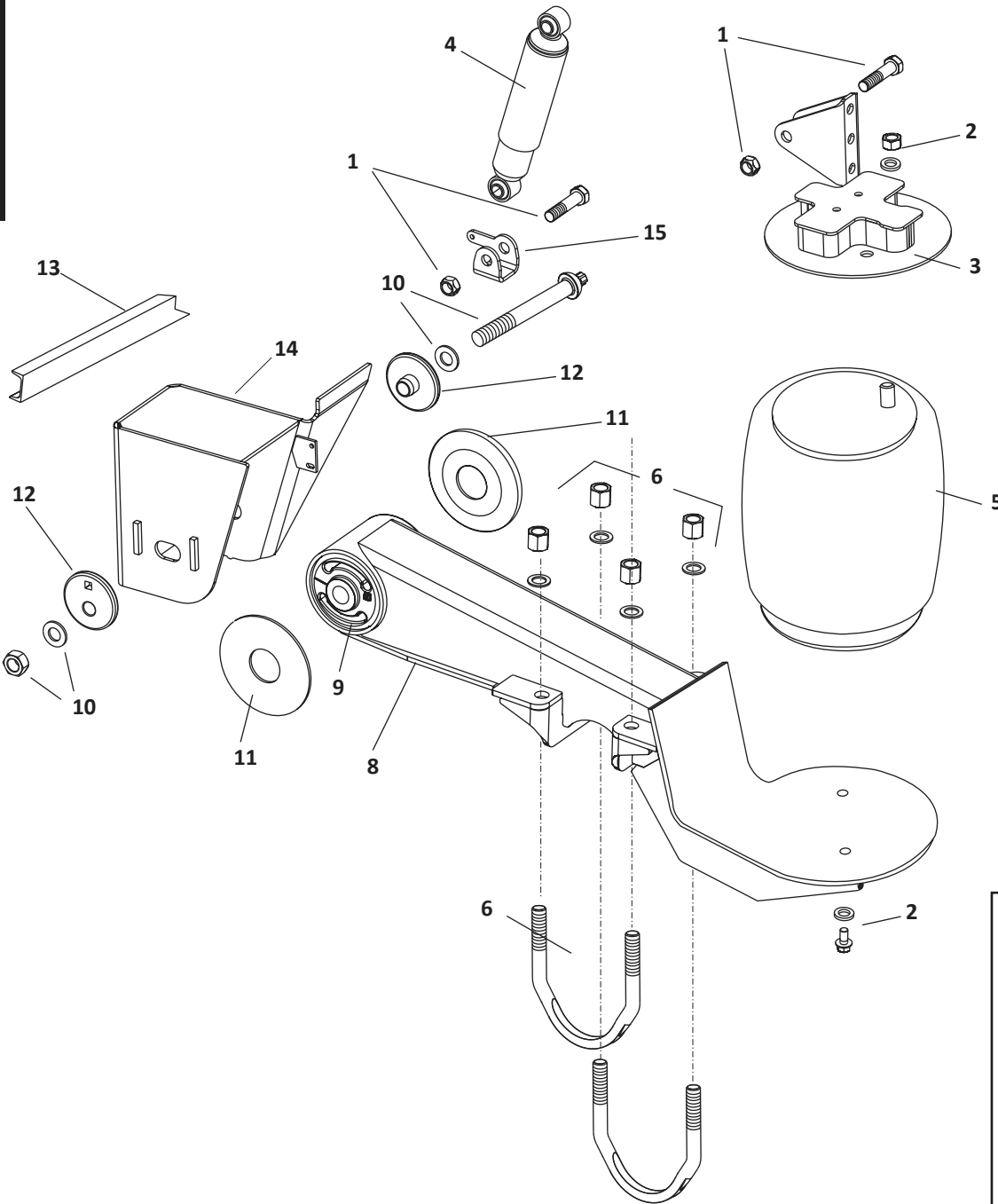
 Denotes Product is Genuine Hendrickson

HENDRICKSON


Tri-Function Bushing Kit




HENDRICKSON



Old Style U-Bolt with Axle Spacer

Model HT250T						
KEY NO.	EUCLID NO.	GENUINE	OEM REF.	DESCRIPTION	QTY. PER AXLE	PAGE NO.
1	E-14778		S-20031/2	Shock Bolt Kit, (2) 3/4" -10 X 3" Long Hex Bolt w/ Hardware, Most Models	2	HND-225
2	S.O.S.		S-20033/2	Air Spring Mounting Kit	2	-
3	S.O.S.		Various	Air Spring/Shock Mounting Assembly Includes Air Spring Plate and Shock Bracket	2	-
4	M85029	-	S-2212	Shock Absorber	2	-
5	FS9265	-	S-20124	Air Spring, All Models Except for T-17-022 & TB15-025	2	-
	EAS9265	-	S-20124	Air Spring, All Models Except for T-17-022 & TB15-025	2	-
	FS9580	-	S-20127	Air Spring, for T-17-022 & TB15-025	2	-
	EAS9580	-	S-20127	Air Spring, for T-17-022 & TB15-025	2	-
6	E-UB8168-082	-	S-20032/4	U-Bolt Assembly, Rd. Bend, 7/8"-14 Thd. x 6" Wide x 8-1/4" Long, Use with Key No. 7	4	HND-221
	E-UB8466-073H	-	S-21140	U-Bolt Stepped, Rd. Bend, 7/8"-14 Thd. x 6" Wide x 7-3/8" Long, Does Not Require Key No. 7	4	HND-221
7	E-6124		S-20701	Axle Spacer	4	HND-221
8	E-15506		S-20602-1	Beam Assembly, Roadside	1	-
	E-15507		S-20602-2	Beam Assembly, Curbside	1	-
9	E-6121		S-6914	Tri-Functional Bushing Kit, Weld Alignment, Includes Key Nos. 10 & 11	2	HND-216
	E-10729A		S-24691	Tri-Function Bushing Kit, QUIK-ALIGN™ Key Nos. 10 & 11	2	HND-216
10	E-3768		S-3646	Pivot Bolt Kit, Weld Alignment, Includes Sleeve	2	HND-217
	E-10730A		S-24679	Pivot Bolt Kit, QUIK-ALIGN™	2	HND-218
11	E-6122		S-21099	Bushing Wear Pad	2	HND-219
12	E-3771		S-2770	Alignment Collar, Welded	4	HND-218
	E-10754		S-20925	Alignment Collar, Eccentric, Outer, QUIK-ALIGN™	2	HND-218
	E-10755		S-20924	Alignment Collar, Concentric, Inner, QUIK-ALIGN™	2	HND-218
13	E-15091		A-1631-19	Frame Bracket Channel	1	-
14	S.O.S.		Various	Frame Bracket	2	-
15	E-15505		S-20069	Lower Shock Clevis	2	-
16	S.O.S.		S-20023	Upper Shock Mount	2	-
17	S.O.S.		Various	Air Spring Spacer	2	-
Not Shown	E-11855		VS-227	Height Control Valve	1	HND-224
	E-14789		S-14187	Linkage Kit	1	HND-224
	E-9575		S-21307	Rebush Tool	As Req'd	HND-219

Suspension identification tag can typically be found on the front of the roadside frame bracket or the inside of the curbside beam

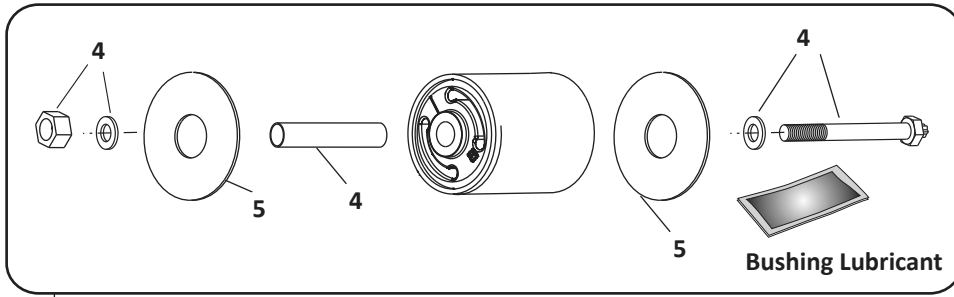
 Denotes Product is Genuine Hendrickson

HENDRICKSON

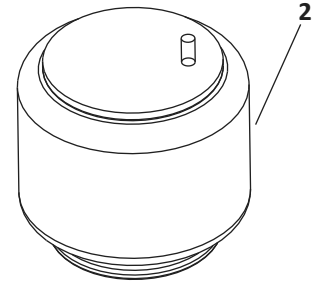
Suspension **HENDRICKSON TRAILER & AUX. SUSPENSION**

Model HT250U, US / HT300U, US

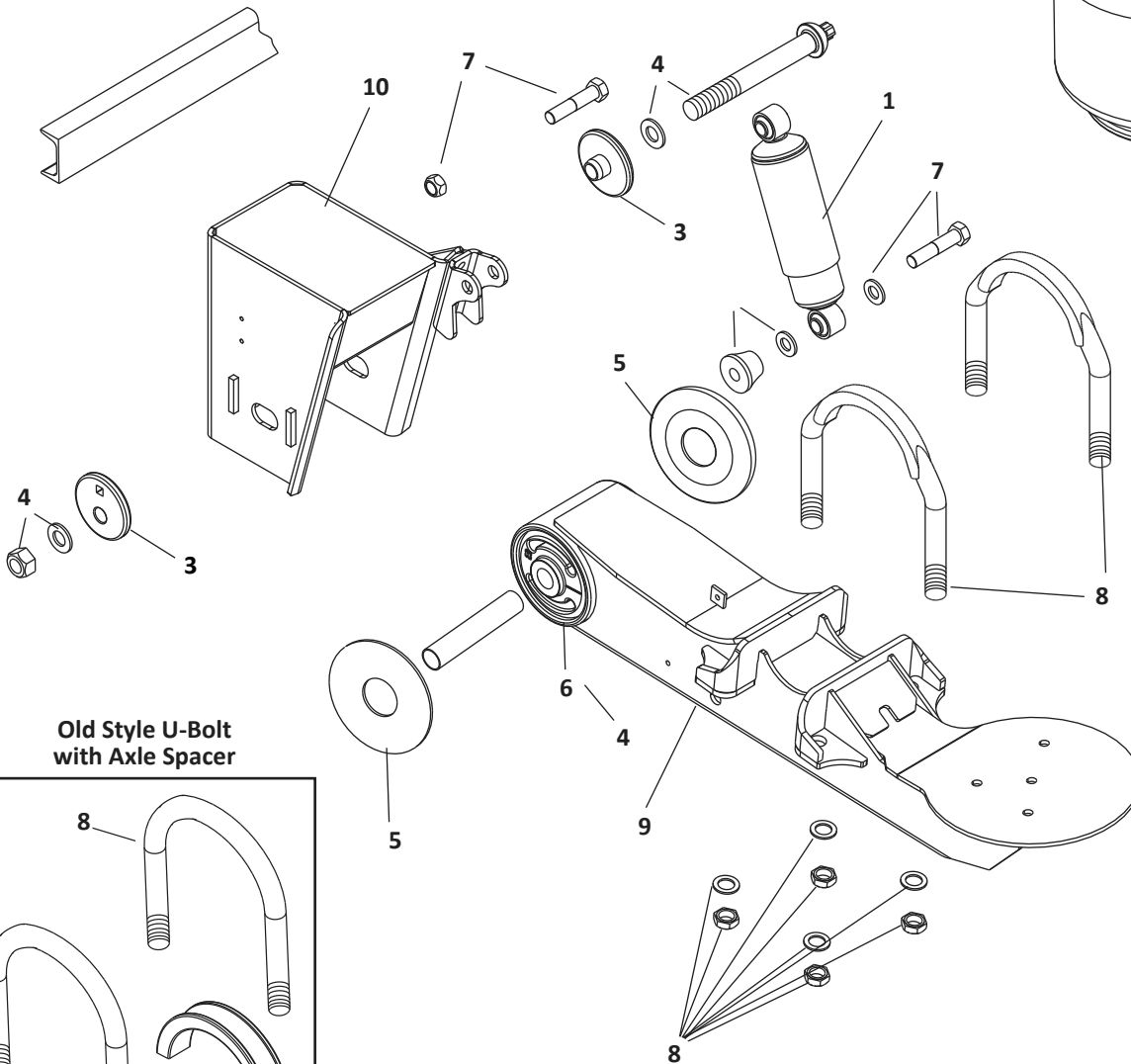
Tri-Function Bushing Kit



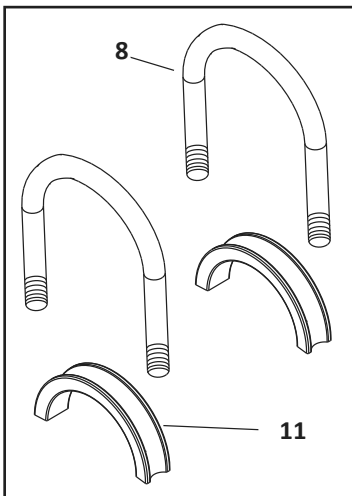
6





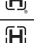







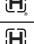


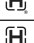



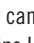
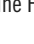


HENDRICKSON




Old Style U-Bolt with Axle Spacer



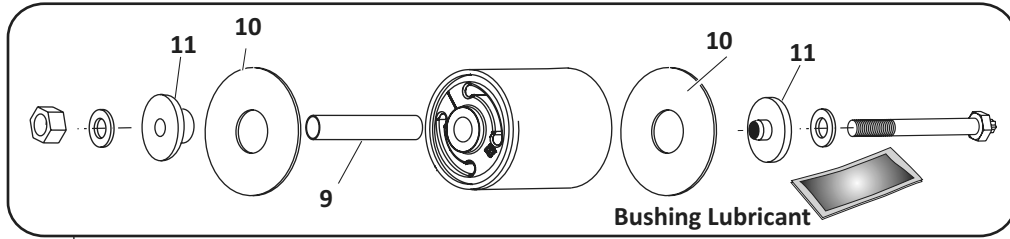
Model HT250U, US / HT300U, US						
KEY NO.	EUCLID NO.	GENUINE	OEM REF.	DESCRIPTION	QTY. PER AXLE	PAGE NO.
1	HT Shock Absorber Selection Guide		Various	Shock Absorber	2	HND-232
2	HT Air Spring Selection Guide		Various	Air Spring	2	HND-230
3	E-3771		S-2770	Alignment Collar, Welded Alignment	4	HND-218
	E-10754		S-20925	Alignment Collar, Eccentric, Outer, QUIK-ALIGN™	2	HND-218
	E-10755		S-20924	Alignment Collar, Concentric, Inner, QUIK-ALIGN™	2	HND-218
4	E-3768		S-3646	Pivot Bolt Kit, Weld Alignment, Includes Sleeve	2	HND-217
	E-10730A		S-24679	Pivot Bolt Kit, QUIK-ALIGN™	2	HND-218
5	E-6122		S-21099	Wear Pad	4	HND-219
6	E-6121		A-6914	Tri-Functional Bushing Kit, Weld Alignment, Includes Key Nos. 4 & 5	2	HND-219
	E-10729A		S-24691	Tri-Function Bushing Kit, QUIK-ALIGN™ Key Nos. 4 & 5	2	HND-216
7	E-14780		S-2157 / 2	Shock Bolt Kit 3/4"-10 X 3-1/2" Long Incl. Hardware. All HT250U & 300U Models & HT250US & 300US Models w/ Remote mount	2	HND-225
	E-15490		S-24185/2	Shock Bolt Kit 3/4"-10 X 3-1/2" Long Incl. Special Spacer & Hardware, HT250 & 300US w/ Std Shock Mount	2	-
8	E-UB8466-073H	-	S-21140	U-Bolt Stepped, Rd. Bend, 7/8"-14 Thd. x 6" Wide x 7-3/8" Long, Does Not Require Key No. 11. All 300US Models. for 250US w/ 19-1/2" Tires and Larger	4	HND-221
	E-UB8168-082	-	S-20032	U-Bolt Assembly, Rd. Bend, 7/8"-14 Thd. x 6" Wide x 8-1/4" Long, Use with Key No. 11. All 300US Models. for 250US w/ 19-1/2" Tires and Larger	4	HND-221
	E-UB8168-082H	-	S-22894	U-Bolt Assembly, Rd. Bend with Clearance Flats, 7/8"-14 Thd. x 6" Wide x 8-1/4" Long. Requires Key No. 11. for HT250US Model w/ 17-1/2" Tires	4	HND-221
	E-UB8165-10	-	S-3650	U-Bolt Assembly Rd. Bend, 7/8 "-14 Thd. X 5" Wide x 10 in. Long, 250U & 300U Models	4	HND-221
9	S.O.S.		Various	Beam	2	-
10	S.O.S.		Various	Frame Bracket	2	-
11	E-6124		S-20701	Axle Spacer	4	HND-221
Not Shown	S.O.S.		Various	Upper & Lower Shock Brkt, Hanger Mounted	2	-
	S.O.S.		Various	Upper & Lower Shock Brkt, Remote Mount	2	-
	S.O.S.		Various	Upper Air Spring Plate	2	-
	E-11855		VS-227	Height Control Valve	1	HND-224
	E-14789		S-14187	Linkage Kit	1	HND-224
	E-9575		S-21307	Rebush Tool	As Req.	HND-219

Suspension identification tag can typically be found on the front of the roadside frame bracket or the inside of the curbside beam

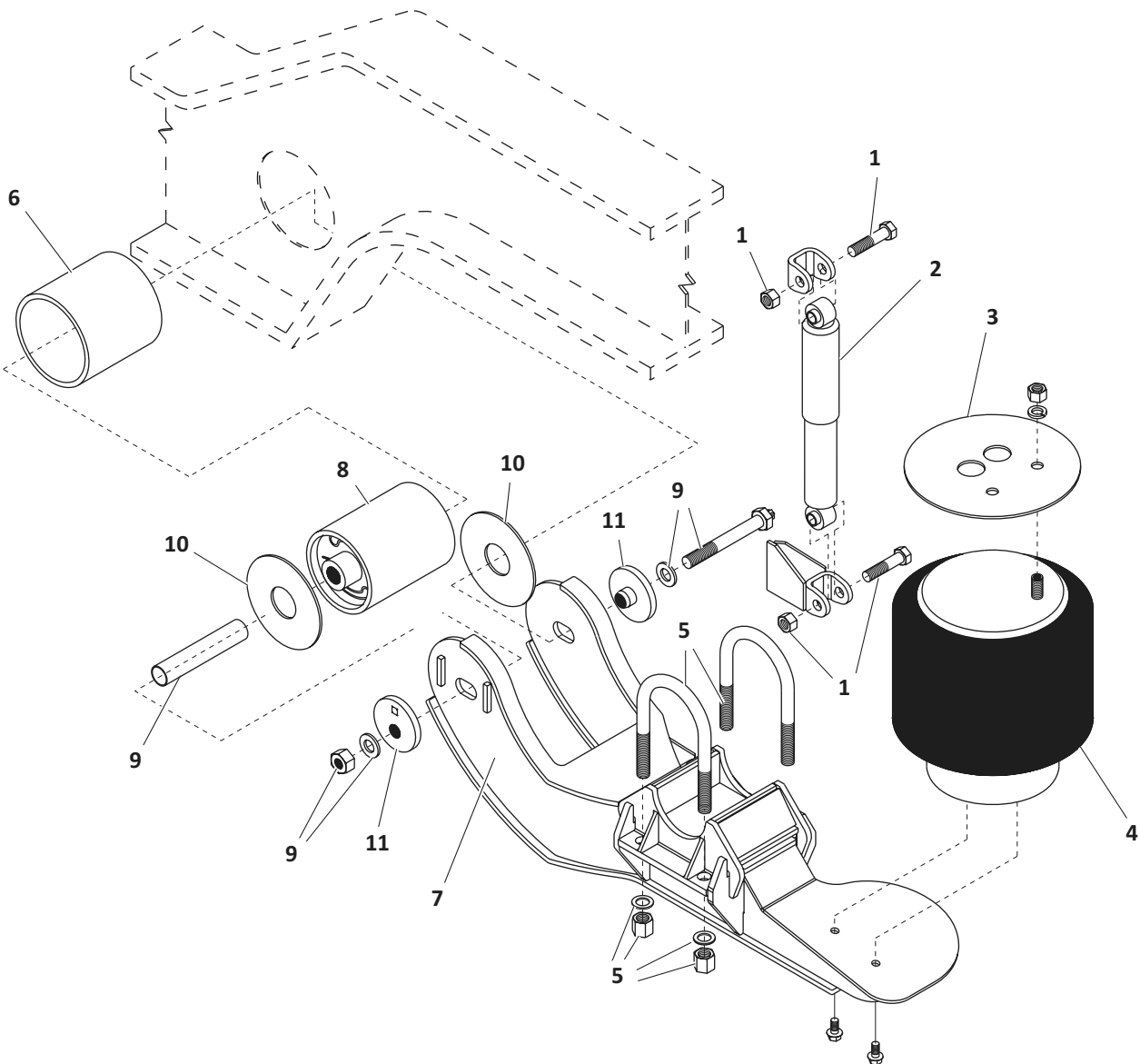
 Denotes Product is Genuine Hendrickson

HENDRICKSON

Tri-Function Bushing Kit



12



HENDRICKSON

Model HT250YS / HT250YB / HT250U-Y

KEY NO.	EUCLID NO.	GENUINE	OEM REF.	DESCRIPTION	QTY. PER AXLE			PAGE NO.
					HT250YS	HT250YB	HT250U-Y	
1	E-14780	☒	S-2157/2	Shock Bolt Kit, (2) 3/4" -10 X 3-1/2" Long Hex Bolt w/ Hardware	-	2	2	HND-225
	S.O.S.	☒	S-31929/2	Shock Bolt Kit	2	-	-	-
2	M89436	-	S-20002	Gas Shock Absorber, Standard Service	-	2	2	-
	M85045	-	S-23651	Shock Absorber	2	-	-	-
	M85738	-	S-21553	Shock Absorber, Extended Service, High Damping	-	2	2	-
	M85938	-	S-23649	Shock Absorber, Remote Mounted	-	2	-	-
3	S.O.S.	☒	S-21209	Air Spring Plate	2	2	2	-
4	FS9580	-	S-20127	Air Spring, 10-3/4" Bottom Piston Diameter; 4" C-to-C Bottom Stud Spacing	2	2	2	-
	EAS9580	-	S-20127	Air Spring, 10-3/4" Bottom Piston Diameter; 4" C-to-C Bottom Stud Spacing	2	2	2	-
	FS9581	-	S-20414	Air Spring, 10-3/4" Bottom Piston Diameter; 5-5/8" C-to-C Bottom Stud Spacing	2	2	2	-
	FS9265	-	S-20124	Air Spring, 10-3/4" Bottom Piston Diameter; 5-5/8" C-to-C Bottom Stud Spacing	2	2	2	-
	EAS9265	-	S-20124	Air Spring, 11-1/16" Bottom Piston Diameter	2	2	2	-
5	E-UB8165-10	-	S-3650	U-Bolt, Rd. Bend, 7/8"-14 Thd. x 5" Wide x 10" Long; All Models Except as Noted	4	4	4	HND-221
	E-UB8466-073H	-	S-21140	U-Bolt Stepped, Rd. Bend, 7/8"-14 Thd. x 6" Wide x 7-3/8" Long, HT250YS Models w/ 16-1/2" Brakes	4	-	-	HND-221
	S.O.S.	☒	A-22237	U-Bolt Flattened w/ Spacer Kit, HT250YS Models w/ 12-1/4" Brakes	4	-	-	-
6	S.O.S.	☒	S-7342	Tube Sleeve	2	2	2	-
7	S.O.S.	☒	Various	Beam Assembly, Roadside	1	1	1	-
	S.O.S.	☒	Various	Beam Assembly, Curbside	1	1	1	-
8	E-16359	☒	S-7343	Bushing, Weld Alignment	-	-	2	HND-217
	E-16360	☒	S-30862	Bushing, QUIK-ALIGN™	2	2	-	HND-217
9	E-16361	☒	S-7345	Pivot Bolt Kit, Weld Alignment	-	-	2	HND-217
	E-16362	☒	S-25948	Pivot Bolt Kit, QUIK-ALIGN™	2	2	-	HND-218
10	E-6122	☒	S-21099	Bushing Wear Pad	4	4	4	HND-219
11	E-16363	☒	S-7349	Alignment Collar, Welded	-	-	2	HND-218
	E-10754	☒	S-20925	Alignment Collar, Eccentric (Outer) QUIK-ALIGN™	2	2	-	HND-218
	E-10755	☒	S-20924	Alignment Collar, Concentric (Inner) QUIK-ALIGN™	2	2	-	HND-218
12	E-16358	☒	S-13136	Tri-Functional Bushing Kit, Weld Alignment, Includes Key Nos. 8, 9, 10, 11	-	-	2	HND-216
13	S.O.S.	☒	S-26000	Tri-Function Bushing Kit, QUIK-ALIGN™ Key Nos. 8, 9, 10.	2	2	-	-

Suspension identification tag can typically be found on the front of the roadside frame bracket or the inside of the curbside beam

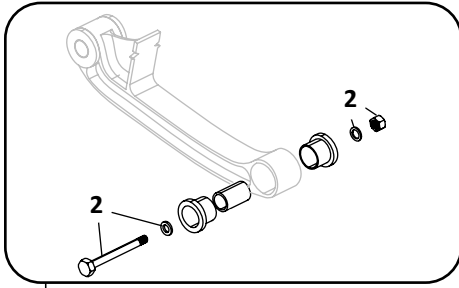
☒ Denotes Product is Genuine Hendrickson

HENDRICKSON

HENDRICKSON AUXILIARY SUSPENSION

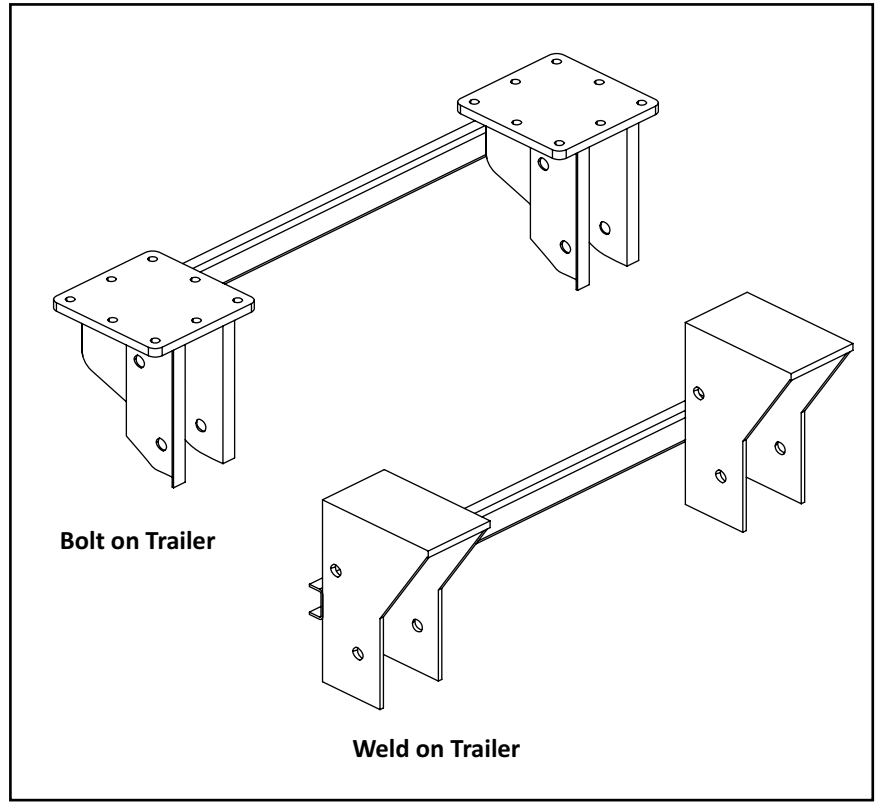
COMPOSILITE SC Series; Lift — Truck & Trailer

Bushing & Pivot Bolt Kit



3 Includes (8) sets of items shown

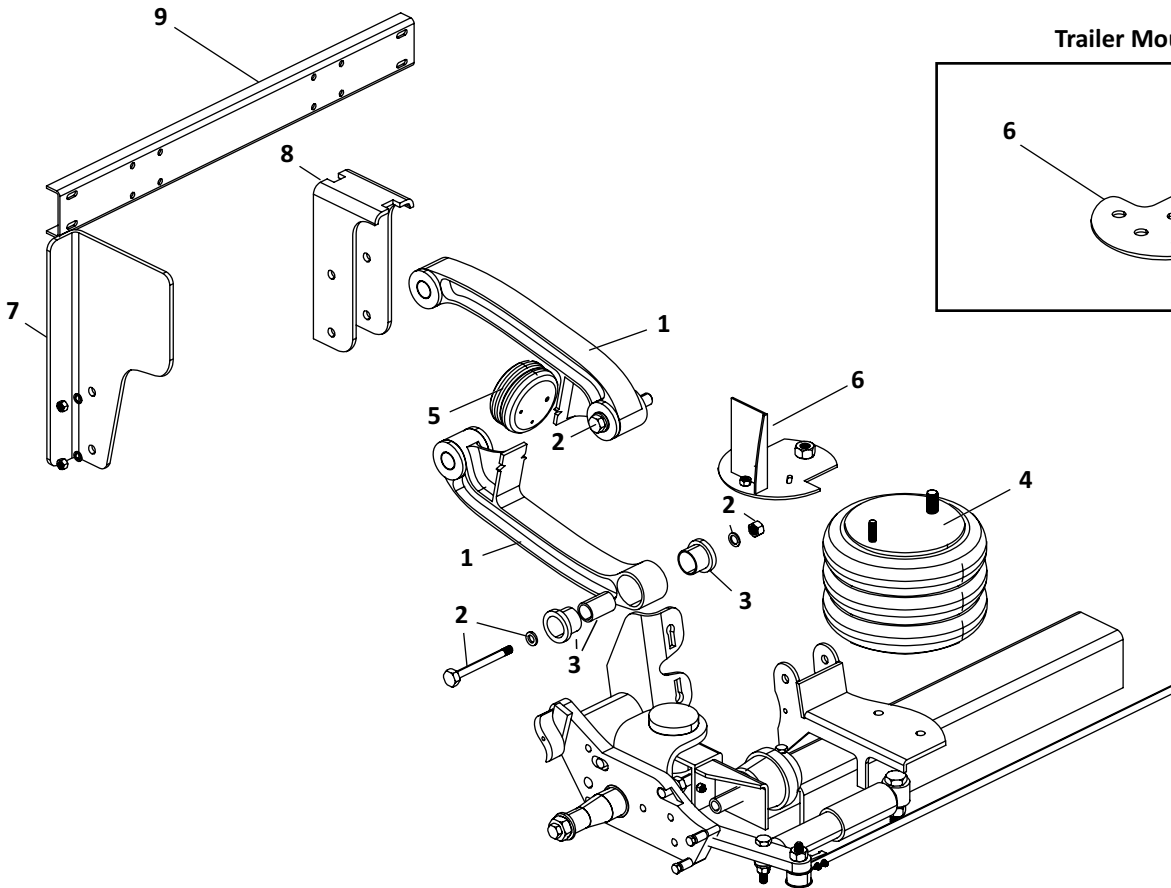
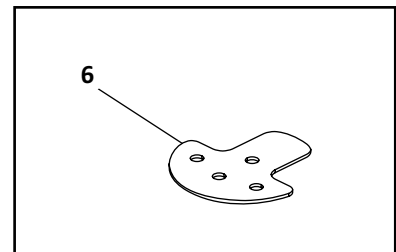
Trailer Mount






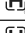
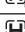
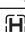




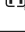


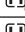
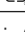
Bolt on Trailer

Weld on Trailer

Trailer Mount



HENDRICKSON

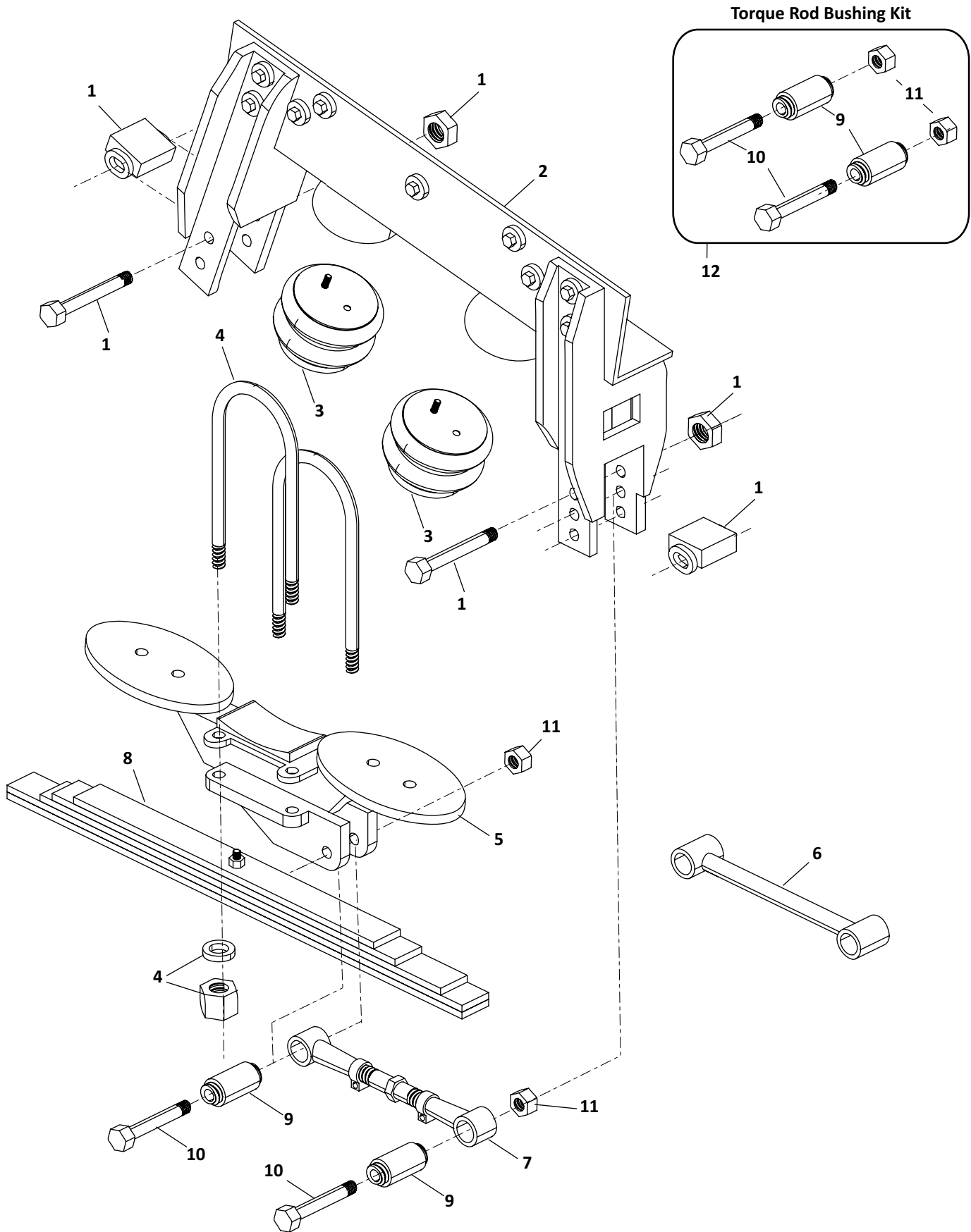
COMPOSILITE SC Series; Lift — Truck & Trailer													
KEY NO.	EUCLID NO.	GENUINE	OEM REF.	DESCRIPTION	QTY. PER SUSPENSION								PAGE NO.
					SC 10K (TRUCK SERIES PREFIX SCT10)	SC10K ADJ (TRUCK SERIES PREFIX SCT10)	SC13K (TRUCK SERIES PREFIX SCT13)	SC13K ADJ (TRUCK SERIES PREFIX SCT13)	SC20K (TRUCK SERIES PREFIX SCT20)	SC 20K ADJ (TRUCK SERIES PREFIX SCT20)	SCW (TRAILER SERIES PREFIX SCW13)	SCB (TRAILER SERIES PREFIX SCB13)	
1	S.O.S.		R-009690	Beam Assembly	4	4	-	-	-	-	-	-	-
	S.O.S.		R-008940	Beam Assembly	-	-	4	4	-	-	4	4	-
	S.O.S.		R-010125	Beam Assembly	-	-	-	-	4	4	-	-	-
2	E-16341		R-005009	Pivot Bolt Kit	8	-	8	-	-	-	1	1	HND-217
	S.O.S.		R-007659	Pivot Bolt Kit	-	1	-	1	-	-	-	-	-
	S.O.S.		R-007040	Pivot Bolt Kit	-	-	-	-	1	-	-	-	-
	S.O.S.		R-007961	Pivot Bolt Kit	-	-	-	-	-	1	-	-	-
3	E-16343		R-008839	Bushing and Pivot Bolt Kit	1	-	1	-	-	-	1	1	HND-216
	S.O.S.		R-008839-1	Bushing and Pivot Bolt Kit	-	1	-	1	-	-	-	-	-
	S.O.S.		R-008839-2	Bushing and Pivot Bolt Kit	-	-	-	-	1	-	-	-	-
	E-16346		R-008839-3	Bushing and Pivot Bolt Kit	-	-	-	-	-	1	-	-	HND-216
4	FS8033	-	R-B-14487	Air Spring, Ride	2	2	2	2	-	-	-	-	-
	EAS8033	-	-	Air Spring, Ride	2	2	2	2	-	-	-	-	-
	FS7797	-	R-001346	Air Spring, Ride	-	-	-	-	2	2	-	-	-
	EAS7797	-	-	Air Spring, Ride	-	-	-	-	2	2	-	-	-
	FS8042	-	R-001015	Air Spring, Ride	-	-	-	-	-	-	2	2	-
	EAS8042	-	-	Air Spring, Ride	-	-	-	-	-	-	2	2	-
5	FS7659	-	R-005079	Air Spring, Lift	2	2	2	2	-	-	2	2	-
	S.O.S.	-	R-010214	Air Spring, Lift	-	-	-	-	2	2	-	-	-
6	S.O.S.		Various	Upper Air Spring Plate	2	2	2	2	2	2	2	2	-
7	S.O.S.		Various	Hanger Side Rail	2	2	2	2	2	2	2	2	-
8	S.O.S.		Various	Bushing Saddle	2	2	2	2	2	2	2	2	-
9	S.O.S.		Various	Cross Member	1	1	1	1	1	1	1	1	-















 Denotes Product is Genuine Hendrickson


HENDRICKSON AUXILIARY SUSPENSION

HLQ, Q Series — Lift-Truck

HENDRICKSON



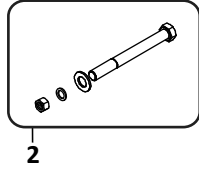
HLQ, Q Series — Lift-Truck								
KEY NO.	EUCLID NO.	GENUINE	OEM REF.	DESCRIPTION	QTY. PER SUSPENSION			PAGE NO.
					Q-AH HLQ-AH	Q-LF HLQ-LF	Q-SR HLQ SR	
1	E-3779	-	S-1156	Slider Block Assembly Includes Block, Bolt & Nut. Slider Length 2-7/8"	4	4	-	HND-220
	E-3777	-	S-1367	Slider Block Assembly Includes Block, Bolt & Nut. Slider Length 2-5/8"	-	-	2	HND-220
2	S.O.S.		D-1152-1	Side Rail Assembly, Curbside	-	-	1	-
	S.O.S.		D-1152-2	Side Rail Assembly, Roadside	-	-	1	-
	S.O.S.		D-1257-1	Side Rail Assembly, Curbside	-	1	-	-
	S.O.S.		D-1257-2	Side Rail Assembly, Roadside	-	1	-	-
	S.O.S.		D-1268-1	Side Rail Assembly, Curbside	1	-	-	-
	S.O.S.		D-1268-2	Side Rail Assembly, Roadside	1	-	-	-
3	FS7403	-	S-1159	Air Spring	4	4	4	-
	EAS7403	-	-	Air Spring	4	4	4	-
4	E-UB8165-12	-	S-1135	U-Bolt Assembly, Rd. Bend, 7/8"-14 Thd. x 5" Wide x 12" Long	-	4	-	-
	S.O.S.	-	A-7566	U-Bolt Assembly, Rd. Bend, 7/8"-14 Thd. x 6" Wide x 9-1/2" Long	4	-	4	-
5	S.O.S.		C-3334	Lower Arm Assembly	2	-	-	-
	S.O.S.		C-3419	Lower Arm Assembly	-	2	-	-
	S.O.S.		C-7565	Lower Arm Assembly	-	-	2	-
6	E-3773		S-1031	Torque Rod, Rigid 15-1/2" Center-to-Center	-	-	1	HND-220
	E-3774A-2		S-1031-1	Torque Rod, Rigid 19" Center-to-Center	1	-	-	HND-220
7	E-2512	-	S-1032-2	Torque Rod, Adjustable, 14" – 18-1/2" Center-to-Center	-	-	1	HND-220
	E-2513	-	S-1032-1	Torque Rod, Adjustable, 18-1/2" – 21-3/8" Center-to-Center	1	-	-	HND-220
8	S.O.S.		C-1733	Return Spring Assembly	2	-	-	-
	S.O.S.		B-1152	Return Spring Assembly	-	-	2	-
	S.O.S.		C-1012	Return Spring Assembly	-	2	-	-
9	E-1980	-	S-1712	Torque Rod Bushing	4	4	4	HND-220
10	E-901	-	-	Bolt, 7/8" - 9 X 5-1/2" Long	4	4	4	-
11	E-2893	-	-	Lock Nut, 7/8"-9	4	4	4	-
12	E-1981	-	-	Torque Rod Bushing Assembly Includes Key Nos. 9, 10, 11.	4	4	4	HND-220

 Denotes Product is Genuine Hendrickson

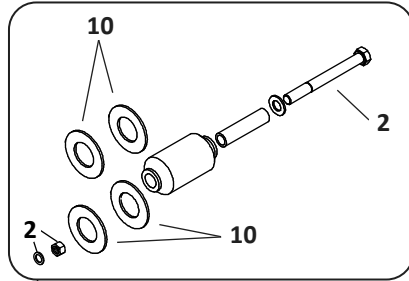
HENDRICKSON AUXILIARY SUSPENSION

HLU / HLUS / HLUP / HULR2T / UCL / UC / FBT Series — Truck

Pivot Bolt Kit

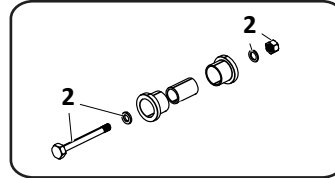


Bushing & Pivot Bolt Kit



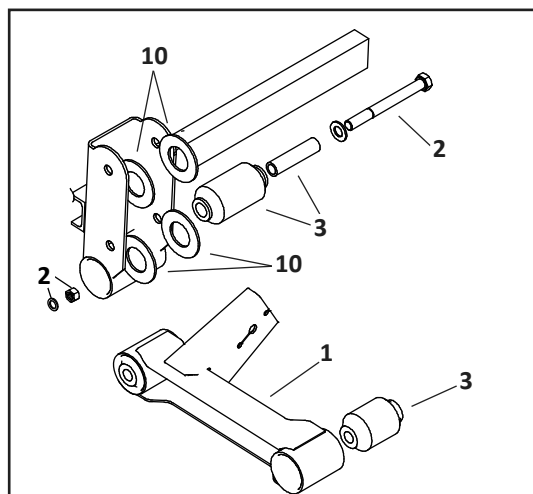
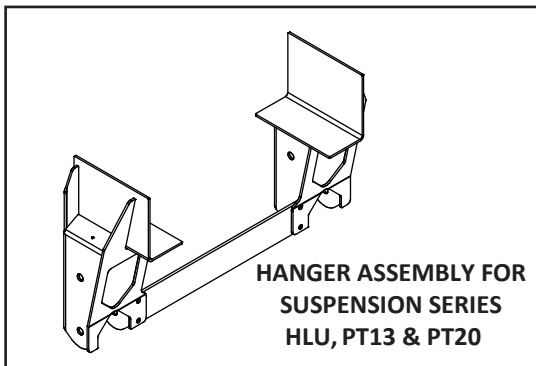
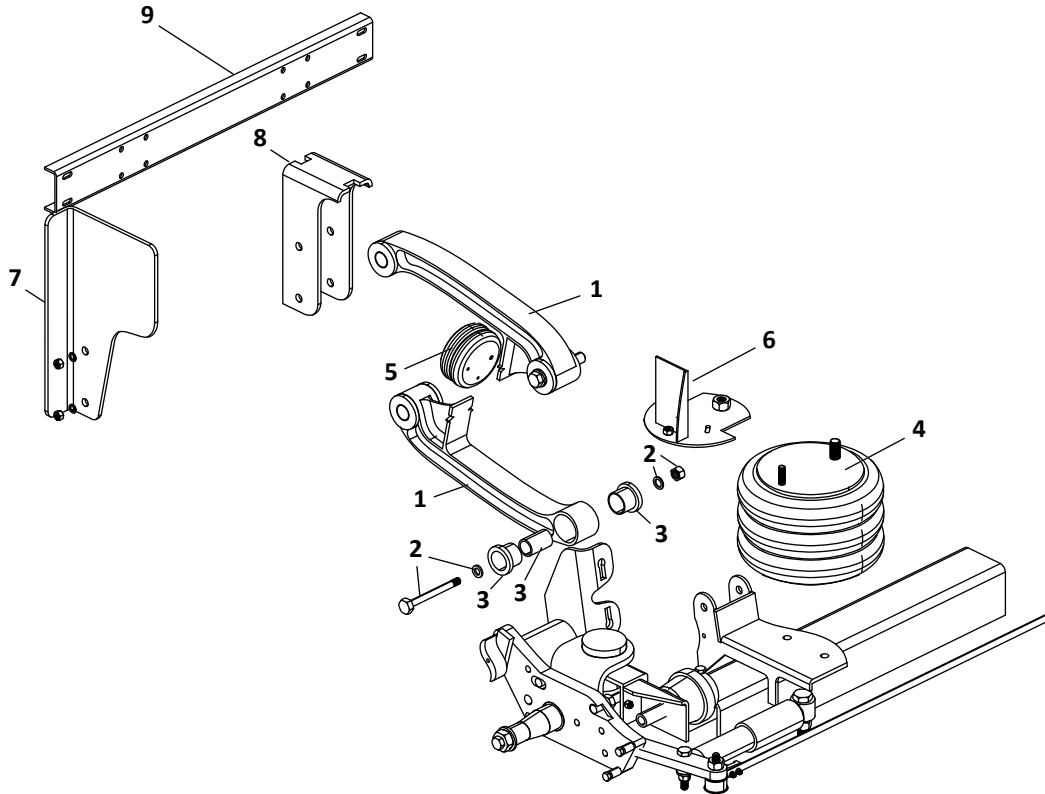
3 E-16342 Includes (8) of Items Shown

Bushing & Pivot Bolt Kit












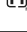


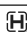
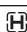
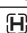
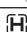
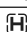

3 E-16343 Includes (8) of Items Shown

HENDRICKSON



REVERSE CASTER SUSPENSION SERIES
HULR & HULR2

HLU / HLUS / HLUP / HULR2T / UCL / UC / FBT Series — Truck

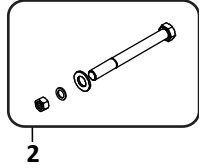
KEY NO.	EUCLID NO.	GENUINE	OEM REF	DESCRIPTION	TRUCK SUSPENSION SERIES (TRUCK PREFIX IN PARENTHESIS)					
					HLU (UT13) 1997 – 1997	HLUS/HLUS2 (UST13 & US2T13) 1997 – 2005	HLUR (URT13) 1999 – 2000	HLUR2T (UR2T13) 2000 – 2013	UCL (UCLT13) 2002 – 2002	UC2, UC3, UC4, (C2T13 (OR 3, OR 4) 2002 – 2007 & FBC (FBT08 OR FBT10) 2004 – 2007 & ST13K (STT10) 2007 – 2010
1	E-16337		R-D-14784-1	Beam Assembly	2	-	-	-	-	-
	E-16338		R-D-14784-2	Beam Assembly	2	-	-	-	-	-
	E-16339		R-002006-1	Beam Assembly	-	2	-	-	-	-
	E-16340		R-002006-2	Beam Assembly	-	2	-	-	-	-
	S.O.S.		Various	Beam Assembly	-	-	4	4	4	4
2	E-16345		R-A-14488	Pivot Bolt Kit	1	1	-	-	1	-
	E-16341		R-005009	Pivot Bolt Kit	-	-	-	-	-	8
	S.O.S.		Various	Pivot Bolt Kit	-	-	1	1	-	-
3	E-16342		R-009560	Bushing & Pivot Bolt Kit	1	1	-	-	-	-
	E-16343		R-008839	Bushing & Pivot Bolt Kit	-	-	-	-	-	1
	S.O.S.		Various	Bushing & Pivot Bolt Kit	-	-	1	1	8	-
4	FS8033	-	R-B-14487	Air Spring (Ride)	2	2	2	2	2	2
	EAS8033	-	R-B-14487	Air Spring (Ride)	2	2	2	2	2	2
5	FS7795	-	R-B-14486	Air Spring (Lift)	2	2	-	2	-	-
	EAS7795	-	R-B-14486	Air Spring (Lift)	2	2	-	2	-	-
	FS7897	-	R-002878	Air Spring (Lift)	-	-	2	-	-	-
	EAS7897	-	R-002878	Air Spring (Lift)	-	-	2	-	-	-
	S.O.S.	-	R-004647	Air Spring (Lift)	-	-	-	-	2	-
	FS7659	-	R-005079	Air Spring (Lift)	-	-	-	-	-	2
	FS7505	-	R-001347	Air Spring (Lift)	2	-	-	-	-	-
6	S.O.S.		R-C-14489-1/-2	Upper Air Spring Plate	1	1	1	1	1	1
7	E-16348		R-D-14786-1	Hanger Side Rail	1	-	-	-	-	-
	E-16349		R-D-14786-2	Hanger Side Rail	1	-	-	-	-	-
	S.O.S.		Various	Hanger Side Rail	-	2	2	2	2	2
8	S.O.S.		Various	Bushing Saddle	2	2	2	2	2	2
9	S.O.S.		Various	Cross Member	1	1	1	1	1	1
10	E-16344		R-B-14495	Wear Pads Included w/ Bushing & Pivot Bolt Kit	4	4	4	4	4	-

 Denotes Product is Genuine Hendrickson

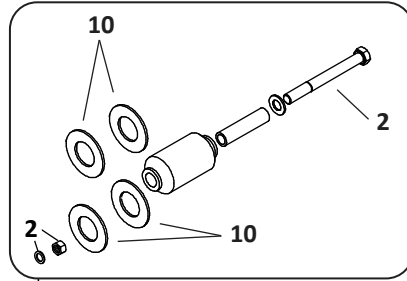
HENDRICKSON AUXILIARY SUSPENSION

PT / PST / ST Series — Truck

Pivot Bolt Kit

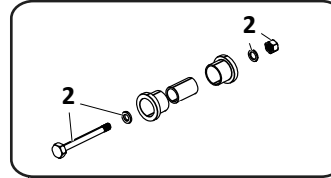


Bushing & Pivot Bolt Kit



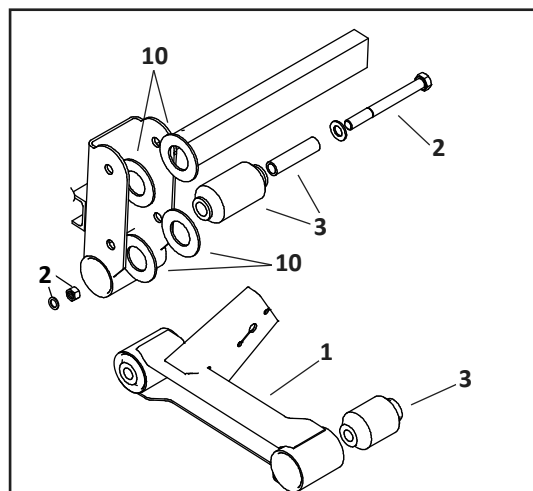
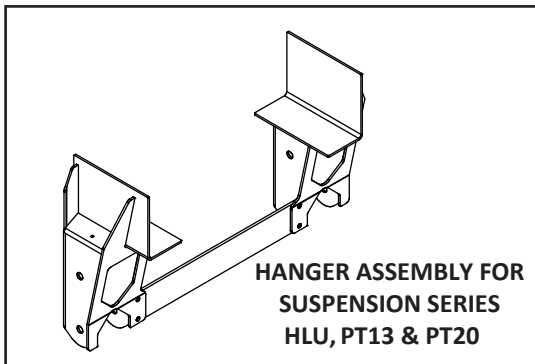
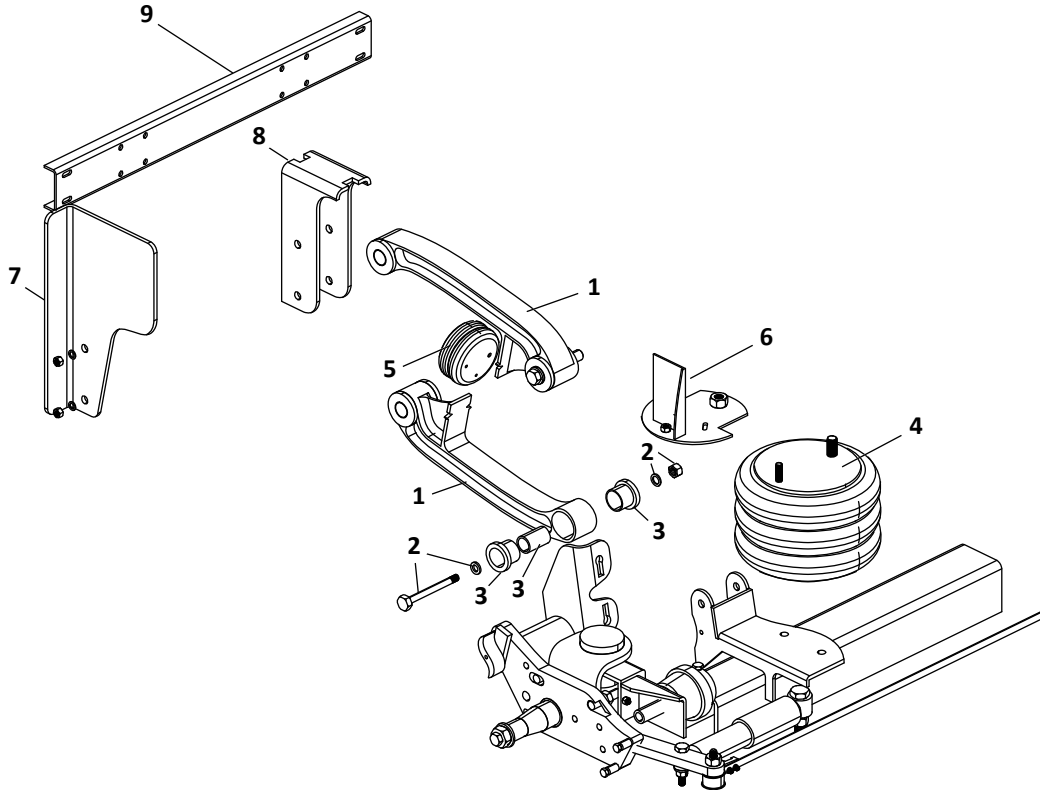
3 E-16342 Includes (8) of Items Shown

Bushing & Pivot Bolt Kit



3 E-16343 Includes (8) of Items Shown

HENDRICKSON



**REVERSE CASTER SUSPENSION SERIES
HLR & HLR2**

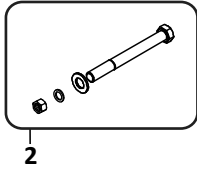
PT / PST / ST Series — Truck											
KEY NO.	EUCLID NO.	GENUINE	OEM REF	DESCRIPTION	TRUCK SUSPENSION SERIES (TRUCK PREFIX IN PARENTHESIS)						PAGE NO.
					PT20 (PT20) 1996 – 2008	PST13 KIT ONLY (PST13) 1999 – 2012	PST20 (PST20) 2008 – 2012	PST20 ADJ (PST20) 2009 – 2012	ST13K (STT10) 2007 – 2010	ST 13K ADJ (STT13) 2007 – 2010	
1	E-16339		R-002006-1	Beam Assembly	-	2	-	-	-	-	HND-222
	E-16340		R-002006-2	Beam Assembly	-	2	-	-	-	-	HND-222
	S.O.S.		Various	Beam Assembly	4	-	4	4	4	4	-
2	E-16345		R-A-14488	Pivot Bolt Kit	1	1	-	-	-	-	-
	E-16341		R-005009	Pivot Bolt Kit	-	-	-	-	8	-	HND-217
	S.O.S.		Various	Pivot Bolt Kit	-	-	1	1	-	1	-
3	E-16342		R-009560	Bushing & Pivot Bolt Kit	1	1	-	-	-	-	HND-216
	E-16343		R-008839	Bushing & Pivot Bolt Kit	-	-	-	-	1	-	HND-216
	S.O.S.		Various	Bushing & Pivot Bolt Kit	-	-	1	1	-	1	-
4	FS8033	-	R-B-14487	Air Spring (Ride)	-	2	-	-	2	2	-
	EAS8033	-	R-B-14487	Air Spring (Ride)	-	2	-	-	2	2	-
	FS7797	-	R-001346	Air Spring (Ride)	2	-	2	2	-	-	-
	EAS7797	-	R-001346	Air Spring (Ride)	2	-	2	2	-	-	-
5	FS7795	-	R-B-14486	Air Spring (Lift)	-	2	2	-	-	-	-
	EAS7795	-	R-B-14486	Air Spring (Lift)	-	2	2	-	-	-	-
	FS7659	-	R-005079	Air Spring (Lift)	-	-	-	-	2	2	-
	FS7505	-	R-001347	Air Spring (Lift)	2	-	-	-	-	-	-
6	S.O.S.		R-C-14489-1/2	Upper Air Spring Plate	1	1	1	1	1	1	-
7	E-16348		R-D-14786-1	Hanger Side Rail	1	-	-	-	-	-	HND-222
	E-16349		R-D-14786-2	Hanger Side Rail	1	-	-	-	-	-	HND-222
	S.O.S.		Various	Hanger Side Rail	-	2	2	2	2	2	-
8	S.O.S.		Various	Bushing Saddle	2	2	2	2	2	2	-
9	S.O.S.		Various	Cross Member	1	1	1	1	1	1	-
10	E-16344		R-B-14495	Wear Pads Included w/ Bushing & Pivot Bolt Kit	4	4	-	-	-	-	HND-219

Denotes Product is Genuine Hendrickson

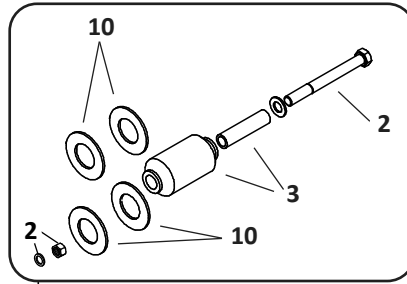
HENDRICKSON AUXILIARY SUSPENSION

HLU / ST / UC2 Trailer

Pivot Bolt Kit

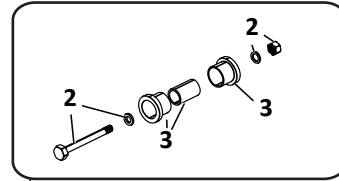


Bushing & Pivot Bolt Kit

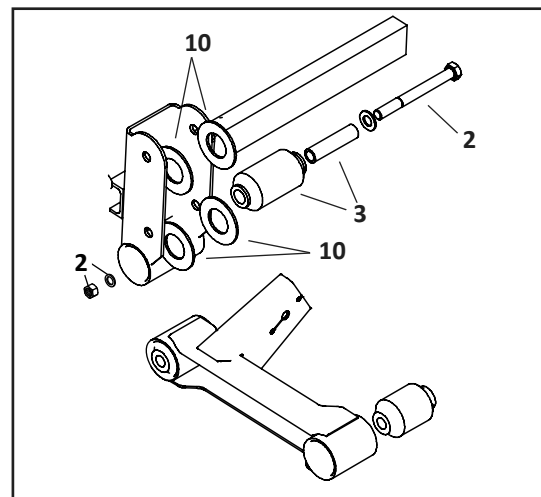
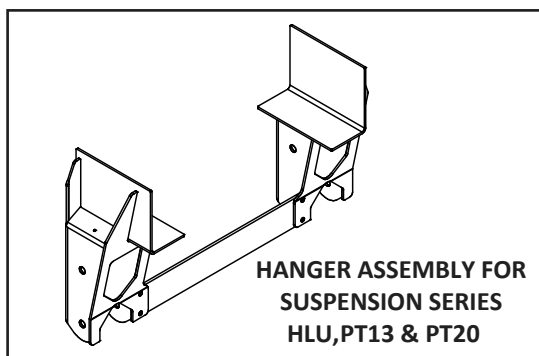
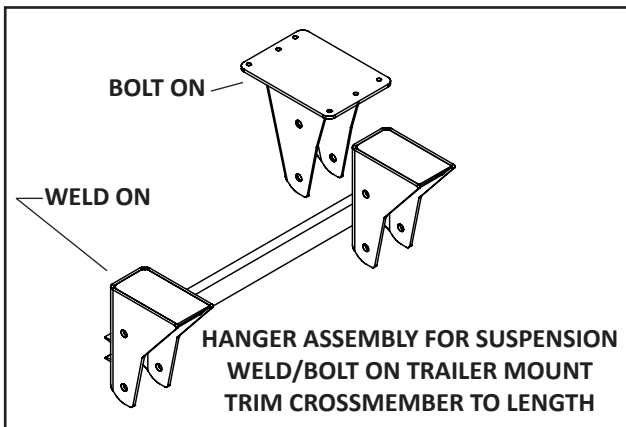
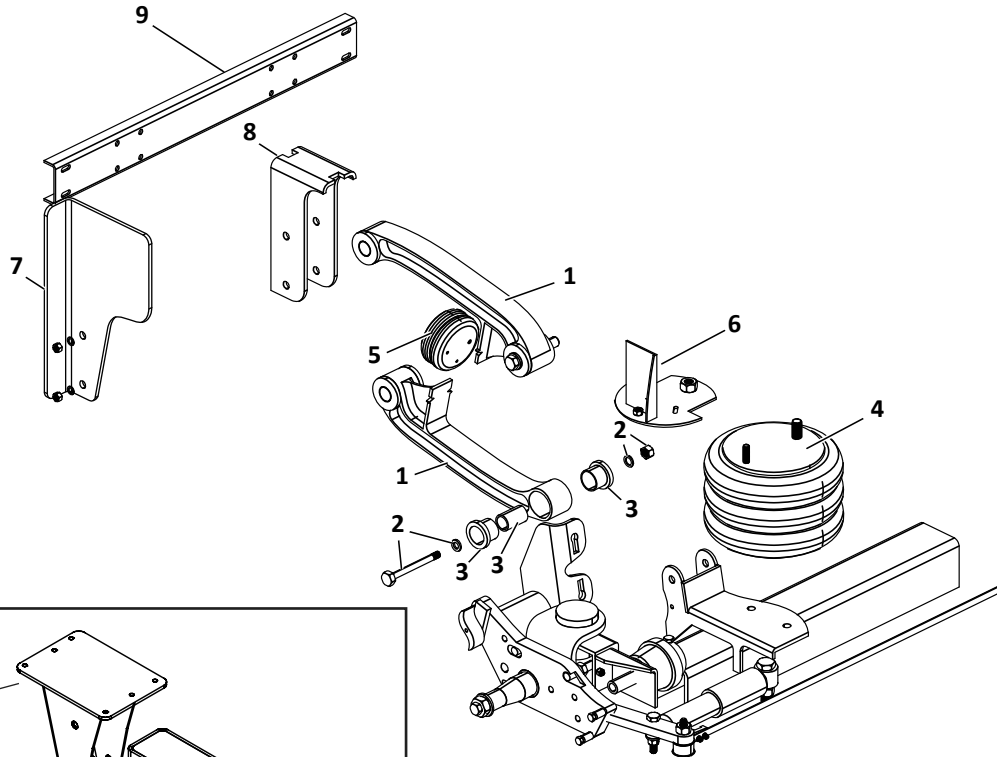


3 E-16342 Includes (8) of Items Shown

Bushing & Pivot Bolt Kit

















3 E-16343 Includes (8) of Items Shown



REVERSE CASTER SUSPENSION SERIES HLU SERIES

HENDRICKSON

HLU / ST / UC2 Trailer

KEY NO.	PART NO.	GENUINE	OEM REF.	DESCRIPTION	QTY. PER SUSPENSION				PAGE NO.
					HLUW/HLUB TRAILER SERIES PREFIX UW13 & UB13 (1997 – 1997)	HLUS2B/HLUS2W TRAILER SERIES PREFIX US2B13 & US2W13 (1999 – 2005)	UC2B/UC2W TRAILER SERIES PREFIX UC2B & UC2W (2002 – 2005)	STB/STW TRAILER SERIES PREFIX STB13 & STW13 (2007)	
1	E-16337		R-D-14784-1	Beam Assembly	2	-	-	-	HND-222
	E-16338		R-D-14784-2	Beam Assembly	2	-	-	-	HND-222
	E-16339		R-002006-1	Beam Assembly	-	2	-	-	HND-222
	E-16340		R-002006-2	Beam Assembly	-	2	-	-	HND-222
	S.O.S.		R-005733	Beam Assembly	-	-	4	4	-
2	E-16345		R-A-14488	Pivot Bolt Kit	1	1	-	-	HND-217
	E-16341		R-005009	Pivot Bolt Kit	-	-	8	8	HND-217
3	E-16342		R-009560	Bushing And Pivot Bolt Kit	1	1	-	-	HND-216
	E-16343		R-008839	Bushing And Pivot Bolt Kit	-	-	1	1	HND-216
4	FS8042	-	R-001015	Air Spring (Ride)	2	2	2	2	-
	EAS8042	-	R-001015	Air Spring (Ride)	2	2	2	2	-
5	FS8033	-	R-B-14487	Air Spring (Lift)	2	-	-	-	-
	EAS8033	-	R-B-14487	Air Spring (Lift)	2	-	-	-	-
	FS7795	-	R-B-14486	Air Spring (Lift)	-	2	-	-	-
	EAS7795	-	R-B-14486	Air Spring (Lift)	-	2	-	-	-
	FS7659	-	R-005079	Air Spring (Lift)	-	-	2	2	-
6	S.O.S.		Various	Upper Air Spring Plate	2	2	2	2	-
7	S.O.S.		Various	Frame Bracket Weldment Includes 2 Saddles And Crossmember	1	1	1	1	-
8	S.O.S.		Various	Bushing Saddle	2	2	2	2	-
9	S.O.S.		R-002948-30	Cross Member	1	1	1	1	-
10	E-16344		R-B-14495	Wear Pads (Included with Key No. 3)	1	1	-	-	HND-219

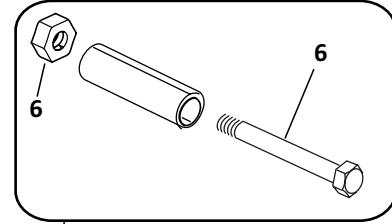
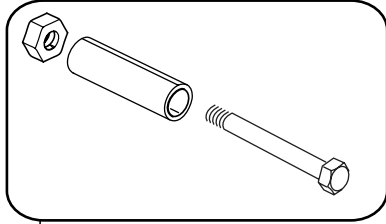
 Denotes Product is Genuine Hendrickson

HENDRICKSON AUXILIARY SUSPENSION

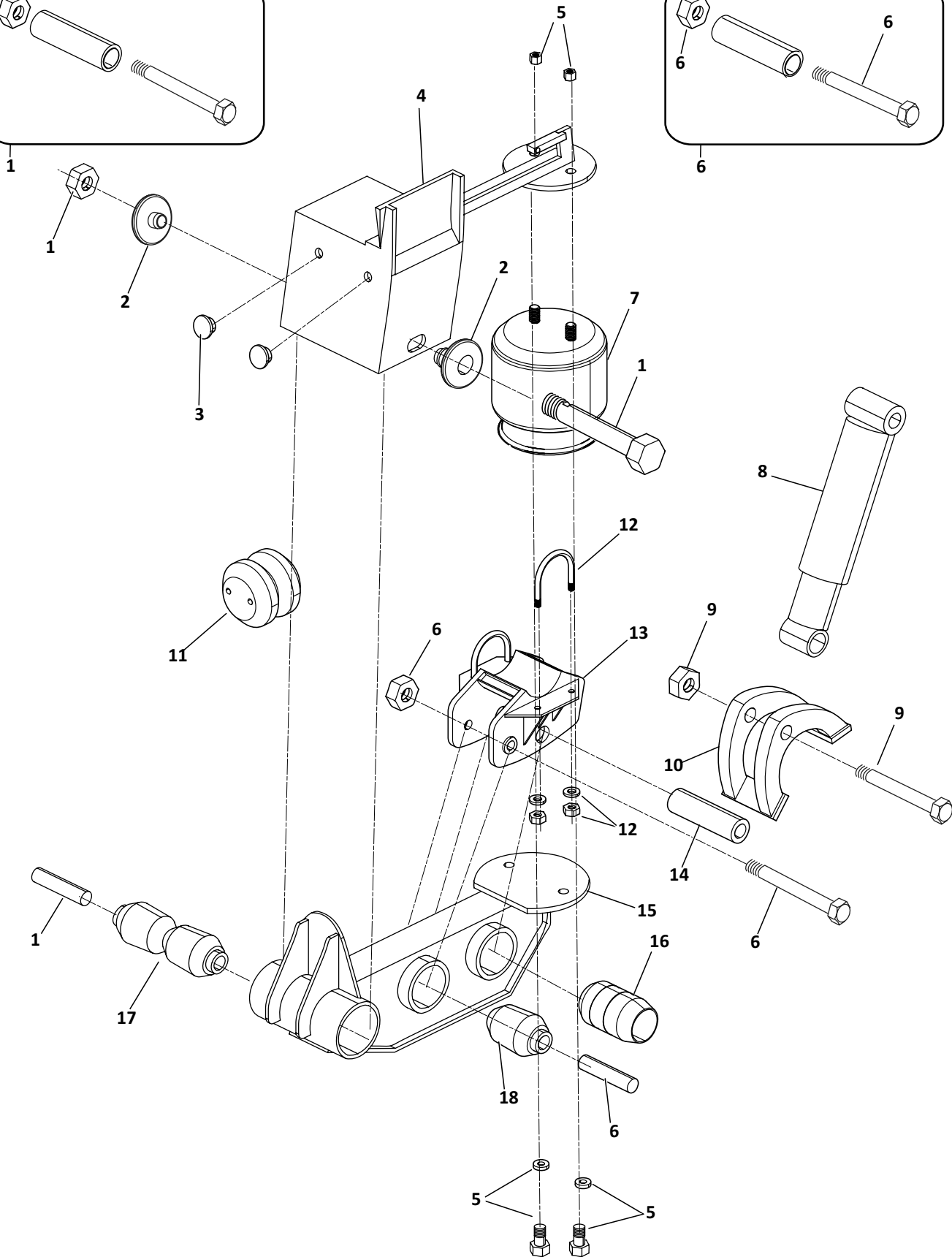
AUXILIARY MT45, MTL45, MTL50 — Lift-Trailer

Pivot Bolt Kit

Alignment Bolt Kit



HENDRICKSON



AUXILIARY MT45, MTL45, MTL50 — Lift-Trailer

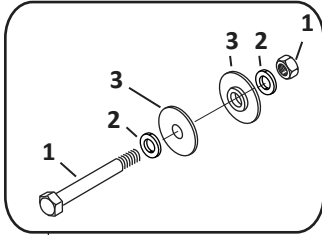
KEY NO.	EUCLID NO.	GENUINE	OEM REF.	DESCRIPTION	QTY. PER AXLE			PAGE NO.
					MT-45	MTL-45	MTL-50	
1	E-6129		S-3142	Pivot Bolt Kit	2	2	2	HND-217
2	E-3771		S-2770	Alignment Collar	4	4	-	HND-218
	E-6131		B-2848	Alignment Collar	-	-	4	HND-218
3	S.O.S.		A-4710	Plastic Bolt Hole Plug	4	4	4	-
4	S.O.S.		C-12350-1	Side Rail Assembly, Roadside	1	-	-	-
	S.O.S.		C-12350-2	Side Rail Assembly, Curbside	1	-	-	-
	S.O.S.		C-11728-1	Side Rail Assembly, Roadside	-	1	1	-
	S.O.S.		C-11728-2	Side Rail Assembly, Curbside	-	1	1	-
5	S.O.S.		S-1981, A-1981	Air Spring Bolt Kit (Ride)	2	2	2	-
6	E-6130		A-3141	Alignment Bolt Kit	2	2	2	HND-217
7	FS9321	-	S-4375	Air Spring, Ride	2	2	2	-
	EAS9321	-	S-4375	Air Spring, Ride	2	2	2	-
	FS9367	-	S-14249	Air Spring, Ride	2	2	2	-
	EAS9367	-	S-14249	Air Spring, Ride	2	2	2	-
8	M85000	-	S-1667	Shock Absorber	2	2	2	-
	M89436	-	S-1667	Shock Absorber	2	2	2	-
9	S.O.S.		A-12355	Shock Bolt Kit	1	1	1	-
10	S.O.S.		B-3896	Lower Shock Bracket Assembly	-	2	2	-
11	FS6902	-	S-2630	Air Spring (Lift)	2	2	2	-
	EAS6902	-	S-2630	Air Spring (Lift)	2	2	2	-
12	E-UB8165-076	-	S-3139	U-Bolt Assembly, Rd. Bend, 7/8"-14 Thd.x 5" Wide x 7-3/4" Long	4	4	4	-
13	S.O.S.		C-6042	Axle Seat Assembly	2	2	2	-
14	S.O.S.		A-6041-3	Shaft	2	2	-	-
	S.O.S.		B-3111-2	Shaft	-	-	2	-
	S.O.S.	-	D-11679-1	Beam with Bushings, Roadside	1	1	-	-
15	S.O.S.	-	D-11679-2	Beam with Bushings, Curbside	1	1	-	-
	S.O.S.	-	D-6200-1	Beam with Bushings, Roadside	-	-	1	-
	S.O.S.	-	D-6200-2	Beam with Bushings, Curbside	-	-	1	-
	S.O.S.	-	D-6200-2	Beam with Bushings, Curbside	-	-	1	-
16	E-6128		S-2159-1	Bushing	2	2	2	HND-217
17	E-6126		S-2841	Pivot Bushing	2	2	2	HND-217
18	E-6127		S-2841-1	Bushing	2	2	2	HND-217
-	S.O.S.		A-1631-1	C-Channel 3" x 20"	-	-	-	-
-	S.O.S.	-	A-1633-1	Frame Bracket Brace	-	-	-	-
-	S.O.S.	-	A-2849	Air Spring Bolt Kit (Lift)	-	-	-	-

 Denotes Product is Genuine Hendrickson

HENDRICKSON AUXILIARY SUSPENSION

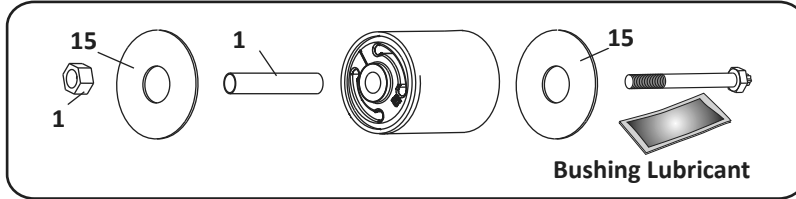
TOUGHLIFT FM / HLM-2, HLM / HLM-1, LK — Lift Truck

Quick Align Pivot Bolt Kit



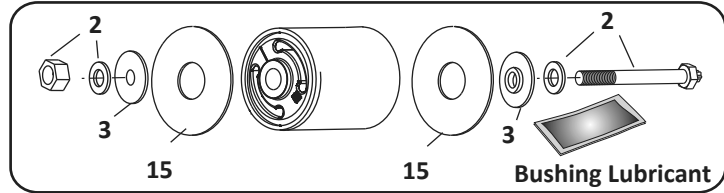
2

Tri-Function Bushing Kit - Welded Alignment

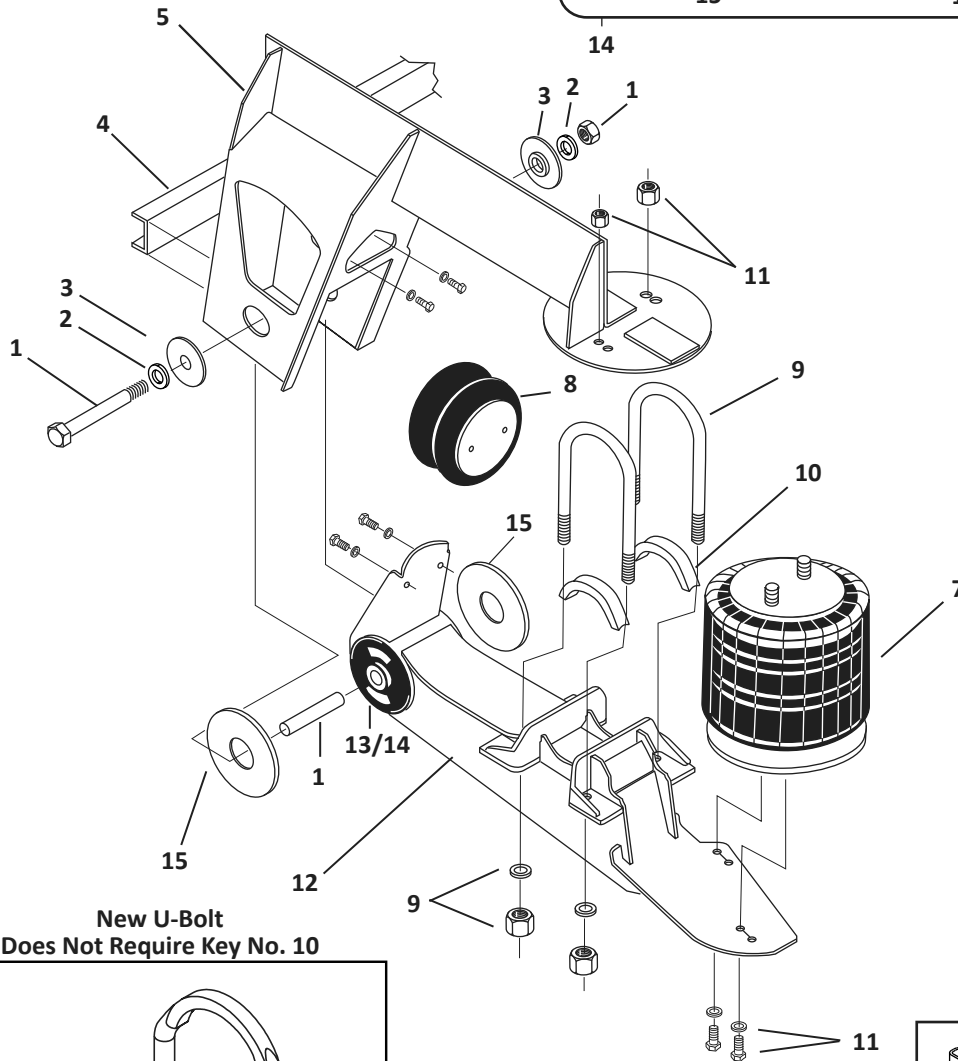


13

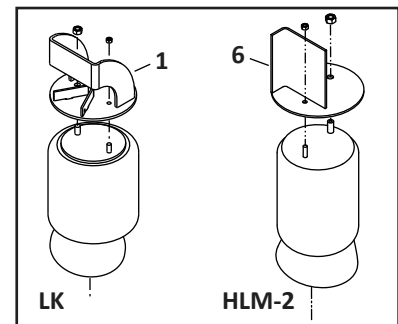
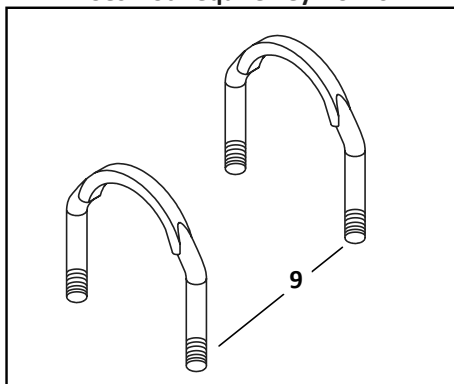
Tri-Function Bushing Kit - QUIK-ALIGN™



Bushing Lubricant







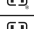


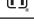







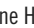
New U-Bolt Does Not Require Key No. 10




LK

HLM-2

HENDRICKSON

TOUGHLIFT FM / HLM-2, HLM / HLM-1, LK — Lift Truck									
KEY NO.	EUCLID NO.	GENUINE	OEM REF.	DESCRIPTION	QTY. PER AXLE				PAGE NO.
					HLM	HLM-1	HLM-1-TR	LK	
1	E-3768		S-3646	Pivot Bolt Kit, Welded Alignment	2	2	-	-	HND-217
2	E-16422		A-21116	Quick Align Pivot Bolt Kit, Includes Bolt, Nut and Washers plus Concentric and Eccentric Collars Key No. 3	-	-	2	2	HND-218
3	E-3771		S-2770	Alignment Collar, Welded Alignment	4	4	-	-	HND-218
	E-10755		S-20924	Alignment Collar, Concentric, Inner, QUIK-ALIGN™	-	-	2	2	HND-218
	E-10754		S-20925	Alignment Collar, Eccentric, Outer, QUIK-ALIGN™	-	-	2	2	HND-218
4	E-15091		A-1631-19	Side Rail Cross Channel	1	1	-	-	-
	S.O.S.		R-002948-19	Side Rail Cross Channel	-	-	1	-	-
5	S.O.S.		Various	Side Rail Assembly	2	2	2	2	-
6	S.O.S.		Various	Upper Air Spring Plate	-	-	2	2	-
7	FS9367	-	S-14249	Air Spring (Ride)	2	2	2	2	-
	EAS9367	-	S-14249	Air Spring (Ride)	2	2	2	2	-
8	FS6935	-	S-14318	Air Spring (Lift)	2	2	2	2	-
	EAS6935	-	S-14318	Air Spring (Lift)	2	2	2	2	-
9	E-UB8168-082	-	S-20032/4	U-Bolt Assembly, Rd. Bend, 7/8"-14 Thd. x 6" Wide x 8-1/4" Long, use with Spacer Key No. 10	4	4	-	-	HND-221
	E-UB8466-082H	-	R6362	U-Bolt Assembly, Special Bend, 7/8"-14 Thd. x 6" Wide x 8-1/4". Key No. 10 Not Required	-	-	4	4	HND-221
10	E-6124		S-20701	Axle Spacer	4	4	-	-	HND-221
11	E-15092		S-1981/2	Air Spring Bolt Kit	2	2	2	2	HND-224
12	S.O.S.		Various	Beam Assembly	2	2	2	2	-
13	E-6121		A-6914	Tri-Functional Bushing Kit Welded Alignment, Includes Bushing Plus Key Nos. 1, 15 and Lubricate	2	2	-	-	HND-216
14	E-16423		R-004588	Tri-Functional Bushing Kit QUIK-ALIGN™, Includes Bushing Plus Key Nos. 2, 15, and Lubricate	-	-	2	2	HND-216
15	E-6122		S-21099	Bushing Wear Pad	4	4	-	-	HND-219
	E-16424		B-11613	Bushing Wear Pad	-	-	4	4	HND-219
16	S.O.S.		R-013495	Upper Air Spring Assembly	-	-	-	2	-
	S.O.S.		R-001951-1/2	Upper Air Spring Assembly	-	-	2	-	-

 Denotes Product is Genuine Hendrickson

HENDRICKSON SUSPENSION

Center Beam Bushings & Components

Center Beam Bushing



TYPE 1



TYPE 2

EUCLID NO.	GENUINE	OEM REF.	TYPE	SMALL OD	LARGE OD	LENGTH	PLUG	APPLICATION
E-1338		06664-000	1	2-3/4"	3-5/8"	12"	Welded	Standard Duty Rubber, 340 Series
E-1594		22279-000	1	2-3/4"	3-5/8"	12"	Loose	Standard Duty, Rubber 340 Series
E-1339		05919-000	1	3-1/2"	4-3/4"	12"	Welded	Standard Duty Rubber, 380 Series
E-1595		22282-000	1	3-1/2"	4-3/4"	12"	Loose	Standard Duty Rubber, 380 Series
E-6979		49400-000	2	3-1/2"	4-3/4"	12"	Welded	High Confinement, Rubber, 400-460 Series Outer Sleeve Confines Rubber.
E-6980		49600-000	2	3-1/2"	4-3/4"	12"	Loose	High Confinement, Rubber, 400-460 Series Outer Sleeve Confines Rubber.
E-9359		29483-005	1	3-1/2"	4-3/4"	12"	Welded	Severe Duty, Rubber, 380-520 Series*
E-16416		34013-097	1	3-1/2"	4-3/4"	12"	Loose	Severe Duty, Rubber*, 380 to 520 Series
E-2553		10366-000	1	4"	5-1/2"	14-5/8"	Welded	Severe Duty, Rubber, 650 Series*
E-14398		15464-000	1	4"	5-1/2"	18"	Welded	Rubber, 850 Series

* These bushings require the use of Transverse Torque Rods as do other selected applications as noted below

Important Information on Transverse Torque Rods

Transverse torque rods **MUST NOT** be used in Bronze center bushing applications

Transverse torque rods **MUST** be used on any of the following suspensions regardless of axle spacing.

- a) AR2
- b) COMFORT AIR
- c) HA and HAS
- d) HAULMAAX and HN
- e) PRIMAAX and PRIMAAX EX

Transverse Torque Rods are REQUIRED for vehicles equipped with walking beams and rubber center bushings for Hendrickson rear suspensions as noted below:			
		Walking Beam Length	
SUSPENSION MODEL	CAPACITY	LESS THAN 60"	60" & LONGER
R, RS, RT, RTE	34K	*	Required
	40K	*	
	44-52K	Required	
R, RS, RT, RTE	65K	*	
RT	70K	Required	
		LESS THAN 64"	64" & LONGER
R, RS	85-120K	*	Required


* Transverse Torque Rods Are **REQUIRED** for all refuse, mining and logging applications.



Denotes Product is Genuine Hendrickson

Center Beam Bushings & Components

HENDRICKSON


Center Bushing Plug



EUCLID NO.	GENUINE	OEM REF.	OD	THICKNESS	APPLICATION
E-1594-2		22278	1-15/16"	3/16"	Use w/ E-1594 Bushing
E-1595-2		22281	2-7/16"	3/16"	Use with E-1595 & E-6980 Bushing

Bronze Center Beam Bushing

FOR MODEL:
340 Series



EUCLID NO.	GENUINE	OEM REF.	ID	OD	LENGTH
E-1548		30240-001	2-3/4"	3-5/8"	5-7/8"

Bronze Center Beam Bushing Kit



Two Beams

EUCLID NO.	GENUINE	OEM REF.	APPLICATION
E-1545		30436-000	340 Series
E-1546		30437-000	380-520 Series

Bronze Center Beam Bushing


FOR MODELS:
380 to 520 Series




EUCLID NO.	GENUINE	OEM REF.	ID	OD	LENGTH
E-1552		30240-002	3-1/2"	4-3/4"	5-7/8"

Bronze Bushing Seal

FOR MODELS:
380 to 520 Series



EUCLID NO.	GENUINE	OEM REF.	ID	OD	THICKNESS
E-1553		30334-000	3-1/2"	4-3/4"	1/4"

Center Sleeve

FOR MODELS:
380 to 520 Series



EUCLID NO.	GENUINE	OEM REF.	DIA.	LENGTH
E-1551		14685-000	3-1/2"	12"

Center Bushing Thrust Washer

FOR MODELS:
380 to 520 Series








EUCLID NO.	GENUINE	OEM REF.	ID	OD	THICKNESS
E-2021		32365-000	3-1/2"	5-3/4"	1/8"



 Denotes Product is Genuine Hendrickson

HENDRICKSON SUSPENSION



End Beam Bushings & Adapters



HENDRICKSON




End Beam Bushing Kit			
EUCLID NO.	GENUINE	OEM REF.	APPLICATIONS
			
E-5308		34013-048	340 Series Includes: 1 E-1340 Bushing & 1 E-2372 Adapter
E-5309		34013-049	400 and 440 Series Includes: 1 E-1341 Bushing & 1 E-2374 Adapter
E-9576		34013-073	460 Series Includes: 1 E-1341 Bushing & 1 E-9420 Adapter
E-9577		34013-050	480 & 520 Series Includes: 1 E-2771 Bushing & 1 E-9420 Adapter

Alignment Shims			
EUCLID NO.	GENUINE	OEM REF.	NOTES
			
Thickness: 3/16"			
E-9327		50130-000	Used with E-9326 Bushings to correct alignment

Alignment Shims			
EUCLID NO.	GENUINE	OEM REF.	NOTES
			
Thickness: 1/8" & 1/4"			
E-9328		50131-000	Used with E-9326 Bushings to correct alignment







Bar Pin Bushing Kit, Non-Shim Type				
EUCLID NO.	GENUINE	OEM REF.	OD	NOTES
FOR MODELS: 340 to 520 Series				
				
E-9325		34013-087	4-3/8"	Includes Mounting Hardware


Alignment Shims			
EUCLID NO.	GENUINE	OEM REF.	NOTES
			
Thickness: 3/8"			
E-9329		57026-000	Used with E-9326 Bushings to correct alignment

Bar Pin Bushing Kit, Shim Type				
EUCLID NO.	GENUINE	OEM REF.	OD	NOTES
FOR MODELS: 340 to 520 Series				
				
E-9326		34013-088	4-3/8"	Incl. Mounting Hrdwr & Shims
E-14725		34013-188	4-3/8"	Rotating Pin for Easy Alignment

 Denotes Product is Genuine Hendrickson

End Beam Bushings & Adapters

Beam End Bushing						
EUCLID NO.	GENUINE	OEM REF.	ID	OD	LENGTH	APPL.
						
E-1340		06969-000	2-1/2"	4-3/8"	5-1/4"	340 Series
E-2771		29878-001	2-1/2"	4-3/8"	5-3/4"	480 & 520 Series. Same as E-1341A except for Rubber Durometer
E-1341A		45900-000	2-1/2"	4-3/8"	5-3/4"	400 to 460 Series
E-9419		45407-000	2-1/2"	4-3/8"	6"	520 Series
E-2554		10363-000	3"	6"	6"	650 Series

End Beam Adapter Assembly, Old Style				
EUCLID NO.	GENUINE	OEM REF.	APPL.	NOTES
				
E-14400		45000-011	280 Series	3/4" Dia. x 5-1/4" Long Bolt
E-2372		45000-013	340 Series,	3/4" Dia. x 6" Long Bolt
E-2374		45000-007	400-460 Series,	3/4" Dia. x 6-1/2" Long Bolt
E-9420		21140-034	460 Series	1" Dia. x 10-1/2" Long Bolt, Use with E-1341A
E-9421		21140-033	520 Series	1" Dia. x 11-1/4" Long Bolt, Use with E-9419

End Beam Adapter Assembly				
EUCLID NO.	GENUINE	OEM REF.	APPLICATION	NOTES
				
1 Set of Split Flanges				
E-2373		45000-014	340 Series	3/4" Dia. x 6" Long Bolt
E-2375		45000-008	400 and 460 Series	3/4" Dia. x 6-1/2" Long Bolt
E-15158		21140-040	480 and 520 Series	1" Dia. x 10-3/4" Long Bolt

 Denotes Product is Genuine Hendrickson

HENDRICKSON SUSPENSION

End Beam Bushings & Adapters

HENDRICKSON

End Beam Adapter Assembly

FOR MODELS:
480 and 520 Series



2 Sets of Split Flanges

EUCLID NO.	GENUINE	OEM REF.	NOTES
E-15157		21140-028	Use with 5-3/4" Long Bushing E-2771, 1" Dia. X 10-3/4" Long Bolt
E-15156		21140-023	Use with 6" Long Bushing E-9419, 1" Dia. X 11-1/4" Long Bolt

Beam End Adapter Assembly

FOR MODEL:
650 Series



Solid Shaft

EUCLID NO.	GENUINE	OEM REF.	LENGTH	NOTES
E-2555		21140-007	12-1/2"	2" Shaft Dia, 1-7/8"-12 Thread,

Beam End Adapter Assembly

FOR MODEL:
650



Includes Shaft, Nuts, & Cotter Pins

EUCLID NO.	GENUINE	OEM REF.	LENGTH	THREAD
E-11995		21140-006	9-5/8"	1-3/8" - 12

Alignment Adapter Assembly

FOR MODELS:
400 / 460



Use with Bushing E-1341A

EUCLID NO.	OEM REF.	LENGTH
E-4844	-	5-3/4"

Align Hendrickson, Neway, Reyco and Ridewell Suspensions without cutting and rewelding the hanger using the Alignment Adapter Assembly.

The precision-fit Alignment Adapter Assembly replaces the original beam end adapter assembly without any modifications. Each unit provides a total of 1/2" positive adjustment. One adapter in each beam is usually sufficient for alignment correction.

Denotes Product is Genuine Hendrickson


Beam Hanger Tube



For Off-Highway & Severe Service

EUCLID NO.	GENUINE	OEM REF.	ID	OD	LENGTH	APP
E-2566		10372-000	2-1/8"	3"	9-3/4"	650 Series
E-3882		6998	1-7/8"	2-1/2"	9-1/2"	440 Series (Old), 460 Series (New)

End Beam Bushings & Adapters

Beam Hanger Tube Nut					
					
EUCLID NO.	GENUINE	OEM REF.	THREAD	APPL.	NOTES
E-2567		10371-000	3"-12	650 Series	Use with E-2566 Tube
E-3881		6994	2-1/2"-12	440 Series (Old), 460 Series (New)	Use with E-3882 Tube

Bronze End Beam Bushing Shaft				
				
EUCLID NO.	GENUINE	OEM REF.	LENGTH	THREAD
E-2034		-	9-5/8"	1-3/8"- 12

Bronze End Beam Bushing Nut				
				
EUCLID NO.	GENUINE	OEM REF.	LENGTH	
E-2035		-	1-3/8"- 12	

Bronze End Beam Bushing Assembly			
			
EUCLID NO.	GENUINE	OEM REF.	NOTES
E-2031A		34013-057	Includes E-2034 Shaft, E-2035 Nut & E-3913 Seals

Bronze End Beam Bushing Seal			
			
EUCLID NO.	GENUINE	OEM REF.	NOTES
E-3913		-	Used in E-2031A Kit

 Denotes Product is Genuine Hendrickson


HENDRICKSON SUSPENSION

Equalizer Beam Rebuild Kits & Cross Tubes – Selection Guide


HENDRICKSON

Equalizer Beam Rebuild Kit

FOR MODEL:
400 Series



Rubber Center Bushings

EUCLID NO.	GENUINE	OEM REF.	NOTES
E-2863A		-	Includes: 4 Adapters, 4 End Beam Bushing and 2 Center Beam Bushings

Equalizer Beam Rebuild Kit

FOR MODEL:
400 Series



Bronze Center Bushings

EUCLID NO.	GENUINE	OEM REF.	NOTES
E-2865A		-	Includes: 4 Adapters, 4 End Beam Bushing and 2 Bronze Center Beam Bushings and Shafts, 4 Grease Seals, 8 Thrust Washers and 2 Grease Fittings

Equalizer Beam Rebuild Kit


FOR MODEL:
400 Series








Rubber Center Bushings

EUCLID NO.	GENUINE	OEM REF.	NOTES
E-2864A		-	Includes: 4 Adapters, 4 End Beam Bushing and 2 Center Beam Bushings with Loose Plug

Cross Tube

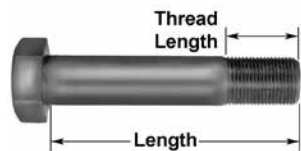


EUCLID NO.	GENUINE	OEM REF.	OD	LENGTH	FOR MODELS
E-15152		44642-022	1-15/16"	36-1/2"	HA Models
E-1840		44642-008	1-15/16"	44-7/8"	Most 340 Series
E-9412		44643-011	2-7/16"	40-3/4"	HN Models
E-1842		44643-009	2-7/16"	44-7/8"	Most 380-520 Series
E-9426		07622-003	2-7/16"	46"	Select 480-520 Series

 Denotes Product is Genuine Hendrickson

Spring Saddles & Components

Spring Saddle Top Pad Bolts



1-7/8" Thread Length. Use with E-1828 Nut & E-2573 Washer

EUCLID NO.	OEM REF.	LENGTH	THREAD
E-1860	30550-002	9"	1"-14 Thread
E-1859	30550-004	9-1/2"	
E-1856	30550-006	10"	
E-1855	30550-007	10-1/4"	
E-2570	30550-010	11"	
E-9430	30550-008	10-1/2"	

Set Screw Assembly



Includes: Set Screw, Lock Washer, Nut

EUCLID NO.	GENUINE	OEM REF.	LENGTH	THREAD
E-9429		35370-002	3-1/4"	3/4"-10

Spring Saddle Top Pad

FOR MODEL:
RT Series

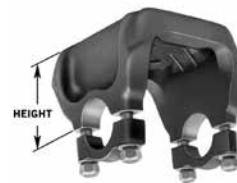


EUCLID NO.	GENUINE	OEM REF.	CASTING NO.
E-1869		35064	47880

Denotes Product is Genuine Hendrickson

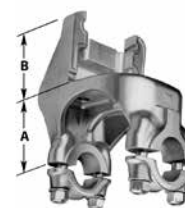
Spring Saddle

FOR MODEL:
U 340



EUCLID NO.	GENUINE	OEM REF.	CASTING NO.	HEIGHT
E-1851		31017-075	19266-2 or 43184	6-3/16"
E-1852		31017-076	26213-1 or 43145	7-5/16"

Spring Saddle



EUCLID NO.	GENUINE	OEM REF.	FOR MODEL	CASTING NO.	A	B
E-1853		31017-022	RT340 - 400 Series	57167 or 42933	6"	6-7/8"
E-1854		31017-096	RT460 Series	57457, 13088- 2 or 45605	6"	8"
E-7531		31017-053	RT480 - 520 Series	32796	6"	8"
E-1849		31017-023	RT 340	6611 or 46529	6-3/16"	6-1/2"
E-15159		31017-004	RT650 - 700	15784, 46895	7-1/8"	8"
E-1850		31017-025	RT 340	7979 or 46138	7-3/16"	6-1/2"
E-10058		31017-109	RT 340 - 400 Series	57143	7-3/16"	7"
E-7530		31017-110	RT460 Series	57155	7-3/16"	8"

HENDRICKSON SUSPENSION

Spring Saddles & Components

HENDRICKSON


Saddle Cap






FOR MODEL:
U 340



EUCLID NO.	GENUINE	OEM REF.	LENGTH	HOLE SIZE
E-1832		19283-002	4"	3/4"

Saddle Cap Stud



EUCLID NO.	GENUINE	OEM REF.	FOR MODEL	LENGTH	THREAD
E-1829		07002-000	RT 340 Series	4-3/8"	7/8"-14
E-1830		06696-000	R & RT 400 to 520 Series	4-13/16"	7/8"-14
E-1944		09029-000	AR, RS, SR, V4 340 Series	4-7/16"	7/8"-14 & 7/8"-9
E-1947		09030-000	AR, RS, SR, V4 380-520 Series	5"	7/8"-14 & 7/8"-9
E-2229		23441-004	U/UE Series	4-7/64"	3/4"-16

Saddle Cap



E-1833A Shown

EUCLID NO.	GENUINE	OEM REF.	FOR MODEL	LENGTH	HOLE SIZE
E-16464		06662-000	340 Series	4"	7/8"
E-1833A		48545-000, 58795-000	380 – 520 Series	4-3/4"	7/8"


 Denotes Product is Genuine Hendrickson


Spring Hanger & Attaching Hardware

HENDRICKSON

Spring Hanger Spacer

FOR MODEL:
RT Series




EUCLID NO.	GENUINE	OEM REF.	ID	OD	LENGTH
E-1821		00194-000	5/8"	13/16"	4"

Grease Zerk






EUCLID NO.	GENUINE	OEM REF.	THREAD	NOTES
E-1307	-	33117-000	1/8"-27 NPT	Use with Single Lock Spring Pins


Spring Hanger Pin — Single Lock





Use E-1307 Grease Zerk


EUCLID NO.	GENUINE	OEM REF.	FOR MODEL	OD	LENGTH
E-1817		32276-000	RT/RU 340 Series	1-1/4"	7-5/16"
E-1818		32277-000	RT Series	1-3/8"	7-5/16"
E-2556		00005-000	RT 650 Series	1-1/2"	7-1/2"

Spring Hanger Pin -Double Lock




EUCLID NO.	GENUINE	OEM REF.	FOR MODEL	OD	LENGTH	C-T-C SLOTS
E-3761		43146-000	RT/UE Series	1-3/8"	6-7/8"	5-3/8"
E-12001		45797-000	RT 650 Series	1-1/2"	8-1/2"	7-1/8"

Spring Hanger Lock Bolt Assembly



Thread: 1/2"-13

EUCLID NO.	GENUINE	OEM REF.	FOR MODEL	LENGTH	NOTES
E-1819	-	000062-001	RT/UE Series	3-1/8"	Use with E-1817
E-2558		00081-001	RT 650 Series	3-3/4"	Use with E-2556

 Denotes Product is Genuine Hendrickson

HENDRICKSON SUSPENSION

Spring Hanger & Attaching Hardware

HENDRICKSON

Spring Eye Bushing



E-1877 Shown

EUCLID NO.	GENUINE	OEM REF.	FOR MODEL	ID	OD	LENGTH
E-1876		30057-007	RT/UE Series	1-1/4"	1-1/2"	3-15/16"
E-1877		30057-008	RT/UE Series	1-3/8"	1-5/8"	3-15/16"
E-2557		22285-000	RT 650 Series	1-1/2"	1-3/4"	4"

Rebound Bolt & Spacer Assembly



Includes Bolt, Spacer, Lock Nut

EUCLID NO.	GENUINE	OEM REF.	FOR MODELS	NOTES
E-9428		29828-023	U2/UE2, RT 340-520 Series	1/2"-13 X 6-1/2" Long Bolt
E-15161		29828-033	RT 650/700 Series	3/4"-16 X 6-1/2" Long Bolt

Spring Pin Lock Bolt Kit

FOR MODEL:
RT Series



1/2" -13 x 4" Long

EUCLID NO.	GENUINE	OEM REF.	NOTES
E-9427		29828-035	For One Hanger. Includes: 2 Bolts, 2 Washers, 2 Lock Nuts,

Spring Hanger Kit — 340 Series

FOR MODEL:
RT 340 Series



EUCLID NO.	NOTES
E-1878	Includes Spring Pin, Lock Bolt Assembly, Spring Eye Bushing, Spring Eye Spacer, Lock Washer, Nut, Zerk Fitting

Spring Hanger Kit — All 400, 460, 480 Series

FOR MODELS:
RT 400-480 Series



EUCLID NO.	NOTES
E-1879	Includes Spring Pin, Lock Bolt Assembly, Spring Eye Bushing, Spring Eye Spacer, Lock Washer, Nut, Zerk Fitting

Denotes Product is Genuine Hendrickson

Notes:

Lined area for taking notes.

HENDRICKSON

RT™/RTE™ Rear Suspension Leaf Spring Hangers Selection Guide

Introduction

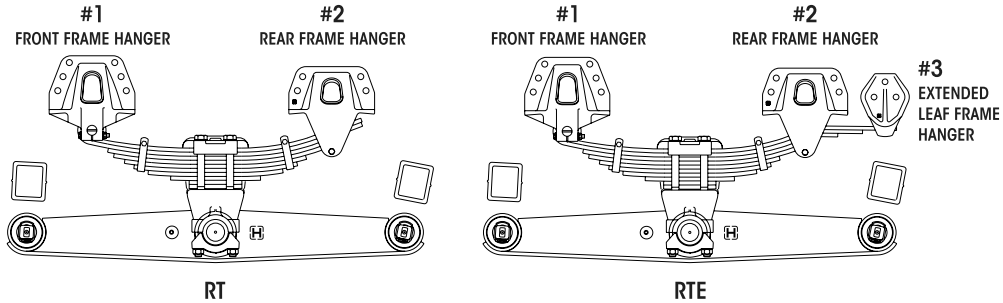
This RT/RTE Frame Hanger Selection Guide is intended to aid in the proper identification for aftermarket replacement of originally equipped RT/RTE/RU/RUE/U/UE drilled hangers.

Selection Guide Instructions

HENDRICKSON

STEP 1

Identify Hanger

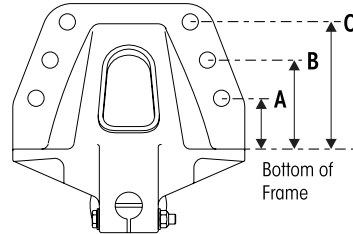


STEP 2

Find Bolt Hole Pattern Dimensions

Common 6 - Hole Bolt Patterns

A	B	C
2 ⁹ / ₁₆ "	5 ³ / ₈ "	7 ⁵ / ₈ "
2 ⁹ / ₁₆ "	4 ¹ / ₂ "	6 ⁷ / ₁₆ "



STEP 3

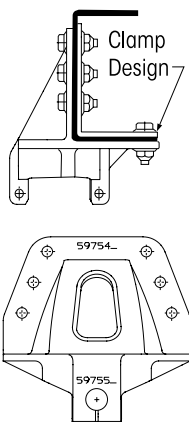
Confirm the Vehicle Year, Manufacturer and Obtain the Casting Part Number

Contact Technical Support for questions regarding a casting number or vehicle manufacturer not listed.

Note: 1-1/4" Spring Pin Diameters are Obsolete

RT Series — #1 Cast Front Frame Hangers Selection Guide 1-3/8" Spring Pin Diameter

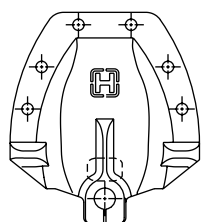
EUCLID NO.	CASTING NO.		HENDRICKSON NO.		APPLICATION		
	ORIGINAL	CURRENT	ORIGINAL	CURRENT			
E-10264	20395-000	50188-000	24311-000	50189-003	-		
			25913-000	50189-003	-		
			32503-000	50189-003	-		
			45404-001	50189-003	-		
			45404-002	50189-003	-		
E-10267	43180-000	50184-000	45404-003	50185-001	Volvo with 3/4" bolts		
E-10264	45159-000	50188-000	45729-001	50185-001	Mack with body bound bolts		
			45404-002	50189-003	Mack, Volvo		
E-9632	45527-000	50180-000	43181-003	50189-003	GMC, Mack, Volvo		
			45528-001	50181-005	Ford		
E-9629	50180-000	50180-000	45736-001	50181-002	-		
E-9628			50181-001	50181-001	Ford		
E-9629			50181-002	50181-002	Kenworth		
E-9630			50181-003	50181-003	Peterbilt 34" Frame		
E-9631			50181-004	50181-004	International		
E-9632			50181-005	50181-005	Mack		
S.O.S.			50181-007	50181-007	Oshkosh		
S.O.S.			50181-008	50181-008	Peterbilt		
E-10267			50184-000	50184-000	50185-001	50185-001	Mack, Volvo
E-16458					50185-002	50185-002	Freightliner 34.3" Frame
E-16459	50185-003	50185-003			Mack w/ body bound bolts		
E-10263	50188-000	50188-000	50189-001	50189-001	Ford		
E-10264			50189-003	50189-003	Peterbilt 34.75" Frame		
E-10266			50189-004	50189-006	Freightliner		
E-10266			50189-006	50189-006	International		
S.O.S.			59754-000	59754-000	59755-001	59755-001	Volvo 33.4" Frame



Note: 1-1/4" Spring Pin Diameters are Obsolete

RT 65K/70K Series — #1 Cast Front Frame Hangers

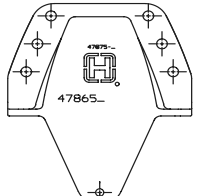
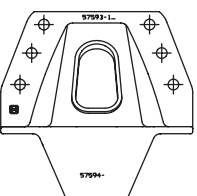
EUCLID NO.	CASTING NO.	HENDRICKSON NO.	APPLICATION
S.O.S.	45789-000	45790-001	Crane Carrier; GMC; Oshkosh; Freightliner; Peterbilt 34" Frame; Volvo
S.O.S.		45790-002	Peterbilt 35" Frame
S.O.S.		45790-003	Peterbilt 34.75" Frame
S.O.S.		45790-004	Volvo, Mack
S.O.S.	46548-000	46549-001	Oshkosh; Peterbilt; Volvo
S.O.S.		46549-002	Ford; GMC
S.O.S.		46549-003	International; Volvo
S.O.S.		46549-004	Western Star; Kenworth
S.O.S.		46549-005	GMC; International with 5th wheel clearance
S.O.S.		46549-006	Kenworth
S.O.S.		46549-007	-



HENDRICKSON

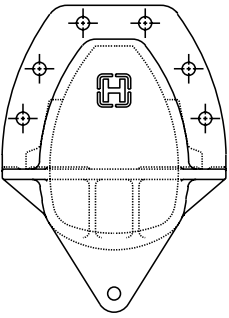
HENDRICKSON SUSPENSION

RT Series — #2 Cast Rear Frame Hangers

	EUCLID NO.	CASTING NO.		HENDRICKSON NO.		APPLICATION
		ORIGINAL	CURRENT	ORIGINAL	CURRENT	
	E-3605	35399-001	35399-001	35400-001	35400-001	International
	E-3604			35400-002	35400-002	-
	E-3606	35399-003	35399-003	35400-003	35400-003	International
	E-7570	45732-000	45732-001	45734-000	45734-000	International
	E-7571	45733-000	45733-001	45735-000	45735-000	International
	E-7566	43182-000	47865-001	45730-001	47875-001	Mack, Volvo Mack w/body bound bolts
	S.O.S.			45730-002	47875-002	Mack, Volvo
	S.O.S.			45730-003	47875-001	-
	E-7566	49229-001	47865-001	49230-001	47875-001	Mack, Volvo
	E-7579	47865-001	47865-001	47865-001	47865-001	Mack, Volvo
	E-9633A	45160-000	57624-001	43183-003	57625-003	GMC, Mack, Volvo
	E-9633A			43183-004	57625-003	-
	E-7572A	46049-000	57624-001	46050-001	57625-001	Ford
	E-9633A			46050-003	57625-003	-
	E-9634A			46050-004	57625-004	Freightliner
	E-9633A	47073-000	57624-001	47074-001	57625-003	-
	S.O.S.	48592-001	57624-001	48602-001	57625-001	Ford
	S.O.S.			48602-002	57625-003	All Others
	S.O.S.			48602-003	57625-004	Freightliner
	E-7572A	57624-001	57624-001	57625-001	57625-001	Ford
	E-9633A			57625-003	57625-003	GMC, Mack, Volvo
	E-9634A			57625-004	57625-004	Freightliner
		E-7568A	45229-000	57593-001	45530-001	57594-001
E-7569A		45737-001			57594-002	-
E-9635A		45737-002			57594-003	-
S.O.S.		45737-003			57594-004	AM General
E-7568A		47075-000	57593-001	47076-001	57594-001	Ford
E-7569A				47076-002	57594-002	-
E-9635A				47076-003	57594-003	Peterbilt
S.O.S.				47076-004	57594-004	AM General
E-7568A		48581-001	57593-001	48598-001	57594-001	Ford
E-7569A				48598-002	57594-002	All Others
E-9635A				48598-003	57594-003	Peterbilt
E-7568A		57593-001	57593-001	57594-001	57594-001	Ford
E-7569A				57594-002	57594-002	All Others
E-9635A	57594-003			57594-003	Peterbilt	
	E-9636	50182-001	50182-001	50183-001	50183-001	Ford
	E-9637			50183-002	50183-002	Kenworth
	E-9638			50183-003	50183-002	Peterbilt 34" Frame
	E-16451			50183-004	50183-004	International
	E-16452			50183-005	50183-005	Mack
	E-9639	50186-000	50186-001	50187-001	50187-001	Mack, Volvo
	E-9640			50187-002	50187-002	Freightliner 34.3 Frame
	E-9641	50190-000	50190-001	50191-001	50191-001	Ford
	E-9642			50191-003	50191-003	Peterbilt 34.75" Frame
	E-10277			50191-004	50191-006	Freightliner
	E-10277			50191-006	50191-006	International
	S.O.S.			59756-001	59756-001	59756-001

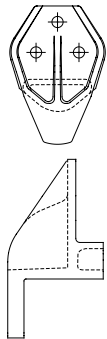
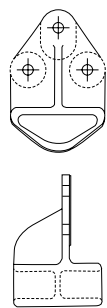
HENDRICKSON

RT 65K/70K Series — #2 Cast Rear Frame Hangers 1-1/2" Spring Pin Diameter

	EUCLID NO.	CASTING NO.		HENDRICKSON NO.		APPLICATION
		ORIGINAL	CURRENT	ORIGINAL	CURRENT	
	S.O.S.	45791-000	50595-000	45792-001	45792-001	Crane Carrier; GMC; Oshkosh; Peterbilt; Volvo; Freightliner
	S.O.S.			45792-002	45792-002	Peterbilt
	S.O.S.			45792-003	45792-003	Peterbilt
	S.O.S.			45792-004	45792-004	Volvo
	S.O.S.			50595-001	45792-001	-
	S.O.S.	46550-000	57795-000	46551-001	46551-001	Oshkosh; Peterbilt; Volvo
	S.O.S.			46551-002	46551-002	Ford; GMC
	S.O.S.			46551-003	46551-003	International; Volvo
	S.O.S.			46551-004	46551-004	Western Star; Kenworth
	S.O.S.			46551-005	46551-005	GMC; International
	S.O.S.			46551-006	46551-006	Kenworth
	S.O.S.			46551-007	46551-007	Volvo
	S.O.S.			46551-008	46551-008	Peterbilt
	S.O.S.			57796-001	46551-004	-

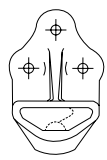
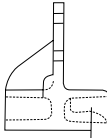
HENDRICKSON

#3 RT Extended Leaf Frame Hanger

	EUCLID NO.	CASTING NO.		HENDRICKSON NO.		APPLICATION	
		ORIGINAL	CURRENT	ORIGINAL	CURRENT		
<p>WITH AXLE STOP</p> 	With Axle Stop						
	S.O.S.	46278-002	46278-003	46331-006	46331-003	Ford, GMC; Freightliner	
	S.O.S.			46331-008		Ford; GMC	
	S.O.S.	46278-003	46278-003	46331-002	46331-002	Ford; GMC	
	S.O.S.			46331-003	46331-003	GMC; Western Star	
	S.O.S.			46331-004	46331-004	Freightliner; GMC	
	S.O.S.	47313-000	47313-000	46331-007	46331-007	Ford; GMC	
	S.O.S.			46331-013	46331-013	Peterbilt	
	S.O.S.	49251-000	49251-000	46331-011	46331-011	Ford; GMC	
	S.O.S.			46331-014	46331-014	Peterbilt	
	<p>WITHOUT AXLE STOP</p> 	Without Axle Stop					
		E-2625	26727-000	-	26727-000	27761-006	-
E-7582		-		27761-001	27761-008	-	
S.O.S.		-		27761-002	27761-002	1-3/8" Hole Location	
E-2625		-		27761-003	27761-006	-	
E-7582		-		27761-004	27761-008	-	
E-2625		-		27761-005	27761-006	-	
E-2625		-		27761-006	27761-006	1-7/8" Hole Location	
E-7582		-		27761-007	27761-008	-	
E-7582		-		27761-008	27761-008	2-1/4" Hole Location	
E-2625		34987-000		26727-000	45213-000	27761-006	-
S.O.S.		47313-000	47313-000	47610-000	47610-000	Ford	

HENDRICKSON SUSPENSION

RT Hangers #3 Inboard Extended Leaf Frame Hanger

WITH AXLE STOP 	EUCLID NO.	CASTING NO.		HENDRICKSON NO.		APPLICATION
		ORIGINAL	CURRENT	ORIGINAL	CURRENT	
	With Axle Stop					
S.O.S.	35397-002	35348-003	35398-002	35398-002	-	
S.O.S.	35397-003	35397-003	35398-003	35398-003	-	
S.O.S.	35397-005	35397-005	35398-005	35398-005	-	
S.O.S.	45812-005	45812-005	45813-005	45813-005	-	

HENDRICKSON

RS™ Rear Suspension Hangers Selection Guide

Introduction

This RS Frame Hanger Selection Guide is intended to aid in the proper identification for after-market replacement of originally equipped RS drilled hangers and heavy-duty center hangers. On glider kit installations, where we do not have control of hanger usage, ensure that the proper hangers are used for the glider frame width.

Selection Guide Instructions



STEP 1 Obtain the frame hanger part number.



STEP 2 Identify the truck manufacturer



STEP 3 Measure outside to outside frame width.



STEP 4 If needed, refer to the hole diameters Dimension "A" and where available, the measurement taken from the bottom of the frame to the first line of holes of the hanger Dimension "B".



STEP 5 In some cases the vehicle manufacturer has changed the drill patterns while still using the same casting number, contact vehicle manufacturer to request specification. Always use hole location dimensions as a final check.

NOTE:

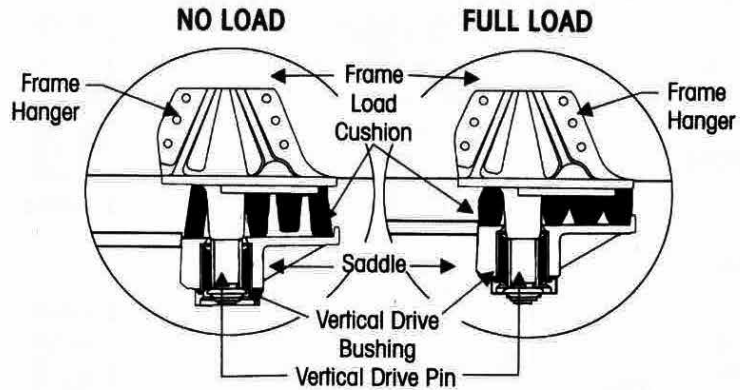
When replacing RS suspension hangers, Hendrickson recommends a minimum of a 5/8" Grade 8 bolt, Grade C locknut and hardened washers to attach frame hangers to the vehicle frame, in some vehicles the holes in the frame may need to be enlarged to accommodate 5/8" fasteners.

Contact Technical Support for questions regarding a casting number or vehicle manufacturer not listed,

RS™ Rear Suspension Hangers

Load Cushions

The RS Series suspensions are equipped with standard four rubber load cushions. Each cushion has an inner cross bar that helps support the load when the vehicle is loaded. An empty vehicle is supported only by the outer edges of the cushions.

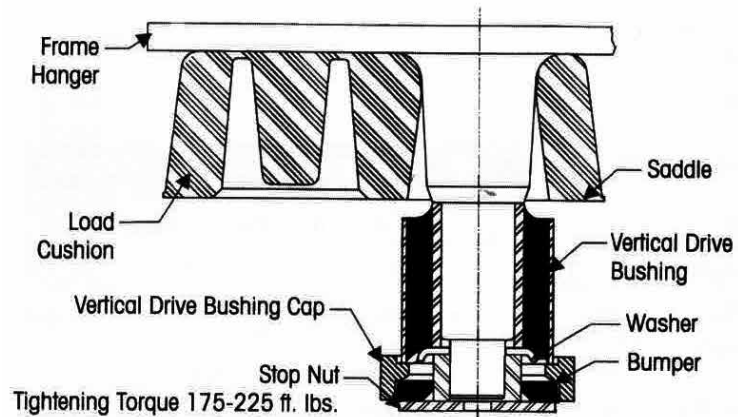


Vertical Drive Pin

The RS Series frame hangers have vertical drive pins that extend down through the load cushions and are secured to rubber vertical drive bushings in the saddle.

Rebound Control Stop Kit

A rebound control stop kit consisting of special stop nuts and elastomer bumpers is available to increase stability in high center of gravity or offset loading vehicles. Rebound control stop kit is optional for 40,000 through 48,000 pounds capacities and standard on 52,000 pounds units.

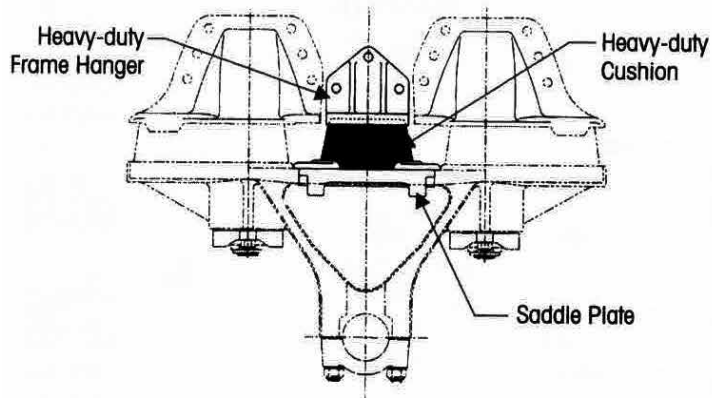


Rebound Control Stop Kit

EUCLID	HENDRICKSON	
PART NO.	KIT NO.	
S.O.S.	31005-001	One Side
S.O.S.	31005-002	Both Sides

Heavy-Duty Load Cushion Kit

The heavy-duty load cushion kit for increased stability consists of an additional round center cushion and related frame hanger for each side of the chassis. Heavy-duty Load Cushion Kit is optional for 40,000 pounds capacities and standard on 46,000 through 52,000 pounds units.

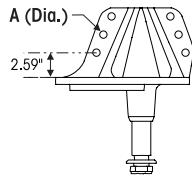


Heavy-Duty Load Cushion Kit

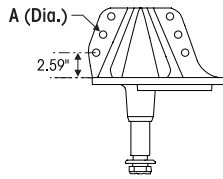
EUCLID	HENDRICKSON	
PART NO.	KIT NO.	FRAME WIDTH
S.O.S.	20681-072	34"
S.O.S.	20681-077	34½"

HENDRICKSON

RS Cast Hangers — Vehicles Built From 1990 To Present



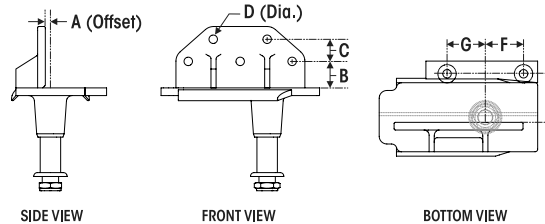
Left Hand Front • Right Hand Rear



Right Hand Front • Left Hand Rear

CASTING NO. 57063-000. REPLACED CASTING NO. 48219-000 IN 1994			CASTING NO. 57066-000. REPLACED CASTING NO. 48221-000 IN 1994			DIMENSION A HOLE DIA. (INCHES)	APPLICATION
EUCLID NO.	HENDRICKSON NO.		EUCLID NO.	HENDRICKSON NO.			
	ORIGINAL	CURRENT		CURRENT	ORIGINAL		
Fits Frame Width 33.94" to 34.19" (0.09" Hanger Offset)							
E-10068	48220-001	57065-001	E-10069	48222-001	57068-001	0.83	Ford; Sterling
E-10069	48220-002	57065-002	E-10072	48222-002	57068-002	0.66	Duplex Truck; Emergency One Freightliner; HME International Truck (Pre-1997); Kenworth; Mack; Marmon Oshkosh; Peterbilt; Peter Pirsch; Pierce; Savage Mfg.; Sutphen; Western Star
E-10070	48220-003	57065-003	E-10073	48222-003	57068-003	0.66	Peterbilt
E-16442	48220-004	57065-004	E-16445	48222-004	57068-004	0.69	Mack
S.O.S.	48220-006	57065-006	S.O.S.	48222-006	57068-006	0.66	International Truck
Fits Frame Width 34.75" to 35.00" (0.50" Hanger Offset)							
E-10060	48212-001	57053-001	E-10061	48214-001	57056-001	0.83	Ford; International; Sterling
S.O.S.	48212-002	57053-002	S.O.S.	48214-002	57056-002	0.66	Mack; Osterlund; Spartan; Volvo

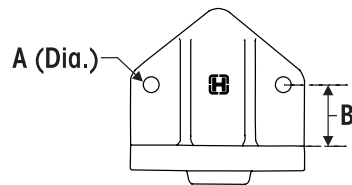
Fabricated RS Hangers



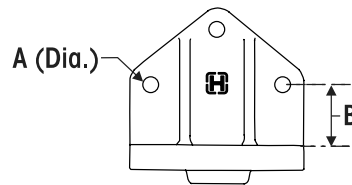
EUCLID NO.	HENDRICKSON NO.	EUCLID NO.	HENDRICKSON NO.	A OFFSET	B	C	D HOLE DIA.	E	F	G
LEFT HAND FRONT RIGHT HAND REAR	LEFT HAND FRONT RIGHT HAND REAR	LEFT HAND FRONT RIGHT HAND REAR	LEFT HAND FRONT RIGHT HAND REAR							
Fits Frame Width 33.94" to 35.00"										
S.O.S.	048082-033	S.O.S.	048082-034	0.09	2.25	1.88	0.66	4.50	3.70	3.70
S.O.S.	048082-031	S.O.S.	048082-032		2.60	2.17	0.83	4.60		
S.O.S.	048082-037	S.O.S.	048082-038		0.66					
S.O.S.	048082-023	S.O.S.	048082-024	0.34	2.25	1.88	0.66	4.50	3.70	3.70
E-16460	048082-035	E-16463	048082-036	0.50	2.36	2.19	0.76	4.63	3.70	3.70
E-16461	048082-025	E-16462	048082-026		2.60	2.17	0.83	4.75		
S.O.S.	048082-003	S.O.S.	048082-004	0.63	2.25	1.88	0.66	4.50	2.44	7.69
S.O.S.	048082-043	S.O.S.	048082-044					5.00		
S.O.S.	048082-021	S.O.S.	048082-022	0.84	2.25	1.88	0.66	5.00	2.44	7.69
S.O.S.	048082-041	S.O.S.	048082-042					5.19		
S.O.S.	048082-001	S.O.S.	048082-002	0.91	2.25	1.88	0.66	4.37	1.37	6.62
S.O.S.	048082-015	S.O.S.	048082-016					4.50	2.44	7.69

HENDRICKSON SUSPENSION

RS™ Hangers — Heavy Duty Frame Hanger



2-Bolt Design






3-Bolt Design



EUCLID NO.	NUMBER OF BOLTS	DIMENSION B (IN INCHES)	HENDRICKSON NO.	DIMENSION A HOLE DIA. (IN INCHES)	OEM
Fits Frame Width 33.50" (0.19" Hanger Offset) — Casting No. 49117-000					
S.O.S.	2.00	2.12	49118-000	0.66	Mack
Fits Frame Width 33.94" to 34.19" (0.09" Hanger Offset) — Casting No. 48522-000					
E-7617	3.00	1.88	48523-001	0.66	Advance Mixer; Crane Carrier; Duplex Truck Freightliner (Pre 1984); Mack; Marmon International Truck; Western Star (Pre 1988)
E-16457	3.00	2.25	48523-002	0.66	Kenworth; International Truck; Pierce Mfg. Savage Mfg.; Western Star
E-7618	3.00	2.25	48523-003	0.66	Freightliner; HME; Peterbilt
S.O.S.	2.00	2.25	48523-004	0.66	Oshkosh
E-16439	2.00	2.38	48523-005	0.66	Ford; Sterling
S.O.S.	3.00	1.88	48523-006	0.53	Oshkosh
S.O.S.	2.00	2.12	48523-007	0.66	Mack
Fits Frame Width 33.44" to 34.69" (0.34" Hanger Offset) — Casting No. 48524-000					
E-7619	3.00	2.25	48525-001	0.66	Freightliner; GM; Mack; Peterbilt; Volvo
S.O.S.	3.00	2.25	48525-006	0.66	International Truck
S.O.S.	3.00	2.50	48525-008	0.66	International Truck
S.O.S.	3.00	2.50	48525-009	0.66	Peterbilt
Fits Frame Width 34.75" to 35.00" (0.50" Hanger Offset) — Casting No. 49119-000					
S.O.S.	2.00	2.36	49120-001	0.66	Ford; Sterling
S.O.S.	3.00	2.25	49120-002	0.66	Ford (Pre 1983); Osterlund; Spartan



HENDRICKSON

RS Components



Load Cushion — Front & Rear			
FOR MODEL: RS Series			
			
EUCLID NO.	GENUINE	OEM REF.	NOTES
E-1598A		48973-000	60 Durometer, Discontinued Use E-1960
E-1960		26953-000	70 Durometer



Saddle Bushing Cap		
FOR MODEL: RS Series		
		
EUCLID NO.	GENUINE	OEM REF.
E-1941		5917-000



Load Cushion — Center		
FOR MODEL: RS Series		
		
EUCLID NO.	GENUINE	OEM REF.
E-2232		24209-000

Frame Hanger Pin Washer					
FOR MODEL: RS Series					
					
EUCLID NO.	GENUINE	OEM REF.	ID	OD	THICKNESS
E-1945		8536-000	1-1/2"	3-1/4"	3/16"

Saddle Bushing						
FOR MODEL: RS Series						
						
EUCLID NO.	GENUINE	OEM REF.	ID	OD	LENGTH	NOTES
E-1940		19279-000	2"	4-1/8"	4"	Rubber

Frame Hanger Pin Nut				
FOR MODELS: RS & SR Series				
				
EUCLID NO.	GENUINE	OEM REF.	THREAD	NOTES
E-1946		25151-000	1-1/2"-12	2-3/16" Hex

Saddle Bearing Ring					
FOR MODELS: RS 340-520 Series					
					
EUCLID NO.	GENUINE	OEM REF.	ID	OD	THICKNESS
E-9418		50780-000	3 23/32"	4-7/32"	3/32"

Saddle Bushing Cap Stud				
FOR MODELS: RS, SR, V4 Series				
				
EUCLID NO.	GENUINE	OEM REF.	LENGTH	THREAD
E-1942		19111-001	2-7/8"	5/8"-11 5/8"-18

 Denotes Product is Genuine Hendrickson

HENDRICKSON SUSPENSION

RS Components

HENDRICKSON

Saddle Plate

FOR MODELS:
RS 340-520 Series



EUCLID NO.	GENUINE	OEM REF.
E-2604		20781-000

Rebound Bumper — Rubber

FOR MODEL:
RS Series



EUCLID NO.	GENUINE	OEM REF.	ID	OD	THICK
E-2233		30208-000	2-3/8"	4-7/16"	1/2"

Stop Nut

FOR MODEL:
RS Series





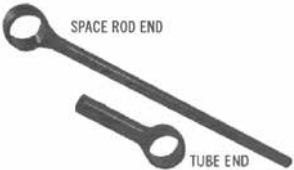




EUCLID NO.	GENUINE	OEM REF.	OD	THREAD
E-7620		30251-000	4-5/16"	1-1/2"-12

Denotes Product is Genuine Hendrickson

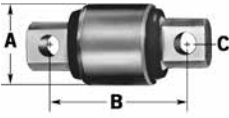

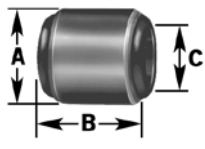
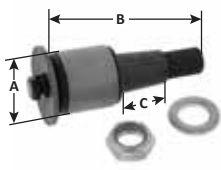
HENDRICKSON SUSPENSION

Torque Rods and Torque Rod Bushings Selection Guide


HENDRICKSON


ONE PIECE TORQUE RODS	DESCRIPTION
	<p>These are available in variety of sizes and bushing styles depending on the application. These torque rods can be found in the parts list or illustrated section for each suspension type or in the back section of the catalog containing all Euclid Torque Rods. And almost any one piece torque rod that is not included in this catalog can be ordered through Euclid's S.O.S. program</p>
TWO PIECE TORQUE RODS	DESCRIPTION
<p>Three different styles of two piece torque rods are available from Euclid and Hendrickson. These require measurement, cutting to length and welding in the field to produce the required torque rod. This design reduces inventory and provides the maximum flexibility when servicing a fleet customer.</p>	
	<p>Hendrickson Ultra Rod — Euclid stocks both ends with a wide variety of bushings to cover virtually every application. The empty hub end and empty spacer ends that require the proper bonded bushings without the outer metal sleeve</p>
	<p>Hendrickson Ultra Rod Plus — Euclid stocks the empty hub end and empty spacer ends that require Ultra Rod Plus Bushings.</p>
	<p>Hendrickson Ultra Rod Plus with XTRB Bushings — These two piece torque rods are available with the severe duty XTRB bushings via Euclid's S.O.S. program.</p>
TYPES OF BUSHINGS	DESCRIPTION
	<p>Conventional (Clevite Style) Bushings with Outer Metal Sleeve — Used for many years by many different manufacturers. Most suitable for standard duty applications.</p>
	<p>Ultra Rod and Ultra Rod Plus Bushings (No Outer Metal Sleeve) — Newer designs with improved rubber to metal bonding and recommended for vocational applications.</p>
	<p>XTRB Bushings with Outer Metal Sleeve — Designed with superior bonding and mechanical designs including hardened steel pin and steel sleeve for severe duty applications.</p>

Replacement Cartridges for Conventional Clevite Style Torque Rods (with Outer Metal Sleeve)

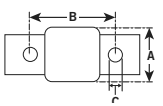
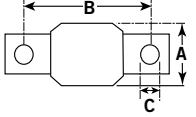
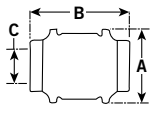
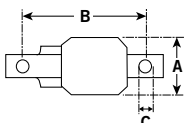
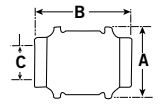
	EUCLID NO.	OEM REF.	A	B	C	SERIES	THREADS
	E-2225	Clevite 227710; Hendrickson 44694-000	2-1/2"	4-3/8"	5/8"	340	-
	E-9395	Hendrickson 57256-001	2-1/2"	4-3/8"	5/8"	-	-
	E-2226	Clevite 227720; Hendrickson 44695-000	2-3/4"	4-3/8"	5/8"	400/460	-
	E-3868	Clevite 227723; Hendrickson 49210-000	2-3/4"	4-3/8"	3/4"	400/460	-
	E-15175	Hendrickson 48304-000	3-1/2"	5-1/4"	7/8"	650/700	-
	E-2814	Clevite 233931 (Offset Pin); Hendrickson 46734-000	2-3/4"	5-11/16"	3/4"	Navistar	-
	E-3411	Clevite 4224001; Navistar 438506C91; Hendrickson 47699-001	3"	5-11/16"	3/4"	-	-
	E-5276	47692-000	2"	3"	7/8"	-	-
	E-11447	Hendrickson 65477-000	2"	3-1/4"	1-1/8"	Navistar	-
	E-2816	Clevite 229612; Hendrickson 46736-000	2-3/4"	3-1/4"	1-1/8"	Navistar	-
	E-1351	24504-000	2-7/8"	3-1/4"	1-1/8"	-	-
	E-2238	Clevite 224993; Hendrickson 45477-000	3"	3-1/4"	1-1/8"	Navistar	-
	E-1352	44993-000	3-3/8"	3-1/4"	1-1/8"	-	-
	E-2227	Clevite 229270; Hendrickson 44809-000	2-1/2"	1-7/8"	6-5/8"	340	1-1/8"
	E-2815	Clevite 229240; Hendrickson 46735-000	2-3/4"	1-7/8"	7"	Mack	1-1/4"
	E-2916	Clevite 233890; Hendrickson 46737-000	2-3/4"	1-7/8"	6-5/8"	340	1-1/8"
	E-2228	Clevite 229610; Hendrickson 44697-000	2-3/4"	3"	8"	400; 460	1-1/4"

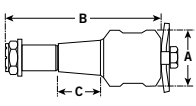
Lock Nuts and Washers for Tapered Stud Torque Rods






	EUCLID NO.	OEM REF.	THREAD	HEX	HIGH	SERIES
	E-2079	Hendrickson 29896	1-1/8" -12	1-5/8"	1-3/16	340
	E-2017	Hendrickson 29749	1-1/4"-12	1-13/16"	11/16"	400, 460


	EUCLID NO.	OEM REF.	OD	ID	THICK	SERIES
	E-2018	Hendrickson 30574	2-1/4"	1-5/16"	1/4"	400, 460


Replacement Bonded Bushings for Hendrickson Ultra Rods (No Metal Outer Sleeve)

Straddle	EUCLID NO.	OEM REF.	A	B	C	NOTES	APPLICATION
	E-5275	47691-000	2-3/4"	4-3/8"	5/8"	-	For Use in Ultra Rod Torque Rods
	E-10322	69210-000	2-3/4"	4-3/8"	3/4"	-	
	E-16466	67746-000	2-3/4"	4-3/8"	7/8"	-	
	E-13970	664400-005	3-1/4"	4-3/8"	3/4"	Can Replace E-3868 Metal Sleeve Style Bushing	For Use in Ultra Rod PLUS Torque Rods
	E-13971	64400-003	3-1/4"	5-1/4"	7/8"	-	
	E-13961	64400-002	3-1/4"	4-3/8"	5/8"	Can Replace E-2226 Metal Sleeve Style Bushing	For Use in Ultra Rod PLUS Torque Rods
	E-13964	64400-009	3-1/4"	5-11/16"	3/4"	-	
	E-10320	66734-000	2-3/4"	5-11/16"	3/4"	-	For Use in Ultra Rod Torque Rods
Hollow Sleeve							
	E-13967	64400-010	3-1/4"	3-1/4"	1-1/8"	Can Replace E-2816 Metal Sleeve Style Bushing	For Use in Ultra Rod PLUS Torque Rods

Tapered	EUCLID NO.	OEM REF.	A	B	C	THREAD	APPLICATION	
	E-10308	64809-000	2"	6-5/8"	2"	-	For Use in Ultra Rod Torque Rods	
	E-10321	66735-000	2"	7"	1-7/8"	-		
	E-10309	64697-000	2"	8"	3"	-		
	E-13969	64400-008	3-1/4"	6-5/8"	1-7/8"	Can Replace E-2916 Metal Sleeve Style Bushing	1-1/8"	For Use in Ultra Rod PLUS Torque Rods
	E-13965	64400-007	3-1/4"	7"	1-3/4"	Can Replace E-2815 Metal Sleeve Style Bushing	1-1/4"	
	E-13962	64400-004	3-1/4"	8"	3"	Can Replace E-2228 Metal Sleeve Style Bushing	1-1/4"	
	E-13972	64400-006	3-1/4"	8-3/4"	3"	-	1-3/4"	

	EUCLID NO.	GENUINE	OEM REF.	APPLICATION	
	E-14346		66086-001	Installation Tool For Ultra Rod Bushings	
	E-13974		66086-000	Installation Tool For Ultra Rod Plus Bushings	

Torque Rod Bushing P-80 Lubricant			
EUCLID NO.	GENUINE	OEM REF.	APPLICATION
E-17659		70867-001	10 ml For Installation of Rubber Bushings Without Metal Outer Sleeve

 Denotes Product is Genuine Hendrickson

Replacement XTRB Bushings for Hendrickson Ultra Rod® Plus™

	EUCLID NO.	OEM REF.	A	B	C			
Straddle								
	E-14641	66649-002	2-3/4"	4-3/8"	5/8"			
	E-14642	66649-003	2-3/4"	5-1/4"	15/16"			
	E-14644	66649-005	2-3/4"	4-3/8"	13/16"			
	EUCLID NO.	REPLACES	A	B	C	FASTENER THREAD	FASTENER LOCKNUT	FASTENER WASHER
	E-14643	66649-004	2-3/4"	8"	3"	1-1/4"	E-2017	E-2018

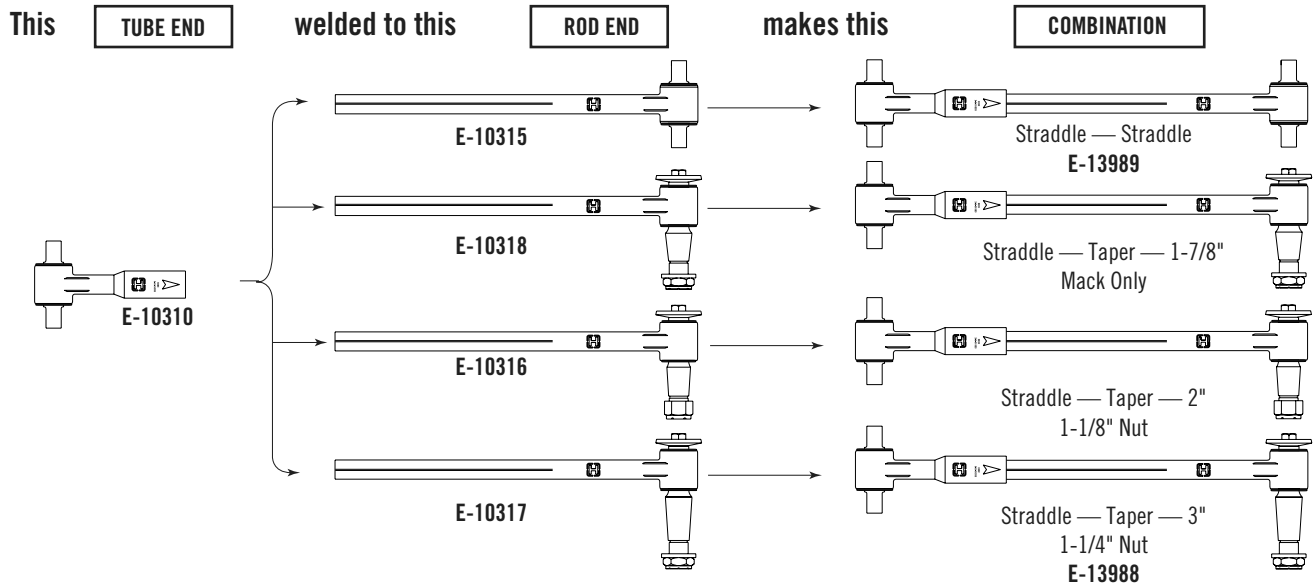
Ultra Rod — Tube End

	EUCLID NO.	HENDRICKSON NO.	REPLACEMENT BUSHING	MOUNTING CENTER (A)	HOLE DIAMETER (INCHES)
Straddle Mount Tube End					
	E-10310	66610-000	E-5275	4-3/8"	5/8"
	E-11784	66766-000	E-16466	4-3/8"	7/8"
	E-11748	66767-000	E-10322	4-3/8"	3/4"
Offset Straddle Mount -Tube End					
	E-10313	66640-000	E-10320	5-11/16"	3/4"
Hollow Sleeve Tube End					
	E-10314	66650-000	E-11447	-	1-5/16"
Tapered Stud Tube End					
	E-10311	66620-000	E-10308	1-7/8"	1-1/8"
	S.O.S.	66769-000	E-10321	1-3/4"	1-1/4"
	E-10312	66630-000	E-10309	2-3/4"	1-1/4"

HENDRICKSON

Ultra Rod — Spacer End						
	EUCLID NO.	OEM REF.	REPLACEMENT BUSHING	LENGTH (A)	MOUNTING CENTER (B)	HOLE DIAMETER (INCHES)
Straddle Mount Rod						
	E-10315	6661-000	E-5275	22-7/16"	4-3/8"	5/8"
	E-14727	67047-000	E-10322	22-7/16"	4-3/8"	3/4"
	S.O.S.	67048-000	E-16466	22-7/16"	4-3/8"	7/8"
	S.O.S.	66768-000	E-10320	22-7/16"	5-11/16"	3/4"
Hollow Sleeve Rod						
	E-10319	66701-000	E-11447	22-7/16"	-	1-5/16"
Tapered Stud Rod						
	E-10318	66691-000	E-10321	22-7/16"	1-3/4"	1-1/4"
	E-10316	66671-000	E-10308	22-7/16"	1-7/8"	1-1/8"
	E-10317	66681-000	E-10309	22-7/16"	2-3/4"	1-1/4"

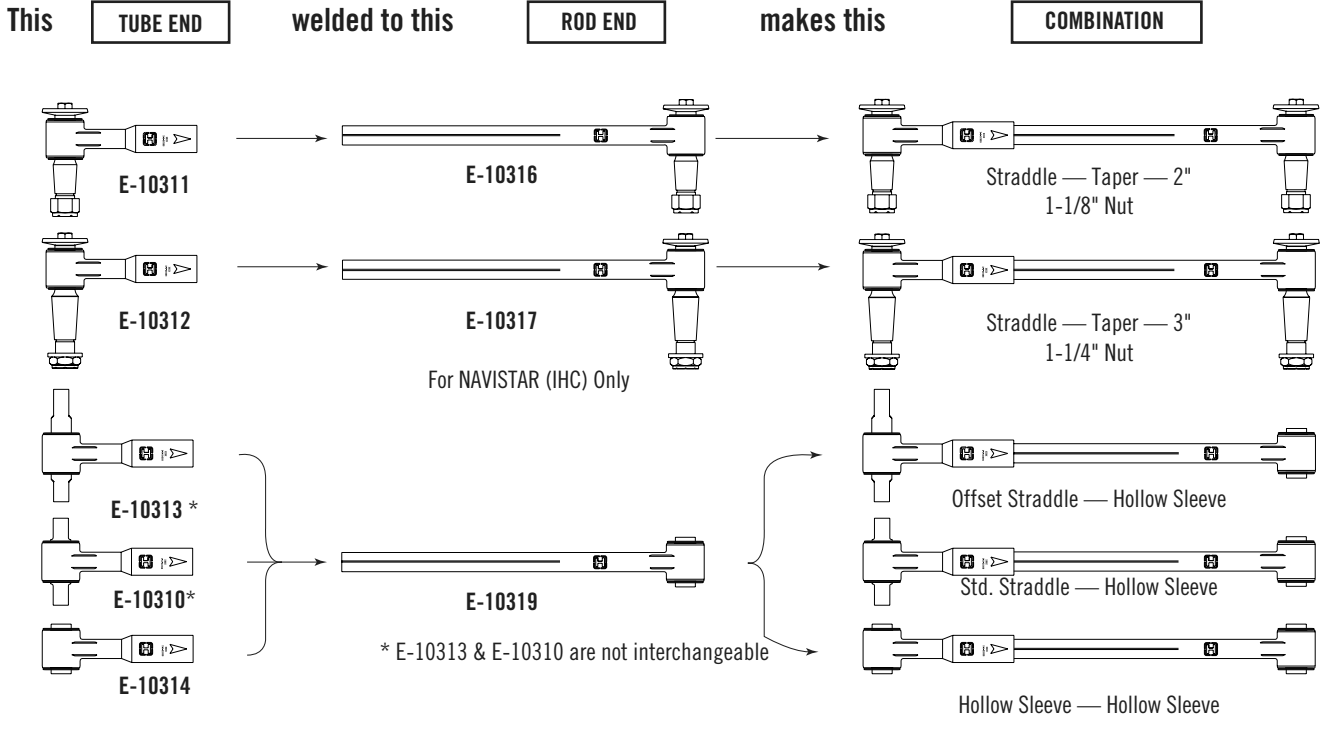
Ultra Rod® — Option Configurations



Continued on next page.

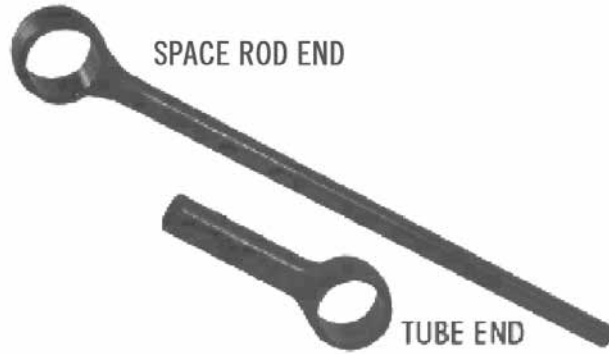
HENDRICKSON SUSPENSION

Ultra Rod® — Option Configurations



HENDRICKSON

Ultra Rod® Plus™



HENDRICKSON

An excellent replacement option for vocational and on-highway applications. Tube and spacer are made from one-piece forgings. Empty Ends Hubs — offer added versatility to ULTRA ROD® PLUS™ torque rods. Empty end hubs allow the use of any PLUS™ bushing configuration from existing Hendrickson torque rods. The two-piece design requires stocking only two part numbers, eliminating multiple torque rod inventory. Refer to Torque Rod Bushings Section for specific torque rod bushing information

Female Tube End					
Bushing and ID 2-3/4"					
EUCLID NO.	GENUINE	OEM REF.	A	B	DESCRIPTION
E-11820		64473-000	8-1/2"	1"	Tube End

Male Spacer Rod End				
Bushing Hole ID 2-3/4"				
EUCLID NO.	GENUINE	OEM REF.	A	DESCRIPTION
E-11821		64474-000	30-3/8"	Spacer End

Ultra Rod® Bushing Installation Tool			
EUCLID NO.	GENUINE	OEM REF.	APPLICATION
E-13974		66086-000	For Ultra Rod Plus Bushings

Denotes Product is Genuine Hendrickson

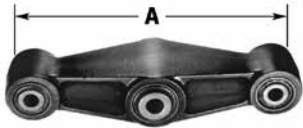
HENDRICKSON SUSPENSION


E4 Series Components

HENDRICKSON

Equalizer


FOR MODEL:
E4




EUCLID NO.	GENUINE	OEM REF.	CASTING NO.	NOTES
E-5265		47444-001; Ford E4HZ5889A	47437	A = 14". Obsolete, for Reference Only

Shackle — Left Front, Right Rear


FOR MODEL:
E4




EUCLID NO.	GENUINE	OEM REF.	CASTING NO.	NOTES
E-5267		47440-000 Ford E4HZ5776A	47439	A = 5", Obsolete, for Reference Only

Equalizer Center Bushing


FOR MODEL:
E4




EUCLID NO.	GENUINE	OEM REF.	ID	OD	LENGTH
E-5269		47420-000, Ford E4HZ5872A REF	1"	2-3/4"	4-5/8"

Shackle — Right Front, Left Rear


FOR MODEL:
E4



EUCLID NO.	GENUINE	OEM REF.	CASTING NO.	NOTES
E-5268		47442-000 Ford E4HZ5776B	47441	A = 5", Obsolete, for Reference Only

Equalizer Center Bolt


FOR MODEL:
E4




EUCLID NO.	OEM REF.	LENGTH	THREAD
E-5271	30550-035	7"	1"-14

Equalizer & Spring Eye Bushing

FOR MODEL:
E4



EUCLID NO.	GENUINE	OEM REF.	ID	OD	LENGTH
E-5270		47421-000 Ford E4HZ5872A	7/8"	2-3/8"	3"

Thrust Washer


FOR MODEL:
E4



EUCLID NO.	GENUINE	OEM REF.	ID	OD	THICK
E-5273		47416-000	1 29/32"	3-11/16"	1/8"

Shackle Bolt

FOR MODEL:
E4



EUCLID NO.	OEM REF.	LENGTH	THREAD
E-5272	48728-000	4-1/4"	7/8"-9

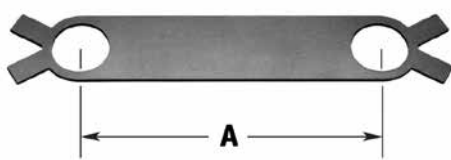
 Denotes Product is Genuine Hendrickson


E4 Series Components

HENDRICKSON

Shackle Bolt Retainer


FOR MODEL:
E4



EUCLID NO.	GENUINE	OEM REF.	NOTES
E-5274		47459-000 Ford EHZ5A879A	A = 5"; Crimp End Tabs Over Head of Bolt to Prevent Turning

Torque Rod Fastener Kit — Axle Seat End

FOR MODEL:
E4



Includes: Bolt, Nut, Washer

EUCLID NO.	OEM REF.	LENGTH	THREAD
E-5277	-	4-1/2"	5/8"-18

Torque Rod Bushing, Straddle Mount


FOR MODEL:
E4



EUCLID NO.	GENUINE	OEM REF.	OD	NOTES
E-5275		47691-000	2"	5/8" Bolt Holes

Torque Rod Fastener Kit — Hanger End

FOR MODEL:
E4




Includes: Bolt, Nut, Washer


EUCLID NO.	OEM REF.	LENGTH	THREAD
E-5278	-	5-1/2"	7/8"-14

Torque Rod Bushing

FOR MODEL:
E4





Axle Seat End

EUCLID NO.	GENUINE	OEM REF.	ID	OD	LENGTH
E-5276		47692-000	7/8"	2"	3"

Torque Rod Shim


FOR MODEL:
E4





EUCLID NO.	GENUINE	OEM REF.	C-T-C LENGTH	THICK
E-5281		47457-000; Ford E4HZ4002A	4-3/8"	1/16"

Torque Rod — Front & Rear

FOR MODEL:
E4



E-5282 Shown

EUCLID NO.	GENUINE	OEM REF.	C-T-C LENGTH
E-5282		48158-001; Ford E4HZ4612A	15-7/8"
E-5283		48158-002; Ford E4HZ4612B	21-15/16"

Top Pad

FOR MODEL:
E4



EUCLID NO.	GENUINE	OEM REF.	LENGTH	WIDTH
E-3739		48797-000	8-1/4"	3"

 Denotes Product is Genuine Hendrickson


HENDRICKSON SUSPENSION

E4 Series Components


HENDRICKSON

Front Hanger

FOR MODEL:
E4




Obsolete, for Reference Only


EUCLID NO.	GENUINE	OEM REF.	CASTING NO.
E-5299		56673-001; Ford E4HZ5775A	47431

Rear Hanger

FOR MODEL:
E4




Obsolete, for Reference Only


EUCLID NO.	GENUINE	OEM REF.	CASTING NO.
E-5301		547436-003; Ford E5HZ5775A	47435

Center Hanger

FOR MODEL:
E4




Obsolete, for Reference Only

EUCLID NO.	GENUINE	OEM REF.	CASTING NO.
E-5300		47434-002, 56833-003	47433

Rebound Roller Kit

FOR MODEL:
E4



Includes: Bolt, Spacer, Roller, Nut, Washer

EUCLID NO.	OEM REF.	OD	LENGTH
E-9432A	49175-013	2-1/2"	2-15/16"


 Denotes Product is Genuine Hendrickson


HFS Components

HENDRICKSON

Equalizer Assembly

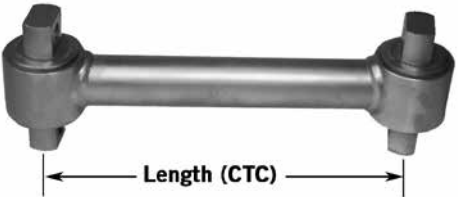
FOR MODEL:
HFS





EUCLID NO.	GENUINE	OEM REF.	CASTING NO.	NOTES
E-9402		49803-002	49801-002	Includes Bushing, Rebound Pins, Cotter Pins, Washers

Torque Rod


FOR MODEL:
HFS




EUCLID NO.	GENUINE	OEM REF.	C-T-C LENGTH	NOTES
E-9409		48411-006	14-13/32"	Front
E-9407		48411-007	20-5/16"	Rear

Equalizer Bushing


FOR MODEL:
HFS




EUCLID NO.	GENUINE	OEM REF.	ID	OD	LENGTH
E-5269		47420-000	1"	2-3/4"	4-5/8"

Torque Rod Bushing, Straddle Mount


FOR MODEL:
HFS




EUCLID NO.	GENUINE	OEM REF.	OD	NOTES
E-5275		47691-000	2"	5/8" Bolt Holes

Equalizer Center Bolt


FOR MODEL:
HFS



EUCLID NO.	GENUINE	OEM REF.	LENGTH	THREAD
E-5271		30550-035	7"	1"-14

Torque Rod Fastener Kit

FOR MODEL:
HFS




Includes Bolt, Nut, Washer

EUCLID NO.	OEM REF.	LENGTH	THREAD
E-5277	-	4-1/2"	5/8"-18

Thrust Washer


FOR MODEL:
HFS




EUCLID NO.	OEM REF.	ID	OD	THICK
E-5273	47416-000	1 29/32"	3-11/16"	1/8"

Torque Rod Shim

FOR MODEL:
HFS



EUCLID NO.	GENUINE	OEM REF.	C-T-C LENGTH	THICK
E-5281		47457-000	4-3/8"	1/16"

 Denotes Product is Genuine Hendrickson


HENDRICKSON SUSPENSION



HFS Components

HENDRICKSON

Spring Spacer


FOR MODEL:
HFS




EUCLID NO.	GENUINE	OEM REF.	NOTES
E-3740		48902-000	Height = 1"; A=7-3/4; B= 3"
E-3741		48903-000	Height = 1-1/2"; A=7-3/4; B= 3"

Center Hanger


FOR MODELS:
HFS




EUCLID NO.	GENUINE	OEM REF.	CASTING NO.
E-9400		56676-001	56675-000; 50289-000

Top Pad


FOR MODEL:
HFS




EUCLID NO.	GENUINE	OEM REF.	LENGTH	WIDTH
E-9408		50788-000	8-15/16"	3"

Rear Hanger


FOR MODEL:
HFS





EUCLID NO.	GENUINE	OEM REF.	CASTING NO.
E-9406		50028-001	49954-000

Front Hanger


FOR MODEL:
HFS



EUCLID NO.	GENUINE	OEM REF.	FOR MODELS	CASTING NO.
E-9404		56667-001; 50027-001	Models HFS360	56666-000; 49848-000
E-9405		56670-001; 50292-001	Models HFS400 / 400LH	56669-000; 50291-000

Rebound Roller Kit

FOR MODEL:
HFS



Includes Bolt, Spacer, Roller, Nut, Washer

EUCLID NO.	OEM REF.	OD	LENGTH	NOTES
E-9432A	49175-013	2-1/2"	2-15/16"	Bolt 1/2" X 5-1/2" Long

 Denotes Product is Genuine Hendrickson

HTS Components

Slipper Pad Kit


FOR MODEL:
HTS




EUCLID NO.	GENUINE	OEM REF.	NOTES
E-16333		56557-005	Includes Slipper Pad and Lock Pins

Torque Rod Shim

FOR MODEL:
HTS



EUCLID NO.	GENUINE	OEM REF.	NOTES
E-5281		47457-000	4-3/8" Center-to-Center, 1/16" Thick

Slipper Pad

FOR MODEL:
HTS



EUCLID NO.	GENUINE	OEM REF.	NOTES
E-16335		56929-000	Included in E-16333

Top Pad

FOR MODEL:
HTS




Spartan Type C School Bus


EUCLID NO.	GENUINE	OEM REF.	LENGTH	WIDTH
E-3739		48797-000	8-1/4"	3"

Torque Rod Bushing, Straddle Mount

FOR MODEL:
HTS



ULTRA Rods, 21/23K Capacity & Spartan Type C School Bus

EUCLID NO.	GENUINE	OEM REF.	OD	C-T-C LENGTH	NOTES
E-5275		47691-000	2"	4-3/8" Center-to-Center	5/8" Bolt Holes

Front Hanger Assembly


FOR MODEL:
HTS




EUCLID NO.	GENUINE	OEM REF.	NOTES
E-9386		58425-001	Includes E-16333 Slipper Pad and Lock Pins

Torque Rod Bushing, Straddle Mount

FOR MODEL:
HTS





XTRB Type, 26/31K Capacity

EUCLID NO.	GENUINE	OEM REF.	OD	C-T-C LENGTH	NOTES
E-14641		66649-002	2-3/4"	4-3/8" Center-to-Center	5/8" Bolt Holes

Rear Hanger

FOR MODEL:
HTS



EUCLID NO.	GENUINE	OEM REF.	CASTING NO.
E-9406		50028-001	49954-000

 Denotes Product is Genuine Hendrickson

HENDRICKSON SUSPENSION


HA and HAS Parts

HENDRICKSON

Torque Rod Bushing


FOR MODELS:
Most HA & HAS
Models



EUCLID NO.	GENUINE	OEM REF.	OD	C-T-C LENGTH	NOTES
E-5275		47691-000	2"	4-3/8"	5/8" Bolt Holes

Torque Rod Fastener Kit

FOR MODELS:
HA & HAS




Includes 1 Bolt, 2 Washers, 1 Lock Nut


EUCLID NO.	OEM REF.	LENGTH	THREAD
E-5277	Torque Rod Fastener Kit	4-1/2"	5/8"-18

Torque Rod Bushing

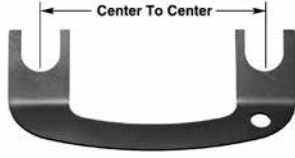
FOR MODEL:
HA 460




Center Hole To Center Hole

EUCLID NO.	GENUINE	OEM REF.	OD	C-T-C LENGTH	NOTES
E-9395		57256-000	2-1/2"	4-3/8"	5/8" Bolt Holes

Torque Rod Shim




Center To Center



EUCLID NO.	GENUINE	OEM REF.	C-T-C LENGTH	THICK
E-5281		47457-000	4-3/8"	1/16"

Torque Rod

FOR MODEL:
HA Series





E-3732 is Discontinued

EUCLID NO.	GENUINE	OEM REF.	C-T-C LENGTH
E-3731		48411-001	15-27/32"
E-3732		48411-002	21-15/16"

Torque Rod Bracket


FOR MODELS:
All Models





EUCLID NO.	GENUINE	OEM REF.	NOTES
E-2634		22186-000	For Mounting Transverse Torque Rods

Torque Rod

FOR MODEL:
HAS





EUCLID NO.	GENUINE	OEM REF.	C-T-C LENGTH	APPLICATION
E-9394		62007-365	14-13/32"	HAS 230/460
E-9409		48411-006		All HAS Models Except HAS 230/460

Top Pad

FOR MODEL:
HA Series



EUCLID NO.	GENUINE	OEM REF.
E-8926		49337-000

 Denotes Product is Genuine Hendrickson

HA and HAS Parts

Top Pad

FOR MODEL:
HAS Series



EUCLID NO.	GENUINE	OEM REF.
E-9397		56805-000

Delrin Liner


FOR MODEL:
HAS Series





EUCLID NO.	GENUINE	OEM REF.
E-9393		47905-000

Spring Spacer


FOR MODELS:
All Models





EUCLID NO.	GENUINE	OEM REF.	HEIGHT	A	B
E-3740		48902-000	1"	7-3/4"	3"
E-3741		48903-000	1-1/2"	7-3/4"	3"

Bottom Axle Plate

FOR MODEL:
HA Series




Includes Studs, Nuts, Washers

EUCLID NO.	GENUINE	OEM REF.	CASTING NO.	NOTES
E-3753A		56857-000	56855-000	9.5-13 Degree Pinion Angle, Left Front
E-3754A		56854-000	56852-000	9.5-13 Degree Pinion Angle, Right Front

Bottom Plate Stud


FOR MODEL:
HA Series




EUCLID NO.	GENUINE	OEM REF.	LENGTH	THREAD
E-3755		49063-000	3-13/16"	5/8"-11

Spring Seat Stud

FOR MODELS:
HAS 360/400/
460



EUCLID NO.	GENUINE	OEM REF.	THREAD
E-15200		50918-000	5/8"-11

 Denotes Product is Genuine Hendrickson

HENDRICKSON SUSPENSION

HA and HAS Parts

HENDRICKSON

Spherical Washer


FOR MODEL:
HAS Series




EUCLID NO.	GENUINE	OEM REF.	ID	APPLICATION
E-3738		48574-000	7/8"	For Use with 7/8" Diameter U-Bolts

Front Hanger

FOR MODEL:
HA Series



EUCLID NO.	GENUINE	OEM REF.	CASTING NO.
E-5299		56673-001	56672-001; 49723-000; 47431-000

Slipper Pad Kit

FOR MODEL:
HAS 360 Series




Includes 2 Mounting Plates and 4 Self-Tapping Screws


EUCLID NO.	GENUINE	OEM REF.	NOTES
E-9391		56557-002	Use with E-9387 Hanger

Frame Hanger Assembly

FOR MODELS:
Most HAS Models



Includes E-16333 Slipper Pad

EUCLID NO.	GENUINE	OEM REF.	CASTING NO.
E-9386		58425-001, 57190-001, 50752-001	57188-001

Slipper Pad Kit

FOR MODELS:
Most HAS Models




Use with E-9386 Hanger


EUCLID NO.	GENUINE	OEM REF.	NOTES
E-16333		56557-005	Includes E-16335 Pad, Mounting Spring Pins

Frame Hanger Assembly

FOR MODEL:
HAS 360 Series




Includes E-9391 Slipper Pad

EUCLID NO.	GENUINE	OEM REF.	CASTING NO.
E-9387		50753-001	49848-000; 56666-001

Slipper Pad Kit

FOR MODELS:
Most HAS Models



EUCLID NO.	GENUINE	OEM REF.	NOTES
E-16334		56557-004	Includes E-16335 Pad, Mounting Brackets and Screws

Rebound Roller Kit

FOR MODEL:
HAS Series








Bolt 1/2"-13 Thread X 5" Long


EUCLID NO.	GENUINE	OEM REF.	OD	LENGTH
E-9432A		49175-005	2-1/2"	Roller Length 2-15/16"



 Denotes Product is Genuine Hendrickson


HA and HAS Parts

Cross Channel Fastener Kit				
				
EUCLID NO.	GENUINE	OEM REF.	FOR MODEL	NOTES
E-9384		50763-001	HAS 120 / 150 / 190 / 210 / 360 / 400	Includes: 4 Bolts 3/4"X 3", 4 Bolts 3/4" X 2-1/2", 16 Washers, 8 Lock Nuts
E-9385		50763-003	HAS 230/460	Includes: 4 Bolts 3/4"X 3", 4 Bolts 3/4" X 3-1/2", 16 Washers, 8 Lock Nuts



Lower Shock Bracket		
FOR MODELS: Most HAS Models		
		
EUCLID NO.	GENUINE	OEM REF.
E-16239		57355-000

Lower Shock Bracket Fastener Assembly			
FOR MODELS: Most HAS Models			
			
Includes: Bolt, Nut and 2 Washers			
EUCLID NO.	OEM REF.	LENGTH	THREAD
E-16123	21777-026	5-1/2"	3/4"-16

Upper Shock Bracket Assembly			
FOR MODEL: HAS Series			
			
EUCLID NO.	GENUINE	OEM REF.	NOTES
E-9390		57322-001	Includes Bolt, Nut and Washer

Air Spring Frame Hanger	
FOR MODELS: Most HAS Models	
	
EUCLID NO.	OEM REF.
E-9392	50804-002

Lower Shock Bracket, Low Profile			
			
EUCLID NO.	GENUINE	OEM REF.	APPLICATION
E-16238		49324-002	HAS Low Profile Models

Height Control Valve			
FOR MODEL: HA Series			
			
EUCLID NO.	GENUINE	OEM REF.	NOTES
E-11494		60826-000	Includes Mounting Bracket and Hardware


 Denotes Product is Genuine Hendrickson


HENDRICKSON SUSPENSION

HA and HAS Parts

HENDRICKSON

Height Control Valve



EUCLID NO.	GENUINE	OEM REF.	NOTES
E-11870		57977-000	Includes Mounting Bracket and Hardware

Pressure Protection Valve



EUCLID NO.	GENUINE	OEM REF.
E-3762		30272-000

Adjustable Height Control Valve Linkage Assembly

FOR MODELS:
All Models



EUCLID NO.	GENUINE	OEM REF.
E-3760A		58994-021

Quick Release Kit



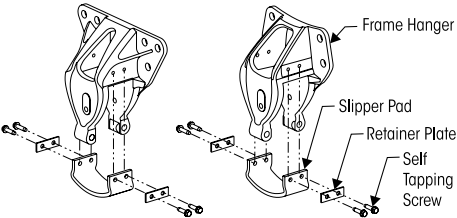

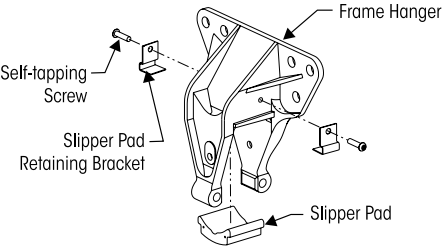

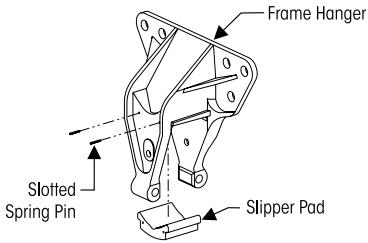

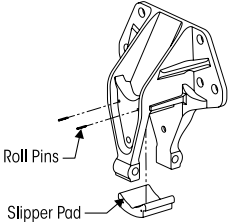

EUCLID NO.	GENUINE	OEM REF.	NOTES
E-9389		48689-001	Includes Sync Relay Valve, Air Dump Switch, Name Plate

 Denotes Product is Genuine Hendrickson

HENDRICKSON SUSPENSION

HAS Slipper Pad and Hanger Selection Guide

Suspension

SLIPPER PAD SERVICE KITS		HANGERS				
EUCLID NO.	HENDRICKSON		EUCLID NO.	HENDRICKSON	HENDRICKSON	
E-9391	KIT NO. 56557-002		CASTING NO.	PART NO.		
	KIT INCLUDES:		S.O.S.	49676-000	50849-XXX	
	• 1 Slipper Pad		S.O.S.	49676-000	56552-XXX	
	• 2 Retaining Plates		S.O.S.	49848-000	50027-001	
	• 4 Self Tapping Screws		E-9387	56666-001	50753-001	
	SLIPPER PAD		S.O.S.	56669-001	56670-XXX	
S.O.S.	PART NO. 50612-000		S.O.S.	56669-001	50752-XXX	
			S.O.S.	56885-001	56887-000	
EUCLID NO.	HENDRICKSON		EUCLID NO.	HENDRICKSON	HENDRICKSON	
E-16334	KIT NO. 56557-004		CASTING NO.	PART NO.		
	KIT INCLUDES:		S.O.S.	57188-001	57190-XXX	
	• 1 Slipper Pad		S.O.S.	57476-001	57478-XXX	
	• 2 Retaining Brackets					
	• 2 Self Tapping Screws					
	SLIPPER PAD					
E-16335	PART NO. 56929-000					
						
EUCLID NO.	HENDRICKSON		EUCLID NO.	HENDRICKSON	HENDRICKSON	
E-16333	KIT NO. 56557-005		CASTING NO.	PART NO.		
	KIT INCLUDES:		E-9386	57188-001	58425-XXX	
	• 1 Slipper Pad		S.O.S.	57476-001	58688-XXX	
	• 2 Slotted Spring Pins		S.O.S.	57543-001	57544-XXX	
	SLIPPER PAD		S.O.S.	58659-001	58661-001	
E-16335	PART NO. 56929-000		S.O.S.	59043-001	59045-XXX	
			S.O.S.	59050-001	59052-002	
			S.O.S.	59747-001	59768-XXX	
EUCLID NO.	HENDRICKSON		EUCLID NO.	HENDRICKSON	HENDRICKSON	
S.O.S.	KIT NO. 56557-006		CASTING NO.	PART NO.		
	KIT INCLUDES:		S.O.S.	59050-001	59052-002	
	• 1 Slipper Pad					
	• 2 Roll Pins					
	SLIPPER PAD					
E-16335	PART NO. 58959-000					
						

HENDRICKSON

Denotes Product is Genuine Hendrickson

HENDRICKSON SUSPENSION

HN, HAULMAAX, and HAULMAAX EX

HENDRICKSON

Bolster Spring

FOR MODELS:
HN400/460
Vehicles Built
After 03/96



EUCLID NO.	GENUINE	OEM REF.	NOTES
E-11496		60879-000	One Side/Pair. Replace in Pairs

Bolster Spring Service Kit w/ Tie Bar

FOR MODELS:
HAULMAAX EX



One Side

EUCLID NO.	GENUINE	OEM REF.	NOTES
E-17655		34013-357	-

Bolster Spring w/o Tie-Bar Service Kit

FOR MODEL:
HAULMAAX



NOTE: One Side

EUCLID NO.	GENUINE	OEM REF.	NOTES
E-16356		64179-049	Bolster Springs, Wear Pad, Flange Nut

Bolster Spring Fastener Kit

FOR MODEL:
HN Series



For One Bolster Spring

EUCLID NO.	OEM REF.	NOTES
E-16398	-	Includes 8 Bolts, Nuts, Washers

Bolster Spring Service Kit w/ Tie-Bar

FOR MODEL:
HAULMAAX



NOTE: One Side

EUCLID NO.	GENUINE	OEM REF.	NOTES
E-14807		64179-048	Includes 2 Bolster Springs, Tie Bar, Wear Pad, Spacers, Flange Nuts

Auxiliary Load Spring

FOR MODELS:
HAULMAAX &
HN Series



EUCLID NO.	GENUINE	OEM REF.	NOTES
E-14047		60314-000	3-3/8" High. 1 Slot

Bolster Spring w/o Tie-Bar Service Kit

FOR MODELS:
HAULMAAX EX



One Side

EUCLID NO.	GENUINE	OEM REF.	NOTES
E-17654		34013-356	-

Auxiliary Load Spring Conversion Kit

FOR MODELS:
HN402 / 462 /
522



EUCLID NO.	GENUINE	OEM REF.	NOTES
E-15164		57974-011 58189-000	Conversion Kit for Vehicles Built Before 8/98

Denotes Product is Genuine Hendrickson

HENDRICKSON SUSPENSION


HN, HAULMAAX, and HAULMAAX EX

Suspension


HENDRICKSON

Progressive Load Spring Service Kit

FOR MODELS:
HAULMAAX, Built
After 07/15/14





Tandem Set, 2 Slots

EUCLID NO.	GENUINE	OEM REF.	NOTES
E-16357		60961-747	Includes 2 Load Springs & Mounting Hardware

Auxiliary Load Spring Mounting Plate


FOR MODEL:
HN Series




EUCLID NO.	GENUINE	OEM REF.	LENGTH	NOTES
E-15171		58948-001	9-3/8"	3" High; 1/2" Dia. Holes

Progressive Load Spring

FOR MODEL:
HAULMAAX



2 Slots

EUCLID NO.	GENUINE	OEM REF.	NOTES
E-14896		67778-000	Vehicles Built After 07/15/14

Auxiliary Spring Mounting Plate Shim


FOR MODELS:
HN402/462/522




EUCLID NO.	GENUINE	OEM REF.	NOTES
E-15172		58949-000	5/8" Dia. Holes 4-1/2" Long x 1/4" Thick

Auxiliary Spring Mounting Shim

FOR MODEL:
HN Series



Thickness — 1/4"

EUCLID NO.	GENUINE	OEM REF.	NOTES
E-15165		57993-002	Vehicles Built 03/96 – 09/97

Auxiliary Spring Mounting Shim

FOR MODELS:
HN402/462/522



EUCLID NO.	GENUINE	OEM REF.	NOTES
E-15173		58960-003	Vehicles Built After 11/00 8" Long x 5-1/2" Wide

Auxiliary Spring Shim

FOR MODEL:
HAULMAAX




EUCLID NO.	GENUINE	OEM REF.	NOTES
E-15155		60791-000	Thickness — 1/4"

Rebound Strap Service Kit

FOR MODEL:
HAULMAAX



EUCLID NO.	GENUINE	OEM REF.	NOTES
E-15168		64179-028	Includes Strap, Anchor Plate, Hardware


 Denotes Product is Genuine Hendrickson

HENDRICKSON SUSPENSION



HN, HAULMAAX, and HAULMAAX EX


HENDRICKSON

Rebound Strap			
FOR MODELS: HAULMAAX & HN Series			
			
EUCLID NO.	GENUINE	OEM REF.	NOTES
E-13986		57878-003	-

Anchor Plate Assembly			
FOR MODELS: HN402/462/522			
			
EUCLID NO.	GENUINE	OEM REF.	NOTES
E-16400		60639-000	Includes Anchor Plate, Washers, Lock Nuts

Rebound Strap Service Kit			
FOR MODEL: HAULMAAX EX			
			
One Side			
EUCLID NO.	GENUINE	OEM REF.	NOTES
E-17656		34013-354	40K, 46K Vehicles Originally equipped with One Strap

Rebound Strap Mounting Plate			
FOR MODEL: HN Series			
			
Built 09/98 – 11/00			
EUCLID NO.	GENUINE	OEM REF.	NOTES
E-15166		58524-000	Hole Diameter — 1" 3" Center-to-Center of Holes

Rebound Strap Service Kit			
FOR MODEL: HAULMAAX EX			
			
One Side			
EUCLID NO.	GENUINE	OEM REF.	NOTES
E-17657		34013-355	52K Vehicles Originally equipped with Dual Straps

Rebound Clip		
FOR MODEL: HAULMAAX		
		
EUCLID NO.	GENUINE	OEM REF.
E-15167		60612-000

Rebound Strap Service Kit			
FOR MODEL: HAULMAAX EX			
			
One Side			
EUCLID NO.	GENUINE	OEM REF.	NOTES
E-17658		34013-363	Aftermarket Dual Strap Enhancement

Rebound Rubber Stop Kit			
FOR MODELS: HN400/460 Built Before 02/96			
			
EUCLID NO.	GENUINE	OEM REF.	NOTES
E-9417		49399-000	Includes Rubber Stop, Mounting Bolts, Nuts, Washers

 Denotes Product is Genuine Hendrickson

HENDRICKSON SUSPENSION


Suspension


HN, HAULMAAX, and HAULMAAX EX

HENDRICKSON

Rebound Control Kit


FOR MODELS:
HN400/460
Built Before
02/96




EUCLID NO.	GENUINE	OEM REF.	NOTES
E-9414		49768-000	Includes Rebound Spring, Rod, Clevis, Bolt, Lock Nut, Hex Nut, Washer

Wear Plate


FOR MODEL:
HAULMAAX




EUCLID NO.	GENUINE	OEM REF.
E-14535		64890-000, 60498-001, 60498-002

Equalizing Beam Assembly


FOR MODEL:
HAULMAAX




EUCLID NO.	GENUINE	OEM REF.	NOTES
E-16353		64846-001	54" with Shock Bracket and End Beam Bushings

Frame Bracket to Saddle Fastener Kit

FOR MODEL:
HAULMAAX



EUCLID NO.	GENUINE	OEM REF.	NOTES
E-16355		64179-039	One Side

Saddle Vee Bracket


FOR MODELS:
HN402/462/522




EUCLID NO.	GENUINE	OEM REF.
E-15176		58343-001

Cross Tube

FOR MODELS:
HN400/460 Series



EUCLID NO.	GENUINE	OEM REF.	OD	LENGTH
E-9412		44643-011	2-7/16"	40-3/4"

Saddle Vee Bracket


FOR MODELS:
HN400/460
Built After
03/96




EUCLID NO.	GENUINE	OEM REF.
E-16401		57461-000

Nylon Center Bushing

FOR MODELS:
HN400/460 Series



EUCLID NO.	GENUINE	OEM REF.	ID	OD	LENGTH
E-9411		49972-000	2-1/2"	2-15/16"	12-7/16"

 Denotes Product is Genuine Hendrickson


HENDRICKSON SUSPENSION

HN, HAULMAAX, and HAULMAAX EX

Center End Cap

FOR MODELS:
HN400/460 Series





EUCLID NO.	GENUINE	OEM REF.	ID	OD	DEPTH
E-9413		56910-000	3-7/8"	4"	1-7/16"



HENDRICKSON



 Denotes Product is Genuine Hendrickson

HTB for International

Torque Box Assembly		
FOR MODEL: HTB		
		
EUCLID NO.	GENUINE	OEM REF.
E-16366		64785-007B, 64785-002B, 64785-001

Axle Stop		
FOR MODEL: HTB		
		
Diameter 2"		
EUCLID NO.	GENUINE	OEM REF.
E-15148		64080-000

Torque Rod Assembly			
FOR MODEL: HTB			
			
EUCLID NO.	GENUINE	OEM REF.	NOTES
E-16364		77906-398	Non-Replaceable Bushings

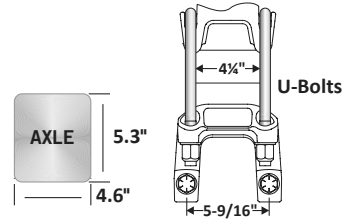
Shock Absorber Frame Bracket		
FOR MODEL: HTB		
		
1-3/4" Dia. Hole, 2-5/8" Dia. Holes		
EUCLID NO.	GENUINE	OEM REF.
E-15177		67463-002

HENDRICKSON

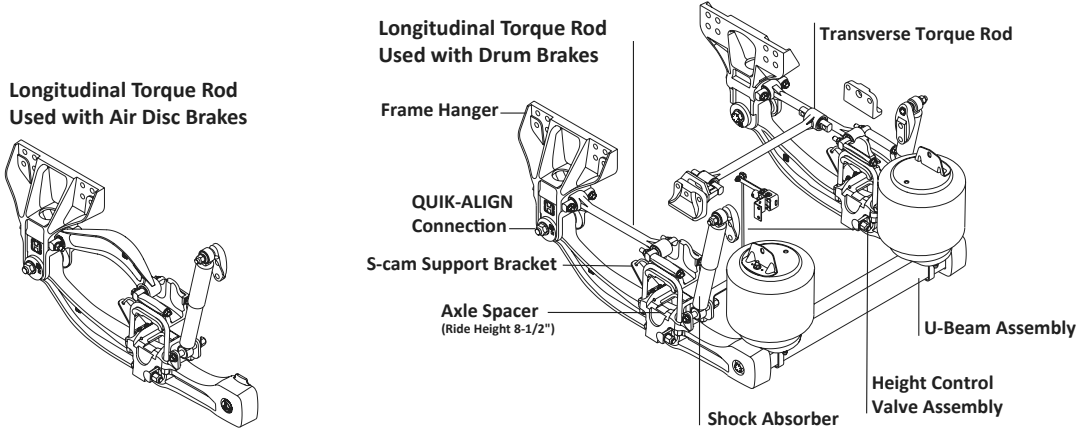
PRIMAAX EX — SMALL CLAMP GROUP

PRIMAAX EX	23K • 46K • 69K 26KS • 52KS • 78KS 23KT • 46KT • 69KT 26KST • 52KST • 78KST
PRIMAAX	230 • 460 • 690 230T • 460T • 690T
FIREMAAX EX	24K • 48K 27KS • 54KS
FIREMAAX	240 • 480 240T • 480T

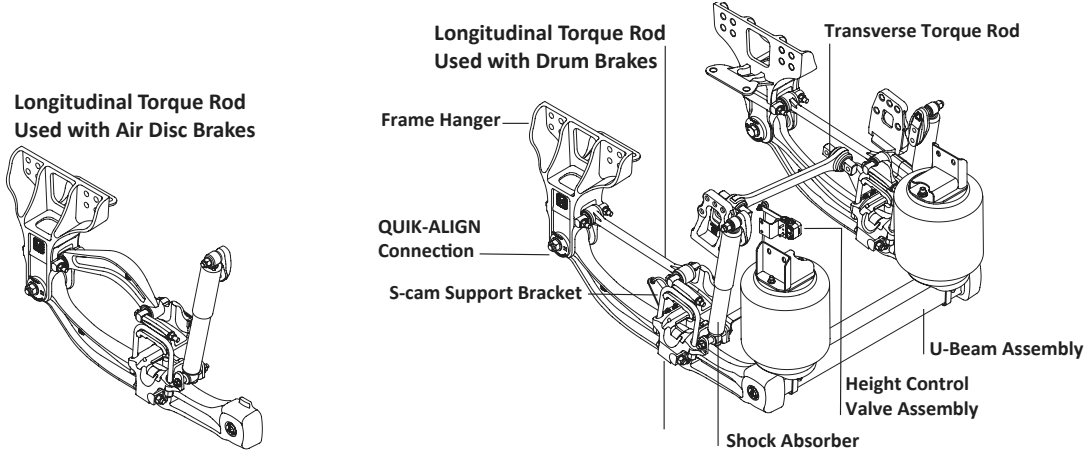
S – Designates Small Clamp Group
T – Designates Tall Ride Height 12-1/2" & Taller



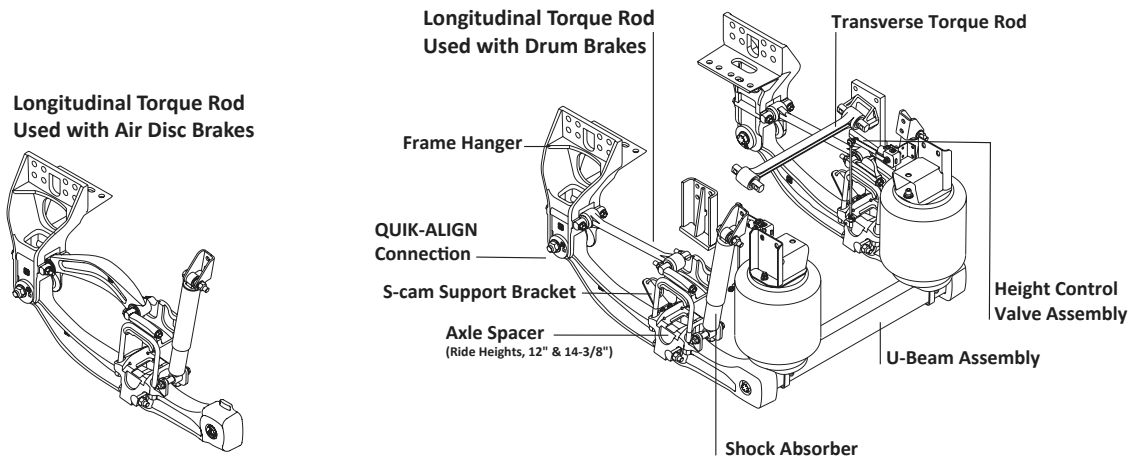
8-1/2", 10" RIDE HEIGHT



12" RIDE HEIGHT



12", 14-3/8", 15-1/2" RIDE HEIGHT



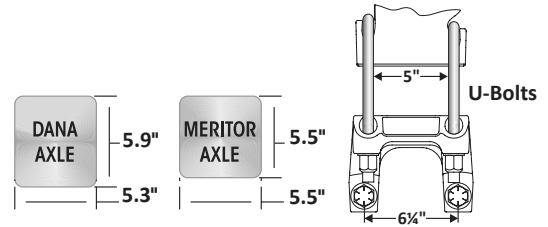
HENDRICKSON

PRIMAAX/FIREMAAX & PRIMAAX EX/FIREMAAX EX Model Identification Guide

PRIMAAX EX — LARGE CLAMP GROUP

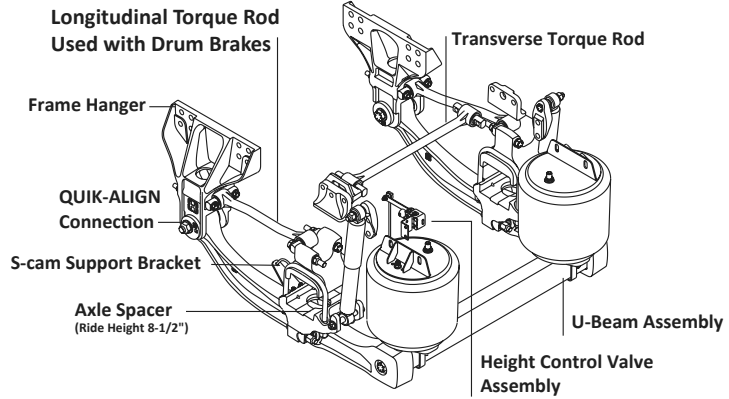
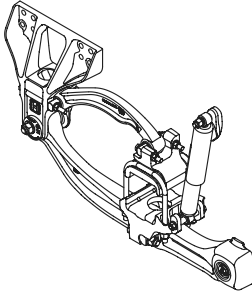
PRIMAAX EX 26K • 52K • 78K | 26KT • 52KT • 78KT
 PRIMAAX 260 • 520 • 780
 FIREMAAX EX 27K • 31K • 54K • 62K | 31KT • 62KT
 FIREMAAX 270 • 540

T – Designates Tall Ride Height 12-1/2" & Taller



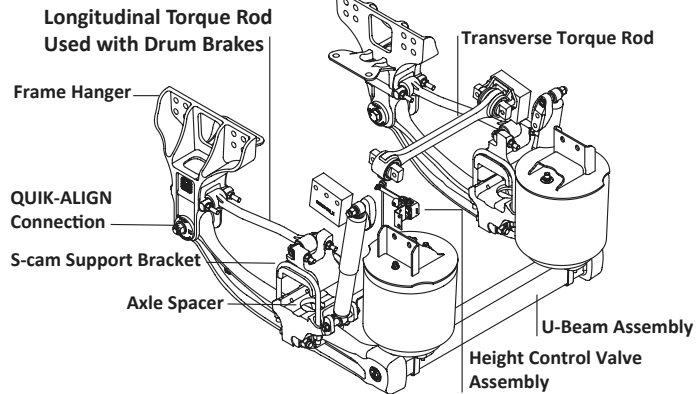
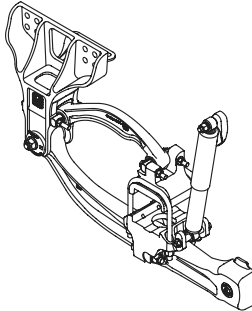
8-1/2", 10" RIDE HEIGHT

Longitudinal Torque Rod
Used with Air Disc Brakes



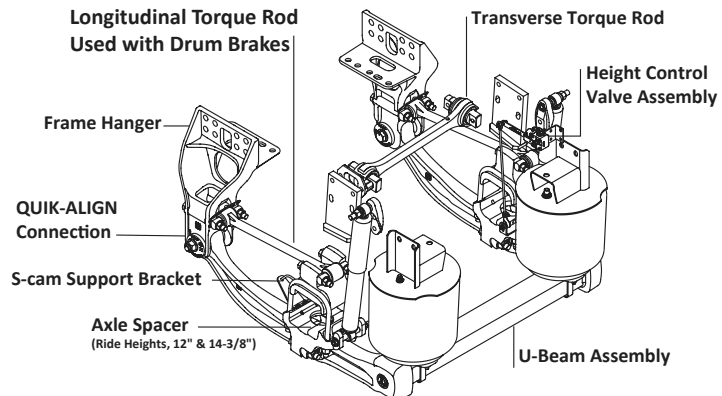
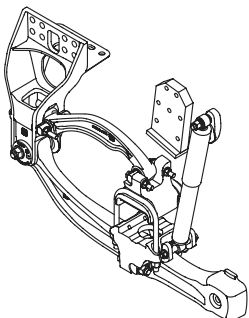
12" RIDE HEIGHT

Longitudinal Torque Rod
Used with Air Disc Brakes



12", 14-3/8", 15-1/2" RIDE HEIGHT

Longitudinal Torque Rod
Used with Air Disc Brakes



HENDRICKSON SUSPENSION

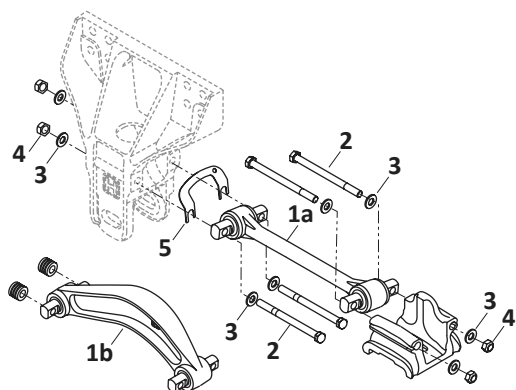
PRIMAAX/FIREMAAX & PRIMAAX EX/FIREMAAX EX Longitudinal Torque Rod Selection Guide

SMALL CLAMP GROUP — LONGITUDINAL TORQUE RODS

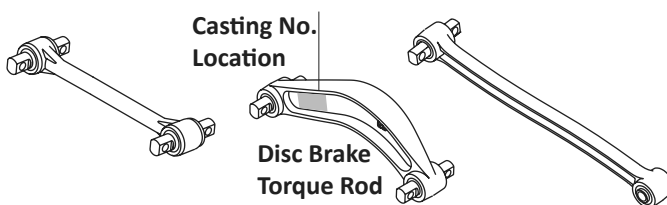
PRIMAAX EX 23K • 46K • 69K | 23KT • 46KT • 69KT | 26KS • 52KS • 78KS | 26KST • 52KST • 78KST
 FIREMAAX EX 24K • 48K • 27KS • 54KS
 (Vehicles Built After May 2010)

HENDRICKSON

KEY NO.	EUCLID NO.	OEM REF.	DESCRIPTION	QTY.
1a	S.O.S.	67428-XXX	Longitudinal Torque Rod Assembly, Used with Drum Brakes, See Chart Below	4
1b		67219-XXX	Longitudinal Torque Rod Assembly, Used with Air Disc Brakes, See Chart Below	4
	S.O.S.	49176-032	Longitudinal Torque Rod Bolt Service Kit, One Torque Rod, Includes Key Nos. 2-4	4
2	-		5/8"-11 UNC-2B x 8" Bolt	16
3	E-2547		5/8" Flat Washer	32
4	E-2988		5/8"-11 UNC-2A Locknut	16
5	E-5281	49689-000L	Shim	As Req.



SMALL CLAMP GROUP — LONGITUDINAL TORQUE ROD ASSEMBLY



PINION ANGLE	LONGITUDINAL TORQUE ROD ASSEMBLY (HENDRICKSON PART NO.)	
	DRUM BRAKES	AIR DISC BRAKES
	FRONT AXLE	
1.5° – 2.0°	67428-425	
2.5° – 6.5°	67428-435	67219-435 or 68801-101
	REAR AXLE	
7.0° – 8.0°	67428-450	67219-435 or 68801-101 Plus Pinion Spacer 67045-071
8.5° – 9.5°	67428-460	67219-435 or 68801-101 Plus Pinion Spacer 67045-069
10.0° – 14.5°	67428-475	67219-475 or 68801-201

NOTE: Torque rod bushings are non-serviceable, requires complete torque rod assembly with the installed bushings for replacement.

OEM Specific PRIMAAX EX Parts lists are available online at www.hendrickson-intl.com. Caterpillar (SP-234) • Freightliner / Western Star (SP-230) • International Truck (SP-233) • Mack (SP-231) • Spartan (SP-342) • Volvo (SP-226)

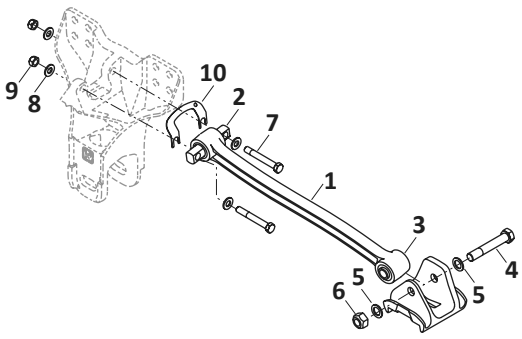
All Hendrickson Part Numbers available through S.O.S.

MeritorPartsXpress.com
700F-HND (07-23)

U.S. 888-725-9355
 Canada 800-387-3889

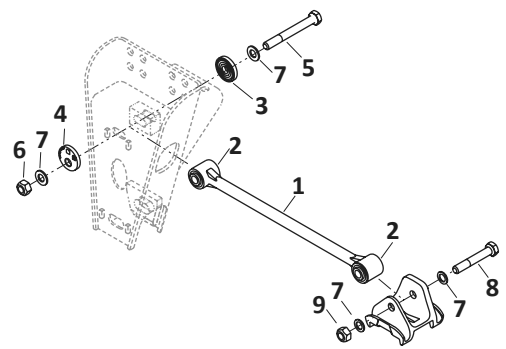
PRIMAAX/FIREMAAX & PRIMAAX EX/FIREMAAX EX Longitudinal Torque Rod Selection Guide SMALL CLAMP GROUP — LONGITUDINAL TORQUE RODS

PRIMAAX 230 • 460 • 690 FIREMAAX 240 • 480
(Vehicles Built Prior to May 2010)



KEY NO.	EUCLID NO.	OEM REF.	DESCRIPTION	QTY.
-	-	-	Longitudinal Torque Rod Assembly, Includes 4, Key Nos. 2-3	-
1	S.O.S.	60827-605A	Left Hand Front, 2.5° through 6.5° Pinion Angle	1
	S.O.S.	60827-605B	Right Hand Front, 2.5° through 6.5° Pinion Angle	1
	S.O.S.	64717-620A	Left Hand Rear, 7° through 9.5° Pinion Angle	1
	S.O.S.	64717-620B	Right Hand Rear, 7° through 9.5° Pinion Angle	1
	S.O.S.	60827-645A	Left Hand Rear, 10° through 14.5° Pinion Angle	1
	S.O.S.	60827-645B	Right Hand Rear, 10° through 14.5° Pinion Angle	1
2	E-10322	69210-000L	Bushing, Straddle Bar Pin, 3/4" Holes	4
3	E-5276	47692-000L	Bushing - Thru Holes	4
-	S.O.S.	49176-008	Longitudinal Torque Rod Fastener Kit, Axle Set, Includes Key Nos. 4-9	2
-	E-5278	58821-012	Longitudinal Torque Rod Fastener Kit, Single, Thru Bolt Connection, Includes Key Nos. 4-6	4
4	E-15182	-	7/8"-14 UNF-2A x 5 1/2" Hex Bolt	4
5	E-2546	-	7/8" Flat Washer	8
6	E-1835	-	7/8"-14 UNF-2B Locknut	4
7	-	-	3/4"-16 UNF-2A x 3 3/4" Hex Bolt	8
8	E-2545	-	3/4" Flat Washer	16
9	E-4961A	-	3/4"-16 UNF-2B Locknut	8
10	E-5281	49689-000L	Shim	As Req.

PRIMAAX 230T • 460T • 690T FIREMAAX 240T • 480T
(Vehicles Built Prior to May 2010)



KEY NO.	EUCLID NO.	OEM REF.	DESCRIPTION	QTY.
1	S.O.S.	60641-640	Longitudinal Torque Rod Assembly, Front, Includes Bushings	4
	S.O.S.	60641-660	Longitudinal Torque Rod Assembly, Rear, Includes Bushings	4
2	E-5276	47692-000L	Torque Rod Bushing - Thru Holes	8
-	E-16262	58821-011	Torque Rod QUIK-ALIGN Collar Bolt Service Kit, One Wheel End, Includes Key Nos. 3-7	4
-	E-5278	58821-012	Single Longitudinal Torque Rod Fastener Kit, Thru Bolt Connection, Includes Key Nos. 7-9	4
3	Included in Kit E-16262	-	Torque Rod QUIK-ALIGN Concentric Collar	4
4	Included in Kit E-16262	-	Torque Rod QUIK-ALIGN Eccentric Collar	4
5	E-17013	-	7/8"-9 UNC x 8" Hex Bolt	4
6	E-2983	-	7/8"-9 Locknut	4
7	E-2546	-	7/8" Flat Washer	16
8	E-15182	-	7/8"-14 UNF x 5 1/2" Hex Bolt	4
9	E-1835	-	7/8"-14 UNF Locknut	4

All Hendrickson Part Numbers available through S.O.S.

HENDRICKSON SUSPENSION

PRIMAAX/FIREMAAX & PRIMAAX EX/FIREMAAX EX Longitudinal Torque Rod Selection Guide

LARGE CLAMP GROUP — LONGITUDINAL TORQUE RODS

HENDRICKSON

PRIMAAX EX 26K • 52K • 78K 26KT • 52KT • 78KT 260 • 520 • 780		FIREMAAX EX 27K • 54K 270 • 540			
Equipped with Drum Brakes					
	KEY NO.	EUCLID NO.	OEM REF.	DESCRIPTION	QTY.
	1	S.O.S.	65302-XXX	ULTRA ROD® Longitudinal Torque Rod Assembly, See Chart Below	4
	2	E-15188	-	¾"-16 UNF x 6" Hex Bolt	8
	3	E-2545	-	¾" Flat Washer	16
	4	E-4961A	-	¾"-16 UNF Locknut	8
	5	-	-	5/8"-11 UNC-2B x 8" Bolt	8
	6	E-2547	-	5/8" Flat Washer	16
	7	E-2988	-	5/8"-11 UNC-2A Locknut	8
8	E-5281	49689-000L	Shim	As Req.	

PRIMAAX EX 26K • 52K • 78K 260 • 520 • 780		FIREMAAX EX 27K • 54K 270 • 540			
Equipped with Air Disc Brakes					
	KEY NO.	EUCLID NO.	OEM REF.	DESCRIPTION	QTY.
	1a	S.O.S.	66359-XXX	Longitudinal Torque Rod Assembly, See Chart Below	4
	1b	S.O.S.	91277-XXX	Longitudinal Torque Rod Assembly, See Next Page	4
	2	E-10322	69210-000L	Bushing - Straddle Bar Pin, ¾" Holes	8
	-	S.O.S.	49176-017	Longitudinal Torque Rod Fastener Kit, Axle Set Includes Key No. 3-6	2
	3	E-15188	-	¾"-16 UNF 6" Hex Bolt	8
	4	-	-	¾"-16 UNF 3¾" Hex Bolt	8
	5	E-2545	-	¾" Flat Washer	32
	6	E-4961A	-	¾"-16 UNF Locknut	16
	7	E-5281	49689-000L	Shim	As Req.
8	-	32043-XXX	5/8" Hex Bolt, 4" or 5" Long	8	
9	E-2547	22962-004	5/8" Flat Washer	16	
10	E-2988	47764-000	5/8" Locknut	8	

LARGE CLAMP GROUP — LONGITUDINAL TORQUE ROD ASSEMBLY					
PINION ANGLE	LONGITUDINAL TORQUE ROD ASSEMBLY (HENDRICKSON PART NO.)		PINION ANGLE	LONGITUDINAL TORQUE ROD ASSEMBLY (HENDRICKSON PART NO.)	
	EQUIPPED WITH DRUM BRAKE			EQUIPPED WITH AIR DISC BRAKE	
1.0° – 2.0°	65302-455A	65302-455B	2.0° – 3.5°	66359-650A	66359-650B
2.5° – 3.0°	65302-470A	65302-470B	4.0° – 5.5°	66359-660A	66359-660B
3.5° – 4.0°	65302-475A	65302-475B	2.0° – 3.5°	66359-670A	66359-670B
9.0° – 9.5°	65302-510A	65302-510B	10.0° – 10.5°	66359-585A	66359-585B
10.0° – 10.5°	65302-515A	65302-515B	11.0° – 11.5°	66359-590A	66359-590B
11.0° – 11.5°	65302-520A	65302-520B	12.0° – 12.5°	66359-595A	66359-595B
			11.0° – 11.5°	66359-600A	66359-600B

NOTE: Torque rod bushings are non-serviceable, requires complete torque rod assembly with the installed bushings for replacement.

All Hendrickson Part Numbers available through S.O.S.

MeritorPartsXpress.com

700F-HND (07-23)

HENDRICKSON SUSPENSION

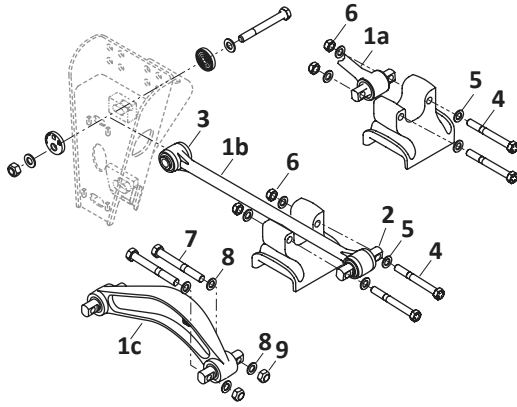
Suspension

PRIMAAX/FIREMAAX & PRIMAAX EX/FIREMAAX EX Longitudinal Torque Rod Selection Guide

LARGE CLAMP GROUP — LONGITUDINAL TORQUE RODS

PRIMAAX EX 26KT • 52KT • 78KT | 260 • 520 • 780 FIREMAAX EX 27KT • 31KT • 54KT • 61KT | 270 • 540
Equipped with Air Disc / Drum Brakes

KEY NO.	EUCLID NO.	OEM REF.	DESCRIPTION	QTY.
1a	S.O.S.	65285-620	Longitudinal Torque Rod Assembly, Rear Tandem Axle, Drum Brakes	4
1b	S.O.S.	65285-685	Longitudinal Torque Rod Assembly, Front Tandem and Single Axle, Drum Brakes	4
1c	S.O.S.	91277-XXX	Longitudinal Torque Rod Assembly, Air Disc Brakes, See Chart Below	4
2	E-10322	69210-000L	Torque Rod Bushing - Straddle	4
3	E-5276	47692-000	Torque Rod Bushing - Thru Hole	4
-	S.O.S.	49176-024	Longitudinal Torque Rod Fastener Kit, Axle Set, Includes Key No. 4-6	
4	E-15188	-	3/4"-16 UNF x 6" Hex Bolt	8
5	E-2545	-	3/4" Flat Washer	16
6	E-4961A	-	3/4"-16 UNF Locknut	8
7	-	32043-XXX	5/8" Hex Bolt, 4" or 5" Long	8
8	E-2547	22962-004	5/8" Flat Washer	16
9	E-2988	47764-000	5/8" Locknut	8



HENDRICKSON

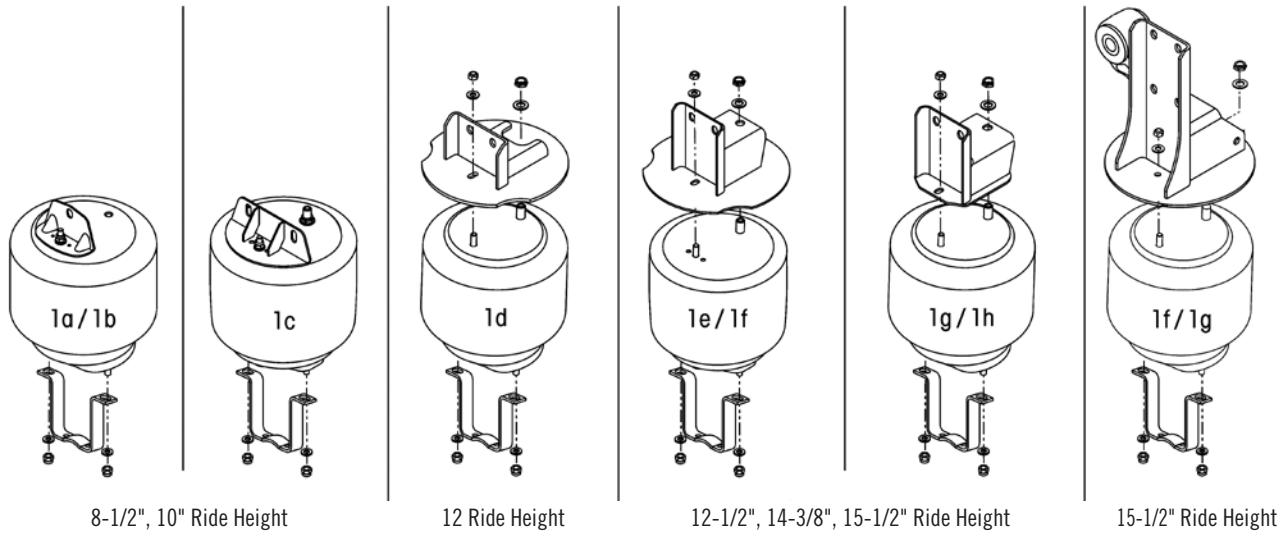
LARGE CLAMP GROUP — DANA / MERITOR AXLE — AIR DISC BRAKES

PINION ANGLE	TORQUE ROD SPACER THICKNESS (mm)*	LONGITUDINAL TORQUE ROD (HENDRICKSON PART NO.)	PINION ANGLE	TORQUE ROD SPACER THICKNESS (mm)*	LONGITUDINAL TORQUE ROD (HENDRICKSON PART NO.)
FRONT AXLE			REAR AXLE		
0.0°	1.52	91277-001A Left Hand	7.0°	19.05	91277-003A Left Hand
0.5°	4.56		7.5°	23.61	91277-003B Right Hand
1.0°	7.87		8.0°	26.92	
1.5°	10.91		91277-001B Right Hand	8.5°	15.74
2.0°	14.22	9.0°		19.05	
2.5°	17.26	9.5°		23.61	
3.0°	20.57	10.0°		26.92	
3.5°	23.61	91277-002A Left Hand	10.5°	26.92	
4.0°	1.52		11.0°	26.92	
4.5°	4.56		11.5°	26.92	
5.0°	7.9		12.0°	26.92	
5.5°	10.91	91277-002B Right Hand	12.5°	25.4	
6.0°	15.74		13.0°	25.4	
6.5°	18.78		13.5°	28.44	

*Use E-5281 and Hendrickson 67045-069, 67045-070, 67045-071, 67045-072 Shims to Make Proper Thickness

All Hendrickson Part Numbers available through S.O.S.

Air Spring Assembly



PRIMAAX EX 26K, 52K, 78K
PRIMAAX EX 26KT, 52KT, 78KT
PRIMAAX 260, 520, 780

FIREMAAX EX 27K, 31K, 54K, 62K
FIREMAAX EX 27KT, 31KT, 54KT, 62KT
FIREMAAX 270, 540

KEY NO.	EUCLID PART NUMBER	HENDRICKSON PART NUMBER	DESCRIPTION
AIR SPRING ASSEMBLY WITH UPPER BRACKET			
1a	FS9865	67043-002L	23K, 46K, 69K, Includes Key Nos. 3-4
1b	FS9663	60271-002L	230, 460, 690, Includes Key Nos. 3-4
	EAS9663	60271-002L	230, 460, 690, Includes Key Nos. 3-4
1c	S.O.S.	67247-002L	26K S, 52K S, 78K S 26K, 52K, 78K, Includes Key Nos. 3-6
	S.O.S.	66255-002L	260, 520, 780, Includes Key Nos. 3-6
1d	S.O.S.	91473-002L	23K, 46K, 69K 26K S, 52K S, 78K S, Includes Key Nos. 1f, 3-6, 7a
	S.O.S.	93745-002	23K, 46K, 69K, 12" Ride Height, Includes Key Nos. 1f, 3-6, 7a
	S.O.S.	91619-002	26K, 52K, 78K, 12" Ride Height, Includes Key Nos. 1g, 3-6, 7a
	S.O.S.	94323-002	23KT, 46KT, 69KT, 14½" Ride Height, Includes Key Nos. 1f, 3-6, 7d
1e	S.O.S.	78761-001L	26K ST, 52K ST, 78K ST
AIR SPRING ONLY			
1f	FS9866	67391-002L	23KT, 46KT, 69KT
1g	S.O.S.	67044-002L	23KT, 46KT, 69KT 26K ST, 52K ST, 78K ST 26K, 52K, 78K
1h	FS9654	65032-002L	230 T, 460 T, 690 T
-	E-17651	67392-002	Most FIREMAAX 27K/31K/54K/62K Models


HENDRICKSON

PRIMAAX & PRIMAAX EX Suspension Parts


HENDRICKSON

QUIK-ALIGN™ Pivot Bushing Kit

FOR MODELS:
PRIMAAX
PRIMAAX EX



Cast Hangers, Axle Set. for Wheel End Set use E-16350.

EUCLID NO.	GENUINE	OEM REF.	NOTES
E-14025		60632-020	Includes Bushings, Alignment Collars, Bolts, Nuts, Washers

QUIK-ALIGN™ Collar Kit

FOR MODELS:
PRIMAAX
PRIMAAX EX
with Cast Hangers



For Cast Hangers, Wheel End Set

EUCLID NO.	GENUINE	OEM REF.	NOTES
E-14673A		60632-019, 60632-006	Includes Alignment Collars, Bolt, Nut, Washers

QUIK-ALIGN™ Pivot Bushing Kit

FOR MODEL:
PRIMAAX



Axle Set. For use with hangers with one Torque Arm Mounting Bolt

EUCLID NO.	GENUINE	OEM REF.	NOTES
E-14033		60632-022; 60632-099	Includes Bushings, Alignment Collars, Bolts, Nuts, Washers

Torque Rod Fastener & Alignment Kit, One Wheel End

FOR MODEL:
PRIMAAX EX



EUCLID NO.	GENUINE	OEM REF.	NOTES
E-16262		58821-011	Includes Alignment Collars, Bolt, Nut, Washers

QUIK-ALIGN™ Pivot Bushing Kit — Severe Service

FOR MODELS:
PRIMAAX
PRIMAAX EX




Axle Set.






EUCLID NO.	GENUINE	OEM REF.	NOTES
E-17574		60632-043	Includes Bushings, Alignment Collars, Bolts, Nuts, Washers, Confinement Washers

D-Pin Bushing and Fastener Kit

FOR MODELS:
PRIMAAX
PRIMAAX EX



Wheel End Set

EUCLID NO.	GENUINE	OEM REF.	BUSHING	NOTES
E-17596		34013-117	E-14026	3/4"-16 x 4-3/4" Long Bolts
E-17597		34013-478	E-17569	7/8"-14 x 4-1/2" Long Bolts
E-17598		34013-477	E-17569	7/8"-14 x 4-3/4" Long Bolts
E-17599		34013-114	E-17569	7/8"-14 x 5" Long Bolts
E-17600		34013-479	E-17569	7/8"-14 x 5-1/2" Long Bolts

Pivot Bushing

FOR MODELS:
PRIMAAX
PRIMAAX EX



EUCLID NO.	GENUINE	OEM REF.	ID	LENGTH
E-13992		58648-000	1-1/4"	3-5/8"


HENDRICKSON SUSPENSION



PRIMAAX & PRIMAAX EX Suspension Parts

HENDRICKSON

D-Pin Bushing

FOR MODELS:
PRIMAAX
PRIMAAX EX



EUCLID NO.	GENUINE	OEM REF.	OD	BOLT HOLE DIA.	C-T-C LENGTH
E-14026		60383-000	2-1/2"	3/4"	5-1/2"
E-17569		65381-000	2-1/2"	7/8"	5-1/2"

Top Pad


FOR MODEL:
PRIMAAX




EUCLID NO.	GENUINE	OEM REF.	NOTES
E-15180		65289-000	Models with 4-1/4" Spacing Between U-Bolts

Torque Rod

FOR MODELS:
PRIMAAX
PRIMAAX EX





Includes 2, E-13961 Bushings

EUCLID NO.	GENUINE	OEM REF.	C-T-C LENGTH
E-13993		58757-006	22"


Top Pad

FOR MODEL:
PRIMAAX



EUCLID NO.	GENUINE	OEM REF.	NOTES
E-15489		060877-001	Models with Thru Bolt Design & Drum Brakes

Bolt Kit




EUCLID NO.	OEM REF.	APPLICATION	NOTES
E-17570	49176-032	PRIMAAX EX	Includes 4-5/8"-11 x 8" Long Bolts, 4 Nuts and 8 Washers
E-16351	21867-036	PRIMAAX. PRIMAAX EX	Includes 1-3/4"-16 x 5" Long Bolt, Nut, 2 Washers
E-16123	-	PRIMAAX. PRIMAAX EX	Includes 1-3/4"-16 x 5-1/2" Long Bolt, Nut, 2 Washers
E-17572	-	PRIMAAX EX	Includes 3/4"-16 X 6" Long Bolts, 2 Nuts and 4 Washers
E-5278	-	PRIMAAX	Includes 1-7/8"-14 x 5-1/2" Long Bolt, Nut, 2 Washers
E-17573	-	PRIMAAX EX	Includes 2-7/8"-14 X 5-1/2" Long Bolts, 2 Nuts and 4 Washers

Top Pad

FOR MODELS:
PRIMAAX



EUCLID NO.	GENUINE	OEM REF.	NOTES
E-15193		65641-000	Models with Thru Bolt Design & Disc Brakes

Top Pad

FOR MODELS:
PRIMAAX
PRIMAAX EX



EUCLID NO.	GENUINE	OEM REF.	NOTES
E-15181		65290-001	Most International Models with Thru Bolt Design

 Denotes Product is Genuine Hendrickson



HENDRICKSON SUSPENSION


PRIMAAX & PRIMAAX EX Suspension Parts

Suspension

HENDRICKSON



Frame Mounted Axle Stop		
FOR MODELS: PRIMAAX PRIMAAX EX, Most Models		
		
EUCLID NO.	GENUINE	OEM REF.
E-15179		60593-000



Height Control Valve			
FOR MODELS: PRIMAAX PRIMAAX EX			
			
with Dump			
EUCLID NO.	GENUINE	OEM REF.	NOTES
E-11870		57977-000	Includes Bracket and Mounting Hardware

Hanger Cast — Standard			
FOR MODEL: PRIMAAX			
			
EUCLID NO.	GENUINE	OEM REF.	NOTES
E-15169SC		60821-001	Standard Hanger for Most 8-1/2"-10" Ride Heights

Universal Linkage Assembly		
FOR MODELS: PRIMAAX PRIMAAX EX		
		
EUCLID NO.	OEM REF.	NOTES
E-9625	-	Adjustable From 3-5/8"-19-5/8"

Shock Absorber Bracket			
FOR MODELS: PRIMAAX PRIMAAX EX			
			
1-3/4" Diameter Hole and 2-5/8" Diameter Holes			
EUCLID NO.	GENUINE	OEM REF.	NOTES
E-15177		67463-002	Cast Construction

Height Control Valve Linkage Bracket		
FOR MODELS: PRIMAAX PRIMAAX EX		
		
EUCLID NO.	GENUINE	OEM REF.
E-15154		60921-000

Lower Air Spring Bracket		
FOR MODEL: PRIMAAX		
		
EUCLID NO.	GENUINE	OEM REF.
E-15174		60911-000

 Denotes Product is Genuine Hendrickson

Pivot & Beam Bushing Kits

Tri-Functional Bushing Kit — Wide Bushing

FOR MODELS:
HT and INTRAAX



EUCLID NO.	GENUINE	OEM REF.	NOTES
E-6121		S-26321	Includes: 2 Bushing, 2 Bolt, 2 Nut, 4 Washers, 4 Wear Pads, 2 Tube Lubricant — Axle Set

Tri-Functional Bushing Kit — Y Beam

FOR MODEL:
HT



EUCLID NO.	GENUINE	OEM REF.	NOTES
E-16358		S-13136	Includes: 1 Bushing, 1 Bolt, 1 Nut, 2 Wear Pads, 2 Alignment Collars, 1 Bolt Liner

Tri-Functional Bushing Kit- Wide Bushing

FOR MODELS:
HT and INTRAAX



EUCLID NO.	GENUINE	OEM REF.	NOTES
E-10729A		S-24691	Includes: 1 Bushing, 1 Bolt, 1 Nut, 2, Washers, 2 Wear Pads, 1 Tube Lubricant

Pivot Bushing and Bolt Kit

FOR MODELS:
HLU, PST, PT



Kit will Rebush 4 Beams (1 Axle)

EUCLID NO.	GENUINE	OEM REF.	NOTES
E-16342		R-009560	Includes: Bushings, Sleeves, Wear Pads, Bolts, Nuts, Washers.

Tri-Functional Bushing Kit — Narrow Bushing

FOR MODEL:
INTRAAX



EUCLID NO.	GENUINE	OEM REF.	NOTES
E-14377		S-26321	Includes: 2 Bushing, 2 Bolt, 2 Nut, 4 Washers, 4 Wear Pads, 2 Tube Lubricant — Axle Set

Pivot Bushing and Bolt Kit

FOR MODEL:
SC20K Adj.



Kit will Rebush 4 Beams (1 Axle) -1/2 Kit Shown

EUCLID NO.	GENUINE	OEM REF.	NOTES
E-16346		R-008839-3	Includes: Bushings, Bolts, Nuts, Washers

Tri-Functional Bushing Kit

FOR MODELS:
HLM-1 and LK



1 Eccentric and 1 Concentric Alignment Collar

EUCLID NO.	GENUINE	OEM REF.	NOTES
E-16423		R-004588	Includes: 1 Bushing, 2 Alignment Collar, 1 Bolt, 2 Washers, 1 Nut, 2 Wear Pads

Pivot Bushing and Bolt Kit

FOR MODELS:
SC, SCB, SCW



Kit will Rebush 4 Beams (1 Axle) -1/2 Kit Shown

EUCLID NO.	GENUINE	OEM REF.	NOTES
E-16343		R-008839	Includes: Bushings, Spacer Sleeves, Bolts, Nuts, Washers

Denotes Product is Genuine Hendrickson

Pivot & Beam Bushing and Components

Bushing, QUIK-ALIGN™, Y-Beam

FOR MODEL:
HT Y Beam





Center Sleeve
Extends Beyond
Outer Shell

EUCLID NO.	GENUINE	OEM REF.	ID	OD
E-16360		S-30862	-	-

Pivot Bushing

FOR MODEL:
MTL



EUCLID NO.	GENUINE	OEM REF.	ID	OD	LENGTH
E-6126		S-2841	1-1/4"	3-3/8"	10-1/2"

Bushing, Welded Align, Y-Beam


FOR MODELS:
HT, Y Beam









Recessed Center
Sleeve

EUCLID NO.	GENUINE	OEM REF.	ID	OD
E-16359		S-7343	-	-

Bolt Kit





Optional

EUCLID NO.	GENUINE	OEM REF.	FOR MODEL	NOTES
E-16341		R-005009	FBC, SC, ST, UC	Includes: 1 Bolt, 3/4"-10 X 5" Long, 2 Washers, 1 Nut. Included in E-16343 Pivot Bushing Kit
E-16345		R-A-14488	Aux Axles	Includes: 8 Bolts, 8 Nuts, 16 Washers. Included in E-16342 Pivot Bushing Kit
E-6130		S-3141	MTL	Includes: 1 Bolt 1-1/8"-7 X 8-1/2" Long, 1 Sleeve, 1 Nut
E-3768		S3646	HT	Includes: 1 Bolt, 1 Nut, 1 Sleeve
E-6129		S-3142	MTL	Includes: 1 Bolt 1-1/8"-7 X 13-1/2" Long, 1 Sleeve, 1 Nut
E-16361		S-7345	HT	Includes: 1 Bolt, 1 Sleeve, 1 Nut Bolt 1-1/8"-7 X 12-1/2" long

Beam Bushing

FOR MODEL:
MTL



EUCLID NO.	GENUINE	OEM REF.	ID	OD	LENGTH
E-6127		S-2841-1	1-1/4"	3-3/8"	5-1/4"

Beam Bushing

FOR MODEL:
MTL



EUCLID NO.	GENUINE	OEM REF.	ID	OD	LENGTH
E-6128		S-2159-1	2-1/2"	3-7/8"	5-1/4"

 Denotes Product is Genuine Hendrickson

Pivot & Beam Bushing and Components

Pivot Bolt Kit — QUIK-ALIGN™™

FOR MODELS:
HT, Y Beam



Bolt Length 12-1/2"

EUCLID NO.	GENUINE	OEM REF.	NOTES
E-16362		S-25948	Includes 1 Bolt, 2 Washers, 1 Nut

Pivot Bolt Kit — QUIK-ALIGN™™

FOR MODELS:
HT and INTRAAX



Includes: 1 Bolt, 1 Nut, 2 Washers

EUCLID NO.	GENUINE	OEM REF.	LENGTH
E-10730A		S-24679	10-1/2"
E-14635		S-24705	7"

Pivot Bolt Kit — QUIK-ALIGN™™

FOR MODELS:
HLM-1 and LK



1 Eccentric and 1 Concentric Alignment Collar.

EUCLID NO.	GENUINE	OEM REF.	NOTES
E-16422		A21116	1 Bolt, 2 Alignment Collars, 1 Nut, 2 Washers. Bolt Length 10"

Alignment Collar — Concentric

FOR MODELS:
MTL, HT



Weld Alignment

EUCLID NO.	GENUINE	OEM REF.	ID	OD	HEIGHT
E-6131		-		4"	-
E-3771		S2770	1-1/8"	4-1/2"	5/8"
E-16363		S-7349		4-1/2"	2"

Alignment Collar — Concentric

FOR MODEL:
INTRAAX



EUCLID NO.	GENUINE	OEM REF.	NOTES
E-10755		S-20924	Inboard Mounted

Alignment Collar — Eccentric

FOR MODEL:
INTRAAX



EUCLID NO.	GENUINE	OEM REF.	NOTES
E-10754		S-20925	Outboard Mounted

Denotes Product is Genuine Hendrickson

HENDRICKSON

HENDRICKSON TRAILER & AUX. SUSPENSION Suspension

Pivot & Beam Bushing and Components

HENDRICKSON

Wear Pad

FOR MODELS:
HLU, PST, UCL

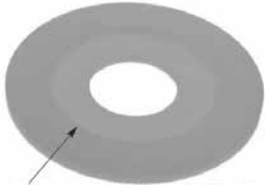


Thickness: 3/16"

EUCLID NO.	GENUINE	OEM REF.	OD	ID
E-16344		R-B-14495	4-1/4"	2-3/16"


Wear Pad

FOR MODELS:
HT, INTRAAX




Thickness 11/32"


Install Recessed Side Toward Bushing

EUCLID NO.	GENUINE	OEM REF.	ID	OD
E-6122		S-21099	2-3/8"	7-1/4"


Wear Pad

FOR MODEL:
INTRAAX




EUCLID NO.	GENUINE	OEM REF.	ID	OD
E-14782		S-26807	2-15/16"	7"

Bushing Installation Tool — Wide Bushing

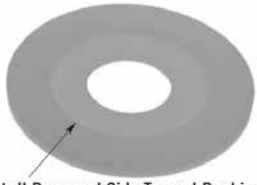


Bushings Not Included

EUCLID NO.	GENUINE	OEM REF.	NOTES
E-9575		S-21307	For Installation of Wide Tri-Functional Bushings.


Wear Pad

FOR MODELS:
HLM-1 and LK




Thickness 3/16"


Install Recessed Side Toward Bushing

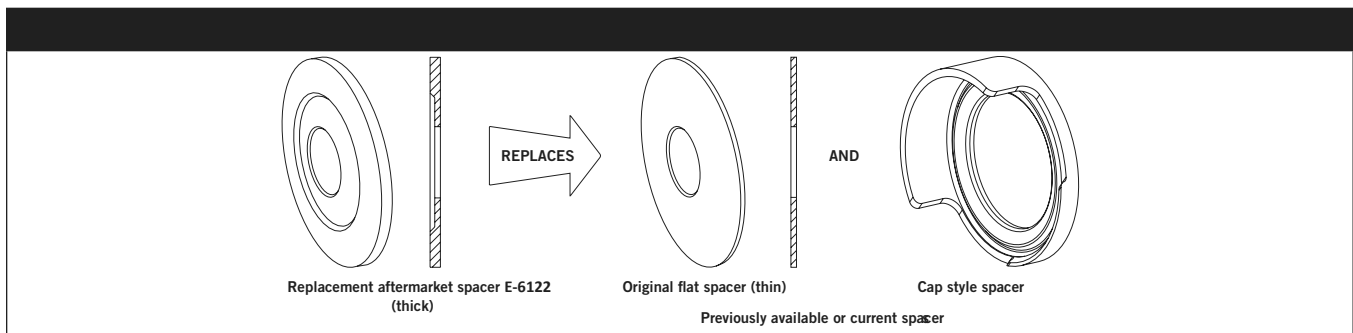
EUCLID NO.	GENUINE	OEM REF.	ID	OD
E-16424		B11613	2-3/8"	7-1/4"

Bushing Installation Tool — Narrow Bushing



Bushings Not Included

EUCLID NO.	GENUINE	OEM REF.	DESCRIPTION
E-14634		S-24736	For Installation of Narrow Bushing; AANL & AANLS Models



Many INTRAAX and HT Suspensions with wide bushings and 23-30K ratings for certain severe applications are manufactured with the cap style spacer shown above. This is ONLY used on new production and is NOT available as an aftermarket service part. Hendrickson recommends the use of E-6122 for this application as well as for the replacement of early revision wear pads that were thinner and did not include the machined recess.

 Denotes Product is Genuine Hendrickson

Torque Arms & Components

Torque Rod Bushing Assembly

FOR MODELS:
HLQ, Q



EUCLID NO.	OEM REF.	NOTES
E-1981	-	Includes: 1 E-1980 Bushing, 1 E-901 Bolt, 1 E-2893 Locknut

Bushing

FOR MODEL:
HLQ



EUCLID NO.	OEM REF.	ID	OD	LENGTH
E-1980	S-1712	7/8"	1 29/32"	3"

Rigid Torque Arm

FOR MODELS:
HLQ, Q



EUCLID NO.	GENUINE	OEM REF.	BUSHING NO.	BUSHING ASSY. NO.	LENGTH C-T-C
E-3773		S-1031	E-1980	E-1981	15-1/2"
E-3774A-2		S-1031-1	E-1980	E-1981	19"

Adjustable Torque Arm

FOR MODELS:
HLQ, Q



Includes Bushings

EUCLID NO.	OEM REF.	BUSHING NO.	BUSHING ASSY. NO.	LENGTH C-T-C
E-2512	S-1032-2	E-1980	E-1981	14-3/4" – 18"
E-2513	S-1032-1	E-1980	E-1981	18-1/2" – 21-3/8"

Slider Block Assembly


FOR MODEL:
HLQ




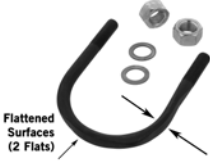
EUCLID NO.	GENUINE	OEM REF.	BLOCK LENGTH	NOTES
E-3777		S-1367	2-5/8"	Includes Slider Block, Bolt, Nut, for Model HLQ-SR
E-3779		S-1156	2-7/8"	Includes Slider Block, Bolt, Nut, for Model HLQ-AH, HLQ-LF

Denotes Product is Genuine Hendrickson

Axle Attaching

U-Bolt Assembly		
FOR MODELS: HT, HLM		
		
EUCLID NO.	OEM REF.	NOTES
E-UB8168-082	S20032	Rd. Bend, 7/8"-14 Thd. x 6" Wide x 8-1/4" Long; Use with Spacer E-6124
E-UB8165-10	S-3650/4	Rd. Bend Flattened Top, 7/8 "-14 Thd. 5" Wide x 10 in. Long

U-Bolt Assembly		
Does Not Require Spacer E-6124		
		
EUCLID NO.	OEM REF.	NOTES
E-UB8466-073H	S-21140	Rd. Bend, 7/8"-14 Thd. x 6" Wide x 7-3/8" Long, Used on HT
E-UB8466-082H	R-6362	Rd. Bend, 7/8"-14 Thd. x 6" Wide x 8-1/4" Long, Used on HLM, LK

U-Bolt Assembly		
FOR MODEL: HT250US		
		
EUCLID NO.	OEM REF.	NOTES
E-UB8168-082H	S-22894	Rd. Bend, 7/8"-14 Thd. x 6" Wide x 8-1/4" Long, Use with Spacer E-6124



Axle Spacer			
			
EUCLID NO.	GENUINE	OEM REF.	NOTES
E-6124		S-20701	Use with Standard Round Bend U-Bolts

 Denotes Product is Genuine Hendrickson

Suspension **HENDRICKSON TRAILER & AUX. SUSPENSION**
Beams and Hangers

HENDRICKSON

Beam Assembly			
FOR MODEL: HLU			
			
EUCLID NO.	GENUINE	OEM REF.	NOTES
E-16337		R-D-14784-1	Roadside

Hanger Side Rail			
FOR MODELS: HLU, PT			
			
EUCLID NO.	GENUINE	OEM REF.	NOTES
E-16348		R-D-14786-1	Roadside

Beam Assembly			
FOR MODEL: HLU			
			
EUCLID NO.	GENUINE	OEM REF.	NOTES
E-16338		R-D-14784-2	Curbside

Hanger Side Rail			
FOR MODELS: HLU, PT			
			
EUCLID NO.	GENUINE	OEM REF.	NOTES
E-16349		R-D-14786-2	Curbside

Beam Assembly			
FOR MODEL: HLUS			
			
EUCLID NO.	GENUINE	OEM REF.	NOTES
E-16339		R-002006-1	Roadside



Beam Assembly			
FOR MODEL: HLUS			
			
EUCLID NO.	GENUINE	OEM REF.	NOTES
E-16340		R-002006-2	Curbside



 Denotes Product is Genuine Hendrickson



Air Spring Components



Air Spring Spacer, Plastic					
FOR MODELS: HT, INTRAAX					
					
E-14340 Shown					
EUCLID NO.	GENUINE	OEM REF.	THICKNESS		
E-14777		B-22510-4	3/4"		
E-14339		B-22510-1	1-1/8"		
E-14340		B-22510-2	1-7/8"		
E-14341		B-22510-3	3-1/8"		

Air Spring Fitting Kit			
FOR MODEL: INTRAAX			
			
EUCLID NO.	GENUINE	OEM REF.	NOTES
E-14342		S-22619/2	Use When No Plastic Spacer Is Used

Air Spring Fitting Kit			
FOR MODEL: INTRAAX			
			
EUCLID NO.	GENUINE	OEM REF.	NOTES
E-16368		S-22635/2	Use with 3/4" Plastic Spacer

Air Spring Bottom Disk					
FOR MODEL: INTRAAX					
					
EUCLID NO.	GENUINE	OEM REF.	ID	OD	THICKNESS
E-16371		S-21786	-	-	-

Air Spring Fitting Kit			
FOR MODEL: INTRAAX			
			
EUCLID NO.	GENUINE	OEM REF.	NOTES
E-14343		S-22630/2	Use with 1-1/8" Plastic Spacer

Air Spring Mounting Plate, Weld On					
FOR MODEL: INTRAAX					
					
EUCLID NO.	GENUINE	OEM REF.	ID	OD	THICKNESS
E-16369		S-23294	-	-	-

Air Spring Fitting Kit			
FOR MODEL: INTRAAX			
			
EUCLID NO.	GENUINE	OEM REF.	NOTES
E-14344		S-22631/2	Use with 1-7/8" Plastic Spacer


 Denotes Product is Genuine Hendrickson


Air Spring Components

HENDRICKSON


Air Spring Fitting Kit


FOR MODEL:
INTRAAX



EUCLID NO.	GENUINE	OEM REF.	NOTES
E-14345		S-22632/2	Use with 3-1/8" Plastic Spacer


Height Control Valve




EUCLID NO.	GENUINE	OEM REF.
E-11855		VS-227


Air Spring Bolt/Mounting Kit


FOR MODEL:
HT



EUCLID NO.	GENUINE	OEM REF.	NOTES
E-14775		S-22908/2	Use with 3/4" Thick Spacer


Linkage Kit




EUCLID NO.	GENUINE	OEM REF.
E-14789		S-14187

Air Spring Bolt/Mounting Kit


FOR MODEL:
HT




EUCLID NO.	GENUINE	OEM REF.	NOTES
E-14776		S-22909/2	Use with 1-7/8" Thick Spacer

Air Spring Bolt/Mounting Kit



FOR MODELS:
HLM, LK,
MT, MTL






EUCLID NO.	GENUINE	OEM REF.	NOTES
E-15092		S-1981/2	-



 Denotes Product is Genuine Hendrickson

Shock Absorber Components



Downstops For Use with ZMD Air Springs		
FOR MODELS: ULTRAA-K UTKNT 40		
		
EUCLID NO.	GENUINE	OEM REF.
E-17593		S-40231-1

Shock Bolt Kit		
FOR MODELS: HT and INTRAAX		
		
EUCLID NO.	OEM REF.	NOTES
E-14778	S-20031/2	3/4"-10 x 3" Long
E-14780	S-2157/2	3/4"-10 x 3-1/2" Long

Downstops For Use with ZMD Air Springs		
FOR MODELS: AAZNT 23K, AAT, HKANT 40K, AANT 23K		
		
EUCLID NO.	GENUINE	OEM REF.
E-17594		S-33669

Shock Bolt Kit				
FOR MODEL: INTRAAX				
				
EUCLID NO.	GENUINE	OEM REF.	BOLT	LENGTH
E-16352		S-24757/2	3/4"-10	7-1/4"
			3/4"-10	3-1/4"

Downstops For Use with ZMD Air Springs		
FOR MODELS: AAZNT 23K, AAT, AANT 23K		
		
EUCLID NO.	GENUINE	OEM REF.
E-17595		S-33669-3

Shock Spacer			
FOR MODEL: INTRAAX			
			
EUCLID NO.	GENUINE	OEM REF.	HOLE DIA
E-16370		S-27196	13/16"

 Denotes Product is Genuine Hendrickson

INTRAAAX Series Suspension Air Spring Selection Guide

Note: Part Numbers Beginning with FS are Genuine Firestone Air Springs
Part Numbers Beginning with EAS are Euclid Air Springs

MODEL	EUCLID NO.	OEM REF.	NOTES AND COMMENTS
AAEDL	S.O.S.	S-24445	9" Ride Height
	S.O.S.	S-24446	12 – 19" Ride Height
AAEDT 30K	S.O.S.	S-25319	All
AAL 23K/25K/30K	FS9626 / EAS9626	S-23720	23K — 6-1/2 – 7-1/2" Ride Height
	FS9621	S-23613	23K — 8 – 9" Ride Height
	FS9619	S-23614	23K — 12 – 19" Ride Height
	FS9644 / EAS9644	S-23721	25K — 6-1/2 – 7-1/2" Ride Height
	FS9646	S-23611	25K — 8 – 9" Ride Height
	FS9645 / EAS9645	S-23612	25K — 12 – 19" Ride Height
	S.O.S.	S-25871	30K — 8 – 9" Ride Height
	S.O.S.	S-25872	30K — 12 – 19" Ride Height
AANL 23K	FS9626 / EAS9626	S-23720	6-1/2 – 7-1/2" Ride Height Standard Pressure
	FS9621	S-23613	8 – 9" Ride Height Standard Pressure
	FS9619	S-23614	12 – 17" Ride Height Standard Pressure
	FS9644 / EAS9644	S-23721	6-1/2 – 7-1/2" Ride Height Low Pressure
	FS9646	S-23611	8 – Ride Height Low Pressure
	FS9645 / EAS9645	S-23612	12 – 17" Ride Height Low Pressure
AANLS 20K	FS9644 / EAS9644	S-23721	All
AANT 23K	FS8614	S-26773	12 – 13" Ride Height
	FS8709 / EAS8709	S-21800	13-1/2 – 19" Ride Height Standard Pressure
	FS8091 / EAS8091	S-20901	13-1/2 – 19" Ride Height Low Pressure
	E-17576	S-35510; S-39400	ZMD, 14 – 17" Ride Heights, Std Travel Only, Use Downstop E-17594 for 14" Ride Ht & 16" Ride Height with Bolt on Frame Brackets. Use E-17595 for 15 – 17" Ride Heights Including 16" Ride Height with Weld on Frame Brackets
AAT	FS8709 / EAS8709	S-21800	23K Models
	E-17576	S-35510; S-39400	23K Models, ZMD, 14-19" Ride Heights, Std Travel Only, Use Downstop E-17594 for 14 & 16" Ride Ht (Raised Center Axle w/ Limited Rebound) & E-17595 for 15 – 17" Ride Heights
	FS8091 / EAS8091	S-20901	25K Models
	E-17579	S-39401	25k Models, ZMD Composite Piston, 14 – 19" Ride Heights, Std Travel Only, Use Downstop E-17594 for 14 & 16" Ride Ht (Raised Center Axle w/ Limited Rebound) & E-17595 for 15 – 17" Ride Heights
	FS8774 / EAS8774	S-25873	30K Models
AAZL 23/46K	FS9626 / EAS9626	S-23720	6-1/2 – 7-1/2" Ride Height Standard Pressure
	FS9621	S-23613	8 – 9" Ride Height Standard Pressure
	FS9619	S-23614	12" Ride Height Standard Pressure
	FS9644 / EAS9644	S-23721	6-1/2 – 7-1/2" Ride Height Low Pressure
	FS9646	S-23611	8 – 9" Ride Height Low Pressure
	FS9645 / EAS9645	S-23612	12" Ride Height Low Pressure
AAZNT 23K	FS8709 / EAS8709	S-21800	13-1/2 – 17" Ride Height Standard Pressure
	FS8091 / EAS8091	S-20901	13-1/2 – 17" Ride Height Low Pressure
	E-17578	S-39400	ZMD, 13-1/2 – 17" Ride Height, Use Downstop E-17594 for 13.5 – 14" Ride Ht & E-17595 for 15 – 17" Ride Heights
HKANT 40K	FS8713 / EAS8713	S-22948	Before Jan 2008
	FS9978 / EAS9978	S-28929	Composite Piston, After Jan 2008
	E-17575	S-33161	ZMD Built Before Jan 2008, Use Downstop E-17594
	E-17492	S-34733	ZMD Built After Jan 2008, Use Downstop E-17594

INTRAAX Series Suspension Air Spring Selection Guide

Note: Part Numbers Beginning with FS are Genuine Firestone Air Springs
 Part Numbers Beginning with EAS are Euclid Air Springs

MODEL	EUCLID NO.	OEM REF.	NOTES AND COMMENTS
HKANT69K23	FS8709 / EAS8709	S-21800	15" Ride Height
	FS8708 / EAS8708	C-21966	16 & 18" Ride Height
HKANT/HKAT 46K /HKA200	FS8709 / EAS8709	S-21800	Less Than 16" Ride Height
	FS8713 / EAS8713	S-22948	16" & Larger Ride Height
HKAT 50K/HKA250	FS8091 / EAS8091	S-20901	14 – 15" Ride Height
	FS8093	S-23748	16 – 19" Ride Height
HKAT 69K25	FS8093	S-23748	All
ULTRAA-K UTKNT 40K	E-17492	S-34733	ZMD Built Before March 2019, Use Downstop Kit E-17593
	E-17577	S-38000	ZMD Built After March 2019
Vantraax HKAL 46K	FS9621	S-23613	9, 10, and 11" Ride Height
Vantraax HKARL 46K Slider	FS9619	S-23614	12" Ride Height
	FS9621	S-23613	All

HENDRICKSON

INTRAAX Series Suspension Shock Absorber Selection Guide

MODEL	EUCLID NO.	OEM REF.	DESCRIPTION	NOTES AND COMMENTS
AAEDL	M85939	S-24579	Standard Duty Shock	Front; 9" Ride Height
	M85738	S-24023	Standard Duty Shock	Front; 12" Ride Height
	S.O.S.	S-23316	Standard Duty Shock	Front; 14 – 19" Ride Height
	M85916	S-25436	Standard Duty Shock	Rear; 9 – 12" Ride Height
	M85337	S-25437	Standard Duty Shock	Rear; 14 – 17" Ride Height
AAEDT 30K	S.O.S.	S-23316	Standard Duty Shock	Front; 14" Ride Height; Extended Service & High Damping
	M85338	S-25515	Standard Duty Shock	Front; 15 & 17" Ride Height; Extd Service & High Damping
	M85916	S-25436	Standard Duty Shock	Rear; 14 & 15" Ride Height; Extended Service
	S.O.S.	S-25512	Standard Duty Shock	Rear; 16 & 17" Ride Height; Extended Service
AAL 23K/25K/30K	M85045	S-23651	Standard Duty Shock	Front Standard; 6-1/2 – 9" Ride Height
	M85000	S-23566	Standard Duty Shock	Front Standard; 12" Ride Height
	M85029	S-2212	Standard Duty Shock	Front Standard; 14 – 19" Ride Height
	S.O.S.	S-20345	Standard Duty Shock	Rear; 6-1/2 – 7-1/2"; Ride Height
	M85939	S-24579	Standard Duty Shock	Rear; 6-1/2 – 9" Ride Height; Extended Service
	M85916	S-25436	Standard Duty Shock	Rear; 9 – 12" Ride Height
	M89430		Premium Adjustable Shock Absorber	
	M85738	S-24023	Standard Duty Shock	Rear; 12" Ride Height; Extended Service
	S.O.S.	S-23316	Standard Duty Shock	Rear; 14 – 19" Ride Height; Extended Service
	M85337	S-25437	Standard Duty Shock	Rear; 14 – 17-1/2" Ride Height
AANL 23K	M85045	S-23651	Standard Duty Shock	6-1/2 – 9" Ride Height; Standard
	M85939	S-24579	Standard Duty Shock	6-1/2 – 9" Ride Height; Extended Service
	M85338	S-25515	Standard Duty Shock	12 – 17" Ride Height; Extended Service
AANLS 20K	M85045	S-23651	Standard Duty Shock	Front Standard; 6-1/4 – 9" Ride Height
	M85000	S-23566	Standard Duty Shock	Front Standard; 12" Ride Height
	M85338	S-25515	Standard Duty Shock	Rear; 6-1/4 – 7" Ride Height
	S.O.S.	S-23316	Standard Duty Shock	Rear; 9" Ride Height
	M85939	S-24579	Standard Duty Shock	6-1/4 – 9" Ride Height; Extended Service & High Damping
	M85738	S-24023	Standard Duty Shock	12" Ride Height; Extended Service & High Damping
AANT 23K	M85938	S-23743	Standard Duty Shock	Front; 12" Ride Height; Extended Service and High Damping
	M85939	S-24579	Standard Duty Shock	Front; 13" Ride Height; Extended Service
	M85045	S-23651	Standard Duty Shock	Front; 13" Ride Height; Standard
	M85911	S-23361	Standard Duty Shock	13-1/2 – 17" Ride Height; Standard / 13-1/2 – 19" Ride Height Limited Rebound
	M85000	S-23566	Standard Duty Shock	13-1/2 – 19" Ride Height; Standard
	M85738	S-24023	Standard Duty Shock	13-1/2" – 19" Ride Height; Extended Service with High Damping
AAT	M85738	S-24023	Standard Duty Shock	All 30K & some 23 & 25K with High Damping
	M85000	S-23566	Standard Duty Shock	Standard Duty all 23 & 25K
	M85911	S-23361	Standard Duty Shock	Limited rebound all 23 & 25K
AAZL 23/46K	M85045	S-23651	Standard Duty Shock	6-1/2 – 9" Ride Height; Standard
	M85000	S-23566	Standard Duty Shock	12" Ride Height; Standard
	M85939	S-24579	Standard Duty Shock	6-1/2 – 9" Ride Height; Extended Service
	M85738	S-24023	Standard Duty Shock	12" Ride Height; Extended Service
AAZNT 23K	M85000	S-23566	Standard Duty Shock	12 – 17" Ride Height; Standard Travel
	M85738	S-24023	Standard Duty Shock	12 – 17" Ride Height
HKANT 40K	M83128	S-24088	Standard Duty Shock	All
HKANT46K	M85000	S-23566	Standard Duty Shock	All

INTRAAX Series Suspension Shock Absorber Selection Guide

MODEL	EUCLID NO.	OEM REF.	DESCRIPTION	NOTES AND COMMENTS
HKANT69K	M85000	S-23566	Standard Duty Shock	All
HKAT 46K /HKA200	M85000	S-23566	Standard Duty Shock	All
HKAT 50K/HKA250	M85738	S-24023	Standard Duty Shock	All
HKAT 69K25	M85738	S-24023	Standard Duty Shock	All
ULTRAA-K UTKNT 40K	See INTRAAX Series Suspension Air Spring Selection Guide	Various	Shock Absorber	ZMD Air Spring/Shock Absorber
Vantraax HKAL 46K	M85000	S-23566	Standard Duty Shock	All
Vantraax HKARL 46K Slider	M85000	S-23566	Standard Duty Shock	with Drum Brakes

HENDRICKSON

HT Series Suspension Air Spring Selection Guide

Note: Part Numbers Beginning with FS are Genuine Firestone Air Springs

Part Numbers Beginning with EAS are Euclid Air Springs

MODEL	EUCLID NO.	OEM REF.	REMARKS	NOTES AND COMMENTS
HT 190U	FS8944 / EAS8944	S-20217		All
HT250YS/YB/U-Y	FS9580 / EAS9580	S-20127	Standard — 10-3/4" Bottom Piston Diameter; 4" Center-to-Center Bottom Stud Spacing	Used on models: HT250U — 6.5Y -005, 006; -9Y-006, 031, 037, 706 HT250YB -6.5-006, 031, 037; -7.5-006, 031, 037-9.0-006, 031, 037 HT250YS-006, 106
	FS9581	S-20414	Rotated Stud — 10-3/4" Bottom Piston Diameter; 5-5/8" Center-to-Center Bottom Stud Spacing	Used on models: HT250U-9Y-010; HT250YB-6.5-010, -7.5-010, -9.0-010; HT250YS-001, 101
	FS9265 / EAS9265	S-20124	Standard High Pressure — 10-3/4" Bottom Piston Diameter; 5-5/8" Center-to-Center Bottom Stud Spacing	Used on models: HT250U-6.5Y, -001, -9Y-001, 021, 027; HT250YB-6.5-001, 021, 027, -7.5-001, .21, 027, -9.0-001, 021, 027 HT250YS-001, 101
HT250T	FS9580 / EAS9580	S-20127	Standard — 10-3/4" Bottom Piston Diameter; 4" Center-to-Center Bottom Stud Spacing	Used on Models: T-17-022; TB15-025
	FS9265 / EAS9265	S-20124	Standard High Pressure — 10-3/4" Bottom Piston Diameter; 5-5/8" Center-to-Center Bottom Stud Spacing	All Except as noted
HT250U	FS9265 / EAS9265	S-20124	Standard High Pressure — 10-3/4" Bottom Piston Diameter; 5-5/8" Center-to-Center Bottom Stud Spacing	All Except as noted below
	FS9580 / EAS9580	S-20127	Standard — 10-3/4" Bottom Piston Diameter; 4" Center-to-Center Bottom Stud Spacing	Used on models: U-9-006; U-9-028; U-9-029; U-12-006; U-14-006; U-14-028; UB12-006; UB12-028; UB14-006; UB14-028
	FS9581	S-20414	Rotated Stud — 10-3/4" Bottom Piston Diameter; 5-5/8" Center-to-Center Bottom Stud Spacing	Used on models: U-9-010; UB9-010
	S.O.S.	S-21413		Used on models: U-6.5-011; U-6.5-023
	FS9299	S-20716		Used on models: U-6.5-002; U-6.5-003; U-6.5-031
	FS9264	S-13122		Used on models: U-9-020; U-9-021; U-9-023; U-9.2-026; U-15-022; UB9-022; UB15-022
	FS9367 / EAS9367	S-14249		Used on models: U-7.5-021; U-7.5-022
HT250US	FS9581	S-20414	Rotated Stud — 10-3/4" Bottom Piston Diameter; 5-5/8" Center-to-Center Bottom Stud Spacing	Rotated Mount, 5-1/2" – 14" Ride Height
	FS9265 / EAS9265	S-20124	Standard High Pressure — 10-3/4" Bottom Piston Diameter; 5-5/8" Center-to-Center Bottom Stud Spacing	Standard Mount — 7-1/2" – 14" Ride Height, High Pressure
	FS9640 / EAS9640	S-20223		Standard Mount — 3-1/2" & 4" Ride Height, High Pressure
	FS9580 / EAS9580	S-20127		Standard Mount, 5-1/2" – 14" Ride Height
	FS9265 / EAS9265	S-20413		Rotated Mount, 7-1/2" – 14" Ride Height, High Pressure
	FS9299	S-20716		6-1/2" High Pressure, Short Bellows
FS9270 / EAS9270	S-20010		Standard Mount — 4" Ride Height	

HT Series Suspension Air Spring Selection Guide

Note: Part Numbers Beginning with FS are Genuine Firestone Air Springs

Part Numbers Beginning with EAS are Euclid Air Springs

MODEL	EUCLID NO.	OEM REF.	REMARKS	NOTES AND COMMENTS
HT300U	FS9122 / EAS9122	S-3830		Used on models: U-7.5-001; U-7.5-501; U-7.5-519; U-9-001; U-9-005; U-9-011; U-9-020; U-9-021; U-9-024; U-9-501; U-9-519; U-9-701; U-12-001; U-12-005; U-12-020; U-12-024; U-14-001; U-14-005; U-14-020; U-14-021; U-14-022; U-14-023; U-14-701; U-17-001; U-17-020; U-17-021
	S.O.S.	S-22173		Used on models: U-9-022; U-12-011; U-12-015; U-14-011; U-14-015; U-15-011; U-17-011; UB9-022
HT300US	S.O.S.	S-25319		All
HT190T/HS190T	FS9640 / EAS9640	S-20223		All
HT230 Top Mount/ HS230	FS9270 / EAS9270	S-20010		All except noted below
	FS8800	S-21208		Used on models: -14-007; -14-011; -14-032; -15-007; -15-011; -15-012; -15-028; -15-032; -16-007; -17-007; -17-011; -17-012; -17-032; -TA14-007; -TA15-007; -TA15-011; -TA15-012; -TA16-007; -TA17-007; -TB14-033; -TB15-028
	FS8614	S-26773		Used on models: TA15-525
HT300T/HS300	FS8050 / EAS8050	S-4771		All Models
HK 190 & 230 Slider	FS8755 / EAS8755	S-22045		All HK190 Models
	FS8710	S-22046		All HK230 Models

HENDRICKSON

HT Series Suspension Shock Absorber Selection Guide

MODELS	EUCLID NO.	OEM REF.	DESCRIPTION	REMARKS	NOTES AND COMMENTS
HK 190 & 230 Slider	M85052	S-21292	Standard Duty Shock		All
HT190U	M83128	S-20001	Standard Duty Shock		Used on Models:U-6-020; U-7-001; U-7-020; U-7-021; U-7-024; U-7.5-001; U-7.5-020; U-7.5-501; U-9-001; U-9-003; U-9-007; U-9-020; U-9-024; U-9-030; U-12-001; U-12-030; U-12-031; UB6-020; UB6-022; UB6-030; UB7-001; UB7-020; UB7.5-001; UB7.5-020; UB9-001; UB9-020; UB12-001; UB12-003
	M89436		Premium Adjustable Shock Absorber		
	M85029	S-2212	Standard Duty Shock		Used on Models: U6.75-001; U6.75-002; U6.75-003; U6.75-020
	M85938	S-23649	Standard Duty Shock		Used on Models: U-9-022; UB7-021
	M85000	S-20002	Standard Duty Shock		Model U-7.5-517
	M89436		Premium Adjustable Shock Absorber		
HT250T	M85029	S-2212	Standard Duty Shock		All
HT190T	M83128	S-20001	Standard Duty Shock		All
HT230 Top Mt	M85000	S-20002	Standard Duty Shock		All Except as Noted Below
	M89436		Premium Adjustable Shock Absorber		
	M85029	S-2212	Standard Duty Shock		Used on Models: -14-020; -14-021; TA14-021; TB14-021
	M85323	S-20126	Standard Duty Shock		Used on Models: -14-017; -15-017; -15-517; -17-017; -17-517; TA14-520; TA15-517; TA17-517
	M89436		Premium Adjustable Shock Absorber		
	M85014	S-2160	Standard Duty Shock		Used on Models: -14-007; -14-011; -14-032; -15-007; -15-011; -15-012; -15-028; -15-032; -16-007; -17-007; -17-011; -17-012; -17-032; -TA14-007; TA15-007; TA15-011; TA15-012; TA16-007;TA17-007; TB14-033; TB15-028
	S.O.S.	S-21699	Shock Absorber		Used on Models: TA15-522; TA15-524; TA15-525; TA17-522
	M85030	S-2218	Standard Duty Shock		Model -16-021
	M89440		Premium Adjustable Shock Absorber		
	M85911	B-23361	Standard Duty Shock		Model TA14-020
HT250U (L938)	M85000	S-20002	Standard Duty Shock		All Except as Noted Below
	M89436		Premium Adjustable Shock Absorber		
	M85029	S-2212	Shock Absorber		Used on Models: U-9-020; U-9-021; U-9-023; U-9.2-026; U-15-022; UB9-022; UB15-022
	M85738	S-21553	Standard Duty Shock	Extended service, high damping	Used on Models: U-6.5-027; U-9-027; U-9-028; U-14-028; UB6.5-522; U-7.5-027; UB7.5-522; UB9-522; UB12-027; UB12-028; UB14-027; UB14-028

HT Series Suspension Shock Absorber Selection Guide

MODELS	EUCLID NO.	OEM REF.	DESCRIPTION	REMARKS	NOTES AND COMMENTS
HT250U (L938)	M85323	S-20126	Standard Duty Shock		Used on Models: U-6.5-517; U-7.5-017; U-7.5-517; U-9-517; U-12-517; U-14-517; UB-6.5-517; UB-7.5-517
	M85014	S-2160	Standard Duty Shock		Used on Models: U-6.5-030; U-6.5-031
	M85000	S-1667	Standard Duty Shock		Used on Models: U-9-020; U-9-021; U-9-023; U-9.2-026; U-15-022; UB9-022; UB15-022
HT250US	M85079	S-23548	Standard Shock Mount	Standard Travel	3-1/2" – 4" Ride Ht
	M85052	S-23650	Standard Shock Mount	Standard Travel	5-1/2" – 6-1/2" Ride Ht
	M85938	S-23649	Standard Shock Mount	Standard Travel	7-1/2" – 14" Ride Ht
	S.O.S.	S-23744	Standard Shock Mount	Standard Travel — High Damping	5-1/2" – 6-1/2" Ride Ht
	M85938	S-23743	Standard Shock Mount	Standard Travel — High Damping	7-1/2" – 14" Ride Ht
	M85938	S-23649	Standard Shock Mount	Limited Jounce	6-1/2" – 12" Ride Ht
	M85938	S-23743	Standard Shock Mount	Limited Jounce — High Damping	6-1/2" – 12" Ride Ht
	M85045	S-23651	Standard Shock Mount	Extended Rebound	6-1/2" Ride Ht
	M85939	S-24579	Standard Shock Mount	Extended Rebound — High Damping	6-1/2" Ride Ht
	M85052	S-23650	Remote Shock Mount	Standard Travel	5-1/2" – 6-1/2" Ride Ht
	M85938	S-23649	Remote Shock Mount	Standard Travel	7-1/2" – 9" Ride Ht
	M85029	S-2212	Remote Shock Mount	Standard Travel	12 – 14" Ride Ht
	S.O.S.	S-23744	Remote Shock Mount	Standard Travel — High Damping	5-1/2" – 6-1/2" Ride Ht
	M85938	S-23743	Remote Shock Mount	Standard Travel — High Damping	7-1/2" – 9" Ride Ht
	M85029	S-2212	Remote Shock Mount	Extended Rebound	6-1/2" – 9" Ride Ht
	S.O.S.	S-23316	Remote Shock Mount	Extended Rebound — High Damping	6-1/2" – 9" Ride Ht
	M85045	S-23651	Angled and Frame Clearance Mounting	Standard Travel	6-1/2", 7-1/2", 14" Ride Ht
M85939	S-24579	Angled and Frame Clearance Mounting	Standard Travel — High Damping	6-1/2", 7-1/2", 14" Ride Ht	
HT250YS/YB/U-Y	M85938	S-23649	Standard Duty Shock		HT250YB-7.5-DB2 & -9-DB2 Remote Shocks
	M85045	S-23651	Standard Duty Shock	Standard on the HT 250YS	All HT250YS
	M85738	S-21553	Standard Duty Shock	Extended service, high damping	Used on Models: HT250U-9Y-027, 037; HT250YB-6.5-027, 037; -7.5-027, 037; -9.0-027, 037
	M85000	S-20002	Standard Duty Shock		Used on Models: HT250U-6.5Y-001, 006; 7.5Y-001, 006; 9.0Y-001, 006, 010, 021, 031, 706; HT250YB-6.5-001, 006, 010, 021, 031; -7.5-001, 006, 010, 021, 031; 9.0-001, 006, 010, 021, 031, 706
	M89436		Premium Adjustable Shock Absorber		

HENDRICKSON

HT Series Suspension Shock Absorber Selection Guide


MODELS	EUCLID NO.	OEM REF.	DESCRIPTION	REMARKS	NOTES AND COMMENTS
HT300T	M85323	S-20126	Standard Duty Shock		All Except as Noted Below
	M89436		Premium Adjustable Shock Absorber		
	M85738	S-21553	Shock Absorber — Extended Service, High Damping	Extended service, high damping	Used on Models: -15-017; -15-518; -17-518; -17-520
	M85323	S-20126	Standard Duty Shock		All Except others as Noted
	M85014	S-2160	Standard Duty Shock		Used on Models: -15-007; -15-011; -15-021; -17-007; -17-011; -17-012; -TB19-007; TB19-020
	M85939	S-24579	Standard Duty Shock		Model TB15-027
	S.O.S.	S-21699	Standard Duty Shock		Model TB15-518
HT300U	M85323	S-20126	Standard Duty Shock		Used on Models: U-7.5-001; U-7.5-501; U-9-001; U-9-005; U-9-020; U-9-021; U-9-022; U-9-024; U-9-501; U-9-701; U-12-001; U-12-005; U-12-020; U-12-024; U-14-001; U-14-005; U-15-020; U-14-021; U-14-022; U-14-023; U-14-701; U-15-011; U-17-001; U-17-020; U-17-021; U-17-024; UB9-022; UB14-022
	S.O.S.	S-21699	Standard Duty Shock		Used on Models: U-7.5-519; U-9-011; U-9-519; U-12-011; U-12-015; U-14-011; U-14-015; U-17-011
HT300US	S.O.S.	S-23744	Standard Shock Mount	Standard Travel	5-1/2" – 6-1/2" Ride Ht
	M85938	S-23743	Standard Shock Mount	Standard Travel & Limited Jounce	7-1/2" – 17" Ride Ht
	S.O.S.	S-23744	Standard Shock Mount	Limited Jounce Travel	6-1/2" Ride Ht
	M85939	S-24579	Standard Shock Mount	Extended Rebound Travel	6-1/2" Ride Ht
	S.O.S.	S-23744	Remote Shock Mount	Standard Travel	5-1/2" – 6-1/2" Ride Ht
	S.O.S.	S-23316	Remote Shock Mount	Standard Travel	14 – 17" Ride Ht
	M85938	S-23743	Remote Shock Mount	Standard Travel & Limited Jounce	7-1/2" – 12" Ride Ht
	S.O.S.	S-23744	Remote Shock Mount	Limited Jounce Travel	6-1/2" Ride Ht
	S.O.S.	S-23316	Remote Shock Mount	Limited Jounce Travel	14 – 17" Ride Ht
Vantraax HS190T/ HS230/HS300T Slider	M83128	S-20001	Shock Absorber		All HS190T
	M85323	S-20126	Standard Duty Shock		All HS300T
	M85000	S-20002	Standard Duty Shock		All HS230
	M89436	S-20001; S-20002; S-20126	Premium Adjustable Shock Absorber		All HS300T & HS230

HENDRICKSON


AIRTEK / SOFTEK for Blue Bird Bus

Thrust Washer

FOR MODEL:
SOFTEK



8.5/10 K Capacity Built Before Nov. 2006

EUCLID NO.	GENUINE	OEM REF.	WIDTH	LENGTH	NOTES
E-16432		64159-000	3-1/2"	8-1/8"	1/4" Thick, 4-7/8" Center-to-Center

Bottom Axle Wrap

FOR MODELS:
AIRTEK & SOFTEK



Vehicles Built Before October 2012

EUCLID NO.	GENUINE	OEM REF.
E-15108		64722-003

Axle Wrap Liner Kit

FOR MODEL:
AIRTEK



Includes E-15147 & E-15110 Liners

EUCLID NO.	GENUINE	OEM REF.
E-15727		60961-015

Axle Stop, Rubber

FOR MODEL:
SOFTEK



EUCLID NO.	GENUINE	OEM REF.
E-15148		64080-000

Top Axle Wrap Liner

FOR MODEL:
AIRTEK & SOFTEK




Elongated Slot

Vehicles Built Before October 2012

EUCLID NO.	GENUINE	OEM REF.
E-15147		60508-000

U-Bolt Assembly

FOR MODEL:
SOFTEK



Round Bend, Includes Nuts, Washers

EUCLID NO.	OEM REF.	WIDTH	LENGTH	THREAD
E-UB8154-10	-	4"	10"	3/4"-16
E-UB8154-12	-	4"	12"	3/4"-16

Bottom Axle Wrap

FOR MODELS:
AIRTEK & SOFTEK





Vehicles Built Before October 2012

EUCLID NO.	GENUINE	OEM REF.
E-15110		59845-000

Height Control Valve

FOR MODEL:
AIRTEK



EUCLID NO.	GENUINE	OEM REF.	NOTES
E-16407		60501-000 60501-001	13.2/14.6K Capacity, with Integrated Dump Feature

 Denotes Product is Genuine Hendrickson


HENDRICKSON SUSPENSION


AIRTEK / SOFTEK for Blue Bird Bus

HENDRICKSON

Height Control Valve

FOR MODELS:
HENDRICKSON



EUCLID NO.	GENUINE	OEM REF.	NOTES
E-17588		59935-004	10K Capacity

Shock Bracket

FOR MODELS:
AIRTEK & SOFTEK




1-3/4" Dia. Hole, 2-5/8" Dia. Holes


EUCLID NO.	GENUINE	OEM REF.	NOTES
E-15177		67463-002	13.2/14.6K Capacity

Height Control Valve Linkage Kit

FOR MODEL:
AIRTEK



10K Capacity — 13-1/8" C-T-C

EUCLID NO.	GENUINE	OEM REF.
E-15133		59428-001

Air Spring Bracket


FOR MODEL:
AIRTEK





EUCLID NO.	GENUINE	OEM REF.	NOTES
E-16425		60850-001	-

Shock Spacer

FOR MODELS:
AIRTEK & SOFTEK



EUCLID NO.	GENUINE	OEM REF.	ID	THICKNESS	NOTES 10K CAPACITY
E-16419		59946-001	3/4"	-	Built Before Oct. 2012
E-17585		22962-046	3/4"	.118"	Built After Oct. 2012

 Denotes Product is Genuine Hendrickson

HENDRICKSON SUSPENSION


Suspension

COMFORT AIR for Blue Bird Bus


HENDRICKSON

Pivot Bushing Kit, QUIK-ALIGN™

FOR MODEL:
COMFORT AIR



Includes Pivot Bushing, Bolt, Nut, Washers

EUCLID NO.	GENUINE	OEM REF.	NOTES
E-16465		34013-103	Wheel End

Eccentric Collar, QUIK-ALIGN™

FOR MODEL:
COMFORT AIR



EUCLID NO.	GENUINE	OEM REF.
E-15162		64632-000

Pivot Bushing, QUIK-ALIGN™

FOR MODEL:
COMFORT AIR



EUCLID NO.	GENUINE	OEM REF.	ID	OD	LENGTH
E-13992		58648-000	1-1/4"	3-3/4"	3-5/8"

Top Pad


FOR MODEL:
COMFORT AIR




EUCLID NO.	GENUINE	OEM REF.	NOTES
E-9397		56805-000	21K, 23K Capacity

Collar Kit, QUIK-ALIGN™

FOR MODEL:
COMFORT AIR



Includes Alignment Collars, Bolt, Nut, Washers

EUCLID NO.	GENUINE	OEM REF.	LENGTH	THREAD	NOTES
E-14809		60632-013	7-1/2"	1"-14	Axle Set

Spherical Washer

FOR MODEL:
COMFORT AIR



EUCLID NO.	GENUINE	OEM REF.	ID
E-3738		48574-000	7/8"

Concentric Collar, QUIK-ALIGN™

FOR MODEL:
COMFORT AIR



EUCLID NO.	GENUINE	OEM REF.
E-15716		64633-000

 Denotes Product is Genuine Hendrickson

HENDRICKSON SUSPENSION

COMFORT AIR for Blue Bird Bus

HENDRICKSON

U-Bolt Assembly

FOR MODEL:
COMFORT AIR



E-3728 Spherical Washers Included with some kits.

EUCLID NO.	OD	LENGTH	THREAD	NOTES
E-UB8161-15S1	3"	15"	7/8"-14	Round Bend, 21K, 23K Capacity Includes Nuts, Spherical & Standard Washers
E-UB8161-16	3"	16"	7/8"-14	Round Bend, 15K Capacity, Order Spherical Washer E-3738 Separately Includes Nuts, Standard Washers.
E-UB8161-18S1	3"	18"	7/8"-14	Round Bend, 21K, 23K Capacity Includes Nuts, Spherical & Standard Washers

Bolt

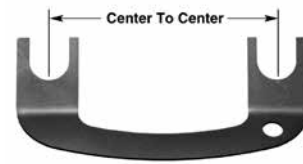
FOR MODEL:
COMFORT AIR



EUCLID NO.	OEM REF.	LENGTH	THREAD
E-15140	50764-002	5-1/2"	3/4"-10

Torque Rod Shim

FOR MODEL:
COMFORT AIR



EUCLID NO.	GENUINE	OEM REF.	C-T-C LENGTH	NOTES
E-5281		49689-000	4-3/8"	1/16" Thick

Shock Bracket, Upper

FOR MODEL:
COMFORT AIR



1-3/4" Dia. Hole, 2-5/8" Dia. Holes

EUCLID NO.	GENUINE	OEM REF.
E-15177		67463-002

Transverse Torque Rod Frame Bracket

FOR MODEL:
COMFORT AIR



EUCLID NO.	GENUINE	OEM REF.
E-2634		22186-000

Shock Bracket, Lower

FOR MODEL:
COMFORT AIR



EUCLID NO.	GENUINE	OEM REF.
E-16239		57356-000

Height Control Valve Linkage Assembly

FOR MODEL:
COMFORT AIR




EUCLID NO.	OEM REF.	NOTES
E-7852	-	Universal Kit

Denotes Product is Genuine Hendrickson


PARASTEER for Blue Bird Bus

Bushing Kit

FOR MODEL:
PARASTEER

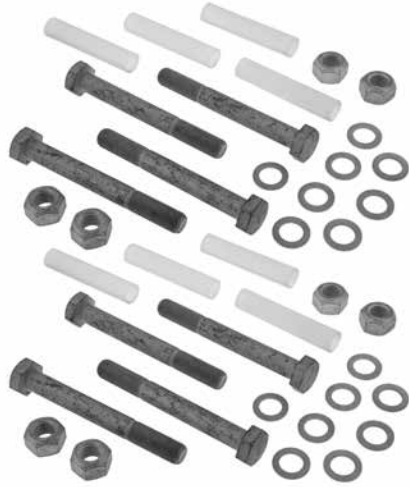



Axle Set, Models with Transverse Leaf, Built 9/98-12/9

EUCLID NO.	GENUINE	OEM REF.	NOTES
E-16404		34013-100	Axle Set, Models with Transverse Leaf, Built 9/98-12/9 Includes Rubber Bushings, Thrust Washers, PTFE Bushings, Rubber Seals, Inner Metal Liners to Rebuild 4 Beams

Pivot Bolt Kit


FOR MODEL:
PARASTEER




EUCLID NO.	GENUINE	OEM REF.	NOTES
E-16406		59568-001	Axle Set

Bushing Kit

FOR MODEL:
PARASTEER





Includes Rubber Bushings, Thrust Washers to Rebuild 4 Beams

EUCLID NO.	GENUINE	OEM REF.	NOTES
E-16403		34013-105	Models with Transverse Torque Rod, Built After January 2000, Axle Set

Transverse Torque Rod


FOR MODEL:
PARASTEER




EUCLID NO.	GENUINE	OEM REF.	NOTES
E-16408		62000-745	Models Built After January 2000

Beam Bushing

FOR MODEL:
PARASTEER




EUCLID NO.	GENUINE	OEM REF.	NOTES
E-16405		59528-001	Models w/ Transverse Leaf Built After January 2000

Height Control Valve

FOR MODEL:
PARASTEER



EUCLID NO.	GENUINE	OEM REF.
E-16407		60501-000

 Denotes Product is Genuine Hendrickson

HENDRICKSON SUSPENSION

AIRTEK for Freightliner

HENDRICKSON

Spring Eye Bushing

FOR MODELS:
Freightliner
Prior to 5/10



Only Century Class S/T, Columbia, Western Star Set Forward.

EUCLID NO.	GENUINE	OEM REF.	ID	LENGTH
E-14632		59259-002	3/4"	3-1/4"

Rear Shackle Plate

FOR MODELS:
FCCC Motor
Home Chassis
SOFTEK



EUCLID NO.	GENUINE	OEM REF.
E-16431		66413-000

Spring Eye Bushing

FOR MODELS:
Newer Cascadia
Models



EUCLID NO.	GENUINE	OEM REF.	ID	OD	LENGTH	NOTES
E-17601		60961-867	7/8"	2-1/4"	4-1/4"	Includes Adhesive

Shackle Plate

FOR MODELS:
Newer Cascadia
Models



EUCLID NO.	GENUINE	OEM REF.
E-17581		78046-001

Rear Spring Mount

FOR MODELS:
Freightliner
Prior to 5/10



EUCLID NO.	GENUINE	OEM REF.
E-14633		58918-000

Rear Shackle Wear Pad

FOR MODELS:
FCCC Motor
Home Chassis
SOFTEK



EUCLID NO.	GENUINE	OEM REF.	NOTES
E-16432		64159-000	8-1/8" Long, 3-1/2" Wide, 1/4" Thick, 4-7/8" Center-to-Center

Spring End Plate

FOR MODELS:
Freightliner
Prior to 5/10



EUCLID NO.	GENUINE	OEM REF.
E-15118		58920-001 58920-000

Rear Spring Eye Hardware Kit

FOR MODELS:
Freightliner
Prior to 5/10



EUCLID NO.	GENUINE	OEM REF.	NOTES
E-15136		60961-003	Includes Bolt, Nut, Washers


Denotes Product is Genuine Hendrickson


AIRTEK for Freightliner

HENDRICKSON

Shackle Stop Tube

FOR MODELS:
FCCC Motor
Home Chassis
SOFTEK



EUCLID NO.	GENUINE	OEM REF.	ID	OD	LENGTH
E-16434		60631-000	-	-	-

Top Axle Wrap Liner

FOR MODELS:
All Truck/Tractor



EUCLID NO.	GENUINE	OEM REF.
E-15145		59449-000

Front Hanger, Right Hand

FOR MODELS:
Freightliner
Prior to 5/10,
Century Class
S/T, Columbia,
Western Star



EUCLID NO.	GENUINE	OEM REF.
E-15138		59832-002

Bottom Axle Wrap Liner

FOR MODELS:
All Truck/Tractor,
FCCC Motor Home
Chassis w/
SOFTEK Built
Prior to May 2010



EUCLID NO.	GENUINE	OEM REF.
E-15110		59845-000

Front Hanger, Left Hand

FOR MODELS:
Freightliner
Prior to 5/10,
Century Class S/T,
Columbia,
Western Star



EUCLID NO.	GENUINE	OEM REF.
E-15137		59832-001

Bolt



EUCLID NO.	OEM REF.	LENGTH	THREAD	APPLICATION
E-15140	50764-002	5-1/2"	3/4"-10	Freightliner Prior to 5/10
E-15102	58917-016	8-1/2"	3/4"-10	All Truck/Tractor
E-16435	-	10"	3/4"-10	All Truck/Tractor
E-16436	-	11-1/2"	3/4"-10	All Truck/Tractor

Top Pad

FOR MODELS:
All Truck/Tractor



EUCLID NO.	GENUINE	OEM REF.
E-15146		59826-000

 Denotes Product is Genuine Hendrickson

HENDRICKSON SUSPENSION

AIRTEK for Freightliner

Height Control Valve, Right Hand

FOR MODELS:
All Truck/Tractor



EUCLID NO.	GENUINE	OEM REF.
E-13995		59935-002

Height Control Valve, Right Hand

FOR MODELS:
Newer Cascadia Models



EUCLID NO.	GENUINE	OEM REF.	NOTES
E-17587		59935-024	-

Height Control Valve

FOR MODELS:
FCCC Motor Home
Chassis AIRTEK



EUCLID NO.	GENUINE	OEM REF.	NOTES
E-16407		60501-000	with Integrated Dump Feature

Height Control Valve Linkage Assembly

FOR MODELS:
All Truck/Tractor



EUCLID NO.	GENUINE	OEM REF.	LENGTH
E-15133		59428-001	13-1/8" Center-to-Center

Height Control Valve, Left Hand

FOR MODELS:
Newer Cascadia Models



EUCLID NO.	GENUINE	OEM REF.	NOTES
E-17583		59935-101	-

Height Control Valve Linkage Assembly

FOR MODELS:
All Truck/Tractor &
FCCC Motor Home
Chassis w/ SOFTEK



EUCLID NO.	GENUINE	OEM REF.	LENGTH
E-15134		59428-002	14-1/2" Center-to-Center

Height Control Valve, Right Hand

FOR MODELS:
Newer Cascadia Models



EUCLID NO.	GENUINE	OEM REF.	NOTES
E-17584		59935-102	-

Height Control Valve Linkage Assembly

FOR MODELS:
Newer Cascadia Models



EUCLID NO.	GENUINE	OEM REF.	NOTES
E-17604		59428-101	-

Denotes Product is Genuine Hendrickson

HENDRICKSON SUSPENSION

AIRTEK for Freightliner

Suspension

HENDRICKSON

Link Mount, Right Hand			
FOR MODELS: Freightliner Between 5/10 & 11/11 & All Cascadia & Coronado Models			
EUCLID NO.	GENUINE	OEM REF.	NOTES
E-15098		59429-002	Also used as Left Hand for 5/10-11/11 Set Forward Axles

Link Mount		
FOR MODELS: All Truck/Tractor		
		
EUCLID NO.	GENUINE	OEM REF.
E-16426		59429-001

Air Spring Bracket, Right Hand		
FOR MODELS: All Truck/Tractor		
		
EUCLID NO.	GENUINE	OEM REF.
E-15132		60850-002

Air Spring Bracket			
FOR MODELS: All Truck/Tractor			
			
EUCLID NO.	GENUINE	OEM REF.	NOTES
E-16425		60850-001	-

 Denotes Product is Genuine Hendrickson

HENDRICKSON SUSPENSION

Comfort Air for Hino

Main Support Member Service Kit



One Wheel End

EUCLID NO.	GENUINE	OEM REF	NOTES
E-17602		34013-109	19-21K Axles
E-17603		34013-189	23K Axles

Torque Rod Bushing



EUCLID NO.	GENUINE	OEM REF	OD	C-T-C LENGTH	NOTES
E-5275		47691-000	2"	4-3/8"	5/8" Bolt Holes

Pivot Bushing



EUCLID NO.	GENUINE	OEM REF	ID	LENGTH
E-13992		58648-000	1-1/4"	3-5/8"

Torque Rod Bushing, 23K Axles



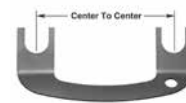
EUCLID NO.	GENUINE	OEM REF	OD	C-TO-C LENGTH	HOLE DIA
E-13961		64400-002	3-5/16"	4-3/8"	5/8"

Concentric Collar, QUIK-ALIGN™



EUCLID NO.	GENUINE	OEM REF
E-15716		64633-000

Torque Rod Shim



EUCLID NO.	GENUINE	OEM REF	C-T-C LENGTH	THICK
E-5281		47457-000	4-3/8"	1/16"

Eccentric Collar, QUIK-ALIGN™



EUCLID NO.	GENUINE	OEM REF
E-15162		64632-000

Torque Rod Bracket



EUCLID NO.	GENUINE	OEM REF	NOTES
E-2634		22186-000	For Mounting Transverse Torque Rods


Denotes Product is Genuine Hendrickson

Comfort Air for Hino

HENDRICKSON

Lower Shock Bracket, Low Profile		
		
EUCLID NO.	GENUINE	OEM REF
E-16238		49324-002

Height Control Valve		
		
EUCLID NO.	GENUINE	OEM REF
E-16407		60501-000



Height Control Valve Linkage Assembly		
		
EUCLID NO.	OEM REF	NOTES
E-7852	-	Universal Kit



 Denotes Product is Genuine Hendrickson

HENDRICKSON SUSPENSION



AIRTEK / SOFTEK for International Trucks / Tractors



HENDRICKSON



Rear Spring Mount Kit			
FOR MODEL: AIRTEK Truck			
			
Vehicles Built After 09/06			
EUCLID NO.	GENUINE	OEM REF.	NOTES
E-15120		60961-158	Includes Spring Mount, Spring End Plate and Hardware



Rear Hanger Right Hand			
FOR MODEL: AIRTEK Truck			
			
EUCLID NO.	GENUINE	OEM REF.	NOTES
E-15104		68317-002	Vehicles Built Before 09/06



Shackle Plate		
FOR MODEL: SOFTEK		
		
EUCLID NO.	GENUINE	OEM REF.
E-16420		66545-000

Rear Hanger Left Hand			
FOR MODEL: AIRTEK Truck			
			
EUCLID NO.	GENUINE	OEM REF.	NOTES
E-15103		68317-001	Vehicles Built Before 09/06

Thrust Washer			
FOR MODEL: AIRTEK Truck			
			
EUCLID NO.	GENUINE	OEM REF.	NOTES
E-15123		66779-000	Vehicles Built After 09/06

Rear Hanger Right Hand			
FOR MODEL: AIRTEK Truck			
			
EUCLID NO.	GENUINE	OEM REF.	NOTES
E-15125		66382-002	Vehicles Built After 09/06

Rear Mount Spacer			
FOR MODEL: AIRTEK Truck			
			
EUCLID NO.	GENUINE	OEM REF.	NOTES
E-15100		65772-000	Vehicles Built Before 09/06

Rear Hanger Left Hand			
FOR MODEL: AIRTEK Truck			
			
EUCLID NO.	GENUINE	OEM REF.	NOTES
E-15124		66382-001	Vehicles Built After 09/06



 Denotes Product is Genuine Hendrickson



HENDRICKSON SUSPENSION



AIRTEK / SOFTEK for International Trucks / Tractors



Suspension

HENDRICKSON

Top Pad Right Hand			
FOR MODEL: AIRTEK Truck			
			
EUCLID NO.	GENUINE	OEM REF.	NOTES
E-15128		68318-002	Vehicles Built After 09/06



Top Axle Wrap Liner			
FOR MODELS: AIRTEK & SOFTEK Truck			
			
EUCLID NO.	GENUINE	OEM REF.	NOTES
E-15109		65757-000	Not Required on NXT

Top Pad Left Hand			
FOR MODEL: AIRTEK Truck			
			
EUCLID NO.	GENUINE	OEM REF.	NOTES
E-15127		68318-001	Vehicles Built After 09/06

Top Axle Wrap Liner		
FOR MODEL: AIRTEK for IC Buses		
		
EUCLID NO.	GENUINE	OEM REF.
E-15147		60508-000

Top/Bottom Axle Wrap Liner Kit			
FOR MODEL: AIRTEK Truck			
			
EUCLID NO.	GENUINE	OEM REF.	NOTES
E-15119		60961-110	Includes Top and Bottom Axle Liners and Hardware

Top Axle Wrap			
FOR MODELS: AIRTEK & SOFTEK Truck			
			
EUCLID NO.	GENUINE	OEM REF.	NOTES
E-15107		59952-023	Lone Star 9200/9400/8600, Not Required on NXT

Axle Wrap Liner Kit		
FOR MODEL: AIRTEK Truck		
		
Includes E-15147 & E-15110 Liners		
EUCLID NO.	GENUINE	OEM REF.
E-15727		60961-015

Bottom Axle Wrap Liner			
FOR MODELS: AIRTEK Truck & IC Buses, SOFTEK Truck			
			
EUCLID NO.	GENUINE	OEM REF.	NOTES
E-15110		59845-000	Not Required on NXT


 Denotes Product is Genuine Hendrickson



HENDRICKSON SUSPENSION

AIRTEK / SOFTEK for International Trucks / Tractors


HENDRICKSON

Bottom Axle Wrap			
FOR MODELS: AIRTEK Truck & IC Buses, SOFTEK Truck			
			
EUCLID NO.	GENUINE	OEM REF.	NOTES
E-15108		64722-003	Not Required on NXT



Height Control Valve, Right Hand		
FOR MODELS: AIRTEK Truck & IC Buses		
		
EUCLID NO.	GENUINE	OEM REF.
E-13997		59935-018

Belly Band			
FOR MODEL: AIRTEK Truck			
			
EUCLID NO.	GENUINE	OEM REF.	NOTES
E-15126		66419-000	Vehicles Built After 09/06

Height Control Valve Left Hand		
FOR MODEL: AIRTEK Truck & IC Buses		
		
EUCLID NO.	GENUINE	OEM REF.
E-13996		59935-011

Bolt				
				
EUCLID NO.	OEM REF.	LENGTH	THREAD	APPLICATION
E-15099	58035-006	3-1/2"	3/8" - 16	AIRTEK Truck
E-15102	58917-016	8-1/2"	3/4"-10	AIRTEK Truck
E-7703	-	9"	3/4"-16	AIRTEK for IC Buses

Height Control Valve Assembly, Left Hand			
FOR MODEL: AIRTEK Truck & IC Buses			
			
EUCLID NO.	GENUINE	OEM REF.	NOTES
E-15095		59427-013	Includes Linkage

Lower Link Mount Kit			
FOR MODEL: AIRTEK Truck			
			
Vehicles Built Before 09/06			
EUCLID NO.	GENUINE	OEM REF.	NOTES
E-15097		60961-071	Includes E-15098 Link, Bolt, Washer



 Denotes Product is Genuine Hendrickson

HENDRICKSON SUSPENSION



AIRTEK / SOFTEK for International Trucks / Tractors

Suspension

HENDRICKSON

Lower Link Mount			
FOR MODEL: AIRTEK Truck			
			
EUCLID NO.	GENUINE	OEM REF.	NOTES
E-15098		59429-002	Vehicles Built Before 09/06

Air Spring Bracket Right Hand			
FOR MODEL: AIRTEK Truck			
			
EUCLID NO.	GENUINE	OEM REF.	NOTES
E-15114		66776-000	Vehicles Built After 09/06

Lower Link Mount			
FOR MODELS: AIRTEK Truck & IC Buses			
			
Trucks Built After 09/06			
EUCLID NO.	GENUINE	OEM REF.	NOTES
E-15121		59429-003	All Buses w/ Rear Engines, Buses with Front Engine Left Hand Valve

Air Spring Bracket Left Hand			
FOR MODEL: AIRTEK Truck			
			
EUCLID NO.	GENUINE	OEM REF.	NOTES
E-15113		66775-000	Vehicles Built After 09/06

 Denotes Product is Genuine Hendrickson

Shackle Bracket Service Kit



Axle Set, Omit Thrust Washer for Post July 2007 Vehicles — 1/2 Kit Shown

EUCLID NO.	GENUINE	OEM REF.	NOTES
E-16409		60961-034 60961-635	Includes 4 Shackle Plates, 4 Wear Plates, Spacer and Hardware

Bottom Axle Wrap Liner



EUCLID NO.	GENUINE	OEM REF.
E-15110		59845-000

Front Hanger Repair Kit



EUCLID NO.	GENUINE	OEM REF.	NOTES
E-16412		60961-033	Includes 2 Hanger Adapters, M20 X 230mm Long Bolt, Nut, Washers

Bottom Axle Wrap



EUCLID NO.	GENUINE	OEM REF.
E-15108		64722-003; 64014-003; 60622-003

Axle Wrap Liner Kit

FOR MODEL:
AIRTEK



Includes E-15147 & E-15110 Liners

EUCLID NO.	GENUINE	OEM REF.
E-15727		60961-015

Rubber Axle Stop



EUCLID NO.	GENUINE	OEM REF.
E-15148		64080-000

Top Axle Wrap Liner



EUCLID NO.	GENUINE	OEM REF.
E-15147		60508-000

Straight Bolt Clamp Kit

FOR MODELS:
Vehicles with Dual
Height Control
Valves, 13-1/4"
Ride Height



Includes Top & Bottom Axle Wrap Liners, Bolts, Nuts, Washer

EUCLID NO.	GENUINE	OEM REF.	LENGTH	THREAD	NOTES
E-16410		60961-035	220mm	20mm	One Wheel End

Denotes Product is Genuine Hendrickson

AIRTEK for Mack

Straight Bolt Clamp Kit

FOR MODELS:
Vehicles with
Single Height
Control Valve,
14-3/8" Ride Height



Includes Top & Bottom Axle Wrap Liners, Bolts, Nuts, Washer

EUCLID NO.	GENUINE	OEM REF.	LENGTH	THREAD	NOTES
E-16411		60961-037	230mm	20mm	One Wheel End

Height Control Valve and Linkage Kit

FOR MODELS:
Vehicles Built
Prior to 3/05



EUCLID NO.	GENUINE	OEM REF.
E-15150		59427-006

Height Control Valve

FOR MODELS:
Vehicles Built
Prior to 3/05



EUCLID NO.	GENUINE	OEM REF.	NOTES
E-15151		59935-003	Vehicles Built Prior to 3/05

Linkage Kit

FOR MODELS:
Vehicles Built
Prior to 3/05



EUCLID NO.	GENUINE	OEM REF.	NOTES
E-15096		59428-004	For Use with Single Height Control Valves

Denotes Product is Genuine Hendrickson

HENDRICKSON SUSPENSION

AIRTEK / SOFTEK for Spartan Motor Homes


HENDRICKSON

Rear Spring Mount Kit

FOR MODEL:
AIRTEK




Wheel End


EUCLID NO.	GENUINE	OEM REF.	NOTES
E-15135		60961-002	Includes Spring Mount, Spring End Plate and Hardware

Top Axle Wrap Liner

FOR MODEL:
SOFTEK



Elongated Slot

EUCLID NO.	GENUINE	OEM REF.
E-15147		60508-000

Rear Shackle Plate

FOR MODELS:
SOFTEK



4-7/8" Center-to-Center of Holes

EUCLID NO.	GENUINE	OEM REF.	WIDTH	LENGTH
E-16414		64314-000	3-1/2"	8-1/4"

Bottom Axle Wrap Liner

FOR MODELS:
AIRTEK & SOFTEK



EUCLID NO.	GENUINE	OEM REF.
E-15110		59845-000

Top Axle Wrap Liner

FOR MODEL:
AIRTEK



EUCLID NO.	GENUINE	OEM REF.
E-15145		59449-000

Bottom Axle Wrap


FOR MODEL:
SOFTEK




EUCLID NO.	GENUINE	OEM REF.
E-15108		64722-003

Axle Wrap Liner Kit

FOR MODEL:
AIRTEK





Includes E-15147 & E-15110 Liners

EUCLID NO.	GENUINE	OEM REF.
E-15727		60961-015

Rubber Axle Stop

FOR MODEL:
SOFTEK





EUCLID NO.	GENUINE	OEM REF.
E-15148		64080-000



 Denotes Product is Genuine Hendrickson


AIRTEK / SOFTEK for Spartan Motor Homes



HENDRICKSON



Bolt			
FOR MODEL: AIRTEK			
			
EUCLID NO.	OEM REF.	LENGTH	THREAD
E-15102	58917-016	8-1/2"	3/4"-10
E-16413	-	150mm	M20-2.5
E-16415	-	170mm	M20-2.5



Height Control Valve & Linkage Assembly			
FOR MODELS: AIRTEK 10.5, 12 & 12.4K			
			
Includes E-15133 Linkage			
EUCLID NO.	GENUINE	OEM REF.	NOTES
E-16417		66277-001	Left Hand

Height Control Valve & Linkage Assembly			
FOR MODELS: AIRTEK 13.5 & 14.6K Capacity			
			
Includes E-15133 Linkage			
EUCLID NO.	GENUINE	OEM REF.	NOTES
E-17591		66277-005	Left Hand

U-Bolt Assembly				
FOR MODEL: SOFTEK				
				
Round Bend, Includes Nuts, Washers				
EUCLID NO.	OEM REF.	WIDTH	LENGTH	THREAD
E-UB8154-12	-	4"	12"	3/4"-16

Height Control Valve & Linkage Assembly			
FOR MODELS: AIRTEK 13.5 & 14.6K Capacity			
			
Includes E-15133 Linkage			
EUCLID NO.	GENUINE	OEM REF.	NOTES
E-17592		66277-006	Right Hand

Height Control Valve & Linkage Assembly			
FOR MODELS: AIRTEK 10.5, 12 & 12.4K			
			
Includes E-15133 Linkage			
EUCLID NO.	GENUINE	OEM REF.	NOTES
E-16418		66277-002	Right Hand

Height Control Linkage		
FOR MODEL: AIRTEK		
		
13-1/8" Center-to-Center		
EUCLID NO.	GENUINE	OEM REF.
E-15133		59428-001

 Denotes Product is Genuine Hendrickson

HENDRICKSON SUSPENSION

AIRTEK / SOFTEK for Spartan Motor Homes

HENDRICKSON

Shock Spacer

FOR MODEL:
AIRTEK



EUCLID NO.	GENUINE	OEM REF.	ID
E-16419		59946-001	3/4"

Upper Air Spring Bracket

FOR MODEL:
AIRTEK




EUCLID NO.	GENUINE	OEM REF.	NOTES
E-15132		60850-002	10.5 & 12K Capacity


Denotes Product is Genuine Hendrickson

AIRTEK for Volvo

Shackle Bracket Kit



Axle Set — 1/2 Kit Shown

EUCLID NO.	GENUINE	OEM REF.	NOTES
E-16409		60961-034; 60961-635	Includes 4 Shackle Plates, 4 Wear Plates, Spacer and Hardware

Bottom Axle Wrap Liner



EUCLID NO.	GENUINE	OEM REF.
E-15110		59845-000

Front Hanger Repair Kit



EUCLID NO.	GENUINE	OEM REF.	NOTES
E-16412		60961-033	Includes 2 Hanger Adapters, M20 X 230mm Long Bolt, Nut, Washers


Bottom Axle Wrap




EUCLID NO.	GENUINE	OEM REF.
E-15108		64722-003; 64014-003; 60622-003

Axle Wrap Liner Kit


FOR MODEL:
AIRTEK




Includes E-15147 & E-15110 Liners

EUCLID NO.	GENUINE	OEM REF.
E-15727		60961-015

Rubber Axle Stop



EUCLID NO.	GENUINE	OEM REF.
E-15148		64080-000

Top Axle Wrap Liner




Elongated Slot


EUCLID NO.	GENUINE	OEM REF.
E-15147		60508-000

Straight Bolt Clamp Kit

FOR MODELS:
Vehicles with
Dual Height
Control Valves,
13-1/4" Ride
Height



One Wheel End

EUCLID NO.	GENUINE	OEM REF.	NOTES
E-16410		60961-035	Includes Bolts, Nuts, Washer

 Denotes Product is Genuine Hendrickson

HENDRICKSON SUSPENSION

AIRTEK for Volvo

Straight Bolt Clamp Kit

FOR MODELS:
Vehicles with
Single Height
Control Valve,
13-1/4" Ride
Height



One Wheel End

EUCLID NO.	GENUINE	OEM REF.	NOTES
E-16411		60961-037	Includes Bolts, Nuts, Washer

Height Control Valve & Linkage Assembly

FOR MODELS:
Vehicles Built
Prior to 3/05



EUCLID NO.	GENUINE	OEM REF.
E-15150		59427-006

Height Control Valve

FOR MODELS:
Vehicles Built
Prior to 3/05



EUCLID NO.	GENUINE	OEM REF.
E-15151		59935-003

Linkage Kit

FOR MODELS:
Vehicles Built
Prior to 3/05 with
Single Height
Control Valve



EUCLID NO.	GENUINE	OEM REF.
E-15096		59428-004

HENDRICKSON

Denotes Product is Genuine Hendrickson

AIRTEK for Western Star

HENDRICKSON

Top Axle Wrap Liner



EUCLID NO.	GENUINE	OEM REF.	APPLICATION
E-15145		59449-000	Vehicles Built Between June 2010 & November 2011 (Non NXT Axles)

Height Control Valve, Right Hand




EUCLID NO.	GENUINE	OEM REF.	APPLICATION
E-13995		59935-002	Vehicles Built Between June 2010 & November 2011, (Non NXT Axles)


Bottom Axle Wrap Liner



EUCLID NO.	GENUINE	OEM REF.	APPLICATION
E-15110		58945-000	Vehicles Built Between June 2010 & November 2011 (Non NXT Axles)

Height Control Valve Linkage Assembly




EUCLID NO.	GENUINE	OEM REF.	LENGTH
E-15133		59428-001	13-1/8" Center-to-Center


Bolt




EUCLID NO.	OEM REF.	LENGTH	THREAD
E-15102	58917-016	8-1/2"	3/4"-10
E-16435	58917-017	10"	3/4"-10
E-16436	58917-018	11-1/2"	3/4"-10


Height Control Valve Linkage Assembly



EUCLID NO.	GENUINE	OEM REF.	LENGTH
E-15134		59428-002	14-1/2" Center-to-Center

Height Control Valve Linkage Kit



EUCLID NO.	GENUINE	OEM REF.	LENGTH
E-9625		-	Length Range of 3-5/8 - 19-5/8"

 Denotes Product is Genuine Hendrickson

HENDRICKSON SUSPENSION

AIRTEK for Western Star

HENDRICKSON

Link Mount, Left Hand



EUCLID NO.	GENUINE	OEM REF.	APPLICATION
E-16426		59429-001	Set Back Axle

Air Spring Bracket, Right Hand



EUCLID NO.	GENUINE	OEM REF.
E-15132		60850-002

Link Mount, Left Hand



EUCLID NO.	GENUINE	OEM REF.	APPLICATION
E-15098		59429-002	Set Forward Axle and All Right Hand

Air Spring Bracket, Left Hand



EUCLID NO.	GENUINE	OEM REF.	NOTES
E-16425		60850-001	-

 Denotes Product is Genuine Hendrickson

TABLE OF CONTENTS

COMFORT AIR for Hino.....	HIN-2
Hino Components	HIN-6

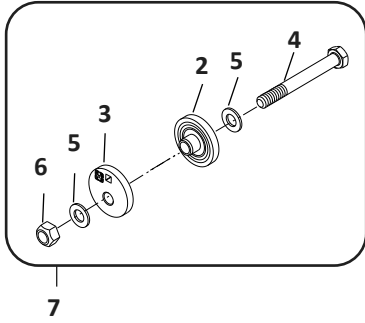
HINO



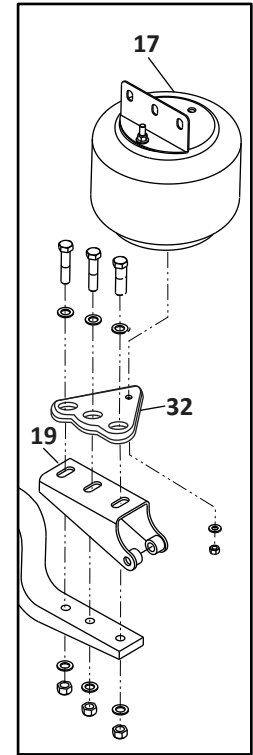
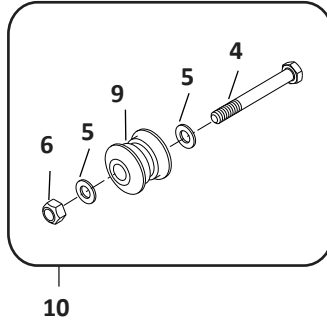
Not sure which suspension you have?
Check out Meritor's Suspension Identification
Xact Search to find the right part by
clicking the QR code

HINO REAR COMFORT AIR for Hino

QUIK-ALIGN™ Collar Service Kit

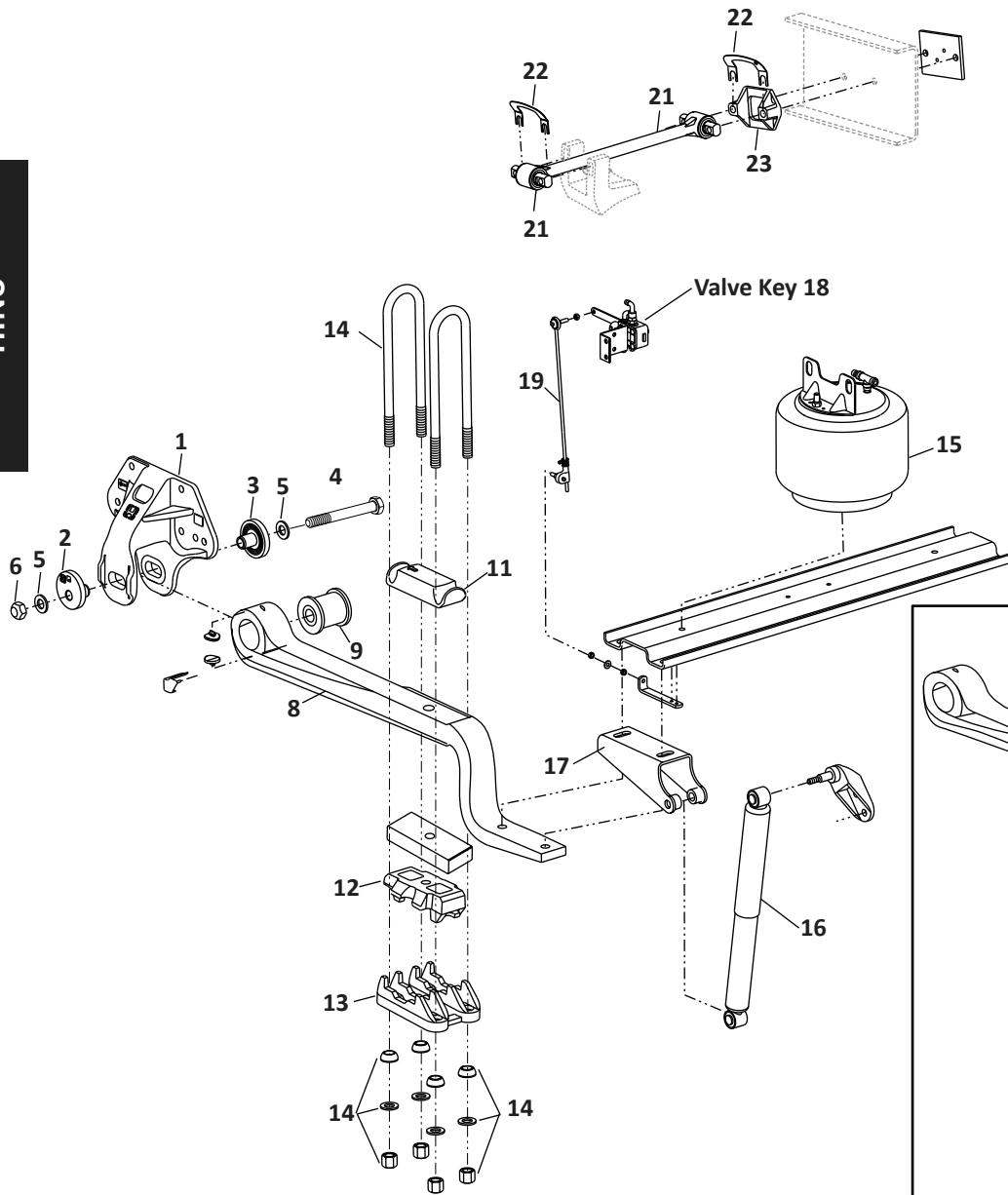


QUIK-ALIGN™ Pivot Bushing Kit

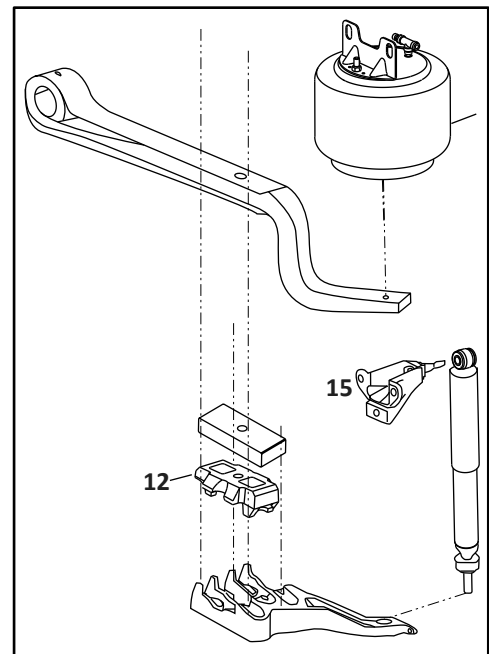


Air Spring Mounting
After January 2021

HINO



Tandem 40K
















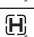
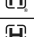
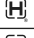





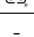
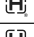






Transverse Torque Rods must be used with this Suspension

HINO REAR

Suspension

COMFORT AIR for Hino

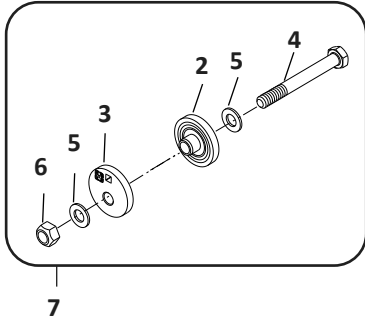
KEY NO.	EUCLID NO.	GENUINE	OEM REF	DESCRIPTION	QTY. PER AXLE	PAGE NO.
1	S.O.S.		91330-001; 65081-001	Frame Hanger, Left Hand	1	-
	S.O.S.		91330-002; 65081-002	Frame Hanger, Right Hand	1	-
	S.O.S.		65081-101	Frame Hanger, Left Hand with Reinforced Rail	1	-
	S.O.S.		65081-102	Frame Hanger, Right Hand with Reinforced Rail	1	-
2	S.O.S.		60661-000	QUIK-ALIGN™ Concentric Collar, 19-21K Axles	3	-
	E-15716		64633-000	QUIK-ALIGN™ Concentric Collar, 23K Axles	3	HIN-6
3	S.O.S.		60662-000	QUIK-ALIGN™ Eccentric Collar, 19-21K Axles	1	-
	E-15162		64632-000	QUIK-ALIGN™ Eccentric Collar, 23K Axles	1	HIN-6
4	E-5428	-	-	Bolt, 7/8"-14 X 8" Long, 19-21K Axles	2	-
	E-3564	-	68217-001	Bolt, 1"-14 X 8" Long, 23K Axles	2	-
5	E-2546	-	-	Washer, 7/8" ID, 19-21K Axles	4	-
	E-2975	-	-	Washer, 1" ID, 23K Axles	4	-
6	E-1835	-	-	Lock Nut, 7/8"-14, 19-21K Axles	2	-
	E-1828	-	-	Lock Nut, 1"-14, 23K Axles	2	-
7	S.O.S.		65119-001	QUIK-ALIGN™ Collar Service Kit, 19-21K Axles, Left Hand, Includes Key Nos. 2, 3, 4, 5, 6	1	-
	S.O.S.		65119-002	QUIK-ALIGN™ Collar Service Kit, 19-21K Axles, Right Hand, Includes Key Nos. 2, 3, 4, 5, 6	1	-
	S.O.S.		60632-029	QUIK-ALIGN™ Collar Service Kit, 23K Axles, Left Hand, Includes Key Nos. 2, 3, 4, 5, 6	1	-
	S.O.S.		60632-030	QUIK-ALIGN™ Collar Service Kit, 23K Axles, Right Hand, Includes Key Nos. 2, 3, 4, 5, 6	1	-
8	S.O.S.		Various	Main Support Member Assembly	2	-
9	E-13992		58648-000	Pivot Bushing	2	HIN-6
10	E-17602		34013-109	Main Support Member Service Kit, One Wheel End, 19-21K Axles, Includes Key Nos. 2-6, 9	2	HIN-6
	E-17603		34013-189	Main Support Member Service Kit, One Wheel End, 23K Axles, Includes Key Nos. 2-6, 9	2	HIN-6
11	S.O.S.		65071-000	Top Pad	2	-
12	S.O.S.		Various	Spring Seat	2	-
13	S.O.S.		93302-000; 50216-000	Bottom Axle Cap, 19-23K Axles, Forward Axle on 46K Tandem	2	-
	S.O.S.		Various	Bottom Axle Cap, 19-23K Axles, Other Tandem Axles	2	-
14	S.O.S.		91430-082	U-Bolt Assembly, M22 X 1.5 X 15" Long, All Except 46K Tandem Axles	2	-
	S.O.S.		91430-083	U-Bolt Assembly, M22 X 1.5 X 16-1/8" Long, 46K Front Tandem Axle	2	-
	S.O.S.		91430-084	U-Bolt Assembly, M22 X 1.5 X 17-3/4" Long, 46K Rear Tandem Axle	2	-
15	S.O.S.		65086-002	Air Spring	2	-
	S.O.S.		76942-002	Air Spring	2	-
	S.O.S.		80760-002	Air Spring, 40K Tandem Axle	2	-
16	S.O.S.		60670-029; 60670-014; 60670-031; 60670-019; 60670-030; 60670-018	Shock Absorber	2	-
17	E-16238		49324-002	Lower Shock Bracket	2	HIN-7
	S.O.S.		57124-000	Lower Shock Bracket, 23K Tractor Axles, Forward Axle on 46K Tandem	2	-
18	E-16407		60501-000	Height Control Valve	1	HIN-7
19	S.O.S.		58994-032	Linkage Assembly	1	-
	E-7852	-	-	Linkage Assembly, Universal Kit	1	HIN-7
20	S.O.S.		62000-595	Transverse Torque Rod Assembly, 19-21K Axles	1	-
	S.O.S.		72000-595S	Transverse Torque Rod Assembly, 23K Axles	1	-

 Denotes Product is Genuine Hendrickson

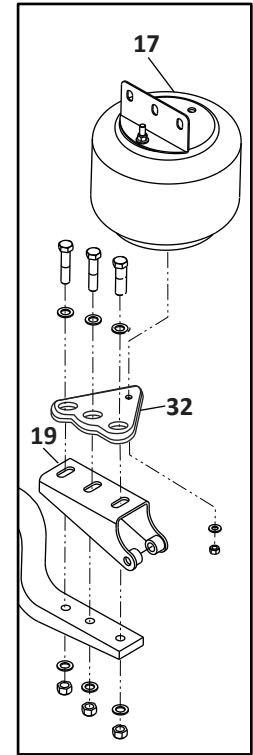
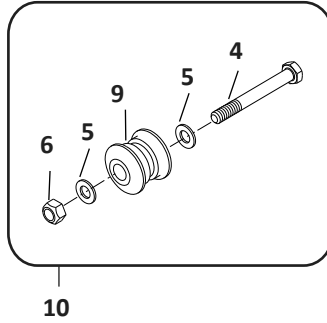
HINO

HINO REAR COMFORT AIR for Hino

QUIK-ALIGN™ Collar Service Kit

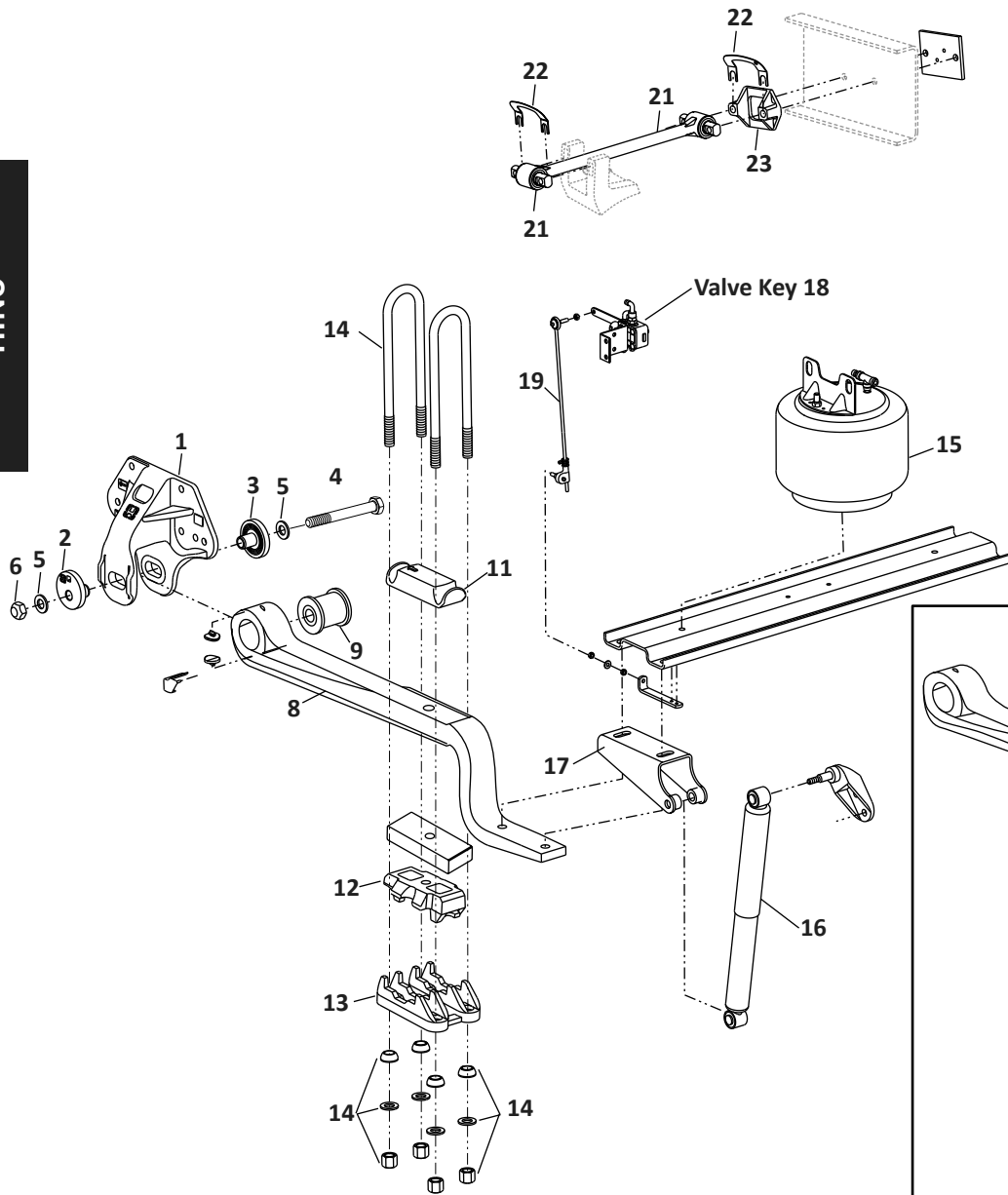


QUIK-ALIGN™ Pivot Bushing Kit

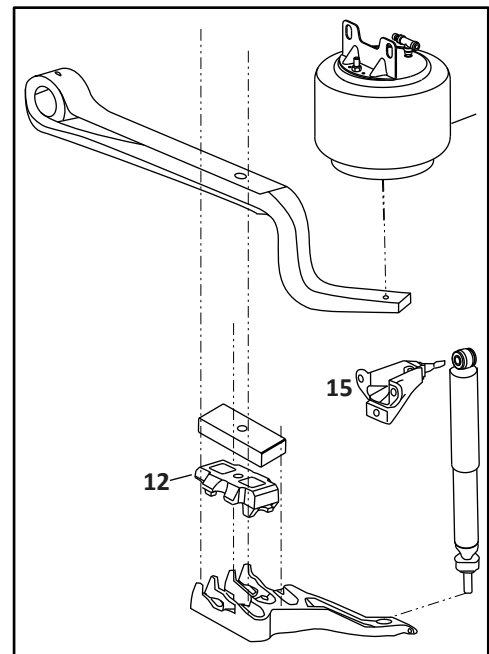


Air Spring Mounting
After January 2021





HINO



Tandem 40K



Transverse Torque Rods must be used with this Suspension

COMFORT AIR for Hino						
KEY NO.	EUCLID NO.	GENUINE	OEM REF	DESCRIPTION	QTY. PER AXLE	PAGE NO.
21	E-5275		47691-000	Torque Rod Bushing, 19-21K Axles	2	HIN-6
	E-13961		64400-002	Torque Rod Bushing, 23K Axles	2	HIN-6
22	E-5281	-	49689-000	Shim	As Required	HIN-6
23	E-2634		22186-000	Torque Rod Frame Bracket	1	HIN-6
	S.O.S.		Various	Spring Seat Spacer, Tandem Axles Only	2	-

 Denotes Product is Genuine Hendrickson

HINO REAR

Comfort Air for Hino

Main Support Member Service Kit



One Wheel End

EUCLID NO.	GENUINE	OEM REF.	NOTES
E-17602		34013-109	19-21K Axles
E-17603		34013-189	23K Axles

Torque Rod Bushing



EUCLID NO.	GENUINE	OEM REF.	OD	C-T-C LENGTH	NOTES
E-5275		47691-000	2"	4-3/8"	5/8" Bolt Holes

Pivot Bushing



EUCLID NO.	GENUINE	OEM REF.	ID	LENGTH
E-13992		58648-000	1-1/4"	3-5/8"

Torque Rod Bushing, 23K Axles



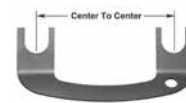
EUCLID NO.	GENUINE	OEM REF.	OD	C-T-C LENGTH	HOLE DIA
E-13961		64400-002	3-5/16"	4-3/8"	5/8"

Concentric Collar, QUIK-ALIGN™



EUCLID NO.	GENUINE	OEM REF.
E-15716		64633-000

Torque Rod Shim



EUCLID NO.	GENUINE	OEM REF.	C-T-C LENGTH	THICK
E-5281		47457-000	4-3/8"	1/16"

Eccentric Collar, QUIK-ALIGN™



EUCLID NO.	GENUINE	OEM REF.
E-15162		64632-000

Torque Rod Bracket



EUCLID NO.	GENUINE	OEM REF.	NOTES
E-2634		22186-000	For Mounting Transverse Torque Rods

HINO

HINO REAR

Comfort Air for Hino

Suspension

Lower Shock Bracket, Low Profile



EUCLID NO.	GENUINE	OEM REF.
E-16238		49324-002

Height Control Valve



EUCLID NO.	GENUINE	OEM REF.
E-16407		60501-000

Height Control Valve Linkage Assembly



EUCLID NO.	GENUINE	OEM REF.	NOTES
E-7852	-	-	Universal Kit

HINO

TABLE OF CONTENTS

H2200 Leaf Spring — TractorHUT-2

H440 Single Point — TrailerHUT-4

H900 Single Point — TrailerHUT-6

H7600/9600, CH7600/9600 Series Leaf Spring 49" Axle Spacing — Trailer.....HUT-10

H7700/9700, CH7700/9700 Series Leaf Spring and Series 10 Sliders 42-1/2", 44", 49" and 50"
Axle Spacing — Trailer.....HUT-14

H7700/9700US, CH7700/9700US Underslung Series Leaf Spring — Trailer 49"
Axle Spacing, Underslung Option Available on Most Axle SpacingsHUT-22

H7600/9600 & CH7600/9600, H7700/9700 & CH7700/9700
TWS 54-1/2" and 57-1/2" Axle Spacing — Trailer.....HUT-28

H7600/9600 & CH7600/9600, H7700/9700 & CH7700/9700 TWS 61" – 81" Axle Spacing — TrailerHUT-34

H7700/9700 & CH7700/9700 TWS 97" – 121" Axle Spacing — Trailer.....HUT-40

H11455 Tri-Axle — TrailerHUT-44

Hutchens ComponentsHUT-46



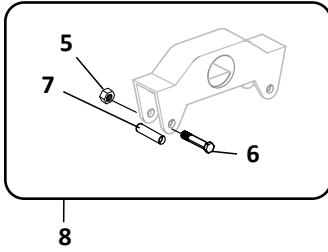
Not sure which suspension you have?
 Check out Meritor's Suspension Identification
 Xact Search to find the right part by
 clicking the QR code

HUTCHENS

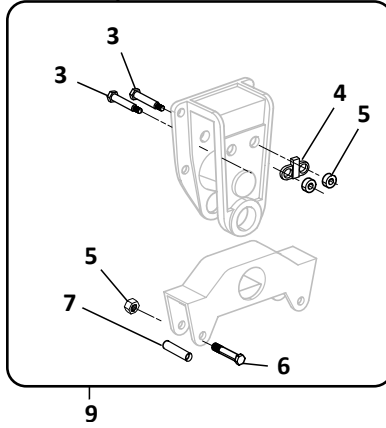
HUTCHENS

H2200 Leaf Spring — Tractor

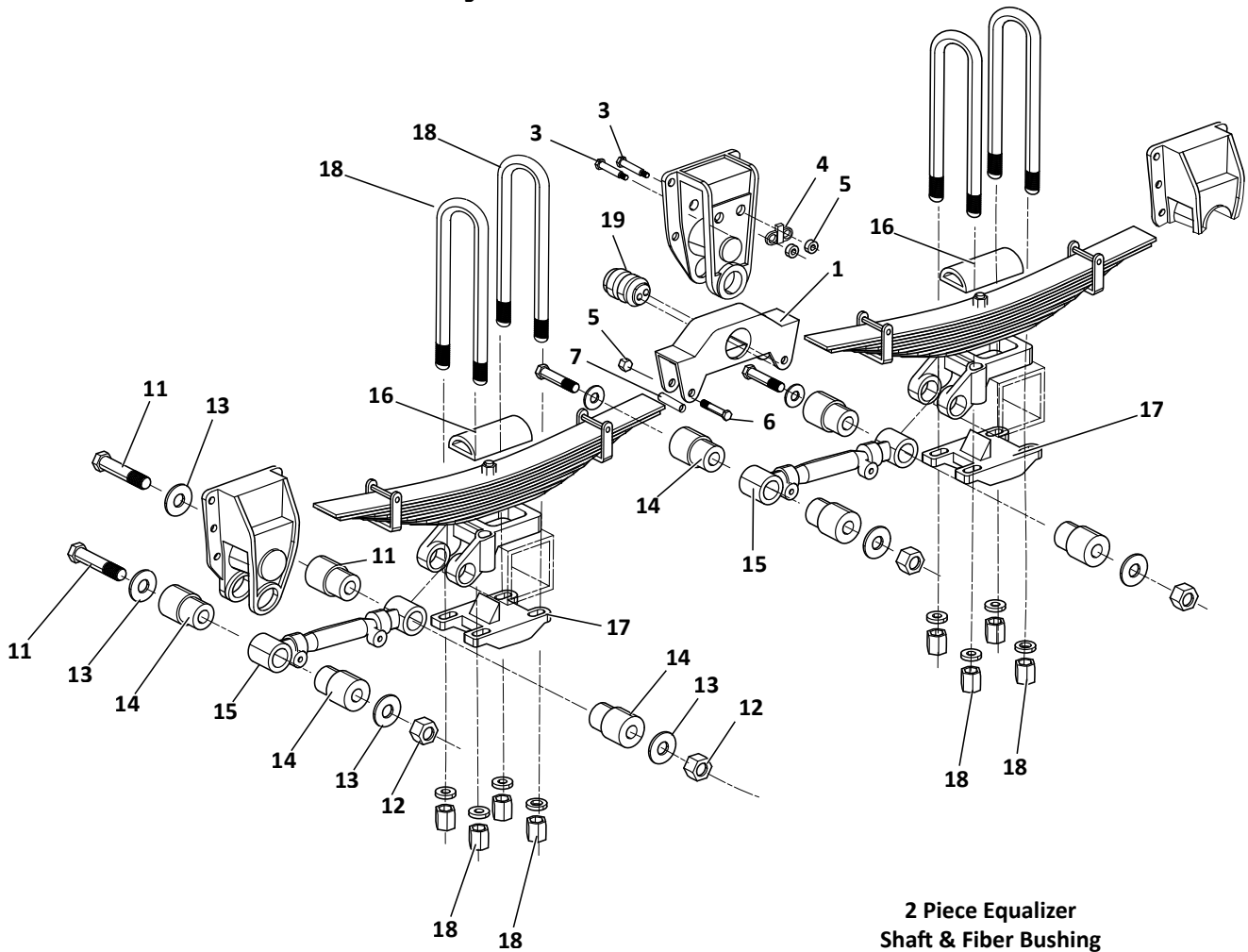
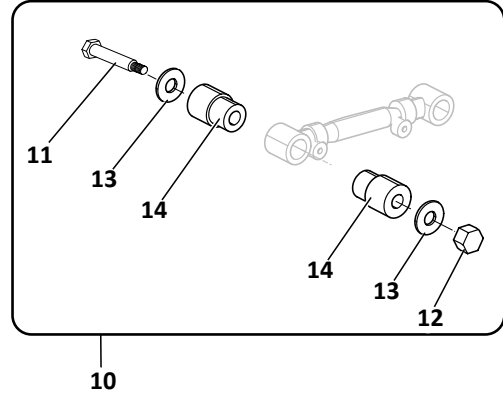
Rebound Bolt Assembly



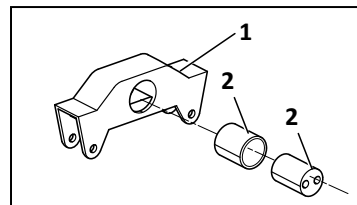
Equalizer Bolt Kit







Torque Arm Bushing Assembly



2 Piece Equalizer
Shaft & Fiber Bushing
Obsolete



HUTCHENS

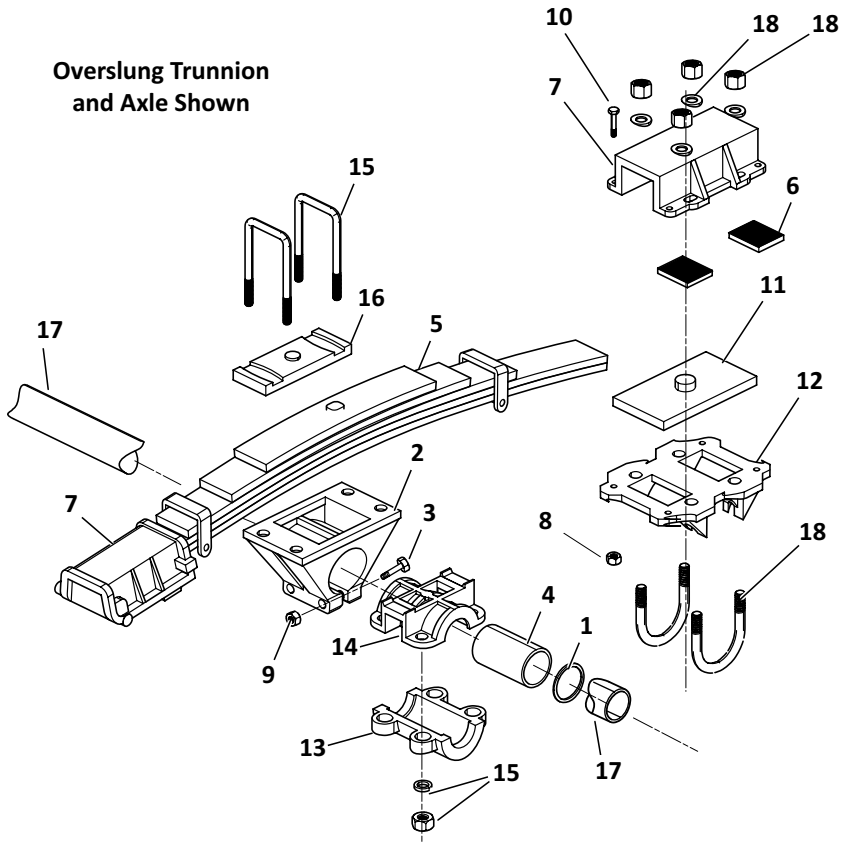
H2200 Leaf Spring — Tractor						
KEY NO.	EUCLID NO.	GENUINE	OEM REF.	DESCRIPTION	QTY. PER TANDEM	PAGE NO.
1	E-2890	-	2224-01	Equalizer with Bushing, Obsolete	2	HUT-56
2	E-2004	-	720-00	Equalizer Bushing, Fiber, and Shaft, Obsolete	2	-
3	E-2000	-	7016-01	Equalizer Bolt, 5/8"-18 Step Bolt	4	HUT-60
4	E-2001	-	729-00	Tab Lock	2	HUT-60
5	E-2002	-	37-01	Nut, 5/8"- 18	8	-
6	E-3415	-	759-00	Rebound Bolt; 5/8"- 18 x 4-1/2" Long	4	HUT-60
7	E-3416	-	756-00	Rebound Spacer Sleeve	4	HUT-60
	E-16525					
8	E-4835	-	10287-00	Rebound Bolt Assembly, Includes Key Nos. 5, 6, 7	4	HUT-59
	E-16523					
9	E-3414	-	-	Equalizer Bolt Kit, Includes Key Nos. 3, 4, 5, 6, 7	2	HUT-60
10	E-1075	-	-	Torque Arm Bushing Assembly, Rubber, Includes Key Nos. 11, 12, 13, 14	8	HUT-64
11	-	-	-	Torque Arm Bolt, 1"-14 X 7-1/4" Long	8	-
12	E-1828	-	-	Lock Nut, 1"-14	8	-
13	E-1074	-	227-00	Torque Arm Washer	16	HUT-65
14	E-1038	-	220-00	Torque Arm Bushing, Rubber	16	HUT-64
15	E-2898	-	2213-00	Adjustable Torque Arm, Obsolete	4	-
16	E-2907A		16868-01	U-Bolt Top Plate	4	HUT-69
	E-2907A-P	-				
17	E-2909	-	710-00	Bottom Plate, 5" Rd. Axle	4	HUT-71
	E-2909-P	-				
	E-16521					
18	E-UB5161-12	-	-	U-Bolt Assembly, Rd. Bend, 7/8"-14 Thd. x 3" Wide x 12" Long	8	HUT-53
	E-UB5161-14	-	-	U-Bolt Assembly, Rd. Bend, 7/8"-14 Thd. x 3" Wide x 14" Long	8	HUT-53
	E-UB5161-18	-	-	U-Bolt Assembly, Rd. Bend, 7/8"-14 Thd. x 3" Wide x 18" Long	8	HUT-53
	E-UB8161-14	-	7040-11 7040-12 7040-14	U-Bolt Assembly, Rd. Bend, 7/8"-14 Thd. x 3" Wide x 14" Long	8	HUT-53
	E-UB8161-16	-	7040-15 7040-16 7040-17 7040-18	U-Bolt Assembly, Rd. Bend, 7/8"-14 Thd. x 3" Wide x 16" Long	8	HUT-53
	E-UB8161-18	-	7040-19	U-Bolt Assembly, Rd. Bend, 7/8"-14 Thd. x 3" Wide x 18" Long	8	HUT-53
19	E-1999A	-	7010-00	Equalizer Bushing, Rubber	2	HUT-59

 Denotes Product is Genuine Hutchens -P Suffix Indicates Price Point












HUTCHENS


H440 Single Point — Trailer

Overslung Trunnion
and Axle Shown



HUTCHENS

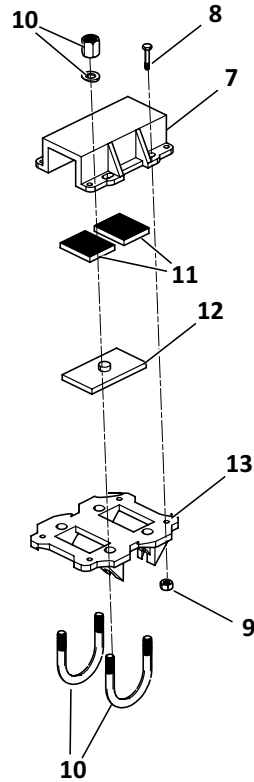
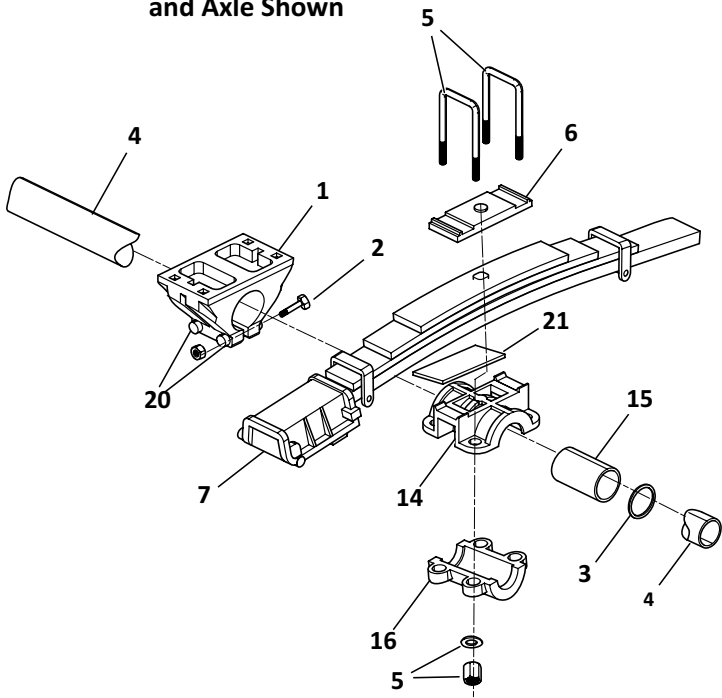
H440 Single Point — Trailer						
KEY NO.	EUCLID NO.	GENUINE	OEM REF.	DESCRIPTION	QTY. PER TANDEM	PAGE NO.
1	E-15207		20936-01	Trunnion Washer, 4" ID x 5-3/4 "OD x 5/32" Thick w/Flat	2	HUT-74
	E-5219		895-00	Trunnion Washer, 4" ID x 5-3/4" OD x 3/16" Thick	2	HUT-74
2	E-5213		850-01	Trunnion Hanger, 2-1/2" Height	2	HUT-74
	S.O.S.		897-01	Trunnion Hanger, 8-1/2" Height	2	-
3	E-15206	-	10376-00	Trunnion Hex Bolt, 3/4" -16 UNF x 4-1/2	4	HUT-77
4	E-25199		23276-03	Trunnion Hub Bushing, Free Oscillating, 7-1/2" Long	2	HUT-73
5	S.O.S.		-	Leaf Spring	2	-
6	E-5227	-	814-00	Spring End Pad, Rubber	8	HUT-76
	E-16519					
	GAFF14087	-	-	Spring End Pad, Poly	8	HUT-76
7	E-15239		20610-01	Spring End Cap	4	HUT-74
8	E-2988	-	-	Hex Locknut, 5/8"-11 UNC	8	HUT-78
9	E-4961A	-	-	Trunnion Hex Locknut, 3/4"-16 UNF	4	HUT-78
	E-16517		22414-01	Locknut, 3/4"-16 UNF	-	HUT-78
10	E-4348	-	-	Hex Bolt 5/8"-11 UNF x 2" Long	8	HUT-77
11	E-25198		20601-01	Adjustment Plate	4	HUT-76
12	E-25195		20609-01	Spring Seat	4	HUT-74
13	E-15214		20604-01	Trunnion Hub, Lower Half	2	HUT-73
14	E-15215		20605-01	Trunnion Hub, Upper Half	2	HUT-73
15	E-UB8268-105	-	-	U-Bolt Assembly, Square Bend 7/8"-14 Thd. X 5-1/8" Wide x 10-5/8" Long	4	-
16	E-16388	-	20612-01	Top Plate, Square U-Bolt	2	HUT-77
17	S.O.S.		893-20	Trunnion Tube, 1/2" Thk 46-1/2" Long, 44K Models	1	-
	E-15352	-	893-23	Trunnion Tube, 1/2" Thk 52-1/2" Long, 38K Models	1	HUT-74
18	E-UB8155-073	-	10060-01	U-Bolt Assembly, Rd. Bend, 3/4" - 16 Thd. x 5" Wide x 7-1/2" Long	8	-

 Denotes Product is Genuine Hutchens

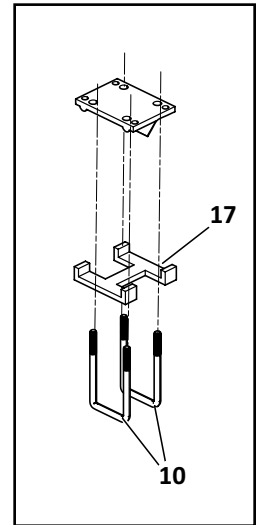
HUTCHENS

H900 Single Point — Trailer

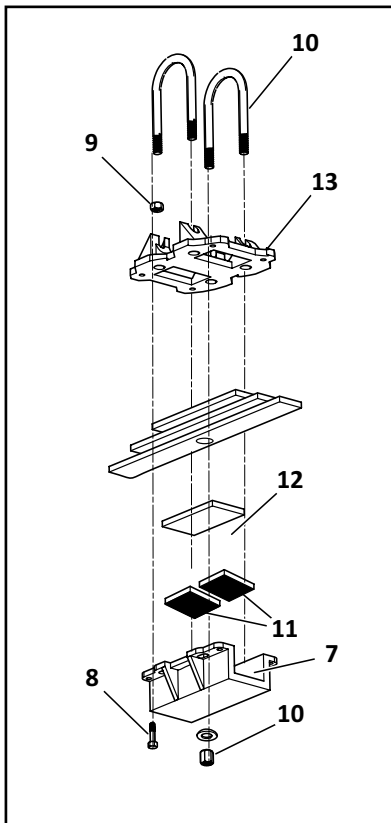
Overslung Trunnion and Axle Shown



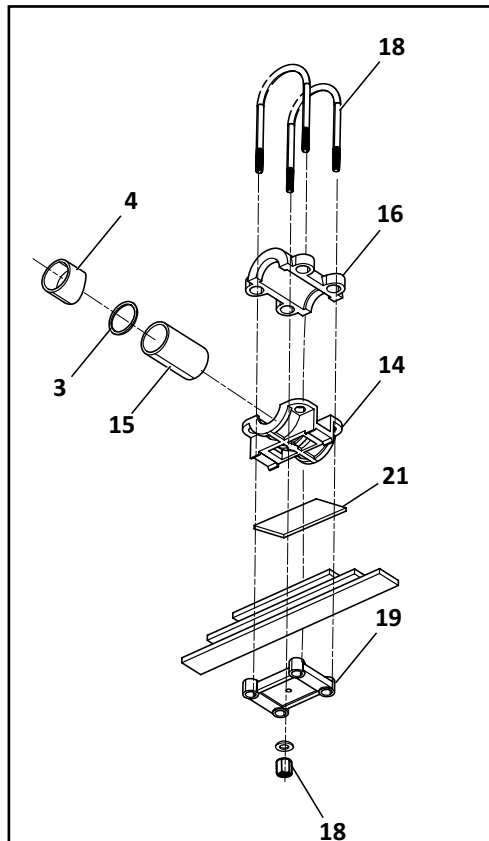
**5" Square Axle
Overslung Axle**



Underslung Axles



**Underslung
Trunnion Assembly**



HUTCHENS

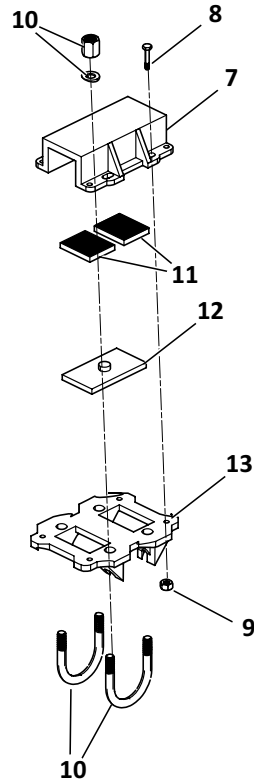
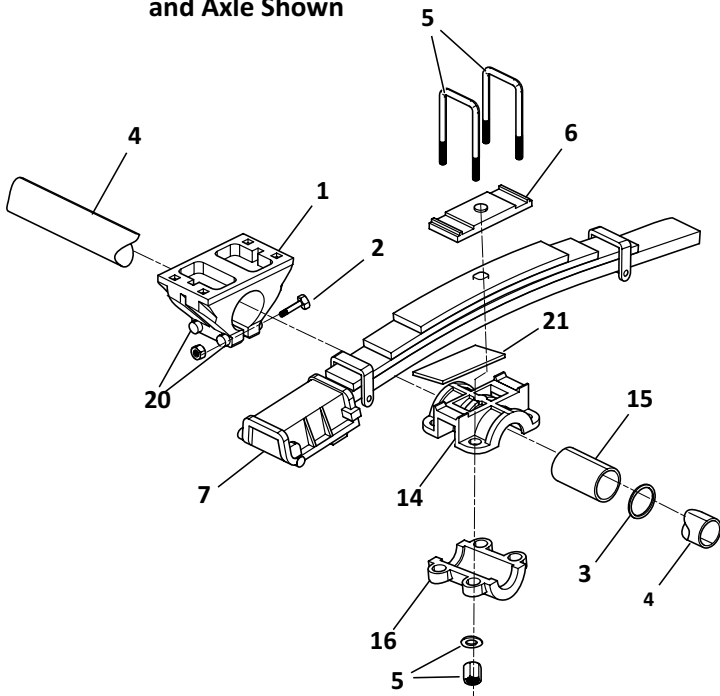
H900 Single Point — Trailer									
KEY NO.	EUCLID NO.	GENUINE	OEM REF.	DESCRIPTION	QTY. PER TANDEM				PAGE NO.
					OVER-SLUNG TRUNNION & AXLE	OS TRUNNION & US AXLE	US TRUNNION & OS AXLE	UNDER-SLUNG TRUNNION & AXLE	
1	E-5213		850-01	Trunnion Hanger, 2-1/2" High	2	2	2	2	HUT-74
	E-4312		10476-03	Trunnion Hanger, 4-1/2" High	2	2	2	2	HUT-74
	E-5214		849-01	Trunnion Hanger, 6-1/2" High	2	2	2	2	HUT-74
	E-5215		897-01	Trunnion Hanger, 8-1/2" High	2	2	2	2	HUT-74
2	E-15206	-	10376-00	Trunnion Hex Bolt, 3/4"-16 Thd. x 4-1/2" Long	4	4	4	4	HUT-77
3	E-5219		895-00	Trunnion Washer; 4" ID x 5-3/4" OD x 3/16" Thick	2	2	2	2	HUT-74
4	E-2964	-	893-01	Trunnion Shaft, 36 -44K lbs., 38" Spring Center	1	1	1	1	HUT-74
	E-5218		893-02	Trunnion Shaft, 50-70K lbs., 38" Spring Center	1	1	1	1	HUT-74
	E-16524				1	1	1	1	HUT-74
	See Component Section			Various	Trunnion Shaft Various Sizes	1	1	1	1
5	E-UB8286-134	-	9639-01 9639-02	U-Bolt Assembly, Sq. Bend, 1-1/8"- 12 Thd. X 5-1/8" Wide x 13-1/2" Long	4	4	-	-	-
	E-UB8286-154	-	9639-03 9639-04 9639-05	U-Bolt Assembly, Sq. Bend, 1-1/8"-12 Thd. x 5-1/8" Wide x 15-1/2" Long	4	4	-	-	-
	S.O.S.		Various	U-Bolt Assembly, Sq. Bend, 1-1/8"-12 Thd. x 5-7/8" Wide x Various Lengths	4	4	4	4	-
6	E-5230		9640-00	Top Plate, Cast, Square	2	2	-	-	HUT-77
7	E-5220		10049-00	Spring End Cap, 2 Main Leaf Spring	4	-	4	-	HUT-74
	E-5221		9937-00	Spring End Cap, 3 Main Leaf Spring	4	-	4	-	HUT-75
	E-15464		19069-01	Spring End Cap; Use w/ 5/8" Thick Alignment Plate Key No. 12	-	-	-	-	HUT-75
	E-5224		10050-02	Spring End Cap, 2 Main Leaf Spring	-	4	-	4	HUT-75
	E-5225		9941-02	Spring End Cap, 3 Main Leaf Spring	-	4	-	4	HUT-75
	E-15217		9942-02	Spring End Cap, 6" Round Axles	-	4	-	4	HUT-75
8	E-4348	-	-	Hex Bolt 5/8"-11 x 2" Long	16	16	16	16	HUT-77
9	E-2988	-	-	Hex Locknut 5/8"-11	16	16	16	16	HUT-78
10	E-UB8155-073	-	10060-01	U-Bolt Assembly, Rd. Bend, 3/4"-16 Thd. x 5" Wide x 7-3/8" Long	8	-	8	-	-
	E-UB8156-08	-	10061-01	U-Bolt Assembly, Rd. Bend, 3/4"-16 Thd. x 5-3/4" Wide x 8" Long	8	-	8	-	-
	E-UB8157-08	-	10062-01	U-Bolt Assembly, Rd. Bend, 3/4"-16 Thd. x 6" Wide x 8" Long	8	-	8	-	-
	E-UB8175-104	-	10064-01 10064-02	U-Bolt Assembly, Rd. Bend, 1"-14 Thd. x 5" Wide x 10-1/2" Long	-	8	-	8	-
	E-UB8177-114	-	10065-01	U-Bolt Assembly, Rd. Bend, 1"-14 Thd. x 5-3/4" Wide x 11-1/2" Long	-	8	-	8	-
	E-UB8176-114	-	10066-01	U-Bolt Assembly, Rd. Bend, 1"-14 Thd. x 6" Wide x 11-1/2" Long	-	8	-	8	-
	E-UB8256-077	-	10063-02	U-Bolt Assembly, Sq. Bend, 3/4"-16 Thd. x 5" Wide x 7-7/8" Long	8	-	8	-	-
	E-UB8271-104	-	10067-02	U-Bolt Assembly, Sq. Bend, 1"-14 Thd. x 5" Wide x 10-1/2" Long	-	8	-	8	-
	E-UB8271-111	-	10067-03	U-Bolt Assembly, Sq. Bend, 1"-14 Thd. x 5" Wide x 11-1/8" Long	-	8	-	8	-

Denotes Product is Genuine Hutchens -P Suffix Indicates Price Point

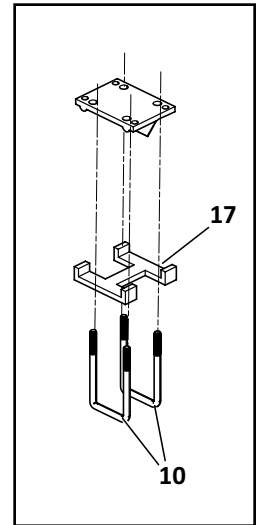
HUTCHENS

H900 Single Point — Trailer

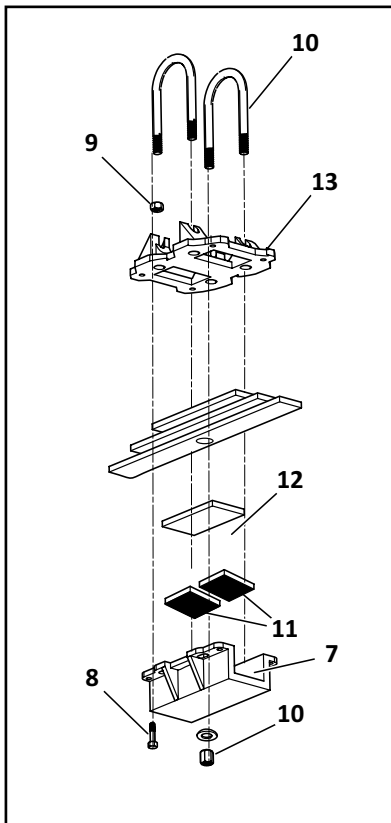
Overslung Trunnion and Axle Shown



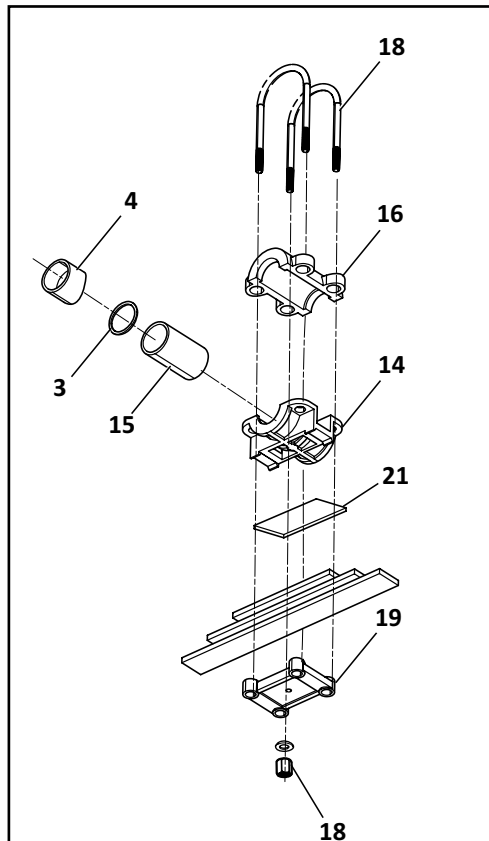
5" Square Axle Overslung Axle



Underslung Axles























Underslung Trunnion Assembly



HUTCHENS

H900 Single Point — Trailer

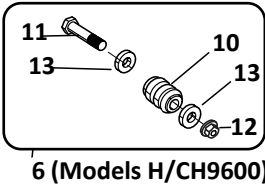
KEY NO.	EUCLID NO.	GENUINE	OEM REF.	DESCRIPTION	QTY. PER TANDEM				PAGE NO.
					OVER-SLUNG TRUNNION & AXLE	OS TRUNNION & US AXLE	US TRUNNION & OS AXLE	UNDER-SLUNG TRUNNION & AXLE	
11	E-5227	-	814-00	Spring End Pad, Rubber	8	8	8	8	HUT-76
	E-16519								
	GAFF14087	-	-	Spring End Pad, Poly	8	8	8	8	HUT-76
12	E-5228	-	10608-00	Alignment Adjustment Plate 3/8" Thick	4	4	4	4	HUT-77
	E-16522								
	E-15463		19059-01	Alignment Adjustment Plate 5/8" Thick	4	4	4	4	HUT-77
13	E-5222		9934-02	Spring Seat, 5" Rd. Axle	4	-	4	-	HUT-75
	E-5226		9938-00	Spring Seat, 5" Rd. Axle	-	4	-	4	HUT-75
	E-5223		9935-02	Spring Seat, 5" x 5" Sq. Axle	4	-	4	-	HUT-75
	E-15218		9939-00	Spring Seat, 5" x 5" Sq. Axle	-	4	-	4	HUT-75
	E-15219		9936-03	Spring Seat, 5-3/4" Rd. Axle	4	-	4	-	HUT-75
	E-15220		9940-00	Spring Seat, 5-3/4" Rd. Axle	-	4	-	4	HUT-75
	E-15221		9936-04	Spring Seat, 6" Rd. Axle	4	-	4	-	HUT-75
	E-15222		9940-01	Spring Seat, 6" Rd. Axle	-	4	-	4	HUT-75
14	E-5210	-	891-00	Upper Trunnion Hub	2	2	2	2	HUT-73
	E-16532								
15	E-5216	-	890-00	Trunnion Bushing, Rubber	2	2	2	2	HUT-73
	E-16502		890-00						
	GAFF14027	-	-	Trunnion Bushing, Poly	2	2	2	2	HUT-73
	E-16397		23276-01	Free Oscillating Trunnion Bushing	2	2	2	2	HUT-73
16	E-5211	-	898-00	Lower Trunnion Hub, Overslung Trunnion	2	2	-	-	HUT-73
	E-16531								
	E-5212		892-00	Lower Trunnion Hub, Underslung Trunnion	-	-	2	2	HUT-73
17	E-5229		10488-00	Pressure Plate, 5" x 5" Square Axle	4	4	4	4	HUT-77
18	E-UB8187-154	-	835-02 835-03 835-04	U-Bolt Assembly, Rd. Bend, 1-1/8"- 12 Thd. X 5-7/8" Wide x 15-1/2" Long	-	-	4	4	-
	E-UB8187-164	-	835-06	U-Bolt Assembly, Rd. Bend, 1-1/8"- 12 Thd. X 5-7/8" Wide x 16-1/2" Long	-	-	4	4	-
19	E-5231A		820-00	Bottom Plate	-	-	2	2	HUT-77
20	E-4961A	-	-	Trunnion Hex Locknut 3/4"-16 UNF	4	4	4	4	HUT-78
	E-16517		22414-01						
21	E-25197		12919-01	Spring Liner Pad, 4-3/4" Wide x 10" Long	2	2	2	2	HUT-77

 Denotes Product is Genuine Hutchens -P Suffix Indicates Price Point

HUTCHENS

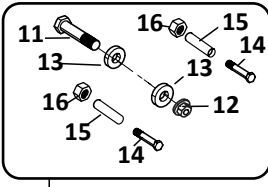
H7600/9600, CH7600/9600 Series Leaf Spring 49" Axle Spacing — Trailer

Equalizer Bushing & Bolt Kit



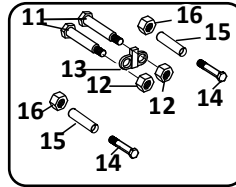
6 (Models H/CH9600)

Equalizer Bolt & Rebound Bolt Kit



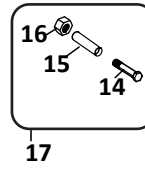
8 (Models H/CH9600)

Equalizer Bolt & Rebound Bolt Kit

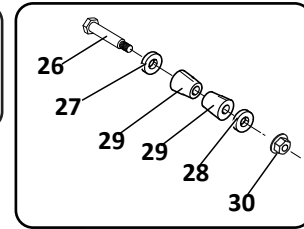


9 (Models H/CH7600)

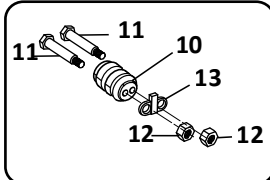
Rebound Bolt Kit



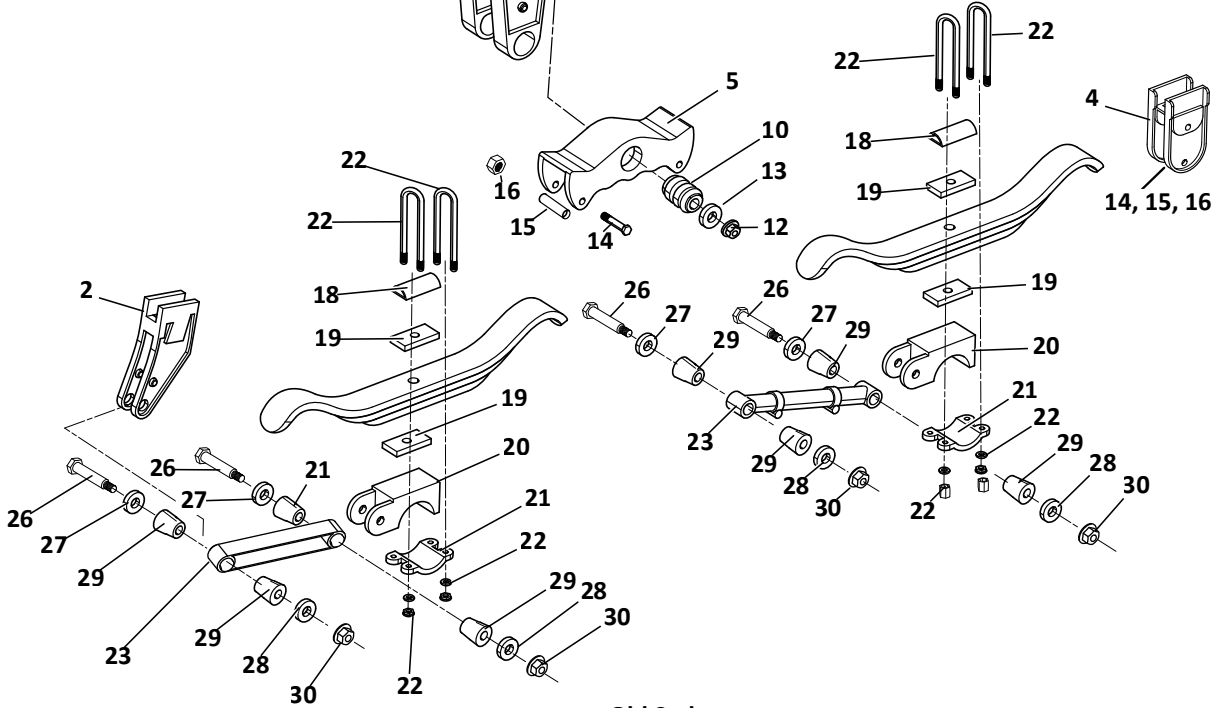
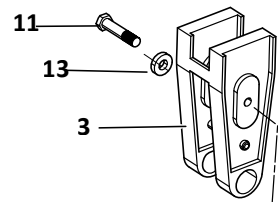
Torque Arm Bushing & Bolt Kit



24 & 25

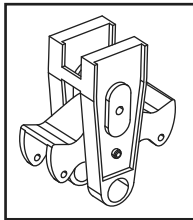


7 (Models H/CH7600)



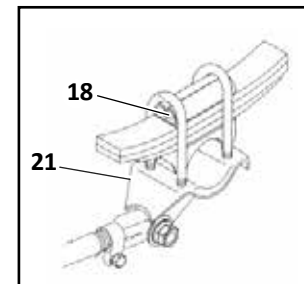
Old Style
H-7600/CH-7600 Cast Series

Hanger/Equalizer Assembly
Straddle Mount



1

No Hop Option
Rear Axle Only



HUTCHENS

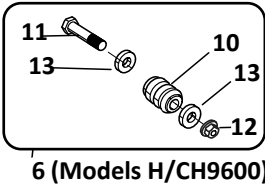
H7600/9600, CH7600/9600 Series Leaf Spring 49" Axle Spacing — Trailer									
KEY NO.	EUCLID NO.	GENUINE	OEM REF.	DESCRIPTION	QTY. PER TANDEM				PAGE NO.
					H9600	CH9600	H7600	CH7600	
1	E-9469		16321-01	Hanger/Equalizer Assembly, Straddle Mount	2	-	-	-	HUT-57
	E-9470		16321-02	Hanger/Equalizer Assembly, Under Mount	2	-	-	-	HUT-57
	S.O.S.		-	Other Hanger/Equalizer Assemblies, Specify Hanger Type	2	2	2	2	-
2	See Hanger Chart			Front Hanger	2	2	2	2	HUT-46
3	See Hanger Chart			Equalizer Hanger	2	2	2	2	HUT-46
4	See Hanger Chart			Rear Hanger	2	2	2	2	HUT-46
5	E-16393		16158-01	Equalizer, Fabricated, Rubber Bushing, One Bolt, O.E.	2	-	-	-	HUT-55
	E-17660	-	-	Equalizer, Fabricated, Rubber Bushing, Heavy Duty, One Bolt, Includes Wear Plates	-	-	2	-	HUT-55
	E-7532	-	16158-01	Equalizer, Fabricated, Rubber Bushing, One Bolt	2	-	-	-	HUT-55
	E-7532-P	-	16158-01	Equalizer, Fabricated, Rubber Bushing, Price Point, One Bolt	2	-	-	-	HUT-55
	GAFF997532	-	-	Equalizer, Fabricated, Poly Bushing, One Bolt	2	-	-	-	HUT-55
	E-9471	-	17784-01	Equalizer, Cast, Rubber Bushing, One Bolt	-	2	-	-	HUT-55
	E-9471-P	-							
	E-16507		17784-01						
	GAFF999471	-	-	Equalizer, Cast, Poly Bushing, One Bolt	2	-	-	-	HUT-55
	E-16392		750-03	Equalizer, Fabricated, Rubber Bushing, Two Bolt, O.E.	-	-	2	-	HUT-55
	E-2781	-	-	Equalizer, Fabricated, Rubber Bushing, Heavy Duty, Two Bolts, Includes Wear Plates	-	-	2	-	HUT-55
	E-2781A	-	750-03	Equalizer, Fabricated, Rubber Bushing, OE Equivalent, Two Bolt	-	-	2	-	HUT-55
	E-2781A-P	-	750-03	Equalizer, Fabricated, Rubber Bushing, Price Point, Two Bolt	-	-	2	-	HUT-55
	GAFF992781A	-	-	Equalizer, Fabricated, Poly Bushing, Two Bolt	-	-	2	-	HUT-55
	E-2889	-	19137-01	Equalizer, Cast, Rubber Bushing, Two Bolt	-	-	-	2	HUT-55
E-2889-P	-								
E-16508									
6	E-9472	-	-	Equalizer Bushing, Rubber & Bolt Kit, Includes Key Nos. 10, 11, 12, 13	2	2	-	-	HUT-59
	GAFF999472	-	-	Equalizer Bushing, Poly & Bolt Kit, Includes Key Nos. 10, 11, 12, 13	2	2	-	-	HUT-59
7	E-2003	-	-	Equalizer Bushing, Rubber & Bolt Kit, Includes Key Nos. 10, 11, 12, 13	-	-	2	2	HUT-59
8	E-9475	-	16353-01	Equalizer (1) Bolt Kit, Includes Key Nos. 11, 12, 13, 14, 15, 16	2	2	-	-	HUT-60
	E-16506								
9	E-3414	-	-	Equalizer (2) Bolt & Rebound Bolt Kit, Includes Key Nos. 11, 12, 13, 14, 15, 16	-	-	2	2	HUT-60
10	E-7621	-	18723-01	Equalizer Bushing, Rubber, One Hole	2	2	-	-	HUT-59
	E-16501								
	GAFF14038	-	-	Equalizer Bushing, Poly, One Hole	2	2	-	-	HUT-59
	E-1999A	-	7010-00	Equalizer Bushing, Rubber, Two Hole	-	-	2	2	HUT-59
	GAFF14000	-	-	Equalizer Bushing, Poly, Two Hole	-	-	2	2	HUT-59
11	E-7533	-	16150-01	Equalizer Hex Bolt, 1-1/8"-7 x 6-5/8" Long	2	2	-	-	HUT-61
	E-2000	-	7016-01	Equalizer Step Hex Bolt, 3/4" Body x 6" Long, 5/8"-18	-	-	4	4	HUT-60

 Denotes Product is Genuine Hutchens -P Suffix Indicates Price Point

HUTCHENS

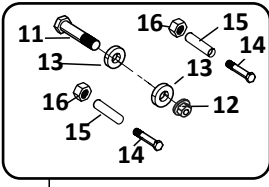
H7600/9600, CH7600/9600 Series Leaf Spring 49" Axle Spacing — Trailer

Equalizer Bushing & Bolt Kit



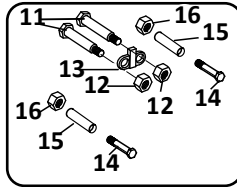
6 (Models H/CH9600)

Equalizer Bolt & Rebound Bolt Kit



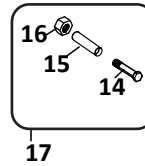
8 (Models H/CH9600)

Equalizer Bolt & Rebound Bolt Kit

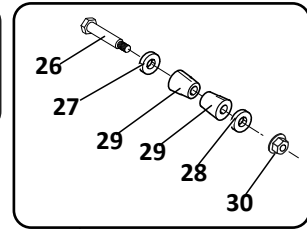


9 (Models H/CH7600)

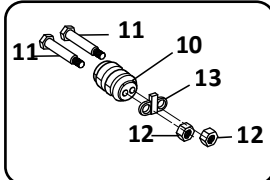
Rebound Bolt Kit



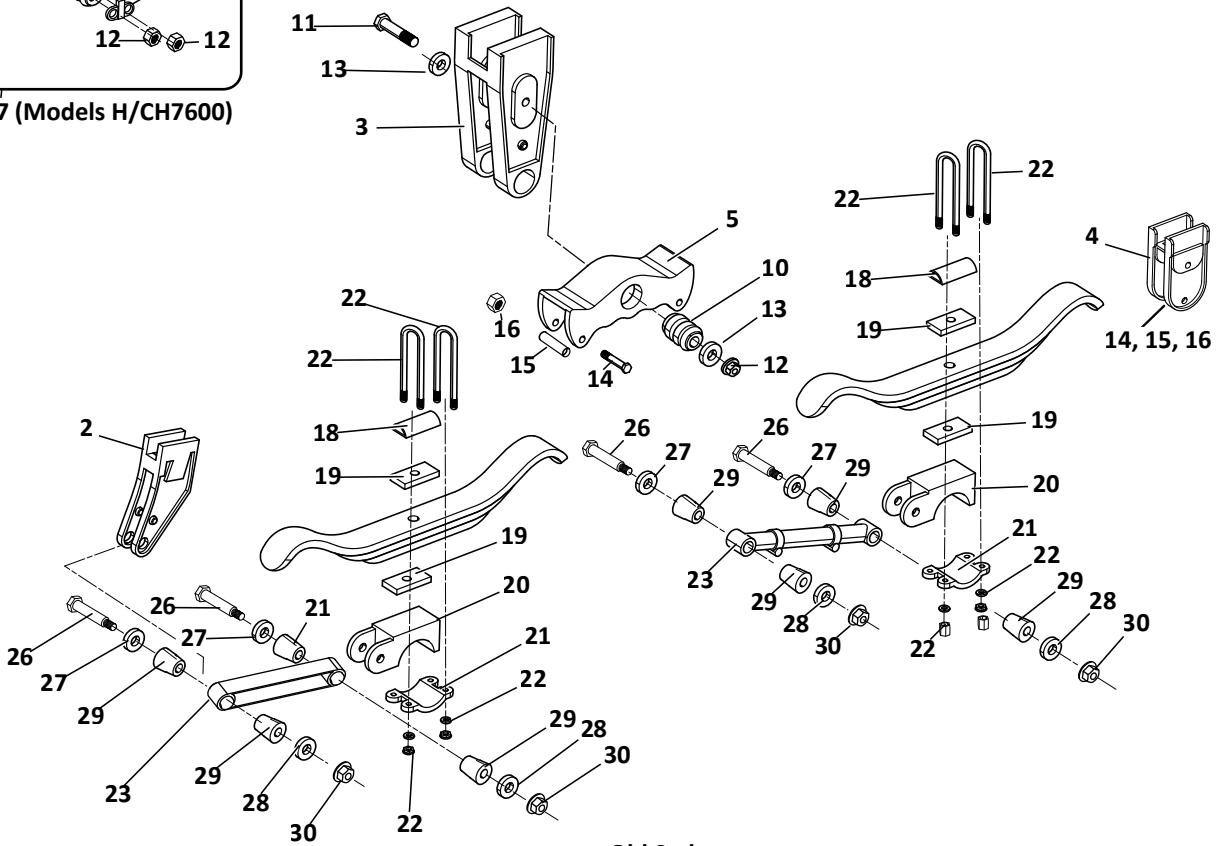
Torque Arm Bushing & Bolt Kit



24 & 25

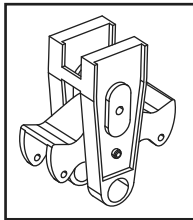


7 (Models H/CH7600)

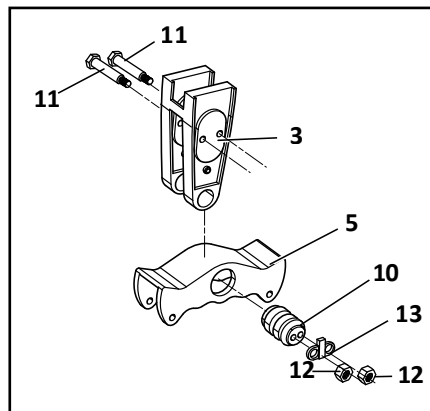


Old Style
H-7600/CH-7600 Cast Series

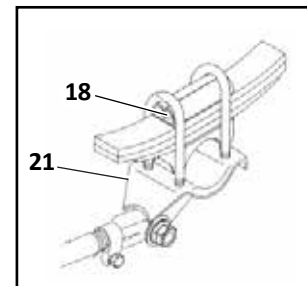
Hanger/Equalizer Assembly
Straddle Mount



1



No Hop Option
Rear Axle Only



HUTCHENS

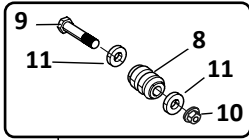
H7600/9600, CH7600/9600 Series Leaf Spring 49" Axle Spacing — Trailer									
KEY NO.	EUCLID NO.	GENUINE	OEM REF.	DESCRIPTION	QTY. PER TANDEM				PAGE NO.
					H9600	CH9600	H7600	CH7600	
12	E-4358	-	11154-00	Equalizer Hex Locknut, 1-1/8"-7	2	2	-	-	HUT-61
	E-2002	-	37-03	Equalizer Hex Nut, 5/8"-18	-	-	4	4	-
13	E-2001	-	729-00	Lock Tab Washer	-	-	2	2	HUT-60
	E-2548	-	-	Washer, 1-3/16" ID	4	4	-	-	-
14	E-3415	-	759-00	Equalizer Rebound Hex Bolt, 5/8"-18 x 4-1/2" Long	6	6	6	6	HUT-60
15	E-3416	-	756-00	Equalizer Rebound Spacer Sleeve	6	6	6	6	HUT-60
	E-16525								
16	E-2002	-	37-03	Hex Nut, 5/8"-18	6	6	6	6	-
17	E-4835	-	10287-00	Rebound Bolt Kit, 5/8"- 18 x 4-1/2" Long, Includes Key Nos. 14, 15, 16	6	6	6	6	HUT-59
	E-16523								
18	E-2907A		16868-01	U-Bolt Top Plate	4	4	4	4	HUT-69
	E-2907A-P	-							
19	E-2842	-	-	Delrin Spring Liner Pad	8	8	8	8	HUT-69
	E-16520		7052-02	Galvanized Steel Spring Liner Pad	8	8	8	8	
20	See Spring Seat Chart			Spring Seat	4	4	4	4	HUT-50
21	E-2909	-	710-00	Bottom Plate, 5" Rd.	4	4	4	4	HUT-71
	E-2909-P	-							
	E-16521								
	E-15205		7622-00	Bottom Plate, Cast, 5" Rd. Axle	4	4	4	4	HUT-71
	E-7636		7747-01	Bottom Plate, 5" Sq. Axle	4	4	4	4	HUT-71
	E-7635		7746-00	Bottom Plate, 4" x 6" Axle	4	4	4	4	HUT-71
	E-16391		7619-00	Bottom Plate Stabilizer Bracket, 5" Round Axle; No Hop, Rear Axle Only	2	2	2	2	HUT-72
E-15358		7621-00	Bottom Plate Stabilizer Bracket, 5" Square Axle; No Hop, Rear Axle Only	2	2	2	2	HUT-72	
22	See U-Bolt Chart			U-Bolt Assembly	8	8	8	8	HUT-53
23	E-9476		16167-04	Adjustable Torque Arm, 18-20" Center-to-Center	2	2	2	2	HUT-60
	E-15429		16167-06	Adjustable Torque Rod, 20-22" Center-to-Center, No-Hop	2	2	2	2	HUT-63
	E-9477		11953-01	Rigid Torque Arm. 19-1/4" Center-to-Center	2	2	2	2	HUT-63
24	E-9478	-	-	Torque Arm Bushing, Rubber, & Bolt Kit, Includes Key Nos. 26, 27, 28, 29, 30	8	8	8	8	HUT-64
25	GAFF999478	-	-	Torque Arm Bushing, Poly, & Bolt Kit, Includes Key Nos. 26, 27, 28, 29, 30	8	8	8	8	HUT-64
26	E-9480		12709-01	Torque Arm Step Bolt, 7/8"-14	8	8	8	8	HUT-65
27	E-2833	-	12710-01	Washer, 1-5/16" ID	8	8	8	8	HUT-65
28	E-9482	-	12711-01	Washer, 15/16" ID	8	8	8	8	-
29	E-927	-	7620-00	Torque Arm Bushing, Rubber	16	16	16	16	HUT-64
	E-16505								
	GAFF13001	-							
30	E-1835	-	34-02	Torque Arm Nut, 7/8"-14 Hex Locknut	8	8	8	8	HUT-65
-	E-9487		755-03	Replacement Hanger Wear Pad	As Required	As Required	As Required	As Required	HUT-68

 Denotes Product is Genuine Hutchens -P Suffix Indicates Price Point

HUTCHENS

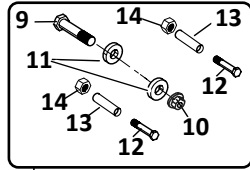
H7700/9700, CH7700/9700 Series Leaf Spring and Series 10 Sliders 42-1/2", 44", 49" and 50" Axle Spacing — Trailer

Equalizer Bushing & Bolt Kit



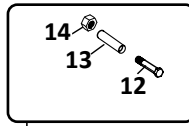
6 (Models H/CH9700)

Equalizer Bolt & Rebound Bolt Kit



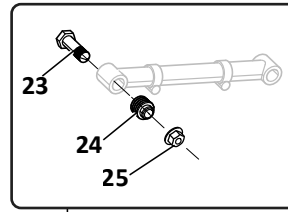
7 (Models H/CH9700)

Rebound Bolt Kit



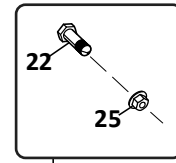
15

Torque Arm Bushing & Bolt Kit Assembly

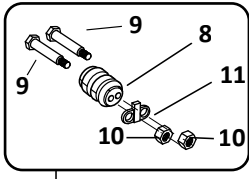


22

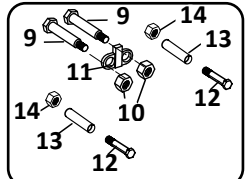
Torque Arm Bolt & Flange Nut Kit



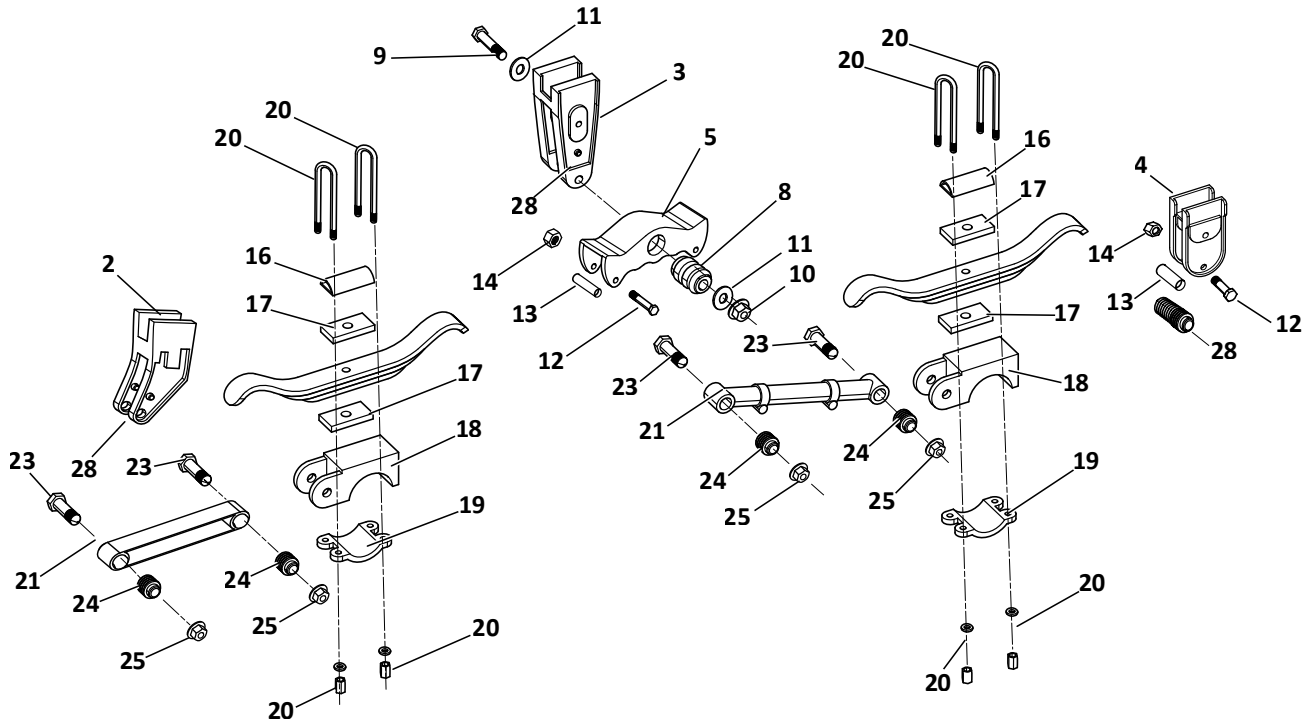
26



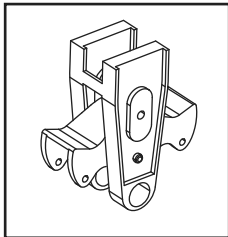
6 (Models H/CH7700)



7 (Models H/CH7700)

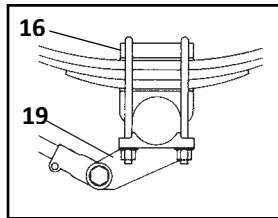


**Hanger/Equalizer Assembly
Straddle Mount - H-7700/9700**



1

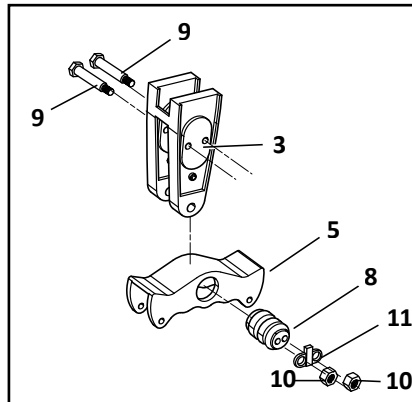
**No Hop Option
Rear Axle Only**



16

19

**Old Style
H-7700/CH7700 (Cast) Series**



9

3

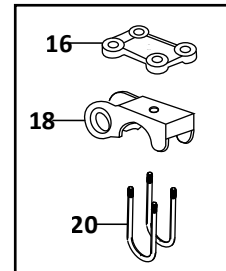
5

8

11

10

**Upper Mounted
U-Bolt**

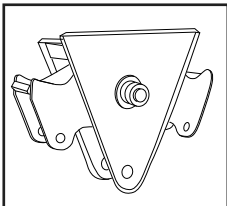


16

18

20











**Series 10
Hanger/Equalizer Assembly**



1

HUTCHENS

H7700/9700, CH7700/9700 Series Leaf Spring and Series 10 Sliders 42-1/2", 44", 49" and 50" Axle Spacing — Trailer

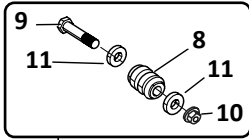
KEY NO.	EUCLID NO.	GENUINE	OEM REF.	DESCRIPTION	QTY. PER TANDEM				PAGE NO.
					H9700	CH9700	H7700	CH7700	
1	E-9484		16319-01	Hanger/Equalizer Assembly, Fabricated, Straddle-mount	2	-	-	-	HUT-57
	E-9485		16319-02	Hanger/Equalizer Assembly, Fabricated, Under-mount	2	-	-	-	HUT-57
	E-15440		16319-06	Equalizer and Hanger Assembly; Fabricated, Modified	2	-	-	-	HUT-57
	E-15441		16319-07	Equalizer and Hanger Assembly, Fabricated, Bolt on Flange	2	-	-	-	HUT-57
	E-15442		16319-08	Equalizer and Hanger Assembly, Fabricated, Weld on Flange	2	-	-	-	HUT-57
	E-15443		16319-51	Equalizer and Hanger Assembly, Cast, Straddle-mount	-	2	-	-	HUT-57
	E-15444		16319-52	Equalizer and Hanger Assembly, Cast, Undermount	-	2	-	-	HUT-58
	E-15445		16319-57	Equalizer and Hanger Assembly, Cast, Bolt on Flange	-	2	-	-	HUT-58
	E-16800		25589-01	Center Hanger and Equalizer Assembly, Series 10 Slider	2	-	-	-	-
	S.O.S.		-	Other Hanger/Equalizer Assemblies, Specify Hanger Type	2	2	2	2	-
2	See Hanger Chart			Front Hanger	2	2	2	2	HUT-46
3	See Hanger Chart			Equalizer Hanger	2	2	2	2	HUT-46
4	See Hanger Chart			Rear Hanger	2	2	2	2	HUT-46

 Denotes Product is Genuine Hutchens -P Suffix Indicates Price Point

HUTCHENS

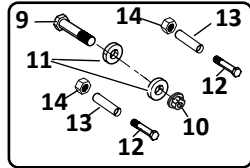
H7700/9700, CH7700/9700 Series Leaf Spring and Series 10 Sliders 42-1/2", 44", 49" and 50" Axle Spacing — Trailer

Equalizer Bushing & Bolt Kit



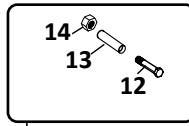
6 (Models H/CH9700)

Equalizer Bolt & Rebound Bolt Kit



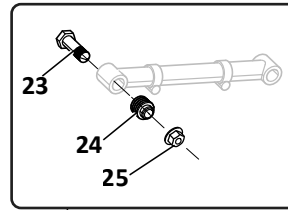
7 (Models H/CH9700)

Rebound Bolt Kit



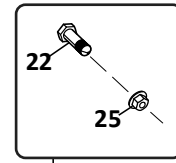
15

Torque Arm Bushing & Bolt Kit Assembly

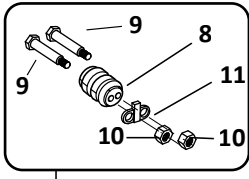


22

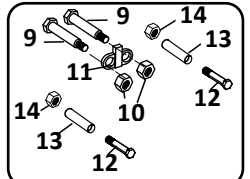
Torque Arm Bolt & Flange Nut Kit



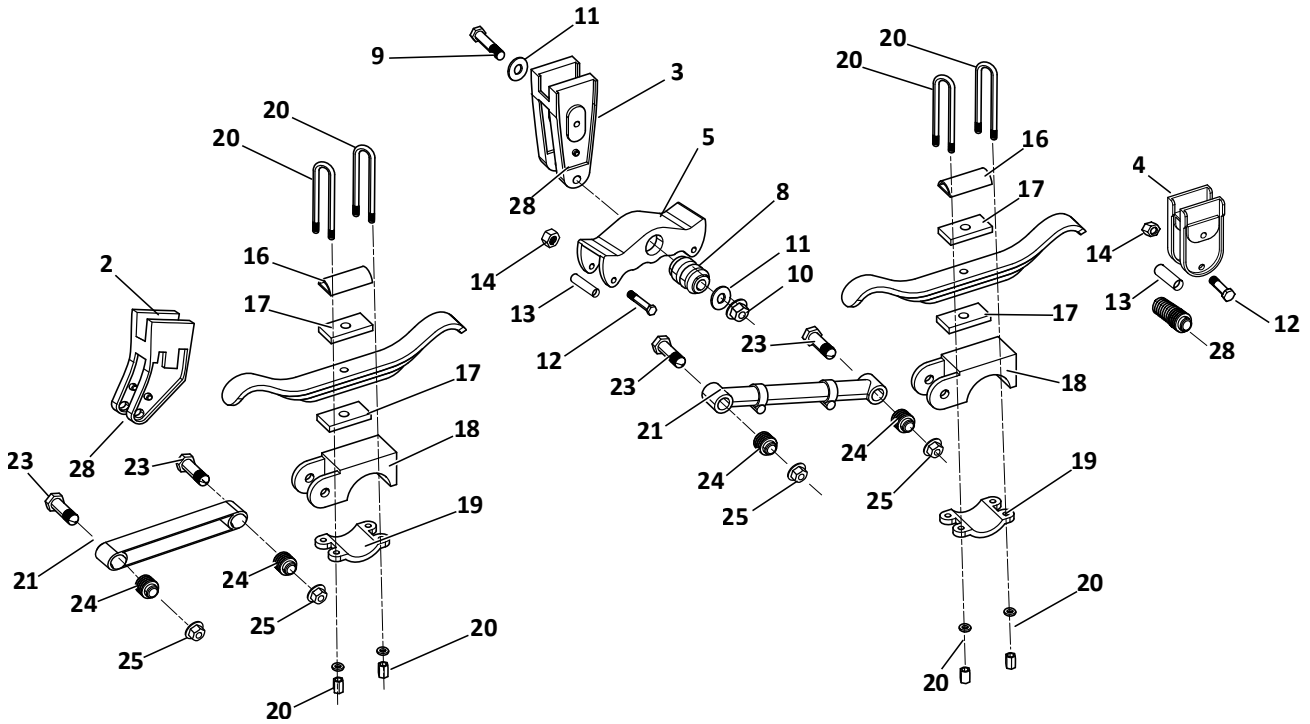
26



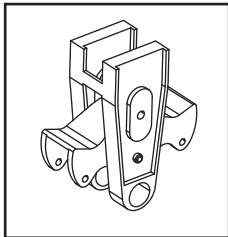
6 (Models H/CH7700)



7 (Models H/CH7700)

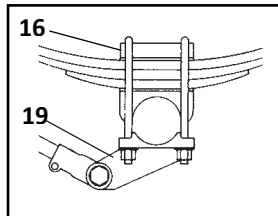


**Hanger/Equalizer Assembly
Straddle Mount - H-7700/9700**

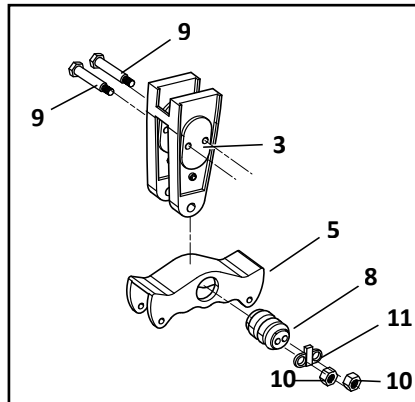


1

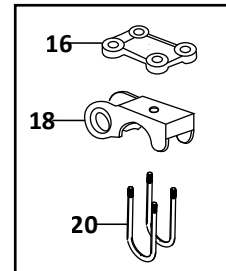
**No Hop Option
Rear Axle Only**



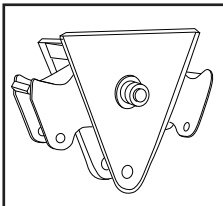
**Old Style
H-7700/CH7700 (Cast) Series**



**Upper Mounted
U-Bolt**










**Series 10
Hanger/Equalizer Assembly**



1

H7700/9700, CH7700/9700 Series Leaf Spring and Series 10 Sliders 42-1/2", 44", 49" and 50" Axle Spacing — Trailer

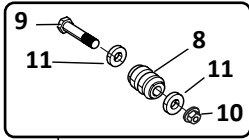
KEY NO.	EUCLID NO.	GENUINE	OEM REF.	DESCRIPTION	QTY. PER TANDEM				PAGE NO.
					H9700	CH9700	H7700	CH7700	
5	E-11452		24711-01	Equalizer, Fabricated, Rubber Bushing, One Bolt, 44" & 50" Axle Spacing,	2	-	-	-	HUT-56
	E-16393		16158-01	Equalizer, Fabricated, Rubber Bushing, One Bolt, O.E., 42-1/2 & 49" Axle Spacing	2	-	-	-	HUT-55
	E-17660	-	-	Equalizer, Fabricated, Rubber Bushing, Heavy Duty, One Bolt, Includes Wear Plates	2	-	-	-	HUT-55
	E-7532	-	16158-01	Equalizer, Fabricated, Rubber Bushing, One Bolt, 42-1/2 & 49" Axle Spacing	2	-	-	-	HUT-55
	E-7532-P	-	16158-01	Equalizer, Fabricated, Rubber Bushing, Price Point, One Bolt, 42-1/2 & 49" Axle Spacing	2	-	-	-	HUT-55
	GAFF997532	-	-	Equalizer, Fabricated, Poly Bushing, One Bolt, 42-1/2 & 49" Axle Spacing	2	-	-	-	HUT-55
	E-9471	-	17784-01	Equalizer, Cast, Rubber Bushing, One Bolt, 42-1/2 & 49" Axle Spacing	-	2	-	-	HUT-55
	E-9471-P	-							
	E-16507								
	GAFF999471	-	-	Equalizer, Cast, Poly Bushing, One Bolt, 42-1/2 & 49" Axle Spacing	2	-	-	-	HUT-55
	E-16392		750-03	Equalizer, Fabricated, Rubber Bushing, Two Bolt, O.E., 42-1/2 & 49" Axle Spacing	-	-	2	-	HUT-55
	E-2781	-	-	Equalizer, Fabricated, Rubber Bushing, Heavy Duty, Two Bolts, Includes Wear Plates, 42-1/2 & 49" Axle Spacing	-	-	2	-	HUT-55
	E-2781A	-	750-03	Equalizer, Fabricated, Rubber Bushing, OE Equivalent, Two Bolt, 42-1/2 & 49" Axle Spacing	-	-	2	-	HUT-55
	E-2781A-P	-	750-03	Equalizer, Fabricated, Rubber Bushing, Price Point, Two Bolt, 42-1/2 & 49" Axle Spacing	-	-	2	-	HUT-55
	GAFF992781A	-	-	Equalizer, Fabricated, Poly Bushing, Two Bolt, 42-1/2 & 49" Axle Spacing	-	-	2	-	HUT-55
	E-2889	-	19137-01	Equalizer, Cast, Rubber Bushing, Two Bolt, 42-1/2 & 49" Axle Spacing	-	-	-	2	HUT-55
E-2889-P	-								
E-16508									
E-15480		24712-01	Equalizer, Fabricated, Two Hole, Rubber, Bushing for 44" & 50" Axle Spacing	-	-	2	-	HUT-55	
6	E-9472	-	-	Equalizer Bushing, Rubber & Bolt Kit, Includes Key Nos. 8, 9, 10, 11	2	2	-	-	HUT-59
	GAFF999472	-	-	Equalizer Bushing, Poly & Bolt Kit, Includes Key Nos. 8, 9, 10, 11	2	2	-	-	HUT-59
	E-2003	-	-	Equalizer Bushing, Rubber & Bolt Kit, Includes Key Nos. 8, 9, 10, 11	-	-	2	2	HUT-59
7	E-9475	-	16353-01	Equalizer Bolt Kit, Includes Key Nos. 9, 10, 11, 12, 13, 14	2	2	-	-	HUT-60
	E-16506								
	E-3414	-	-	Equalizer (2) Bolt & Rebound Bolt Kit, Includes Key Nos. 9, 10, 11, 12, 13, 14	-	-	2	2	HUT-60

 Denotes Product is Genuine Hutchens -P Suffix Indicates Price Point

HUTCHENS

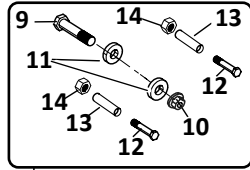
H7700/9700, CH7700/9700 Series Leaf Spring and Series 10 Sliders 42-1/2", 44", 49" and 50" Axle Spacing — Trailer

Equalizer Bushing & Bolt Kit



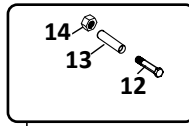
6 (Models H/CH9700)

Equalizer Bolt & Rebound Bolt Kit



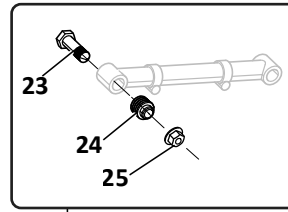
7 (Models H/CH9700)

Rebound Bolt Kit



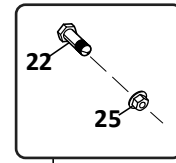
15

Torque Arm Bushing & Bolt Kit Assembly

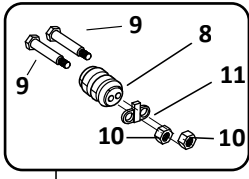


22

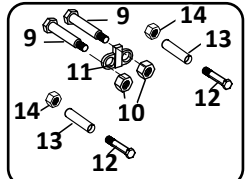
Torque Arm Bolt & Flange Nut Kit



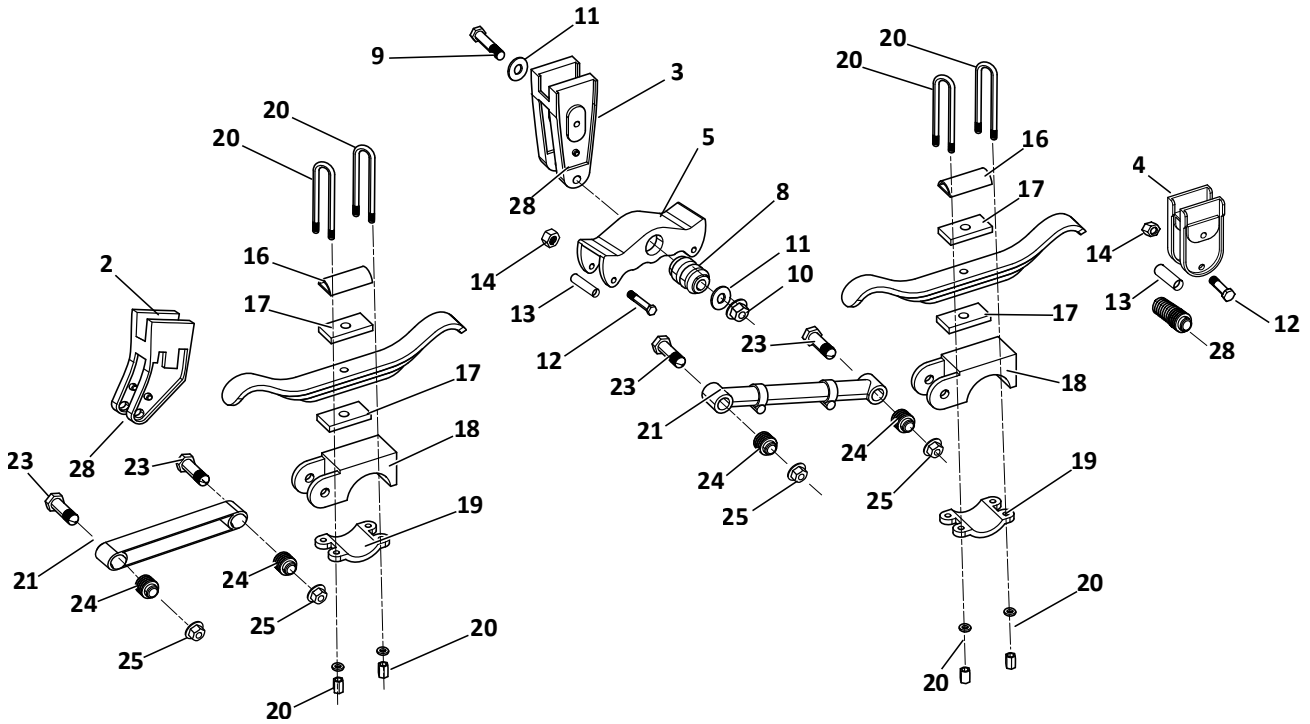
26



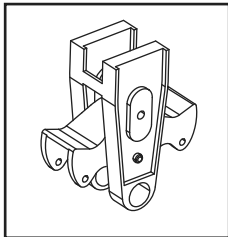
6 (Models H/CH7700)



7 (Models H/CH7700)

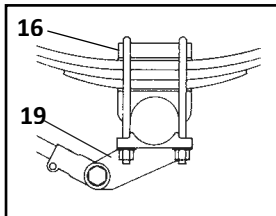


**Hanger/Equalizer Assembly
Straddle Mount - H-7700/9700**

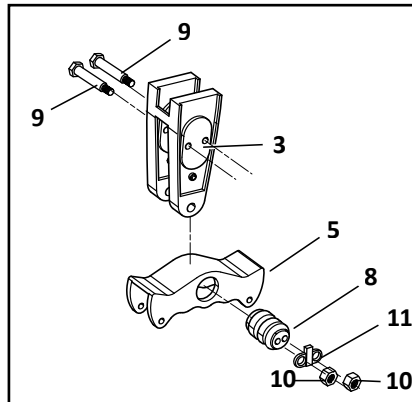


1

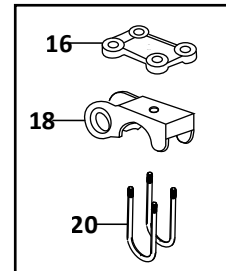
**No Hop Option
Rear Axle Only**



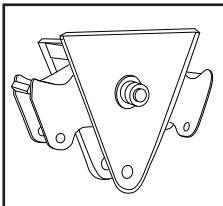
**Old Style
H-7700/CH7700 (Cast) Series**



**Upper Mounted
U-Bolt**



**Series 10
Hanger/Equalizer Assembly**



1

HUTCHENS

H7700/9700, CH7700/9700 Series Leaf Spring and Series 10 Sliders 42-1/2", 44", 49" and 50" Axle Spacing — Trailer

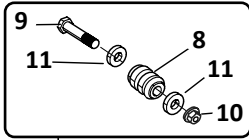
KEY NO.	EUCLID NO.	GENUINE	OEM REF.	DESCRIPTION	QTY. PER TANDEM				PAGE NO.
					H9700	CH9700	H7700	CH7700	
8	E-7621	-	16146-01	Equalizer Bushing, Rubber, 1 Hole	2	2	-	-	HUT-59
	E-16501		18723-01						
	GAFF14038	-	-	Equalizer Bushing, Poly, 1 Hole	2	2	-	-	
	E-1999A	-	7010-00	Equalizer Bushing, Rubber, 2 Hole	-	-	2	2	
	GAFF14000	-	-	Equalizer Bushing, Poly, 2 Hole	-	-	2	2	
9	E-7533	-	16150-01	Equalizer Center Hex Bolt, 1-1/8"-7 x 6-5/8" Long	2	2	-	-	HUT-61
	E-2000	-	7016-01	Equalizer Step Hex Bolt, 3/4" Dia. Body x 6" Long, 5/8"-18	-	-	4	4	HUT-60
10	E-4358	-	11154-00	Equalizer Locknut, 1-1/8"-7	2	2	-	-	HUT-61
	E-2002	-	37-03	Equalizer Hex Nut, 5/8"-18	-	-	4	4	-
11	E-2548	-	837-00	Washer, 1-1/4" ID	4	4	-	-	-
	E-2001	-	729-00	Tab Lock Washer	-	-	2	2	HUT-60
12	E-3415	-	759-00	Equalizer Rebound Hex Bolt, 5/8"-18 x 4-1/2" Long	6	6	6	6	HUT-60
13	E-3416	-	756-00	Equalizer Rebound Spacer Sleeve	6	6	6	6	HUT-60
	E-16525								
14	E-2002	-	37-03	Equalizer Rebound Std Hex Nut, 5/8"-18	6	6	6	6	-
15	E-4835	-	10287-00	Rebound Bolt Kit; 5/8"- 18 x 4-1/2" Long, Includes Key Nos. 12, 13, 14	6	6	6	6	HUT-59
	E-16523								
16	E-2907A		16868-01	U-Bolt Top Plate	4	4	4	4	HUT-69
	E-2907A-P	-							
	E-16389	-	9202-00	U-Bolt Top Plate, Flat for Upper Mounted U-Bolts	4	4	4	4	
17	E-2842	-	-	Delrin Spring Liner Pad	8	8	8	8	HUT-69
	E-16520		7052-02	Galvanized Steel Spring Liner Pad	8	8	8	8	
18	See Spring Seat Chart			Spring Seat	4	4	4	4	HUT-50
19	E-2909	-	710-00	Bottom Plate, 5" Rd. Axle, 7/8" Dia. U-Bolts	4	4	4	4	HUT-71
	E-2909-P	-							
	E-16521								
	E-15205		7622-00	Bottom Plate, Cast, 5" Rd. Axle	4	4	4	4	
	E-7636		7747-01	Bottom Plate, 5" Sq. Axle	4	4	4	4	
	E-7635		7746-00	Bottom Plate, 4" x 6" Axle	4	4	4	4	
	E-15336		16297-01	Bottom Plate, 5" Rd. Axle, 3/4" Dia. U-Bolts	4	4	4	4	
	E-7697		10775-00	Bottom Plate Stabilizer Bracket, 5" Round Axle, No Hop, Rear Axle	2	2	2	2	
	E-7698		7738-00	Bottom Plate Stabilizer Bracket, 4" x 6" Axle, No Hop, Rear Axle	2	2	2	2	
	E-7699		7738-01	Bottom Plate Stabilizer Bracket, 5" Square Axle, No Hop, Rear Axle	2	2	2	2	
20	See U-Bolt Chart			U-Bolt Assembly	8	8	8	8	HUT-53

 Denotes Product is Genuine Hutchens -P Suffix Indicates Price Point

HUTCHENS

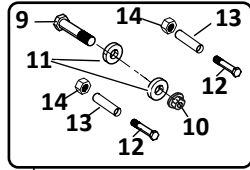
H7700/9700, CH7700/9700 Series Leaf Spring and Series 10 Sliders 42-1/2", 44", 49" and 50" Axle Spacing — Trailer

Equalizer Bushing & Bolt Kit



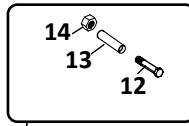
6 (Models H/CH9700)

Equalizer Bolt & Rebound Bolt Kit



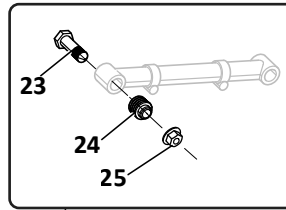
7 (Models H/CH9700)

Rebound Bolt Kit



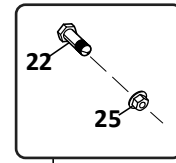
15

Torque Arm Bushing & Bolt Kit Assembly

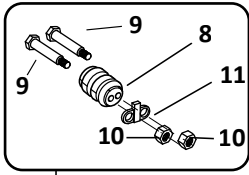


22

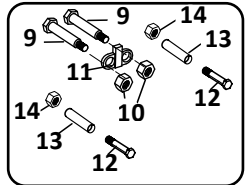
Torque Arm Bolt & Flange Nut Kit



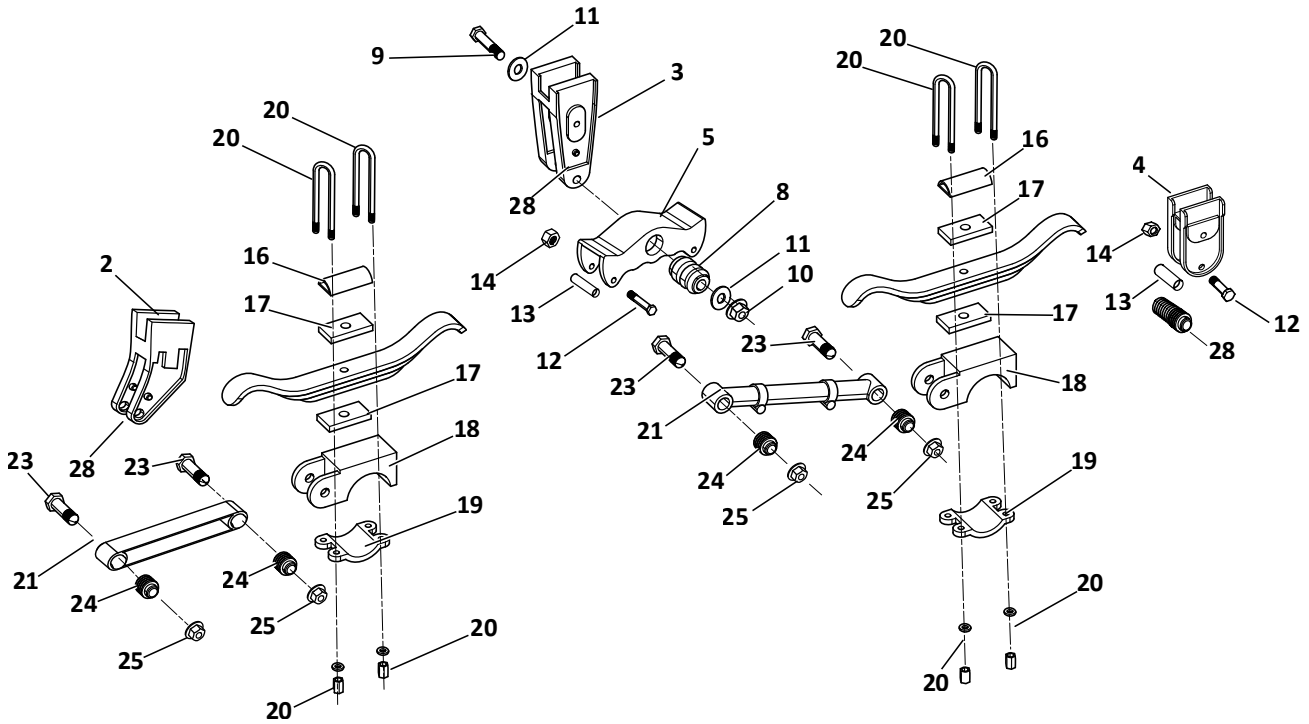
26



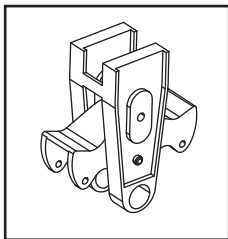
6 (Models H/CH7700)



7 (Models H/CH7700)

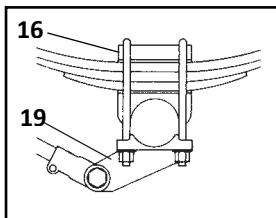


**Hanger/Equalizer Assembly
Straddle Mount - H-7700/9700**

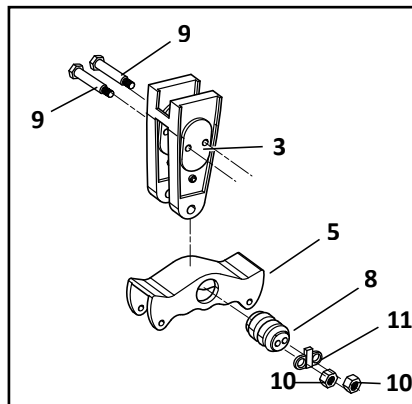


1

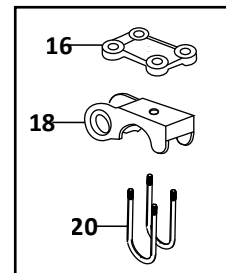
**No Hop Option
Rear Axle Only**



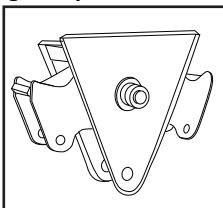
**Old Style
H-7700/CH7700 (Cast) Series**



**Upper Mounted
U-Bolt**



**Series 10
Hanger/Equalizer Assembly**



1

HUTCHENS

H7700/9700, CH7700/9700 Series Leaf Spring and Series 10 Sliders 42-1/2", 44", 49" and 50" Axle Spacing — Trailer

KEY NO.	EUCLID NO.	GENUINE	OEM REF.	DESCRIPTION	QTY. PER TANDEM				PAGE NO.
					H9700	CH9700	H7700	CH7700	
21	E-16394		16398-04	Adjustable Torque Arm, 18-1/2 – 21" Center-to-Center, O.E., 49" & 50" Axle Spacing	2	2	2	2	HUT-62
	E-3277	-	16398-04	Adjustable Torque Arm, 18-1/2 – 21" Center-to-Center, 49" & 50" Axle Spacing	2	2	2	2	HUT-62
	E-3277-P	-							
	E-16395		715-00	Rigid Torque Arm, 19-1/4" Center-to-Center, O.E., 49" & 50" Axle Spacing	2	2	2	2	HUT-63
	E-2899	-	715-00	Rigid Torque Arm, 19-1/4" Center-to-Center, 49" & 50" Axle Spacing	2	2	2	2	HUT-63
	E-2899-P	-							
	E-11448	-	16398-06	Adjustable Torque Arm, 21-1/4" – 23-3/4" Center-to-Center Rear, No Hop 5" Rd. Axle, 49" & 50" Axle Spacing	2	2	2	2	HUT-62
	E-16526								
	E-16390	-	16398-01	Adjustable Torque Rod; 13-15-1/2" Center-to-Center, Front 42-1/2" & 44" Axle Spacing*	2	2	2	2	HUT-62
S.O.S.		16398-02	Adjustable Torque Rod; 14-3/4" – 17-1/4" Center-to-Center, Rear 42-1/2" Axle Spacing*	2	2	2	2	-	
S.O.S.		16398-03	Adjustable Torque Rod; 15-3/8" – 17-7/8" Center-to-Center, Rear 44" Axle Spacing*	2	2	2	2	-	
22	E-3079	-	-	Torque Arm Bushing, Rubber & Bolt Kit Assy Includes Key Nos. 23, 24 and 25	8	8	8	8	HUT-64
	GAFF993079	-	-	Torque Arm Bushing, Poly & Bolt Kit Assy Includes Key Nos. 23, 24 and 25	8	8	8	8	HUT-64
23	E-2891	-	719-02	Torque Arm Hex Bolt, 1"-14 x 5" Long	8	8	8	8	HUT-65
	E-16500								
24	E-934	-	722-00	Torque Arm Bushing, Rubber	8	8	8	8	HUT-64
	E-16504								
	GAFF14073	-	-	Torque Arm Bushing, Poly	8	8	8	8	HUT-64
25	E-2892	-	10562-00	Torque Arm Hex Flange Nut, 1"-14	8	8	8	82	HUT-65
	E-16518								
26	E-9839	-	-	Torque Arm Bolt and Flange Nut Kit Includes Key Nos. 23, 25	8	8	8	8	HUT-65
27	E-15459		18541-01	Spring Rebound Bushing, Rear Hanger Mounted, Optional	As Required	As Required	As Required	As Required	HUT-69
-	E-7682		7717-01	Hanger Repair Bushing Washer For Fabricated Hangers (weld in place)	As Required	-	As Required	-	HUT-68
-	E-15355		6978-00	Hanger Repair Bushing Washer, For Cast Hangers (weld in place)	-	As Required	-	As Required	-
-	E-9487		755-03	Replacement Hanger Wear Pad	As Required	-	As Required	-	HUT-68

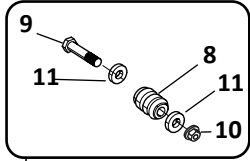
 Denotes Product is Genuine Hutchens -P Suffix Indicates Price Point

* Note: 42-1/2" & 44" Axle Spacing Do Not Use Rigid Torque Arms. All Torque Arms are Adjustable.

HUTCHENS

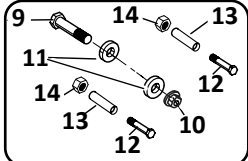
H7700/9700US, CH7700/9700US Underslung Series Leaf Spring — Trailer 49" Axle Spacing, Underslung Option Available on Most Axle Spacings

Equalizer Bushing & Bolt Kit



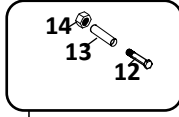
6 (Models H/CH9700)

Equalizer & Rebound Bolt Kit



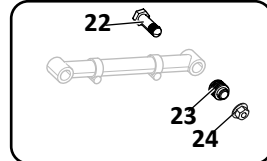
7 (Models H/CH9700)

Rebound Bolt Kit



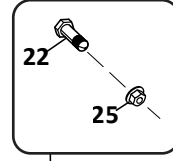
15

Torque Arm Bushing & Bolt Kit

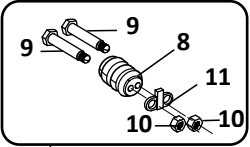


21

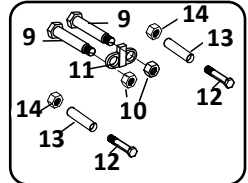
Torque Arm Bolt & Flange Nut Kit



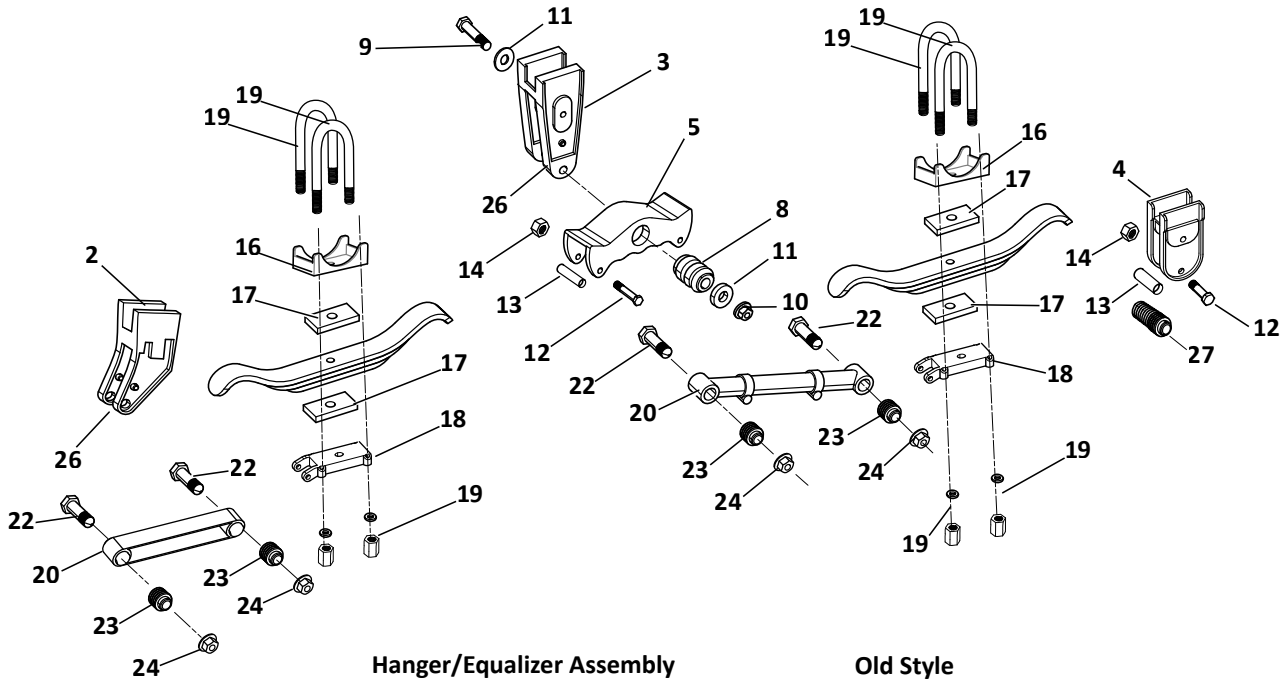
26



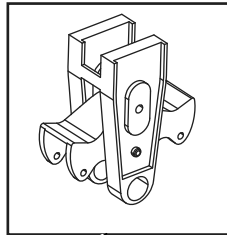
6 (Models H/CH7700)



7 (Models H/CH7700)

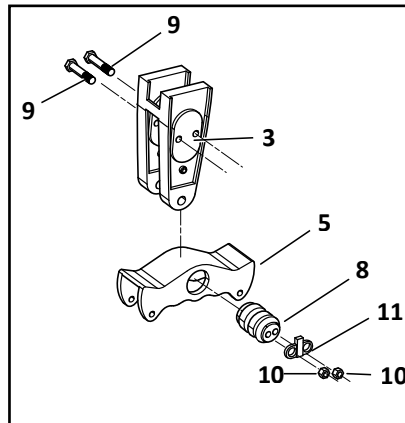


Hanger/Equalizer Assembly
Straddle Mount



1














Old Style
H7700/CH7700US (Cast) Series



10

HUTCHENS

H7700/9700US, CH7700/9700US Underslung Series Leaf Spring — Trailer 49" Axle Spacing, Underslung Option Available on Most Axle Spacings

KEY NO.	EUCLID NO.	GENUINE	OEM REF.	DESCRIPTION	QTY. PER TANDEM				PAGE NO.	
					H-9700US	CH-9700US	H-7700US	CH-7700US		
1	E-9484		16319-01	Hanger/Equalizer Assembly, Straddle Mount	2	-	-	-	HUT-57	
	E-9485		16319-02	Hanger/Equalizer Assembly, Under Mount	2	-	-	-	HUT-57	
	E-15440		16319-06	Hanger/Equalizer Assembly, Fabricated, Modified	2	-	-	-	HUT-57	
	E-15441		16319-07	Hanger/Equalizer Assembly, Fabricated, Bolt on Flange	2	-	-	-	HUT-57	
	E-15442		16319-08	Hanger/Equalizer Assembly, Fabricated, Weld on Flange	2	-	-	-	HUT-57	
	E-15443		16319-51	Hanger/Equalizer Assembly, Cast, Stradlemount	-	2	-	-	HUT-57	
	E-15444		16319-52	Hanger/Equalizer Assembly, Cast, Undermount	-	2	-	-	HUT-58	
	E-15445		16319-57	Hanger/Equalizer Assembly, Cast, Bolt on Flange	-	2	-	-	HUT-58	
	S.O.S.		-	Other Hanger/Equalizer Assemblies, Specify Hanger Type	2	2	2	2	-	
2	See Hanger Chart			Front Hanger	2	2	2	2	HUT-46	
3	See Hanger Chart			Equalizer Hanger	2	2	2	2	HUT-46	
4	See Hanger Chart			Rear Hanger	2	2	2	2	HUT-46	
5	E-16393		16158-01	Equalizer, Fabricated, Rubber Bushing, One Bolt, O.E.	2	-	-	-	HUT-55	
	E-17660	-	-	Equalizer, Fabricated, Rubber Bushing, Heavy Duty, One Bolt, Includes Wear Plates	2	-	-	-	HUT-55	
	E-7532	-	16158-01	Equalizer, Fabricated, Rubber Bushing, One Bolt	2	-	-	-	HUT-55	
	E-7532-P	-	16158-01	Equalizer, Fabricated, Rubber Bushing, Price Point, One Bolt	2	-	-	-	HUT-55	
	GAFF997532	-	-	Equalizer, Fabricated, Poly Bushing, One Bolt	2	-	-	-	HUT-55	
	E-9471	-	17784-01	Equalizer, Cast, Rubber Bushing, One Bolt	-	2	-	-	HUT-55	
	E-9471-P	-			-	-	-	-	-	HUT-55
	E-16507				-	-	-	-	-	-
	GAFF999471	-	-	Equalizer, Cast, Poly Bushing, One Bolt	2	-	-	-	HUT-55	
	E-16392		750-03	Equalizer, Fabricated, Rubber Bushing, Two Bolt, O.E.	-	-	2	-	HUT-55	
	E-2781	-	-	Equalizer, Fabricated, Rubber Bushing, Heavy Duty, Two Bolts, Includes Wear Plates	-	-	2	-	HUT-55	
	E-2781A	-	750-03	Equalizer, Fabricated, Rubber Bushing, OE Equivalent, Two Bolt	-	-	2	-	HUT-55	
	E-2781A-P	-	750-03	Equalizer, Fabricated, Rubber Bushing, Price Point, Two Bolt, Price Point	-	-	2	-	HUT-55	
	GAFF992781A	-	-	Equalizer, Fabricated, Poly Bushing, Two Bolt	-	-	2	-	HUT-55	
	E-2889	-	19137-01	Equalizer, Cast, Rubber Bushing, Two Bolt	-	-	-	2	HUT-55	
E-2889-P	-	-			-	-	-	-		
E-16508		-			-	-	-	-	-	
6	E-9472	-	-	Equalizer Bushing Rubber & Bolt Kit Includes Key Nos. 8, 9, 10, 11	2	2	-	-	HUT-59	
	GAFF999472	-	-	Equalizer Bushing Poly & Bolt Kit Includes Key Nos. 8, 9, 10, 11	2	2	-	-	HUT-59	
	E-2003	-	-	Equalizer Bushing Rubber & Bolt Kit Includes Key Nos. 8, 9, 10, 11	-	-	2	2	HUT-59	

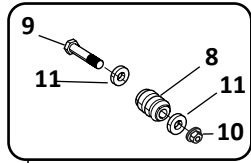
 Denotes Product is Genuine Hutchens -P Suffix Indicates Price Point

HUTCHENS

HUTCHENS

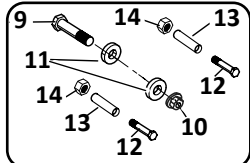
H7700/9700US, CH7700/9700US Underslung Series Leaf Spring — Trailer 49" Axle Spacing, Underslung Option Available on Most Axle Spacings

Equalizer Bushing & Bolt Kit



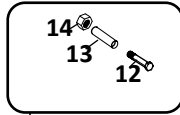
6 (Models H/CH9700)

Equalizer & Rebound Bolt Kit



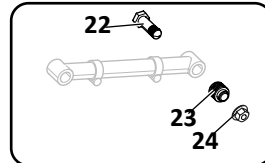
7 (Models H/CH9700)

Rebound Bolt Kit



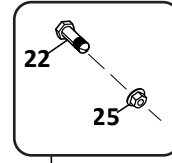
15

Torque Arm Bushing & Bolt Kit

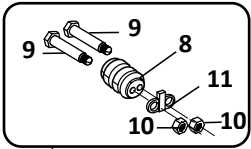


21

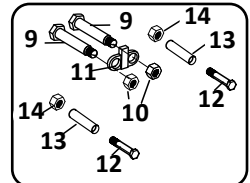
Torque Arm Bolt & Flange Nut Kit



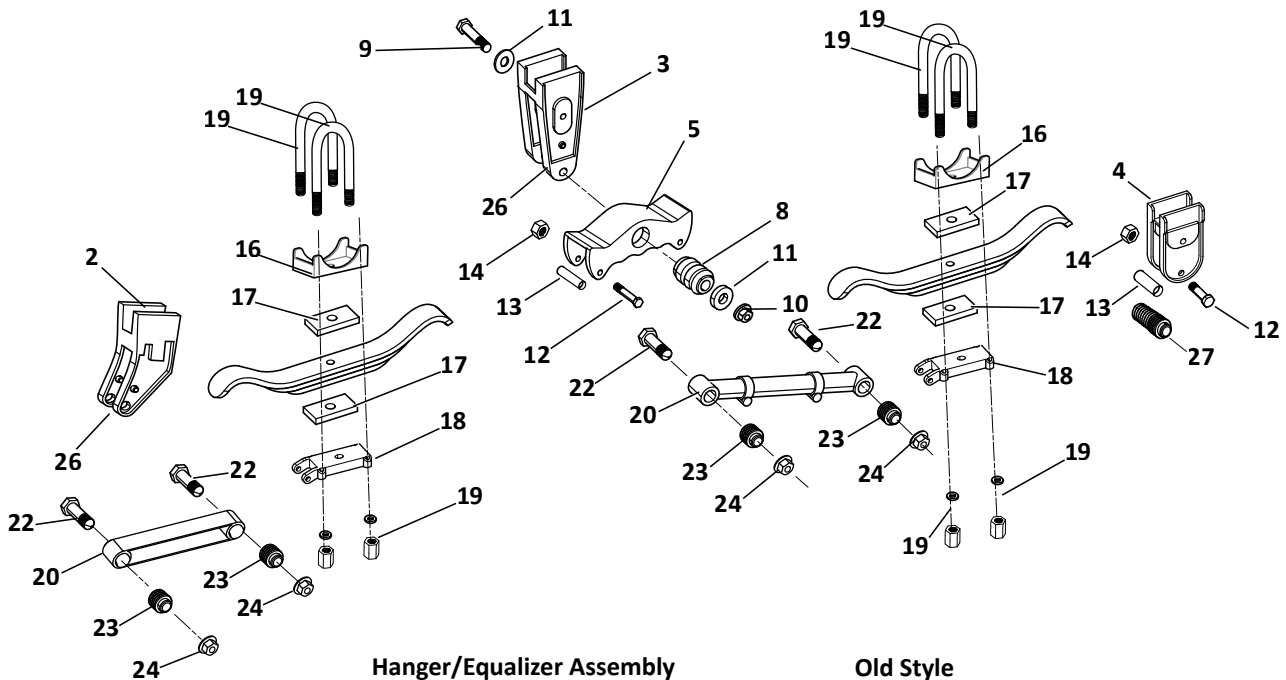
26



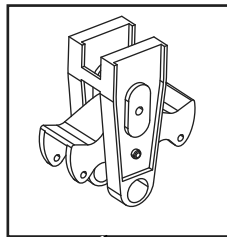
6 (Models H/CH7700)



7 (Models H/CH7700)

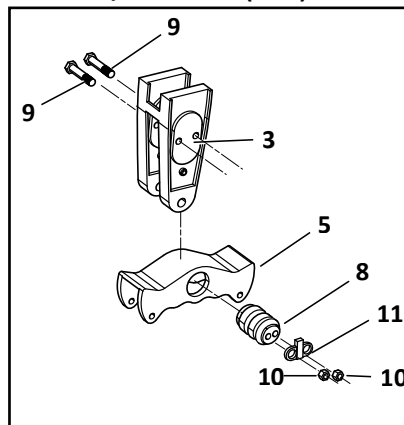


Hanger/Equalizer Assembly
Straddle Mount



1

Old Style
H7700/CH7700US (Cast) Series



10

HUTCHENS

H7700/9700US, CH7700/9700US Underslung Series Leaf Spring — Trailer 49" Axle Spacing, Underslung Option Available on Most Axle Spacings

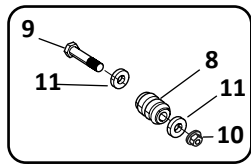
KEY NO.	EUCLID NO.	GENUINE	OEM REF.	DESCRIPTION	QTY. PER TANDEM				PAGE NO.
					H-9700US	CH-9700US	H-7700US	CH-7700US	
7	E-9475	-	16353-01	Equalizer Bolt Kit Includes Key Nos. 9, 10, 11, 12, 13, & 14	2	2	-	-	HUT-60
	E-16506								
	E-3414	-	-	Equalizer Bolt Kit Includes Key Nos. 9, 10, 11, 12, 13, & 14	-	-	2	2	
8	E-7621	-	16146-01	Equalizer Bushing, Rubber, 1 Hole	2	2	-	-	HUT-59
	E-16501		18723-01						
	GAFF14038	-	-	Equalizer Bushing, Poly, 1 Hole	2	2			HUT-59
	E-1999A	-	7010-00	Equalizer Bushing, Rubber, 2 Hole	-	-	2	2	HUT-59
	GAFF14000	-	-	Equalizer Bushing, Poly, 2 Hole	-	-	2	2	HUT-59
9	E-7533	-	16150-01	Equalizer Center Hex Bolt, 1-1/8"-7 x 6-5/8" Long	2	2	-	-	HUT-61
	E-2000	-	7016-01	Equalizer Step Hex Bolt, 3/4" Body x 6" Long, 5/8"-18	-	-	4	4	HUT-60
10	E-4358	-	11154-00	Equalizer Locknut, 1-1/8"-7	2	2	-	-	HUT-61
	E-2002	-	37-03	Equalizer Std Hex Nut, 5/8"-18	-	-	4	4	-
11	E-2548	-	837-00	Washer, 1-1/4" ID	4	4	-	-	-
	E-2001	-	729-00	Tab Lock Washer	-	-	2	2	HUT-60
12	E-3415	-	759-00	Equalizer Rebound Hex Bolt, 5/8"-18 x 4-1/2" Long	6	6	6	6	HUT-60
13	E-3416	-	756-00	Equalizer Rebound Spacer Sleeve	6	6	6	6	HUT-60
	E-16525								
14	E-2002	-	37-03	Equalizer Rebound Nut, 5/8"-18	6	6	6	6	-
15	E-4835	-	10287-00	Rebound Bolt Kit; 5/8"- 18 x 4-1/2" Long Includes Key Nos. 12, 13, 14	6	6	6	6	HUT-59
	E-16523								
16	See Spring Seat Chart			Spring Seat	4	4	4	4	HUT-50
17	E-2842	-	-	Delrin Spring Liner Pad	8	8	8	8	HUT-69
	E-16520		7052-02	Galvanized Steel Spring Liner Pad	8	8	8	8	
18	E-11728		706-01	Bottom Plate	4	4	4	4	HUT-71
19	See U-Bolt Chart			U-Bolt Assembly	8	8	8	8	HUT-53
20	E-16394		16398-04	Adjustable Torque Arm, 18-1/2 – 21" Center-to-Center, O.E.	2	2	2	2	HUT-62
	E-3277	-	16398-04	Adjustable Torque Arm, 18-1/2 – 21" Center-to-Center	2	2	2	2	HUT-62
	E-3277-P	-							
	E-16395		715-00	Rigid Torque Arm, 19-1/4" Center-to-Center, O.E.	2	2	2	2	HUT-63
	E-2899	-	715-00	Rigid Torque Arm, 19-1/4" Center-to-Center, 49" & 50" Axle Spacing	2	2	2	2	HUT-63
	E-2899-P	-							
21	E-3079	-	-	Torque Arm Bushing Rubber & Bolt Kit Includes Key Nos. 22, 23, 24	8	8	8	8	HUT-64
	GAFF993079	-	-	Torque Arm Bushing Poly & Bolt Kit Includes Key Nos. 22, 23, 24	8	8	8	8	HUT-64
22	E-2891	-	719-02	Torque Arm Hex Bolt 1"-14 x 5" Long	8	8	8	8	HUT-65
	E-16500								

 Denotes Product is Genuine Hutchens -P Suffix Indicates Price Point

HUTCHENS

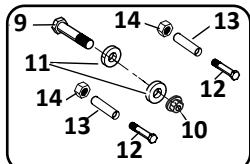
H7700/9700US, CH7700/9700US Underslung Series Leaf Spring — Trailer 49" Axle Spacing, Underslung Option Available on Most Axle Spacings

Equalizer Bushing & Bolt Kit



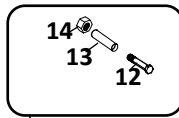
6 (Models H/CH9700)

Equalizer & Rebound Bolt Kit



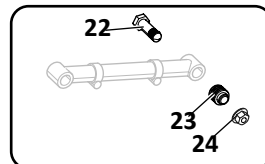
7 (Models H/CH9700)

Rebound Bolt Kit



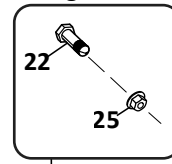
15

Torque Arm Bushing & Bolt Kit

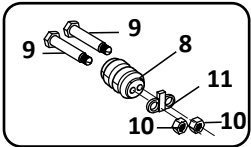


21

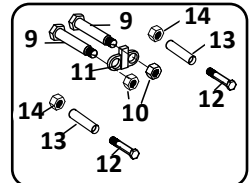
Torque Arm Bolt & Flange Nut Kit



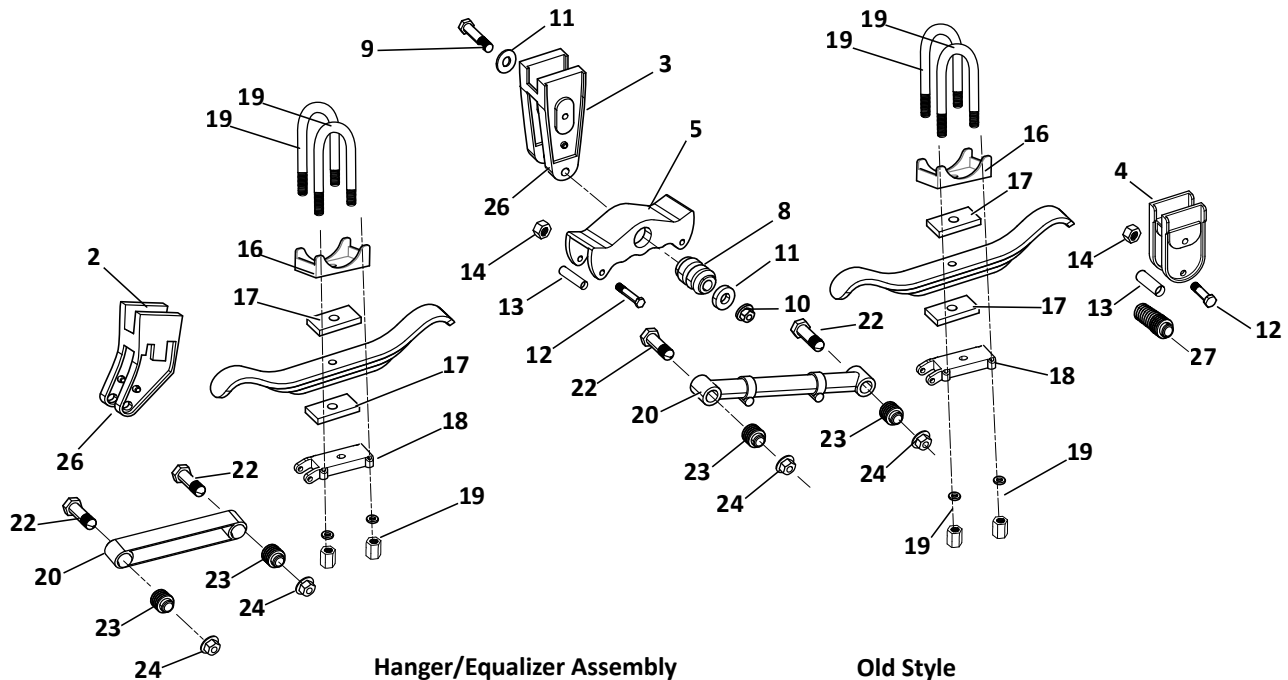
26



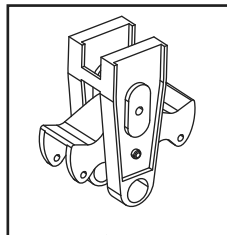
6 (Models H/CH7700)



7 (Models H/CH7700)

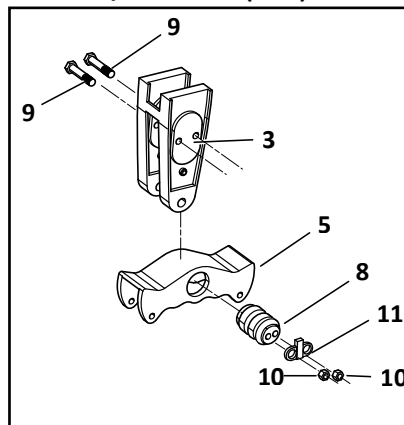


Hanger/Equalizer Assembly
Straddle Mount



1


Old Style
H7700/CH7700US (Cast) Series



10

HUTCHENS

H7700/9700US, CH7700/9700US Underslung Series Leaf Spring — Trailer 49" Axle Spacing, Underslung Option Available on Most Axle Spacings

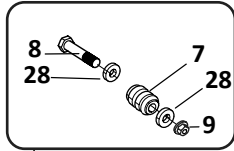
KEY NO.	EUCLID NO.	GENUINE	OEM REF.	DESCRIPTION	QTY. PER TANDEM				PAGE NO.
					H-9700US	CH-9700US	H-7700US	CH-7700US	
23	E-934	-	722-00	Torque Arm Bushing, Rubber	8	8	8	8	HUT-64
	E-16504								
	GAFF14073	-	722-00	Torque Arm Bushing, Poly	8	8	8	8	
24	E-2892	-	10562-00	Torque Arm Hex Flange Nut, 1"-14	8	8	8	8	HUT-65
	E-16518								
25	E-9839	-	-	Torque Arm Bolt and Flange Nut Kit Includes Key Nos. 22, 24	8	8	8	8	HUT-65
26	E-7682		7717-01	Hanger Repair Bushing Washer for Fabricated Hangers (weld in place)	As Required	-	As Required	-	HUT-68
	E-15355		6978-00	Hanger Repair Bushing Washer, for Cast Hangers (weld in place)	-	As Required	-	As Required	-
27	E-15459		18541-01	Spring Rebound Bushing, Rear Hanger Mounted, Optional	As Required	As Required	As Required	As Required	HUT-69
-	E-9487		755-03	Replacement Hanger Wear Pad	As Required	-	As Required	-	HUT-68

 Denotes Product is Genuine Hutchens -P Suffix Indicates Price Point

HUTCHENS

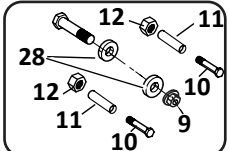
H7600/9600 & CH7600/9600, H7700/9700 & CH7700/9700
TWS 54-1/2" and 57-1/2" Axle Spacing — Trailer

Equalizer Bushing & Bolt Kit



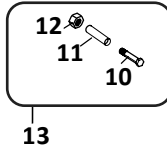
5 (Models 9600/9700)

Equalizer & Rebound Bolt Kit



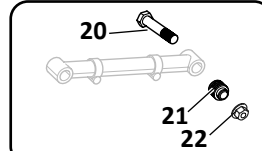
6 (Models 9600/9700)

Rebound Bolt Kit



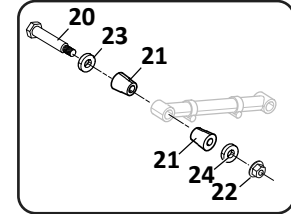
13

Torque Arm Bushing Assembly

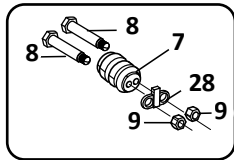


26 (Models 9700/7700)

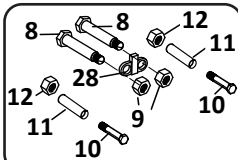
Torque Arm Bushing & Bolt Kit



27 (Models 9600/7600)

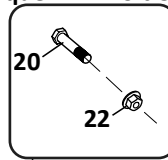


5 (Models 7600/7700)

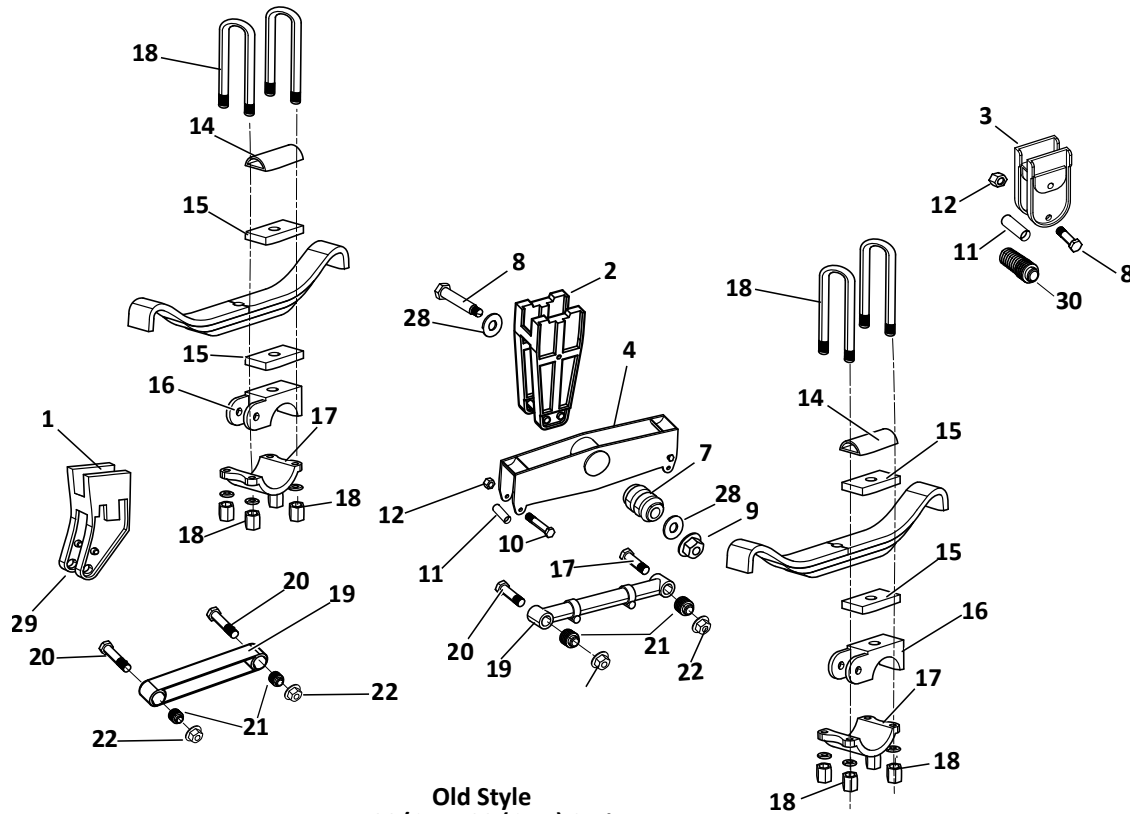


6 (Models 7600/7700)

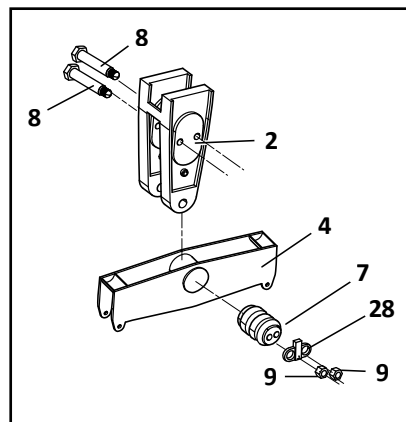
Torque Arm Bolt & Nut



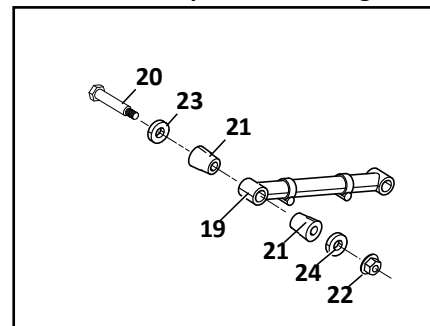
25 (Models 9700/7700)



Old Style
H7700/CH7700 (Cast) Series








H7600/CH7600 Series
2 Piece Torque Arm Bushings



HUTCHENS

H7600/9600 & CH7600/9600, H7700/9700 & CH7700/9700 TWS 54-1/2" and 57-1/2" Axle Spacing — Trailer

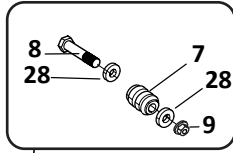
KEY NO.	EUCLID NO.	GENUINE	DEM REF.	DESCRIPTION	QTY. PER TANDEM FOR H & CH				PAGE NO.
					9600 SERIES	7600 SERIES	9700 SERIES	7700 SERIES	
1	See Hanger Chart			Front Hanger	2	2	2	2	HUT-46
2	See Hanger Chart			Equalizer Hanger	2	2	2	2	HUT-46
3	See Hanger Chart			Rear Hanger	2	2	2	2	HUT-46
4	E-14925		24820-01	Equalizer, Fabricated, One Hole, Rubber Bushing for 54-1/2" Axle Spacing	2	-	2	-	HUT-56
	E-15338		24713-01	Equalizer, Fabricated, Two Hole, Rubber Bushing for 54-1/2" Axle Spacing	-	2	-	2	HUT-56
	E-15331		24821-01	Equalizer, Fabricated, Two Hole, Rubber Bushing for 54-1/2" Axle Spacing. Replaces Cast Equalizer 12808-01	-	2	-	2	HUT-56
	E-14818		21833-01	Equalizer, Fabricated, One Hole, Rubber Bushing for 57-1/2" Axle Spacing	2	-	2	-	HUT-56
	S.O.S.		21840-01	Equalizer, Fabricated, Two Hole, Rubber Bushing for 57-1/2" Axle Spacing	-	2	-	2	-
5	E-9472	-	-	Equalizer Bushing Rubber & Bolt Kit, Includes Key Nos. 7, 8, 9, 28	2	-	2	-	HUT-59
	GAFF999472	-	-	Equalizer Bushing Poly & Bolt Kit, Includes Key Nos. 7, 8, 9, 28	2	-	2	-	HUT-59
	E-2003	-	-	Equalizer Bushing Rubber & Bolt Kit, Includes Key Nos. 7, 8, 9, 28	-	2	-	2	HUT-59
6	E-9475	-	16353-01	Equalizer Bolt Kit Includes Key Nos. 8, 9, 10, 11, 12, 28	2	-	2	-	HUT-60
	E-16506								
	E-3414	-	-	Equalizer (2) Bolt & Rebound Bolt Kit, Includes Key Nos. 8, 9, 10, 11, 12, 28	-	2	-	2	HUT-60
7	E-7621	-	18723-01	Equalizer Bushing, Rubber, One Hole	2	-	2	-	HUT-59
	E-16501								
	GAFF14038	-	-	Equalizer Bushing, Poly, One Hole	2	-	2	-	HUT-59
	E-1999A	-	7010-00	Equalizer Bushing, Rubber, Two Hole	-	2	-	2	HUT-59
	GAFF14000	-	-	Equalizer Bushing, Poly, Two Hole	-	2	-	2	HUT-59
8	E-7533	-	16150-01	Equalizer Hex Bolt, 1-1/8"-7 x 6-5/8" Long	2	-	2	-	HUT-61
	E-2000	-	7016-01	Equalizer Step Hex Bolt, 3/4" Body x 6" Long, 5/8"-18	-	4	-	4	HUT-60
9	E-4358	-	11154-00	Equalizer Hex Locknut, 1-1/8"-7	2	-	2	-	HUT-61
	E-2002	-	37-03	Equalizer Hex Nut, 5/8"-18	-	4	-	4	-
10	E-3415	-	759-00	Equalizer Rebound Hex Bolt, 5/8"-18 x 4-1/2" Long	6	6	6	6	HUT-60
11	E-3416	-	756-00	Equalizer Rebound Spacer Sleeve	6	6	6	6	HUT-60
	E-16525								
12	E-2002	-	37-03	Hex Nut, 5/8"-18	6	6	6	6	-
13	E-4835	-	10287-00	Rebound Bolt Kit; 5/8"- 18 x 4-1/2" Long, Includes Key Nos. 10, 11 & 12	6	6	6	6	HUT-59
	E-16523								
14	E-2907A		16868-01	U-Bolt Top Plate	4	4	4	4	HUT-69
	E-2907A-P	-							
15	E-2842	-	-	Delrin Spring Liner Pad	8	8	8	8	HUT-69
	E-16520		7052-02	Galvanized Steel Spring Lined Pad	8	8	8	8	
16	See Spring Seat Chart			Spring Seat	4	4	4	4	HUT-50

 Denotes Product is Genuine Hutchens -P Suffix Indicates Price Point

HUTCHENS

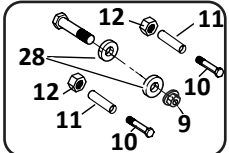
H7600/9600 & CH7600/9600, H7700/9700 & CH7700/9700 TWS 54-1/2" and 57-1/2" Axle Spacing — Trailer

Equalizer Bushing & Bolt Kit



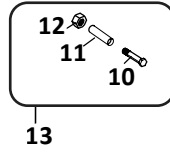
5 (Models 9600/9700)

Equalizer & Rebound Bolt Kit



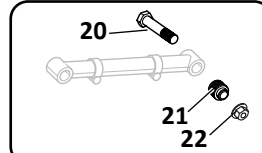
6 (Models 9600/9700)

Rebound Bolt Kit



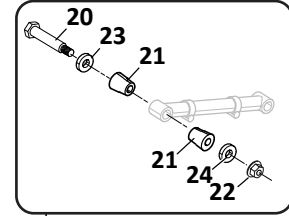
13

Torque Arm Bushing Assembly

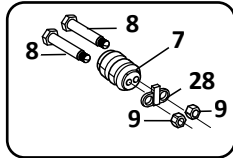


26 (Models 9700/7700)

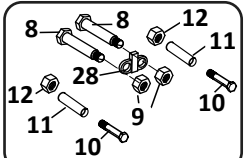
Torque Arm Bushing & Bolt Kit



27 (Models 9600/7600)

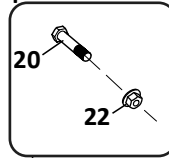


5 (Models 7600/7700)

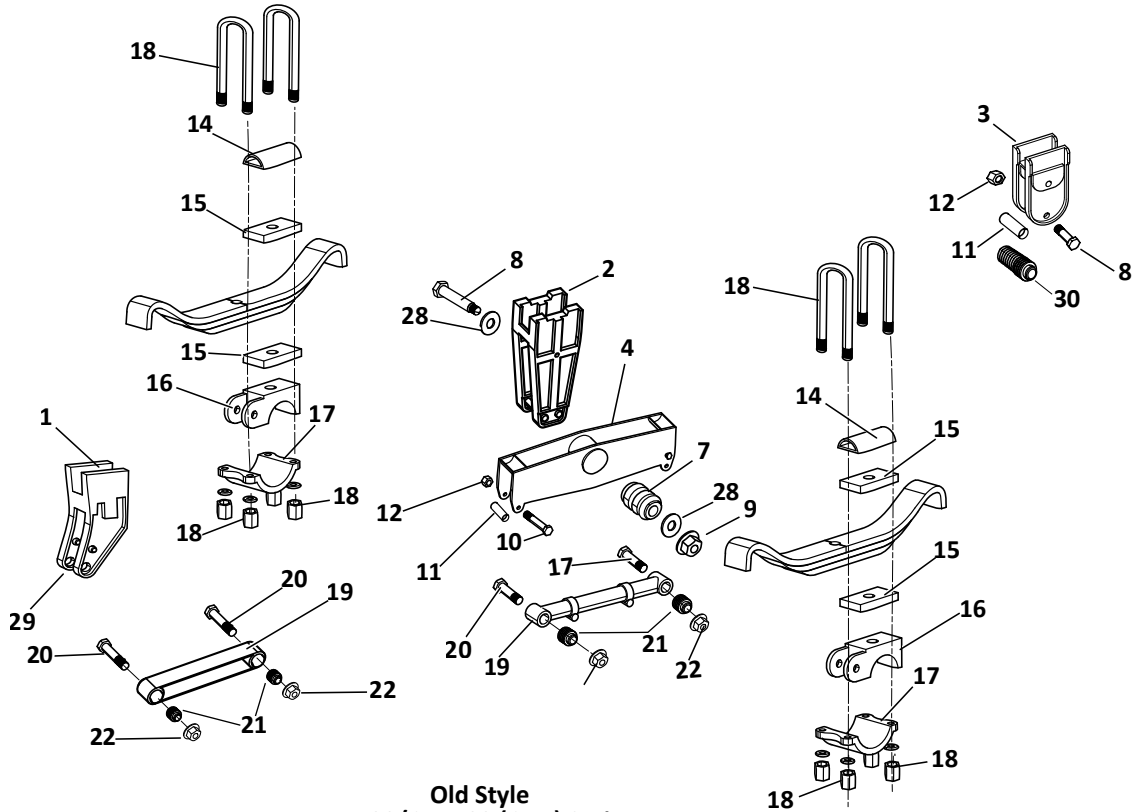


6 (Models 7600/7700)

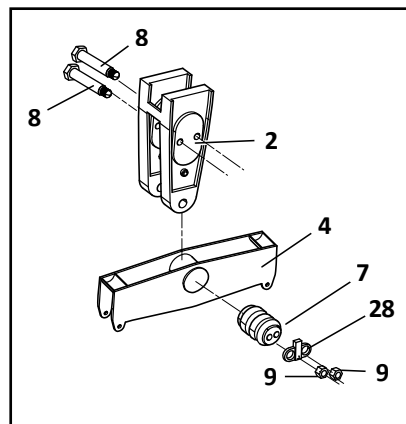
Torque Arm Bolt & Nut



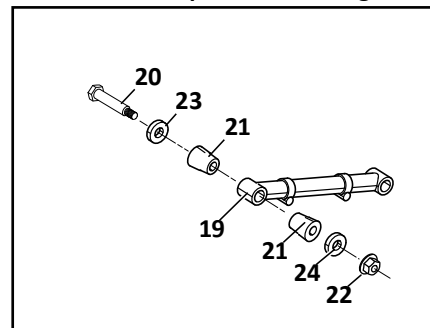
25 (Models 9700/7700)



Old Style
H7700/CH7700 (Cast) Series










H7600/CH7600 Series
2 Piece Torque Arm Bushings



HUTCHENS

H7600/9600 & CH7600/9600, H7700/9700 & CH7700/9700 TWS 54-1/2" and 57-1/2" Axle Spacing — Trailer

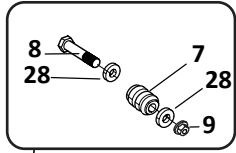
KEY NO.	EUCLID NO.	GENUINE	DEM REF.	DESCRIPTION	QTY. PER TANDEM FOR H & CH				PAGE NO.
					9600 SERIES	7600 SERIES	9700 SERIES	7700 SERIES	
17	E-2909	-	710-00	Bottom Plate, 5" Rd. Axle, 7/8" Dia. U-Bolts	4	4	4	4	HUT-71
	E-2909-P	-							
	E-16521								
	E-15205		7622-00	Bottom Plate, Cast, 5" Rd. Axle	4	4	4	4	HUT-71
	E-7636		7747-01	Bottom Plate, 5" Sq. Axle	4	4	4	4	HUT-71
	E-7635		7746-00	Bottom Plate, 4" x 6" Axle	4	4	4	4	HUT-71
	E-15336		16297-01	Bottom Plate, 5" Rd. Axle, 3/4" Dia. U-Bolts	4	4	4	4	HUT-71
	E-7697		10775-00	Bottom Plate Stabilizer Bracket, 5" Round Axle, No Hop, Rear Axle	-	-	2	2	HUT-72
	E-7699		7738-01	Bottom Plate Stabilizer Bracket, 5" Square Axle, No Hop, Rear Axle	-	-	2	2	HUT-72
	E-16391		7619-00	Bottom Plate Stabilizer Bracket, 5" Round Axle; No Hop, Rear Axle Only	2	2	-	-	HUT-72
	E-15358		7621-00	Bottom Plate Stabilizer Bracket, 5" Square Axle; No Hop, Rear Axle Only	2	2	-	-	HUT-72
18	See U-Bolt Chart			U-Bolt Assembly	8	8	8	8	HUT-53
19	E-16395		715-00	Rigid Torque Arm, 19-1/4" Center-to-Center, Front, Curbside 54-1/2" & 57-1/2" Axle Spread, O.E.	-	-	2	2	HUT-63
	E-2899	-	715-00	Rigid Torque Arm, 19-1/4" Center-to-Center, 49" & 50" Axle Spacing	-	-	1	1	HUT-63
	E-2899-P	-							
	E-16394		16398-04	Adjustable Torque Arm, 18-1/2 – 21" Center-to-Center, Front, Roadside, 54-1/2" & 57-1/2" Axle Spread, O.E.	-	-	1	1	HUT-62
	E-3277	-	16398-04	Adjustable Torque Arm, 18-1/2 – 21" Center-to-Center Front, Roadside, 54-1/2" & 57-1/2" Axle Spread	-	-	1	1	HUT-62
	E-3277-P	-							
	E-7683	-	16398-05	Adjustable Torque Arm, 20-1/4" Center-to-Center, Rear, 54-1/2" Axle Spread	-	-	2	2	HUT-62
	E-16528								
	S.O.S.		16398-07	Adjustable Torque Arm, 22-1/4" Center-to-Center, Rear, 57-1/2" Axle Spread	-	-	2	2	-
	S.O.S.		11953-01	Rigid Torque Arm, 19-1/4" Center-to-Center, Front, 54-1/2" Axle Spread, Tapered Bushings Key No. 21 Not included	1	1	-	-	-
	E-9476		16167-04	Adjustable Torque Rod; 54-1/2" Axle Spacing, Front, Taper Bushing Key No. 21 Not included, 18-20" Center-to-Center	1	1	-	-	HUT-63
S.O.S.		16167-05	Adjustable Torque Rod; 54-1/2" Axle Spacing, Rear, Taper Bushing Key No. 21 Not included, 19-21" Center-to-Center	2	2	-	-	-	
S.O.S.		16167-07	Adjustable Torque Rod; 54-1/2" Axle Spacing, Rear, No-Hop, Taper Bushing Key No. 21 Not Included, 21-23" Center-to-Center	2	2	-	-	-	
20	E-2891	-	719-02	Torque Arm Bolt, 1"-14 x 5" Long	-	-	8	8	HUT-65
	E-16500								
	E-9480		12709-01	Torque Arm Step Bolt, 7/8"-14	8	8	-	-	HUT-65

 Denotes Product is Genuine Hutchens -P Suffix Indicates Price Point

HUTCHENS

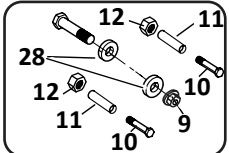
H7600/9600 & CH7600/9600, H7700/9700 & CH7700/9700
TWS 54-1/2" and 57-1/2" Axle Spacing — Trailer

Equalizer Bushing & Bolt Kit



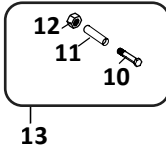
5 (Models 9600/9700)

Equalizer & Rebound Bolt Kit



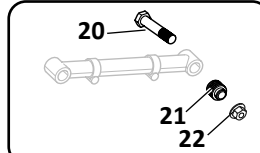
6 (Models 9600/9700)

Rebound Bolt Kit



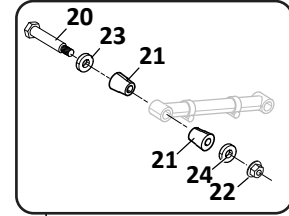
13

Torque Arm Bushing Assembly

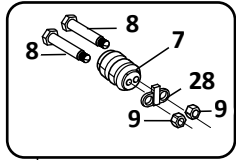


26 (Models 9700/7700)

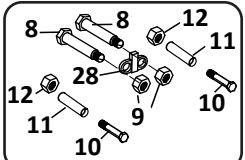
Torque Arm Bushing & Bolt Kit



27 (Models 9600/7600)

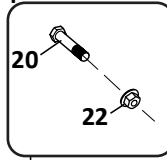


5 (Models 7600/7700)

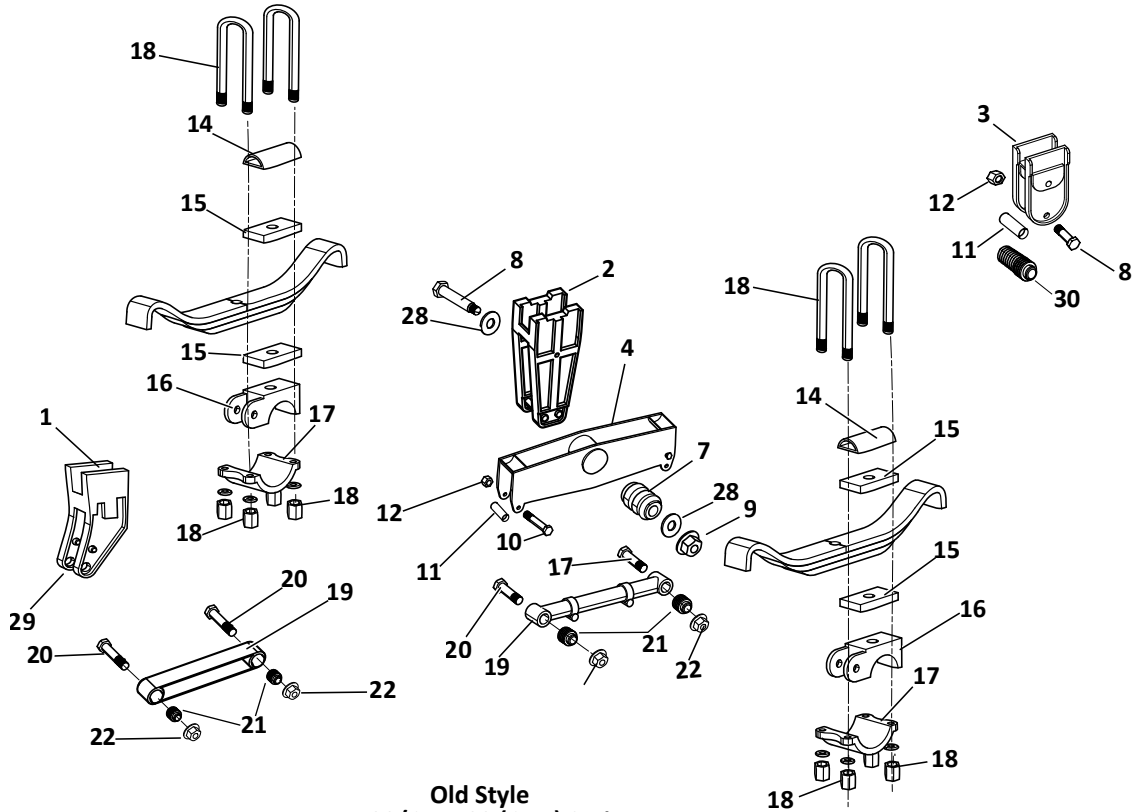


6 (Models 7600/7700)

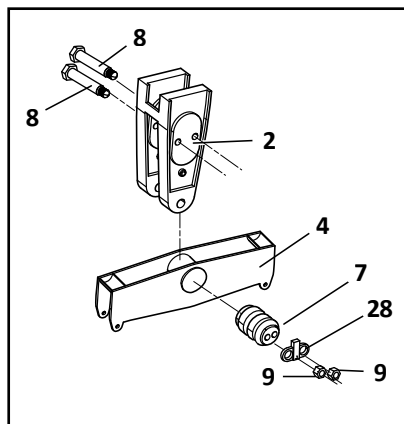
Torque Arm Bolt & Nut



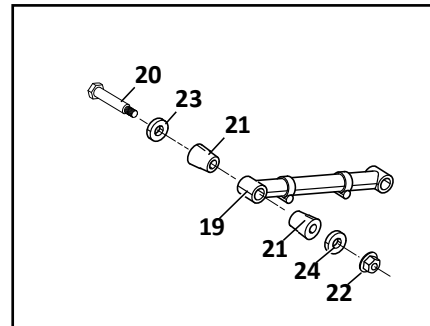
25 (Models 9700/7700)



Old Style
H7700/CH7700 (Cast) Series



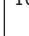




H7600/CH7600 Series
2 Piece Torque Arm Bushings



HUTCHENS

H7600/9600 & CH7600/9600, H7700/9700 & CH7700/9700 TWS 54-1/2" and 57-1/2" Axle Spacing — Trailer

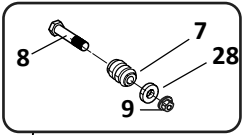
KEY NO.	EUCLID NO.	GENUINE	DEM REF.	DESCRIPTION	QTY. PER TANDEM FOR H & CH				PAGE NO.
					9600 SERIES	7600 SERIES	9700 SERIES	7700 SERIES	
21	E-934	-	722-00	Torque Arm Bushing; Rubber	-	-	8	8	HUT-64
	E-16504								
	GAFF14073	-	-	Torque Arm Bushing; Poly	-	-	8	8	HUT-64
	E-927	-	7620-00	Torque Arm Bushing, Rubber	16	16	-	-	HUT-64
	E-16505								
	GAFF13001	-							
22	E-2892	-	10562-00	Torque Arm Nut, 1"-14	-	-	8	8	HUT-65
	E-16518								
	E-1835	-	34-02	Torque Arm Nut, 7/8"-14 Hex Locknut	8	8	-	-	HUT-65
23	E-2833	-	12710-01	Washer, 1-5/16" ID	8	8	-	-	HUT-65
24	E-9482	-	12711-01	Washer, 15/16" ID	8	8	-	-	-
25	E-9839	-	-	Torque Arm Bolt and Nut, Includes Key Nos. 20, 22	-	-	8	8	HUT-65
26	E-3079	-	-	Torque Arm Bushing Assembly Rubber; Includes Key Nos. 20, 21, 22	-	-	8	8	HUT-64
	GAFF993079	-	-	Torque Arm Bushing Assembly Poly; Includes Key Nos. 20, 21, 22	-	-	8	8	HUT-64
27	E-9478	-	-	Torque Arm Bushing, Rubber, & Bolt Kit, Includes Key Nos. 20, 21, 22, 23, and 24	8	8	-	-	HUT-64
	GAFF999478	-	-	Torque Arm Bushing, Poly, & Bolt Kit, Includes Key Nos. 20, 21, 22, 23, and 24	8	8	-	-	HUT-64
28	E-2001	-	729-00	Lock Tab Washer	-	2	-	2	HUT-60
	E-2548	-	-	Washer, 1-1/4" ID	4	-	4	-	-
29	E-7682		7717-01	Hanger Repair Bushing Washer For Fabricated Hangers (weld in place)	-	-	As Reqd	As Reqd	HUT-68
	E-15355		6978-00	Hanger Repair Bushing Washer, For Cast Hangers (weld in place)	-	-	As Reqd	As Reqd	-
30	E-15459		18541-01	Spring Rebound Bushing, Rear Hanger Mounted, Optional	As Required	As Required	As Required	As Required	HUT-69
-	E-9487		755-03	Replacement Hanger Wear Pad	As Reqd	As Reqd	As Reqd	As Reqd	HUT-68

 Denotes Product is Genuine Hutchens -P Suffix Indicates Price Point

HUTCHENS

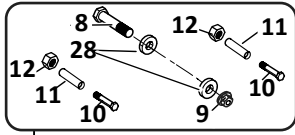
H7600/9600 & CH7600/9600, H7700/9700 & CH7700/9700 TWS 61" – 81" Axle Spacing — Trailer

Equalizer Bushing & Bolt Kit



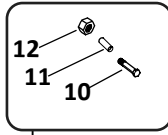
5 (Models 9600/9700)

Equalizer Bolt & Rebound Bolt Kit



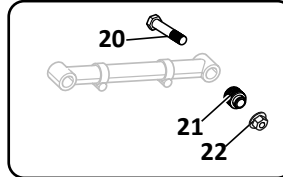
6 (Models 9600/9700)

Rebound Bolt Kit



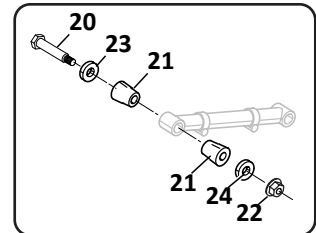
13

Torque Arm Bushing Assembly



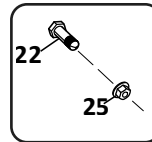
26 (Models 9700/7700)

Torque Arm Bushing & Bolt Kit

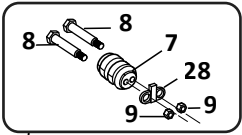


27 (Models 9600/7600)

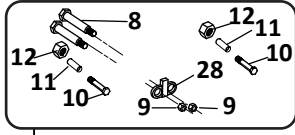
Torque Arm Bolt & Nut



25 (Models 9700/7700)

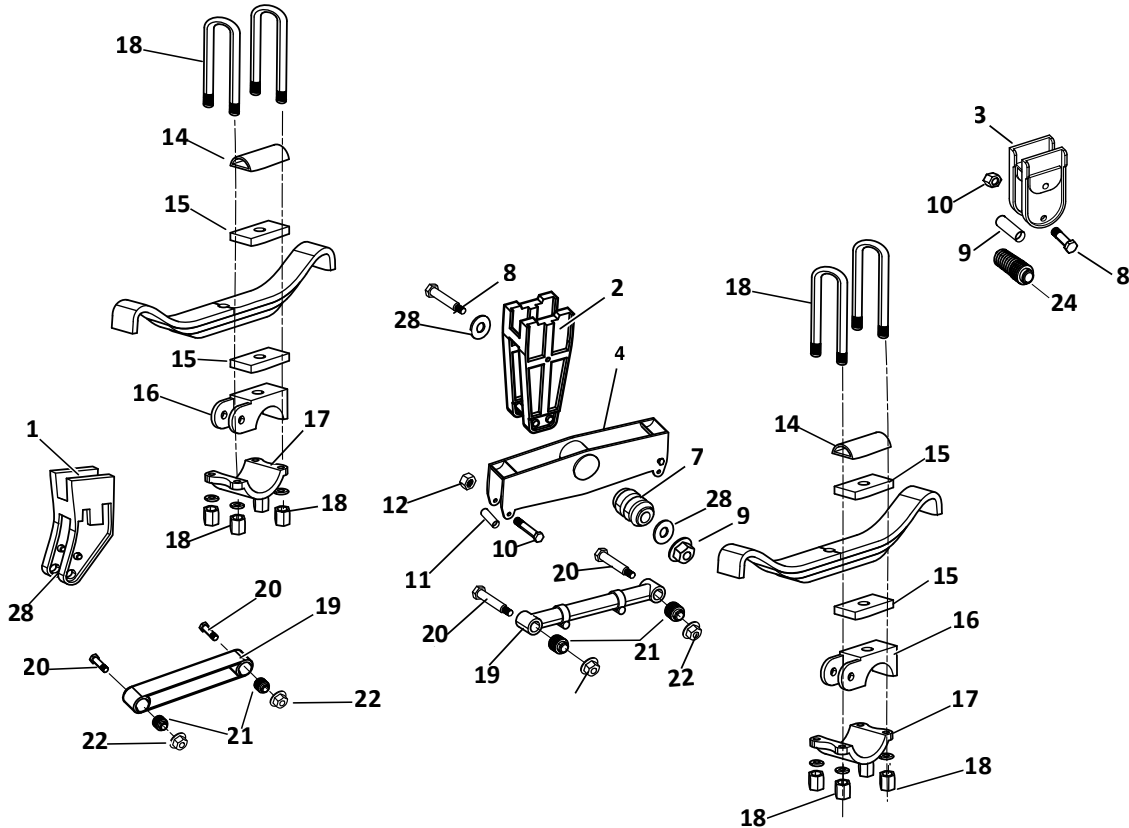


5 (Models 7600/7700)

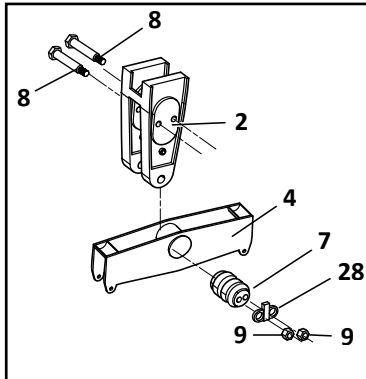


6 (Models 7600/7700)

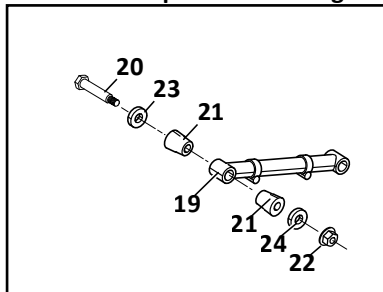
HUTCHENS




Old Style
H7700/CH7700 (Cast) Series



H7600/CH7600 Series
2 Piece Torque Arm Bushings



H7600/9600 & CH7600/9600, H7700/9700 & CH7700/9700 TWS 61" – 81" Axle Spacing — Trailer

KEY NO.	EUCLID NO.	GENUINE	OEM REF.	DESCRIPTION	QTY. PER TANDEM FOR H & CH				PAGE NO.							
					9600 SERIES	7600 SERIES	9700 SERIES	7700 SERIES								
1	See Hanger Chart			Front Hanger	2	2	2	2	HUT-46							
2	See Hanger Chart			Equalizer Hanger	2	2	2	2	HUT-46							
3	See Hanger Chart			Rear Hanger	2	2	2	2	HUT-46							
4	E-9489		21834-01	Equalizer, Fabricated, One Hole Rubber Bushing for 61" Axle Spacing	2	-	2	-	HUT-56							
	E-9330		21835-01	Equalizer, Fabricated, One Hole Rubber Bushing for 73" Axle Spacing	2	-	2	-	HUT-56							
	E-15475		21841-01	Equalizer, Fabricated, Two Hole Rubber Bushing for 61" Axle Spacing	-	2	-	2	HUT-56							
	E-15433		16168-15	Equalizer, Fabricated, One Hole Rubber Bushing for 64" Axle Spacing	2	-	2	-	HUT-56							
	E-15377		9239-03	Equalizer, Fabricated, Two Hole Rubber Bushing for 67" Axle Spacing	-	2	-	2	HUT-56							
	E-15430		16168-03	Equalizer, Fabricated, One Hole Rubber Bushing for 67" Axle Spacing	2	-	2	-	HUT-56							
	S.O.S.		16168-07	Equalizer, Fabricated, One Hole Rubber Bushing for 81" Axle Spacing	2	-	2	-	-							
5	E-9472	-	-	Equalizer Bushing Rubber & Bolt Kit, Includes Key Nos. 7, 8, 9, 28	2	-	2	-	HUT-59							
	GAFF999472	-	-	Equalizer Bushing Poly & Bolt Kit, Includes Key Nos. 7, 8, 9, 28	2	-	2	-	HUT-59							
	E-2003	-	-	Equalizer Bushing Rubber & Bolt Kit, Includes Key Nos. 7, 8, 9, 28	-	2	-	2	HUT-59							
6	E-9475	-	16353-01	Equalizer Bolt Kit, Includes Key Nos. 8, 9, 10, 11, 12, & 28	2	-	2	-	HUT-60							
	E-16506															
	E-3414	-	-	Equalizer (2) Bolt & Rebound Bolt Kit, Includes Key Nos. 8, 9, 10, 11, 12, & 28	-	2	-	2	HUT-60							
7	E-7621	-	18723-01	Equalizer Bushing, Rubber, One Hole	2	-	2	-	HUT-59							
	E-16501															
	GAFF14038	-								-	Equalizer Bushing, Poly, One Hole	2	-	2	-	HUT-59
	E-1999A	-								7010-00	Equalizer Bushing, Rubber, Two Hole	-	2	-	2	HUT-59
	GAFF14000	-	-	Equalizer Bushing, Poly, Two hole	-	2	-	2	HUT-59							
8	E-7533	-	16150-01	Equalizer Hex Bolt, 1-1/8"-7 x 6-5/8" Long	2	-	2	-	HUT-61							
	E-2000	-	7016-01	Equalizer Step Hex Bolt, 3/4" body x 6" Long, 5/8"-18	-	4	-	4	HUT-60							
9	E-4358	-	11154-00	Equalizer Hex Locknut, 1-1/8"-7	2	-	2	-	HUT-61							
	E-2002	-	37-03	Equalizer Hex Nut, 5/8"-18	-	4	-	4	-							
10	E-3415	-	759-00	Equalizer Rebound Hex Bolt, 5/8"-18 x 4-1/2" Long	6	6	6	6	HUT-60							
11	E-3416	-	756-00	Equalizer Rebound Spacer Sleeve	6	6	6	6	HUT-60							
	E-16525															
12	E-2002	-	37-03	Hex Nut, 5/8"-18	6	6	6	6	-							
13	E-4835	-	10287-00	Rebound Bolt Kit; 5/8"- 18 x 4-1/2" Long, Includes Key Nos. 10, 11, 12	6	6	6	6	HUT-59							
	E-16523															
14	E-2907A		16868-01	U-Bolt Top Plate	4	4	4	4	HUT-69							
	E-2907A-P	-														
15	E-2842	-	-	Delrin Spring Liner Pad	8	8	8	8	HUT-69							
	E-16520		7052-02	Galvanized Steel Spring Liner Pad	8	8	8	8								
16	See Spring Seat Chart			Spring Seat	4	4	4	4	HUT-50							

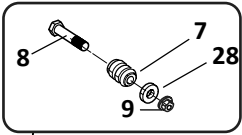
 Denotes Product is Genuine Hutchens

-P Suffix Indicates Price Point

HUTCHENS

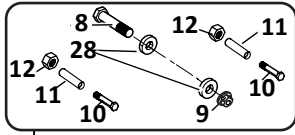
H7600/9600 & CH7600/9600, H7700/9700 & CH7700/9700 TWS 61" – 81" Axle Spacing — Trailer

Equalizer Bushing & Bolt Kit



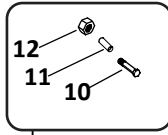
5 (Models 9600/9700)

Equalizer Bolt & Rebound Bolt Kit



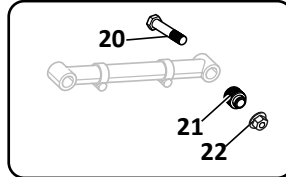
6 (Models 9600/9700)

Rebound Bolt Kit



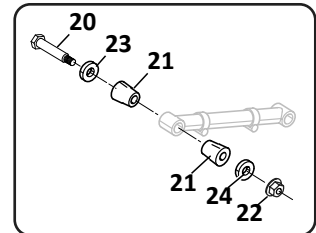
13

Torque Arm Bushing Assembly



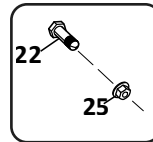
26 (Models 9700/7700)

Torque Arm Bushing & Bolt Kit

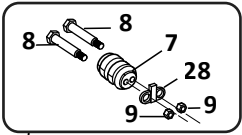


27 (Models 9600/7600)

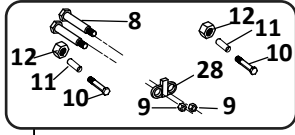
Torque Arm Bolt & Nut



25 (Models 9700/7700)

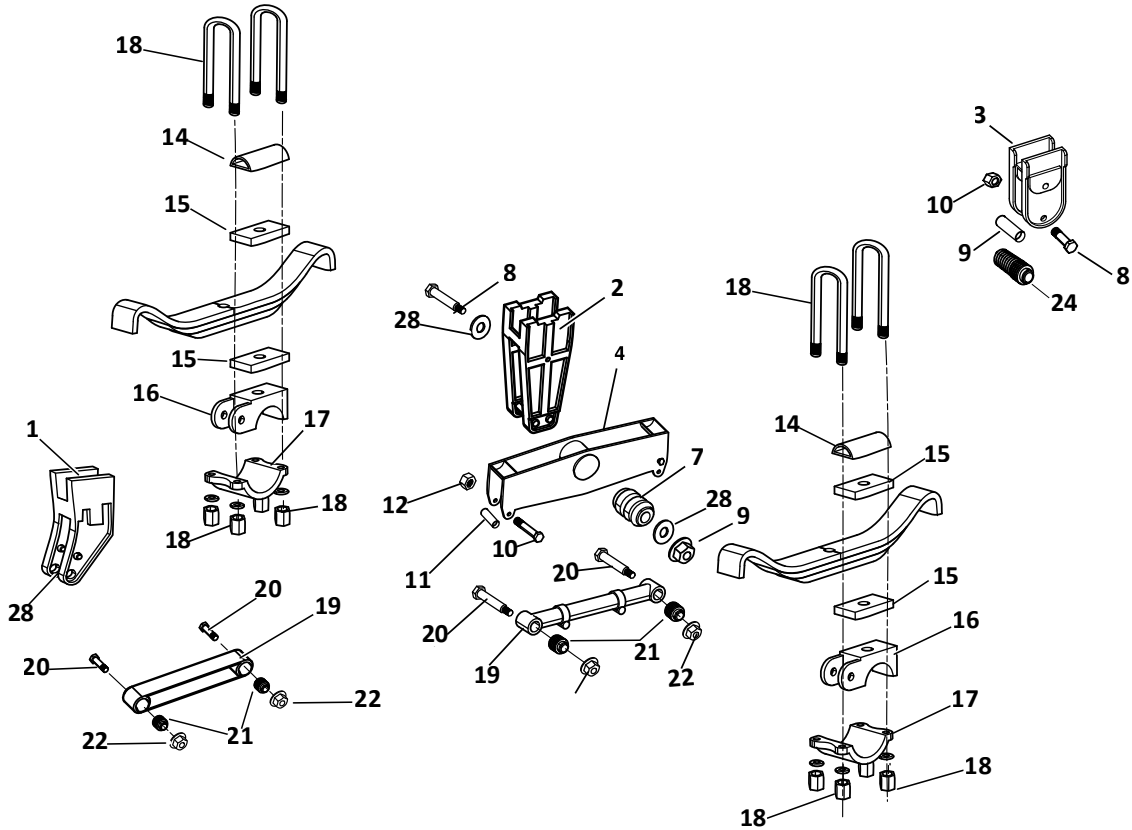


5 (Models 7600/7700)

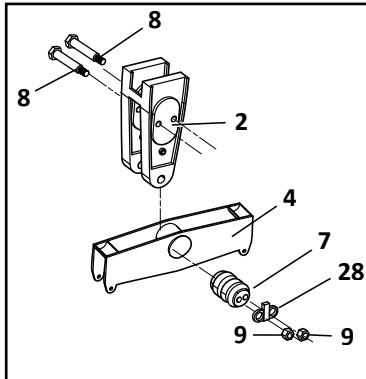


6 (Models 7600/7700)

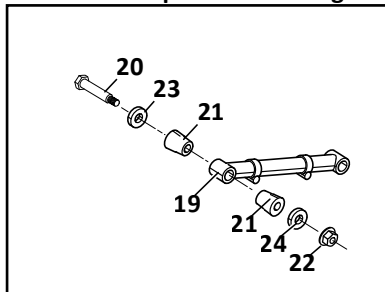
HUTCHENS





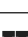









Old Style
H7700/CH7700 (Cast) Series




H7600/CH7600 Series
2 Piece Torque Arm Bushings



H7600/9600 & CH7600/9600, H7700/9700 & CH7700/9700 TWS 61" – 81" Axle Spacing — Trailer

KEY NO.	EUCLID NO.	GENUINE	OEM REF.	DESCRIPTION	QTY. PER TANDEM FOR H & CH				PAGE NO.
					9600 SERIES	7600 SERIES	9700 SERIES	7700 SERIES	
17	E-2909	-	710-00	Bottom Plate, 5" Rd. Axle, 7/8" Dia. U-Bolts	4	4	4	4	HUT-71
	E-2909-P	-							
	E-16521								
	E-7636		7747-01	Bottom Plate, 5" Sq. Axle	4	4	4	4	HUT-71
	E-7635		7746-00	Bottom Plate, 4" x 6" Axle	4	4	4	4	HUT-71
	E-15336		16297-01	Bottom Plate, 5" Rd. Axle, 3/4" Dia. U-Bolts	4	4	4	4	HUT-71
	E-7697		10775-00	Bottom Plate Stabilizer Bracket, 5" Round Axle, No Hop, Rear Axle, 7/8" U-Bolts	-	-	2	2	HUT-72
	S.O.S.		16308-01	Bottom Plate Stabilizer Bracket, 5" Round Axle, No Hop, Rear Axle, 3/4" U-Bolts	-	-	2	2	-
	E-7699		7738-01	Bottom Plate Stabilizer Bracket, 5" Square Axle, No Hop, Rear Axle	-	-	2	2	HUT-72
	E-16391		7619-00 7619-01	Bottom Plate Stabilizer Bracket, 5" Round Axle; No Hop, Rear Axle Only	2	2	-	-	HUT-72
	E-15358		7621-00	Bottom Plate Stabilizer Bracket, 5" Square Axle; No Hop, Rear Axle Only	2	2	-	-	HUT-72
18	See U-Bolt Chart			U-Bolt Assembly	8	8	8	8	HUT-53
19	E-9476		16167-04	Adjustable Torque Rod; Front, Taper Bushing Key No. 21 Not included, 18-20" Center-to-Center, 61-72" Axle Spacing	1	1	-	-	HUT-63
	E-9477		11953-01	Rigid Torque Rod; Front, Taper Bushing Key No. 21 Not included, 19-1/4" Center-to-Center, 61-72" Axle Spacing	1	1	-	-	HUT-63
	S.O.S.		Various	Adjustable Torque Rod, Rear, Including No Hop	2	2	-	-	-
	E-16395		715-00	Rigid Torque Arm, Front, Curbside, 19-1/4" Center-to-Center, All Axle Spacing, O.E.	-	-	1	1	HUT-63
	E-2899	-	715-00	Rigid Torque Arm, 19-1/4" Center-to-Center, 49" & 50" Axle Spacing	-	-	1	1	HUT-63
	E-2899-P								
	E-16394		16398-04	Adjustable Torque Arm, Front, Roadside 18-1/2 – 21" Center-to-Center, All Axle Spacing, O.E.	-	-	1	1	HUT-62
	E-3277	-	16398-04	Adjustable Torque Arm, Front, Roadside 18-1/2 – 21" Center-to-Center, All Axle Spacing	-	-	1	1	HUT-62
	E-3277-P								
	E-7684	-	16398-08	Adjustable Torque Arm, Rear, 22-1/4 – 24-3/4" Center-to-Center, 61" Axle Spread.	-	-	2	2	HUT-62
	E-16530								
	E-15342		16398-09	Adjustable Torque Arm, Rear 23-1/2 – 26" Center-to-Center, 61" Axle Spread. 5" Rd. Axle, No Hop	-	-	2	2	HUT-62
	E-15344		16398-10	Adjustable Torque Arm, Rear, 25-1/2 – 28" Center-to-Center, 67" Axle Spread.	-	-	2	2	HUT-62
	E-15343		16398-11	Adjustable Torque Arm, Rear, 27-1/2 – 30" Center-to-Center, 67" Axle Spread. 5" Rd. Axle, No Hop	-	-	2	2	HUT-62
	E-7685	-	16398-12	Adjustable Torque Arm, Rear, 28-1/2 – 31" Center-to-Center, 73" Axle Spread.	-	-	2	2	HUT-62
	E-16529								
	E-15346		16398-13	Adjustable Torque Arm, Rear, 29-1/2 – 32" Center-to-Center, 73" Axle Spread. 5" Rd Axle No Hop	-	-	2	2	HUT-62
E-15353		16398-14	Adjustable Torque Arm, Rear, 32-1/2 – 35" Center-to-Center, 81" Axle Spread.	-	-	2	2	HUT-62	
E-15350		16398-15	Adjustable Torque Arm, Rear, 32-1/2 – 35" Center-to-Center, 81" Axle Spread. 5" Rd Axle No Hop	-	-	2	2	HUT-62	

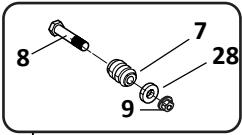
 Denotes Product is Genuine Hutchens

-P Suffix Indicates Price Point

HUTCHENS

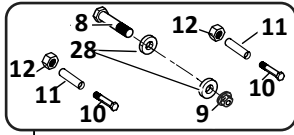
H7600/9600 & CH7600/9600, H7700/9700 & CH7700/9700 TWS 61" – 81" Axle Spacing — Trailer

Equalizer Bushing & Bolt Kit



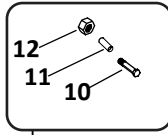
5 (Models 9600/9700)

Equalizer Bolt & Rebound Bolt Kit



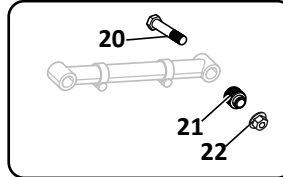
6 (Models 9600/9700)

Rebound Bolt Kit



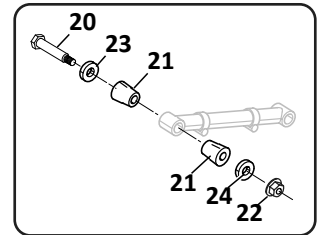
13

Torque Arm Bushing Assembly



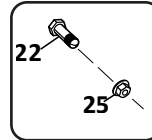
26 (Models 9700/7700)

Torque Arm Bushing & Bolt Kit

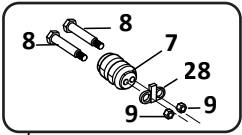


27 (Models 9600/7600)

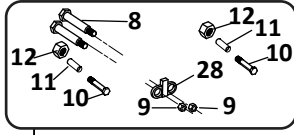
Torque Arm Bolt & Nut



25 (Models 9700/7700)

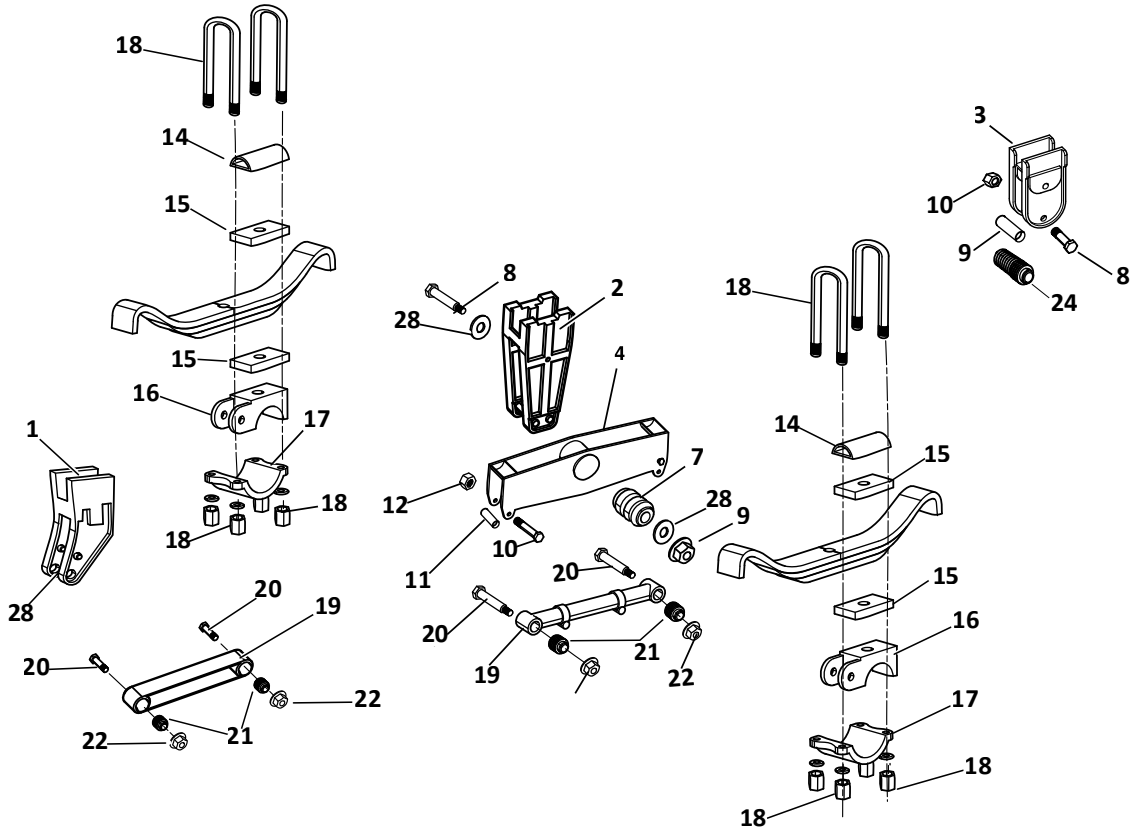


5 (Models 7600/7700)

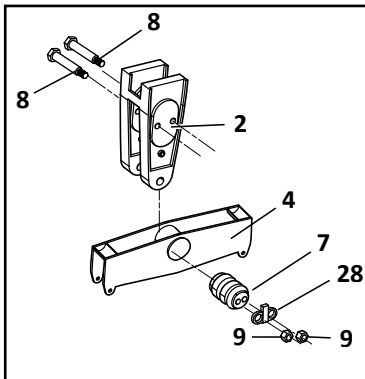


6 (Models 7600/7700)

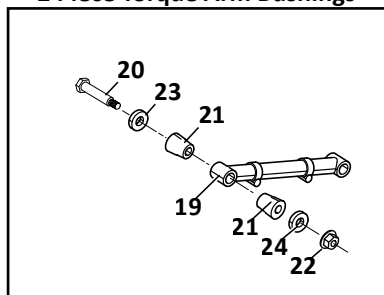
HUTCHENS



Old Style
H7700/CH7700 (Cast) Series



H7600/CH7600 Series
2 Piece Torque Arm Bushings



H7600/9600 & CH7600/9600, H7700/9700 & CH7700/9700 TWS 61" – 81" Axle Spacing — Trailer

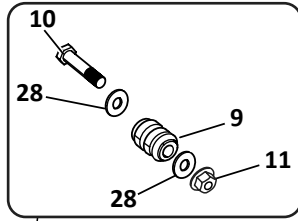
KEY NO.	EUCLID NO.	GENUINE	OEM REF.	DESCRIPTION	QTY. PER TANDEM FOR H & CH				PAGE NO.
					9600 SERIES	7600 SERIES	9700 SERIES	7700 SERIES	
20	E-2891	-	719-02	Torque Arm Hex Bolt, 1"-14 x 5" Long	-	-	8	8	HUT-65
	E-16500								
	E-9480		12709-01	Torque Arm Step Bolt, 7/8"-14	8	8	-	-	
21	E-934	-	722-00	Torque Arm Bushing, Rubber	-	-	8	8	HUT-64
	E-16504								
	GAFF14073	-	-	Torque Arm Bushing, Poly	-	-	8	8	
	E-927	-	7620-00	Torque Arm Bushing, Rubber	16	16	-	-	HUT-64
	E-16505								
	GAFF13001	-							
22	E-2892	-	10562-00	Torque Arm Nut, 1"-14	-	-	8	8	HUT-65
	E-16518								
	E-1835	-	34-02	Torque Arm Nut, 7/8"-14 Hex Locknut	8	8	-	-	
23	E-2833	-	12710-01	Washer, 1-5/16" ID	8	8	-	-	HUT-65
24	E-9482	-	12711-01	Washer, 15/16" ID	8	8	-	-	-
25	E-9839	-	-	Torque Arm Bolt and Nut, Includes Key Nos. 20, 22	-	-	8	8	HUT-65
26	E-3079	-	-	Torque Arm Bushing Assembly Rubber; Includes Key Nos. 20, 21, 22	-	-	8	8	HUT-64
	GAFF993079	-	-	Torque Arm Bushing Assembly Poly; Includes Key Nos. 20, 21, 22	-	-	8	8	HUT-64
27	E-9478	-	-	Torque Arm Bushing, Rubber, & Bolt Kit, Includes Key Nos. 20, 21, 22, 23, & 24	8	8	-	-	HUT-64
	GAFF999478	-	-	Torque Arm Bushing, Poly, & Bolt Kit, Includes Key Nos. 20, 21, 22, 23, & 24	8	8	-	-	HUT-64
28	E-2001	-	729-00	Lock Tab Washer	-	2	-	2	HUT-60
	E-2548	-	-	Washer, 1-1/4" ID	4	-	4	-	-
29	E-7682		7717-01	Hanger Repair Bushing Washer For Fabricated Hangers (weld in place)	-	-	As Req'd	As Req'd	HUT-68
30	E-15459		18541-01	Spring Rebound Bushing, Rear Hanger Mounted, Optional	As Req'd	As Req'd	As Req'd	As Req'd	HUT-69
-	E-9487		755-03	Replacement Hanger Wear Pad	As Req'd	As Req'd	As Req'd	As Req'd	HUT-68

 Denotes Product is Genuine Hutchens -P Suffix Indicates Price Point

HUTCHENS

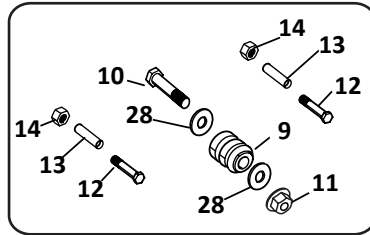
H7700/9700 & CH7700/9700 TWS 97" - 121" Axle Spacing — Trailer

Equalizer Bushing Kit



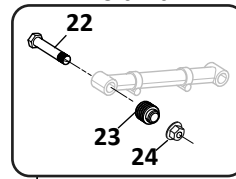
6 (Models H9700)

Equalizer & Rebound Bolt Kit



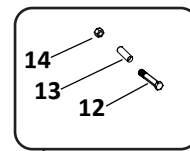
8 (Models H9700)

Torque Arm Bushing & Bolt Kit



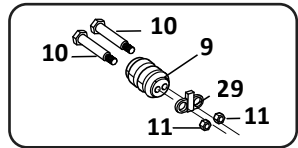
26

Rebound Bolt Kit

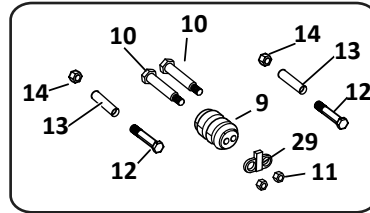


15

Equalizer Bushing Kit

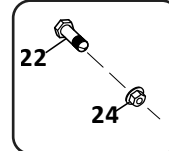


7 (Models H7700)

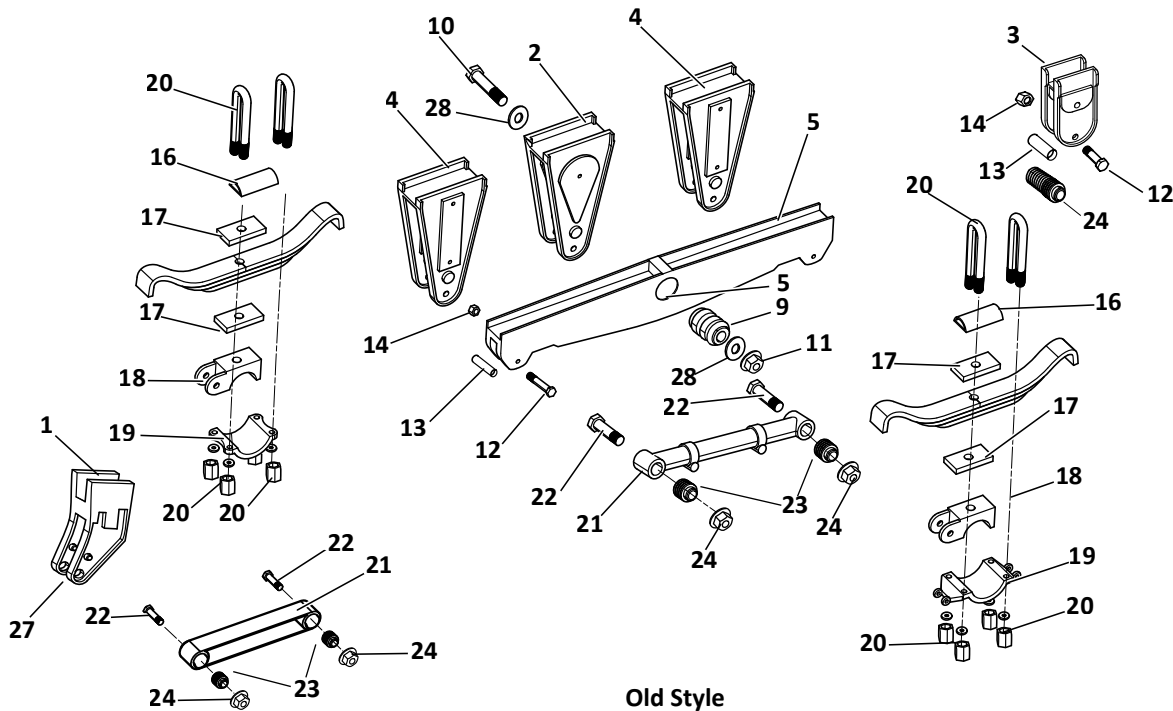


8 (Models H7700)

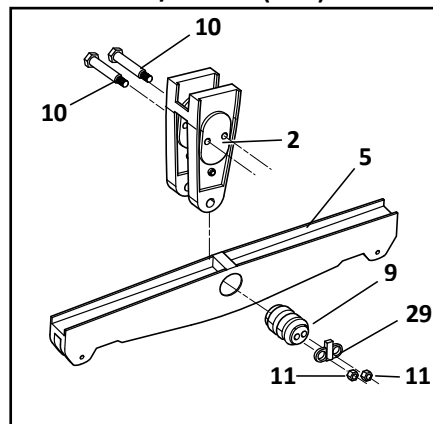
Torque Arm Bolt & Flange Nut Kit



25



















Old Style
H-7700/CH7700 (Cast) Series



HUTCHENS

H7700/9700 & CH7700/9700 TWS 97" – 121" Axle Spacing — Trailer

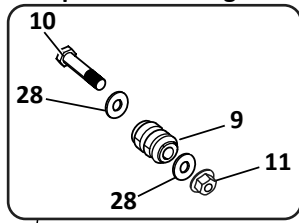
KEY NO.	EUCLID NO.	GENUINE	OEM REF.	DESCRIPTION	QTY. PER TANDEM		PAGE NO.
					H7700 SERIES	H9700 SERIES	
1	See Hanger Chart			Front Hanger	2	2	HUT-46
2	See Hanger Chart			Equalizer Hanger	2	2	HUT-46
3	See Hanger Chart			Rear Hanger	2	2	HUT-46
4	E-15224		7707-13	Beam Guide Hanger, Straddle Mount, Fabricated	4	4	HUT-68
	E-7681		7707-14	Beam Guide Hanger, Under Mount, Fabricated	4	4	HUT-68
	S.O.S.		-	Beam Guide Hanger, Cast, Various	4	4	-
5	E-15378		9239-09	Equalizer, Fabricated, Two Hole Rubber Bushing for 97" Axle Spacing	2	-	HUT-56
	E-15348		16168-09	Equalizer, Fabricated, One Hole Rubber Bushing for 97" Axle Spacing	-	2	HUT-56
	E-9491		16168-10	Equalizer, Fabricated, Two Hole Rubber Bushing for 109" Axle Spacing	2	-	HUT-56
	E-15379		9239-10	Equalizer, Fabricated, Two Hole Rubber Bushing for 109" Axle Spacing	2	-	HUT-56
	E-9492		16168-13	Equalizer, Fabricated, One Hole Rubber Bushing for 121" Axle Spacing	-	2	HUT-56
	S.O.S.		9239-13	Equalizer, Fabricated, Two Hole Rubber Bushing for 121" Axle Spacing	2	-	-
6	E-9472	-	-	Equalizer Bushing Rubber & Bolt Kit, Includes Key Nos. 9, 10, 11, 28	-	2	HUT-59
	GAFF999472	-	-	Equalizer Bushing Poly & Bolt Kit, Includes Key Nos. 9, 10, 11, 28	-	2	HUT-59
7	E-2003	-	-	Equalizer Bushing Rubber & Bolt Kit, Includes Key Nos. 9, 10, 11, 29	2	-	HUT-59
8	E-9475	-	16353-01	Equalizer Bolt Kit Includes Key Nos. 10, 11, 12, 13, 14, & 28	-	2	HUT-60
	E-16506						
	E-3414	-	-	Equalizer (2) Bolt & Rebound Bolt Kit, Includes Key Nos. 10, 11, 12, 13, 14, & 29	2	-	HUT-60
9	E-7621	-	18723-01	Equalizer Bushing, Rubber, One Hole	-	2	HUT-59
	E-16501						
	GAFF14038	-	-	Equalizer Bushing, Poly, One Hole	-	2	HUT-59
	E-1999A	-	7010-00	Equalizer Bushing, Rubber, Two Hole	2	-	HUT-59
	GAFF14000	-	-	Equalizer Bushing, Poly, Two Hole	2	-	HUT-59
10	E-7533	-	16150-01	Equalizer Hex Bolt, 1-1/8"-7 x 6-5/8" Long	-	2	HUT-61
	E-2000	-	7016-01	Equalizer Step Hex Bolt, 3/4" Body x 6" Long, 5/8"-18	4	-	HUT-60
11	E-4358	-	11154-00	Equalizer Hex Locknut, 1-1/8"-7	-	2	HUT-61
	E-2002	-	37-03	Equalizer Hex Nut, 5/8"-18	4	-	-
12	E-3415	-	759-00	Equalizer Rebound Hex Bolt, 5/8"-18 x 4-1/2" Long	6	6	HUT-60
13	E-3416	-	756-00	Equalizer Rebound Spacer Sleeve	6	6	HUT-60
	E-16525						
14	E-2002	-	37-03	Hex Nut, 5/8"-18	6	6	-
15	E-4835	-	10287-00	Rebound Bolt Kit, 5/8"- 18 x 4-1/2" Long, Includes Key Nos. 12, 13, 14	6	6	HUT-59
	E-16523						
16	E-2907A		16868-01	U-Bolt Top Plate	4	4	HUT-69
	E-2907A-P	-					
17	E-2842	-	-	Delrin Spring Liner Pad	8	8	HUT-69
	E-16520		7052-02	Galvanized Steel Spring Liner Pad	8	8	
18	See Spring Seat Chart			Spring Seat	4	4	HUT-50

 Denotes Product is Genuine Hutchens -P Suffix Indicates Price Point

HUTCHENS

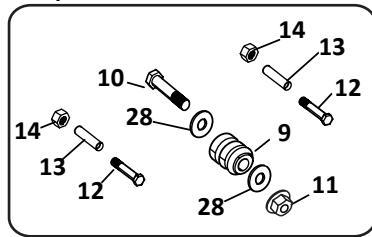
H7700/9700 & CH7700/9700 TWS 97" - 121" Axle Spacing — Trailer

Equalizer Bushing Kit



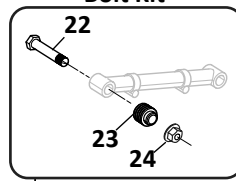
6 (Models H9700)

Equalizer & Rebound Bolt Kit



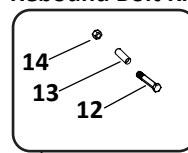
8 (Models H9700)

Torque Arm Bushing & Bolt Kit



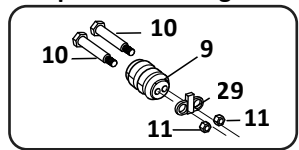
26

Rebound Bolt Kit

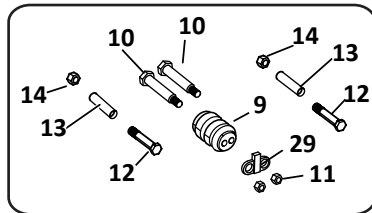


15

Equalizer Bushing Kit

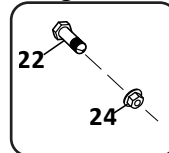


7 (Models H7700)

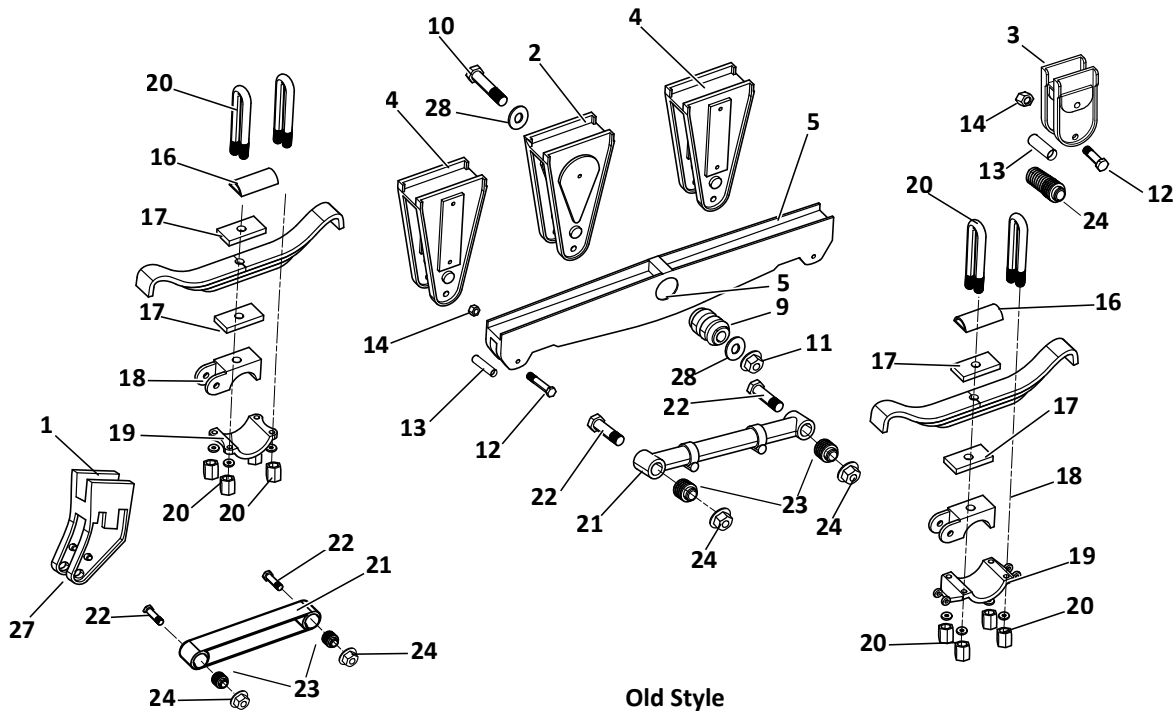


8 (Models H7700)

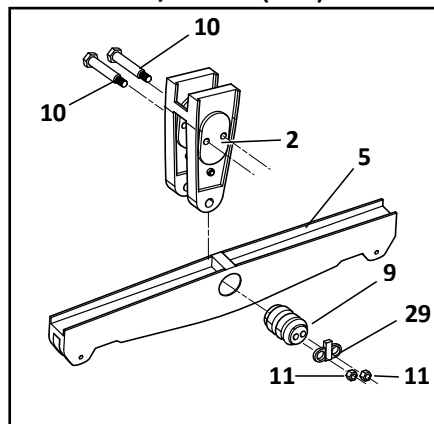
Torque Arm Bolt & Flange Nut Kit



25




















Old Style
H-7700/CH7700 (Cast) Series



HUTCHENS

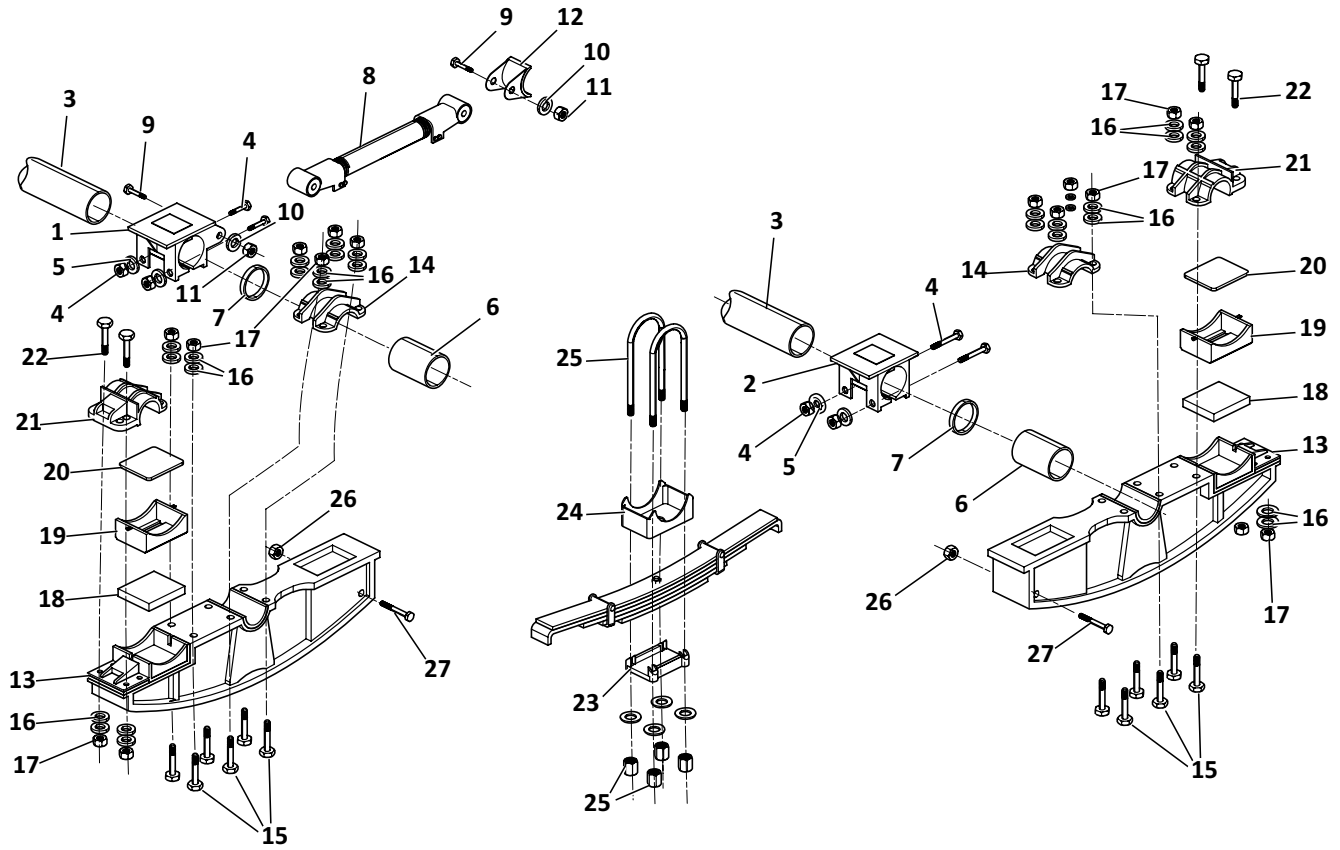
H7700/9700 & CH7700/9700 TWS 97" – 121" Axle Spacing — Trailer

KEY NO.	EUCLID NO.	GENUINE	OEM REF.	DESCRIPTION	QTY. PER TANDEM		PAGE NO.
					H7700 SERIES	H9700 SERIES	
19	E-2909	-	710-00	Bottom Plate, Front Axle, 5" Rd. Axle, 7/8" Dia. U-Bolts	2	2	HUT-71
	E-2909-P	-					
	E-16521						
	E-7636		7747-01	Bottom Plate, Front Axle, 5" Sq. Axle	2	2	HUT-71
	E-7635		7746-00	Bottom Plate, Front Axle, 4" x 6" Axle	2	2	HUT-71
	E-15336		16297-01	Bottom Plate, Front Axle, 5" Rd. Axle, 3/4" Dia. U-Bolts	2	2	HUT-71
	E-7698		7738-00	Bottom Plate, Stabilizer Bracket, 4" x 6" Axle, No Hop, Rear Axle	2	2	HUT-72
	E-7697		10775-00	Bottom Plate Stabilizer Bracket, 5" Round Axle, No Hop, Rear Axle, 7/8" U-Bolts	2	2	HUT-72
	S.O.S.		16308-01	Bottom Plate Stabilizer Bracket, 5" Round Axle, No Hop, Rear Axle, 3/4" U-Bolts	2	2	-
	E-7699		7738-01	Bottom Plate Stabilizer Bracket, 5" Square Axle, No Hop, Rear Axle	2	2	HUT-72
20	See U-Bolt Chart			U-Bolt Assembly	8	8	HUT-53
21	E-16395		715-00	Rigid T. Arm, 19-1/4" Center-to-Center, Front Axle, Curbside, O.E.	1	1	HUT-63
	E-2899	-	715-00	Rigid Torque Arm, 19-1/4" Center-to-Center, 49" & 50" Axle Spacing	1	1	HUT-63
	E-2899-P	-					
	E-16394		16398-04	Adjustable Torque Arm, 18-1/2 – 21" Center-to-Center, Rear Axle Both Positions, Front, Curbside, 5" Rd. Axles, O.E.	3	3	HUT-62
	E-3277	-	16398-04	Adjustable Torque Arm, 18-1/2 – 21" Center-to-Center, Rear Axle Both Positions, Front, Curbside, 5" Rd. Axles, All Models	3	3	HUT-62
	E-3277-P	-					
	E-16396		16398-17	Adjustable Torque Arm, 16 – 18" Center-to-Center, Rear with Square or Rect Axles, O.E.	2	2	HUT-62
E-3390	-	16398-17	Adjustable Torque Arm, 16 – 18" Center-to-Center, Rear with Square or Rect Axles,	2	2	HUT-62	
22	E-2891	-	719-02	Torque Arm Hex Bolt, 1"-14 x 5" Long	8	8	HUT-65
	E-16500						
23	E-934	-	722-00	Torque Arm Bushing, Rubber	8	8	HUT-64
	E-16504						
	GAFF14073	-					
24	E-2892	-	10562-00	Torque Arm Nut, 1"-14	8	8	HUT-65
	E-16518						
25	E-9839	-	-	Torque Arm Bolt and Nut, Includes Key Nos. 22, 24	8	8	HUT-65
26	E-3079	-	-	Torque Arm Bushing Assembly Rubber, Includes Key Nos. 22, 23, & 24	8	8	HUT-64
	GAFF993079	-	-	Torque Arm Bushing Assembly Poly, Includes Key Nos. 22, 23, & 24	8	8	HUT-64
27	E-7682		7717-01	Replacement Hanger Washer Bushing	As Reqd	As Reqd	HUT-68
28	E-2548	-	-	Washer, 1-1/4" ID	-	4	-
29	E-2001	-	729-00	Lock Tab Washer	2	-	HUT-60
30	E-15459		18541-01	Spring Rebound Bushing, Rear Hanger Mounted, Optional	As Reqd	As Reqd	HUT-69

 Denotes Product is Genuine Hutchens -P Suffix Indicates Price Point


















HUTCHENS


H11455 Tri-Axle — Trailer



HUTCHENS

H11455 Tri-Axle — Trailer

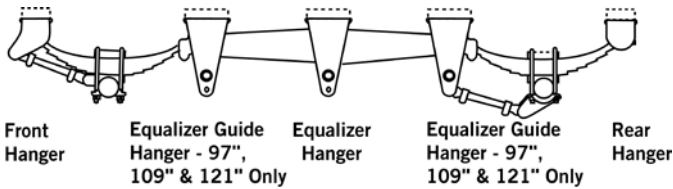
KEY NO.	EUCLID NO.	GENUINE	OEM REF.	DESCRIPTION	QTY. PER	PAGE NO.
1	E-15410		11447-01	Trunnion Hanger / Bracket	2	HUT-79
2	E-15413		11453-00	Trunnion Hanger, 2-1/2" HI for 3-1/2" OD Tube	2	HUT-79
3	E-15409		11446-00	Trunnion Tube, 3-1/2" OD x 3/4" Wall x 44-1/4" Long, 60K Models	2	HUT-79
	S.O.S.		22405-01	Trunnion Tube, 3-1/2" OD x 3/4" Wall x 44-1/4" Long, 75K Models	2	-
4	E-15194	-	11456-00	Hex Bolt, 3/4"- 16 x 5-1/2 Long	8	HUT-80
	E-4961A	-	-	Hex Locknut, 3/4"-16	8	HUT-78
	E-16517		22414-01	Hex Locknut, 3/4-16 Unf, Gr C Zinc Plated	8	HUT-78
5	E-2545	-	81-700 22410-01	Washer, 1/8"Thk. x 13/16" ID x 1-1/2" OD	8	-
	E-16534		817-00			-
6	E-2935	-	11442-00	Bushing, Rubber	4	HUT-79
	GAFF14088	-	-	Bushing, Poly	4	HUT-79
7	E-15412		11452-00	Washer, 3-17/32" ID x 5-1/4" OD	4	HUT-79
8	E-15411		11451-00	Adjustable Torque Arm Includes Bushing, 24-3/4" to 26-3/4" Center-to-Center, 60K Models	2	HUT-80
	E-15688		22424-01	Adjustable Torque Arm Includes Bushing, 24-3/4" to 26-3/4" Center-to-Center, 75K Models	2	HUT-80
9	E-15689	-	22412-01	Hex Bolt, 1-1/4"-7 x 5-1/4" Long	4	HUT-80
10	E-2548	-	-	Washer, 1-1/4" ID x 2-1/4" OD	4	-
11	E-4358	-	22415-01	Hex Locknut, 1-1/4"-7	4	HUT-61
12	E-15404		11437-01	Torque Rod Bracket	2	HUT-80
13	E-15692		11441-00	Beam Assembly	4	HUT-80
14	E-15403		11434-00	Trunnion Cap	4	HUT-79
15	E-15695	-	22418-01	Hex Bolt, 7/8"-14 x 2-1/2" Long	24	HUT-80
16	E-2546	-	22408-01	Washer, 15/16" ID x 1-3/4" OD	56	-
	E-16533		3500			
17	E-9607	-	-	Flange Locknut, 7/8"-14	32	-
18	E-15402	-	11433-00	Lower Pad, 1" Thick x 4-9/16" Wide x 5-5/16" Long	4	HUT-80
19	E-15401		11432-00	Axle Adapter, 5" Round Axles	4	HUT-79
20	E-15408	-	11445-00	Upper Pad, 1/2" Thick x 5-7/8" Wide x 7" Long	4	HUT-80
21	E-15407		11444-00	Axle Cap, 5" Round Axles	4	HUT-79
22	E-3818	-	22420-01	Hex Bolt- 7/8"- 14 x 7-3/4" Long	8	HUT-80
23	E-15405		11438-00	Bottom Plate	2	HUT-80
24	E-15414		11497-00	Seat	2	HUT-80
25	E-UB8165-12	-	7816-08 22404-01	U-Bolt Assembly, Rd. Bend, 7/8"- 14 Thd. X 5" Wide x 12" Long	4	-
26	E-1943	-	37-03	Hex Lock Nut, 5/8"-18	4	-
27	E-15702	-	22419-01	Hex Bolt, 5/8"- 18 x 6" Long	4	HUT-80

 Denotes Product is Genuine Hutchens

Spring Hangers — Fabricated

MOUNTING TYPES: (See Illustrations Below)

- FLB = Flange Mount, Bolt-On
- FLW = Flange Mount, Weld-On
- SM = Side Mount
- ST = Straddle Mount
- UM = Under Mount
- UI = Under Mount I-Beam (topless)



EUCLID NO.	GENUINE	OEM REF.	DESCRIPTION	MTG. TYPE	Equalizer Hanger				Equalizer Guide Hanger	
					H-7600	H-7700	H-9600	H-9700	H-9700 TWS 54-1/2" – 81" AXLE SPREAD	H-9700 TWS 97" – 121" AXLE SPREAD
E-15236		7602-05	Equalizer Hanger	FLB	X	-	-	-	-	-
E-5072		7702-05	Equalizer Hanger	FLB	-	X	-	-	-	-
E-25185		16178-01	Equalizer Hanger	FLB	-	-	-	X	-	-
S.O.S.		16191-01	Equalizer Hanger	FLB	-	-	X	-	-	-
S.O.S.		760-20	Equalizer Hanger	FLW	X	-	-	-	-	-
E-15208		7702-04	Equalizer Hanger	FLW	-	X	-	-	-	-
E-15209		16179-01	Equalizer Hanger	FLW	-	-	-	X	-	-
S.O.S.		16192-01	Equalizer Hanger	FLW	-	-	X	-	-	-
S.O.S.		7602-04	Equalizer Hanger	SM	X	-	-	-	-	-
E-25190		7702-03	Equalizer Hanger	SM	-	X	-	-	-	-
E-25184		16175-01	Equalizer Hanger	SM	-	-	-	X	-	-
S.O.S.		16190-01	Equalizer Hanger	SM	-	-	X	-	-	-
E-9495		7602-01	Equalizer Hanger	ST	X	-	-	-	-	-
E-2911		7702-01	Equalizer Hanger	ST	-	X	-	-	-	-
E-7534	-	16169-01	Equalizer Hanger	ST	-	-	-	X	-	-
E-16514										
S.O.S.		16184-01	Equalizer Hanger	ST	-	-	-	-	-	X
E-9497		16187-01	Equalizer Hanger	ST	-	-	X	-	-	-
E-9496		7602-02	Equalizer Hanger	UM	X	-	-	-	-	-
E-2914	-	7702-02	Equalizer Hanger	UM	-	X	-	-	-	-
E-2914-P	-	7702-02	Equalizer Hanger — Price Point	UM	-	X	-	-	-	-
E-16512		7702-02	Equalizer Hanger	UM	-	X	-	-	-	-
E-9582		16171-01	Equalizer Hanger	UM	-	-	-	X	-	-
E-9582-P	-	16171-01	Equalizer Hanger — Price Point	UM	-	-	-	X	-	-
S.O.S.		16185-01	Equalizer Hanger	UM	-	-	-	-	-	X
E-9498		16188-01	Equalizer Hanger	UM	-	-	X	-	-	-
E-15224		7707-13	Equalizer Guide Hanger — Front & Rear	ST	-	-	-	-	-	X
E-7681		7707-14	Equalizer Guide Hanger — Front & Rear	UM/ UI	-	-	-	-	-	X

Denotes Product is Genuine Hutchens -P Suffix Indicates Price Point

Spring Hanger Illustrations

Straddle Mount (ST)

Straddle Mount Hangers are for use with box type frames. Each hanger straddles the frame and is welded to both sides of the frame. This is our strongest hanger mounting



Flange Mount (FLB or FLW)

Flange Mount Hangers are available with or without bolt holes. Hangers may be bolted (FLB) or welded (FLW) to the frame, or a combination of bolting and welding may be used.



HUTCHENS

Spring Hangers — Fabricated

EUCLID NO.	GENUINE	OEM REF.	DESCRIPTION	MTG. TYPE	ALL H-7600 & H-9600	H-7700, H-9700 AND H-9700 TWS 54-1/2" - 81" AXLE SPREAD	H-9700 TWS 97" - 121" AXLE SPREAD"
S.O.S.		7601-07	Front Hanger, LH	FLB	X	-	-
E-5070		7701-07	Front Hanger, LH	FLB	-	X	X
S.O.S.		7601-08	Front Hanger, RH	FLB	X	-	-
E-5071		7701-08	Front Hanger, RH	FLB	-	X	X
S.O.S.		7601-03	Front Hanger, LH	FLW	X	-	-
E-15360		7701-05	Front Hanger, LH	FLW	-	X	X
S.O.S.		7601-04	Front Hanger, RH	FLW	X	-	-
E-15361		7701-06	Front Hanger, RH	FLW	-	X	X
S.O.S.		20726-01	Front Hanger, LH	SM	X	-	-
E-25186		20729-01	Front Hanger, LH	SM	-	X	X
S.O.S.		20727-01	Front Hanger, RH	SM	X	-	-
E-25187		20730-01	Front Hanger, RH	SM	-	X	X
E-9493		7601-01	Front Hanger	ST	X	-	-
E-2910A	-	7701-01	Front Hanger	ST	-	X	X
E-16513							
E-9494		20725-01	Front Hanger	UM	X	-	-
E-2913A	-	20728-01	Front Hanger	UM	-	X	X
E-2913A-P	-	20728-01	Front Hanger — Price Point	UM	-	X	X
E-16509		20728-01	Front Hanger	UM	-	X	X
E-15210		16481-01	Front Hanger	UI	-	X	X
S.O.S.		16482-01	Front Hanger	UI	X	-	-
E-16798		29024-01	Front Hanger, LH, Series 10 Slider	S10	Series 10 Slider	-	-
E-16799		29024-02	Front Hanger, RH, Series 10 Slider	S10	Series 10 Slider	-	-
E-5073		7703-07	Rear Hanger, LH	FLB	X	X	X
E-5074		7703-08	Rear Hanger, RH	FLB	X	X	X
E-25193		7703-05	Rear Hanger, LH	FLW	X	X	-
E-25194		7703-06	Rear Hanger, RH	FLW	X	X	-
E-25188		20733-01	Rear Hanger, LH	SM	X	X	-
E-25189		20734-01	Rear Hanger, RH	SM	X	X	-
E-2912A	-	7703-01	Rear Hanger	ST	X	X	X
E-2912A-P	-						
E-16511							
E-2915A	-	20732-01	Rear Hanger	UM	X	X	X
E-2915A-P	-	20732-01	Rear Hanger — Price Point	UM	X	X	X
E-16510		20732-01	Rear Hanger	UM	X	X	X
E-15211		16483-01	Rear Hanger — I-Beam	UM	X	X	X
E-16801		25576-01	Rear Hanger, LH, Series 10 Slider	S10	Series 10 Slider	-	-
E-16802		25576-02	Rear Hanger, RH, Series 10 Slider	S10	Series 10 Slider	-	-

Denotes Product is Genuine Hutchens -P Suffix Indicates Price Point

Spring Hanger Illustrations

Under Mount (UM)

Under Mount Hangers are welded flush to the bottom of the frame. For an added weight savings in I-beam applications special fabricated front and rear hangers without top plates are available.



Side Mount (SM)

Side Mount Hangers are welded to the sides of the frame. They are useful on flatbed sliders and “maximum cube” vans.



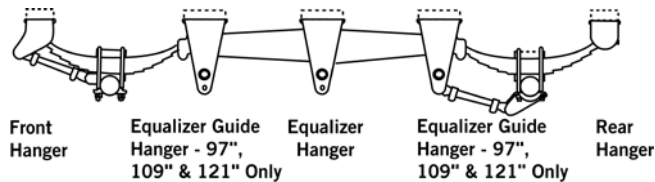
Series 10 Slider (S10)



Spring Hangers — Cast

MOUNTING TYPES: (See Illustrations Below)

- FLB = Flange Mount, Bolt-On
- FLW = Flange Mount, Weld-On
- SM = Side Mount
- ST = Straddle Mount
- UM = Under Mount
- UI = Under Mount I-Beam (topless)



EUCLID NO.	GENUINE	OEM REF	DESCRIPTION	MOUNTING TYPE	CH-7600	CH-7700	CH-9600	CH-9700	CH-9600 TWS	CH-9700 TWS	CH-9700 TWS
									54-1/2" – 72" AXLE SPREAD	54-1/2" – 81" AXLE SPREAD	97" – 121" AXLE SPREAD
S.O.S.		703-06	Equalizer Hanger	FLB	-	Note "A"		-	-	-	-
S.O.S.		7656-07	Equalizer Hanger	FLB	Note "B"	-		-	-	-	-
E-25201		16199-03	Equalizer Hanger	FLB	-	-	-	X	-	-	-
		16202-03	Equalizer Hanger	FLB	-	-	X	-	-	-	-
S.O.S.		16183-03	Equalizer Hanger, LH	FLB	-	-	-	-	-	X	-
S.O.S.		16183-04	Equalizer Hanger, RH	FLB	-	-	-	-	-	X	-
S.O.S.		703-05	Equalizer Hanger	FLW	-	Note "C"	-	-	-	-	-
S.O.S.		7656-06	Equalizer Hanger	FLW	Note "D"	-	-	-	-	-	-
E-15438		16199-05	Equalizer Hanger	FLW	-	-	-	X	-	-	-
S.O.S.		16202-05	Equalizer Hanger	FLW	-	-	X	-	-	-	-
S.O.S.		16183-05	Equalizer Hanger, LH	FLW	-	-	-	-	-	X	-
S.O.S.		16183-06	Equalizer Hanger, RH	FLW	-	-	-	-	-	X	-
S.O.S.		703-03	Equalizer Hanger	SM / UM	-	Note "E"	-	-	-	-	-
S.O.S.		7656-04	Equalizer Hanger	SM / UM	Note "F"	-	-	-	-	-	-
S.O.S.		16181-01	Equalizer Hanger	SM / UM	-	-	-	-	-	X	-
E-9501		16197-03	Equalizer Hanger	SM / UM	-	-		X	-	-	-
S.O.S.		16201-03	Equalizer Hanger	SM / UM	-	-	X	-	-	-	-
S.O.S.		16194-01	Equalizer Hanger	SM / UM	-	-	-	-	X	-	-
E-15451		16543-03	Equalizer Hanger	UM	-	-	-	-	-	-	97" & 109"
E-15450		16542-03	Equalizer Hanger	UM	-	-	-	-	-	-	121"
S.O.S.		703-01	Equalizer Hanger	ST	-	Note "G"	-	-	-	-	-
S.O.S.		7656-01	Equalizer Hanger	ST	Note "H"	-	-	-	-	-	-
S.O.S.		16180-01	Equalizer Hanger	ST	-	-	-	-	-	X	-
E-15437		16196-03	Equalizer Hanger	ST	-	-	-	X	-	-	-
S.O.S.		16200-03	Equalizer Hanger	ST	-	-	X	-	-	-	-
S.O.S.		16193-01	Equalizer Hanger	ST	-	-			X		
S.O.S.		12834-05	Equalizer Guide Hanger - Front & Rear	UM	-	-	-	-	-	-	97" & 109"
S.O.S.		12921-05	Equalizer Guide Hanger - Front & Rear	UM	-	-	-	-	-	-	121"

Denotes Product is Genuine Hutchens

Notes to Convert CH7600/7700 to CH9600/9700

- A - Use 16199-03 with proper Single Hole Equalizer
- B - Use 16202-03 with proper Single Hole Equalizer
- C - Use 16199-05 with proper Single Hole Equalizer
- D - Use 16202-05 with proper Single Hole Equalizer
- E - Use E-9501 with proper Single Hole Equalizer
- F - Use 16201-03 with proper Single Hole Equalizer
- G - Use E-15437 with proper Single Hole Equalizer
- H - Use 16200-03 with proper Single Hole Equalizer

HUTCHENS

Spring Hangers — Cast

MOUNTING TYPES: (See Illustrations Below)

FLB = Flange Mount, Bolt-On

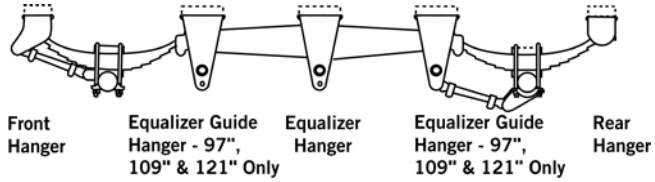
FLW = Flange Mount, Weld-On

SM = Side Mount

ST = Straddle Mount

UM = Under Mount

UI = Under Mount I-Beam (topless)



EUCLID NO.	GENUINE	OEM REF.	DESCRIPTION	MOUNTING TYPE	ALL CH-7600 & CH-9600 INCLUDING TWS	CH-7700, CH-9700 & CH-9700 TWS 54-1/2" – 81" AXLE SPREAD	CH-9700 TWS 97" – 121" AXLE SPREAD
E-14814		702-11	Front Hanger, LH	FLB	-	X	X
S.O.S.		7655-07	Front Hanger, LH	FLB	X	-	-
E-14815		702-12	Front Hanger, RH	FLB	-	X	X
S.O.S.		7655-08	Front Hanger, RH	FLB	X	-	-
E-25192		702-09	Front Hanger, LH	FLW	-	X	-
S.O.S.		7655-05	Front Hanger, LH	FLW	X	-	-
E-25191		702-10	Front Hanger, RH	FLW	-	X	-
S.O.S.		7655-06	Front Hanger, RH	FLW	X	-	-
E-9499		16291-03	Front Hanger, LH	SM / UM	-	X	X
S.O.S.		7655-03	Front Hanger, LH	SM / UM	X	-	-
E-9500		16291-04	Front Hanger, RH	SM / UM	-	X	X
S.O.S.		7655-04	Front Hanger, RH	SM / UM	X	-	-
E-15328		702-01	Front Hanger	ST	-	X	X
E-14816		712-11	Rear Hanger, LH	FLB	X	X	X
E-14817		712-12	Rear Hanger, RH	FLB	X	X	X
E-15237		712-09	Rear Hanger, LH	FLW	X	X	-
E-15238		712-10	Rear Hanger, RH	FLW	X	X	-
E-9502		16293-01	Rear Hanger, LH	SM / UM	X	X	X
E-9503		16293-02	Rear Hanger, RH	SM / UM	X	X	X
E-15333		712-01	Rear Hanger	ST	X	X	X

Denotes Product is Genuine Hutchens

Spring Hanger Illustrations

Straddle Mount (ST)

Straddle Mount Hangers are for use with box type frames. Each hanger straddles the frame and is welded to both sides of the frame. This is our strongest hanger mounting



Flange Mount (FLB or FLW)

Flange Mount Hangers are available with or without bolt holes. Hangers may be bolted (FLB) or welded (FLW) to the frame, or a combination of bolting and welding may be used.



Under Mount (UM)

Under Mount Hangers are welded flush to the bottom of the frame. For an added weight savings in I-beam applications special fabricated front and rear hangers without top plates are available.



Side Mount (SM)

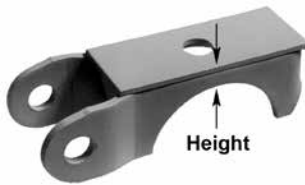
Side Mount Hangers are welded to the sides of the frame. They are useful on flatbed sliders and "maximum cube" vans.



Spring Seats



TYPE 1
H & CH 7600/9600 with
2 Piece Tapered Bushings



TYPE 2
H & CH 7700/9700 with
1 Piece Bushing



TYPE 3
All Models with
No Torque Arm Connection

EUCLID NO.	GENUINE	OEM REF.	HEIGHT	H7600/ 9600, CH7600/ 9600 TYPE 1	H7700 9700, CH7700/ 9700 42-1/2"-80" AXLE SPREAD TYPE 2	ALL UNDERSLUNG AND NO-HOP MODELS (USE PART NO. SHOWN BELOW FOR REAR SEAT FOR NO-HOP MODELS; USE STANDARD PART NO. IN OTHER COLUMNS FOR FRONT SEAT) TYPE 3	H7700/9700, CH7700/9700 TWS 97" – 121" AXLE SPREAD
------------	---------	----------	--------	--	---	---	---

5" Round Axles

E-7686		22215-01	3/4" High	-	-	X	Rear * - Type 3
E-7687		22215-02	1-1/4" High	-	-	X	Rear * - Type 3
E-7688		22215-03	1-3/4" High	-	-	X	Rear * - Type 3
E-7689		22215-04	2-1/4" High	-	-	X	Rear * - Type 3
E-15476		22215-06	3-1/4" High	-	-	X	Rear * - Type 3
E-2908	-	19360-01 705-01	3/4" High	-	X	-	Front - Type 2
E-2908-P**	-	19360-01 705-01	3/4" High	-	X	-	Front - Type 2
E-16499		19360-01 705-01	3/4" High	-	X	-	Front - Type 2
E-7622	-	19360-02	1-1/4" High	-	X	-	Front - Type 2
E-7623	-	19360-03	1-3/4" High	-	X	-	Front - Type 2
E-16498							
E-7624		19360-04	2-1/4" High	-	X	-	Front - Type 2
E-7625		19360-05	2-3/4" High	-	X	-	Front - Type 2
E-7535		19360-06	3-1/4" High	-	X	-	Front - Type 2
S.O.S.		19360-07	3-3/4" High	-	X	-	Front - Type 2
S.O.S.		19360-08	4-1/4" High	-	X	-	Front - Type 2
S.O.S.		19360-09	4-3/4" High	-	X	-	Front - Type 2
E-9527		19361-01	3/4" High	X	-	-	-
S.O.S.		19361-02	1-1/4" High	X	-	-	-
S.O.S.		19361-03	1-3/4" High	X	-	-	-
E-9528		19361-04	2-1/4" High	X	-	-	-
S.O.S.		19361-05	2-3/4" High	X	-	-	-
E-9529		19361-06	3-1/4" High	X	-	-	-
S.O.S.		19361-07	3-3/4" High	X	-	-	-
S.O.S.		19361-08	4-1/4" High	X	-	-	-

Denotes Product is Genuine Hutchens

* Use with No-Hop Stabilizer E-7697 for 7/8" Dia U-Bolts

** Price Point

Spring Seats



TYPE 1
H & CH 7600/9600 with
2 Piece Tapered Bushings



TYPE 2
H & CH 7700/9700 with
1 Piece Bushing



TYPE 3
All Models with
No Torque Arm Connection

EUCLID NO.	GENUINE	OEM REF.	HEIGHT	H7600/ 9600, CH7600/ 9600 TYPE 1	H7700/ 9700, CH7700/ 9700 42-1/2" – 80" AXLE SPREAD TYPE 2	ALL UNDERSLUNG AND NO-HOP MODELS (USE PART NO. SHOWN BELOW FOR REAR SEAT FOR NO-HOP MODELS; USE STANDARD PART NO. IN OTHER COLUMNS FOR FRONT SEAT) TYPE 3	H7700/9700, CH7700/9700 TWS 97" – 121" AXLE SPREAD
5" X 5" Square Axle							
S.O.S.		19362-01	3/4" High	X	-	-	-
S.O.S.		19362-02	1-1/4" High	X	-	-	-
S.O.S.		19362-03	1-3/4" High	X	-	-	-
S.O.S.		19362-04	2-1/4" High	X	-	-	-
S.O.S.		19362-05	2-3/4" High	X	-	-	-
S.O.S.		19362-06	3-1/4" High	X	-	-	-
S.O.S.		19362-07	3-3/4" High	X	-	-	-
S.O.S.		19362-08	4-1/4" High	X	-	-	-
E-7630		19365-01	3/4" High	-	X	-	Front - Type 2
E-7631		19365-02	1-1/4" High	-	X	-	Front - Type 2
E-7632		19365-03	1-3/4" High	-	X	-	Front - Type 2
E-7633		19365-04	2-1/4" High	-	X	-	Front - Type 2
E-7634		19365-05	2-3/4" High	-	X	-	Front - Type 2
E-25202		19365-06	3-1/4" High	-	X	-	Front - Type 2
S.O.S.		19365-07	3-3/4" High	-	X	-	Front - Type 2
S.O.S.		19365-08	4-1/4" High	-	X	-	Front - Type 2
S.O.S.		19365-09	4-3/4" High	-	X	-	Front - Type 2
E-7693		22226-01	3/4" High	-	-	X	Rear * - Type 3
E-7694		22226-02	1-1/4" High	-	-	X	Rear * - Type 3
E-7695		22226-03	1-3/4" High	-	-	X	Rear * - Type 3
E-7696		22226-04	2-1/4" High	-	-	X	Rear * - Type 3

Denotes Product is Genuine Hutchens

* Use with No-Hop Stabilizer E-7699

HUTCHENS

Spring Seats



TYPE 1
H & CH 7600/9600 with
2 Piece Tapered Bushings



TYPE 2
H & CH 7700/9700 with
1 Piece Bushing



TYPE 3
All Models with
No Torque Arm Connection

EUCLID NO.	GENUINE	OEM REF.	DESCRIPTION	H7600/ 9600, CH7600/ 9600 TYPE 1	H7700 9700, CH7700/ 9700 42-1/2 – 80" AXLE SPREAD TYPE2	ALL UNDERSLUNG AND NO-HOP MODELS (USE PART NO. SHOWN BELOW FOR REAR SEAT FOR NO-HOP MODELS; USE STANDARD PART NO. IN OTHER COLUMNS FOR FRONT SEAT) TYPE 3	H7700/ 9700, CH7700/ 9700 TWS 97" – 121" AXLE SPREAD
------------	---------	----------	-------------	--	---	---	--

4" X 6" Rectangular Axle

S.O.S.		19363-01	3/4" High	X	-	-	-
S.O.S.		19363-02	1-1/4" High	X	-	-	-
S.O.S.		19363-03	1-3/4" High	X	-	-	-
S.O.S.		19363-04	2-1/4" High	X	-	-	-
S.O.S.		19363-05	2-3/4" High	X	-	-	-
S.O.S.		19363-06	3-1/4" High	X	-	-	-
S.O.S.		19363-07	3-3/4" High	X	-	-	-
S.O.S.		19363-08	4-1/4" High	X	-	-	-
E-3867		19364-01	3/4" High	-	X	-	Front - Type 2
E-7626		19364-02	1-1/4" High	-	X	-	Front - Type 2
E-7627		19364-03	1-3/4" High	-	X	-	Front - Type 2
E-7628		19364-04	2-1/4" High	-	X	-	Front - Type 2
E-7629		19364-05	2-3/4" High	-	X	-	Front - Type 2
S.O.S.		19364-06	3-1/4" High	-	X	-	Front - Type 2
E-15468		19364-07	3-3/4" High	-	X	-	Front - Type 2
S.O.S.		19364-08	4-1/4" High	-	X	-	Front - Type 2
S.O.S.		19364-09	4-3/4" High	-	X	-	Front - Type 2
E-7690		22228-02	1-1/4" High	-	-	X	Rear* - Type 3
S.O.S.		22228-03	1-3/4" High	-	-	X	Rear* - Type 3

Denotes Product is Genuine Hutchens

* Use with No- Hop Stabilizer E-7699

HUTCHENS

U-Bolts						
EUCLID NO.	OEM REF.	DESCRIPTION	H/CH-9600 H/CH-7600	H/CH-9700 H/CH-7700	H/CH-9700 TWS 54.5 THRU 81"	H/CH-9700 TWS 97 THRU 121"
Springs Overslung - All Axles						
E-UB8161-10	7040-06 (9-3/4")	U-Bolt Assembly, Round Bend, 7/8"-14 Thd. x 3" Wide x 10" Long	X	X	X	X
E-UB5161-12 E-UB8161-12	7040-07(10-1/4")	U-Bolt Assembly, Round Bend, 7/8"-14 Thd. x 3" Wide x 12" Long	X	X	X	X
	7040-08 (10-3/4")		X	X	X	X
	7040-09 (11-1/4")		X	X	X	X
E-UB5161-13	7040-10 (11-3/4")	U-Bolt Assembly, Round Bend, 7/8"-14 Thd. x 3" Wide x 13" Long	X	X	X	X
	7040-11 (12-1/4")		X	X	X	X
E-UB5161-14 E-UB8161-14	7040-12 (12-3/4")	U-Bolt Assembly, Round Bend, 7/8"-14 Thd. x 3" Wide x 14" Long	X	X	X	X
	7040-13 (13-1/4")		X	X	X	X
E-UB8161-16	7040-14 (13-3/4")	U-Bolt Assembly, Round Bend, 7/8"-14 Thd. x 3" Wide x 16" Long	X	X	X	X
	7040-15 (14-1/4")		X	X	X	X
	7040-16 (14-3/4")		X	X	X	X
	7040-17 (15-1/4")		X	X	X	X
E-UB5161-18 E-UB8161-18	7040-18 (15-3/4")	U-Bolt Assembly, Round Bend, 7/8"-14 Thd. x 3" Wide x 18" Long	X	X	X	X
	7040-19 (16-1/4")		X	X	X	X
	7040-20 (16-3/4")		X	X	X	X
E-UB5161-22 E-UB8161-22	7040-21 (17-1/4")	U-Bolt Assembly, Round Bend, 7/8"-14 Thd. x 3" Wide x 22" Long	X	X	X	X
	7040-22 (17-3/4")		X	X	X	X
	7040-23 (18-1/4")		X	X	X	X
Springs Overslung — All Axles - Optional 3/4" Diameter U-Bolts						
E-UB8151-10	16300-06 (9-3/4")	U-Bolt Assembly, Round Bend, 3/4"-16 Thd. x 3" Wide x 10" Long	-	X	X	X
E-UB8151-12	16300-07 (10-1/4")	U-Bolt Assembly, Round Bend, 3/4"-16 Thd. x 3" Wide x 12" Long	-	X	X	X
	16300-08 (10-3/4")		-	X	X	X
	16300-09 (11-1/4")		-	X	X	X
	16300-10 (11-3/4")		-	X	X	X
E-UB8151-14	16300-11 (12-1/4")	U-Bolt Assembly, Round Bend, 3/4"-16 Thd. x 3" Wide x 14" Long	-	X	X	X
	16300-12 (12-3/4")		-	X	X	X
	16300-13 (13-1/4")		-	X	X	X
	16300-14 (13-3/4")		-	X	X	X
E-UB8151-16	16300-15 (14-1/4")	U-Bolt Assembly, Round Bend, 3/4"- 16 Thd. x 3" Wide x 16" Long	-	X	X	X
	16300-16 (14-3/4")		-	X	X	X
	16300-17 (15-1/4")		-	X	X	X
	16300-18 (15-3/4")		-	X	X	X
E-UB8151-18	16300-19 (16-1/4")	U-Bolt Assembly, Round Bend, 3/4"- 16 Thd. X 3" Wide x 18" Long	-	X	X	X



3/4" Diameter U-Bolt Kits Include E-3001 Hi Nuts and E-2545 Hardened Washers. Order E-16516 Hi Nuts and E-16534 Hardened Washer For Genuine Hutchens
7/8" Diameter U-Bolt Kits Include E-3002A Hi Nuts and E-2546 Hardened Washers. Order E-16515 Hi Nuts and E-16533 Hardened Washer For Genuine Hutchens



U-Bolts							
EUCLID NO.	OEM REF.	DESCRIPTION	H/CH-9600 H/CH-7600	H/CH-9700 H/CH-7700	H/CH-9700US H/CH-7700US	H/CH-9700 TWS 54.5 THRU 81"	H/CH-9700 TWS 97 THRU 121"
Springs Underslung ("US" Models) Or Overslung With Inverted U-Bolts With 5" Round Axles							
E-UB8165-10	7816-05 (9-1/4")	U-Bolt Assembly, Round Bend, 7/8"-14 Thd. X 5" Wide x 10" Long	X	X	-	-	-
	7816-06 (9-3/4")		X	X	-	-	-
E-UB5165-12 E-UB8165-12	7816-07 (10-1/4")	U-Bolt Assembly, Round Bend, 7/8"-14 Thd. x 5" Wide x 12" Long	X	X	-	-	-
	7816-08 (10-3/4")		X	X	X	X	-
	7816-09 (11-1/4")		X	X	X	X	X
	7816-10 (11-3/4")		X	X	X	X	X
E-UB5165-14 E-UB8165-14	7816-11 (12-1/4")	U-Bolt Assembly, Round Bend, 7/8"-14 Thd. x 5" Wide x 14" Long	X	X	X	X	-
	7816-12 (12-3/4")		X	X	X	X	X
	7816-13 (13-1/4")		X	X	X	X	X
	7816-14 (13-3/4")		X	X	X	X	-
E-UB5165-16 E-UB8165-16	7816-15 (14-1/4")	U-Bolt Assembly, Round Bend, 7/8"-14 Thd. X 5" Wide x 16" Long	X	X	X	X	-
	7816-16 (14-3/4")		X	X	X	X	-
	7816-17 (15-1/4")		X	X	-	-	-
	7816-18 (15-3/4")		X	X	-	-	-
Springs Underslung ("US" Models) Or Overslung With Inverted U-Bolts With 5" Square Axles							
S.O.S.	7840-01 (9-1/4")	U-Bolt Assembly; Square Bend; 7/8"-14 Thd. X 5" Wide x 10" Long	X	X	-	-	-
	7840-02 (9-3/4")		X	X	-	-	-
S.O.S.	7840-03 (10-1/4")	U-Bolt Assembly; Square Bend; 7/8"-14 Thd. X 5" Wide x 12" Long	-	X	X	-	-
	7840-04 (10-3/4")		X	X	X	X	-
	7840-05 (11-1/4")		X	X	X	X	X
	7840-06 (11-3/4")		X	X	X	X	X
S.O.S.	7840-07 (12-1/4")	U-Bolt Assembly; Square Bend; 7/8"-14 Thd. X 5" Wide x 14" Long	X	X	X	X	-
	7840-08 (12-3/4")		X	X	X	X	X
	7840-09 (13-1/4")		X	X	X	X	X
	7840-10 (13-3/4")		X	X	X	X	-
E-UB8265-16	7840-11 (14-1/4")	U-Bolt Assembly; Square Bend; 7/8"-14 Thd. X 5" Wide x 16" Long	X	X	X	X	-
	7840-12 (14-3/4")		X	X	X	X	-
	7840-13 (15-1/4")		X	X	-	-	-
	7840-14 (15-3/4")		-	X	X	-	-



3/4" Diameter U-Bolt Kits Include E-3001 Hi Nuts and E-2545 Hardened Washers. Order E-16516 Hi Nuts and E-16534 Hardened Washer For Genuine Hutchens
 7/8" Diameter U-Bolt Kits Include E-3002A Hi Nuts and E-2546 Hardened Washers. Order E-16515 Hi Nuts and E-16533 Hardened Washer For Genuine Hutchens



HUTCHENS

Equalizer & Hanger Assemblies

Equalizer - Fabricated			
FOR MODELS: H-7600 H-7700			
			
Fabricated, 2-Bolt - Includes Rubber Bushing unless noted			
EUCLID NO.	GENUINE	OEM REF.	NOTES
E-16392		750-03	O.E. Hutch
E-2781	-	-	Heavy-Duty Side Plates
E-2781A	-	750-03	Standard Duty
E-2781A-P	-	750-03	Price Point
GAFF992781A	-	-	Poly Bushing

Equalizer - Fabricated			
FOR MODELS: H-9600 H-9700			
			
Fabricated, 1-Bolt			
EUCLID NO.	GENUINE	OEM REF.	NOTES
E-16393		16158-01	Rubber Bushing, O.E. Hutch
E-17660	-	-	Heavy-Duty Side Plates
E-7532	-	16158-01	Rubber Bushing
E-7532-P	-	16158-01	Price Point
GAFF997532	-	-	Poly Bushing

Equalizer - Cast			
FOR MODELS: CH-7600 CH-7700			
			
Cast, 2-Bolt			
EUCLID NO.	GENUINE	OEM REF.	NOTES
E-2889	-	19137-01	Rubber Bushing
E-2889-P	-	19137-01	Price Point
E-16508		19137-01	-

Equalizer - Cast			
FOR MODELS: CH-9600 CH-9700			
			
Cast, 1-Bolt			
EUCLID NO.	GENUINE	OEM REF.	NOTES
E-9471	-	17784-01	Rubber Bushing
E-9471-P	-	17784-01	Price Point
E-16507		17784-01	Rubber Bushing
GAFF999471	-	-	Poly Bushing

 Denotes Product is Genuine Hutchens -P Suffix Indicates Price Point


HUTCHENS

HUTCHENS FOUR SPRING SUSPENSION

Equalizer & Hanger Assemblies

Truck Equalizer - Cast

FOR MODEL:
H-2200




Cast, E-2004 Bushing Sold Separately


EUCLID NO.	OEM REF.	NOTES
E-2890	2224-01	Obsolete

Equalizer - Fabricated

FOR MODEL:
H-7700





Fabricated - 2 Bolt

EUCLID NO.	GENUINE	OEM REF.	NOTES
E-15480		24712-01	Rubber Bushing 44", 50", 51" Axle Spacing

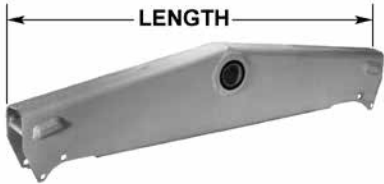
Equalizer - Fabricated

FOR MODELS
H-9700
CH-9700


















EUCLID NO.	GENUINE	OEM REF.	NOTES
E-11452		24711-01	Rubber Bushing; 44", 50", 51" Axle Spacing

Equalizer - Fabricated, Widespread







Includes Rubber Bushing, 1 Hole Bushing Shown



EUCLID NO.	GENUINE	OEM REF.	MODELS	LENGTH	NOTES
E-15331		12808-01 24821-01	H/CH7600 H/CH9700	21"	Two Holes for 54-1/2" Axle Spacing
E-14925		24820-01	H-9600 H-9700	21"	One Hole for 54-1/2" Axle Spacing
E-15338		24713-01	H-7700	21-3/8"	Two Hole for 54-1/2" Axle Spacing
E-14818		17604-02 21833-01	H-9700	23-1/2"	One Hole for 57- 1/2" Widespread
E-15475		21841-01	H-7600 H-7700	27"	Two Hole for 61" Axle Spacing
E-9489		16168-02 21834-01	H-9600 H-9700	27"	One Hole for 61" Axle Spacing
E-15433		16168-15	H-9700	30"	One Hole for 64" Axle Spacing
E-15377		9239-03	H-7700	33"	Two Hole for 67" Axle Spacing
E-15430		16168-03	H-9700	33"	One Hole for 67" Axle Spacing
E-9330		16168-04 21835-01	H-9600 H-9700	39"	One Hole Rubber Bushings for 73" Axle Spacing
E-15348		16168-09	H-7700	63"	One Hole for 97" Axle Spacing
E-15378		9239-09	H-9700	63"	Two Hole for 97" Axle Spacing
E-15379		9239-10	H-7700	75"	Two Hole for 109" Axle Spacing
E-9491		16168-10	H-9700	75"	One Hole for 109" Axle Spacing
E-9492		16168-13	H-9700	87"	One Hole for 121" Widespread



 Denotes Product is Genuine Hutchens -P Suffix Indicates Price Point



Equalizer & Hanger Assemblies



Equalizer / Hanger - Under Mount		
FOR MODEL: H-9600		
		
Fabricated		
EUCLID NO.	GENUINE	OEM REF.
E-9470		16321-02



Equalizer / Hanger - Under Mount Modified		
FOR MODEL: H-9700		
		
Fabricated		
EUCLID NO.	GENUINE	OEM REF.
E-15440		16319-06

Equalizer / Hanger - Straddle Mount		
FOR MODEL: H-9600		
		
Fabricated		
EUCLID NO.	GENUINE	OEM REF.
E-9469		16321-01

Equalizer / Hanger - Bolt On Flange		
FOR MODEL: H-9700		
		
Fabricated		
EUCLID NO.	GENUINE	OEM REF.
E-15441		16319-07

Equalizer / Hanger - Under Mount		
FOR MODEL: H-9700		
		
Fabricated		
EUCLID NO.	GENUINE	OEM REF.
E-9485		16319-02

Equalizer / Hanger - Weld On Flange		
FOR MODEL: H-9700		
		
Fabricated		
EUCLID NO.	GENUINE	OEM REF.
E-15442		16319-08

Equalizer / Hanger - Straddle Mount		
FOR MODEL: H-9700		
		
Fabricated		
EUCLID NO.	GENUINE	OEM REF.
E-9484		16319-01



Equalizer / Hanger - Straddle Mount		
FOR MODEL: CH-9700		
		
Cast		
EUCLID NO.	GENUINE	OEM REF.
E-15443		16319-51

 Denotes Product is Genuine Hutchens -P Suffix Indicates Price Point

HUTCHENS FOUR SPRING SUSPENSION

Equalizer & Hanger Assemblies

Equalizer / Hanger - Under Mount		
FOR MODEL: CH-9700		
		
Cast		
EUCLID NO.	GENUINE	OEM REF.
E-15444		16319-52

Equalizer / Hanger - Bolt On Flange		
FOR MODEL: CH-9700		
		
Cast		
EUCLID NO.	GENUINE	OEM REF.
E-15445		16319-57


HUTCHENS

 Denotes Product is Genuine Hutchens -P Suffix Indicates Price Point

Equalizer Bushings & Hardware

Equalizer Bushing Assembly

FOR MODELS:
H-7600
H-7700
CH-7600
CH-7700




Includes: 2 Step Bolts, 2 Nuts, 1 Lock Tab

EUCLID NO.	NOTES
E-2003	Includes: 1 Rubber Bushing

Equalizer Bushing Assembly

FOR MODELS:
H-9600,
H-9700,
CH-9600,
CH-9700



Includes 1 Equalizer Bolt, 1 Nut, 2 Washers

EUCLID NO.	NOTES
E-9472	Includes: 1 Rubber Bushing
GAFF999472	Includes: 1 Poly Bushing

Equalizer Bushing


FOR MODELS:
H-9600
H-9700
CH-9600
CH-9700




EUCLID NO.	GENUINE	OEM REF.	BUSHING TYPE
E-7621	-	18723-01	Rubber
E-16501			
GAFF14038	-	-	Poly

Equalizer Bushing

FOR MODEL:
H-2200





Obsolete

EUCLID NO.	GENUINE	OEM REF.	BUSHING TYPE
E-2004		720-00	Fiber

Rebound Bolt Assembly

FOR MODELS:
All Models



EUCLID NO.	GENUINE	OEM REF.	NOTES
E-4835		10287-00	Includes: 1 Rebound Bolt, 1 Nut, 1 Sleeve
E-16523			

Equalizer Bushing

FOR MODELS:
H-7600
H-7700
CH-7600
CH-7700



EUCLID NO.	OEM REF.	BUSHING TYPE
E-1999A	7010-00	Rubber
GAFF14000	-	Poly

 Denotes Product is Genuine Hutchens -P Suffix Indicates Price Point

HUTCHENS

HUTCHENS FOUR SPRING SUSPENSION

Equalizer Bushings & Hardware

Equalizer Bolt Assembly

FOR MODELS:
H-2200
H-7600
H-7700
CH-7600
CH-7700



EUCLID NO.	NOTES
E-3414	Includes: 2 Step Bolts, 2 Rebound Bolts, 4 Nuts, 2 Sleeves, 1 Lock Tab

Rebound Bolt

FOR MODELS:
All Models



EUCLID NO.	OEM REF.	NOTES
E-3415	759-00	5/8" - 18 x 4-1/2" Long

Rebound Spacer

FOR MODELS:
All Models



EUCLID NO.	GENUINE	OEM REF.	NOTES
E-3416	-	756-00	3/4" OD x 3-1/4" Long
E-16525			

Equalizer Bolt Assembly

FOR MODELS:
H-9600
H-9700
CH-9600
CH-9700



EUCLID NO.	GENUINE	OEM REF.	NOTES
E-9475	-	16353-01	Includes: 1 Equalizer Bolt & Nut, 2 Rebound Bolts & Nuts, 2 Sleeves
E-16506			

Equalizer Bolt

FOR MODELS:
H-2200
H-7600
H-7700
CH-7700
CH-7600



EUCLID NO.	OEM REF.	NOTES
E-2000	7016-01	5/8"-18 Thread, 3/4" Body X 6" Long

Equalizer Lock Tab

FOR MODELS:
H-2200
H-7600
H-7700
CH-7600
CH-7700




EUCLID NO.	OEM REF.
E-2001	729-00


Denotes Product is Genuine Hutchens -P Suffix Indicates Price Point

HUTCHENS FOUR SPRING SUSPENSION

Equalizer Bushings & Hardware

Suspension

Equalizer Bolt		
FOR MODELS: H-9600 H-9700 CH-9600 CH-9700		
		
EUCLID NO.	OEM REF.	NOTES
E-7533	16150-01	1-1/8"-7 x 6-5/8" Long

Equalizer Nut		
FOR MODELS: H-9600 H-9700 CH-9600 CH-9700		
		
EUCLID NO.	OEM REF.	NOTES
E-4358	11154-00	1-1/8"-7

HUTCHENS

 Denotes Product is Genuine Hutchens -P Suffix Indicates Price Point

U.S. 888-725-9355
 Canada 800-387-3889

MeritorPartsXpress.com
700F-HUT (07-23)

HUT-61

HUTCHENS FOUR SPRING SUSPENSION**Torque Arms**

TYPE 1
Fabricated Ends



TYPE 2
Cast Ends, Includes Bushings as Noted

ADJUSTABLE

EUCLID NO.	GENUINE	OEM REF.	FOR MODELS	INCLUDES BUSHING NO.	USES BUSHING KIT	LENGTH	TYPE
E-16390		16398-01	H-7700, CH-7700 H-9700, CH-9700	E-934	E-3079	14"	1
E-3276	-	16398-02 713-02	H-7700, CH-7700 H-9700, CH-9700	E-934	E-3079	16"	1
E-16527							
E-3390	-	16398-17	H-7700, CH-7700 H-9700, CH-9700	E-934	E-3079	17"	1
E-16396		16398-17	H-7700, CH-7700 H-9700, CH-9700	E-934	E-3079	17"	1
E-16394		16398-04	H-7700, CH-7700 H-9700, CH-9700	E-934	E-3079	19-1/4"	1
E-3277	-	16398-04	H-7700, CH-7700 H-9700, CH-9700	E-934	E-3079	20-1/4"	1
E-3277-P	-	16398-04	H-7700, CH-7700 H-9700, CH-9700	E-934	E-3079	20-1/4"	1
E-7683		16398-05	H-7700, CH-7700 H-9700, CH-9700	E-934	E-3079	20-1/4"	1
E-16528							
E-11448	-	16398-06	H-7700, CH-7700 H-9700, CH-9700	E-934	E-3079	21-1/2"	1
E-16526							
E-7684	-	16398-08	H-7700, CH-7700 H-9700, CH-9700	E-934	E-3079	23-1/2"	1
E-16530							
E-15342		16398-09	H-7700, CH-7700 H-9700, CH-9700	E-934	E-3079	25"	1
E-15344		16398-10	H-7700, CH-7700 H-9700, CH-9700	E-934	E-3079	26-1/2"	1
E-15343		16398-11	H-7700, CH-7700 H-9700, CH-9700	E-934	E-3079	28"	1
E-7685	-	16398-12	H-7700, CH-7700 H-9700, CH-9700	E-934	E-3079	29-1/2"	1
E-16529							
E-15346		16398-13	H-7700, CH-7700 H-9700, CH-9700	E-934	E-3079	30-3/4"	1
E-15353		16398-14	H-7700, CH-7700 H-9700, CH-9700	E-934	E-3079	33-1/2"	1
E-15350		16398-15	H-7700, CH-7700 H-9700, CH-9700	E-934	E-3079	34-3/4"	1
E-2510	-	-	H-7700, CH-7700 H-9700, CH-9700	E-934	E-3079	16"	2
E-2292	-	-	H-7700, CH-7700 H-9700, CH-9700	Not Included. Use E-934	E-3079	16"	2

Denotes Product is Genuine Hutchens -P Suffix Indicates Price Point

Torque Arms



TYPE 1
Fabricated Ends



TYPE 2
Cast Ends, Includes Bushings as Noted

ADJUSTABLE

EUCLID NO.	GENUINE	OEM REF.	FOR MODELS	INCLUDES BUSHING NO.	USES BUSHING KIT	LENGTH	TYPE
E-2511	-	-	H-7700, CH-7700 H-9700, CH-9700	E-934	E-3079	19-1/4"	2
E-2293	-	-	H-7700, CH-7700 H-9700, CH-9700	Not Included. Use E-934	E-3079	19-1/4"	2
E-9476		16167-04	H-7600, CH-7600 H-9600, CH-9600	Not Included. Use E-927	E-9478	19-1/4"	2
E-15429		16167-06	H-7600, CH-7600 H-9600, CH-9600	Not Included. Use E-927	E-9478	21"	2



TYPE 1




TYPE 2

RIGID

EUCLID NO.	GENUINE	OEM REF.	FOR MODELS	INCLUDES BUSHING NO.	USES BUSHING KIT	LENGTH	TYPE
E-16395		715-00	H7700, H9700	E-934	E-3079	19-1/4"	1
E-2899	-	715-00	H7700, H9700	E-934	E-3079	19-1/4"	1
E-2899-P	-	715-00	H7700, H9700	E-934	E-3079	19-1/4"	1
E-9477		11953-01	H-7600, CH-7600 H-9600, CH-9600	Not Included. Use E-927	E-9478	19-1/4"	2


HUTCHENS FOUR SPRING SUSPENSION

Torque Arm Bushings & Hardware


Torque Arm Bushing Assembly	
FOR MODEL: H-2200	
	
EUCLID NO.	NOTES
E-1075	Includes: 2 Rubber Bushing, 1 Bolt, 1 Nut, 2 Washer


Torque Arm Bushing Assembly	
FOR MODELS: H-7600 CH-7600	
	
Includes: 1 Bolt, 1 Nut, 2 Washers	
EUCLID NO.	NOTES
E-9478	Includes: 2 Rubber Bushings
GAFF999478	Includes: 2 Poly Bushings

Torque Arm Bushing Assembly	
FOR MODELS: H-7700 CH-7700 H-9700 CH-9700	
	
EUCLID NO.	NOTES
E-3079	Includes: 1 Rubber Bushing, 1 Bolt, 1 Nut
GAFF993079	Includes: 1 Poly Bushing, 1 Bolt, 1 Nut

Torque Arm Bushing		
FOR MODEL: H-2200		
		
EUCLID NO.	OEM REF.	NOTES
E-1038	222-00	Rubber

Torque Arm Bushing			
FOR MODELS: H-7600 CH-7600 H-9600 CH-9600			
			
NOTE: Large OD 2-3/16" ID 1-1/4" Length 2-3/8"			
EUCLID NO.	GENUINE	OEM REF.	NOTES
E-927	-	7620-00	Rubber
E-16505			
GAFF13001	-	-	Poly



Torque Arm Bushing			
FOR MODELS: H-7700 CH-7700 H-9700 CH-9700			
			
NOTE: Dimensions OD 1-29/32" x ID 1" x Length 3"			
EUCLID NO.	GENUINE	OEM REF.	NOTES
E-934	-	722-00	Rubber
E-16504			
GAFF14073	-	-	Poly


 Denotes Product is Genuine Hutchens -P Suffix Indicates Price Point



HUTCHENS


Torque Arm Bushings & Hardware



Torque Arm Hardware Assembly	
FOR MODELS: H-7700 CH-7700 H-9700 CH-9700	
	
EUCLID NO.	NOTES
E-9839	Includes: 1 Bolt, 1 Nut


Torque Arm Bolt			
FOR MODELS: H-7600 CH-7600 H-9600 CH-9600			
			
EUCLID NO.	GENUINE	OEM REF.	NOTES
E-9480		12709-01	1-1/4" Dia Body, 7/8"-14 Threads

Torque Arm Washer		
FOR MODEL: H-2200		
		
EUCLID NO.	OEM REF.	NOTES
E-1074	227-00	2-1/2" OD x 1-1/16" ID X 1/4" Thick

Torque Arm Bolt			
FOR MODELS: H-7700 CH-7700 H-9700 CH-9700			
			
EUCLID NO.	GENUINE	OEM REF.	NOTES
E-2891	-	719-02	1"-14 X 5" Long
E-16500			

Torque Arm Nut		
FOR MODELS: H-7600 CH-7600 H-9600 CH-9600		
		
EUCLID NO.	OEM REF.	NOTES
E-1835	34-02	7/8"-14 Hex Locknut

Torque Arm Nut			
FOR MODELS: H-7700 CH-7700 H-9700 CH-9700			
			
EUCLID NO.	GENUINE	OEM REF.	NOTES
E-2892	-	10562-00	1" - 14
E-16518			

Torque Arm Washer		
FOR MODELS: H-7600 CH-7600 H-9600 CH-9600		
		
EUCLID NO.	OEM REF.	NOTES
E-9482	12711-01	15/16" ID
E-2833	12710-01	1-5/16" ID

 Denotes Product is Genuine Hutchens -P Suffix Indicates Price Point

HUTCHENS

HUTCHENS FOUR SPRING SUSPENSION

Fabricated Spring Hangers - H7700 / H9700

Front Hanger - Straddle Mount

FOR MODELS:
H-7700
H-9700



EUCLID NO.	GENUINE	OEM REF.
E-2910A	-	7701-01
E-16513		

Rear Hanger - Straddle Mount

FOR MODELS:
All Fabricated
Models



Includes Rebound Bolt, Nut And Sleeve

EUCLID NO.	GENUINE	OEM REF.
E-2912A	-	7703-01
E-2912A-P	-	7703-01
E-16511		7703-01

Center Hanger - Straddle Mount

FOR MODEL:
H-7700



EUCLID NO.	OEM REF.
E-2911	7702-01

Center Hanger - Straddle Mount

FOR MODEL:
H-9700



EUCLID NO.	GENUINE	OEM REF.
E-7534	-	16169-01
E-16514		

Front Hanger - Under Mount

FOR MODELS:
H-7700
H-9700




EUCLID NO.	GENUINE	OEM REF.
E-2913A	-	20728-01
E-2913A-P	-	20728-01
E-16509		20728-01

Denotes Product is Genuine Hutchens -P Suffix Indicates Price Point



HUTCHENS FOUR SPRING SUSPENSION




Suspension



Fabricated Spring Hangers - H7700 / H9700

Center Hanger - Under Mount		
FOR MODEL: H-7700		
		
EUCLID NO.	GENUINE	OEM REF.
E-2914	-	7702-02
E-2914-P	-	7702-02
E-16512		7702-02

Rear Hanger - Under Mount		
FOR MODELS: All Fabricated Models		
		
Includes Rebound Bolt, Nut And Sleeve		
EUCLID NO.	GENUINE	OEM REF.
E-2915A	-	20732-01
E-2915A-P	-	20732-01
E-16510		20732-01

Center Hanger - Under Mount		
FOR MODEL: H-9700		
		
EUCLID NO.	GENUINE	OEM REF.
E-9582		16171-01



Front Hanger - Flange Mount			
FOR MODELS: H-7700 H-9700			
			
EUCLID NO.	GENUINE	OEM REF.	FOR MODELS
E-5070		7701-07	Left Hand, Drilled (Shown)
E-5071		7701-08	Right Hand, Drilled

Center Hanger - Flange Mount		
FOR MODEL: H-7700		
		
EUCLID NO.	GENUINE	OEM REF.
E-5072		7702-05




 Denotes Product is Genuine Hutchens -P Suffix Indicates Price Point

HUTCHENS FOUR SPRING SUSPENSION



Fabricated Spring Hangers - H7700 / H9700

Center Hanger - Flange Mount			
FOR MODEL: H-9700			
			
EUCLID NO.	GENUINE	OEM REF.	NOTES
E-25185		16178-01	

Replacement Hanger Wear Pad			
FOR MODELS: All Fabricated Models			
			
EUCLID NO.	GENUINE	OEM REF.	NOTES
E-9487		755-03	All Fabricated Front and Center Hangers

Rear Hanger - Flange Mount			
FOR MODELS: All Fabricated Models			
			
Includes rebound bolt, nut and sleeve			
EUCLID NO.	GENUINE	OEM REF.	NOTES
E-5073		7703-07	Left Hand Drilled (shown)
E-5074		7703-08	Right Hand Drilled

Hanger Repair Bushing Washer, For Fabricated Hangers			
FOR MODELS: All Fabricated Models			
			
EUCLID NO.	GENUINE	OEM REF.	NOTES
E-7682		7717-01	All Fabricated Front and Center Hangers (weld in place)

Equalizer Guide Hanger - Under Mount			
FOR MODELS: 109" 121" TWS			
			
EUCLID NO.	GENUINE	OEM REF.	NOTES
E-7681		7707-14	Front and Rear


Equalizer Guide Hanger - Straddle Mount			
			
EUCLID NO.	GENUINE	OEM REF.	NOTES
E-15224		7707-13	Front and Rear

 Denotes Product is Genuine Hutchens -P Suffix Indicates Price Point


HUTCHENS

Axle Attaching Parts

U-Bolt Top Plate






E-2907A **E-2907A-P**

EUCLID NO.	GENUINE	OEM REF.	FOR MODELS
E-2907A		16868-01 7029-00	ALL
E-2907A-P	-		

Spring Seat - 5" Round Axles


FOR MODELS:
For All Underslung
& Rear TWS




EUCLID NO.	GENUINE	OEM REF.	HEIGHT
E-7686		22215-01	3/4" High
E-7687		22215-02	1-1/4" High
E-7688		22215-03	1-3/4" High
E-7689		22215-04	2-1/4" High

U-Bolt Top Plate

FOR MODELS:
H-7700,
CH-7700,
H-9700,
CH-9700, TWS



EUCLID NO.	GENUINE	OEM REF.	NOTES
E-16389		9202-00	For Upper Mounted U-Bolts

Spring Liner Pad

FOR MODELS:
ALL

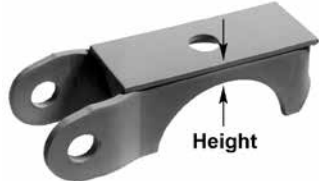







2-7/8" Wide

EUCLID NO.	GENUINE	OEM REF.	MATERIAL
E-2842	-	-	Delrin
E-16520		7052-02	Galvanized Steel

Spring Seat - 5" Round Axles

FOR MODELS:
H-7700
CH-7700
H-9700
CH-9700
Front TWS



EUCLID NO.	GENUINE	OEM REF.	HEIGHT
E-2908	-	19360-01 705-01	3/4" High
E-2908-P	-		
E-16499			
E-7622	-	19360-02	1-1/4" High
E-7623	-	19360-03	1-3/4" High
E-16498		19360-03	1-3/4" High
E-7624		19360-04	2-1/4" High
E-7625		19360-05	2-3/4" High
E-7535		19360-06	3-1/4" High

Spring Rebound Bushing, Rear Hanger Mounted

FOR MODELS:
H7600/9600
H7700/9700
H7700/9700US



EUCLID NO.	GENUINE	OEM REF.
E-15459		18541-01

 Denotes Product is Genuine Hutchens -P Suffix Indicates Price Point

HUTCHENS FOUR SPRING SUSPENSION

Axle Attaching Parts

Spring Seat - 5" Round Axles

FOR MODELS:
H-7600
CH-7600
H-9600
CH-9600



EUCLID NO.	GENUINE	OEM REF.	HEIGHT
E-9527		19361-01	3/4" High
E-9528		19361-04	2-1/4" High
E-9529		19361-06	3-1/4" High

Spring Seat - 5" Square Axles

FOR MODELS:
For All Underslung
& Rear TWS Models



EUCLID NO.	GENUINE	OEM REF.	HEIGHT
E-7693		22226-01	3/4" High
E-7694		22226-02	1-1/4" High
E-7695		22226-03	1-3/4" High
E-7696		22226-04	2-1/4" High

Spring Seat - 5" Square Axles

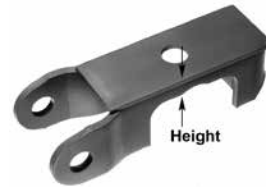
FOR MODELS:
H-7700
CH-7700
H-9700
CH-9700 Front TWS



EUCLID NO.	GENUINE	OEM REF.	HEIGHT
E-7630		19365-01	3/4" High
E-7631		19365-02	1-1/4" High
E-7632		19365-03	1-3/4" High
E-7633		19365-04	2-1/4" High
E-7634		19365-05	2-3/4" High
E-25202		19365-06	3-1/4" High

Spring Seat - 4" X 6" Square Axles

FOR MODELS:
H-7700
CH-7700
H-9700
CH-9700
Front TWS




EUCLID NO.	GENUINE	OEM REF.	HEIGHT
E-3867		19364-01	3/4" High
E-7626		19364-02	1-1/4" High
E-7627		19364-03	1-3/4" High
E-7628		19364-04	2-1/4" High
E-7629		19364-05	2-3/4" High
E-15468		19364-07	3-3/4" High

Denotes Product is Genuine Hutchens -P Suffix Indicates Price Point


Axle Attaching Parts

Spring Seat - 4" X 6 " Axles

FOR MODELS:
All Underslung & Rear TWS



Height

EUCLID NO.	GENUINE	OEM REF.
E-7690		22228-02

Bottom Plate

FOR MODELS:
H-7700
CH-7700
H-9700
CH-9700
TWS



Cast Plate for 5" Round Axles

EUCLID NO.	GENUINE	OEM REF.
E-15205		7622-00

Bottom Plate, 5" Round Axle

FOR MODELS:
All



EUCLID NO.	GENUINE	OEM REF.
E-2909	-	710-00
E-2909-P	-	
E-16521		

Bottom Plate

FOR MODELS:
H-7700
CH-7700
H-9700
CH-9700
TWS





For 5" Round Axle, 3/4" Dia. U-Bolt

EUCLID NO.	GENUINE	OEM REF.
E-15336		16297-01

Bottom Plate, 5" Square Axle


FOR MODELS:
All




EUCLID NO.	GENUINE	OEM REF.
E-7636		7747-01

Bottom Plate

FOR MODELS:
All - with Underslung Axles




EUCLID NO.	GENUINE	OEM REF.	NOTES
E-11728		706-01	For Underslung Axles

Bottom Plate, 4" x 6" Axle

FOR MODELS:
All



EUCLID NO.	GENUINE	OEM REF.
E-7635		7746-00

 Denotes Product is Genuine Hutchens -P Suffix Indicates Price Point

HUTCHENS

Axle Attaching Parts

Bottom Plate Stabilizer Bracket

FOR MODELS:

- H-7600
- CH-7600
- H-9600
- CH-9600



5" Square Axle, No Hop, Rear Axle Only

EUCLID NO.	GENUINE	OEM REF.
E-15358		7621-00

Bottom Plate Stabilizer Bracket

FOR MODELS:

- H-7600
- CH-7600
- H-9600
- CH-9600



5" Round Axle; No Hop, Rear Axle Only

EUCLID NO.	GENUINE	OEM REF.
E-16391		7619-00

Bottom Plate Stabilizer Bracket - No Hop Axles

FOR MODELS:

- H-7700
- CH-7700
- H-9700
- CH-9700
- TWS





EUCLID NO.	GENUINE	OEM REF.	NOTES
E-7697		10775-00 7025-00	5" Round Axle, No Hop, Rear Axle
E-7698		7738-00	4" x 6" Axle, No Hop, Rear Axle
E-7699		7738-01	5" Square Axle, No Hop, Rear Axle

Denotes Product is Genuine Hutchens -P Suffix Indicates Price Point





HUTCHENS


Single Point Suspension Parts



Trunnion Half - Lower		
FOR MODEL: H-440		
		
EUCLID NO.	GENUINE	OEM REF.
E-15214		20604-01

Trunnion Half - Lower			
FOR MODEL: H-900			
			
EUCLID NO.	GENUINE	OEM REF.	NOTES
E-5212		892-00	Underslung Trunnion

Trunnion - Upper Half		
FOR MODEL: H-440		
		
EUCLID NO.	GENUINE	OEM REF.
E-15215		20605-01

Trunnion Bushing					
FOR MODEL: H-900 Unless noted					
					
Length 9" Unless noted					
EUCLID NO.	GENUINE	OEM REF.	OD	ID	NOTES
E-5216	-	890-00	5"	4"	Rubber
E-16502					
GAFF14027	-	-	5"	4"	Poly
E-16397		23276-01	5"	4"	Free Oscillating
E-25199		23276-03	5"	4"	Free Oscillating H-440 7-1/2" Long

Trunnion Half-Upper		
FOR MODEL: H-900		
		
EUCLID NO.	GENUINE	OEM REF.
E-5210	-	891-00
E-16532		

Trunnion Half - Lower			
FOR MODEL: H-900			
			
EUCLID NO.	GENUINE	OEM REF.	NOTES
E-5211	-	898-00	Overslung Trunnion
E-16531			

 Denotes Product is Genuine Hutchens -P Suffix Indicates Price Point

HUTCHENS

Single Point Suspension Parts

Trunnion Shaft - 4" Outside Diameter



EUCLID NO.	GENUINE	OEM REF.	FOR MODEL	WALL THICKNESS	LENGTH
E-15225		893-04	H-900	1/2"	46"
E-15229		893-05	H-900	3/4"	46"
E-2964	-	893-01	H-900	1/2"	48"
E-5218		893-02	H-900	3/4"	48"
E-16524					
E-15226		893-11	H-900	1/2"	51"
E-15230		893-12	H-900	3/4"	51"
E-15227		893-09	H-900	1/2"	52"
E-15231		893-10	H-900	3/4"	52"
E-15228		893-07	H-900	1/2"	54"
E-15351		893-08	H-900	3/4"	54"
E-15352		893-23	H-440	1/2"	54-1/2"

Trunnion Washer



E-15207 w/ Flat - OD - 5-3/4", ID - 4"

EUCLID NO.	GENUINE	OEM REF.	FOR MODEL	THICKNESS
E-15207		20936-01	H440	5/32"
E-5219		895-00	H440, H900	3/16"

Spring End Cap

FOR MODEL:
H-400



EUCLID NO.	GENUINE	OEM REF.
E-15239		20610-01

Trunnion Hanger Bracket



EUCLID NO.	GENUINE	OEM REF.	FOR MODEL	HEIGHT
E-4312		10476-03	H-900	4-1/2"
E-5213		850-01	H-440 H-900	2-1/2"
E-5214		849-01	H-900	6-1/2"
E-5215		897-01	H-900	8-1/2"

Spring Seat

FOR MODEL:
H-440



EUCLID NO.	GENUINE	OEM REF.
E-25195		20609-01

Spring End Cap

FOR MODEL:
H-900





NOTE: 2 Main Leaf Spring

EUCLID NO.	GENUINE	OEM REF.	NOTES
E-5220		10049-00	Overlunge Axles



Denotes Product is Genuine Hutchens -P Suffix Indicates Price Point



Single Point Suspension Parts



Spring End Cap			
FOR MODEL: H-900			
			
3 Main Leaf Spring			
EUCLID NO.	GENUINE	OEM REF.	NOTES
E-5221		9937-00	Overslung Axles



Spring Seat			
FOR MODEL: H-900			
			
6" Rd. Axle			
EUCLID NO.	GENUINE	OEM REF.	NOTES
E-15221		9936-04	6" Rd. Axle; Overslung Axles



Spring End Cap			
FOR MODEL: H-900			
			
EUCLID NO.	GENUINE	OEM REF.	NOTES
E-15464		19069-01	Use w/ 5/8" Thick Alignment Plate

Spring Seat			
FOR MODEL: H-900			
			
5" x 5" Sq. Axle			
EUCLID NO.	GENUINE	OEM REF.	NOTES
E-5223		9935-02	Overslung Axles

Spring Seat			
FOR MODEL: H-900			
			
5" Rd. Axle			
EUCLID NO.	GENUINE	OEM REF.	NOTES
E-5222		9934-02	Overslung Axles

Spring End Cap			
FOR MODEL: H-900			
			
2 Main Leaf Spring			
EUCLID NO.	GENUINE	OEM REF.	NOTES
E-5224		10050-02	Underslung Axles



Spring Seat			
FOR MODEL: H-900			
			
5-3/4" Rd. Axle			
EUCLID NO.	GENUINE	OEM REF.	NOTES
E-15219		9936-03	5-3/4" Rd. Axle; Overslung Axles



Spring End Cap			
FOR MODEL: H-900			
			
3 Main Leaf Spring			
EUCLID NO.	GENUINE	OEM REF.	NOTES
E-5225		9941-02	Underslung Axles



 Denotes Product is Genuine Hutchens -P Suffix Indicates Price Point

HUTCHENS



Single Point Suspension Parts



Spring End Cap			
FOR MODEL: H-900			
			
6" Round Axles			
EUCLID NO.	GENUINE	OEM REF.	NOTES
E-15217		9942-02	6" Round Axles, Underslung Axles

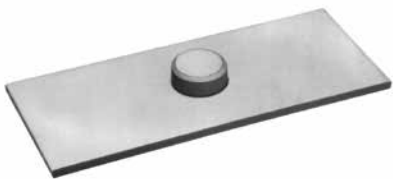

Spring Seat			
FOR MODEL: H-900			
			
5" x 5" Sq. Axle			
EUCLID NO.	GENUINE	OEM REF.	NOTES
E-15218		9939-00	5" x 5" Sq. Axle, Underslung Axle


Spring Seat			
FOR MODEL: H-900			
			
5" Rd. Axle			
EUCLID NO.	GENUINE	OEM REF.	NOTES
E-5226		9938-00	Underslung Axles

Spring End Pad						
FOR MODELS: H-440 H-900						
						
EUCLID NO.	GENUINE	OEM REF.	LENGTH	WIDTH	THICKNESS	MATERIAL
E-5227	-	814-00	5"	2-7/8"	13/16"	Rubber
E-16519						
GAFF14087	-	-				Poly

Spring Seat			
FOR MODEL: H-900			
			
NOTE: 5-3/4" Rd. Axle			
EUCLID NO.	GENUINE	OEM REF.	NOTES
E-15220		9940-00	5-3/4" Rd. Axle; Underslung Axle

Spring Seat			
FOR MODEL: H-900			
			
NOTE: 6" Rd. Axle			
EUCLID NO.	GENUINE	OEM REF.	NOTES
E-15222		9940-01	6" Rd. Axle; Underslung Axle

Alignment Adjustment Plate		
FOR MODEL: H-400		
		
EUCLID NO.	GENUINE	OEM REF.
E-25198		20601-01


 Denotes Product is Genuine Hutchens -P Suffix Indicates Price Point

HUTCHENS


Single Point Suspension Parts

Alignment Adjustment Plate

FOR MODEL:
H-900





5/8" Thick

EUCLID NO.	GENUINE	OEM REF.
E-15463		19059-01

Bottom Plate


FOR MODEL:
H-900




EUCLID NO.	GENUINE	OEM REF.
E-5231A		820-00

Alignment Adjustment Plate

FOR MODEL:
H-900





3/8" Thick

EUCLID NO.	GENUINE	OEM REF.
E-5228	-	10608-00
E-16522		

Pressure Plate


FOR MODEL:
H-900




EUCLID NO.	GENUINE	OEM REF.	NOTES
E-5229		10488-00	5" x 5" Square Axle

Top Plate

FOR MODEL:
H440





Square U-Bolt

EUCLID NO.	GENUINE	OEM REF.	NOTES
E-16388		20612-01	Use with Square U-Bolt

Spring Liner


FOR MODEL:
H-900




EUCLID NO.	GENUINE	OEM REF.	NOTES
E-25197		12919-01	4-3/4" Wide x 10" Long

Top Plate


FOR MODEL:
H-900





EUCLID NO.	GENUINE	OEM REF.	NOTES
E-5230		9640-00	Use with Square U-Bolt

Hex Bolt

FOR MODELS:
H-440
H-900



EUCLID NO.	GENUINE	OEM REF.	THREAD	LENGTH
E-15206		10376-00	3/4"-16 UNF	4-1/2"
E-4348	-	-	5/8" - 11	2"

 Denotes Product is Genuine Hutchens -P Suffix Indicates Price Point


HUTCHENS

Single Point Suspension Parts

Hex Lock Nut

FOR MODELS:
H440
H900



EUCLID NO.	GENUINE	OEM REF.	SIZE
E-2988	-	-	5/8"-11 UNC
E-4961A	-	-	3/4"-16 UNF
E-16517		22414-01	3/4"-16 UNF

HUTCHENS

 Denotes Product is Genuine Hutchens -P Suffix Indicates Price Point

H11455 Tri-Axle Suspension Section

Trunnion Cap




EUCLID NO.	GENUINE	OEM REF.
E-15403	☒	11434-00

Trunnion Hanger / Bracket



EUCLID NO.	GENUINE	OEM REF.
E-15410	☒	11447-01

Trunnion Bushing



EUCLID NO.	OEM REF.	OD	ID	LENGTH	MATERIAL
E-2935	11442-00	4-1/2"	3-1/2"	5-3/4"	Rubber
GAFF14088	-				Poly

Trunnion Washer



EUCLID NO.	GENUINE	OEM REF.	OD	ID
E-15412	☒	11452-00	5-1/4"	3-17/32"

Trunnion Tube

FOR MODELS:
60K Models



EUCLID NO.	GENUINE	OEM REF.	OD	LENGTH	WALL THICKNESS
E-15409	☒	11446-00	3-1/2"	44-1/4"	3/4"

Axle Cap



5" Round Axles

EUCLID NO.	GENUINE	OEM REF.
E-15407	☒	11444-00

Trunnion Hanger



EUCLID NO.	GENUINE	OEM REF.	BOM NOTES
E-15413	☒	11453-00	2-1/2" Hi for 3-1/2" OD Tube

Axle Adapter



5" Round Axles


EUCLID NO.	GENUINE	OEM REF.
E-15401	☒	11432-00

☒ Denotes Product is Genuine Hutchens -P Suffix Indicates Price Point

HUTCHENS


H11455 Tri-Axle Suspension Section

Spring End Pad





EUCLID NO.	OEM REF.	LENGTH	WIDTH	THICKNESS	NOTES
E-15402	11433-00	5-5/16"	4-9/16"	1"	Lower
E-15408	11445-00	7"	5-7/8"	1/2"	Upper

Adjustable Torque Arm



Includes Bushing

EUCLID NO.	GENUINE	OEM REF.	LENGTH (C-T-C)	NOTES
E-15688		22424-01	24-3/4" to 26-3/4"	75K Models
E-15411		11451-00	24-3/4" to 26-3/4"	60K Models


Axle Seat




5" Round Axles

EUCLID NO.	GENUINE	OEM REF.
E-15414		11497-00

Torque Rod Bracket



EUCLID NO.	GENUINE	OEM REF.
E-15404		11437-01

Bottom Plate



EUCLID NO.	GENUINE	OEM REF.
E-15405		11438-00

Hex Bolt



EUCLID NO.	OEM REF.	THREAD SIZE	LENGTH
E-15702	22419-01	5/8"- 18	6"
E-15194	11456-00	3/4"- 16	5-1/2"
E-15695	22418-01	7/8"-14	2-1/2"
E-3818	22420-01	7/8"- 14	7-3/4"
E-15689	22412-01	1-1/4"-7	5-1/4"

Beam Assembly




EUCLID NO.	GENUINE	OEM REF.
E-15692		11441-00



 Denotes Product is Genuine Hutchens -P Suffix Indicates Price Point

HUTCHENS


Slider Components

Slider Pull Handle




EUCLID NO.	GENUINE	OEM REF.	LENGTH
E-15397		11411-00	29-1/4"
E-15423		12781-01	32-3/4"

Slider Spring



Compression Spring for 9000 Series Slider

EUCLID NO.	GENUINE	OEM REF.	ID	LENGTH
E-15422		12779-01	1-7/16"	3-1/4"

Lock Pin



Lock Pin for 9200 Series Slider

EUCLID NO.	GENUINE	OEM REF.
E-15421		12716-01

Slider Hold Down Clamp



EUCLID NO.	GENUINE	OEM REF.	NOTES
E-15420		12715-01	Hold Down Clamp for 9200 Series Slider

 Denotes Product is Genuine Hutchens -P Suffix Indicates Price Point

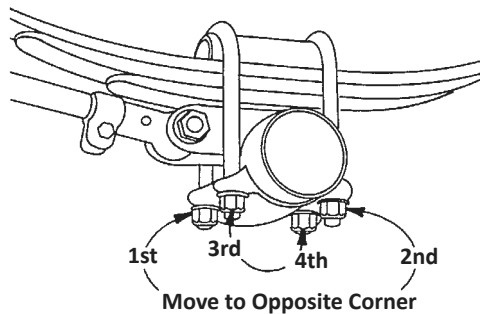
Inspection & Torque Guide

Axle Clamp Group and Springs

1. Check the torque on the U-Bolt nuts by alternately tightening opposing corners of the clamp assembly.

- When using 7/8" – 14 U-Bolts, the nuts should be torqued to a dry level of 470 lb-ft.
- When using 3/4" – 16 U-Bolts, the nuts should be torqued to a dry level of 420 lb-ft.

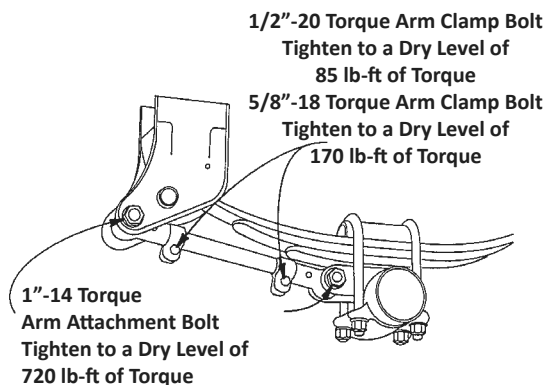
Always carefully inspect the spring and axle clamp components for any signs of wear or cracks, and replace if visible wear or cracks are present.



TORQUE ARMS

2a. The 1" – 14 torque arm attachment bolts at the hangers and spring seats should be tightened to a dry level of 720 lb-ft of torque on both the adjustable and non-adjustable torque arms.

Loose operation of this bolt can result in wear requiring new components be installed to avoid structural damage. During your visual inspection, if you observe any visible wear or loosening in the bushing, it is imperative that you immediately replace the torque arm bushing and bolt. Failure to replace these components will result in damage to the hanger, spring seat, and/or torque arm.



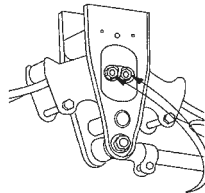
2b. Next check the 1/2" – 20 torque arm clamp bolt, which should be tightened to a dry level of 85 lb-ft of torque. The 5/8" – 18 torque arm clamp bolt should be tightened to a dry level of 170 lb-ft of torque. If the clamp bolt has not been properly maintained, then wear between the torque arm screw and the eye end may be observed. If so, then the entire torque arm must be replaced. Simply retightening or replacing the clamp bolt will not correct the problem.

EQUALIZER BUSHING

3. The recommended torque values for the equalizer bushing clamp bolts are different for each model.

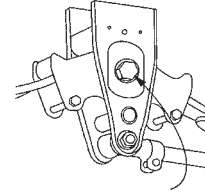
- If you are working on the 7700 model suspension, the 5/8" – 18 step bolts should be tightened to a dry level of 170 lb-ft of torque. See Figure 1.
- If you are working on the 9700 model suspension, the single 1-1/8" – 7 bolt should be tightened to a dry level of 790 lb-ft of torque. See Figure 2.

Fig. 1



5/8"-18 Step Bolts
Tighten to a
Dry Level of
170 lb-ft of Torque

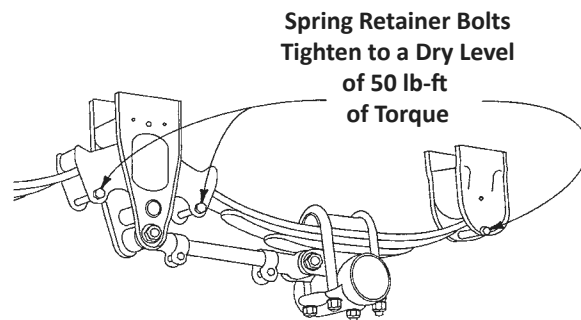
Fig. 2



1 1/8" Bolt
Tighten to a
Dry Level of
790 lb-ft of Torque

Hangers

4. Check all of the spring retainer bolts found in the equalizer and rear hangers. A dry value of 50 lb-ft of torque should be maintained on all of these bolts.



Loose fasteners that are allowed to operate for any period of time will result in irreversible suspension damage and possible loss of vehicle control. Retightening a worn fastener will not correct a situation created by loose operation!

Huckbolt[®] Removal

(WITH COMMON SHOP TOOLS)

The 1 1/8" Huckbolt[®] C50L[®] Fasteners used in Hutch truck/trailer suspensions are designed as permanent fasteners. Once installed, they should be removed only by mechanical method. Use of a cutting torch may damage suspension components, and should be avoided. The mechanical removal process is rather simple in concept.

NOTE: The Huckbolt[®] fastener is clamped at a very high rate. Proper caution should be exercised when removing these bolts, as they may release their clamp suddenly. Wear proper eye protection and keep your face at least 2 feet away from the collar as you work on the removal process.

An installed fastener (as shown in Fig. 1) has a collar that is cold-worked or 'swaged' over the grooved C50L pin.

No amount of twisting or hammering will dislodge the pin from the collar.

The collar must be cut longitudinally to length of the swaged section. This may best be accomplished with a small wheel grinder, as shown in Fig. 2

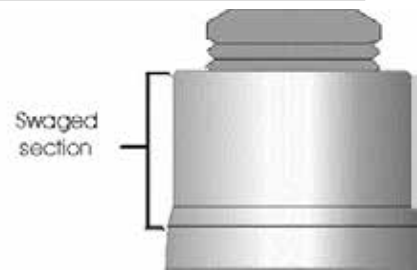


Fig. 1

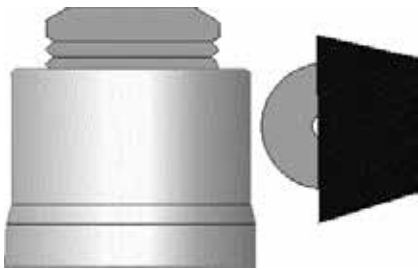


Fig. 2

Also, a drill may be used on opposing sides of the collar as seen in Fig. 3



Fig. 3

An alternate method of opening the collar is to chisel the collar walls out to free up the pin as seen in Fig. 4

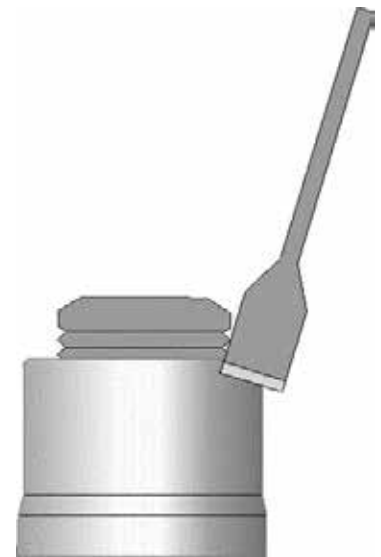


Fig. 4

HUTCHENS

Once the collar has been opened over the length of the swaged portion on two opposing sides, as shown in Fig. 5, the pin may become freed, or be may require additional force to hammer or punch the pin out of the collar

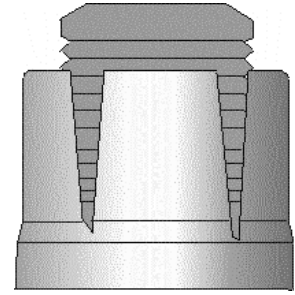


Fig. 5

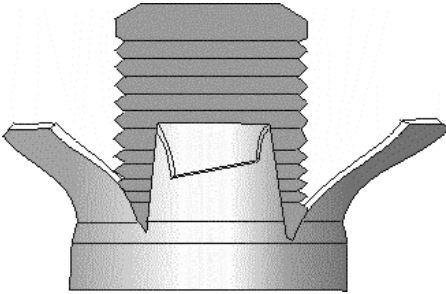


Fig 6.

If the pin doesn't come loose, use a chisel, or vice-grip type pliers, to peel the collar sections back as seen in Fig. 6

The pin will come free when sufficient collar material has been pulled away from the swaged section of collar as seen in Fig. 7

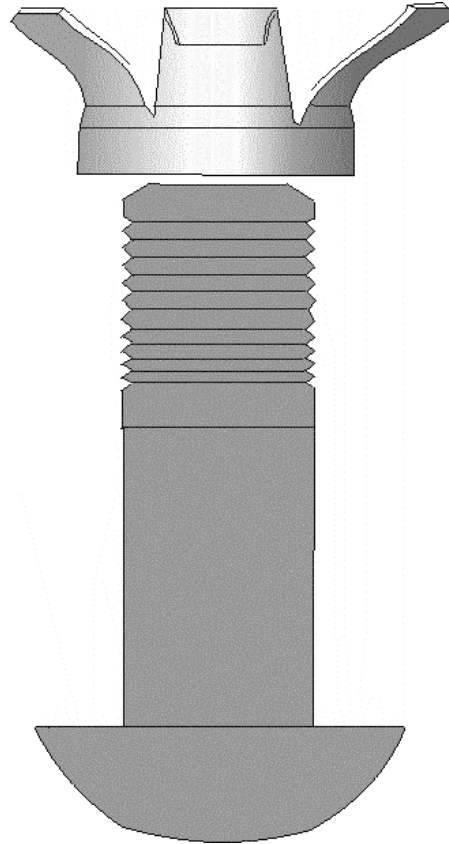


TABLE OF CONTENTS

Front Suspension

C500, K110/300, T300/400/450/600/800/200, W900 ModelsKEN-2

Rear Suspensions

Airglide® 100 Air Ride, Truck / TractorKEN-6

Airglide® 200 / 400 Air RideKEN-8

Big 6®KEN-10

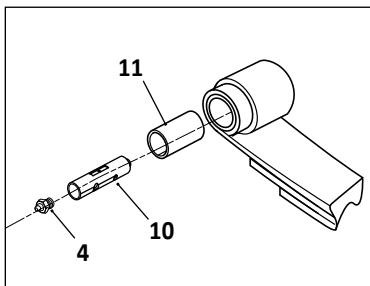
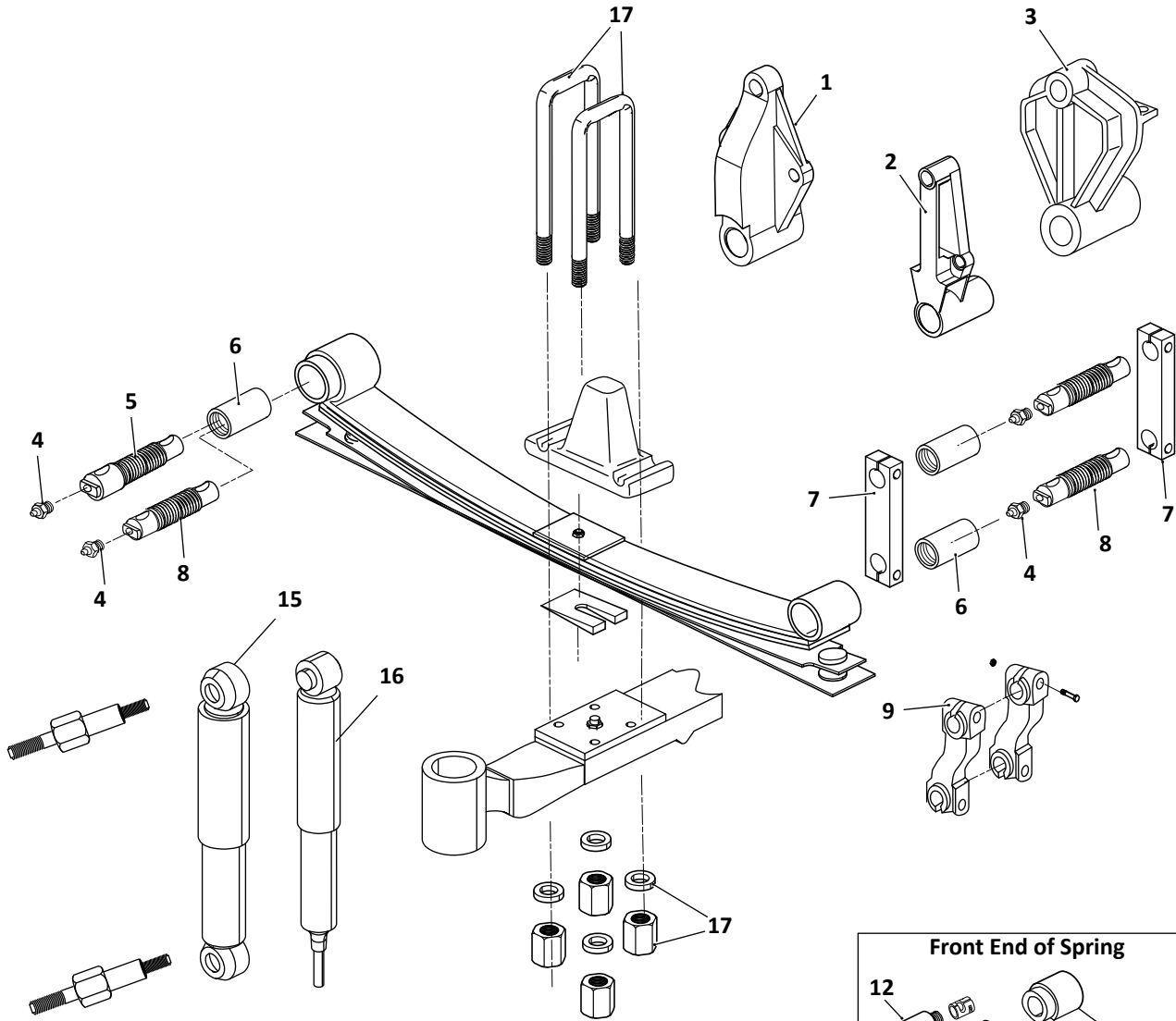
Kenworth ComponentsKEN-12



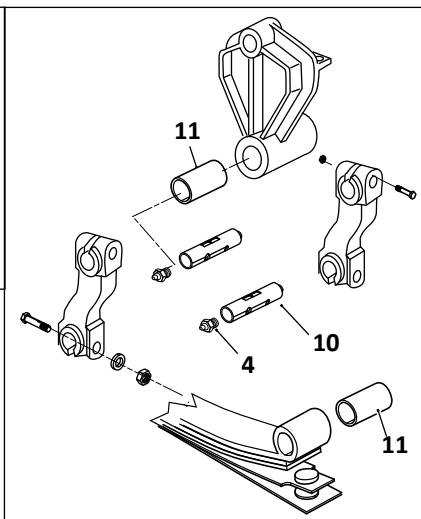
Not sure which suspension you have?
Check out Meritor's Suspension Identification
Xact Search to find the right part by
clicking the QR code

KENWORTH FRONT

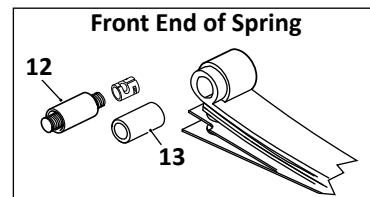
C500, K110/300, T300/400/450/600/800/200, W900 Models



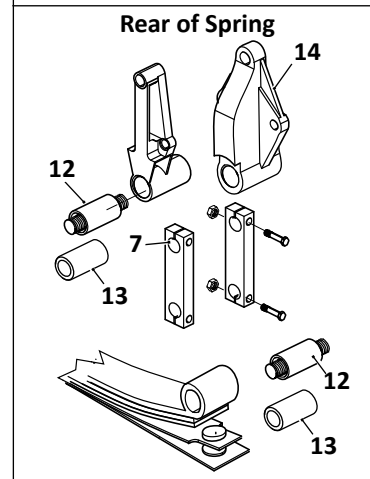
Smooth Pins & Bushings
Front End of Spring



Smooth Pins & Bushings
Rear End of Spring



Front End of Spring



Rear of Spring

Rubber Bushings

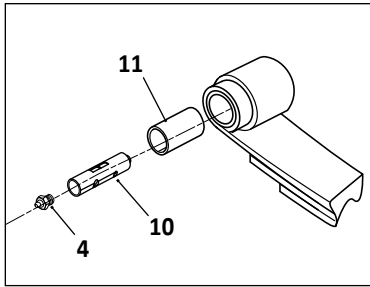
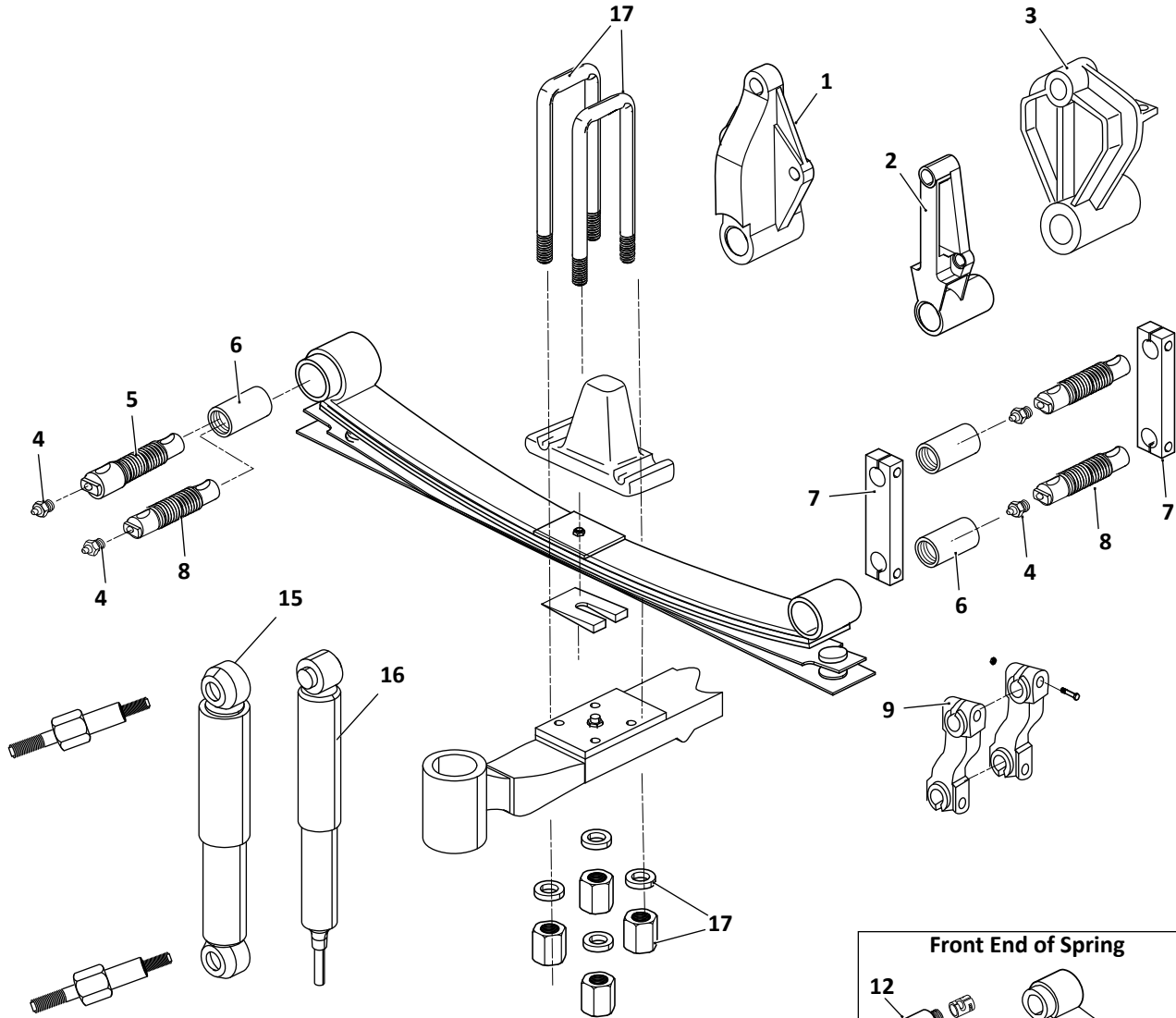
KENWORTH

C500, K110/300, T300/400/450/600/800/200, W900 Models					
KEY NO.	EUCLID NO.	OEM REF	DESCRIPTION	QTY. PER AXLE	PAGE NO.
1	E-16700	B11-1031-5	Hanger, Includes E-16157 Threaded Bushing, Casting No. B111033	2	KEN-13
2	E-16701	B11-1039	Hanger, Includes E-16158 Threaded Bushing, Casting No. B111023	2	KEN-13
3	E-16702	K056-508; K056-598; K056-474	Hanger, Ductile Iron, Includes E-15538 Threaded Bushing	2	KEN-13
4	E-1307	-	Zerk, 1/8"-27 NPT	As Required	-
5	E-15619	K179-378	Threaded Spring Pin, Front of Spring, Grease Fitting on Small End, 1-1/2" OD of Large End, 1-1/16" OD of Small End, 1-3/8"-6 Thread X 7-3/8" Long X 5-3/4" Center-to-Center of Notches	2	KEN-12
6	E-15538	5295	Threaded Bushing, 1-3/4" OD X 4" Long X 1-3/8"-6 Thread	6	KEN-13
	E-16157	B13-1000	Threaded Bushing, Metric M33.5 X4, 1-3/4" (44.5mm) OD, 4" (101mm) Long	6	KEN-13
	E-16158	B13-1002	Threaded Bushing, Metric M33.5 X 4, 2-1/16" (52.8mm) OD, 4" (101mm) Long	6	KEN-13
7	E-15608	K209-36; K209-75	Side Bar, Flat Design, 1-1/16" Dia Hole, 4" Center-to-Center, Use With Threaded Pins or Rubber Bushings, Standard on Conventionals, Optional on COE	4	KEN-14
8	E-16703	5296	Threaded Spring Pin, Rear of Spring, 1-3/8"-6 X 5-3/4" Center-to-Center 7-1/4" Long With 1-1/16" Diameters on Both Ends	4	KEN-12
	E-15614	B65-1002	Threaded Spring Pin, Front and Rear of Spring, M33.5 -4.0 X 5-3/4" Center-to-Center 7-3/8" Long With 1-1/16" Diameters on Both Ends	6	KEN-12
	E-15620	B65-1008	Threaded Spring Pin, Front and Rear of Spring, M33.5 -4.0 X 5-5/16" Center-to-Center 7-7/8" Long With 1-1/16" Diameters on Both Ends	6	KEN-12
	E-16321	B65-6008	Threaded Spring Pin, Front and Rear of Spring, 5-7/16" Center-to-Center" Diameters on Both Ends	6	-
9	E-16705	K209-8; K209-82; K209-87; K209-81; K209-89	Side Bar, Offset Design, 1-1/16" Dia Hole, 4" Center-to-Center, Use With Threaded Pins, W900B Before March 1991, All T400, T450, T600A, T800	4	KEN-14
10	E-16319	K179-527	Spring Pin, Smooth, 1-1/4" OD X 6-7/8" Long X 5-5/16" Center-to-Center	6	KEN-12
11	E-16153	HBU554	Spring Pin Bushing With Seals, 1-1/4" ID X 1-1/2" OD X 4" Long	6	KEN-12
	E-1876	-	Spring Pin Bushing, Bi-Metal, 1-1/4" ID X 1-1/2" OD X 4" Long	6	KEN-12
12	E-15537	B65-1006	Rubber Bushing, Pin Type, 1-3/4" OD w/ 1-1/16" Dia Pin, 7-1/2" Long, 6-3/16" Center-to-Center of Notches	6	KEN-13
	GAFF11753	-	Poly Bushing, Pin Type, 1-3/4" OD w/ 1-1/16" Dia Pin, 7-1/2" Long, 6-3/16" Center-to-Center of Notches	6	KEN-13
	E-15543	B65-6005	Rubber Bushing, Pin Type, 1-3/4" OD w/ 1-1/16" Dia Pin, 6-11/16" Long, 5-7/16" Center-to-Center of Notches	6	KEN-13
	GAFF11767	-	Poly Bushing, Pin Type, 1-3/4" OD w/ 1-1/16" Dia Pin, 6-11/16" Long, 5-7/16" Center-to-Center of Notches	6	KEN-13
	E-16292	B65-1001	Rubber Bushing, Pin Type, 1-3/4" OD w/ 1-1/16" Dia Pin, 7-1/8" Long, 5-3/4" Center-to-Center of Notches	6	KEN-13
	GAFF11758	-	Poly Bushing, Pin Type, 1-3/4" OD w/ 1-1/16" Dia Pin, 7-1/8" Long, 5-3/4" Center-to-Center of Notches	6	-
	E-15613	B65-1007	Rubber Bushing, Pin Type, 2-1/16" OD w/ 1-1/16" Dia Pin, 7-1/2" Long, "6-5/16" Center-to-Center of Notches	6	KEN-13
	GAFF11763	-	Poly Bushing, Pin Type, 2-1/16" OD w/ 1-1/16" Dia Pin, 7-1/2" Long, "6-5/16" Center-to-Center of Notches	6	KEN-13
	E-16163	B65-1013; B65-6006	Rubber Bushing, Pin Type, 2-1/16" OD w/ 1-1/16" Dia Pin, 6-11/16" Long, 5-7/16" Center-to-Center of Notches	6	KEN-13
13	E-16236	B65-6010	Rubber Bushing, 1-3/4" OD X 5/8" ID X 4-1/4" Long, Medium Duty Models	6	KEN-13
14	E-15547	B11-1034-1	Hanger, Includes E-15537 Pin Type Rubber Bushing With 1-1/16" Dia. Pin 7-1/2" Long, Notches at 6-3/16" Center-to-Center, Casting No. B111033	2	KEN-14
	E-16695	B11-1034-6	Hanger, Includes E-15543 Pin Type Rubber Bushing With 1-1/16" Dia. Pin, 6-11/16" Long, Notches at 5-7/16" Center-to-Center, Casting No. B111033	2	KEN-14

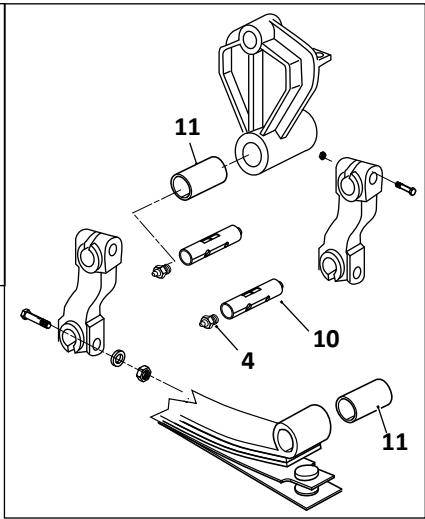
KENWORTH

KENWORTH FRONT

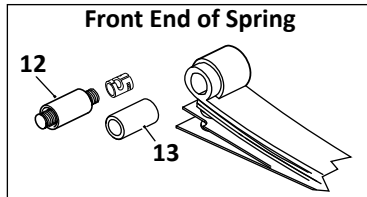
C500, K110/300, T300/400/450/600/800/200, W900 Models



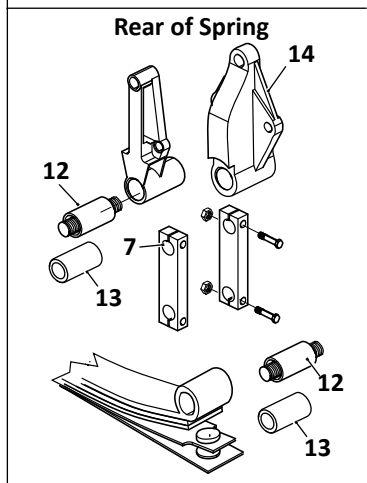
Smooth Pins & Bushings
Front End of Spring



Smooth Pins & Bushings
Rear End of Spring



Front End of Spring



Rear of Spring

Rubber Bushings

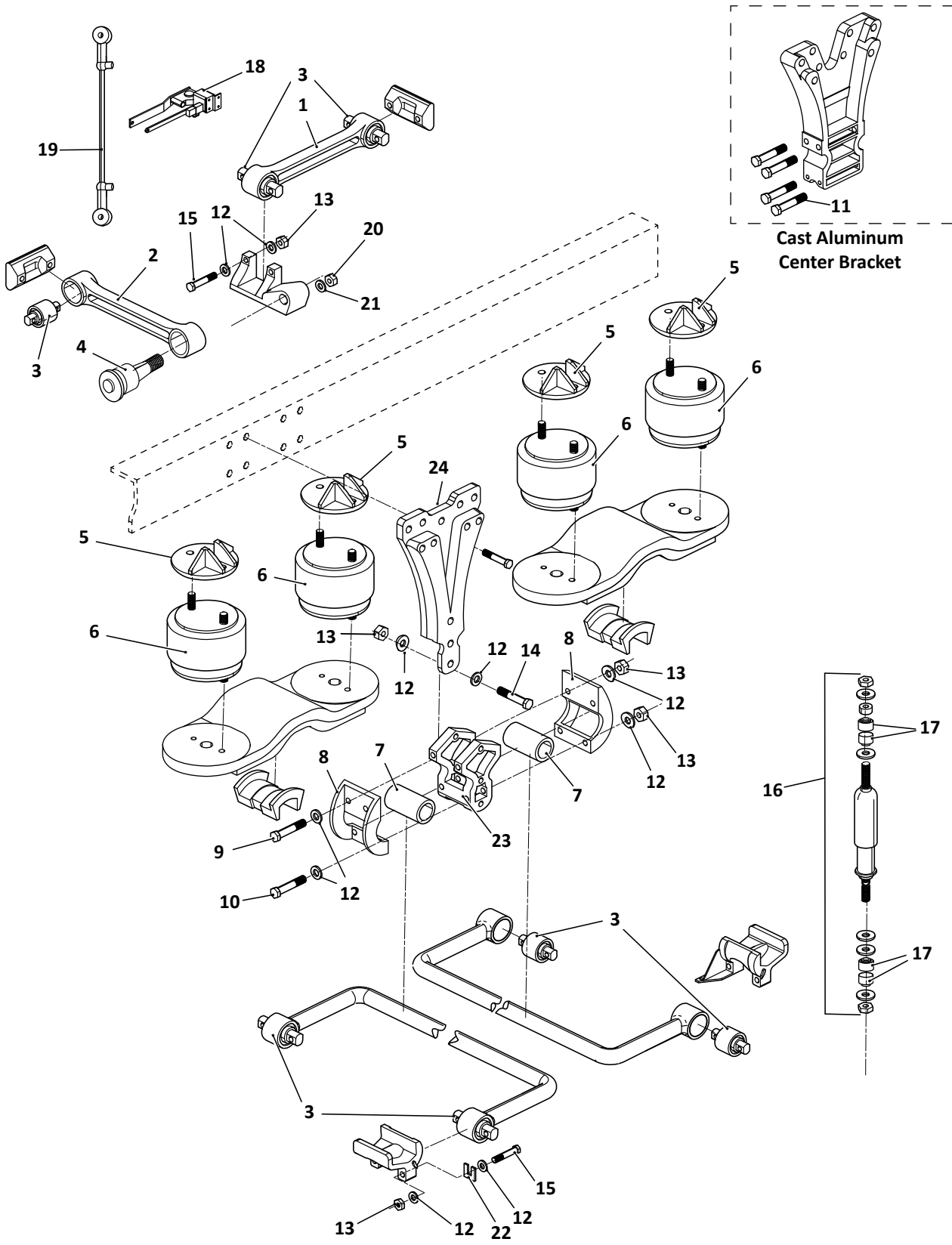
KENWORTH

C500, K110/300, T300/400/450/600/800/200, W900 Models					
KEY NO.	EUCLID NO.	OEM REF	DESCRIPTION	QTY. PER AXLE	PAGE NO.
15	M83312	K374-3; K374-33; K3745; K37414; B71-1003	Shock Absorber, Eye Mounts EB2 Style, Most Models with Multi Leaf Springs	2	-
	M89409	K374-3; K374-33; K3745; K37414; B71-1003	Shock Absorber, Premium Adjustable, Eye Mounts EB2 Style, Most Models with Multi Leaf Springs	2	-
	M85001	B71-1002; K374-16; K374-26	Shock Absorber, Eye Mounts EB3 Style, Most Models with Tapered Springs	2	-
	M89410	B71-1002; K374-16; K374-26	Shock Absorber, Premium Adjustable, Eye Mounts EB3 Style, Most Models with Tapered Springs	2	-
16	M85070	B71-1001; 665858;	Shock Absorber, Eye Mounts ES174 Style Top Mount, EB3 Lower Mount	2	-
	M89459	B71-1001; 665858;	Shock Absorber, Premium Adjustable, Eye Mounts ES174 Style Top Mount, EB3 Lower Mount	2	-
	M85740	665331; K374-13	Shock Absorber	2	-
17	E-UB8254-10	K241-309	U-Bolt Assembly, Sq. Bend 3/4"-16 Thd. X 4" Wide X 10" Long	4	-
	E-UB8254-12	K241-258; K241-414	U-Bolt Assembly, Sq. Bend 3/4"-16 Thd. X 4" Wide X 12" Long	4	-
	E-UB8254-14	K241-296; K241-258	U-Bolt Assembly, Sq. Bend 3/4"-16 Thd. X 4" Wide X 14" Long	4	-



KENWORTHREAR

Airslide® 100 Air Ride, Truck / Tractor



Cast Aluminum
Center Bracket

KENWORTH

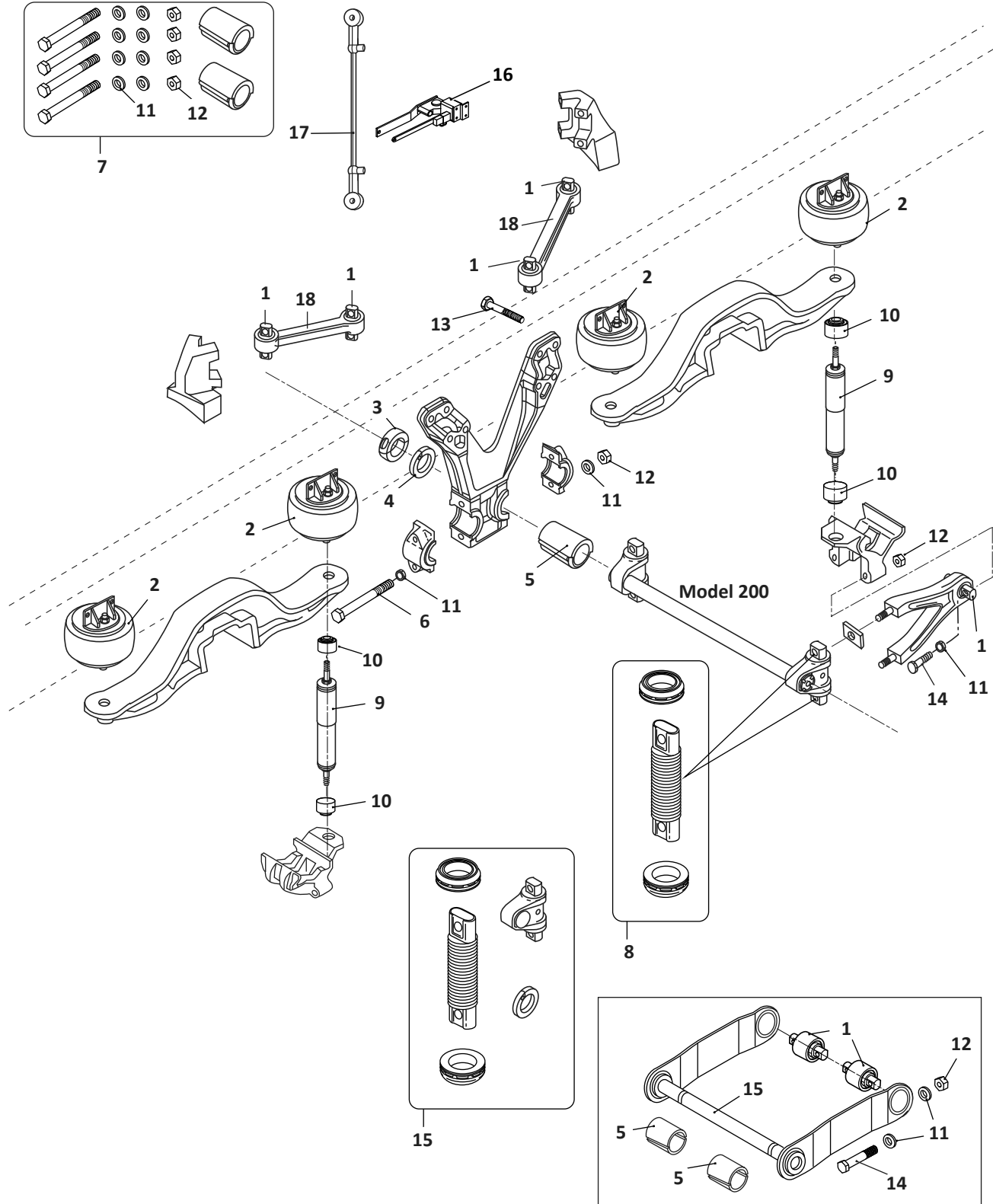
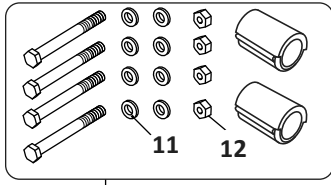
Airglide® 100 Air Ride, Truck / Tractor					
KEY NO.	EUCLID NO.	OEM REF.	DESCRIPTION	QTY. PER SUSPENSION	PAGE NO.
1	E-15708	K195-375; 925031	Torque Arm, 24" Center-to-Center, Includes E-2226 Rubber Bushings	2	KEN-18
	GAFF11751	-	Torque Arm, 24" Center-to-Center, Includes Poly Bushings	2	KEN-18
	E-15611	925150	Torque Arm, 25" Center-to-Center, E-15611 Includes E-2226 Rubber Bushings	2	KEN-18
2	E-15711	K195-376; 944270	Torque Arm, 24" Center-to-Center, E-15708 Includes Rubber E-10303 Straddle Mount and E-2228 Tapered Stud Bushings	2	KEN-18
	GAFF11080	-	Torque Arm, 24" Center-to-Center, Includes Poly Bushings	2	KEN-18
3	E-10303	836940	Torque Arm & Stabilizer Rod Bushing, Rubber, Straddle Mount	8	KEN-18
	E-10303-P	836940	Torque Arm & Stabilizer Rod Bushing, Rubber, Straddle Mount, Price Point	8	KEN-18
	GAFF11729	-	Torque Arm & Stabilizer Rod Bushing, Poly, Straddle Mount	8	KEN-18
	E-2226	227720	Torque Arm & Stabilizer Rod Bushing, Rubber, Straddle Mount	8	KEN-18
	GAFF13520	-	Torque Arm & Stabilizer Rod Bushing, Poly, Straddle Mount	8	KEN-18
	E-4664	227722	Torque Arm Bushing, Straddle Mount, Aluminum Pin	8	KEN-18
4	E-2228	229610	Torque Arm Bushing, Rubber, Tapered Stud	2	KEN-18
	GAFF13518	-	Torque Arm Bushing, Poly, Tapered Stud	2	KEN-18
5	E-5075	K048-449	Air Spring Bracket	8	KEN-19
6	FS9422	K303-6; K303-14; K303-15	Firestone Air Spring to 1994	8	-
	EAS9422	K303-6; K303-14; K303-15	Euclid Air Spring to 1994	8	-
	FS9616	K303-16	Firestone Air Spring with Bracket, 1995 and up	8	-
	EAS9616	K303-16	Euclid Air Spring with Bracket, 1995 and up	8	-
7	E-4669	K066-58; K066-50	Stabilizer Bushing, Rubber	4	KEN-16 KEN-19
	GAFF11502	K066-449	Stabilizer Bushing, Poly	4	KEN-16
	GAFF11719		Stabilizer Bushing, Oversize, Poly		KEN-16
8	-	K071-304	Stabilizer Bar Mounting Cap	4	-
9	E-16690	K041-724-260P	Stabilizer Bar Mounting Bolt, Top of Bracket, M20-2.5 X 260mm Long	4	KEN-19
10	E-16226	K041-717-160P	Stabilizer Bar Mounting Bolt, Bottom of Bracket, M16-2.0 X 160mm Long	4	KEN-19
11	E-16691	K041-712-260P	Stabilizer Bar Mounting Bolt for Cast Center Bracket, M16-2.0 X 260mm Long	8	KEN-19
12	E-2547	-	Washer for 16mm Bolt	As Required	-
	E-2645	-	Washer for 20mm Bolt	As Required	-
13	E-8841	-	Lock Nut, M16-2.0	As Required	-
	E-16229	-	Lock Nut, M20-2.5 mm	As Required	-
14	E-16415	-	Stabilizer Block Mounting Bolt, M16-2.0 X 170mm Long, Fabricated Hanger Bracket	6	KEN-19
15	E-16230	K041-712-130P	Stabilizer End Mounting Bolt, M16X2.0 X 120mm	8	KEN-19
	E-16225	K041-712-150P	Stabilizer End Mounting Bolt, M16X2.0 X 150mm	8	KEN-19
16	M85310	K374-87	Shock Absorber	4	-
	M89423	K374-7, K374-9, K374-29	Shock Absorber, Premium Adjustable	4	-
17	GAFF22660	-	Shock Bushing, Poly, For Stud Mounted Shocks	16	-
18	E-9624	H00500C	Universal Height Control Valve, Hadley Model 500, Apply Air To Dump	1	-
	E-14731	H01501UD	Universal Height Control Valve, Hadley Next Gen, Apply Air To Dump	1	KEN-19
19	E-9625	-	Universal Linkage Kit	1	-
20	E-2017	49NE2012	Torque Arm Mounting Nut For Tapered Pin Bushing	2	KEN-18
21	E-2018	-	Torque Arm Washer, 1-5/16" ID	2	KEN-18
22	E-5076	K21-922-3	Alignment Shim, 1/8" Thick	As Required	KEN-19
23	-	K197-2943	Stablizer Bar Bracket	2	-
24	E-10766	K272-145	Center Support Bracket, Fabricated Models to 1994	2	KEN-19

-P Suffix Indicates Price Point

KENWORTH REAR

Airglide® 200 / 400 Air Ride

Torsion Bar Service Kit



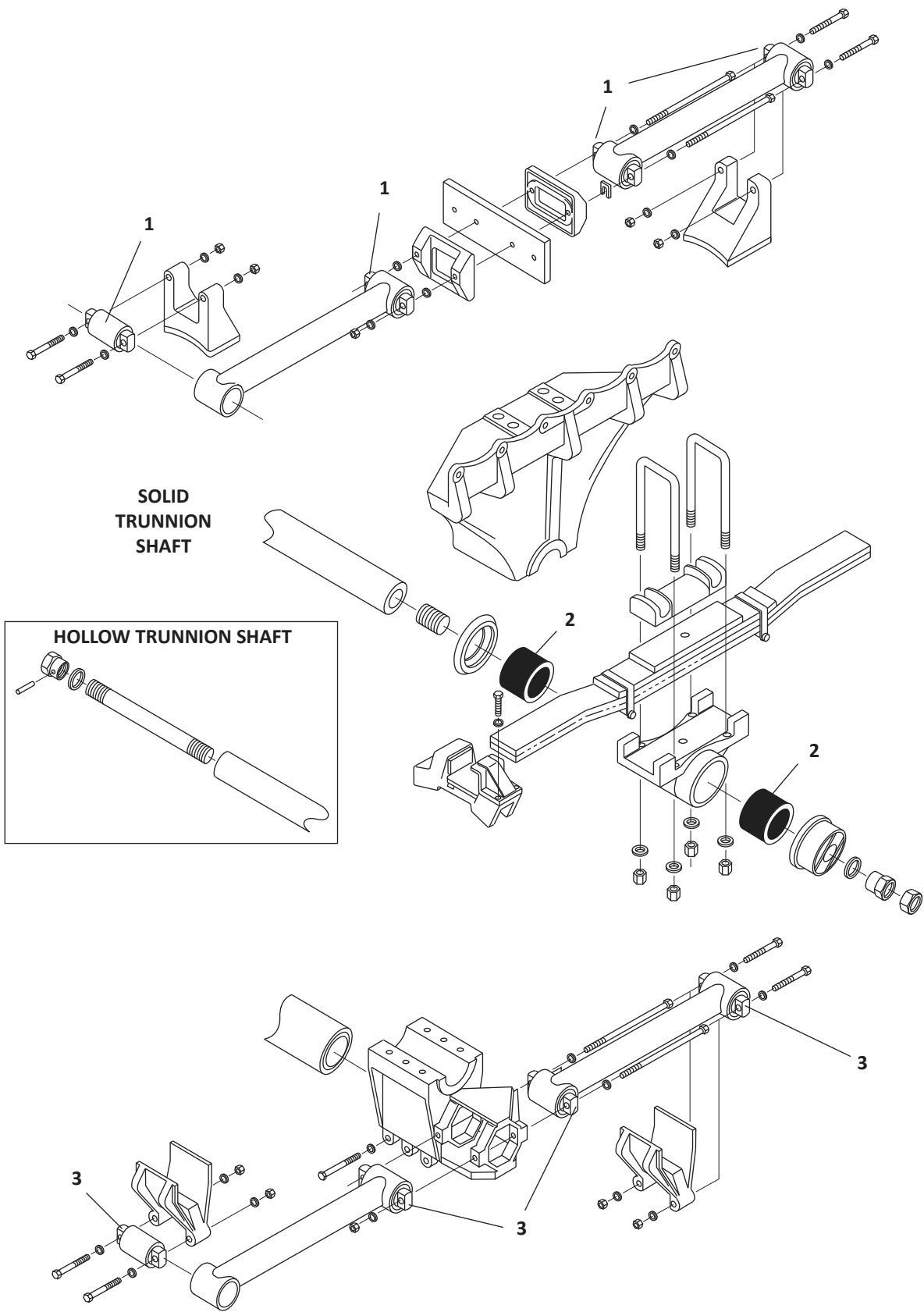
KENWORTH

Airglide® 200 / 400 Air Ride					
KEY NO.	EUCLID NO.	OEM REF.	DESCRIPTION	QTY. PER SUSPENSION	PAGE NO.
1	E-10303	836940	Torque Arm & Stabilizer Rod Bushing, Rubber, Straddle Mount	8	KEN-18
	E-10303-P	836940	Torque Arm & Stabilizer Rod Bushing, Rubber, Straddle Mount, Price Point	8	KEN-18
	GAFF11729	-	Torque Arm & Stabilizer Rod Bushing, Poly, Straddle Mount	8	KEN-18
2	FS9617	K303-18	Firestone Air Spring	8	-
	FS9622	K303-22	Firestone Air Spring	8	-
	EAS9622	K303-22	Euclid Air Spring	8	-
	FS9625	K303-25	Firestone Air Spring	8	-
	EAS9625	K303-25	Euclid Air Spring	8	-
	FS9547	C81-1004	Firestone Air Spring	8	-
	EAS9547	C81-1004	Euclid Air Spring	8	-
	FS9541	C81-1005	Firestone Air Spring	8	-
	EAS9541	C81-1005	Euclid Air Spring	8	-
3	E-16115	K220-598	Collar Assembly, 54 mm Bar Dia, 40K Models	4	KEN-17
4	E-15618	K066-502-1; K066-454	Thrust Bearing, 54 mm Bar Dia., 40K Models, Rubber	4	KEN-17
	E-16112	K066-502-2; K066-461	Thrust Bearing, 58 mm Bar Dia., 46K Models, Rubber	4	KEN-17
	GAFF11734	-	Thrust Bearing, 58 mm Bar Dia., 46K Models, Poly		KEN-17
5	E-16091	C13-1004	Torsion Bar Bushing, 54 mm Bar Dia, 40K Models, Rubber, Improved OE Version	4	KEN-16
	GAFF11720	-	Torsion Bar Bushing, 54 mm Bar Dia, 40K Models, Poly	4	KEN-16
	E-16092	C13-1005	Torsion Bar Bushing, 58 mm Bar Dia, 46K Models, Rubber, Improved OE Version	4	KEN-16
	GAFF11743	-	Torsion Bar Bushing, 54 mm Bar Dia, 40K Models, Poly	4	KEN-16
6	E-16231	K041-712-290P	Bolt, M16-2.0 X 290 mm Long	4	KEN-19
7	E-16119	C13-1006	Torsion Bar Service Kit, 54 mm Bar, 40K Models, Includes (4) E-16091 Bushings, (4) E-16231 Bolts and Nuts	1	KEN-16
	E-16093	C13-1007	Torsion Bar Service Kit, 58 mm Bar, 46K Models, Includes (4) E-16092 Bushings, (4) E-16231 Bolts and Nuts	1	KEN-16
8	E-16117	K345-5156; K345-5032	Threaded Pin Service Kit, Includes (2) Threaded Pins and Seals	2	KEN-17
	GAFF11733	-	Threaded Pin Service Kit, Includes (1) Threaded Pin, 2 Seals, and (1) GAFF11734 Thrust Bearing (Poly) Key 4	4	KEN-17
9	M85900	70701; 665944; 665903	Shock Absorber	4	-
	M85902	665950; 665945; 665906	Shock Absorber	4	-
	M85936	C71-1014; 671962	Shock Absorber	4	-
	M89456	C71-1014; 671962	Shock Absorber, Premium Adjustable	4	-
	M85937	C71-1015; 671963	Shock Absorber	4	-
10	GAFF11550	-	Shock Bushing, Poly, For Stud Mounted Shocks	8	-
11	E-2547	-	Washer, 5/8" ID, Use with M16 Bolts	16	-
12	E-8841	-	Lock Nut, M16-2.0	16	-
13	E-16226	K041-712-160P	Bolt, M16 - 2.0 X 160mm Long, Top Row of Hanger	8	KEN-19
14	E-16230	K041-712-120P	Bolt, M16 - 2.0 X 120mm Long	8	KEN-19
15	GAFF11766	K345-5156; K345-5032	Sway Bar Repair Kit, 58 mm Bar Dia, 46K Models, Includes (1) Pin, (2) Seals, (1) End Casting and (1) Thrust Bushing, Key 4 (Poly)	2	KEN-17
16	E-9624	H00500C	Universal Height Control Valve, Hadley Model 500, Apply Air To Dump	1	-
	E-14731	H01501UD	Universal Height Control Valve, Hadley Next Gen, Apply Air To Dump	1	KEN-19
17	E-9625	-	Universal Linkage Kit	1	-
18	GAFF11773	K195-474	Torque Arm, 19-3/4" Center-to-Center, Includes Poly Bushings	4	-

-P Suffix Indicates Price Point

KENWORTH REAR

Big 6®



KENWORTH

Big 6®					
KEY NO.	EUCLID NO.	OEM REF.	DESCRIPTION	QTY. PER SUSPENSION	PAGE NO.
1	E-2226	Clevite 227720	Torque Arm Bushing, Upper Torque Arms, Rubber, 2-3/4" OD, 5/8" Bolt Holes X 4-3/8" Center-to-Center	16	KEN-20
	GAFF13520	-	Torque Arm Bushing, Upper Torque Arms, Poly, 2-3/4" OD, 5/8" Bolt Holes X 4-3/8" Center-to-Center	16	KEN-20
2	E-9521	K066-232	Trunnion Bushing, Rubber, 4" ID X 5" OD X 4-5/8" Long	4	KEN-20
3	E-9324	Clevite 932420	Torque Arm Bushing, Rubber, 3-1/2" OD, 5/8" Bolt Holes X 4-3/8" Center-to-Center	16	KEN-20
	GAFF11511	-	Torque Arm Bushing, Poly, 3-1/2" OD, 5/8" Bolt Holes X 4-3/8" Center-to-Center	16	KEN-20
	E-9321	Meritor A-2297-K-1051	Torque Arm Bushing, Rubber, 4-1/8" OD, 7/8" Bolt Holes X 5-1/4" Center-to-Center	16	KEN-20
	E-9322	Meritor A-2297-X-3664	Torque Arm Bushing, Rubber, 4-1/8" OD, 1" Bolt Holes X 5-1/4" Center-to-Center	16	KEN-20
-	-	K360-20	Trunnion, Discontinued	-	-



Smooth Spring Pin



EUCLID NO.	OEM REF.	OD	OAL / C-TO-C
E-16319	K179-527	1-1/4"	6-7/8"; 5-5/16"

Bi-Metal Spring Pin Bushing With Seals



EUCLID NO.	OEM REF.	OD	ID	LENGTH
E-16153	HBU554	1-1/2"	1-1/4"	4"

Bi-Metal Spring Pin Bushing



EUCLID NO.	OD	ID	LENGTH
E-1876	1-1/2"	1-1/4"	4"

Threaded Spring Pin

Front of Spring



Thread size: 1-3/8"-6

EUCLID NO.	OEM REF.	OD	OAL / C-TO-C	NOTES
E-15619	K179-378	Large End - OD 1-1/2" Small End - OD1- 1/16"	7-3/8"; 5-3/4"	Grease Fitting on Small End

Threaded Spring Pin

Front and Rear
of Spring





EUCLID NO.	OEM REF.	OD	OAL / C-TO-C	THREAD
E-16703	5296		7-1/4"; 5-3/4"	1-3/8"-6
E-15614	B65-1002	1-1/16" Diameters on Both Ends	7-3/8"; 5-3/4"	M33.5 -4.0
E-15620	B65-1008		7-7/8"; 5-5/16"	M33.5 -4.0


KENWORTH


Threaded Bushing				
				
EUCLID NO.	OEM REF.	OD	LENGTH	THREAD
E-15538	5295	1-3/4"	4"	1-3/8"-6
E-16157	B13-1000	1-3/4" 44.5mm	4" 101mm	M33.5 X4
E-16158	B13-1002	2-1/16" 52.8mm	4" 101mm	M33.5 X4

Rubber Bushing				
Medium Duty Models				
				
EUCLID NO.	OEM REF.	OD	ID	LENGTH
E-16236	B65-6010	1-3/4"	5/8"	4-1/4"

Spring Hanger With Threaded Bushing		
		
Ductile Iron		
EUCLID NO.	OEM REF.	NOTES
E-16700	B11-1031-5	Includes E-16157 Threaded Bushing, Casting No. B111033

Rubber / Poly Bushing				
				
EUCLID NO.	OEM REF.	RUBBER / POLY	OD / PIN DIA.	OAL / C-TO-C
E-15543	B65-6005	Rubber	1-3/4"; 1-1/16"	6-11/16" Long, 5-7/16"
GAFF11767	-	Poly	1-3/4"; 1-1/16"	6-11/16" Long, 5-7/16"
E-16292	B65-1001	Rubber	1-3/4"; 1-1/16"	7-1/8" Long, 5-3/4"
E-15537	B65-1006	Rubber	1-3/4"; 1-1/16"	7-1/2" Long, 6-3/16"
GAFF11753	-	Poly	1-3/4"; 1-1/16"	7-1/2" Long, 6-3/16"
E-16163	B65-1013; B65-6006	Rubber	2-1/16"; 1-1/16"	6-11/16" Long, 5-7/16"
E-15613	B65-1007	Rubber	2-1/16"; 1-1/16"	7-1/2" Long, 6-5/16"
GAFF11763	-	Poly	2-1/16"; 1-1/16"	7-1/2" Long, 6-5/16"

Spring Hanger With Threaded Bushing		
		
Ductile Iron		
EUCLID NO.	OEM REF.	NOTES
E-16701	B11-1039	Includes E-16158 Threaded Bushing, Casting No. B111023

Spring Hanger With Threaded Bushing		
		
Ductile Iron		
EUCLID NO.	OEM REF.	NOTES
E-16702	K056-508; K056-598; K056-474	Includes E-15538 Threaded Bushing

Spring Hanger With Rubber Bushing

Casting No.
B111033



1-1/16" Dia. Pin

EUCLID NO.	OEM REF.	OAL / C-TO-C	NOTES
E-16695	B11-1034-6	6-11/16", 5-7/16"	Includes E-15543 Pin Type Rubber Bushing
E-15547	B11-1034-1	7-1/2"; 6-3/16"	Includes E-16160 Pin Type Rubber Bushing

Side Bar, Offset Design



Use With Threaded Pins, 1-1/16" Dia Hole

EUCLID NO.	OEM REF.	FOR MODEL	ID	LENGTH	C-TO-C
E-16705	K209-8; K209-82; K209-87; K209-81; K209-89	W900B Before March 1991, All T400, T450, T600A, T800	1-1/16" Dia Hole	6-3/8"	4"

Side Bar, Flat Design

Standard on Conventionals, Optional on COE



Use With Threaded Pins or Rubber Bushing

EUCLID NO.	OEM REF.	ID	LENGTH	C-TO-C
E-15608	K209-36; K209-75	1-1/16" Dia Hole	6-5/16"	4"

KENWORTH

Stabilizer Bushing

FOR MODELS:
Airglide 100



EUCLID NO.	OEM REF.	OD	ID	LENGTH	MATERIAL
E-4669	K066-58; K066-50	2-7/8"	2"	4"	Rubber
GAFF11502	-	2-7/8"	2"	4"	Poly
GAFF11719	-	2-7/8"	1-15/16"	4"	Poly Oversized

Torsion Bar Bushing - Current OE Design

FOR MODELS:
Airglide 200/400



EUCLID NO.	OEM REF.	OD	ID	LENGTH	BAR DIA.	MATERIAL
E-16091	C13-1004	3"	2"	2-7/8"	54mm; 40K Models	Rubber
E-16092	C13-1005	3"	2-3/16"	2-7/8"	58mm; 46K Models	Rubber
GAFF11743	-	3"	2-3/16"	2-7/8"	58mm; 46K Models	Poly

Torsion Bar Service Kit

FOR MODELS:
Airglide 200/400



EUCLID NO.	OEM REF.	OD	NOTES
E-16119	C13-1006	54 mm Bar, 40K Models	Includes (4) E-16091 Bushings, (4) E-16231 Bolts and Nuts
E-16093	C13-1007	58 mm Bar, 46K Models	Includes (4) E-16092 Bushings, (4) E-16231 Bolts and Nuts


Torsion Bar Bushing - Old Style - 54mm Bar Diameter

FOR MODELS:
Airglide 200/400




40K Models - ID 2-1/8"


EUCLID NO.	OEM REF.	OD	LENGTH	MATERIAL
GAFF11720	-	3"	2-7/8"	Poly

Thrust Bearing					
FOR MODELS: Airglide 200/400					
					
Rubber					
EUCLID NO.	OEM REF.	OD	ID	NOTES	
E-15618	K066-502-1; K066-454	3-1/2"	2-1/8"	Rubber 54mm Bar Dia, 40K Models	
E-16112	K066-502-2; K066-461	3-1/2"	2-1/4"	Rubber 58 mm Bar Dia, 46K Model	
GAFF11734	-	3-1/2"	2-1/4"	Poly 58 mm Bar Dia, 46K Model	

Threaded Pin Service Kit		
FOR MODELS: Airglide 200/400		
		
EUCLID NO.	OEM REF.	NOTES
E-16117	K345-5156; K345-5032	Includes (2) Pins and (4) Seals

Sway Bar Pin Kit		
FOR MODELS: Airglide 200/400		
		
58mm Bar Dia., 46K Models		
EUCLID NO.	OEM REF.	NOTES
GAFF11733	-	Includes GAFF11734 Poly Thrust Bearing

Sway Bar Collar Assembly					
FOR MODELS: Airglide 200/400					
					
EUCLID NO.	OEM REF.	OD	ID	THICKNESS	NOTES
E-16115	K220-598	3-1/2"	2-1/8"	1/2"	54mm Bar Dia., 40K Models, Includes Set Screws

Sway Bar Repair Kit		
FOR MODELS: Airglide 200/400		
		
58mm Bar Dia., 46K Models		
EUCLID NO.	OEM REF.	NOTES
GAFF11766	K345-5156; K345-5032	Includes GAFF11734 Poly Thrust Bearing & Sway Bar End Casting

Torque Arm & Stabilizer Rod Bushing, Heavy-Duty High Confinement Design

FOR MODELS:
Airglide 200/400



EUCLID NO.	OEM REF.	OD	BOLT HOLE DIA.	C-TO-C	MATERIAL
E-10303	836940	2-3/4"	5/8"	4-3/8"	Rubber
E-10303-P	836940	2-3/4"	5/8"	4-3/8"	Rubber
GAFF11729	-	2-3/4"	5/8"	4-3/8"	Poly

Torque Arm Bushing, Tapered Stud

FOR MODELS:
Airglide 100



Includes Lock Nut and Washer

EUCLID NO.	OEM REF.	A	B	MATERIAL
E-2228	229610	2-3/4"	3"	Rubber
GAFF13518	-			Poly

Torque Arm Nut and Washer

FOR MODELS:
Airglide 100



E-2017

E-2018

For Tapered Torque Arm Bushings

EUCLID NO.	OEM REF.	OD	ID	THREAD	THICKNESS
E-2017	49NE2012	-	-	1-1/4"-12	-
E-2018	-	2-1/4"	1-5/16"	-	1/4"

Torque Arm & Stabilizer Rod Bushing

FOR MODELS:
Airglide 100



EUCLID NO.	OEM REF.	OD	BOLT HOLE DIA.	C-TO-C	MATERIAL
E-2226	227720	2-3/4"	5/8"	4-3/8"	Rubber, Steel Pin
GAFF13520	-	2-3/4"	5/8"	4-3/8"	Poly, Steel Pin
E-4664	227722	2-3/4"	5/8"	4-3/8"	Rubber, Aluminum Pin

Torque Arm Tapered Stud

FOR MODELS:
Airglide 100



Uses E-10303 Straddle Mount Bushing & E-2228 Tapered Stud Bushing

EUCLID NO.	OEM REF.	MATERIAL	LENGTH C-TO-C
E-15711	K195-376; 944270	Rubber	24"
GAFF11080	-	Poly	24"

Torque Arm

FOR MODELS:
Airglide 100





Bushings: E-10303, E-2226, & GAFF13520


EUCLID NO.	OEM REF.	MATERIAL	LENGTH C-TO-C
E-15708	K195-375; 925031	Rubber	25"
GAFF11751	-	Poly	25"
E-15611	925150	Rubber	24"


-P Suffix Indicates Price Point


KENWORTH


Mounting Bolts					
EUCLID NO.	OEM REF.	THREAD	LENGTH	FOR MODELS	NOTES
					
E-16230	K041-712-130P	M16-2.0	120mm	All Airglide Models	Stabilizer End Bushing Mounting
E-16225	K041-712-150P		150mm	Airglide 100	Stabilizer End Bushing Mounting
E-16226	K041-717-160P		160mm	All Airglide Models	Stabilizer Bar Bracket w/ Fabricated Center Support, Bottom Bolts
E-16415	-		170mm	Airglide 100	Fabricated Center Bracket
E-16691	K041-712-260P		260mm	Airglide 100	Stabilizer Bar Mounting Bolt for Cast Center Hanger
E-16231	K041-712-290P		290mm	Airglide 200/400	Frame Bracket Cap Mounting
E-16690	K041-724-260P	M20-2.5	260mm	Airglide 100	Stabilizer Bar Bracket w/ Fabricated Center Support, Top Bolts

Shim		
EUCLID NO.	OEM REF.	THICKNESS
		
FOR MODELS: Airglide 100		
E-5076	K21-922-3	1/8"

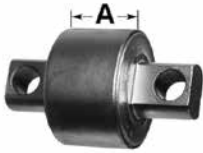
Center Support Bracket		
EUCLID NO.	OEM REF.	NOTES
		
FOR MODELS: Airglide 100		
E-10766	K272-145	Fabricated Models to 1994

Air Spring Bracket	
EUCLID NO.	OEM REF.
	
FOR MODELS: Airglide 100	
E-5075	K048-449

Universal Height Control Valve		
EUCLID NO.	OEM REF.	NOTES
		
FOR MODELS: All Airglide Models		
E-14731	H01501UD	Hadley Next Gen, 3/8" Ports, Apply Air To Dump
E-14732	H01501PUD	Hadley Next Gen, 1/4" Ports, Apply Air To Dump

Torque Arm Bushing					
					
EUCLID NO.	OEM REF.	OD	BOLT HOLE DIA	C-TO-C	MATERIAL
E-2226	Clevite 227720	2-3/4"	5/8"	4-3/8"	Rubber
GAFF13520	-				Poly

Trunnion Bushing					
					
EUCLID NO.	OEM REF.	OD	ID	LENGTH	MATERIAL
E-9521	K066-232	5"	4"	4-5/8"	Rubber

Torque Arm Bushing					
					
Rubber Bushings Unless Noted.					
EUCLID NO.	OEM REF.	OD	BOLT HOLE DIA	C-TO-C "A"	MATERIAL
E-9324	Clevite 932420	3-1/2"	5/8"	4-3/8" / 2-13/16"	Rubber
GAFF11511	-	3-1/2"	5/8"	4-3/8" / 2-13/16"	Poly
E-9321	Meritor A-2297-K-1051	4-1/8"	7/8"	5-1/4" / 2-1/2"	Rubber
E-9322	Meritor A-2297-X-3664	4-1/8"	1"	5-1/4" / 2-1/2"	Rubber

KENWORTH

TABLE OF CONTENTS

Front Suspensions

AIRTEK for Mack..... MAK-2
 F / R / RU / U — Series 3-1/2" Wide Springs, Rubber Pad MAK-6

Rear Suspensions

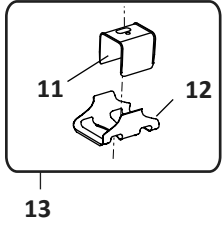
Maxlite 40EZ (Volvo Corporate Air Ride)..... MAK-8
 MaxAir Twisted Sister® MAK-10
 SS34 & 38 Tandem Suspension 4" Wide Spring — Rubber / Poly Trunnion Bushing MAK-12
 SS44 Series (Formerly SWS 573) 4" Wide Spring — Bronze Trunnion Bushing — 3-1/2" ID..... MAK-16
 SS50C Series, 4" Wide Spring — Bronze Trunnion Bushing — 4" ID MAK-20
 SS58C Series 5" Wide Spring — Bronze Trunnion Bushing — 4" ID MAK-22
 SS65C-W Series 5" Wide Spring — Bronze Trunnion Bushing — 5" ID MAK-24
 ST Series — Tapered Leaf MAK-26
 SW — SWW Walking Beam..... MAK-28
 Mack Components MAK-30



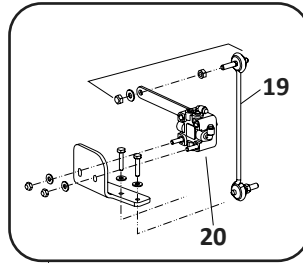
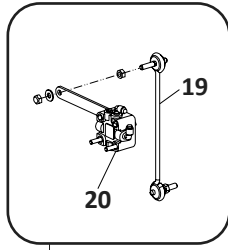
Not sure which suspension you have?
 Check out Meritor's Suspension Identification
 Xact Search to find the right part by
 clicking the QR code

MACK FRONT AIRTEK for Mack

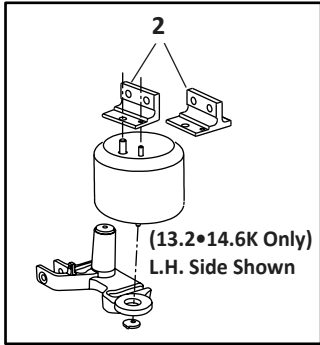
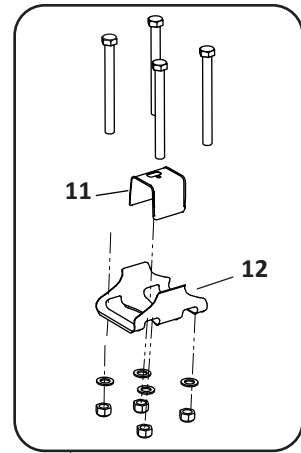
Axle Wrap Liner Kit



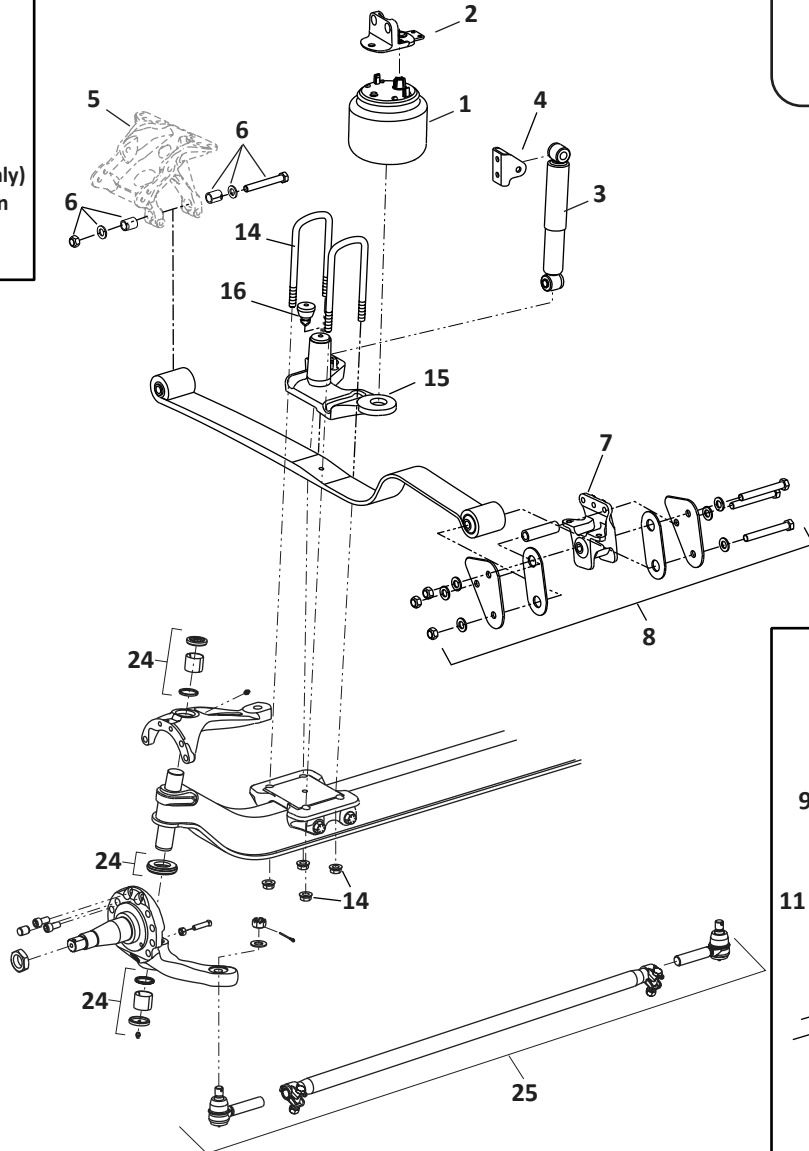
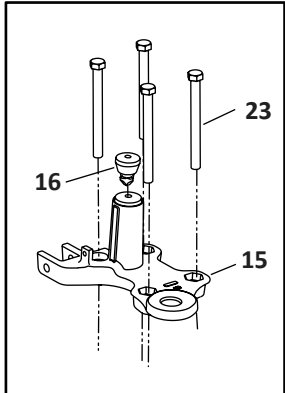
**Single Height Control Valves For Vehicles
Built Before March 2005**



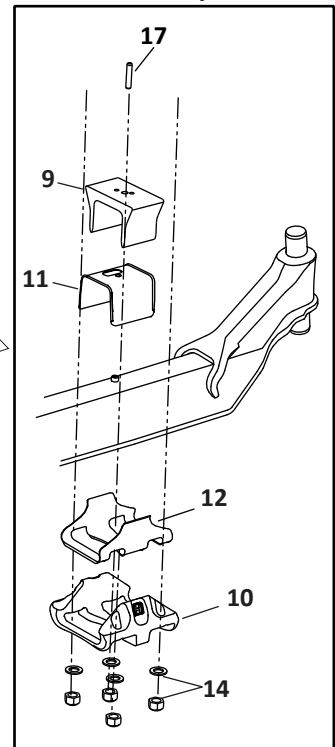
**Straight Bolt Clamp Kit
Pre 2007 Engines**



**Axle Connection For
Vehicles Built Before
July 2007**



**Vehicles Built
Prior to July 2011**



For more information on King Pins, Tie Rod Ends and Assemblies see 760C Front Axle Parts — Medium- and Heavy-Duty Applications

AIRTEK for Mack								
KEY NO.	EUCLID NO.	GENUINE	OEM REF.	DESCRIPTION	QTY. PER AXLE			PAGE NO.
					PRE 2007 ENGINES	POST 2007 ENGINES TO JULY 2011	NXT AXLE — AFTER JULY 2011	
1	FS9913	-	66349-002	Air Spring, 12 & 12.5K	2	2	2	-
	FS9554	-	60716-002	Air Spring, 13.2 & 14.6K	2	2	2	-
2	S.O.S.		Various	Air Spring Bracket	2	2	2	-
3	M85933	-	64838-002 64838-003	Shock Absorber	2	2	2	-
	M89454	-	64838-002 64838-003	Shock Absorber, Premium Adjustable	2	2	2	-
4	S.O.S.		64241-001	Upper Shock Bracket	2	2	-	-
	S.O.S.		59423-008	Upper Shock Bracket, NXT Axles after July 2011	-	-	2	-
5	S.O.S.		Various	Spring Hanger	2	2	2	-
6	E-16412		60961-033	Front Hanger Repair Kit	2	2	2	MAK-30
7	S.O.S.		Various	Rear Shackle Bracket, Left Hand with Bushing	1	1	1	-
	S.O.S.		Various	Rear Shackle Bracket, Right Hand with Bushing	1	1	1	-
8	E-16409		60961-034 60961-635	Shackle Bracket Service Kit, One Axle, Omit Thrust Washer for Post July 2007 Vehicles	1	1	1	MAK-30
9	S.O.S.		59952-017 59952-013 59952-014	Top Axle Wrap	2	2	-	-
10	E-15108		64722-003 64014-003 60622-003	Bottom Axle Wrap	2	2	-	MAK-30
11	E-15147		60508-000	Top Axle Wrap Liner	2	2	-	MAK-30
12	E-15110		59845-000	Bottom Axle Wrap Liner	2	2	-	MAK-37
13	E-15727		60961-015	Axle Wrap Liner Kit, Includes Key Nos. 11 & 12	2	2	-	MAK-30
14	S.O.S.	-	Various	U-Bolt Assembly, Specify Ride Height	-	4	4	-
15	S.O.S.		Various	Top Pad, Specify Left or Right Hand, Pre or Post 2007 Engine and Frame Rail Size	2	2	2	-
16	E-15148		64080-000	Rubber Axle Stop	2	2	2	MAK-30
17	S.O.S.		Various	Dowel Pin, Specify Length	-	2	2	-
18	S.O.S.		64318-028	Spacer, All Vehicles with Dual Height Control Valves March 2005 – July 2011 & All Post July 2011 Vehicles	-	2	2	-
	S.O.S.		Various	Spacer, Other Configurations	-	2	2	-
19	E-15096		59428-004	Linkage Kit, Single Height Control Valve, Vehicles Built Prior to 3/05	-	-	-	MAK-31
20	E-15151		59935-003	Height Control Valve, Vehicles Built Prior to 3/05	-	-	-	MAK-31
21	E-15150		59427-006	Height Control Valve and Linkage Kit for Vehicles Built Prior to 3/05, Includes Key Nos. 19 & 20	-	-	-	MAK-31
22	E-14013		64089-000	Height Control Valve Assembly, Includes Key Nos. 19 & 20 plus Bracket, Vehicles Built Prior to 3/05 w/ 12 & 12.5K Axles	-	-	-	-
	E-14014		64094-000	Height Control Valve Assembly, Includes Key Nos. 19 & 20 plus Bracket, Vehicles Built Prior to 3/05 w/ 13.2 & 14.6K Axles	-	-	-	-

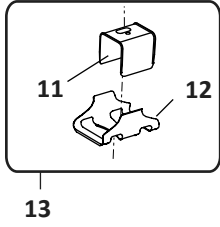
 Denotes Product is Genuine Hendrickson

For more information on King Pins, Tie Rod Ends and Assemblies see 760C Front Axle Parts — Medium- and Heavy-Duty Applications

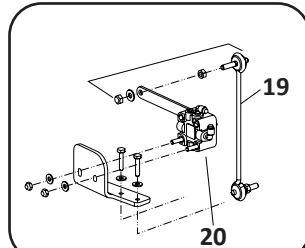
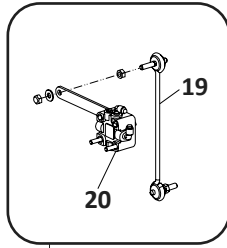


MACK FRONT AIRTEK for Mack

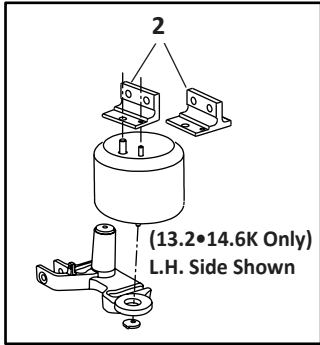
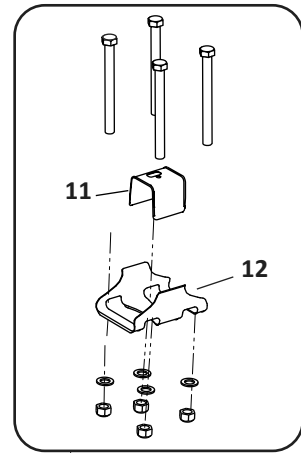
Axle Wrap Liner Kit



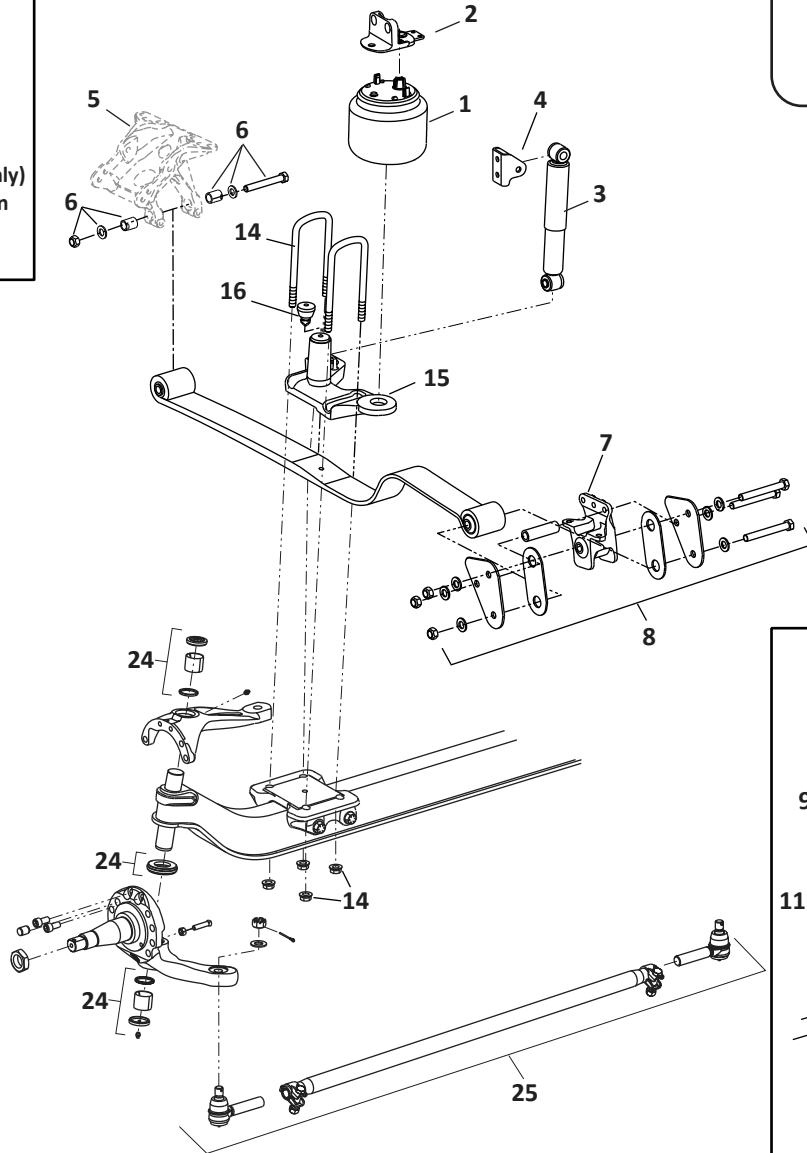
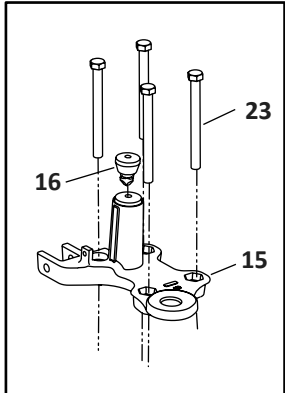
**Single Height Control Valves For Vehicles
Built Before March 2005**



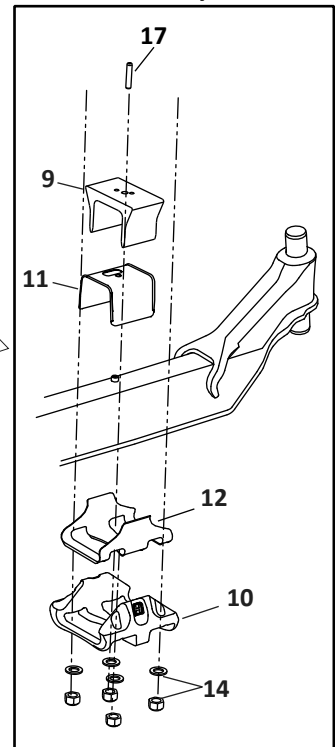
**Straight Bolt Clamp Kit
Pre 2007 Engines**



**Axle Connection For
Vehicles Built Before
July 2007**




**Vehicles Built
Prior to July 2011**



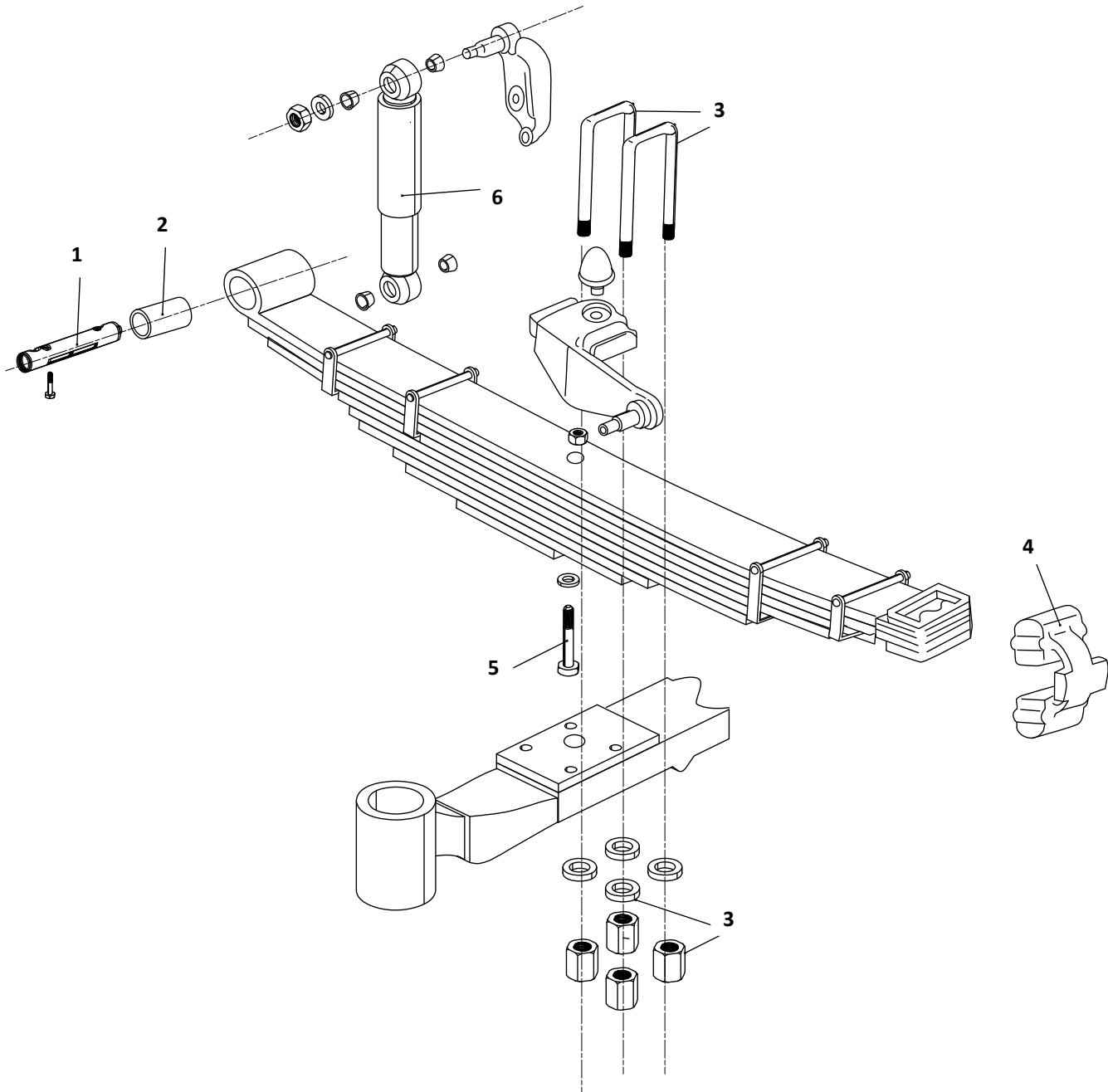
For more information on King Pins, Tie Rod Ends and Assemblies see 760C Front Axle Parts — Medium- and Heavy-Duty Applications

AIRTEK for Mack								
KEY NO.	EUCLID NO.	GENUINE	OEM REF.	DESCRIPTION	QTY. PER AXLE			PAGE NO.
					PRE 2007 ENGINES	POST 2007 ENGINES TO JULY 2011	NXT AXLE — AFTER JULY 2011	
23	E-16410		60961-035	Straight Bolt Clamp Kit, Vehicles with Dual Height Control Valves, 13-1/4" Ride Height, Includes Key Nos. 11 & 12, Bolts, Nuts, Washer for One Side	2	-	-	MAK-30
	E-16411		60961-037	Straight Bolt Clamp Kit, Vehicles with Single Height Control Valve, 14-3/8" Ride Height, Includes Key Nos. 11 & 12, Bolts, Nuts, Washer for One Side	2	-	-	MAK-31
	S.O.S.		Various	Straight Bolt Clamp Kit, Other Configurations, Includes Key No. 11, Bolts, Nuts, Washer for One Side	2	-	-	-
-	E-14019		60961-101	Dual Height Control Valve & Linkage Conversion Kit, Convert Single HCV to Dual, 12 & 12.5K Capacity	1	-	-	-
-	E-14020		60961-102	Dual Height Control Valve & Linkage Conversion Kit, Convert Single HCV to Dual, 13.2 & 14.6K Capacity	1	-	-	-
24	E-13999		60961-040	Kingpin Bushing and Bearing Service Kits, Axle Set Includes Left and Right Hand Kit (E-14000 and E-14001), Vehicles Built Before July 2011	1	-	-	-
	E-14000		60961-009	Kingpin Bushing and Bearing Service Kit, Left Hand with Composite Thrust Bearings, Vehicles Built Before July 2011	1	-	-	-
	E-14001		60961-039	Kingpin Bushing and Bearing Service Kit, Right Hand with Roller Thrust Bearings, Vehicles Built Before July 2011	1	-	-	-
	E-17644		60961-628	Kingpin Bushing and Bearing Service Kits, Axle Set Includes Left and Right Hand Kit (E-17645 and E-17646), Vehicles Built After July 2011	1	-	-	-
	E-17645		60961-629	Kingpin Bushing and Bearing Service Kit, Left Hand with Composite Thrust Bearings, Vehicles Built After July 2011	1	-	-	-
	E-17646		60961-630	Kingpin Bushing and Bearing Service Kit, Right Hand with Roller Thrust Bearings, Vehicles Built After July 2011	1	-	-	-
25	-		Various	Tie Rod Ends and Assembly. See Front Axle Catalog	As Reqd	-	-	-

 Denotes Product is Genuine Hendrickson

MACK FRONT

F / R / RU / U — Series 3-1/2" Wide Springs, Rubber Pad



MACK

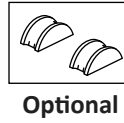
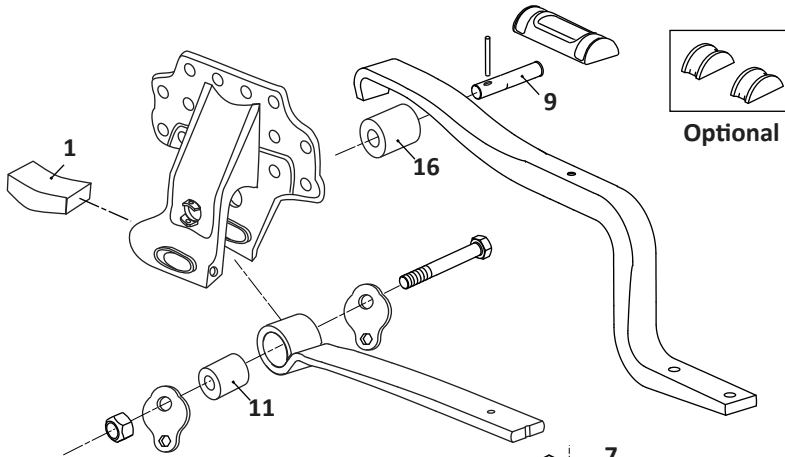
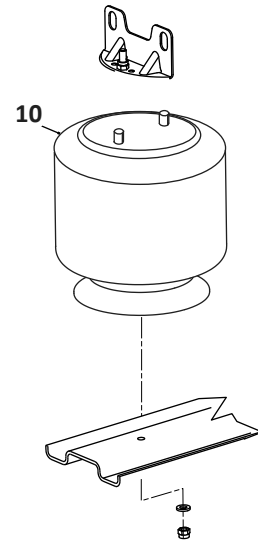
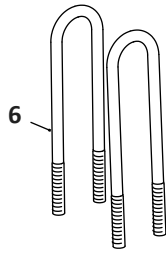
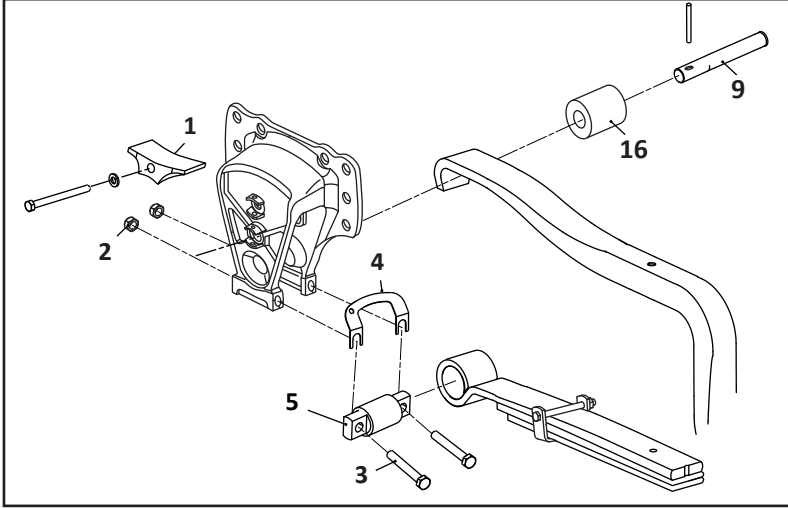
F / R / RU / U Series — 3-1/2" Wide Springs, Rubber Pad					
KEY NO.	EUCLID NO.	OEM REF.	DESCRIPTION	QTY PER AXLE	PAGE NO.
1	E-3715	44QK173B	Spring Pin, 1-3/4" OD X 6-1/4" Long	2	MAK-32
2	E-3533	10QK229P1	Spring Pin Bushing, 1-1/2" OD X 1-1/4" ID X 3-1/2" Long, Bronze	2	MAK-32
	E-16165	-	Spring Pin Bushing, 1-1/2" OD X 1-1/4" ID X 3-1/2" Long, Bi-Metal		MAK-32
3	E-UB8253-12	-	U-Bolt Assembly, Sq. Bend, 3/4"-16 X 3-1/2" Wide x 12" Long	4	-
4	E-3722	10QK322A	Front Spring Insulator, Rubber	2	MAK-32
5	E-3191	-	Spring Center Bolt, 1/2"-20 X 6" Long	2	-
	E-3193	-	Spring Center Bolt, 1/2"-20 X 8" Long	2	MAK-39
6	M83221	-	Shock Absorber	2	-
	M85036	-	Shock Absorber	2	-



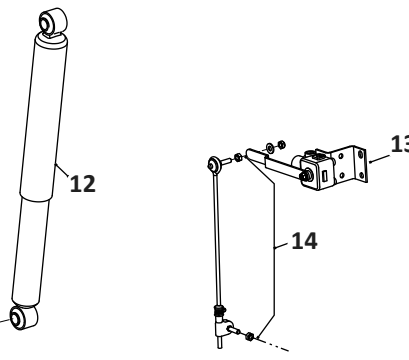
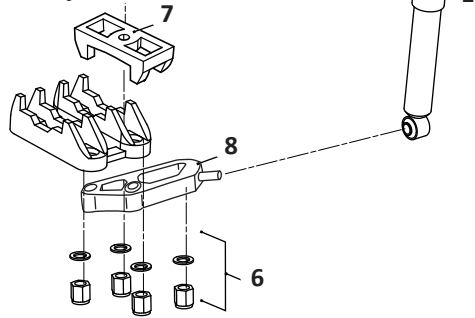
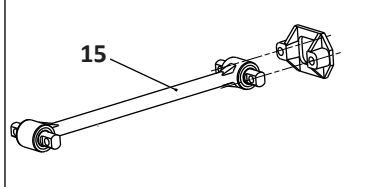
MACK REAR

Maxlite 40EZ (Volvo Corporate Air Ride)

Alternate Hanger & Slipper Pad, 1999-2006



Straddle Pin Style Transverse Rod



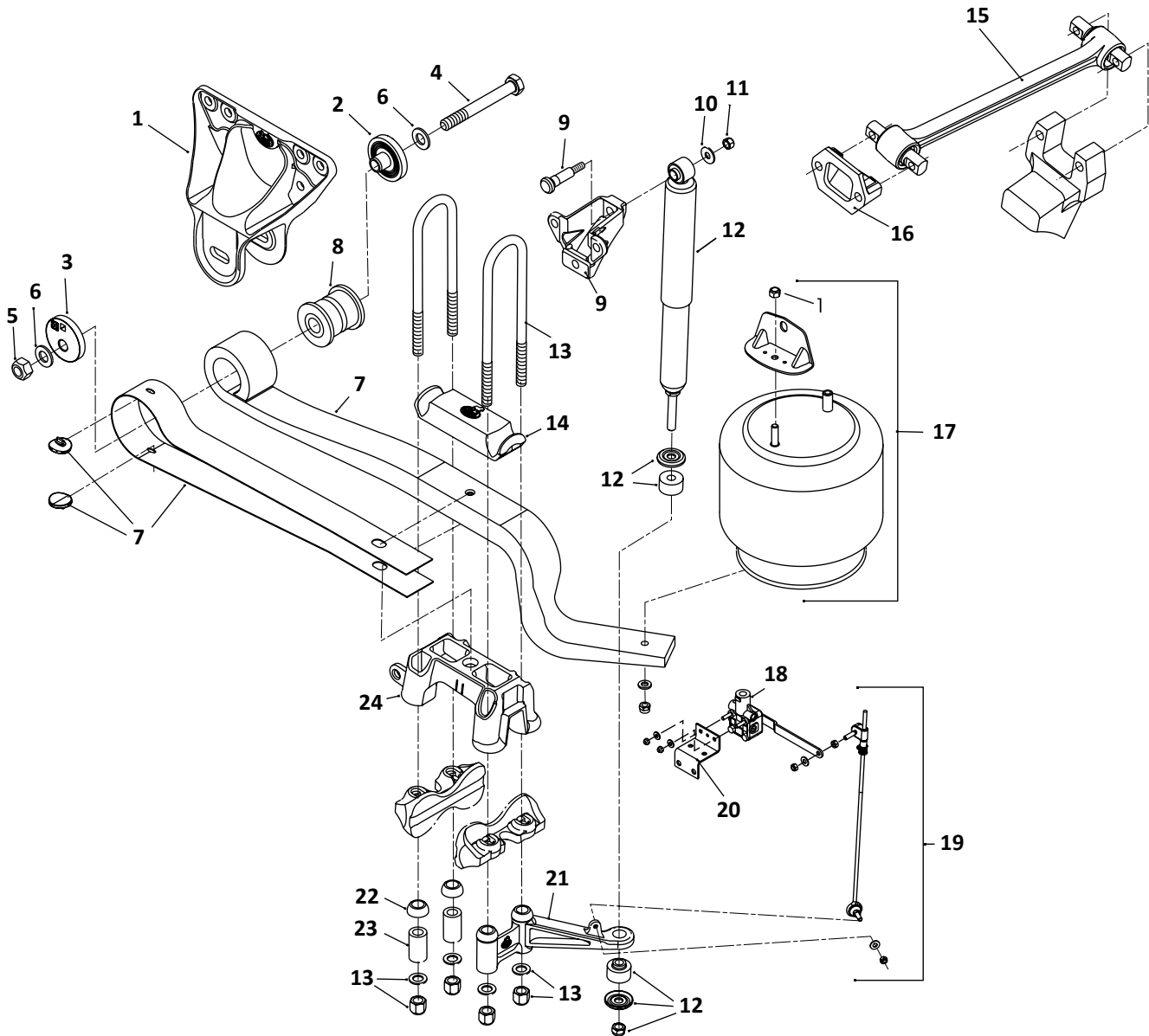
MACK

Maxlite 40EZ (Volvo Corporate Air Ride)					
KEY NO.	EUCLID NO.	OEM REF	DESCRIPTION	QTY. PER AXLE	PAGE NO.
1	GAFF31145	8079889; 20568741	Wear Pad Kit, 1999 - 2006	2	MAK-33
	GAFF31144	20703083	Wear Pad Kit, 2007 and Later	2	MAK-33
2	E-8911	V8397202	Flange Nut, 5/8"-11, Through 2006	4	-
3	E-8909	V8397091	Bolt, 5/8"-11 X 6" Long, Through 2006	4	-
	E-15199	-	Bolt, 5/8"-11 X 7" Long, Through 2006	4	-
4	E-5281	V8020329	Alignment Shim	2	MAK-34
5	E-2225	35033-3201	Spring Eye Bushing, Straddle Mount, 2-1/2" OD, 4-3/8" Center-to-Center, 5/8" Bolt Holes, Rubber	2	MAK-33
	GAFF13522	-	Spring Eye Bushing, Straddle Mount, 2-1/2" OD, 4-3/8" Center-to-Center, 5/8" Bolt Holes, Poly	2	MAK-33
	E-15671	8079894	Spring Eye Bushing, High Confinement, Straddle Mount, 2-1/2" OD, 4-3/8" Center-to-Center, 5/8" Bolt Holes	2	MAK-33
6	E-UB8151-16	V8027431	U-Bolt Assembly, Rd. Bend, 3/4"-16 Thd. x 3" Wide x 16" Long	4	-
7	E-16807	8071514	Axle Seat, 3.6° Pinion Angle	2	MAK-34
8	-	8169852; 8169853	Lower Shock Bracket	2	-
9	E-16806	35026-0001; 8027436	Rebound Pin, 3/4" OD X 5-1/4" Long	2	MAK-34
10	E-16777	20558810	Spring Eye Bushing, Through Hole, After 2006, 7/8" ID X 2-9/16" OD X 3-9/16" Long, Rubber	2	MAK-33
	GAFF31129	-	Spring Eye Bushing, Through Hole, After 2006, 7/8" ID X 2-9/16" OD X 3-9/16" Long, Poly	2	MAK-33
11	FS9219	35003-3204; 35003-3209	Firestone Air Spring	2	-
	FS8829	20505399	Firestone Air Spring	2	-
	EAS8829	20505399	Euclid Air Spring	2	-
	FS9296	8061151	Firestone Air Spring	2	-
12	M85024	8071524	Shock Absorber	2	-
	M85046	8026658	Shock Absorber	2	-
	M85047	8169859	Shock Absorber	2	-
13	E-11855	-	Height Control Valve, No Dump	1	MAK-34
	E-11870	-	Height Control Valve, Dump With Air Applied	1	MAK-34
14	E-7852	-	Leveling Valve Link Kit	1	MAK-34
15	E-8821	35801-0068	Torque Arm, 22-1/8" Long, Straddle Mount Bushings, E-8821 Includes E-9395 Rubber Bushings	1	MAK-33
	E-3176	-	Torque Arm Kit, Full Ball Design.	1	MAK-33
	GAFF18860	30SQ4525	Torque Arm, 22-1/8" Long, Straddle Mount Bushings, Poly Bushings	1	MAK-33
16	GAFF13843	8079890	Rebound Roller, Poly	2	MAK-34
-	GAFF11747	-	Roller Kit, Includes Bolt, Nut, Washer, Sleeve, Poly Rebound Bushing	2	MAK-34














MACK REAR

MaxAir Twisted Sister®



MACK

MaxAir Twisted Sister®						
KEY NO.	EUCLID NO.	GENUINE	OEM REF.	DESCRIPTION	QTY. PER AXLE	PAGE NO.
1	E-15487		58772-001	Frame Hanger	2	-
2	E-16780		60497-000	QUIK-ALIGN Concentric Base	2	MAK-35
	E-15553		60661-000L	QUIK-ALIGN Concentric Base For Aluminum Hangers	2	MAK-35
3	E-16781		60496-000	QUIK-ALIGN Eccentric Base	3	MAK-35
	E-16260		60662-000L	QUIK-ALIGN Eccentric Base For Aluminum Hangers	3	MAK-35
4	S.O.S.	-	58705-003	Hex Bolt, 7/8"-9 x 7-1/2" Long	2	-
	S.O.S.	-	58705-005	Hex Bolt, 7/8"-9 x 8" Long For Aluminum Hangers	2	-
5	E-2983	-	60266-000	Locknut, 7/8"-9	2	-
6	E-2546	-	22962-034	Washer, 7/8" ID	4	-
7	S.O.S.	-	Various	Main Support Member, Includes Key 8	2	-
8	E-13992		58648-000	QUIK-ALIGN Pivot Bushing	2	MAK-35
9	S.O.S.	-	58692-000	Shock Frame Hanger Assembly, Includes Hardware	2	-
10	E-9603	-	22962-031	Washer, 1/2" ID	2	-
11	E-16402	-	49846-000	Locknut, 1/2"-13	2	-
12	M83111	-	57241-006L	Shock Absorber, Includes Lower Bushings, Washers and Nut	2	-
13	E-UB8151-16	-	-	U-Bolt Assembly, Rd. Bend, 3/4"-16 x 3" Wide x 16" Long, Does Not Include Spherical Washers Key 22	4	-
14	E-15721		58775-002	Top Pad	2	-
15	E-13993		58757-006	Transverse Rod Assembly	1	MAK-35
16	E-2634		22186-000	Transverse Rod Frame Bracket	1	MAK-35
17	FS9647	-	58786-002	Firestone Air Spring, Includes Mounting Bracket	2	-
18	E-14796		59899-000L	Height Control Valve	1	-
19	E-7852	-	-	Height Control Valve Linkage Assembly, Universal Adjustable	1	MAK-34
20	S.O.S.	-	57975-000	Height Control Valve Bracket	1	-
21	S.O.S.	-	Various	Lower Shock Bracket	2	-
22	S.O.S.	-	49947-000	Spherical Washer, 3/4" ID	4	-
23	S.O.S.	-	58776-000	U-Bolt Spacer Tube	4	-
24	S.O.S.	-	Various	Spring Seat	2	-

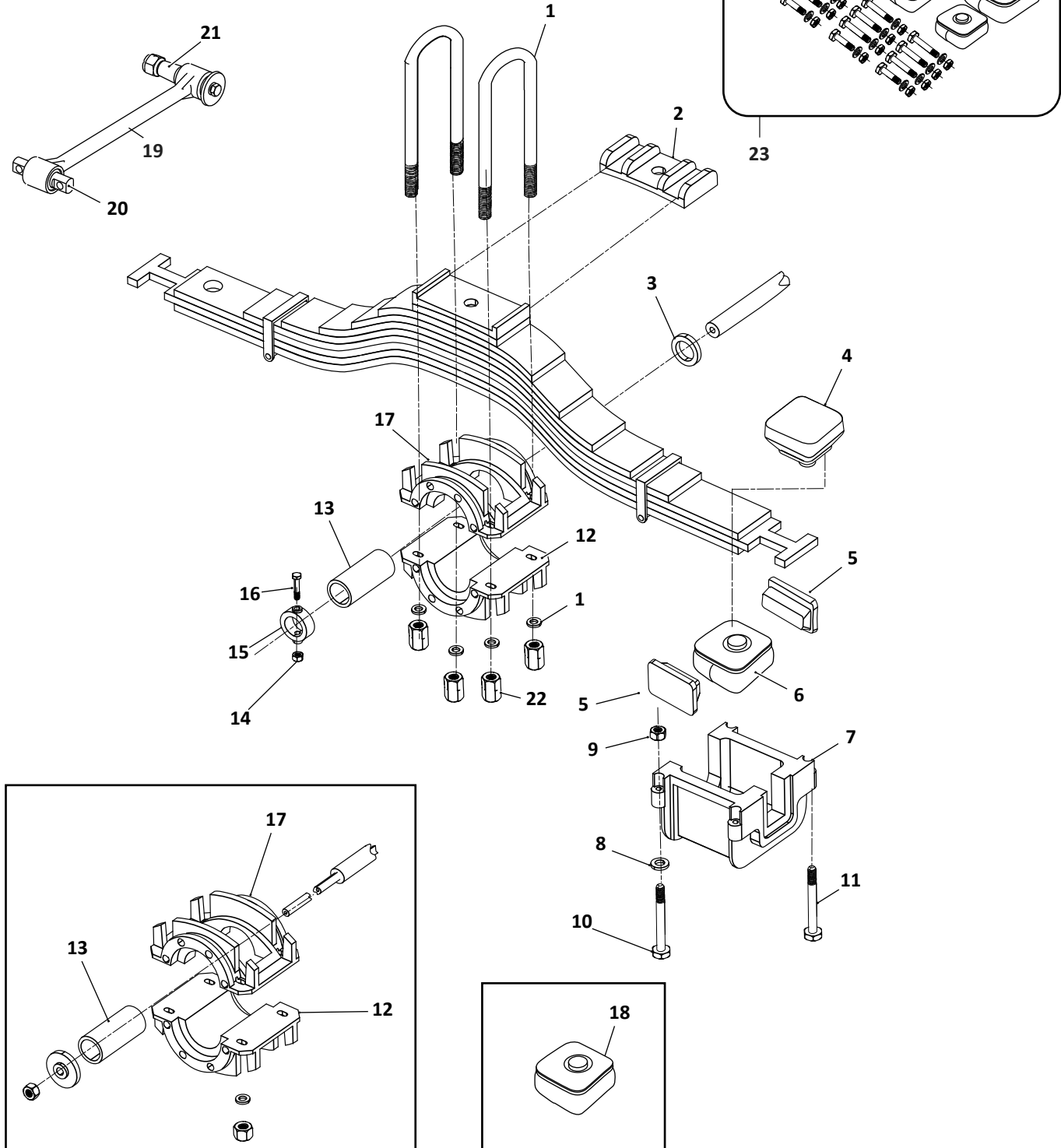
 Denotes Product is Genuine Hendrickson



MACK REAR

SS34 & 38 Tandem Suspension 4" Wide Spring — Rubber / Poly Trunnion Bushing

Insulator Pad Kit



Early Model Rubber Bushing

Special Offset Insulator to Correct Axle Alignment

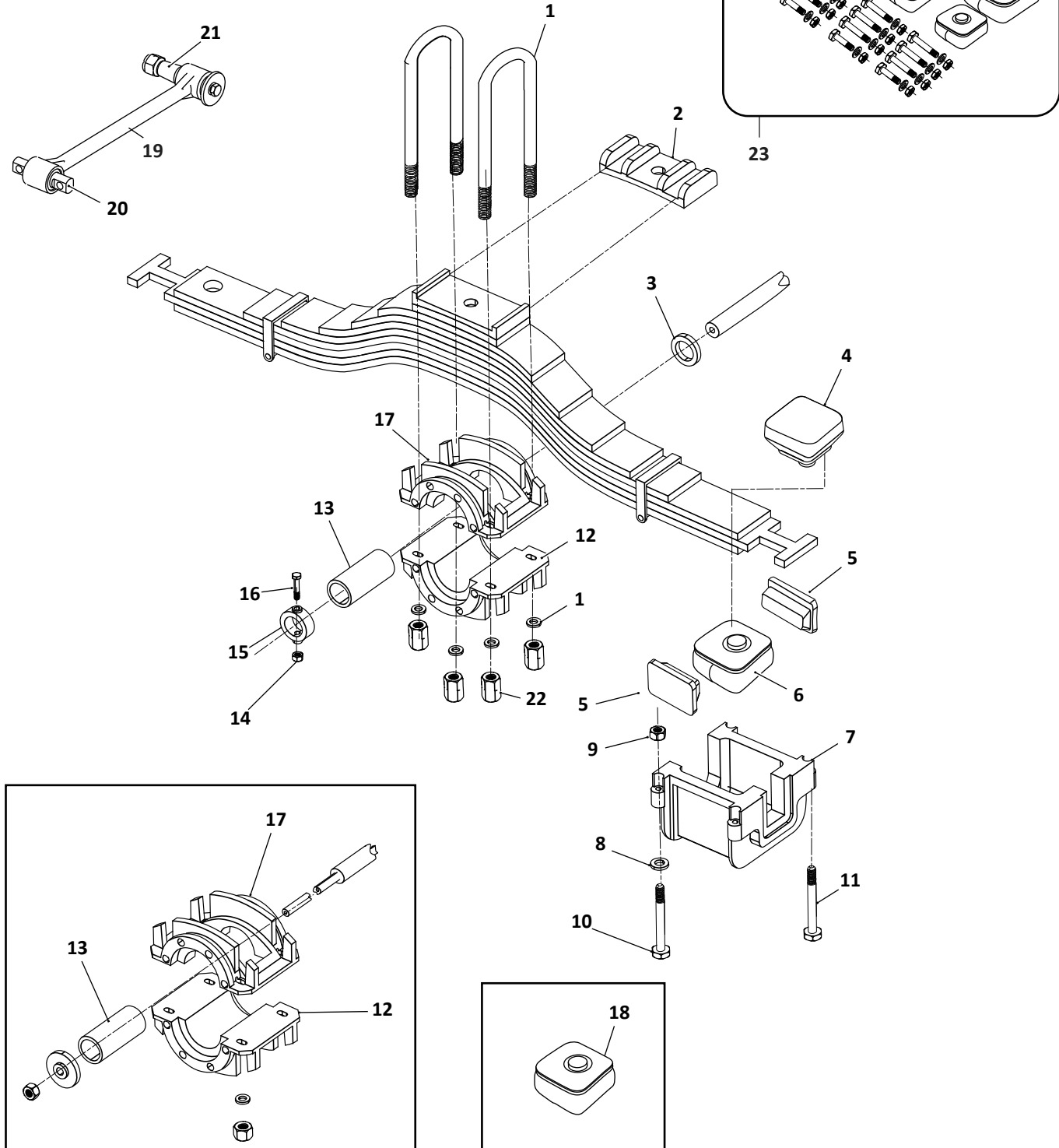
MACK

SS34 & 38 Tandem Suspension 4" Wide Spring — Rubber / Poly Trunnion Bushing					
KEY NO.	EUCLID NO.	OEM REF.	DESCRIPTION	QTY. PER TANDEM	PAGE NO.
1	E-UB8394-144	-	U-Bolt Assembly, Semi Rd. Bend, 1-1/4"-12 x 4" Wide x 14-1/2" Long, Includes Key 22 E-3006 Hi Nut	4	MAK-42
	E-UB8394-162S	-	U-Bolt Assembly, Semi Rd. Bend, 1-1/4"-12 x 4" Wide x 16-1/4" Long, Includes Key 22 E-3005 Hi Nut	4	MAK-42
	E-UB8394-18	-	U-Bolt Assembly, Semi Rd. Bend, 1-1/4"-12 x 4" Wide x 18" Long, Includes Key 22 E-3006 Hi Nut	4	MAK-42
2	-	-	Top Plate	-	-
3	E-3702	44RU2223P2	Inner Spacer, 4-1/8" OD X 3-1/2" ID X 7/16" Thick	2	MAK-37
	E-3703	44RU2223P1	Inner Spacer, 4-1/8" OD X 3-1/2" ID X 1/2" Thick	2	MAK-37
4	E-2917	10QK365A	Upper Insulator Pad, Rubber, 6" Long X 4-1/2" Wide X 2-3/8" Thick, 1-3/4" Dia. Pin	4	MAK-40
	GAFF12006	-	Upper Insulator Pad, Poly, 6" Long X 4-1/2" Wide X 2-3/8" Thick, 1-3/4" Dia. Pin	4	MAK-40
	E-2919	10QK370	Upper Insulator Pad, Rubber, 6" Long X 4-1/2" Wide X 3" Thick, 1-3/4" Dia. Pin	4	MAK-40
	GAFF12010	-	Upper Insulator Pad, Poly, 6" Long X 4-1/2" Wide X 3" Thick, 1-3/4" Dia. Pin	4	MAK-40
5	E-3689	13QK246	Insulator Spacer Block	8	MAK-40
	E-3689-P	13QK246	Insulator Spacer Block, Price Point	8	MAK-40
6	E-2920	10QK36B	Lower Insulator Pad, Rubber, 6" Long X 6" Wide X 3-3/4" Thick, 1-3/4" Dia. Pin	4	MAK-40
	GAFF12014	-	Lower Insulator Pad, Poly, 6" Long X 6" Wide X 3-3/4" Thick, 1-3/4" Dia. Pin	4	MAK-40
7	E-3688	52QK418BP4	Insulator Box, 6-3/4" Deep	4	MAK-39
	E-16782	52QK418BP5	Insulator Box, 6-3/8" Deep	4	MAK-39
8	E-2546	37AX1310	Washer, 7/8" ID	8	-
9	E-1835	21AX480	Lock Nut, 7/8"-14	8	-
10	E-3690	1AX425	Insulator Box Bolt, 7/8"-14 x 5" Long	12	MAK-39
	E-3691	1AX475	Insulator Box Bolt, 7/8"-14 x 5-1/4" Long	12	MAK-39
	E-3692	1AX427; 3AX987	Insulator Box Bolt, 7/8"-14 x 6" Long	12	MAK-39
	E-3693	3AX1344	Insulator Box Bolt, 7/8"-14 x 6-1/2" Long	12	MAK-39
	E-5439	3AX1050	Insulator Box Bolt, 7/8"-14 x 7-1/2" Long	12	MAK-39
	E-5428	3AX1348	Insulator Box Bolt, 7/8"-14 x 8" Long	12	MAK-39
11	E-3696	4AX320; 6AX837	Insulator Box Stud, 7/8"-9 x 4-1/2" Long	4	MAK-39
	E-5427	6AX1160	Insulator Box Stud, 7/8"-9 X 6" Long	4	MAK-39
12	E-3685	39QK431	Lower Trunnion Half, Newer Style, 8-3/4" Long, Use With E-2922A Bushing	2	MAK-36
13	E-2921A	10QK219P1	Trunnion Bushing, Rubber, 4-11/16" OD X 3-7/16" ID X 5-9/16" Long, Discontinued	2	MAK-37
	E-2922A	10QK219P2	Trunnion Bushing, Rubber, 4-11/16" OD X 3-7/16" ID X 6-5/16" Long	2	MAK-37
	GAFF12015	10QK276	Trunnion Bushing, Poly, 4-11/16" OD X 3-7/16" ID X 6-5/16" Long	2	MAK-37
	E-2924A	10QK130P1	Trunnion Bushing, Rubber, 4-7/16" OD X 3-7/16" ID X 8-3/8" Long	2	MAK-37
	GAFF12028	-	Trunnion Bushing, Poly, 4-7/16" OD X 3-7/16" ID X 8-3/8" Long	2	MAK-37
14	E-4961A	-	Lock Nut, 3/4"-16	4	-
15	E-10116	44RU2221P2	Collar, Later Design, 4-1/8" OD x 3-1/2" ID X 1-3/4" Wide	2	MAK-38
	E-3704	44BU2221P1	Collar, Early Design, 4-1/8" OD x 3-1/2" ID X 2-1/4" Wide	2	MAK-38
16	E-15194	-	Bolt, 3/4"-16 X 5-1/2" Long	2	-
17	E-3683	39QK433A	Upper Trunnion Half, Newer Style, 8-3/4" Long, Use With E-2922A Bushing	2	MAK-36
18	E-3919	10QK48	Special Offset Lower Insulator Pad, Rubber, 6" Long X 6" Wide X 3-3/4" Thick, 1-3/4" Dia. Pin	As Required	MAK-40
19	See Hendrickson Ultra Rod Charts	-	Transverse Torque Arm, Rubber Bushings	1	-
	E-3988	-	Transverse Torque Arm Kit, Full Ball Design	1	MAK-41
	GAFF12072	-	Torque Arm, 18" Long, Straddle Mount and Stud Type Poly Bushings	1	-

MACK REAR

SS34 & 38 Tandem Suspension 4" Wide Spring — Rubber / Poly Trunnion Bushing

Insulator Pad Kit



Early Model Rubber Bushing

Special Offset Insulator to Correct Axle Alignment

MACK

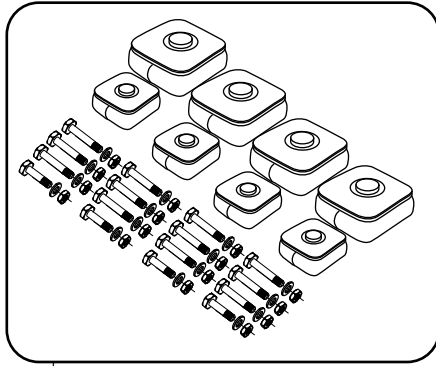
SS34 & 38 Tandem Suspension 4" Wide Spring — Rubber / Poly Trunnion Bushing					
KEY NO.	EUCLID NO.	OEM REF.	DESCRIPTION	QTY. PER TANDEM	PAGE NO.
20	E-2226	227720, 44695	Torque Arm Bushing, Straddle Mount, 2-3/4" OD X 4-3/8" Center-to-Center, 5/8" Bolt Holes, Use with Torque Rods with Rubber Bushings	1	MAK-41
	GAFF13520	-	Torque Arm Bushing, Straddle Mount, 2-3/4" OD X 4-3/8" Center-to-Center, 5/8" Bolt Holes, Poly	1	MAK-41
21	E-2815	46735	Torque Arm Bushing, Tapered Stud, Use with Torque Rods with Rubber Bushings	2	MAK-41
	GAFF12031	-	Torque Arm Bushing, Tapered Stud, Poly	2	MAK-41
22	E-3005	21AX131	Hi Nut, 1-1/4"-12 Thread X 1-5/8" Tall	8	MAK-42
	E-3006	21AX655	Hi Nut, 1-1/4"-12 Thread X 2-3/4" Tall, Severe Duty	8	MAK-42
23	E-14932	-	Insulator Pad Kit, Rubber, Includes E-2919 Upper and E-2920 Lower Insulator Pads and Hardware	1	-
	GAFF12036	-	Insulator Pad Kit, Poly, Includes GAFF12010 Upper and GAFF12014 Lower Insulator Pads and Hardware	1	-



MACK REAR

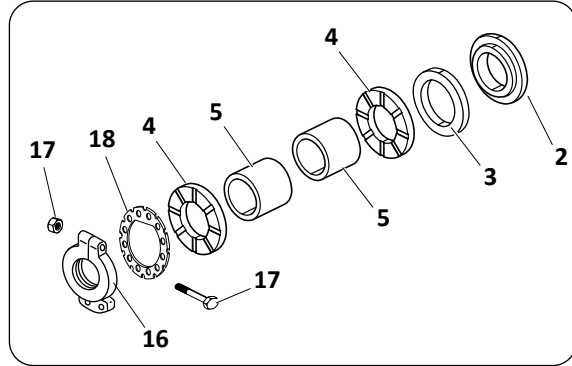
SS44 Series (Formerly SWS 573) 4" Wide Spring — Bronze Trunnion Bushing — 3-1/2" ID

Insulator Pad Kit

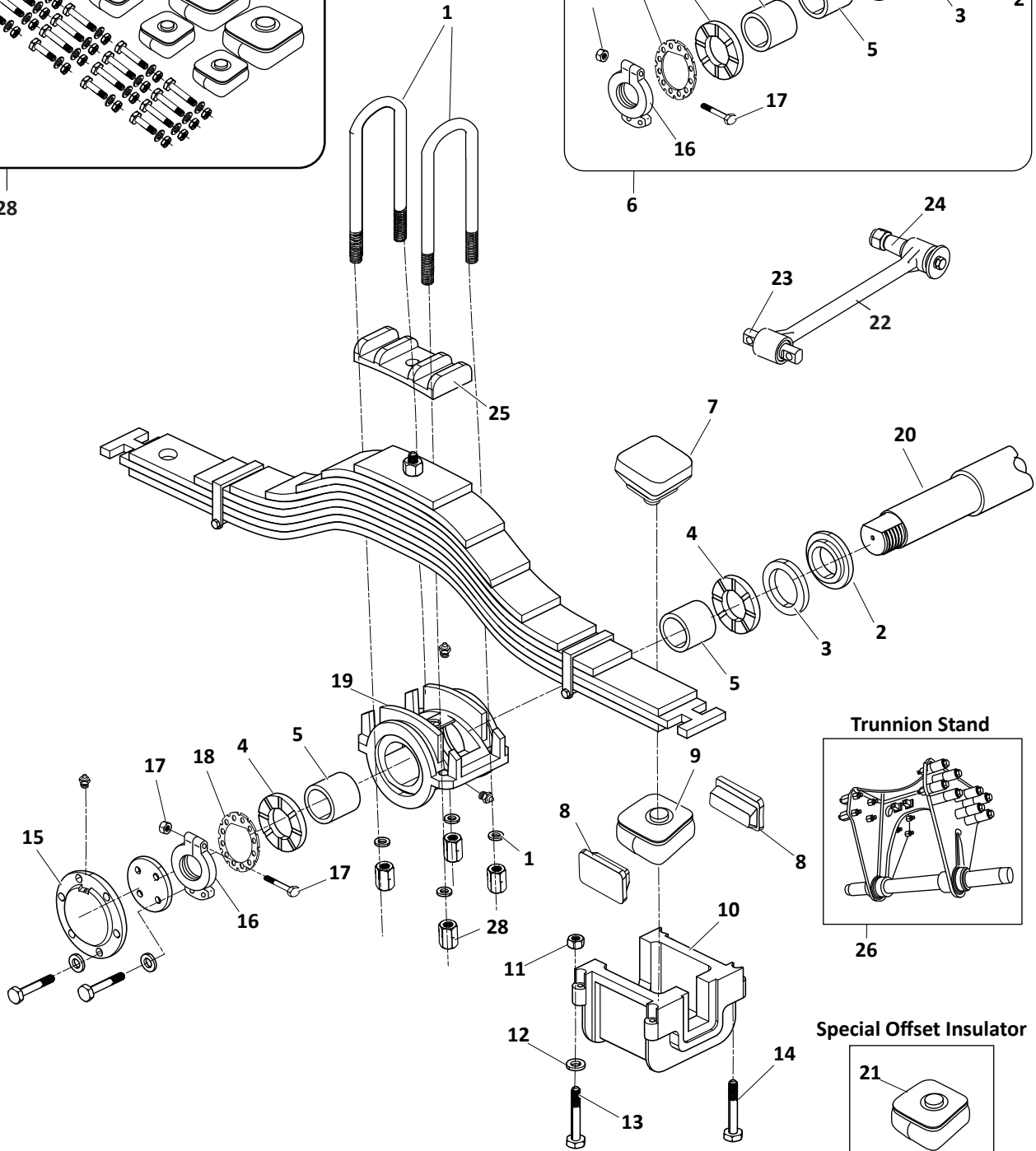


28

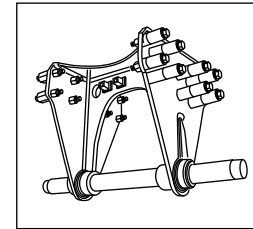
Trunnion Rebuild Kit



6

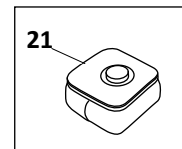


Trunnion Stand



26

Special Offset Insulator



Designed to Correct
Axle Alignment

MACK

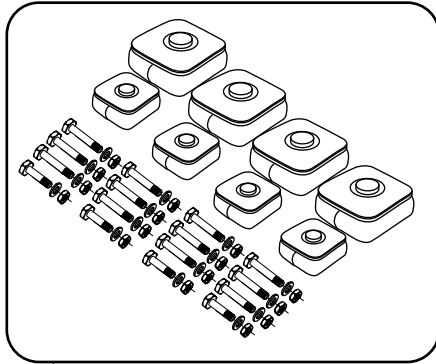
SS44 Series (Formerly SWS 573) 4" Wide Spring — Bronze Trunnion Bushing — 3-1/2" ID

KEY NO.	EUCLID NO.	OEM REF.	DESCRIPTION	QTY. PER TANDEM	PAGE NO.
1	E-UB8394-144	-	U-Bolt Assembly, Semi Rd. Bend, 1-1/4"-12 x 4" Wide x 14-1/2" Long, Includes Key 30 E-3006 Hi Nut	4	MAK-42
	E-UB8394-162S	-	U-Bolt Assembly, Semi Rd. Bend, 1-1/4"-12 x 4" Wide x 16-1/4" Long, Includes Key 30 E-3005 Hi Nut	4	MAK-42
	E-UB8394-18	-	U-Bolt Assembly, Semi Rd. Bend, 1-1/4"-12 x 4" Wide x 18" Long, Includes Key 30 E-3006 Hi Nut	4	MAK-42
2	E-3187	88AX244; 88AX446	Trunnion Seal, 5-1/2" OD X 4-3/8" ID x 9/16" Thick	2	MAK-37
3	E-3699	43QK117	Steel Washer, 5-3/8" OD X 4-3/8" ID X 3/8" Thick	2	MAK-38
4	E-3698	35AX688; 43QK116	Bronze Thrust Washer, 5-5/16" OD X 3-1/2" ID X 1/4" Thick	2	MAK-38
5	E-2925	10QK157; 80AX300	Bronze Trunnion Bushing, 3-3/4" OD X 3-1/2" ID X 3-7/16" Long	4	MAK-37
6	E-3916	-	Trunnion Rebuild Kit, Includes Key No. 2, 3, 4, 5, 17, 19. Axle Set	1	MAK-38
7	E-2919	10QK370	Upper Insulator Pad, Rubber, 6" Long X 4-1/2" Wide X 3" Thick, 1-3/4" Dia. Pin	4	MAK-40
	GAFF12010	-	Upper Insulator Pad, Poly, 6" Long X 4-1/2" Wide X 3" Thick, 1-3/4" Dia. Pin	4	MAK-40
8	E-3689	13QK246	Insulator Spacer Block	8	MAK-40
	E-3689-P	13QK246	Insulator Spacer Block, Price Point	8	MAK-40
9	E-2920	10QK36B	Lower Insulator Pad, Rubber, 6" Long X 6" Wide X 3-3/4" Thick, 1-3/4" Dia. Pin	4	MAK-40
	GAFF12014	-	Lower Insulator Pad, Poly, 6" Long X 6" Wide X 3-3/4" Thick, 1-3/4" Dia. Pin	4	MAK-40
10	E-3688	52QK418BP4	Insulator Box, 6-3/4" Deep	4	MAK-39
	E-16782	52QK418BP5	Insulator Box, 6-3/8" Deep	4	MAK-39
11	E-1835	21AX480	Lock Nut, 7/8"-14	8	-
12	E-2546	37AX1310	Washer, 7/8" ID	8	-
13	E-3690	1AX425	Insulator Box Bolt, 7/8"-14 x 5" Long	12	MAK-39
	E-3691	1AX475	Insulator Box Bolt, 7/8"-14 x 5-1/4" Long	12	MAK-39
	E-3692	1AX427; 3AX987	Insulator Box Bolt, 7/8"-14 x 6" Long	12	MAK-39
	E-3693	3AX1344	Insulator Box Bolt, 7/8"-14 x 6-1/2" Long	12	MAK-39
	E-5439	3AX1050	Insulator Box Bolt, 7/8"-14 x 7-1/2" Long	12	MAK-39
	E-5428	3AX1348	Insulator Box Bolt, 7/8"-14 x 8" Long	12	MAK-39
14	E-3696	4AX320; 6AX837	Insulator Box Stud, 7/8"-9 x 4-1/2" Long	4	MAK-39
	E-5427	6AX1160	Insulator Box Stud, 7/8"-9 X 6" Long	4	MAK-39
15	E-3697	97QL399P2	Trunnion Grease Cap, 5/16" Dia. Bolt Holes, 7" Bolt Circle	2	MAK-38
	E-3697-P	97QL399P2	Trunnion Grease Cap, 5/16" Dia. Bolt Holes, 7" Bolt Circle, Price Point	2	MAK-38
16	E-3700	25QJ223	Trunnion Nut	2	MAK-39
17	E-16787	-	Trunnion Nut & Hardware, Includes Key No. 16	2	MAK-38
18	E-3915	23QJ112B	Star Lock Washer, 4-7/8" OD X 1/4" Thick	2	MAK-38
19	E-3687	39QK27E; 39QK27F; 39QK326	Trunnion and Bushing Assembly	2	MAK-36
20	E-16788	85QK249; 85QK251	Trunnion Shaft, 3-1/2" OD X 48-3/4" Long	1	-
21	E-3919	10QK48	Special Offset Lower Insulator Pad, Rubber, 6" Long X 6" Wide X 3-3/4" Thick, 1-3/4" Dia. Pin	4	MAK-40
22	E-3988	-	Transverse Torque Arm Kit, Full Ball Design	1	MAK-41

MACK REAR

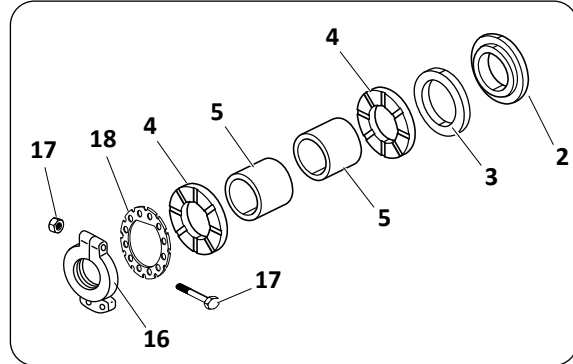
SS44 Series (Formerly SWS 573) 4" Wide Spring — Bronze Trunnion Bushing — 3-1/2" ID

Insulator Pad Kit

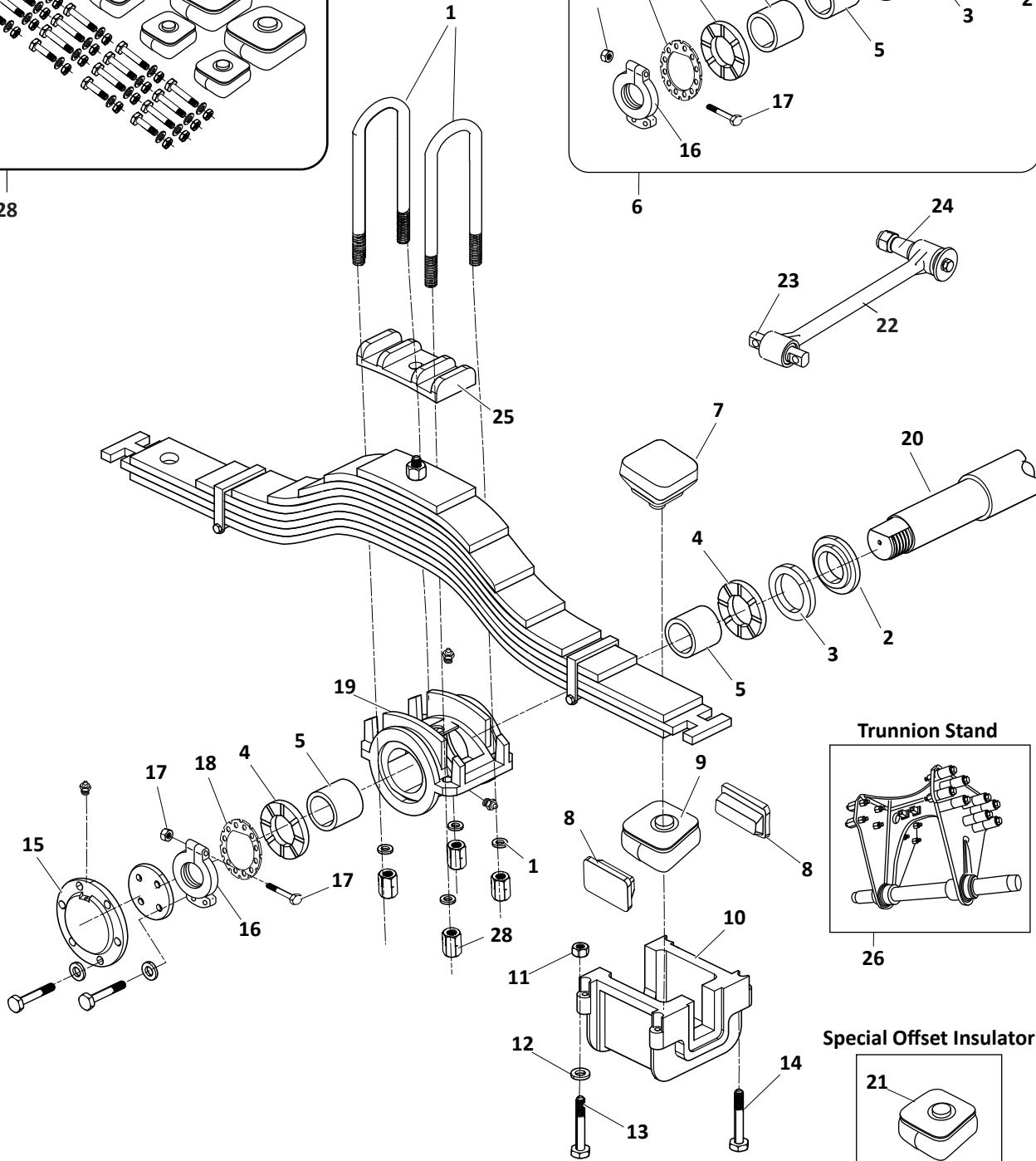


28

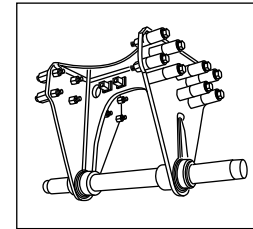
Trunnion Rebuild Kit



6

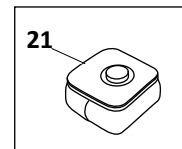


Trunnion Stand



26

Special Offset Insulator



Designed to Correct
Axle Alignment

MACK

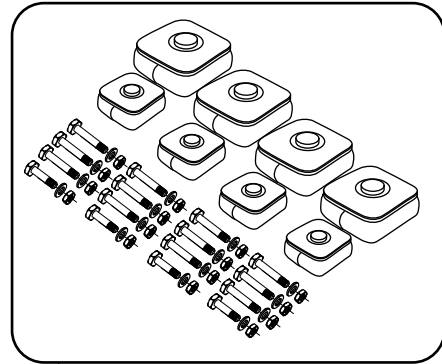
SS44 Series (Formerly SWS 573) 4" Wide Spring — Bronze Trunnion Bushing — 3-1/2" ID

KEY NO.	EUCLID NO.	OEM REF.	DESCRIPTION	QTY. PER TANDEM	PAGE NO.
23	E-14642	-	Torque Arm Bushing, Straddle Mount, 2-3/4" OD X 5-1/4" Center-to-Center, 7/8" Bolt Holes	2	-
24	E-2815	46735	Torque Arm Bushing, Tapered Stud	2	MAK-41
	GAFF12031	-	Torque Arm Bushing, Tapered Stud, Poly	2	MAK-41
25	-	8QK335P2	Top Plate, Use With Semi Round U-Bolts	2	-
26	E-16790	97QL5122; 97QL585	Trunnion Stand Assembly, Trapezoid Mounting Bolt Pattern	-	MAK-41
	E-16791	25136297; 97QL5119M	Trunnion Stand Assembly, Square Mounting Bolt Pattern	-	MAK-41
27	E-3005	21AX131	Hi Nut, 1-1/4"-12 Thread X 1-5/8" Tall	8	MAK-42
	E-3006	21AX655	Hi Nut, 1-1/4"-12 Thread X 2-3/4" Tall, Severe Duty	8	MAK-42
28	E-14932	-	Insulator Pad Kit, Rubber, Includes E-2919 Upper and E-2920 Lower Insulator Pads and Hardware	1	-
	GAFF12036	-	Insulator Pad Kit, Poly, Includes GAFF12010 Upper and GAFF12014 Lower Insulator Pads and Hardware	1	-

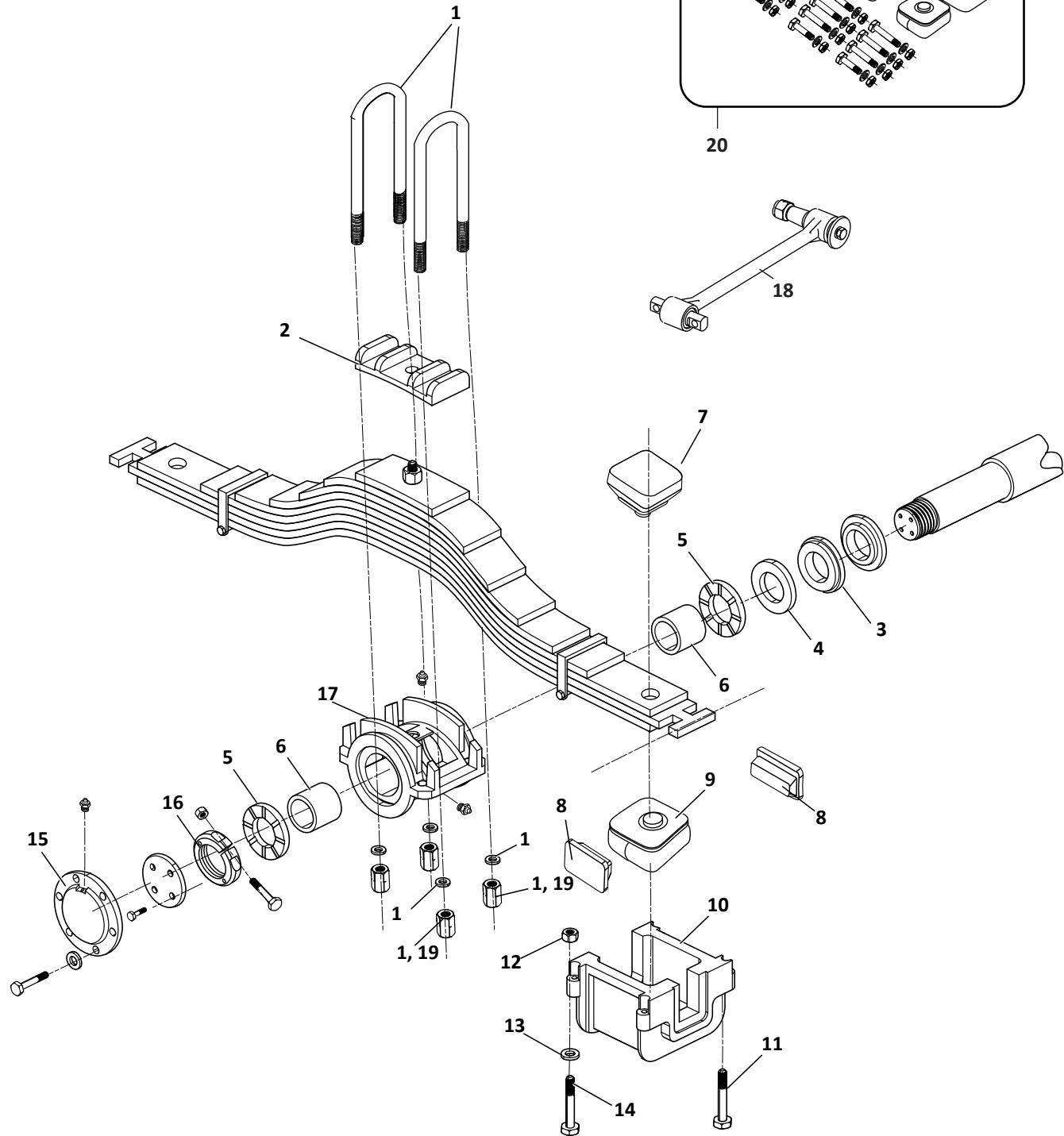
MACK REAR

SS50C Series, 4" Wide Spring — Bronze Trunnion Bushing — 4" ID

Insulator Pad Kit



20



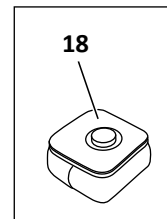
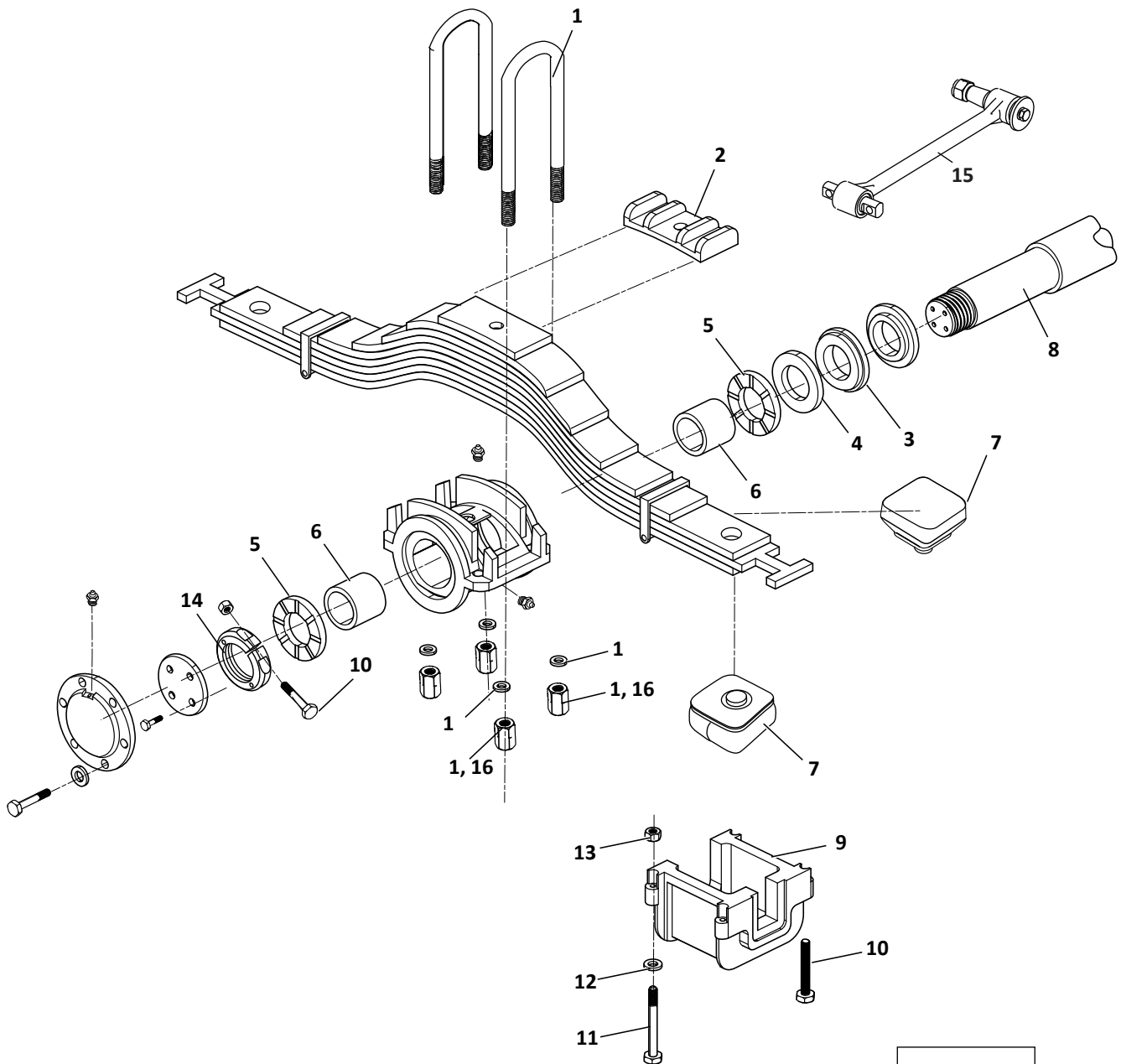
MACK

SS50C Series, 4" Wide Spring — Bronze Trunnion Bushing — 4" ID

KEY NO.	EUCLID NO.	OEM REF.	DESCRIPTION	QTY. PER TANDEM	PAGE NO.
1	E-UB8394-144	-	U-Bolt Assembly, Semi Rd. Bend, 1-1/4"-12 x 4" Wide x 14-1/2" Long, Includes Key 20 E-3006 Hi Nut	2	MAK-42
	E-UB8394-162S	-	U-Bolt Assembly, Semi Rd. Bend, 1-1/4"-12 x 4" Wide x 16-1/4" Long, Includes Key 20 E-3005 Hi Nut	2	MAK-42
	E-UB8394-172S	-	U-Bolt Assembly, Semi Rd. Bend, 1-1/4"-12 x 4" Wide x 17-1/4" Long, Includes Key 20 E-3005 Hi Nut	2	-
	E-UB8394-18	-	U-Bolt Assembly, Semi Rd. Bend, 1-1/4"-12 x 4" Wide x 18" Long, Includes Key 20 E-3006 Hi Nut	2	MAK-42
	E-UB8394-192S	-	U-Bolt Assembly, Semi Rd. Bend, 1-1/4"-12 x 4" Wide x 19-1/4" Long, Includes Key 20 E-3005 Hi Nut	2	-
2	-	8QK335P2	Top Plate	2	-
3	E-5425	88AX253	Seal, 6-3/8" OD X 5" ID X 9/16" Thick	2	MAK-37
4	E-5423	43QK118	Steel Washer, 6-1/4" OD X 4" ID X 5/16" Thick	2	MAK-38
5	E-5422	43QK115	Bronze Thrust Washer, 6-13/16" OD X 4" ID X 1/4" Thick	4	MAK-38
6	E-5421	10QK158; 10QK158A	Bronze Trunnion Bushing, 4-1/4" OD X 4" ID X 4-1/4" Long	4	MAK-37
7	E-2919	10QK370	Upper Insulator Pad, Rubber, 6" Long X 4-1/2" Wide X 3" Thick, 1-3/4" Dia. Pin	4	MAK-40
	GAFF12010	-	Upper Insulator Pad, Poly, 6" Long X 4-1/2" Wide X 3" Thick, 1-3/4" Dia. Pin	4	MAK-40
	E-2917	10QK365A	Upper Insulator Pad, Rubber, 6" Long X 4-1/2" Wide X 2-3/8" Thick, 1-3/4" Dia. Pin	4	MAK-40
	GAFF12006	-	Upper Insulator Pad, Poly, 6" Long X 4-1/2" Wide X 2-3/8" Thick, 1-3/4" Dia. Pin	4	MAK-40
8	E-3689	13QK246	Insulator Spacer Block	8	MAK-40
	E-3689-P	13QK246	Insulator Spacer Block, Price Point	8	MAK-40
9	E-2920	10QK36B	Lower Insulator Pad, Rubber, 6" Long X 6" Wide X 3-3/4" Thick, 1-3/4" Pin	4	MAK-40
	GAFF12014	-	Lower Insulator Pad, Poly, 6" Long X 6" Wide X 3-3/4" Thick, 1-3/4" Pin	4	MAK-40
10	E-3688	52QK418BP4	Insulator Box, 6-3/4" Deep	4	MAK-39
11	E-5427	6AX1160	Insulator Box Stud, 7/8"-9 X 6" Long	4	MAK-39
12	E-1835	21AX480	Lock Nut, 7/8"-14	8	-
13	E-5429	35AX1310	Washer, 7/8" ID	4	-
14	E-5428	3AX1348	Insulator Box Bolt, 7/8"-14 x 8" Long	12	MAK-39
15	-	97QL3101	Trunnion Grease Cap	2	
16	E-5424	25QJ220BP2	Trunnion Nut	2	MAK-39
17	E-16793	25130253; 39QK325; 39QK54	Trunnion & Bushing Assembly	2	MAK-36
18	E-3988	-	Transverse Torque Arm Kit, Full Ball Design	1	MAK-41
19	E-3005	21AX131	Hi Nut, 1-1/4"-12 Thread X 1-5/8" Tall	8	MAK-42
	E-3006	21AX655	Hi Nut, 1-1/4"-12 Thread X 2-3/4" Tall, Severe Duty	8	MAK-42
20	E-14932	-	Insulator Pad Kit, Rubber, Includes E-2919 Upper and E-2920 Lower Insulator Pads and Hardware	1	-
	GAFF12036	-	Insulator Pad Kit, Poly, Includes GAFF12010 Upper and GAFF12014 Lower Insulator Pads and Hardware	1	-
	E-14933	-	Insulator Pad Kit, Rubber, Includes E-2917 Upper and E-2920 Lower Insulator Pads and Hardware	1	-
	GAFF12039	-	Insulator Pad Kit, Poly, Includes GAFF12006 Upper and GAFF12014 Lower Insulator Pads and Hardware	1	-

MACK REAR

SS58C Series 5" Wide Spring — Bronze Trunnion Bushing — 4" ID



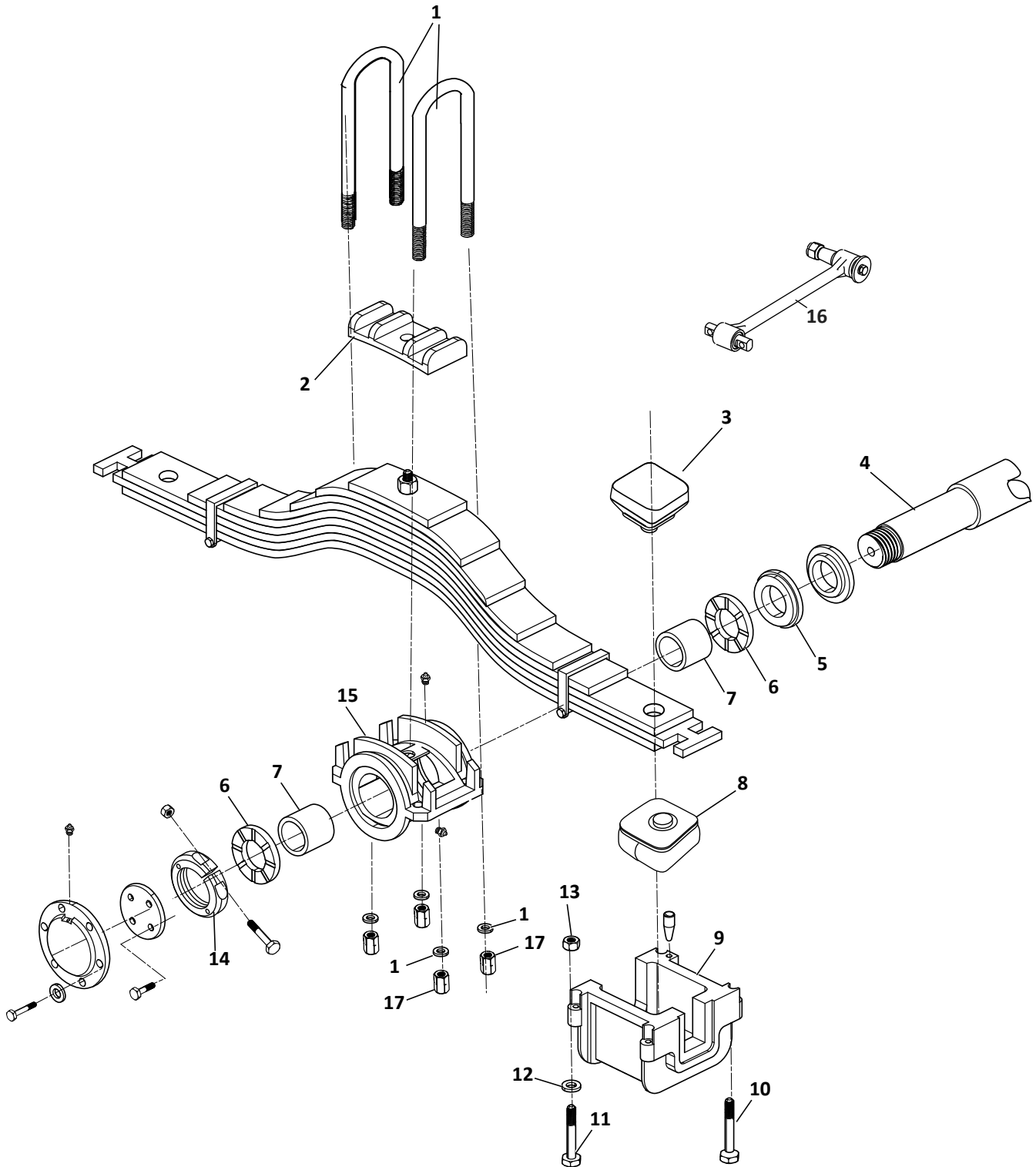
Special Offset Insulator to Correct Axle Alignment

MACK

SS58C Series 5" Wide Spring — Bronze Trunnion Bushing — 4" ID					
KEY NO.	EUCLID NO.	OEM REF.	DESCRIPTION	QTY. PER TANDEM	PAGE NO.
1	E-UB8396-165S	-	U-Bolt Assembly, Semi Rd. Bend, 1-1/4"-12 x 5" Wide x 16-5/8" Long, Includes Key 17 E-3005 Hi Nut	4	MAK-42
2	E-5426	8QK232A	Top Plate, Discontinued	2	MAK-40
3	E-5425	88AX253	Seal, 6-3/8" OD X 5" ID X 9/16" Thick	2	MAK-37
4	E-5423	43QK118	Steel Washer, 6-1/4" OD X 4" ID X 5/16" Thick	2	MAK-38
5	E-5422	43QK115	Bronze Thrust Washer, 6-13/16" OD X 4" ID X 1/4" Thick	4	MAK-38
6	E-5421	10QK158; 10QK158A	Bronze Trunnion Bushing, 4-1/4" OD X 4" ID X 4-1/4" Long	2	MAK-37
7	E-3679	10QK32BP1	Insulator Pad, Rubber, 6-7/8" Long X 5-3/8" Wide X 3-3/4" Thick, 1-1/2" Pin	4	MAK-40
	GAFF12053	-	Insulator Pad, Poly, 6-7/8" Long X 5-3/8" Wide X 3-3/4" Thick, 1-1/2" Pin	4	MAK-40
	E-3680	10QK372	Insulator Pad, Rubber, 7" Long X 7" Wide X 4-1/4" Thick, 2" Pin	4	MAK-40
	GAFF12009	-	Insulator Pad, Poly, 7" Long X 7" Wide X 4-1/4" Thick, 2" Pin	4	MAK-40
8	-	85QK342P2	Trunnion Shaft, 4" OD X 50" Long	1	-
9	E-5420	52QK434P4	Insulator Box, 7" Inside Depth, Discontinued	2	MAK-39
	E-5419	52QK434P3	Insulator Box, 7-5/16" Inside Depth, Discontinued		MAK-39
10	E-5427	6AX1160	Insulator Box Stud, 7/8"-9 X 6" Long	4	MAK-39
11	E-5428	3AX1348	Insulator Box Bolt, 7/8 "-14 x 8 " Long	12	MAK-39
12	E-5429	35AX1310	Washer, 7/8" ID	4	-
13	E-1835	21AX480	Lock Nut, 7/8"-14	8	-
14	E-5424	25QJ220BP2	Trunnion Nut	2	MAK-39
15	E-3988	-	Transverse Torque Arm Kit, Full Ball Design	1	MAK-41
16	E-3005	21AX131	Hi Nut, 1-1/4"-12 Thread X 1-5/8" Tall	8	MAK-42
	E-3006	21AX655	Hi Nut, 1-1/4"-12 Thread X 2-3/4" Tall, Severe Duty	8	MAK-42

MACK REAR

SS65C-W Series 5" Wide Spring — Bronze Trunnion Bushing — 5" ID



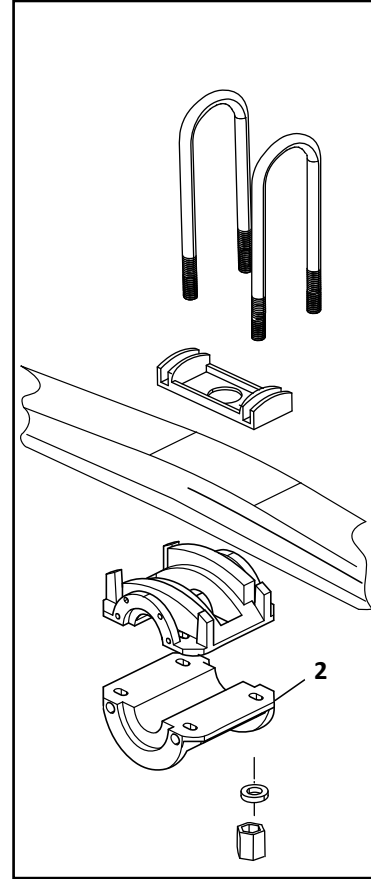
MACK

MACK SS65C-W Series 5" Wide Spring — Bronze Trunnion Bushing — 5" ID					
KEY NO.	EUCLID NO.	OEM REF.	DESCRIPTION	QTY. PER TANDEM	PAGE NO.
1	E-UB8396-165S	-	U-Bolt Assembly, Semi Rd. Bend, 1-1/4"-12 X 5" Wide x 16-5/8" Long, Includes Key 17 E-3005 Hi Nut	4	MAK-42
2	E-5426	8QK232A	Top Plate, Discontinued	2	MAK-40
3	E-3679	10QK32BP1	Insulator Pad, Rubber, 6-7/8" Long X 5-3/8" Wide X 3-3/4" Thick, 1-1/2" Pin	4	MAK-40
4	-	85QK343	Trunnion Shaft, 5" Dia. X 50" Long	1	-
5	-	88AX417P3	Seal, 7-1/2" OD x 6-1/2" OD X 1/2" Thick	2	-
6	E-5433	43QK23A	Bronze Thrust Washer, 6-11/16" OD X 5" ID X 1/4" Thick, Discontinued	4	MAK-38
7	E-5432	10QK152; 80AX560	Bronze Trunnion Bushing, 5-1/4" OD X 5" ID X 4-5/16" Long	4	MAK-37
8	E-3680	10QK372	Lower Insulator Pad, Rubber, 7" Long X 7" Wide X 4-1/4" Thick, 2" Pin	4	MAK-40
	GAFF12009	-	Insulator Pad, Poly, 7" Long X 7" Wide X 4-1/4" Thick, 2" Pin	4	MAK-40
9	E-5436	52QK434BP1	Insulator Box, Inside Depth 6-3/4"	4	MAK-39
10	E-3696	-	Insulator Box Stud, 7/8"-9 X 4-1/2" Long	4	MAK-39
	E-5427	-	Insulator Box Stud, 7/8"-9 X 6" Long	4	MAK-39
11	E-5439	3AX1050	Insulator Box Bolt, 7/8"-14 x 7-1/2" Long	12	MAK-39
12	E-5429	35AX1310	Washer, 7/8" ID	4	-
13	E-1835	21AX480	Lock Nut, 7/8"-14	8	-
14	E-5434	25QJ220B	Trunnion Nut	2	MAK-39
15	E-5431	39QK39D; 39QK39C	Trunnion & Bushing Assembly	2	MAK-36
16	E-3988	-	Transverse Torque Arm Kit, Full Ball Design	1	MAK-41
17	E-3005	21AX131	Hi Nut, 1-1/4"-12 Thread X 1-5/8" Tall	8	MAK-42
	E-3006	21AX655	Hi Nut, 1-1/4"-12 Thread X 2-3/4" Tall, Severe Duty	8	MAK-42

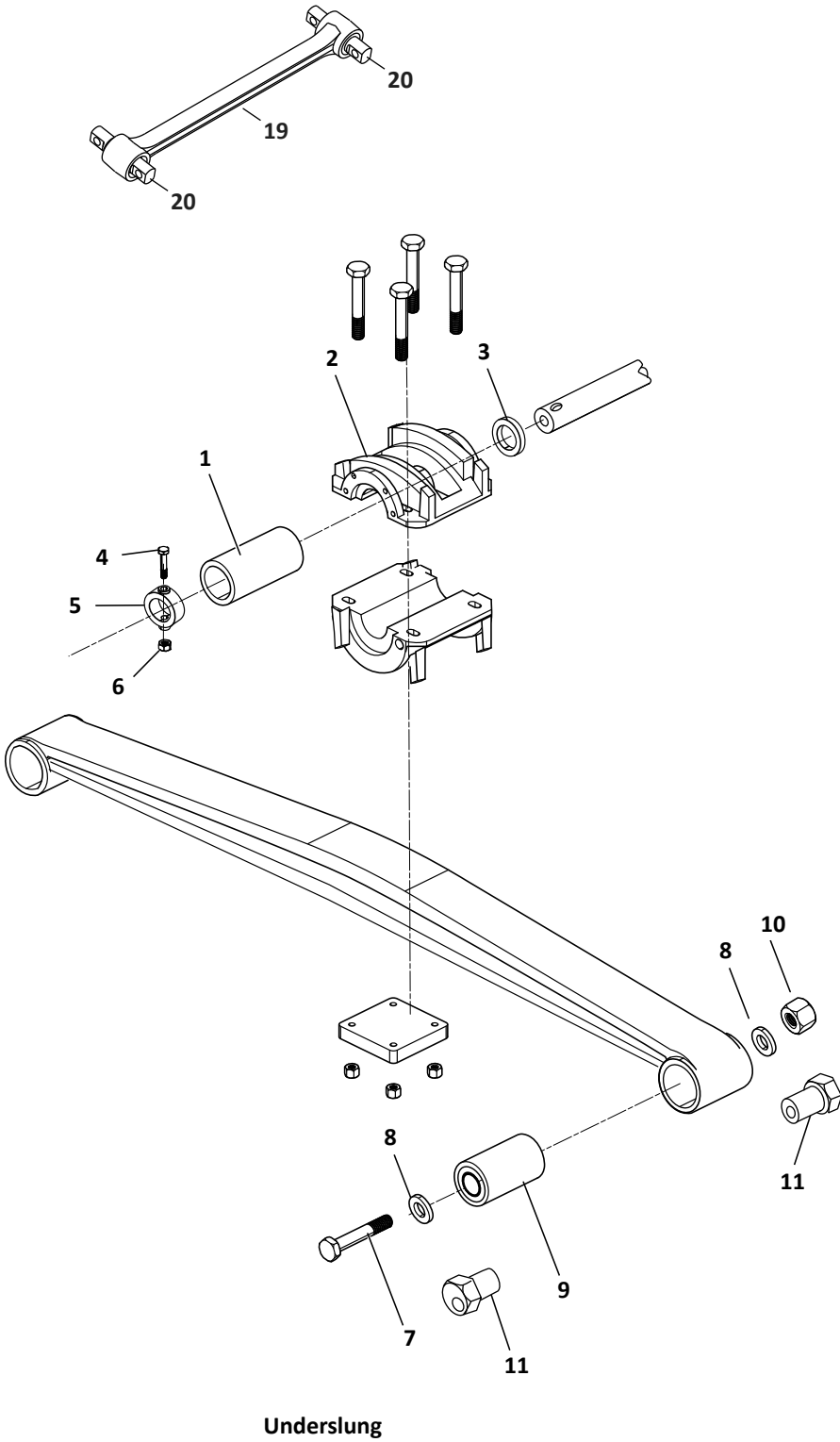
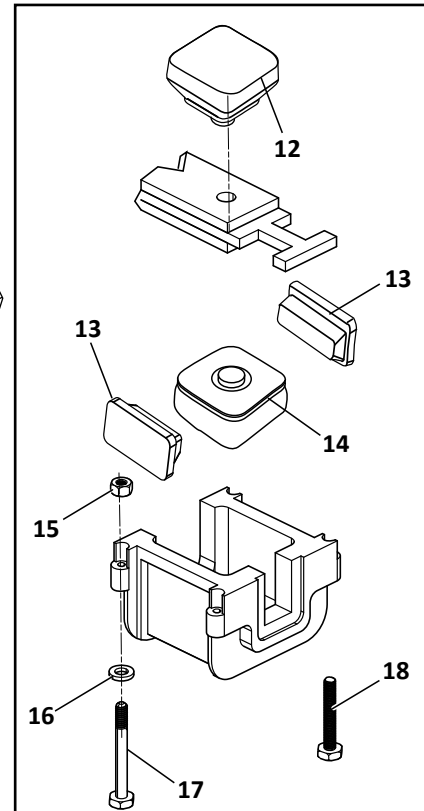
MACK REAR

ST Series — Tapered Leaf

Overslung



Optional Spring End Design



Underslung

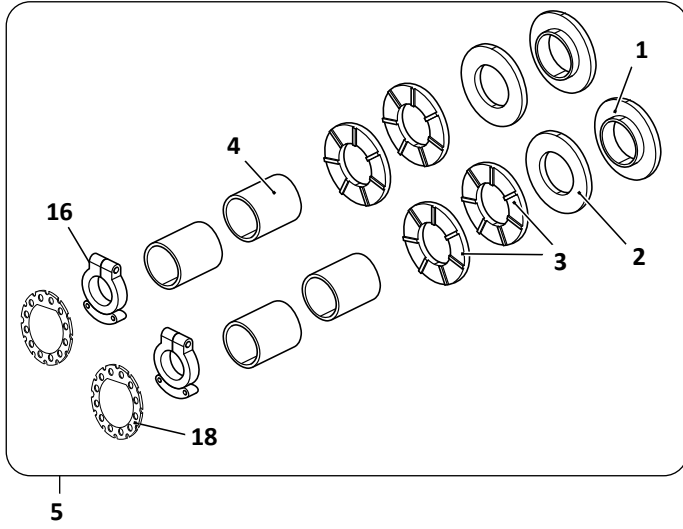
MACK

ST Series — Tapered Leaf					
KEY NO.	EUCLID NO.	OEM REF.	DESCRIPTION	QTY. PER TANDEM	PAGE NO.
1	E-2921A	10QK219P1	Trunnion Bushing, Rubber, 4-11/16" OD X 3-7/16" ID X 5-9/16" Long, Discontinued	2	MAK-37
	E-2922A	10QK219P2; 10QK219P3	Trunnion Bushing, Rubber, 4-11/16" OD X 3-7/16" ID X 6-5/16" Long	2	MAK-37
	GAFF12015	10QK276	Trunnion Bushing, Poly, 4 -11/16" OD X 3-7/16" ID X 6-5/16" Long	2	MAK-37
2	E-3685	39QK431	Trunnion Half Without Spring Seat, Newer Style, 8-3/4" Long, Use With E-2922A Bushing	2	MAK-36
3	E-3702	44RU2223P2	Inner Spacer, 4-1/8" OD X 3-1/2" ID X 7/16" Thick	2	MAK-37
	E-3703	44RU2223P1	Inner Spacer, 4-1/8" OD X 3-1/2" ID X 1/2" Thick	2	MAK-37
4	E-15194	-	Bolt, 3/4"-16 X 5-1/2" Long	2	-
5	E-10116	44RU2221P2	Collar, 4-1/8" OD x 3-1/2" ID X 1-3/4" Wide	2	MAK-38
6	E-4961A	-	Lock Nut, 3/4"-16	2	-
7	E-17004	3AX1682	Spring Eye Bolt, 1-1/4" - 12 X 7" Long	4	-
	E-3564	3AX1993	Spring Eye Bolt, 1" - 14 X 7-3/4" Long	4	-
8	E-2975	-	Washer, 1" ID	8	-
9	E-3900	10QK146	Spring Eye Bushing, 2-1/2" OD X 1-1/4" ID X 4" Long, Discontinued	4	-
	E-16775	10QK260	Spring Eye Bushing, 2-1/2" OD X 1" ID X 4" Long	4	MAK-40
10	E-1828	-	Lock Nut, 1"-14	4	-
	E-2854	-	Lock Nut, 1-1/4"-12	4	-
11	-	8QD262	Alignment Collar, Eccentric, 2" Hex X 1-3/8" OD X 1" ID	8	-
12	E-2917	10QK365A	Upper Insulator Pad, Rubber, 6" Long X 4-1/2" Wide X 2-3/8" Thick, 1-3/4" Dia. Pin	4	MAK-40
	GAFF12006	-	Upper Insulator Pad, Poly, 6" Long X 4-1/2" Wide X 2-3/8" Thick, 1-3/4" Dia. Pin	4	MAK-40
13	E-3689	13QK246	Insulator Spacer Block	8	MAK-40
	E-3689-P	13QK246	Insulator Spacer Block, Price Point	8	MAK-40
14	E-2920	10QK36B	Lower Insulator Pad, Rubber, 6" Long X 6" Wide X 3-3/4" Thick, 1-3/4" Dia. Pin	4	MAK-40
	GAFF12014	-	Lower Insulator Pad, Poly, 6" Long X 6" Wide X 3-3/4" Thick, 1-3/4" Dia. Pin	4	MAK-40
15	E-1835	21AX480	Lock Nut, 7/8"-14	8	-
16	E-2546	37AX1310	Washer, 7/8" ID	8	-
17	E-3690	1AX425	Insulator Box Bolt, 7/8"-14 x 5" Long	12	MAK-39
	E-3691	1AX475	Insulator Box Bolt, 7/8"-14 x 5-1/4" Long	12	MAK-39
	E-3692	1AX427; 3AX987	Insulator Box Bolt, 7/8"-14 x 6" Long	12	MAK-39
	E-3693	3AX1344	Insulator Box Bolt, 7/8"-14 x 6-1/2" Long	12	MAK-39
	E-5439	3AX1050	Insulator Box Bolt, 7/8"-14 x 7-1/2" Long	12	MAK-39
	E-5428	3AX1348	Insulator Box Bolt, 7/8"-14 x 8" Long	12	MAK-39
18	E-3696	4AX320; 6AX837	Insulator Box Stud, 7/8"-9 x 4-1/2" Long	4	MAK-39
	E-5427	6AX1160	Insulator Box Stud, 7/8"-9 x 6" Long	4	MAK-39
19	See Hendrickson Ultra Rod Charts		Transverse Torque Arm Kit	2	-
20	E-2225	227710, 44694	Torque Arm Bushing, Straddle Mount, 2-1/2" OD X 4-3/8" Center-to-Center, 5/8" Bolt Holes, Rubber	4	MAK-41
	GAFF13522	-	Torque Arm Bushing, Straddle Mount, 2-1/2" OD X 4-3/8" Center-to-Center, 5/8" Bolt Holes, Poly	4	MAK-41
	E-2226	227720, 44695	Torque Arm Bushing, Straddle Mount, 2-3/4" OD X 4-3/8" Center-to-Center, 5/8" Bolt Holes, 1-1/4" Torque Rod Center Shaft Diameter	4	MAK-41

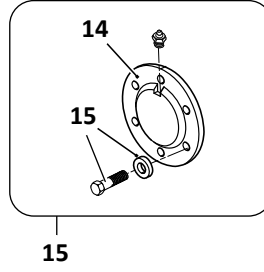
MACK REAR

SW — SWW Walking Beam

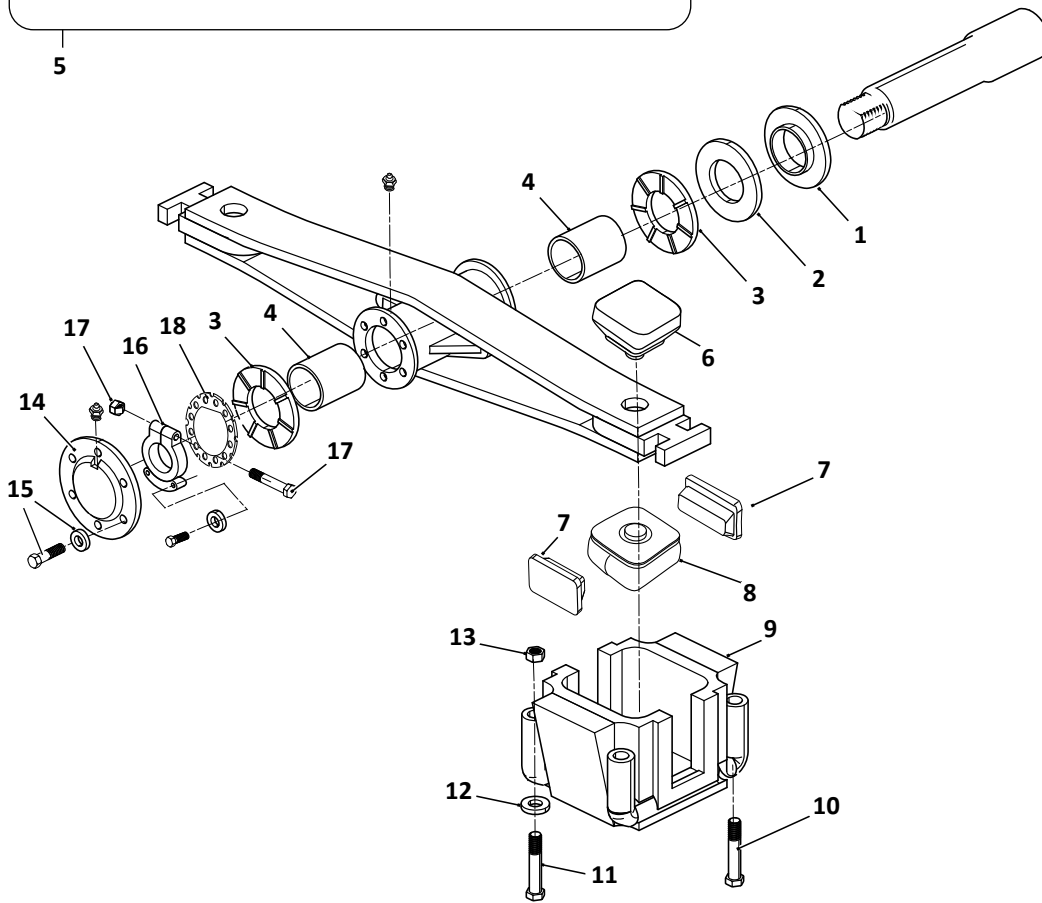
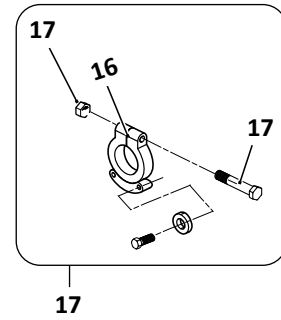
Trunnion Shaft Rebuild Kit



Grease Cap Kit



Trunnion Nut Kit




SW — SWW Walking Beam

KEY NO.	EUCLID NO.	OEM REF.	DESCRIPTION	QTY. PER TANDEM	PAGE NO.
1	E-3187	88AX244; 88AX446	Trunnion Seal, 5-1/2" OD X 4-3/8" ID x -9/16" Thick	2	MAK-37
2	E-3699	43QK117	Steel Washer, 5-3/8" OD X 4-3/8" ID X-3/8" Thick	2	MAK-38
3	E-3698	35AX688; 43QJ116	Bronze Thrust Washer, 5-5/16" OD X 3-1/2" ID X 1/4" Thick	2	MAK-38
4	E-2925	10QK157; 80AX300	Bronze Trunnion Bushing, 3-3/4" OD X 3-1/2" ID X 3-7/16" Long	2	MAK-37
5	E-3916	-	Trunnion Shaft Rebuild Kit, Complete Trunnion Set, Includes Key Nos. 1-4, 16, 18	1	MAK-38
6	E-2917	10QK365A	Upper Insulator Pad, Rubber, 6" Long X 4-1/2" Wide X 2-3/8" Thick, 1-3/4" Dia. Pin	4	MAK-40
	GAFF12006	-	Upper Insulator Pad, Poly, 6" Long X 4-1/2" Wide X 2-3/8" Thick, 1-3/4" Dia. Pin	4	MAK-40
	E-2919	10QK370	Upper Insulator Pad, Rubber, 6" Long X 4-1/2" Wide X 3" Thick, 1-3/4" Dia. Pin	4	MAK-40
	GAFF12010	-	Upper Insulator Pad, Poly, 6" Long X 4-1/2" Wide X 3" Thick, 1-3/4" Dia. Pin	4	MAK-40
	E-3679	10QK32BP1	Upper Insulator Pad, Rubber, 6-7/8" Long X 5-3/8" Wide X 3-1/4" Thick, 1-1/2" Dia. Pin	4	MAK-40
7	E-3689	13QK246	Insulator Spacer Block	8	MAK-40
	E-3689-P	13QK246	Insulator Spacer Block, Price Point	8	MAK-40
8	E-2920	10QK36B	Lower Insulator Pad, Rubber, 6" Long X 6" Wide X 3-3/4" Thick, 1-3/4" Dia. Pin	4	MAK-40
	GAFF12014	-	Lower Insulator Pad, Poly, 6" Long X 6" Wide X 3-3/4" Thick, 1-3/4" Dia. Pin	4	MAK-40
	E-3680	10QK372	Lower Insulator Pad, Rubber, 7" Long X 7" Wide X 4-1/4" Thick, 2" Dia Pin	4	MAK-40
	GAFF12009	-	Insulator Pad, Poly, 7" Long X 7" Wide X 4-1/4" Thick, 2" Pin	4	MAK-40
9	E-3688	52QK418BP4	Insulator Box, 6-3/4" Deep	4	MAK-39
10	E-3696	4AX320; 6AX837	Insulator Box Stud, 7/8"-9 x 4-1/2" Long	8	MAK-39
	E-5427	6AX1160	Insulator Box Stud, 7/8"-9 x 6" Long	8	MAK-39
11	E-3690	1AX425	Insulator Box Bolt, 7/8"-14 x 5" Long	8	MAK-39
	E-3691	1AX475	Insulator Box Bolt, 7/8"-14 x 5-1/4" Long	8	MAK-39
	E-3692	1AX427; 3AX987	Insulator Box Bolt, 7/8"-14 x 6" Long	8	MAK-39
	E-3693	3AX1344	Insulator Box Bolt, 7/8"-14 x 6-1/2" Long	8	MAK-39
	E-5439	3AX1050	Insulator Box Bolt, 7/8"-14 x 7-1/2" Long	8	MAK-39
	E-5428	3AX1348	Insulator Box Bolt, 7/8"-14 x 8" Long	8	MAK-39
12	E-2546	37AX1310	Washer, 7/8" ID	8	-
13	E-1835	21AX480	Lock Nut, 7/8"-14	8	-
14	E-3697	97QL399P2	Trunnion Grease Cap, 5/16" Dia. Bolt Holes, 7" Bolt Circle	2	MAK-38
	E-3697-P	97QL399P2	Trunnion Grease Cap, 5/16" Dia. Bolt Holes, 7" Bolt Circle, Price Point	2	MAK-38
15	E-3700	25QJ223	Trunnion Nut	2	MAK-39
16	E-16787	-	Trunnion Nut & Hardware	2	MAK-38
17	E-3915	23QJ112B	Star Lock Washer, 4-7/8" OD X 1/4" Thick	2	MAK-38


MACK

Front Suspension — Air

Shackle Bracket Service Kit



Axle Set, Omit Thrust Washer For Post July 2007 Vehicles - 1/2 Kit Shown

EUCLID NO.	GENUINE	OEM REF.	NOTES
E-16409		60961-034 60961-635	Includes 4 Shackle Plates, 4 Wear Plates, Spacer and Hardware

Bottom Axle Wrap Liner



EUCLID NO.	GENUINE	OEM REF.
E-15110		59845-000

Front Hanger Repair Kit



EUCLID NO.	GENUINE	OEM REF.	NOTES
E-16412		60961-033	Includes 2 Hanger Adapters, M20 X 230mm Long Bolt, Nut, Washers


Bottom Axle Wrap




EUCLID NO.	GENUINE	OEM REF.
E-15108		64722-003; 64014-003; 60622-003

Axle Wrap Liner Kit


FOR MODELS:
AIRTEK

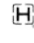


Includes E-15147 & E-15110 Liners

EUCLID NO.	GENUINE	OEM REF.
E-15727		60961-015

Rubber Axle Stop



EUCLID NO.	GENUINE	OEM REF.
E-15148		64080-000

Top Axle Wrap Liner




Elongated Slot


EUCLID NO.	GENUINE	OEM REF.
E-15147		60508-000

Straight Bolt Clamp Kit

FOR MODELS:
Vehicles with Dual Height Control Valves, 13-1/4" Ride Height



Includes Top & Bottom Axle Wrap Liners, Bolts, Nuts, Washer

EUCLID NO.	GENUINE	OEM REF.	LENGTH	THREAD	NOTES
E-16410		60961-035	220mm	20mm	One Wheel End

MACK

Front Suspension — Air

Suspension

Straight Bolt Clamp Kit

FOR MODELS:
Vehicles with
Single Height
Control Valve,
14-3/8" Ride Height



Includes Top & Bottom Axle Wrap Liners, Bolts, Nuts, Washer

EUCLID NO.	GENUINE	OEM REF.	LENGTH	THREAD	NOTES
E-16411		60961-037	230mm	20mm	One Wheel End

Height Control Valve and Linkage Kit

FOR MODELS:
Vehicles Built
Prior to 3/05



EUCLID NO.	GENUINE	OEM REF.
E-15150		59427-006

Height Control Valve

FOR MODELS:
Vehicles Built
Prior to 3/05



EUCLID NO.	GENUINE	OEM REF.	NOTES
E-15151		59935-003	Vehicles Built Prior to 3/05

Linkage Kit

FOR MODELS:
Vehicles Built
Prior to 3/05




EUCLID NO.	GENUINE	OEM REF.	NOTES
E-15096		59428-004	For Use With Single Height Control Valves

Front Suspension — Leaf Spring

Spring Pin Bushing, Bronze


FOR MODELS:
F/R/RU/U Series



EUCLID NO.	OEM REF.	OD	ID	LENGTH
E-3533	10QK229P1	1-1/2"	1-1/4"	3-1/2"

Front Spring Insulator

FOR MODELS:
F/R/RU/U Series



EUCLID NO.	OEM REF.
E-3722	10QK322A

Spring Pin Bushing, Bi-Metal


FOR MODELS:
F/R/RU/U Series



EUCLID NO.	OEM REF.	OD	ID	LENGTH
E-16165	10QK229P1	1-1/2"	1-1/4"	3-1/2"

Threaded Spring Pin

FOR MODELS:
F/R/RU/U Series



EUCLID NO.	OEM REF.	OD	LENGTH
E-3717	44QK26A	1-5/16"	6-9/16"

Smooth Spring Pin


FOR MODELS:
F/R/RU/U Series



EUCLID NO.	OEM REF.	OD	LENGTH
E-3715	44QK173B	1-3/4"	6-1/4"

Side Bar

FOR MODELS:
Various





EUCLID NO.	OEM REF.	NOTES
E-3720	22QK39301	For West Coast Front Suspension


Wear Pad Kit, 1999-2006	
	
EUCLID NO.	OEM REF.
GAFF31145	8079889; 20568741

Wear Pad Kit, 2007 & Later	
	
EUCLID NO.	OEM REF.
GAFF31144	20703083

Spring Eye Bushing, Through Hole					
FOR MODELS: After 2006					
					
EUCLID NO.	OEM REF.	ID	OD	LENGTH	MATERIAL
E-16777	20558810	7/8"	2-9/16"	3-9/16"	Rubber
GAFF31129	-				Poly

Spring Eye Bushing, Heavy Duty			
			
High Confinement Design			
EUCLID NO.	OEM REF.	OD	BOLT HOLES
E-15671	8079894	2-1/2"	5/8"

Spring Eye Bushing, Straddle Mount				
				
EUCLID NO.	OEM REF.	OD	MATERIAL	BOLT HOLES
E-9395	57256-000	2-7/16"	Rubber	5/8"
GAFF11714	-		Poly	
E-2225	35033-3201	2-1/2"	Rubber	5/8"
GAFF13522	-		Poly	

Transverse Torque Arm, Rubber Bushings				
				
EUCLID NO.	OEM REF.	LENGTH	MATERIAL	NOTES
E-8821	35801-0068	22-1/8"	Rubber	Includes E-9395 Bushings
GAFF18860	-		Poly	Includes GAFF13520 Bushings

Transverse Torque Arm Kit, Full Ball Design	
	
EUCLID NO.	NOTES
E-3176	Uni-Rod Kit

MACK

Rear Air, MaxLite® 40

Rebound Pin



EUCLID NO.	OEM REF.	OD	LENGTH
E-16806	35026-0001; 8027436	3/4"	5-1/4"

Axle Seat



EUCLID NO.	OEM REF.	PINION ANGLE
E-16807	8071514	3.6° Pinion Angle

Rebound Roller



EUCLID NO.	OD	ID	LENGTH	NOTES
GAFF13843	2-1/2"	7/8"	3"	Includes Roller and Hardware

Height Control Valve



EUCLID NO.	NOTES
E-11855	No Dump

Rebound Roller Assembly



EUCLID NO.	NOTES
GAFF11747	Includes Roller and Hardware

Height Control Valve



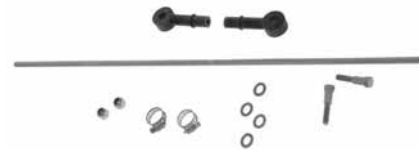
EUCLID NO.	NOTES
E-11870	Dump With Air Applied

Alignment Shim



EUCLID NO.	GENUINE	OEM REF.	C-T-C LENGTH	THICK
E-5281		V8020329	4-3/8"	1/16"


Height Control Valve Linkage, Universal




EUCLID NO.	NOTES
E-7852	Universal Kit Works With Most Height Control Valves


Rear Air, MAXAIR® "Twisted Sister"

Pivot Bushing	
	
EUCLID NO.	OEM REF.
E-13992	58648-000

Quik-Align Base, Eccentric			
			
EUCLID NO.	OEM REF.	HEIGHT	NOTES
E-16781	60496-000	1"	QUIK-ALIGN Eccentric Base for Steel Hangers
E-16260	60662-000L	1-1/4"	QUIK-ALIGN Eccentric Base For Aluminum Hangers

Quik-Align Base, Concentric			
			
EUCLID NO.	OEM REF.	HEIGHT	NOTES
E-16780	60497-000	1"	Concentric Base for Steel Hangers
E-15553	60661-000L	1-1/4"	Concentric Base For Aluminum Hangers


Transverse Torque Rod		
		
EUCLID NO.	OEM REF.	C-TO-C
E-13993	58757-006	22"

Transverse Torque Rod Frame Bracket	
	
EUCLID NO.	OEM REF.
E-2634	22186-000

Rear Suspension — Leaf Spring

Trunnion and Bushing Assembly

FOR MODELS:
SS44 SERIES




Includes E-2925 Bronze Bushing

EUCLID NO.	OEM REF.	BUSHING ID
E-3687	390K27E 390K27F	3-1/2"

Upper Trunnion Half, Newer Style

FOR MODELS:
SS34 & 38
TANDEM




Use With E-2922A Bushing

EUCLID NO.	OEM REF.	LENGTH
E-3683	39QK433A	8-3/4"

Trunnion & Bushing Assembly

FOR MODELS:
SS50 SERIES

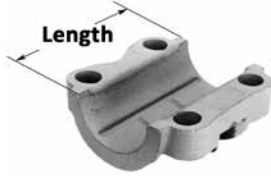


Includes E-5421 Type Bronze Bushing

EUCLID NO.	OEM REF.	BUSHING ID
E-16793	25130253; 39QK325; 39QK54	4"

Lower Trunnion Half, Newer Style

FOR MODELS:
SS34 & 38
TANDEM
ST SERIES




Use With E-2922A Bushing

EUCLID NO.	OEM REF.	LENGTH
E-3685	39QK431	8-3/4"

Trunnion & Bushing Assembly

FOR MODELS:
SS65C SERIES




Includes E-5432 Type Bronze Bushing


EUCLID NO.	OEM REF.	BUSHING ID
E-5431	39QK39D; 39QK39C	5"

Rear Suspension — Leaf Spring

Trunnion Bushing, Bronze					
					
EUCLID NO.	OEM REF.	OD	ID	LENGTH	FOR MODEL
E-2925	10QK157 80AX300	3-3/4"	3-1/2"	3-7/16"	SS44, SW/SWW
E-5421	10QK158 10QK158A	4-1/4"	4"	4-5/16"	SS50 / SS58 SERIES
E-5432	10Q152 80AX560	5-1/4"	5"	4-5/16"	SS65

Seal				
FOR MODELS: SS44 SERIES SS/SWW SS50 SERIES, SS58 SERIES				
				
EUCLID NO.	OEM REF.	OD	ID	THICK
E-3187	88AX449 88AX446 88AX244	5-1/2"	4-3/8"	9/16"
E-5425	88AX253	6-3/8"	5-1/8"	9/16"

Trunnion Bushing, Rubber & Poly				
FOR MODELS: SS34 & 38 ST SERIES				
				
ID 3-7/16", E-2921A Discontinued				
EUCLID NO.	OEM REF.	OD	LENGTH	MATERIAL
E-2924A	10QK130P1	4-7/16"	8-3/8"	Rubber
GAFF12028	-			Poly
E-2922A	10QK219P2 10QK219P3	4-11/16"	6-5/16"	Rubber
GAFF12015	10QK276			Poly
E-2921A	10QK219P1	4-11/16"	5-9/16"	Rubber


Inner Spacer				
FOR MODELS: SS34 & 38, ST SERIES				
				
EUCLID NO.	OEM REF.	OD	ID	THICKNESS
E-3702	44RU2223-P2	4-1/8"	3-1/2"	7/16"
E-3703	44RU2223-P1			1/2"



Rear Suspension — Leaf Spring


Collar

FOR MODELS:
SS34 & 38, ST SERIES



EUCLID NO.	OEM REF.	OD	ID	LENGTH
E-10116	44RU2221-P2	4-1/8"	3-1/2"	1-3/4"
E-3704	44RU2221-P1	4-1/8"	3-1/2"	2-1/4"

Washer

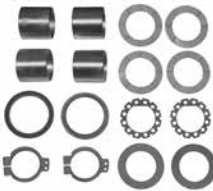


Thickness 1/4", E-5433 Discontinued

EUCLID NO.	OEM REF.	FOR MODELS	OD	ID
E-3698	43QJ116 35AX688	SW/SWW, SS44	5-1/4"	3-1/2"
E-5422	43QK115	SS50, SS58	6-3/16"	4"
E-5433	43QK23A	SS65	6-11/16"	5"

Trunnion Shaft Rebuild Kit

FOR MODELS:
SS44,
SW/SWW



EUCLID NO.	OEM REF.
E-3916	Rebuilds One Complete Trunnion

Star Lock Washer


FOR MODELS:
SS44 SERIES,
SW/SWW



EUCLID NO.	OEM REF.	OD	ID	THICKNESS
E-3915	23QJ112B	4-7/8"	3-5/16"	1/4"

Trunnion Cap


FOR MODELS:
SS44 SERIES,
SW/SWW



EUCLID NO.	OEM REF.	BOLT CIRCLE	MATERIAL
E-3697	97QL399P2	7"	Aluminum
E-3697-P			Iron

Washers

FOR MODELS:
SS44 SERIES,
SW/SWW
SS50 SERIES,
SS58 SERIES,
SS65C



EUCLID NO.	OEM REF.	OD	ID	THICKNESS
E-3699	43QK117	5-3/8"	3-1/2"	5/16"
E-5423	43QK118	6-1/4"	4"	5/16"

Trunnion Nut & Hardware

FOR MODELS:
SS44 SERIES,
SW/SWW



EUCLID NO.	NOTES
E-16787	Includes Bolt and Nut

Rear Suspension — Leaf Spring

Trunnion Nut


FOR MODELS:
SS44, SW/SWW



EUCLID NO.	OEM REF.	OD	THREAD
E-3700	25QJ223	4-1/16"	3-5/16" - 12

Insulator Box

FOR MODELS:
SS65C



EUCLID NO.	OEM REF.	INSIDE DEPTH	OUTSIDE HEIGHT
E-5436	52QK434BP1	6-3/4"	7-3/4"


Trunnion Nut



EUCLID NO.	OEM REF.	OD	THREAD	FOR MODEL
E-5424	25QJ220BP2	6-1/8"	3-7/8" - 12	SS50, SS58
E-5434	25QJ220B	6-1/8"	3-7/8" - 8	SS65C

Insulator Box

FOR MODELS:
SS58 SERIES




Discontinued

EUCLID NO.	OEM REF.	INSIDE DEPTH	OUTSIDE HEIGHT
E-5420	52QK434P4	7"	8"
E-5419	52QK434P3	7-5/16"	8-7/16"

Insulator Box


FOR MODELS:
SS34 & 38 TANDEM
SS44 SERIES
SS50 SERIES
SW/SWW



EUCLID NO.	OEM REF.	INSIDE DEPTH	OUTSIDE HEIGHT
E-3688	52QK418-AP4	6-3/4"	7-5/16"

Insulator Box Bolt


FOR MODELS:
ALL SS SERIES



EUCLID NO.	OEM REF.	THREAD SIZE	BOLT LENGTH	THREAD LENGTH
E-3690	1AX425	7/8" - 14	5"	2"
E-3691	1AX475	7/8" - 14	5-1/4"	2"
E-3692	1AX427	7/8" - 14	6"	2"
	3AX987			
E-3693	3AX1344	7/8" - 14	6-1/2"	2-1/4"
E-5428	3AX1348	7/8" - 14	8"	2-1/4"
E-5439	3AX1050	7/8" - 14	7-1/2"	2-1/4"
E-3696	4AX320	7/8" - 9	4-1/2"	2"
	6AX837			
E-5427	6AX1160	7/8" - 9	6"	2"


Insulator Box

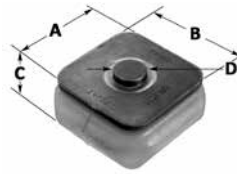
FOR MODELS:
SS44 SERIES




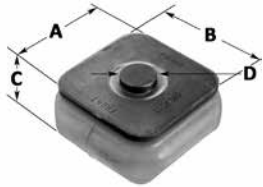
EUCLID NO.	OEM REF.	INSIDE DEPTH
E-16782	52QK418BP5	6-3/8"


Rear Suspension — Leaf Spring


Upper Insulator Pad						
						
EUCLID NO.	OEM REF.	FOR MODEL	A / B	C	D	MATERIAL
E-2917	10QK365A	SS34 & 38; SS50; ST; SW/SWW;	4-1/2" / 6"	2-1/2"	1-3/4"	Rubber
GAFF12006	-					Poly
E-2919	10QK370	SS34 & 38, SS44; SS50; SW/SWW;	4-1/2" / 6"	3"	1-3/4"	Rubber
GAFF12010	-					Poly
E-3679	10QK32BP1	SS58; SS65C; SW/SWW;	5-3/8" / 6-7/8"	3-3/4"	1-1/2"	Rubber
GAFF12053	-					Poly

Offset Insulator Pad						
FOR MODELS: SS34 & 38, SS44 SERIES, SS50 SERIES, SS58 SERIES SS65C SERIES, ST SERIES, SW/SWW						
						
Pin is 1/8" Off Center. Use in place of E-2920						
EUCLID NO.	OEM REF.	A	B	C	D	MATERIAL
E-3919	10QK48	6"	6"	3-3/4"	1-3/4"	Rubber

Insulator Spacer Block	
FOR MODELS: ST SERIES SW/SWW	
	
EUCLID NO.	OEM REF.
E-3689	13QK246
E-3689-P	Price Point

Lower Insulator Pad						
						
EUCLID NO.	OEM REF.	FOR MODEL	A / B	C	D	MATERIAL
E-2920	10QK36B	SS34 & 38; SS44; SS50; ST, SW/SWW	6" / 6"	3-3/4"	1-3/4"	Rubber
GAFF12014	-					Poly
E-3680	10QK372	SS58; SS65C ST, SW/SWW	7" / 7"	4-1/4"	2"	Rubber
GAFF12009	-					Poly

Top Plate			
FOR MODELS: SS58 SERIES, SS65C			
			
Discontinued			
EUCLID NO.	OEM REF.	WIDTH	LENGTH
E-5426	8QK232A	5"	10 -11/16"

Spring Eye Bushing				
FOR MODELS: ST SERIES				
				
EUCLID NO.	OEM REF.	OD	ID	LENGTH
E-16775	10QK260	2-1/2"	1"	4"

MACK

Rear Suspension — Leaf Spring

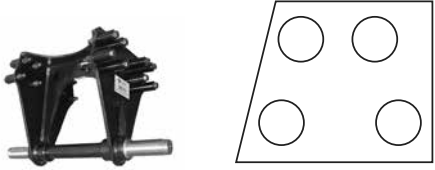
Transverse Torque Arm Kit, Full Ball Design



EUCLID NO.	NOTES
E-3988	Full Ball Design

Trunnion Stand Assembly

FOR MODELS:
SS44 SERIES



Bolt Pattern

EUCLID NO.	OEM REF.	NOTES
E-16790	97QL5122; 97QL585	Trapezoid Mounting Bolt Pattern

Torque Arm Bushing

FOR MODELS:
SS44 SERIES
ST SERIES

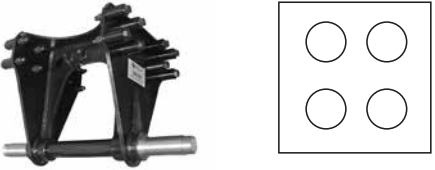


Straddle Mount

EUCLID NO.	OEM REF.	OD	C-TO-C	BOLT HOLES	MATERIAL
E-2225	227710, 44694	2-1/2"	4-3/8"	5/8"	Rubber
GAFF13522	-				Poly
E-2226	227720, 44695	2-3/4"	4-3/8"	5/8"	Rubber
GAFF13520	-				Poly

Trunnion Stand Assembly

FOR MODELS:
SS44 SERIES




Bolt Pattern

EUCLID NO.	OEM REF.	NOTES
E-16791	25136297; 97QL5119M	Square Mounting Bolt Pattern

Torque Arm Bushing

FOR MODELS:
SS34 & 38,
SS44 SERIES



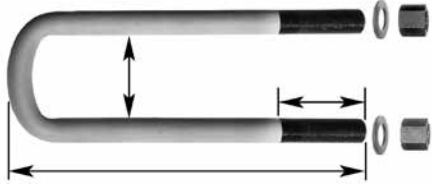
Tapered Stud

EUCLID NO.	OEM REF.	THREADS	MATERIAL	NOTES
E-2815	46735	1-1/4"-12	Rubber	Includes Nut & Washer
GAFF12031	-		Poly	



Rear Suspension — Leaf Spring

U-Bolts, Semi-Round



"S" Suffix Denotes E-3005 Hi-Nut Otherwise Includes E-3006.

EUCLID NO.	THREAD SIZE	A	B	C	FOR MODEL
E-UB8394-144	1-1/4" - 12	14-1/2"	4"	3-1/2"	SS34 & 38 TANDEM
E-UB8394-162S	1-1/4" - 12	16-1/4"	4"	3-1/2"	SS44 SERIES
E-UB8394-18	1-1/4" - 12	18"	4"	3-1/2"	SS50 SERIES
E-UB8396-165S	1-1/4" - 12	16-5/8"	5"	3-1/2"	SS65C

Hi-Nuts

FOR MODELS:
SS44 Series,
SS50 Series,
SS58 Series and
SS65C Series



EUCLID NO.	OEM REF.	THREAD	HEX	HIGH
E-3005	-	1-1/4" - 12	1-13/16"	1-5/8"
E-3006	21AX655		1-13/16"	2-3/4"

TABLE OF CONTENTS

Model Nomenclature

Rockwell Fabricated Suspension (RFS) SeriesMER-2

RHP RideStar™/MPA RideSentry™ SeriesMER-2

Meritor Trailing Arm Suspension (MTA).MER-4

Meritor Trailing Arm Suspension (MTM)MER-7

Trailer Air Suspensions

RFS23T/RFS25T/RFS30T SeriesMER-8

RHP/MPA Series.MER-10

MTA23-30 Top Mount, MTA25-30 Low MountMER-14

MTM23T / MTM23LMER-18

Meritor ComponentsMER-22



Not sure which suspension you have?
 Check out Meritor's Suspension Identification
 Xact Search to find the right part by
 clicking the QR code

MERITOR

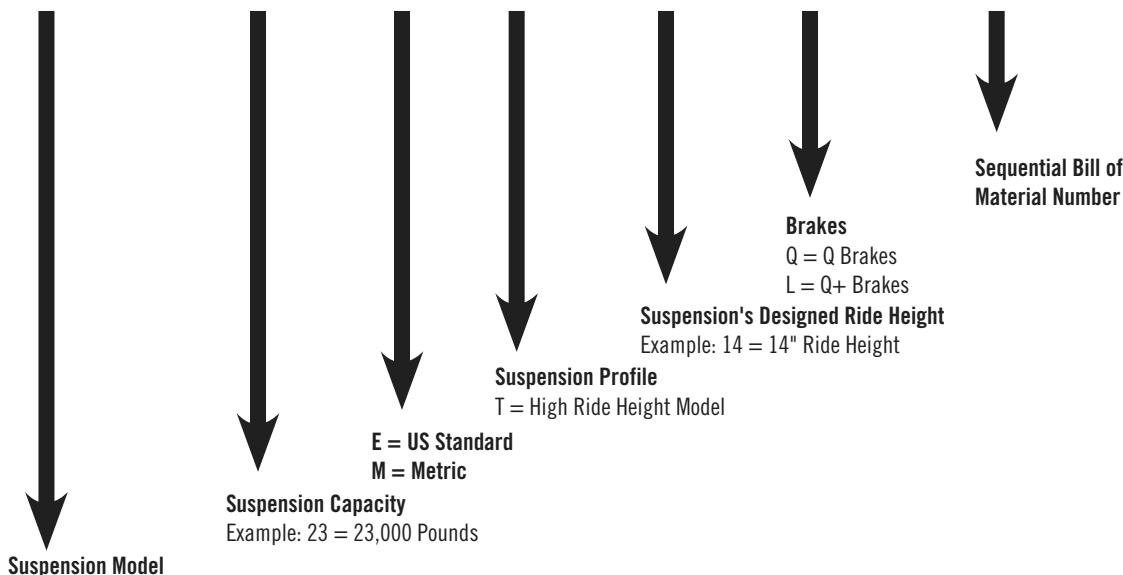
Rockwell Fabricated Suspension (RFS) Series Model Nomenclature

RFS Descriptive Model Number

Each suspension model number will be distinct and unique. This number will consist of 14 characters and can be found on the suspension identification tag located on the rear of the roadside trailing arm.

The model nomenclature is defined as follows:

RFS 23 E T 14 L XXXX



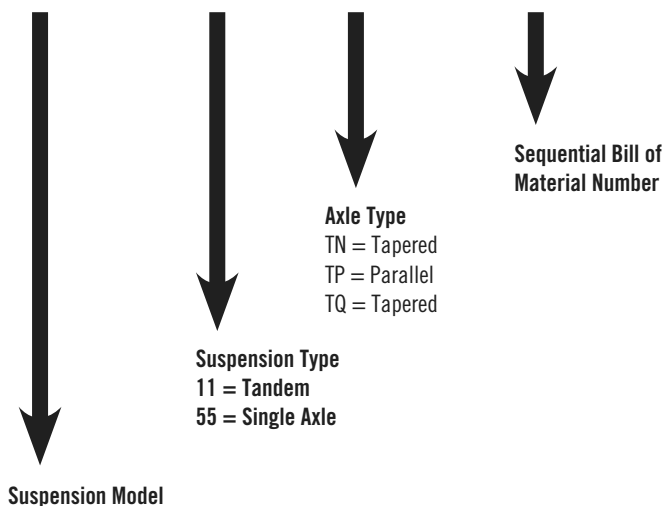
RHP RideStar™/MPA RideSentry™ Series Model Nomenclature

RHP Descriptive Model Number

Each suspension model number will be distinct and unique. This number can be found on the suspension identification tag located on the roadside of the suspension near the pin release handle.

The model nomenclature is defined as follows:

RHP XX TN XXXX

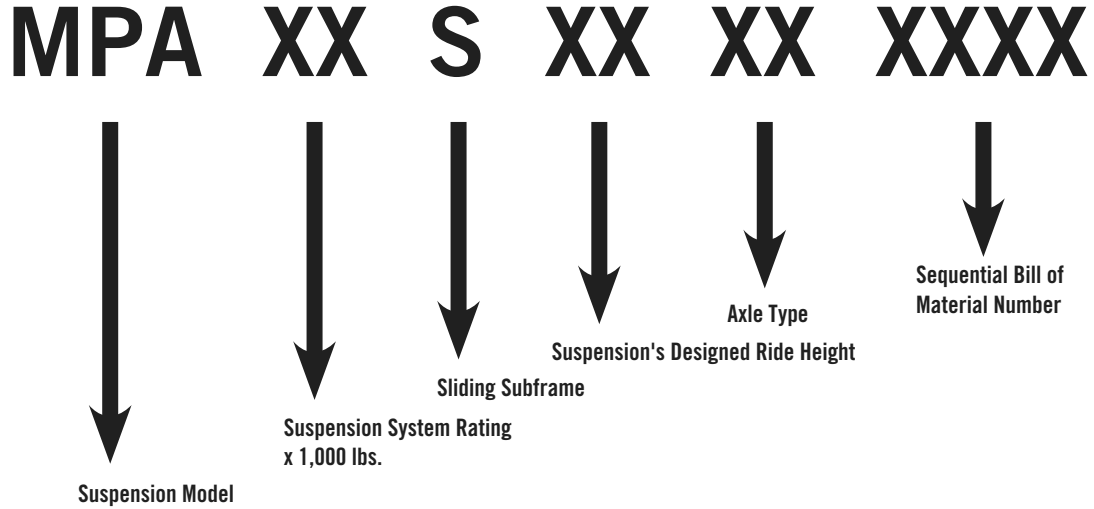


MERITOR RHP RideStar™/MPA RideSentry™ Series Model Nomenclature

MPA Descriptive Model Number

Each suspension model number will be distinct and unique. This number can be found on the suspension identification tag located on the roadside of the suspension near the front of the slider side rail.

The model nomenclature is defined as follows:



**Meritor Trailing Arm Suspension (MTA)
Model Nomenclature (prior to 10/1/2011)**

MTA Descriptive Model Number

Each suspension model number will be distinct and unique. This number will consist of 14 characters and can be found on the suspension identification tag located on the rear of the roadside trailing arm.

The model nomenclature is defined as follows:

M TA 23 F 50 TN XXXX



Meritor



Suspension Type
PA = Parallelogram Air Suspension
TA = Trailing Arm Suspension
SM = Steel Mechanical
CM = Composite Mechanical



Suspension System Rating*
14 = 14,000
20 = 20,000
23 = 23,000
38 = 38,000
40 = 40,000
46 = 46,000



Miscellaneous
S = Sliding Subframe
F = Fixed Subframe
L = Less Subframe



Suspension's Designed Ride Height
40 = 14" Ride Height
50 = 15" Ride Height
60 = 16" Ride Height
65 = 16.5" Ride Height
70 = 17" Ride Height
85 = 18" Ride Height



Axle Type
TN = Tapered
TP = Parallel
TQ = Heavy Tapered



Sequential Bill of Material Number

MTA Series

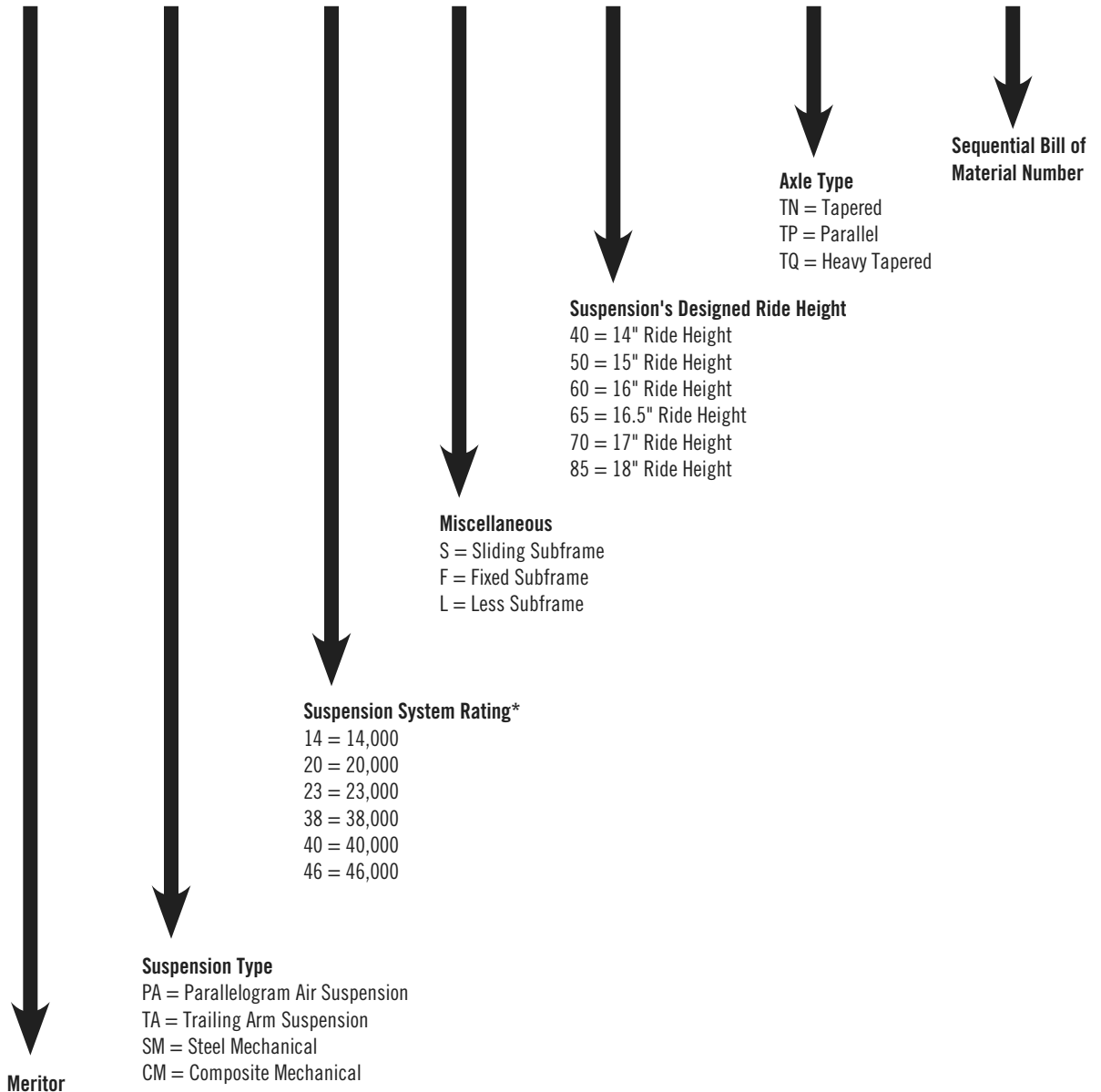
Model Nomenclature (effective 10/1/2011)

MTA Descriptive Model Number

Each suspension model number will be distinct and unique. This number will consist of 14 characters and can be found on the suspension identification tag located on the rear of the roadside trailing arm.

The model nomenclature is defined as follows:

M TA 23 T 140 TN XXXX



MERITOR
MTA Series
Model Nomenclature (effective 5/1/2018)

MTA Descriptive Model Number

Each suspension model number will be distinct and unique. This number will consist of 14 characters and can be found on the suspension identification tag located on the rear of the roadside trailing arm.

The model nomenclature is defined as follows:

M TA 23 T 140 TN XXXX



Meritor



Suspension Type
 TA = Trailing Arm Suspension



Suspension System Rating*
 23 = 23,000
 25 = 25,000
 30 = 30,000



Miscellaneous
 T = Top Mount
 L = Low Mount
 ST = Sliding Top Mount
 SL = Sliding Low Mount



Suspension's Designed Ride Height
 065 = 6.5"
 140 = 14"



Axle Type
 TN = Tapered
 TP = Parallel



Sequential Bill of Material Number

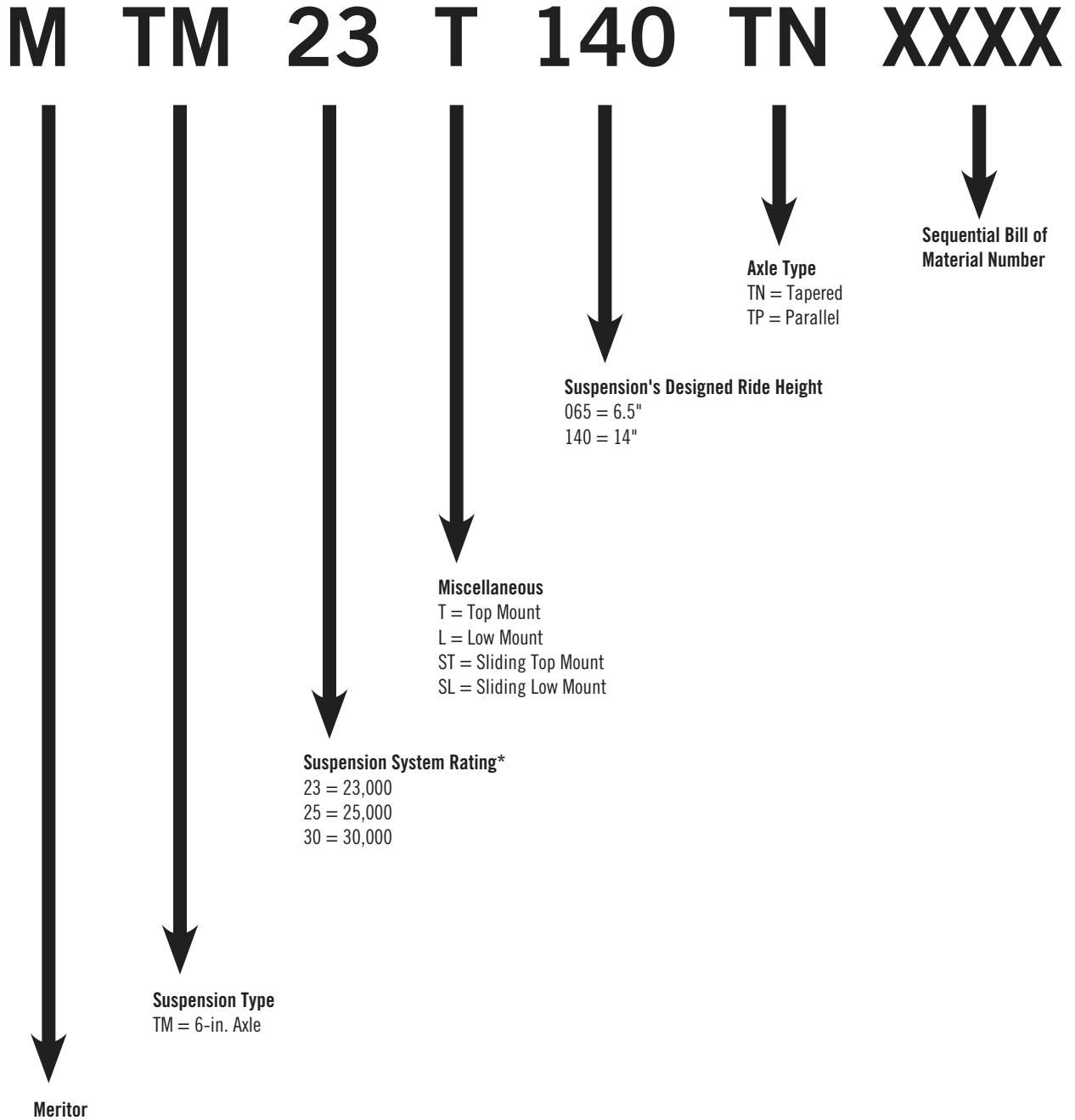
MERITOR

Meritor Trailing Arm Suspension (MTM) Model Nomenclature

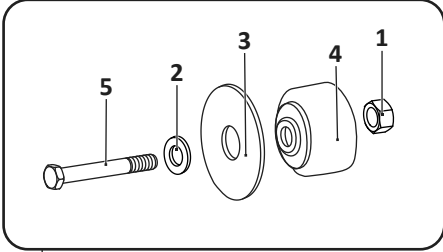
MTM Descriptive Model Number

Each suspension model number will be distinct and unique. This number will consist of 14 characters and can be found on the suspension identification tag located on the rear of the roadside trailing arm.

The model nomenclature is defined as follows:

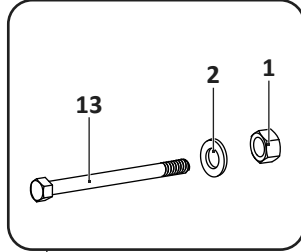


Pivot Bolt and Bushing Kit



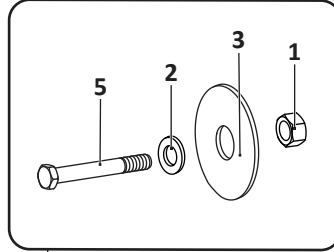
8

Shock Hardware Kit



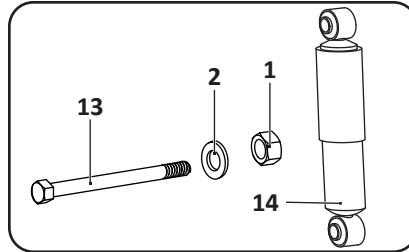
15

Pivot Bolt Kit

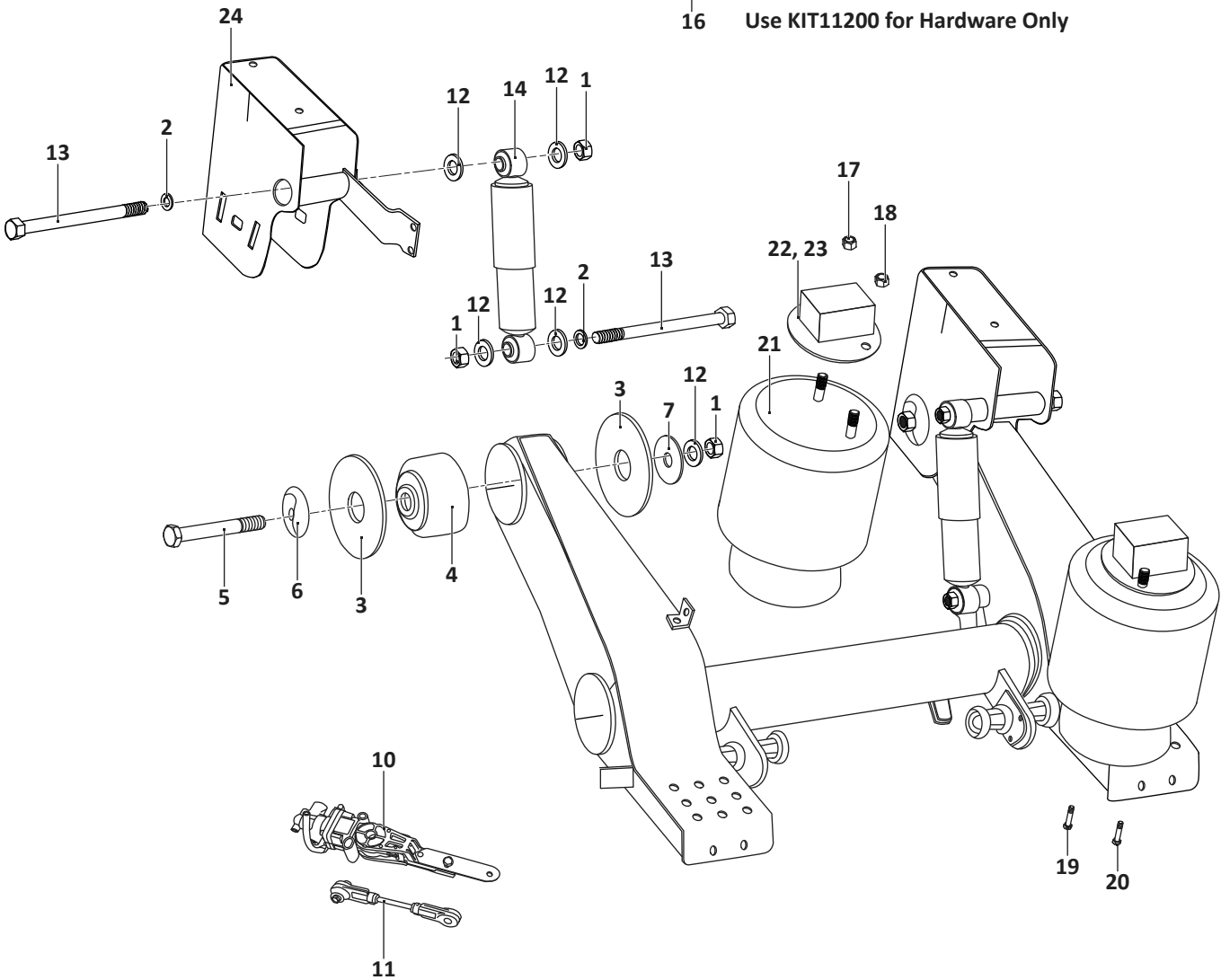


9

Shock Absorber Kit



16 Use KIT11200 for Hardware Only



RFS23T/RFS25T/RFS30T Series — Trailer, Air Suspension

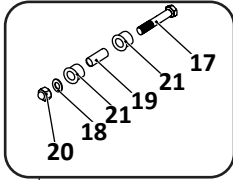
KEY NO.	EUCLID NO.	GENUINE	OEM REF	DESCRIPTION	QTY. PER AXLE	PAGE NO.
1	E-11767		1227-R-1604	Lock Nut, 7/8"-9	6	-
2	E-11765		M301530	Washer, 1-3/4" OD, 15/16" ID	6	-
3	E-16002		21226663	Wear Washer	4	-
4	E-17011		A-1225-N-1522	Bushing, Pivot, RFS23T Only	2	MER-22
	E-17012		A-1225-C-1537	Bushing, Pivot, RFS25T & RFS30T	2	MER-22
5	E-17013		S-21464-M-2	Bolt, 7/8" - 9 x 8" Long, RFS23T Only	2	-
	E-17014		S-21472-M-2	Bolt, 7/8" - 9 x 9" Long, RFS25T & RFS30T	2	-
6	E-16000		21226276	Eccentric Alignment Collar	2	MER-24
7	E-16001		21226275	Concentric Alignment Collar	2	MER-24
8	E-14347		KIT 11201	Pivot Bolt and Bushing Kit, RFS23T Only, Includes Key Nos. 1, 2, 3, 4, & 5	2	MER-22
	E-14355		KIT 11205	Pivot Bolt and Bushing Kit, RFS25T & RFS30T, Includes Key Nos. 1, 2, 3, 4, & 5	2	MER-22
9	E-14348		KIT 11202	Pivot Bolt Kit, RFS23T Only, Includes Key Nos. 1, 2, 3, & 5	2	MER-24
	E-14354		KIT 11204	Pivot Bolt Kit, RFS25T & RFS30T, Includes Key Nos. 1, 2, 3, & 5	2	MER-24
10	E-14351		A-7806-Z-1014	Height Control Valve, Remove Air to Dump	1	MER-29
	E-14352		A-7806-Y-1013	Height Control Valve, No Dump	1	MER-29
11	E-7852		R307852	Linkage Assembly	1	MER-31
12	E-17015		1229-M-4979	Washer, 2-1/4" OD, 15/16" ID	8	-
13	E-17016		S-21488-M-2	Bolt, 7/8" - 9 x 11" Long	4	-
14	E-17699		A-7805-L-1026	Shock Absorber	2	-
15	E-14349		KIT 11200	Shock Hardware Kit, Includes Key Nos. 1, 2, & 13	2	MER-24
16	E-17017		KIT 11210	Shock Absorber Kit, Includes Key Nos. 1, 2, 13, 14, & 15	2	-
17	E-16467		1227-M-1573	Lock Nut, 3/4"-16	4	-
18	E-16468		1227-B-1614	Lock Nut, 1/2"-13	4	-
19	S.O.S.		10-X-1763	Capscrew, RFS30T Only	2	-
20	S.O.S.		S-2814P-2	Capscrew, RFS30T Only	4	-
21	FS6231	-	FS6231	Air Spring, RFS23T Only	2	-
	FS6258	-	FS6258	Air Spring, RFS25T Only	2	-
	E-17691		A-2258-Q-1499	Air Spring, RFS30T Only	2	-
22	Various		Various	Air Spring Pedestals	2	-
23	S.O.S.		3305-S-1787	Air Spring Spacer, RFS30T Only, Obsolete	2	-
24	Various		Various	Hangers	2	-

 Denotes Product is Genuine Meritor

MERITOR

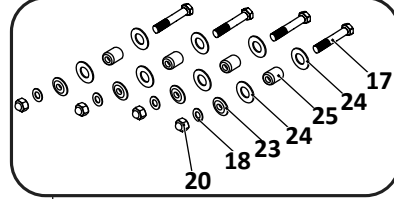
RHP/MPA Series — Trailer, Air Suspension

Torque Arm Bushing & Bolt Kit



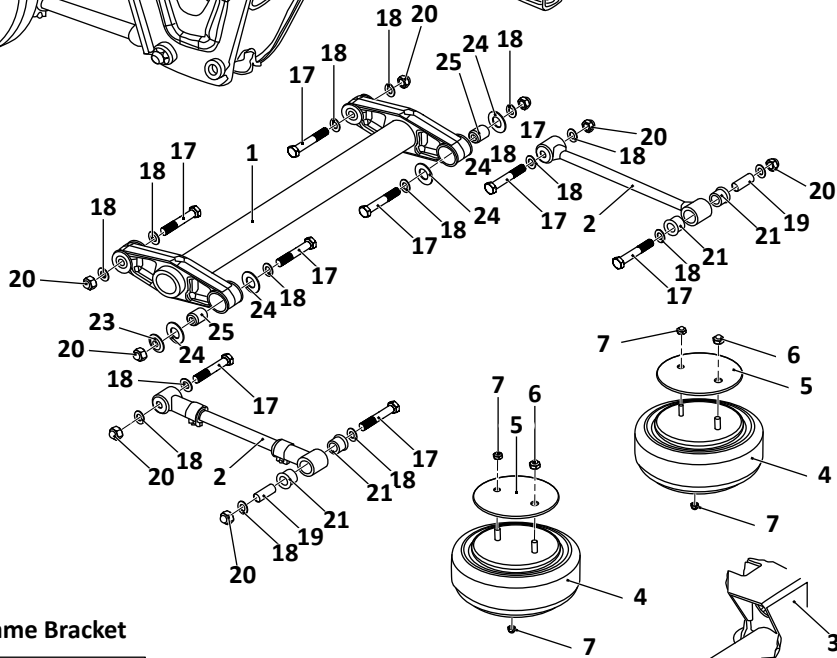
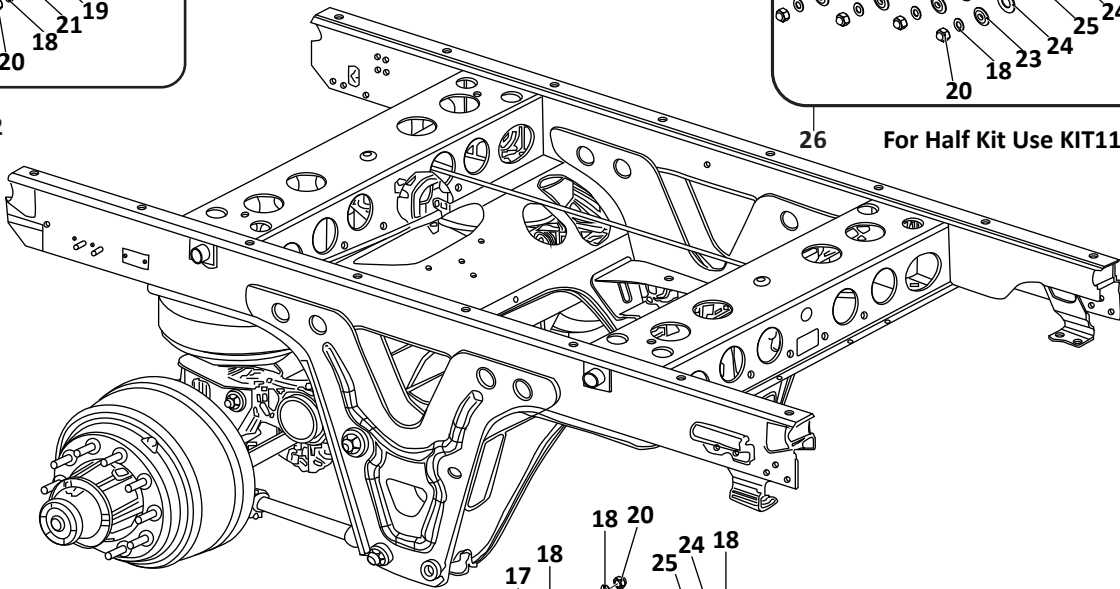
22

Control Arm Bushing & Bolt Kit

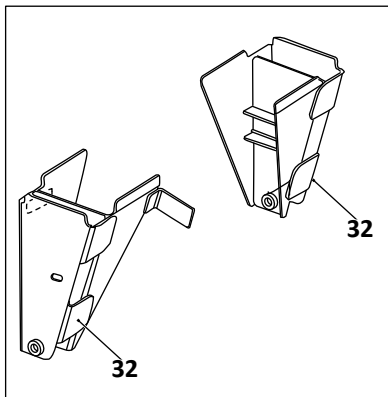


26

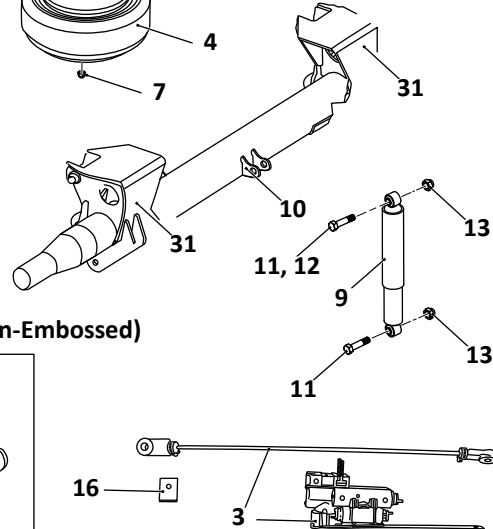
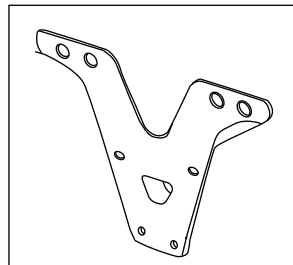
For Half Kit Use KIT11320



RHP55 & MPA20 Frame Bracket



RHP Frame Bracket (Non-Embossed)



RHP/MPA Series — Trailer, Air Suspension						
KEY NO.	EUCLID NO.	GENUINE	OEM REF	DESCRIPTION	QTY. PER TANDEM	PAGE NO.
1	E-17020		A6-3216-D-4632A	Upper Control Arm, Includes Bushings	2	MER-27
2	E-11769		A1-3133-Y-8345	Adjustable Torque Arm, Includes Bushing	2	MER-27
	E-11768		A-3133-G-8249	Rigid Torque Arm, Includes Bushing	2	MER-27
3	E-13907		KIT 11308	Height Control Valve, Remove Air to Dump, Includes Linkage, RHP Only	1	MER-29
	E-14332		KIT 11309	Height Control Valve, No Dump, Includes Linkage, RHP Only	1	MER-29
	E-14333		KIT 11332	Height Control Valve, Remove Air to Dump, Includes Linkage, Hadley Style, All MPA Models Prior to November 2019	1	MER-29
	E-17057		A-7806-Q-1109	Height Control Valve, Remove Air to Dump, Barksdale Style, All MPA Models After November 2019	1	MER-29
	E-14334		KIT 11333	Height Control Valve, No Dump, Includes Linkage, Hadley Style, All MPA Models Prior to November 2019	1	MER-29
	E-17056		A-7806-P-1108	Height Control Valve, No Dump, Barksdale Style, All MPA Models After November 2019	1	MER-29
4	FS8729	-	A-2258-F-1410	Air Spring, RHP11 & MPA 16.5" Ride Height	4	-
	EAS8729	-	A-2258-F-1410	Air Spring, RHP11 & MPA 16.5" Ride Height	4	-
	E-17695		A-2258-W-1531	Air Spring, MPA 17.5" Ride Height, Requires 1244-C-2733 Spacer	4	-
	E-17696		A-2258-X-1532	Air Spring, MPA 18.5" Ride Height, Requires two 1244-C-2733 Spacers	4	-
5	E-17021		1244-C-2733	Spacer, Air Spring, MPA 17.5" & 18.5" Ride Height	As Req.	MER-28
6	E-4961A		R004961A	Nut, 3/4"-16	4	-
7	E-16468		1227-B-1614	Nut, 1/2"-13	8	-
8	E-17022		KIT 11105	Hardware Kit, Air Spring, Includes Key Nos. 6 & 7	4	MER-25
9	M85919		M85919	Shock Absorber	2	-
10	S.O.S.		M312508	Lower Shock Bracket	2	-
11	E-4345		M301501	Bolt, 3/4"-10 x 3-1/2" Long	4	-
12	E-17024		M301502	Bolt, 3/4"-10 x 4-1/2" Long, Upper Bolt for 14" Ride Height	2	-
13	E-4347		NL-212-1	Nut, 3/4"-10	4	-
14	E-17026		KIT 11103	Bolt Kit, Shock Absorber, Includes Key Nos. 11 & 13	2	MER-25
15	S.O.S.		KIT 11104	Bolt Kit, Shock Absorber, 14" Ride Height Only, Includes Key Nos. 11, 12 & 13	2	-
16	E-14362		2255-D-1408	Height Control Bracket, MPA Only	1	MER-31
17	E-5427		S-21448M-2	Bolt, 7/8"-9 x 6" Long	16	-
18	E-11765		M301530	Flat Washer, 7/8" ID	32	-
19	E-17028		2245-J-1232	Inner Sleeve	8	-
20	E-11767		1227-R-1604	Nut, 7/8"-9	16	-
21	E-17029		1225-W-1349	Torque Arm Bushing, Poly	16	MER-22
	GAFF34514	-	-	Torque Arm Bushing, Poly	16	MER-22
22	E-11770		KIT 11102	Torque Arm Bushing & Bolt Kit, Includes Key Nos. 17, 18, 19, 20 & 21	8	MER-22
	GAFF50033	-	-	Torque Arm Bushing & Bolt Kit, Includes Key Nos. 17, 18, 19, 20 & 21	8	MER-22

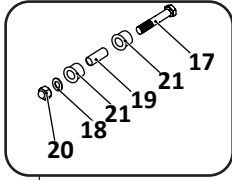
 Denotes Product is Genuine Meritor

MERITOR

RHP/MPA Series — Trailer, Air Suspension

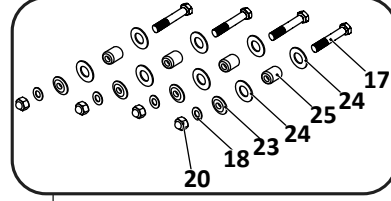
MERITOR

Torque Arm Bushing & Bolt Kit



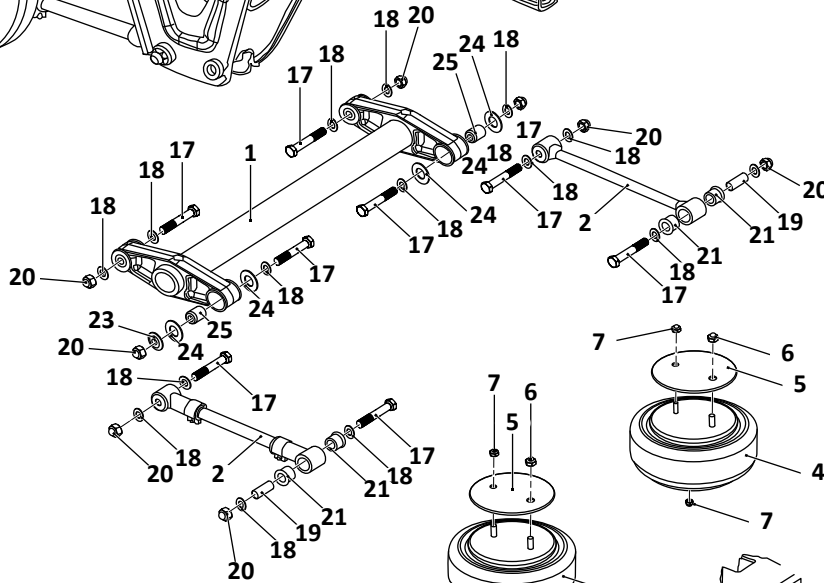
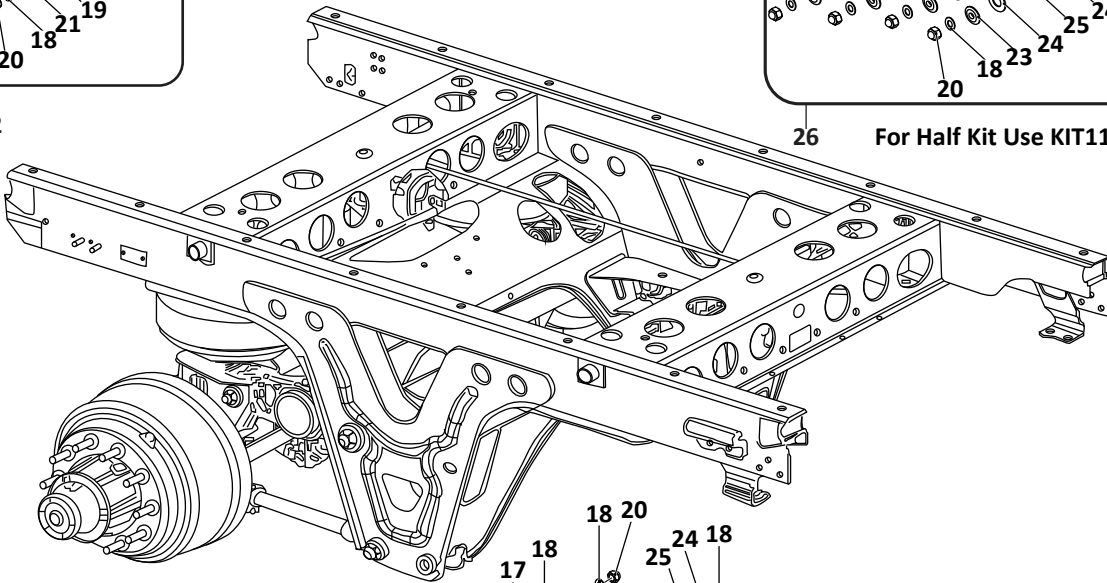
22

Control Arm Bushing & Bolt Kit

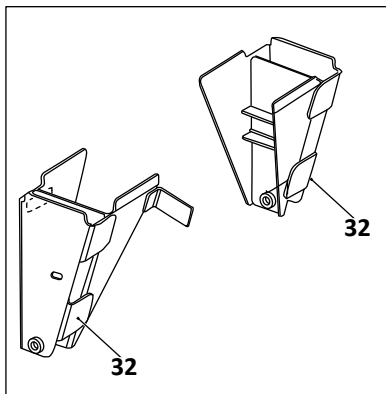


26

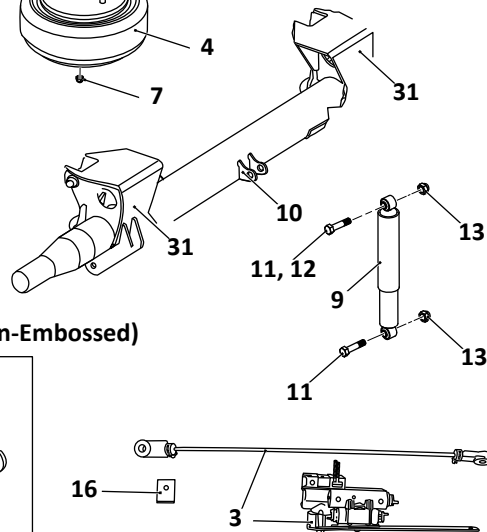
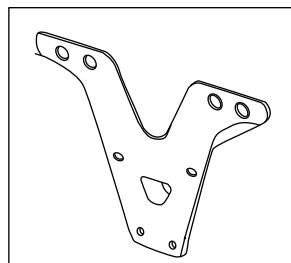
For Half Kit Use KIT11320



RHP55 & MPA20 Frame Bracket



RHP Frame Bracket (Non-Embossed)



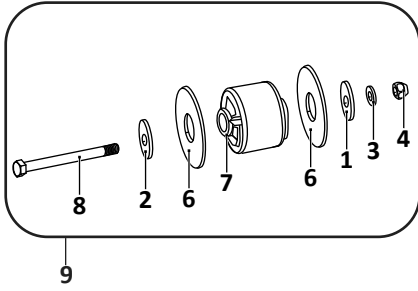
RHP/MPA Series — Trailer, Air Suspension						
KEY NO.	EUCLID NO.	GENUINE	OEM REF	DESCRIPTION	QTY. PER TANDEM	PAGE NO.
23	E-11762		1229-S-5349	Washer, 3" OD x 7/8" ID	4	-
24	E-17031		1229-N-5006	Thrust Washer	16	-
25	E-17032		A1225-B-1692	Control Arm Bushing, Rubber	8	MER-22
26	E-17033		KIT 11300	Control Arm Bushing & Bolt Kit, Includes Key Nos. 17, 18, 20, 23, 24, & 25	2	MER-22
27	E-17034		KIT 11302	Control Arm Bolt Kit, Includes Key Nos. 17, 18, 20, 23, & 24	2	MER-24
28	E-13906		KIT 11107	Control Arm Bolt Kit, Non Adjustable, Includes Key Nos. 17, 18, & 20	8	MER-24
29	E-13905		KIT 11106	Control Arm Bolt Kit, Adjustable, Includes Key Nos. 17, 18, 20 & 24	8	MER-24
30	E-17035		KIT 11305	Control Arm Assembly, Includes Key Nos. 1, 17, 18, 20, 23, & 24	2	MER-27
31	E-17036		KIT 11331	Axle Seats, RHP 16.5" and All MPA Ride Heights	1	MER-28
	E-17037		KIT 11327	Axle Seats, RHP 17.5" Ride Height Only	1	MER-28
32	E-17038		A-3305-G-1541	RHP55/MPA20 Frame Bracket, Roadside	1	-
	E-17039		A-3305-H-1542	RHP55/MPA20 Frame Bracket, Curbside	1	-
33	E-17063		A-1245-W-1219	Linkage Assembly, Use with Barksdale HCV	1	MER-31

 Denotes Product is Genuine Meritor

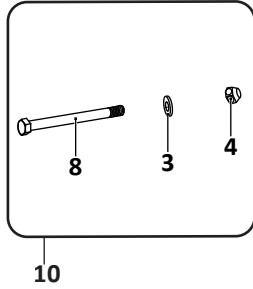
MTA23-30 Top Mount, MTA25-30 Low Mount — Trailer, Air Suspension

MERITOR

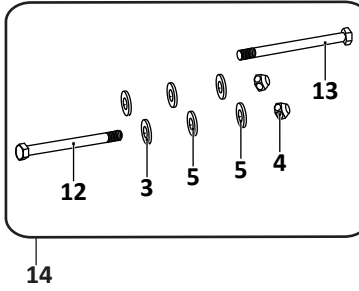
Pivot Bolt & Bushing Kit



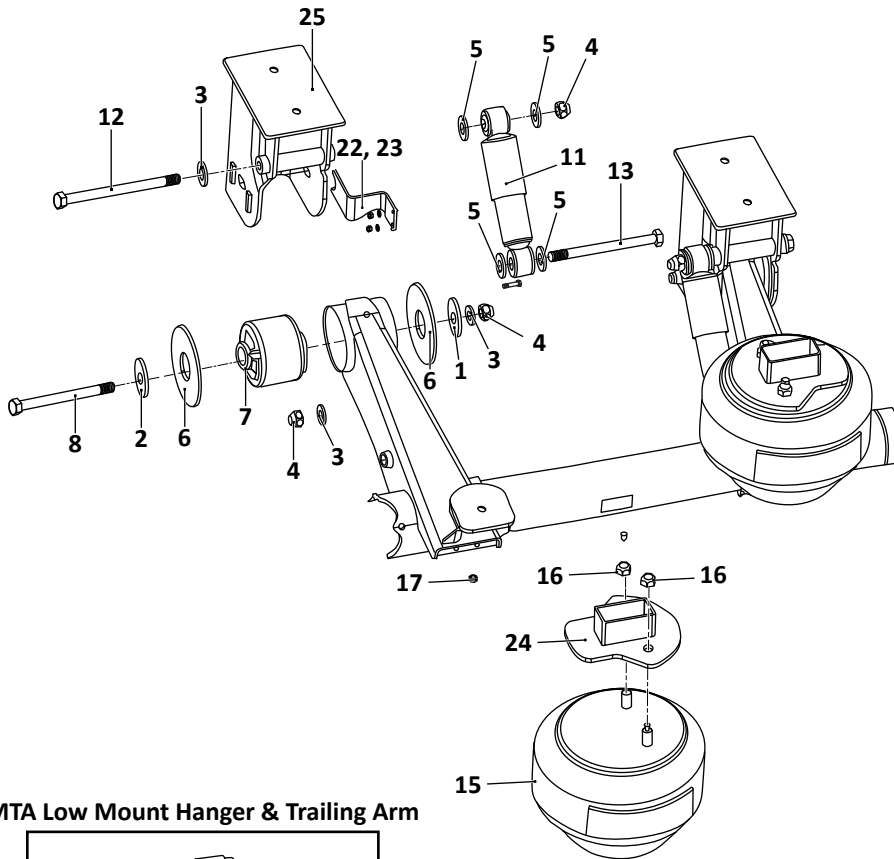
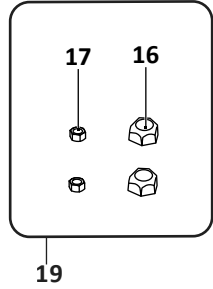
Pivot Bolt Kit



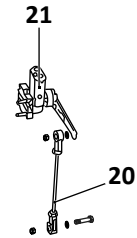
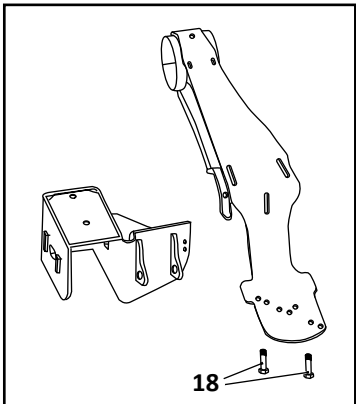
Shock Absorber Hardware Kit



Air Spring Hardware Kit



MTA Low Mount Hanger & Trailing Arm



MTA23-30 Top Mount, MTA25-30 Low Mount — Trailer, Air Suspension

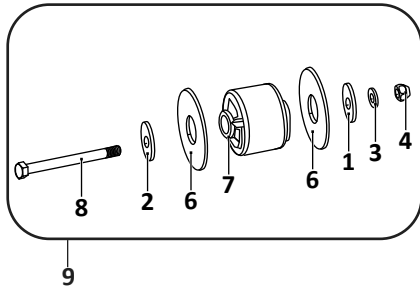
KEY NO.	EUCLID NO.	GENUINE	OEM REF	DESCRIPTION	QTY. PER AXLE	PAGE NO.
1	E-16001		21226275	Concentric Alignment Collar	2	MER-24
2	E-16000		21226276	Eccentric Alignment Collar	2	MER-24
3	E-11765		M301530	Flat Washer, 7/8" ID	6	-
4	E-11767		1227-R-1604	Nut, 7/8"-9	6	-
5	E-17015		1229-M-4979	Washer, 2-1/4" OD, 15/16" ID	8	-
6	E-16002		21226663	Wear Washer	4	-
7	E-17011		A-1225-N-1522	Bushing, Pivot, MTA23T Only	2	MER-22
	E-17012		A-1225-C-1537	Bushing, Pivot, All MTA25/30 T&L Models	2	MER-22
8	E-17013		S-21464-M-2	Bolt, 7/8"-9 x 8" Long, MTA23T Only	2	-
	E-17014		S-21472-M-2	Bolt, 7/8"-9 x 9" Long, All MTA25/30 T&L Models	2	-
9	E-17040		KIT 11350	Pivot Bolt and Bushing Kit, MTA23T Only, Includes Key Nos. 3, 4, 6, 7, & 8	2	MER-23
	E-17041		KIT 11351	Pivot Bolt and Bushing Kit, All MTA25/30 T&L Models, Includes Key Nos. 3, 4, 6, 7, & 8	2	MER-23
10	E-17042		KIT 11352	Pivot Bolt Kit, MTA23T Only, Includes Key Nos. 3, 4, & 8	2	MER-25
	E-17043		KIT 11353	Pivot Bolt Kit, All MTA25/30 T&L Models, Includes Key Nos. 3, 4, & 8	2	MER-25
11	E-17698		A-7805-F-1020	Shock Absorber, All Top Mount Models	2	-
	E-17717		A-7805-S-1163	Shock Absorber, All Low Mount Models	2	-
12	E-17016		S-21488-M-2	Upper Shock Bolt, 7/8" - 9 x 11" Long, All Models	2	-
13	E-17044		S-21480-M-2	Lower Shock Bolt, 7/8" - 9 x 10" Long, All Top Mount Models	2	-
	E-17045		S-21440-Z-2	Lower Shock Bolt, 7/8"-9 x 5" Long, All Low Mount Models	2	-
14	E-17046		KIT 11356	Shock Absorber Hardware Kit, All Top Mount Models, Includes Key Nos. 3, 4, 5, 12, & 13	2	MER-25
	E-17067		KIT 11432	Shock Absorber Hardware Kit, All Low Mount Models, Includes Key Nos. 3, 4, 5, 12, & 13	2	MER-25
15	E-17688		A-2258-H-1568	Air Spring, MTA23T Only	2	-
	FS8091	-	A-2258-P-1576	Air Spring, MTA25T Only	2	-
	EAS8091	-	A-2258-P-1576	Air Spring, MTA25T Only	2	-
	E-17692		A-2258-Q-1577	Air Spring, MTA30T Only	2	-
	E-17693		A-2258-S-1605	Air Spring, MTA25L & 30L, 6.5" - 8" Ride Height	2	-
	E-17689		A-2258-J-1726	Air Spring, MTA25L & 30L, 9"-11" Ride Height	2	-
	E-17694		A-2258-T-1606	Air Spring, MTA25L & 30L, 12" - 19" Ride Height	2	-
16	E-16467		1227-M-1573	Lock Nut, 3/4"-16	4	-
17	E-16468		1227-B-1614	Lock Nut, 1/2"-13	4	-
18	E-17047		S-288Z-2	Screw, Air Spring Bolt, All Low Mount Models	4	-
19	E-14350		KIT 11203	Air Spring Hardware Kit, Top Mount Only, Includes Key Nos. 16 & 17	2	MER-24
	E-17030		KIT 11455	Air Spring Hardware Kit, Top Mount Only, Includes Key Nos. 16, & 18	2	MER-25

 Denotes Product is Genuine Meritor

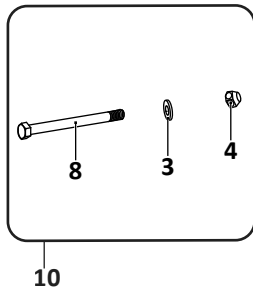
MTA23-30 Top Mount, MTA25-30 Low Mount — Trailer, Air Suspension

MERITOR

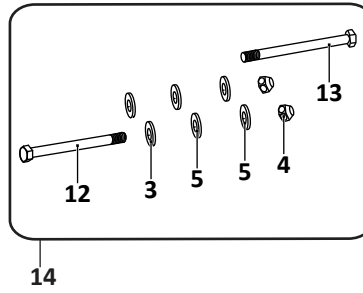
Pivot Bolt & Bushing Kit



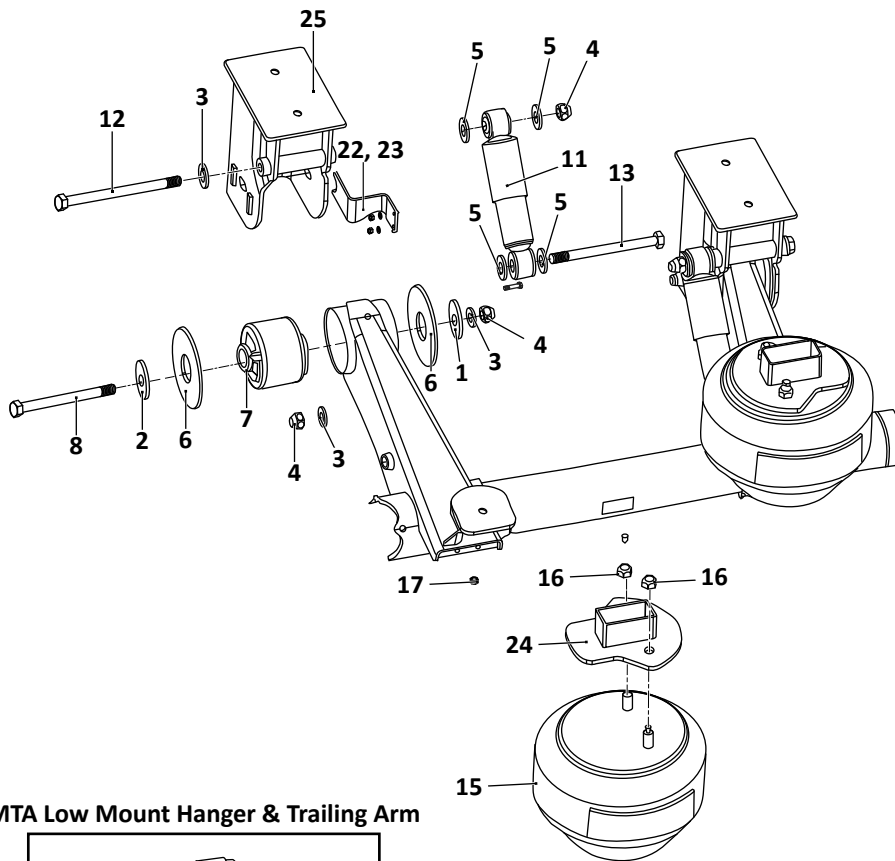
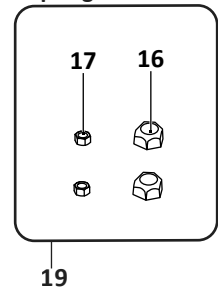
Pivot Bolt Kit



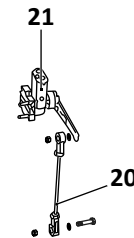
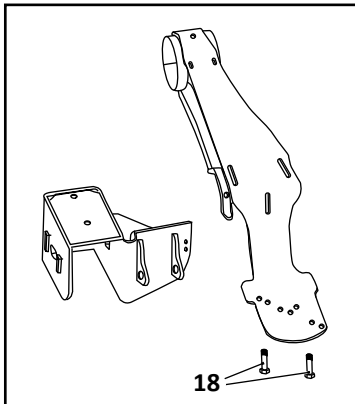
Shock Absorber Hardware Kit



















Air Spring Hardware Kit



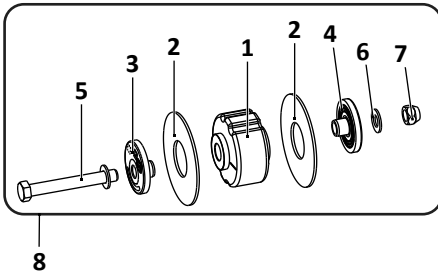
MTA Low Mount Hanger & Trailing Arm



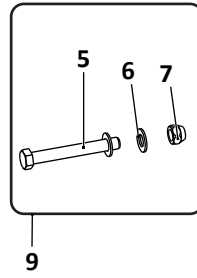
MTA23-30 Top Mount, MTA25-30 Low Mount — Trailer, Air Suspension						
KEY NO.	EUCLID NO.	GENUINE	OEM REF	DESCRIPTION	QTY. PER AXLE	PAGE NO.
20	E-17048		203159-5	Linkage Assembly, All Top Mount Models, Use with Hadley Style HCV	1	MER-31
	E-17066		203159-9	Linkage Assembly, All Low Mount Models, Use with Hadley Style HCV	1	MER-31
	E-17064		A-1245-Y-1221	Linkage Assembly, All Top Mount Models, Use with Barksdale Style HCV	1	MER-31
	E-17065		A-1245-X-1220	Linkage Assembly, All Low Mount Models, Use with Barksdale Style HCV	1	MER-31
21	E-17049		A-7806-M-1053	Height Control Valve, Remove Air to Dump, Hadley Style, All Top Mount Models Prior to November 2019	1	MER-30
	E-17055		A-7806-N-1106	Height Control Valve, Remove Air to Dump, Barksdale Style, All Top Mount Models After November 2019	1	MER-30
	E-14677		A-7806-L-1052	Height Control Valve, No Dump, Hadley Style, All Top Mount Models Prior to November 2019	1	MER-30
	E-17054		A-7806-M-1105	Height Control Valve, No Dump, Barksdale Style, All Top Mount Models After November 2019	1	MER-30
	E-17050		A-7806-Y-1065	Height Control Valve, Remove Air to Dump, Hadley Style, All Low Mount Models Prior to November 2019	1	-
	E-17053		A-7806-L-1104	Height Control Valve, Remove Air to Dump, Barksdale Style, All Low Mount Models After November 2019	1	MER-30
	E-17051		A-7806-X-1064	Height Control Valve, No Dump, Hadley Style, All Low Mount Models Prior to November 2019	1	-
	E-17052		A-7806-K-1103	Height Control Valve, No Dump, Barksdale Style, All Low Mount Models After November 2019	1	MER-30
22	S.O.S.		NL-24-1	Lock Nut	2	-
23	S.O.S.		WA-34	Washer	2	-
24	Various		Various	Air Spring Pedestals	2	-
25	Various		Various	Hangers	2	-

 Denotes Product is Genuine Meritor

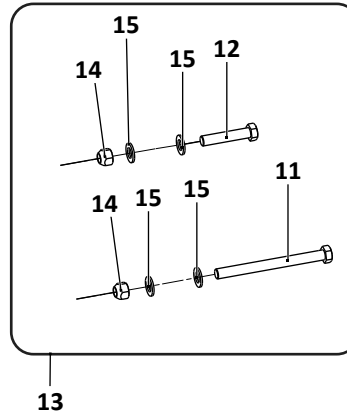
Pivot, Bolt and Bushing Kit



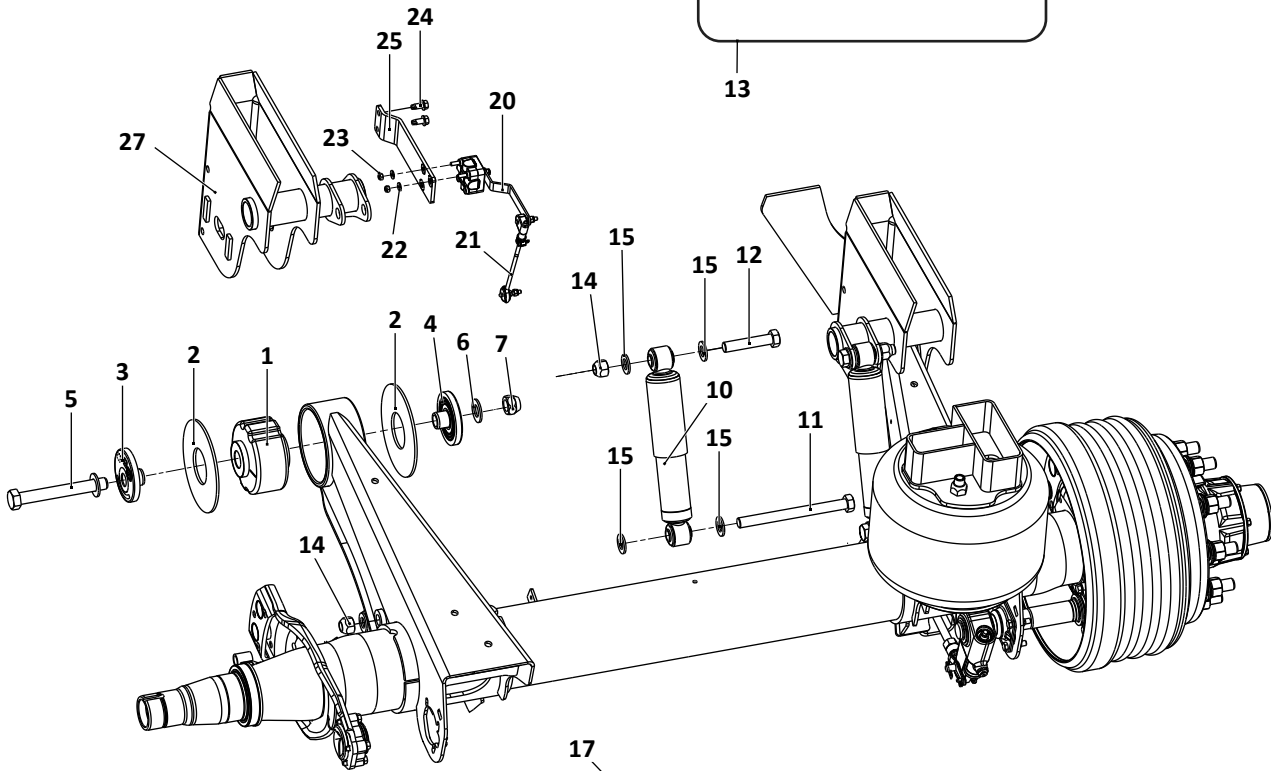
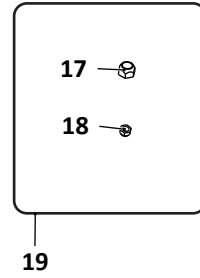
Pivot and Bolt Kit



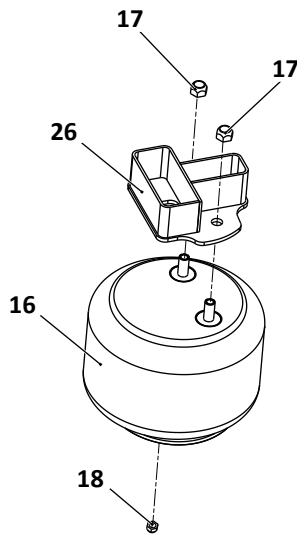
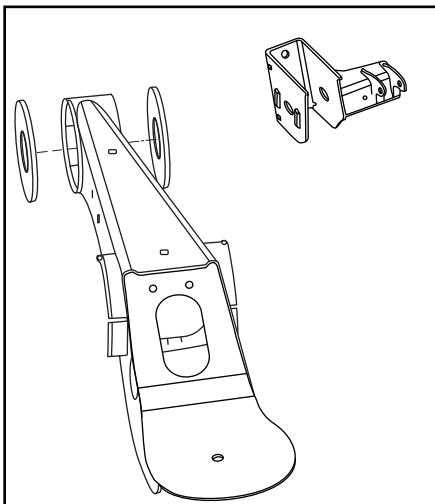
Shock Absorber Hardware Kit



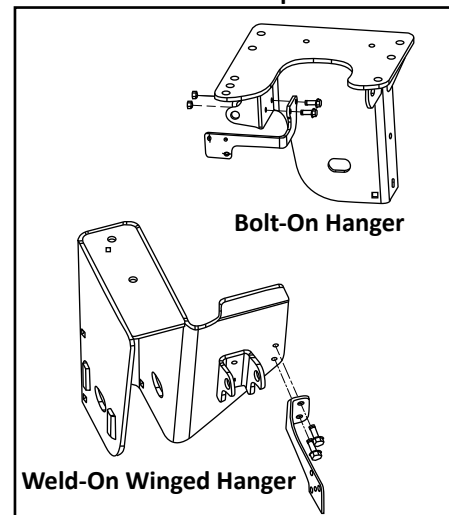
Air Spring Hardware Kit



MTA-Tec6 Low Mount Hangers & Trailing Arm



Additional Hanger Styles for the MTA-Tec6 Top Mount

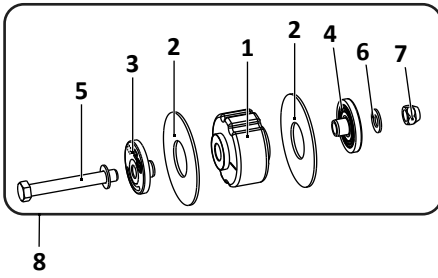


MTM23T / MTM23L — Trailer, Air Suspension

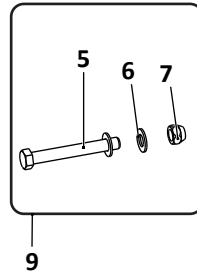
KEY NO.	EUCLID NO.	GENUINE	OEM REF	DESCRIPTION	QTY. PER AXLE	PAGE NO.
1	E-17068		A-1225-D-1668	Bushing, Pivot	2	MER-22
2	E-17069		1229-G-5493	Wear Washer	4	-
3	E-17070		1229-A-5487	Eccentric Alignment Collar	2	MER-25
4	E-17071		1229-B-5488	Concentric Alignment Collar	2	MER-26
5	E-17072		15-X-1933	Bolt, 7/8"-9 x 7" Long	2	-
6	E-2545		1229-Q-5295	Washer, Flat	2	-
7	E-17085		1227-X-1766	Nut, 7/8"-9	2	-
8	E-17074		KIT 11457	Pivot Bolt and Bushing Kit, Includes Key Nos. 1, 2, 3, 4, 5, 6 & 7	2	MER-23
9	E-17076		KIT 11459	Pivot & Bolt Kit, Includes Key Nos. 5, 6, & 7	2	MER-26
10	E-17697		A-7805-E-1201	Shock Absorber, All Low Mount Models	2	-
	E-17716		A-7805-M-1209	Shock Absorber, All Top Mount Models	2	-
11	E-17079		S-21248-1	Lower Shock Bolt, 3/4"-10 x 6" Long, All Low Mount Models	2	-
	E-17080		S-21274-M-2	Lower Shock Bolt, 3/4"-10 x 9-1/4" Long, All Top Mount Models	2	-
12	E-17086		S-21230-M-2	Upper Shock Bolt, 3/4"-10 x 3-3/4" Long	2	-
13	E-17081		KIT 11460	Shock Absorber Hardware Kit, All Low Mount Models, Includes Key Nos. 11, 12, 14, & 15	2	-
	E-17082		KIT 11461	Shock Absorber Hardware Kit, All Top Mount Models, Includes Key Nos. 11, 12, 14, & 15	2	-
14	E-15094		1227-W-1817	Nut, 3/4"-10	4	-
15	E-2545		1229-J-5444	Washer	8	-
16	E-17690		A-2258-N-1678	Air Spring, All Low Mount Models	2	-
	E-17687		A-2258-A-1691	Air Spring, All Top Mount Models	2	-
17	E-16467		1227-M-1573	Lock Nut, 3/4"-16	4	-
18	E-16468		1227-B-1614	Lock Nut, 1/2"-13	2	-
19	E-17087		KIT 11462	Air Spring Hardware Kit, Includes Key Nos. 17 & 18	2	MER-26
20	E-17060		A-7806-D-1096	Height Control Valve, No Dump	1	-
	E-17061		A-7806-E-1097	Height Control Valve, Remove Air to Dump	1	-
21	E-17062		A-1245-M-1209	Linkage Assembly	1	-
22	S.O.S.		WA-34	Washer	2	-
23	S.O.S.		NL-24-1	Lock Nut, 1/4"-20	2	-

 Denotes Product is Genuine Meritor

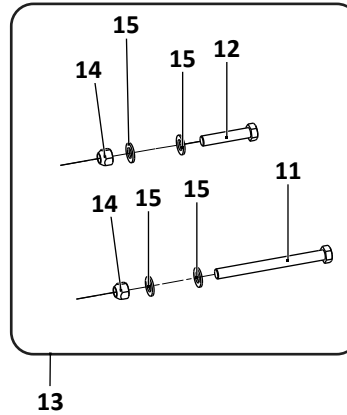
Pivot, Bolt and Bushing Kit



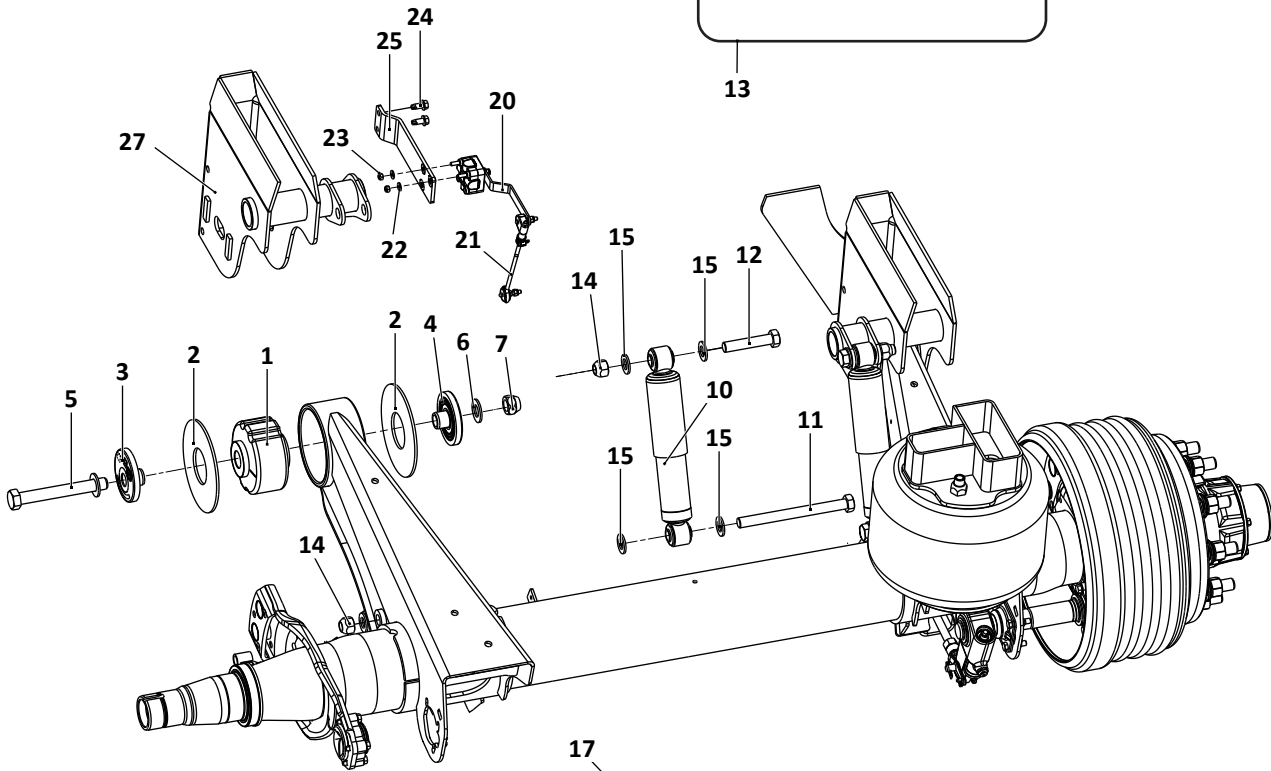
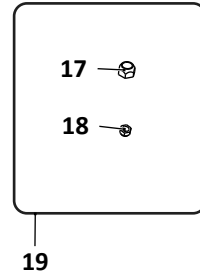
Pivot and Bolt Kit



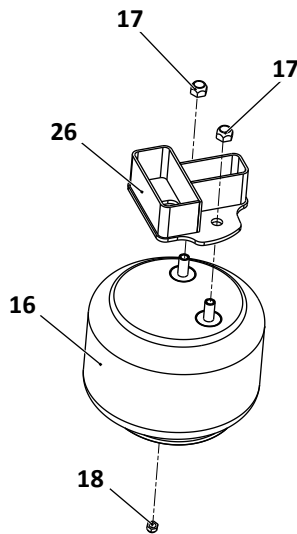
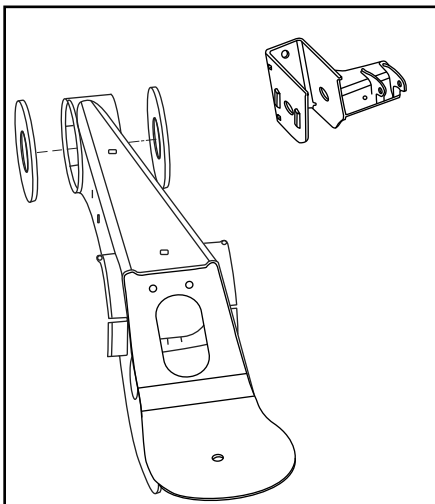
Shock Absorber Hardware Kit



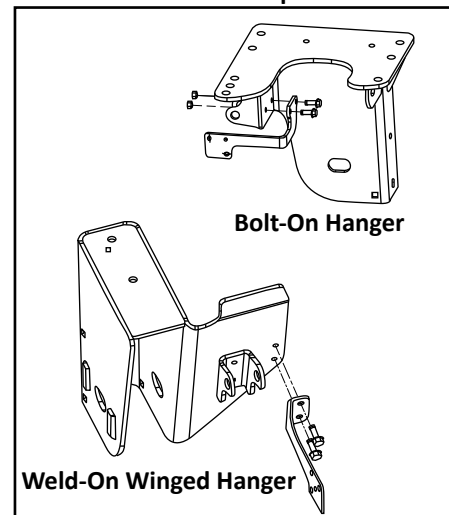
Air Spring Hardware Kit







MTA-Tec6 Low Mount Hangers & Trailing Arm



Additional Hanger Styles for the MTA-Tec6 Top Mount




MTM23T / MTM23L — Trailer, Air Suspension						
KEY NO.	EUCLID NO.	GENUINE	OEM REF	DESCRIPTION	QTY. PER AXLE	PAGE NO.
24	S.O.S.		3299S7715	Tap Screw	2	-
25	S.O.S.		10X1614	Bracket, Height Control Valve	1	-
26	Various		Various	Air Spring Pedestals	2	-
27	Various		Various	Hangers	2	-

 Denotes Product is Genuine Meritor

MERITOR



Bushings & Bushing Kits


MERITOR


Bushings, Pivot			
FOR MODELS: RFS & MTA			
			
EUCLID NO.	GENUINE	OEM REF	NOTES
E-17011		A-1225-N-1522	Rubber, RFS23T & MTA23T
E-17012		A-1225-C-1537	Rubber, RFS25T/RFS30T & MTA25T/MTA30T

Control Arm Bushing			
FOR MODELS: RHP/MPA			
			
EUCLID NO.	GENUINE	OEM REF	NOTES
E-17032		A1225-B-1692	Rubber, 2-3/8" OD x 7/8" ID

Bushings, Pivot			
FOR MODELS: MTM23T, MTM23L			
			
EUCLID NO.	GENUINE	OEM REF	NOTES
E-17068		A-1225-D-1668	Rubber

Control Arm Bushing & Bolt Kit			
FOR MODELS: RHP/MPA			
			
EUCLID NO.	GENUINE	OEM REF	NOTES
E-17033		KIT 11300	Includes 4 Bolts, 8 Washers, 4 Nuts, 8 Thrust Washers, 4 Bushings, and 2 Alignment Washers

Pivot Bolt and Bushing Kit			
FOR MODELS: RFS23 RFS25/30			
			
EUCLID NO.	GENUINE	OEM REF	NOTES
E-14347		KIT 11201	RFS23, Includes 1 Bolt, 1 Washer, 1 Nut, 2 Wear Washers, and 1 Rubber Bushing
E-14355		KIT 11205	RFS25/30, Includes 1 Bolt, 1 Washer, 1 Nut, 2 Wear Washers, and 1 Rubber Bushing

Torque Arm Bushing			
FOR MODELS: RHP/MPA			
			
EUCLID NO.	GENUINE	OEM REF	NOTES
E-17029		1225-W-1349	Poly, 3" Lg OD, 2-1/4" Sm OD x 1-1/4" ID
GAFF34514	-	-	

Torque Arm Bushing & Bolt Kit			
FOR MODELS: RHP/MPA			
			
EUCLID NO.	GENUINE	OEM REF	NOTES
E-11770		KIT 11102	Includes 1 Bolt, 2 Washer, 1 Nut, 2 Poly Bushings, and 1 Inner Sleeve
GAFF50033	-	-	



 Denotes Product is Genuine Meritor



MERITOR

Bushings & Bushing Kits

Suspension

MERITOR

Pivot Bolt and Bushing Kit			
FOR MODELS: MTA23, MTA25/30 			
EUCLID NO.	GENUINE	OEM REF	NOTES
E-17040		KIT 11350	MTA23, Includes 1 Bolt, 2 Alignment Washer, 1 Washer, 1 Nut, 2 Wear Washers, and 1 Rubber Bushing
E-17041		KIT 11351	MTA25/30, Includes 1 Bolt, 2 Alignment Washer, 1 Washer, 1 Nut, 2 Wear Washers, and 1 Rubber Bushing

Pivot Bolt and Bushing Kit			
FOR MODELS: MTM23T MTM23L 			
EUCLID NO.	GENUINE	OEM REF	NOTES
E-17074		KIT 11457	Includes 1 Bolt, 2 Alignment Washers, 1 Washer, 1 Nut, 2 Wear Washers, and 1 Rubber Bushing

 Denotes Product is Genuine Meritor

U.S. 888-725-9355
 Canada 800-387-3889



MeritorPartsXpress.com
700F-MER (07-23)



MER-23



MERITOR



Hardware & Hardware Kits



MERITOR

Eccentric Alignment Collar			
FOR MODELS: RFS/MTA Models			
			
EUCLID NO.	GENUINE	OEM REF	NOTES
E-16000		21226276	3-1/2" OD



Shock Absorber Hardware Kit			
FOR MODELS: RFS Models			
			
EUCLID NO.	GENUINE	OEM REF	NOTES
E-14349		KIT 11200	Includes 4 Washers, 2 Flat Washers, and 2 Nuts

Concentric Alignment Collar			
FOR MODELS: RFS/MTA Models			
			
EUCLID NO.	GENUINE	OEM REF	NOTES
E-16001		21226275	3-1/2" OD

Control Arm Bolt Kit			
FOR MODELS: RHP/MPA			
			
Rebuilds 1 Control Arm			
EUCLID NO.	GENUINE	OEM REF	NOTES
E-17034		KIT 11302	Includes 4 Bolts, 8 Washers, 4 Nuts, 8 Thrust Washers, and 2 Alignment Washers

Pivot Bolt Kit			
FOR MODELS: RFS23, RFS25/30			
			
EUCLID NO.	GENUINE	OEM REF	NOTES
E-14348		KIT 11202	RFS23, Includes 1 Bolt, 1 Washer, and 1 Nut
E-14354		KIT 11204	RFS25/30, Includes 1 Bolt, 1 Washer, and 1 Nut

Control Arm Bolt Kit			
FOR MODELS: RHP/MPA			
			
EUCLID NO.	GENUINE	OEM REF	NOTES
E-13906		KIT 11107	Non-Adjustable, Includes 1 Bolts, 2 Washers, 1 Nuts

Air Spring Hardware Kit			
FOR MODELS: RFS23T/RFS25T MTA Top Mount Models			
			
EUCLID NO.	GENUINE	OEM REF	NOTES
E-14350		KIT 11203	Includes 2 Nuts (1/2") and 2 Nuts (3/4")

Control Arm Bolt Kit			
FOR MODELS: RHP/MPA			
			
EUCLID NO.	GENUINE	OEM REF	NOTES
E-13905		KIT 11106	Adjustable, Includes 1 Bolts, 2 Washers, 1 Nuts, and 2 Alignment Washers

 Denotes Product is Genuine Meritor



MERITOR

Hardware & Hardware Kits



Suspension



MERITOR



Shock Absorber Bolt Kit			
FOR MODELS: RHP/MPA			
			
EUCLID NO.	GENUINE	OEM REF	NOTES
E-17026		KIT 11103	16.5" - 18.5" Ride Height, Includes 2 Bolts and 2 Nuts



Shock Absorber Bolt Kit			
FOR MODELS: MTA Low Mount Models			
			
EUCLID NO.	GENUINE	OEM REF	NOTES
E-17067		KIT 11432	Includes 2 Bolts, 2 Nuts, 2 Flat Washers, and 4 Washers

Shock Absorber Bolt Kit			
FOR MODELS: MTM23T MTM23L			
			
EUCLID NO.	GENUINE	OEM REF	NOTES
E-17081		KIT 11460	MTM23T, Includes 2 Bolts, 2 Nuts, 2 Flat Washers, and 4 Washers
E-17082		KIT 11461	MTM25/30, Includes 2 Bolts, 2 Nuts, 2 Flat Washers, and 4 Washers

Pivot Bolt Kit			
FOR MODELS: MTA23T			
			
EUCLID NO.	GENUINE	OEM REF	NOTES
E-17042		KIT 11352	MTA23T, Includes 1 8" Long Bolt, 1 Washer, and 1 Nut
E-17043		KIT 11353	MTA 25/30 T&L, Includes 1 9" Long Bolt, 1 Washer, and 1 Nut

Air Spring Hardware Kit			
FOR MODELS: RHP/MPA			
			
EUCLID NO.	GENUINE	OEM REF	NOTES
E-17022		KIT 11105	Includes 2 Nuts (1/2") and 2 Nuts (3/4")


Air Spring Hardware Kit			
FOR MODELS: MTA Low Mount Models			
			
EUCLID NO.	GENUINE	OEM REF	NOTES
E-17030		KIT 11455	Includes 2 Bolts and 2 Nuts (3/4")



Shock Absorber Bolt Kit			
FOR MODELS: MTA Top Mount Models			
			
EUCLID NO.	GENUINE	OEM REF	NOTES
E-17046		KIT 11356	Includes 2 Bolts, 2 Nuts, 2 Flat Washers, and 4 Washers

Eccentric Alignment Collar			
FOR MODELS: MTM23T, MTM23L			
			
EUCLID NO.	GENUINE	OEM REF	NOTES
E-17070		1229-A-5487	4" OD

 Denotes Product is Genuine Meritor

Concentric Alignment Collar			
FOR MODELS: MTM23T, MTM23L			
			
EUCLID NO.	GENUINE	OEM REF	NOTES
E-17071		1229-B-5488	4" OD

Pivot Bolt Kit			
FOR MODELS: MTM23T MTM23L			
			
EUCLID NO.	GENUINE	OEM REF	NOTES
E-17076		KIT 11459	Includes 1 Bolt, 1 Washer, and 1 Nut

Air Spring Hardware Kit			
FOR MODELS: MTM23T MTM23L			
			
EUCLID NO.	GENUINE	OEM REF	NOTES
E-17087		KIT 11462	Includes 2 Nuts (1/2") and 2 Nuts (3/4")

 Denotes Product is Genuine Meritor


MERITOR



Torque & Control Arms



Suspension

MERITOR

Upper Control Arm			
FOR MODELS: RHP/MPA			
			
EUCLID NO.	GENUINE	OEM REF	NOTES
E-17020		A6-3216-D-4632A	Includes Rubber Bushings

Adjustable Torque Arm			
FOR MODELS: RHP/MPA			
			
EUCLID NO.	GENUINE	OEM REF	NOTES
E-11769		A1-3133-Y-8345	Includes Poly Bushing

Control Arm Assembly			
FOR MODELS: RHP/MPA			
			
EUCLID NO.	GENUINE	OEM REF	NOTES
E-17035		KIT 11305	Includes 1 Control Arm, 8 Thrust Washers, 4 Nuts, 2 Bolts, 1 Alignment Washer, and 4 Flat Washers

Rigid Torque Arm			
FOR MODELS: RHP/MPA			
			
EUCLID NO.	GENUINE	OEM REF	NOTES
E-11768		A-3133-G-8249	Includes Poly Bushing

 Denotes Product is Genuine Meritor

U.S. 888-725-9355
Canada 800-387-3889



MeritorPartsXpress.com
700F-MER (07-23)

MER-27



MERITOR

Brackets & Spacers

MERITOR

Air Spring Spacer			
FOR MODELS: RHP/MPA			
			
EUCLID NO.	GENUINE	OEM REF	NOTES
E-17021		1244-C-2733	17.5" & 18.5" Ride Height

Axle Seats			
FOR MODELS: RHP			
			
EUCLID NO.	GENUINE	OEM REF	NOTES
E-17037		KIT 11327	RHP 17.5" Ride Height Only

Axle Seats			
FOR MODELS: RHP/MPA			
			
EUCLID NO.	GENUINE	OEM REF	NOTES
E-17036		KIT 11331	RHP 16.5" and All MPA Ride Heights



 Denotes Product is Genuine Meritor

MERITOR



Height Control Valves & Kits

Suspension



MERITOR

Height Control Valve			
FOR MODELS: All RFS Models			
			
EUCLID NO.	GENUINE	OEM REF	NOTES
E-14351		A-7806-Z-1014	Remove Air to Dump

Height Control Valve Kit			
FOR MODELS: MPA			
			
EUCLID NO.	GENUINE	OEM REF	NOTES
E-14333		KIT 11332	Remove Air to Dump, Includes Linkage, Hadley Style, All MPA Models Prior to November 2019

Height Control Valve			
FOR MODELS: All RFS Models			
			
EUCLID NO.	GENUINE	OEM REF	NOTES
E-14352		A-7806-Y-1013	No Dump

Height Control Valve Kit			
FOR MODELS: MPA			
			
EUCLID NO.	GENUINE	OEM REF	NOTES
E-14334		KIT 11333	No Dump, Includes Linkage, Hadley Style, All MPA Models Prior to November 2019

Height Control Valve Kit			
FOR MODELS: RHP			
			
EUCLID NO.	GENUINE	OEM REF	NOTES
E-13907		KIT 11308	Remove Air to Dump, Includes Valve and Linkage, RHP Only

Height Control Valve Kit			
FOR MODELS: MPA			
			
EUCLID NO.	GENUINE	OEM REF	NOTES
E-17057		A-7806-Q-1109	Remove Air to Dump, Barksdale Style, All MPA Models After November 2019

Height Control Valve Kit			
FOR MODELS: RHP			
			
EUCLID NO.	GENUINE	OEM REF	NOTES
E-14332		KIT 11309	No Dump, Includes Valve and Linkage, RHP Only



Height Control Valve Kit			
FOR MODELS: MPA			
			
EUCLID NO.	GENUINE	OEM REF	NOTES
E-17056		A-7806-P-1108	No Dump, Barksdale Style, All MPA Models After November 2019



 Denotes Product is Genuine Meritor



MERITOR



Height Control Valves & Kits



MERITOR

Height Control Valve			
FOR MODELS: MTA Top Mount Models			
			
EUCLID NO.	GENUINE	OEM REF	NOTES
E-17049		A-7806-M-1053	Remove Air to Dump, Hadley Style, All Top Mount Models Prior to November 2019



Height Control Valve			
FOR MODELS: MTA Low Mount Models			
			
EUCLID NO.	GENUINE	OEM REF	NOTES
E-17052		A-7806-K-1103	No Dump, Barksdale Style, All Low Mount Models After November 2019



Height Control Valve			
FOR MODELS: MTA Top Mount Models			
			
EUCLID NO.	GENUINE	OEM REF	NOTES
E-14677		A-7806-L-1052	No Dump, Hadley Style, All Top Mount Models Prior to November 2019

Height Control Valve			
FOR MODELS: MTA Low Mount Models			
			
EUCLID NO.	GENUINE	OEM REF	NOTES
E-17053		A-7806-L-1104	Remove Air to Dump, Barksdale Style, All Low Mount Models After November 2019

Height Control Valve			
FOR MODELS: MTA Top Mount Models			
			
EUCLID NO.	GENUINE	OEM REF	NOTES
E-17055		A-7806-N-1106	Remove Air to Dump, Barksdale Style, All Top Mount Models After November 2019

Height Control Bracket			
FOR MODELS: MPA			
			
EUCLID NO.	GENUINE	OEM REF	NOTES
E-14362		2255-D-1408	-

Height Control Valve			
FOR MODELS: MTA Top Mount Models			
			
EUCLID NO.	GENUINE	OEM REF	NOTES
E-17054		A-7806-M-1105	No Dump, Barksdale Style, All Top Mount Models After November 2019

Linkage Assembly			
FOR MODELS: All RFS Models			
			
EUCLID NO.	GENUINE	OEM REF	NOTES
E-7852		R307852	-



 Denotes Product is Genuine Meritor



MERITOR



Height Control Valves & Kits

Suspension



MERITOR

Linkage Assembly			
FOR MODELS: All MPA Models			
			
EUCLID NO.	GENUINE	OEM REF	NOTES
E-17063		A-1245-W-1219	Linkage Assembly, Use with Barksdale HCV

Linkage Assembly			
FOR MODELS: All MTA Low Models			
			
EUCLID NO.	GENUINE	OEM REF	NOTES
E-17065		A-1245-X-1220	Linkage Assembly, All Low Mount Models, Use with Barksdale Style HCV

Linkage Assembly			
FOR MODELS: All MTA Top Mount Models			
			
EUCLID NO.	GENUINE	OEM REF	NOTES
E-17048		203159-5	Linkage Assembly, All Top Mount Models, Use with Hadley Style HCV

Linkage Assembly			
FOR MODELS: All MTA Low Models			
			
EUCLID NO.	GENUINE	OEM REF	NOTES
E-17066		203159-9	Linkage Assembly, All Low Mount Models, Use with Hadley Style HCV

Linkage Assembly			
FOR MODELS: All MTA Top Mount Models			
			
EUCLID NO.	GENUINE	OEM REF	NOTES
E-17064		A-1245-Y-1221	Linkage Assembly, All Top Mount Models, Use with Barksdale Style HCV

 Denotes Product is Genuine Meritor

TABLE OF CONTENTS

Front Suspensions

AIRTEK for International Vehicles NVI-2

SOFTEK and STEERTEK NXT Axles for International Vehicles NVI-6

AIRTEK for International Integrated Coach Bus NVI-8

Rear Suspensions

Corporate Air Ride “Z” Spring NVI-10

New Corporate Air Ride — “Hockey Stick” Spring NVI-14

4 Spring — Tractor NVI-16

HTB 400LT for International..... NVI-18

Navistar / International Components NVI-20

NAVISTAR / INTERNATIONAL

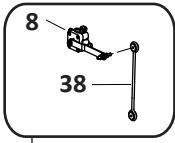


Not sure which suspension you have?
 Check out Meritor’s Suspension Identification
 Xact Search to find the right part by
 clicking the QR code

NAVISTAR / INTERNATIONAL FRONT

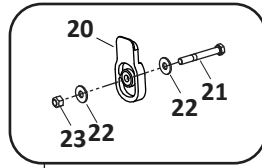
AIRTEK for International Vehicles

HCV & Linkage Assembly



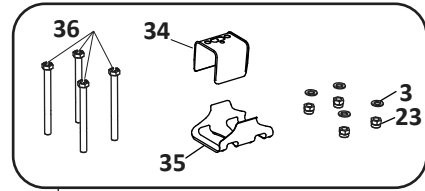
7

Rear Spring Hardware Kit

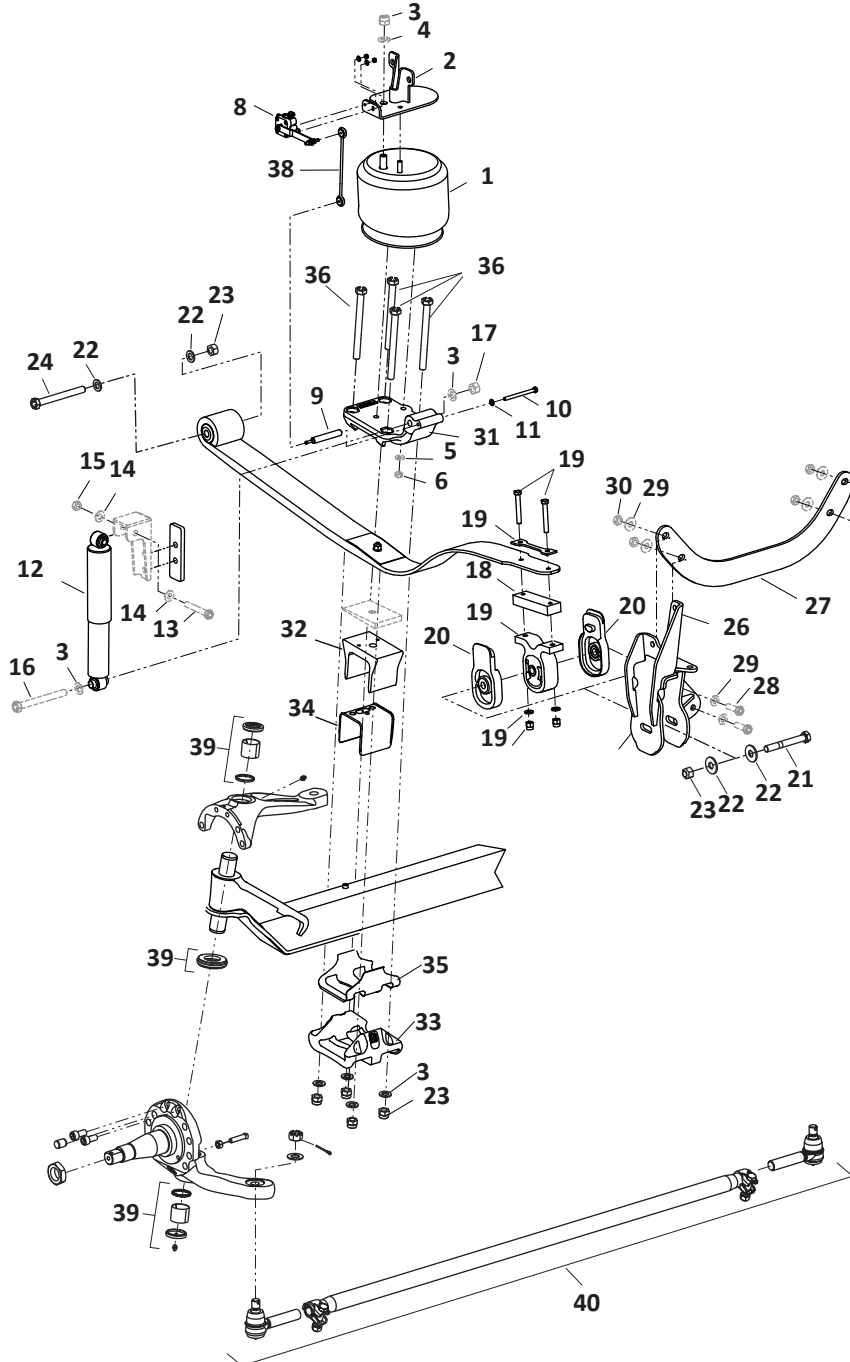


25

Top/Bottom Axle Wrap Liner Service Kit



37



For more information on King Pins, Tie Rod Ends and Assemblies see 760C Front Axle Parts — Medium- and Heavy-Duty Applications

NAVISTAR / INTERNATIONAL

AIRTEK for International Vehicles						
KEY NO.	EUCLID NO.	GENUINE	OEM REF.	DESCRIPTION	QTY. PER AXLE	PAGE NO.
1	FS8597	-	65790-002	Air Spring	2	-
2	E-15113		66775-000	Air Spring Bracket LH, Vehicles Built After 09/06	1	NVI-23
	E-15114		66776-000	Air Spring Bracket RH, Vehicles Built After 09/06	1	NVI-23
	S.O.S.		64583-000	Air Spring Bracket LH, Vehicles Built Before 09/06	1	-
	S.O.S.		64586-000	Air Spring Bracket RH, Vehicles Built Before 09/06	1	-
3	E-2545	-	22962-001	Washer, 3/4"	As Req.	-
4	E-16467	-	17700-015	Locknut, 3/4"-16 Nylon	2	-
5	E-9603	-	22962-011	Washer, 1/2"	2	-
6	E-16468	-	17700-010	Locknut, 1/2"-13 Nylon	2	-
7	E-15095		59427-013	HCV & Linkage Assembly LH (If Equipped) Includes Hardware	1	NVI-22
	S.O.S.		59427-014	HCV & Linkage Assembly RH, Includes Hardware	1	-
8	E-13996		59935-011	Height Control Valve LH (If Equipped)	1	NVI-22
	E-13997		59935-018	Height Control Valve RH	1	NVI-22
-	E-15097		60961-071	Lower Link Mount Service Kit, One Side, Includes Key Nos. 9-11, Vehicles Built Before Sept 2006	2	NVI-22
-	S.O.S.		60961-154	Lower Link Mount Service Kit, One Side, Includes Key Nos. 9-11, Vehicles Built Between Sept 2006 & Nov 2010	2	-
9	E-15098		59429-002	Lower Link Mount, Vehicles Built Before Sept 2006	2	NVI-23
	E-15121		59429-003	Lower Link Mount, Vehicles Built Between Sept 2006 & Nov 2010	2	NVI-23
10	E-15099	-	58035-006	Bolt, 3/8"-16 X 3-1/2" Long, Vehicles Built Before Sept 2006	2	NVI-22
	S.O.S.	-	58035-002	Bolt, 3/8"-16 X 1-3/8" Long, Vehicles Built After Sept 2006	2	-
11	S.O.S.	-	22962-015	Washer, 3/8"	2	-
12	M85955	-	65992-001	Shock Absorber, Sleeper	2	-
	M85955	-	65992-002	Shock Absorber, Day Cab	2	-
13	S.O.S.	-	32043-008	Upper Shock Bolt, 5/8"-11 X 4" Long	2	-
14	E-2547	-	22962-004	Upper Shock Washer, 5/8"	4	-
15	E-2988	-	47764-000	Upper Shock Locknut, 5/8"-11	2	-
16	S.O.S.	-	58917-014	Lower Shock Bolt, 3/4"-10 X 8" Long, Vehicles Built Before Sept 2006	2	-
	S.O.S.	-	58917-002	Lower Shock Bolt, 3/4"-10 X 5" Long, Vehicles Built After Sept 2006	2	-
17	E-4347	-	49842-000	Lower Shock Locknut, 3/4"-10	2	-
18	E-15100		65772-000	Rear Mount Spacer, Used in Kit 60691-000, Vehicles Built Before Sept 2006	2	NVI-20
19	S.O.S.		60961-109	Rear Spring Mount Service Kit, Vehicles Built Before Sept 2006, Includes E-15100	2	-
	E-15120		60961-158	Rear Spring Mount Service Kit, Vehicles Built After Sept 2006	2	NVI-20
20	S.O.S.		65856-000	Thrust Washer, Vehicles Built Before Sept 2006	4	-
	E-15123		66779-000	Thrust Washer, Vehicles Built After Sept 2006	4	NVI-20
21	E-15101	-	58917-008	Bolt, 3/4"-10 X 6" Long	2	-
22	E-2545	-	22962-033	Washer, 3/4"	4	-
23	E-15094	-	17700-033	Locknut, 3/4"-10, Nylock		-
24	E-15102		58917-016	Bolt, 3/4"-10 X 8-1/2" Long	2	NVI-22
25	E-15122		60961-159	Rear Spring Hardware Kit, Includes Key Nos. 20, 21, 22, 23. Requires 2 Kits Per Axle	2	-
26	E-15103		68317-001	Rear Hanger LH, Vehicles Built Before Sept 2006	1	NVI-20
	E-15124		66382-001	Rear Hanger LH, Vehicles Built After Sept 2006	1	NVI-20
	E-15104		68317-002	Rear Hanger RH, Vehicles Built Before Sept 2006	1	NVI-20
	E-15125		66382-002	Rear Hanger RH, Vehicles Built After Sept 2006	1	NVI-20

Denotes Product is Genuine Hendrickson

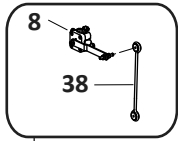
For more information on King Pins, Tie Rod Ends and Assemblies
see 760C Front Axle Parts — Medium- and Heavy-Duty Applications

NAVISTAR / INTERNATIONAL

NAVISTAR / INTERNATIONAL FRONT

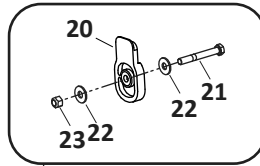
AIRTEK for International Vehicles

HCV & Linkage Assembly



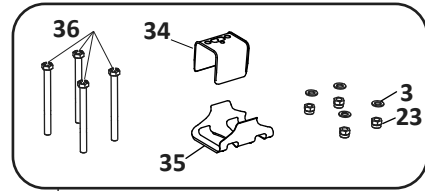
7

Rear Spring Hardware Kit

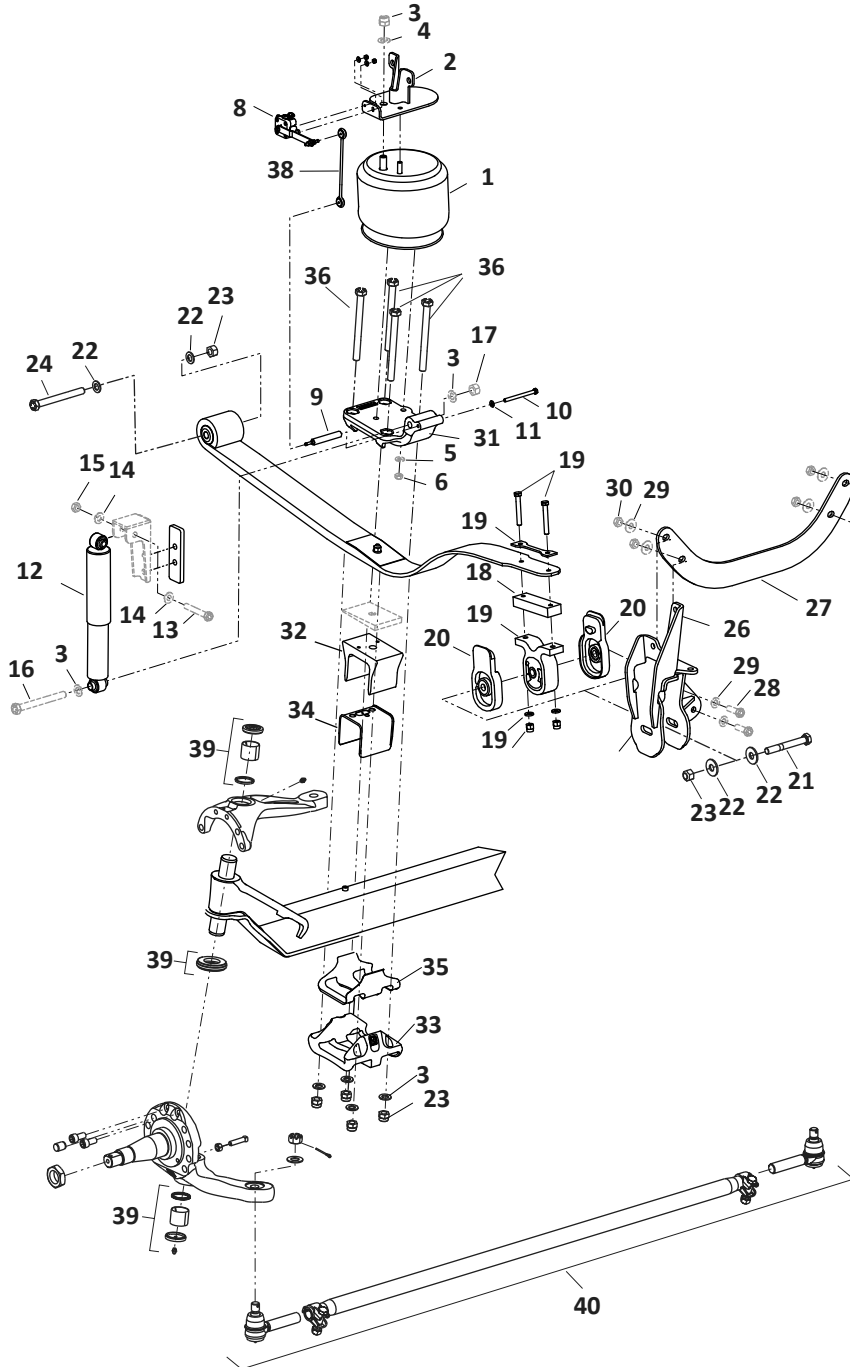


25

Top/Bottom Axle Wrap Liner Service Kit



















37



For more information on King Pins, Tie Rod Ends and Assemblies see 760C Front Axle Parts — Medium- and Heavy-Duty Applications

NAVISTAR / INTERNATIONAL

AIRTEK for International Vehicles						
KEY NO.	EUCLID NO.	GENUINE	OEM REF.	DESCRIPTION	QTY. PER AXLE	PAGE NO.
27	S.O.S.		66019-000	Belly Band, Vehicles Built Before Sept 2006	1	-
	E-15126		66419-000	Belly Band, Vehicles Built After Sept 2006	1	NVI-22
28	S.O.S.	-	32043-006	Bolt, 5/8"-11 X 2" Long	4	-
29	E-2547		22962-004	Washer, 5/8", OD 1-3/8", Vehicles Built Before Sept 2006	4	-
	E-15106	-	22962-003	Washer, 5/8", OD 1-3/4"	4	-
30	E-2988	-	47764-000	Locknut, 5/8"-11	4	-
31	S.O.S.		64580-000	Top Pad, Vehicles Built Before Sept 2006	2	-
	E-15127		68318-001	Top Pad Left Hand, Vehicles Built After Sept 2006	1	NVI-21
	E-15128		68318-002	Top Pad Right Hand, Vehicles Built After Sept 2006	1	NVI-21
32	E-15107		59952-023	Top Axle Wrap	2	NVI-21
33	E-15108		64722-003	Bottom Axle Wrap	2	NVI-22
34	E-15109		65757-000	Top Axle Wrap Liner	2	NVI-21
35	E-15110		59845-000	Bottom Axle Wrap Liner	2	NVI-21
36	E-15102	-	58917-016	Bolt, 3/4"-10 X 8-1/2" Long	8	NVI-22
37	E-15119		60961-110	Top/Bottom Axle Wrap Liner Service Kit, Includes Key Nos. 3, 23, 34, 35, 36	As Req.	NVI-21
38	E-15096		59428-004	Linkage Kit	2	-
39	E-13999		60961-040	Kingpin Bushing and Bearing Service Kits, Axle Set Includes Left and Right Hand Kit (E-14000 and E-14001)	1	-
	E-14000		60961-009	Kingpin Bushing and Bearing Service Kit, Left Hand with Composite Thrust Bearings	1	-
	E-14001		60961-039	Kingpin Bushing and Bearing Service Kit, Right Hand with Roller Thrust Bearings	1	-
40	-		Various	Tie Rod Ends and Assembly. See Front Axle Catalog	As Reqd	-

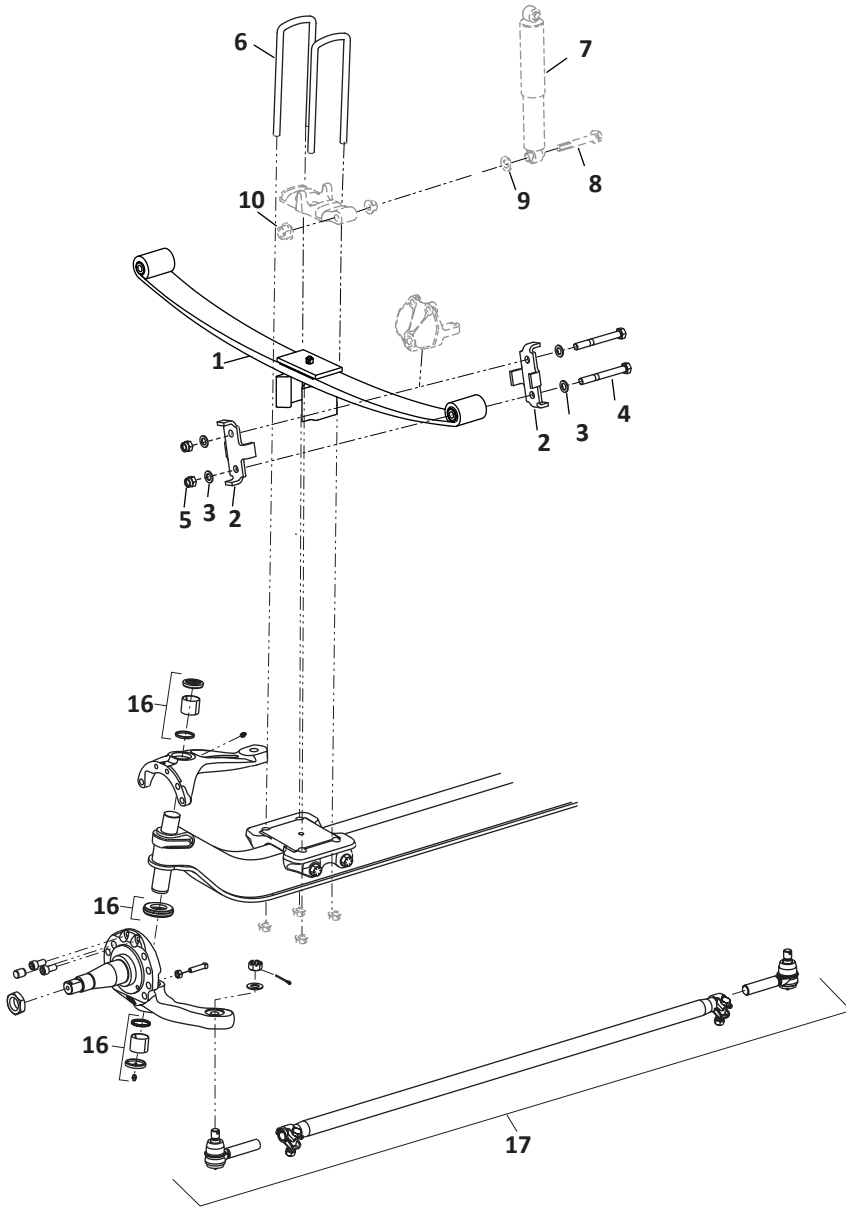
 Denotes Product is Genuine Hendrickson

NAVISTAR / INTERNATIONAL

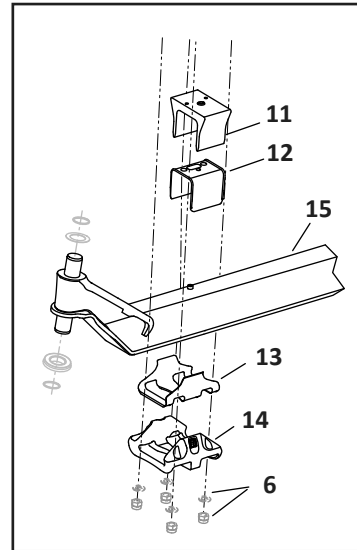
For more information on King Pins, Tie Rod Ends and Assemblies see 760C Front Axle Parts — Medium- and Heavy-Duty Applications

NAVISTAR / INTERNATIONAL FRONT SOFTEK and STEERTEK NXT Axles for International Vehicles

NAVISTAR /
INTERNATIONAL









Vehicles Built Prior to August 1, 2011



For more information on King Pins, Tie Rod Ends and Assemblies
see 760C Front Axle Parts — Medium- and Heavy-Duty Applications

SOFTEK and STEERTEK NXT Axles for International Vehicles

KEY NO.	EUCLID NO.	GENUINE	OEM REF.	DESCRIPTION	QTY. PER AXLE	PAGE NO.
1	S.O.S.		Various	Spring Assembly, Includes Bushings	2	-
2	E-16420		66545-000	Shackle Plate	4	NVI-20
3	E-2545	-	-	Washer, 3/4"	8	-
4	E-4961A	-	-	Locknut, 3/4"-16	4	-
5	S.O.S.	-	-	Bolt, 3/4"-16 X 6-1/2" Long	4	-
6	S.O.S.	-	-	U-Bolt Assembly, Semi Round Bend, 3/4"-16 Thd. X 4" Wide, Specify Length	4	-
7	S.O.S.	-	-	Shock Absorber, Specify Model	2	-
8	S.O.S.	-	-	Lower Shock Flange Bolt, 3/4"-10 X 5" Long	2	-
9	S.O.S.		-	Shock Spacer or Hardened Washer, Certain Models	2	-
10	S.O.S.	-	-	Flange Locknut, 3/4"-10	2	-
11	E-15107		59952-023	Top Axle Wrap, Lone Star 9200/9400/8600, Not Required on NXT	2	NVI-21
	S.O.S.		59952-032	Top Axle Wrap, ProStar, Not Required on NXT	2	-
12	E-15109		65757-000	Top Axle Wrap Liner, Not Required on NXT	2	NVI-21
13	E-15110		59845-000	Bottom Axle Wrap Liner, Not Required on NXT	2	NVI-21
14	E-15108		64722-003	Bottom Axle Wrap, Not Required on NXT	2	NVI-22
15	S.O.S.		Various	Axle Assembly	1	-
16	E-13999		60961-040	Kingpin Bushing and Bearing Service Kits, Axle Set Includes Left and Right Hand Kit (E-14000 and E-14001), Vehicles Built Before August 2011	1	-
	E-14000		60961-009	Kingpin Bushing and Bearing Service Kit, Left Hand with Composite Thrust Bearings, Vehicles Built Before August 2011	1	-
	E-14001		60961-039	Kingpin Bushing and Bearing Service Kit, Right Hand with Roller Thrust Bearings, Vehicles Built Before August 2011	1	-
	E-17644		60961-628	Kingpin Bushing and Bearing Service Kits, Axle Set Includes Left and Right Hand Kit (E-17645 and E-17646), Vehicles Built After August 2011	1	-
	E-17645		60961-629	Kingpin Bushing and Bearing Service Kit, Left Hand with Composite Thrust Bearings, Vehicles Built After August 2011	1	-
	E-17646		60961-630	Kingpin Bushing and Bearing Service Kit, Right Hand with Roller Thrust Bearings, Vehicles Built After August 2011	1	-
17	-		Various	Tie Rod Ends and Assembly. See Front Axle Catalog	As Req'd	-

 Denotes Product is Genuine Hendrickson

NAVISTAR / INTERNATIONAL

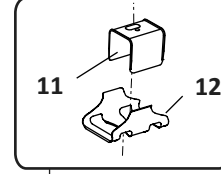
For more information on King Pins, Tie Rod Ends and Assemblies see 760C Front Axle Parts — Medium- and Heavy-Duty Applications

NAVISTAR / INTERNATIONAL FRONT

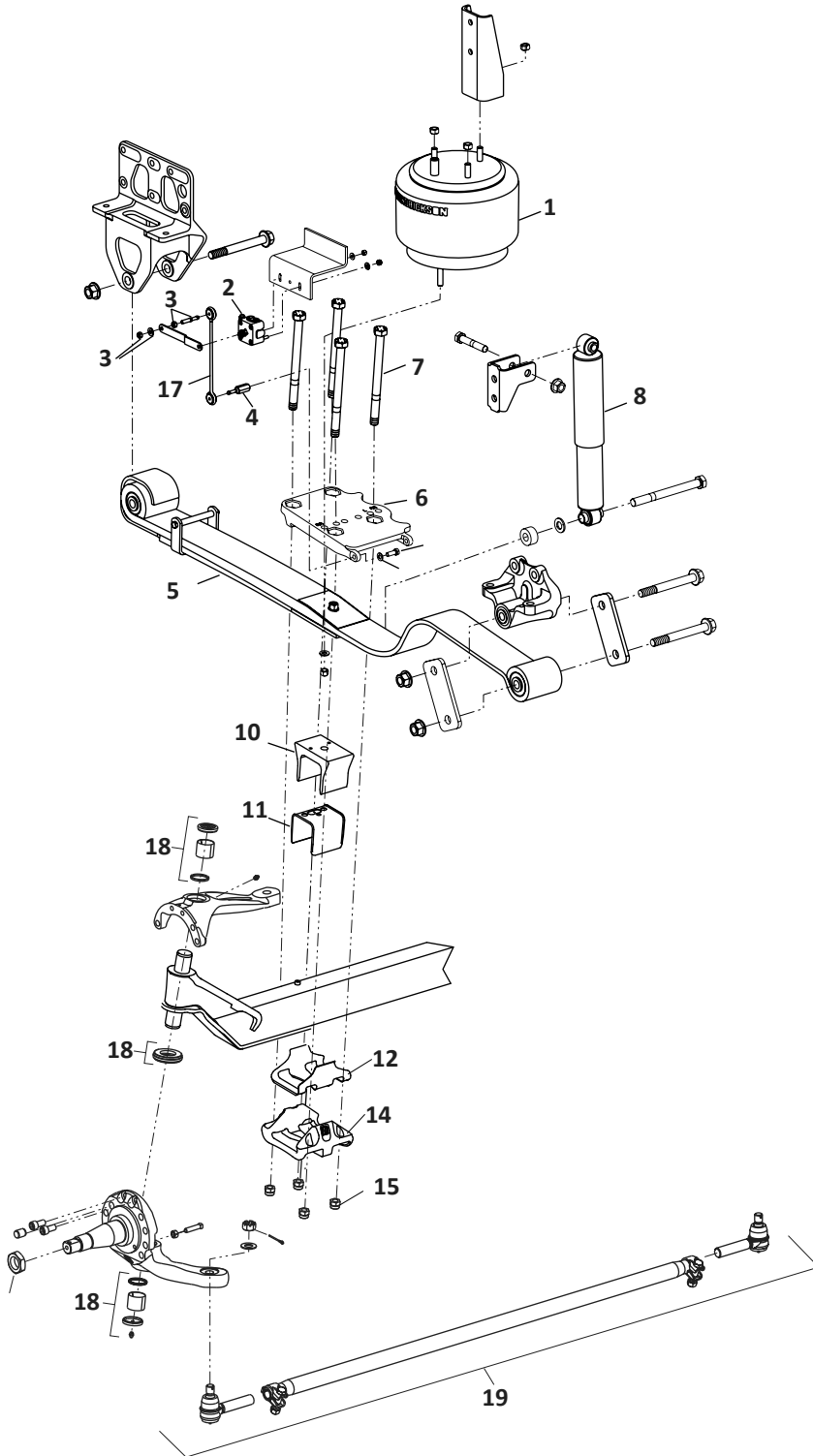
AIRTEK for International Integrated Coach Bus

NAVISTAR /
INTERNATIONAL





















Axle Wrap Liner Kit



13



For more information on King Pins, Tie Rod Ends and Assemblies
see 760C Front Axle Parts — Medium- and Heavy-Duty Applications

AIRTEK for International Integrated Coach Bus						
KEY NO.	EUCLID NO.	GENUINE	OEM REF.	DESCRIPTION	QTY. PER AXLE	PAGE NO.
1	S.O.S.	-	67568-002	Air Spring	2	-
2	E-13996		59935-011	Height Control Valve Assembly, Left Hand	1	NVI-22
	E-13997		59935-018	Height Control Valve Assembly, Right Hand	1	NVI-22
3	E-15095		59427-013	Height Control Valve Assembly, Left Hand, Includes Key 2 and Mounting Hardware	1	NVI-22
	S.O.S.		59427-014	Height Control Valve Assembly, Right Hand, Includes Key 2 and Mounting Hardware	1	-
4	E-15121		59429-003	Height Control Valve Link Mount, Rear Engine, Left Hand	1	NVI-23
	S.O.S.		64724-002	Height Control Valve Link Mount, Front Engine, Right Hand	1	-
5	S.O.S.		67420-000	Leaf Spring Assembly	2	-
6	S.O.S.		67719-000	Top Pad	2	-
7	E-7703	-		Bolt, 3/4"-16 X 9" Long	8	-
8	M85955	-	65992-006 65992-001	Shock	2	-
9	S.O.S.		70105-010	Spacer, Replaces Z-Spacer 64536-020	2	-
10	S.O.S.		59952-030	Top Axle Wrap	2	-
11	E-15147		60508-000	Top Axle Wrap Liner	2	NVI-21
12	E-15110		59845-000	Bottom Axle Wrap Liner	2	NVI-21
13	E-15727		60961-015	Axle Wrap Liner Kit, Vehicles Built Before October 2012, Includes Key Nos. 11 & 12	2	NVI-21
14	E-15108		64722-003	Bottom Axle Wrap	2	NVI-22
15	E-16421	-	-	Flange Lock Nut, 3/4"-16	8	-
16	S.O.S.		64905-005	Axle and King Pin Assembly	1	-
17	E-15096		59428-004	Linkage Kit	2	-
18	E-13999		60961-040	Kingpin Bushing and Bearing Service Kits, Axle Set Includes Left and Right Hand Kit (E-14000 and E-14001)	1	-
	E-14000		60961-009	Kingpin Bushing and Bearing Service Kit, Left Hand with Composite Thrust Bearings	1	-
	E-14001		60961-039	Kingpin Bushing and Bearing Service Kit, Right Hand with Roller Thrust Bearings	1	-
19	-		Various	Tie Rod Ends and Assembly. See Front Axle Catalog	As Req'd	-

 Denotes Product is Genuine Hendrickson

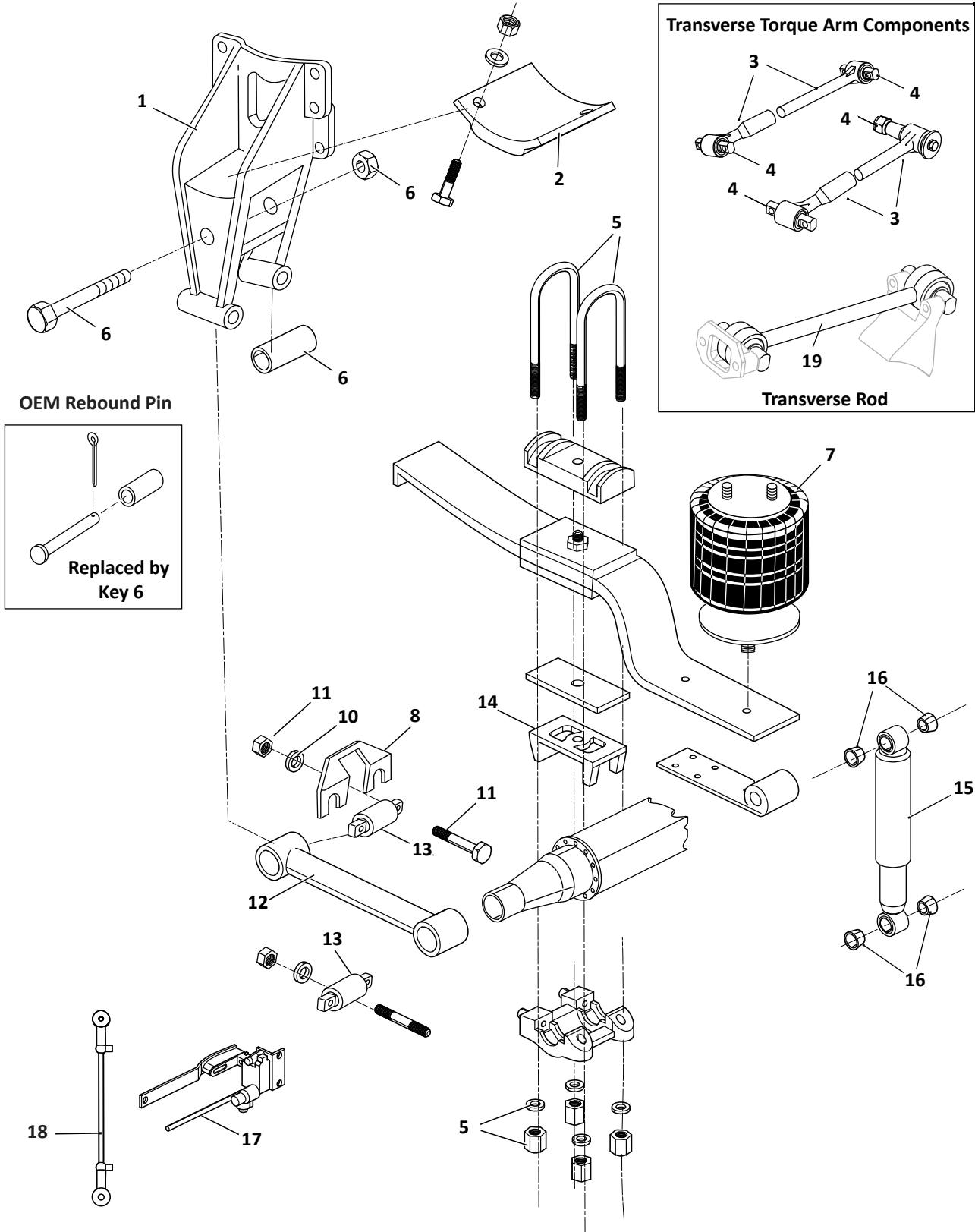
NAVISTAR / INTERNATIONAL

For more information on King Pins, Tie Rod Ends and Assemblies see 760C Front Axle Parts — Medium- and Heavy-Duty Applications

NAVISTAR / INTERNATIONAL REAR

Corporate Air Ride "Z" Spring

NAVISTAR / INTERNATIONAL



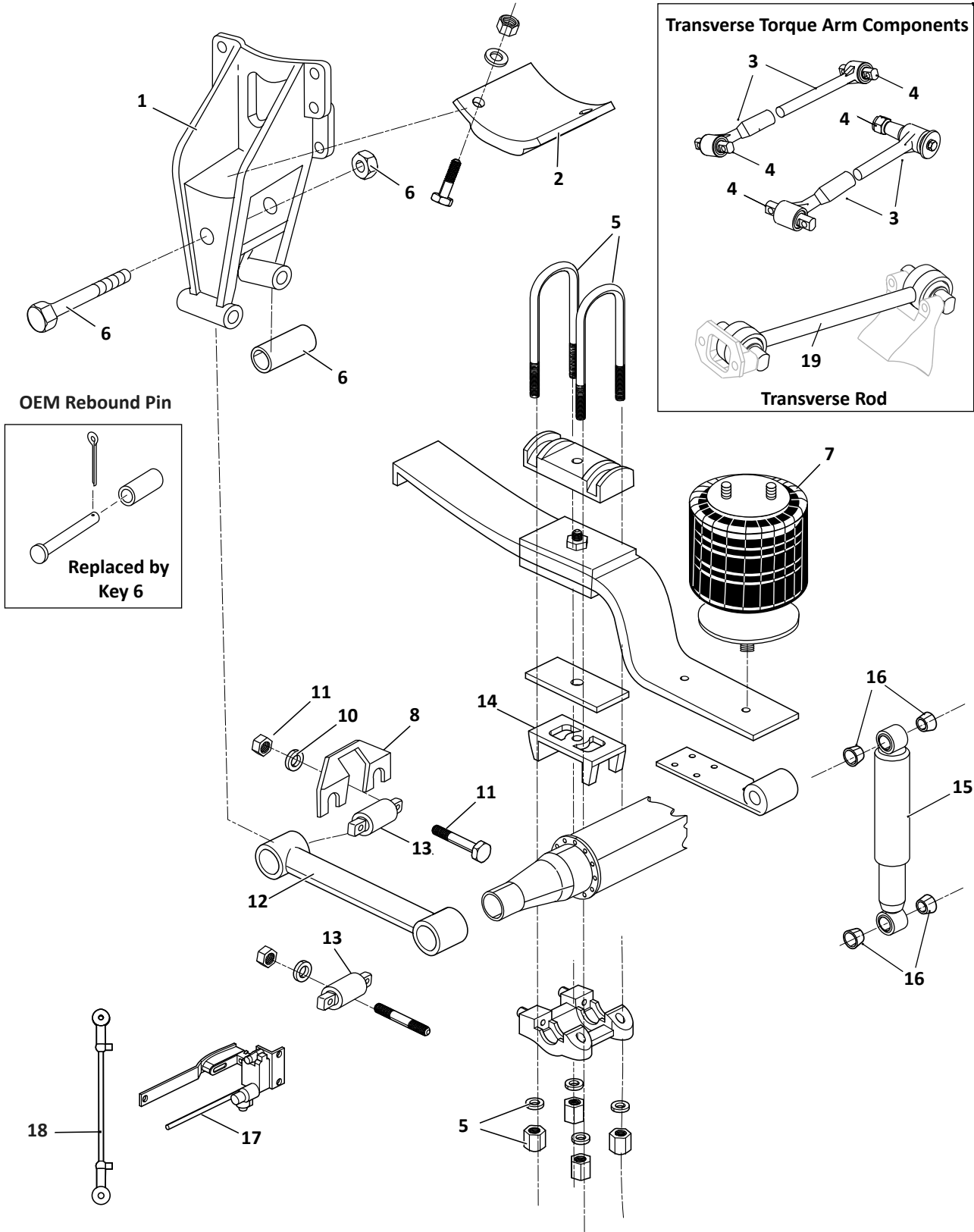
Corporate Air Ride "Z" Spring					
KEY NO.	EUCLID NO.	OEM REF.	DESCRIPTION	QTY. PER AXLE	PAGE NO.
1	E-15650	1680506C91; 1680505C3; 501556C2	Front Hanger, Most Models Except for Low Profile, 8100, 4600LP, 4600UH, 4700LP Models	2	NVI-24
2	GAFF30544	571960C1	Wear Pad, Use With Hanger E-15650	2	NVI-24
3	E-10310	66610-000	Transverse Torque Arm, MaxiRod Kit, Tube End with Straddle Bushing, Includes E-5275 Bushing	1	-
	GAFF13683	-	Transverse Torque Arm, MaxiRod Kit, Tube End with Straddle Bushing, Includes GAFF13520 Poly Bushing	1	-
	E-10315	66661-000	Transverse Torque Arm, MaxiRod Kit, Rod End with Straddle Bushing, Includes E-5275 Bushing	1	-
	GAFF13690	-	Transverse Torque Arm, MaxiRod Kit, Rod End with Straddle Bushing, Includes GAFF13520 Poly Bushing	1	-
	E-10317	66681-000	Transverse Torque Arm, MaxiRod Kit, Rod End with Taper Stud Bushing, Includes E-10309 Bushing	1	-
	GAFF13695	-	Transverse Torque Arm, MaxiRod Kit, Rod End with Taper Stud Bushing, Includes GAFF13518 Poly Bushing	1	-
4	E-5275	47691-000	Torque Arm Bushing, Rubber, 2" OD, 4-3/8" Center-to-Center, 5/8" Bolt Holes, Use in E-10310 & E-10315 Torque Rod Ends	As Required	NVI-24
	GAFF13521	-	Torque Arm Bushing, Poly, 2" OD, 4-3/8" Center-to-Center, 5/8" Bolt Holes, Use in E-10310 & E-10315 Torque Rod Ends	As Required	NVI-24
	E-10309	64697-000	Torque Arm Bushing, Rubber, Tapered Stud, Use in E-10317 Torque Rod End	As Required	NVI-24
	GAFF13582	-	Torque Arm Bushing, Poly, Tapered Stud, Use in E-10317 Torque Rod End	As Required	NVI-24
5	E-UB8353-15	590621C1	U-Bolt Assembly, Semi Rd. Bend, 3/4"-16 Thd. x 3-1/2" Wide x 15" Long	4	-
	E-UB8363-15N	590621C1	U-Bolt Assembly, Semi Rd. Bend, 7/8"-14 Thd. x 3-1/2" Wide x 15" Long	4	-
6	E-3795	574778C2	Retainer Pin Assembly, Includes Bolt, 1/2" - 20 X 5-1/2" Long, Nut and Roller, All Models Except Low Profile, OE Uses Headed Pin and Cotter Pin	2	NVI-24
7	FS9213	501559C1; 501559C2	Firestone Air Spring	2	-
	FS9371	1670043C1	Firestone Air Spring	2	-
	EAS9371	1670043C1	Euclid Air Spring	2	-
8	E-3790	488916C91	Torque Arm Shim, 1/16" Thick	As Required	NVI-25
9	E-3793	414089C1	Torque Arm Flange Nut, 5/8"-18	16	NVI-29
10	E-2547	-	Washer, 5/8"	16	-
11	E-3792	438286C1	Torque Arm Bolt, 5/8"-18 X 4-1/2" Long	8	NVI-29
12	E-10764	588117C91; 588117C92; 4939920C2	Tubular Torque Arm, 18-1/8" Center-to-Center, E-10764 Includes E-5275 Bushings	2	NVI-25
	E-3788	493920C1	Forged Torque Arm, 18-1/8" Center-to-Center, E-3788 Includes E-2226 Bushings	2	NVI-28
13	E-2225	1693060C1; 227710; 44694-000	Torque Arm Bushing, Rubber, 2-1/2" OD, 4-3/8" Center-to-Center, 5/8" Bolt Holes — Caution: Euclid Replacement Torque Arms Use E-2226 Bushings. Other Manufacturers May Use E-2225 Bushings	4	NVI-29
	GAFF13522	-	Torque Arm Bushing, Poly, 2-1/2" OD, 4-3/8" Center-to-Center, 5/8" Bolt Holes	4	NVI-24
	E-2226	227720; 44695-000	Torque Arm Bushing, Rubber, 2-3/4" OD, 4-3/8" Center-to-Center, 5/8" Bolt Holes	4	NVI-29
	GAFF13520	-	Torque Arm Bushing, Poly, 2-3/4" OD, 4-3/8" Center-to-Center, 5/8" Bolt Holes	4	NVI-24
14	E-3797	493478C2	Spring Seat, 3.4° Pinion Angle, Discontinued	2	NVI-25
	E-3798	493480C2	Spring Seat, 8.6° Pinion Angle	2	NVI-25
	E-3799	1649755C1	Spring Seat	2	NVI-25

NAVISTAR / INTERNATIONAL

NAVISTAR / INTERNATIONAL REAR

Corporate Air Ride "Z" Spring

NAVISTAR / INTERNATIONAL



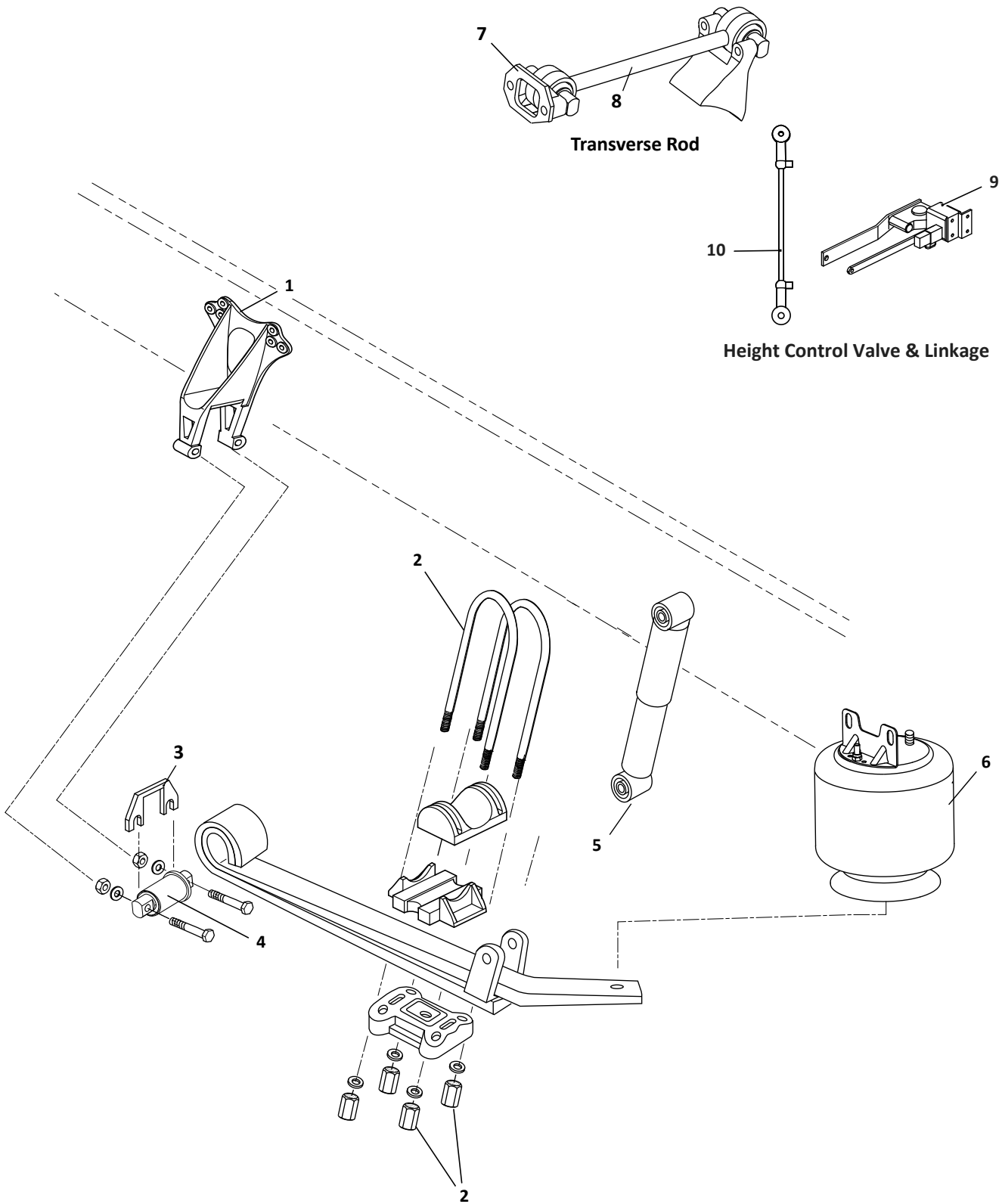
Corporate Air Ride "Z" Spring					
KEY NO.	EUCLID NO.	OEM REF.	DESCRIPTION	QTY. PER AXLE	PAGE NO.
15	M85003	1675455C1; 1690035C1; 501553C91; 2018987C1	Shock Absorber	2	-
	M89411	1675455C1; 1690035C1; 501553C91; 2018987C1	Premium Shock Absorber	2	-
	M85300	462557C91	Shock Absorber	2	-
	M85734	350426C1	Shock Absorber	2	-
16	E-401754	-	Shock Bushing, 1" ID, Rubber	8	-
	GAFF18566	-	Shock Bushing, 1" ID, Poly	8	-
17	E-9624	H00500C	Universal Height Control Valve, Hadley Model 500, Apply Air To Dump	1	NVI-26
	E-14731	H01501UD	Universal Height Control Valve, Hadley Next Gen, Apply Air To Dump	1	NVI-26
18	E-9625	-	Universal Linkage Kit	1	NVI-27
19	GAFF34563	3580088C1; 3548381C1	Transverse Torque Rod, 25-3/8" Center-to-Center, Solid Center Bar, Includes GAFF13521 Poly Bushings	As Required	NVI-25

NAVISTAR / INTERNATIONAL

NAVISTAR / INTERNATIONAL REAR

New Corporate Air Ride — “Hockey Stick” Spring

NAVISTAR / INTERNATIONAL



New Corporate Air Ride — “Hockey Stick” Spring					
KEY NO.	EUCLID NO.	OEM REF.	DESCRIPTION	QTY. PER AXLE	PAGE NO.
1	E-16812	3545280C1; 3544131C2	Hanger, Most Models	2	NVI-26
2	E-UB8169-156	-	U-Bolt Assembly, Rd. Bend, 7/8"-14 Thd. x 5-1/2" Wide x 15-3/4" Long	4	-
	E-UB8169-166	3538842C1	U-Bolt Assembly, Rd. Bend, 7/8"-14 Thd. x 5-1/2" Wide x 16-3/4" Long	4	-
3	E-16687	65640-2	Torque Arm Shim, 1/16" Thick	As Required	NVI-26
4	E-15541	3538115C5	Spring Eye Bushing, Anti-Walk	2	NVI-26
	GAFF11083	-	Spring Eye Bushing, Anti-Walk, Poly	2	NVI-26
	E-15600	-	Spring Eye Bushing, Anti-Walk, .050" Oversize OD	As Required	NVI-26
	GAFF11084	-	Spring Eye Bushing, Anti-Walk, Poly, .050" Oversize OD	As Required	NVI-26
5	M85931	3573265C1	Shock Absorber	2	-
	M89458	-	Shock Absorber, Premium Adjustable	2	-
6	FS1191	3541731C1	Firestone Air Spring, Includes Bracket	2	-
	EAS1191	3541731C1	Euclid Air Spring, Includes Bracket	2	-
7	E-2634	22186-000	Transverse Torque Arm Mounting Bracket	1	NVI-26
8	E-16075	3580088C1; 3548381C1	Transverse Torque Arm, 25-3/8" Center-to-Center, Not Rebushible	1	NVI-26
9	E-9624	H00500C	Universal Height Control Valve, Hadley Model 500, Apply Air To Dump	1	NVI-26
	E-14731	H01501UD	Universal Height Control Valve, Hadley Next Gen, Apply Air To Dump	1	NVI-26
10	E-9625	-	Universal Linkage Kit	1	NVI-27

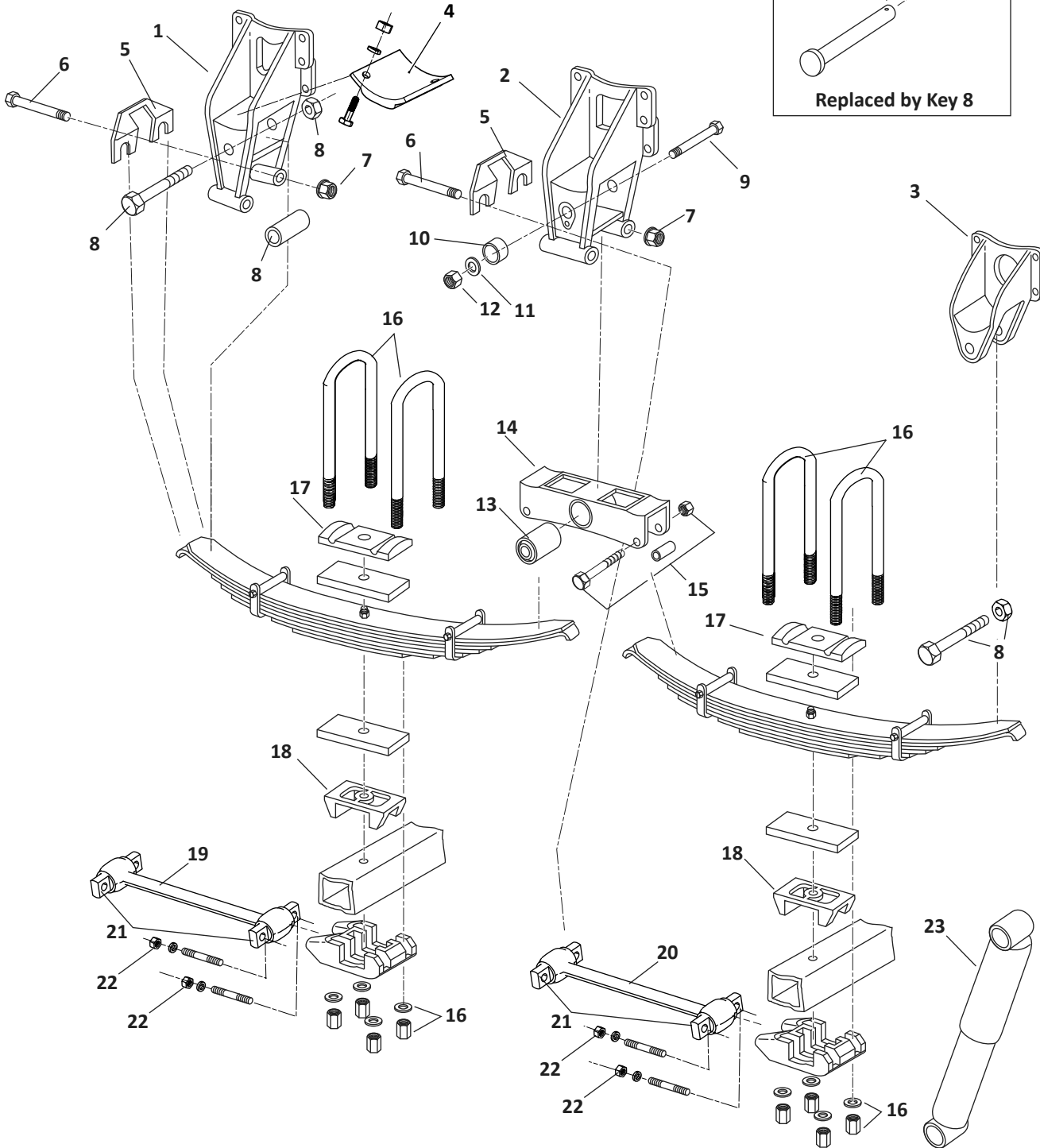
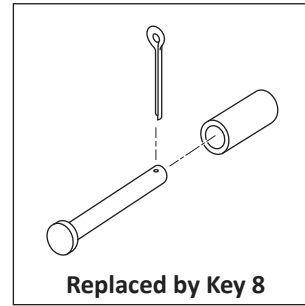
NAVISTAR / INTERNATIONAL

NAVISTAR / INTERNATIONAL REAR

4 Spring — Tractor

NAVISTAR / INTERNATIONAL

OEM Rebound Pin



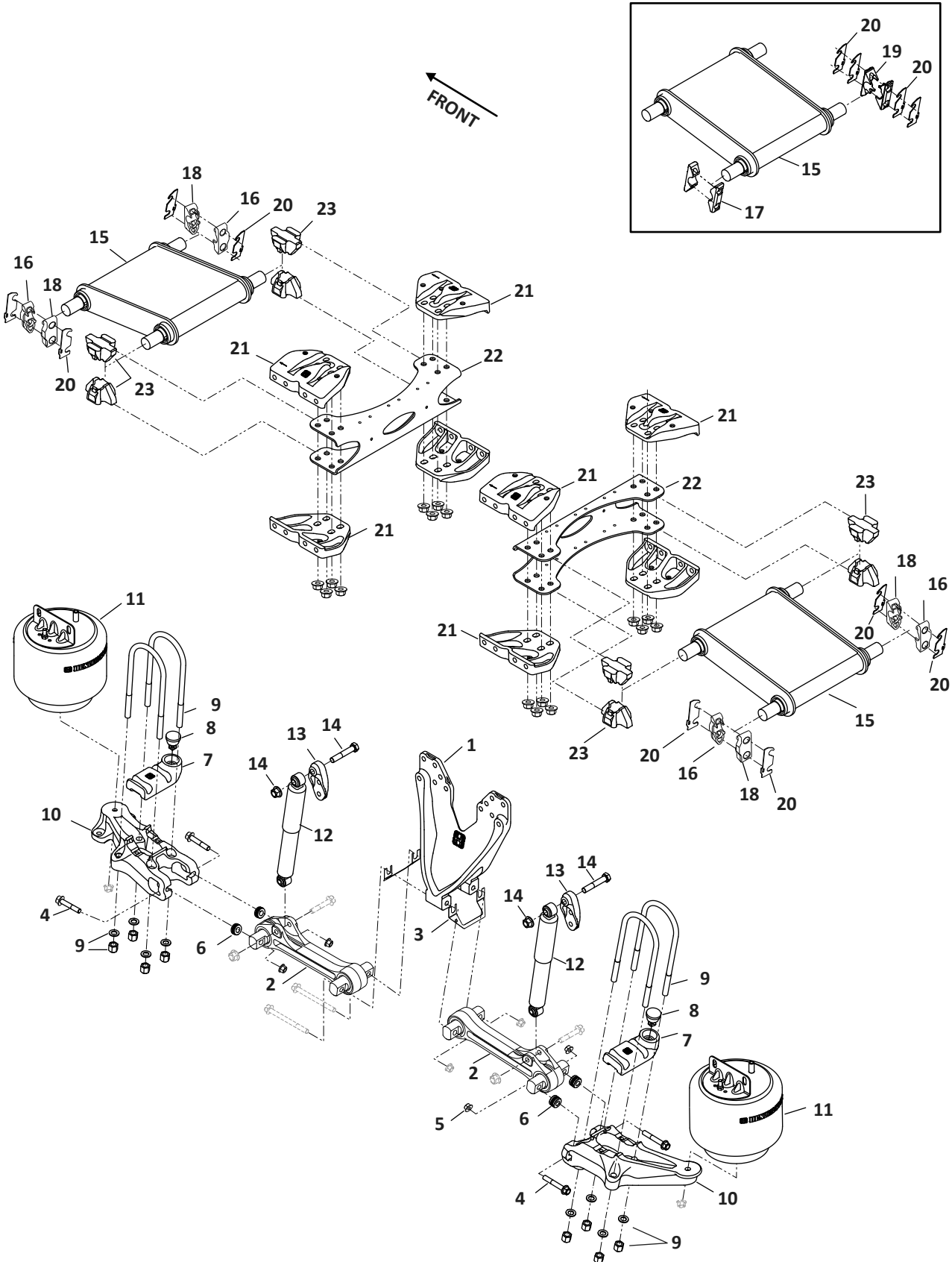
4 Spring — Tractor					
KEY NO.	EUCLID NO.	OEM REF.	DESCRIPTION	QTY. PER TANDEM	PAGE NO.
1	E-15650	1680506C91; 1680505C3; 501556C2	Front Hanger, Use With Hanger Pad GAFF30544	2	-
2	-	497787C3	Center Hanger	2	-
3	E-15653	488909C2	Rear Hanger	2	-
4	GAFF30544	571960C1	Wear Pad	2	NVI-29
5	E-3790	488916C91	Torque Arm Shim, 1/16" Thick	As Req	NVI-25
6	E-3792	438286C1	Torque Arm Bolt, 5/8"-18 X 4-1/2" Long	8	NVI-29
7	E-3793	414089C1	Torque Arm Flange Nut, 5/8"-18	16	NVI-29
8	E-3795	574778C2	Retainer Pin Assembly, Includes Bolt, 1/2" - 20 X 5-1/2" Long, Nut and Roller, OE Uses Headed Pin and Cotter Pin	4	NVI-24
9	E-3564	-	Equalizer Bolt, 1"-14 X 8" Long	2	-
10	E-3786	497785C2	Equalizer Adapter	2	NVI-28
11	E-3975	131048	Lock Washer, 1"	4	-
12	E-1828	-	Lock Nut, 1"-14	2	-
13	E-3784	497501C2	Equalizer Bushing, 2-1/2" OD X 1-1/32" ID X 4-3/4" Long, Rubber	2	NVI-28
	GAFF13513	-	Equalizer Bushing, 2-1/2" OD X 1-1/32" ID X 4-3/4" Long, Poly	2	NVI-28
14	E-3783	497790C2	Equalizer	2	NVI-28
15	E-4770	-	Equalizer Roller Assembly, Includes Bolt, Nut and Roller	4	NVI-28
16	E-UB8353-15	590621C1	U-Bolt Assembly, Semi Round, Bend, 3/4"-16 Thd. x 3-1/2" Wide x 15" Long	8	-
	E-UB8363-15N	1610312C2	U- Bolt Assembly, Semi Round, Bend 7/8"-14 Thd. x 3-1/2" Wide 15" Long	8	-
17	E-3796	581744C1	U-Bolt Top Plate	4	NVI-30
18	E-3797	493478C2	Spring Seat, 3.4° Pinion Angle, Discontinued	4	NVI-25
	E-3798	493480C2	Spring Seat, 8.6° Pinion Angle	4	NVI-25
	E-3799	1649755C1	Spring Seat	4	NVI-25
19	E-10764	588117C91; 588117C92; 4939920C2	Tubular Torque Arm, Front, 18-1/8" Center-to-Center, E-10764 Includes E-5275 Bushings	2	NVI-25
	E-3788	493920C1	Rigid Torque Arm, Forged Ends, Front, 18-1/8" Center-to-Center, E-3788 Includes E-2226 Bushings	2	NVI-28
20	E-10765	588118C91, C92	Rigid Torque Arm, Tubular Design, Rear, 21-31/32" Center-to-Center, E-10765 Includes E-5275 Bushings	2	-
	E-3789	493921C1, C2	Rigid Torque Arm, Forged Ends, Rear, 21-31/32" Center-to-Center, E-3788 Includes E-2226 Bushings	2	NVI-28
21	E-2225	1693060C1; 227710; 44694-000	Torque Arm Bushing, Rubber, 2-1/2" OD, 4-3/8" Center-to-Center, 5/8" Bolt Holes — CAUTION: Euclid Replacement Torque Arms use E-2226 bushings. Other Manufacturers may Use E-2225 Bushings	8	NVI-29
	GAFF13522	-	Torque Arm Bushing, Poly, 2-1/2" OD, 4-3/8" Center-to-Center, 5/8" Bolt Holes	8	NVI-29
	E-2226	227720; 44695-000	Torque Arm Bushing, Rubber, 2-3/4" OD, 4-3/8" Center-to-Center, 5/8" Bolt Holes	8	NVI-29
	GAFF13520	-	Torque Arm Bushing, Poly, 2-3/4" OD, 4-3/8" Center-to-Center, 5/8" Bolt Holes	8	NVI-29
22	E-2988	-	Lock Nut, 5/8" - 11	8	-
23	M83101	-	Shock Absorber	2	-

NAVISTAR / INTERNATIONAL

NAVISTAR / INTERNATIONAL REAR

HTB 400LT for International

NAVISTAR /
INTERNATIONAL



HTB 400LT for International						
KEY NO.	EUCLID NO.	GENUINE	OEM REF.	DESCRIPTION	QTY. PER TANDEM	PAGE NO.
1	S.O.S.	☒	65700-000	Frame Hanger	2	-
2	E-16364	☒	77906-398	Torque Rod Assembly; New Style. Non-Replaceable Bushings; Replaces 64768-398	4	NVI-31
	-	☒	64768-398	Torque Rod Assembly; Old Style w/ Replaceable Bushings	4	-
3	S.O.S.	☒	65640-001	.030" Torque Rod Shims	As Req.	-
	S.O.S.	☒	65640-002	.060" Torque Rod Shims	As Req.	-
	S.O.S.	☒	65640-003	.120" Torque Rod Shims	As Req.	-
4	S.O.S.	☒	Various	5/8"-11 Torque Rod Flange Bolt, See Chart Below	8	-
5	E-8911	-	66637-000	5/8"-11 Torque Rod Flange Locknut	8	-
6	S.O.S.	☒	Various	Pinion Spacer, See Chart Below	8	-
7	S.O.S.	☒	65708-000	Axle Top Pad Assembly; Includes Key No. 8	4	-
8	E-15148	☒	64080-000	Axle Stop	4	NVI-31
9	S.O.S.	☒	48718-116	U-Bolt Assembly Incl. Nuts, Washers	4	-
10	S.O.S.	☒	Various	Lower Air Spring Bracket, See Chart Below	2	-
11	S.O.S.	☒	66643-002	Air Spring Assembly; Replaces 60977-002L	4	-
12	M85102	-	60657-008 60657-006 60657-010 60657-011	Shock Absorber, All Models	4	-
13	E-15177	☒	67463-002	Shock Absorber Frame Bracket; Replaces 65000-002	4	NVI-31
14	S.O.S.	☒	50754-022	Upper Shock Mount Fastener Kit, One Shock	4	-
15	E-16366	☒	64785-007B	Torque Box Assembly; Replaces 64785-001, 64785-002B	2	NVI-31
16	S.O.S.	☒	67157-001	Axle Bracket Bar Pin Clamp LH; Vehicles Built After 10/07	4	-
17	S.O.S.	☒	66174-000	Axle Bracket Bar Pin Clamp Non-Adjustable; Vehicles Built Prior to 10/07	4	-
18	S.O.S.	☒	67157-002	Axle Bracket Bar Pin Clamp RH; Vehicles Built After 10/07	4	-
19	S.O.S.	☒	66274-000	Axle Bracket Bar Pin Clamp Adjustable; Vehicles Built Prior to 10/07	4	-
20	S.O.S.	☒	67237-001	Axle Bracket Spacer (3/32") Vehicles Built After 10/07	8	-
	S.O.S.	☒	65737-001	Axle Bracket Spacer (3/32") Vehicles Built Prior to 10/07	8	-
21	S.O.S.	☒	65705-001	Cross Member Gusset LH Top; RH Bottom	4	-
	S.O.S.	☒	65705-002	Cross Member Gusset LH Bottom; RH Top	4	-
22	S.O.S.	☒	67478-000	Cross Member C-Channel; Replaces 64970-000	2	-
23	S.O.S.	☒	65144-000	Cross Member Bar Pin Clamp	8	-

☒ Denotes Product is Genuine Hendrickson

NAVISTAR / INTERNATIONAL

HTB LT PINION ANGLE CHART							
	PINION ANGLE	KEY NO. 10		KEY NO. 6		KEY NO. 4	
		HENDRICKSON AIR SPRING BRACKET PART NO.		HENDRICKSON PINION SPACER PART NO.		HENDRICKSON TORQUE ROD FLANGE BOLT	
		LEFT HAND	RIGHT HAND	THICKNESS	PART NO.	LENGTH	PART NO.
FRONT	2°	-	-	None	None	3-½"	66636-004
	3°	65638-001	65638-002	8 mm	66193-001	4"	66636-003
	4°	-	-	16 mm	66193-002	-	-
	5°	-	-	24 mm	66193-003	4-½"	66636-002
REAR	8°	-	-	24 mm	66193-003	4-½"	66636-002
	9°	65698-001	65698-002	16 mm	66193-002	4"	66636-003
	10°	-	-	8 mm	66193-001	-	-
REAR	11°	-	-	24 mm	66193-003	4-½"	66636-002
	12°	64764-001	64764-002	16 mm	66193-002	-	-
	13°	-	-	8 mm	66193-001	4"	66636-003


NAVISTAR / INTERNATIONAL FRONT

AIRTEK / SOFTEK for International Trucks / Tractors


NAVISTAR / INTERNATIONAL

Rear Spring Mount Kit

FOR MODEL:
AIRTEK Truck





Vehicles Built After 09/06

EUCLID NO.	GENUINE	OEM REF.	NOTES
E-15120		60961-158	Includes Spring Mount, Spring End Plate and Hardware

Rear Hanger Right Hand

FOR MODEL:
AIRTEK Truck



EUCLID NO.	GENUINE	OEM REF.	NOTES
E-15104		68317-002	Vehicles Built Before 09/06

Shackle Plate


FOR MODEL:
SOFTEK




EUCLID NO.	GENUINE	OEM REF.
E-16420		66545-000

Rear Hanger Left Hand


FOR MODEL:
AIRTEK Truck




EUCLID NO.	GENUINE	OEM REF.	NOTES
E-15103		68317-001	Vehicles Built Before 09/06

Thrust Washer


FOR MODEL:
AIRTEK Truck




EUCLID NO.	GENUINE	OEM REF.	NOTES
E-15123		66779-000	Vehicles Built After 09/06

Rear Hanger Right Hand


FOR MODEL:
AIRTEK Truck




EUCLID NO.	GENUINE	OEM REF.	NOTES
E-15125		66382-002	Vehicles Built After 09/06

Rear Mount Spacer


FOR MODEL:
AIRTEK Truck




EUCLID NO.	GENUINE	OEM REF.	NOTES
E-15100		65772-000	Vehicles Built Before 09/06

Rear Hanger Left Hand

FOR MODEL:
AIRTEK Truck



EUCLID NO.	GENUINE	OEM REF.	NOTES
E-15124		66382-001	Vehicles Built After 09/06

 Denotes Product is Genuine Hendrickson

NAVISTAR / INTERNATIONAL FRONT


AIRTEK / SOFTEK for International Trucks / Tractors


Suspension

NAVISTAR / INTERNATIONAL

Top Pad Right Hand


FOR MODEL:
AIRTEK Truck




EUCLID NO.	GENUINE	OEM REF.	NOTES
E-15128		68318-002	Vehicles Built After 09/06

Top Axle Wrap Liner


FOR MODELS:
AIRTEK & SOFTEK Truck




EUCLID NO.	GENUINE	OEM REF.	NOTES
E-15109		65757-000	Not Required on NXT

Top Pad Left Hand

FOR MODEL:
AIRTEK Truck





EUCLID NO.	GENUINE	OEM REF.	NOTES
E-15127		68318-001	Vehicles Built After 09/06

Top Axle Wrap Liner

FOR MODEL:
AIRTEK for IC Buses

Elongated Slot



EUCLID NO.	GENUINE	OEM REF.
E-15147		60508-000

Top/Bottom Axle Wrap Liner Kit


FOR MODEL:
AIRTEK Truck




EUCLID NO.	GENUINE	OEM REF.	NOTES
E-15119		60961-110	Includes Top and Bottom Axle Liners and Hardware

Top Axle Wrap

FOR MODELS:
AIRTEK & SOFTEK Truck




EUCLID NO.	GENUINE	OEM REF.	NOTES
E-15107		59952-023	Lone Star 9200/9400/8600, Not Required on NXT

Axle Wrap Liner Kit

FOR MODEL:
AIRTEK Truck



Includes E-15147 & E-15110 Liners

EUCLID NO.	GENUINE	OEM REF.
E-15727		60961-015

Bottom Axle Wrap Liner

FOR MODELS:
AIRTEK Truck & IC Buses,
SOFTEK Truck



EUCLID NO.	GENUINE	OEM REF.	NOTES
E-15110		59845-000	Not Required on NXT

 Denotes Product is Genuine Hendrickson

NAVISTAR / INTERNATIONAL FRONT

AIRTEK / SOFTEK for International Trucks / Tractors

NAVISTAR / INTERNATIONAL

Bottom Axle Wrap

FOR MODELS:
AIRTEK Truck &
IC Buses,
SOFTEK Truck



EUCLID NO.	GENUINE	OEM REF.	NOTES
E-15108		64722-003	Not Required on NXT

Height Control Valve, Right Hand

FOR MODELS:
AIRTEK Truck &
IC Buses



EUCLID NO.	GENUINE	OEM REF.
E-13997		59935-018

Belly Band

FOR MODEL:
AIRTEK Truck



EUCLID NO.	GENUINE	OEM REF.	NOTES
E-15126		66419-000	Vehicles Built After 09/06

Height Control Valve Left Hand

FOR MODEL:
AIRTEK Truck &
IC Buses



EUCLID NO.	GENUINE	OEM REF.
E-13996		59935-011

Bolt



EUCLID NO.	GENUINE	OEM REF.	LENGTH	THREAD	APPLICATION
E-15099	-	58035-006	3-1/2"	3/8"-16	AIRTEK Truck
E-15102	-	58917-016	8-1/2"	3/4"-10	AIRTEK Truck
E-7703	-	-	9"	3/4"-16	AIRTEK for IC Buses

Height Control Valve Assembly, Left Hand

FOR MODEL:
AIRTEK Truck &
IC Buses



EUCLID NO.	GENUINE	OEM REF.	NOTES
E-15095		59427-013	Includes Linkage

Lower Link Mount Kit

FOR MODEL:
AIRTEK Truck




Vehicles Built Before 09/06



EUCLID NO.	GENUINE	OEM REF.	NOTES
E-15097		60961-071	Includes E-15098 Link, Bolt, Washer



Denotes Product is Genuine Hendrickson

NAVISTAR / INTERNATIONAL FRONT AIRTEK / SOFTEK for International Trucks / Tractors

Suspension

Lower Link Mount			
FOR MODEL: AIRTEK Truck			
			
EUCLID NO.	GENUINE	OEM REF.	NOTES
E-15098		59429-002	Vehicles Built Before 09/06

Air Spring Bracket Right Hand			
FOR MODEL: AIRTEK Truck			
			
EUCLID NO.	GENUINE	OEM REF.	NOTES
E-15114		66776-000	Vehicles Built After 09/06

Lower Link Mount			
FOR MODELS: AIRTEK Truck & IC Buses			
			
Trucks Built After 09/06			
EUCLID NO.	GENUINE	OEM REF.	NOTES
E-15121		59429-003	All Buses w/ Rear Engines, Buses with Front Engine Left Hand Valve

Air Spring Bracket Left Hand			
FOR MODEL: AIRTEK Truck			
			
EUCLID NO.	GENUINE	OEM REF.	NOTES
E-15113		66775-000	Vehicles Built After 09/06

NAVISTAR /
INTERNATIONAL

 Denotes Product is Genuine Hendrickson

NAVISTAR / INTERNATIONAL FRONT

Corporate Air Ride "Z" Spring

NAVISTAR / INTERNATIONAL

Front Hanger

FOR MODELS:
Most Models
Except Low Profile



EUCLID NO.	OEM REF.
E-15650	1680506C91; 1680505C3; 501556C2

Wear Pad



Use With Hanger E-15650

EUCLID NO.	OEM REF.
GAFF30544	571960C1

Torque Arm Bushing



EUCLID NO.	OEM REF.	OD	BOLT HOLE DIA	C-TO-C	MATERIAL
E-2225	1693060C1; 227710; 44694-000	2-1/2"	5/8"	4-3/8"	Rubber
GAFF13522	-				Poly
E-2226	227720; 44695-000	2-3/4"	5/8"	4-3/8"	Rubber
GAFF13520	-				Poly

Retainer Pin Assembly

FOR MODELS:
All Models



EUCLID NO.	OEM REF.	NOTES
E-3795	574778C2	Includes Bolt, 1/2" - 20 X 5-1/2" Long, Nut and Roller

Torque Arm Bushing



Use in E-10310 & E-10315 Torque Rod Ends

EUCLID NO.	OEM REF.	OD	C-TO-C	MATERIAL	BOLT HOLES
E-5275	47691-000	2"	4-3/8"	Rubber	5/8"
GAFF13521	-	2"	4-3/8"	Poly	5/8"


Torque Arm Bushing, Rubber, Tapered Stud





Use in E-10317 Torque Rod End


EUCLID NO.	OEM REF.	MATERIAL
E-10309	64697-000	Rubber
GAFF13582	-	Poly


Corporate Air Ride "Z" Spring


Torque Arm Shim			
			
EUCLID NO.	OEM REF.	THICKNESS	LENGTH
E-3790	488916C91	1/16"	5-3/4"

Spring Seat			
			
E-3797 Discontinued			
EUCLID NO.	OEM REF.	PINION ANGLE	NOTES
E-3797	493478C2	3.4°	For 4 5/8" Axle
E-3798	493480C2	8.6°	For 4 5/16" Axle

Forged Torque Arm			
			
EUCLID NO.	OEM REF.	C-TO-C	NOTES
E-3788	493920C1	18-1/8"	Includes E-2226 Bushings

Spring Seat	
	
EUCLID NO.	OEM REF.
E-3799	1649755C1

Tubular Torque Arm			
			
EUCLID NO.	OEM REF.	C-TO-C	NOTES
E-10764	588117C91; 588117C92; 4939920C2	18-1/8"	Includes E-5275 Bushings

Transverse Torque Rod			
			
EUCLID NO.	OEM REF.	C-TO-C	NOTES
GAFF34563	-	25-3/8"	Includes GAFF13521 Poly Bushings

NAVISTAR / INTERNATIONAL

NAVISTAR / INTERNATIONAL REAR

New Corporate Air Ride — “Hockey Stick” Spring

NAVISTAR / INTERNATIONAL

Spring Eye Bushing, Anti-Walk



EUCLID NO.	OEM REF.	MATERIAL	NOTES
E-15541	3538115C5	Rubber	Standard OE Design
GAFF11083	-	Poly	Standard OE Design
E-15600	-	Rubber	.050" Oversize OD
GAFF11084	-	Poly	.050" Oversize OD

Transverse Torque Arm



EUCLID NO.	OEM REF.	C-TO-C	MATERIAL	NOTES
E-16075	3580088C1; 3548381C1	25-3/8"	Rubber	Not Rebusable

Transverse Torque Arm Mounting Bracket



EUCLID NO.	OEM REF.
E-2634	22186-000

Alignment Shim



EUCLID NO.	OEM REF.	THICKNESS
E-16687	65640-002	1/16"

Universal Height Control Valve



EUCLID NO.	OEM REF.	NOTES
E-9624	H00500C	Hadley Model 500, Apply Air To Dump

Hanger

FOR MODELS:
Most Models



EUCLID NO.	OEM REF.
E-16812	3545280C1; 3544131C2

Universal Height Control Valve




EUCLID NO.	OEM REF.	NOTES
E-14731	H01501UD	Hadley Model Next Gen, Apply Air to Dump

NAVISTAR / INTERNATIONAL REAR

New Corporate Air Ride — “Hockey Stick” Spring

Suspension

Universal Linkage Kit	
	
EUCLID NO.	NOTES
E-9625	Universal Kit, Length 3-5/8" - 19-5/8"

NAVISTAR /
INTERNATIONAL

NAVISTAR / INTERNATIONAL REAR

4 Spring, Tractor

NAVISTAR / INTERNATIONAL

Equalizer



EUCLID NO.	OEM REF.	NOTES
E-3783	497790C2	Includes E-3784 Bushing and E-4770 Roller Assembly

Retainer Pin Assembly



Nut and Roller, OE Uses Headed Pin and Cotter Pin

EUCLID NO.	OEM REF.	THREAD SIZE	BOLT LENGTH
E-3795	574778C2	1/2" - 20	5-1/2"

Equalizer Bushing



EUCLID NO.	OEM REF.	OD	ID	LENGTH	MATERIAL
E-3784	497501C2	2-1/2"	1-1/32"	4-23/32"	Rubber
GAFF13513	-	2-1/2"	1-1/32"	4-23/32"	Poly

Torque Arms



Euclid parts include E-2226 Bushings

EUCLID NO.	OEM REF.	LENGTH C-TO-C	BUSHING ANGLE
E-3788	493920C1, C2	18-1/8"	15°/15°
E-3789	493921C1, C2	21-31/32"	

Equalizer Adapter



EUCLID NO.	OEM REF.	OD	ID	LENGTH
E-3786	497785C2	1-7/8"	1-1/32"	29/32"

Torque Arms



Euclid parts include E-5275 Bushings

EUCLID NO.	OEM REF.	LENGTH C-TO-C	BUSHING ANGLE
E-10764	588117C91; 588117C92; 4939920C2	18-1/8"	15°/15°
E-10765	588118C91, C92	21-31/32"	


Equalizer Roller Assembly





EUCLID NO.	NOTES
E-4770	Includes Bolt, Tube, Nut


4 Spring, Tractor


NAVISTAR /
INTERNATIONAL


Torque Arm Bushings			
			
4-3/8" Center-to-Center, 5/8" Bolt Holes			
EUCLID NO.	OEM REF.	OD	MATERIAL
E-2225	1693060C1; 227710; 44694-000	2-1/2"	Rubber
GAFF13522	-		Poly
E-2226	227720; 44695-000	2-3/4"	Rubber
GAFF13520	-		Poly

Flange Nut				
				
EUCLID NO.	OEM REF.	THREAD	HEX	HIGH
E-3793	414089C1	5/8" - 18	15/16"	5/8"

Wear Pad	
	
EUCLID NO.	OEM REF.
GAFF30544	571960C1

Torque Arm Shim			
			
EUCLID NO.	OEM REF.	THICKNESS	LENGTH
E-3790	488916C91	1/16"	5-3/4"

Front Hanger	
	
EUCLID NO.	OEM REF.
E-15650	1680506C91; 1680505C3; 501556C2

Bolts			
			
EUCLID NO.	OEM REF.	THREAD SIZE	BOLT LENGTH
E-3792	438286C1	5/8" - 18	4-1/2"

NAVISTAR / INTERNATIONAL REAR

4-Spring, Tractor

NAVISTAR / INTERNATIONAL

Rear Hanger



EUCLID NO.	OEM REF.
E-15653	488909C2

Spring Seat



E-3797 Discontinued

EUCLID NO.	OEM REF.	PINION ANGLE	NOTES
E-3797	493478C2	3.4°	For 4-5/8" Axle
E-3798	493480C2	8.6°	For 4-5/16" Axle

U-Bolt Top Plate





EUCLID NO.	EUCLID NO.	OEM REF.
E-3796	E-3796	581744C1

Spring Seat





EUCLID NO.	OEM REF.
E-3799	1649755C1

HTB For International

Torque Box Assembly		
FOR MODEL: HTB		
		
EUCLID NO.	GENUINE	OEM REF.
E-16366		64785-007B, 64785-002B, 64785-001

Axle Stop		
FOR MODEL: HTB		
		
Diameter 2"		
EUCLID NO.	GENUINE	OEM REF.
E-15148		64080-000

Torque Rod Assembly			
FOR MODEL: HTB			
			
EUCLID NO.	GENUINE	OEM REF.	NOTES
E-16364		77906-398	Non-Replaceable Bushings

Shock Absorber Bracket		
FOR MODEL: HTB		
		
1-3/4" Dia. Hole, 2-5/8" Dia. Holes		
EUCLID NO.	GENUINE	OEM REF.
E-15177		67463-002

NAVISTAR / INTERNATIONAL

TABLE OF CONTENTS

Page LM-2000 Series Lift Axle — Truck/Tractor PAG-2

Page LM-3000 Series Lift Axle — Truck/Tractor PAG-4

Page Trailmaster Air Spring — Trailer PAG-6

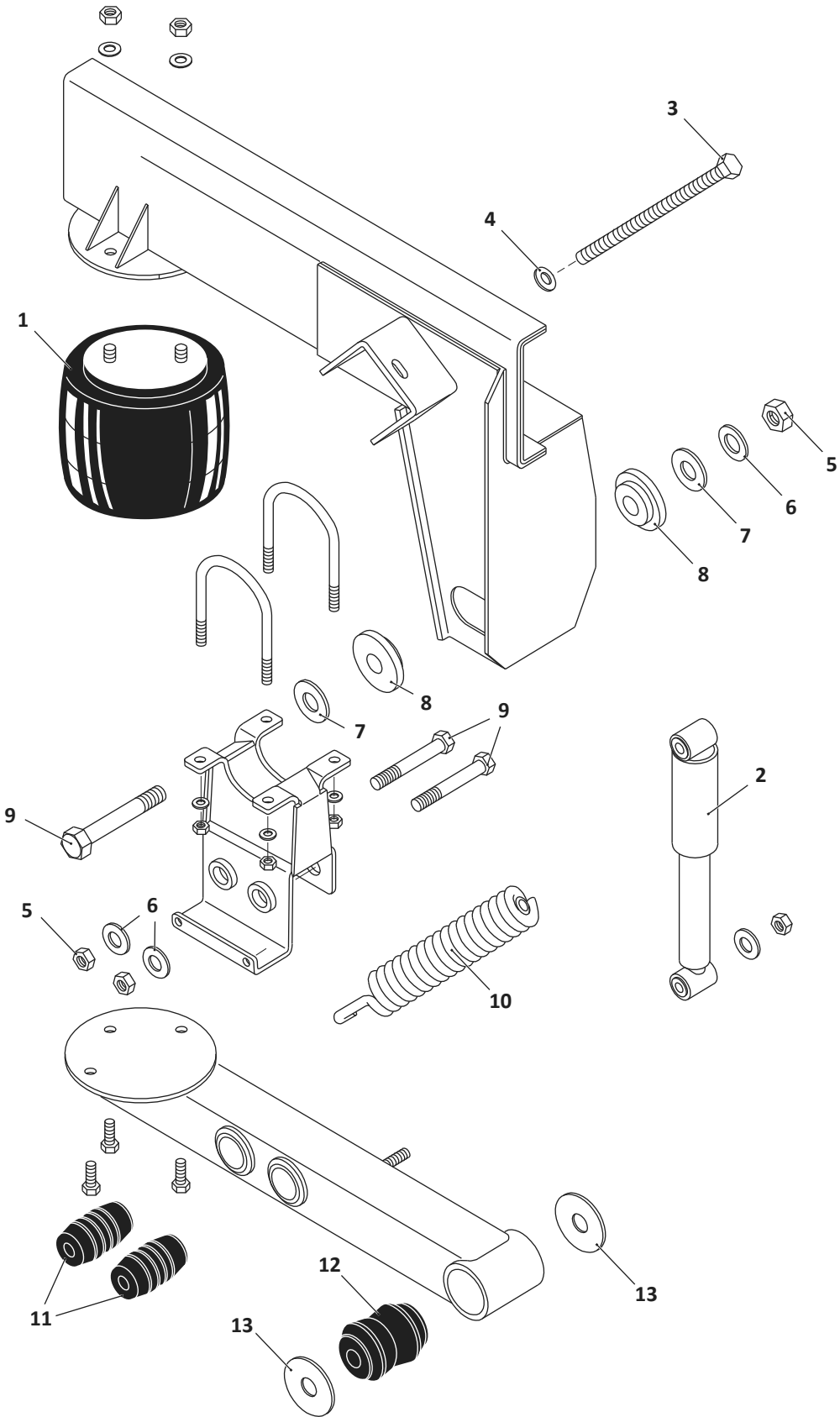
Page Single Point — Trailer PAG-8

Page Components PAG-10

PAGE



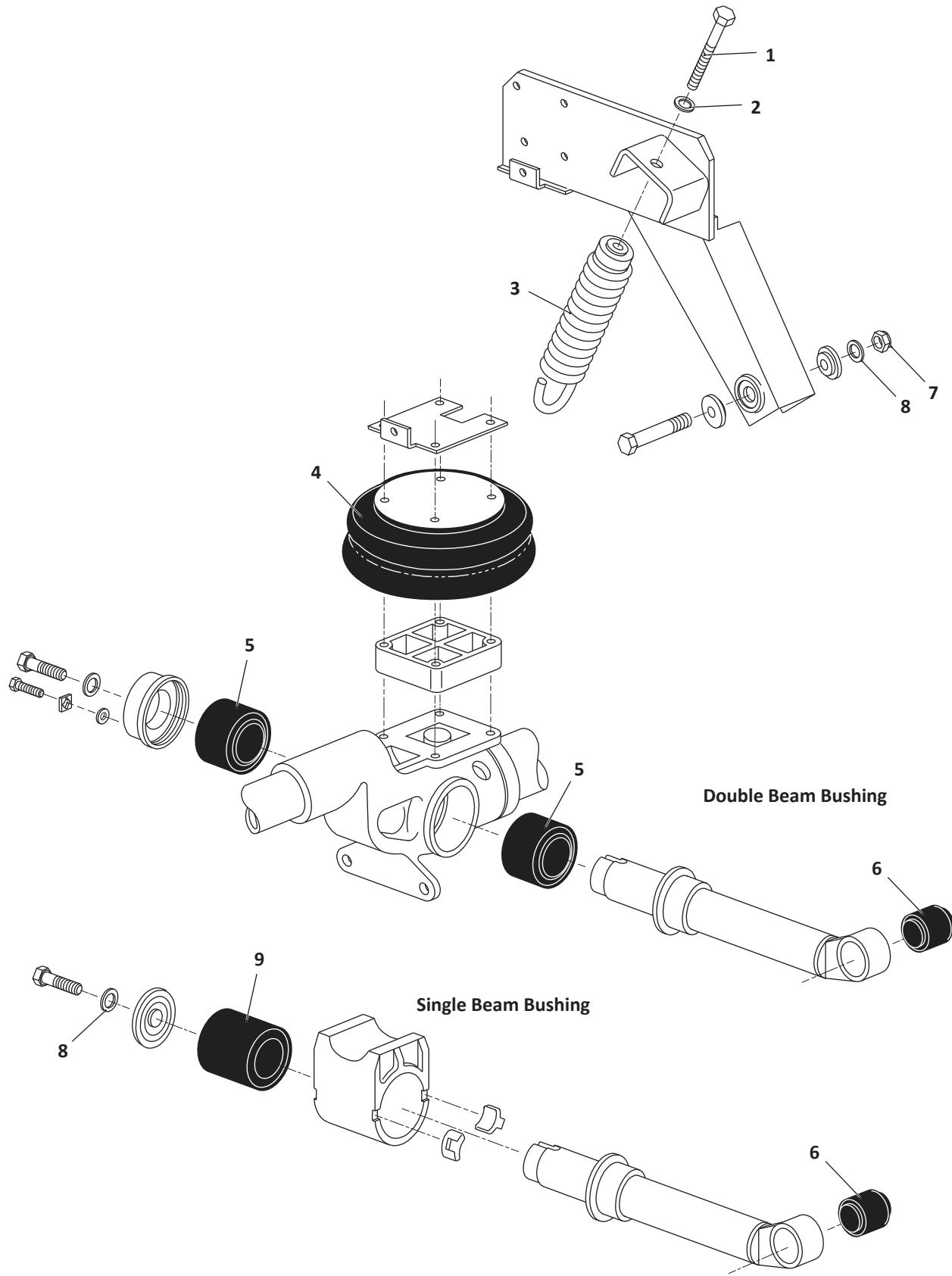
Not sure which suspension you have?
 Check out Meritor's Suspension Identification
 Xact Search to find the right part by
 clicking the QR code



PAGE

Page LM-2000 Series Lift Axle — Truck/Tractor

KEY NO.	EUCLID NO.	OEM REF.	DESCRIPTION	QUANTITY PER AXLE	PAGE NO.
1	-	1090326	Air Spring	2	-
2	M83203	1080099	Shock Absorber	2	-
	M85000	1080099	Shock Absorber	2	-
3	E-9449	1027645	Coil Lift Spring Bolt, 3/4"-16 X 10" Long	2	PAG-10
4	E-9450	1027644	Coil Lift Spring Washer, 1-1/4" OD, 3/4" ID, 3/8" Thick	2	PAG-11
5	E-4358	1027534	Lock Nut, 1-1/8"-7	6	-
6	E-9452	1025264	Axle Bracket Washer, 1-3/4" OD, 1-3/16" ID, 1/8" Thick, Discontinued	6	PAG-11
7	E-9454	1082048	Beam End Washer, 2-1/4" OD, 1-1/8" ID, 3/8" Thick	4	PAG-11
8	E-9455	1082047	Alignment Collar	4	PAG-11
9	E-4361	1090452	Bolt, 1-1/8"-7 X 8-1/2" Long	6	-
10	E-9448	1027637	Coil Lift Spring	2	PAG-10
11	E-4255	1090237	Axle Bracket Bushing, Rubber	4	PAG-10
	GAFF14510	-	Axle Bracket Bushing, Poly	4	PAG-10
12	E-4382A	1090436	Beam End Bushing, Rubber	2	PAG-10
	GAFF14513	-	Beam End Bushing, Poly	2	PAG-10
13	E-2957	1090437	Thrust Washer, 4" OD, 2-9/16" ID, 1/4" Thick	4	-



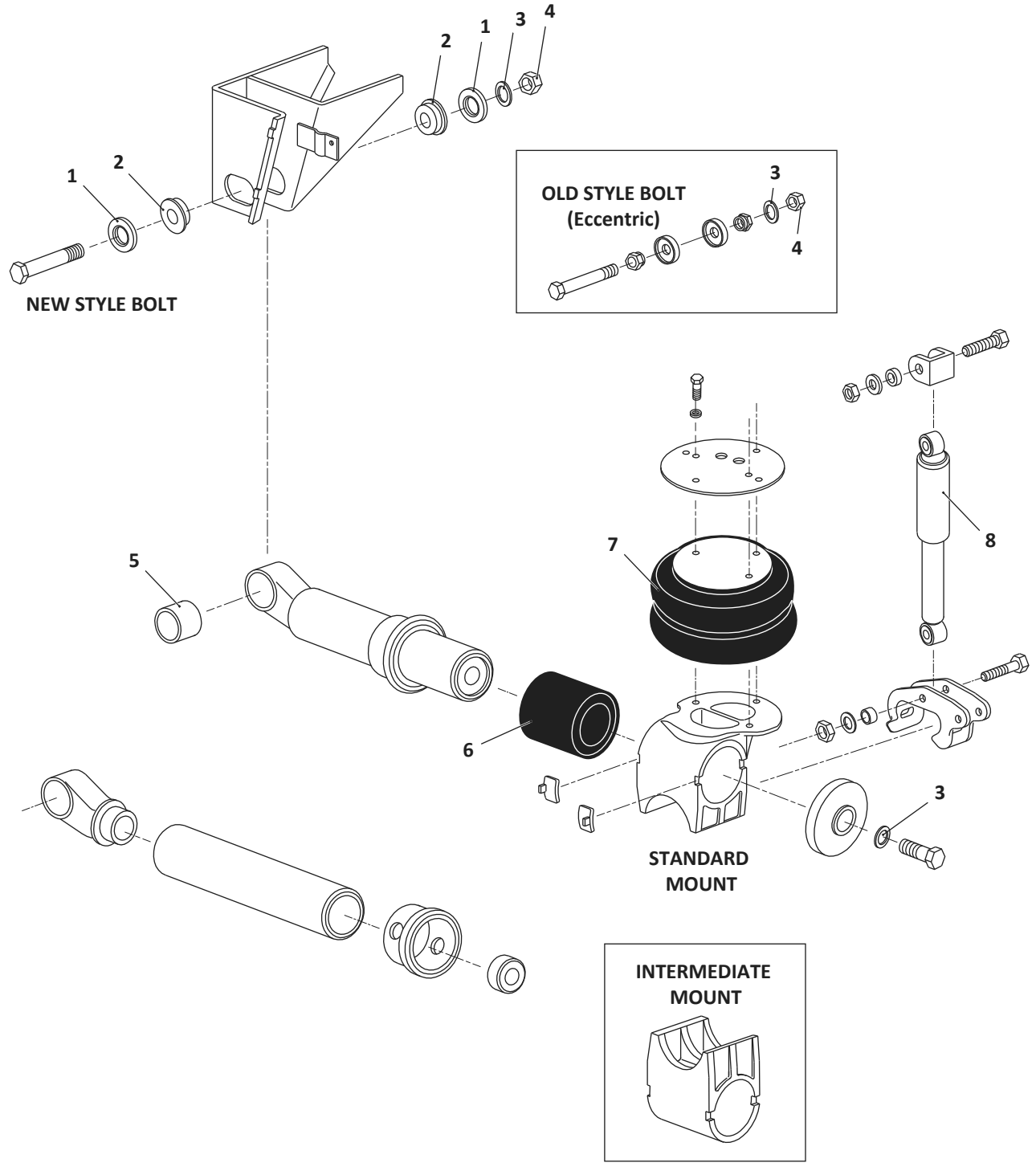
PAGE

Page LM-3000 Series Lift Axle — Truck/Tractor

KEY NO.	EUCLID NO.	OEM REF.	DESCRIPTION	QUANTITY PER AXLE	PAGE NO.
1	E-9449	1027645	Coil Lift Spring Bolt, 3/4"-16 X 10" Long	2	PAG-10
2	E-9450	1027644	Coil Lift Spring Washer, 1-1/4" OD, 3/4" ID, 3/8" Thick	2	PAG-11
3	E-9448	1027637	Coil Lift Spring	2	PAG-10
4	FS7136	1027556	Air Spring	2	-
	EAS7136	1027556	Air Spring	2	-
5	E-9456	1027371	Pivot Arm Bushing	4	PAG-10
6	E-9457	1080044	Beam End Bushing	2	PAG-10
7	E-2079	1027534	Lock Nut, 1-1/8"-12	2	-
8	E-9452	1025264	Washer, 1-3/4" OD, 1-3/16" ID, 1/8" Thick, Discontinued	4	PAG-11
9	E-9458	1080082	Pivot Arm Bushing	2	PAG-10

PAGE

Page Trailmaster Air Spring — Trailer

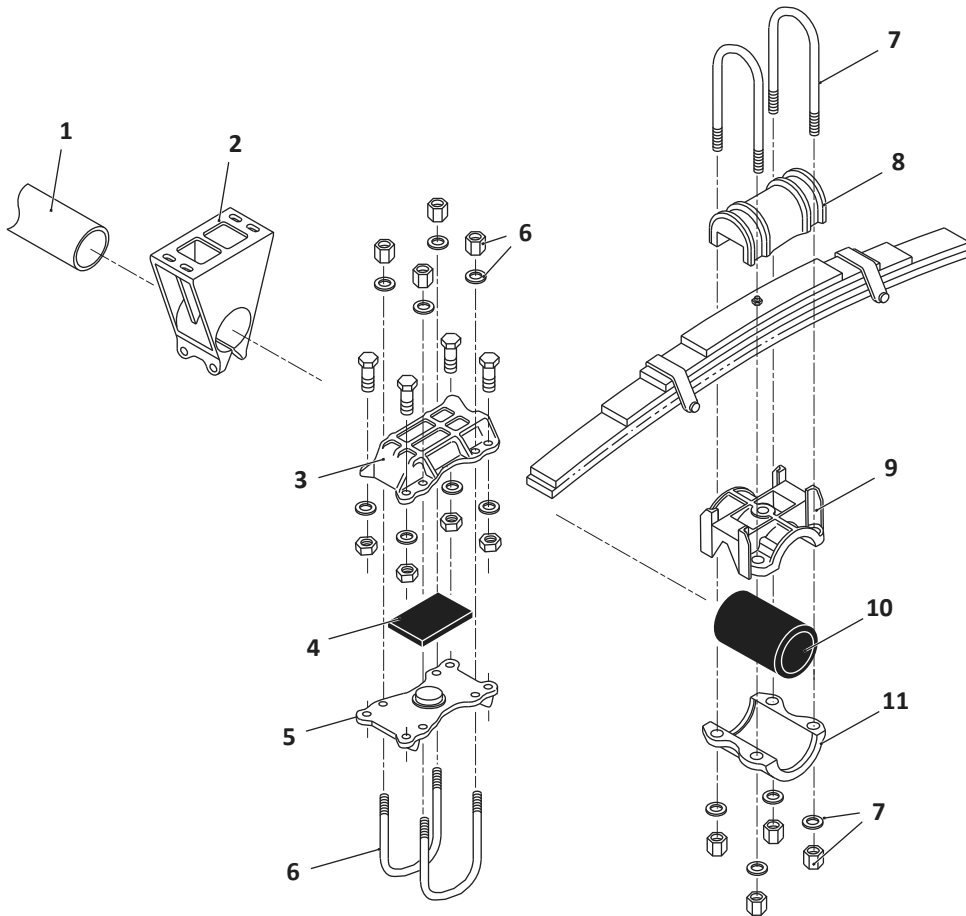


PAGE

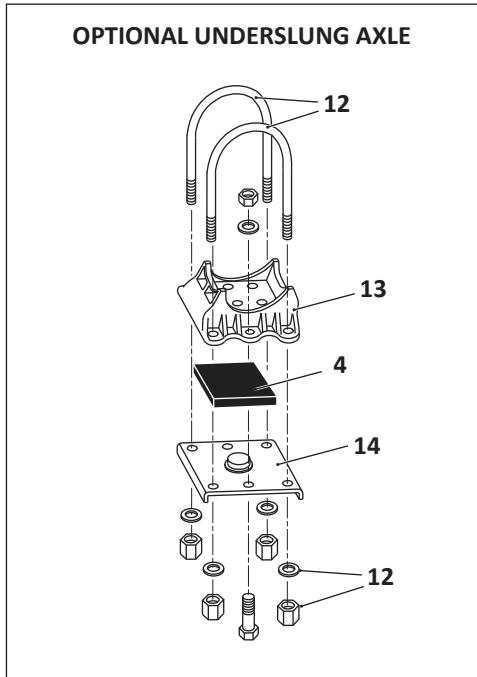
Page Trailmaster Air Spring — Trailer					
KEY NO.	EUCLID NO.	OEM REF.	DESCRIPTION	QUANTITY PER AXLE	PAGE NO.
1	E-9454	1082048	Beam End Washer, 2-1/4" OD, 1-1/8" ID, 3/8" Thick	4	PAG-11
2	E-9455	1082047	Alignment Collar	4	PAG-11
3	E-9452	1025264	Axle Bracket Washer, 1-3/4" OD, 1-3/16" ID, 1/8" Thick, Discontinued	4	PAG-11
4	E-2079	1027534	Lock Nut, 1-1/8"-12	2	-
5	E-9457	1080044	Beam End Bushing	2	PAG-10
6	E-9458	1080082	Pivot Arm Bushing	2	PAG-10
7	FS7136	1027556	Air Spring	2	-
	EAS7136	1027556	Air Spring	2	-
8	M83203	1080099	Shock Absorber	2	-
	M83204	1081933	Shock Absorber	2	-
	M85000	-	Shock Absorber	2	-

PAGE

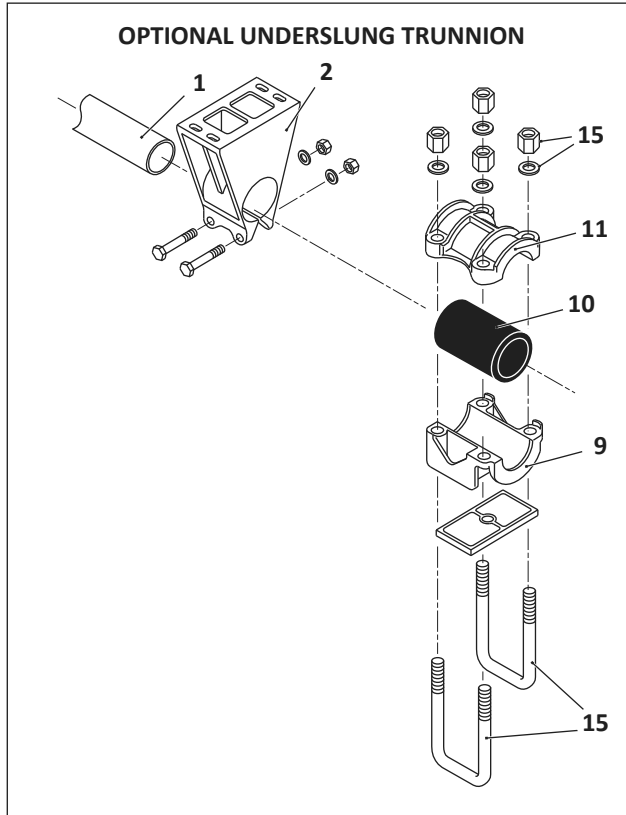
Page Single Point — Trailer



OPTIONAL UNDERSLUNG AXLE



OPTIONAL UNDERSLUNG TRUNNION



PAGE

Page Single Point — Trailer

KEY NO.	EUCLID NO.	OEM REF.	DESCRIPTION	QTY. PER SUSPENSION	PAGE NO.
1	E-5218	1083482	Trunnion Shaft, 4" OD X 48" Long X 3/4" Wall Thickness	1	PAG-12
2	E-4312	1084538	Trunnion Bracket, 4-1/2" High	2	PAG-12
	E-5213	1084526	Trunnion Bracket, 2-1/2" High	2	PAG-12
	E-5214	1084554	Trunnion Bracket, 6-1/2" High	2	PAG-12
	E-5215	1083495	Trunnion Bracket, 8-1/2" High	2	PAG-12
	E-4308	1083493	Spring End Cap	4	PAG-12
4	E-1330	-	Spring End Pad, Rubber, 5-1/4" Long x 4-5/8" Wide x 13/16" Thick	4	PAG-12
	GAFF14522	-	Spring End Pad, Poly	4	PAG-12
5	E-4305	1083492	Spring Seat, 5" Round Axle	4	PAG-12
6	E-UB8145-076	1083486	U-Bolt Assembly, Rd. Bend, 5/8"-18 Thd. x 5" Wide x 7-3/4" Long	8	-
7	E-UB8186-154	1085153; 1083485; 1090188	U-Bolt Assembly, Rd. Bend, 1-1/8"-12 Thd. x 5-3/4" Wide x 15-1/2" Long	4	-
8	E-9459	1083472	U-Bolt Cap	2	PAG-13
9	E-4301	1083471	Trunnion Half	2	PAG-13
10	E-1332	1083483	Trunnion Bushing, Rubber, 5-1/4" Long x 4-5/8" Wide x 13/16" Thick	2	PAG-12
	GAFF14521	-	Trunnion Bushing, Poly	2	PAG-12
11	E-4302	1083489	Trunnion Half	2	PAG-13
12	E-UB8178-126	1084525	U-Bolt Assembly, Rd. Bend, 1"-14 Thd. x 5" Wide x 12-3/4" Long	8	-
13	E-9460	1084524	Spring End Cap	4	PAG-13
14	E-9461	1084521	Spring End Pad	4	PAG-13
15	E-UB8287-14	1084523	U-Bolt Assembly, Sq. Bend, 1-1/8"-12 Thd. x 5-3/4" Wide x 14" Long	4	-
16	E-2965	-	Spring Seat Repair Pad	As Required	PAG-12
	E-2965-P	-	Spring Seat Repair Pad, Price Point	As Required	PAG-12

Axle Bracket Bushing

FOR MODEL:
LM-2000



EUCLID NO.	OEM REF.	OD	ID	LENGTH	MATERIAL
E-4255	1090237	2-3/8"	1-1/8"	5"	Rubber
GAFF14510	-	2-3/8"	1-1/8"	5"	Poly

Pivot Arm Bushing

FOR MODELS:
LM-3000,
Trailmaster



EUCLID NO.	OEM REF.	OD	ID	LENGTH
E-9458	1027371	5"	3-5/8"	5-5/8"

Beam End Bushing

FOR MODEL:
LM-2000



EUCLID NO.	OEM REF.	OD	ID	LENGTH	MATERIAL
E-4382A	1090436	3-1/2"	1-1/8"	5-1/4"	Rubber
GAFF14513	-	3-1/2"	1-1/8"	5-1/4"	Poly

Coil Lift Spring

FOR MODELS:
LM-2000
LM-3000



EUCLID NO.	OEM REF.	OD	LENGTH
E-9448	1027637	3-5/8"	18"

Beam End Bushing

FOR MODELS:
LM-3000,
Trailmaster



EUCLID NO.	OEM REF.	OD	ID	LENGTH
E-9457	1080044	3"	1-1/8"	2-15/16"

Coil Lift Spring Bolt

FOR MODELS:
LM-2000
LM-3000



EUCLID NO.	OEM REF.	THREAD	LENGTH
E-9449	1027645	3/4" - 16	10"


Pivot Arm Bushing


FOR MODEL:
LM-3000





EUCLID NO.	OEM REF.	OD	ID	LENGTH
E-9456	1027371	4-1/2"	3-1/2"	4-3/16"

PAGE

Coil Lift Spring Washer				
FOR MODELS: LM-2000, LM-3000				
				
EUCLID NO.	OEM REF.	OD	ID	THICKNESS
E-9450	1027644	1-1/2"	3/4"	3/8"

Washer				
FOR MODELS: LM-2000, LM-3000 Trailmaster				
				
Discontinued				
EUCLID NO.	OEM REF.	OD	ID	THICKNESS
E-9452	1025264	1-3/4"	1-3/16"	1/8"

Alignment Collar				
FOR MODELS: LM-2000, Trailmaster				
				
EUCLID NO.	OEM REF.	OD	ID	THICKNESS
E-9455	1082047	3-1/2"	1-7/16"	15/16"

Beam End Washer				
FOR MODELS: LM-2000, Trailmaster				
				
EUCLID NO.	OEM REF.	OD	ID	THICKNESS
E-9454	1082048	2-1/4"	1-1/8"	3/8"

PAGE

Trunnion Shaft

FOR MODEL:
Single Point
Trailer



EUCLID NO.	OEM REF.	OD	ID	WALL THICKNESS
E-5218	1083482	4"	48"	3/4"

Spring End Pad

FOR MODEL:
Single Point
Trailer



EUCLID NO.	A	B	C	MATERIAL
E-1330	4-5/8"	5-1/4"	13/16"	Rubber
GAFF14522				Poly

Trunnion Bushing

FOR MODEL:
Single Point
Trailer



EUCLID NO.	OEM REF.	OD	ID	LENGTH	MATERIAL
E-1332	1083483	5"	4"	8-3/4"	Rubber
GAFF14521					Poly

Spring End Cap

FOR MODEL:
Single Point
Trailer



EUCLID NO.	OEM REF.	HEIGHT
E-4308	1083493	3-7/8"

Trunnion Brackets

FOR MODEL:
Single Point
Trailer



EUCLID NO.	OEM REF.	MOUNTING HEIGHT
E-5213	1084526	2-1/2"
E-4312	1084538	4-1/2"
E-5214	1084554	6-1/2"
E-5215	1083495	8-1/2"

Spring Seat 5" Round Axle

FOR MODEL:
Single Point
Trailer



EUCLID NO.	OEM REF.
E-4305	1083492

Spring Seat Repair Pad


FOR MODEL:
Single Point
Trailer





Use to Avoid Replacing Entire Axle Seat When Knob is Worn

EUCLID NO.	OEM REF.	THICKNESS	NOTES
E-2965	91001049	.50"	-
E-2965-P		.47"	Price Point


PAGE

Spring End Pad	
FOR MODEL: Single Point Trailer	
	
EUCLID NO.	OEM REF.
E-9461	1084521

Trunnion Half	
FOR MODEL: Single Point Trailer	
	
EUCLID NO.	OEM REF.
E-4301	1083471

U-Bolt Cap	
FOR MODEL: Single Point Trailer	
	
EUCLID NO.	OEM REF.
E-9459	1083472

Trunnion Half	
FOR MODEL: Single Point Trailer	
	
EUCLID NO.	OEM REF.
E-4302	1083489

Spring End Cap	
FOR MODEL: Single Point Trailer	
	
EUCLID NO.	OEM REF.
E-9460	1084524

PAGE

TABLE OF CONTENTS

Front Suspension

Cab Over and Conventional 4" Wide Spring.....PET-2

Rear Suspensions

Air Trac®PET-4

Low Mount Air Leaf®PET-8

Air Leaf®PET-10

Airglide® 210PET-12

Flex Air®PET-14

4-Spring — Early VersionPET-16

Quadraflex® 4-Spring 1992 to CurrentPET-18

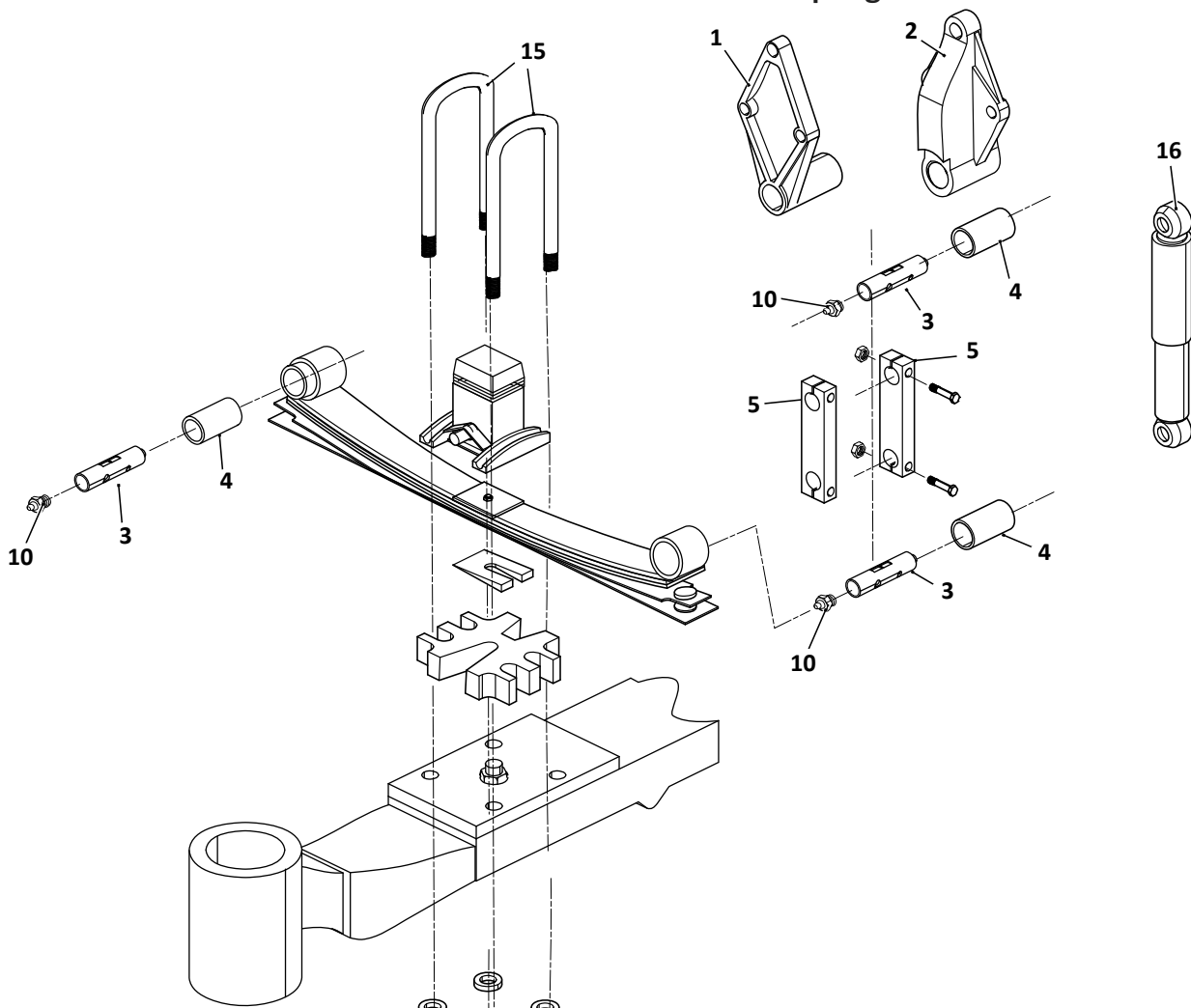
Peterbilt Components.....PET-20



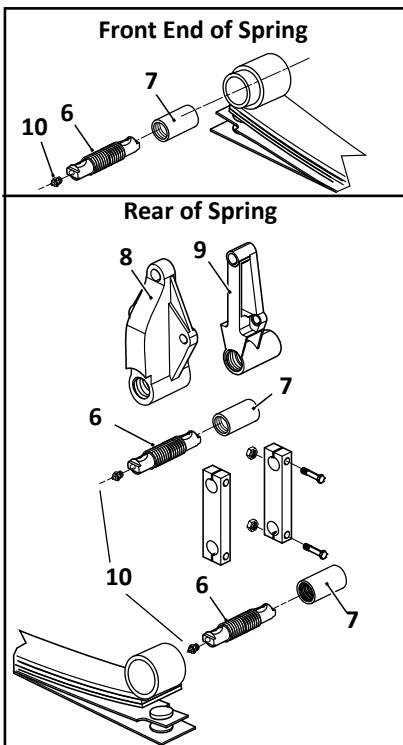
Not sure which suspension you have?
Check out Meritor's Suspension Identification
Xact Search to find the right part by
clicking the QR code

PETERBILT FRONT

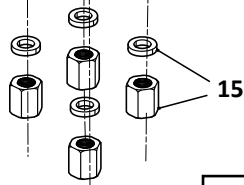
Cab Over and Conventional 4" Wide Spring



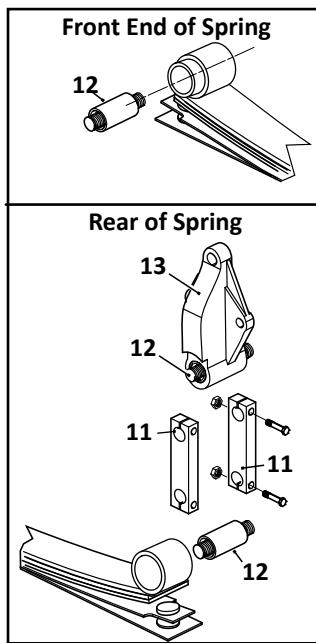
PETERBILT



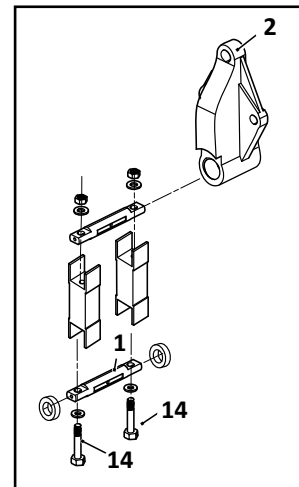
Threaded Pins & Bushings



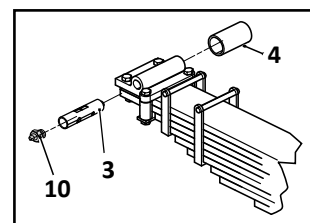
COE Before 1989



Rubber Bushings



Early Models 387



Multi-Leaf Spring with Cast Eye

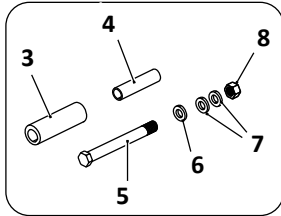
Cab Over and Conventional 4" Wide Spring

KEY NO.	EUCLID NO.	DEM REF.	DESCRIPTION	QTY. PER AXLE	PAGE NO.
1	E-16147	B11-6030M03	Hanger, Ductile Iron w/ 3/4" Dia. Bolt Holes	2	PET-21
	E-16317	-	Hanger, Ductile Iron w/ 5/8" Dia. Bolt Holes	2	PET-21
2	E-16155	B11-1034-2; 02-04001M002	Hanger, Ductile Iron, Model 387, Casting No. B111033	2	PET-21
3	E-16319	02-01781; 02-01767	Spring Pin, Smooth, 1-1/4" OD X 6 7/8" Long X 5-5/16" Center-to-Center	6	PET-20
4	E-16153	02-01805	Spring Pin Bushing With Seals, 1-1/4" ID X 1 1/2" OD X 4" Long	6	PET-20
	E-1876	-	Spring Pin Bushing, Bi-Metal, 1-1/4" ID X 1-1/2" OD X 4" Long	As Required	PET-20
	E-16167	-	Spring Pin Bushing, Bi-Metal, 1-1/4" ID X 1-1/2" OD X 3-1/2" Long	As Required	PET-20
5	E-16145	02-01784; 02-01783	Side Bar, 1-1/4" Dia Hole, 6" Long, 3-9/16" Center-to-Center, 1-1/8" Thick, 1987 To Current	4	PET-22
	E-16143	02-01747; 02-01807	Side Bar, 1-1/4" Dia Hole, 7-9/16" Long, 5-1/8" Center-to-Center, 1-1/8" Thick, 1987 to Current	4	PET-22
6	E-15614	B65-1002	Threaded Spring Pin, M33.5 -4.0 X 5-3/4" Center-to-Center 7-3/8" Long, 1-1/16" Diameters on Both Ends	6	PET-20
	E-15620	B65-1008	Threaded Spring Pin, M33.5 -4.0 X 5-5/16" Center-to-Center 7-7/8" Long, 1-1/16" Diameters on Both Ends	6	PET-20
	E-16321	B65-6008	Threaded Spring Pin, M33.5 -4.0 X 5-7/16" Center-to-Center 7" Long, 1-1/16" Diameters on Both Ends	6	PET-20
7	E-16157	B13-1000	Threaded Bushing, Metric M33.5 X4, 1-3/4" (44.5mm) OD, 4" (101mm) Long	6	PET-20
	E-16158	B13-1002	Threaded Bushing, Metric M33.5 X 4, 2-1/16" (52.8mm) OD, 4" (101mm) Long.	6	PET-20
8	E-16700	B11-1031-5	Hanger, Includes E-16157 Threaded Bushing, Casting No. B111033	2	PET-21
9	E-16701	B11-1039	Hanger, Includes E-16158 Threaded Bushing, Casting No. B111023	2	PET-21
10	E-1307	1613B	Zerk, 1/8"-27 NPT	6	-
11	E-3720	B20-1007; B20-6006	Side Bar, 1-1/16" Dia Hole, 6-3/4" Long, 4" Center-to-Center, 1-1/4" Thick	4	PET-22
12	E-15537	B65-1006	Rubber Bushing, Pin Type, 1-3/4"OD w/ 1-1/16" Dia Pin, 7-1/2" Long, 6-3/16" Center-to-Center of Notches	6	PET-21
	GAFF11753	-	Poly Bushing, Pin Type, 1-3/4"OD w/ 1-1/16" Dia Pin, 7-1/2" Long, 6-3/16" Center-to-Center of Notches	6	-
	E-15543	B65-6005	Rubber Bushing, Pin Type, 1-3/4"OD w/ 1-1/16" Dia Pin, 6-11/16" Long, 5-7/16" Center-to-Center of Notches	6	PET-21
	GAFF11767	-	Rubber Bushing, Pin Type, 1-3/4"OD w/ 1-1/16" Dia Pin, 6-11/16" Long, 5-7/16" Center-to-Center of Notches	6	-
	E-15613	B65-1007; B65-1012	Rubber Bushing, Pin Type, 2-1/16" OD w/ 1-1/16" Dia Pin, 7-1/2" Long, 6-5/16" Center-to-Center of Notches	6	PET-21
	GAFF11763	-	Poly Bushing, Pin Type, 2-1/16" OD w/ 1-1/16" Dia Pin, 7-1/2" Long, 6-5/16" Center-to-Center of Notches	6	-
	E-16163	B65-1013; B65-6006	Rubber Bushing, Pin Type, 2-1/16" OD w/ 1-1/16" Dia Pin, 6-11/16" Long, 5-7/16" Center-to-Center of Notches	6	PET-21
	E-16236	B65-6010	Rubber Bushing, 1-3/4" OD X 5/8" ID X 4-1/4" Long, Medium Duty Models	6	PET-21
13	E-15547	B11-1034-1	Hanger, Includes E-15537 Pin Type Rubber Bushing With 1-1/16" Dia. Pin, 7-1/2" Long, Notches at 6-3/16" Center-To-Center, Casting No. B111033	2	PET-22
	E-16695	B11-1034-6	Hanger, Includes E-15543 Pin Type Rubber Bushing With 1-1/16" Dia. Pin, 6-11/16" Long, Notches at 5-7/16" Center-To-Center, Casting No. B111033	2	PET-21
14	E-16233	-	Bolt, 1/2" - 20 X 6-1/2" Long, Early Models 387	4	-
15	E-UB8354-12P	02-00807-122	U-Bolt Assembly, Semi Rd. Bend 3/4"-16 Thd. X 4" Wide X 12" Long	4	-
16	M85012	02-01890;	Shock Absorber	2	-
	M89413	02-02142	Shock Absorber, Premium Adjustable	2	-
	M85062	02-01787	Shock Absorber	2	-
	M89408		Shock Absorber, Premium Adjustable	2	-
	M85036	02-02142	Shock Absorber	2	-
	M89405		Shock Absorber, Premium Adjustable	2	-

PETERBILT FRONT

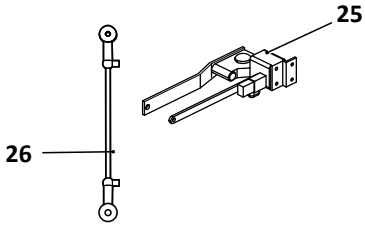
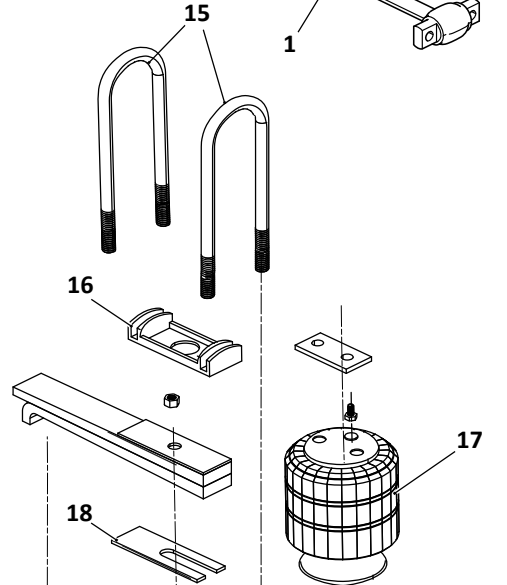
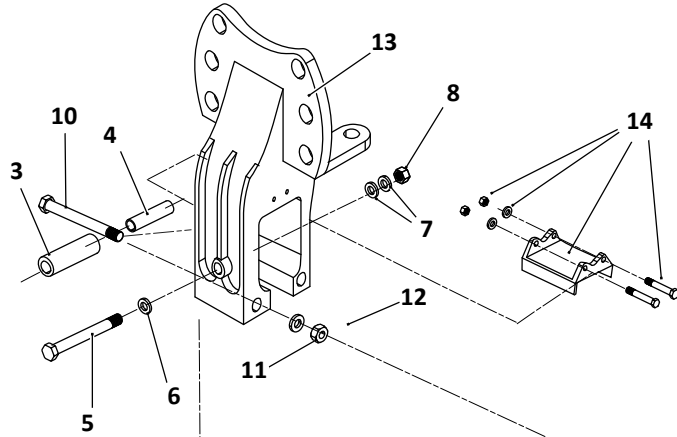
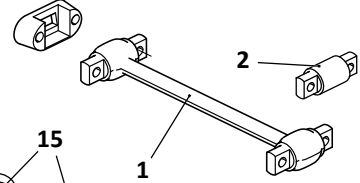
Air Trac®

Spring Roller



9

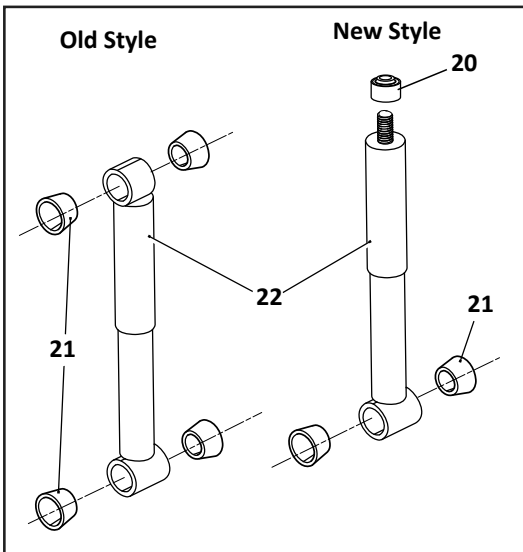
Transverse Torque Arm



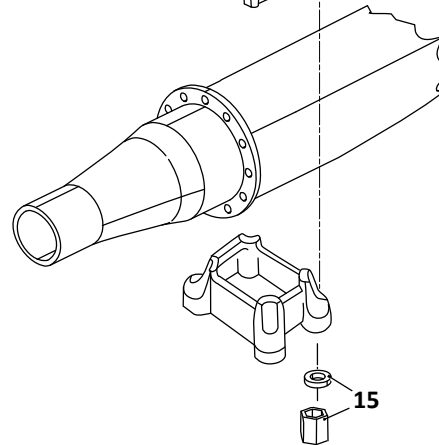
Height Control Valve & Linkage

Old Style

New Style



Shock Absorber



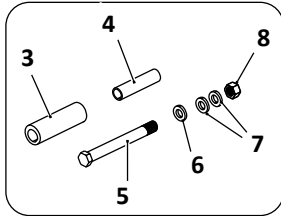
PETERBILT

Air Trac®					
KEY NO.	EUCLID NO.	OEM REF.	DESCRIPTION	QTY. PER AXLE	PAGE NO.
1	E-4771	03-04059	Torque Arm, 23" Center-to-Center, Includes E-2225 Rubber Bushings	2	PET-27
	GAFF34554	-	Torque Arm, 23" Center-to-Center, Includes GAFF13520 Bushings	2	PET-27
2	E-2225	227710; 44694	Torque Arm Bushing, Rubber, Straddle Mount	4	PET-27
	GAFF13522	-	Torque Arm Bushing, Poly, Straddle Mount	4	PET-27
3	E-7855	03-04623	Spring Roller Bushing, 1-7/8" OD x 1-1/16" ID x 5-1/8" Long	2	PET-27
4	E-7856	03-04624	Spring Roller Spacer, 1" OD x 5/8" ID x 5-1/8" Long	2	PET-27
5	E-7857	27-00285-032	Spring Roller Bolt, 5/8"-18 X 8" Long	2	-
6	E-5280	27-00428-010	Spring Roller Washer	4	-
7	E-2547	03-04962	Spring Roller Washer, 5/8" ID	2	-
8	E-1943	22NE1018	Spring Roller Nut, 5/8"-18	2	-
9	E-7854	-	Spring Roller Bushing Kit Includes Key Nos. 3, 4, 5, 6, 7, 8	2	PET-26
10	E-15199	-	Torque Arm Bolt, 5/8"-11 X 7" Long	4	-
11	E-2547	-	Washer, 5/8" ID	4	-
12	E-2988	-	Lock Nut, 5/8"-11	4	-
13	E-16711	01-44406; 01-48280-M002	Hanger, Before 7/93	2	-
14	E-7862	23-12566	Wear Pad Kit, 1/2" Bolts, Use with E-16711 Hanger	2	PET-28
	E-15658	03-07296	Wear Pad Kit, 5/8" Bolts	2	PET-28
15	E-UB8375-14	03-03133-150	U-Bolt Assembly, Semi Rd. Bend, 1"-14 Thd. x 4-1/8" Wide x 14" Long	4	-
	E-UB8375-154	03-03134-151	U-Bolt Assembly, Semi Rd. Bend, 1"-14 Thd. x 4-1/8" Wide x 15-1/2" Long	4	-
16	E-4781	03-01656	Top Plate	2	PET-28
	E-4781-P	-	Top Plate, Price Point	2	PET-28
17	FS9069	03-01649; 03-02038; 03-02456	Firestone Air Spring	2	-
	EAS9069	03-01649; 03-02038; 03-02456	Euclid Air Spring	2	-
18	E-7864	03-04106	Leaf Spring Shim	2	PET-28
19	E-7868	27-00173	Air Spring Stud Assembly, 1/2"-20 X 5" Long	2	PET-28
20	GAFF11550	-	Shock Bushing, Poly, For Stud Mounted Shocks	As Required	PET-28
21	E-401754	-	Shock Bushing, Rubber For Eye Mounted Shocks	As Required	PET-31
	GAFF18566	-	Shock Bushing, Poly For Eye Mounted Shocks	As Required	PET-31
22	M85308	03-04176	Shock Absorber	2	-
	M89422	03-04176	Shock Absorber, Premium Adjustable	2	-
	M85311	03-04629	Shock Absorber	2	-
	M89424	03-04629	Shock Absorber, Premium Adjustable	2	-
23	E-5281	-	Torque Arm Shim, 1/16" Thick	As Required	PET-27

PETERBILT REAR

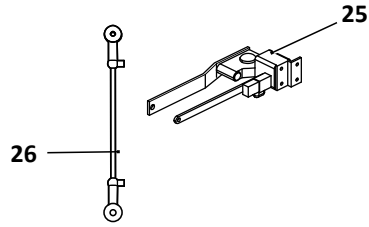
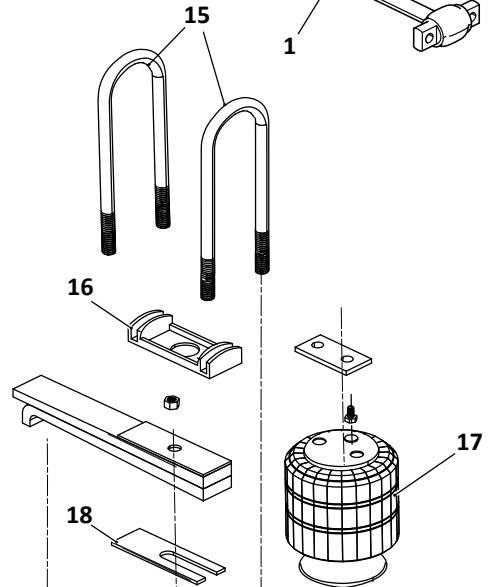
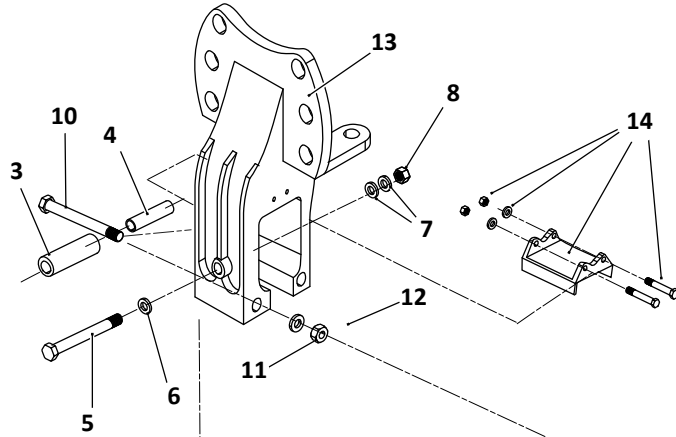
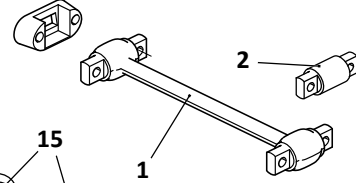
Air Trac®

Spring Roller

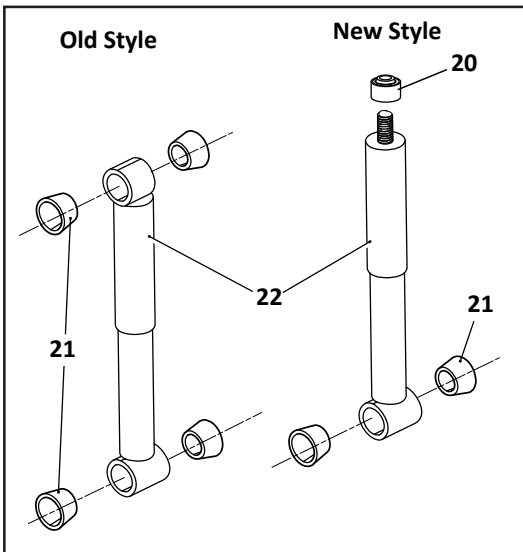


9

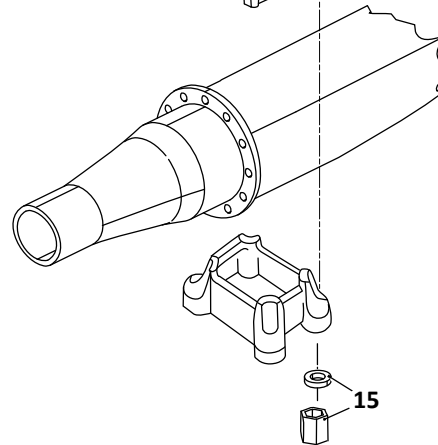
Transverse Torque Arm



Height Control Valve & Linkage



Shock Absorber



PETERBILT

PETERBILT REAR

Suspension

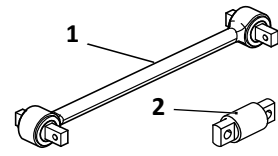
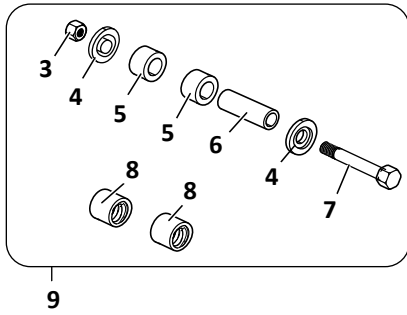
Air Trac®					
KEY NO.	EUCLID NO.	OEM REF.	DESCRIPTION	QTY. PER AXLE	PAGE NO.
24	E-5082	03-04119	Torque Arm with 5/8" Hole in Both Bushings, 17-11/32" Center-to- Center. E-5082 Includes E-2226 Bushing	2	PET-27
	E-5083	03-04327	Torque Arm with 5/8" Hole Hanger End, 3/4" Hole Axle End, 17-11/32" Center-to-Center, E-5083 Includes (1) E-2226, (1) E-3868 Rubber Bushings	2	PET-27
	GAFF12395	-	Torque Arm with 5/8" Hole Hanger End, 3/4" Hole Axle End, 17-11/32" Center-to-Center, GAFF12395 Includes (1) GAFF13520, (1) GAFF13528 Poly Bushings	2	-
25	E-9624	H00500C	Universal Height Control Valve, Hadley Model 500, 3/8" Ports, Apply Air To Dump	1	PET-29
	E-14731	H01501UD	Universal Height Control Valve, Hadley Next Gen, 3/8" Ports, Apply Air To Dump	1	PET-29
	E-14732	H01501PUD	Universal Height Control Valve, Hadley Next Gen, 1/4" Ports, Apply Air To Dump	1	PET-29
26	E-9625	-	Universal Linkage Kit	1	PET-31

PETERBILT

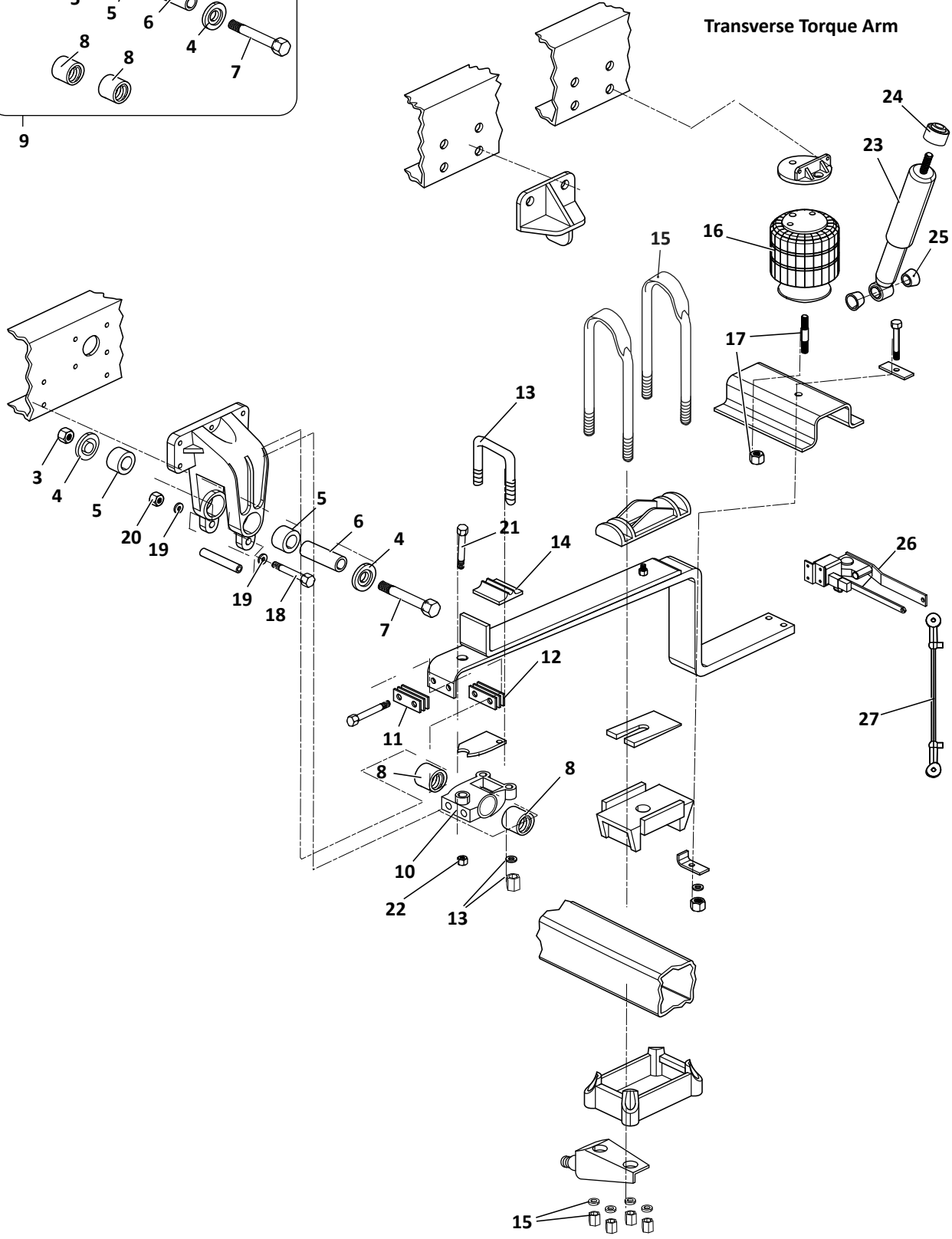
PETERBILT REAR

Low Mount Air Leaf®

Spring Eye Bushing Kit



Transverse Torque Arm



PETERBILT

PETERBILT REAR

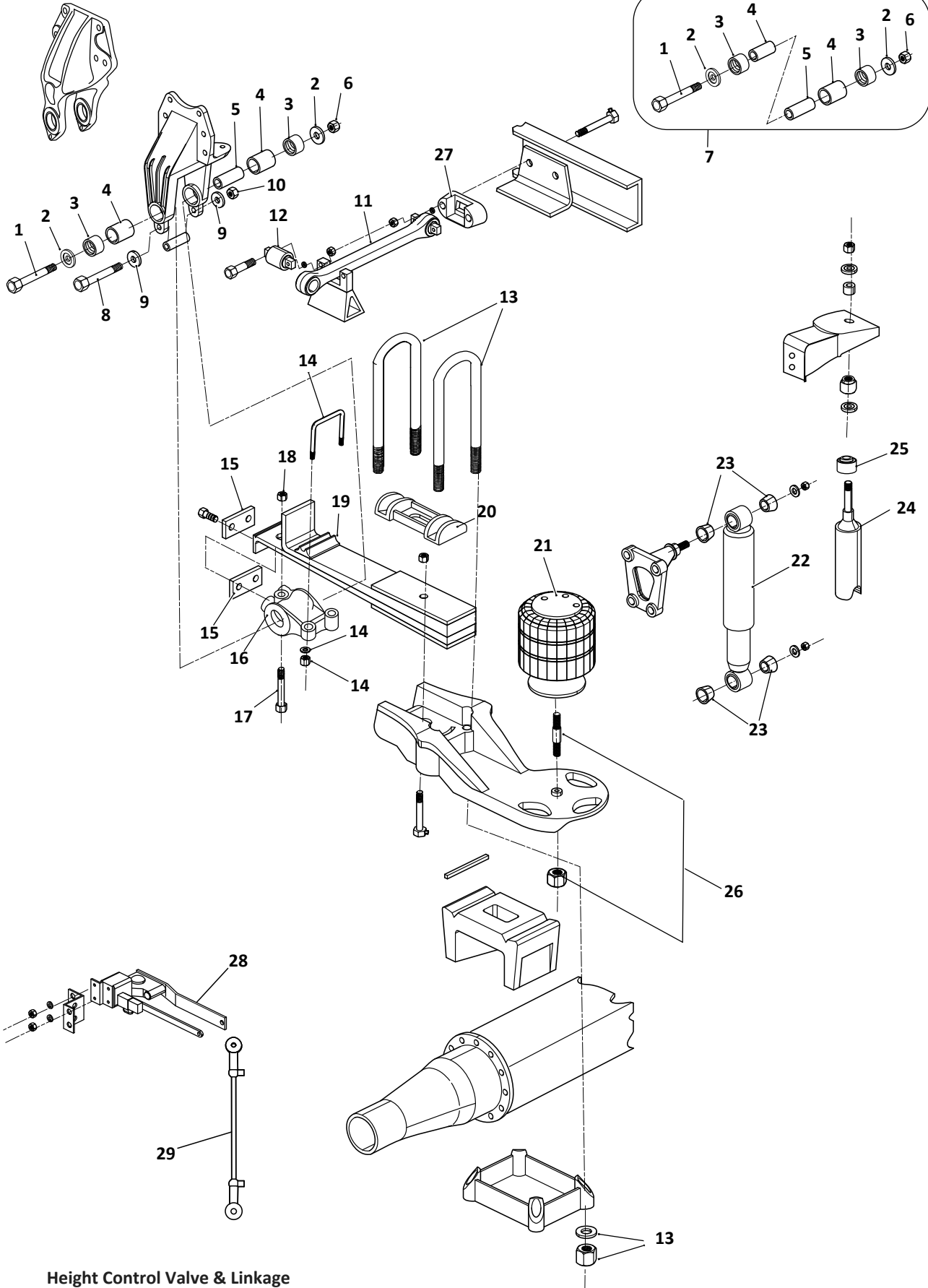
Suspension

Low Mount Air Leaf®					
KEY NO.	EUCLID NO.	OEM REF.	DESCRIPTION	QTY. PER AXLE	PAGE NO.
1	E-7853	03-05108	Torque Arm, 25-5/8" Center-to-Center, Includes E-2225 Rubber Bushings	2	PET-30
	GAFF12398	-	Torque Arm, 25-5/8" Center-to-Center, Includes GAFF13520 Poly Bushings	2	PET-30
2	E-2225	03-01776; 44694	Torque Arm Bushing, Straddle Mount, Rubber	4	PET-31
	GAFF13522	227710	Torque Arm Bushing, Poly, Straddle Mount	4	PET-31
3	E-4779	41NE1614	Spring Eye Nut, 1"-14	2	-
4	E-4777	03-01670	Spring Hanger Washer, Steel	4	PET-30
5	E-4776	03-01675	Spring Hanger Spacer Washer, Poly	4	PET-30
6	E-7843	03-05102	Sleeve	2	PET-30
7	E-7842	03-05103	Bolt, 1"-14 X 8-1/2" Long	2	-
8	E-7841	03-05101	Spring Eye Bushing, Rubber	4	PET-30
	GAFF12354	-	Spring Eye Bushing, Poly	4	PET-30
9	E-7840	03-AL2	Spring Eye Bushing Kit, Rubber, Includes Key Nos. 3 - 8	2	PET-30
	GAFF12362	-	Spring Eye Bushing Kit, Poly, Includes Key Nos. 3 - 8	2	PET-30
10	E-16470	03-05117	Cast Spring Eye	2	PET-30
11	E-7844	03-05114-002	Shim	As Required	PET-30
12	E-7845	03-05114-001	Shim	As Required	PET-30
13	E-UB8253-05	03-05105	U-Bolt Assembly, Sq. Bend, 3/4"-16 Thd. x 3-1/2" Wide x 5" Long	2	-
14	-	03-05100	Top Plate	2	-
15	E-UB8673-154	03-05110-155	U-Bolt Assembly, Flat-Semi Rd. Bend, 1"-14 Thd. x 3-9/16" Wide x 15-1/2" Long	4	-
16	FS9026	03-06213	Firestone Air Spring	2	-
	EAS9026	03-07111	Euclid Air Spring	2	-
	FS9194	03-05107	Firestone Air Spring	2	-
17	E-7851	27-00791-008	Air Spring Stud & Nut Assembly, 1/2"-20 x 6-1/2" Long	2	PET-31
18	E-16233	-	Rebound Bolt, 1/2"-20 X 6-1/2"	2	-
19	E-9603	-	Washer, 1/2" ID	4	-
20	E-3560	-	Lock Nut, 1/2"-20	2	-
21	E-16227	27-00283-020	Bolt, 5/8"-11 X 5" Long	2	-
22	E-2988	-	Lock Nut, 5/8"-11	2	-
23	M85033	03-07423	Shock Absorber	2	-
	M89427	03-07423	Shock Absorber, Premium Adjustable	2	-
24	GAFF11550	-	Shock Bushing, Poly, For Stud Mounted Shocks	4	PET-31
25	E-401754	-	Shock Bushing, Rubber For Eye Mounted Shocks	4	PET-31
	GAFF18566	-	Shock Bushing, Poly For Eye Mounted Shocks	4	PET-31
26	E-9624	H00500C	Universal Height Control Valve, Hadley Model 500, 3/8" Ports, Apply Air To Dump	1	PET-31
	E-14731	H01501UD	Universal Height Control Valve, Hadley Next Gen, 3/8" Ports, Apply Air To Dump	1	PET-31
	E-14732	H01501PUD	Universal Height Control Valve, Hadley Next Gen, 1/4" Ports, Apply Air To Dump	1	PET-31
27	E-9625	-	Universal Linkage Kit	1	PET-31

PETERBILT

PETERBILT REAR Air Leaf®

Spring Eye Bushing Kit

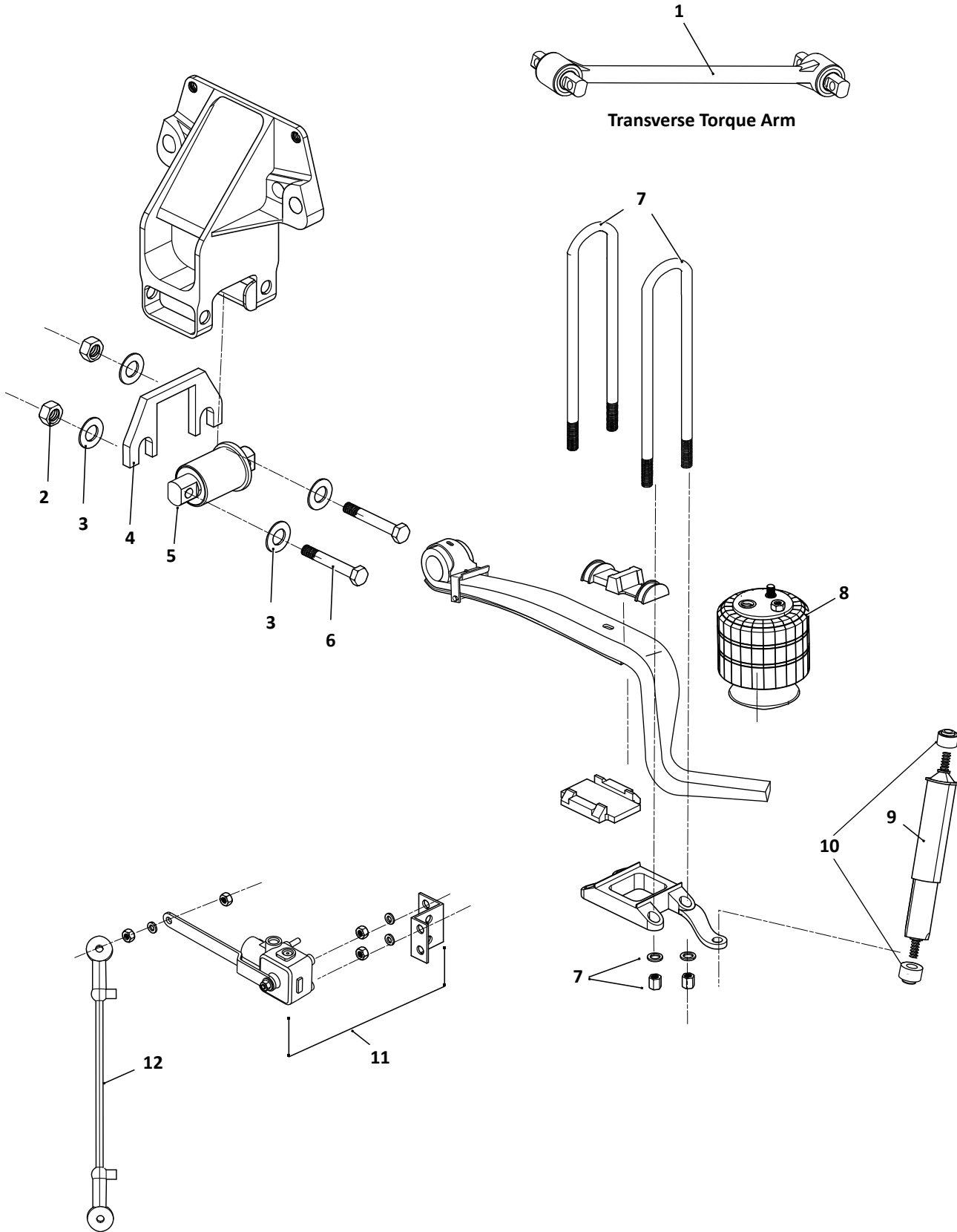


Height Control Valve & Linkage

PETERBILT

Air Leaf®					
KEY NO.	EUCLID NO.	OEM REF.	DESCRIPTION	QTY. PER AXLE	PAGE NO.
1	E-4778	03-01668	Bolt, 1"-14 X 8-1/2" Long	2	-
2	E-4777	03-01670	Spring Hanger Washer, Steel	4	PET-26
3	E-4776	03-01675	Spring Hanger Spacer Washer, Poly	4	PET-26
4	E-4775	03-01674	Spring Eye Bushing, Rubber	4	PET-26
	GAFF12350	-	Spring Eye Bushing, Poly	4	PET-26
5	E-4774	03-01669	Spring Eye Sleeve	2	PET-26
6	E-4779	41NE1614	Spring Eye Lock Nut, 1"-14	2	-
7	E-4773	03AL1	Spring Eye Bushing Kit, Includes Key Nos. 1, 2, 3, 4, 5, 6.	2	PET-26
8	E-1820	-	Bolt, 1/2" X 6-1/2" Long	2	-
9	E-9603	-	Washer, 1/2" ID	2	-
10	E-3560	-	Lock Nut, 1/2"-20	2	-
11	E-4771	03-04059	Torque Arm, 23" Center-to-Center, Newer Torque Arms Are Not Rebushable, Older Torque Arms Use E-2225 Bushings	2	PET-27
	GAFF34554	-	Torque Arm, 23" Center-to-Center, Poly Bushings, Includes GAFF13520 Bushings	2	PET-27
12	E-2225	227710; 44694	Torque Arm Bushing, Rubber, Straddle Mount	4	PET-27
	GAFF13522	-	Torque Arm Bushing, Poly, Straddle Mount	4	PET-27
13	E-UB8375-14	03-03133-150	U-Bolt Assembly, Semi Rd. Bend, 1"-14 Thd. x 4-1/8" Wide x 14" Long	4	-
	E-UB8375-154	03-03134-151	U-Bolt Assembly, Semi Rd. Bend, 1"-14 Thd. x 4-1/8" Wide x 15-1/2" Long	4	-
14	E-UB8255-05	03-04523	U-Bolt Assembly, Sq. Bend, 3/4"-16 Thd. x 4" Wide x 5" Long	2	-
15	E-4780	03-04959-001	Shim, 1/16" Thick	As Required	PET-26
16	E-11749	03-01654	Spring Eye Pivot	2	PET-26
	E-11749-P	03-01654	Spring Eye Pivot, Price Point	2	PET-26
17	E-15160	-	Bolt, 3/4-16 X 5" Long	2	-
18	E-4961A	-	Lock Nut, 3/4"-16	2	-
19	E-4782	03-01657	Top Plate	2	PET-28
20	E-4781	03-01656	Top Plate	2	PET-28
21	FS9069	03-01649	Firestone Air Spring	2	-
	EAS9069	03-01649	Euclid Air Spring	2	-
22	M85308	03-04176	Shock Absorber	2	-
	M89424	03-04176	Shock Absorber, Premium Adjustable	2	-
23	E-401754	-	Shock Bushing, Rubber, For Eye Mounted Shocks	As Required	PET-31
	GAFF18566	-	Shock Bushing, Poly, For Eye Mounted Shocks	As Required	PET-31
24	M85311	03-04629	Shock Absorber	2	-
	M89422	03-04629	Shock Absorber, Premium Adjustable	2	-
25	GAFF11550	-	Shock Bushing, Poly, For Stud Mounted Shocks	As Required	PET-28
26	E-7868	27-00173	Air Spring Stud Assembly, 1/2"-20 X 5" Long	2	PET-29
27	-	-	Torque Arm Frame Bracket, 3/4" Bolts	2	-
28	E-9624	H00500C	Universal Height Control Valve, Hadley Model 500, 3/8" Ports, Apply Air To Dump	1	PET-29
	E-14731	H01501UD	Universal Height Control Valve, Hadley Next Gen, 3/8" Ports, Apply Air To Dump	1	PET-29
	E-14732	H01501PUD	Universal Height Control Valve, Hadley Next Gen, 1/4" Ports, Apply Air To Dump	1	PET-29
29	E-9625	-	Universal Linkage Kit	1	PET-31

PETERBILT REAR Airglide® 210



PETERBILT

PETERBILT REAR

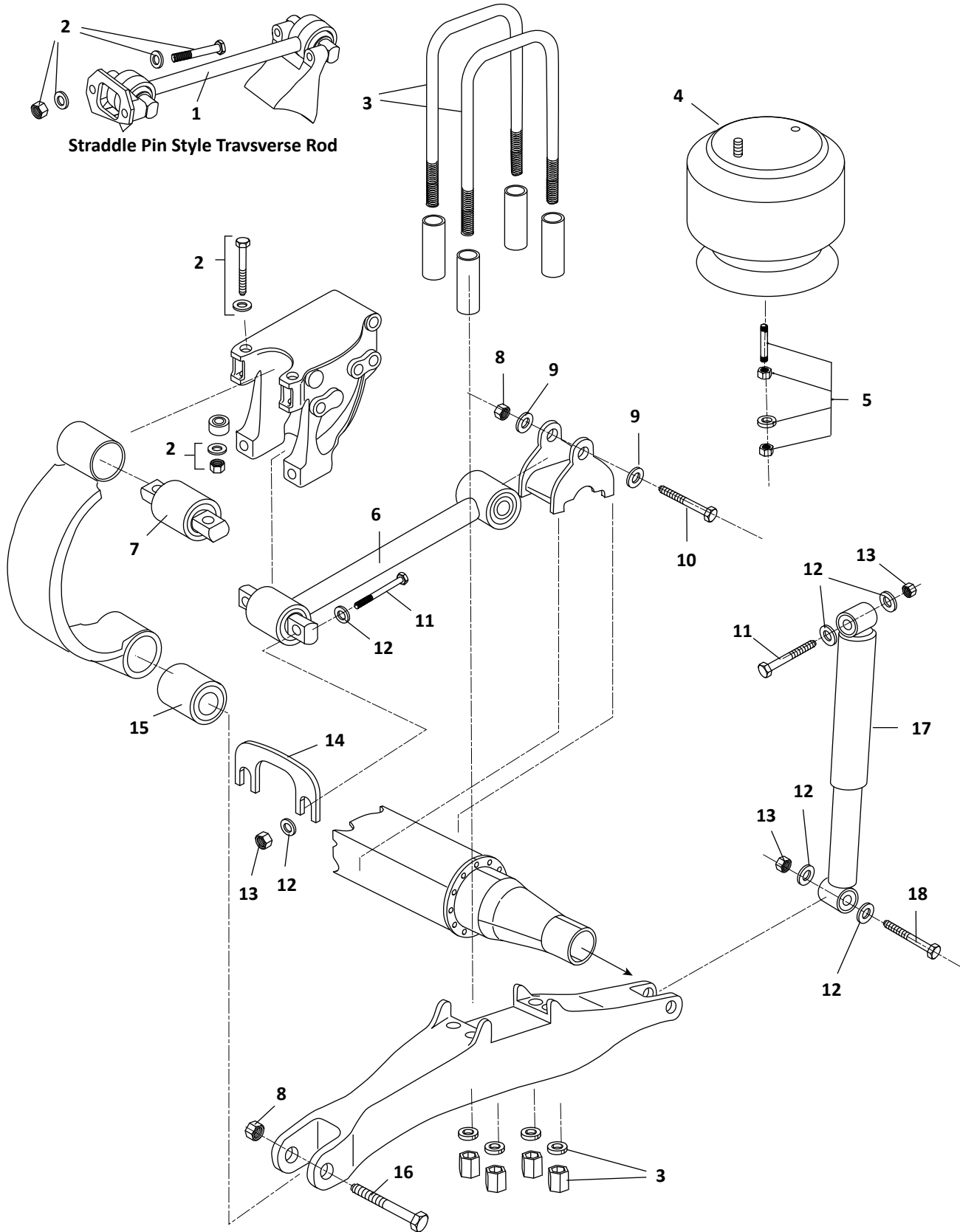
Suspension

Airglide® 210					
KEY NO.	EUCLID NO.	OEM REF.	DESCRIPTION	QTY. PER AXLE	PAGE NO.
1	E-16118	TR030020010	Torque Arm, 25-9/16" Center-to-Center, Not Rebushable, Rubber Bushings	2	PET-32
	GAFF11792	-	Torque Arm, 25-9/16" Center-to-Center, Includes GAFF13521 Poly Bushings	2	PET-32
2	E-16229	-	Lock Nut, M20 - 2.5	4	-
3	E-2546	-	Washer, M20 ID	8	-
4	E-16687	-	Torque Arm Shim, 1/16" Thick	As Required	-
5	E-15541	-	Spring Eye Bushing, Anti-Walk, Rubber	2	PET-32
	GAFF11083	-	Spring Eye Bushing, Anti-Walk, Poly		PET-32
	E-15600	-	Spring Eye Bushing, Anti-Walk, .050" Oversize OD, Rubber	As Required	PET-32
	GAFF11084	-	Spring Eye Bushing, Anti-Walk, .050" Oversize OD, Poly		PET-32
6	E-16228	-	Torque Arm Bolt, M20 - 2.5 X 180mm Long	4	-
7	E-UB8161-15	-	U-Bolt Assembly, Rd. Bend, 7/8"-14 Thd. x 3" Wide x 15" Long	4	-
8	FS8864	C81-1011	Air Spring	2	-
	EAS8864	C81-1011	Air Spring	2	-
9	M85069	03-08781	Shock Absorber	2	-
10	GAFF11550	-	Shock Bushing, Poly, For Stud Mounted Shocks	4	PET-32
11	E-9624	H00500C	Universal Height Control Valve, Hadley Model 500, Apply Air To Dump	1	PET-31
	E-14731	H01501UD	Universal Height Control Valve, Hadley Next Gen, 3/8" Ports, Apply Air To Dump	1	PET-32
	E-14732	H01501PUD	Universal Height Control Valve, Hadley Next Gen, 1/4" Ports, Apply Air To Dump	1	PET-32
12	E-9625	HPD450-3	Universal Linkage Kit	1	PET-31

PETERBILT

PETERBILT REAR

Flex Air®



PETERBILT

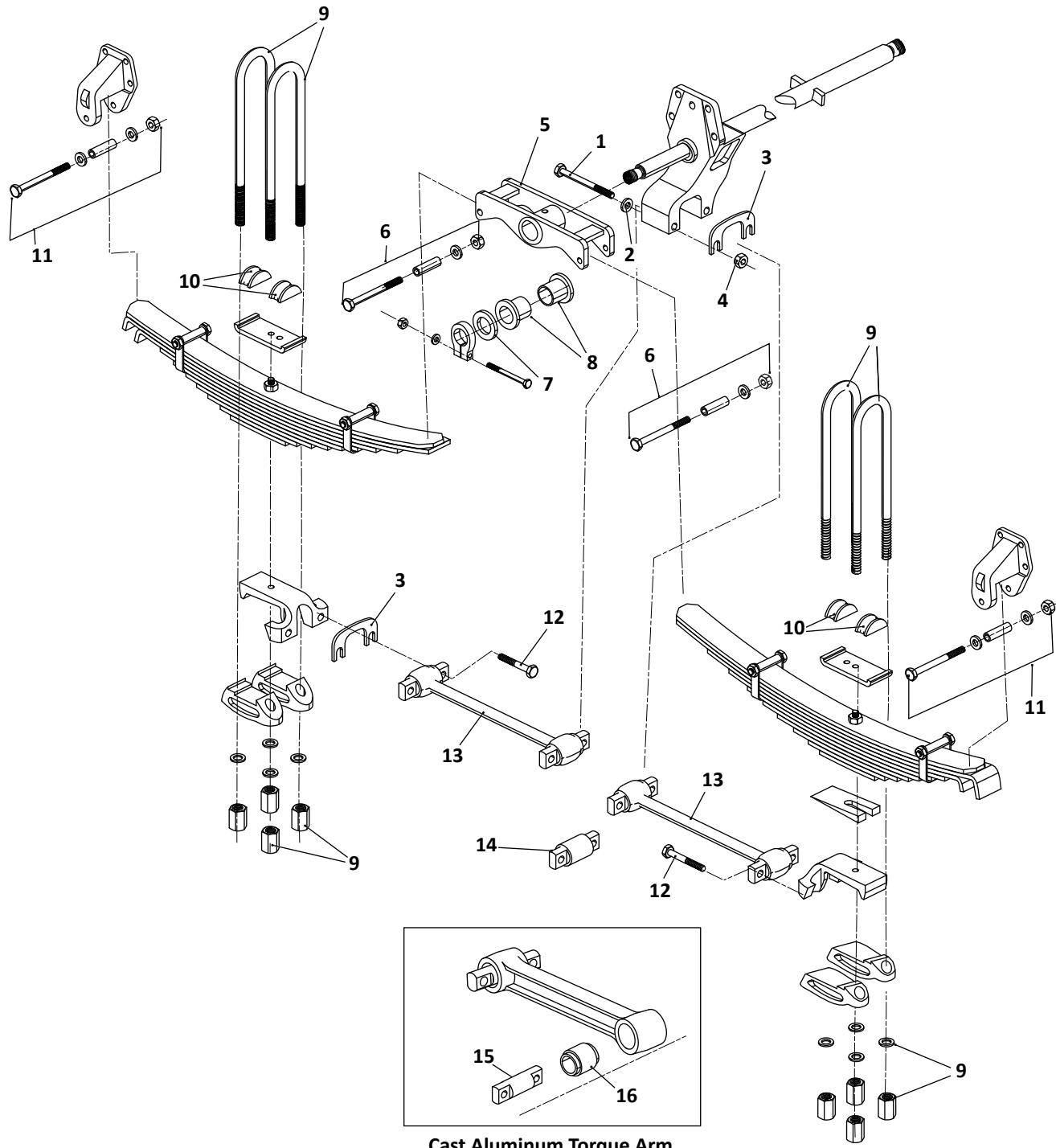
PETERBILT REAR

Suspension

Flex Air®					
KEY NO.	EUCLID NO.	OEM REF.	DESCRIPTION	QTY. PER AXLE	PAGE NO.
1	E-15709	C65-6002; C65-6009	Transverse Torque Arm, 25-1/2" Center-to-Center, Rubber Bushings, New Torque Arms Are Not Rebushable. Older Torque Arms Use E-5275 Bushings	1	PET-33
	GAFF11792	-	Transverse Torque Arm, 25-1/2" Center-to-Center, Includes GAFF13521 Poly Bushings	1	PET-33
2	E-16088	-	Bolt Assembly, M16 - 2.0 X 150mm long, Includes Bolt, Nut, Washers	As Required	PET-33
	E-16105	-	Bolt Assembly, M16 - 2.0 X 160mm long, Includes Bolt, Nut, Washers	As Required	PET-33
3	E-UB8268-134	C34-6000	U-Bolt Assembly, Sq. Bend, 7/8"-14 Thd. X 5-1/8" Wide X 13-1/2" Long	4	-
4	FS8813	C81-6000	Firestone Air Spring	2	-
	EAS8813	C81-6000	Euclid Air Spring	2	-
5	E-7868	27-00173	Air Spring Stud Assembly, 1/2"-20 X 5" Long, Includes Washer and 2 Nuts	2	PET-34
6	E-16098	C65-6000-001	Torque Arm, Front, 23-3/4" Center-to-Center, Not Rebushable, Rubber	2	PET-33
	GAFF12397	-	Torque Arm, Front, 23-3/4" Center-to-Center, Poly	2	PET-33
	E-16099	C65-6000-002	Torque Arm, Rear, 24-5/8" Center-to-Center, Not Rebushable	2	PET-33
7	E-16094	C13-6001	Spring Eye Bar Pin Bushing, Rubber	2	PET-33
	GAFF11765	-	Spring Eye Bar Pin Bushing, Poly	2	PET-33
8	E-1835	-	Lock Nut, 7/8" -14	4	-
9	E-2546	-	Washer, 7/8" ID	4	-
10	E-15182	-	Torque Arm Bolt, 7/8"-14 X 5-1/2" Long	2	-
11	E-16224	-	Bolt, 5/8"-18 X 5-1/2" long, Replacement for OE 16mm Bolt	6	-
12	E-2547	-	Washer, 5/8" ID	12	-
13	E-1943	-	Lock Nut, 5/8"-18	8	-
14	E-5281	-	Torque Arm Shim, 1/16" Thick	As Required	PET-33
15	E-16097	C65-1002	Spring Eye Hollow Bushing, Rubber	2	PET-33
	GAFF11764	-	Spring Eye Hollow Bushing, Poly	2	PET-33
16	E-3693	-	Bolt, 7/8" -14 X 6-1/2" Long	2	-
17	M85067	C71-6000	Shock Absorber	2	-
18	E-3792	-	Bolt, 5/8"-18 X 4-1/2" Long	2	-

PETERBILT

PETERBILT REAR 4-Spring — Early Version



PETERBILT

Cast Aluminum Torque Arm

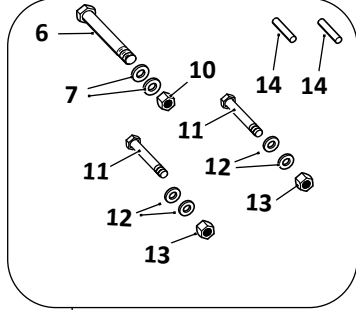
4-Spring — Early Version

KEY NO.	EUCLID NO.	OEM REF.	DESCRIPTION	QTY. PER TANDEM	PAGE NO.
1	E-15199	-	Torque Arm Bolt, Hanger End, 5/8"-11 X 7" long	4	-
2	E-2547	-	Washer, 5/8" ID	4	-
3	E-2988	-	Lock Nut, 5/8"-11	4	-
4	E-5281	-	Torque Arm Shim, 1/16" Thick	As Required	PET-24
5	-	03-03328	Equalizer	2	-
6	E-4761	-	Equalizer Rebound Bolt Assembly, Discontinued	4	PET-23
7	E-4755	03-1771	Equalizer Washer	2	PET-23
8	E-4745	03-02099	Equalizer Bushing, Poly	4	PET-23
9	E-UB8151-18	Various	U-Bolt Assembly, Rd. Bend, 3/4"-16 Thd. x 3" Wide x 18" Long	8	-
10	-	03-01766	U-Bolt Top Cap	8	-
11	E-4770	-	Hanger Rebound Bolt Assembly	4	PET-23
12	E-4759	27-00702-009	Torque Arm Bolt, 5/8"-11 X 2-1/4" Long, Flange Head	8	-
13	E-4753	03-01781; 03-04839	Torque Arm, Tubular Style, 19-1/8" Center-to-Center. E-4753 uses E-5275 Bushings	4	PET-24
14	E-2225	44694-000	Torque Arm Bushing with Outer Metal Sleeve, Rubber, For Torque Arms with Replaceable Bushings	8	PET-27
	GAFF13522	-	Torque Arm Bushing with Outer Metal Sleeve, Poly, For Torque Arms with Replaceable Bushings	8	PET-24
	E-5275	47691-000	Torque Arm Bushing without Outer Metal Sleeve, Rubber, For Torque Arms with Replaceable Bushings	8	PET-24
	GAFF13521	-	Torque Arm Bushing without Outer Metal Sleeve, Poly, For Torque Arms with Replaceable Bushings	8	PET-24
15	E-4751	03-01768	Torque Arm Pin, For Cast Aluminum Torque Arms	8	PET-24
16	E-4752	03-01776	Torque Arm Bushing, Hollow Center, For Cast Aluminum Torque Arms	8	PET-24

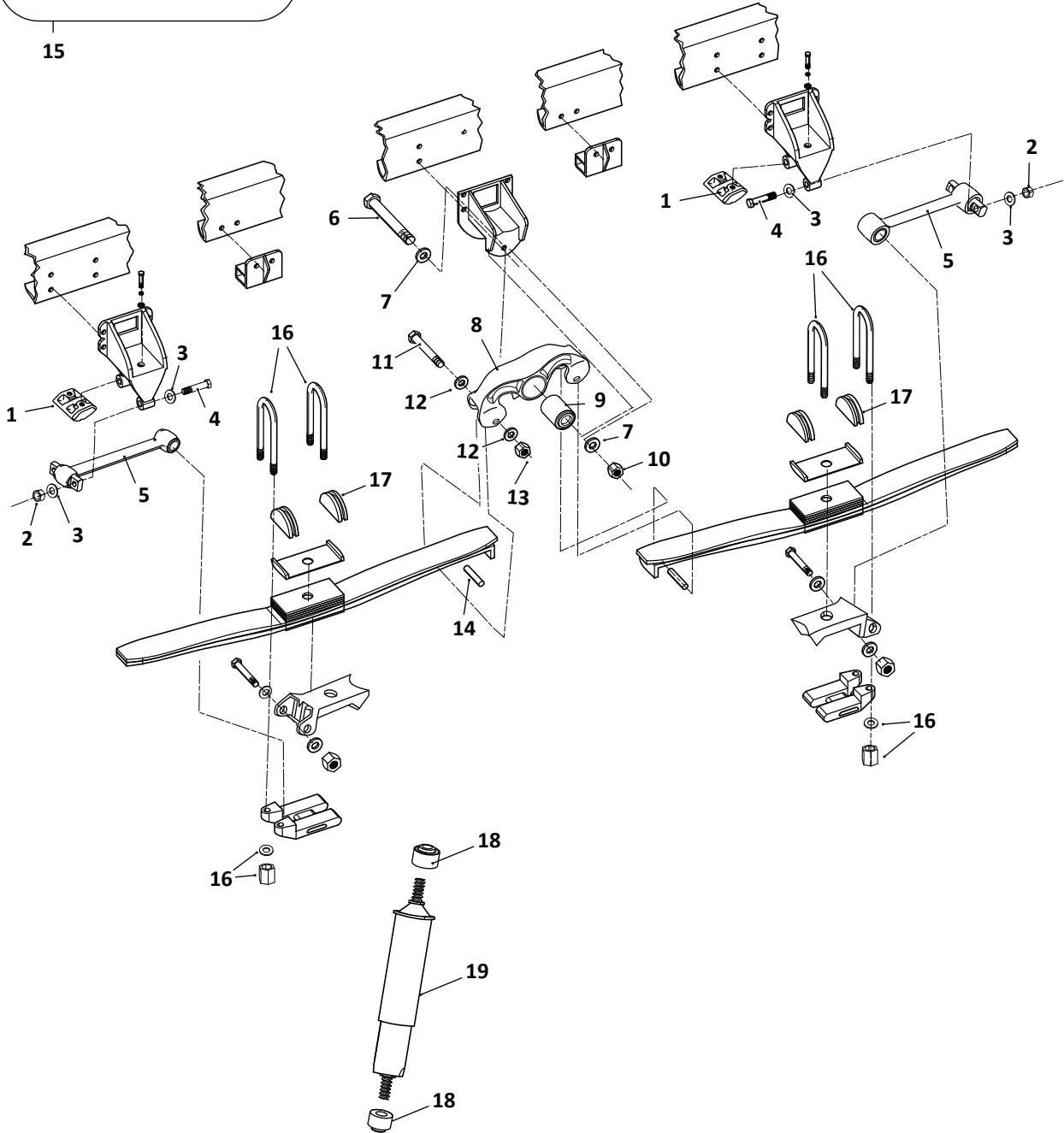
PETERBILT REAR

Quadraflex® 4-Spring 1992 to Current

Equalizer Bolt Kit



15



PETERBILT

Quadraflex® 4-Spring 1992 to Current					
KEY NO.	EUCLID NO.	OEM REF.	DESCRIPTION	QTY. PER TANDEM	PAGE NO.
1	E-7879	03-05851M001	Hanger Wear Pad	4	PET-24
2	E-1943	-	Lock Nut, 5/8"-18	4	-
3	E-2547	-	Washer, 5/8" ID	8	-
4	E-16078	-	Torque Arm Bolt, 5/8"-18 x 5-1/2" Long	4	-
5	E-7887	03-05849	Torque Arm, 18-7/16" Center-to-Center, Non Rebushable	4	PET-24
6	E-4778	03-01668	Equalizer Bolt, 1"-14 X 8-1/2" Long	4	-
7	E-2275	27-00790-016	Washer, 1" ID	4	-
8	-	03-06771M001	Equalizer	2	-
9	E-7870	03-06843	Equalizer Bushing	2	PET-23
10	E-4779	27-00791-016	Equalizer Nut, 1"-14	2	-
11	E-15312	-	Equalizer Rebound Bolt, 1/2"-13 X 5" Long	4	-
12	E-9603	-	Washer, 1/2" ID	8	-
13	E-16402	-	Rebound Lock Nut, 1/2"-13	4	-
14	E-7878	03-06792	Rebound Spacer, Discontinued	4	-
15	E-7871	-	Equalizer Bolt Kit Includes Key Nos. 6, 7, 10, 11, 12, 13, 14, Discontinued	2	PET-23
16	E-UB8151-14	03-04524-01	U-Bolt Assembly, Rd. Bend, 3/4"-16 Thd. x 3" Wide x 14" Long	8	-
	E-UB8151-16	03-04524-150	U-Bolt Assembly, Rd. Bend, 3/4"-16 Thd. x 3" Wide x 16" Long	8	-
17	-	03-01766	U-Bolt Saddle	8	-
18	GAFF11550	-	Shock Bushing, Poly, For Stud Mounted Shocks	8	PET-25
19	M85326	03-07420	Shock Absorber	4	-

Smooth Spring Pin



OD 1 1/4"

EUCLID NO.	OEM REF.	OAL	C-TO-C
E-16319	02-01781; 02-01767	6-7/8"	5-5/16"

Bi-Metal Spring Pin Bushing With Seals



Improved Version of Standard Bushing

EUCLID NO.	OEM REF.	OD	ID	LENGTH
E-16153	02-01805	1-1/2"	1-1/4"	4"

Bi-Metal Spring Pin Bushing



EUCLID NO.	OD	ID	LENGTH
E-16167	1-1/2"	1-1/4"	3-1/2"
E-1876	1-1/2"	1-1/4"	4"

Threaded Spring Pin



M33.5 -4.0 Thread


EUCLID NO.	OEM REF.	END OD	OAL	C-TO-C
E-16321	B65-6008	1-1/16"	7"	5-7/16"
E-15620	B65-1008	1-1/16"	7-7/8"	5-5/16"
E-15614	B65-1002	1-1/16"	7-3/8"	5-3/4"

Spring Pin Bushing, Threaded





EUCLID NO.	OEM REF.	OD	LENGTH	THREAD
E-16157	B13-1000	1-3/4" (44.5mm)	4" (101mm)	M33.5 -4.0
E-16158	B13-1002	2-1/16" (52.8mm)	4" (101mm)	M33.5 -4.0


PETERBILT


Rubber Bushing			
			
EUCLID NO.	OEM REF.	OD / PIN DIA.	OAL / C-TO-C
E-15543	B65-6005	1-3/4"; 1-1/16"	6-11/16"; 5-7/16"
GAFF11767	-	1-3/4"; 1-1/16"	6-11/16"; 5-7/16"
E-15537	B65-1006	1-3/4"; 1-1/16"	7-1/2"; 6-3/16"
E-16163	B65-1013; B65-6006	2-1/16"; 1-1/16"	6-11/16"; 5-7/16"
E-15613	B65-1007; B65-1012	2-1/16"; 1-1/16"	7-1/2"; 6-3/16"

Spring Hanger With Smooth Bushing		
		
Casting No. B111033		
EUCLID NO.	OEM REF.	NOTES
E-16155	B11-1034-2; 02-04001M002	Includes E-16153 Smooth Bushing With Seals

Spring Hanger With Threaded Bushing		
		
Casting No. B111023		
EUCLID NO.	OEM REF.	NOTES
E-16701	B11-1039	Includes E-16158 Threaded Bushing

Rubber Bushing				
FOR MODELS: Medium Duty Models				
				
EUCLID NO.	OEM REF.	OD	ID	LENGTH
E-16236	B65-6010	1-3/4"	5/8"	4-1/4"

Spring Hanger With Threaded Bushing		
		
Casting No. B111033		
EUCLID NO.	OEM REF.	NOTES
E-16700	B11-1031-5	Includes E-16157 Threaded Bushing

Spring Hanger With Smooth Bushing		
		
Includes Smooth Bushing		
EUCLID NO.	OEM REF.	BOLT HOLE DIA.
E-16317	-	5/8"
E-16147	B11-6030M03	3/4"

Spring Hanger With Rubber Bushing		
		
Casting No. B111033		
EUCLID NO.	OEM REF.	NOTES
E-16695	B11-1034-6	Includes E-15543 Pin Type Rubber Bushing

PETERBILT

Spring Hanger With Rubber Bushing



Casting No. B111033

EUCLID NO.	OEM REF.	NOTES
E-15547	B11-1034-1	Includes E-16160 Pin Type Rubber Bushing

Side Bar

1987 To Current



E-3720

Use with Rubber Bushings



E-16145 & E-16143


Use with Smooth Steel Spring Pins

EUCLID NO.	OEM REF.	HOLE DIA	OAL / C-TO-C	THICKNESS	WIDTH
E-3720	B20-1007; B20-6006	1-1/16"	6-3/8"; 4"	1-1/4"	2"
E-16145	02-01784; 02-01783	1-1/4"	6"; 3-9/16"	1-1/8"	
E-16143	02-01747; 02-01807		7-9/16"; 5-1/8"		

PETERBILT

Equalizer Bushing

FOR MODELS:
Four Spring,
Early Version




Flange OD 4"

EUCLID NO.	OEM REF.	OD	ID	LENGTH	MATERIAL
E-4745	03-02099	3-1/8"	2-1/2"	2-1/4"	Poly

Equalizer Bushing


FOR MODELS:
QUADRAFLEX
Four Spring



EUCLID NO.	OEM REF.	OD	ID	LENGTH
E-7870	03-06843	3-3/4"	1"	5-1/4"

Equalizer Rebound Bolt Assembly

FOR MODELS:
Four Spring,
Early Version




Discontinued

EUCLID NO.	OEM REF.	LENGTH	THREAD	NOTES
E-4761	-	4-3/4"	1/2"-20	Includes Bolt, Spacer Tube, Lock Nut

Equalizer Bolt Kit

FOR MODELS:
QUADRAFLEX
Four Spring




Discontinued

EUCLID NO.	OEM REF.	NOTES
E-7871	-	Includes Equalizer Bolt, Nut & Washer, 2 Sets of Rebound Bolts, Nuts, Washers and Spacers

Equalizer Washer


FOR MODELS:
Four Spring, Early Version



EUCLID NO.	OEM REF.	OD	ID	THICKNESS
E-4755	03-1771	4"	2-9/16"	1/4"

Hanger Rebound Bolt Assembly

FOR MODELS:
Four Spring, Early Version




EUCLID NO.	OEM REF.	LENGTH	THREAD	NOTES
E-4770	-	5-1/2"	1/2"-20	Includes Bolt, Spacer Tube, Lock Nut

PETERBILT

Four Springs

Torque Arm


FOR MODEL:
Four Spring,
Early Version



EUCLID NO.	OEM REF.	LENGTH C-TO-C	NOTES
E-4753	03-01781; 03-04839	19-1/8"	E-4753 Uses Bushing E-5275

Torque Arm Bushing

FOR MODEL:
Four Spring,
Early Version




For Old Style Cast Torque Arms, Use With E-4751 Pin

EUCLID NO.	OEM REF.	OD	ID	LENGTH
E-4752	03-01776	2-1/8"	1-3/8"	2-1/2"

Torque Arm

FOR MODELS:
QUADRAFLEX
Four Spring




Not Rebusable

EUCLID NO.	OEM REF.	LENGTH C-TO-C
E-7887	03-05849	18-7/16"

Torque Arm Pin

FOR MODEL:
Four Spring,
Early Version




For Old Style Cast Torque Arms, Use With E-4752 Bushing

EUCLID NO.	OEM REF.	OD	BOLT HOLE DIA.	OAL / C-TO-C
E-4751	03-01768	1-3/8"	5/8"	5-11/16" 4-3/8"

Torque Arm Bushing

FOR MODEL:
Four Spring,
Early Version




Outer Steel Sleeve

EUCLID NO.	OEM REF.	OD	BOLT HOLE DIA.	C-TO-C	MATERIAL
E-2225	44694-000	2-1/2"	5/8"	4-3/8"	Rubber
GAFF13522	-				Poly

Torque Arm Shim


FOR MODEL:
Four Spring,
Early Version



EUCLID NO.	LENGTH C-TO-C	THICKNESS
E-5281	4-3/8"	1/16"

Torque Arm Bushing

FOR MODEL:
Four Spring,
Early Version

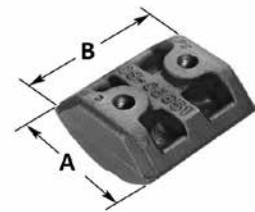


No Outer Metal Sleeve

EUCLID NO.	OEM REF.	OD	BOLT HOLE DIA.	C-TO-C	MATERIAL
E-5275	47691-000	2"	5/8"	4-3/8"	Rubber
GAFF13521	-				Poly


Hanger Wear Pad

FOR MODELS:
QUADRAFLEX
Four Spring



EUCLID NO.	OEM REF.	A	B	THREAD
E-7879	03-05851M001	2-7/8"	3-1/8"	M12 X 1.75

PETERBILT


Shock Bushing				
FOR MODELS: QUADRAFLEX Four Spring				
For Stud Mounted Shocks				
EUCLID NO.	OD	ID	THICKNESS	MATERIAL
GAFF11550	1-13/16"	5/8"	1-1/4"	Poly

PETERBILT

Air Trac® — Air Leaf®

Spring Eye Pivot

FOR MODEL:
Air Leaf



Use With E-4773 Bushing Kit, -P Suffix Denotes Price Point

EUCLID NO.	OEM REF.	A	ID
E-11749	03-01654	5-1/2"	2-3/4"
E-11749-P			

Spring Hanger Spacer Washer

FOR MODEL:
Air Leaf




Included in Kit E-4773

EUCLID NO.	OEM REF.	OD	ID	LENGTH	MATERIAL
E-4776	03-01675	2-5/8"	1-3/4"	15/16"	Poly

Spring Eye Bushing Kit

FOR MODEL:
Air Leaf



For Use With E-11749 Spring Eye Pivot.

EUCLID NO.	OEM REF.	NOTES
E-4773	03AL1	Includes Rubber Spring Eye Bushings, Washers, Sleeve, Spacers, Bolt, Nut

Spring Hanger Washer

FOR MODEL:
Air Leaf




Included in Kit E-4773

EUCLID NO.	OEM REF.	OD	ID	THICKNESS	MATERIAL
E-4777	03-01670	3-5/16"	1"	9/16"	Steel

Spring Eye Sleeve

FOR MODEL:
Air Leaf




Included in Kit E-4773

EUCLID NO.	OEM REF.	OD	ID	LENGTH	MATERIAL
E-4774	03-01669	1-3/4"	1-1/8"	5-3/4"	Steel

Alignment Shim

FOR MODEL:
Air Leaf




Included in Kit E-4773

EUCLID NO.	OEM REF.	C-TO-C	LENGTH	THICKNESS	WIDTH
E-4780	03-04959-001	2"	4"	1/16"	1-1/4"

Spring Eye Bushing

FOR MODEL:
Air Leaf



Rubber Version Included in Kit E-4773

EUCLID NO.	OEM REF.	OD	ID	LENGTH	MATERIAL
E-4775	03-01674	2-1/2"	1-3/4"	2-3/4"	Rubber
GAFF12350	-				Poly


Spring Roller Bushing Kit

FOR MODEL:
Air Trac





EUCLID NO.	NOTES
E-7854	Includes Roller, Bushing, Spacer, Washers, Lock Nut


PETERBILT

Spring Roller Bushing					
FOR MODEL: Air Trac					
					
EUCLID NO.	OEM REF.	OD	ID	LENGTH	MATERIAL
E-7855	03-04623	1-7/8"	1-1/16"	5-1/8"	Rubber

Spring Roller Spacer				
FOR MODEL: Air Trac				
				
EUCLID NO.	OEM REF.	OD	ID	LENGTH
E-7856	03-04624	1"	5/8"	5 1/8"

Torque Arm						
						
EUCLID NO.	OEM REF.	FOR MODEL	ID	LENGTH C-TO-C	REPLACEMENT BUSHING	MATERIAL
E-5082	03-04119	Air Trac	5/8" Hole in Both Bushings	17-11/32"	E-5082 Uses E-2226	Rubber
E-5083	03-04327	Air Trac	5/8" Hole Hanger End, 3/4" Hole Axle End	17-11/32"	E-5083 Uses E-2226 & E-3868	Rubber
E-4771	03-04059	Air Trac, Air Leaf	5/8" Hole in Both Bushings	23" C-to-C	E-4771 Uses E-2225	Rubber
GAFF34554	-	Air Trac, Air Leaf	5/8" Hole in Both Bushings	23" C-to-C	GAFF34554 Uses GAFF13520	Poly

Torque Arm Bushing					
FOR MODELS: Air Trac, Air Leaf					
					
Outer Steel Sleeve					
EUCLID NO.	OEM REF.	OD	BOLT HOLE DIA.	C-TO-C	MATERIAL
E-2225	227710; 44694	2-1/2"	5/8"	4-3/8"	Rubber
GAFF13522	-				Poly
E-2226	44694-000	2-3/4"	5/8"	4-3/8"	Rubber
GAFF13520	-				Poly

Torque Arm Shim		
FOR MODEL: Air Trac		
		
EUCLID NO.	C-TO-C	THICKNESS
E-5281	4-3/8"	1/16"

PETERBILT

Air Trac® — Air Leaf®

Spring Hanger

FOR MODEL:
Air Trac

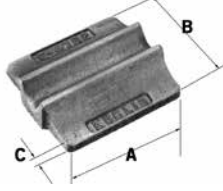


Use with E-7862 Wear Pad Kit

EUCLID NO.	OEM REF.	NOTES
E-16711	01-44406; 01-48280-M002	Built Before 7/93 Wear Pad Holes 1/2" Dia.

Top Plate

FOR MODEL:
Air Leaf



Ductile Iron

EUCLID NO.	OEM REF.	A	B	C
E-4782	03-01657	4"	3-1/2"	7/8"

Wear Pad Kit

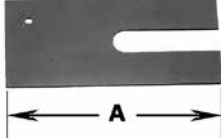
FOR MODEL:
Air Trac



EUCLID NO.	OEM REF.	BOLT DIA.	NOTES
E-7862	23-12566	1/2"	Includes Wear Pad, Bolts, Washers, Nuts Use with E-16711 Hanger
E-15658	03-07296	5/8"	Includes Wear Pad, Bolts, Washers, Nuts Use With Newer Style Hangers

Leaf Spring Shim


FOR MODEL:
Air Trac



EUCLID NO.	OEM REF.	A	WIDTH	THICKNESS
E-7864	03-04106	9"	4"	1/16"

Shock Bushing

FOR MODELS:
Air Trac,
Air Leaf




For Shocks with Eyes

EUCLID NO.	OD	ID	MATERIAL
E-401754	1-7/8"	1"	Rubber
GAFF18566			Poly

Top Plate

FOR MODELS:
Air Trac,
Air Leaf




E-4781 Aluminum; E-4781-P Ductile Iron

EUCLID NO.	OEM REF.	LENGTH	THICKNESS	WIDTH
E-4781	03-01656	6-7/8"	1-1/4"	3-7/8"
E-4781-P				

Shock Bushing


FOR MODELS:
Air Trac,
Air Leaf





For Stud Mounted Shocks


EUCLID NO.	OD	ID	THICKNESS	MATERIAL
GAFF11550	1-13/16"	5/8"	1-1/4"	Poly

PETERBILT

Air Spring Stud Assembly				
FOR MODELS: Air Trac, Air Leaf				
				
EUCLID NO.	OEM REF.	LENGTH	THREADS	NOTES
E-7868	27-00173	5"	1/2"-20; 1/2"-13	Includes Stud, Nut, Washer

Universal Height Control Valve		
FOR MODELS: Air Trac, Air Leaf		
		
EUCLID NO.	OEM REF.	NOTES
E-14731	H01501UD	Hadley Next Gen, 3/8" Ports, Apply Air To Dump
E-14732	H01501PUD	Hadley Next Gen, 1/4" Ports, Apply Air To Dump

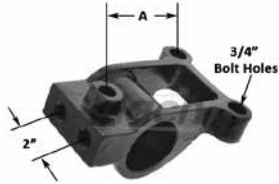
Universal Height Control Valve		
FOR MODELS: Air Trac, Air Leaf		
		
EUCLID NO.	OEM REF.	NOTES
E-9624	H00500C	Hadley Model 500, 3/8" Ports, Apply Air To Dump

Linkage Kit	
FOR MODELS: Air Trac, Air Leaf	
	
EUCLID NO.	NOTES
E-9625	Universal Kit, Length 3-5/8" to 19-5/8" Long

PETERBILT

Low Mount Air Leaf®

Cast Spring Eye



Use With E-7840 Bushing Kit

EUCLID NO.	OEM REF.	BUSHING HOLE DIA.	A
E-16470	03-05117	2-5/8"	4"

Spring Hanger Washer



Steel

EUCLID NO.	OEM REF.	OD	ID	THICKNESS
E-4777	03-01670	3-5/16"	1"	9/16"

Spring Eye Bushing Kit




EUCLID NO.	OEM REF.	MATERIAL	NOTES
E-7840	03-AL2	Rubber	Includes Spring Eye Bushings, Hanger Bushings, Washers, Sleeve, Bolt, Nut
GAFF12362	-	Poly	

Sleeve



EUCLID NO.	OEM REF.	OD	ID	LENGTH
E-7843	03-05102	1-3/4"	1"	5-1/4"


Spring Eye Bushing



Rubber

EUCLID NO.	OEM REF.	OD	ID	LENGTH	MATERIAL
E-7841	03-05101	2-1/2"	1-3/4"	2-1/2"	Rubber
GAFF12354	-				Poly

Alignment Shim



EUCLID NO.	OEM REF.	LENGTH	WIDTH	THICKNESS
E-7844	03-05114-002	3-3/4"	1-1/4"	1/16"
E-7845	03-05114-001			3/32"


Spring Hanger Spacer Washer



Poly

EUCLID NO.	OEM REF.	OD	ID	THICKNESS
E-4776	03-01675	2-5/8"	1-3/4"	15/16"


Torque Arm



EUCLID NO.	OEM REF.	C-TO-C	MATERIAL	INCLUDES BUSHINGS
E-7853	03-05108	25-5/8"	Rubber	E-2225
GAFF12398	-		Poly	GAFF13520


PETERBILT

Torque Arm Bushing



EUCLID NO.	OEM REF.	OD	BOLT HOLE DIA.	LENGTH C-TO-C	MATERIAL
E-2225	227710; 44694	2-1/2"	5/8"	4-3/8"	Rubber
GAFF13522	-				Poly

Universal Height Control Valve



EUCLID NO.	OEM REF.	NOTES
E-9624	H00500C	Hadley Model 500, Apply Air To Dump

Shock Bushing



For Stud Mounted Shocks


EUCLID NO.	OD	ID	THICKNESS	MATERIAL
GAFF11550	1-13/16"	5/8"	1-1/4"	Poly

Universal Height Control Valve



EUCLID NO.	OEM REF.	NOTES
E-14731	H01501UD	Hadley Next Gen, 3/8" Ports, Apply Air To Dump
E-14732	H01501PUD	Hadley Next Gen, 1/4" Ports, Apply Air To Dump


Shock Bushing



For Shocks with Eyes


EUCLID NO.	OD	ID	MATERIAL
E-401754	1-7/8"	1"	Rubber
GAFF18566			Poly

Linkage Kit



EUCLID NO.	NOTES
E-9625	Universal Kit, Length 3-5/8" to 19-5/8" Long

Air Spring Stud Assembly



EUCLID NO.	OEM REF.	LENGTH	THREAD	NOTES
E-7851	27-00791-008	6"	1/2"-20; 1/2"-13	Includes Stud and Nut

PETERBILT

PETERBILT

AirGlide® 210

Spring Eye Bushing, Anti-Walk



Length C-TO-C 5 11/16"

EUCLID NO.	OD	BOLT HOLE DIA.	MATERIAL	NOTES
E-15541	2-1/2"	3/4"	Rubber	Standard OE Design
GAFF11083			Poly	
E-15600	2.550"	3/4"	Rubber	Oversized Version of E-15541 .050" Oversize OD
GAFF11084			Poly	

Universal Height Control Valve



EUCLID NO.	OEM REF.	NOTES
E-9624	H00500C	Hadley Model 500, Apply Air To Dump

Universal Height Control Valve



EUCLID NO.	OEM REF.	NOTES
E-14731	H01501UD	Hadley Next Gen, 3/8" Ports, Apply Air To Dump
E-14732	H01501PUD	Hadley Next Gen, 1/4" Ports, Apply Air To Dump

Torque Arm



Not Rebushable

EUCLID NO.	OEM REF.	LENGTH C-TO-C	MATERIAL
E-16118	TR030020010	25-9/16"	Rubber
GAFF11792	-		Poly

Linkage Kit



EUCLID NO.	OEM REF.	NOTES
E-9625	HPD450-3	Universal Kit, Length 3-5/8" to 19-5/8" Long


Shock Bushing



For Stud Mounted Shocks

EUCLID NO.	OD	ID	THICKNESS	MATERIAL
GAFF11550	1-13/16"	5/8"	1-1/4"	Poly

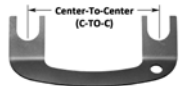
PETERBILT


Spring Eye Bushing, Bar Pin					
					
EUCLID NO.	OEM REF.	OD	BOLT HOLE DIA.	LENGTH C-TO-C	MATERIAL
E-16094	C13-6001	2-3/8"	5/8"	4-3/8"	Rubber
GAFF11765	-				Poly


Spring Eye Bushing					
					
EUCLID NO.	OEM REF.	OD	ID	LENGTH	MATERIAL
E-16097	C65-1002	2-3/8"	7/8"	3"	Rubber
GAFF11764	-				Poly

Torque Arm				
				
Not Rebushable				
EUCLID NO.	OEM REF.	LOCATION	C-TO-C	MATERIAL
E-16098	C65-6000-001	Front Axle	23-3/4"	Rubber
GAFF12397	-			Poly
E-16099	C65-6000-002	Rear Axle	24-5/8"	Rubber

Transverse Torque Arm				
				
EUCLID NO.	OEM REF.	LENGTH C-TO-C	MATERIAL	NOTES
E-15709	C65-6002; C65-6009	25-1/2"	Rubber	Newer Torque Arm Is Not Rebushable. Older Torque Arm May Use E-5275 Bushings
GAFF11792	-		Poly	Includes GAFF13521 Bushings

Torque Arm Shim		
		
EUCLID NO.	LENGTH C-TO-C	THICKNESS
E-5281	4-3/8"	1/16"

Bolt Assembly		
		
Includes Bolt, Nut, Washers		
EUCLID NO.	LENGTH	THREAD
E-16088	5-7/8" (150mm)	M16-2.0
E-16105	6-1/4" (160mm)	M16-2.0

Air Spring Stud Assembly				
				
EUCLID NO.	OEM REF.	LENGTH	THREAD	NOTES
E-7868	27-00173	5"	1/2"-20; 1/2"-13	Includes Stud, Nut, Washer

PETERBILT

TABLE OF CONTENTS

Model 102AR Air Suspension — Tractor RYG-2

Model 240AR Air Suspension — Tractor RYG-6

Model 79KB Single Axle Spring Suspension — Tractor..... RYG-8

Model 101 Tandem Four Spring Suspension — Tractor RYG-10

Model 101A Tandem Four Spring Suspension — Tractor RYG-14

Model 102 Tandem Four Spring Suspension — Tractor RYG-18

Model 102W Tandem Four Spring Suspension — Tractor RYG-22

Model 102CC Single Axle Spring Suspension — Tractor RYG-26

Model 20AR/22AR Air Suspension — Trailer..... RYG-28

Model 21AR Air Suspension — Trailer RYG-30

Model 23AR/25AR/30AR Air Suspension — Trailer..... RYG-32

Model 74AR Air Suspension — Trailer RYG-34

Model 86AR Air Suspension — Trailer RYG-36

Model 21B Cast Tandem Four Spring Suspension, 42" - 72" Axle Spacing — Trailer..... RYG-40

Model 21B Fabricated Tandem Four Spring Suspension, 44" - 109" Axle Spacing — Trailer..... RYG-46

Model 73 Tandem Four Spring Suspension, 49" Axle Spacing — Trailer RYG-50

Model 73 Tandem Four Spring Suspension, 60" and 72" Axle Spacing — Trailer RYG-52

Model 74B Tandem Four Spring Suspension, 50", 54" and 60" Axle Spacing — Trailer..... RYG-54

Model 74B Tandem Four Spring Suspension, 72", 77", 97" and 109" Axle Spacing — Trailer..... RYG-56

Model 83 Tandem Four Spring Suspension, 50" – 109" Axle Spacing — Trailer..... RYG-58

Model 86-88 Tandem Four Spring Suspension — Trailer..... RYG-62

Reyco Granning Components RYG-68



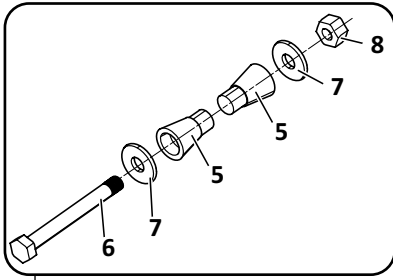
Not sure which suspension you have?
 Check out Meritor’s Suspension Identification
 Xact Search to find the right part by
 clicking the QR code

REYCO GRANNING

REYCO GRANNING

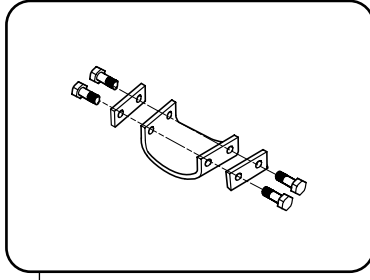
Model 102AR Air Suspension — Tractor

Torque Arm Bushing Assembly Hanger End

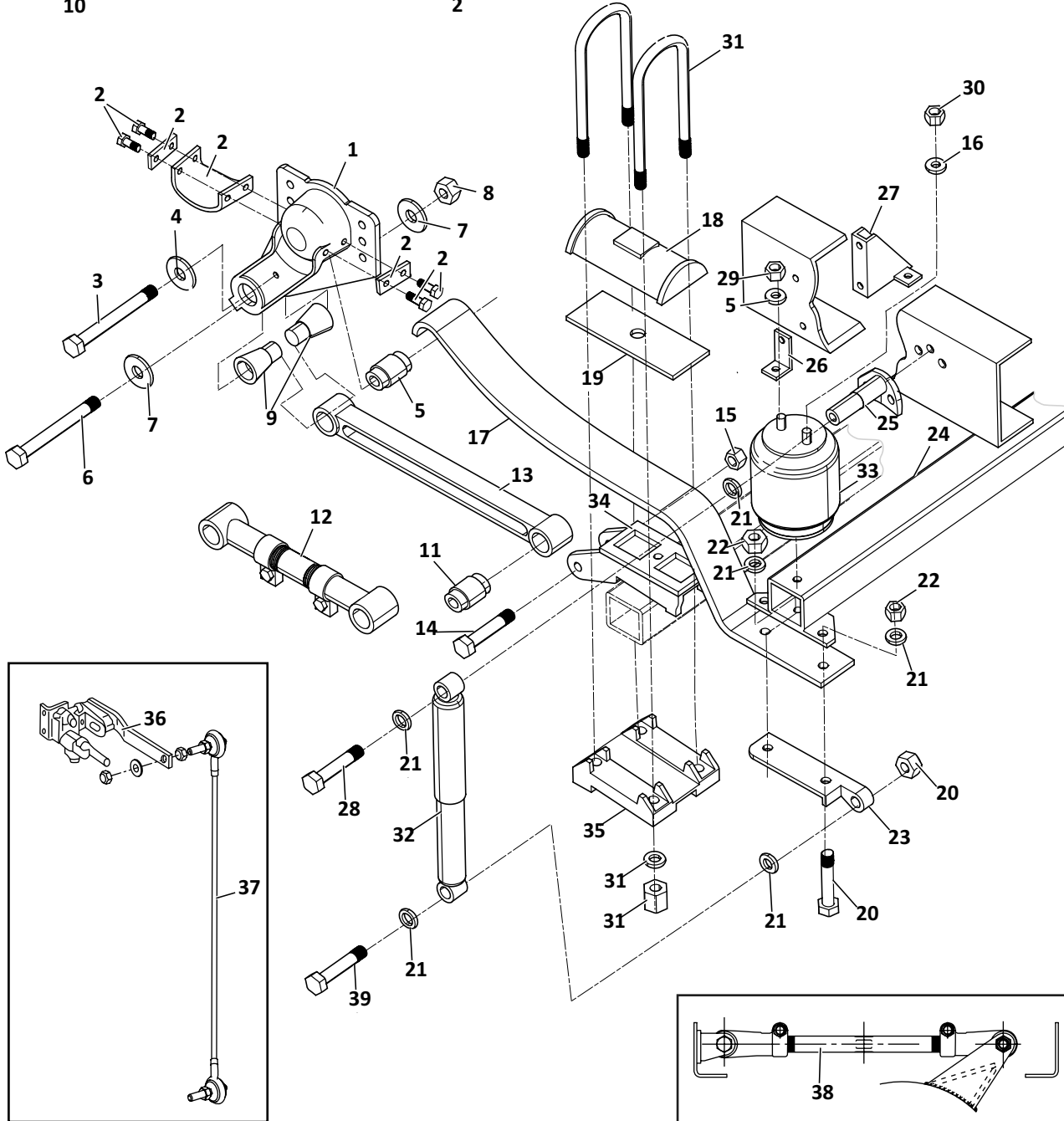


10

Wear Pad Kit



2



REYCO GRANNING

Model 102AR Air Suspension — Tractor						
KEY NO.	EUCLID NO.	GENUINE	OEM REF.	DESCRIPTION	QTY. PER AXLE	PAGE NO.
1	E-4794	R	22521-01	Standard Front Hanger, Left Hand, Includes Key Nos. 2, 3	1	RYG-83
	E-4795	R	22521-02	Standard Front Hanger, Right Hand, Includes Key Nos. 2, 3	1	RYG-83
2	E-2867A	R	TK19168	Hanger Pad Assembly Includes Bolt, Plate, and Wear Pad	2	RYG-89
3	E-1972	-	T-5544	Capscrew 1/2"-20 x 4-3/4" Long	2	-
4	E-1974	-	T-1705	Lock Washer, 1/2"	6	-
5	E-1061	-	13677-04	Hanger Bushing , 2-1/2" Long	2	-
	E-16726	R	13677-05	Hanger Bushing, 3-1/4" Long Diameter	2	-
6	E-1166	-	23882-01	Torque Arm Bolt, Hanger End, 1"-14 x 6-3/4" Long	2	RYG-81
7	E-905	-	T-1724	Flat Washer, 1-1/16"	4	-
8	E-937	-	T-5495	Lock Nut, 1"-14	2	-
9	E-10057	-	21238-01S	Torque Arm Bushing, Hanger End, Rubber	4	RYG-80
	GAFF15020	-	-	Torque Arm Bushing, Hanger End, Poly	4	RYG-80
10	E-9350	-	-	Torque Arm Bushing Assembly, Hanger End, Includes Key Nos. 5, 6, 7, 8, Rubber	2	RYG-79
	GAFF15061	-	-	Torque Arm Bushing Assembly, Hanger End, Includes Key Nos. 5, 6, 7, 8, Poly	2	RYG-79
11	E-1980	-	09729-01	Torque Arm Bushing, Axle Seat End, Rubber	2	RYG-80
	GAFF15013	-	-	Torque Arm Bushing, Axle Seat End, Poly	2	RYG-80
12	E-3764	R	15187-01	Adjustable Torque Arm, 50" Axle Spacing Center, Front & Rear, Includes E-1980 Axle End Bushing	2	RYG-76
	E-4796	R	15186-01	Adjustable Torque Arm, 52" Axle Spacing Center, Front & Rear, 60" Axle Spacing Front, Includes E-1980 Axle End Bushing	2	RYG-76
	S.O.S.	R	16135-01	Adjustable Torque Arm, 60" Axle Spacing Center, Rear, Includes E-1980 Axle End Bushing	1	-
13	S.O.S.	R	11011-02	Rigid Torque Arm, 50" Axle Spacing Center, Front & Rear, Includes E-1980 Axle End Bushing	2	-
	E-2860	R	11012-03	Rigid Torque Arm, 52" Axle Spacing Center, Front & Rear, 60" Axle Spacing Front, Includes E-1980 Axle End Bushing	2	RYG-77
	S.O.S.	R	12051-01	Rigid Torque Arm, 60" Axle Spacing Center, Front, Includes E-1980 Axle End Bushing	1	-
	S.O.S.	R	14127-01	Rigid Torque Arm, 60" Axle Spacing Center, Rear, Includes E-1980 Axle End Bushing	1	-
14	E-901	-	10033-01	Bolt 7/8"-9 x 5-1/2" Long	4	RYG-81
15	E-2983	-	10092-01	Locknut, 7/8"-9	4	-
16	E-2545	-	T-5496	Washer, 3/4"	14	-
17	S.O.S.	R	15676-01	Spring Beam	2	-
18	E-2873	R	08677-01	Top Plate, Cast, 3" Wide	2	RYG-93
19	E-2842	-	T-5166	Delrin Spring Liner	2	RYG-93
20	E-15315	-	15669-01	Hex Bolt, 3/4" x 3" Long	4	-
21	E-2545	-	20852-01	Flat Washer, 3/4"	14	-
22	E-4961A	-	14344-01	Nut, 3/4"-16	8	-
23	E-16725	R	20055-01	Lower Shock Mount Bracket, Left Hand	2	-
	E-16724	R	20054-01	Lower Shock Mount Bracket, Right Hand	2	-
24	E-16728	R	15766-01	Air Spring Support Assembly	1	-
25	S.O.S.	R	18256-01	Upper Shock Mount Bracket	2	-
26	E-16729	R	18258-01	Outboard Air Spring Bracket	2	-
27	E-15317	R	18259-01	Inboard Air Spring Bracket	2	-

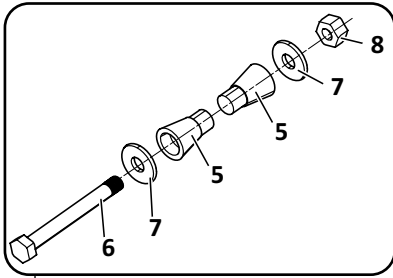
R Denotes Product is Genuine Reyco Granning

REYCO GRANNING

REYCO GRANNING

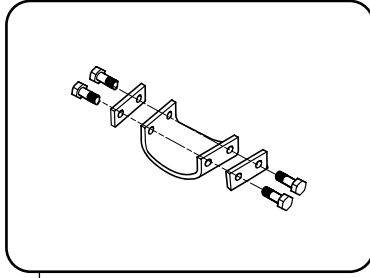
Model 102AR Air Suspension — Tractor

Torque Arm Bushing Assembly Hanger End

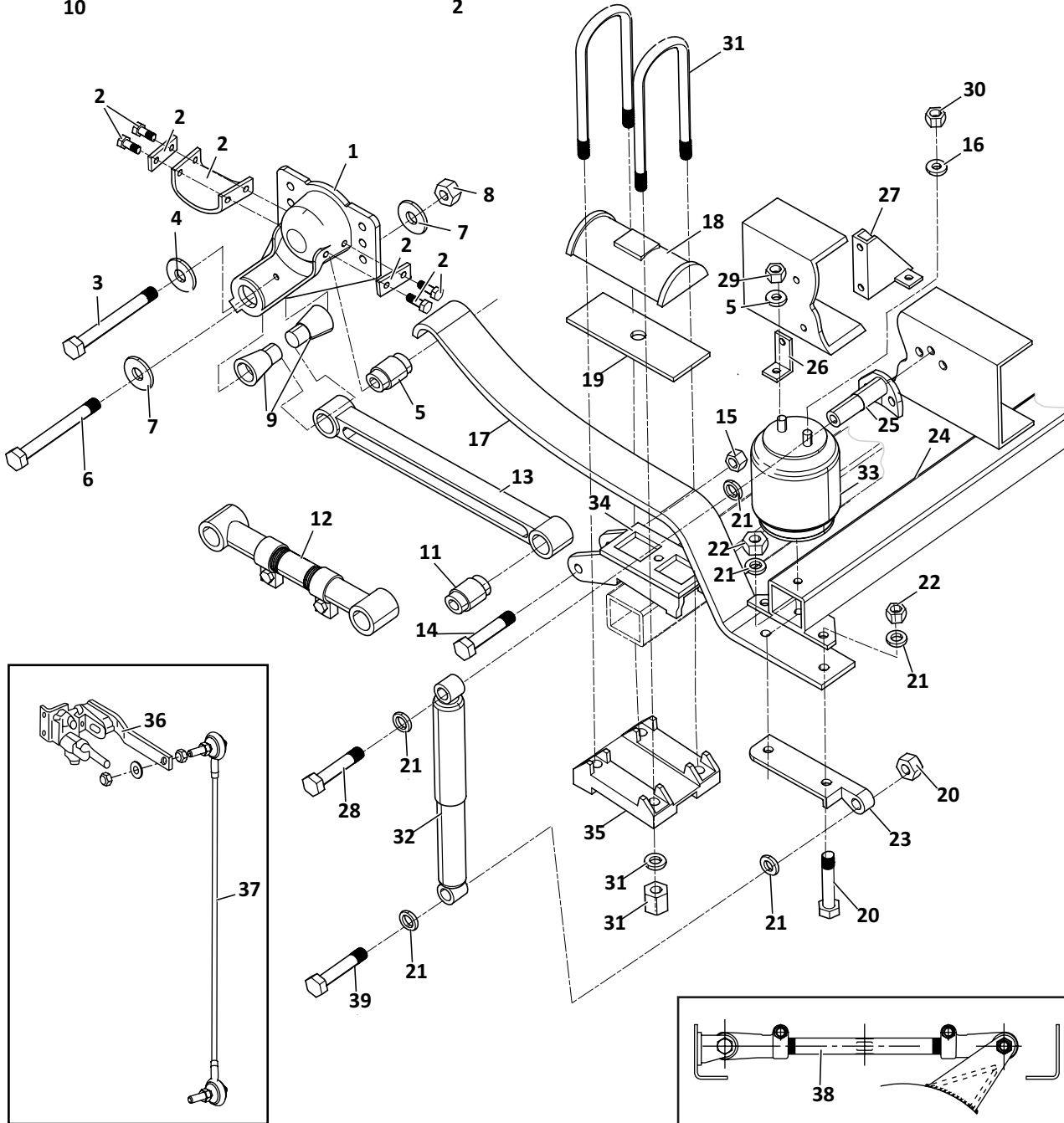


10

Wear Pad Kit



2



REYCO GRANNING

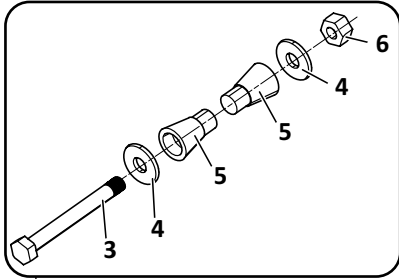
Model 102AR Air Suspension — Tractor						
KEY NO.	EUCLID NO.	GENUINE	OEM REF.	DESCRIPTION	QTY. PER AXLE	PAGE NO.
28	S.O.S.	R	15246-01	Bolt, 3/4"-16 x 6" Long	2	-
29	E-15256	-	12920-01	Hex Nut, 1/2"-13	6	-
30	E-1107	-	08211-01	Hex Nut, 3/4"-16	2	-
31	E-UB5161-14	-	-	U-Bolt Assembly Rd. Bend; 7/8"- 14 Thd. X 3" Wide x 14" Long	4	-
32	M85013	-	12887-01	Shock Absorber	2	-
33	FS9223	-	12884-01	Air Spring	2	-
	EAS9223	-				
34	E-16727	R	19881-01	Axle Seat	2	-
35	E-16730	R	20550-01	Bottom Plate, Left Hand	1	-
	E-16731	R	19896-01	Bottom Plate, Right Hand	1	-
36	E-9623	-	-	Universal Height Control Valve - Hadley Style	1	RYG-95
37	E-7852	-	-	Linkage Kit, Universal	1	RYG-95
38	E-16495	R	16429-01	Transverse Adjustable Torque Arm, Includes E-1980 Bushing	1	RYG-78
39	S.O.S.	R	12889-01	Bolt	1	-

R Denotes Product is Genuine Reyco Granning

REYCO GRANNING

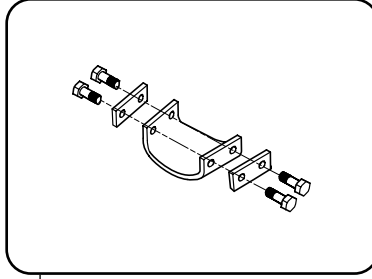
Model 240AR Air Suspension — Tractor

Torque Arm Bushing Assembly Hanger End

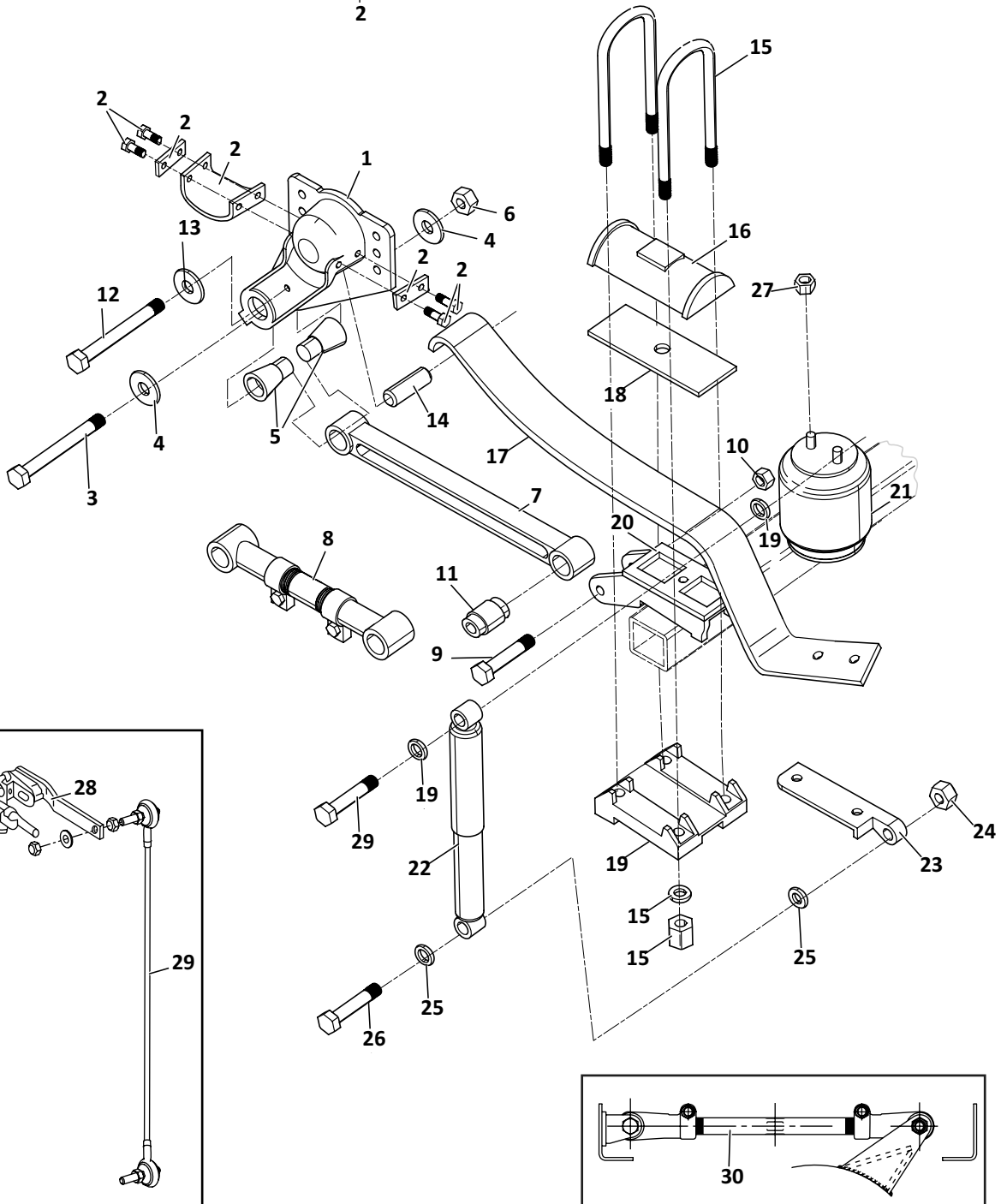


31

Wear Pad Kit



2



REYCO GRANNING

Model 240AR Air Suspension — Tractor						
KEY NO.	EUCLID NO.	GENUINE	OEM REF.	DESCRIPTION	QTY. PER AXLE	PAGE NO.
1	E-15318	R	20981-01	Hanger Assembly, Left Hand	1	RYG-83
	E-15319	R	20982-01	Hanger Assembly, Right Hand	1	RYG-83
2	E-2867A	R	TK19168	Hanger Pad Assembly Includes Bolt, Plate, and Wear Pad	2	RYG-89
3	E-1166	R	23882-01	Bolt, 1"-14 x 7" Long	2	RYG-81
4	E-905	-	T-1724	Flat Washer, 1-1/16"	4	-
5	E-10057	-	23138-01S	Torque Arm Bushing, Hanger End	4	RYG-80
6	E-937	-	T-5495	Lock Nut 1"-14	2	-
7	E-16540	R	20121-01	Rigid Torque Arm	1	RYG-77
8	E-16541	R	20138-01	Adjustable Torque Arm	1	RYG-76
9	E-901	-	10033-01	Bolt 7/8"- 9 x 5-1/2" Long	4	RYG-81
10	E-2983	-	10092-01	Locknut, 7/8"- 9	4	-
11	E-1980	-	09729-01	Bushing, Torque Arm, Rubber	As Required	RYG-80
	GAFF15013	-	-	Bushing, Torque Arm, Poly	As Required	
12	E-3792	-	12891-01	Bolt, 5/8"- 18 x 4-1/2" Long	2	-
13	E-15323	-	T-2131	Lock Washer, 5/8"	2	-
14	E-15324	R	13677-08	Rubber Roller, 2-1/2"	2	RYG-88
15	E-UB8161-12	-	-	U-Bolt Assembly, Round Bend, 7/8"-14 Thd x 3" Wide x 12" Long	2	-
	E-UB8161-15	-	-	U-Bolt Assembly, Round Bend, 7/8"-14 Thd x 3" Wide x 15" Long	2	-
16	E-2873	R	08677-01	Top Plate	2	RYG-93
17	S.O.S.	R	19876-K1	Spring Beam, Right Hand, Includes Spring Liner	1	-
	S.O.S.	R	19877-K1	Spring Beam, Left Hand, Includes Spring Liner	1	-
18	E-2842	-	T-5166	Delrin Spring Liner	2	RYG-93
19	S.O.S.	R	Various	Bottom Plate	2	-
20	S.O.S.	R	Various	Axle Seat	2	-
21	FS9947	-	20142-01	Air Spring, Standard, Includes Bracket, 9-1/2" Bottom Plate	2	-
	FS9966	-	20124-12	Air Spring, Opt, Includes Bracket, 10" Bottom Plate	As Required	-
22	M89440	-	20126-01	Shock Absorber, Standard Duty Shock	8	-
	M85713	-	20129-01	Shock Absorber, Premium Adjustable Shock	As Required	-
23	S.O.S.	R	20155-01	Lower Shock Bracket, Left Hand	1	-
	S.O.S.	R	20154-01	Lower Shock Bracket, Right Hand	1	-
24	E-4961A	-	14344-01	Locknut 3/4"	4	-
25	E-2545	-	12898-02	Washer 3/4"	8	-
26	S.O.S.	R	17354-01	Bolt, Lower Shock Absorber, 3/4"-16 x 4-1/2" Long	2	-
27	E-15325	-	16418-01	Nut, 1/2"- 13	2	-
28	E-9623	-	-	Univarsal Height Control Valve Assembly	1	RYG-95
29	E-7852	-	-	Universal Linkage Kit	1	RYG-95
30	S.O.S.	R	21940-01	Transverse Torque Arm, 23-1/2"	1	-
	S.O.S.	R	20346-01	Transverse Torque Arm, 21"	-	-
31	E-9350	-	-	Torque Arm Bushing Assembly, Hanger End, Includes Key Nos. 3, 4, 5, 6, Rubber	2	RYG-79
	GAFF15061	-	-	Torque Arm Bushing Assembly, Hanger End, Includes Key Nos. 3, 4, 5, 6, Poly	2	RYG-79

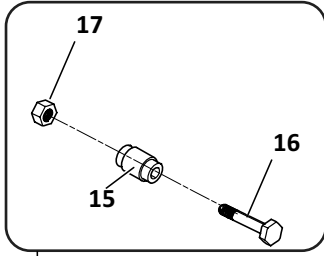
R Denotes Product is Genuine Reyco Granning

REYCO GRANNING

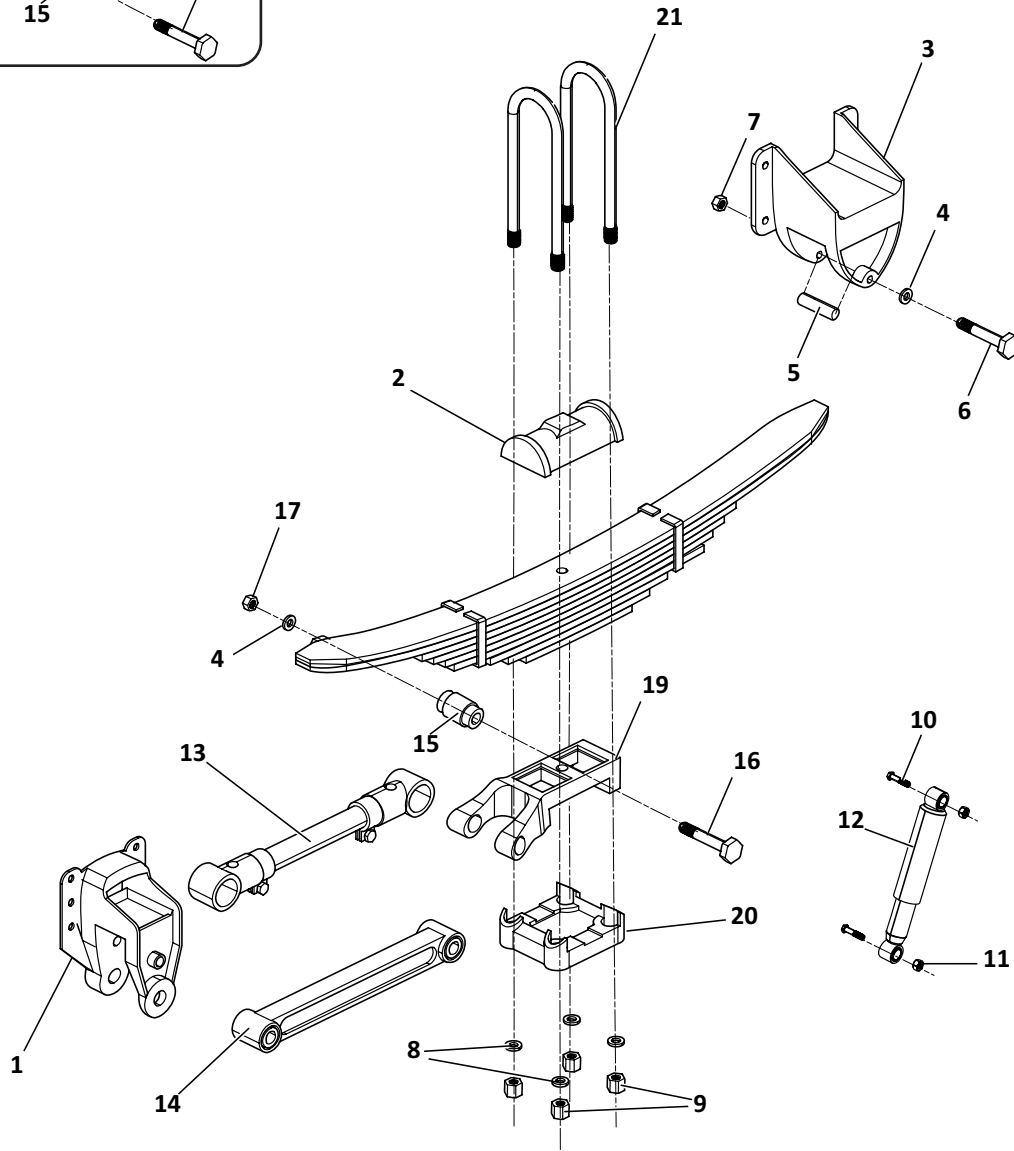
REYCO GRANNING

Model 79KB Single Axle Spring Suspension — Tractor

Torque Arm Bushing Assembly



18



REYCO GRANNING

Model 79KB Single Axle Spring Suspension — Tractor						
KEY NO.	EUCLID NO.	GENUINE	OEM REF.	DESCRIPTION	QTY. PER AXLE	PAGE NO.
1	E-15302	R	22404-01	Front Hanger, Left	1	RYG-83
	E-15303	R	22404-02	Front Hanger, Right	1	RYG-83
2	E-2873	R	08677-01	Top Plate	2	RYG-93
3	E-15307	R	22407-01	Rear Hanger, Left	1	RYG-83
	E-15308	R	22407-02	Rear Hanger, Right	1	RYG-83
4	E-1974	-	T-1705	Lock Washer 1/2"	12	-
5	E-1971	R	T-2106	Spring Roller	4	RYG-88
6	E-2022	-	T-5549	Bolt, 1/2"-20 x 5-1/2" Long	2	-
7	E-5032	-	T-1704	Nut 1/2"-20	2	-
8	E-2546	-	T-7292	Flat Washer, 7/8"	8	-
9	E-1835	-	14345-01	Locknut - 7/8"-14	8	-
10	E-4345	-	-	Shock Absorber Bolt 3/4"-10 x 3-1/2" Long	2	-
11	E-4347	-	-	Shock Mount Nut, 3/4"-10	4	-
12	M85030	-	19495-01	Shock Absorber	2	-
13	S.O.S.	R	16348-01	Adjustable Torque Arm, Includes E-1980 Bushings	1	-
14	S.O.S.	R	19762-01	Rigid Torque Arm, Includes E-1980 Bushings	1	-
15	E-1980	-	09729-01	Torque Arm Bushing, Rubber	2	RYG-80
	GAFF15013	-	-	Torque Arm Bushing, Poly	2	RYG-80
16	E-901	-	10033-01	Torque Arm Bolt, 7/8"-9 x 5-1/2" Long	4	RYG-81
17	E-2983	-	10092-01	Lock Nut, 7/8"-9	4	-
18	E-1981	-	-	Torque Arm Bushing Assembly, Key Nos. 15, 16, 17, Rubber	2	RYG-79
	GAFF15063	-	-	Torque Arm Bushing Assembly, Key Nos. 15, 16, 17, Poly	2	RYG-79
19	S.O.S.	R	Various	Axle Seat	1	-
20	S.O.S.	R	Various	Bottom Plate	1	-
21	E-UB8161-12	-	-	U-Bolt Assembly, Round Bend, 7/8"-14 Thd x 3" Wide x 12" Long	4	-
	E-UB8161-13	-	-	U-Bolt Assembly, Round Bend, 7/8"-14 Thd x 3" Wide x 13" Long	4	-
	E-UB8161-14	-	-	U-Bolt Assembly, Round Bend, 7/8"-14 Thd x 3" Wide x 14" Long	4	-
	E-UB8161-15	-	-	U-Bolt Assembly, Round Bend, 7/8"-14 Thd x 3" Wide x 15" Long	4	-
	E-UB8161-17	-	-	U-Bolt Assembly, Round Bend, 7/8"-14 Thd x 3" Wide x 17" Long	4	-
	E-UB8161-20	-	-	U-Bolt Assembly, Round Bend, 7/8"-14 Thd x 3" Wide x 20" Long	4	-

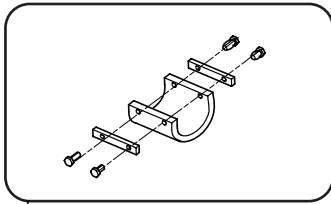
R Denotes Product is Genuine Reyco Granning

REYCO GRANNING

REYCO GRANNING

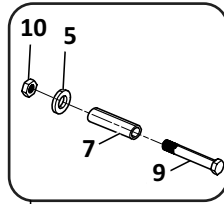
Model 101 Tandem Four Spring Suspension — Tractor

Wear Pad Kit



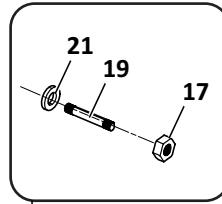
28

Equalizer Spring Roller Assembly



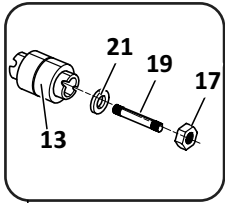
12

Equalizer Shaft Assembly



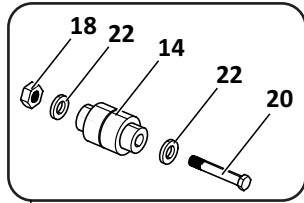
23

Equalizer Bushing Assembly

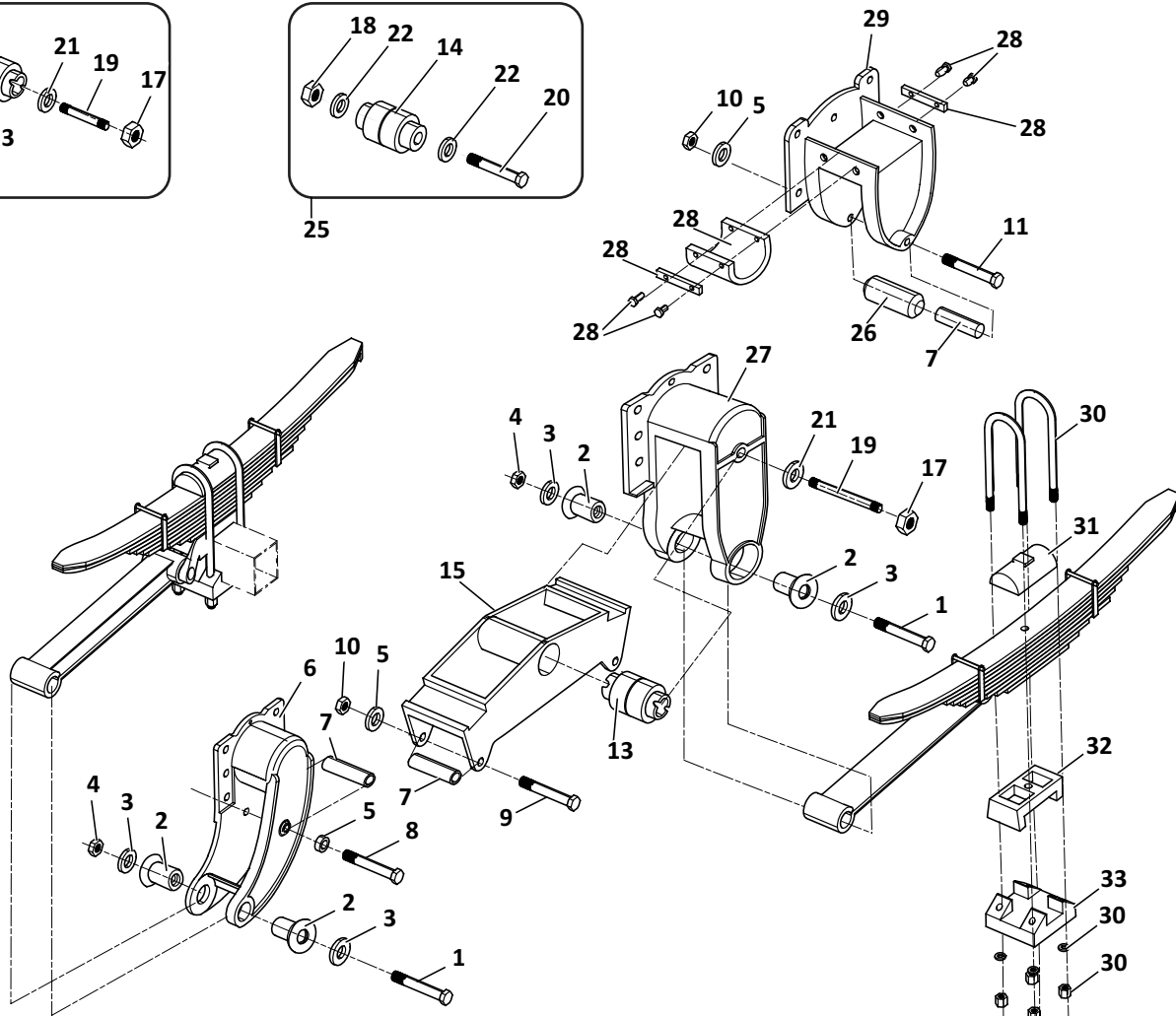


24

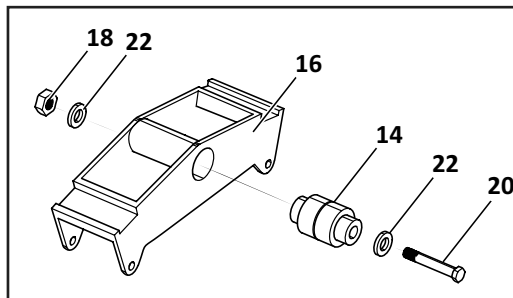
Ford/GM/Volvo Bushing Assembly



25



Ford and GM/Volvo Equalizer Assembly



REYCO GRANNING

Model 101 Tandem Four Spring Suspension — Tractor						
KEY NO.	EUCLID NO.	GENUINE	OEM REF.	DESCRIPTION	QTY. PER AXLE	PAGE NO.
1	E-1965	-	17210-01	Eccentric Bolt, 1" x 5-1/2" Long	4	-
2	E-1964	-	T-1723	Eccentric Torque Leaf Bushing, Rubber	8	RYG-80
3	E-905	-	T-1724	Flat Washer, 3-3/4" OD	8	-
4	E-937	-	T-5495	Nut, 1"-14	4	-
5	E-1974	-	T-1705	Lockwasher, 1/2"	6	-
6	E-2885	R	22272-01	Undrilled Front Hanger, Left Hand	2	RYG-83
	E-2884	R	22272-02	Undrilled Front Hanger, Right Hand	2	RYG-83
	S.O.S.	R	Various	Drilled Front Hanger	2	-
7	E-1971	R	T-2106	Spring Roller	8	RYG-88
8	E-16493	-	T-3099	Bolt 1/2"-20 x 4-1/2" Long	2	-
9	E-1972	-	T-5544	Capscrew 1/2"-20 x 4-3/4" Long	6	-
10	E-5032	-	T-1704	Hex Nut, 1/2"-20	6	-
11	E-2022	-	T-5549	Bolt, 1/2"-20 x 5-1/2" Long	2	-
12	E-1975	-	TK19011	Equalizer Spring Roller Assembly Includes Key No. 5, 7, 9, 10	6	RYG-88
13	E-3977	-	14713-01	Equalizer Bushing, No Slots, Rubber	2	RYG-72
	GAFF15001	-	-	Equalizer Bushing, No Slots, Poly	2	RYG-72
	E-1966	-	08363-01	Equalizer Bushing, Slotted Both Ends	2	RYG-72
14	E-2849	-	08995-01	Equalizer Bushing, One Slot, Ford	2	RYG-72
	E-2850	-	08915-01	Equalizer Bushing, No Slots, Rubber, GM/Volvo	2	RYG-72
	GAFF15000	-	-	Equalizer Bushing, No Slots, Poly, GM/Volvo	2	-
15	E-3978	R	14723-01	Equalizer Assembly with E-3977 Bushing	2	RYG-68
16	E-2843	R	09120-01	Equalizer Assembly with E-1966 Bushing, Slotted on Both Ends	2	RYG-68
	S.O.S.	R	08918-01	Equalizer Assembly with E-2850 Bushing, Volvo/GM	2	-
	E-2844	R	08996-01	Equalizer Assembly with E-2849 Bushing, Ford	2	RYG-68
17	E-1968	-	08687-01	Nut, Not Ford or GM/Volvo	2	-
18	E-2854	-	08914-01	Nut, Ford or GM/Volvo	2	RYG-75
19	E-1967	R	08686-01	Equalizer Shaft, Not Ford or GM/Volvo, 1-1/2" OD	2	RYG-74
	E-1967-P	-	08686-01	Equalizer Shaft, Not Ford or GM/Volvo, 1-1/2" OD, Price Point	2	-
20	E-2852	-	10949-01	Equalizer Shaft, Ford or GM/Volvo, 1-1/4" OD	2	RYG-81
21	E-1969	-	14246-01	Washer, Not Ford or GM/Volvo	2	-
22	E-2853	-	08913-01	Washer, Ford or GM/Volvo	4	-
23	E-9840	-	-	Equalizer Shaft Assembly, Includes Key Nos. 17, 19, 21	2	RYG-75
24	E-1970	-	TK19056	Equalizer Bushing Assembly, Slotted Both Ends, Includes Key No. 13, 17, 19, 21	2	RYG-71
25	E-2847	-	TK19164	Equalizer Bushing Assembly, One Slot, Ford, Includes Key No. 14, 18, 20, 22	2	RYG-71
	E-2848	-	TK19163	Equalizer Bushing Assembly, No Slots, GM/Volvo, Includes Key No. 14, 18, 20, 22	2	RYG-71
26	E-1980	-	09729-01	Rear Hanger Bushing, Rubber	2	RYG-80
	GAFF15013	-	-	Rear Hanger Bushing, Poly	2	RYG-80
27	E-2886	R	22274-01	Undrilled Center Hanger	2	RYG-83
	E-14388	R	22335-01	Drilled Center Hanger	2	RYG-83
28	E-2867A	R	TK19168	Rear Hanger Pad Assembly Includes Bolt, Plate, and Wear Pad	2	RYG-89

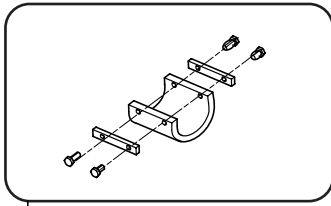
R Denotes Product is Genuine Reyco Granning

REYCO GRANNING

REYCO GRANNING

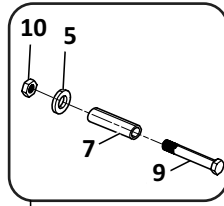
Model 101 Tandem Four Spring Suspension — Tractor

Wear Pad Kit



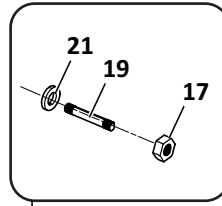
28

Equalizer Spring Roller Assembly



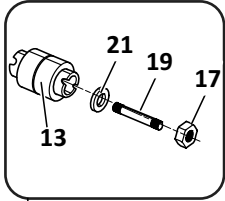
12

Equalizer Shaft Assembly



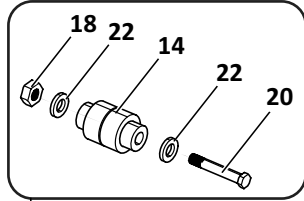
23

Equalizer Bushing Assembly

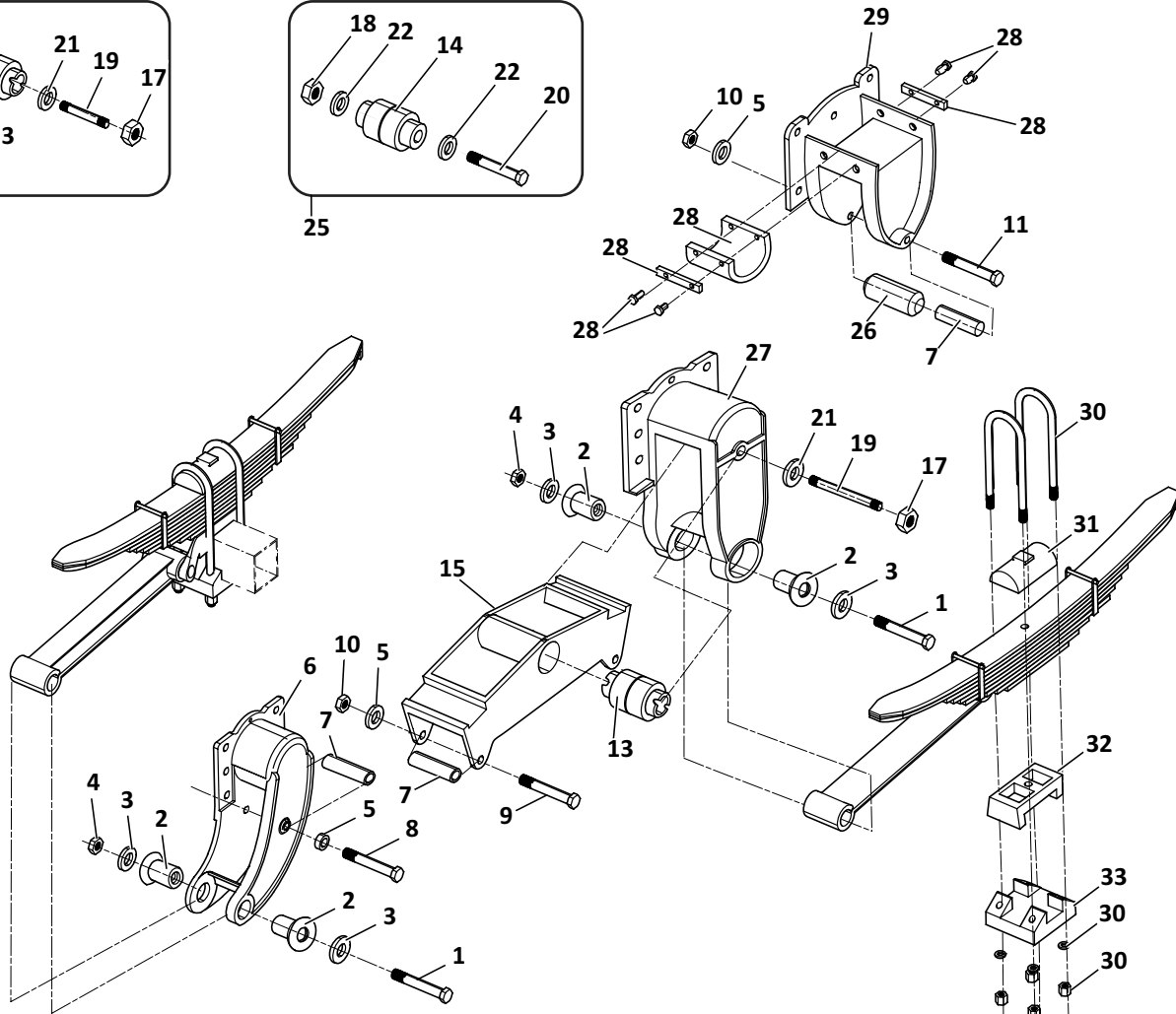


24

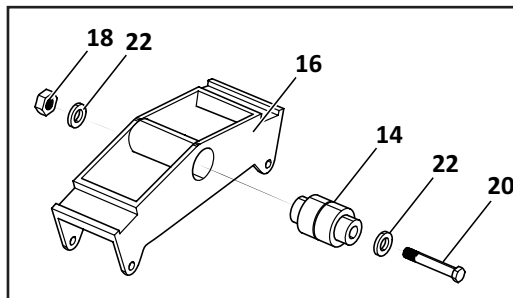
Ford/GM/Volvo Bushing Assembly



25



Ford and GM/Volvo Equalizer Assembly



REYCO GRANNING

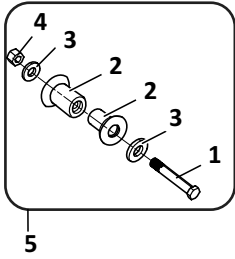
Model 101 Tandem Four Spring Suspension — Tractor						
KEY NO.	EUCLID NO.	GENUINE	OEM REF.	DESCRIPTION	QTY. PER AXLE	PAGE NO.
29	E-2887	R	22299-01	Undrilled Rear Hanger, Left Hand	1	RYG-83
	E-2888	R	22299-02	Undrilled Rear Hanger, Right Hand	1	RYG-83
	S.O.S.	R	Various	Drilled Rear Hanger	2	-
30	E-UB8151-18	-	-	U-Bolt Assembly, Rd. Bend, 3/4"-16 Thd. X 3" Wide x 18" Long	8	-
31	E-2873	R	08677-01	Top Plate, Cast, 3" Wide	4	RYG-93
32	S.O.S.	R	Various	Axle Seat	4	-
33	S.O.S.	R	Various	Bottom Plate	4	-

R Denotes Product is Genuine Reyco Granning

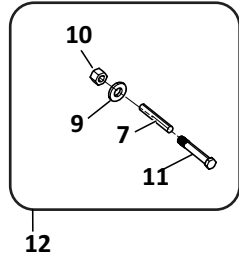
REYCO GRANNING

Model 101A Tandem Four Spring Suspension — Tractor

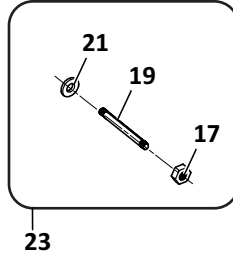
Torque Arm Bushing Assembly



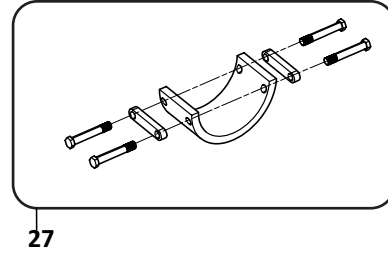
Equalizer Spring Roller Assembly



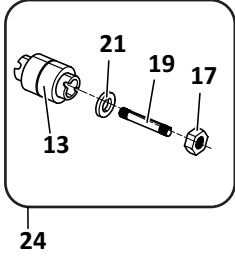
Equalizer Shaft Assembly



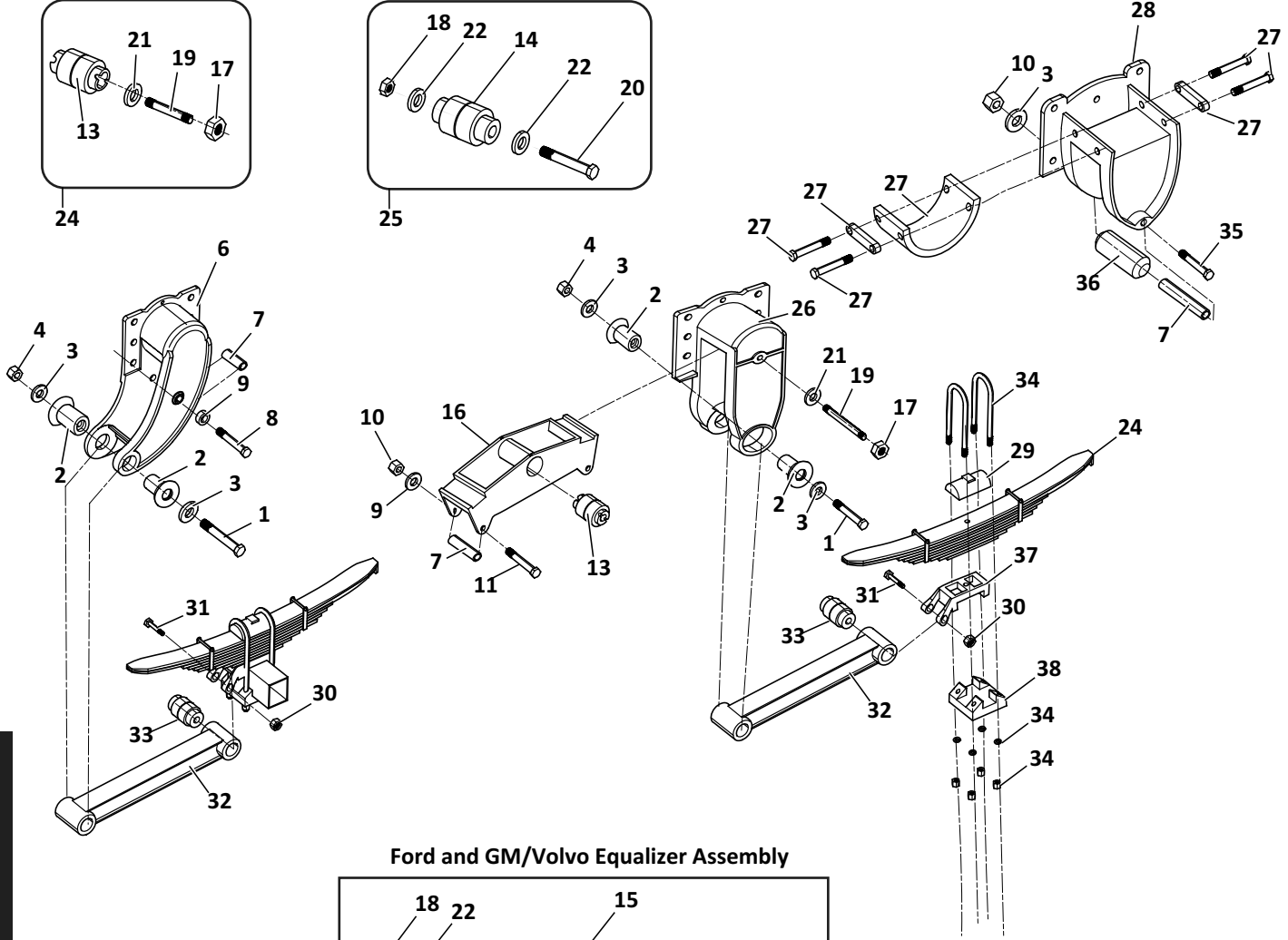
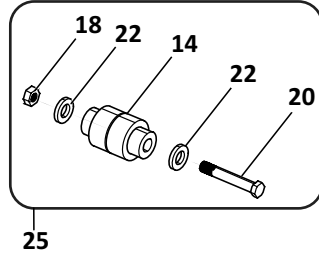
Rear Hanger Assembly



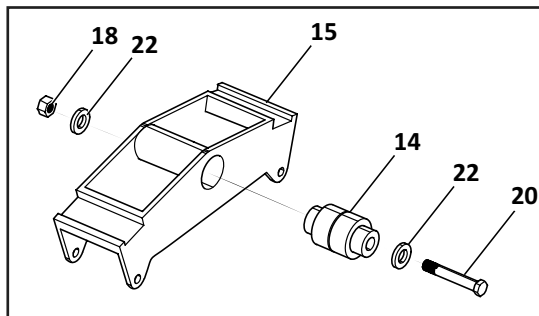
Equalizer Bushing Assembly



Ford/GM/Volvo Bushing Assembly



Ford and GM/Volvo Equalizer Assembly



REYCO GRANNING

Model 101A Tandem Four Spring Suspension — Tractor						
KEY NO.	EUCLID NO.	GENUINE	OEM REF.	DESCRIPTION	QTY. PER AXLE	PAGE NO.
1	E-1965	-	17210-01	Eccentric Bolt, 1"-8 x 5-1/2" Long	4	-
2	E-1964	-	T-1723	Eccentric Torque Leaf Bushing, Rubber	8	RYG-80
3	E-905	-	T-1724	Flat Washer, 1-1/16"	8	-
4	E-937	-	T-5495	Lock Nut, 1"-14	4	-
5	E-1963	-	TK19166	Torque Arm Bushing Assembly Includes Key Nos. 1, 2, 3, 4, Rubber	4	RYG-79
	GAFF999545	-	TK19166	Torque Arm Bushing Assembly Includes Key Nos. 1, 2, 3, 4, Poly	4	RYG-79
6	E-2885	R	22272-01	Undrilled Front Hanger, Left Hand	2	RYG-83
	E-2884	R	22272-02	Undrilled Front Hanger, Right Hand	2	RYG-83
	S.O.S.	R	Various	Drilled Front Hanger	2	-
7	E-1971	R	T-2106	Spring Roller	8	RYG-88
8	E-16493	-	T-3099	Bolt 1/2"-20 x 4-1/2" Long	2	-
9	E-1974	-	T-1705	Lock Washer, 1/2"	8	-
10	E-5032	-	T-1704	Hex Nut, 1/2"-20	6	-
11	E-1972	-	T-5544	Capscrew 1/2"-20 x 4-3/4" Long	6	-
12	E-1975	-	TK19011	Spring Roller Assembly Includes Key Nos. 7, 9, 10, 11	6	RYG-88
13	E-3977	-	14713-01	Equalizer Bushing, No Slots, Rubber	2	RYG-72
	GAFF15001	-	-	Equalizer Bushing, No Slots, Poly	2	RYG-72
	E-1966	-	08363-01	Equalizer Bushing, Slotted Both Ends	2	RYG-72
14	E-2849	-	08995-01	Equalizer Bushing, One Slot, Ford	2	RYG-72
	E-2850	-	08915-01	Equalizer Bushing, No Slots, GM/Volvo	2	RYG-72
15	E-2844	R	08996-01	Equalizer Assembly with E-2849 Bushing, Ford	2	RYG-68
	S.O.S.	R	08918-01	Equalizer Assembly with E-2850 Bushing, Volvo/GM	2	-
16	E-2843	R	09120-01	Equalizer Assembly with E-1966 Bushing, Slotted on Both Ends	2	RYG-68
	E-2845	R	12859-01	Equalizer with E-2850 Bushing, Standard	2	RYG-68
	E-16494	R	14743-01	Equalizer with E-3977 Bushing, ADI	2	RYG-68
	S.O.S.	R	14794-01	Equalizer - 60" Axle Center, Includes E-3977 Bushing	2	-
17	E-1968	R	08687-01	Nut, Not Ford or GM/Volvo	2	-
18	E-2854	-	08914-01	Equalizer Shaft Nut, Ford or GM/Volvo	2	RYG-75
19	E-1967	R	08686-01	Equalizer Shaft, Not Ford or GM/Volvo, 1-1/2" OD	2	RYG-74
	E-1967-P	-	08686-01	Equalizer Shaft, Not Ford or GM/Volvo, 1-1/2" OD, Price Point	2	
20	E-2852	-	10949-01	Equalizer Shaft, Ford or GM/Volvo, 1-1/4" OD	4	RYG-81
21	E-1969	-	14246-01	Washer, Not Ford or GM/Volvo	2	-
22	E-2853	-	08913-01	Washer, Ford or GM/Volvo	2	-
23	E-9840	-	-	Equalizer Shaft Assembly Includes Key No. 17, 19, 21	2	RYG-75
24	E-1970	-	TK19056	Equalizer Bushing Assembly, Slotted Both Ends, Includes Key No. 13, 17, 19, 21	2	RYG-71
25	E-2847	-	TK19164	Equalizer Bushing Assembly, One Slot, Ford, Includes Key No. 14, 18, 20, 22	2	RYG-71
	E-2848	-	TK19163	Equalizer Bushing Assembly, No Slots, GM/Volvo, Includes Key No. 14, 18, 20, 22	2	RYG-71
26	E-2886	R	22274-01	Undrilled Center Hanger	2	RYG-83
	E-14388	R	22335-01	Drilled Center Hanger	2	RYG-83
	S.O.S.	R	Various	Center Hanger, Straddle Mount, 50" thru 65-1/2" Axle Spacing	4	-
27	E-2867A	R	TK19168	Rear Hanger Pad Assembly Includes Bolt, Plate, and Wear Pad	2	RYG-89

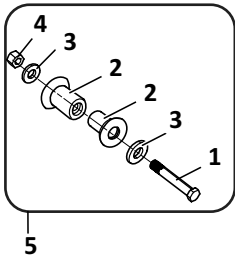
R Denotes Product is Genuine Reyco Granning

REYCO GRANNING

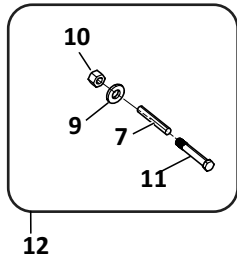
REYCO GRANNING

Model 101A Tandem Four Spring Suspension — Tractor

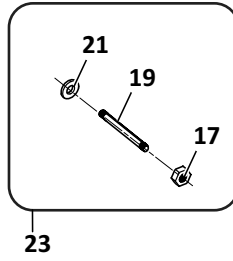
Torque Arm Bushing Assembly



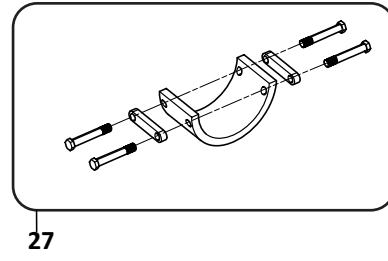
Equalizer Spring Roller Assembly



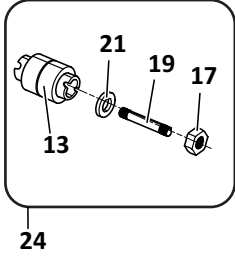
Equalizer Shaft Assembly



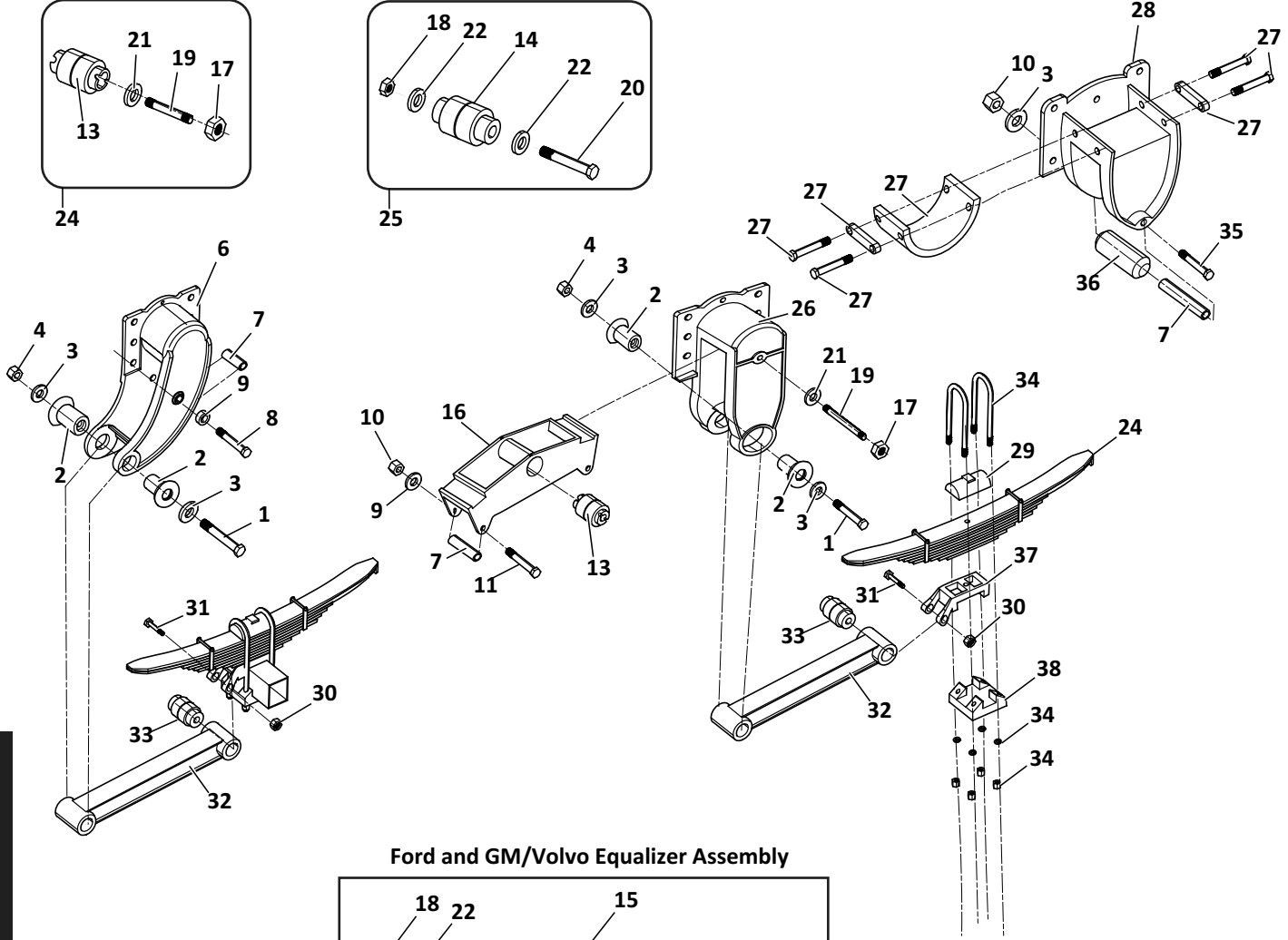
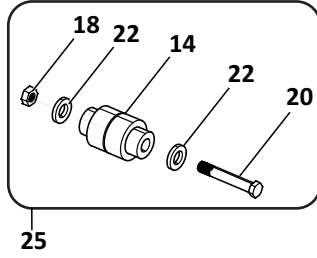
Rear Hanger Assembly



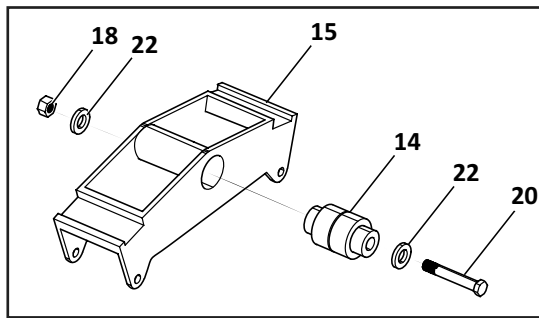
Equalizer Bushing Assembly



Ford/GM/Volvo Bushing Assembly



Ford and GM/Volvo Equalizer Assembly



REYCO GRANNING

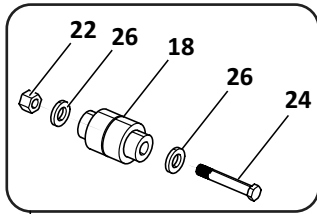
Model 101A Tandem Four Spring Suspension — Tractor						
KEY NO.	EUCLID NO.	GENUINE	OEM REF.	DESCRIPTION	QTY. PER AXLE	PAGE NO.
28	E-2887	R	22299-01	Undrilled Rear Hanger, Left Hand	1	RYG-83
	E-2888	R	22299-02	Undrilled Rear Hanger, Right Hand	1	RYG-83
	S.O.S.	R	Various	Drilled Rear Hanger	2	-
29	E-2873	R	08677-01	Top Plate, Cast, 3" Wide	4	RYG-93
30	E-2983	-	10092-01	Locknut, 7/8"-9	4	-
31	E-901	-	10033-01	Bolt 7/8"-9 x 5-1/2" Long	4	RYG-81
32	E-2860	R	11011-02	Rigid Torque Arm, Front & Rear, 50" Axle Spacing Center-to-Center, Includes E-1980 Axle End Bushing	4	RYG-77
	S.O.S.	R	11012-03	Rigid Torque Arm, Front & Rear, 52" Axle Spacing Center-to-Center, Includes E-1980 Axle End Bushing	4	-
	E-2860	R	12051-01	Rigid Torque Arm, Front, 60" Axle Spacing Center-to-Center, Includes E-1980 Axle End Bushing	4	RYG-77
	S.O.S.	R	14127-01	Rigid Torque Arm, Rear, 60" Axle Spacing Center-to-Center, Includes E-1980 Axle End Bushing	4	-
33	E-1980	-	09729-01	Torque Arm, Seat End Bushing, Rubber	4	RYG-80
	GAFF15013	-	-	Torque Arm Seat End Bushing, Poly	4	RYG-80
34	E-UB8151-18	-	09741-01	U-Bolt Assembly, Rd. Bend, 3/4"-16 Thd. X 3" Wide x 18" Long	8	-
35	E-2022	-	T-5549	Bolt, 1/2"-20 x 5" Long	2	-
36	E-1061	-	T-3016	Rear Hanger Bushing	2	-
37	S.O.S.	R	Various	Axle Seat	4	-
38	S.O.S.	R	Various	Bottom Plate	4	-

R Denotes Product is Genuine Reyco Granning

REYCO GRANNING

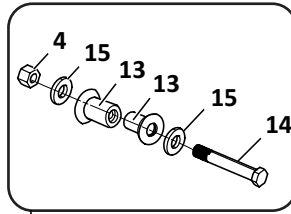
Model 102 Tandem Four Spring Suspension — Tractor

Ford/GM/Volvo Bushing Assembly



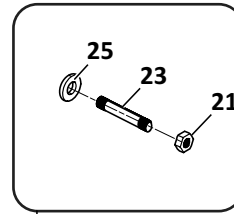
28

Torque Arm Bushing Axle Seat End



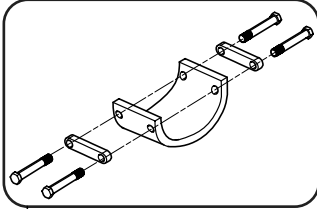
16

Equalizer Shaft Assembly



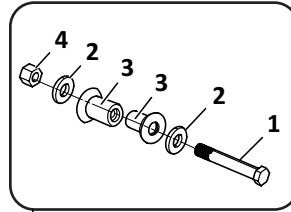
27

Rear Hanger Assembly



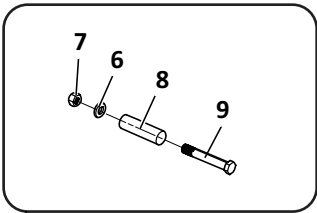
30

Torque Arm Bushing Assembly - Hanger End

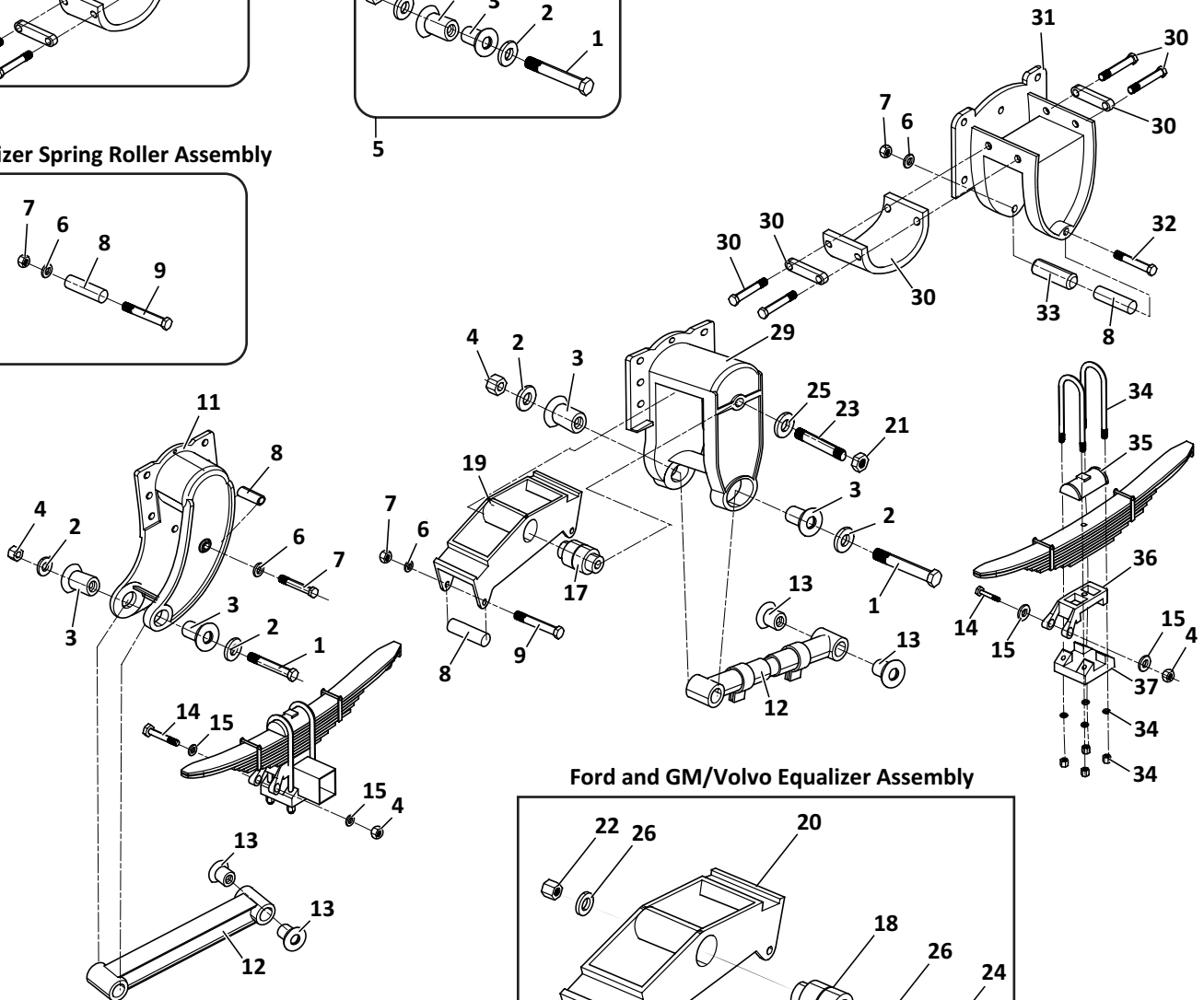


5

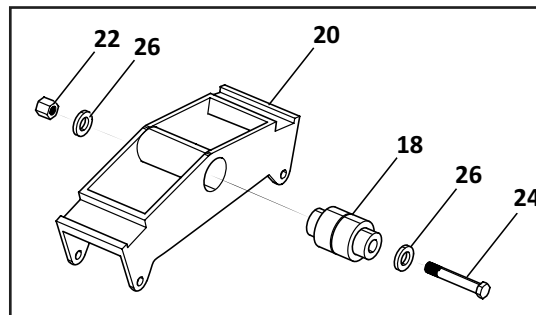
Equalizer Spring Roller Assembly



10



Ford and GM/Volvo Equalizer Assembly



REYCO GRANNING

Model 102 Tandem Four Spring Suspension — Tractor						
KEY NO.	EUCLID NO.	GENUINE	OEM REF.	DESCRIPTION	QTY. PER AXLE	PAGE NO.
1	E-1166	-	23882-01	Bolt, 1"-8 x 7" Long	4	RYG-81
2	E-905	-	T-1724	Flat Washer, 3-3/4" OD	8	-
3	E-10057	-	21238-01S	Torque Arm Bushing, Hanger End, Rubber	4	RYG-80
	GAFF15020	-	-	Torque Arm Bushing, Hanger End, Poly	4	RYG-80
4	E-937	-	T-5495	Nut, 1"-14	8	-
5	E-9350	-	TK21640T	Torque Arm Bushing Assembly Hanger End, Includes Key No. 1, 2, 3, 4, Rubber	4	RYG-79
	GAFF15061	-	-	Torque Arm Bushing Assembly Hanger End, Includes Key No. 1, 2, 3, 4, Poly	4	RYG-79
6	E-1974	-	T-1705	Lock Washer, 1/2"	8	-
7	E-5032	-	T-1704	Hex Nut, 1/2"-20	6	-
8	E-1971	R	T-2106	Spring Roller	8	RYG-88
9	E-1972	-	T-5544	Capscrew 1/2"-20 x 4-3/4" Long	6	-
		-	T-1703	Capscrew 1/2"-20 x 4-3/4" Long	6	-
10	E-1975	-	TK19011	Spring Roller Assembly Includes Key No. 6, 7, 8, 9	6	RYG-88
11	E-2885	R	22272-01	Undrilled Front Hanger, Left Hand	2	RYG-83
	E-2884	R	22272-02	Undrilled Front Hanger, Right Hand	2	RYG-83
	S.O.S.	R	Various	Drilled Front Hanger	2	-
12	S.O.S.	R	T-7645	Rigid Torque Arm, 50" Axle Spacing Center, Front & Rear, Must Purchase E-1982 Bushings Separately	2	-
	E-2858	R	15012-01	Rigid Torque Arm, 52" Axle Spacing Center, Front & Rear, Must Purchase E-1982 Bushings Separately	2	RYG-77
	S.O.S.	R	09686-01	Rigid Torque Arm, 60" Axle Spacing Center, Rear, Must Purchase E-1982 Bushings Separately	1	-
	S.O.S.	R	15174-01	Adjustable Torque Arm, 50" Axle Spacing Center, Front & Rear, Must Purchase E-1982 Bushings Separately	2	-
	E-2866A	R	15354-01	Adjustable Torque Arm, 52" Axle Spacing Center, Front & Rear, 60" Axle Spacing Front, Must Purchase E-1982 Bushings Separately	2	RYG-76
	E-5255A	R	15176-01	Adjustable Torque Arm, 60" Axle Spacing Center, Rear, Must Purchase E-1982 Bushings Separately	1	RYG-76
13	E-1982	-	T-2242	Torque Arm Bushing, Axle End, Rubber	4	RYG-80
	GAFF15051	-	-	Torque Arm Bushing, Axle End, Poly	4	RYG-80
14	E-900	-	17161-01	Torque Arm Bolt, 1"-8 x 6-3/4" Long	4	RYG-81
15	E-907	-	T-2224	Compression Washer, Seat End	8	-
16	E-1983	-	TK19089	Torque Arm Bushing Assembly Axle End, Includes Key Nos. 4, 13, 14, 15, Rubber	4	RYG-79
17	E-3977	-	14713-01	Equalizer Bushing, No Slots, Rubber	2	RYG-72
	GAFF15001	-	-	Equalizer Bushing, No Slots, Poly	2	RYG-72
18	E-2849	-	08995-01	Equalizer Bushing, One Slot, Ford	2	RYG-72
	E-2850	-	08915-01	Equalizer Bushing, No Slots, GM/Volvo	2	RYG-72
19	E-2843	R	09120-01	Equalizer Assembly with E-1966 Bushing, Slotted on Both Ends	2	RYG-68
	E-2845	R	12859-01	Equalizer with E-2850 Bushing, Standard	2	RYG-68
	E-16494	R	14743-01	Equalizer with E-3977 Bushing, ADI	2	RYG-68
	S.O.S.	R	14794-01	Equalizer, 60" Axle Center, Includes E-3977 Bushing	2	-
20	S.O.S.	R	08918-01	Equalizer Assembly with E-2850 Bushing, Volvo/GM	2	-
	E-2844	R	08996-01	Ford Equalizer with E-2849 Bushing	2	RYG-68
21	E-1968	R	08687-01	Nut, Not Ford or GM/Volvo	2	-
22	E-2854	-	08914-01	Equalizer Shaft Nut, Ford or GM/Volvo	2	RYG-75

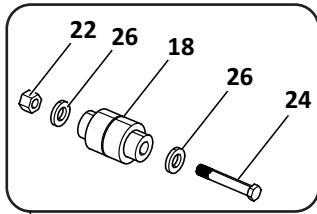
R Denotes Product is Genuine Reyco Granning

REYCO GRANNING

REYCO GRANNING

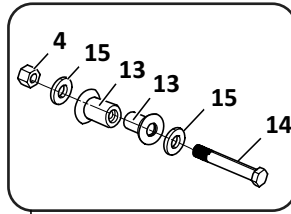
Model 102 Tandem Four Spring Suspension — Tractor

Ford/GM/Volvo Bushing Assembly



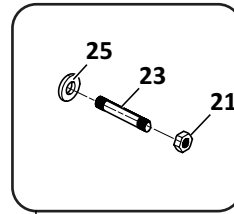
28

Torque Arm Bushing Axle Seat End



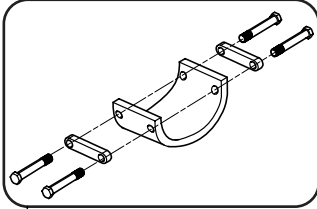
16

Equalizer Shaft Assembly



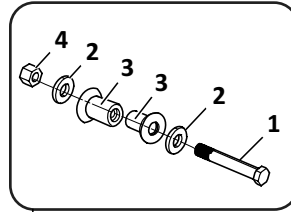
27

Rear Hanger Assembly



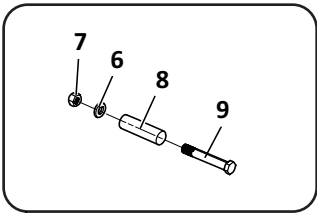
30

Torque Arm Bushing Assembly - Hanger End

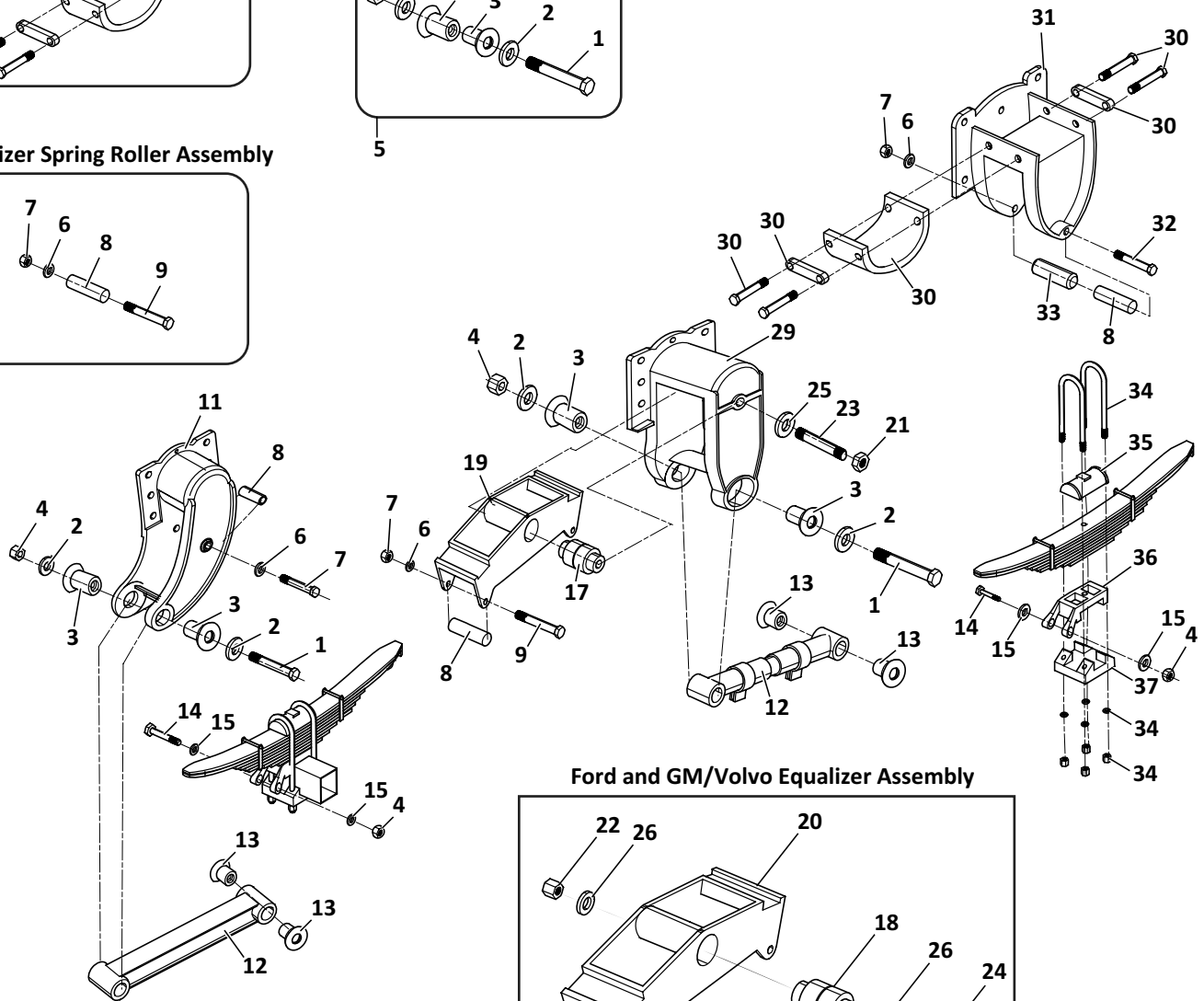


5

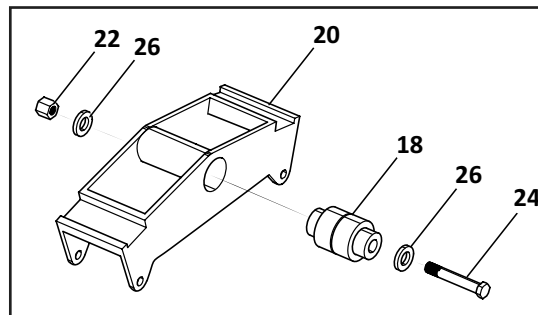
Equalizer Spring Roller Assembly



10



Ford and GM/Volvo Equalizer Assembly



REYCO GRANNING

Model 102 Tandem Four Spring Suspension — Tractor						
KEY NO.	EUCLID NO.	GENUINE	OEM REF.	DESCRIPTION	QTY. PER AXLE	PAGE NO.
23	E-1967	R	08686-01	Equalizer Shaft, Not Ford or GM/Volvo, 1-1/2" OD	2	RYG-74
	E-1967-P	-	08686-01	Equalizer Shaft, Not Ford or GM/Volvo, 1-1/2" OD, Price Point	2	-
24	E-2852	-	10949-01	Equalizer Shaft, Ford or GM/Volvo, 1-1/4" OD	2	RYG-81
25	E-1969	-	14246-01	Washer, Not Ford or GM/Volvo	2	-
26	E-2853	-	08913-01	Washer, Ford or GM/Volvo	2	-
27	E-9840	-	-	Equalizer Shaft Assembly, Includes Key No. 21, 23, 25	2	RYG-75
28	E-2847	-	TK19164	Equalizer Bushing Assembly, One Slot, Ford, Includes Key No. 18, 22, 24, 26	2	RYG-71
	E-2848	-	TK19163	Equalizer Bushing Assembly, No Slots, GM/Volvo, Includes Key No. 18, 22, 24, 26	2	RYG-71
29	E-2886	R	22274-01	Undrilled Center Hanger	2	RYG-83
	E-14388	R	22335-01	Drilled Center Hanger	2	RYG-83
30	E-2867A	R	TK19168	Rear Hanger Pad Assembly Includes Bolt, Plate, and Wear Pad	1	RYG-89
31	E-2887	R	22299-01	Undrilled Rear Hanger, Left Hand	1	RYG-83
	E-2888	R	22299-02	Undrilled Rear Hanger, Right Hand	1	RYG-83
	S.O.S.	R	Various	Drilled Rear Hanger	2	-
32	E-2022	-	T-5549	Bolt, 1/2"-20 x 5" Long	2	-
33	E-1980	-	09729-01	Rear Hanger Bushing, Rubber	2	RYG-80
	GAFF15013	-	09729-01	Rear Hanger Bushing, Poly	2	RYG-80
34	E-UB8151-18	-	09741-01 thru 09751-01	U-Bolt Assembly, Rd. Bend, 3/4"-16 Thd. X 3" Wide x 18" Long	8	-
35	E-2873	R	08677-01	Top Plate, Cast, 3" Wide	4	RYG-93
36	S.O.S.	R	Various	Axle Seat	4	-
37	S.O.S.	R	Various	Bottom Plate	4	-

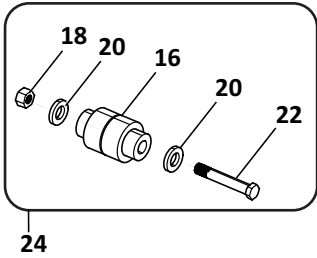
R Denotes Product is Genuine Reyco Granning

REYCO GRANNING

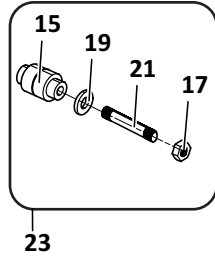
REYCO GRANNING

Model 102W Tandem Four Spring Suspension — Tractor

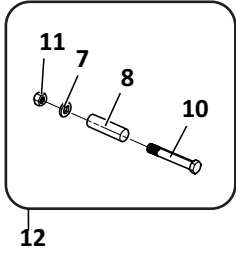
Ford/GM/Volvo Bushing Assembly



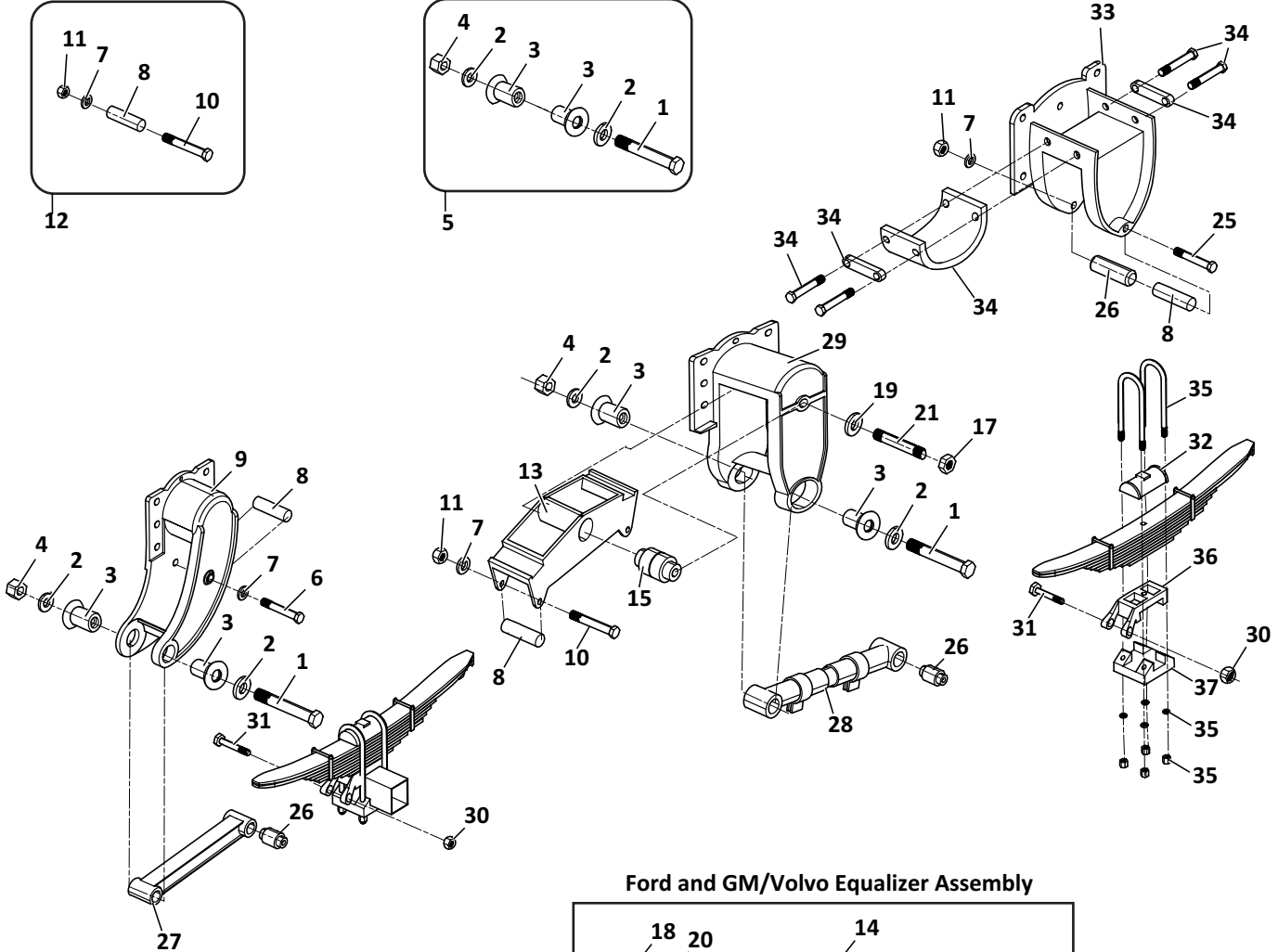
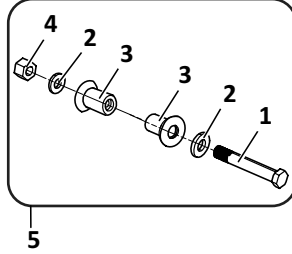
Equalizer Bushing Assembly



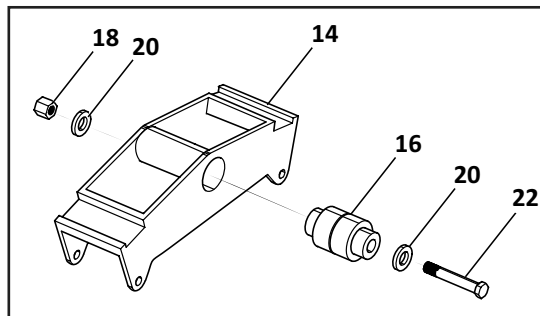
Equalizer Spring Roller Assembly



Torque Arm Bushing Assembly Hanger End



Ford and GM/Volvo Equalizer Assembly



REYCO GRANNING

Model 102W Tandem Four Spring Suspension — Tractor						
KEY NO.	EUCLID NO.	GENUINE	OEM REF.	DESCRIPTION	QTY. PER AXLE	PAGE NO.
1	E-1166	-	23882-01	Bolt, 1"-14 x 7" Long	4	RYG-81
2	E-905	-	T-1724	Flat Washer, 1-1/16"	8	-
3	E-10057	-	21238-01S	Torque Arm Bushing, Hanger End, Rubber	4	RYG-80
	GAFF15020	-	-	Torque Arm Bushing, Hanger End, Poly	4	RYG-80
4	E-937	-	T-5495	Lock Nut, 1"-14	4	-
5	E-9350	-	TK21640T	Torque Arm Bushing Assembly Hanger End, Includes Key Nos. 1, 2, 3, 4, Rubber	4	RYG-79
	GAFF15061	-	-	Torque Arm Bushing Assembly Hanger End, Includes Key Nos. 1, 2, 3, 4, Poly	4	RYG-79
6	E-16493	-	T-3099	Bolt 1/2"-20 x 4-1/2" Long	2	-
7	E-1974	-	T-1705	Lock Washer, 1/2"	8	-
8	E-1971	R	T-2106	Spring Roller	8	RYG-88
9	E-2885	R	22272-01	Undrilled Front Hanger, Left Hand	2	RYG-83
	E-2884	R	22272-02	Undrilled Front Hanger, Right Hand	2	RYG-83
	S.O.S.	R	Various	Drilled Front Hanger	2	-
10	E-1972	-	T-5544	Capscrew 1/2" x 4-3/4" Long	6	-
11	E-5032	-	T-1704	Hex Nut, 1/2"-20	6	-
12	E-1975	-	TK19011	Spring Roller Assembly Includes Key Nos. 7, 8, 10, 11	6	RYG-88
13	S.O.S.	R	14794-01	Equalizer, 60" Axle Center, Includes E-3977 Bushing	2	-
	E-16494	R	14743-01	Equalizer with E-3977 Bushing, ADI	2	RYG-68
	E-2845	R	12859-01	Equalizer with E-2850 Bushing, Standard	2	RYG-68
	S.O.S.	R	209630-01	Equalizer without Bushing, ADI	2	-
14	E-2844	R	08996-01	Equalizer with E-2849 Bushing, Ford	2	RYG-68
	S.O.S.	R	08918-01	Equalizer Assembly with E-2850 Bushing, Volvo/GM	2	-
15	E-3977	-	14713-01	Equalizer Bushing, No Slots, Rubber	2	RYG-72
	GAFF15001	-	-	Equalizer Bushing, No Slots, Poly	2	RYG-72
	E-1966	-	08363-01	Equalizer Bushing, Slotted Both Ends, For Models Before 1984	2	RYG-72
16	E-2849	-	08995-01	Equalizer Bushing, One Slot, Ford	2	RYG-72
	E-2850	-	08915-01	Equalizer Bushing, No Slots, GM/Volvo	2	RYG-72
17	E-1968	R	08687-01	Nut, Not Ford or GM/Volvo	2	-
18	E-2854	-	08914-01	Nut, Ford & GM/Volvo	2	RYG-75
19	E-1969	-	14246-01	Washer, Not Ford or GM/Volvo	2	-
20	E-2853	-	08913-01	Washer, Ford or GM/Volvo	2	-
21	E-1967	R	08686-01	Equalizer Shaft, Not Ford or GM/Volvo, 1-1/2" OD	2	RYG-74
	E-1967-P	-	08686-01	Equalizer Shaft, Not Ford or GM/Volvo, 1-1/2" OD, Price Point	2	
22	E-2852	-	10949-01	Equalizer Shaft, Ford or GM/Volvo, 1-1/4" OD	2	RYG-81
23	E-1970	-	TK19056	Equalizer Bushing Assembly, Slotted Both Ends, Includes Key No. 15, 17, 19, 21	2	RYG-71
24	E-2848	-	TK19163	Equalizer Bushing Assembly, No Slots, GM/Volvo, Includes Key No. 16, 18, 20, 22	2	RYG-77
	E-2847	-	TK19164	Equalizer Bushing Assembly, One Slot, Ford, Includes Key No. 16, 18, 20, 22	2	RYG-71
25	E-2022	-	T-5549	Bolt, 1/2"-20 x 5-1/2" Long	6	-
26	E-1980	-	09729-01	Torque Arm Bushing, Seat End, Rubber	4	RYG-80
	GAFF15013	-	-	Torque Arm Bushing, Seat End, Poly	4	RYG-80

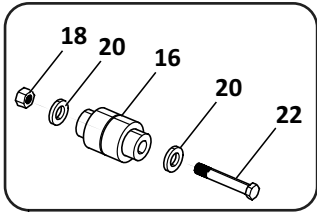
R Denotes Product is Genuine Reyco Granning

REYCO GRANNING

REYCO GRANNING

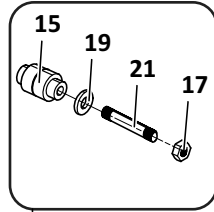
Model 102W Tandem Four Spring Suspension — Tractor

Ford/GM/Volvo Bushing Assembly



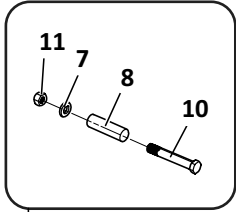
24

Equalizer Bushing Assembly



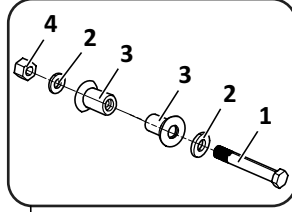
23

Equalizer Spring Roller Assembly

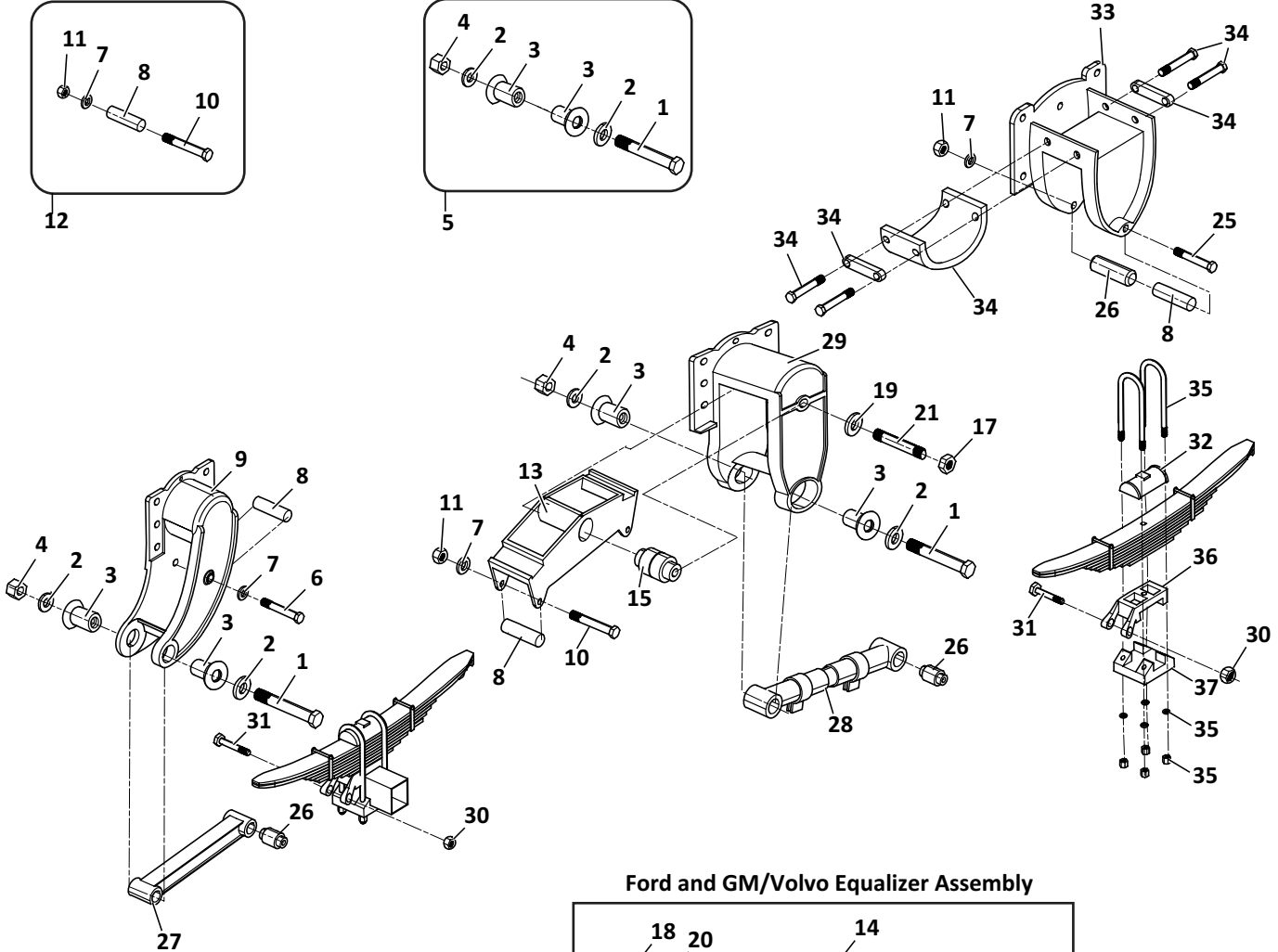


12

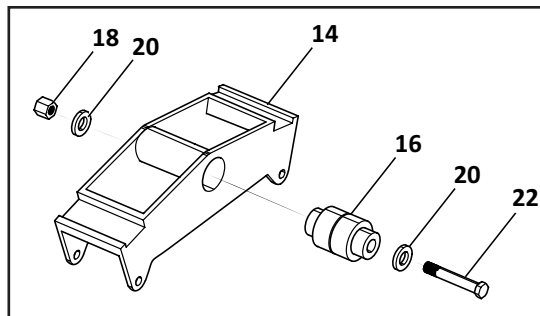
Torque Arm Bushing Assembly Hanger End



5



Ford and GM/Volvo Equalizer Assembly



REYCO GRANNING

Model 102W Tandem Four Spring Suspension — Tractor						
KEY NO.	EUCLID NO.	GENUINE	OEM REF.	DESCRIPTION	QTY. PER AXLE	PAGE NO.
27	E-2860	R	11011-02	Rigid Torque Arm, Front & Rear 50" Axle Spacing Center-to-Center, Includes E-1980 Axle End Bushing	2	RYG-77
	S.O.S.	R	11011-03	Rigid Torque Arm, Front & Rear 52" Axle Spacing Center-to-Center, Includes E-1980 Axle End Bushing	2	-
	E-2860	R	12051-01	Rigid Torque Arm, Front 60" Axle Spacing Center-to-Center, Includes E-1980 Axle End Bushing	2	RYG-77
	S.O.S.	R	14127-01	Rigid Torque Arm, Rear 60" Axle Spacing Center-to-Center, Includes E-1980 Axle End Bushing	2	-
28	E-3764	R	15187-01	Adjustable Torque Rod, Front & Rear 50" Axle Spacing Center-to-Center, Includes E-1980 Axle End Bushing	2	RYG-76
	E-4796	R	15186-01	Adjustable Torque Rod, Front & Rear 52" Axle Spacing Center-to-Center, Front 60" Axle Spacing, Includes E-1980 Axle End Bushing	2	RYG-76
	S.O.S.	R	16135-01	Adjustable Torque Rod, Rear 60" Axle Spacing Center-to-Center, Includes E-1980 Axle End Bushing	2	-
29	E-2886	R	22274-01	Undrilled Center Hanger	2	RYG-83
	E-14388	R	22335-01	Drilled Center Hanger	2	RYG-83
30	E-2983	-	10092-01	Locknut, 7/8"-9	4	-
31	E-901	-	10033-01	Bolt 7/8"-9 x 5-1/2" Long	4	RYG-81
32	E-2873	R	08677-01	Top Plate, Cast, 3" Wide	4	RYG-93
33	E-2887	R	22299-01	Undrilled Rear Hanger, Left Hand	2	RYG-83
	E-2888	R	22299-02	Undrilled Rear Hanger, Right Hand	2	RYG-83
	S.O.S.	R	Various	Drilled Rear Hanger	2	-
34	E-2867A	R	TK19168	Rear Hanger Pad Assembly Includes Bolt, Plate, and Wear Pad	2	RYG-89
35	E-UB8151-16	-	09744-01	U-Bolt Assembly, Rd. Bend, 3/4"-16 Thd. X 3" Wide x 16" Long	4	-
	E-UB8151-18	-	09752-01	U-Bolt Assembly, Rd. Bend, 3/4"-16 Thd. X 3" Wide x 18" Long	4	-
36	S.O.S.	R	Various	Axle Seat	4	-
37	S.O.S.	R	Various	Bottom Plate	4	-

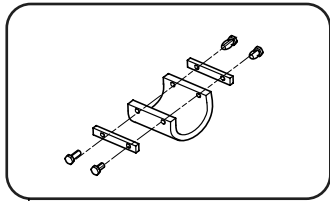
R Denotes Product is Genuine Reyco Granning

REYCO GRANNING

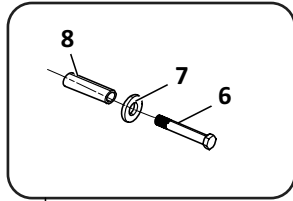
REYCO GRANNING

Model 102CC Single Axle Spring Suspension — Tractor

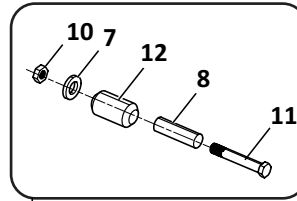
Wear Pad Assembly



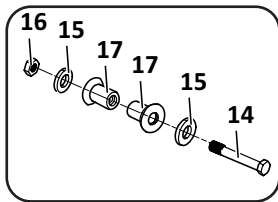
Front Hanger Roller Assembly



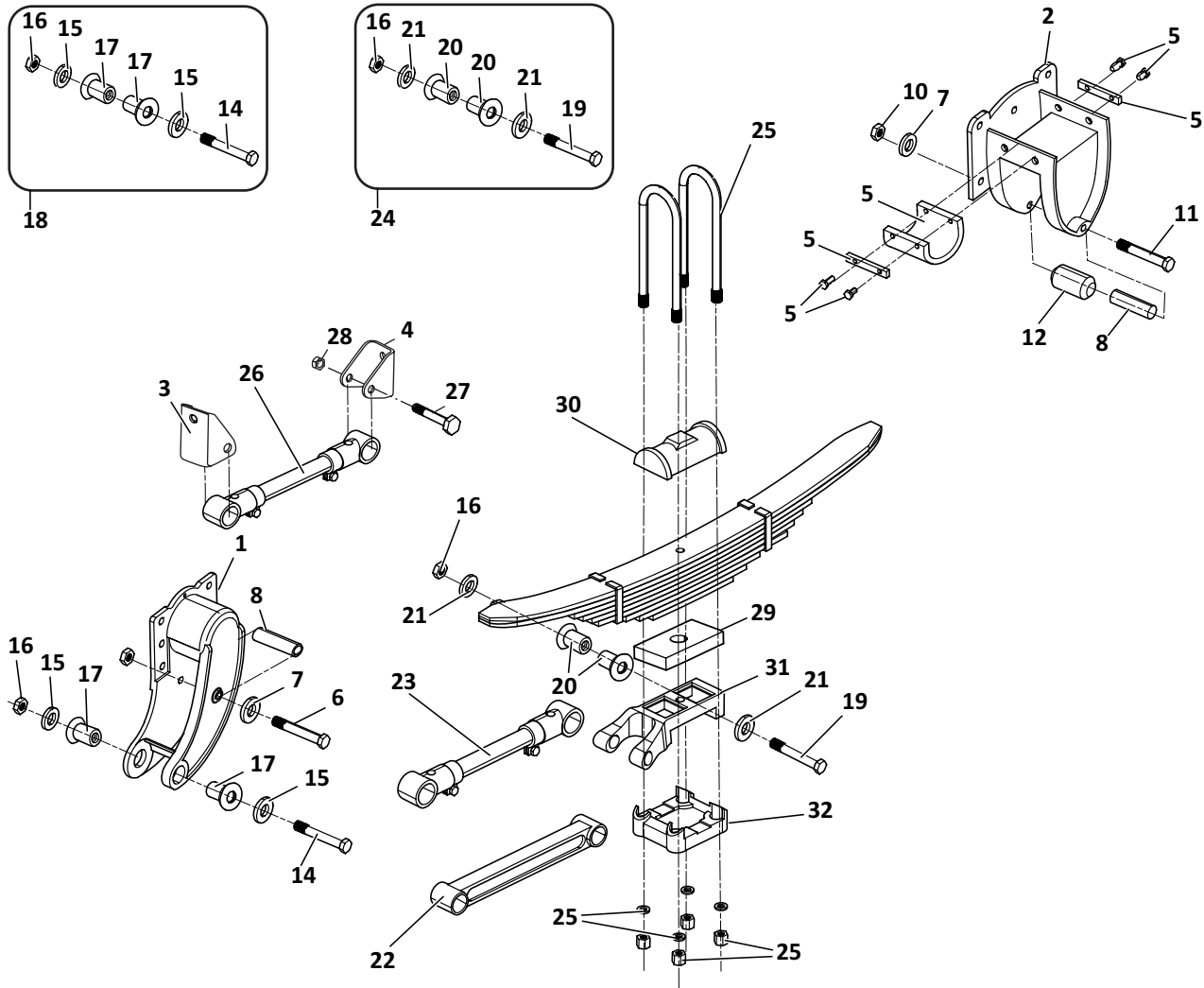
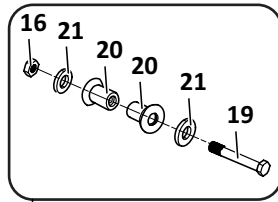
Rear Rubber Spring Roller Assembly



Torque Arm Bushing Assembly
Hanger End



Torque Rod Bushing Assembly
Axle Seat End



REYCO GRANNING

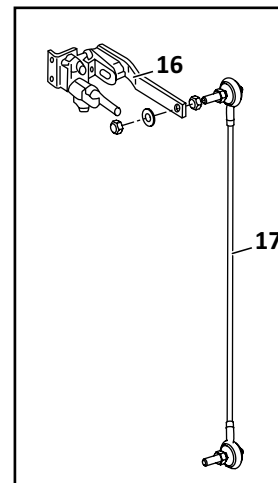
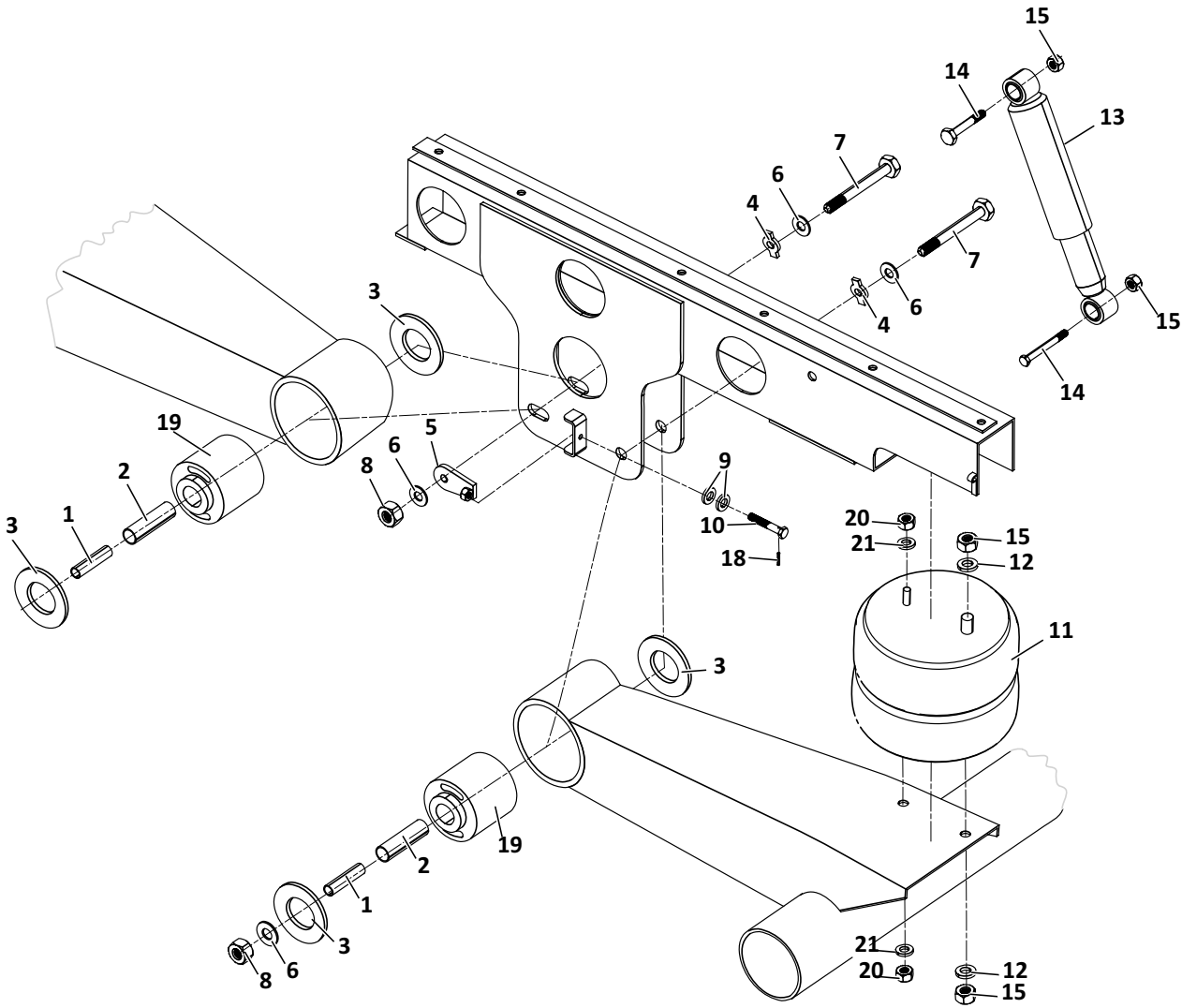
Model 102CC Single Axle Spring Suspension — Tractor						
KEY NO.	EUCLID NO.	GENUINE	OEM REF.	DESCRIPTION	QTY. PER AXLE	PAGE NO.
1	S.O.S.	R	Various	Front Hanger	1	-
2	S.O.S.	R	Various	Rear Hanger	1	-
3	S.O.S.	R	13149-01	Upper Control Arm Frame Bracket	2	-
4	S.O.S.	R	13148-01	Upper Control Arm Axle Bracket	2	-
5	E-2867A	R	TK14168	Wear Pad Assembly	2	RYG-89
6	E-16493	-	T-3099	Bolt 1/2"-20 x 4-1/2" Long	2	-
7	E-1974	-	T-1705	Lockwasher, 1/2"	4	-
8	E-1971	R	T-2106	Spring Roller	4	RYG-88
9	E-16537	-	TK19212	Front Hanger Roller Assembly, Includes Key Nos. 6, 7, 8	2	-
10	E-5032	-	T-1704	Hex Nut, 1/2"-20	2	-
11	E-2022	-	T-5549	Bolt, 1/2"-20 x 5-1/2" Long	2	-
12	E-1980	-	09729-01	Rear Hanger & Control Arm Bushing, Rubber	2	RYG-80
	GAFF15013	-	-	Rear Hanger & Control Arm Bushing, Poly	2	RYG-80
13	E-16538	-	TK19169	Rear Rubber Spring Roller Assembly Includes Key Nos. 7, 8, 10, 11, 12	2	-
14	E-1166	-	23882-01	Torque Arm Bolt, Hanger End, 1"-14 x 6-3/4" Long	2	RYG-81
15	E-905	-	T1724	Flat Washer, 1-1/16"	2	-
16	E-937	-	T-5495	Lock Nut, 1"-14	4	-
17	E-10057	-	21238-01S	Torque Arm Bushing, Hanger End, Rubber	2	RYG-80
	GAFF15020	-	21238-01S	Torque Arm Bushing, Hanger End, Poly	2	RYG-80
18	E-9350	-	TK21640T	Torque Arm Bushing Assembly Hanger End, Includes Key No. 14, 15, 16, 17, Rubber	2	RYG-79
	GAFF15061	-	-	Torque Arm Bushing Assembly Hanger End, Includes Key No. 14, 15, 16, 17, Poly	2	RYG-79
19	E-900	-	17161-01	Torque Arm Bolt, Axle End, 1"-8 x 6-3/8" Long	2	RYG-81
20	E-1982	-	T-2242	Bushing, Torque Arm, Seat End, Rubber	4	RYG-80
	GAFF15051	-	-	Bushing, Torque Arm, Seat End, Poly	4	RYG-80
21	E-907	-	T-2224	Compression Washer, Seat End	4	-
22	S.O.S.	R	13135-01	Rigid Torque Arm, without Bushing	1	-
23	S.O.S.	R	15174-01	Adjustable Torque Arm, without Bushing	1	-
24	E-1983	-	TK19089	Torque Rod Bushing Assembly, Includes Key No. 16, 19, 20, 21	2	RYG-79
25	E-UB8165-12	-	08494-01	U-Bolt Assembly, Round Bend, 7/8"-14 Thd x 3" Wide x 12" Long	2	-
	E-UB8165-13	-	08512-01	U-Bolt Assembly, Round Bend, 7/8"-14 Thd x 3" Wide x 13" Long	2	-
	E-UB8165-14	-	08515-01	U-Bolt Assembly, Round Bend, 7/8"-14 Thd x 3" Wide x 14" Long	2	-
	E-UB8165-16	-	08520-01	U-Bolt Assembly, Round Bend, 7/8"-14 Thd x 3" Wide x 16" Long	2	-
26	E-2292	-	16347-01	Upper Control Arm, Includes E-1980 Bushing	2	RYG-76
27	E-901	-	10033-01	Bolt, Track Rod, 7/8"-9 x 5-1/2" Long	4	RYG-81
28	E-2983	-	10092-01	Locknut, 7/8"-9	4	-
29	E-9562	R	T-7555	Spacer, 3" Wide x 7" Long, 1/2" Thick, 13/16" Hole	As Req.	RYG-94
	E-9563	R	T-7716	Spacer, 3" Wide x 7-1/2" Long, 1" Thick	As Req.	RYG-94
	E-9564	R	T-7654	Spacer, 3" Wide x 7-1/2" Long, 1" Thick	As Req.	RYG-94
30	E-2873	R	08677-01	Top Plate, Cast, 3" Wide	2	RYG-93
31	S.O.S.	R	Various	Axle Seat	1	-
32	S.O.S.	R	Various	Bottom Plate	1	-

R Denotes Product is Genuine Reyco Granning

REYCO GRANNING

REYCO GRANNING

Model 20AR/22AR Air Suspension — Trailer



REYCO GRANNING

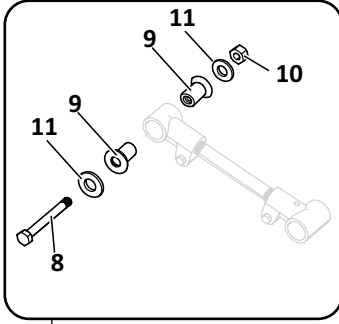
Model 20AR/22AR Air Suspension — Trailer						
KEY NO.	EUCLID NO.	GENUINE	OEM REF.	DESCRIPTION	QTY. PER TANDEM	PAGE NO.
1	E-15244	R	23674-02	Pivot Shaft Sleeve	4	-
2	E-15245	R	23432-02	Sleeve Cover, 4-3/8"	4	-
3	E-15246	R	23427-01	Beam Spacer	8	-
4	E-15247	R	23656-01	Rey-Align Flange Washer	6	-
5	E-15248	R	23673-02	Rey-Align Assembly	2	-
6	E-15249	-	23952-01	Disc Spring Washer, 7/8"	4	-
7	E-5439	-	23286-02	Bolt, 7/8" x 7-1/2" Long	4	-
8	E-1835	-	14345-01	Lock Nut, 7/8"-14	4	-
9	E-15250	-	20852-01	Flat Washer, 3/4"	4	-
10	E-15251	R	24398-01	Rey-Align Bolt 3/4"-10 x 3.5"	2	-
11	FS7555	-	20018-01	Air Spring Assembly	4	-
	EAS7555					-
12	E-15253	-	T-3164	Lock Washer, 3/4"	4	-
13	M85052	-	700098-03	Shock Absorber	4	-
14	E-15240	R	12889-02	Bolt, 3/4"-16 x 10" Long	4	-
15	E-4961A	-	14344-01	Lock Nut, 3/4"-16	8	-
16	E-15241	R	700318-14	Height Control Valve-Hadley 1500	1	RYG-95
17	E-7852	-	-	Universal Linkage Kit	1	RYG-95
18	E-15261	R	24453-01	Coiled Spring Pin	2	-
19	E-15243	R	25770-01	Pivot Bushing, 4-1/2" Width	2	-
20	E-15256	-	12920-01	Nut 1/2"-13	2	-
21	E-1974	-	T-1705	Lock Washer, 1/2"	2	-

R Denotes Product is Genuine Reyco Granning

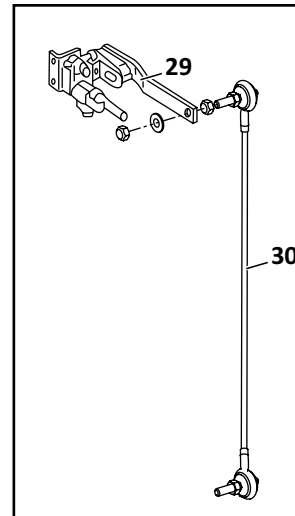
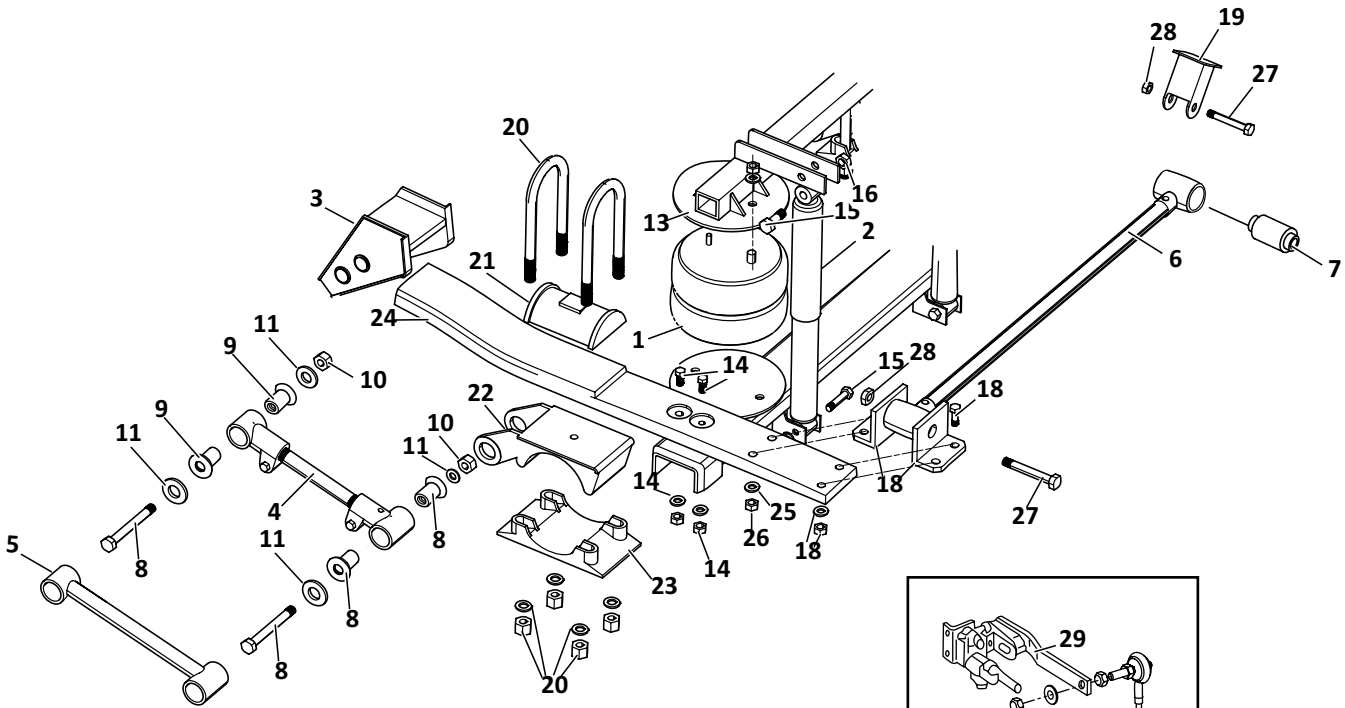
REYCO GRANNING

Model 21AR Air Suspension — Trailer

Torque Arm Bushing & Bolt Kit



12



REYCO GRANNING

Model 21AR Air Suspension — Trailer						
KEY NO.	EUCLID NO.	GENUINE	OEM REF.	DESCRIPTION	QTY. PER AXLE	PAGE NO.
1	FS7557	-	19983-01	Air Spring Assembly	4	-
2	M85013	-	12887-01	Shock Absorber, Standard Duty Shock	4	-
	M89414	-	-	Shock Absorber, Premium Adjustable Shock	4	-
3	E-15265	R	21949-01	Hanger, Under Mount	4	RYG-84
4	E-3283A	R	15172-01	Torque Arm, Adjustable	2	RYG-76
5	E-2855	R	15178-01	Torque Arm, Rigid	2	RYG-77
6	E-15266	R	20012-01	Track Rod Rigid, 38" Frame Width, Includes E-1980 Bushings	2	RYG-78
	S.O.S.	R	20969-01	Track Rod Rigid, 40" Frame Width, Includes E-1980 Bushings	2	-
	S.O.S.	R	20314-01	Track Rod Rigid, 42" Frame Width, Includes E-1980 Bushings	2	-
	E-15276	R	10910-01	Track Rod Rigid, 48" Frame Width, Includes E-1980 Bushings	2	RYG-78
7	E-1980	-	09729-01	Track Rod Bushing, Rubber	4	RYG-80
	GAFF15013	-	-	Track Rod Bushing, Poly	4	RYG-80
8	E-1166	-	T-5492	Torque Arm Bolt, 1"-14 x 6-3/4" Long	8	RYG-81
9	E-1160	-	T-5493	Torque Arm Bushing, Rubber	16	RYG-80
	GAFF15073	-	-	Torque Arm Bushing, Poly	16	RYG-80
10	E-937	-	T-5495	Torque Arm Nut, 1"-14	8	-
11	E-907	-	T-2224	Torque Arm Compression Washer, 1"	16	-
12	E-1312A	-	TK18997	Torque Arm Bushing Assembly, Includes Key Nos. 8, 9, 10, 11, Rubber	8	RYG-79
	GAFF999545	-	-	Torque Arm Bushing Assembly, Includes Key Nos. 8, 9, 10, 11, Poly	8	RYG-79
13	E-15277	R	17856-01	Upper Air Spring Mounting Plate	4	-
14	S.O.S.	R	25017-38	Lower Air Spring Support Assembly, 38" Frame Width	2	-
	S.O.S.	R	25017-40	Lower Air Spring Support Assembly, 40" Frame Width	2	-
	S.O.S.	R	25017-42	Lower Air Spring Support Assembly, 42" Frame Width	2	-
	E-15279	R	25017-44	Lower Air Spring Support Assembly, 44" Frame Width	2	-
15	E-15315	-	08210-01	Shock Absorber Bolt, 3/4"-16 x 3" Long	8	-
16	E-4961A	-	14344-01	Nut, 3/4"	8	-
17	E-15268	R	21778-01	Upper Shock Mounting Bracket	8	-
18	E-9358	R	21491-01	Track Rod Bracket, Lower Left hand	4	RYG-80
19	E-15269	R	18919-01	Track Rod Bracket, Upper Right Hand	4	RYG-81
20	E-UB8161-14	-	18885-01	U-Bolt Assembly, Rd. Bend, 7/8"-14 Thd. x 3" Wide x 14" Long	8	-
	E-UB8161-16	-	08498-01	U-Bolt Assembly, Rd. Bend, 7/8"-14 Thd. x 3" Wide x 16" Long	8	-
21	E-2873	R	20050-01	Top Plate, Cast, 3" Wide	4	RYG-93
22	E-15270	R	20051-01	Axle Seat, Round Axle, 14" Ride Height	4	RYG-90
	S.O.S.	R	20051-02	Axle Seat, Round Axle, 15-1/4" Ride Height	4	-
	S.O.S.	R	20051-03	Axle Seat, Round Axle, 16-1/2" Ride Height	4	-
23	E-2909	-	0538-00	Bottom Plate, 5" Round Axle	4	RYG-91
	E-2909-P	-	0538-00	Bottom Plate, 5" Round Axle, Price Point	4	RYG-91
24	E-10774	R	19879-01	Spring Beam, Left Hand	2	-
	E-10775	R	19880-01	Spring Beam, Right Hand	2	-
25	E-15254	-	T-1859	Lock Washer 3/8"	8	-
26	E-15257	-	20029-01	Nut, 3/8"-16	8	-
27	E-901	-	10033-01	Track Rod Bolt, 7/8"-9 x 5-1/2" Long	2	RYG-81
28	E-2983	-	10092-01	Track Rod Nut, 7/8"-9	2	-
29	E-9623	-	-	Universal Height Control Valve Assembly	1	RYG-95
30	E-7852	-	-	Universal Linkage Kit	1	RYG-95

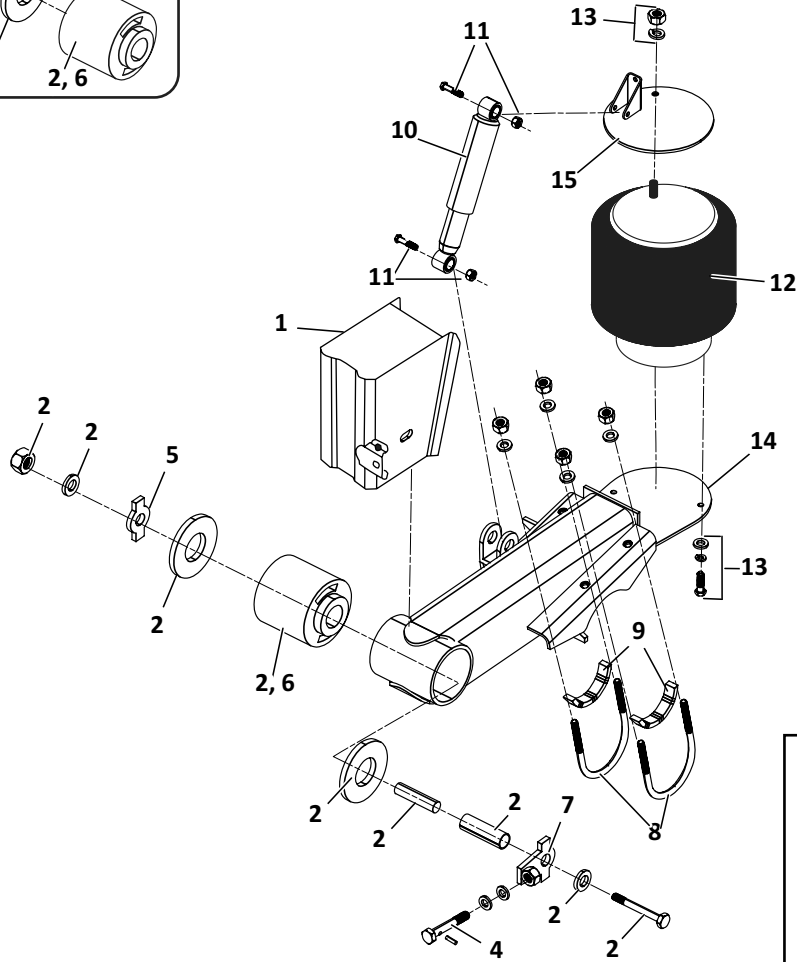
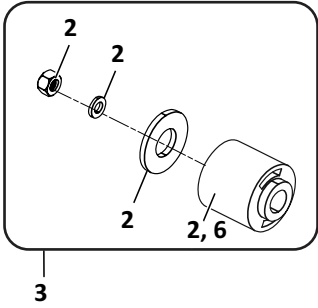
R Denotes Product is Genuine Reyco Granning

REYCO GRANNING

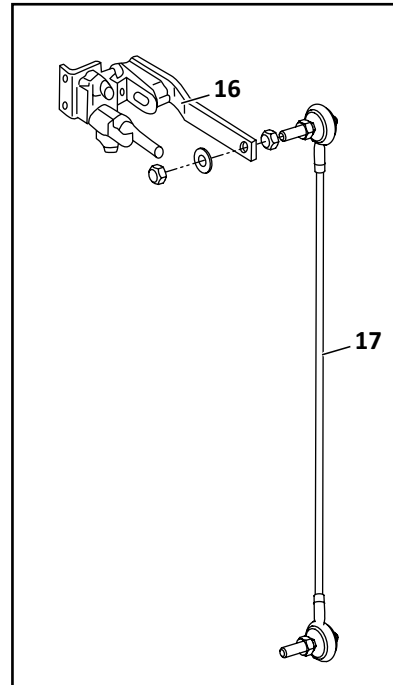
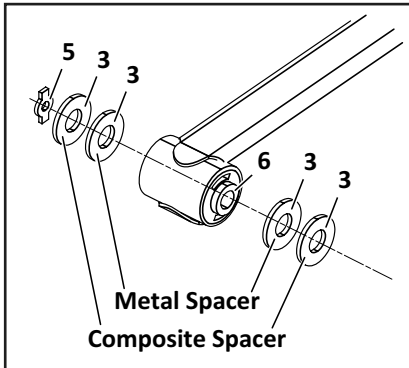
REYCO GRANNING

Model 23AR/25AR/30AR Air Suspension — Trailer

Heavy Duty Beam Spacer



Heavy Duty Beam Spacer Configuration Option



REYCO GRANNING

Model 23AR/25AR/30AR Air Suspension — Trailer						
KEY NO.	EUCLID NO.	GENUINE	OEM REF.	DESCRIPTION	QTY. PER AXLE	PAGE NO.
1	S.O.S.	R	Various	Hanger	2	-
2	E-16199	R	K701163-1	Kit, Rebushing; REY-ALIGN® Beam; 7/8" Bolt	2	-
	E-16200	R	K701311	Kit, Rebushing; Huck Bolted Beam; 1-1/8" Bolt	2	-
3	E-16201	R	K70221805	Kit, Heavy Duty Beam Spacer	4	-
4	E-15251	R	24398-01	Bolt, Adjustment; Alignment	2	-
5	E-16202	R	23656-01	Flange Washer, Opposite REY-ALIGN®	2	-
6	E-16203	R	23421-01	Bushing	2	-
7	E-16204	R	23673-01	REY-ALIGN Adjustment Washer	1	-
8	E-UB8168-082	-	TK23961	U-Bolt Assembly 7/8"-14 X 6" Wide X 8 1/4" Long. Incl. Nuts & Washers	4	-
9	E-16206	R	23939-01	Spacer, U-Bolt/Axle	4	RYG-94
10	M85738	-	23523-01	Shock Absorber, All 23K Rear Angled Shock Models	2	-
	S.O.S.	R	702135-01	Shock Absorber, All 23K Forward Angled Shock Models	2	-
	S.O.S.	R	704672-01	Shock Absorber, 25K Forward Angled Shock Models Except Models with 12-17" Ride Ht.	2	-
	S.O.S.	R	24392-01	Shock Absorber, All 25K Rear Angled Shock Models	2	-
	S.O.S.	R	702135-01	Shock Absorber, All 23K Forward Angled Shock Models	2	-
	S.O.S.	R	23524-01	Shock Absorber, All 30K Rear Angled Shock Models	2	-
	M85938	-	23553-01	Shock Absorber, All 30K Forward Angled Shock Models	2	-
11	E-16210	R	TK23535	Kit, Bolt; Shock Absorber	2	-
12	FS8740	-	23433-01	Air Spring, All 23K Models	2	-
	EAS8740	-				
	FS8856	-	23521-02	Air Spring, 25K Forward Angled Shock Models with 12-17" Ride Ht.	2	-
	FS8855	-	704671-01	Air Spring, 25K Forward Angled Shock Models Except Models with 12-17" Ride Ht.	2	-
	EAS8855	-				
	FS9560	-	25396-01	Air Spring, 25K Rear Angled Shock Models 25ARTULS-14A, 15A, 16A	2	-
	FS8050	-	23631-01	Air Spring, All 30K Models	2	-
EAS8050	-					
13	E-16214	R	TK23658	Kit, Air Spring Mounting, All 23K Models	2	-
	S.O.S.	R	TK24381	Kit, Air Spring Mounting, 25K Rear Angled Shock Models Except Models 25ARTULS-14A, 15A, 16A	2	-
	E-16215	R	TK23532	Kit, Air Spring Mounting, 25K Rear Angled Shock Models 25ARTULS-14A, 15A, 16A	2	-
	E-16216	R	TK24778	Kit, Air Spring Mounting, All 30K Models	2	-
	S.O.S.	R	TK23568	Kit, Air Spring Mounting, 25K Forward Angled Shock Models Except Models with 12-17" Ride Ht	2	-
14	S.O.S.	R	Various	Assembly, Beam Specify Model & LH/RH	2	-
15	S.O.S.	R	Various	Assembly, Top Plate; Air Spring Specify Model & Ride Hgt.	2	-
16	E-9623	-	-	Valve, Height Control; Universal	1	RYG-95
17	E-7852	-	-	Linkage Assembly; Universal; Adjustable 3-5/8"-19-5/8" Range; Use w/All Height Control Valves	1	RYG-95

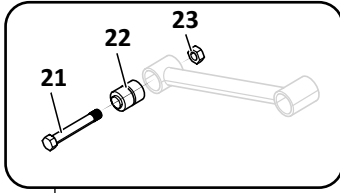
R Denotes Product is Genuine Reyco Granning

REYCO GRANNING

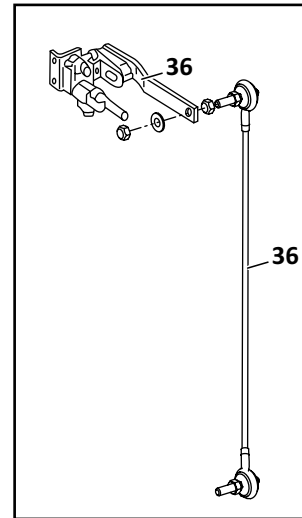
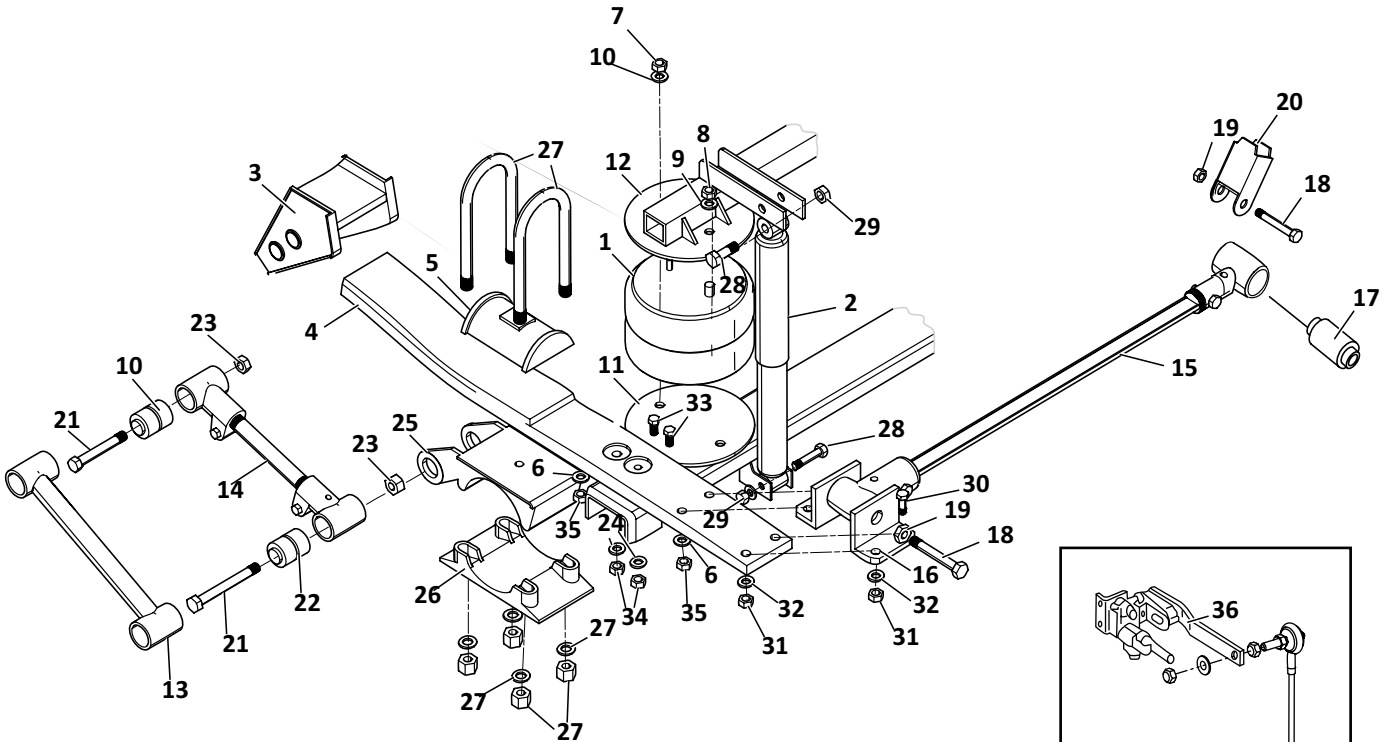
REYCO GRANNING

Model 74AR Air Suspension — Trailer

Torque Rod Bushing & Bolt Kit



24



REYCO GRANNING

Model 74AR Air Suspension — Trailer						
KEY NO.	EUCLID NO.	GENUINE	OEM REF.	DESCRIPTION	QTY. PER AXLE	PAGE NO.
1	FS7557	-	19983-01	Air Spring	2	-
2	M85013	-	12887-01	Shock Absorber, Standard Duty Shock	2	-
	M89414	-	-	Shock Absorber, Premium Adjustable Shock	2	-
3	E-9615	R	16671-01	Hanger, Under Mount	2	-
4	E-15284	R	19897-01	Left Spring Beam	1	-
	E-15285	R	19898-01	Right Spring Beam	1	-
5	S.O.S.	R	20157-01	Top Plate	2	-
6	E-15254	-	T-1859	Lockwasher, 3/8"	4	-
7	E-15256	-	12920-01	Nut 1/2"-13	2	-
8	E-1107	-	08211-01	Nut 3/4"-16	2	-
9	E-15253	-	T-3164	Lockwasher, 3/4"	2	-
10	E-1974	-	T-1705	Lockwasher, 1/2"	2	-
11	S.O.S.	R	19790-01	Lower Air Spring Plate	2	-
12	S.O.S.	R	24067-01	Upper Air Spring Plate	2	-
13	E-9585	R	16585-01	Rigid Torque Arm, 14-1/4" Center-to-Center	1	RYG-77
14	E-9584	R	16595-01	Adjustable Torque Arm, 14-1/4" Center-to-Center	1	RYG-76
15	E-15266	R	20012-01	Track Rod, Rigid, 38" Length, Includes E-1980 Bushing	1	RYG-78
	S.O.S.	R	20969-01	Track Rod, Rigid, 40" Length, Includes E-1980 Bushing	1	-
	S.O.S.	R	20314-01	Track Rod, Rigid, 42" Length, Includes E-1980 Bushing	1	-
	E-15276	R	10910-01	Track Rod, Rigid, 44" Length, Includes E-1980 Bushing	1	RYG-78
16	E-9358	R	21491-01	Track Rod Bracket	2	RYG-80
17	E-1980	-	09729-01	Track Rod Bushing, Rubber	2	RYG-80
	GAFF15013	-	-	Track Rod Bushing, Poly	2	RYG-80
18	E-901	-	10033-01	Track Rod Bolt, 7/8"	2	RYG-81
19	E-2983	-	10092-01	Track Rod Locknut, 7/8"-9	2	-
20	E-15269	R	18919-01	Track Rod Hanger, Upper Right hand	1	RYG-81
	S.O.S.	R	19604-01	Track Rod Bracket, Lower Left Hand	1	-
21	E-1166	-	T-5492	Torque Rod Bolt 1" X 2-3/8" X 4" Long	4	RYG-81
22	E-9549	-	15737-01	Torque Rod Bushing	4	RYG-80
23	E-937	-	T-5495	Torque Rod Nut 1"-14	4	-
24	E-9587	-	-	Torque Rod Bushing Assembly Includes Key Nos. 21, 22, 23	4	RYG-79
25	E-9626	R	15751-01	Axle Seat, 14-1/4" Ride Height	2	RYG-90
	S.O.S.	R	19996-01	Axle Seat, 15-1/4" Ride Height	2	-
26	S.O.S.	R	19989-01	Bottom Plate, 14-1/4" - 16-1/4" Ride Height	2	-
27	E-UB5161-12	-	-	U-Bolt Assembly, Round Bend, 7/8"-14 Thd x 3" Wide x 12" Long	4	-
	E-UB5161-13	-	-	U-Bolt Assembly, Round Bend, 7/8"-14 Thd x 3" Wide x 13" Long	4	-
	E-UB5161-14	-	-	U-Bolt Assembly, Round Bend, 7/8"-14 Thd x 3" Wide x 14" Long	4	-
28	E-15315	-	08210-01	Shock Absorber Bolt, 3/4"-16 x 3" Long	4	-
29	E-4961A	-	14344-01	Shock Absorber Nut, 3/4"-16	4	-
30	S.O.S.	R	17353-01	Capscrew, 1/2"	4	-
31	S.O.S.	R	17357-01	Locknut, 1/2"-20	4	-
32	S.O.S.	R	10016-01	Flat Washer, 1/2"	4	-
33	E-15286	-	18842-01	Hex Bolt, 7/8" - 14 x 3" Long	4	-
34	E-1835	-	14345-01	Locknut, 7/8" - 14	8	-
35	E-15251	-	20029-01	Nut, 3/8" - 16	4	-
36	E-15271	R	23329-01	Height Control Valve, 1/4" Fitting, Includes Linkage	1	RYG-95
-	E-4324	-	12915-03	Pressure Protection Valve, Includes Filter	1	RYG-95

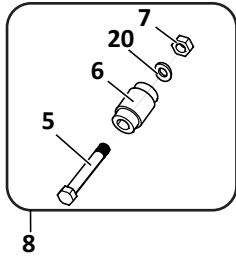
R Denotes Product is Genuine Reyco Granning

REYCO GRANNING

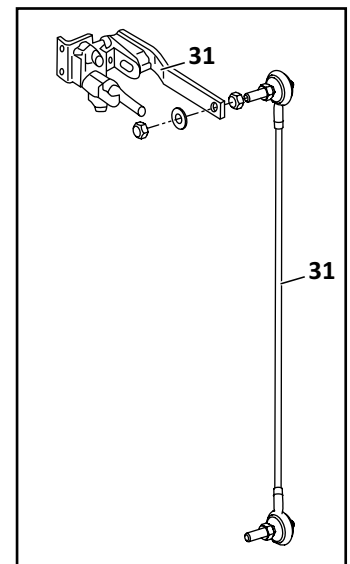
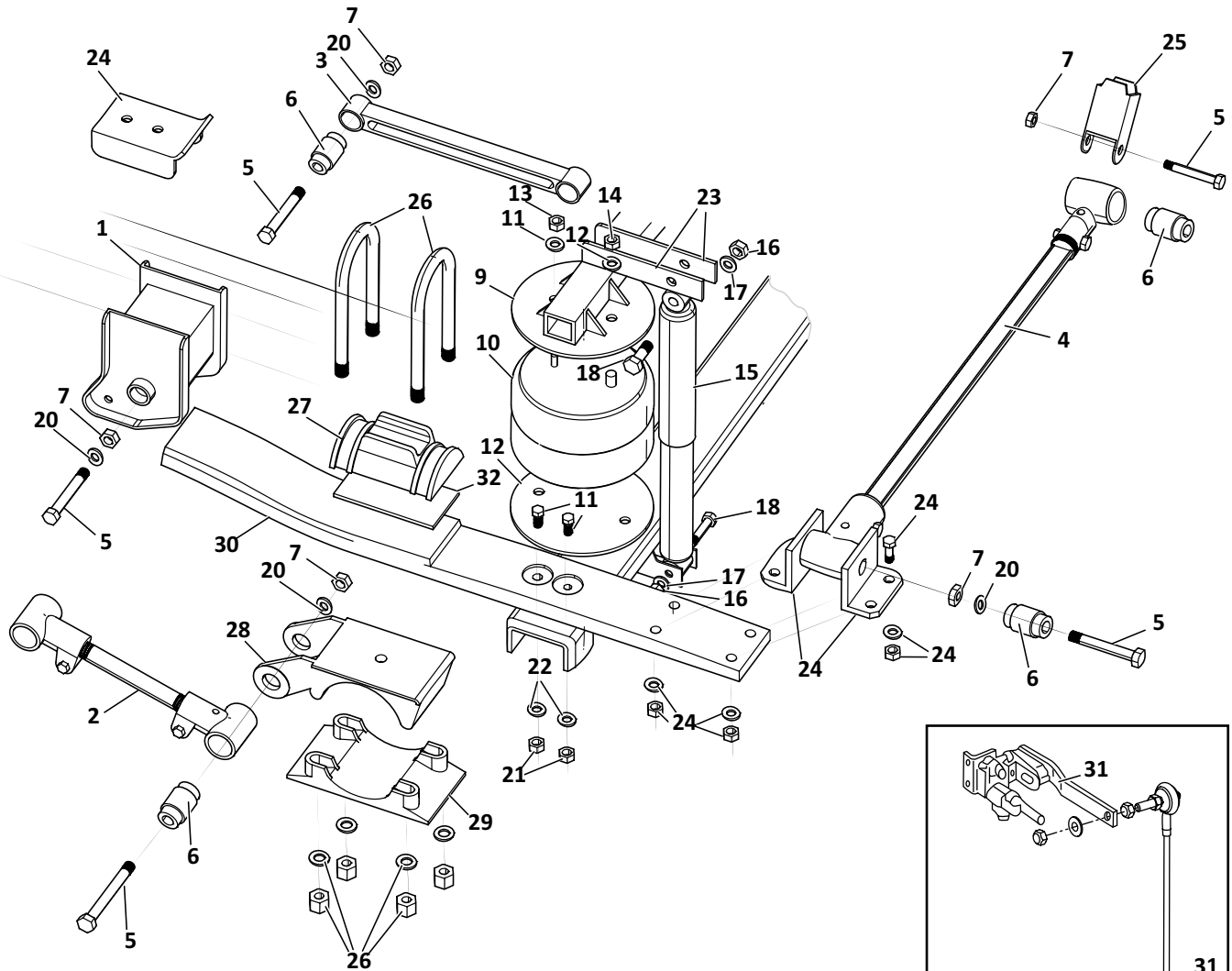
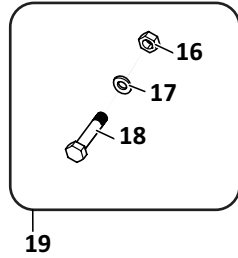
REYCO GRANNING

Model 86AR Air Suspension — Trailer

Torque Arm/Track Rod
Bushing Assembly



Shock Absorber Mounting Kit



REYCO GRANNING

Model 86AR Air Suspension — Trailer							
KEY NO.	EUCLID NO.	GENUINE	OEM REF.	DESCRIPTION	QTY. PER AXLE	QTY. PER TANDEM	PAGE NO.
1	E-9351A	R	22662-01	Front Hanger, Straddle Mount	2	4	RYG-85
	S.O.S.	R	1503-00	Front Hanger, Undermount	2	4	-
	S.O.S.	R	1504-01	Front Hanger, Left, Flangemount	2	4	-
	S.O.S.	R	1504-02	Front Hanger, Right, Flangemount	2	4	-
2	E-4824	R	1035-20	Adjustable Torque Arm, Fabricated End, Includes E-1980 Bushing	1	2	RYG-76
	E-2513	-	-	Adjustable Torque Arm, Cast End, Includes E-1980 Bushing	1	2	RYG-76
3	E-4825	R	0075-20	Rigid Torque Arm, Includes E-1980 Bushing	1	2	RYG-77
4	E-15266	R	20012-01	Track Rod Rigid, Standard, 42" Frame Width	1	2	RYG-78
	E-15276	R	10910-01	Track Rod Rigid, Standard, 48" Frame Width	1	2	RYG-78
	S.O.S.	R	17857-01	Track Rod Rigid, Adjustable Option, 42" Frame Width	1	2	-
	S.O.S.	R	18869-01	Track Rod Rigid, Adjustable Option, 48" Frame Width	1	2	-
5	E-4833	-	0001-08	Torque Arm/Track Rod Bolt 7/8"-14 long	6	12	-
6	E-1980	-	0022-00, 09729-01	Torque Arm/Track Rod Bushing, Rubber	6	12	RYG-80
	GAFF15013	-	-	Torque Arm/Track Rod Bushing, Poly	6	12	RYG-80
7	E-1835	-	14345-01	Torque Arm/Track Rod Locknut, 7/8-14	6	12	-
8	E-4834A	-	K002201	Torque Arm/Track Rod Bushing Assembly w/ Rubber Bushing, Includes Key No. 5, 6, 7	6	12	RYG-79
9	E-15277	R	17856-01	Upper Air Spring Mounting Plate	2	4	-
10	FS7555	-	20018-01	Air Spring - Double Convolution	2	4	-
	EAS7555						-
11	E-1974	-	T-1705	Air Spring Lockwasher, 1/2"	2	4	-
12	E-15253	-	T-3164	Air Spring Lockwasher, 3/4"	2	4	-
13	E-15256	-	12920-01	Air Spring Nut, 1/2"	2	4	-
14	E-1107	-	08211-01	Air Spring Nut, 3/4"	2	4	-
15	M85006	-	18165-01	Shock Absorber	2	4	-
16	E-4961A	-	14344-01	Shock Absorber Mounting Nut, 3/4"-16	4	8	-
17	E-2545	-	20852-01	Shock Absorber Mounting Washer, 3/4"	4	8	-
18	E-15315	-	08210-01	Shock Absorber Mounting Bolt, 3/4"-16 x 3" Long	4	8	-
19	S.O.S.	R	TK19216	Shock Absorber Mounting Hardware Kit	4	8	-
20	E-2546	-	T-7292	Flat Washer, 7/8"	6	12	-
21	E-15257	-	20029-01	Nut, 3/8"-16	4	8	-
22	E-15254	-	T-1859	Lockwasher, 3/8"	4	8	-
23	S.O.S.	R	19769-01	Upper Shock Mounting Bracket (2 pieces per Kit)	2	4	-
24	E-9358	R	TK21962	Track Rod Bracket, Lower Left Hand w/ Hardware	2	4	RYG-80
25	S.O.S.	R	19709-01	Track Rod Hanger, Upper Right Hand, Bolt-On - Aluminum Trailers	1	2	-
	E-15314	R	19772-01	Track Rod Hanger, Upper Right Hand, Weld On	1	2	RYG-81
26	E-UB8151-12	-	19780-110 to 120	U-Bolt Assembly, Rd. Bend, 3/4"-16 Thd. X 3" Wide x 12" Long	2	4	-
	E-UB8151-14	-	19780-125 to 140	U-Bolt Assembly, Rd. Bend, 3/4"-16 Thd. X 3" Wide x 14" Long	2	4	-
	E-UB8151-16	-	19780-145 to 160	U-Bolt Assembly, Rd. Bend, 3/4"-16 Thd. X 3" Wide x 16" Long	2	4	-

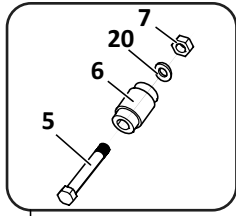
R Denotes Product is Genuine Reyco Granning

REYCO GRANNING

REYCO GRANNING

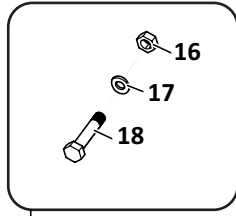
Model 86AR Air Suspension — Trailer

Torque Arm/Track Rod
Bushing Assembly

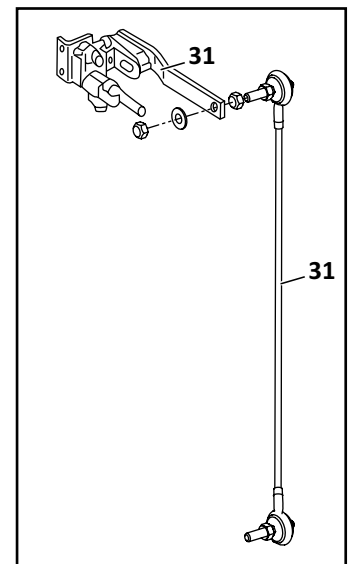
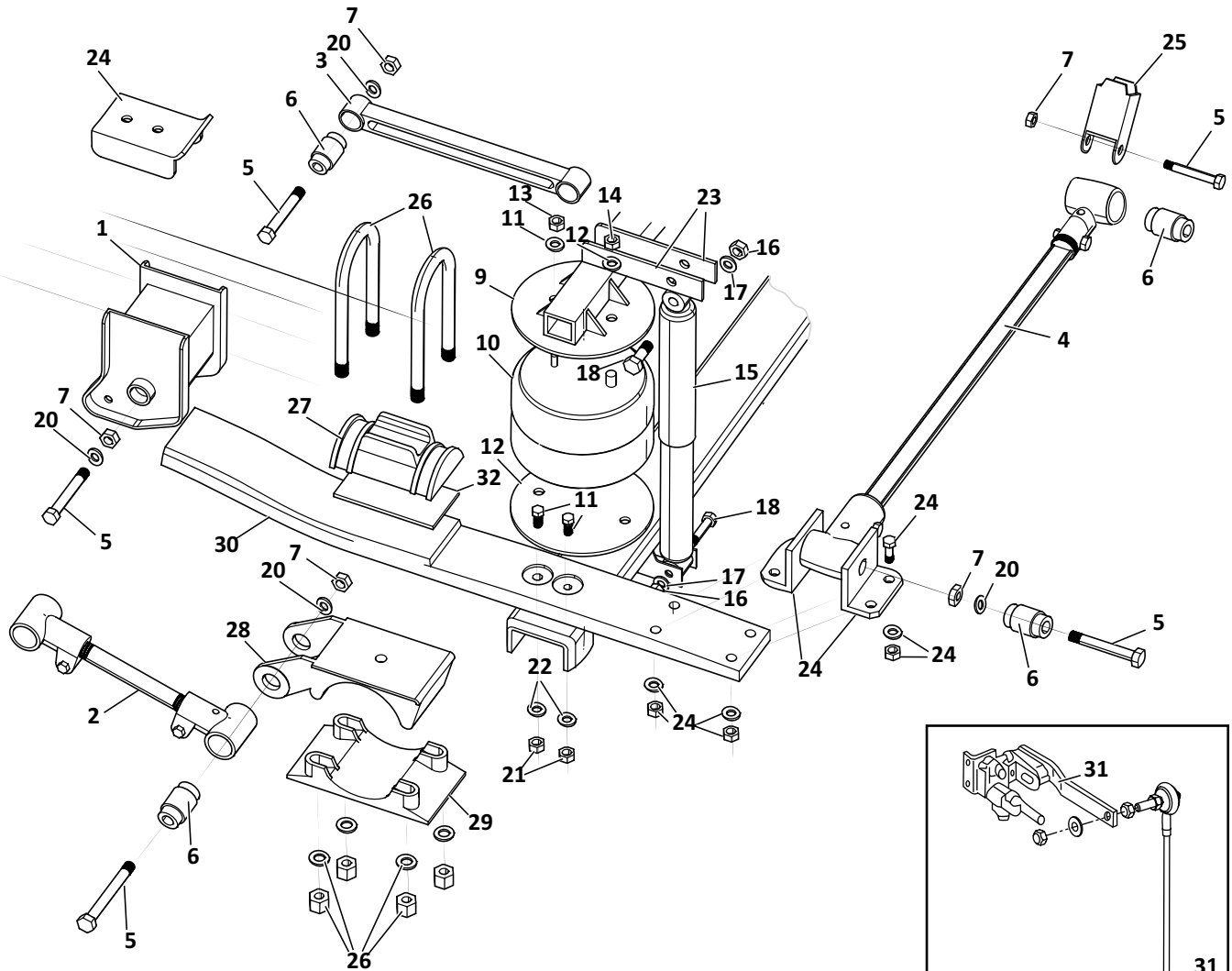


8

Shock Absorber Mounting Kit



19



REYCO GRANNING

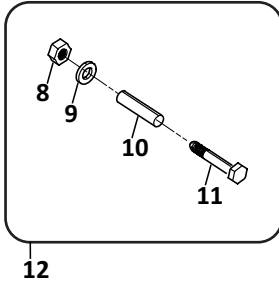
Model 86AR Air Suspension — Trailer							
KEY NO.	EUCLID NO.	GENUINE	OEM REF.	DESCRIPTION	QTY. PER AXLE	QTY. PER TANDEM	PAGE NO.
27	E-9353	R	1098-00	U-Bolt Top Plate	2	4	RYG-93
28	E-4814	R	0636-01	Axle Seat, 5" Round Axle, 1" High	2	4	RYG-90
	S.O.S.	R	0636-015	Axle Seat, 5" Round Axle, 1-1/2" High	2	4	-
	S.O.S.	R	0636-02	Axle Seat, 5" Round Axle, 2" High	2	4	-
	E-9355	R	0636-025	Axle Seat, 5" Round Axle, 2-1/2" High	2	4	RYG-90
	S.O.S.	R	0636-03	Axle Seat, 5" Round Axle, 3" High	2	4	-
	S.O.S.	R	0636-035	Axle Seat, 5" Round Axle, 3-1/2" High	2	4	-
	S.O.S.	R	0636-04	Axle Seat, 5" Round Axle, 4" High	2	4	-
	S.O.S.	R	0632-01	Axle Seat, 5" x 5" Square Axle, 1" High	2	4	-
	S.O.S.	R	0632-015	Axle Seat, 5" x 5" Square Axle, 1-1/2" High	2	4	-
	S.O.S.	R	0632-02	Axle Seat, 5" x 5" Square Axle, 2" High	2	4	-
	S.O.S.	R	0632-025	Axle Seat, 5" x 5" Square Axle, 2-1/2" High	2	4	-
	S.O.S.	R	0632-03	Axle Seat, 5" x 5" Square Axle, 3" High	2	4	-
	S.O.S.	R	0632-35	Axle Seat, 5" x 5" Square Axle, 3-1/2" High	2	4	-
	S.O.S.	R	0632-04	Axle Seat, 5" x 5" Square Axle, 4" High	2	4	-
29	E-2909	-	0538-00	Bottom Plate, 5" Round Axle	2	4	RYG-91
	E-2909-P	-	0538-00	Bottom Plate, 5" Round Axle, Price Point	2	4	RYG-91
	E-4823	-	0149-00	Bottom Plate, 5" x 5" Square Axle	2	4	RYG-92
30	E-10772	R	19913-01	Spring Beam, Left Hand	1	2	-
	E-10773	R	19914-01	Spring Beam, Right Hand	1	2	-
31	E-14729	-	-	Height Control Valve, 3/8" Fitting	1	1	RYG-95
	E-15271	R	23329-01	Height Control Valve, 1/4" Fitting, Includes Linkage	1	1	RYG-95
32	E-11305	R	16810-00	Galvanized Spring Liner	1	4	RYG-93
-	E-4324	-	12915-03	Pressure Protection Valve, Includes Filter	1	1	RYG-95

R Denotes Product is Genuine Reyco Granning

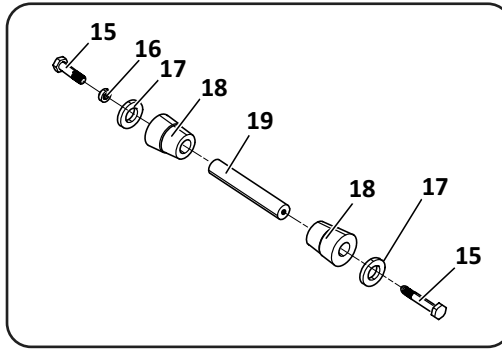
REYCO GRANNING

Model 21B Cast Tandem Four Spring Suspension, 42" - 72" Axle Spacing — Trailer

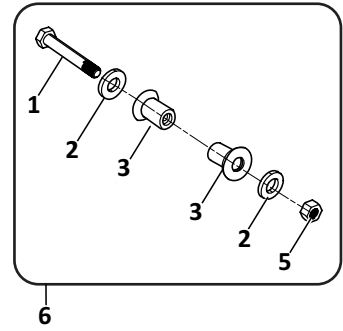
Spring Roller Kit



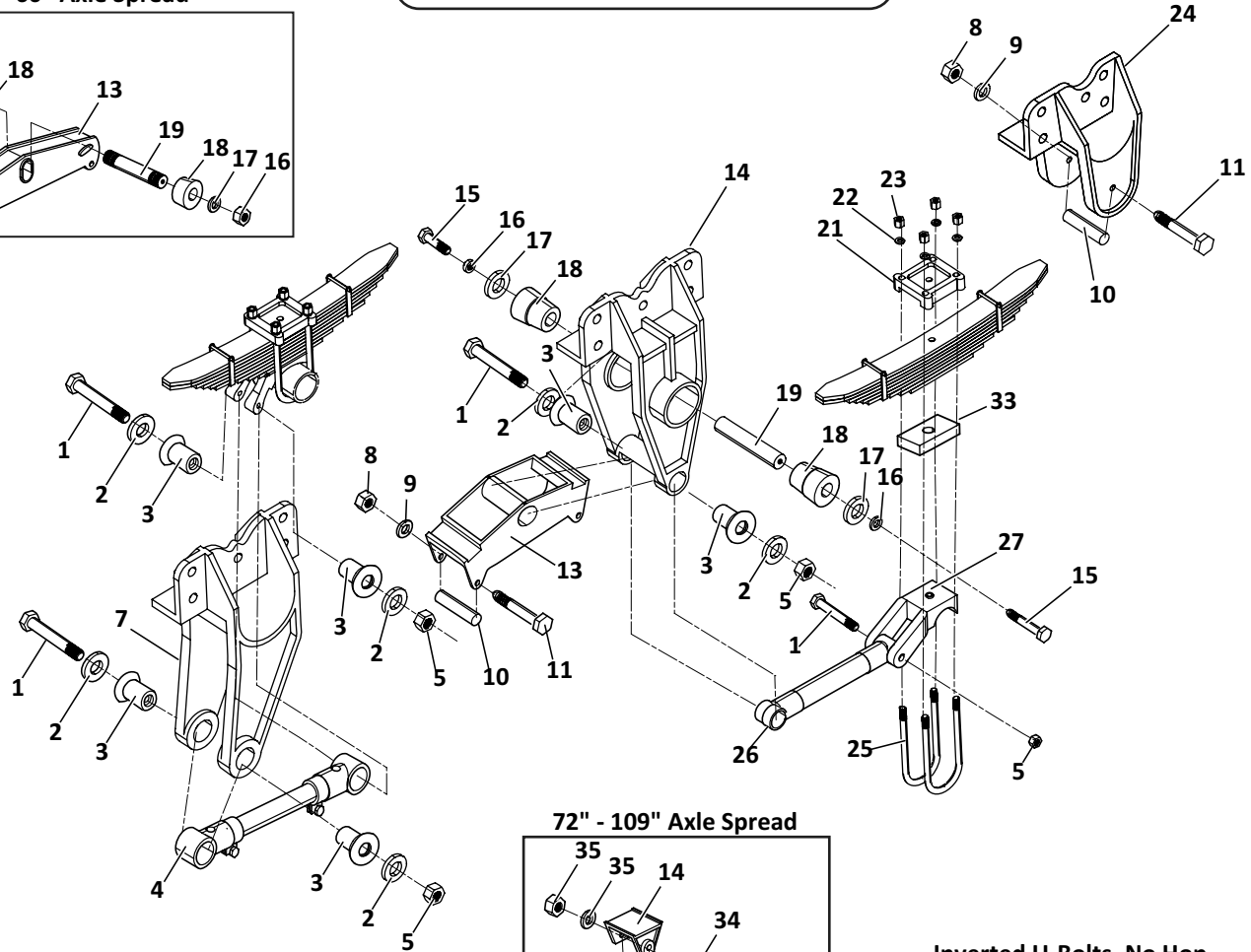
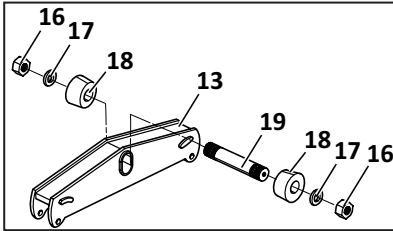
Equalizer Bushing Assembly



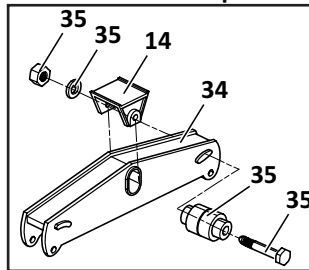
Torque Arm Bushing Kit



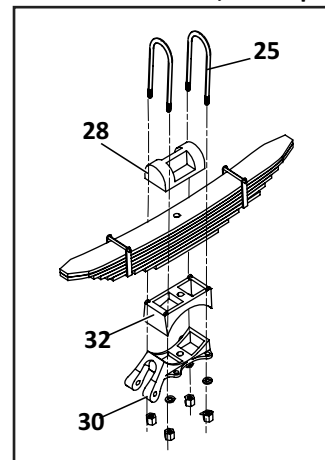
60" Axle Spread



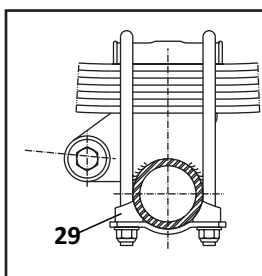
72" - 109" Axle Spread



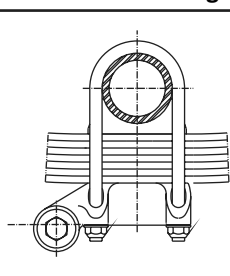
Inverted U-Bolts, No Hop



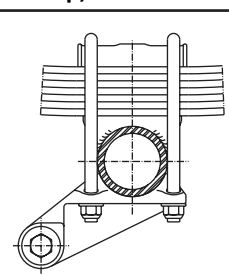
Inverted U-Bolts



Underslung



No Hop, Stabilized Axle



REYCO GRANNING

Model 21B Cast Tandem Four Spring Suspension, 42" - 72" Axle Spacing — Trailer						
KEY NO.	EUCLID NO.	GENUINE	OEM REF.	DESCRIPTION	QTY. PER TANDEM	PAGE NO.
1	E-1166	-	T-5492	Bolt 1"-14 x 6-3/4" Long	8	RYG-81
2	E-907	-	T-2224	Torque Arm Compression Washer, 1"	16	-
3	E-1160	-	T-5493	Torque Arm Bushing, Rubber	16	RYG-80
	GAFF15073	-	T-5493	Torque Arm Bushing, Poly	16	RYG-80
4	S.O.S.	R	15171-01	Adjustable Torque Arm Without Bushings, Front 42" - 44" Axle Spacing	1	-
	E-3283A	R	15172-01	Adjustable Torque Arm without Bushings, Rear 42" - 44" Axle Spacing, Front 49" - 109" Axle Spacing	1	RYG-76
	E-3284A	R	15173-01	Adjustable Torque Arm without Bushings, Rear 49" - 109" Axle Spacing	1	RYG-76
	S.O.S.	R	15174-01	Adjustable Torque Arm, 19-1/2" Center-to-Center	1	-
	E-5255A	R	15176-01	Adjustable Torque Arm, Rear 60" Axle Spacing, 25" Center-to-Center	1	RYG-76
5	E-937	-	T-5495	Locknut, 1"-14	8	-
6	E-1312A	-	TK18997	Torque Arm Bushing Kit Includes Key Nos. 1, 2, 3, 5, Rubber	8	RYG-79
	GAFF999545	-	-	Torque Arm Bushing Kit Includes Key Nos. 1, 2, 3, 5, Poly	8	RYG-79
7	E-2880	R	T-5425	Front Hanger, Left, Flange Mount	1	RYG-82
	E-2879	R	T-5424	Front Hanger, Right, Flange Mount	1	RYG-82
	E-5257	R	T-5563	Front Hanger, Left, Undermount	1	RYG-82
	E-5258	R	T-5562	Front Hanger, Right, Undermount	1	RYG-82
	E-16179	R	20478-01	Front Hanger, Left/Right, Undermount, ADI	2	RYG-82
	E-16180	R	24022-01	Front Hanger, Left/Right, Undermount, Heavy Duty	2	RYG-82
8	E-5032	-	T-1704	Hex Nut, 1/2"-20	6	-
9	E-1974	-	T-1705	Lock Washer, 1/2"	6	-
10	E-1971	R	T-2106	Spring Roller	6	RYG-88
11	E-1972	-	T-5544	Capscrew 1/2" x 4-3/4" Long	6	-
12	E-1975	-	TK19011	Spring Roller Assembly Includes Key Nos. 8, 9, 10, 11.	6	RYG-88
13	E-2846A	R	21725-01	ADI Equalizer without Bushing, 49" Axle Spacing, use with E-1159 Bushing	2	RYG-69
	E-10768A	R	25222-01	ADI Equalizer without Bushing, 42" - 44" Axle Spacing	2	RYG-69
	E-16477	R	T-5427	Equalizer, Steel 49"	2	RYG-68
	E-5245	R	09713-01	Equalizer without Bushing, 60" Axle Spacing, use with E-813 Bushing	2	RYG-69
14	E-2881	R	T-5426	Center Hanger, Flange Mount Standard Drill Pattern	2	RYG-82
	E-5259	R	T-5564	Center Hanger, Undermount Weld-On	2	RYG-82
	E-5262	R	T-2212-5	Center Hanger, Undermount 60" Axle Spacing	2	-
	E-5263	R	11150-01	Center Hanger, Undermount 72" Axle Spacing	2	-
15	E-1987	-	14248-01	Equalizer Shaft Lock Screw, 1" Diameter Threaded Holes	4	RYG-75
16	E-3975	-	14250-01	Lock Washer, 1"	4	-
	E-3979	-	11129-01	Lock Nut for 60" Axle Spacing	4	RYG-74
17	E-1986A	-	14249-01	Washer, 1" Hole Diameter	4	-
	E-873	-	T-2103	Washer, 4-3/4" OD X 2-1/2" ID X 1/4" Thick, 60" Axle Spacing	-	-
18	E-1159	-	T-5524	Equalizer Bushing, Rubber	4	RYG-72
	GAFF15076	-	-	Equalizer Bushing, Poly	4	RYG-72
	E-813	-	T-2102	Equalizer Bushing 60" Axle Spacing, Rubber	4	RYG-73
19	E-3972	R	14247-01	Equalizer Shaft, 1" Diameter Holes, use with E-1987 Lock Screw	2	RYG-74
	E-837	-	-	Equalizer Shaft, 2-1/2" Dia. Threaded Ends for 60" Axle Spacing	4	RYG-74

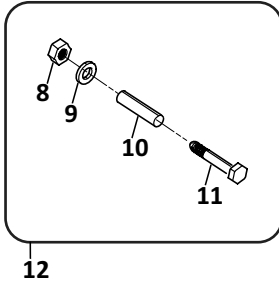
R Denotes Product is Genuine Reyco Granning

REYCO GRANNING

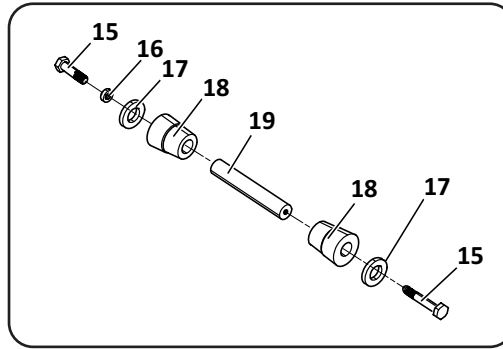
REYCO GRANNING

Model 21B Cast Tandem Four Spring Suspension, 42" - 72" Axle Spacing — Trailer

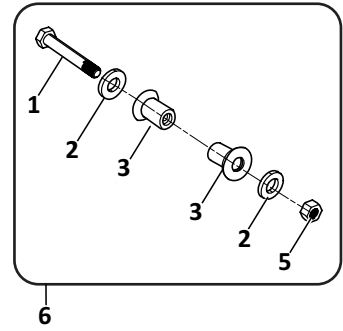
Spring Roller Kit



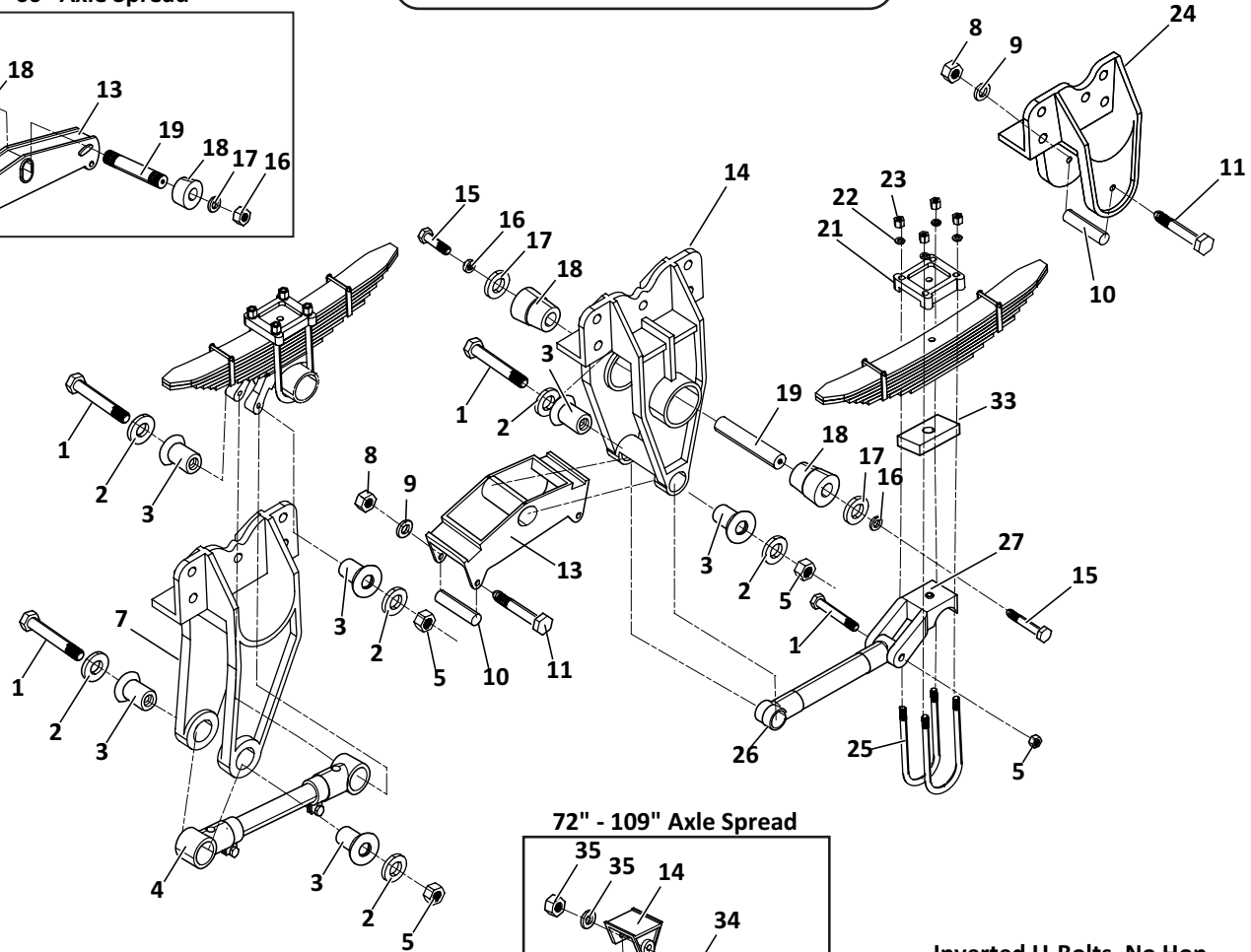
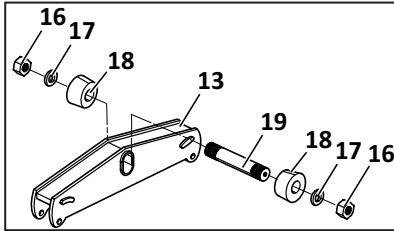
Equalizer Bushing Assembly



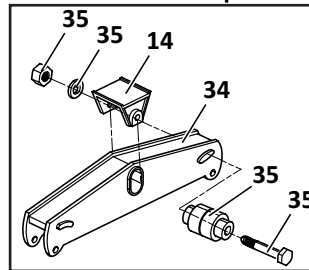
Torque Arm Bushing Kit



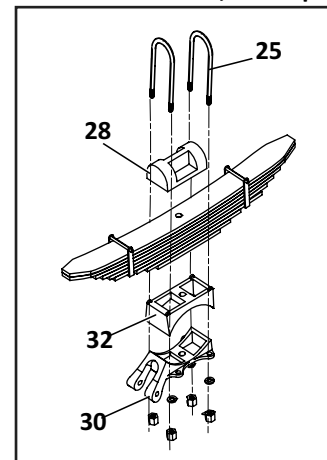
60" Axle Spread



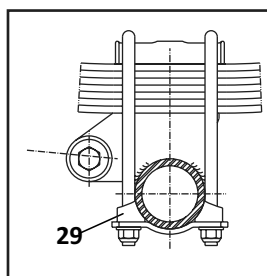
72" - 109" Axle Spread



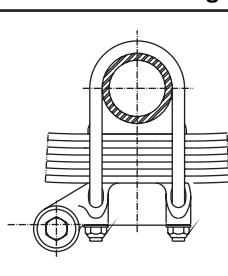
Inverted U-Bolts, No Hop



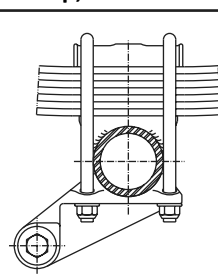
Inverted U-Bolts



Underslung



No Hop, Stabilized Axle



REYCO GRANNING

Model 21B Cast Tandem Four Spring Suspension, 42" - 72" Axle Spacing — Trailer						
KEY NO.	EUCLID NO.	GENUINE	OEM REF.	DESCRIPTION	QTY. PER TANDEM	PAGE NO.
20	E-3976	R	TK18998	Equalizer Bushing Assembly Includes Key Nos, 15, 16, 17, 18, 19, Rubber	2	RYG-71
	GAFF15075	-	-	Equalizer Bushing Assembly Includes Key Nos, 15, 16, 17, 18, 19, Poly	2	RYG-71
	E-2116A	-	-	Equalizer Bushing Assembly for 60" Axle Spacing, Includes Key Nos, 15, 16, 17, 18, 19, Rubber	2	RYG-71
21	E-2875	R	T-7175, T-5488	Top Plate, 5" Round Axle, U-Bolts Up, 3" Wide Springs	4	RYG-93
	E-9554	R	T-1734	Top Plate, 5" Square Axle, U-Bolts Up, 3" Wide Springs	4	RYG-93
	S.O.S.	R	T-4069	Top Plate, 4" x 6" Rectangular Axle, U-Bolts Up, 3" Wide Springs	4	-
22	E-2546	-	T-7292	Flat Washer, 7/8"	16	-
23	E-3001	-	T-5497	Nut, 3/4"-16	16	-
24	E-2883	R	T-5429	Rear Hanger, Left, Flange Mount Standard Drill Pattern	1	RYG-82
	E-2882	R	T-5428	Rear Hanger, Right, Flange Mount Standard Drill Pattern	1	RYG-82
	E-5260	R	T-5565	Rear Hanger, Left, Undermount Cast; Weld-On	1	RYG-82
	E-5261	R	T-5566	Rear Hanger, Right, Undermount Cast; Weld-On	1	RYG-82
	E-16478	R	24023-01	Rear Hanger, Left/Right, Undermount, Heavy Duty	2	RYG-82
25	E-UB5165-14	-	Various	U-Bolt Assembly, Rd. Bend, 7/8"-14 Thd. x 5" Wide x 14" Long	8	-
	E-UB5165-18	-	Various	U-Bolt Assembly, Rd. Bend, 7/8"-14 Thd. x 5" Wide x 18" Long	8	-
	E-UB5161-14	-	Various	U-Bolt Assembly, Rd. Bend, 7/8"-14 Thd. x 3" Wide x 14" Long	8	-
	E-UB5161-18	-	Various	U-Bolt Assembly, Rd. Bend, 7/8"-14 Thd. x 3" Wide x 18" Long	8	-
26	S.O.S.	R	T-7626	Torque Arm, Rigid, without Bushings, Front 42" Axle Spacing	1	-
	S.O.S.	R	08092-01	Torque Arm, Rigid, without Bushings, Rear 42" Axle Spacing	1	-
	S.O.S.	R	08567-01	Torque Arm, Rigid, without Bushings, Front 44" Axle Spacing	1	-
	E-2855	R	15178-01	Torque Arm, Rigid, without Bushings, Rear 44" Axle Spacing, Front 49"-109" Axle Spacing	1	RYG-77
		-	T-7635		1	
	E-2856	R	15179-01	Torque Arm, Rigid, without Bushings, Rear 49" Axle Spacing	1	RYG-77
		-	T-2293		1	
E-2855	R	T-7635	Torque Arm, Rigid, Rear 44", Front 50" - 109" Axle Spacing, 16-1/4" Center-to-Center	1	RYG-77	
27	E-5254	R	09730-01	Axle Seat, 5" Round Axle, 3/4" High	4	RYG-90
	E-16479	R	11336-01	Axle Seat, 5" Round Axle, 1-3/4" High	4	RYG-90
	E-9557	R	08757-01	Axle Seat, 5" Round Axle, 3-3/4" High	4	RYG-90
	E-9573	R	07980-01	Axle Seat, 5" Square Axle, 3/4" High	4	RYG-90
	S.O.S.	R	11351-01	Axle Seat, 5" Square Axle, 1-3/4" High	4	-
28	E-2873	R	08677-01	Top Plate, U-Bolts Down, 3" Wide Springs	4	RYG-93
29	E-2874	R	09139-01	Bottom Plate, 5" Round Axle, Inverted U-Bolts	4	RYG-91
	E-16480	R	09229-01	Bottom Plate, 5" Square Axle, Inverted U-Bolts	4	RYG-91
	S.O.S.	R	09230-01	Bottom Plate, 4" x 6" Rectangular Axle, Inverted U-Bolts	4	-
	E-5253	R	T-5727	Bottom Plate, 5" Round & 5" Square "Underslung Axles"	4	-
30	E-9572	-	08061-01	Stabilizer - No Hop, 5" Square Axle	4	RYG-92
	E-9558	R	08480-01	Stabilizer - No Hop, 5" Round Axle	4	RYG-92
31	S.O.S.	R	T-7560	Bottom Clip, For U-Bolts Up, 4" x 6" Rectangular Axle	4	-
	E-16482	R	T-5587	Bottom Clip, For U-Bolts Up, 5" x 5" Square Axle	4	RYG-94
32	E-16191	R	10114-01	Spring Seat, 5" Round Axle, Underslung or No Hop	2	RYG-91
	S.O.S.	R	09103-01	Spring Seat, 5" Square Axle, Stabilized or Underslung Model 22B	2	-
	S.O.S.	R	T-7715	Spring Seat, 4" x 6" Rectangular Axle, Stabilized or Underslung	2	-

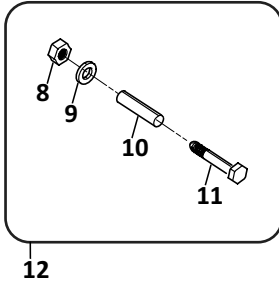
R Denotes Product is Genuine Reyco Granning

REYCO GRANNING

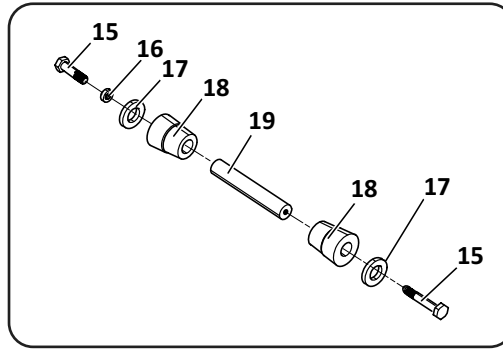
REYCO GRANNING

Model 21B Cast Tandem Four Spring Suspension, 42" - 72" Axle Spacing — Trailer

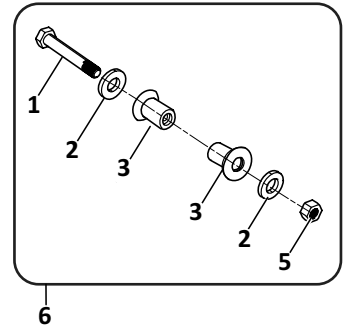
Spring Roller Kit



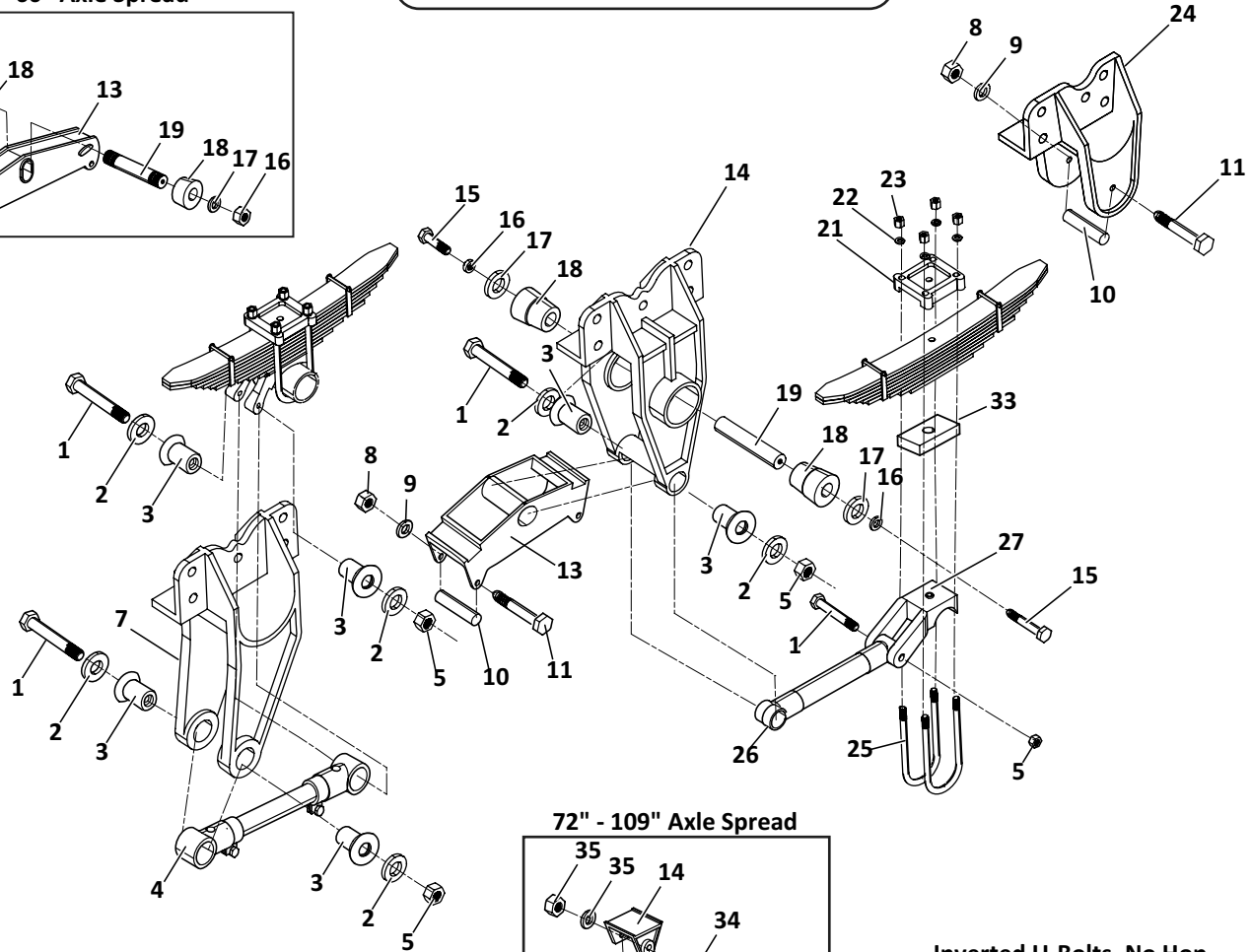
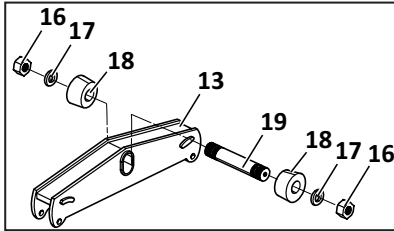
Equalizer Bushing Assembly



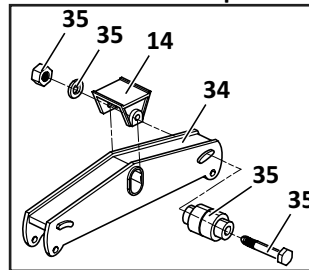
Torque Arm Bushing Kit



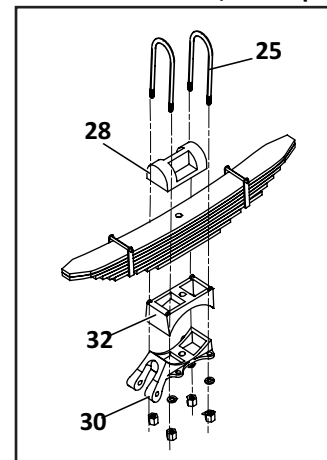
60" Axle Spread



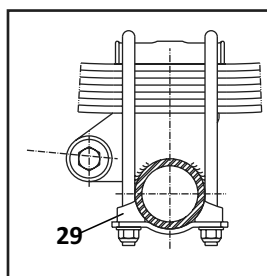
72" - 109" Axle Spread



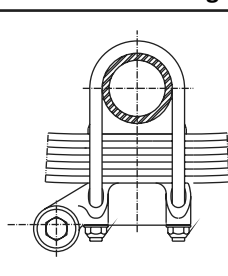
Inverted U-Bolts, No Hop



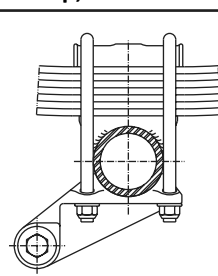
Inverted U-Bolts



Underslung



No Hop, Stabilized Axle



REYCO GRANNING

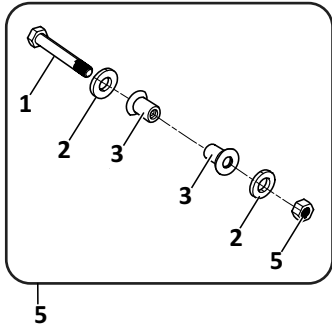
Model 21B Cast Tandem Four Spring Suspension, 42" - 72" Axle Spacing — Trailer							
KEY NO.	EUCLID NO.	GENUINE	OEM REF.	DESCRIPTION	QTY. PER TANDEM	PAGE NO.	
-	E-9559	R	11851-01	Equalizer Stiffener Plate, Steel Equalizer Only	As Req.	RYG-73	
-	E-9560	R	11852-01	Equalizer Wear Pad, Steel Equalizer Only		RYG-73	
-	E-9561	R	15630-01	Hanger Weld-On Wear Plate, Front & Rear		RYG-89	
33	E-9562	R	T-7555	Spacer, 1/2"		RYG-94	
	E-9563	R	T-7716	Spacer, 1"		RYG-94	
	E-9564	R	T-7654	Spacer, 1-1/2"		RYG-94	
	E-2878	R	T-7655	Spacer, 2"		RYG-94	
34	E-5246	R	11143-01	Equalizer without Bushing, 72" Axle Spacing		2	RYG-70
35	E-5247	-	-	Equalizer Bushing Assembly for 72" Axle Spacing		2	RYG-71

R Denotes Product is Genuine Reyco Granning

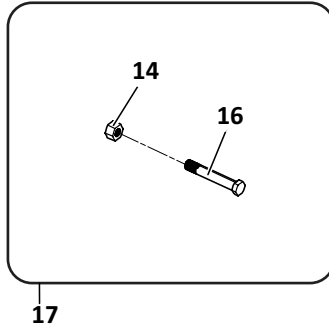
REYCO GRANNING

Model 21B Fabricated Tandem Four Spring Suspension, 44" - 109" Axle Spacing — Trailer

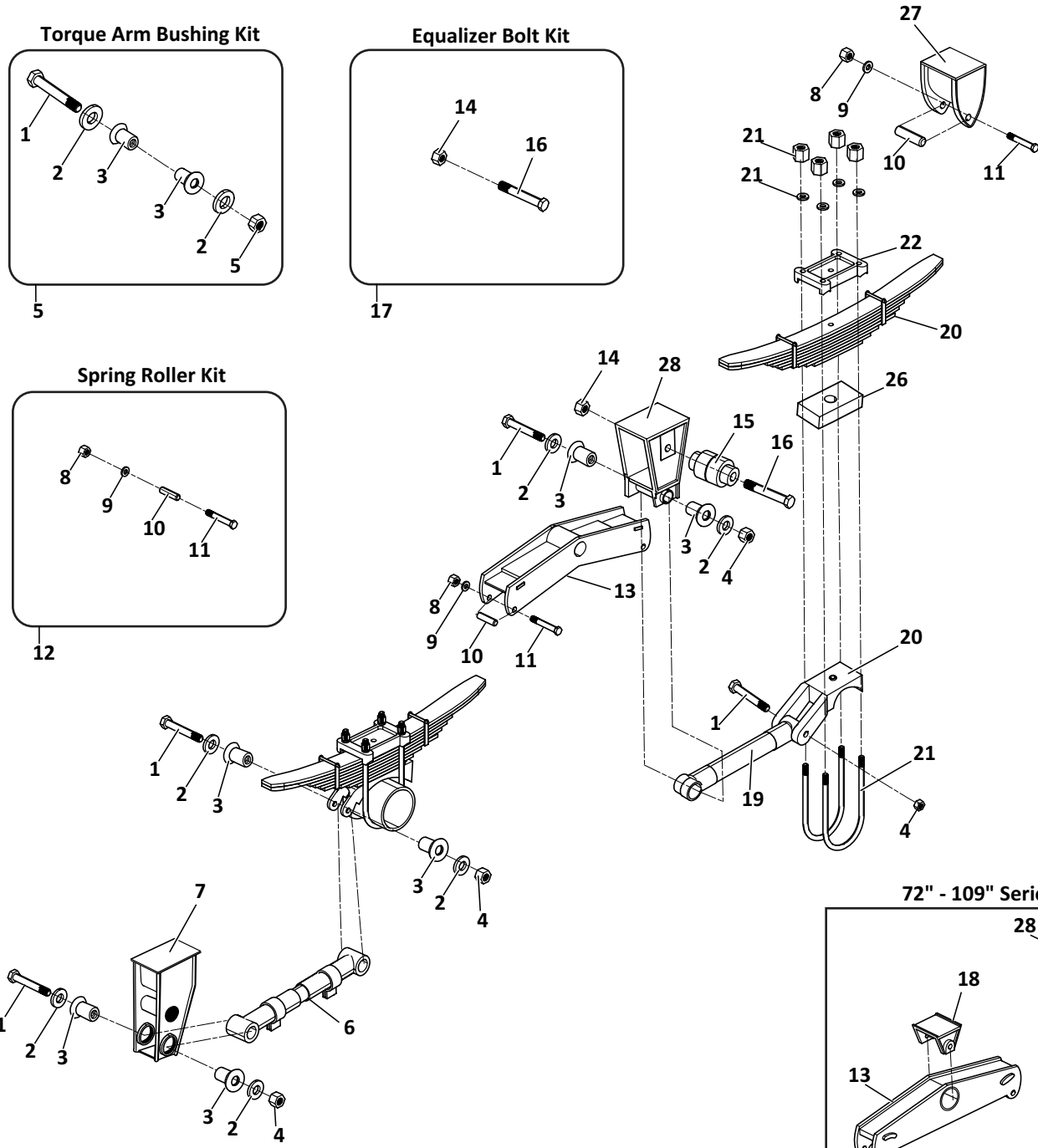
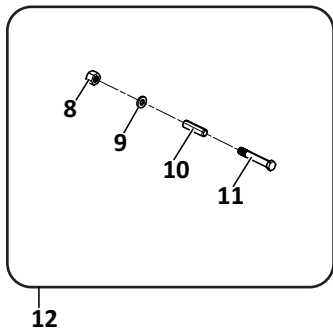
Torque Arm Bushing Kit



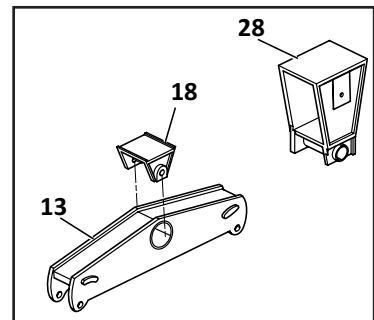
Equalizer Bolt Kit



Spring Roller Kit



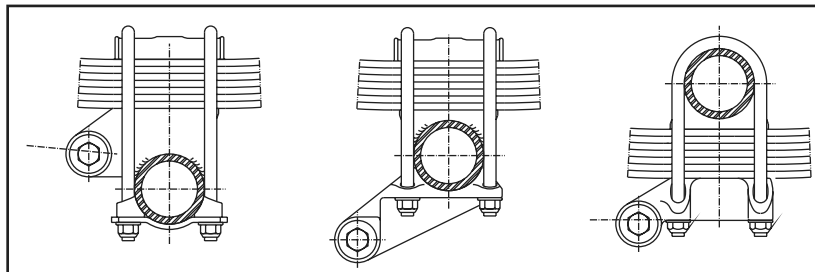
72" - 109" Series



Inverted U-Bolts

No Hop, Stabilized Axle

Underslung



REYCO GRANNING

Model 21B Fabricated Tandem Four Spring Suspension, 44" - 109" Axle Spacing — Trailer

KEY NO.	EUCLID NO.	GENUINE	OEM REF.	DESCRIPTION	44" SPRD QTY PER TANDEM	50"- 65.5" SPRD QTY PER TANDEM	72"-109" SPRD QTY PER TANDEM	PAGE NO.
1	E-1166	-	T-5492	Torque Arm Bolt, 1"-14 x 6-1/4" Long	8	8	8	RYG-81
2	E-907	-	T-2224	Torque Arm Compression Washer	16	16	16	-
3	E-1160	-	T-5493	Torque Arm Bushing, Rubber	16	16	16	RYG-80
	GAFF15073	-	-	Torque Arm Bushing, Poly	-	-	-	RYG-80
4	E-937	-	T-5495	Locknut, 1"-14	8	8	8	-
5	E-1312A	-	TK16657	Torque Arm Bushing Kit, Includes Key No. 1, 2, 3, 4, Rubber	8	8	8	RYG-79
	GAFF999545	-	-	Torque Arm Bushing Kit, Includes Key No. 1, 2, 3, 4, Poly	-	-	-	RYG-79
6	S.O.S.	R	15171-01	Torque Arm, Adjustable, Front 44" Axle Spacing, 13-3/4" Center-to-Center	1	-	-	-
	E-3283A	R	15172-01	Torque Arm, Adjustable, Rear 44" Axle Spacing, Front 50"-109", 16-1/4" Center-to-Center	1	1	1	RYG-76
	E-3284A	R	15173-01	Torque Arm, Adjustable, Rear 50" Axle Spacing, 72", 97", 109", 19-3/8" Center-to-Center	-	1	1	RYG-76
	S.O.S.	R	15174-01	Adjustable Torque Arm, 19-1/2" Center-to-Center	1	-	-	-
	E-2866A	R	15354-01	Torque Arm, Adjustable, Rear 54" Axle Spacing, 21-9/16" Center-to-Center	-	1	-	RYG-76
	E-5255A	R	15176-01	Torque Arm, Adjustable, Rear 60" Axle Spacing, 25" Center-to-Center	-	1	-	RYG-76
	S.O.S.	R	15177-01	Torque Arm, Adjustable, Rear 63.5"-65.5" Axle Spacing, 26-1/4" to 27-1/4" Center-to-Center	-	1	-	-
7	E-9537	R	09832-01	Front Hanger, Fabricated	2	2	2	RYG-84
8	E-5032	-	T-1704	Hex Nut 1/2"	6	6	-	-
9	E-1974	-	T-1705	Lockwasher, 1/2"-20	6	6	6	-
10	E-1971	R	T-2106	Spring Roller	6	6	6	RYG-88
11	E-1972	-	T-5544	Capscrew 1/2" x 4-3/4" Long	6	6	6	-
12	E-1975	-	-	Spring Roller Assembly, Contains Key Nos. 8, 9, 10, 11	6	6	6	RYG-88
13	S.O.S.	R	21693-01	Equalizer Assembly, 44" Axle Spacing, Includes E-7713 Bushing	2	-	-	-
	E-7709	R	14689-01	Equalizer Assembly, 50" Axle Spacing, Includes E-7713 Bushing	-	2	-	RYG-69
	E-16184	R	14693-01	Equalizer Assembly, 54" Axle Spacing, Includes E-7713 Bushing	-	2	-	RYG-69
	E-7710	R	14696-01	Equalizer Assembly, 60" Axle Spacing, Includes E-7713 Bushing	-	2	-	RYG-69
	E-16197	R	14700-01	Equalizer Assembly, 63-1/2" Axle Spacing-65-1/2" Axle Spacing, Includes E-7713 Bushing	-	2	-	RYG-70
	E-16198	R	14763-01	Equalizer Assembly, 72" Axle Spacing, Includes E-7713 Bushing	-	-	2	RYG-70
	S.O.S.	R	14764-01	Equalizer Assembly, 97" Axle Spacing, Includes E-7713 Bushing	-	-	2	-
	S.O.S.	R	14765-01	Equalizer Assembly, 109" Axle Spacing, Includes E-7713 Bushing	-	-	2	-
14	E-2854	-	08914-01	Locknut 1 1/4"-12	2	2	2	RYG-75
15	E-7713	R	14682-01	Equalizer Bushing, Rubber	2	2	2	RYG-72
16	E-7719	-	14683-01	Bolt 1-1/4"-12 x 7-3/4" Long	2	2	2	RYG-73
17	E-9538	-	-	Equalizer Bolt Kit, Includes Key Nos. 14, 16	2	2	2	RYG-73
18	E-9539	R	14684-01	Center Hanger, Under Mount 44" - 65-1/2" Axle Spacing	2	2	-	RYG-84
	E-16195	R	14688-01	Center Hanger, Under Mount, 72"-109" Axle Spacing	-	-	2	RYG-84

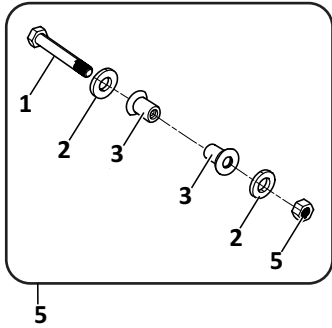
R Denotes Product is Genuine Reyco Granning

REYCO GRANNING

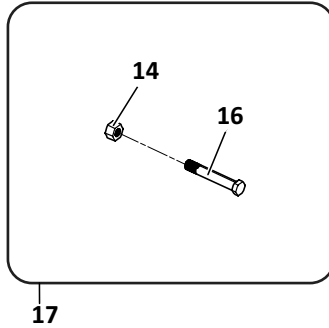
REYCO GRANNING

Model 21B Fabricated Tandem Four Spring Suspension, 44" - 109" Axle Spacing — Trailer

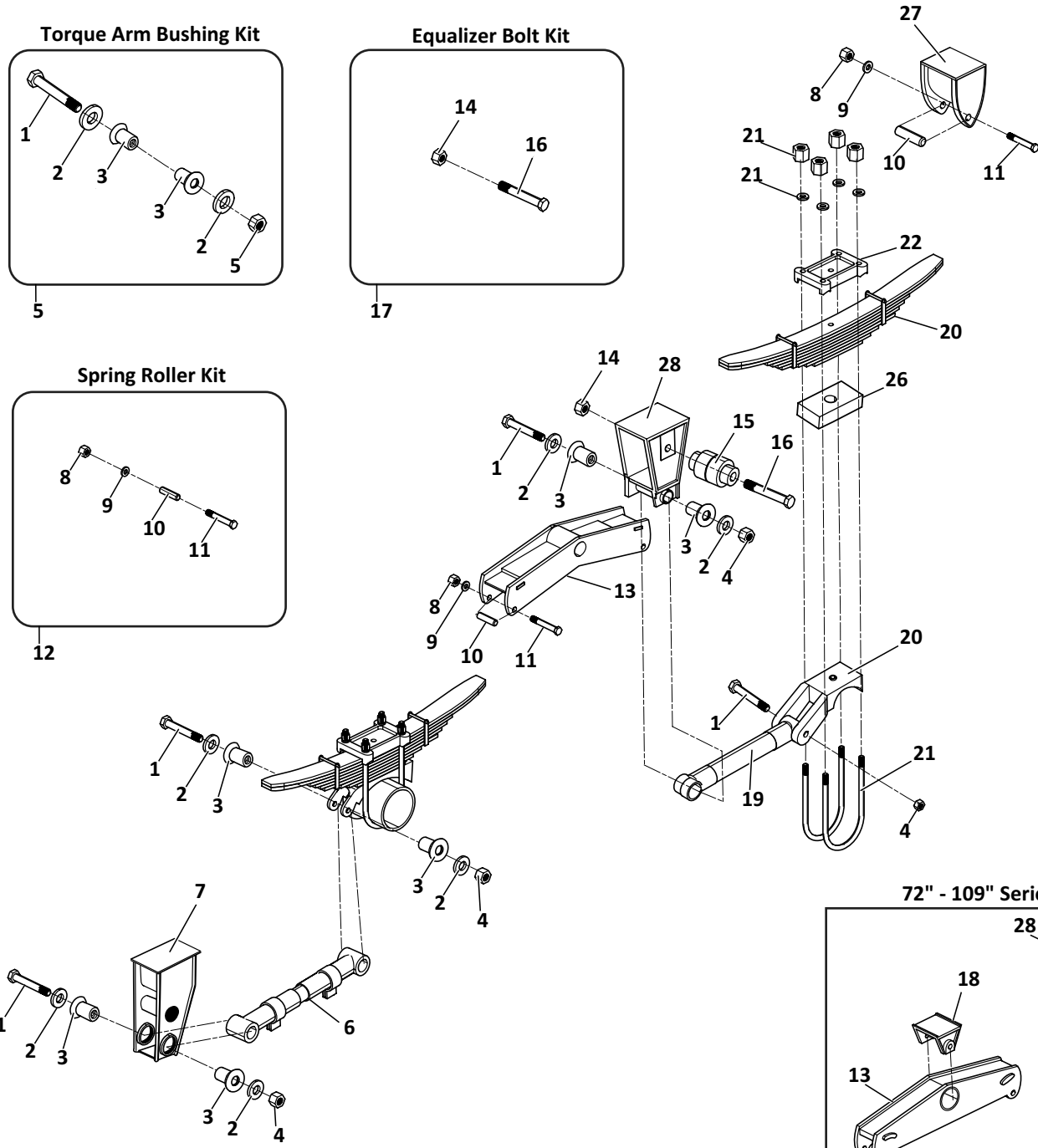
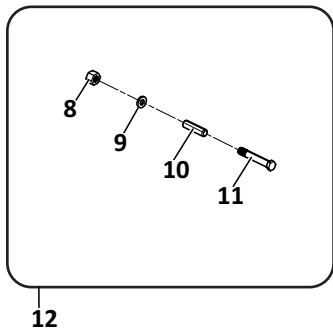
Torque Arm Bushing Kit



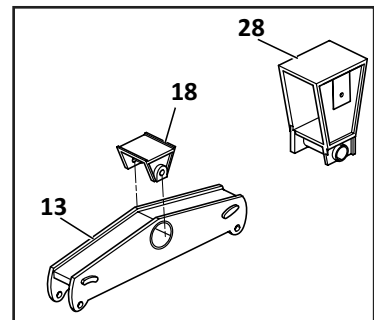
Equalizer Bolt Kit



Spring Roller Kit



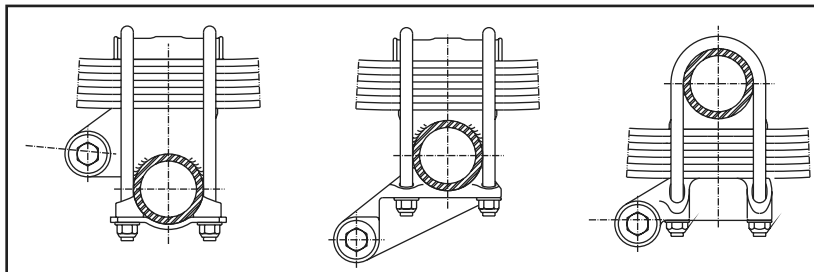
72" - 109" Series



Inverted U-Bolts

No Hop, Stabilized Axle

Underslung



REYCO GRANNING

Model 21B Fabricated Tandem Four Spring Suspension, 44" - 109" Axle Spacing — Trailer

KEY NO.	EUCLID NO.	GENUINE	OEM REF.	DESCRIPTION	44" SPRD QTY PER TANDEM	50"- 65.5" SPRD QTY PER TANDEM	72"-109" SPRD QTY PER TANDEM	PAGE NO.
19	E-2855	R	T-7635	Torque Arm, Rigid, Rear 44", Front 50" - 109" Axle Spacing, 16-1/4" Center-to-Center	1	1	1	RYG-77
	S.O.S.	R	08567-01	Torque Arm, Rigid, Front, 44" Axle Spacing, 16-1/4" Center-to-Center	1	-	-	-
	S.O.S.	R	15286-01	Torque Arm, Rigid, Rear 50"-109" Axle Spacing, 19-3/8" Center-to-Center	-	1	1	-
	S.O.S.	R	10183-01	Torque Arm, Rigid, Rear 54" Axle Spacing, 21-9/16" Center-to-Center	-	1	-	-
	E-5256	R	09686-01	Torque Arm, Rigid, Rear 60" Axle Spacing, 25" Center-to-Center	-	1	-	RYG-77
	S.O.S.	R	10973-01	Torque Arm, Rigid, Rear 63-1/2" Axle Spacing, 26-1/4" Center-to-Center	-	1	-	-
	S.O.S.	R	08650-01	Torque Arm, Rigid, Rear 65-1/2" Axle Spacing, 27-1/4" Center-to-Center	-	1	-	-
20	E-5254	R	09730-01	Axle Seat - 5" Round, 3/4" High	4	4	4	RYG-90
	E-16479	R	11336-01	Axle Seat - 5" Round, 1-3/4" High	4	4	4	RYG-90
	E-9557	R	08757-01	Axle Seat - 5" Round, 3-1/4" High	4	4	4	RYG-90
	E-16484	R	09103-01	Axle Seat - 5" x 5" Square, 3/4" High, Underslung - No T/A Connection	4	4	4	RYG-91
	E-9573	R	07980-01	Axle Seat - 5" x 5" Square, 3/4" High	4	4	4	RYG-90
	S.O.S.	R	08060-01	Axle Seat - 5" x 5" Square, 3-1/4" High	4	4	4	-
	E-16191	R	10114-01	Axle Seat - 5" Round, Underslung - No T/A Connection	4	4	4	RYG-91
	S.O.S.	R	T-7650	Axle Seat - 4" x 6", 3/4" High	4	4	4	-
	S.O.S.	R	10292-01	Axle Seat - 4" x 6", 3/4" High, Underslung - No T/A Connection	-	4	4	-
21	E-UB5165-14	-	-	U-Bolt Assembly, Round Bend, 7/8"-14 Thd. X 5" Wide x 14" Long	8	8	8	-
	E-UB5165-16	-	-	U-Bolt Assembly, Round Bend, 7/8"-14 Thd. X 5" Wide x 18" Long	8	8	8	-
22	E-2907A	-	0077-00	Top Plate - All Axles, Inverted U-Bolts	4	4	4	RYG-93
	E-2907A-P	-	0077-00	Top Plate - All Axles, Inverted U-Bolts, Price Point	4	4	4	RYG-93
	E-2875	R	T-5488, T-7175	Top Plate - 5" Round, Conventional U-Bolts	4	4	4	RYG-93
	S.O.S.	R	T-4069, 09987-01	Top Plate - 4" x 6" Rectangular Axle, Conventional U-Bolts	4	4	4	-
	E-9554	R	T-1734	Top Plate - 5" x 5" Square, Conventional U-Bolts	4	4	4	RYG-93
23	S.O.S.	R	0538-00	Bottom Plate - 5" Round, Inverted U-Bolts	4	4	4	-
	S.O.S.	R	09230-01	Bottom Plate - 4" x 6" Rectangular, Inverted U-Bolts	4	4	4	-
	E-16480	R	09229-01	Bottom Plate - 5" x 5" Square, Inverted U-Bolts	4	4	4	RYG-91
	S.O.S.	R	T-5727	Bottom Plate - 5" Round & 5" x 5" Square Underslung, Inverted U-Bolts	4	4	4	-
24	S.O.S.	R	T-7560	Bottom Clip, For U-Bolts Up, 4" x 6" Rectangular Axle	-	8	8	-
	E-16482	R	T-5587	Bottom Clip, For U-Bolts Up, 5" x 5" Square Axle	-	8	8	RYG-94
25	E-9558	R	T-5481, 08480-01	Stabilizer - No Hop, 5" Round Axle	As Req.	As Req.	As Req.	RYG-92
	S.O.S.	R	08061-01	Stabilizer - No Hop, 5" x 5" Square Axle	As Req.	As Req.	As Req.	-
26	E-9563	R	T-7716	Spacer Block 1"	As Req.	As Req.	As Req.	RYG-94
	E-9564	R	T-7654	Spacer Block 1-1/2"	As Req.	As Req.	As Req.	RYG-94
	E-2878	R	T-7655	Spacer Block 2"	As Req.	As Req.	As Req.	RYG-94
27	E-9541	R	08595-01	Rear Hanger, Under Mount, Fabricated	2	2	2	RYG-84
28	E-5264	R	11610-01	Torque Arm Attachment Bracket	-	-	2	RYG-84

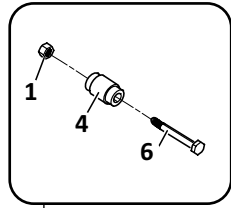
R Denotes Product is Genuine Reyco Granning

REYCO GRANNING

REYCO GRANNING

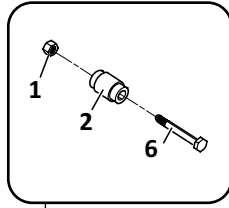
Model 73 Tandem Four Spring Suspension, 49" Axle Spacing — Trailer

Torque Arm Bushing
Assembly Hanger End

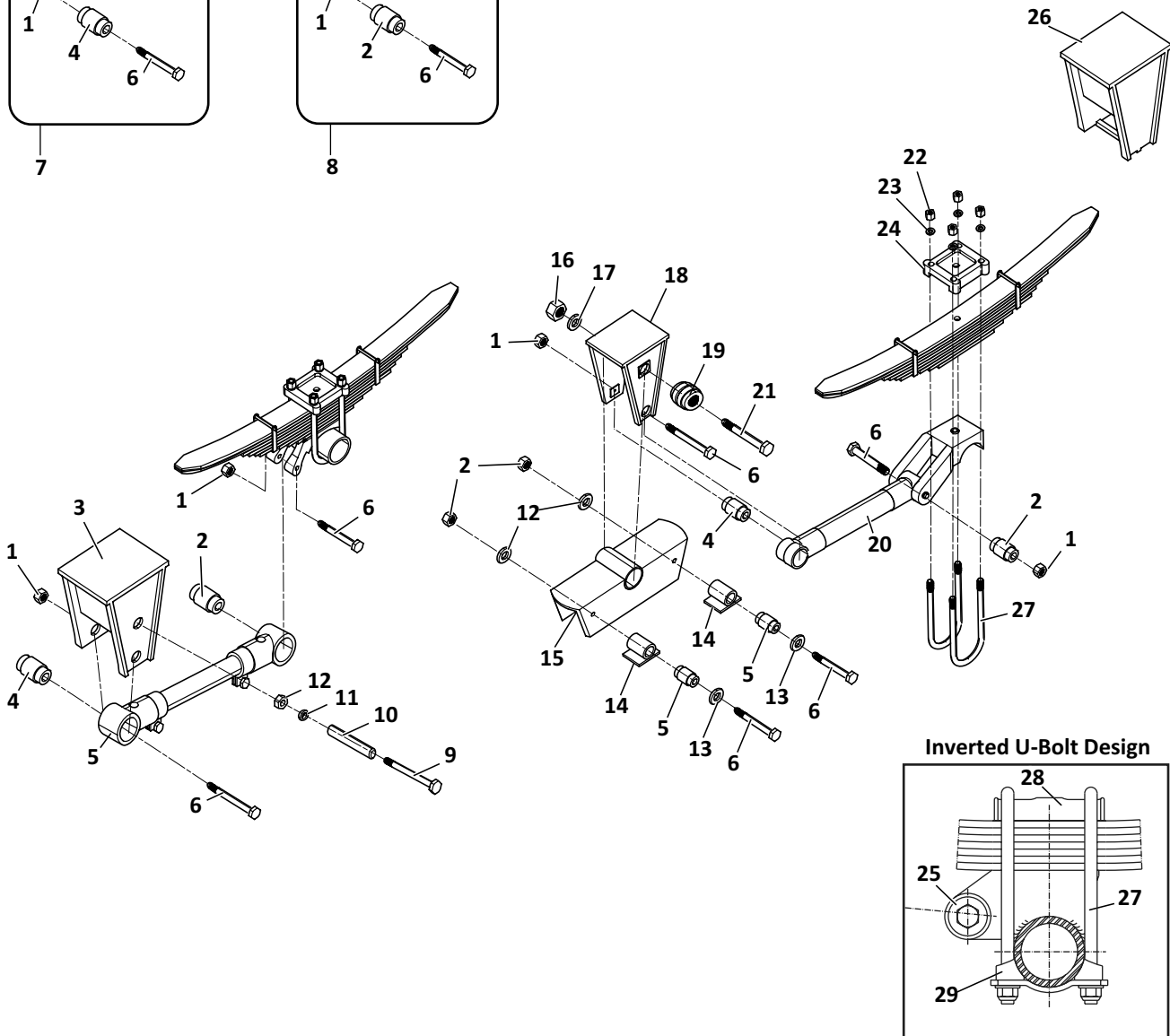


7

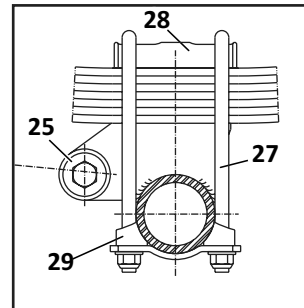
Torque Arm Bushing Assembly
Axle Seat End



8



Inverted U-Bolt Design



REYCO GRANNING

Model 73 Tandem Four Spring Suspension, 49" Axle Spacing — Trailer						
KEY NO.	EUCLID NO.	GENUINE	OEM REF.	DESCRIPTION	QTY. PER TANDEM	PAGE NO.
1	E-2983	-	10092-01	Locknut, 7/8"-9	12	-
2	E-1980	-	09729-01	Torque Arm Bushing, Axle Seat End, Rubber	8	RYG-80
	GAFF15013	-	-	Torque Arm Bushing, Axle Seat End, Poly	8	RYG-80
3	N/A	-	11387-01	Front Hanger	2	-
4	E-7750	-	10051-01	Torque Arm Bushing, Hanger End	8	RYG-80
5	E-7741	R	16031-01	Torque Arm, Adjustable with Bushings, Front	1	RYG-76
	E-7744	R	10040-01	Rigid Torque Arm with Bushings, Front	1	RYG-77
6	E-901	-	10033-01	Bolt 7/8"-9 x 5-1/2" Long	12	RYG-81
7	E-7749	-	-	Torque Arm Bushing Assembly, Hanger End Includes Key No. 1, 4, 6	4	RYG-79
8	E-1981	-	-	Torque Arm Bushing Assembly, Axle Seat End, Rubber, Includes Key No. 1, 2, 6	4	RYG-79
	GAFF15063	-	-	Torque Arm Bushing Assembly, Axle Seat End, Poly, Includes Key No. 1, 2, 6	4	RYG-79
9	E-2022		T-5549	Bolt, 1/2"-20 x 5-1/2" Long	2	-
10	E-15273	R	0378-00	Spring Roller	2	-
11	E-1974	-	T-2248	Lock Washer	2	-
12	E-5032	-	T-1704	Flat Wheel Nut 1/2-20	2	-
13	E-2546	-	T-7292	Flat Washer, 7/8"	4	-
14	E-7717	R	10055-01	Equalizer Pad	4	-
15	N/A	-	10063-01	Equalizer with Bushing	2	-
16	E-937	-	T-5495	Locknut, 1"-14	2	-
17	E-2975	-	T-5770	Structural Washer 1"	2	-
18	N/A	-	11389-01	Center Hanger	2	-
19	E-1072	R	T-3214	Equalizer Bushing	2	RYG-72
20	E-7742	R	16032-01	Torque Arm, Adjustable, Rear	1	RYG-76
	S.O.S.	R	10041-01	Torque Arm, Rigid, Rear	1	-
21	E-1166	-	T-5492	Torque Arm Bolt 1" x 6-3/4" Long	2	RYG-81
22	E-3001	-	T-5497	Nut, 3/4"-16	16	-
23	E-2545	-	T-5496	U-Bolt Washer, 3/4"	16	-
24	E-2875	R	T-7175	Top Plate - 5" Round, Conventional U-Bolts	4	RYG-93
		-	T-5488		4	RYG-93
25	S.O.S.	R	T-3013	Axle Seat	4	-
26	S.O.S.	R	12489-01	Rear hanger	2	-
27	E-UB8155-14	-	08554-01	U-Bolt Assembly, Rd. Bend, 3/4"-16 Thd x 5" Wide x 14" Long	8	-
	E-UB8151-14	-	08541-01	U-Bolt Assembly, Rd. Bend, 3/4"-16 Thd x 3" Wide x 14" Long	8	-
28	S.O.S.	R	11760-01	Top Plate	4	-
29	E-2874	R	T-5515	Bottom Plate, Inverted U-Bolts	4	RYG-91
			09139-01		4	RYG-91

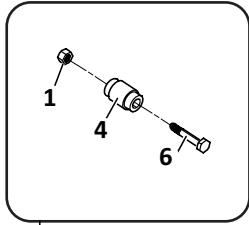
R Denotes Product is Genuine Reyco Granning

REYCO GRANNING

REYCO GRANNING

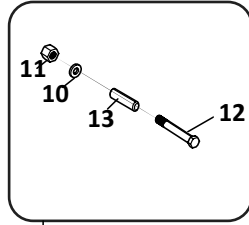
Model 73 Tandem Four Spring Suspension, 60" and 72" Axle Spacing — Trailer

Torque Arm Bushing Kit

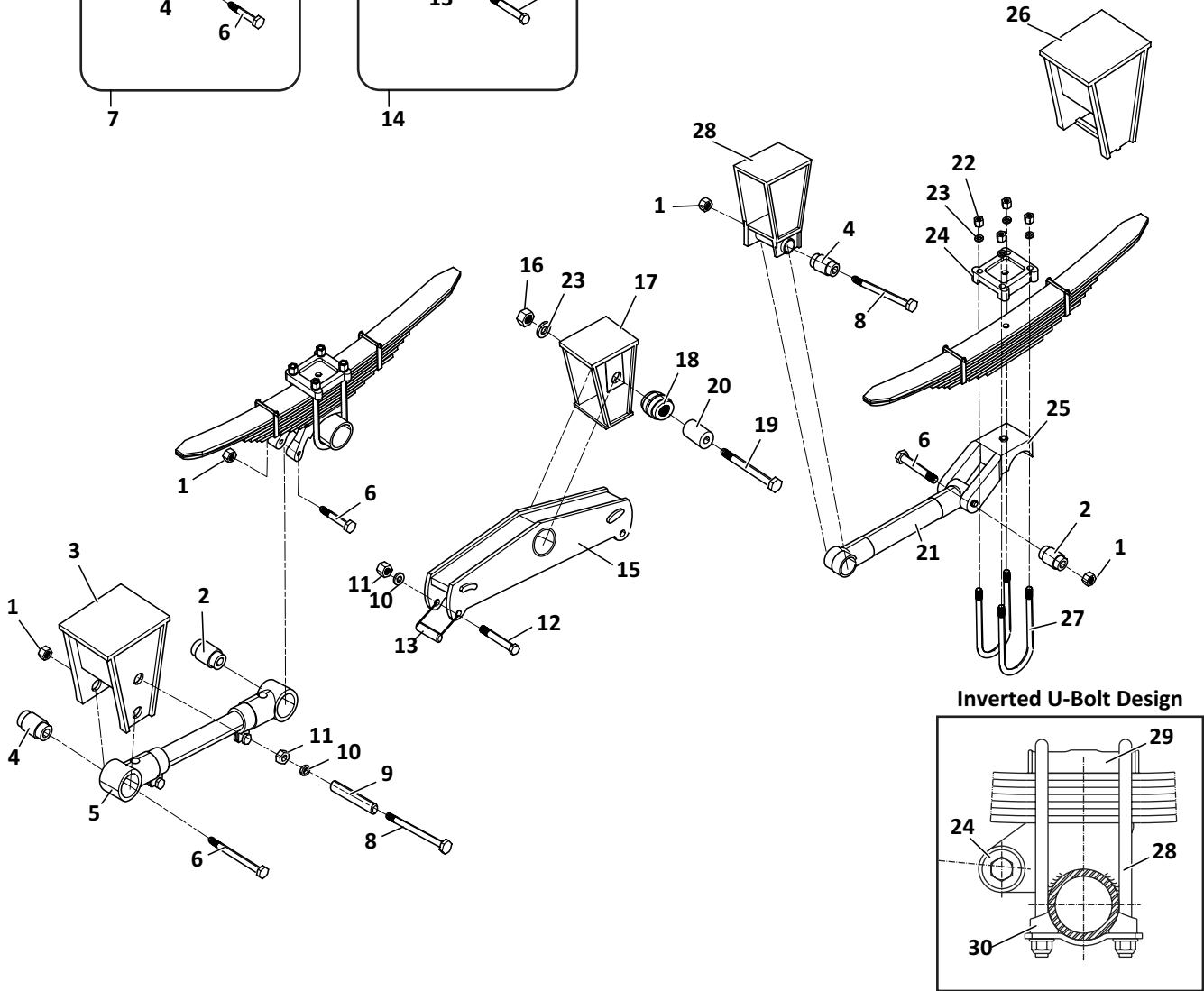


7

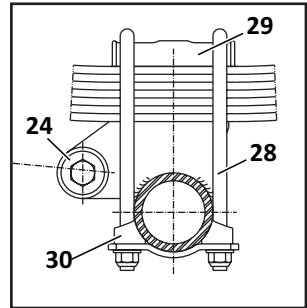
Spring Roller Assembly



14



Inverted U-Bolt Design



REYCO GRANNING

Model 73 Tandem Four Spring Suspension, 60" and 72" Axle Spacing — Trailer							
KEY NO.	EUCLID NO.	GENUINE	OEM REF.	DESCRIPTION	QTY. PER TANDEM		PAGE NO.
					60" SPRD	72" SPRD	
1	E-2983	-	10092-01	Locknut, 7/8"-9	4	4	-
2	E-1980	-	09729-01	Torque Arm Bushing, Rubber, Axle Seat End	4	4	RYG-80
	GAFF15013	-	-	Torque Arm Bushing, Poly, Axle Seat End	4	4	RYG-80
3	N/A	-	11387-01	Front Hanger	2	2	-
4	E-7750	-	10051-01	Torque Arm Bushing, Hanger End	4	4	RYG-80
5	E-7741	R	16031-01	Torque Arm, Adjustable with Bushings, Hanger End	1	1	RYG-80
	E-7744	R	10040-01	Torque Arm, Rigid with Bushings, Hanger End	1	1	RYG-77
6	E-901	-	10033-01	Bolt, 7/8"-9 x 5-1/2"	8	8	RYG-81
7	E-1981	-	-	Torque Arm Bushing Assembly, Axle Seat End, Rubber, Includes Key Nos. 1, 2, 6	4	4	RYG-79
	GAFF15063	-	-	Torque Arm Bushing Assembly, Axle Seat End, Poly, Includes Key Nos. 1, 2, 6	4	4	RYG-79
8	E-2022	-	T-5549	Bolt, 1/2"-20 x 5-1/2" Long	2	2	-
9	E-15273	R	0378-00	Spring Roller	2	2	-
10	E-1974	-	T-2248	Lock Washer	6	6	-
11	E-5032	-	T-1704	Flat Wheel Nut, 1/2"-20	6	6	-
12	E-1972	-	T-5544	Bolt, 1/2" x 4-3/4" Long	4	4	-
13	E-1971	R	T-2106	Spring Roller	4	4	RYG-88
14	E-1975	-	-	Spring Roller Assembly Includes Key Nos. 10, 11, 12, 13	4	4	RYG-88
15	N/A	-	12419-01	Equalizer with Bushing	2	-	-
	E-5246	R	11143-01		-	2	RYG-70
16	E-937	-	T-5495	Locknut, 1"-14	2	2	-
17	N/A	-	12369-01	Center Hanger	2	-	-
	N/A	-	12332-01		-	2	-
18	E-1072	-	T-3214	Bushing, Rubber	2	2	RYG-72
19	E-1166	-	T-5492	Equalizer Bolt	2	2	RYG-81
20	S.O.S.	R	12337-02	Equalizer Hub	-	2	-
21	E-7742	R	16032-01	Torque Arm, Adjustable, Rear	-	1	RYG-76
	E-7743	R	16034-01	Torque Arm, Adjustable, Rear	1	-	RYG-76
	E-7744	R	10040-01	Torque Arm, Rigid, Rear	-	1	RYG-77
	E-7746	R	12422-01	Torque Arm, Rigid, Rear	1	-	RYG-77
22	E-3001	-	T-5497	Hi-Nut	16	16	-
23	E-2545	-	T-5496	Washer 3/4"	16	16	-
24	E-2875	R	T-7175	Top Plate - 5" Round, Conventional U-Bolts	4	4	RYG-93
	-	-	T-5488		4	4	-
25	S.O.S.	R	T-3013	Axle Seat	4	4	-
26	N/A	R	12489-01	Rear Hanger	2	2	-
27	E-UB8155-14	-	08554-01	U-Bolt Assembly, Rd. Bend, 3/4"-16 Thd x 5" Wide x 14" Long	8	8	-
28	E-UB8151-14	-	08541-01	U-Bolt Assembly, Rd. Bend, 3/4"-16 Thd x 3" Wide x 14" Long	8	8	-
29	S.O.S.	R	11760-01	Top Plate	4	4	-
30	E-2874	R	T-5515, 09139-01	Bottom Plate, Inverted U-Bolts	4	4	RYG-91

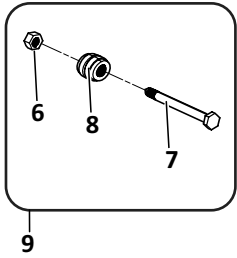
R Denotes Product is Genuine Reyco Granning

REYCO GRANNING

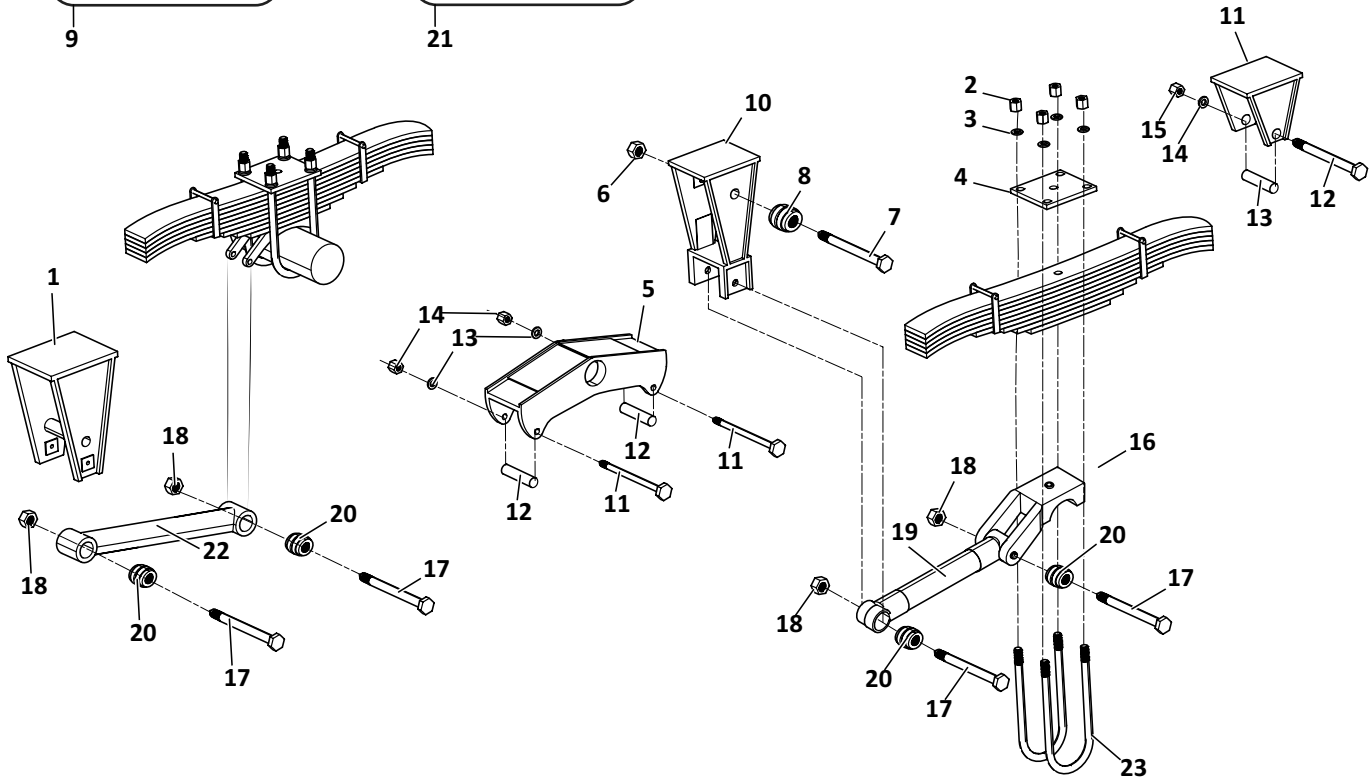
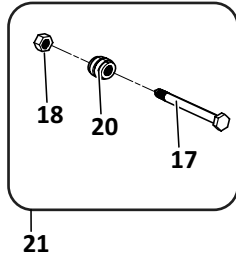
REYCO GRANNING

Model 74B Tandem Four Spring Suspension, 50", 54" and 60" Axle Spacing — Trailer

Equalizer Bushing Assembly



Torque Arm Bushing Assembly



REYCO GRANNING

Model 74B Tandem Four Spring Suspension, 50", 54" and 60" Axle Spacing — Trailer								
KEY NO.	EUCLID NO.	GENUINE	OEM REF.	DESCRIPTION	QTY. PER TANDEM			PAGE NO.
					50" SPRD	54" SPRD	60" SPRD	
1	E-9615	R	16671-01	Front Hanger	2	2	2	-
2	E-3002A	-	-	Hi-Nut, 7/8"	2	16	16	-
3	E-2546	-	T-7292	Flat Washer 7/8"	2	16	16	-
4	E-9616	R	13798-01	Top Plate, 5" Round Axle	4	4	4	RYG-93
	E-9617	R	14527-01	Top Plate, 5-3/4" Round Axle	4	4	4	RYG-93
5	S.O.S.	R	17512-01	Equalizer with Bushing E-9550, 50" Axle Spacing	2	-	-	-
	E-9586	R	13806-01	Equalizer with Bushing E-9550, 54" Axle Spacing	-	2	-	RYG-69
	E-14724	R	14135-01	Equalizer with Bushing E-9550, 60" Axle Spacing	-	-	2	-
6	E-2854	-	08914-01	Equalizer Locknut	2	2	2	RYG-75
7	E-2852	-	10949-01	Equalizer Bolt 1-1/4"-12 x 8-7/8" Long	2	2	2	RYG-81
8	E-9550	-	13805-01	Equalizer Bushing	2	2	2	RYG-79
9	E-9801	-	-	Equalizer Bushing Assembly, Key No. 6, 7, 8	2	2	2	RYG-71
10	E-9618	R	16672-01	Center Hanger	2	2	2	-
11	E-9622	R	13814-01	Rear Hanger	2	2	2	-
12	E-15291	-	13817-01	Capscrew 1/2"-20 x 5-3/4" Long	6	6	6	-
13	E-15292	R	13818-01	Spring Roller	6	6	6	RYG-89
14	E-1974	-	T-1705	Lockwasher 1/2"	6	6	6	-
15	E-5032	-	T-1704	Hex Nut 1/2"-20	6	6	6	-
16	E-9626	R	15751-01	Axle Seat, 5" Round, 1" High	4	4	4	RYG-90
	S.O.S.	R	15752-01	Axle Seat, 5-3/4" Round Axle, 1" High	4	4	4	-
17	E-1166	-	T-5492	Torque Arm Bolt 1"-14 x 6-3/4" Long	8	8	8	RYG-81
18	E-937	-	T-5495	Torque Arm Locknut 1"-14	8	8	8	-
19	S.O.S.	R	17534-01	Adjustable Torque Arm Assembly, 50" Axle Spacing, Rear	1	-	-	-
	E-9620	R	16596-01	Adjustable Torque Arm Assembly, 54" Axle Spacing, Rear	-	1	-	RYG-76
	E-15294	R	16597-01	Adjustable Torque Arm Assembly, 60" Axle Spacing, Rear	-	-	1	RYG-76
	S.O.S.	R	17532-01	Rigid Torque Arm Assembly, 50" Axle Spacing, Rear, 19-1/4" Center-to-Center	1	-	-	-
	E-9619	R	16588-01	Rigid Torque Arm Assembly, 54" Axle Spacing, Rear, 21-1/4" Center-to-Center	-	1	-	RYG-77
	E-15293	R	16589-01	Rigid Torque Arm Assembly, 60" Axle Spacing, Rear, 24-1/4" Center-to-Center	-	-	1	RYG-77
20	E-9549	-	15737-01	Torque Arm Bushing	8	8	8	RYG-80
21	E-9587	-	-	Torque Arm Bushing Assembly, Includes Key Nos. 17, 18, 20	8	8	8	RYG-79
22	E-9585	R	16585-01	Rigid Torque Arm Assembly, Front, 14-1/4" Center-to-Center	1	1	1	RYG-77
	E-9584	R	16595-01	Adjustable Torque Arm Assembly, Front	1	1	1	RYG-76
23	E-UB8165-14	-	-	U-Bolt Assembly, Rd. Bend, 7/8"-14 Thd x 5" Wide x 14" Long	8	8	8	-
	S.O.S.	R	08950-01	U-Bolt Assembly, Rd. Bend, 7/8"-14 Thd x 5-3/4" Wide x 14" Long	8	8	8	-

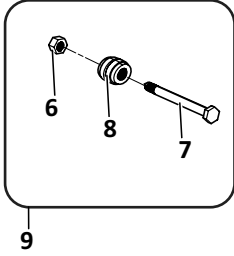
R Denotes Product is Genuine Reyco Granning

REYCO GRANNING

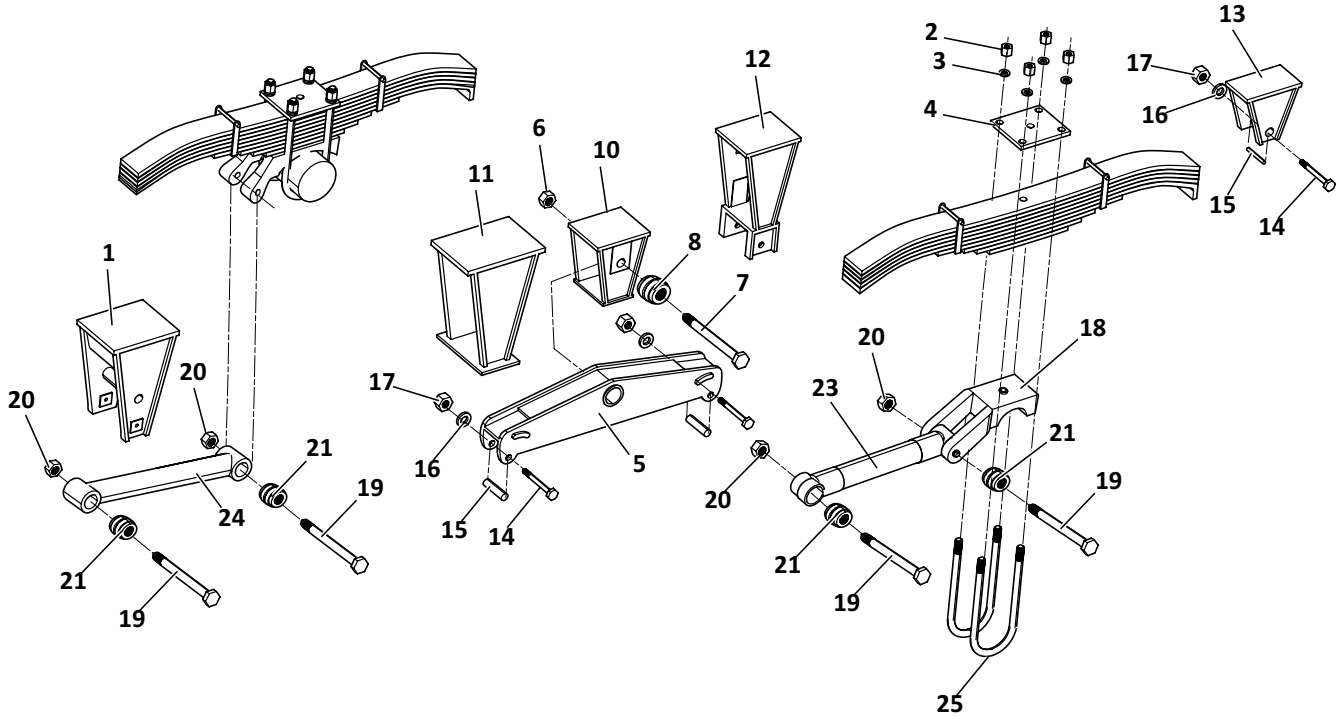
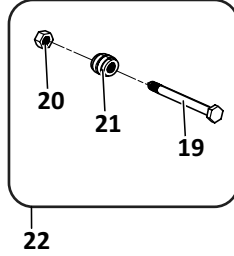
REYCO GRANNING

Model 74B Tandem Four Spring Suspension, 72", 77", 97" and 109" Axle Spacing — Trailer

Equalizer Bushing Assembly



Torque Arm Bushing Assembly



REYCO GRANNING

Model 74B Tandem Four Spring Suspension, 72", 77", 97" and 109" Axle Spacing — Trailer

KEY NO.	EUCLID NO.	GENUINE	OEM REF.	DESCRIPTION	QTY. PER TANDEM				PAGE NO.
					72" SPRD	77" SPRD	97" SPRD	109" SPRD	
1	E-9615	R	16671-01	Front Hanger	2	2	2	2	-
2	E-3002A	-	-	Hi-Nut, 7/8"	16	16	16	16	-
3	E-2546	-	T-7292	Flat Washer, 7/8"	16	16	16	16	-
4	E-9616	R	13798-01	Top Plate, 5" Round Axle	4	4	4	4	RYG-93
	E-9617	R	14527-01	Top Plate, 5-3/4" Round Axle	4	4	4	4	RYG-93
5	E-15295	R	13909-01	Equalizer with Bushing E-9550, 72" Axle Spacing	2	-	-	-	RYG-70
	S.O.S.	R	15227-01	Equalizer with Bushing E-9550, 77" Axle Spacing	-	2	-	-	-
	S.O.S.	R	15724-01	Equalizer with Bushing E-9550, 97" Axle Spacing	-	-	2	-	-
	S.O.S.	R	15720-01	Equalizer with Bushing E-9550, 109" Axle Spacing	-	-	-	2	-
6	E-2854	-	08914-01	Equalizer Locknut	2	2	2	2	RYG-75
7	E-2852	-	10949-01	Equalizer Bolt; 1-1/4"-12 x 8-7/8" Long	2	2	2	2	RYG-81
8	E-9550	-	13805-01	Equalizer Bushing	2	2	2	2	RYG-72
9	E-9801	-	-	Equalizer Bushing Assembly, Key Nos. 6, 7, 8	2	2	2	2	RYG-71
10	E-15296	R	15735-01	Center Hanger	2	2	2	2	RYG-85
11	E-15297	R	13861-01	Equalizer Guide Bracket	2	2	2	2	-
12	E-15298	R	16673-01	Torque Arm Attachment Bracket	2	2	2	2	RYG-85
13	E-9622	R	13814-01	Rear Hanger	2	2	2	2	-
14	E-15291	-	13817-01	Capscrew 1/2"-20 x 5-3/4" Long	6	6	6	6	-
15	E-15292	R	13818-01	Spring Roller	6	6	6	6	RYG-89
16	E-1974	-	T-1705	Lockwasher 1/2"	6	6	6	6	-
17	E-5032	-	T-1704	Hex Nut 1/2"-20	6	6	6	6	-
18	E-9626	R	15751-01	Axle Seat, 5" Round, 1" High	4	4	4	4	RYG-90
	S.O.S.	R	15752-01	Axle Seat, 5-3/4" Round Axle, 1" High	4	4	4	4	-
19	E-1166	-	T-5492	Torque Arm Bolt 1"-14 x 6-3/4" Long	8	8	8	8	RYG-81
20	E-937	-	T-5495	Torque Arm Locknut 1"-14	8	8	8	8	-
21	E-9549	-	15737-01	Torque Arm Bushing	8	8	8	8	RYG-80
22	E-9587	-	-	Torque Arm Bushing Assembly, Includes Key Nos. 16, 17, 20	8	8	8	-	RYG-79
23	S.O.S.	R	16586-01	Rigid Torque Arm, 72" Axle Spacing, Rear, 20-1/4" Center-to-Center	1	-	-	-	-
	S.O.S.	R	16587-01	Rigid Torque Arm, 77"-109" Axle Spacing, Rear, 21" Center-to-Center	-	1	1	1	-
	E-9620	R	16596-01	Adjustable Torque Arm, 72"-109" Axle Spacing, Rear	1	1	1	1	RYG-76
24	E-9585	R	16585-01	Rigid Torque Arm Assembly, 72"-109" Axle Spacing, Front, 14-1/4" Center-to-Center	1	1	1	1	RYG-77
	E-9584	R	16595-01	Adjustable Torque Arm Assembly, 72"-109" Axle Spacing, Front	1	1	1	1	RYG-76
25	E-UB8165-14	-	-	U-Bolt Assembly, Rd Bend, 7/8"-14 Thd x 5" Wide x 14" Long	8	8	8	8	-
	S.O.S.	R	08950-01	U-Bolt Assembly, Rd Bend, 7/8"-14 Thd x 5-3/4" Wide x 14" Long	8	8	8	8	-

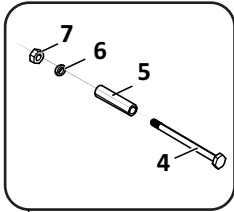
R Denotes Product is Genuine Reyco Granning

REYCO GRANNING

REYCO GRANNING

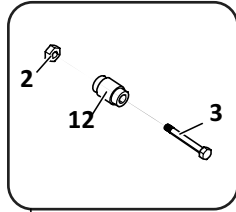
Model 83 Tandem Four Spring Suspension, 50" – 109" Axle Spacing — Trailer

Spring Roller Assembly

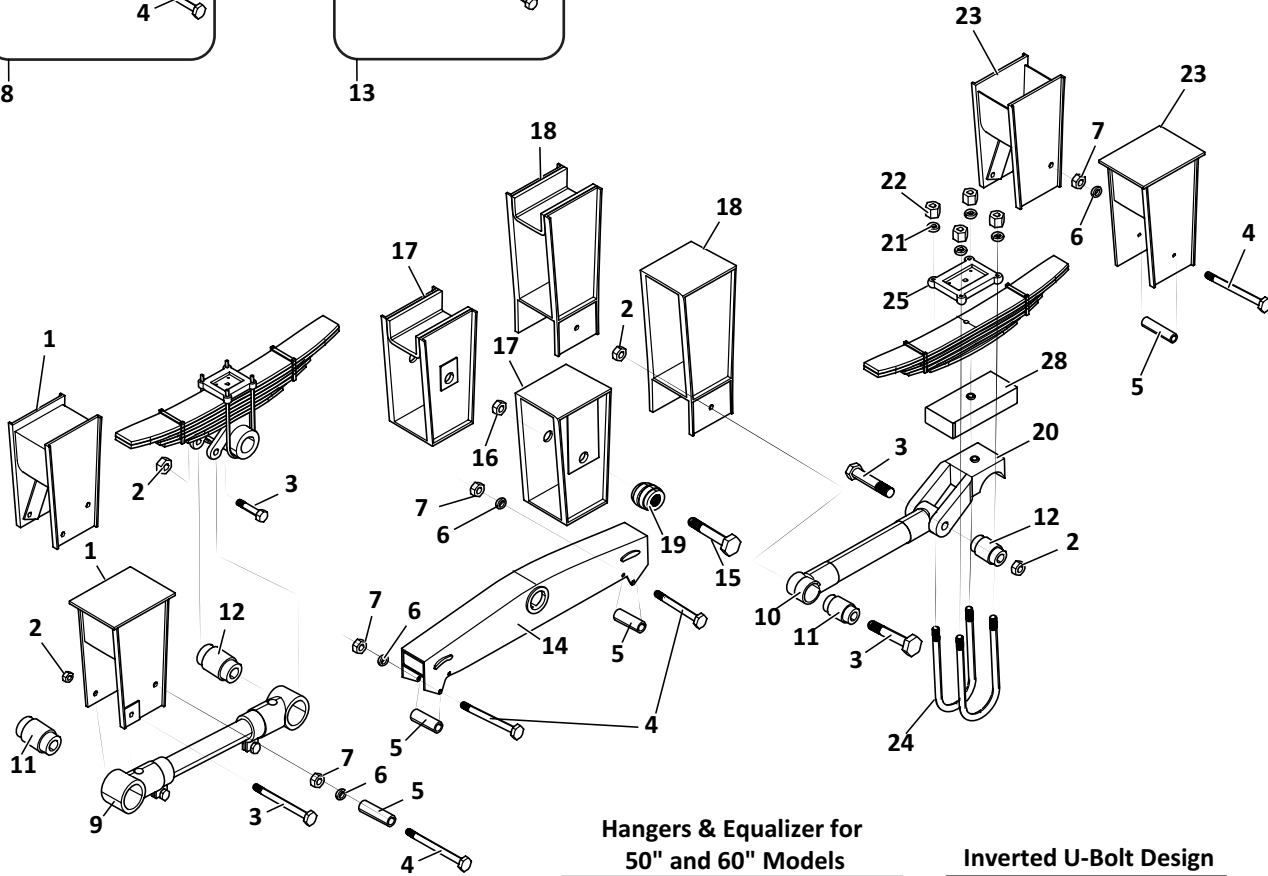


8

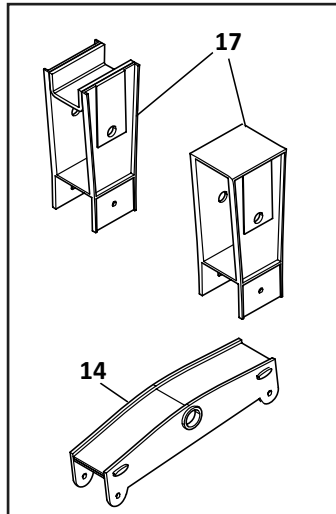
Torque Arm Bushing Assembly



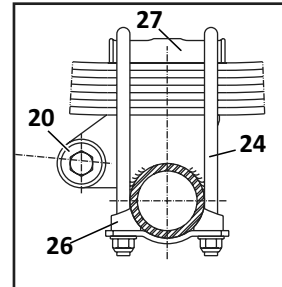
13



Hangers & Equalizer for 50" and 60" Models



Inverted U-Bolt Design



REYCO GRANNING

Model 83 Tandem Four Spring Suspension, 50" – 109" Axle Spacing — Trailer						
KEY NO.	EUCLID NO.	GENUINE	OEM REF.	DESCRIPTION	QTY. PER TANDEM	PAGE NO.
1	E-7727	R	149995-01	Front Hanger, Straddle Mount	2	RYG-85
	E-15311	R	15095-01	Front Hanger, Under Mount	2	RYG-85
2	E-2983	-	10092-01	Lock Nut, 7/8"-9	4	-
3	E-901	-	10033-01	Bolt, 7/8"-9 x 5-1/2" Long	4	RYG-81
4	E-15312	-	T-1703	Bolt, 1/2"-20 x 5" Long, Straddle Mount	6	-
	E-1972	-	T-5544	Capscrew 1/2" x 4-3/4" Long, Under Mount	6	-
5	E-1971	R	T-2106	Spring Roller	6	RYG-88
6	E-1974	-	T-2248, T-1705	Lock Washer, 1/2"	6	-
7	E-5032	-	T-1704	Hex Nut, 1/2"-20	6	-
8	E-1975	-	TK19011	Spring Roller Assembly Includes Key Nos. 4, 5, 6, 7, Under Mount Hanger Only	4	RYG-88
9	E-7741	R	16031-01	Adjustable Torque Arm with Bushings; Front	2	RYG-76
	E-7744	R	10040-01	Rigid Torque Arm with Bushings; Front	2	RYG-77
10	E-7742	R	16032-01	Adjustable Torque Arm, Rear, 50" Axle Spacing	1	RYG-76
	E-7743	R	16034-01	Adjustable Torque Arm, Rear, 60" Axle Spacing	1	RYG-76
	S.O.S.	R	Various	Adjustable Torque Arms, Other Axle Spreads	1	-
11	E-7750	-	10051-01	Torque Arm Bushing, Hanger End	2	RYG-80
12	E-1980	-	09729-01	Torque Arm Bushing, Axle Seat End, Rubber	8	RYG-80
	GAFF15013	-	-	Torque Arm Bushing, Axle Seat End, Poly	8	RYG-80
13	E-1981	-	-	Torque Arm Bushing Assembly; Axle Seat End Includes Key Nos. 2, 3, 12, Rubber	4	RYG-79
	GAFF15063	-	-	Torque Arm Bushing Assembly; Axle Seat End Includes Key Nos. 2, 3, 12, Poly	4	RYG-79
14	E-7709	R	14689-01	Equalizer; 50" Axle Spacing	2	RYG-69
	E-16184	R	14693-01	Equalizer; 54" Axle Spacing	2	RYG-69
	E-7710	R	14696-01	Equalizer; 60" Axle Spacing	2	RYG-69
	E-16197	R	14700-01	Equalizer; 65-1/2" Axle Spacing	2	RYG-70
	S.O.S.	R	14763-01	Equalizer; 72" Axle Spacing	2	-
	S.O.S.	R	14764-01	Equalizer; 97" Axle Spacing	2	-
	S.O.S.	R	14765-01	Equalizer; 109" Axle Spacing	2	-
15	E-7719	-	14683-01	Equalizer Bolt	2	RYG-73
16	E-2854	-	08014-01	Nut, 1 1/4"-12	2	RYG-75
17	S.O.S.	R	15062-01	Center Hanger, Straddle Mount, 50" thru 65-1/2" Axle Spacing	2	-
	S.O.S.	R	15105-01	Center Hanger, Under Mount, 50" thru 65-1/2" Axle Spacing	2	-
	S.O.S.	R	15008-01	Center Hanger, Straddle Mount, 72" thru 109" Axle Spacing	2	-
	S.O.S.	R	14668-01	Center Hanger, Under Mount, 72" thru 109" Axle Spacing	2	-
18	S.O.S.	R	15005-01	Torque Arm Bracket, Straddle Mount, 72" thru 109" Axle Spacing	2	-
	S.O.S.	R	15100-01	Torque Arm Bracket, Under Mount, 72" thru 109" Axle Spacing	2	-
19	E-7713	R	14682-01	Bushing, 50" thru 65-1/2" Axle Spacing	2	RYG-72
	E-1072	-	T-3214	Bushing, 72" thru 109" Axle Spacing	2	RYG-72
20	S.O.S.	R	Various	Axle Seat	4	-
21	E-2545	-	T-5496	Washer, 3/4"	16	-
22	E-3001	-	T-5497	Nut, 3/4"-16	16	-
23	E-7739	R	14999-01	Rear Hanger, Straddle Mount	2	RYG-85
	S.O.S.	R	15098-01	Rear Hanger, Under Mount	2	-

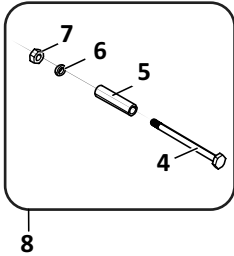
R Denotes Product is Genuine Reyco Granning

REYCO GRANNING

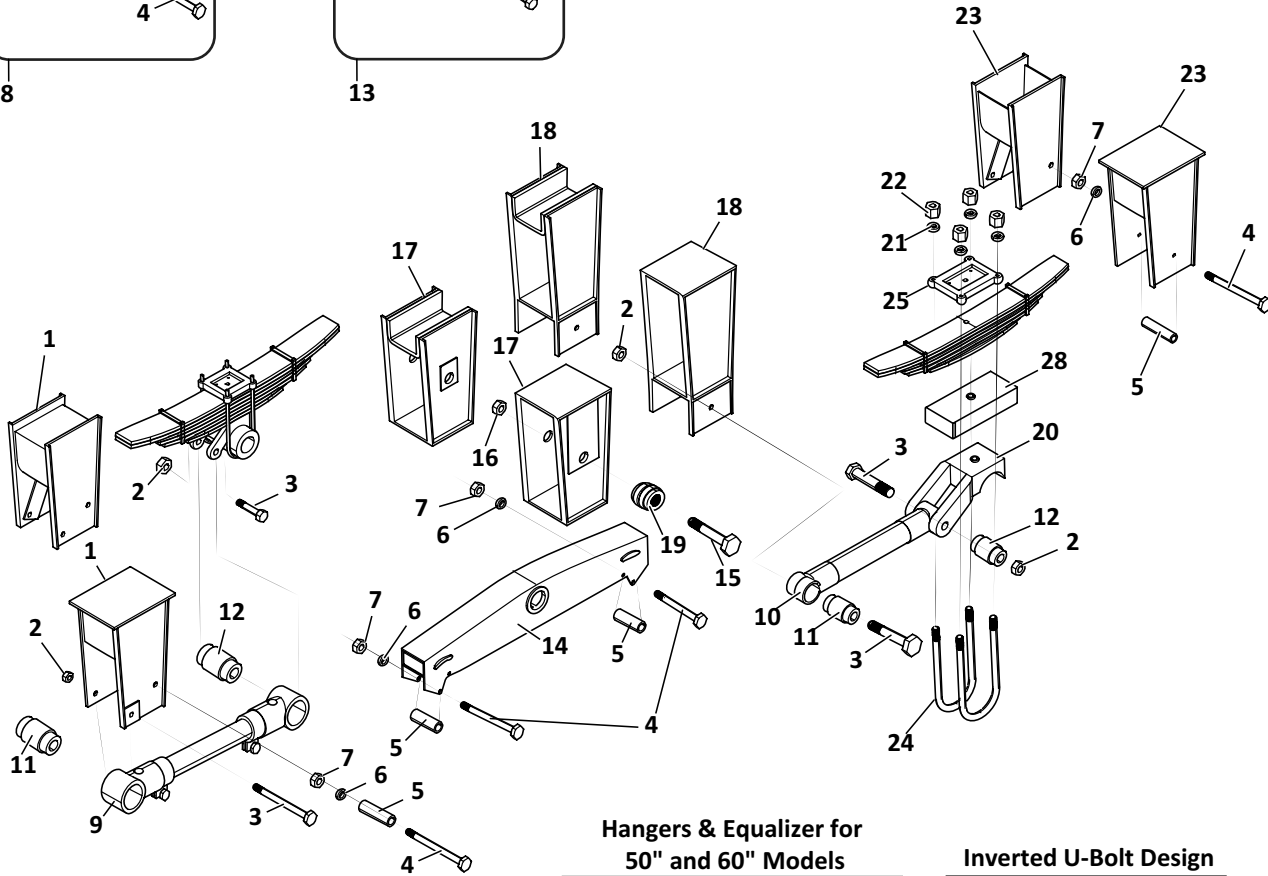
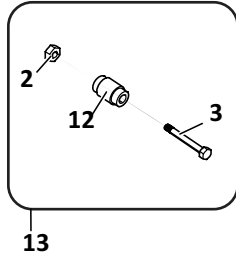
REYCO GRANNING

Model 83 Tandem Four Spring Suspension, 50" – 109" Axle Spacing — Trailer

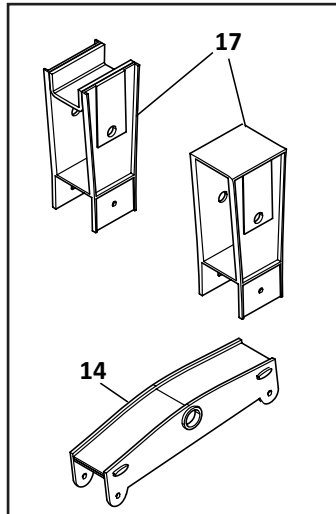
Spring Roller Assembly



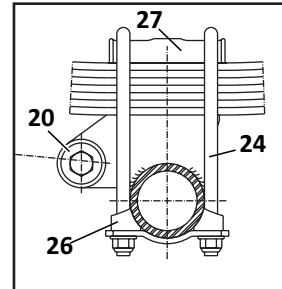
Torque Arm Bushing Assembly



Hangers & Equalizer for 50" and 60" Models



Inverted U-Bolt Design



REYCO GRANNING

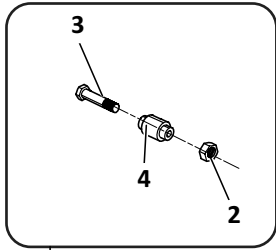
Model 83 Tandem Four Spring Suspension, 50" – 109" Axle Spacing — Trailer						
KEY NO.	EUCLID NO.	GENUINE	OEM REF.	DESCRIPTION	QTY. PER TANDEM	PAGE NO.
24	E-UB5165-12	-	-	U-Bolt Assembly, Round Bend, 7/8"-14 Thd x 3" Wide x 12" Long	4	-
	E-UB5165-14	-	-	U-Bolt Assembly, Round Bend, 7/8"-14 Thd x 3" Wide x 14" Long	4	-
	E-UB8165-12	-	-	U-Bolt Assembly, Round Bend, 7/8"-14 Thd x 3" Wide x 12" Long	4	-
	E-UB8165-14	-	-	U-Bolt Assembly, Round Bend, 7/8"-14 Thd x 3" Wide x 14" Long	4	-
	E-UB8165-16	-	-	U-Bolt Assembly, Round Bend, 7/8"-14 Thd x 3" Wide x 16" Long	4	-
	E-UB8165-18	-	-	U-Bolt Assembly, Round Bend, 7/8"-14 Thd x 3" Wide x 18" Long	4	-
25	E-2875	R	T-7175, T-5488	Top Plate	4	RYG-93
	S.O.S.	R	11760-01	Top Plate	4	-
26	E-2874	R	09139-01	Bottom Plate, Inverted U-Bolts	4	RYG-91
	S.O.S.	R	11791-01	Bottom Plate, Underslung	4	-
27	S.O.S.	R	0077-00	Top Plate, 3" Wide	4	-
28	E-9563	R	T-7716	Spacer; 3" Width x 7-1/2" Long x 1" Thick	4	RYG-94
	E-2878	R	T-7655	Spacer; 3" Width x 7-1/2" Long x 2" Thick	4	RYG-94

R Denotes Product is Genuine Reyco Granning

REYCO GRANNING

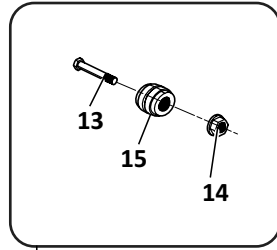
Model 86-88 Tandem Four Spring Suspension — Trailer

Torque Arm Bushing Assembly



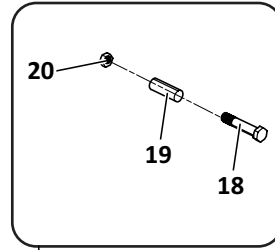
5

Equalizer Bushing Assembly



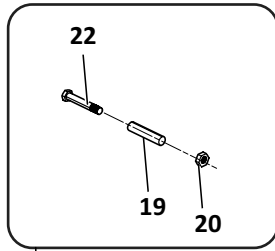
16

Equalizer Spring Roller Assembly

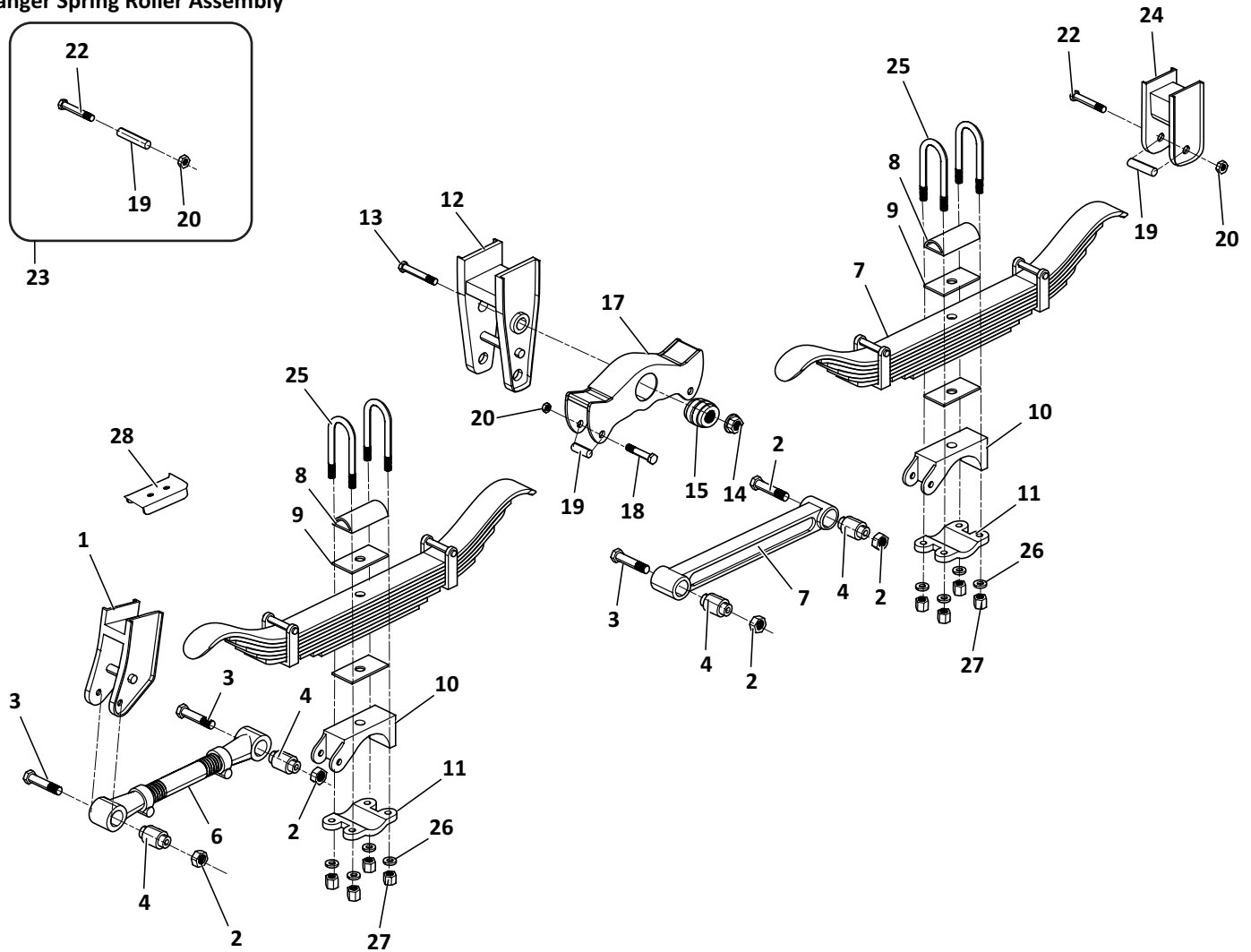


21

Hanger Spring Roller Assembly



23



REYCO GRANNING

Model 86-88 Tandem Four Spring Suspension — Trailer						
KEY NO.	EUCLID NO.	GENUINE	OEM REF.	DESCRIPTION	QTY. PER TANDEM	PAGE NO.
1	E-4807	R	0400-01, 0311-01	Front Hanger, Flange Mount, Left Hand 1/2" Dia Holes, Includes E-4828 Wear Pad	1	RYG-86
	E-4808	R	0400-02, 0311-02	Front Hanger, Flange Mount, Right Hand, 1/2" Dia Holes, Includes E-4828 Wear Pad	1	RYG-86
	S.O.S.	R	1240-01	Front Hanger, Flange Mount, Left Hand, 5/8" Dia Holes, Includes E-4828 Wear Pad	1	-
	S.O.S.	R	1240-02	Front Hanger, Flange Mount, Right Hand, 5/8" Dia Holes, Includes E-4828 Wear Pad	1	-
	E-4801	R	0046-20, 0046-00	Front Hanger, Left/Right, Straddle Mount, Includes E-4828 Wear Pad	2	RYG-86
	E-4804	R	0084-00, 0049-00	Front Hanger, Left/Right, Under Mount, Includes E-4828 Wear Pad	2	RYG-87
	S.O.S.	R	0894-01	Front Hanger, Left, Side Mount, Includes E-4828 Wear Pad	1	-
	S.O.S.	R	0894-02	Front Hanger, Right, Side Mount, Includes E-4828 Wear Pad	1	-
2	E-9607	-	14345-01	Flanged Lock Nut, 7/8" - 14	8	-
3	E-4833	-	0001-08	Torque Arm Bolt; 7/8" - 14" x 5-14" Long	8	-
4	E-1980	-	09729-01	Torque Arm Bushing, Rubber	8	RYG-80
	GAFF15013	-	-	Torque Arm Bushing, Poly	8	RYG-80
5	E-4834A	-	K0022-01	Torque Arm Bushing Assembly w/ Rubber Bushing, Includes Key Nos. 2, 3, 4	8	RYG-79
	GAFF15063	-	-	Torque Arm Bushing Assembly w/ Poly Bushing, Includes Key Nos. 2, 3, 4	8	RYG-79
6	E-4824	R	1035-20	Adjustable Torque Arm, Model 86: 49" & 54", Model 88: 49" - 121", 19-7/8" Center-to-Center, Includes E-1980 Bushing	2	RYG-76
	S.O.S.	R	1035-23	Adjustable Torque Arm, Model 86 & 88: 54", 22-3/4" Center-to-Center, Includes E-1980 Bushing	2	-
	S.O.S.	R	1035-25	Adjustable Torque Arm, Model 88: 60", 25-1/2" Center-to-Center, Includes E-1980 Bushing	2	-
	S.O.S.	R	1035-31	Adjustable Torque Arm, Model 88: 72", 31" Center-to-Center, Includes E-1980 Bushing	2	-
7	E-4825	R	0075-20	Rigid Torque Arm, Model 86: 49" & 54", Model 88: 49"-121", 19-7/8" Center-to-Center, Includes E-1980 Bushing	2	RYG-77
	S.O.S.	R	0678-00	Rigid Torque Arm, Model 86: 54", 22-3/4" Center-to-Center, Includes E-1980 Bushing	2	-
8	E-2907A	-	23334-01, 0077-00	Top Plate, Fabricated, 3" Wide	4	RYG-93
	E-2907A-P	-	23334-01, 0077-00	Top Plate, Fabricated, 3" Wide, Price Point	4	RYG-93
	E-2873	R	08677-01	Top Plate, Cast, 3" Wide	4	RYG-93
	E-2875	R	T-7175, T-5488	Top Plate, 5" Round Axle, U-Bolts Up	4	RYG-93
	E-9554	R	T-1734	Top Plate, 5" x 5" Square Axle, U-Bolts Up	4	RYG-93
	S.O.S.	R	0716-00	Top Plate, 4" x 6" Axle	4	-
9	E-2842	-	16810-02	Delrin Spring Liner	4	RYG-93

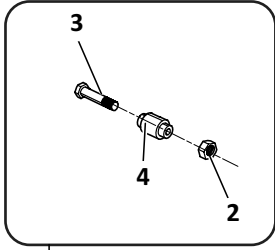
R Denotes Product is Genuine Reyco Granning

REYCO GRANNING

REYCO GRANNING

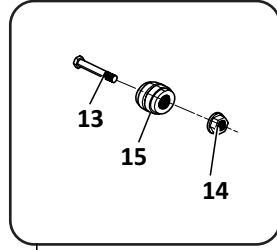
Model 86-88 Tandem Four Spring Suspension — Trailer

Torque Arm Bushing Assembly



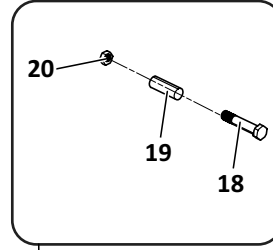
5

Equalizer Bushing Assembly



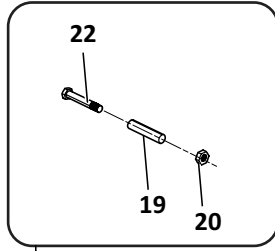
16

Equalizer Spring Roller Assembly

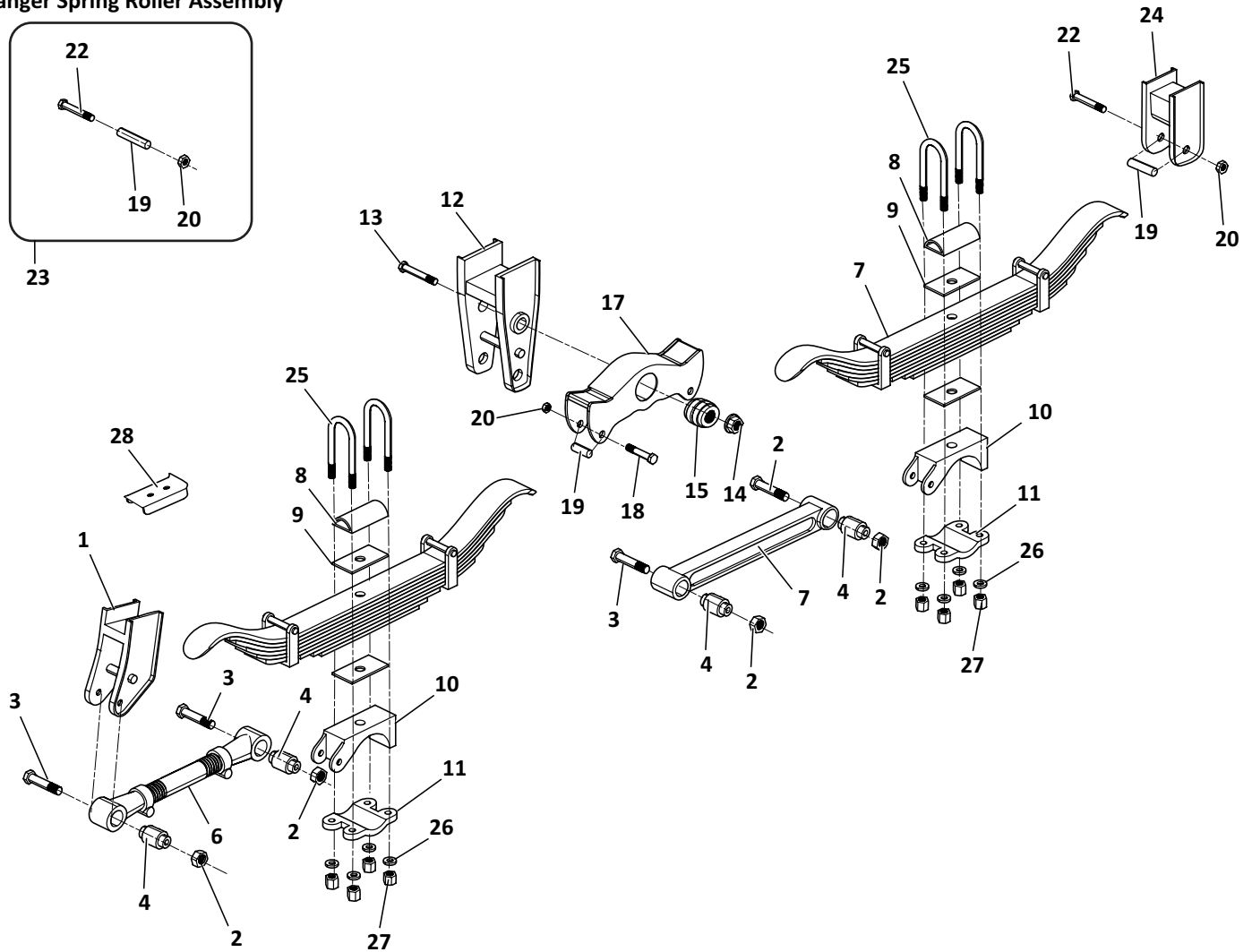


21

Hanger Spring Roller Assembly



23



REYCO GRANNING

Model 86-88 Tandem Four Spring Suspension — Trailer						
KEY NO.	EUCLID NO.	GENUINE	OEM REF.	DESCRIPTION	QTY. PER TANDEM	PAGE NO.
10	E-4814	R	0636-01	Axle Seat, 5" Round Axle, 1" High	4	RYG-90
	E-4815	R	0636-02	Axle Seat, 5" Round Axle, 2" High	4	RYG-90
	E-16490	R	0636-03	Axle Seat, 5" Round Axle, 3" High	4	RYG-90
	E-4817	R	0632-01	Axle Seat, 5" x 5" Square Axle, 1" High	4	RYG-90
	E-4818	R	0632-02	Axle Seat, 5" x 5" Square Axle, 2" High	4	RYG-90
	E-4816	R	0637-01	Axle Seat, 5" Round Axle, 1" High, No Hop	2	RYG-91
	E-4839	R	0637-02	Axle Seat, 5" Round Axle, 2" High, No Hop	2	RYG-91
	E-16496	R	0637-03	Axle Seat, 5" Round Axle, 3" High, No Hop	2	RYG-91
	E-4819	R	0635-01	Axle Seat, 5" Square Axle, 1" High, No Hop	2	RYG-91
	E-4838	R	0635-02	Axle Seat, 5" Square Axle, 2" High, No Hop	2	RYG-91
11	E-2909	-	0538-00	Bottom Plate, 5" Round Axle, U-Bolts Down	4	RYG-91
	E-2909-P	-	0538-00	Bottom Plate, 5" Round Axle, U-Bolts Down, Price Point	4	RYG-91
	E-4823	-	0149-00	Bottom Plate, 5" x 5" Square Axle, U-Bolts Down	4	RYG-92
	S.O.S.	R	0150-00	Bottom Plate, 4" x 6" Rectangular Axle	4	-
	E-16491	R	0858-00	Bottom Plate - Underslug, 5" Round/5" x 5" Square, 3 & 8 Leaf Spring	4	RYG-92
	S.O.S.	R	0508-00	Bottom Plate - Underslug, 5" Round/5" x 5" Square, 1 Leaf Spring	4	-
	E-4822	R	0415-00	Bottom Plate - No Hop, 5" Round Axle	4	RYG-92
	E-4840	R	0416-00	Bottom Plate - No Hop, 5" x 5" Square Axle	4	RYG-92
	S.O.S.	R	0417-00	Bottom Plate - No Hop, 4" x 6" Rectangular Axle	4	-
12	E-4809	R	0401-00, 0312-00	Center Hanger, Left/Right, Flange Mount, 1/2" Dia Holes, 44", 49" & 54" Axle Spread	2	RYG-86
	S.O.S.	R	1465-05	Center Hanger, Left/Right, Flange Mount, 1/2" Dia Holes, 60" & 72" Axle Spread	2	-
	S.O.S.	R	1237-20	Center Hanger, Left/Right, Flange Mount, 5/8" Dia Holes, 44", 49" & 54" Axle Spread	2	-
	S.O.S.	R	1465-06	Center Hanger, Left/Right, Flange Mount, 5/8" Dia Holes, 60" & 72" Axle Spread	2	-
	E-4802	R	0062-26, 0062-00	Center Hanger, Left/Right, Straddle Mount, 44", 49" & 54" Axle Spread	2	RYG-86
	S.O.S.	R	1463-00	Center Hanger, Left/Right, Straddle Mount, 60" & 72" Axle Spread	2	-
	S.O.S.	R	1359-00	Center Hanger, Left/Right, Straddle Mount, 109" & 121" Axle Spread	2	-
	E-4805	R	0088-00, 0065-00	Center Hanger, Left/Right, Undermount, 44", 49" & 54" Axle Spread	2	RYG-87
	S.O.S.	R	1464-00	Center Hanger, Left/Right, Undermount, 60" & 72" Axle Spread	2	-
	S.O.S.	R	0893-01	Center hanger, Left/Right, Side Mount, 44", 49" & 54" Axle Spread	2	-
13	E-4830	-	0001-14	Equalizer Bolt, 1" - 14" x 6-1/2" Long	2	RYG-73
14	E-2892	-	0274-01	Flanged Nut Nut, Flange Lock; 1"-14	2	-
15	E-4827	-	0649-02	Equalizer Bushing, Rubber, New Style	2	RYG-73
	GAFF15054	R	0106-06	Equalizer Bushing, Poly, New Style	2	RYG-73
16	E-4832	-	K0649-04	Equalizer Bushing Assembly Includes Key No. 8, 9, 10	2	RYG-71
	S.O.S.	R	K0106-07	Equalizer Bushing Assembly, Old Style Before Sept. 1986	2	-

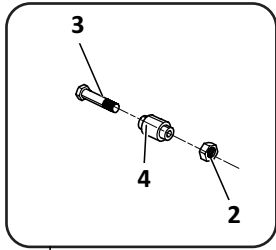
R Denotes Product is Genuine Reyco Granning

REYCO GRANNING

REYCO GRANNING

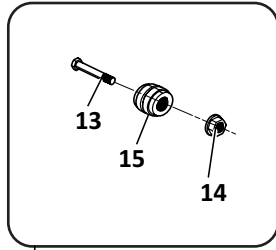
Model 86-88 Tandem Four Spring Suspension — Trailer

Torque Arm Bushing Assembly



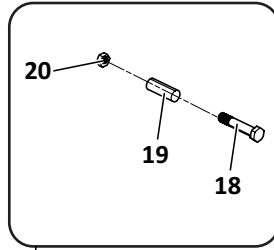
5

Equalizer Bushing Assembly



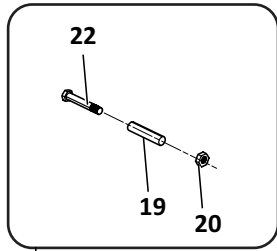
16

Equalizer Spring Roller Assembly

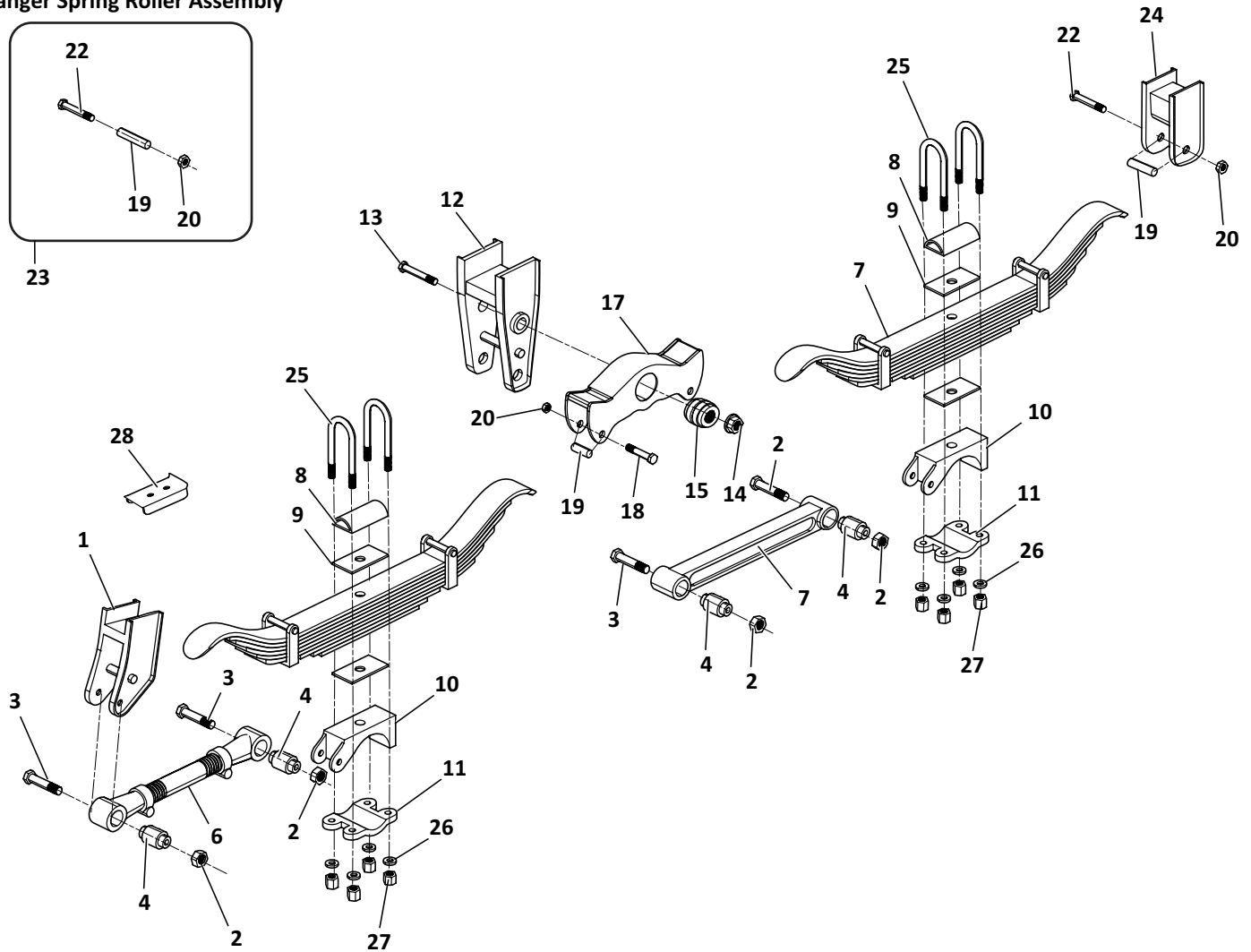


21

Hanger Spring Roller Assembly



23



REYCO GRANNING

Model 86-88 Tandem Four Spring Suspension — Trailer						
KEY NO.	EUCLID NO.	GENUINE	OEM REF.	DESCRIPTION	QTY. PER TANDEM	PAGE NO.
17	E-4813	R	0650-00	Fabricated Equalizer with Bushing, 49", Includes E-4827 Bushing	2	RYG-68
	E-4813-P	-	0650-00	Fabricated Equalizer with Bushing, 49", Includes E-4827 Bushing, Price Point	2	RYG-68
	S.O.S.	R	1570-00	Fabricated Equalizer with Bushing, 54", Includes E-4827 Bushing	2	-
	E-16492	R	0841-00	Fabricated Equalizer with Bushing, 60-1/2", Includes E-4827 Bushing	2	RYG-69
	E-10250	R	0850-00	Cast Equalizer with Bushing, 49", Includes E-4827 Bushing	2	RYG-68
	S.O.S.	R	08801-00	Cast Equalizer with Bushing, 54", Includes E-4827 Bushing	2	-
18	E-3415	-	0001-04	Rebound Bolt, 5/8"-18 x 4-1/2" Long	4	-
19	E-3416	-	0741-01	Spring Roller	6	RYG-89
20	E-2002	-	0002-07	Nut 5/8"-18	6	-
21	E-4835	-	0741-00	Spring Roller Assembly includes Key Nos. 18, 19, 20	4	RYG-88
22	E-4836	-	0001-02	Bolt, 5/8-18	2	-
23	E-4837	-	K074105	Hanger Spring Roller Assembly Includes Key Nos. 19, 20, 22	2	RYG-88
24	E-4810	R	0402-01, 0313-01	Rear Hanger, Left, Flange Mount, 1/2" Dia Holes, Includes E-4828 Wear Pad	1	RYG-86
	E-4811	R	0402-02, 0313-02	Rear Hanger, Right, Flange Mount, 1/2" Dia Holes, Includes E-4828 Wear Pad	1	RYG-86
	S.O.S.	R	1241-01	Rear Hanger, Left, Flange Mount, 5/8" Dia Holes, Includes E-4828 Wear Pad	1	-
	S.O.S.	R	1241-02	Rear Hanger, Right, Flange Mount, 5/8" Dia Holes, Includes E-4828 Wear Pad	1	-
	E-4803	R	0051-20, 0051-00;	Rear Hanger, Left/Right, Straddle Mount, Includes E-4828 Wear Pad	2	RYG-86
	E-4806	R	0086-00, 0053-00	Rear Hanger, Left/Right, Under Mount, Includes E-4828 Wear Pad	2	RYG-87
	S.O.S.	R	0952-01	Rear Hanger, Left, Side Mount, Includes E-4828 Wear Pad	1	-
	S.O.S.	R	0952-02	Rear Hanger, Right, Side Mount, Includes E-4828 Wear Pad	1	-
25	E-UB5161-12	-	0078-10 Thru 18	U-Bolt Assembly Rd. Bend; 7/8"- 14 Thd. X 3" Wide x 12" Long	8	-
	E-UB5161-13	-	0078-10 Thru 18	U-Bolt Assembly Rd. Bend; 7/8"- 14 Thd. X 3" Wide x 13" Long	8	-
	E-UB5161-14	-	0078-10 Thru 18	U-Bolt Assembly Rd. Bend; 7/8"- 14 Thd. X 3" Wide x 14" Long	8	-
	E-UB5161-18	-	0078-10 Thru 18	U-Bolt Assembly Rd. Bend; 7/8"- 14 Thd. X 3" Wide x 18" Long	8	-
	E-UB5165-14	-	0102-10 Thru 17	U-Bolt Assembly Rd. Bend; 7/8"- 14 Thd. X 5" Wide x 14" Long	8	-
	E-UB5165-18	-	0102-10 Thru 17	U-Bolt Assembly Rd. Bend; 7/8"- 14 Thd. X 5" Wide x 18" Long	8	-
	E-UB5165-16	-	0159-12	U-Bolt Assembly Sq. Bend; 7/8"- 14 Thd. X 5" Wide x 12" Long	8	-
	E-UB8264-12	-	060-12 Thru 15	U-Bolt Assembly Sq. Bend; 7/8"- 14 Thd x 4" Wide x 12" Long	8	-
	E-UB8264-14	-	060-12 Thru 15	U-Bolt Assembly Sq. Bend; 7/8"- 14 Thd x 4" Wide x 14" Long	8	-
	E-UB8264-16	-	060-12 Thru 15	U-Bolt Assembly Sq. Bend; 7/8"- 14 Thd x 4" Wide x 16" Long	8	-
26	E-2546	-	T-7292	Flat Washer, 7/8"	16	-
27	E-3002A	-	-	Nut, 7/8"-14	16	-
28	E-4828	R	0045-00	Hanger Wear Pad	2	RYG-89

R Denotes Product is Genuine Reyco Granning


REYCO GRANNING

REYCO GRANNING

Equalizers by Overall Length

Equalizer - Cast

FOR MODELS:
101A, 102, 102W




Includes E-3977 Rubber Bushing

EUCLID NO.	GENUINE	OEM REF.	OVERALL LENGTH
E-16494	R	14743-01	13-3/8"

Equalizer - Cast

FOR MODELS:
101A, 102, 102W




Includes E-2850 Rubber Bushing, No Slots

EUCLID NO.	GENUINE	OEM REF.	OVERALL LENGTH
E-2845	R	12859-01	16"

Equalizer - Fabricated

FOR MODEL:
21B Cast




Bushings Not Included. Use E-1159; 49" Axle Spacing

EUCLID NO.	GENUINE	OEM REF.	OVERALL LENGTH
E-16477	R	T-5427	14-1/2"

Equalizer - Cast

FOR MODELS:
101, 101A, 102




Includes E-1966 Rubber Bushing, Slotted on Both Ends

EUCLID NO.	GENUINE	OEM REF.	OVERALL LENGTH
E-2843	R	09120-01	16"

Equalizer - Cast

FOR MODELS:
101, 101A, 102, 102W




Includes E-2849 Rubber Bushing, Slot On One End For Ford

EUCLID NO.	GENUINE	OEM REF.	OVERALL LENGTH
E-2844	R	08996-01	16"

Equalizer - Cast

FOR MODEL:
86-88




Includes E-4827 Rubber Bushing; 49" Axle Spacing

EUCLID NO.	GENUINE	OEM REF.	OVERALL LENGTH
E-10250	R	0850-00	16-1/2"

Equalizer - Cast

FOR MODEL:
101




Includes E-3977 Rubber Bushing, No Slots

EUCLID NO.	GENUINE	OEM REF.	OVERALL LENGTH
E-3978	R	14723-01	16"

Equalizer - Fabricated

FOR MODEL:
86-88



Includes E-4827 Rubber Bushing w/ 1-1/32 Hole Dia; 49" Axle Spacing

EUCLID NO.	GENUINE	OEM REF.	OVERALL LENGTH	NOTES
E-4813	R	0650-00	16-1/2"	-
E-4813-P	-	0650-00	16-1/2"	Price Point

R Denotes Product is Genuine Reyco Granning

Equalizers by Overall Length

Equalizer - Cast

FOR MODEL:
21B Cast




Bushings Not Included. Use E-1159; 42-44" Axle Spacing

EUCLID NO.	GENUINE	OEM REF.	OVERALL LENGTH
E-10768A	R	25222-01	17-1/2"

Equalizer - Fabricated

FOR MODELS:
74B 50"-60"




Includes E-9550 Rubber Bushing; 54" Axle Spacing

EUCLID NO.	GENUINE	OEM REF.	OVERALL LENGTH
E-9586	R	13806-01	24"

Equalizer - Cast

FOR MODEL:
21B Cast




Bushings Not Included; 49" Axle Spacing, use with E-1159 Bushing

EUCLID NO.	GENUINE	OEM REF.	OVERALL LENGTH
E-2846A	R	21725-01	18"

Equalizer - Fabricated

FOR MODEL:
86-88




Includes E-4827 Rubber Bushing; 60-1/2" Axle Spacing

EUCLID NO.	GENUINE	OEM REF.	OVERALL LENGTH
E-16492	R	0841-00	27-3/4"

Equalizer - Fabricated

FOR MODELS:
21B FAB, 83




Includes E-7713 Rubber Bushing; 50" Axle Spacing

EUCLID NO.	GENUINE	OEM REF.	OVERALL LENGTH
E-7709	R	14689-01	18"

Equalizer - Fabricated

FOR MODELS:
21B FAB, 83




Includes E-7713 Rubber Bushing; 60" Axle Spacing

EUCLID NO.	GENUINE	OEM REF.	OVERALL LENGTH
E-7710	R	14696-01	30"

Equalizer - Fabricated

FOR MODELS:
21B FAB, 83




Includes E-7713 Rubber Bushing; 54" Axle Spacing

EUCLID NO.	GENUINE	OEM REF.	OVERALL LENGTH
E-16184	R	14693-01	21"

Equalizer - Fabricated

FOR MODEL:
21B Cast



Rubber Bushing Included; 60" Axle Spacing, use with E-813 Bushing

EUCLID NO.	GENUINE	OEM REF.	OVERALL LENGTH
E-5245	R	09713-01	30"


R Denotes Product is Genuine Reyco Granning

REYCO GRANNING

Equalizers by Overall Length

Equalizer - Fabricated

FOR MODELS:
21B FAB, 83




Includes E-7713 Rubber Bushing; 63-1/2"-65-1/2" Axle Spacing

EUCLID NO.	GENUINE	OEM REF.	OVERALL LENGTH
E-16197	R	14700-01	30-1/2"

Equalizer - Fabricated

FOR MODEL:
21B Cast



Rubber Bushing Included; 72" Axle Spacing

EUCLID NO.	GENUINE	OEM REF.	OVERALL LENGTH
E-5246	R	11143-01	43"

Equalizer - Fabricated

FOR MODEL:
74B 72"-109"




Includes E-9550 Rubber Bushing; 72" Axle Spacing

EUCLID NO.	GENUINE	OEM REF.	OVERALL LENGTH
E-15295	R	13909-01	36"

Equalizer - Fabricated

FOR MODEL:
21B FAB



Includes E-7713 Rubber Bushing; 72" Axle Spacing

EUCLID NO.	GENUINE	OEM REF.	OVERALL LENGTH
E-16198	R	14763-01	43"

REYCO GRANNING

R Denotes Product is Genuine Reyco Granning


REYCO GRANNING

Equalizer Bushing & Hardware

Suspension

Equalizer Bushing Assembly


FOR MODELS:
101, 101A, 102, 102W



EUCLID NO.	OEM REF.	NOTES
E-2848	TK19163	Includes: 1 Bushing, 1 Bolt, 2 Washer, 1 Nut

Equalizer Bushing Assembly


FOR MODEL:
21B Cast



EUCLID NO.	NOTES
E-2116A	Includes: 1 Bushing, 1 Shaft, 1 Washer, 1 Nut

Equalizer Bushing Assembly


FOR MODELS:
101, 101A, 102, 102W



EUCLID NO.	OEM REF.	NOTES
E-2847	TK19164	Includes: 1 Bushing, 1 Bolt, 2 Washer, 1 Nut

Equalizer Bushing Assembly


FOR MODEL:
21B Cast



EUCLID NO.	NOTES
E-5247	Includes: 1 Bushing, 1 Shaft, 1 Washer, 1 Nut

Equalizer Bushing Assembly


FOR MODELS:
101, 101A, 102W



EUCLID NO.	OEM REF.	NOTES
E-1970	TK19056	Includes: 1 Bushing, 1 Shaft, 1 Washer, 1 Nut

Equalizer Bushing Assembly


FOR MODELS:
74B 50"-60", 74B 72"-109"



EUCLID NO.	NOTES
E-9801	Includes: 1 Bushing, 1 Bolt, 1 Nut

Equalizer Bushing Assembly


FOR MODEL:
21B Cast



EUCLID NO.	GENUINE	OEM REF.	NOTES
E-3976	R	TK18998	Includes: 1 Shaft, 2 Bushing (Rubber), 2 Washer, 2 Bolt, 2 Lock Washer
GAFF15075	-	-	

Equalizer Bushing Assembly

FOR MODEL:
86-88



EUCLID NO.	OEM REF.	NOTES
E-4832	K0649-04	Includes: 1 Bushing, 1 Bolt, 1 Nut


R Denotes Product is Genuine Reyco Granning

REYCO GRANNING

Equalizer Bushing & Hardware

Equalizer Bushing

FOR MODELS:
101, 101A, 102, 102W




Rubber Bushing (GM/Volvo)

EUCLID NO.	OEM REF.	OD	ID	LENGTH
E-2850	08915-01	3-1/8"	1-1/4"	4-1/2"

Equalizer Bushing


FOR MODEL:
21B Cast



EUCLID NO.	OEM REF.	OD	ID	LENGTH	NOTES
E-1159	T-5524	3-3/8"	1-5/8"	4-7/16"	Rubber
GAFF15076	-	3-3/8"	1-5/8"	4-7/16"	Poly

Equalizer Bushing


FOR MODELS:
101, 101A, 102, 102W



EUCLID NO.	OEM REF.	OD	ID	LENGTH	NOTES
E-3977	14713-01	3-1/8"	1-1/2"	4-1/2"	Rubber
GAFF15001	-	3-1/8"	1-1/2"	4-1/2"	Poly

Equalizer Bushing


FOR MODELS:
21B FAB, 83



EUCLID NO.	GENUINE	OEM REF.	OD	ID	LENGTH	NOTES
E-7713	R	14682-01	3-1/8"	1-1/4"	4-5/8"	Rubber

Equalizer Bushing

FOR MODELS:
101, 101A, 102, 102W



One End Slotted

EUCLID NO.	OEM REF.	OD	ID	LENGTH	NOTES
E-2849	08995-01	3-1/8"	1-1/4"	4-1/2"	Rubber

Equalizer Bushing


FOR MODELS:
73, 73 WS, 83



EUCLID NO.	OEM REF.	OD	ID	LENGTH	NOTES
E-1072	T-3214	3-1/8"	2"	4-1/4"	Rubber

Equalizer Bushing

FOR MODELS:
101, 101A, 102W




Rubber Bushing Both Ends Slotted

EUCLID NO.	OEM REF.	OD	ID	LENGTH
E-1966	08363-01	3-1/8"	1-1/2"	4-1/2"

Equalizer Bushing

FOR MODELS:
74B 50"-60", 74B 72"-109"



EUCLID NO.	OEM REF.	OD	ID	LENGTH	NOTES
E-9550	13805-01	3-1/8"	1-1/4"	5-3/8"	Rubber

R Denotes Product is Genuine Reyco Granning


REYCO GRANNING


REYCO GRANNING


Equalizer Bushing & Hardware


Suspension

Equalizer Bushing					
FOR MODEL: 86-88					
					
EUCLID NO.	OEM REF.	OD	ID	LENGTH	NOTES
E-4827	0649-02	3-5/16"	1-1/32"	4"	Rubber
GAFF15054	-				Poly

Equalizer Bushing					
FOR MODEL: 21B Cast WS					
					
60" Axle Spacing					
EUCLID NO.	OEM REF.	OD	ID	LENGTH	NOTES
E-813	T-2102	4-1/16"	2-3/8"	2-9/16"	Rubber

Equalizer Bolt Assembly	
FOR MODEL: 21B FAB	
	
EUCLID NO.	NOTES
E-9538	Includes: 1 Bolt, 1 Nut 1-1/4"-12

Equalizer Bolt			
			
EUCLID NO.	MODEL	OEM REF.	NOTES
E-1166	73 WS	T-5492	1"-14 x 6-3/4" Long
E-7719	83	14683-01	1-1/4"-12 x 7-3/4" Long
E-4830	86-88	0001-14	1"-14 x 6-1/2" Long
E-2852	101, 101A, 102, 102W, 74B 50"-60", 74B 72"-109" (Used on 101-102W Ford, Volvo, GM models)	10949-01	1-1/4"-12 x 8-3/4" Long

Equalizer Pad		
FOR MODEL: 21B Cast		
		
EUCLID NO.	GENUINE	OEM REF.
E-9559	R	11851-01

Equalizer Pad		
FOR MODEL: 21B Cast		
		
EUCLID NO.	GENUINE	OEM REF.
E-9560	R	11852-01

R Denotes Product is Genuine Reyco Granning

REYCO GRANNING

Equalizer Bushing & Hardware

Equalizer Pad


FOR MODELS:
73, 101A, 102



EUCLID NO.	OEM REF.	WHERE USED
E-7717	10055-01	Model 73 - 49" Axle Spacing

Equalizer Shaft

FOR MODEL:
21B FAB



60" Axle Spacing

EUCLID NO.	OEM REF.	OD	LENGTH	THREAD	NOTES
E-837	T-2158	2-1/2"	12-1/2"	2-1/2"-16	Use with E-3979 Nut

Equalizer Shaft


FOR MODELS:
101, 101A, 102, 102W



EUCLID NO.	GENUINE	OEM REF.	OD	LENGTH	THREAD	NOTES
E-1967	R	08686-01	1-1/2"	8"	1-7/16"-12	-
E-1967-P	-	08686-01	1-1/2"	8"	1-7/16"-12	Price Point

Equalizer Shaft Nut

FOR MODEL:
21B FAB



Equalizer Shaft Lock Screw for 60" Axle Spacing

EUCLID NO.	OEM REF.	THREAD	NOTES
E-3979	T-2158	2-1/2"-16	Use with E-837 Shaft

Equalizer Shaft

FOR MODEL:
21B Cast



1"-8 Bolt Holes in Both Ends


EUCLID NO.	GENUINE	OEM REF.	OD	LENGTH
E-3972	R	14247-01	1-5/8"	8-11/16"


R Denotes Product is Genuine Reyco Granning


REYCO GRANNING


Equalizer Bushing & Hardware

Suspension

Equalizer Nut		
FOR MODELS: 74B 50"-60", 74B 72"-109"		
		
EUCLID NO.	OEM REF.	NOTES
E-2854	08914-01	1-1/4"-12

Equalizer Shaft Assembly	
FOR MODELS: 101, 101A, 102	
	
EUCLID NO.	NOTES
E-9840	Includes E-1967 Shaft, Nut and Washer

Equalizer Shaft Lock Screw		
FOR MODEL: 21B Cast		
		
EUCLID NO.	OEM REF.	NOTES
E-1987	14248-01	1"-8 x 2-1/2" Long

Equalizer Spring Roller Assembly		
FOR MODEL: 101		
		
EUCLID NO.	OEM REF.	NOTES
E-1975	TK19011	Includes: 1 Bolt, 1 Roller, 1 Nut, 1 Washer

R Denotes Product is Genuine Reyco Granning

REYCO GRANNING

Torque Arms

Adjustable



Type 1



Type 2

EUCLID NO.	GENUINE	DEM REF.	FOR MODELS	INCLUDES BUSHING, HANGER END	INCLUDES BUSHING, AXLE SEAT END	BUSHING ASSEMBLY, HANGER SEAT END	BUSHING ASSEMBLY, AXLE SEAT END	LENGTH	TYPE
E-7741	R	16031-01	73, 73 WS, 83	E-7750	E-1980	E-7749	E-1981	12-3/4" to 15"	1
E-9584	R	16595-01	74B 72"-109", 74B 50"-60", 74AR	E-9549	E-9549	E-9587	E-9587	13" to 15"	2
E-16541	R	20138-01	240AR	E-10057	E-1980	E-9350	E-1981	15" to 17-1/4"	1
E-3283A	R	15172-01	21B Cast, 21B FAB, 21AR	Not Included, Use E-1160	Not Included, Use E-1160	E-1312A	E-1312A	15-1/2" to 17-1/2"	1
E-3284A	R	15173-01	21B Cast, 21B FAB	Not Included, Use E-1160	Not Included, Use E-1160	E-1312A	E-1312A	17-1/2" to 19-1/2"	1
E-3764	R	15187-01	102W, 102AR	Not Included, Use E-10057	Not Included, Use E-1980	E-9350	E-1981	17-1/2" to 19-1/2"	1
E-2513	R	-	86AR	E-1980	E-1980	E-1981	E-1981	18-1/2" to 21-1/2"	2
E-4824	R	1035-20	86AR, 86-88	E-1980	E-1980	E-4834A	E-4834A	18-1/4" to 20-3/4"	1
E-4796	R	15186-01	102W, 102AR	Not Included, Use E-10057	Not Included, Use E-1980	E-9350	E-1981	19-1/2" to 21-1/2"	1
E-2866A	R	15354-01	21B FAB, 102	Not Included, Use E-10057	Not Included, Use E-1982	E-9350	E-1983	19-1/2" to 21-3/4"	1
E-7742	R	16032-01	73, 73 WS, 83	Not Included, Use E-7750	Not Included, Use E-1980	E-7749	E-1981	19-1/2" to 21-3/4"	1
E-9620	R	16596-01	74B 50"-60", 74B 72"-109"	E-9549	E-9549	E-9587	E-9587	21-1/4"	2
E-5255A	R	15176-01	21B FAB, 102	Not Included, Use E-10057	Not Included, Use E-1982	E-9350	E-1983	24" to 26-1/4"	1
E-7743	R	16034-01	73 WS, 83	E-7750	E-1980	E-7749	E-1981	24" to 26-1/4"	1
E-15294	R	16597-01	74B 50"-60"	E-9549	E-9549	E-9587	E-9587	24-1/2"	2
E-2292	R	16347-01	102CC	E-1980	E-1980	E-1981	E-1981	14-3/4" to 18-1/2"	2

R Denotes Product is Genuine Reyco Granning

Torque Arms

Rigid



Type 1



Type 2



Type 3



Type 4

EUCLID NO.	GENUINE	OEM REF.	FOR MODELS	INCLUDES BUSHING, HANGER END	INCLUDES BUSHING, AXLE SEAT END	BUSHING ASSEMBLY, HANGER SEAT END	BUSHING ASSEMBLY, AXLE SEAT END	LENGTH	TYPE
E-9585	R	16585-01	74B 50"-60", 74B 72"-109", 74 AR	E-9549	E-9549	E-9587	E-9587	14-1/4"	4
E-7744	R	10040-01	73, 73 WS, 83	E-7750	E-1980	E-7749	E-1981	15"	3
E-2855	R	15178-01	21B Cast, 21B FAB, 21AR	Not Included, Use E-1160	Not Included, Use E-1160	E-1312A	E-1312A	16-1/4"	1
E-16540	R	20121-01	240AR	E-10057	E-1980	E-9350	E-1981	16-3/4"	4
E-2856	R	15179-01	21B Cast	Not Included, Use E-1160	Not Included, Use E-1160	E-1312A	E-1312A	18-5/8"	1
E-4825	R	0075-20	86AR, 86-88	E-1980	E-1980	E-4834A	E-4834A	19-5/8"	4
E-2860	R	12051-01	101A, 102W, 102AR	E-1964 (101A) E-10057 (102W/102AR)	E-1980	E-1963 (101A) E-9350 (102W/102AR)	E-1981	20-1/2"	2
E-2858	R	15012-01	102	Not Included, Use E-10057	Not Included, Use E-1982	E-9350	E-1983	21"	1
E-9619	R	16588-01	74B 50"-60"	E-9549	E-1982	E-9587	E-1983	21-1/4"	4
E-15293	R	16589-01	74B 50"-60"	E-9549	E-1982	E-9587	E-1983	24-1/2"	4
E-5256	R	09686-01	21B FAB	Not Included, Use E-1160	Not Included, Use E-1160	E-1312A	E-1312A	25"	1
E-7746	R	12422-01	73 WS	E-7750	E-1980	E-7749	E-1981	25-1/4"	4

R Denotes Product is Genuine Reyco Granning

REYCO GRANNING

Torque Arms

Track Rod - Adjustable



EUCLID NO.	GENUINE	OEM REF.	FOR MODELS	INCLUDES BUSHING, HANGER END	INCLUDES BUSHING, AXLE SEAT END	BUSHING ASSEMBLY, HANGER SEAT END	BUSHING ASSEMBLY, AXLE SEAT END	LENGTH
E-16495	R	16429-01	102AR	E-1980	E-1980	E-1981	E-1981	-

Track Rod - Rigid



EUCLID NO.	GENUINE	OEM REF.	FOR MODELS	INCLUDES BUSHING, HANGER END	INCLUDES BUSHING, AXLE SEAT END	BUSHING ASSEMBLY, HANGER SEAT END	BUSHING ASSEMBLY, AXLE SEAT END	LENGTH
E-15266	R	20012-01	21AR, 74AR, 86AR	E-1980	E-1980	E-1981	E-1981	38"
E-15276	R	10910-01	21AR, 74AR, 86AR	E-1980	E-1980	E-1981	E-1981	44"

REYCO GRANNING

R Denotes Product is Genuine Reyco Granning


REYCO GRANNING

Torque Arm Bushings & Hardware

Suspension

Torque Arm Bushing Assembly

FOR MODEL:
101A




Hanger End of Torque Arm

EUCLID NO.	OEM REF.	NOTES
E-1963	TK19166	Includes: 2 Rubber Bushings, 1 Bolt, 1 Nut, 2 Washers

Torque Arm Bushing Assembly

FOR MODELS:
73, 73 WS, 79KB, 83




Axle Seat End of Torque Arm For Most Models

EUCLID NO.	NOTES
E-1981	Includes: 1 Rubber Bushing, 1 Bolt, 1 Nut
GAFF15063	Includes: 1 Poly Bushing, 1 Bolt, 1 Nut

Torque Arm Bushing Assembly

FOR MODEL:
102




Axle Seat End of Torque Arm

EUCLID NO.	OEM REF.	NOTES
E-1983	TK19089	Includes: 2 Rubber Bushings, 1 Bolt, 1 Nut, 2 Washers

Torque Arm Bushing Assembly


FOR MODEL:
73



EUCLID NO.	NOTES
E-7749	Includes: 1 Rubber Bushing, 1 Bolt, 1 Nut

Torque Arm Bushing Assembly

FOR MODELS:
102, 102W, 102CC,
102AR, 240AR




Hanger End of Torque Arm

EUCLID NO.	OEM REF.	NOTES
E-9350	TK21640T	Includes: 2 Rubber Bushings, 1 Bolt, 1 Nut, 2 Washers
GAFF15061	-	Includes: 2 Poly Bushings, 1 Bolt, 1 Nut, 2 Washers

Torque Arm Bushing Assembly

FOR MODELS:
74AR, 74B 50-97"



EUCLID NO.	NOTES
E-9587	Includes: 1 Bushing, 1 Bolt, 1 Nut

Torque Arm Bushing Assembly


FOR MODELS:
21B Cast, 21B FAB,
21AR, 21B Cast,
21B FAB, 21AR, 101A



EUCLID NO.	OEM REF.	NOTES
E-1312A	TK18997	Includes: 2 Rubber Bushings, 1 Bolt, 1 Nut, 2 Washers
GAFF999545	TK19166	Includes: 2 Poly Bushings, 1 Bolt, 1 Nut, 2 Washers

Torque Arm Bushing Assembly

FOR MODEL:
86-88



EUCLID NO.	OEM REF.	NOTES
E-4834A	K0022-01	Includes: 1 Rubber Bushing, 1 Bolt, 1 Nut
GAFF15063	-	Includes: 1 Poly Bushing, 1 Bolt, 1 Nut


R Denotes Product is Genuine Reyco Granning

REYCO GRANNING

Torque Arm Bushings & Hardware

Torque Arm Bushing


FOR MODEL:
102



EUCLID NO.	OEM REF.	LARGE OD	SMALL OD	ID	LENGTH	NOTES
E-1982	T-2242	2-3/8"	1-3/4"	1"	2-11/16"	Rubber
GAFF15051	-	2-3/8"	1-3/4"	1"	2-11/16"	Poly

Torque Arm Bushing

FOR MODELS:
73, 73 WS, 79KB,
83, 86-88, 102W, 102AR



EUCLID NO.	OEM REF.	LARGE OD	ID	LENGTH	NOTES
E-1980	09729-01	1-7/8"	7/8"	3"	Rubber
GAFF15013	-	1-7/8"	7/8"	3"	Poly

Torque Arm Bushing


FOR MODELS:
102, 102W, 102CC, 102AR, 240AR



EUCLID NO.	OEM REF.	LARGE OD	SMALL OD	ID	LENGTH	NOTES
E-10057	21238-01S	3-1/16"	1-13/16"	1"	2-7/8"	Rubber
GAFF15020	-	3-1/16"	1-13/16"	1"	2-7/8"	Poly

Torque Arm Bushing


FOR MODELS:
73, 73 WS, 83



EUCLID NO.	OEM REF.	LARGE OD	ID	LENGTH	NOTES
E-7750	10051-01	1-7/8"	7/8"	3-3/8"	Rubber

Eccentric Torque Leaf Bushing, Poly/Rubber


FOR MODELS:
101, 101A



EUCLID NO.	OEM REF.	SMALL OD	LARGE OD	LENGTH	NOTES
E-1964	T-1723	1-13-16"	3-1/16"	2-7/8"	Rubber

Torque Arm Bushing


FOR MODELS:
74B 50"-60",
74B 72"-109"



EUCLID NO.	OEM REF.	LARGE OD	ID	LENGTH	NOTES
E-9549	15737-01	2-3/8"	1"	4"	Rubber

Torque Arm Bushing


FOR MODELS:
21B Cast, 21B FAB, 21AR



EUCLID NO.	OEM REF.	LARGE OD	SMALL OD	ID	LENGTH	NOTES
E-1160	T-5493	2-3/8"	1-13/16"	1"	3"	Rubber
GAFF15073	-	2-3/8"	1-13/16"	1"	3"	Poly

Track Rod Bracket

FOR MODELS:
21AR, 74AR, 86AR




EUCLID NO.	GENUINE	OEM REF.	NOTES
E-9358	R	21491-01	Includes Bracket and Hardware


R Denotes Product is Genuine Reyco Granning


REYCO GRANNING

Torque Arm Bushings & Hardware

Suspension

Torque Arm Bolts			
			
EUCLID NO.	MODEL	OEM REF.	NOTES
E-900	102, 102CC	17161-01	1"-8 x 6-3/4" Long
E-1166	21B FAB, 21AR, 73, 74B 50"-60", 74B 72"-109", 102CC, 102AR	T-5492	1"-14 x 6-3/4" Long
E-901	79KB	10033-01	7/8"-9 x 5-1/2" Long
E-2852	86-88	0001-08	7/8" - 14" x 5-1/4" Long


Track Rod Hanger		
FOR MODEL: 86AR		
		
EUCLID NO.	GENUINE	OEM REF.
E-15314	R	19772-01


Track Rod Hanger		
FOR MODEL: 74 AR		
		
EUCLID NO.	GENUINE	OEM REF.
E-15269	R	18919-01


R Denotes Product is Genuine Reyco Granning


REYCO GRANNING


Cast Hangers by Model

Front Hanger - Flange Mount			
FOR MODEL: 21B Cast			
			
EUCLID NO.	GENUINE	OEM REF.	NOTES
E-2880	R	T-5425	Left Hand
E-2879	R	T-5424	Right Hand (Shown)


Front Hanger - Under Mount			
FOR MODEL: 21B Cast			
			
EUCLID NO.	GENUINE	OEM REF.	NOTES
E-5257	R	T-5563	Left Hand (Shown)
E-5258	R	T-5562	Right Hand

Center Hanger - Flange Mount		
FOR MODEL: 21B Cast		
		
EUCLID NO.	GENUINE	OEM REF.
E-2881	R	T-5426

Center Hanger - Under Mount		
FOR MODEL: 21B Cast		
		
EUCLID NO.	GENUINE	OEM REF.
E-5259	R	T-5564

Rear Hanger - Flange Mount			
FOR MODEL: 21B Cast			
			
EUCLID NO.	GENUINE	OEM REF.	NOTES
E-2883	R	T-5429	Left Hand
E-2882	R	T-5428	Right Hand (Shown)


Rear Hanger - Under Mount			
FOR MODEL: 21B Cast			
 			
E-16478 E-5261			
EUCLID NO.	GENUINE	OEM REF.	NOTES
E-16478	R	24023-01	Heavy Duty
E-5260	R	T-5565	Left Hand
E-5261	R	T-5566	Right Hand (Shown)


Front Hanger - Under Mount			
FOR MODEL: 21B Cast			
			
EUCLID NO.	GENUINE	OEM REF.	NOTES
E-16180	R	24022-01	Heavy Duty
E-16179	R	20478-01	Standard Duty

R Denotes Product is Genuine Reyco Granning


REYCO GRANNING


Cast Hangers by Model


Front Hanger - Flange Mount			
FOR MODEL: 79KB			
			
EUCLID NO.	GENUINE	OEM REF.	NOTES
E-15302	R	22404-01	Left Hand (Shown)
E-15303	R	22404-02	Right Hand

Center Hanger - Flange Mount			
FOR MODELS: 101, 101A, 102, 102W			
			
EUCLID NO.	GENUINE	OEM REF.	NOTES
E-14388	R	22335-01	Drilled
E-2886	R	22274-01	Undrilled

Rear Hanger - Flange Mount			
FOR MODEL: 79KB			
			
EUCLID NO.	GENUINE	OEM REF.	NOTES
E-15307	R	22407-01	Left Hand (Shown)
E-15308	R	22407-02	Right Hand

Rear Hanger - Flange Mount			
FOR MODELS: 101, 101A, 102, 102W			
			
EUCLID NO.	GENUINE	OEM REF.	NOTES
E-2887	R	22299-01	Left Hand, Undrilled (Shown)
E-2888	R	22299-02	Right Hand, Undrilled

Front Hanger - Flange Mount			
FOR MODELS: 101, 101A, 102, 102W			
			
EUCLID NO.	GENUINE	OEM REF.	NOTES
E-2884	R	22272-02	Left Hand, Undrilled (Shown)
E-2885	R	22272-01	Right Hand, Undrilled


Front Hanger - Flange Mount			
FOR MODEL: 102AR			
			
EUCLID NO.	GENUINE	OEM REF.	NOTES
E-4794	R	22521-01	Left Hand, Includes Wear Pad Assembly (Shown)
E-4795	R	22521-02	Right Hand, Includes Wear Pad Assembly


Front Hanger - Flange Mount			
FOR MODEL: 240AR			
			
EUCLID NO.	GENUINE	OEM REF.	NOTES
E-15318	R	20981-01	Left Hand
E-15319	R	20982-01	Right Hand (Shown)


R Denotes Product is Genuine Reyco Granning

REYCO GRANNING


Fabricated Hangers by Model


Front Hanger - Under Mount			
FOR MODEL: 21AR			
			
EUCLID NO.	GENUINE	OEM REF.	
E-15265	R	21949-01	

Center Hanger - Under Mount			
FOR MODEL: 21B FAB			
			
EUCLID NO.	GENUINE	OEM REF.	NOTES
E-9539	R	14684-01	44" - 65-1/2" Axle Spread

Front Hanger - Under Mount			
FOR MODEL: 21B FAB			
			
EUCLID NO.	GENUINE	OEM REF.	
E-9537	R	09832-01	


Rear Hanger - Under Mount			
FOR MODEL: 21B FAB			
			
EUCLID NO.	GENUINE	OEM REF.	
E-9541	R	08595-01	


Center Hanger - Under Mount			
FOR MODEL: 21B FAB			
			
EUCLID NO.	GENUINE	OEM REF.	NOTES
E-16195	R	14688-01	72" - 109" Axle Spread


Torque Arm Bracket			
FOR MODEL: 21B FAB			
			
EUCLID NO.	GENUINE	OEM REF.	
E-5264	R	11610-01	

R Denotes Product is Genuine Reyco Granning


Fabricated Hangers by Model


Center Hanger - Under Mount		
FOR MODELS: 74B 72"-109"		
		
EUCLID NO.	GENUINE	OEM REF.
E-15296	R	15735-01

Front Hanger - Straddle Mount		
FOR MODEL: 83		
		
EUCLID NO.	GENUINE	OEM REF.
E-7727	R	149995-01

Torque Arm Bracket		
FOR MODEL: 74B 72"-109"		
		
EUCLID NO.	GENUINE	OEM REF.
E-15298	R	16673-01

Rear Hanger - Straddle Mount		
FOR MODEL: 83		
		
EUCLID NO.	GENUINE	OEM REF.
E-7739	R	14999-01

Front Hanger - Under Mount		
FOR MODEL: 83		
		
EUCLID NO.	GENUINE	OEM REF.
E-15311	R	15095-01


Front Hanger - Straddle Mount		
FOR MODEL: 86AR		
		
EUCLID NO.	GENUINE	OEM REF.
E-9351A	R	22662-01


R Denotes Product is Genuine Reyco Granning


REYCO GRANNING

Fabricated Hangers by Model


Front Hanger - Flange Mount			
FOR MODEL: 86-88			
			
EUCLID NO.	GENUINE	OEM REF.	NOTES
E-4807	R	0400-01, 0311-01	Left Hand, Includes Wear Pad (Shown)
E-4808	R	0400-02, 0311-02	Right Hand, Includes Wear Pad

Front Hanger - Straddle Mount			
FOR MODEL: 86-88			
			
EUCLID NO.	GENUINE	OEM REF.	NOTES
E-4801	R	0046-20, 0046-00	Includes Wear Pad

Center Hanger - Flange Mount			
FOR MODEL: 86-88			
			
EUCLID NO.	GENUINE	OEM REF.	NOTES
E-4809	R	0401-00, 0312-00	44", 49" & 54" Axle Spread


Center Hanger - Straddle Mount			
FOR MODEL: 86-88			
			
EUCLID NO.	GENUINE	OEM REF.	NOTES
E-4802	R	0062-26, 0062-00	44", 49" & 54" Axle Spread


Rear Hanger - Flange Mount			
FOR MODEL: 86-88			
			
EUCLID NO.	GENUINE	OEM REF.	NOTES
E-4810	R	0402-01, 0313-01	Left Hand, Includes Wear Pad (Shown)
E-4811	R	0402-02, 0313-02	Right Hand, Includes Wear Pad


Rear Hanger - Straddle Mount			
FOR MODEL: 86-88			
			
EUCLID NO.	GENUINE	OEM REF.	NOTES
E-4803	R	0051-20, 0051-00	Includes Wear Pad

R Denotes Product is Genuine Reyco Granning

Fabricated Hangers by Model

Front Hanger - Under Mount			
FOR MODEL: 86-88			
			
EUCLID NO.	GENUINE	OEM REF.	NOTES
E-4804	R	0084-00, 0049-00	Includes Wear Pad

Center Hanger - Under Mount			
FOR MODEL: 86-88			
			
EUCLID NO.	GENUINE	OEM REF.	NOTES
E-4805	R	0088-00, 0065-00	44", 49" & 54" Axle Spread


Rear Hanger - Under Mount			
FOR MODEL: 86-88			
			
EUCLID NO.	GENUINE	OEM REF.	NOTES
E-4806	R	0086-00, 0053-00	Includes Wear Pad


R Denotes Product is Genuine Reyco Granning


REYCO GRANNING


Hanger & Spring Hardware

Rear Hanger Bushing				
FOR MODELS: 101A, 102AR				
				
EUCLID NO.	OEM REF.	OD	ID	LENGTH
E-1061	T-3016	1-7/8"	7/8"	3"


Spring Roller Assembly		
FOR MODEL: 86-88		
		
4-1/2" Bolt		
EUCLID NO.	OEM REF.	NOTES
E-4835	0741-00	Includes Bolt, Roller and Nut


Front Hanger Roller Assembly		
FOR MODEL: 102CC		
		
EUCLID NO.	OEM REF.	NOTES
E-16537	TK19212	Includes Bolt, Lockwashers, and Spring Roller

Spring Roller Assembly		
FOR MODEL: 86-88		
		
5-1/2" Bolt		
EUCLID NO.	OEM REF.	NOTES
E-4837	K074105	Includes Bolt, Roller and Nut

Spring Roller Assembly		
FOR MODEL: 102CC		
		
EUCLID NO.	OEM REF.	NOTES
E-16538	TK19169	Includes Bolt, Lockwashers, Spring Roller, Rear Hangers, Bushings, and Nut

Rubber Roller		
FOR MODEL: 240AR		
		
Rubber Roller, 2-1/2"		
EUCLID NO.	GENUINE	OEM REF.
E-15324	R	13677-08


Spring Roller Assembly		
FOR MODELS: 21B Cast, 21B FAB, 73 WS, 83, 101A, 102, 102W		
		
EUCLID NO.	OEM REF.	NOTES
E-1975	TK19011	Includes Bolt, Washers, Roller and Nut

Spring Roller					
FOR MODELS: 21B Cast, 21B FAB, 73 WS, 79KB, 83, 101, 101A, 102, 102W, 102CC					
					
Spring Roller					
EUCLID NO.	GENUINE	OEM REF.	OD	ID	LENGTH
E-1971	R	T-2106	7/8"	5/8"	3-5/16"


R Denotes Product is Genuine Reyco Granning

REYCO GRANNING


Hanger & Spring Hardware

Spring Roller				
FOR MODELS: 74B 50"-60" 74B 72"-109"				
				
EUCLID NO.	GENUINE	OEM REF.	ID	LENGTH
E-15292	R	13818-01	1/2"	4-1/4"

Wear Pad			
FOR MODEL: 21B Cast			
			
EUCLID NO.	GENUINE	OEM REF.	NOTES
E-9561	R	15630-01	Rear Hanger

Spring Roller			
FOR MODEL: 86-88			
			
EUCLID NO.	OEM REF.	OD	LENGTH
E-3416	0741-01	3/4"	3-1/4"

Wear Pad			
FOR MODEL: 86-88			
			
EUCLID NO.	GENUINE	OEM REF.	NOTES
E-4828	R	0045-00	Front Hanger

Wear Pad			
FOR MODELS: 101, 101A, 102, 102W, 102AR, 240AR			
			
EUCLID NO.	GENUINE	OEM REF.	NOTES
E-2867A	R	TK19168	Includes Bolt, Plate, and Wear Pad

R Denotes Product is Genuine Reyco Granning

REYCO GRANNING

Axle Attaching Parts

Axle Seat - 5" Round Axle


FOR MODEL:
21AR



EUCLID NO.	GENUINE	OEM REF.
E-15270	R	20051-01

Axle Seat - 5" Round Axle

FOR MODELS:
74AR, 74B 50"-60",
74B 72"-109"



EUCLID NO.	GENUINE	OEM REF.	HEIGHT
E-9626	R	15751-01	1"

Axle Seat - 5" Round Axle


FOR MODELS:
21B Cast, 21B FAB



EUCLID NO.	GENUINE	OEM REF.	HEIGHT
E-16479	R	11336-01	3/4"
E-5254	R	09730-01	1-3/4"
E-9557	R	08757-01	3-1/4"

Axle Seat - 5" Round Axle


FOR MODELS:
86AR, 86-88



EUCLID NO.	GENUINE	OEM REF.	HEIGHT
E-4814	R	0636-01	1"
E-4815	R	0636-02	2"
E-9355	R	0636-025	2-1/2"
E-16490	R	0636-03	3"

Axle Seat - 5" x 5" Square Axle


FOR MODELS:
21B Cast, 21B FAB



EUCLID NO.	GENUINE	OEM REF.	HEIGHT
E-9573	R	07980-01	3/4"

Axle Seat 5" x 5" Square Axle

FOR MODEL:
86-88



EUCLID NO.	GENUINE	OEM REF.	HEIGHT
E-4817	R	0632-01	1"
E-4818	R	0632-02	2"

R Denotes Product is Genuine Reyco Granning

REYCO GRANNING

Axle Attaching Parts

Axle Seat - No Hop, 5" Round Axle

FOR MODELS:
21B Cast, 21B FAB




Underslung

EUCLID NO.	GENUINE	OEM REF.	HEIGHT
E-16191	R	10114-01	3/4"

Bottom Plate

FOR MODELS:
21B Cast




Hole on Bottom for Center Bolt Clearance

EUCLID NO.	GENUINE	OEM REF.	NOTES
E-5253	R	T-5727	5" Round & 5" Square "Underslung Axles"

Axle Seat - No Hop, 5" x 5" Square Axle

FOR MODEL:
21B FAB




Underslung

EUCLID NO.	GENUINE	OEM REF.	HEIGHT
E-16484	R	09103-01	3/4"

Bottom Plate - 5" Round Axle


FOR MODELS:
21B Cast, 73, 73 WS, 83



EUCLID NO.	GENUINE	OEM REF.
E-2874	R	09139-01

Axle Seat - No Hop, 5" Round Axle


FOR MODEL:
86-88



EUCLID NO.	GENUINE	OEM REF.	HEIGHT
E-4816	R	0637-01	1"
E-4839	R	0637-02	2"
E-16496	R	0637-03	3"

Bottom Plate - 5" x 5" Square Axle

FOR MODELS:
21B Cast, 21B FAB




Inverted U-Bolts

EUCLID NO.	GENUINE	OEM REF.
E-16480	R	09229-01

Axle Seat, No Hop - 5" Square Axle

FOR MODELS:
86-88



Hole on Bottom for Center Bolt Clearance, Use with E-4840 on Rear Axle for No-Hop

EUCLID NO.	GENUINE	OEM REF.	HEIGHT
E-4819	R	0635-01	1"
E-4838	R	0635-02	2"

Bottom Plate - 5" Round Axle

FOR MODELS:
21AR, 86AR, 86-88





EUCLID NO.	OEM REF.	NOTES
E-2909	0538-00	-
E-2909-P	0538-00	Price Point


R Denotes Product is Genuine Reyco Granning

REYCO GRANNING


Axle Attaching Parts


Bottom Plate - 5" x 5" Square Axle	
FOR MODELS: 86AR, 86-88	
	
EUCLID NO.	OEM REF.
E-4823	0149-00

Stabilizer - No Hop, 5" Round Axle		
FOR MODEL: 21B Cast		
		
EUCLID NO.	GENUINE	OEM REF.
E-9558	R	08480-01

Bottom Plate - 5" Round/5" x 5" Square Axle		
FOR MODEL: 86-88		
		
EUCLID NO.	GENUINE	OEM REF.
E-16491	R	0858-00

Stabilizer - No Hop, 5" Square Axle	
FOR MODEL: 21B Cast	
	
EUCLID NO.	OEM REF.
E-9572	08061-01

Bottom Plate, No Hop - 5" Round Axle			
FOR MODEL: 86-88			
			
Use with E-4816 or E-4839 Axle Seat on Rear Axle for No-Hop			
EUCLID NO.	GENUINE	OEM REF.	NOTES
E-4822	R	0415-00	5" Round & 5" Square "Underslung Axles"

Bottom Plate, No Hop - 5" Round Axle			
FOR MODEL: 86-88			
			
Use with E-4819 or E-4838 Axle Seat on Rear Axle for No-Hop			
EUCLID NO.	GENUINE	OEM REF.	NOTES
E-4840	R	0416-00	5" Round & 5" Square "Underslung Axles"


R Denotes Product is Genuine Reyco Granning

REYCO GRANNING

Axle Attaching Parts

Top Plate

FOR MODELS:
21B FAB, 86-88




E-2907A E-2907A-P

EUCLID NO.	OEM REF.	NOTES
E-2907A	16868-01, 7029-00	-
E-2907A-P	16868-01, 7029-00	Price Point

Top Plate

FOR MODELS:
21B Cast,
21B FAB, 73, 73 WS,
83, 86-88



EUCLID NO.	GENUINE	OEM REF.	NOTES
E-2875	R	T-7175	5" Square Axles

Top Plate

FOR MODELS:
21B Cast, 79KB,
86-88, 101, 101A,
102, 102W, 102CC,
102AR, 240AR




Hole on Bottom for Center Bolt Clearance

EUCLID NO.	GENUINE	OEM REF.	LENGTH	WIDTH
E-2873	R	08677-01, 20050-01	7-3/4"	3"

Top Plate


FOR MODELS:
74B



EUCLID NO.	GENUINE	OEM REF.	NOTES
E-9616	R	13798-01	5" Round Axles
E-9617	R	14527-01	5-3/4" Round Axles

Top Plate


FOR MODEL:
86AR



EUCLID NO.	GENUINE	OEM REF.
E-9353	R	1098-00

Delrin Spring Liner


FOR MODELS:
86-88, 102AR, 240AR



EUCLID NO.	OEM REF.	WIDTH
E-2842	16810-02	2-7/8"

Top Plate


FOR MODELS:
21B Cast, 21B FAB, 86-88



EUCLID NO.	GENUINE	OEM REF.	NOTES
E-9554	R	T-1734	5" Round Axles

Galvanized Spring Liner

FOR MODEL:
86AR



EUCLID NO.	GENUINE	OEM REF.
E-11305	R	16810-00


R Denotes Product is Genuine Reyco Granning

REYCO GRANNING

Axle Attaching Parts

Bottom Clip - 5" x 5" Square Axle


FOR MODELS:
21B Cast, 21B FAB



EUCLID NO.	GENUINE	OEM REF.
E-16482	R	T-5587


U-Bolt Spacer

FOR MODEL:
23-25-30 AR




EUCLID NO.	GENUINE	OEM REF.
E-16206	R	23939-01

Spacer Blocks



With Center Hole





With Center Pin


EUCLID NO.	GENUINE	OEM REF.	FOR MODELS	WIDTH	LENGTH	THICKNESS	NOTES
E-9562	R	T-7555	21B Cast, 102CC	3"	7"	1/2"	w/ 13/16" Hole
E-9563	R	T-7716	21B Cast & Fab, Models 83 & 102CC	3"	7-1/2"	1"	w/ 3/4" Dia. Pin
E-9564	R	T-7654	21B Cast & Fab, 102CC	3"	7-1/2"	1-1/2"	w/ 3/4" Dia. Pin
E-2878	R	T-7655	21B Cast & Fab, Model 83	3"	7-1/2"	2"	w/ 3/4" Dia. Pin


R Denotes Product is Genuine Reyco Granning


Air Valves


Height Control Valve	
FOR MODELS: 102AR, 240AR, 21 AR, 23-25-30AR	
	
EUCLID NO.	NOTES
E-9623	3/8" Fittings, No Dump

Height Control Valve	
FOR MODELS: 86AR	
	
EUCLID NO.	NOTES
E-14729	3/8" Fittings, No Dump

Height Control Valve		
FOR MODELS: 20AR & 22AR		
		
EUCLID NO.	OEM REF.	NOTES
E-15241	700318-14	No Dump

Linkage Assembly	
FOR MODELS: 23-25-30AR	
	
EUCLID NO.	NOTES
E-7852	3-5/8" to 19-5/8" Range

Height Control Valve			
FOR MODELS: 74AR, 86AR			
			
EUCLID NO.	GENUINE	OEM REF.	NOTES
E-15271	R	23329-01	1/4" Fittings, Includes Linkage, No Dump

Pressure Protection Valve		
FOR MODELS: 74AR, 86AR		
		
EUCLID NO.	OEM REF.	NOTES
E-4324	12915-03	Includes Filter

R Denotes Product is Genuine Reyco Granning

TABLE OF CONTENTS

RDS-209 — Tandem Drive / Steerable Suspension RDW-2

RD-202S — Tandem Drive Truck Suspension..... RDW-4

RAR-240 — 25K / 30K — Trailer Suspension..... RDW-8

RAR-260 — 25K / 30K — Trailer Suspension..... RDW-10

RAR-266 — 23K / 25K — Trailer Suspension..... RDW-12

RCA-215 & RCA-215T — Lifiable Truck & Trailer Suspension RDW-14

RSS-233 — 8K-20K — Lifiable Truck Suspension RDW-16

RSS-233T — 8K-20K — Lifiable Trailer Suspension RDW-18

RUL-245 — Lifiable Truck & Trailer Suspension RDW-20

Ridewell Components..... RDW-22

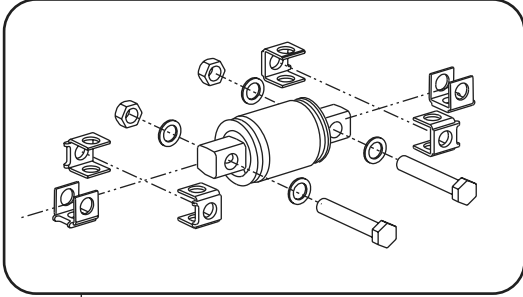


Not sure which suspension you have?
 Check out Meritor's Suspension Identification
 Xact Search to find the right part by
 clicking the QR code

RIDEWELL

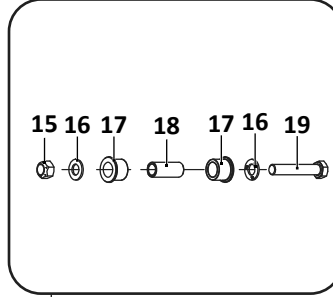
RDS-209 — Tandem Drive / Steerable Suspension

Drive Axle Adjustable Bar Pin Bushing Kit



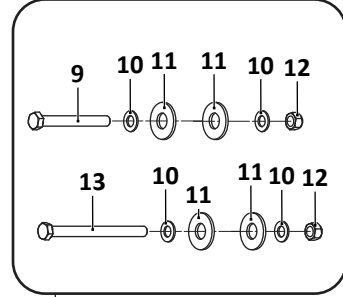
23

Upper Torque Arm Bushing Kit

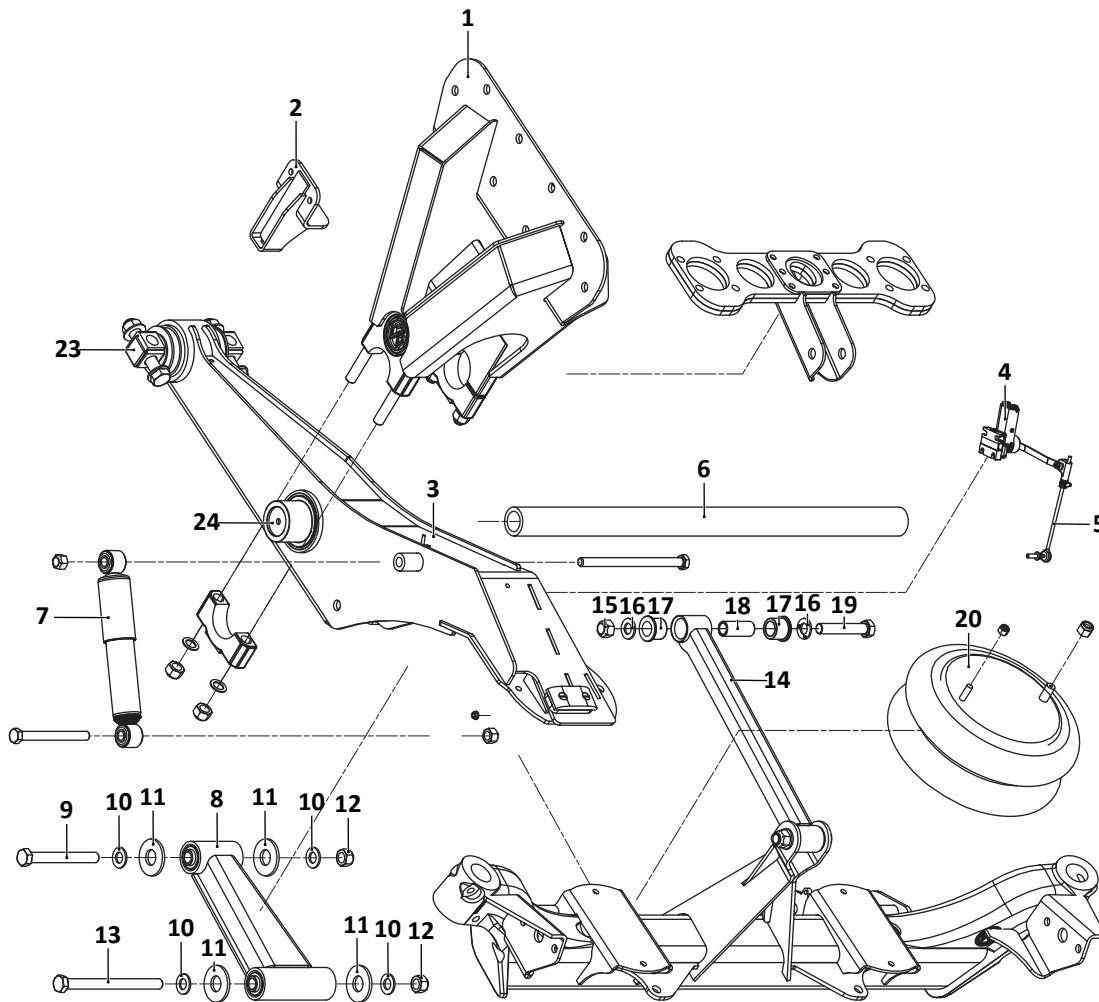


21

Lower Torque Arm Bushing Kit



22



RIDEWELL

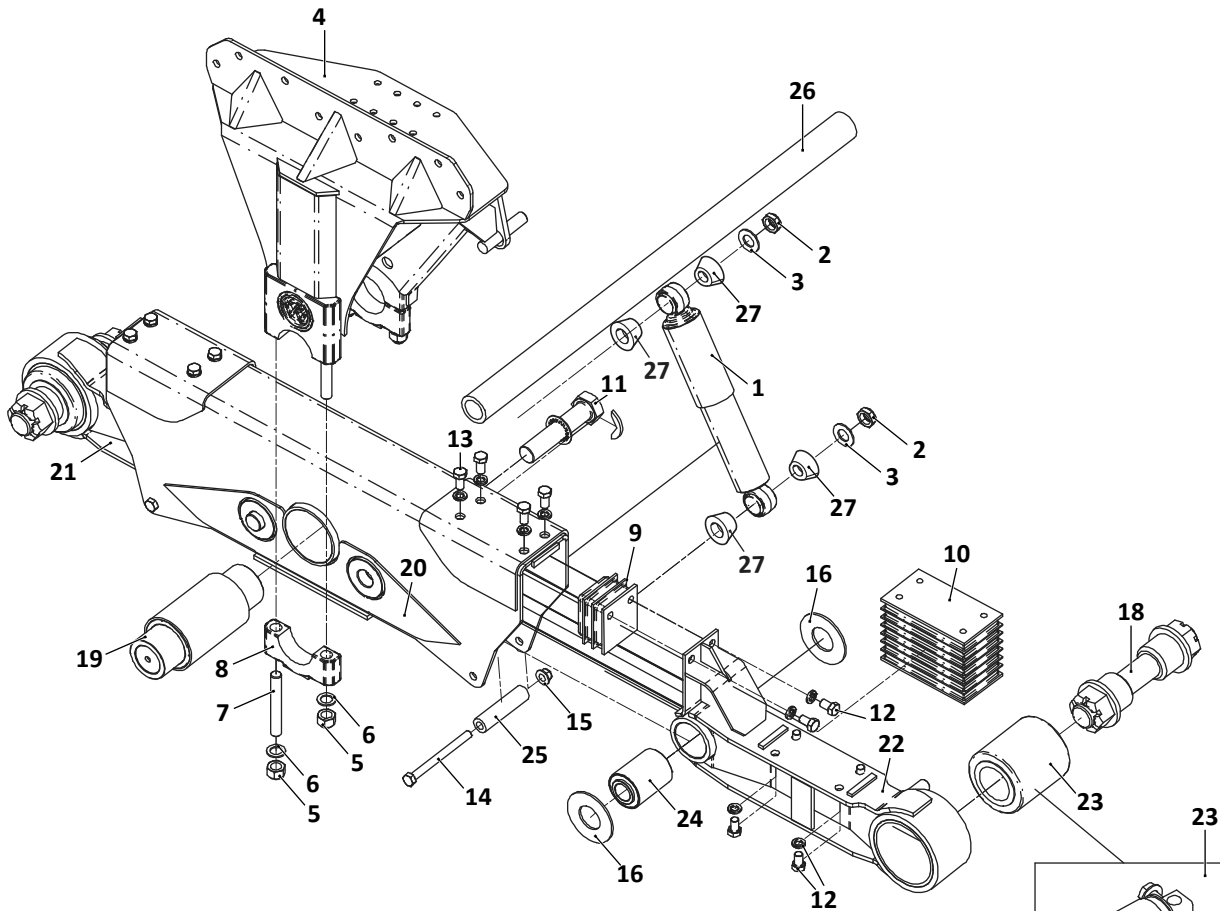
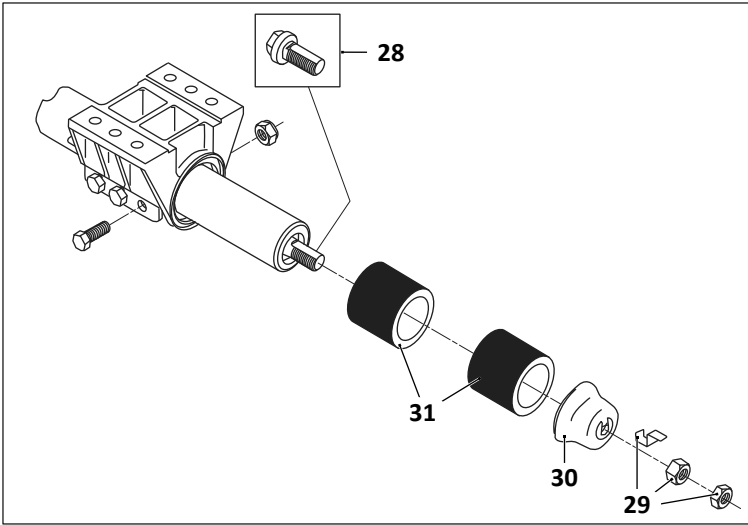
RDS-209 — Tandem Drive / Steerable Suspension						
KEY NO.	EUCLID NO.	GENUINE	OEM REF.	DESCRIPTION	QTY. PER AXLE	PAGE NO.
1	S.O.S.	☞	3620025	Beam Bracket, 16.5" Tall	2	-
2	S.O.S.	☞	3570004	Stop, Assembly, 209 Axle	2	-
3	S.O.S.	☞	5420012	Equalizer Beam Assembly, LH, Includes Bushing	1	-
	S.O.S.	☞	5420012	Equalizer Beam Assembly, RH, Includes Bushing	1	-
4	S.O.S.	☞	6300CCAB03	Height Control Valve	1	-
	E-14731	-	-	Height Control Valve, Universal, Apply Air to Dump	1	RDW-27
5	E-7852	-	-	Universal Linkage Kit	1	RDW-27
6	E-17330	☞	9090063	Cross Tube, 2-7/16" OD x 42" Long	1	-
7	M85934	-	1270563B003	Shock Absorber	2	-
8	S.O.S.	☞	5320009	Lower Torque Assembly, Includes Bushings	2	-
9	E-5439	-	1140060	Bolt, 7/8"-14 x 7-1/2" Long	2	-
10	E-2546	-	1160868B100	Washer, 7/8"	8	-
11	E-17303	☞	1160009	Wear Washer	8	RDW-25
12	E-1835	-	1150052	Lock Nut, 7/8"-14	4	-
13	E-17302	☞	1140066	Bolt, 7/8"-14 x 10-1/2" Long	2	-
14	S.O.S.	☞	5320005	Upper Torque Rod, Includes Bushings	1	-
15	E-1835	-	1150052	Lock Nut, 7/8"-14	2	-
16	E-2546	-	1160868B100	Washer, 7/8"	4	-
17	E-17298	☞	1120029	Bushing, Poly	4	RDW-22
18	E-17331	☞	9090065	Sleeve, 1-1/4" OD x 15/16" ID x 3" Long	2	-
19	E-3690	-	1140063	Bolt, 7/8"-14 x 5" Long	2	-
20	S.O.S.	☞	1002B14385G	Air Spring	2	-
21	E-17315	☞	6040115	Upper Torque Arm Bushing Replacement Kit	1	RDW-24
22	E-17316	☞	6040116	Lower Torque Arm Bushing Replacement Kit	1	RDW-24
23	E-9326	☞	1117653B001	Bar Pin Bushing Kit, Shim Type, Rubber	2	RDW-22
	GAFF83596	-	-	Bar Pin Bushing Kit, Shim Type, Poly	2	RDW-22
	E-14725	-	-	Bar Pin Bushing Kit, Rotating Shim Type	2	RDW-22
24	E-9359	☞	1117558B000	Center Bushing, Welded Plug, Rubber	2	RDW-22
	GAFF13505	-	-	Center Bushing, Welded Plug, Poly	2	RDW-22

☞ Denotes Product is Genuine Ridewell

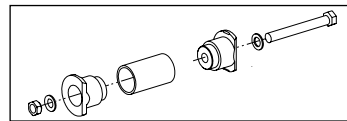


RD-202S — Tandem Drive Truck Suspension

RD-202B/C



Old Style Retainer / Adapter Kit



17

RIDEWELL

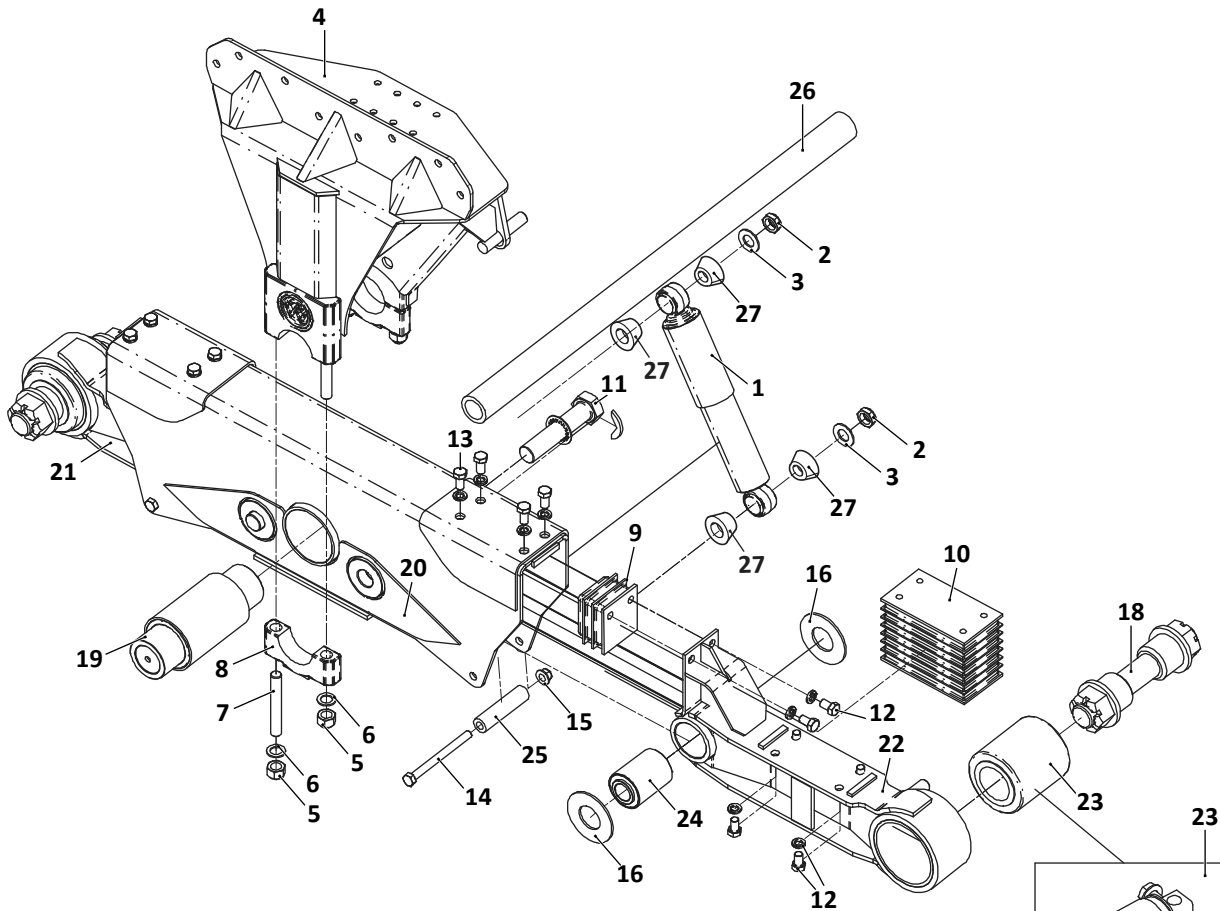
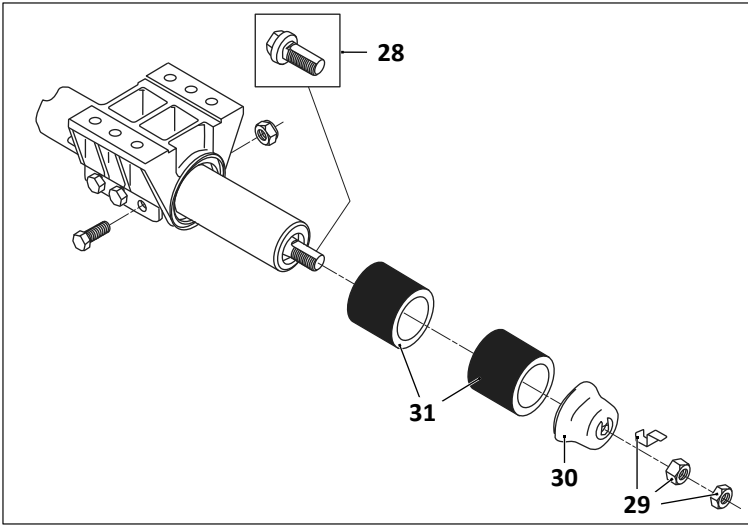
RD-202S — Tandem Drive Truck Suspension						
KEY NO.	EUCLID NO.	GENUINE	OEM REF.	DESCRIPTION	QTY. PER TANDEM	PAGE NO.
1	M85702	-	1252607B000	Shock Absorber	4	-
	M85736	-	1265478B000	Shock Absorber	4	-
2	E-4421	-	1155939B102	Nut, 1"-8	8	-
3	E-2975	⊗	1161677B100	Washer, 1"	8	-
4	S.O.S.	⊗	-	Straddle Mount Pedestal	2	-
5	E-1835	-	1154718B105	Nut, 7/8"-14	8	-
6	E-2546	-	1164718B100	Washer, 7/8"	8	-
7	E-17350	⊗	1287594B000	Stud, 7/8"-14 x 6"	8	-
8	E-17354	⊗	1747564B001	Saddle Cap	4	-
9	E-17332	⊗	1037261C002	Overload Spring, RD-202C	4	-
	E-9438	⊗	1037261C001	Overload Spring, RD-202B & RD-202S	4	-
10	E-9437	⊗	9030595D000	Elastomer Spring, RD-202C	4	-
	E-10677	⊗	1037326D003	Elastomer Spring, RD-202B & RD-202S	4	-
11	E-9445	-	1130670B105	Bolt, 1-1/2"-6 x 7" Long, Includes Locking Plate	4	-
12	E-9446	-	1140665B105	Bolt Assembly, 5/8"-18 x 1" Long, Includes Washer	24	-
13	E-9447	-	1142735B105	Bolt Assembly, 5/8"-18 x 1"-1/4" Long, Includes Washer	16	-
14	E-15199	-	1147414B108	Bolt, 5/8"-11 x 7" Long	4	-
15	E-2988	-	1157048B108	Nut, 5/8"-11	4	-
16	E-9441A	-	1160519B302	Bearing Sleeve Washer	8	-
17	E-2374	⊗	1307564B001	Retainer/Adapter Kit, 2-1/2" x 5-3/4", Use with E-1341A Bushing	4	RDW-22
	E-9421	⊗	1304963B000	Retainer/Adapter Kit, 2-1/2" x 6", Use with E-9419 Bushing	4	RDW-22
18	E-2555	⊗	1304398B000	Retainer/Adapter Kit, 3" x 6", Use with E-2554 Bushing	4	RDW-22
	S.O.S.	⊗	1307561B000	Retainer/Adapter Kit, 3" x 7"	4	-
19	E-9359	⊗	1117558B000	Center Bushing, Welded Plug, Rubber	2	RDW-22
	GAFF13505	-	-	Center Bushing, Welded Plug, Poly	2	RDW-22
20	S.O.S.	⊗	Various	Compensator Assembly	2	-
21	S.O.S.	⊗	Various	Torque Beam, Left Hand	2	-
22	S.O.S.	⊗	Various	Torque Beam, Right Hand	2	-
23	E-2554	⊗	1114398B000	End Beam Bushing, Rubber, 6" x 6" x 3" ID	4	RDW-22
	E-1341A	⊗	1117564B001	End Beam Bushing, Rubber, 5-3/4" x 4-3/8" X 2-1/2" ID	4	RDW-22
	E-9419	⊗	1114964B000	End Beam Bushing, Rubber, 6" x 4-3/8" x 2-1/2" ID	4	RDW-22
	S.O.S.	⊗	1117561B000	End Beam Bushing, Rubber, 7" x 6" x 3" ID	4	-
	E-9325	-	-	Bar Pin Bushing Kit, Non-Shim Type	4	-
	E-9326	-	-	Bar Pin Bushing Kit, Shim Type, Rubber	4	RDW-22
	GAFF83596	-	-	Bar Pin Bushing Kit, Shim Type, Poly	4	RDW-22
	E-14725	-	-	Bar Pin Bushing Kit, Rotating Shim Type	4	RDW-22

⊗ Denotes Product is Genuine Ridewell

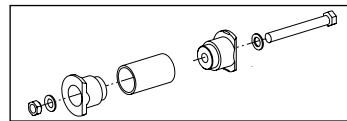


RD-202S — Tandem Drive Truck Suspension

RD-202B/C






Old Style Retainer / Adapter Kit



17

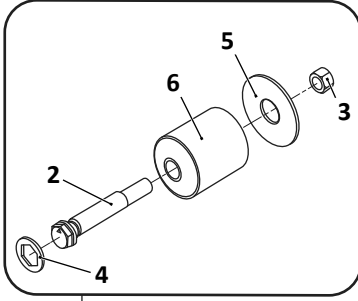
RIDEWELL

RD-202S — Tandem Drive Truck Suspension						
KEY NO.	EUCLID NO.	GENUINE	OEM REF.	DESCRIPTION	QTY. PER TANDEM	PAGE NO.
24	E-9439	-	1110512B000	Bushing, Rubber 4-3/8" Long x 3-1/4"OD x 1-1/2"ID, Models RD-202B & RD-202C. 3" Bushing Hole Size	4	RDW-23
	S.O.S.		1120016	Bushing, Poly, 4-7/16" Long x 3-1/8"OD x 1-1/2"ID, Models RD-202S. 3-1/8" Bushing Hole Size	4	-
25	E-17358		9117340B318	Sleeve	4	-
26	E-1842		9127564B000	Cross Tube 2-7/16" OD x 44-7/8"	1	-
27	E-401754		1102608B000	Shock Bushing, Rubber	8	-
28	S.O.S.	-	5802876B302	Compression Bolt	2	-
29	E-9443	-	-	Lock Nut Assembly, Includes Hex Nut, Jam Nut & Clip	2	RDW-25
30	E-9444		1527487B000	Compression Cap	2	RDW-23
31	E-9440	-	1100608B000	Trunnion Bushing, Models RD202 B & C	4	RDW-23

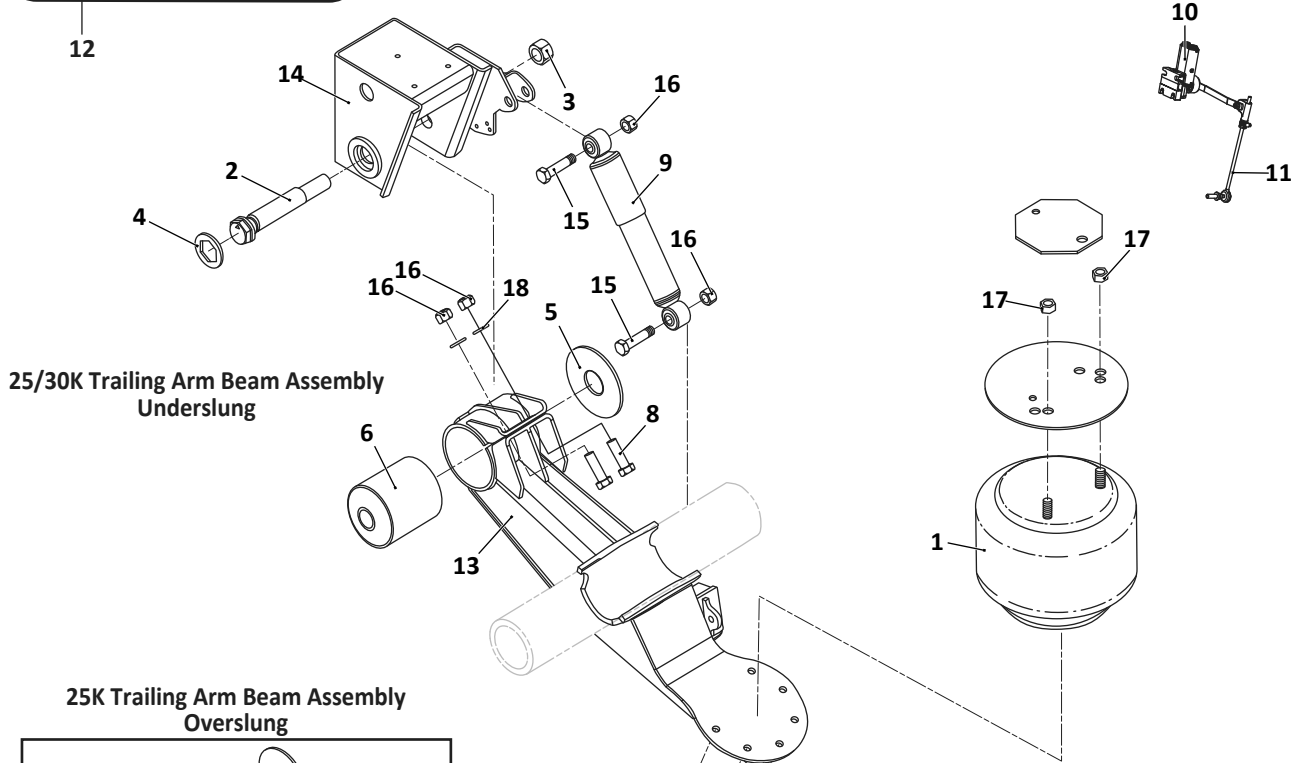
 Denotes Product is Genuine Ridewell



Pivot Bolt & Bushing Kit

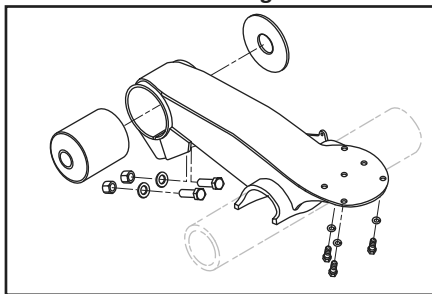


12

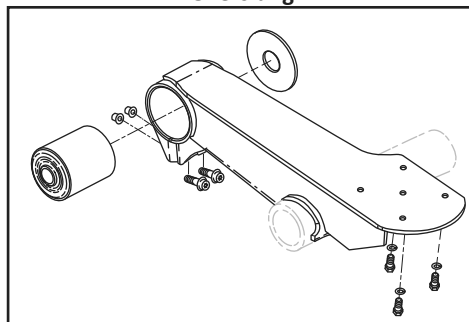


25/30K Trailing Arm Beam Assembly Underslung

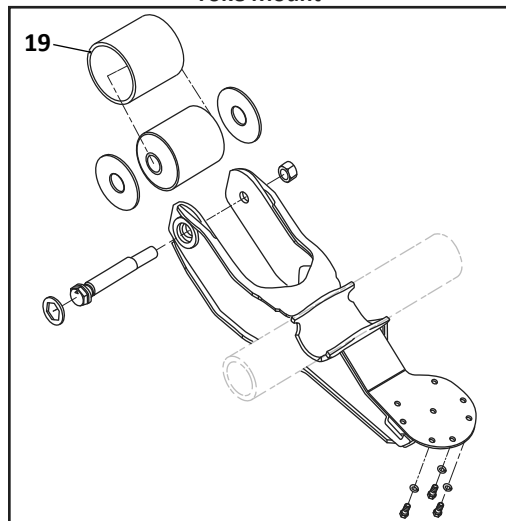
25K Trailing Arm Beam Assembly Overslung



30K Trailing Arm Beam Assembly Overslung



25/30K Trailing Arm Beam Assembly Yoke Mount



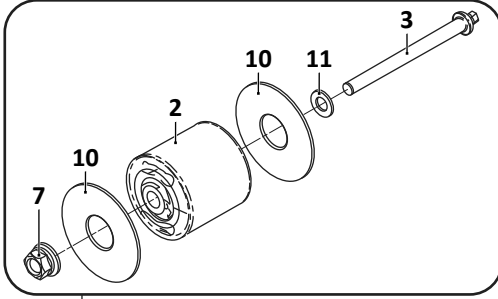
RAR-240 — 25K / 30K — Trailer Suspension

KEY NO.	EUCLID NO.	GENUINE	OEM REF.	DESCRIPTION	QTY. PER AXLE	PAGE NO.
1	FS9082	-	1003589082C	Air Spring	2	-
	EAS9082	-	1003589082C	Euclid Air Spring	2	-
	FS0783	-	1000001	Air Spring	2	-
	FS1096	-	1000003	Air Spring	2	-
	FS9101	-	1003589101C	Air Spring	2	-
	EAS9101	-	1003589101C	Euclid Air Spring	2	-
	FS8723	-	1001R13097G	Air Spring	2	-
	FS9321	-	1001R12256G	Air Spring	2	-
	EAS9321	-	1001R12256G	Euclid Air Spring	2	-
	FS8802	-	1003588802C	Air Spring	2	-
	S.O.S.	☞	Various	Air Spring	2	-
2	S.O.S.	☞	5007300B000	Alignment Bolt, Before 10/01/95, Obsolete	2	-
	E-17342	☞	1137694B001	Alignment Bolt, 1-1/4"-7 X 10-3/4" Long	2	-
	E-17341	☞	1137694B000	Alignment Bolt, 1-1/4"-7 X 9-1/2" Long	2	-
3	E-4273	-	1150033	Nut, 1-1/4"-7	2	-
4	E-1969	-	1160673B000	Lock Washer, 1-1/2" ID x 2-1/2" OD, Before 10/01/95	2	-
	E-14385	☞	9003092B000	Anti-Turn Washer	2	-
5	E-17349	☞	1167680B000	Wear Washer	2	RDW-25
6	E-17339	☞	1117680B070	Pivot Bushing, 55 Durometer	2	RDW-23
	E-17340	☞	1117680B075	Pivot Bushing, 60 Durometer, Underslung 25K Models	2	RDW-23
	E-17494	-	1117680B001	Pivot Bushing, 70 Durometer, Overslung 30K Models	2	RDW-23
7	S.O.S.	-	5450022	Pivot Bushing, RAR 240 Yoke Mount	2	-
8	E-17344	☞	1140604B108	Bolt, 3/4"-10 x 2-1/2" Long	4	-
9	M85934	-	1270563B003	Shock Absorber	2	-
10	E-12525	☞	6300BFAB13	Height Control Valve, Includes Linkage	1	RDW-27
	E-14729	-	-	Height Control Valve, Universal, No Dump	1	RDW-27
	E-14730	-	-	Height Control Valve, Universal, Remove Air to Dump	1	RDW-27
11	E-7852	-	-	Linkage Assembly, Universal	1	RDW-27
12	E-14376	☞	6040029	Pivot Connection Kit, 15K & 25K, Over and Underslung Models, Includes Key Nos. 2, 3, 5, 6.	2	-
	E-17306	☞	6040028	Pivot Connection Kit, 30K, Over and Underslung Models, Includes Key Nos. 2, 3, 5, 6.	1	-
	E-17305	☞	6040011	Pivot Connection Kit, Yoke Mount, Includes Key Nos. 2, 3, 4, 7, 19	1	-
	E-17356	☞	6047680B060	Pivot Connection Kit, 25K & 30K Pre-1995	1	-
13	S.O.S.	☞	-	Assembly, Beam	2	-
14	S.O.S.	☞	-	Hanger	2	-
15	E-17346	-	1147698B105	Bolt, 3/4"-10 x 3-1/4" Long	4	-
16	E-4347	-	1150023	Lock Nut, 3/4"-10	8	-
17	E-4961A	-	1150558B102	Lock Nut, 3/4"-16	4	-
18	E-2545	-	-	Washer, 3/4"	4	-
19	S.O.S.	☞	8990027	Outer Bushing Sleeve, RAR 240 Yoke Mount	2	-

☞ Denotes Product is Genuine Ridewell

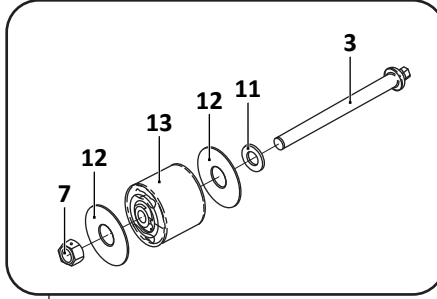


Pivot Bolt & Bushing Kit

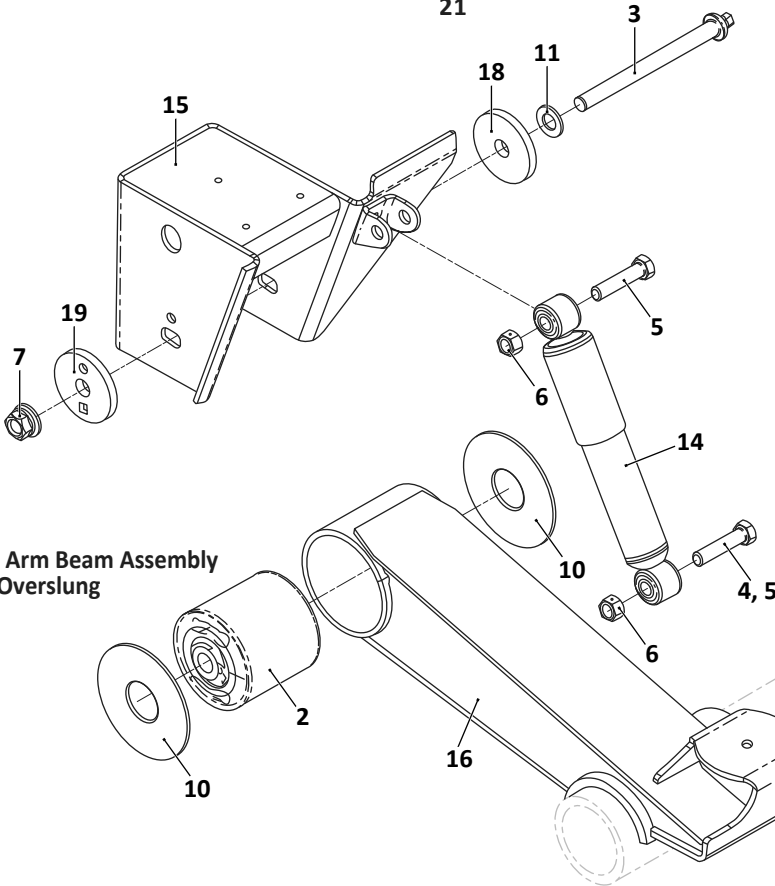


20

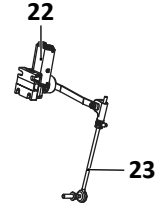
Pivot Bolt & Bushing Kit, Yoke Mount



21

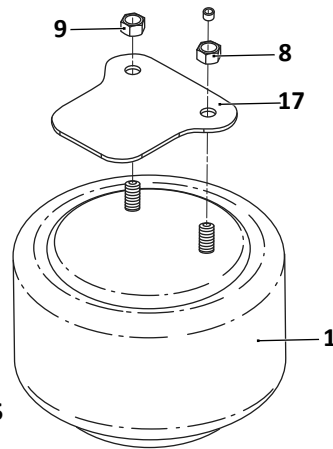


25K Trailing Arm Beam Assembly
Overslung



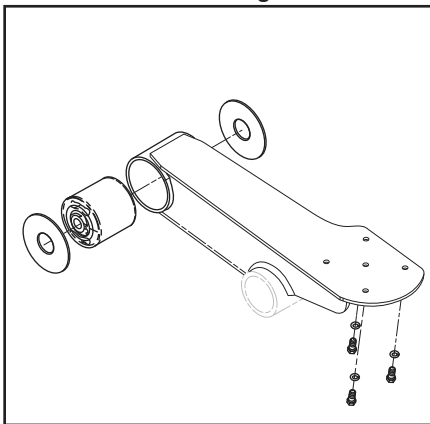
22

23

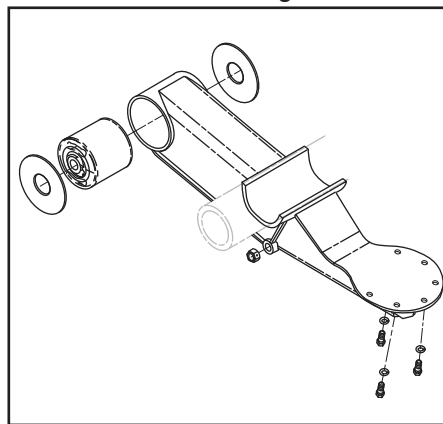


1

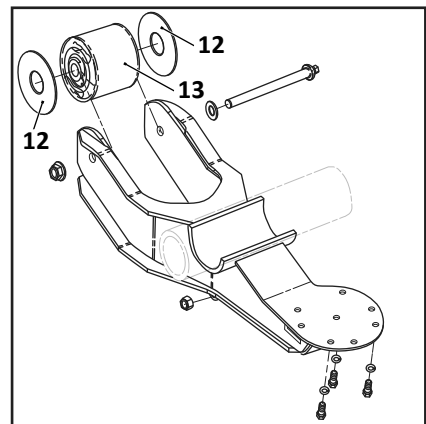
30K Trailing Arm Beam Assembly
Overslung



25K/30K Trailing Arm Beam Assembly
Underslung



25K Trailing Arm Beam Assembly
Yoke Mount

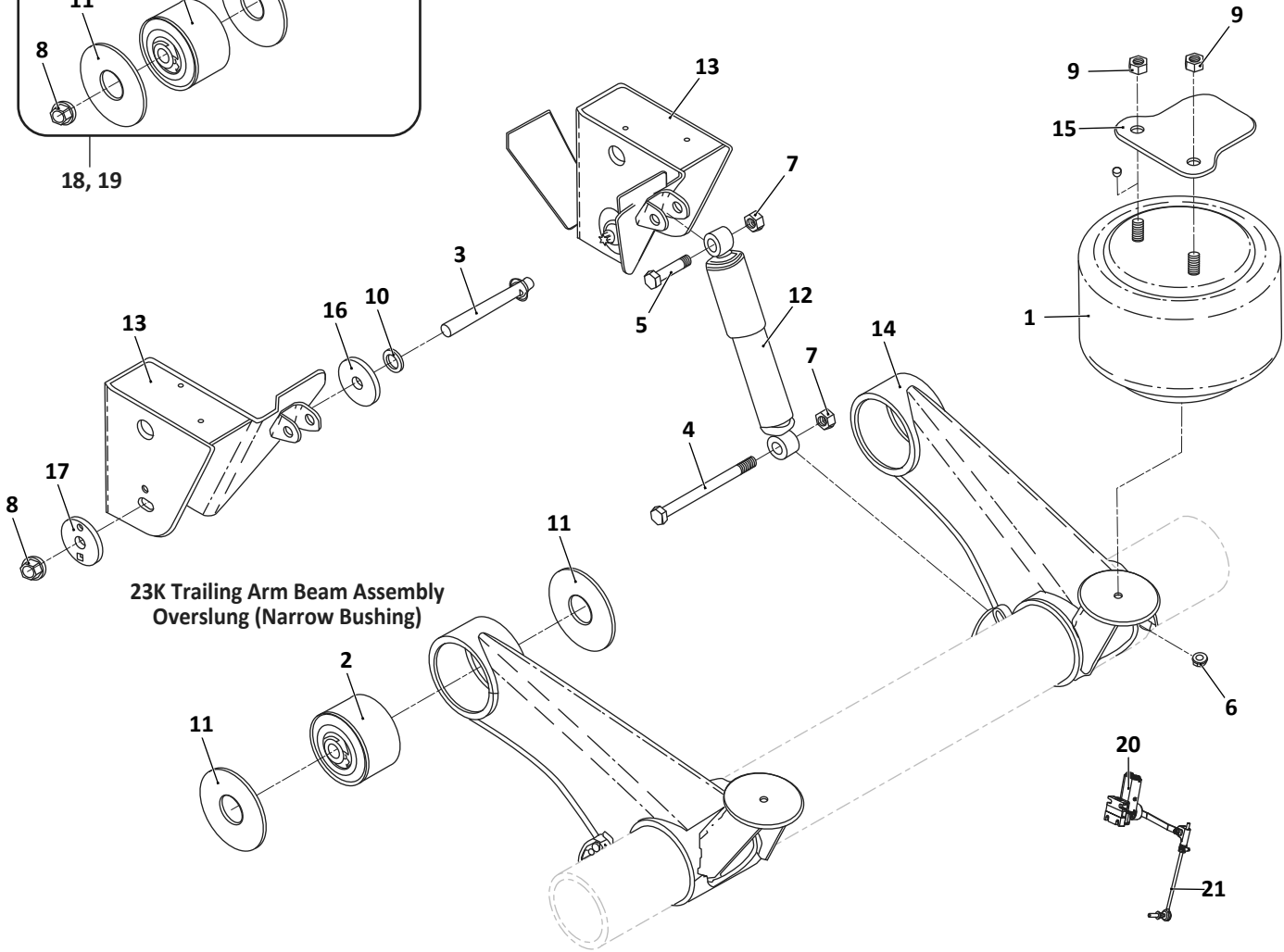
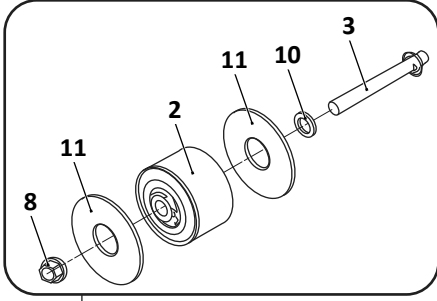


RAR-260 — 25K / 30K — Trailer Suspension						
KEY NO.	EUCLID NO.	GENUINE	OEM REF.	DESCRIPTION	QTY. PER AXLE	PAGE NO.
1	FS9387	-	1003589387C	Air Spring, RAR 260, 15K Underslung	2	-
	FS8091	-	1000156	Air Spring, RAR 260, 25K Overslung	2	-
	EAS8091	-	1000156	Euclid Air Spring, RAR 260, 25K Overslung	2	-
	S.O.S.	Ⓢ	1001R12692G	Air Spring, RAR 260, 25K Underslung, 5-1/2"-7-1/2" Ride Height	2	-
	S.O.S.	Ⓢ	1001R12607G	Air Spring, RAR 260, 25K All Yoke Mount/ Underslung 7-1/2"-9" Ride Height	2	-
	S.O.S.	Ⓢ	1001R14226G	Air Spring, RAR 260, 30K Underslung	2	-
	FS8050	-	1000008050G	Air Spring, RAR 260, 30K Overslung	2	-
	EAS8050	-	1000008050G	Euclid Air Spring, RAR 260, 30K Overslung	2	-
2	E-17296	Ⓢ	1110084	Pivot Bushing, Overslung & Underslung	2	RDW-23
3	E-17299	Ⓢ	1130031	Pivot Bolt, 7/8"-9 x 10" Long, Shear Type	2	RDW-25
4	E-17300	Ⓢ	1140022	Bolt, 3/4"-10 x 11" Long, All Models Except Overslung	2	-
5	E-17346	Ⓢ	1147698B105	Bolt, 3/4"-10 x 3-1/4" Long, All Models Except Overslung	2	-
	E-17346	Ⓢ	1147698B105	Bolt, 3/4"-10 x 3-1/4" Long, Overslung	4	-
6	E-4347	-	1150023	Lock Nut, 3/4"-10	4	-
7	E-2983	-	1150067	Lock Nut, 7/8"-9	2	-
8	E-16468	-	1150555B112	Lock Nut, 1/2"-13, Nylon	4	-
9	E-4961A	-	1150558B102	Lock Nut, 3/4"-16	2	-
10	E-17495	Ⓢ	1160021	Wear Washer, Overslung & Underslung	4	RDW-25
11	E-2546	-	1160036	Washer, 7/8" ID	2	-
12	E-17349	Ⓢ	1167680B000	Wear Washer, Yoke Mount	4	RDW-25
13	S.O.S.	Ⓢ	5450021	Pivot Bushing, Yoke Mount	2	-
14	M85938	-	1270009	Shock Absorber, RAR 260, 15K	2	-
	M85934	-	1270563B003	Shock Absorber, RAR 260, 25K & 30K	2	-
15	S.O.S.	Ⓢ	Various	Hanger Assembly	2	-
16	S.O.S.	Ⓢ	Various	Beam Assembly	2	-
17	S.O.S.	Ⓢ	Various	Air Spring Plate	2	-
18	E-17326	Ⓢ	7002249	Alignment Collar, 4" OD	2	-
19	E-17329	Ⓢ	7002686	Alignment Collar, 4" OD	2	RDW-25
20	E-17313	Ⓢ	6040098	Pivot Bushing Kit, Wide Bushing, Includes Key Nos. 2, 3, 7, 10 & 11	1	RDW-24
21	E-17314	Ⓢ	6040099	Yoke Bushing Kit, Includes Key Nos. 3, 7, 11, 12, 13	1	RDW-24
22	E-14729	-	-	Height Control Valve, Universal, No Dump	1	RDW-27
	E-14730	-	-	Height Control Valve, Universal, Remove Air to Dump	1	RDW-27
23	E-7852	-	-	Linkage Assembly, Universal	1	RDW-27
-	E-17357	Ⓢ	6100051	Wide Bushing Installation Tool	As Req.	-

Ⓢ Denotes Product is Genuine Ridewell

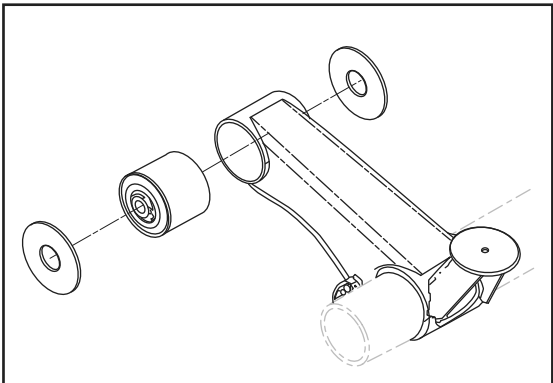


Pivot Bolt & Bushing Kit

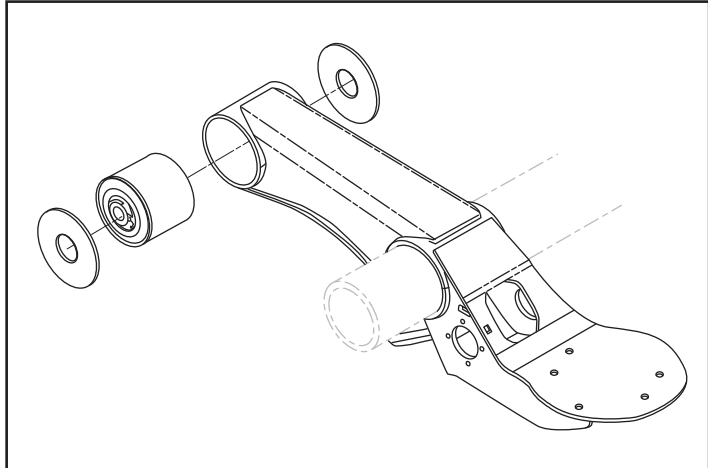


23K Trailing Arm Beam Assembly
Overslung (Narrow Bushing)

23/25K Trailing Arm Beam Assembly
Overslung (Wide Bushing)



25K Trailing Arm Beam Assembly
Low Mount (Wide Bushing)



RAR-266 — 23K / 25K — Trailer Suspension

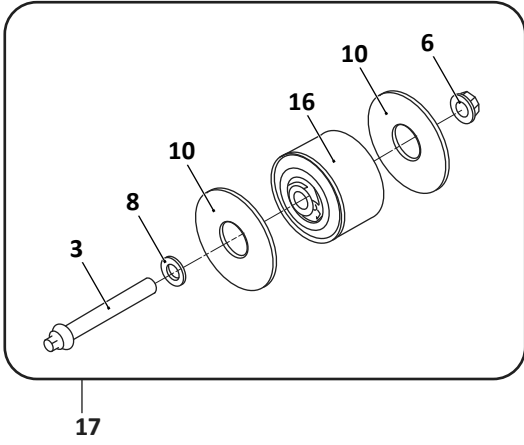
KEY NO.	EUCLID NO.	GENUINE	OEM REF.	DESCRIPTION	QTY. PER AXLE	PAGE NO.
1	S.O.S.	☞	1001R13265G	Air Spring, RAR-266, 23K	2	-
	S.O.S.	☞	1001R14250G	Air Spring, RAR-266, 25K	2	-
2	E-17297	☞	1110086	Pivot Bushing, Narrow Bushing, 4-1/8" Wide	2	RDW-23
	E-17296	☞	1110084	Pivot Bushing, Wide Bushing, 6-3/4" Wide	2	RDW-23
3	E-17072	-	1130048	Bolt, 7/8"-9 x 7" Long, Shear Type, Use with Narrow Bushing	2	RDW-25
	E-17299	☞	1130031	Bolt, 7/8"-9 x 10" Long, Shear Type, Use with Wide Bushing	2	RDW-25
4	E-17301	☞	1140045	Bolt, 3/4"-10 x 9" Long, 23K	2	-
	E-16435	-	1140071	Bolt, 3/4"-10 x 10" Long, 25K	2	-
5	E-17346	☞	1147698B105	Bolt, 3/4"-10 x 3-1/4" Long	2	-
6	E-16402	-	1150012	Nut, 1/2"-13	2	-
7	E-4347	-	1150023	Lock Nut, 3/4"-10	4	-
8	E-2983	-	1150067	Lock Nut, 7/8"-9	2	-
9	E-4961A	-	1150558B102	Lock Nut, 3/4"-16	4	-
10	E-2546	-	1160036	Washer, 7/8" ID	2	-
11	E-17349	☞	1167680B000	Wear Washer, 23K	4	RDW-25
	E-17495	☞	1160021	Wear Washer, 25K	4	RDW-25
12	M85938	-	1270009	Shock Absorber, 25K with 5" Axle	2	-
	M85934	-	1270563B000	Shock Absorber, 23K & 25K with 5-3/4" Axle	2	-
13	S.O.S.	☞	Various	Hanger Assembly	2	-
14	S.O.S.	☞	Various	Beam Assembly	2	-
15	S.O.S.	☞	Various	Air Spring Plate	2	-
16	E-17327	☞	7002582	Alignment Collar, 3.5" OD	2	-
	E-17326	☞	7002249	Alignment Collar, 4" OD	2	-
17	E-17328	☞	7002684	Alignment Collar, 3.5" OD	2	RDW-25
	E-17329	☞	7002686	Alignment Collar, 4" OD	2	RDW-25
18	E-17313	☞	6040098	Pivot Bushing Kit, Wide Bushing, Includes Key Nos. 2, 3, 8, 11 & 12	1	RDW-24
19	E-17317	☞	6040128	Pivot Bushing Kit, Shear Bolt Style, Narrow Bushing, Includes Key Nos. 2, 3, 8, 11 & 12	1	RDW-24
20	E-14729	-	-	Height Control Valve, Universal, No Dump	1	RDW-27
	E-14730	-	-	Height Control Valve, Universal, Remove Air to Dump	1	RDW-27
21	E-7852	-	-	Linkage Assembly, Universal	1	RDW-27
-	E-17357	☞	6100051	Wide Bushing Installation Tool	As Req.	-
-	E-17360	☞	6100044	Narrow Bushing Installation Tool	As Req.	-

☞ Denotes Product is Genuine Ridewell

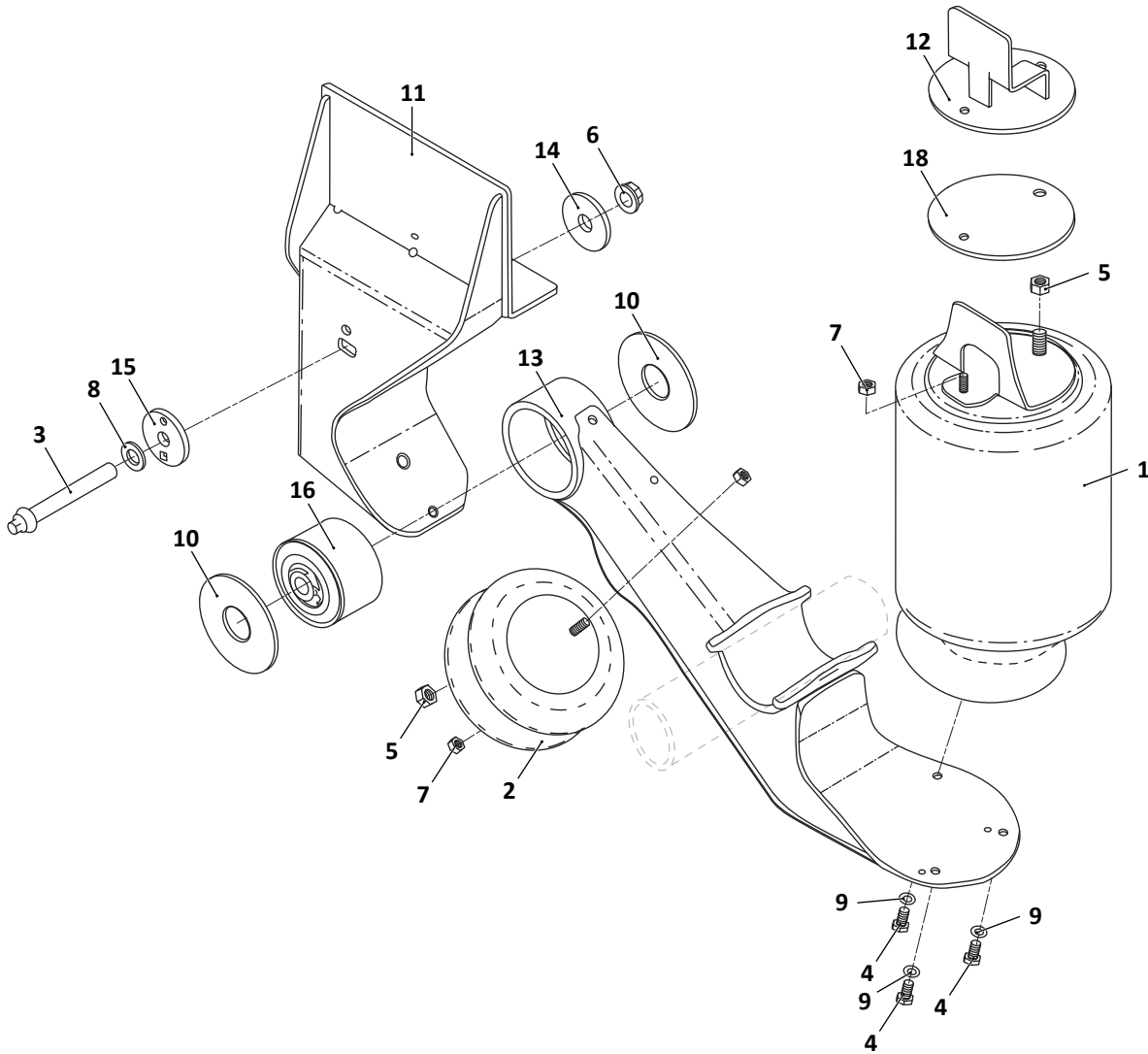


RCA-215 & RCA-215T — Lifiable Truck & Trailer Suspension

Pivot Bolt & Bushing Kit



17



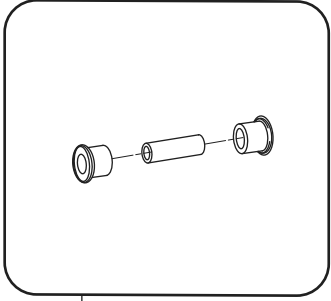
RIDEWELL

RCA-215 & RCA-215T — Liftable Truck & Trailer Suspension						
KEY NO.	EUCLID NO.	GENUINE	OEM REF.	DESCRIPTION	QTY. PER AXLE	PAGE NO.
1	S.O.S.	☞	1001R121202	Air Spring, RCA-215 Truck Model	2	-
	S.O.S.	☞	1001R12653G	Air Spring, RCA-215T Trailer Model	2	-
2	S.O.S.	☞	1002B09611G	Air Spring, Lift Spring, LH	1	-
	S.O.S.	☞	1002B09614G	Air Spring, Lift Spring, RH	1	-
3	E-17072	-	1130048	Pivot Bolt, 7/8"-9 x 7" Long, Shear Type	2	RDW-25
4	E-17343	☞	1140554B105	Bolt, 1/2"-13 x 1" Long	6	-
5	E-4961A	-	1150011	Lock Nut, 3/4"-16	4	-
6	E-2983	-	1150067	Lock Nut, 7/8"-9	2	-
7	E-16468	-	1150555B112	Lock Nut, 1/2"-13, Nylon	6	-
8	E-2546	-	1160036	Washer, 7/8" ID	2	-
9	E-9603	-	1167482B000	Washer, 1/2"	6	-
10	E-17349	☞	1167680B000	Wear Washer	4	RDW-25
11	S.O.S.	☞	Various	Hanger Assembly	2	-
12	S.O.S.	☞	Various	Air Spring Mounting Bracket	2	-
13	S.O.S.	☞	Various	Beam Assembly	2	-
14	E-17327	☞	7002582	Alignment Collar, 3.5" OD	2	-
15	E-17328	☞	7002684	Alignment Collar, 3.5" OD	2	RDW-25
16	E-17297	☞	1110086	Pivot Bushing, 4-1/8" Wide	2	RDW-23
17	E-17317	☞	6040128	Bushing Kit, Shear Bolt Style, Includes Key Nos. 3, 6, 8, 10, 16	1	RDW-24
	E-17307	☞	6040078	Bushing Kit, Traditional Bolt Style, Includes Key Nos. 3, 6, 8, 10, 16	1	RDW-24
18	E-17324	☞	6040167	Air Spring Spacer Kit, 1"	As Req.	RDW-26
	E-17325	☞	6040168	Air Spring Spacer Kit, 2"	As Req.	RDW-26
-	E-17360	☞	6100044	Narrow Bushing Installation Tool	As Req.	-

☞ Denotes Product is Genuine Ridewell

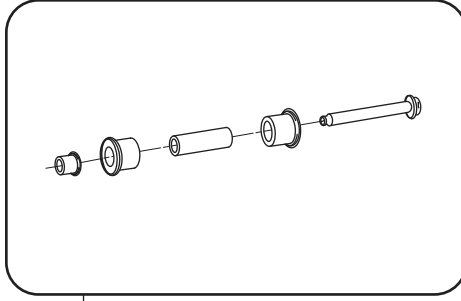


Torque Rod Bushing Kit

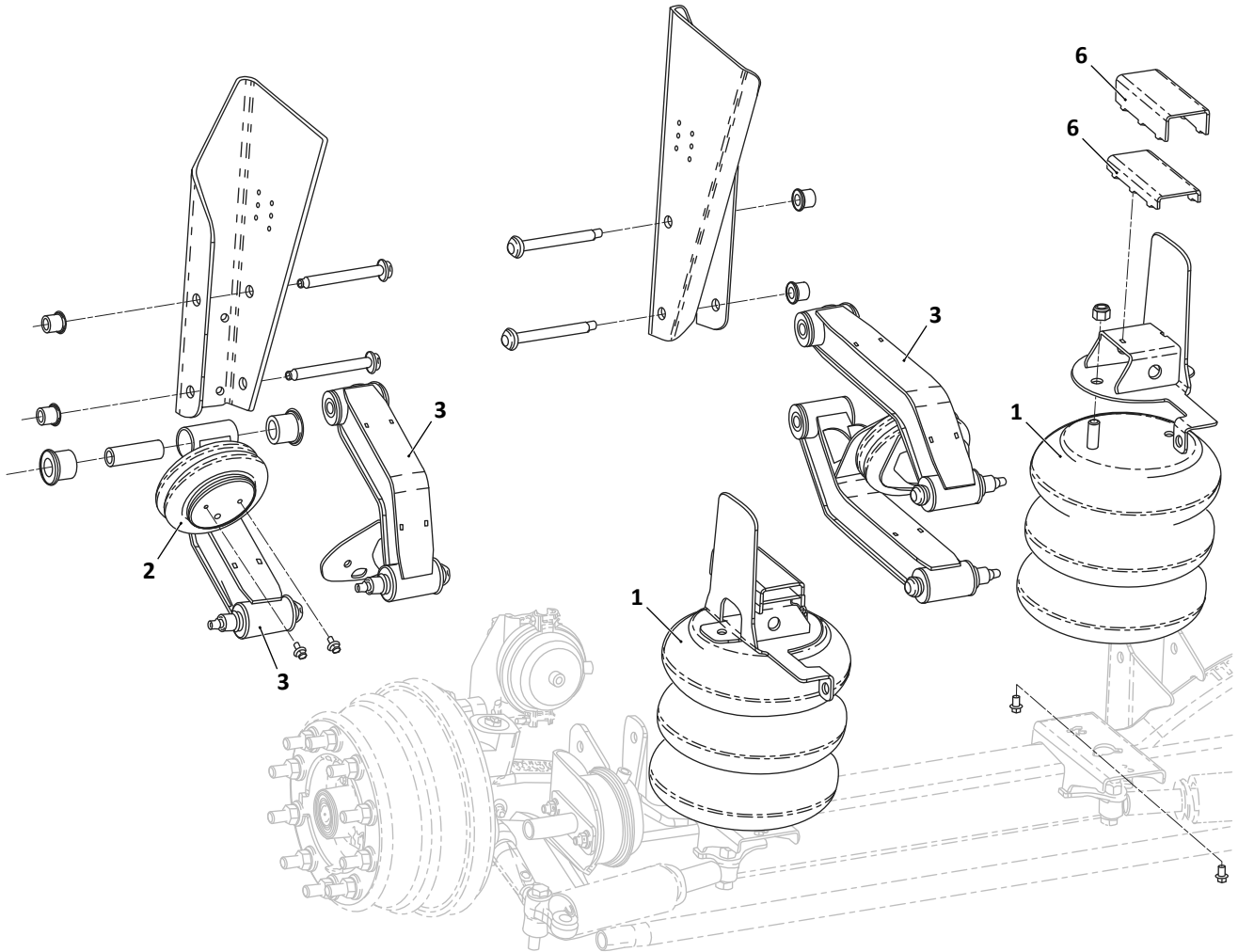





4


Torque Rod Bushing and Hardware Kit



5



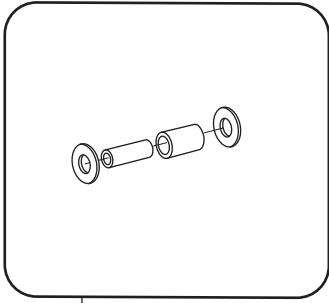
RSS-233 — 8K-20K — Lifiable Truck Suspension						
KEY NO.	EUCLID NO.	GENUINE	OEM REF.	DESCRIPTION	QTY. PER AXLE	PAGE NO.
1	S.O.S.		1003B12339G	Air Spring, 8K & 13K Models	2	-
	S.O.S.		1003B14451G	Air Spring, 20K Models	2	-
2	FS7659	-	1002B07548G	Air Spring, Lift Spring, 8K & 13K Models	2	-
	FS6946	-	1003586946C	Air Spring, Lift Spring, 20K Models	2	-
3	S.O.S.		Various	Torque Rod, Control Arm	4	-
4	E-17318		6040133	Bushing Kit, 8K & 13K Models. Includes Bushings and Sleeve	1	-
	E-17320		6040142	Bushing Kit, 20K Models. Includes Bushings and Sleeve	1	-
5	E-17319		6040134	Bushing Kit with Hardware, 8K & 13K Models	1	RDW-24
	E-17321		6040145	Bushing Kit with Hardware, 20K Models	1	RDW-24
6	S.O.S.		6001065	Air Spring Spacer Kit, 1", 8K & 13K Models	As Req.	-
	E-17304		6001066	Air Spring Spacer Kit, 2", 8K & 13K Models	As Req.	RDW-26
	S.O.S.		6001070	Air Spring Spacer Kit, 2", 20K Models	As Req.	-

 Denotes Product is Genuine Ridewell



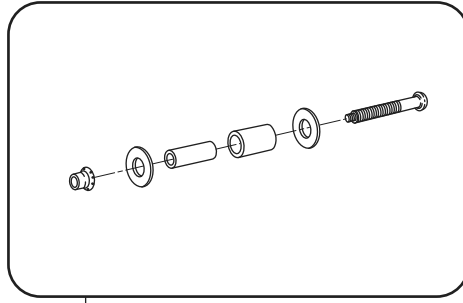
RSS-233T — 8K-20K — Liftable Trailer Suspension

Torque Rod Bushing Kit

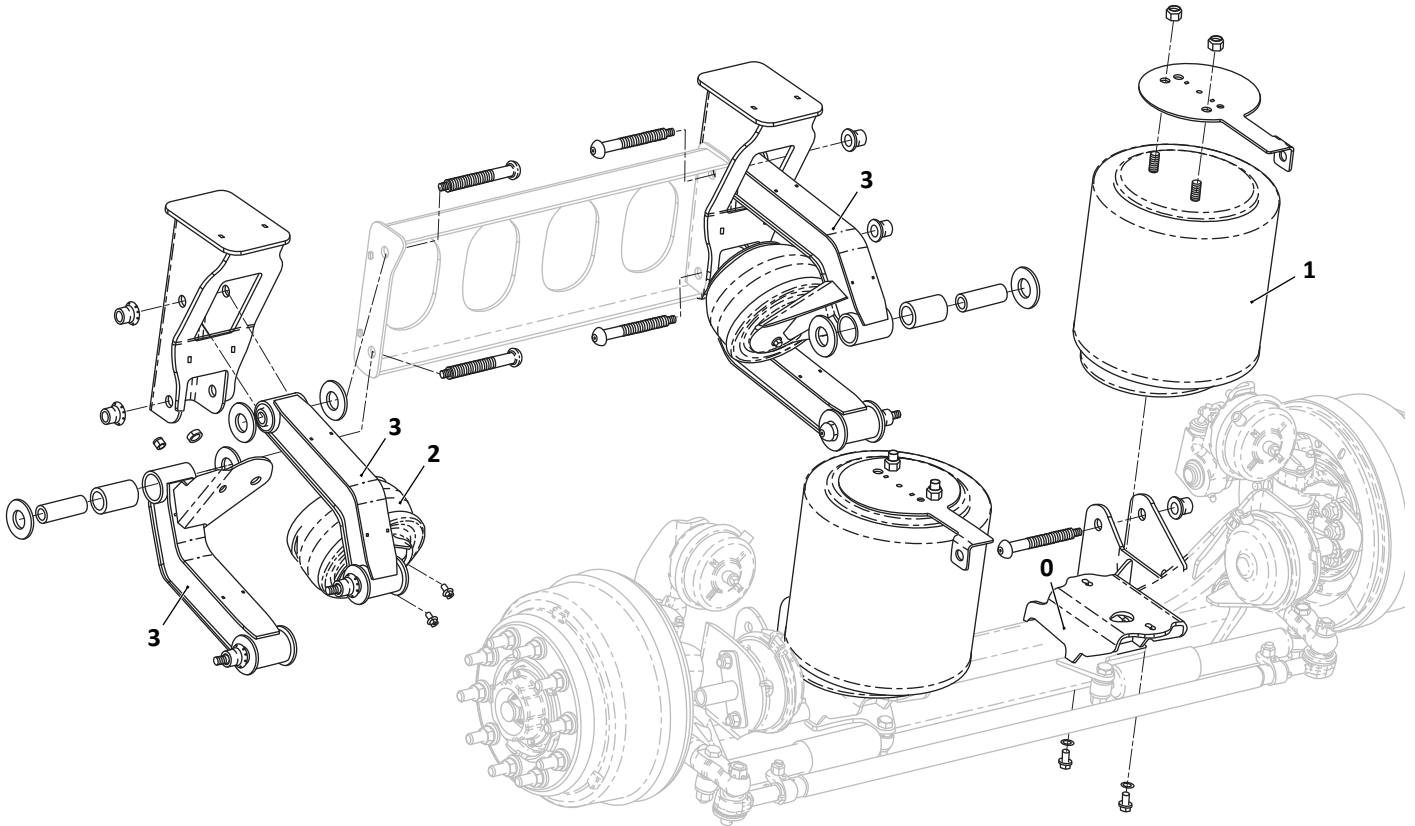


4

Torque Rod Bushing and Hardware Kit



5



RIDEWELL

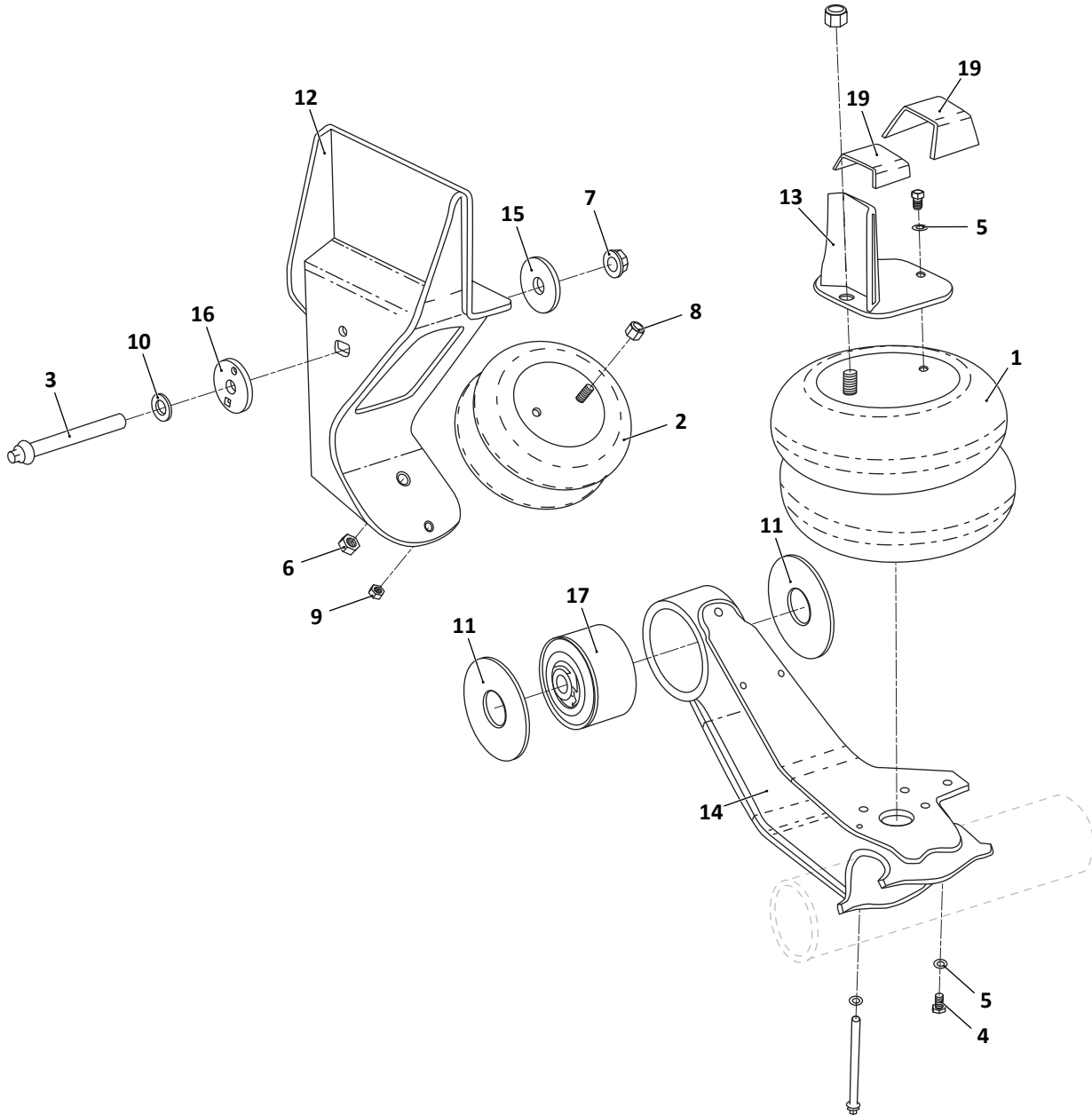
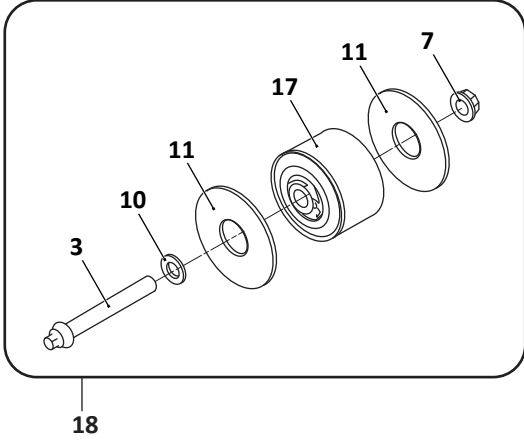
RSS-233T — 8K-20K — Liftable Trailer Suspension						
KEY NO.	EUCLID NO.	GENUINE	OEM REF.	DESCRIPTION	QTY. PER AXLE	PAGE NO.
1	FS7659	-	1002B07548G	Air Spring, Lift Spring, 8K & 13K Models	2	-
	FS6946	-	1003586946C	Air Spring, Lift Spring, 16K & 20K Models	2	-
2	S.O.S.	Ⓜ	1001R12584G	Air Spring, 8K & 13K Models	2	-
	S.O.S.	Ⓜ	1001R14296G	Air Spring, 16K & 20K Models	2	-
3	S.O.S.	Ⓜ	Various	Torque Rod, Control Arm	4	-
4	E-17318	Ⓜ	6040133	Bushing Kit, 8K Models. Includes Bushings and Sleeve	1	-
	E-17496	Ⓜ	6040187	Bushing Kit - HD, 13K Models. Includes Bushings and Sleeve	1	-
	E-17322	Ⓜ	6040160	Bushing Kit, 16K & 20K Models. Includes Bushings and Sleeve	1	-
5	E-17319	Ⓜ	6040134	Bushing Kit with Hardware, 8K Models	1	RDW-24
	E-17497	Ⓜ	6040188	Bushing Kit with Hardware- HD, 13K Models	1	RDW-24
	E-17323	Ⓜ	6040161	Bushing Kit with Hardware, 16K & 20K Models	1	RDW-24

Ⓜ Denotes Product is Genuine Ridewell



RUL-245 — Liftable Truck & Trailer Suspension

Pivot Bolt & Bushing Kit






RUL-245 — Lifiable Truck & Trailer Suspension						
KEY NO.	EUCLID NO.	GENUINE	OEM REF.	DESCRIPTION	QTY. PER AXLE	PAGE NO.
1	S.O.S.	☞	1003B12339G	Air Spring	2	-
	FS7447	-	1003587447C	Air Spring	2	-
	S.O.S.	☞	1001R12584G	Air Spring	2	-
2	S.O.S.	☞	1002B09611G	Air Spring, Lift Spring, LH	1	-
	S.O.S.	☞	1002B09614G	Air Spring, Lift Spring, RH	1	-
3	E-17072	-	1130048	Pivot Bolt, 7/8"-9 x 7" Long, Shear Type	2	RDW-25
4	E-17345	☞	1140674B105	Bolt, 3/8"-16 x 1" Long	2	-
5	S.O.S.	☞	1160011	Washer, 3/8"	4	-
6	E-4961A	-	1150011	Lock Nut, 3/4"-16	4	-
7	E-2983	-	1150067	Lock Nut, 7/8-9	2	-
8	E-16354	-	1150042	Flange Lock Nut, 1/2"-13	2	-
9	E-16468	-	1150555B112	Lock Nut, 1/2"-13, Nylon	2	-
10	E-2546	-	1160036	Washer, 7/8" ID	2	-
11	E-17349	☞	1167680B000	Wear Washer	4	RDW-25
12	S.O.S.	☞	Various	Hanger Assembly	2	-
13	S.O.S.	☞	Various	Air Spring Mounting Bracket	2	-
14	S.O.S.	☞	Various	Beam Assembly	2	-
15	E-17327	☞	7002582	Alignment Collar, 3.5" OD	2	-
16	E-17328	☞	7002684	Alignment Collar, 3.5" OD	2	RDW-25
17	E-17297	☞	1110086	Pivot Bushing, Narrow Bushing, 4-1/8" Wide	2	RDW-23
18	E-17317	☞	6040128	Bushing Kit, Shear Bolt Style, Includes Key Nos. 3, 7, 10, 11, 17	1	RDW-24
	E-17307	☞	6040078	Bushing Kit, Traditional Bolt Style, Includes Key Nos. 3, 7, 10, 11, 17	1	RDW-24
	S.O.S.	☞	Various	Bushing Kit, Old Style Glue In Bushing Before 2009.	1	-
19	E-17311	☞	6040092	Air Spring Spacer Kit, 1"	As Req.	RDW-26
	E-17312	☞	6040093	Air Spring Spacer Kit, 2"	As Req.	RDW-26
-	E-17360	☞	6100044	Narrow Bushing Installation Tool	As Req.	-


☞ Denotes Product is Genuine Ridewell





Bushings, Retainer Adapters & Bushing Kits


Torque Arm Bushing			
FOR MODELS: RDS-209, Tandem Drive / Steerable			
			
EUCLID NO.	GENUINE	OEM REF.	NOTES
E-17298		1120029	Bushing, Poly


End Beam Bushing		
FOR MODELS: RD-202S, Tandem Drive		
		
EUCLID NO.	OEM REF.	NOTES
E-2554	1114398B000	End Beam Bushing, Rubber, 6" x 6" x 3", Use With E-2555 Adapter
E-1341A	1117564B001	End Beam Bushing, Rubber, 5-3/4" x 2-1/2", Use With E-2374 Adapter
E-9419	1114964B000	End Beam Bushing, Rubber, 6" x 2-1/2", Use With E-9421 Adapter

Center Beam Bushing		
FOR MODELS: RDS-209, Tandem Drive / Steerable, RD-202S, Tandem Drive		
		
EUCLID NO.	OEM REF.	NOTES
E-9359	1117558B000	Center Bushing, Welded Plug, Rubber
GAFF13505	-	Center Bushing, Welded Plug, Poly

Retainer/Adapter Kit		
FOR MODELS: RD-202S, Tandem Drive		
		
EUCLID NO.	OEM REF.	NOTES
E-2555	1304398B000	Retainer/Adapter Kit, 3" x 6", Use With E-2554 Bushing

Bar Pin Bushing		
FOR MODELS: RDS-209, RD-202S		
		
EUCLID NO.	OEM REF.	NOTES
E-9326	1117653B001	Bar Pin Bushing Kit, Shim Type, Rubber
GAFF83596	-	Bar Pin Bushing Kit, Shim Type, Poly
E-14725	-	Bar Pin Bushing Kit, Rotating, Shim Type, Rubber

Retainer/Adapter Kit		
FOR MODELS: RD-202S, Tandem D		
		
EUCLID NO.	OEM REF.	NOTES
E-2374	1307564B001	Retainer/Adapter Kit, 2-1/2" x 5-3/4", Use With E-1341A Bushing
E-9421	1304963B000	Retainer/Adapter Kit, 2-1/2" x 6", Use With E-9419 Bushing



 Denotes Product is Genuine Ridewell

Bushings, Retainer Adapters & Bushing Kits

Bushing		
FOR MODELS: RD-202B/C, Tandem Drive		
		
EUCLID NO.	OEM REF.	NOTES
E-9439	1110512B000	Rubber 4-3/8" Long x 3-1/4" OD x 1-1/2" ID


Trunnion Bushing		
FOR MODELS: RD-202B/C, Tandem Drive		
		
EUCLID NO.	OEM REF.	NOTES
E-9440	1100608B000	Use With E-9444 Compression Cap

Compression Cap		
FOR MODELS: RD-202B/C, Tandem Drive		
		
EUCLID NO.	OEM REF.	NOTES
E-9444	1527487B000	Use With E-9440 Trunnion Bushings



Bushing			
FOR MODELS: RAR-240			
			
EUCLID NO.	GENUINE	OEM REF.	NOTES
E-17339		1117680B070	Pivot Bushing, 55 Durometer
E-17340		1117680B075, 1117680B060	Pivot Bushing, 60 Durometer, 25K Overslung Models
E-17494		1117680B001	Pivot Bushing, 70 Durometer, Overslung 30K Models

Bushing			
FOR MODELS: RAR-260, RAR-266			
			
EUCLID NO.	GENUINE	OEM REF.	NOTES
E-17296		1110084	Pivot Bushing, Overslung & Under- slung, Wide Bushing - 6-3/4" Wide

Bushing			
FOR MODELS: RAR-266, RCA-215 & RCA-21			
			
EUCLID NO.	GENUINE	OEM REF.	NOTES
E-17297		1110086	Pivot Bushing, Narrow Bushing - 4-1/8" Wide

 Denotes Product is Genuine Ridewell

Bushings, Retainer Adapters & Bushing Kits






Bushing Kit			
FOR MODELS: RAR-260, RAR-266 			
EUCLID NO.	GENUINE	OEM REF.	NOTES
E-17313		6040098	Pivot Bushing Kit, Wide Bushing, Includes Bolt, Washer, Wear Washers, & Nut


Bushing Kit			
FOR MODELS: RDS-209, Tandem Drive / Steerable 			
EUCLID NO.	GENUINE	OEM REF.	NOTES
E-17315		6040115	Upper Torque Arm Bushing Replacement Kit

Bushing Kit			
FOR MODELS: RAR-260 			
EUCLID NO.	GENUINE	OEM REF.	NOTES
E-17314		6040099	Yoke Bushing Kit, Includes Bolt, Washer, Wear Washers, & Nut

Bushing Kit			
FOR MODELS: RDS-209, Tandem Drive / Steerable 			
EUCLID NO.	GENUINE	OEM REF.	NOTES
E-17316		6040116	Lower Torque Arm Bushing Replacement Kit

Bushing Kit			
FOR MODELS: RAR-266, RCA-215 & RCA-215T, Lifiable Truck & Trailer, RUL-245, Lifiable Truck & Trailer RCA-215 & RCA-215T, Lifiable Truck & Trailer, RUL-245, Lifiable Truck & Trailer 			
EUCLID NO.	GENUINE	OEM REF.	NOTES
E-17317		6040128	Pivot Bushing Kit, Narrow Bushing, Includes Shear Bolt, Washer, Wear Washers, & Nut
E-17307		6040078	Bushing Kit, Narrow Bushing, Includes Traditional Bolt, Washer, Wear Washers, & Nut


Bushing Kit With Hardware			
FOR MODELS: RSS-233T 13K-20K, Trailer, RSS-233 10K-20K, Truck 			
EUCLID NO.	GENUINE	OEM REF.	NOTES
E-17319		6040134	Bushing Kit Hardware, 8K Trailer Models, 8K & 13K Truck Models, Includes Bushings, Sleeve, Bolt & Nut
E-17497		6040188	Bushing Kit with Hardware- HD, 13K Trailer Models
E-17323		6040161	Bushing Kit Hardware, 16K & 20K Trailer Models, Includes Bushings, Sleeve, Bolt & Nut
E-17321		6040145	Bushing Kit Hardware, 20K Truck Models, Includes Bushings, Sleeve, Bolt & Nut




 Denotes Product is Genuine Ridewell

RIDEWELL




Special Washers & Hardware



Suspension



Lock Nut Assembly			
FOR MODELS: RD-202B/C, Tandem Drive			
			
EUCLID NO.	GENUINE	OEM REF.	NOTES
E-9443	-	-	Includes Hex Nut, Jam Nut & Clip

Alignment Collar			
FOR MODELS: RAR-260, RAR-266			
			
EUCLID NO.	GENUINE	OEM REF.	NOTES
E-17328		7002684	3-1/2" OD, 3/8" Thick
E-17329		7002686	4" OD, 1/2" Thick

Wear Washer			
FOR MODELS: RAR-260 Overslung & Underslung			
			
EUCLID NO.	GENUINE	OEM REF.	NOTES
E-17495		1160021	3-1/8" OD, 1-3/8" ID, 1/4" Thick

Pivot Bolt			
FOR MODELS: RCA-215, RUL-245, RAR-260, RAR-266			
			
EUCLID NO.	GENUINE	OEM REF.	NOTES
E-17072		1130048	7/8"-9 x 7" Long, Shear Type, Use with Narrow Bushing
E-17299		1130031	7/8"-9 x 10" Long, Shear Type, Use with Wide Bushing

Wear Washer			
FOR MODELS: RAR-260 Yoke Mount			
			
EUCLID NO.	GENUINE	OEM REF.	NOTES
E-17349		1167680B000	Nylon, 6-1/4" OD, 2-1/8" ID, 3/16" Thick

Wear Washer			
FOR MODELS: RDS-209, Truck			
			
EUCLID NO.	GENUINE	OEM REF.	NOTES
E-17303		1160009	Nylon, 3-1/8" OD, 1-3/8" ID, 1/4" Thick

 Denotes Product is Genuine Ridewell

U.S. 888-725-9355
Canada 800-387-3889




MeritorPartsXpress.com
700F-RDW (07-23)



RDW-25




RIDEWELL

RIDEWELL

Air Spring Spacer Kits

Spacer Kit			
FOR MODELS: RCA-215 & RCA-215T, Lifiable Truck & Trailer			
			
EUCLID NO.	GENUINE	OEM REF.	NOTES
E-17324		6040167	Air Spring Spacer Kit, 1"
E-17325		6040168	Air Spring Spacer Kit, 2"


Spacer Kit			
FOR MODELS: RSS-233 10K-20K, Truck			
			
EUCLID NO.	GENUINE	OEM REF.	NOTES
E-17304		6001066	Air Spring Spacer Kit, 2"


Spacer Kit			
FOR MODELS: RUL-245, Lifiable Truck & Trailer			
			
EUCLID NO.	GENUINE	OEM REF.	NOTES
E-17311		6040092	Air Spring Spacer Kit, 1"
E-17312		6040093	Air Spring Spacer Kit, 2"


RIDEWELL


Height Control Valves


Suspension

Height Control Valve	
FOR MODELS: RDS-209, Tandem Drive / Steerable 	
EUCLID NO.	NOTES
E-14731	Height Control Valve, Universal, Apply Air to Dump

Height Control Valve	
FOR MODELS: RAR-240, RAR-260, RAR-266 	
EUCLID NO.	NOTES
E-14730	Height Control Valve, Universal, Apply Air to Dump

Height Control Valve			
FOR MODELS: RAR-240 			
EUCLID NO.	GENUINE	OEM REF.	NOTES
E-12525	Ⓜ	6300BFAB13	No Dump

Linkage Assembly	
FOR MODELS: All Models 	
EUCLID NO.	NOTES
E-7852	Universal Kit

Height Control Valve	
FOR MODELS: RAR-240, RAR-260, RAR-266 	
EUCLID NO.	NOTES
E-14729	Height Control Valve, Universal, No Dump

Ⓜ Denotes Product is Genuine Ridewell

U.S. 888-725-9355
 Canada 800-387-3889

MeritorPartsXpress.com
700F-RDW (07-23)

RDW-27

RIDEWELL

TABLE OF CONTENTS

Neway Model Identification — Truck Suspensions	SAF-3
AD Series.....	SAF-3
ADL Series.....	SAF-3
ADZ Series.....	SAF-3
ARDAB Series	SAF-3
ARDST/ARDSTM/L Series	SAF-4
ART-500 Series.....	SAF-4
ART-505 Series.....	SAF-4
Neway Model Identification — Trailer Suspensions	SAF-5
AR-41, AR-45, AR-75 Series	SAF-5
AR-50-US, AR-50-US-F and AR-80-9FM Series	SAF-6
AR-70, AR-70A, AR-80, AR-95 Series.....	SAF-7
AR-90, AR-90-1, AR-92 and AR-93 Series	SAF-8
AR-90, AR-90-1, AR-92 and AR-93 Series	SAF-9
AR-120/125 Topmount & AR-120/125-US Underslung Series	SAF-10
AR-250 Series.....	SAF-10
ARU-92 Series	SAF-11
CBX23/25/40 Series	SAF-11
RL Series.....	SAF-11
AD-123/246/369, AD-126/252/378, AD-130/260/390 Series — Truck, Air Suspension.....	SAF-12
AD-200-7, -8, -9, -11 — Truck, Air Suspension	SAF-16
ADZ-123, -246, -369, ADZ-126, -252, -378 — Truck, Air Suspension	SAF-18
ADL-120 — Truck, Air Suspension.....	SAF-22
ARD-120, ARD-125, ARD-234 Series — Truck, Air Suspension.....	SAF-24
ARDAB-120-5, -240-5 — Truck, Air Suspension	SAF-30
ARDST/ARDSTM & L Series — Truck, Air Suspension	SAF-34
ART 500/505/551/555 Models — Truck, Air Suspension	SAF-36
AR-41/45/75-6,-9,-12/75-1-12/85-A Models — Trailer, Air Suspension	SAF-40
AR-50-US, -F, -F-1, -F-2 — Trailer, Air Suspension	SAF-44
AR-70, AR-80, AR-95 Models — Trailer, Air Suspension.....	SAF-46
AR-80-9FM — Trailer, Air Suspension.....	SAF-50
AR-90/AR-90-1/AR-92/AR-93 Models — Trailer, Air Suspension.....	SAF-52
AR-95A-9-HD, -12-HD, -14-HD, -17-HD — Trailer, Air Suspension.....	SAF-56
AR-120, AR-120-L, AR-125, AR-125-L — Trailer, Air Suspension.....	SAF-60
AR-120-US, AR-120-US-L, AR-125-US, AR-125-US-L — Trailer, Air Suspension	SAF-64
AR-250-12, -14, -15, -16, -17 — Trailer, Air Suspension	SAF-68
ARU-92-8, -9, -10, -12 — Trailer, Air Suspension.....	SAF-72

CBX23/CBX25/CBX40 Models — Trailer, Air Suspension.....SAF-74

RL Models — Trailer, Air Suspension.....SAF-76

TS-426-A, -432, -436, -442, -536, -542 — Trailer, Single Point Spring Suspension.....SAF-82

RTS-536, RTS-544 — Trailer, Tandem Spring Suspension.....SAF-84

TL-636-1, -2, -3, -4, -5 — Trailer, Four Spring SuspensionSAF-86

Binkley-Duralite SP900 — Trailer, Four Spring SuspensionSAF-88

T-8540, TR-8540, TR-8600 — Tri-Axle Trailer Suspension.....SAF-90

TR-8750/TR-8900 Series Mechanical — Tri-Axle Trailer Suspension.....SAF-92

SAF-Holland Neway Components.....SAF-94



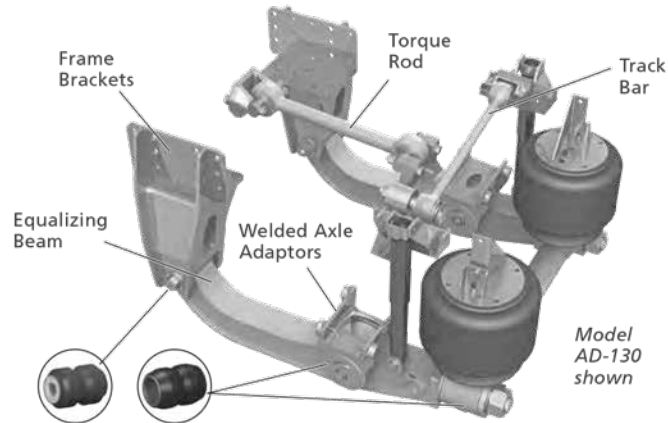
Not sure which suspension you have?
 Check out Meritor's Suspension Identification
 Xact Search to find the right part by
 clicking the QR code

SAF-HOLLAND NEWAY

Neway Model Identification — Truck Suspensions

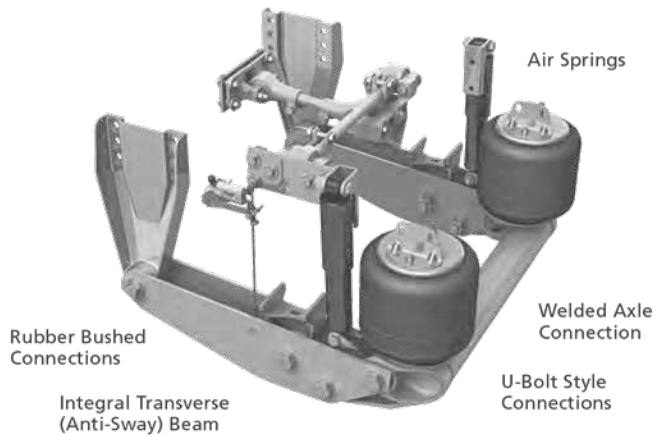
AD Series

Up to 30,000 lbs. Capacity



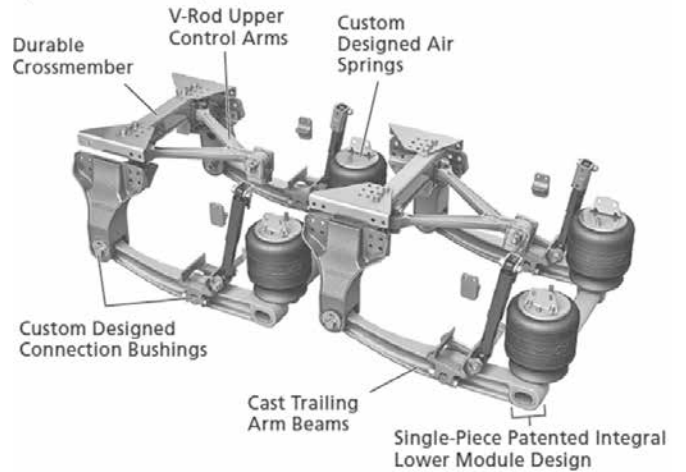
ADL Series

ADL: Up to 20,000 lbs. Capacity
ADLSD: Up to 23,000 lbs. Capacity



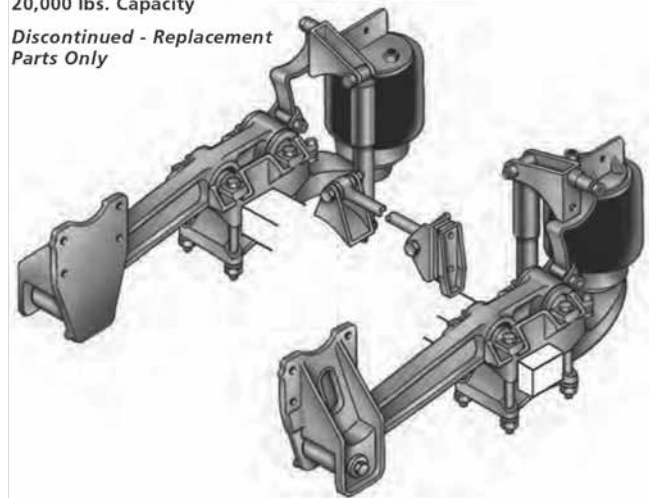
ADZ Series

Up to 78,000 lbs. Capacity



ARDAB Series

20,000 lbs. Capacity
Discontinued - Replacement
Parts Only



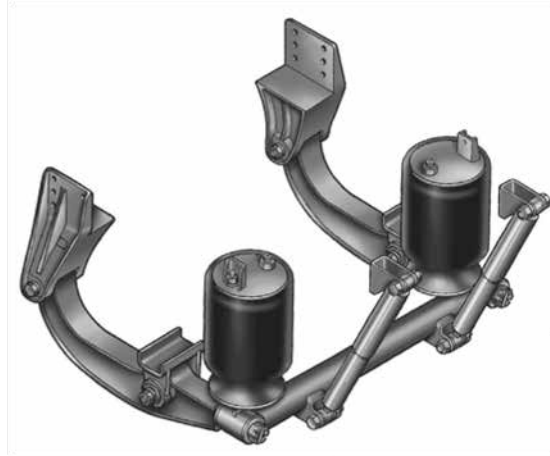
SAF-HOLLAND NEWAY

Neway Model Identification — Truck Suspensions

ARDST/ARDSTM/L Series

26,000 lbs. Capacity

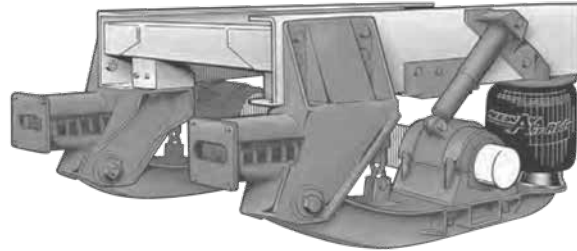
Discontinued - Replacement Parts Only



ART-500 Series

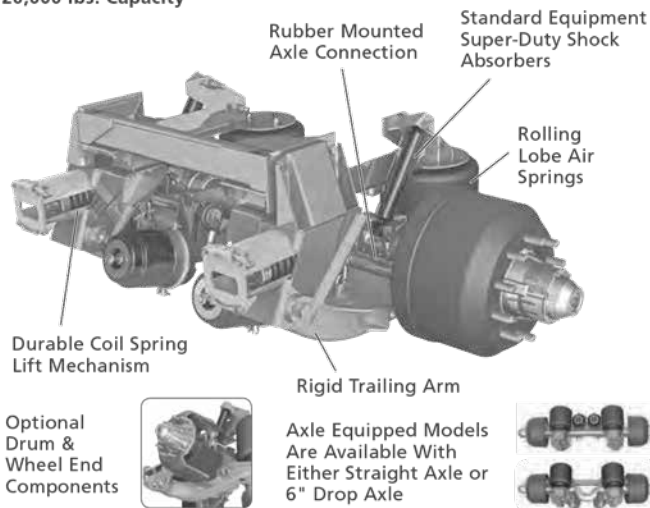
20,000 lbs. Capacity

Discontinued - Replacement Parts Only



ART-505 Series

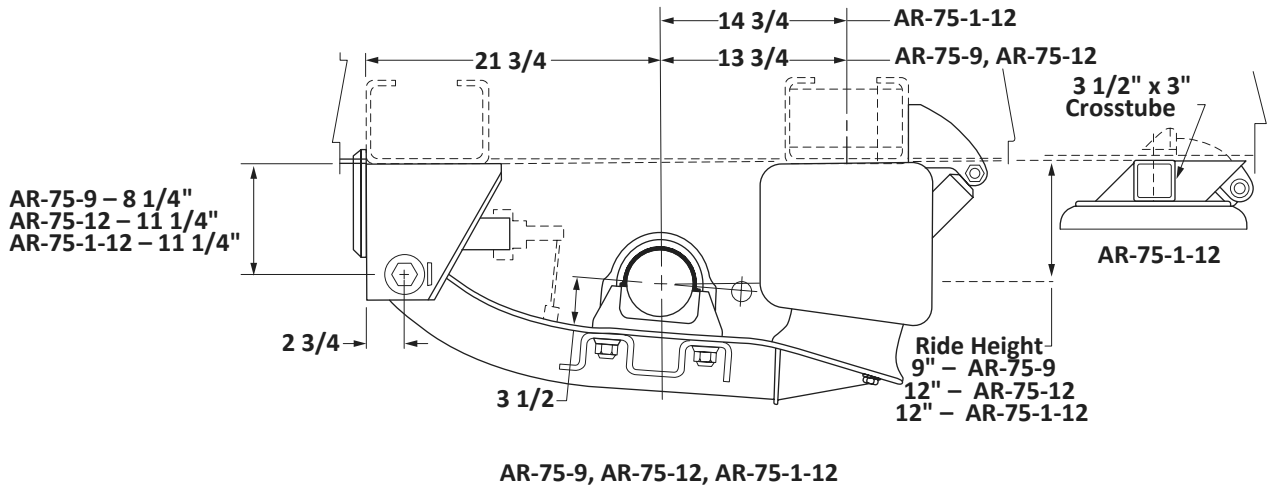
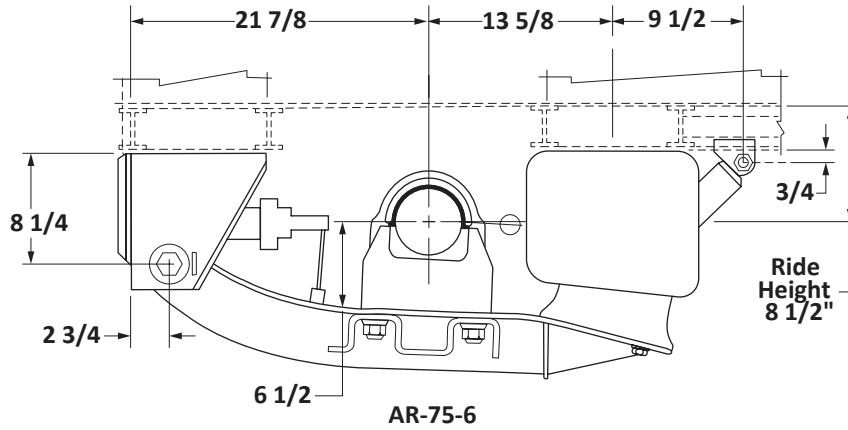
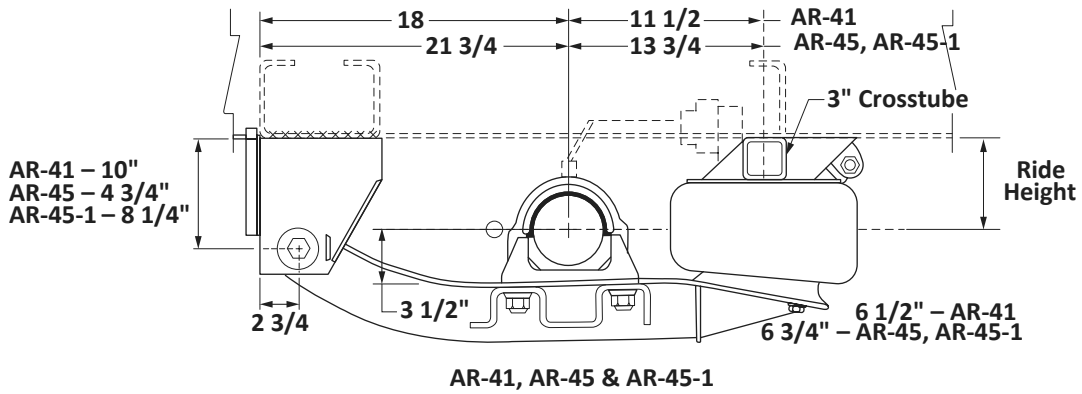
20,000 lbs. Capacity



SAF-HOLLAND NEWAY

Neway Model Identification — Trailer Suspensions

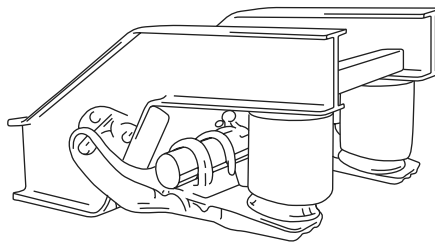
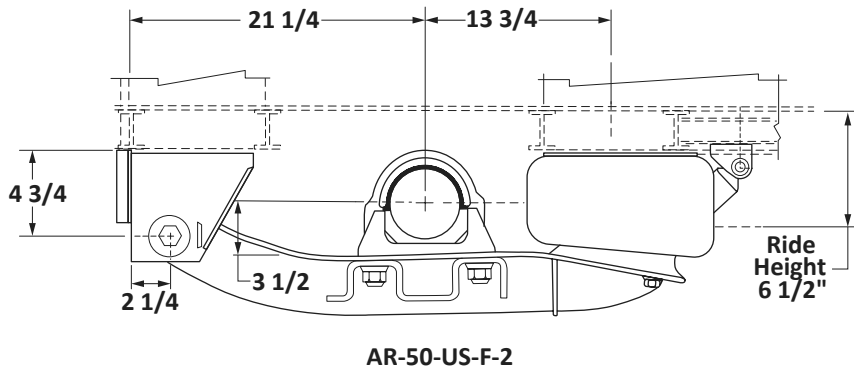
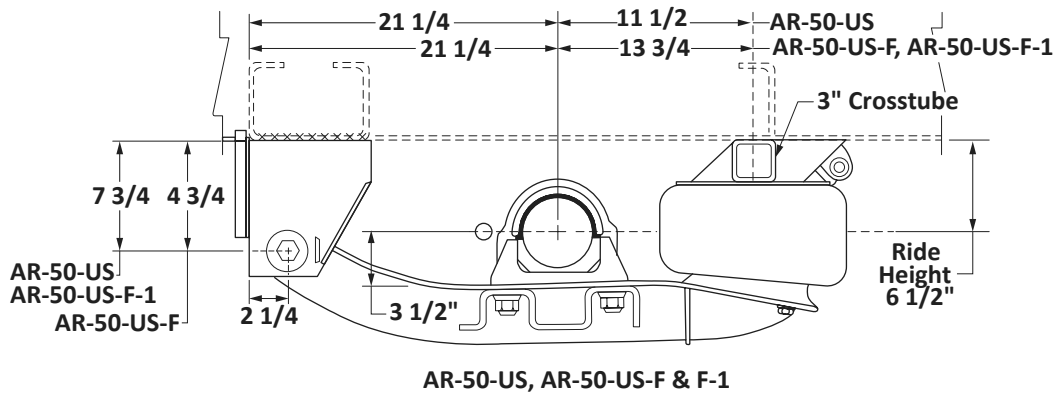
AR-41, AR-45, AR-75 Series



SAF-HOLLAND NEWAY

Neway Model Identification — Trailer Suspensions

AR-50-US, AR-50-US-F and AR-80-9FM Series



AR-80-9FM

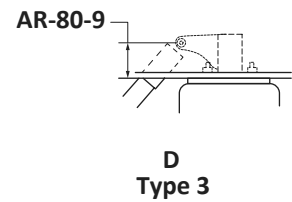
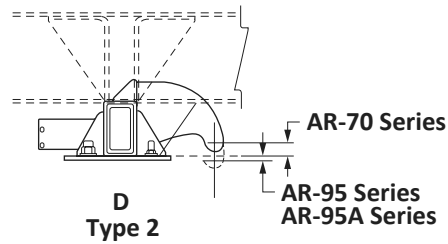
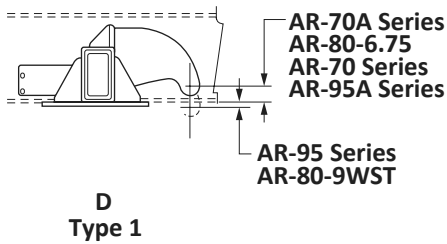
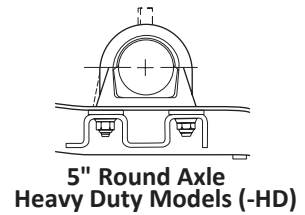
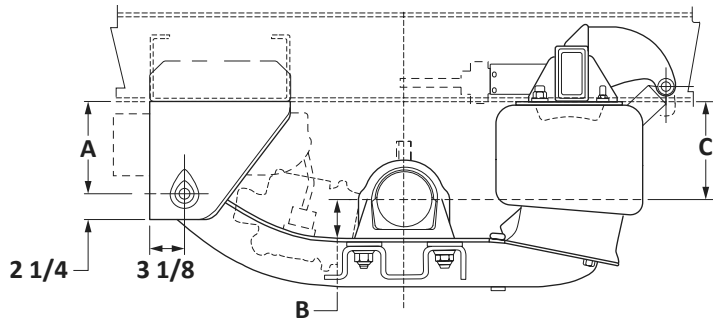
SAF-HOLLAND NEWAY

Neway Model Identification — Trailer Suspensions

Suspension

SAF-HOLLAND NEWAY

AR-70, AR-70A, AR-80, AR-95 Series

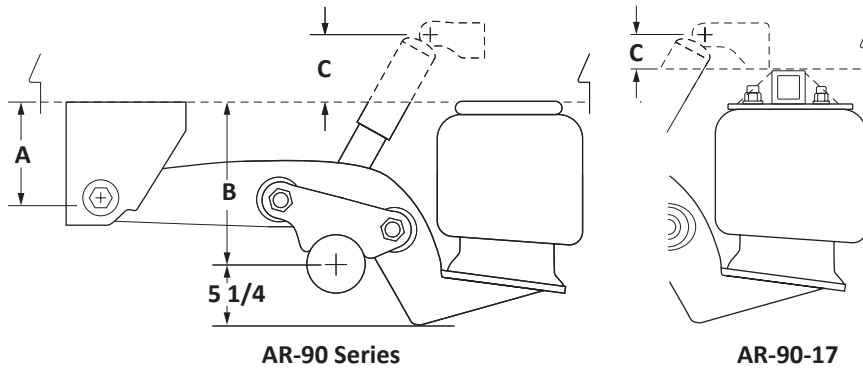


MODEL	A DIMENSION	B DIMENSION	C DIMENSION	D TYPE	D DIMENSION
AR-70-9	8.50	3.50	9	1	1.38
AR-70A-9	8.50	3.50	9	1	1.75
AR-70-14	13.50	3.50	14	2	1.38
AR-80-6.75	6.75	3.50	6.75	1	2.38
AR-80-9	8.25	3.50	9	3	4.50
AR-80-9WST	8.25	3.50	9	1	1.00
AR-95-9, 9-HD	11.50	6.50	9	1	.50
AR-95A-9	11.50	6.50	9	1	1.25
AR-95A-9-HD	11.50	6.63	9	1	1.25
AR-95-12, 12-HD	11.50	3.50	12	1	.50
AR-95A-12	11.50	3.50	12	1	1.25
AR-95A-12-HD	11.50	3.63	12	1	1.25
AR-95A-12-HD*	11.50	3.63	12	1	1.25
AR-95-14, 14-HD	16.50	6.50	14	2	.50
AR-95A-14	16.50	6.50	14	2	1.25
AR-95A-14-HD	16.50	6.63	14	2	1.25
AR-95-17, 17-HD	16.50	3.50	17	2	.50
AR-95A-17	16.50	3.50	17	2	1.25
AR-95A-17-HD	16.50	3.63	17	2	1.25

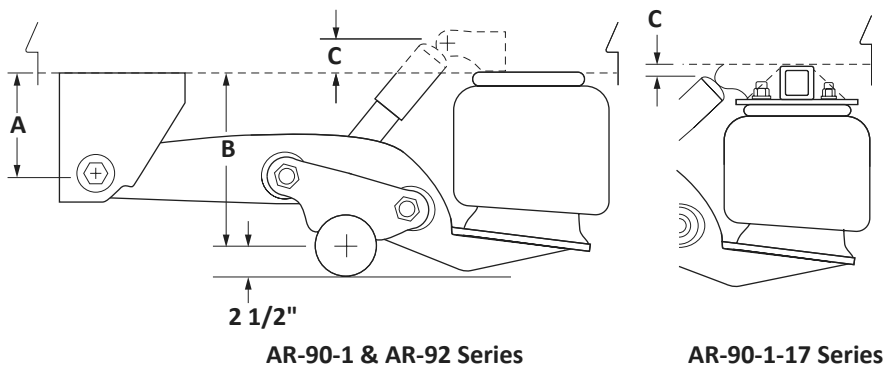
SAF-HOLLAND NEWAY

Neway Model Identification — Trailer Suspensions

AR-90, AR-90-1, AR-92 and AR-93 Series



MODEL	A DIMENSION	B DIMENSION	C DIMENSION
AR-90-14	8.25	14	5.50
AR-90-15	8.25	15	5.50
AR-90-16	10.63	16	4.75
AR-90-17	11.75	17	5.50

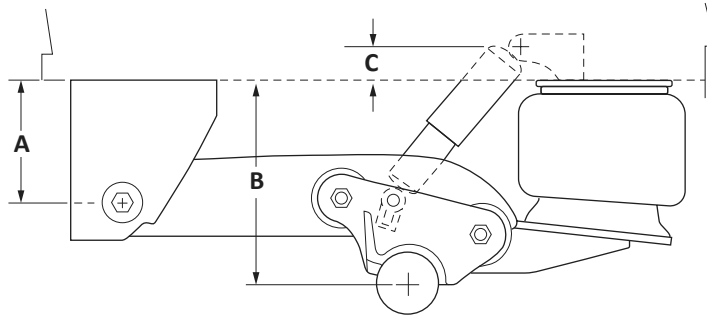


MODEL	A DIMENSION	B DIMENSION	C DIMENSION
AR-90-1-12	6	12	2.25
AR-90-1-14	8.25	14	2.25
AR-90-1-15	8.25	15	2.25
AR-90-1-16	10.63	16	2.25
AR-90-1-17	11.25	17	2.25
AR-92-12	5.25	12	2.25
AR-92-14	7.25	14	2.25
AR-92-15	8.25	15	2.25
AR-92-16	10.63	16	2.25
AR-92-17	10.63	17	2.25
AR-92-18	12.50	18	2.25

SAF-HOLLAND NEWAY

Neway Model Identification — Trailer Suspensions

AR-90, AR-90-1, AR-92 and AR-93 Series



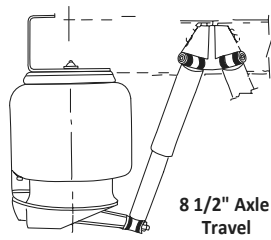
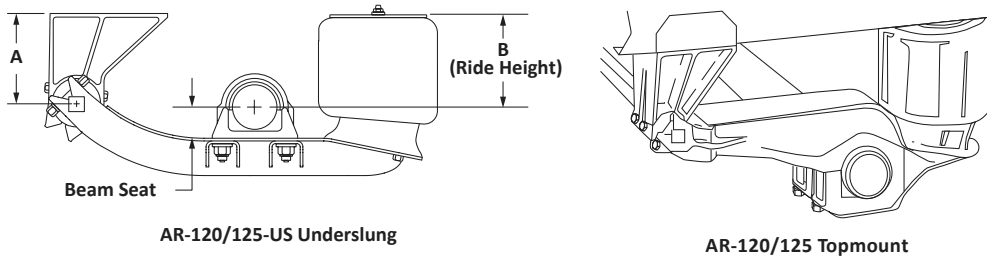
AR-93 Series

MODEL	A DIMENSION	B DIMENSION	C DIMENSION
AR-93-14	7.25	14	2.25
AR-93-15	8.25	15	2.25
AR-93-16	10.63	16	2.25
AR-93-17	10.63	17	2.25

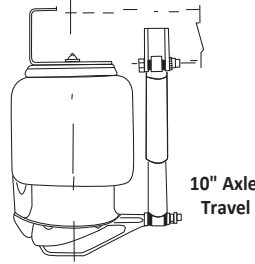
SAF-HOLLAND NEWAY

Neway Model Identification — Trailer Suspensions

AR-120/125 Topmount & AR-120/125-US Underslung Series



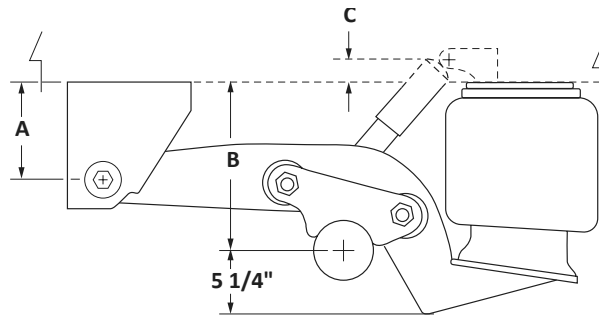
Type 1 Shock Location



Type 2 Shock Location

MODEL	A DIMENSION	B DIMENSION	SHOCK LOCATION	BEAM SEAT
AR-120, 125	8.38	14	TYPE 1	—
AR-120-L, 125-L	11.38	17	TYPE 2	—
AR-120-US, 125-US	8.38	9	TYPE 1	3.50
AR-120-US-L-1	11.38	9	TYPE 2	6.50
AR-120-US-L-2	11.38	10.50	TYPE 2	5.25
AR-120-US-L-3	11.38	12	TYPE 2	3.50
AR-125-US-L-1	11.38	9	TYPE 2	6.50
AR-125-US-L-2	11.38	10.50	TYPE 2	5.25
AR-125-US-L-3	11.38	12	TYPE 2	3.50
AR-120-US-F	8.38	9	TYPE 1	3.50
AR-125-US-F	8.38	9	TYPE 1	3.50

AR-250 Series



AR-250 SERIES

MODEL	A DIMENSION	B DIMENSION	C DIMENSION
AR-250-12	5.25	12	2.63
AR-250-14	8.25	14	2.63
AR-250-15	8.25	15	2.63
AR-250-16	10.63	16	2.63
AR-250-17	10.63	17	2.63

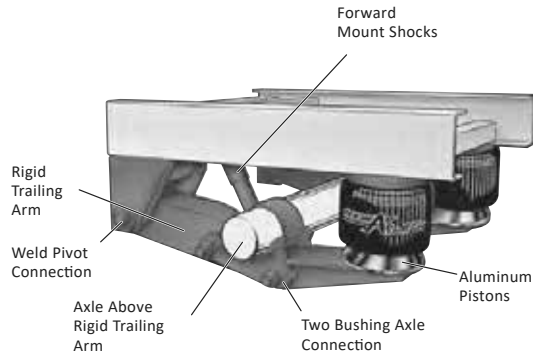
SAF-HOLLAND NEWAY

SAF-HOLLAND NEWAY

Neway Model Identification — Trailer Suspensions

SAF-HOLLAND NEWAY

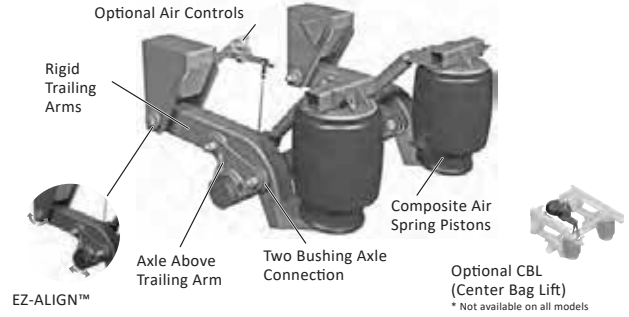
ARU-92 Series



RL Series

- RL-196 - 19,000 lbs. Capacity
- RL-228 - 22,500 lbs. Capacity
- RL-230 - 23,000 lbs. Capacity
- RL-250 - 25,000 lbs. Capacity
- RL-300 - 30,000 lbs. Capacity

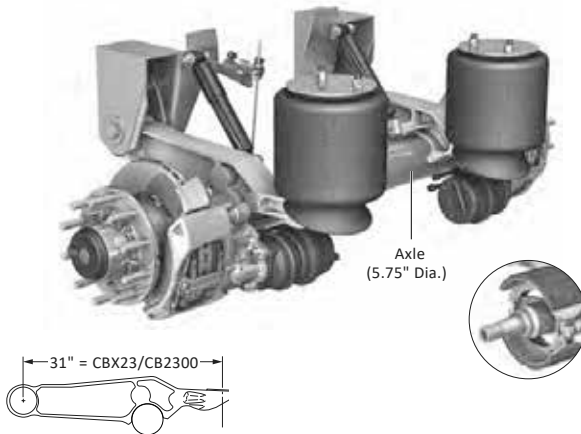
Discontinued - Replacement Parts Only



CBX23/25/40 Series

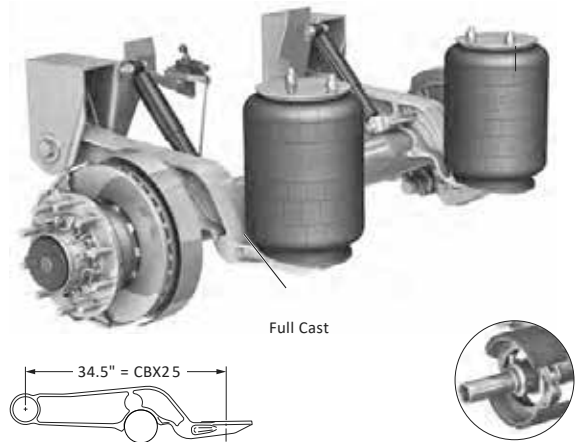
CBX23

Up to 23,000 lbs. Capacity



CBX25

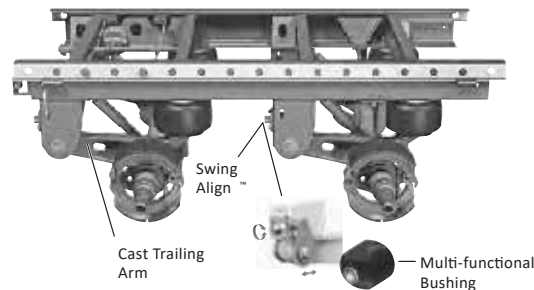
25,000 lbs. Capacity



CB400/4000 & CBX40 Series

40,000 lbs. Capacity

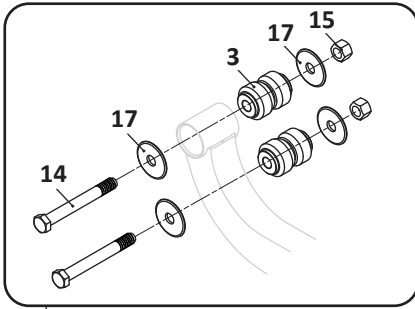
Discontinued - Replacement Parts Only



SAF-HOLLAND NEWAY

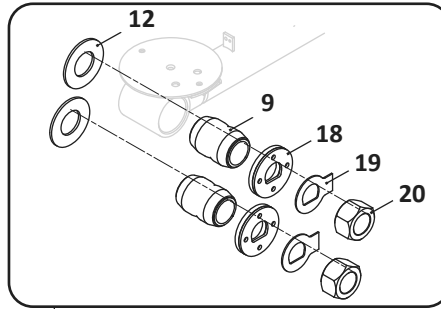
AD-123/246/369, AD-126/252/378, AD-130/260/390 Series — Truck, Air Suspension

Pivot Connection Kit



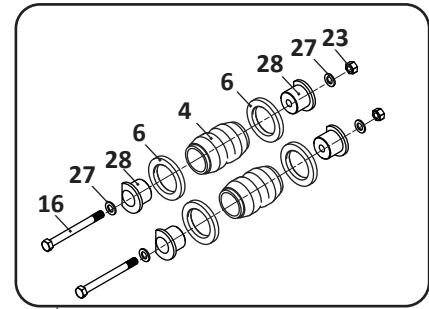
38

Transverse Beam Connection Kit



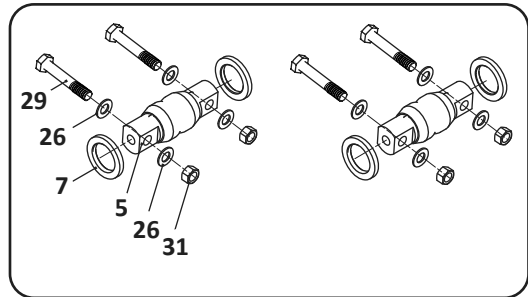
39

Thru Bolt Style Connection Kit

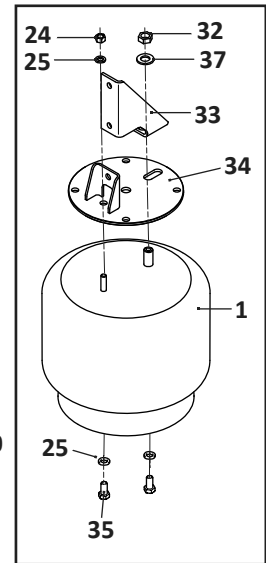
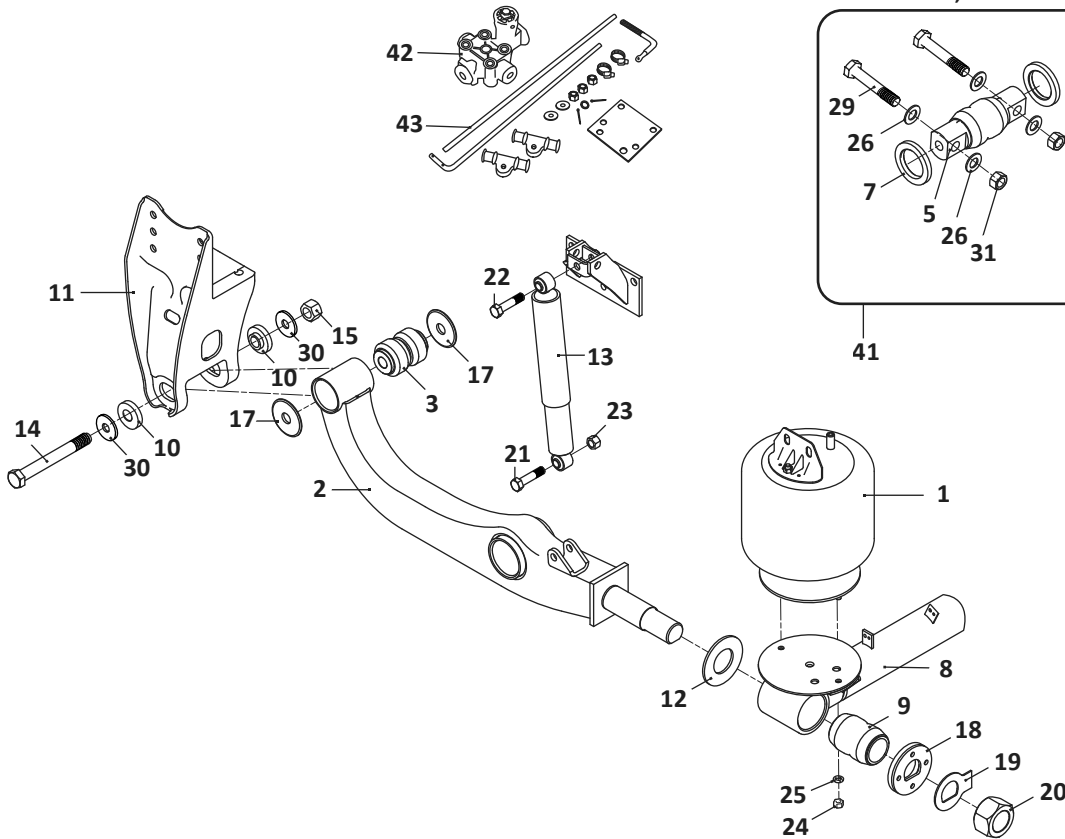


40

Axle, Bar Pin Style Connection Kit

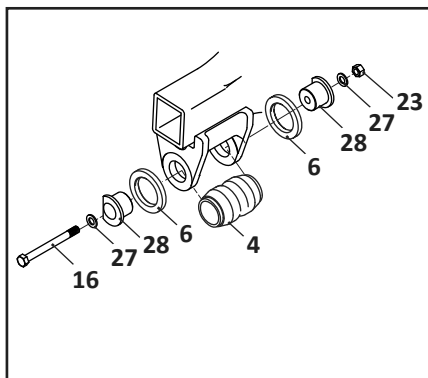


41

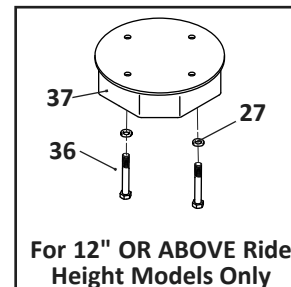
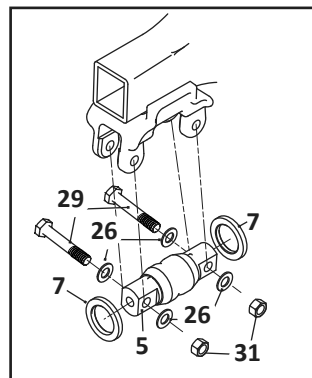


AD-126/130 Series

Thru Bolt Style Axle Connection



Bar Pin Style Axle Connection





For 12" OR ABOVE Ride Height Models Only

AD-130 Series

SAF-HOLLAND NEWAY

AD-123/246/369, AD-126/252/378, AD-130/260/390 Series — Truck, Air Suspension

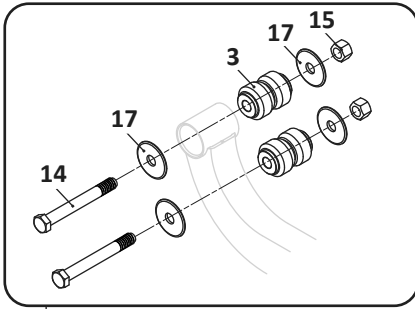
KEY NO.	EUCLID NO.	GENUINE	OEM REF.	DESCRIPTION	QTY. PER AXLE			PAGE NO.
					AD-123 SERIES	AD-126 SERIES	AD-130 SERIES	
1	FS9471	-	90557146	Firestone Air Spring, Includes Mounting Bracket, 10" Ride Height	2	2	2	-
	EAS9471	-	90557146	Euclid Air Spring, Includes Mounting Bracket, 10" Ride Height	2	2	2	-
	FS9472	-	90557147	Firestone Air Spring, Includes Mounting Bracket, 6-3/4" & 8-3/4" Ride Height	2	2	2	-
	FS9501	-	90557212	Firestone Air Spring, Includes Mounting Bracket	-	2	2	-
	FS9491	-	90557213	Firestone Air Spring, Includes Mounting Bracket	-	2	2	-
2	S.O.S.		Various	Equalizer Beam Assembly	2	-	-	-
3	E-9292	-	90008252	Beam Bushing, Pivot, Rubber	2	-	-	SAF-94
	GAFF14514	-	-	Beam Bushing, Pivot, Poly	2	2	-	SAF-94
	E-16567		90008256	Bushing, Front Pivot, Rubber	-	-	2	SAF-94
4	E-4253	-	90008008	Bushing, Axle Connection, Thru Bolt Style, Rubber	2	-	-	SAF-95
	GAFF14527	-	-	Bushing, Axle Connection, Thru Bolt Style, Poly	2	-	-	SAF-95
	E-16607		90008195	Bushing, Axle Connection, Thru Bolt Style, Rubber	-	2	-	SAF-95
	E-16564		90008225	Bushing, Axle Connection, Thru Bolt Style, Rubber	-	-	2	SAF-95
5	E-10678		90008175	Bushing, Axle Connection, Bar Pin Style, Rubber	2	-	-	SAF-95
	E-16636		90508012	Bushing, Axle Connection, Bar Pin Style, Rubber	-	2	-	SAF-95
6	E-4315	-	90001065	Washer for Thru Bolt Style Connection	4	-	-	-
	S.O.S.		90036210	Washer for Thru Bolt, Style Connection	-	4	-	-
7	S.O.S.		90001205	Washer for Bar Pin Style Connection	4	-	-	-
8	S.O.S.		Various	Transverse Beam Assembly	1	1	1	-
9	E-4252	-	90008219	Bushing, Transverse Beam, Rubber	2	2	-	SAF-95
	GAFF31592	-	-	Bushing, Transverse Beam, Poly	2	2	-	SAF-95
	E-9293		90008135	Bushing, Transverse Beam, Rubber	-	-	2	SAF-96
10	E-4267	-	90008120	Alignment Block	2	2	-	SAF-98
	S.O.S.		90008232	Alignment Block	-	-	2	-
11	S.O.S.		Various	Frame Bracket	2	2	2	-
12	E-15724		93600498	Spacer Washer	2	2	2	-
13	M85906	-	90045099	Shock Absorber	2	2	2	-
	M85909	-	90045132	Shock Absorber (Optional, 24-1/4" Extended Length)	2	2	2	-
14	E-4364	-	93201055	Bolt, 1-1/8" - 7 x 9-1/4" Long	2	2	-	-
	E-16604		93201068	Bolt, 1-1/4" - 7 x 9" Long	-	-	2	-
15	E-4358	-	93400506	Nut, 1-1/8" - 7	2	2	-	-
	E-4275	-	93400510	Nut, 1-1/4" - 7	-	-	2	-
16	S.O.S.		93003693	Bolt, 3/4" - 10 x 7-1/2" Long	2	2	-	-
	E-15102	-	93003705	Bolt, 3/4" - 10 x 8" Long	-	-	2	-
17	E-4363	-	93600502	Washer Pivot Spacer, 1-1/8" ID x 4" OD x 1/4" Thick	2	2	-	-
	E-16618		93600546	Washer Pivot Spacer	-	-	2	-
18	E-15722		90036006	Locking Spacer Assembly	2	2	2	SAF-99
19	E-16617		93600533	Lock Tab Washer	2	2	2	SAF-99
20	E-16611		93400607	Nut, 2-1/4" - 8	2	2	2	-
21	S.O.S.		93003615	Bolt, 3/4" - 10 x 4-1/4" Long	2	2	-	-
	E-16593	-	93003603	Bolt, 3/4" - 10 x 3-3/4" Long	-	-	2	-
22	E-4345	-	93003591	Bolt, 3/4" - 10 x 3-1/4" Long	2	2	-	-
	E-15140	-	93003645	Bolt, 3/4" - 10 x 5-1/2" Long	-	-	2	-

 Denotes Product is Genuine SAF-Holland Neway

SAF-HOLLAND NEWAY

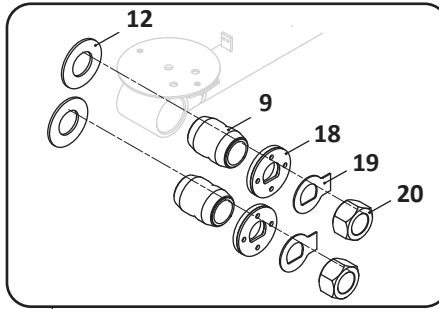
AD-123/246/369, AD-126/252/378, AD-130/260/390 Series — Truck, Air Suspension

Pivot Connection Kit



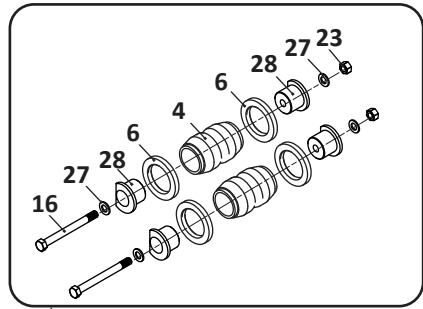
38

Transverse Beam Connection Kit



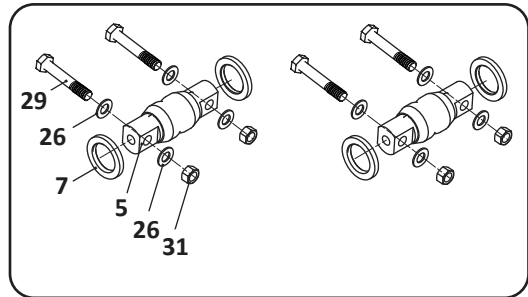
39

Thru Bolt Style Connection Kit

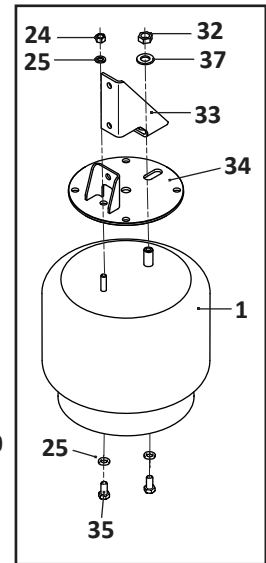
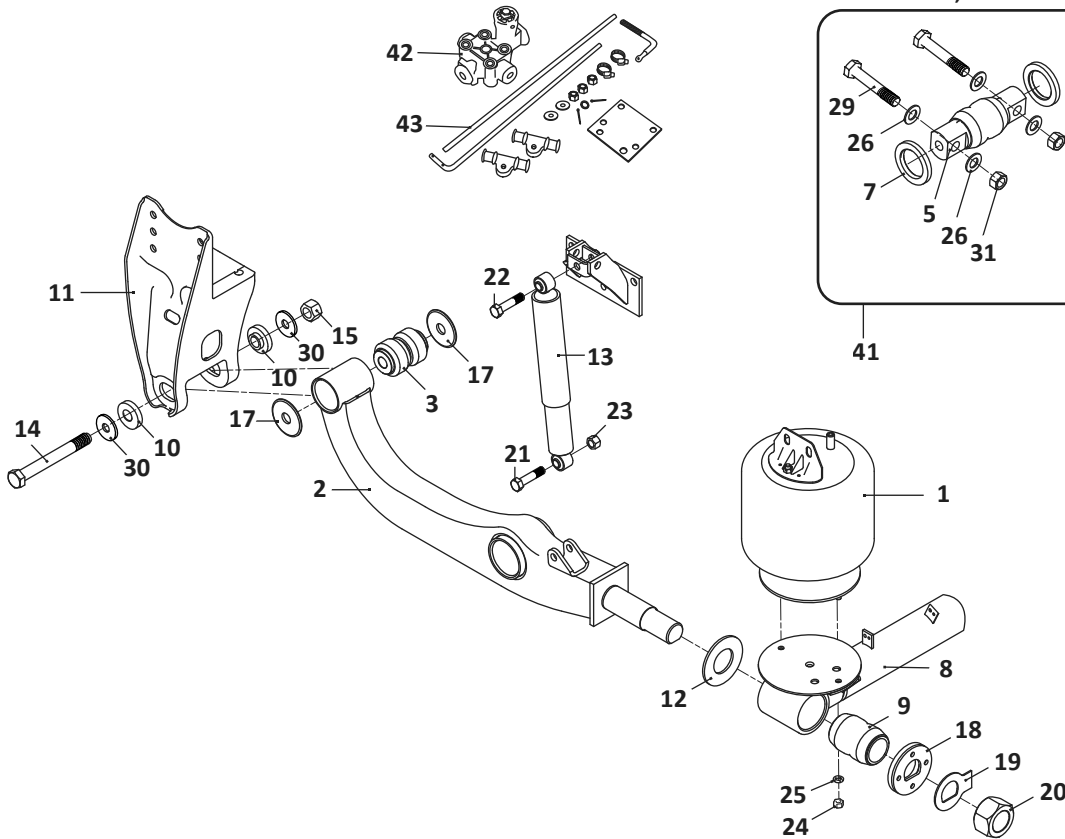


40

Axle, Bar Pin Style Connection Kit

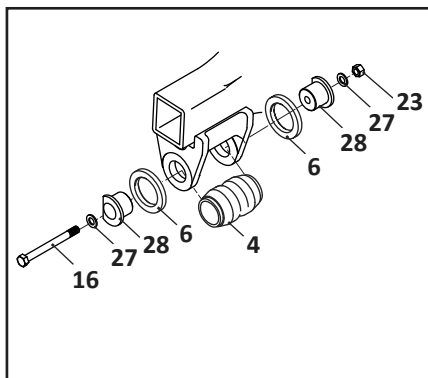


41

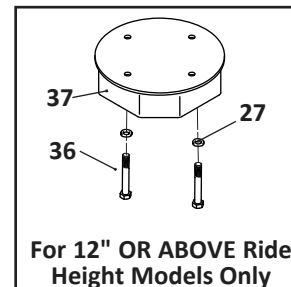
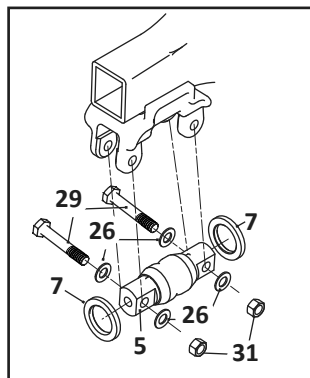


AD-126/130 Series

Thru Bolt Style Axle Connection



Bar Pin Style Axle Connection



For 12" OR ABOVE Ride Height Models Only

AD-130 Series

SAF-HOLLAND NEWAY

AD-123/246/369, AD-126/252/378, AD-130/260/390 Series — Truck, Air Suspension

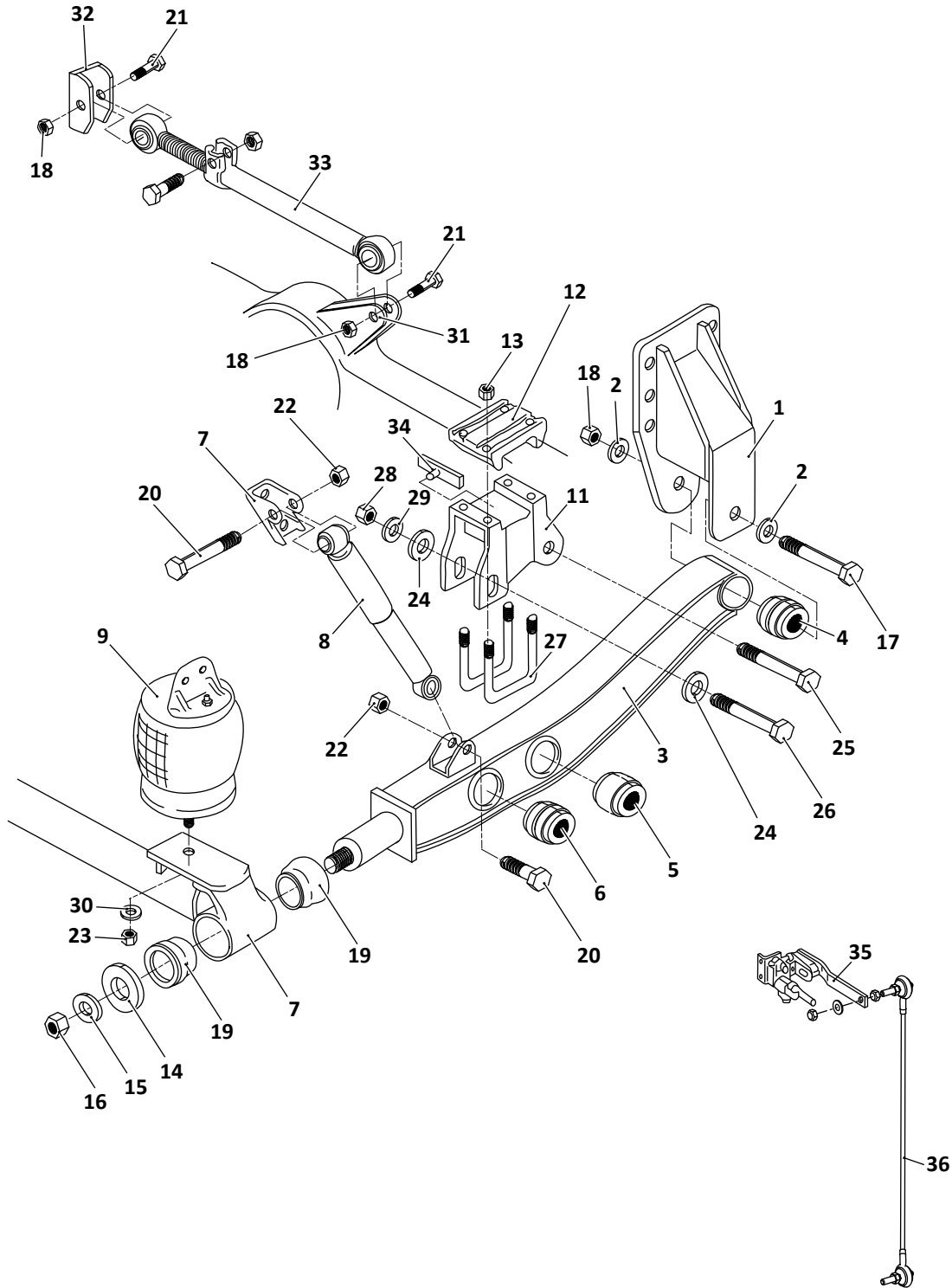
KEY NO.	EUCLID NO.	GENUINE	OEM REF.	DESCRIPTION	QTY. PER AXLE			PAGE NO.
					AD-123 SERIES	AD-126 SERIES	AD-130 SERIES	
23	E-4347	-	93400492	Nut, 3/4" - 10	2	2	2	-
24	E-15256	-	93400136	Nut, 1/2" - 13	2	2	2	-
25	S.O.S.	SAF	93600072	Lock Washer, 1/2"	2	2	2	-
26	E-2975	-	93600168	Washer, Flat Narrow 1"	8	8	-	-
27	E-2545	-	93600156	Plain Washer, 3/4" ID	4	4	-	-
28	S.O.S.	SAF	90001002	Bushing, Adapter	4	4	-	-
	S.O.S.	SAF	90001349	Adapter Bushing	-	-	4	-
29	E-15192	-	93004301	Bolt, 1" - 8 x 6" Long	4	4	-	-
30	E-2548	-	93600174	Washer, 1-1/8"	4	4	-	-
31	E-4421	-	93400502	Nut, 1" - 8	4	4	-	-
32	S.O.S.	SAF	93400417	Nut, 3/4" - 16	-	2	2	-
33	S.O.S.	SAF	90023131	Brace	-	2	2	-
34	S.O.S.	SAF	90531001	Air Spring Mounting Plate	-	2	2	-
35	S.O.S.	SAF	93002893	Bolt, 1/2" - 13 x 1" Long	-	4	8	-
36	S.O.S.	SAF	93002961	Bolt, Hex 1/2" - 13 x 4" Long for 12" Ride Height Models Only	-	-	4	-
37	S.O.S.	SAF	90536009	Spacer Air Spring, for 12" or Above Ride Height Models Only	-	-	2	-
38	E-9300A	-	48100260/SRK-200	Connection Kit, Front Pivot, Includes Key Nos. 3, 14, 15, 17	1	-	-	SAF-100
	E-16562	SAF	48100427/SRK-563	Connection Kit, Front Pivot, Heavy Duty, Includes Key Nos. 3, 14, 15, 17, 30	-	1	-	SAF-100
	E-16589	SAF	48100429/SRK-565	Connection Kit, Front Pivot, Heavy Duty, Includes Key Nos. 3, 14, 15, 17	-	-	1	SAF-100
39	E-16624	SAF	48100276/SRK-214	Connection Kit, Transverse Beam, Includes Key Nos. 9, 12, 18, 19, 20	1	-	-	SAF-103
	E-16577	SAF	48100335/SRK-472	Connection Kit, Transverse Beam, Includes Key Nos. 9, 12, 18, 19, 20	-	1	-	SAF-103
	E-16608	SAF	48100364/SRK-500	Connection Kit, Transverse Beam, Includes Key Nos. 9, 12, 18, 19, 20	-	-	1	SAF-103
40	E-4387	-	48100124/SRK-80	Connection Kit, Thru Bolt Style, 5-3/4" Round Axle, Includes Key Nos. 4, 6, 16, 23, 27, 28	1	-	-	SAF-102
	E-16637	SAF	48100334/SRK-471	Connection Kit, Thru Bolt Style, 5-3/4" Round Axle, Includes Key Nos. 4, 6, 16, 23, 27, 28	-	1	-	SAF-102
	E-16639	SAF	48100362/SRK-498	Connection Kit, Thru Bolt Style, 5-3/4" Round Axle, Includes Key Nos. 4, 16, 23, 27, 28	-	-	1	SAF-102
41	E-15340	SAF	48100315/SRK-452	Connection Kit, Axle, Bar Pin Style, Includes Key Nos. 5, 7, 26, 29, 31	1	-	-	SAF-102
	E-16638	SAF	48100313/SRK-450	Connection Kit, Axle, Bar Pin Style, Includes Key Nos. 5, 26, 29, 31	-	1	-	SAF-102
42	E-13922	-	90554241	Height Control Valve	1	1	1	SAF-112
43	E-16623	-	48100267/SRK-205	Linkage, Height Control Valve	1	1	1	SAF-113

SAF Denotes Product is Genuine SAF-Holland Neway

SAF-HOLLAND NEWAY

AD-200-7, -8, -9, -11 — Truck, Air Suspension

SAF-HOLLAND NEWAY



AD-200-7, -8, -9, -11 — Truck, Air Suspension

KEY NO.	EUCLID NO.	GENUINE	OEM REF.	DESCRIPTION	QTY. PER AXLE	PAGE NO.
1	S.O.S.	SAF	Various	Frame Bracket	2	-
2	S.O.S.	SAF	90008166	Alignment Blocks	4	-
3	S.O.S.	SAF	90516585	Equalizing Beam Assembly	2	-
4	E-9286	SAF	90008165	Bushing, Front Pivot, Rubber	2	SAF-94
5	E-16561	SAF	90008191	Bushing, Front Axle Connection, Rubber	2	SAF-95
6	E-16560	SAF	90008190	Bushing, Rear Axle Connection, Rubber	2	SAF-95
7	S.O.S.	SAF	90545368	Transverse Beam Assembly	1	-
8	M85910	-	90045138	Shock Absorber	2	-
9	S.O.S.	SAF	90557161	Air Spring, 7" Ride Height	2	-
	S.O.S.	SAF	90557166	Air Spring, 8" Ride Height	2	-
	FS9471	-	90557146	Firestone Air Spring, 11" Ride Height	2	-
	EAS9471	-	90557146	Euclid Air Spring, 11" Ride Height	2	-
10	S.O.S.	SAF	90018542	Upper Shock Bracket	2	-
11	S.O.S.	SAF	Various	Axle Adapter	2	-
12	S.O.S.	SAF	Various	Axle Cap	2	-
13	E-15094	-	93400494	Nut, 3/4" - 16, 3.82 x 4.25 & 4.25 x 5.00 Axle Application	8	-
	E-2983	-	93400498	Nut, 7/8" - 9, 4.61 x 5.28 Axle Application	8	-
14	S.O.S.	SAF	90036007	Spacer Washer	2	-
15	E-2833	-	93600180	Washer, 1-5/16"	2	-
16	E-2854	-	93400511	Nut, 1-1/4" - 12	2	-
17	E-9295	SAF	93003905	Bolt, 7/8" - 9 x 7-1/2" Long	2	-
18	E-2983	-	93400498	Nut, 7/8" - 9	4	-
19	E-4257	-	90008113	Bushing, Transverse Beam, Rubber	4	SAF-96
20	E-16593	-	93003603	Bolt, 3/4" - 10 x 3-3/4" Long	4	-
21	E-3696	-	93003831	Bolt, 7/8" - 9 x 4-1/2" Long	2	-
22	E-4347	-	93400492	Nut, 3/4" - 10	4	-
23	E-15256	-	93400136	Nut, 1/2" - 13	2	-
24	S.O.S.	SAF	90008192	Alignment Bushing	4	-
25	S.O.S.	SAF	93004529	Bolt, 1-1/8" - 7 x 7" Long	2	-
26	S.O.S.	SAF	93004553	Bolt, 1-1/8" - 7 x 8" Long	2	-
27	S.O.S.	SAF	90042897	U-Bolt, 3/4" - 10 x 7-1/8" Long, 3.82 x 4.25 & 4.25 x 5.00 Axle Application	8	-
	S.O.S.	SAF	90042869	U-Bolt, 7/8" - 9 x 7-1/2" Long, 4.61 x 5.28 Axle Application	8	-
28	E-4358	-	93400506	Nut, 1-1/8" - 7	4	-
29	E-2548	-	93600174	Washer, 1-1/4"	4	-
30	S.O.S.	SAF	93600072	Washer, 1/2"	2	-
31	S.O.S.	SAF	90044874	Control Arm Bracket	1	-
32	S.O.S.	SAF	90018472	Control Arm Bracket	1	-
33	S.O.S.	SAF	90045172	Adjustable Torque Rod	1	-
34	E-9290	SAF	90044887	Plastic Shim	2	SAF-109
35	E-4323	-	90054007	Height Control Valve, No Dump	1	SAF-112
36	E-7852	-	48100225/SRK-168	Linkage Assembly; Universal; Adjustable	1	SAF-113

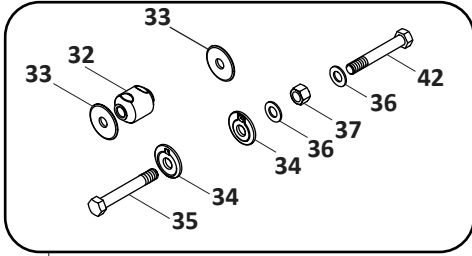
SAF Denotes Product is Genuine SAF-Holland Neway

SAF-HOLLAND NEWAY

ADZ-123, -246, -369, ADZ-126, -252, -378 — Truck, Air Suspension

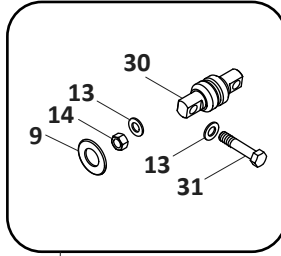
SAF-HOLLAND NEWAY

Pivot Bushing Connection Kit



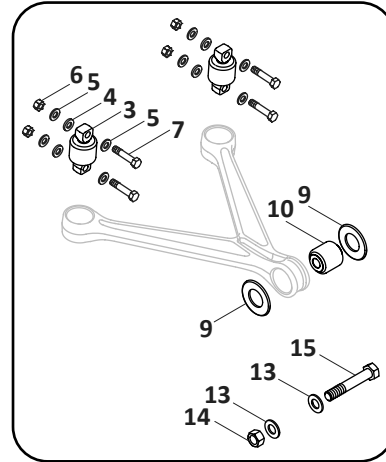
43

Axle Bushing Connection Kit

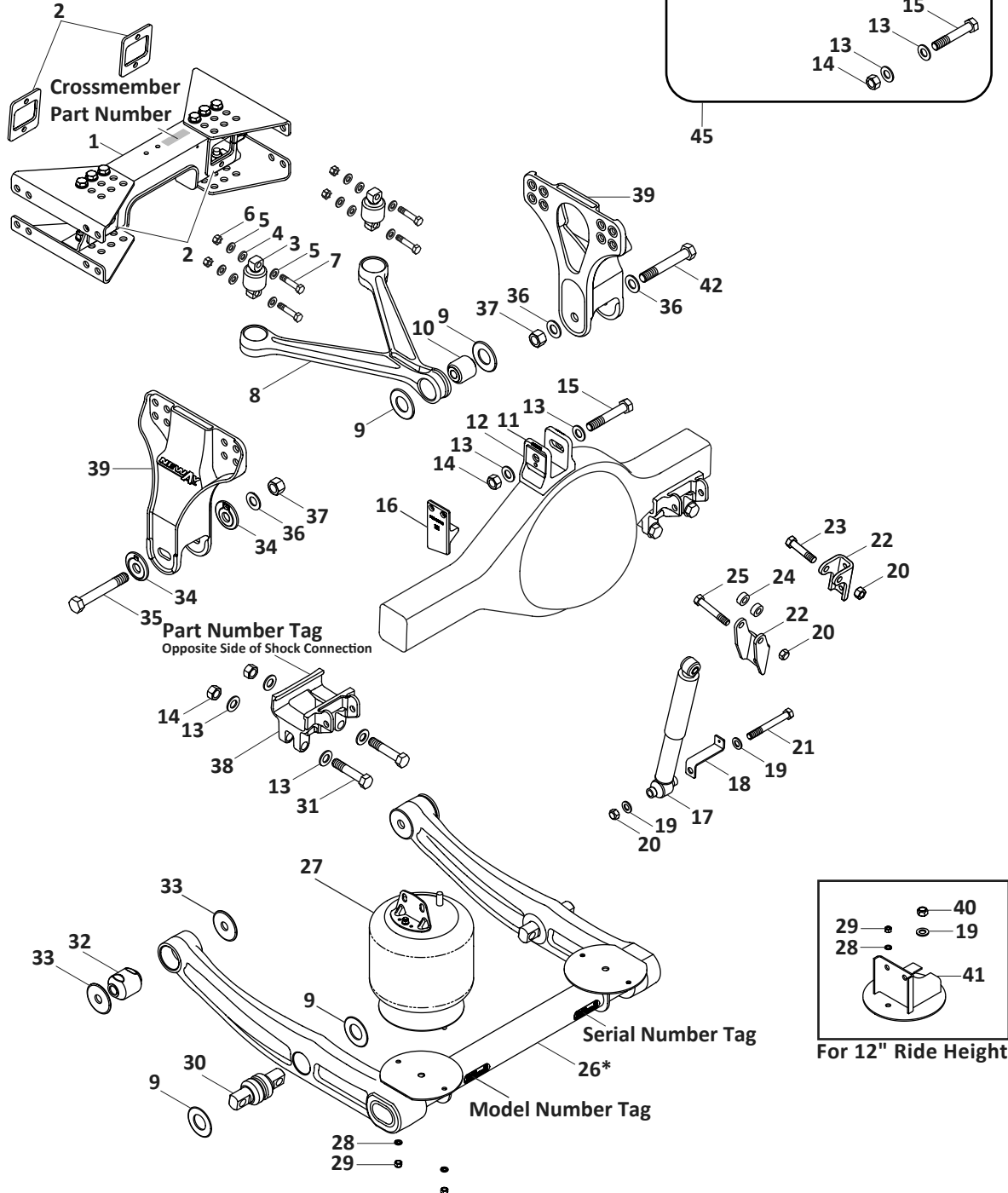


44

V-Rod Bushing Connection Kit



45



ADZ-123, -246, -369, ADZ-126, -252, -378 — Truck, Air Suspension

KEY NO.	EUCLID NO.	GENUINE	OEM REF.	DESCRIPTION	QTY. PER AXLE	PAGE NO.
1	S.O.S.	SAF	Various	Frame Crossmember Assembly	1	-
2	S.O.S.	SAF	90034740	Backer Plate	2	-
3	E-10303	-	90008265	Bar-Pin Bushing, Rubber, Included in Kit E-17685	2	SAF-97
	E-10303-P	-	90008265	Bar-Pin Bushing, Rubber, Included in Kit E-17685, Price Point	2	
	GAFF11729	-	-	Bar-Pin Bushing, Poly	2	SAF-97
4	S.O.S.	SAF	Various	Spacer	4	-
5	E-2547	-	-	Washer, 5/8" ID	8	-
6	E-2988	-	-	Lock Nut, 5/8"-11	4	-
7	S.O.S.	SAF	Various	Hex Bolt, 5/8"-11 x 3"	4	-
8	S.O.S.	SAF	90548992	V-Rod Assembly with Bushings	1	-
9	S.O.S.	SAF	93600561	Washer, 4" Dia. Tapered	6	-
10	E-17678	SAF	90008264	V-Rod Thru Bolt Bushing, Rubber, Included in Kit E-17686	1	SAF-97
	GAFF14537	-	-	V-Rod Thru Bolt Bushing, Poly	1	SAF-97
11	S.O.S.	-	Various	Upper V-Rod Axle Bracket	1	-
12	S.O.S.	-	Various	Pinion Plate	1	-
13	E-2975	-	93600168	Washer, 1" Inside Dia.	10	-
14	E-4421	-	93400502	Lock Nut, 1"	5	-
15	S.O.S.	-	93004301	Hex Bolt, 1"-8 x 6"	1	-
16	S.O.S.	-	Various	Axle Stop, Specify Ride Height and Brake Type	1	-
17	M85109	SAF	90045605	Shock Absorber	2	-
18	S.O.S.	-	90026410	HCV Link Bracket	As Required	-
19	E-2545	-	93600156	Washer, 3/4" ID	20	-
20	E-4347	-	93400494	Lock Nut, 3/4"-10	12	-
21	S.O.S.	SAF	93003663	Hex Bolt, 3/4"-10 x 6-1/4" Long	2	-
22	S.O.S.	SAF	90018729	Upper Shock Bracket 10" Ride Height	2	-
	S.O.S.	SAF	90018542	Upper Shock Bracket 12" Ride Height	2	-
23	E-16593	-	93003603	Hex Bolt, 3/4"-10 x 3-3/4" Long	2	-
24	S.O.S.	SAF	90036278	Spacer Washer, 10" Ride Height	4	-
25	E-2989	-	-	Hex Bolt, 3/4"-10 x 5" Long	2	-
26	S.O.S.	SAF	Various	Lower Control Arm Assembly	1	-
27	E-17679	SAF	90557368	Air Spring, 10" Ride Height, 123, 246, 369 Models	2	-
	E-17680	SAF	90557395	Air Spring, 12" Ride Height, 123, 246, 369 Models	2	-
	E-17681	SAF	90557392	Air Spring, 126, 252, 378 Models	2	-
28	S.O.S.	SAF	93600072	Lock Washer, 1/2" ID	4	-
29	E-16042	-	93400136	Nut, 1/2"-13	4	-
30	E-17682	SAF	90008267	Bar-Pin Bushing, Rubber, Included in Kit E-17686	2	SAF-96
	GAFF14536	-	-	Bar-Pin Bushing, Poly	2	SAF-96
31	S.O.S.	SAF	93004277	Hex Bolt, 1"- 8 x 5"	4	-
32	E-17683	SAF	90008279	Beam End Bushing, Included in Kit E-17684	2	SAF-96
33	S.O.S.	SAF	93600502	Washer, 4" Dia. with Chamfer	4	-
	S.O.S.	SAF	93600539	Washer, 4" Dia, Thin	4	-
34	S.O.S.	SAF	90001760	Alignment Puck (Collar)	2	-
35	S.O.S.	SAF	93006037	Hex Bolt, 1-1/8"-7 x 7-3/4"	1	-
36	E-2548	-	93600174	Washer, 1-1/8" ID	2	-
37	E-4358	-	93400506	Lock Nut, 1-1/8"-7	2	-

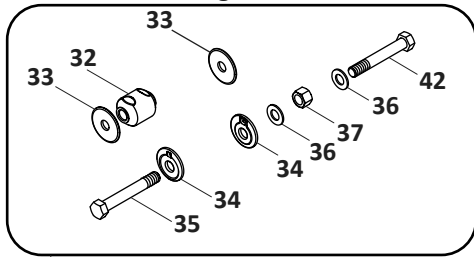
SAF Denotes Product is Genuine SAF-Holland Neway

SAF-HOLLAND NEWAY

ADZ-123, -246, -369, ADZ-126, -252, -378 — Truck, Air Suspension

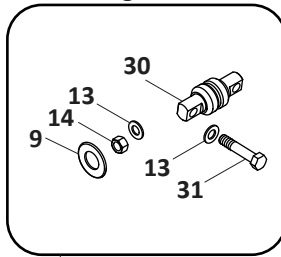
SAF-HOLLAND NEWAY

Pivot Bushing Connection Kit



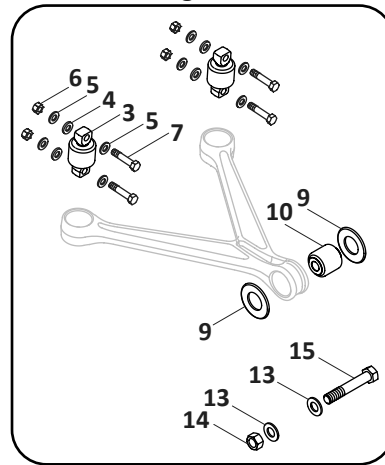
43

Axle Bushing Connection Kit

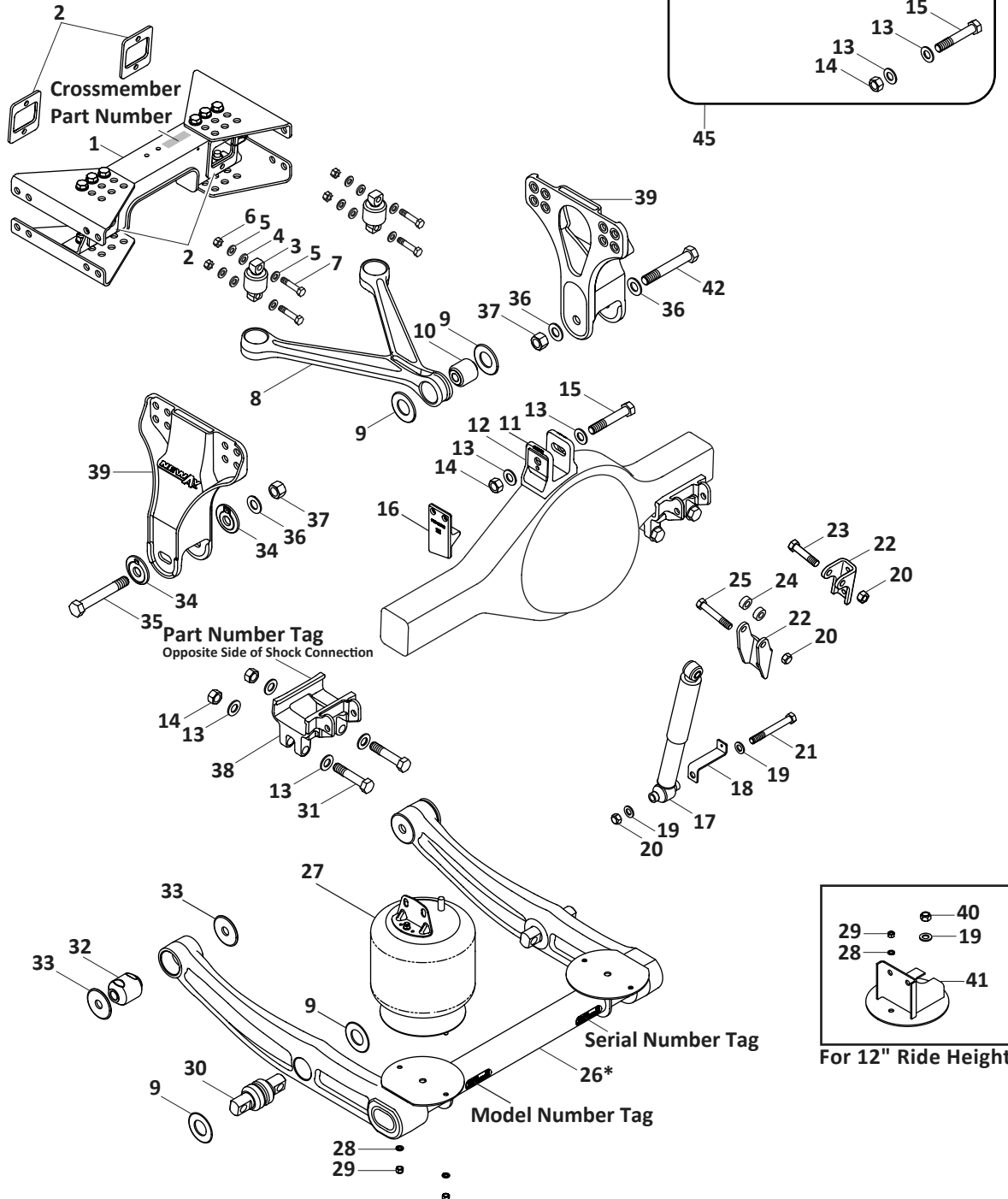


44

V-Rod Bushing Connection Kit



45



ADZ-123, -246, -369, ADZ-126, -252, -378 — Truck, Air Suspension

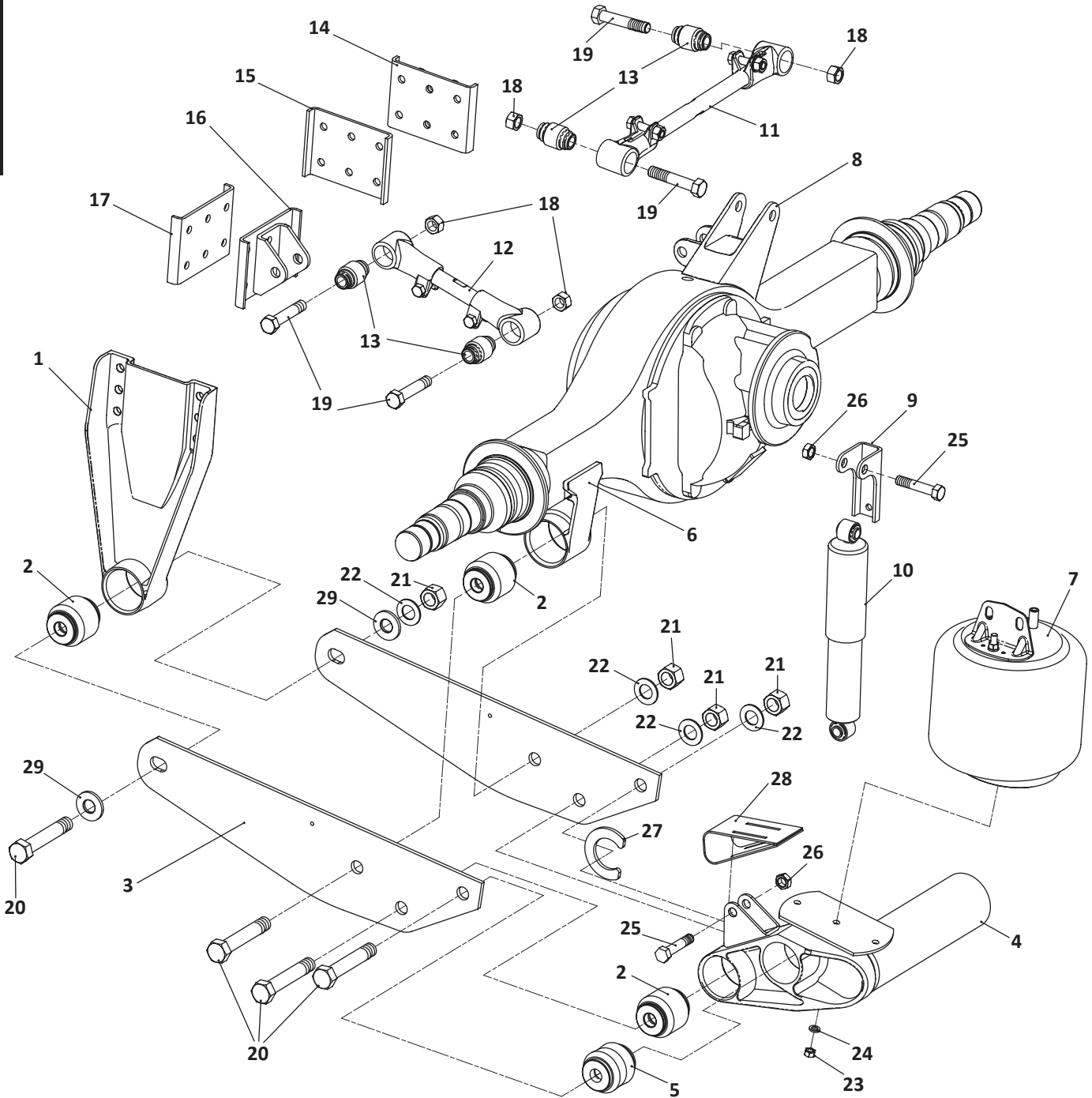
KEY NO.	EUCLID NO.	GENUINE	OEM REF.	DESCRIPTION	QTY. PER AXLE	PAGE NO.
38	S.O.S.	SAF	Various	Lower Axle Adapter Bracket LH & RH	2	-
39	S.O.S.	SAF	Various	Frame Bracket, Fixed or Adjustable, Specify Ride Height	1	-
40	E-4961A	-	93400417	Lock Nut, 3/4"-16	2	-
41	S.O.S.	SAF	90531001	Upper Air Spring Bracket 10" Ride Height, ADZ 126, 252, 378 Models	2	-
	S.O.S.	SAF	90522289	Upper Air Spring Bracket 12" Ride Height	2	-
42	S.O.S.	SAF	93006041	Hex Bolt, 1-1/8"-7 x 7"	1	-
43	E-17684	SAF	SRK-643	Pivot Bushing Connection Kit, Includes Key No. 32-37, 42	1	SAF-102
44	E-17685	SAF	SRK-644	Axle Bar Bushing Connection Kit, Includes Key No. 9, 13, 14, 30, 31	1	SAF-103
45	E-17686	SAF	SRK-645	V-Rod Bushing Connection Kit, Includes Key No. 3-7, 9-10, 13-15	1	SAF-96

SAF Denotes Product is Genuine SAF-Holland Neway

SAF-HOLLAND NEWAY

ADL-120 — Truck, Air Suspension

SAF-HOLLAND NEWAY



ADL-120 — Truck, Air Suspension

KEY NO.	EUCLID NO.	GENUINE	OEM REF.	DESCRIPTION	QTY. PER AXLE	PAGE NO.
1	S.O.S.	SAF	Various	Frame Bracket Assembly	2	-
2	S.O.S.	SAF	90008211	Bushing, Pivot, Axle, Front Transverse Beam, Rubber	6	-
3	S.O.S.	SAF	90015113	Equalizing Beam	2	-
4	S.O.S.	SAF	Various	Transverse Beam	1	-
5	E-16565	SAF	90008241	Bushing, Rear Transverse Beam, Rubber	2	SAF-96
6	S.O.S.	SAF	90501427	Axle Adapter	2	-
7	FS8184	-	90557290	Firestone Air Spring	2	-
8	S.O.S.	SAF	90018670	Control Arm Axle Bracket	1	-
9	S.O.S.	SAF	Various	Shock Upper Bracket	2	-
10	S.O.S.	SAF	90045443	Shock Absorber	2	-
11	S.O.S.	SAF	90547801	Track Bar, Adjustable	1	-
12	S.O.S.	SAF	90547800	Torque Rod, Adjustable	1	-
13	E-1061	-	90008243	Bushing, Track Bar End & Torque Rod	4	SAF-97
14	S.O.S.	SAF	90501439	Bracket, Track Bar Frame	1	-
15	S.O.S.	SAF	90026068	Plate Reinforcement	1	-
16	S.O.S.	SAF	90018658	Bracket, Torque Rod Crossmember	1	-
17	S.O.S.	SAF	90026068	Plate Reinforcement, for Crossmember	1	-
18	E-2983	-	93400498	Nut, 7/8" - 9	4	-
19	E-16598	-	93003833	Bolt, 7/8" - 9 x 4-1/2"	4	-
20	E-16600	-	93004517	Bolt, 1-1/8" - 7 x 6-1/2" Long	8	-
21	E-4358	-	93400506	Nut, 1-1/8" - 7	8	-
22	E-2548	-	93600174	Washer, 1-1/4"	8	-
23	E-15256	-	93400136	Nut, 1/2" - 13	2	-
24	S.O.S.	SAF	93600072	Washer, 1/2"	2	-
25	E-4345	-	93003599	Bolt, 3/4" - 10 x 3-1/2" Long	4	-
26	E-4347	-	93400494	Nut, 3/4" - 10	4	-
27	S.O.S.	SAF	90036249	C-Shape Spacer Washer	2	-
28	S.O.S.	SAF	90045456	Debris Shield	2	-
29	S.O.S.	SAF	90008242	Alignment Block	2	-

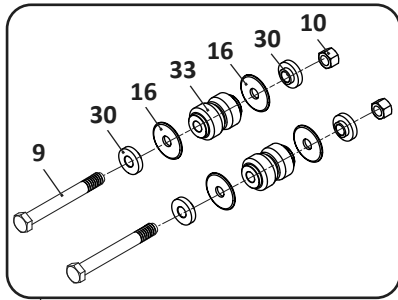
SAF Denotes Product is Genuine SAF-Holland Neway

SAF-HOLLAND NEWAY

ARD-120, ARD-125, ARD-234 Series — Truck, Air Suspension

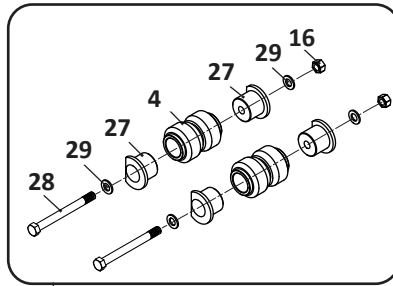
SAF-HOLLAND NEWAY

Pivot Connection Kit,
Post-1981 With Alignment Bushing



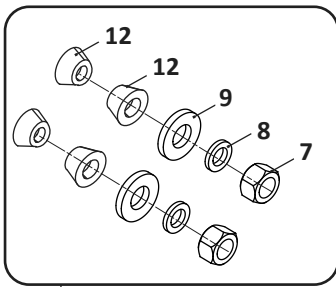
45

Axle Connection Kit, 5-3/4" Round



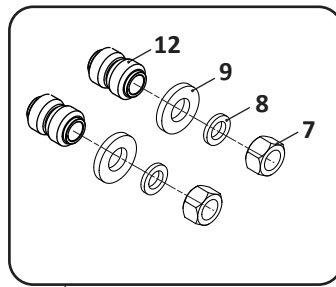
46

Transverse Beam Connection Kit

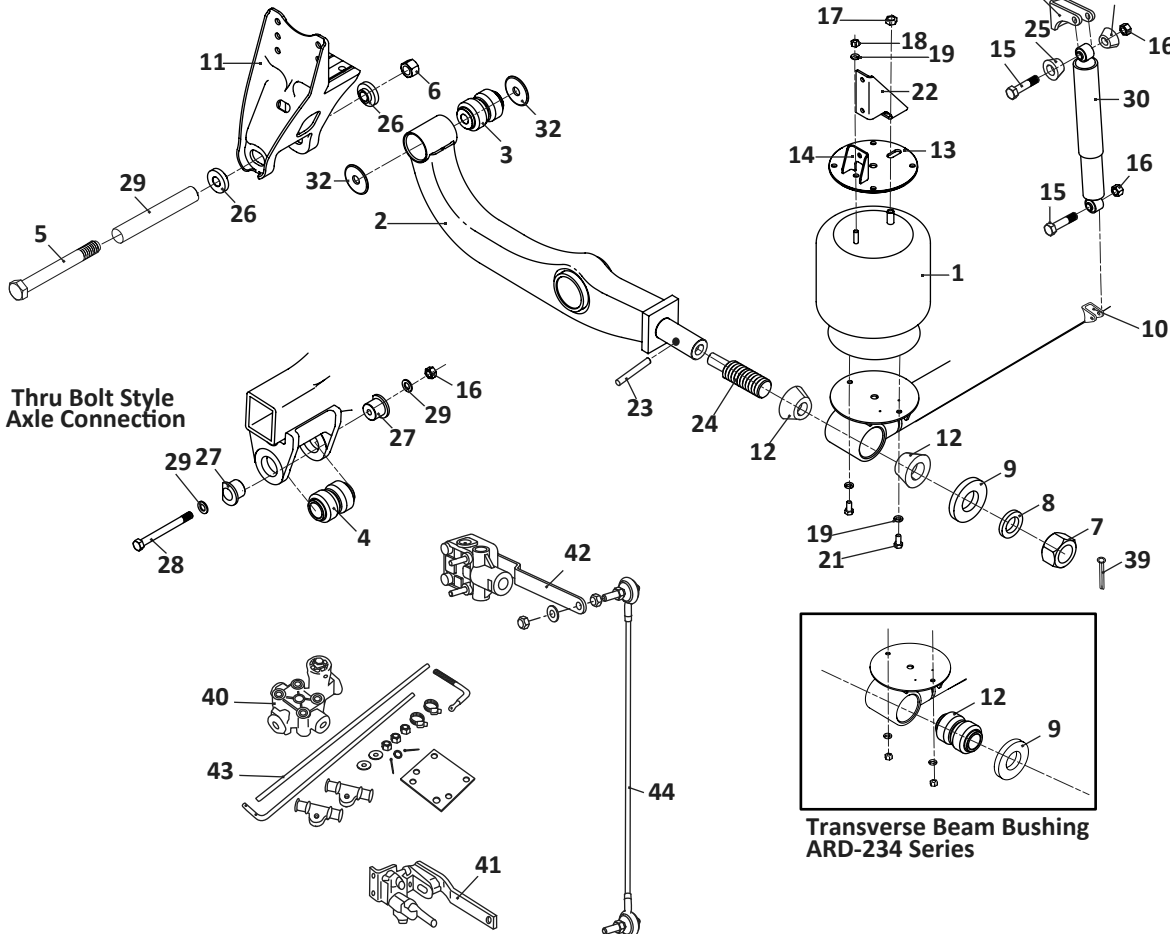
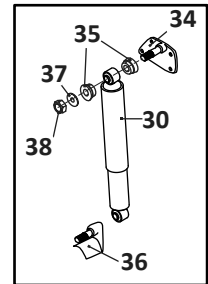


47

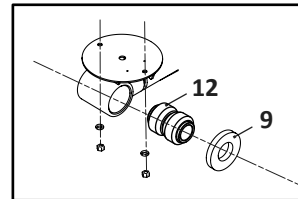
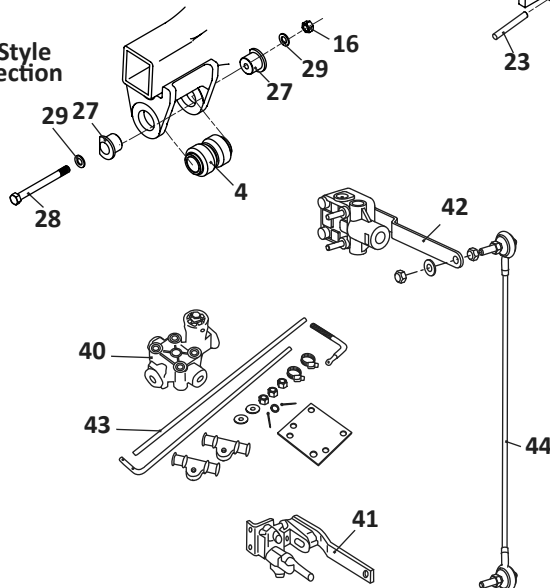
Transverse Beam Connection Kit



48



Thru Bolt Style
Axle Connection



Transverse Beam Bushing
ARD-234 Series

ARD-120, ARD-125, ARD-234 Series — Truck, Air Suspension

KEY NO.	EUCLID NO.	GENUINE	OEM REF.	DESCRIPTION	QTY. PER AXLE			PAGE NO.
					ARD-120 SERIES	ARD-125 SERIES	ARD-234 SERIES	
1	FS9092	-	90557031	Firestone Air Spring	2	2	-	-
	EAS9082	-	90557027	Euclid Air Spring	2	2	-	-
	S.O.S.	SAF	90557070	Air Spring	-	-	2	-
2	S.O.S.	SAF	Various	Equalizing Beam Assembly	2	2	2	-
3	E-4256	-	90008145	Bushing, Front Pivot, Rubber	2	-	2	SAF-94
	E-2940	-	90008002	Bushing, Pre-1981 1-1/4" I.D., Rubber	-	2	-	SAF-94
	E-4255	-	90008131	Bushing, Post-1981 1-1/8" I.D., Rubber	-	2	-	SAF-94
	E-7845	-		Bushing, Post-1981 1-1/8" I.D., Poly	-	2	-	SAF-94
4	E-4253	-	90008008	Bushing, 5-3/4" Axle Connection, Rubber	2	2	2	SAF-95
	GAFF14527	-	-	Bushing, 5-3/4" Axle Connection, Poly	-	2	2	SAF-95
	E-4252	-	90008006	Bushing, 5-1/4" Axle Connection, Rubber	-	2	-	SAF-95
5	E-4364	-	93201055	Bolt, 1-1/8" - 7 x 9-1/4" Long	2	2	2	-
	E-16601	SAF	93200132	Bolt, 1-1/4" - 12 x 9" Long, Pre 1981 W/O Alignment Bushings	-	2	-	-
	S.O.S.	SAF	93201030	Bolt, 1-1/4" - 12 x 10-9/16" Long, Pre 1981 W/ Alignment Bushings	-	2	-	-
6	E-4358	-	93400506	Nut, 1-1/8" - 7	2	2	2	-
	E-2854	SAF	93400511	Nut, 1-1/4" - 12, Pre 1981	-	2	-	-
7	E-2854	-	93400511	Nut, 1-1/4" - 12	2	2	-	-
	E-4358	-	93400506	Nut, 1-1/8" - 7	-	-	2	-
8	E-2833	-	93600180	Washer, 1-5/16"	2	2	-	-
	E-16614	-	93600493	Washer, 1-1/8"	-	-	2	-
9	S.O.S.	SAF	90036007	Spacer Washer, 1-1/4" ID X 4" OD X 1/2" Thick	2	2	-	-
	E-2548	-	93600174	Spacer Washer, 1-1/4" ID X 2-1/4" OD X 1/8" Thick	-	-	2	-
10	S.O.S.	SAF	90018482	Lower Shock Bracket	2	-	-	-
	S.O.S.	SAF	90018482	Lower Shock Bracket, ARD-125-6 & -244-6 Suspensions	-	2	-	-
	S.O.S.	SAF	90032386	Lower Shock Bracket	-	-	2	-
11	S.O.S.	SAF	Various	Frame Bracket	2	2	2	-
12	E-4257	-	90008113	Bushing, Transverse Beam, Rubber	4	4	-	SAF-96
	E-4254	-	90008104	Bushing, Transverse Beam, Rubber	-	-	2	SAF-96
13	S.O.S.	SAF	90061027	Air Spring Mounting Plate	2	-	-	-
	S.O.S.	SAF	90531001	Air Spring Mounting Plate	-	2	-	-
	S.O.S.	SAF	90032382	Air Spring Mounting Plate	-	-	2	-
14	S.O.S.	SAF	90018036	Air Spring Mounting Plate Bracket	2	-	-	-
	S.O.S.	SAF	90023131	Air Spring Mounting Plate Bracket	-	-	2	-
15	E-4345	-	93003597	Bolt, 3/4" - 10 x 3-1/2" Long	4	4	4	-
16	E-4347	-	93400492	Nut, 3/4" - 10	4	4	6	-
17	E-1107	-	93400417	Nut, 3/4" - 16	2	2	2	-
18	E-15256	-	93400136	Nut, 1/2" - 13	2	2	2	-
19	E-9603	-	93600072	Washer, 1/2"	6	6	6	-
20	S.O.S.	SAF	90018367	Upper Shock Bracket	2	-	2	-
	E-4343	SAF	90018116	Upper Shock Bracket	-	2	-	SAF-111
21	S.O.S.	SAF	93002893	Bolt, 1/2" - 13 x 1" Long	2	2	-	-
22	S.O.S.	SAF	90023131	Brace	2	2	2	-

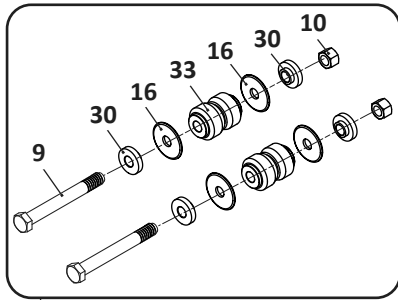
SAF Denotes Product is Genuine SAF-Holland Neway

SAF-HOLLAND NEWAY

ARD-120, ARD-125, ARD-234 Series — Truck, Air Suspension

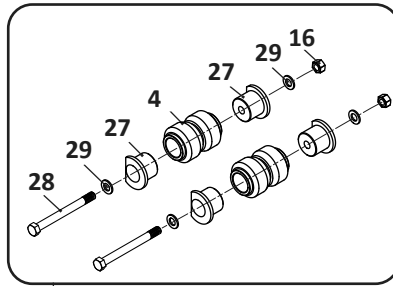
SAF-HOLLAND NEWAY

Pivot Connection Kit,
Post-1981 With Alignment Bushing



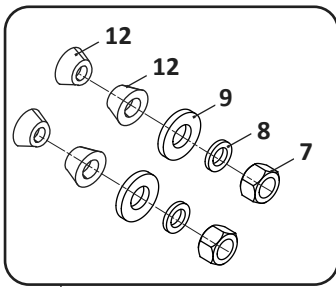
45

Axle Connection Kit, 5-3/4" Round



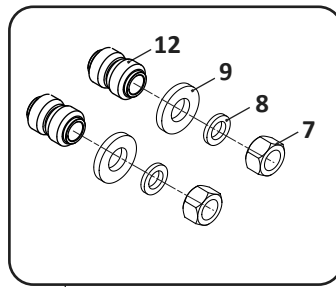
46

Transverse Beam Connection Kit

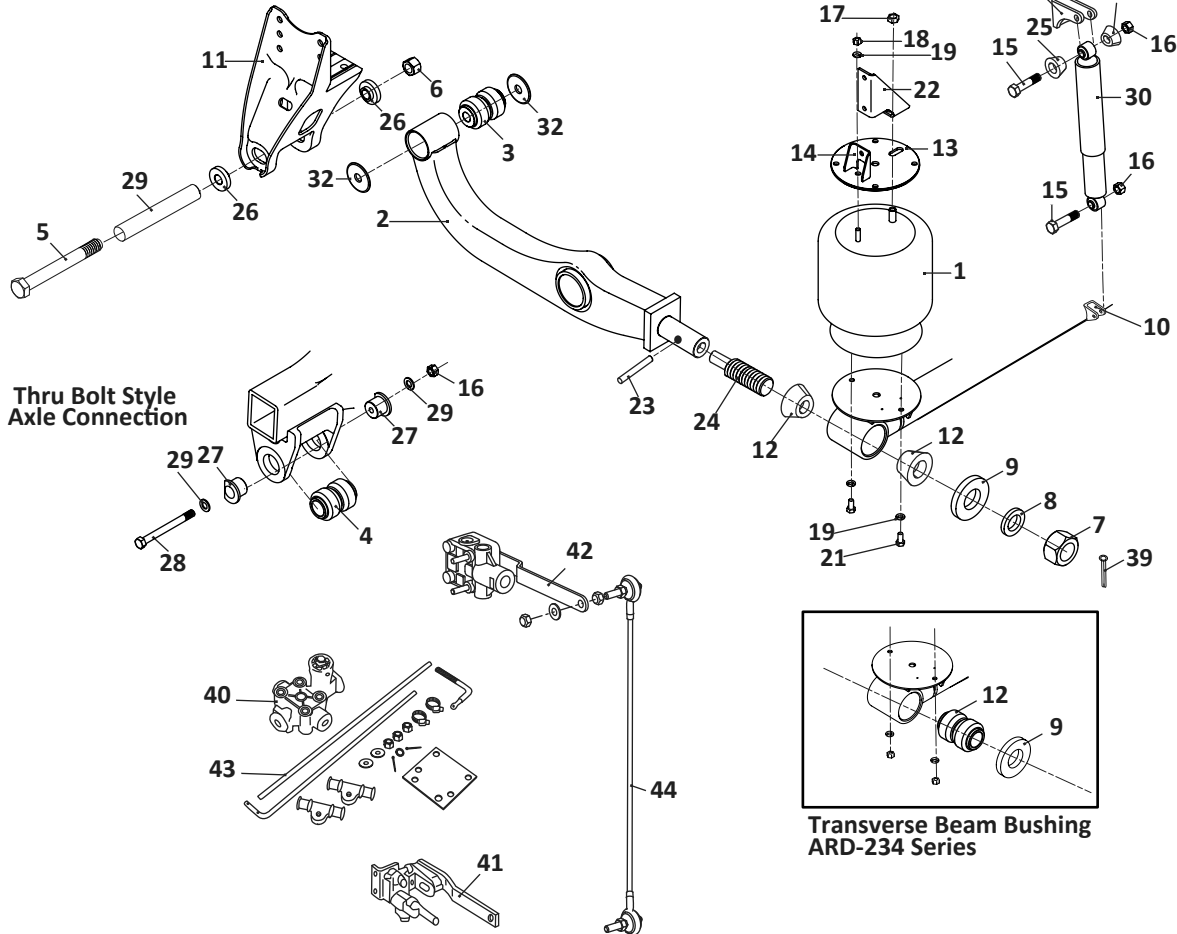
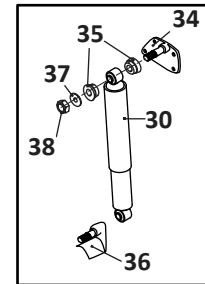


47

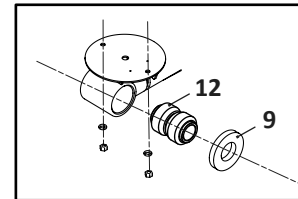
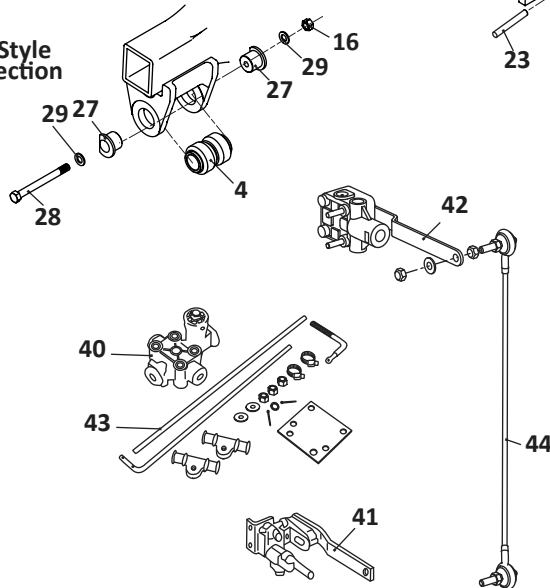
Transverse Beam Connection Kit



48



Thru Bolt Style
Axle Connection



Transverse Beam Bushing
ARD-234 Series

ARD-120, ARD-125, ARD-234 Series — Truck, Air Suspension

KEY NO.	EUCLID NO.	GENUINE	OEM REF.	DESCRIPTION	QTY. PER AXLE			PAGE NO.
					ARD-120 SERIES	ARD-125 SERIES	ARD-234 SERIES	
23	E-16578	SAF	90044174	Roll Pin	2	2	-	-
24	E-4258	-	90006380	Stud 1-1/4" - 12 x 4-1/4" Long	2	2	-	SAF-99
	S.O.S.	SAF	90006338	Stud 1-1/8" - 7 x 3-5/8" Long	-	-	2	-
25	E-4403	-	90508004	Bushing, Rubber	8	8	8	SAF-111
26	S.O.S.	SAF	90008150	Bushing, Alignment	4	-	-	-
	S.O.S.	SAF	90008110	Alignment Block, Pre-1981, 1-1/4" I.D.	-	4	-	-
	E-4267	SAF	90008120	Alignment Block, Post-1981, 1-1/8" I.D.	-	4	4	SAF-98
27	S.O.S.	SAF	90001002	Bushing, Adapter	4	4	4	-
28	S.O.S.	SAF	93003681	Bolt, 3/4" - 10 x 7" Long	2	2	-	-
	S.O.S.	SAF	93003693	Bolt, 3/4" - 10 x 7-1/2" Long, Use with 5-3/4" Long Bushing	-	2	2	-
	S.O.S.	SAF	93003693	Bolt, 3/4" - 10 x 7-1/2" Long, Use with 5-3/4" Long Bushing	-	-	2	-
29	E-2545	-	93600156	Flat Washer, 3/4"	4	4	4	-
30	M83209	-	90044025	Shock Absorber	2	2	-	-
	M89414	-	90044025	Shock Absorber, Adjustable	2	2	-	-
	M85712	-	90044011	Shock Absorber, ARD-125-8 & -244-8 Suspensions	-	2	-	-
	M83123	-	90044046	Shock Absorber	-	-	2	-
	M89405	-	90044046	Shock Absorber, Adjustable	-	-	2	-
31	S.O.S.	SAF	Various	Transverse Beam Assembly	1	1	1	-
32	E-4359	-	93600495	Washer, 1-1/8"	-	4	4	-
	S.O.S.	SAF	90036001	Washer, 1-1/4", Pre 1981 ARD-125	-	4	-	-
33	S.O.S.	SAF	90038083	Delrin Liner	-	-	2	-
34	S.O.S.	SAF	Various	Upper Shock Bracket, Roadside, ARD-125-8 & -244-8 Suspensions	-	2	-	-
35	S.O.S.	SAF	90008003	Bushing, Shock Absorber, Rubber, ARD-125-8 & -244-8 Suspensions	-	8	-	-
36	S.O.S.	SAF	90519240	Lower Shock Bracket, ARD-125-8 & -244-8 Suspensions	-	2	-	-
37	E-2545	-	93600156	Flat Washer, 3/4"	-	4	-	-
38	E-4347	-	93400553	Nut, 3/4" - 10	-	4	-	-
39	S.O.S.	SAF	93800065	Cotter Pin, Pre-1981 Vehicles Only	-	2	-	-
40	E-13922	-	90554241	Height Control Valve	1	1	1	SAF-112
41	E-9623	-	H00450CA	Height Control Valve, Universal, No Dump, Hadley 450 Series	1	1	1	SAF-112
42	E-14729	-	H01500UN	Height Control Valve, Universal, No Dump, Hadley Next Gen Series	1	1	1	SAF-112
43	E-7852	-	48100225/SRK-168	Linkage Assembly; Universal; Adjustable	1	1	1	SAF-113
44	E-16623	-	48100267/SRK-205	Linkage, Height Control Valve	1	1	1	SAF-113

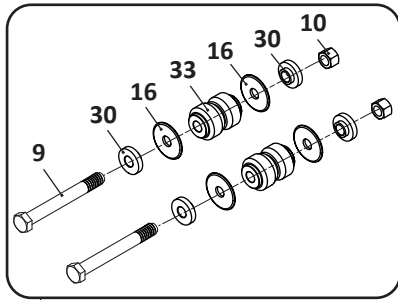
SAF Denotes Product is Genuine SAF-Holland Neway

SAF-HOLLAND NEWAY

ARD-120, ARD-125, ARD-234 Series — Truck, Air Suspension

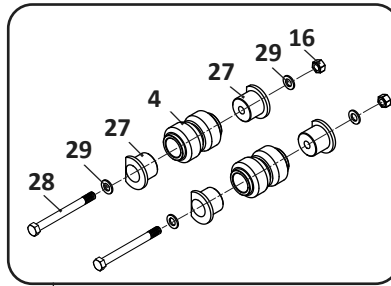
SAF-HOLLAND NEWAY

Pivot Connection Kit,
Post-1981 With Alignment Bushing



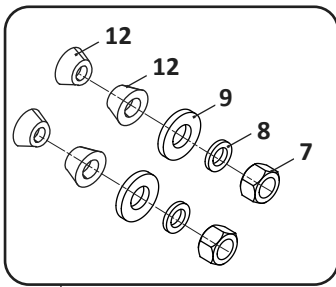
45

Axle Connection Kit, 5-3/4" Round



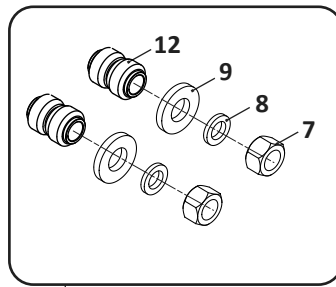
46

Transverse Beam Connection Kit

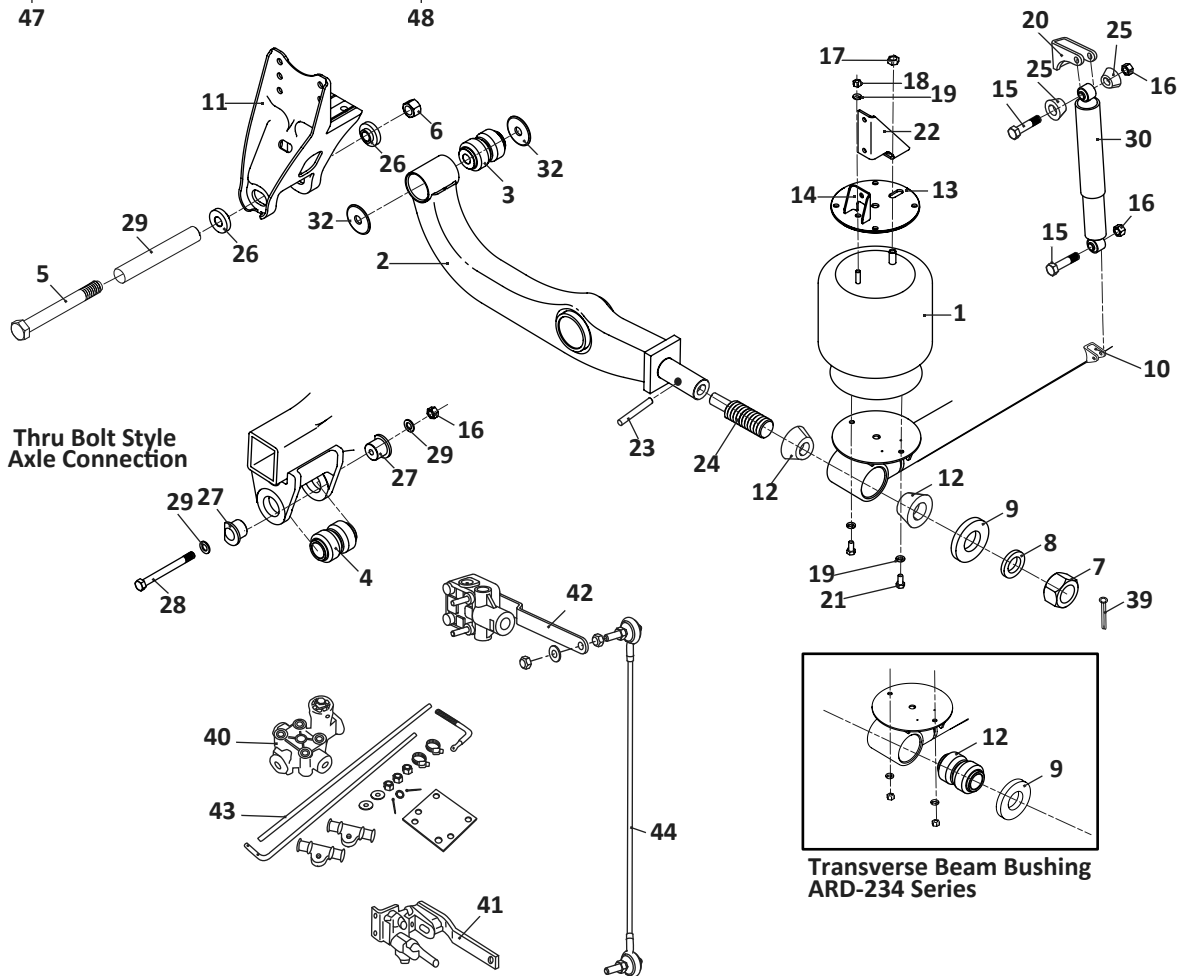
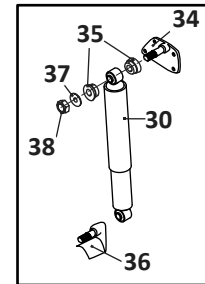


47

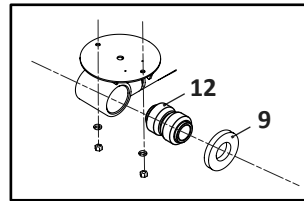
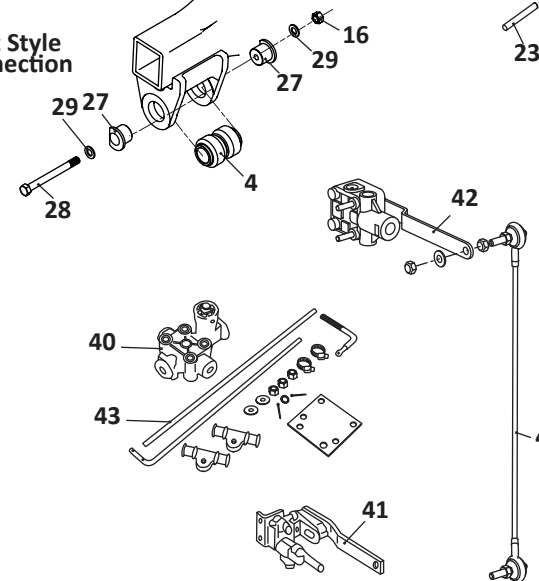
Transverse Beam Connection Kit



48







Thru Bolt Style
Axle Connection



Transverse Beam Bushing
ARD-234 Series

ARD-120, ARD-125, ARD-234 Series — Truck, Air Suspension

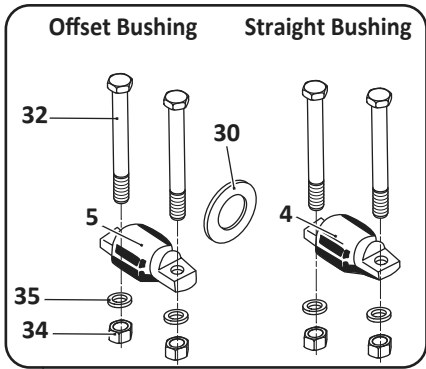
KEY NO.	EUCLID NO.	GENUINE	OEM REF.	DESCRIPTION	QTY. PER AXLE			PAGE NO.
					ARD-120 SERIES	ARD-125 SERIES	ARD-234 SERIES	
45	E-16621		48100204/SRK-147	Connection Kit, Pivot, with Alignment Bushing, Includes Key Nos. 3, 5, 6, 26	1	-	1	SAF-100
	S.O.S.		48100205/SRK-148	Connection Kit, Pivot, without Alignment Bushing, Includes Key Nos. 3, 5, 6	1	-	-	-
	S.O.S.		48100154/SRK-105	Connection Kit, Pivot, Pre-1981 With Alignment Bushing Includes Key Nos. 3, 5, 6, 32	-	1	-	-
	E-4393A	-	48100170/SRK-120	Connection Kit, Pivot, Post-1981 With Alignment Bushing Includes Key Nos. 3, 5, 6, 26, 32	-	1	-	SAF-100
46	E-4387	-	48100124/SRK-80	Connection Kit, 5-3/4" Round Axle, Includes Key Nos. 4, 16, 27-29	-	1	1	SAF-102
47	E-4401A	-	48100161/SRK-77-1	Transverse Beam Stud Kit, Includes Key Nos. 7-9, 12	1	1	-	SAF-104
48	E-16620		48100143/SRK-95	Transverse Beam Stud Kit, Includes Key Nos. 7-9, 12	-	-	1	SAF-103

 Denotes Product is Genuine SAF-Holland Neway

SAF-HOLLAND NEWAY

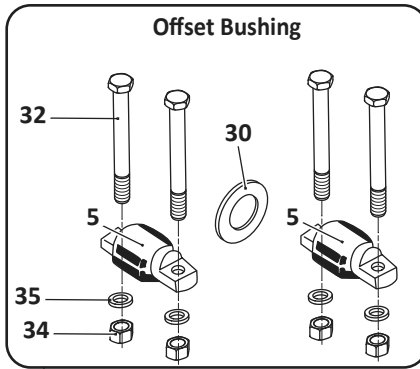
ARDAB-120-5, -240-5 — Truck, Air Suspension

**Axle Connection Kit,
2° - 8° Pinion Angle**



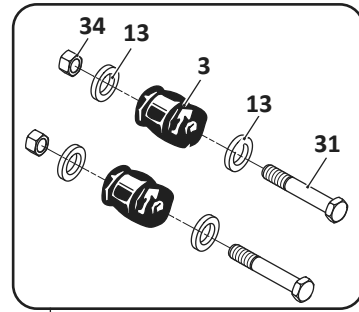
41 (1/2 Kit Shown)

**Axle Connection Kit,
1° & 8.1° - 13° Pinion Angle**

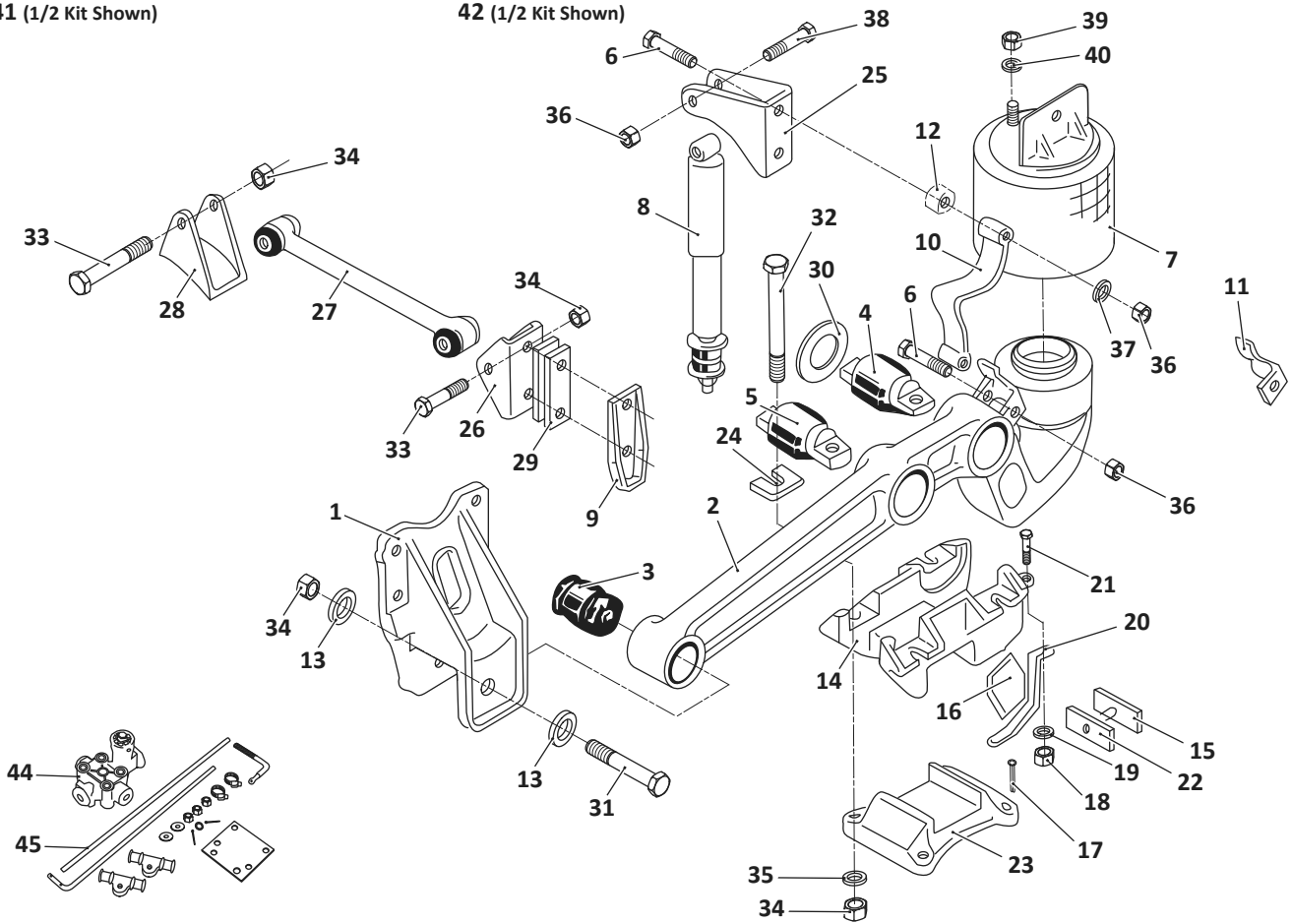


42 (1/2 Kit Shown)

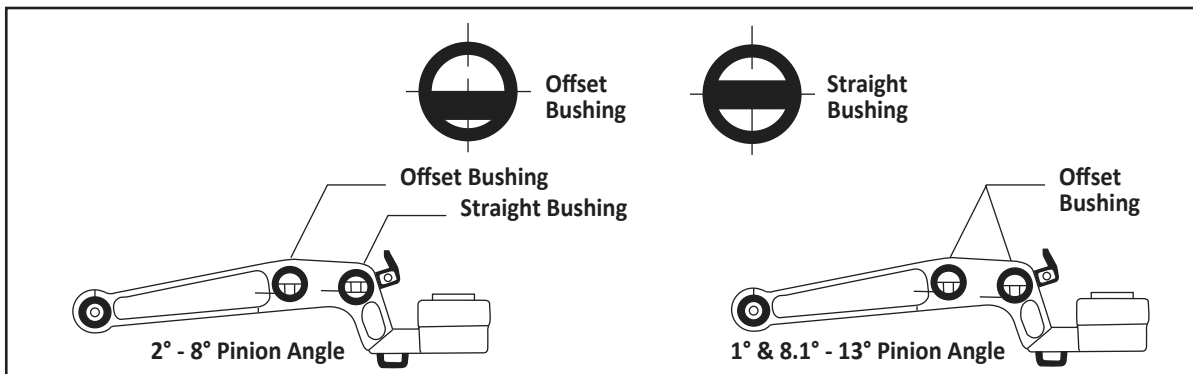
**Pivot Connection Kit,
With Alignment Bushing**



43



Air Beam Identification



ARDAB-120-5, -240-5 — Truck, Air Suspension

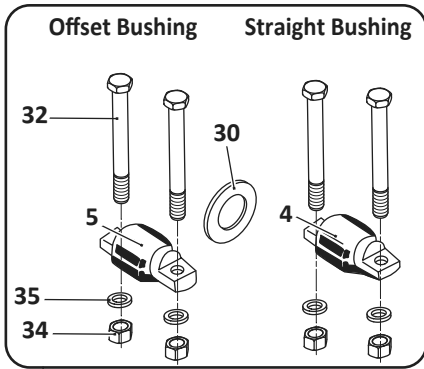
KEY NO.	EUCLID NO.	GENUINE	OEM REF.	DESCRIPTION	QTY. PER AXLE	PAGE NO.
1	S.O.S.	SAF	90018475	Frame Bracket Adjustable	2	-
2	S.O.S.	SAF	Various	Equalizing Beam Assembly	2	-
3	E-9286	SAF	90008165	Bushing, Front Pivot, Rubber	2	SAF-94
4	E-9287	SAF	90008189	Bushing, Straight Pin, Rubber	2	SAF-95
5	E-9288	SAF	90008172	Bushing, Offset Pin, Rubber	2	SAF-96
6	E-2989	SAF	93003633	Bolt, 3/4 - 10 x 5" Long	2	-
7	FS9268	-	90557123	Firestone Air Spring	2	-
8	M83635	-	90044907	Shock Absorber	2	-
9	S.O.S.	SAF	90044871	Axle Stop	2	-
10	E-9289	SAF	90044882	Down Strap	2	SAF-109
11	S.O.S.	SAF	90520245	Down Strap Guide, Roadside	1	-
	S.O.S.	SAF	90520246	Down Strap Guide, Curbside	1	-
12	S.O.S.	SAF	90036159	Spacer	2	-
13	S.O.S.	SAF	90008166	Alignment Blocks	2	-
14	S.O.S.	SAF	Various	Upper Axle Clamp Casting	2	-
15	E-9290	SAF	90044887	Plastic Shim	2	SAF-109
16	S.O.S.	SAF	90044883	Wear Pad, Roadside	1	-
	S.O.S.	SAF	90044884	Wear Pad, Curbside	1	-
17	S.O.S.	SAF	93900214	Spring Pin	2	-
18	S.O.S.	SAF	93400060	Nut, 1/4" - 20	2	-
19	S.O.S.	SAF	93600112	Washer, 1/4"	As Req.	-
20	S.O.S.	SAF	90024932	Retainer	As Req.	-
21	S.O.S.	SAF	93002355	Bolt, 1/4" - 20 x 1" Long	2	-
22	S.O.S.	SAF	90033376	Steel Shim	As Req.	-
23	S.O.S.	SAF	Various	Lower Axle Clamp Casting	2	-
24	S.O.S.	SAF	90033327	Shim, Axle Connection	As Req.	-
	S.O.S.	SAF	90033361	Shim, Axle Connection, Use with 2° Pinion Angle	As Req.	-
25	S.O.S.	SAF	90024926	Upper Shock Bracket	2	-
26	S.O.S.	SAF	90018472	Control Arm Bracket	1	-
27	S.O.S.	SAF	90044877	Torque Rod Fixed, Bearing Style	1	-
	S.O.S.	SAF	90044972	Torque Rod Fixed, Rubber Bushed	1	-
	S.O.S.	SAF	90045017	Torque Rod Fixed, Ford Application Only	1	-
28	S.O.S.	SAF	90044874	Track Bar Axle Bracket	1	-
29	S.O.S.	SAF	90036160	Shim	As Req.	-
30	S.O.S.	SAF	93900212	Washer	8	-
31	E-9295	SAF	93003905	Bolt, 7/8" - 9 x 7-1/2" Long	6	-
32	S.O.S.	SAF	93900213	Bolt, 7/8" - 9 x 12-1/2" Long	2	-
33	E-3696	-	93003831	Bolt, 7/8" - 9 x 4-1/2" Long	2	-
34	E-2983	-	93400498	Nut, 7/8" - 9	2	-
35	E-2546	-	93600162	Washer, 7/8"	2	-
36	E-4347	-	93400492	Nut, 3/4" - 10	2	-
37	E-2545	-	93600157	Washer, 3/4"	2	-
38	E-16593	-	93003603	Bolt, 3/4" - 10 x 3-3/4" Long	4	-
39	E-1107	-	93400149	Nut, 3/4" - 16	2	-
40	S.O.S.	SAF	93600077	Lock Washer, 3/4"	2	-

SAF Denotes Product is Genuine SAF-Holland Neway

SAF-HOLLAND NEWAY

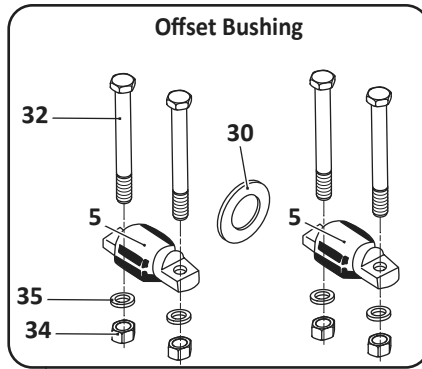
ARDAB-120-5, -240-5 — Truck, Air Suspension

**Axle Connection Kit,
2° - 8° Pinion Angle**



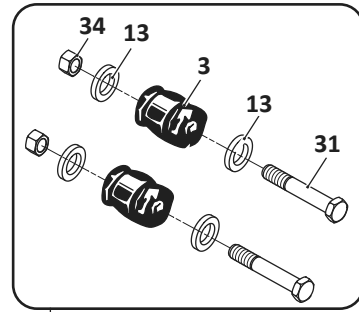
41 (1/2 Kit Shown)

**Axle Connection Kit,
1° & 8.1° - 13° Pinion Angle**

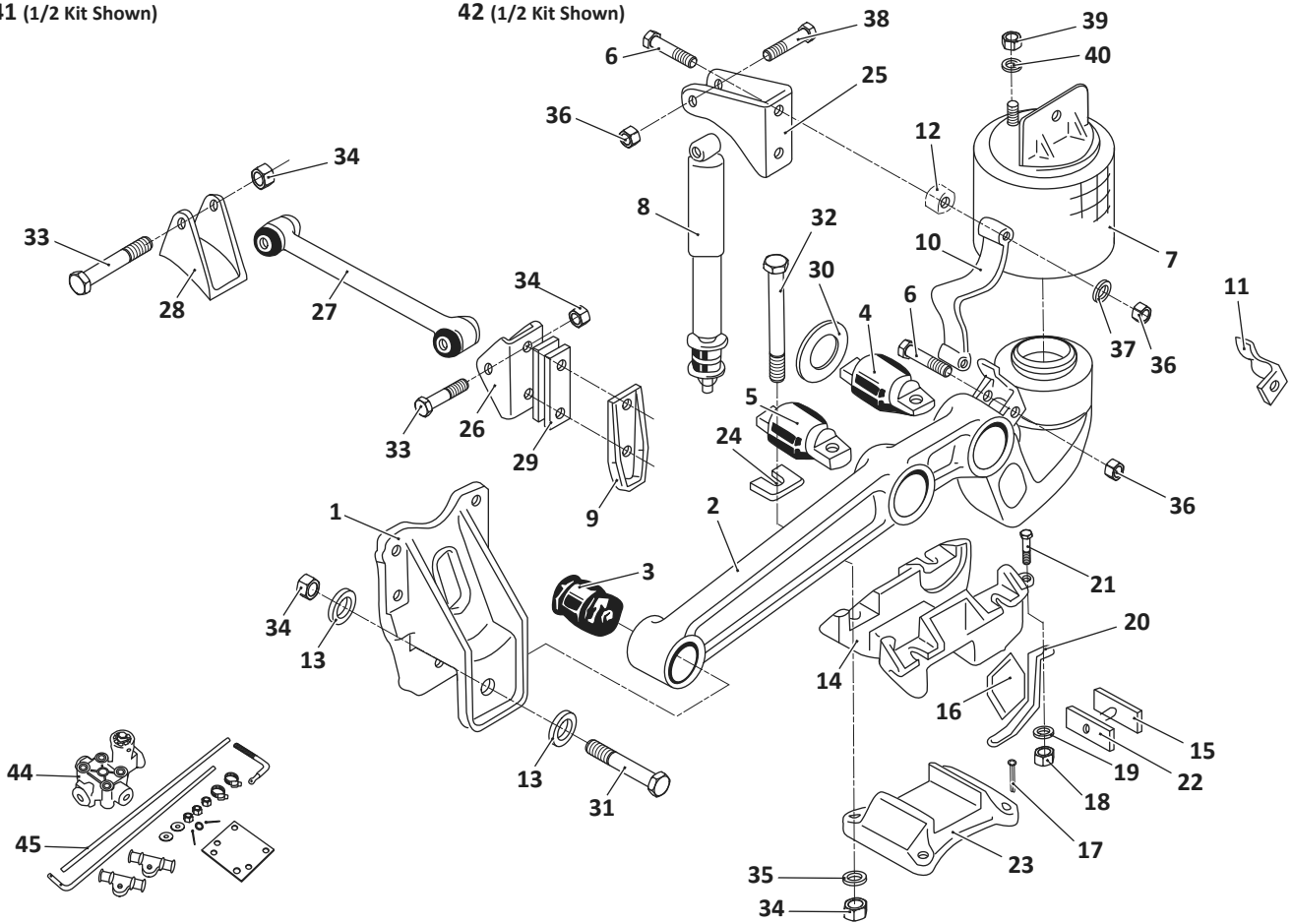


42 (1/2 Kit Shown)

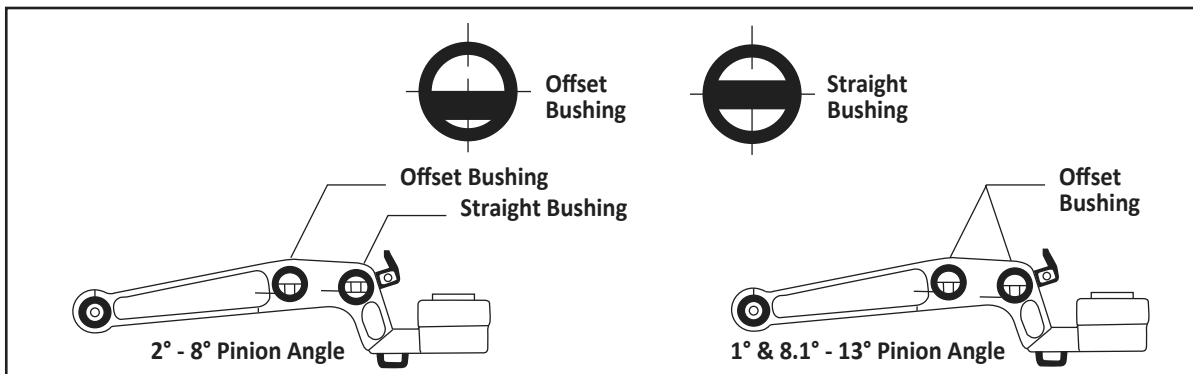
**Pivot Connection Kit,
With Alignment Bushing**



43



Air Beam Identification



ARDAB-120-5, -240-5 — Truck, Air Suspension

KEY NO.	EUCLID NO.	GENUINE	OEM REF.	DESCRIPTION	QTY. PER AXLE	PAGE NO.
41	E-9296	SAF	48100246/SRK-189	Connection Kit, Axle, 2° - 8° Pinion Angle, Includes Key Nos. 4, 5, 30, 32, 34, 35	1	SAF-102
42	E-9297	SAF	48100247/SRK-190	Connection Kit, Axle, 1° & 8.1° - 13° Pinion Angle, Includes Key Nos. 5, 30, 32, 34, 35	1	SAF-103
43	E-15532	SAF	48100253/SRK-188-1	Connection Kit, Pivot, With Alignment Bushing, 3, 13, 31, 34	1	SAF-100
44	E-13922	-	90554241	Height Control Valve	1	SAF-112
45	E-16623	-	48100267/SRK-205	Linkage, Height Control Valve	1	SAF-113

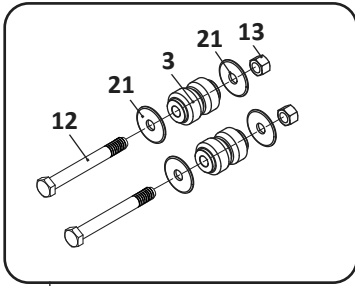
SAF Denotes Product is Genuine SAF-Holland Neway

SAF-HOLLAND NEWAY

ARDST/ARDSTM & L Series — Truck, Air Suspension

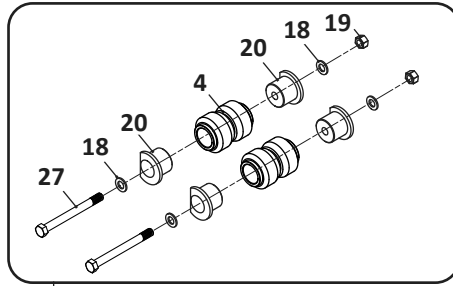
SAF-HOLLAND NEWAY

Pivot Connection Kit



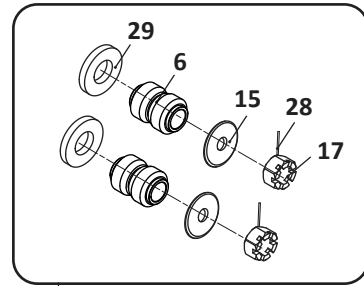
30

Axle Connection Kit, 5-3/4" Round

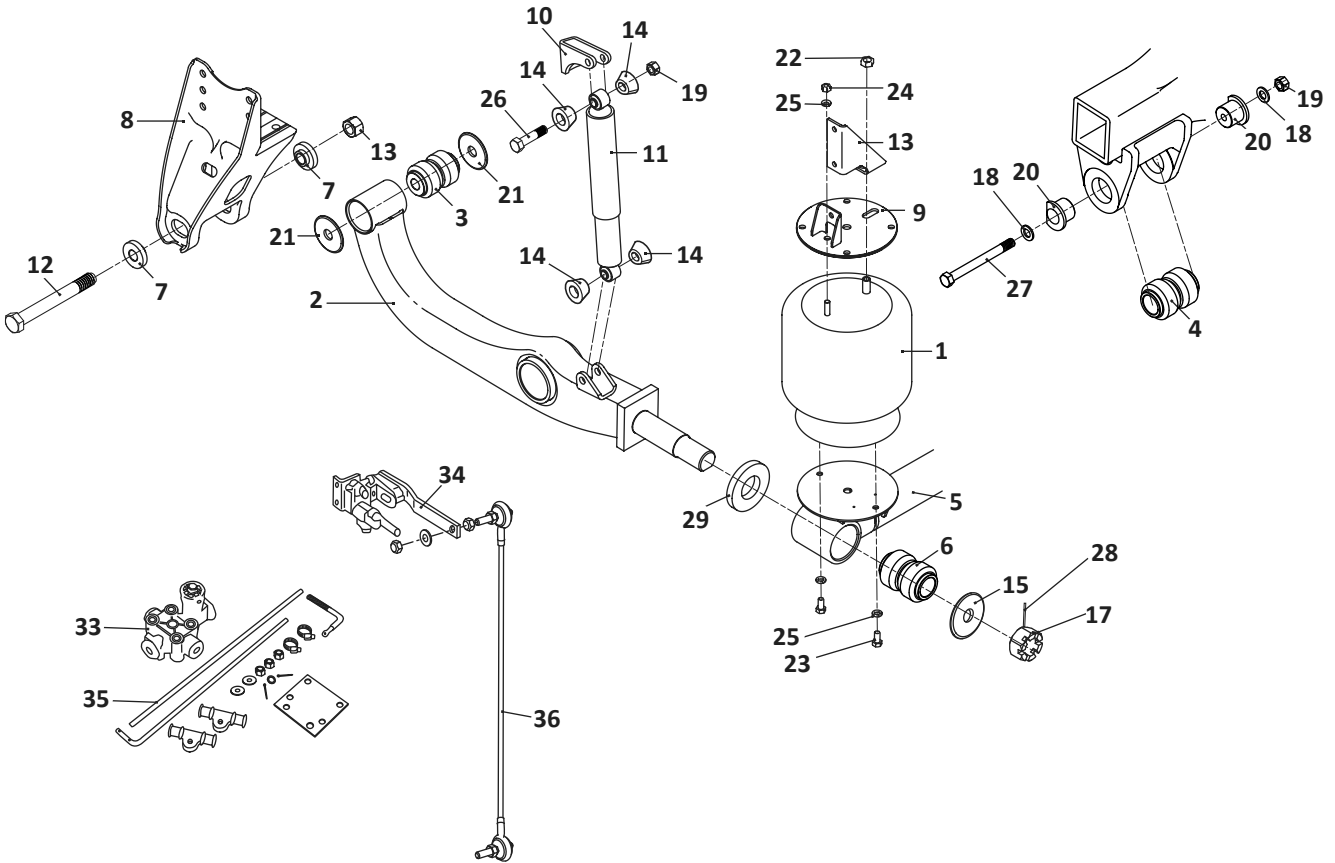


31

Transverse Beam Connection Kit



32



ARDST/ARDSTM & L Series — Truck, Air Suspension

KEY NO.	EUCLID NO.	GENUINE	OEM REF.	DESCRIPTION	QTY. PER AXLE	PAGE NO.
1	FS9082	-	90557027	Firestone Air Spring, 123-6, 244-6 & 123-6 M/L Suspensions	2	-
	EAS9082	-	90557027	Euclid Air Spring, 123-6, 244-6 & 123-6 M/L Suspensions	2	-
	FS9092	-	90557031	Firestone Air Spring, 246-6 Suspension & 8-3/4" Ride Height	2	-

Denotes Product is Genuine SAF-Holland Neway

ARDST/ARDSTM & L Series — Truck, Air Suspension						
KEY NO.	EUCLID NO.	GENUINE	OEM REF.	DESCRIPTION	QTY. PER AXLE	PAGE NO.
2	S.O.S.	SAF	90516286	Equalizing Beam Assembly, 123-6, 244-6, 246-6, 123-6 M/L, 246-6 M/L Suspensions	2	-
	S.O.S.	SAF	90516352	Equalizing Beam Assembly, 246-6 Suspension, 8-3/4" Ride Height	2	-
	S.O.S.	SAF	90516468	Equalizing Beam Assembly, 250-6 Suspension	2	-
3	E-9292	-	90008151	Bushing, Front Pivot, Rubber	2	SAF-94
	GAFF14514	-	-	Bushing, Front Pivot, Poly	2	SAF-94
4	E-4253	-	90008008	Bushing, Axle Connection, Rubber	2	SAF-95
	GAFF14527	-	-	Bushing, Axle Connection, Poly	2	SAF-95
5	S.O.S.	SAF	90544617	Transverse Beam Assembly	1	-
6	E-9293	-	90008135	Bushing, Transverse Beam, Rubber	2	SAF-96
7	E-4267	-	90008120	Alignment Block	4	SAF-98
8	S.O.S.	SAF	90018578	Frame Bracket Single Axle, Roadside	1	-
	S.O.S.	SAF	90018579	Frame Bracket Single Axle, Curbside	1	-
9	S.O.S.	SAF	90531001	Air Spring Mounting Plate	2	-
10	E-4343	SAF	90018116	Upper Shock Bracket	2	SAF-111
11	M83209	-	90044025	Shock Absorber	2	-
	M89414	-	90044025	Shock Absorber, Adjustable	2	-
12	E-4364	-	93201055	Bolt, 1-1/8" - 7 x 9-1/4" Long	2	-
13	E-4358	-	93400506	Nut, 1-1/8" - 7	2	-
14	E-4403	-	90508004	Bushing, Rubber	8	SAF-111
15	S.O.S.	SAF	90036118	Spacer Washer	2	-
16	S.O.S.	SAF	90023131	Brace	2	-
17	S.O.S.	SAF	93400603	Hex Slotted Nut, 2-1/4" - 12	2	-
18	E-2545	-	93600156	Flat Washer, 3/4"	4	-
19	E-4347	-	93400492	Nut, 3/4" - 10	4	-
20	S.O.S.	SAF	90001002	Bushing, Adapter	4	-
21	E-16616	-	93600502	Spacer Washer	4	-
22	E-1107	SAF	93400417	Nut, 3/4" - 16	2	-
23	S.O.S.	SAF	93002893	Bolt, 1/2" - 13 x 1" Long	4	-
24	E-15256	-	93400136	Nut, 1/2" - 13	2	-
25	S.O.S.	SAF	93600072	Washer, 1/2"	6	-
26	E-4345	-	93003597	Bolt, 3/4" - 10 x 3-1/2" Long	4	-
27	S.O.S.	SAF	93003693	Bolt, 3/4" - 10 x 7-1/2" Long	2	-
28	S.O.S.	SAF	93800235	Roll Pin, 3/8" Diameter x 3-1/2" Long	2	-
29	E-15724	SAF	93600498	Washer	2	-
30	E-9300A	SAF	48100260/SRK-200	Connection Kit, Pivot, Includes Key Nos. 3, 12, 13, 21	1	SAF-100
31	E-4387	-	48100124/SRK-80	Connection Kit, 5-3/4" Round Axle, Includes Key Nos. 4, 18, 19, 20, 27	1	SAF-102
32	E-9301	SAF	48100261/SRK-201	Connection Kit Transverse, Includes Key Nos. 6, 15, 17, 28, 29	1	SAF-103
33	E-13922	-	90554241	Height Control Valve	1	SAF-112
34	E-9623	-	H00450CA	Height Control Valve, Universal, No Dump, Hadley 450 Series	1	SAF-112
	E-14729	-	H01500UN	Height Control Valve, Universal, No Dump, Hadley Next Gen Series	1	SAF-112
35	E-7852	-	48100225/SRK-168	Linkage Assembly; Universal; Adjustable	1	SAF-113
36	E-16623	-	48100267/SRK-205	Linkage, Height Control Valve	1	SAF-113

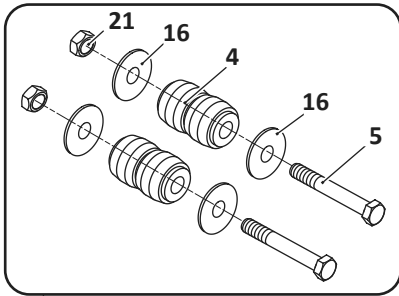
SAF Denotes Product is Genuine SAF-Holland Neway

SAF-HOLLAND NEWAY

ART 500/505/551/555 Models — Truck, Air Suspension

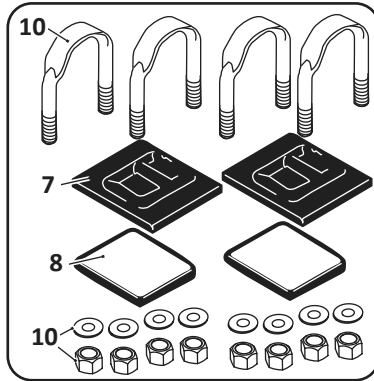
SAF-HOLLAND NEWAY

Pivot Connection Kit



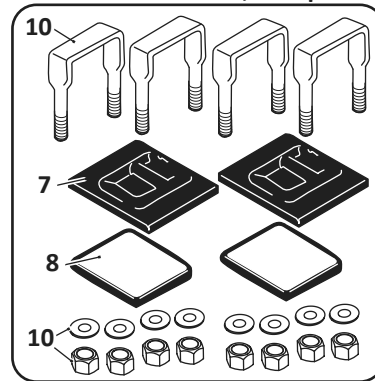
28

Axle Connection Kit, 5" Round

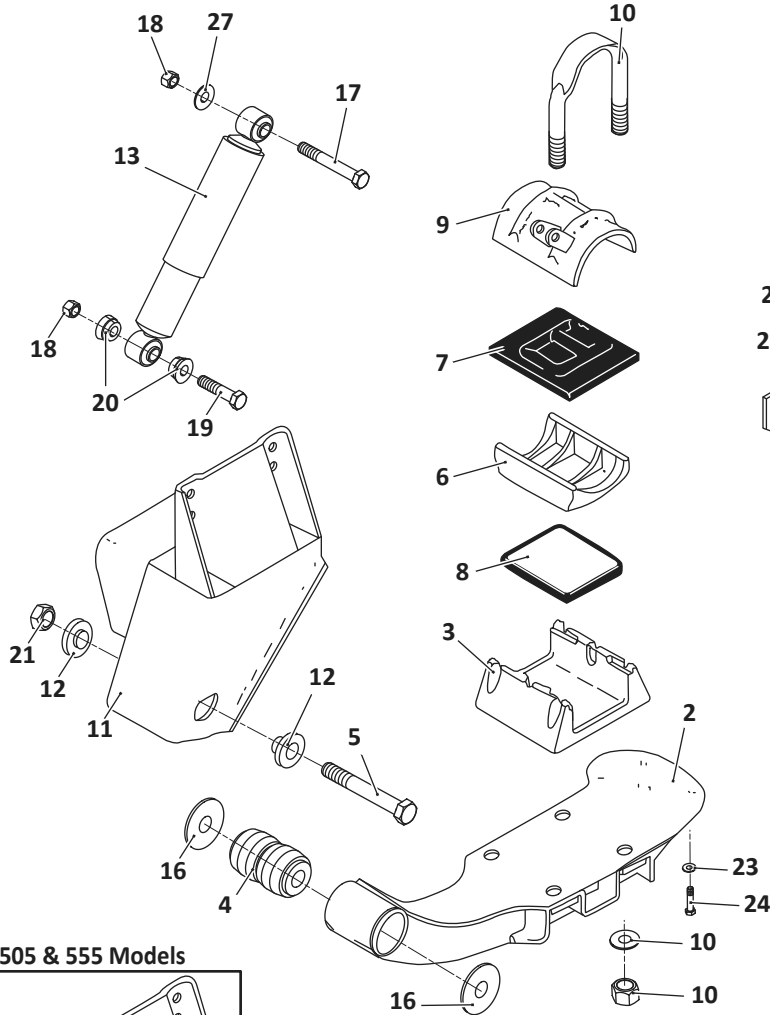


29

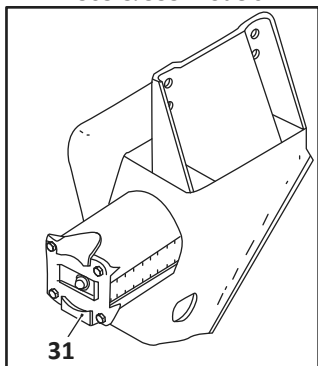
Axle Connection Kit, 5" Square



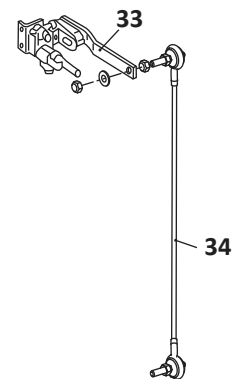
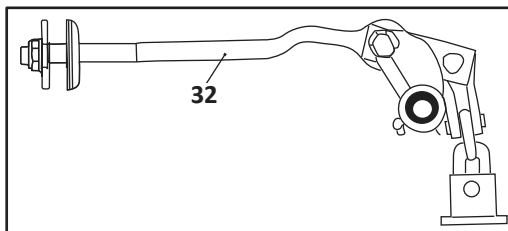
30



505 & 555 Models



505 & 555 Models



ART 500/505/551/555 Models — Truck, Air Suspension						
KEY NO.	EUCLID NO.	GENUINE	OEM REF.	DESCRIPTION	QTY. PER AXLE	PAGE NO.
1	FS9082	-	90557027	Firestone Air Spring, ART-500-B, 505-B, 505-C Suspension	2	-
	EAS9082	-	90557027	Euclid Air Spring, ART-500-B, 505-B, 505-C Suspension	2	-
	FS9101	-	90557009	Firestone Air Spring, ART-551-B, 555-B, 555-C Suspension	2	-
	EAS9101	-	90557009	Euclid Air Spring, ART-551-B, 555-B, 555-C Suspension	2	-
2	S.O.S.	-	Various	Equalizing Beam	2	-
3	E-4292	● SAF	90001006	Axle Seat, ART 551-B-3, 555-B-3 & 555-C-3 Suspension	2	SAF-108
	S.O.S.	● SAF	90501037	Axle Seat, ART-500-B-1, 551-B-2, 505-B-1, 555-B-2, 505-C-1 & 555-C-2 Suspension	2	-
	S.O.S.	● SAF	90001008	Axle Seat, ART-551-B-1, 555-B-1 & 555-C-1 Suspension	2	-
4	E-4382A	-	90018139	Bushing, Pivot, Rubber	2	SAF-94
	GAFF14513	-	-	Bushing, Pivot, Poly	2	SAF-94
5	E-4364	-	93201055	Bolt, 1-1/8" - 7 x 9-1/4" Long	2	-
6	E-4289	● SAF	90001082	Axle Adapter, 5" Round Axle	2	SAF-107
	S.O.S.	● SAF	90001083	Axle Adapter, 5" Square Axle	2	-
7	E-2943	-	90028047	Wrapper, 5" Round Axle, Rubber, 7-1/4" W x 9" Lg x 1/2" Thk	2	SAF-108
	E-4409	-	90028073	Wrapper, 5" Square Axle, Rubber, 9-5/8" W x 7-1/4" Lg x 1/2" Thk	2	SAF-108
8	E-2947A	-	90028083	Axle Pad, Rubber, 5-5/8" W x 7" Lg x 7/16" Thk	2	SAF-108
9	S.O.S.	● SAF	90510061	Axle Cap Assembly without Stops, Roadside, 5" Round Axle	1	-
	S.O.S.	● SAF	90510064	Axle Cap Assembly with Stops, Roadside, 5" Round Axle	1	-
	S.O.S.	● SAF	90510063	Axle Cap Assembly with Stops, Curbside, 5" Round Axle	1	-
	S.O.S.	● SAF	90510062	Axle Cap Assembly without Stops, Curbside, 5" Round Axle	1	-
10	E-UB8479-090	-	90041878	U-Bolt Assembly, Flat Round Bend, 1" - 14 x 6-5/16" Wide x 9" Long	4	-
	E-UB8479-104	-	90042791	U-Bolt Assembly, Flat Round Bend, 1" - 14 x 6-5/16" Wide x 10-1/2" Long	4	-
	E-UB8479-124A	-	90042792	U-Bolt Assembly, Flat Round Bend, 1" - 14 x 6-3/8" Wide x 12-1/2" Long	4	-
	E-UB8578-094	-	90041997	U-Bolt Assembly, Flat Square Bend, 1" - 14 x 6-5/16" Wide x 9-1/2" Long	4	-
	E-UB8578-124A	-	90042794	U-Bolt Assembly, Flat Square Bend, 1" - 14 x 6-3/8" Wide x 10-1/2" Long	4	-
	E-UB8578-124A	-	90042795	U-Bolt Assembly, Flat Square Bend, 1" - 14 x 6-3/8" Wide x 12-1/2" Long	4	-
11	S.O.S.	● SAF	Various	Frame Bracket	2	-
12	E-4263	● SAF	90001045	Alignment Block	2	SAF-98
	E-9284	-	90008147	Alignment Block, ART-505-B & 555-B Suspension	2	SAF-98
13	M83128	-	90044162	Shock Absorber, ART-500-B-1, 505-B-1, & 555-B-1 Suspension	2	-
	M83127	-	90044642	Shock Absorber, ART-551-B-1, -2, -3 & 555-B-1, -2, -3 Suspension	2	-
14	S.O.S.	● SAF	Various	Air Spring & Shock Mounting Plate	2	-
15	S.O.S.	● SAF	Various	Axle Stop Assembly, 5" Round Axle	2	-
16	E-4363	-	90036177	Washer, 1-1/8"	4	-
17	E-15140	-	93003645	Bolt, 3/4" - 10 x 5-1/2" Long	2	-
18	E-4347	-	93400492	Nut, 3/4" - 10	4	-
19	E-4345	-	90003597	Bolt, 3/4" - 10 x 3-1/2" Long	2	-
20	E-4403	-	90508004	Bushing, Rubber	8	SAF-111
21	E-4358	-	93400506	Nut, 1-1/8" - 7	2	-
22	E-15256	-	93400136	Nut, 1/2" - 13	2	-
23	S.O.S.	● SAF	93600072	Washer, 1/2"	8	-
24	S.O.S.	● SAF	93002893	Bolt, 1/2" - 13 x 1" Long	6	-
25	E-1107	-	93400149	Nut, 3/4" - 16	2	-

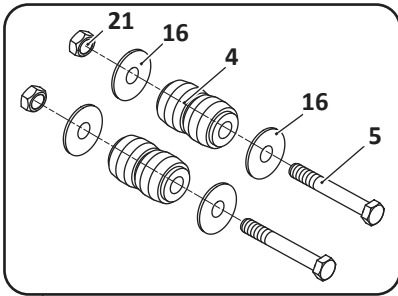
● SAF Denotes Product is Genuine SAF-Holland Neway

SAF-HOLLAND NEWAY

ART 500/505/551/555 Models — Truck, Air Suspension

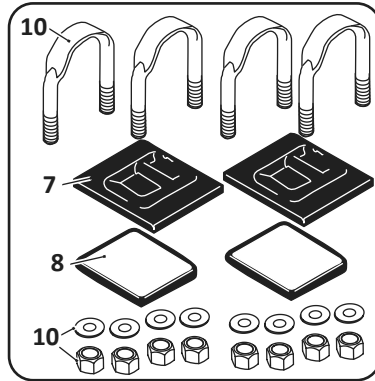
SAF-HOLLAND NEWAY

Pivot Connection Kit



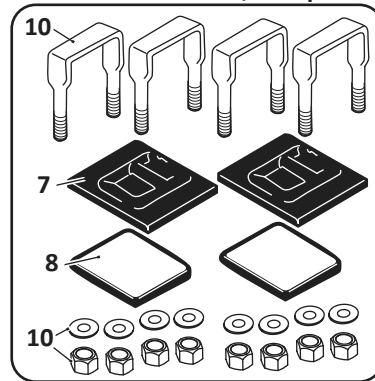
28

Axle Connection Kit, 5" Round

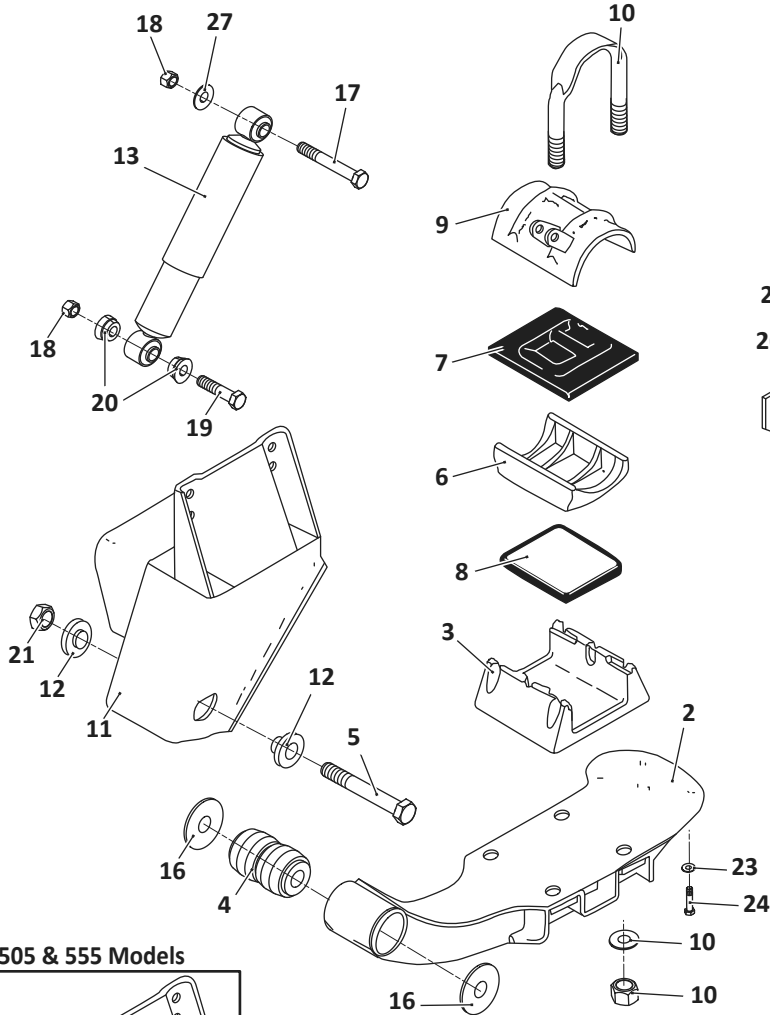


29

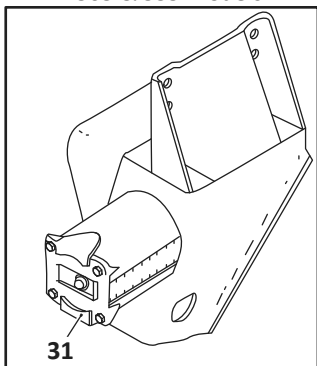
Axle Connection Kit, 5" Square



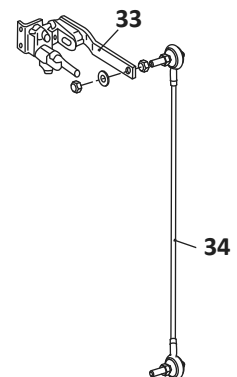
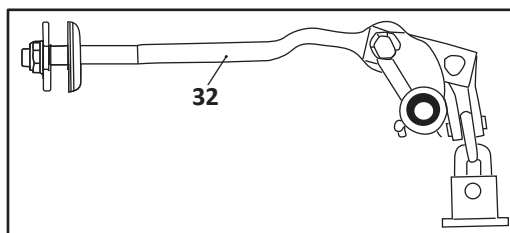
30








505 & 555 Models



505 & 555 Models



ART 500/505/551/555 Models — Truck, Air Suspension

KEY NO.	EUCLID NO.	GENUINE	OEM REF.	DESCRIPTION	QTY. PER AXLE	PAGE NO.
26	S.O.S.		93600077	Lock Washer, 3/4"	2	-
27	E-2545	-	93600005	Washer, 3/4"	2	-
28	E-4398A	-	48100202/SRK-145	Connection Kit, Pivot, Includes Key Nos. 4, 5, 16, 21	1	SAF-100
29	E-2977A	-	48100108/SRK-64	Connection Kit, 5" Round Axle, 9" Long U-bolts, Includes Key Nos. 7, 8, 10	1	SAF-110
	E-16568	-	48100110/SRK-66	Connection Kit, 5" Round Axle, 10-1/2" Long U-Bolts, Includes Key Nos. 7, 8, 10	1	SAF-110
	E-4390	-	48100181/SRK-128	Connection Kit, 5" Round Axle, 12-1/2" Long U-Bolts, Includes Key Nos. 7, 8, 10	1	SAF-110
30	E-6898	-	48100112/SRK-68	Connection Kit, 5" Square Axle, Includes Key Nos. 7, 8, 10	1	SAF-110
31	E-16622		48100216/SRK-159	Coil Spring Replacement Kit, For "B" Models Only	1	SAF-106
	S.O.S.		SRK-173	Coil Spring Replacement Kit, Includes Installation Tool, For "C" Models Only	1	-
32	E-4399		48100144/SRK-96	Cam Assembly, 1"	1	SAF-106
	E-4400		48100151/SRK-103	Coil Spring Lift Kit, 1/2" Pin	1	SAF-106
	E-10799		48100215/SRK-158	Coil Spring Lift Kit for ART-505C	1	SAF-106
33	E-4323	-	90054007	Height Control Valve, No Dump	1	SAF-112
34	E-7852	-	48100225/SRK-168	Linkage Assembly; Universal; Adjustable	1	SAF-113

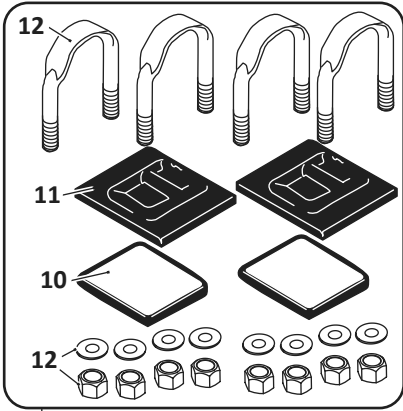
 Denotes Product is Genuine SAF-Holland Neway

SAF-HOLLAND NEWAY

AR-41/45/75-6,-9,-12/75-1-12/85-A Models — Trailer, Air Suspension

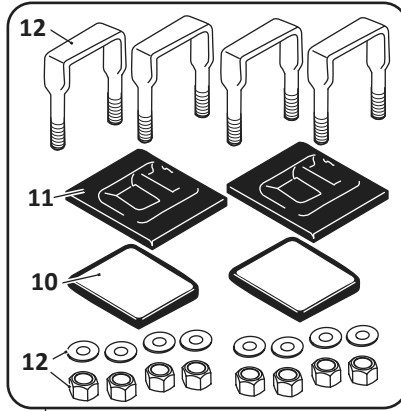
SAF-HOLLAND NEWAY

Axle Connection Kit, 5" Round, New Style



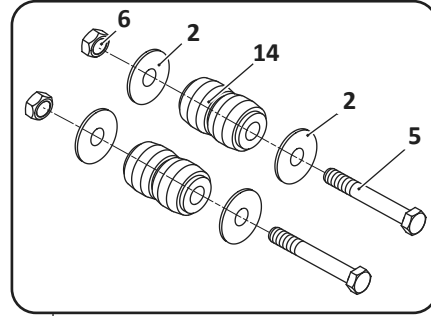
30

Axle Connection Kit, 5" Square

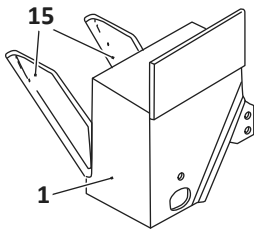


31

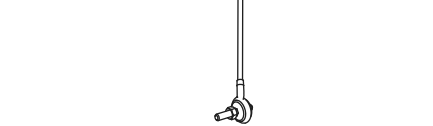
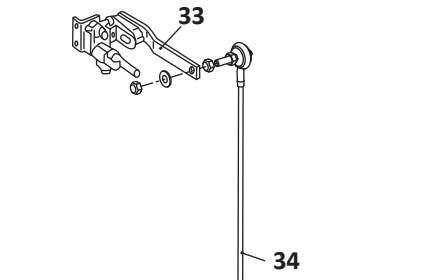
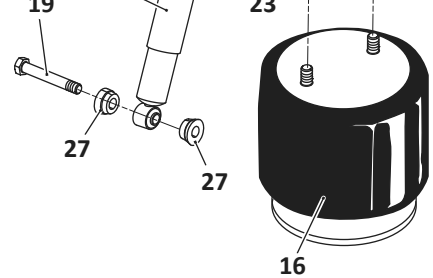
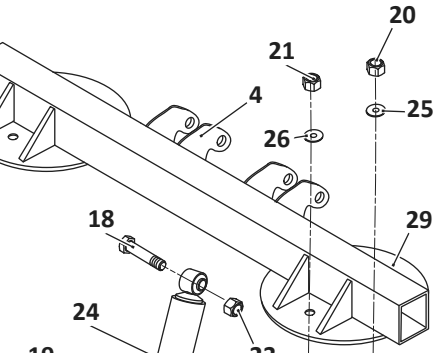
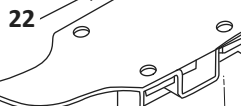
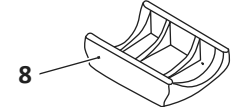
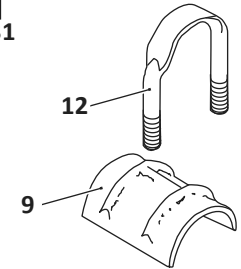
Pivot Connection Kit



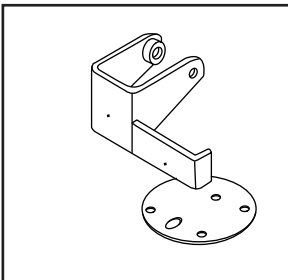
32



AR-45-1



Upper Shock Bracket and Air Spring Plate
AR-75-6 & AR-85A



AR-41/45/75-6,-9,-12/75-1-12/85-A Models — Trailer, Air Suspension						
KEY NO.	EUCLID NO.	GENUINE	OEM REF.	DESCRIPTION	QTY. PER AXLE	PAGE NO.
1	S.O.S.	SAF	Various	Frame Bracket	2	-
2	E-4363	-	90036177	Washer, 1-1/8"	4	-
3	E-9284	SAF	90008147	Alignment Block	4	SAF-98
4	S.O.S.	SAF	Various	Upper Shock Mounting Bracket	4	-
5	E-4364	-	93201055	Bolt, 1-1/8" - 7 x 9-1/4" Long	2	-
6	E-4358	-	93400506	Nut, 1-1/8" - 7	2	-
7	S.O.S.	SAF	Various	Equalizing Beam	2	-
8	E-4289	SAF	90001082	Axle Adapter, 5" Round Axle	2	SAF-107
9	E-4282	SAF	90010032	Axle Cap, 5" Round Axle	2	SAF-107
10	E-2947A	-	90028083	Axle Pad, Rubber, 5-5/8" W x 7" Lg x 7/16" Thk	2	SAF-108
11	E-2943	-	90028047	Wrapper, 5" Round Axle, Rubber, 7-1/4" W x 9" Lg x 1/2" Thk	2	SAF-108
12	E-UB8479-090	-	90041878	U-Bolt Assembly, Flat Round Bend, 1" - 14 x 6-5/16" Wide x 9" Long	4	-
13	E-4292	SAF	90001006	Axle Seat	2	SAF-108
14	E-4382A	-	90008139	Bushing, Pivot, Rubber	2	SAF-94
	GAFF14513	-	-	Bushing, Pivot, Poly	2	SAF-94
15	S.O.S.	SAF	90023002	Angle Brace	2	-
	S.O.S.	SAF	90023003	Angle Brace, AR-45-1 Only	4	-
16	FS9039	-	90557023	Firestone Air Spring, AR-41 & 45, Aluminum Piston	2	-
	EAS9039	-	90657023	Euclid Air Spring, AR-41 & 45, Aluminum Piston	2	-
	FS9307	-	90557129	Firestone Air Spring, AR-41 & 45, Composite Piston	2	-
	EAS9307	-	90557129	Firestone Air Spring, AR-41 & 45, Composite Piston	2	-
	FS9121	-	90557078	Firestone Air Spring, AR-85-A Suspension	2	-
	EAS9121	-	90657078	Euclid Air Spring, AR-85-A Suspension	2	-
	FS9362	-	90557113	Firestone Air Spring, AR-75-6 & 9 Suspension	2	-
	FS9101	-	90557009	Firestone Air Spring, AR-75-12 Suspension	2	-
	EAS9101	-	90657009	Euclid Air Spring, AR-75-12 Suspension	2	-
17	S.O.S.	SAF	90544615	Crossmember Assembly, AR-41 Only	1	-
	S.O.S.	SAF	90544573	Crossmember Assembly, AR-45 & AR-45-1 Only	1	-
18	E-4345	-	93003597	Bolt, 3/4 - 10 x 3-1/2" Long, AR-41 Suspension	4	-
	E-4345	-	93003597	Bolt, 3/4 - 10 x 3-1/2" Long, AR-45, AR-45-1 Suspension	2	-
	E-2989	SAF	93003633	Bolt, 3/4" - 10 x 5" Long, AR-85-A Suspension	2	-
19	S.O.S.	SAF	93003609	Bolt, 3/4 - 10 x 4" Long	2	-
20	E-15256	-	93300136	Nut, 1/2" - 13	2	-
		-	93400136	Nut, 1/2" - 13, FS9307, FS9346, & FS9362 Air Spring Only	4	-
21	E-1107	-	93400149	Nut, 3/4" - 16	2	-
22	E-16606	SAF	93400367	Square Nut, 3/4" - 10	2	-
23	E-4347	-	93400492	Nut, 3/4" - 10, EAS9039 & FS9039 Air Spring	4	-
		-	93400492	Nut, 3/4" - 10 FS9307	2	-
24	M83128	-	90044162	Shock Absorber, AR-41 & 45 Suspension	2	-
	M83126	-	90044626	Shock Absorber, AR-75 Suspension	2	-
	M89430	-	90044626	Shock Absorber, Adjustable, AR-75 Suspension	2	-
	M83125	-	90044625	Shock Absorber, AR-75-1-12, AR-85-A Suspension	2	-
25	S.O.S.	SAF	93600072	Washer, 1/2", EAS9039 & FS9030 Air Spring	2	-
	S.O.S.	SAF	93600072	Washer, 1/2", FS9307 Air Spring	4	-

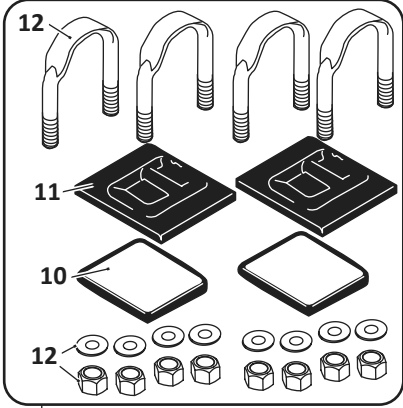
SAF Denotes Product is Genuine SAF-Holland Neway

SAF-HOLLAND NEWAY

AR-41/45/75-6,-9,-12/75-1-12/85-A Models — Trailer, Air Suspension

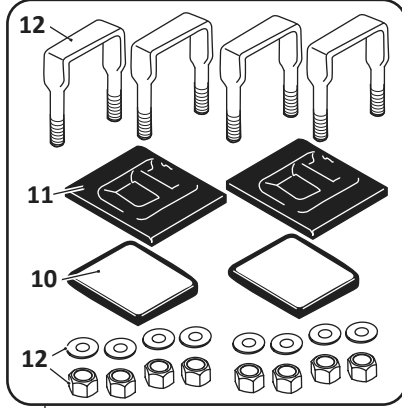
SAF-HOLLAND NEWAY

Axle Connection Kit, 5" Round, New Style



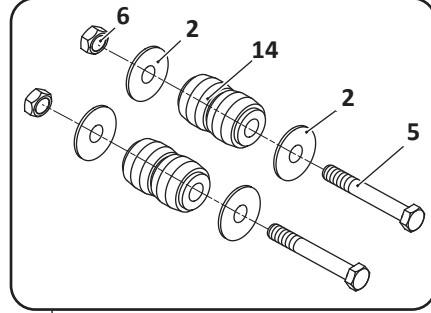
30

Axle Connection Kit, 5" Square

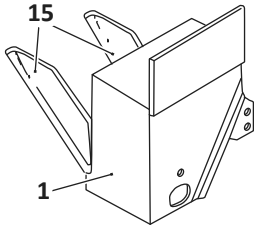


31

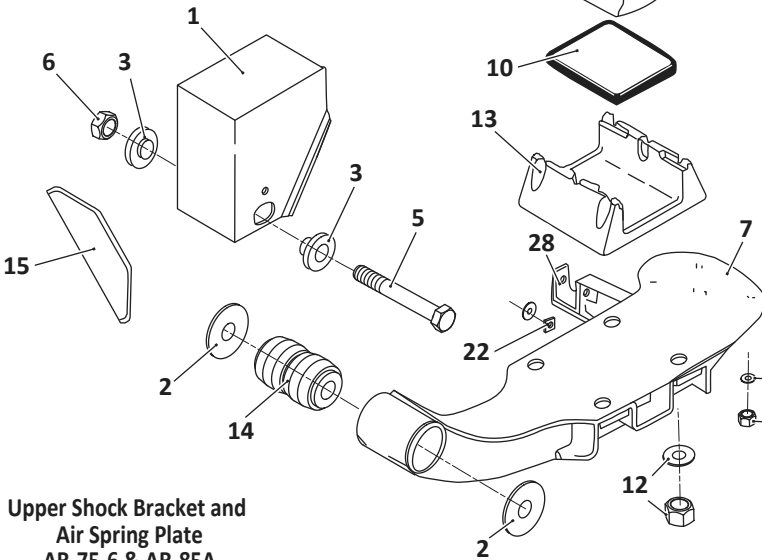
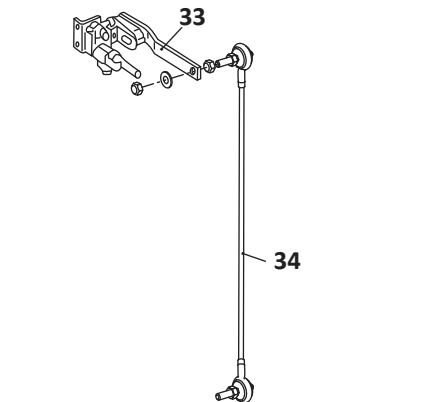
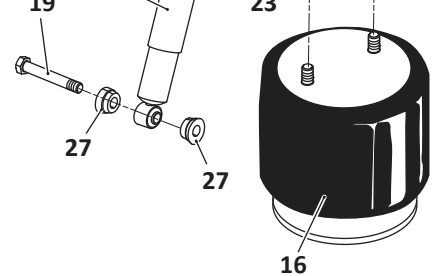
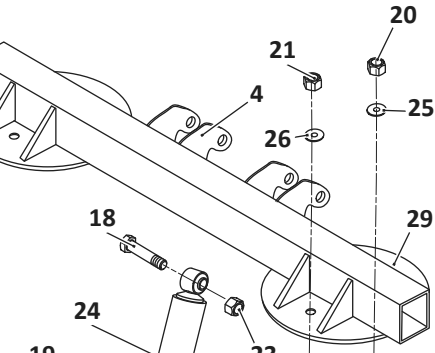
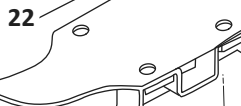
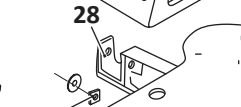
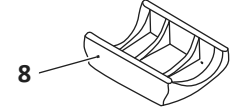
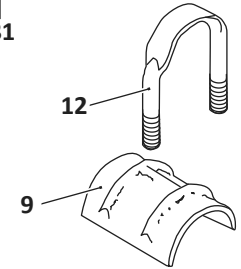
Pivot Connection Kit



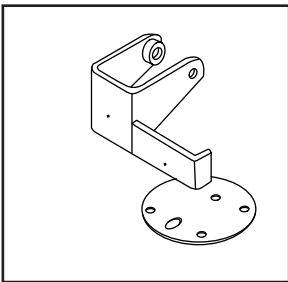
32






AR-45-1



Upper Shock Bracket and Air Spring Plate
AR-75-6 & AR-85A



AR-41/45/75-6,-9,-12/75-1-12/85-A Models — Trailer, Air Suspension

KEY NO.	EUCLID NO.	GENUINE	OEM REF.	DESCRIPTION	QTY. PER AXLE	PAGE NO.
26	S.O.S.		93600077	Lock Washer, 3/4"	4	-
27	E-4403	-	90508004	Bushing, Rubber	8	SAF-111
28	E-4338		90519009	Lower Shock Bracket	2	SAF-111
	S.O.S.		90519425	Lower Shock Bracket, AR-45 & AR-45-1 Only	2	-
29	E-4321	-	90033785	Air Spring Mounting Plate, AR-75 & 85A Only	2	SAF-111
30	E-2977A	-	48100108/ SRK-64	Connection Kit, Axle, 5" Round, New Style, Includes Key Nos. 10, 11, 12	1	SAF-110
	E-4390	-	48100181/SRK- 128	Connection Kit, Axle, 5" Round, AR-75-6,-9 Suspension, Includes Key Nos. 10, 11, 12	1	SAF-110
31	E-6898	-	48100112/ SRK-68	Connection Kit, Axle, 5" Square, Includes Key Nos. 10, 11, 12	1	SAF-110
32	E-4398A	-	48100202 / SRK-145	Connection Kit, Pivot, Includes Key Nos. 2, 5, 6, 14	1	SAF-100
33	E-4323	-	90054007	Height Control Valve, No Dump	1	SAF-112
	E-9623	-	H00450CA	Height Control Valve, Universal, No Dump, Hadley 450 Series	1	SAF-112
	E-14729	-	H01500UN	Height Control Valve, Universal, No Dump, Hadley Next Gen Series	1	SAF-112
34	E-7852	-	48100225/SRK- 168	Linkage Assembly; Universal; Adjustable	1	SAF-113

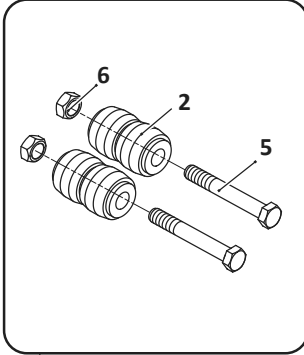
 Denotes Product is Genuine SAF-Holland Neway

SAF-HOLLAND NEWAY

AR-50-US, -F, -F-1, -F-2 — Trailer, Air Suspension

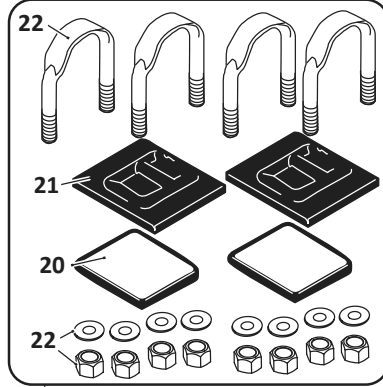
SAF-HOLLAND NEWAY

Pivot Connection Kit, New Style



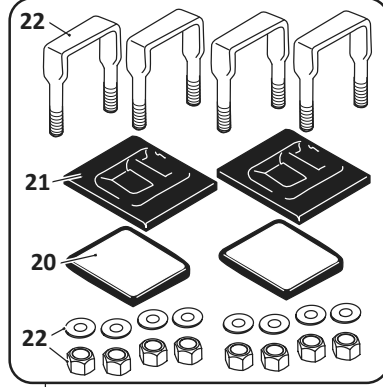
28

Axle Connection Kit, 5" Round

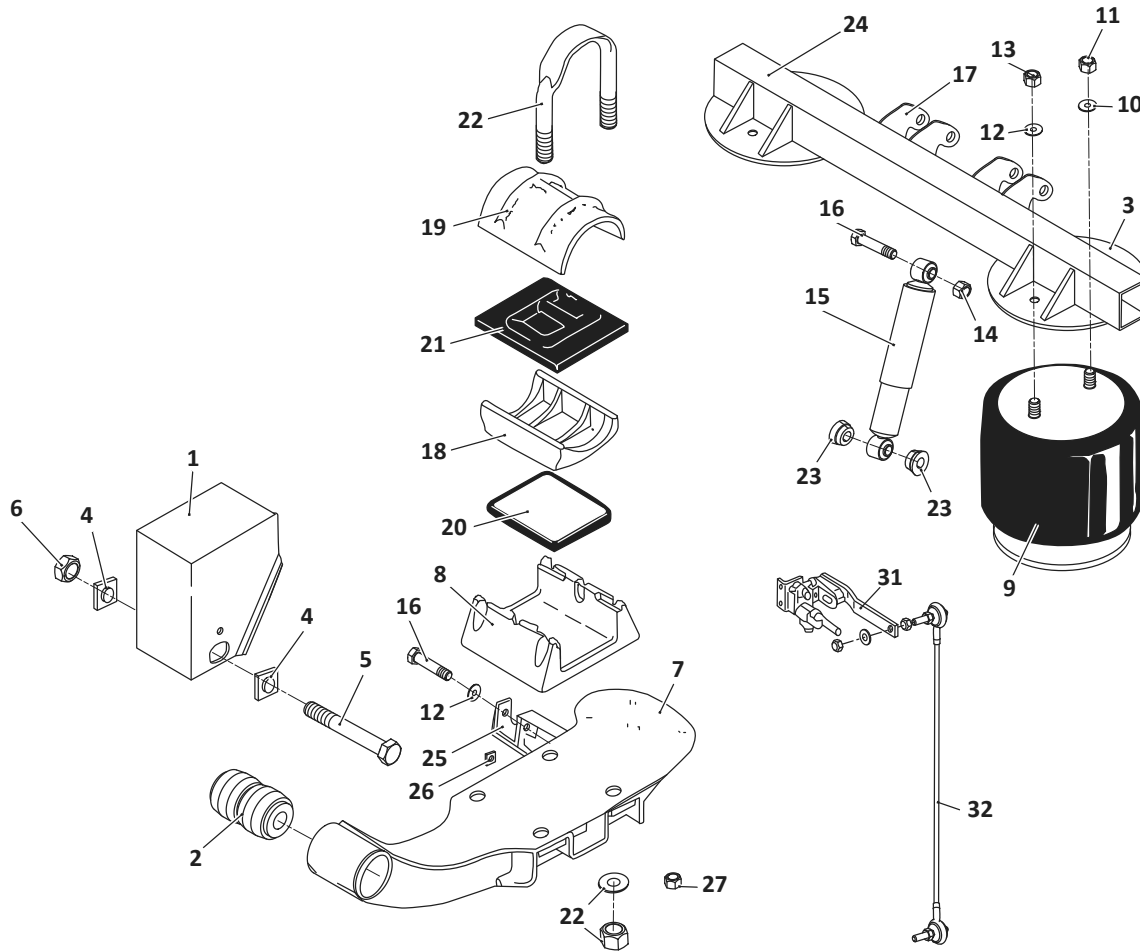


29

Axle Connection Kit, 5" Square



30



AR-50-US, -F, -F-1, -F-2 — Trailer, Air Suspension

KEY NO.	EUCLID NO.	GENUINE	OEM REF.	DESCRIPTION	QTY. PER AXLE	PAGE NO.
1	S.O.S.	SAF	90518081	Frame Bracket, Adjustable Assembly	2	-
	S.O.S.	SAF	90518078	Frame Bracket, Adjustable Assembly	2	-
2	E-4255	-	90008131	Bushing, Pivot, Rubber	2	SAF-120
	GAFF14510	-	-	Bushing, Pivot, Poly	2	SAF-120
3	E-4321	-	90031027	Air Spring Mounting Plate	2	SAF-111
4	E-4263	SAF	90001045	Alignment Block	2	SAF-98
5	E-4361	-	93201045	Bolt, 1-1/8" - 7 x 8-1/2" Long	2	-
6	E-4358	-	93400506	Nut, 1-1/8" - 7	2	-
7	S.O.S.	SAF	Various	Equalizing Beam	2	-
8	E-4292	SAF	90001006	Axle Seat	2	SAF-108
9	FS9039	-	90557023	Firestone Air Spring	2	-
	EAS9039	-	90657023	Euclid Air Spring	2	-
10	S.O.S.	SAF	93600072	Washer, 1/2"	2	-
11	E-15256	-	93400136	Nut, 1/2" - 13	2	-
12	S.O.S.	SAF	93600077	Lock Washer, 3/4"	4	-
13	E-1107	-	93400149	Nut, 3/4" - 16	2	-
14	E-4347	-	93400492	Nut, 3/4" - 10	2	-
15	M83128	-	90044162	Shock Absorber	2	-
16	E-4345	-	93003599	Bolt, 3/4" - 10 x 3-1/2" Long	4	-
17	S.O.S.	SAF	Various	Upper Shock Mounting Bracket	2	-
18	E-4289	SAF	90001082	Axle Adapter, 5" Round Axle	2	SAF-107
	S.O.S.	-	90001083	Axle Adapter, 5" Square Axle	2	-
19	E-4282	SAF	90010032	Axle Cap, 5" Round Axle, New Style	2	SAF-107
	E-4283	SAF	90010022	Axle Cap 5" Square Axle	2	SAF-107
20	E-2947A	-	90028083	Axle Pad, New Style, Rubber, 5-5/8" W x 7" Lg x 7/16" Thk	2	SAF-108
	E-2010	-	90028016	Axle Pad, Rubber, Old Style, 5-5/8" W x 7" Lg x 3/8" Thk	2	SAF-109
21	E-2943	-	90028047	Wrapper, 5" Round Axle, Rubber, New Style, 7-1/4" W x 9" Lg x 1/2" Thk	2	SAF-108
	E-2009	-	90028007	Wrapper, 5" Round Axle, Rubber, Old Style, 7-1/4" W x 7-1/4" Lg x 3/8" Thk	2	SAF-108
	E-4409	-	90028073	Wrapper, 5" Square Axle, Rubber, 9-5/8" W x 7-1/4" Lg x 1/2" Thk	2	SAF-108
22	E-UB8479-090	-	90041878	U-Bolt Assembly, Flat Round Bend, 1" - 14 x 6-5/16" Wide x 9" Long	4	-
	E-UB8578-094	-	90041997	U-Bolt Assembly, Flat Square Bend, 1" - 14 x 6-5/16" Wide x 9-1/2" Long	4	-
23	E-4403	-	90508004	Bushing, Rubber	8	SAF-111
24	S.O.S.	SAF	Various	Crossmember Assembly	1	-
25	E-4338	SAF	90519009	Lower Shock Bracket, New Style	2	SAF-111
	S.O.S.	SAF	90018067	Lower Shock Bracket, Old Style	2	-
26	E-16606	-	93400367	Square Nut, 3/4" - 10	2	-
27	E-4347	SAF	93400553	Lock Nut, 3/4" - 10	2	-
28	E-4396	-	48100193/SRK-48A	Connection Kit, Pivot, New Style, Includes Key Nos. 2, 5, 6	1	SAF-100
29	E-2977A	-	48100108/SRK-64	Connection Kit, 5" Round Axle, New Style, Includes Key Nos. 20, 21, 22	1	SAF-110
	E-2978A	-	48100018/SRK-49	Connection Kit, 5" Round Axle, Old Style, Includes Key Nos. 20, 21, 22	1	SAF-110
30	E-6898	-	48100112/SRK-68	Connection Kit, 5" Square Axle, Includes Key Nos. 20, 21, 22	1	SAF-110
31	E-4323	-	90054007	Height Control Valve, No Dump	1	SAF-112
32	E-7852	-	48100225/SRK-168	Linkage Assembly; Universal; Adjustable	1	SAF-113

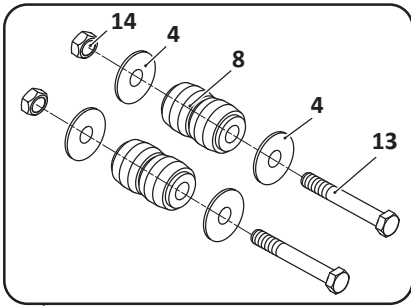
SAF Denotes Product is Genuine SAF-Holland Neway

SAF-HOLLAND NEWAY

AR-70, AR-80, AR-95 Models — Trailer, Air Suspension

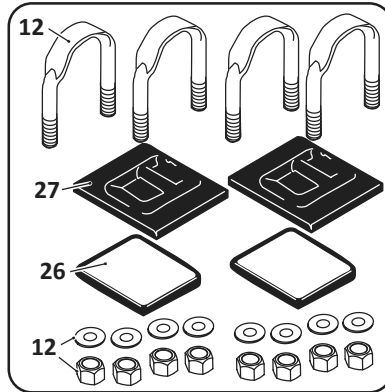
SAF-HOLLAND NEWAY

Pivot Connection Kit



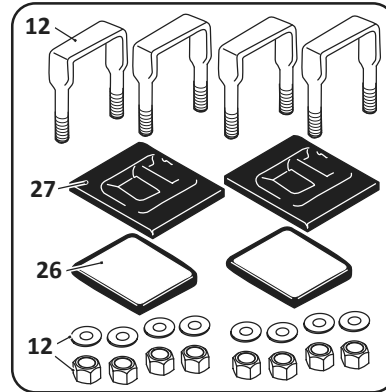
34

Axle Connection Kit, 5" Round,
AR-95 9" & 14" AR-70, AR-95
12" & 17" Ride Height

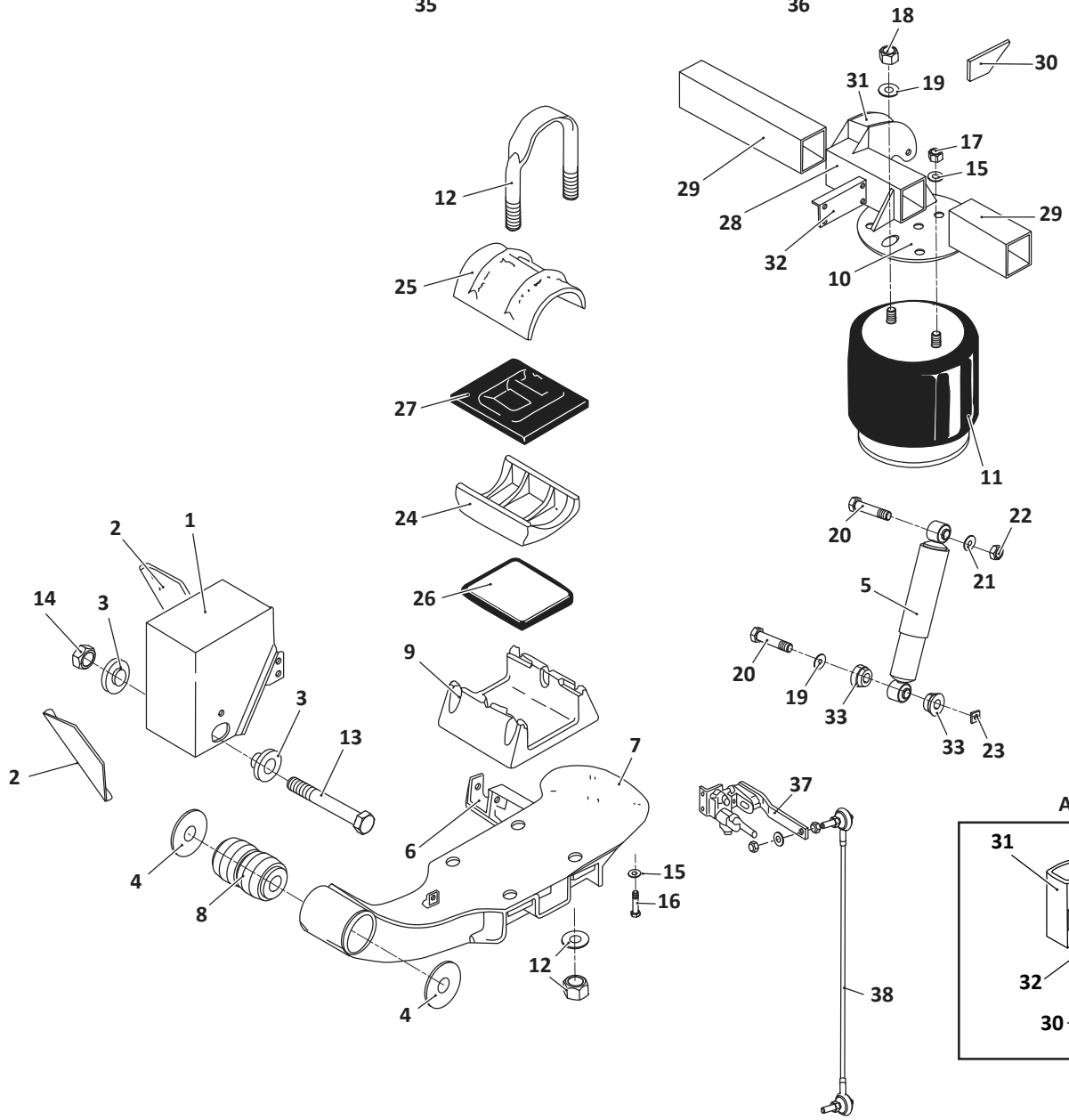


35

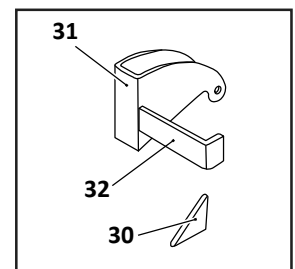
Axle Connection Kit, 5" Square



36



AR-80



AR-70, AR-80, AR-95 Models — Trailer, Air Suspension

KEY NO.	EUCLID NO.	GENUINE	OEM REF.	DESCRIPTION	QTY. PER AXLE	PAGE NO.
1	S.O.S.	SAF	Various	Frame Bracket, Adjustable Assembly	2	-
2	S.O.S.	SAF	Various	Angle Brace	4	-
3	E-4268	SAF	90008091	Alignment Block, Outer AR-70 & 95 Suspension	4	SAF-98
	E-4265	SAF	90008092	Alignment Block, Inner AR-70 & 95 Suspension	4	SAF-98
	E-9284	SAF	90008147	Alignment Block, AR-80 Suspension	4	SAF-98
4	E-4363	-	90036177	Washer, 1-1/8"	4	-
5	M83126	-	90044626	Shock Absorber, AR-70 Suspension	2	-
	M89430	-	90144626	Shock Absorber, Adjustable, AR-70 Suspension	2	-
	M83125	-	90044625	Shock Absorber, AR-95 Suspension	2	-
	M83123	-	90044046	Shock Absorber, AR-80-6.75 Suspension	2	-
	M89405	-	90044046	Shock Absorber, Adjustable, AR-80-6.75 Suspension	2	-
	M85045	-	90044868	Shock Absorber, AR-80-9 Suspension	2	-
	M83126	-	90044626	Shock Absorber, AR-80-9 WST Suspension	2	-
6	S.O.S.	SAF	90018179	Lower Shock Bracket, AR-75 & AR-95	2	-
	S.O.S.	SAF	90519425	Lower Shock Bracket, AR-80-6.75 & -9-WST Suspension	2	-
	S.O.S.	SAF	90520276	Lower Shock Bracket, AR-80-9 Suspension	2	-
7	S.O.S.	SAF	90515624	Equalizer Beam Assembly, Roadside	1	-
	S.O.S.	SAF	90515625	Equalizer Beam Assembly, Curbside	1	-
8	E-4382A	-	90008139	Bushing, Pivot, Rubber	2	SAF-94
	GAFF14513	-	-	Bushing, Pivot, Poly	2	SAF-94
9	E-4292	SAF	90001006	Axle Seat, AR-70, AR-95 9" & 14" Ride Height	2	SAF-108
	S.O.S.	SAF	90001008	Axle Seat, AR-95 12" & 17" Ride Height	2	-
	E-4293	SAF	90001131	Axle Seat, AR-80 Suspension	2	SAF-108
10	E-4321	-	90033785	Air Spring Mounting Plate	2	SAF-111
11	FS9121	-	90557078	Firestone Air Spring, AR-70, AR-80-6.75 Suspension	2	-
	EAS9121	-	90557078	Euclid Air Spring, AR-70, AR-80-6.75 Suspension	2	-
	FS9122	-	90557077	Firestone Air Spring, AR-95	2	-
	EAS9122	-	90557077	Euclid Air Spring, AR-95	2	-
	FS9134	-	90557125	Firestone Air Spring, AR-80-9 & -9-WST Suspension	2	-
12	E-UB8479-090	-	90041878	U-Bolt Assembly, Flat Round Bend, 1" - 14 x 6-5/16" Wide x 9" Long	4	-
	E-UB8578-094	-	90041997	U-Bolt Assembly, Flat Square Bend, 1" - 14 x 6-5/16" Wide x 9-1/2" Long	4	-
	E-UB8479-124A	-	90042792	U-Bolt Assembly, Flat Round Bend, 1" - 14 x 6-3/8" Wide x 12-1/2" Long	2	-
	E-UB8578-124A	-	90042795	U-Bolt Assembly, Flat Square Bend, 1" - 14 x 6-3/8" Wide x 12-1/2" Long	2	-
13	E-4364	-	93201055	Bolt, 1-1/8" - 7 x 9-1/4" Long	2	-
14	E-4358	-	93400506	Nut, 1-1/8" - 7	2	-
15	S.O.S.	SAF	93600072	Washer, 1/2"	8	-
16	S.O.S.	SAF	93002893	Bolt, 1/2" - 13 x 1" Long	6	-
17	E-15256	-	93400136	Nut, 1/2" - 13	2	-
18	E-1107	-	93400149	Nut, 3/4" - 16	2	-
19	S.O.S.	SAF	93600077	Lock Washer, 3/4"	4	-
20	E-16593	-	93003603	Bolt, 3/4" - 10 x 3-3/4" Long, AR-75 & AR-95 Suspension	4	-
	E-4345	-	93003597	Bolt, 3/4" - 10 x 3-1/2" Long, AR-80 Suspension	4	-
21	E-2545	-	93600156	Flat Washer, 3/4"	2	-

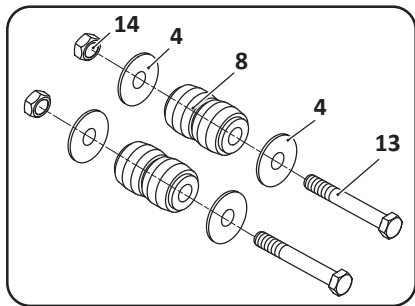
SAF Denotes Product is Genuine SAF-Holland Neway

SAF-HOLLAND NEWAY

AR-70, AR-80, AR-95 Models — Trailer, Air Suspension

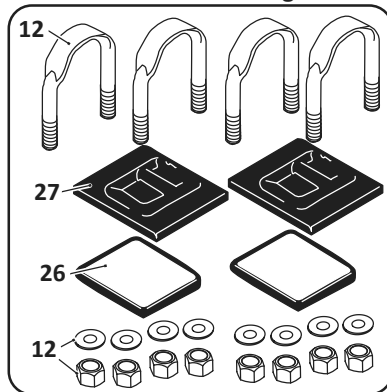
SAF-HOLLAND NEWAY

Pivot Connection Kit



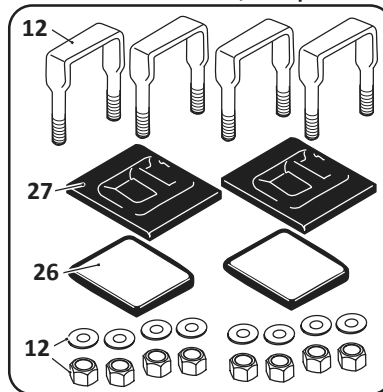
34

Axle Connection Kit, 5" Round, AR-95 9" & 14" AR-70, AR-95 12" & 17" Ride Height

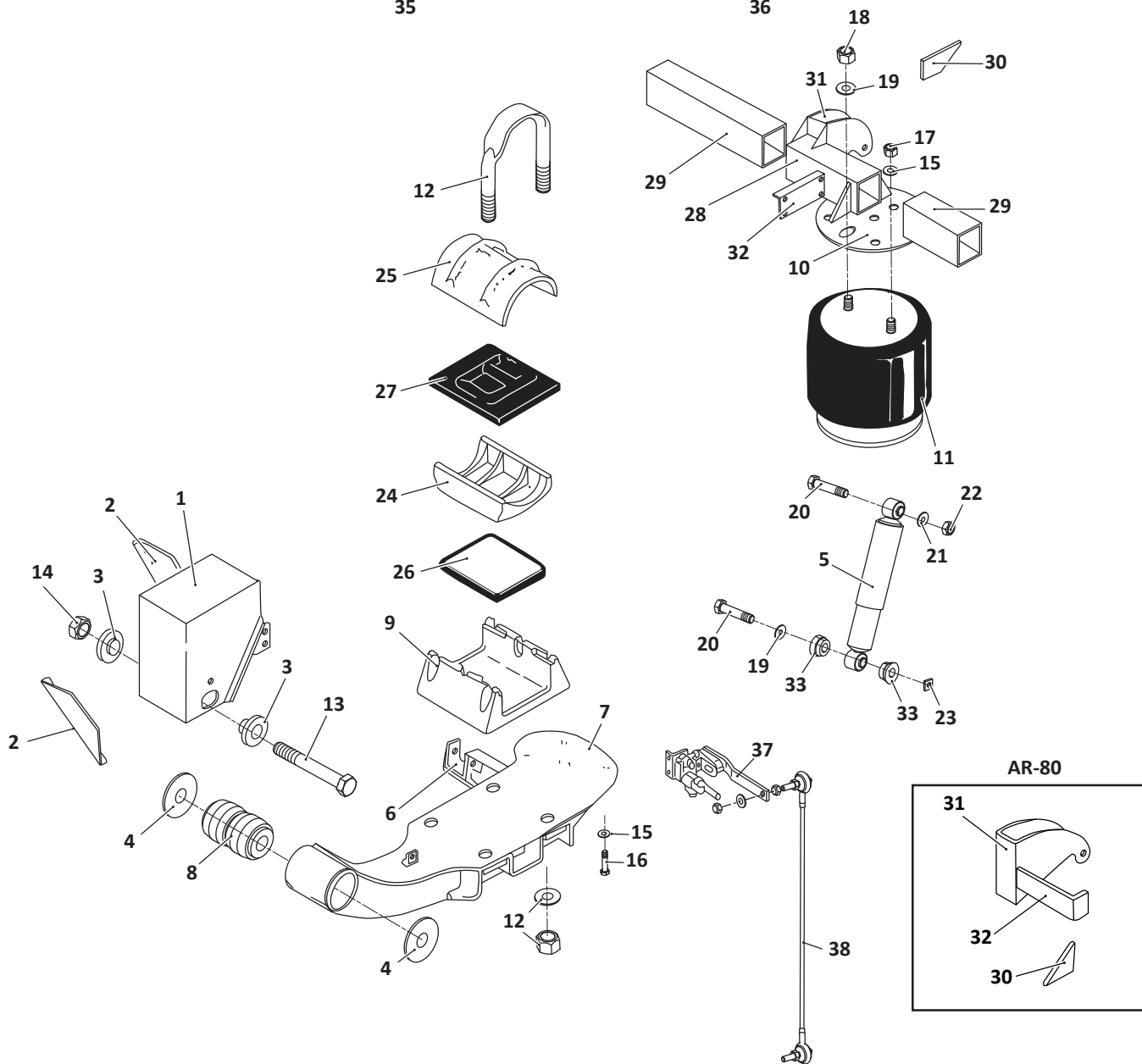


35

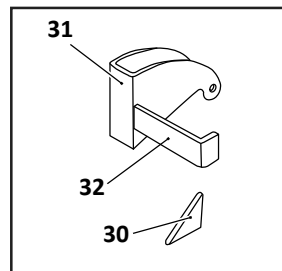
Axle Connection Kit, 5" Square



36



AR-80



AR-70, AR-80, AR-95 Models — Trailer, Air Suspension

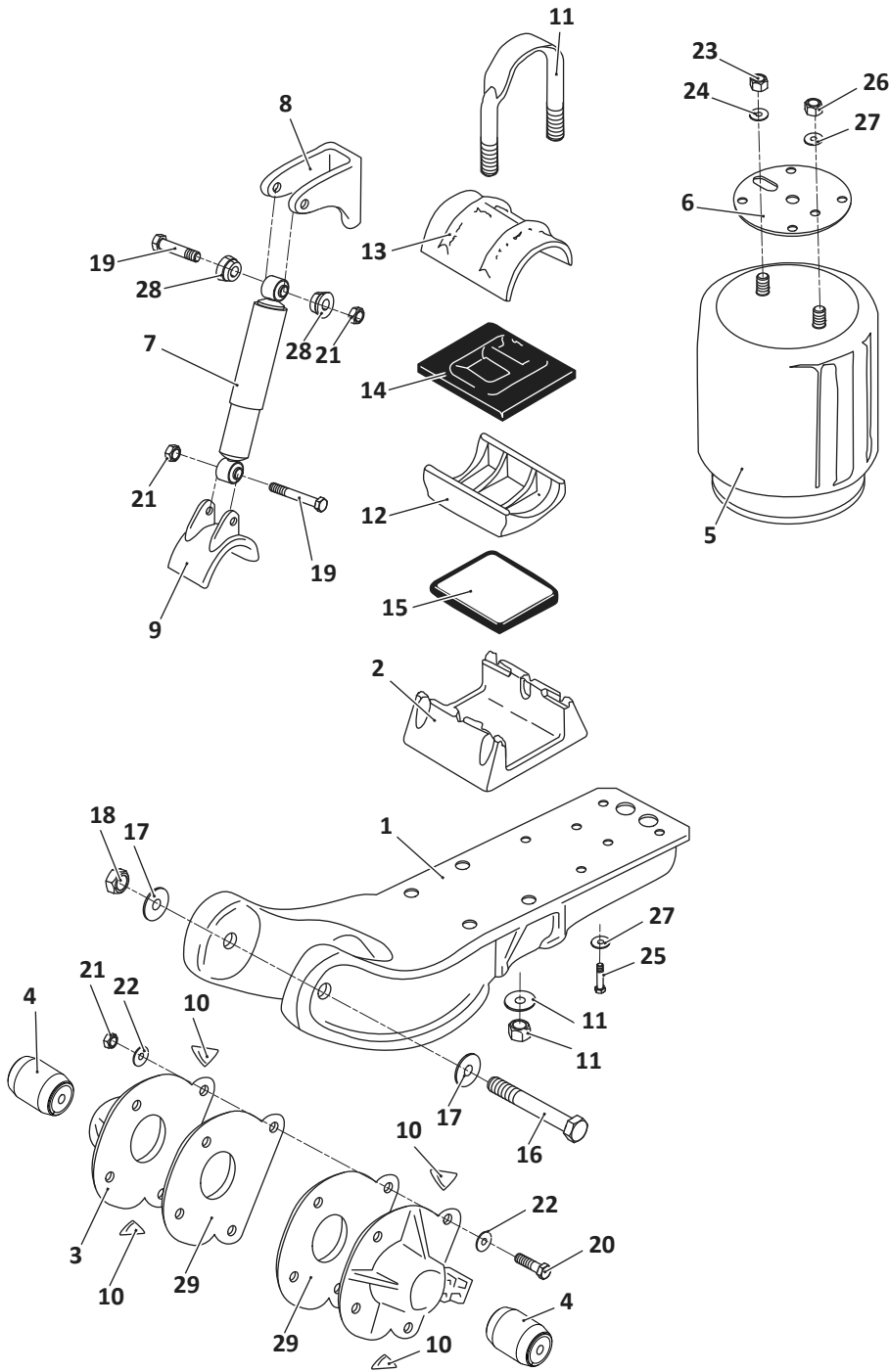
KEY NO.	EUCLID NO.	GENUINE	OEM REF.	DESCRIPTION	QTY. PER AXLE	PAGE NO.
22	E-4347	-	93400492	Lock Nut, 3/4" - 10	2	-
23	E-16606	-	93400367	Square Nut, 3/4" - 10	2	-
24	E-4289	SAF	90001082	Axle Adapter, 5" Round Axle, AR-75 & AR-95 Suspension	2	SAF-107
	S.O.S.	SAF	90001083	Axle Adapter, 5" Square Axle, AR-75 & AR-95 Suspension	2	-
	E-16554	SAF	90001132	Axle Adapter, 5" Round Axle, AR-80 Suspension	2	SAF-107
25	E-4282	SAF	90010032	Axle Cap, 5" Round Axle	2	SAF-107
	E-4283	SAF	90010022	Axle Cap, 5" Square Axle	2	SAF-107
26	E-2947A	-	90028083	Axle Pad, Rubber, 5-5/8" W x 7" Lg x 7/16" Thk	2	SAF-108
27	E-2943	-	90028047	Wrapper, 5" Round Axle, Rubber, 7-1/4" W x 9" Lg x 1/2" Thk	2	SAF-108
	E-4409	-	90028073	Wrapper, 5" Square Axle, Rubber, 9-5/8" W x 7-1/4" Lg x 1/2" Thk	2	SAF-108
28	S.O.S.	SAF	Various	Crossmember Assembly	1	-
29	S.O.S.	SAF	90538008	Channel Assembly	2	-
	S.O.S.	SAF	90538007	Channel Assembly	2	-
30	S.O.S.	SAF	90032137	Gusset	2	-
31	S.O.S.	SAF	90018322	Upper Shock Bracket, AR-70 & AR-95	2	-
	S.O.S.	SAF	90018427	Upper Shock Bracket, AR-80-6.75, -9-WST Suspension	2	-
	E-4343	SAF	90018115	Upper Shock Bracket, AR-80-9 Suspension	2	SAF-111
32	S.O.S.	-	90023865	Bracket	8	-
33	E-4403	-	90508004	Bushing, Rubber	8	SAF-111
34	E-4398A	-	48100202/SRK-145	Connection Kit, Pivot, Includes Key Nos. 4, 8, 13, 14	1	SAF-100
35	E-4390	-	48100181/SRK-128	Connection Kit, Axle Connection, 5" Round, New Style, AR-95 9" & 14" Ride Height, Includes Key Nos. 12, 27, 26	1	SAF-110
	E-2977A	-	48100108/SRK-64	Connection Kit, 5" Round Axle, New Style, AR-70, AR-95 12" & 17" Ride Height, Includes Key Nos. 12, 27, 26	1	SAF-110
36	E-6898	-	48100112/SRK-68	Connection Kit, 5" Square Axle, Includes Key Nos. 12, 27, 26	1	SAF-110
37	E-4323	-	90054007	Height Control Valve, No Dump	1	SAF-112
	E-9623	-	H00450CA	Height Control Valve, Universal, No Dump, Hadley 450 Series	1	SAF-112
	E-14729	-	H01500UN	Height Control Valve, Universal, No Dump, Hadley Next Gen Series	1	SAF-112
38	E-7852	-	48100225/SRK-168	Linkage Assembly; Universal; Adjustable	1	SAF-113

SAF Denotes Product is Genuine SAF-Holland Neway

SAF-HOLLAND NEWAY

AR-80-9FM — Trailer, Air Suspension

SAF-HOLLAND NEWAY



AR-80-9FM — Trailer, Air Suspension

KEY NO.	EUCLID NO.	GENUINE	OEM REF.	DESCRIPTION	QTY. PER AXLE	PAGE NO.
1	S.O.S.	SAF	90516446	Equalizing Beam Assembly	2	-
2	E-4293	SAF	90001131	Axle Seat	2	SAF-108
3	S.O.S.	SAF	90545076	Pivot Connection Assembly	4	-
4	S.O.S.	SAF	90008178	Bushing, Pivot, Rubber	4	-
5	S.O.S.	SAF	90557111	Air Spring	2	-
6	E-4321	-	90033785	Air Spring Mounting Plate	2	SAF-111
7	M85045	-	90044868	Shock Absorber	2	-
	M89430	-	90044868	Shock Absorber, Adjustable	2	-
8	E-4343	SAF	90018116	Upper Shock Bracket	2	SAF-111
9	S.O.S.	SAF	90520276	Lower Shock Bracket	2	-
10	S.O.S.	SAF	90033449	Plate	8	-
11	E-UB8479-090	-	90041878	U-Bolt Assembly, Flat Round Bend, 1" - 14 x 6-5/16" Wide x 9" Long	4	-
12	E-16554	SAF	90001132	Axle Adapter, 5" Round Axle	2	SAF-107
13	E-4282	SAF	90010032	Axle Cap, 5" Round Axle	2	SAF-107
14	E-2943	-	90028047	Wrapper, 5" Round Axle, Rubber, 7-1/4" W x 9" Lg x 1/2" Thk	2	SAF-108
15	E-2947A	-	90028083	Axle Pad, Rubber, 5-5/8" W x 7" Lg x 7/16" Thk	2	SAF-108
16	S.O.S.	SAF	93201053	Bolt, 1-1/8" - 7 X 11" Long	2	-
17	E-2548	-	93600174	Washer, 1-1/4"	4	-
18	E-4358	-	93400506	Nut, 1-1/8" - 7	2	-
19	E-4345	-	93003597	Bolt, 3/4" - 10 x 3-1/2" Long	4	-
20	E-16591	-	93003575	Bolt, 3/4" - 10 x 2-1/2" Long	8	-
21	E-4347	-	93400492	Nut, 3/4" - 10	12	-
22	E-2545	-	93600156	Flat Washer, 3/4"	16	-
23	E-1107	-	93400149	Nut, 3/4" - 16	2	-
24	S.O.S.	SAF	93600077	Lock Washer, 3/4"	2	-
25	S.O.S.	SAF	93002893	Bolt, 1/2" - 13 x 1" Long	6	-
26	E-15256	-	93400136	Nut, 1/2" - 13	2	-
27	S.O.S.	SAF	93600072	Washer, 1/2"	8	-
28	E-4403	-	90508004	Bushing, Rubber	8	SAF-111
29	S.O.S.	SAF	90044949	Shim, for 1/4" Frame Web Only	4	-

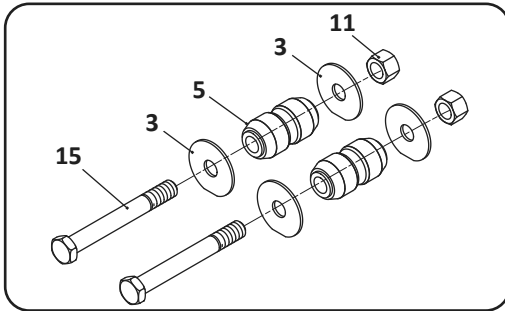
SAF Denotes Product is Genuine SAF-Holland Neway

SAF-HOLLAND NEWAY

AR-90/AR-90-1/AR-92/AR-93 Models — Trailer, Air Suspension

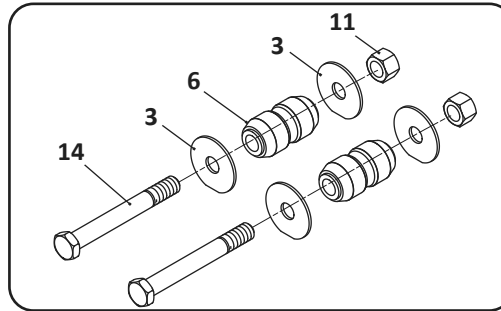
SAF-HOLLAND NEWAY

Pivot Connection Kit

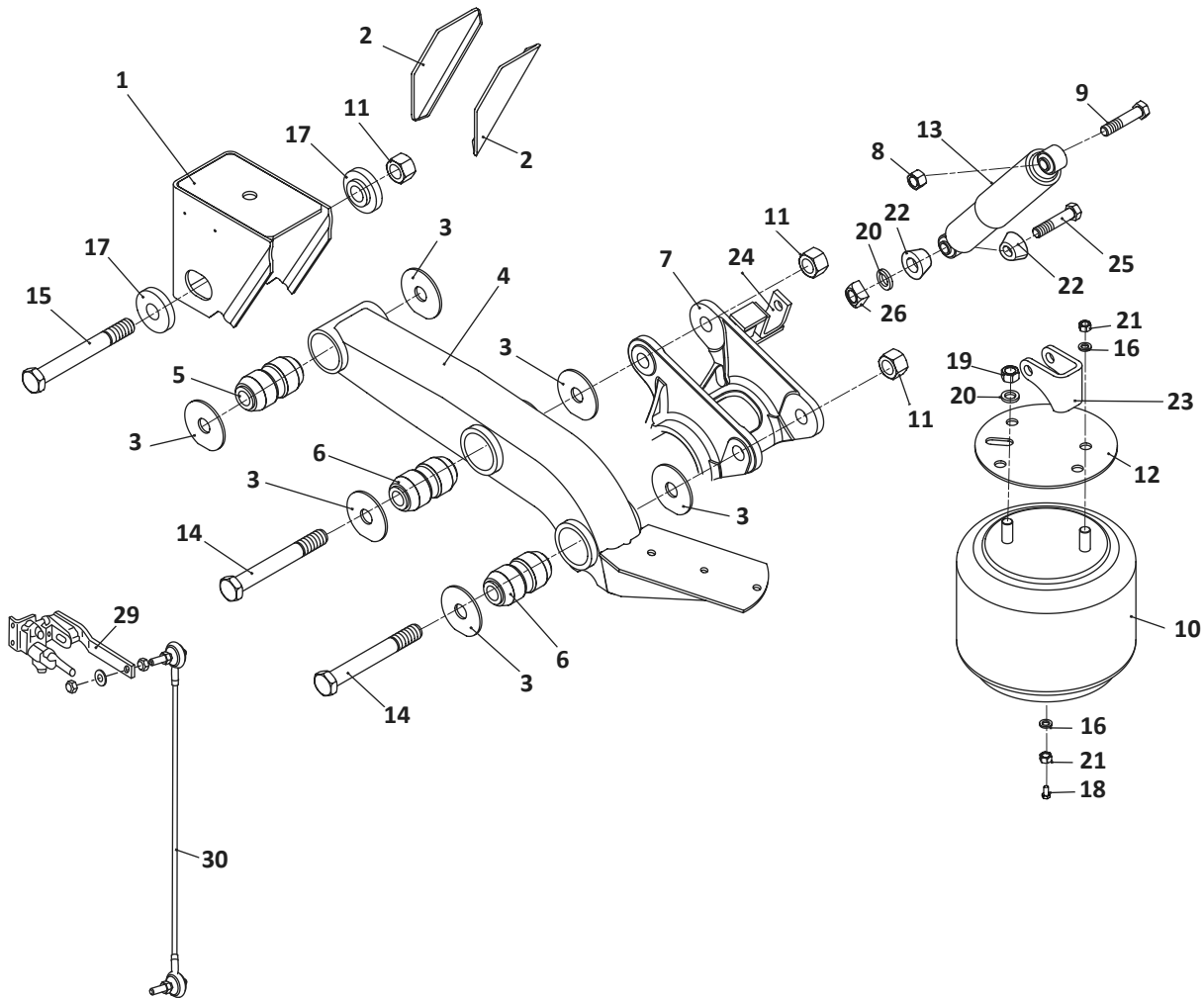


27

Axle Connection Kit, 5" Round Axle, 20" Wheels



28



AR-90/AR-90-1/AR-92/AR-93 Models — Trailer, Air Suspension

KEY NO.	EUCLID NO.	GENUINE	OEM REF.	DESCRIPTION	QTY. PER AXLE	PAGE NO.
1	S.O.S.	SAF	Various	Frame Bracket, Adjustable	2	-
2	S.O.S.	SAF	Various	Angle Brace	4	-
3	E-4363	-	90036177	Washer, 1-1/8"	12	-
4	S.O.S.	SAF	90516112	Equalizing Beam, Roadside, AR-90 & AR-90-1	1	-
	S.O.S.	SAF	90516113	Equalizing Beam, Curbside, AR-90 & AR-90-1	1	-
	S.O.S.	SAF	90516500	Equalizing Beam, Roadside, AR-92	1	-
	S.O.S.	SAF	90516501	Equalizing Beam, Curbside, AR-92	1	-
	S.O.S.	SAF	90516482	Equalizing Beam, Roadside, AR-93	1	-
	S.O.S.	SAF	90516483	Equalizing Beam, Curbside, AR-93	1	-
5	E-4382A	-	90008139	Bushing, Front Pivot, Rubber	2	SAF-94
	GAFF14513	-	-	Bushing, Front Pivot, Poly	2	SAF-94
6	E-4410A	-	90008149	Bushing, Axle Connection, Rubber	4	SAF-96
	GAFF14533	-	-	Bushing, Axle Connection, Poly	4	SAF-96
7	S.O.S.	SAF	90501289	Axle Adapter, 5" Round Axle Roadside, Includes Key 24	1	-
	S.O.S.	SAF	90501290	Axle Adapter, 5" Round Axle Curbside, Includes Key 24	1	-
8	E-4347	-	93400492	Nut, 3/4" - 10	2	-
9	E-4345	-	93003597	Bolt, 3/4" - 10 x 3-1/2" Long	2	-
10	FS9070	-	90557131	Firestone Air Spring, Roadside, AR-90-1, 12" Ride Height	1	-
	FS9070	-	90557130	Firestone Air Spring, Curbside, AR-90-1, 12" Ride Height	1	-
	FS9362	-	90557113	Firestone Air Spring, AR-90-1, 14" & 17" Ride Height	2	-
	FS9304	-	90557124	Firestone Air Spring, AR-90-1, 15" & 16" Ride Height	2	-
	FS9243	-	90557112	Firestone Air Spring, AR-90 Suspension	2	-
	FS9921	-	90557117	Firestone Air Spring, AR-92 & AR-93, 12" & 14" Ride Height	2	-
	EAS9921	-	90557117	Euclid Air Spring, AR-92 & AR-93, 12" & 14" Ride Height	2	-
	FS9923	-	90557118	Firestone Air Spring, AR-92 & AR-93, 15" & 16" Ride Height	2	-
FS9922	-	90557119	Firestone Air Spring, AR-92 & AR-93, 17" & 18" Ride Height	2	-	
11	E-4358	-	93400506	Nut, 1-1/8" - 7	6	-
12	E-4321	-	90033785	Air Spring Mounting Plate	2	SAF-111
13	M83128	-	90044162	Shock Absorber, AR-90-1, 12", 14", 17" Ride Height, AR-92 & AR-93, 14" Ride Height	2	-
	M85051	-	90045054	Shock Absorber, AR-90-1, 15" & 16" Ride Height, AR-92 & AR-93, 15" Ride Height	2	-
	M83124	-	90044089	Shock Absorber, AR-90 Suspension, AR-92 & AR-93, 18" Ride Height	2	-
	M83130	-	90045040	Shock Absorber, AR-92 & AR-93, 14" Ride Height	2	-
	M83127	-	90044794	Shock Absorber, AR-92 & AR-93, 16" Ride Height	2	-
	M83127	-	90044642	Shock Absorber, AR-92 & AR-93, 17" Ride Height	2	-
14	E-4361	-	93201051	Bolt, 1-1/8" - 7 x 8-1/2" Long	4	-
15	E-4364	-	93201055	Bolt, 1-1/8" - 7 x 9-1/4" Long	2	-
16	S.O.S.	SAF	93600072	Washer, 1/2", 14" - 17" Ride Height	4	-
	S.O.S.	SAF	93600072	Washer, 1/2", 12" Ride Height	6	-
17	E-9284	SAF	90008147	Alignment Block	4	SAF-98
18	S.O.S.	SAF	93002893	Bolt, 1/2" - 13 x 1" Long	4	-
19	E-1107	-	93400149	Nut, 3/4" - 16	2	-
20	S.O.S.	SAF	93600077	Lock Washer, 3/4"	4	-

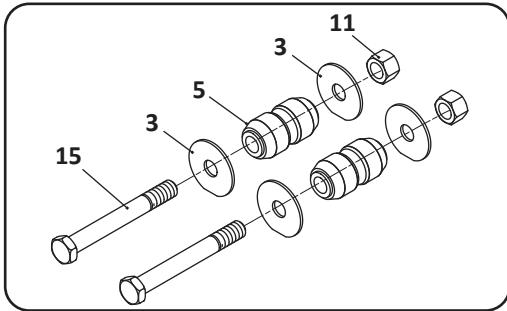
 Denotes Product is Genuine SAF-Holland Neway

SAF-HOLLAND NEWAY

AR-90/AR-90-1/AR-92/AR-93 Models — Trailer, Air Suspension

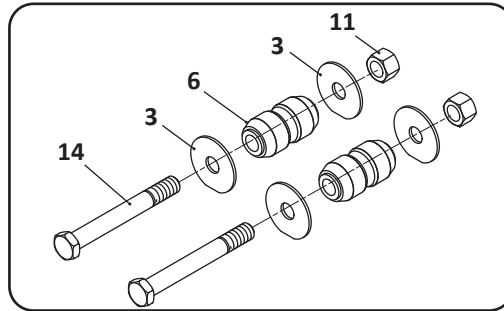
SAF-HOLLAND NEWAY

Pivot Connection Kit

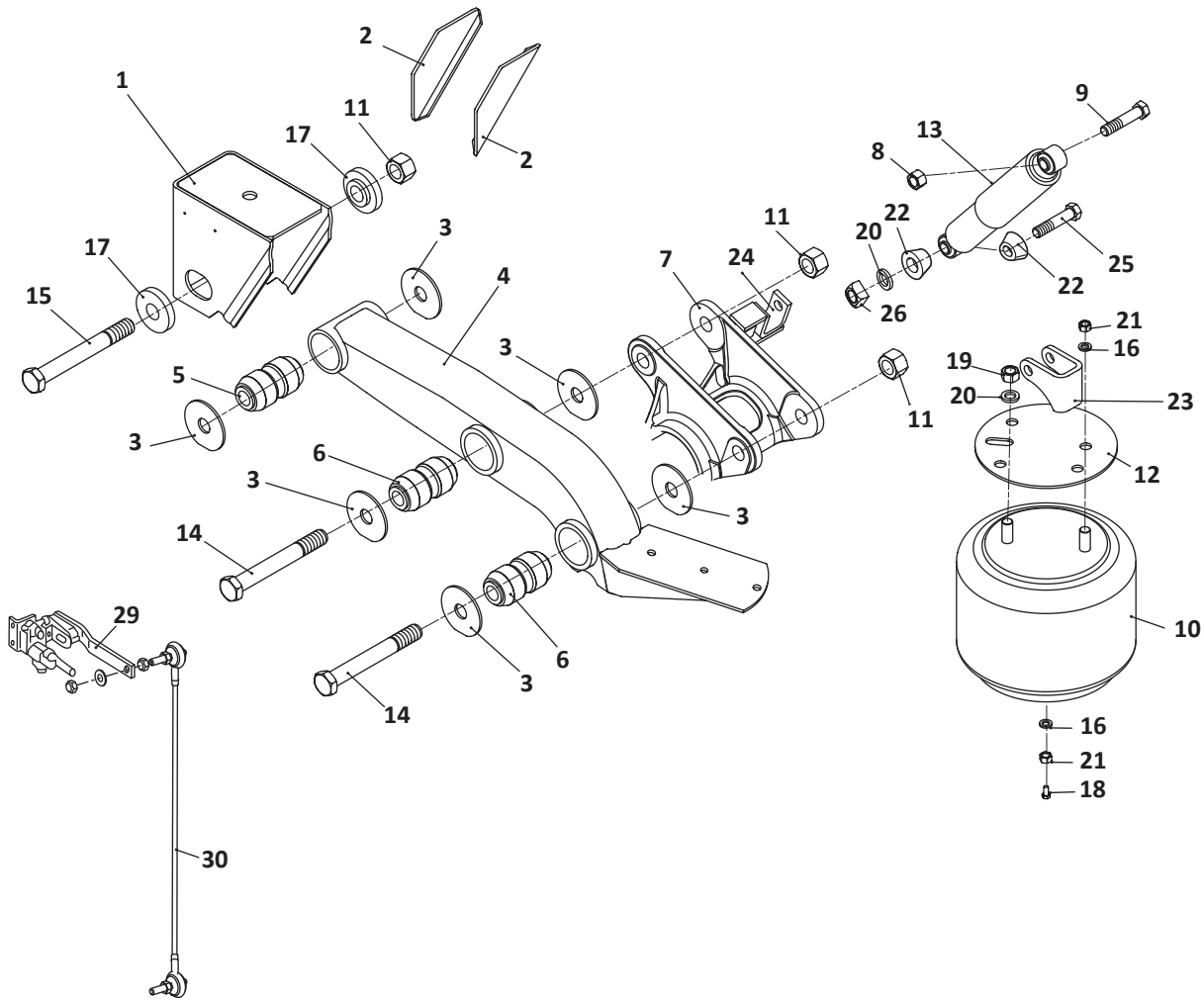


27






Axle Connection Kit, 5" Round Axle, 20" Wheels



28



AR-90/AR-90-1/AR-92/AR-93 Models — Trailer, Air Suspension

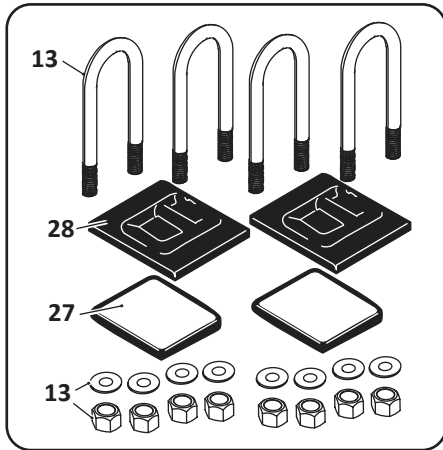
KEY NO.	EUCLID NO.	GENUINE	OEM REF.	DESCRIPTION	QTY. PER AXLE	PAGE NO.
21	E-15256	-	93400136	Nut, 1/2" - 13, 14" - 17" Ride Height	4	-
	E-15256	-	93400136	Nut, 1/2" - 13, 12" Ride Height	2	-
22	E-4403	-	90508004	Bushing, Rubber	8	SAF-111
23	S.O.S.		90018445	Upper Shock Bracket, AR-90-1 Suspension	2	-
	E-4343		90018116	Upper Shock Bracket, AR-90 Suspension	2	SAF-111
24	S.O.S.		90519773	Lower Shock Bracket	2	-
25	S.O.S.		93003609	Bolt, 3/4" - 10 x 4" Long	2	-
26	E-16606		93400367	Square Nut, 3/4" - 10	2	-
27	E-4398A	-	48100202/SRK-145	Connection Kit, Pivot, Includes Key Nos. 3, 5, 11, 15	1	SAF-100
28	E-4411A	-	48100206/SRK-149	Connection Kit, 20" Wheels 5" Round Axle, Includes Key Nos. 3, 6, 11, 14,	1	SAF-103
29	E-4323	-	90054007	Height Control Valve, No Dump	1	SAF-112
	E-9623	-	H00450CA	Height Control Valve, Universal, No Dump, Hadley 450 Series	1	SAF-112
	E-14729	-	H01500UN	Height Control Valve, Universal, No Dump, Hadley Next Gen Series	1	SAF-112
30	E-7852	-	48100225/SRK-168	Linkage Assembly; Universal; Adjustable	1	SAF-113

 Denotes Product is Genuine SAF-Holland Neway

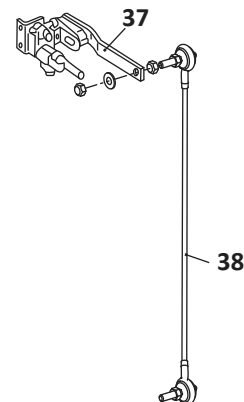
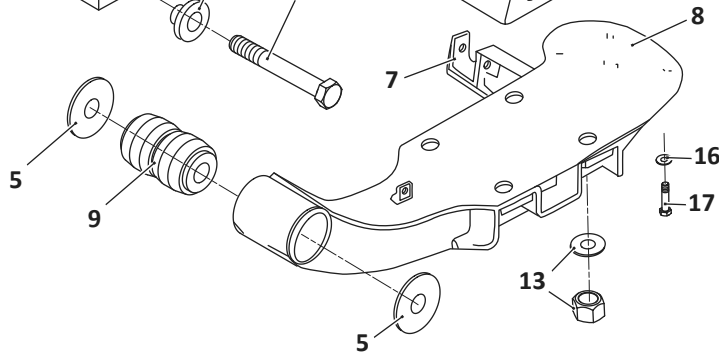
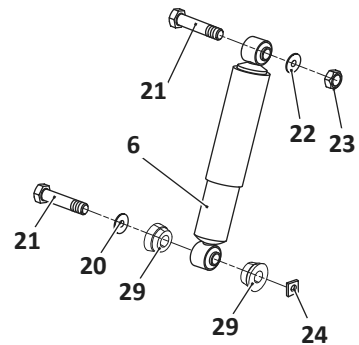
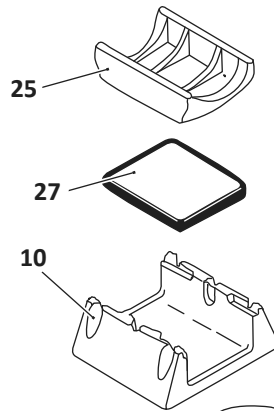
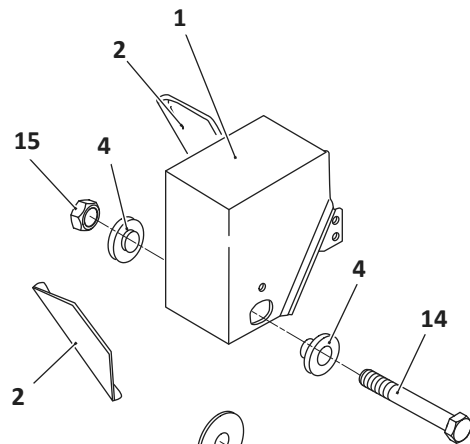
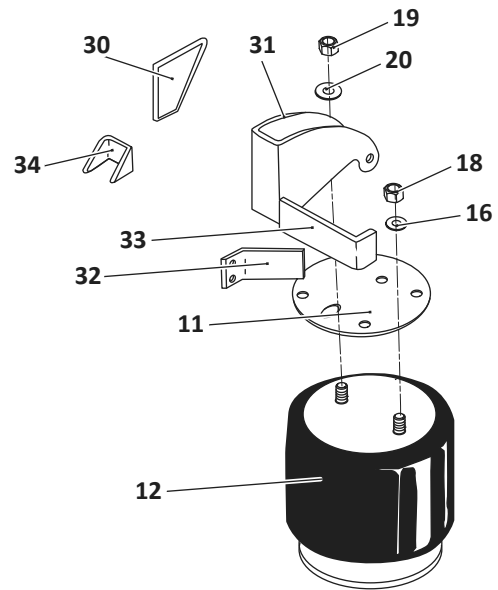
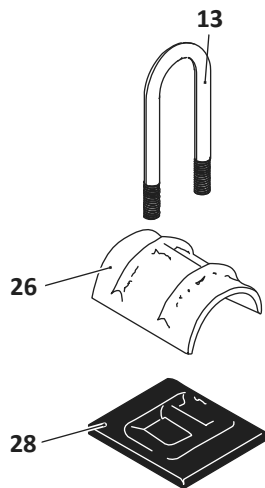
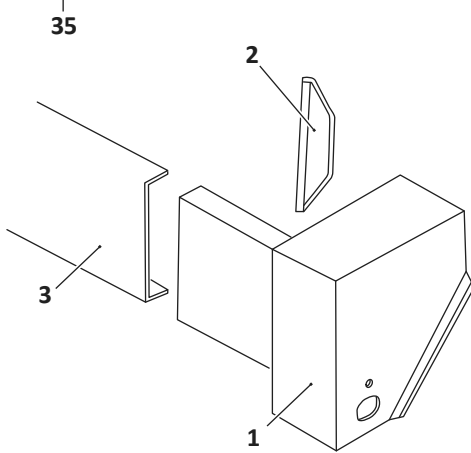
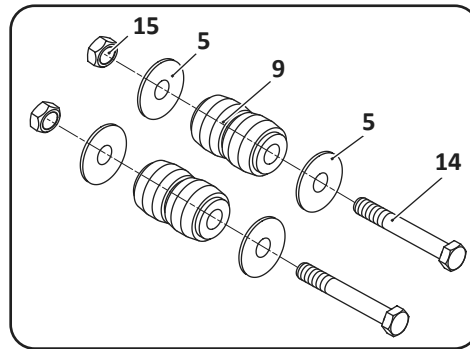
SAF-HOLLAND NEWAY

AR-95A-9-HD, -12-HD, -14-HD, -17-HD — Trailer, Air Suspension

Axle Connection Kit, 5" Round Axle Heavy-Duty, 9" & 14" Ride Height



Pivot Connection Kit



SAF-HOLLAND NEWAY

AR-95A-9-HD, -12-HD, -14-HD, -17-HD — Trailer, Air Suspension

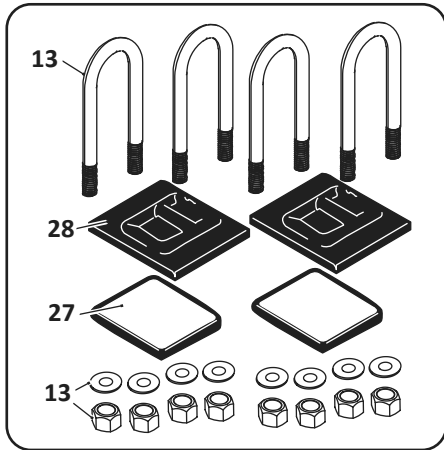
KEY NO.	EUCLID NO.	GENUINE	OEM REF.	DESCRIPTION	QTY. PER AXLE	PAGE NO.
1	S.O.S.	SAF	90518714	Frame Bracket Assembly Adjustable, 9" & 12" Ride Height	2	-
	S.O.S.	SAF	90518719	Frame Bracket Assembly RH Fixed, 14" & 17" Ride Height	1	-
	S.O.S.	SAF	90518720	Frame Bracket Assembly LH Adjustable, 14" & 17" Ride Height	1	-
2	S.O.S.	SAF	90023866	Angle Brace, 9" & 12" Ride Height	4	-
	S.O.S.	SAF	90023918	Angle Brace LH, 14" & 17" Ride Height	1	-
	S.O.S.	SAF	90023919	Angle Brace RH, 14" & 17" Ride Height	1	-
3	S.O.S.	SAF	41023327	Channel, 14-HD, 17-HD Ride Height	1	-
4	E-4265	SAF	90008092	Adjusting Bushing	4	SAF-98
5	E-4363	-	90036177	Washer, 1-1/8"	4	-
6	M83125	-	90044625	Shock Absorber	2	-
7	S.O.S.	SAF	90018749	Lower Shock Bracket	2	-
8	S.O.S.	SAF	Various	Equalizing Beam Assembly	2	-
9	E-4382A	-	90008139	Bushing, Pivot, Rubber	2	SAF-94
	GAFF14513	-	-	Bushing, Pivot, Poly	2	SAF-94
10	E-4293	SAF	90001131	Axle Seat, 12" & 17" Ride Height	2	SAF-108
	S.O.S.	SAF	90501181	Axle Seat, 9" & 14" Ride Height	2	-
11	E-4321	-	90033785	Air Spring Mounting Plate	2	SAF-111
12	FS9122	-	90557077	Firestone Air Spring	2	-
	EAS9122	-	90557077	Euclid Air Spring	2	-
13	S.O.S.	SAF	90041394	U-Bolt Assembly, Round Bend, 1" - 8 x 6-3/8" Wide x 12" Long, 9" & 14" Ride Height	4	-
	E-UB8179-09	-	90041382	U-Bolt Assembly, Round Bend, 1" - 8 x 6-3/8" Wide x 9" Long, 12" & 17" Ride Height	4	-
	E-UB8578-094	-	90042836	U-Bolt Assembly, Flat Square Bend, 1" - 14 x 6-3/8" Wide x 9-1/2" Long, 12" & 17" Ride Height	4	-
	S.O.S.	SAF	90042846	U-Bolt Assembly, Flat Square Bend 1" - 8 x 6-3/8" Wide x 12" Long, 9" & 14" Ride Height	4	-
14	E-4364	-	93201055	Bolt, 1-1/8" - 7 x 9-1/4" Long	2	-
15	E-4358	-	93400506	Nut, 1-1/8" - 7	2	-
16	S.O.S.	SAF	93600072	Washer, 1/2"	8	-
17	S.O.S.	SAF	93002905	Bolt, 1/2" - 13 x 1" Long	6	-
18	E-15256	-	93400136	Nut, 1/2" - 13	2	-
19	E-1107	-	93400149	Nut, 3/4" - 16	2	-
20	S.O.S.	SAF	93600077	Lock Washer, 3/4"	4	-
21	E-4345	-	93003597	Bolt, 3/4" - 10 x 3-1/2" Long	4	-
22	E-2545	-	93600156	Flat Washer, 3/4"	2	-
23	E-4347	-	93400492	Nut, 3/4" - 10	2	-
24	E-16606	SAF	93400367	Square Nut, 3/4" - 10	2	-
25	E-16554	SAF	90001132	Axle Adapter, 5" Round Axle	2	SAF-107
	E-16555	SAF	90001133	Axle Adapter 5" Square Axle	2	SAF-107
26	E-4281	SAF	90010002	Axle Cap 5" Round Axle	2	SAF-107
	E-16572	SAF	90010047	Axle Cap 5" Square Axle	2	SAF-107
27	E-2947A	-	90028083	Axle Pad, Rubber, 5-5/8" W x 7" Lg x 7/16" Thk	2	SAF-108
28	E-2009	-	90028007	Wrapper, 5" Round Axle, Rubber, 7-1/4" W x 7-1/4" Lg x 3/8" Thk	2	SAF-108
	E-4409	-	90028073	Wrapper, 5" Square Axle, Rubber, 9-5/8" W x 7-1/4" Lg x 1/2" Thk	2	SAF-108
29	E-4403	-	90508004	Bushing, Rubber	8	SAF-111

SAF Denotes Product is Genuine SAF-Holland Neway

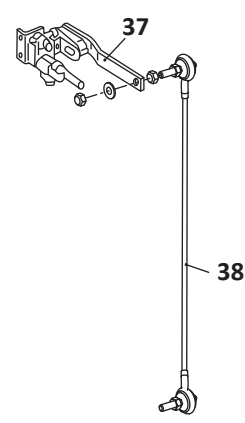
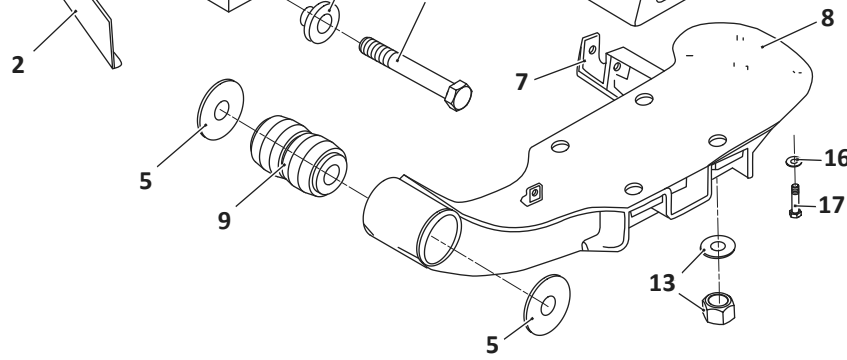
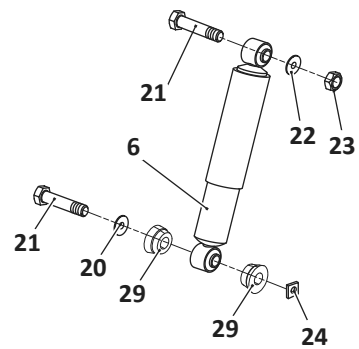
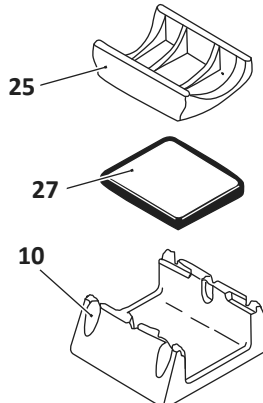
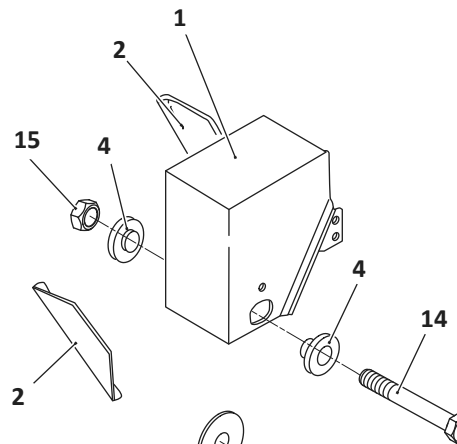
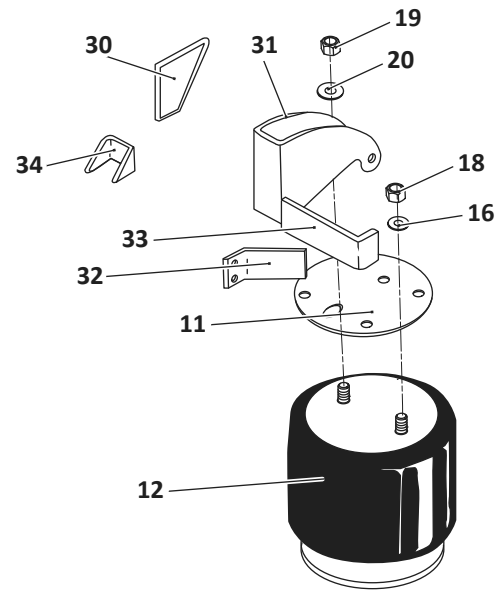
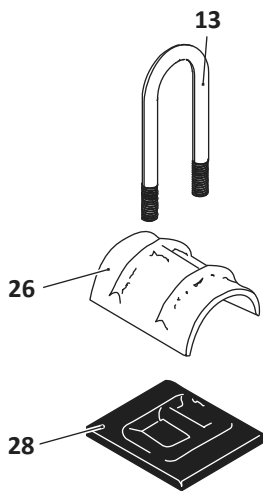
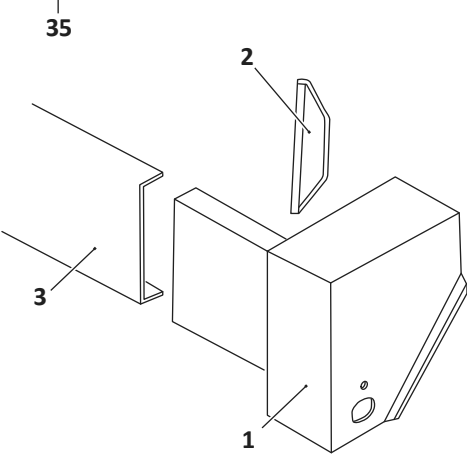
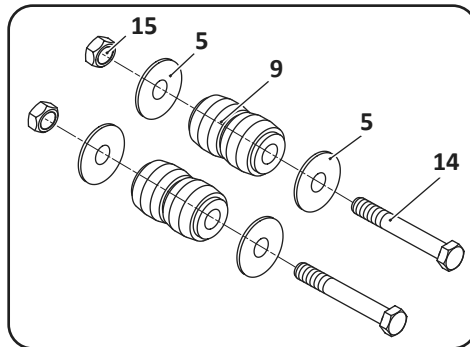
SAF-HOLLAND NEWAY

AR-95A-9-HD, -12-HD, -14-HD, -17-HD — Trailer, Air Suspension

Axle Connection Kit, 5" Round Axle
Heavy-Duty, 9" & 14" Ride Height



Pivot Connection Kit



SAF-HOLLAND NEWAY

AR-95A-9-HD, -12-HD, -14-HD, -17-HD — Trailer, Air Suspension

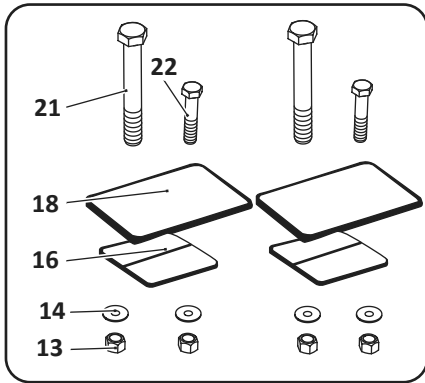
KEY NO.	EUCLID NO.	GENUINE	OEM REF.	DESCRIPTION	QTY. PER AXLE	PAGE NO.
30	S.O.S.	SAF	90032137	Gusset, 14" & 17" Ride Height	2	-
31	S.O.S.	SAF	90018427	Upper Shock Bracket	2	-
32	S.O.S.	SAF	90018527	Bracket	2	-
33	S.O.S.	SAF	90024664	Support	2	-
34	S.O.S.	SAF	90023876	Reinforcement Bracket	2	-
35	E-16549	SAF	48100186/SRK-132	Connection Kit, 5" Round Axle Heavy-Duty, 9" & 14" Ride Height, Includes Key Nos. 13, 27, 28	1	SAF-110
36	E-4398A	-	48100202/SRK-145	Connection Kit, Pivot, Includes Key Nos. 5, 9, 14, 15	1	SAF-100
37	E-4323	-	90054007	Height Control Valve, No Dump	1	SAF-112
	E-9623	-	H00450CA	Height Control Valve, Universal, No Dump, Hadley 450 Series	1	SAF-112
	E-14729	-	H01500UN	Height Control Valve, Universal, No Dump, Hadley Next Gen Series	1	SAF-112
38	E-7852	-	HPB450-3/48100224/225	Linkage Assembly; Universal; Adjustable	1	SAF-113

SAF Denotes Product is Genuine SAF-Holland Neway

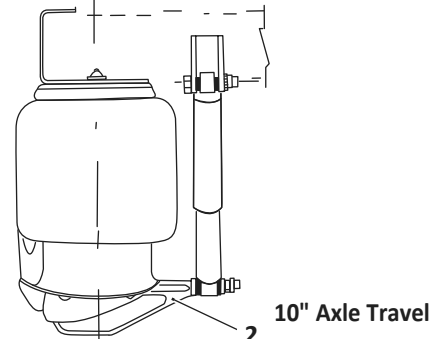
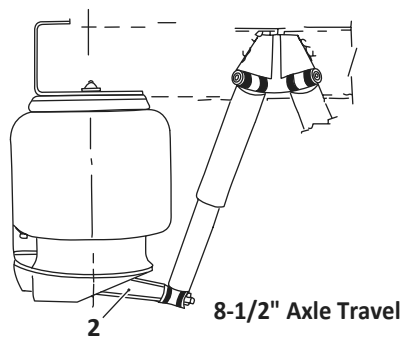
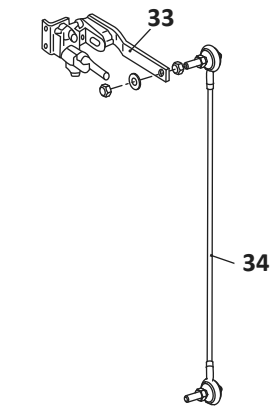
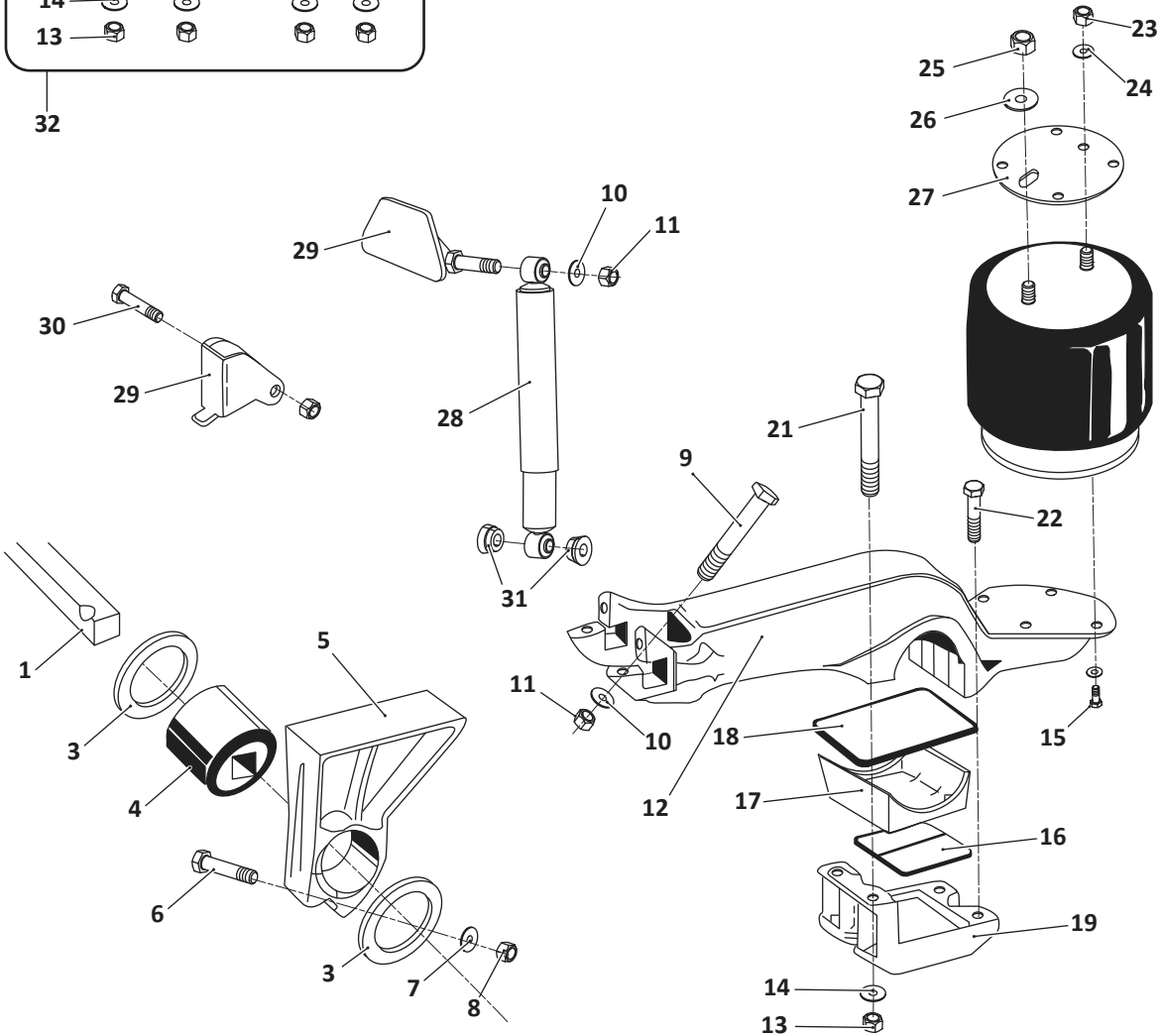
SAF-HOLLAND NEWAY

AR-120, AR-120-L, AR-125, AR-125-L — Trailer, Air Suspension

Axle Connection Kit, 5" Round Axle, Old Style



32



SAF-HOLLAND NEWAY

AR-120, AR-120-L, AR-125, AR-125-L — Trailer, Air Suspension

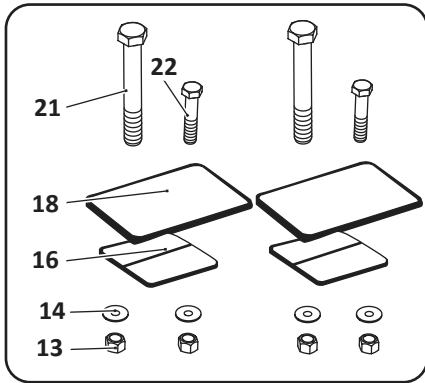
KEY NO.	EUCLID NO.	GENUINE	OEM REF.	DESCRIPTION	QTY. PER AXLE	PAGE NO.
1	S.O.S.	SAF	9006003	Torsion Bar, 42-7/8"	1	-
2	S.O.S.	SAF	90518008	Lower Shock Mounting Bracket, AR-120 & AR-125 Suspension	2	-
	S.O.S.	SAF	90518009	Lower Shock Mounting Bracket, AR-120-L & AR-125-L Suspension	2	-
3	E-2959	-	93600035	Spacer Washer	4	SAF-99
4	S.O.S.	SAF	90508001	Bushing, Pivot, Rubber	2	-
5	S.O.S.	SAF	90018010	Frame Bracket	2	-
6	S.O.S.	SAF	93003395	Bolt, 5/8" - 11 x 4" Long	4	-
7	E-2547	-	93900025	Flat Washer, 5/8"	4	-
8	E-2988	-	93400490	Nut, 5/8" - 11	4	-
9	E-2989	SAF	93003633	Bolt, 3/4" - 10 x 5" Long	4	-
10	E-2545	-	93600156	Flat Washer, 3/4"	8	-
11	E-4347	-	93400492	Nut, 3/4" - 10	8	-
12	S.O.S.	SAF	90515009	Equalizing Beam, Roadside	1	-
	S.O.S.	SAF	90515010	Equalizing Beam, Curbside	1	-
13	E-2983	-	93400496	Nut, 7/8" - 9	8	-
14	E-2546	-	93600162	Washer, 7/8"	8	-
15	S.O.S.	SAF	93002893	Bolt, 1/2" - 13 x 1" Long	8	-
16	E-2010	-	90028016	Axle Pad, Rubber, Old Style, 5-5/8" W x 7" Lg x 3/8" Thk	2	SAF-109
	E-2947A	-	90028083	Axle Pad, New Style, Rubber, 5-5/8" W x 7" Lg x 7/16" Thk	2	SAF-108
17	E-4289	SAF	90001082	Axle Adapter, 5" Round Axle	2	SAF-107
	S.O.S.	SAF	90001083	Axle Adapter, 5" Square Axle	2	-
18	E-2009	-	90028007	Wrapper, Round Axle, Rubber, 7-1/4" W x 7-1/4" Lg x 3/8" Thk	2	SAF-108
	E-2944	-	90028005	Wrapper, 5" Square Axle, 7-1/4" W x 7-1/4" Lg x 3/8" Thk	2	SAF-108
19	S.O.S.	SAF	90010001	Axle Cap, 5" Round Axle	2	-
20	FS9082	-	90557027	Firestone Air Spring, 2 Stud Top, AR-120 Suspension	2	-
	EAS9082	-	90557027	Euclid Air Spring, 2 Stud Top, AR-120 Suspension	2	-
	FS9101	-	90557009	Firestone Air Spring, 2 Stud Top, AR-120-L Suspension	2	-
	EAS9101	-	90557009	Euclid Air Spring, 2 Stud Top, AR-120-L Suspension	2	-
	FS9177	-	90557078	Firestone Air Spring, 4 Stud Top, AR-125	2	-
	FS9158	-	90557077	Firestone Air Spring, 4 Stud Top, AR-125-L	2	-
21	E-5427	-	93900178	Bolt, 7/8" - 9 x 6" Long	4	-
22	S.O.S.	SAF	93200754	Bolt, 7/8" - 9 x 2-3/4" Long	4	-
23	E-15256	-	93400136	Nut, 1/2" - 13	8	-
24	S.O.S.	SAF	93600072	Washer, 1/2"	16	-
25	E-1107	-	93400149	Nut, 3/4" - 16	2	-
26	S.O.S.	SAF	93600077	Lock Washer, 3/4"	2	-
27	E-4321	-	90033785	Air Spring Mounting Plate	2	SAF-111
28	M83126	-	90044626	Shock Absorber	2	-
	M89430	-	90044626	Shock Absorber, Adjustable	2	-
29	S.O.S.	SAF	90518011	Upper Shock Mounting Bracket, AR-120 & AR-125 Suspension	1	-
	S.O.S.	SAF	90018301	Upper Shock Mounting Bracket, AR-120-L & AR-125-L Suspension	2	-
30	E-4345	-	93003597	Bolt, 3/4" - 10 x 3-1/2" Long, AR-120-L & AR-125-L Suspension	2	-
31	E-4403	-	90508004	Bushing, Rubber	8	SAF-111

SAF Denotes Product is Genuine SAF-Holland Neway

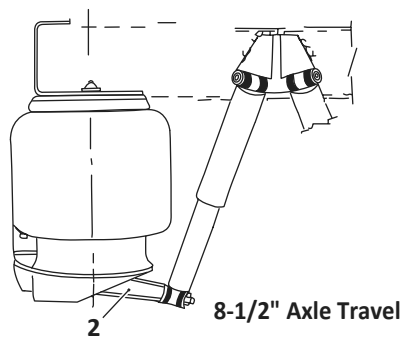
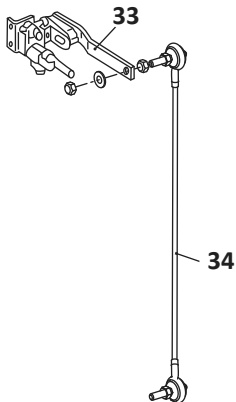
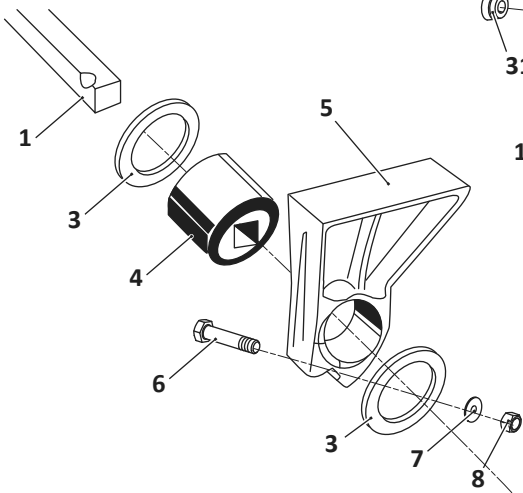
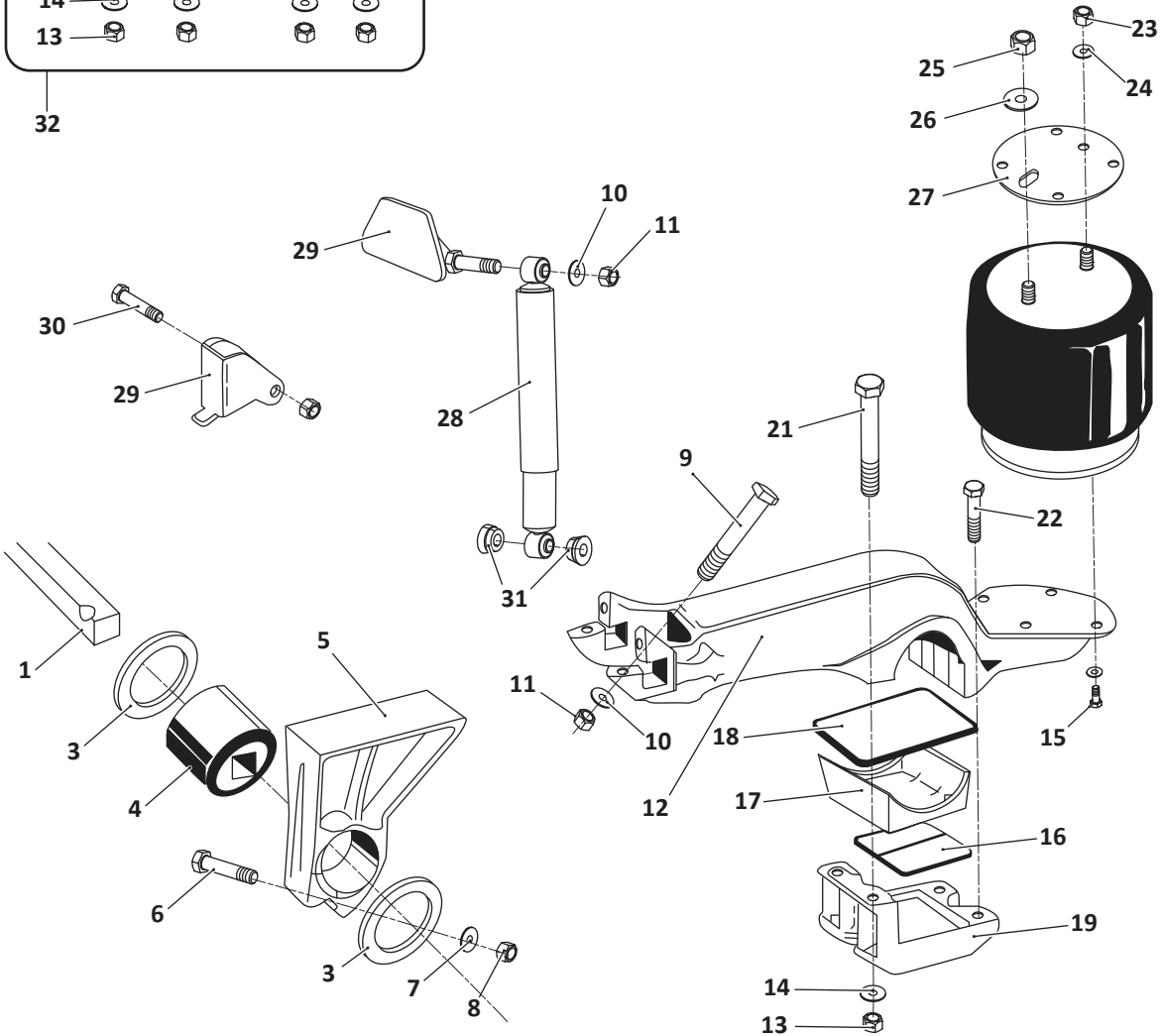
SAF-HOLLAND NEWAY

AR-120, AR-120-L, AR-125, AR-125-L — Trailer, Air Suspension

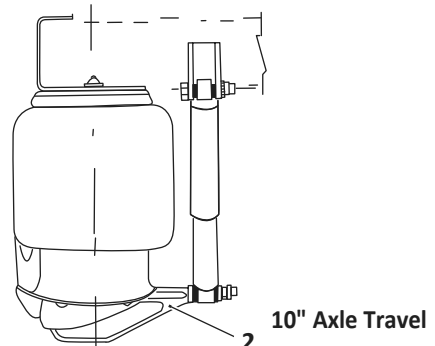
Axle Connection Kit, 5" Round Axle, Old Style



32





8-1/2" Axle Travel



10" Axle Travel

AR-120, AR-120-L, AR-125, AR-125-L — Trailer, Air Suspension

KEY NO.	EUCLID NO.	GENUINE	OEM REF.	DESCRIPTION	QTY. PER AXLE	PAGE NO.
32	S.O.S.		48100016/ SRK-15	Connection Kit, 5" Round Axle, Old Style Includes Key Nos. 13, 14, 16, 18, 21, 22	1	-
33	E-4323	-	90054007	Height Control Valve, No Dump	1	SAF-112
	E-9623	-	H00450CA	Height Control Valve, Universal, No Dump, Hadley 450 Series	1	SAF-112
	E-14729	-	H01500UN	Height Control Valve, Universal, No Dump, Hadley Next Gen Series	1	SAF-112
34	E-7852	-	HPB450- 3/48100224/225	Linkage Assembly; Universal; Adjustable	1	SAF-113

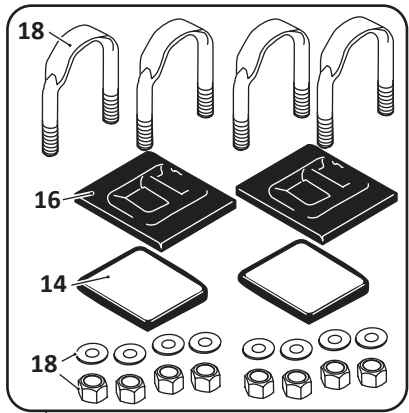
 Denotes Product is Genuine SAF-Holland Neway

SAF-HOLLAND NEWAY

AR-120-US, AR-120-US-L, AR-125-US, AR-125-US-L — Trailer, Air Suspension

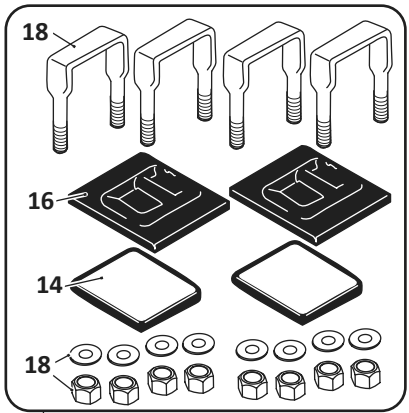
SAF-HOLLAND NEWAY

Axle Connection Kit, 5" Round

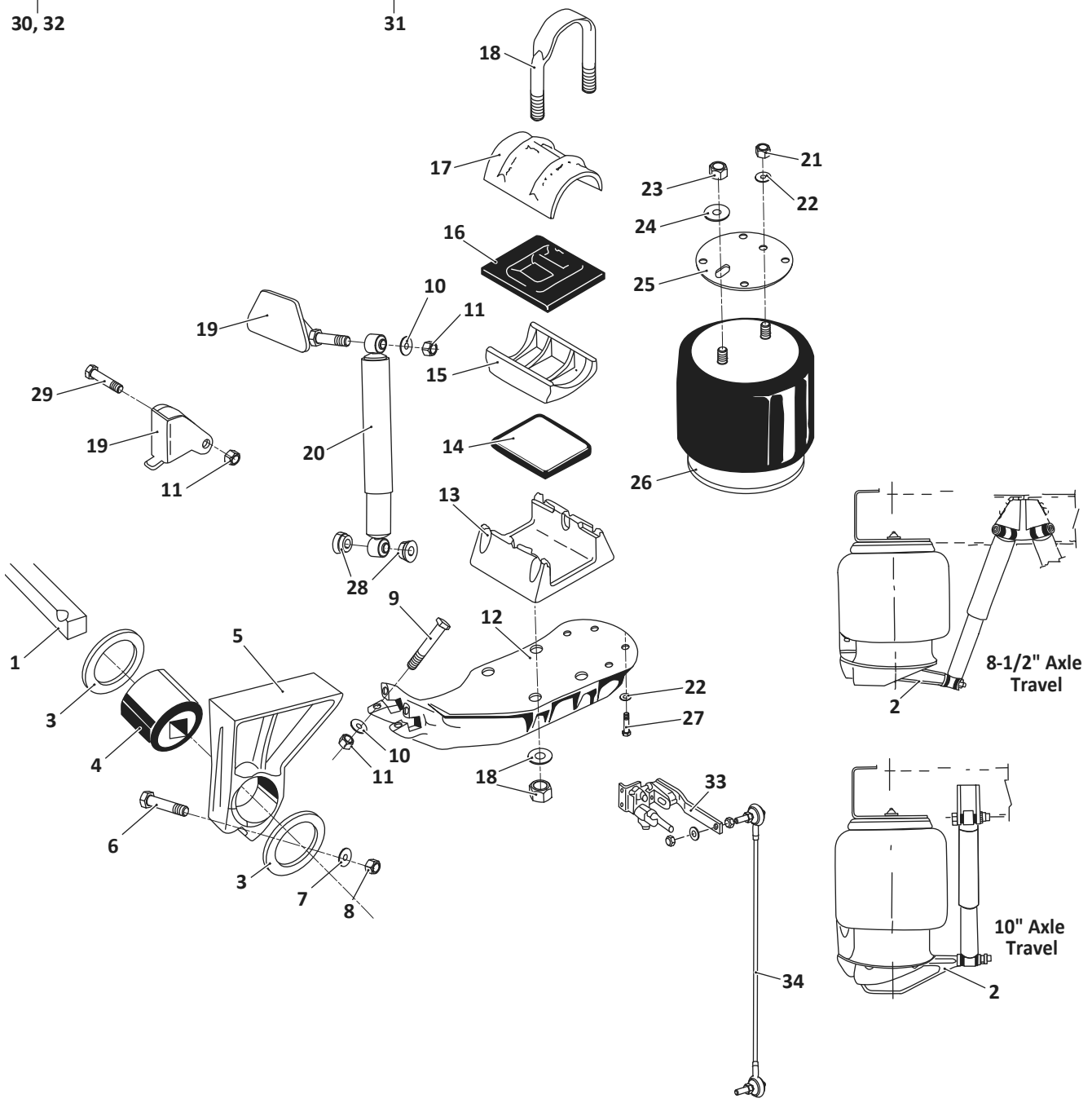


30, 32


















Axle Connection Kit, 5" Square



31



AR-120-US, AR-120-US-L, AR-125-US, AR-125-US-L — Trailer, Air Suspension

KEY NO.	EUCLID NO.	GENUINE	OEM REF.	DESCRIPTION	QTY. PER AXLE	PAGE NO.
1	S.O.S.		90006003	Torsion Bar, 42-7/8"	1	-
2	S.O.S.		90518008	Lower Shock Mounting Bracket, AR-120-US & AR-125-US Suspension	2	-
	E-4341		90518027	Lower Shock Mounting Bracket, AR-120-US-L & AR-125-US-L Suspension	2	SAF-111
3	E-2959	-	93600035	Spacer Washer	4	SAF-99
4	S.O.S.		90508001	Bushing, Pivot, Rubber	2	-
5	S.O.S.		90018010	Frame Bracket, AR-120-US & AR-125-US Suspension	2	-
	S.O.S.		90018011	Frame Bracket, AR-120-US-L & AR-125-US-L Suspension	2	-
6	S.O.S.		93003389	Bolt, 5/8" - 11 x 3-1/2" Long	4	-
7	E-2547	-	93600150	Flat Washer, 5/8"	4	-
8	E-2988	-	93400490	Nut, 5/8" - 11	4	-
9	E-2989		93003633	Bolt, 3/4 - 10 x 5" Long	4	-
10	E-2545	-	93600156	Flat Washer, 3/4"	8	-
11	E-4347	-	93400492	Nut, 3/4" - 10	8	-
12	E-9530		90515026	Equalizing Beam, Roadside, AR-120-US & AR-125-US Suspension	1	SAF-105
	S.O.S.		90515021	Equalizing Beam, Roadside, AR-120-US-L & AR-125-US-L Suspension	1	-
	E-9531		90515027	Equalizing Beam, Curbside, AR-120-US & AR-125-US Suspension	1	SAF-105
	S.O.S.		90515022	Equalizing Beam, Curbside, AR-120-US-L & AR-125-US-L Suspension	1	-
13	E-4292		90001006	Axle Seat 3-1/2" High, AR-120-US-L-3, AR-125-US-L-3 Suspension	2	SAF-108
	E-4293		90001131	Axle Seat HD, AR-120-US & AR-125-US Suspension	2	SAF-108
	S.O.S.		90001007	Axle Seat 5-1/4" High, AR-120-US-L-2 & AR-125-US-L-2 Suspension	2	-
	S.O.S.		90001008	Axle Seat 6-1/2" High, AR-120-US-L-1 & AR-125-US-L-1 Suspension	2	-
14	E-2947A	-	90028083	Axle Pad, Rubber, New Style, 5-5/8" W x 7" Lg x 7/16" Thk	2	SAF-108
	E-2010	-	90028016	Axle Pad, Rubber, Old Style, 5-5/8" W x 7" Lg x 3/8" Thk	2	SAF-109
15	E-4289		90001082	Axle Adapter, 5" Round Axle	2	SAF-107
	S.O.S.		90001083	Axle Adapter, 5" Square Axle	2	-
16	E-2943	-	90028047	Wrapper, 5" Round Axle, Rubber, 7-1/4" W x 9" Lg x 1/2" Thk	2	SAF-108
	E-2009	-	90028007	Wrapper, 5" Round Axle, Rubber, 7-1/4" W x 7-1/4" Lg x 3/8" Thk	2	SAF-108
	E-4409	-	90028073	Wrapper, 5" Square Axle, Rubber, 9-5/8" W x 7-1/4" Lg x 1/2" Thk	2	SAF-108
17	E-4282		90010032	Axle Cap, 5" Round Axle	2	SAF-107
	E-4283		90010022	Axle Cap, 5" Square Axle	2	SAF-107
18	E-UB8479-090	-	90041878	U-Bolt Assembly, Flat Round Bend, 1" - 14 x 6-5/16" Wide x 9" Long	4	-
	E-UB8578-094	-	90041997	U-Bolt Assembly, Flat Square Bend, 1" - 14 x 6-5/16" Wide x 9-1/2" Long	4	-
	E-UB8479-124A	-	90041886	U-Bolt Assembly, Flat Round Bend, 1" - 14 x 6-5/16" Wide x 12 1/2" Long	4	-
	E-UB8479-124A	-	90042792	U-Bolt Assembly, Flat Round Bend, 1" - 14 x 6-3/8" Wide x 12-1/2" Long	4	-
	E-UB8578-124A	-	90042795	U-Bolt Assembly, Flat Square Bend, 1" - 14 x 6-3/8" Wide x 12-1/2" Long	4	-
19	S.O.S.		90518011	Upper Shock Mounting Bracket, AR-120-US & AR-125-US Suspension	2	-
	S.O.S.		90018301	Upper Shock Mounting Bracket, AR-120-US-L & AR-125-US-L Suspension	2	-
20	M83126	-	90044626	Shock Absorber, AR-120-US & AR-125-US Suspension	2	-
	M89430	-	90044626	Shock Absorber, Adjustable, AR-120-US & AR-125-US Suspension	2	-
	M83125	-	90044625	Shock Absorber, AR-120-US-L & AR-125-US-L Suspension	2	-
21	E-15256	-	93400136	Nut, 1/2" - 13	8	-
22	S.O.S.		93600072	Washer, 1/2"	16	-
23	E-1107	-	93400149	Nut, 3/4" - 16	2	-
24	S.O.S.		93600077	Lock Washer, 3/4"	2	-
25	E-4321	-	90033785	Air Spring Mounting Plate	2	SAF-111

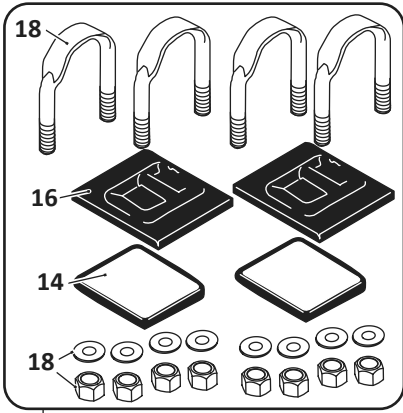
 Denotes Product is Genuine SAF-Holland Neway

SAF-HOLLAND NEWAY

AR-120-US, AR-120-US-L, AR-125-US, AR-125-US-L — Trailer, Air Suspension

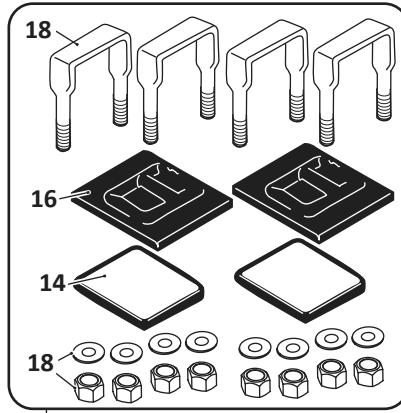
SAF-HOLLAND NEWAY

Axle Connection Kit, 5" Round

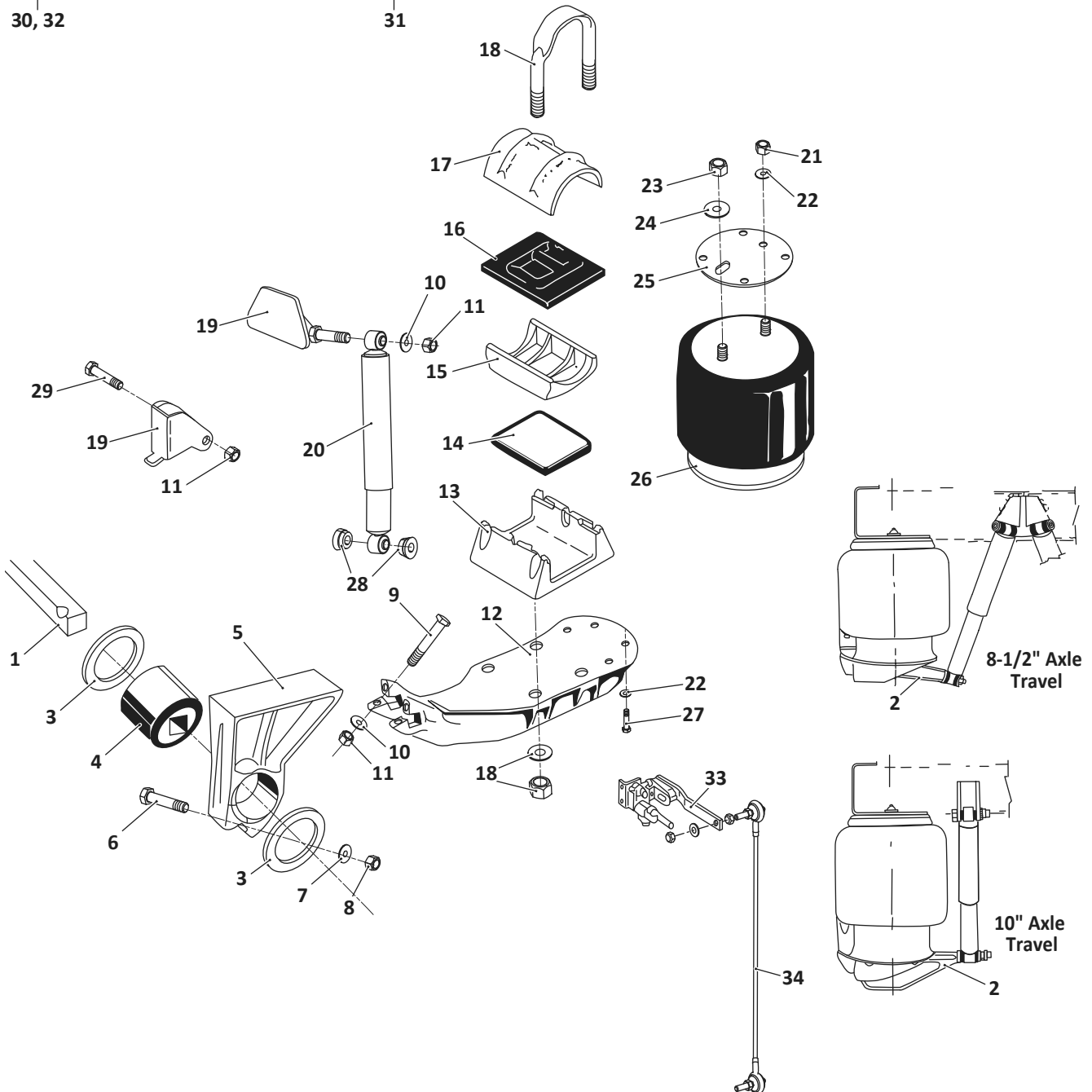


30, 32

Axle Connection Kit, 5" Square



31



AR-120-US, AR-120-US-L, AR-125-US, AR-125-US-L — Trailer, Air Suspension

KEY NO.	EUCLID NO.	GENUINE	OEM REF.	DESCRIPTION	QTY. PER AXLE	PAGE NO.
26	FS9082	-	90557027	Firestone Air Spring, AR-120-US Suspension	2	-
	EAS9082	-	90557027	Euclid Air Spring, AR-120-US Suspension	2	-
	FS9121	-	90557078	Firestone Air Spring, AR-125-US Suspension	2	-
	EAS9121	-	90557078	Euclid Air Spring, AR-125-US Suspension	2	-
	FS9101	-	90557009	Firestone Air Spring, AR-120-US-L Suspension	2	-
	EAS9101	-	90557009	Euclid Air Spring, AR-120-US-L Suspension	2	-
	FS9122	-	90557077	Firestone Air Spring, AR-125-US-L Suspension	2	-
	EAS9122	-	90557077	Euclid Air Spring, AR-125-US-L Suspension	2	-
27	S.O.S.		93002893	Bolt, 1/2" - 13 x 1" Long	8	-
28	E-4403	-	90508004	Bushing, Rubber	8	SAF-111
29	E-4345	-	93003597	Bolt, 3/4" - 10 x 3-1/2" Long, AR-120-US-L & AR-125-US-L Suspension	2	-
30	E-2978A	-	48100008/ SRK-4	Connection Kit, 5" Round Axle, Old Style, AR-120-US & AR-125-US, Includes Key Nos. 14, 16, 18	1	SAF-110
31	E-6898	-	48100112/ SRK-68	Connection Kit, 5" Square Axle, New Style, AR-120-US-L-3 & AR-120-US-L-3, Includes Key Nos. 14, 16, 18	1	SAF-110
32	E-2977A	-	48100108/ SRK-64	Connection Kit, 5" Round Axle, New Style, AR-120-US-L-3 & AR-120-US-L-3, Includes Key Nos. 14, 16, 18	1	SAF-110
	E-4390	-	48100181/SRK- 128	Connection Kit, 5" Round Axle, New Style, AR-120-US-L-1 & AR-120-US-L-1, Includes Key Nos. 14, 16, 18	1	SAF-110
	E-16568	-	48100110/ SRK-66	Connection Kit, 5" Round Axle, New Style, AR-120-US-L-2 & AR-120-US-L-2, Includes Key Nos. 14, 16, 18	1	SAF-110
33	E-4323	-	90054007	Height Control Valve, No Dump	1	SAF-112
	E-9623	-	H00450CA	Height Control Valve, Universal, No Dump, Hadley 450 Series	1	SAF-112
	E-14729	-	H01500UN	Height Control Valve, Universal, No Dump, Hadley Next Gen Series	1	SAF-112
34	E-7852	-	HPB450- 3/48100224/225	Linkage Assembly; Universal; Adjustable	1	SAF-113

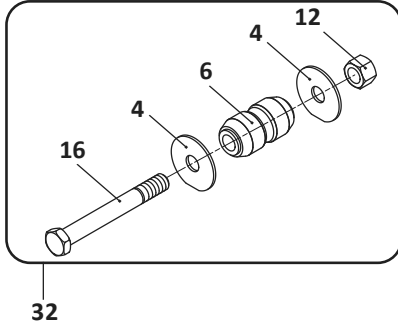
 Denotes Product is Genuine SAF-Holland Neway

SAF-HOLLAND NEWAY

AR-250-12, -14, -15, -16, -17 — Trailer, Air Suspension

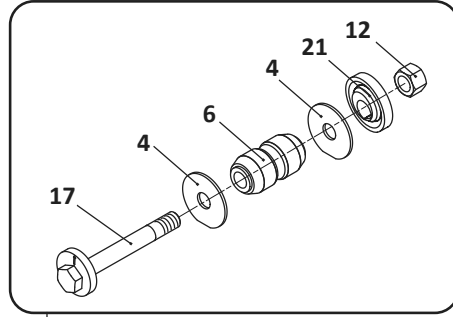
SAF-HOLLAND NEWAY

Pivot Connection Kit, Welded



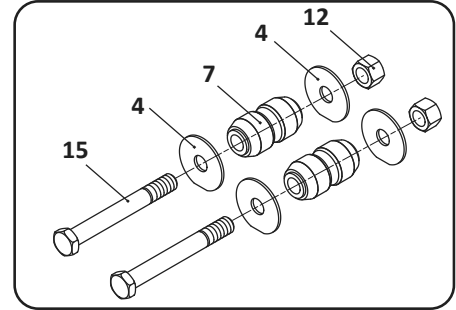
32

Pivot Connection Kit, Non-Welded



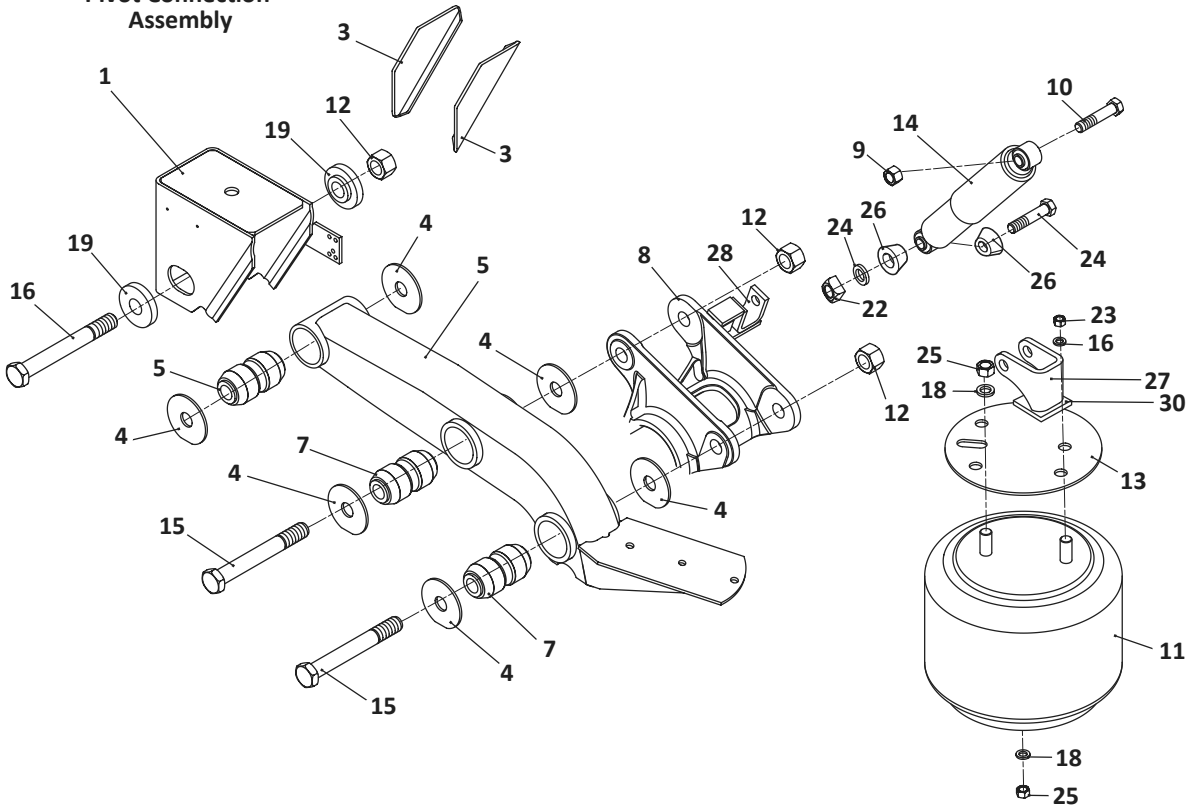
33

Axle Connection Kit, 5" Round

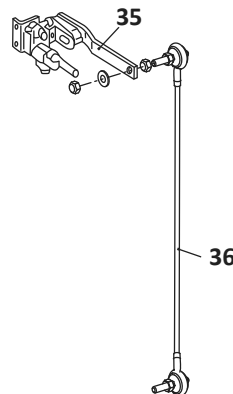
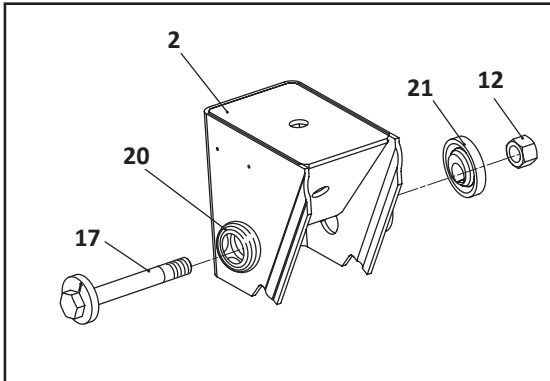


34

Welded Alignment
Pivot Connection
Assembly



EZ Align (Non-Welded) Pivot Connection Assembly



AR-250-12, -14, -15, -16, -17 — Trailer, Air Suspension

KEY NO.	EUCLID NO.	GENUINE	OEM REF.	DESCRIPTION	QTY. PER AXLE	PAGE NO.
1	S.O.S.	SAF	90520383	Frame Bracket, Adjustable, 12" Ride Height*	2	-
	S.O.S.	SAF	90519710	Frame Bracket, Adjustable, 14" & 15" Ride Height*	2	-
	S.O.S.	SAF	90520828	Frame Bracket, Adjustable, 16", 17" Ride Height*	2	-
2	S.O.S.	SAF	90520636	Non-Weld, EZ-ALIGN Frame Bracket, Includes E-16558, 14" & 15" Ride Height	1	-
	S.O.S.	SAF	90520839	Non-Weld, EZ-ALIGN Frame Bracket, Includes E-16558, 16" & 17" Ride Height	1	-
3	S.O.S.	SAF	90023002	Angle Brace, 12" - 15" Ride Height	4	-
	S.O.S.	SAF	90023001	Angle Brace, 16" & 17" Ride Height	4	-
4	E-4363	-	90036177	Washer, 1-1/8"	12	-
5	S.O.S.	SAF	90516587	Equalizing Beam, Roadside	1	-
	S.O.S.	SAF	90516588	Equalizing Beam, Curbside	1	-
6	E-4382A	-	90008139	Bushing, Front Pivot, Rubber	2	SAF-94
	GAFF14513	-	-	Bushing, Front Pivot, Poly	2	SAF-94
7	E-4410A	-	90008149	Bushing, Axle Connection, Rubber	4	SAF-96
	GAFF14533	-	-	Bushing, Axle Connection, Poly	4	SAF-96
8	S.O.S.	SAF	90501289	Axle Adapter, 5" Round Axle Roadside	1	-
	S.O.S.	SAF	90501290	Axle Adapter, 5" Round Axle Curbside	1	-
9	E-4347	-	93400492	Nut, 3/4" - 10	2	-
10	E-4345	-	93003597	Bolt, 3/4" - 10 x 3-1/2" Long	2	-
11	FS8749	-	90557168	Firestone Air Spring, 12", 14", 15" Ride Height	2	-
	FS8748	-	90557167	Firestone Air Spring, 16" & 17" Ride Height	2	-
12	E-4358	-	93400506	Nut, 1-1/8" - 7	6	-
13	E-4321	-	90033785	Air Spring Mounting Plate	2	SAF-111
14	M85051	-	90045054	Shock Absorber, 12" Ride Height	2	-
	M83127	-	90044642	Shock Absorber, 14" & 15" Ride Height	2	-
	M83124	-	90044089	Shock Absorber, 16", 17" Ride Height	2	-
	M89407	-	90044089	Shock Absorber, Adjustable, 16", 17" Ride Height	2	-
15	E-4361	-	93201051	Bolt, 1-1/8" - 7 x 8-1/2" Long	4	-
16	E-4364	-	93201055	Bolt, 1-1/8" - 7 x 9-1/4" Long	2	-
17	E-16559	-	90508019	Bolt, 1-1/8" - 7 x 9-1/4" Long, Non Weld Application	1	-
18	S.O.S.	SAF	93600072	Washer, 1/2"	4	-
19	E-9284	SAF	90008147	Alignment Block	4	SAF-98
20	E-16558	SAF	90008185	Alignment Block, Non-Weld Application	2	SAF-98
21	E-15535	SAF	90008238	Alignment Block, Non-Weld Application	1	SAF-98
22	E-16606	-	93400367	Square Nut, 3/4" - 10	2	-
23	E-1107	-	93400149	Nut, 3/4" - 16	2	-
24	S.O.S.	SAF	93600077	Lock Washer, 3/4"	4	-
25	E-15256	-	93400136	Nut, 1/2" - 13	4	-
26	E-4403	-	90508004	Bushing, Rubber	8	SAF-111
27	S.O.S.	SAF	90018515	Upper Shock Bracket	2	-
28	S.O.S.	SAF	90519773	Lower Shock Bracket	2	-
30	S.O.S.	SAF	90033019	Plate	2	-
31	S.O.S.	SAF	93003609	Bolt, 3/4" - 10 x 4" Long	2	-
32	E-4398A	-	48100202/SRK-145	Connection Kit, Pivot, Includes Key Nos. 4, 6, 12, 16	1	SAF-100

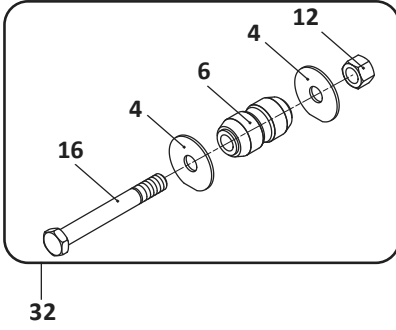
SAF Denotes Product is Genuine SAF-Holland Neway * For EZ-ALIGN, the Quantity is 1 Piece Per Axle

SAF-HOLLAND NEWAY

AR-250-12, -14, -15, -16, -17 — Trailer, Air Suspension

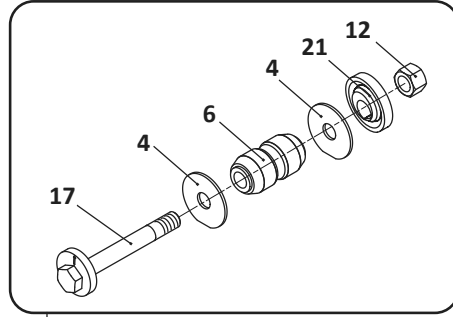
SAF-HOLLAND NEWAY

Pivot Connection Kit, Welded



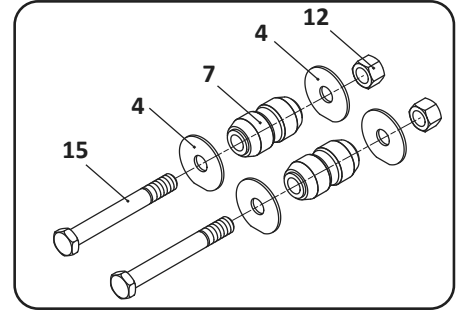
32

Pivot Connection Kit, Non-Welded



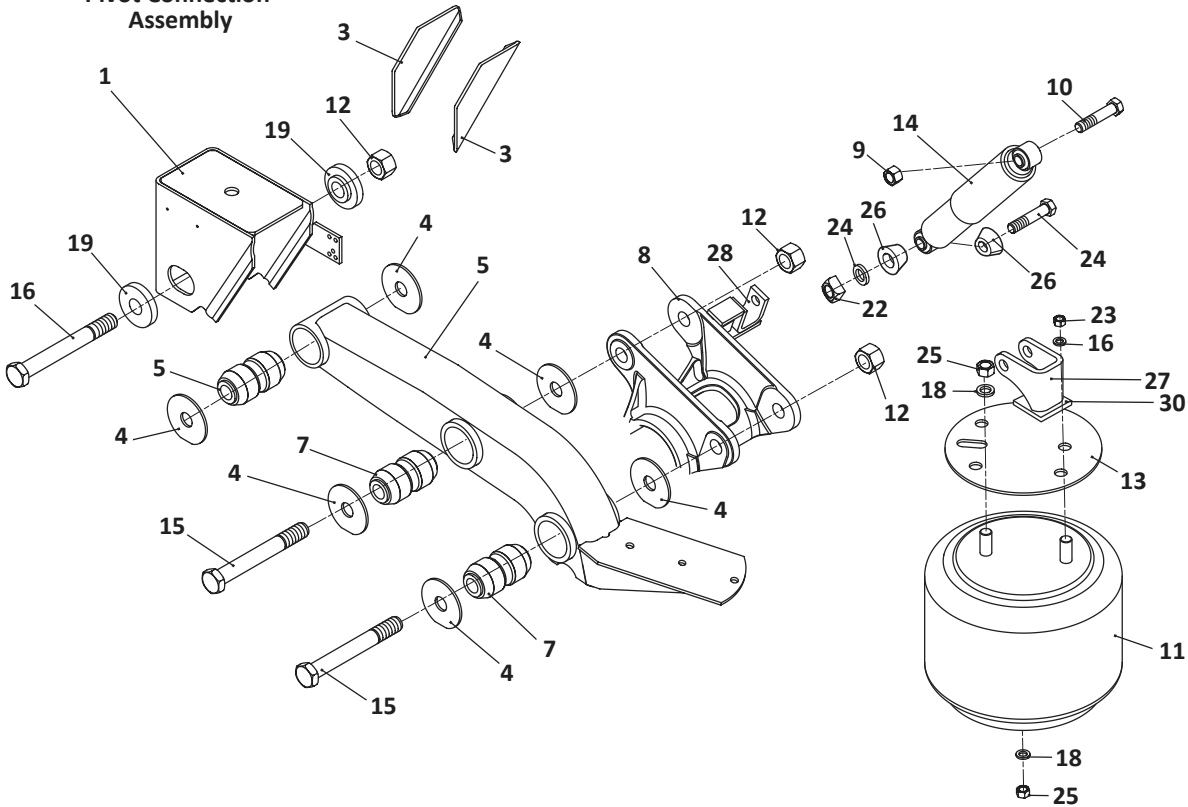
33

Axle Connection Kit, 5" Round

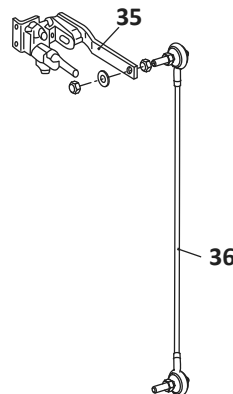
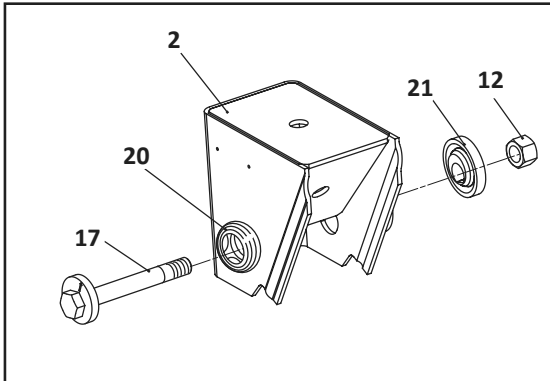


34


Welded Alignment
Pivot Connection
Assembly



EZ Align (Non-Welded) Pivot Connection Assembly



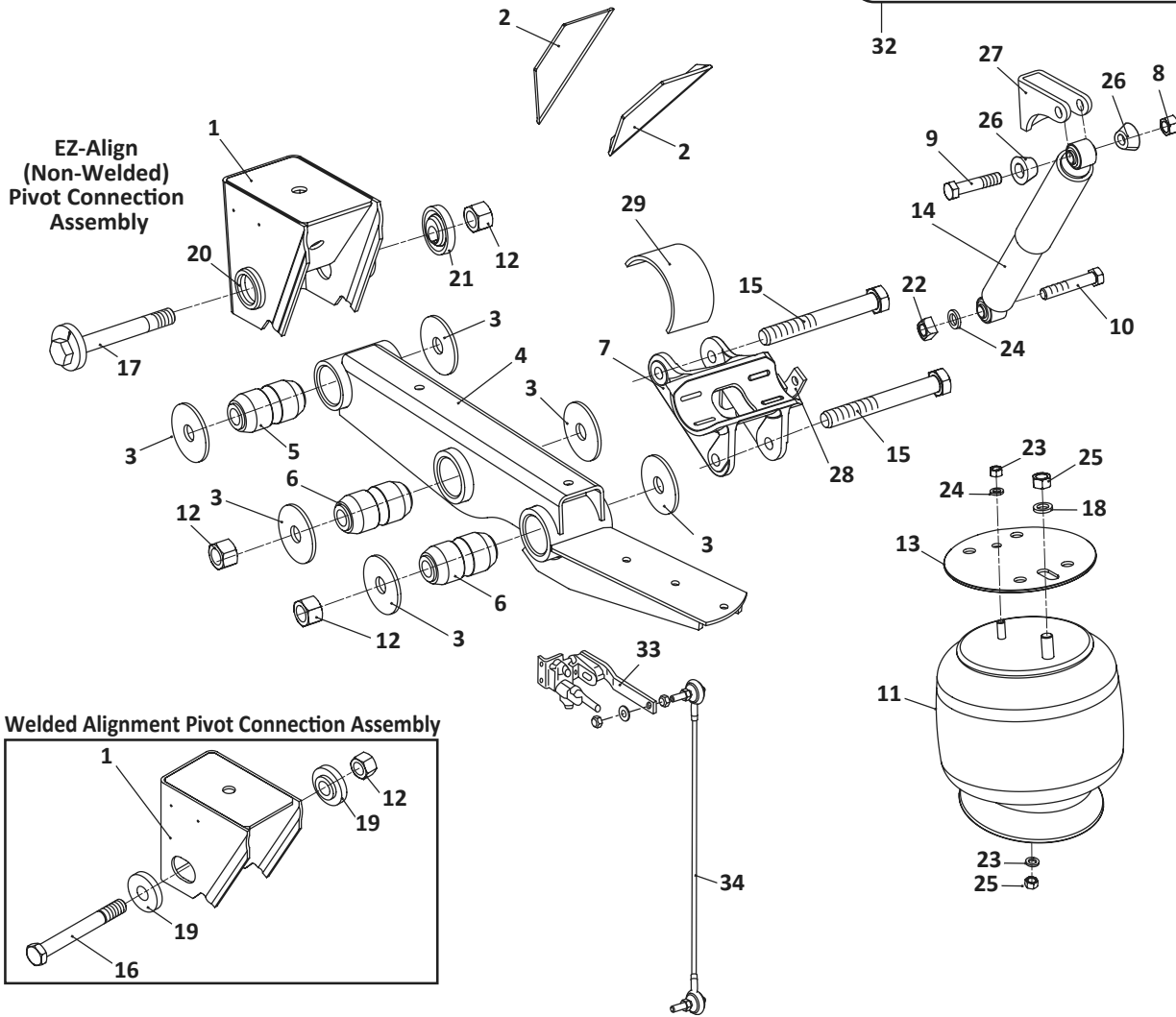
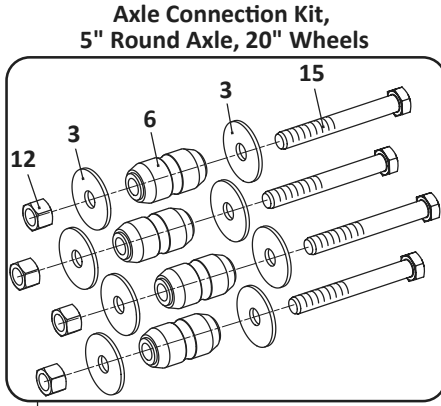
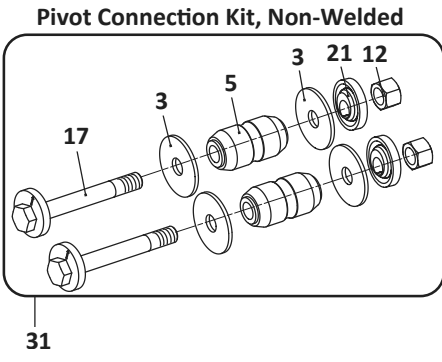
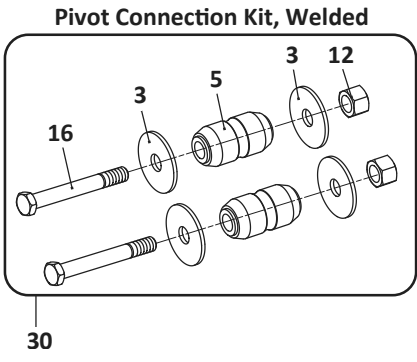
AR-250-12, -14, -15, -16, -17 — Trailer, Air Suspension						
KEY NO.	EUCLID NO.	GENUINE	OEM REF.	DESCRIPTION	QTY. PER AXLE	PAGE NO.
33	E-16635		48100294/SRK-232	Connection Kit, Pivot, Non-Weld, Includes Key Nos. 4, 6, 12, 17, 21	1	SAF-101
34	E-4411A	-	48100206/SRK-149	Connection Kit, 5" Round Axle, Includes Key Nos. 4, 7, 12, 15	1	SAF-103
35	E-4323	-	90054007	Height Control Valve, No Dump	1	SAF-112
	E-9623	-	H00450CA	Height Control Valve, Universal, No Dump, Hadley 450 Series	1	SAF-112
	E-14729	-	H01500UN	Height Control Valve, Universal, No Dump, Hadley Next Gen Series	1	SAF-112
36	E-7852	-	HPB450-3/48100224/225	Linkage Assembly; Universal; Adjustable	1	SAF-113

 Denotes Product is Genuine SAF-Holland Neway * For EZ-ALIGN, the Quantity is 1 Piece Per Axle

SAF-HOLLAND NEWAY

ARU-92-8, -9, -10, -12 — Trailer, Air Suspension

SAF-HOLLAND NEWAY



ARU-92-8, -9, -10, -12 — Trailer, Air Suspension						
KEY NO.	EUCLID NO.	GENUINE	OEM REF.	DESCRIPTION	QTY. PER AXLE	PAGE NO.
1	S.O.S.		90520346	Frame Bracket, Adjustable Assembly, 8" Ride Height	2	-
	S.O.S.		90519710	Frame Bracket, Adjustable Assembly, 9" Ride Height	2	-
	S.O.S.		90520395	Frame Bracket, Adjustable Assembly, 10" Ride Height	2	-
	S.O.S.		90519712	Frame Bracket, Adjustable Assembly, 12" Ride Height	2	-

Denotes Product is Genuine SAF-Holland Neway

ARU-92-8, -9, -10, -12 — Trailer, Air Suspension

KEY NO.	EUCLID NO.	GENUINE	OEM REF.	DESCRIPTION	QTY. PER AXLE	PAGE NO.
1	S.O.S.	SAF	90520638	Non-Weld, EZ-ALIGN, Frame Bracket LH, 8" Ride Height	1	-
	S.O.S.	SAF	90520636	Non-Weld, EZ-ALIGN, Frame Bracket LH, 9" Ride Height	1	-
	S.O.S.	SAF	90520637	Non-Weld, EZ-ALIGN, Frame Bracket LH, 10" Ride Height	1	-
	S.O.S.	SAF	90520642	Non-Weld, EZ-ALIGN, Frame Bracket LH, 12" Ride Height	1	-
2	S.O.S.	SAF	90023002	Angle Brace, 8" & 9" Ride Height	4	-
	S.O.S.	SAF	90023001	Angle Brace, 10" & 12" Ride Height	4	-
3	E-4363	-	90036177	Washer, 1-1/8"	12	-
4	S.O.S.	SAF	90516552	Equalizing Beam, Roadside, Includes Key Nos., 5 & 6	1	-
	S.O.S.	SAF	90516553	Equalizing Beam, Curbside, Includes Key Nos., 5 & 6	1	-
5	E-4382A	-	90008139	Bushing, Front Pivot, Rubber	2	SAF-94
	GAFF14513	-	-	Bushing, Front Pivot, Poly	2	SAF-94
6	E-4410A	-	90008149	Bushing, Axle Connection, Rubber	4	SAF-96
	GAFF14533	-	-	Bushing, Axle Connection, Poly	4	SAF-96
7	S.O.S.	SAF	90501263	Adapter, Roadside	1	-
	S.O.S.	SAF	90501264	Adapter, Curbside	1	-
8	E-4347	-	93400492	Nut, 3/4" - 10	2	-
9	E-4345	-	93603597	Bolt, 3/4" - 10 x 3-1/2" Long	2	-
10	S.O.S.	SAF	93003609	Bolt, 3/4" - 10 x 4" Long	2	-
11	FS9921	-	90557117	Firestone Air Spring, 8" Ride Height	2	-
	EAS9921	-	90557117	Euclid Air Spring, 8" Ride Height	2	-
	FS9243	-	90557112	Firestone Air Spring, 9" & 10" Ride Height	2	-
	FS9346	-	90557126	Firestone Air Spring, 12" Ride Height	2	-
12	E-4358	-	93400506	Nut, 1-1/8" - 7	6	-
13	E-4321	-	90033785	Air Spring Mounting Plate	2	SAF-111
14	M83127	-	90044642	Shock Absorber	2	-
15	E-4361	-	93201051	Bolt, 1-1/8" - 7 x 8-1/2" Long	4	-
16	E-4364	-	93201055	Bolt, 1-1/8" - 7 x 9-1/4" Long	2	-
17	E-16559	SAF	90508019	Bolt, 1-1/8" - 7 x 9-1/4" Long, Non Weld Application	1	-
18	S.O.S.	SAF	93600072	Washer, 1/2"	4	-
19	E-9284	SAF	90008147	Alignment Block	4	SAF-98
20	E-16558	SAF	90008185	Alignment Block, Non-Weld Application	2	SAF-98
21	E-15535	SAF	90008186	Alignment Block, Non-Weld Application	1	SAF-98
22	E-16606	SAF	93400367	Square Nut, 3/4" - 10	2	-
23	E-1107	-	93400149	Nut, 3/4" - 16	2	-
24	S.O.S.	SAF	93600077	Lock Washer, 3/4"	4	-
25	E-15256	-	93400136	Nut, 1/2" - 13	4	-
26	E-4403	-	90508004	Bushing, Rubber	8	SAF-111
27	S.O.S.	SAF	90519040	Upper Shock Bracket	2	-
28	S.O.S.	SAF	90519773	Lower Shock Bracket	2	-
29	S.O.S.	SAF	90025288	Safety Strap	2	-
30	E-4398A	-	48100202/SRK-145	Connection Kit, Pivot, Includes Key Nos. 3, 5, 12, 16	1	SAF-100
31	E-16635	SAF	48100294/SRK-232	Connection Kit, Pivot, Non-Weld, Includes Key Nos. 3, 5, 12, 17, 21	1	SAF-101
32	E-4411A	-	48100206/SRK-149	Connection Kit, 20" Wheels 5" Round Axle, Includes Key Nos. 3, 6, 12, 15	1	SAF-103
33	E-4323	-	90054007	Height Control Valve, No Dump	1	SAF-112
34	E-7852	-	48100225/SRK-168	Linkage Assembly; Universal; Adjustable	1	SAF-113

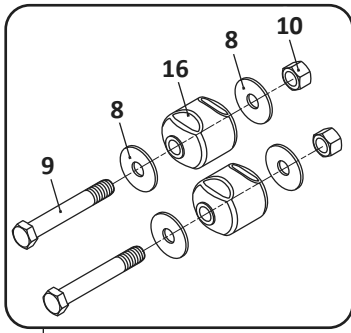
SAF Denotes Product is Genuine SAF-Holland Neway

SAF-HOLLAND NEWAY

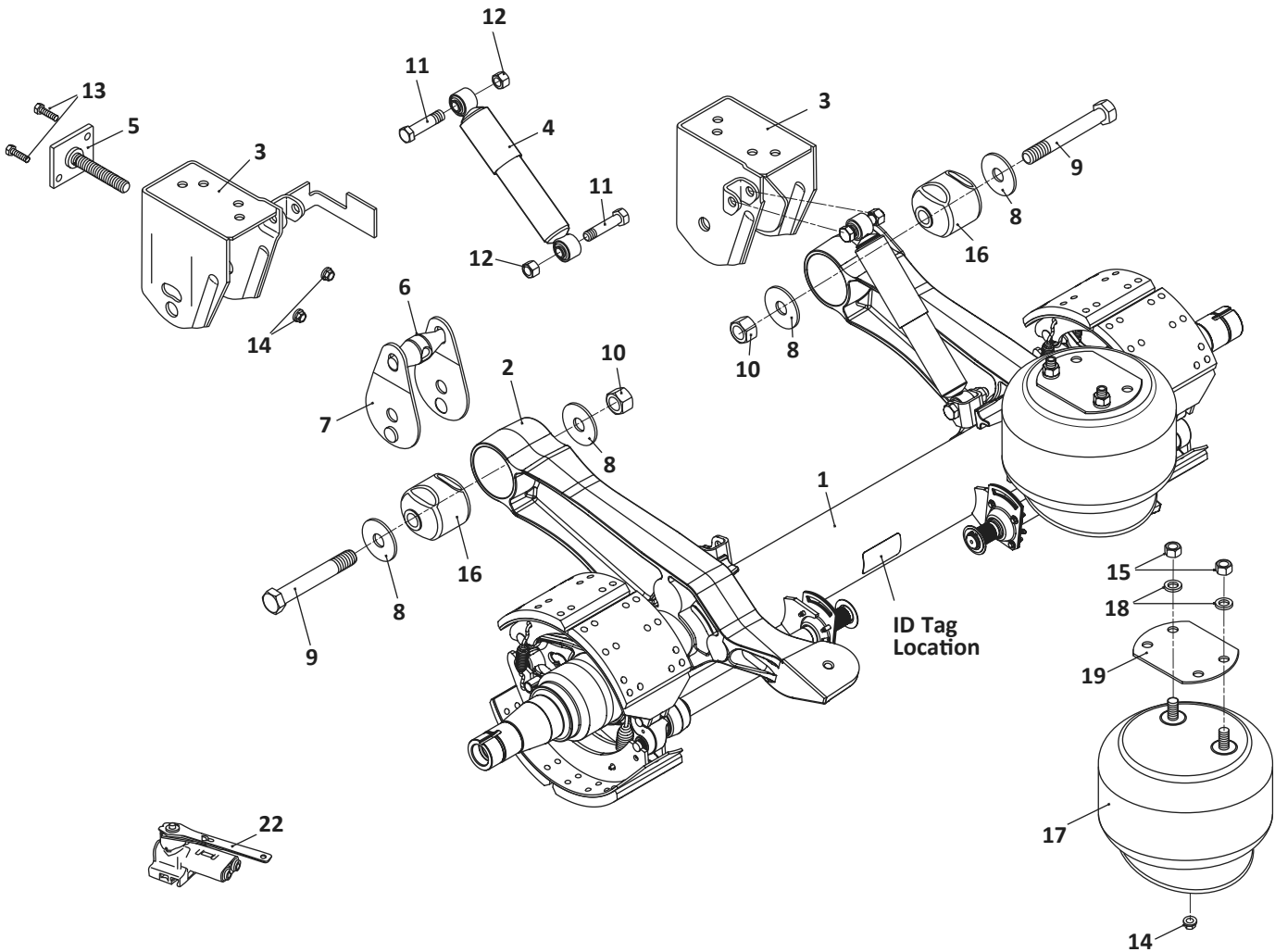
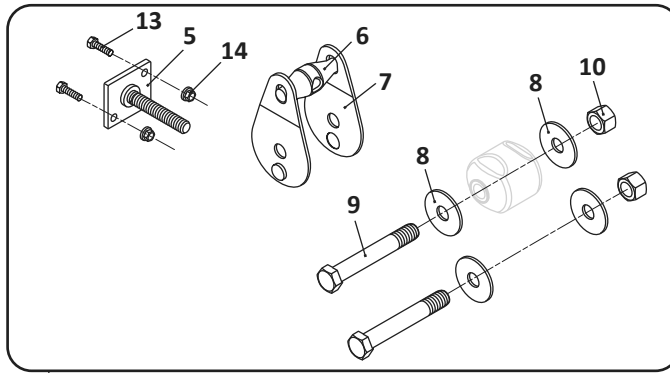
CBX23/CBX25/CBX40 Models — Trailer, Air Suspension

SAF-HOLLAND NEWAY

Pivot Connection Kit



Swing Align Kit



CBX23/CBX25/CBX40 Models — Trailer, Air Suspension

KEY NO.	EUCLID NO.	GENUINE	OEM REF.	DESCRIPTION	QTY. PER AXLE	PAGE NO.
1	S.O.S.	SAF	Various	Axle & Beam Assembly	2	-
2	S.O.S.	SAF	Various	Equalizing Beam	2	-
3	S.O.S.	SAF	Various	Bracket and Frame Assembly	2	-
4	M83128	-	90045298	Shock Absorber, CBX23/40, 15-1/2" - 16" Ride Height	4	-
	M83128	-	90044162	Shock Absorber, CBX40, 16-1/2" - 17" Ride Height	4	-
	M85045	-	90044868	Shock Absorber, CBX23, 14" Ride Height	2	-
	S.O.S.	SAF	90045381	Shock Absorber, CBX23, 15" Ride Height	2	-
	M83130	-	90045040	Shock Absorber, CBX40, 18" Ride Height	4	-
5	S.O.S.	SAF	90548007	Threaded Rod Assembly	2	-
6	S.O.S.	SAF	90045491	Swing Align Yoke	2	-
7	S.O.S.	SAF	90531339	Plate, Weldment	4	-
8	E-16619	SAF	93600553	Washer, 1-1/8" ID x 3-1/2" OD	8	-
9	E-16605	SAF	93201070	Bolt, 1-1/8" - 7 x 8" Long	4	-
10	E-4358	-	93400506	Nut, 1-1/8" - 8	4	-
11	E-4345	-	93006035	Bolt, 3/4" - 10 x 3-1/2" Long	8	-
12	E-4347	-	93400492	Nut, 3/4" - 10	8	-
13	S.O.S.	SAF	XB-HHC-001-33	Bolt, 1/2" - 13 x 1-3/4" Long	4	-
14	E-16421	-	93400623	Flange Nut, 1/2" - 13	2	-
15	E-1107	-	93400149	Nut, 3/4" - 16	4	-
16	E-16566	SAF	90008247	Bushing, Front Pivot, Rubber	4	SAF-94
	GAFF50046	-	-	Bushing, Front Pivot, Poly	4	SAF-94
17	FS9807	-	50857000	Firestone Air Spring, CBX40	4	-
	EAS9807	-	50857000	Euclid Air Spring, CBX40	4	-
	S.O.S.	SAF	90557330	Air Spring, CBX23, 14" Ride Height	2	-
	S.O.S.	SAF	90557331	Air Spring, CBX23, 15" Ride Height	2	-
	FS9974	-	90557369	Firestone Air Spring, CBX23, 16" & 17" Ride Height	2	-
	EAS9974	-	90557369	Euclid Air Spring, CBX23, 16" & 17" Ride Height	2	-
18	S.O.S.	SAF	93600077	Lock Washer, 3/4"	8	-
19	S.O.S.	SAF	93600560	Spacer 15-1/2" - 16" Ride Height	4	-
	S.O.S.	SAF	90036274	Spacer 16-1/2" Ride Height	4	-
	S.O.S.	SAF	90036725	Spacer 17" Ride Height	4	-
20	E-16552	-	48100394/SRK-530	Connection Kit, Pivot, Includes Key Nos. 8, 9, 10, 16	1	SAF-101
21	E-16553	SAF	48100406/SRK-542	Swing Align Kit, Includes Key Nos. 5, 6, 7, 8, 9, 10, 13, 14	1	SAF-102
22	E-16586	SAF	50860013	Height Control Valve, No Dump	1	SAF-112
	E-16571	SAF	50860016	Height Control Valve, Remove Air to Dump	1	SAF-112
	E-14729	-	H01500UN	Height Control Valve, Universal, No Dump, Hadley Next Gen Series	1	SAF-112
	E-14730	-	H01502UNC	Height Control Valve, Universal, Remove Air to Dump, Hadley Next Gen Series	1	SAF-112

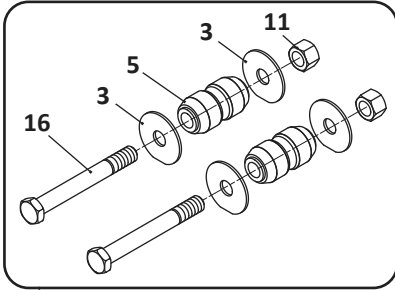
SAF Denotes Product is Genuine SAF-Holland Neway

SAF-HOLLAND NEWAY

RL Models — Trailer, Air Suspension

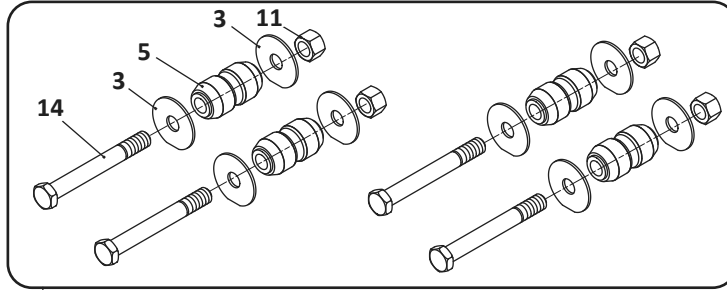
SAF-HOLLAND NEWAY

Pivot Connection Kit



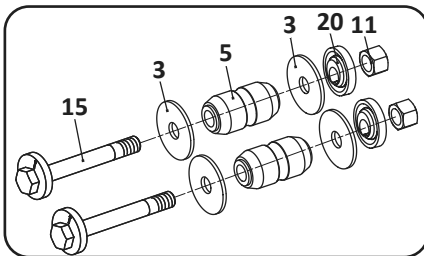
30

Axle Connection Kit, Most Models



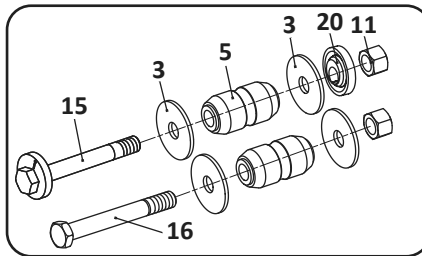
32

Pivot Connection Kit, Non-Welded



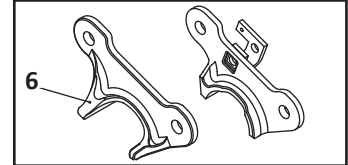
31

Pivot Connection Kit, Non-Welded

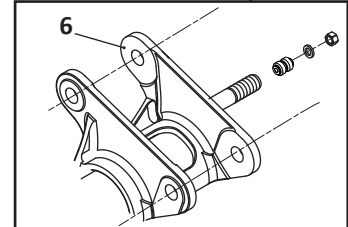


33

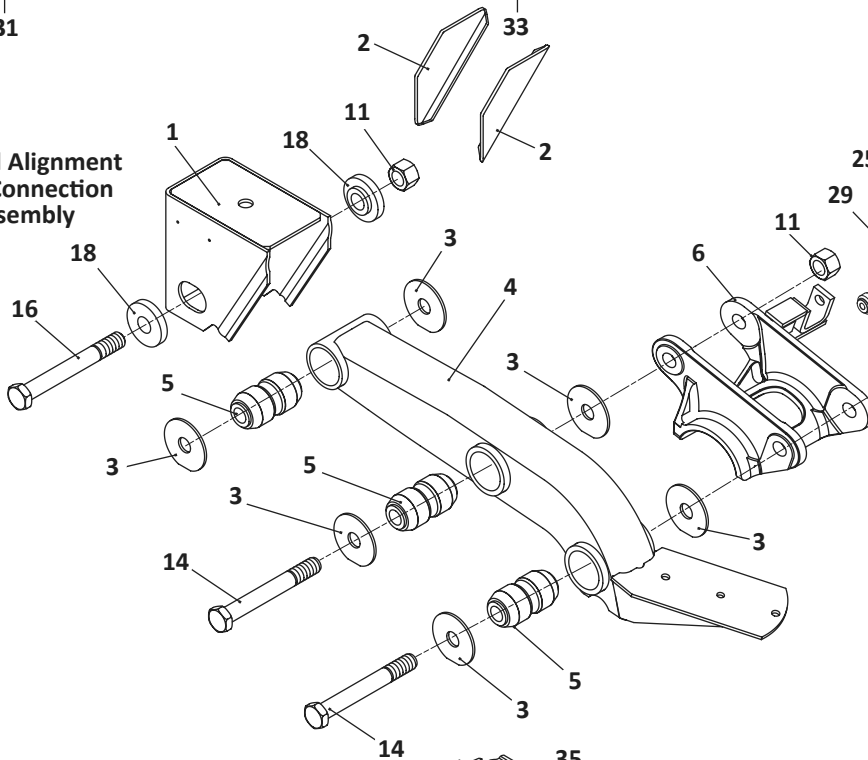
RL-196A, 228, 230 Axle Adapter



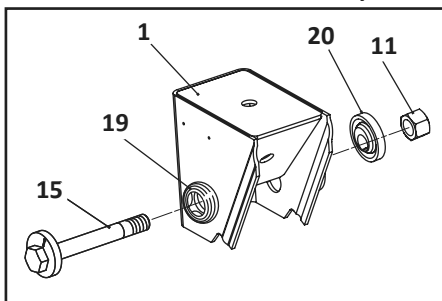
RL-196 Axle Adapter



Welded Alignment Pivot Connection Assembly



EZ-Align (Non-Welded) Pivot Connection Assembly



RL Models — Trailer, Air Suspension										
KEY NO.	EUCLID NO.	GENUINE	OEM REF.	DESCRIPTION	QTY. PER AXLE					PAGE NO.
					RL-196/196A	RL-228	RL-230	RL-250	RL-300	
1	S.O.S.		Various	Frame Bracket, Adjustable Assembly	2	2	2	2	2	-
2	S.O.S.		Various	Angle Brace	4	4	4	4	4	-
3	E-4363	-	90036177	Washer, 1-1/8" ID x 4" OD X 1/4" Thick	12	-	-	12	12	-
	E-16576		90036217	Washer, 1-1/8" ID x 4" OD	-	8	8	-	-	-
4	E-16583		90516566	Equalizing Beam, Left Hand	-	1	-	-	-	SAF-105
	E-16584		90516567	Equalizing Beam, Right Hand	-	1	-	-	-	SAF-105
	S.O.S.		Various	Equalizing Beam	2	-	2	2	2	-
5	E-4410A	-	90008149	Bushing, Pivot & Axle Connection, Rubber	6	6	6	4	4	SAF-96
	E-4382A	-	90008139	Bushing, Pivot, Rubber	-	-	-	2	2	SAF-94
	GAFF14513	-	-	Bushing, Pivot, Poly	-	-	-	2	2	SAF-94
6	E-16557		90001341	Axle Adapter, Left Hand-Outboard	-	1	1	-	-	SAF-108
	E-16581		90501462	Axle Adapter, Roadside-Inboard	-	1	1	-	-	SAF-108
	E-16582		90501463	Axle Adapter, Right Hand-Inboard	-	1	1	-	-	SAF-108
	E-16556		90001340	Axle Adapter, Right Hand-Outboard	-	1	1	-	-	SAF-108
	S.O.S.		Various	Axle Adapter	2	-	2	2	2	-
7	E-4347	-	93400492	Nut, 3/4" - 10	2	2	2	2	2	-
	E-16606		93400367	Square Nut, 3/4" - 10	-	2	2	2	2	-
8	E-4345	-	93603597	Bolt, 3/4" - 10 x 3-1/2" Long	2	2	2	2	2	-
9	S.O.S.		93003609	Bolt, 3/4" - 10 x 4" Long	2	2	2	2	2	-
10	FS9294	-	90557127	Firestone Air Spring, 12" Ride Height, RL-196	2	-	-	-	-	-
	FS9293	-	90557120	Firestone Air Spring, 14" Ride Height, RL-196 & 196A	2	-	-	-	-	-
	EAS9293	-	90557120	Euclid Air Spring, 14" Ride Height, RL-196 & 196A	2	-	-	-	-	-
	FS9295	-	90557121	Firestone Air Spring, 15" & 16" Ride Height, RL-196 & 196A	2	-	-	-	-	-
	FS8204	-	90557223/ 90557173	Firestone Air Spring, 12" Ride Height, RL-196A, RL-228, RL-230 Std	2	2	-	-	-	-
	EAS8204	-	90557223/ 90557173	Euclid Air Spring, 12" Ride Height, RL-196A, RL-228, RL-230 Std	2	2	-	-	-	-
	FS9936	-	90557156	Firestone Air Spring, 14 - 16" Ride Height	-	2	-	-	-	-
	FS9935	-	90557157	Firestone Air Spring, 17" Ride Height	-	2	-	-	-	-
	EAS9935	-	90557157	Euclid Air Spring, 17" Ride Height	-	2	-	-	-	-
	FS9921	-	90557717	Firestone Air Spring, 14" Ride Height, RL-230 Std	-	-	2	-	-	-
	EAS9921	-	90557717	Euclid Air Spring, 14" Ride Height, RL-230 Std	-	-	2	-	-	-
	FS9923	-	90557718	Firestone Air Spring, 15-16" Ride Height, RL-230 Std	-	-	2	-	-	-
	FS9922	-	90557719	Firestone Air Spring, 17" Ride Height, RL-230 Std	-	-	2	-	-	-
	S.O.S.		Various	Firestone Air Spring, RL-230 Hanger Mtd Shock & Single Stud Air Spring	-	-	2	-	-	-
	FS8748	-	90557167	Firestone Air Spring, 14" - 15" Ride Height, RL-250 Std, All RL-250 Shock Below Frame	-	-	-	2	-	-
FS8749	-	90557168	Firestone Air Spring, 16 - 17" Ride Height, RL-250 Std	-	-	-	2	-	-	
S.O.S.		Various	Firestone Air Spring, RL-300, Specify Ride Ht & Air Spring Type Hanger Mtd Shock & Single Stud Air Spring	-	-	-	-	2	-	
11	E-4358	-	93400506	Nut, 1-1/8" - 7	6	6	6	6	6	-

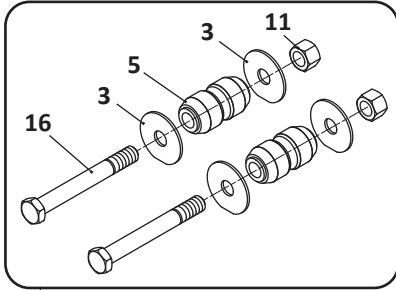
Denotes Product is Genuine SAF-Holland Neway

SAF-HOLLAND NEWAY

RL Models — Trailer, Air Suspension

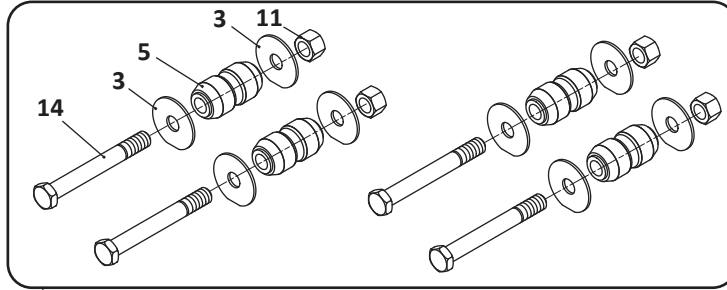
SAF-HOLLAND NEWAY

Pivot Connection Kit



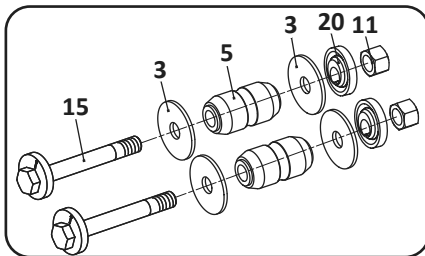
30

Axle Connection Kit, Most Models



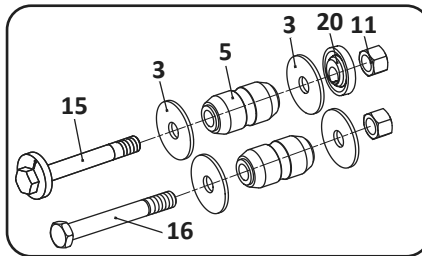
32

Pivot Connection Kit, Non-Welded



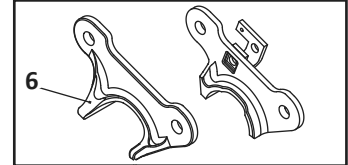
31

Pivot Connection Kit, Non-Welded

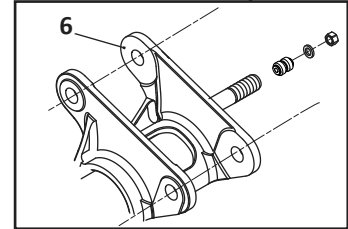


33

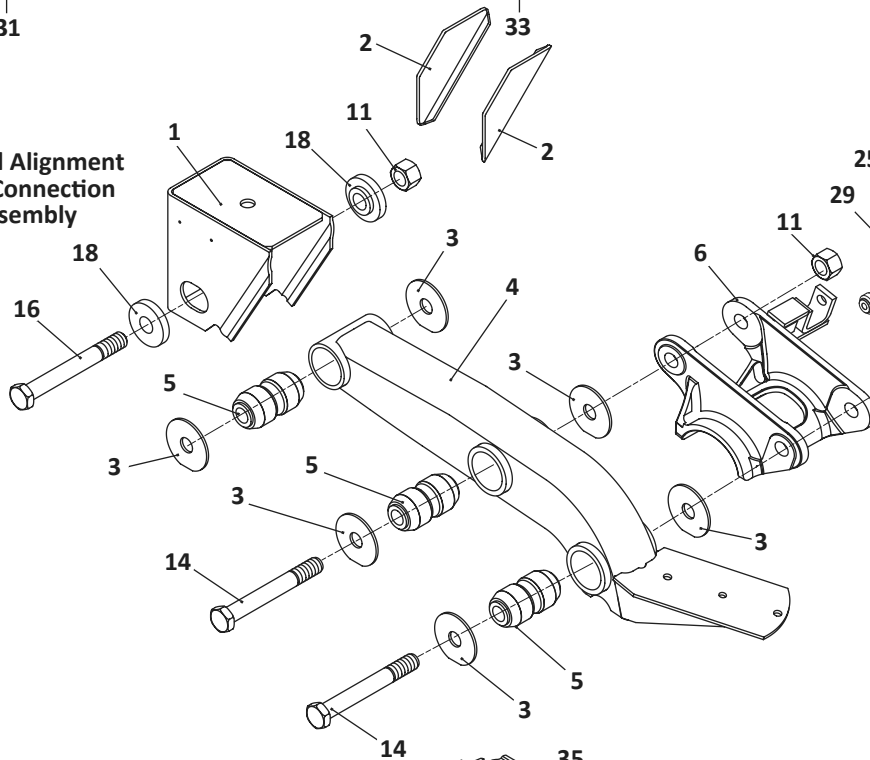
RL-196A, 228, 230 Axle Adapter



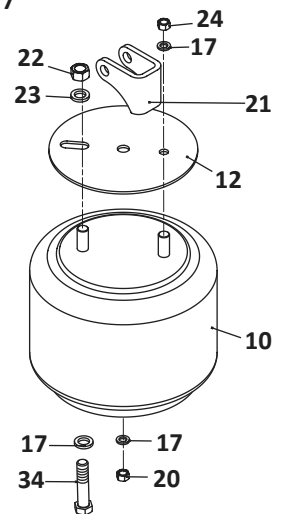
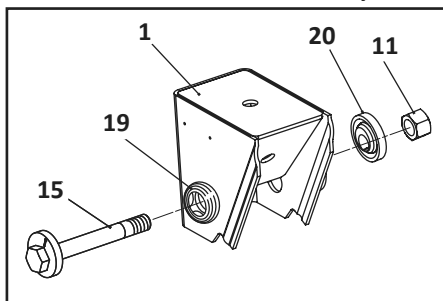
RL-196 Axle Adapter







Welded Alignment Pivot Connection Assembly



EZ-Align (Non-Welded) Pivot Connection Assembly



RL Models — Trailer, Air Suspension										
KEY NO.	EUCLID NO.	GENUINE	OEM REF.	DESCRIPTION	QTY. PER AXLE					PAGE NO.
					RL-196/196A	RL-228	RL-230	RL-250	RL-300	
12	E-4321	-	90033785	Air Spring Mounting Plate	2	2	2	2	-	SAF-111
	S.O.S.		Various	Air Spring Mounting Plate	-	-	-	-	2	-
13	M83115	-	90044977	Shock Absorber, 12" Ride Height, RL-196 Suspension	2	-	-	-	-	-
	M85059	-	90044978	Shock Absorber, 14" & 15" Ride Height, RL-196 Suspension	2	-	-	-	-	-
	M83113	-	90044979	Shock Absorber, 16" & 17" Ride Height, RL-196 Suspension	2	-	-	-	-	-
	M83128	-	90044162	Shock Absorber, 12" Ride Height, RL-196A & RL-228	2	2	-	-	-	-
	M83130	-	90045040	Shock Absorber, 14" & 15" Ride Height, RL-196A Suspension	2	-	-	-	-	-
	M83127	-	90044794	Shock Absorber, 16" & 17" Ride Height, RL-196A Suspension	2	-	-	-	-	-
	M83127	-	90044642	Shock Absorber, 14" - 16" Ride Height, RL-228, RL-230 Std & RL-250 Std	-	2	2	-	-	-
	M83124	-	90044089	Shock Absorber, RL-228, 17" Ride Height, RL-230 Std & RL-250 16" & 17" Ride Height	-	2	-	-	-	-
	M89407	-	90044089	Shock Absorber, Adjustable, RL-228, 17" Ride Height, RL-230 Std & RL-250 16" & 17" Ride Height	-	2	2	-	-	-
	M83150	-	90045381	Shock Absorber, 12" Ride Height, RL-230	-	-	2	-	-	-
	M83127	-	90044642	Shock Absorber, 14-15" Ride Height, RL-250 Std	-	-	-	2	-	-
	M83130	-	90045040	Shock Absorber, 14-15" Ride Height, RL-250 Shock Below Frame	-	-	-	2	-	-
	S.O.S.		90045299	Shock Absorber, 16-17" Ride Height, RL-250 Shock Below Frame	-	-	-	2	-	-
	M89436	-	90045299	Shock Absorber, Adjustable, 16-17" Ride Height, RL-250 Shock Below Frame	-	-	-	2	-	-
	S.O.S.		Various	Shock Absorber, RL-250 w/ Hanger Mtd Shock or Single Stud Air Spring Models	-	-	-	2	-	-
	M85051	-	90045054	Shock Absorber, 12" & 13" Ride Height, RL-300	-	-	-	-	2	-
M85060	-	90045338	Shock Absorber, 14" - 17" Ride Height, RL-300	-	-	-	-	2	-	
M85911	-	90045337	Shock Absorber, 14" & 15" Ride Height, RL-300, Shock Below Frame Model Only	-	-	-	-	2	-	
M85060	-	90045339	Shock Absorber, 16" & 17" Ride Height, RL-300, Shock Below Frame Model Only	-	-	-	-	2	-	
14	E-4361	-	93201051	Bolt, 1-1/8" - 7 x 8-1/2" Long	4	4	4	4	4	-
15	E-16559		90508019	Bolt, 1-1/8" - 7 x 9-1/4" Long, Non Weld Applications	1	1	1	2	-	-
16	E-4364	-	93201055	Bolt, 1-1/8" - 7 x 9-1/4" Long, RL-196/196A & Other Models with 12" Ride Height	2	2	1	-	-	-
	E-4361	-	93201069	Bolt, 1-1/8" - 7 x 8-1/2", 14" - 17" Ride Height	-	2	2	2	2	-
17	E-9603	-	93600072	Washer, 1/2"	4	4	4	4	4	-

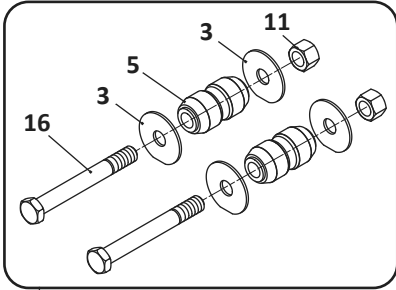
 Denotes Product is Genuine SAF-Holland Neway

SAF-HOLLAND NEWAY

RL Models — Trailer, Air Suspension

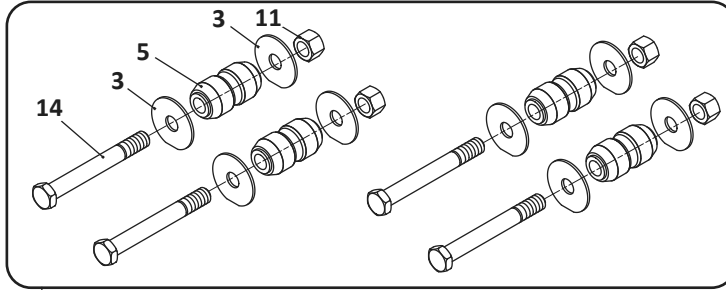
SAF-HOLLAND NEWAY

Pivot Connection Kit



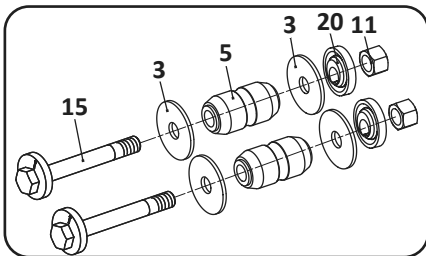
30

Axle Connection Kit, Most Models



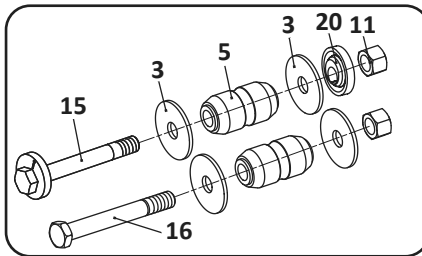
32

Pivot Connection Kit, Non-Welded



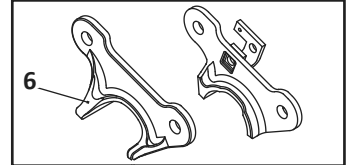
31

Pivot Connection Kit, Non-Welded

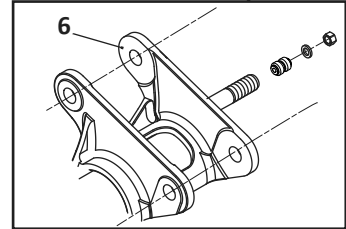


33

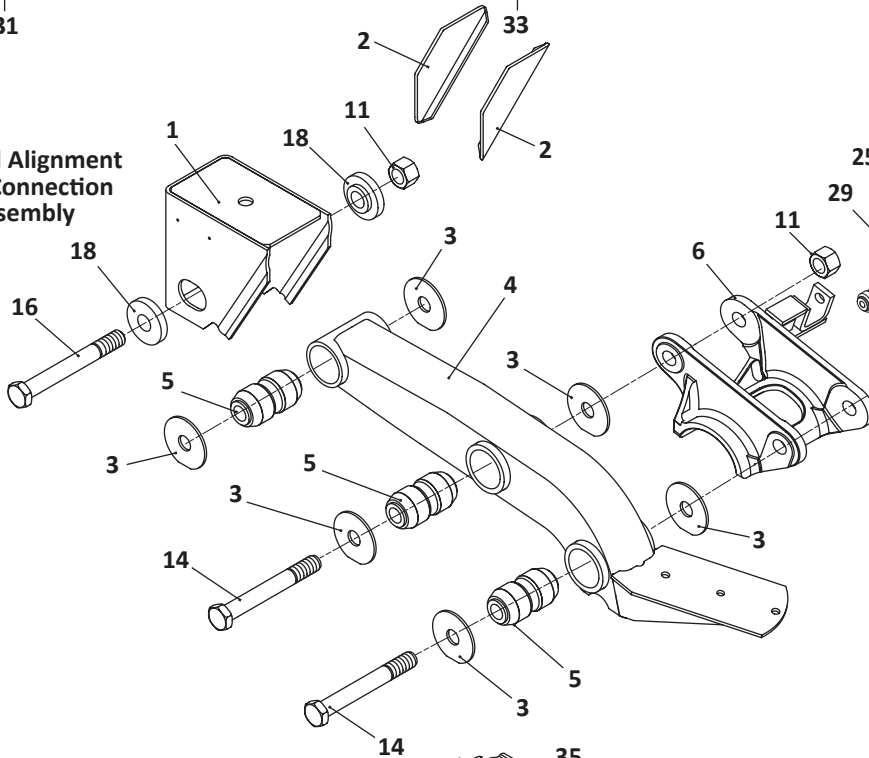
RL-196A, 228, 230 Axle Adapter



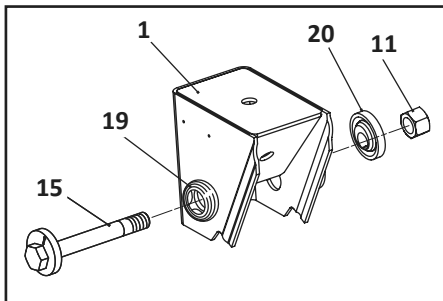
RL-196 Axle Adapter



Welded Alignment Pivot Connection Assembly



EZ-Align (Non-Welded) Pivot Connection Assembly



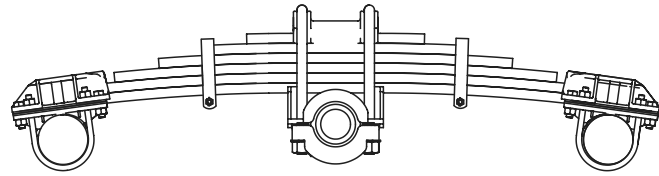
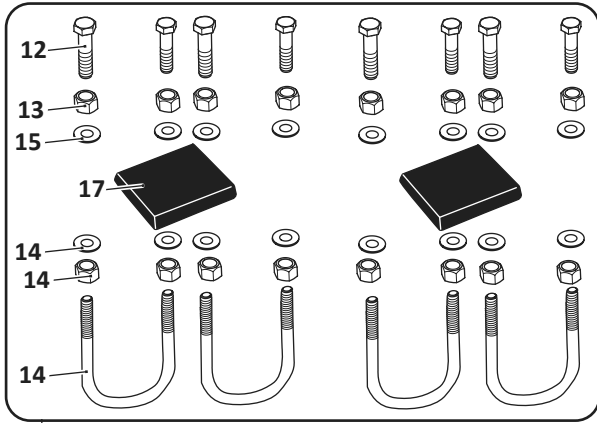
RL Models — Trailer, Air Suspension										
KEY NO.	EUCLID NO.	GENUINE	OEM REF.	DESCRIPTION	QTY. PER AXLE					PAGE NO.
					RL-196/196A	RL-228	RL-230	RL-250	RL-300	
18	E-9284	SAF	90008147	Alignment Block, RL-228 & 230 w/12 & 13" Ride Height	4	4	4	-	4	SAF-98
	E-16563	SAF	90008198	Alignment Block, Welded Alignment, 14" - 17" Ride Height	-	4	4	4	4	SAF-98
19	E-16558	SAF	90008185	Alignment Block, Non-Weld Application, RL-196A	2	-	-	-	-	SAF-98
	S.O.S.	SAF	90008186	Alignment Block, Non-Weld Application, RL-196A	2	-	-	-	-	-
	E-15535	SAF	90008238	Alignment Block, Non-Weld Application	-	2	-	-	-	SAF-98
20	E-15535	SAF	90008238	Alignment Block, Non-Weld Application	-	2	2	2	-	SAF-98
	S.O.S.	SAF	90008186	Alignment Block, Non-Weld Application	2	-	-	-	-	-
21	S.O.S.	SAF	90018445	Upper Shock Bracket, Not Req'd For Hanger Mount	2	-	2	-	-	-
		SAF	90018515	Upper Shock Bracket, Not Req'd For Hanger Mount	-	2	-	2	-	-
22	E-1107	-	93400149	Nut, 3/4" - 16	2	2	2	2	2	-
23	S.O.S.	SAF	93600077	Lock Washer, 3/4"	2	2	2	2	2	-
24	E-15256	-	93400136	Nut, 1/2" - 13	4	4	4	4	4	-
25	E-4403	-	90508004	Bushing, Rubber, RL-196A, Upper for RL-196	8	-	-	-	-	SAF-111
26	E-401754	-	90008182	Bushing, Lower Shock, Rubber, RL-196	2	-	-	-	-	SAF-111
	GAFF18566	-	-	Bushing, Lower Shock, Poly, RL-196	2	-	-	-	-	SAF-111
27	E-2975	-	93600168	Washer, Flat Narrow 1"	2	-	-	-	-	-
28	E-4421	-	93400502	Nut, 1" - 8	2	-	-	-	-	-
29	E-16606	SAF	93400367	Square Nut, 3/4" - 10	2	2	2	2	2	-
30	E-9294	-	48100264/ SRK-203	Connection Kit, Pivot, Includes Key Nos. 3, 5, 11, 16	1	1	-	-	-	SAF-101
	E-16550	SAF	48100388/ SRK-524	Connection Kit, Pivot, Includes Key Nos. 3, 5, 11, 16	-	-	-	-	1	SAF-101
31	E-16609	SAF	48100385/ SRK-521	Connection Kit, Pivot, 1 EZ-Align, Includes Key Nos. 3, 5, 11, 15, 20, RL-196A Suspension Only	1	1	1	-	-	SAF-101
	E-16613	SAF	48100386/ SRK-522	Connection Kit, Pivot, 1 EZ-Align, Includes Key Nos. 3, 5, 11, 15, 20	-	-	-	1	-	SAF-101
	E-16612	SAF	48100383/ SRK-519	Connection Kit, Pivot, 1 EZ-Align, Includes Key Nos. 3, 5, 11, 14, 15, 20	-	-	-	1	-	SAF-101
32	E-4411A	-	48100206/ SRK-149	Connection Kit, Axle, RL-196/A w/5" Round, 20" Wheel, Includes Key Nos. 3, 5, 11, 14	1	1	-	1	1	SAF-103
	E-17498	-	SRK-265	Connection Kit, Axle, Includes Key 3, 5, 11, 14	-	-	1	-	-	
33	E-16551	-	48100389/ SRK-525	Connection Kit, Pivot, 1 EZ-Align, 1 Welded Alignment, Includes Key Nos. 3, 5, 11, 15, 16, 20	-	1	1	-	-	SAF-101
34	S.O.S.	SAF	93002893	Bolt, 1/2" - 13 x 1" Long	-	-	-	-	6	-
35	E-4323	-	90054007	Height Control Valve, No Dump	1	1	1	1	1	SAF-112
36	E-7852	-	48100225/ SRK-168	Linkage Assembly; Universal; Adjustable	1	1	1	1	1	SAF-113

SAF Denotes Product is Genuine SAF-Holland Neway

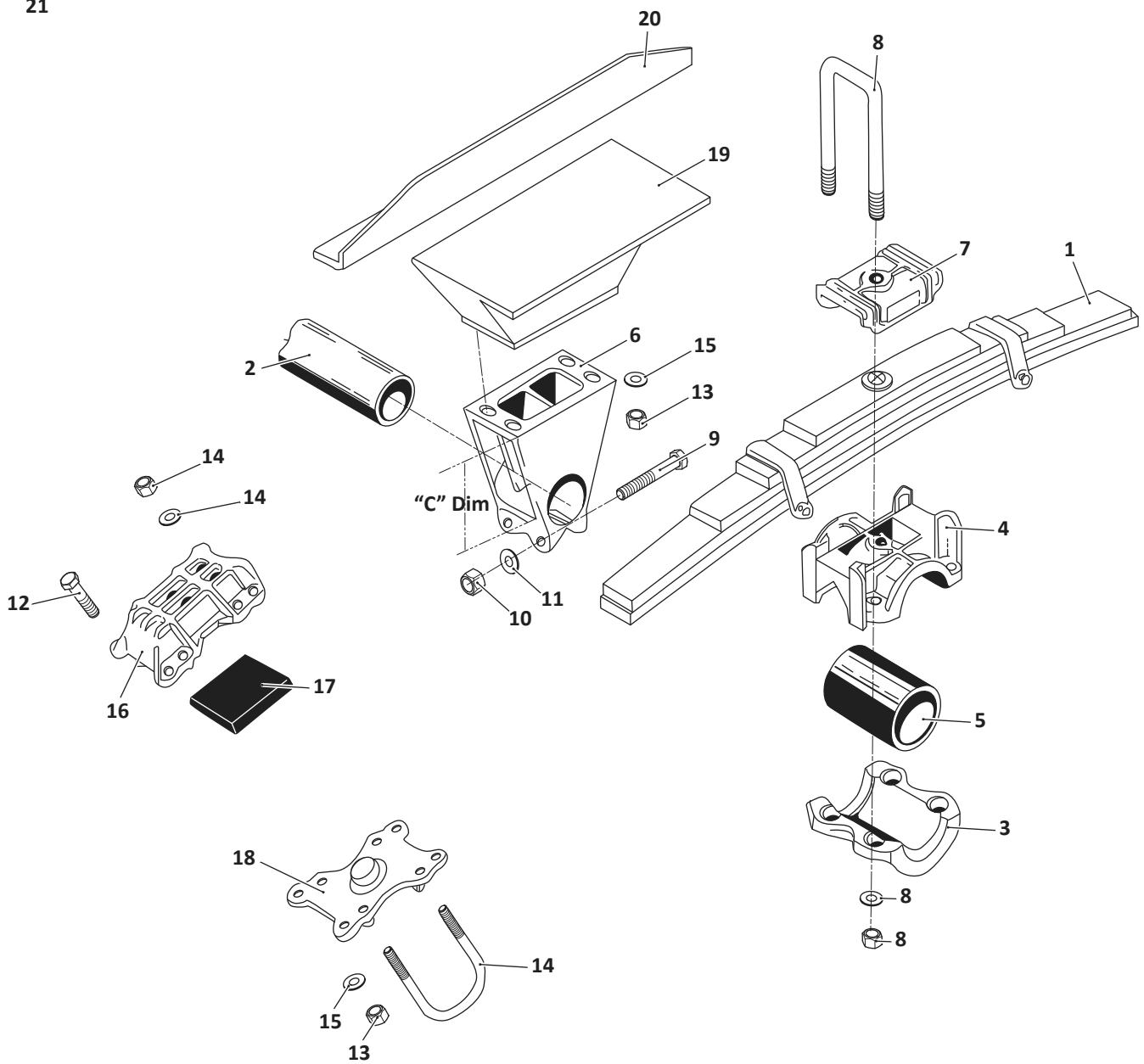
SAF-HOLLAND NEWAY

TS-426-A, -432, -436, -442, -536, -542 — Trailer, Single Point Spring Suspension

Axle 5" Round Connection Kit



21



SAF-HOLLAND NEWAY

TS-426-A, -432, -436, -442, -536, -542 — Trailer, Single Point Spring Suspension

KEY NO.	EUCLID NO.	GENUINE	OEM REF.	DESCRIPTION	QTY. PER TANDEM	PAGE NO.
1	S.O.S.	SAF	Various	Spring Assembly	2	-
2	E-2964	SAF	91038003	Trunnion Shaft, 426-A, 432, 436, 536 Models	1	SAF-120
	S.O.S.	SAF	91038004	Trunnion Shaft, 442 & 542 Models	1	-
3	E-4302	SAF	91010047	Trunnion Rubber Cap	2	SAF-120
4	E-4301	SAF	91001051	Trunnion Spring Seat	2	SAF-120
5	E-1332	-	91008022	Bushing, Trunnion, Rubber	2	SAF-119
	GAFF14521	-	-	Bushing, Trunnion, Poly	2	SAF-119
6	E-5213	-	91001054	Trunnion Mounting Bracket, 2-1/2" C Dimension	2	SAF-119
	E-4312	-	91001055	Trunnion Mounting Bracket, 4-1/2" C Dimension	2	SAF-119
	E-5214	-	91001056	Trunnion Mounting Bracket, 6-1/2" C Dimension	2	SAF-119
	E-5215	-	91001058	Trunnion Mounting Bracket, 8-1/2" C Dimension	2	SAF-119
7	E-4298	SAF	91010021	Top Plate	2	SAF-121
8	E-UB8287-11	-	90042796	U-Bolt Assembly, Square Bend, 1-1/8" - 12 x 5-3/4" Wide x 11" Long, 5 & 6 Leaf Springs	4	-
	E-UB8287-14	-	-	U-Bolt, Assembly, Square Bend, 1-1/8" - 12 x 5-3/4" Wide x 14" Long, 7 & 8 Leaf Springs	4	-
9	E-16597	-	93003621	Bolt, 3/4" - 10 x 4-1/2" Long	4	-
10	E-4347	-	93400492	Nut, 3/4" - 10	4	-
11	E-2545	-	93600156	Flat Washer, 3/4"	4	-
12	E-4348	-	93003345	Bolt, 5/8" - 11 x 2" Long	24	-
13	E-2988	-	93400490	Nut, 5/8" - 11	40	-
14	E-UB8145-076	-	90041067	U-Bolt Assembly, Round Bend, 5/8" - 18 x 5" Wide x 7-3/4" Long	8	-
	S.O.S.	SAF	90042061	U-Bolt Assembly, Round Bend, 5/8" - 18 x 8-1/2" Long, 7 & 9 Leaves Spring	8	-
15	E-2547	-	93900025	Flat Washer, 5/8"	40	-
16	E-4309	SAF	91010043	Spring End Cap, 426-A, 432, 436, 536 Models	4	SAF-122
	E-4308	SAF	91010038	Spring End Cap, 442 & 542 Models	4	SAF-122
17	E-1330	-	91028089	End Pad, Rubber, TS-426-A Suspension	4	SAF-122
	GAFF14522	-	-	End Pad, Poly, TS-426-A Suspension	4	SAF-122
	E-1329A	-	91028152	End Pad, Rubber, TS-432, 436, 442, 536, 542 Suspensions	4	SAF-122
	GAFF14540	-	-	End Pad, Poly, TS-432, 436, 442, 536, 542 Suspensions	4	SAF-122
18	E-4305	-	91001044	Spring End Pad, 5" Round Axle	4	SAF-123
	E-2965	SAF	91001049	Spring End Pad, Repair Plate	As Req.	SAF-123
	E-2965-P	-	-	Spring End Pad, Repair Plate, Price Point	As Req.	SAF-123
19	S.O.S.	SAF	91018008	Frame Bracket	2	-
20	S.O.S.	SAF	91023057	Frame Support Angle	2	-
21	E-4383	-	48100020/ SRK-23	Connection Kit, Axle 5" Round, Kit Includes Key Nos. 12, 13, 14, 15, 17	1	SAF-123

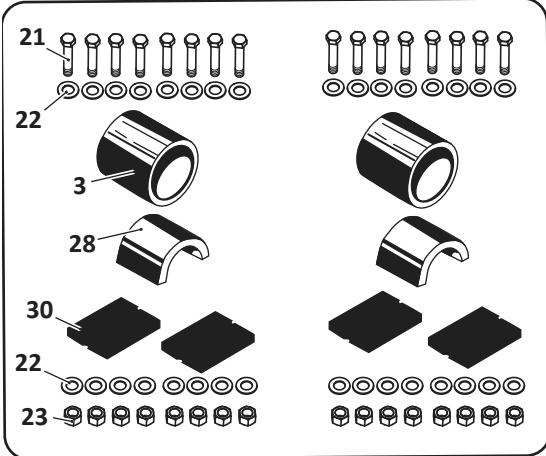
SAF Denotes Product is Genuine SAF-Holland Neway

SAF-HOLLAND NEWAY

RTS-536, RTS-544 — Trailer, Tandem Spring Suspension

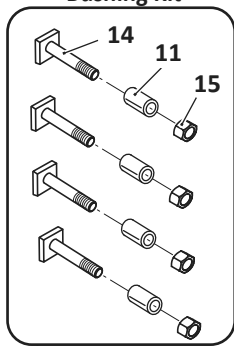
SAF-HOLLAND NEWAY

Axle & Trunnion Connection Kit, 5" Round

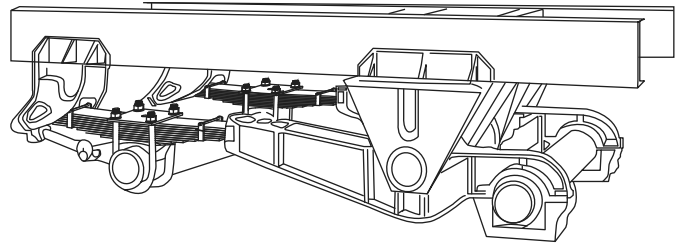


34

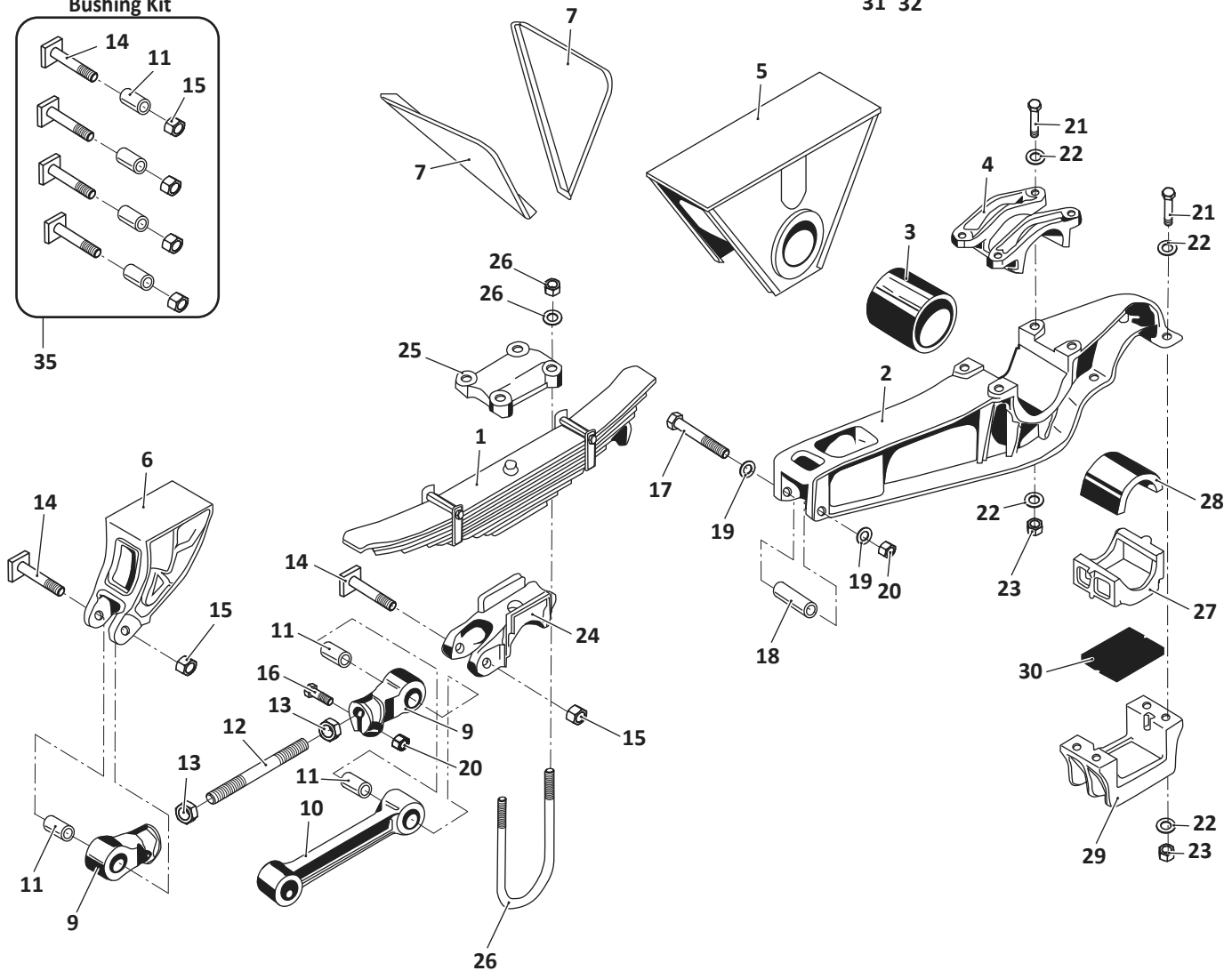
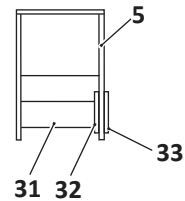
Radius Rod Bushing Kit



35



Rear Frame Bracket



RTS-536, RTS-544 — Trailer, Tandem Spring Suspension

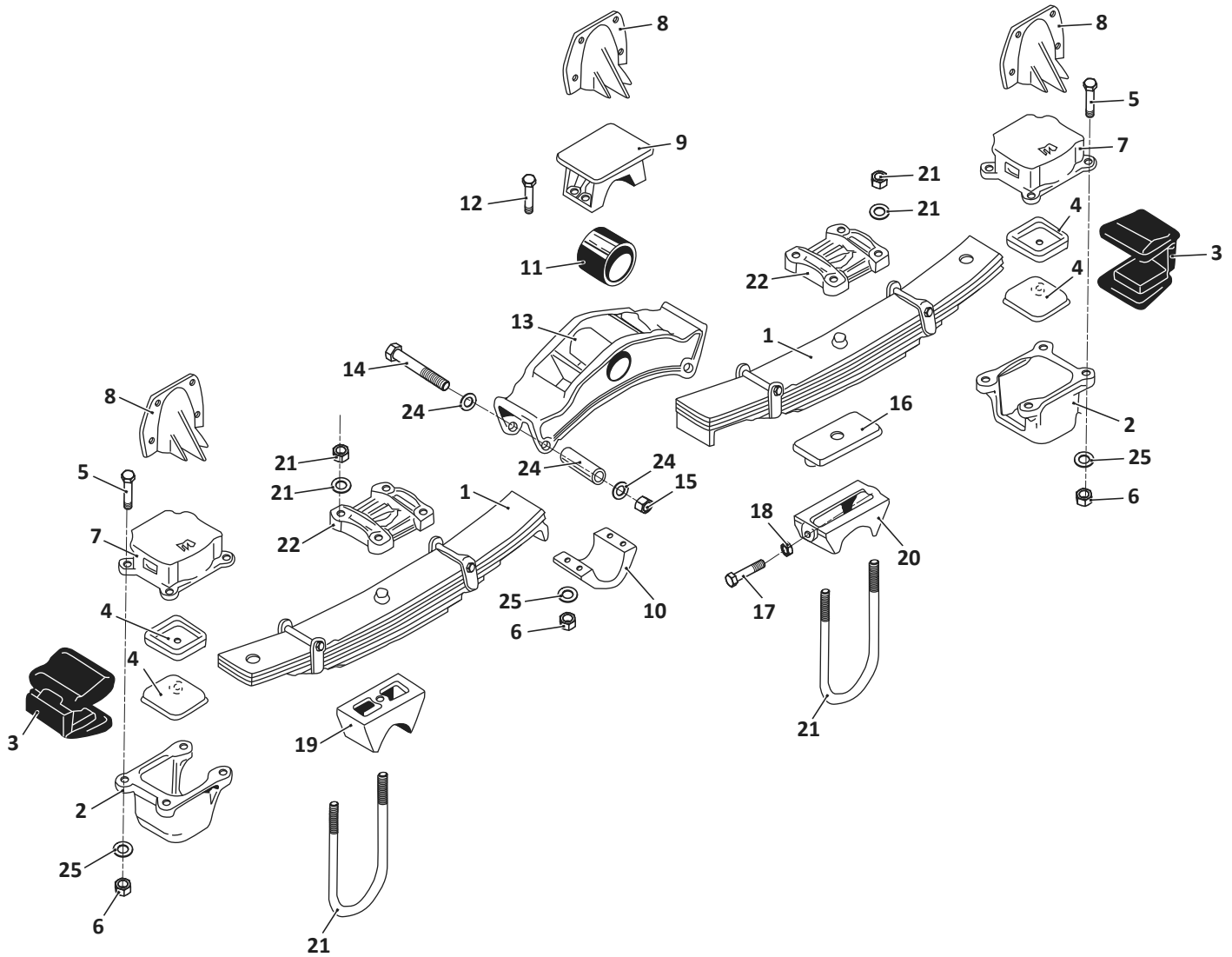
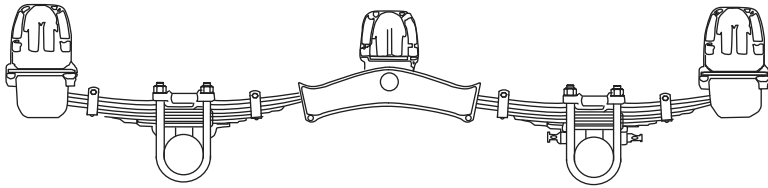
KEY NO.	EUCLID NO.	GENUINE	OEM REF.	DESCRIPTION	QTY. PER TANDEM	PAGE NO.
1	S.O.S.	SAF	91557152	Spring Assembly, 536 Models, 11 Leaf	2	-
	S.O.S.	SAF	90557153	Spring Assembly, 544 Models, 13 Leaf	2	-
	S.O.S.	SAF	90557154	Spring Assembly, 544 Models, 14 Leaf	2	-
2	E-9535	SAF	91515001	Equalizing Beam Assembly	2	SAF-119
3	E-1333	-	91008014	Bushing, Trunnion, Rubber	2	SAF-119
4	E-4303	SAF	91010098	Trunnion Cap	2	SAF-119
5	S.O.S.	SAF	Various	Trunnion Frame Bracket	2	-
6	S.O.S.	SAF	Various	Spring Hanger	2	-
7	S.O.S.	SAF	Various	Diagonal Brace	4	-
9	S.O.S.	SAF	91544002	Torque Arm End, Roadside	1	-
	E-4317	SAF	91544003	Torque Arm End, Curbside	1	SAF-121
10	S.O.S.	SAF	91544001	Torque Arm, Rigid	1	-
11	E-2939	-	91008007	Bushing, Torque Arm, Rubber	4	SAF-120
12	E-4318A	SAF	93200047	Radius Rod Screw 1-1/4" - 7 x 11" Long	1	SAF-121
13	E-4274	SAF	93400036	Jam Nut, 1-1/4" - 7, Left Hand	1	-
	E-4275	-	93400284	Jam Nut, 1-1/4" - 7, Right Hand	1	-
14	S.O.S.	SAF	93900009	Radius Rod Bolt, 1-1/4" - 7 x 21-3/4" Long	4	-
15	E-4273	-	93400569	Nut, 1-1/4" - 7	4	-
16	S.O.S.	SAF	93002921	Bolt, 1/2" - 13 x 2" Long	2	-
17	S.O.S.	SAF	93003003	Bolt, 1/2" - 13 x 5-1/2" Long	2	-
18	S.O.S.	SAF	91036092	Pipe Spacer, 1/2"	2	-
19	S.O.S.	SAF	93600138	Washer, 1/2"	4	-
20	S.O.S.	SAF	93400482	Nut, 1/2" - 13	4	-
21	E-16591	-	93003575	Bolt, 3/4" - 10 x 2-1/2" Long	16	-
22	E-2545	-	93600156	Flat Washer, 3/4"	32	-
23	E-4347	-	93400492	Nut, 3/4" - 10	16	-
24	S.O.S.	SAF	91001034	Axle Spring Seat	2	-
25	E-4299	SAF	91010103	Top Plate	2	SAF-121
26	E-UB8166-12	-	90041174	U-Bolt Assembly, Round Bend, 7/8" - 9 x 5" Wide x 12" Long	4	-
27	E-4291	SAF	91001040	Axle Adapter	2	SAF-121
28	E-2011	-	91028010	Wrapper, Round Axle, Rubber, 4" W x 9-1/2" Lg x 3/4"	2	SAF-122
29	E-4288	SAF	91010031	Axle Cap	2	SAF-121
30	E-1331	-	91028023	Spring End Pad, Rubber	4	SAF-122
31	E-9610	SAF	91038210	Trunnion Tube	2	SAF-120
32	E-9611	SAF	93600002	Inner Washer, 3/16" Thick	4	-
33	E-9612	SAF	93600003	Outer Washer, 5/16" Thick	4	-
34	E-4385	-	48100033/ SRK-36	Connection Kit, 5" Round Axle & Trunnion, Includes Key Nos. 3, 21, 22, 23, 28, 30	1	SAF-123
35	E-4391	-	48100050/ SRK-39	Radius Rod Bushing Kit, Includes Key Nos. 11, 14, 15	1	SAF-120

SAF Denotes Product is Genuine SAF-Holland Neway

SAF-HOLLAND NEWAY

TL-636-1, -2, -3, -4, -5 — Trailer, Four Spring Suspension

SAF-HOLLAND NEWAY



TL-636-1, -2, -3, -4, -5 — Trailer, Four Spring Suspension

KEY NO.	EUCLID NO.	GENUINE	OEM REF.	DESCRIPTION	QTY. PER TANDEM	PAGE NO.
1	S.O.S.	SAF	91557005	Spring Assembly, 7 Leaf - 4" Wide	4	-
2	E-4310	SAF	91010054	Spring End Cap	4	SAF-118
3	E-4307	-	91008032	Spring End Boot	4	SAF-118
4	E-4306	SAF	91001062	Spring End Retainer	8	SAF-118
5	E-16590	-	93003359	Bolt, 5/8" - 11 x 2-1/2" Long	16	-
6	E-2988	-	93400488	Nut, 5/8" - 11	24	-
7	S.O.S.	SAF	91018011	Frame Mounting Bracket, Roadside, 2-1/2" High	2	-
	S.O.S.	SAF	91018009	Frame Mounting Bracket, Roadside, 4" High	2	-
	S.O.S.	SAF	91018016	Frame Mounting Bracket, Roadside, 6" High	2	-
	S.O.S.	SAF	91018012	Frame Mounting Bracket, Curbside, 2-1/2" High	2	-
	S.O.S.	SAF	91018010	Frame Mounting Bracket, Curbside, 4" High	2	-
	S.O.S.	SAF	91018017	Frame Mounting Bracket, Curbside, 6" High	2	-
8	S.O.S.	SAF	91044007	Frame Mounting Bracket, Flanges Optional	6	-
9	S.O.S.	SAF	91018025	Equalizer Frame Mounting Bracket, 3-7/16" High	2	-
	S.O.S.	SAF	91018024	Equalizer Frame Mounting Bracket, 4-15/16" High	2	-
	S.O.S.	SAF	91018023	Equalizer Frame Mounting Bracket, 6-15/16" High	2	-
10	S.O.S.	SAF	91010057	Equalizer Mounting Bracket Cap	2	-
11	E-1335	-	91008037	Bushing, Equalizer, Rubber	2	SAF-118
12	E-4348	-	93003345	Bolt, 5/8" - 11 x 2" Long	8	-
13	S.O.S.	SAF	91515006	Equalizer Assembly	2	-
14	S.O.S.	SAF	93003017	Bolt, 1/2" - 13 x 6" Long	4	-
15	S.O.S.	SAF	93400482	Nut, 1/2" - 13	4	-
16	S.O.S.	SAF	91001078	Alignment Plate	2	-
17	S.O.S.	SAF	93200079	Bolt, 3/4" - 10 x 3-1/4" Long	4	-
18	S.O.S.	SAF	93400268	Jam Nut, 3/4" - 10	4	-
19	S.O.S.	SAF	91001074	Axle Seat, 4-1/2" Round Axle, -1", -2", -4" Ride Height	2	-
	S.O.S.	SAF	91001069	Axle Seat, 4-1/2" Round Axle, -3", -5" Ride Height	2	-
	S.O.S.	SAF	91001075	Axle Seat, 5" Round Axle, -1", -2", -4" Ride Height	2	-
	S.O.S.	SAF	91001070	Axle Seat, 5" Round Axle, -3", -5" Ride Height	2	-
20	S.O.S.	SAF	91001071	Adjustable Axle Seat, 4-1/2" Round Axle, -1", -2", -4" Ride Height	2	-
	S.O.S.	SAF	91001076	Adjustable Axle Seat, 4-1/2" Round Axle, -3", -5" Ride Height	2	-
	S.O.S.	SAF	91001072	Adjustable Axle Seat, 5" Round Axle, -1", -2", -4" Ride Height	2	-
	S.O.S.	SAF	91001077	Adjustable Axle Seat, 5" Round Axle, -3", -5" Ride Height	2	-
21	S.O.S.	SAF	90042106	U-Bolt Assembly, Round Bend 7/8" - 9 x 4-1/2" Wide x 11-1/2" Long	8	-
	S.O.S.	SAF	90042110	U-Bolt Assembly, Round Bend 7/8" - 9 x 4-1/2" Wide x 12-1/2" Long	8	-
	E-UB8166-12	-	90041174	U-Bolt Assembly, Round Bend 7/8" - 9 x 5" Wide x 12" Long	8	-
22	E-4300	SAF	91010108	Top Plate	4	SAF-118
23	S.O.S.	SAF	91036083	Equalizer Tube End	4	-
24	S.O.S.	SAF	93600138	Washer, 1/2"	8	-
25	E-2547	-	93900025	Flat Washer, 5/8"	24	-

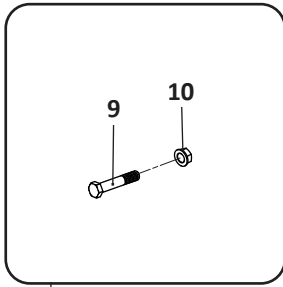
SAF Denotes Product is Genuine SAF-Holland Neway

SAF-HOLLAND NEWAY

Binkley-Duralite SP900 — Trailer, Four Spring Suspension

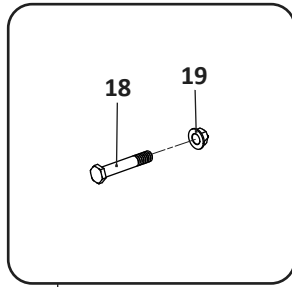
SAF-HOLLAND NEWAY

Torque Arm Bolt & Nut Assembly



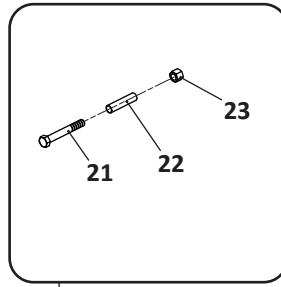
11

Equalizer Bolt & Nut Assembly

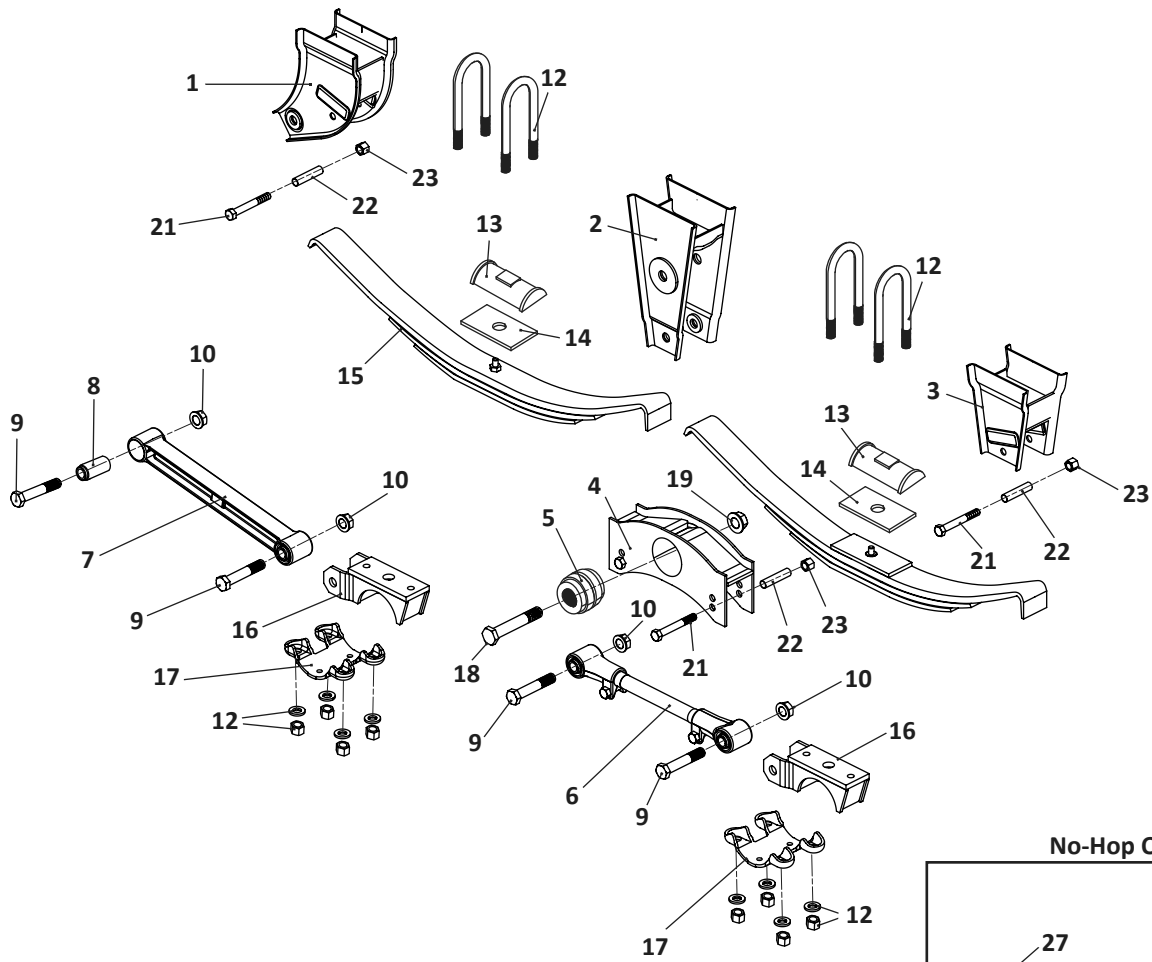


20

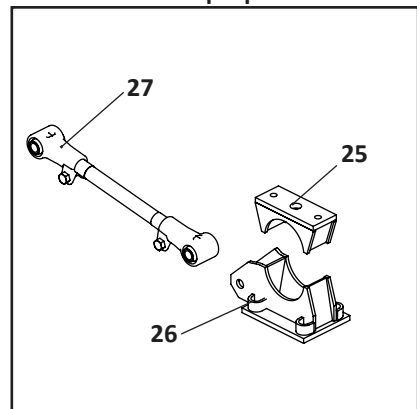
Rebound Bolt Assembly



24



No-Hop Option



Binkley-Duralite SP900 —Trailer, Four Spring Suspension

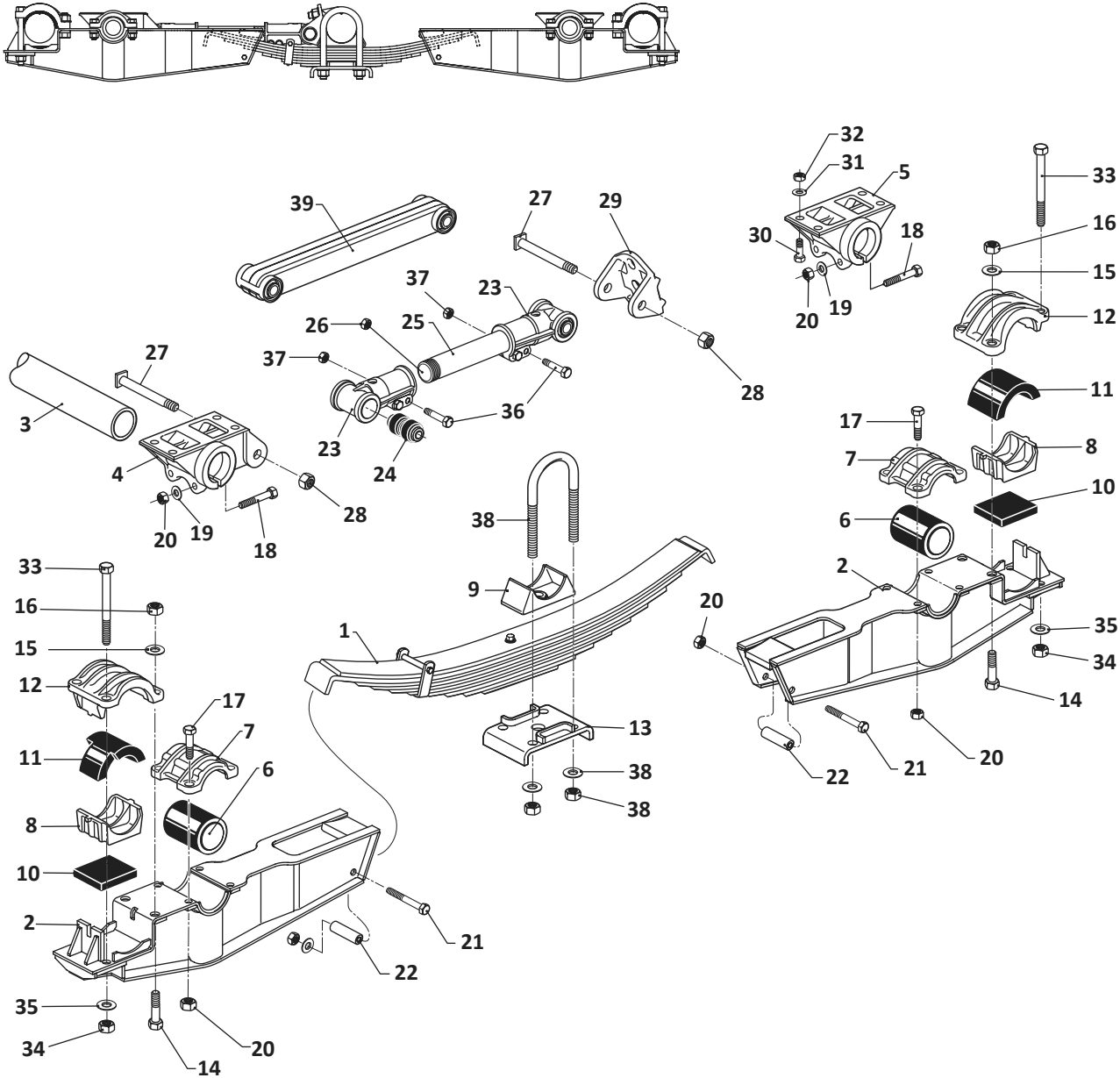
KEY NO.	EUCLID NO.	GENUINE	OEM REF.	DESCRIPTION	QTY. PER TANDEM	PAGE NO.
1	E-9302	SAF	SP0100	Front Hanger, Straddle Mount	2	SAF-116
	E-16633	SAF	SP0162	Front Hanger, Under Mount	2	SAF-116
2	E-9303	SAF	SP0110	Equalizer Hanger, Straddle Mount	2	SAF-116
	E-16632	SAF	SP0161	Equalizer Hanger, Under Mount	2	SAF-116
3	E-9304	SAF	SP0120	Rear Hanger, Straddle Mount	2	SAF-116
	E-16631	SAF	SP0160	Rear Hanger, Under Mount	2	SAF-116
4	E-9305	SAF	SP0131	Equalizer with E-4827 Bushing	2	SAF-115
	E-9305-P	-	-	Equalizer with Bushing, Price Point	2	SAF-115
5	E-4827	-	XB-SP0054-05	Equalizer Bushing	2	SAF-115
	GAFF15054	-	-	Equalizer Bushing, Poly	2	SAF-115
6	E-4824	-	SP0123	Adjustable Torque Arm with E-1980 Bushings	2	SAF-115
7	E-9307	SAF	SP0143	Rigid Torque Arm with E-1980 Bushings	2	SAF-115
8	E-1980	-	XB-SP0054-02	Bushing, Torque Arm, Rubber	8	SAF-117
	GAFF15013	-	-	Bushing, Torque Arm, Poly	8	SAF-117
9	-	-	XB-SP0050-75	Bolt, 7/8" - 14 x 4-3/4" Long, Included in E-9308 Kit	8	-
10	E-9607	-	XB-SP0012-36	Flanged Nut, 7/8" - 14	8	-
11	E-9308	-	-	Torque Arm Bolt & Nut Assembly, Includes Key Nos. 9, 10	8	SAF-117
12	E-UB8151-10	-	SP0075-01	U-Bolt, Assembly, Rd. Bend, 3/4" - 16 x 3" Wide x 10" Long	8	-
	E-UB8151-12	-	SP0075-02, -03, -04, -05	U-Bolt, Assembly, Rd. Bend, 3/4" - 16 x 3" Wide x 12" Long	8	-
	E-UB8151-14	-	SP0075-06, -07, -08	U-Bolt, Assembly, Rd. Bend, 3/4" - 16 x 3" Wide x 14" Long	8	-
13	E-2907A	-	SP0136	U-Bolt, Top Plate	4	SAF-117
	E-2907A-P	-	-	U-Bolt, Top Plate, Price Point	4	SAF-117
14	E-2842	-	SP0049	Delrin Spring Liner	4	SAF-118
15	S.O.S.	SAF	Various	Spring Assembly	4	-
16	E-16628	SAF	SP0142-01	Spring Seat, 3/4" high	4	SAF-117
	E-16629	SAF	SP0142-02	Spring Seat, 1-1/4" high	4	SAF-117
	S.O.S.	SAF	SP0142-03	Spring Seat, 1-3/4" high	4	-
	S.O.S.	SAF	SP0142-04	Spring Seat, 2-1/4" high	4	-
	E-16630	-	SP0142-05	Spring Seat, 2-3/4" high	4	SAF-117
17	E-2909	-	SP0099	Bottom Plate	4	SAF-117
	E-2909-P	-	-	Bottom Plate, Price Point	4	SAF-117
18	-	-	XB-SP0050-73	Equalizer Bolt, Included in E-9309 Kit	2	-
19	E-2892	-	XB-SP0012-37	Flanged Nut, 1" - 14	2	-
20	E-9309	-	-	Equalizer Bolt and Nut Assembly, Includes Key Nos. 18, 19	2	SAF-115
21	E-3415	-	XB-SP0050-71	Rebound Bolt	8	SAF-115
22	E-3416	-	XB-SP0145	Rebound Spacer	8	SAF-115
23	E-2002	-	XB-SP0012-10	Rebound Nut	8	-
24	E-4835	-	-	Rebound Bolt, Assembly, Includes Key Nos. 21, 22, 23	8	SAF-115
25	S.O.S.	SAF	Various	Spring Seat Riser - Rear Axle (No Hop)	2	-
26	E-16634	SAF	SP0170	No-Hop Bottom Plate - Rear Axle	2	SAF-117
27	E-4824	-	SP0169	Adjustable Torque Arm with E-1980 Bushing - Rear Axle (No Hop)	2	SAF-115

SAF Denotes Product is Genuine SAF-Holland Neway

SAF-HOLLAND NEWAY

T-8540, TR-8540, TR-8600 — Tri-Axle Trailer Suspension

SAF-HOLLAND NEWAY



T-8540, TR-8540, TR-8600 — Tri-Axle Trailer Suspension

KEY NO.	EUCLID NO.	GENUINE	OEM REF.	DESCRIPTION	QTY. PER TRI-AXLE	PAGE NO.
1	S.O.S.		91557175	Spring Assembly, T-8540 & TR-8540 Model	2	-
	S.O.S.		91557172	Spring Assembly, TR 8600 Model	2	-
2	E-9534		91015015	Equalizing Beam, 5" Round Axle	4	SAF-119
3	E-16588		91038290	Trunnion Tube 3-1/2" OD x 1/2" Wall x 44-1/4" Long	2	SAF-120
4	S.O.S.		91001088	Trunnion Clamp & Radius Rod Casting, Front	2	-
5	S.O.S.		91001066	Trunnion Clamp Casting, Rear	2	-
6	E-2935	-	90008011	Bushing, Trunnion, Rubber	4	SAF-119
	GAFF14088	-	-	Bushing, Trunnion, Poly	4	SAF-119

Denotes Product is Genuine SAF-Holland Neway

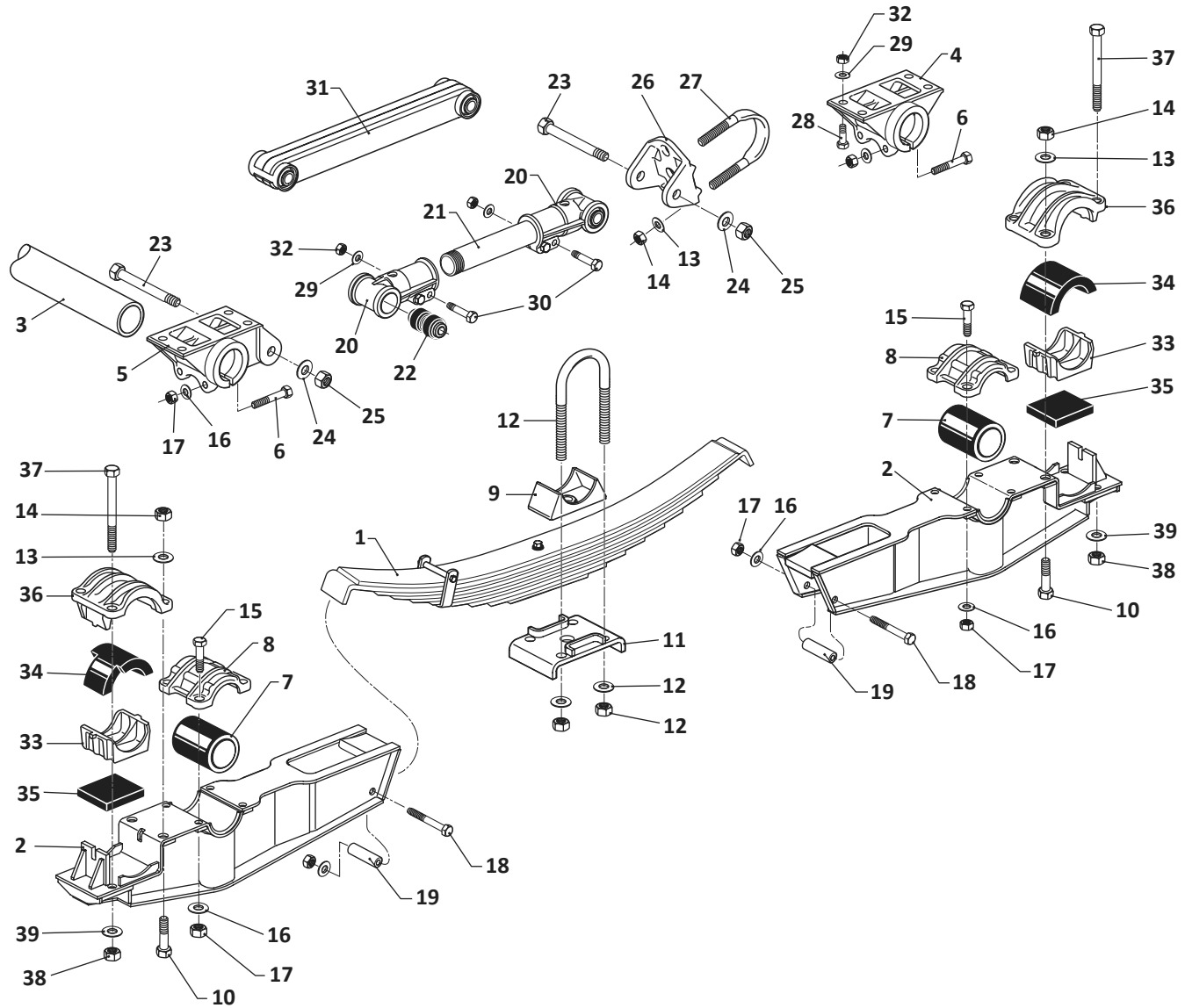
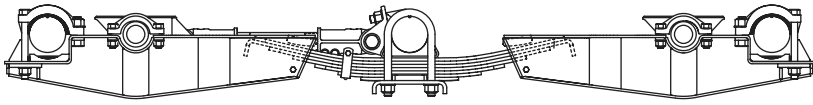
T-8540, TR-8540, TR-8600 — Tri-Axle Trailer Suspension

KEY NO.	EUCLID NO.	GENUINE	OEM REF.	DESCRIPTION	QTY. PER TRI-AXLE	PAGE NO.
7	E-16570	SAF	90010009	Trunnion Cap Casting, T-8540 Model	4	SAF-120
	S.O.S.	SAF	91010157	Trunnion Cap Casting, TR-8540 & TR-8600 Model	4	-
8	E-16615	SAF	91001089	Axle Adapter, 5" Round Axle	4	SAF-121
9	S.O.S.	SAF	91001075	Axle Seat, 5" Round Axle	2	-
10	E-16587	SAF	91028075	Spring End Pad, Rubber, T-8540 Model	4	SAF-122
	E-1330	-	91028089	Spring End Pad, Rubber, TR-8540, TR-8600 Model	4	SAF-122
	GAFF14522	-	-	Spring End Pad, Poly, TR-8540, TR-8600 Model	4	SAF-122
11	E-2945	-	91028051	Wrapper, 5" Round Axle, Rubber, 5" W x 9" Lg x 3/4" Thk	4	SAF-122
12	E-16585	SAF	91010060	Axle Cap, End, 5" Round Axle, 15" Wheel	4	SAF-121
	S.O.S.	SAF	91010061	Axle Cap, End, 5" Round Axle, 20" Wheel	4	-
13	E-4300	SAF	91010108	Top Plate	2	SAF-118
14	E-16599	-	93004239	Bolt, 1" - 8 x 3-1/2" Long	8	-
15	E-4353	-	93900027	Washer, 1"	8	-
16	E-4421	-	93400502	Nut, 1" - 8	8	-
17	E-16591	-	93003575	Bolt, 3/4" - 10 x 2-1/2" Long	16	-
18	E-2989	SAF	93003635	Bolt, 3/4" - 10 x 5" Long	8	-
		-	93600005	Washer, 3/4", T-8540 Model	48	-
		-	93600156	Flat Washer, 3/4"	32	-
20	E-4347	-	93400492	Nut, 3/4" - 10	28	-
21	E-15101	-	93003657	Bolt, 3/4" - 10 x 6" Long	4	-
22	S.O.S.	SAF	91036078	Pipe Spacer	4	-
23	E-4317	SAF	91544003	Torque Arm, Curbside	2	SAF-121
	S.O.S.	SAF	91544002	Torque Arm, Roadside	2	-
24	E-2939	-	91008007	Bushing, Torque Arm, Rubber	4	SAF-120
25	S.O.S.	SAF	91506003	Radius Rod Shaft, 1-1/4" - 7 x 21-3/4" Long	2	-
26	E-4274	SAF	93400036	Jam Nut, 1-1/4" - 7, Roadside	2	-
	E-4275	-	93400284	Jam Nut, 1-1/4" - 7, Curbside	2	-
27	S.O.S.	SAF	93900009	Radius Rod Bolt, 1-1/4" - 7 x 21-3/4" Long	4	-
28	E-4273	-	93400569	Nut, 1-1/4" - 7	4	-
29	S.O.S.	SAF	91018005	Radius Rod Axle Bracket	2	-
30	E-4348	-	93003345	Bolt, 5/8" - 11 x 2" Long	16	-
31	E-2547	-	93900025	Flat Washer, 5/8"	16	-
32	E-2988	-	93400488	Nut, 5/8" - 11	16	-
33	S.O.S.	SAF	93003941	Rod Bolt, 7/8" - 9 x 9" Long	8	-
34	E-2983	-	93400498	Nut, 7/8" - 9	16	-
35	E-2546	-	93600162	Washer, 7/8"	16	-
36	S.O.S.	SAF	93002921	Bolt, 1/2" - 13 x 2" Long	4	-
37	S.O.S.	SAF	93400482	Nut, 1/2" - 13	4	-
38	E-UB8166-12	-	90041170	U-Bolt Assembly, Round Bend, 7/8" - 9 x 5-1/16" x 11" Long	4	-
	E-UB8166-12	-	90042106	U-Bolt Assembly, Round Bend 7/8" - 9 x 5" Wide x 12" Long	4	-
39	S.O.S.	SAF	91544149	Fixed Radius Rod, TR-8540 & TR-8600 Model	1	-
40	E-4391	-	48100505/ SRK-39	Torque Arm Kit Includes Key Nos. 24, 27, 28	1	SAF-120

SAF Denotes Product is Genuine SAF-Holland Neway

SAF-HOLLAND NEWAY

TR-8750/TR-8900 Series Mechanical — Tri-Axle Trailer Suspension



TR-8750/TR-8900 Series Mechanical — Tri-Axle Trailer Suspension

KEY NO.	EUCLID NO.	GENUINE	OEM REF.	DESCRIPTION	QTY. PER TRI-AXLE	PAGE NO.
1	S.O.S.		91557172	Spring Assembly	2	-
2	E-9534		91015015	Equalizing Beam, 5" Round Axle	4	SAF-119
	S.O.S.		91515011	Equalizing Beam, 5 3/4" Round Axle	4	-
3	E-16588		91038290	Trunnion Tube 3-1/2" OD x 1/2" Wall x 44-1/4" Long	2	SAF-120
4	S.O.S.		91501011	Trunnion Clamp, Rear	2	-
5	S.O.S.		91518040	Front Trunnion Clamp, Roadside	1	-
	S.O.S.		91518041	Front Trunnion Clamp, Curbside	1	-
6	E-2989		93003633	Bolt, 3/4-10 x 5" Long	8	-
7	E-2935	-	91008112	Trunnion Bushing, Rubber	4	SAF-119
	GAFF14088	-	90008011	Trunnion Bushing, Poly	4	SAF-119

Denotes Product is Genuine SAF-Holland Neway

SAF-HOLLAND NEWAY

TR-8750/TR-8900 Series Mechanical — Tri-Axle Trailer Suspension

KEY NO.	EUCLID NO.	GENUINE	OEM REF.	DESCRIPTION	QTY. PER TRI-AXLE	PAGE NO.
8	S.O.S.	SAF	91010157	Trunnion Cap	4	-
9	S.O.S.	SAF	91001075	Axle Seat, 5" Round Axle	2	-
	S.O.S.	SAF	91001073	Axle Seat, 5-3/4" Round Axle	2	-
10	E-16599	-	93004239	Bolt, 1" - 8 x 3-1/2" Long, 5" Round Axle	8	-
	S.O.S.	SAF	93004251	Bolt, 1" - 8 x 4" Long, 5-3/4" Round Axle	8	-
11	E-4300	SAF	91010108	Top Plate, 5" Round Axle	2	SAF-118
	S.O.S.	SAF	91010093	Top Plate, 5-3/4" Round Axle	2	-
12	E-UB8475-114	-	90041824	U-Bolt, Assembly, Flat Rd. Bend, 1" - 14 x 5" Wide x 11-1/2" Long	4	-
	S.O.S.	SAF	90042814	U-Bolt, Assembly, Flat Rd. Bend 1" - 14 x 5 Wide x 12" Long	4	-
13	E-4353	-	93900027	Washer, 1"	20	-
14	E-4421	-	93400502	Nut, 1" - 8	20	-
15	E-16592	-	93003579	Bolt, 3/4" - 10 x 3" Long	16	-
16	E-2545	-	93600156	Flat Washer, 3/4"	32	-
17	E-4347	-	93400492	Nut, 3/4" - 10	28	-
18	E-15101	-	93003657	Bolt, 3/4" - 10 x 6" Long	4	-
19	S.O.S.	SAF	91036078	Pipe Spacer	4	-
20	S.O.S.	SAF	91544137	Radius Rod End, Roadside, Includes E-2940 Bushing	1	-
	S.O.S.	SAF	91544138	Radius Rod End, Curbside, Includes E-2940 Bushing	1	-
21	S.O.S.	SAF	91038475	Radius Rod Screw	1	-
22	E-4255	-	90008131	Bushing, Beam End, Rubber	4	SAF-120
	GAFF14510	-	-	Bushing, Beam End, Poly	4	SAF-120
23	E-4361	-	93201051	Bolt, 1-1/8" - 7 x 8-1/2" Long	4	-
24	E-2548	-	93600174	Washer, 1-1/4"	8	-
25	E-4358	-	93400506	Nut, 1-1/8" - 7	4	-
26	S.O.S.	SAF	91018039	Radius Rod Axle Bracket	2	-
27	S.O.S.	SAF	90041807	U-Bolt, Assembly, Flat Rd., 1" - 8 x 5-1/16" Wide x 7-1/2" Long	2	-
	S.O.S.	SAF	90041842	U-Bolt, Assembly, Flat Rd., 1" - 8 x 5-13/16" Wide x 8" Long	2	-
28	E-4348	-	93003345	Bolt, 5/8" - 11 x 2" Long	16	-
29	E-2547	-	93900025	Flat Washer, 5/8"	20	-
30	E-4348	SAF	93003387	Bolt, 5/8" - 11 x 2" Long	4	-
31	S.O.S.	SAF	91544147	Fixed Radius Rod, Includes Bushings	1	-
32	E-2988	-	93400490	Nut, 5/8" - 11	20	-
33	E-16615	SAF	91001089	Axle Adapter, 5" Round Axle	4	SAF-121
	S.O.S.	SAF	91001120	Axle Adapter, 5-3/4" Round Axle	4	-
34	E-2945	-	91028051	Wrapper, 5" Round Axle, Rubber, 5" W x 9" Lg x 3/4" Thk	4	SAF-122
	E-2946	-	91028053	Wrapper, 5-3/4" Round Axle, Rubber, 5" W x 9-1/2" Lg x 3/8" Thk	4	SAF-122
35	E-1330	-	91028089	End Pad, Rubber	4	SAF-122
	GAFF14522	-	-	End Pad, Poly	4	SAF-122
36	E-16585	SAF	91010060	Axle Cap, End, 5" Round Axle, 15" Wheel	4	SAF-121
	S.O.S.	SAF	91010059	Axle Cap, 5-3/4" Round Axle	4	-
37	E-17014	SAF	93003941	Bolt, 7/8" - 9 x 9" Long	8	-
38	E-2983	-	93400498	Nut, 7/8" - 9	8	-
39	E-2546	-	93600162	Washer, 7/8"	8	-

SAF Denotes Product is Genuine SAF-Holland Neway

SAF-HOLLAND NEWAY

Air Suspension - Beam Bushings

SAF-HOLLAND NEWAY

Beam Bushing

FOR MODELS:
AD Models &
ARDST/ARDSTM & L



Front Pivot

EUCLID NO.	OEM REF.	OD	ID	LENGTH	NOTES
E-9292	90008252	3-1/2"	1-1/8"	5"	Rubber
GAFF14514	-	3-1/2"	1-1/8"	5"	Poly

Beam Bushing

FOR MODEL:
ARD-125



Pre-1981

EUCLID NO.	OEM REF.	OD	ID	LENGTH	NOTES
E-2940	90008002	2-3/8"	1-1/4"	5"	Rubber

Beam Bushing

FOR MODEL:
AD-130



Front Pivot

EUCLID NO.	GENUINE	OEM REF.	OD	ID	LENGTH	NOTES
E-16567		90008256	3-1/2"	1-1/4"	5-1/4"	Rubber

Beam Bushing

FOR MODELS:
AR-50-US, ARD-125,
TR-8750 & TR-8900




Front Pivot


EUCLID NO.	OEM REF.	OD	ID	LENGTH	NOTES
E-4255	90008131	2-3/8"	1-1/8"	5"	Rubber
E-7845	-				Poly

Beam Bushing

FOR MODELS:
AD-200 & ARDAB




Front Pivot

EUCLID NO.	GENUINE	OEM REF.	OD	ID	LENGTH	NOTES
E-9286		90008165	3-1/2"	15/16"	4-1/4"	Rubber

Beam Bushing

FOR MODELS:
AR, ART, ARU and
RL Models



Front Pivot

EUCLID NO.	OEM REF.	OD	ID	LENGTH	NOTES
E-4382A	90008139	3-1/2"	1-1/8"	5-1/4"	Rubber
GAFF14513	-				Poly

Beam Bushing

FOR MODELS:
ARD-120 & ARD-234



Front Pivot

EUCLID NO.	OEM REF.	OD	ID	LENGTH	NOTES
E-4256	90008145	2-5/8"	1-1/8"	5"	Rubber

Beam Bushing

FOR MODELS:
CB & CBX Models



Front Pivot

EUCLID NO.	GENUINE	OEM REF.	OD	ID	LENGTH	NOTES
E-16566		90008247	4-3/4"	1-1/8"	5"	Rubber
GAFF50046	-	-	4-3/4"	1-1/8"	5"	Poly

 Denotes Product is Genuine SAF-Holland Neway

Air Suspension - Beam Bushings

Beam Bushing

FOR MODEL:
AD-123



Axle Connection

EUCLID NO.	GENUINE	OEM REF.	NOTES
E-10678		90008175	Bar Pin Style, Rubber

Beam Bushing

FOR MODEL:
AD-200




Rear Axle Connection



EUCLID NO.	GENUINE	OEM REF.	OD	ID	LENGTH	NOTES
E-16560		90008190	3-1/2"	1-1/8"	3-7/8"	Rubber

Beam Bushing

FOR MODELS:
AD-126, AD-130




Axle Connection

EUCLID NO.	GENUINE	OEM REF.	OD	ID	LENGTH	NOTES
E-16607		90008195	3"	2-1/2"	5-1/4"	Beam, Thru Bolt Style, Rubber
E-16564		90008225			6"	

Beam Bushing

FOR MODELS:
AD & ARD Models




Axle Connection


EUCLID NO.	OEM REF.	OD	ID	LENGTH	NOTES
E-4253	90008008	3-7/8"	2-1/2"	5-3/4"	Rubber
GAFF14527	-				Poly

Beam Bushing

FOR MODEL:
AD-126




Axle Connection

EUCLID NO.	GENUINE	OEM REF.	LENGTH	NOTES
E-16636		90508012	10-3/4"	Beam, Bar Pin Style, Rubber

Beam Bushing

FOR MODELS:
AD Models & ARD-125




Transverse Connection


EUCLID NO.	OEM REF.	OD	ID	LENGTH	NOTES
E-4252	90008006	3-7/8"	2-1/2"	5-1/4"	Rubber
GAFF31592	90008219	3-7/8"	2-1/2"	5-1/4"	Poly

Beam Bushing

FOR MODEL:
AD-200




Front Axle Connection


EUCLID NO.	GENUINE	OEM REF.	OD	ID	LENGTH	NOTES
E-16561		90008191	3-7/8"	1-1/8"	3-7/8"	Rubber


Beam Bushing

FOR MODEL:
ARDAB-120



Axle Connection

EUCLID NO.	GENUINE	OEM REF.	OD	LENGTH	A	NOTES
E-9287		90008189	3-3/4"	7-7/8"	3/4"	Straight Pin, Rubber

 Denotes Product is Genuine SAF-Holland Neway


SAF-HOLLAND NEWAY

Air Suspension - Beam Bushings


SAF-HOLLAND NEWAY

Beam Bushing

FOR MODEL:
ARDAB-120




Axle Connection

EUCLID NO.	GENUINE	OEM REF.	OD	LENGTH	A	NOTES
E-9288		90008172	3-3/4"	7-7/8"	1-3/8"	Offset Pin, Rubber

Beam Bushing

FOR MODELS:
AD-200 & ARD Models




Transverse Connection

EUCLID NO.	OEM REF.	OD	ID	LENGTH	NOTES
E-4257	90008113	2-25/32"	3-9/16"	2-1/8"	Rubber

Beam Bushing

FOR MODELS:
AR, ARU and RL Models



Axle Connection

EUCLID NO.	OEM REF.	OD	ID	LENGTH	NOTES
E-4410A	90008149	2-3/4"	1-1/8"	5"	Rubber
GAFF14533	-	2-3/4"	1-1/8"	5"	Poly

Beam Bushing

FOR MODEL:
ARD-234




Transverse Connection

EUCLID NO.	OEM REF.	OD	ID	LENGTH	NOTES
E-4254	90008104	3-3/8"	2"	5-1/4"	Rubber

V-Rod Bushing Connection Kit

FOR MODELS:
ADZ




EUCLID NO.	OEM REF.	NOTES
E-17686	SRK-645	Includes Bushings and Hardware to rebuild one V-Rod

Beam Bushing

FOR MODEL:
ADL-120




Rear Transverse Connection

EUCLID NO.	GENUINE	OEM REF.	OD	ID	LENGTH	NOTES
E-16565		90008241	3-1/2"	1-1/8"	3-7/8"	Rubber

Beam Bushing

FOR MODELS:
AD-130 &
ARDST/ARDSTM & L




Transverse Connection

EUCLID NO.	OEM REF.	OD	ID	LENGTH	NOTES
E-9293	90008135	4-1/8"	2-5/8"	5-1/4"	Rubber

Bar-Pin Bushing

FOR MODEL:
ADZ




Included in Kit E-17686

EUCLID NO.	OEM REF.	OD	LENGTH	BOLT HOLE DIA.	NOTES
E-17682	90008267	3-1/8"	8"	1"	Rubber
GAFF14536	-				Poly

 Denotes Product is Genuine SAF-Holland Neway

Air Suspension - Beam Bushings

Bar-Pin Bushing					
FOR MODEL: ADZ					
					
Included in Kit E-17686					
EUCLID NO.	OEM REF.	OD	BOLT HOLE DIA.	C-TO-C LENGTH	NOTES
E-10303	90008264	2-3/4"	5/8"	4-3/8"	Rubber
E-10303-P	Price Point				Rubber
GAFF11729	-				Poly

Beam End Bushing					
FOR MODEL: ADZ					
					
Included in Kit E-17684					
EUCLID NO.	OEM REF.	OD	ID	LENGTH	NOTES
E-17683	90008279	3-1/4"	1-1/8"	3-7/8"	Rubber

Torque Arm Bushing					
FOR MODEL: AD-120					
					
EUCLID NO.	OEM REF.	OD	ID	LENGTH	NOTES
E-1061	90008243	7/8"	1-29/32"	3"	Rubber Bushing

V-Rod Thru Bolt Bushing					
FOR MODEL: ADZ					
					
Included in Kit E-17686					
EUCLID NO.	OEM REF.	OD	ID	LENGTH	NOTES
E-17678	90008264	2-3/4"	1"	2-7/8"	Rubber
GAFF14537	-				Poly

SAF-HOLLAND NEWAY

Air Suspension - Pivot & Beam Connection Components

SAF-HOLLAND NEWAY

Alignment Block

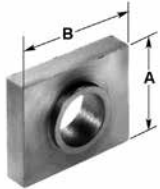


"A" Dimension is the total thickness

EUCLID NO.	GENUINE	OEM REF.	MODELS	OD	ID	A	NOTES
E-4265		90008092	AR-70-9, AR-95-9 and AR-95A	2-3/4"	1-1/8"	7/8"	Inner Block
E-4267	-	90008120	AD, ARDST, and ARD Models	2-3/4"	1-1/8"	1"	-
E-9284		90008147	AR, ART, ARU, and RL Models	3-3/16"	1-1/8"	59/64"	-
E-16563		90008198	RL 228, 250 & 300 Models	2-7/8"	1-1/8"	11/16"	-

Alignment Block

FOR MODELS:
AR-50-US and
ART-500/5551



EUCLID NO.	GENUINE	OEM REF.	ID	A	B
E-4263		90001045	1-1/4"	2-1/2"	3"

Alignment Block

FOR MODELS:
AR-250, ARU-92 &
RL196A



EUCLID NO.	GENUINE	OEM REF.	OD	ID	LENGTH	NOTES
E-16558		90008185	3-1/4"	2"	1/2"	Non-Weld Application

Alignment Block

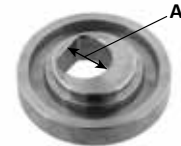
FOR MODELS:
AR-70-9 & AR-95-9



EUCLID NO.	GENUINE	OEM REF.	ID	NOTES
E-4268		90008091	1-1/8"	Outer Block

Alignment Block


FOR MODELS:
AR-250, ARU-92 &
RL Models





EUCLID NO.	GENUINE	OEM REF.	OD	A	NOTES
E-15535		90008238	3-1/4"	1"	Non-Weld Application

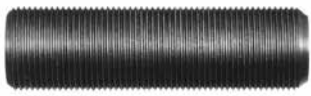
Denotes Product is Genuine SAF-Holland Neway

Air Suspension - Pivot & Beam Connection Components

Spacer Washer			
FOR MODELS: AR-120 & AR-120-US			
			
EUCLID NO.	OEM REF.	OD	ID
E-2959	93600035	5-7/16"	3-1/2"

Lock Tab Washer		
FOR MODELS: AD-123, 126 & 130		
		
EUCLID NO.	GENUINE	OEM REF.
E-16617		93600533

Locking Spacer Assembly		
FOR MODELS: AD-123, 126 & 130		
		
EUCLID NO.	GENUINE	OEM REF.
E-15722		90536006

Transverse Beam Stud		
FOR MODELS: ARD-120 & ARD-125		
		
EUCLID NO.	OEM REF.	NOTES
E-4258	90006380	Stud 1-1/4" - 12 x 4-1/4" Long

 Denotes Product is Genuine SAF-Holland Neway

SAF-HOLLAND NEWAY

Air Suspension - Pivot & Beam Connection Kits

SAF-HOLLAND NEWAY

Pivot Connection Kit			
FOR MODELS: AD-123 & ARDST/ARDSTM & L			
EUCLID NO.	GENUINE	OEM REF.	NOTES
E-9300A		48100260/ SRK-200	Includes 2 E-9292 Bushings, 4 Spacer Washers, 2 Bolts, 4 Washers and 2 Nuts

Pivot Connection Kit		
FOR MODELS: ARD-120 & ARD-234		
EUCLID NO.	OEM REF.	NOTES
E-16621	48100204/ SRK-147	Includes 2 E-4256 Bushings, 4 Alignment Blocks, 2 Washers, and 2 Nuts

Pivot Connection Kit, Heavy Duty		
FOR MODELS: AD-126		
EUCLID NO.	OEM REF.	NOTES
E-16562	48100427/ SRK-563	Includes 2 E-9292 Bushings, 4 Spacer Washers, 2 Bolts, 4 Washers and 2 Nuts

Pivot Connection Kit			
FOR MODEL: ARDAB			
EUCLID NO.	GENUINE	OEM REF.	NOTES
E-15532		48100253/ SRK-80-1	Includes 2 E-9286 Bushings, 4 Alignment Blocks, 2 Bolts, and 2 Nuts

Pivot Connection Kit, Heavy Duty		
FOR MODEL: AD-130		
EUCLID NO.	OEM REF.	NOTES
E-16589	48100429/ SRK-565	Includes 2 E-16567 Bushings, 4 Spacer Washers, 2 Bolts, and 2 Nuts

Pivot Connection Kit		
FOR MODELS: AR, ARU, & ART Models		
EUCLID NO.	OEM REF.	NOTES
E-4398A	48100202 / SRK-145	Includes 2 E-4382A Bushings, 4 Spacer Washers, 2 Bolts, and 2 Nuts

Pivot Connection Kit		
FOR MODEL: ARD-125		
EUCLID NO.	OEM REF.	NOTES
E-4393A	48100170/ SRK-120	Post-1981, Includes 2 Bolts, 4 Washers, 4 Alignment Blocks, 2 E-4255 Bushings and 2 Nuts

Pivot Connection Kit		
FOR MODEL: AR-50-US		
EUCLID NO.	OEM REF.	NOTES
E-4396	48100193/ SRK-48A	Includes 2 E-4255 Bushings, 2 Bolts, and 2 Nuts

Denotes Product is Genuine SAF-Holland Neway

Air Suspension - Pivot & Beam Connection Kits

Pivot Connection Kit, Non Weld (EZ-Align)

FOR MODELS:
AR-250 & ARU-92



EUCLID NO.	OEM REF.	NOTES
E-16635	48100294/ SRK-232	Includes 1 E-4382A Bushing, 1 Alignment Block, 1 Alignment Block Non Weld, 1 Bolt, 2 Washers and 1 Nut

Pivot Connection Kit, Non Weld (1 EZ-Align)

FOR MODELS:
RL-250 Models



EUCLID NO.	GENUINE	OEM REF.	NOTES
E-16612		48100383/ SRK-519	Includes 2 E-4382A Bushings, 1 Alignment Block, 1 Alignment Block Non Weld, 2 Bolts, 4 Washers and 2 Nuts

Pivot Connection Kit

FOR MODELS:
RL-196, RL-196A & RL-228



EUCLID NO.	OEM REF.	NOTES
E-9294	48100264/ SRK-203	Includes 2 E-4410A Bushings, 4 Spacer Washers, 2 Bolts, and 2 Nuts

Pivot Connection Kit, Non Weld (2 EZ-Align)

FOR MODELS:
RL-250 Models



EUCLID NO.	GENUINE	OEM REF.	NOTES
E-16613		48100386/ SRK-522	Includes 2 E-4382A Bushings, 2 Bolts with Alignment Blocks, 2 Alignment Blocks Non Weld, 2 Bolts, 4 Washers and 2 Nuts

Pivot Connection Kit, Non Weld (2 EZ-Align)


FOR MODELS:
RL-196A & RL-230 Models



EUCLID NO.	GENUINE	OEM REF.	NOTES
E-16609		48100385/ SRK-521	Includes 2 E-4410A Bushings, 2 Alignment Blocks, 2 Alignment Blocks Non Weld, 2 Bolts, 4 Washers and 2 Nuts

Pivot Connection Kit


FOR MODELS:
RL-300 Models



EUCLID NO.	OEM REF.	NOTES
E-16550	48100388/ SRK-524	Includes 2 E-4382A Bushings, 4 Spacer Washers, 2 Bolts, and 2 Nuts

Pivot Connection Kit, Non Weld (1 EZ-Align)


FOR MODELS:
RL-230 Models



EUCLID NO.	OEM REF.	NOTES
E-16551	48100389/ SRK-525	Includes 2 E-4410A Bushings, 1 Alignment Block, 1 Alignment Block Non Weld, 2 Bolts, 4 Washers and 2 Nuts

Pivot Connection Kit

FOR MODELS:
CB & CBX Models




EUCLID NO.	OEM REF.	NOTES
E-16552	48100394/ SRK-530	Includes 2 E-16566 Bushings, 4 Spacer Washers, 2 Bolts, and 2 Nuts


 Denotes Product is Genuine SAF-Holland Neway


SAF-HOLLAND NEWAY

Air Suspension - Pivot & Beam Connection Kits


SAF-HOLLAND NEWAY


Pivot Bushing Connection Kit		
FOR MODELS: ADZ		
		
EUCLID NO.	OEM REF.	NOTES
E-17684	SRK-643	Includes Two Bushings, Washers, Alignment Collars, and Hardware

Axle Connection Kit, Through Bolt Style			
FOR MODEL: AD-126			
			
EUCLID NO.	GENUINE	OEM REF.	NOTES
E-16637	SAF	48100334/ SRK-471	Includes 2 E-16607 Bushings, 4 Spacer Washers, 4 Washers, 2 Bolts, 2 Bushing Adapters, and 2 Nuts


SwingAlign Kit			
FOR MODELS: CB & CBX Models			
			
EUCLID NO.	GENUINE	OEM REF.	NOTES
E-16553	SAF	48100406/ SRK-542	Includes 2 Pivot Bolts, 4 Washers, 2 Nuts, 2 Alignment Bolts, 2 Nuts, 1 Threaded Rod Assembly, 2 Alignment Plates, and 1 SwingAlign Yoke

Axle Connection Kit, Bar Pin Style			
FOR MODEL: AD-126			
			
EUCLID NO.	GENUINE	OEM REF.	NOTES
E-16638	SAF	48100313/ SRK-450	Includes 2 E-16636 Bushings, 4 Washers, 4 Bolts, and 4 Nuts

Axle Connection Kit, Through Bolt Style		
FOR MODELS: AD-123, ARDST/ARDSTM & L, & ARD Models		
		
EUCLID NO.	OEM REF.	NOTES
E-4387	48100124/ SRK-80	Includes 2 E-4253 Bushings, 4 Spacer Washers, 4 Washers, 2 Bolts, 2 Bushing Adapters, and 2 Nuts

Axle Connection Kit, Through Bolt Style			
FOR MODEL: AD-130			
			
EUCLID NO.	GENUINE	OEM REF.	NOTES
E-16639	SAF	48100362/ SRK-498	Includes 2 E-16564 Bushings, 4 Washers, 2 Bolts, 2 Bushing Adapters, and 2 Nuts

Axle Connection Kit, Bar Pin Style			
FOR MODEL: AD-123			
			
EUCLID NO.	GENUINE	OEM REF.	NOTES
E-15340	SAF	48100315/ SRK-452	Includes 2 E-10678 Bushings, 4 Spacer Washers, 4 Washers, 4 Bolts, and 4 Nuts


Axle Connection Kit, 2° - 8° Pinion Angle			
FOR MODEL: ARDAB			
			
EUCLID NO.	GENUINE	OEM REF.	NOTES
E-9296	SAF	48100246/ SRK-189	Includes 1 Straight E-9287 Bushing, 1 Offset E-9288 Bushing, 2 Spacer Washers, 8 Washers, 8 Bolts, and 8 Nuts


SAF Denotes Product is Genuine SAF-Holland Neway

Air Suspension - Pivot & Beam Connection Kits

Axle Connection Kit, 1° & 8.1° - 13° Pinion Angle


FOR MODEL:
ARDAB



EUCLID NO.	GENUINE	OEM REF.	NOTES
E-9297		48100247/ SRK-190	Includes 2 E-9288 Offset Bushing, 2 Spacer Washers, 8 Washers, 8 Bolts, and 8 Nuts

Transverse Beam Connection Kit


FOR MODEL:
AD-126



EUCLID NO.	OEM REF.	NOTES
E-16577	48100335/ SRK-472	Includes 2 E-4252 Bushings, 2 Washers, 2 Spacer Assemblies, 2 Lock Tab Washers, and 2 Nuts

Axle Connection Kit

FOR MODELS:
AR, ARU, &
RL Models



EUCLID NO.	OEM REF.	NOTES
E-4411A	48100206/SRK-149	Includes 4 E-4410A Bushings, 8 Spacer Washers, 8 Washers, 4 Bolts, and 4 Nuts
E-17498	SRK-265	

Transverse Beam Connection Kit

FOR MODEL:
AD-130



EUCLID NO.	OEM REF.	NOTES
E-16608	48100364/ SRK-500	Includes 2 E-9293 Bushings, 2 Washers, 2 Spacer Assemblies, 2 Lock Tab Washers, and 2 Nuts

Axle Bar Bushing Connection Kit

FOR MODELS:
ADZ



EUCLID NO.	OEM REF.	NOTES
E-17685	SRK-644	Includes Two Bushings, Washers, and Hardware

Transverse Beam Connection Kit


FOR MODELS:
ARDST/ARDSTM & L




EUCLID NO.	GENUINE	OEM REF.	NOTES
E-9301		48100261/ SRK-201	Includes 2 E-9293 Bushings, 2 Washers, 2 Spacer Washers, 2 Spring Pins, and 2 Slotted Nuts

Transverse Beam Connection Kit


FOR MODEL:
AD-123



EUCLID NO.	GENUINE	OEM REF.	NOTES
E-16624		48100276/ SRK-214	Includes 2 E-4252 Bushings, 2 Washers, 2 Spacer Assemblies, 2 Lock Tab Washers, and 2 Nuts

Transverse Beam Connection Kit

FOR MODEL:
ARD-234

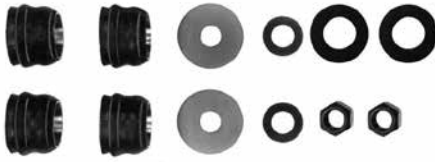


EUCLID NO.	OEM REF.	NOTES
E-16620	48100143/ SRK-95	Includes 2 E-4254 Bushings, 2 Washers, 2 Spacer Washers, and 2 Nuts

 Denotes Product is Genuine SAF-Holland Neway



Transverse Beam Connection Kit



FOR MODELS:
ARD-120 & ARD-125





EUCLID NO.	OEM REF.	NOTES
E-4401A	48100161/ SRK-77-1	Includes 4 E-4257 Bushings, 2 Washers, 2 Spacer Washers, and 2 Nuts

Air Suspension - Beams

Equalizing Beam				
FOR MODEL: AR-120-US				
				
EUCLID NO.	GENUINE	OEM REF.	O.A.L.	NOTES
E-9530		90515026	40"	Roadside, Includes Lower Shock Bracket

Equalizing Beam			
FOR MODEL: RL-288			
			
EUCLID NO.	GENUINE	OEM REF.	NOTES
E-16584		90516567	Curbside, Includes E-4410A Bushings

Equalizing Beam				
FOR MODEL: AR-120-US				
				
EUCLID NO.	GENUINE	OEM REF.	O.A.L.	NOTES
E-9531		90515027	40"	Curbside, Includes Lower Shock Bracket



Equalizing Beam			
FOR MODEL: RL-288			
			
EUCLID NO.	GENUINE	OEM REF.	NOTES
E-16583		90516566	Roadside, Includes E-4410A Bushings



 Denotes Product is Genuine SAF-Holland Neway



SAF-HOLLAND NEWAY



Air Suspension - Coil Spring Lift Components & Kits

SAF-HOLLAND NEWAY

Cam Assembly, 1"		
FOR MODELS: ART Models		
		
EUCLID NO.	GENUINE	OEM REF.
E-4399		48100144/SRK-96

Coil Spring Lift Kit, 1/2" Pin		
FOR MODELS: ART Models		
		
EUCLID NO.	GENUINE	OEM REF.
E-4400		48100151/SRK-103

Coil Spring Replacement Kit, For "B" Models Only		
FOR MODELS: ART Models		
		
EUCLID NO.	GENUINE	OEM REF.
E-16622		48100216/SRK-159

Coil Spring Lift Kit, For "C" Models Only		
FOR MODELS: ART Models		
		
EUCLID NO.	GENUINE	OEM REF.
E-10799		48100215/SRK-158

 Denotes Product is Genuine SAF-Holland Neway

Air Suspension - Axle Attaching

Axle Cap, 5" Round Axle

FOR MODELS:
AR Models



EUCLID NO.	GENUINE	OEM REF.
E-4282	SAF	90010032

Axle Adapter, 5" Round Axle

FOR MODELS:
AR & ART Models



EUCLID NO.	GENUINE	OEM REF.
E-4289	SAF	90001082

Axle Cap 5" Square Axle

FOR MODELS:
AR Models



EUCLID NO.	GENUINE	OEM REF.
E-4283	SAF	90010022

Axle Adapter, 5" Round Axle

FOR MODELS:
AR-80 & AR-95A



EUCLID NO.	GENUINE	OEM REF.
E-16554	SAF	90001132

Axle Cap 5" Round Axle

FOR MODEL:
AR-95A



EUCLID NO.	GENUINE	OEM REF.
E-4281	SAF	90010002

Axle Adapter 5" Square Axle

FOR MODEL:
AR-95A



EUCLID NO.	GENUINE	OEM REF.
E-16555	SAF	90001133

Axle Cap 5" Square Axle

FOR MODEL:
AR-95A



EUCLID NO.	GENUINE	OEM REF.
E-16572	SAF	90010047

SAF Denotes Product is Genuine SAF-Holland Neway

SAF-HOLLAND NEWAY

Air Suspension - Axle Attaching

SAF-HOLLAND NEWAY

Axle Adapter

FOR MODELS:
RL-228 &
RL-230 Models



EUCLID NO.	GENUINE	OEM REF.	NOTES
E-16581		90501462	Roadside-Inboard
E-16557		90001341	Roadside-Outboard
E-16582		90501463	Curbside-Inboard
E-16556		90001340	Curbside-Outboard

Wrapper, 5" Square Axle

FOR MODELS:
AR & ART Models



EUCLID NO.	OEM REF.	NOTES
E-4409	90028073	Rubber, 9-5/8" W x 7-1/4" Lg x 1/2" Thk

Wrapper, 5" Round Axle

FOR MODELS:
AR-50-US, AR-95A, AR-120



EUCLID NO.	OEM REF.	NOTES
E-2009	90028007	Rubber, 7-1/4" W x 7-1/4" Lg x 3/8" Thk

Axle Seat

FOR MODELS:
AR & ART Models
AR-80, AR-95A &
AR-120-US



EUCLID NO.	GENUINE	OEM REF.	A
E-4292		90001006	3-1/2"
E-4293		90001131	3-5/8"

Wrapper, Square Axle

FOR MODEL:
AR-120



EUCLID NO.	OEM REF.	NOTES
E-2944	90028005	Rubber, 7-1/4" W x 9-9/16" Lg x 3/8" Thk

Wrapper, 5" Round Axle

FOR MODELS:
AR & ART Models



EUCLID NO.	OEM REF.	NOTES
E-2943	90028047	Rubber, 7-1/4" W x 9" Lg x 1/2" Thk

Axle Pad

FOR MODELS:
AR & ART Models



EUCLID NO.	OEM REF.	NOTES
E-2947A	90028083	Rubber, 5-5/8" W x 7" Lg x 7/16" Thk


Denotes Product is Genuine SAF-Holland Neway

SAF-HOLLAND NEWAY

Air Suspension - Axle Attaching

Suspension

SAF-HOLLAND NEWAY

Axle Pad		
FOR MODELS: AR-50-US & AR-120		
		
EUCLID NO.	OEM REF.	NOTES
E-2010	90028016	Rubber, 5-5/8" W x 7" Lg x 3/8" Thk

Down Strap		
FOR MODEL: ARDAB		
		
EUCLID NO.	GENUINE	OEM REF.
E-9289		90044827

Plastic Shim			
FOR MODELS: AD-200 & ARDAB			
			
EUCLID NO.	GENUINE	OEM REF.	NOTES
E-9290		90044887	1-1/4" W x 4-1/4" Lg x 19/64" Thk

 Denotes Product is Genuine SAF-Holland Neway


SAF-HOLLAND NEWAY

Air Suspension - Axle Attaching Kits

SAF-HOLLAND NEWAY

Axle Attaching Kit, 5" Round Axle


FOR MODELS:
AR & ART Models




EUCLID NO.	OEM REF.	NOTES
E-2977A	48100108/ SRK-64	Includes 4 U-Bolt Assemblies, 2 Axle Wrappers, 2 Axle Pads, and 8 Washers

Axle Attaching Kit, 5" Round Axle

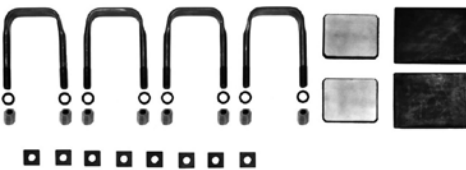
FOR MODEL:
AR-95A



EUCLID NO.	GENUINE	OEM REF.	NOTES
E-16549		48100186/ SRK-132	Includes 4 U-Bolt Assemblies, 2 Axle Wrappers, 2 Axle Pads, and 8 Washers

Axle Attaching Kit, 5" Square Axle

FOR MODELS:
AR & ART Models



EUCLID NO.	OEM REF.	NOTES
E-6898	48100112/ SRK-68	Includes 4 U-Bolt Assemblies, 2 Axle Wrappers, 2 Axle Pads, and 8 Washers

Axle Attaching Kit, 5" Round Axle


FOR MODELS:
AR-120 & ART Model



EUCLID NO.	OEM REF.	NOTES
E-16568	48100110/ SRK-66	Includes 4 U-Bolt Assemblies, 2 Axle Wrappers, 2 Axle Pads, and 8 Washers

Axle Attaching Kit, 5" Round Axle

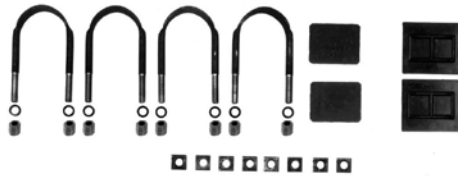
FOR MODELS:
AR-50-US &
AR-120



EUCLID NO.	OEM REF.	NOTES
E-2978A	48100018/ SRK-49	Includes 4 U-Bolt Assemblies, 2 Axle Wrappers, 2 Axle Pads, and 8 Washers

Axle Attaching Kit, 5" Round Axle

FOR MODELS:
AR-70/75/85/95,
AR-120-US &
ART Models



EUCLID NO.	OEM REF.	NOTES
E-4390	48100181/ SRK-128	Includes 4 U-Bolt Assemblies, 2 Axle Wrappers, 2 Axle Pads, and 8 Washers



 Denotes Product is Genuine SAF-Holland Neway



SAF-HOLLAND NEWAY



Air Suspension - Shock & Air Spring Components

Suspension



SAF-HOLLAND NEWAY


Lower Shock Bracket		
FOR MODELS: AR-41/45/45-1 & AR-50-US		
		
EUCLID NO.	GENUINE	OEM REF.
E-4338		90519009

Air Spring Mounting Plate		
FOR MODELS: AR, ARU & RL Models		
		
EUCLID NO.	GENUINE	OEM REF.
E-4321		90031027

Lower Shock Mounting Bracket		
FOR MODEL: AR-120-US		
		
EUCLID NO.	GENUINE	OEM REF.
E-4341		90518027

Shock Bushing			
FOR MODELS: AR-80-9FM, ARDST/ARDSTM, ARD, ART, ARU, & RL-196 Models			
			
EUCLID NO.	OEM REF.	ID	NOTES
E-4403	90508004	3/4"	Rubber

Upper Shock Bracket		
FOR MODELS: AR-80/90/92/93, ARDST/ARDSTM & ARD-125		
		
EUCLID NO.	GENUINE	OEM REF.
E-4343		90018115

Shock Bushing				
FOR MODEL: RL-196				
				
EUCLID NO.	OEM REF.	OD	ID	NOTES
E-401754	90008182	1-7/8"	1"	Rubber
GAFF18566	-			Poly

 Denotes Product is Genuine SAF-Holland Neway

SAF-HOLLAND NEWAY

Air Suspension - Height Control Valves & Linkage Kits

SAF-HOLLAND NEWAY

Height Control Valve		
FOR MODELS: AD & ARD Models		
EUCLID NO.	OEM REF.	NOTES
E-13922	90554241	No Dump, Immediate Response, Linkage Included

Height Control Valve			
FOR MODELS: CB & CBX Models			
EUCLID NO.	GENUINE	OEM REF.	NOTES
E-16571		50860016	Remove Air to Dump

Height Control Valve		
FOR MODELS: AR, ART, ARU & RL Models		
EUCLID NO.	OEM REF.	NOTES
E-4323	90054007	No Dump, Delayed Response, Linkage Fittings Included

Height Control Valve, Universal			
FOR MODELS: CB & CBX Models			
EUCLID NO.	GENUINE	OEM REF.	NOTES
E-16580		50860014	Apply Air to Dump

Height Control Valve		
FOR MODELS: AD & ARD Models		
EUCLID NO.	OEM REF.	NOTES
E-9623	H00450CA	No Dump, Immediate Response, Brackets Included

Height Control Valve, Universal		
FOR MODELS: CB & CBX Models		
EUCLID NO.	OEM REF.	NOTES
E-14729	H01500UN	No Dump

Height Control Valve			
FOR MODELS: CB & CBX Models			
EUCLID NO.	GENUINE	OEM REF.	NOTES
E-16586		50860013	No Dump


Height Control Valve, Universal		
FOR MODELS: CB & CBX Models		
EUCLID NO.	OEM REF.	NOTES
E-14730	H01502UNC	Remove Air to Dump

Denotes Product is Genuine SAF-Holland Neway

Air Suspension - Height Control Valves & Linkage Kits

Height Control Valve, Universal


FOR MODELS:
CB & CBX Models



EUCLID NO.	OEM REF.	NOTES
E-14731	H01501UD	Apply Air to Dump

Link Half


FOR ALL MODELS




EUCLID NO.	OEM REF.	A	ID
E-4334	90054460	14"	1/4"

Linkage Kit


FOR MODELS:
AD & ARD Models



EUCLID NO.	GENUINE	OEM REF.
E-16623		48100267/SRK-205

Hand Valve


FOR ALL MODELS



EUCLID NO.	OEM REF.
E-4329	90054082

Linkage Kit


FOR MODELS:
AR, ART, ARU & RL Models



EUCLID NO.	OEM REF.
E-7852	48100225/SRK-168

Electric Valve

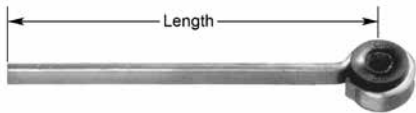
FOR ALL MODELS



EUCLID NO.	OEM REF.	NOTES
E-4331	90054075	Normally Open

Link Half


FOR ALL MODELS



EUCLID NO.	OEM REF.	A	ID
E-4333	90054188	8"	1/4"

Electric Valve

FOR ALL MODELS:




EUCLID NO.	OEM REF.	NOTES
E-4325	90054074	Normally Closed


 Denotes Product is Genuine SAF-Holland Neway


SAF-HOLLAND NEWAY


Air Suspension - Height Control Valves & Linkage Kits


SAF-HOLLAND NEWAY


Quick Release Valve	
FOR ALL MODELS	
	
EUCLID NO.	OEM REF.
E-4330A	90054096

Manual Valve	
FOR ALL MODELS	
	
EUCLID NO.	OEM REF.
E-4326	90054088

Brake Protection Valve	
FOR ALL MODELS	
	
EUCLID NO.	OEM REF.
E-4324	90554107/90054001

Pressure Regulator Valve	
FOR ALL MODELS	
	
EUCLID NO.	OEM REF.
E-4327	90054077


Pilot Valve	
FOR ALL MODELS	
	
<p>Exhaust</p>	
EUCLID NO.	OEM REF.
E-4328	90054079

Air Gauge	
FOR ALL MODELS	
	
EUCLID NO.	OEM REF.
E-4332	90054280

Trailer Four Spring

Equalizer Bushing


FOR MODEL:
Duralite SP900



EUCLID NO.	OEM REF.	OD	ID	LENGTH	NOTES
E-4827	XB-SP0054-05	3-5/16"	1-1/32"	4"	Equalizer, Rubber
GAFF15054	-	3-5/16"	1-1/32"	4"	Equalizer, Poly

Rebound Spacer Sleeve


FOR MODEL:
Duralite SP900




EUCLID NO.	OEM REF.	NOTES
E-3416	XB-SP0145	5/8"

Equalizer


FOR MODEL:
Duralite SP900



EUCLID NO.	GENUINE	OEM REF.	O.A.L.	NOTES
E-9305		SP0131	15"	Includes E-4827 Bushing
E-9305-P	-	-	15"	Price Point

Rebound Bolt Assembly


FOR MODEL:
Duralite SP900



EUCLID NO.	NOTES
E-4835	Includes 8 Bolts, 8 Nuts, and 8 Spacer Sleeves

Equalizer Bolt Assembly


FOR MODEL:
Duralite SP900




EUCLID NO.	NOTES
E-9309	Includes Bolt and Nut, 1"-14 x 6" Long

Rigid Torque Arm


FOR MODEL:
Duralite SP900



EUCLID NO.	GENUINE	OEM REF.	NOTES
E-9307		SP0143	19-1/4" Center-To-Center, Includes E-1980 Bushings

Rebound Bolt


FOR MODEL:
Duralite SP900




EUCLID NO.	OEM REF.	NOTES
E-3415	XB-SP0050-71	5/8" - 18 x 4-1/2" Long

Adjustable Torque Arm

FOR MODEL:
Duralite SP900





EUCLID NO.	OEM REF.	NOTES
E-4824	SP0123	19-1/4" Center-To-Center, Includes E-1980 Bushings



 Denotes Product is Genuine SAF-Holland Neway



SAF-HOLLAND NEWAY



Trailer Four Spring

SAF-HOLLAND NEWAY

Front Hanger - Straddle Mount		
FOR MODEL: Duralite SP900		
		
EUCLID NO.	GENUINE	OEM REF.
E-9302		SP0100

Front Hanger - Under Mount		
FOR MODEL: Duralite SP900		
		
EUCLID NO.	GENUINE	OEM REF.
E-16633		SP0162

Equalizer Hanger - Straddle Mount		
FOR MODEL: Duralite SP900		
		
EUCLID NO.	GENUINE	OEM REF.
E-9303		SP0110


Equalizer Hanger - Under Mount		
FOR MODEL: Duralite SP900		
		
EUCLID NO.	GENUINE	OEM REF.
E-16632		SP0161


Rear Hanger - Straddle Mount		
FOR MODEL: Duralite SP900		
		
EUCLID NO.	GENUINE	OEM REF.
E-9304		SP0120


Rear Hanger - Under Mount		
FOR MODEL: Duralite SP900		
		
EUCLID NO.	GENUINE	OEM REF.
E-16631		SP0160





 Denotes Product is Genuine SAF-Holland Neway

Trailer Four Spring


Torque Arm Bushing					
FOR MODEL: Duralite SP900					
					
EUCLID NO.	OEM REF.	OD	ID	LENGTH	NOTES
E-1980	XB-SP0054-02	1-29/32"	7/8"	3"	Rubber Bushing
GAFF15013	-				Poly Bushing

Top Plate	
FOR MODEL: Duralite SP900	
	
E-2907A	E-2907A-P
EUCLID NO.	OEM REF.
E-2907A	SP0136
E-2907A-P	Price Point

Torque Arm Hardware Assembly	
FOR MODEL: Duralite SP900	
	
EUCLID NO.	NOTES
E-9308	Includes Bolt and Nut, 7/8"-14 x 4-3/4" Long

Spring Seat			
FOR MODEL: Duralite SP900			
			
EUCLID NO.	GENUINE	HEIGHT	OEM REF.
E-16628		3/4"	SP0142-01
E-16629		1-1/4"	SP0142-02
E-16630		2-3/4"	SP0149-05

Bottom Plate - Rear Axle, No-Hop		
FOR MODEL: Duralite SP900		
		
EUCLID NO.	GENUINE	OEM REF.
E-16634		SP0170

Bottom Plate	
FOR MODEL: Duralite SP900	
	
EUCLID NO.	OEM REF.
E-2909	SP0099
E-2909-A	Price Point

 Denotes Product is Genuine SAF-Holland Neway

SAF-HOLLAND NEWAY

Trailer Four Spring

SAF-HOLLAND NEWAY

Delrin Spring Liner

FOR MODEL:
Duralite SP900



EUCLID NO.	OEM REF.
E-2842	SP0049

Spring End Cap

FOR MODELS:
TL Models



EUCLID NO.	GENUINE	OEM REF.
E-4310		91010054

Equalizer Bushing

FOR MODELS:
TL-636



EUCLID NO.	OEM REF.	OD	ID	LENGTH	NOTES
E-1335	91008037	3-3/4"	2-13/16"	4"	Equalizer, Rubber

Spring End Boot

FOR MODELS:
TL Models



EUCLID NO.	OEM REF.
E-4307	91008032

Top Plate

FOR MODELS:
TL Models, T-8540,
TR-8540, TR-8600,
TR-8750 & TR-8900



EUCLID NO.	GENUINE	OEM REF.
E-4300		91010108

Spring End Retainer



FOR MODELS:
TL Models






EUCLID NO.	GENUINE	OEM REF.
E-4306		91001062


Denotes Product is Genuine SAF-Holland Neway

Trunnion Suspensions

Equalizing Beam				
FOR MODELS: T-8540, TR-8540, TR-8600, TR-8750, TR-8900				
				
EUCLID NO.	GENUINE	OEM REF.	NOTES	O.A.L.
E-9534		91015015	5" Round Axle	43-3/8"


Trunnion Bushing					
FOR MODELS: TS Models					
					
EUCLID NO.	OEM REF.	OD	ID	LENGTH	NOTES
E-1332	91008022	5"	4"	8-3/4"	Rubber
GAFF14521	-				Poly


Equalizing Beam			
FOR MODELS: RTS Models			
			
EUCLID NO.	GENUINE	OEM REF.	O.A.L.
E-9535		91515001	43-3/8"

Trunnion Mounting Bracket		
FOR MODELS: TS-426-A Thru -542		
		
EUCLID NO.	OEM REF.	C
E-5213	91001054	2-1/2"
E-4312	91001055	4-1/2"
E-5214	91001056	6-1/2"
E-5215	91001058	8-1/2"

Trunnion Bushing					
FOR MODELS: RTS Models					
					
EUCLID NO.	OEM REF.	OD	ID	LENGTH	NOTES
E-1333	91008014	5"	4"	5-3/4"	Rubber

Trunnion Bushing					
FOR MODELS: T-8540, TR-8540, TR-8600, TR-8750 & TR-8900					
					
EUCLID NO.	OEM REF.	OD	ID	LENGTH	NOTES
E-2935	90008011	4-1/2"	3-1/2"	5-3/4"	Rubber
GAFF14088	-				Poly



Trunnion Cap		
FOR MODELS: RTS Models		
		
EUCLID NO.	GENUINE	OEM REF.
E-4303		91010098

 Denotes Product is Genuine SAF-Holland Neway

Trunnion Suspensions

SAF-HOLLAND NEWAY


Trunnion Cap		
FOR MODELS: T-8540, TR-8540 & TR-8600		
		
EUCLID NO.	GENUINE	OEM REF.
E-16570		90010009



Trunnion Spring Seat		
FOR MODELS: TS Models		
		
EUCLID NO.	GENUINE	OEM REF.
E-4301		91001051


Trunnion Cap		
FOR MODELS: TS Models		
		
EUCLID NO.	GENUINE	OEM REF.
E-4302		91010047

Beam Bushing					
FOR MODELS: AR-50-US, ARD-125, TR-8750 & TR-8900					
					
Front Pivot					
EUCLID NO.	OEM REF.	OD	ID	LENGTH	NOTES
E-4255	90008131	2-3/8"	1-1/8"	5"	Rubber
E-7845	-				Poly

Trunnion Tube			
FOR MODELS: RTS Models T-8540, TR-8540, TR-8600, TR-8750 & TR-8900			
			
EUCLID NO.	GENUINE	OEM REF.	NOTES
E-9610		91038210	4" OD x 1/2" Wall x 8-3/8" Long
E-16588		91038290	3-1/2" OD x 1/2" Wall x 44-1/4" Long

Torque Arm Bushing					
FOR MODELS: RTS Models, T-8540, TR-8540, TR-8600					
					
EUCLID NO.	OEM REF.	OD	ID	LENGTH	NOTES
E-2939	91008007	2-3/8"	1-1/4"	2-1/2"	Rubber Bushing

Trunnion Tube			
FOR MODELS: TS Models			
			
EUCLID NO.	GENUINE	OEM REF.	NOTES
E-2964		91038003	4" OD x 1/2" Wall x 48" Long


Torque Arm Bushing Assembly		
FOR MODELS: RTS Models, T-8540, TR-8540, TR-8600		
		
EUCLID NO.	OEM REF.	NOTES
E-4391	48100050/ SRK-39	Includes 4 Bushings, 4 Bolts, and 4 Nuts


 Denotes Product is Genuine SAF-Holland Neway

Trunnion Suspensions

Torque Arm End

FOR MODELS:
RTS Models,
T-8540, TR-8540, TR-8600



EUCLID NO.	GENUINE	OEM REF.	NOTES
E-4317		91544003	Right Hand Threads

Axle Cap

FOR MODELS:
RTS Models



EUCLID NO.	GENUINE	OEM REF.
E-4288		91010031

Radius Screw

FOR MODELS:
RTS Models



Left Hand Threads One End
Right Hand Threads Opposite End

EUCLID NO.	GENUINE	OEM REF.	NOTES
E-4318A		93200047	1-1/4" - 7 x 11" Long

Axle Adapter

FOR MODELS:
RTS Models



EUCLID NO.	GENUINE	OEM REF.
E-4291		91001040

Axle Cap, 5" Round Axle

FOR MODELS:
T-8540, TR-8540,
TR-8600, TR-8750
& TR-8900



EUCLID NO.	GENUINE	OEM REF.
E-16585		91010060

Top Plate

FOR MODELS:
RTS Models



EUCLID NO.	GENUINE	OEM REF.
E-4299		91010103

Axle Adapter, 5" Round Axle

FOR MODELS:
T-8540, TR-8540,
TR-8600, TR-8750
& TR-8900




EUCLID NO.	GENUINE	OEM REF.
E-16615		91001089

Top Plate

FOR MODELS:
TS Models



EUCLID NO.	GENUINE	OEM REF.
E-4298		91010021

 Denotes Product is Genuine SAF-Holland Neway

Trunnion Suspensions

Wrapper, 5" Round Axle


FOR MODELS:
T-8540, TR-8540,
TR-8600, TR-8750
& TR-8900



EUCLID NO.	OEM REF.	NOTES
E-2945	91028051	Rubber, 5" W x 9" Lg x 3/4" Thk

Spring End Pad

FOR MODELS:
RTS Models



EUCLID NO.	OEM REF.	NOTES
E-1331	91028023	Rubber, 1-5/8" W x 5-7/16" Lg x 11/16" Thk

Wrapper, Round Axle

FOR MODELS:
RTS Models



EUCLID NO.	OEM REF.	NOTES
E-2011	91028010	Rubber, 4" W x 9-1/2" Lg x 3/4"

Spring End Pad

FOR MODELS:
T-8540, TR-8540,
TR-8600, TR-8750 &
TR-8900



EUCLID NO.	GENUINE	OEM REF.	NOTES
E-16587		91028075	Rubber, 5-1/2" W x 3" Lg x 7/8" Thk

Wrapper, 5-3/4" Round Axle

FOR MODELS:
TR-8750 & TR-8900



EUCLID NO.	OEM REF.	NOTES
E-2946	91028053	Rubber, 5" W x 9-1/2" Lg x 3/8" Thk

Spring End Pad


FOR MODELS:
TS Models,
T-8540, TR-8540,
TR-8600, TR-8750 &
TR-8900





EUCLID NO.	OEM REF.	NOTES	MATERIAL
E-1330	91028089	4-5/8" W x 5-1/4" Lg x 13/16" Thk	Rubber
GAFF14522	-	4-5/8" W x 5-1/4" Lg x 13/16" Thk	Poly
E-1329A	91028152	4-5/8" W x 6-1/2" Lg x 5/8" Thk	Rubber
GAFF14540	-	4-5/8" W x 6-1/2" Lg x 5/8" Thk	Poly

Spring End Cap

FOR MODELS:
TS Models



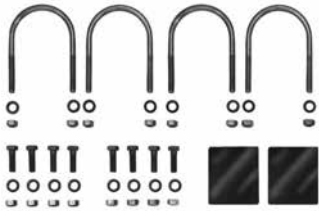
EUCLID NO.	GENUINE	OEM REF.	A
E-4309		91010043	2-13/16"
E-4308		91010038	3-7/8"

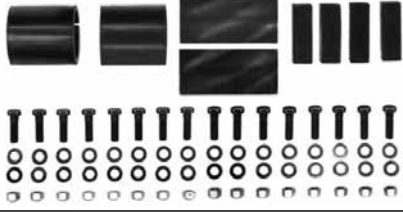
 Denotes Product is Genuine SAF-Holland Neway

Trunnion Suspensions

Spring End Pad, 5" Round Axle	
FOR MODELS: TS Models	
	
EUCLID NO.	OEM REF.
E-4305	91001044

Spring End Pad, Repair Plate		
FOR MODELS: TS Models		
		
EUCLID NO.	GENUINE	OEM REF.
E-2965		91001047
E-2965-P	-	Price Point

Axle Attaching Kit, 5" Round Axle		
FOR MODELS: TS Models		
		
EUCLID NO.	OEM REF.	NOTES
E-4383	48100020/ SRK-23	Includes 4 U-Bolts, 2 Spring Ends Pads 8 Bolts, 16 Washers, and 16 Nuts

Axle Attaching Kit, 5" Round Axle		
FOR MODELS: RTS Models		
		
EUCLID NO.	OEM REF.	NOTES
E-4385	48100033/ SRK-36	Includes 4 Pads, 2 Bushings, 2 Wrappers, 32 Washers, 16 Bolts, 16 Nuts

 Denotes Product is Genuine SAF-Holland Neway

ARE YOU CONDUCTING A COMPLETE BRAKE JOB?

Brakes are a leading culprit for out-of-service violations. Treat every service as an opportunity to maintain the complete brake system. A complete brake job helps improve uptime, with all the parts to get it done, all at once.

Estimated ratio of related service items during brake maintenance*:

100



BRAKE SHOES

19



CAMSHAFTS

14



CAM REPAIR KITS

7



SLACK ADJUSTERS

*4 of the top 5 braking components for the most out-of-service citations.



TRUST MATTERS.

TABLE OF CONTENTS

Front Suspensions

AIRTEK for Spartan Motor Home ChassisSPT-2
SOFTEK for Spartan.....SPT-6

Rear Suspension

HTS 210/230/260/310 Single Axle Suspension for Autocar & Spartan Type C School BusSPT-8

Spartan Components.....SPT-12

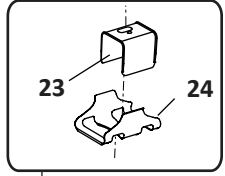


Not sure which suspension you have?
Check out Meritor's Suspension Identification
Xact Search to find the right part by
clicking the QR code

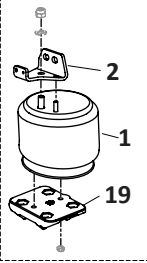
SPARTAN

AIRTEK for Spartan Motor Home Chassis

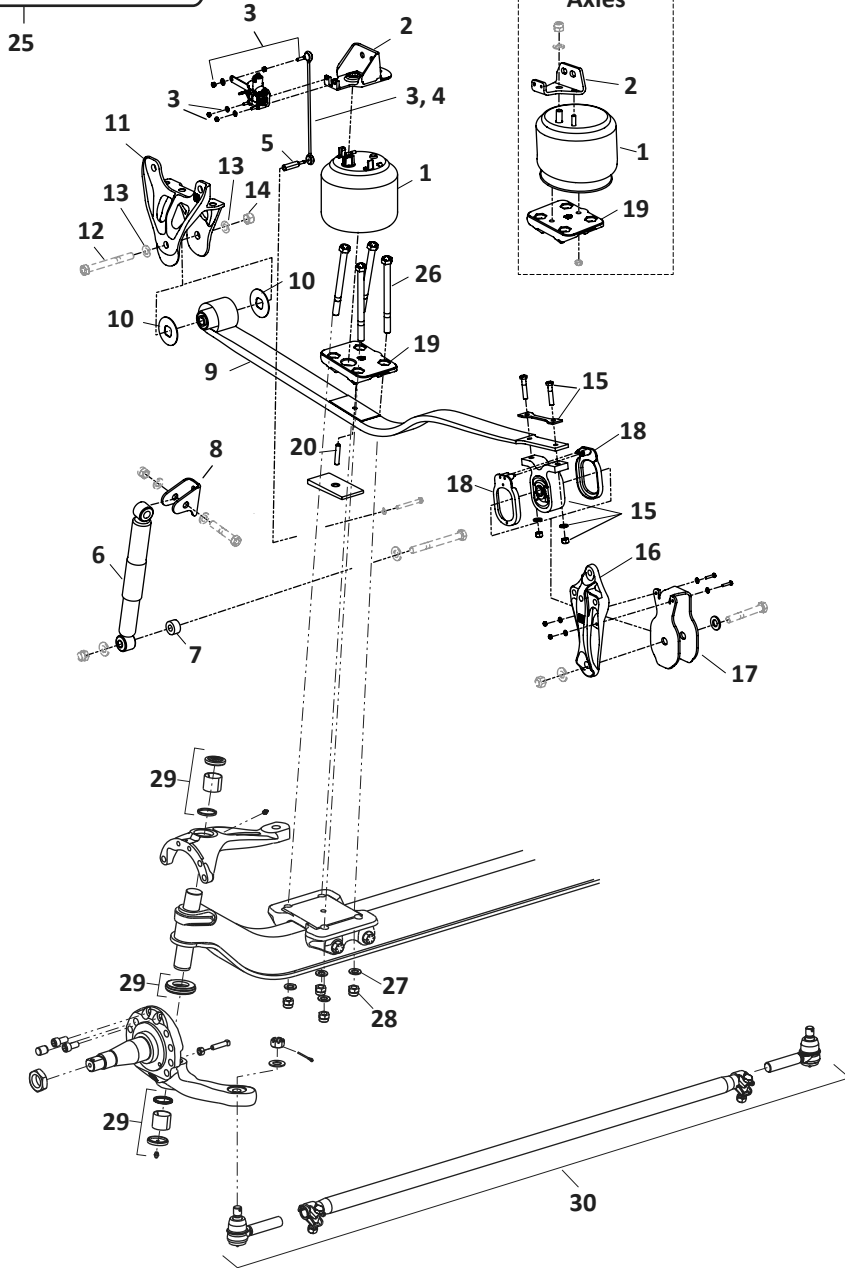
Axle Wrap Liner Kit



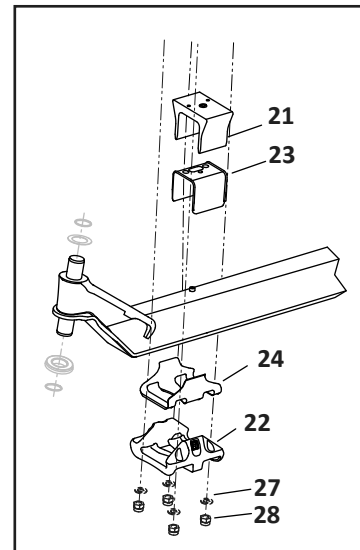
12.6K/14.6K Axles
















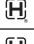

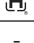



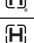


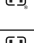
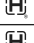




SPARTAN



Vehicles Built Prior to May 2019



For more information on King Pins, Tie Rod Ends and Assemblies see 760C Front Axle Parts — Medium- and Heavy-Duty Applications

AIRTEK for Spartan Motor Home Chassis						
KEY NO.	EUCLID NO.	GENUINE	OEM REF.	DESCRIPTION	QTY. PER AXLE	PAGE NO.
1	FS9913	-	66349-002	Air Spring, 10.5, 12 & 12.4K	2	-
	FS8597	-	65790-002	Air Spring, 12.6, 13.5 & 14.6K	2	-
2	E-15132		60850-002	Upper Air Spring Bracket, 10.5 & 12K	2	SPT-14
	S.O.S.		66140-000	Upper Air Spring Bracket, 12.6 & 14.6K	2	-
3	E-16417		66277-001	Height Control Valve & Linkage Assembly, LH, 10.5, 12 & 12.4K, Includes Key No. 4	1	SPT-13
	E-16418		66277-002	Height Control Valve & Linkage Assembly, RH, 10.5, 12 & 12.4K, Includes Key No. 4	1	SPT-13
	E-17591		66277-005	Height Control Valve & Linkage Assembly, LH, 13.5 & 14.6K, Includes Key No. 4	1	SPT-13
	E-17592		66277-006	Height Control Valve & Linkage Assembly, RH, 13.5 & 14.6K, Includes Key No. 4	1	SPT-13
4	E-15133		59428-001	Height Control Linkage, 10.5, 12 & 12.4K	2	SPT-13
	S.O.S.		59428-013	Height Control Linkage, ADB	2	-
5	E-16426		59429-001	Height Control Linkage Lower Link Mount, 10.5, 12 & 12.4K	2	SPT-14
6	S.O.S.	-	Various	Shock Absorber	2	-
7	E-16419		59946-001	Shock Spacer, Drum Brake	2	SPT-14
	E-17585		22962-046	Shock Spacer, ADB 12.4K	2	SPT-14
8	S.O.S.		66589-002	Shock Bracket, Drum Brake	2	-
	S.O.S.		59423-002	Shock Bracket, ADB 12.4K	2	-
9	S.O.S.		Various	Leaf Spring Assembly	1	-
10	S.O.S.		67495-000	Thrust Washer, Front Hanger, Prior to Jan 2019	4	-
11	S.O.S.		64488-000	Front Hanger	2	-
12	E-16415		-	Bolt, M20-2.5 X 170mm Long	2	SPT-13
13	E-2546	-	-	Washer	4	-
14	E-16229	-	-	Lock Nut, M20	2	-
15	E-15135		60961-002	Rear Spring Mount Service Kit. One Side	2	SPT-12
16	S.O.S.		59825-000	Rear Hanger	2	-
17	S.O.S.		59830-001	Rear Hanger Clamp	2	-
18	S.O.S.		59346-001	Thrust Washer, Rear Hanger	2	-
19	S.O.S.		Various	Top Pad	2	-
20	S.O.S.		57159-004	Dowel, 1/2" Dia. X 2-5/8" Long	2	-
21	S.O.S.		59952-028 59952-001	Top Axle Wrap	2	-
	S.O.S.		64723-005	Bottom Axle Wrap	2	-
23	E-15145		59449-000	Top Axle Wrap Liner	2	SPT-12
24	E-15110		59845-000	Bottom Axle Wrap Liner	2	SPT-12
25	E-15727		60961-015	Axle Wrap Liner Kit, Vehicles Built Before October 2012, Includes Key Nos. 23 & 24	2	SPT-12
26	E-15102		58917-016	Bolt, 3/4"-10 Thd. X 8-1/2" Long, for 10.5, 12 & 12.6K Vehicles Built Before 2/07	8	SPT-13
	S.O.S.	-	68715-323	Bolt, 3/4"-10 Thd. X 9" Long, for Vehicles Built After 2/08	8	-
	E-17024		58917-001	Bolt, 3/4"-10 Thd. X 4-1/2" Long, with Air Disc Brakes	8	-
27	E-2545	-	-	Washer	8	-
28	E-15094	-	-	Lock Nut, 3/4"-10, Nylok	8	-

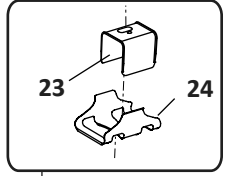
 Denotes Product is Genuine Hendrickson

For more information on King Pins, Tie Rod Ends and Assemblies
see 760C Front Axle Parts — Medium- and Heavy-Duty Applications

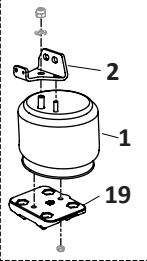
SPARTAN

AIRTEK for Spartan Motor Home Chassis

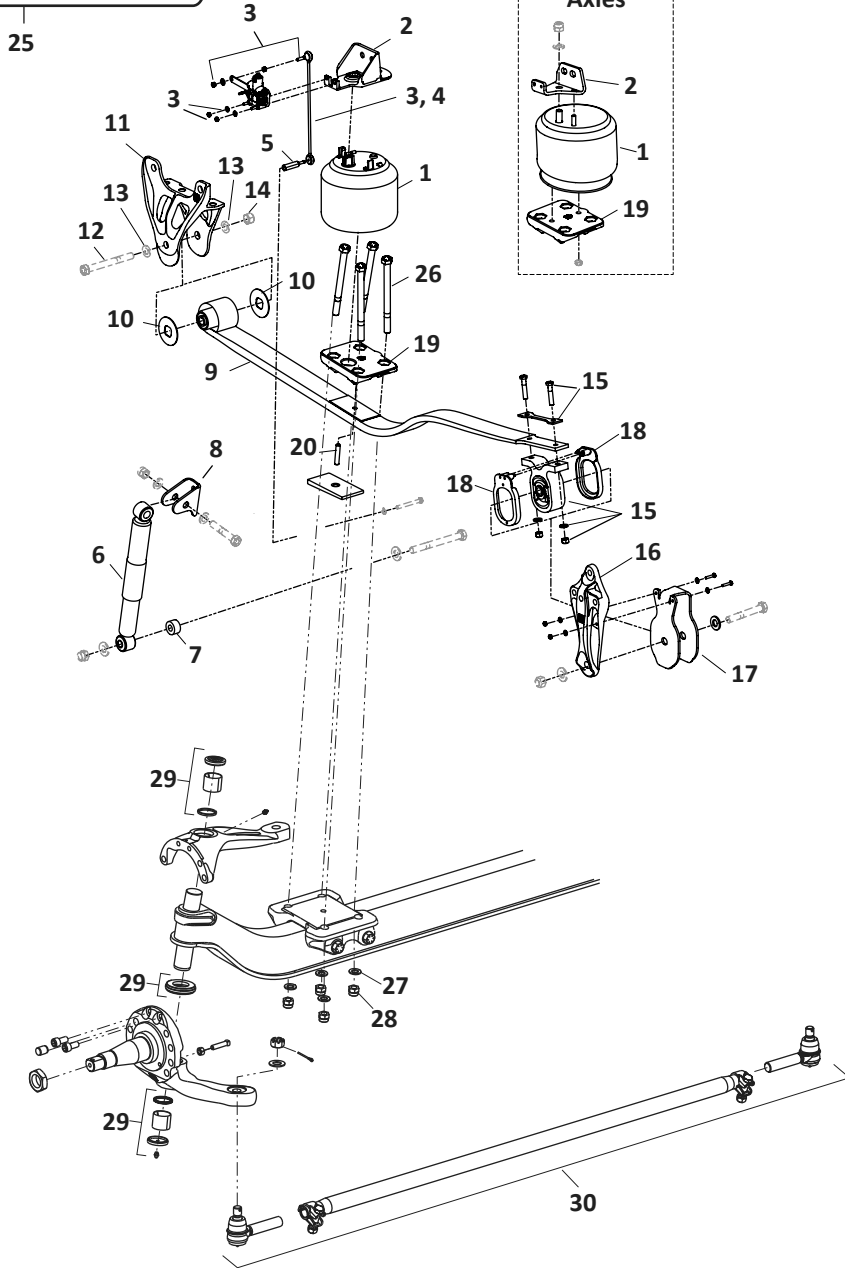
Axle Wrap Liner Kit



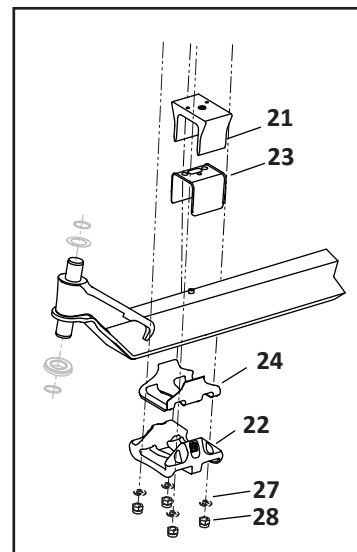
12.6K/14.6K Axles



SPARTAN




Vehicles Built Prior to May 2019



For more information on King Pins, Tie Rod Ends and Assemblies see 760C Front Axle Parts — Medium- and Heavy-Duty Applications

AIRTEK for Spartan Motor Home Chassis

KEY NO.	EUCLID NO.	GENUINE	OEM REF.	DESCRIPTION	QTY. PER AXLE	PAGE NO.
29	E-13999		60961-040	Kingpin Bushing and Bearing Service Kits, Axle Set Includes Left and Right Hand Kit (E-14000 and E-14001), Vehicles Built Before May 2019	1	-
	E-14000		60961-009	Kingpin Bushing and Bearing Service Kit, Left Hand with Composite Thrust Bearings, Vehicles Built Before May 2019	1	-
	E-14001		60961-039	Kingpin Bushing and Bearing Service Kit, Right Hand with Roller Thrust Bearings, Vehicles Built Before May 2019	1	-
	E-17644		60961-628	Kingpin Bushing and Bearing Service Kits, Axle Set Includes Left and Right Hand Kit (E-17645 and E-17646), Vehicles Built After May 2019	1	-
	E-17645		60961-629	Kingpin Bushing and Bearing Service Kit, Left Hand with Composite Thrust Bearings, Vehicles Built After May 2019	1	-
	E-17646		60961-630	Kingpin Bushing and Bearing Service Kit, Right Hand with Roller Thrust Bearings, Vehicles Built After May 2019	1	-
30	-		Various	Tie Rod Ends and Assembly. See Front Axle Catalog	As Req'd	-

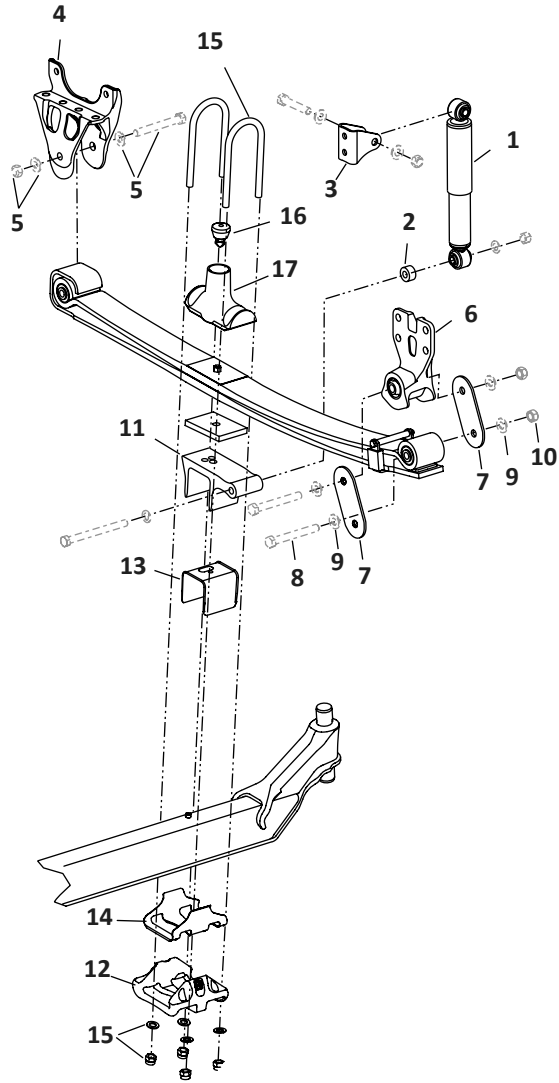
 Denotes Product is Genuine Hendrickson

For more information on King Pins, Tie Rod Ends and Assemblies
see *760C Front Axle Parts — Medium- and Heavy-Duty Applications*

SPARTAN

SOFTEK for Spartan

SPARTAN



For more information on King Pins, Tie Rod Ends and Assemblies
see 760C Front Axle Parts — Medium- and Heavy-Duty Applications

SOFTEK for Spartan

KEY NO.	EUCLID NO.	GENUINE	OEM REF.	DESCRIPTION	QTY. PER AXLE	PAGE NO.
1	M85959	-	58913-009	Shock Absorber	2	-
2	E-16419		59946-001	Shock Spacer	2	SPT-14
3	S.O.S.		59423-002	Upper Shock Bracket	2	-
4	S.O.S.		64488-002	Front Hanger	2	-
5	E-16089	-	-	Hanger Fastener Kit, M20 X180mm Long Bolt w/ Nut and Washers	2	-
6	S.O.S.		66510-001	Rear Shackle Bracket	2	-
7	E-16414		64314-000	Rear Shackle Plate	4	-
8	E-16413	-	-	Bolt, M20-2.5 X 150mm Long	4	SPT-13
9	E-2546	-	-	Washer	8	-
10	E-16229	-	-	Lock Nut, M20	4	-
11	S.O.S.		59952-003	Top Axle Wrap	2	-
12	E-15108		64722-003	Bottom Axle Wrap	2	SPT-12
13	E-15147		60508-000	Top Axle Wrap Liner	2	SPT-12
14	E-15110		59845-000	Bottom Axle Wrap Liner	2	SPT-12
15	E-UB8154-12	-	-	U-Bolt Assembly, Round Bend, 3/4"-16 Thd X 4" Wide X 12" Long	4	SPT-13
16	E-15148		64080-000	Rubber Axle Stop	2	SPT-12
17	S.O.S.		64519-000	Top Pad	2	-
-	S.O.S.		18831-021	Dowel Pin, 2" Long (Not Shown)	2	-

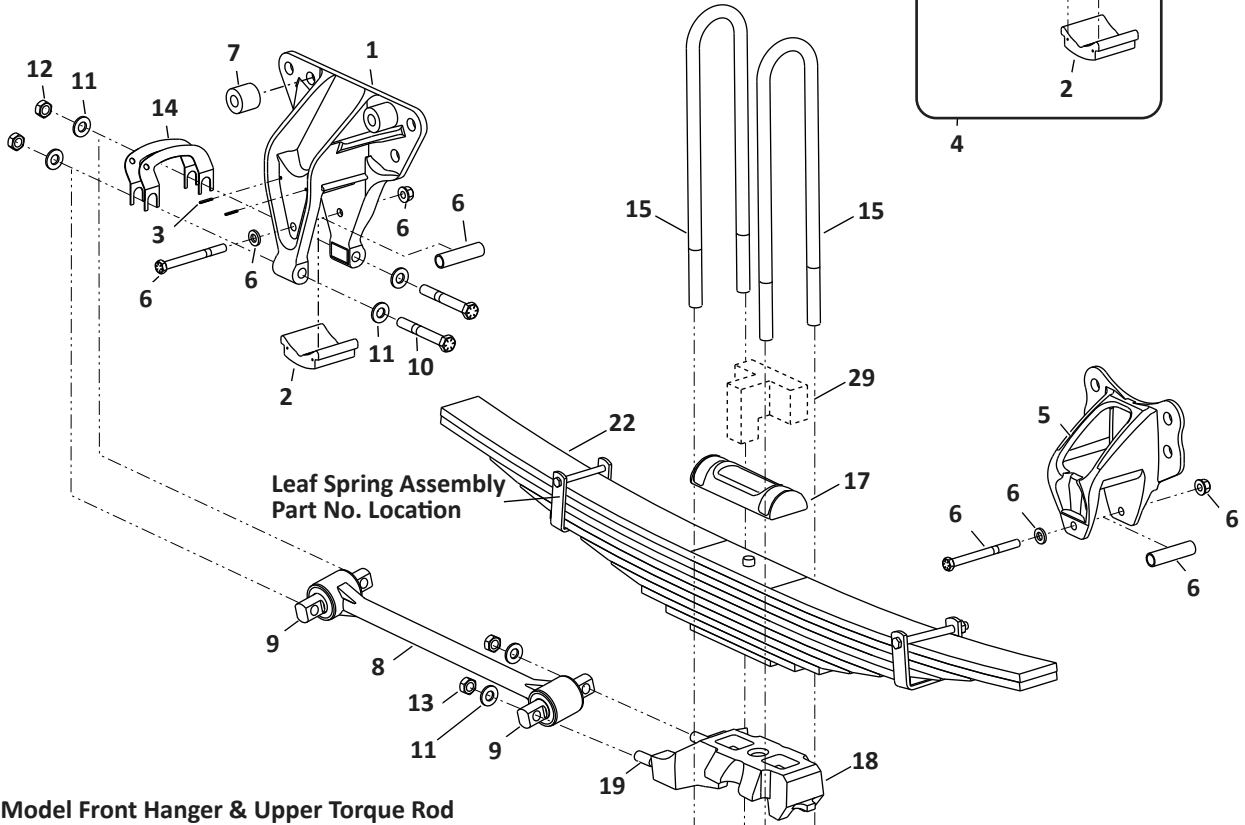
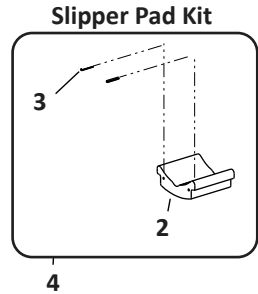
 Denotes Product is Genuine Hendrickson

For more information on King Pins, Tie Rod Ends and Assemblies
see 760C Front Axle Parts — Medium- and Heavy-Duty Applications

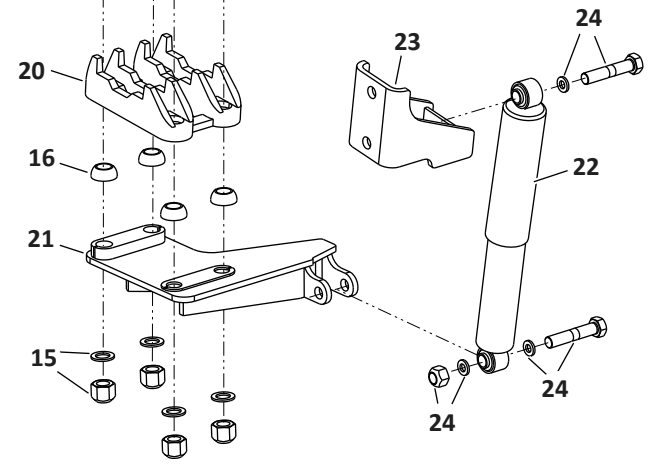
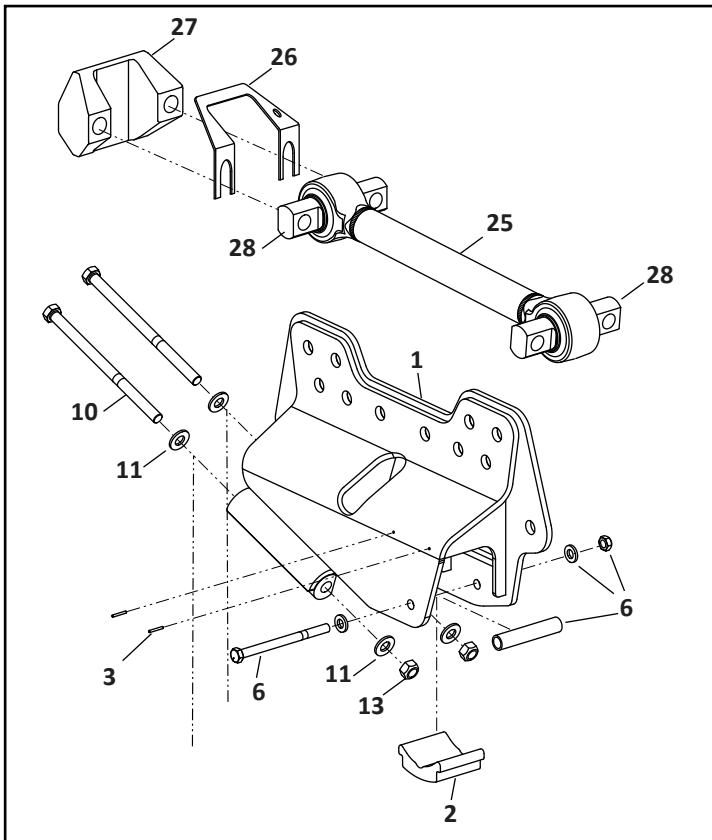
SPARTAN

HTS 210/230/260/310 Single Axle Suspension for Autocar & Spartan Type C School Bus

SPARTAN



31K Model Front Hanger & Upper Torque Rod



HTS 210/230/260/310 Single Axle Suspension for Autocar & Spartan Type C School Bus

KEY NO.	EUCLID NO	GENUINE	OEM REF.	DESCRIPTION	HTS 21K/23K	HTS 26K	HTS 31K	SPARTAN TYPE C SCHOOL BUS	PAGE NO.
1	E-9386	☒	58425-001	Front Hanger Assembly Includes Key Nos. 2 & 3	2	2	-	2	SPT-15
	S.O.S.	☒	70628-001 70628-002	Front Hanger Assembly Includes Key Nos. 2 & 4	-	-	2	-	-
2	E-16335	☒	56929-000	Slipper Pad	2	2	2	-	SPT-15
3	S.O.S.	☒	58287-001	Retainer Lock Pin	2	2	2	-	-
4	E-16333	☒	56557-005	Slipper Pad Service Kit; One Hanger; Includes Key Nos. 2 & 3	2	2	2	2	SPT-15
5	E-9406	☒	50028-001	Rear Hanger	2	-	-	2	SPT-15
	S.O.S.	☒	50028-002	Rear Hanger	-	2	2	-	-
6	S.O.S.	☒	49175-032	Front and Rear Rebound Roller Service Kit; Axle Set	1	-	-	1	-
	S.O.S.	☒	49175-035	Front Rebound Roller Service Kit; Axle Set	-	-	1	-	-
	S.O.S.	☒	49175-036	Rear Rebound Roller Service Kit; Axle Set	-	-	1	-	-
	S.O.S.	☒	49175-037	Front Rebound Roller Service Kit; Axle Set	-	1	-	-	-
	S.O.S.	☒	49175-038	Rear Rebound Roller Service Kit; Axle Set	-	1	-	-	-
7	E-16419	☒	59946-001	Spacer	4	-	-	-	SPT-14
8	S.O.S.	☒	62044-495	Longitudinal Torque Rod Assembly, ULTRA ROD, Includes Key No. 7	-	-	-	2	-
	S.O.S.	☒	62044-505	Longitudinal Torque Rod Assembly, Includes Key No. 8	2	-	-	-	-
	S.O.S.	☒	92407-500	Torque Rod Assembly, XTRB, Includes Key No. 8	-	2	-	-	-
	S.O.S.	☒	92446-430	Lower Torque Rod Assembly; XTRB; Includes Key No. 8	-	-	2	-	-
9	E-5275	☒	47691-000	Torque Rod Bushing, ULTRA ROD, Straddle Mount	4	-	-	4	SPT-15
	E-14641	☒	66649-002	Torque Rod Bushing, XTRB, Straddle Type	-	4	4	-	SPT-15
10	E-3792	-	-	Hex Bolt, 5/8"-18 x 4-1/2" Long	4	4	-	4	-
	S.O.S.	-	32043-013	Hex Bolt, 5/8"-11 x 10" Long	-	-	4	-	-
11	E-2547	-	22962-004	Washer, 5/8"	12	12	12	12	-
12	E-1943	-	-	Lock Nut, 5/8"-18	4	4	-	4	-
13	E-2988	-	47764-000	Lock Nut, 5/8"-11	8	8	12	-	-
14	E-5281	☒	49689-000	Torque Rod Shim	As Req.			-	SPT-15
15	E-UB8161-18S1	-	47417-003	U-Bolt Assembly, Round Bend, 7/8"-14 X 17-1/2" Long, Includes Nuts and Flat Washers. Includes Key No. 16	-	-	4	-	SPT-16
	E-UB8161-20	-	47417-010	U-Bolt Assembly, Round Bend, 7/8"-14 X 19" Long, Includes Nuts and Flat Washers. Key No. 16 Required and Ordered Separately	4	-	4	4	-
	S.O.S.	-	47417-014	U-Bolt Assembly, Round Bend, 7/8"-14 X 22-1/2" Long, Includes Nuts and Flat Washers. Key No. 16 Required and Ordered Separately	4	4	-	-	-
	S.O.S.	-	47417-015	U-Bolt Assembly, Round Bend, 7/8"-14 X 22" Long, Includes Nuts and Flat Washers. Key No. 16 Required and Ordered Separately	-	4	-	-	-
16	E-3738	☒	48574-000	Spherical Washer, 7/8" ID	8	8	8	8	SPT-16
17	E-3739	☒	48797-000	Top Pad	2	-	-	2	SPT-16
	S.O.S.	☒	56805-002	Top Pad	-	2	2	-	-

☒ Denotes Product is Genuine Hendrickson

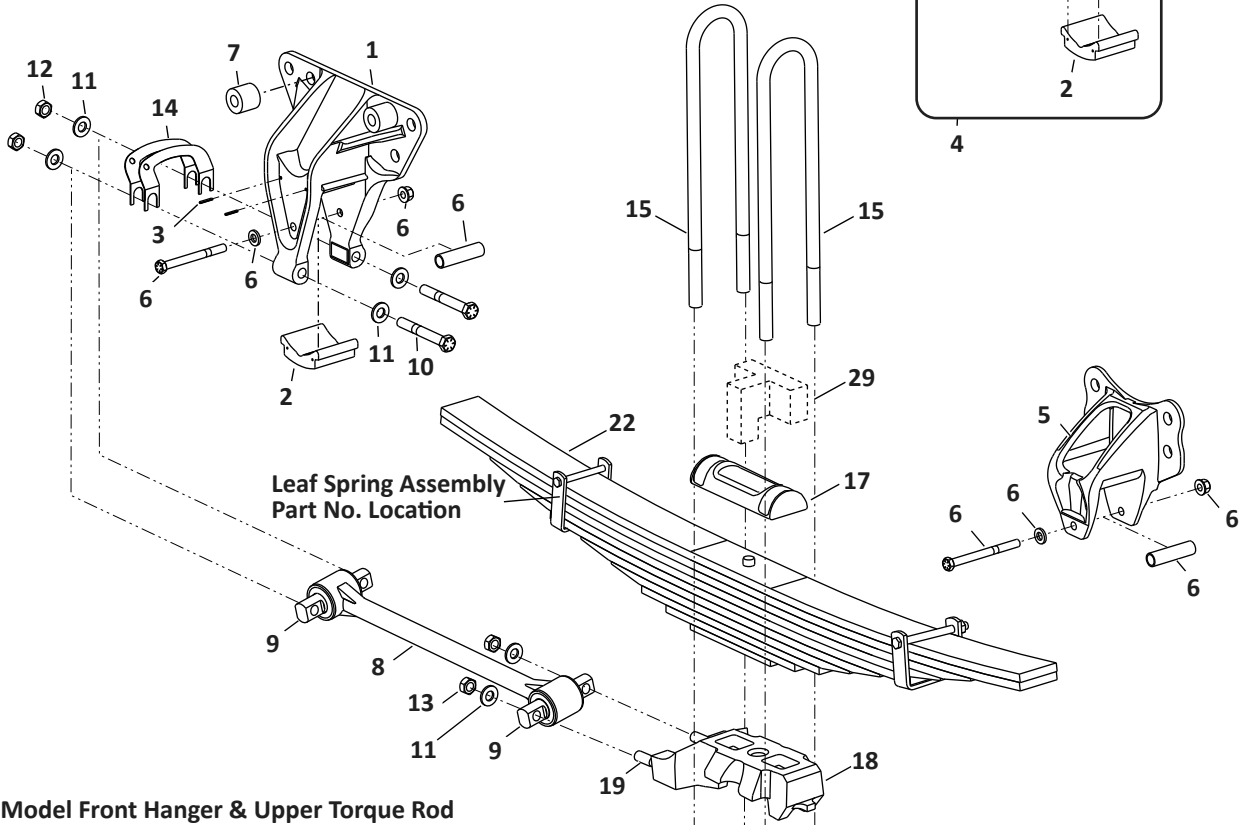
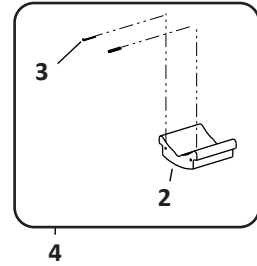
SPARTAN

SPARTAN

HTS 210/230/260/310 Single Axle Suspension for Autocar & Spartan Type C School Bus

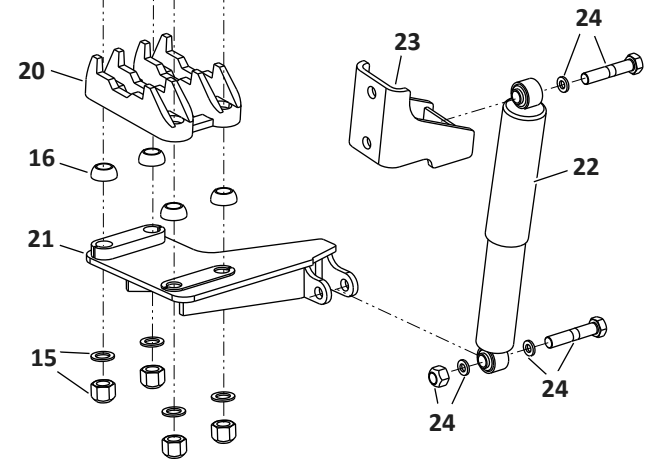
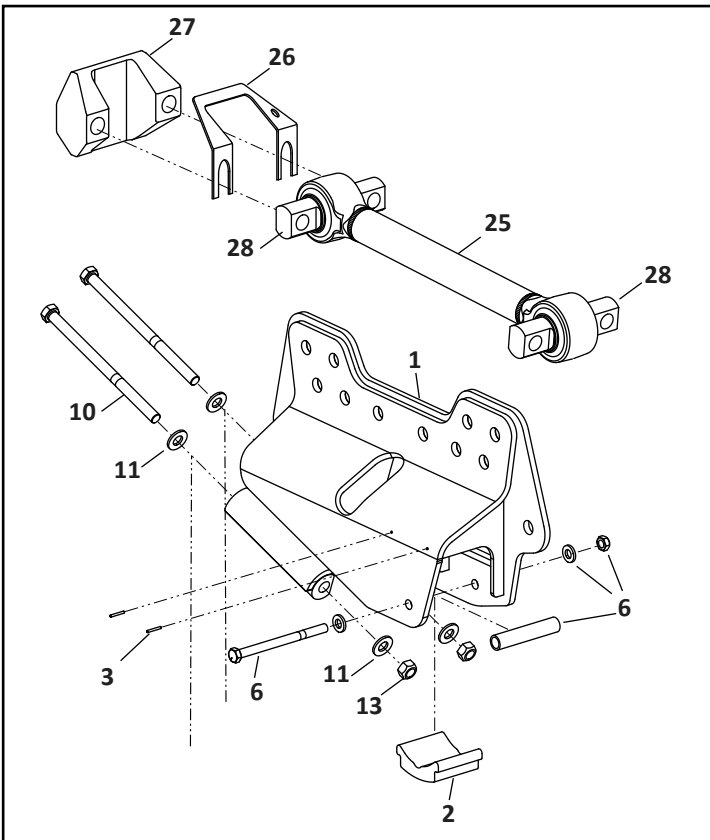
SPARTAN

Slipper Pad Kit











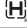
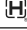

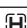


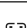
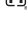





Leaf Spring Assembly
Part No. Location

31K Model Front Hanger & Upper Torque Rod



HTS 210/230/260/310 Single Axle Suspension for Autocar & Spartan Type C School Bus

KEY NO.	EUCLID NO	GENUINE	OEM REF.	DESCRIPTION	HTS 21K/23K	HTS 26K	HTS 31K	SPARTAN TYPE C SCHOOL BUS	PAGE NO.
18	S.O.S.		50970-005	Spring Seat Assembly, Includes Key Nos. 10, 12, 18	2	-	-	-	-
	S.O.S.		50970-002	Spring Seat Assembly, Includes Key Nos. 10, 12, 19	-	-	-	2	-
	S.O.S.		50988-024	Spring Seat Assembly, Right Hand, Includes Key Nos. 10, 12, 18	-	-	1	-	-
	S.O.S.		50988-025	Spring Seat Assembly, Left Hand, Includes Key No. 18, Plus Nuts and Washers	-	-	1	-	-
	S.O.S.		50988-026	Spring Seat Assembly, Left Hand 5°, Includes Key Nos. 11, 13, 19	-	1	-	-	-
	S.O.S.		50988-027	Spring Seat Assembly, Right Hand 5°, Includes Key Nos. 11, 13, 19	-	1	-	-	-
19	E-15200		50918-000	5/8"-11 Stud	4	4	4	-	SPT-16
20	S.O.S.		50216-000	Axle Bottom Cap	2	-	-	2	-
	S.O.S.		58424-002	Axle Bottom Cap, Left Hand	-	1	-	-	-
	S.O.S.		58424-001	Axle Bottom Cap, Right Hand	-	1	-	-	-
	S.O.S.		58424-004	Axle Bottom Cap, Left Hand	-	-	1	-	-
	S.O.S.		58424-000	Axle Bottom Cap, Right Hand	-	-	1	-	-
21	S.O.S.		Various	Lower Shock Bracket, Specify Model and Left or Right Hand	2	2	-	2	-
22	M85036	-	60665-025	Shock Absorber	2	2	-	2	-
23	S.O.S.		67530-000	Upper Shock Bracket	2	2	-	2	-
24	S.O.S.		69588-004	Upper and Lower Shock Absorber Fastener Kit; Axle Set	1	-	-	1	-
	S.O.S.		69588-005	Upper and Lower Shock Absorber Fastener Kit; Axle Set	-	1	-	-	-
25	S.O.S.		72100-535	Upper Torque Rod Assembly; ULTRA ROD PLUS; Includes Key No. 26	-	-	1	-	-
26	S.O.S.		67779-002	Upper Torque Rod Shim	-	-	As Req.	-	-
27	E-15183		46015-000	Upper Torque Rod Bracket	-	-	2	-	-
28	E-13971		64400-003	Torque Rod Bushing, ULTRA ROD PLUS, Straddle Mount	-	-	2	-	-
29	S.O.S.		69883-000	Bump Stop Assembly	-	-	-	2	-

 Denotes Product is Genuine Hendrickson

AIRTEK / SOFTEK for Spartan Motor Home Chassis

Rear Spring Mount Kit

FOR MODEL:
AIRTEK



Wheel End

EUCLID NO.	GENUINE	OEM REF.	NOTES
E-15135		60961-002	Includes Spring Mount, Spring End Plate and Hardware

Top Axle Wrap Liner

FOR MODEL:
SOFTEK



EUCLID NO.	GENUINE	OEM REF.
E-15147		60508-000

Rear Shackle Plate

FOR MODELS:
SOFTEK



4 7/8" Center-to-Center of Holes

EUCLID NO.	GENUINE	OEM REF.	WIDTH	LENGTH
E-16414		64314-000	3-1/2"	8-1/4"

Bottom Axle Wrap Liner

FOR MODELS:
AIRTEK & SOFTEK



EUCLID NO.	GENUINE	OEM REF.
E-15110		59845-000

Top Axle Wrap Liner

FOR MODEL:
AIRTEK



EUCLID NO.	GENUINE	OEM REF.
E-15145		59449-000

Bottom Axle Wrap

FOR MODEL:
SOFTEK



EUCLID NO.	GENUINE	OEM REF.
E-15108		64722-003

Axle Wrap Liner Kit

FOR MODEL:
AIRTEK



Includes E-15147 & E-15110 Liners

EUCLID NO.	GENUINE	OEM REF.
E-15727		60961-015

Rubber Axle Stop

FOR MODEL:
SOFTEK






EUCLID NO.	GENUINE	OEM REF.
E-15148		64080-000


Denotes Product is Genuine Hendrickson



AIRTEK / SOFTEK for Spartan Motor Home Chassis



Bolt			
FOR MODEL: AIRTEK			
			
EUCLID NO.	OEM REF.	LENGTH	THREAD
E-15102	58917-016	8-1/2"	3/4"-10
E-16413	-	150mm	M20-2.5
E-16415	-	170mm	M20-2.5



Height Control Valve & Linkage Assembly			
FOR MODELS: AIRTEK 10.5, 12 & 12.4K			
			
Includes E-15133 Linkage			
EUCLID NO.	GENUINE	OEM REF.	NOTES
E-16417		66277-001	Left Hand

Height Control Valve & Linkage Assembly			
FOR MODELS: AIRTEK 13.5 & 14.6K Capacity			
			
Includes E-15133 Linkage			
EUCLID NO.	GENUINE	OEM REF.	NOTES
E-17591		66277-005	Left Hand

U-Bolt Assembly				
FOR MODEL: SOFTEK				
				
Round Bend, Includes Nuts, Washers				
EUCLID NO.	OEM REF.	WIDTH	LENGTH	THREAD
E-UB8154-12	-	4"	12"	3/4"-16

Height Control Valve & Linkage Assembly			
FOR MODELS: AIRTEK 13.5 & 14.6K Capacity			
			
Includes E-15133 Linkage			
EUCLID NO.	GENUINE	OEM REF.	NOTES
E-17592		66277-006	Right Hand

Height Control Valve & Linkage Assembly			
FOR MODELS: AIRTEK 10.5, 12 & 12.4K			
			
Includes E-15133 Linkage			
EUCLID NO.	GENUINE	OEM REF.	NOTES
E-16418		66277-002	Right Hand

Height Control Linkage		
FOR MODEL: AIRTEK		
		
13-1/8" Center-to-Center		
EUCLID NO.	GENUINE	OEM REF.
E-15133		59428-001

 Denotes Product is Genuine Hendrickson

SPARTAN

AIRTEK / SOFTEK for Spartan Motor Home Chassis

Upper Air Spring Bracket

FOR MODEL:
AIRTEK



EUCLID NO.	GENUINE	OEM REF.	NOTES
E-15132		60850-002	10.5 & 12K Capacity

Shock Spacer

FOR MODELS:
AIRTEK & SOFTEK



EUCLID NO.	GENUINE	OEM REF.	ID	THICK-NESS	NOTES 10K CAPACITY
E-16419		59946-001	3/4"		Built Before Oct. 2012
E-17585		22962-046	3/4"	.118"	Built After Oct. 2012

Link Mount, Left Hand

FOR MODEL:
AIRTEK





EUCLID NO.	GENUINE	OEM REF.	APPLICATION
E-16426		59429-001	Set Back Axle

SPARTAN



Denotes Product is Genuine Hendrickson

HTS for Spartan Type C School Bus



Front Hanger Assembly			
FOR MODEL: HTS			
			
EUCLID NO.	GENUINE	OEM REF.	NOTES
E-9386		58425-001	Includes E-16333 Slipper Pad and Lock Pins



Torque Rod Bushing, Straddle Mount				
FOR MODEL: HTS				
				
EUCLID NO.	GENUINE	OEM REF.	OD	NOTES
E-5275		47691-000	2"	Hanger End, 5/8" Bolt Holes

Slipper Pad			
FOR MODEL: HTS			
			
EUCLID NO.	GENUINE	OEM REF.	NOTES
E-16335		56929-000	Included in E-16333

Torque Rod Bushing, Straddle Mount					
FOR MODEL: HTS					
					
XTRB Type, 26/31K Capacity					
EUCLID NO.	GENUINE	OEM REF.	OD	C-T-C LENGTH	NOTES
E-14641		66649-002	2-3/4"	4-3/8" Center-to-Center	5/8" Bolt Holes

Slipper Pad Kit			
FOR MODEL: HTS			
			
EUCLID NO.	GENUINE	OEM REF.	NOTES
E-16333		56557-005	Includes Slipper Pad and Lock Pins

Torque Rod Shim				
FOR MODEL: HTS				
				
EUCLID NO.	GENUINE	OEM REF.	C-T-C LENGTH	THICK
E-5281		47457-000	4-3/8"	1/16"

Rear Hanger			
FOR MODEL: HTS			
			
EUCLID NO.	GENUINE	OEM REF.	CASTING NO.
E-9406		50028-001	49954-000

 Denotes Product is Genuine Hendrickson

SPARTAN

HTS for Spartan Type C School Bus

SPARTAN

U-Bolt Assembly

FOR MODEL:
HTS



E-3728 Spherical Washers Included with Some Kits.

EUCLID NO.	OD	LENGTH	THREAD	NOTES
E-UB8161-15S1	3"	15"	7/8"-14	Round Bend, 21K, 23K Capacity Includes Nuts, Spherical & Standard Washers
E-UB8161-16	3"	16"	7/8"-14	Round Bend, 15K Capacity, Order Spherical Washer E-3738 Separately Includes Nuts, Standard Washers.
E-UB8161-18S1	3"	18"	7/8"-14	Round Bend, 21K, 23K Capacity Includes Nuts, Spherical & Standard Washers

Top Pad

FOR MODEL:
HTS



Spartan Type C School Bus

EUCLID NO.	GENUINE	OEM REF.	LENGTH	WIDTH
E-3739		48797-000	8-1/4"	3"

Spring Seat Stud

FOR MODELS:
HTS



EUCLID NO.	GENUINE	OEM REF.	THREAD
E-15200		50918-000	5/8"-11

Spherical Washer

FOR MODEL:
HTS



EUCLID NO.	GENUINE	OEM REF.	ID	APPLICATION
E-3738		48574-000	7/8"	For Use with 7/8" Diameter U-Bolts

TABLE OF CONTENTS

Late Model — Fabricated, Uses 3-1/2" Wide Springs — Trailer	TLM-2
Early Model — Cast Short Equalizer, Uses 3-1/2" Wide Springs — Trailer	TLM-4
Trailmobile Components	TLM-6

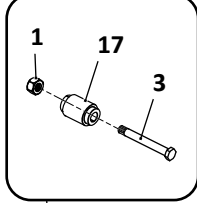


Not sure which suspension you have?
Check out Meritor's Suspension Identification
Xact Search to find the right part by
clicking the QR code

TRAILMOBILE

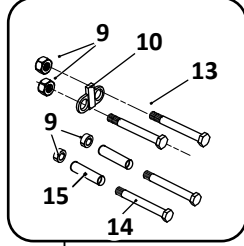
Late Model — Fabricated, Uses 3-1/2" Wide Springs — Trailer

Torque Arm Bushing Kit

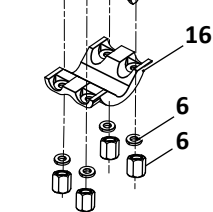
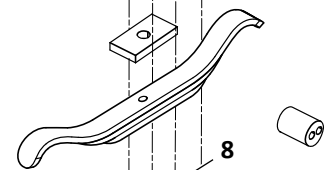
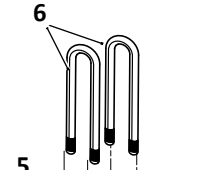
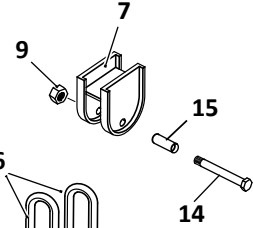


20

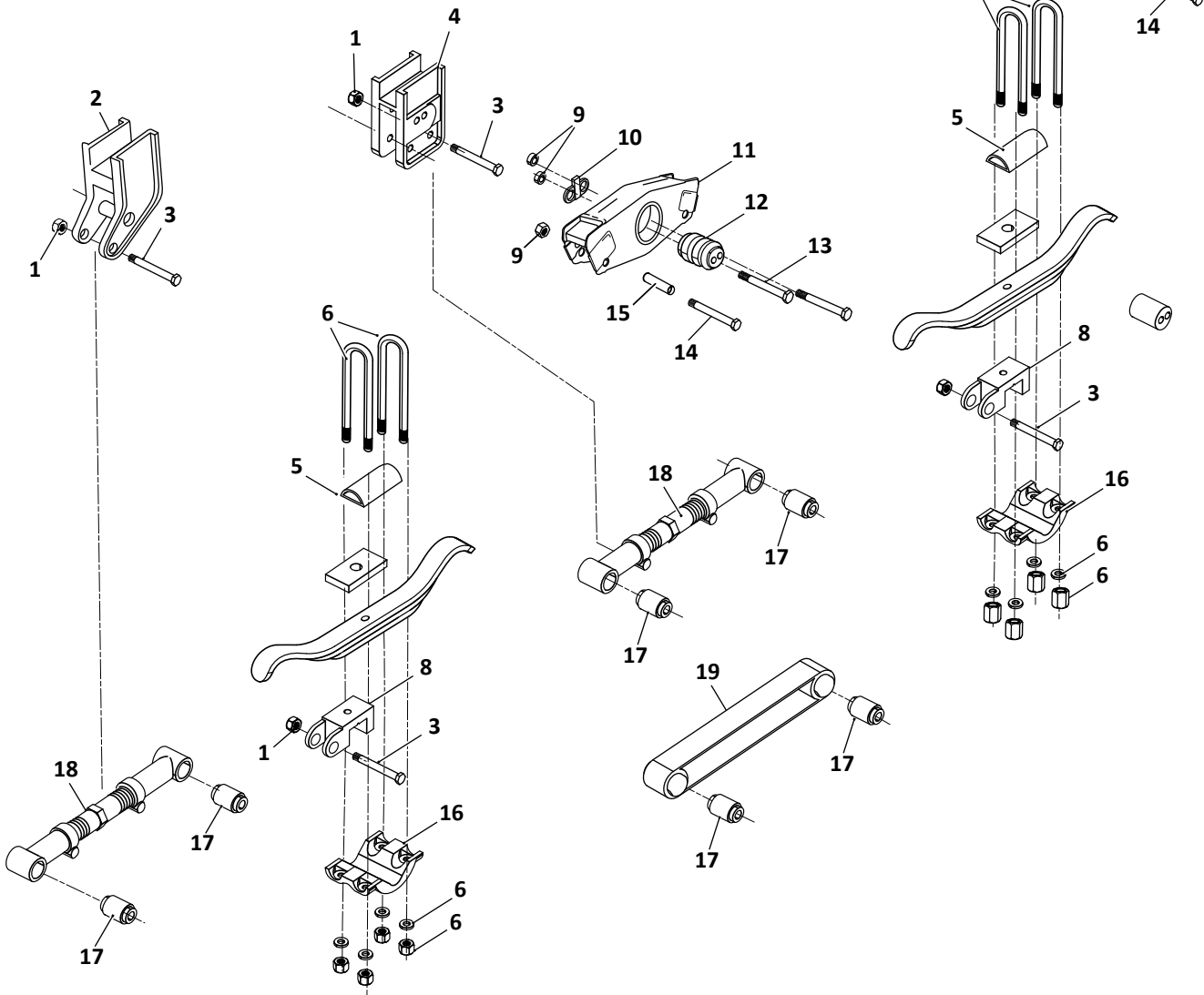
Equalizer Bolt Kit



21



TRAILMOBILE



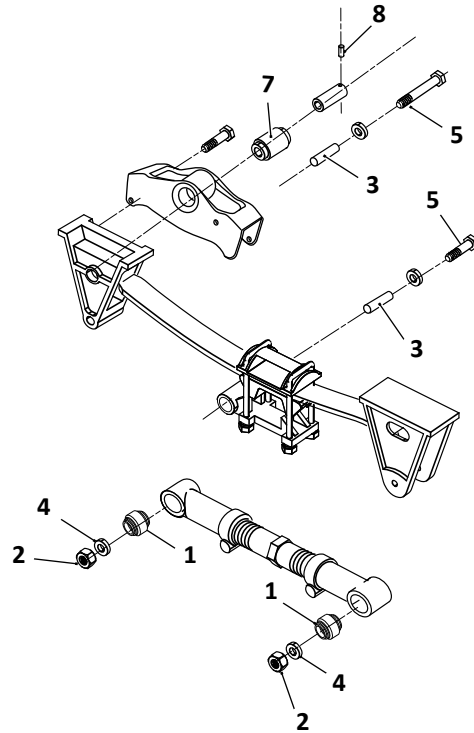
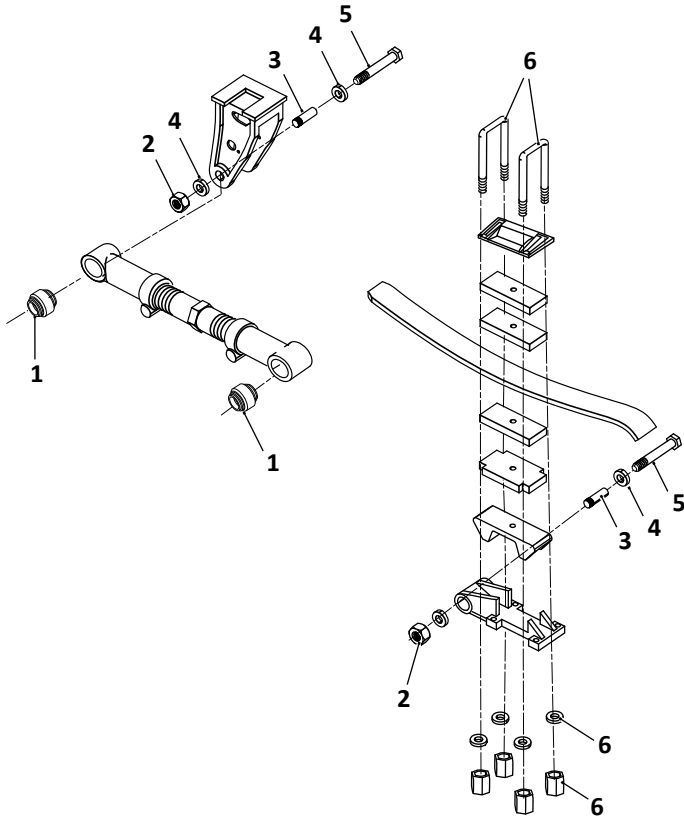
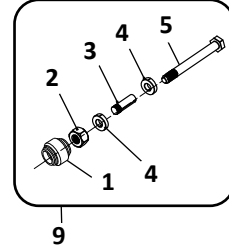
Late Model — Fabricated, Uses 3-1/2" Wide Springs — Trailer					
KEY NO.	EUCLID NO.	OEM REF.	DESCRIPTION	QTY. PER SUSPENSION	PAGE NO.
1	E-2892	3-23-5	Flange Nut, 1"-14 Thd	8	-
2	E-3380	3-A1-16	Front Hanger, Discontinued	2	TLM-8
3	E-2891	3-13-29	Bolt, 1"-14 X 5" Long	8	-
4	E-3381	3-A1-16	Center Hanger, Discontinued	2	TLM-8
5	E-3385	3-A26-11	U-Bolt Top Plate	4	TLM-8
6	E-UB5163-14	700-3-29	U-Bolt Assy, Rd. Bend, 7/8"-14 Thd. x 3-1/2" Wide x 14" Long	8	-
7	E-3382	3-A1-17	Rear Hanger, Discontinued	2	TLM-8
8	E-3409	3-A5-7A	Axle Seat, 4' X 6" Axles, 1" Height	4	TLM-8
	E-3410	3-A5-7B	Axle Seat, 4' X 6" Axles, 1-3/4" Height	4	TLM-8
9	E-2002	50-2Z-69	Nut, 5/8"-18 Thd	10	-
10	E-2001	3-36-16	Tab Lock	2	-
11	E-3383	3-A66-43	Equalizer, Includes E-3394A Bushing	2	TLM-6
12	E-3394A	3-12-32	Equalizer Bushing, 3-5/16" OD x 4-7/16" Long	2	TLM-6
13	E-3392	50-B1T-34	Equalizer Bolt	4	TLM-6
14	E-3528	50-1B-146	Rebound Bolt	6	-
15	E-3529	3-34-45	Rebound Spacer Sleeve	6	-
16	E-3384	3-A5-8	Bottom Plate For 4" x 6" Rectangular Axle	4	TLM-8
17	E-934	3-12-35	Torque Arm Bushing, Rubber, 1-29/32" OD x 1" ID x 3" Long	8	TLM-7
	GAFF14073	-	Torque Arm Bushing, Poly, 1-29/32" OD x 1" ID x 3" Long	8	TLM-7
18	E-3390	3-A11-65A	Adjustable Torque Arm	4	TLM-7
19	E-3391	3-A11-64	Rigid Torque Arm, 17" Center-to-Center	4	TLM-7
20	E-3079	3-A11-64	Torque Arm Bushing Kit, Rubber, Includes Key No. 1, 3, 17	4	TLM-7
	GAFF993079	-	Torque Arm Bushing Kit, Poly, Includes Key No. 1, 3, 17	4	TLM-7
21	E-3527	-	Equalizer Bolt Kit, Includes Key No. 9, 10, 13, 14, 15	-	-

TRAILMOBILE

Early Model — Cast Short Equalizer, Uses 3-1/2" Wide Springs — Trailer

TRAILMOBILE

Torque Arm Bushing Kit



Early Model — Cast Short Equalizer, Uses 3-1/2" Wide Springs — Trailer

KEY NO.	EUCLID NO.	OEM REF.	DESCRIPTION	QTY. PER SUSPENSION	PAGE NO.
1	E-640	3-12-16	Torque Arm Bushing, 2-5/16" OD x 1-5/16" ID x 2-1/4" Long	8	TLM-6
2	E-1107	3-23-2; 3-23-3	Anchor Pin Jam Nut, 3/4"-16 Thd.	8	-
3	E-641	3-12-7	Torque Arm Pin, 1-5/16" OD x 13/16" ID x 4-3/16" Long	8	TLM-6
4	E-1206	3-36-5	Washer	16	-
5	E-1204	50-1B-200	Bolt, 3/4"- 16 x 5-1/4" Long	8	-
6	E-UB5263-14	700-3-24	U-Bolt Assembly, Sq. Bend, 7/8"-14 Thd. x 3-1/2" Wide x 14" Long	8	-
7	E-1072	3-12-20	Equalizer Bushing, 3 1/8" OD x 2" ID x 4-1/4" Long	2	TLM-6
8	E-1279	3-10-36; 21-1075	Lock Pin, 1/2" OD x 2-3/4" Long	2	-
9	E-1277	700-7-44	Torque Arm Bushing Kit, Includes Key No. 1, 2, 3, 4, 5.	8	TLM-6


TRAILMOBILE

Equalizers, Bushings and Components

TRAILMOBILE

Equalizer

FOR MODELS:
Fabricated




Includes E-3394A Bushing

EUCLID NO.	OEM REF.	OAL
E-3383	3-A66-43	16"

Equalizer

FOR MODELS:
Early Model Cast



Discontinued

EUCLID NO.	OEM REF.	BUSHING NO.	LENGTH
E-3398	3-A66-42	E-1072	16-1/2"

Equalizer Bushing


FOR MODELS:
Early Model Cast



EUCLID NO.	OD	ID	LENGTH
E-1072	3-1/8"	2"	4-1/4"

Torque Arm Bushing Assembly


FOR MODELS:
Early Model Cast



EUCLID NO.	OEM REF.	INCLUDES
E-1277	700-7-144	1 - E-640 Bushing, 1 - E-641 Pin 1 - E-1204 Bolt, 2 - E-1206 Washer, 1 - E-1107 Nut

Equalizer Bushing


FOR MODELS:
Fabricated



EUCLID NO.	OEM REF.	OD	OAL
E-3394A	3-12-32	3-1/4"	4-7/16"

Torque Arm Bushing


FOR MODELS:
Short Equalizer



EUCLID NO.	OEM REF.	OD	ID	OAL
E-640	3-12-6	2-5/16"	1-5/16"	2-1/4"

Equalizer Bolt Kit


FOR MODELS:
Fabricated



EUCLID NO.	INCLUDES
E-3527	2 - Step Bolts, 1 - Lock Tab, 2 - Rebound Bolts, 2 - Spacer Sleeves, and 4 - Nuts

Torque Arm Pin

FOR MODELS:
Short Equalizer




EUCLID NO.	OEM REF.	OD	ID	OAL
E-641	3-12-6 21-SA1814	1-5/16"	13/16"	4-3/16"

TRAILMOBILE

Equalizers, Bushings and Components

Torque Arm Bushing


FOR MODELS:
Fabricated



EUCLID NO.	OEM REF.	OD	ID	OAL	MATERIAL
E-934	3-12-35	1-29/32"	1"	3"	Rubber
GAFF14073	-				Poly

Rigid Torque Arm

FOR MODELS:
Fabricated




Includes E-934 Bushings

EUCLID NO.	OEM REF.	C-TO-C
E-3391	3-A11-64	17"

Adjustable Torque Arm

FOR MODELS:
Fabricated




Includes E-934 Bushings

EUCLID NO.	OEM REF.	C-TO-C
E-3390	3-A11-65A	17"

Torque Arm Bushing Assembly

FOR MODELS:
Fabricated



EUCLID NO.	INCLUDES	MATERIAL
E-3079	1 - E-934 Bushing, 1 - E-2891 Bolt, 1 - E-2892 Flange Nut	Rubber
GAFF993079		Poly

TRAILMOBILE

TRAILMOBILE

Hangers & Axle Attaching Components

Front Hanger

FOR MODELS:
Fabricated



Discontinued

EUCLID NO.	OEM REF.
E-3380	3-A1-16

Top Plate

FOR MODELS:
Fabricated



EUCLID NO.	OEM REF.
E-3385	3-A26-11

Center Hanger

FOR MODELS:
Fabricated



Discontinued

EUCLID NO.	OEM REF.
E-3381	3-A1-18

Axle Seat

FOR MODELS:
Fabricated



4 x 6 Axle

EUCLID NO.	OEM REF.	A
E-3409	3-A5-7A	1"
E-3410	3-A5-7B	1-3/4"

Rear Hanger

FOR MODELS:
Fabricated



Discontinued

EUCLID NO.	OEM REF.
E-3382	3-A1-17

Bottom Plate - 4" X 6" Axle

FOR MODELS:
Fabricated



EUCLID NO.	OEM REF.
E-3384	3-A5-8 38-338

TABLE OF CONTENTS

Front Suspension

AIRTEK for Volvo VLV-2

Rear Suspensions

Volvo Corporate Air Ride VLV-6

Volvo 4 Spring, Before 1985..... VLV-8

Volvo 4 Spring, 1985 and After..... VLV-10

Volvo T-Ride Up To 2005 VLV-12

Volvo T-Ride 2006 and Later VLV-14

Volvo Components VLV-16



Not sure which suspension you have?
Check out Meritor's Suspension Identification
Xact Search to find the right part by
clicking the QR code



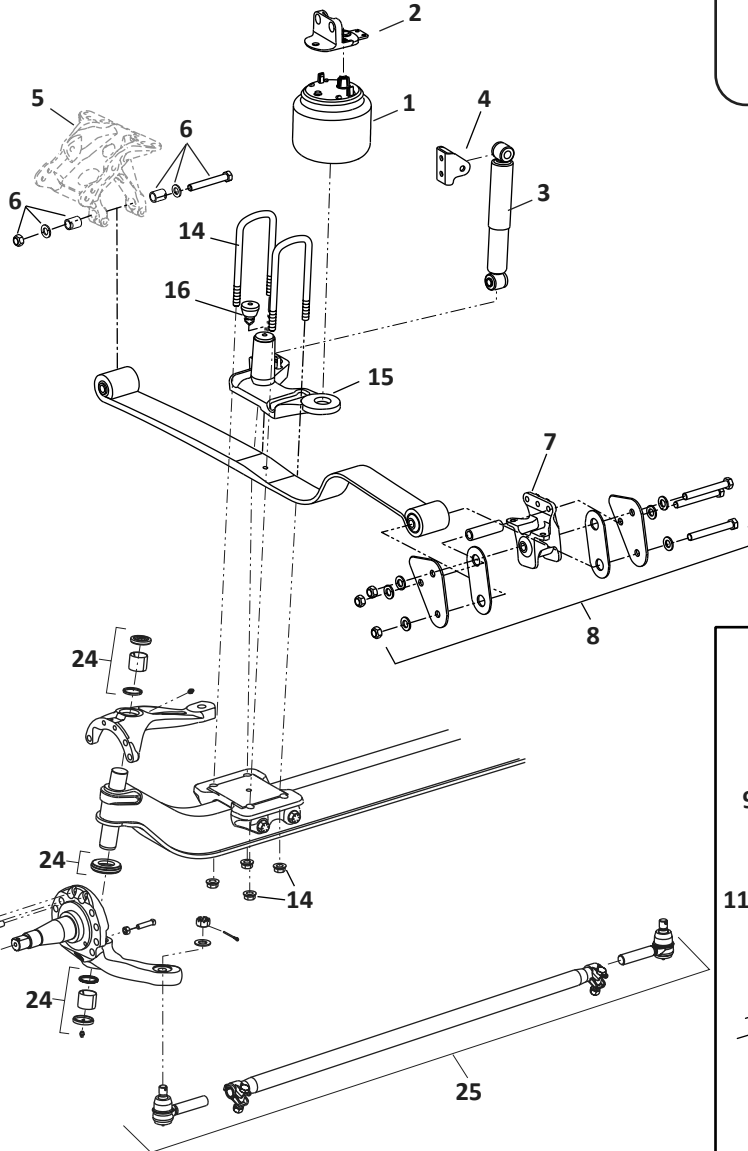
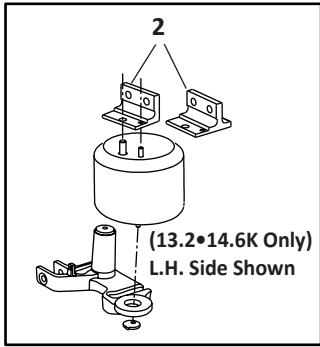
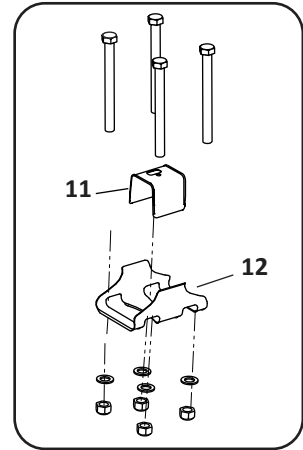
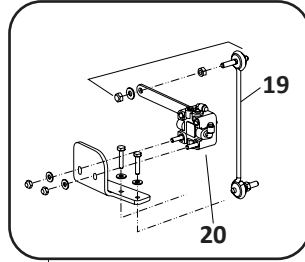
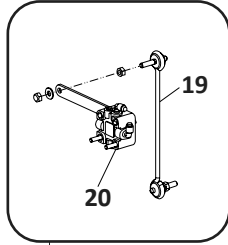
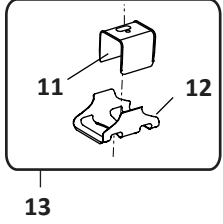
VOLVO FRONT

AIRTEK for Volvo

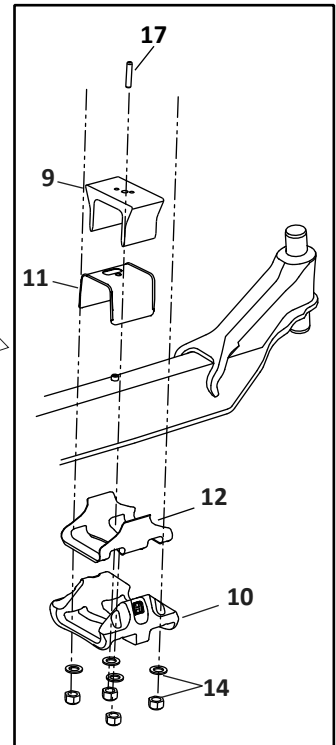
Single Height Control Valves For Vehicles
Built Before March 2005

Straight Bolt Clamp Kit
Pre 2007 Engines

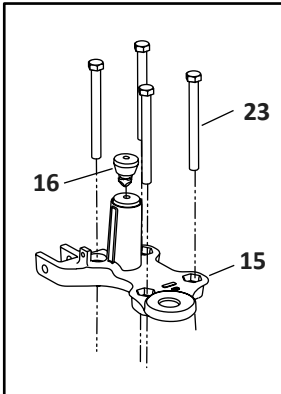
Axle Wrap Liner Kit

























Vehicles Built
Prior to July 2011



Axle Connection For
Vehicles Built Before
July 2007



For more information on King Pins, Tie Rod Ends and Assemblies
see 760C Front Axle Parts — Medium- and Heavy-Duty Applications

AIRTEK for Volvo								
KEY NO.	EUCLID NO.	GENUINE	OEM REF.	DESCRIPTION	QTY. PER AXLE			PAGE NO.
					PRE 2007 ENGINES	POST 2007 ENGINES TO JULY 2011	NXT AXLE — AFTER JULY 2011	
1	FS9913	-	66349-002	Air Spring, 12 & 12.5K	2	2	2	-
	FS9554	-	60716-002	Air Spring, 13.2 & 14.6K	2	2	2	-
2	S.O.S.		Various	Air Spring Bracket	2	2	2	-
3	M85933	-	64838-002 64838-003	Shock Absorber	2	2	2	-
	M89454	-	64838-002 64838-003	Shock Absorber, Premium Adjustable	2	2	2	-
4	S.O.S.		64241-001	Upper Shock Bracket	2	2	-	-
	S.O.S.		59423-008	Upper Shock Bracket, NXT Axles after July 2011	-	-	2	-
5	S.O.S.		Various	Spring Hanger	2	2	2	-
6	E-16412		60961-033	Front Hanger Repair Kit	2	2	2	VLV-16
7	S.O.S.		Various	Rear Shackle Bracket, Left Hand with Bushing	1	1	1	-
	S.O.S.		Various	Rear Shackle Bracket, Right Hand with Bushing	1	1	1	-
8	E-16409		60961-034 60961-635	Shackle Bracket Service Kit, One Axle, Omit Thrust Washer for Post July 2007 Vehicles	1	1	1	VLV-16
9	S.O.S.		59952-017 59952-013 59952-014	Top Axle Wrap	2	2	-	-
10	E-15108		64722-003 64014-003 60622-003	Bottom Axle Wrap	2	2	-	VLV-16
11	E-15147		60508-000	Top Axle Wrap Liner	2	2	-	VLV-16
12	E-15110		59845-000	Bottom Axle Wrap Liner	2	2	-	VLV-16
13	E-15727		60961-015	Axle Wrap Liner Kit, Includes Key Nos. 11 & 12	2	2	-	VLV-16
14	S.O.S.	-	Various	U-Bolt Assembly, Specify Ride Height	-	4	4	-
15	S.O.S.		Various	Top Pad, Specify Left or Right Hand, Pre or Post 2007 Engine and Frame Rail Size	2	2	2	-
16	E-15148		64080-000	Rubber Axle Stop	2	2	2	VLV-16
17	S.O.S.		Various	Dowel Pin, Specify Length	-	2	2	-
18	S.O.S.		64318-028	Spacer, All Vehicles with Dual Height Control Valves March 2005 – July 2011 & All Post July 2011 Vehicles	-	2	2	-
	S.O.S.		Various	Spacer, Other Configurations	-	2	2	-
19	E-15096		59428-004	Linkage Kit, Single Height Control Valve, Vehicles Built Prior to 3/05	-	-	-	VLV-17
20	E-15151		59935-003	Height Control Valve, Vehicles Built Prior to 3/05	-	-	-	VLV-17
21	E-15150		59427-006	Height Control Valve and Linkage Kit for Vehicles Built Prior to 3/05, Includes Key Nos. 19 & 20	-	-	-	VLV-17
22	E-14013		64089-000	Height Control Valve Assembly, Includes Key Nos. 19 & 20 plus Bracket, Vehicles Built Prior to 3/05 w/ 12 & 12.5K Axles	-	-	-	-
	E-14014		64094-000	Height Control Valve Assembly, Includes Key Nos. 19 & 20 plus Bracket, Vehicles Built Prior to 3/05 w/ 13.2 & 14.6K Axles	-	-	-	-

 Denotes Product is Genuine Hendrickson

For more information on King Pins, Tie Rod Ends and Assemblies
see 760C Front Axle Parts — Medium- and Heavy-Duty Applications

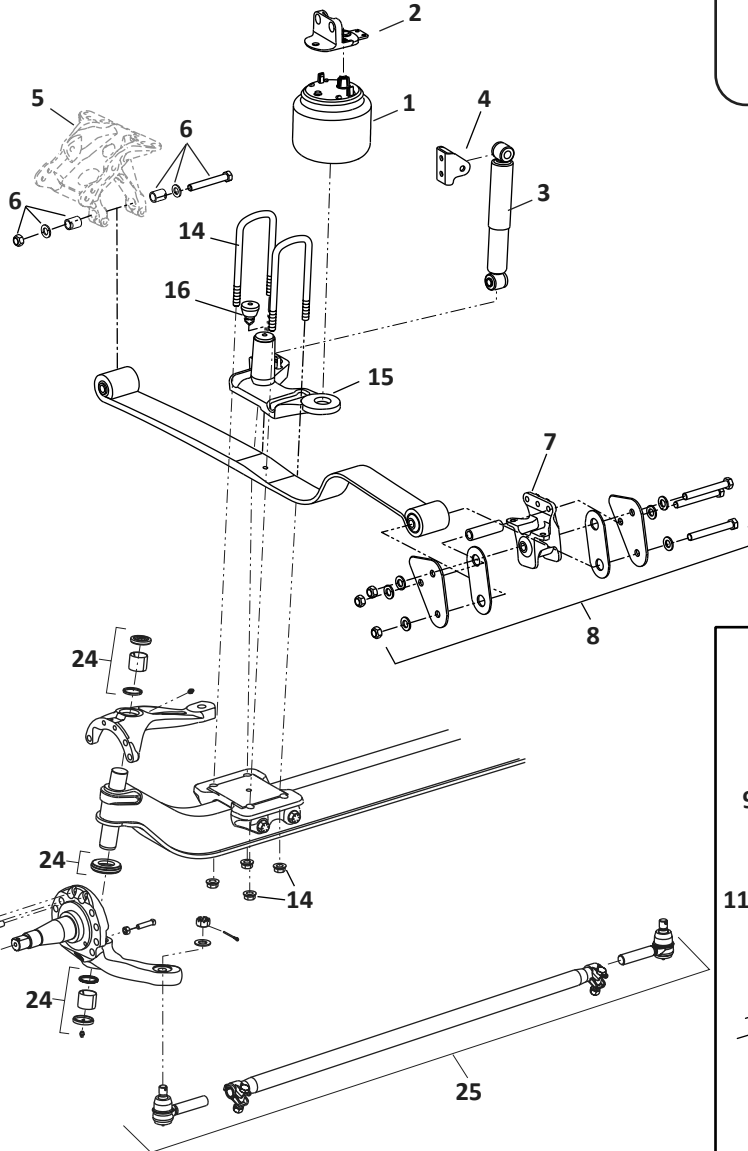
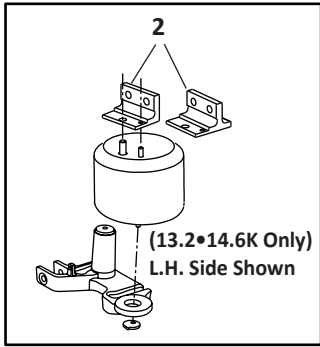
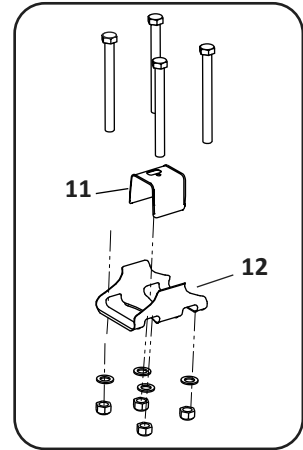
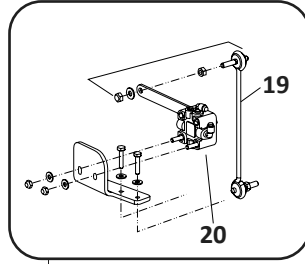
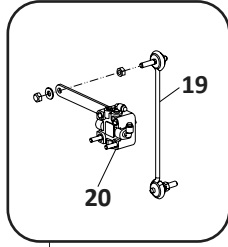
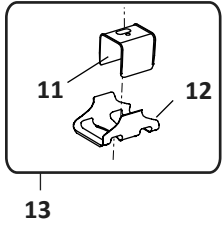
VOLVO FRONT

AIRTEK for Volvo

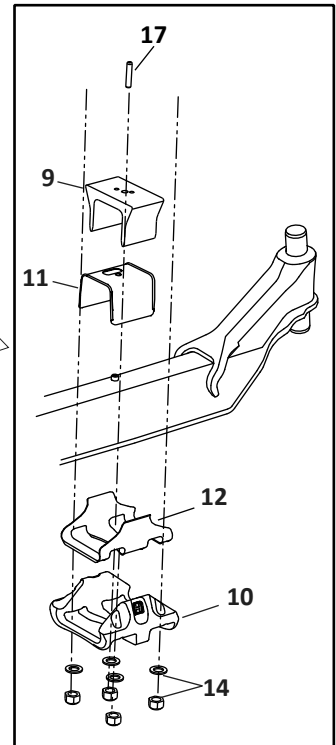
Single Height Control Valves For Vehicles
Built Before March 2005

Straight Bolt Clamp Kit
Pre 2007 Engines

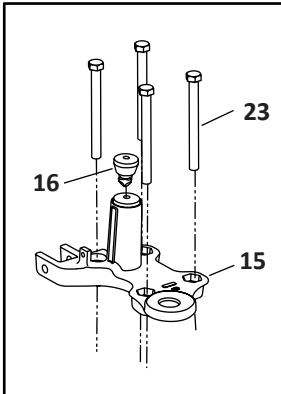
Axle Wrap Liner Kit











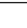


Vehicles Built
Prior to July 2011



Axle Connection For
Vehicles Built Before
July 2007



For more information on King Pins, Tie Rod Ends and Assemblies
see 760C Front Axle Parts — Medium- and Heavy-Duty Applications

AIRTEK for Volvo								
KEY NO.	EUCLID NO.	GENUINE	OEM REF.	DESCRIPTION	QTY. PER AXLE			PAGE NO.
					PRE 2007 ENGINES	POST 2007 ENGINES TO JULY 2011	NXT AXLE — AFTER JULY 2011	
23	E-16410		60961-035	Straight Bolt Clamp Kit, Vehicles with Dual Height Control Valves, 13-1/4" Ride Height, Includes Key Nos. 11 & 12, Bolts, Nuts, Washer for One Side	2	-	-	VLV-16
	E-16411		60961-037	Straight Bolt Clamp Kit, Vehicles with Single Height Control Valve, 14-3/8" Ride Height, Includes Key Nos. 11 & 12, Bolts, Nuts, Washer for One Side	2	-	-	VLV-17
	S.O.S.		Various	Straight Bolt Clamp Kit, Other Configurations, Includes Key No. 11, Bolts, Nuts, Washer for One Side	2	-	-	-
-	E-14019		60961-101	Dual Height Control Valve & Linkage Conversion Kit, Convert Single HCV to Dual, 12 & 12.5K Capacity	1	-	-	-
-	E-14020		60961-102	Dual Height Control Valve & Linkage Conversion Kit, Convert Single HCV to Dual, 13.2 & 14.6K Capacity	1	-	-	-
24	E-13999		60961-040	Kingpin Bushing and Bearing Service Kits, Axle Set Includes Left and Right Hand Kit (E-14000 and E-14001), Vehicles Built Before July 2011	1	-	-	-
	E-14000		60961-009	Kingpin Bushing and Bearing Service Kit, Left Hand with Composite Thrust Bearings, Vehicles Built Before July 2011	1	-	-	-
	E-14001		60961-039	Kingpin Bushing and Bearing Service Kit, Right Hand with Roller Thrust Bearings, Vehicles Built Before July 2011	1	-	-	-
	E-17644		60961-628	Kingpin Bushing and Bearing Service Kits, Axle Set Includes Left and Right Hand Kit (E-17645 and E-17646), Vehicles Built After July 2011	1	-	-	-
	E-17645		60961-629	Kingpin Bushing and Bearing Service Kit, Left Hand with Composite Thrust Bearings, Vehicles Built After July 2011	1	-	-	-
	E-17646		60961-630	Kingpin Bushing and Bearing Service Kit, Right Hand with Roller Thrust Bearings, Vehicles Built After July 2011	1	-	-	-
25	-		Various	Tie Rod Ends and Assembly. See Front Axle Catalog	As Reqd	-	-	-

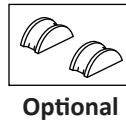
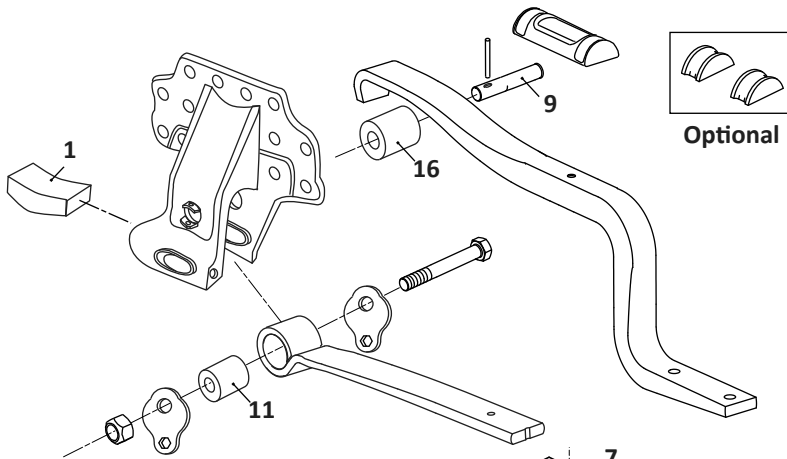
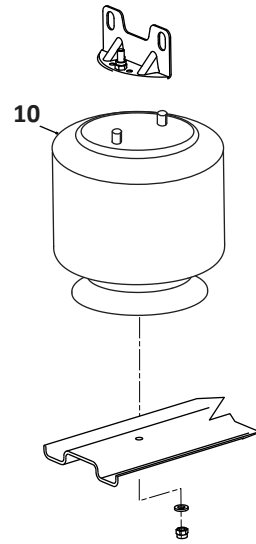
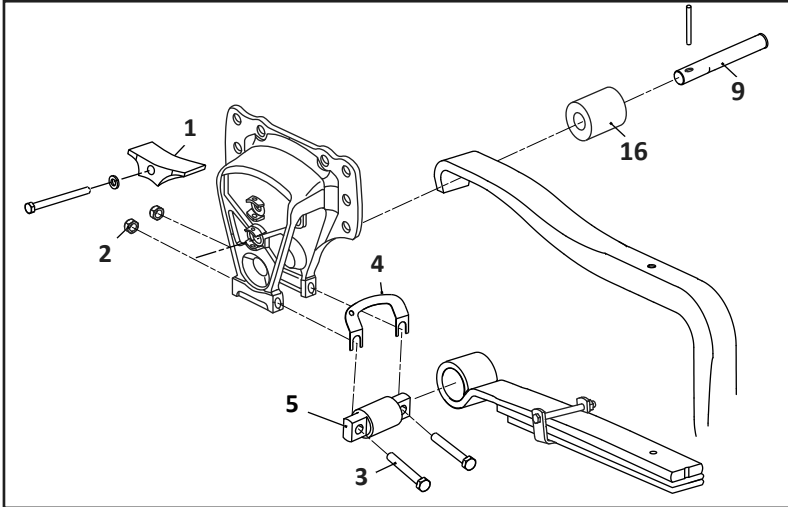
 Denotes Product is Genuine Hendrickson

For more information on King Pins, Tie Rod Ends and Assemblies
see 760C Front Axle Parts — Medium- and Heavy-Duty Applications

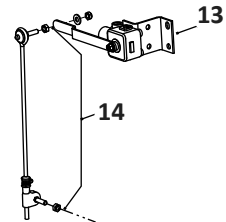
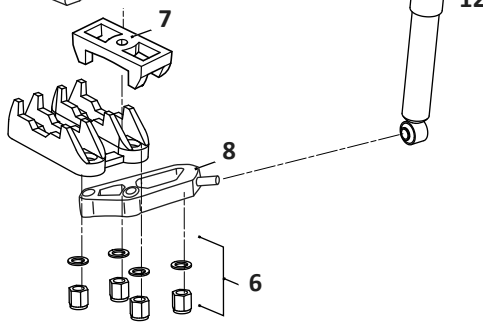
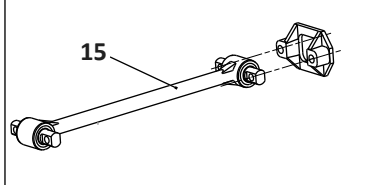
VOLVO REAR

Volvo Corporate Air Ride

Alternate Hanger & Slipper Pad, 1999-2006



Straddle Pin Style Transverse Rod



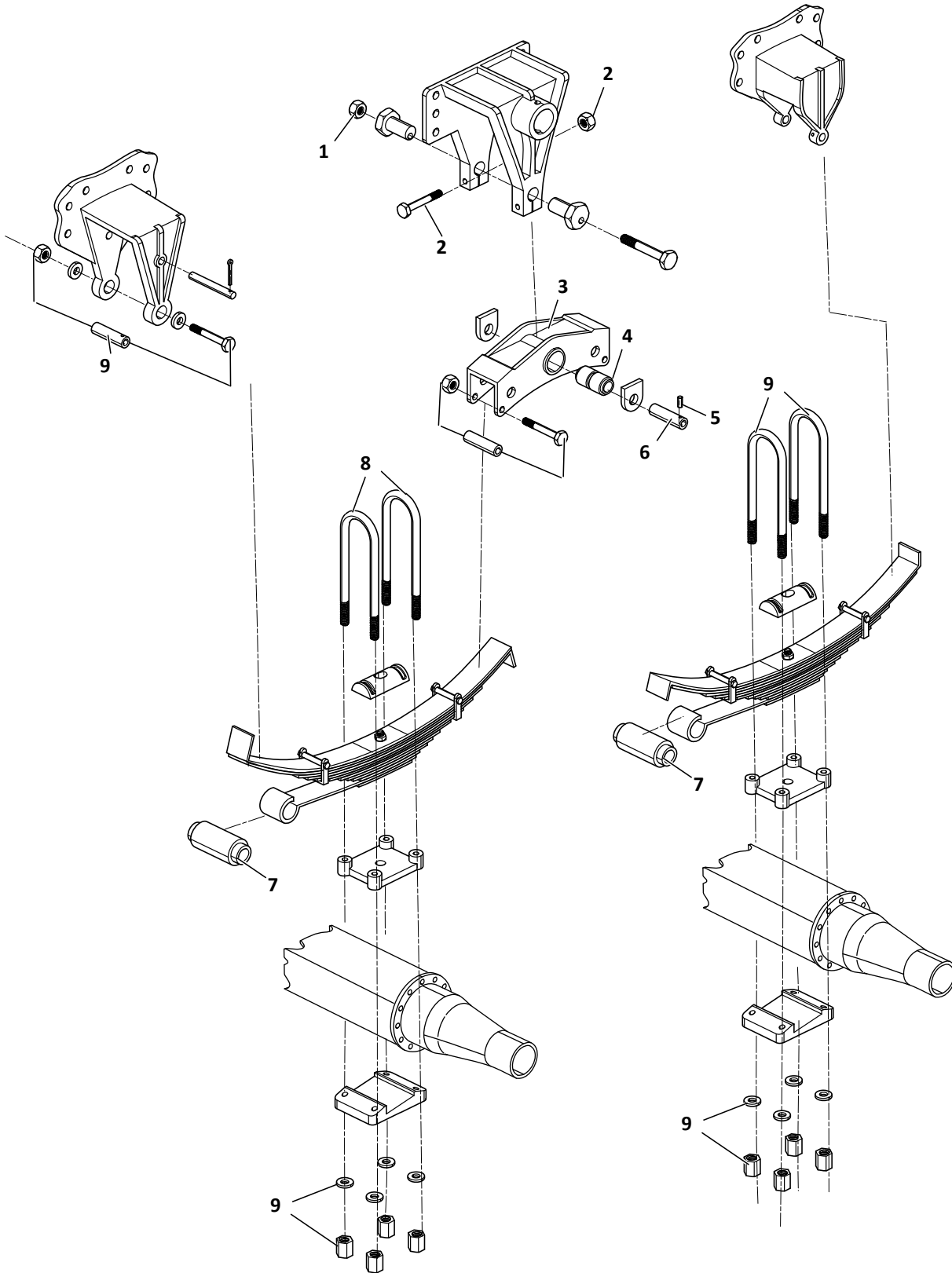
VOLVO

Volvo Corporate Air Ride

KEY NO.	EUCLID NO.	OEM REF	DESCRIPTION	QTY. PER AXLE	PAGE NO.
1	GAFF31145	8079889; 20568741	Wear Pad Kit, 1999 - 2006	2	VLV-18
	GAFF31144	20703083	Wear Pad Kit, 2007 and Later	2	VLV-18
2	E-8911	V8397202	Flange Nut, 5/8"-11, Through 2006	4	-
3	E-8909	V8397091	Bolt, 5/8"-11 X 6" Long, Through 2006	4	VLV-21
	E-15199	-	Bolt, 5/8"-11 X 7" Long, Through 2006	4	VLV-21
4	E-5281	V8020329	Alignment Shim	2	VLV-19
5	E-2225	35033-3201	Spring Eye Bushing, Straddle Mount, 2-1/2" OD, 4-3/8" Center-to-Center, 5/8" Bolt Holes, Rubber	2	VLV-18
	GAFF13522	-	Spring Eye Bushing, Straddle Mount, 2-1/2" OD, 4-3/8" Center-to-Center, 5/8" Bolt Holes, Poly	2	VLV-18
	E-15671	8079894	Spring Eye Bushing, High Confinement, Straddle Mount, 2-1/2" OD, 4-3/8" Center-to-Center, 5/8" Bolt Holes	2	VLV-18
6	E-UB8151-16	V8027431	U-Bolt Assembly, Rd. Bend, 3/4"-16 Thd. x 3" Wide x 16" Long	4	-
7	E-16807	8071514	Axle Seat, 3.6° Pinion Angle	2	VLV-19
8	-	8169852; 8169853	Lower Shock Bracket	2	-
9	E-16806	35026-0001; 8027436	Rebound Pin, 3/4" OD X 5-1/4" Long	2	VLV-19
10	E-16777	20558810	Spring Eye Bushing, Through Hole, After 2006, 7/8" ID X 2-9/16" OD X 3-9/16" Long, Rubber	2	VLV-18
	GAFF31129	-	Spring Eye Bushing, Through Hole, After 2006, 7/8" ID X 2-9/16" OD X 3-9/16" Long, Poly	2	VLV-18
11	FS9219	35003-3204; 35003-3209	Firestone Air Spring	2	-
	FS8829	20505399	Firestone Air Spring	2	-
	EAS8829	20505399	Euclid Air Spring	2	-
	FS9296	8061151	Firestone Air Spring	2	-
12	M85024	8071524	Shock Absorber	2	-
	M85046	8026658	Shock Absorber	2	-
	M85047	8169859	Shock Absorber	2	-
13	E-11855	-	Height Control Valve, No Dump	1	VLV-19
	E-11870	-	Height Control Valve, Dump With Air Applied	1	VLV-19
14	E-7852	-	Leveling Valve Link Kit	1	VLV-19
15	E-8821	35801-0068	Torque Arm, 22-1/8" Long, Straddle Mount Bushings, E-8821 Includes E-9395 Rubber Bushings	1	VLV-18
	E-3176	-	Torque Arm Kit, Full Ball Design.	1	VLV-18
	GAFF18860	30SQ4525	Torque Arm, 22-1/8" Long, Straddle Mount Bushings, Poly Bushings	1	VLV-18
16	GAFF13843	8079890	Rebound Roller, Poly	2	VLV-19
-	GAFF11747	-	Roller Kit, Includes Bolt, Nut, Washer, Sleeve, Poly Rebound Bushing	2	VLV-19

VOLVO REAR

Volvo 4 Spring, Before 1985

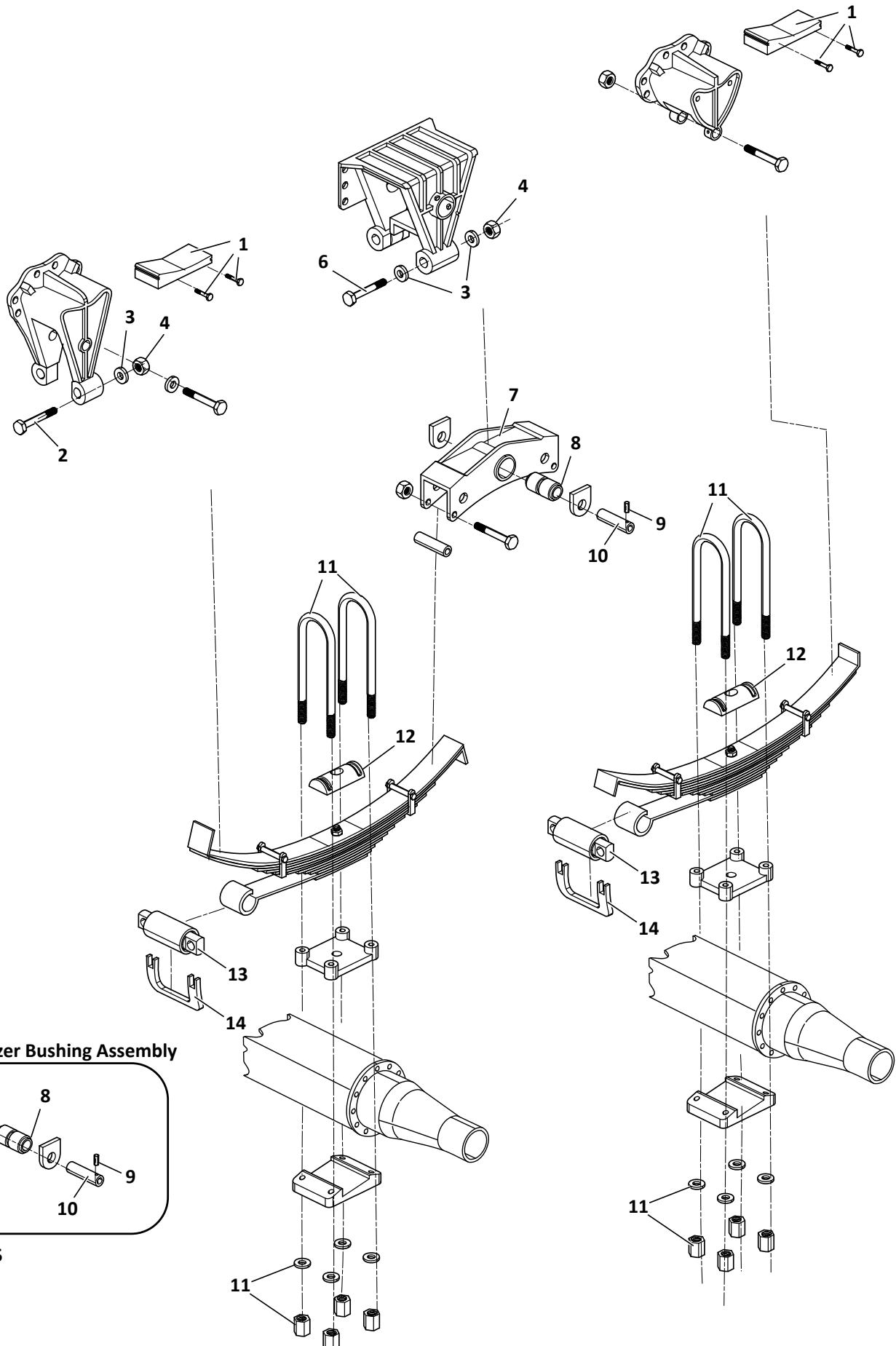


VOLVO

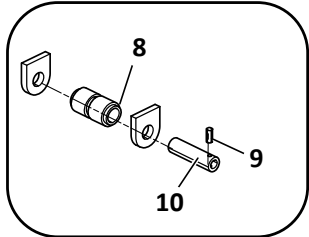
Volvo 4 Spring, Before 1985					
KEY NO.	EUCLID NO.	OEM REF.	DESCRIPTION	QTY. PER TANDEM	PAGE NO.
1	E-2983	550631	Lock Nut, 7/8"-9 Thread	4	-
2	-	-	Clamp Bolt & Nut, 5/8"-18 X 3-1/2" Long	4	-
3	E-3844	V8027430; V8061451; 35011-5002	Equalizer, Includes Bushing	2	VLV-20
4	E-3082	V8027424	Equalizer Bushing, 3-1/8" OD X 2" ID X 4-1/4" Long	2	VLV-20
5	E-1279	V8020421	Lock Pin, 1/2" Diameter X 2-3/4" Long	2	VLV-20
6	E-3083A	V8027425	Equalizer Shaft, 2" OD X 6-7/8" Long	2	VLV-20
7	E-3849	02-7012438	Spring Eye Bushing, 1-3/4" OD x 7/8" ID x 3" Long, Obsolete	4	VLV-21
8	E-UB8151-18	35019-0013; 35019-0012; V8027431	U-Bolt Assembly Rd. Bend, 3/4"-16 Thd. x 3" Wide x 18" Long	8	VLV-21
9	E-3839	35042-0001	Rebound Bushing, 1-3/8" OD X 3/4" ID X 3" Long	4	VLV-20

VOLVO REAR

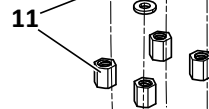
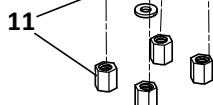
Volvo 4 Spring, 1985 and After



Equalizer Bushing Assembly



5

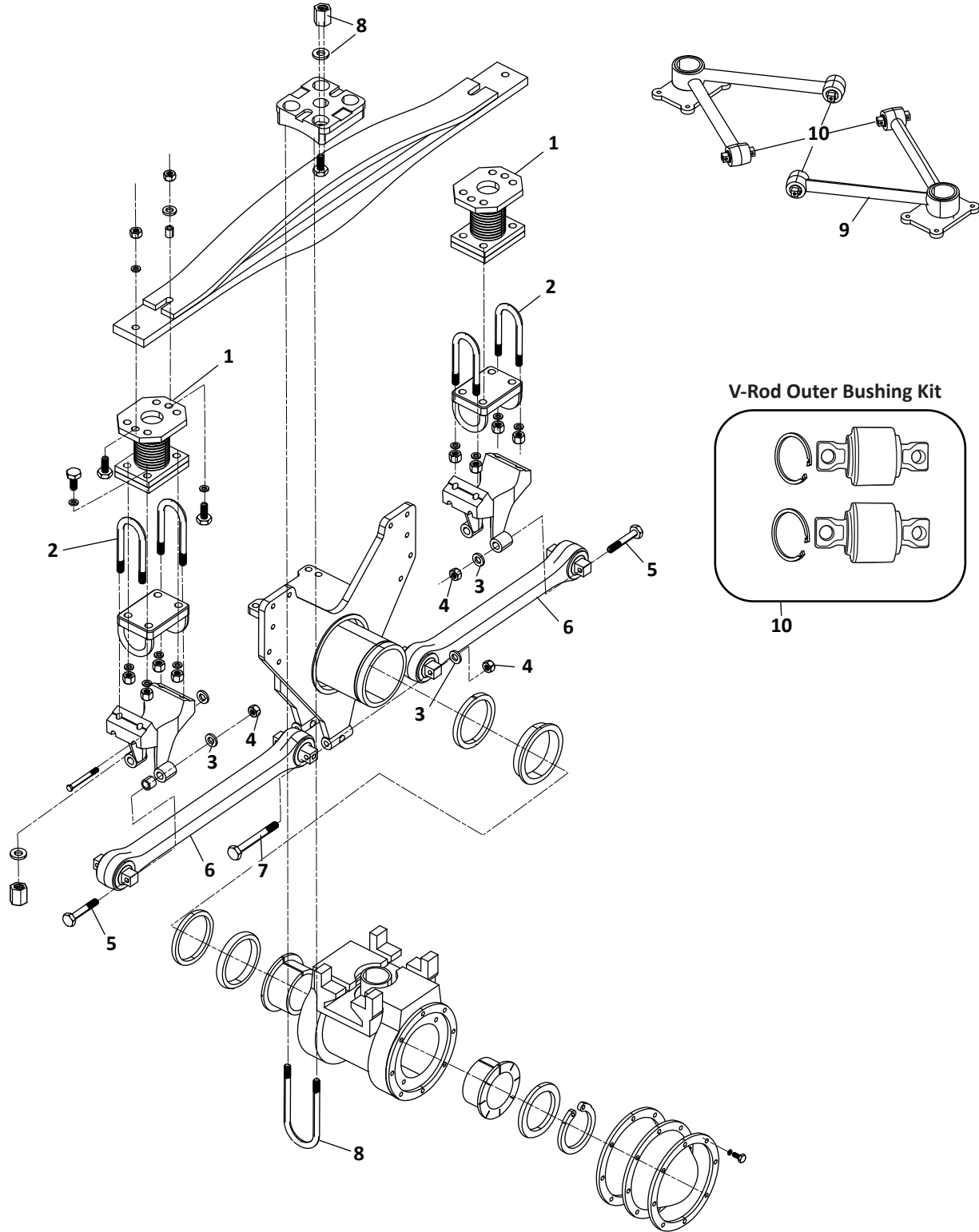


VOLVO

Volvo 4 Spring, 1985 and After					
KEY NO.	EUCLID NO.	OEM REF.	DESCRIPTION	QTY. PER TANDEM	PAGE NO.
1	E-8819	-	Wear Pad Kit, Includes Screws	4	VLV-20
2	E-8909	V8397091	Radius Leaf Attaching Bolt, Front, 5/8"-11 X 6" Long	4	VLV-21
3	E-2547	-	Washer, 5/8" ID	12	-
4	E-8911	V8397202	Lock Nut, 5/8" -11	8	-
5	E-3845	-	Equalizer Bushing Assembly, Includes Keys 9, 10, 11 and Washers	2	VLV-20
6	E-15199	-	Radius Leaf Attaching Bolt, Back, 5/8"-11 X 7" Long	4	VLV-21
7	E-3844	V8027430; V8061451; 35011-5002	Equalizer, Includes Bushing	2	VLV-20
8	E-3082	V8027424	Equalizer Bushing, 3-1/8" OD X 2" ID X 4-1/4" Long	2	VLV-20
9	E-1279	V8020421	Lock Pin, 1/2" OD X 2-3/4" Long	2	VLV-20
10	E-3083A	V8027425	Equalizer Shaft, 2" OD X 6-7/8" Long	2	VLV-20
11	E-UB8151-18	35019-0013; 35019-0012; V8027431	U-Bolt Assembly, Rd. Bend, 3/4"-16 Thd. x 3" Wide x 18" Long	8	VLV-21
12	E-8926	V8027433	Top Plate	4	VLV-21
13	E-2225	35033-3201	Bushing, Straddle Mount, Rubber	4	VLV-20
	GAFF13522	-	Bushing, Straddle Mount, Poly	4	VLV-20
14	E-5281	V8020329	Radius Leaf Shim, 1/16" Thick	4	VLV-21

VOLVO REAR

Volvo T-Ride Up To 2005



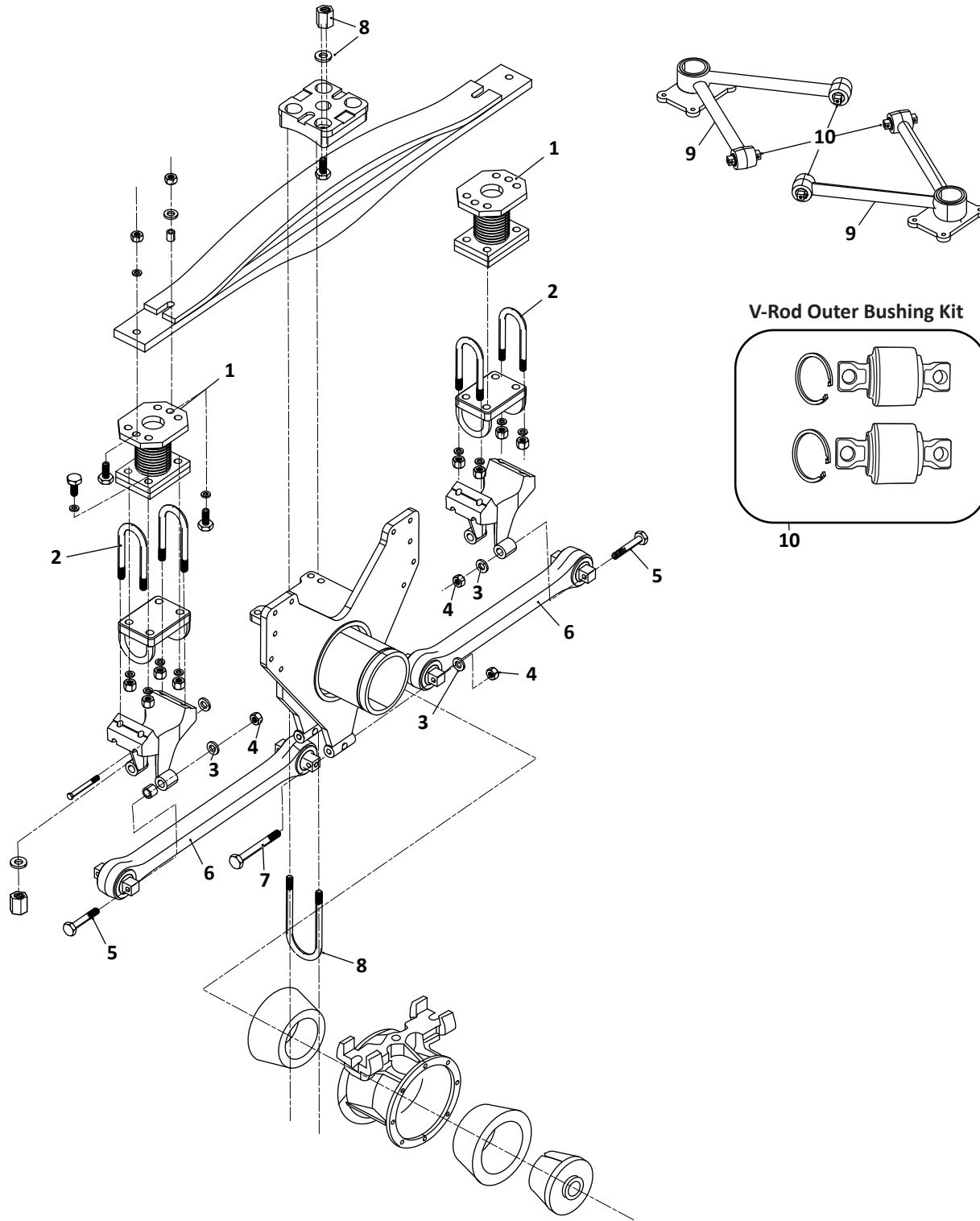
VOLVO

Volvo T-Ride Up To 2005

KEY NO.	EUCLID NO.	OEM REF.	DESCRIPTION	QTY. PER TANDEM	PAGE NO.
1	E-8851	1629553	Load Spring, Rubber	4	VLV-22
	GAFF12333	-	Load Spring, Poly	4	VLV-22
2	E-UB8142-06	V1590074	U-Bolt Assembly, Rd. Bend, 5/8"-18 Thd. x 3-1/8" Wide x 6" Long	4	-
3	E-2547	-	Washer, 5/8" ID	8	-
4	E-2988	-	Lock Nut, 5/8"-11	8	-
5	E-16227	-	Bolt, 5/8"-11 X 5" Long, Axle Seat End	4	-
6	E-8853	8028945	Rigid Torque Arm, Full Ball Sockets, 22-5/8" Center-to-Center, Not Rebushable	4	VLV-22
7	E-15199	-	Bolt, 5/8"-11 X 7" Long, Trunnion Hanger End	4	VLV-21
8	E-UB8151-10	V8057236	U-Bolt Assembly, Rd. Bend, 3/4"-16 Thd. x 3" Wide x 10" Long	8	-
	E-UB8151-12	V8059359	U-Bolt Assembly, Rd. Bend, 3/4"-16 Thd. x 3" Wide x 12" Long	8	-
9	E-11905	8057667	V-Rod, Offset Center Mounting Plate, Obsolete, Use E-16816 Outer Bushing Kit. Center Bushing Not Replacable.	2	-
	E-11906	3172829	V-Rod, Obsolete, Use E-16816 Outer Bushing Kit. Center Bushing Not Replacable.	2	-
10	E-16816	-	V-Rod Bushing Kit, Outer Bushings, For E-11905 & E-11906 Obsolete V-Rods, Includes (2) Bushings and (2) Snap Rings	4	VLV-22

VOLVO REAR

Volvo T-Ride 2006 and Later



VOLVO

Volvo T-Ride 2006 and Later					
KEY NO.	EUCLID NO.	OEM REF.	DESCRIPTION	QTY. PER TANDEM	PAGE NO.
1	E-8851	1629553	Load Spring, Rubber	4	VLV-22
	GAFF12333	-	Load Spring, Poly	4	VLV-22
2	E-UB8142-074	-	U-Bolt Assembly, Rd. Bend, 5/8"-18 Thd. x 3-1/8" Wide x 7-1/2" Long	4	-
3	E-2547	-	Washer, 5/8" ID	8	-
4	E-2988	-	Lock Nut, 5/8"-11	8	-
5	E-16227	-	Bolt, 5/8"-11 X 5" Long, Axle Seat End	4	-
6	E-16818	20443046	Rigid Torque Arm, Full Ball Offset Sockets, 22-5/8" Center-to-Center	2	VLV-22
	E-16819	20509568	Adjustable Torque Arm, Full Ball Offset Sockets, 23" Center-to-Center	2	VLV-22
7	E-15199	-	Bolt, 5/8"-11 X 7" Long, Trunnion Hanger End	4	VLV-21
8	E-UB8151-12	-	U-Bolt Assembly, Rd. Bend, 3/4"-16 Thd. x 3" Wide x 12" Long	8	-
	E-UB8151-14	-	U-Bolt Assembly, Rd. Bend, 3/4"-16 Thd. x 3" Wide x 14" Long	8	-
9	E-11905	8057667	V-Rod, Offset Center Mounting Plate, Obsolete, Use E-16816 Outer Bushing Kit	2	-
	E-11906	3172829	V-Rod, Obsolete, Use E-16816 Outer Bushing Kit	2	-
	E-17002	22318833	V-Rod, Newer Models, Includes E-17003 Outer Bushings	2	VLV-22
10	E-16816	-	V-Rod Bushing Kit, Outer Bushings, For E-11905 & E-11906 Obsolete V-Rods, Includes (2) Bushings and (2) Snap Rings	4	-
	E-17003	20547268	V-Rod Bushing Kit, Outer Bushings, For E-17002 V-Rods, Includes (2) Bushings and (2) Snap Rings	4	VLV-22

VOLVO

AIRTEK For Volvo

Shackle Bracket Kit



Axle Set - 1/2 Kit Shown

EUCLID NO.	GENUINE	OEM REF.	NOTES
E-16409		60961-034; 60961-635	Includes 4 Shackle Plates, 4 Wear Plates, Spacer and Hardware

Bottom Axle Wrap Liner



EUCLID NO.	GENUINE	OEM REF.
E-15110		59845-000

Front Hanger Repair Kit



EUCLID NO.	GENUINE	OEM REF.	NOTES
E-16412		60961-033	Includes 2 Hanger Adapters, M20 X 230mm Long Bolt, Nut, Washers

Bottom Axle Wrap



EUCLID NO.	GENUINE	OEM REF.
E-15108		64722-003; 64014-003; 60622-003

Axle Wrap Liner Kit

FOR MODELS:
AIRTEK



Includes E-15147 & E-15110 Liners

EUCLID NO.	GENUINE	OEM REF.
E-15727		60961-015

Rubber Axle Stop



EUCLID NO.	GENUINE	OEM REF.
E-15148		64080-000

Top Axle Wrap Liner



EUCLID NO.	GENUINE	OEM REF.
E-15147		60508-000

Straight Bolt Clamp Kit


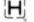
FOR MODELS:
Vehicles with
Dual Height
Control Valves,
13 1/4" Ride Height


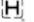



One Wheel End



EUCLID NO.	GENUINE	OEM REF.	NOTES
E-16410		60961-035	Includes Bolts, Nuts, Washer

VOLVO

Straight Bolt Clamp Kit			
<p>FOR MODELS: Vehicles with Single Height Control Valve, 13-1/4" Ride Height</p> <div style="text-align: center;">  </div> <p>One Wheel End</p>			
EUCLID NO.	GENUINE	OEM REF.	NOTES
E-16411		60961-037	Includes Bolts, Nuts, Washer

Height Control Valve		
<p>FOR MODELS: Vehicles Built Prior to 3/05</p> <div style="text-align: center;">  </div>		
EUCLID NO.	GENUINE	OEM REF.
E-15150		59427-006

Height Control Valve		
<p>FOR MODELS: Vehicles Built Prior to 3/05</p> <div style="text-align: center;">  </div>		
EUCLID NO.	GENUINE	OEM REF.
E-15151		59935-003

Linkage Kit		
<p>FOR MODELS: Vehicles Built Prior to 3/05 with Single Height Control Valve</p> <div style="text-align: center;">  </div>		
EUCLID NO.	GENUINE	OEM REF.
E-15096		59428-004

VOLVO

Corporate Air Ride

Wear Pad Kit, 1999-2006



EUCLID NO.	OEM REF.
GAFF31145	8079889; 20568741

Wear Pad Kit, 2007 & Later



EUCLID NO.	OEM REF.
GAFF31144	20703083

Spring Eye Bushing, Straddle Mount



EUCLID NO.	OEM REF.	OD	MATERIAL	BOLT HOLES
E-9395	57256-000	2-7/16"	Rubber	5/8"
GAFF11714	-		Poly	
E-2225	35033-3201	2-1/2"	Rubber	
GAFF13522	-		Poly	

Spring Eye Bushing, Through Hole

FOR MODELS:
After 2006



EUCLID NO.	OEM REF.	ID	OD	LENGTH	MATERIAL
E-16777	20558810	7/8"	2-9/16"	3-9/16"	Rubber
GAFF31129	-				Poly

Transverse Torque Arm, Rubber Bushings



EUCLID NO.	OEM REF.	LENGTH	MATERIAL	NOTES
E-8821	35801-0068	22-1/8"	Rubber	Includes E-9395 Bushings
GAFF18860	-		Poly	Includes GAFF13520 Bushings

Spring Eye Bushing, Heavy Duty



High Confinement Design

EUCLID NO.	OEM REF.	OD	BOLT HOLES
E-15671	8079894	2-1/2"	5/8"


Transverse Torque Arm Kit, Full Ball Design





EUCLID NO.	NOTES
E-3176	Uni-Rod Kit


VOLVO


Rebound Pin			
			
EUCLID NO.	OEM REF.	OD	LENGTH
E-16806	35026-0001; 8027436	3/4"	5-1/4"

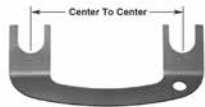

Axle Seat		
		
EUCLID NO.	OEM REF.	PINION ANGLE
E-16807	8071514	3.6° Pinion Angle

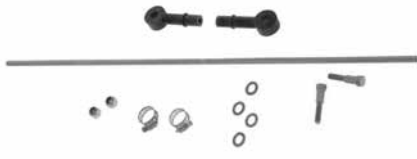
Rebound Roller					
					
EUCLID NO.	OEM REF.	OD	ID	LENGTH	NOTES
GAFF13843	49175-005	2-1/2"	7/8"	3"	Includes Roller and Hardware

Height Control Valve	
	
EUCLID NO.	NOTES
E-11855	No Dump

Rebound Roller Assembly		
		
EUCLID NO.	OEM REF.	NOTES
GAFF11747	49175-005	Includes Roller and Hardware

Height Control Valve	
	
EUCLID NO.	NOTES
E-11870	Dump With Air Applied

Alignment Shim				
				
EUCLID NO.	GENUINE	OEM REF.	C-T-C LENGTH	THICK
E-5281		V8020329	4-3/8"	1/16"

Height Control Valve Linkage, Universal	
	
EUCLID NO.	NOTES
E-7852	Universal Kit Works With Most Height Control Valves

VOLVO

VOLVO

Volvo 4 Spring

Equalizer

FOR MODELS:
All 4 Spring
Models



Includes Bushing

EUCLID NO.	OEM REF.
E-3844	V8027430; V8061451; 35011-5002

Lock Pin

FOR MODELS:
All 4 Spring
Models



EUCLID NO.	OEM REF.	OD	LENGTH
E-1279	V8020421	1/2"	2-3/4"

Equalizer Bushing Assembly

FOR MODELS:
All 4 Spring
Models



EUCLID NO.	LENGTH
E-3845	Includes Bushing, Shaft, Pin and (4) Washers

Rubber Rebound Bushing

FOR MODELS:
Before 1985



EUCLID NO.	OEM REF.	OD	ID	LENGTH
E-3839	35042-0001	1-3/8"	3/4"	3"

Equalizer Bushing

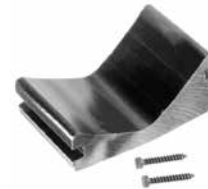
FOR MODELS:
All 4 Spring
Models



EUCLID NO.	OEM REF.	OD	ID	LENGTH
E-3082	V8027424	3-1/8"	2"	4-1/4"

Wear Pad Kit

FOR MODELS:
1985 and After



Includes Screws

EUCLID NO.	WIDTH	SLOT WIDTH
E-8819	3-1/4"	1/2"

Equalizer Shaft

FOR MODELS:
All 4 Spring
Models



EUCLID NO.	OEM REF.	OD	LENGTH
E-3083A	V8027425	2"	6-7/8"


Bushing, Straddle Mount

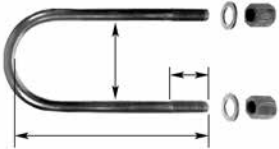
FOR MODELS:
1985 and After





EUCLID NO.	OEM REF.	OD	HOLE DIA	MATERIAL
E-2225	35033-3201	2-1/2"	5/8"	Rubber
GAFF13522	-			Poly

VOLVO

Radius Leaf Shim			
FOR MODELS: 1985 and After			
			
EUCLID NO.	OEM REF.	THICKNESS	C-TO-C
E-5281	V8020329	1/16"	4-3/8"

U-Bolt Assembly				
FOR MODELS: Before 1985				
				
EUCLID NO.	OEM REF.	THREAD	WIDTH	LENGTH
E-UB8151-18	35019-0013; 35019-0012; V8027431	3/4"-16	3"	18"

Radius Leaf Attaching Bolt			
FOR MODELS: 1985 and After			
			
EUCLID NO.	OEM REF.	THREAD	LENGTH
E-8909	V8397091	5/8"-11	6"
E-15199	-	5/8"-11	7"

Spring Eye Bushing				
FOR MODELS: Before 1985				
				
Part is Obsolete				
EUCLID NO.	OEM REF.	OD	ID	LENGTH
E-3849	02-7012438	1-3/4"	7/8"	3"

Top Plate			
FOR MODELS: 1985 and After			
			
EUCLID NO.	OEM REF.	LENGTH	WIDTH
E-8926	V8027433	8-1/4"	3"

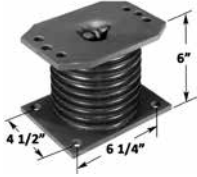
VOLVO

VOLVO

Volvo T-Ride

Rubber Load Spring


FOR MODELS:
All Models



EUCLID NO.	OEM REF.	MATERIAL
E-8851	1629553	Rubber
GAFF12333	-	Poly


V-Rod

FOR MODELS:
2006 to Later



EUCLID NO.	OEM REF.	NOTES
E-17002	22318833	Includes E-17003 Outer Bushings

Rigid Torque Arm




Full Ball Design

EUCLID NO.	OEM REF.	C-TO-C	NOTES
E-8853	8028945	22-5/8"	T-Ride Up To 2005

V-Rod Bushing Kit, Outer Bushings


FOR MODELS:
2006 to Later



Includes (2) Bushings and (2) Snap Rings

EUCLID NO.	OEM REF.	NOTES
E-17003	20547268	Used With E-17002 V-Rod,

Rigid Torque Arm




Full Ball Design

EUCLID NO.	OEM REF.	C-TO-C	NOTES
E-16818	20443046	22-5/8"	2006 and Later Offset Sockets

V-Rod Bushing Kit, Outer Bushings


FOR MODELS:
T-Ride Up to 2005



Includes (2) Bushings and (2) Snap Rings

EUCLID NO.	OEM REF.	NOTES
E-16816	20547268	For E-11905 & E-11906 Obsolete V-Rods

Adjustable Torque Arm



Full Ball Design

EUCLID NO.	OEM REF.	C-TO-C	NOTES
E-16819	20509568	23"	2006 and Later Offset Sockets

VOLVO

TABLE OF CONTENTS

AL-2200 Non-Steerable Auxiliary Truck Suspension..... WCN-2

SL Series Steerable Auxiliary Truck Suspension WCN-4

SL-1000/1100-LP/LR/LW/RO/SR/SSR, SL-1800/1800-SR Steer Auxiliary Truck Suspension..... WCN-6

TA250/251/255/300 (Early) Trailer Air Suspensions WCN-8

TA250T (Top Mount), U (Under Mount), TA300T, U Trailer Air New Style with Multifunction Bushing..... WCN-10

TA250/300 TY Series Trailer Air Suspension WCN-12

TI 250/300T Integra Series Trailer Air Suspension WCN-14

TL-1100 “Light Weight” Auxiliary Trailer Suspension WCN-16

TL-2200 Auxiliary Trailer Suspension WCN-18

Single Point Trailer Suspension..... WCN-20

Watson & Chalin Components WCN-22



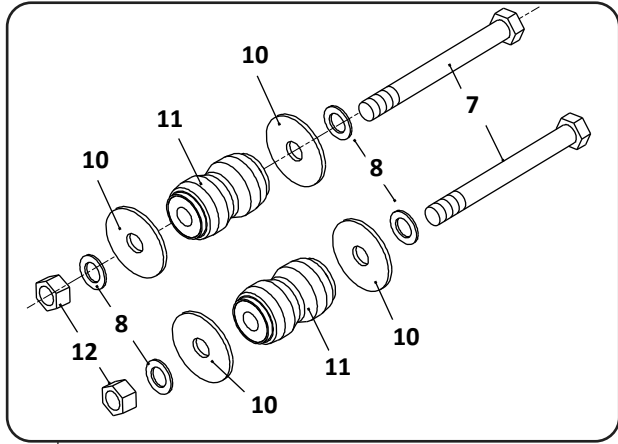
Not sure which suspension you have?
 Check out Meritor’s Suspension Identification
 Xact Search to find the right part by
 clicking the QR code

WATSON & CHALIN

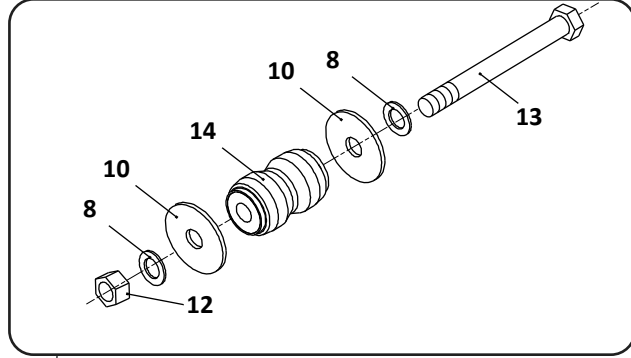
WATSON & CHALIN

AL-2200 Non-Steerable Auxiliary Truck Suspension

Pivot Connection Kit

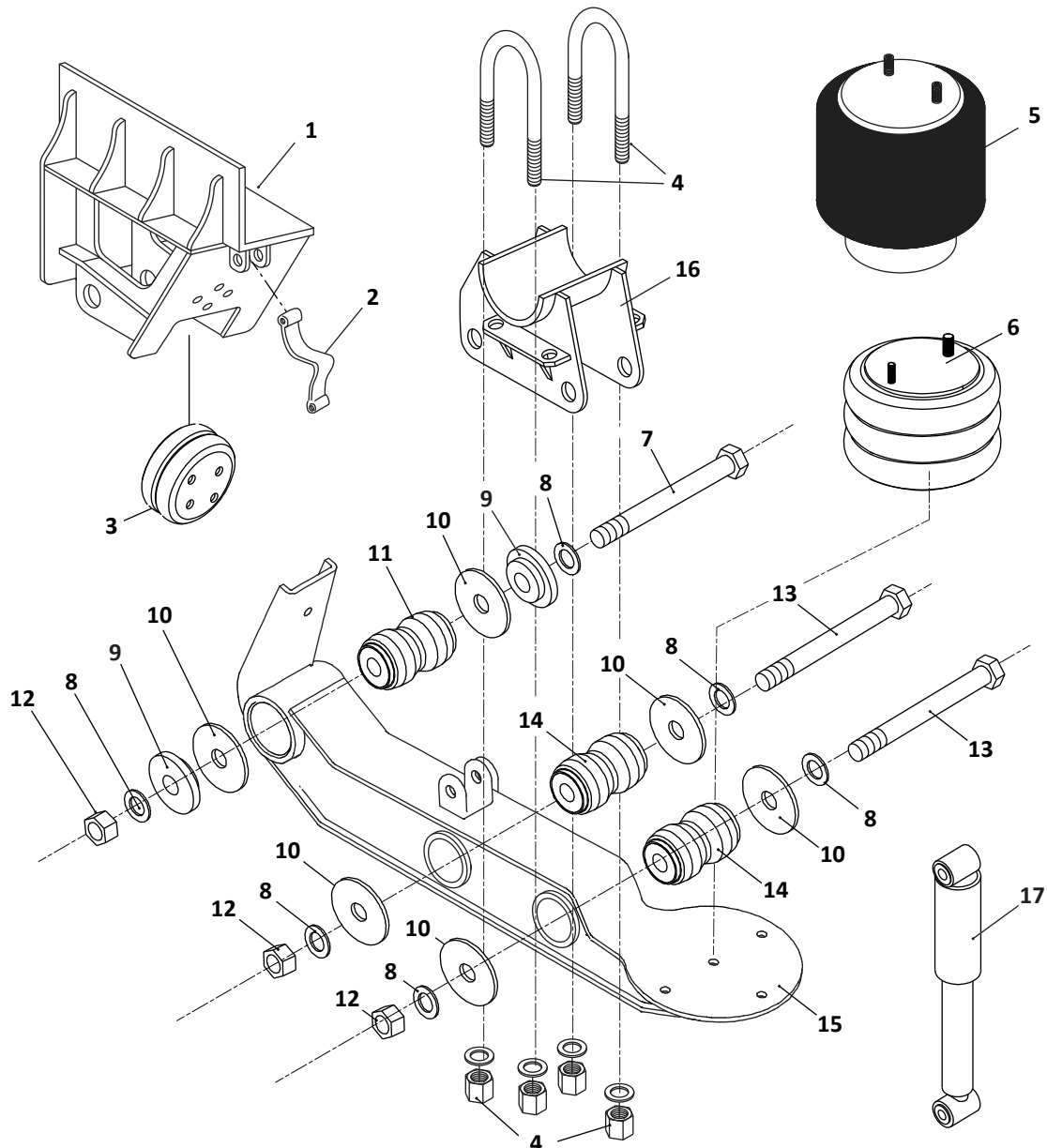


Axle Connection Kit



19 - 4 Sets of Items Shown Included in Kit

18



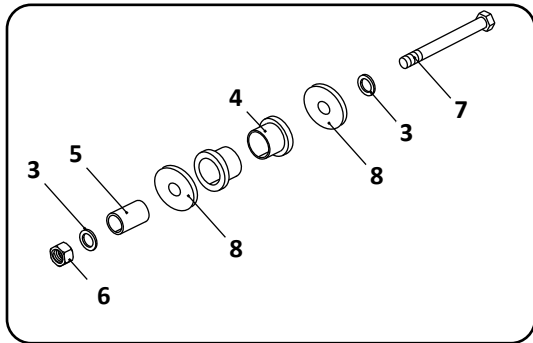
WATSON & CHALIN

AL-2200 Non-Steerable Auxiliary Truck Suspension					
KEY NO.	EUCLID NO.	OEM REF.	DESCRIPTION	QTY. PER AXLE	PAGE NO.
1	S.O.S.	Various	Hanger	1	-
2	E-17104	11342	Strap, 13-3/4" Long	2	WCN-27
3	FS6908	AS-0035	Firestone Air Spring, Lift	2	-
	FS6897	AS-0058	Firestone Air Spring, Lift	2	-
	EAS6897	AS-0058	Euclid Air Spring, Lift	2	-
4	E-UB8155-08	-	U-Bolt Assembly, Rd. Bend, 3/4"-16 Thd. x 5" Wide x 8" Long, Prior to 1988	4	WCN-27
	E-UB8145-081	-	U-Bolt Assembly, Rd. Bend, 5/8"-18 Thd. x 5" Wide x 8-1/8" Long, After 1988	4	WCN-27
5	FS9321	AS-0036	Firestone Air Spring, Ride	2	-
	EAS9321	AS-0036	Euclid Air Spring, Ride	2	-
	FS9243	AS-0061	Firestone Air Spring, Ride	2	-
	FS9370	AS-0057	Firestone Air Spring, Ride	2	-
	EAS9370	AS-0057	Euclid Air Spring, Ride	2	-
6	FS8008	AS-0019	Firestone Air Spring, Ride	2	-
	EAS8008	AS-0019	Euclid Air Spring, Ride	2	-
7	E-17102	11225	Pivot Bolt, 1-1/8"-12 x 9-3/4" Long	2	WCN-25
8	E-2548	-	Washer, 1-1/8" ID	12	-
9	E-17100	10764	Alignment Collar, 3-1/2" OD X 1-1/8" ID x 3/4" Thick	4	WCN-25
10	E-2956	10009	Washer, 3-1/4" OD x 1-11/16" ID x 1/8" Thick, Prior to 1988	12	WCN-26
	E-4363	11222	Washer, 4" OD x 1-1/8" ID x 1/4" Thick, After 1988	12	WCN-23 WCN-26
11	E-4382A	10050	Pivot Bushing, 3-1/2" OD x 1-1/8" ID x 5-1/4" Long, Rubber	2	WCN-22
	GAFF14513	-	Pivot Bushing, 3-1/2" OD x 1-1/8" ID x 5-1/4" Long, Poly	2	WCN-22 WCN-25
	E-17099	10050-0S	Pivot Bushing, 3-5/8" OD x 1-1/8" ID x 5-1/4" Long, Oversize OD, Rubber	2	WCN-25
12	E-17292	10023	Lock Nut, 1-1/8"-12	6	-
13	E-17101	10036	Axle Connection Bolt, 1-1/8"-12 x 8-1/2" Long	4	WCN-23 WCN-25
14	E-4255	10051	Axle Connection Bushing, 2-3/8" OD x 1-1/8" ID x 5" Long, Rubber, Prior to 1988	4	WCN-25
	GAFF14510	-	Axle Connection Bushing, 2-3/8" OD x 1-1/8" ID x 5" Long, Poly, Prior to 1988	4	WCN-25
	E-4410A	11223	Axle Connection Bushing, 2-3/4" OD x 1-1/8" ID x 5" Long, Rubber, After 1988	4	WCN-22 WCN-25
	GAFF14533	-	Axle Connection Bushing, 2-3/4" OD x 1-1/8" ID x 5" Long, Poly, After 1988	4	WCN-25
15	S.O.S.	13107, 13108, 930005-10, 930005-1, 930005-20, 930005-2	Beam Assembly, Various Left & Right Hand Options	1	-
16	S.O.S.	13247, 13246, 11660-10, 11660-1, 11660-20, 11660-2	Axle Seat, Various Left & Right Hand Options	1	-
17	M83204	10148	Shock Absorber	2	-
18	E-17109	SRK-01	Pivot Connection Kit, Axle Set, Includes Key Nos. 7, 8, 10, 11, 12	1	WCN-25
19	E-17110	SRK-02	Axle Connection Kit, Axle Set, Includes Key Nos. 8, 10, 12, 13, 14	1	WCN-22 WCN-25

WATSON & CHALIN

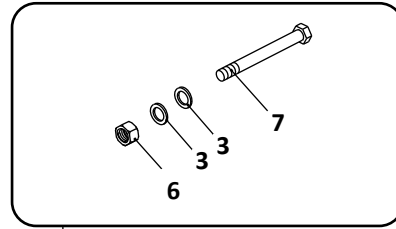
SL Series Steerable Auxiliary Truck Suspension

Pivot Bushing & Hardware Kit

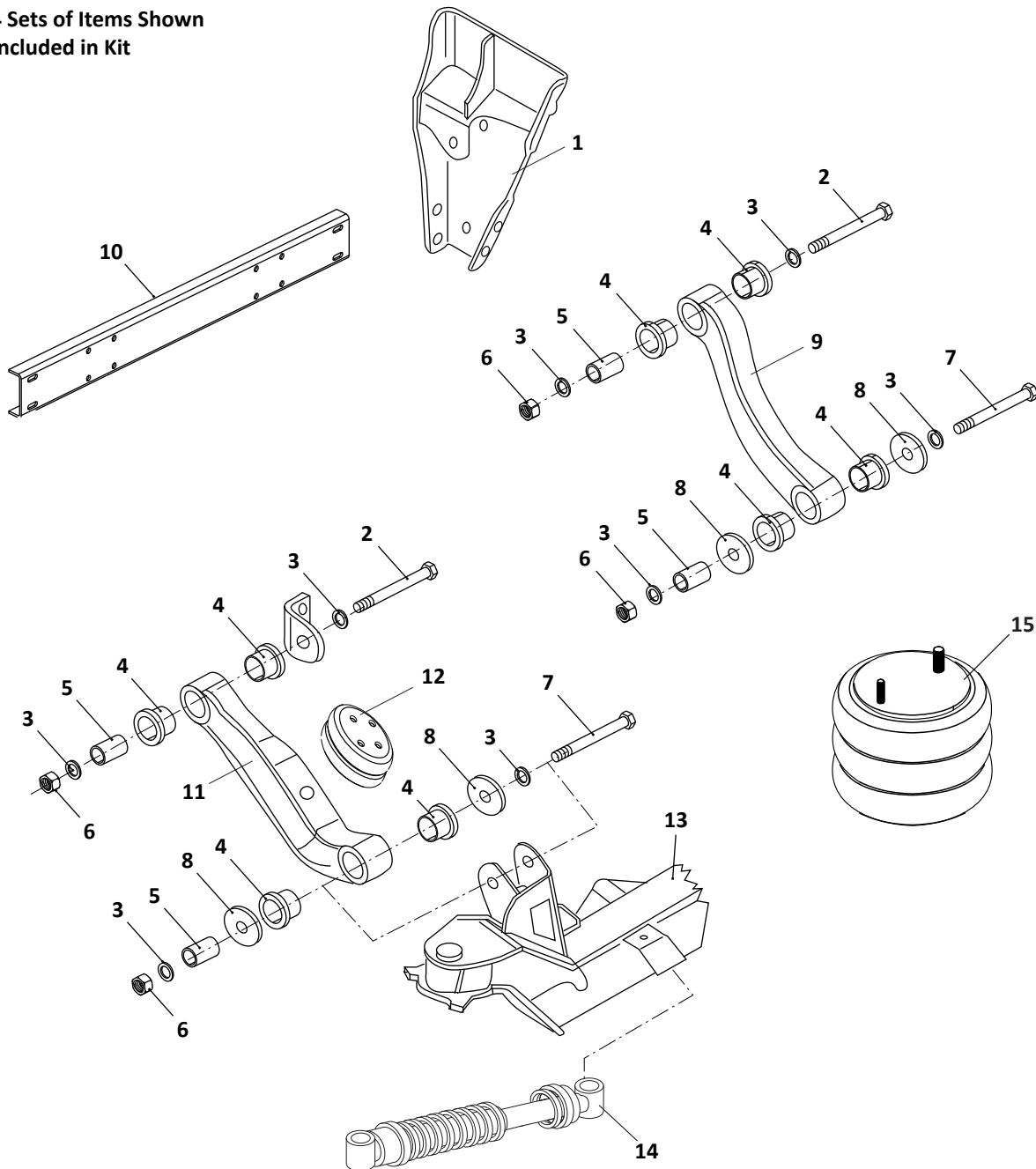


16 - 4 Sets of Items Shown
Included in Kit

Pivot Hardware Kit



17 - 4 Sets of Items Shown
Included in Kit

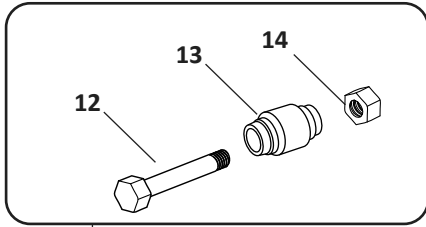


WATSON & CHALIN

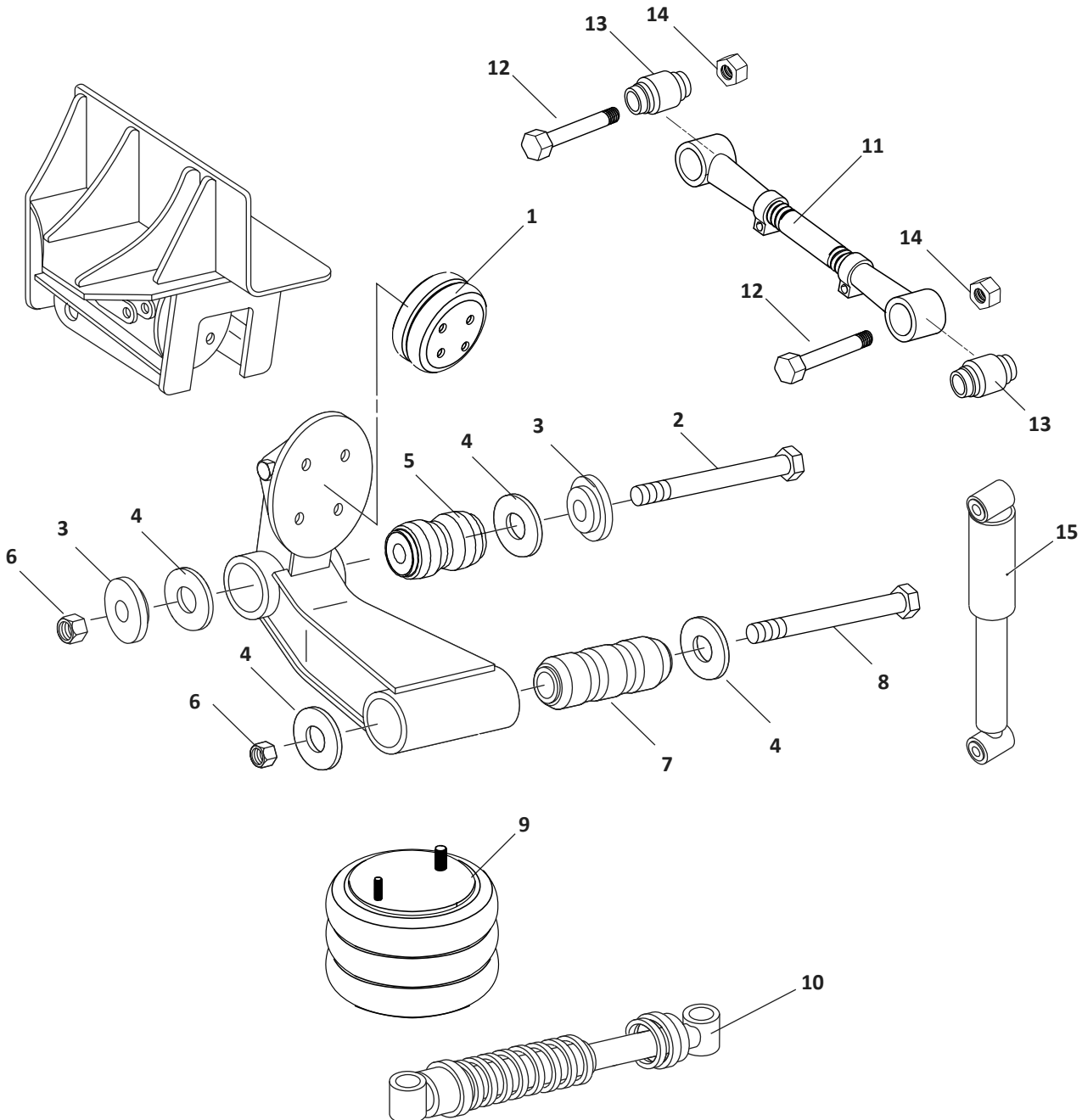
SL Series Steerable Auxiliary Truck Suspension					
KEY NO.	EUCLID NO.	OEM REF.	DESCRIPTION	QTY. PER AXLE	PAGE NO.
1	S.O.S.	Various	Hanger	2	-
2	S.O.S.	19800-08	Bolt, 3/4"-10 x 5" Long, Frame Bracket	4	-
3	E-2545	-	Washer, 3/4" ID	8	-
4	GAFF34514	19204	Bushing, Poly	16	-
5	S.O.S.	91031	Bushing Sleeve	8	-
6	E-4347	-	Lock Nut, 3/4"-10	16	-
7	E-15140	19800-17	Bolt, 3/4"-10 x 5-1/2" Long, Axle Connection	4	WCN-28
8	S.O.S.	12927-03	Washer, 3-1/4" OD x 3/4" ID, Axle Connections	8	-
9	S.O.S.	Various	Upper Arm Assembly, Left Hand	1	-
	S.O.S.	Various	Upper Arm Assembly, Right Hand	1	-
10	S.O.S.	Various	Cross Member	1	-
11	S.O.S.	Various	Lower Arm Assembly	2	-
	S.O.S.	Various	Lower Arm Assembly	2	-
12	FS6897	AS-0058C	Firestone Air Spring, Lift	2	-
	EAS6897	AS-0058C	Euclid Air Spring, Lift	2	-
13	S.O.S.	Various	Axle Assembly	1	-
14	M646155	11418	Stabilizer Shock Absorber	2	-
15	FS8032	AS-0048	Firestone Air Spring, Ride	2	-
	EAS8032	AS-0048	Euclid Air Spring, Ride	2	-
16	E-17123	SRKSL13AA-1	Pivot Bushing and Hardware Kit, 13K Models 2015 to Current, Axle Set	1	WCN-28
	E-17124	SRK1190-1	Pivot Bushing and Hardware Kit, All Other Models, Axle Set	1	WCN-28
17	E-17125	SRKSL13AA-2	Pivot Hardware Kit, 13K Models 2015 to Current, Axle Set	1	WCN-28
	E-17126	SRK1190-2	Pivot Hardware Kit, All Other Models, Axle Set	1	WCN-28

SL-1000/1100-LP/LR/LW/RO/SR/SSR, SL-1800/1800-SR Steer Auxiliary Truck Suspension

Torque Arm Bushing Assembly



16



WATSON & CHALIN

**SL-1000/1100-LP/LR/LW/RO/SR/SSR, SL-1800/1800-SR
Steer Auxiliary Truck Suspension**

KEY NO.	EUCLID NO.	OEM REF.	DESCRIPTION	QTY. PER AXLE	PAGE NO.
1	FS6897	AS-0058	Firestone Air Spring, Lift	2	-
	EAS6897	AS-0058	Euclid Air Spring, Lift	2	-
	FS7705	AS-0068	Firestone Air Spring, Lift	2	-
2	E-17102	11225	Pivot Bolt, 1-1/8"-12 x 9-3/4" Long	2	WCN-25
	E-17101	10036	Pivot Bolt, 1-1/8"-12 x 8-1/2" Long, SL1800	2	WCN-23
3	E-17100	10005, 10764	Alignment Collar, 3-1/2" OD X 1-1/8" ID x 3/4" Thick	4	WCN-25
	S.O.S.	12930	Alignment Collar, 3" OD X 1" ID x 1/2" Thick	4	-
	S.O.S.	12930-01	Alignment Collar, 3" OD X 7/8" ID x 5/8" Thick	4	-
4	E-4363	11222	Washer, 4" OD x 1-1/8" ID x 1/4" Thick	8	WCN-23
	S.O.S.	12927	Washer, 3-1/4" OD x 1" ID x 3/16" Thick	8	-
	S.O.S.	12927-01	Washer, 3-1/4" OD x 7/8" ID x 3/16" Thick	8	-
5	E-4410A	11223	Pivot Connection Bushing, 2-3/4" OD x 1-1/8" ID x 5" Long, Rubber	2	WCN-22
	GAFF14533	-	Pivot Connection Bushing, 2-3/4" OD x 1-1/8" ID x 5" Long, Poly	2	WCN-22
	E-4382A	10050	Pivot Bushing, 3-1/2" OD x 1-1/8" ID x 5-1/4" Long, Rubber, SL1800	2	WCN-22
	GAFF14513	-	Pivot Bushing, 3-1/2" OD x 1-1/8" ID x 5-1/4" Long, Poly	2	WCN-22
	E-17127	12931	Pivot Bushing, 2-7/16" OD x 1" ID x 4-1/2" Long, SL1000	2	WCN-25
	S.O.S.	12931-01	Pivot Bushing, 2-7/16" OD x 7/8" ID x 4-1/2" Long	2	-
6	E-17292	10023	Lock Nut, 1-1/8"-12	4	-
7	E-17112	11938	Axle Connection Bushing, 2-3/4" OD x 1-1/8" ID x 8-7/16" Long	2	WCN-25
	S.O.S.	12789	Axle Connection Bushing, 3-1/2" OD x 1-1/8" ID x 8-1/4" Long, SL1800	2	-
	S.O.S.	12932	Axle Connection Bushing, 2-7/16" OD x 1" ID x 7" Long	2	-
	S.O.S.	12932-01	Axle Connection Bushing, 2-7/16" OD x 7/8" ID x 7" Long	2	-
8	E-17113	11602	Axle Connection Bolt, 1-1/8"-12 x 12" Long	2	WCN-23
	E-17101	10036	Axle Connection Bolt, 1-1/8"-12 x 8-1/2" Long, SL1800	2	WCN-23
	E-17102	11225	Axle Connection Bolt, 1-1/8"-12 x 9-3/4" Long	2	WCN-25
9	FS8008	AS-0019	Firestone Air Spring, Ride	2	-
	EAS8008	AS-0019	Euclid Air Spring, Ride	2	-
	FS8032	AS-0048	Firestone Air Spring, Ride	2	-
	EAS8032	AS-0048	Euclid Air Spring, Ride	2	-
	FS7798	AS-0006	Firestone Air Spring, Ride	2	-
10	M646155	11418	Stabilizer	2	-
11	E-3277	17015	Torque Rod, Adjustable, 18-1/2"-21", Includes E-934 Bushings	2	WCN-26
	E-3276	11947	Torque Rod, Adjustable, 14-3/4"-17-1/4", Includes E-934 Bushings	2	WCN-26
	E-2899	12954	Torque Rod, Rigid, 19-1/4", Includes E-934 Bushings	2	WCN-26
12	E-2891	-	Torque Arm Bolt, 1"-14 x 5" Long	4	WCN-25
	E-4833	-	Torque Arm Bolt, 7/8"-14 x 5-1/4" Long	4	-
13	E-934	17012	Torque Arm Bushing, 1-29/32" OD x 1" ID x 3" Long, Rubber. Use with E-3277, E-3276 & E-2899 Torque Arms	4	WCN-26
	GAFF14073	-	Torque Arm Bushing, 1-29/32" OD x 1" ID x 3" Long, Poly. Use with E-3277, E-3276 & E-2899 Torque Arms	4	WCN-26
	E-1980	19204	Torque Arm Bushing, 1-29/32" OD x 7/8" ID x 3" Long, Rubber	4	WCN-26
	GAFF15013	-	Torque Arm Bushing, 1-29/32" OD x 7/8" ID x 3" Long, Poly	4	WCN-26
14	E-2892	-	Torque Arm Nut, 1"-14	4	-
	E-9607	-	Torque Arm Nut, 7/8"- 14	4	-
15	M85005	12128	Shock Absorber	2	-
	M89430	12128	Shock Absorber, Premium Adjustable	2	-
16	E-3079	-	Torque Arm Bushing Kit, 1" Dia. Bolt, Includes Key No. 12, 13, 14	4	WCN-26
-	E-17114	SRK14	Suspension Rebuild Kit, SL 1100 Models, One Axle, Includes Key No. 2, 4, 5, 6, 7, 8, 12, 13, 14. E-934 Bushing Included with Sleeves to Accommodate 1" & 7/8" Dia. Torque Arm Bolts	1	-

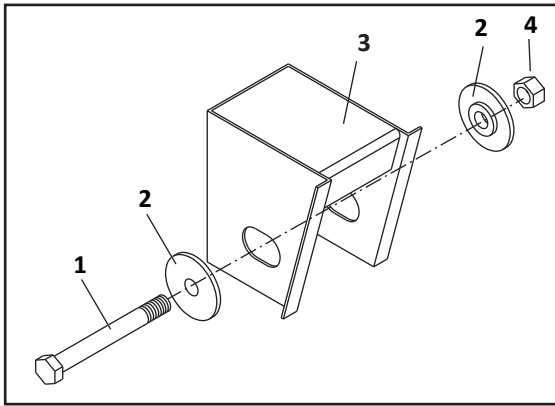
WATSON & CHALIN

TA250/251/255/300 (Early) Trailer Air Suspensions					
KEY NO.	EUCLID NO.	OEM REF.	DESCRIPTION	QTY. PER AXLE	PAGE NO.
1	E-UB8145-081	SP-0021K, 16001	U-Bolt Assembly, Rd. Bend, 5/8"-18 Thd. x 5" Wide x 8-1/8" Long, TA250 & 251	4	WCN-27
	E-UB8155-08	SP-0157K	U-Bolt Assembly, Rd. Bend, 3/4"-16 Thd. x 5" Wide x 8" Long, TA255	4	WCN-27
	E-UB8165-10	SP-0218K	U-Bolt Assembly, Rd. Bend, 7/8"-14 Thd. x 5" Wide x 10" Long, TA300	4	-
2	S.O.S.	17076	Strap, Retainer, 12-3/4" Long	2	-
3	E-17102	11225	Bolt, 1-1/8"-12 x 9-3/4" Long	2	WCN-23
4	E-2548	-	Washer, 1-1/8" ID	4	-
5	E-17100	10005, 10764	Alignment Collar, 3-1/2" OD x 1-1/8" ID x 13/16" Thick. All Models Except TA300	4	WCN-25
	S.O.S.	11721	Alignment Collar, 5-1/4" OD x 1-1/8" ID x 3/4" Thick, TA300	4	-
6	E-4363	11222	Washer, 4" OD x 1-1/8" ID x 1/4" Thick	12	WCN-23 WCN-26
7	E-4382A	10050	Pivot Bushing, 3-1/2" OD x 1-1/8" ID x 5-1/4" Long, Rubber, All Models Except TA300	2	WCN-22
	GAFF14513	-	Pivot Bushing, 3-1/2" OD x 1-1/8" ID x 5-1/4" Long, Poly, All Models Except TA300	2	WCN-22 WCN-25
	S.O.S.	11771	Pivot Bushing, 4 9/16" OD x 1-1/8" ID x 5-1/4" Long, Rubber, TA300	2	-
8	E-17292	10023	Lock Nut, 1-1/8"-12	6	-
9	E-17101	10036	Bolt, 1-1/8"-12 x 8-1/2" Long	4	WCN-23 WCN-25
10	E-4410A	11223	Axle Connection Bushing, 2-3/4" OD x 1-1/8" ID x 5" Long, Rubber, All TA200 Series	4	WCN-22 WCN-25
	GAFF14533	-	Axle Connection Bushing, 2-3/4" OD x 1-1/8" ID x 5" Long, Poly, All TA200 Series	4	WCN-22 WCN-25
	E-4382A	10050	Axle Connection Bushing, 3-1/2" OD x 1-1/8" ID x 5-1/4" Long, TA300	4	WCN-22
	GAFF14513	-	Axle Connection Bushing, 3-1/2" OD x 1-1/8" ID x 5-1/4" Long, Poly, TA300	4	WCN-22
11	FS9362	AS-0049	Firestone Air Spring, TA250-9 & TA251-6.5	2	-
	FS9346	AS-0056	Firestone Air Spring, TA250-12 & TA251-12FS	2	-
	FS9364	AS-0059	Firestone Air Spring, TA250-9	2	-
	FS9121	AS-0013	Firestone Air Spring, TA255-9 & TA300-9	2	-
	EAS9121	AS-0013	Euclid Air Spring, TA255-9 & TA300-9	2	-
	FS9243	AS-0061	Firestone Air Spring, TA251-6.5FS, 7.5FS, 8FS, 9FS, 10FS, 12	2	-
	FS9366	AS-0054	Firestone Air Spring, TA250-6	2	-
	EAS9366	AS-0054	Euclid Air Spring, TA250-6	2	-
	FS9336	AS-0053	Firestone Air Spring, TA250-7.5 & TA280D	2	-
12	M83203	10147	Shock Absorber	2	-
	M89436	10147	Shock Absorber, Premium Adjustable	2	-
	M83204	10148	Shock Absorber	2	-
	-	Various	Shock Absorber	2	-
13	E-17110	SRK-02	Axle Connection Kit, All TA200 Series, Axle Set, Includes Key Nos. 4, 6, 8, 9, 10.	1	WCN-22 WCN-25

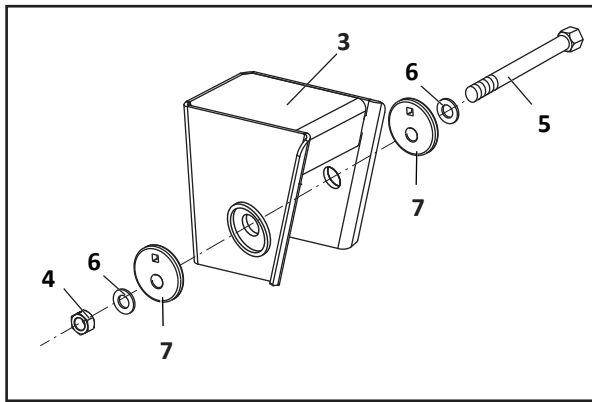
WATSON & CHALIN

TA250T (Top Mount), U (Under Mount), TA300T, U Trailer Air New Style with Multifunction Bushing

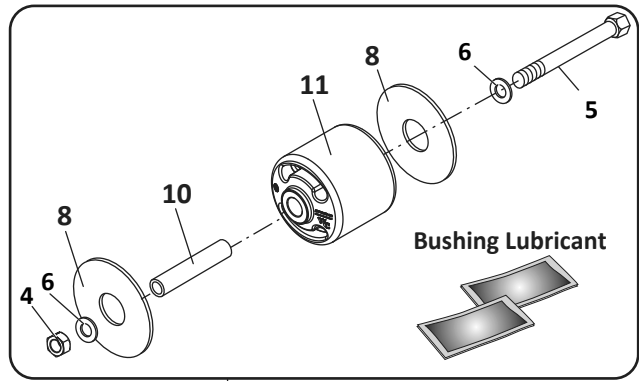
Standard Alignment



Eccentric Alignment

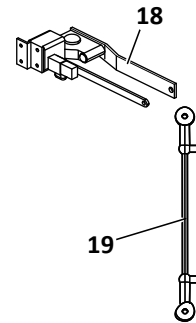
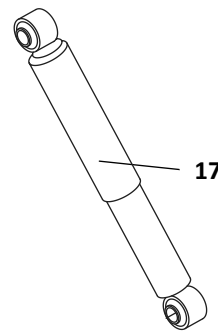
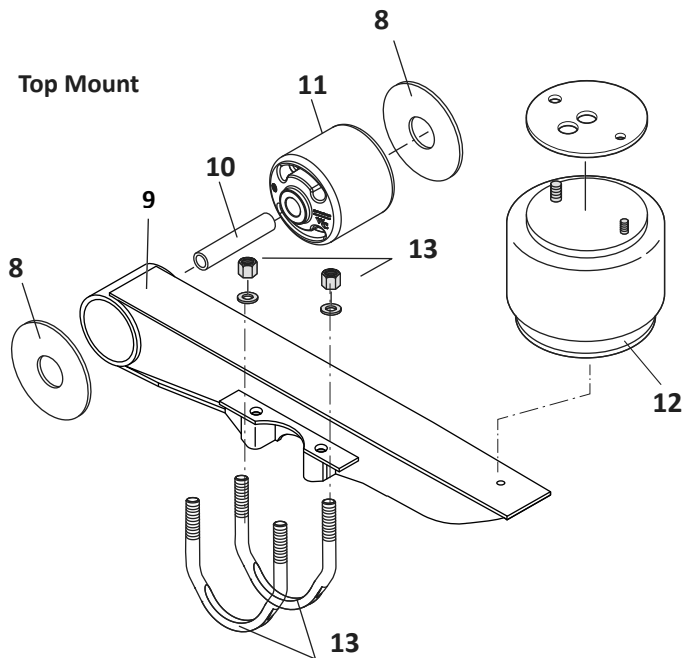


Bushing Kit for Eccentric Alignment

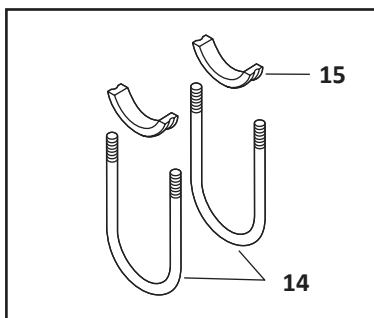


20 - 2 Sets of Items Shown
Included in Kit

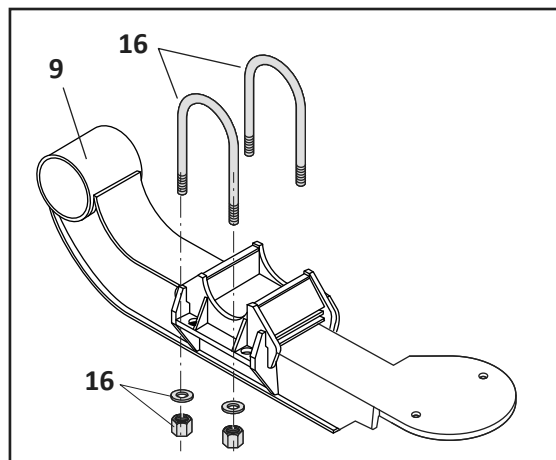
Top Mount



Older Design Top Mount



Under Mount

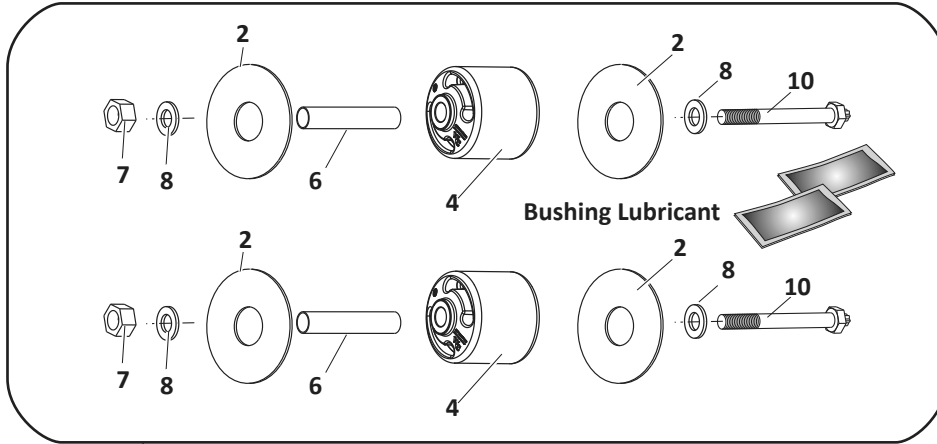


TA250T (Top Mount), U (Under Mount), TA300T, U Trailer Air New Style with Multifunction Bushing					
KEY NO.	EUCLID NO.	OEM REF.	DESCRIPTION	QTY. PER AXLE	PAGE NO.
1	E-17101	10036	Bolt, 1-1/8"-12 x 8-1/2" Long, Standard Alignment	2	WCN-23 WCN-25
2	E-17129	20203	Standard Alignment Collar	4	-
3	S.O.S.	Various	Assembly, Hanger	2	-
4	E-17292	10023	Lock Nut, 1-1/8"-12	2	-
5	E-17122	17269	Bolt, 1-1/8"-12 x 10-3/4" Long, Eccentric Alignment	2	WCN-23
6	E-2548	-	Washer, 1-1/8" ID	4	-
7	E-17121	17234	Alignment Collar, Eccentric Alignment	4	WCN-22
8	E-16424	B-11613	Wear Washer, 7-1/4" OD x 2-3/8" ID x 3/16" Thick	4	WCN-23
	E-6122	S-21099	Wear Washer, 7-1/4" OD x 2-3/8" ID x 11/32" Thick, High Center of Gravity	4	WCN-23
9	S.O.S.	Various	Beam	2	-
10	E-17128	A-2068-1	Liner	2	-
11	S.O.S.	17993-125	Multifunction Bushing, 1-1/4" Dia. Bolt Hole. Use with E-17128 Liner	2	-
	S.O.S.	17993-112	Multifunction Bushing Kit, 1-1/8" Dia. Bolt Hole. High Center of Gravity, Axle Set	2	-
12	FS8631	AS0098-01F	Firestone Air Spring, Various	2	-
	FS8637	AS0107F	Firestone Air Spring, Various	2	-
	FS9039	AS0012	Firestone Air Spring, Various	2	-
	EAS9039	AS0012	Euclid Air Spring, Various	2	-
	FS9121	AS0013	Firestone Air Spring, Various	2	-
	EAS9121	AS0013	Euclid Air Spring, Various	2	-
	FS9122	AS0023	Firestone Air Spring, Various	2	-
	EAS9122	AS0023	Euclid Air Spring, Various	2	-
13	E-UB8466-073H	B-28458	U-Bolt Assembly, Special Bend, 7/8"-14 Thd. x 6" Wide x 7-3/8" Long. TA250 & 300T Top Mount Beam	4	-
14	E-UB8168-082	-	U-Bolt Assembly, Rd. Bend, 7/8"-14 Thd. x 6" Wide x 8-1/4" Long; Use with Spacer E-6124 Key No. 15	4	WCN-23
15	E-6124	17181	Spacer, Axle, U-Bolt	4	WCN-23
16	E-UB8168-082H	A-22081	U-Bolt Assembly, Rd. Bend with Clearance Flats, 7/8"-14 Thd. x 6" Wide x 8-1/4" Long. TA250U Under Mount Beam	4	-
	E-UB8467-077	17477	U-Bolt Assembly, Flat Rd Bend, 7/8"-14 Thd. X 5-1/4" Wide X 7-7/8" Long, TA300 Under-mount	4	-
17	M83203	10147	Shock Absorber	2	-
	M89436	10147	Shock Absorber, Premium Adjustable	2	-
	M83204	10148	Shock Absorber	2	-
	-	Various	Shock Absorber	2	WCN-28
18	E-11855	-	Height Control Valve, Barksdale, No Dump	1	WCN-24
	E-14729	-	Height Control Valve, Hadley Universal, No Dump	1	WCN-24
	E-11870	-	Height Control Valve, Barksdale, Apply Air to Dump	1	WCN-24
	E-14731	-	Height Control Valve, Hadley Universal, Apply Air to Dump	1	WCN-24
19	E-7852	-	Height Control Valve Linkage Assembly, Universal Adjustable	1	WCN-24
20	E-17119	SRK-64	Multifunction Bushing Kit for Eccentric Alignment, Standard, Axle Set. Includes Key Nos. 4, 5, 6, 8 (E-16424), 10, 11.	1	WCN-22
	E-17120	SRK-65	Multifunction Bushing Kit for Eccentric Alignment, High Center, Axle Set. Includes Key Nos. 4, 5, 6, 8 (E-6122), 10, 11	1	WCN-22
-	E-17117	16079-02	Eccentric Alignment Collar and Connection Kit Includes Key No. 4, 5, 6, 7, 10	2	WCN-22
-	E-9575	-	Rebushing Tool	1	-

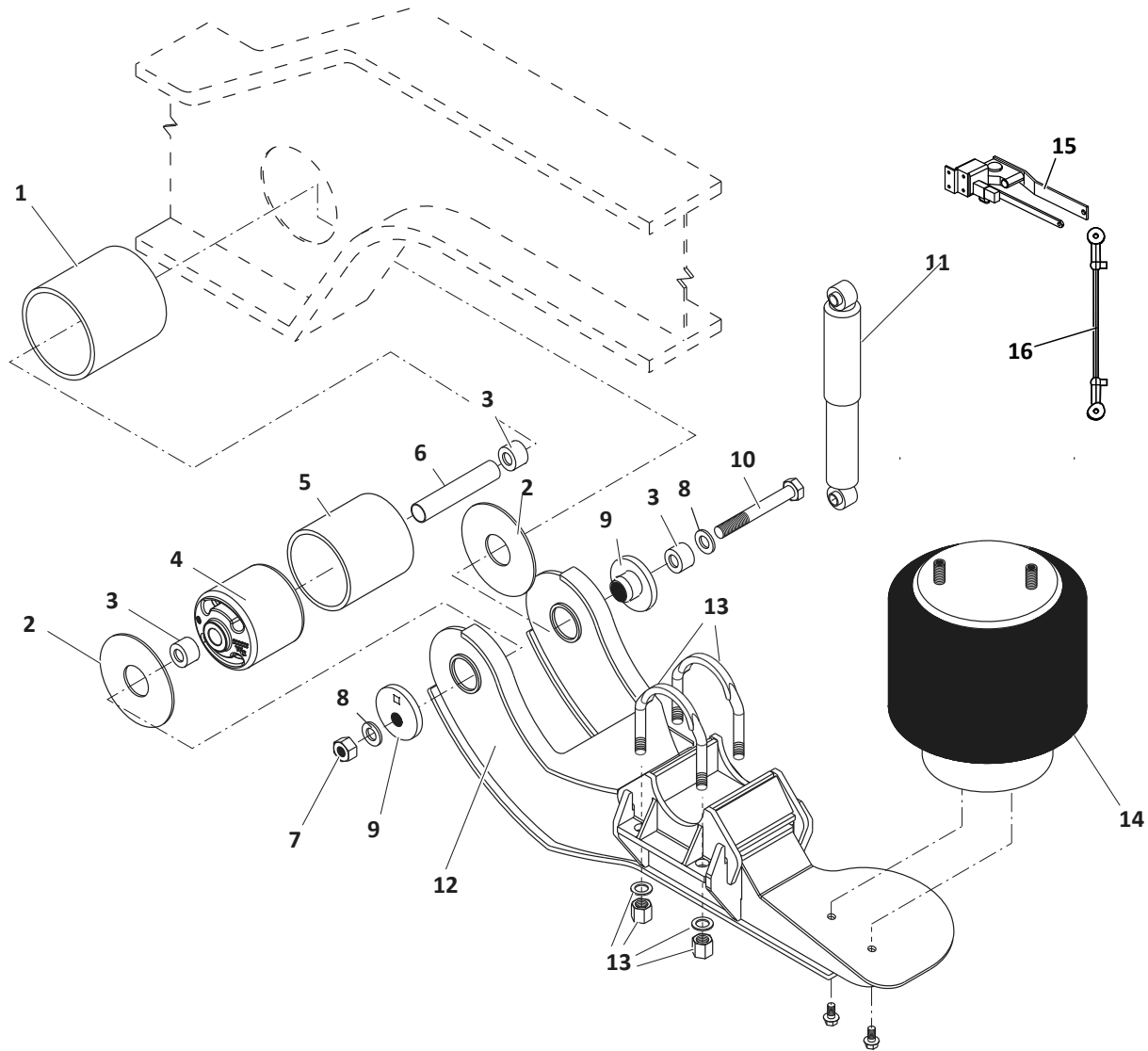
WATSON & CHALIN

TA250/300 TY Series Trailer Air Suspension

Multifunction Bushing Kit



17



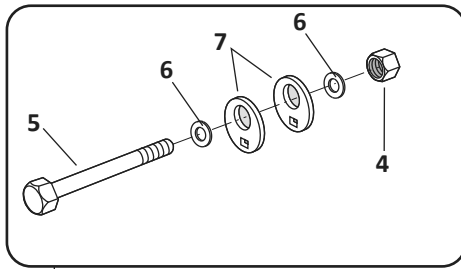
WATSON & CHALIN

TA250/300 TY Series Trailer Air Suspension					
KEY NO.	EUCLID NO.	OEM REF.	DESCRIPTION	QTY. PER AXLE	PAGE NO.
1	S.O.S.	30338	Weld Sleeve	2	-
2	E-16424	B-11613, 17183	Wear Washer, 7-1/4" OD x 2-3/8" ID x 3/16" Thick	4	WCN-23
3	S.O.S.	90644	Pivot Bushing Spacer	4	-
4	S.O.S.	17993-125	Multifunction Bushing, 1-1/4" Dia. Bolt Hole. Use with E-17128 Liner	2	-
5	S.O.S.	30339	Bushing Sleeve	2	-
6	E-17128	A-2068-1	Liner	2	-
7	E-17292	10023	Lock Nut, 1-1/8"-12	2	-
8	E-2548	-	Washer, 1-1/8" ID	4	-
9	E-17121	17234	Alignment Collar, Eccentric Alignment	4	WCN-22
	E-17129	20203	Standard Alignment Collar	4	-
10	E-17113	11602	Bolt, 1-1/8"-12 x 12" Long	2	WCN-23 WCN-25
11	M85064	17297	Shock Absorber	2	-
12	S.O.S.	Various	Beam	2	-
13	E-UB8467-077	17477	U-Bolt Assembly, Flat Rd. Bend, 7/8"-14 Thd. X 5-1/4" Wide X 7-7/8" Long	4	-
14	Various	-	Air Spring	1	-
15	E-11855	-	Height Control Valve, Barksdale, No Dump	1	WCN-24
	E-14729	-	Height Control Valve, Hadley Universal, No Dump	1	WCN-24
	E-11870	-	Height Control Valve, Barksdale, Apply Air to Dump	1	WCN-24
	E-14731	-	Height Control Valve, Hadley Universal, Apply Air to Dump	1	WCN-24
16	E-7852	-	Height Control Valve Linkage Assembly, Universal Adjustable	1	WCN-24
17	E-17115	SRK-75	Multifunction Bushing Kit, Standard, Axle Set. Includes Key Nos. 2, 4, 6, 7, 8, 10	1	WCN-22

WATSON & CHALIN

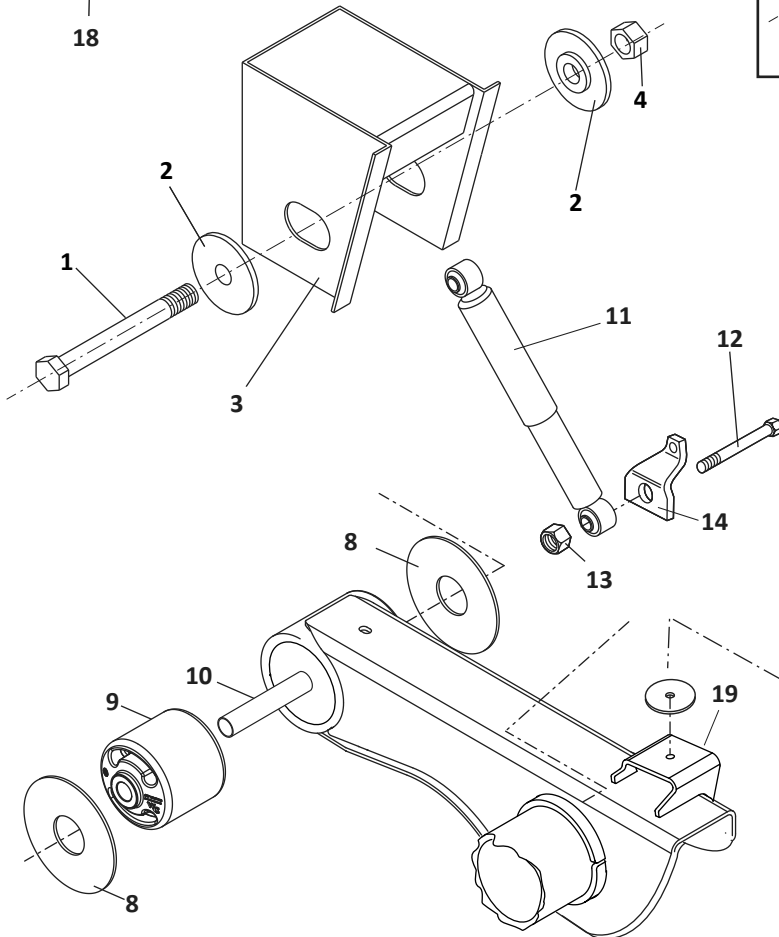
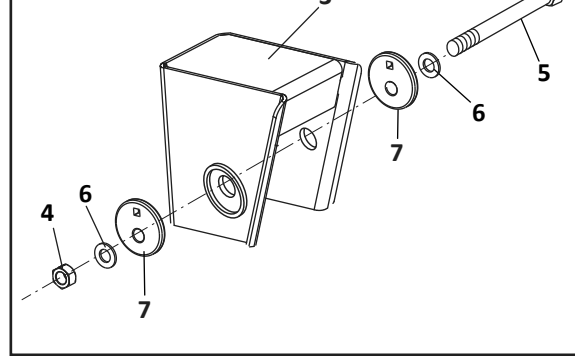
TI 250/300T Integra Series Trailer Air Suspension

Eccentric Alignment Collar Connection Kit

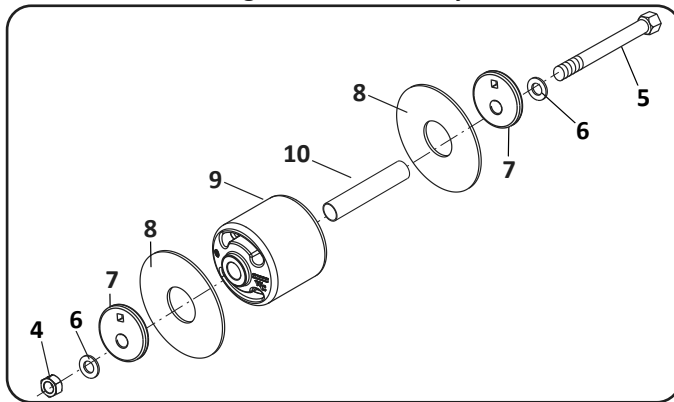


18

Eccentric Alignment

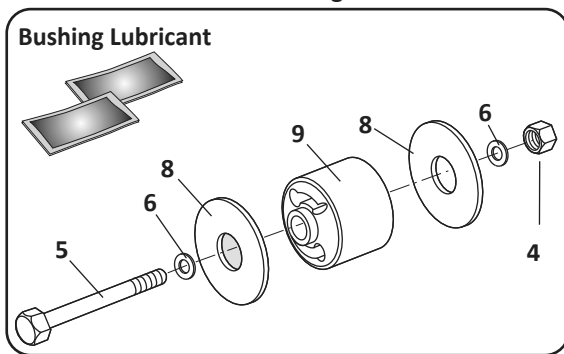


Multifunction Bushing Kit, Eccentric Alignment, High Center of Gravity



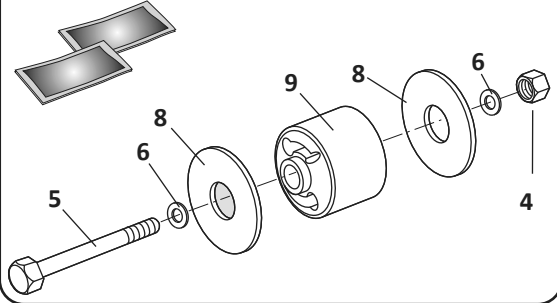
19

Multifunction Bushing Kit, Eccentric Alignment



20

Bushing Lubricant



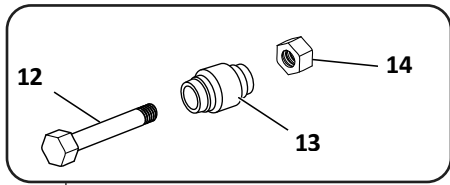
WATSON & CHALIN

TI 250/300T Integra Series Trailer Air Suspension					
KEY NO.	EUCLID NO.	OEM REF.	DESCRIPTION	QTY. PER TANDEM	PAGE NO.
1	E-17101	10036	Bolt, 1-1/8"-12 x 8-1/2" Long	4	WCN-23 WCN-25
2	E-17129	20203	Standard Alignment Collar	4	-
3	S.O.S.	Various	Assembly, Hanger	2	-
4	E-17292	10023	Lock Nut, 1-1/8"-12	2	-
5	E-17122	17269	Bolt, 1-1/8"-12 x 10-3/4" Long	2	WCN-23
6	E-2548	-	Washer, 1-1/8" ID	4	-
7	E-17121	17234	Alignment Collar, Eccentric Alignment	4	WCN-22
8	E-16424	B-11613	Wear Washer, 7-1/4" OD x 2-3/8" ID x 3/16" Thick	4	WCN-23
	E-6122	17419	Wear Washer, 7-1/4" OD x 2-3/8" ID x 11/32" Thick, High Center of Gravity	4	WCN-23
9	S.O.S.	17993-125	Multifunction Bushing, 1-1/4" Dia. Bolt Hole. Use with E-17128 Liner	2	-
	S.O.S.	17993-112	Multifunction Bushing, 1-1/8" Dia. Bolt Hole. High Center of Gravity	2	-
10	E-17128	A-2068-1	Liner	2	-
11	M85323	17186, 17186-01	Shock Absorber	2	-
	M89436	17186, 17186-01	Shock Absorber, Premium Adjustable	2	-
12	E-4345	-	Bolt, 3/4"-10 x 3-1/2" Long	4	WCN-23
13	E-4347	-	Lock Nut, 3/4"-10	4	-
14	S.O.S.	30259	Bracket, Height Control Valve	1	-
15	FS8774	AS-0159-1G	Firestone Air Spring	2	-
	EAS8774	AS-0159-1G	Euclid Air Spring	2	-
16	E-11855	-	Height Control Valve, Barksdale, No Dump	1	WCN-24
	E-14729	-	Height Control Valve, Hadley Universal, No Dump	1	WCN-24
	E-11870	-	Height Control Valve, Barksdale, Apply Air to Dump	1	WCN-24
	E-14731	-	Height Control Valve, Hadley Universal, Apply Air to Dump	1	WCN-24
17	E-7852	-	Height Control Valve Linkage Assembly, Universal Adjustable	1	WCN-24
18	E-17117	16079-02	Eccentric Alignment Collar and Connection Kit, Includes Key No. 4-7	2	WCN-22
19	E-17119	SRK-64	Multifunction Bushing Kit, Standard, Axle Set, Includes Key No. 4-10	1	WCN-22
20	E-17120	SRK-65	Multifunction Bushing Kit, High Center of Gravity, Axle Set, Includes Key No. 4, 5, 6, 8, 9	1	WCN-22

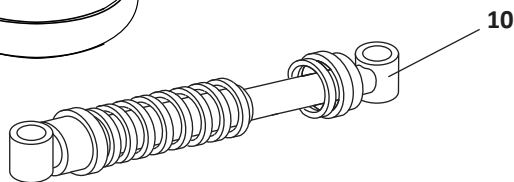
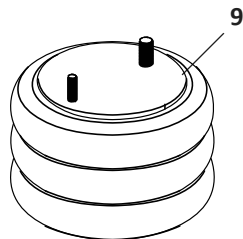
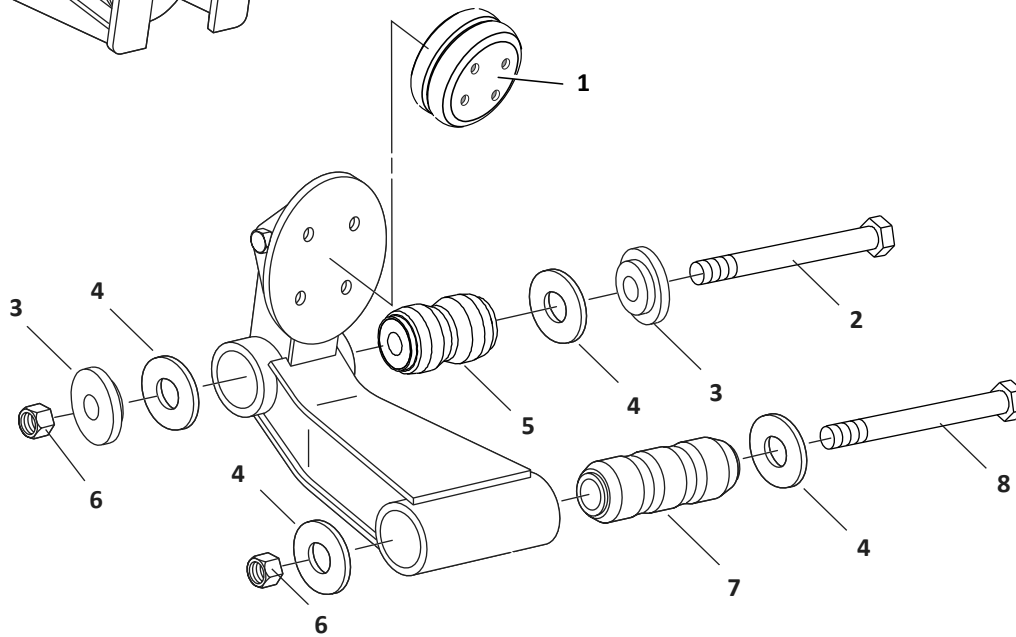
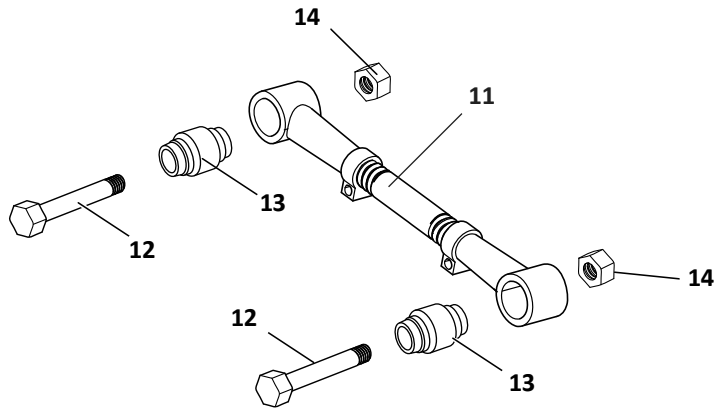
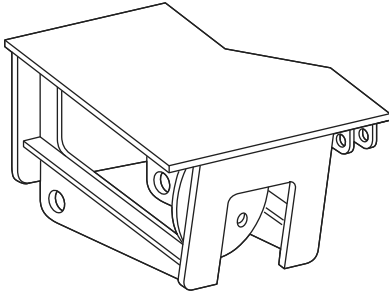
WATSON & CHALIN

TL-1100 "Light Weight" Auxiliary Trailer Suspension

Torque Arm Bushing Assembly



15



WATSON & CHALIN

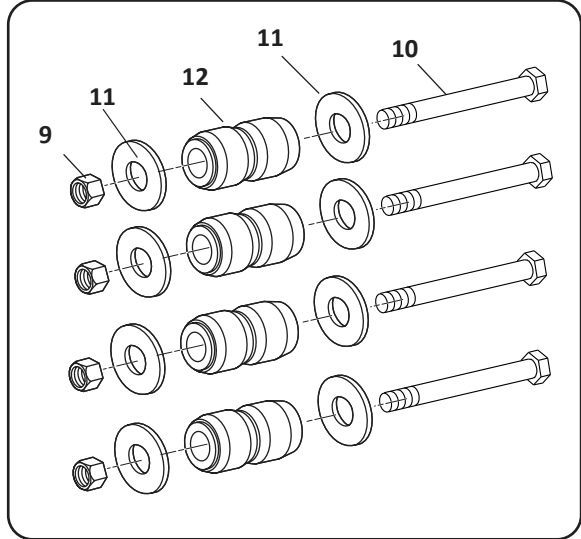
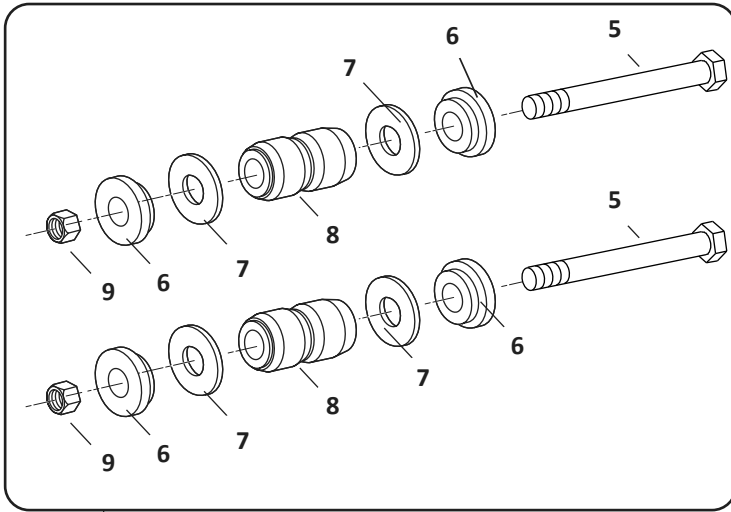
TL-1100 "Light Weight" Auxiliary Trailer Suspension					
KEY NO.	EUCLID NO.	OEM REF.	DESCRIPTION	QTY. PER AXLE	PAGE NO.
1	FS6908	AS-0035	Firestone Air Spring, Lift	2	-
	FS6897	AS-0058	Firestone Air Spring, Lift	2	-
	EAS6897	AS-0058	Euclid Air Spring, Lift	2	-
2	E-17101	10036	Pivot Connection Bolt, 1-1/8"-12 x 8-1/2" Long	2	WCN-23 WCN-25
3	E-17100	10005	Alignment Collar, 3-1/2" OD X 1-1/8" ID x 13/16" Thick	4	WCN-25
4	E-2956	10009	Washer, 3-1/4" OD x 1-11/16" ID x 1/8" Thick, Prior to 1988	8	WCN-26
	E-4363	11222	Washer, 4" OD x 1-1/8" ID x 1/4" Thick, After 1988	8	WCN-23 WCN-26
5	E-4255	10051	Pivot Connection Bushing, 2-3/8" OD x 1-1/8" ID x 5" Long, Rubber, Prior to 1988	2	WCN-25
	GAFF14510	-	Pivot Connection Bushing, 2-3/8" OD x 1-1/8" ID x 5" Long, Poly, Prior to 1988	2	WCN-25
	E-4410A	11223	Pivot Connection Bushing, 2-3/4" OD x 1-1/8" ID x 5" Long, Rubber, After 1988	2	WCN-22 WCN-25
	GAFF14533	-	Pivot Connection Bushing, 2-3/4" OD x 1-1/8" ID x 5" Long, Poly, After 1988	2	WCN-22 WCN-25
6	E-17292	10023	Lock Nut, 1-1/8"-12	4	-
7	E-17112	11938	Bushing, 2-3/4" OD x 1-1/8" ID x 8-7/16" Long	2	WCN-25
8	E-17113	11602	Bolt, 1-1/8"-12 x 12" Long	2	WCN-23 WCN-25
9	FS8008	AS-0019	Firestone Air Spring, Ride	2	-
	EAS8008	AS-0019	Euclid Air Spring, Ride	2	-
10	M646155	11418	Stabilizer	2	-
11	E-3277	17015	Torque Rod, Adjustable, 18-1/2"-21", Includes E-934 Bushings	2	WCN-26
12	E-2891	-	Torque Arm Bolt, 1"-14 x 5" Long	4	WCN-25
13	E-934	17012	Torque Arm Bushing, 1-29/32" OD x 1" ID x 3" Long, Rubber. Use with E-3277, E-3276 & E-2899 Torque Arms	4	WCN-26
	GAFF14073	-	Torque Arm Bushing, 1-29/32" OD x 1" ID x 3" Long, Poly. Use with E-3277, E-3276 & E-2899 Torque Arms	4	WCN-26
14	E-2892	-	Torque Arm Nut, 1"-14	4	-
15	E-3079	-	Torque Arm Bushing Kit, Includes Key No. 12, 13, 14	4	WCN-26

WATSON & CHALIN

TL-2200 Auxiliary Trailer Suspension

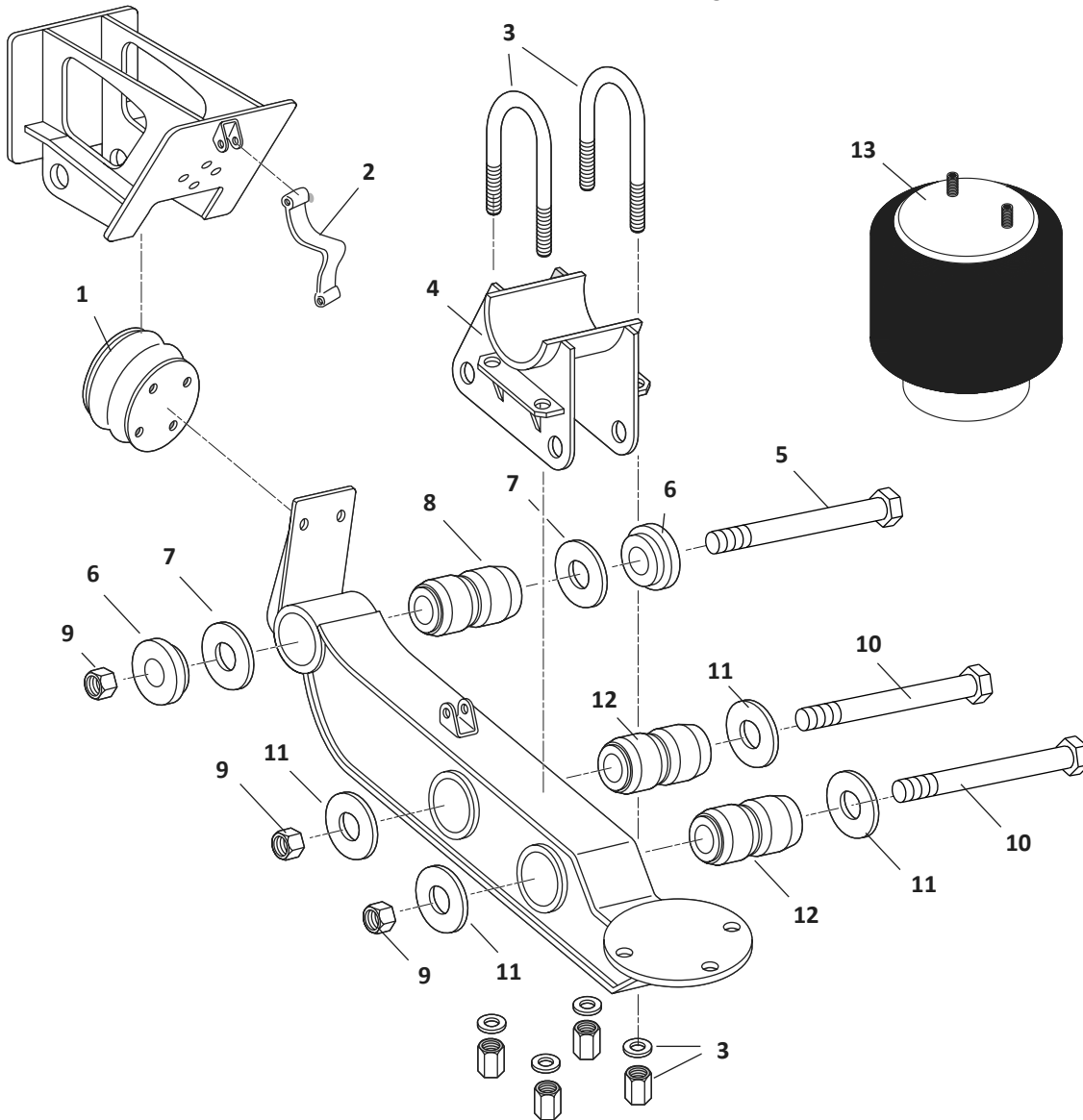
Pivot Connection Kit, After 1988

Axle Connection Kit, After 1988



14

15



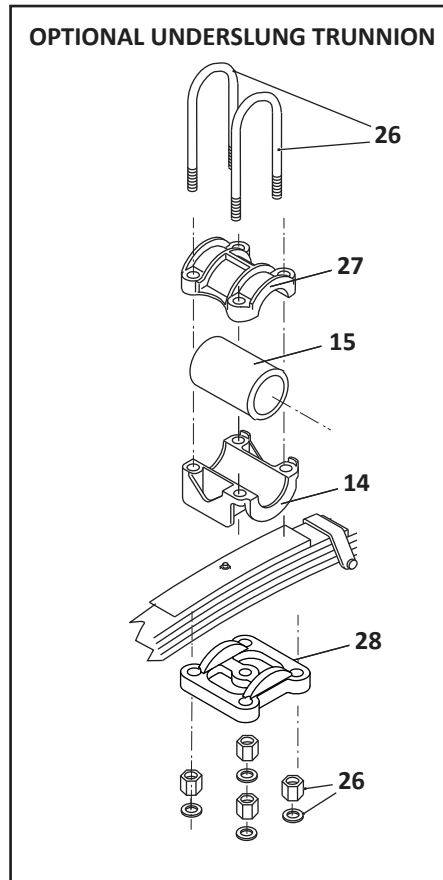
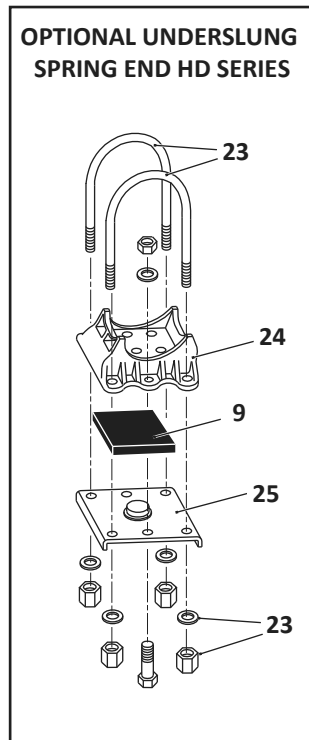
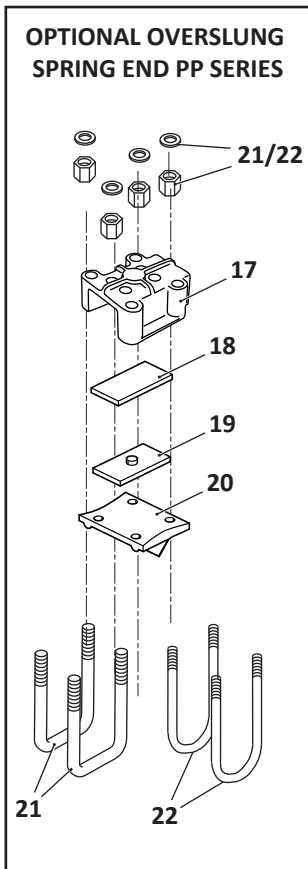
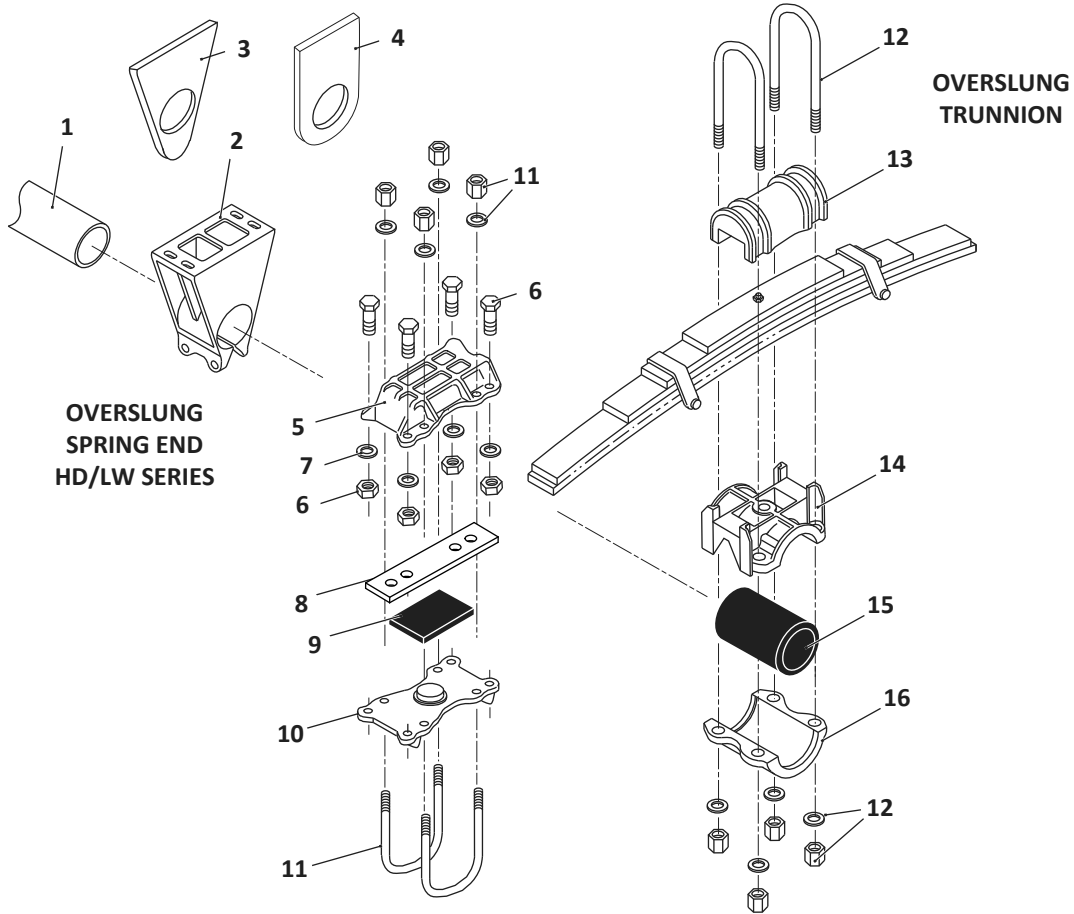
WATSON & CHALIN

TL-2200 Auxiliary Trailer Suspension					
KEY NO.	EUCLID NO.	OEM REF.	DESCRIPTION	QTY. PER AXLE	PAGE NO.
1	FS9364	AS-0059	Firestone Air Spring, Lift	2	-
2	E-17104	11342	Strap, 13-3/4" Long, 9-12" and 23-26" Ride Ht.	2	WCN-27
	E-17106	14135	Strap, 15-3/4" Long, 13-14" and 27-29" Ride Ht.	2	WCN-27
	E-17107	17025	Strap, 18-1/2" Long, 15-18" and 30-32" Ride Ht.	2	WCN-27
	E-17108	11757	Strap, 19-3/4" Long, 19-20" and 33-34" Ride Ht.	2	WCN-27
3	E-UB8155-08	-	U-Bolt Assembly, Rd. Bend, 3/4"-16 Thd. x 5" Wide x 8" Long, Prior to 1988	4	WCN-27
	E-UB8145-081	-	U-Bolt Assembly, Rd. Bend, 5/8"-18 Thd. x 5" Wide x 8-1/8" Long, After 1988	4	WCN-27
4	S.O.S.	13247	Axle Seat, Right Hand	1	-
	S.O.S.	13246	Axle Seat, Left Hand	1	-
	S.O.S.	Various	Seat, Axle	2	-
5	E-17102	11225	Pivot Bolt, 1-1/8"-12 x 9-3/4" Long	2	WCN-25
6	E-17100	10764	Alignment Collar, 3-1/2" OD X 1-1/8" ID x 3/4" Thick	4	WCN-25
7	E-17105	10008	Pivot Connection Washer, 4-1/4" OD x 2-9/16" ID x 1/8" Thick, Prior to 1988	4	WCN-26
	E-4363	11222	Pivot Connection Washer, 4" OD x 1-1/8" ID x 1/4" Thick, After 1988	4	WCN-23 WCN-26
8	E-17099	10050-0S	Pivot Bushing, 3-5/8" OD x 1-1/8" ID x 5-1/4" Long, Rubber, Prior to 1988	2	WCN-25
	E-4382A	10050	Pivot Bushing, 3-1/2" OD x 1-1/8" ID x 5-1/4" Long, Rubber, After 1988	2	WCN-22
	GAFF14513	-	Pivot Bushing, 3-1/2" OD x 1-1/8" ID x 5-1/4" Long, Poly, After 1988	2	WCN-22 WCN-25
9	E-17292	10023	Lock Nut, 1-1/8"-12	6	-
10	E-17101	10036	Axle Connection Bolt, 1-1/8"-12 x 8-1/2" Long	4	WCN-23 WCN-25
11	E-2956	10009	Axle Connection Washer, 3-1/4" OD x 1-11/16" ID x 1/8" Thick, Prior to 1988	8	WCN-26
	E-4363	11222	Axle Connection Washer, 4" OD x 1-1/8" ID x 1/4" Thick, After 1988	8	WCN-23 WCN-26
12	E-4255	10051	Axle Connection Bushing, 2-3/8" OD x 1-1/8" ID x 5" Long, Prior to 1988	4	WCN-25
	GAFF14533	-	Axle Connection Bushing, 2-3/8" OD x 1-1/8" ID x 5" Long, Poly, Prior to 1988	4	WCN-22 WCN-25
	E-4410A	11223	Axle Connection Bushing, 2-3/4" OD x 1-1/8" ID x 5" Long, After 1988	4	WCN-22 WCN-25
	GAFF14510	-	Axle Connection Bushing, 2-3/4" OD x 1-1/8" ID x 5" Long, Poly, After 1988	4	WCN-25
13	FS9370	AS-0057	Firestone Air Spring, Ride	2	-
	EAS9370	AS-0057	Euclid Air Spring, Ride	2	-
14	E-17109	SRK-01	Pivot Connection Kit, Axle Set, After 1988, Includes Key Nos. 5-9	1	WCN-25
15	E-17110	SRK-02	Axle Connection Kit, Axle Set, After 1988, Includes Key Nos. 9-12	1	WCN-22 WCN-25

WATSON & CHALIN

WATSON & CHALIN

Single Point Trailer Suspension




WATSON & CHALIN

Single Point Trailer Suspension					
KEY NO.	EUCLID NO.	OEM REF.	DESCRIPTION	QTY. PER AXLE	PAGE NO.
1	E-2964	893-01	Trunnion Shaft, 4" OD X 48" Long X 1/2" Wall Thickness	1	WCN-29
	E-5218	893-02	Trunnion Shaft, 4" OD X 48" Long X 3/4" Wall Thickness	1	WCN-29
2	E-5213	SP-0012	Trunnion Bracket, 2-1/2" High	2	WCN-29
	E-4312	SP-0011	Trunnion Bracket, 4-1/2" High	2	WCN-29
	E-5214	SP-0010	Trunnion Bracket, 6-1/2" High	2	WCN-29
	E-5215	SP-0009	Trunnion Bracket, 8-1/2" High	2	WCN-29
3	S.O.S.	Various	Trunnion Bracket, Straddle Mount, Inner Plate	2	-
4	S.O.S.	Various	Trunnion Bracket, Straddle Mount, Outer Plate	2	-
5	E-4309	SP-0016	Spring End Cap, HD & LW Models, Overslung Spring End, 2 Leaf Main Spring	4	WCN-29
	E-4308	SP-0007	Spring End Cap, HD & LW Models, Overslung Spring End, 3 Leaf Main Spring	4	WCN-29
6	E-5970	10034	Bolt and Nut Assembly, 5/8"-18 x 2" Long	16	-
7	E-2547	10032	Washer, 5/8" ID	32	-
8	S.O.S.	SP-0083	Shim Spacer, 1-11/16" Wide x 9-1/2" Long x 5/32" Thick	8	-
9	GAFF14522	-	Spring End Pad, Poly, HD/LW Models, 5-1/4" Long x 4-5/8" Wide x 13/16" Thick	4	-
10	E-4305	SP-0036	Spring Seat, 5" Round Axle, HD & LW Models, Overslung Ends	4	WCN-29
	S.O.S.	SP-0048	Spring Seat, 5" Square Axle, HD & LW Models, Overslung Ends	4	-
11	E-UB8145-081	SP-0021	U-Bolt Assembly, Rd. Bend, 5/8"-18 Thd. x 5" Wide x 8-1/8" Long	4	WCN-27
	S.O.S.	SP-0052	U-Bolt Assembly, Sq. Bend, 5/8"-18 Thd. x 5" Wide x 9-3/8" Long	4	-
12	E-UB8186-14	SP-0023	U-Bolt Assembly, Rd. Bend, 1-1/8"-12 Thd. x 5-3/4" Wide x 14" Long	4	-
	S.O.S.	-	U-Bolt Assembly, Rd. Bend, 1-1/8"-12 Thd. x 5-3/4" Wide x 16-1/2" Long	4	-
13	E-9459	SP-0003	U-Bolt Cap	2	WCN-30
14	E-4301	SP-0001	Trunnion Half	2	WCN-30
15	GAFF14521	-	Trunnion Bushing, Poly, 5" OD X 4" ID X 8-3/4" Long	2	WCN-29
16	E-4302	SP-0006	Trunnion Cap	2	WCN-30
17	E-3583	SP-0015	Spring End Cap, PP Models, Overslung Spring Ends	-	WCN-30
18	GAFF13037	-	Spring End Pad, Poly, 7-5/8" Long x 4-3/4" Wide x 1" Thick, PP Series	4	WCN-29
19	E-3581	SP-0043, SP-0051	Locating Plate	4	WCN-30
20	S.O.S.	SP-0092	Spring Seat, 5" Round Axle, PP Models	4	-
	S.O.S.	SP-0014	Spring Seat, 5" Square Axle, PP Models	4	-
21	S.O.S.	SP-0026	U-Bolt Assembly, Sq. Bend, 1-1/8"-12 Thd. x 5" Wide x 13-1/2" Long	8	-
22	S.O.S.	SP-0094	U-Bolt Assembly, Rd. Bend, 1-1/8"-12 Thd. x 5" Wide x 12" Long	8	-
23	S.O.S.	SP-0020	U-Bolt Assembly, Rd. Bend, 1"-14 Thd. x 5" Wide x 11" Long	8	-
	E-UB8178-126	1084525	U-Bolt Assembly, Rd. Bend, 1"-14 Thd. x 5" Wide x 12-3/4" Long	8	-
24	E-9460	SP-0013	Spring End Cap, HD Models, 5" Round Axles	4	WCN-30
	S.O.S.	SP-0086	Spring End Cap, HD Models, 5" Round Axles	4	-
25	E-9461	SP-0029	End Pad, HD Series, 5" Rd. Axles, Underslung Ends	4	WCN-30
26	E-UB8186-154	-	U-Bolt Assembly, Rd. Bend, 1-1/8"-12 Thd. x 5-3/4" Wide x 15-1/2" Long	4	-
27	E-5231	SP-0171	Trunnion Cap	2	WCN-31
28	E-5212	SP-0177	Spring Cap	2	WCN-30
-	E-2965	SP-0082	Spring Seat Repair Pad	As Req.	WCN-29
-	E-2965-P	SP-0082	Spring Seat Repair Pad - Price Point	As Req.	WCN-29

Multifunction Bushing Kit

FOR MODELS:
TA250 & TA300
TI 250/300 Integra Series




Axle Set

EUCLID NO.	OEM REF.
E-17119	SRK-64

Axle Connection Kit

FOR MODELS:
All TA200 Series
AL-2200
TL-2200




Axle Set

EUCLID NO.	OEM REF.
E-17110	SRK-02

Multifunction Bushing Kit — High Center of Gravity

FOR MODELS:
TA250 & TA300
TI 250/300 Integra Series

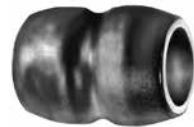


Axle Set

EUCLID NO.	OEM REF.
E-17120	SRK-65

Axle Connection and Pivot Bushing


FOR MODELS:
All TA Early Models
AL-2200
TL-2200
SL-1000
TL-1100



EUCLID NO.	OEM REF.	OD	ID	LENGTH	MATERIAL
E-4410A	11223	2-3/4"	1-1/8"	5"	Rubber
GAFF14533	-	2-3/4"	1-1/8"	5"	Poly

Multifunction Bushing Kit

FOR MODELS:
TA250/300 TY




Axle Set

EUCLID NO.	OEM REF.
E-17115	SRK-75

Eccentric Alignment Collar and Connection Kit


FOR MODELS:
TA250 & TA300
TI 250/300 Integra Series



EUCLID NO.	OEM REF.	NOTES
E-17117	16079-02	Does One Wheel End/Beam

Axle Connection and Pivot Bushing


FOR MODELS:
All TA Early Models
AL-2200
TL-2200
SL-1000



EUCLID NO.	OEM REF.	OD	ID	LENGTH	MATERIAL
E-4382A	10050	3-1/2"	1-1/8"	5-1/4"	Rubber
GAFF14513	-				Poly

Alignment Collar


FOR MODELS:
All Models with
Multifunction Bushing




Eccentric Alignment


EUCLID NO.	OEM REF.	OD	THICKNESS
E-17121	17234	3-1/2"	1/2"


WATSON & CHALIN


Wear Washers				
FOR MODELS: High Center of Gravity				
				
EUCLID NO.	OEM REF.	OD	ID	THICKNESS
E-6122	17419	7-1/4"	2-3/8"	11/32"


Wear Washers				
FOR MODELS: Most Models with Multifunction Bushing				
				
EUCLID NO.	OEM REF.	OD	ID	THICKNESS
E-16424	B-11613	7-1/4"	2-3/8"	3/16"

Washer				
FOR MODELS: Most Models				
				
EUCLID NO.	OEM REF.	OD	ID	THICKNESS
E-4363	11222	4"	1-1/8"	1/4"

Torque Rod Bushing				
				
EUCLID NO.	OEM REF.	OD	ID	LENGTH
GAFF34514	19204	3"	1-1/2"	1-7/16"

Bolts			
			
EUCLID NO.	OEM REF.	THREAD SIZE	LENGTH
E-4345	-	3/4"-10	3-1/2"
E-17101	10036	1-1/8"-12	8-1/2"
E-17102	11225	1-1/8"-12	9-3/4"
E-17122	17269	1-1/8"-12	10-1/2"
E-17113	11602	1-1/8"-12	12"

U-Bolt Spacer		
FOR MODELS: TA250 & TA300		
		
EUCLID NO.	OEM REF.	NOTES
E-6124	17181	Used with E-UB8168-082 U-Bolt


Pivot Bushing Kit		
FOR MODELS: SL		
		
EUCLID NO.	OEM REF.	NOTES
GAFF50073	SRK1190-3; R-008839	16 Qty. GAFF34514 Beam End Bushing & 8 Qty. GAFF50072 BM Spacer Sleeve & 8 Qty. Bolts & 8 Qty. Nylon Insert Nut & 16 Qty. Washer

Height Control Valves, No Dump




EUCLID NO.	OEM REF.	NOTES
E-11855	VS-227	Barksdale Design

Height Control Valves, Apply Air to Dump




EUCLID NO.	OEM REF.	NOTES
E-14731	H01501UD	Hadley Design

Height Control Valves, No Dump




EUCLID NO.	OEM REF.	NOTES
E-14729	H01500UN	Hadley Design

Height Control Valve Linkage Assembly



EUCLID NO.	NOTES
E-7852	Universal Adjustable


Height Control Valves, Apply Air to Dump





EUCLID NO.	OEM REF.	NOTES
E-11870	57977-000	Barksdale Design


WATSON & CHALIN

Lift Suspensions/Axles — With Two Beams Per Suspension

Pivot Connection Kit		
		
Axle Set		
EUCLID NO.	OEM REF.	FOR MODELS
E-17109	SRK-01	All AL-2200 Models, TL-2200 After 1988


Axle Connection Bushing				
FOR MODELS: SL-1000, TL-1100				
				
EUCLID NO.	OEM REF.	OD	ID	LENGTH
E-17112	11938	2-3/4"	1-1/8"	8-7/16"

Axle Connection Kit		
		
Axle Set		
EUCLID NO.	OEM REF.	FOR MODELS
E-17110	SRK-02	All AL 2200 Models, TL-2200 After 1988

Alignment Collar				
FOR MODELS: SL-1000, AL2200, TL-2200 TA Early Models				
				
EUCLID NO.	OEM REF.	OD	ID	THICKNESS
E-17100	10764, 10005	3-1/2"	1-1/8"	3/4"

Bushings					
					
All ID: 1 1/8" except E-17127 is 1"					
EUCLID NO.	OEM REF.	OD	LENGTH	MATERIAL	FOR MODEL
E-17127	12931	2-7/16"	4-1/2"	Rubber	SL1000
E-4255	10051	2-3/8"	5"	Rubber	AL-2200* TL-2200*
GAFF14510	-	2-3/8"	5"	Poly	TL-1100*
E-4410A	11223	2-3/4"	5"	Rubber	SL-1000 TL-1100**
GAFF14533	-	2-3/4"	5"	Poly	AL-2200 TL-2200**
E-4382A	10050	3-1/2"	5-1/4"	Rubber	AL-2200 TL-2200**
GAFF14513	-	3-1/2"	5-1/4"	Poly	SL-1000
E-17099	10050-OS	3-5/8"	5-1/4"	Rubber	AL-2200 TL-2200*

Note: *Before 1988, **After 1988

Bolts				
				
EUCLID NO.	OEM REF.	FOR MODEL	THREAD	LENGTH
E-2891	-	SL-1000 TL-1100	1"-14	5"
E-17101	10036	AL-2200 SL-1000 TL-1100 TL-2200	1-1/8"-12	8-1/2"
E-17102	11225	AL-2200 SL-1000 TL-2200	1-1/8"-12	9-3/4"
E-17113	11602	SL-1000 TL-1000	1-1/8"-12	12"

Lift Suspensions/Axles — With Two Beams Per Suspension

Washers



EUCLID NO.	OEM REF.	OD	ID	THICKNESS	NOTES
E-2956	10009	3-1/4"	1-11/16"	1/8"	AL2200, TL-1100, TL-2200 All Prior to 1988
E-4363	11222	4"	1-1/8"	1/4"	AL-2200* SL-1000 TL-1100* TL-2200* *Models After 1988
E-17105	10008	4-1/4"	2-9/16"	1/8"	TL-2200 Prior 1988

Torque Arm Bushing

FOR MODELS:
SL-1000,
TL-1100



Use with E-3277, E-3276 & E-2899 Torque Arms

EUCLID NO.	OEM REF.	OD	ID	LENGTH	MATERIAL
E-934	17012	1-29/32"	1"	3"	Rubber
GAFF14073	-				Poly

Adjustable Torque Rod

FOR MODELS:
SL-1000,
TL-1100



Includes E-934 Bushings

EUCLID NO.	OEM REF.	LENGTH	FOR MODELS
E-3276	11947	14-3/4"-17-1/4"	SL-1000
E-3277	17015	18-1/2"-21"	SL-1000, TL-1100

Torque Arm Bushing Kit

FOR MODELS:
SL-1000, TL-1100



When Torque Arms use 1" Bolts

EUCLID NO.	OEM REF.	NOTES
E-3079	-	Includes Rubber Bushing, Bolt, Nut

Rigid Torque Rod

FOR MODELS:
SL-1000



Includes E-934 Bushings

EUCLID NO.	OEM REF.	LENGTH
E-2899	12954	19-1/4"

Torque Arm Bushing


FOR MODELS:
SL-1000

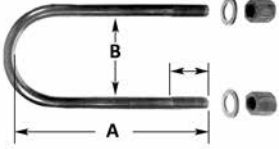


Use When Torque Arms Use 7/8" Bolts"

EUCLID NO.	OEM REF.	OD	ID	LENGTH	MATERIAL
E-1980	19204	1-29/32"	7/8"	3"	Rubber
GAFF15013	-				Poly

Lift Suspensions/Axles — With Two Beams Per Suspension


Strap				
FOR MODELS: AL-2200, TL-2200				
				
EUCLID NO.	OEM REF.	LENGTH	TL MODELS WITH RIDE HEIGHT	NOTES
E-17104	11342	13-3/4"	23-26"	All AL-2200 Models
E-17106	14135	15-3/4"	27-29"	-
E-17107	17025	18-1/2"	30-32"	-
E-17108	11757	19-3/4"	33-34"	-

U-Bolts			
FOR MODELS: AL2200			
			
EUCLID NO.	LENGTH (A)	WIDTH (B)	THREAD
E-UB8145-081	8-1/8"	5"	5/8"-18
E-UB8155-08	8"	5"	3/4"-16

Lift Suspensions/Axles — With Four Beams Per Suspension

Pivot Bushing and Hardware Kit

FOR MODELS:
SL Steerable
13K Models 2015
to Current




Axle Set

EUCLID NO.	OEM REF.
E-17124	SRK1190-1

Pivot Hardware Kit

FOR MODELS:
SL Steerable, All Except
13K Models 2015
to Current




Axle Set

EUCLID NO.	OEM REF.
E-17126	SRK190-2

Pivot Bushing and Hardware Kit

FOR MODELS:
SL Steerable, All Except
13K Models 2015
To Current




Axle Set

EUCLID NO.	OEM REF.
E-17123	SRKSL13AA-1

Bolt


FOR MODELS:
SL Steerable



EUCLID NO.	OEM REF.	THREAD	LENGTH
E-15140	19800-17	3/4"-10	5-1/2"

Pivot Hardware Kit

FOR MODELS:
SL Steerable
13K Models 2015
to Current



Axle Set

EUCLID NO.	OEM REF.
E-17125	SRKSL13AA-2


WATSON & CHALIN

WATSON & CHALIN


Single Point Suspension Parts

Suspension


Trunnion Shaft				
				
EUCLID NO.	OEM REF.	OD	ID	WALL THICKNESS
E-2964	893-01	4"	48"	1/2"
E-5218	893-02			3/4"

Spring End Pad					
					
EUCLID NO.	OEM REF.	A	B	C	MATERIAL
GAFF13037	SP-0039	4-3/4"	7-5/8"	1"	Poly

Trunnion Bushing					
					
EUCLID NO.	OEM REF.	OD	ID	LENGTH	MATERIAL
GAFF14521	-	5"	4"	8-3/4"	Poly

Spring End Cap		
		
EUCLID NO.	OEM REF.	HEIGHT
E-4309	SP-0016	2-13/16"
E-4308	SP-0007	3-7/8"

Trunnion Brackets		
		
EUCLID NO.	OEM REF.	MOUNTING HEIGHT
E-5213	1084526 SP-0012	2-1/2"
E-4312	1084538 SP-0011	4-1/2"
E-5214	1084554 SP-0010	6-1/2"
E-5215	SP-0009	8-1/2"

Spring Seat 5" Round Axle	
	
EUCLID NO.	OEM REF.
E-4305	SP-0036

Spring Seat Repair Pad		
		
EUCLID NO.	OEM REF.	NOTES
E-2965	SP-0082	Use to avoid replacing entire axle seat when knob is worn
E-2965-P	SP-0082	Price Point

WATSON & CHALIN

Single Point Suspension Parts

Spring End Pad	
FOR MODELS: HD Series <div style="text-align: center; margin-top: 10px;">  </div>	
EUCLID NO.	OEM REF.
E-9461	SP-0029


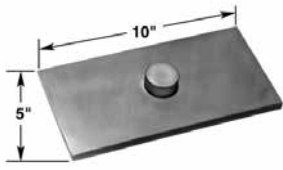


Spring End Cap		
FOR MODELS: PP Series <div style="text-align: center; margin-top: 10px;">  </div>		
EUCLID NO.	OEM REF.	NOTES
E-3583	SP-0015	Overslung Spring Ends

Plate Assembly	
FOR MODELS: PP Series <div style="text-align: center; margin-top: 10px;">  </div>	
Overslung Spring Ends	
EUCLID NO.	OEM REF.
E-3581	SP-0043 SP-0051

Trunnion Half	
	
EUCLID NO.	OEM REF.
E-4301	SP-0001

U-Bolt Cap	
	
EUCLID NO.	OEM REF.
E-9459	SP-0003

Trunnion Cap	
	
EUCLID NO.	OEM REF.
E-4302	SP-0006

Spring End Cap	
FOR MODELS: HD Series 5" Round Axles <div style="text-align: center; margin-top: 10px;">  </div>	
EUCLID NO.	OEM REF.
E-9460	SP-0013

Spring Cap	
FOR MODELS: Underslung Trunnion <div style="text-align: center; margin-top: 10px;">  </div>	
EUCLID NO.	OEM REF.
E-5212	SP-0177

WATSON & CHALIN

WATSON & CHALIN

Single Point Suspension Parts

Suspension

Trunnion Cap	
FOR MODELS: Underslung Trunnion	
	
EUCLID NO.	OEM REF.
E-5231	SP-0171

WATSON & CHALIN

TABLE OF CONTENTS

Front Suspensions

AIRTEK for Western Star Vehicles Built Prior to June 2010WTS-2

AIRTEK for Western Star Built After November 2011 w/STEERTEK NXT Axles and Vehicles
 Built Between June 2010 and November 2011 with STEERTEK Axles..... WTS-6

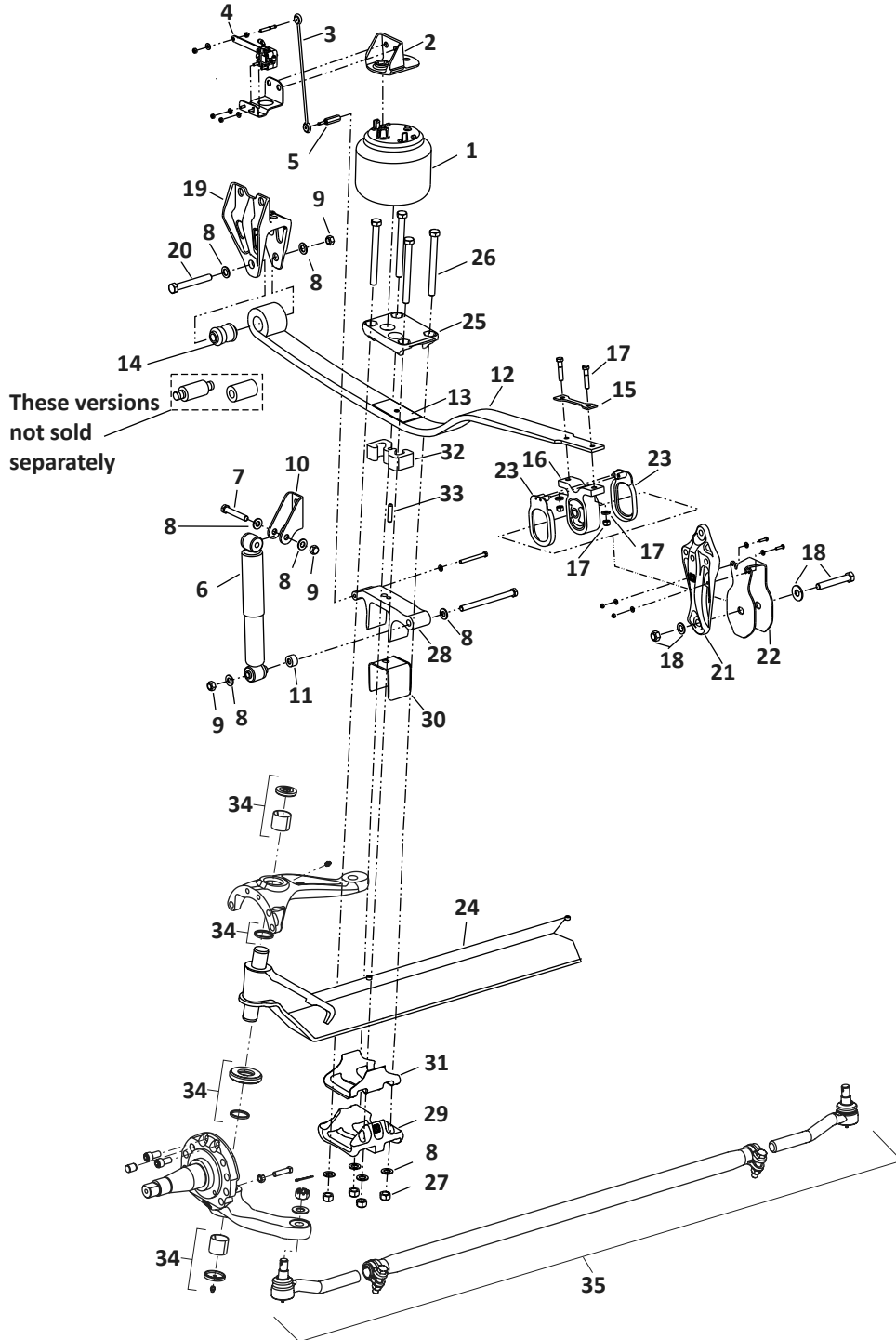
Western Star Components.....WTS-10



Not sure which suspension you have?
 Check out Meritor's Suspension Identification
 Xact Search to find the right part by
 clicking the QR code

WESTERN STAR



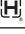

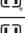





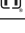







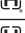
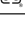
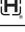







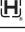

AIRTEK for Western Star Vehicles Built Prior to June 2010



WESTERN STAR

For more information on King Pins, Tie Rod Ends and Assemblies see 760C Front Axle Parts — Medium- and Heavy-Duty Applications

AIRTEK for Western Star Vehicles Built Prior to June 2010

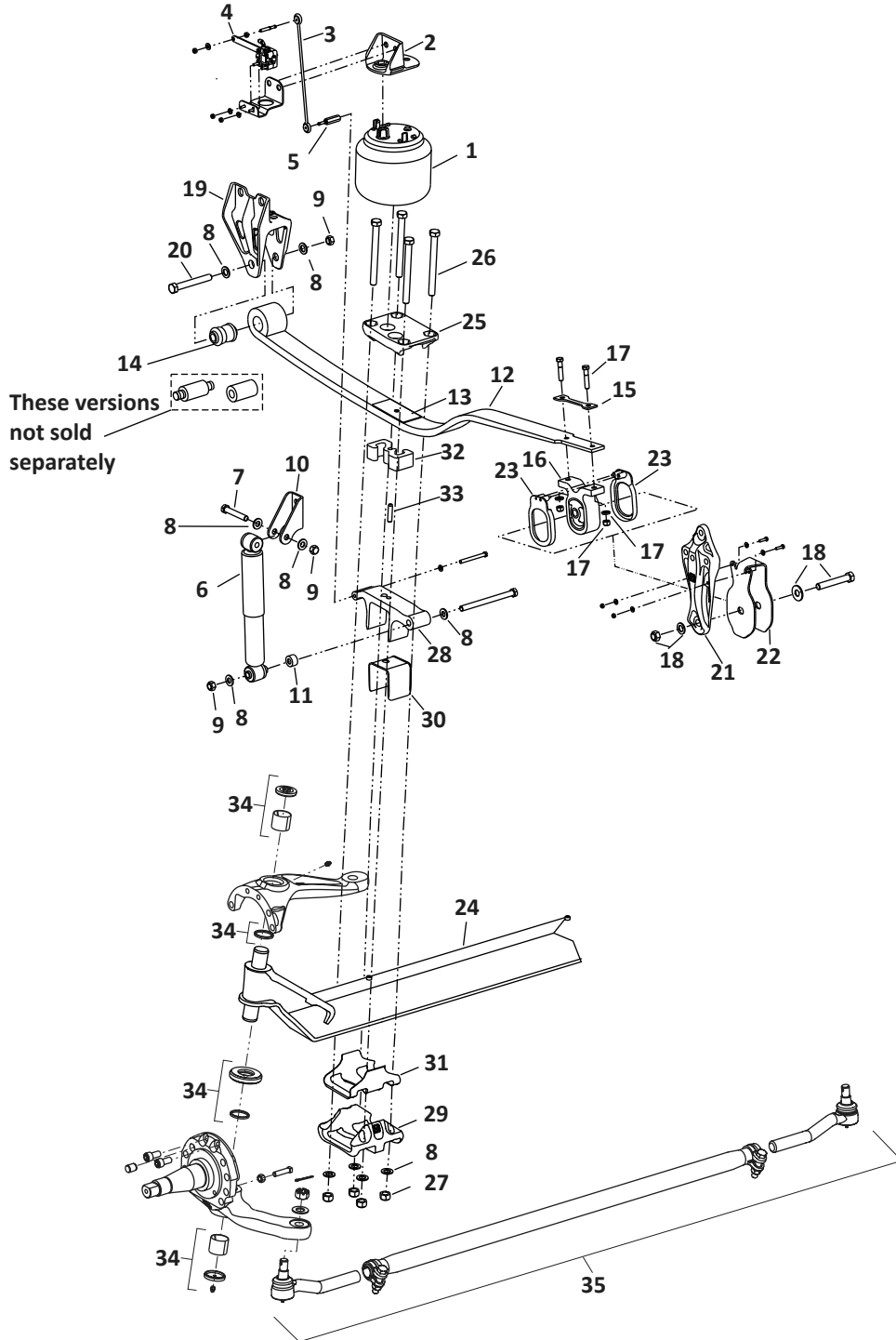
KEY NO.	EUCLID NO.	GENUINE	OEM REF.	DESCRIPTION	QTY. PER AXLE	PAGE NO.
1	S.O.S.	-	69782-002	Air Spring	2	-
2	E-16425		60850-001	Air Spring Bracket, Left Hand	1	WTS-11
	E-15132		60850-002	Air Spring Bracket, Right Hand	1	WTS-11
3	E-15133		59428-001	Height Control Valve Linkage Assembly, 13-1/8" Center-to-Center	1	WTS-10
	E-15134		59428-002	Height Control Valve Linkage Assembly, 14-1/2" Center-to-Center	1	WTS-10
4	S.O.S.		59935-013	Height Control Valve, Left Hand	1	-
	E-13995		59935-002	Height Control Valve, Right Hand	1	WTS-10
5	E-16426		59429-001	Link Mount	2	WTS-11
6	M85932	-	58913-003	Shock Absorber	2	-
7	S.O.S.	-	50764-004	Bolt, 3/4"-10 X 3-3/4" Long, Upper Shock	2	-
8	E-2545	-	-	Washer, 3/4"	As Required	-
9	E-4347	-	-	Locknut, 3/4"-10	As Required	-
10	E-17586		59423-001	Shock Bracket	2	-
11	E-16419		59946-001	Shock Spacer	2	WTS-12
12	S.O.S.		Various	Leaf Spring Assembly	2	-
13	S.O.S.		59937-001	Galvanized Liner	2	-
14	E-14632		59259-002	Spring Eye Bushing, Only Century Class S/T, Columbia, Western Star Set Forward. Others not sold separately	2	WTS-12
15	E-15118		58920-001 58920-000	Spring End Plate	2	WTS-12
16	E-14633		58918-000	Rear Spring Mount	2	WTS-12
17	S.O.S.		60961-616	Rear Spring Mount Kit, Includes Key Nos. 15, 16 & Hardware	2	-
18	E-15136		60961-003	Rear Spring Eye Hardware Kit	2	WTS-12
19	E-15137		59832-001	Front Hanger, Left, Century Class S/T, Columbia, Western Star	1	WTS-12
	S.O.S.		60573-001	Front Hanger, Left, Other Models	1	-
	E-15138		59832-002	Front Hanger, Right, Century Class S/T, Columbia, Western Star	1	WTS-13
	S.O.S.		60573-002	Front Hanger, Right, Other Models	1	-
20	E-15140	-	50764-002	Bolt, 3/4"-10 X 5-1/2" Long	2	WTS-10
21	S.O.S.		59829-001	Rear Hanger, Casting No. 59825-000;59829-000	2	-
22	S.O.S.		59830-001 59830-000	Rear Hanger Clamp	2	-
23	S.O.S.		59346-001 59346-000	Thrust Washer	4	-
24	S.O.S.		Various	Axle Assembly	1	-
25	E-15146		59826-000	Top Pad	2	WTS-12
26	E-15102	-	58917-016	Bolt, 3/4"-10 X 8-1/2" Long	8	WTS-10
	E-16435	-	-	Bolt, 3/4"-10 X 10" Long	8	WTS-10
	E-16436	-	-	Bolt, 3/4"-10 X 11-1/2" Long	8	WTS-10
27	E-15094	-	17700-033	Lock Nut, 3/4"-10, Nylock	8	-
28	S.O.S.		Various	Top Axle Wrap	2	-
29	S.O.S.		64722-001	Bottom Axle Wrap	2	-
30	E-15145		59449-000	Top Axle Wrap Liner	2	WTS-10
31	E-15110		59845-000	Bottom Axle Wrap Liner	2	WTS-10
32	S.O.S.		Various	Axle Spacer	2	-

 Denotes Product is Genuine Hendrickson

For more information on King Pins, Tie Rod Ends and Assemblies
see 760C Front Axle Parts — Medium- and Heavy-Duty Applications

WESTERN STAR






AIRTEK for Western Star Vehicles Built Prior to June 2010



WESTERN STAR

For more information on King Pins, Tie Rod Ends and Assemblies see 760C Front Axle Parts — Medium- and Heavy-Duty Applications

AIRTEK for Western Star Vehicles Built Prior to June 2010

KEY NO.	EUCLID NO.	GENUINE	OEM REF.	DESCRIPTION	QTY. PER AXLE	PAGE NO.
33	S.O.S.		Various	Dowel Pin	2	-
34	E-13999		60961-040	Kingpin Bushing and Bearing Service Kits, Axle Set Includes Left and Right Hand Kit (E-14000 and E-14001), Vehicles Built Before October 2012	1	-
	E-14000		60961-009	Kingpin Bushing and Bearing Service Kit, Left Hand with Composite Thrust Bearings, Vehicles Built Before October 2012	1	-
	E-14001		60961-039	Kingpin Bushing and Bearing Service Kit, Right Hand with Roller Thrust Bearings, Vehicles Built Before October 2012	1	-
35	-		Various	Tie Rod Ends and Assembly. See Front Axle Catalog	As Req'd	-

 Denotes Product is Genuine Hendrickson

For more information on King Pins, Tie Rod Ends and Assemblies
see *760C Front Axle Parts — Medium- and Heavy-Duty Applications*

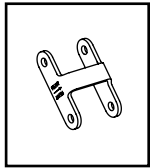
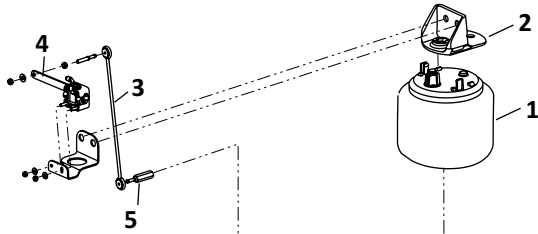
U.S. 888-725-9355
Canada 800-387-3889

MeritorPartsXpress.com
700F-WTS (07-23)

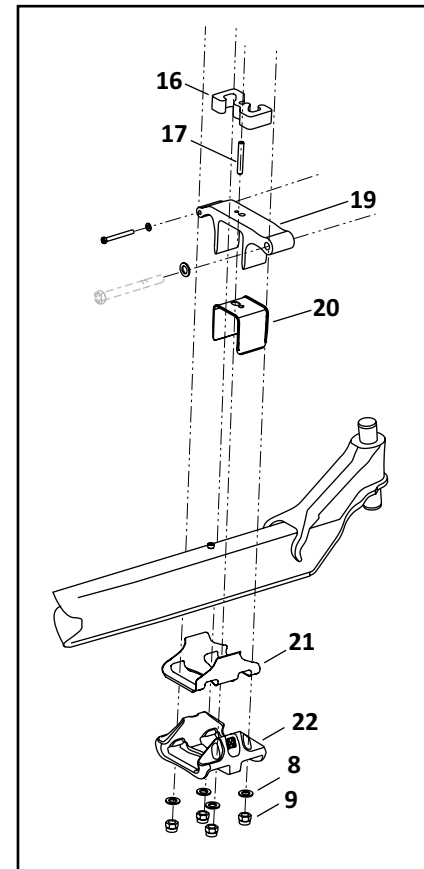
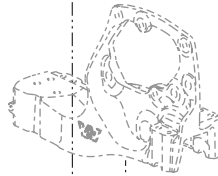
WTS-5

WESTERN STAR

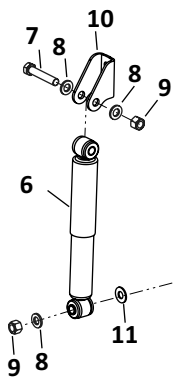
AIRTEK for Western Star Built After November 2011 w/STEERTEK NXT Axles and Vehicles Built Between June 2010 and November 2011 with STEERTEK Axles



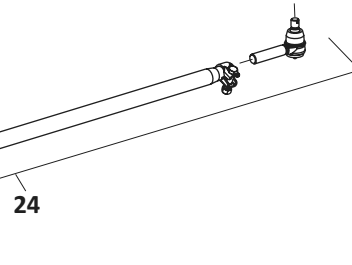
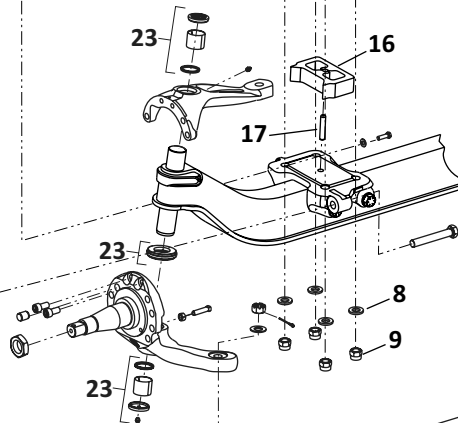
13.3K Rear Shackle



Non NXT Axles Built Between June 2010 and November 2011



STEERTEK NXT Axle



WESTERN STAR

For more information on King Pins, Tie Rod Ends and Assemblies see 760C Front Axle Parts — Medium- and Heavy-Duty Applications

AIRTEK for Western Star Built After November 2011 w/STEERTEK NXT Axles and Vehicles Built Between June 2010 and November 2011 with STEERTEK Axles

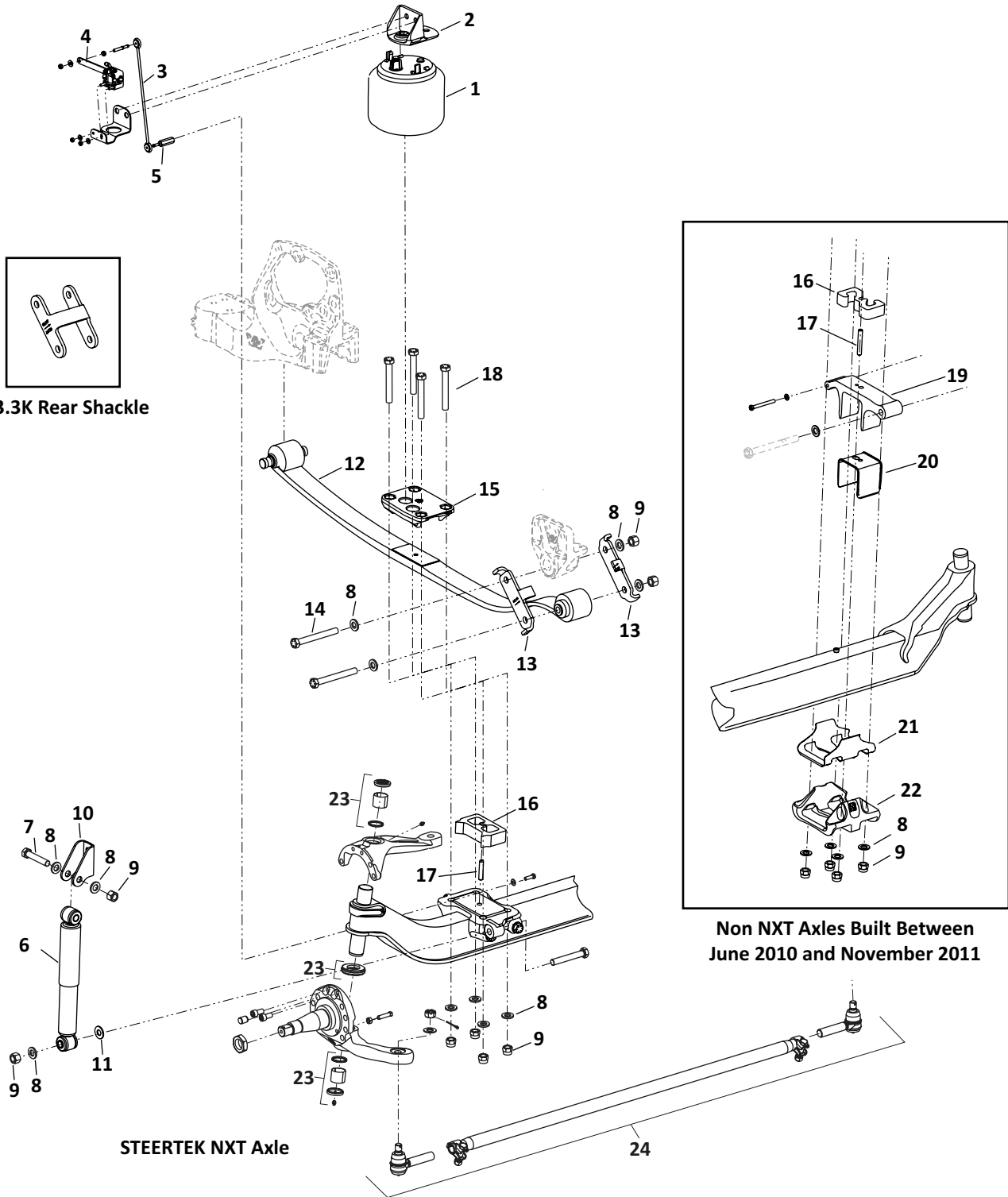
KEY NO.	EUCLID NO.	GENUINE	OEM REF.	DESCRIPTION	QTY. PER VEHICLE	PAGE NO.
1	S.O.S.	-	69116-002	Air Spring	2	-
2	E-16425	☒	60850-001	Air Spring Bracket, Left Hand	1	WTS-11
	E-15132	☒	60850-002	Air Spring Bracket, Right Hand	1	WTS-11
3	E-15133	☒	59428-001	Height Control Valve Linkage Assembly, 13-1/8" Center-to-Center	1	WTS-10
	E-15134	☒	59428-002	Height Control Valve Linkage Assembly, 14-1/2" Center-to-Center	1	WTS-10
	S.O.S.	-	Various	Height Control Valve Linkage Kit	2	-
	E-9625	-	-	Height Control Valve Linkage Kit, Universal, Length Range of 3-5/8 – 19-5/8"	2	WTS-10
4	S.O.S.	☒	59935-013	Height Control Valve, Left Hand, Set Back Axle	1	-
	S.O.S.	☒	59935-023	Height Control Valve, Left Hand, Set Forward Axle	1	-
	E-17587	☒	59935-024	Height Control Valve, Right Hand, Vehicles After November 2011	1	WTS-12
	E-13995	☒	59935-002	Height Control Valve, Right Hand, Vehicles Built Between June 2010 & November 2011, (Non NXT Axles)	1	WTS-10
5	E-16426	☒	59429-001	Link Mount, Left Hand, Set Back Axle	1	WTS-11
	E-15098	☒	59429-002	Link Mount, Left Hand, Set Forward Axle and All Right Hand	1	WTS-11
6	M85932	-	58913-012	Shock Absorber	2	-
	M89453	-	58913-012	Shock Absorber, Premium Adjustable	2	-
7	S.O.S.	-	-	Bolt, 3/4"-10 X 4" Long, Upper Shock	2	-
8	E-2545	-	-	Washer, 3/4"	22	-
9	E-4347	-	-	Locknut, 3/4"-10	16	-
10	E-17586	-	59423-001	Shock Bracket	2	-
11	E-16419	☒	59946-001	Shock Spacer, Vehicles Built Between June 2010 & November 2011, (Non NXT Axles)	2	WTS-12
	S.O.S.	☒	22962-046	Shock Spacer, Vehicles Built After November 2012	2	-
12	S.O.S.	☒	Various	Leaf Spring Assembly	2	-
13	S.O.S.	☒	68089-001	Shackle Plate	4	-
14	S.O.S.	☒	Various	Shackle Bolt, 3/4"-10	8	-
15	E-15146	☒	59826-000	Top Pad	2	WTS-12
16	S.O.S.	☒	Various	Front Axle Spacer	2	-
17	S.O.S.	☒	Various	Dowel	2	-
18	E-15102	-	58917-016	Bolt, 3/4"-10 X 8-1/2" Long	8	WTS-10
	E-16435	-	58917-017	Bolt, 3/4"-10 X 10" Long	8	WTS-10
	E-16436	-	58917-018	Bolt, 3/4"-10 X 11-1/2" Long	8	WTS-10
19	S.O.S.	☒	Various	Top Wrap, Vehicles Built Between June 2010 & November 2011 (Non NXT Axles)	2	-
20	E-15145	☒	59449-000	Top Axle Wrap Liner, Vehicles Built Between June 2010 & November 2011 (Non NXT Axles)	2	WTS-10
21	E-15110	☒	58945-000	Bottom Axle Wrap Liner, Vehicles Built Between June 2010 & November 2011 (Non NXT Axles)	2	WTS-10
22	S.O.S.	☒	64772-001	Bottom Wrap, Vehicles Built Between June 2010 & November 2011 (Non NXT Axles)	2	-

☒ Denotes Product is Genuine Hendrickson

For more information on King Pins, Tie Rod Ends and Assemblies
see *760C Front Axle Parts — Medium- and Heavy-Duty Applications*

WESTERN STAR


AIRTEK for Western Star Built After November 2011 w/STEERTEK NXT Axles and Vehicles Built Between June 2010 and November 2011 with STEERTEK Axles




WESTERN STAR

For more information on King Pins, Tie Rod Ends and Assemblies see 760C Front Axle Parts — Medium- and Heavy-Duty Applications

AIRTEK for Western Star Built After November 2011 w/STEERTEK NXT Axles and Vehicles Built Between June 2010 and November 2011 with STEERTEK Axles

KEY NO.	EUCLID NO.	GENUINE	OEM REF.	DESCRIPTION	QTY. PER VEHICLE	PAGE NO.
23	E-13999		60961-040	Kingpin Bushing and Bearing Service Kits, Axle Set Includes Left and Right Hand Kit (E-14000 and E-14001), Vehicles Built Before November 2011	1	-
	E-14000		60961-009	Kingpin Bushing and Bearing Service Kit, Left Hand with Composite Thrust Bearings, Vehicles Built Before November 2011	1	-
	E-14001		60961-039	Kingpin Bushing and Bearing Service Kit, Right Hand with Roller Thrust Bearings, Vehicles Built Before November 2011	1	-
	E-17644		60961-628	Kingpin Bushing and Bearing Service Kits, Axle Set Includes Left and Right Hand Kit (E-17645 and E-17646), Vehicles Built After November 2011	1	-
	E-17645		60961-629	Kingpin Bushing and Bearing Service Kit, Left Hand with Composite Thrust Bearings, Vehicles Built After November 2011	1	-
	E-17646		60961-630	Kingpin Bushing and Bearing Service Kit, Right Hand with Roller Thrust Bearings, Vehicles Built After November 2011	1	-
24	-		Various	Tie Rod Ends and Assembly. See Front Axle Catalog	As Req'd	-

 Denotes Product is Genuine Hendrickson

For more information on King Pins, Tie Rod Ends and Assemblies see 760C Front Axle Parts — Medium- and Heavy-Duty Applications



WESTERN STAR

AIRTEK for Western Star

Top Axle Wrap Liner



EUCLID NO.	GENUINE	OEM REF.	APPLICATION
E-15145		59449-000	Vehicles Built Between June 2010 & November 2011 (Non NXT Axles)

Height Control Valve, Right Hand




EUCLID NO.	GENUINE	OEM REF.	APPLICATION
E-13995		59935-002	Vehicles Built Between June 2010 & November 2011, (Non NXT Axles)


Bottom Axle Wrap Liner




EUCLID NO.	GENUINE	OEM REF.	APPLICATION
E-15110		58945-000	Vehicles Built Between June 2010 & November 2011 (Non NXT Axles)

Height Control Valve Linkage Assembly




EUCLID NO.	GENUINE	OEM REF.	LENGTH
E-15133		59428-001	13-1/8" Center-to-Center


Bolt




EUCLID NO.	OEM REF.	LENGTH	THREAD	APPLICATION
E-15140	50764-002	5-1/2"	3/4"-10	Freightliner Prior to 5/10
E-15102	58917-016	8-1/2"	3/4"-10	All Truck/Tractor
E-16435	-	10"	3/4"-10	All Truck/Tractor
E-16436	-	11-1/2"	3/4"-10	All Truck/Tractor


Height Control Valve Linkage Assembly



EUCLID NO.	GENUINE	OEM REF.	LENGTH
E-15134		59428-002	14-1/2" Center-to-Center

Height Control Valve Linkage Kit



EUCLID NO.	GENUINE	OEM REF.	LENGTH
E-9625		-	Length Range of 3-5/8 - 19-5/8"

 Denotes Product is Genuine Hendrickson

WESTERN STAR

AIRTEK for Western Star

Suspension

Link Mount, Left Hand			
			
EUCLID NO.	GENUINE	OEM REF.	APPLICATION
E-16426		59429-001	Set Back Axle

Air Spring Bracket, Right Hand		
		
EUCLID NO.	GENUINE	OEM REF.
E-15132		60850-002

Link Mount, Left Hand			
			
EUCLID NO.	GENUINE	OEM REF.	APPLICATION
E-15098		59429-002	Set Forward Axle and All Right Hand



Air Spring Bracket, Left Hand			
			
EUCLID NO.	GENUINE	OEM REF.	NOTES
E-16425		60850-001	

 Denotes Product is Genuine Hendrickson

WESTERN STAR

Components



Height Control Valve, Right Hand			
FOR MODELS: Newer Cascadia Models			
			
EUCLID NO.	GENUINE	OEM REF.	NOTES
E-17587		59935-024	-

Spring End Plate		
FOR MODELS: Prior to 6/10		
		
EUCLID NO.	GENUINE	OEM REF.
E-15118		58920-001 58920-000

Shock Spacer			
FOR MODEL: AIRTEK			
			
EUCLID NO.	GENUINE	OEM REF.	ID
E-16419		59946-001	3/4"


Rear Spring Mount		
FOR MODELS: Prior to 6/10		
		
EUCLID NO.	GENUINE	OEM REF.
E-14633		58918-000

Top Pad		
FOR MODELS: All Truck/Tractor		
		
EUCLID NO.	GENUINE	OEM REF.
E-15146		59826-000

Rear Spring Eye Hardware Kit			
FOR MODELS: Prior to 6/10			
			
EUCLID NO.	GENUINE	OEM REF.	NOTES
E-15136		60961-003	Includes Bolt, Nut, Washers

Spring Eye Bushing				
FOR MODELS: Prior to 6/10				
				
Only Western Star Set Forward.				
EUCLID NO.	GENUINE	OEM REF.	ID	LENGTH
E-14632		59259-002	3/4"	3 1/4"

Front Hanger, Left Hand		
FOR MODELS: Prior to 6/10		
		
EUCLID NO.	GENUINE	OEM REF.
E-15137		59832-001

 Denotes Product is Genuine Hendrickson

WESTERN STAR

Components

Suspension

Front Hanger, Right Hand		
FOR MODELS: Prior to 6/10		
		
EUCLID NO.	GENUINE	OEM REF.
E-15138		59832-002

YOUR XPRESS LANE FOR UPTIME

Expedite your search for more than 100,000 aftermarket products with powerful self-service tools to help boost your parts operations. For fast access to parts ordering on all Meritor aftermarket brands, plus enhanced Xact Search and Visual Search tools, competitive cross-references, product information, catalogs and more, visit MeritorPartsXpress.com.

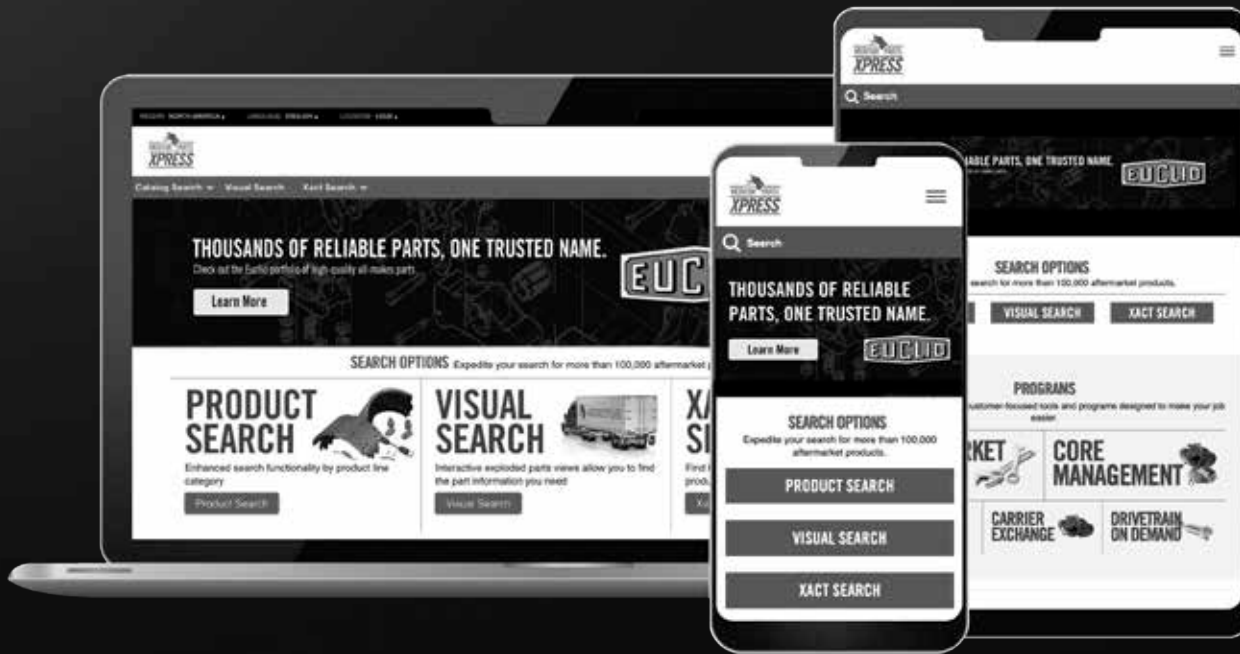


TABLE OF CONTENTS

Suspension Polyurethane.....	CMP-3
Service Tools.....	CMP-32
Trailer King Pin / Fifth Wheel / Dolly.....	CMP-35
Threaded Rods & U-Bolt Assemblies.....	CMP-38
U-Bolt Assemblies	CMP-42
Spring Center Bolts.....	CMP-49
Miscellaneous Suspension Bolts.....	CMP-50
Miscellaneous Suspension Nuts	CMP-53
Miscellaneous Suspension Washers	CMP-55
Equalizers.....	CMP-57
Torque Arms	CMP-67
Bushings	CMP-96
Spring Pins	CMP-104
Spring Eye Bushings	CMP-108
Valves & Accessories	CMP-110



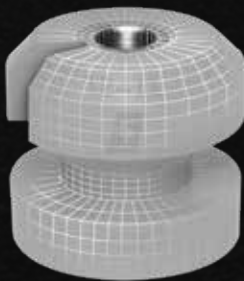
Not sure which suspension you have?
Check out Meritor's Suspension Identification
Xact Search to find the right part by
clicking the QR code

GAFF® POLYURETHANE COMPONENTS

INNOVATION FOR THE ROAD.



GAFF® polyurethane products are specifically designed for each application to increase the lifespan of the component.



BENCHMARKED TO OE PRODUCT:

- Suspension/system requirements
- Geometry and strength
- Application loads



DESIGNED FOR THE APPLICATION:

- Durability, flexibility and strength
- Temperature
- Noise reduction

GAFF® polyurethane products are more durable and resilient than rubber-based products. High performance polyurethane is designed for the application to extend vehicle uptime, in the harshest road conditions.

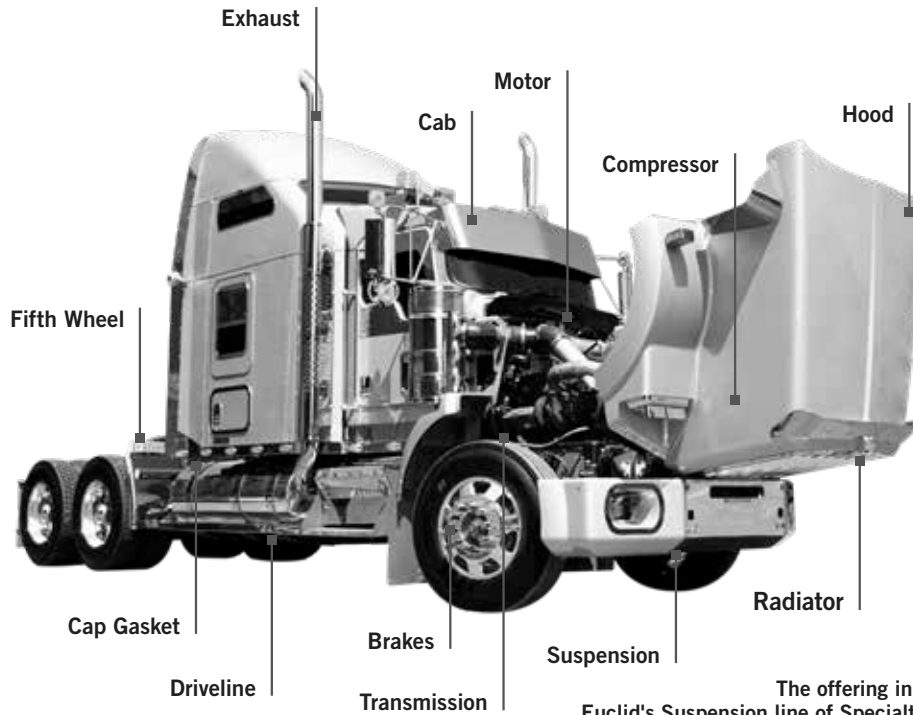


Access the GAFF Product Page on MPX by clicking the QR code.




For product specifications and ordering, visit [MeritorPartsXpress.com](https://www.MeritorPartsXpress.com).


GAFF APPLICATIONS





The offering in this parts book is specific to Euclid's Suspension line of Specialty Polyurethane Components. Please see PB-2194-GAFF for other Polyurethane truck / trailer parts.

Listed Alphabetically by OEM

Torque Arm Bushing, Type 0 & 1 Joint - Chalmers				
				
Poly Version of Rubber Bushing E-4677A				
EUCLID NO.	OEM REF.	LIP OD	ID	LENGTH
GAFF18919	Chalmers 22129	3-5/8"	2-3/8"	1-7/8"

Torque Arm Bushing, Type 2 Joint - Chalmers				
				
Poly Version of Rubber Bushing E-7766				
EUCLID NO.	OEM REF.	LIP OD	ID	LENGTH
GAFF11739	Chalmers 800010	4-1/4"	2-1/2"	2-1/8"

Torque Arm Bushing, Type 0 & 1 Joint, Oversized - Chalmers				
FOR MODEL: Series 300 - 1000				
				
Poly Version of Rubber Bushing E-4678A				
EUCLID NO.	OEM REF.	OD	ID	LENGTH
GAFF18920	22129	3-21/32"	2-3/8"	3-3/4"

Oversize Torque Arm Bushing, Type 2 Joint - Chalmers				
				
Poly Version of Rubber Bushing E-7767				
EUCLID NO.	OEM REF.	LIP OD	ID	LENGTH
GAFF18921	Chalmers 800009	4-1/2"	2-1/2"	2-1/16"

SUSPENSION POLYURETHANE

Listed Alphabetically by OEM

Load Spring - Chalmers

FOR MODEL:
Series
700 - 1000



EUCLID NO.	OEM REF.	OD	ID	LENGTH
GAFF11740	15002	9-1/4 in	2"	8"

Torque Arm Bushing - Dayton



Poly Version of Rubber Bushing E-1980

EUCLID NO.	OEM REF.	OD	ID	LENGTH
GAFF15013	Dayton 39400016 Navistar 347374C1	1-29/32"	7/8"	3"

Spring Bushing - Freightliner



EUCLID NO.	OEM REF.	BOLT DIA.	LENGTH	OD
GAFF11066	680-322-01-50	3/4"	4-1/4"	2-1/4"

Spring Bushing, Old Style - Freightliner



Poly Version of E-8804

EUCLID NO.	OEM REF.	OD	BOLT DIA.	NOTES
GAFF11005	681-325-01-50, 16-13962-000	2-1/2"	3/4"	-

Spring Eye Bushing - Freightliner

FOR MODEL:
FAS II



EUCLID NO.	OEM REF.	OD	BOLT DIA.	NOTES
GAFF11083	16-16412-001	2-1/2"	3/4"	Anti-Walk Poly Version of E-15541
GAFF11187	16-16412-001	2-1/2"	3/4"	Anti-Walk, Free Rotating Poly Version of E-15541
GAFF11084	-	2-9/16"	3/4"	Anti-Walk, Oversized, Poly Version of E-15600
GAFF11188	-	2-9/16"	3/4"	Anti-Walk, Oversized, Free Rotating Poly Version of E-15600

Torque Arm Bushing, Old Style, Free Rotating - Freightliner

FOR MODEL:
FAS II



EUCLID NO.	OD	BOLT DIA.	C-TO-C LENGTH
GAFF13834	2"	5/8"	4-3/8"

Torque Arm - Freightliner

FOR MODEL:
FAS II




EUCLID NO.	OEM REF.	LENGTH
GAFF11078	681-326-67-16	23-13/16"


SUSPENSION POLYURETHANE


Listed Alphabetically by OEM


Suspension


SUSPENSION
POLYURETHANE


Torque Arm - Freightliner		
FOR MODEL: FAS II		
		
EUCLID NO.	OEM REF.	LENGTH
GAFF11081	16-16749-002	24-7/32"


Bolster Spring - Freightliner			
FOR MODEL: TufTrac			
			
Poly Version of Rubber Bolster Spring E-16060			
EUCLID NO.	OEM REF.	BOLT DIA.	LENGTH
GAFF11159	16-15010-000	11/16"	10-19/32"


Torque Rod Assembly - Freightliner				
				
EUCLID NO.	OEM REF.	BOLT DIA.	LENGTH	BUSHINGS
GAFF11152	16-18972-000	5/8"	24-3/16"	GAFF13520 (2)

Insulator Cap - Freightliner			
FOR MODEL: TufTrac			
			
Poly Version of Rubber Insulator Cap E-16051			
EUCLID NO.	OEM REF.	LENGTH	HEIGHT
GAFF11164	11-19581-000	5-1/16"	2-1/2"

Torque Rod Assembly - Freightliner				
				
EUCLID NO.	OEM REF.	BOLT DIA.	OD	BUSHINGS
GAFF11153	16-16749-000	22-7/8"	5/8"	GAFF13521 (2)

Insulator Pad - Freightliner			
FOR MODEL: TufTrac			
			
Poly Version of Rubber Insulator Pad E-15588			
EUCLID NO.	OEM REF.	LENGTH	HEIGHT
GAFF11165	11-20807-000	4"	2-3/16"

Equalizer Bushing - Freightliner				
FOR MODELS: FH34A-44A, FH36-40				
				
EUCLID NO.	OEM REF.	OD	ID	LENGTH
GAFF11064	A16-10549	2-3/4"	2-1/4"	2-9/32"

V-Rod Bushing, Apex, Includes Snap Ring - Freightliner			
FOR MODEL: TufTrac			
			
Poly Version of Rubber Bushing E-16070			
EUCLID NO.	OEM REF.	OD	BOLT DIA.
GAFF11162	A348634	3-15/16"	7/8"

SUSPENSION POLYURETHANE

Listed Alphabetically by OEM

V-Rod Bushing, End, Includes Snap Ring - Freightliner

FOR MODEL:
TufTrac



Poly Version of Rubber Bushing E-16063

EUCLID NO.	OEM REF.	OD	BOLT DIA.
GAFF11163	A237903	2-15/16"	5/8"

Torque Arm Bushing - Fruehauf

FOR MODELS:
F-2, J-2,
NF-2, &
NT



Poly Version of Rubber Bushing E-927

EUCLID NO.	OEM REF.	OD	ID	LENGTH
GAFF13001	Fruehauf UXA-000011	2-3/16"	1-1/4"	2-3/8"

Equalizer Bushing Assembly - Fruehauf

FOR MODELS:
F-2, J-2, T-1
and W24T1
Air Suspensions



Poly Version of Rubber Bushing Assembly E-1024

EUCLID NO.	OEM REF.	INCLUDES
E-9361	UXA-000004-900	2 Bushings, 1 Bolt, 2 Washers, 1 Nut

Spring End Pad - Fruehauf

FOR MODEL:
M2



Poly Version of Rubber Pad E-3582

EUCLID NO.	OEM REF.	WIDTH	LENGTH	THICKNESS
GAFF13037	Fruehauf UCD-005635-001	7-5/8"	4-3/4"	1"

Equalizer Bushing - Fruehauf

FOR MODELS:
F-2, J-2, T-1
and W24T1
Air Suspensions



Poly Version of Rubber Bushing E-1020

EUCLID NO.	OEM REF.	OD	ID	LENGTH
GAFF13005	Fruehauf UXA-000004	3-1/2"	2"	4-3/8"

End Beam Bushing Kit - Hendrickson

FOR MODEL:
340 - 520
Series



EUCLID NO.	OEM REF.	OD	BOLT DIA.	NOTES
GAFF13607	34013-087	4-3/8"	1"	Includes Mounting Hardware

Torque Arm Bushing Assembly - Fruehauf

FOR MODELS:
F-2, J-2,
NF-2, &
NT



Poly Version of Rubber Bushing E-1023

EUCLID NO.	OEM REF.	INCLUDES
E-9362	UXA-000011- 900 (1/2)	2 Bushings, 1 Bolt, 2 Washers, Nut

End Beam Bushing Kit, Free Rotating - Hendrickson

FOR MODEL:
340 - 520
Series




EUCLID NO.	OEM REF.	OD	BOLT DIA.	NOTES
GAFF13833	34013-087	4-3/8"	1"	Includes Mounting Hardware

Listed Alphabetically by OEM

End Beam Bushing Kit, Shim Type - Hendrickson


FOR MODEL:
340 - 520
Series



EUCLID NO.	OEM REF.	OD	NOTES
GAFF13596	34013-088	4-3/8"	Includes Mounting Hardware & Alignment Washers

End Beam Bushing - Hendrickson


FOR MODEL:
340 Series



EUCLID NO.	OEM REF.	OD	ID	LENGTH
GAFF13501	06969-000	4-3/8"	2-1/2"	5-1/4"

End Beam Bushing Kit, Free Rotating, Shim Type - Hendrickson


FOR MODEL:
340 - 520
Series



EUCLID NO.	OEM REF.	OD	NOTES
GAFF83596	34013-088	4-3/8"	Includes Mounting Hardware & Alignment Washers

Center Bushing with Loose End Plug - Hendrickson


FOR MODEL:
400-460
Series



EUCLID NO.	OEM REF.	OD	ID	LENGTH	NOTES
GAFF13543	49600-000	4-3/4"	2-1/2"	12"	Loose End Plug

End Beam Bushing Kit - Hendrickson


FOR MODEL:
400 & 440 Series



EUCLID NO.	OEM REF.	NOTES
GAFF13566	34013-049	Includes GAFF13506 Bushing & GAFF13609 Beam Adapter

Center Bushing with Welded End Plug - Hendrickson


FOR MODEL:
340 Series



EUCLID NO.	OEM REF.	OD	LENGTH	NOTES
GAFF13500	06664-000	3-5/8"	12"	Welded End Plug

End Beam Bushing - Hendrickson


FOR MODEL:
480 & 520
Series



EUCLID NO.	OEM REF.	OD	ID	LENGTH
GAFF13553	29878-001	4-3/8"	2-1/2"	5-3/4"

Center Bushing with Welded End Plug - Hendrickson

FOR MODEL:
400-460
Series



EUCLID NO.	OEM REF.	OD	ID	LENGTH	NOTES
GAFF13505	49400-000	4-3/4"	2-1/2"	12"	Welded End Plug

SUSPENSION POLYURETHANE

Listed Alphabetically by OEM

Bolster Spring Kit - Hendrickson

FOR MODEL:
HN Series



EUCLID NO.	OEM REF.	BOLT DIA.	LENGTH	NOTES
GAFF13722	60879-000	15/32"	10-7/8"	1 Pair for One Side, Includes Hardware & Auxiliary Load Spring

Bolster Spring Kit - Hendrickson

FOR MODEL:
HAULMAAX



EUCLID NO.	OEM REF.	NOTES
GAFF13626	64179-048	Includes 2 Bolster Springs, Tie Bar and Hardware

Bolster Spring Kit - Hendrickson

FOR MODEL:
HN Series



EUCLID NO.	OEM REF.	BOLT DIA.	LENGTH	NOTES
GAFF13721	60879-000	15/32"	10-7/8"	1 Pair for One Side, Includes Hardware

Auxiliary Load Spring Kit, Tandem Set - Hendrickson

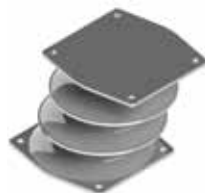
FOR MODEL:
HAULMAAX



EUCLID NO.	OEM REF.	NOTES
GAFF13814	60961-747	Includes 2 Load Springs & Mounting Hardware

Bolster Spring - Hendrickson

FOR MODEL:
HN Series



EUCLID NO.	OEM REF.	BOLT DIA.	LENGTH	NOTES
GAFF13601	60879-000	15/32"	10-7/8"	1 Spring

Auxiliary Load Spring - Hendrickson

FOR MODEL:
HAULMAAX



EUCLID NO.	OEM REF.	NOTES
GAFF13812	67778-000	2 Slots, Vehicles Built After 07/15/14

Bolster Spring Kit - Hendrickson

FOR MODEL:
HAULMAAX



EUCLID NO.	OEM REF.	NOTES
GAFF13831	64179-037	Includes Tie Rod Bolster Springs, Auxillary Springs, Hardware for 1 Suspension

Auxiliary Load Spring - Hendrickson

FOR MODEL:
HAULMAAX & HN Series




EUCLID NO.	OEM REF.	NOTES
GAFF13807	-	Heavy Duty


SUSPENSION POLYURETHANE

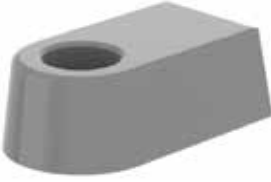
Listed Alphabetically by OEM

Suspension

SUSPENSION
POLYURETHANE


Auxiliary Load Spring - Hendrickson		
FOR MODELS: HAULMAAX & HN Series		
		
EUCLID NO.	OEM REF.	NOTES
GAFF13611	60314-000	1 Slot


Pivot Bushing - Hendrickson				
FOR MODELS: PRIMAAX, PRIMAAX EX				
				
EUCLID NO.	OEM REF.	OD	ID	LENGTH
GAFF18821	58648-000	3-11/16"	1-1/4"	3-5/8"

Load Cushion - Hendrickson	
FOR MODEL: RS Series	
	
EUCLID NO.	OEM REF.
GAFF13650	26953-000

"D" Pin Bushing - Hendrickson				
FOR MODELS: PRIMAAX, PRIMAAX EX				
				
EUCLID NO.	OEM REF.	OD	BOLT DIA.	LENGTH
GAFF13627	60383-000	2-1/2"	7/8"	5-1/2"

Heavy Duty Load Cushion - Hendrickson				
FOR MODEL: RS Series				
				
EUCLID NO.	OEM REF.	OD	ID	LENGTH
GAFF13649	24209-000	7"	1"	4"

Slipper Pad - Hendrickson			
FOR MODEL: HAS Series			
			
EUCLID NO.	OEM REF.	BOLT DIA.	NOTES
GAFF13524	56557-002	7/16"	3/8-16 UNC

Pivot Bushing Kit, Axle Set - Hendrickson					
FOR MODELS: PRIMAAX, PRIMAAX EX					
					
EUCLID NO.	OEM REF.	OD	ID	LENGTH	NOTES
GAFF13817	60632-20, 60632-8	3-11/16"	1-1/4"	3-5/8"	Includes Bushing, Hardware and Alignment Washers


Rebound Roller Assembly - Hendrickson		
FOR MODELS: HA & HAS Series		
		
EUCLID NO.	OEM REF.	NOTES
GAFF11747	49175-005	Includes Roller and Hardware, Roller Available as GAFF13843

SUSPENSION POLYURETHANE

Listed Alphabetically by OEM


Torque Rod - Hendrickson

FOR MODEL:
HAS Series



EUCLID NO.	OEM REF.	BOLT DIA.	LENGTH	NOTES
GAFF13735	62007-365	5/8"	14-3/8"	Straddle Mount Bushings


Torque Rod - Hendrickson



EUCLID NO.	OEM REF.	LENGTH	BUSHINGS
GAFF13679	62350-635	25"	GAFF13520, GAFF13518
GAFF12679EZ	925150		GAFF83520, GAFF13518

Torque Rod - Hendrickson

FOR MODELS:
HAULMAAX &
HN Series



EUCLID NO.	OEM REF.	LENGTH	NOTES
GAFF12396	62010-255	17-15/16"	Easy Mount 2 Straddle Mount Bushings
GAFF13657	-	22"	1 Straddle Mount Bushing & 1 Tapered Bushing, 1-1/4-12 UNF
GAFF11835	-	24"	1 Straddle Mount Bushing & 1 Tapered Bushing, 1-1/4-12 UNF, Straddle Bushing is Free Rotating

Torque Rod Bushing - Hendrickson

FOR MODELS:
HAS,
HAULMAAX &
HN Series



EUCLID NO.	OEM REF.	OD	BOLT HOLE	C-TO-C LENGTH
GAFF13521	47691-000	2"	5/8"	4-3/8"

Torque Rod Bushing - Hendrickson


FOR MODELS:
HAULMAAX,
HN Series,
RT Series &
RS Series



EUCLID NO.	OEM REF.	OD	BOLT HOLE	C-TO-C LENGTH
GAFF13520	44695-000	2-3/4"	5/8"	4-3/8"

Torque Rod - Hendrickson


FOR MODELS:
PRIMAAX



EUCLID NO.	OEM REF.	BOLT DIA.	LENGTH	BUSHINGS
GAFF13733	62350-615	5/8"	24-1/4"	GAFF13520, GAFF13518
GAFF13733EZ				GAFF83520, GAFF13518

Torque Rod Bushing, Easy Mount - Hendrickson

FOR MODELS:
HAULMAAX,
HN Series,
RT Series &
RS Series




EUCLID NO.	OEM REF.	OD	BOLT HOLE	C-TO-C LENGTH	NOTES
GAFF83520	44695-000	2-3/4"	5/8"	4-3/8"	Bushing is Free Rotating

Listed Alphabetically by OEM

Torque Rod Bushing - Hendrickson


FOR MODELS:
PRIMAAX,
PRIMAAX EX



EUCLID NO.	OEM REF.	OD	ID	LENGTH	NOTES
GAFF14010	47692-000	2"	7/8"	3"	Torque Rod Bushing, Through Bolt Style

Tapered Bushing - Hendrickson


FOR MODELS:
HAULMAAX &
HN Series



EUCLID NO.	OEM REF.	OD	LENGTH	NOTES
GAFF13582	64697-000H	2"	8-1/16"	1-1/4-12 UNF

Torque Rod Bushing - Hendrickson

FOR MODELS:
PRIMAAX,
PRIMAAX EX



EUCLID NO.	OEM REF.	OD	BOLT DIA.	NOTES
GAFF11004	47691-000, A-16-119448, 47691-000L	2"	5/8"	Torque Rod Bushing, Straddle Mount, Used on Rods with 1 Tapered Bushing

Tapered Bushing - Hendrickson



EUCLID NO.	OEM REF.	OD	LENGTH	NOTES
GAFF13518	64400-004L	2-3/4"	8-1/16"	1-1/4-12 UNF

Torque Rod Bushing - Hendrickson


FOR MODELS:
PRIMAAX,
PRIMAAX EX



EUCLID NO.	OEM REF.	OD	BOLT DIA.	C-TO-C LENGTH
GAFF13672	69210-000	2"	3/4"	4-3/8"

Pivot Bushing Kit - Wide Bushing - Hendrickson

FOR MODELS:
INTRAAX,
VANTRAAX -
Wide
Bushing
Version



EUCLID NO.	OEM REF.	OD	ID	LENGTH
GAFF13628	S-24691	6"	1-1/4"	6-3/4"

Torque Rod Bushing - Hendrickson


FOR MODELS:
PRIMAAX,
PRIMAAX EX



EUCLID NO.	OEM REF.	OD	BOLT DIA.	C-TO-C LENGTH
GAFF13652	65831-000	2-1/2"	15/16"	6-1/4"

Pivot Bushing with Hardware, Alignment Washers Not Included - Hendrickson

FOR MODELS:
INTRAAX,
VANTRAAX
- Wide
Bushing
Version



EUCLID NO.	OEM REF.	OD	ID	LENGTH	NOTES
GAFF13744	S-24691	5-13/16"	1-1/4"	6-3/4"	Includes Bolt, Nut, Wear Washers, Bolt Washers

SUSPENSION POLYURETHANE

Listed Alphabetically by OEM

Pivot Bushing With Hardware, Use for all HT Applications - Hendrickson

FOR MODELS:
HT190 -
HT300



EUCLID NO.	OEM REF.	OD	ID	LENGTH	NOTES
GAFF13510	S-6914	5-13/16"	1-1/4"	6-3/4"	Includes Bolt, Nut, Wear Washers, Bolt Washers

Pivot Bushing with Wear Shims - Hendrickson

FOR MODELS:
INTRAAX,
VANTRAAX -
Wide
Bushing
Version



EUCLID NO.	OEM REF.	OD	ID	LENGTH	NOTES
GAFF13600	S-24691	5-13/16"	1-1/4"	6-3/4"	Includes Wear Shims

Pivot Bushing Kit - Narrow Bushing - Hendrickson

FOR MODELS:
INTRAAX,
VANTRAAX,
ULTRAA-K
- Narrow
Bushing
Version



EUCLID NO.	OEM REF.	OD	ID	LENGTH	NOTES
GAFF13743	S-26321	6"	1-1/4"	3-5/8"	Axle Set, Includes Bushings and Hardware

Pivot Bushing - Hendrickson

FOR MODELS:
INTRAAX,
VANTRAAX -
Wide
Bushing
Version



EUCLID NO.	OEM REF.	OD	ID	LENGTH	NOTES
GAFF13565	S-6914	5-13/16"	1-1/4"	6-3/4"	Bushing Only

Pivot Bushing Kit - Narrow Bushing - Hendrickson

FOR MODELS:
INTRAAX,
VANTRAAX,
ULTRAA-K
- Narrow
Bushing
Version



EUCLID NO.	OEM REF.	OD	ID	LENGTH	NOTES
GAFF13594	S-26321	6"	1-1/4"	3-5/8"	Includes Bushing, Hardware and Alignment Washers

Wear Shims - Hendrickson

FOR MODELS:
INTRAAX,
VANTRAAX -
ULTRAA-K
Narrow Bushing
Version



EUCLID NO.	OEM REF.	OD	ID
GAFF13648	S-21099	7-7/16"	2-15/16"

Wear Shims - Hendrickson

FOR MODELS:
INTRAAX,
VANTRAAX -
Wide Bushing
Version



EUCLID NO.	OEM REF.	OD	ID
GAFF13542	S-1161-3	7"	2-3/8"



The offering in this parts book is specific to Euclid's Suspension line of Specialty Polyurethane Components. Please see PB-2194-GAFF for other Polyurethane truck / trailer parts.

SUSPENSION POLYURETHANE


Listed Alphabetically by OEM

Suspension

SUSPENSION
POLYURETHANE

Fabricated Equalizer with Poly Bushing - Hutchens

FOR MODELS:
H-7600, H-7700




Poly Version of Rubber Bushing E-2781A

EUCLID NO.	NOTES
GAFF992781A	2 Hole Poly Bushing

Equalizer Bushing - Hutchens

FOR MODELS:
H-7600 H-7700




Poly Version of Rubber Bushing E-1999A

EUCLID NO.	OEM REF.	OD	ID	LENGTH
GAFF14000	Hutchens 7010-00	3-1/4"	3/4"	3-7/8"

Fabricated Equalizer with Poly Bushing - Hutchens

FOR MODELS:
H-9600, H-9700




Poly Version of Rubber Bushing E-7532

EUCLID NO.	NOTES
GAFF997532	1 Hole Poly Bushing

Equalizer Bushing - Hutchens

FOR MODELS:
H-9600, H-9700




Poly Version of Rubber Bushing E-7621

EUCLID NO.	OEM REF.	OD	ID	LENGTH
GAFF14038	Hutchens 16146-01	3-1/2"	1-1/8"	3-7/8"

Cast Equalizer with Poly Bushing - Hutchens

FOR MODELS:
CH-9600, CH-9700




Poly Version of Rubber Bushing E-9471

EUCLID NO.	NOTES
GAFF999471	1 Hole Poly Bushing

Torque Arm Bushing Assembly - Hutchens

FOR MODELS:
H-7700, CH7700
H-9700, CH-9700




Poly Version of Rubber Bushing Assembly E-3079

EUCLID NO.	INCLUDES
GAFF993079	1 Bushing, 1 Bolt, 1 Nut

Equalizer Bushing Assembly, 1 Hole - Hutchens

FOR MODELS:
H-9600, H-9700,
CH-9600,
CH-9700




Poly Version of Rubber Bushing Assembly E-9472

EUCLID NO.	INCLUDES
GAFF999472	1 Equalizer Bolt, 1 Nut, 2 Washers

Torque Arm Bushing - Hutchens

FOR MODELS:
H-7700, H-9700



Poly Version of Rubber Bushing E-934 & E-16504

EUCLID NO.	OEM REF.	OD	ID	LENGTH
GAFF14073	Hutchens 722-00	1-15/16"	1"	3"

SUSPENSION POLYURETHANE

Listed Alphabetically by OEM

Torque Arm Bushing Assembly - Hutchens

FOR MODELS:
H-7600, H-9600
CH-7600, CH-9600



Poly Version of Rubber Bushing Assembly E-9478

EUCLID NO.	INCLUDES
GAFF999478	1 Bolt, 1 Nut, 2 Washers

Spring End Pad - Hutchens

FOR MODELS:
H4040, H900



Poly Version of Rubber Spring End Pad E-5227, E-16519

EUCLID NO.	OEM REF.	LENGTH	WIDTH	THICKNESS
GAFF14087	Hutchens 814-00	5"	2-7/8"	13/16"

Torque Arm Bushing - Hutchens

FOR MODELS:
H-7600, H-9600
CH-7600, CH-9600



Poly Version of Rubber Bushing E-927

EUCLID NO.	OEM REF.	OD	ID	LENGTH
GAFF13001	Hutchens UXA-000011	2-3/16"	1-1/4"	2-3/8"

Spring Pin Bushing - Kenworth, Peterbilt

FOR MODELS:
C500, K110/300,
T300/400/450/600/
800/200,
W900 Model



Poly Version of Rubber Bushing E-15537

EUCLID NO.	OEM REF.	OD	NOTES
GAFF11753	B65-1006	1-3/4"	6-3/16" Center-to-Center of Notches

Trunnion Bushing - Hutchens

FOR MODEL:
H-900



Poly Version of Rubber Bushing E-5216

EUCLID NO.	OEM REF.	OD	ID	LENGTH
GAFF14027	Hutchens 11357-00	5"	4"	9"

Spring Pin Bushing - Kenworth

FOR MODELS:
C500, K110/300,
T300/400/450/600/
800/200,
W900 Model



Poly Version of Rubber Bushing E-16292

EUCLID NO.	OEM REF.	OD	NOTES
GAFF11758	B65-1001	1-3/4"	5-3/4" Center-to-Center of Notches

Trunnion Bushing - Hutchens

FOR MODEL:
H11455



Poly Version of Rubber Bushing E-2935

EUCLID NO.	OEM REF.	OD	ID	LENGTH
GAFF14088	11455-00	4-1/2"	3-1/2"	5-3/4"

Spring Pin Bushing - Kenworth, Peterbilt

FOR MODELS:
C500,
K110/300,
T300/400/450/
600/800/200,
W900 Model




Poly Version of Rubber Bushing E-15613

EUCLID NO.	OEM REF.	OD	NOTES
GAFF11763	B65-1007, B65-1012	2-1/16"	6-5/16" Center-to-Center of Notches

Listed Alphabetically by OEM

Spring Pin Bushing - Kenworth

FOR MODELS:
C500, K110/300,
T300/400/450/
600/800/200,
W900 Model




Poly Version of Rubber Bushing E-15543

EUCLID NO.	OEM REF.	OD	NOTES
GAFF11767	B65-6005	1-3/4"	5-7/16" Center-to-Center of Notches

Torsion Bar Bushing - Kenworth

FOR MODEL:
Airglide 100



EUCLID NO.	OEM REF.	OD	ID	LENGTH
GAFF11502	K066-58, K066-50, K066-449, K066-293	2-7/8"	2"	4"

Sway Bar Repair Kit, Includes Plug - Kenworth

FOR MODEL:
Airglide 200/400



EUCLID NO.	OEM REF.	NOTES
GAFF11766	K345-5156, K345-5032	Includes 1 Plug, 1 Sway Bar Bushing, 1 Sway Bar Pin & 2 Grease Seals

Torsion Bar Bushing, Oversized with Tabs - Kenworth

FOR MODEL:
Airglide 100



EUCLID NO.	OEM REF.	OD	ID	LENGTH	NOTES
GAFF11719	K066-058, K066-293, K066-449	2-7/8"	2"	4"	Oversize with Tabs

Sway Bar Pin Kit — Kenworth


FOR MODEL:
Airglide 200/400



EUCLID NO.	OEM REF.	NOTES
GAFF11733	K345-5156, K179-531	Includes 1 Sway Bar Bushing, 1 Sway Bar Pin & 2 Grease Seals

Torsion Bar Bushing - Kenworth

FOR MODEL:
Airglide 200/400




Poly Version of Rubber Bushing E-16091

EUCLID NO.	OD	ID	LENGTH	TORSION BAR DIA
GAFF11720	3"	2-1/8"	2-7/8"	54mm

Sway Bar Bushing - Kenworth


FOR MODELS:
Airglide 200/400



EUCLID NO.	OEM REF.	OD	ID	LENGTH
GAFF11734	K066-502-2, K066-461, K066-454	3-9/16"	2-1/8"	1/2"

Torsion Bar Bushing, 46K Model - Kenworth

FOR MODELS:
Airglide 200/400



Poly Version of Rubber Bushing E-16092

EUCLID NO.	OEM REF.	OD	ID	LENGTH
GAFF11743	C13-26005	3-3/32"	2-1/4"	2-7/8"

SUSPENSION POLYURETHANE

Listed Alphabetically by OEM

Torque Rod & Stabilizer Rod Bushing - Kenworth, SAF Holland Neway

FOR MODELS:
Airglide 100,
Airglide 200/400



Poly Version of Rubber Bushing E-10303

EUCLID NO.	OEM REF.	OD	ID
GAFF11729	836940	2-3/4"	11/16"

Torque Rod - Kenworth, Peterbilt



EUCLID NO.	OEM REF.	LENGTH	NOTES
GAFF11080	K195-376	24"	1 Straddle Mount Bushing & 1 Tapered Bushing, 1-1/4-12 UNF
GAFF11080EZ	-		

Torque Rod Assembly - Kenworth, Peterbilt

FOR MODEL:
Airglide 100
Airglide 380



EUCLID NO.	OEM REF.	LENGTH	BOLT DIA.	BUSHINGS
GAFF11751	K195-375, 925031	24"	5/8"	GAFF13520 (2)
GAFF11751EZ				GAFF83520 (2)

Shock Bushing - Kenworth



EUCLID NO.	OEM REF.	OD	ID	THICKNESS
GAFF11550	Kenworth CA368-6	1-13/16"	5/8"	1-1/4"

Torque Rod Assembly - Kenworth



EUCLID NO.	OEM REF.	LENGTH	BOLT DIA.	BUSHINGS
GAFF11793	C65-1008, C65-1009	20-1/4"	11/16"	GAFF11729 (2)

Torque Arm Bushing - Kenworth

FOR MODEL:
Big 6



EUCLID NO.	OEM REF.	OD	BOLT HOLE DIA	C-TO-C "A"
GAFF11511	-	3-1/2"	5/8"	4-3/8" / 2-1/2"

Torque Rod Assembly - Kenworth

FOR MODEL:
Airglide
200/400



EUCLID NO.	OEM REF.	LENGTH	BOLT DIA.	BUSHINGS
GAFF11773	K195-474	19-3/4"	11/16"	GAFF11729 (2)

Load Pad Kit - Mack

FOR MODEL:
SS34 & 38



EUCLID NO.	OEM REF.	NOTES
GAFF12039	-	Includes 4 GAFF12006 Upper Pads & 4 GAFF12014 Lower Pads with Hardware

SUSPENSION POLYURETHANE


Listed Alphabetically by OEM

Suspension

SUSPENSION
POLYURETHANE

Load Pad Kit - Mack

FOR MODEL:
SS44



EUCLID NO.	OEM REF.	NOTES
GAFF12036	-	Includes 4 GAFF12010 Upper Pads & 4 GAFF12014 Lower Pads with Hardware

Trunnion Bushing - Mack


FOR MODELS:
SS34 & 38



Poly Version of Rubber Bushing E-2924A

EUCLID NO.	OEM REF.	OD	ID	LENGTH
GAFF12028	10QK130P1	4-7/16"	3-7/16"	8-3/8"


Upper Insulator Pad - Mack



EUCLID NO.	OEM REF.	WIDTH	LENGTH	HEIGHT	PIN DIA.
GAFF12006	10QK365A Poly Version of E-2917	4-1/2"	6"	2-3/8"	1-3/4"
GAFF12010	10QK370 Poly Version of E-2919	4-1/2"	6"	3"	1-3/4"
GAFF12053	10QK32BP1 Poly Version of E-3679	5-3/8"	6-7/8"	3-3/4"	1-1/2"

Trunnion Bushing - Mack


FOR MODELS:
SS43 & 38, ST



Poly Version of Rubber Bushing E-2922A

EUCLID NO.	OEM REF.	OD	ID	LENGTH
GAFF12015	Mack 10QK219P2, 10QL276	4-11/16"	3-7/16"	6-5/16"

Lower Insulator Pad - Mack



EUCLID NO.	OEM REF.	WIDTH	LENGTH	HEIGHT	PIN DIA.
GAFF12014	10QK36B 10QK388 Poly Version of E-2920	6"	6"	3-3/4"	1-3/4"
GAFF12009	10QK372 Poly Version of E-3680	7"	7"	4"	2"

Rebound Roller Assembly - Mack, Volvo

FOR MODELS:
MaxLite 40
Corporate
Air Ride



EUCLID NO.	OEM REF.	NOTES
GAFF11747	8079890	Includes Roller and Hardware, Roller Available as GAFF13843

Wear Pad - Mack, Volvo

FOR MODEL:
Maxlite 40EZ



EUCLID NO.	OEM REF.	NOTES
GAFF31144	20703083	2007 and Later

SUSPENSION POLYURETHANE

Listed Alphabetically by OEM

Wear Pad - Mack, Volvo

FOR MODEL:
Maxlite 40EZ



EUCLID NO.	OEM REF.	NOTES
GAFF31145	8079889, 20568741	1999 to 2006

Spring Eye Bushing - Mack, Volvo

FOR MODEL:
Maxlite 40EZ



Poly Version of Rubber Bushing E-16777

EUCLID NO.	OEM REF.	OD	ID
GAFF31129	20558810	2-17/32"	7/8"

Torque Rod Bushing - Mack

FOR MODEL:
MaxLite 40



Poly Version of Rubber Bushing E-9395

EUCLID NO.	OEM REF.	OD	BOLT DIA.
GAFF11714	57256-000	2-7/16"	5/8"

Torque Rod Assembly - Mack



EUCLID NO.	OEM REF.	LENGTH	BOLT DIA.	BUSHINGS
GAFF12072	17QF464P180, 1RY48P23, 17QF251P11, 25162529	18"	5/8" & 1-1/4-12 UNF	GAFF13520, GAFF12031
GAFF12072EZ				GAFF83520, GAFF12031

Control Arm Bushing & Bolt Kit - Meritor

FOR MODEL:
RHP/MPA Series
Suspension



EUCLID NO.	OEM REF.	OD	ID	LENGTH	NOTES
GAFF50032	KIT11300	2-3/8"	7/8"	3"	4 Torque Rod Bushings & 4 Bolts & 2 Pivot Washers & 4 Nut & 8 Washers & 8 Washers



EUCLID NO.	OEM REF.	LENGTH	BOLT DIA.	BUSHINGS (2)
GAFF12070	17QF460P200, 17QF473M, 3226713, 25170831	20"	5/8"	GAFF13520 (2)
GAFF12070EZ				GAFF83520 (2)
GAFF12069	251170832, 17QF460P210, 17QF473M2, 17QF474P209	21"	5/8"	GAFF13520 (2)
GAFF12069EZ				GAFF83520 (2)
GAFF12073	25174658	21-1/2"	5/8"	GAFF13520 (2)
GAFF12073EZ				GAFF83520 (2)
GAFF13634	25174706, 17QF460P220	22"	5/8"	GAFF13520 (2)
GAFF13634EZ				GAFF83520 (2)
GAFF18860	30SQ4525	22-1/8"	5/8"	GAFF13520 (2)
GAFF18860EZ				GAFF83520 (2)
GAFF12074	25164945	23-3/4"	5/8"	GAFF13520 (2)
GAFF12074EZ				GAFF83520 (2)
GAFF12071	17QF460P243, 25170833	24-3/16"	5/8"	GAFF13520 (2)
GAFF12071EZ				GAFF83520 (2)
GAFF13841EZ	17QF352M2 17QF473M4 25170833	24-1/4"	5/8"	GAFF83520 (2)

SUSPENSION POLYURETHANE


Listed Alphabetically by OEM

Suspension

SUSPENSION
POLYURETHANE

Torque Rod Bushing & Bolt Kit - Meritor


FOR MODEL:
RHP/MPA Series
Suspension



EUCLID NO.	OEM REF.	OD	ID	LENGTH	NOTES
GAFF50033	KIT11102	3"	1-1/2"	1-7/16"	2 GAFF34514 Torque Rod Bushings & 1 Steel Bushing & 1 Bolt & 1 Nylon Insert Nut & 2 Washers

Equalizer Bushing - Navistar / International

FOR MODEL:
Four Spring




Poly Version of Rubber Bushing E-3784

EUCLID NO.	OEM REF.	OD	ID	LENGTH
GAFF13513	497501C2	2-1/2"	1"	4-23/32"

Torque Rod Bushing - Meritor


FOR MODEL:
RHP/MPA Series



EUCLID NO.	OEM REF.	OD	ID	LENGTH
GAFF34514	1225-W-1349	3"	1-1/2"	1-7/16"

Spring Pad - Navistar / International


FOR MODEL:
Corporate Air
Ride "Z" Spring



EUCLID NO.	OEM REF.	HEIGHT	LENGTH	BOLT DIA.
GAFF30544	571960C7, WP55-29007	2"	5-9/16"	13/32"

Pivot Bolt & Bushing Kit - Meritor


FOR MODEL:
MTA23-30 Top
Mount, MTA25-30
Low Mount



EUCLID NO.	OEM REF.	OD	ID	LENGTH	NOTES
GAFF13599	KIT11201	5-15/16"	1-9/16"	5-3/4"	1 Tri-Functional Bushing & 2 Tri-Functional Washers Bushing & 1 Steel Bushing & 1 Nylon Insert Nut & 1 Washer & 1 Bolt

Spring Eye Bushing - Navistar / International

FOR MODEL:
New
Corporate Air
Ride -
"Hockey
Stick" Spring



EUCLID NO.	OEM REF.	OD	BOLT DIA.	NOTES
GAFF11083	3538115C5	2-1/2"	3/4"	Anti-Walk Poly Version of E-15541
GAFF11187	-	2-1/2"	3/4"	Anti-Walk, Free Rotating Poly Version of E-15541
GAFF11084	-	2-3/4"	3/4"	Anti-Walk, Oversized, Poly Version of E-15600
GAFF11188	-	2-3/4"	3/4"	Anti-Walk, Oversized, Free Rotating Poly Version of E-15600

Wear Washer - Meritor

FOR MODEL:
MTA23-30 Top Mount, MTA25-30
Low Mount




EUCLID NO.	OEM REF.	OD	ID
GAFF13542	21226663	7"	2-3/8"

SUSPENSION POLYURETHANE

Listed Alphabetically by OEM


Transverse Torque Arm - Navistar / International

FOR MODEL:
New Corporate
Air Ride -
"Hockey Stick"
Spring



EUCLID NO.	OEM REF.	LENGTH	BOLT DIA.	BUSHINGS
GAFF34563	3580088C1,	25-3/8"	3/4"	GAFF13520 (2)
GAFF34600EZ	3548381C1			GAFF83520 (2)


Torque Rod End - Navistar / International



EUCLID NO.	OEM REF.	LENGTH	BOLT DIA.	BUSHING
GAFF13695	1693543C1	25-7/16"	1-1/4-12 UNF	GAFF13518

Torque Rod End - Navistar / International

FOR MODEL:
Corporate
Air Ride "Z"
Spring




EUCLID NO.	OEM REF.	LENGTH	BOLT DIA.	BUSHING
GAFF13683	66610-000	8-9/16"	5/8"	GAFF13520

Trunnion Bushing - Page



EUCLID NO.	OEM REF.	OD	ID	LENGTH
GAFF11501	X1006731	5"	4"	4-11/16"
GAFF14521	1083483	5"	4"	8-3/4"


Torque Rod End - Navistar / International



EUCLID NO.	OEM REF.	LENGTH	BOLT DIA.	BUSHING
GAFF13691	1693536C1	25-7/16"	5/8"	GAFF13520

Spring Eye Bushing Kit - Peterbilt

FOR MODEL:
Peterbilt Air
Leaf




Poly Version of Rubber Bushing E-4773

EUCLID NO.	OEM REF.	LENGTH	NOTES
GAFF12361	03AL1	8-1/2"	2 GAFF12350 Bushings & 2 GAFF12351 Beam End Washers & 1 Bolt & 1 Nut & 2 Washers

Torque Rod End - Navistar / International


FOR MODEL:
Corporate
Air Ride "Z"
Spring



EUCLID NO.	OEM REF.	LENGTH	BOLT DIA.	BUSHING
GAFF13690	66661-000	33-7/16"	5/8"	GAFF13520

Spring Eye Bushing Kit — Peterbilt

FOR MODEL:
Low Mount
Air Leaf




Poly Version of Rubber Bushing E-7840

EUCLID NO.	OEM REF.	LENGTH	NOTES
GAFF12362	03-AL2	8"	2 GAFF12354 Bushings & 2 GAFF12351 Beam End Washers & 1 Bolt & 1 Nut & 2 Washers

Listed Alphabetically by OEM

Spring Eye Bushing - Peterbilt

FOR MODEL:
Low Mount
Air Leaf




Poly Version of Rubber Bushing E-7841

EUCLID NO.	OEM REF.	OD	ID	LENGTH
GAFF12354	03-05101	2-1/2"	1-3/4"	2-3/8"

Spring Eye Hollow Bushing - Kenworth, Peterbilt

FOR MODEL:
Flex Air




Poly Version of Rubber Bushing E-16097

EUCLID NO.	OEM REF.	OD	ID	LENGTH
GAFF11764	C65-1002, K221-5086	2-3/8"	7/8"	2-19/32"

Air Ride Bushing - Peterbilt

FOR MODEL:
Air Leaf




Poly Version of Rubber Bushing E-4775

EUCLID NO.	OEM REF.	OD	ID	LENGTH
GAFF12350	Peterbilt 03-01674	2-1/2"	1-3/4"	2-3/4"

Torque Rod Assembly - Peterbilt

FOR MODEL:
Air Trac




Poly Version of Rubber Bushing E-5083

EUCLID NO.	OEM REF.	LENGTH	BOLT DIA.	BUSHINGS
GAFF12395	03-04327	17-5/16"	Hanger: 5/8", Axle: 3/4"	GAFF13520, GAFF13528
GAFF12395EZ				GAFF83520, GAFF13528

Spring Eye Bushing, Anti-Walk - Peterbilt

FOR MODEL:
Airglide 210




Poly Version of Rubber Bushing E-15541

EUCLID NO.	OEM REF.	OD	BOLT DIA.
GAFF11083	16-16412-001	2-1/2"	3/4"

Torque Rod Assembly - Peterbilt

FOR MODEL:
Air Leaf, Air Trac




Poly Version of Rubber Bushing E-4771

EUCLID NO.	OEM REF.	LENGTH	BOLT DIA.
GAFF34554	03-04059	22-7/8"	5/8"
GAFF34554EZ			

Spring Eye Bushing, Anti Walk, Oversized - Peterbilt

FOR MODEL:
Airglide 210




Poly Version of Rubber Bushing E-15600

EUCLID NO.	OD	BOLT DIA.
GAFF11084	2-3/4"	3/4"

Torque Rod Assembly - Kenworth, Peterbilt

FOR MODEL:
Flex Air



Poly Version of Rubber Bushing E-16098

EUCLID NO.	OEM REF.	LENGTH	BOLT DIA.	BUSHINGS
GAFF12397	C65-6000-001, C65-6011-001	23-3/4"	5/8"	GAFF13521, GAFF14091

SUSPENSION POLYURETHANE

Listed Alphabetically by OEM

Torque Rod Assembly - Kenworth, Peterbilt

FOR MODEL:
Flex Air



Poly Version of Rubber Bushing E-15709

EUCLID NO.	OEM REF.	LENGTH	BOLT DIA.	BUSHINGS
GAFF11792	C65-6002, C65-6009	25-9/16"	5/8"	GAFF13521 (2)

Torque Rod - Peterbilt

FOR MODELS:
Air Trac



EUCLID NO.	OEM REF.	LENGTH	BUSHINGS
GAFF12398	-	25-5/8"	GAFF13520 (2)
GAFF12398EZ			GAFF83520 (2)

Torque Rod Bushing - Kenworth, Peterbilt

FOR MODEL:
Flex Air



Poly Version of Rubber Bushing E-16094

EUCLID NO.	OEM REF.	LENGTH C-TO-C	OD	BOLT DIA.
GAFF11765	C13-6001	4-13/32"	2-3/8"	5/8"

Bushing - Premier



EUCLID NO.	OEM REF.	OD	ID	LENGTH
GAFF18575	448-A	3-1/2"	2"	1-7/8"
GAFF18574	348-A	3-1/2"	2"	3-1/2"
GAFF18558	437-A	4-1/4"	2"	4-1/2"

Equalizer Assembly - Reyco

FOR MODEL:
21B Cast



Poly Version of Rubber Bushing Assembly E-3976

EUCLID NO.	INCLUDES
GAFF15075	1 Shaft, 2 GAFF15016 Bushings, 2 Washers, 2 Bolts, 2 Lock Washers

Equalizer Bushing - Reyco

FOR MODEL:
21B



Poly Version of Rubber Bushing E-1159

EUCLID NO.	OEM REF.	OD		ID	LENGTH
		SM	LG		
GAFF15016	Reyco T-5524	2-3/4"	3-3/8"	1-5/8"	4-13/32"




The offering in this parts book is specific to Euclid's Suspension line of Specialty Polyurethane Components. Please see PB-2194-GAFF for other Polyurethane truck / trailer parts.

Listed Alphabetically by OEM

Equalizer Bushing - Reyco

FOR MODEL:
101 (Ford)




Poly Version of Rubber Bushing E-3977

EUCLID NO.	OEM REF.	OD	ID	LENGTH
GAFF15001	Reyco 14713-01	3-1/8"	1-1/2"	4-1/2"

Torque Arm Bushing Assembly - Reyco

FOR MODELS:
21B Cast, 21B Fab.,
21AR, 21B Cast,
21B Fab., 21AR, 101A




Poly Version of Rubber Bushing Assembly E-1312A

EUCLID NO.	OEM REF.	INCLUDES
GAFF999545	TK-18997	2 GAFF15011 Bushings, 1 Bolt, 1 Nut, 2 Washers

Equalizer Bushing, No Slots, Ford and GM/Volvo - Reyco

FOR MODEL:
101A & 102 Four Spring
Suspension




Poly Version of Rubber Bushing E-2850

EUCLID NO.	OEM REF.	OD	ID	LENGTH
GAFF15000	08915-01	3-1/8"	1-1/4"	4-1/2"

Torque Rod Bushing Kit - Reyco

FOR MODEL:
102, 21AR & 21B




Poly Version of Rubber Bushing E-1983

EUCLID NO.	OEM REF.	NOTES
GAFF15064	TK19089	2 Torque Rod Bushings & 1 Bolt & 1 Nylon Insert Nut & 2 Washers

Equalizer Bushing - Reyco

FOR MODEL:
21B Cast
Four Spring
Suspension




Poly Version of Rubber Bushing E-1159

EUCLID NO.	OEM REF.	OD	ID	LENGTH
GAFF15076	T-5524	3-1/2"	1-5/8"	4-13/32"

Torque Arm Bushing Assembly - Reyco

FOR MODELS:
73, 73 WS,
79KB, 83




Poly Version of Rubber Bushing Assembly E-1981

EUCLID NO.	INCLUDES
E-9552	1 GAFF15013 Bushing, 1 Bolt, 1 Nut

Equalizer Bushing - Reyco

FOR MODEL:
86-88 Four
Spring
Suspension




Poly Version of Rubber Bushing E-4827

EUCLID NO.	OEM REF.	OD	ID	LENGTH
GAFF15054	0649-02	3-5/16"	1"	4"

Torque Arm Bushing Assembly - Reyco

FOR MODELS:
102, 102W
102CC, 102AR



Poly Version of Rubber Bushing Assembly E-9350

EUCLID NO.	INCLUDES
E-9583	2 GAFF10520 Bushings, 1 Bolt, 1 Nut, 2 Washers

SUSPENSION POLYURETHANE

Listed Alphabetically by OEM

Torque Rod Bushing Kit - Reyco

FOR MODEL:
102, 102AR &
240AR



Poly Version of Rubber Bushing E-9350

EUCLID NO.	OEM REF.	NOTES
GAFF15061	TK21640T	2 GAFF15008 Bushings & 1 Bolt & 1 Nut & 2 Washers

Torque Arm Bushing - Reyco

FOR MODEL:
102



Poly Version of Rubber Bushing E-1982

EUCLID NO.	OEM REF.	OD		ID	LENGTH
		SM	LG		
GAFF15051	Reyco T-2242	1-3/4"	2-3/8"	1"	2-11/16"

Torque Arm Bushing Assembly - Reyco / Transpro

FOR MODEL:
86-88



Poly Version of Rubber Bushing Assembly E-4834A

EUCLID NO.	INCLUDES
GAFF15063	1 GAFF15013 Bushing, 1 Bolt, 1 Nut

Torque Arm Bushing - Reyco

FOR MODEL:
102



Poly Version of Rubber Bushing E-10057

EUCLID NO.	OEM REF.	OD		ID	LENGTH
		SM	LG		
GAFF15020	Reyco 21238-01S	1-13/16"	3-5/32"	1"	2-3/4"

Torque Rod Bushing - Reyco

FOR MODEL:
21AR & 21B



Poly Version of Rubber Bushing E-1160

EUCLID NO.	OEM REF.	OD	ID	LENGTH
GAFF15073	T-5493	2-3/8"	1"	3"

Bushing - Ridewell

FOR MODEL:
RAR-240



Poly Version of Rubber Bushing E-17430

EUCLID NO.	OEM REF.	OD	ID	LENGTH
GAFF31592	90008219	5-1/2"	1-1/2"	6-3/4"

Torque Arm Bushing - Reyco

FOR MODEL:
101A



Poly Version of Rubber Bushing E-1980

EUCLID NO.	OEM REF.	OD	ID	LENGTH
GAFF15013	Reyco 09729-01	1-7/8"	7/8"	3"

Beam Bushing - SAF-Holland Neway

FOR MODELS:
AD Models & ARD-125




Transverse Connection, Poly Version of Rubber Bushing E-4252

EUCLID NO.	OEM REF.	OD	ID	LENGTH
GAFF31592	90008219	3-7/8"	2-1/2"	5-1/4"

Listed Alphabetically by OEM

Beam Bushing - SAF-Holland Neway

FOR MODELS:
AD, ARD




Poly Version of Rubber Bushing E-4253

EUCLID NO.	OEM REF.	OD	ID	LENGTH
GAFF14527	Neway 90008008	3-7/8"	2-1/2"	5-3/4"

Beam End Bushing - SAF-Holland Neway

FOR MODELS:
AR, ARU




Poly Version of Rubber Bushing E-4410A

EUCLID NO.	OEM REF.	OD	ID	LENGTH
GAFF14533	Neway	2-3/4"	1-1/8"	5"

Beam Pivot Bushing - SAF-Holland Neway

FOR MODELS:
AR, TR




Poly Version of Rubber Bushing E-4255

EUCLID NO.	OEM REF.	OD	ID	LENGTH
GAFF14510	Neway 90008131	2-3/8"	1-1/8"	5"

Beam Bushing - SAF-Holland Neway

FOR MODELS:
CB & CBX Models




Front Pivot, Poly Version of Rubber Bushing E-16566

EUCLID NO.	OEM REF.	OD	ID	LENGTH
GAFF50046	90008247	4-3/4"	1-1/8"	5"

Beam End Bushing - SAF-Holland Neway

FOR MODELS:
AR, ART, ARU, RL




Poly Version of Rubber Bushing E-4382A

EUCLID NO.	OEM REF.	OD	ID	LENGTH
GAFF14513	Neway 90008139	3-1/2"	1-1/8"	5-1/4"

Bar-Pin Bushing - SAF-Holland Neway

FOR MODEL:
ADZ




Poly Version of Rubber Bushing E-17682

EUCLID NO.	OEM REF.	OD	C-TO-C LENGTH	BOLT HOLE DIA.
GAFF14536	90008267	3-1/8"	6-1/4"	1"

Beam End Bushing - SAF-Holland Neway

FOR MODELS:
AD Models &
ARDST/ARDSTM &




Poly Version of Rubber Bushing E-9292

EUCLID NO.	OEM REF.	OD	ID	LENGTH
GAFF14514	90008252	3-1/2"	1-1/8"	5"

V-Rod Thru Bolt Bushing - SAF-Holland Neway

FOR MODEL:
ADZ



Included in Kit E-17678

EUCLID NO.	OEM REF.	OD	ID	LENGTH
GAFF14537	90008264	2-3/4"	1"	2-7/8"

SUSPENSION POLYURETHANE

Listed Alphabetically by OEM

Trunnion Bushing - SAF-Holland Neway

FOR MODELS:
T, TR,
TS



Poly Version of Rubber Bushing E-2935

EUCLID NO.	OEM REF.	OD	ID	LENGTH
GAFF14088	90008011	4-1/2"	3-1/2"	5-3/4"

Spring Eye Bushing - SAF-Holland Neway

FOR MODELS:
AS Series



EUCLID NO.	OEM REF.	OD	ID	LENGTH
GAFF31596	90008125	2-7/16"	1"	3-1/2"

Trunnion Bushing - SAF-Holland Neway

FOR MODEL:
TS



Poly Version of Rubber Bushing E-1332

EUCLID NO.	OEM REF.	OD	ID	LENGTH
GAFF14521	91008022	5"	4"	8-3/4"

Load Spring - Volvo

FOR MODEL:
T-Ride



EUCLID NO.	OEM REF.
GAFF12333	162995

Spring End Pad - SAF-Holland Neway

FOR MODELS:
T, TS, TR



Poly Version of E-1330

EUCLID NO.	OEM REF.	OD	ID	LENGTH
GAFF14522	Neway 91028089	5-1/4"	4-5/8"	13/16"

Axle Connection and Pivot Bushing - Watson & Chalin

FOR MODEL:
AR, ARU, RL



Poly Version of Rubber Bushing E-4410A

EUCLID NO.	OEM REF.	OD	ID	LENGTH
GAFF14533	-	2-3/4"	1-1/8"	5"

Spring End Pad - SAF-Holland Neway

FOR MODELS:
TS Models



Poly Version of E-1329A

EUCLID NO.	OEM REF.	LENGTH
GAFF14540	91028152	4-5/8" W x 6-1/2" Lg x-5/8" Thk

Pivot Bushing Kit - Watson & Chalin


FOR MODEL:
SL



EUCLID NO.	OEM REF.	NOTES
GAFF50073	SRK1190-3; R-008839	16 GAFF34514 Beam End Bushings & 8 GAFF50072 BM Spacer Sleeves & 8 Bolts & 8 Nylon Insert Nuts & 16 Washers

SUSPENSION POLYURETHANE

Listed Alphabetically by OEM

Torque Rod Bushing - Watson & Chalin				
FOR MODEL: SL-1000 TL-1100				
				
EUCLID NO.	OEM REF.	OD	ID	LENGTH
GAFF14073	722-00	1-15/16"	1"	3"



The offering in this parts book is specific to Euclid's Suspension line of Specialty Polyurethane Components. Please see PB-2194-GAFF for other Polyurethane truck / trailer parts.

SUSPENSION POLYURETHANE

Miscellaneous

Shock Absorber Bushing



For All Makes of Shock Absorbers

EUCLID NO.	OD	ID	LENGTH
GAFF18010	1-7/16"	3/4"	7/8"
GAFF18566	1-7/8"	1"	1"

Beam Center Bushing



Misc. Applications Poly Version of Rubber Bushing E-1339

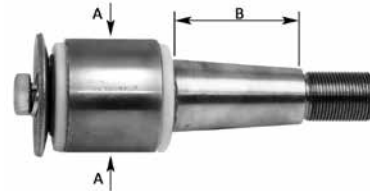
EUCLID NO.	SMALL OD	LARGE OD	LENGTH
GAFF13505	3-1/2"	4-3/4"	12"

Shock Bushing



EUCLID NO.	OD	ID	LENGTH
GAFF11550	1-13/16"	5/8"	1-1/4"

Torque Arm Bushing



Misc. Applications Poly Version of Rubber Bushing E-2228 & 2815

EUCLID NO.	OEM REF.	A	THREAD	B
GAFF13518	Clevite 229610	2-3/4"	1-1/4"-12	3"
GAFF12031	Mack	2-3/4"	1-1/4"-12	1-7/8"

Torque Arm Bushing



Misc. Applications

EUCLID NO.	OEM REF.	OD	LENGTH	RUBBER VERSION
GAFF13522	Clevite 227710	2-17/32"	4-3/8"	E-2225
GAFF13520	Clevite 227720	2-3/4"	4-3/8"	E-2226

Beam End Bushing



Misc. Applications

EUCLID NO.	OD	ID	LENGTH
GAFF13553	4-3/8"	2-1/2"	5-3/4"

SUSPENSION POLYURETHANE

Rubber To Polyurethane Suspension Components

Suspension

SUSPENSION
POLYURETHANE

INTERCHANGE			
EUCLID NO.		DESCRIPTION	MANUFACTURER
RUBBER	POLYURETHANE		
E-927	GAFF13001	Torque Arm Bushing	Fruehauf, Hutchens
E-934	GAFF14073	Torque Arm Bushing	Hutchens, Trailmobile
E-1020	GAFF13005	Equalizer Bushing	Fruehauf
E-1023	E-9362	Torque Arm Bushing Assembly	Fruehauf
E-1024	E-9361	Equalizer Bushing Assembly	Fruehauf
E-1159	GAFF15016	Equalizer Bushing	Reyco
E-1159	GAFF15076	Equalizer Bushing	Reyco
E-1160	GAFF15073	Torque Arm Bushing	Reyco
E-1312A	GAFF999545	Torque Arm Bushing Assembly	Reyco
E-1329A	GAFF14540	Spring End Pad	Neway
E-1330	GAFF14522	Spring End Pad	Neway
E-1332	GAFF14521	Trunnion Bushing	Neway
E-1338	GAFF13500	Beam Center Bushing	Hendrickson
E-1339	GAFF13505	Beam Center Bushing	Miscellaneous Application
E-1340	GAFF13501	Beam End Bushing	Hendrickson
E-1595	GAFF13543	Beam Center Bushing	Hendrickson
E-1598A	GAFF13650	Load Cushion	Hendrickson
E-1980	GAFF15013	Torque Arm Bushing	Dayton, Reyco/Transpro, Spicer, Hendrickson
E-1981	E-9552	Torque Arm Bushing Assembly	Reyco
E-1981	GAFF15063	Torque Arm Bushing Assembly	Reyco
E-1982	GAFF15051	Torque Arm Bushing	Reyco, Spicer
E-1983	GAFF15064	Torque Arm Bushing	Reyco
E-1999A	GAFF14000	Equalizer Bushing, 2 Hole	Hutchens
E-2225	GAFF13522	Torque Rod Bushing	Clevite
E-2226	GAFF13520	Torque Rod Bushing	Clevite
E-2226	GAFF83520	Torque Rod Bushing	Clevite
E-2228	GAFF13518	Torque Arm Bushing	Clevite
E-2232	GAFF13649	Load Cushion	Miscellaneous Application
E-2781A	GAFF992781A	Equalizer With 2 Hole Poly Bushing	Hutchens
E-2815	GAFF12031	Torque Arm Bushing	Miscellaneous Application
E-2850	GAFF15000	Equalizer Bushing	Reyco
E-2917	GAFF12006	Insulator Pad	Mack
E-2919	GAFF12010	Insulator Pad	Mack
E-2920	GAFF12014	Insulator Pad	Mack
E-2922A	GAFF12015	Trunnion Bushing	Mack
E-2924A	GAFF12028	Trunnion Bushing	Mack
E-2935	GAFF14088	Trunnion Bushing	Neway
E-3079	GAFF993079	Equalizer Bushing Assembly	Hutchens
E-3582	GAFF13037	Spring End Pad	Fruehauf
E-3679	GAFF12053	Insulator Pad	Mack
E-3680	GAFF12009	Insulator Pad	Mack
E-3784	GAFF13513	Equalizer Bushing	Navistar
E-3976	GAFF15075	Equalizer Bushing Assembly	Reyco
E-3977	GAFF15001	Equalizer Bushing	Reyco
E-4252	GAFF31592	Beam Bushing	Neway
E-4253	GAFF14527	Beam Bushing	Neway

SUSPENSION POLYURETHANE

Rubber To Polyurethane Suspension Components

INTERCHANGE

EUCLID NO.		DESCRIPTION	MANUFACTURER
RUBBER	POLYURETHANE		
E-4255	GAFF14510	Beam Pivot Bushing	Neway
E-4382A	GAFF14513	Beam End Bushing	Neway
E-4410A	GAFF14533	Beam End Bushing	Neway
E-4669	GAFF11502	Air Ride Bushing	Kenworth
E-4677A	GAFF18919	Torque Rod Bushing, Type 0 & 1 Connections	Chalmers
E-4685	GAFF11740	Load Cushion	Chalmers
E-4771	GAFF34554	Torque Arm Bushing	Peterbilt
E-4771	GAFF34554EZ	Torque Arm Bushing	Peterbilt
E-4773	GAFF12361	Spring Eye Bushing	Peterbilt
E-4775	GAFF12350	Air Ride Bushing	Peterbilt
E-4827	GAFF15054	Equalizer Bushing	Reyco
E-5083	GAFF12395	Torque Arm	Peterbilt
E-5216	GAFF14027	Trunnion Bushing	Hutchens
E-5227	GAFF14087	Spring End Pad	Hutchens
E-5275	GAFF13521	Torque Arm Bushing	Hendrickson, Freightliner, Navistar, Peterbilt
E-5276	GAFF14010	Torque Arm Bushing	Hendrickson
E-5309	GAFF13566	Beam Bushing Kit	Hendrickson
E-6121	GAFF13510	Tri-Functional Bushing	Hendrickson
E-6122	GAFF13648	Wear Pad	Hendrickson
E-7532	GAFF997532	Equalizer With 1 Hole Poly Bushing	Hutchens
E-7621	GAFF14038	Equalizer Bushing, 1 Hole	Hutchens
E-7766	GAFF11739	Torque Rod Bushing Type 2 Connections	Chalmers
E-7767	GAFF18921	Torque Rod Bushing Oversize Type 2 Connections	Chalmers
E-7840	GAFF12362	Spring Eye Bushing	Peterbilt
E-7841	GAFF12354	Spring Eye Bushing	Peterbilt
E-7853	GAFF12398	Torque Arm	Peterbilt
E-8702	GAFF18920	Torque Arm Bushing	Chalmers
E-8804	GAFF11005	Spring Eye Bushing	Freightliner
E-8808	GAFF11153	Torque Arm	Freightliner
E-8821	GAFF18860	Torque Arm	Mack
E-8851	GAFF12333	Load Spring	Volvo
E-9292	GAFF14514	Beam Bushing	Neway
E-9324	GAFF11511	Torque Arm	Hendrickson, Various
E-9325	GAFF13607	Beam Bushing Kit	Hendrickson, Various
E-9326	GAFF13596	Beam Bushing Kit	Hendrickson, Various
E-9350	GAFF15061	Torque Arm Bushing Assembly	Reyco
E-9394	GAFF13735	Torque Rod	Hendrickson
E-9395	GAFF11714	Torque Rod Bushing	Hendrickson
E-9432A	GAFF11747	Roller Kit	Hendrickson
E-9471	GAFF999471	Equalizer With 1 Hole Poly Bushing	Hutchens
E-9472	GAFF999472	Equalizer Bushing Assembly, 1 Hole Bushing	Hutchens
E-9478	GAFF999478	Torque Arm Bushing Assembly	Hutchens
E-9512A	GAFF13553	Beam End Bushing	Hendrickson
E-10057	GAFF15020	Torque Arm Bushing	Reyco
E-10303	GAFF11729	Torque Arm Bushing Assembly	Kenworth, Neway
E-10309	GAFF13582	Torque Rod Tube End	Hendrickson

SUSPENSION POLYURETHANE

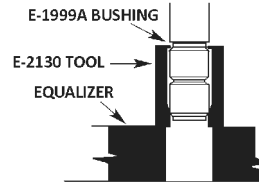
Rubber To Polyurethane Suspension Components

Suspension

SUSPENSION
POLYURETHANE

INTERCHANGE			
EUCLID NO.		DESCRIPTION	MANUFACTURER
RUBBER	POLYURETHANE		
E-10310	GAFF13683	Torque Rod Tube End	Hendrickson
E-10315	GAFF13690	Torque Rod Spacer End	Hendrickson
E-10317	GAFF13695	Torque Rod Spacer End	Hendrickson
E-10322	GAFF13672	Torque Rod Bushing	Hendrickson
E-10729A	GAFF13744	Tri-Functional Bushing Kit	Hendrickson
E-11496	GAFF13601	Bolster Spring	Hendrickson
E-13989	GAFF34563	Torque Rod Kit	Hendrickson
E-13992	GAFF18821	Pivot Bushing	Hendrickson
E-14025	GAFF13817	Pivot Bushing Kit	Hendrickson
E-14026	GAFF13627	D-Pin Bushing	Hendrickson
E-14047	GAFF13611	Auxillary Load Spring	Hendrickson
E-14377	GAFF13594	Tri-Functional Bushing Kit, Wheel End Set	Hendrickson
E-14377	GAFF13743	Tri-Functional Bushing Kit, Axle Set	Hendrickson
E-14725	GAFF83596	Bar Pin Bushing, Rotating Design	Hendrickson
E-14807	GAFF13626	Bolster Spring Kit	Hendrickson
E-14896	GAFF13812	Auxillary Load Spring	Hendrickson
E-15537	GAFF11753	Spring Eye Bushing	Kenworth, Peterbilt
E-15541	GAFF11083	Spring Eye Bushing, Anti Walk	Freightliner, Navistar, Peterbilt
E-15542	GAFF11081	Torque Arm	Freightliner
E-15543	GAFF11767	Spring Eye Bushing	Kenworth, Peterbilt
E-15588	GAFF11165	Lower Insulator Pad	Freightliner
E-15600	GAFF11084	Spring Eye Bushing, Anti Walk, Oversized	Freightliner, Navistar, Peterbilt
E-15613	GAFF11763	Spring Eye Bushing	Kenworth, Peterbilt
E-15708	GAFF11751	Torque Arm	Kenworth
E-15709	GAFF11792	Torque Arm	Peterbilt
E-15711	GAFF11080	Torque Arm	Kenworth
E-16051	GAFF11164	Upper Insulator Cap	Freightliner
E-16060	GAFF11159	Bolster Spring	Freightliner
E-16063	GAFF11163	Torque Arm Bushing Assembly	Freightliner
E-16070	GAFF11162	V-Rod Bushing Kit	Freightliner
E-16092	GAFF11743	Torsion Bar Bushing	Kenworth
E-16094	GAFF11765	Spring Eye Bushing	Peterbilt
E-16097	GAFF11764	Spring Eye Bushing	Peterbilt
E-16098	GAFF12397	Torque Arm	Peterbilt
E-16112	GAFF11734	Thrust Bearing	Kenworth
E-16277	GAFF11078	Torque Arm	Freightliner
E-16292	GAFF11758	Spring Eye Bushing	Kenworth
E-16357	GAFF13814	Load Spring	Hendrickson
E-16566	GAFF50046	Pivot Bushing	Neway
E-16777	GAFF31129	Spring Eye Bushing	Mack, Volvo
E-17033	GAFF50032	Control Arm Bushing Kit	Meritor
E-17340	GAFF11711	Pivot Bushing	Ridewell
E-17678	GAFF14537	V-Rod Bushing	Neway
E-17682	GAFF14536	Bar Pin Bushing	Neway
E-401011	GAFF18010	Shock Absorber Bushing	Gabriel
E-401754	GAFF18566	Shock Absorber Bushing	Gabriel

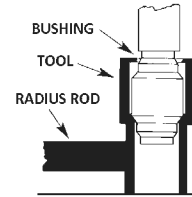
Tool For Installing Hutchens, Trailmobile And Transpro Equalizer Bushings



Use to install E-1999A, E-3394A, E-4827 and E-7621 Bushings.

EUCLID NO.	DIMENSION	NOTES
E-2130	3-3/4" OD x 3-3/8" ID x 3-1/2" Long	Tool automatically centers bushing for perfect alignment and ease of installation.

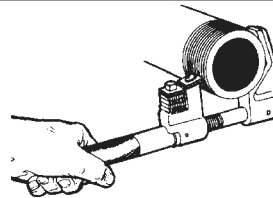
Torque Arm Bushing Installation Tool



Use to install E-934 Bushing in Original Equipment Hutchens Torque Arms

EUCLID NO.	DIMENSION	NOTES
E-1600	2-1/2" OD x 1-5/16" ID x 2-1/2" Long	For Hutchens Torque Arms

Universal Outside Thread Chaser




Restores threads to their original condition. Eliminates the need for expensive thread cutting equipment.

EUCLID NO.	CAPACITY	INSTRUCTIONS	NOTES
E-2644	1-1/4" to 5" OD	Tighten the tool slightly on the good threads, then back off over the damaged thread area to restore the threads. The aluminum alloy V Pad will not damage the threads.	Complete with 6 dies — Threads per inch 4, 5, 6, 7, 7-1/2, 8, 9, 10, 11, 11-1/2, 12, 14, 16, 18, 20 and 24.

Hendrickson Bushing Installation Tool

FOR MODELS:
Hendrickson Trailer with Wide Bushing

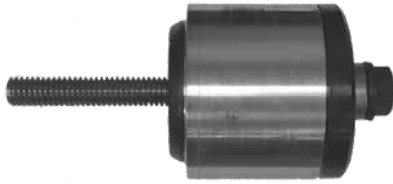


Bushings Not Included


EUCLID NO.	GENUINE	OEM REF.	NOTES
E-9575		S-21307	For Installation of Wide Tri-Functional Bushings.

Hendrickson Bushing Installation Tool






FOR MODELS:
Hendrickson Trailer with Narrow Bushing



Bushings Not Included

EUCLID NO.	GENUINE	OEM REF.	DESCRIPTION
E-14634		S-24736	For Installation of Narrow Bushing; AANL & AANLS Models

Hendrickson Torque Rod Bushing Installation Tool

	EUCLID NO.	GENUINE	OEM REF.	APPLICATION	
	E-14346		66086-001	For Ultra Rod Bushings	
	E-13974		66086-000	For Ultra Rod Plus Bushings	

Pivot Bushing Tool - Hendrickson Truck

FOR MODELS:
COMFORT AIR,
PRIMAAX



EUCLID NO.

USED WITH EUCLID NO.

GAFF13800

GAFF18821

Pivot Bushing Tool - Meritor Trailer

FOR MODELS:
COMFORT AIR,
PRIMAAX



EUCLID NO.

USED WITH EUCLID NO.

GAFF13622

GAFF13599

Pivot Bushing Tool - Hendrickson Trailer

FOR MODELS:
INTRAAX,
Narrow Bushings



EUCLID NO.

USED WITH EUCLID NO.

GAFF13623

GAFF13736; GAFF13594; GAFF13743; GAFF13671

Pivot Bushing Tool - Meritor Trailer

FOR MODELS:
MTA



EUCLID NO.

USED WITH EUCLID NO.

GAFF50034

GAFF50031; GAFF50032; GAFF50067

Pivot Bushing Tool - Hendrickson Trailer

FOR MODELS:
INTRAAX, HT,
Wide Bushings



EUCLID NO.

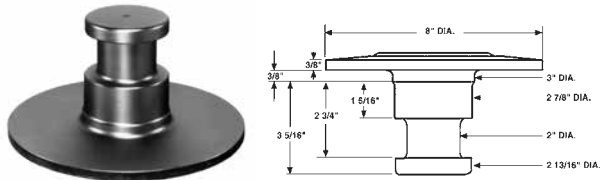
USED WITH EUCLID NO.

GAFF13581

GAFF13628; GAFF13510; GAFF13565; GAFF13744;
GAFF13600; GAFF13583

E-700 TRAILER KING PIN

King Pin



EUCLID NO.	NOTES
E-700	Various Applications with Weld-on King Pins. 8" Flange Diameter.

King Pin Lock



EUCLID NO.	NOTES
E-702A	Includes Keyed Lock

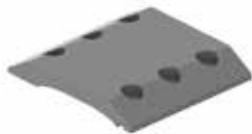
FIFTH WHEEL PARTS

Fifth Wheel Bushing Kit — Fontaine




EUCLID NO.	OEM REF.	NOTES
GAFF40141	BSH-150	2 GAFF10002 Bushings & 2 Pins & 2 Lock Pins & 2 Cotter Pins

Fifth Wheel Mount — Jost




EUCLID NO.	OEM REF.	LENGTH
GAFF18708	KP127, SK210525	4-1/2"

Fifth Wheel Bushing — Fontaine



EUCLID NO.	OEM REF.	ID	OD	LENGTH
GAFF10079	BSH-109-L	1-1/4"	3-1/32"	2-11/16"

Fifth Wheel Mount — Jost



EUCLID NO.	OEM REF.	LENGTH
GAFF18709	KP126, SK1259, TT4442	7"

Fifth Wheel Bushing — Fontaine



EUCLID NO.	OEM REF.	ID	OD	LENGTH
GAFF10002	BSH-150	1-1/4"	4"	2-1/4"

TRAILER KING PIN / FIFTH WHEEL / DOLLY

Fifth Wheel Bushing Kit — SAF Holland



EUCLID NO.	OEM REF.	NOTES
GAFF40140	RK004413, RK069731, XB-0011-2, XA-2016	2 GAFF11517 Fifth Wheel Bushings & 2 Pins & 2 Cotter Pin

Fifth Wheel Bushing — SAF Holland



EUCLID NO.	OEM REF.	ID	OD	LENGTH
GAFF18094	XB-0011-1	1-1/8"	2-1/8"	4-3/8"

Fifth Wheel Bushing — SAF Holland



EUCLID NO.	OEM REF.	ID	LENGTH	HEIGHT
GAFF11517	XB-0011-2	1-1/8"	4-1/4"	2-11/32"

Fifth Wheel Bushing — SAF Holland



EUCLID NO.	OEM REF.	ID	OD	LENGTH
GAFF18215	XB0011	1-1/8"	2"	4-1/4"

Fifth Wheel Bushing — SAF Holland



EUCLID NO.	OEM REF.	ID	LENGTH	HEIGHT
GAFF11724	XB-0012-3	1-1/2"	4-3/16"	2-11/32"

Fifth Wheel Bushing — SAF Holland



EUCLID NO.	OEM REF.	ID	OD	LENGTH
GAFF18221	XB0009	1-1/4"	3-1/2"	3-3/4"

Fifth Wheel Bushing — SAF Holland




EUCLID NO.	OEM REF.	ID	OD	LENGTH
GAFF11515	XB16045	1-1/16"	2-13/16"	4-1/8"

Fifth Wheel Bushing — SAF Holland



EUCLID NO.	OEM REF.	ID	OD	LENGTH
GAFF40035	XB10605	1-1/8"	3-7/8"	2-1/8"

Fifth Wheel Bushing Pad — SAF Holland		
		
EUCLID NO.	OEM REF.	LENGTH
GAFF10080	ASF-0329-47	10"

Fifth Wheel Bushing Pad — SAF Holland		
		
EUCLID NO.	OEM REF.	LENGTH
GAFF40056	ATP-0328-03	3-15/16"

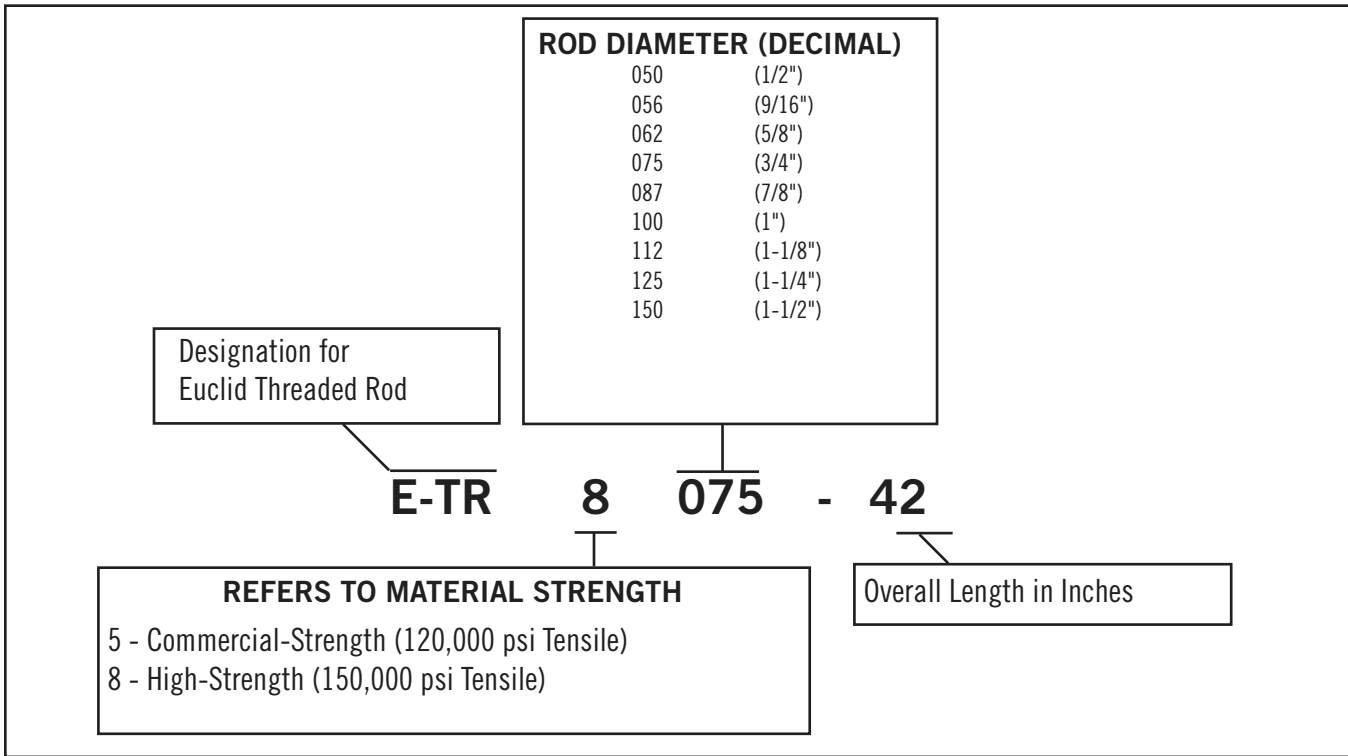
SILVER EAGLE DOLLY PARTS

Spring End Bushings - Silver Eagle				
				
Sold only as a Pair				
EUCLID NO.	OEM REF.	OD	ID	LENGTH
GAFF50068	Silver Eagle G-34/G-35	5"	1"	5-1/2"

Hinge Bushing - Silver Eagle				
				
EUCLID NO.	OEM REF.	OD	ID	LENGTH
E-7525	Silver Eagle R-213	3-3/4"	2-1/2"	2-3/16"

THREADED RODS & U-BOLT ASSEMBLIES

THREADED ROD PART NUMBER DESIGNATION

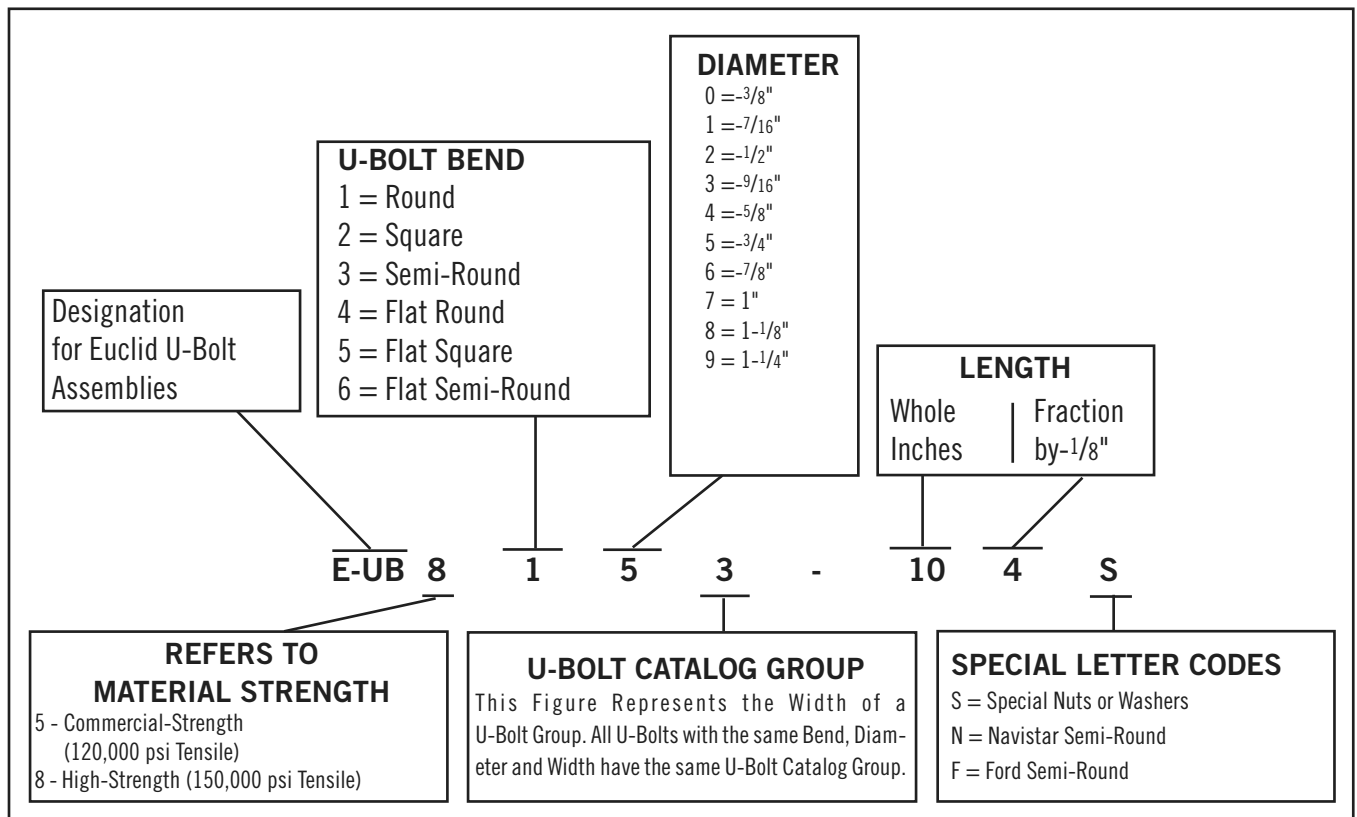


THREADED RODS & U-BOLT ASSEMBLIES



Access the Threaded Rod Visual
Product Tool by clicking the QR code

U-BOLT PART NUMBER DESIGNATION



Access the U-Bolt Visual Product Tool by clicking the QR code

Commercial-Strength Threaded Rod



TOTAL LENGTH	THREAD LENGTH (NOMINAL)	THREAD SIZE		TO DETERMINE REQUIRED THREADED ROD
		1/2" - 20	9/16" - 18	
8"	2-1/4"	E-TR5050-08	—	1. Multiply U-Bolt Leg Length x 2 2. Add U-Bolt Width 3. a. If Round Bend, subtract B-Bolt diameter b. If Square Bend, add U-Bolt diameter c. If Semi-Round Bend, disregard U-Bolt diameter 4. If length is an odd size, use the next longer length rod. Example: For a 7/8" Diameter, 18" Long, 3-1/2" Wide Round Bend U-Bolt, the correct length rod is: $ \begin{array}{r} 36" \quad (18" \text{ Long} \times 2) \\ \text{Plus} \quad + \quad 3.5" \quad (3\text{-}1/2" \text{ Wide}) \\ \text{Minus} \quad - \quad 0.875" \quad (\text{Subtract } 7/8" \text{ Dia., Round Bend}) \\ \hline \text{Rod Length} = 38.625" \end{array} $ USE ROD LENGTH 40" (38.625" Rounded up to the next length.)
10"	2-1/4"	E-TR5050-10	E-TR5056-10	
12"	2-1/4"	E-TR5050-12	E-TR5056-12	
14"	3-1/4"	E-TR5050-14	E-TR5056-14	
16"	3-1/4"	E-TR5050-16	E-TR5056-16	
18"	3-1/4"	E-TR5050-18	E-TR5056-18	
20"	3-1/4"	E-TR5050-20	E-TR5056-20	
22"	3-1/4"	E-TR5050-22	E-TR5056-22	
24"	4"	E-TR5050-24	E-TR5056-24	
26"	4"	E-TR5050-26	E-TR5056-26	
28"	4"	E-TR5050-28	E-TR5056-28	
30"	4"	E-TR5050-30	E-TR5056-30	
32"	4"	E-TR5050-32	E-TR5056-32	
34"	4"	E-TR5050-34	E-TR5056-34	
36"	4"	E-TR5050-36	E-TR5056-36	
38"	4"	-	E-TR5056-38	
40"	4"	-	E-TR5056-40	
42"	4"	-	E-TR5056-42	

HARDENED WASHERS	E-9603	E-9604
HI-NUTS	E-9605	E-9606

THREADED RODS & U-BOLT ASSEMBLIES

NOTE: Commercial-Strength and High-Strength have often been referred to as Grade 5 (120,000 psi tensile strength) and Grade 8 (150,000 psi tensile strength) respectively. These designations do not define manufacturing processes.

Euclid High-Strength Threaded Rod



TOTAL LENGTH	THREAD LENGTH (NOMINAL)	THREAD SIZE					
		5/8" - 18	3/4" - 16	7/8" - 14	1" - 14	1-1/8" - 12	1-1/4" - 12
12"	2-1/4"	E-TR8062-12	E-TR8075-12	-	-	-	-
14"	3-1/4"	E-TR8062-14	E-TR8075-14	-	-	-	-
16"	3-1/4"	E-TR8062-16	E-TR8075-16	-	E-TR8100-16	-	-
18"	3-1/4"	E-TR8062-18	E-TR8075-18	E-TR8087-18	-	-	-
20"	3-1/4"	E-TR8062-20	E-TR8075-20	E-TR8087-20	E-TR8100-20	-	-
22"	3-1/4"	E-TR8062-22	E-TR8075-22	E-TR8087-22	-	-	-
24"	6"	E-TR8062-24	E-TR8075-24	E-TR8087-24	E-TR8100-24	-	-
26"	6"	E-TR8062-26	E-TR8075-26	E-TR8087-26	-	-	-
28"	6"	E-TR8062-28	E-TR8075-28	E-TR8087-28	E-TR8100-28	-	-
30"	6"	E-TR8062-30	E-TR8075-30	E-TR8087-30	-	E-TR8112-30	-
32"	6"	E-TR8062-32	E-TR8075-32	E-TR8087-32	E-TR8100-32	E-TR8112-32	E-TR8125-32
34"	6"	E-TR8062-34	E-TR8075-34	E-TR8087-34	-	E-TR8112-34	E-TR8125-34
36"	6"	E-TR8062-36	E-TR8075-36	E-TR8087-36	E-TR8100-36	E-TR8112-36	E-TR8125-36
38"	6"	E-TR8062-38	E-TR8075-38	E-TR8087-38	-	E-TR8112-38	E-TR8125-38
40"	6"	E-TR8062-40	E-TR8075-40	E-TR8087-40	E-TR8100-40	-	-
42"	6"	E-TR8062-42	E-TR8075-42	E-TR8087-42	-	-	-
44"	6"	E-TR8062-44	E-TR8075-44	E-TR8087-44	E-TR8100-44	-	-
46"	6"	E-TR8062-46	E-TR8075-46	E-TR8087-46	-	-	-
48"	6"	E-TR8062-48	E-TR8075-48	E-TR8087-48	E-TR8100-48	-	-
50"	6"	-	E-TR8075-50	E-TR8087-50	-	-	-
52"	6"	-	E-TR8075-52	E-TR8087-52	-	-	-

HARDENED WASHERS	E-2547	E-2545	E-2546	E-2975	E-2548	E-2934
HI-NUTS	E-3000	E-3001	E-3002A	E-3003	E-3004	E-3005

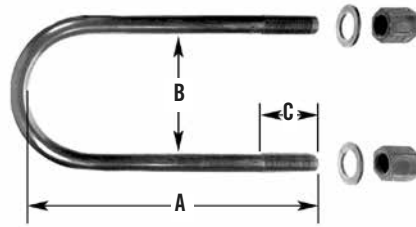
THREADED RODS & U-BOLT ASSEMBLIES

NOTE: Commercial-Strength and High-Strength have often been referred to as Grade 5 (120,000 psi tensile strength) and Grade 8 (150,000 psi tensile strength) respectively. These designations do not define manufacturing processes.

U-BOLT ASSEMBLIES

Includes Nuts and Washers

High-Strength Round Bend U-Bolt Assemblies



PART NO.	THREAD SIZE	A	B	C	INCLUDES NUT	INCLUDES WASHER	SPECIAL APPLICATION
E-UB8142-06	5/8" - 18	6"	3-1/8"	2"	E-3000	E-2547	Volvo T-Ride
E-UB8142-074	5/8" - 18	7-1/2"	3-1/8"	2"	E-3000	E-2547	Volvo T-Ride
E-UB8143-074	5/8" - 18	7-1/2"	3-1/2"	3"	E-3000	E-2547	Freightliner
E-UB8145-076	5/8" - 18	7-3/4"	5"	3-1/2"	E-3000	E-2547	Neway
E-UB8145-081	5/8" - 18	8-1/8"	5"	3-1/2"	E-3000	E-2547	Watson & Chalin
E-UB8151-10	3/4" - 16	10"	3"	3"	E-3001	E-2545	-
E-UB8151-12	3/4" - 16	12"	3"	3"	E-3001	E-2545	-
E-UB8151-14	3/4" - 16	14"	3"	6"	E-3001	E-2545	-
E-UB8151-16	3/4" - 16	16"	3"	6"	E-3001	E-2545	-
E-UB8151-18	3/4" - 16	18"	3"	6"	E-3001	E-2545	-
E-UB8151-22	3/4" - 16	22"	3"	6"	E-3001	E-2545	-
E-UB8153-10	3/4" - 16	10"	3-1/2"	3"	E-3001	E-2545	-
E-UB8153-12	3/4" - 16	12"	3-1/2"	3"	E-3001	E-2545	-
E-UB8153-14	3/4" - 16	14"	3-1/2"	6"	E-3001	E-2545	-
E-UB8153-18	3/4" - 16	18"	3-1/2"	6"	E-3001	E-2545	-
E-UB8154-10	3/4" - 16	10"	4"	3"	E-3001	E-2545	Freightliner
E-UB8154-12	3/4" - 16	12"	4"	3"	E-3001	E-2545	-
E-UB8154-18	3/4" - 16	18"	4"	6"	E-3001	E-2545	-
E-UB8155-073	3/4" - 16	7-1/2"	5"	3"	E-3001	E-2545	Hutchens
E-UB8155-08	3/4" - 16	7-1/2"	8"	3"	E-3001	E-2545	Watson & Chalin
E-UB8155-12	3/4" - 16	12"	5"	3"	E-3001	E-2545	-
E-UB8155-14	3/4" - 16	14"	5"	6"	E-3001	E-2545	-
E-UB8155-16	3/4" - 16	16"	5"	6"	E-3001	E-2545	-
E-UB8156-08	3/4" - 16	8"	5-3/4"	3"	E-3001	E-2545	Hutchens
E-UB8157-08	3/4" - 16	8"	6"	3"	E-3001	E-2545	Hutchens
E-UB8161-10	7/8" - 14	10"	3"	3"	E-3002A	E-2546	-
E-UB8161-11	7/8" - 14	11"	3"	3"	E-3002A	E-2546	-
E-UB8161-12	7/8" - 14	12"	3"	3"	E-3002A	E-2546	-
E-UB8161-122	7/8" - 14	12-1/4"	3"	6"	E-3002A	E-2546	-
E-UB8161-13	7/8" - 14	13"	3"	6"	E-3002A	E-2546	-
E-UB8161-14	7/8" - 14	14"	3"	6"	E-3002A	E-2546	-
E-UB8161-15	7/8" - 14	15"	3"	6"	E-3002A	E-2546	-
E-UB8161-16	7/8" - 14	16"	3"	6"	E-3002A	E-2546	-
E-UB8161-17	7/8" - 14	17"	3"	6"	E-3002A	E-2546	-
E-UB8161-18	7/8" - 14	18"	3"	6"	E-3002A	E-2546	-

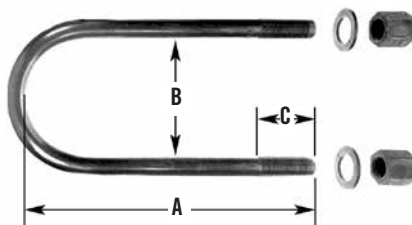
NOTE: Commercial-Strength and High-Strength have often been referred to as Grade 5 (120,000 psi tensile strength) and Grade 8 (150,000 psi tensile strength) respectively. These designations do not define manufacturing processes.

U-BOLT ASSEMBLIES

Suspension

Includes Nuts and Washers

High-Strength Round Bend U-Bolt Assemblies

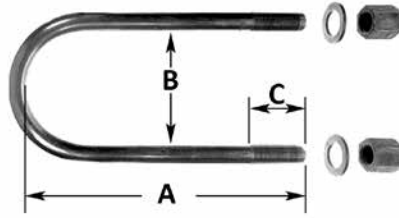


PART NO.	THREAD SIZE	A	B	C	INCLUDES NUT	INCLUDES WASHER	SPECIAL APPLICATION
E-UB8161-15S1	7/8" - 14	15"	3"	6"	E-3002A	E-1834/E-3738 Cone washer	Hendrickson
E-UB8161-18S1	7/8" - 14	18"	3"	6"	E-3002A	E-1834/E-3738 Cone washer	Hendrickson
E-UB8161-20	7/8" - 14	20"	3"	6"	E-3002A	E-2546	-
E-UB8161-22	7/8" - 14	22"	3"	6"	E-3002A	E-2546	-
E-UB8162-18	7/8" - 14	18"	3-1/8"	6"	E-3002A	E-2546	-
E-UB8162-22	7/8" - 14	22"	3-1/8"	6"	E-3002A	E-2546	-
E-UB8163-14	7/8" - 14	14"	3-1/2"	6"	E-3002A	E-2546	-
E-UB8163-16	7/8" - 14	16"	3-1/2"	6"	E-3002A	E-2546	-
E-UB8164-10	7/8" - 14	10"	4"	3"	E-3002A	E-2546	-
E-UB8164-12	7/8" - 14	12"	4"	3"	E-3002A	E-2546	-
E-UB8164-16	7/8" - 14	16"	4"	6"	E-3002A	E-2546	-
E-UB8164-18	7/8" - 14	18"	4"	6"	E-3002A	E-2546	-
E-UB8165-076	7/8" - 14	7-3/4"	5"	3"	E-3002A	E-2546	Hendrickson
E-UB8165-10	7/8" - 14	10"	5"	3"	E-3002A	E-2546	-
E-UB8165-12	7/8" - 14	12"	5"	3"	E-3002A	E-2546	-
E-UB8165-13	7/8" - 14	13"	5"	4"	E-3002A	E-2546	-
E-UB8165-14	7/8" - 14	14"	5"	4"	E-3002A	E-2546	-
E-UB8165-16	7/8" - 14	16"	5"	6"	E-3002A	E-2546	-
E-UB8165-18	7/8" - 14	18"	5"	6"	E-3002A	E-2546	-
E-UB8166-12	7/8" - 9	12"	5"	3"	E-2983	E-2546	Neway
E-UB8169-156	7/8" - 14	15-3/4"	5-1/2"	6"	E-3002A	E-2546	-
E-UB8169-166	7/8" - 14	16-3/4"	5-1/2"	6"	E-3002A	E-2546	-
E-UB8168-082	7/8" - 14	8-1/4"	6"	3-5/8"	E-3002A	E-2546	Hendrickson
E-UB8168-082H	7/8" - 14	8-1/4"	6"	3-5/8"	E-3002A	E-2546	Hendrickson w/ Clearance Flats
E-UB8175-104	1" - 14	10-1/2"	5"	3-1/2"	E-2892	—	Hutchens
E-UB8176-114	1" - 14	11-1/2"	6"	4"	E-3003	E-2975	Hutchens
E-UB8177-114	1" - 14	11-1/2"	5-3/4"	4"	E-3003	E-2975	Hutchens
E-UB8178-126	1" - 14	12-3/4"	5"	6"	E-3003	N.S.S.	Neway
E-UB8179-09	1" - 14	9"	6-3/8"	3"	E-3003	N.S.S.	-
E-UB8186-14	1-1/8" - 12	14"	5-3/4"	6"	E-3004	E-2548	Watson & Chalin
E-UB8186-154	1-1/8" - 12	15-1/2"	5-3/4"	6"	E-3004	E-2548	-
E-UB8187-154	1-1/8" - 12	15-1/2"	5-7/8"	6"	E-3004	E-2548	Hutchens
E-UB8187-164	1-1/8" - 12	15-1/2"	5-7/8"	6"	E-3004	E-2548	Hutchens

NOTE: Commercial-Strength and High-Strength have often been referred to as Grade 5 (120,000 psi tensile strength) and Grade 8 (150,000 psi tensile strength) respectively. These designations do not define manufacturing processes.

U-BOLT ASSEMBLIES

Includes Nuts and Washers

Commercial-Strength Round Bend U-Bolt Assemblies

PART NO.	THREAD SIZE	A	B	C	INCLUDES NUT	INCLUDES WASHER	SPECIAL APPLICATION
E-UB5121-075	1/2"-20	7-5/8"	3-1/2"	6"	E-9605	E-9603	Freightliner FAS 1 Air Ride
E-UB5161-22	7/8" - 9	22"	3"	6"	E-2983	E-2546	-
E-UB5161-12	7/8" - 14	12"	3"	4"	E-3002A	E-2546	-
E-UB5161-13	7/8" - 14	13"	3"	4"	E-3002A	E-2546	-
E-UB5161-14	7/8" - 14	14"	3"	4"	E-3002A	E-2546	-
E-UB5161-15	7/8" - 14	15"	3"	6"	E-3002A	E-2546	-
E-UB5161-16	7/8" - 14	16"	3"	6"	E-3002A	E-2546	-
E-UB5161-18	7/8" - 14	18"	3"	6"	E-3002A	E-2546	-
E-UB5163-14	7/8" - 14	14"	3-1/2"	6"	E-3002A	E-2546	-
E-UB5163-18	7/8" - 14	18"	3-1/2"	6"	E-3002A	E-2546	-
E-UB5165-12	7/8" - 14	12"	5"	6"	E-3002A	E-2546	-
E-UB5165-14	7/8" - 14	14"	5"	6"	E-3002A	E-2546	-
E-UB5165-15	7/8" - 14	15"	5"	6"	E-3002A	E-2546	-
E-UB5165-16	7/8" - 14	16"	5"	6"	E-3002A	E-2546	-
E-UB5165-18	7/8" - 14	18"	5"	6"	E-3002A	E-2546	-

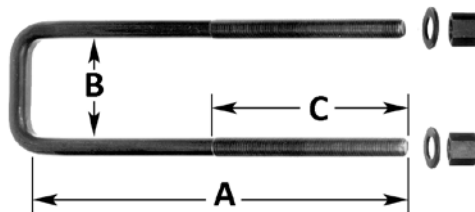
NOTE: Commercial-Strength and High-Strength have often been referred to as Grade 5 (120,000 psi tensile strength) and Grade 8 (150,000 psi tensile strength) respectively. These designations do not define manufacturing processes.

U-BOLT ASSEMBLIES

Suspension

Includes Nuts and Washers

High-Strength Square Bend U-Bolt Assemblies



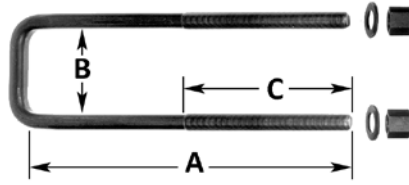
PART NO.	THREAD SIZE	A	B	C	INCLUDES NUT	INCLUDES WASHER	SPECIAL APPLICATION
E-UB8253-05	3/4" - 16	5"	3-1/2"	2"	E-3001	E-2545	Peterbilt
E-UB8253-12	3/4" - 16	12"	3-1/2"	3"	E-3001	E-2545	-
E-UB8254-10	3/4" - 16	10"	4"	3"	E-3001	E-2545	-
E-UB8254-12	3/4" - 16	12"	4"	3"	E-3001	E-2545	-
E-UB8254-14	3/4" - 16	14"	4"	6"	E-3001	E-2545	-
E-UB8255-05	3/4" - 16	5"	4"	2"	E-3001	E-2545	Peterbilt
E-UB8257-11	3/4" - 16	11"	6-3/8"	3"	E-3001	E-2545	Hendrickson
E-UB8257-087	3/4" - 16	8-7/8"	6-3/8"	3"	E-3001	E-2545	Hendrickson
E-UB8257-12	3/4" - 16	12"	6-3/8"	3"	E-3001	E-2545	Hendrickson
E-UB8256-077	3/4" - 16	7-7/8"	5"	3"	E-3001	E-2545	Hutchens
E-UB8261-18	7/8" - 14	18"	3"	6"	E-3002A	E-2546	-
E-UB8263-14	7/8" - 14	14"	3-1/2"	6"	E-3002A	E-2546	-
E-UB8264-083	7/8" - 14	8-3/8"	4"	2-1/4"	E-1835	E-1834	Hendrickson
E-UB8264-10	7/8" - 14	10"	4"	3"	E-3002A	E-2546	-
E-UB8264-12	7/8" - 14	12"	4"	3"	E-3002A	E-2546	-
E-UB8264-14	7/8" - 14	14"	4"	6"	E-3002A	E-2546	-
E-UB8264-16	7/8" - 14	16"	4"	6"	E-3002A	E-2546	Kenworth
E-UB8265-084	7/8" - 14	8-1/2"	5"	3-3/4"	E-3002A	E-2546	Hendrickson
E-UB8265-16	7/8" - 14	16"	5"	6"	E-3002A	E-2546	-
E-UB8268-105	7/8" - 14	10-5/8"	5-1/8"	3"	E-3002A	E-2546	Hutchens
E-UB8268-134	7/8" - 14	13-1/2"	5-1/8"	6"	E-3002A	E-2546	Kenworth
E-UB8267-153	7/8" - 14	15-3/8"	5-3/16"	3-1/2"	E-3002A	E-2546	Freightliner
E-UB8271-104	1" - 14	10-1/2"	5"	3"	E-3003	E-2975	Hutchens
E-UB8271-111	1" - 14	11-1/8"	5"	3"	E-3003	E-2975	Hutchens
E-UB8286-134	1-1/8" - 12	13-1/2"	5-1/8"	4"	E-3004	E-2548	-
E-UB8286-154	1-1/8" - 12	15-1/2"	5-1/8"	6"	E-3004	E-2548	-
E-UB8287-11	1-1/8" - 12	11"	5-3/4"	3"	E-3004	E-2548	Neway
E-UB8287-14	1-1/8" - 12	14"	5-3/4"	6"	E-3004	E-2548	-
E-UB8294-162	1-1/4" - 12	16-1/4"	4"	3-1/2"	E-3006	E-2934	Mack
E-UB8294-18	1-1/4" - 12	18"	4"	3-1/2"	E-3006	E-2934	-
E-UB8294-184S	1-1/4" - 12	18-1/2"	4"	3-1/2"	E-3005	E-2934	-

NOTE: Commercial-Strength and High-Strength have often been referred to as Grade 5 (120,000 psi tensile strength) and Grade 8 (150,000 psi tensile strength) respectively. These designations do not define manufacturing processes.

U-BOLT ASSEMBLIES

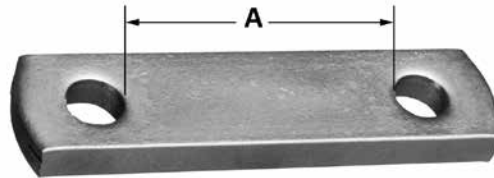
Includes Nuts and Washers

Commercial-Strength Square Bend U-Bolt Assemblies



EUCLID NO.	THREAD SIZE	A	B	C	INCLUDES NUT	INCLUDES WASHER	SPECIAL APPLICATION
E-UB5243-16	5/8" - 18	16"	3-1/2"	6"	E-3000	E-2547	Use U-Bolt Plate E-9613
E-UB5243-18	5/8" - 18	18"	3-1/2"	6"	E-3000	E-2547	Use U-Bolt Plate E-9613
E-UB5243-20	5/8" - 18	20"	3-1/2"	6"	E-3000	E-2547	Use U-Bolt Plate E-9613
E-UB5244-16	5/8" - 18	16"	4"	6"	E-3000	E-2547	Use U-Bolt Plate E-9614
E-UB5244-18	5/8" - 18	18"	4"	6"	E-3000	E-2547	Use U-Bolt Plate E-9614
E-UB5244-20	5/8" - 18	20"	4"	6"	E-3000	E-2547	Use U-Bolt Plate E-9614
E-UB5261-18	7/8" - 14	18"	3"	6"	E-3002A	E-2546	-
E-UB5263-14	7/8" - 14	14"	3-1/2"	6"	E-3002A	E-2546	-
E-UB5263-18	7/8" - 14	18"	3-1/2"	6"	E-3002A	E-2546	-

Body Mounting Plate



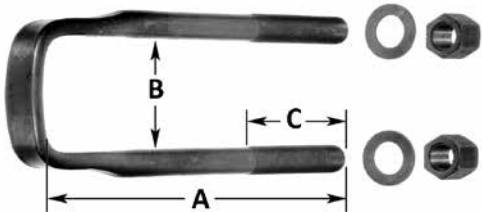
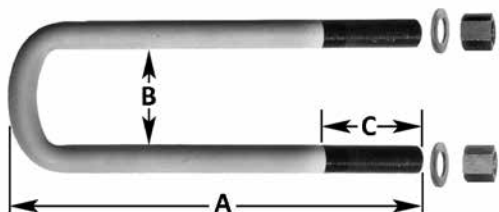
EUCLID NO.	DIAMETER	A	THICKNESS	SPECIAL APPLICATION
E-9613	5/8"	3-1/2"	1/2"	Body Mounting Plate used with 5/8" U-Bolt and 5/8" Threaded Rod
E-9614	5/8"	4"		

NOTE: Commercial-Strength and High-Strength have often been referred to as Grade 5 (120,000 psi tensile strength) and Grade 8 (150,000 psi tensile strength) respectively. These designations do not define manufacturing processes.

U-BOLT ASSEMBLIES

Suspension

Includes Nuts and Washers

High-Strength Flat Semi-Round Bend U-Bolt Assemblies							
							
FLAT SEMI-ROUND BEND				SEMI-ROUND BEND			
EUCLID NO.	THREAD SIZE	A	B	C	INCLUDES NUT	INCLUDES WASHER	SPECIAL APPLICATION
E-UB8673-154	1" - 14	15-1/2"	3-9/16"	5"	E-3003	E-2975	Peterbilt

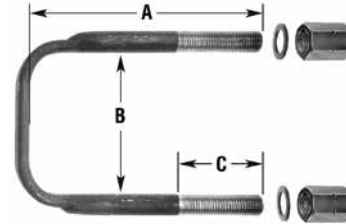
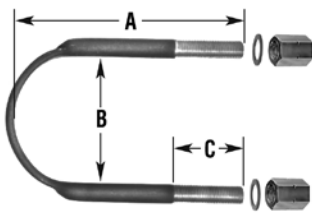
High-Strength Semi-Round Bend U-Bolt Assemblies									
EUCLID NO.	THREAD SIZE	A	B	C	BEND RADIUS	CORNER RADIUS	INCLUDES NUT	INCLUDES WASHER	SPECIAL APPLICATION
E-UB8351-18	3/4" - 16	18"	3"	6"	6"	.750"	E-3001	E-2545	Navistar
E-UB8353-10	3/4" - 16	10"	3-1/2"	3"	4-5/8"	.750"	E-3001	E-2545	Peterbilt
E-UB8353-12	3/4" - 16	12"	3-1/2"	6"	4-5/8"	.750"	E-3001	E-2545	Peterbilt
E-UB8353-15	3/4" - 16	15"	3-1/2"	6"	4"	.625"	E-3001	E-2545	Navistar
E-UB8354-10	3/4" - 16	10"	4"	3"	6"	.500"	E-3001	E-2545	Kenworth
E-UB8354-12	3/4" - 16	12"	4"	3"	5"	.500"	E-3001	E-2545	-
E-UB8354-12P	3/4" - 16	12"	4"	6"	7-1/2"	.656"	E-3001	E-2545	Peterbilt
E-UB8362-19F	7/8" - 14	19"	3-1/16"	7"	3-1/4"	.500"	E-3002A	E-2546	Ford
E-UB8363-15N	7/8" - 14	15"	3-1/2"	6"	4"	.625"	E-3002A	E-2546	Navistar
E-UB8375-14	1" - 14	14"	4-1/8"	3"	5"	.500"	E-3003	E-2975	Peterbilt
E-UB8375-154	1" - 14	15-1/2"	4-1/8"	3"	5"	.500"	E-3003	E-2975	Peterbilt
E-UB8394-144	1-1/4" - 12	14-1/2"	4"	3-1/2"	4"	1.00"	E-3006	E-2934	Mack
E-UB8394-162S	1-1/4" - 12	16-1/4"	4"	3-1/2"	4"	1.00"	E-3005	E-2934	Mack
E-UB8394-172S	1-1/4" - 12	17-1/4"	4"	3-1/2"	4"	1.00"	E-3005	E-2934	Mack
E-UB8394-18	1-1/4" - 12	18"	4"	3-1/2"	4"	1.00"	E-3006	E-2934	Mack
E-UB8394-192S	1-1/4" - 12	19-1/4"	4"	3-1/2"	4"	1.00"	E-3005	E-2934	Mack
E-UB8396-165S	1-1/4" - 12	16-5/8"	5"	3-1/2"	6"	.750"	E-3006	E-2934	Mack

NOTE: Commercial-Strength and High-Strength have often been referred to as Grade 5 (120,000 psi tensile strength) and Grade 8 (150,000 psi tensile strength) respectively. These designations do not define manufacturing processes.

U-BOLT ASSEMBLIES

Includes Nuts and Washers

High-Strength Flat Round Bend U-Bolt Assemblies



FLAT ROUND BEND

FLAT SQUARE BEND

EUCLID NO.	THREAD SIZE	A	B	C	INCLUDES NUT	INCLUDES WASHER	SPECIAL APPLICATION
E-UB8466-073H	7/8" - 14	7-3/8"	6"	2-1/2"	E-3002A	E-2546	Hendrickson Trailer, Stepped Profile, Does Not Require Axle Spacers
E-UB8466-082H	7/8" - 14	8-1/4"	6"	2-1/2"	E-3002A	E-2546	Hendrickson Aux. Axle, Stepped Profile, Does Not Require Axle Spacers
E-UB8467-077	7/8" - 14	7-7/8"	5-1/4"	2-1/2"	E-3002A	E-2546	Watson & Chalin
E-UB8475-114	1" - 14	11-1/2"	5"	3"	E-3003	E-2975	Neway
E-UB8479-090	1" - 14	9"	6-5/16"	2-1/4"	E-3003	E-2975	Neway
E-UB8479-104	1" - 14	10-1/2"	6-5/16"	3"	E-3003	E-2975	Neway
E-UB8479-124A	1" - 14	12-1/2"	6-5/16"	6"	E-3003	E-2975	Neway

High-Strength Flat Square Bend U-Bolt Assemblies

EUCLID NO.	THREAD SIZE	A	B	C	INCLUDES NUT	INCLUDES WASHER	SPECIAL APPLICATION
E-UB8554-033	3/4" - 16	3-3/8"	4"	1-3/4"	E-4961A	E-2545	Freightliner
E-UB8575-126	1" - 14	12-3/4"	5"	4"	E-3003	E-2975	Fruehauf
E-UB8578-094	1" - 14	9-1/2"	6-5/16"	3"	E-3003	E-2975	Neway
E-UB8578-124A	1" - 14	12-1/2"	6-5/16"	6"	E-3003	E-2975	Neway
E-UB8585-132	1-1/8" - 12	13-1/4"	5"	4"	E-3004	E-2548	Fruehauf

High-Strength Flat Semi Round Bend U-Bolt Assemblies

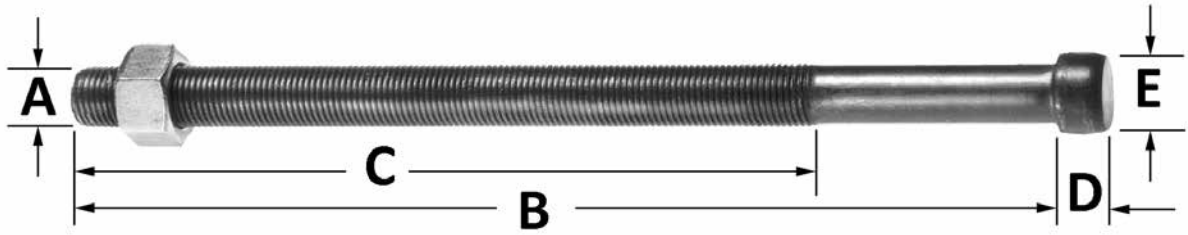
EUCLID NO.	THREAD SIZE	A	B	C	INCLUDES NUT	INCLUDES WASHER	SPECIAL APPLICATION
E-UB8673-154	1" - 14	15-1/2"	3-9/16"	5"	E-3003	E-2975	Peterbilt

NOTE: Commercial-Strength and High-Strength have often been referred to as Grade 5 (120,000 psi tensile strength) and Grade 8 (150,000 psi tensile strength) respectively. These designations do not define manufacturing processes.

SPRING CENTER BOLTS

Suspension

Listed By Thread Size (A)



EUCLID NO.	THREAD SIZE (A)	BOLT LENGTH (B)	MINIMUM THREAD LENGTH (C)	HEAD HEIGHT (D)	HEAD DIAMETER (E)
E-3188	3/8"-24	8"	6"	3/8"	9/16"
E-3189	7/16"-20	8"	5-1/2"	3/8"	5/8"
E-3190	7/16"-20	12"	9-1/2"	3/8"	5/8"
E-3191	1/2"-20	6"	4"	5/8"	5/8"
E-3192	1/2"-20	8"	5-1/2"	3/8"	5/8"
E-3193	1/2"-20	8"	5-1/2"	7/16"	3/4"
E-3194	1/2"-20	8"	5-1/2"	3/4"	3/4"
E-3195	1/2"-20	10"	9-1/2"	5/8"	5/8"
E-3196	1/2"-20	12"	9-1/2"	3/8"	5/8"
E-3197	1/2"-20	12"	9-1/2"	7/16"	3/4"
E-3198	1/2"-20	12"	9-1/2"	3/4"	3/4"
E-3199A	5/8"-18	18"	9-1/2"	1/2"	7/8"

SPRING
CENTER BOLTS

MISCELLANEOUS SUSPENSION BOLTS

GRADE 5 - LISTED BY THREAD SIZE



GRADE 5

EUCLID NO.	THREAD SIZE	BOLT LENGTH	THREAD LENGTH	PRIMARY APPLICATION
E-17345	3/8"-16	1"	1"	Ridewell
E-17343	1/2"-13	1"	1"	Ridewell
E-3555	1/2"-20	1-3/4"	1-3/4"	Freightliner
E-16493	1/2"-20	4-1/2"	1-3/4"	Reyco
E-1972	1/2"-20	4-3/4"	3/4"	Reyco
E-15312	1/2"-20	5"	1-1/4"	Reyco, Peterbilt
E-2022	1/2"-20	5-1/2"	1-1/4"	Freightliner
E-15291	1/2"-20	6"	1-1/4"	Reyco
E-4348	5/8"-11	2"	1-1/2"	Hutchens
E-3224	5/8"-11	5-1/2"	1-1/2"	Dayton
E-3415*	5/8"-18	4-1/2"	1-1/2"	Hutchens
E-4836	5/8"-18	5-1/2"	1-1/2"	Reyco
E-15702	5/8"-18	6"	1-3/4"	Hutchens
E-7857	5/8"-18	8"	1-3/4"	Peterbilt
E-16593	3/4"-10	3-3/4"	1-3/4"	Neway
E-2989	3/4"-10	5"	1-3/4"	Neway
E-15267	3/4"-16	3"	1-3/4"	Reyco
E-1204	3/4"-16	5-1/4"	1-3/4"	Trailmobile
E-3542	3/4"-16	8-1/2"	2"	Freightliner
E-3696	7/8"-9	4-1/2"	2"	Mack
E-901	7/8"-9	5-1/2"	1-1/4"	Dayton, Reyco, Spicer, Hendrickson
E-4833	7/8"-14	5-1/4"	1-1/2"	Transpro
E-3691	7/8"-14	5-1/4"	2"	Mack
E-1987	1"-8	2-1/2"	2-1/2"	Reyco, Spicer
E-900	1"-8	6-3/8"	1-3/4"	Reyco, Spicer
E-2274	1"-8	8"	2"	Spicer
E-2891*	1"-14	5"	1-1/4"	Hutchens, Trailmobile
E-4830	1"-14	6-1/2"	1-3/4"	Transpro
E-1166	1"-14	6-3/4"	1-1/2"	Reyco
E-7533	1-1/8"-7	6-5/8"	1-7/8"	Hutchens
E-4361	1-1/8"-7	8-1/2"	2"	Neway
E-4364	1-1/8"-7	9-1/4"	2"	Neway
E-2852	1-1/4"-12	8-7/8"	2-1/2"	Reyco

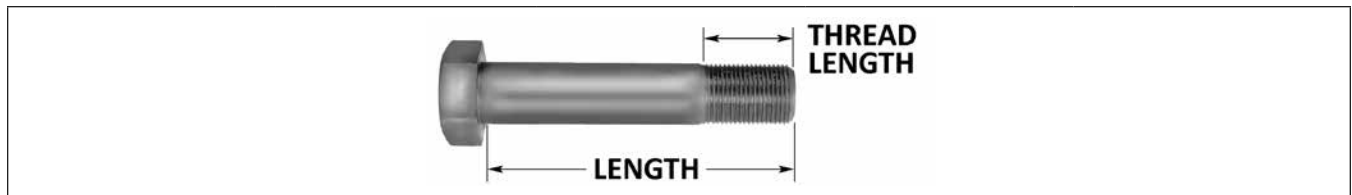
* Grade 2

MISCELLANEOUS SUSPENSION BOLTS

GRADE 8 - LISTED BY THREAD SIZE

Suspension

MISCELLANEOUS
SUSPENSION BOLTS



GRADE 8				
EUCLID NO.	THREAD SIZE	BOLT LENGTH	THREAD LENGTH	PRIMARY APPLICATION
E-15099	3/8"-16	3-1/2"	1"	Hendrickson
E-15191	7/16"-20	1-1/4"	1-1/4"	Hendrickson
E-17047	1/2"-13	1"	1"	Meritor Trailer
E-15189	1/2"-13	2-1/4"	1-3/4"	Hendrickson
E-1820	1/2"-13	6-1/2"	1-1/2"	Hendrickson
E-16232	1/2"-20	3"	1-1/4"	Freightliner
E-16233	1/2"-20	6-1/2"	1-1/2"	Peterbilt
E-4348	5/8"-11	2"	1-1/2"	Hutchens
E-4759	5/8"-11	2-1/4"	1-1/2"	Peterbilt Flange Head
E-16227	5/8"-11	5"	1-1/2"	Freightliner, Peterbilt, Volvo
E-8909	5/8"-11	6"	1-5/8"	Volvo
E-15199	5/8"-11	7"	1-3/4"	Hendrickson, Peterbilt, Volvo
E-17570*	5/8"-11	8"	1 3/4"	Hendrickson
E-5970*	5/8"-18	2"	2"	Watson & Chalin
E-3792	5/8"-18	4-1/2"	1-1/2"	Navistar
E-16078	5/8"-18	5-1/2"	1-1/2"	Peterbilt
E-16226**	M16-2.0	160mm	1-1/2"	Kenworth
E-16691**	M16-2.0	260mm	2-1/2"	Kenworth
E-17344	3/4" -10	2-1/2"	1-3/4"	Ridewell
E-17346	3/4" -10	3-1/4"	1-3/4"	Ridewell
E-4345	3/4"-10	3-1/2"	2"	Neway
E-17023	3/4"-10	3-1/2"	1-3/4"	Meritor Trailer
E-17024	3/4"-10	4-1/2"	1-3/4"	Meritor Trailer
E-17026*	3/4" -10	4-1/2"	1-3/4"	Meritor Trailer
E-15140	3/4"-10	5-1/2"	1-3/4"	Hendrickson, Neway
E-15101	3/4"-10	6"	2"	Hendrickson, Navistar, Neway
E-17079	3/4" -10	6"	1 3/4"	Meritor Trailer
E-15102	3/4"-10	8-1/2"	2"	Hendrickson, Navistar, Neway
E-17301	3/4" -10	9"	2"	Ridewell
E-17080	3/4" -10	9-1/4"	2"	Meritor Trailer
E-16435	3/4"-10	10"	2"	Hendrickson
E-17300	3/4" -10	11"	2"	Ridewell
E-16436	3/4"-10	11-1/2"	2"	Hendrickson
E-15315	3/4"-16	3"	1-3/4"	Reyco
E-15206	3/4"-16	4-1/2"	1-3/4"	Hutchens
E-15195	3/4"-16	4-3/4"	2-5/8"	-
E-15160	3/4"-16	5"	2-1/4"	Peterbilt
E-16351*	3/4"-16	5"	2-1/4"	Hendrickson, Various
E-15194	3/4"-16	5-1/2"	1-15/16"	Hutchens, Freightliner, Mack
E-16123*	3/4"-16	5 1/2"	1 15/16"	Hendrickson, Various
E-15188	3/4"-16	6"	1-3/4"	Hendrickson
E-17572*	3/4"-16	6"	1 3/4"	Hendrickson

* Indicates a kit with nut and washers. May contain multiple bolts, nuts and washers **Grade 10.9

MISCELLANEOUS SUSPENSION BOLTS

GRADE 8 - LISTED BY THREAD SIZE



GRADE 8


EUCLID NO.	THREAD SIZE	BOLT LENGTH	THREAD LENGTH	PRIMARY APPLICATION
E-9376	3/4"-16	7"	2"	Granning
E-7703	3/4"-16	9"	2"	Freightliner
E-15240	3/4"-16	10"	2"	Reyco
E-5272	7/8"-9	4-1/4"	1"	Hendrickson
E-16598	7/8"-9	4-1/2"	2"	Neway
E-17045	7/8"-9	5"	2"	Meritor Trailer
E-5427	7/8"-9	6"	2"	Mack
E-17027	7/8"-9	6"	2"	Meritor Trailer
E-17072	7/8"-9	7"	2-1/4"	Meritor Trailer
E-17013	7/8"-9	8"	2-1/4"	Meritor Trailer
E-17014	7/8"-9	9"	2-1/4"	Meritor Trailer
E-17044	7/8"-9	10"	2-1/4"	Meritor Trailer
E-17016	7/8"-9	11"	2-1/4"	Meritor Trailer
E-15695	7/8"-14	2-1/2"	2"	Hutchens
E-15286	7/8"-14	3"	2"	Reyco
E-3690	7/8"-14	5"	2"	Mack
E-17571*	7/8"-14	5"	2"	Hendrickson, Various
E-15182	7/8"-14	5-1/2"	2"	Peterbilt
E-17573*	7/8"-14	5 1/2"	2"	Hendrickson, Various
E-3692	7/8"-14	6"	2"	Mack
E-3693	7/8"-14	6-1/2"	2-1/4"	Mack
E-5439	7/8"-14	7-1/2"	2-1/4"	Mack
E-3818	7/8"-14	7-3/4"	1-1/2"	Freightliner
E-5428	7/8"-14	8"	2-1/4"	Mack
E-16413**	M20-2.5	150mm	1-3/4"	Hendrickson
E-16415**	M20-2.5	170mm	1-3/4"	Hendrickson
E-16089**	M20-2.5	180mm	1-3/4"	Hendrickson
E-15192	1"-8	2-1/4"	2-7/8"	Neway
E-5271	1"-14	7"	2"	Hendrickson
E-3564	1"-14	8"	1-9/16"	Freightliner
E-4778	1"-14	8-1/2"	2-1/2"	Peterbilt
E-1860	1"-14	9"	1-7/8"	Hendrickson
E-1859	1"-14	9-1/2"	1-7/8"	Hendrickson
E-1856	1"-14	10"	1-7/8"	Hendrickson
E-1855	1"-14	10-1/4"	1-7/8"	Hendrickson
E-9430	1"-14	10-1/2"	1-7/8"	Hendrickson
E-2570	1"-14	11"	2"	Hendrickson
E-16600	1-1/8"-7	6-1/2"	2-3/4"	Neway
E-4361	1-1/8"-7	8-1/2"	2-3/4"	Neway, Page
E-4364	1-1/8"-7	9-1/4"	2-3/4"	Neway
E-17101	1-1/8"-12	8 1/2"	2"	Watson & Chalin
E-17102	1-1/8"-12	9 3/4"	2"	Watson & Chalin
E-17122	1-1/8"-12	10 3/4"	2"	Watson & Chalin
E-17113	1-1/8"-12	12"	2"	Watson & Chalin


* Indicates a kit with nut and washers. May contain multiple bolts, nuts and washers **Grade 10.9


MISCELLANEOUS SUSPENSION NUTS

Suspension

MISCELLANEOUS
SUSPENSION NUTS

Non-Locking				
				
EUCLID NO.	THREAD	HEX	HEIGHT	PRIMARY APPLICATION
E-5032	1/2"-20	3/4"	7/16"	Reyco
E-15184	3/8"-18	9/16"	5/16"	Various
E-2002	5/8"-18	15/16"	9/16"	Hutchens, Trailmobile
E-1107	3/4"-16	1-1/8"	13/32"	Neway, Trailmobile

Castellated				
				
EUCLID NO.	THREAD	HEX	HEIGHT	PRIMARY APPLICATION
E-2035	1-3/8"-12	2"	15/16"	Hendrickson

Slotted				
				
EUCLID NO.	THREAD	HEX	HEIGHT	PRIMARY APPLICATION
E-1354	1-1/8"-12	1 21/32"	15/16"	Hendrickson

Flange Lock Nut				
				
EUCLID NO.	THREAD	HEX	HEIGHT	PRIMARY APPLICATION
E-16354	1/2"-13	3/4"	9/16"	Hendrickson
E-8911	5/8"-11	15/16"	5/8"	Volvo
E-3793	5/8"-18	15/16"	5/8"	Navistar
E-16421	3/4"-16	1-1/8"	7/8"	Hendrickson
E-9607	7/8"-14	1 -5/16	3/4"	Reyco
E-2892	1"-14	1-1/2"	1"	Hutchens, Trailmobile

Lock Nut - Patch Style				
				
EUCLID NO.	THREAD	HEX	HEIGHT	PRIMARY APPLICATION
E-937	1"-14	17/16"	7/8"	Fruehauf, Reyco

MISCELLANEOUS SUSPENSION NUTS

Lock Nut — Nylon Insert



EUCLID NO.	THREAD	HEX	HIGH	PRIMARY APPLICATION
E-16468	1/2"-13	3/4"	5/8"	Hendrickson
E-15094	3/4"-10	1-1/8"	7/8"	Hendrickson
E-11767	7/8"-9	1-5/16"	1"	Meritor Trailer
E-4421	1"-8	1-1/2"	1"	Neway
E-4779	1"-14	1-7/16"	1-1/32"	Peterbilt
E-2079	1-1/8"-12	1-5/8"	1-3/16"	Hendrickson, Kenworth
E-2017	1-1/4"-12	1-13/16"	47/64"	Hendrickson
E-1946	1-1/2"-12	2-1/4"	13/16"	Hendrickson

U-Bolt Hi-Nut



Grade 8

EUCLID NO.	THREAD	HEX	HIGH
E-9605*	1/2"-20	3/4"	11/16"
E-9606	9/16"-18	7/8"	3/4"
E-3000	5/8"-18	1-15/16"	27/32"
E-3001	3/4"-16	1-1/16"	1"
E-3002A	7/8"-14	1-1/4"	1-5/32"
E-3003	1"-14	1-1/2"	1-5/16"
E-3004	1-1/8"-12	1-5/8"	1-15/32"
E-3005	1-1/4"-12	1-13/16"	1-5/8"
E-3006	1-1/4"-12	1-13/16"	2-3/4"

* Grade 5

Lock Nut — Upset Thread



Type 1

Type 2

Type 3

EUCLID NO.	TYPE	THREAD	HEX	HIGH	PRIMARY APPLICATION
E-16336	1	7/16"-20	1-1/16"	3/8"	Hendrickson
E-16402	1	1/2"-13	3/4"	7/16"	Hendrickson
E-3560	1	1/2"-20	3/4"	7/16"	Freightliner, Kenworth
E-2988	1	5/8"-11	15/16"	17/32"	Hutchens
E-1943	1	5/8"-18	15/16"	9/16"	Hendrickson
E-4347	1	3/4"-10	1-1/8"	5/8"	Mack, Neway, Reyco
E-4961A	1	3/4"-16	1-1/8"	5/8"	Freightliner, Hendrickson, Reyco
E-2983	1	7/8"-9	1-5/16"	13/16"	Neway
E-1835	1	7/8"-14	1-5/16"	3/4"	Hendrickson, Mack, Reyco
E-4421	1	1"-8	1-1/2"	1"	Neway, Freightliner
E-1828	1	1"-14	1-1/2"	7/8"	Hendrickson, Reyco
E-4358	1	1-1/8"-7	1-11/16"	15/16"	Neway
E-2854	2	1-1/4"-12	1-7/8"	1-1/4"	Neway, Reyco
E-4273	3	1-1/4"-7	1-7/8"	12/32"	Neway
E-4274	3	1-1/4"-7LH	1-7/8"	23/32"	Neway
E-4275	3	1-1/4"-7RH	1-7/8"	23/32"	Neway
E-8841	1	M16-2.0	15/16"	5/8"	Volvo
E-16229	1	M20-2.5	30mm (1-3/16")	16mm (5/8")	Hendrickson, Kenworth, Peterbilt

MISCELLANEOUS SUSPENSION WASHERS

Suspension

Listed by ID



EUCLID NO.	ID	OD	THICKNESS	PRIMARY APPLICATION
E-16399	7/16"	7/8"	1/16"	Hendrickson
E-9603	1/2"	1-1/16"	1/8"	Hardened U-Bolt
E-9604	9/16"	1-3/16"	1/8"	Hardened U-Bolt
E-15106	5/8"	1-3/4"	1/8"	Hendrickson Airtek
E-2547	11/16"	1-5/16"	1/8"	Hardened U-Bolt
E-2545	3/4"	1-15/32"	1/8"	Hardened U-Bolt
E-9450	3/4"	1-1/4"	3/8"	Page
E-1206	3/4"	1-5/8"	15/16"	Trailmobile
E-3543	13/16"	2"	1/8"	Freightliner
E-11765	7/8"	1-3/4"	1/4"	Meritor Trailer
E-5429	29/32"	1-3/8"	3/16"	Mack
E-1834	15/16"	1-1/2"	7/64"	Hendrickson
E-17015	15/16"	2-1/4"	3/16"	Meritor Trailer
E-2546	15/16"	1-3/4"	1/8"	Hardened U-Bolt
E-9482	15/16"	2-1/4"	1/4"	Hutchens
E-2960	1"	SQ 2"	3/8"	Square Washer
E-4353	1-1/16"	1-5/8"	1/8"	Neway
E-2275	1-1/16"	2"	1/8"	Spicer
E-1074	1-1/16"	2-1/2"	1/4"	Fruehauf, Hutchens
E-3565	1-1/16"	2-1/2"	5/16"	Freightliner
E-907	1-1/16"	2-3/4"	3/16"	Reyco
E-905	1-1/16"	3-3/4"	1/4"	Reyco
E-1986A	1-1/16"	3-3/4"	1/2"	Reyco, Spicer
E-1021	1-1/16"	4"	1/4"	Fruehauf
E-2573	1-1/8"	1-3/4"	7/64"	Hendrickson
E-2975	1-1/8"	2"	5/32"	Hardened U-Bolt
E-9454	1-1/8"	2-1/4"	3/8"	Page
E-4359	1-1/8"	2-7/8"	1/4"	Spacer Washer
E-16619	1-1/8"	3-1/2"	3/16"	Neway
E-16576	1-1/8"	4"	3/16"	Neway
E-4363	1-1/8"	4"	1/4"	Neway
E-16616	1-1/8"	4"	1/4"	Neway
E-16641	1-1/4"	1-7/8"	1/32"	Freightliner Spring Pin Shim

MISCELLANEOUS
SUSPENSION WASHERS

MISCELLANEOUS SUSPENSION WASHERS

Listed by ID



EUCLID NO.	ID	OD	THICKNESS	PRIMARY APPLICATION
E-2548	1-1/4"	2-1/4"	1/8"	Hardened U-Bolt
E-16642	1-1/4"	2-1/4"	5/32"	Freightliner Spring Pin Shim
E-16618	1-1/4"	4-1/2"	1/4"	Neway
E-2833	1-5/16"	2-1/2"	1/16"	Fruehauf, Hutchens
E-2853	1-5/16"	2-1/4"	3/16"	Reyco
E-2934	1-5/16"	2-1/4"	1/4"	Hardened U-Bolt
E-2018	1-5/16"	2-1/4"	1/4"	Hendrickson
E-16614	1-7/16"	3-7/16"	5/16"	Neway
E-1969	1-1/2"	2-7/16"	3/8"	Reyco
E-2956	1-11/16"	3-1/4"	1/8"	Neway
E-3297	1-13/16"	2-7/16"	3/16"	Freightliner
E-5273	1-29/32"	3-11/16"	1/8"	Hendrickson
E-2832	2"	4"	1/16"	Fruehauf
E-3541	2-1/4"	3-3/4"	1/16"	Freightliner
E-2957	2-9/16"	4"	1/4"	Neway
E-4755	2-9/16"	4"	1/4"	Peterbilt
E-2958	2-9/16"	4-1/16"	5/32"	Neway
E-17105	2-9/16"	4-1/4"	1/8"	Watson & Chalin
E-15724	2-5/8"	5-1/4"	1/4"	Neway
E-4315	3"	4-1/4"	5/16"	Neway
E-3699	3-1/2"	5-3/8"	5/16"	Mack
E-2959	3-1/2"	5-7/16"	1/4"	Neway
E-2021	3-1/2"	5-3/4"	1/8"	Hendrickson
E-15412	3-17/32"	5-1/4"	3/16"	Hutchens
E-15207	4"	5-3/4"	5/32"	Hutchens
E-5219	4"	5-3/4"	3/16"	Hutchens
E-5423	4"	6-1/4"	5/16"	Mack
E-9611	4-1/16"	6"	3/16"	Neway
E-9612	4-1/16"	6"	5/16"	Neway

E.S.P. GUIDE

Easy Search for Parts

PURPOSE:

Fleet users do not always know the actual brand of the 4-Spring suspension on their truck or trailer. This problem can often be overcome by visually looking at the style and shape of the equalizer either at the parts counter or with the suspension still installed on the vehicle.

HOW TO USE THIS GUIDE:

The equalizers are arranged, by overall length and by suspension manufacturer then by length.

Simply:

1. Measure overall length and refer to chart.
2. Measure bushing ID or equalizer shaft OD if required.
3. Refer to photograph to visually compare if more than one of same length.
4. Turn to the correct page to identify bushings, equalizer shaft or other parts required to do a complete suspension repair.



Access the Equalizer Visual Product Tool by scanning the QR code

EUCLID® AFTERMARKET S.O.S. — SPECIAL ORDER SERVICE








Trouble Sourcing Products? Let Euclid's Special Order Service (S.O.S.) Help.

Euclid's position as the market leader provides you access to a comprehensive array of truck parts products from the industries leading manufacturers. Through Euclid, these entire product lines are available to you just by placing a phone call to Euclid's S.O.S. Department.



U.S. 888-725-9355 • Canada 800-387-3889

EQUALIZERS

OVERALL LENGTH	SHAFT OD AND BUSHING ID	SUSPENSION MAKE/MODEL	PAGE NO.	EQUALIZER NO.	GENUINE
13-1/2"	2-1/4"	Freightliner FH36-40	CMP-60	E-7700	-
14"	2"	Dayton/Navistar with 3" Wide Springs	CMP-60	E-3081	-
14-1/4"	1"	Navistar - 3-1/2" Wide Springs	CMP-63	E-3783	-
15"	1"	Binkley SP900 Trailer	CMP-60	E-9305	
15"	1"	Binkley SP900 Trailer	CMP-60	E-9305-P	-
15-3/4"	1"	Spicer 55	CMP-60	E-3012	-
16"	3/4"	Trailmobile with 3-1/2" Wide Springs	CMP-66	E-3383	-
	1-1/4"	Reyco 100 Series Ford only Pre-1984, One Slot in Bushing	CMP-64	E-2844	R
	1-1/4"	Reyco 100 Series GM/Ford 1984 up, No Slots in Bushing	CMP-64	E-2845	R
	1-1/2"	Reyco 100 Series Standard Pre-1984, Bushing Slots in Both End	CMP-64	E-2843	R
	1-1/2"	Reyco 100 Series Standard Pre-1985, No Slots in Bushing	CMP-64	E-3978	R
	1-1/2"	Reyco 100 Series, No Slots in Bushing	CMP-64	E-16494	R
	2"	Dayton "Truckmaster"/"Tri-lite"	CMP-60	E-3080	-
	2-1/4"	Freightliner FH34A-44A	CMP-60	E-3917	-
16-3/8"	2"	Volvo	CMP-66	E-3844	-
	1"	Fruehauf F2, J2, NF-2	CMP-60	E-9366-P	-
16-1/2"	2"	Fruehauf F2, J2	CMP-60	E-8931	-
	3/4"	Hutchens CH-7600/7700, 2-Bolt Cast	CMP-62	E-2889	-
	3/4"	Hutchens CH-7600/7700, 2-Bolt Cast	CMP-62	E-2889-P	-
	3/4"	Hutchens CH-7600/7700, 2-Bolt Cast	CMP-62	E-16508	
	3/4"	Hutchens H-7600/7700, 2-Bolt Fabricated w/ Wear Plates	CMP-61	E-2781	-
	3/4"	Hutchens H-7600/7700 2-Bolt Fabricated	CMP-61	E-2781A	-
	3/4"	Hutchens H-7600/7700 2-Bolt Fabricated	CMP-61	E-2781A-P	-
	3/4"	Hutchens H-7600/7700 2-Bolt Fabricated	CMP-61	E-16392	
	3/4"	Hutchens H-7600/7700, 2-Bolt, Fabricated w/ Poly Bushing	CMP-61	GAFF992781A	-
	3/4"	Hutchens H-7600/7700, 2-Bolt, Fabricated w/ Poly Bushing	CMP-61	GAFF992781A	-
	1"	Reyco Transpro 86/88 Fabricated	CMP-64	E-4813	R
	1"	Reyco Transpro 86/88 Fabricated	CMP-64	E-4813-P	-
	1"	Reyco Transpro 88, Cast	CMP-64	E-10250	R
	1-1/8"	Hutchens H-9600/9700, 1-Bolt Fabricated	CMP-61	E-7532	-
	1-1/8"	Hutchens H-9600/9700, 1-Bolt Fabricated	CMP-61	E-7532-P	-
	1-1/8"	Hutchens H-9600/9700, 1-Bolt Fabricated	CMP-61	E-17660	-
	1-1/8"	Hutchens H-9600/9700, 1-Bolt Fabricated	CMP-61	E-16393	
	1-1/8"	Hutchens H-960/9700, 1-Bolt, Fabricated w/ Poly Bushing	CMP-61	GAFF997532	-
	1-1/8"	Hutchens CH-9600/9700, 1-Bolt Cast	CMP-62	E-9471	-
	1-1/8"	Hutchens CH-9600/9700, 1-Bolt Cast	CMP-62	E-9471-P	-
1-1/8"	Hutchens CH-9600/9700, 1-Bolt Cast	CMP-62	GAFF999471	-	
1-1/8"	Hutchens CH-9600/9700, 1-Bolt Cast	CMP-62	E-16507		
17"	2"	Trailmobile Short Rocker, Obsolete	CMP-66	E-3398	-
	1"	Hendrickson E4-340/360/380/400, Obsolete	CMP-61	E-5265	-
	2"	Fruehauf F2, J2 Fabricated Old Style	CMP-61	E-2831	-
17-1/8"	2-5/8"	Hutchens 2200 Truck/Tractor, Obsolete	CMP-62	E-2890	-
17-1/4"	1"	Peterbilt "Quadraflex", Discontinued	CMP-63	E-7869	-

EQUALIZERS

Suspension

OVERALL LENGTH	SHAFT OD AND BUSHING ID	SUSPENSION MAKE/MODEL	PAGE NO.	EQUALIZER NO.	GENUINE
17-3/8"	3/4"	Hutchens H-7600/7700, 2-Bolt- 44, 50, 51" Axle Spacing	CMP-62	E-15480	
	1-1/8"	Hutchens H-9600, H-9700, 1-Bolt- 44, 50, 51" Axle Spacing	CMP-62	E-11452	
17-1/2"	1-5/8 "	Reyco 21B-44" Axle Spacing	CMP-64	E-10768A	R
	2"	Fruehauf F2, F3 Cast	CMP-61	E-2830	-
	2"	Fruehauf F2, F3 Cast	CMP-61	E-2830-P	-
18"	1-1/4 "	Reyco 83-50" Axle Spacing	CMP-65	E-7709	R
	1-5/8 "	Reyco 21B-49" Axle Spacing, ADI	CMP-64	E-2846A	R
	1-5/8 "	Reyco 21B-49" Axle Spacing, Steel	CMP-65	E-16477	R
19"	1"	Hendrickson HFS-360/400	CMP-61	E-9402	
21"	3/4"	Hutchens H-7600/7700, 2-Bolt- 54" Axle Spacing	CMP-62	E-15331	
	1-1/8"	Hutchens H-9600/9700, 1-Bolt- 54" Axle Spacing	CMP-62	E-14925	
	1-1/4"	Reyco 21B Fabricated- 54" Axle Spacing	CMP-65	E-16184	R
21-3/8"	3/4"	Hutchens H-7600/7700, 2-Bolt- 54-1/2" Axle Spacing	CMP-63	E-15338	
23-1/2"	1-1/8"	Hutchens H-9600/9700, 1-Bolt- 57-1/2" Axle Spacing	CMP-63	E-14818	
24"	1-1/4"	Reyco 74B-54" Axle Spacing	CMP-65	E-9586	R
27"	3/4"	Hutchens H-7600/7700, 2-Bolt- TWS-61" Axle Spacing	CMP-63	E-15475	
	1-1/8"	Hutchens H-9600/9700, 1 Bolt, TWS-61" Spacing	CMP-63	E-9489	
27-3/4"	1"	Reyco Transpro 86/88 Series - 60-1/2" Axle Spacing	CMP-65	E-16492	R
30"	1-1/8"	Hutchens H-9700 TWS-64" Spacing	CMP-63	E-15433	
	1-1/4"	Reyco 21B-60" Axle Spacing	CMP-65	E-5245	R
	1-1/4"	Reyco 21B & Series 83 - 60" Axle Spacing	CMP-65	E-7710	R
30-1/2"	1-1/4"	Reyco 21B & Series 83 - 63-1/2 & 65-1/2" Axle Spacing	CMP-65	E-16197	R
33"	3/4"	Hutchens H-7600/7700, 2-Bolt- TWS-67" Axle Spacing	CMP-63	E-15377	
	1-1/8"	Hutchens H-9700, 1-Bolt, TWS-67" Spacing	CMP-63	E-15430	
36"	1-1/4"	Reyco 74B -72" Axle Spacing	CMP-66	E-15295	R
38-1/2"	1-1/8"	Hutchens H/CH9700 TWS-73" Spacing	CMP-63	E-9330	
43"	1-1/4"	Reyco 21B Fabricated -72" Axle Spacing	CMP-66	E-16198	R
	2"	Reyco 21B Cast & Series 73-72" Axle Spacing	CMP-66	E-5246	R
63"	3/4"	Hutchens H-7600/7700, 2-Bolt- TWS-97" Axle Spacing	CMP-63	E-15378	
	1-1/8"	Hutchens H-9700, 1-Bolt, TWS-97" Spacing	CMP-63	E-15348	
75"	3/4"	Hutchens H-7600/7700, 2-Bolt- TWS-109" Axle Spacing	CMP-63	E-15379	
	1-1/8"	Hutchens H-9700, 1-Bolt, TWS-109" Axle Spacing	CMP-63	E-9491	
87"	1-1/8"	Hutchens H-9700, 1-Bolt, TWS-121" Axle Spacing	CMP-63	E-9492	

EQUALIZERS

EQUALIZERS

Listed By OEM - By Length

Binkley / SAF Holland - SP900 "Duralite"



Fabricated. Includes E-4827

EUCLID NO.	GENUINE	OEM REF.	LENGTH
E-9305	SAF	SOP0131	15"
E-9305-P			

Freightliner - FH36-40



Cast. Requires GAFF11064, Bushing Not Included

EUCLID NO.	OEM REF.	LENGTH
E-7700	681-325-01-27	13-1/2"

Dana - 55 Series (Late)



Cast. Includes E-2273 Bushing

EUCLID NO.	OEM REF.	LENGTH	NOTES
E-3012	B55536	15-3/4"	With Slot In Top of Bushing

Freightliner - FH34A-44A



Cast. Requires GAFF11064, Bushing Not Included

EUCLID NO.	OEM REF.	LENGTH	NOTES
E-3917	16-10175-001	16"	With Brackets. Equalizer Only Is E-3917A. Not Currently Available.

Dayton - Navistar



Cast. Includes E-3082 Bushing

EUCLID NO.	OEM REF.	LENGTH
E-3081	377202-C11	14"

Fruehauf - F2



Cast. Requires E-1020 Bushings Not Included

EUCLID NO.	OEM REF.	LENGTH
E-8931	UCF-0006963-001	16-3/8"

Dayton - "Truckmaster", "Tri-Lite"



Cast. Includes E-3082 Bushing

EUCLID NO.	OEM REF.	LENGTH
E-3080	39240007	16"

Fruehauf - NF-2




Cast. Includes E-9368 Bushing

EUCLID NO.	OEM REF.	LENGTH	CASTING NO.	NOTES
E-9366-P	UCF-008317-001	16-3/8"	6964	One Piece Bushing

Listed By OEM - By Length


Fruehauf - F2, J2




Fabricated. Requires E-1020 Bushings Not Included

EUCLID NO.	OEM REF.	LENGTH
E-2831	UCF-001473-001	17"


Hutchens - H-7600 / 7700



Fabricated, 2-Bolt. Includes Rubber Bushing Unless Otherwise Noted

EUCLID NO.	GENUINE	OEM REF.	NOTES
E-16392		750-03	O.E. Hutch
E-2781	-	-	Heavy-Duty Side Plates
E-2781A	-	750-03	Standard Duty
E-2781A-P	-	750-03	Price Point
GAFF992781A	-	-	Poly Bushing


Fruehauf - F2




Cast. Requires E-1020 Not Included

EUCLID NO.	OEM REF.	LENGTH	NOTES
E-2830	UXA-000017	17-1/2"	Price Point
E-2830-P	-		


Hutchens - H-9600 / 9700



Fabricated. 1-Bolt. Includes Bushing

EUCLID NO.	GENUINE	OEM REF.	NOTES
E-16393		16158-01	Rubber Bushing, O.E. Hutch
E-17660	-	-	Heavy-Duty Side Plates
E-7532	-	16158-01	Rubber Bushing
E-7532-P	-	16158-01	Price Point
GAFF997532	-	-	Poly Bushing

Hendrickson - E4-340 / 360 / 380 / 400



Cast. Requires E-5270 & E-5269 Bushings

EUCLID NO.	OEM REF.	LENGTH	NOTES
E-5265	47444-001	17"	Obsolete

Hendrickson - HFS-360 / 400



Cast. Includes E-5269 Bushing

EUCLID NO.	GENUINE	OEM REF.	LENGTH	CASTING NO.	NOTES
E-9402		49803-002	19"	49801-002	Includes Clevis Pin & Hardware

EQUALIZERS

Listed By OEM - By Length

Hutchens - H / CH-7600 / 7700



Cast. 2-Bolt. Includes E-1999A Bushing

EUCLID NO.	GENUINE	OEM REF.	NOTES
E-2889	-	19137-01	Rubber Bushing
E-2889-P	-	19137-01	Price Point
E-16508		19137-01	-

Hutchens H / CH7600 / 7700



Fabricated. Includes E-1999A Bushing

EUCLID NO.	GENUINE	OEM REF.	NOTES
E-15480		24712-01	Rubber Bushing 44", 50", 51" Axle Spacing

Hutchens - H / CH-9600 / 9700



Cast. 1-Bolt. Includes E-7621 Bushing

EUCLID NO.	GENUINE	OEM REF.	NOTES
E-9471	-	17784-01	Rubber Bushing
E-9471-P	-	17784-01	Price Point
E-16507		17784-01	Rubber Bushing
GAFF999471	-	-	Poly Bushing

Hutchens - H9600 / 9700



Fabricated. Includes E-7621 Bushing

EUCLID NO.	GENUINE	OEM REF.	NOTES
E-11452		24711-01	Rubber Bushing; 44", 50", 51" Axle Spacing

Hutchens - 54" Axle Spacing



Fabricated. Includes Bushing

EUCLID NO.	GENUINE	OEM REF.	LENGTH	NOTES
E-15331		12808-01 24821-01	21"	Two Holes E-1999A Bushing
E-14925		24820-01		One Hole E-7821 Bushing

Hutchens - H-2200




Cast. Requires E-2004 Bushings


EUCLID NO.	OEM REF.	LENGTH	NOTES
E-2890	2224-01	17-1/8"	Obsolete

Listed By OEM - By Length


Hutchens - H7600 / 7700




Fabricated. Includes E-1999A Bushing

EUCLID NO.	GENUINE	OEM REF.	LENGTH	NOTES
E-15338		24713-01	21-3/8"	54-1/2" Axle Spacing

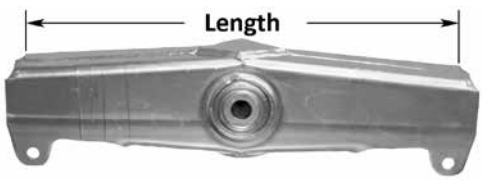
Hutchens - H9600 / 9700









Fabricated. Includes E-7621 Bushing

EUCLID NO.	GENUINE	OEM REF.	LENGTH	NOTES
E-14818		17604-02 21833-01	23-1/2"	57-1/2" Axle Spacing


Hutchens H/CH-9700, TWS 61", 73" Widespread








Fabricated

EUCLID NO.	GENUINE	OEM REF.	LENGTH	NOTES
E-9489		16168-02	27"	Includes E-7621 Bushing
E-15475		21841-01	27"	Includes E-1999A Bushing
E-15433		16168-15	30"	Includes E-7621 Bushing
E-15377		9239-03	33"	Includes E-1999A Bushing
E-15430		16168-03	33"	Includes E-7621 Bushing
E-9330		16168-04	38-1/2"	Includes E-7621 Bushing


Hutchens - H/CH-9700, TWS 109", 121" Widespread



Fabricated.

EUCLID NO.	GENUINE	OEM REF.	LENGTH	NOTES
E-15348		16168-09	63"	Includes E-7621 Bushing
E-15378		9239-09	63"	Includes E-1999A Bushing
E-15379		9239-10	75"	Includes E-1999A Bushing
E-9491		16168-10	75"	Includes E-7821 Bushing
E-9492		16168-13	87"	Includes E-7821 Bushing


Navistar Corporate



Cast. Includes E-3784 Bushing

EUCLID NO.	OEM REF.	LENGTH	NOTES
E-3783	497790C2	14-1/4"	Includes E-3784 Bushing & E-4770 Roller Assembly

Peterbilt "Quadraflex®"



Cast. Requires E-7870 Bushing

EUCLID NO.	OEM REF.	LENGTH	NOTES
E-7869	03-06771M001	17-1/4"	Discontinued

EQUALIZERS

Listed By OEM - By Length

Reyco 101, 101A, 102 Series



Cast. Includes Bushings

EUCLID NO.	GENUINE	OEM REF.	LENGTH	NOTES
E-2843	R	09120-01	16"	E-1966 Slotted Bushing, Both Ends
E-3978	R	14723-01		E-3977 No Slot Bushing

Reyco Transpro - 86 / 88 Series



Fabricated. Includes E-4827 Bushing

EUCLID NO.	GENUINE	OEM REF.	LENGTH	NOTES
E-4813	R	0650-00	16-1/2"	With 1" Bushing ID 49" Axle Spacing
E-4813-P	-			

Reyco 101, 101A, 102, 102W Series



Cast. Includes E-2849 Bushing

EUCLID NO.	GENUINE	OEM REF.	LENGTH	NOTES
E-2844	R	08996-01	16"	Ford Pre-1984 (With Slotted Bushing)

Reyco Transpro 86 / 88 Series



Cast. Includes E-4827 Bushing

EUCLID NO.	GENUINE	OEM REF.	LENGTH	NOTES
E-10250	R	0850-00	16-1/2"	49" Axle Spacing

Reyco 101A, 102, 102W Series



Cast. Includes E-2850 Bushing

EUCLID NO.	GENUINE	OEM REF.	LENGTH	NOTES
E-2845	R	12859-01	16"	GMC All, Ford - 1984 thru current

Reyco - 21B Cast Trailer



Cast. Requires E-1159 Bushing Not Included

EUCLID NO.	GENUINE	OEM REF.	LENGTH	NOTES
E-10768A	R	25222-01	17-1/2"	42-44" Axle Spacing

Reyco - 101A, 102, 102W Series



Cast. Includes E-3977 Rubber Bushing

EUCLID NO.	GENUINE	OEM REF.	LENGTH
E-16494	R	14743-01	16"

Reyco - 21B Cast Trailer




Cast. Requires E-1159 Bushing Not Included

EUCLID NO.	GENUINE	OEM REF.	LENGTH	NOTES
E-2846A	R	21725-01	18"	49" Axle Spacing

Listed By OEM - By Length


Reyco - 21B Cast Trailer



Cast. Requires E-1159 Bushing Not Included

EUCLID NO.	GENUINE	OEM REF.	LENGTH
E-16477	R	T-5427	18"


Reyco Transpro 86 / 88 Series



Fabricated. Includes E-4827 Bushings

EUCLID NO.	GENUINE	OEM REF.	LENGTH	NOTES
E-16492	R	0841-00	27-3/4"	60-1/2" Axle Spacing

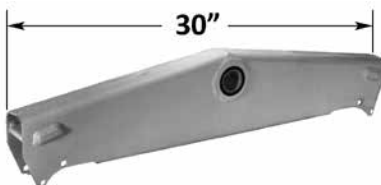
Reyco 21B Fabricated, 83 Series - 50" Widespread



Fabricated. Includes E-7713 Bushing

EUCLID NO.	GENUINE	OEM REF.	LENGTH
E-7709	R	14689-01	18"

Reyco 21B Fabricated, 83" - 60" Series Widespread



Fabricated. Includes E-7713 Bushing

EUCLID NO.	GENUINE	OEM REF.	LENGTH
E-7710	R	14696-01	30"

Reyco 21B Fabricated, 83 Series - 54" Widespread



Fabricated. Includes E-7713 Bushing

EUCLID NO.	GENUINE	OEM REF.	LENGTH
E-16184	R	14693-01	21"

Reyco 21B Cast - 60" Widespread



Fabricated. Includes E-1160 Bushing

EUCLID NO.	GENUINE	OEM REF.	LENGTH
E-5245	R	09713-01	30"


Reyco 74B Series - 54" Widespread



Fabricated. Includes E-9550 Bushing

EUCLID NO.	GENUINE	OEM REF.	LENGTH
E-9586	R	13806-01	24"

Reyco 21B Fab., 83 Series, 63-1/2" - 65-1/2" Widespread



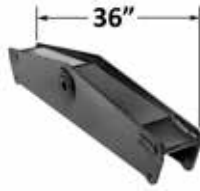
Fabricated. Includes E-7713 Bushing

EUCLID NO.	GENUINE	OEM REF.	LENGTH
E-16197	R	14700-01	30-1/2"

EQUALIZERS

Listed By OEM - By Length

Reyco 74B - 72" Widespread



Fabricated. Includes E-9950 Bushing

EUCLID NO.	GENUINE	OEM REF.	LENGTH
E-15295	R	13909-01	36"

Trailmobile



Fabricated. Includes E-3394A Bushing

EUCLID NO.	OEM REF.	LENGTH	NOTES
E-3383	3-A66-43	16"	With 3-1/2" Wide Springs

Reyco 21B Fabricated, 72" Widespread



Fabricated. Includes E-7713 Bushing

EUCLID NO.	GENUINE	OEM REF.	LENGTH
E-16198	R	14763-01	43"

Trailmobile



Cast. Requires E-1072 Bushing

EUCLID NO.	OEM REF.	LENGTH	NOTES
E-3398	3-A66-42	16-1/2"	Discontinued

Reyco 21B Cast Series & Model 73 - 72" Widespread



Fabricated. Includes E-1072 Bushing

EUCLID NO.	GENUINE	OEM REF.	LENGTH
E-5246	R	11143-01	43"


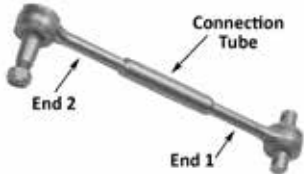


Volvo Four Spring - Before 1985



Cast. Includes E-3082 Bushing

EUCLID NO.	OEM REF.	LENGTH
E-3844	V8027430; V8061451; 35011-5002	16"

This section shows all of the torque arms (rods) offered by Euclid.
 “Easy Search For Parts” (ESP) charts show adjustable and rigid torque arms listed by length.
 Photographs of adjustable and rigid torque arms are shown and are listed by OEM

ADJUSTABLE AND RIGID COMPLETE ASSEMBLIES	
	<p>These are available in variety of sizes and bushing styles depending on the application. These torque arms can be found in the parts list or illustrated section for each suspension as well as this components section. While there are many torque arms contained in the Euclid Catalogs, almost any of these one piece torque arms that is not included in this catalog can be ordered through Euclid's S.O.S. program.</p>
TORQUE ARM KITS	
<p>Several different styles of torque arm kits are available from Euclid. These require measurement, cutting to length and welding in the field to produce the required torque arm. This design reduces inventory and provides the maximum flexibility when servicing a fleet customer.</p>	
	<p>UNI-ROD® Kits from ZF Lemforder – These three piece kits offer a full ball socket design which provides for maximum movement or articulation in the suspension. These are typically used for heavy duty trucks and tractors that operate in environments that require high articulation.</p>
	<p>Hendrickson ULTRA ROD® - These two piece kits are available from Euclid with a wide variety of bushings to cover virtually every application.</p>
	<p>Hendrickson ULTRA ROD PLUS® - Euclid stocks the empty hub end and empty spacer ends that require Ultra Rod Plus Bushings. Select and install the proper bushings in the field.</p>



Access the Torque Arm Visual Product Tool by scanning the QR code

TORQUE ARMS

E.S.P. GUIDE

Easy Search for Parts

Adjustable Torque Arms Listed by Center-to-Center Length

HOW TO USE THIS GUIDE:

1. For adjustable torque arms the center of the bushing to the center of the bushing length is the nominal or middle range of the adjustable length.
2. Locate the closest "Center-to-Center" dimension.
3. Determine which type of end is on the torque arm, cast or fabricated and review the options shown in the "Construction" column.
4. Use the "Primary Application" information to further determine the options for the torque arm.
5. Refer to the photographs beginning on page CMP-73 to visually see the options including details on bushings and bushing kits.



ADJUSTABLE TORQUE ARMS

NOMINAL CENTER-TO-CENTER LENGTH	CONSTRUCTION	BUSHINGS	PRIMARY APPLICATIONS	EUCLID NO.	PAGE NO.
13-7/8"	Cast Ends	Bushings Included	Reyco	E-7741	CMP-78
14"	Cast Ends	Bushings Included	Reyco	E-9584	CMP-78
	Fabricated Ends	Bushings Included	Hutchens	E-16390	CMP-76
15-7/16"	Cast Ends	Bushings Not Included	Fruehauf	E-2515	CMP-74
16"	Cast Ends	Bushings Not Included	Hutchens, Reyco	E-2292	CMP-77, CMP-78
	Cast Ends	Bushings Included	Hutchens	E-2510	CMP-77
	Fabricated Ends	Bushings Included	Hutchens	E-3276	CMP-76
	Fabricated Ends	Bushings Included	Hutchens	E-16527	CMP-76
16-1/8"	Cast Ends	Bushings Included	Reyco	E-16541	CMP-78
	Cast Ends	Bushings Included	Dana, Dayton, Hendrickson	E-2512	CMP-74, CMP-75
16-1/4"	Cast Ends	Bushings Not Included	Dana	E-2294	CMP-74
16-1/2"	Cast Ends	Bushings Not Included	Reyco	E-3283A	CMP-78
17"	Fabricated Ends	Hollow Bushings Included	Hutchens, Trailmobile	E-3390	CMP-76, CMP-79
	Fabricated Ends	Bushings Included	Hutchens	E-16396	CMP-76
18-1/2"	Cast Ends	Bushings Not Included	Hendrickson, Reyco	E-3764	CMP-78
	Cast Ends	Bushings Not Included	Reyco	E-3284A	CMP-78
19-1/4"	Cast Ends	Bushings Not Included	Hutchens	E-2293	CMP-77
	Cast Ends	Bushings Included	Hutchens	E-2511	CMP-77
	Cast Ends	Bushings Not Included	Hutchens, Great Dane	E-9476	CMP-75, CMP-77
	Fabricated Ends	Bushings Included	Hutchens	E-16394	CMP-76
20"	Cast Ends	Bushings Not Included	Dana	E-2295	CMP-74
	Cast Ends	Bushings Included	Dana, Dayton, Hendrickson, Reyco	E-2513	CMP-74, CMP-75, CMP-78
	Fabricated Ends	Bushings Included	Binkley/SAF Holland, Reyco	E-4824	CMP-73, CMP-78
20-1/4"	Fabricated Ends	Bushings Included	Hutchens	E-3277	CMP-76
	Fabricated Ends	Bushings Included	Hutchens	E-3277-P	CMP-76
	Fabricated Ends	Bushings Included	Hutchens	E-7683	CMP-76
	Fabricated Ends	Bushings Included	Hutchens	E-16528	CMP-76
20-1/2"	Cast Ends	Bushings Not Included	Reyco	E-4796	CMP-78

TORQUE ARMS

E.S.P. GUIDE

Easy Search for Parts

Adjustable Torque Arms Listed by Center-to-Center Length



ADJUSTABLE TORQUE ARMS					
NOMINAL CENTER-TO-CENTER LENGTH	CONSTRUCTION	BUSHINGS	PRIMARY APPLICATIONS	EUCLID NO.	PAGE NO.
20-5/8"	Cast Ends	Bushings Not Included	Reyco	E-7742	CMP-78
	Cast Ends	Bushings Not Included	Reyco	E-2866A	CMP-78
21"	Cast Ends	Bushings Not Included	Hutchens	E-15429	CMP-77
21-1/4"	Cast Ends	Bushings Included	Reyco	E-9620	CMP-78
21-1/2"	Cast Ends	Bushings Not Included	Chalmers	E-4789	CMP-73
	Fabricated Ends	Bushings Included	Hutchens	E-11448	CMP-76
	Fabricated End	Bushings Included	Meritor	E-11769	CMP-77
	Cast Ends	Bushings Not Included	Chalmers	E-14987	CMP-73
	Fabricated Ends	Bushings Included	Hutchens	E-16526	CMP-76
21-3/4"	Cast Ends	Bushings Not Included	Chalmers	E-14773	CMP-73
22"	Cast Ends	Bushings Not Included	Chalmers	E-14989	CMP-73
23"	Cast Ends	Bushings Not Included	Chalmers	E-14969	CMP-73
	Cast Ends	Bushings Included	Volvo	E-16819	CMP-79
23-1/2"	Fabricated Ends	Bushings Included	Hutchens	E-7684	CMP-76
	Fabricated Ends	Bushings Included	Hutchens	E-16530	CMP-76
24"	Cast Ends	Bushings Not Included	Chalmers	E-4790	CMP-73
	Cast Ends	Bushings Not Included	Chalmers	E-14976	CMP-73
24-1/2"	Cast Ends	Bushings Included	Reyco	E-15294	CMP-78
25"	Cast Ends	Bushings Not Included	Chalmers	E-14774	CMP-73
	Fabricated Ends	Bushings Included	Hutchens	E-15342	CMP-76
25-1/8"	Cast Ends	Bushings Included	Trailmobile	E-7743	CMP-78
	Cast Ends	Bushings Not Included	Reyco	E-16495	CMP-78
	Cast Ends	Bushings Not Included	Reyco	E-5255A	CMP-78
26-1/2"	Fabricated Ends	Bushings Included	Hutchens	E-15344	CMP-76
28"	Fabricated Ends	Bushings Included	Hutchens	E-15343	CMP-76
29-1/2"	Fabricated Ends	Bushings Included	Hutchens	E-7685	CMP-76
	Fabricated Ends	Bushings Included	Hutchens	E-16529	CMP-76
30-3/4"	Fabricated Ends	Bushings Included	Hutchens	E-15346	CMP-76
33"	Cast Ends	Bushings Not Included	Chalmers	E-14975	CMP-73
33-1/2"	Fabricated Ends	Bushings Included	Hutchens	E-15353	CMP-76
34-3/4"	Fabricated Ends	Bushings Included	Hutchens	E-15350	CMP-76

TORQUE ARMS

E.S.P. GUIDE

Easy Search for Parts

Rigid Torque Arms Listed by Center-to-Center Length

HOW TO USE THIS GUIDE:

1. Locate the proper "Center-to-Center" dimension. Since the length of these torque arms cannot be changed, the length's must be matched accurately.
2. Only minor changes to the "length" can be made to some torque arms using shims which are typically used for axle alignment on rear truck axles.
3. Review the various types of "Construction" and "Bushings" shown at the top of the page and "Primary Applications" to determine the proper part number.
4. Refer to the photographs beginning on page CMP-80 to visually see the options including details on bushings and bushing angles where applicable.

TUBULAR CENTER BAR	SOLID CENTER BAR	CAST DESIGN	FABRICATED DESIGN	STRADDLE/BAR PIN	TAPERED PIN	HOLLOW BUSHING
						
Construction Options				Bushing Options		

RIGID TORQUE ARMS

CENTER-TO-CENTER LENGTH	CONSTRUCTION	BUSHINGS	PRIMARY APPLICATIONS	EUCLID NO.	PAGE NO.
14-1/4"	Cast Center Bar	Hollow Bushings Included	Reyco	E-9585	CMP-86
14-13/32"	Tubular Center Bar	Includes 1- Straddle & 1- Hollow Bushing	Hendrickson	E-9394	CMP-82
	Cast Center Bar	Straddle Bushings Included	Hendrickson	E-9409	CMP-82
15"	Cast Center Bar	Hollow Bushings Included	Reyco	E-7744	CMP-86
15-7/16"	Cast Center Bar	Bushings Not Included	Fruehauf	E-2514	CMP-82
15-1/2"	Tubular Center Bar	Includes 1- Straddle & 1- Hollow Bushing	Hendrickson	E-3773	CMP-82
15-11/16"	Cast Center Bar	Straddle Bushings Included	Hendrickson	E-16364	CMP-82
15 27/32"	Cast Center Bar	Straddle Bushings Included	Hendrickson	E-3731	CMP-82
15-7/8"	Tubular Center Bar	Includes 1- Straddle & 1- Hollow Bushing	Hendrickson	E-5282	CMP-82
	Tubular Center Bar	Bushings Not Included	Chalmers	E-14985	CMP-80
16-1/4"	Tubular Center Bar	Hollow Bushings Included	Reyco	E-2855	CMP-86
16-5/8"	Tubular Center Bar	Straddle Bushings Included	Freightliner	E-8941	CMP-81
	Tubular Center Bar	Straddle Bushings Included	Freightliner	E-9869	CMP-81
16-3/4"	Cast Center Bar	Hollow Bushings Included	Reyco	E-16540	CMP-86
17"	Fabricated Design	Bushings Included	Trailmobile	E-3391	CMP-87
17-11/32"	Solid Center Bar	Straddle Bushings Included	Peterbilt	E-5082	CMP-85
	Solid Center Bar	Straddle Bushings Included	Peterbilt	E-5083	CMP-85
18-1/8"	Solid Center Bar	Straddle Bushings Included	Navistar	E-3788	CMP-84
	Tubular Center Bar	Straddle Bushings Included	Navistar	E-10764	CMP-84
18-3/16"	Tubular Center Bar	Straddle Bushings Included	Freightliner	E-3546	CMP-81
18-7/16"	Tubular Center Bar	Includes 1- Straddle & 1- Hollow Bushing	Peterbilt	E-7887	CMP-85
18-5/8"	Tubular Center Bar	Hollow Bushings Included	Reyco	E-2856	CMP-86
19"	Tubular Center Bar	Includes 1- Straddle & 1- Hollow Bushing	Hendrickson	E-3774A-2	CMP-82
19-1/8"	Tubular Center Bar	Straddle Bushings Included	Peterbilt	E-4753	CMP-85
	Fabricated Design	Bushings Included	Hutchens	E-2899	CMP-83
	Fabricated Design	Bushings Included	Hutchens	E-2899-P	CMP-83
	Cast	Bushings Included	Binkley/SAF Holland	E-9307	CMP-80
	Cast Center Bar	Bushings Not Included	Hutchens	E-9477	CMP-83
19-5/8"	Fabricated Design	Bushings Included	Hutchens	E-16395	CMP-83
19-5/8"	Cast Center Bar	Hollow Bushings Included	Reyco	E-4825	CMP-86
20-5/16"	Cast Center Bar	Straddle Bushings Included	Hendrickson	E-9407	CMP-82
20-1/2"	Tubular Center Bar	Hollow Bushings Included	Reyco	E-2860	CMP-86
21"	Tubular Center Bar	Hollow Bushings Included	Reyco	E-2858	CMP-86
21-1/4"	Cast Center Bar	Hollow Bushings Included	Reyco	E-9619	CMP-86

E.S.P. GUIDE

Easy Search for Parts

Rigid Torque Arms Listed by Center-to-Center Length








TUBULAR CENTER BAR	SOLID CENTER BAR	CAST DESIGN	FABRICATED DESIGN	STRADDLE/BAR PIN	TAPERED PIN	HOLLOW BUSHING
						
Construction Options				Bushing Options		
RIGID TORQUE ARMS						
CENTER-TO-CENTER LENGTH	CONSTRUCTION	BUSHINGS	PRIMARY APPLICATIONS	EUCLID NO.	PAGE NO.	
21-1/2"	Tubular Center Bar	Bushings Not Included	Chalmers	E-4791	CMP-80	
	Solid Center Bar	Hollow Bushings Included	Meritor	E-11768	CMP-84	
	Tubular Center Bar	Bushings Not Included	Chalmers	E-14978	CMP-80	
21-3/4"	Tubular Center Bar	Bushings Not Included	Chalmers	E-14990	CMP-80	
21-15/16"	Cast Center Bar	Straddle Bushings Included	Hendrickson	E-3732	CMP-82	
	Tubular Center Bar	Includes 1- Straddle & 1- Hollow Bushing	Hendrickson	E-5283	CMP-82	
21 31/32"	Solid Center Bar	Straddle Bushings Included	Navistar	E-3789	CMP-84	
	Tubular Center Bar	Straddle Bushings Included	Navistar	E-10765	CMP-84	
22"	Tubular Center Bar	Includes 1- Straddle & 1- Hollow Bushing	Hendrickson, Mack	E-13993	CMP-82, CMP-84	
	Tubular Center Bar	Bushings Not Included	Chalmers	E-14991	CMP-80	
22-1/8"	Solid Center Bar	Straddle Bushings Included	Mack/Volvo	E-8821	CMP-87, CMP-84	
	Solid Center Bar	Straddle Poly Bushings Included	Mack/Volvo	GAFF18860	CMP-84	
22-5/8"	Crimped Center Bar Design	Straddle Bushings Included	Volvo	E-16818	CMP-87	
22-15/16"	Tubular Center Bar	Straddle Bushings Included	Freightliner	E-8808	CMP-81	
23"	Solid Center Bar	Straddle Bushings Included	Peterbilt	E-4771	CMP-85	
	Solid Center Bar	Straddle Poly Bushings Included	Peterbilt	GAFF34554	CMP-85	
	Solid Center Bar	Straddle Poly Bushings Included	Peterbilt	GAFF34554EZ	CMP-85	
	Solid Center Bar	Straddle Bushings Included	Volvo	E-8853	CMP-87	
23-1/4"	Crimped Center Bar	Straddle Bushings Included	Freightliner	E-16058	CMP-81	
	Crimped Center Bar	Straddle Bushings Included	Freightliner	E-16059	CMP-81	
23-3/4"	Tubular Center Bar	Includes 1- Straddle & 1- Hollow Bushing	Peterbilt	E-16098	CMP-85	
	Tubular Center Bar	Includes 1- Straddle & 1- Hollow Poly Bushings	Peterbilt	GAFF12397	CMP-85	
23-15/16"	Solid Center Bar	Straddle Bushings Included	Freightliner	E-16277	CMP-81	
	Solid Center Bar	Straddle Poly Bushings Included	Freightliner	GAFF11078	CMP-81	
	Tubular Center Bar	Straddle Bushings Included	Freightliner	E-15536	CMP-81	
24"	Tubular Center Bar	Bushings Not Included	Chalmers	E-4792	CMP-80	
	Tubular Center Bar	Bushings Not Included	Chalmers	E-14979	CMP-80	
	Solid Center Bar	Straddle Bushings Included	Kenworth	E-15708	CMP-83	
	Solid Center Bar	Straddle Poly Bushings Included	Kenworth	GAFF11751	CMP-83	
	Solid Center Bar	Straddle Poly Bushings Included	Kenworth	GAFF11751EZ	CMP-83	
	Solid Center Bar	Includes 1 Straddle & 1 Tapered Pin Bushing	Kenworth	E-15711	CMP-83	
	Solid Center Bar	Includes 1 Straddle & 1 Tapered Pin Poly Bushings	Kenworth	GAFF11080	CMP-83	
	Solid Center Bar	Includes 1 Straddle & 1 Tapered Pin Poly Bushings	Kenworth	GAFF11080EZ	CMP-83	
24-1/4"	Cast and Angled Center Bar	Bushings Not Included	Chalmers	E-14986	CMP-80	
24-3/8"	Tubular Center Bar	Straddle Bushings Included	Freightliner	E-15542	CMP-81	
24-7/16"	Crimped Center Bar	Straddle Bushings Included	Freightliner	E-16054	CMP-81	
	Solid Center Bar	1- Straddle & 1- Tapered Pin Bushing Included	Freightliner	E-16653	CMP-81	
24-1/2"	Cast Center Bar	Hollow Bushings Included	Reyco	E-15293	CMP-86	
	Crimped Center Bar	Straddle Bushings Included	Freightliner	E-16055	CMP-81	

TORQUE ARMS

E.S.P. GUIDE

Easy Search for Parts

Rigid Torque Arms Listed by Center-to-Center Length

TUBULAR CENTER BAR	SOLID CENTER BAR	CAST DESIGN	FABRICATED DESIGN	STRADDLE/BAR PIN	TAPERED PIN	HOLLOW BUSHING
						
Construction Options				Bushing Options		
RIGID TORQUE ARMS						
CENTER-TO-CENTER LENGTH	CONSTRUCTION	BUSHINGS	PRIMARY APPLICATIONS	EUCLID NO.	PAGE NO.	
25"	Tubular Center Bar	Hollow Bushings Included	Reyco	E-5256	CMP-86	
	Solid Center Bar	Straddle Bushings Included	Kenworth	E-15611	CMP-83	
25-1/4"	Cast Center Bar	Hollow Bushings Included	Reyco	E-7746	CMP-86	
25-3/8"	Tubular Center Bar	Straddle Bushings Included	Navistar	E-16075	CMP-84	
25-1/2"	Solid Center Bar	Straddle Bushings Included	Peterbilt	E-15709	CMP-85	
25-9/16"	Tubular Center Bar	Straddle Bushings Included	Peterbilt	E-16118	CMP-85	
	Tubular Center Bar	Straddle Poly Bushings Included	Peterbilt	GAFF11792	CMP-85	
25-5/8"	Tubular Center Bar	Straddle Bushings Included	Peterbilt	E-7853	CMP-85	
	Tubular Center Bar	Straddle Rubber Bushings Included	Peterbilt	GAFF12398	CMP-85	
	Tubular Center Bar	Straddle Rubber Bushings Included	Peterbilt	GAFF12398EZ		
33"	Tubular Center Bar	Bushings Not Included	Chalmers	E-14977	CMP-80	
34-5/8"	Tubular Center Bar	Includes 1- Straddle & 1- Hollow Bushing	Peterbilt	E-16099	CMP-85	
38"	Cast Center Bar	Hollow Bushings Included	Reyco	E-15266	CMP-86	
44"	Cast Center Bar	Hollow Bushings Included	Reyco	E-15276	CMP-86	

TORQUE ARMS

Adjustable - Listed Alphabetically by OEM

Binkley / SAF-Holland



Includes Bushings

EUCLID NO.	OEM REF.	FOR MODELS	BUSHING NO.	LENGTH
E-4824	SP0123	Binkley/Duralite	E-1980	18-1/2" to 21-1/2"

Chalmers



Bushings Not Included

EUCLID NO.	GENUINE	OEM REF.	FOR MODELS	JOINT TYPE	NOMINAL LENGTH	BUSHINGS				NOTES
						STANDARD SIZE RUBBER	STANDARD SIZE POLY	OVERSIZE RUBBER	OVERSIZE POLY	
E-4789		216214	300 & 600 Series	0 & 1	21-1/2"	E-4677A	GAFF18919	E-4678A	-	-
E-14987		807214	800 Series	2	21-1/2"	E-7766	GAFF11739	E-7767	GAFF18921	-
E-14773		807250	800 Series	2	21-3/4"	E-7766	GAFF11739	E-7767	GAFF18921	46K
E-14989		807220	800 Series	2	22"	E-7766	GAFF11739	E-7767	GAFF18921	-
E-14969		216230	300 Series	0	23"	E-4677A	GAFF18919	E-4678A	-	-
E-4790		216240	300, 600 & 700 Series	0 & 1	24"	E-4677A	GAFF18919	E-4678A	-	-
E-14976		807240	700 & 800 Series	2	24"	E-7766	GAFF11739	E-7767	GAFF18921	-
E-14774		807216	800 Series	2	25"	E-7766	GAFF11739	E-7767	GAFF18921	46K
E-14975		216330	700 Series	1	33"	E-4677A	GAFF18919	E-4678A	-	-

TORQUE ARMS

Adjustable - Listed Alphabetically by OEM

Dana



TYPE 1



TYPE 2

EUCLID NO.	OEM REF.	FOR MODELS	BUSHING NO.	USES BUSHING KIT	LENGTH	TYPE	NOTES
E-2512	M109201	62 & 68 Series	E-1980	E-1981	14-3/4" to 18"	1	Includes Bushings
E-2513	M109202	62 & 68 Series	E-1980	E-1981	18-1/2" to 21-1/2"	1	Includes Bushings
E-2294	M109101	55 Series	E-1982	E-1983	14" to 18-1/2"	2	Bushings Not Included
E-2295	M109102	55 Series	E-1982	E-1983	18-1/2" to 21-1/2"	2	Bushings Not Included

Dayton



Includes Bushings

EUCLID NO.	OEM REF.	FOR MODELS	BUSHING NO.	USES BUSHING KIT	LENGTH	NOTES
E-2512	39090029	All	E-1980	E-1981	14-3/4" to 18"	Front
E-2513	39090030	All	E-1980	E-1981	18-1/2" to 21-1/2"	Rear

Fruehauf



Does Not Include Bushings

EUCLID NO.	OEM REF.	FOR MODELS	BUSHING NO.	USES BUSHING KIT	LENGTH
E-2515	UCF-002640-001	F-2, J-2, NF-2, NT	E-927	E-1023	15-7/16"

TORQUE ARMS

Adjustable - Listed Alphabetically by OEM

Great Dane



Bushings Not Included

EUCLID NO.	OEM REF.	FOR MODELS	BUSHING NO.	USES BUSHING KIT	NOMINAL LENGTH
E-9476	16167-04	H	E-927	E-9478	19-1/4"

Hendrickson



Includes Bushings

EUCLID NO.	OEM REF.	FOR MODELS	BUSHING NO.	USES BUSHING KIT	LENGTH
E-2512	S-1032-2	HLQ, Q Series	E-1980	E-1981	14-3/4" to 18"
E-2513	S-1032-1	HLQ, Q Series	E-1980	E-1981	18-1/2" to 21-1/2"

TORQUE ARMS

Adjustable - Listed Alphabetically by OEM

Hutchens



FABRICATED ENDS

Includes Bushings

EUCLID NO.	GENUINE	OEM REF.	FOR MODELS	INCLUDES BUSHING NO.	USES BUSHING KIT	NOMINAL LENGTH
E-16390		16398-01	H-7700, CH-7700 H-9700, CH-9700	E-934	E-3079	14"
E-3276	-	16398-02 713-02	H-7700, CH-7700 H-9700, CH-9700	E-934	E-3079	16"
E-16527						
E-3390	-	16398-17	H-7700, CH-7700 H-9700, CH-9700	E-934	E-3079	17"
E-16396		16398-17	H-7700, CH-7700 H-9700, CH-9700	E-934	E-3079	17"
E-16394		16398-04	H-7700, CH-7700 H-9700, CH-9700	E-934	E-3079	19-1/4"
E-3277	-	16398-04	H-7700, CH-7700 H-9700, CH-9700	E-934	E-3079	20-1/4"
E-3277-P						
E-7683		16398-05	H-7700, CH-7700 H-9700, CH-9700	E-934	E-3079	20-1/4"
E-16528						
E-11448	-	16398-06	H-7700, CH-7700 H-9700, CH-9700	E-934	E-3079	21-1/2"
E-16526						
E-7684	-	16398-08	H-7700, CH-7700 H-9700, CH-9700	E-934	E-3079	23-1/2"
E-16530						
E-15342		16398-09	H-7700, CH-7700 H-9700, CH-9700	E-934	E-3079	25"
E-15344		16398-10	H-7700, CH-7700 H-9700, CH-9700	E-934	E-3079	26-1/2"
E-15343		16398-11	H-7700, CH-7700 H-9700, CH-9700	E-934	E-3079	28"
E-7685	-	16398-12	H-7700, CH-7700 H-9700, CH-9700	E-934	E-3079	29-1/2"
E-16529						
E-15346		16398-13	H-7700, CH-7700 H-9700, CH-9700	E-934	E-3079	30-3/4"
E-15353		16398-14	H-7700, CH-7700 H-9700, CH-9700	E-934	E-3079	33-1/2"
E-15350		16398-15	H-7700, CH-7700 H-9700, CH-9700	E-934	E-3079	34-3/4"

TORQUE ARMS



Adjustable - Listed Alphabetically by OEM

Hutchens



CAST ENDS


Includes Bushings As Noted

EUCLID NO.	GENUINE	EUCLID NO.	OEM REF.	FOR MODELS	INCLUDES BUSHING NO.	USES BUSHING KIT	NOMINAL LENGTH
E-2510	-	-	-	H-7700, CH-7700 H-9700, CH-9700	E-934	E-3079	16"
E-2292	-	-	-	H-7700, CH-7700 H-9700, CH-9700	Not Included. Use E-934	E-3079	16"
E-2511	-	-	-	H-7700, CH-7700 H-9700, CH-9700	E-934	E-3079	19-1/4"
E-2293	-	-	-	H-7700, CH-7700 H-9700, CH-9700	Not Included. Use E-934	E-3079	19-1/4"
E-9476		-	16167-04	H-7600, CH-7600 H-9600, CH-9600	Not Included. Use E-927	E-9478	19-1/4"
E-15429		-	16167-06	H-7600, CH-7600 H-9600, CH-9600	Not Included. Use E-927	E-9478	21"

Meritor



Includes Poly Bushings

EUCLID NO.	GENUINE	OEM REF.	FOR MODELS	BUSHING NO.	LENGTH
E-11769		A1-3133-Y-8345	RHP / MPA	E-17029	20-1/4" - 22-3/4"

TORQUE ARMS

Adjustable - Listed Alphabetically by OEM

Reyco Granning



TYPE 1



TYPE 2

EUCLID NO.	GENUINE	OEM REF.	FOR MODELS	INCLUDES BUSHING, HANGER END	INCLUDES BUSHING, AXLE SEAT END	BUSHING ASSEMBLY, HANGER SEAT END	BUSHING ASSEMBLY, AXLE SEAT END	LENGTH	TYPE
E-7741	R	16031-01	73, 73 WS, 83	E-7750	E-1980	E-7749	E-1981	12-3/4" to 15"	1
E-9584	R	16595-01	74B 72"-109", 74B 50"-60", 74AR	E-9549	E-9549	E-9587	E-9587	13" to 15"	2
E-16541	R	20138-01	240AR	E-10057	E-1980	E-9350	E-1981	15" to 17-1/4"	1
E-3283A	R	15172-01	21B Cast, 21B FAB, 21AR	Not Included, Use E-1160	Not Included, Use E-1160	E-1312A	E-1312A	15-1/2" to 17-1/2"	1
E-3284A	R	15173-01	21B Cast, 21B FAB	Not Included, Use E-1160	Not Included, Use E-1160	E-1312A	E-1312A	17-1/2" to 19-1/2"	1
E-3764	R	15187-01	102W, 102AR	Not Included, Use E-10057	Not Included, Use E-1980	E-9350	E-1981	17-1/2" to 19-1/2"	1
E-2513	R	-	86AR	E-1980	E-1980	E-1981	E-1981	18-1/2" to 21-1/2"	2
E-4824	R	1035-20	86AR, 86-88	E-1980	E-1980	E-4834A	E-4834A	18-1/4" to 20-3/4"	1
E-4796	R	15186-01	102W, 102AR	Not Included, Use E-10057	Not Included, Use E-1980	E-9350	E-1981	19-1/2" to 21-1/2"	1
E-2866A	R	15354-01	21B FAB, 102	Not Included, Use E-10057	Not Included, Use E-1982	E-9350	E-1983	19-1/2" to 21-3/4"	1
E-7742	R	16032-01	73, 73 WS, 83	Not Included, Use E-7750	Not Included, Use E-1980	E-7749	E-1981	19-1/2" to 21-3/4"	1
E-9620	R	16596-01	74B 50"-60", 74B 72"-109"	E-9549	E-9549	E-9587	E-9587	21-1/4"	2
E-5255A	R	15176-01	21B FAB, 102	Not Included, Use E-10057	Not Included, Use E-1982	E-9350	E-1983	24" to 26-1/4"	1
E-7743	R	16034-01	73 WS, 83	E-7750	E-1980	E-7749	E-1981	24" to 26-1/4"	1
E-15294	R	16597-01	74B 50"-60"	E-9549	E-9549	E-9587	E-9587	24-1/2"	2
E-2292	-	16347-01	102CC	E-1980	E-1980	E-1981	E-1981	14-3/4" to 18-1/2"	2
E-16495	R	16429-01	102AR	E-1980	E-1980	E-1981	E-1981	24" to 26-1/4"	1

TORQUE ARMS

Adjustable - Listed Alphabetically by OEM

Trailmobile



Includes Bushings

EUCLID NO.	OEM REF.	FOR MODELS	BUSHING NO.	USES BUSHING KIT	LENGTH
E-3390	3-A11-65A	With Fabricated Equalizer	E-934	E-3079	17"

Volvo



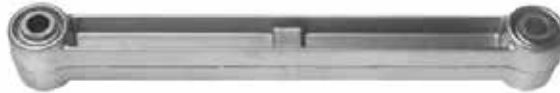
Includes Bushings

EUCLID NO.	OEM REF.	FOR MODELS	LENGTH	TYPE
E-16819	20509568	Volvo T Ride 2006 and Later	23"	Crimped Center Bar Design

TORQUE ARMS

Rigid - Listed Alphabetically by OEM

Binkley / SAF-Holland



Includes Bushings

EUCLID NO.	OEM REF.	FOR MODELS	BUSHING NO.	LENGTH
E-9307	SP0143	Binkley/Duralite	E-1980	19-1/4"

Chalmers



Bushings Not Included

EUCLID NO.	GENUINE	OEM REF.	FOR MODELS	JOINT TYPE	LENGTH	BUSHINGS			
						STANDARD SIZE RUBBER	STANDARD SIZE POLY	OVERSIZE RUBBER	OVERSIZE POLY
E-14985		223157	800 Series	1	15-7/8"	E-4677A	GAFF18919	E-4678A	-
E-4791		223214	300, 600 & 700 Series	0 & 1	21-1/2"	E-4677A	GAFF18919	E-4678A	-
E-14978		805214	700 & 800 Series	2	21-1/2"	E-7766	GAFF11739	E-7767	GAFF18921
E-14990		805216	800 Series	2	21-3/4"	E-7766	GAFF11739	E-7767	GAFF18921
E-14991		805220	800 Series	2	22"	E-7766	GAFF11739	E-7767	GAFF18921
E-4792		223240	300 & 700 Series	0 & 1	24"	E-4677A	GAFF18919	E-4678A	-
E-14979		805240	700 Series	2	24"	E-7766	GAFF11739	E-7767	GAFF18921
E-14977		223330	700 Series	1	33"	E-4677A	GAFF18919	E-4678A	-

Chalmers

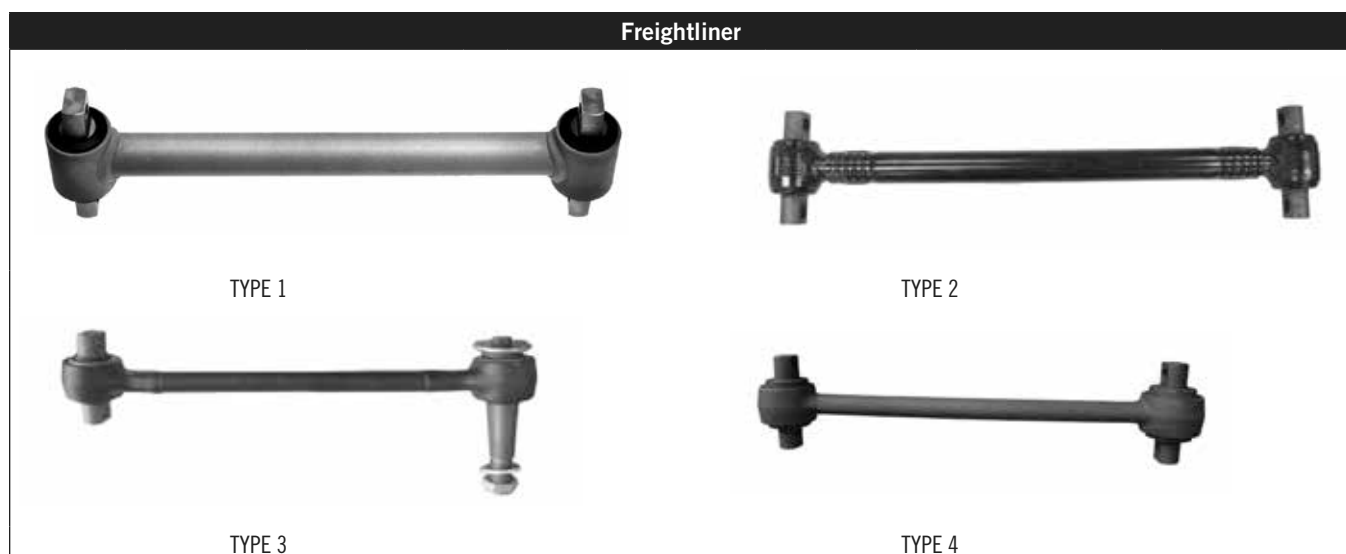


Bushings Not Included

EUCLID NO.	GENUINE	OEM REF.	JOINT TYPE	LENGTH	BUSHINGS				NOTES
					STANDARD SIZE RUBBER	STANDARD SIZE POLY	OVERSIZE RUBBER	OVERSIZE POLY	
E-14986		800049	2	24-1/4"	E-7766	GAFF11739	E-7767	GAFF18921	46-50K

TORQUE ARMS

Rigid - Listed Alphabetically by OEM

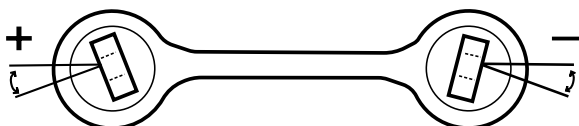


Includes Bushings

EUCLID NO.	OEM REF.	FOR MODELS	BUSHING NO.	LENGTH	BUSHING ANGLE	TUBE DIA.	TYPE
E-9869	16-13054-000	FH36-40	Not Rebushable	16-5/8"	2° / 12°	1-15/16"	1
E-8941	16-13053-000	FH34A / 36-40	Not Rebushable	16-5/8"	2° / 12°	1-9/16"	1
E-3546	16-10420-001	FH34 - 44	Not Rebushable	18-3/16"	3° / 10°	1-9/16"	1
E-8808	681-326-63-16	FAS II	E-5275	22-15/16"	0°, 35°	-	1
E-15536	681-326-67-16		E-5275	23-15/16"	0°, 35°	-	1
GAFF11078			GAFF11004				
E-16277	16-16749-001		E-5275	23-15/16"	0°, 35°	-	4
E-15542	16-16749-002		E-5275	24-3/8"	0°, 35°	-	1
E-16653	16-14149-002		E-2228, E-10303	24-7/16" 7.5° Twist	0°, 35°	-	3
E-16058	16-15002-000	TufTrac	Includes E-16064 Bushings.	23-1/4"	Front Bushing +10°; Rear Bushing +7°	-	2
E-16059	16-15002-001		Includes E-16064 Bushings.	23-1/4"	Front Bushing +6-1/2°; Rear Bushing +4°	-	2
E-16054	16-14998-001		Includes E-16063 Bushings.	24-7/16"	Front Bushing +4°; Rear Bushing +7°	-	2
E-16055	16-14998-000		Includes E-16063 Bushings.	24-1/2"	Front & Rear Bushing 0°	-	2

Bushing Angles

Top of Torque Arm
Front of Vehicle



Many Truck/Tractor drive axle torque arms have straddle mount/bar pin style bushings that are NOT perpendicular to the center shaft. When the bushings are rotated, most are rotated counter clockwise as shown on the left which is considered "positive". "Negative" rotation is clockwise as shown on the right end of the drawing.

TORQUE ARMS

Rigid - Listed Alphabetically by OEM

Fruehauf



Bushings Not Included

EUCLID NO.	OEM REF.	FOR MODELS	BUSHING NO.	USES BUSHING KIT	LENGTH
E-2514	UXA-000026-001	All	E-927	E-1023	15-7/16"

Hendrickson



TYPE 1


TYPE 2



EUCLID NO.	GENUINE	OEM REF.	FOR MODELS	BUSHING NO.	BUSHING ANGLE	LENGTH	NOTES	TYPE
E-9409		48411-006	All HAS Models Except HAS 230/460, HFS	E-5275	10° / 10°	14-13/32"	Includes Bushings	1
E-9394		62007-365	HAS 230/460 Models	E-5275	0° / 0°	14-13/32"	Includes Bushing	2
E-3773		S-1031	HLQ, Q Series	E-1980 E-1981 KIT	-	15-1/2"	Without Bushings	2
E-16364		77906-398	HTB For International	-	0° / 8°	15-11/16"	Includes Bushings, Bushings Not Replacable	1
E-3731		48411-001	HA Models	E-5275	-	15-27/32"	Includes Bushings	1
E-5282		48158-001; FORD E4HZ4612A	E4 Series	E-5275/E-5276	-	15-7/8"	Includes Bushings (1) Bar Pin, (1) Hollow Bushing	2
E-3774A-2		S-1031-1	HLQ, Q Series	E-1980 E-1981 KIT	-	19"	Without Bushings	2
E-9407		48411-007	HFS	E-5275	-	20-5/16"	Includes Bushings	1
E-3732		48411-002	HA Models	E-5275	-	21-15/16"	Includes Bushings	1
E-5283		48158-002; FORD E4HZ4612B	E4 Series	E-5275/E-5276	-	21-15/16"	Includes Bushings (1) Bar Pin, (1) Hollow Bushing	2
E-13993		58757-006	PRIMAXX & PRIMAXX EX	E-13961	0° / 0°	22"	Includes Bushings	2
E-16408		62000-745	Blue Bird PARASTEER	E-5275	-	29-3/8"	Includes Bushings	2

TORQUE ARMS

Rigid - Listed Alphabetically by OEM

Suspension

Hutchens							
							
TYPE 1				TYPE 2			
EUCLID NO.	GENUINE	OEM REF.	FOR MODELS	INCLUDES BUSHING NO.	USES BUSHING KIT	LENGTH	TYPE
E-16395		715-00	H7700, H9700	E-934	E-3079	19-1/4"	1
E-2899	-	715-00	H7700, H9700	E-934	E-3079	19-1/4"	1
E-2899-P							
E-9477		11953-01	H-7600, CH-7600 H-9600, CH-9600	Not Included. Use E-927	E-9478	19-1/4"	2

Kenworth					
					
TYPE 1			TYPE 2		
Includes Bushings					
EUCLID NO.	OEM REF.	FOR MODELS	BUSHING NO.	LENGTH	TYPE
E-15708	K195-375; 925031	Airglide 100	E-2226	24"	1
GAFF11751	-	Airglide 100	GAFF13520 (2)	24"	1
GAFF11751EZ	-	Airglide 100	GAFF83520 (2)	24"	1
E-15711	K195-376; 944270	Airglide 100	E-10303 E-2228	24"	2
GAFF11080	-	Airglide 100	GAFF13518 GAFF13520	24"	2
GAFF11080EZ	-	Airglide 100	GAFF13518 GAFF83520	24"	2
E-15611	9259150	Airglide 100	E-2226	25"	1

TORQUE ARMS

Rigid - Listed Alphabetically by OEM

Mack



TYPE 1



TYPE 2


Includes Bushings

EUCLID NO.	OEM REF.	FOR MODELS	BUSHING NO.	LENGTH	TYPE
E-13993	58757-006	MaxAir Twisted Sister	E-5275	22"	1
E-8821	35801-0068	Mack / Volvo Corporate Air Ride	E-9395	22-1/8"	2
GAFF18860	35801-0068	Mack / Volvo Corporate Air Ride	GAFF13520	22-1/8"	2
GAFF18860EZ	-	Mack / Volvo Corporate Air Ride	GAFF83520	22-1/8"	2

Meritor



Includes Poly Bushings

EUCLID NO.	GENUINE	OEM REF.	FOR MODELS	BUSHING NO.	LENGTH
E-11768		A-3133-G-8249	RHP/MPA	E-17029	21-1/2"

Navistar



TYPE 1



TYPE 2

Includes Bushings

EUCLID NO.	OEM REF.	FOR MODELS	BUSHING NO.	LENGTH	BUSHING ANGLE	TYPE
E-3788	493920C1, 588117C91, 923905	4-Spring (Front) & Air Ride "Z" Spring	E-2226	18-1/8"	15° / 15°	1
E-10764	588117C91, 588117C92, 4939920C2	4-Spring (Front) & Air Ride "Z" Spring	E-5275	18-1/8"	15° / 15°	2
E-3789	493921C1, 493921C2, 923915	4-Spring (Rear)	E-2226	21-31/32"	15° / 15°	1
E-10765	588118C91, 588118C92	4-Spring (Rear)	E-5275	21-31/32"	15° / 15°	2
E-16075	3580088C1, 3548381C1	New Corporate Air Ride "Hockey Stick" Spring	Not Rebusable	25-3/8"	0° / 0°	2

TORQUE ARMS

Rigid - Listed Alphabetically by OEM

Suspension

Neway / SAF-Holland



Discontinued

EUCLID NO.	GENUINE	OEM REF.	BUSHING NO.	LENGTH
E-4319		915 44 001	E-2939	14-9/16"

Peterbilt



TYPE 1



TYPE 2



TYPE 3

EUCLID NO.	OEM REF.	FOR MODELS	BUSHING NO.	LENGTH	TYPE
E-5082	03-04119	Air Trac	E-2226	17-11/32"	1
E-5083	03-0419	Air Trac	E-2226 & E-3868	17-11/32"	1
E-7887	03-05849	Quadflex	Not Rebushable	18-7/16"	2
E-4753	03-01781, 03-04839	Four Spring	E-5275	19-1/8"	3
E-4771	03-04059	Air Trac, Air Leaf	E-2225	23"	1
GAFF34554	03-04059	Air Trac, Air Leaf	GAFF13520 (2)	23"	1
GAFF34554EZ	03-04059	Air Trac, Air Leaf	GAFF83520 (2)	23"	1
E-16098	C65-6000-001	Flex Air	Not Rebushable	23-3/4"	2
GAFF12397	C65-6000-001	Flex Air	GAFF14091 & GAFF13521	23-3/4"	2
E-15709	C65-6002, C65-6009	Flex Air	E-5275 New Arms Not Rebushable, Older Requires May Use E-5275	25-1/2"	1
E-16118	TR030020010	Airglide 210	Not Rebushable	25-9/16"	3
GAFF11792	TR030020010	Airglide 210	GAFF13521	25-9/16"	3
E-7853	03-05108	Low Air Leaf	E-2225	25-5/8"	3
GAFF12398	03-05108	Air Trac, Low Air Leaf	GAFF13520 (2)	25-5/8"	3
GAFF12398EZ	03-05108	Low Air Leaf	GAFF83520 (2)	25-5/8"	3
E-16099	C65-6000-002	Flex Air	Not Rebushable	34-5/8"	2

TORQUE ARMS

Rigid - Listed Alphabetically by OEM

Reyco



TYPE 1



TYPE 2



TYPE 3



TYPE 4

EUCLID NO.	GENUINE	OEM REF.	FOR MODELS	INCLUDES BUSHING, HANGER END	INCLUDES BUSHING, AXLE SEAT END	BUSHING ASSEMBLY, HANGER SEAT END	BUSHING ASSEMBLY, AXLE SEAT END	LENGTH	TYPE
E-9585	R	16585-01	74B 50"-60", 74B 72"- 109", 74 AR	E-9549	E-9549	E-9587	E-9587	14-1/4"	4
E-7744	R	10040-01	73, 73 WS, 83	E-7750	E-1980	E-7749	E-1981	15"	3
E-2855	R	15178-01	21B Cast, 21B FAB, 21AR	Not Included, Use E-1160	Not Included, Use E-1160	E-1312A	E-1312A	16-1/4"	1
E-16540	R	20121-01	240AR	E-10057	E-1980	E-9350	E-1981	16-3/4"	4
E-2856	R	15179-01	21B Cast	Not Included, Use E-1160	Not Included, Use E-1160	E-1312A	E-1312A	18-5/8"	1
E-4825	R	0075-20	86AR, 86-88	E-1980	E-1980	E-4834A	E-4834A	19-5/8"	4
E-2860	R	12051-01	101A, 102W, 102AR	E-1964 (101A) E-10057 (102W/102AR)	E-1980	E-1963 (101A) E-9350 (102W/102AR)	E-1981	20-1/2"	2
E-2858	R	15012-01	102	Not Included, Use E-10057	Not Included, Use E-1982	E-9350	E-1983	21"	1
E-9619	R	16588-01	74B 50"-60"	E-9549	E-1982	E-9587	E-1983	21-1/4"	4
E-15293	R	16589-01	74B 50"-60"	E-9549	E-1982	E-9587	E-1983	24-1/2"	4
E-5256	R	09686-01	21B FAB	Not Included, Use E-1160	Not Included, Use E-1160	E-1312A	E-1312A	25"	1
E-7746	R	12422-01	73 WS	E-7750	E-1980	E-7749	E-1981	25-1/4"	4
E-15266	R	20012-01	21AR, 74AR, 86AR	E-1980	E-1980	E-1981	E-1981	38"	3
E-15276	R	10910-01	21AR, 74AR, 86AR	E-1980	E-1980	E-1981	E-1981	44"	3

TORQUE ARMS

Rigid - Listed Alphabetically by OEM

Suspension

Trailmobile



Includes Bushings

EUCLID NO.	OEM REF.	FOR MODELS	BUSHING NO.	USES BUSHING KIT	LENGTH
E-3391	3-A11-64	Fabricated Equalizer 3-1/2" Wide Springs	E-934	E-3079	17"

Volvo



TYPE 1



TYPE 2



TYPE 3

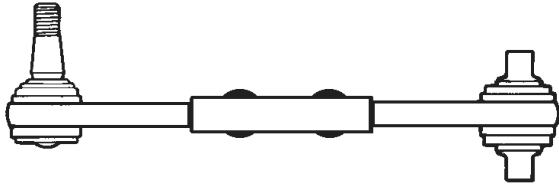
Includes Bushings

EUCLID NO.	OEM REF.	FOR MODELS	BUSHING NO.	LENGTH	TYPE
E-8821	35801-0068	Volvo Corporate Air Ride	E-9395	22-1/8"	1
E-8853	8028945	Volvo T Ride Up To 2005	Not Rebusable	22-5/8"	2
E-16818	20443046	Volvo T Ride 2006 And Later	S.O.S.	22-5/8"	3

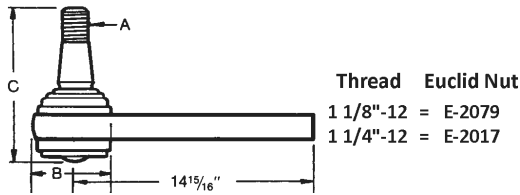
UNI-ROD® KITS

Individual Components

Uni-Rod Kits Require Two Ends
And A Connector Tube



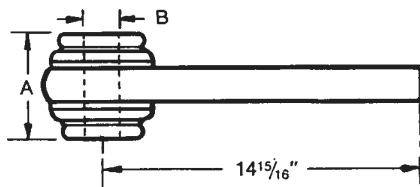
Uni-Rod Ball Stud



Nut Not Furnished

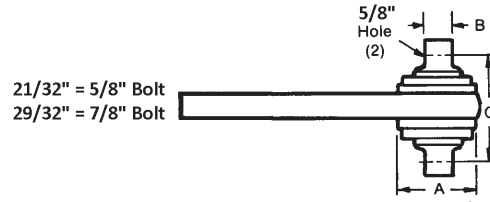
EUCLID NO.	OEM REF.	A THREAD	B	C
E-3165	O&S BU 235	1-1/8"-12	3-3/8"	6-9/64"
E-3166	O&S MU 239	1-1/4"-12	3-3/8"	6-11/64"
E-3167	O&S BU 347	1-1/4"-12	3-3/4"	7 43/64"
E-3168	O&S MU 318	1-1/4"-12	3-3/4"	6 39/64"

Uni-Rod Hollow Ball



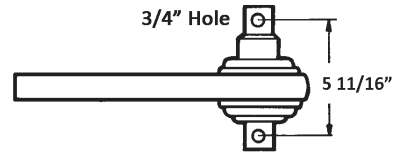
EUCLID NO.	OEM REF.	A	B
E-3169	O&S HU 351	3-1/4"	1-1/8"

Uni-Rod Straddle Arm



EUCLID NO.	OEM REF.	HOLE DIA.	A	B	C
E-3170	O&S SU 236	21/32"	3-3/8"	1-1/8"	4-3/8"
E-3171	O&S SU 348	21/32"	3-3/4"	1-1/8"	4-3/8"
E-3987	O&S SU 372	29/32"	3-3/4"	1-1/8"	4-3/8"

Uni-Rod Offset Straddle Ball



EUCLID NO.	OEM REF.
E-3185	O&S SU 359

Uni-Daptor (Connector Tube)

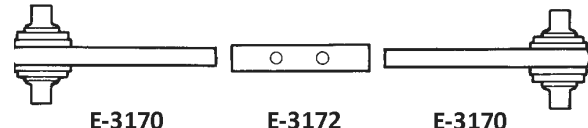


EUCLID NO.	OEM REF.	A
E-3172	O&S 8151-1	8"
E-3173	O&S 8607-1	18"

NOTE: Nuts and Washers Furnished with Kits Only.

Popular Kits

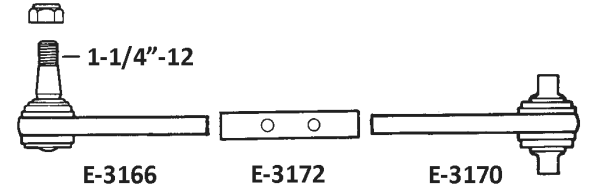
STRADDLE BALL — STRADDLE BALL
34,000 - 36,000 lb. Suspensions



E-3170 E-3172 E-3170

EUCLID NO.	OEM REF.
E-3176	O&S SU 3436

BALL STUD — STRADDLE BALL
For Mack 38,000 lb. Suspension

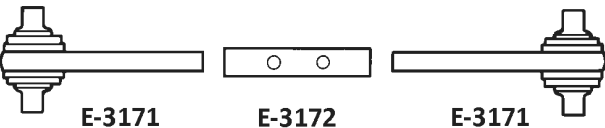


1-1/4"-12
E-3166 E-3172 E-3170

Nut Furnished

EUCLID NO.	OEM REF.
E-3177A	O&S SMU 3800

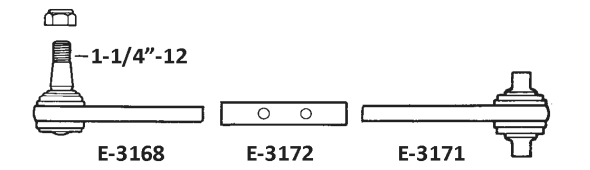
STRADDLE BALL — STRADDLE BALL
For 38,000 - 55,000 lb. Suspensions



E-3171 E-3172 E-3171

EUCLID NO.	OEM REF.	NOTES
E-3180	O&S SU 3844	Brockway requires drilling the 21/32" Dia. Holes oversize to 25/32".

BALL STUD — STRADDLE BALL
38,000 - 55,000 lb. Suspensions

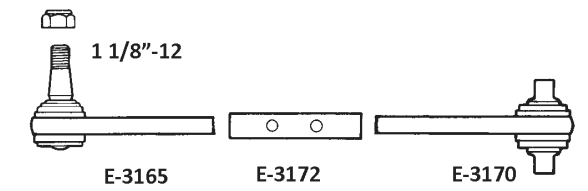


1-1/4"-12
E-3168 E-3172 E-3171

Includes Nut

EUCLID NO.	OEM REF.
E-3179A	O&S SMU 4044

BALL STUD — STRADDLE BALL
34,000 - 36,000 lb. Suspensions

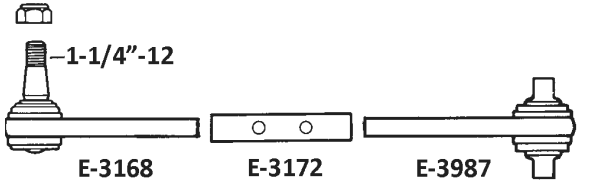


1 1/8"-12
E-3165 E-3172 E-3170

Includes Nut

EUCLID NO.	OEM REF.
E-3174	O&S SBU 3436

BALL STUD — STRADDLE BALL
For Mack 38,000 - 65,000 lb. Suspension

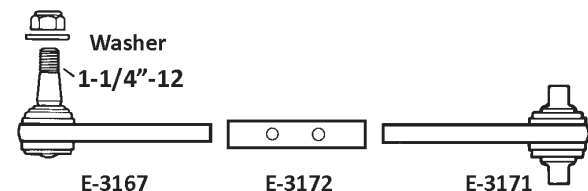


1-1/4"-12
E-3168 E-3172 E-3987

Nut Furnished

EUCLID NO.	OEM REF.
E-3988	O&S LMU 4044

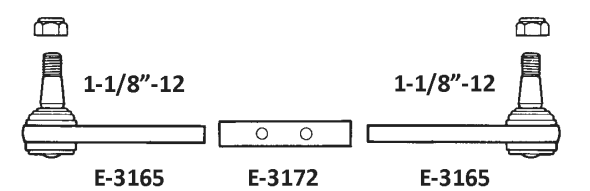
BALL STUD — STRADDLE BALL
38,000 - 55,000 lb. Suspensions. Nut Furnished



Washer
1-1/4"-12
E-3167 E-3172 E-3171

EUCLID NO.	OEM REF.	NOTES
E-3178	O&S SBU 3844	Brockway requires drilling the (2) 21/32" Dia. Holes oversize to 25/32" Dia.

BALL STUD — BALL STUD
34,000 - 36,000 lb. Suspensions



1-1/8"-12 1-1/8"-12
E-3165 E-3172 E-3165

Includes Nut

EUCLID NO.	OEM REF.
E-3175	O&S SBU 3436

NOTE: Nuts and Washers Furnished with Kits Only.

BALL STUD — BALL STUD (Opposite)
34,000 - 36,000 lb. Suspensions

Includes Nut

EUCLID NO.	OEM REF.
E-3175	O&S SU 3436

HOLLOW BALL — STRADDLE BALL
For 38,000 - 55,000 lb. Suspension

EUCLID NO.	OEM REF.
E-3182	O&S SHU 3844

BALL STUD — BALL STUD
For 38,000 - 55,000 lb. Suspension

Nut Furnished

EUCLID NO.	OEM REF.
E-3181	O&S BU 3844

HOLLOW BALL — HOLLOW BALL
For 38,000 - 55,000 lb. Suspension

EUCLID NO.	OEM REF.
E-3184	O&S HU 3844

BALL STUD — BALL STUD (Opposite)
For 38,000 - 55,000 lb. Suspension

Nut Furnished

EUCLID NO.	OEM REF.
E-3181	O&S BU 3844

OFFSET STRADDLE BALL — HOLLOW BALL
For Navistar 38,000 - 44,000 lb. Suspensions

EUCLID NO.	OEM REF.
E-3186	O&S IHU 3444

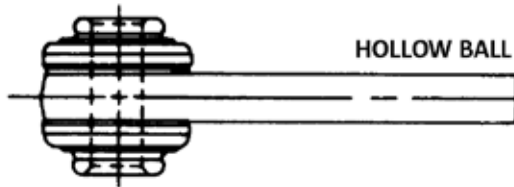
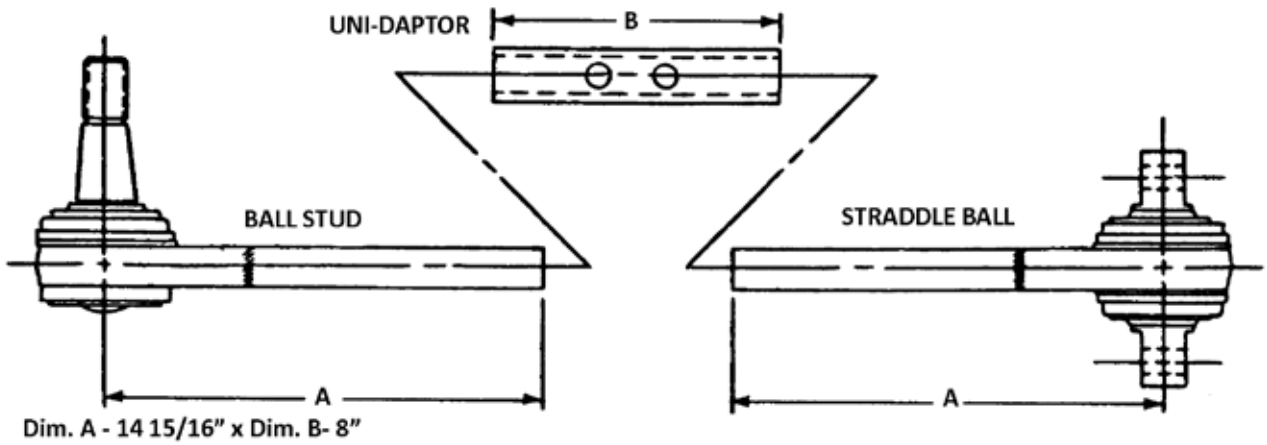
BALL STUD — BALL STUD
For Mack 40,000 - 44,000 lb. Suspension

Nut Furnished

EUCLID NO.	OEM REF.
E-3183A	O&S MU-4044

NOTE: Nuts and Washers Furnished with Kits Only.

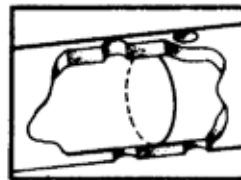
UNI-ROD UNIVERSAL BALL JOINT TORQUE ARMS ASSEMBLY INSTRUCTIONS



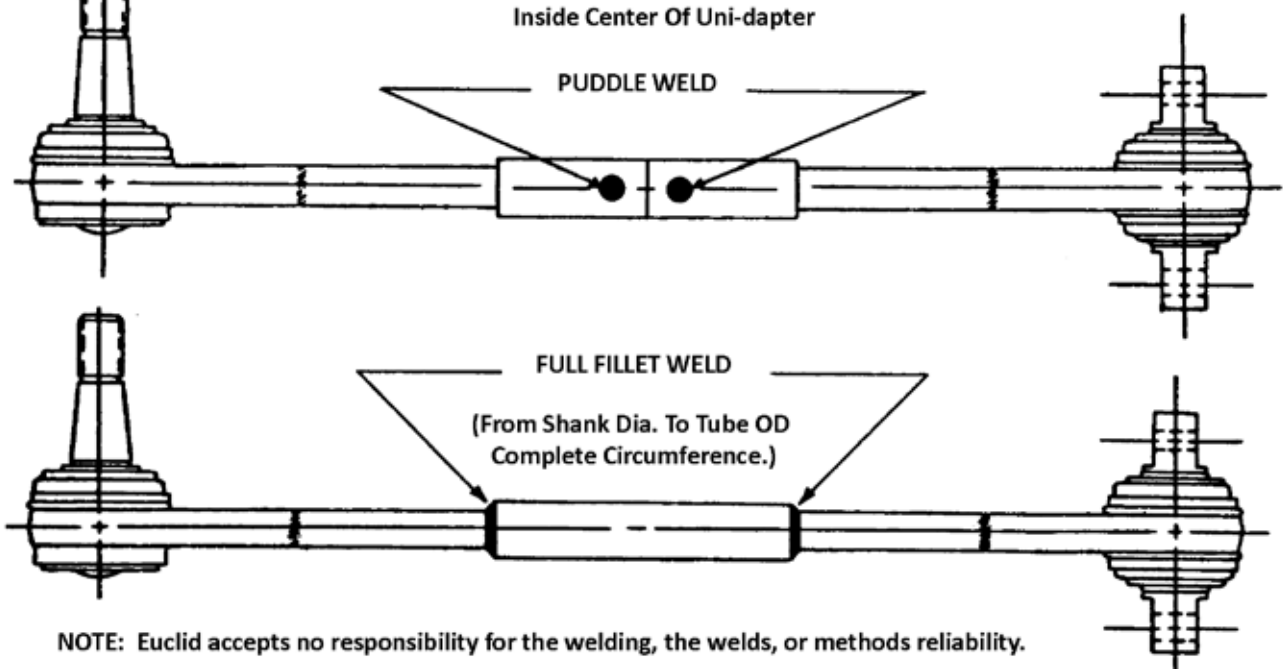
To Fabricate Uni-Rod to required length:

- (1) Determine finished length
- (2) Reading from tape supplied with Uni-Rod, cut each Uni-Rod end to proper length
- (3) Slip Uni-Rod ends into Uni-daptor so that the rods butt in the center
- (4) Puddle weld and fillet weld according to instructions

NOTE: The measuring tapes supplied have been calibrated to provide the proper finished length.



Phantom View - Rods Should Butt Inside Center Of Uni-dapter



NOTE: Euclid accepts no responsibility for the welding, the welds, or methods reliability.

Hendrickson Kits Require A Tube end and Spacer End. Tube & Spacer End Include Bushing

Ultra Rod - Tube End

	EUCLID NO.	HENDRICKSON NO.	REPLACEMENT BUSHING	MOUNTING CENTER (A)	HOLE DIAMETER (INCHES)
Straddle Mount Tube End					
	E-10310	66610-000	E-5275	4-3/8"	5/8"
	E-11784	66766-000	E-16466	4-3/8"	7/8"
	E-11748	66767-000	E-10322	4-3/8"	3/4"
Offset Straddle Mount -Tube End					
	E-10313	66640-000	E-10320	5-11/16"	3/4"
Hollow Sleeve Tube End					
	E-10314	66650-000	E-11447	-	1-1/8"
	EUCLID NO.	HENDRICKSON NO.	REPLACEMENT BUSHING	TAPER PIN (A)	THREAD (B)
Tapered Stud Tube End					
<p>Includes Nut</p>	E-10311	66620-000	E-10308	1-7/8"	1-1/8"
	S.O.S.	66769-000	E-10321	1-3/4"	1-1/4"
	E-10312	66630-000	E-10309	2-3/4"	1-1/4"

TORQUE ARMS

Ultra Rod - Spacer End											
	EUCLID NO.	OEM REF.	REPLACEMENT BUSHING	MOUNTING CENTER (A)	HOLE DIAMETER (INCHES)						
Straddle Mount Rod											
	E-10315	6661-000	E-5275	4-3/8"	5/8"						
	E-14727	67047-000	E-10322	4-3/8"	3/4"						
	S.O.S.	67048-000	E-16466	4-3/8"	7/8"						
	S.O.S.	66768-000	E-10320	5-11/16"	3/4"						
Hollow Sleeve Rod											
	E-10319	66701-000	E-11447	-	1-1/8"						
<table border="1"> <thead> <tr> <th></th> <th>EUCLID NO.</th> <th>HENDRICKSON NO.</th> <th>REPLACEMENT BUSHING</th> <th>TAPER PIN (A)</th> <th>THREAD (B)</th> </tr> </thead> </table>							EUCLID NO.	HENDRICKSON NO.	REPLACEMENT BUSHING	TAPER PIN (A)	THREAD (B)
	EUCLID NO.	HENDRICKSON NO.	REPLACEMENT BUSHING	TAPER PIN (A)	THREAD (B)						
Tapered Stud Rod											
	E-10318	66691-000	E-10321	1-3/4"	1-1/4"						
	E-10316	66671-000	E-10308	1-7/8"	1-1/8"						
	E-10317	66681-000	E-10309	2-3/4"	1-1/4"						
Includes Nuts											

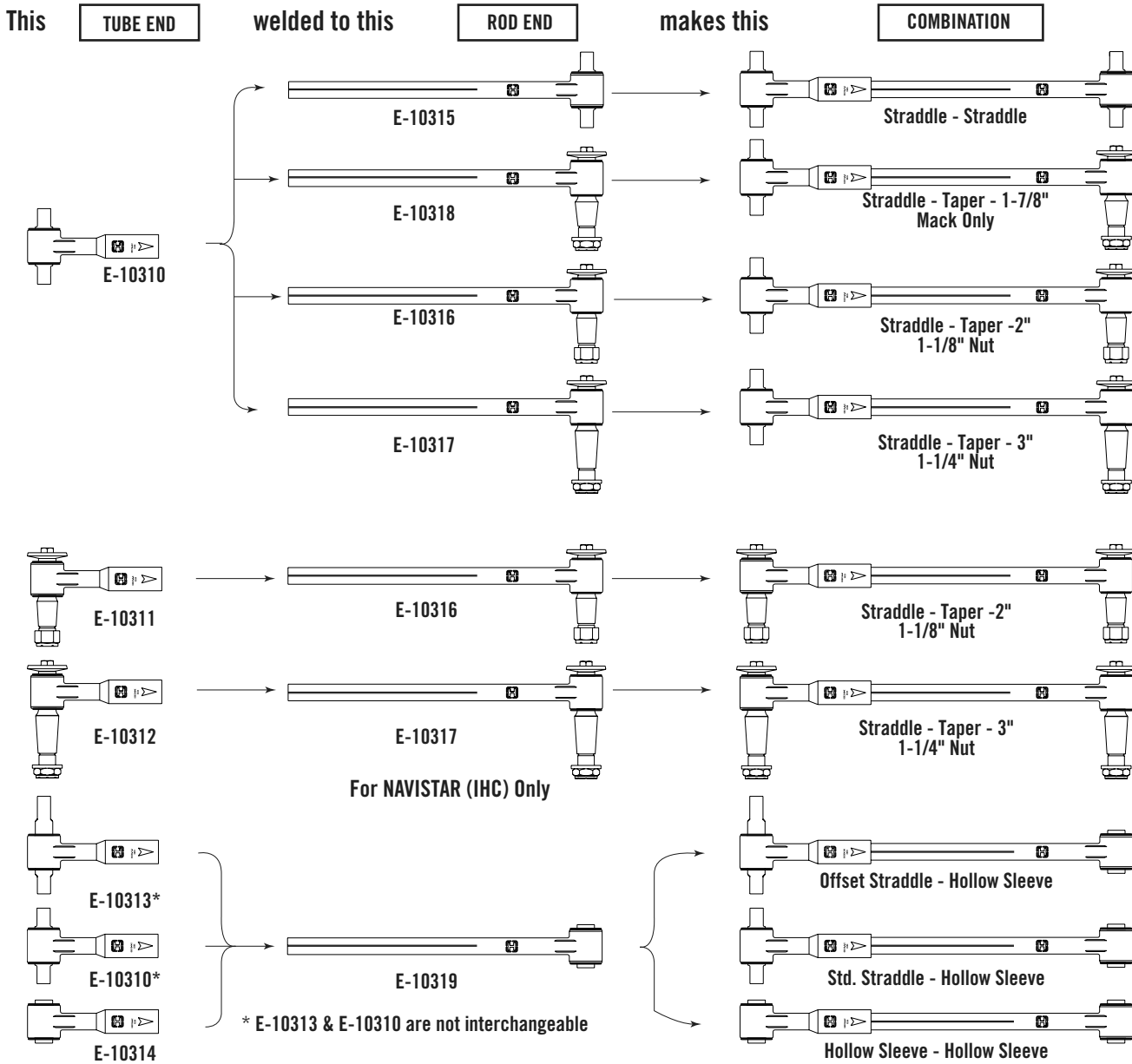
Lock Nuts and Washers for Tapered Stud Torque Rods						
	EUCLID NO.	OEM REF.	THREAD	HEX	HIGH	SERIES
	E-2079	Hendrickson 29896	1-1/8"-12	1-5/8"	1-3/16	340
	E-2017	Hendrickson 29749	1-1/4"-12	1-13/16"	11/16"	400, 460
	EUCLID NO.	OEM REF.	OD	ID	THICK	SERIES
	E-2018	Hendrickson 30574	2-1/4"	1-5/16"	1/4"	400, 460

NOTE: Length measured from center-to-center of bushing.

Assembly options shown on following page.

HENDRICKSON ULTRA ROD® KITS

Ultra Rod® - Option Configurations



TORQUE ARMS

Ultra Rod® Plus™ Kits - Require a tube end & space end as well as the proper bushings.
 Bushing can be found in the Hendrickson Section.
 Refer to Hendrickson Publication 59310-002 for welding instructions.



An excellent replacement option for vocational and on-highway applications.
 Tube and spacer are made from one-piece forgings.

Empty Ends Hubs - offer added versatility to ULTRA ROD PLUS torque rods. Empty end hubs allow the use of any PLUS bushing configuration from existing Hendrickson torque rods. The two-piece design requires stocking only two part numbers, eliminating multiple torque rod inventory. Refer to Torque Rod Bushings Section for specific torque rod bushing information

Female Tube End			
EUCLID NO.	GENUINE	OEM REF.	DESCRIPTION
E-11820		64473-000	Tube End

Male Spacer Rod End			
EUCLID NO.	GENUINE	OEM REF.	DESCRIPTION
E-11821		64474-000	Spacer End

Ultra Plus Rod Bushing Installation Tool			
EUCLID NO.	GENUINE	OEM REF.	APPLICATION
E-13974		66086-000	For Ultra Rod Plus Bushings








TORQUE ARMS

SUSPENSION BUSHINGS

Listed by Type, Then by ID

E.S.P. GUIDE**Easy Search for Parts****HOW TO USE THIS GUIDE:**

1. Identify bushing type. Bushings are listed by type beginning with Type 1.
2. Measure bushing ID. For Type 5 bushings, the thread size is shown in the ID column. For Type 7, the pin diameter is shown in ID column.
3. Bushings in this guide are listed in order from smallest to largest ID, then OD, then Length.
4. If there is not a typical measurement for ID, such as Type 3 bushings, then the ID space is blank.
5. After matching up bushing dimensions, confirm your choice by bushing type, end component, material and application.

TYPE 1 One-Piece	TYPE 2 Straight Two-Piece	TYPE 3 Straddle Mount	TYPE 4 Tapered Two-Piece	TYPE 5 Tapered Stud	TYPE 6 Hendrickson Center Bushing	TYPE 7 Rubber Spring Eye Bushing
						
One bushing is required to service one component or one component end.	Two bushings are required to service one component or component end.	Length on guide is center-to-center.	Two bushings are required to service one component or component end. OD is larger dia.	Length on guide is stud shoulder length; ID is thread size.	Small OD is measured first.	ID on the guide is Pin Diameter








EUCLID NO.	ID	OD	LENGTH	TYPE	END COMPONENT	MATERIAL	APPLICATION / NOTES
E-16236	5/8"	1-3/4"	4-1/4"	1	Spring Eye	Rubber/Steel	Kenworth Front
E-13961	5/8"	3-1/4"	4-3/8"	1	Torque Rod	Rubber/Steel	Hendrickson Ultra Rod PLUS
E-3839	3/4"	1-3/8"	3"	1	Rebound	Rubber	Volvo
E-14632	3/4"	2-3/16"	3-1/4"	1	Spring Eye	Rubber/Steel	Hendrickson Airtek
E-3359	3/4"	2-3/8"	3"	1	Equalizer	Rubber/Steel	Reyco Shackle Bushing
E-1999A	3/4" (2)	3-1/4"	3-7/8"	1	Equalizer	Rubber/Steel	Hutchens, Great Dane
GAFF14000	3/4" (2)	3-1/4"	3-7/8"	1	Equalizer	Polyurethane/Steel	Hutchens
E-3394A	3/4" (2)	3-1/4"	4-7/16"	1	Equalizer	Polyurethane/Steel	Trailmobile
E-13964	3/4"	3-1/4"	5-11/16"	1	Torque Rod	Rubber/Steel	Hendrickson Ultra Rod PLUS
E-3849	7/8"	1-3/4"	3-1/4"	1	Spring Eye	Rubber/Steel	Volvo/White
E-3817	7/8"	1-3/4"	4"	1	Spring Eye Bracket	Rubber/Steel	Freightliner
E-1980	7/8"	1-29/32"	3"	1	Torque Arm	Rubber/Steel	Reyco, Navistar/Dayton
GAFF15013	7/8"	1-29/32"	3"	1	Torque Arm	Polyurethane/Steel	Reyco, Navistar/Dayton
E-1061	7/8"	1-29/32"	3"	1	Hanger	Rubber/Steel	Reyco Rebound Roller
E-7750	7/8"	1-29/32"	3-3/8"	1	Torque Arm	Rubber/Steel	Reyco
E-5276	7/8"	2"	3"	1	Torque Arm	Rubber/Steel	Hendrickson
GAFF14010	7/8"	2"	3"	1	Torque Arm	Polyurethane/Steel	Hendrickson
E-3362	7/8"	2-1/32"	3"	1	Torque Arm	Rubber/Steel	Ford/Reyco 181/101F
E-3086	7/8"	2-3/8"	3"	1	Torque Arm	Rubber/Steel	Navistar/Dayton Tractor
E-5270	7/8"	2-3/8"	3"	1	Equalizer	Rubber/Steel	Hendrickson E-360
E-16097	7/8"	2-3/8"	3"	1	Spring Eye	Rubber/Steel	Peterbilt
GAFF11764	7/8"	2-3/8"	3"	1	Spring Eye	Polyurethane/Steel	Peterbilt
E-17032	7/8"	2-3/8"	3"	1	Control Arm	Rubber/Steel	Meritor
E-16777	7/8"	2-9/16"	3-9/16"	1	Spring Eye	Rubber/Steel	Mack, Volvo
GAFF31129	7/8"	2-9/16"	3-9/16"	1	Spring Eye	Polyurethane/Steel	Mack, Volvo
E-17297	7/8"	5-1/2"	4-1/8"	1	Pivot	Rubber/Steel	Ridewell
E-17296	7/8"	6"	6-3/4"	1	Pivot	Rubber/Steel	Ridewell
E-9286	15/16"	3-1/2"	4-1/4"	1	Beam	Rubber/Steel	Neway ARDAB
E-934	1"	1-29/32"	3"	1	Torque Arm	Rubber/Steel	Hutchens, Trailmobile
E-16504	1"	1-29/32"	3"	1	Torque Arm	Rubber/Steel	Hutchens, Trailmobile, Genuine Hutchens
GAFF14073	1"	1-29/32"	3"	1	Torque Arm	Polyurethane/Steel	Hutchens

(2) = Bushing with two 5/8" holes.

SUSPENSION BUSHINGS

Suspension








Listed by Type, Then by ID

TYPE 1 One-Piece	TYPE 2 Straight Two-Piece	TYPE 3 Straddle Mount	TYPE 4 Tapered Two-Piece	TYPE 5 Tapered Stud	TYPE 6 Hendrickson Center Bushing	TYPE 7 Rubber Bushing
						
One bushing is required to service one component or one component end.	Two bushings are required to service one component or component end.	Length on guide is center-to-center.	Two bushings are required to service one component or component end. OD is larger dia.	Length on guide is stud shoulder length; ID is thread size.	Small OD is measured first.	ID on the guide is Pin Diameter

EUCLID NO.	ID	OD	LENGTH	TYPE	END COMPONENT	MATERIAL	APPLICATION / NOTES
E-9549	1"	2-3/8"	4"	1	Torque Arm	Rubber/Steel	Reyco 74B
E-17127	1"	2-7/16"	4-1/2"	1	Beam Bushing	Rubber/Steel	Watson & Chalin
E-16775	1"	2-1/2"	4-1/2"	1	Spring Eye	Rubber/Steel	Mack
E-5269	1"	2-3/4"	4-5/8"	1	Equalizer	Rubber/Steel	Hendrickson E4-360, E4-400
E-2273	1"	3-1/8"	5"	1	Equalizer	Rubber/Steel	Dana
E-7870	1-1/64"	3-3/4"	5-1/4"	1	Equalizer	Rubber/Steel	Peterbilt Quadreflex
E-3784	1-1/32"	2-1/2"	4 23/32"	1	Equalizer	Rubber/Steel	Navistar Corporate
GAFF13513	1-1/32"	2-1/2"	4 23/32"	1	Equalizer	Polyurethane/steel	Navistar Corporate
E-4827	1-1/32"	3-5/16"	4"	1	Equalizer	Rubber/Steel	Binkley, Reyco/Transpro 86, 88
GAFF15054	1-1/32"	3-5/16"	4"	1	Equalizer	Polyurethane/steel	Binkley, Reyco/Transpro 86, 88
E-4255	1-1/8"	2-3/8"	5"	1	Beam	Rubber/Steel	Neway
GAFF14510	1-1/8"	2-3/8"	5"	1	Beam	Polyurethane/steel	Neway
E-4256	1-1/8"	2-5/8"	5"	1	Beam	Rubber/Steel	Neway
E-2816	1-1/8"	2-3/4"	3-1/4"	1	Torque Arm	Rubber/Steel	Hendrickson, Navistar
E-4410A	1-1/8"	2-3/4"	5"	1	Beam	Rubber/Steel	Neway
GAFF14533	1-1/8"	2-3/4"	5"	1	Beam	Polyurethane/steel	Neway
E-17112	1-1/8"	2-3/4"	8-7/16"	1	Axle Connection	Rubber/Steel	Watson & Chalin
E-1351	1-1/8"	2-7/8"	7"	1	Torque Arm	Rubber/Steel	Hendrickson, Navistar
E-9457	1-1/8"	3"	2-15/16"	1	Beam	Rubber/Steel	Page
E-2238	1-1/8"	3"	3-1/4"	1	Torque Arm	Rubber/Steel	Hendrickson, Navistar
E-17683	1-1/8"	3-1/4"	3-7/8"	1	Beam End	Rubber/Steel	Neway
E-1352	1-1/8"	3-3/8"	3-1/4"	1	Torque Arm	Rubber/Steel	Hendrickson, Navistar
E-7621	1-1/8"	3-1/2"	3-7/8"	1	Equalizer	Rubber/Steel	Hutchens 9600, 9700
E-16501	1-1/8"	3-1/2"	3-7/8"	1	Equalizer	Rubber/Steel	Hutchens 9600, 9700 - Genuine
GAFF14038	1-1/8"	3-1/2"	3-7/8"	1	Equalizer	Polyurethane/Steel	Hutchens 9600, 9700
E-16565	1-1/8"	3-1/2"	3-7/8"	1	Beam	Rubber/Steel	Neway
E-9292	1-1/8"	3-1/2"	5"	1	Beam	Rubber/Steel	Neway
GAFF14514	1-1/8"	3-1/2"	5"	1	Beam	Polyurethane/Steel	Neway
E-4382A	1-1/8"	3-1/2"	5-1/4"	1	Beam	Rubber/Steel	Neway
GAFF14513	1-1/8"	3-1/2"	5-1/4"	1	Beam	Polyurethane/Steel	Neway
E-13967	1-1/8"	3-1/4"	3-1/4"	1	Torque Rod	Rubber/Steel	Hendrickson, Ultra Rod Plus
E-16560	1-1/8"	3-1/2"	3-7/8"	1	Beam	Rubber/Steel	Neway
E-17099	1-1/8"	3-5/8"	5-1/4"	1	Beam	Rubber/Steel	Watson & Chalin
E-16561	1-1/8"	3-7/8"	3-7/8"	1	Beam	Rubber/Steel	Neway
E-16566	1-1/8"	4-3/4"	5"	1	Beam	Rubber/Steel	Neway
GAFF50046	1-1/8"	4-3/4"	5"	1	Beam	Polyurethane/Steel	Neway
E-17068	1-1/8"	6-1/4"	3-5/8"	1	Pivot	Rubber/Steel	Meritor, Not Round OD
E-3533	1-1/4"	1-1/2"	3-1/2"	1	Spring Eye	Bronze	Freightliner
E-16167	1-1/4"	1-1/2"	3-1/2"	1	Spring Eye	Bi-Metal	Mack, Peterbilt Front

SUSPENSION BUSHINGS

Listed by Type, Then by ID








TYPE 1 One-Piece	TYPE 2 Straight Two-Piece	TYPE 3 Straddle Mount	TYPE 4 Tapered Two-Piece	TYPE 5 Tapered Stud	TYPE 6 Hendrickson Center Bushing	TYPE 7 Rubber Bushing
						
One bushing is required to service one component or one component end.	Two bushings are required to service one component or component end.	Length on guide is center-to-center.	Two bushings are required to service one component or component end. OD is larger dia.	Length on guide is stud shoulder length; ID is thread size.	Small OD is measured first.	ID on the guide is Pin Diameter

EUCLID NO.	ID	OD	LENGTH	TYPE	END COMPONENT	MATERIAL	APPLICATION / NOTES
E-1876	1-1/4"	1-1/2"	4"	1	Spring Eye	Bi-Metal	Freightliner, Kenworth, Peterbilt Front
E-16153	1-1/4"	1-1/2"	4"	1	Spring Eye With Seals	Bi-Metal	Kenworth, Peterbilt Front
E-8797	1-1/4"	1-5/8"	4"	1	Spring Eye	Bronze	Freightliner
E-2939	1-1/4"	2-3/8"	2-1/2"	1	Torque Arm	Rubber/Steel	Neway
E-8676	1-1/4"	2-3/8"	2-1/2"	1	Torque Arm	Polyurethane/Steel	Neway
E-2940	1-1/4"	2-3/8"	5"	1	Beam	Rubber/Steel	Neway
E-8677	1-1/4"	2-3/8"	5"	1	Beam	Polyurethane/Steel	Neway
E-2849	1-1/4"	3-1/8"	4-1/2"	1	Equalizer	Rubber/Steel	Ford/Reyco 101, Slotted
E-2850	1-1/4"	3-1/8"	4-1/2"	1	Equalizer	Rubber/Steel	GM/Ford/Reyco, No Slots
GAFF15000	1-1/4"	3-1/8"	4-1/2"	1	Equalizer	Polyurethane/Steel	GM/Ford/Reyco, No Slots
E-7713	1-1/4"	3-1/8"	4-5/8"	1	Equalizer	Rubber/Steel	Reyco
E-6127	1-1/4"	3-3/8"	5-1/4"	1	Beam	Rubber/Steel	Hendrickson
E-6126	1-1/4"	3-3/8"	10-1/2"	1	Beam	Rubber/Steel	Hendrickson
E-16567	1-1/4"	3-1/2"	5-1/4"	1	Beam	Rubber/Steel	Neway
E-2938	1-1/4"	3-1/2"	5-13/16"	1	Beam	Rubber/Steel	Neway
E-13992	1-1/4"	3-3/4"	3-5/8"	1	Pivot	Rubber/Steel	Hendrickson Comfort Air
GAFF18821	1-1/4"	3-3/4"	3-5/8"	1	Pivot	Polyurethane/Steel	Hendrickson Comfort Air
E-8799	1-1/4"-8	1-1/2"	4"	1	Spring Eye, Threaded	Steel	Freightliner
E-640	1-5/16"	2-5/16"	2-1/4"	1	Torque Arm	Rubber/Steel	Trailmobile
E-4752	1-3/8"	2-5/32"	2-1/2"	1	Torque Arm	Rubber	Peterbilt Old Style
E-1966	1-1/2"	3-1/8"	4-1/2"	1	Equalizer	Rubber/Steel	Reyco, Slotted Ends
E-3977	1-1/2"	3-1/8"	4-1/2"	1	Equalizer	Rubber/Steel	Reyco, No Slots
GAFF15001	1-1/2"	3-1/8"	4-1/2"	1	Equalizer	Polyurethane/Steel	Reyco, No Slots
E-9439	1-1/2"	3-3/16"	4-7/16"	1	Beam	Rubber/Steel	Ridewell
E-17339	1-1/2"	5-1/2"	6-3/4"	1	Pivot	Rubber/Steel	Ridewell, 55 Durometer
E-17340	1-1/2"	5-1/2"	6-3/4"	1	Pivot	Rubber/Steel	Ridewell, 60 Durometer
E-17494	1-1/2"	5-1/2"	6-3/4"	1	Pivot	Rubber/Steel	Ridewell, 70 Durometer
E-1336	1-3/4"	2-3/4"	2-3/8"	1	Shackle Pin	Rubber	Neway TL
E-6121	1-3/4"	6"	6-3/4"	1	Beam	Rubber/Steel	Hendrickson Tri-Functional
GAFF13510	1-3/4"	6"	6-3/4"	1	Beam	Polyurethane/Steel	Hendrickson Tri-Functional
E-4669	2"	2-7/8"	4"	1	Stabilizer	Rubber	Kenworth
GAFF11502	2"	2-7/8"	4"	1	Stabilizer	Polyurethane	Kenworth
E-16091	2"	3"	2-7/8"	1	Torsion Bar	Rubber, Improved OE Version	Kenworth
E-3082	2"	3-1/8"	4-1/4"	1	Equalizer	Rubber	Navistar/Dayton, Volvo
E-1072	2"	3-1/8"	4-1/4"	1	Equalizer	Rubber/Steel	Reyco, Spicer
E-4254	2"	3-3/8"	5-1/4"	1	Beam	Rubber/Steel	Neway
GAFF18575	2"	3-1/2"	1-7/8"	1	Miscellaneous	Polyurethane	Premier
GAFF18574	2"	3-1/2"	3-1/2"	1	Miscellaneous	Polyurethane	Premier

SUSPENSION BUSHINGS

Suspension








Listed by Type, Then by ID

TYPE 1 One-Piece	TYPE 2 Straight Two-Piece	TYPE 3 Straddle Mount	TYPE 4 Tapered Two-Piece	TYPE 5 Tapered Stud	TYPE 6 Hendrickson Center Bushing	TYPE 7 Rubber Bushing
						
One bushing is required to service one component or one component end.	Two bushings are required to service one component or component end.	Length on guide is center-to-center.	Two bushings are required to service one component or component end. OD is larger dia.	Length on guide is stud shoulder length; ID is thread size.	Small OD is measured first.	ID on the guide is Pin Diameter

EUCLID NO.	ID	OD	LENGTH	TYPE	END COMPONENT	MATERIAL	APPLICATION / NOTES
E-9368	2"	3-1/2"	4"	1	Equalizer	Rubber/Steel	Fruehauf
E-1940	2"	4-1/8"	4"	1	Saddle Drive Pin	Rubber/Steel	Hendrickson
GAFF11720	2-1/8"	3"	2-7/8"	1	Torsion Bar	Polyurethane, Original Design	Kenworth
E-16092	2-3/16"	3"	2-7/8"	1	Torsion Bar	Rubber, Current OE Version	Kenworth
GAFF11743	2-3/16"	3"	2-7/8"	1	Torsion Bar	Rubber, Current OE Version	Kenworth
E-4677A	2-3/8"	3-5/8"	3-3/4"	1	Torque Arm	Rubber	Chalmers, Standard
GAFF18919	2-3/8"	3-5/8"	3-3/4"	1	Torque Arm	Polyurethane	Chalmers, Standard
E-4678A	2-3/8"	3-11/16"	3-3/4"	1	Torque Arm	Rubber	Chalmers, Oversize - Genuine
E-8702	2-3/8"	3-11/16"	3-3/4"	1	Torque Arm	Rubber	Chalmers, Oversize
GAFF18920	2-3/8"	3-11/16"	3-3/4"	1	Torque Arm	Polyurethane	Chalmers, Oversize
E-16607	2-1/2"	3"	5-1/4"	1	Beam	Rubber/Steel	Neway
E-16564	2-1/2"	3"	6"	1	Beam	Rubber/Steel	Neway
E-4252	2-1/2"	3-7/8"	5-1/4"	1	Beam	Rubber/Steel	Neway ARD
GAFF31592	2-1/2"	3-7/8"	5-1/4"	1	Beam	Polyurethane/Steel	Neway ARD
E-6128	2-1/2"	3-7/8"	5-1/4"	1	Beam	Rubber/Steel	Hendrickson MTL45
E-4253	2-1/2"	3-7/8"	5-3/4"	1	Beam	Rubber/Steel	Neway ARD
GAFF14527	2-1/2"	3-7/8"	5-3/4"	1	Beam	Polyurethane/Steel	Neway ARD
E-1340	2-1/2"	4-3/8"	5-1/4"	1	Beam End	Rubber/Steel	Hendrickson 340
GAFF13501	2-1/2"	4-3/8"	5-1/4"	1	Beam End	Polyurethane/Steel	Hendrickson 340
E-2771	2-1/2"	4-3/8"	5-3/4"	1	Beam End	Rubber/Steel	Hendrickson 480
E-1341A	2-1/2"	4-3/8"	5-3/4"	1	Beam End	Rubber/Steel	Hendrickson 400/460
GAFF13553	2-1/2"	4-3/8"	5-3/4"	1	Beam End	Polyurethane/Steel	Hendrickson 400/460
E-9419	2-1/2"	4-3/8"	6"	1	Beam End	Rubber/Steel	Hendrickson 520/650
E-7767	2-1/2"	4-1/2"	4-1/8"	1	Torque Arm	Rubber	Chalmers
GAFF18921	2-1/2"	4-1/2"	4-1/8"	1	Torque Arm	Polyurethane/Steel	Chalmers
E-7766	2-9/16"	4-1/4"	4-1/8"	1	Torque Arm	Rubber	Chalmers
GAFF11739	2-9/16"	4-1/4"	4-1/8"	1	Torque Arm	Polyurethane/Steel	Chalmers
E-9293	2-5/8"	4-1/8"	5-1/4"	1	Beam	Rubber/Steel	Neway
E-1545	2-3/4"	3-5/8"	5-7/8"	1	Beam Center	Bronze	Hendrickson
E-1335	2-13/16"	3-3/4"	4"	1	Equalizer	Rubber	Neway TL
E-2554	3"	6"	6"	1	Beam End	Rubber/Steel	Hendrickson 650
E-2923A	3-7/16"	4-7/16"	7-9/16"	1	Trunnion	Rubber	Mack
E-2924A	3-7/16"	4-7/16"	8-3/8"	1	Trunnion	Rubber	Mack
GAFF12028	3-7/16"	4-7/16"	8-3/8"	1	Trunnion	Polyurethane	Mack
E-2921A	3-7/16"	4-11/16"	5-9/16"	1	Trunnion	Rubber	Mack
E-2922A	3-7/16"	4-11/16"	6-5/8"	1	Trunnion	Rubber	Mack

SUSPENSION BUSHINGS

Listed by Type, Then by ID








TYPE 1 One-Piece	TYPE 2 Straight Two-Piece	TYPE 3 Straddle Mount	TYPE 4 Tapered Two-Piece	TYPE 5 Tapered Stud	TYPE 6 Hendrickson Center Bushing	TYPE 7 Rubber Bushing
						
One bushing is required to service one component or one component end.	Two bushings are required to service one component or component end.	Length on guide is center-to-center.	Two bushings are required to service one component or component end. OD is larger dia.	Length on guide is stud shoulder length; ID is thread size.	Small OD is measured first.	ID on the guide is Pin Diameter

EUCLID NO.	ID	OD	LENGTH	TYPE	END COMPONENT	MATERIAL	APPLICATION / NOTES
GAFF12015	3-7/16"	4-11/16"	6-5/16"	1	Trunnion	Polyurethane	Mack
E-2925	3-1/2"	3-3/4"	3-7/16"	1	Trunnion	Bronze	Mack
E-4683	3-1/2"	4-1/16"	3-1/4"	1	Wishbone	Rubber/Steel	Chalmers
E-2935	3-1/2"	4-1/2"	5-3/4"	1	Trunnion	Rubber	Neway
GAFF14088	3-1/2"	4-1/2"	5-3/4"	1	Trunnion	Polyurethane	Neway
E-1552	3-1/2"	4-3/4"	5-7/8"	1	Beam Center	Bronze	Hendrickson
E-9458	3-5/8"	5"	5-5/8"	1	Pivot Arm	Rubber	Page Lift Axles
E-5421	4"	4-1/4"	4-5/16"	1	Trunnion	Bronze	Mack
E-9521	4"	5"	4-5/8"	1	Trunnion	Rubber	Kenworth
E-1333	4"	5"	5-3/4"	1	Trunnion	Rubber	Neway
E-25199	4"	5"	7-1/2"	1	Trunnion	Polyurethane	Hutchens H440 - Genuine
E-3579	4"	5"	8-5/16"	1	Trunnion	Rubber	Fruehauf M2
E-1332	4"	5"	8-3/4"	1	Trunnion	Rubber	Neway TS
GAFF14521	4"	5"	8-3/4"	1	Trunnion	Polyurethane	Neway TS
E-5216	4"	5"	9"	1	Trunnion	Rubber	Hutchens H900
GAFF14027	4"	5"	9"	1	Trunnion	Polyurethane	Hutchens H900
E-16502	4"	5"	9"	1	Trunnion	Rubber	Hutchens H900 - Genuine
E-16397	4"	5"	9"	1	Trunnion	Polyurethane	Hutchens H900 - Genuine
E-5432	5"	5-1/4"	4-5/16"	1	Trunnion	Bronze	Mack
GAFF11550	5/8"	1-13/16"	1-1/4"	2	Shock	Polyurethane	Multiple
E-3563	1-1/16"	1-5/8"	3-3/16"	2	Spring Eye Bracket	Polyurethane	Freightliner
E-17029	1-1/4"	2-1/4"	1-3/8"	2	Torque Arm	Polyurethane	Meritor
E-7841	1-3/4"	2-1/2"	2-1/2"	2	Spring Eye	Rubber	Peterbilt
GAFF12354	1-3/4"	2-1/2"	2-1/2"	2	Spring Eye	Polyurethane	Peterbilt
E-4775	1-3/4"	2-1/2"	2-3/4"	2	Spring Eye	Rubber	Peterbilt
GAFF12350	1-3/4"	2-1/2"	2-3/4"	2	Spring Eye	Polyurethane	Peterbilt
GAFF11064	2-1/4"	2-3/4"	2-9/32"	2	Equalizer	Polyurethane	Freightliner, Flanged End
GAFF18919	2-3/8"	3-5/8"	1-7/8"	2	Torque Arm	Polyurethane	Chalmers, Standard
E-4745	2-1/2"	3-1/8"	2-1/4"	2	Equalizer	Injected Urethane	Peterbilt, Flanged End
GAFF11739	2-1/2"	4-1/4"	2-1/8"	2	Torque Arm	Polyurethane	Chalmers
GAFF18921	2-1/2"	4-1/2"	2-1/16"	2	Torque Arm	Polyurethane	Chalmers
E-9440	3-7/16"	4-1/2"	4"	2	Trunnion	Rubber	Ridewell Dynalastic
E-5275	N/A	2"	4-3/8"	3	Torque Arm	Rubber/Steel	5/8" Bolt Holes
GAFF13521	N/A	2"	4-3/8"	3	Torque Arm	Polyurethane/Steel	5/8" Bolt Holes
E-10322	N/A	2"	4-3/8"	3	Torque Arm	Rubber/Steel	3/4" Bolt Holes
GAFF13672	N/A	2"	4-3/8"	3	Torque Arm	Polyurethane/Steel	3/4" Bolt Holes
E-16466	N/A	2"	4-3/8"	3	Torque Arm	Rubber/Steel	7/8" Bolt Holes
E-10320	N/A	2"	5-11/16"	3	Torque Arm	Rubber/Steel	3/4" Bolt Holes

SUSPENSION BUSHINGS

Suspension








Listed by Type, Then by ID

TYPE 1 One-Piece	TYPE 2 Straight Two-Piece	TYPE 3 Straddle Mount	TYPE 4 Tapered Two-Piece	TYPE 5 Tapered Stud	TYPE 6 Hendrickson Center Bushing	TYPE 7 Rubber Bushing
						
One bushing is required to service one component or one component end.	Two bushings are required to service one component or component end.	Length on guide is center-to-center.	Two bushings are required to service one component or component end. OD is larger dia.	Length on guide is stud shoulder length; ID is thread size.	Small OD is measured first.	ID on the guide is Pin Diameter

EUCLID NO.	ID	OD	LENGTH	TYPE	END COMPONENT	MATERIAL	APPLICATION / NOTES
E-14641	N/A	2-3/8"	4-3/8"	3	Torque Arm	Rubber/Steel	5/8" Bolt Holes
E-14644	N/A	2-3/8"	4-3/8"	3	Torque Arm	Rubber/Steel	3/4" Bolt Holes
E-14642	N/A	2-3/8"	5-1/4"	3	Torque Arm	Rubber/Steel	7/8" Bolt Holes
E-16094	N/A	2-3/8"	4-3/8"	3	Spring Eye, High Confinement	Rubber/Steel	Peterbilt, -5/8" Bolt Holes
GAFF11765	N/A	2-3/8"	4-3/8"	3	Spring Eye, High Confinement	Polyurethane/Steel	Peterbilt, -5/8" Bolt Holes
E-2225	N/A	2-17/32"	4-3/8"	3	Torque Arm	Rubber/Steel	5/8" Bolt Holes
GAFF13522	N/A	2-17/32"	4-3/8"	3	Torque Arm	Polyurethane/Steel	5/8" Bolt Holes
E-15671	N/A	2-1/2"	4-3/8"	3	Spring Eye, High Confinement	Rubber/Steel	Mack, Volvo, -5/8" Bolt Holes
E-14026	N/A	2-1/2"	5-1/2"	3	Center Beam	Rubber/Steel	3/4" Bolts
GAFF13627	N/A	2-1/2"	5-1/2"	3	Center Beam	Polyurethane/Steel	3/4" Bolts
E-17569	N/A	2-1/2"	5-1/2"	3	Center Beam	Rubber/Steel	Hendrickson, -7/8" Bolts
E-8804	N/A	2-1/2"	5-21/32"	3	Spring Eye	Rubber/Steel	3/4" Bolt Holes
GAFF11005	N/A	2-1/2"	5-21/32"	3	Spring Eye	Polyurethane/Steel	3/4" Bolt Holes
E-15541	N/A	2-1/2"	5-11/16"	3	Spring Eye, Anti Walk	Rubber/Steel	Freightliner, Navistar, Peterbilt, -3/4" Bolt Holes
GAFF11083	N/A	2-1/2"	5-11/16"	3	Spring Eye, Anti Walk	Polyurethane/Steel	Freightliner, Navistar, Peterbilt, -3/4" Bolt Holes
E-4664	N/A	2-3/4"	4-3/8"	3	Torque Arm	Rubber/Steel/Alum.	5/8" Bolts , Aluminum Pin
E-3868	N/A	2-3/4"	4-3/8"	3	Torque Arm	Rubber/Steel	3/4" Bolt Holes
E-2226	N/A	2-3/4"	4-3/8"	3	Torque Arm	Rubber/Steel	5/8" Bolt Holes
GAFF13520	N/A	2-3/4"	4-3/8"	3	Torque Arm	Polyurethane/Steel	5/8" Bolt Holes
E-10303	N/A	2-3/4"	4-3/8"	3	Torque Arm	Rubber/Steel, High Confinement	Kenworth, -5/8" Bolt Holes
GAFF11729	N/A	2-3/4"	4-3/8"	3	Torque Arm	Polyurethane/Steel High Confinement	Kenworth, -5/8" Bolt Holes
E-2814	N/A	2-3/4"	5-11/16"	3	Torque Arm	Rubber/Steel	3/4" Bolt Holes
E-3411	N/A	3"	5-11/16"	3	Torque Arm	Rubber/Steel	3/4" Bolt Holes
E-17682	N/A	3-1/8"	8"	3	Torque Arm	Rubber/Steel	Neway, 1" Bolt Holes
E-13970	N/A	3-1/4"	4-3/8"	3	Torque Rod	Rubber/Steel	Hendrickson Ultra Rod PLUS, -3/4" Bolt Holes
E-13971	N/A	3-1/4"	5-1/4"	3	Torque Rod	Rubber/Steel	Hendrickson Ultra Rod PLUS, -7/8" Bolt Holes
E-9324	N/A	3-1/2"	4-3/8"	3	Torque Arm	Rubber/Steel	5/8" Bolt Holes
GAFF11511	N/A	3-1/2"	4-3/8"	3	Torque Arm	Polyurethane/Steel	5/8" Bolt Holes
E-9288	N/A	3-3/4"	7-7/8"	3	Front Beam	Rubber/Steel	7/8" Bolt Holes
E-9287	N/A	3-3/4"	7-7/8"	3	Rear Beam	Rubber/Steel	7/8" Bolt Holes
E-10678	N/A	3-7/8"	8-1/2"	3	Beam Bar Pin	Rubber/Steel	Neway, 1" Bolt Holes
E-16636	N/A	3-15/16"	8-1/2"	3	Beam Bar Pin	Rubber/Steel	Neway, 1" Bolt Holes
E-9321	N/A	4-1/8"	5-1/4"	3	Torque Arm	Rubber/Steel	3/4" Bolt Holes
E-8655	N/A	4-1/8"	5-1/4"	3	Torque Arm	Polyurethane/Steel	3/4" Bolt Holes
E-9322	N/A	4-1/8"	5-1/4"	3	Torque Arm	Rubber/Steel	1" Bolt Holes

SUSPENSION BUSHINGS

Listed by Type, Then by ID

TYPE 1 One-Piece	TYPE 2 Straight Two-Piece	TYPE 3 Straddle Mount	TYPE 4 Tapered Two-Piece	TYPE 5 Tapered Stud	TYPE 6 Hendrickson Center Bushing	TYPE 7 Rubber Bushing
						
One bushing is required to service one component or one component end.	Two bushings are required to service one component or component end.	Length on guide is center-to-center.	Two bushings are required to service one component or component end. OD is larger dia.	Length on guide is stud shoulder length; ID is thread size.	Small OD is measured first.	ID on the guide is Pin Diameter








EUCLID NO.	ID	OD	LENGTH	TYPE	END COMPONENT	MATERIAL	APPLICATION / NOTES
E-9325	N/A	4-3/8"	8-1/2"	3	Beam End	Rubber/Steel	1" Bolt Holes, No Alignment Features
GAFF13607	N/A	4-3/8"	8-1/2"	3	Beam End	Polyurethane/Steel	1" Bolt Holes, No Alignment Features
E-14725	N/A	4-3/4"	8-1/2"	3	Beam End	Rubber/Steel	Rotating Pin For Easy Alignment
E-9326	N/A	4-3/4"	8-1/2"	3	Beam End	Rubber/Steel	Shim Type for Alignment
GAFF18010	3/4"	1-7/16"	7/8"	4	Shock	Polyurethane	Multiple
E-4403	3/4"	1-17/32"	13/16"	4	Shock	Rubber/Steel	Neway
E-3296	3/4"	2-5/32"	1-3/16"	4	Torque Arm	Polyurethane	Freightliner
E-1982	1"	1-3/4"	2-11/16"	4	Torque Arm	Rubber/Steel	Reyco, Spicer
GAFF15051	1"	1-3/4"	2-11/16"	4	Torque Arm	Polyurethane/Steel	Reyco
E-1038	1"	1-3/4"	3-1/8"	4	Torque Arm	Rubber/Steel	Hutchens
E-1964	1"	1-13/16"	2-7/8"	4	Torque Arm	Rubber/Steel	Reyco/Eccentric ID
E-1160	1"	1-13/16"	3"	4	Torque Arm	Rubber/Steel	Reyco 21B
GAFF15011	1"	1-13/16"	3"	4	Torque Arm	Polyurethane/Steel	Reyco 21B
GAFF18566	1"	1-7/8"	1"	4	Shock	Polyurethane	Multiple
E-401754	1"	1-7/8"	1"	4	Shock	Rubber	Multiple
E-10057	1"	3-1/16"	2-7/8"	4	Torque Arm	Rubber/Steel	Reyco
GAFF15020	1"	3-1/16"	2-7/8"	4	Torque Arm	Polyurethane/Steel	Reyco
E-16505	1-1/4"	2-3/16"	2-3/8"	4	Torque Arm	Rubber/Steel	Fruehauf, Hutchens - Genuine
E-927	1-1/4"	2-3/16"	2-3/8"	4	Torque Arm	Rubber/Steel	Fruehauf, Hutchens
GAFF13001	1-1/4"	2-3/16"	2-3/8"	4	Torque Arm	Polyurethane/Steel	Fruehauf, Hutchens
E-1159	1-5/8"	3-3/8"	4-13/32"	4	Equalizer	Rubber/Steel	Reyco 21B
GAFF15016	1-5/8"	3-3/8"	4-13/32"	4	Equalizer	Polyurethane/Steel	Reyco 21B
E-1984	1-3/4"	3-5/8"	4-1/16"	4	Equalizer	Rubber/Steel	Dana
E-1020	2"	3-1/2"	4-3/8"	4	Equalizer	Rubber/Steel	Fruehauf
GAFF13005	2"	3-1/2"	4-3/8"	4	Equalizer	Polyurethane/Steel	Fruehauf
E-813	2-3/8"	4-1/16"	2-9/16"	4	Equalizer	Rubber	Reyco 21
E-4257	2-9/16"	3-13/16"	2-5/8"	4	Beam Bushing	Rubber/Steel	Neway
E-10308	1-1/8"-12	2"	2"	5	Torque Arm	Rubber/Steel	Hendrickson Ultra Rods
E-2227	1-1/8"-12	2-17/32"	2"	5	Torque Arm	Rubber/Steel	Multiple
E-2916	1-1/8"-12	2-3/4"	2"	5	Torque Arm	Rubber/Steel	Multiple
E-14643	1-1/4"-12	2-3/4"	3"	5	Torque Arm	Rubber/Steel	Hendrickson Ultra Rod Plus
E-13969	1-1/8"-12	3-1/4"	1-7/8"	5	Torque Rod	Rubber/Steel	Hendrickson Ultra Rod Plus
E-10321	1-1/4"-12	2"	1-7/8"	5	Torque Arm	Rubber/Steel	Hendrickson Ultra Rods
E-10309	1-1/4"-12	2"	3"	5	Torque Arm	Rubber/Steel	Hendrickson Ultra Rods
GAFF13582	1-1/4"-12	2"	3"	5	Torque Arm	Polyurethane/Steel	Hendrickson Ultra Rods
E-2815	1-1/4"-12	2-3/4"	1-7/8"	5	Torque Arm	Rubber/Steel	Multiple
GAFF12031	1-1/4"-12	2-3/4"	1-7/8"	5	Torque Arm	Polyurethane/Steel	Multiple
E-2228	1-1/4"-12	2-3/4"	3"	5	Torque Arm	Rubber/Steel	Multiple
GAFF13518	1-1/4"-12	2-3/4"	3"	5	Torque Arm	Polyurethane/Steel	Multiple

BUSHINGS

SUSPENSION BUSHINGS

Suspension

Listed by Type, Then by ID

TYPE 1 One-Piece	TYPE 2 Straight Two-Piece	TYPE 3 Straddle Mount	TYPE 4 Tapered Two-Piece	TYPE 5 Tapered Stud	TYPE 6 Hendrickson Center Bushing	TYPE 7 Rubber Bushing
						
One bushing is required to service one component or one component end.	Two bushings are required to service one component or component end.	Length on guide is center-to-center.	Two bushings are required to service one component or component end. OD is larger dia.	Length on guide is stud shoulder length; ID is thread size.	Small OD is measured first.	ID on the guide is Pin Diameter

EUCLID NO.	ID	OD	LENGTH	TYPE	END COMPONENT	MATERIAL	APPLICATION / NOTES
E-13965	1-1/4"-12	3-1/4"	1-7/8"	5	Torque Rod	Rubber/Steel	Hendrickson Ultra Rod Plus
E-13962	1-1/4"-12	3-1/4"	3"	5	Torque Arm	Rubber/Steel	Hendrickson Ultra Rod Plus
E-13972	1-3/4"-12	3-1/4"	3"	5	Torque Rod	Rubber/Steel	Hendrickson Ultra Rod Plus
E-1338	1-5/16"	2-3/4" SM; 3-5/8" LG	12"	6	Center Beam	Rubber/Steel	Hendrickson, Welded Plug
GAFF13500	1-5/16"	2-3/4" SM; 3-5/8" LG	12"	6	Center Beam	Polyurethane/Steel	Hendrickson, Welded Plug
E-1594	1-5/16"	2-3/4" SM; 3-5/8" LG	12"	6	Center Beam	Rubber/Steel	Hendrickson, Loose Plug
E-1339	2-7/16"	3-1/2" SM; 4-3/4" LG	12"	6	Center Beam	Rubber/Steel	Hendrickson, Welded Plug
GAFF13505	2-7/16"	3-1/2" SM; 4-3/4" LG	12"	6	Center Beam	Polyurethane/Steel	Hendrickson, Welded Plug
E-1595	2-7/16"	3-1/2" SM; 4-3/4" LG	12"	6	Center Beam	Rubber/Steel	Hendrickson, Loose Plug
GAFF13543	2-7/16"	3-1/2" SM; 4-3/4" LG	12"	6	Center Beam	Polyurethane/Steel	Hendrickson, Loose Plug
E-6979	2-7/16"	3-1/2" SM; 4-3/4" LG	12"	6	Center Beam	Rubber/Steel	Hendrickson High Confinement, Welded Plug
E-6980	2-7/16"	3-1/2" SM; 4-3/4" LG	12"	6	Center Beam	Rubber/Steel	Hendrickson High Confinement, Loose Plug
GAFF13505	2-7/16"	3-1/2" SM; 4-3/4" LG	12"	6	Center Beam	Polyurethane/Steel	Welded Plug
E-9359	2-7/16"	3-1/2" SM; 4-3/4" LG	12"	6	Center Beam	Rubber/Steel	Hendrickson Severe Duty, Welded Plug
E-16416	2-7/16"	3-1/2" SM; 4-3/4" LG	12"	6	Center Beam	Rubber/Steel	Hendrickson Severe Duty, Loose Plug
E-2553	3"	4" SM; 5-1/2" LG	14-5/8"	6	Center Beam	Rubber/Steel	Hendrickson Severe Duty, Welded Plug
E-14398	3"	4" SM; 5-1/2" LG	18"	6	Center Beam	Rubber/Steel	Hendrickson, Welded Plug
E-15543	1-1/16" Dia Pin	1-3/4"	6-11/16"	7	Spring Eye	Rubber/Steel	Kenworth Front, 5-7/16" Center-to-Center
GAFF11767	1-1/16" Dia Pin	1-3/4"	6-11/16"	7	Spring Eye	Polyurethane/Steel	Kenworth Front, 5-7/16" Center-to-Center
E-16292	1-1/16" Dia Pin	1-3/4"	7-1/8"	7	Spring Eye	Rubber/Steel	Kenworth Front, 5-3/4" Center-to-Center
GAFF11758	1-1/16" Dia Pin	1-3/4"	7-1/8"	7	Spring Eye	Polyurethane/Steel	Kenworth Front, 5-3/4" Center-to-Center
E-15537	1-1/16" Dia Pin	1-3/4"	7-1/2"	7	Spring Eye	Rubber/Steel	Kenworth Front, 6-3/16" Center-to-Center
E-15613	1-1/16" Dia Pin	2-1/16"	7-1/2"	7	Spring Eye	Rubber/Steel	Kenworth Front, 6-5/16" Center-to-Center
GAFF11763	1-1/16" Dia Pin	2-1/16"	7-1/2"	7	Spring Eye	Polyurethane/Steel	Kenworth Front, 6-5/16" Center-to-Center
E-16163	1-1/16" Dia Pin	2-1/16"	6-11/16"	7	Spring Eye	Rubber/Steel	Kenworth Front, 5-7/16" Center-to-Center

BUSHINGS

SPRING PINS

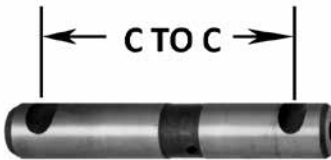
Sorted by Diameter

Smooth Spring Pins, One Lock Pin Notch



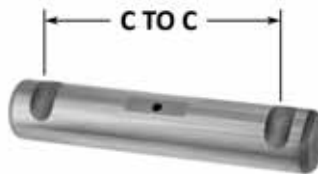
EUCLID NO.	DIAMETER	LENGTH	PRIMARY APPLICATION
E-1817	1-1/4"	7-5/16"	Hendrickson
E-1818	1-3/8"	7-5/16"	Hendrickson

Smooth Spring Pins, Two Lock Pin Notches, Non-Centered Grease Groove



EUCLID NO.	DIAMETER	LENGTH	C-TO-C	PRIMARY APPLICATION
E-8796	1-1/4"	6-7/8"	5-3/8"	Freightliner

Smooth Spring Pins, Two Notches, Flat Groove on Top, Grease Groove in Line with Lock Pin Notches



EUCLID NO.	DIAMETER	LENGTH	C-TO-C	PRIMARY APPLICATION
E-3761	1-3/8"	6-7/8"	5-3/8"	Hendrickson
E-12001	1-1/2"	8-1/2"	7-1/8"	Hendrickson
E-3530	1-1/4"	5-3/4"	4-1/2"	Freightliner
E-3531	1-1/2"	6-3/8"	4-7/8"	Freightliner

SPRING PINS

Sorted by Diameter

Suspension

SRPING PINS

Smooth Spring Pins, Two Notches, Grease Groove 90° vs. Lock Pin Notches



EUCLID NO.	DIAMETER	LENGTH	C-TO-C	PRIMARY APPLICATION
E-16319	1-1/4"	6-7/8"	5-5/16"	Kenworth, Peterbilt

Smooth Spring Pins



EUCLID NO.	DIAMETER	LENGTH	PRIMARY APPLICATION
E-3715	1-3/4"	6-1/4"	Mack

SPRING PINS

Sorted by Diameter

Threaded Spring Pins, Same Diameter Both Ends, Grease Groove Aligned with Lock Pin Notches



EUCLID NO.	END DIAMETER	LENGTH	C-TO-C	THREAD	PRIMARY APPLICATION
E-16321	1-1/16"	7"	5-7/16"	M33.5 -4.0	Kenworth, Peterbilt
E-16703	1-1/16"	7-1/4"	5-3/4"	1-3/8"-6	Kenworth
E-15614	1-1/16"	7-3/8"	5-3/4"	M33.5 -4.0	Kenworth, Peterbilt
E-15620	1-1/16"	7-7/8"	5-5/16"	M33.5 -4.0	Kenworth, Peterbilt

Threaded Spring Pins, Same Diameter Both Ends, Grease Groove 90° vs. Lock Pin Notches



EUCLID NO.	END DIAMETER	LENGTH	C-TO-C	THREAD	PRIMARY APPLICATION
E-3717	1-5/16"	6-9/16"	5"	1-3/8"-6	Mack

SPRING PINS

Sorted by Diameter

Suspension

SRPING PINS

Threaded Spring Pins, Large and Small Ends



Grease Fitting Large End Except for E-15619

EUCLID NO.	LARGE END DIAMETER	SMALL END DIAMETER	LENGTH	C-TO-C	THREAD	PRIMARY APPLICATION
E-3532	1-1/4"	1"	6-1/8"	4-7/8"	1-1/4"-8	Freightliner
E-8800	1-1/4"	1"	7-1/8"	5-3/8"	1-1/4"-8	Freightliner
E-15619	1-1/2"	1-1/16"	7-3/8"	5-3/4"	1-3/8"-6	Kenworth

SPRING EYE BUSHINGS

By Outside Diameter

Bi-Metal Bushings



EUCLID NO.	OD	ID	LENGTH	PRIMARY APPLICATION
E-16167	1-1/2"	1-1/4"	3-1/2"	Mack, Peterbilt
E-1876	1-1/2"	1-1/4"	4"	Freightliner, Kenworth, Peterbilt
E-16153	1-1/2"	1-1/4"	4"	Kenworth, Peterbilt (Includes Inner Grease Seals)

Bronze Bushings



EUCLID NO.	OD	ID	LENGTH	PRIMARY APPLICATION
E-3533	1-1/2"	1-1/4"	3-1/2"	Freightliner, Mack
E-8797	1-5/8"	1-1/4"	4"	Freightliner

SPRING EYE BUSHINGS

By Outside Diameter

Suspension

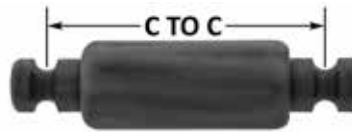
SPRING EYE
BUSHINGS

Threaded Bushings



EUCLID NO.	OD	LENGTH	THREAD	PRIMARY APPLICATION
E-8799	1-1/2"	4"	1-1/4"-8	Freightliner
E-3534	1-1/2"	3-1/2"	1-1/4"-8	Freightliner
E-15538	1-3/4"	8"	1-3/8"-6	Kenworth
E-16157	1-3/4" (44.5mm)	4" (101mm)	M33.5 -4.0	Peterbilt
E-16158	2-1/16" (52.8mm)	4" (101mm)	M33.5 -4.0	Peterbilt

Rubber Bushings



EUCLID NO.	OEM REF.	OD	PIN DIA	OVERALL LENGTH	C-T-C
E-15543	B65-6005	1-3/4"	1-1/16"	6-11/16"	5-7/16"
E-16292	B65-1001	1-3/4"	1-1/16"	7-1/8"	5-3/4"
E-15537	B65-1006	1-3/4"	1-1/16"	7-1/2"	6-3/16"
E-16163	B65-1013; B65-6006	2-1/16"	1-1/16"	6-11/16"	5-7/16"
E-15613	B65-1007	2-1/16"	1-1/16"	7-1/2"	6-5/16"

HEIGHT CONTROL VALVES

Purpose & Features

The purpose of the Height Control Valve (HCV) is to maintain the desired ride height of the truck/tractor or trailer by adding or removing air from the air springs. A linkage connects the vehicles axle to the HCV which is mounted to the vehicle frame. When the distance between the axle and frame changes, the linkage moves the HCV thereby adding or removing air from the air springs.

Features of HCV

- Dump or no dump of air to air spring when required
- Proportional or non-proportional output
- Immediate vs. Delayed response
- Arm length / Offset
- Linkage
- Brackets
- Mounting Orientation
- Fitting types

Key Components

Some of these components are included when a valve is purchased and some components can often be reused (especially mounting brackets and linkage) so consider the need for all of these components when replacing a valve

- Valve (Body)
- Arm
- Mounting Bracket
- Linkage

Typical Barksdale Valve



Popular Hadley Valve



Common Brackets & Linkage



Some of these components are included with specific valves. Mounting brackets and linkage can often be reused so consider the need for all of these components when replacing a valve.

HEIGHT CONTROL VALVES

Definitions

- Dump Feature** – In addition to “automatically” controlling the air flow to the air springs to control the ride height of the vehicle, some height control valves can also dump the air from the air springs under certain conditions such as when the vehicle is parked. This feature requires a separate air line from either a dash/dump control or from the air system for the air brakes.
 - Dump valves can operate in one of two manners.
 - Dump valve opens when pressure is applied to the dump port. In this case the air line to the dump port is typically connected to a button located on the dash board. When activated by the driver, this provides the air pressure necessary to actuate the dump feature in the HCV and dump air to the air springs.
 - Dump valves opens when pressure is removed from the dump port. The dump port is on these valves is connected to the air brake system so when the brake pressure is dumped and the spring brakes are set, the dump feature in the HCV is actuated and it dumps air to the air springs.
- Proportional or non Proportional Output** – This is similar to a dimmer switch on your lights vs. an on-off switch. The proportional operation is used on most valves and provides more air flow to the air springs the further the arm moves from its center/off position. A few older style valves are non proportional and are “fully-on” (like a light switch) whenever the arm moves to the point of allowing air to flow. Most of the non proportional valves are also delayed response (See below)
- Immediate or Delayed Response** – Most valves respond immediately to a change in ride height and begin to provide or release air to the air springs. A few valves, primarily older designs with non proportional output, incorporated a design feature which slows down the response so the valve was not constantly inputting or releasing air. This is the “delayed response”. The delay feature typically uses a viscous liquid to slow down the movement of the valves components and the response time. However the viscosity of the liquid can be affected by temperature, especially in cold weather, which can disrupt the normal operation of the valve. Because of these potential issues and more advancements in valve designs, the more common valves do **not** use a delayed response. Throughout this catalog section, all proportional valves are immediate response and all non proportional valves are delayed response
- Arm Length** – For a valve to function in the optimum manner the arm length must match that of the OE application. Several valves have multiple holes in the arm for attaching the linkage which provides more flexibility and opportunities to match the OE design.
 - While a valve will operate with an arm length that is different than the OEM specification, it will not perform in the optimal manner.
 - Some valves have arms that can be removed and replaced. Barksdale valves have arms that should not be remove or replaced since this will alter the performance of the valve.
- Offset** – Every HCV application has an offset between the frame rail where the valve/bracket is mounted and the vertical position of the linkage. As with arm length, the proper offset is required for optimum performance. The mounting bracket, valve design and arm configuration all combine to determine the offset. If an exact replacement valve is used, then the offset is not an issue. If a different style of valve is used as a replacement, then use the necessary brackets and / or arms with the new valve to obtain the required offset.
- Linkage** – All HCVs have some type of linkage that attaches the valve arm to the axle. Depending upon the application, the linkage can be a simple straight steel or aluminum shaft with ends which attach to the valve and axle or may be a more complicated design which may be required to avoid interference with nearby components. If the linkage is not damaged and a “like-for-like” HCV is available, then the linkage can often be reused.
- Mounting Brackets** – Virtually every application requires some type of mounting bracket. These brackets allow the valve to be mounted to the frame rail in the proper location and orientation required for proper performance. These can typically be reused if they are not damaged and the new HCV will properly mount to the bracket. Most valves use ¼" diameter bolts or studs with a spacing of 1-½" to mount to the bracket. Many universal HCV's include one or more brackets and provide a variety of mounting options.
- Mounting Orientation** – A few valves can be mounted either vertically or horizontally while others will operate properly only when mounted in one direction. Horizontal mounting is the most common.
- Fitting types** –A number of fitting types are available to provide the connection to the air tubing. ¼" NPT, compression fittings and the newer Push-to-Connect (PTC) options are the most common. Not every HCV will be available with every fitting type so adapters can be used when necessary to provide the desired connection.

HEIGHT CONTROL VALVES

Selection Process

Three steps are required to determine the proper valve.

Step 1) Determine if a dump valve is required,

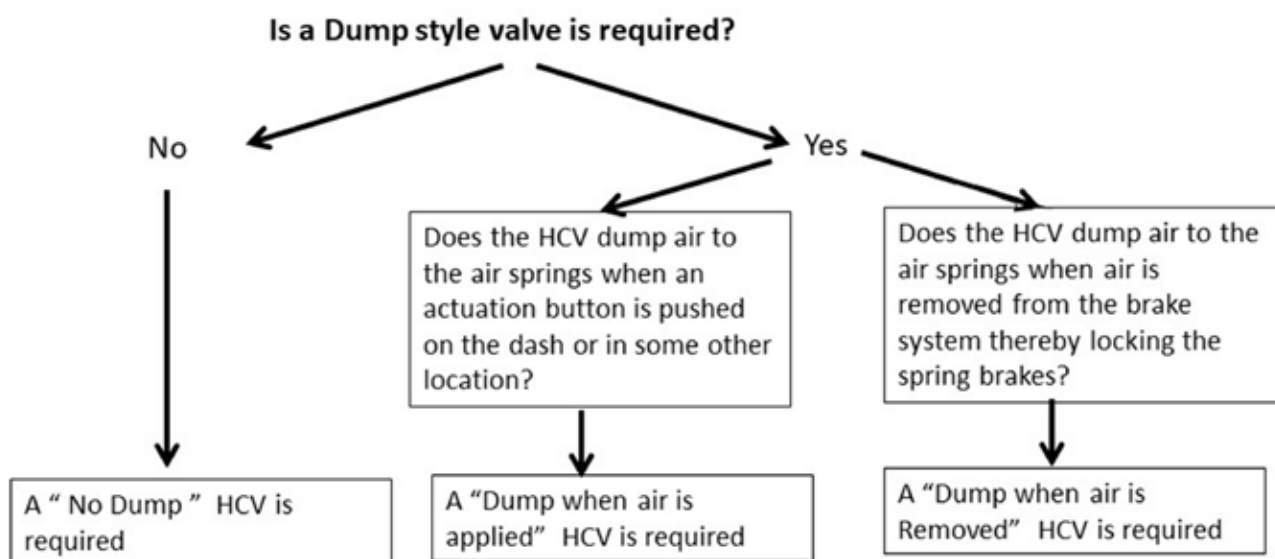
Step 2) Select the valve manufacturer and model and

Step 3) Choose the proper arm length, offset, mounting style and brackets.

Step 1 – Determine the type of valve that is required. Does the HCV also need to dump air to the air springs when either:

- A. An actuation button is pushed on the dash or in some other location
- B. The air is removed from the brake system thereby locking the spring brakes

Is a Dump style valve is required?



Step 2 – Is there a preferred manufacturer and model of the valve?

There are three primary valve manufacturers in North America


















- A. Barksdale
- B. Hadley
- C. Haldex

All three companies make valves that operate in a similar manner so if an exact replacement is desired, it MIGHT be available from your local dealer or distributor. Some "exact replacement" valves are only available from the specific vehicle OEMs & their dealers.

The most common valve models are shown on the following page.

If an exact replacement is not available, several "universal" valves will work in most applications and are shown on page CMP-114. Many of these universal valves also include brackets and arms. The brackets allow the universal valve to be mounted in various manners and the arms will allow for a number of different offsets and arm lengths/mounting to the linkage.

Height Control Valve Manufacturer and Model Identification

NO DUMP	WITH INTEGRATED DUMP FEATURE - DUMP WHEN AIR PRESSURE IS APPLIED	WITH INTEGRATED DUMP FEATURE - DUMP WHEN AIR PRESSURE IS REMOVED
Barksdale Series And Description - Immediate Response		
 <p>55521 Series Non Dump Valve - Plastic Body 52321 Series Non Dump Valve - Aluminum Body</p>	 <p>52341 Series, Integral Dump Feature</p>	 <p>54341 Series - Negative Air Pressure to Actuate Dump valve</p>
Hadley Series and Description - Immediate Response		
 <p>450 Series Non Dump Valve</p>	 <p>500 Series Dump Valve</p>	 <p>500 Series Reverse Actuation Dump Valve</p>
 <p>Next Gen Non Dump Valve</p>	 <p>Next Gen Pressure Dump Valve</p>	 <p>Next Gen Zero Pressure Dump Valve</p>
Haldex Series and Description - Immediate Response		
 <p>IR Series Non Dump Valve</p>	 <p>IR Series with Dump Valve</p>	<p>N/A</p>
 <p>PR Series Non Dump Valve</p>	 <p>PR Series w/ Normally Open Dump Valve</p>	 <p>PR Series w/ Normally Closed Dump Valve</p>
Haldex Series and Description - Delayed Response		
 <p>CR Series Non Dump Valve</p>	 <p>CR Series w/ Normally Open Dump</p>	 <p>CR Series w/ Normally Closed Dump Valve</p>

N/A - Not Available

HEIGHT CONTROL VALVES**Selection Process (Continued)****Step 3 – Other Considerations**

1. **Arm Length + Offset** – Match the Arm Length and Offset of the OEM Valve for optional performance
 - While a valve will operate with an arm length that is different than the OEM specification, it will not perform in the optimal manner.
 - The offset may be determined by the bracket and arms which may be flat or bent.
 - Some valves have arms that can be removed and replaced. Barksdale valves have arms that are permanently attached and can not be remove or replaced.
2. **Brackets/mountings** – Are available to allow for the proper mounting of the valve onto the vehicle. In many cases the brackets can be reused.
3. **Horizontal of vertical mounting** – Some valves can be mounted either vertically or horizontally while others will operate properly only when mounted in one direction. Horizontal mounting is most common and only specially noted valves can be mounted vertically.
4. **Immediate or Delayed Response and Proportional or Non Proportional Output** – Most of the latest valve designs do NOT have a delay and respond immediately to changes in ride height. In addition, most of the new designs have proportional output which provides more air flow to the air springs the further the arm moves from its center/off position. All of the immediate response valves offered by Euclid are proportional and all delayed response valves are non-proportional.
5. **Fittings** – Many different fittings are available but adapters can also be used to simplify the replacement process.

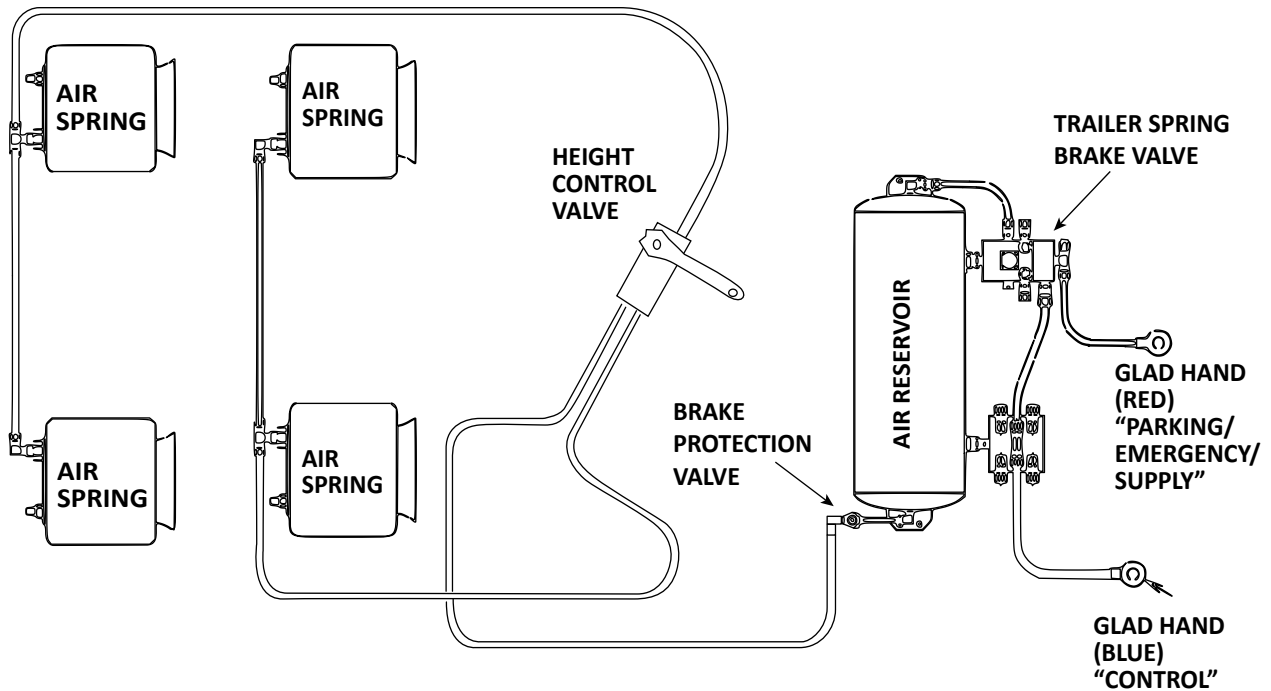
**Euclid Offers Universal Height Control Valves
Which Can Be Used In Most Applications**

Universal Height Control Valves		
	EUCLID NO.	HADLEY MODEL
No Dump	E-14729	Next Gen
Applied Air To Dump	E-14731	Next Gen
Remove Air To Dump	E-14730	Next Gen

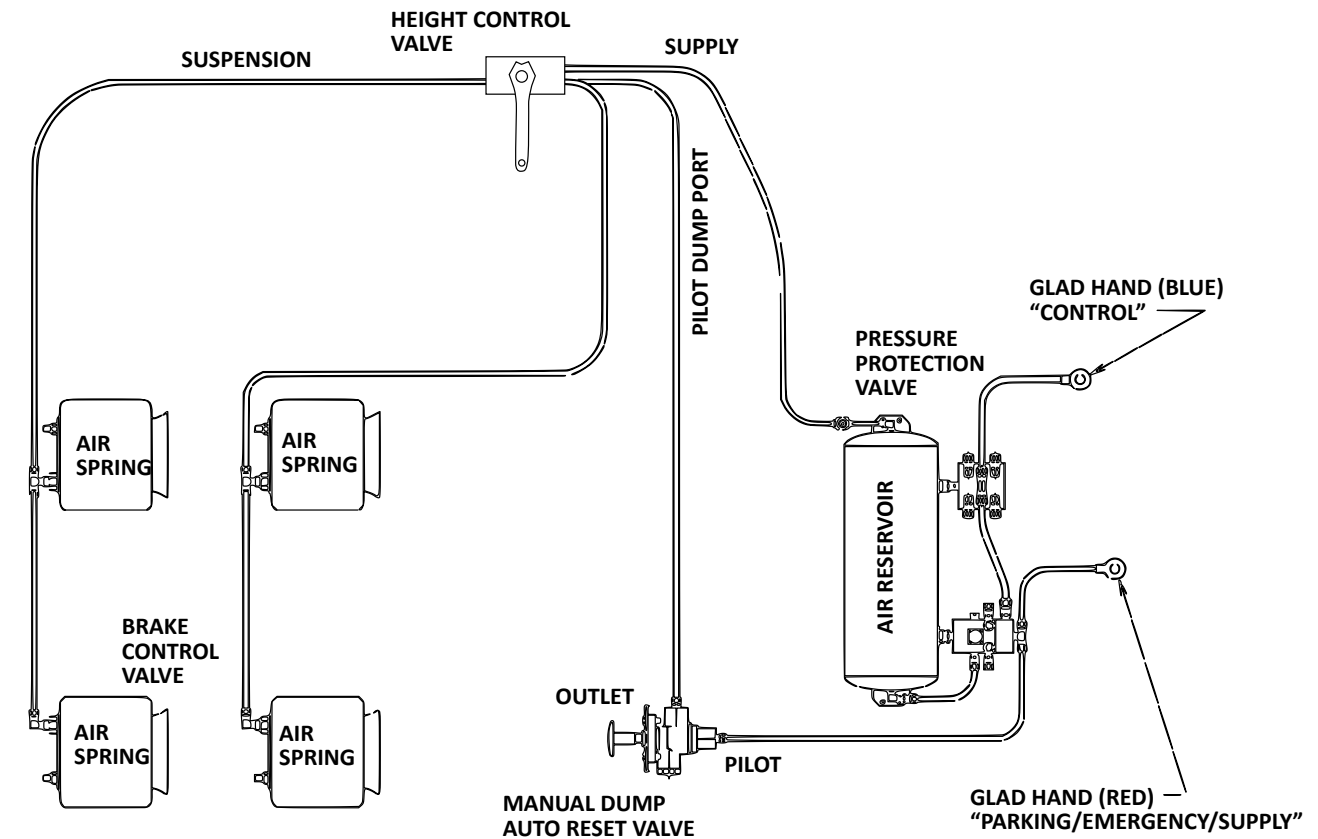
HEIGHT CONTROL VALVES

Plumbing Diagrams Of Typical Trailer Air System

NO DUMP



APPLY AIR TO DUMP

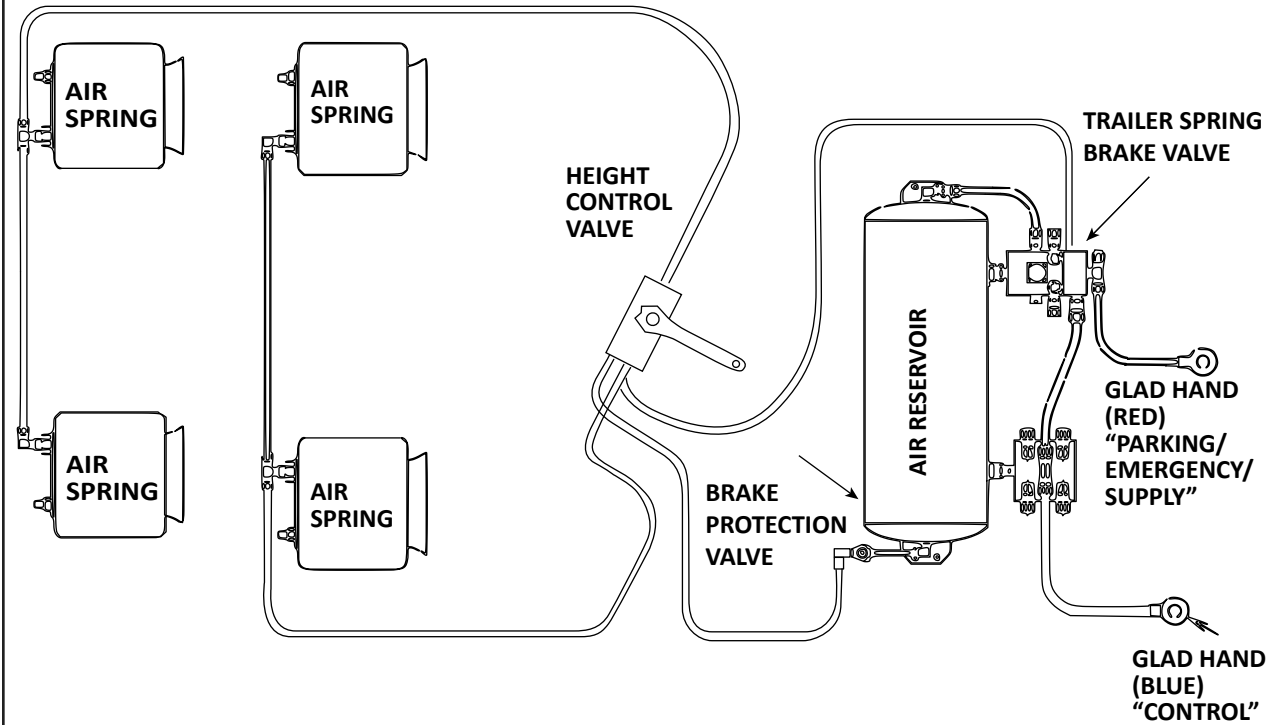


VALVES & ACCESSORIES

HEIGHT CONTROL VALVES

Plumbing Diagrams Of Typical Trailer Air System

REMOVE AIR TO DUMP



NOTE: Illustrations are for general informational purposes and may not reflect actual trailer or truck systems.

HEIGHT CONTROL VALVES

No Dump Valves

Suspension

No Dump

Barksdale



EUCLID NO.	OEM REF.	MFG. MODEL	ARM LENGTH	APPLICATION	FITTINGS / PORT SIZE	BRACKET INCLUDED	LINKAGE INCLUDED	VALVE ONLY EUCLID NO.
E-11494	60826-000	52321 Series	5", 6-7/8" & 7-1/2"	Hendrickson HA360, 400, 460 Air Ride	1/4" NPT	Yes	No	N/A
E-11855	VS-227	52321 Series	5", 7-3/8" & 8-1/2"	Hendrickson INTRAAX AND VANTRAAX	1/4" NPT	Yes	No	N/A
E-15130	60961-155	55521-Q141-320110	5-3/4"	Hendrickson AIRTEK® FOR INTERNATIONAL Dual HCV Conversion, Prior to 08/09	PTC	No	Yes	N/A
E-15151	59935-003	55521-Q116	5-3/4"	HENDRICKSON AIRTEK® FOR MACK VEHICLES, Prior to 03/05	PTC	No	No	-
E-14013	64089-000	55521-Q116-32071	5-3/4"	HENDRICKSON AIRTEK® FOR MACK VEHICLES, Prior to 03/05 w/12 & 12.5K Axles	PTC	Yes	Yes	E-15151
E-14014	64094-000	55521 Series	5-3/4"	HENDRICKSON AIRTEK® FOR MACK VEHICLES, Prior to 03/05 w/13.2 & 14.6K Axles	PTC	Yes	Yes	E-15151
E-15150	59427-006	55521-Q116-32071	5-3/4"	AIRTEK FOR MACK	PTC	No	Yes	-
E-15095	59427-013	55521-Q141-320110	5-3/4"	AIRTEK FOR INTERNATIONAL, Left Hand	PTC	No	Yes	-
E-13996	59935-011	55521-Q160	6"	Hendrickson AIRTEK® FOR INTERNATIONAL IC Buses, Right Hand	PTC	No	No	-
E-17588	59935-004	55521-Q119	7"	AIRTEK FOR BLUE BIRD BUS	PTC	No	No	-
E-17587	59935-024	55521-Q183	7"	Hendrickson AIRTEK® w/STEERTEK NXT Axle for Freightliner and Western Star, Right Hand AIRTEK FOR FREIGHTLINER, Right Hand	PTC	No	No	-
E-13995	59935-002	55521-Q115	7"	Hendrickson AIRTEK® w/STEERTEK Axle for Freightliner and Western Star, Right Hand	PTC	No	No	-
E-17088	59935-013	55521-Q150	7"	Hendrickson AIRTEK® w/STEERTEK NXT Axle for Freightliner and Western Star, Left Hand	PTC	No	No	-
E-17089	59935-024	55521-Q183	7"	Hendrickson AIRTEK® w/STEERTEK NXT Axle for Freightliner and Western Star, Right Hand	PTC	No	No	-

N/A - Not Available

Note: Photos represent a valve of the manufacturer and model for this section. The actual part number may also contain brackets and/or linkage. See following pages for photos of actual parts.

HEIGHT CONTROL VALVES

No Dump Valves

No Dump

Link / Hadley

	EUCLID NO.	OEM REF.	MFG. MODEL	ARM LENGTH	APPLICATION	FITTINGS	BRACKET INCLUDED	LINKAGE INCLUDED	VALVE ONLY
	E-9623	H00450CE	450 Series	7"	Various	1/4" Compression	Yes	No	N/A
	E-15271	23329-01	450 Series	7"	Reyco	1/4" Compression	Yes	Yes	N/A
	E-17583	-	600 Series Left Hand	5-7/8"	AIRTEK for Freightliner	PTC	No	No	N/A
	E-17584	-	600 Series Right Hand	5-7/8"	AIRTEK for Freightliner	PTC	No	No	N/A
	E-14677	A-7806-L-1052	Next Gen	5-1/2"	Meritor MTA Top Mount	3/8" PTC	No	No	-
	E-14332	KIT11309	Next Gen	9"	Meritor RHP	3/8" PTC	No	Yes	N/A
	E-14334	KIT11333	Next Gen	9"	Meritor RideSentury MPA	3/8" PTC	No	Yes	N/A
	E-14729	-	Next Gen	7", 8", & 9"	Universal	3/8" PTC	No	No	-

N/A - Not Available

No Dump

Haldex

	EUCLID NO.	OEM REF.	MFG. MODEL	ARM LENGTH	APPLICATION	FITTINGS	BRACKET INCLUDED	LINKAGE INCLUDED	VALVE ONLY
	E-13922	90555105, 90554241	IR Series	Adjustable	Neway	1/4" NPT	Yes	Yes	N/A
	E-4323	90054007	CR Series	7"	Neway	1/8" NPT	Yes	No	N/A
	E-13917	90554945	PR Plus Series	7"	Neway	1/4" NPT	No	No	-
	E-13920	90555273	PR Plus Series	7"	Neway	3/8" PTC	No	No	-
	E-13919	90555085	PR Plus Series	7"	Neway	M12 x 1.5	No	No	-

N/A - Not Available

Note: Photos represent a valve of the manufacturer and model for this section. The actual part number may also contain brackets and/or linkage. See following pages for photos of actual parts.

HEIGHT CONTROL VALVES

Suspension

Apply Air To Dump Valves

Apply Air To Dump

Barksdale



EUCLID NO.	OEM REF.	MFG. MODEL	ARM LENGTH	APPLICATION	FITTINGS	BRACKET INCLUDED	LINKAGE INCLUDED	VALVE ONLY
E-16417	66277-001	52341-Q211-320136	5-3/4"	Hendrickson Airtek for Spartan Motorhome Chassis with Drum Brakes, Left Hand	PTC	No	Yes	N/A
E-17591	66277-005	52341-Q211-320313	5-3/4"	AIRTEK FOR SPARTAN, Left Hand	PTC	No	Yes	-
E-17592	66277-006	52341-Q212-320313	5-3/4"	AIRTEK FOR SPARTAN, Right Hand	PTC	No	Yes	-
E-16418	66277-002	52341-Q212-320136	5-3/4"	Hendrickson Airtek for Spartan Motorhome Chassis with Drum Brakes, Right Hand	PTC	No	Yes	N/A
E-16407	60501-000	52341-Q123	7"	HENDRICKSON PARASTEER/ BlueBird	1/4" NPT	No	No	-
E-11870	57977-000	060501-000; 52341-Q123	7"	Hendrickson AR2	1/4" NPT	Yes	No	E-16407

N/A - Not Available

Apply Air To Dump

Hadley



EUCLID NO.	OEM REF.	MFG. MODEL	ARM LENGTH	APPLICATION	FITTINGS	BRACKET INCLUDED	LINKAGE INCLUDED	VALVE ONLY
E-14352	A7806Y1013	500 Series/ H00500DB	6-1/4"	Meritor RFS	1/4" NPT	No	No	-
E-14365	KIT11207	500 Series	6-1/4"	Meritor RFS	1/4" NPT	No	Yes	E-14352
E-9624	-	500 Series/ H00500C	3", 5", 9"	Meritor M311501	1/4" NPT	Yes	No	N/A
E-11465	-	500 Series/ H00500CB	9"	-	1/4" Compression	Yes	No	N/A
E-14732	-	Next Gen	7", 8", 9"	Universal	1/4" PTC	No	No	-
E-14731	-	Next Gen	7", 8", 9"	Universal	3/8" PTC	No	No	-
E-17049	A-7806-M-1053	Next Gen	5-1/2"	Meritor MTA Top Mount	3/8" PTC	No	No	N/A

N/A - Not Available


Note: Photos represent a valve of the manufacturer and model for this section. The actual part number may also contain brackets and/or linkage. See following pages for photos of actual parts.

HEIGHT CONTROL VALVES

Part Number Chart - Apply Air To Dump Valves

Apply Air To Dump

Haldex



	EUCLID NO.	OEM REF.	MFG. MODEL	ARM LENGTH	FITTINGS	BRACKET INCLUDED	LINKAGE INCLUDED	VALVE ONLY
	E-13916	90555106	IR Series	ADJ.	1/4" NPT	No	No	-
	E-13918	90554950	PR Plus Series	7"	1/4" NPT & Pilot - 1/4" PTC	No	No	-
	E-13921	90555274	PR Plus Series	7"	1/4" NPT & Pilot - 1/4" PTC	No	No	-

Note: Photos represent a valve of the manufacturer and model for this section. The actual part number may also contain brackets and/or linkage. See following pages for photos of actual parts.


HEIGHT CONTROL VALVES

Part Number Chart - Remove Air To Dump Valves

Suspension

Remove Air To Dump									
Hadley									
	EUCLID NO.	OEM REF.	MFG. MODEL	ARM LENGTH	APPLICATION	FITTINGS	BRACKET INCLUDED	LINKAGE INCLUDED	VALVE ONLY
	E-14351	A7806Z1014	500 Series	6-1/4"	Meritor RFS	1/4" NPT	No	No	-
	E-14368	KIT11206	500 Series	6-1/4"	Meritor RFS	1/4" NPT	No	Yes	E-14351
	E-11293	-	500 Series/ H00500CA	7", 8", 9"	Various	1/4" NPT	Yes	No	N/A
	E-13907	KIT11308	Next Gen/ H01502KB	9"	Meritor RHP11 and RHP55	3/8" PTC	No	Yes	N/A
	E-14333	KIT11332	Next Gen/ H01502KC	9"	Meritor RideSentury MPA	3/8" PTC	No	Yes	N/A
	E-14730	Various	Next Gen/ H01502UNC	7", 8", 9"	Universal	3/8" PTC	No	No	-

N/A - Not Available

Cab Suspensions					
Hadley					
	EUCLID NO.	MFG. MODEL	ARM LENGTH	FITTING	VALVE ONLY
	E-11464	600 Series / H00600P	2-1/4", 4"	1/8" NPT	-

Note: Photos represent a valve of the manufacturer and model for this section. The actual part number may also contain brackets and/or linkage. See following pages for photos of actual parts.

HEIGHT CONTROL VALVES

Barksdale Height Control Valves - By Dump Style

Height Control Valve, No Dump



EUCLID NO.	OEM REF.	BARKSDALE SERIES	FITTINGS / PORT SIZES	ARM LENGTH	APPLICATION	LOCATION
E-13995	59935-002	55521	PTC	7"	Hendrickson AIRTEK® w/ STEERTEK Axle for Freightliner and Western Star	Right Hand
E-17088	59935-013	55521-Q150				Left Hand

Barksdale Valve, No Dump



EUCLID NO.	OEM REF.	BARKSDALE SERIES	FITTINGS / PORT SIZES	ARM LENGTH	APPLICATION	LOCATION
E-17587	59935-024	5521-Q183	PTC	7"	Hendrickson AIRTEK® w/ STEERTEK NXT Axle for Freightliner and Western Star	Right Hand
E-17088	59935-013	55521-Q150				Left Hand Set Back
S.O.S.	59935-023	-				Left Hand Set Forward

Barksdale Valve, No Dump



EUCLID NO.	OEM REF.	BARKSDALE SERIES	FITTINGS / PORT SIZES	ARM LENGTH	APPLICATION	LOCATION
E-13996	59935-011	55521	PTC	6"	Hendrickson AIRTEK® FOR INTERNATIONAL IC Buses	Right Hand
S.O.S.	59935-018					Left Hand

Barksdale Valve, No Dump



EUCLID NO.	OEM REF.	BARKSDALE MODEL	FITTINGS / PORT SIZES	ARM LENGTH	APPLICATION
E-17588	59935-004	55521-Q119	PTC	7"	AIRTEK FOR BLUE BIRD BUS

PTC = Push To Connect


HEIGHT CONTROL VALVES

Barksdale Height Control Valves - By Dump Style


Suspension

VALVES & ACCESSORIES

Barksdale Valve, No Dump					
					
EUCLID NO.	OEM REF.	BARKSDALE SERIES	FITTINGS / PORT SIZES	ARM LENGTH	APPLICATION
E-15151	59935-003	55521	PTC	5-3/4"	HENDRICKSON AIRTEK® FOR MACK VEHICLES Built prior to-3/05

Barksdale Valve, No Dump with Bracket					
					
EUCLID NO.	OEM REF.	BARKSDALE SERIES	FITTINGS / PORT SIZES	ARM LENGTH	APPLICATION
E-11494	60826-000	52321	1/4" NPT	5", 6-7/8", & 7-1/2"	Hendrickson HA360, 400, 460 Air Ride

Barksdale Valve, No Dump with Bracket					
					
EUCLID NO.	OEM REF.	BARKSDALE SERIES	FITTINGS / PORT SIZES	ARM LENGTH	APPLICATION
E-11855	VS-227	52321	1/4" NPT	5" & 7-3/8" & 8-1/2"	Hendrickson INTRAAX AND VANTRAAX

Barksdale Valve, No Dump with Linkage					
					
EUCLID NO.	OEM REF.	BARKSDALE SERIES	FITTINGS / PORT SIZES	ARM LENGTH	APPLICATION
E-15130	60961-155	55521	PTC	5-3/4"	Hendrickson AIRTEK® FOR INTERNATIONAL Dual HCV Conversion. Before-8/09
E-15095	59427-013	55521-Q141-320110	PTC	5-3/4"	AIRTEK FOR INTERNATIONAL, Left Hand

PTC = Push To Connect

HEIGHT CONTROL VALVES

Barksdale Height Control Valves - By Dump Style

Barksdale Valve, No Dump with Linkage



EUCLID NO.	OEM REF.	BARKSDALE MODEL	FITTINGS / PORT SIZES	ARM LENGTH	APPLICATION
E-15150	59935-024	55521	1/4" NPT	7"	AIRTEK FOR FREIGHTLINER, Right Hand

Barksdale Valve, No Dump with Bracket & Linkage



Includes E-15151 Valve

EUCLID NO.	OEM REF.	BARKSDALE SERIES	FITTINGS / PORT SIZES	ARM LENGTH	APPLICATION
E-14013	64089-000	55521	PTC	5-3/4"	HENDRICKSON AIRTEK® FOR MACK VEHICLES. Prior to 3/05 w/ 12 & 12.5K Axles
E-14014	64094-000	55521	PTC	5-3/4"	HENDRICKSON AIRTEK® FOR MACK VEHICLES. Prior to 3/05 w/ 13.2 & 14.6K Axles

Barksdale Valve, Apply Air to Dump



EUCLID NO.	OEM REF.	BARKSDALE SERIES	FITTINGS / PORT SIZES	ARM LENGTH	APPLICATION
E-16407	60501-000	52341	1/4" NPT	7"	HENDRICKSON PARASTEER/ BlueBird

Barksdale Valve, Apply Air To Dump with Linkage



EUCLID NO.	OEM REF.	BARKSDALE MODEL	FITTINGS / PORT SIZES	ARM LENGTH	APPLICATION
E-17591	66277-005	52341-Q211-320313	PTC	5-3/4"	AIRTEK FOR SPARTAN, Left Hand
E-17592	66277-006	52341-Q212-320313	PTC	5-3/4"	AIRTEK FOR SPARTAN, Right Hand

PTC = Push To Connect

HEIGHT CONTROL VALVES

Barksdale Height Control Valves - By Dump Style

Suspension

Barksdale Valve, Apply Air to Dump with Bracket



Includes E-16407 Valve

EUCLID NO.	OEM REF.	BARSDALE MODEL	FITTINGS / PORT SIZES	ARM LENGTH	APPLICATION
E-11870	57977-000	52341	1/4" NPT	7"	Hendrickson AR2

Barksdale Valve, Apply Air to Dump with Linkage



Includes E-15151 Valve

EUCLID NO.	OEM REF.	BARSDALE SERIES	FITTINGS / PORT SIZES	ARM LENGTH	APPLICATION
E-16417	66277-001	52341	3/8" PTC	5-3/4"	Hendrickson Airtek for Spartan Motorhome Chassis With Drum Brakes, Left Hand
E-16418	66277-002	52341	3/8" PTC	5-3/4"	Hendrickson Airtek for Spartan Motorhome Chassis With Drum Brakes, Right Hand

VALVES &
ACCESSORIES

PTC = Push To Connect

U.S. 888-725-9355
Canada 800-387-3889

MeritorPartsXpress.com
700F-CMP (07-23)

CMP-125

HEIGHT CONTROL VALVES

Hadley Height Control Valves - By Dump Style

Hadley Valve, No Dump with Bracket



EUCLID NO.	HADLEY MODEL	FITTINGS / PORT SIZES	ARM LENGTH	APPLICATION
E-9623	450 Series	1/4" Compression	7"	Various

Hadley Valve, No Dump



EUCLID NO.	OEM REF.	HADLEY MODEL	FITTINGS / PORT SIZES	ARM LENGTH	APPLICATION
E-17583	-	600 Series Left Hand	PTC	5-7/8"	AIRTEK for Freightliner
E-17584	-	600 Series Right Hand	PTC	5-7/8"	AIRTEK for Freightliner

Hadley Valve, No Dump with Bracket & Linkage



EUCLID NO.	OEM REF.	HADLEY MODEL	FITTINGS / PORT SIZES	ARM LENGTH	APPLICATION
E-15271	23329-01	450 Series	1/4" Compression	7"	Reyco

Hadley Control Valve, No Dump


UNIVERSAL




EUCLID NO.	OEM REF.	HADLEY MODEL	FITTINGS / PORT SIZES	ARM LENGTH	APPLICATION
E-14677	A-7806-L-1052	Next Gen	3/8" PTC	5-1/2"	MTA Top Mount
E-14729	H01500UN	Next Gen	3/8" PTC	7", 8", and 9"	Universal

HEIGHT CONTROL VALVES

Hadley Height Control Valves - By Dump Style

Hadley Valve, No Dump with Linkage					
					
EUCLID NO.	OEM REF.	HADLEY MODEL	FITTINGS / PORT SIZES	ARM LENGTH	APPLICATION
E-14332	KIT11309	Next Gen	3/8" PTC	9"	Meritor RHP

Hadley Valve, No Dump with Linkage					
					
EUCLID NO.	OEM REF.	HADLEY MODEL	FITTINGS / PORT SIZES	ARM LENGTH	APPLICATION
E-14334	KIT11333	Next Gen	3/8" PTC	9"	Meritor RideSentury MPA

VALVES & ACCESSORIES

PTC = Push To Connect

U.S. 888-725-9355
Canada 800-387-3889

MeritorPartsXpress.com
700F-CMP (07-23)

CMP-127

HEIGHT CONTROL VALVES

Hadley Height Control Valves - By Dump Style

Hadley Valve, Apply Air to Dump



EUCLID NO.	OEM REF.	HADLEY MODEL	FITTINGS / PORT SIZES	ARM LENGTH	APPLICATION
E-14352	A7806Y1013	500 Series	1/4" NPT	6-1/4"	Meritor RFS

Hadley Valve, Apply Air to Dump with Bracket



EUCLID NO.	HADLEY MODEL	FITTINGS / PORT SIZES	ARM LENGTH	APPLICATION
E-9624	500 Series	1/4" NPT	3", 5", 7"	Hadley H00500C / Meritor M311501

Hadley Valve, Apply Air to Dump with Bracket



EUCLID NO.	HADLEY MODEL	FITTINGS / PORT SIZES	ARM LENGTH
E-11465	500 Series	1/4" Compression	9"

Hadley Valve, Apply Air to Dump with Linkage



Includes E-14352 Valve

EUCLID NO.	OEM REF.	HADLEY MODEL	FITTINGS / PORT SIZES	ARM LENGTH	APPLICATION
E-14365	KIT11207	500 Series	1/4" NPT	6-1/4"	Meritor RFS

PTC = Push To Connect

HEIGHT CONTROL VALVES

Hadley Height Control Valves - By Dump Style

Suspension

Hadley Valve, Apply Air to Dump

UNIVERSAL



EUCLID NO.	OEM REF.	HADLEY MODEL	FITTINGS / PORT SIZES	ARM LENGTH	APPLICATION
E-14732	H01501PUD	Next Gen	1/4" PTC	7", 8", and 9"	Common On Peterbilt Prior To 2012
E-14731	H01501UD		3/8" PTC		-
E-17049	A-7806-M-1053		3/8" PTC	5-1/2"	MTA Top Mount

VALVES &
ACCESSORIES

PTC = Push To Connect

U.S. 888-725-9355
Canada 800-387-3889

MeritorPartsXpress.com
700F-CMP (07-23)

CMP-129

HEIGHT CONTROL VALVES

Hadley Height Control Valves - By Dump Style

VALVES & ACCESSORIES

Hadley Valve, Remove Air to Dump



EUCLID NO.	OEM REF.	HADLEY MODEL	FITTINGS / PORT SIZES	ARM LENGTH	APPLICATION
E-14351	A7806Z1014	500 Series	1/4" NPT	6-1/4"	Meritor RFS

Hadley Valve, Remove Air to Dump with Bracket



EUCLID NO.	HADLEY MODEL	FITTINGS / PORT SIZES	ARM LENGTH	APPLICATION
E-11293	500 Series	1/4" NPT	7", 8", 9"	Various

Hadley Valve, Remove Air to Dump with Linkage



Includes E-14351 Valve

EUCLID NO.	OEM REF.	HADLEY MODEL	FITTINGS / PORT SIZES	ARM LENGTH	APPLICATION
E-14368	KIT11206	500 Series	1/4 NPT	6-1/4"	Meritor RFS

Hadley Valve, Remove Air to Dump

UNIVERSAL



EUCLID NO.	OEM REF.	HADLEY MODEL	FITTINGS / PORT SIZES	ARM LENGTH	APPLICATION
E-14730	H01501UD	Next Gen	PTC	7", 8", and 9"	Universal

HEIGHT CONTROL VALVES

Hadley Height Control Valves - By Dump Style

Suspension

Hadley Valve, Remove Air to Dump with Linkage



EUCLID NO.	OEM REF.	HADLEY MODEL	FITTINGS / PORT SIZES	ARM LENGTH	APPLICATION
E-13907	KIT11308	Next Gen	3/8" PTC	9"	Meritor RHP11 and RHP55

Hadley Valve, Remove Air to Dump with Linkage



EUCLID NO.	OEM REF.	HADLEY MODEL	FITTINGS / PORT SIZES	ARM LENGTH	APPLICATION
E-14333	KIT11332	Next Gen	3/8" PTC	9"	Meritor RideSentury MPA

Hadley Valve, Cab Suspension



EUCLID NO.	HADLEY MODEL	FITTINGS / PORT SIZES	ARM LENGTH	VALVE ONLY EUCLID NO.	APPLICATION
E-11464	600 Series /H00600P	1/8" NPT	2-1/4", 4"	E-11464	Cab Suspensions

PTC = Push To Connect

U.S. 888-725-9355
Canada 800-387-3889

MeritorPartsXpress.com
700F-CMP (07-23)

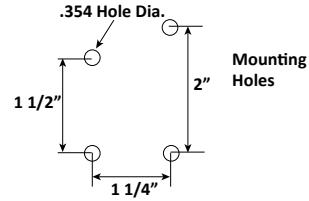
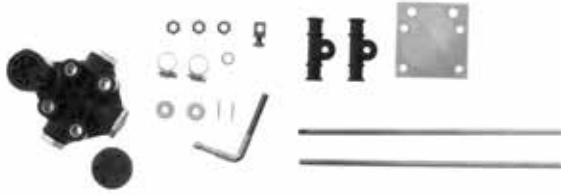
CMP-131

VALVES &
ACCESSORIES

HEIGHT CONTROL VALVES

Haldex Height Control Valves - By Dump Style

Haldex Valve, No Dump with Bracket & Linkage



EUCLID NO.	OEM REF.	HALDEX MODEL	FITTINGS / PORT SIZES	MOUNTING	ARM LENGTH	APPLICATION
E-13922	90555105, 90554241	IR Series	1/4" NPT	See Above	Adjustable	Neway

Haldex Valve, No Dump with Bracket



EUCLID NO.	OEM REF.	HALDEX MODEL	FITTINGS / PORT SIZES	ARM LENGTH	APPLICATION
E-4323	90054007	CR Series	1/8" NPT	7"	Neway

Haldex Valve, No Dump



EUCLID NO.	OEM REF.	HALDEX MODEL	FITTINGS / PORT SIZES	ARM LENGTH	APPLICATION
E-13917	90554945	PR Plus Series	1/4" NPT	7"	Neway

Haldex Valve, No Dump



EUCLID NO.	OEM REF.	HALDEX MODEL	FITTINGS / PORT SIZES	ARM LENGTH	APPLICATION
E-13919	90555085	PR Plus Series	M12 x 1.5	7"	Neway

VALVES & ACCESSORIES

HEIGHT CONTROL VALVES

Haldex Height Control Valves - By Dump Style

Suspension

Haldex Valve, No Dump



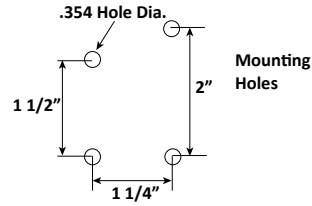
EUCLID NO.	OEM REF.	HALDEX MODEL	FITTINGS / PORT SIZES	ARM LENGTH	APPLICATION
E-13920	90555273	PR Plus Series	3/8" PTC	7"	Neway

VALVES &
ACCESSORIES

HEIGHT CONTROL VALVES

Haldex Height Control Valves - By Dump Style

Haldex Valve, Apply Air to Dump



EUCLID NO.	OEM REF.	HALDEX MODEL	FITTINGS / PORT SIZES	MOUNTING	ARM LENGTH	APPLICATION
E-13916	90555106	IR Series	1/4" NPT	See Above	Adjustable	Neway

Haldex Valve, Apply Air to Dump



EUCLID NO.	OEM REF.	HALDEX MODEL	FITTINGS / PORT SIZES	ARM LENGTH	APPLICATION
E-13918	90554950	PR Plus Series	3/8" PTC, Pilot-1/4" PTC	7"	Neway

Haldex Valve, Apply Air to Dump




EUCLID NO.	OEM REF.	HALDEX MODEL	FITTINGS / PORT SIZES	ARM LENGTH	APPLICATION
E-13921	90555274	PR Plus Series	3/8" PTC, Pilot-1/4" PTC	7"	Neway


HEIGHT CONTROL VALVES


Suspension

Neway / Ridewell - By Dump Style

Neway, No Dump					
					
EUCLID NO.	OEM REF.	NEWAY MODEL	FITTING / PORT SIZES	ARM LENGTH	APPLICATION
E-16586	50860013	Max Valve	PTC	5-1/2", 7", 8", & 9"	No Dump

Neway, Apply to Dump					
					
EUCLID NO.	OEM REF.	NEWAY MODEL	FITTING / PORT SIZES	ARM LENGTH	APPLICATION
E-16580	50860014	Max Valve	PTC	5-1/2", 7", 8", & 9"	Apply Air To Dump

Neway, Remove Air to Dump					
					
EUCLID NO.	OEM REF.	NEWAY MODEL	FITTING / PORT SIZES	ARM LENGTH	APPLICATION
E-16571	50860016	Max Valve	PTC	5-1/2", 7", 8", & 9"	Remove Air to Dump

Ridewell, No Dump					
					
EUCLID NO.	OEM REF.	RIDEWELL MODEL	FITTINGS / PORT SIZES	ARM LENGTH	APPLICATION
E-12525	Ridewell 124723B205, 124723B204	Extreme Air w/o Dump	PTC	9"	Ridewell


VALVES & ACCESSORIES


HEIGHT CONTROL VALVES

Linkage And Kits

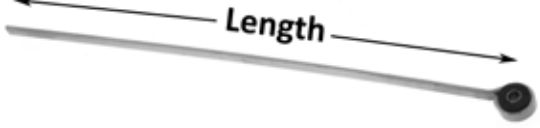
Linkage and Linkage Kits

FOR MODELS:
Neway
AD & ARD




EUCLID NO.	GENUINE	OEM REF.
E-16623		Neway 48100267/SRK-205

Linkage Half



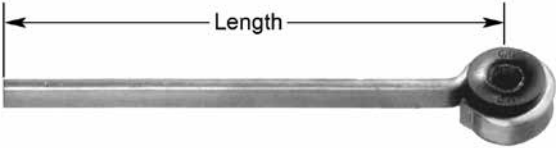
EUCLID NO.	OEM REF.	LENGTH	OD
E-4334	Neway 90054460	14"	1/4"

Linkage Kits




EUCLID NO.	OEM REF.	NOTES
E-7852	Replaces Neway SRK-168, Peterbilt03-06224	Universal Adjustable

Link Half




EUCLID NO.	OEM REF.	A	OD
E-4333	Neway 90054188	8"	1/4"

Linkage Kit




EUCLID NO.	OEM REF.	NOTES
E-3760A	Hendrickson 58994-021	Adjustable

Hand Valve




EUCLID NO.	OEM REF.
E-4329	Neway 90054082

Linkage and Linkage Kits




EUCLID NO.	OEM REF.	NOTES
E-9625	Replaces Hadley HPB450-3	Universal Adjustable


Solenoid Valve




EUCLID NO.	OEM REF.	NOTES
E-4331	Neway 90054075	Normally Open


Other Air Valves & Accessories

Solenoid Valve		
		
EUCLID NO.	OEM REF.	NOTES
E-4325	Neway 90054074	Normally Closed

Manual Valve	
	
EUCLID NO.	OEM REF.
E-4326	Neway 90054088


Quick Release Valve	
	
EUCLID NO.	OEM REF.
E-4330A	Neway 90054096

Pressure Regulator Valve	
	
EUCLID NO.	OEM REF.
E-4327	Neway 90054077

Brake Protection Valve		
		
EUCLID NO.	OEM REF.	NOTES
E-4324	Neway 90554107/90054001	Includes Internal Filter

Pressure Protection Valve	
	
EUCLID NO.	OEM REF.
E-3762	Hendrickson 30272-000

Pilot Valve	
	
EUCLID NO.	OEM REF.
E-4328	Neway 90054079

Air Gauge	
	
EUCLID NO.	OEM REF.
E-4332	Neway 90054280

HEIGHT CONTROL VALVE AND ACCESSORIES

CROSS REFERENCE

REPLACES OE NUMBER	OEM	EUCLID NO.
52341-Q123	Barksdale	E-16407
52341-Q123	Barksdale	E-11870
52341-Q211-320136	Barksdale	E-16417
52341-Q211-320313	Barksdale	E-17591
52341-Q212-320136	Barksdale	E-16418
52341-Q212-320313	Barksdale	E-17592
55521-Q115	Barksdale	E-13995
55521-Q116	Barksdale	E-15151
55521-Q116-32071	Barksdale	E-14013
55521-Q116-32071	Barksdale	E-15150
55521-Q119	Barksdale	E-17588
55521-Q141-320110	Barksdale	E-15130
55521-Q141-320110	Barksdale	E-15095
55521-Q150	Barksdale	E-17088
55521-Q160	Barksdale	E-13996
55521-Q183	Barksdale	E-17089
55521-Q183	Barksdale	E-17587
KD2256	Barksdale	E-11494
H00450CE	Hadley	E-9623
H00500C	Hadley	E-9624
H00500CA	Hadley	E-11293
H00500CB	Hadley	E-11465
H00500DB	Hadley	E-14352
H00600P	Hadley	E-11464
H01500UN	Hadley	E-14729
H01501UD	Hadley	E-14732
H01502KB	Hadley	E-13907
H01502KC	Hadley	E-14333
H01502UNC	Hadley	E-14730
H0150PUD	Hadley	E-14731
HPB450-3	Hadley	E-9625
30272-000	Hendrickson	E-3762
59427-006	Hendrickson	E-14013
59427-006	Hendrickson	E-15150
59427-013	Hendrickson	E-15095
59427-013A	Hendrickson	E-15130
59935-002	Hendrickson	E-13995
59935-003	Hendrickson	E-15151
59935-004	Hendrickson	E-17588
59935-011	Hendrickson	E-13996
59935-013	Hendrickson	E-17088
59935-024	Hendrickson	E-17089
59935-024	Hendrickson	E-17587
59935-101	Hendrickson	E-17583
59935-102	Hendrickson	E-17584
60501-000	Hendrickson	E-16407

REPLACES OE NUMBER	OEM	EUCLID NO.
60501-000	Hendrickson	E-11870
60826-000	Hendrickson	E-11494
64094-000	Hendrickson	E-14014
66277-001	Hendrickson	E-16417
66277-002	Hendrickson	E-16418
66277-005	Hendrickson	E-17591
66277-006	Hendrickson	E-17592
VS-227	Hendrickson	E-11855
58994-021	Hendrickson	E-3760A
A-7806-L-1052	Meritor	E-14677
A-7806-M-1053	Meritor	E-17049
A7806Y1013	Meritor	E-14352
A7806Z101	Meritor	E-14351
KIT11206	Meritor	E-14368
KIT11207	Meritor	E-14365
KIT11308	Meritor	E-13907
KIT11309	Meritor	E-14332
KIT11332	Meritor	E-14333
KIT11333	Meritor	E-14334
48100267	Neway	E-16623
90054001	Neway	E-4324
90054007	Neway	E-4323
90054074	Neway	E-4325
90054075	Neway	E-4331
90054077	Neway	E-4327
90054079	Neway	E-4328
90054082	Neway	E-4329
90054088	Neway	E-4326
90054096	Neway	E-4330A
90054188	Neway	E-4333
90054280	Neway	E-4332
90054460	Neway	E-4334
90554107	Neway	E-4324
90554241	Neway	E-13922
90554945	Neway	E-13917
90554950	Neway	E-13918
90555085	Neway	E-13919
90555105	Neway	E-13922
90555106	Neway	E-13916
90555273	Neway	E-13920
90555274	Neway	E-13921
SRK-168	Neway	E-7852
SRK-205	Neway	E-16623
03-06224	Peterbilt	E-7852
23329-01	Reyco	E-15271

NUMERICAL LISTING

Suspension

PART NO.	PAGE NO.
E-640	TLM-5, TLM-6, CMP-98
E-641	TLM-5, TLM-6
E-700	CMP-35
E-702A	CMP-35
E-813	RYG-41, RYG-73, CMP-102
E-837	RYG-41, RYG-74
E-873	RYG-41
E-900	DNA-3, DNA-10, RYG-19, RYG-27, RYG-81, CMP-50
E-901	DNA-5, DNA-7, DNA-10, DYT-3, DYT-5, DYT-7, DYT-9, HND-147, RYG-3, RYG-7, RYG-9, RYG-17, RYG-25, RYG-27, RYG-31, RYG-35, RYG-51, RYG-53, RYG-59, RYG-81, CMP-50
E-905	RYG-3, RYG-7, RYG-11, RYG-15, RYG-19, RYG-23, RYG-27, CMP-55
E-907	DNA-3, DNA-10, RYG-19, RYG-27, RYG-31, RYG-41, RYG-47, CMP-55
E-927	FRU-3, FRU-7, FRU-11, FRU-13, FRU-18, GRD-3, GRD-9, HUT-13, HUT-33, HUT-39, HUT-64, CMP-29, CMP-102
E-934	HUT-21, HUT-27, HUT-33, HUT-39, HUT-43, HUT-62, HUT-63, HUT-64, TLM-3, TLM-7, WCN-7, WCN-17, WCN-26, CMP-29, CMP-96
E-937	FRU-3, FRU-5, FRU-7, FRU-11, FRU-13, RYG-3, RYG-7, RYG-11, RYG-15, RYG-19, RYG-23, RYG-27, RYG-31, RYG-35, RYG-41, RYG-47, RYG-51, RYG-53, RYG-55, RYG-57, CMP-53
E-1018	FRU-3, FRU-7, FRU-11, FRU-13, FRU-18
E-1019	FRU-5, FRU-7, FRU-11, FRU-16
E-1020	FRU-5, FRU-7, FRU-11, FRU-16, CMP-29, CMP-102

PART NO.	PAGE NO.
E-1021	FRU-5, FRU-7, FRU-11, FRU-17, CMP-55
E-1023	FRU-3, FRU-9, FRU-11, FRU-13, FRU-18, CMP-29
E-1024	FRU-5, FRU-9, FRU-11, FRU-16, CMP-29
E-1038	HUT-3, HUT-64, CMP-102
E-1061	RYG-3, RYG-17, RYG-88, SAF-23, SAF-97, CMP-96
E-1072	DNA-5, DNA-7, DNA-8, RYG-51, RYG-53, RYG-59, RYG-72, TLM-5, TLM-6, CMP-98
E-1074	FRU-3, FRU-7, FRU-11, FRU-13, FRU-17, HUT-3, HUT-65, CMP-55
E-1075	HUT-3, HUT-64
E-1107	RYG-5, RYG-35, RYG-37, SAF-25, SAF-31, SAF-37, SAF-41, SAF-45, SAF-47, SAF-51, SAF-53, SAF-57, SAF-61, SAF-65, SAF-69, SAF-73, SAF-75, SAF-81, TLM-5, CMP-53
E-1159	RYG-41, RYG-72, CMP-29, CMP-102
E-1160	RYG-31, RYG-41, RYG-47, RYG-80, CMP-29, CMP-102
E-1166	FRU-13, FRU-17, RYG-3, RYG-7, RYG-19, RYG-23, RYG-27, RYG-31, RYG-35, RYG-41, RYG-47, RYG-51, RYG-53, RYG-55, RYG-57, RYG-73, RYG-81, CMP-50
E-1204	TLM-5, CMP-50
E-1206	TLM-5, CMP-55
E-1277	TLM-5, TLM-6
E-1279	DYT-3, DYT-5, DYT-7, DYT-8, TLM-5, VLV-9, VLV-11, VLV-20
E-1307	FRT-17, FRT-19, HND-89, HND-93, HND-95, HND-167, KEN-3, PET-3
E-1312A	RYG-31, RYG-41, RYG-47, RYG-79, CMP-29

PART NO.	PAGE NO.
E-1329A	SAF-83, SAF-122, CMP-29
E-1330	PAG-9, PAG-12, SAF-83, SAF-91, SAF-93, SAF-122, CMP-29
E-1331	SAF-85, SAF-122
E-1332	PAG-9, PAG-12, SAF-83, SAF-119, CMP-29, CMP-100
E-1333	SAF-85, SAF-119, CMP-100
E-1335	SAF-87, SAF-118, CMP-99
E-1336	CMP-98
E-1338	HND-91, HND-95, HND-115, HND-123, HND-125, CMP-29, CMP-103
E-1339	HND-123, HND-125, HND-158, CMP-29, CMP-103
E-1340	HND-95, HND-117, HND-123, HND-125, HND-161, CMP-29, CMP-99
E-1341A	HND-57, HND-91, HND-103, HND-113, HND-117, HND-125, HND-161, RDW-5, RDW-22, CMP-99
E-1351	HND-182, CMP-97
E-1352	HND-182, CMP-97
E-1354	CMP-53
E-1545	HND-115, HND-159, CMP-99
E-1546	HND-91, HND-113, HND-115, HND-159
E-1548	HND-159
E-1551	HND-91, HND-113, HND-115, HND-159
E-1552	HND-91, HND-113, HND-115, HND-159, CMP-100
E-1553	HND-91, HND-113, HND-115, HND-159
E-1594	HND-91, HND-95, HND-115, HND-123, HND-125, HND-158, CMP-103

NUMERICAL LISTING

BLU - Blue Bird
CHM - Chalmers
DNA - Dana
DYT - Dayton

FRT - Freightliner
FRU - Fruehauf
GRD - Great Dane
HND - Hendrickson

HIN - Hino
HUT - Hutchens
KEN - Kenworth
MAK - Mack

MER - Meritor
NVI - Navistar
PAG - Page
PET - Peterbilt

RYG - Reyco Granning
RDW - Ridewell
SAF - SAF-Holland Neway
SPT - Spartan

TLM - Trailmobile
VLV - Volvo
WTC - Watson Chalin
WST - Western Star

CMP - Suspension Components

NUMERICAL LISTING

NUMERICAL LISTING

PART NO.	PAGE NO.
E-1594-2	HND-159
E-1595	HND-123, HND-125, HND-158, CMP-29, CMP-103
E-1595-2	HND-159
E-1598A	HND-115, HND-179, CMP-29
E-1600	CMP-32
E-1817	HND-167, CMP-104
E-1818	HND-89, HND-93, HND-167, CMP-104
E-1819	HND-167
E-1820	PET-11, CMP-51
E-1821	HND-167
E-1828	BLU-9, DNA-7, FRT-21, HND-51, HND-53, HND-81, HND-83, HND-89, HND-93, HND-119, HIN-3, HUT-3, MAK-27, NVI-17, CMP-54
E-1829	HND-91, HND-166
E-1830	HND-57, HND-91, HND-113, HND-166
E-1832	HND-95, HND-166
E-1833A	HND-57, HND-91, HND-113, HND-115, HND-123, HND-125, HND-166
E-1834	HND-57, HND-91, HND-113, HND-115, HND-123, HND-125, CMP-55
E-1835	FRT-21, FRU-5, GRD-3, GRD-9, HND-53, HND-57, HND-89, HND-113, HND-115, HND-123, HND-125, HND-209, HIN-3, HUT-13, HUT-33, HUT-39, HUT-65, MAK-13, MAK-17, MAK-21, MAK-23, MAK-25, MAK-27, MAK-29, PET-15, RYG-9, RYG-29, RYG-35, RYG-37, RDW-3, RDW-5, CMP-54
E-1840	HND-95, HND-123, HND-125, HND-164
E-1842	HND-57, HND-113, HND-115, HND-123, HND-125, HND-164, RDW-7

PART NO.	PAGE NO.
E-1849	HND-89, HND-165
E-1850	HND-89, HND-165
E-1851	HND-95, HND-165
E-1852	HND-95, HND-165
E-1853	HND-89, HND-165
E-1854	HND-89, HND-165
E-1855	HND-165, CMP-52
E-1856	HND-165, CMP-52
E-1859	HND-165, CMP-52
E-1860	HND-165, CMP-52
E-1869	HND-89, HND-165
E-1876	FRT-19, FRT-36, HND-168, KEN-3, KEN-12, PET-3, PET-20, CMP-98, CMP-108
E-1877	HND-89, HND-95, HND-168
E-1878	HND-168
E-1879	HND-168
E-1940	HND-115, HND-119, HND-179, CMP-99
E-1941	HND-115, HND-119, HND-179
E-1942	HND-115, HND-123, HND-125, HND-179
E-1943	HND-85, HND-103, HND-107, HND-115, HND-119, HND-123, HND-125, HUT-45, PET-5, PET-15, PET-19, SPT-9, CMP-54
E-1944	HND-123, HND-125, HND-166
E-1945	HND-115, HND-119, HND-179
E-1946	HND-115, HND-119, HND-123, HND-179, CMP-54
E-1947	HND-115, HND-123, HND-125, HND-166
E-1960	HND-115, HND-119, HND-179

PART NO.	PAGE NO.
E-1963	RYG-15, RYG-79
E-1964	RYG-11, RYG-15, RYG-80, CMP-102
E-1965	RYG-11, RYG-15
E-1966	RYG-11, RYG-15, RYG-23, RYG-72, CMP-98
E-1967	RYG-11, RYG-15, RYG-21, RYG-23, RYG-74
E-1967-P	RYG-11, RYG-15, RYG-21, RYG-23, RYG-74
E-1968	RYG-11, RYG-15, RYG-19, RYG-23
E-1969	RYG-11, RYG-15, RYG-21, RYG-23, RDW-9, CMP-56
E-1970	RYG-11, RYG-15, RYG-23, RYG-71
E-1971	RYG-9, RYG-11, RYG-15, RYG-19, RYG-23, RYG-27, RYG-41, RYG-47, RYG-53, RYG-59, RYG-88
E-1972	DYT-3, DYT-5, DYT-7, RYG-3, RYG-11, RYG-15, RYG-19, RYG-23, RYG-41, RYG-47, RYG-53, RYG-59, CMP-50
E-1974	RYG-3, RYG-9, RYG-11, RYG-15, RYG-19, RYG-23, RYG-27, RYG-29, RYG-35, RYG-37, RYG-41, RYG-47, RYG-51, RYG-53, RYG-55, RYG-57, RYG-59
E-1975	DNA-5, DNA-7, DNA-9, RYG-11, RYG-15, RYG-19, RYG-23, RYG-41, RYG-47, RYG-53, RYG-59, RYG-75, RYG-88
E-1980	DNA-5, DNA-7, DNA-9, DYT-3, DYT-5, DYT-7, DYT-9, HND-147, HND-220, RYG-3, RYG-7, RYG-9, RYG-11, RYG-17, RYG-21, RYG-23, RYG-27, RYG-31, RYG-35, RYG-37, RYG-51, RYG-53, RYG-59, RYG-63, RYG-80, SAF-89, SAF-117, WCN-7, WCN-26, CMP-29, CMP-96

BLU - Blue Bird
 CHM - Chalmers
 DNA - Dana
 DYT - Dayton

FRT - Freightliner
 FRU - Fruehauf
 GRD - Great Dane
 HND - Hendrickson

HIN - Hino
 HUT - Hutchens
 KEN - Kenworth
 MAK - Mack

MER - Meritor
 NVI - Navistar
 PAG - Page
 PET - Peterbilt

RYG - Reyco Granning
 RDW - Ridewell
 SAF - SAF-Holland Neway
 SPT - Spartan

TLM - Trailmobile
 VLV - Volvo
 WTC - Watson Chalin
 WST - Western Star

CMP - Suspension Components

NUMERICAL LISTING

Suspension

PART NO.	PAGE NO.
E-1981	DNA-5, DNA-7, DNA-9, DYT-3, DYT-5, DYT-7, DYT-9, HND-147, HND-220, RYG-9, RYG-51, RYG-53, RYG-59, RYG-79, CMP-29
E-1982	DNA-3, DNA-9, RYG-19, RYG-27, RYG-80, CMP-29, CMP-102
E-1983	DNA-3, DNA-9, RYG-19, RYG-27, RYG-79, CMP-29
E-1984	DNA-3, DNA-8, CMP-102
E-1986A	DNA-3, DNA-7, DNA-10, RYG-41, CMP-55
E-1987	DNA-3, DNA-10, RYG-41, RYG-75, CMP-50
E-1993	DNA-5, DNA-7, DNA-8
E-1995	DNA-5, DNA-7, DNA-8
E-1996	DNA-7
E-1998A	DNA-7, DNA-8
E-1999A	GRD-3, GRD-6, HUT-3, HUT-11, HUT-19, HUT-25, HUT-29, HUT-35, HUT-41, HUT-59, CMP-29, CMP-96
E-2000	GRD-3, GRD-6, HUT-3, HUT-11, HUT-19, HUT-25, HUT-29, HUT-35, HUT-41, HUT-60
E-2001	GRD-3, GRD-6, HUT-3, HUT-13, HUT-19, HUT-25, HUT-33, HUT-39, HUT-43, HUT-60, TLM-3
E-2002	GRD-3, GRD-5, HUT-3, HUT-13, HUT-19, HUT-25, HUT-29, HUT-35, HUT-41, RYG-67, SAF-89, TLM-3, CMP-53
E-2003	GRD-3, GRD-6, HUT-11, HUT-17, HUT-23, HUT-29, HUT-35, HUT-41, HUT-59
E-2004	HUT-3, HUT-59
E-2009	SAF-45, SAF-57, SAF-61, SAF-65, SAF-108
E-2010	SAF-45, SAF-61, SAF-65, SAF-109

PART NO.	PAGE NO.
E-2011	SAF-85, SAF-122
E-2017	HND-182, KEN-7, KEN-18, CMP-54, CMP-93
E-2018	HND-182, KEN-7, KEN-18, CMP-56, CMP-93
E-2021	HND-91, HND-113, HND-115, HND-159, CMP-56
E-2022	FRT-27, RYG-9, RYG-11, RYG-17, RYG-21, RYG-23, RYG-27, RYG-51, RYG-53, CMP-50
E-2031A	HND-163
E-2034	HND-163
E-2035	HND-163, CMP-53
E-2079	HND-182, PAG-5, PAG-7, CMP-54, CMP-93
E-2116A	RYG-43, RYG-71
E-2130	CMP-32
E-2225	HND-182, MAK-9, MAK-27, MAK-33, MAK-41, NVI-11, NVI-17, NVI-24, NVI-29, PET-5, PET-9, PET-11, PET-17, PET-24, PET-27, PET-31, VLV-7, VLV-11, VLV-18, VLV-20, CMP-29, CMP-101
E-2226	HND-182, KEN-7, KEN-11, KEN-18, KEN-20, MAK-15, MAK-27, MAK-41, NVI-11, NVI-17, NVI-24, NVI-29, PET-27, CMP-29, CMP-101
E-2227	HND-182, CMP-102
E-2228	HND-182, KEN-7, KEN-18, CMP-29, CMP-102
E-2229	HND-95, HND-166
E-2232	HND-115, HND-179, CMP-29
E-2233	HND-115, HND-121, HND-180
E-2238	HND-182, CMP-97
E-2272	DNA-3, DNA-8
E-2273	DNA-3, DNA-8, CMP-97

PART NO.	PAGE NO.
E-2274	DNA-3, DNA-10, CMP-50
E-2275	DNA-3, DNA-10, FRU-13, FRU-17, PET-19, CMP-55
E-2292	DNA-9, HUT-62, RYG-27, RYG-76, CMP-68, CMP-77, CMP-78
E-2293	DNA-9, HUT-63, CMP-68, CMP-77
E-2294	DNA-3, DNA-9, CMP-68, CMP-74
E-2295	DNA-3, DNA-9, CMP-68, CMP-74
E-2372	HND-95, HND-117, HND-123, HND-125, HND-161
E-2373	HND-95, HND-123, HND-125, HND-161
E-2374	HND-57, HND-91, HND-105, HND-113, HND-117, HND-123, HND-125, HND-161, RDW-5, RDW-22
E-2375	HND-123, HND-125, HND-161
E-2510	HUT-62, CMP-68, CMP-77
E-2511	HUT-63, CMP-68, CMP-77
E-2512	DNA-5, DNA-7, DNA-9, DYT-3, DYT-5, DYT-7, DYT-8, HND-147, HND-220, CMP-68, CMP-74, CMP-75
E-2513	DNA-5, DNA-7, DNA-9, DYT-3, DYT-5, DYT-7, DYT-8, HND-147, HND-220, RYG-37, RYG-76, CMP-68, CMP-74, CMP-75, CMP-78
E-2514	FRU-3, FRU-9, FRU-11, FRU-13, FRU-18, CMP-70, CMP-82
E-2515	FRU-3, FRU-7, FRU-11, FRU-13, FRU-18, CMP-68, CMP-74

NUMERICAL LISTING

BLU - Blue Bird
CHM - Chalmers
DNA - Dana
DYT - Dayton

FRT - Freightliner
FRU - Fruehauf
GRD - Great Dane
HND - Hendrickson

HIN - Hino
HUT - Hutchens
KEN - Kenworth
MAK - Mack

MER - Meritor
NVI - Navistar
PAG - Page
PET - Peterbilt

RYG - Reyco Granning
RDW - Ridewell
SAF - SAF-Holland Neway
SPT - Spartan

TLM - Trailmobile
VLV - Volvo
WTC - Watson Chalin
WST - Western Star

CMP - Suspension Components

NUMERICAL LISTING

NUMERICAL LISTING

PART NO.	PAGE NO.
E-2545	BLU-3, BLU-7, BLU-9, CHM-7, FRT-3, FRT-5, FRT-9, FRT-13, FRT-15, FRT-25, FRT-27, FRT-29, HND-5, HND-9, HND-11, HND-13, HND-17, HND-21, HND-23, HND-25, HND-29, HND-37, HND-47, HND-51, HND-57, HND-61, HND-65, HND-77, HND-95, HND-103, HND-107, HND-209, HND-210, HND-211, HUT-45, MER-19, NVI-3, NVI-7, RYG-3, RYG-7, RYG-37, RYG-51, RYG-53, RYG-59, RDW-9, SAF-15, SAF-19, SAF-27, SAF-31, SAF-35, SAF-39, SAF-47, SAF-51, SAF-57, SAF-61, SAF-65, SAF-83, SAF-85, SAF-91, SAF-93, SPT-3, WCN-5, WTS-3, WTS-7, CMP-55
	BLU-9, DYT-3, DYT-5, FRT-3, FRU-5, HND-11, HND-37, HND-41, HND-51, HND-53, HND-209, HIN-3, HUT-45, KEN-7, MAK-11, MAK-13, MAK-17, MAK-27, MAK-29, PET-13, PET-15, RYG-9, RYG-37, RYG-43, RYG-51, RYG-55, RYG-57, RYG-67, RDW-3, RDW-5, RDW-11, RDW-13, RDW-15, RDW-21, SAF-31, SAF-61, SAF-91, SAF-93, SPT-3, SPT-7, CMP-55
E-2546	BLU-9, DYT-3, DYT-5, FRT-3, FRU-5, HND-11, HND-37, HND-41, HND-51, HND-53, HND-209, HIN-3, HUT-45, KEN-7, MAK-11, MAK-13, MAK-17, MAK-27, MAK-29, PET-13, PET-15, RYG-9, RYG-37, RYG-43, RYG-51, RYG-55, RYG-57, RYG-67, RDW-3, RDW-5, RDW-11, RDW-13, RDW-15, RDW-21, SAF-31, SAF-61, SAF-91, SAF-93, SPT-3, SPT-7, CMP-55
E-2547	FRT-3, FRT-21, HND-11, HND-25, HND-27, HND-61, HND-65, HND-77, HND-83, HND-85, HND-97, HND-101, HND-103, HND-107, HND-208, HND-210, HND-211, KEN-7, KEN-9, NVI-3, NVI-5, NVI-11, PET-5, PET-15, PET-17, PET-19, SAF-19, SAF-61, SAF-65, SAF-83, SAF-87, SAF-91, SAF-93, SPT-9, VLV-11, VLV-13, VLV-15, WCN-21, CMP-55

PART NO.	PAGE NO.
E-2548	HUT-13, HUT-19, HUT-25, HUT-33, HUT-39, HUT-43, HUT-45, SAF-15, SAF-17, SAF-19, SAF-23, SAF-25, SAF-51, SAF-93, WCN-3, WCN-9, WCN-11, WCN-13, WCN-15, CMP-56
E-2553	HND-93, HND-119, HND-158, CMP-103
E-2554	HND-93, HND-119, HND-161, RDW-5, RDW-22, CMP-99
E-2555	HND-93, HND-119, HND-162, RDW-5, RDW-22
E-2556	HND-167
E-2557	HND-93, HND-168
E-2558	HND-167
E-2566	HND-93, HND-162
E-2567	HND-93, HND-163
E-2570	HND-165, CMP-52
E-2573	HND-81, HND-83, HND-89, HND-93, CMP-55
E-2604	HND-115, HND-180
E-2625	HND-173
E-2634	BLU-9, BLU-15, HND-51, HND-55, HND-59, HND-61, HND-65, HND-73, HND-77, HND-89, HND-95, HND-97, HND-101, HND-105, HND-109, HND-113, HND-115, HND-117, HND-123, HND-125, HND-194, HND-238, HND-244, HIN-5, HIN-6, MAK-11, MAK-35, NVI-15, NVI-26
E-2644	CMP-32
E-2771	HND-57, HND-91, HND-113, HND-117, HND-161, CMP-99
E-2781	GRD-3, GRD-6, HUT-11, HUT-17, HUT-23, HUT-55, CMP-58, CMP-61
E-2781A	GRD-3, GRD-6, HUT-11, HUT-17, HUT-23, HUT-55, CMP-29, CMP-58, CMP-61

PART NO.	PAGE NO.
E-2781A-P	GRD-3, GRD-6, HUT-11, HUT-17, HUT-23, HUT-55, CMP-58, CMP-61
E-2814	HND-182, CMP-101
E-2815	HND-182, MAK-15, MAK-19, MAK-41, CMP-29, CMP-102
E-2816	HND-182, CMP-97
E-2822	FRU-7, FRU-19
E-2823	FRU-7, FRU-19
E-2824	FRU-7, FRU-19
E-2826	FRU-7, FRU-19
E-2826-P	FRU-7, FRU-19
E-2827	FRU-7, FRU-19
E-2827-P	FRU-7, FRU-19
E-2828	FRU-7, FRU-19
E-2828-P	FRU-7, FRU-19
E-2829	FRU-3, FRU-7, FRU-11, FRU-20
E-2830	FRU-9, FRU-11, FRU-16, CMP-59, CMP-61
E-2830-P	FRU-9, FRU-11, FRU-16, CMP-59, CMP-61
E-2831	FRU-9, FRU-11, FRU-16, CMP-58, CMP-61
E-2832	FRU-5, FRU-7, FRU-11, FRU-17, CMP-56
E-2833	FRU-3, FRU-7, FRU-11, FRU-13, FRU-17, GRD-3, GRD-9, HUT-13, HUT-33, HUT-39, HUT-65, SAF-17, SAF-25, CMP-56
E-2836	FRU-7
E-2837	FRU-7, FRU-11, FRU-13, FRU-21
E-2838	FRU-7, FRU-13, FRU-21
E-2839	FRU-7, FRU-13
E-2840	DYT-7, DYT-9, FRU-3, FRU-7, FRU-13, FRU-21

BLU - Blue Bird
CHM - Chalmers
DNA - Dana
DYT - Dayton

FRT - Freightliner
FRU - Fruehauf
GRD - Great Dane
HND - Hendrickson

HIN - Hino
HUT - Hutchens
KEN - Kenworth
MAK - Mack

MER - Meritor
NVI - Navistar
PAG - Page
PET - Peterbilt

RYG - Reyco Granning
RDW - Ridewell
SAF - SAF-Holland Neway
SPT - Spartan

TLM - Trailmobile
VLV - Volvo
WTC - Watson Chalin
WST - Western Star

CMP - Suspension Components

NUMERICAL LISTING

Suspension

NUMERICAL LISTING

PART NO.	PAGE NO.
E-2842	FRU-7, FRU-11, FRU-13, FRU-21, GRD-3, GRD-5, GRD-8, GRD-11, HUT-13, HUT-19, HUT-25, HUT-29, HUT-35, HUT-41, HUT-69, RYG-3, RYG-7, RYG-63, RYG-93, SAF-89, SAF-118
E-2843	RYG-11, RYG-15, RYG-19, RYG-68, CMP-58, CMP-64
E-2844	RYG-11, RYG-15, RYG-19, RYG-23, RYG-68, CMP-58, CMP-64
E-2845	RYG-15, RYG-19, RYG-23, RYG-68, CMP-58, CMP-64
E-2846A	RYG-41, RYG-69, CMP-59, CMP-64
E-2847	RYG-11, RYG-15, RYG-21, RYG-23, RYG-71
E-2848	RYG-11, RYG-15, RYG-21, RYG-23, RYG-71
E-2849	RYG-11, RYG-15, RYG-19, RYG-23, RYG-72, CMP-98
E-2850	RYG-11, RYG-15, RYG-19, RYG-23, RYG-72, CMP-29, CMP-98
E-2852	RYG-11, RYG-15, RYG-21, RYG-23, RYG-55, RYG-57, RYG-73, RYG-81, CMP-50
E-2853	RYG-11, RYG-15, RYG-21, RYG-23, CMP-56
E-2854	MAK-27, RYG-11, RYG-15, RYG-19, RYG-23, RYG-47, RYG-55, RYG-57, RYG-59, RYG-75, SAF-17, CMP-54
E-2855	RYG-31, RYG-43, RYG-49, RYG-77, CMP-70, CMP-86
E-2856	RYG-43, RYG-77, CMP-70, CMP-86
E-2858	RYG-19, RYG-77, CMP-70, CMP-86
E-2860	RYG-3, RYG-17, RYG-25, RYG-77, CMP-70, CMP-86
E-2863A	HND-164
E-2864A	HND-164

PART NO.	PAGE NO.
E-2865A	HND-164
E-2866A	RYG-19, RYG-47, RYG-76, CMP-69, CMP-78
E-2867A	RYG-3, RYG-7, RYG-11, RYG-15, RYG-21, RYG-25, RYG-27, RYG-89
E-2873	GRD-5, GRD-11, RYG-3, RYG-7, RYG-9, RYG-13, RYG-17, RYG-21, RYG-25, RYG-27, RYG-31, RYG-43, RYG-63, RYG-93
E-2874	RYG-43, RYG-51, RYG-53, RYG-61, RYG-91
E-2875	RYG-43, RYG-49, RYG-51, RYG-53, RYG-61, RYG-63, RYG-93
E-2878	RYG-45, RYG-49, RYG-61, RYG-94
E-2879	RYG-41, RYG-82
E-2880	RYG-41, RYG-82
E-2881	RYG-41, RYG-82
E-2882	RYG-43, RYG-82
E-2883	RYG-43, RYG-82
E-2884	RYG-11, RYG-15, RYG-19, RYG-23, RYG-83
E-2885	RYG-11, RYG-15, RYG-19, RYG-23, RYG-83
E-2886	RYG-11, RYG-15, RYG-21, RYG-25, RYG-83
E-2887	RYG-13, RYG-17, RYG-21, RYG-25, RYG-83
E-2888	RYG-13, RYG-17, RYG-21, RYG-25, RYG-83
E-2889	HUT-11, HUT-17, HUT-23, HUT-55, CMP-58, CMP-62
E-2889-P	HUT-11, HUT-17, HUT-23, HUT-55, CMP-58, CMP-62
E-2890	HUT-3, HUT-56, CMP-58, CMP-62

PART NO.	PAGE NO.
E-2891	HUT-21, HUT-25, HUT-31, HUT-39, HUT-43, HUT-65, TLM-3, WCN-7, WCN-17, WCN-25
E-2891*	CMP-50
E-2892	GRD-5, HUT-21, HUT-27, HUT-33, HUT-39, HUT-43, HUT-65, RYG-65, SAF-89, TLM-3, WCN-7, WCN-17, CMP-53
E-2893	HND-147
E-2898	HUT-3
E-2899	HUT-21, HUT-25, HUT-31, HUT-37, HUT-43, HUT-63, WCN-7, WCN-26, CMP-70, CMP-83
E-2899-P	HUT-21, HUT-25, HUT-31, HUT-37, HUT-43, HUT-63, CMP-70, CMP-83
E-2907A	GRD-3, GRD-5, GRD-8, GRD-11, HUT-3, HUT-13, HUT-19, HUT-29, HUT-35, HUT-41, HUT-69, RYG-49, RYG-63, RYG-93, SAF-89, SAF-117
E-2907A-P	GRD-3, GRD-5, GRD-8, GRD-11, HUT-3, HUT-13, HUT-19, HUT-29, HUT-35, HUT-41, HUT-69, RYG-49, RYG-63, RYG-93, SAF-89, SAF-117
E-2908	HUT-50, HUT-69
E-2908-P	HUT-50, HUT-69
E-2909	GRD-3, GRD-5, GRD-8, GRD-11, HUT-3, HUT-13, HUT-19, HUT-31, HUT-37, HUT-43, HUT-71, RYG-31, RYG-39, RYG-65, RYG-91, SAF-89, SAF-117
E-2909-A	SAF-117
E-2909-P	GRD-3, GRD-5, GRD-8, GRD-11, HUT-3, HUT-13, HUT-19, HUT-31, HUT-37, HUT-43, HUT-71, RYG-31, RYG-39, RYG-65, RYG-91, SAF-89
E-2910A	HUT-47, HUT-66

BLU - Blue Bird
CHM - Chalmers
DNA - Dana
DYT - Dayton

FRT - Freightliner
FRU - Fruehauf
GRD - Great Dane
HND - Hendrickson

HIN - Hino
HUT - Hutchens
KEN - Kenworth
MAK - Mack

MER - Meritor
NVI - Navistar
PAG - Page
PET - Peterbilt

RYG - Reyco Granning
RDW - Ridewell
SAF - SAF-Holland Neway
SPT - Spartan

TLM - Trailmobile
VLV - Volvo
WTC - Watson Chalin
WST - Western Star

CMP - Suspension Components

NUMERICAL LISTING

NUMERICAL LISTING

PART NO.	PAGE NO.
E-2911	HUT-46, HUT-66
E-2912A	GRD-2, GRD-7, HUT-47, HUT-66
E-2912A-P	HUT-47, HUT-66
E-2913A	HUT-47, HUT-66
E-2913A-P	HUT-47, HUT-66
E-2914	HUT-46, HUT-67
E-2914-P	HUT-46, HUT-67
E-2915A	GRD-2, GRD-7, HUT-47, HUT-67
E-2915A-P	HUT-47, HUT-67
E-2916	HND-182, CMP-102
E-2917	MAK-13, MAK-21, MAK-27, MAK-29, MAK-40, CMP-29
E-2919	MAK-13, MAK-17, MAK-21, MAK-29, MAK-40, CMP-29
E-2920	MAK-13, MAK-17, MAK-21, MAK-27, MAK-29, MAK-40, CMP-29
E-2921A	MAK-13, MAK-27, MAK-37, CMP-99
E-2922A	MAK-13, MAK-27, MAK-37, CMP-29, CMP-99
E-2923A	CMP-99
E-2924A	MAK-13, MAK-37, CMP-29, CMP-99
E-2925	MAK-17, MAK-29, MAK-37, CMP-100
E-2934	CMP-56
E-2935	HUT-45, HUT-79, SAF-90, SAF-92, SAF-119, CMP-29, CMP-100
E-2938	CMP-98
E-2939	SAF-85, SAF-91, SAF-120, CMP-85, CMP-98
E-2940	SAF-94, CMP-98
E-2943	SAF-37, SAF-41, SAF-45, SAF-49, SAF-51, SAF-65, SAF-108

PART NO.	PAGE NO.
E-2944	SAF-61, SAF-108
E-2945	SAF-91, SAF-93, SAF-122
E-2946	SAF-93, SAF-122
E-2947A	SAF-37, SAF-41, SAF-45, SAF-49, SAF-51, SAF-57, SAF-61, SAF-65, SAF-108
E-2956	WCN-3, WCN-17, WCN-19, WCN-26, CMP-56
E-2957	PAG-3, CMP-56
E-2958	CMP-56
E-2959	SAF-61, SAF-65, SAF-99, CMP-56
E-2960	CMP-55
E-2964	HUT-7, HUT-74, SAF-83, SAF-120, WCN-21, WCN-29
E-2965	PAG-9, PAG-12, SAF-83, SAF-123, WCN-21, WCN-29
E-2965-P	PAG-9, PAG-12, SAF-123, WCN-21, WCN-29
E-2975	HND-53, HND-119, HIN-3, MAK-27, RYG-51, RDW-5, SAF-15, SAF-19, SAF-81, CMP-55
E-2977A	SAF-39, SAF-43, SAF-45, SAF-49, SAF-67, SAF-110
E-2978A	SAF-45, SAF-67, SAF-110

PART NO.	PAGE NO.
E-2983	DNA-5, DNA-7, DYT-3, DYT-5, DYT-7, DYT-9, HND-209, MAK-11, RYG-3, RYG-7, RYG-9, RYG-17, RYG-25, RYG-27, RYG-31, RYG-35, RYG-51, RYG-53, RYG-59, RDW-11, RDW-13, RDW-15, RDW-21, SAF-17, SAF-23, SAF-31, SAF-61, SAF-91, SAF-93, VLV-9, CMP-54
E-2988	DYT-3, DYT-5, DYT-9, FRT-21, FRT-29, HND-25, HND-27, HND-61, HND-65, HND-77, HND-83, HND-85, HND-97, HND-101, HND-208, HND-210, HND-211, HUT-5, HUT-7, HUT-78, NVI-3, NVI-5, NVI-17, PET-5, PET-9, PET-17, RDW-5, SAF-19, SAF-61, SAF-65, SAF-83, SAF-87, SAF-91, SAF-93, SPT-9, VLV-13, VLV-15, CMP-54
E-2989	SAF-19, SAF-31, SAF-41, SAF-61, SAF-65, SAF-91, SAF-92, CMP-50
E-3000	CMP-54
E-3001	RYG-43, RYG-51, RYG-53, RYG-59, CMP-54
E-3002A	RYG-55, RYG-57, RYG-67, CMP-54
E-3003	CMP-54
E-3004	CMP-54
E-3005	MAK-15, MAK-19, MAK-21, MAK-23, MAK-25, MAK-42, CMP-54
E-3006	MAK-15, MAK-19, MAK-21, MAK-23, MAK-25, MAK-42, CMP-54
E-3012	DNA-3, DNA-8, CMP-58, CMP-60
E-3031	DNA-3, DNA-9
E-3079	HUT-21, HUT-25, HUT-33, HUT-39, HUT-43, HUT-62, HUT-63, HUT-64, TLM-3, TLM-7, WCN-7, WCN-17, WCN-26, CMP-29

BLU - Blue Bird
 CHM - Chalmers
 DNA - Dana
 DYT - Dayton

FRT - Freightliner
 FRU - Fruehauf
 GRD - Great Dane
 HND - Hendrickson

HIN - Hino
 HUT - Hutchens
 KEN - Kenworth
 MAK - Mack

MER - Meritor
 NVI - Navistar
 PAG - Page
 PET - Peterbilt

RYG - Reyco Granning
 RDW - Ridewell
 SAF - SAF-Holland Neway
 SPT - Spartan

TLM - Trailmobile
 VLV - Volvo
 WTC - Watson Chalin
 WST - Western Star

CMP - Suspension Components

NUMERICAL LISTING

Suspension

PART NO.	PAGE NO.
E-3080	DYT-3, DYT-7, DYT-8, CMP-58, CMP-60
E-3081	DYT-5, DYT-8, CMP-58, CMP-60
E-3082	DYT-3, DYT-5, DYT-7, DYT-8, VLV-9, VLV-11, VLV-20, CMP-98
E-3083A	DYT-3, DYT-5, DYT-7, DYT-8, VLV-9, VLV-11, VLV-20
E-3085A	DYT-3, DYT-5, DYT-7, DYT-8
E-3086	DYT-3, DYT-5, DYT-9, CMP-96
E-3087	DYT-3, DYT-5, DYT-9
E-3165	CMP-88
E-3166	CMP-88
E-3167	CMP-88
E-3168	CMP-88
E-3169	CMP-88
E-3170	CMP-88
E-3171	CMP-88
E-3172	CMP-88
E-3173	CMP-88
E-3174	CMP-89
E-3175	CMP-89, CMP-90
E-3176	MAK-9, MAK-33, VLV-7, VLV-18, CMP-89
E-3177A	CMP-89
E-3178	CMP-89
E-3179A	CMP-89
E-3180	CMP-89
E-3181	CMP-90
E-3182	CMP-90
E-3183A	CMP-90
E-3184	CMP-90
E-3185	CMP-88

PART NO.	PAGE NO.
E-3186	CMP-90
E-3187	MAK-17, MAK-29, MAK-37
E-3188	CMP-49
E-3189	CMP-49
E-3190	CMP-49
E-3191	MAK-7, CMP-49
E-3192	CMP-49
E-3193	MAK-7, CMP-49
E-3194	CMP-49
E-3195	CMP-49
E-3196	CMP-49
E-3197	CMP-49
E-3198	CMP-49
E-3199A	CMP-49
E-3224	DYT-3, DYT-5, DYT-9, CMP-50
E-3276	HUT-62, WCN-7, WCN-26, CMP-68, CMP-76
E-3277	HUT-21, HUT-25, HUT-31, HUT-37, HUT-43, HUT-62, WCN-7, WCN-17, WCN-26, CMP-68, CMP-76
E-3277-P	HUT-21, HUT-25, HUT-31, HUT-37, HUT-43, HUT-62, CMP-68, CMP-76
E-3283A	RYG-31, RYG-41, RYG-47, RYG-76, CMP-68, CMP-78
E-3284A	RYG-41, RYG-47, RYG-76, CMP-68, CMP-78
E-3294	FRT-27, FRT-45
E-3295	FRT-27
E-3296	FRT-27, FRT-45, CMP-102
E-3297	FRT-27, CMP-56
E-3298	FRT-27
E-3299	FRT-27
E-3359	CMP-96

PART NO.	PAGE NO.
E-3362	CMP-96
E-3380	TLM-3, TLM-8
E-3381	TLM-3, TLM-8
E-3382	TLM-3, TLM-8
E-3383	TLM-3, TLM-6, CMP-58, CMP-66
E-3384	TLM-3, TLM-8
E-3385	TLM-3, TLM-8
E-3390	HUT-43, HUT-62, TLM-3, TLM-7, CMP-68, CMP-76, CMP-79
E-3391	TLM-3, TLM-7, CMP-70, CMP-87
E-3392	TLM-3
E-3394A	TLM-3, TLM-6, CMP-96
E-3398	TLM-6, CMP-58, CMP-66
E-3409	TLM-3, TLM-8
E-3410	TLM-3, TLM-8
E-3411	HND-182, CMP-101
E-3414	GRD-3, GRD-6, HUT-3, HUT-11, HUT-17, HUT-25, HUT-29, HUT-35, HUT-41, HUT-60
E-3415	GRD-3, GRD-5, GRD-6, GRD-10, HUT-3, HUT-13, HUT-19, HUT-25, HUT-29, HUT-35, HUT-41, HUT-60, RYG-67, SAF-89, SAF-115
E-3415*	CMP-50
E-3416	GRD-3, GRD-5, GRD-7, GRD-10, HUT-3, HUT-13, HUT-19, HUT-25, HUT-29, HUT-35, HUT-41, HUT-60, RYG-67, RYG-89, SAF-89, SAF-115
E-3527	TLM-3, TLM-6
E-3528	TLM-3
E-3529	TLM-3
E-3530	FRT-17, FRT-36, CMP-104

NUMERICAL LISTING

BLU - Blue Bird
CHM - Chalmers
DNA - Dana
DYT - Dayton

FRT - Freightliner
FRU - Fruehauf
GRD - Great Dane
HND - Hendrickson

HIN - Hino
HUT - Hutchens
KEN - Kenworth
MAK - Mack

MER - Meritor
NVI - Navistar
PAG - Page
PET - Peterbilt

RYG - Reyco Granning
RDW - Ridewell
SAF - SAF-Holland Neway
SPT - Spartan

TLM - Trailmobile
VLV - Volvo
WTC - Watson Chalin
WST - Western Star

CMP - Suspension
Components

NUMERICAL LISTING

PART NO.	PAGE NO.
E-3531	FRT-17, FRT-36, CMP-104
E-3532	FRT-17, FRT-36, CMP-107
E-3533	FRT-17, FRT-36, MAK-7, MAK-32, CMP-97, CMP-108
E-3534	FRT-17, FRT-36, CMP-109
E-3537A	FRT-17, FRT-37
E-3538	FRT-27, FRT-43
E-3539	FRT-27, FRT-43
E-3541	FRT-27, FRT-29, FRT-44, CMP-56
E-3542	FRT-27, CMP-50
E-3543	FRT-27, FRT-44, CMP-55
E-3546	FRT-27, FRT-44, CMP-70, CMP-81
E-3555	FRT-27, CMP-50
E-3556	FRT-27, FRT-44
E-3557	FRT-27, FRT-43
E-3558	FRT-27, FRT-44
E-3560	DYT-3, DYT-5, DYT-7, DYT-9, FRT-27, PET-9, PET-11, CMP-54
E-3561A	FRT-27, FRT-43
E-3562	FRT-21, FRT-38
E-3563	FRT-21, FRT-38, CMP-100
E-3564	FRT-21, HND-53, HIN-3, MAK-27, NVI-17, CMP-52
E-3565	FRT-21, CMP-55
E-3567	FRT-21, FRT-39
E-3568	FRT-21, FRT-38
E-3569	FRT-21, FRT-38
E-3576	FRU-15, FRU-22
E-3577	FRU-15, FRU-22
E-3578	FRU-15, FRU-22
E-3579	FRU-15, FRU-22, CMP-100

PART NO.	PAGE NO.
E-3580	FRU-15, FRU-22
E-3581	FRU-15, FRU-22, WCN-21, WCN-30
E-3582	FRU-15, FRU-22, CMP-29
E-3583	FRU-15, FRU-22, WCN-21, WCN-30
E-3586	FRU-5, FRU-23
E-3587	FRU-5, FRU-23
E-3588	FRU-5, FRU-23
E-3589	FRU-5, FRU-23
E-3590	FRU-5, FRU-23
E-3594	FRU-5, FRU-23
E-3595	FRU-5, FRU-23
E-3596	FRU-5, FRU-23
E-3604	HND-172
E-3605	HND-172
E-3606	HND-172
E-3677	FRT-27
E-3679	MAK-23, MAK-25, MAK-29, MAK-40, CMP-29
E-3680	MAK-23, MAK-25, MAK-29, MAK-40, CMP-29
E-3683	MAK-13, MAK-36
E-3685	MAK-13, MAK-27, MAK-36
E-3687	MAK-17, MAK-36
E-3688	MAK-13, MAK-17, MAK-21, MAK-29, MAK-39
E-3689	MAK-13, MAK-17, MAK-21, MAK-27, MAK-29, MAK-40
E-3689-P	MAK-13, MAK-17, MAK-21, MAK-27, MAK-29, MAK-40
E-3690	MAK-13, MAK-17, MAK-27, MAK-29, MAK-39, RDW-3, CMP-52
E-3691	MAK-13, MAK-17, MAK-27, MAK-29, MAK-39, CMP-50

PART NO.	PAGE NO.
E-3692	MAK-13, MAK-17, MAK-27, MAK-29, MAK-39, CMP-52
E-3693	MAK-13, MAK-17, MAK-27, MAK-29, MAK-39, PET-15, CMP-52
E-3696	MAK-13, MAK-17, MAK-25, MAK-27, MAK-29, MAK-39, SAF-17, SAF-31, CMP-50
E-3697	MAK-17, MAK-29, MAK-38
E-3697-P	MAK-17, MAK-29, MAK-38
E-3698	MAK-17, MAK-29, MAK-38
E-3699	MAK-17, MAK-29, MAK-38, CMP-56
E-3700	MAK-17, MAK-29, MAK-39
E-3702	MAK-13, MAK-27, MAK-37
E-3703	MAK-13, MAK-27, MAK-37
E-3704	MAK-13, MAK-38
E-3715	MAK-7, MAK-32, CMP-105
E-3717	MAK-32, CMP-106
E-3720	MAK-32, PET-3, PET-22
E-3722	MAK-7, MAK-32
E-3731	HND-61, HND-194, CMP-70, CMP-82
E-3732	HND-194, CMP-71, CMP-82
E-3738	BLU-9, BLU-14, HND-51, HND-85, HND-196, HND-237, SPT-9, SPT-16
E-3739	HND-81, HND-85, HND-189, HND-193, SPT-9, SPT-16
E-3740	HND-61, HND-63, HND-81, HND-83, HND-192, HND-195
E-3741	HND-61, HND-63, HND-81, HND-83, HND-192, HND-195
E-3753A	HND-81, HND-195
E-3754A	HND-81, HND-195

NUMERICAL LISTING

BLU - Blue Bird
CHM - Chalmers
DNA - Dana
DYT - Dayton

FRT - Freightliner
FRU - Fruehauf
GRD - Great Dane
HND - Hendrickson

HIN - Hino
HUT - Hutchens
KEN - Kenworth
MAK - Mack

MER - Meritor
NVI - Navistar
PAG - Page
PET - Peterbilt

RYG - Reyco Granning
RDW - Ridewell
SAF - SAF-Holland Neway
SPT - Spartan

TLM - Trailmobile
VLV - Volvo
WTC - Watson Chalin
WST - Western Star

CMP - Suspension Components

NUMERICAL LISTING

Suspension

PART NO.	PAGE NO.
E-3755	HND-61, HND-81, HND-83, HND-195
E-3760A	HND-61, HND-65, HND-198, CMP-136
E-3761	HND-89, HND-95, HND-167, CMP-104
E-3762	HND-198, CMP-137
E-3764	RYG-3, RYG-25, RYG-76, CMP-68, CMP-78
E-3768	HND-135, HND-137, HND-139, HND-141, HND-157, HND-217
E-3771	HND-135, HND-137, HND-139, HND-141, HND-155, HND-157, HND-218
E-3773	HND-147, HND-220, CMP-70, CMP-82
E-3774A-2	HND-147, HND-220, CMP-70, CMP-82
E-3777	HND-147, HND-220
E-3779	HND-147, HND-220
E-3783	NVI-17, NVI-28, CMP-58, CMP-63
E-3784	NVI-17, NVI-28, CMP-29, CMP-97
E-3786	NVI-17, NVI-28
E-3788	NVI-11, NVI-17, NVI-25, NVI-28, CMP-70, CMP-84
E-3789	NVI-17, NVI-28, CMP-71, CMP-84
E-3790	FRT-27, FRT-29, FRT-45, NVI-11, NVI-17, NVI-25, NVI-29
E-3792	HND-85, NVI-11, NVI-17, NVI-29, PET-15, RYG-7, SPT-9, CMP-51
E-3793	NVI-11, NVI-17, NVI-29, CMP-53
E-3795	NVI-11, NVI-17, NVI-24, NVI-28
E-3796	NVI-17, NVI-30

PART NO.	PAGE NO.
E-3797	NVI-11, NVI-17, NVI-25, NVI-30
E-3798	NVI-11, NVI-17, NVI-25, NVI-30
E-3799	NVI-11, NVI-17, NVI-25, NVI-30
E-3816	FRT-21, FRT-38
E-3817	FRT-21, FRT-38, CMP-96
E-3818	FRT-21, HUT-45, HUT-80, CMP-52
E-3819	FRT-21, FRT-38
E-3821A	FRT-21, FRT-38
E-3839	VLV-9, VLV-20, CMP-96
E-3844	VLV-9, VLV-11, VLV-20, CMP-58, CMP-66
E-3845	VLV-11, VLV-20
E-3849	VLV-9, VLV-21, CMP-96
E-3867	HUT-52, HUT-70
E-3868	HND-182, CMP-101
E-3881	HND-163
E-3882	HND-162
E-3900	MAK-27
E-3913	HND-163
E-3915	MAK-17, MAK-29, MAK-38
E-3916	MAK-17, MAK-29, MAK-38
E-3917	CMP-58, CMP-60
E-3917A	FRT-43
E-3919	MAK-13, MAK-17, MAK-40
E-3972	RYG-41, RYG-74
E-3975	NVI-17, RYG-41
E-3976	RYG-43, RYG-71, CMP-29
E-3977	RYG-11, RYG-15, RYG-19, RYG-23, RYG-72, CMP-29, CMP-98
E-3978	RYG-11, RYG-68, CMP-58, CMP-64

PART NO.	PAGE NO.
E-3979	RYG-41, RYG-74
E-3987	CMP-88
E-3988	MAK-13, MAK-17, MAK-21, MAK-23, MAK-25, MAK-41, CMP-89
E-4252	SAF-13, SAF-25, SAF-95, CMP-29, CMP-99
E-4253	SAF-13, SAF-25, SAF-35, SAF-95, CMP-29, CMP-99
E-4254	SAF-25, SAF-96, CMP-98
E-4255	PAG-3, PAG-10, SAF-25, SAF-45, SAF-93, SAF-94, SAF-120, WCN-3, WCN-17, WCN-19, WCN-25, CMP-30, CMP-97
E-4256	SAF-25, SAF-94, CMP-97
E-4257	SAF-17, SAF-25, SAF-96, CMP-102
E-4258	SAF-27, SAF-99
E-4263	SAF-37, SAF-45, SAF-98
E-4265	SAF-47, SAF-57, SAF-98
E-4267	SAF-13, SAF-27, SAF-35, SAF-98
E-4268	SAF-47, SAF-98
E-4273	RDW-9, SAF-85, SAF-91, CMP-54
E-4274	SAF-85, SAF-91, CMP-54
E-4275	SAF-13, SAF-85, SAF-91, CMP-54
E-4281	SAF-57, SAF-107
E-4282	SAF-41, SAF-45, SAF-49, SAF-51, SAF-65, SAF-107
E-4283	SAF-45, SAF-49, SAF-65, SAF-107
E-4288	SAF-85, SAF-121
E-4289	SAF-37, SAF-41, SAF-45, SAF-49, SAF-61, SAF-65, SAF-107
E-4291	SAF-85, SAF-121

NUMERICAL LISTING

BLU - Blue Bird
CHM - Chalmers
DNA - Dana
DYT - Dayton

FRT - Freightliner
FRU - Fruehauf
GRD - Great Dane
HND - Hendrickson

HIN - Hino
HUT - Hutchens
KEN - Kenworth
MAK - Mack

MER - Meritor
NVI - Navistar
PAG - Page
PET - Peterbilt

RYG - Reyco Granning
RDW - Ridewell
SAF - SAF-Holland Neway
SPT - Spartan

TLM - Trailmobile
VLV - Volvo
WTC - Watson Chalin
WST - Western Star

CMP - Suspension Components

NUMERICAL LISTING

NUMERICAL LISTING

PART NO.	PAGE NO.
E-4292	SAF-37, SAF-41, SAF-45, SAF-47, SAF-65, SAF-108
E-4293	SAF-47, SAF-51, SAF-57, SAF-65, SAF-108
E-4298	SAF-83, SAF-121
E-4299	SAF-85, SAF-121
E-4300	SAF-87, SAF-91, SAF-93, SAF-118
E-4301	PAG-9, PAG-13, SAF-83, SAF-120, WCN-21, WCN-30
E-4302	PAG-9, PAG-13, SAF-83, SAF-120, WCN-21, WCN-30
E-4303	SAF-85, SAF-119
E-4305	PAG-9, PAG-12, SAF-83, SAF-123, WCN-21, WCN-29
E-4306	SAF-87, SAF-118
E-4307	SAF-87, SAF-118
E-4308	PAG-9, PAG-12, SAF-83, SAF-122, WCN-21, WCN-29
E-4309	SAF-83, SAF-122, WCN-21, WCN-29
E-4310	SAF-87, SAF-118
E-4312	HUT-7, HUT-74, PAG-9, PAG-12, SAF-83, SAF-119, WCN-21, WCN-29
E-4315	SAF-13, CMP-56
E-4317	SAF-85, SAF-91, SAF-121
E-4318A	SAF-85, SAF-121
E-4319	CMP-85
E-4321	SAF-43, SAF-45, SAF-47, SAF-51, SAF-53, SAF-57, SAF-61, SAF-65, SAF-69, SAF-73, SAF-79, SAF-111
E-4323	SAF-17, SAF-39, SAF-43, SAF-45, SAF-49, SAF-55, SAF-59, SAF-63, SAF-67, SAF-71, SAF-73, SAF-81, SAF-112, CMP-118, CMP-132
E-4324	RYG-35, RYG-39, RYG-95, SAF-114, CMP-137

PART NO.	PAGE NO.
E-4325	SAF-113, CMP-137
E-4326	SAF-114, CMP-137
E-4327	SAF-114, CMP-137
E-4328	SAF-114, CMP-137
E-4329	SAF-113, CMP-136
E-4330A	SAF-114, CMP-137
E-4331	SAF-113, CMP-136
E-4332	SAF-114, CMP-137
E-4333	SAF-113, CMP-136
E-4334	SAF-113, CMP-136
E-4338	SAF-43, SAF-45, SAF-111
E-4341	SAF-65, SAF-111
E-4343	SAF-35, SAF-49, SAF-51, SAF-55, SAF-111
E-4345	CHM-7, MER-11, RYG-9, SAF-13, SAF-23, SAF-25, SAF-35, SAF-37, SAF-41, SAF-45, SAF-47, SAF-51, SAF-53, SAF-57, SAF-61, SAF-67, SAF-69, SAF-73, SAF-75, SAF-77, WCN-15, WCN-23, CMP-51
E-4347	BLU-3, BLU-7, BLU-9, CHM-7, FRT-5, FRT-9, FRT-13, FRT-15, HND-5, HND-9, HND-13, HND-17, HND-21, HND-23, HND-25, HND-47, HND-51, HND-57, HND-65, HND-77, HND-103, MER-11, NVI-3, RYG-9, RDW-9, RDW-11, RDW-13, SAF-15, SAF-17, SAF-19, SAF-23, SAF-25, SAF-27, SAF-31, SAF-35, SAF-37, SAF-41, SAF-45, SAF-49, SAF-51, SAF-53, SAF-57, SAF-61, SAF-65, SAF-69, SAF-73, SAF-75, SAF-77, SAF-83, SAF-85, SAF-91, SAF-93, WCN-5, WCN-15, WTS-3, WTS-7, CMP-54
E-4348	HUT-5, HUT-7, HUT-77, SAF-83, SAF-87, SAF-91, SAF-93, CMP-50, CMP-51
E-4353	SAF-91, SAF-93, CMP-55

PART NO.	PAGE NO.
E-4358	HUT-13, HUT-19, HUT-25, HUT-29, HUT-35, HUT-41, HUT-45, HUT-61, PAG-3, SAF-13, SAF-17, SAF-19, SAF-23, SAF-25, SAF-35, SAF-37, SAF-41, SAF-45, SAF-47, SAF-51, SAF-53, SAF-57, SAF-69, SAF-73, SAF-75, SAF-77, SAF-93, CMP-54
E-4359	SAF-27, CMP-55
E-4361	PAG-3, SAF-45, SAF-53, SAF-69, SAF-73, SAF-79, SAF-93, CMP-50, CMP-52
E-4363	SAF-13, SAF-37, SAF-41, SAF-47, SAF-53, SAF-57, SAF-69, SAF-73, SAF-77, WCN-3, WCN-7, WCN-9, WCN-17, WCN-19, WCN-23, WCN-26, CMP-55
E-4364	SAF-13, SAF-25, SAF-35, SAF-37, SAF-41, SAF-47, SAF-53, SAF-57, SAF-69, SAF-73, SAF-79, CMP-50, CMP-52
E-4382A	PAG-3, PAG-10, SAF-37, SAF-41, SAF-47, SAF-53, SAF-57, SAF-69, SAF-73, SAF-77, SAF-94, WCN-3, WCN-7, WCN-9, WCN-19, WCN-22, WCN-25, CMP-30, CMP-97
E-4383	SAF-83, SAF-123
E-4385	SAF-85, SAF-123
E-4387	SAF-15, SAF-29, SAF-35, SAF-102
E-4390	SAF-39, SAF-43, SAF-49, SAF-67, SAF-110
E-4391	SAF-85, SAF-91, SAF-120
E-4393A	SAF-29, SAF-100
E-4396	SAF-45, SAF-100
E-4398A	SAF-39, SAF-43, SAF-49, SAF-55, SAF-59, SAF-69, SAF-73, SAF-100
E-4399	SAF-39, SAF-106
E-4400	SAF-39, SAF-106
E-4401A	SAF-29, SAF-104

BLU - Blue Bird
CHM - Chalmers
DNA - Dana
DYT - Dayton

FRT - Freightliner
FRU - Fruehauf
GRD - Great Dane
HND - Hendrickson

HIN - Hino
HUT - Hutchens
KEN - Kenworth
MAK - Mack

MER - Meritor
NVI - Navistar
PAG - Page
PET - Peterbilt

RYG - Reyco Granning
RDW - Ridewell
SAF - SAF-Holland Neway
SPT - Spartan

TLM - Trailmobile
VLV - Volvo
WTC - Watson Chalin
WST - Western Star

CMP - Suspension Components

NUMERICAL LISTING

Suspension

PART NO.	PAGE NO.
E-4403	SAF-27, SAF-35, SAF-37, SAF-43, SAF-45, SAF-49, SAF-51, SAF-55, SAF-57, SAF-61, SAF-67, SAF-69, SAF-73, SAF-81, SAF-111, CMP-102
E-4409	SAF-37, SAF-45, SAF-49, SAF-57, SAF-65, SAF-108
E-4410A	SAF-53, SAF-69, SAF-73, SAF-77, SAF-96, WCN-3, WCN-7, WCN-9, WCN-17, WCN-19, WCN-22, WCN-25, CMP-30, CMP-97
E-4411A	SAF-55, SAF-71, SAF-73, SAF-81, SAF-103
E-4421	DNA-3, NVI-17, RDW-5, SAF-15, SAF-19, SAF-81, SAF-91, SAF-93, CMP-54
E-4664	KEN-7, KEN-18, CMP-101
E-4669	KEN-7, KEN-16, CMP-30, CMP-98
E-4674	CHM-11, CHM-13, CHM-22
E-4675	CHM-3, CHM-11, CHM-22
E-4676	CHM-3, CHM-11, CHM-19
E-4677A	CHM-3, CHM-4, CHM-5, CHM-6, CHM-8, CHM-9, CHM-11, CHM-13, CHM-14, CHM-15, CHM-19, CHM-20, CMP-30, CMP-99
E-4678A	CHM-3, CHM-4, CHM-5, CHM-6, CHM-8, CHM-9, CHM-11, CHM-13, CHM-14, CHM-15, CHM-19, CHM-20, CMP-99
E-4679	CHM-3
E-4680	CHM-3, CHM-5, CHM-11, CHM-13, CHM-15, CHM-18
E-4681	CHM-11, CHM-13, CHM-22
E-4682	CHM-11, CHM-13, CHM-22
E-4683	CHM-11, CHM-13, CHM-22, CMP-100
E-4685	CHM-3, CHM-5, CHM-11, CHM-13, CHM-15, CHM-16, CMP-30
E-4686	CHM-9, CHM-13, CHM-16

PART NO.	PAGE NO.
E-4687	CHM-9, CHM-13, CHM-16
E-4688A	CHM-3, CHM-5, CHM-11, CHM-13, CHM-15, CHM-16
E-4745	PET-17, PET-23, CMP-100
E-4751	PET-17, PET-24
E-4752	PET-17, PET-24, CMP-98
E-4753	PET-17, PET-24, CMP-70, CMP-85
E-4755	PET-17, PET-23, CMP-56
E-4759	PET-17, CMP-51
E-4761	PET-17, PET-23
E-4770	NVI-17, NVI-28, PET-17, PET-23
E-4771	PET-5, PET-27, CMP-30, CMP-71, CMP-85
E-4771	PET-11
E-4773	PET-11, PET-26, CMP-30
E-4774	PET-11, PET-26
E-4775	PET-11, PET-26, CMP-30, CMP-100
E-4776	PET-9, PET-11, PET-26, PET-30
E-4777	PET-9, PET-11, PET-26, PET-30
E-4778	PET-11, PET-19, CMP-52
E-4779	PET-9, PET-11, PET-19, CMP-54
E-4780	PET-11, PET-26
E-4781	PET-5, PET-11, PET-28
E-4781-P	PET-5, PET-28
E-4782	PET-11, PET-28
E-4786	CHM-3, CHM-11, CHM-17
E-4788A	CHM-15, CHM-17
E-4789	CHM-3, CHM-11, CHM-20, CMP-69, CMP-73
E-4790	CHM-3, CHM-11, CHM-15, CHM-20, CMP-69, CMP-73

PART NO.	PAGE NO.
E-4791	CHM-3, CHM-11, CHM-15, CHM-20, CMP-71, CMP-80
E-4792	CHM-11, CHM-15, CHM-20, CMP-71, CMP-80
E-4793	CHM-15, CHM-21
E-4794	RYG-3, RYG-83
E-4795	RYG-3, RYG-83
E-4796	RYG-3, RYG-25, RYG-76, CMP-68, CMP-78
E-4801	RYG-63, RYG-86
E-4802	RYG-65, RYG-86
E-4803	RYG-67, RYG-86
E-4804	RYG-63, RYG-87
E-4805	RYG-65, RYG-87
E-4806	RYG-67, RYG-87
E-4807	RYG-63, RYG-86
E-4808	RYG-63, RYG-86
E-4809	RYG-65, RYG-86
E-4810	RYG-67, RYG-86
E-4811	RYG-67, RYG-86
E-4813	GRD-5, GRD-10, RYG-67, RYG-68, CMP-58, CMP-64
E-4813-P	RYG-67, RYG-68, CMP-58, CMP-64
E-4814	RYG-39, RYG-65, RYG-90
E-4815	RYG-65, RYG-90
E-4816	RYG-91
E-4817	RYG-65, RYG-90
E-4818	RYG-65, RYG-90
E-4819	RYG-65, RYG-91
E-4822	RYG-65, RYG-92
E-4823	RYG-39, RYG-65, RYG-92
E-4824	RYG-37, RYG-63, RYG-76, SAF-89, SAF-115, CMP-68, CMP-73, CMP-78

NUMERICAL LISTING

BLU - Blue Bird
CHM - Chalmers
DNA - Dana
DYT - Dayton

FRT - Freightliner
FRU - Fruehauf
GRD - Great Dane
HND - Hendrickson

HIN - Hino
HUT - Hutchens
KEN - Kenworth
MAK - Mack

MER - Meritor
NVI - Navistar
PAG - Page
PET - Peterbilt

RYG - Reyco Granning
RDW - Ridewell
SAF - SAF-Holland Neway
SPT - Spartan

TLM - Trailmobile
VLV - Volvo
WTC - Watson Chalin
WST - Western Star

CMP - Suspension Components

NUMERICAL LISTING

PART NO.	PAGE NO.
E-4825	RYG-37, RYG-63, RYG-77, CMP-70, CMP-86
E-4827	GRD-5, GRD-10, RYG-65, RYG-73, SAF-89, SAF-115, CMP-30, CMP-97
E-4828	RYG-67, RYG-89
E-4830	GRD-5, GRD-10, RYG-65, RYG-73, CMP-50
E-4832	GRD-5, GRD-10, RYG-65, RYG-71
E-4833	RYG-37, RYG-63, WCN-7, CMP-50
E-4834A	RYG-37, RYG-63, RYG-79
E-4835	GRD-3, GRD-5, GRD-7, GRD-10, HUT-3, HUT-13, HUT-19, HUT-25, HUT-29, HUT-35, HUT-41, HUT-59, RYG-67, RYG-88, SAF-89, SAF-115
E-4836	GRD-5, RYG-67, CMP-50
E-4837	GRD-5, GRD-10, RYG-67, RYG-88
E-4838	RYG-65, RYG-91
E-4839	RYG-91
E-4840	RYG-65, RYG-92
E-4844	HND-162
E-4961A	FRT-13, FRT-21, FRT-23, FRT-27, FRT-29, HND-21, HND-29, HND-61, HND-95, HND-97, HND-209, HND-210, HND-211, HUT-5, HUT-9, HUT-45, HUT-78, MAK-13, MAK-27, MER-11, NVI-7, PET-11, RYG-3, RYG-7, RYG-29, RYG-31, RYG-35, RYG-37, RDW-9, RDW-11, RDW-13, RDW-15, RDW-21, SAF-21, CMP-54
E-5032	RYG-9, RYG-11, RYG-15, RYG-19, RYG-23, RYG-27, RYG-41, RYG-47, RYG-51, RYG-53, RYG-55, RYG-57, RYG-59, CMP-53

PART NO.	PAGE NO.
E-5070	HUT-47, HUT-67
E-5071	HUT-47, HUT-67
E-5072	HUT-46, HUT-67
E-5073	HUT-47, HUT-68
E-5074	HUT-47, HUT-68
E-5075	KEN-7, KEN-19
E-5076	KEN-7, KEN-19
E-5082	PET-7, PET-27, CMP-70, CMP-85
E-5083	PET-7, PET-27, CMP-30, CMP-70, CMP-85
E-5210	HUT-9, HUT-73
E-5211	HUT-9, HUT-73
E-5212	HUT-9, HUT-73, WCN-21, WCN-30
E-5213	HUT-5, HUT-7, HUT-74, PAG-9, PAG-12, SAF-83, SAF-119, WCN-21, WCN-29
E-5214	HUT-7, HUT-74, PAG-9, PAG-12, SAF-83, SAF-119, WCN-21, WCN-29
E-5215	HUT-7, HUT-74, PAG-9, PAG-12, SAF-83, SAF-119, WCN-21, WCN-29
E-5216	HUT-9, HUT-73, CMP-30, CMP-100
E-5218	HUT-7, HUT-74, PAG-9, PAG-12, WCN-21, WCN-29
E-5219	HUT-5, HUT-7, HUT-74, CMP-56
E-5220	HUT-7, HUT-74
E-5221	HUT-7, HUT-75
E-5222	HUT-9, HUT-75
E-5223	HUT-9, HUT-75
E-5224	HUT-7, HUT-75
E-5225	HUT-7, HUT-75
E-5226	HUT-9, HUT-76
E-5227	HUT-5, HUT-9, HUT-76, CMP-30

PART NO.	PAGE NO.
E-5228	HUT-9, HUT-77
E-5229	HUT-9, HUT-77
E-5230	HUT-7, HUT-77
E-5231	WCN-21, WCN-31
E-5231A	HUT-9, HUT-77
E-5245	RYG-41, RYG-69, CMP-59, CMP-65
E-5246	RYG-45, RYG-53, RYG-70, CMP-59, CMP-66
E-5247	RYG-45, RYG-71
E-5253	RYG-43, RYG-91
E-5254	RYG-43, RYG-49, RYG-90
E-5255A	RYG-19, RYG-41, RYG-47, RYG-76, CMP-69, CMP-78
E-5256	RYG-49, RYG-77, CMP-72, CMP-86
E-5257	RYG-41, RYG-82
E-5258	RYG-41, RYG-82
E-5259	RYG-41, RYG-82
E-5260	RYG-43, RYG-82
E-5261	RYG-43, RYG-82
E-5262	RYG-41
E-5263	RYG-41
E-5264	RYG-49, RYG-84
E-5265	HND-81, HND-188, CMP-58, CMP-61
E-5267	HND-81, HND-188
E-5268	HND-81, HND-188
E-5269	HND-81, HND-83, HND-188, HND-191, CMP-97
E-5270	HND-81, HND-188, CMP-96
E-5271	DNA-7, DNA-10, HND-81, HND-83, HND-188, HND-191, CMP-52
E-5272	HND-81, HND-188, CMP-52

BLU - Blue Bird
 CHM - Chalmers
 DNA - Dana
 DYT - Dayton

FRT - Freightliner
 FRU - Fruehauf
 GRD - Great Dane
 HND - Hendrickson

HIN - Hino
 HUT - Hutchens
 KEN - Kenworth
 MAK - Mack

MER - Meritor
 NVI - Navistar
 PAG - Page
 PET - Peterbilt

RYG - Reyco Granning
 RDW - Ridewell
 SAF - SAF-Holland Neway
 SPT - Spartan

TLM - Trailmobile
 VLV - Volvo
 WTC - Watson Chalin
 WST - Western Star

CMP - Suspension
 Components

NUMERICAL LISTING

NUMERICAL LISTING

Suspension

NUMERICAL LISTING

PART NO.	PAGE NO.
E-5273	HND-81, HND-83, HND-188, HND-191, CMP-56
E-5274	HND-81, HND-189
E-5275	FRT-23, FRT-39, HND-55, HND-59, HND-61, HND-63, HND-81, HND-83, HND-85, HND-97, HND-101, HND-105, HND-109, HND-113, HND-183, HND-189, HND-191, HND-193, HND-194, HND-244, HIN-5, HIN-6, NVI-11, NVI-24, PET-17, PET-24, SPT-9, SPT-15, CMP-30, CMP-100
E-5276	HND-182, HND-189, HND-209, HND-211, CMP-30, CMP-96
E-5277	HND-60, HND-63, HND-81, HND-83, HND-97, HND-189, HND-191, HND-194
E-5278	HND-69, HND-189, HND-209, HND-214
E-5280	PET-5
E-5281	BLU-9, BLU-15, HND-51, HND-55, HND-59, HND-60, HND-63, HND-73, HND-75, HND-81, HND-83, HND-85, HND-97, HND-101, HND-109, HND-113, HND-189, HND-191, HND-193, HND-194, HND-208, HND-209, HND-210, HND-238, HND-244, HIN-5, HIN-6, MAK-9, MAK-34, PET-5, PET-15, PET-17, PET-24, PET-27, PET-33, SPT-9, SPT-15, VLV-7, VLV-11, VLV-19, VLV-21
E-5282	HND-81, HND-189, CMP-70, CMP-82
E-5283	HND-81, HND-189, CMP-71, CMP-82
E-5299	HND-60, HND-81, HND-190, HND-196
E-5300	HND-81, HND-190
E-5301	HND-81, HND-190
E-5308	HND-95, HND-117, HND-123, HND-125, HND-160

PART NO.	PAGE NO.
E-5309	HND-57, HND-91, HND-105, HND-113, HND-117, HND-123, HND-125, HND-160, CMP-30
E-5419	MAK-23, MAK-39
E-5420	MAK-23, MAK-39
E-5421	MAK-21, MAK-23, MAK-37, CMP-100
E-5422	MAK-21, MAK-23, MAK-38
E-5423	MAK-21, MAK-23, MAK-38, CMP-56
E-5424	MAK-21, MAK-23, MAK-39
E-5425	MAK-21, MAK-23, MAK-37
E-5426	MAK-23, MAK-25, MAK-40
E-5427	MAK-13, MAK-17, MAK-21, MAK-23, MAK-25, MAK-27, MAK-29, MAK-39, MER-11, SAF-61, CMP-52
E-5428	HND-53, HIN-3, MAK-13, MAK-17, MAK-21, MAK-23, MAK-27, MAK-29, MAK-39, CMP-52
E-5429	MAK-21, MAK-23, MAK-25, CMP-55
E-5431	MAK-25, MAK-36
E-5432	MAK-25, MAK-37, CMP-100
E-5433	MAK-25, MAK-38
E-5434	MAK-25, MAK-39
E-5436	MAK-25, MAK-39
E-5439	MAK-13, MAK-17, MAK-25, MAK-27, MAK-29, MAK-39, RYG-29, RDW-3, CMP-52
E-5970	WCN-21, CMP-51
E-6121	HND-137, HND-139, HND-141, HND-157, HND-216, CMP-30, CMP-98
E-6122	HND-129, HND-131, HND-135, HND-137, HND-139, HND-141, HND-143, HND-157, HND-219, WCN-11, WCN-15, WCN-23, CMP-30

PART NO.	PAGE NO.
E-6124	HND-137, HND-139, HND-141, HND-157, HND-221, WCN-11, WCN-23
E-6126	HND-155, HND-217, CMP-98
E-6127	HND-155, HND-217, CMP-98
E-6128	HND-155, HND-217, CMP-99
E-6129	HND-155, HND-217
E-6130	HND-155, HND-217
E-6131	HND-155, HND-218
E-6898	SAF-39, SAF-43, SAF-45, SAF-49, SAF-67, SAF-110
E-6979	HND-57, HND-91, HND-113, HND-115, HND-158, CMP-103
E-6980	HND-57, HND-91, HND-113, HND-115, HND-158, CMP-103
E-7525	CMP-37
E-7530	HND-89, HND-165
E-7531	HND-89, HND-165
E-7532	HUT-11, HUT-17, HUT-23, HUT-55, CMP-30, CMP-58, CMP-61
E-7532-P	HUT-11, HUT-17, HUT-23, HUT-55, CMP-58, CMP-61
E-7533	HUT-11, HUT-19, HUT-25, HUT-29, HUT-35, HUT-41, HUT-61, CMP-50
E-7534	HUT-46, HUT-66
E-7535	HUT-50, HUT-69
E-7566	HND-172
E-7568A	HND-172
E-7569A	HND-172
E-7570	HND-172
E-7571	HND-172
E-7572A	HND-172

BLU - Blue Bird
CHM - Chalmers
DNA - Dana
DYT - Dayton

FRT - Freightliner
FRU - Fruehauf
GRD - Great Dane
HND - Hendrickson

HIN - Hino
HUT - Hutchens
KEN - Kenworth
MAK - Mack

MER - Meritor
NVI - Navistar
PAG - Page
PET - Peterbilt

RYG - Reyco Granning
RDW - Ridewell
SAF - SAF-Holland Neway
SPT - Spartan

TLM - Trailmobile
VLV - Volvo
WTC - Watson Chalin
WST - Western Star

CMP - Suspension Components

NUMERICAL LISTING

PART NO.	PAGE NO.
E-7579	HND-172
E-7582	HND-173
E-7617	HND-115, HND-178
E-7618	HND-178
E-7619	HND-115, HND-178
E-7620	HND-115, HND-121, HND-180
E-7621	HUT-11, HUT-19, HUT-25, HUT-29, HUT-35, HUT-41, HUT-59, CMP-30, CMP-97
E-7622	HUT-50, HUT-69
E-7623	HUT-50, HUT-69
E-7624	HUT-50, HUT-69
E-7625	HUT-50, HUT-69
E-7626	HUT-52, HUT-70
E-7627	HUT-52, HUT-70
E-7628	HUT-52, HUT-70
E-7629	HUT-52, HUT-70
E-7630	HUT-51, HUT-70
E-7631	HUT-51, HUT-70
E-7632	HUT-51, HUT-70
E-7633	HUT-51, HUT-70
E-7634	HUT-51, HUT-70
E-7635	HUT-13, HUT-19, HUT-31, HUT-37, HUT-43, HUT-71
E-7636	FRU-3, FRU-13, FRU-21, HUT-13, HUT-19, HUT-31, HUT-37, HUT-43, HUT-71
E-7637	FRU-18
E-7681	HUT-41, HUT-46, HUT-68
E-7682	HUT-21, HUT-27, HUT-33, HUT-39, HUT-43, HUT-68
E-7683	HUT-31, HUT-62, CMP-68, CMP-76
E-7684	HUT-37, HUT-62, CMP-69, CMP-76

PART NO.	PAGE NO.
E-7685	HUT-37, HUT-62, CMP-69, CMP-76
E-7686	HUT-50, HUT-69
E-7687	HUT-50, HUT-69
E-7688	HUT-50, HUT-69
E-7689	HUT-50, HUT-69
E-7690	HUT-52, HUT-71
E-7693	HUT-51, HUT-70
E-7694	HUT-51, HUT-70
E-7695	HUT-51, HUT-70
E-7696	HUT-51, HUT-70
E-7697	HUT-19, HUT-31, HUT-37, HUT-43, HUT-72
E-7698	HUT-19, HUT-43, HUT-72
E-7699	HUT-19, HUT-31, HUT-37, HUT-43, HUT-72
E-7700	FRT-29, FRT-43, CMP-58, CMP-60
E-7702	FRT-29, FRT-43
E-7703	FRT-29, HND-31, HND-248, NVI-9, NVI-22, CMP-52
E-7704	FRT-29, FRT-44
E-7706	FRT-29, FRT-43
E-7709	RYG-47, RYG-59, RYG-69, CMP-59, CMP-65
E-7710	RYG-47, RYG-59, RYG-69, CMP-59, CMP-65
E-7713	RYG-47, RYG-59, RYG-72, CMP-98
E-7717	RYG-51, RYG-74
E-7719	RYG-47, RYG-59, RYG-73
E-7727	RYG-59, RYG-85
E-7739	RYG-59, RYG-85
E-7741	RYG-51, RYG-53, RYG-59, RYG-76, CMP-68, CMP-78
E-7742	RYG-51, RYG-53, RYG-59, RYG-76, CMP-69, CMP-78

PART NO.	PAGE NO.
E-7743	RYG-53, RYG-59, RYG-76, CMP-69, CMP-78
E-7744	RYG-51, RYG-53, RYG-59, RYG-77, CMP-70, CMP-86
E-7746	RYG-53, RYG-77, CMP-72, CMP-86
E-7749	RYG-51, RYG-79
E-7750	RYG-51, RYG-53, RYG-59, RYG-80, CMP-96
E-7755	CHM-9, CHM-13, CHM-16
E-7756	CHM-5, CHM-11, CHM-15, CHM-22
E-7757	CHM-11, CHM-13, CHM-15, CHM-18
E-7758	CHM-3, CHM-5, CHM-17
E-7763	CHM-16
E-7764	CHM-11, CHM-13
E-7765	CHM-3, CHM-7, CHM-11, CHM-15, CHM-21
E-7766	CHM-4, CHM-5, CHM-6, CHM-8, CHM-9, CHM-14, CHM-15, CHM-19, CHM-20, CHM-21, CMP-30, CMP-99
E-7767	CHM-4, CHM-5, CHM-6, CHM-8, CHM-9, CHM-14, CHM-15, CHM-19, CHM-20, CHM-21, CMP-30, CMP-99
E-7768	CHM-4, CHM-5, CHM-6, CHM-8, CHM-9, CHM-14, CHM-15, CHM-18
E-7768-P	CHM-4, CHM-5, CHM-6, CHM-8, CHM-9, CHM-14, CHM-15, CHM-18
E-7769	CHM-5, CHM-17
E-7770	CHM-5, CHM-17
E-7771	CHM-9, CHM-22

NUMERICAL LISTING

BLU - Blue Bird
CHM - Chalmers
DNA - Dana
DYT - Dayton

FRT - Freightliner
FRU - Fruehauf
GRD - Great Dane
HND - Hendrickson

HIN - Hino
HUT - Hutchens
KEN - Kenworth
MAK - Mack

MER - Meritor
NVI - Navistar
PAG - Page
PET - Peterbilt

RYG - Reyco Granning
RDW - Ridewell
SAF - SAF-Holland Neway
SPT - Spartan

TLM - Trailmobile
VLV - Volvo
WTC - Watson Chalin
WST - Western Star

CMP - Suspension Components

NUMERICAL LISTING

Suspension

PART NO.	PAGE NO.
E-7772	CHM-3, CHM-4, CHM-6, CHM-7, CHM-8, CHM-11, CHM-13, CHM-14, CHM-15, CHM-18
E-7773	CHM-4, CHM-6, CHM-7, CHM-8, CHM-9, CHM-14, CHM-15, CHM-18
E-7774	CHM-4, CHM-6, CHM-7, CHM-8, CHM-9, CHM-14, CHM-15, CHM-18
E-7840	PET-9, PET-30, CMP-30
E-7841	PET-9, PET-30, CMP-30, CMP-100
E-7842	PET-9
E-7843	PET-9, PET-30
E-7844	PET-9, PET-30
E-7845	PET-9, PET-30, SAF-25, SAF-94, SAF-120
E-7851	PET-9, PET-31
E-7852	BLU-9, BLU-15, HND-51, HND-53, HND-57, HND-238, HND-245, HIN-3, HIN-7, MAK-9, MAK-11, MAK-34, MER-9, MER-30, RYG-5, RYG-7, RYG-29, RYG-31, RYG-33, RYG-95, RDW-3, RDW-9, RDW-11, RDW-13, RDW-27, SAF-17, SAF-27, SAF-35, SAF-39, SAF-43, SAF-45, SAF-49, SAF-55, SAF-59, SAF-63, SAF-67, SAF-71, SAF-73, SAF-81, SAF-113, VLV-7, VLV-19, WCN-11, WCN-13, WCN-15, WCN-24, CMP-136
E-7853	PET-9, PET-30, CMP-30, CMP-72, CMP-85
E-7854	PET-5, PET-26
E-7855	PET-5, PET-27
E-7856	PET-5, PET-27
E-7857	PET-5, CMP-50
E-7862	PET-5, PET-28

PART NO.	PAGE NO.
E-7864	PET-5, PET-28
E-7868	PET-5, PET-11, PET-15, PET-29, PET-34
E-7869	CMP-58, CMP-63
E-7870	PET-19, PET-23, CMP-97
E-7871	PET-19, PET-23
E-7878	PET-19
E-7879	PET-19, PET-24
E-7887	PET-19, PET-24, CMP-70, CMP-85
E-8655	CMP-101
E-8676	CMP-98
E-8677	CMP-98
E-8701	CHM-3, CHM-4, CHM-5, CHM-6, CHM-8, CHM-9, CHM-11, CHM-13, CHM-14, CHM-15, CHM-19
E-8702	CHM-3, CHM-4, CHM-5, CHM-6, CHM-8, CHM-9, CHM-11, CHM-13, CHM-14, CHM-15, CHM-19, CMP-30, CMP-99
E-8795	FRT-19, FRT-37
E-8796	FRT-19, FRT-36, CMP-104
E-8797	FRT-19, FRT-36, CMP-98, CMP-108
E-8799	FRT-19, FRT-36, CMP-98, CMP-109
E-8800	FRT-19, FRT-36, CMP-107
E-8802	FRT-23, FRT-40
E-8803	FRT-23, FRT-40
E-8804	FRT-23, FRT-39, CMP-30, CMP-101
E-8805	FRT-23, FRT-39
E-8806	FRT-23, FRT-39
E-8808	FRT-23, FRT-40, CMP-30, CMP-71, CMP-81
E-8809	FRT-23, FRT-39

PART NO.	PAGE NO.
E-8810	FRT-23, FRT-39
E-8819	VLV-11, VLV-20
E-8821	MAK-9, MAK-33, VLV-7, VLV-18, CMP-30, CMP-71, CMP-84, CMP-87
E-8841	FRT-3, HND-11, KEN-7, KEN-9, CMP-54
E-8851	VLV-13, VLV-15, VLV-22, CMP-30
E-8853	VLV-13, VLV-22, CMP-71, CMP-87
E-8854	FRT-19, FRT-37
E-8855	FRT-19, FRT-37
E-8909	HND-77, MAK-9, VLV-7, VLV-11, VLV-21, CMP-51
E-8911	HND-111, MAK-9, NVI-19, VLV-7, VLV-11, CMP-53
E-8926	HND-61, HND-194, VLV-11, VLV-21
E-8931	FRU-9, FRU-16, CMP-58, CMP-60
E-8941	FRT-27, FRT-29, FRT-44, CMP-70, CMP-81
E-9284	SAF-37, SAF-41, SAF-47, SAF-53, SAF-69, SAF-73, SAF-81, SAF-98
E-9286	SAF-17, SAF-31, SAF-94, CMP-96
E-9287	SAF-31, SAF-95, CMP-101
E-9288	SAF-31, SAF-96, CMP-101
E-9289	SAF-31, SAF-109
E-9290	SAF-17, SAF-31, SAF-109
E-9292	SAF-13, SAF-35, SAF-94, CMP-30, CMP-97
E-9293	SAF-13, SAF-35, SAF-96, CMP-99
E-9294	SAF-81, SAF-101
E-9295	SAF-17, SAF-31
E-9296	SAF-33, SAF-102

NUMERICAL LISTING

BLU - Blue Bird
CHM - Chalmers
DNA - Dana
DYT - Dayton

FRT - Freightliner
FRU - Fruehauf
GRD - Great Dane
HND - Hendrickson

HIN - Hino
HUT - Hutchens
KEN - Kenworth
MAK - Mack

MER - Meritor
NVI - Navistar
PAG - Page
PET - Peterbilt

RYG - Reyco Granning
RDW - Ridewell
SAF - SAF-Holland Neway
SPT - Spartan

TLM - Trailmobile
VLV - Volvo
WTC - Watson Chalin
WST - Western Star

CMP - Suspension Components

NUMERICAL LISTING

PART NO.	PAGE NO.
E-9297	SAF-33, SAF-103
E-9300A	SAF-15, SAF-35, SAF-100
E-9301	SAF-35, SAF-103
E-9302	SAF-89, SAF-116
E-9303	SAF-89, SAF-116
E-9304	SAF-89, SAF-116
E-9305	SAF-89, SAF-115, CMP-58, CMP-60
E-9305-P	SAF-89, SAF-115, CMP-58, CMP-60
E-9307	SAF-89, SAF-115, CMP-70, CMP-80
E-9308	SAF-89, SAF-117
E-9309	SAF-89, SAF-115
E-9321	KEN-11, KEN-20, CMP-101
E-9322	KEN-11, KEN-20, CMP-101
E-9324	KEN-11, KEN-20, CMP-30, CMP-101
E-9325	HND-57, HND-89, HND-95, HND-103, HND-107, HND-113, HND-115, HND-160, RDW-5, CMP-30, CMP-102
E-9326	HND-57, HND-89, HND-95, HND-97, HND-101, HND-103, HND-107, HND-113, HND-115, HND-160, RDW-3, RDW-5, RDW-22, CMP-30, CMP-102
E-9327	HND-57, HND-103, HND-107, HND-160
E-9328	HND-57, HND-103, HND-107, HND-160
E-9329	HND-57, HND-160
E-9330	HUT-35, HUT-56, CMP-59, CMP-63
E-9350	RYG-3, RYG-7, RYG-19, RYG-23, RYG-27, RYG-79, CMP-30
E-9351A	RYG-37, RYG-85
E-9353	RYG-39, RYG-93

PART NO.	PAGE NO.
E-9355	RYG-39, RYG-90
E-9358	RYG-31, RYG-35, RYG-37, RYG-80
E-9359	HND-57, HND-91, HND-113, HND-115, HND-158, RDW-3, RDW-5, RDW-22, CMP-103
E-9361	FRU-5, FRU-9, FRU-11, FRU-16, CMP-6, CMP-29
E-9362	FRU-3, FRU-9, FRU-11, FRU-13, FRU-18, CMP-6, CMP-29
E-9363	FRU-3, FRU-13, FRU-19
E-9364	FRU-13, FRU-19
E-9365	FRU-13, FRU-20
E-9366-P	FRU-13, FRU-16, CMP-58, CMP-60
E-9367	FRU-13, FRU-17
E-9368	FRU-13, FRU-17, CMP-99
E-9370	FRU-13, FRU-17
E-9372	FRU-13, FRU-17
E-9376	FRT-21, CMP-52
E-9384	HND-65, HND-197
E-9385	HND-65, HND-197
E-9386	HND-63, HND-85, HND-193, HND-196, HND-199, SPT-9, SPT-15
E-9387	HND-196, HND-199
E-9389	HND-198
E-9390	HND-65, HND-197
E-9391	HND-196, HND-199
E-9392	HND-61, HND-63, HND-197
E-9393	HND-63, HND-195
E-9394	HND-63, HND-194, CMP-30, CMP-70, CMP-82
E-9395	HND-61, HND-182, HND-194, MAK-33, VLV-18, CMP-30

PART NO.	PAGE NO.
E-9397	BLU-9, BLU-14, HND-51, HND-63, HND-195, HND-237
E-9400	HND-83, HND-192
E-9402	HND-83, HND-191, CMP-59, CMP-61
E-9404	HND-83, HND-192
E-9405	HND-83, HND-192
E-9406	HND-83, HND-85, HND-192, HND-193, SPT-9, SPT-15
E-9407	HND-83, HND-191, CMP-70, CMP-82
E-9408	HND-81, HND-83, HND-192
E-9409	HND-63, HND-83, HND-191, HND-194, CMP-70, CMP-82
E-9411	HND-103, HND-203
E-9412	HND-105, HND-164, HND-203
E-9413	HND-103, HND-204
E-9414	HND-103, HND-203
E-9417	HND-103, HND-202
E-9418	HND-115, HND-179
E-9419	HND-91, HND-113, HND-117, HND-161, RDW-5, RDW-22, CMP-99
E-9420	HND-57, HND-91, HND-105, HND-113, HND-117, HND-161
E-9421	HND-91, HND-113, HND-117, HND-161, RDW-5, RDW-22
E-9426	HND-113, HND-115, HND-164
E-9427	HND-89, HND-95, HND-168
E-9428	HND-89, HND-95, HND-168
E-9429	HND-89, HND-165
E-9430	HND-165, CMP-52

NUMERICAL LISTING

BLU - Blue Bird
CHM - Chalmers
DNA - Dana
DYT - Dayton

FRT - Freightliner
FRU - Fruehauf
GRD - Great Dane
HND - Hendrickson

HIN - Hino
HUT - Hutchens
KEN - Kenworth
MAK - Mack

MER - Meritor
NVI - Navistar
PAG - Page
PET - Peterbilt

RYG - Reyco Granning
RDW - Ridewell
SAF - SAF-Holland Neway
SPT - Spartan

TLM - Trailmobile
VLV - Volvo
WTC - Watson Chalin
WST - Western Star

CMP - Suspension Components

NUMERICAL LISTING

Suspension

PART NO.	PAGE NO.
E-9432A	HND-60, HND-63, HND-81, HND-83, HND-190, HND-192, HND-196, CMP-30
E-9437	RDW-5
E-9438	RDW-5
E-9439	RDW-7, RDW-23, CMP-98
E-9440	RDW-7, RDW-23, CMP-100
E-9441A	RDW-5
E-9443	RDW-7, RDW-25
E-9444	RDW-7, RDW-23
E-9445	RDW-5
E-9446	RDW-5
E-9447	RDW-5
E-9448	PAG-3, PAG-5, PAG-10
E-9449	PAG-3, PAG-5, PAG-10
E-9450	PAG-3, PAG-5, PAG-11, CMP-55
E-9452	PAG-3, PAG-5, PAG-7, PAG-11
E-9454	PAG-3, PAG-7, PAG-11, CMP-55
E-9455	PAG-3, PAG-7, PAG-11
E-9456	PAG-5, PAG-10
E-9457	PAG-5, PAG-7, PAG-10, CMP-97
E-9458	PAG-5, PAG-7, PAG-10, CMP-100
E-9459	PAG-9, PAG-13, WCN-21, WCN-30
E-9460	PAG-9, PAG-13, WCN-21, WCN-30
E-9461	PAG-9, PAG-13, WCN-21, WCN-30
E-9469	HUT-11, HUT-57
E-9470	HUT-11, HUT-57
E-9471	HUT-11, HUT-17, HUT-23, HUT-55, CMP-30, CMP-58, CMP-62

PART NO.	PAGE NO.
E-9471-P	HUT-11, HUT-17, HUT-23, HUT-55, CMP-58, CMP-62
E-9472	HUT-11, HUT-17, HUT-23, HUT-29, HUT-35, HUT-41, HUT-59, CMP-30
E-9475	HUT-11, HUT-17, HUT-25, HUT-29, HUT-35, HUT-41, HUT-60
E-9476	GRD-3, GRD-8, HUT-13, HUT-31, HUT-37, HUT-63, CMP-68, CMP-75, CMP-77
E-9477	GRD-3, GRD-8, HUT-13, HUT-37, HUT-63, CMP-70, CMP-83
E-9478	GRD-3, GRD-9, HUT-13, HUT-33, HUT-39, HUT-63, HUT-64, CMP-30
E-9480	GRD-3, GRD-9, HUT-13, HUT-31, HUT-39, HUT-65
E-9482	GRD-3, GRD-9, HUT-13, HUT-33, HUT-39, HUT-65, CMP-55
E-9484	HUT-15, HUT-23, HUT-57
E-9485	HUT-15, HUT-23, HUT-57
E-9487	GRD-3, GRD-9, HUT-13, HUT-21, HUT-27, HUT-33, HUT-39, HUT-68
E-9489	HUT-35, HUT-56, CMP-59, CMP-63
E-9491	HUT-41, HUT-56, CMP-59, CMP-63
E-9492	HUT-41, HUT-56, CMP-59, CMP-63
E-9493	GRD-2, GRD-7, HUT-47
E-9494	GRD-2, GRD-7, HUT-47
E-9495	GRD-2, GRD-7, HUT-46
E-9496	GRD-2, GRD-7, HUT-46
E-9497	HUT-46
E-9498	HUT-46
E-9499	HUT-49
E-9500	HUT-49

PART NO.	PAGE NO.
E-9501	HUT-48
E-9502	HUT-49
E-9503	HUT-49
E-9512A	CMP-30
E-9521	KEN-11, KEN-20, CMP-100
E-9527	GRD-3, GRD-8, HUT-50, HUT-70
E-9528	GRD-3, GRD-8, HUT-50, HUT-70
E-9529	GRD-3, GRD-8, HUT-50, HUT-70
E-9530	SAF-65, SAF-105
E-9531	SAF-65, SAF-105
E-9534	SAF-90, SAF-92, SAF-119
E-9535	SAF-85, SAF-119
E-9537	RYG-47, RYG-84
E-9538	RYG-47, RYG-73
E-9539	RYG-47, RYG-84
E-9541	RYG-49, RYG-84
E-9549	RYG-35, RYG-55, RYG-57, RYG-80, CMP-97
E-9550	RYG-55, RYG-57, RYG-72
E-9552	CMP-23, CMP-29
E-9554	RYG-43, RYG-49, RYG-63, RYG-93
E-9557	RYG-43, RYG-49, RYG-90
E-9558	RYG-43, RYG-49, RYG-92
E-9559	RYG-45, RYG-73
E-9560	RYG-45, RYG-73
E-9561	RYG-45, RYG-89
E-9562	RYG-27, RYG-45, RYG-94
E-9563	RYG-27, RYG-45, RYG-49, RYG-61, RYG-94
E-9564	RYG-27, RYG-45, RYG-49, RYG-94

NUMERICAL LISTING

BLU - Blue Bird
CHM - Chalmers
DNA - Dana
DYT - Dayton

FRT - Freightliner
FRU - Fruehauf
GRD - Great Dane
HND - Hendrickson

HIN - Hino
HUT - Hutchens
KEN - Kenworth
MAK - Mack

MER - Meritor
NVI - Navistar
PAG - Page
PET - Peterbilt

RYG - Reyco Granning
RDW - Ridewell
SAF - SAF-Holland Neway
SPT - Spartan

TLM - Trailmobile
VLV - Volvo
WTC - Watson Chalin
WST - Western Star

CMP - Suspension Components

NUMERICAL LISTING

NUMERICAL LISTING

PART NO.	PAGE NO.
E-9571	CHM-4, CHM-5, CHM-6, CHM-8, CHM-9, CHM-14, CHM-15, CHM-18
E-9571-P	CHM-4, CHM-5, CHM-6, CHM-8, CHM-9, CHM-14, CHM-15, CHM-18
E-9572	RYG-43, RYG-92
E-9573	RYG-43, RYG-49, RYG-90
E-9575	HND-129, HND-131, HND-133, HND-135, HND-137, HND-139, HND-141, HND-219, WCN-11, CMP-33
E-9576	HND-57, HND-91, HND-105, HND-113, HND-117, HND-160
E-9577	HND-91, HND-113, HND-117, HND-160
E-9582	HUT-46, HUT-67
E-9582-P	HUT-46
E-9583	CMP-23
E-9584	RYG-35, RYG-55, RYG-57, RYG-76, CMP-68, CMP-78
E-9585	RYG-35, RYG-55, RYG-57, RYG-77, CMP-70, CMP-86
E-9586	RYG-55, RYG-69, CMP-59, CMP-65
E-9587	RYG-35, RYG-55, RYG-57, RYG-79
E-9603	HND-25, HND-61, HND-63, HND-107, MAK-11, NVI-3, PET-9, PET-11, PET-19, RDW-15, SAF-25, SAF-79, CMP-55
E-9604	CMP-55
E-9605*	CMP-54
E-9606	CMP-54
E-9607	HUT-45, RYG-63, SAF-89, WCN-7, CMP-53
E-9610	SAF-85, SAF-120
E-9611	SAF-85, CMP-56
E-9612	SAF-85, CMP-56

PART NO.	PAGE NO.
E-9613	CMP-46
E-9614	CMP-46
E-9615	RYG-35, RYG-55, RYG-57
E-9616	RYG-55, RYG-57, RYG-93
E-9617	RYG-55, RYG-57, RYG-93
E-9618	RYG-55
E-9619	RYG-55, RYG-77, CMP-70, CMP-86
E-9620	RYG-55, RYG-57, RYG-76, CMP-69, CMP-78
E-9622	RYG-55, RYG-57
E-9623	RYG-5, RYG-7, RYG-31, RYG-33, RYG-95, SAF-27, SAF-35, SAF-43, SAF-49, SAF-55, SAF-59, SAF-63, SAF-67, SAF-71, SAF-112, CMP-118, CMP-126
E-9624	FRT-21, FRT-25, FRT-41, KEN-7, KEN-9, NVI-13, NVI-15, NVI-26, PET-7, PET-9, PET-11, PET-13, PET-29, PET-31, PET-32, CMP-119, CMP-128
E-9625	FRT-21, FRT-25, HND-47, HND-73, HND-79, HND-215, HND-257, KEN-7, KEN-9, NVI-13, NVI-15, NVI-27, PET-7, PET-9, PET-11, PET-13, PET-29, PET-31, PET-32, WTS-7, WTS-10, CMP-136
E-9626	RYG-35, RYG-55, RYG-57, RYG-90
E-9628	HND-171
E-9629	HND-171
E-9630	HND-171
E-9631	HND-171
E-9632	HND-171
E-9633A	HND-172
E-9634A	HND-172
E-9635A	HND-172
E-9636	HND-172

PART NO.	PAGE NO.
E-9637	HND-172
E-9638	HND-172
E-9639	HND-172
E-9640	HND-172
E-9641	HND-172
E-9642	HND-172
E-9801	RYG-55, RYG-57, RYG-71
E-9839	HUT-21, HUT-27, HUT-33, HUT-39, HUT-43, HUT-65
E-9840	RYG-11, RYG-15, RYG-21, RYG-75
E-9869	FRT-29, FRT-44, CMP-70, CMP-81
E-9874	FRT-21, FRT-39
E-10057	RYG-3, RYG-7, RYG-19, RYG-23, RYG-27, RYG-80, CMP-30, CMP-102
E-10058	HND-89, HND-165
E-10060	HND-177
E-10061	HND-177
E-10068	HND-177
E-10069	HND-177
E-10070	HND-177
E-10072	HND-177
E-10073	HND-177
E-10116	MAK-13, MAK-27, MAK-38
E-10250	RYG-67, RYG-68, CMP-58, CMP-64
E-10263	HND-171
E-10264	HND-171
E-10266	HND-171
E-10267	HND-171
E-10277	HND-172
E-10303	KEN-7, KEN-9, KEN-18, SAF-19, SAF-97, CMP-30, CMP-101

BLU - Blue Bird
CHM - Chalmers
DNA - Dana
DYT - Dayton

FRT - Freightliner
FRU - Fruehauf
GRD - Great Dane
HND - Hendrickson

HIN - Hino
HUT - Hutchens
KEN - Kenworth
MAK - Mack

MER - Meritor
NVI - Navistar
PAG - Page
PET - Peterbilt

RYG - Reyco Granning
RDW - Ridewell
SAF - SAF-Holland Neway
SPT - Spartan

TLM - Trailmobile
VLV - Volvo
WTC - Watson Chalin
WST - Western Star

CMP - Suspension Components

NUMERICAL LISTING

Suspension

PART NO.	PAGE NO.
E-10303-P	KEN-7, KEN-9, KEN-18, SAF-19, SAF-97
E-10308	HND-183, CMP-102
E-10309	HND-59, HND-97, HND-101, HND-105, HND-109, HND-113, HND-183, NVI-11, NVI-24, CMP-30, CMP-102
E-10310	HND-184, NVI-11, CMP-31, CMP-92, CMP-94
E-10310*	CMP-94
E-10311	HND-184, CMP-92, CMP-94
E-10312	HND-184, CMP-92, CMP-94
E-10313	HND-184, CMP-92
E-10313*	CMP-94
E-10314	HND-184, CMP-92, CMP-94
E-10315	HND-185, NVI-11, CMP-31, CMP-93, CMP-94
E-10316	HND-185, CMP-93, CMP-94
E-10317	HND-185, NVI-11, CMP-31, CMP-93, CMP-94
E-10318	HND-185, CMP-93, CMP-94
E-10319	HND-185, CMP-93, CMP-94
E-10320	HND-183, CMP-100
E-10321	HND-183, CMP-102
E-10322	HND-183, HND-209, HND-210, HND-211, CMP-31, CMP-100
E-10677	RDW-5
E-10678	SAF-13, SAF-95, CMP-101
E-10729A	HND-131, HND-135, HND-137, HND-139, HND-141, HND-216, CMP-31
E-10730A	HND-129, HND-131, HND-135, HND-137, HND-139, HND-141, HND-218

PART NO.	PAGE NO.
E-10754	HND-129, HND-131, HND-133, HND-135, HND-137, HND-139, HND-141, HND-143, HND-157, HND-218
E-10755	HND-129, HND-131, HND-133, HND-135, HND-137, HND-139, HND-141, HND-143, HND-157, HND-218
E-10758	FRU-3
E-10764	NVI-11, NVI-17, NVI-25, NVI-28, CMP-70, CMP-84
E-10765	NVI-17, NVI-28, CMP-71, CMP-84
E-10766	KEN-7, KEN-19
E-10768A	RYG-41, RYG-69, CMP-59, CMP-64
E-10772	RYG-39
E-10773	RYG-39
E-10774	RYG-31
E-10775	RYG-31
E-10778	FRU-3, FRU-13, FRU-21
E-10799	SAF-39, SAF-106
E-11293	CMP-121, CMP-130
E-11305	RYG-39, RYG-93
E-11447	HND-182
E-11448	HUT-21, HUT-62, CMP-69, CMP-76
E-11452	HUT-17, HUT-56, CMP-59, CMP-62
E-11464	CMP-121, CMP-131
E-11465	CMP-119, CMP-128
E-11494	HND-61, HND-197, CMP-117, CMP-123
E-11496	HND-103, HND-107, HND-200, CMP-31
E-11728	HUT-25, HUT-71
E-11748	HND-184, CMP-92
E-11749	PET-11, PET-26

PART NO.	PAGE NO.
E-11749-P	PET-11, PET-26
E-11762	MER-13
E-11765	MER-9, MER-11, MER-15, CMP-55
E-11767	MER-9, MER-11, MER-15, CMP-54
E-11768	MER-11, MER-27, CMP-71, CMP-84
E-11769	MER-11, MER-27, CMP-69, CMP-77
E-11770	MER-11, MER-22
E-11784	HND-184, CMP-92
E-11820	HND-187, CMP-95
E-11821	HND-187, CMP-95
E-11855	HND-129, HND-131, HND-133, HND-135, HND-137, HND-139, HND-141, HND-224, MAK-9, MAK-34, VLV-7, VLV-19, WCN-11, WCN-13, WCN-15, WCN-24, CMP-117, CMP-123
E-11870	HND-57, HND-65, HND-73, HND-77, HND-198, HND-215, MAK-9, MAK-34, VLV-7, VLV-19, WCN-11, WCN-13, WCN-15, WCN-24, CMP-119, CMP-125
E-11905	VLV-13, VLV-15
E-11906	VLV-13, VLV-15
E-11995	HND-162
E-12001	HND-93, HND-167, CMP-104
E-12525	RDW-9, RDW-27, CMP-135
E-13905	MER-13, MER-24
E-13906	MER-13, MER-24
E-13907	MER-11, MER-29, CMP-121, CMP-131
E-13916	CMP-120, CMP-134
E-13917	CMP-118, CMP-132
E-13918	CMP-120, CMP-134
E-13919	CMP-118, CMP-132

NUMERICAL LISTING

BLU - Blue Bird
CHM - Chalmers
DNA - Dana
DYT - Dayton

FRT - Freightliner
FRU - Fruehauf
GRD - Great Dane
HND - Hendrickson

HIN - Hino
HUT - Hutchens
KEN - Kenworth
MAK - Mack

MER - Meritor
NVI - Navistar
PAG - Page
PET - Peterbilt

RYG - Reyco Granning
RDW - Ridewell
SAF - SAF-Holland Neway
SPT - Spartan

TLM - Trailmobile
VLV - Volvo
WTC - Watson Chalin
WST - Western Star

CMP - Suspension Components

NUMERICAL LISTING

PART NO.	PAGE NO.
E-13920	CMP-118, CMP-133
E-13921	CMP-120, CMP-134
E-13922	SAF-15, SAF-27, SAF-33, SAF-35, SAF-112, CMP-118, CMP-132
E-13961	HND-55, HND-183, HND-244, HIN-5, HIN-6, CMP-96
E-13962	HND-183, CMP-103
E-13964	HND-183, CMP-96
E-13965	HND-183, CMP-103
E-13967	HND-183, CMP-97
E-13969	HND-183, CMP-102
E-13970	HND-183, CMP-101
E-13971	HND-87, HND-121, HND-183, SPT-11, CMP-101
E-13972	HND-121, HND-183, CMP-103
E-13974	HND-183, HND-187, CMP-33, CMP-95
E-13986	HND-97, HND-103, HND-107, HND-202
E-13988	HND-57, HND-61, HND-89, HND-105, HND-109, HND-113, HND-117
E-13989	HND-57, HND-61, HND-65, HND-105, HND-109, HND-113, HND-123, HND-125, CMP-31
E-13992	BLU-9, BLU-14, HND-51, HND-53, HND-69, HND-75, HND-213, HND-237, HND-244, HIN-3, HIN-6, MAK-11, MAK-35, CMP-31, CMP-98
E-13993	HND-73, HND-214, MAK-11, MAK-35, CMP-71, CMP-82, CMP-84
E-13995	FRT-5, FRT-9, FRT-34, HND-13, HND-17, HND-47, HND-242, HND-257, WTS-3, WTS-7, WTS-10, CMP-117, CMP-122

PART NO.	PAGE NO.
E-13996	HND-25, HND-31, HND-248, NVI-3, NVI-9, NVI-22, CMP-117, CMP-122
E-13997	HND-25, HND-31, HND-248, NVI-3, NVI-9, NVI-22
E-13999	BLU-5, BLU-7, FRT-7, FRT-11, HND-7, HND-9, HND-15, HND-19, HND-27, HND-29, HND-31, HND-35, HND-39, HND-45, HND-49, MAK-5, NVI-5, NVI-7, NVI-9, SPT-5, VLV-5, WTS-5, WTS-9
E-14000	BLU-5, BLU-7, FRT-7, FRT-11, HND-7, HND-9, HND-15, HND-19, HND-27, HND-29, HND-31, HND-35, HND-39, HND-45, HND-49, MAK-5, NVI-5, NVI-7, NVI-9, SPT-5, VLV-5, WTS-5, WTS-9
E-14001	BLU-5, BLU-7, FRT-7, FRT-11, FRT-15, HND-7, HND-9, HND-15, HND-19, HND-23, HND-27, HND-29, HND-31, HND-35, HND-39, HND-45, HND-49, MAK-5, NVI-5, NVI-7, NVI-9, SPT-5, VLV-5, WTS-5, WTS-9
E-14013	HND-35, HND-43, MAK-3, VLV-3, CMP-117, CMP-124
E-14014	HND-35, HND-43, MAK-3, VLV-3, CMP-117, CMP-124
E-14019	HND-35, HND-45, MAK-5, VLV-5
E-14020	HND-35, HND-45, MAK-5, VLV-5
E-14025	HND-69, HND-75, HND-213, CMP-31
E-14026	HND-69, HND-75, HND-214, CMP-31, CMP-101
E-14033	HND-69, HND-213
E-14047	HND-97, HND-107, HND-200, CMP-31
E-14332	MER-11, MER-29, CMP-118, CMP-127

PART NO.	PAGE NO.
E-14333	MER-11, MER-29, CMP-121, CMP-131
E-14334	MER-11, MER-29, CMP-118, CMP-127
E-14337	HND-129, HND-131, HND-133
E-14338	HND-129, HND-131, HND-133
E-14339	HND-131, HND-133, HND-223
E-14340	HND-129, HND-131, HND-133, HND-135, HND-223
E-14341	HND-129, HND-131, HND-133, HND-135, HND-223
E-14342	HND-129, HND-131, HND-133, HND-223
E-14343	HND-129, HND-131, HND-133, HND-223
E-14344	HND-129, HND-131, HND-133, HND-223
E-14345	HND-129, HND-131, HND-133, HND-224
E-14346	HND-183, CMP-33
E-14347	MER-9, MER-22
E-14348	MER-9, MER-24
E-14349	MER-9, MER-24
E-14350	MER-15, MER-24
E-14351	MER-9, MER-29, CMP-121, CMP-130
E-14352	MER-9, MER-29, CMP-119, CMP-128
E-14354	MER-9, MER-24
E-14355	MER-9, MER-22
E-14362	MER-11, MER-30
E-14365	CMP-119, CMP-128
E-14368	CMP-121, CMP-130
E-14376	RDW-9
E-14377	HND-133, HND-216, CMP-31

BLU - Blue Bird
CHM - Chalmers
DNA - Dana
DYT - Dayton

FRT - Freightliner
FRU - Fruehauf
GRD - Great Dane
HND - Hendrickson

HIN - Hino
HUT - Hutchens
KEN - Kenworth
MAK - Mack

MER - Meritor
NVI - Navistar
PAG - Page
PET - Peterbilt

RYG - Reyco Granning
RDW - Ridewell
SAF - SAF-Holland Neway
SPT - Spartan

TLM - Trailmobile
VLV - Volvo
WTC - Watson Chalin
WST - Western Star

CMP - Suspension Components

NUMERICAL LISTING

NUMERICAL LISTING

Suspension

PART NO.	PAGE NO.
E-14385	RDW-9
E-14388	RYG-11, RYG-15, RYG-21, RYG-25, RYG-83
E-14398	HND-158, CMP-103
E-14400	HND-161
E-14534	HND-97
E-14535	HND-99, HND-203
E-14632	FRT-5, FRT-32, HND-13, HND-240, WTS-3, WTS-12, CMP-96
E-14633	FRT-5, FRT-32, HND-13, HND-240, WTS-3, WTS-12
E-14634	HND-129, HND-219, CMP-33
E-14635	HND-129, HND-133, HND-218
E-14641	HND-85, HND-184, HND-193, SPT-9, SPT-15, CMP-101
E-14642	HND-121, HND-184, CMP-101
E-14643	HND-121, HND-184, CMP-102
E-14644	HND-184, CMP-101
E-14673A	HND-69, HND-75, HND-213
E-14677	MER-17, MER-30, CMP-118, CMP-126
E-14724	RYG-55
E-14725	HND-57, HND-89, HND-97, HND-101, HND-107, HND-113, HND-160, RDW-3, RDW-5, RDW-22, CMP-31, CMP-102
E-14727	HND-185, CMP-93
E-14729	RYG-39, RYG-95, RDW-9, RDW-11, RDW-13, RDW-27, SAF-27, SAF-35, SAF-43, SAF-49, SAF-55, SAF-59, SAF-63, SAF-67, SAF-71, SAF-75, SAF-112, WCN-11, WCN-13, WCN-15, WCN-24, CMP-114, CMP-118, CMP-126

PART NO.	PAGE NO.
E-14730	RDW-9, RDW-11, RDW-13, RDW-27, SAF-75, SAF-112, CMP-114, CMP-121, CMP-130
E-14731	FRT-21, FRT-25, FRT-41, KEN-7, KEN-9, KEN-19, NVI-13, NVI-15, NVI-26, PET-7, PET-9, PET-11, PET-13, PET-29, PET-31, PET-32, RDW-3, RDW-27, SAF-113, WCN-11, WCN-13, WCN-15, WCN-24, CMP-114, CMP-119, CMP-129
E-14732	KEN-19, PET-7, PET-9, PET-11, PET-13, PET-29, PET-31, PET-32, CMP-119, CMP-129
E-14767	CHM-5, CHM-21
E-14768	CHM-5, CHM-21
E-14769	CHM-5, CHM-21
E-14770	CHM-5, CHM-21
E-14773	CHM-7, CHM-20, CMP-69, CMP-73
E-14774	CHM-7, CHM-20, CMP-69, CMP-73
E-14775	HND-135, HND-224
E-14776	HND-135, HND-224
E-14777	HND-129, HND-131, HND-133, HND-135, HND-223
E-14778	HND-131, HND-135, HND-139, HND-225
E-14780	HND-129, HND-135, HND-137, HND-141, HND-143, HND-225
E-14782	HND-129, HND-133, HND-219
E-14789	HND-129, HND-135, HND-137, HND-139, HND-141, HND-224
E-14796	MAK-11
E-14807	HND-97, HND-200, CMP-31

PART NO.	PAGE NO.
E-14809	BLU-9, BLU-14, HND-51, HND-237
E-14814	HUT-49
E-14815	HUT-49
E-14816	HUT-49
E-14817	HUT-49
E-14818	HUT-29, HUT-56, CMP-59, CMP-63
E-14896	HND-97, HND-201, CMP-31
E-14925	HUT-29, HUT-56, CMP-59, CMP-62
E-14932	MAK-15, MAK-19, MAK-21
E-14933	MAK-21
E-14969	CHM-11, CHM-20, CMP-69, CMP-73
E-14970	CHM-9, CHM-13, CHM-22
E-14971	CHM-9, CHM-13, CHM-16
E-14972	CHM-3
E-14973	CHM-3
E-14974	CHM-15
E-14975	CHM-15, CHM-20, CMP-69, CMP-73
E-14976	CHM-7, CHM-15, CHM-20, CMP-69, CMP-73
E-14977	CHM-15, CHM-20, CMP-72, CMP-80
E-14978	CHM-7, CHM-15, CHM-20, CMP-71, CMP-80
E-14979	CHM-15, CHM-20, CMP-71, CMP-80
E-14980	CHM-15
E-14982	CHM-5, CHM-17
E-14983	CHM-5, CHM-21
E-14984	CHM-5, CHM-21
E-14985	CHM-7, CHM-20, CMP-70, CMP-80

NUMERICAL LISTING

BLU - Blue Bird
CHM - Chalmers
DNA - Dana
DYT - Dayton

FRT - Freightliner
FRU - Fruehauf
GRD - Great Dane
HND - Hendrickson

HIN - Hino
HUT - Hutchens
KEN - Kenworth
MAK - Mack

MER - Meritor
NVI - Navistar
PAG - Page
PET - Peterbilt

RYG - Reyco Granning
RDW - Ridewell
SAF - SAF-Holland Neway
SPT - Spartan

TLM - Trailmobile
VLV - Volvo
WTC - Watson Chalin
WST - Western Star

CMP - Suspension Components

NUMERICAL LISTING

NUMERICAL LISTING

PART NO.	PAGE NO.
E-14986	CHM-7, CHM-21, CMP-71, CMP-80
E-14987	CHM-7, CHM-20, CMP-69, CMP-73
E-14989	CHM-7, CHM-20, CMP-69, CMP-73
E-14990	CHM-7, CHM-20, CMP-71, CMP-80
E-14991	CHM-7, CHM-20, CMP-71, CMP-80
E-14992	CHM-7, CHM-21
E-14993	CHM-7, CHM-18
E-14994	CHM-7
E-14995	CHM-9, CHM-16
E-15091	HND-135, HND-137, HND-139, HND-157
E-15092	HND-157, HND-224
E-15093	HND-95
E-15094	FRT-5, FRT-9, FRT-15, HND-13, HND-17, HND-23, HND-25, HND-37, MER-19, NVI-3, SAF-17, SPT-3, WTS-3, CMP-54
E-15095	HND-25, HND-31, HND-248, NVI-3, NVI-9, NVI-22, CMP-117, CMP-123
E-15096	HND-27, HND-31, HND-33, HND-43, HND-251, HND-256, MAK-3, MAK-31, NVI-5, NVI-9, VLV-3, VLV-17
E-15097	HND-25, HND-248, NVI-3, NVI-22
E-15098	FRT-9, FRT-35, HND-17, HND-25, HND-47, HND-243, HND-249, HND-258, NVI-3, NVI-23, WTS-7, WTS-11
E-15099	HND-25, HND-248, NVI-3, NVI-22, CMP-51
E-15100	HND-25, HND-246, NVI-3, NVI-20

PART NO.	PAGE NO.
E-15101	HND-25, NVI-3, SAF-91, SAF-93, CMP-51
E-15102	FRT-5, FRT-9, FRT-33, HND-13, HND-17, HND-25, HND-27, HND-37, HND-47, HND-241, HND-248, HND-253, HND-257, NVI-3, NVI-5, NVI-22, SPT-3, SPT-13, WTS-3, WTS-7, WTS-10, CMP-51
E-15103	HND-25, HND-246, NVI-3, NVI-20
E-15104	HND-25, HND-246, NVI-3, NVI-20
E-15106	HND-27, NVI-5, CMP-55
E-15107	HND-27, HND-29, HND-247, NVI-5, NVI-7, NVI-21
E-15108	BLU-3, BLU-7, BLU-12, HND-5, HND-9, HND-27, HND-29, HND-31, HND-33, HND-41, HND-43, HND-235, HND-248, HND-250, HND-252, HND-255, MAK-3, MAK-30, NVI-5, NVI-7, NVI-9, NVI-22, SPT-7, SPT-12, VLV-3, VLV-16
E-15109	HND-27, HND-29, HND-247, NVI-5, NVI-7, NVI-21
E-15110	BLU-3, BLU-7, BLU-12, FRT-7, FRT-9, FRT-15, FRT-33, HND-5, HND-9, HND-15, HND-17, HND-23, HND-27, HND-29, HND-31, HND-33, HND-37, HND-41, HND-43, HND-47, HND-235, HND-241, HND-247, HND-250, HND-252, HND-255, HND-257, MAK-3, MAK-30, NVI-5, NVI-7, NVI-9, NVI-21, SPT-3, SPT-7, SPT-12, VLV-3, VLV-16, WTS-3, WTS-7, WTS-10
E-15113	HND-25, HND-249, NVI-3, NVI-23
E-15114	HND-25, HND-249, NVI-3, NVI-23
E-15118	FRT-5, FRT-32, HND-13, HND-240, WTS-3, WTS-12

PART NO.	PAGE NO.
E-15119	HND-27, HND-247, NVI-5, NVI-21
E-15120	HND-25, HND-246, NVI-3, NVI-20
E-15121	HND-25, HND-31, HND-249, NVI-3, NVI-9, NVI-23
E-15122	HND-25, NVI-3
E-15123	HND-25, HND-246, NVI-3, NVI-20
E-15124	HND-25, HND-246, NVI-3, NVI-20
E-15125	HND-25, HND-246, NVI-3, NVI-20
E-15126	HND-27, HND-248, NVI-5, NVI-22
E-15127	HND-27, HND-247, NVI-5, NVI-21
E-15128	HND-27, HND-247, NVI-5, NVI-21
E-15130	CMP-117, CMP-123
E-15132	FRT-5, FRT-9, FRT-35, HND-13, HND-17, HND-37, HND-47, HND-243, HND-254, HND-258, SPT-3, SPT-14, WTS-3, WTS-7, WTS-11
E-15133	BLU-3, BLU-13, FRT-5, FRT-9, FRT-34, HND-5, HND-13, HND-17, HND-37, HND-47, HND-236, HND-242, HND-253, HND-257, SPT-3, SPT-13, WTS-3, WTS-7, WTS-10
E-15134	FRT-5, FRT-9, FRT-13, FRT-34, HND-13, HND-17, HND-21, HND-47, HND-242, HND-257, WTS-3, WTS-7, WTS-10
E-15135	HND-37, HND-252, SPT-3, SPT-12
E-15136	FRT-5, FRT-32, HND-13, HND-240, WTS-3, WTS-12
E-15137	FRT-5, FRT-33, HND-13, HND-241, WTS-3, WTS-12

BLU - Blue Bird
CHM - Chalmers
DNA - Dana
DYT - Dayton

FRT - Freightliner
FRU - Fruehauf
GRD - Great Dane
HND - Hendrickson

HIN - Hino
HUT - Hutchens
KEN - Kenworth
MAK - Mack

MER - Meritor
NVI - Navistar
PAG - Page
PET - Peterbilt

RYG - Reyco Granning
RDW - Ridewell
SAF - SAF-Holland Neway
SPT - Spartan

TLM - Trailmobile
VLV - Volvo
WTC - Watson Chalin
WST - Western Star

CMP - Suspension Components

NUMERICAL LISTING

Suspension

PART NO.	PAGE NO.
E-15138	FRT-5, FRT-33, HND-13, HND-241, WTS-3, WTS-13
E-15140	BLU-9, BLU-15, FRT-5, FRT-33, HND-13, HND-51, HND-65, HND-238, HND-241, SAF-13, SAF-37, WCN-5, WCN-28, WTS-3, WTS-10, CMP-51
E-15145	FRT-7, FRT-9, FRT-33, HND-13, HND-17, HND-37, HND-47, HND-241, HND-252, HND-257, SPT-3, SPT-12, WTS-3, WTS-7, WTS-10
E-15146	FRT-5, FRT-9, FRT-33, HND-13, HND-17, HND-47, HND-241, WTS-3, WTS-7, WTS-12
E-15147	BLU-3, BLU-7, BLU-12, FRT-15, HND-5, HND-9, HND-23, HND-31, HND-33, HND-41, HND-43, HND-235, HND-247, HND-250, HND-252, HND-255, MAK-3, MAK-30, NVI-9, NVI-21, SPT-7, SPT-12, VLV-3, VLV-16
E-15148	BLU-7, BLU-12, FRT-3, HND-9, HND-11, HND-33, HND-41, HND-43, HND-111, HND-205, HND-235, HND-250, HND-252, HND-255, MAK-3, MAK-30, NVI-19, NVI-31, SPT-7, SPT-12, VLV-3, VLV-16
E-15150	HND-33, HND-43, HND-251, HND-256, MAK-3, MAK-31, VLV-3, VLV-17, CMP-117, CMP-124
E-15151	HND-33, HND-43, HND-251, HND-256, MAK-3, MAK-31, VLV-3, VLV-17, CMP-117, CMP-123
E-15152	HND-61, HND-164
E-15153	HND-59, HND-61, HND-65, HND-89, HND-97, HND-101, HND-105, HND-109, HND-113, HND-117

PART NO.	PAGE NO.
E-15154	HND-73, HND-79, HND-215
E-15155	HND-97, HND-201
E-15156	HND-162
E-15157	HND-162
E-15158	HND-161
E-15159	HND-93, HND-165
E-15160	PET-11, CMP-51
E-15161	HND-93, HND-168
E-15162	BLU-9, BLU-14, HND-51, HND-53, HND-237, HND-244, HIN-3, HIN-6
E-15164	HND-107, HND-200
E-15165	HND-103, HND-107, HND-201
E-15166	HND-107, HND-202
E-15167	HND-97, HND-202
E-15168	HND-97, HND-201
E-15169SC	HND-69, HND-215
E-15170	HND-73
E-15171	HND-107, HND-201
E-15172	HND-107, HND-201
E-15173	HND-107, HND-201
E-15174	HND-73, HND-215
E-15175	HND-182
E-15176	HND-107, HND-203
E-15177	BLU-3, BLU-7, BLU-9, BLU-13, BLU-15, HND-5, HND-9, HND-51, HND-71, HND-77, HND-111, HND-205, HND-215, HND-236, HND-238, NVI-19, NVI-31
E-15179	HND-73, HND-77, HND-215
E-15180	HND-79, HND-214
E-15181	HND-214
E-15182	HND-209, PET-15, CMP-52
E-15183	HND-87, HND-93, HND-109, HND-121, SPT-11

PART NO.	PAGE NO.
E-15184	CMP-53
E-15188	HND-69, HND-97, HND-210, HND-211, CMP-51
E-15189	HND-97, CMP-51
E-15191	HND-103, HND-107, CMP-51
E-15192	SAF-15, CMP-52
E-15193	HND-71, HND-214
E-15194	FRT-23, HUT-45, HUT-80, MAK-13, MAK-27, CMP-51
E-15195	CMP-51
E-15199	HND-77, MAK-9, PET-5, PET-17, RDW-5, VLV-7, VLV-11, VLV-13, VLV-15, VLV-21, CMP-51
E-15200	HND-65, HND-87, HND-195, SPT-11, SPT-16
E-15205	GRD-3, GRD-8, HUT-13, HUT-19, HUT-31, HUT-71
E-15206	HUT-5, HUT-7, HUT-77, CMP-51
E-15207	HUT-5, HUT-74, CMP-56
E-15208	HUT-46
E-15209	HUT-46
E-15210	HUT-47
E-15211	HUT-47
E-15214	HUT-5, HUT-73
E-15215	HUT-5, HUT-73
E-15217	HUT-7, HUT-76
E-15218	HUT-9, HUT-76
E-15219	HUT-9, HUT-75
E-15220	HUT-9, HUT-76
E-15221	HUT-9, HUT-75
E-15222	HUT-9, HUT-76
E-15224	HUT-41, HUT-46, HUT-68
E-15225	HUT-74
E-15226	HUT-74

NUMERICAL LISTING

BLU - Blue Bird
CHM - Chalmers
DNA - Dana
DYT - Dayton

FRT - Freightliner
FRU - Fruehauf
GRD - Great Dane
HND - Hendrickson

HIN - Hino
HUT - Hutchens
KEN - Kenworth
MAK - Mack

MER - Meritor
NVI - Navistar
PAG - Page
PET - Peterbilt

RYG - Reyco Granning
RDW - Ridewell
SAF - SAF-Holland Neway
SPT - Spartan

TLM - Trailmobile
VLV - Volvo
WTC - Watson Chalin
WST - Western Star

CMP - Suspension
Components

NUMERICAL LISTING

PART NO.	PAGE NO.
E-15227	HUT-74
E-15228	HUT-74
E-15229	HUT-74
E-15230	HUT-74
E-15231	HUT-74
E-15236	HUT-46
E-15237	HUT-49
E-15238	HUT-49
E-15239	HUT-5, HUT-74
E-15240	RYG-29, CMP-52
E-15241	RYG-29, RYG-95
E-15243	RYG-29
E-15244	RYG-29
E-15245	RYG-29
E-15246	RYG-29
E-15247	RYG-29
E-15248	RYG-29
E-15249	RYG-29
E-15250	RYG-29
E-15251	RYG-29, RYG-33, RYG-35
E-15253	RYG-29, RYG-35, RYG-37
E-15254	RYG-31, RYG-35, RYG-37
E-15256	RYG-5, RYG-29, RYG-35, RYG-37, SAF-15, SAF-17, SAF-23, SAF-25, SAF-35, SAF-37, SAF-41, SAF-45, SAF-47, SAF-51, SAF-55, SAF-57, SAF-61, SAF-65, SAF-69, SAF-73, SAF-81
E-15257	RYG-31, RYG-37
E-15261	RYG-29
E-15265	RYG-31, RYG-84
E-15266	RYG-31, RYG-35, RYG-37, RYG-78, CMP-72, CMP-86
E-15267	CMP-50
E-15268	RYG-31

PART NO.	PAGE NO.
E-15269	RYG-31, RYG-35, RYG-81
E-15270	RYG-31, RYG-90
E-15271	RYG-35, RYG-39, RYG-95, CMP-118, CMP-126
E-15273	RYG-51, RYG-53
E-15276	RYG-31, RYG-35, RYG-37, RYG-78, CMP-72, CMP-86
E-15277	RYG-31, RYG-37
E-15279	RYG-31
E-15284	RYG-35
E-15285	RYG-35
E-15286	RYG-35, CMP-52
E-15291	RYG-55, RYG-57, CMP-50
E-15292	RYG-55, RYG-57, RYG-89
E-15293	RYG-55, RYG-77, CMP-71, CMP-86
E-15294	RYG-55, RYG-76, CMP-69, CMP-78
E-15295	RYG-57, RYG-70, CMP-59, CMP-66
E-15296	RYG-57, RYG-85
E-15297	RYG-57
E-15298	RYG-57, RYG-85
E-15302	RYG-9, RYG-83
E-15303	RYG-9, RYG-83
E-15307	RYG-9, RYG-83
E-15308	RYG-9, RYG-83
E-15311	RYG-59, RYG-85
E-15312	PET-19, RYG-59, CMP-50
E-15314	RYG-37, RYG-81
E-15315	RYG-3, RYG-31, RYG-35, RYG-37, CMP-51
E-15317	RYG-3
E-15318	RYG-7, RYG-83
E-15319	RYG-7, RYG-83

PART NO.	PAGE NO.
E-15323	RYG-7
E-15324	RYG-7, RYG-88
E-15325	RYG-7
E-15328	HUT-49
E-15331	HUT-29, HUT-56, CMP-59, CMP-62
E-15333	HUT-49
E-15336	HUT-19, HUT-31, HUT-37, HUT-43, HUT-71
E-15338	HUT-29, HUT-56, CMP-59, CMP-63
E-15340	SAF-15, SAF-102
E-15342	HUT-37, HUT-62, CMP-69, CMP-76
E-15343	HUT-37, HUT-62, CMP-69, CMP-76
E-15344	HUT-37, HUT-62, CMP-69, CMP-76
E-15346	HUT-37, HUT-62, CMP-69, CMP-76
E-15348	HUT-41, HUT-56, CMP-59, CMP-63
E-15350	HUT-37, HUT-62, CMP-69, CMP-76
E-15351	HUT-74
E-15352	HUT-5, HUT-74
E-15353	HUT-37, HUT-62, CMP-69, CMP-76
E-15355	HUT-21, HUT-27, HUT-33
E-15358	HUT-13, HUT-31, HUT-37, HUT-72
E-15360	HUT-47
E-15361	HUT-47
E-15377	HUT-35, HUT-56, CMP-59, CMP-63
E-15378	HUT-41, HUT-56, CMP-59, CMP-63
E-15379	HUT-41, HUT-56, CMP-59, CMP-63

BLU - Blue Bird
 CHM - Chalmers
 DNA - Dana
 DYT - Dayton

FRT - Freightliner
 FRU - Fruehauf
 GRD - Great Dane
 HND - Hendrickson

HIN - Hino
 HUT - Hutchens
 KEN - Kenworth
 MAK - Mack

MER - Meritor
 NVI - Navistar
 PAG - Page
 PET - Peterbilt

RYG - Reyco Granning
 RDW - Ridewell
 SAF - SAF-Holland Neway
 SPT - Spartan

TLM - Trailmobile
 VLV - Volvo
 WTC - Watson Chalin
 WST - Western Star

CMP - Suspension Components

NUMERICAL LISTING

NUMERICAL LISTING

Suspension

PART NO.	PAGE NO.
E-15397	HUT-81
E-15401	HUT-45, HUT-79
E-15402	HUT-45, HUT-80
E-15403	HUT-45, HUT-79
E-15404	HUT-45, HUT-80
E-15405	HUT-45, HUT-80
E-15407	HUT-45, HUT-79
E-15408	HUT-45, HUT-80
E-15409	HUT-45, HUT-79
E-15410	HUT-45, HUT-79
E-15411	HUT-45, HUT-80
E-15412	HUT-45, HUT-79, CMP-56
E-15413	HUT-45, HUT-79
E-15414	HUT-45, HUT-80
E-15420	HUT-81
E-15421	HUT-81
E-15422	HUT-81
E-15423	HUT-81
E-15429	HUT-13, HUT-63, CMP-69, CMP-77
E-15430	HUT-35, HUT-56, CMP-59, CMP-63
E-15433	HUT-35, HUT-56, CMP-59, CMP-63
E-15437	HUT-48
E-15438	HUT-48
E-15440	HUT-15, HUT-23, HUT-57
E-15441	HUT-15, HUT-23, HUT-57
E-15442	HUT-15, HUT-23, HUT-57
E-15443	HUT-15, HUT-23, HUT-57
E-15444	HUT-15, HUT-23, HUT-58
E-15445	HUT-15, HUT-23, HUT-58
E-15450	HUT-48
E-15451	HUT-48

PART NO.	PAGE NO.
E-15459	HUT-21, HUT-27, HUT-33, HUT-39, HUT-43, HUT-69
E-15463	HUT-9, HUT-77
E-15464	HUT-7, HUT-75
E-15468	HUT-52, HUT-70
E-15475	HUT-35, HUT-56, CMP-59, CMP-63
E-15476	HUT-50
E-15480	HUT-17, HUT-56, CMP-59, CMP-62
E-15487	MAK-11
E-15489	HND-71, HND-214
E-15490	HND-141
E-15503	HND-135
E-15504	HND-135
E-15505	HND-139
E-15506	HND-139
E-15507	HND-139
E-15532	SAF-33, SAF-100
E-15535	SAF-69, SAF-73, SAF-81, SAF-98
E-15536	FRT-23, FRT-40, CMP-71, CMP-81
E-15537	KEN-3, KEN-13, PET-3, PET-21, CMP-31, CMP-103, CMP-109
E-15538	KEN-3, KEN-13, CMP-109
E-15541	FRT-23, FRT-39, NVI-15, NVI-26, PET-13, PET-32, CMP-31, CMP-101
E-15542	FRT-23, FRT-40, CMP-31, CMP-71, CMP-81
E-15543	KEN-3, KEN-13, PET-3, PET-21, CMP-31, CMP-103, CMP-109
E-15547	KEN-3, KEN-14, PET-3, PET-22
E-15553	MAK-11, MAK-35

PART NO.	PAGE NO.
E-15588	FRT-31, FRT-46, CMP-31
E-15596	FRT-29, FRT-45
E-15598	FRT-19, FRT-37
E-15600	FRT-23, FRT-39, NVI-15, NVI-26, PET-13, PET-32, CMP-31
E-15608	KEN-3, KEN-14
E-15611	KEN-7, KEN-18, CMP-72, CMP-83
E-15613	KEN-3, KEN-13, PET-3, PET-21, CMP-31, CMP-103, CMP-109
E-15614	KEN-3, KEN-12, PET-3, PET-20, CMP-106
E-15618	KEN-9, KEN-17
E-15619	KEN-3, KEN-12, CMP-107
E-15620	KEN-3, KEN-12, PET-3, PET-20, CMP-106
E-15650	NVI-11, NVI-17, NVI-24, NVI-29
E-15653	NVI-17, NVI-30
E-15658	PET-5, PET-28
E-15671	MAK-9, MAK-33, VLV-7, VLV-18, CMP-101
E-15688	HUT-45, HUT-80
E-15689	HUT-45, HUT-80
E-15692	HUT-45, HUT-80
E-15695	HUT-45, HUT-80, CMP-52
E-15702	HUT-45, HUT-80, CMP-50
E-15708	KEN-7, KEN-18, CMP-31, CMP-71, CMP-83
E-15709	PET-15, PET-33, CMP-31, CMP-72, CMP-85
E-15711	KEN-7, KEN-18, CMP-31, CMP-71, CMP-83
E-15716	BLU-9, BLU-14, HND-51, HND-53, HND-237, HND-244, HIN-3
E-15716	HIN-6

NUMERICAL LISTING

BLU - Blue Bird
CHM - Chalmers
DNA - Dana
DYT - Dayton

FRT - Freightliner
FRU - Fruehauf
GRD - Great Dane
HND - Hendrickson

HIN - Hino
HUT - Hutchens
KEN - Kenworth
MAK - Mack

MER - Meritor
NVI - Navistar
PAG - Page
PET - Peterbilt

RYG - Reyco Granning
RDW - Ridewell
SAF - SAF-Holland Neway
SPT - Spartan

TLM - Trailmobile
VLV - Volvo
WTC - Watson Chalin
WST - Western Star

CMP - Suspension Components

NUMERICAL LISTING

PART NO.	PAGE NO.
E-15721	MAK-11
E-15722	SAF-13, SAF-99
E-15724	SAF-13, SAF-35, CMP-56
E-15727	BLU-3, BLU-7, BLU-12, FRT-15, FRT-35, HND-5, HND-9, HND-23, HND-31, HND-33, HND-37, HND-43, HND-235, HND-247, HND-250, HND-252, HND-255, MAK-3, MAK-30, NVI-9, NVI-21, SPT-3, SPT-12, VLV-3, VLV-16
E-16000	MER-9, MER-15, MER-24
E-16001	MER-9, MER-15, MER-24
E-16002	MER-9, MER-15
E-16042	SAF-19
E-16051	FRT-31, FRT-46, CMP-31
E-16053	FRT-31, FRT-46
E-16054	FRT-31, FRT-47, CMP-71, CMP-81
E-16055	FRT-31, FRT-47, CMP-71, CMP-81
E-16056	FRT-31, FRT-48
E-16057	FRT-31, FRT-48
E-16058	FRT-31, FRT-47, CMP-71, CMP-81
E-16059	FRT-31, FRT-47, CMP-71, CMP-81
E-16060	FRT-31, FRT-46, CMP-31
E-16061	FRT-31, FRT-48
E-16062	FRT-31, FRT-48
E-16063	FRT-31, FRT-47, CMP-31
E-16064	FRT-31, FRT-46
E-16066	FRT-31, FRT-47
E-16069	FRT-31, FRT-47
E-16070	FRT-31, FRT-47, CMP-31
E-16075	NVI-15, NVI-26, CMP-72, CMP-84

PART NO.	PAGE NO.
E-16078	PET-19, CMP-51
E-16088	PET-15, PET-33
E-16089	HND-41, SPT-7
E-16091	KEN-9, KEN-16, CMP-98
E-16092	KEN-9, KEN-16, CMP-31, CMP-99
E-16093	KEN-9, KEN-16
E-16094	PET-15, PET-33, CMP-31, CMP-101
E-16097	PET-15, PET-33, CMP-31, CMP-96
E-16098	PET-15, PET-33, CMP-31, CMP-71, CMP-85
E-16099	PET-15, PET-33, CMP-72, CMP-85
E-16105	PET-15, PET-33
E-16112	KEN-9, KEN-17, CMP-31
E-16115	KEN-9, KEN-17
E-16117	KEN-9, KEN-17
E-16118	PET-13, PET-32, CMP-72, CMP-85
E-16119	KEN-9, KEN-16
E-16123	HND-65, HND-197, HND-214, CMP-51
E-16141	CMP-108
E-16143	PET-3, PET-22
E-16145	PET-3, PET-22
E-16147	PET-3, PET-21
E-16153	KEN-3, KEN-12, PET-3, PET-20, CMP-98, CMP-108
E-16155	PET-3, PET-21
E-16157	KEN-3, KEN-13, PET-3, PET-20, CMP-109
E-16158	KEN-3, KEN-13, PET-3, PET-20, CMP-109
E-16163	KEN-3, KEN-13, PET-3, PET-21, CMP-103, CMP-109

PART NO.	PAGE NO.
E-16165	MAK-7, MAK-32
E-16167	PET-3, PET-20, CMP-97, CMP-108
E-16179	RYG-41, RYG-82
E-16180	RYG-41, RYG-82
E-16184	RYG-47, RYG-59, RYG-69, CMP-59, CMP-65
E-16191	RYG-43, RYG-49, RYG-91
E-16195	RYG-47, RYG-84
E-16197	RYG-47, RYG-59, RYG-70, CMP-59, CMP-65
E-16198	RYG-47, RYG-70, CMP-59, CMP-66
E-16199	RYG-33
E-16200	RYG-33
E-16201	RYG-33
E-16202	RYG-33
E-16203	RYG-33
E-16204	RYG-33
E-16206	RYG-33, RYG-94
E-16210	RYG-33
E-16214	RYG-33
E-16215	RYG-33
E-16216	RYG-33
E-16224	PET-15
E-16225	KEN-7, KEN-19
E-16226	KEN-7, KEN-9, KEN-19, CMP-51
E-16227	FRT-21, FRT-29, HND-101, PET-9, VLV-13, VLV-15, CMP-51
E-16228	PET-13
E-16229	BLU-3, BLU-7, FRT-3, HND-5, HND-9, HND-11, HND-37, HND-41, KEN-7, PET-13, SPT-3, SPT-7, CMP-54
E-16230	KEN-7, KEN-9, KEN-19

BLU - Blue Bird
 CHM - Chalmers
 DNA - Dana
 DYT - Dayton

FRT - Freightliner
 FRU - Fruehauf
 GRD - Great Dane
 HND - Hendrickson

HIN - Hino
 HUT - Hutchens
 KEN - Kenworth
 MAK - Mack

MER - Meritor
 NVI - Navistar
 PAG - Page
 PET - Peterbilt

RYG - Reyco Granning
 RDW - Ridewell
 SAF - SAF-Holland Neway
 SPT - Spartan

TLM - Trailmobile
 VLV - Volvo
 WTC - Watson Chalin
 WST - Western Star

CMP - Suspension Components

NUMERICAL LISTING

NUMERICAL LISTING

Suspension

PART NO.	PAGE NO.
E-16231	KEN-9, KEN-19
E-16232	FRT-19, CMP-51
E-16233	PET-3, PET-9, CMP-51
E-16236	KEN-3, KEN-13, PET-3, PET-21, CMP-96
E-16238	HND-53, HND-65, HND-197, HND-245, HIN-3, HIN-7
E-16239	BLU-9, BLU-15, HND-51, HND-65, HND-197, HND-238
E-16260	MAK-11, MAK-35
E-16262	HND-69, HND-75, HND-209, HND-213
E-16277	FRT-23, FRT-40, CMP-31, CMP-71, CMP-81
E-16281	FRT-23, FRT-42
E-16292	KEN-3, KEN-13, CMP-31, CMP-103, CMP-109
E-16317	PET-3, PET-21
E-16319	KEN-3, KEN-12, PET-3, PET-20, CMP-105
E-16321	KEN-3, PET-3, PET-20, CMP-106
E-16333	HND-85, HND-193, HND-196, HND-199, SPT-9, SPT-15
E-16334	HND-196, HND-199
E-16335	HND-85, HND-193, HND-199, SPT-9, SPT-15
E-16336	HND-103, HND-107, CMP-54
E-16337	HND-149, HND-153, HND-222
E-16338	HND-149, HND-153, HND-222
E-16339	HND-149, HND-151, HND-153, HND-222
E-16340	HND-149, HND-151, HND-153, HND-222

PART NO.	PAGE NO.
E-16341	HND-145, HND-149, HND-151, HND-153, HND-217
E-16342	HND-151, HND-153, HND-216
E-16343	HND-149, HND-151, HND-153, HND-216
E-16344	HND-149, HND-151, HND-153, HND-219
E-16345	HND-149, HND-151, HND-153, HND-217
E-16346	HND-216
E-16348	HND-149, HND-151, HND-222
E-16349	HND-149, HND-151, HND-222
E-16351	HND-214, CMP-51
E-16352	HND-129, HND-225
E-16353	HND-97, HND-203
E-16354	HND-97, RDW-21, CMP-53
E-16355	HND-97, HND-203
E-16356	HND-97, HND-200
E-16357	HND-97, HND-201, CMP-31
E-16358	HND-216
E-16359	HND-143, HND-217
E-16360	HND-143, HND-217
E-16361	HND-143, HND-217
E-16362	HND-143, HND-218
E-16363	HND-143, HND-218
E-16364	HND-111, HND-205, NVI-19, NVI-31, CMP-70, CMP-82
E-16366	HND-111, HND-205, NVI-19, NVI-31
E-16368	HND-131, HND-133, HND-223
E-16369	HND-131, HND-223

PART NO.	PAGE NO.
E-16370	HND-131, HND-133, HND-225
E-16371	HND-131, HND-223
E-16388	HUT-5, HUT-77
E-16389	HUT-19, HUT-69
E-16390	HUT-21, HUT-62, CMP-68, CMP-76
E-16391	HUT-13, HUT-31, HUT-37, HUT-72
E-16392	GRD-3, GRD-6, HUT-11, HUT-17, HUT-23, HUT-55, CMP-58, CMP-61
E-16393	HUT-11, HUT-17, HUT-23, HUT-55, CMP-58, CMP-61
E-16394	HUT-21, HUT-25, HUT-31, HUT-37, HUT-43, HUT-62, CMP-68, CMP-76
E-16395	HUT-21, HUT-25, HUT-31, HUT-37, HUT-43, HUT-63, CMP-70, CMP-83
E-16396	HUT-43, HUT-62, CMP-68, CMP-76
E-16397	HUT-9, HUT-73, CMP-100
E-16398	HND-103, HND-107, HND-200
E-16399	HND-103, HND-107, CMP-55
E-16400	HND-107, HND-202
E-16401	HND-103, HND-203
E-16402	HND-61, HND-103, HND-107, MAK-11, PET-19, RDW-13, CMP-54
E-16403	BLU-11, BLU-16, HND-67, HND-239
E-16404	BLU-11, BLU-16, HND-67, HND-239
E-16405	BLU-11, BLU-16, HND-67, HND-239
E-16406	BLU-11, BLU-16, HND-67, HND-239

NUMERICAL LISTING

BLU - Blue Bird
CHM - Chalmers
DNA - Dana
DYT - Dayton

FRT - Freightliner
FRU - Fruehauf
GRD - Great Dane
HND - Hendrickson

HIN - Hino
HUT - Hutchens
KEN - Kenworth
MAK - Mack

MER - Meritor
NVI - Navistar
PAG - Page
PET - Peterbilt

RYG - Reyco Granning
RDW - Ridewell
SAF - SAF-Holland Neway
SPT - Spartan

TLM - Trailmobile
VLV - Volvo
WTC - Watson Chalin
WST - Western Star

CMP - Suspension Components

NUMERICAL LISTING

NUMERICAL LISTING

PART NO.	PAGE NO.
E-16407	BLU-3, BLU-11, BLU-12, BLU-16, FRT-13, FRT-34, HND-5, HND-21, HND-53, HND-67, HND-235, HND-239, HND-242, HND-245, HIN-3, HIN-7, CMP-119, CMP-124
E-16408	BLU-11, BLU-16, HND-67, HND-239, CMP-82
E-16409	HND-33, HND-43, HND-250, HND-255, MAK-3, MAK-30, VLV-3, VLV-16
E-16410	HND-35, HND-45, HND-250, HND-255, MAK-5, MAK-30, VLV-5, VLV-16
E-16411	HND-35, HND-45, HND-251, HND-256, MAK-5, MAK-31, VLV-5, VLV-17
E-16412	HND-33, HND-43, HND-250, HND-255, MAK-3, MAK-30, VLV-3, VLV-16
E-16413	BLU-3, BLU-7, BLU-13, HND-5, HND-9, HND-41, HND-253, SPT-7, SPT-13
E-16414	HND-41, HND-252, SPT-7, SPT-12
E-16415	BLU-3, BLU-7, FRT-3, HND-5, HND-9, HND-11, HND-37, HND-253, KEN-7, KEN-19, SPT-3, SPT-13
E-16416	HND-57, HND-91, HND-113, HND-158, CMP-103
E-16417	HND-37, HND-253, SPT-3, SPT-13, CMP-119, CMP-125
E-16418	HND-37, HND-253, SPT-3, SPT-13, CMP-119, CMP-125
E-16419	BLU-3, BLU-7, BLU-13, FRT-5, HND-5, HND-9, HND-13, HND-37, HND-41, HND-47, HND-85, HND-236, HND-254, SPT-3, SPT-7, SPT-9, SPT-14, WTS-3, WTS-7, WTS-12
E-16420	HND-29, HND-246, NVI-7, NVI-20

PART NO.	PAGE NO.
E-16421	HND-31, NVI-9, SAF-75, CMP-53
E-16422	HND-157, HND-218
E-16423	HND-216
E-16424	HND-157, HND-219, WCN-11, WCN-13, WCN-15, WCN-23
E-16425	BLU-3, BLU-13, FRT-5, FRT-9, FRT-13, FRT-35, HND-5, HND-13, HND-17, HND-21, HND-47, HND-236, HND-243, HND-258, WTS-3, WTS-7, WTS-11
E-16426	FRT-5, FRT-9, FRT-35, HND-13, HND-17, HND-37, HND-47, HND-243, HND-258, SPT-3, SPT-14, WTS-3, WTS-7, WTS-11
E-16430	FRT-13, FRT-15, HND-21, HND-23
E-16431	FRT-15, FRT-32, HND-23, HND-240
E-16432	BLU-3, BLU-7, BLU-12, FRT-15, FRT-32, HND-5, HND-9, HND-23, HND-235, HND-240
E-16434	FRT-15, FRT-33, HND-23, HND-241
E-16435	FRT-5, FRT-9, FRT-33, HND-13, HND-17, HND-47, HND-241, HND-257, RDW-13, WTS-3, WTS-7, WTS-10, CMP-51
E-16436	FRT-5, FRT-9, FRT-33, HND-13, HND-17, HND-47, HND-241, HND-257, WTS-3, WTS-7, WTS-10, CMP-51
E-16439	HND-178
E-16442	HND-177
E-16445	HND-177
E-16451	HND-172
E-16452	HND-172
E-16457	HND-178

PART NO.	PAGE NO.
E-16458	HND-171
E-16459	HND-171
E-16460	HND-177
E-16461	HND-177
E-16462	HND-177
E-16463	HND-177
E-16464	HND-91, HND-123, HND-125, HND-166
E-16465	BLU-9, BLU-14, HND-51, HND-237
E-16466	HND-183, CMP-100
E-16467	BLU-3, FRT-9, HND-5, HND-17, HND-25, MER-9, MER-15, MER-19, NVI-3
E-16468	HND-25, HND-61, HND-63, MER-9, MER-11, MER-15, MER-19, NVI-3, RDW-11, RDW-15, RDW-21, CMP-54
E-16470	PET-9, PET-30
E-16472	FRT-41
E-16473	FRT-41
E-16477	RYG-41, RYG-68, CMP-59, CMP-65
E-16478	RYG-43, RYG-82
E-16479	RYG-43, RYG-49, RYG-90
E-16480	RYG-43, RYG-49, RYG-91
E-16482	RYG-43, RYG-49, RYG-94
E-16484	RYG-49, RYG-91
E-16490	RYG-65, RYG-90
E-16491	RYG-65, RYG-92
E-16492	RYG-67, RYG-69, CMP-59, CMP-65
E-16493	RYG-11, RYG-15, RYG-23, RYG-27, CMP-50
E-16494	RYG-15, RYG-19, RYG-23, RYG-68, CMP-58, CMP-64
E-16495	RYG-5, RYG-78, CMP-69, CMP-78

BLU - Blue Bird
CHM - Chalmers
DNA - Dana
DYT - Dayton

FRT - Freightliner
FRU - Fruehauf
GRD - Great Dane
HND - Hendrickson

HIN - Hino
HUT - Hutchens
KEN - Kenworth
MAK - Mack

MER - Meritor
NVI - Navistar
PAG - Page
PET - Peterbilt

RYG - Reyco Granning
RDW - Ridewell
SAF - SAF-Holland Neway
SPT - Spartan

TLM - Trailmobile
VLV - Volvo
WTC - Watson Chalin
WST - Western Star

CMP - Suspension Components

NUMERICAL LISTING

Suspension

PART NO.	PAGE NO.
E-16496	RYG-65, RYG-91
E-16498	HUT-50, HUT-69
E-16499	HUT-50, HUT-69
E-16500	HUT-21, HUT-25, HUT-31, HUT-39, HUT-43, HUT-65
E-16501	HUT-11, HUT-19, HUT-25, HUT-29, HUT-35, HUT-41, HUT-59, CMP-97
E-16502	HUT-9, HUT-73, CMP-100
E-16504	HUT-21, HUT-27, HUT-33, HUT-39, HUT-43, HUT-64, CMP-96
E-16505	HUT-13, HUT-33, HUT-39, HUT-64, CMP-102
E-16506	HUT-11, HUT-17, HUT-25, HUT-29, HUT-35, HUT-41, HUT-60
E-16507	HUT-11, HUT-17, HUT-23, HUT-55, CMP-58, CMP-62
E-16508	HUT-11, HUT-17, HUT-23, HUT-55, CMP-58, CMP-62
E-16509	HUT-47, HUT-66
E-16510	HUT-47, HUT-67
E-16511	HUT-47, HUT-66
E-16512	HUT-46, HUT-67
E-16513	HUT-47, HUT-66
E-16514	HUT-46, HUT-66
E-16517	HUT-5, HUT-9, HUT-45, HUT-78
E-16518	HUT-21, HUT-27, HUT-33, HUT-39, HUT-43, HUT-65
E-16519	HUT-5, HUT-9, HUT-76
E-16520	HUT-13, HUT-19, HUT-25, HUT-29, HUT-35, HUT-41, HUT-69
E-16521	HUT-3, HUT-13, HUT-19, HUT-31, HUT-37, HUT-43, HUT-71
E-16522	HUT-9, HUT-77

PART NO.	PAGE NO.
E-16523	HUT-3, HUT-13, HUT-19, HUT-25, HUT-29, HUT-35, HUT-41, HUT-59
E-16524	HUT-7, HUT-74
E-16525	HUT-3, HUT-13, HUT-19, HUT-25, HUT-29, HUT-35, HUT-41, HUT-60
E-16526	HUT-21, HUT-62, CMP-69, CMP-76
E-16527	HUT-62, CMP-68, CMP-76
E-16528	HUT-31, HUT-62, CMP-68, CMP-76
E-16529	HUT-37, HUT-62, CMP-69, CMP-76
E-16530	HUT-37, HUT-62, CMP-69, CMP-76
E-16531	HUT-9, HUT-73
E-16532	HUT-9, HUT-73
E-16533	HUT-45
E-16534	HUT-45
E-16537	RYG-27, RYG-88
E-16538	RYG-27, RYG-88
E-16540	RYG-7, RYG-77, CMP-70, CMP-86
E-16541	RYG-7, RYG-76, CMP-68, CMP-78
E-16549	SAF-59, SAF-110
E-16550	SAF-81, SAF-101
E-16551	SAF-81, SAF-101
E-16552	SAF-75, SAF-101
E-16553	SAF-75, SAF-102
E-16554	SAF-49, SAF-51, SAF-57, SAF-107
E-16555	SAF-57, SAF-107
E-16556	SAF-77, SAF-108
E-16557	SAF-77, SAF-108
E-16558	SAF-69, SAF-73, SAF-81, SAF-98

PART NO.	PAGE NO.
E-16559	SAF-69, SAF-73, SAF-79
E-16560	SAF-17, SAF-95, CMP-97
E-16561	SAF-17, SAF-95, CMP-97
E-16562	SAF-15, SAF-100
E-16563	SAF-81, SAF-98
E-16564	SAF-13, SAF-95, CMP-99
E-16565	SAF-23, SAF-96, CMP-97
E-16566	SAF-75, SAF-94, CMP-31, CMP-97
E-16567	SAF-13, SAF-94, CMP-98
E-16568	SAF-39, SAF-67, SAF-110
E-16570	SAF-91, SAF-120
E-16571	SAF-75, SAF-112, CMP-135
E-16572	SAF-57, SAF-107
E-16576	SAF-77, CMP-55
E-16577	SAF-15, SAF-103
E-16578	SAF-27
E-16580	SAF-112, CMP-135
E-16581	SAF-77, SAF-108
E-16582	SAF-77, SAF-108
E-16583	SAF-77, SAF-105
E-16584	SAF-77, SAF-105
E-16585	SAF-91, SAF-93, SAF-121
E-16586	SAF-75, SAF-112, CMP-135
E-16587	SAF-91, SAF-122
E-16588	SAF-90, SAF-92, SAF-120
E-16589	SAF-15, SAF-100
E-16590	SAF-87
E-16591	SAF-51, SAF-85, SAF-91
E-16592	SAF-93
E-16593	SAF-17, SAF-19, SAF-31, SAF-47, CMP-50
E-16597	SAF-83
E-16598	SAF-23, CMP-52

NUMERICAL LISTING

BLU - Blue Bird
CHM - Chalmers
DNA - Dana
DYT - Dayton

FRT - Freightliner
FRU - Fruehauf
GRD - Great Dane
HND - Hendrickson

HIN - Hino
HUT - Hutchens
KEN - Kenworth
MAK - Mack

MER - Meritor
NVI - Navistar
PAG - Page
PET - Peterbilt

RYG - Reyco Granning
RDW - Ridewell
SAF - SAF-Holland Neway
SPT - Spartan

TLM - Trailmobile
VLV - Volvo
WTC - Watson Chalin
WST - Western Star

CMP - Suspension Components

NUMERICAL LISTING

NUMERICAL LISTING

PART NO.	PAGE NO.
E-16599	SAF-91, SAF-93
E-16600	SAF-23, CMP-52
E-16601	SAF-25
E-16604	SAF-13
E-16605	SAF-75
E-16606	SAF-41, SAF-45, SAF-49, SAF-55, SAF-57, SAF-69, SAF-73, SAF-77, SAF-81
E-16607	SAF-13, SAF-95, CMP-99
E-16608	SAF-15, SAF-103
E-16609	SAF-81, SAF-101
E-16611	SAF-13
E-16612	SAF-81, SAF-101
E-16613	SAF-81, SAF-101
E-16614	SAF-25, CMP-56
E-16615	SAF-91, SAF-93, SAF-121
E-16616	SAF-35, CMP-55
E-16617	SAF-13, SAF-99
E-16618	SAF-13, CMP-56
E-16619	SAF-75, CMP-55
E-16620	SAF-29, SAF-103
E-16621	SAF-29, SAF-100
E-16622	SAF-39, SAF-106
E-16623	SAF-15, SAF-27, SAF-33, SAF-35, SAF-113, CMP-136
E-16624	SAF-15, SAF-103
E-16628	SAF-89, SAF-117
E-16629	SAF-89, SAF-117
E-16630	SAF-89, SAF-117
E-16631	SAF-89, SAF-116
E-16632	SAF-89, SAF-116
E-16633	SAF-89, SAF-116
E-16634	SAF-89, SAF-117
E-16635	SAF-71, SAF-73, SAF-101

PART NO.	PAGE NO.
E-16636	SAF-13, SAF-95, CMP-101
E-16637	SAF-15, SAF-102
E-16638	SAF-15, SAF-102
E-16639	SAF-15, SAF-102
E-16641	FRT-19, FRT-37, CMP-55
E-16642	FRT-19, FRT-37, CMP-56
E-16643	FRT-17, FRT-19, FRT-36
E-16644	FRT-19, FRT-37
E-16645	FRT-19, FRT-37
E-16648	FRT-29, FRT-45
E-16649	FRT-23, FRT-40
E-16651	FRT-23, FRT-40
E-16652	FRT-23, FRT-40
E-16653	FRT-23, FRT-40, CMP-71, CMP-81
E-16654	FRT-23, FRT-40
E-16655	FRT-23, FRT-41
E-16656	FRT-23, FRT-41
E-16658	FRT-23, FRT-42
E-16659	FRT-23, FRT-42
E-16660	FRT-23, FRT-42
E-16661	FRT-23, FRT-42
E-16662	FRT-23, FRT-42
E-16664	FRT-23, FRT-42
E-16665	FRT-23, FRT-42
E-16666	FRT-41
E-16671	FRT-31, FRT-46
E-16672	FRT-31, FRT-46
E-16673	FRT-17, FRT-19, FRT-36
E-16674	FRT-21, FRT-40
E-16686	KEN-7, PET-13, CMP-55
E-16687	NVI-15, NVI-26, PET-13
E-16690	KEN-7, KEN-19

PART NO.	PAGE NO.
E-16691	KEN-7, KEN-19, CMP-51
E-16695	KEN-3, KEN-14, PET-3, PET-21
E-16700	KEN-3, KEN-13, PET-3, PET-21
E-16701	KEN-3, KEN-13, PET-3, PET-21
E-16702	KEN-3, KEN-13
E-16703	KEN-3, KEN-12, CMP-106
E-16705	KEN-3, KEN-14
E-16711	PET-5, PET-28
E-16724	RYG-3
E-16725	RYG-3
E-16726	RYG-3
E-16727	RYG-5
E-16728	RYG-3
E-16729	RYG-3
E-16730	RYG-5
E-16731	RYG-5
E-16775	MAK-27, MAK-40, CMP-97
E-16777	MAK-9, MAK-33, VLV-7, VLV-18, CMP-31, CMP-96
E-16780	MAK-11, MAK-35
E-16781	MAK-11, MAK-35
E-16782	MAK-13, MAK-17, MAK-39
E-16787	MAK-17, MAK-29, MAK-38
E-16788	MAK-17
E-16790	MAK-19, MAK-41
E-16791	MAK-19, MAK-41
E-16793	MAK-21
E-16798	HUT-47
E-16799	HUT-47
E-16800	HUT-15
E-16801	HUT-47
E-16802	HUT-47

BLU - Blue Bird
 CHM - Chalmers
 DNA - Dana
 DYT - Dayton

FRT - Freightliner
 FRU - Fruehauf
 GRD - Great Dane
 HND - Hendrickson

HIN - Hino
 HUT - Hutchens
 KEN - Kenworth
 MAK - Mack

MER - Meritor
 NVI - Navistar
 PAG - Page
 PET - Peterbilt

RYG - Reyco Granning
 RDW - Ridewell
 SAF - SAF-Holland Neway
 SPT - Spartan

TLM - Trailmobile
 VLV - Volvo
 WTC - Watson Chalin
 WST - Western Star

CMP - Suspension Components

NUMERICAL LISTING

Suspension

PART NO.	PAGE NO.
E-16806	MAK-9, MAK-34, VLV-7, VLV-19
E-16807	MAK-9, MAK-34, VLV-7, VLV-19
E-16812	NVI-15, NVI-26
E-16816	VLV-13, VLV-15, VLV-22
E-16818	VLV-15, VLV-22, CMP-71, CMP-87
E-16819	VLV-15, VLV-22, CMP-69, CMP-79
E-17002	VLV-15, VLV-22
E-17003	VLV-15, VLV-22
E-17004	MAK-27
E-17011	MER-9, MER-15, MER-22
E-17012	MER-9, MER-15, MER-22
E-17013	HND-209, MER-9, MER-15, CMP-52
E-17014	MER-9, MER-15, CMP-52
E-17015	MER-9, MER-15, CMP-55
E-17016	MER-9, MER-15, CMP-52
E-17017	MER-9
E-17020	MER-11, MER-27
E-17021	MER-11, MER-28
E-17022	MER-11, MER-25
E-17023	CMP-51
E-17024	HND-37, HND-77, MER-11, SPT-3, CMP-51
E-17026	MER-11, MER-25, CMP-51
E-17027	CMP-52
E-17028	MER-11
E-17029	MER-11, MER-22, CMP-100
E-17030	MER-15, MER-25
E-17031	MER-13
E-17032	MER-13, MER-22, CMP-96

PART NO.	PAGE NO.
E-17033	MER-13, MER-22, CMP-31
E-17034	MER-13, MER-24
E-17035	MER-13, MER-27
E-17036	MER-13, MER-28
E-17037	MER-13, MER-28
E-17038	MER-13
E-17039	MER-13
E-17040	MER-15, MER-23
E-17041	MER-15, MER-23
E-17042	MER-15, MER-25
E-17043	MER-15, MER-25
E-17044	MER-15, CMP-52
E-17045	MER-15, CMP-52
E-17046	MER-15, MER-25
E-17047	MER-15, CMP-51
E-17048	MER-17, MER-31
E-17049	MER-17, MER-30, CMP-119, CMP-129
E-17050	MER-17
E-17051	MER-17
E-17052	MER-17, MER-30
E-17053	MER-17, MER-30
E-17054	MER-17, MER-30
E-17055	MER-17, MER-30
E-17056	MER-11, MER-29
E-17057	MER-11, MER-29
E-17060	MER-19
E-17061	MER-19
E-17062	MER-19
E-17063	MER-13, MER-31
E-17064	MER-17, MER-31
E-17065	MER-17, MER-31
E-17066	MER-17, MER-31

PART NO.	PAGE NO.
E-17067	MER-15, MER-25
E-17068	MER-19, MER-22, CMP-97
E-17069	MER-19
E-17070	MER-19, MER-25
E-17071	MER-19, MER-26
E-17072	MER-19, RDW-13, RDW-15, RDW-21, RDW-25, CMP-52
E-17074	MER-19, MER-23
E-17076	MER-19, MER-26
E-17079	MER-19, CMP-51
E-17080	MER-19, CMP-51
E-17081	MER-19, MER-25
E-17082	MER-19, MER-25
E-17085	MER-19
E-17086	MER-19
E-17087	MER-19, MER-26
E-17088	CMP-117, CMP-122
E-17089	CMP-117
E-17099	WCN-3, WCN-19, WCN-25, CMP-97
E-17100	WCN-3, WCN-7, WCN-9, WCN-17, WCN-19, WCN-25
E-17101	WCN-3, WCN-7, WCN-9, WCN-11, WCN-15, WCN-17, WCN-19, WCN-23, WCN-25, CMP-52
E-17102	WCN-3, WCN-7, WCN-9, WCN-19, WCN-23, WCN-25, CMP-52
E-17104	WCN-3, WCN-19, WCN-27
E-17105	WCN-19, WCN-26, CMP-56
E-17106	WCN-19, WCN-27
E-17107	WCN-19, WCN-27
E-17108	WCN-19, WCN-27
E-17109	WCN-3, WCN-19, WCN-25

NUMERICAL LISTING

BLU - Blue Bird
CHM - Chalmers
DNA - Dana
DYT - Dayton

FRT - Freightliner
FRU - Fruehauf
GRD - Great Dane
HND - Hendrickson

HIN - Hino
HUT - Hutchens
KEN - Kenworth
MAK - Mack

MER - Meritor
NVI - Navistar
PAG - Page
PET - Peterbilt

RYG - Reyco Granning
RDW - Ridewell
SAF - SAF-Holland Neway
SPT - Spartan

TLM - Trailmobile
VLV - Volvo
WTC - Watson Chalin
WST - Western Star

CMP - Suspension Components

NUMERICAL LISTING

PART NO.	PAGE NO.
E-17110	WCN-3, WCN-9, WCN-19, WCN-22, WCN-25
E-17112	WCN-7, WCN-17, WCN-25, CMP-97
E-17113	WCN-7, WCN-13, WCN-17, WCN-23, WCN-25, CMP-52
E-17114	WCN-7
E-17115	WCN-13, WCN-22
E-17117	WCN-11, WCN-15, WCN-22
E-17119	WCN-11, WCN-15, WCN-22
E-17120	WCN-11, WCN-15, WCN-22
E-17121	WCN-11, WCN-13, WCN-15, WCN-22
E-17122	WCN-11, WCN-15, WCN-23, CMP-52
E-17123	WCN-5, WCN-28
E-17124	WCN-5, WCN-28
E-17125	WCN-5, WCN-28
E-17126	WCN-5, WCN-28
E-17127	WCN-7, WCN-25, CMP-97
E-17128	WCN-11, WCN-13, WCN-15
E-17129	WCN-11, WCN-13, WCN-15
E-17292	WCN-3, WCN-7, WCN-9, WCN-11, WCN-13, WCN-15, WCN-17, WCN-19
E-17296	RDW-11, RDW-13, RDW-23, CMP-96
E-17297	RDW-13, RDW-15, RDW-21, RDW-23, CMP-96
E-17298	RDW-3, RDW-22
E-17299	RDW-11, RDW-13, RDW-25
E-17300	RDW-11, CMP-51
E-17301	RDW-13, CMP-51
E-17302	RDW-3
E-17303	RDW-3, RDW-25
E-17304	RDW-17, RDW-26
E-17305	RDW-9

PART NO.	PAGE NO.
E-17306	RDW-9
E-17307	RDW-15, RDW-21, RDW-24
E-17311	RDW-21, RDW-26
E-17312	RDW-21, RDW-26
E-17313	RDW-11, RDW-13, RDW-24
E-17314	RDW-11, RDW-24
E-17315	RDW-3, RDW-24
E-17316	RDW-3, RDW-24
E-17317	RDW-13, RDW-15, RDW-21, RDW-24
E-17318	RDW-17, RDW-19
E-17319	RDW-17, RDW-19, RDW-24
E-17320	RDW-17
E-17321	RDW-17, RDW-24
E-17322	RDW-19
E-17323	RDW-19, RDW-24
E-17324	RDW-15, RDW-26
E-17325	RDW-15, RDW-26
E-17326	RDW-11, RDW-13
E-17327	RDW-13, RDW-15, RDW-21
E-17328	RDW-13, RDW-15, RDW-21, RDW-25
E-17329	RDW-11, RDW-13, RDW-25
E-17330	RDW-3
E-17331	RDW-3
E-17332	RDW-5
E-17339	RDW-9, RDW-23, CMP-98
E-17340	RDW-9, RDW-23, CMP-31, CMP-98
E-17341	RDW-9
E-17342	RDW-9
E-17343	RDW-15, CMP-50
E-17344	RDW-9, CMP-51
E-17345	RDW-21, CMP-50

PART NO.	PAGE NO.
E-17346	RDW-9, RDW-11, RDW-13, CMP-51
E-17349	RDW-9, RDW-11, RDW-13, RDW-15, RDW-21, RDW-25
E-17350	RDW-5
E-17354	RDW-5
E-17356	RDW-9
E-17357	RDW-11, RDW-13
E-17358	RDW-7
E-17360	RDW-13, RDW-15, RDW-21
E-17492	HND-226, HND-227
E-17494	RDW-9, RDW-23, CMP-98
E-17495	RDW-11, RDW-13, RDW-25
E-17496	RDW-19
E-17497	RDW-19, RDW-24
E-17498	SAF-81, SAF-103
E-17569	HND-75, HND-214, CMP-101
E-17570	HND-75, HND-214, CMP-51
E-17571	CMP-52
E-17572	HND-75, HND-214, CMP-51
E-17573	HND-75, HND-214, CMP-52
E-17574	HND-69, HND-75, HND-213
E-17575	HND-226
E-17576	HND-226
E-17577	HND-227
E-17578	HND-226
E-17579	HND-226
E-17581	FRT-3, FRT-32, HND-11, HND-240
E-17582	FRT-3, HND-11
E-17583	FRT-3, FRT-34, HND-11, HND-242, CMP-118, CMP-126

BLU - Blue Bird
 CHM - Chalmers
 DNA - Dana
 DYT - Dayton

FRT - Freightliner
 FRU - Fruehauf
 GRD - Great Dane
 HND - Hendrickson

HIN - Hino
 HUT - Hutchens
 KEN - Kenworth
 MAK - Mack

MER - Meritor
 NVI - Navistar
 PAG - Page
 PET - Peterbilt

RYG - Reyco Granning
 RDW - Ridewell
 SAF - SAF-Holland Neway
 SPT - Spartan

TLM - Trailmobile
 VLV - Volvo
 WTC - Watson Chalin
 WST - Western Star

CMP - Suspension Components

NUMERICAL LISTING

Suspension

PART NO.	PAGE NO.
E-17584	FRT-3, FRT-34, HND-11, HND-242, CMP-118, CMP-126
E-17585	BLU-13, HND-37, HND-236, SPT-3, SPT-14
E-17586	FRT-5, FRT-9, FRT-35, HND-13, HND-17, HND-47, HND-71, WTS-3, WTS-7
E-17587	FRT-9, FRT-34, HND-17, HND-47, HND-242, WTS-7, WTS-12, CMP-117, CMP-122
E-17588	BLU-3, BLU-13, HND-236, CMP-117, CMP-122
E-17589	BLU-3, HND-5
E-17591	HND-37, HND-253, SPT-3, SPT-13, CMP-119, CMP-124
E-17592	HND-37, HND-253, SPT-3, SPT-13, CMP-119, CMP-124
E-17593	HND-225
E-17594	HND-225
E-17595	HND-225
E-17596	HND-71, HND-75, HND-213
E-17597	HND-71, HND-75, HND-213
E-17598	HND-71, HND-75, HND-213
E-17599	HND-71, HND-75, HND-213
E-17600	HND-71, HND-75, HND-213
E-17601	FRT-3, FRT-32, HND-11, HND-240
E-17602	HND-53, HND-244, HIN-3, HIN-6
E-17603	HND-53, HIN-3
E-17604	FRT-3, FRT-34, HND-11, HND-242
E-17644	BLU-5, BLU-7, FRT-3, FRT-7, FRT-11, FRT-13, HND-7, HND-9, HND-11, HND-19, HND-21, HND-29, HND-35, HND-39, HND-45, HND-49, MAK-5, NVI-7, SPT-5, VLV-5, WTS-9

PART NO.	PAGE NO.
E-17645	BLU-5, BLU-7, FRT-3, FRT-7, FRT-11, FRT-13, HND-7, HND-9, HND-11, HND-19, HND-21, HND-29, HND-35, HND-39, HND-45, HND-49, MAK-5, NVI-7, SPT-5, VLV-5, WTS-9
E-17646	BLU-5, BLU-7, FRT-3, FRT-7, FRT-11, FRT-13, FRT-15, HND-7, HND-9, HND-11, HND-19, HND-21, HND-23, HND-29, HND-35, HND-39, HND-45, HND-49, MAK-5, NVI-7, SPT-5, VLV-5, WTS-9
E-17650	HND-51
E-17651	HND-212
E-17652	BLU-9, HND-51
E-17653	BLU-9, HND-51
E-17654	HND-101, HND-200
E-17655	HND-101, HND-200
E-17656	HND-101, HND-202
E-17657	HND-101, HND-202
E-17658	HND-101, HND-202
E-17659	HND-101, HND-183
E-17660	HUT-11, HUT-17, HUT-23, HUT-55, CMP-58, CMP-61
E-17678	SAF-19, SAF-97, CMP-31
E-17679	SAF-19
E-17680	SAF-19
E-17681	SAF-19
E-17682	SAF-19, SAF-96, CMP-31, CMP-101
E-17683	SAF-19, SAF-97, CMP-97
E-17684	SAF-21, SAF-102
E-17685	SAF-21, SAF-103
E-17686	SAF-21, SAF-96
E-17687	MER-19
E-17688	MER-15

PART NO.	PAGE NO.
E-17689	MER-15
E-17690	MER-19
E-17691	MER-9
E-17692	MER-15
E-17693	MER-15
E-17694	MER-15
E-17695	MER-11
E-17696	MER-11
E-17697	MER-19
E-17698	MER-15
E-17699	MER-9
E-17716	MER-19
E-17717	MER-15
E-25184	HUT-46
E-25185	HUT-46, HUT-68
E-25186	HUT-47
E-25187	HUT-47
E-25188	HUT-47
E-25189	HUT-47
E-25190	HUT-46
E-25191	HUT-49
E-25192	HUT-49
E-25193	HUT-47
E-25194	HUT-47
E-25195	HUT-5, HUT-74
E-25197	HUT-9, HUT-77
E-25198	HUT-5, HUT-76
E-25199	HUT-5, HUT-73, CMP-100
E-25201	HUT-48
E-25202	HUT-51, HUT-70
E-401011	CMP-31
E-TR5050-08	CMP-40
E-TR5050-10	CMP-40

NUMERICAL LISTING

BLU - Blue Bird
CHM - Chalmers
DNA - Dana
DYT - Dayton

FRT - Freightliner
FRU - Fruehauf
GRD - Great Dane
HND - Hendrickson

HIN - Hino
HUT - Hutchens
KEN - Kenworth
MAK - Mack

MER - Meritor
NVI - Navistar
PAG - Page
PET - Peterbilt

RYG - Reyco Granning
RDW - Ridewell
SAF - SAF-Holland Neway
SPT - Spartan

TLM - Trailmobile
VLV - Volvo
WTC - Watson Chalin
WST - Western Star

CMP - Suspension Components

NUMERICAL LISTING

PART NO.	PAGE NO.
E-TR5050-12	CMP-40
E-TR5050-14	CMP-40
E-TR5050-16	CMP-40
E-TR5050-18	CMP-40
E-TR5050-20	CMP-40
E-TR5050-22	CMP-40
E-TR5050-24	CMP-40
E-TR5050-26	CMP-40
E-TR5050-28	CMP-40
E-TR5050-30	CMP-40
E-TR5050-32	CMP-40
E-TR5050-34	CMP-40
E-TR5050-36	CMP-40
E-TR5056-10	CMP-40
E-TR5056-12	CMP-40
E-TR5056-14	CMP-40
E-TR5056-16	CMP-40
E-TR5056-18	CMP-40
E-TR5056-20	CMP-40
E-TR5056-22	CMP-40
E-TR5056-24	CMP-40
E-TR5056-26	CMP-40
E-TR5056-28	CMP-40
E-TR5056-30	CMP-40
E-TR5056-32	CMP-40
E-TR5056-34	CMP-40
E-TR5056-36	CMP-40
E-TR5056-38	CMP-40
E-TR5056-40	CMP-40
E-TR5056-42	CMP-40
E-TR8062-12	CMP-41
E-TR8062-14	CMP-41
E-TR8062-16	CMP-41

PART NO.	PAGE NO.
E-TR8062-18	CMP-41
E-TR8062-20	CMP-41
E-TR8062-22	CMP-41
E-TR8062-24	CMP-41
E-TR8062-26	CMP-41
E-TR8062-28	CMP-41
E-TR8062-30	CMP-41
E-TR8062-32	CMP-41
E-TR8062-34	CMP-41
E-TR8062-36	CMP-41
E-TR8062-38	CMP-41
E-TR8062-40	CMP-41
E-TR8062-42	CMP-41
E-TR8062-44	CMP-41
E-TR8062-46	CMP-41
E-TR8062-48	CMP-41
E-TR8075-12	CMP-41
E-TR8075-14	CMP-41
E-TR8075-16	CMP-41
E-TR8075-18	CMP-41
E-TR8075-20	CMP-41
E-TR8075-22	CMP-41
E-TR8075-24	CMP-41
E-TR8075-26	CMP-41
E-TR8075-28	CMP-41
E-TR8075-30	CMP-41
E-TR8075-32	CMP-41
E-TR8075-34	CMP-41
E-TR8075-36	CMP-41
E-TR8075-38	CMP-41
E-TR8075-40	CMP-41
E-TR8075-42	CMP-41
E-TR8075-44	CMP-41

PART NO.	PAGE NO.
E-TR8075-46	CMP-41
E-TR8075-48	CMP-41
E-TR8075-50	CMP-41
E-TR8075-52	CMP-41
E-TR8087-18	CMP-41
E-TR8087-20	CMP-41
E-TR8087-22	CMP-41
E-TR8087-24	CMP-41
E-TR8087-26	CMP-41
E-TR8087-28	CMP-41
E-TR8087-30	CMP-41
E-TR8087-32	CMP-41
E-TR8087-34	CMP-41
E-TR8087-36	CMP-41
E-TR8087-38	CMP-41
E-TR8087-40	CMP-41
E-TR8087-42	CMP-41
E-TR8087-44	CMP-41
E-TR8087-46	CMP-41
E-TR8087-48	CMP-41
E-TR8087-50	CMP-41
E-TR8087-52	CMP-41
E-TR8100-16	CMP-41
E-TR8100-20	CMP-41
E-TR8100-24	CMP-41
E-TR8100-28	CMP-41
E-TR8100-32	CMP-41
E-TR8100-36	CMP-41
E-TR8100-40	CMP-41
E-TR8100-44	CMP-41
E-TR8100-48	CMP-41
E-TR8112-30	CMP-41
E-TR8112-32	CMP-41

BLU - Blue Bird
CHM - Chalmers
DNA - Dana
DYT - Dayton

FRT - Freightliner
FRU - Fruehauf
GRD - Great Dane
HND - Hendrickson

HIN - Hino
HUT - Hutchens
KEN - Kenworth
MAK - Mack

MER - Meritor
NVI - Navistar
PAG - Page
PET - Peterbilt

RYG - Reyco Granning
RDW - Ridewell
SAF - SAF-Holland Neway
SPT - Spartan

TLM - Trailmobile
VLV - Volvo
WTC - Watson Chalin
WST - Western Star

CMP - Suspension
Components

NUMERICAL LISTING

Suspension

PART NO.	PAGE NO.
E-TR8112-34	CMP-41
E-TR8112-36	CMP-41
E-TR8112-38	CMP-41
E-TR8125-32	CMP-41
E-TR8125-34	CMP-41
E-TR8125-36	CMP-41
E-TR8125-38	CMP-41
E-UB5121-075	FRT-21, CMP-44
E-UB5161-12	GRD-5, HUT-3, HUT-53, RYG-35, RYG-67, CMP-44
E-UB5161-13	GRD-5, HUT-53, RYG-35, RYG-67, CMP-44
E-UB5161-14	GRD-5, HUT-3, HUT-53, RYG-5, RYG-35, RYG-43, RYG-67, CMP-44
E-UB5161-15	GRD-5, CMP-44
E-UB5161-16	CMP-44
E-UB5161-18	GRD-5, HUT-3, HUT-53, RYG-43, RYG-67, CMP-44
E-UB5161-22	HUT-53, CMP-44
E-UB5163-14	TLM-3, CMP-44
E-UB5163-18	CMP-44
E-UB5165-12	HUT-54, RYG-61, CMP-44
E-UB5165-14	DNA-3, DNA-5, DNA-7, HUT-54, RYG-43, RYG-49, RYG-61, RYG-67, CMP-44
E-UB5165-15	CMP-44
E-UB5165-16	HUT-54, RYG-49, RYG-67, CMP-44
E-UB5165-18	RYG-43, RYG-67, CMP-44
E-UB5243-16	CMP-46
E-UB5243-18	CMP-46
E-UB5243-20	CMP-46
E-UB5244-16	CMP-46
E-UB5244-18	CMP-46

PART NO.	PAGE NO.
E-UB5244-20	CMP-46
E-UB5261-18	CMP-46
E-UB5263-14	TLM-5, CMP-46
E-UB5263-18	CMP-46
E-UB8142-06	VLV-13, CMP-42
E-UB8142-074	VLV-15, CMP-42
E-UB8143-074	FRT-21, CMP-42
E-UB8145-076	PAG-9, SAF-83, CMP-42
E-UB8145-081	WCN-3, WCN-9, WCN-19, WCN-21, WCN-27, CMP-42
E-UB8151-10	HUT-53, SAF-89, VLV-13, CMP-42
E-UB8151-12	HUT-53, RYG-37, SAF-89, VLV-13, VLV-15, CMP-42
E-UB8151-14	HUT-53, PET-19, RYG-37, RYG-51, RYG-53, SAF-89, VLV-15, CMP-42
E-UB8151-16	HUT-53, MAK-9, MAK-11, PET-19, RYG-25, RYG-37, VLV-7, CMP-42
E-UB8151-18	HUT-53, PET-17, RYG-13, RYG-17, RYG-21, RYG-25, VLV-9, VLV-11, VLV-21, CMP-42
E-UB8151-22	CMP-42
E-UB8153-10	FRT-17, CMP-42
E-UB8153-12	FRT-17, CMP-42
E-UB8153-14	FRT-17, CMP-42
E-UB8153-18	CMP-42
E-UB8154-10	BLU-7, BLU-12, FRT-19, HND-9, HND-235, CMP-42
E-UB8154-12	BLU-7, BLU-12, FRT-19, HND-9, HND-41, HND-235, HND-253, SPT-7, SPT-13, CMP-42
E-UB8154-18	FRT-27, CMP-42
E-UB8155-08	WCN-3, WCN-9, WCN-19, WCN-27, CMP-42
E-UB8155-12	CMP-42

PART NO.	PAGE NO.
E-UB8155-14	RYG-51, RYG-53, CMP-42
E-UB8155-16	CMP-42
E-UB8155-073	HUT-5, HUT-7, CMP-42
E-UB8156-08	HUT-7, CMP-42
E-UB8157-08	HUT-7, CMP-42
E-UB8161-10	FRU-3, FRU-7, FRU-13, HUT-53, CMP-42
E-UB8161-11	CMP-42
E-UB8161-12	DYT-3, DYT-5, DYT-7, FRU-3, FRU-7, FRU-13, GRD-5, HUT-53, RYG-7, RYG-9, CMP-42
E-UB8161-13	RYG-9, CMP-42
E-UB8161-14	DYT-3, DYT-5, DYT-7, GRD-3, GRD-5, HUT-3, HUT-53, RYG-9, RYG-31, CMP-42
E-UB8161-15	PET-13, RYG-7, RYG-9, CMP-42
E-UB8161-15S1	BLU-9, BLU-15, HND-51, HND-61, HND-63, HND-238, SPT-16, CMP-43
E-UB8161-16	BLU-9, BLU-15, DYT-3, DYT-5, DYT-7, FRU-3, FRU-7, FRU-13, GRD-3, GRD-5, HND-51, HND-238, HUT-3, HUT-53, RYG-31, SPT-16, CMP-42
E-UB8161-17	RYG-9, CMP-42
E-UB8161-18	DYT-3, DYT-5, DYT-7, FRU-3, FRU-7, FRU-13, GRD-3, GRD-5, HUT-3, HUT-53, CMP-42
E-UB8161-18S1	BLU-9, BLU-15, HND-51, HND-61, HND-63, HND-81, HND-83, HND-85, HND-238, SPT-9, SPT-16, CMP-43
E-UB8161-20	HND-85, RYG-9, SPT-9, CMP-43
E-UB8161-22	HUT-53, CMP-43
E-UB8161-122	CMP-42
E-UB8162-18	FRT-29, CMP-43

NUMERICAL LISTING

BLU - Blue Bird
CHM - Chalmers
DNA - Dana
DYT - Dayton

FRT - Freightliner
FRU - Fruehauf
GRD - Great Dane
HND - Hendrickson

HIN - Hino
HUT - Hutchens
KEN - Kenworth
MAK - Mack

MER - Meritor
NVI - Navistar
PAG - Page
PET - Peterbilt

RYG - Reyco Granning
RDW - Ridewell
SAF - SAF-Holland Neway
SPT - Spartan

TLM - Trailmobile
VLV - Volvo
WTC - Watson Chalin
WST - Western Star

CMP - Suspension Components

NUMERICAL LISTING

PART NO.	PAGE NO.
E-UB8162-22	FRT-29, CMP-43
E-UB8163-14	CMP-43
E-UB8163-16	CMP-43
E-UB8164-10	FRT-19, CMP-43
E-UB8164-12	FRT-19, CMP-43
E-UB8164-16	FRT-21, CMP-43
E-UB8164-18	CMP-43
E-UB8165-10	HND-143, HND-221, HUT-54, WCN-9, CMP-43
E-UB8165-12	DYT-3, DYT-5, DYT-7, HND-147, HUT-45, HUT-54, RYG-27, RYG-61, CMP-43
E-UB8165-13	RYG-27, CMP-43
E-UB8165-14	DYT-3, DYT-5, DYT-7, HUT-54, RYG-27, RYG-55, RYG-57, RYG-61, CMP-43
E-UB8165-16	HUT-54, RYG-27, RYG-61, CMP-43
E-UB8165-18	RYG-61, CMP-43
E-UB8165-076	HND-155, CMP-43
E-UB8166-12	SAF-85, SAF-87, SAF-91, CMP-43
E-UB8168-082	HND-137, HND-139, HND-141, HND-157, HND-221, RYG-33, WCN-11, CMP-43
E-UB8168-082H	HND-141, HND-221, WCN-11, CMP-43
E-UB8169-156	NVI-15, CMP-43
E-UB8169-166	NVI-15, CMP-43
E-UB8175-104	HUT-7, CMP-43
E-UB8176-114	HUT-7, CMP-43
E-UB8177-114	HUT-7, CMP-43
E-UB8178-126	PAG-9, WCN-21, CMP-43
E-UB8179-09	SAF-57, CMP-43
E-UB8186-14	WCN-21, CMP-43
E-UB8186-154	PAG-9, WCN-21, CMP-43
E-UB8187-154	HUT-9, CMP-43

PART NO.	PAGE NO.
E-UB8187-164	HUT-9, CMP-43
E-UB8253-05	PET-9, CMP-45
E-UB8253-12	MAK-7, CMP-45
E-UB8254-10	KEN-5, CMP-45
E-UB8254-12	KEN-5, CMP-45
E-UB8254-14	CMP-45
E-UB8254-14	KEN-5
E-UB8255-05	PET-11, CMP-45
E-UB8256-077	HUT-7, CMP-45
E-UB8257-11	HND-71, HND-75, CMP-45
E-UB8257-12	HND-71, HND-75, CMP-45
E-UB8257-087	HND-71, HND-75, CMP-45
E-UB8261-18	CMP-45
E-UB8263-14	CMP-45
E-UB8264-10	CMP-45
E-UB8264-12	RYG-67, CMP-45
E-UB8264-14	RYG-67, CMP-45
E-UB8264-16	RYG-67, CMP-45
E-UB8264-083	HND-95, CMP-45
E-UB8265-16	HUT-54, CMP-45
E-UB8265-084	CMP-45
E-UB8267-153	FRT-23, CMP-45
E-UB8268-105	HUT-5, CMP-45
E-UB8268-134	PET-15, CMP-45
E-UB8271-104	HUT-7, CMP-45
E-UB8271-111	HUT-7, CMP-45
E-UB8286-134	HUT-7, CMP-45
E-UB8286-154	HUT-7, CMP-45
E-UB8287-11	SAF-83, CMP-45
E-UB8287-14	PAG-9, SAF-83, CMP-45
E-UB8294-18	CMP-45
E-UB8294-162	CMP-45
E-UB8294-184S	CMP-45

PART NO.	PAGE NO.
E-UB8351-18	CMP-47
E-UB8353-10	CMP-47
E-UB8353-12	CMP-47
E-UB8353-15	NVI-11, NVI-17, CMP-47
E-UB8354-10	CMP-47
E-UB8354-12	CMP-47
E-UB8354-12P	PET-3, CMP-47
E-UB8362-19F	CMP-47
E-UB8363-15N	NVI-11, NVI-17, CMP-47
E-UB8375-14	PET-5, PET-11, CMP-47
E-UB8375-154	PET-5, PET-11, CMP-47
E-UB8394-18	MAK-13, MAK-17, MAK-21, MAK-42, CMP-47
E-UB8394-144	MAK-13, MAK-17, MAK-21, MAK-42, CMP-47
E-UB8394-162S	MAK-13, MAK-17, MAK-21, MAK-42, CMP-47
E-UB8394-172S	MAK-21, CMP-47
E-UB8394-192S	MAK-21, CMP-47
E-UB8396-165S	MAK-23, MAK-25, MAK-42, CMP-47
E-UB8466-073H	HND-137, HND-139, HND-141, HND-143, HND-221, WCN-11, CMP-48
E-UB8466-082H	HND-221, CMP-48
E-UB8467-077	WCN-11, WCN-13, CMP-48
E-UB8475-114	SAF-93, CMP-48
E-UB8479-090	SAF-37, SAF-41, SAF-45, SAF-47, SAF-51, SAF-65, CMP-48
E-UB8479-104	SAF-37, CMP-48
E-UB8479-124A	SAF-37, SAF-47, SAF-65, CMP-48
E-UB8554-033	FRT-21, CMP-48
E-UB8575-126	FRU-5, FRU-11, CMP-48
E-UB8578-094	SAF-37, SAF-45, SAF-47, SAF-57, SAF-65, CMP-48

BLU - Blue Bird
 CHM - Chalmers
 DNA - Dana
 DYT - Dayton

FRT - Freightliner
 FRU - Fruehauf
 GRD - Great Dane
 HND - Hendrickson

HIN - Hino
 HUT - Hutchens
 KEN - Kenworth
 MAK - Mack

MER - Meritor
 NVI - Navistar
 PAG - Page
 PET - Peterbilt

RYG - Reyco Granning
 RDW - Ridewell
 SAF - SAF-Holland Neway
 SPT - Spartan

TLM - Trailmobile
 VLV - Volvo
 WTC - Watson Chalin
 WST - Western Star

CMP - Suspension
 Components

NUMERICAL LISTING

NUMERICAL LISTING

Suspension

PART NO.	PAGE NO.
E-UB8578-124A	SAF-37, SAF-47, SAF-65, CMP-48
E-UB8585-132	FRU-15, CMP-48
E-UB8673-154	PET-9, CMP-47, CMP-48
E-401754	FRT-17, FRT-19, FRT-21, NVI-13, PET-5, PET-9, PET-11, PET-28, PET-31, RDW-7, SAF-81, SAF-111, CMP-31, CMP-102
EAS1191	NVI-15
EAS6897	WCN-3, WCN-5, WCN-7, WCN-17
EAS6902	HND-155
EAS6935	HND-157
EAS7136	PAG-5, PAG-7
EAS7400	FRT-21
EAS7403	HND-147
EAS7410	FRT-21
EAS7555	RYG-29, RYG-37
EAS7795	HND-149, HND-151, HND-153
EAS7797	HND-145, HND-151
EAS7897	HND-149
EAS8008	WCN-3, WCN-7, WCN-17
EAS8032	WCN-5, WCN-7
EAS8033	HND-145, HND-149, HND-151, HND-153
EAS8042	HND-145, HND-153
EAS8050	HND-231, RYG-33, RDW-11
EAS8091	HND-226, HND-227, MER-15, RDW-11
EAS8204	SAF-77
EAS8708	HND-227
EAS8709	HND-226, HND-227
EAS8713	HND-226, HND-227
EAS8729	MER-11

PART NO.	PAGE NO.
EAS8740	RYG-33
EAS8755	HND-231
EAS8774	HND-226, WCN-15
EAS8813	PET-15
EAS8829	MAK-9, VLV-7
EAS8855	RYG-33
EAS8864	PET-13
EAS8944	HND-137, HND-230
EAS9026	PET-9
EAS9039	SAF-41, SAF-45, WCN-11
EAS9069	PET-5, PET-11
EAS9082	RDW-9, SAF-25, SAF-34, SAF-37, SAF-61, SAF-67
EAS9101	RDW-9, SAF-37, SAF-41, SAF-61, SAF-67
EAS9121	SAF-41, SAF-47, SAF-67, WCN-9, WCN-11
EAS9122	HND-231, SAF-47, SAF-57, SAF-67, WCN-11
EAS9223	RYG-5
EAS9265	HND-139, HND-143, HND-230
EAS9270	HND-230, HND-231
EAS9293	SAF-77
EAS9297	HND-63
EAS9307	SAF-41
EAS9321	HND-155, RDW-9, WCN-3
EAS9366	WCN-9
EAS9367	HND-155, HND-157, HND-230
EAS9370	WCN-3, WCN-19
EAS9371	NVI-11
EAS9373	HND-63
EAS9394	FRU-3, FRU-5
EAS9422	KEN-7

PART NO.	PAGE NO.
EAS9471	SAF-13, SAF-17
EAS9541	KEN-9
EAS9547	KEN-9
EAS9580	HND-139, HND-143, HND-230
EAS9616	KEN-7
EAS9622	KEN-9
EAS9625	KEN-9
EAS9626	HND-226
EAS9640	HND-230, HND-231
EAS9644	HND-226
EAS9645	HND-226
EAS9663	HND-73, HND-212
EAS9780	FRT-25
EAS9781	FRT-25
EAS9807	SAF-75
EAS9921	SAF-53, SAF-73, SAF-77
EAS9935	SAF-77
EAS9974	SAF-75
EAS9978	HND-226
FS0783	RDW-9
FS1096	RDW-9
FS1191	NVI-15
FS6231	MER-9
FS6258	MER-9
FS6897	WCN-3, WCN-5, WCN-7, WCN-17
FS6902	HND-155
FS6908	WCN-3, WCN-17
FS6935	HND-157
FS6946	RDW-17, RDW-19
FS7136	PAG-5, PAG-7
FS7400	FRT-21

NUMERICAL LISTING

BLU - Blue Bird
CHM - Chalmers
DNA - Dana
DYT - Dayton

FRT - Freightliner
FRU - Fruehauf
GRD - Great Dane
HND - Hendrickson

HIN - Hino
HUT - Hutchens
KEN - Kenworth
MAK - Mack

MER - Meritor
NVI - Navistar
PAG - Page
PET - Peterbilt

RYG - Reyco Granning
RDW - Ridewell
SAF - SAF-Holland Neway
SPT - Spartan

TLM - Trailmobile
VLV - Volvo
WTC - Watson Chalin
WST - Western Star

CMP - Suspension Components

NUMERICAL LISTING

PART NO.	PAGE NO.
FS7403	HND-147
FS7410	FRT-21
FS7447	RDW-21
FS7505	HND-149, HND-151
FS7555	RYG-29, RYG-37
FS7557	RYG-31, RYG-35
FS7659	HND-145, HND-149, HND-151, HND-153, RDW-17, RDW-19
FS7705	WCN-7
FS7795	HND-149, HND-151, HND-153
FS7797	HND-145, HND-151
FS7798	WCN-7
FS7897	HND-149
FS8008	WCN-3, WCN-7, WCN-17
FS8032	WCN-5, WCN-7
FS8033	HND-145, HND-149, HND-151, HND-153
FS8042	HND-145, HND-153
FS8050	HND-231, RYG-33, RDW-11
FS8091	HND-226, HND-227, MER-15, RDW-11
FS8093	HND-227
FS8184	SAF-23
FS8204	SAF-77
FS8597	HND-25, HND-37, NVI-3, SPT-3
FS8614	HND-226, HND-231
FS8631	WCN-11
FS8637	WCN-11
FS8708	HND-227
FS8709	HND-226, HND-227
FS8710	HND-231
FS8713	HND-226, HND-227

PART NO.	PAGE NO.
FS8723	RDW-9
FS8729	MER-11
FS8740	RYG-33
FS8748	SAF-69, SAF-77
FS8749	SAF-69, SAF-77
FS8755	HND-231
FS8774	HND-226, WCN-15
FS8800	HND-231
FS8802	RDW-9
FS8813	PET-15
FS8816	BLU-9, HND-51
FS8817	BLU-9, HND-51
FS8829	MAK-9, VLV-7
FS8855	RYG-33
FS8856	RYG-33
FS8864	PET-13
FS8868	HND-63
FS8944	HND-137, HND-230
FS8971	BLU-11, HND-67
FS9026	PET-9
FS9039	SAF-41, SAF-45, WCN-11
FS9053	FRU-5
FS9069	PET-5, PET-11
FS9070	SAF-53
FS9082	RDW-9, SAF-34, SAF-37, SAF-61, SAF-67
FS9092	SAF-25, SAF-34
FS9101	RDW-9, SAF-37, SAF-41, SAF-61, SAF-67
FS9121	SAF-41, SAF-47, SAF-67, WCN-9, WCN-11
FS9122	HND-231, SAF-47, SAF-57, SAF-67, WCN-11
FS9134	SAF-47

PART NO.	PAGE NO.
FS9158	SAF-61
FS9177	SAF-61
FS9194	PET-9
FS9213	NVI-11
FS9219	MAK-9, VLV-7
FS9223	RYG-5
FS9243	SAF-53, SAF-73, WCN-3, WCN-9
FS9264	HND-230
FS9265	HND-139, HND-143, HND-230
FS9268	SAF-31
FS9270	HND-230, HND-231
FS9287	HND-61
FS9293	SAF-77
FS9294	SAF-77
FS9295	SAF-77
FS9296	MAK-9, VLV-7
FS9297	HND-63
FS9299	HND-230
FS9304	SAF-53
FS9307	SAF-41
FS9321	HND-155, RDW-9, WCN-3
FS9335	HND-63
FS9336	WCN-9
FS9346	SAF-41, SAF-73, WCN-9
FS9362	SAF-41, SAF-53, WCN-9
FS9364	WCN-9, WCN-19
FS9366	WCN-9
FS9367	HND-155, HND-157, HND-230
FS9370	WCN-3, WCN-19
FS9371	NVI-11

BLU - Blue Bird
 CHM - Chalmers
 DNA - Dana
 DYT - Dayton

FRT - Freightliner
 FRU - Fruehauf
 GRD - Great Dane
 HND - Hendrickson

HIN - Hino
 HUT - Hutchens
 KEN - Kenworth
 MAK - Mack

MER - Meritor
 NVI - Navistar
 PAG - Page
 PET - Peterbilt

RYG - Reyco Granning
 RDW - Ridewell
 SAF - SAF-Holland Neway
 SPT - Spartan

TLM - Trailmobile
 VLV - Volvo
 WTC - Watson Chalin
 WST - Western Star

CMP - Suspension
 Components

NUMERICAL LISTING

NUMERICAL LISTING

Suspension

PART NO.	PAGE NO.
FS9373	HND-63
FS9387	RDW-11
FS9394	FRU-3, FRU-5
FS9422	KEN-7
FS9466	HND-61
FS9471	SAF-13, SAF-17
FS9472	SAF-13
FS9491	SAF-13
FS9501	SAF-13
FS9541	KEN-9
FS9547	KEN-9
FS9554	HND-33, HND-43, MAK-3, VLV-3
FS9560	RYG-33
FS9580	HND-139, HND-143, HND-230
FS9581	HND-143, HND-230
FS9616	KEN-7
FS9617	KEN-9
FS9619	HND-226, HND-227
FS9621	HND-226, HND-227
FS9622	KEN-9
FS9625	KEN-9
FS9626	HND-226
FS9640	HND-230, HND-231
FS9644	HND-226
FS9645	HND-226
FS9646	HND-226
FS9647	MAK-11
FS9654	HND-73, HND-212
FS9663	HND-73, HND-212
FS9780	FRT-25
FS9781	FRT-25

PART NO.	PAGE NO.
FS9807	SAF-75
FS9865	HND-212
FS9866	HND-212
FS9912	BLU-3, FRT-13, HND-5, HND-21
FS9913	HND-33, HND-37, HND-43, MAK-3, SPT-3, VLV-3
FS9921	SAF-53, SAF-73, SAF-77
FS9922	SAF-53, SAF-77
FS9923	SAF-53, SAF-77
FS9935	SAF-77
FS9936	SAF-77
FS9947	RYG-7
FS9966	RYG-7
FS9974	SAF-75
FS9978	HND-226
GAFF10002	CMP-35
GAFF10079	CMP-35
GAFF10080	CMP-37
GAFF11004	CMP-11
GAFF11005	FRT-23, FRT-39, CMP-4, CMP-30, CMP-101
GAFF11064	FRT-27, FRT-29, FRT-43, CMP-5, CMP-100
GAFF11066	CMP-4
GAFF11078	FRT-23, FRT-40, CMP-4, CMP-31, CMP-71, CMP-81
GAFF11080	KEN-7, KEN-18, CMP-16, CMP-31, CMP-71, CMP-83
GAFF11080EZ	CMP-16, CMP-71, CMP-83
GAFF11081	CMP-5, CMP-31
GAFF11083	FRT-23, FRT-39, NVI-15, NVI-26, PET-13, PET-32, CMP-4, CMP-19, CMP-21, CMP-31, CMP-101
GAFF11084	FRT-23, FRT-39, NVI-15, PET-13, PET-32, CMP-4, CMP-19, CMP-21, CMP-31

PART NO.	PAGE NO.
GAFF11152	FRT-23, FRT-40, CMP-5
GAFF11153	CMP-5, CMP-30
GAFF11159	FRT-31, FRT-46, CMP-5, CMP-31
GAFF11162	FRT-31, FRT-47, CMP-5, CMP-31
GAFF11163	FRT-31, FRT-47, CMP-6, CMP-31
GAFF11164	FRT-31, FRT-46, CMP-5, CMP-31
GAFF11165	FRT-31, FRT-46, CMP-5, CMP-31
GAFF11187	CMP-4, CMP-19
GAFF11188	CMP-4, CMP-19
GAFF11501	CMP-20
GAFF11502	KEN-7, KEN-16, CMP-15, CMP-30, CMP-98
GAFF11511	KEN-11, KEN-20, CMP-16, CMP-30, CMP-101
GAFF11515	CMP-36
GAFF11517	CMP-36
GAFF11550	KEN-9, PET-5, PET-9, PET-11, PET-13, PET-19, PET-25, PET-28, PET-31, PET-32, CMP-16, CMP-28, CMP-100
GAFF11711	CMP-31
GAFF11714	MAK-33, VLV-18, CMP-18, CMP-30
GAFF11719	KEN-7, KEN-16, CMP-15
GAFF11720	KEN-9, KEN-16, CMP-15, CMP-99
GAFF11724	CMP-36
GAFF11729	KEN-7, KEN-9, KEN-18, SAF-19, SAF-97, CMP-16, CMP-30, CMP-101
GAFF11733	KEN-9, KEN-17, CMP-15
GAFF11734	KEN-9, KEN-17, CMP-15, CMP-31

NUMERICAL LISTING

BLU - Blue Bird
CHM - Chalmers
DNA - Dana
DYT - Dayton

FRT - Freightliner
FRU - Fruehauf
GRD - Great Dane
HND - Hendrickson

HIN - Hino
HUT - Hutchens
KEN - Kenworth
MAK - Mack

MER - Meritor
NVI - Navistar
PAG - Page
PET - Peterbilt

RYG - Reyco Granning
RDW - Ridewell
SAF - SAF-Holland Neway
SPT - Spartan

TLM - Trailmobile
VLV - Volvo
WTC - Watson Chalin
WST - Western Star

CMP - Suspension Components

NUMERICAL LISTING

PART NO.	PAGE NO.
GAFF11739	CHM-4, CHM-5, CHM-6, CHM-8, CHM-9, CHM-14, CHM-15, CHM-19, CHM-20, CHM-21, CMP-3, CMP-30, CMP-99, CMP-100
GAFF11740	CHM-3, CHM-5, CHM-11, CHM-13, CHM-16, CMP-4, CMP-30
GAFF11743	KEN-9, KEN-16, CMP-15, CMP-31, CMP-99
GAFF11747	MAK-9, MAK-34, VLV-7, VLV-19, CMP-9, CMP-17, CMP-30
GAFF11751	KEN-7, KEN-18, CMP-16, CMP-31, CMP-71, CMP-83
GAFF11751EZ	CMP-16, CMP-71, CMP-83
GAFF11753	KEN-3, KEN-13, PET-3, CMP-14, CMP-31
GAFF11758	KEN-3, CMP-14, CMP-31, CMP-103
GAFF11763	KEN-3, KEN-13, PET-3, CMP-14, CMP-31, CMP-103
GAFF11764	PET-15, PET-33, CMP-21, CMP-31, CMP-96
GAFF11765	PET-15, PET-33, CMP-22, CMP-31, CMP-101
GAFF11766	KEN-9, KEN-17, CMP-15
GAFF11767	KEN-3, KEN-13, PET-3, PET-21, CMP-15, CMP-31, CMP-103
GAFF11773	KEN-9, CMP-16
GAFF11792	PET-13, PET-15, PET-32, PET-33, CMP-22, CMP-31, CMP-72, CMP-85
GAFF11793	CMP-16
GAFF11835	CMP-10
GAFF12006	MAK-13, MAK-21, MAK-27, MAK-29, CMP-17, CMP-29
GAFF12009	MAK-23, MAK-25, MAK-29, CMP-17, CMP-29
GAFF12010	MAK-13, MAK-17, MAK-21, MAK-29, MAK-40, CMP-17, CMP-29

PART NO.	PAGE NO.
GAFF12014	MAK-13, MAK-17, MAK-21, MAK-27, MAK-29, CMP-17, CMP-29
GAFF12015	MAK-13, MAK-27, MAK-37, CMP-17, CMP-29, CMP-100
GAFF12028	MAK-13, MAK-37, CMP-17, CMP-29, CMP-99
GAFF12031	MAK-15, MAK-19, MAK-41, CMP-28, CMP-29, CMP-102
GAFF12036	MAK-15, MAK-19, MAK-21, CMP-17
GAFF12039	MAK-21, CMP-16
GAFF12053	MAK-23, CMP-17, CMP-29
GAFF12069	CMP-18
GAFF12069EZ	CMP-18
GAFF12070	CMP-18
GAFF12070EZ	CMP-18
GAFF12071	CMP-18
GAFF12071EZ	CMP-18
GAFF12072	MAK-13, CMP-18
GAFF12072EZ	CMP-18
GAFF12073	CMP-18
GAFF12073EZ	CMP-18
GAFF12074	CMP-18
GAFF12074EZ	CMP-18
GAFF12333	VLV-13, VLV-15, VLV-22, CMP-26, CMP-30
GAFF12350	PET-11, PET-26, CMP-21, CMP-30, CMP-100
GAFF12354	PET-9, PET-30, CMP-21, CMP-30, CMP-100
GAFF12361	CMP-20, CMP-30
GAFF12362	PET-9, PET-30, CMP-20, CMP-30
GAFF12395	PET-7, CMP-21, CMP-30
GAFF12395EZ	CMP-21
GAFF12396	CMP-10

PART NO.	PAGE NO.
GAFF12397	PET-15, PET-33, CMP-21, CMP-31, CMP-71, CMP-85
GAFF12398	PET-9, PET-30, CMP-22, CMP-30, CMP-72, CMP-85
GAFF12398EZ	CMP-22, CMP-72, CMP-85
GAFF12679EZ	CMP-10
GAFF13001	FRU-3, FRU-7, FRU-11, FRU-13, FRU-18, GRD-3, GRD-9, HUT-13, HUT-33, HUT-39, HUT-64, CMP-6, CMP-14, CMP-29, CMP-102
GAFF13005	FRU-5, FRU-7, FRU-11, FRU-16, CMP-6, CMP-29, CMP-102
GAFF13037	FRU-15, FRU-22, WCN-21, WCN-29, CMP-6, CMP-29
GAFF13500	CMP-7, CMP-29, CMP-103
GAFF13501	CMP-7, CMP-29, CMP-99
GAFF13505	RDW-3, RDW-5, RDW-22, CMP-7, CMP-28, CMP-29, CMP-103
GAFF13510	CMP-12, CMP-30, CMP-98
GAFF13513	NVI-17, NVI-28, CMP-19, CMP-29, CMP-97
GAFF13518	KEN-7, KEN-18, CMP-11, CMP-28, CMP-29, CMP-102
GAFF13520	KEN-7, KEN-11, KEN-18, KEN-20, MAK-15, MAK-41, NVI-11, NVI-17, NVI-24, NVI-29, PET-27, CMP-10, CMP-28, CMP-29, CMP-101
GAFF13521	NVI-11, NVI-24, PET-17, PET-24, CMP-10, CMP-30, CMP-100
GAFF13522	MAK-9, MAK-27, MAK-33, MAK-41, NVI-11, NVI-17, NVI-24, NVI-29, PET-5, PET-9, PET-11, PET-17, PET-24, PET-27, PET-31, VLV-7, VLV-11, VLV-18, VLV-20, CMP-28, CMP-29, CMP-101
GAFF13524	CMP-9
GAFF13542	CMP-12, CMP-19

BLU - Blue Bird
 CHM - Chalmers
 DNA - Dana
 DYT - Dayton

FRT - Freightliner
 HUT - Fruehauf
 GRD - Great Dane
 HND - Hendrickson

HIN - Hino
 HUT - Hutchens
 KEN - Kenworth
 MAK - Mack

MER - Meritor
 NVI - Navistar
 PAG - Page
 PET - Peterbilt

RYG - Reyco Granning
 RDW - Ridewell
 SAF - SAF-Holland Neway
 SPT - Spartan

TLM - Trailmobile
 VLV - Volvo
 WTC - Watson Chalin
 WST - Western Star

CMP - Suspension Components

NUMERICAL LISTING

NUMERICAL LISTING

Suspension

PART NO.	PAGE NO.
GAFF13543	CMP-7, CMP-29, CMP-103
GAFF13553	CMP-7, CMP-28, CMP-30, CMP-99
GAFF13565	CMP-12
GAFF13566	CMP-7, CMP-30
GAFF13581	CMP-34
GAFF13582	NVI-11, NVI-24, CMP-11, CMP-30, CMP-102
GAFF13594	CMP-12, CMP-31
GAFF13596	CMP-7, CMP-30
GAFF13599	CMP-19
GAFF13600	CMP-12
GAFF13601	CMP-8, CMP-31
GAFF13607	CMP-6, CMP-30, CMP-102
GAFF13611	CMP-9, CMP-31
GAFF13622	CMP-34
GAFF13623	CMP-34
GAFF13626	CMP-8, CMP-31
GAFF13627	CMP-9, CMP-31, CMP-101
GAFF13628	CMP-11
GAFF13634	CMP-18
GAFF13634EZ	CMP-18
GAFF13648	CMP-12, CMP-30
GAFF13649	CMP-9, CMP-29
GAFF13650	CMP-9, CMP-29
GAFF13652	CMP-11
GAFF13657	CMP-10
GAFF13672	CMP-11, CMP-31, CMP-100
GAFF13679	CMP-10
GAFF13683	NVI-11, CMP-20, CMP-31
GAFF13690	NVI-11, CMP-20, CMP-31
GAFF13691	CMP-20
GAFF13695	NVI-11, CMP-20, CMP-31
GAFF13721	CMP-8

PART NO.	PAGE NO.
GAFF13722	CMP-8
GAFF13733	CMP-10
GAFF13733EZ	CMP-10
GAFF13735	CMP-10, CMP-30
GAFF13743	CMP-12, CMP-31
GAFF13744	CMP-11, CMP-31
GAFF13800	CMP-34
GAFF13807	CMP-8
GAFF13812	CMP-8, CMP-31
GAFF13814	CMP-8, CMP-31
GAFF13817	CMP-9, CMP-31
GAFF13831	CMP-8
GAFF13833	CMP-6
GAFF13834	CMP-4
GAFF13841EZ	CMP-18
GAFF13843	MAK-9, MAK-34, VLV-7, VLV-19
GAFF14000	GRD-3, GRD-6, HUT-11, HUT-19, HUT-25, HUT-29, HUT-35, HUT-41, HUT-59, CMP-13, CMP-29, CMP-96
GAFF14010	CMP-11, CMP-30, CMP-96
GAFF14027	HUT-9, HUT-73, CMP-14, CMP-30, CMP-100
GAFF14038	HUT-11, HUT-19, HUT-25, HUT-29, HUT-35, HUT-41, HUT-59, CMP-13, CMP-30, CMP-97
GAFF14073	HUT-21, HUT-27, HUT-33, HUT-39, HUT-43, HUT-64, TLM-3, TLM-7, WCN-7, WCN-17, WCN-26, CMP-13, CMP-27, CMP-29, CMP-96
GAFF14087	HUT-5, HUT-9, HUT-76, CMP-14, CMP-30
GAFF14088	HUT-45, HUT-79, SAF-90, SAF-92, SAF-119, CMP-14, CMP-26, CMP-29, CMP-100

PART NO.	PAGE NO.
GAFF14510	PAG-3, PAG-10, SAF-45, SAF-93, WCN-3, WCN-17, WCN-19, WCN-25, CMP-25, CMP-30, CMP-97
GAFF14513	PAG-3, PAG-10, SAF-37, SAF-41, SAF-47, SAF-53, SAF-57, SAF-69, SAF-73, SAF-77, SAF-94, WCN-3, WCN-7, WCN-9, WCN-19, WCN-22, WCN-25, CMP-25, CMP-30, CMP-97
GAFF14514	SAF-13, SAF-94, CMP-25, CMP-30, CMP-97
GAFF14521	PAG-9, PAG-12, SAF-83, SAF-119, WCN-21, WCN-29, CMP-20, CMP-26, CMP-29, CMP-100
GAFF14522	PAG-9, PAG-12, SAF-83, SAF-93, SAF-122, WCN-21, CMP-26, CMP-29
GAFF14527	SAF-13, SAF-25, SAF-35, SAF-95, CMP-25, CMP-29, CMP-99
GAFF14533	SAF-53, SAF-69, SAF-73, SAF-96, WCN-3, WCN-7, WCN-9, WCN-17, WCN-19, WCN-22, WCN-25, CMP-25, CMP-26, CMP-30, CMP-97
GAFF14536	SAF-19, SAF-96, CMP-25, CMP-31
GAFF14537	SAF-19, SAF-97, CMP-25, CMP-31
GAFF14540	SAF-83, SAF-122, CMP-26, CMP-29
GAFF15000	RYG-11, CMP-23, CMP-29, CMP-98
GAFF15001	RYG-11, RYG-15, RYG-19, RYG-23, RYG-72, CMP-23, CMP-29, CMP-98
GAFF15011	CMP-102

NUMERICAL LISTING

BLU - Blue Bird
CHM - Chalmers
DNA - Dana
DYT - Dayton

FRT - Freightliner
FRU - Fruehauf
GRD - Great Dane
HND - Hendrickson

HIN - Hino
HUT - Hutchens
KEN - Kenworth
MAK - Mack

MER - Meritor
NVI - Navistar
PAG - Page
PET - Peterbilt

RYG - Reyco Granning
RDW - Ridewell
SAF - SAF-Holland Neway
SPT - Spartan

TLM - Trailmobile
VLV - Volvo
WTC - Watson Chalin
WST - Western Star

CMP - Suspension Components

NUMERICAL LISTING

NUMERICAL LISTING

PART NO.	PAGE NO.
GAFF15013	DNA-5, DNA-7, DNA-9, DYT-3, DYT-5, DYT-7, DYT-9, RYG-3, RYG-7, RYG-9, RYG-11, RYG-17, RYG-21, RYG-23, RYG-27, RYG-31, RYG-35, RYG-37, RYG-51, RYG-53, RYG-59, RYG-63, RYG-80, SAF-89, SAF-117, WCN-7, WCN-26, CMP-4, CMP-24, CMP-29, CMP-96
GAFF15016	CMP-22, CMP-29, CMP-102
GAFF15020	RYG-3, RYG-19, RYG-23, RYG-27, RYG-80, CMP-24, CMP-30, CMP-102
GAFF15051	DNA-3, DNA-9, RYG-19, RYG-27, RYG-80, CMP-24, CMP-29, CMP-102
GAFF15054	RYG-65, RYG-73, SAF-89, SAF-115, CMP-23, CMP-30, CMP-97
GAFF15061	RYG-3, RYG-7, RYG-19, RYG-23, RYG-27, RYG-79, CMP-24, CMP-30
GAFF15063	DNA-5, DNA-7, DNA-9, DYT-3, DYT-5, DYT-7, DYT-9, RYG-9, RYG-51, RYG-53, RYG-59, RYG-63, RYG-79, CMP-24, CMP-29
GAFF15064	CMP-23, CMP-29
GAFF15073	RYG-31, RYG-41, RYG-47, RYG-80, CMP-24, CMP-29
GAFF15075	RYG-43, RYG-71, CMP-22, CMP-29
GAFF15076	RYG-41, RYG-72, CMP-23, CMP-29
GAFF18010	CMP-28, CMP-31, CMP-102
GAFF18094	CMP-36
GAFF18215	CMP-36
GAFF18221	CMP-36
GAFF18558	CMP-22

PART NO.	PAGE NO.
GAFF18566	FRT-17, FRT-19, FRT-21, NVI-13, PET-5, PET-9, PET-11, PET-28, PET-31, SAF-81, SAF-111, CMP-28, CMP-31, CMP-102
GAFF18574	CMP-22, CMP-98
GAFF18575	CMP-22, CMP-98
GAFF18708	CMP-35
GAFF18709	CMP-35
GAFF18821	CMP-9, CMP-31, CMP-98
GAFF18860	MAK-9, MAK-33, VLV-7, VLV-18, CMP-18, CMP-30, CMP-71, CMP-84
GAFF18860EZ	CMP-18, CMP-84
GAFF18919	CHM-3, CHM-4, CHM-5, CHM-6, CHM-8, CHM-9, CHM-11, CHM-13, CHM-14, CHM-15, CHM-19, CHM-20, CMP-3, CMP-30, CMP-99, CMP-100
GAFF18920	CHM-3, CHM-4, CHM-5, CHM-6, CHM-8, CHM-9, CHM-11, CHM-13, CHM-14, CHM-15, CHM-19, CHM-20, CMP-3, CMP-30, CMP-99
GAFF18921	CHM-4, CHM-5, CHM-6, CHM-8, CHM-9, CHM-14, CHM-19, CHM-20, CHM-21, CMP-3, CMP-30, CMP-99, CMP-100
GAFF22660	KEN-7
GAFF30544	NVI-11, NVI-17, NVI-24, NVI-29, CMP-19
GAFF31129	MAK-9, MAK-33, VLV-7, VLV-18, CMP-18, CMP-31, CMP-96
GAFF31144	MAK-9, MAK-33, VLV-7, VLV-18, CMP-17
GAFF31145	MAK-9, MAK-33, VLV-7, VLV-18, CMP-18
GAFF31592	SAF-13, SAF-95, CMP-24, CMP-29, CMP-99

PART NO.	PAGE NO.
GAFF31596	CMP-26
GAFF34514	MER-11, MER-22, WCN-5, WCN-23, CMP-19
GAFF34554	PET-5, PET-11, PET-27, CMP-21, CMP-30, CMP-71, CMP-85
GAFF34554EZ	CMP-21, CMP-30, CMP-85
GAFF34563	NVI-13, NVI-25, CMP-20, CMP-31
GAFF34600EZ	CMP-20
GAFF40035	CMP-36
GAFF40056	CMP-37
GAFF40140	CMP-36
GAFF40141	CMP-35
GAFF50032	CMP-18, CMP-31
GAFF50033	MER-11, MER-22, CMP-19
GAFF50034	CMP-34
GAFF50046	SAF-75, SAF-94, CMP-25, CMP-31, CMP-97
GAFF50068	CMP-37
GAFF50073	WCN-23
GAFF83520	CMP-10, CMP-29
GAFF83596	RDW-3, RDW-5, RDW-22, CMP-7, CMP-31
GAFF992781A	GRD-3, GRD-6, HUT-11, HUT-17, HUT-23, HUT-55, CMP-13, CMP-29, CMP-58, CMP-61
GAFF993079	HUT-21, HUT-25, HUT-33, HUT-39, HUT-43, HUT-64, TLM-3, TLM-7, CMP-13, CMP-29
GAFF997532	HUT-11, HUT-17, HUT-23, HUT-55, CMP-13, CMP-30, CMP-58, CMP-61
GAFF999471	HUT-11, HUT-17, HUT-23, HUT-55, CMP-13, CMP-30, CMP-58, CMP-62
GAFF999472	HUT-11, HUT-17, HUT-23, HUT-29, HUT-35, HUT-41, HUT-59, CMP-13, CMP-30

BLU - Blue Bird
CHM - Chalmers
DNA - Dana
DYT - Dayton

FRT - Freightliner
FRU - Fruehauf
GRD - Great Dane
HND - Hendrickson

HIN - Hino
HUT - Hutchens
KEN - Kenworth
MAK - Mack

MER - Meritor
NVI - Navistar
PAG - Page
PET - Peterbilt

RYG - Reyco Granning
RDW - Ridewell
SAF - SAF-Holland Neway
SPT - Spartan

TLM - Trailmobile
VLV - Volvo
WTC - Watson Chalin
WST - Western Star

CMP - Suspension Components

NUMERICAL LISTING

Suspension

PART NO.	PAGE NO.
GAFF999478	GRD-3, GRD-9, HUT-13, HUT-33, HUT-39, HUT-64, CMP-14, CMP-30
GAFF999545	RYG-15, RYG-31, RYG-41, RYG-47, RYG-79, CMP-23, CMP-29
M83101	NVI-17
M83109	HND-103
M83111	HND-65, MAK-11
M83112	HND-103, HND-109
M83113	SAF-79
M83115	SAF-79
M83121	HND-65
M83122	HND-61
M83123	HND-61, HND-65, SAF-27, SAF-47
M83124	SAF-53, SAF-69, SAF-79
M83125	SAF-41, SAF-47, SAF-57, SAF-65
M83126	SAF-41, SAF-47, SAF-61, SAF-65
M83127	SAF-37, SAF-53, SAF-69, SAF-73, SAF-79
M83128	HND-137, HND-228, HND-232, HND-234, SAF-37, SAF-41, SAF-45, SAF-53, SAF-75, SAF-79
M83130	SAF-53, SAF-75, SAF-79
M83142	HND-97, HND-101
M83143	HND-97, HND-101
M83148	HND-65
M83149	HND-61, HND-65
M83150	SAF-79
M83203	PAG-3, PAG-7, WCN-9, WCN-11
M83204	PAG-7, WCN-3, WCN-9, WCN-11
M83209	SAF-27, SAF-35
M83221	MAK-7

PART NO.	PAGE NO.
M83312	KEN-5
M83635	SAF-31
M85000	HND-155, HND-228, HND-229, HND-232, HND-233, HND-234, PAG-3, PAG-7
M85001	KEN-5
M85003	NVI-13
M85005	WCN-7
M85006	BLU-9, HND-51, RYG-37
M85007	FRT-21
M85012	PET-3
M85013	RYG-5, RYG-31, RYG-35
M85014	HND-232, HND-233, HND-234
M85024	MAK-9, VLV-7
M85029	HND-137, HND-139, HND-228, HND-232, HND-233
M85030	HND-65, HND-232, RYG-9
M85033	PET-9
M85036	HND-87, MAK-7, PET-3, SPT-11
M85045	HND-143, HND-228, HND-233, SAF-47, SAF-51, SAF-75
M85046	MAK-9, VLV-7
M85047	MAK-9, VLV-7
M85051	SAF-53, SAF-69, SAF-79
M85052	HND-232, HND-233, RYG-29
M85059	SAF-79
M85060	CHM-3, CHM-7, CHM-9, SAF-79
M85062	PET-3
M85064	WCN-13
M85067	PET-15
M85069	PET-13
M85070	KEN-5

PART NO.	PAGE NO.
M85072	HND-65, HND-71, HND-77
M85079	HND-233
M85102	HND-111, NVI-19
M85109	SAF-19
M85300	FRU-5, NVI-13
M85301	CHM-7
M85302	FRT-17, FRT-19
M85305	CHM-7
M85308	PET-5, PET-11
M85310	KEN-7
M85311	PET-5, PET-11
M85319	FRT-21, FRT-23
M85320	FRT-17, FRT-19
M85321	FRU-3
M85322	FRU-5
M85323	HND-232, HND-233, HND-234, WCN-15
M85326	PET-19
M85337	HND-228
M85338	HND-228
M85702	RDW-5
M85712	SAF-27
M85713	RYG-7
M85724	FRT-23
M85734	NVI-13
M85736	RDW-5
M85738	HND-143, HND-228, HND-229, HND-232, HND-233, HND-234, RYG-33
M85740	KEN-5
M85862	HND-71
M85900	KEN-9
M85902	KEN-9
M85906	SAF-13

NUMERICAL LISTING

BLU - Blue Bird
CHM - Chalmers
DNA - Dana
DYT - Dayton

FRT - Freightliner
FRU - Fruehauf
GRD - Great Dane
HND - Hendrickson

HIN - Hino
HUT - Hutchens
KEN - Kenworth
MAK - Mack

MER - Meritor
NVI - Navistar
PAG - Page
PET - Peterbilt

RYG - Reyco Granning
RDW - Ridewell
SAF - SAF-Holland Neway
SPT - Spartan

TLM - Trailmobile
VLV - Volvo
WTC - Watson Chalin
WST - Western Star

CMP - Suspension Components

NUMERICAL LISTING

NUMERICAL LISTING

PART NO.	PAGE NO.
M85909	HND-65, SAF-13
M85910	SAF-17
M85911	HND-228, HND-232, SAF-79
M85916	HND-228
M85918	FRT-19
M85919	BLU-11, HND-67, MER-11
M85931	NVI-15
M85932	FRT-5, FRT-9, HND-13, HND-17, HND-47, WTS-3, WTS-7
M85933	HND-33, HND-43, MAK-3, VLV-3
M85934	RDW-3, RDW-9, RDW-11, RDW-13
M85936	KEN-9
M85937	KEN-9
M85938	HND-137, HND-143, HND-228, HND-232, HND-233, HND-234, RYG-33, RDW-11, RDW-13
M85939	HND-228, HND-233, HND-234
M85955	HND-25, HND-31, NVI-3, NVI-9

PART NO.	PAGE NO.
M85956	FRT-31
M85959	BLU-3, BLU-7, HND-5, HND-9, HND-41, SPT-7
M85961	HND-71
M85962	HND-77
M85965	HND-71, HND-77
M85967	HND-71, HND-77
M89405	HND-61, PET-3, SAF-27, SAF-47
M89406	HND-61
M89407	SAF-69, SAF-79
M89408	PET-3
M89409	KEN-5
M89410	KEN-5
M89411	NVI-13
M89412	FRT-21
M89413	PET-3
M89414	RYG-31, RYG-35, SAF-27, SAF-35
M89419	FRU-5
M89420	FRT-19
M89422	PET-5, PET-11

PART NO.	PAGE NO.
M89423	KEN-7
M89424	PET-5, PET-11
M89427	PET-9
M89428	FRT-23
M89429	FRT-19
M89430	HND-228, SAF-41, SAF-47, SAF-51, SAF-61, SAF-65, WCN-7
M89436	HND-137, HND-143, HND-155, HND-232, HND-233, HND-234, SAF-79, WCN-9, WCN-11, WCN-15
M89440	HND-232, RYG-7
M89449	FRT-19
M89453	FRT-9, HND-17, HND-47, WTS-7
M89454	HND-33, HND-43, MAK-3, VLV-3
M89456	KEN-9
M89458	NVI-15
M89459	KEN-5
M646155	WCN-5, WCN-7, WCN-17

BLU - Blue Bird
 CHM - Chalmers
 DNA - Dana
 DYT - Dayton

FRT - Freightliner
 FRU - Fruehauf
 GRD - Great Dane
 HND - Hendrickson

HIN - Hino
 HUT - Hutchens
 KEN - Kenworth
 MAK - Mack

MER - Meritor
 NVI - Navistar
 PAG - Page
 PET - Peterbilt

RYG - Reyco Granning
 RDW - Ridewell
 SAF - SAF-Holland Neway
 SPT - Spartan

TLM - Trailmobile
 VLV - Volvo
 WTC - Watson Chalin
 WST - Western Star

CMP - Suspension Components

Vehicle models, trademarks, brands,
and names depicted herein are the
property of their respective owners,
and may not be associated with
Meritor, Inc. or its affiliates.



Meritor Heavy Vehicle Systems, LLC
7975 Dixie Highway
Florence, KY 41042
U.S. 888-725-9355
Canada 800-387-3889
MeritorPartsXpress.com

©2023 Meritor, Inc.
Litho in USA
Issued 07-23
700F (87410)