

# SUSPENSION CATALOG

## CHALMERS



TRUST MATTERS.



Contents

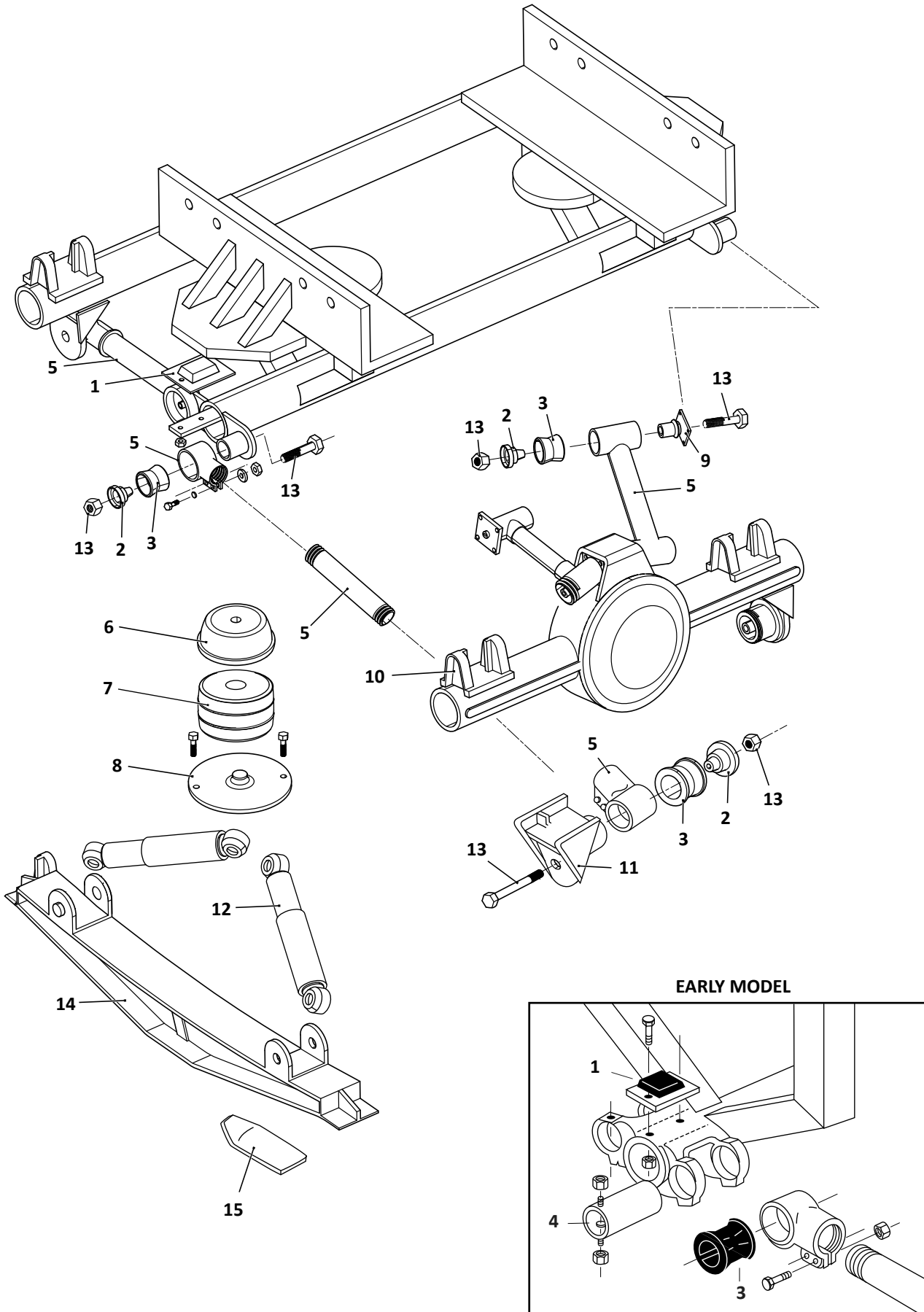
**TRUCK SUSPENSIONS**

600 Series, Tandem Axle - - - - - 2  
800 Series, Tandem Axle - - - - - 4  
1023 and 1030, Single Axle - - - - - 8

**TRAILER SUSPENSIONS**


300 Series, Tandem Axle - - - - - 10  
500 Series, Single Axle - - - - - 12  
700 Series, Tandem Axle - - - - - 14

# CHALMERS 600 Series Tandem Axle, Truck



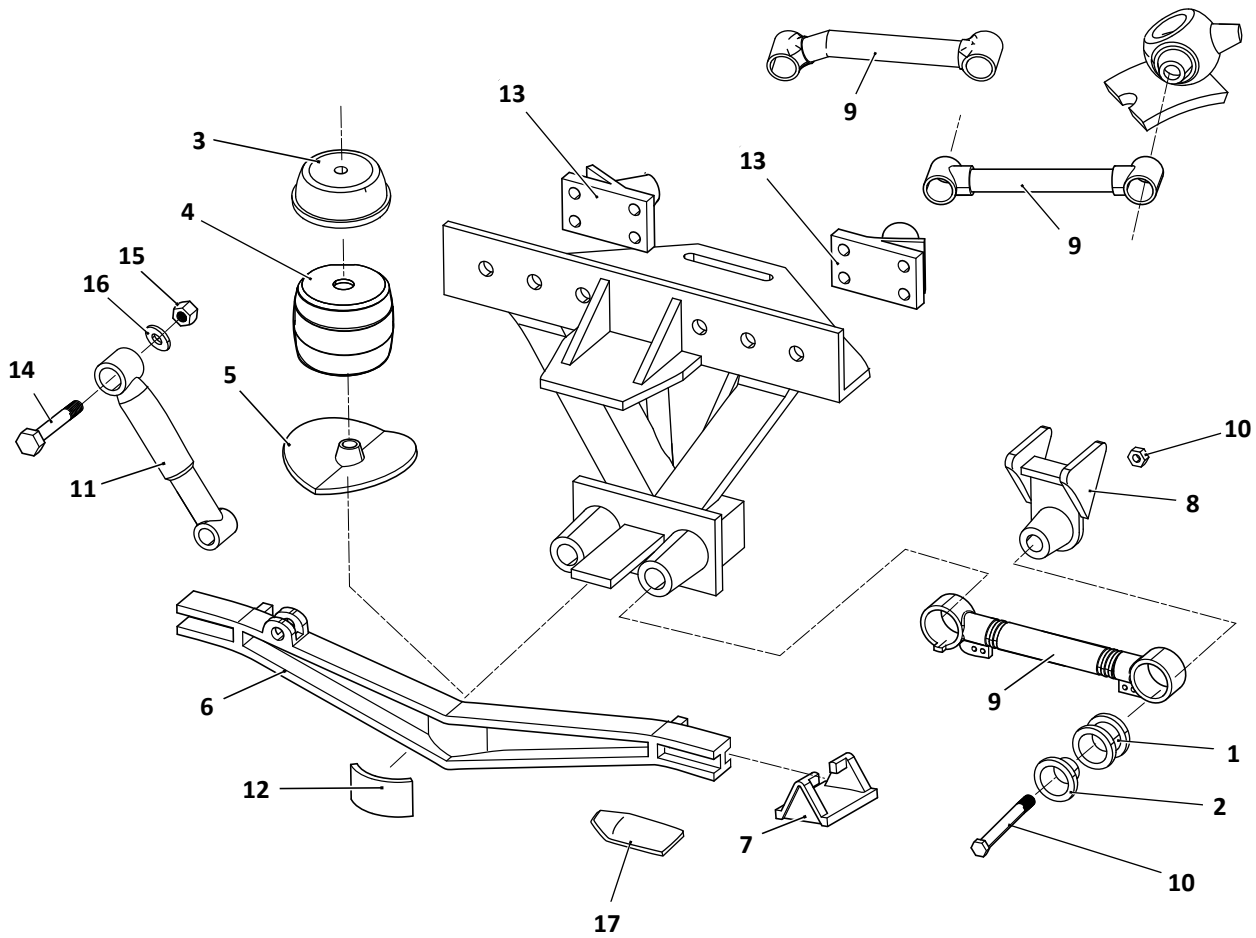
## 600 Series Tandem Axle, Truck

KEY NO.	EUCLID NO.	GENUINE	MACH NO.	OEM REF.	DESCRIPTION	QTY. PER SUSPENSION	PAGE NO.
1	E-4675		-	48045	Rebound Stop	2	22
2	E-4680		-	260002	Spigot Cap, Type 0 Joint, Discontinued	16	18
3	E-4677A		G-4677A	22128	Torque Arm Bushing, Rubber	16	19
	E-7427	-	-	-	Torque Arm Bushing, Poly	32	19
	E-4678A		G-4678A	22129	Torque Arm Bushing, Rubber, Oversized Version	As Required	19
	E-8702	-	-	22129	Torque Arm Bushing, Rubber, Oversized Version, OE Equivalent	As Required	19
4	E-4676		-	22037	Wrist Pin, Discontinued	8	19
5	E-4789		-	216214	Adjustable Torque Arm, 21 1/2" Center-to-Center, Type 0 & 1 Joints	2	20
	E-4790		-	216240	Adjustable Torque Arm, 24" Center-to-Center, Type 0 & 1 Joints	2	20
	E-4791		-	223214	Rigid Torque Arm, 21 1/2" Center-to-Center, Type 0 & 1 Joints	2	20
6	E-4688A		-	373028 373020	Restrictor Can #28, Replaces Restrictor Can #20, 4 7/16" High X 12 5/8" Diameter	2	16
	E-7758		-	373029	Restrictor Can #29, 5 1/8" High X 11 1/2" Diameter	2	17
7	E-4685		G-4685	15002	Load Spring #20 , 9 1/2" Diameter	2	16
8	E-4786		-	22116	Spring Plate	2	17
9	E-4679		-	260001	Spigot, Discontinued	4	17
10	E-14972		-	248001	Saddle, Rockwell/Meritor Axles	4	-
	E-14973		-	248027	Saddle, High Version	4	-
11	S.O.S.		-	Various	Axle Bracket	4	-
12	M85060	-	-	665174	Shock Absorber	4	-
13	E-7772		-	K880230	Hardware Kit, Type 0 Joint	2	18
14	S.O.S.		-	Various	Beam	2	-
15	E-7765		-	700313	Wear Plate	As Required	21

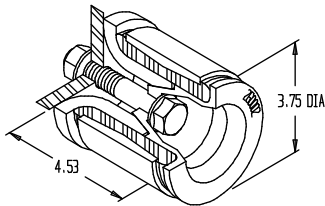
 Denotes Product is Genuine Chalmers

# CHALMERS

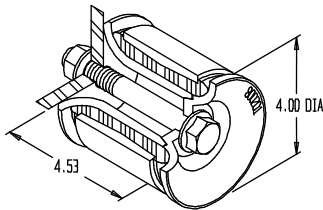
## 800 Series Tandem Axle, Truck



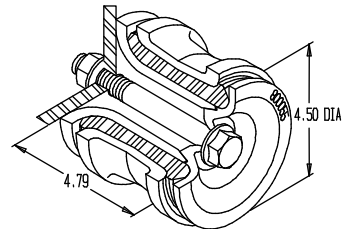
### Joint Types



Type 0



Type 1



Type 2

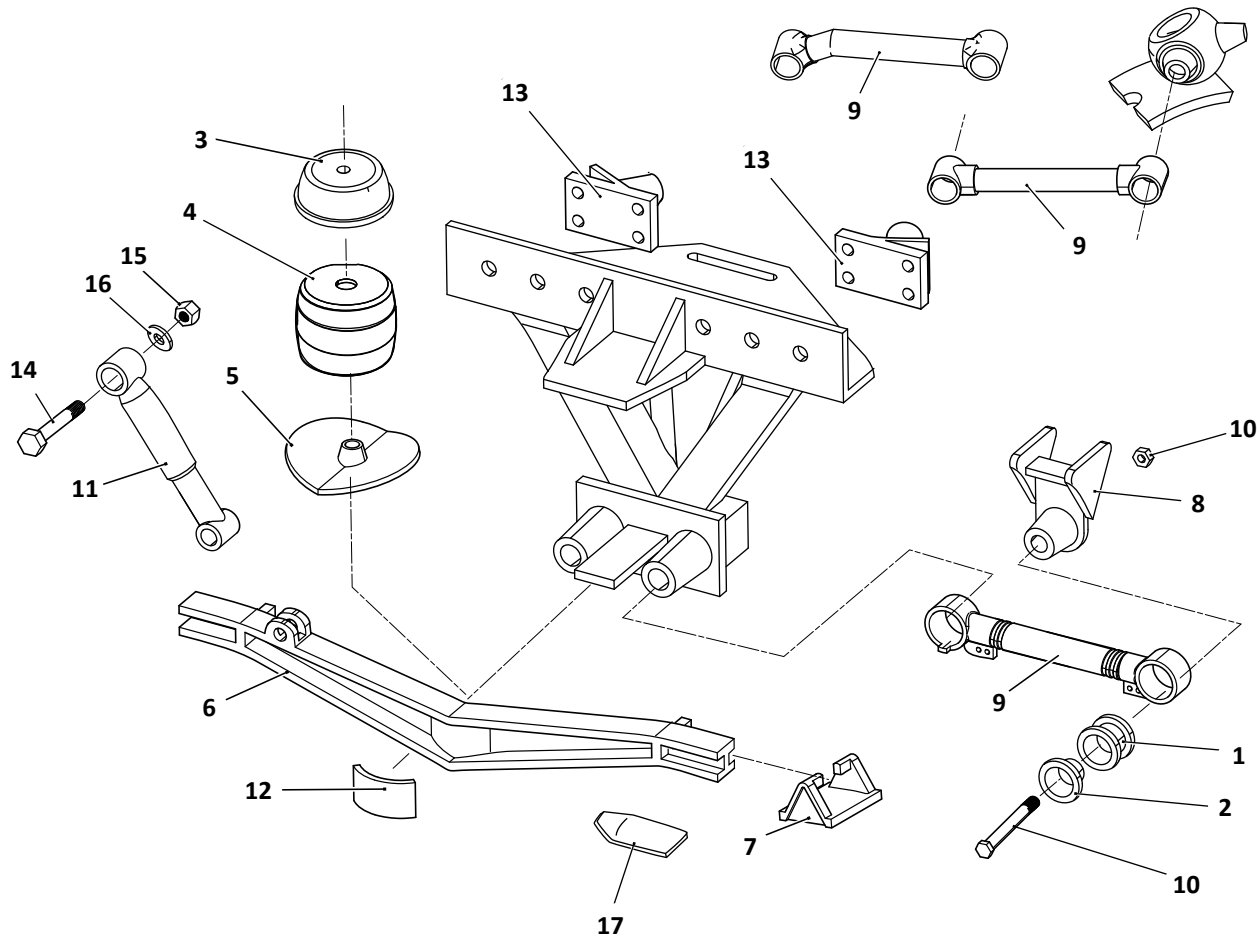
Chalmers Torque Arm Connections			
	Type 0	Type 1	Type 2
Bushing- Standard Rubber	E-4677A/ G-4677A	E-4677A/ G-4677A	E-7766/ G-7766
Bushing- Standard Poly	E-7427	E-7427	E-7426
Bushing- Oversize Rubber	E-4678A/E-8702/ G-4678A	E-4678A/E-8702/ G-4678A	E-7767/ G-7767
Bushing- Oversize Poly	-	-	E-8917
Spigot Cap	No Longer Available	E-9571 / G-9571	E-7768 / G-7768
Hardware Kit	E-7772	E-7773	E-7774

800 Series Tandem Axle, Truck							
KEY NO.	EUCLID NO.	GENUINE	MACH NO.	OEM REF.	DESCRIPTION	QTY PER SUSPENSION	PAGE NO.
1	E-4677A		G-4677A	22128	Torque Arm Bushing, Rubber, Type 0 & 1 Joints	16	19
	E-7427	-	-	-	Torque Arm Bushing, Poly, Type 0 & 1 Joints	32	19
	E-7766		G-7766	800010	Torque Arm Bushing, Rubber, Type 2 Joints	16	19
	E-7426	-	-	-	Torque Arm Bushing, Poly, Type 2 Joints	32	19
	E-4678A		G-4678A	22129	Torque Arm Bushing, Rubber, Oversized, Type 0 & 1 Joints	As Required	19
	E-8702	-	-	22129	Torque Arm Bushing, Rubber, Oversized Version, OE Equivalent	As Required	19
	E-7767		G-7767	800009	Torque Arm Bushing, Rubber, Oversized, Type 2 Joints	As Required	19
	E-8917	-	-	-	Torque Arm Bushing, Poly, Oversized, Type 2 Joints	As Required	19
2	E-4680		-	260002	Spigot Cap, Type 0 Joint, Discontinued	16	18
	E-9571		G-9571	800201	Spigot Cap, Type 1 Joint	16	18
	E-7768		G-7768	800055	Spigot Cap, Type 2 Joint	16	18
3	E-4688A		-	373028 373020	Restrictor Can #28, Replaces Restrictor Can #20, 4 7/16" High X 12 5/8" Diameter	2	16
	E-7758		-	373029	Restrictor Can #29, 5 1/8" High X 11 1/2" Diameter, High Center of Gravity	2	17
4	E-4685		G-4685	15002	Load Spring #20, 9 1/2" Diameter	2	16
5	E-7769		-	800117, 800689	Spring Plate, 46-58K High Mount For 54" Axle Spread	2	17
	E-7770		-	800125, 800691	Spring Plate, 46-58K Low Mount For 54" Axle Spread	2	17
	E-14982		-	800685,800119	Spring Plate, 40-58K High Mount For 60" Axle Spread, 46-58K Low Mount For 72" Axle Spread	2	17
	S.O.S.		-	Various	Spring Plate, Various Axle Spreads and Capacities	2	-
6	E-14767		-	800061	Walking Beam, 46K High Mount, 54" Spread	2	21
	E-14768		-	800688	Walking Beam, 50-58K High Mount, 54" Spread	2	21
	E-14769		-	800087	Walking Beam, 46K Low Mount, 54" Spread	2	21
	E-14770		-	800690	Walking Beam, 50-58K Low Mount, 54" Spread	2	21
	E-14983		-	800079	Walking Beam, 40K Low Mount, 54" Spread	2	21
	E-14984		-	800684	Walking Beam, 50-58K High Mount, 60" Spread	2	21
	S.O.S.		-	Various	Walking Beam, Various Axle Spreads and Capacities	2	-
7	E-7756		-	222083	Saddle, Most Axles	4	22
	S.O.S.		-	Various	Saddle	4	-
8	S.O.S.		-	Various	Axle Bracket	4	-
9	E-14985		-	223157	Rigid Torque Arm, Upper, 15 -7/8" Center-to-Center, Type 0 & 1 Joints	4	20
	E-14986		-	800049	Rigid Torque Arm, Upper, Curved Design 46-50K, Type 2 Joints	4	21
	E-14773		-	807250	Adjustable Torque Arm, 46K 21 3/4" Center-to-Center, Type 2 Joints	1	20
	E-14774		-	807216	Adjustable Torque Arm, 46K 25" Center-to-Center, Type 2 Joints	1	20
	E-14987		-	807214	Adjustable Torque Arm, 21-1/2" Center-to-Center, Type 2 Joints	1	20
	E-14976		-	807240	Adjustable Torque Arm, 24" Center-to-Center, Type 2 Joints	1	20
	E-14989		-	807220	Adjustable Torque Arm, 22" Center-to-Center, Type 2 Joints	1	20
	E-14978		-	805214	Rigid Torque Arm, 21-1/2" Center-to-Center, Type 2 Joints	1	20
	E-14990		-	805216	Rigid Torque Arm, 21-3/4" Center-to-Center, Type 2 Joints	1	20
	E-14991		-	805220	Rigid Torque Arm, 22" Center-to-Center, Type 2 Joints	1	20
S.O.S.		-	Various	Torque Arm, Various Lengths and Capacities	As Required	-	

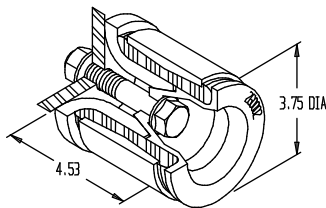
Denotes Product is Genuine Chalmers

# CHALMERS

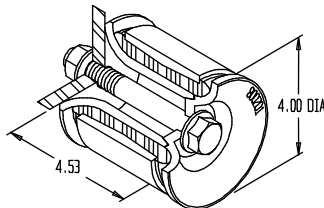
## 800 Series Tandem Axle, Truck



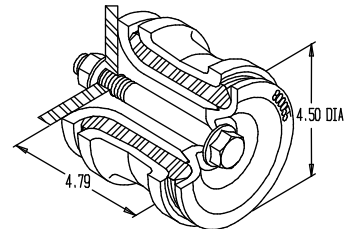
### Joint Types



Type 0



Type 1











Type 2

Chalmers Torque Arm Connections			
	Type 0	Type 1	Type 2
Bushing- Standard Rubber	E-4677A/ G-4677A	E-4677A/ G-4677A	E-7766/ G-7766
Bushing- Standard Poly	E-7427	E-7427	E-7426
Bushing- Oversize Rubber	E-4678A/E-8702/ G-4678A	E-4678A/E-8702/ G-4678A	E-7767/ G-7767
Bushing- Oversize Poly	-	-	E-8917
Spigot Cap	No Longer Available	E-9571 / G-9571	E-7768 / G-7768
Hardware Kit	E-7772	E-7773	E-7774



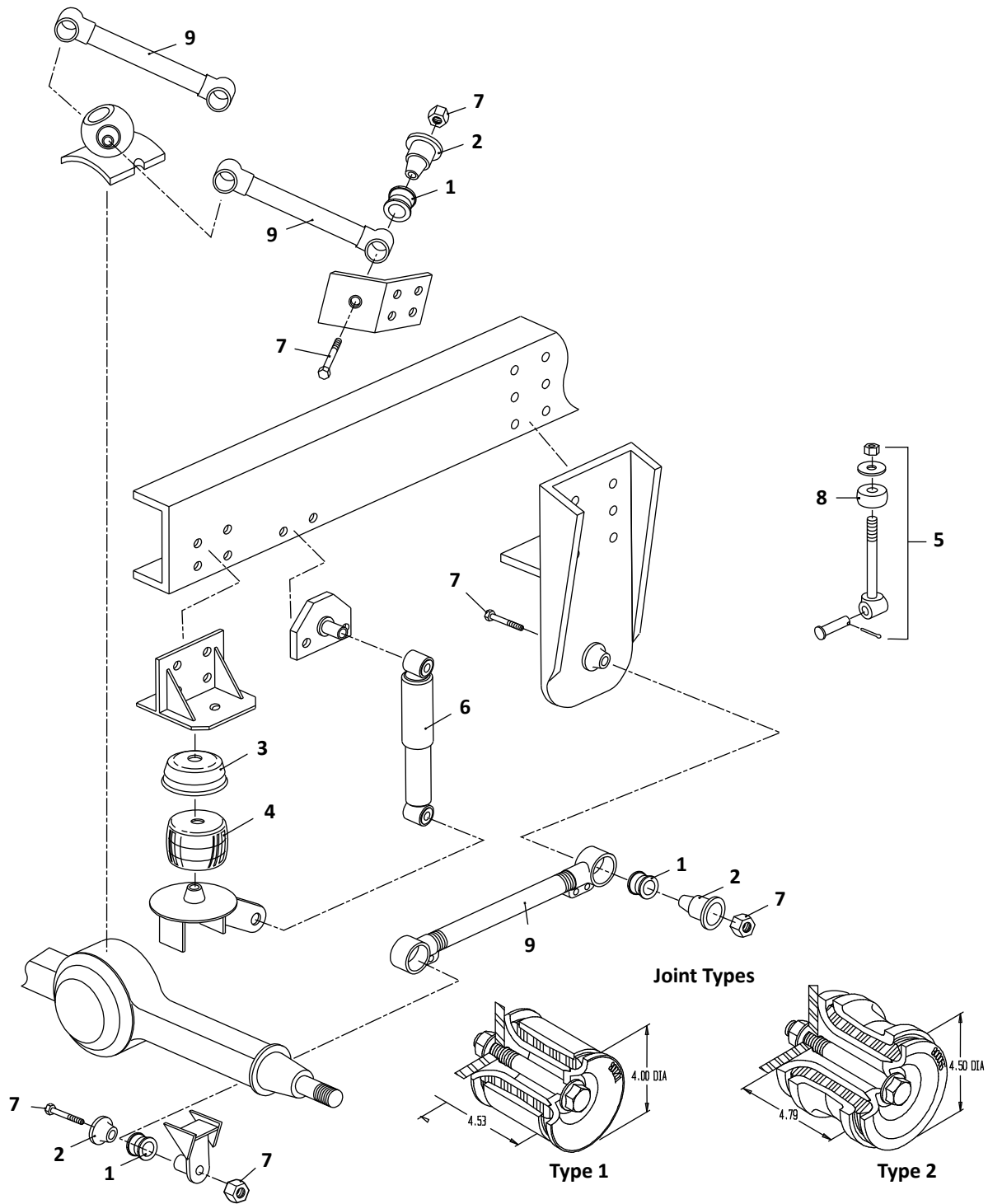
## 800 Series Tandem Axle, Truck

KEY NO.	EUCLID NO.	GENUINE	MACH NO.	OEM REF.	DESCRIPTION	QTY PER SUSPENSION	PAGE NO.
10	E-7772		-	K880230	Hardware Kit, Type 0 Joint	4	18
	E-7773		-	K880231	Hardware Kit, Type 1 Joint	4	18
	E-7774		-	K880460	Hardware Kit, Type 2 Joint	4	18
11	M85301	-	-	800670	Shock Absorber, High Mount	4	-
	M85305	-	-	800781	Shock Absorber, Low Mount	4	-
	M85060	-	-	665174	Shock Absorber, Standard Mount	4	-
12	E-14992		-	800599	Reinforcement Gusset	As Required	21
13	E-14993		-	800057	Torque Rod Bracket	4	21
	S.O.S.		-	Various	Torque Rod Bracket	4	-
14	E-14994	-	-	HDW372	Bolt, Shock Absorber 3/4"-10 X 5-1/2" Long	4	-
	E-4345	-	-	HDW375	Bolt, Shock Absorber 3/4"-10 X 3-1/2" Long	4	-
15	E-4347	-	-	HDW 018	Lock Nut, 3/4"-10 Thread	4	-
16	E-2545	-	-	HDW 031	Washer, 3/4" Hardened	4	-
17	E-7765		-	700313	Wear Plate	As Required	13







 Denotes Product is Genuine Chalmers


# CHALMERS

## 1023 and 1030 Single Axle, Truck



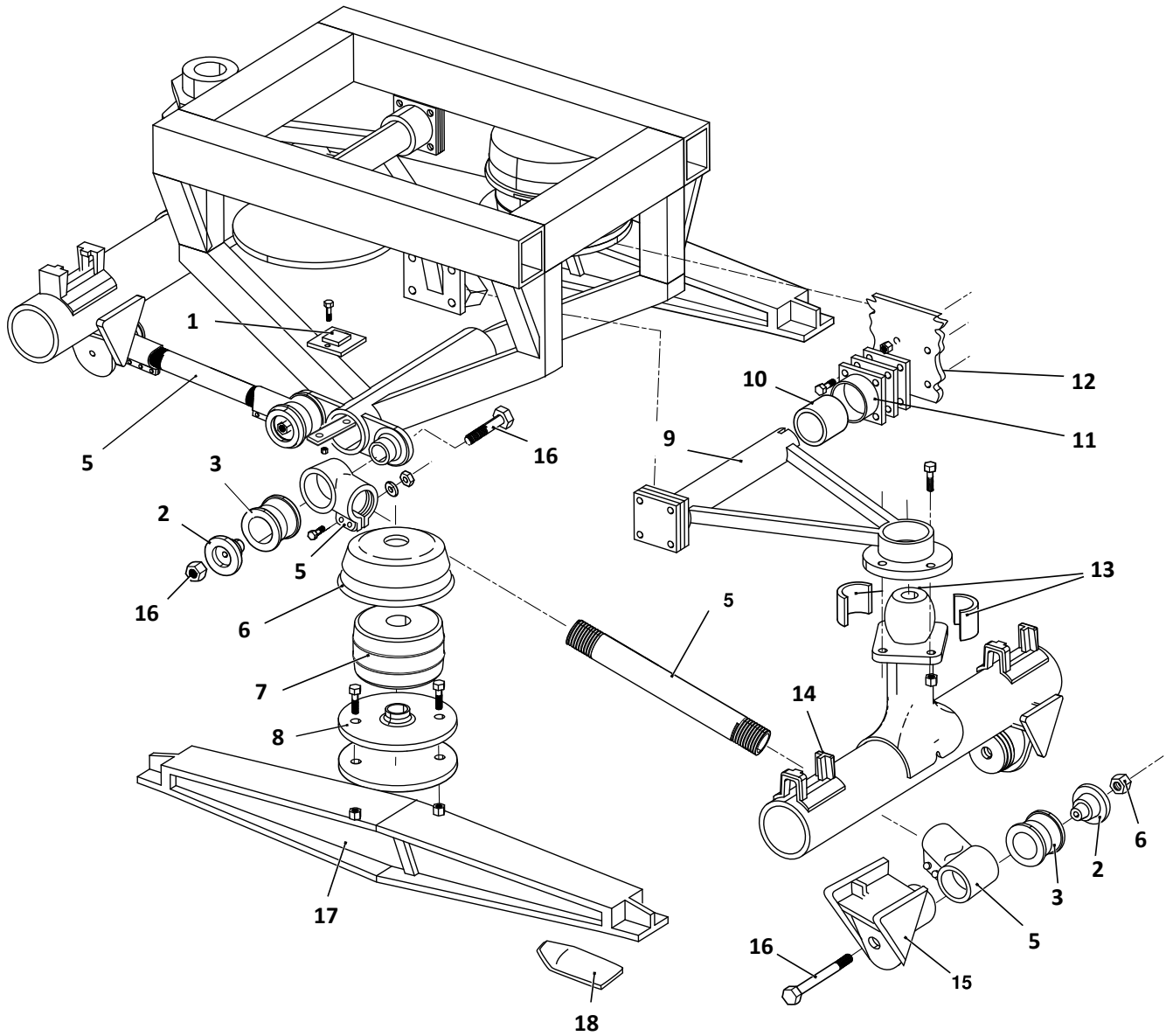
Chalmers Torque Arm Connections		
	Type 1	Type 2
Bushing- Standard Rubber	E-4677A/ G-4677A	E-7766/ G-7766
Bushing- Standard Poly	E-7427	E-7426
Bushing- Oversize Rubber	E-4678A/E-8702/ G-4678A	E-7767/ G-7767
Bushing- Oversize Poly	-	E-8917
Spigot Cap	E-9571 / G-9571	E-7768 / G-7768
Hardware Kit	E-7773	E-7774

CHALMERS 1023 and 1030 Single Axle, Truck							
KEY NO.	EUCLID NO.	GENUINE	MACH NO.	OEM REF	DESCRIPTION	QTY. PER SUSPENSION	PAGE NO.
1	E-4677A		G-4677A	22128	Torque Arm Bushing, Rubber, Type 0 & 1 Joints	16	19
	E-7427	-	-	-	Torque Arm Bushing, Poly, Type 0 & 1 Joints	32	19
	E-7766		G-7766	800010	Torque Arm Bushing, Rubber, Type 2 Joints	16	19
	E-7426	-	-	-	Torque Arm Bushing, Poly, Type 2 Joints	32	19
	E-4678A		G-4678A	22129	Torque Arm Bushing, Rubber, Oversized, Type 0 & 1 Joints	As Required	19
	E-8702	-	-	22129	Torque Arm Bushing, Rubber, Oversized Version, OE Equivalent	As Required	19
	E-7767		G-7767	800009	Torque Arm Bushing, Rubber, Oversized, Type 2 Joints	As Required	19
	E-8917	-	-	-	Torque Arm Bushing, Poly, Oversized, Type 2 Joints	As Required	19
2	E-9571		G-9571	800201	Spigot Cap, Type 1 Joint	16	18
	E-7768		G-7768	800055	Spigot Cap, Type 2 Joint	16	18
3	E-14971		-	373010	Restrictor Can #10, 4 3/8" High X 9 3/8" Diameter	2	16
	E-4687		-	373015	Restrictor Can #15, 4 3/8" High X 11 3/16" Diameter	2	16
4	E-7755		-	15010	Load Spring #10, 8" Diameter, 1023 Series	2	16
	S.O.S.		-	15009	Load Spring #10, 1023 Series Reduced Height	2	-
	E-4686		-	15015	Load Spring #15, 8 1/2" Diameter, 1030 Series	2	16
	E-14995		-	15017	Load Spring #15, 7" Diameter, 1030 Series Reduced Height	2	16
5	E-7771		-	K403017	Rebound Bolt Assembly, Includes Key 8	2	22
6	M85060	-	-	665174	Shock Absorber	2	-
7	E-7774		-	K880460	Hardware Kit	2	18
	E-7773		-	K880231	Hardware Kit	2	18
8	E-14970		-	22096	Rebound Stop Included in E-7771	2	22
9	S.O.S.		-	Various	Torque Arm, Rigid and Adjustable	2	-

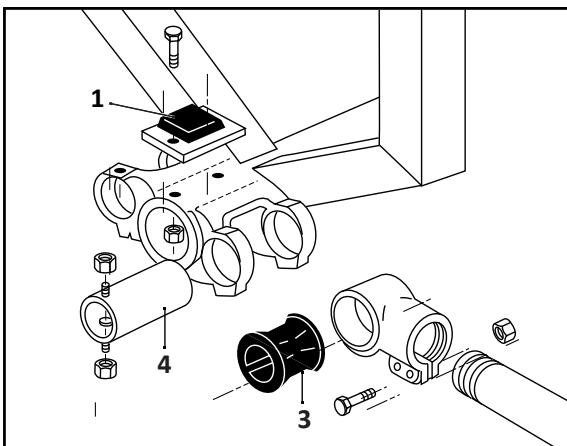
 Denotes Product is Genuine Chalmers










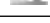








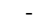







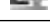

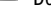
# CHALMERS


## 300 Series Tandem Axle, Trailer



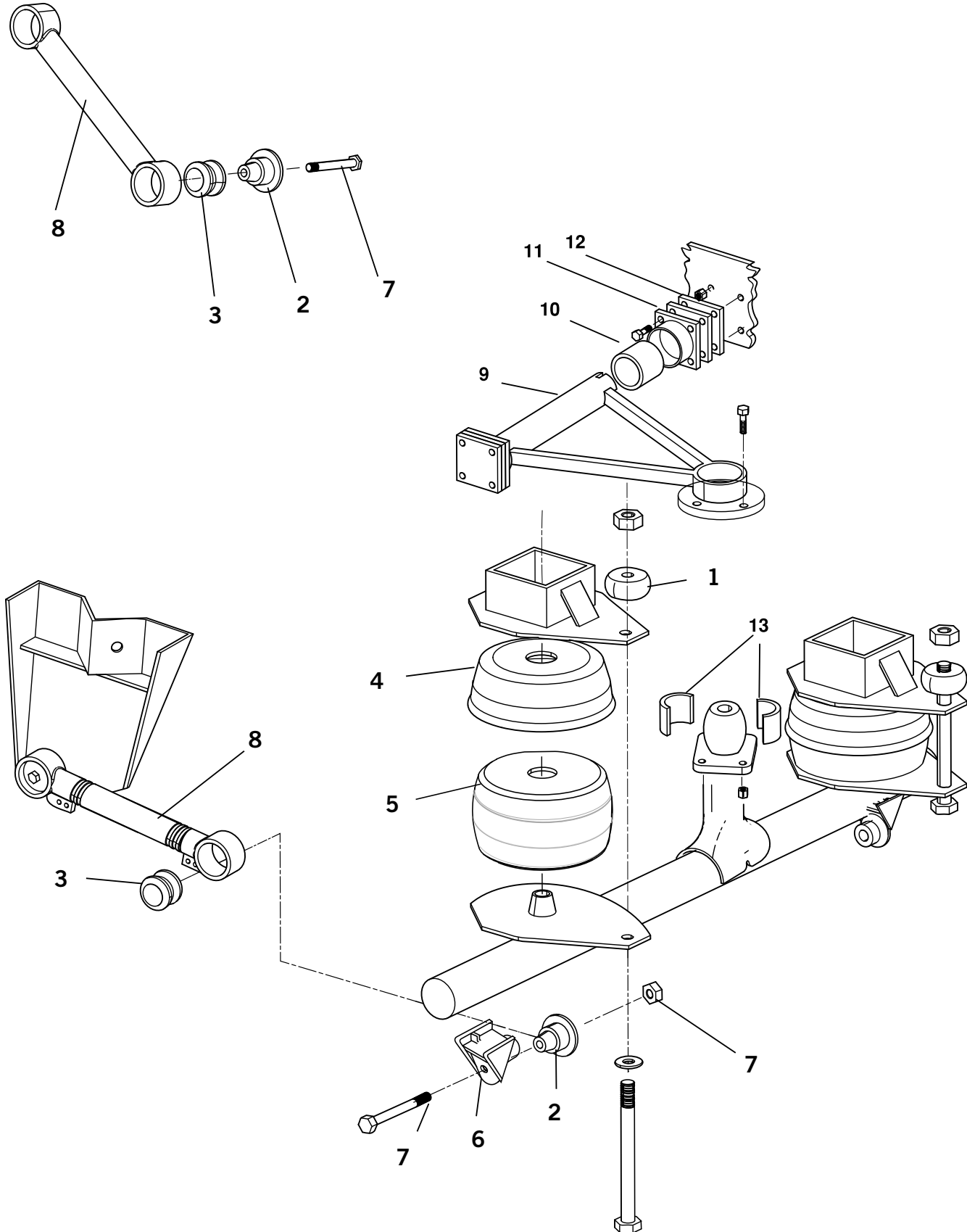
### EARLY MODEL




300 Series Tandem Axle, Trailer							
KEY NO.	EUCLID NO.	GENUINE	MACH NO.	OEM REF.	DESCRIPTION	QTY PER SUSPENSION	PAGE NO.
1	E-4675		-	48045	Rebound Stop	2	22
2	E-4680		-	260002	Spigot Cap, Type 0 Joint, Discontinued	16	18
3	E-4677A		G-4677A	22128	Torque Arm Bushing, Rubber	8	19
	E-7427	-	-	-	Torque Arm Bushing, Poly	16	19
	E-4678A		G-4678A	22129	Torque Arm Bushing, Rubber, Oversized Version	As Required	19
	E-8702	-	-	22129	Torque Arm Bushing, Rubber, Oversized Version, OE Equivalent	As Required	19
4	E-4676		-	22037	Wrist Pin, Discontinued	8	19
5	E-4789		-	216214	Adjustable Torque Arm, 21 1/2" Center-to-Center , Type 0 Joint	2	20
	E-4790		-	216240	Adjustable Torque Arm, 24" Center-to-Center, Type 0 Joint	2	20
	E-14969		-	216230	Adjustable Torque Arm, 23" Center-to-Center, Type 0 Joint	2	20
	S.O.S.		-	22045	Adjustable Torque Arm End, Right Hand	As Required	-
	S.O.S.		-	22046	Adjustable Torque Arm End, Left Hand	As Required	-
	E-4791		-	223214	Rigid Torque Arm, 21 1/2" Center-to-Center, Type 0 Joint	2	20
	S.O.S.		-	223230	Rigid Torque Arm, 23" Center-to-Center, Type 0 Joint	2	-
	E-4792		-	223240	Rigid Torque Arm, 24" Center-to-Center, Type 0 Joint	2	20
6	E-4688A		-	373020 373028	Restrictor Can #28, Replaces Restrictor Can #20, 4 7/16" High X 12 5/8" Diameter	2	16
7	E-4685		G-4685	15002	Load Spring #20 , 9 1/2" Diameter	2	16
8	E-4786		-	22116	Spring Plate	2	16
9	E-7764		-	68017	Wishbone, Discontinued	2	-
10	E-4683		-	22115	Wishbone End Bushing	4	22
11	E-4682		-	22107	Wishbone End	4	22
12	E-4681	-	-	22105	Shim, 16 Gauge	As Required	22
	S.O.S.		-	22099	Shim, 25 Gauge	As Required	-
13	E-4674		-	22036	Wishbone Apex Bushing, 2-Piece	2	22
14	E-7756		-	222083	Saddle, Most Axles	4	22
	S.O.S.		-	Various	Saddle	4	-
15	E-7757		-	222139	Axle Bracket, 5" Round Axle, Type 0 Joints	4	18
	S.O.S.		-	228006	Axle Bracket, 4" x 6" Rectangular, Type 0 Joints	4	-
	S.O.S.		-	231000	Axle Bracket, 5" Square, Type 0 Joints	4	-
16	E-7772		-	K880230	Hardware Kit, Type 0 Joint	2	18
17	S.O.S.		-	Various	Beam	2	-
18	E-7765		-	700313	Wear Plate	As Required	21

 Denotes Product is Genuine Chalmers

# CHALMERS 500 Series Single Axle, Trailer

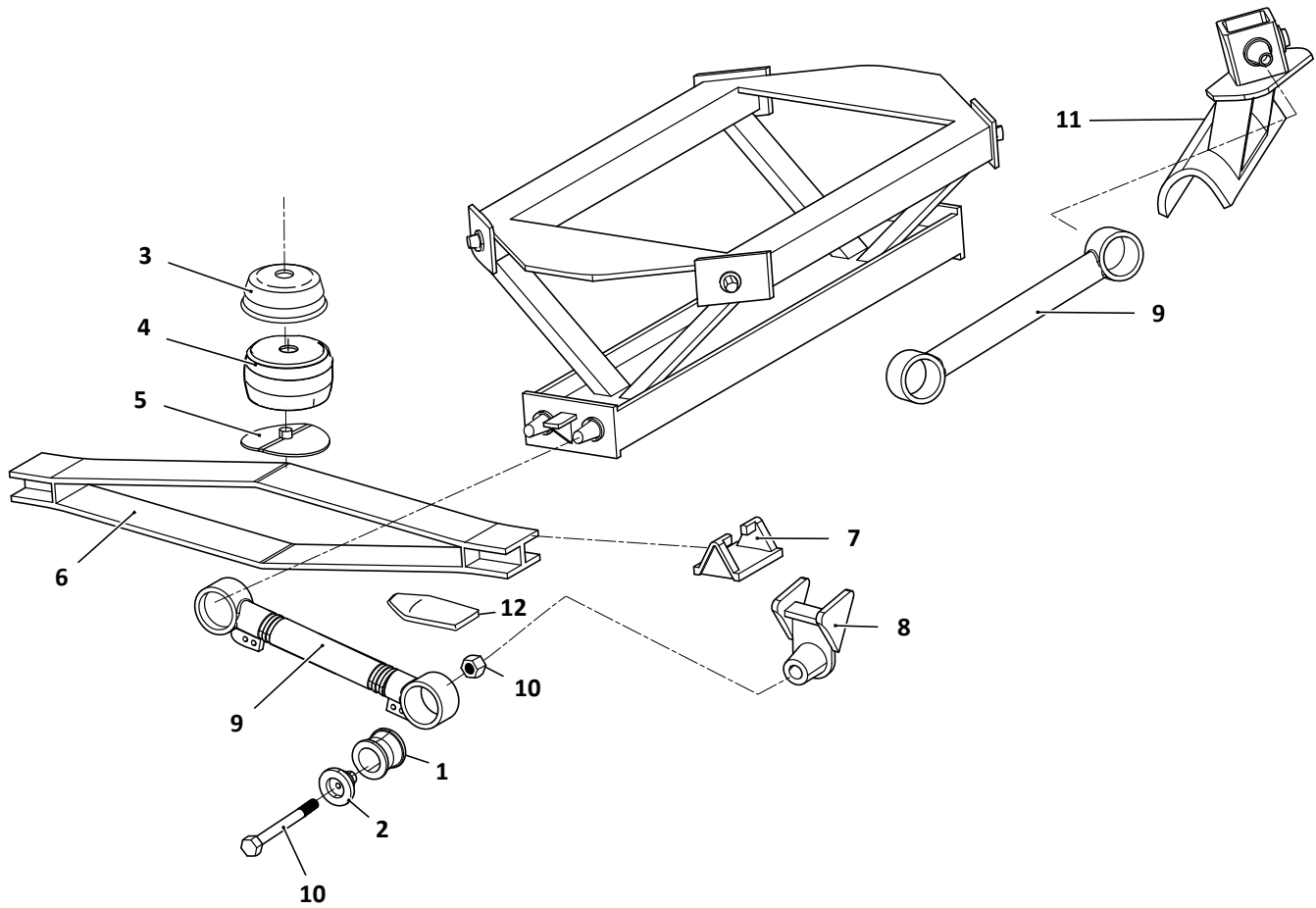


500 Series Single Axle, Trailer							
KEY NO.	EUCLID NO.	GENUINE	MACH NO.	OEM REF.	DESCRIPTION	QTY. PER SUSPENSION	PAGE NO.
1	E-14970		-	22096	Rebound Stop	2	22
2	E-4680		-	260002	Spigot Cap, Type 0 Joint, Discontinued	16	18
3	E-4677A		G-4677A	22128	Torque Arm Bushing, Rubber	8	19
	E-7427	-	-	-	Torque Arm Bushing, Poly	16	19
	E-4678A		G-4678A	22129	Torque Arm Bushing, Rubber, Oversized	As Required	19
	E-8702	-	-	22129	Torque Arm Bushing, Rubber, Oversized Version, OE Equivalent	As Required	19
4	E-4688A		-	373028, 373020	Restrictor Can #28, Replaces Restrictor Can #20, 4 7/16" High X 12 5/8" Diameter	2	16
	E-14971		-	373010	Restrictor Can #10, 4 3/8" High X 9 3/8" Diameter	2	16
	E-4687		-	373015	Restrictor Can #15, 4 3/8" High X 11 3/16" Diameter	2	16
5	E-4685		G-4685	15002	Load Spring #20 , 9 1/2" Diameter	2	16
	E-4686		-	15015	Load Spring #15, 8 1/2" Diameter	2	16
	E-7755		-	15010	Load Spring #10, 8" Diameter	2	16
6	E-7757		-	222139	Axle Bracket, 5" Round, Type 0 Joint	4	18
	S.O.S.		-	228006	Axle Bracket, 4" x 6" Rectangular, Type 0 Joint	4	-
	S.O.S.		-	231000	Axle Bracket, 5" Square, Type 0 Joint	4	-
7	E-7772		-	K880230	Hardware Kit, Type 0 Joint	2	18
8	S.O.S.		-	216220	Adjustable Torque Arm, Lower, 22" Center-to-Center	4	-
	S.O.S.		-	223200	Rigid Torque Arm, Upper, 20" Center-to-Center	4	-
	S.O.S.		-	223220	Rigid Torque Arm, Lower, 22" Center-to-Center	4	-
9	E-7764		-	68017	Wishbone, Discontinued	2	-
10	E-4683		-	22115	Wishbone End Bushing	4	22
11	E-4682		-	22107	Wishbone End	4	22
12	E-4681	-	-	22105	Shim, 16 Gauge	As Required	22
	S.O.S.		-	22099	Shim, 25 Gauge	As Required	-
13	E-4674		-	22036	Wishbone Apex Bushing, 2-Piece	2	22

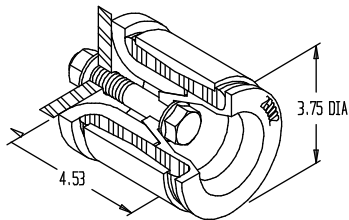
 Denotes Product is Genuine Chalmers

# CHALMERS

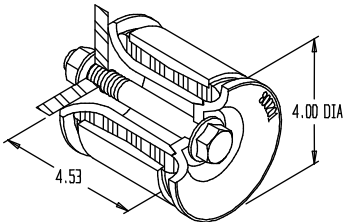
## 700 Series Tandem Axle, Trailer



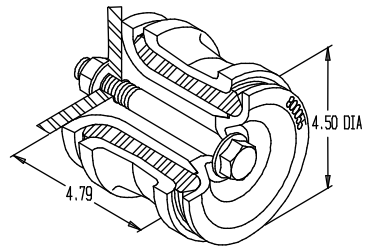
### Joint Types



Type 0



Type 1

























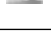








Type 2


### Chalmers Torque Arm Connections

	Type 0	Type 1	Type 2
Bushing- Standard Rubber	E-4677A/ G-4677A	E-4677A/ G-4677A	E-7766/ G-7766
Bushing- Standard Poly	E-7427	E-7427	E-7426
Bushing- Oversize Rubber	E-4678A/E-8702/ G-4678A	E-4678A/E-8702/ G-4678A	E-7767/ G-7767
Bushing- Oversize Poly	-	-	E-8917
Spigot Cap	No Longer Available	E-9571 / G-9571	E-7768 / G-7768
Hardware Kit	E-7772	E-7773	E-7774



## 700 Series Tandem Axle, Trailer

KEY NO.	EUCLID NO.	GENUINE	MACH NO.	OEM REF.	DESCRIPTION	QTY PER TANDEM	PAGE NO.
1	E-4677A		G-4677A	22128	Torque Arm Bushing, Rubber, Type 0 & 1 Joints	16	19
	E-7427	-	-	-	Torque Arm Bushing, Poly, Type 0 & 1 Joints	32	19
	E-7766		G-7766	800010	Torque Arm Bushing, Rubber, Type 2 Joints	16	19
	E-7426	-	-	-	Torque Arm Bushing, Poly, Type 2 Joints	32	19
	E-4678A		G-4678A	22129	Torque Arm Bushing, Rubber, Oversized, Type 0 & 1 Joints	As Required	19
	E-8702	-	-	22129	Torque Arm Bushing, Rubber, Oversized Version, OE Equivalent	As Required	19
	E-7767		G-7767	800009	Torque Arm Bushing, Rubber, Oversized, Type 2 Joints	As Required	19
	E-8917	-	-	-	Torque Arm Bushing, Poly, Oversized, Type 2 Joints	As Required	19
2	E-4680		-	260002	Spigot Cap, Type 0 Joint, Discontinued	16	18
	E-9571		G-9571	800201	Spigot Cap, Type 1 Joint	16	18
	E-7768		G-7768	800055	Spigot Cap, Type 2 Joint	16	18
3	E-4688A		-	373028 373020	Restrictor Can #28, Replaces Restrictor Can #20, 4 7/16" High X 12 5/8" Diameter	2	16
4	E-4685		G-4685	15002	Load Spring #20, 9 1/2" Diameter	2	16
5	E-4788A		-	700520	Spring Plate, Prior to 1988	2	17
	E-14974		-	700204	Spring Plate, 46K with 54" & 63" Axle Spreads, All 60K	2	-
	S.O.S.		-	700203	Spring Plate, 46K with 72" Axle Spread	2	-
	S.O.S.		-	700062	Spring Plate, 46K Xtra Low Mounting	2	-
6	E-4793		-	700083	Walking Beam, 54" Axle Spread	2	21
	S.O.S.		-	Various	Walking Beam, Various Axle Spreads and Capacities	2	-
7	E-7756		-	222083	Saddle, Most Axles	4	22
	S.O.S.		-	Various	Saddle	4	-
8	E-7757		-	222139	Axle Bracket, 5" Round Axle, Type 0 Joint	4	18
	S.O.S.		-	Various	Axle Bracket, Various Axles	4	-
9	E-4790		-	216240	Adjustable Torque Arm, 24" Center-to-Center, Type 0 & 1 Joints	2	20
	E-14975		-	216330	Adjustable Torque Arm, 33" Center-to-Center, Type 0 & 1 Joints	2	20
	E-14976		-	807240	Adjustable Torque Arm, 24" Center-to-Center, Type 2 Joints	2	20
	E-4791		-	223214	Upper Rigid Torque Arm, 21 1/2" Center-to-Center, Type 0 & 1 Joints	4	20
	E-4792		-	223240	Rigid Torque Arm, 24" Center-to-Center, Type 0 & 1 Joints	2	20
	E-14977		-	223330	Rigid Torque Arm, 33" Center-to-Center, Type 0 & 1 Joints	2	20
	E-14978		-	805214	Rigid Torque Arm, 21 1/2" Center-to-Center, Type 2 Joint	2	20
	E-14979		-	805240	Rigid Torque Arm, 24" Center-to-Center, Type 2 Joint	2	22
	S.O.S.		-	Various	Torque Arm	2	-
10	E-7772		-	K880230	Hardware Kit, Type 0 Joint	4	18
	E-7774		-	K880460	Hardware Kit, Type 1 Joint	4	18
	E-7773		-	K880231	Hardware Kit, Type 2 Joint	4	18
11	E-14980		-	700337	Tower, 5" Round axles	2	19
12	E-7765		-	700313	Wear Plate	As Required	21


 Denotes Product is Genuine Chalmers


# CHALMERS

## Suspension Parts

**#10 Load Spring**


FOR MODELS:  
500 & 1023  
Series




EUCLID NO.	GENUINE	OEM REF	NOTES
E-7755		15010	Standard Height for 1023 Series. Use Chalmers 15009 For Reduced Height

**#10 Restrictor Can**


FOR MODELS:  
500 & 1023 Series




EUCLID NO.	GENUINE	OEM REF	NOTES
E-14971		373010	Use with E-7755 #10 Load Spring

**#15 Load Spring**


FOR MODELS:  
500 & 1030  
Series




EUCLID NO.	GENUINE	OEM REF	NOTES
E-4686		15015	Standard Height for 1030 Series

**#15 Restrictor Can**


FOR MODELS:  
500 & 1030  
Series




EUCLID NO.	GENUINE	OEM REF	NOTES
E-4687		373015	Use with E-4686 #15 Load Spring

**#15 Load Spring**


FOR MODELS:  
1030 Series




EUCLID NO.	GENUINE	OEM REF	NOTES
E-14995		15017	1030 Series Reduced Height

**#15 Restrictor Can**


FOR MODELS:  
1300 Series




EUCLID NO.	GENUINE	OEM REF	NOTES
E-7763		373017	Use with E-4686 #15 Load Spring

**#20 Load Spring**

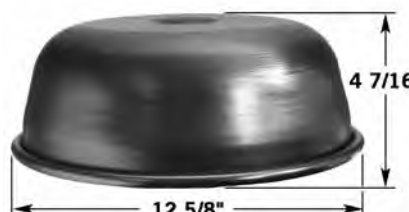
FOR MODELS:  
300 Thru 800  
Series





EUCLID NO.	GENUINE	MACH	OEM REF
E-4685		G-4685	15002

**#28 Restrictor Can**

FOR MODELS:  
300 Thru 800  
Series





EUCLID NO.	GENUINE	OEM REF	NOTES
E-4688A		373020 373028	Replaces Restrictor Can #20. Use with E-4686 #20 Load Spring

 Denotes Product is Genuine Chalmers

**#29 Restrictor Can**


FOR MODELS:  
600 & 800 Series




EUCLID NO.	GENUINE	OEM REF	NOTES
E-7758		373029	High Center of Gravity. Use with E-4686 #20 Load Spring

**Spring Plate**

FOR MODELS:  
800 Series





12.5° Bend, 1/2" Thick

EUCLID NO.	GENUINE	OEM REF	NOTES
E-7770		800125 800691	46-58K Low Mount For 54" Axle Spread

**Spring Plate**

FOR MODELS:  
300 & 600 Series



EUCLID NO.	GENUINE	OEM REF	NOTES
E-4786		22036	1/4" Thick

**Spring Plate**

FOR MODELS:  
800 Series





8" Bend

EUCLID NO.	GENUINE	OEM REF	NOTES
E-14982		800685 800119	40-58K High Mount 60" Axle Spread, All 50-58K 72" Axle Spread, 46K 72" Axle Spread

**Spring Plate**


FOR MODELS:  
700 Series




EUCLID NO.	GENUINE	OEM REF	NOTES
E-4788A		700021	1/2" Thick

**Spring Plate**

FOR MODELS:  
800 Series



9.3° Bend, 1/2" Thick


EUCLID NO.	GENUINE	OEM REF	NOTES
E-7769		800117 800689	46-58K High Mount For 54" Axle Spread

# CHALMERS

## Suspension Parts


**Spigot Cap**

FOR MODELS:  
300 Thru 800  
Series



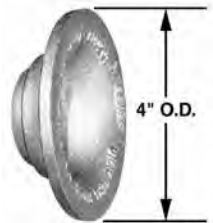
3 3/4" O.D.

Discontinued


EUCLID NO.	GENUINE	OEM REF	SPIGOT / JOINT TYPE
E-4680		260002	0

**Spigot Cap**

FOR MODELS:  
700 Thru 1000  
Series

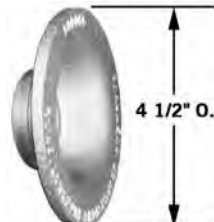


4" O.D.


EUCLID NO.	GENUINE	MACH NO.	OEM REF	SPIGOT / JOINT TYPE
E-9571		G-9571	800201	1

**Spigot Cap**


FOR MODELS:  
700 Thru 1000  
Series






4 1/2" O.D.

EUCLID NO.	GENUINE	MACH NO.	OEM REF	SPIGOT / JOINT TYPE
E-7768		G-7768	800055	2

**Spigot Hardware Kit**



EUCLID NO.	GENUINE	OEM REF	FOR MODELS	SPIGOT TYPE	NOTES
E-7772		K880230	300 Thru 800 Series	Type 0	Includes 4 Bolts 5/8" Dia. X 3 1/2" Long and Nuts
E-7774		K880231	700 Thru 1000 Series	Type 1	Includes 4 Bolts 5/8" Dia. X 5" Long and Nuts
E-7773		K880460	700 Thru 1000 Series	Type 2	Includes 4 Bolts 5/8" Dia. X 5 1/2" Long and Nuts

**Axle Bracket, 5" Round Axle**


FOR MODELS:  
300, 500 &  
700 Series





EUCLID NO.	GENUINE	OEM REF	NOTES
E-7757		222139	Type 0 Joint

**Torque Rod Bracket**

FOR MODELS:  
800 Series



EUCLID NO.	GENUINE	OEM REF	NOTES
E-14993		800057	Type 2 Joint

 Denotes Product is Genuine Chalmers

### Wrist Pin

FOR MODELS:  
300 & 600 Series




Old Style Joints - Discontinued


EUCLID NO.	GENUINE	OEM REF	OD	ID	LENGTH
E-4676		22037	2 3/8"	2"	6"

### Torque Arm Bushing, Type 2 Joints

FOR MODELS:  
700 Thru 1000 Series

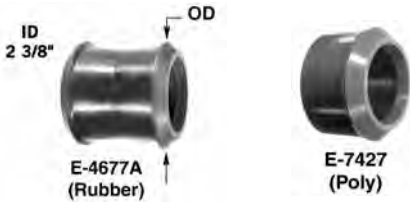


2 Pieces Required Per End For Poly


EUCLID NO.	GENUINE	MACH NO.	OEM REF	LIP OD	LENGTH	MATERIAL
E-7766		G-7766	800010	4 1/4"	4 1/8"	Rubber
E-7426	-	-	800010		2 1/16"	Poly

### Torque Arm Bushing, Type 0 & 1 Joints

FOR MODELS:  
300 Thru 1000 Series




2 Pieces Required Per End For Poly


EUCLID NO.	GENUINE	MACH NO.	OEM REF	LIP OD	LENGTH	MATERIAL
E-4677A		G-4677A	22128	3 5/8"	3 3/4"	Rubber
E-7427	-	-	-		1 7/8"	Poly

### Oversize Torque Arm Bushing, Type 2 Joints

FOR MODELS:  
700 Thru 1000 Series




2 Pieces Required Per End For Poly


EUCLID NO.	GENUINE	MACH NO.	OEM REF	LIP OD	MATERIAL
E-7767		G-7767	800009	4 1/2"	Rubber
E-8917	-	-	800009		Poly

### Oversize Torque Arm Bushing, Type 0 & 1 Joints

FOR MODELS:  
300 Thru 1000 Series



Rubber

EUCLID NO.	GENUINE	MACH NO.	OEM REF	LENGTH	NOTES
E-4678A		G-4678A	22129	3 3/4"	-
E-8702	-	-			OE Equivalent

# CHALMERS

## Suspension Parts

### Adjustable Torque Arms



EUCLID NO.	GENUINE	OEM REF	FOR MODELS	JOINT TYPE	NOMINAL CENTER TO CENTER	BUSHINGS				NOTES
						STANDARD SIZE RUBBER	STANDARD SIZE POLY	OVERSIZE RUBBER	OVER-SIZE POLY	
E-4789		216214	300 & 600 Series	0 & 1	21-1/2"	E-4677A/G-4677	E-7427	E-4678A/G-4678A	-	-
E-14987		807214	800 Series	2	21-1/2"	E-7766/G-7766	E-7426	E-7767/G-7767	E-8917	-
E-14773		807250	800 Series	2	21-3/4"	E-7766/G-7766	E-7426	E-7767/G-7767	E-8917	46K
E-14989		807220	800 Series	2	22"	E-7766/G-7766	E-7426	E-7767/G-7767	E-8917	-
E-14969		216230	300 Series	0	23"	E-4677A/G-4677	E-7427	E-4678A/G-4678A	-	-
E-4790		216240	300, 600 & 700 Series	0 & 1	24"	E-4677A/G-4677	E-7427	E-4678A/G-4678A	-	-
E-14976		807240	700 & 800 Series	2	24"	E-7766/G-7766	E-7426	E-7767/G-7767	E-8917	-
E-14774		807216	800 Series	2	25"	E-7766/G-7766	E-7426	E-7767/G-7767	E-8917	46K
E-14975		216330	700 Series	1	33"	E-4677A/G-4677	E-7427	E-4678A/G-4678A	-	-

### Rigid Torque Arms



EUCLID NO.	GENUINE	OEM REF	FOR MODELS	JOINT TYPE	CENTER TO CENTER	BUSHINGS			
						STANDARD SIZE RUBBER	STANDARD SIZE POLY	OVERSIZE RUBBER	OVERSIZE POLY
E-14985		223157	800 Series	1	15-7/8"	E-4677A/G-4677	E-7427	E-4678A/G-4678A	-
E-4791		223214	300, 600 & 700 Series	0 & 1	21-1/2"	E-4677A/G-4677	E-7427	E-4678A/G-4678A	-
E-14978		805214	700 & 800 Series	2	21-1/2"	E-7766/G-7766	E-7426	E-7767/G-7767	E-8917
E-14990		805216	800 Series	2	21-3/4"	E-7766/G-7766	E-7426	E-7767/G-7767	E-8917
E-14991		805220	800 Series	2	22"	E-7766/G-7766	E-7426	E-7767/G-7767	E-8917
E-4792		223240	300 & 700 Series	0 & 1	24"	E-4677A/G-4677	E-7427	E-4678A/G-4678A	-
E-14979		805240	700 Series	2	24"	E-7766/G-7766	E-7426	E-7767/G-7767	E-8917
E-14977		223330	700 Series	1	33"	E-4677A/G-4677	E-7427	E-4678A/G-4678A	-

# CHALMERS

## Suspension Parts

Suspension

### Rigid Torque Arm

FOR MODELS  
800 Series



EUCLID NO.	GENUINE	OEM REF	JOINT TYPE	CENTER TO CENTER	BUSHINGS				NOTES
					STANDARD SIZE RUBBER	STANDARD SIZE POLY	OVERSIZE RUBBER	OVERSIZE POLY	
E-14986		800049	2	24 1/4"	E-7766/G-7766	E-7426	E-7767/G-7767	E-8917	46-50K

### Walking Beam

FOR MODELS:  
700 Series



EUCLID NO.	GENUINE	OEM REF	CAPACITY	AXLE SPREAD	NOTES
E-4793		700083	46-60K	54"	-

### Wear Plate

FOR MODELS:  
All Models  
with Beams



See [http://www.chalmerssuspensions.com/wp-content/uploads/2016/07/Final\\_New-800-series.pdf](http://www.chalmerssuspensions.com/wp-content/uploads/2016/07/Final_New-800-series.pdf). **Appendix C for Complete Instructions**

EUCLID NO.	GENUINE	OEM REF	NOTES
E-7765		700313	Weld To Bottom Of Beam When Wear Is Less Than .062" And Replace Beam When Wear Exceeds .062"

### Reinforcement Gusset

FOR MODELS:  
800 Series

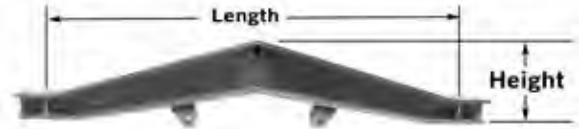


See [http://www.chalmerssuspensions.com/wp-content/uploads/2016/07/Final\\_New-800-series.pdf](http://www.chalmerssuspensions.com/wp-content/uploads/2016/07/Final_New-800-series.pdf). **Appendix E for Complete Instructions**

EUCLID NO.	GENUINE	OEM REF
E-14992		800599

### Walking Beam

FOR MODELS:  
800 Series




EUCLID NO.	GENUINE	OEM REF	HEIGHT	LENGTH A	AXLE SPREAD	NOTES
E-14983		800079	11 1/8"	52"	54"	40K Low Mount
E-14769		800087	11 1/4"	52"	54"	46K Low Mount
E-14767		800061	10"	52"	54"	46K High Mount
E-14770		800690	11 1/4"	52"	54"	50-58K Low Mount
E-14768		800688	10"	52"	54"	50-58K High Mount
E-14984		800684	10"	58"	60"	50-58K High Mount


# CHALMERS

## Suspension Parts

**Saddle, Truck/Trailer**

FOR MODELS:  
300, 700 &  
800 Series



EUCLID NO.	GENUINE	OEM REF	NOTES
E-7756		222083	Fits Most Axles

**Wishbone End Bushing**

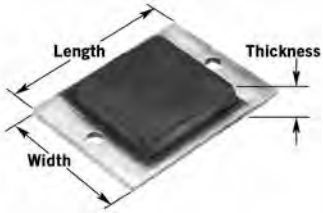
FOR MODELS:  
300 &  
500 Series




EUCLID NO.	GENUINE	OEM REF	OD	ID	LENGTH
E-4683		22115	4 1/16"	3 1/2"	3 1/4"

**Rebound Stop**

FOR MODELS:  
300 & 600 Series



EUCLID NO.	GENUINE	OEM REF	LENGTH	WIDTH	THICKNESS
E-4675		48045	4 1/2"	3 1/2"	5/8"

**Wishbone Apex Bushing, 2-Piece**


FOR MODELS:  
300 &  
500 Series




EUCLID NO.	GENUINE	OEM REF	NOTES
E-4674		22036	Two Pieces Included

**Rebound Stop**

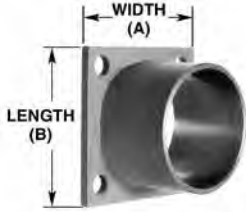
FOR MODELS:  
500 & 1000 Series




EUCLID NO.	GENUINE	OEM REF	OD	THICKNESS
E-14970		22096	3"	2"

**Wishbone End**


FOR MODELS:  
300 &  
500 Series




EUCLID NO.	GENUINE	OEM REF	A	B	OD	ID
E-4682		22107	5 1/2"	5 1/2"	4 1/2"	4 1/8"

**Rebound Bolt Assembly**

FOR MODELS:  
1000 Series



Axle Set


EUCLID NO.	GENUINE	OEM REF	NOTES
E-7771		K403017	Includes E-14970 Rebound Stop and Other Installation Hardware

**Wishbone Shim, 16 Gauge**

FOR MODELS:  
300 &  
500 Series



EUCLID NO.	GENUINE	OEM REF	A	B
E-4681		22105	5 1/2"	5 1/2"

 Denotes Product is Genuine Chalmers



# CHALMERS NUMERICAL LISTING

PART NO.	PAGE NO.
E-2545	7
E-4345	7
E-4347	7
E-4674	11, 13, 22
E-4675	3, 11, 22
E-4676	3, 11, 19
E-4677A	3, 5, 9, 11, 13, 15, 19
E-4678A	3, 5, 9, 11, 13, 15, 19
E-4679	3
E-4680	3, 5, 11, 13, 15, 18
E-4681	11, 13, 22
E-4682	11, 13, 22
E-4683	11, 13, 22
E-4685	3, 5, 11, 13, 15, 16
E-4686	9, 13, 16
E-4687	9, 13, 16
E-4688A	3, 5, 11, 13, 15, 16
E-4786	3, 11, 17
E-4788A	15, 17
E-4789	3, 11, 20
E-4790	3, 11, 15, 20
E-4791	3, 11, 15, 20
E-4792	11, 15, 20
E-4793	15, 21
E-7426	5, 9, 15, 19
E-7427	3, 5, 9, 11, 13, 15, 19
E-7755	9, 13, 16
E-7756	5, 11, 15, 22
E-7757	11, 13, 15, 18

PART NO.	PAGE NO.
E-7758	3, 5, 17
E-7763	16
E-7764	11, 13
E-7765	3, 7, 11, 15, 21
E-7766	5, 9, 15, 19
E-7767	5, 9, 15, 19
E-7768	5, 9, 15, 18
E-7769	5, 17
E-7770	5, 17
E-7771	9, 22
E-7772	3, 5, 11, 13, 15, 18
E-7773	5, 9, 15, 18
E-7774	5, 9, 15, 18
E-8702	3, 5, 9, 11, 13, 15, 19
E-8917	5, 9, 15, 19
E-9571	5, 9, 15, 18
E-14767	5, 21
E-14768	5, 21
E-14769	5, 21
E-14770	5, 21
E-14773	5, 20
E-14774	5, 20
E-14969	11, 20
E-14970	9, 13, 22
E-14971	9, 13, 16
E-14972	3
E-14973	3
E-14974	15
E-14975	15, 20

PART NO.	PAGE NO.
E-14976	5, 15, 20
E-14977	15, 20
E-14978	5, 15, 20
E-14979	15, 20
E-14980	15
E-14982	5, 17
E-14983	5, 21
E-14984	5, 21
E-14985	5, 20
E-14986	5, 21
E-14987	5, 20
E-14989	5, 20
E-14990	5, 20
E-14991	5, 20
E-14992	7, 21
E-14993	7, 18
E-14994	7
E-14995	9, 16
G-4677A	3, 5, 9, 11, 13, 15, 19
G-4678A	3, 5, 9, 11, 13, 15, 19
G-4685	3, 5, 11, 13, 15
G-7766	5, 9, 15, 19
G-7767	5, 9, 15, 19
G-7768	5, 9, 15
G-9571	5, 9, 15, 18
M85060	3, 7, 9
M85301	7
M85305	7





Vehicle models, trademarks, brands,  
and names depicted herein are the  
property of their respective owners,  
and may not be associated with  
Meritor, Inc. or its affiliates.



Meritor Heavy Vehicle Systems, LLC  
7975 Dixie Highway  
Florence, KY 41042

U.S. 888-725-9355  
Canada 800-387-3889

[MeritorPartsXpress.com](http://MeritorPartsXpress.com)

©2019 Meritor, Inc.  
Litho in USA  
Revised 03-19  
700E (47865/70906)