

# SUSPENSION CATALOG

Freightliner  
Hino  
Kenworth

Mack  
Navistar /International  
Oshkosh

Peterbilt  
Volvo  
Western Star



**TRUST MATTERS.**



Freightliner

FRONT TRUCK/TRACTOR SUSPENSIONS

AIRTEK for Freightliner Vehicles Built Prior to May 2010,  
Sterling Vehicles Built Prior to April 2009 &  
Western Star Vehicles Built Prior to June 2010 - - - - - 1-2

AIRTEK for Freightliner Vehicles Built Between May 2010 & November 2011 and  
All Cascadia & Coronado Models Built After November 2011 - - - - - 1-4

AIRTEK With STEERTEK NXT For Freightliner Motor Home Chassis - - - - - 1-6

SOFTEK for Freightliner Motorhome Chassis - - - - - 1-8

3 1/2" Wide Springs or 4" Wide Springs with Cutdown Eyes To 3 1/2" - - - - - 1-10

4" Wide Springs 120 Conventional, COE, FLD112 - - - - - 1-12

REAR TRUCK/TRACTOR SUSPENSIONS

FAS I AIR RIDE Suspension - - - - - 1-14

FAS II AIR RIDE Suspension- - - - - 1-16

FH34A - 44A, 4" Wide Leaf Spring Suspension - - - - - 1-20

FH36 - 40, 3" Wide Leaf Spring Suspension - - - - - 1-22

TufTrac Suspension - - - - - 1-24

Component Suspension Parts - - - - - 1-26

Hino

REAR TRUCK SUSPENSION

Comfort Air For Hino - - - - - 2-2

Component Suspension Parts - - - - - 2-4

# CONTENTS

## Kenworth

### FRONT TRUCK / TRACTOR SUSPENSION

C500, K110/300, T300/400/450/600/800/200, W900 Models - - - - - 3-2

### REAR TRUCK / TRACTOR SUSPENSION

Airglide® 100 Air Ride - - - - - 3-6

Airglide® 200 / 400 Air Ride- - - - - 3-8

Airglide® 380 (See Peterbilt Flex Air®)

Big 6® - - - - - 3-10

Component Suspension Parts - - - - - 3-12

## Mack

### FRONT TRUCK / TRACTOR SUSPENSION

AIRTEK Mack - - - - - 4-2

F / R / RU / U Series

3 1/2" Wide Springs, Rubber Pad - - - - - 4-6

### REAR TRUCK / TRACTOR SUSPENSION

Maxlite 40EZ (Volvo Corporate Air Ride) - - - - - 4-8

MaxAir Twisted Sister® - - - - - 4-10

SS34 & 38 Tandem Suspension

4" Wide Spring - Rubber / Poly Trunnion Bushing - - - - - 4-12

SS44 Series (Formerly SWS 573)

4" Wide Spring - Bronze Trunnion Bushing - 3 1/2" ID - - - - - 4-16

SS50C Series,

4" Wide Spring - Bronze Trunnion Bushing - 4" ID - - - - - 4-20

SS58C Series

5" Wide Spring - Bronze Trunnion Bushing - 4" ID - - - - - 4-22

SS65C-W Series,

5" Wide Spring - Bronze Trunnion Bushing - 5" ID - - - - - 4-24

ST Series - Tapered Leaf - - - - - 4-26

SW - SWW Walking Beam - - - - - 4-28

Component Suspension Parts - - - - - 4-30

Navistar / International

**FRONT TRUCK / TRACTOR SUSPENSION**

AIRTEK For International Vehicles - - - - - 5-2

AIRTEK For International Vehicles - - - - - 5-4

SOFTEK For International Vehicles - - - - - 5-6

AIRTEK for International Integrated Coach Bus - - - - - 5-8

**REAR TRUCK / TRACTOR SUSPENSION**

Corporate Air Ride "Z" Spring - - - - - 5-10

New Corporate Air Ride - "Hockey Stick" Spring - - - - - 5-12

4 Spring, Tractor - - - - - 5-14

HTB 400LT For International - - - - - 5-16

Component Suspension Parts - - - - - 5-18

Oshkosh

**FRONT TRUCK SUSPENSION**

3" Wide Springs - - - - - 6-2

Component Suspension Parts - - - - - 6-4

# CONTENTS

## Peterbilt

### FRONT TRUCK / TRACTOR SUSPENSIONS

Cab Over and Conventional 4" Wide Spring - - - - - 7-2

### REAR TRUCK / TRACTOR SUSPENSIONS

Air Trac® - - - - - 7-6

Low Mount Air Leaf® - - - - - 7-8

Air Leaf® - - - - - 7-10

Airglide® 210- - - - - 7-12

Flex Air® - - - - - 7-14

4-Spring - Early Version - - - - - 7-16

Quadraflex® 4-Spring 1992 to Current - - - - - 7-18

Component Suspension Parts - - - - - 7-20

## Volvo

### FRONT TRUCK / TRACTOR SUSPENSIONS

Airtek for Volvo - - - - - 8-2

### REAR TRUCK / TRACTOR SUSPENSIONS

Volvo Corporate Air Ride- - - - - 8-6

Volvo 4 Spring, Before 1985- - - - - 8-8

Volvo 4 Spring, 1985 and After - - - - - 8-10

Volvo T-Ride Up To 2005 - - - - - 8-12

Volvo T-Ride 2006 and Later - - - - - 8-14

Component Suspension Parts - - - - - 8-16

**Western Star**

**FRONT TRUCK SUSPENSION**

**AIRTEK for Western Star Built After November 2011 w/STEERTEK NXT Axles and  
Model 4900SA Vehicles Built Between June 2010 and  
November 2011 with STEERTEK Axles - - - - - 9-2**

**Component Suspension Parts - - - - - 9-4**

**Numerical Listing- - - - - 10-1**



**THOUSANDS OF RELIABLE SUSPENSION PARTS, ONE TRUSTED NAME**



Contents

**FRONT TRUCK/TRACTOR SUSPENSIONS**

**AIRTEK for Freightliner Vehicles Built Prior to May 2010,  
Sterling Vehicles Built Prior to April 2009 &  
Western Star Vehicles Built Prior to June 2010 - - - - - 1-2**

**AIRTEK for Freightliner Vehicles Built Between May 2010 & November 2011 and  
All Cascadia & Coronado Models Built After November 2011 - - - - - 1-4**

**AIRTEK With STEERTEK NXT For Freightliner Motor Home Chassis - - - - - 1-6**

**SOFTEK for Freightliner Motorhome Chassis - - - - - 1-8**

**3 1/2" Wide Springs or 4" Wide Springs with Cutdown Eyes To 3 1/2" - - - - - 1-10**

**4" Wide Springs 120 Conventional, COE, FLD112 - - - - - 1-12**

**REAR TRUCK/TRACTOR SUSPENSIONS**

**FAS I AIR RIDE Suspension - - - - - 1-14**

**FAS II AIR RIDE Suspension- - - - - 1-16**

**FH34A - 44A, 4" Wide Leaf Spring Suspension - - - - - 1-20**

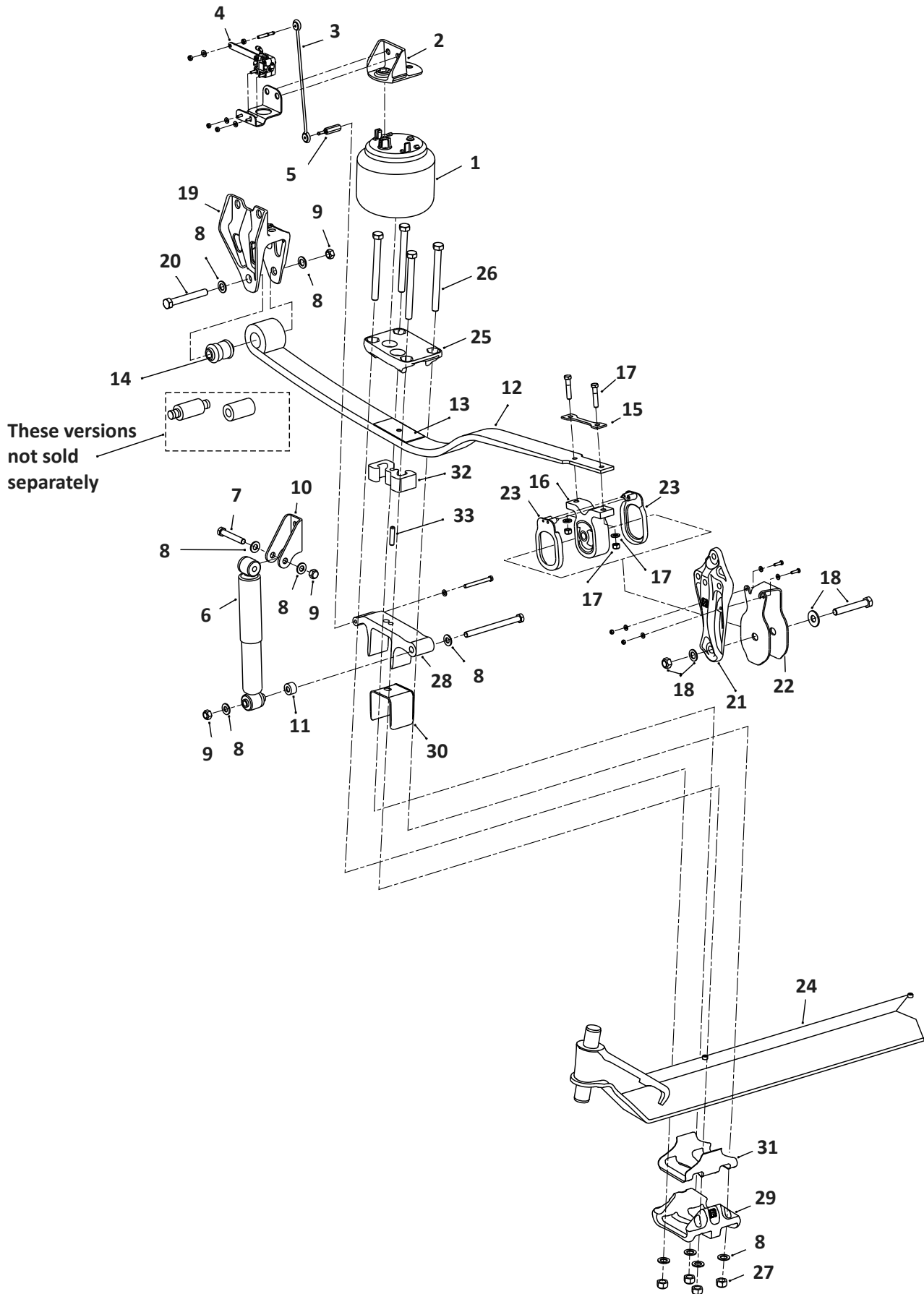
**FH36 - 40, 3" Wide Leaf Spring Suspension - - - - - 1-22**

**TufTrac Suspension - - - - - 1-24**

**Component Suspension Parts - - - - - 1-26**

# FREIGHTLINER FRONT






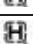
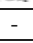


















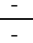
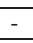




AIRTEK for Freightliner Vehicles Built Prior to May 2010,  
Sterling Vehicles Built Prior to April 2009 &  
Western Star Vehicles Built Prior to June 2010




# FREIGHTLINER FRONT

Suspension

## AIRTEK for Freightliner Vehicles Built Prior to May 2010, Sterling Vehicles Built Prior to April 2009 & Western Star Vehicles Built Prior to June 2010

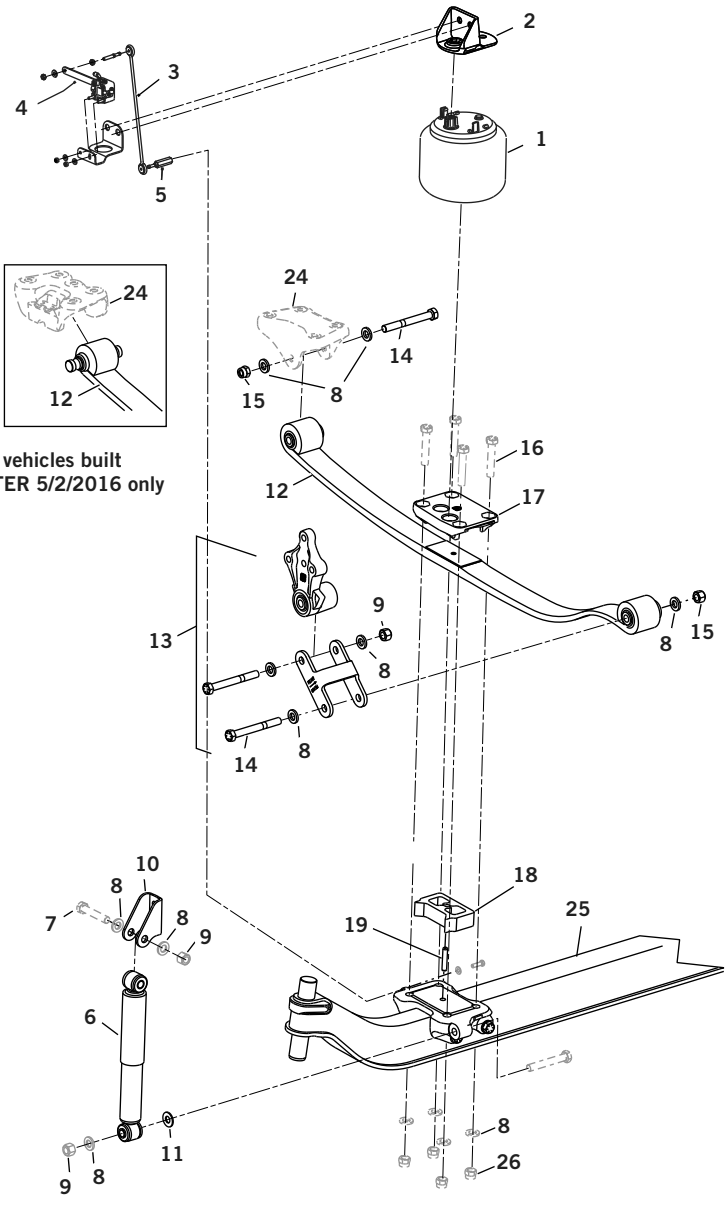
KEY NO.	EUCLID NO.	GENUINE	OEM REF	DESCRIPTION	QTY. PER AXLE	PAGE NO.
1	S.O.S.	-	69782-002	Air Spring	2	-
2	E-16425		60850-001	Air Spring Bracket, Left Hand	1	1-28
	E-15132		60850-002	Air Spring Bracket, Right Hand	1	1-28
3	E-15133		59428-001	Height Control Valve Linkage Assembly, 13 1/8" Center-to-Center	1	1-28
	E-15134		59428-002	Height Control Valve Linkage Assembly, 14 1/2" Center-to-Center	1	1-28
4	S.O.S.		59935-013	Height Control Valve, Left Hand	1	-
	E-13995		59935-002	Height Control Valve, Right Hand	1	1-28
5	E-16426		59429-001	Link Mount	2	1-28
6	M85932	-	58913-003	Shock Absorber	2	-
7	S.O.S.	-	50764-004	Bolt, 3/4"-10 X 3 3/4" Long, Upper Shock	2	-
8	E-2545	-	-	Washer, 3/4"	As Required	-
9	E-4347	-	-	Locknut, 3/4"-10	As Required	-
10	S.O.S.		59423-001	Shock Bracket	2	-
11	E-16419		59946-001	Shock Spacer	2	-
12	S.O.S.		Various	Leaf Spring Assembly	2	-
13	S.O.S.		59937-001	Galvanized Liner	2	-
14	E-14632		59259-002	Spring Eye Bushing, Only Century Class S/T, Columbia, Western Star Set Forward. Others not sold separately	2	1-26
15	E-15118		58920-001 58920-000	Spring End Plate	2	1-26
16	E-14633		58918-000	Rear Spring Mount	2	1-26
17	S.O.S.		60961-616	Rear Spring Mount Kit, Includes Key No. 15, 16 & Hardware	2	-
18	E-15136		60961-003	Rear Spring Eye Hardware Kit	2	1-26
19	E-15137		59832-001	Front Hanger, Left, Century Class S/T, Columbia, Western Star	1	1-27
	S.O.S.		60573-001	Front Hanger, Left, Other Models	1	-
	E-15138		59832-002	Front Hanger, Right, Century Class S/T, Columbia, Western Star	1	1-27
	S.O.S.		60573-002	Front Hanger, Right, Other Models	1	-
20	E-15140	-	50764-002	Bolt, 3/4"-10 X 5 1/2" Long	2	1-27
21	S.O.S.		59829-001	Rear Hanger, Casting No. 59825-000;59829-000	2	-
22	S.O.S.		59830-001 59830-000	Rear Hanger Clamp	2	-
23	S.O.S.		59346-001 59346-000	Thrust Washer	4	-
24	S.O.S.		Various	Axle Assembly	1	-
25	E-15146		59826-000	Top Pad	2	1-27
26	E-15102	-	58917-016	Bolt, 3/4"-10 X 8 1/2" Long	8	1-27
	E-16435	-	-	Bolt, 3/4"-10 X 10" Long	8	1-27
	E-16436	-	-	Bolt, 3/4"-10 X 11 1/2" Long	8	1-27
27	E-15094	-	17700-033	Lock Nut, 3/4"-10, Nylock	8	-
28	S.O.S.		Various	Top Axle Wrap	2	-
29	S.O.S.		64722-001	Bottom Axle Wrap	2	-
30	E-15145		59449-000	Top Axle Wrap Liner	2	1-27
31	E-15110		59845-000	Bottom Axle Wrap Liner	2	1-27
32	S.O.S.		Various	Axle Spacer	2	-
33	S.O.S.		Various	Dowel Pin	2	-

 Denotes Product is Genuine Hendrickson

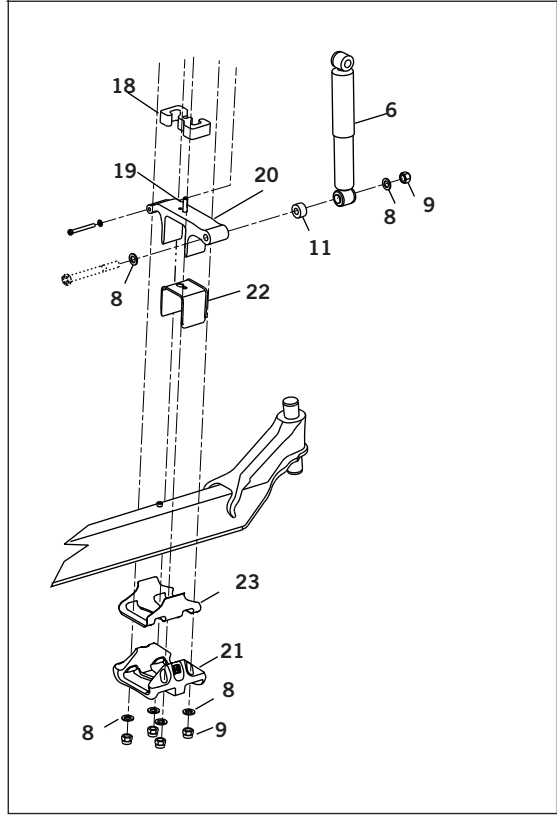
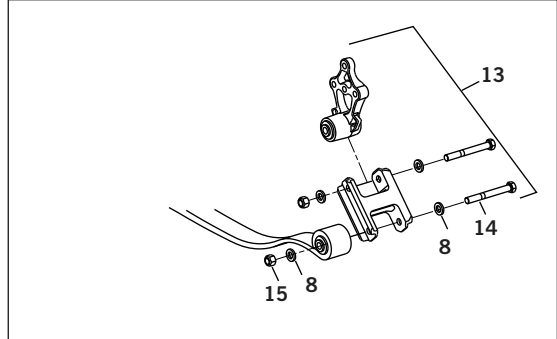
# FREIGHTLINER FRONT

AIRTEK for Freightliner Vehicles Built Between May 2010 & November 2011 and All Cascadia & Coronado Models Built After November 2011

FREIGHTLINER



For vehicles built AFTER 5/2/2016 only










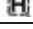
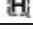















Vehicles Built Between May 2010 and Nov. 2011


All Cascadia & Coronado Models and Freightliner Vehicles Built After Nov. 2011

# FREIGHTLINER FRONT

Suspension

## AIRTEK for Freightliner Vehicles Built Between May 2010 & November 2011 and All Cascadia & Coronado Models Built After November 2011

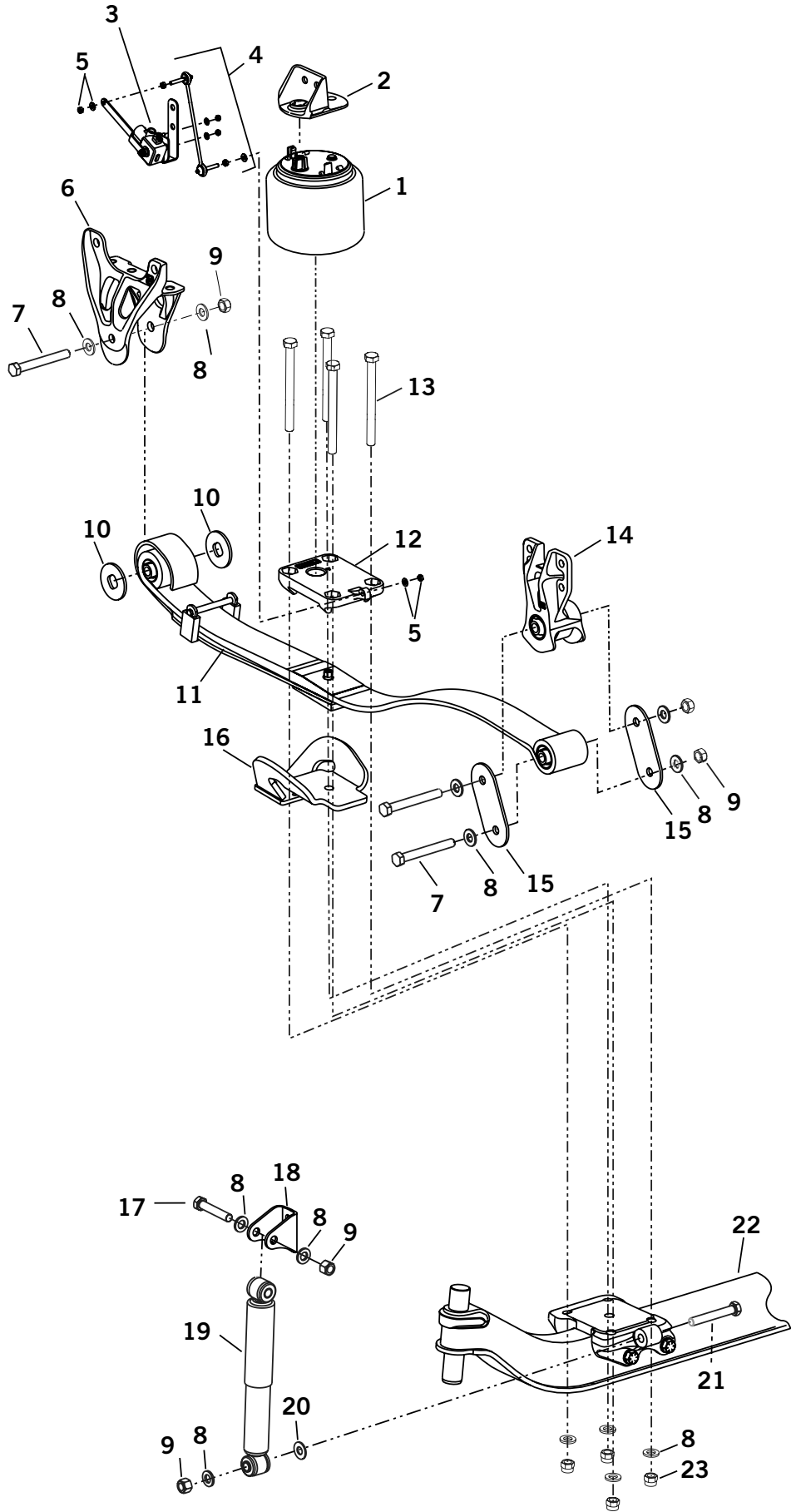
KEY NO.	EUCLID NO.	GENUINE	OEM REF	DESCRIPTION	QTY. PER AXLE		PAGE NO.
					FREIGHTLINER BUILT 5/2010 - 11/2011	ALL CASCADIA AND CORONADO AND FREIGHTLINER AFTER NOV 2011	
1	S.O.S.		69116-002	Air Spring	2	2	-
2	E-16425		60850-001	Air Spring Bracket, Left Hand	1	1	1-28
	E-15132		60850-002	Air Spring Bracket, Right Hand	1	1	1-28
3	E-15133		59428-001	Height Control Valve Linkage Assembly, 13 1/8" Center-to-Center	1	1	1-28
	E-15134		59428-002	Height Control Valve Linkage Assembly, 14 1/2" Center-to-Center	-	1	1-28
4	S.O.S.		59935-013	Height Control Valve, Left Hand	1 Set Back	1	-
	S.O.S.		59935-023	Height Control Valve, Left Hand	1 Set Forward	-	-
	S.O.S.		59935-024	Height Control Valve, Right Hand	-	1	-
	E-13995		59935-002	Height Control Valve, Right Hand	1	-	1-28
5	E-16426		59429-001	Link Mount, Left Hand	1 Set Back	1	1-28
	E-15098		59429-002	Link Mount, Right Hand	1 LH Set Forward; 1 RH	1	1-28
6	M85932	-	58913-012	Shock Absorber	2	2	-
	M89453	-	58913-012	Shock Absorber	2	2	-
7	S.O.S.	-	-	Bolt, 3/4"-10 X 4" Long, Upper Shock	-	2	-
	S.O.S.	-	-	Bolt, 3/4"-10 X 3 3/4" Long, Upper Shock	2	-	-
8	E-2545	-	-	Washer, 3/4"	As Required	As Required	-
9	E-4347	-	-	Locknut, 3/4"-10	4	4	-
10	S.O.S.		59423-001	Shock Bracket	2	2	-
11	S.O.S.		22762-046	Shock Spacer	2	2	-
12	S.O.S.		Various	Leaf Spring Assembly	2	2	-
13	S.O.S.		Various	Shackle Bracket Assembly	2	2	-
14	S.O.S.	-	-	Bolt, 3/4"-16 X 6 1/2" Long	6	6	-
15	E-16467	-	-	Lock Nut, 3/4"-16, Nylock	4	4	-
16	E-15102	-	58917-016	Bolt, 3/4"-10 X 8 1/2" Long	8	-	1-27
	E-16435	-	-	Bolt, 3/4"-10 X 10" Long	8	-	1-27
	E-16436	-	-	Bolt, 3/4"-10 X 11 1/2" Long	8	-	1-27
17	E-15146		59826-000	Top Pad	2	2	1-27
18	S.O.S.		Various	Axle Spacer	2	2	-
19	S.O.S.		Various	Dowel Pin	2	2	-
20	S.O.S.		Various	Top Axle Wrap	2	-	-
21	S.O.S.		64722-001	Bottom Axle Wrap	2	-	-
22	E-15145		59449-000	Top Axle Wrap Liner	2	-	1-27
23	E-15110		59845-000	Bottom Axle Wrap Liner	2	-	1-27
24	S.O.S.		Various	Front Hanger	2	2	-
25	S.O.S.		Various	Axle Assembly	1	1	-
26	E-15094	-	17700-033	Lock Nut, 3/4"-10, Nylock	8	8	-

 Denotes Product is Genuine Hendrickson









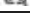






# FREIGHTLINER FRONT


AIRTEK With STEERTEK NXT For Freightliner Motor Home Chassis

FREIGHTLINER



## AIRTEK With STEERTEK NXT For Freightliner Motor Home Chassis

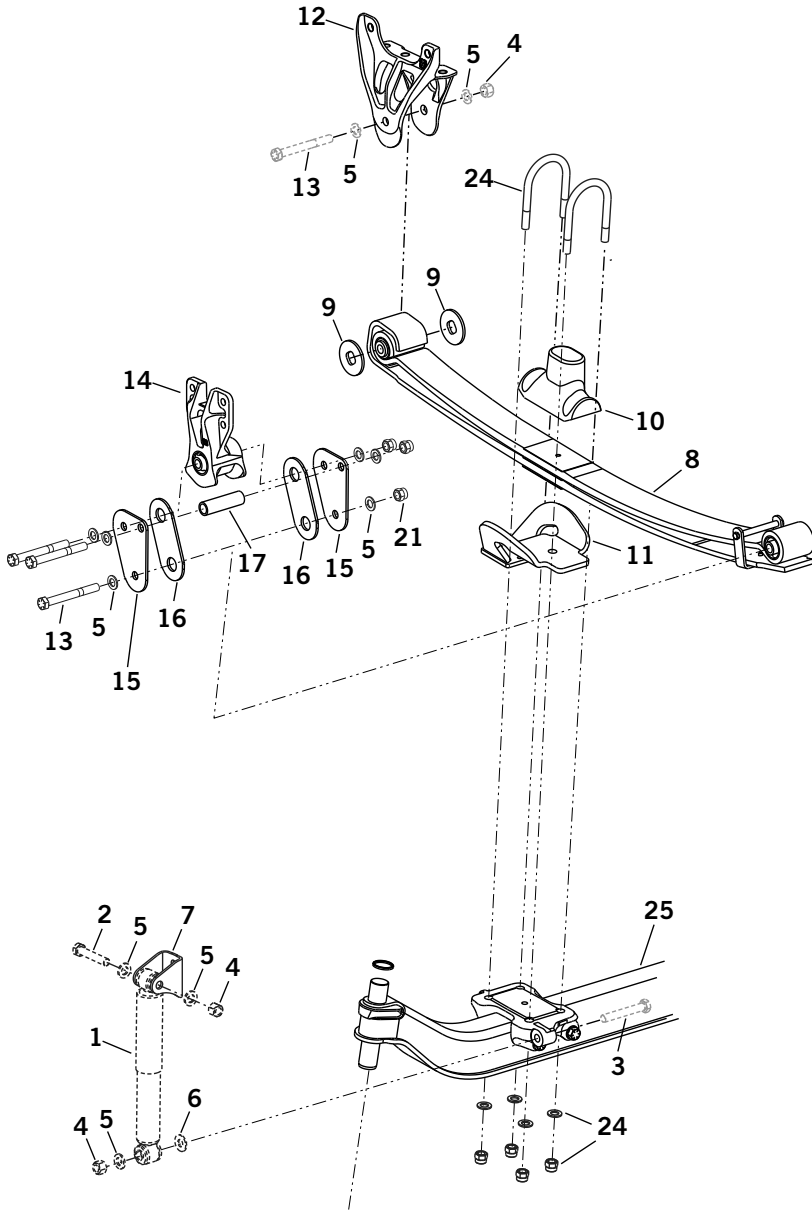
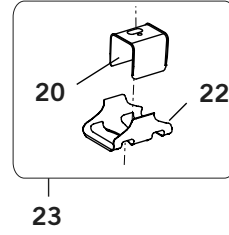
KEY NO.	EUCLID NO.	GENUINE	OEM REF	DESCRIPTION	QTY PER AXLE	PAGE NO.
1	FS9912	-	64075-002	Air Spring	2	-
2	E-16425		60850-001	Air Spring Bracket	2	1-28
3	E-16407		60501-000	Height Control Valve	1	1-28
4	E-15134		59428-002	Height Control Valve Linkage Kit	1	1-28
5	S.O.S.		70417-000	Height Control Valve Linkage Kit and Mounting Hardware, Includes Key No. 4	1	-
6	S.O.S.		66297-000	Front Hanger	2	-
7	S.O.S.	-	-	Bolt, 3/4"-10 X 6 1/2" Long	6	-
8	E-2545	-	-	Hardened Washer, 3/4"	As Required	-
9	E-4347	-	-	Lock Nut, 3/4"-10	6	-
10	E-16430		67493-000; 65899-000	Thrust Washer, Front Hanger	2	1-26
11	S.O.S.		53468-000	Leaf Spring Assembly	2	-
12	S.O.S.		64516-001	Top Pad, Left Hand	1	-
	S.O.S.		64516-002	Top Pad, Right Hand	1	-
13	S.O.S.	-	59952-024	Bolt, 3/4"-16 X 5 1/2" Long	2	-
14	S.O.S.		66510-001	Rear Shackle Bracket and Bushing	2	-
15	S.O.S.		66314-000	Rear Shackle Plate	2	-
16	S.O.S.		68759-004	Sway Bar Bracket	2	-
17	S.O.S.	-	-	Bolt, 3/4"-10 X 4" Long, Upper Shock	2	-
18	S.O.S.		59423-002	Shock Bracket	2	-
19	-		-	Shock Absorber	2	-
20	S.O.S.		-	Shock Spacer, 1/8" Thick	2	-
21	S.O.S.	-	-	Bolt, 3/4"-10 X 5" Long, Lower Shock	2	-
22	S.O.S.		Various	Axle & King Pin Assembly	1	-
23	E-4961A	-	-	Lock Nut, 3/4"-16	6	-

 Denotes Product is Genuine Hendrickson

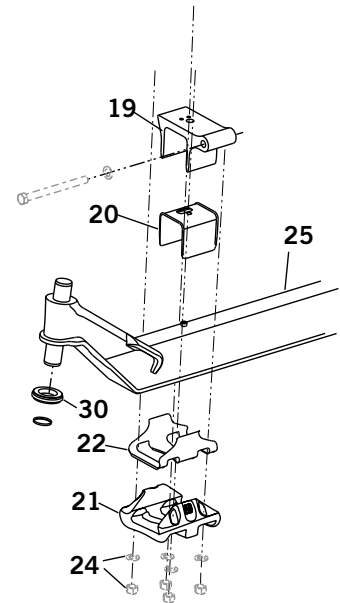
# FREIGHTLINER FRONT SOFTEK for Freightliner Motorhome Chassis

FREIGHTLINER

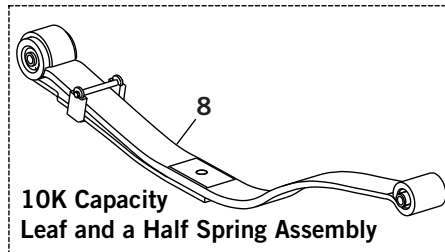
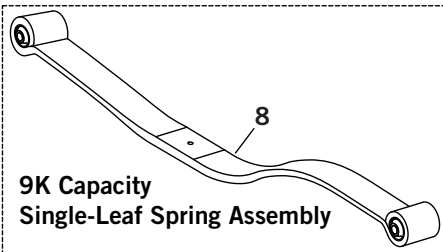
### Axle Wrap Liner Kit



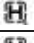



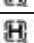

















STEERTEK NXT Axle




STEERTEK Axle



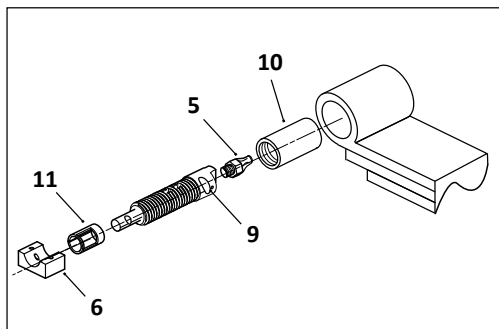
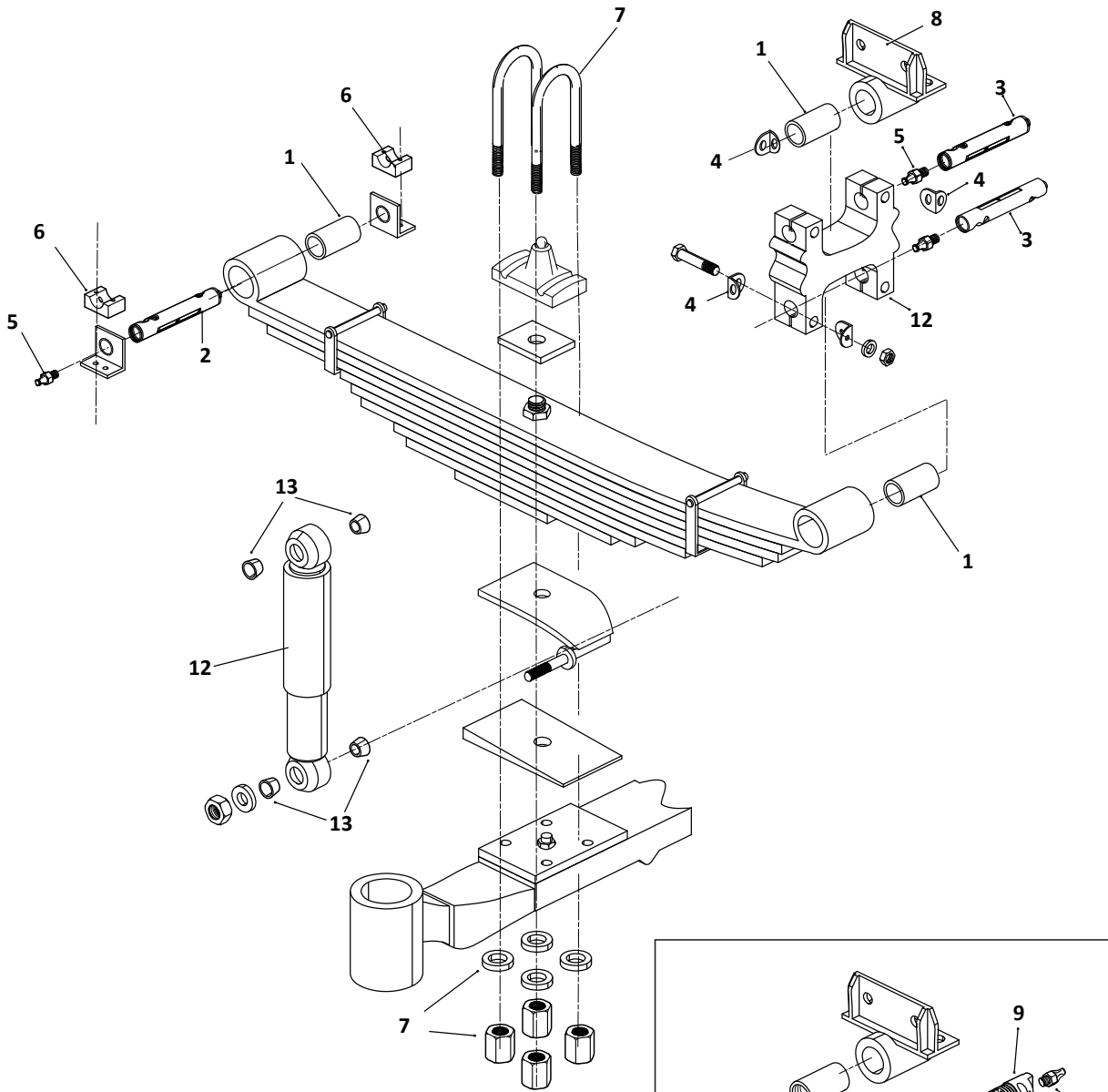


SOFTEK for Freightliner Motorhome Chassis						
KEY NO.	EUCLID NO.	GENUINE	OEM REF	DESCRIPTION	QTY. PER AXLE	PAGE NO.
1	-	-	-	Shock Absorber	2	-
2	S.O.S.	-	-	Bolt, 3/4"-10 X 4" Long, Upper Shock	2	-
3	S.O.S.	-	-	Bolt, 3/4"-10 X 5" Long, Lower Shock	2	-
4	E-4347	-	-	Lock Nut, 3/4"-10	6	-
5	E-2545	-	-	Hardened Washer, 3/4"	As Required	-
6	S.O.S.		59946-002	Shock Spacer, Vehicles Built Prior to May 2010	2	-
	S.O.S.		-	Shock Spacer, 1/8" Thick, Vehicles Built After May 2010	2	-
7	S.O.S.		59423-002	Shock Bracket	2	-
8	S.O.S.		66415-002	Spring Assembly, Includes Spring Eye Bushings, 9K Single Leaf	2	-
	S.O.S.		65710-002	Spring Assembly, Includes Spring Eye Bushings, 10K Leaf & Half	2	-
	S.O.S.		68115-001	Spring Assembly, Includes Spring Eye Bushings, 12K Two Leaf	2	-
9	E-16430		67493-000 65899-000	Thrust Washer, Front Hanger	2	1-26
10	S.O.S.		65714-000	Top Pad, Vehicles Built After May 2010	2	-
	S.O.S.		65925-000	Top Pad, Vehicles Built Prior to May 2010	2	-
11	S.O.S.		68759-004	Sway Bar Bracket, Vehicles Built After March 2012	2	-
	S.O.S.		68759-003 66233-001	Sway Bar Bracket, Vehicles Built Prior to March 2012	2	-
12	S.O.S.		66297-000	Front Hanger	2	-
13	S.O.S.	-	-	Bolt, 3/4"-10 X 6 1/2" Long	6	-
14	S.O.S.		64316-000	Rear Shackle Bracket and Bushing	2	-
15	E-16431		66413-000	Rear Shackle Plate	2	1-26
16	E-16432		64159-000	Rear Shackle Wear Pad	2	1-26
17	E-16434		60631-000	Shackle Stop Tube	2	1-26
18	E-15094	-	-	Lock Nut, 3/4"-10, Nylock	6	-
19	S.O.S.		59952-024	Top Axle Wrap, Vehicles Built Prior to May 2010	2	-
20	E-15147		60508-000	Top Axle Wrap Liner, Vehicles Built Prior to May 2010	2	-
21	S.O.S.		64723-002	Bottom Axle Wrap, Vehicles Built Prior to May 2010	2	-
22	E-15110		59845-000	Bottom Axle Wrap Liner, Vehicles Built Prior to May 2010	2	1-27
23	E-15727		60961-015	Axle Wrap Liner Kit, Vehicles Built Before October 2012, Includes Key Nos. 20 & 22	2	1-27
24	S.O.S.	-	Various	U-Bolt Assembly, 3/4"-16	8	-
25	S.O.S.		Various	Axle & King Pin Assembly	1	-

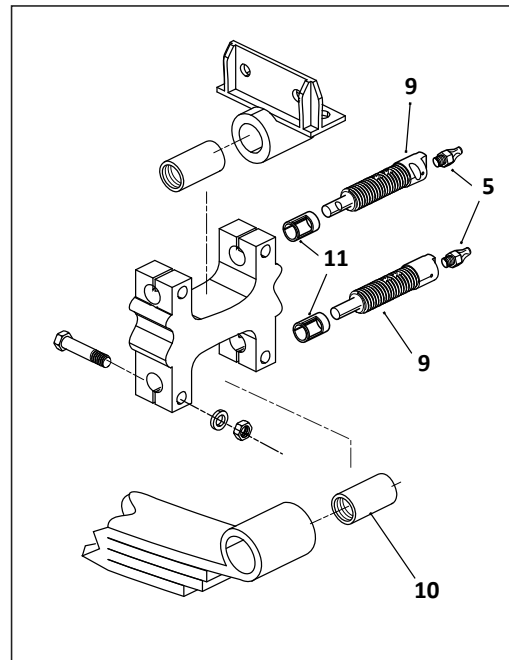
 Denotes Product is Genuine Hendrickson

# FREIGHTLINER FRONT

3 1/2" Wide Springs or  
4" Wide Springs with Cutdown Eyes To 3 1/2"  
Truck/Tractor



**Threaded Pins & Bushings  
Front End of Spring**



**Threaded Pins & Bushings  
Rear of Spring**

## 3 1/2" Wide Springs or 4" Wide Springs with Cutdown Eyes To 3 1/2" Truck/Tractor

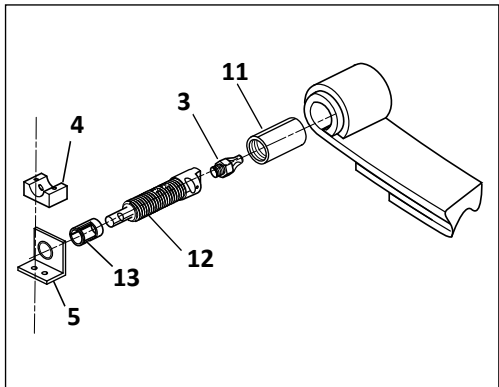
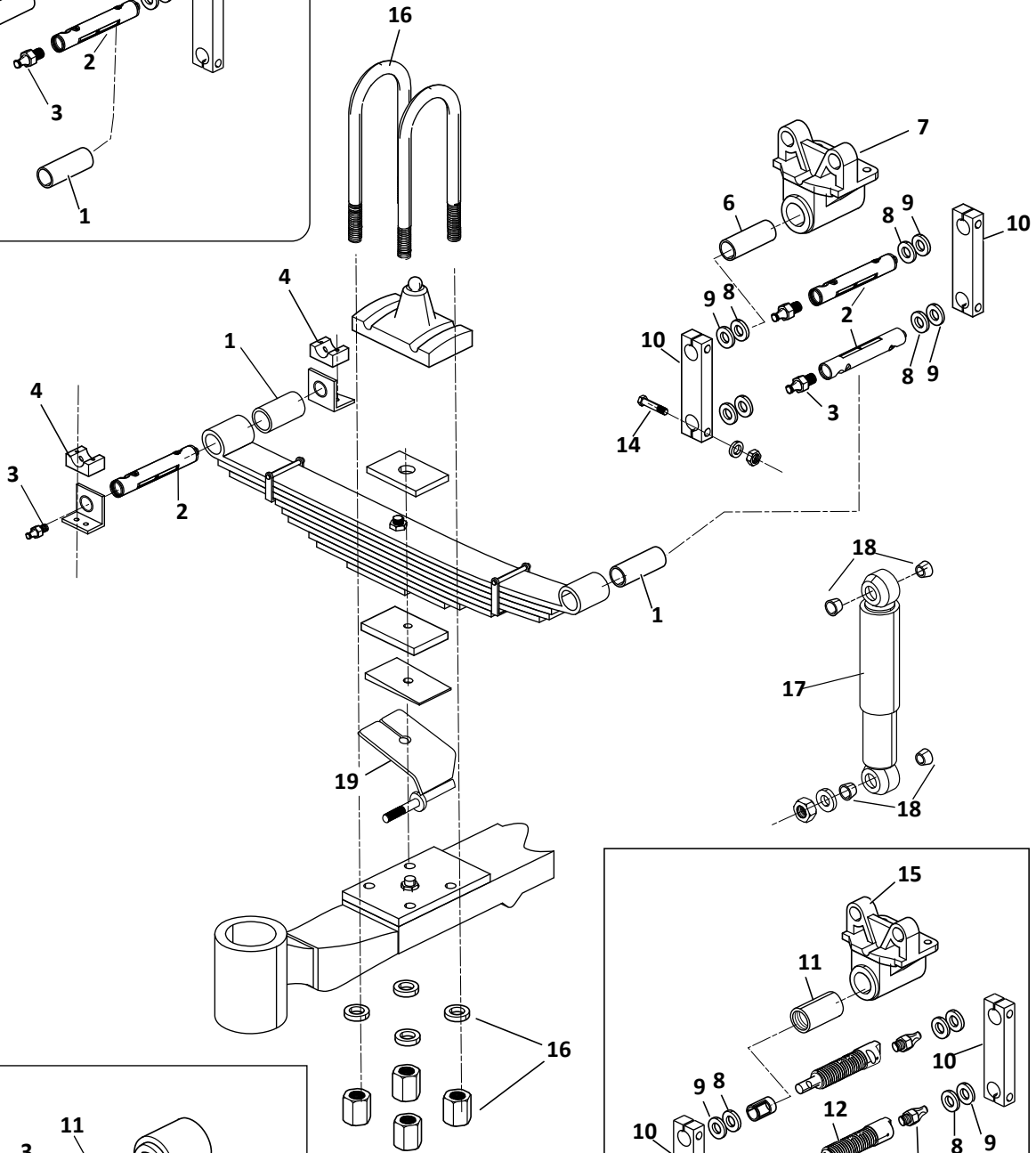
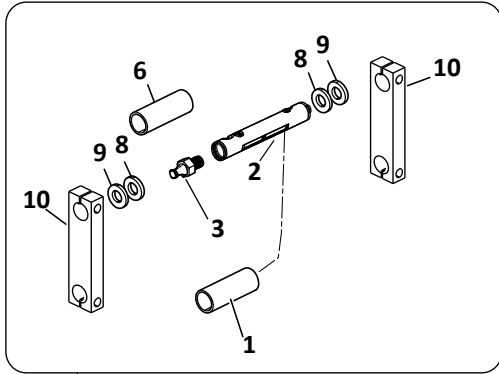
KEY NO.	EUCLID NO.	MACH NO.	OEM REF	DESCRIPTION	QTY. PER AXLE	PAGE NO.
1	<b>E-3533</b>	-	16-01005-000	Front and Rear Spring Eye Bushing, Non-Threaded	4	1-29
2	<b>E-3531</b>	<b>G-3531</b>	16-10509-000	Front Spring Pin, Non-Threaded	2	1-29
3	<b>E-3530</b>	<b>G-3530</b>	16-10510-000	Rear Spring Pin, Non-Threaded	4	1-29
4	<b>E-3537A</b>	-	16-09040-002	Shim	As Required	1-30
5	<b>E-1307</b>	-	-	Zerk Fitting, 1/8" -27 NPT	6	-
6	-	<b>G-16673</b>	16-12323-000	Spring Pin Retainer	4	1-29
7	<b>E-UB8153-10</b>	-	-	U-Bolt Assembly, Rd. Bend, 3/4"-16 Thd. X 3 1/2" Wide x 10" Long	4	-
	<b>E-UB8153-12</b>	-	-	U-Bolt Assembly, Rd. Bend, 3/4"-16 Thd. X 3 1/2" Wide x 12" Long	4	-
	<b>E-UB8153-14</b>	-	-	U-Bolt Assembly, Rd. Bend, 3/4"-16 Thd. X 3 1/2" Wide x 14" Long	4	-
8	-	<b>G-3536</b>	16-09906, 16-1003-1	Spring Hanger, Includes Bushing. Use with Non-Threaded Pins and Bushings	2	1-30
9	-	<b>G-3532</b>	16-09597-000	Front and Rear Spring Pin, Threaded	6	1-29
10	-	<b>G-3534</b>	16-09926-000	Front and Rear Spring Eye Bushing, Threaded	4	1-29
11	-	<b>G-16643</b>	16-09598-000	Threaded Bushing Sleeve, 1 1/4" OD, 1" ID X 1" Long with Slot	6	1-29
12	<b>M85302</b>	-	70042	Shock Absorber	2	-
	<b>M85320</b>	-	10-12032-2	Shock Absorber	2	-
13	<b>E-401754</b>	-	16-10722-000	Shock Absorber Bushing, Rubber	8	1-13
	<b>E-7529</b>	-	-	Shock Absorber Bushing, Poly	8	1-13

# FREIGHTLINER FRONT

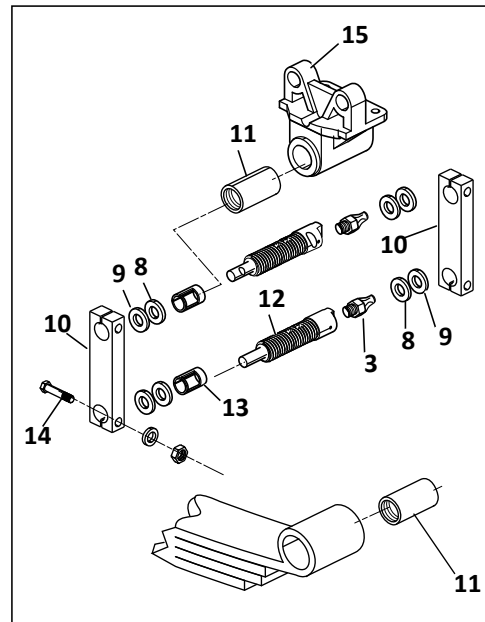
## 4" Wide Springs

### 120 Conventional, COE, FLD112

#### Shackle Kit Smooth Pin



**Threaded Pins & Bushings  
Front End of Spring**



**Threaded Pins & Bushings  
Rear End of Spring**

<b>4" Wide Springs FLD112, 120 Conventional, COE</b>						
KEY NO.	EUCLID NO.	MACH NO.	OEM REF	DESCRIPTION	QTY. PER AXLE	PAGE NO.
1	<b>E-1876</b>	-	16-12399-001	Bi-Metal Bushing, 1 1/2" OD x 1 1/4" ID x 4"	4	1-29
2	<b>E-8796</b>	<b>G-8796</b>	16-13470-000	Spring Pin, 1 1/4" OD x 6 7/8" OAL	6	1-29
3	<b>E-1307</b>	-	-	Zerk Fitting, 1/8" -27 NPT	6	-
4	-	<b>G-16673</b>	16-12323-000	Spring Pin Retainer	2	1-29
5	-	<b>G-15598</b>	-	Shackle Kit, Smooth Bushings, Includes 1, 2, 3, 6, 8, 9, 10	2	1-30
6	<b>E-8797</b>	<b>G-8797</b>	16-01005-002	Bronze Bushing, 1 5/8" OD x 1 1/4" x 4", Hanger Bushing. For 1 1/2" OD, use E-1876	2	1-29
7	<b>E-8854</b>	<b>G-8854</b>	A16-12358-000	Rear Shackle Hanger, Smooth Plus, Ductile Iron, Includes E-8797 Bronze Bushing	2	1-30
8	-	<b>G-16641</b>	16-09860-012	Shim Washer 1.25" ID, 1.875" OD X .031" Thick	As Required	1-30
9	-	<b>G-16642</b>	23-11656-018	Shim Washer 1.25" ID, 2.25" OD X .156" Thick	As Required	1-30
10	<b>E-8795</b>	<b>G-8795</b>	16-11890-000	Shackle Side Bar, Steel 7 5/8" Long	4	1-30
11	<b>E-8799</b>	<b>G-8799</b>	16-12301-000	Threaded Bushing, 1 1/2" OD x 1 1/4"-8 x 4"	6	1-29
12	<b>E-8800</b>	<b>G-8800</b>	16-12302-000	Spring Pin, Threaded	6	1-29
13	-	<b>G-16643</b>	16-09598-000	Threaded Bushing Sleeve, 1 1/4" OD, 1" ID X 1" Long with Slot	6	1-29
14	<b>E-16232</b>	-	-	Hex Bolt, 1/2"-20 X 3" Long	8	-
15	<b>E-8855</b>	<b>G-8855</b>	A16-12358-001	Rear Shackle Hanger, Ductile Iron, Threaded Bushing	2	1-30
16	<b>E-UB8154-10</b>	-	11-09363-110	U-Bolt Assembly, Round Bend 3/4"-16 Thd. x 4" Wide x 10" Long	4	-
	<b>E-UB8154-12</b>	-	11-09363-110	U-Bolt Assembly, Round Bend 3/4"-16 Thd. x 4" Wide x 12" Long	4	-
	<b>E-UB8164-10</b>	-	11-09624-120	U-Bolt Assembly, Round Bend 7/8"-14 Thd. x 4" Wide x 10" Long	4	-
	<b>E-UB8164-12</b>	-	11-09624-120	U-Bolt Assembly, Round Bend 7/8"-14 Thd. x 4" Wide x 12" Long	4	-
17	<b>M85302</b>	-	70042	Shock Absorber	2	-
	<b>M89420</b>	-	70042	Shock Absorber, Premium Adjustable	2	-
	<b>M85320</b>	-	10-12302-000	Shock Absorber	2	-
	<b>M89429</b>	-	10-12302-000	Shock Absorber, Premium Adjustable	2	-
	<b>M85918</b>	-	10-12396-000	Shock Absorber	2	-
	<b>M89449</b>	-	10-12396-000	Shock Absorber, Premium Adjustable	2	-
18	<b>E-401754</b>	-	16-10722-000	Shock Absorber Bushing, Rubber	8	1-13
	<b>E-7529</b>	-	-	Shock Absorber Bushing, Poly	8	1-13
19	-	<b>G-16644</b>	10-12535-000	Shock Bracket, LH	1	1-31
	-	<b>G-16645</b>	10-12535-001	Shock Bracket, RH	1	1-31

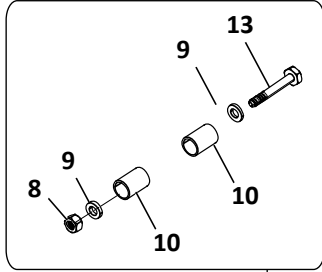
# FREIGHTLINER REAR

## FAS | AIR RIDE

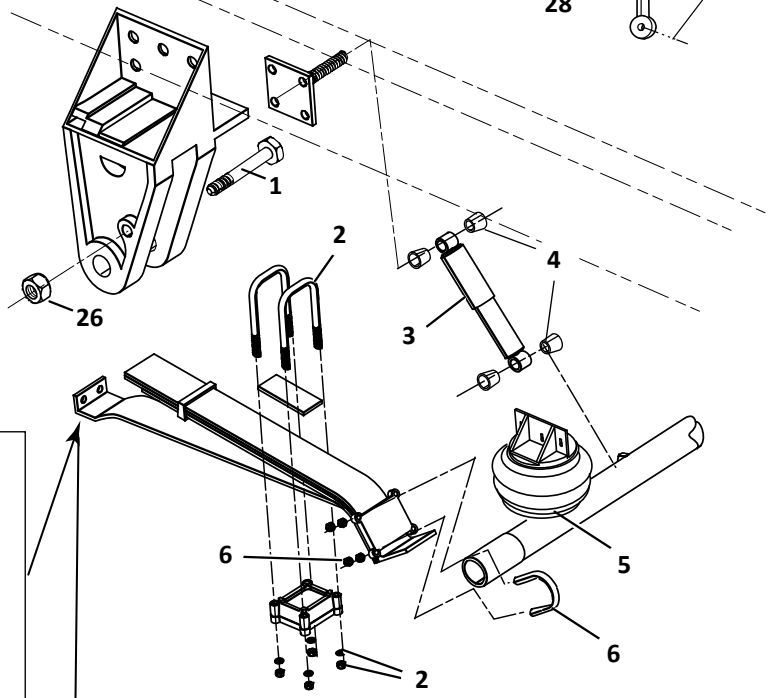
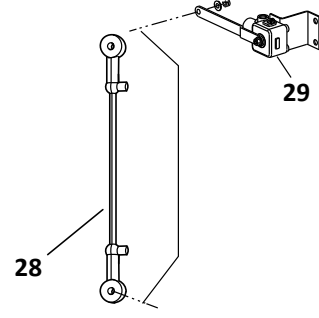
### Truck/Tractor

FREIGHTLINER

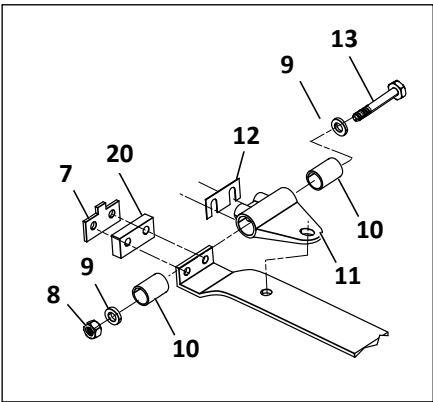
#### Spring Hanger Bracket Bushing Assembly - 1st Design



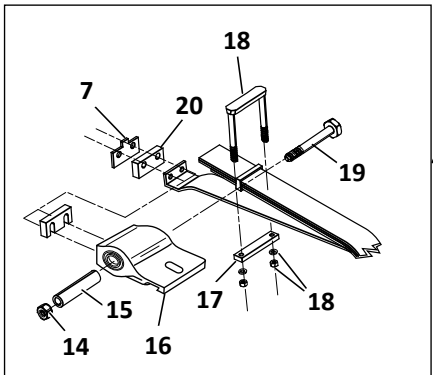
27



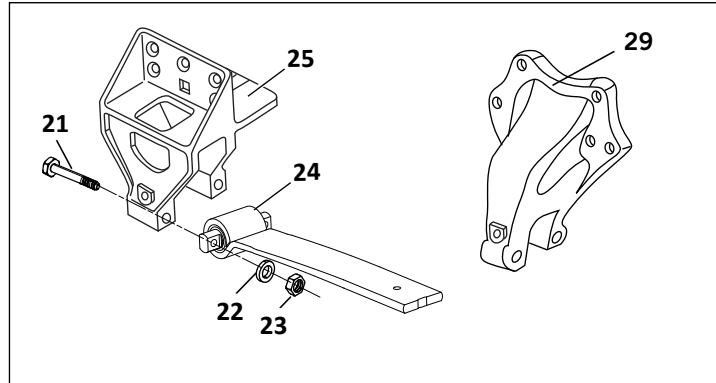
#### 1st Design



#### 2nd Design



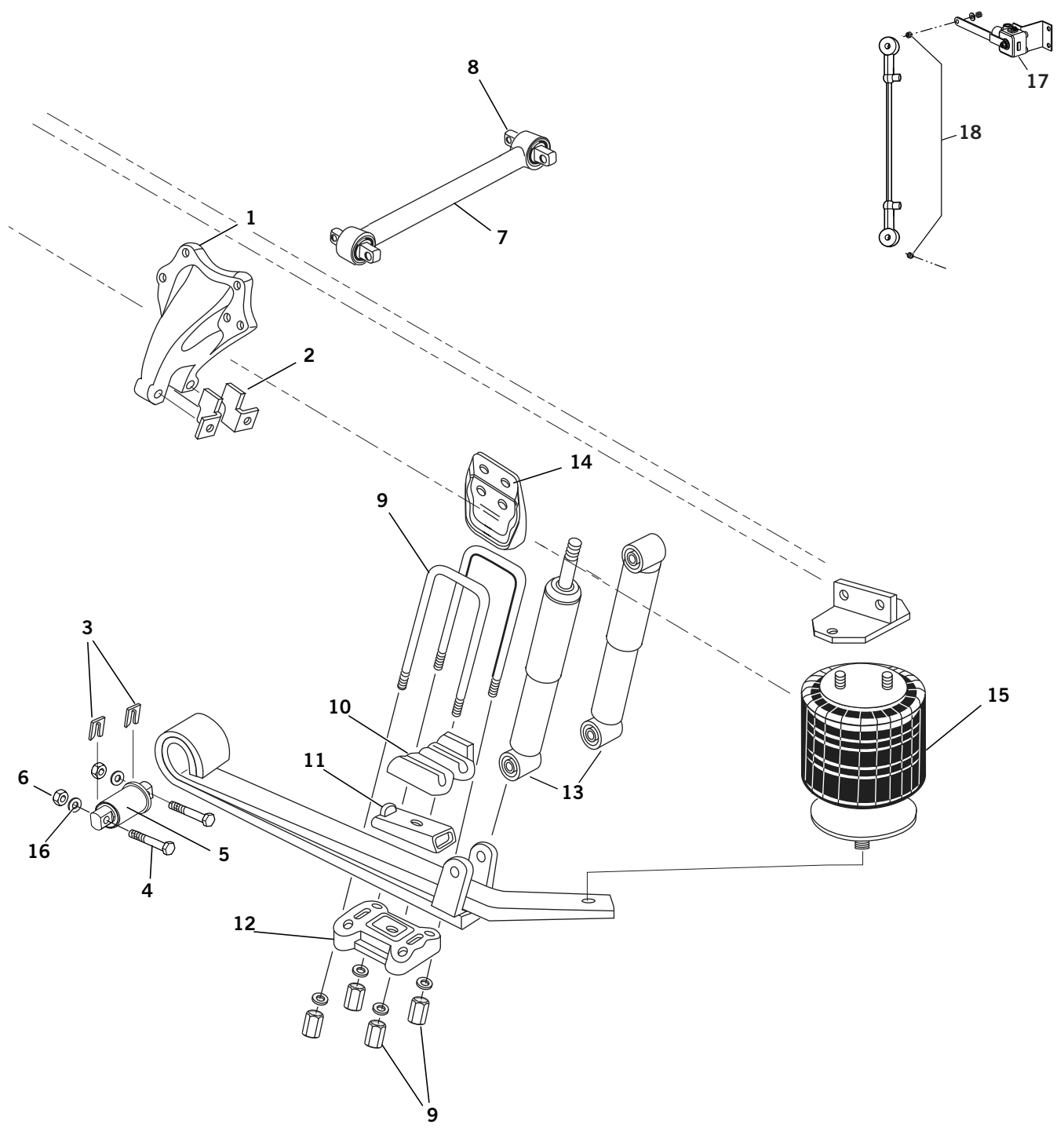
#### 3rd Design



FAS I AIR RIDE Truck/Tractor						
KEY NO.	EUCLID NO.	MACH NO.	OEM REF	DESCRIPTION	QTY. PER AXLE	PAGE NO.
1	E-9376	-	-	Rebound Bolt, 3/4"-16 X 7" Long	2	-
2	E-UB8164-16	-	11-09624-160	U-Bolt Assembly, Sq. Bend, 7/8"-14 Thd. X 4" Wide x 16" Long	4	-
3	M85007	-	16-11133; 16-12117-000	Shock Absorber	2	-
	M89412	-	16-12117-000; 665236	Shock Absorber, Premium Adjustable	2	-
	M85319	-	16-13947-000; 681-326-0400	Shock Absorber	2	-
4	E-401754	-	-	Shock Bushing, 1" ID, Rubber	8	1-13
	E-7529	-	-	Shock Bushing, 1" ID, Poly	8	1-13
5	FS7410	-	16-11378-000	Air Spring	2	-
	FS7400	-	16-10796-000	Air Spring	2	-
6	E-UB8143-074	-	16-10794	U-Bolt Assembly, Round Bend, 5/8"- 18 Thd. X 3 1/2" Wide x 7 1/2" Long	4	-
	E-UB5121-075	-	16-12450-000	U-Bolt Assembly, Round Bend, 1/2"-20 Thd. X 3 1/2" Wide X 7 5/8" Long	4	-
7	E-3568	-	16-10790-1	Shim Lock	2	1-32
8	E-1828	-	23-9901-216	Lock Nut, 1"-14 Thd.	2	-
9	E-3565	-	16-10784	Washer, 1 1/16" ID X 2 1/2" OD X 5/16" Thick	4	-
10	E-3563	-	16-11376-0	Spring Hanger Bushing, First Design	4	1-32
11	E-3569	-	16-10795-000	Spring Hanger Bracket, First Design, Use w/ E-3563 Bushing	2	1-32
12	E-3567	-	16-10790	Shim	As Required	1-33
13	E-3564	-	16-10782	Bolt, 1"-14 Thd. X 8" Long	2	-
14	E-1835	-	23-09598-14	Lock Nut, 7/8"-14 Thd	2	-
15	E-3817	G-3817	236840	Spring Eye Bushing, Silent Block, 7/8" ID X 1 3/4" OD X 4" Long Used in E-3816 Bracket	2	1-32
16	E-3816	-	A16-12314-000	Spring Hanger Bracket, Second Design	2	1-32
17	E-3819	-	16-11935	U-Bolt Bottom Pad	2	1-32
18	E-UB8554-033	-	16-11934	U-Bolt Assembly, Flat Sq. Bend, 3/4"-16 Thd. X 4" Wide x 3 3/8" Long, Second Design	2	-
19	E-3818	-	16-11908-01	Spring Eye Bolt, 7/8"-14 X 7 3/4" Long	2	-
20	E-3821A	-	16-11941-002	Spacer Block	2	1-32
21	E-16227	-	-	Torque Arm Bolt, 5/8"-11 X 5" Long	4	-
22	E-2547	-	-	Washer, 5/8"	4	-
23	E-2988	-	-	Lock Nut, 5/8" -11 Thd.	4	-
24	E-9874	G-9874	HRI-HBUS41, A16-11944	Torque Leaf Bushing, Third Design, 1 3/4" OD X 5 3/8" Center-to-Center of Holes, 5/8" Bolt Hole Dia.	2	1-33
25	-	G-16674	16-12571-000	Spring Hanger Bracket, Third Design	2	1-34
26	E-4961A	-	-	Lock Nut, 3/4"-16 Thd.	2	-
27	E-3562	-	-	Spring Hanger Bracket Bushing Assembly, First Design, Includes Key Nos. 8, 9, 10, 13.	2	1-32
28	E-9625	-	HPB450-3	Linkage Kit, Universal	1	-
29	E-9624	-	H00500C	Universal Height Control Valve, Hadley Model 500, Apply Air To Dump	1	1-35
	E-14731	-	H01501UD	Universal Height Control Valve, Hadley Next Gen, Apply Air To Dump	1	1-35

# FREIGHTLINER REAR FAS II AIR RIDE Truck/Tractor

FREIGHTLINER





# FREIGHTLINER REAR

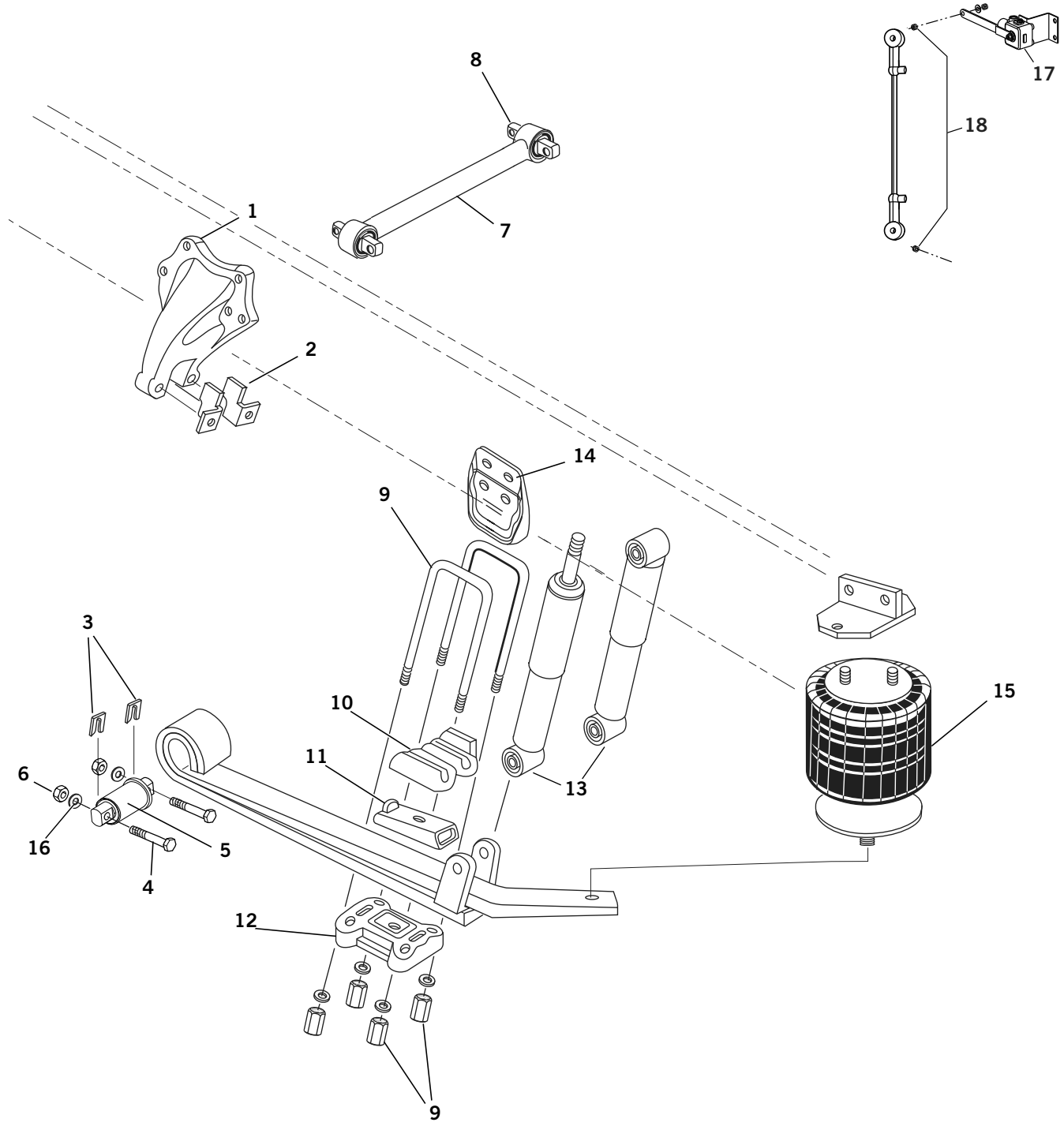
Suspension

FREIGHTLINER

FAS II AIR RIDE Truck/Tractor						
KEY NO.	EUCLID NO.	MACH NO.	OEM REF	DESCRIPTION	QTY. PER AXLE	PAGE NO.
1	-	<b>G-16649</b>	16-13901-000	Hanger, Ductile Iron, Standard Flange - 1 1/4" Thick	2	1-34
2	<b>E-8803</b>	<b>G-8803</b>	681-325-22-09	Hanger Wear Pad, Right Hand	2	1-34
	<b>E-8802</b>	<b>G-8802</b>	681-325-21-09	Hanger Wear Pad, Left Hand	2	1-34
	-	<b>G-16651</b>	16-16456-001	Hanger Wear Pad, Right Hand, Use With Anti-Walk Bushing E-15541	2	1-34
	-	<b>G-16652</b>	16-16456-000	Hanger Wear Pad, Left Hand, Use With Anti-Walk Bushing E-15541	2	1-34
3	<b>E-8805</b>	<b>G-8805</b>	681-328-13-84	Alignment Shim, 1/8"	As Required	1-33
	<b>E-8806</b>	<b>G-8806</b>	681-328-21-84	Alignment Shim, 1/16"	As Required	1-33
	<b>E-8809</b>	-	681-328-16-84	Alignment Shim, 1/16" Thick x 4 3/8" Long	As Required	1-33
	<b>E-8810</b>	-	681-328-19-84	Alignment Shim, 1/8" Thick x 4 3/8" Long	As Required	1-33
4	<b>E-15194</b>	-	-	Hanger Bolt 3/4"-16 X 5 1/2" Long	4	-
5	<b>E-8804</b>	<b>G-8804</b>	681-325-01-50	Spring Eye Bushing, Old Style	2	1-33
	<b>E-15541</b>	<b>G-15541</b>	16-16412-001	Spring Eye Bushing, Anti-Walk	2	1-33
	-	<b>G-15600</b>	-	Spring Eye Bushing, Anti-Walk, .050" Oversize OD	As Required	1-33
6	<b>E-4961A</b>	-	-	Lock Nut, 3/4"-16	4	-
7	<b>E-8808</b>	<b>G-8808</b>	681-326-63-16	Rigid Torque Arm, 22 15/16" Center-to-Center, E-8808 Includes E-5275 Bushings	1	1-34
	<b>E-15536</b>	<b>G-15536</b>	681-326-67-16	Rigid Torque Arm, 24 3/8" Center-to-Center, E-15536 Includes E-5275 Bushings	1	1-34
	<b>E-15542</b>	-	16-16749-002	Rigid Torque Arm, 24 1/2" Center-to-Center, E-15542 Includes E-5275 Bushings	1	1-34
	<b>E-16277</b>	-	16-16749-001	Rigid Torque Arm, 24 15/16" Center-to-Center, E-16277 Includes E-5275 Bushings	1	1-34
	<b>E-16653</b>	<b>G-16653</b>	16-14149-002	Rigid Torque Arm, 24 7/16" with 7° Twist, Center-to-Center, E-16653 Includes E-10303 Straddle Bushing & E-2228 Taper Pin Bushing	1	1-34
8	<b>E-5275</b>	-	47691	Torque Arm Bushing, Straddle Mount, For Rebushable Torque Arm	2	1-33
9	<b>E-UB8267-153</b>	-	681-325-03-25	U-Bolt Assembly, Special Bend, 7/8"- 14 Thd. X 5 3/16" Wide x 15 3/8" Long	4	-
10	-	<b>G-16656</b>	16-14783-000	U-Bolt Top Pad, Use with Round Bend U-Bolts	2	1-35
	-	<b>G-16654</b>	16-14786-000	U-Bolt Top Pad, Right & Left Hand, Use with Square U-Bolts & 0° Axle Seat	2	1-34
	-	<b>G-16475</b>	16-14787-000	U-Bolt Top Pad, Left Hand, Use with Square U-Bolts & 2.5° Axle Seat	2	1-35
	-	<b>G-16472</b>	16-14787-001	U-Bolt Top Pad, Right Hand, Use with Square U-Bolts & 2.5° Axle Seat	2	1-35

# FREIGHTLINER REAR FAS II AIR RIDE Truck/Tractor

FREIGHTLINER



# FREIGHTLINER REAR

Suspension

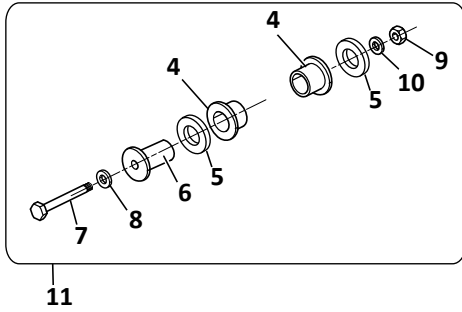
FREIGHTLINER

FAS II AIR RIDE Truck/Tractor						
KEY NO.	EUCLID NO.	MACH NO.	OEM REF	DESCRIPTION	QTY. PER AXLE	PAGE NO.
11	-	<b>G-16664</b>	6813281626	Axle Seat, Wedge Style, 5° Angle	2	1-36
	-	<b>G-16665</b>	16-14071-000	Axle Seat, Wedge Style, 5° Angle	2	1-36
	-	<b>G-16471</b>	16-14049-002, 6803250319, XC455789BA	Axle Seat, "V" Notch on One Side, Left Hand, 3° Angle	1	1-36
	-	<b>G-15590</b>	16-14049-001	Axle Seat, "V" Notch on One Side, Right Hand, 3° Angle	1	1-36
	-	<b>G-16474</b>	16-14059-002	Axle Seat, "V" Notch on One Side, Left Hand, 3° Angle	1	1-36
	-	<b>G-16662</b>	16-14059-001	Axle Seat, "V" Notch on One Side, Right Hand, 3° Angle	1	1-36
	-	<b>G-16660</b>	16-14140-000	Axle Seat, "V" Notch on Both Sides, 2° Angle	2	1-36
	-	<b>G-16281</b>	16-14051-000	Axle Seat, "V" Notch on Both Sides, 5.5° Angle	2	1-36
	-	<b>G-16658</b>	16-14294-000	Axle Seat, Long Narrow Notches on Both Sides, 2° Angle	2	1-36
	-	<b>G-16661</b>	16-14677-000	Axle Seat, Long Narrow Notches on Both Sides, 4.5° Angle	2	1-36
	-	<b>G-16659</b>	16-14295-000	Axle Seat, Long Narrow Notches on Both Sides, 5.5° Angle	2	1-36
12	-	<b>G-16473</b>	16-14266-001	U-Bolt Bottom Plate, Square Bend U-Bolts	2	1-35
	-	<b>G-16655</b>	16-14016-001	U-Bolt Top Pad, Round Bend U-Bolts	2	1-35
13	<b>M85319</b>	-	681-326-04-00	Shock Absorber	2	-
	<b>M89428</b>	-	681-326-04-00	Shock Absorber, Premium Adjustable	2	-
	<b>M85724</b>	-	16-13957-000	Shock Absorber	2	-
14	-	<b>G-16666</b>	681-328-18-40	Axle Rebound Bracket	2	1-35
15	<b>FS9781</b>	-	681-320-00-17, 16-14004-000, 16-16773-000	Firestone Air Spring	2	-
	<b>MAF9781</b>	-	681-320-00-17, 16-14004-000, 16-16773-000	Meritor Air Spring	2	-
	<b>FS9780</b>	-	16-14377-000	Firestone Air Spring	2	-
	<b>MAF9780</b>	-	16-14377-000	Meritor Air Spring	2	-
16	<b>E-2545</b>	-	-	Washer, 3/4" ID	2	-
17	<b>E-9624</b>	-	H00500C	Universal Height Control Valve, Hadley Model 500, Apply Air To Dump	1	1-35
	<b>E-14731</b>	-	H01501UD	Universal Height Control Valve, Hadley Next Gen, Apply Air To Dump	1	1-35
18	<b>E-9625</b>	-	-	Universal Leveling Valve Link Kit	1	-

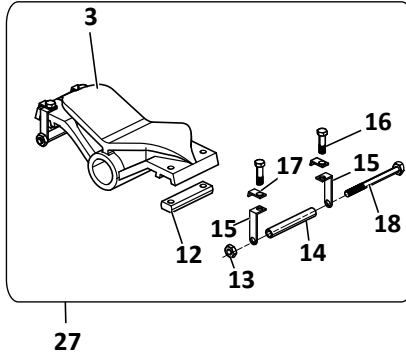
# FREIGHTLINER REAR

## FH34A - 44A, 4" Wide Leaf Spring Suspension Truck/Tractor

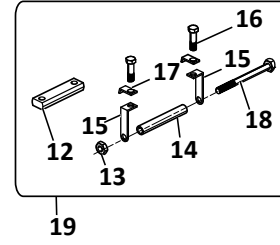
Equalizer Bushing Assembly



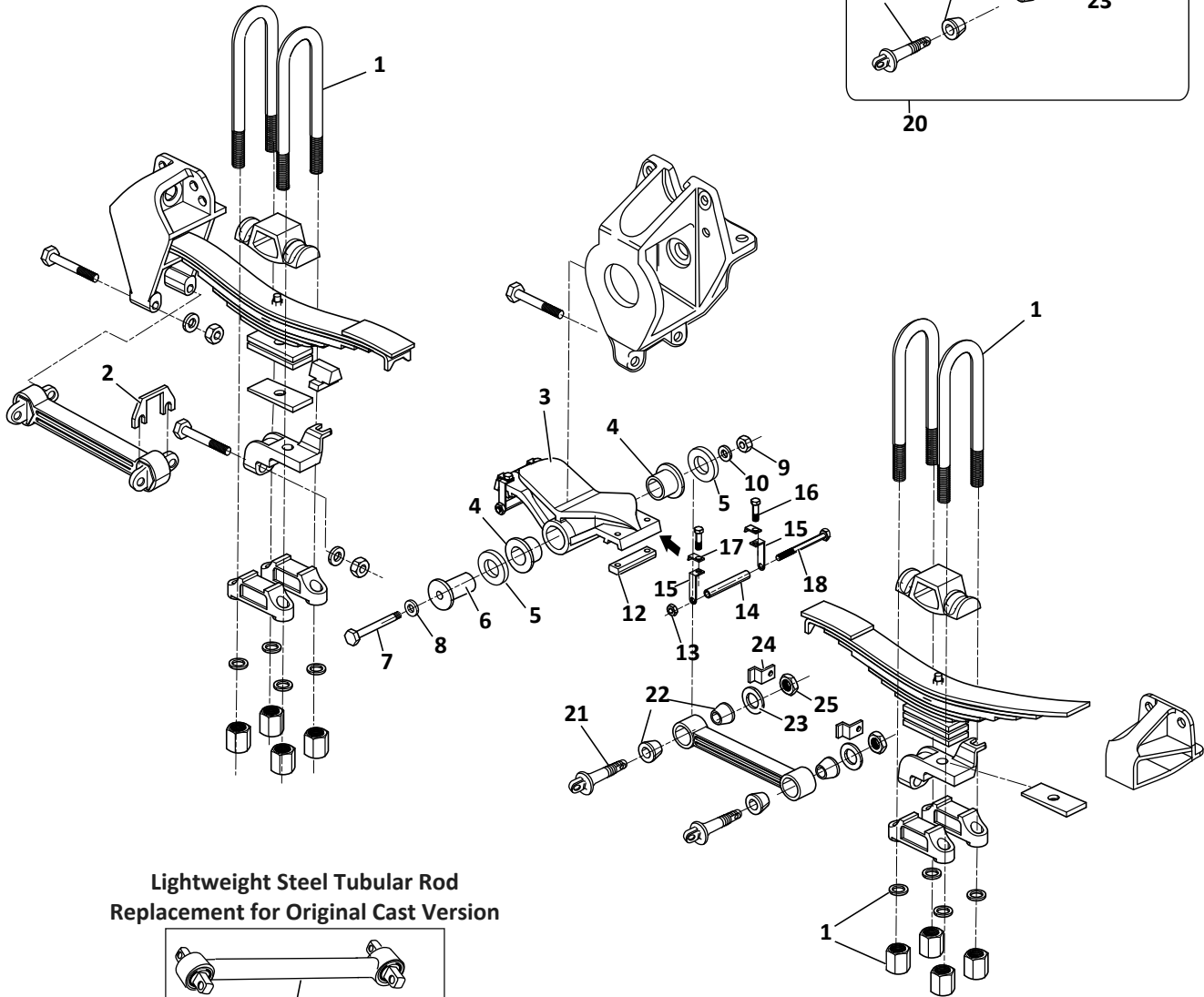
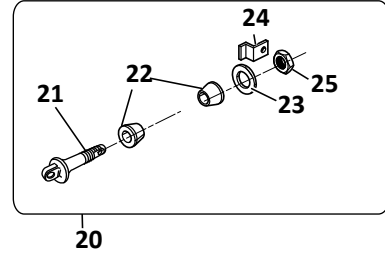
Equalizer Assembly



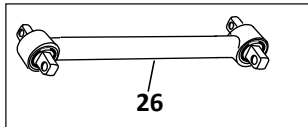
Equalizer Bracket Kit



Torque Arm Bushing Assembly  
Cast Torque Arms



Lightweight Steel Tubular Rod  
Replacement for Original Cast Version



Torque Arm

FH34A - 44A, Wide Leaf Spring Suspension Truck/Tractor						
KEY NO.	EUCLID NO.	MACH NO.	OEM REF	DESCRIPTION	QTY. PER TANDEM	PAGE NO.
1	<b>E-UB8154-18</b>	-	-	U-Bolt Assembly, Rd. Bend, 3/4"- 16 Thd. X 4" Wide x 18" Long	8	-
2	<b>E-3790</b>	<b>G-3790</b>	11-9588-1	Torque Arm Shim	As Required	1-39
3	-	<b>G-3917A</b>	16-10175-001	Equalizer, Ductile Iron	2	1-37
4	<b>E-7701</b>	-	16-13568-000	Equalizer Bushing, Poly	4	1-37
5	<b>E-3541</b>	-	A16-10177	Washer	4	1-38
6	<b>E-3539</b>	-	A16-10550	Cap & Tube Assembly	2	1-37
7	<b>E-3542</b>	-		Bolt, 3/4"-16 X 8 1/2" Long	2	-
8	<b>E-2545</b>	-	23-09114-004	Washer, 3/4" ID	2	-
9	<b>E-4961A</b>	-	23-461-6	Lock Nut, 3/4"-16 Thd.	2	-
10	<b>E-3543</b>	-	23-09427-05	Washer, 13/16" ID X 2" OD X 1/8" Thick	2	-
11	<b>E-3538</b>	-	-	Equalizer Bushing Assembly Includes Key Nos. 4 - 10.	2	1-37
12	<b>E-3557</b>	<b>G-3557</b>	16-09895-000	Wear Pad	4	1-38
13	<b>E-3560</b>	-	23-9900-208	Lock Nut, 1/2"-20 Thd.	4	-
14	<b>E-3558</b>	-	16-09943-000	Spacer, 4 1/8" Long	4	1-38
15	<b>E-3677</b>	-	16-09893-000	Restraint Bracket, Included in Key Nos. 19 & 27	8	-
16	<b>E-3555</b>	-	23-09441-175	Cap Screw, 1/2"-20 X 1 3/4" Long	8	-
17	<b>E-3556</b>	-	16-10414-000	Bolt Lock	8	1-38
18	<b>E-2022</b>	-	23-10751-550	Bolt, 1/2"-20 X 5 1/2" Long	4	-
19	<b>E-3561A</b>	-	-	Equalizer Bracket Kit Includes Key Nos. 12 -18.	4	1-38
20	<b>E-3294</b>	-	-	Torque Arm Bushing Assembly, Old Style Cast Torque Arm, Includes Key Nos. 21 -25.	8	1-39
21	<b>E-3295</b>	-	R16-9848	Torque Arm Pin, Old Style Cast Torque Arm	8	-
22	<b>E-3296</b>	-	R16-11351	Torque Arm Bushing, Poly, Old Style Cast Torque Arm	16	1-39
23	<b>E-3297</b>	-	16-10431-000	Washer, Old Style Cast Torque Arm	8	-
24	<b>E-3299</b>	-	16-10429	Tab Lock, Old Style Cast Torque Arm	8	-
25	<b>E-3298</b>	-	16-10429	Nut, 1 5/16"-12, 1 3/4" Hex, 5/16" High, Old Style Cast Torque Arm	8	-
26	<b>E-3546</b>	<b>G-3546</b>	16-10420-001	Torque Arm, Tubular Steel, 18 3/16" Center-to-Center, 10° and 3° Bushing Angles, Not Rebushable	4	1-39
	<b>E-8941</b>	<b>G-8941</b>	16-13053-000	Torque Arm, Tubular Steel, 16 5/8" Center-to-Center, Standard Duty with 1 1/2" Diameter Center Bar, 12° and 2° Bushing Angles, Not Rebushable	4	1-39
27	-	<b>G-3917</b>	-	Equalizer Assembly Includes Key Nos. 3, 12, 13, 14, 15, 16, 17, 18	2	1-32

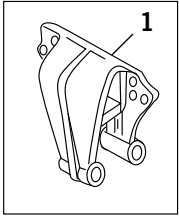
# FREIGHTLINER REAR

## FH36 - 40, 3" Wide Leaf Spring Suspension

### Truck/Tractor

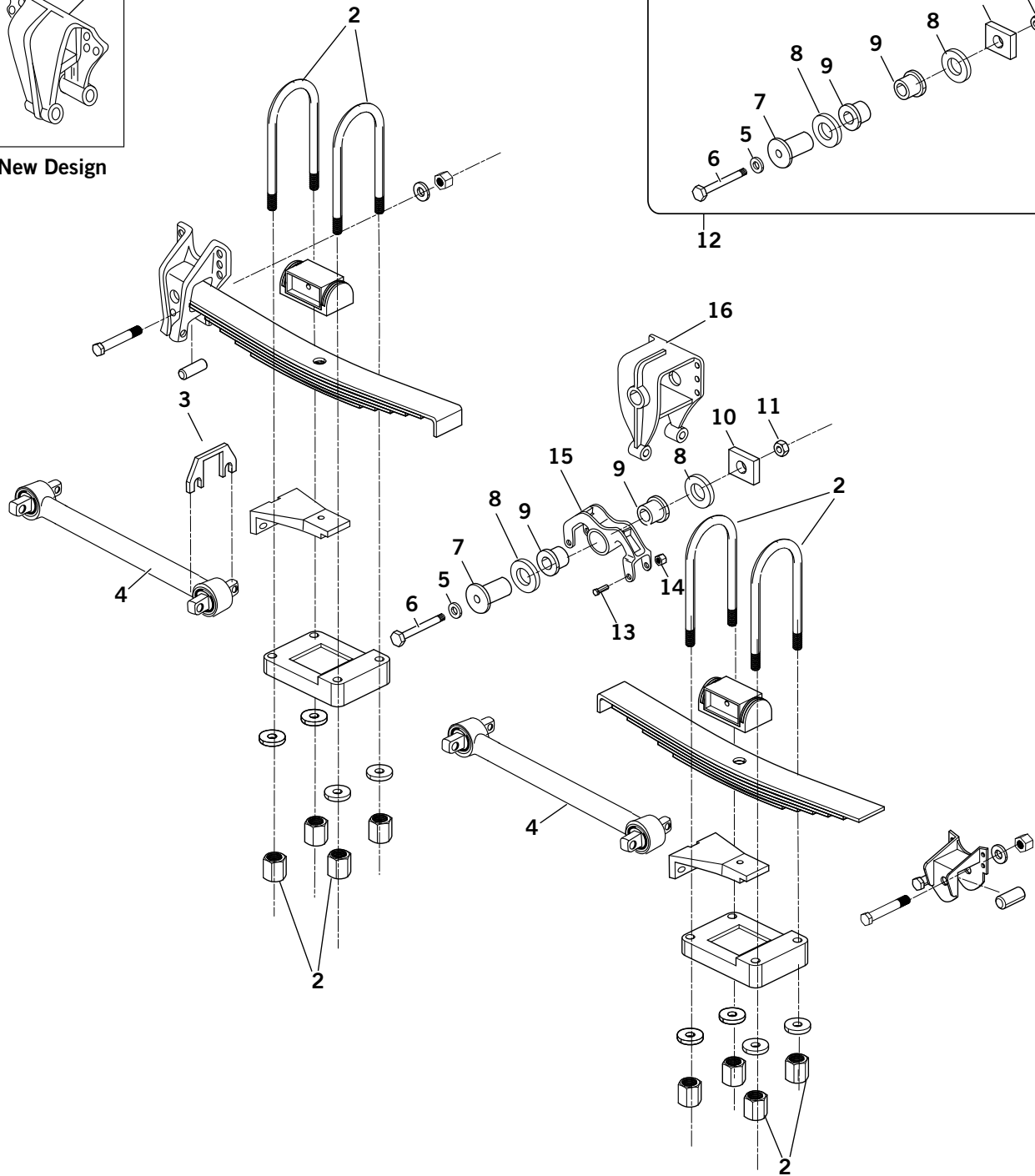
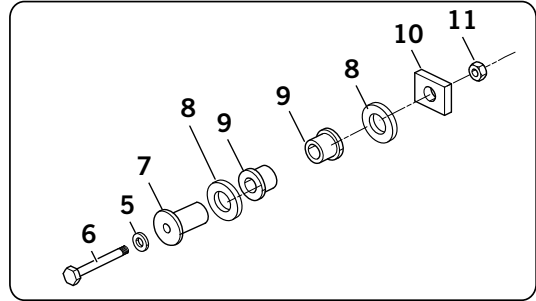
FREIGHTLINER

Front Hanger



New Design

Equalizer Bushing Assembly



# FREIGHTLINER REAR

Suspension

## FH36 - 40, 3" Wide Leaf Spring Suspension Truck/Tractor

KEY NO.	EUCLID NO.	MACH NO.	OEM REF	DESCRIPTION	QTY. PER TANDEM	PAGE NO.
1	-	<b>G-16648</b>	16-12563-000	Front Hanger, Ductile Iron Replacement for Aluminum OE Hanger	2	1-39
2	<b>E-UB8162-18</b>	-	681-322-01-25, 681-322-0925, 681-322-12-25	U-Bolt Assembly, Rd. Bend, 7/8"- 14 Thd. X 3 1/8" Wide x 18" Long	4	-
	<b>E-UB8162-22</b>	-	681-322-03-25, 681-322-13-25	U-Bolt Assembly, Rd. Bend, 7/8"- 14 Thd. X 3 1/8" Wide x 22" Long	4	-
3	<b>E-3790</b>	<b>G-3790</b>	11-9588-1	Torque Arm Shim, 1/16" Thick	As Required	1-39
4	<b>E-8941</b>	<b>G-8941</b>	16-13053-000	Rigid Torque Arm, Steel, Cast, 16 5/8" Center-to-Center, 1 9/16" Tube Diameter, Not Rebushable	4	1-39
	<b>E-9869</b>	-	16-13054-000	Rigid Torque Arm, Steel, Cast, 16 5/8" Center-to-Center, Heavy Duty 1 15/16" Tube Diameter, Not Rebushable	4	1-39
5	<b>E-2545</b>	-	29-9114-4	Washer, 3/4" Diameter	2	-
6	<b>E-7703</b>	-	23-9447-900	Bolt, 3/4"-16 X 9" Long	2	-
7	<b>E-7702</b>	-	A16-12591-000	Cap & Tube Assembly	2	1-37
8	<b>E-3541</b>	-	A16-10177	Washer, 2 1/4" ID X 3 3/4" OD x 1/16" Thick	4	1-38
9	<b>E-7701</b>	-	16-13568-000	Equalizer Bushing, Poly	4	1-37
10	<b>E-7704</b>	-	16-12590-000	Retainer Plate	2	1-38
11	<b>E-4961A</b>	-	23-11480-144	Lock Nut, 3/4"-16 Thread	2	-
12	<b>E-7706</b>	-	A16-12591-000	Equalizer Bushing Assembly, Includes Key Nos. 5 -11.	2	1-37
13	<b>E-16227</b>	-	-	Rebound Bolt, 5/8"-11 X 5" Long	4	-
14	<b>E-2988</b>	-	-	Lock Nut, 5/8"-11 Thread	4	-
15	<b>E-7700</b>	<b>G-7700</b>	681-325-01-27	Equalizer	2	1-37
16	-	<b>G-15596</b>	681-325-0005, 681-325-0805	Center Hanger	2	1-40

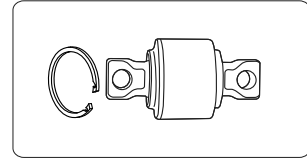
FREIGHTLINER

# FREIGHTLINER REAR

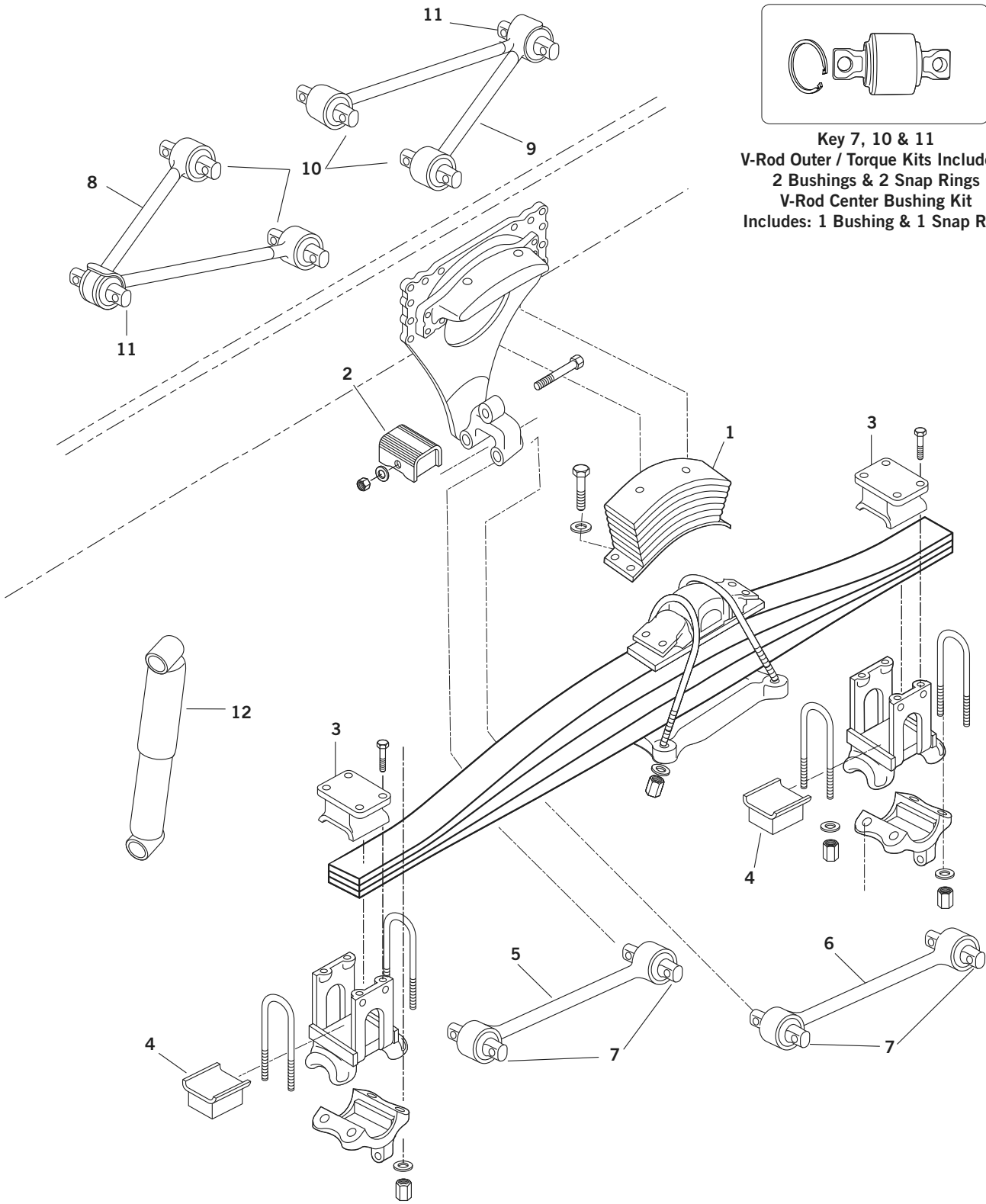
## TufTrac Suspension

FREIGHTLINER

### Torque Rod Bushing Kits



**Key 7, 10 & 11**  
**V-Rod Outer / Torque Kits Includes:**  
 2 Bushings & 2 Snap Rings  
**V-Rod Center Bushing Kit**  
 Includes: 1 Bushing & 1 Snap Ring





TufTrac Suspension						
KEY NO.	EUCLID NO.	MACH NO.	OEM REF	DESCRIPTION	QTY. PER SUSPENSION	PAGE NO.
1	-	<b>G-16060</b>	16-15010-000	Bolster Spring	2	1-41
2	-	<b>G-16671</b>	16-15067-001	Rebound Stop, Cast	2	1-41
	-	<b>G-16672</b>	16-15067-002	Rebound Stop, Cast	2	1-41
3	-	<b>G-16053</b>	11-22805-000	Upper Insulator Cap, 40K	4	1-41
	-	<b>G-16051</b>	11-19581-000	Upper Insulator Cap, 46K	4	1-41
4	-	<b>G-15588</b>	11-20807-000	Lower Insulator Pad	4	-
5	<b>E-16058</b>	-	16-15002-000	Torque Rod, Front w/ 54" Axle Spacing	2	1-42
	<b>E-16055</b>	-	16-14998-000	Torque Rod, Front w/ 56" Axle Spacing	2	1-42
	<b>E-16222</b>	-	16-15004-000	Torque Rod, Front w/ 60" Axle Spacing	2	1-42
6	<b>E-16059</b>	-	16-15002-001	Torque Rod, Rear w/ 54" Axle Spacing	2	1-42
	<b>E-16054</b>	-	16-14998-001	Torque Rod, Rear w/ 56" Axle Spacing	2	1-42
	<b>E-16223</b>	-	16-15004-001	Torque Rod, Rear w/ 60" Axle Spacing	2	1-42
7	<b>E-16064</b>	-	-	Torque Rod Bushing Kit, Includes (2) Bushings and (2) Snap Rings. For Torque arms E-16058 & E-16059 w/ 54" Axle Spacing	4	1-41
	<b>E-16063</b>	-	-	Torque Rod Bushing Kit, Includes (2) Bushings and (2) Snap Rings. For Torque arms E-16054 & E-16055 w/ 56" Axle Spacing & E-16222 E-16223 w/60" Axle Spacing	4	1-41
8	<b>E-16056</b>	-	16-15001-000	V-Rod, Front 40K, 54" Axle Spacing	1	1-42
	<b>E-16061</b>	-	16-15069-000	V-Rod, Front 46-52K, 56" Axle Spacing	1	1-42
	<b>E-16220</b>	-	16-15003-000	V-Rod, Front 46-52K, 60" Axle Spacing	1	1-42
9	<b>E-16057</b>	-	16-15001-001	V-Rod, Rear 40K, 54" Axle Spacing	1	1-42
	<b>E-16062</b>	-	16-15069-001	V-Rod, Rear 46-52K, 56" Axle Spacing	1	1-42
	<b>E-16221</b>	-	16-15003-001	V-Rod, Rear 46-52K, 60" Axle Spacing	1	1-42
10	<b>E-16066</b>	<b>G-16066</b>	-	V-Rod Bushing Kit, Outer Bushings, Includes (2) Bushings and (2) Snap Rings. For All V-Rods	4	1-42
11	<b>E-16069</b>	<b>G-16069</b>	-	V-Rod Center Bushing Kit, Includes (1) Bushing and (1) Snap Ring for V-Rods E-16056 & E-16057	2	1-42
	<b>E-16070</b>	-	-	V-Rod Center Bushing Kit, Includes (1) Bushing and (1) Snap Ring for V-Rods E-16061, E-16062, E-16220 & E-16221	2	1-42
12	<b>M85956</b>	-	16-15770-000	Shock Absorber	2	-

# FREIGHTLINER FRONT

## Freightliner AIRTEK

FREIGHTLINER

### Spring Eye Bushing

FOR MODELS:  
Freightliner  
Prior to 5/10



Only Century Class S/T, Columbia, Western Star Set Forward.

EUCLID NO.	GENUINE	OEM REF	ID	LENGTH
E-14632		59259-002	3/4"	3 1/4"

### Rear Shackle Wear Pad

FOR MODELS:  
FCCC Motor  
Home Chassis  
SOFTEK



EUCLID NO.	GENUINE	OEM REF	NOTES
E-16432		64159-000	8 1/8" Long, 3 1/2" Wide, 1/4" Thick, 4 7/8" Center-to-Center

### Rear Spring Mount

FOR MODELS:  
Freightliner  
Prior to 5/10



EUCLID NO.	GENUINE	OEM REF
E-14633		58918-000

### Rear Shackle Wear Pad

FOR MODELS:  
AIRTEK With  
STEERTEK NXT  
For FCCC Motor  
Home Chassis



EUCLID NO.	GENUINE	OEM REF
E-16430		67493-000; 65899-000

### Spring End Plate

FOR MODELS:  
Freightliner  
Prior to 5/10



EUCLID NO.	GENUINE	OEM REF
E-15118		58920-001 58920-000

### Rear Spring Eye Hardware Kit

FOR MODELS:  
Freightliner  
Prior to 5/10



EUCLID NO.	GENUINE	OEM REF	NOTES
E-15136		60961-003	Includes Bolt, Nut, Washers

### Rear Shackle Plate

FOR MODELS:  
FCCC Motor  
Home Chassis  
SOFTEK



EUCLID NO.	GENUINE	OEM REF
E-16431		66413-000

### Shackle Stop Tube

FOR MODELS:  
FCCC Motor  
Home Chassis  
SOFTEK



EUCLID NO.	GENUINE	OEM REF	OD	ID	LENGTH
E-16434		60631-000	1 1/4"	7/8"	4 1/2"

## Freightliner AIRTEK

Front Hanger, Right Hand		
FOR MODELS: Freightliner Prior to 5/10, Century Class S/T, Columbia, Western Star		
		
EUCLID NO.	GENUINE	OEM REF
E-15138		59832-002

Top Axle Wrap Liner		
FOR MODELS: All Truck/Tractor		
		
EUCLID NO.	GENUINE	OEM REF
E-15145		59449-000

Front Hanger, Left Hand		
FOR MODELS: Freightliner Prior to 5/10, Century Class S/T, Columbia, Western Star		
		
EUCLID NO.	GENUINE	OEM REF
E-15137		59832-001

Bottom Axle Wrap Liner		
FOR MODELS: All Truck/Tractor, FCCC Motor Home Chassis w/ SOFTEK Built Prior to May 2010		
		
EUCLID NO.	GENUINE	OEM REF
E-15110		59845-000

Top Pad		
FOR MODELS: All Truck/Tractor		
		
EUCLID NO.	GENUINE	OEM REF
E-15146		59826-000

Bolt				
EUCLID NO.	OEM REF	LENGTH	THREAD	APPLICATION
E-15140	50764-002	5 1/2"	3/4"-10	Freightliner Prior to 5/10
E-15102	58917-016	8 1/2"	3/4"-10	All Truck/Tractor
E-16435	-	10"	3/4"-10	All Truck/Tractor
E-16436	-	11 1/2"	3/4"-10	All Truck/Tractor


Axle Wrap Liner Kit		
FOR MODELS: AIRTEK		
		
Includes E-15147 & E-15110 Liners		
EUCLID NO.	GENUINE	OEM REF
E-15727		60961-015


# FREIGHTLINER FRONT

## Freightliner AIRTEK



FREIGHTLINER

Height Control Valve, Right Hand		
FOR MODELS: All Truck/Tractor		
		
EUCLID NO.	GENUINE	OEM REF
E-13995		59935-002



Link Mount, Right Hand			
FOR MODELS: Freightliner Between 5/10 & 11/11 & All Cascadia & Coronado Models			
			
EUCLID NO.	GENUINE	OEM REF	NOTES
E-15098		59429-002	Also used as Left Hand for 5/10-11/11 Set forward Axles


Height Control Valve			
FOR MODELS: FCCC Motor Home Chassis AIRTEK			
			
EUCLID NO.	GENUINE	OEM REF	NOTES
E-16407		60501-000	With Integrated Dump Feature

Link Mount		
FOR MODELS: All Truck/Tractor		
		
EUCLID NO.	GENUINE	OEM REF
E-16426		59429-001

Height Control Valve Linkage Assembly			
FOR MODELS: All Truck/Tractor			
			
EUCLID NO.	GENUINE	OEM REF	LENGTH
E-15133		59428-001	13 1/8" Center-to-Center

Air Spring Bracket, Right Hand		
FOR MODELS: All Truck/Tractor		
		
EUCLID NO.	GENUINE	OEM REF
E-15132		60850-002


Height Control Valve Linkage Assembly			
FOR MODELS: All Truck/Tractor & FCCC Motor Home Chassis w/ SOFTEK			
			
EUCLID NO.	GENUINE	OEM REF	LENGTH
E-15134		59428-002	14 1/2" Center-to-Center

Air Spring Bracket		
FOR MODELS: All Truck/Tractor		
		
EUCLID NO.	GENUINE	OEM REF
E-16425		60850-001

## Front Suspension Parts

**Spring Pin**


FOR MODELS:  
3 1/2" Wide Springs



EUCLID NO.	MACH NO.	OEM REF	POSITION	OD	OAL
<b>E-3530</b>	<b>G-3530</b>	16-10510	Rear	1 1/4"	5 3/4"
<b>E-3531</b>	<b>G-3531</b>	16-10509	Front	1 1/2"	6 3/8"

**Spring Pin - Threaded**


FOR MODELS:  
3 1/2" Wide Springs  
4" Springs



EUCLID NO.	MACH NO.	OEM REF	LENGTH	THREAD
-	<b>G-3532</b>	16-09597-000	6 1/8"	1 1/4"-8
<b>E-8800</b>	<b>G-8800</b>	16-12302-000	7 1/8"	1 1/4"-8

**Spring Pin**

FOR MODELS:  
4" Springs



EUCLID NO.	MACH NO.	OEM REF	OD	LENGTH
<b>E-8796</b>	<b>G-8796</b>	16-13470-000	1 1/4"	6 7/8"

**Spring Pin Sleeve**

FOR MODELS:  
4" Springs



MACH NO.	OEM REF	OD	ID	LENGTH
<b>G-16643</b>	16-09598-000	1 1/4"	1"	1"


**Spring Pin Bushing - Bi-Metal**

FOR MODELS:  
4" Springs



EUCLID NO.	OEM REF	OD	ID	LENGTH
<b>E-1876</b>	16-12399-001	1 1/2"	1 1/4"	4"

**Spring Pin Bushing - Threaded**



Thread 1 1/4"-8

EUCLID NO.	MACH NO.	OEM REF	OD	LENGTH
-	<b>G-3534</b>	16-09926-000	1 1/2"	3 1/2"
<b>E-8799</b>	<b>G-8799</b>	16-12301-000	1 1/2"	4"

**Spring Pin Bushing - Bronze**




ID 1 1/4"

EUCLID NO.	MACH NO.	OEM REF	FOR MODEL	OD	LENGTH
<b>E-3533</b>	-	16-01005-000	3 1/2" Wide Springs	1 1/2"	3 1/2"
<b>E-8797</b>	<b>G-8797</b>	16-01005-002	4" Springs	1 5/8"	4"

**Spring Pin Retainer**

FOR MODELS:  
3 1/2" Springs




MACH NO.	OEM REF
<b>G-16673</b>	16-12323-000

## Front Suspension Parts

FREIGHTLINER

**Spring Hanger**


FOR MODELS:  
3 1/2" Springs



MACH NO.	OEM REF	NOTES
<b>G-3536</b>	16-9906, 16-1003-1	Includes Bushing

**Side Bar**

FOR MODELS:  
4 Wide Springs



Replaces Aluminum version 16-11890-001. Hole Dia. 1 1/4"

EUCLID NO.	MACH NO.	OEM REF	LENGTH	THICKNESS	WIDTH	NOTES
<b>E-8795</b>	<b>G-8795</b>	16-11890-000	7 5/8"	1"	2"	Steel

**Spring Hanger**

FOR MODELS:  
4" Springs



Ductile Iron

EUCLID NO.	MACH NO.	OEM REF	NOTES
<b>E-8854</b>	<b>G-8854</b>	A16-12358-000	E-8854 Includes E-8797 Non-Threaded Bushing
<b>E-8855</b>	<b>G-8855</b>	A16-12358-001	E-8855 Includes E-8799 Threaded Bushing

**Side Bar**

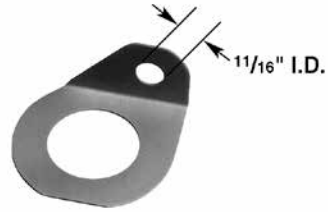
FOR MODELS:  
Various



MACH NO.	OEM REF	C-TO-C	THICKNESS
<b>G-16433</b>	680 322 0020	4 1/8"	1/8"

**Shim**

FOR MODELS:  
3 1/2" &  
4" Wide Springs



EUCLID NO.	OEM REF	ID	THICKNESS
<b>E-3537A</b>	16-9040-2	1 3/8"	1/16"

**Shackle Kit**

FOR MODELS:  
4" Springs




Includes: Side Bars, Spring Pins, Bushings, Bolts, Nuts, Washers, Shims

MACH NO.	NOTES
<b>G-15598</b>	Smooth Pins

**Shim**

FOR MODELS:  
4" Springs



MACH NO.	OEM REF	OD	ID	THICKNESS
<b>G-16641</b>	16-09860-012	1 7/8"	1 1/4"	1/32"
<b>G-16642</b>	23-11656-018	2 1/4"	1 1/4"	5/32"

## Front Suspension Parts

FREIGHTLINER

Spring Eye Bushing				
FOR MODELS: Various				
				
MACH NO.	OEM REF	OD	ID	LENGTH
<b>G-15593</b>	16-15951-000	2 1/4" (57mm)	3/4" (20 mm)	4 1/4" (108 mm)
<b>G-16469</b>	16-17769-000, 680 322 0150	2 1/4"	3/4"	4 1/4"

Shock Bracket - Left Hand					
FOR MODELS: 4" Springs					
					
MACH NO.	OEM REF	LENGTH	WIDTH	THICKNESS	THREADS
<b>G-16644</b>	10-12535-000	9 1/4"	4"	5/8"	3/4"-16

Shock Bracket - Right Hand					
FOR MODELS: 4" Springs					
					
MACH NO.	OEM REF	LENGTH	WIDTH	THICKNESS	THREADS
<b>G-16645</b>	10-12535-001	9 1/4"	4"	5/8"	3/4"-16


# FREIGHTLINER

## Rear Air Ride Suspension Components

**FREIGHTLINER**

**Spring Hanger Bracket, Second Design**


FOR MODELS:  
FAS I



EUCLID NO.	OEM REF	NOTES
<b>E-3816</b>	A16-12314-000	Includes E-3817 or G-3817 Bushing

**Spring Hanger Bushing, Second Design**

FOR MODELS:  
FAS I




Used in E-3816 and E-3816 Bracket

EUCLID NO.	MACH NO.	OEM REF	OD	ID	LENGTH
<b>E-3817</b>	<b>G-3817</b>	236840	1 3/4"	7/8"	4"

**Spring Hanger Bracket, First Design**

FOR MODELS:  
FAS I

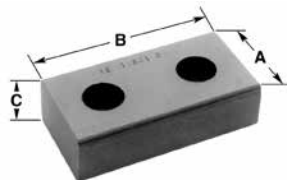


Use with E-3563 Bushing or E-3562 Kit

EUCLID NO.	OEM REF	ID	LENGTH	THREAD
<b>E-3569</b>	16-10795-000	1 5/8"	7 1/8"	5/8"-11

**Spacer Block, Second Design**

FOR MODELS:  
FAS I




Use with E-3816 Spring Hanger Bracket

EUCLID NO.	OEM REF	LENGTH (B)	THICKNESS (C)	WIDTH (A)
<b>E-3821A</b>	16-11941-002	3 7/8"	1"	2"

**Spring Hanger Bracket Bushing Assembly, First Design**


FOR MODELS:  
FAS I



EUCLID NO.	NOTES
<b>E-3562</b>	Used In E-3569. Includes Bushings, Bolt, Washers, Nut

**U-Bolt Bottom Pad**


FOR MODELS:  
FAS I



EUCLID NO.	OEM REF	LENGTH	NOTES
<b>E-3819</b>	16-11935	6 1/2"	3/4" Hole Dia. 4 3/4" Center-to-Center

**Spring Hanger Bushing, First Design**

FOR MODELS:  
FAS I




Used in E-3569 Bracket

EUCLID NO.	OEM REF	OD	ID	LENGTH
<b>E-3563</b>	16-11376-0	1 5/8"	1 1/16"	3 3/16"

**Shim Lock**

FOR MODELS:  
FAS I



Use with First and Second Designs


EUCLID NO.	OEM REF	LENGTH	THICKNESS
<b>E-3568</b>	16-10790-1	3 3/4"	1/16"



## Rear Air Ride Suspension Components

**Shim**

FOR MODELS:  
FAS I




Use with First and Second Designs

EUCLID NO.	OEM REF	LENGTH	THICKNESS
<b>E-3567</b>	16-10790	3 3/4"	1/16"

**Spring Eye Bushing - Anti-Walk**

FOR MODELS:  
FAS II  
Improved Design




Oversize Version of E-15541

MACH NO.	OD	BOLT HOLE DIA	C-TO-C	NOTES
<b>G-15600</b>	2.55"	3/4"	5 11/16"	.050" Oversize OD

**Spring Eye Bushing, Third Design**

FOR MODELS:  
FAS I



Used on Torque Leaf

EUCLID NO.	MACH NO.	OEM REF	OD	BOLT HOLE DIA	C-TO-C
<b>E-9874</b>	<b>G-9874</b>	HRI-HBUS41, A16-11944	1 3/4"	5/8"	5 3/8"

**Torque Arm Bushing**


FOR MODELS:  
FAS II



EUCLID NO.	OEM REF	OD	BOLT HOLE DIA	C-TO-C
<b>E-5275</b>	Hendrickson 47691	2"	5/8"	4 3/8"

**Spring Eye Bushing**

FOR MODELS:  
FAS II  
Early Design




← Center - to - Center →

EUCLID NO.	MACH NO.	OEM REF	OD	BOLT HOLE DIA	C-TO-C
<b>E-8804</b>	<b>G-8804</b>	681-325-01-50	2 1/2"	3/4"	5 11/16"

**Alignment Shim**


FOR MODELS:  
FAS II



EUCLID NO.	MACH NO.	OEM REF	"A"	"B"	THICKNESS
<b>E-8805</b>	<b>G-8805</b>	681-328-13-84	2 1/8"	1 5/8"	1/8"
<b>E-8806</b>	<b>G-8806</b>	681-328-21-84	2 1/8"	1 5/8"	1/16"

**Spring Eye Bushing - Anti-Walk**

FOR MODELS:  
FAS II  
Improved Design

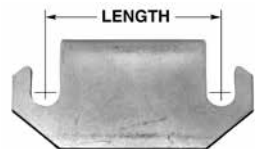


Improved Version of E-8804

EUCLID NO.	MACH NO.	OEM REF	OD	BOLT HOLE DIA	C-TO-C
<b>E-15541</b>	<b>G-15541</b>	16-16412-001	2 1/2"	3/4"	5 11/16"

**Torque Arm Shim**

FOR MODELS:  
FAS II



LENGTH

EUCLID NO.	OEM REF	LENGTH	THICKNESS
<b>E-8809</b>	681-328-16-84	4 3/8"	1/16"
<b>E-8810</b>	681-328-19-84	4 3/8"	1/8"

# FREIGHTLINER

## Rear Air Ride Suspension Components

**FREIGHTLINER**

### Rigid Torque Arm

FOR MODELS:  
FAS II



Euclid Parts Includes E-5275 Bushings, 5/8" Bolt Hole Dia.

EUCLID NO.	MACH NO.	OEM REF	LENGTH (C-T-C)	BUSHING ANGLE
E-8808	G-8808	681-326-63-16	22 15/16"	Bushing Angles 0°, 35°
E-15536	G-15536	681-326-67-16	24 3/8"	
E-16277	-	16-16749-001	23 15/16"	
E-15542	-	16-16749-002	24 7/16"	

### Rigid Torque Arm, Twisted Ends

FOR MODELS:  
FAS II



7.5° Twist, E-16653 Includes E-10303 and E-2228 Bushings

EUCLID NO.	MACH NO.	OEM REF	BOLT HOLE DIA	C-TO-C	THREAD
E-16653	G-16653	16-14149-002	5/8"	24 7/16"	1 1/4"-12

### Spring Hanger - Standard Flange Thickness

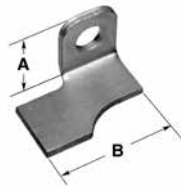
FOR MODELS:  
FAS II



MACH NO.	OEM REF	NOTES
G-16649	16-13901-000	Ductile Iron, 1 1/4" Flange Thickness

### Hanger Wear Pad, Right & Left Hand

FOR MODELS:  
FAS II



Hole Size: 13/16". Right Hand Shown

EUCLID NO.	MACH NO.	OEM REF	LOCATION	A DIM.	B DIM.	NOTES
E-8803	G-8803	681-325-22-09	Right Hand	2 1/8"	3 5/16"	Use With E-8804 Bushing
E-8802	G-8802	681-325-21-09	Left Hand	2 1/8"		Use With E-8804 Bushing
-	G-16651	16-16456-001	Left Hand	1 7/8"		Use With E-15641 Bushing
-	G-16652	16-16456-000	Right Hand	1 7/8"		Use With E-15641 Bushing

### Spring Hanger

FOR MODELS:  
FAS I



MACH NO.	OEM REF	NOTES
G-16674	16-12571-000	Third Design, Newest Revision

### U-Bolt Top Pad - Left & Right Hand

FOR MODELS:  
FAS II





MACH NO.	OEM REF	NOTES
G-16654	16-14786-000	Use with Square U-Bolts & 0° Axle Seat


## Rear Air Ride Components - Suspension Components

FREIGHTLINER


U-Bolt Top Pad - Left Hand		
FOR MODELS: FAS II		
		
MACH NO.	OEM REF	NOTES
G-16475	16-14787-000	Use with Square U-Bolts & 2.5° Axle Seat


Bottom Plate		
FOR MODELS: FAS II		
		
MACH NO.	OEM REF	NOTES
G-16655	16-14016-001	Most 46K Applications. Use with Round U-Bolts


U-Bolt Top Pad - Right Hand		
FOR MODELS: FAS II		
		
MACH NO.	OEM REF	NOTES
G-16472	16-14787-001	Use with Square U-Bolts & 2.5° Axle Seat

Axle Rebound Bracket		
FOR MODELS: FAS II		
		
5/8" Bolt Holes		
MACH NO.	OEM REF	NOTES
G-16666	681-328-18-40	5" Tall

U-Bolt Top Pad		
FOR MODELS: FAS II		
		
MACH NO.	OEM REF	NOTES
G-16656	16-14783-000	Use with Round U-Bolts





Universal Height Control Valve		
FOR MODELS: All Models		
		
EUCLID NO.	OEM REF	NOTES
E-9624	H00500C	Hadley Model 500, Apply Air To Dump

U-Bolt Bottom Plate		
FOR MODELS: FAS II		
		
Most 40K Applications.		
MACH NO.	OEM REF	NOTES
G-16473	16-14266-001	Use with Square U-Bolts

Universal Height Control Valve		
FOR MODELS: All Models		
		
EUCLID NO.	OEM REF	NOTES
E-14731	H01501UD	Hadley Model Next Gen, Apply Air to Dump


## Rear Air Ride Components - FAS II Axle Seat Chart - Suspension Components


FREIGHTLINER


							
<b>TYPE 1 -</b> Wedge style		<b>TYPE 2 -</b> "V" Notch One Side		<b>TYPE 3 - "V" Notch Both Sides</b> For Square U-Bolts		<b>TYPE 4 - Small Notch Both</b> Sides For Round U-Bolts	
MACH NO.	OEM REF	TYPE	ANGLE	WIDTH	LEFT OR RIGHT HAND		
<b>G-16664</b>	681 328 1626	1	5°	-	Both		
<b>G-16665</b>	16-14071-000	1	5°	-	Both		
<b>G-16471</b>	16-14049-002, 680 325 0319,	2	3°	4 3/4"	Left		
<b>G-15590</b>	16-14049-001	2	3°	4 3/4"	Right		
<b>G-16474</b>	16-14059-002	2	3°	5"	Left		
<b>G-16662</b>	16-14059-001	2	3°	5"	Right		
<b>G-16660</b>	16-14140-000	3	2°	4 3/4"	Both		
<b>G-16281</b>	16-14051-000	3	5.5°	4 3/4"	Both		
<b>G-16658</b>	16-14294-000	4	2°	4 3/4"	Both		
<b>G-16661</b>	16-16477-000	4	4.5°	4 3/4"	Both		
<b>G-16659</b>	16-14295-000	4	5.5°	4 3/4"	Both		


## Rear Leaf Spring Suspension Components


Equalizer Assembly	
FOR MODELS: FH34A-44A	
	
MACH NO.	NOTES
<b>G-3917</b>	Includes: Equalizer, 2-Wear Shoes, 4 - 1/2"-20 X 1 3/4" Bolts, 4 - Bolt Locks, 2 - Spacers, 2 - 1/2"-20 X 5 1/2" Bolts, 2 - 1/2"-20 Lock Nuts, 4-Brackets

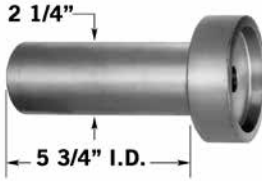
Equalizer Bushing Assembly	
FOR MODELS: FH34A-44A	
	
Includes 1- Bushing and Cap Assembly, plus items noted below.	
EUCLID NO.	NOTES
<b>E-3538</b>	2- Bushings, 2 - 3 3/4" OD Washers, 1- Bolt, 1- 2" OD Washer, 1 - 1 1/2" OD Washer, 1 - Lock Nut

Equalizer Bushing Assembly		
FOR MODELS: FH36-40		
		
Includes 1- Bushing and Cap Assembly, plus items noted below		
EUCLID NO.	OEM REF	NOTES
<b>E-7706</b>	A16-12591-000	2-Bushings, 2-Washers, 1-Bolt, 1-Retainer Plate, 1- 3/4" ID Washer, 1 - Lock Nut

Equalizer		
FOR MODELS: FH34A-44A		
		
MACH NO.	OEM REF	NOTES
<b>G-3917A</b>	16-10175-001	Ductile Iron


Equalizer Bushing				
FOR MODELS: FH34A-44A, FH36-40				
				
Poly				
EUCLID NO.	OEM REF	OD	I.D.	LENGTH
<b>E-7701</b>	A16-10549	2 3/4"	2 1/4"	2 9/32"


Equalizer			
FOR MODELS: FH36-44A			
			
EUCLID NO.	MACH NO.	OEM REF	NOTES
<b>E-7700</b>	G-7700	681-325-01-27	Use Bushing E-7701 Not Included with Equalizer

Cap & Tube Assembly			
FOR MODELS: FH34A-44 FH36-40			
			
EUCLID NO.	OEM REF	FOR MODEL	OVERALL LENGTH
<b>E-3539</b>	A16-10550	FH34A-44	6 9/16"
<b>E-7702</b>	A16-12591-000	FH36-40	7"


## Rear Leaf Spring Suspension Components


FREIGHTLINER


Equalizer Bracket Kit	
FOR MODELS: FH34A-44A	
	
EUCLID NO.	INCLUDES 2 BRACKETS AND ITEMS BELOW
<b>E-3561A</b>	Wear Pad, Spacer, 1/2"-20 X 5 1/2" Bolt, 2 - 1/2" Lock Nuts, 2- Bolt Locks, 2- 1/2"-20 X 1 3/4" Bolts


Bolt Lock					
FOR MODELS: FH34A-44A					
					
EUCLID NO.	MACH NO.	OEM REF	ID	LENGTH	WIDTH
<b>E-3556</b>	G-3556	16-10414-000	1/2"	1 1/2"	1"

Wear Pad				
FOR MODELS: FH34A-44A				
				
EUCLID NO.	MACH NO.	OEM REF	LENGTH	THICKNESS
<b>E-3557</b>	G-3557	16-09895-000	4 1/8"	1"

Washer					
					
EUCLID NO.	OEM REF	OD	I.D.	THICKNESS	FOR MODEL
<b>E-3541</b>	A16-10177	3 3/4"	2 1/4"	1/16"	FH36-40
<b>E-3543</b>	23-09427-05	2"	13/16"	1/8"	FH34A-44A

Restraint Bracket		
FOR MODELS: FH34A-44A		
		
EUCLID NO.	OEM REF	NOTES
<b>E-3677</b>	16-09893-000	Included in Kit E-3561A


Retainer Plate		
FOR MODELS: FH36-40		
		
EUCLID NO.	OEM REF	NOTES
<b>E-7704</b>	16-12590-000	3" Square


Spacer			
FOR MODELS: FH34A-44A			
			
EUCLID NO.	OEM REF	I.D.	LENGTH
<b>E-3558</b>	16-09943-000	5/8"	4 1/8"


Wear Pad Kit		
FOR MODELS: MB/FL Series, Single Axle Rear		
		
MACH NO.	OEM REF	NOTES
<b>G-15601</b>	360167	Includes Mounting Bolts and Lock Nuts


## Rear Leaf Spring Suspension Components


Spring Pin - Rear				
FOR MODELS: MB/FL Series, Single Axle Rear				
				
MACH NO.	OEM REF	DIA	LENGTH	C-TO-C
<b>G-15597</b>	680 325 0074	1 3/8"	6"	4 1/4"

Torque Arm Bushing Assembly	
FOR MODELS: FH34A-44A	
	
EUCLID NO.	NOTES
<b>E-3294</b>	For Old Style Cast Torque Arms, Includes Bushings, Pin, Washer, Nut

Rigid Torque Arm					
FOR MODELS: FH34A-44A					
					
EUCLID NO.	MACH NO.	OEM REF	TUBE OD	LENGTH (C-T-C)	NOTES
<b>E-8941</b>	<b>G-8941</b>	16-13053-000	1 9/16"	16 5/8"	Not Rebushable. Tubular Steel, 12° and 2° Bushing Angles, Replaces Original Cast Torque Arm, Models FH34A-44 & FH36-40
<b>E-9869</b>	-	16-13054-000	1 15/16"	16 5/8"	Not Rebushable. Tubular Steel, 12° and 2° Bushing Angles, Models FH34A-44 & FH36-40
<b>E-3546</b>	<b>G-3546</b>	16-10420-001	1 9/16"	18 3/16"	Not Rebushable. Tubular Steel, 10° and 3° Bushing Angles. Models FH34A-44

Torque Arm Bushing, Poly				
FOR MODELS: FH34A-44A				
				
For Old Style Cast Torque Arm				
EUCLID NO.	OEM REF	OD	I.D.	LENGTH
<b>E-3296</b>	R16-11351	Tapered	1 3/6"	1 3/8"

Torque Arm Shim				
FOR MODELS: FH34A-44A, FH36-40				
				
EUCLID NO.	MACH NO.	OEM REF	LENGTH	THICKNESS
<b>E-3790</b>	<b>G-3790</b>	11-9588-1	5 3/4"	1/16"

Front Hanger	
FOR MODELS: FH36-40	
	
MACH NO.	OEM REF
<b>G-16648</b>	16-12563-000

## Rear Leaf Spring Suspension Components

FREIGHTLINER

### Center Hanger

FOR MODELS:  
FH36-40



MACH NO.	OEM REF
<b>G-15596</b>	681-325-0005, 681-325-0805

### Spring Hanger

FOR Models:  
MB/FL Series




MACH NO.	OD	NOTES
<b>G-15591</b>	680 320 0275	Left Hand
<b>G-15592</b>	680 325 0375	Right Hand




# FREIGHTLINER


## TufTrac® Rear Suspension Components


FREIGHTLINER


Bolster Spring		
FOR MODELS: 46K Axles		
		
MACH NO.	OEM REF	NOTES
<b>G-16060</b>	16-15010-000	Bottom Bolt Holes 5/8" Dia., 9" Center-to-Center; Top Holes 1/2"-13 X 7 7/16" Center-to-Center

Rebound Bumper - Cast			
FOR MODELS: 40/46K Axles			
			
MACH NO.	OEM REF	LENGTH	WIDTH
<b>G-16672</b>	16-15067-002	4 13/16"	3 3/16"

Upper Insulator Pad				
FOR MODELS: 40K Axles				
				
MACH NO.	OEM REF	HEIGHT	A	B
<b>G-16053</b>	11-22805-000	3 1/4"	4 1/4"	2 1/2"

Torque Rod Bushing Kit				
FOR MODELS: 54" Axle Spacing				
				
For Torque Arms E-16058 & E-16059				
EUCLID NO.	OD	C-TO-C	HOLE DIA	NOTES
<b>E-16064</b>	2 5/8"	4 3/8"	5/8"	Includes (2) Bushings and (2) Snap Rings.

Upper Insulator Pad				
FOR MODELS: 46K Axles				
				
MACH NO.	OEM REF	HEIGHT	A	B
<b>G-16051</b>	11-19581-000	2 1/2"	4 1/4"	2 1/2"

Torque Rod Bushing Kit		
FOR MODELS: 56" & 60" Axle Spacing		
		
For Torque Arms E-16054, E-16055, E-16222, & E-16223		
EUCLID NO.	C-TO-C	NOTES
<b>E-16063</b>	4 3/8"	Includes (2) Bushings and (2) Snap Rings.

Rebound Bumper - Cast			
FOR MODELS: 40/46K Axles			
			
MACH NO.	OEM REF	LENGTH	WIDTH
<b>G-16671</b>	16-15067-001	3 5/16"	3 3/16"

Lower Insulator Pad				
FOR MODELS: 40/46K Axles				
				
MACH NO.	OEM REF	HEIGHT	WIDTH	LENGTH
<b>G-15588</b>	11-20807-000	2 3/4"	4"	4"

## TufTrac® Rear Suspension Components

FREIGHTLINER

### Torque Rod - Full Ball Design



5/8" Bolt Holes

EUCLID NO.	OEM REF	LENGTH	BUSHING ANGLES	NOTES
E-16058	16-15002-000	23 1/4"	Front Bushing +10°; Rear Bushing +7°	Includes E-16064 Bushings.
E-16055	16-14998-000	24 1/2"	Front & Rear Bushing 0°	Includes E-16063 Bushings.
E-16222	16-15004-000	26 3/8"	Front Bushing -6°; Rear Bushing -	Includes E-16063 Bushings.
E-16059	16-15002-001	23 1/4"	Front Bushing +6 1/2°; Rear Bushing +4°	Includes E-16064 Bushings.
E-16054	16-14998-001	24 7/16"	Front Bushing +4°; Rear Bushing +7°	Includes E-16063 Bushings.
E-16223	16-15004-001	26 3/8"	Front Bushing -6°; Rear Bushing +4°	Includes E-16063 Bushings.

### V-Rod Bushing Kit, Outer Bushings



For All V-Rods

EUCLID NO.	MACH NO.	OD	C-TO-C	NOTES
E-16066	G-16066	2 15/16"	4 3/8"	Includes (2) Bushings and (2) Snap Rings.

### V-Rod Center Bushing Kit

FOR MODELS:  
54" Axle Spacing



For V-Rods E-16056 & E-16057

EUCLID NO.	MACH NO.	OD	C-TO-C	NOTES
E-16069	G-16069	3 5/16"	6 7/8"	Includes (1) Bushing and (1) Snap Ring

### V-Rod Center Bushing Kit

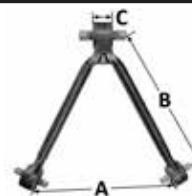
FOR MODELS:  
56" & 60" Axle Spacing



For V-Rods E-16061, E-16062, E-16220 & E-16221

EUCLID NO.	OD	C-TO-C	NOTES
E-16070	3 15/16"	6 7/8"	Includes (1) Bushing and (1) Snap Ring

### V-Rod



Includes E-16066 Outer Bushings, and Center Bushings as Noted

EUCLID NO.	OEM REF	A	B	C	NOTES
E-16056	16-15001-000	24"	27 3/4"	2 3/4"	Includes E-16069 Center Bushing
E-16061	16-15069-000	24"	26 7/8"	3 1/2"	Includes E-16070 Center Bushing
E-16220	16-15003-000	24"	28 5/8"	3 1/2"	Includes E-16070 Center Bushing
E-16057	16-15001-001	24"	27 3/4"	2 3/4"	Includes E-16069 Center Bushing
E-16062	16-15069-001	24"	26 7/8"	3 1/2"	Includes E-16070 Center Bushing
E-16221	16-15003-001	24"	28 5/8"	3 1/2"	Includes E-16070 Center Bushing

Contents

**REAR TRUCK SUSPENSION**

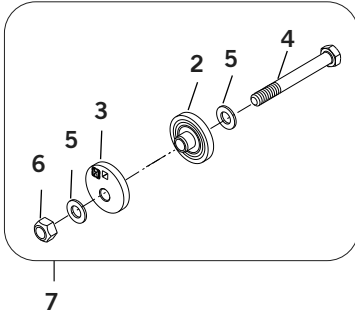
Comfort Air For Hino - - - - - 2-2

Component Suspension Parts - - - - - 2-4

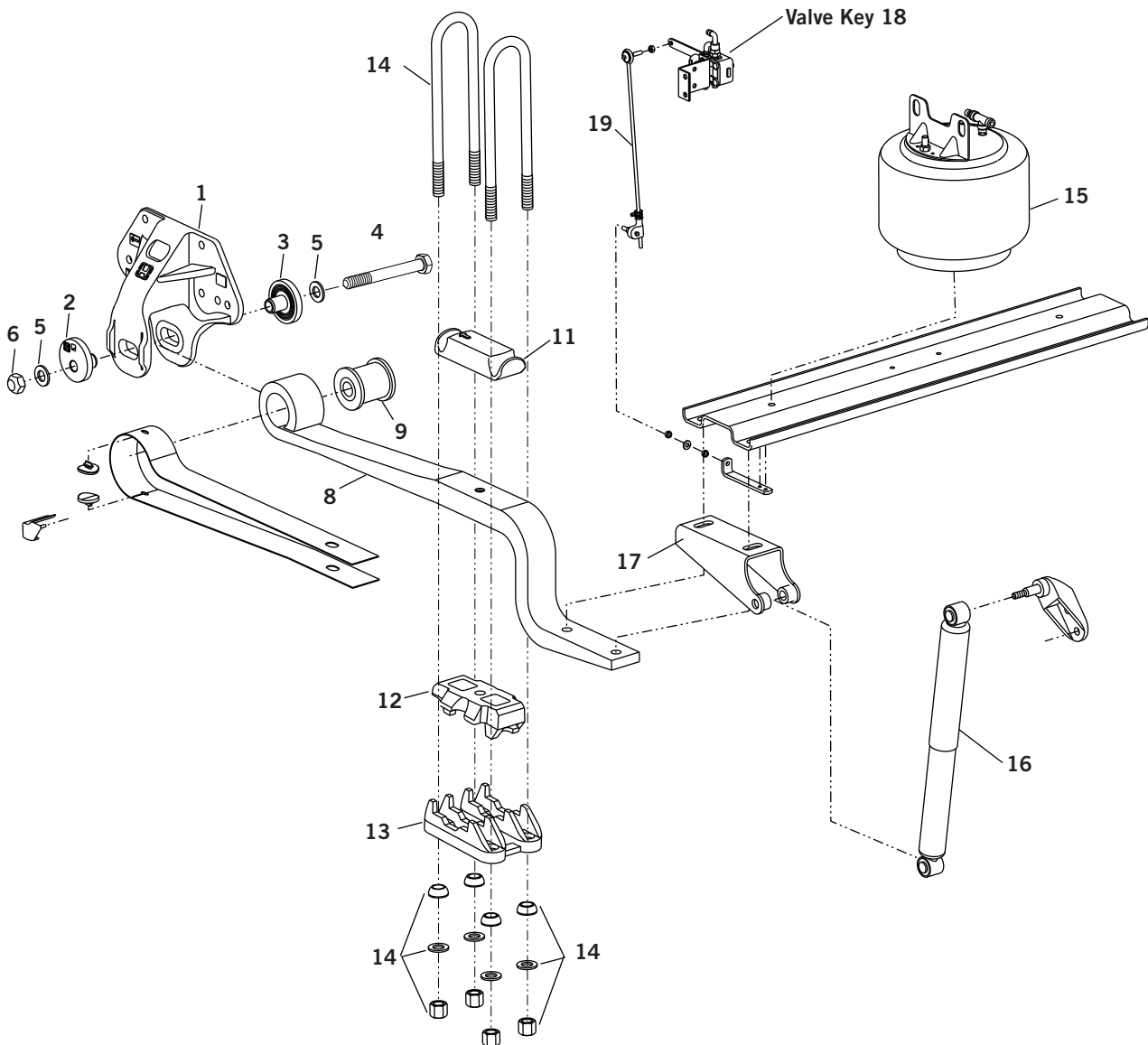
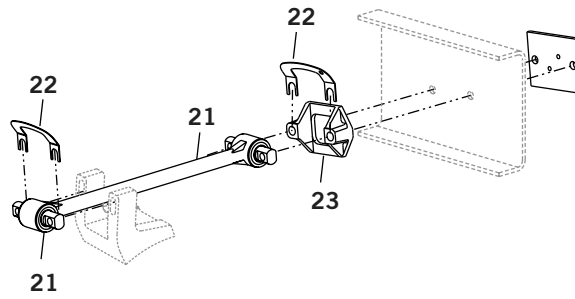
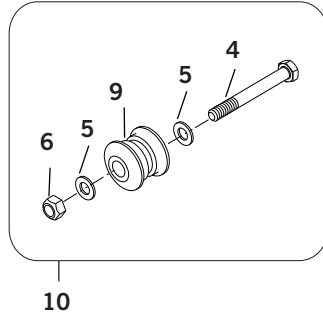
# HINO REAR

## Comfort Air For Hino

QUIK-ALIGN™ Collar Service Kit







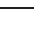


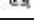
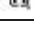
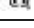


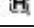














QUIK-ALIGN™ Pivot Bushing Kit



HINO

## Comfort Air For Hino

KEY NO.	EUCLID NO.	GENUINE	OEM REF	DESCRIPTION	QTY. PER AXLE	PAGE NO.
1	S.O.S.		65081-001	Frame Hanger, Left Hand	1	-
	S.O.S.		65081-002	Frame Hanger, Right Hand	1	-
2	S.O.S.		60661-000	QUIK-ALIGN Concentric Collar, 19-21K Axles	3	-
	E-15716		64633-000	QUIK-ALIGN Concentric Collar, 23K Axles	3	2-4
3	S.O.S.		60662-000	QUIK-ALIGN Eccentric Collar, 19-21K Axles	1	-
	E-15162		64632-000	QUIK-ALIGN Eccentric Collar, 23K Axles	1	2-4
4	E-5428	-	-	Bolt, 7/8"-14 X 8" Long, 19-21K Axles	2	-
	E-3564	-	68217-001	Bolt, 1"-14 X 8" Long, 23K Axles	2	-
5	E-2546	-	-	Washer, 7/8" ID, 19-21K Axles	4	-
	E-2975	-	-	Washer, 1" ID, 23K Axles	4	-
6	E-1835	-	-	Lock Nut, 7/8"-14, 19-21K Axles	2	-
	E-1828	-	-	Lock Nut, 1"-14, 23K Axles	2	-
7	S.O.S.		65119-001	QUIK-ALIGN Collar Service Kit, Includes Key No. 2, 3, 4, 5, 6, 19-21K Axles, Left Hand	1	-
	S.O.S.		65119-002	QUIK-ALIGN Collar Service Kit, Includes Key No. 2, 3, 4, 5, 6, 19-21K Axles, Right Hand	1	-
	S.O.S.		60632-029	QUIK-ALIGN Collar Service Kit, Includes Key No. 2, 3, 4, 5, 6, 23K Axles, Left Hand	1	-
	S.O.S.		60632-030	QUIK-ALIGN Collar Service Kit, Includes Key No. 2, 3, 4, 5, 6, 23K Axles, Right Hand	1	-
8	S.O.S.		65106-001	Main Support Member Assembly, 19-21K Axles	2	-
	S.O.S.		53443-000	Main Support Member Assembly, 23K Axles	2	-
9	E-13992		58648-000	Pivot Bushing	2	2-4
10	S.O.S.		34013-109	Main Support Member Service Kit, One Wheel End, 19-21K Axles, Includes Key No. 2-6, 9	2	-
	S.O.S.		34013-189	Main Support Member Service Kit, One Wheel End, 23K Axles, Includes Key No. 2-6, 9	2	-
11	S.O.S.		65071-000	Top Pad	2	-
12	S.O.S.		56501-005P	Spring Seat, 4°, 19-21K Axles	2	-
	S.O.S.		56501-007P	Spring Seat, 5°, 23K Axles	2	-
13	S.O.S.		50216-000	Bottom Axle Cap	2	-
14	S.O.S.		58818-011	U-Bolt Assembly, 19-21K Axles	2	-
	S.O.S.		69124-008	U-Bolt Assembly, 23K Axles	2	-
15	S.O.S.		65086-002	Air Spring	2	-
	S.O.S.		76942-002	Air Spring	2	-
16	M83148	-	60670-013	Shock Absorber, 19-21K Axles	2	-
	S.O.S.	-	60670-018	Shock Absorber, 23K Axles	2	-
17	E-16238		49324-002	Lower Shock Bracket	2	2-4
18	E-16407		60501-000	Height Control Valve	1	2-5
19	S.O.S.		58994-032	Linkage Assembly	1	-
	E-7852	-	-	Linkage Assembly, Universal Kit	1	2-5
20	S.O.S.		62000-595	Transverse Torque Rod Assembly, 19-21K Axles	1	-
	S.O.S.		72000-595S	Transverse Torque Rod Assembly, 23K Axles	1	-
21	E-5275		47691-000	Torque Rod Bushing, 19-21K Axles	2	2-4
	E-13961		64400-002	Torque Rod Bushing, 23K Axles	2	2-4
22	E-5281	-	49689-000	Shim	As Required	2-4
23	E-2634		22186-000	Torque Rod Frame Bracket	1	2-4

HINO

**Pivot Bushing**



EUCLID NO.	GENUINE	OEM REF	I.D.	LENGTH
E-13992		58648-000	1 1/4"	3 5/8"

**Torque Rod Bushing, 23K Axles**




EUCLID NO.	GENUINE	OEM REF	O.D.	C-TO-C LENGTH	HOLE DIA
E-13961		64400-002	3 5/16"	4 3/8"	5/8"

**Concentric Collar, QUIK-ALIGN™**



EUCLID NO.	GENUINE	OEM REF
E-15716		64633-000

**Torque Rod Shim**




EUCLID NO.	GENUINE	OEM REF	C-T-C LENGTH	THICK
E-5281		47457-000	4 3/8"	1/16"

**Eccentric Collar, QUIK-ALIGN™**



EUCLID NO.	GENUINE	OEM REF
E-15162		64632-000

**Torque Rod Bracket**



EUCLID NO.	GENUINE	OEM REF	NOTES
E-2634		22186-000	For Mounting Transverse Torque Rods

**Torque Rod Bushing**




EUCLID NO.	GENUINE	OEM REF	OD	C-T-C LENGTH	NOTES
E-5275		47691-000	2"	4 3/8"	5/8" Bolt Holes

**Lower Shock Bracket, Low Profile**



EUCLID NO.	GENUINE	OEM REF
E-16238		49324-002

Height Control Valve		
		
EUCLID NO.	GENUINE	OEM REF
E-16407		60501-000

Height Control Valve Linkage Assembly			
			
EUCLID NO.	GENUINE	OEM REF	NOTES
E-7852	-	-	Universal Kit

HINO





Contents

**FRONT TRUCK / TRACTOR SUSPENSION**

**C500, K110/300, T300/400/450/600/800/200, W900 Models - - - - - 3-2**

**REAR TRUCK / TRACTOR SUSPENSION**

**Airglide® 100 Air Ride - - - - - 3-6**

**Airglide® 200 / 400 Air Ride- - - - - 3-8**

**Airglide® 380 (See Peterbilt Flex Air®)**

**Big 6® - - - - - 3-10**

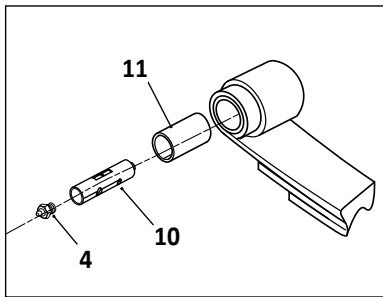
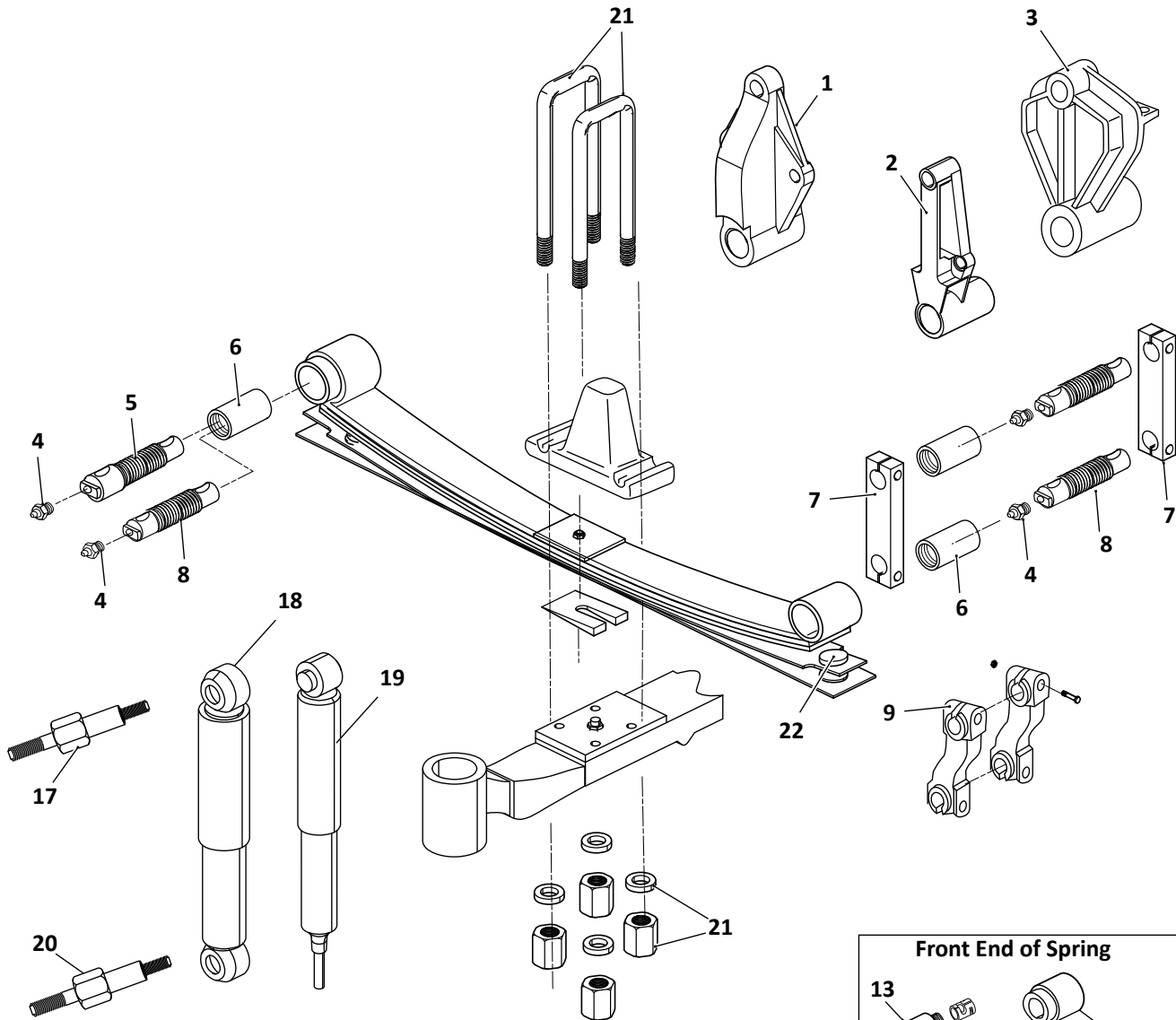
**Component Suspension Parts - - - - - 3-12**

**KENWORTH**

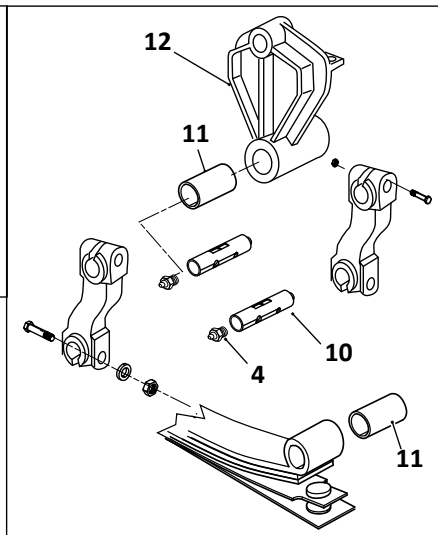
# KENWORTH FRONT

C500, K110/300, T300/400/450/600/800/200, W900 Models

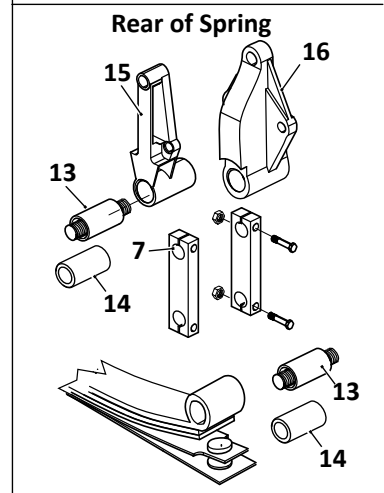
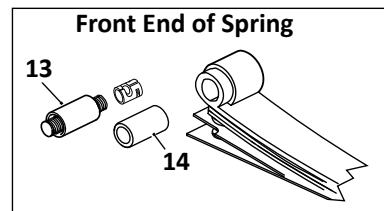
KENWORTH



Smooth Pins & Bushings  
Front End of Spring



Smooth Pins & Bushings  
Rear End of Spring



Rubber Bushings

# KENWORTH FRONT

Suspension

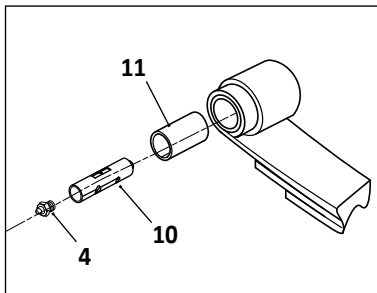
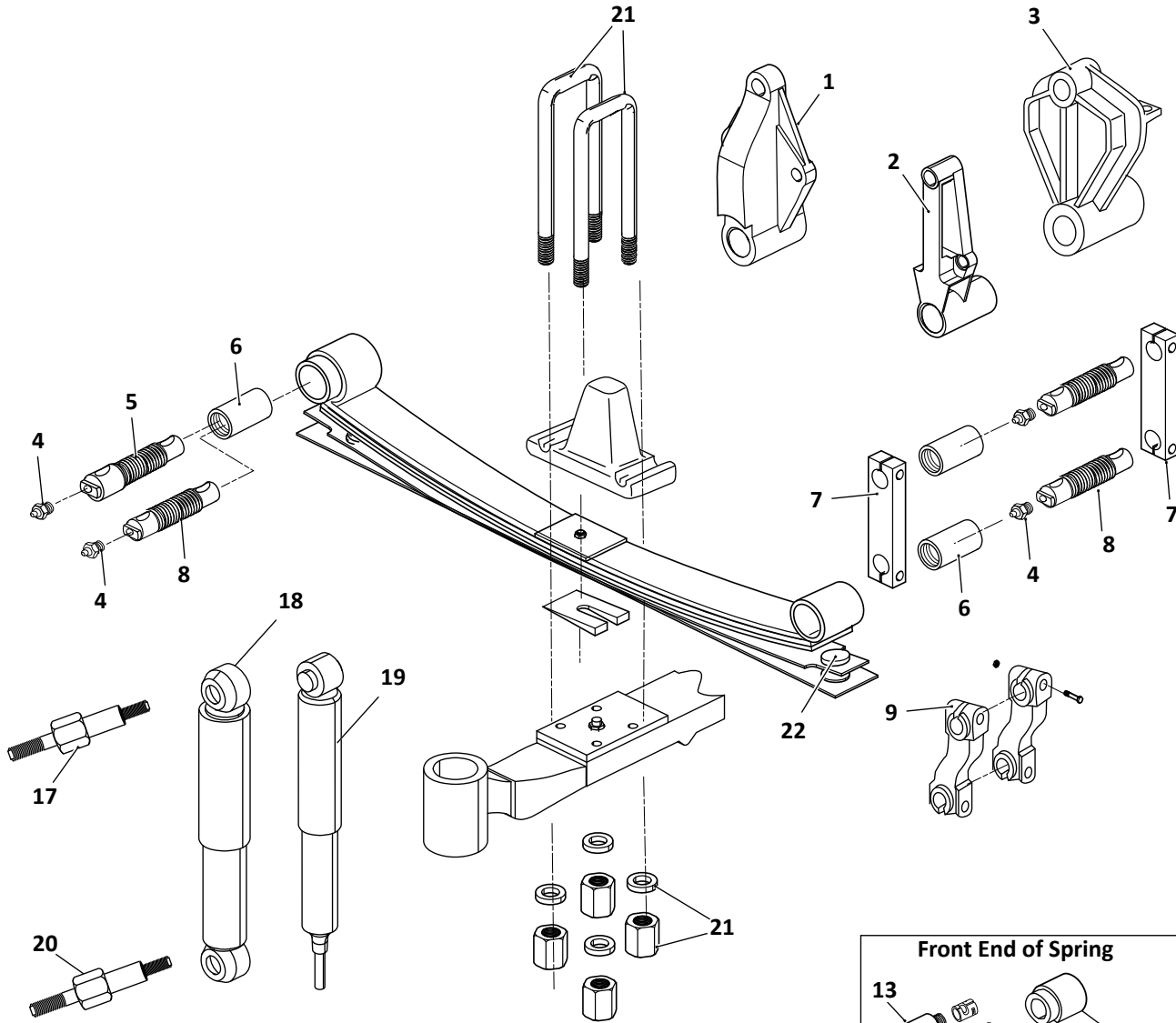
C500, K110/300, T300/400/450/600/800/200, W900 Models						
KEY NO.	EUCLID NO.	MACH NO.	OEM REF	DESCRIPTION	QTY. PER AXLE	PAGE NO.
1	-	<b>G-16700</b>	B11-1031-5	Hanger, Includes G-16157 Threaded Bushing, Casting No. B111033	2	3-13
2	-	<b>G-16701</b>	B11-1039	Hanger, Includes G-16158 Threaded Bushing, Casting No. B111023	2	3-13
3	-	<b>G-16702</b>	K056-508; K056-598; K056-474	Hanger, Ductile Iron, Includes G-15538 Threaded Bushing	2	3-14
4	<b>E-1307</b>	-	-	Zerk, 1/8"-27 NPT	As Required	-
5	-	<b>G-15619</b>	K179-378	Threaded Spring Pin, Front of Spring, Grease Fitting on Small End, 1 1/2" OD of Large End, 1 1/16" OD of Small End, 1 3/8"-6 Thread X 7 3/8" Long X 5 3/4" Center-to-Center of Notches	2	3-12
6	-	<b>G-15538</b>	5295	Threaded Bushing, 1 3/4" OD X 4" Long X 1 3/8"-6 Thread	6	3-13
	-	<b>G-16157</b>	B13-1000	Threaded Bushing, Metric M33.5 X4, 1 3/4" (44.5mm) OD, 4" (101mm) Long	6	3-13
	-	<b>G-16158</b>	B13-1002	Threaded Bushing, Metric M33.5 X 4, 2 1/16" (52.8mm) OD, 4" (101mm) Long	6	3-13
7	-	<b>G-15608</b>	K209-36; K209-75	Side Bar, Flat Design, 1 1/16" Dia Hole, 4" Center-to-Center, Use With Threaded Pins or Rubber Bushings, Standard on Conventionals, Optional on COE	4	3-14
8	-	<b>G-16703</b>	5296	Threaded Spring Pin, Rear of Spring, 1 3/8"-6 X 5 3/4" Center-to-Center 7 1/4" Long With 1 1/16" Diameters on Both Ends	4	3-12
	-	<b>G-15614</b>	B65-1002	Threaded Spring Pin, Front and Rear of Spring, M33.5 -4.0 X 5 3/4" Center-to-Center 7 3/8" Long With 1 1/16" Diameters on Both Ends	6	3-12
	-	<b>G-15620</b>	B65-1008	Threaded Spring Pin, Front and Rear of Spring, M33.5 -4.0 X 5 5/16" Center-to-Center 7 7/8" Long With 1 1/16" Diameters on Both Ends	6	3-12
	-	<b>G-16321</b>	B65-6008	Threaded Spring Pin, Front and Rear of Spring, 5 7/16" Center-to-Center" Diameters on Both Ends	6	-
9	-	<b>G-16705</b>	K209-8; K209-82; K209-87; K209-81; K209-89	Side Bar, Offset Design, 1 1/16" Dia Hole, 4" Center-to-Center, Use With Threaded Pins, W900B Before March 1991, All T400, T450, T600A, T800	4	3-14
10	-	<b>G-16319</b>	K179-527	Spring Pin, Smooth, 1 1/4" OD X 6 7/8" Long X 5 5/16" Center-to-Center	6	3-12
11	<b>E-16153</b>	-	HBU554	Spring Pin Bushing With Seals, 1 1/4" ID X 1 1/2" OD X 4" Long	6	3-12
	<b>E-1876</b>	-	-	Spring Pin Bushing, Bi-Metal, 1 1/4" ID X 1 1/2" OD X 4" Long	6	3-12
12	-	<b>G-15616</b>	K056-595; K056-596	Hanger, Ductile Iron	2	3-13
13	<b>E-15537</b>	<b>G-15537</b>	B65-1006	Rubber Bushing, Pin Type, 1 3/4"OD w/ 1 1/16" Dia Pin, 7 1/2" Long, 6 3/16" Center-to-Center of Notches	6	3-13
	<b>E-15543</b>	<b>G-15543</b>	B65-6005	Rubber Bushing, Pin Type, 1 3/4"OD w/ 1 1/16" Dia Pin, 6 11/16" Long, 5 7/16" Center-to-Center of Notches	6	3-13
	<b>E-16292</b>	<b>G-16292</b>	B65-1001	Rubber bush Rubber Bushing, Pin Type, 1 3/4" OD w/ 1 1/16" Dia Pin, 7 1/8" Long, 5 3/4" Center-to-Center of Notches	6	3-13
	<b>E-15613</b>	<b>G-15613</b>	B65-1007	Rubber Bushing, Pin Type, 2 1/16" OD w/ 1 1/16" Dia Pin, 7 1/2" Long, "6 5/16" Center-to-Center of Notches	6	3-13
	<b>E-16163</b>	<b>G-16163</b>	B65-1013; B65-6006	Rubber Bushing, Pin Type, 2 1/16" OD w/ 1 1/16" Dia Pin, 6 11/16" Long, 5 7/16" Center-to-Center of Notches	6	3-13
14	<b>E-16236</b>	<b>G-16236</b>	B65-6010	Rubber Bushing, 1 3/4" OD X 5/8" ID X 4 1/4" Long, Medium Duty Models	6	3-13
15	-	-	B11-1091-001	Hanger, Includes G-16163 Pin Type Rubber Bushing With 1 1/16" Dia. Pin, 6 11/16" Long, Notches at 5 7/16"Center-To-Center, Casting No. B111023	2	-
	-	-	B11-1091-002	Hanger, Includes G-15613 Pin Type Rubber Bushing With 1 1/16" Dia. Pin, 7 1/2" Long, Notches at 6 5/16" Center-To-Center, Casting No. B111023	2	-

**KENWORTH**

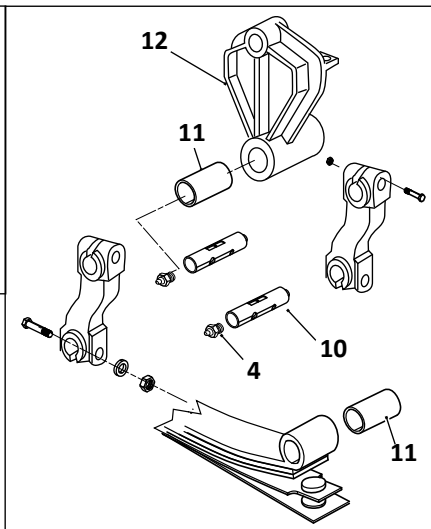
# KENWORTH REAR

C500, K110/300, T300/400/450/600/800/200, W900

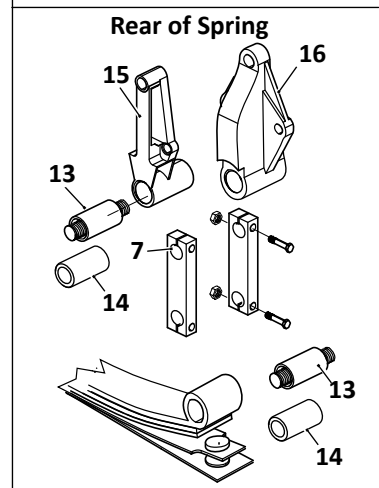
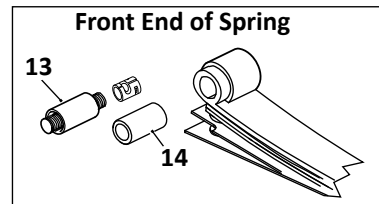
KENWORTH



Smooth Pins & Bushings  
Front End of Spring



Smooth Pins & Bushings  
Rear End of Spring



Rubber Bushings

# KENWORTH REAR

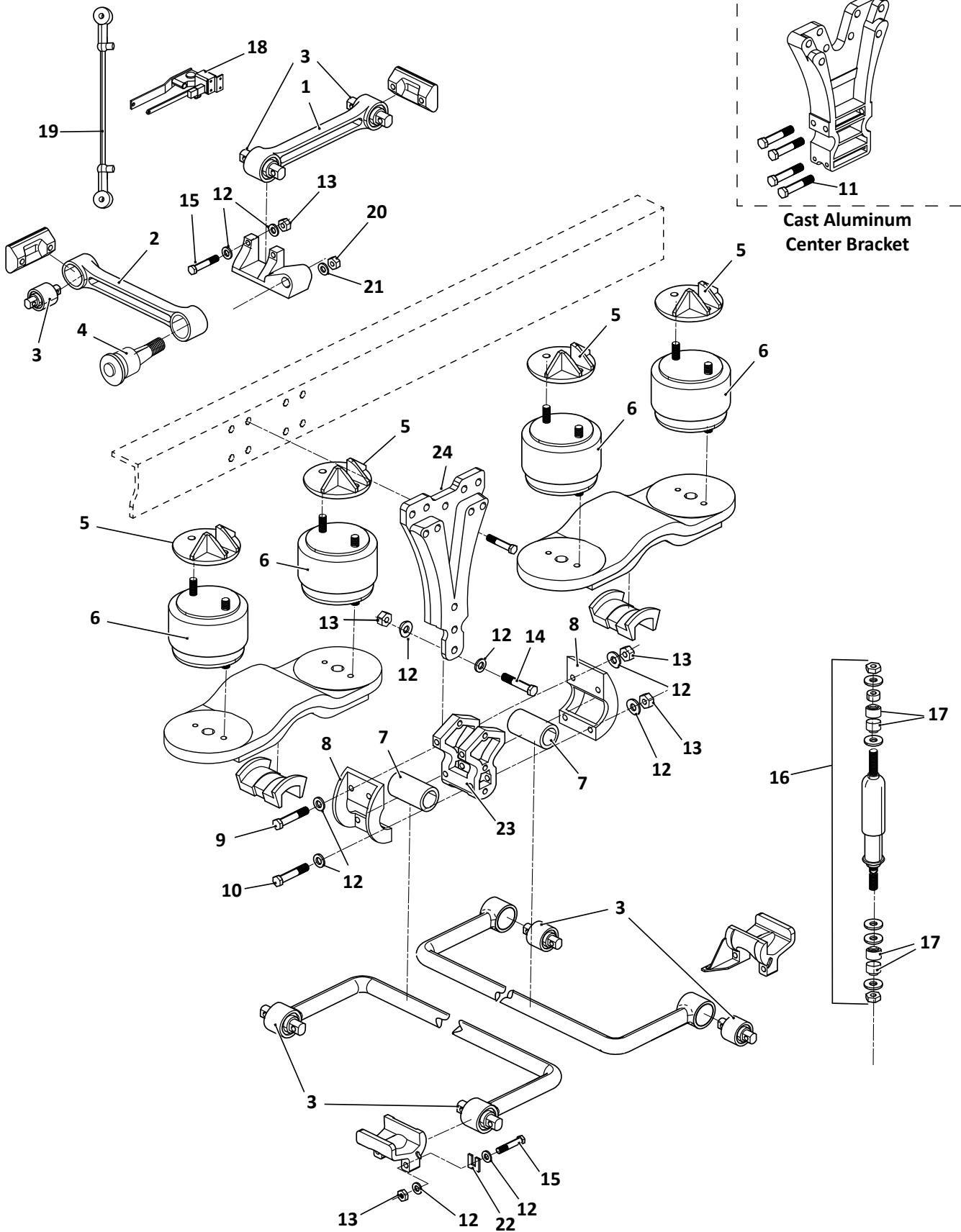
Suspension

C500, K110/300, T300/400/450/600/800/200, W900 Models						
KEY NO.	EUCLID NO.	MACH NO.	OEM REF	DESCRIPTION	QTY. PER AXLE	PAGE NO.
16	-	<b>G-15547</b>	B11-1034-1	Hanger, Includes G-15537 Pin Type Rubber Bushing With 1 1/16" Dia. Pin 7 1/2" Long, Notches at 6 3/16" Center-To-Center, Casting No. B111033	2	3-14
	-	-	B11-1034-4	Hanger, Includes G-16292 Pin Type Rubber Bushing With 1 1/16" Dia. Pin, 7 1/8" Long, Notches at 5 3/4" Center-To-Center, Casting No. B111033	2	-
	-	<b>G-16695</b>	B11-1034-6	Hanger, Includes G-15543 Pin Type Rubber Bushing With 1 1/16" Dia. Pin, 6 11/16" Long, Notches at 5 7/16" Center-To-Center, Casting No. B111033	2	3-14
	-	-	B11-1034-7	Hanger, Includes G-16236 Hollow Rubber Bushing With 5/8" ID, Casting No. B111033	2	-
17	-	<b>G-15621</b>	K233-509	Upper Shock Mounting Stud, 20mm X 2.5 Thd & 16mm X 2.0 Thd X 7 1/4" Long	2	-
18	<b>M83312</b>	-	K374-3; K374-33; K3745; K37414; B71-1003	Shock Absorber, Eye Mounts EB2 Style, Most Models with Multi Leaf Springs	2	-
	<b>M89409</b>	-	K374-3; K374-33; K3745; K37414; B71-1003	Shock Absorber, Premium Adjustable, Eye Mounts EB2 Style, Most Models with Multi Leaf Springs	2	-
	<b>M85001</b>	-	B71-1002; K374-16; K374-26	Shock Absorber, Eye Mounts EB3 Style, Most Models with Tapered Springs	2	-
	<b>M89410</b>	-	B71-1002; K374-16; K374-26	Shock Absorber, Premium Adjustable, Eye Mounts EB3 Style, Most Models with Tapered Springs	2	-
19	<b>M85070</b>	-	B71-1001; 665858;	Shock Absorber, Eye Mounts ES174 Style Top Mount, EB3 Lower Mount	2	-
	<b>M89459</b>	-	B71-1001; 665858;	Shock Absorber, Premium Adjustable, Eye Mounts ES174 Style Top Mount, EB3 Lower Mount	2	-
	<b>M85740</b>	-	665331; K374-13	Shock Absorber	2	-
20	-	-	K233-520	Lower Shock Mounting Stud, 20mm X 2.5 Thd & 16mm X 2.0 Thd X 8 5/8" Long	2	-
21	<b>E-UB8254-10</b>	-	K241-309	U-Bolt Assembly, Sq. Bend 3/4"-16 Thd. X 4" Wide X 10" Long	4	-
	<b>E-UB8254-12</b>	-	K241-258; K241-414	U-Bolt Assembly, Sq. Bend 3/4"-16 Thd. X 4" Wide X 12" Long	4	-
	<b>E-UB8254-14</b>	-	K241-296; K241-258	U-Bolt Assembly, Sq. Bend 3/4"-16 Thd. X 4" Wide X 14" Long	4	-
22	-	<b>G-15622</b>	EX1-1001-3	Spring Tip Insulator, M12 X 1.2 Thd., 3 1/8" Diameter	8	3-14

KENWORTH

# KENWORTH

## Airglide® 100 Air Ride



# KENWORTH REAR

Suspension

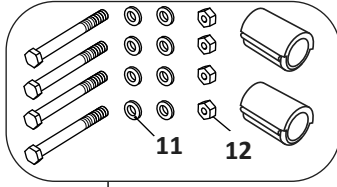
Airglide® 100 Air Ride, Truck / Tractor						
KEY NO.	EUCLID NO.	MACH NO.	OEM REF	DESCRIPTION	QTY. PER SUSPENSION	PAGE NO.
1	<b>E-15708</b>	-	K195-375; 925031	Torque Arm, 24" Center-to-Center, E-15711 Includes E-2226 Bushings	2	3-18
	<b>E-15611</b>	-	925150	Torque Arm, 25" Center-to-Center, E-15611 Includes E-2226 Bushings	2	3-18
2	<b>E-15711</b>	-	K195-376; 944270	Torque Arm, 24" Center-to-Center, E-15708 Includes E-10303 Straddle Mount Bushing and E-2228 Tapered Stud Bushing	2	3-18
3	<b>E-10303</b>	<b>G-10303</b>	836940	Torque Arm & Stabilizer Rod Bushing, Rubber, Straddle Mount	8	3-18, 3-20
	<b>E-2226</b>	-	227720	Torque Arm & Stabilizer Rod Bushing, Rubber, Straddle Mount	8	3-18, 3-20
	<b>E-7639</b>	-	-	Torque Arm & Stabilizer Rod Bushing, Poly, Straddle Mount	8	3-18,3-20
	<b>E-4664</b>	-	227722	Torque Arm Bushing, Straddle Mount, Aluminum Pin	8	3-18
4	<b>E-2228</b>	-	229610	Torque Arm Bushing, Rubber, Tapered Stud	2	3-18
	<b>E-8651</b>	-	-	Torque Arm Bushing, Poly, Tapered Stud	2	3-18
5	<b>E-5075</b>	-	K048-449	Air Spring Bracket	8	3-19
6	<b>FS9422</b>	-	K303-6; K303-14; K303-15	Firestone Air Spring to 1994	8	-
	<b>MAF9422</b>	-	K303-6; K303-14; K303-15	Meritor Air Spring to 1994	8	-
	<b>FS9616</b>	-	K303-16	Firestone Air Spring with Bracket, 1995 and up	8	-
	<b>MAF9616</b>	-	K303-16	Meritor Air Spring with Bracket, 1995 and up	8	-
7	<b>E-4669</b>	<b>G-4669</b>	K066-58; K066-50	Stabilizer Bushing, Rubber	4	3-16
	<b>E-7446A</b>	-	K066-449	Stabilizer Bushing, Poly	4	3-16
8	-	-	K071-304	Stabilizer Bar Mounting Cap	4	-
9	<b>E-16690</b>	-	K041-724-260P	Stabilizer Bar Mounting Bolt, Top of Bracket, M20-2.5 X 260mm Long	4	3-19
10	<b>E-16226</b>	-	K041-717-160P	Stabilizer Bar Mounting Bolt, Bottom of Bracket, M16-2.0 X 160mm Long	4	3-19
11	<b>E-16691</b>	-	K041-712-260P	Stabilizer Bar Mounting Bolt for Cast Center Bracket, M16-2.0 X 260mm Long	8	3-19
12	<b>E-2547</b>	-	-	Washer for 16mm bolt	As Required	-
	<b>E-16686</b>	-	-	Washer for 20mm bolt	As Required	-
13	<b>E-8841</b>	-	-	Lock Nut, M16-2.0	As Required	-
	<b>E-16229</b>	-	-	Lock Nut, M20-2.5 mm	As Required	-
14	<b>E-16415</b>	-	-	Stabilizer Block Mounting Bolt, M16-2.0 X 170mm Long, Fabricated Hanger Bracket	6	3-19
15	<b>E-16230</b>	-	K041-712-130P	Stabilizer End Mounting Bolt, M16X2.0 X 120mm	8	3-19
	<b>E-16225</b>	-	K041-712-150P	Stabilizer End Mounting Bolt, M16X2.0 X 150mm	8	3-19
16	<b>M85310</b>	-	K374-87	Shock Absorber	4	-
	<b>M89423</b>	-	K374-7, K374-9, K374-29	Shock Absorber, Premium Adjustable	4	-
17	<b>E-7474</b>	-	CA368-6	Shock Bushing, Poly, For Stud Mounted Shocks	16	-
18	<b>E-9624</b>	-	H00500C	Universal Height Control Valve, Hadley Model 500, Apply Air To Dump	1	-
	<b>E-14731</b>	-	H01501UD	Universal Height Control Valve, Hadley Next Gen, Apply Air To Dump	1	3-19
19	<b>E-9625</b>	-	-	Universal Linkage Kit	1	-
20	<b>E-2017</b>	-	49NE2012	Torque Arm Mounting Nut For Tapered Pin Bushing	2	3-18
21	<b>E-2018</b>	-	-	Torque Arm Washer, 1 5/16" ID	2	3-18
22	<b>E-5076</b>	-	K21-922-3	Alignment Shim, 1/8" Thick	As Required	3-18
23	-	-	K197-2943	Stablizer Bar Bracket	2	-
24	-	<b>G-10766</b>	K272-145	Center Support Bracket, Fabricated Models to 1994	2	3-19

**KENWORTH**

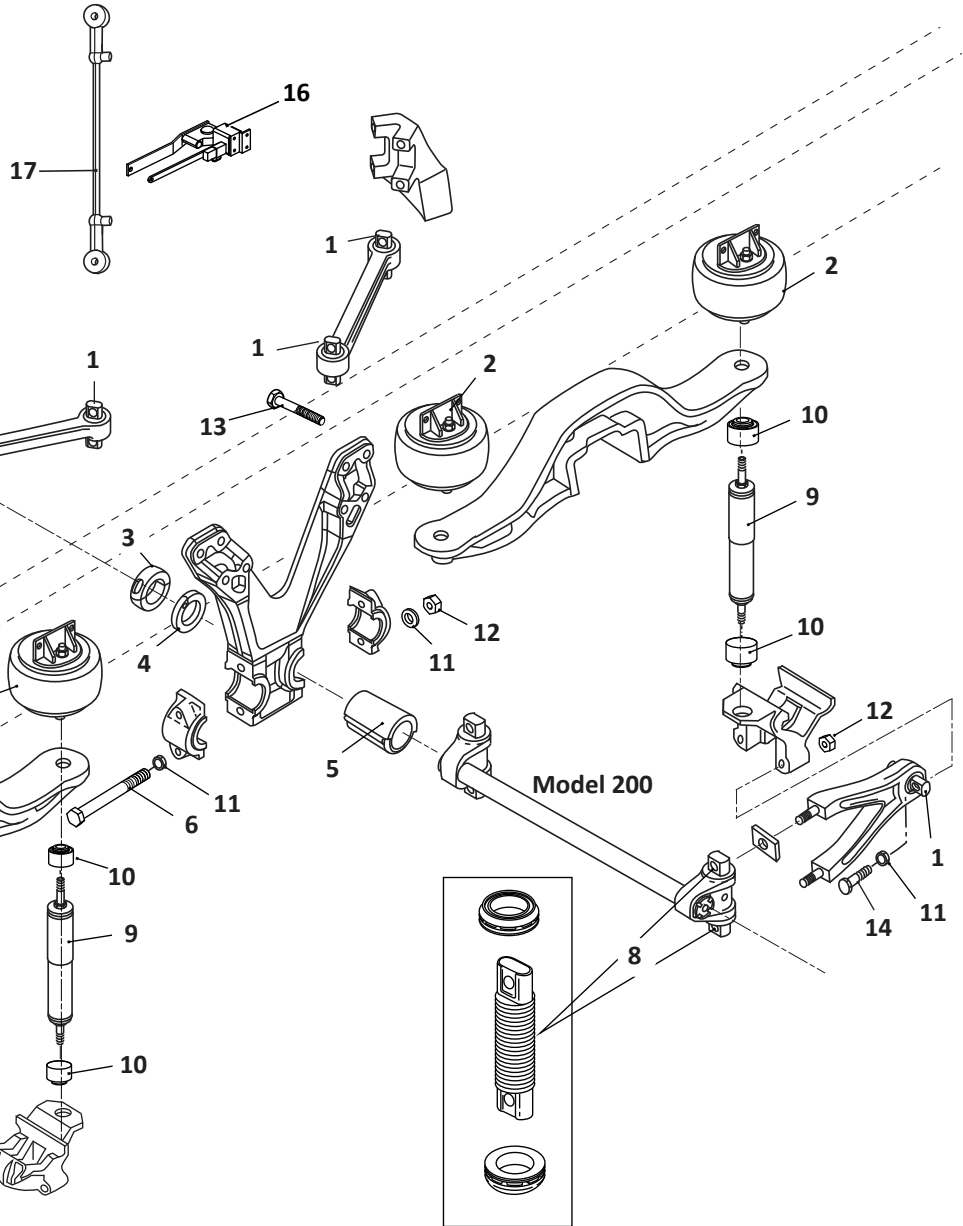
# KENWORTH REAR

## Airglide® 200 / 400 Air Ride

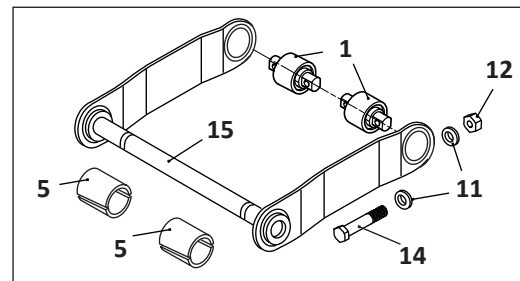
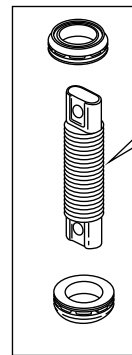
### Torsion Bar Service Kit



7



Model 200



Model 380 / 400 / 460

KENWORTH



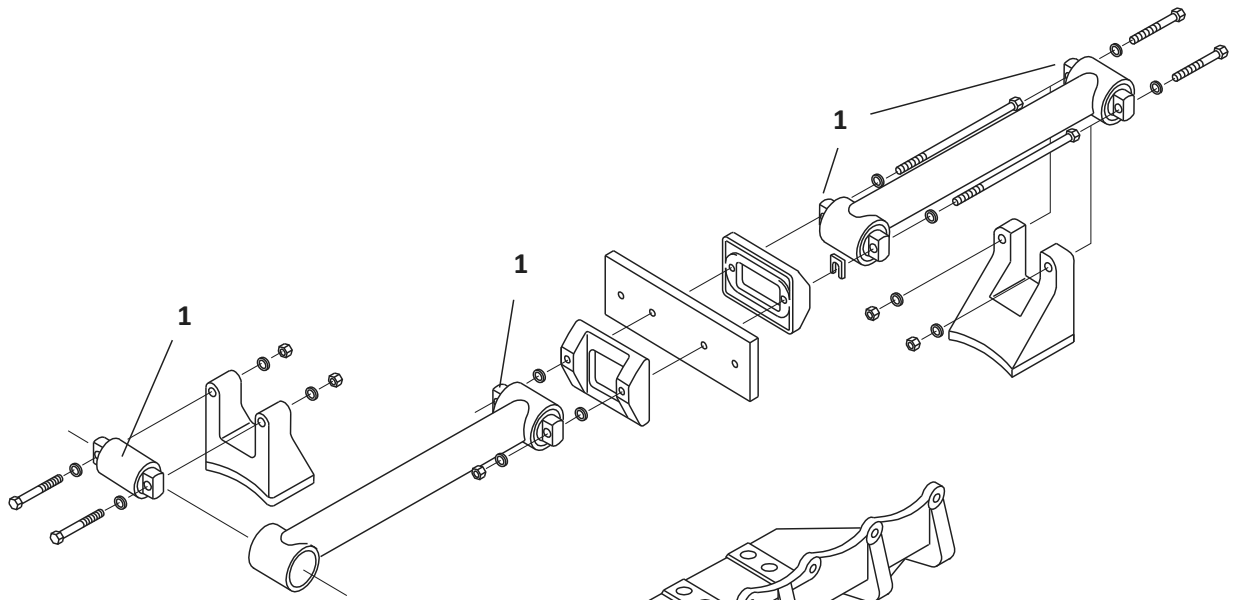
Airglide® 200 / 400 Air Ride						
KEY NO.	EUCLID NO.	MACH NO.	OEM REF	DESCRIPTION	QTY. PER SUSPENSION	PAGE NO.
1	<b>E-10303</b>	<b>G-10303</b>	836940	Torque Arm & Stabilizer Rod Bushing, Rubber, Straddle Mount	8	3-18
2	<b>FS9617</b>	-	K303-18	Firestone Air Spring	8	-
	<b>FS9618</b>	-	K303-19	Firestone Air Spring	8	-
	<b>FS9622</b>	-	K303-22	Firestone Air Spring	8	-
	<b>MAF9622</b>	-	K303-22	Meritor Air Spring	8	-
	<b>FS9625</b>	-	K303-25	Firestone Air Spring	8	-
	<b>MAF9625</b>	-	K303-25	Meritor Air Spring	8	-
	<b>FS9547</b>	-	C81-1004	Firestone Air Spring	8	-
	<b>FS9541</b>	-	C81-1005	Firestone Air Spring	8	-
3	-	<b>G-16115</b>	K220-598	Collar Assembly, 54 mm Bar Dia, 40K Models	4	3-17
4	-	<b>G-15618</b>	K066-502-1; K066-454	Thrust Bearing, 54 mm Bar Dia., 40K Models	4	3-17
	-	<b>G-16112</b>	K066-502-2; K066-461	Thrust Bearing, 58 mm Bar Dia., 46K Models	4	3-17
5	<b>E-16091</b>	-	C13-1004	Torsion Bar Bushing, 54 mm Bar Dia, 40K Models, Rubber, Improved OE Version	4	3-16
	-	<b>G-16107</b>	K066-450	Torsion Bar Bushing, 54 mm Bar Dia, 40K Models, Rubber, Old Style	4	3-16
	<b>E-10302</b>	-	-	Torsion Bar Bushing, 54 mm Bar Dia, 40K Models, Poly	4	3-16
	<b>E-16092</b>	-	C13-1005	Torsion Bar Bushing, 58 mm Bar Dia, 46K Models, Rubber, Improved OE Version	4	3-16
	-	<b>G-16108</b>	K066-460	Torsion Bar Bushing, 58 mm Bar Dia, 46K Models, Rubber, Old Style	4	3-17
	<b>E-16122</b>	-	-	Torsion Bar Bushing, 58 mm Bar Dia, 46K Models, Poly	4	3-17
6	<b>E-16231</b>	-	K041-712-290P	Bolt, M16-2.0 X 290 mm Long	4	3-19
7	<b>E-16119</b>	-	C13-1006	Torsion Bar Service Kit, 54 mm Bar, 40K Models, Includes (4) E-16091 Bushings, (4) E-16231 Bolts and Nuts	1	3-16
	<b>E-16093</b>	-	C13-1007	Torsion Bar Service Kit, 58 mm Bar, 46K Models, Includes (4) E-16092 Bushings, (4) E-16231 Bolts and Nuts	1	3-16
8	-	<b>G-16117</b>	K345-5156; K345-5032	Threaded Pin Service Kit, Includes (2) Threaded Pins and Seals	2	3-19
9	<b>M85900</b>	-	70701; 665944; 665903	Shock Absorber	4	-
	<b>M85902</b>	-	665950; 665945; 665906	Shock Absorber	4	-
	<b>M85936</b>	-	C71-1014; 671962	Shock Absorber	4	-
	<b>M89456</b>	-	C71-1014; 671962	Shock Absorber, Premium Adjustable	4	-
	<b>M85937</b>	-	C71-1015; 671963	Shock Absorber	4	-
10	<b>E-7474</b>	-	-	Shock Bushing, Poly, For Stud Mounted Shocks	8	-
11	<b>E-2547</b>	-	-	Washer, 5/8" ID, Use with M16 Bolts	16	-
12	<b>E-8841</b>	-	-	Lock Nut, M16-2.0	16	-
13	<b>E-16226</b>	-	K041-712-160P	Bolt, M16 - 2.0 X 160mm Long, Top Row of Hanger	8	3-19
14	<b>E-16230</b>	-	K041-712-120P	Bolt, M16 - 2.0 X 120mm Long	8	3-19
15	-	<b>G-16718</b>	C65-1000; C65-1013	Sway Bar Assembly, 58 mm Bar, Includes G-10303 Bushings, For Air Glide 200 52" Axle Spacing	2	3-17
16	<b>E-9624</b>	-	H00500C	Universal Height Control Valve, Hadley Model 500, Apply Air To Dump	1	-
	<b>E-14731</b>	-	H01501UD	Universal Height Control Valve, Hadley Next Gen, Apply Air To Dump	1	3-19
17	<b>E-9625</b>	-	-	Universal Linkage Kit	1	-

**KENWORTH**

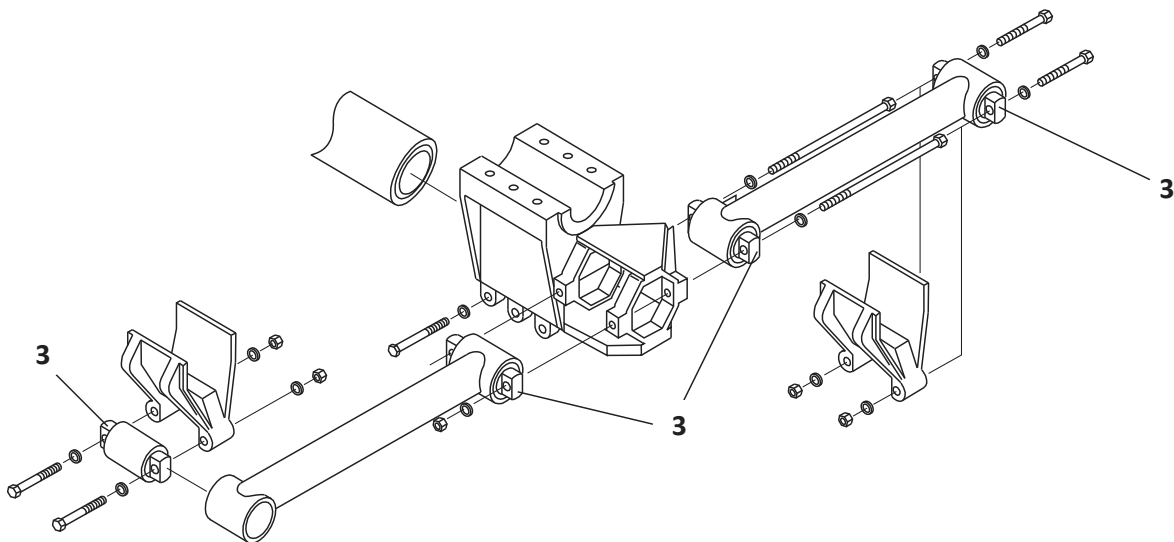
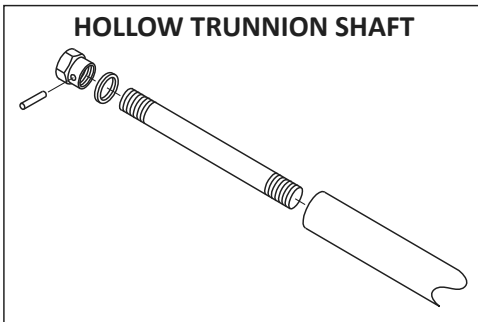
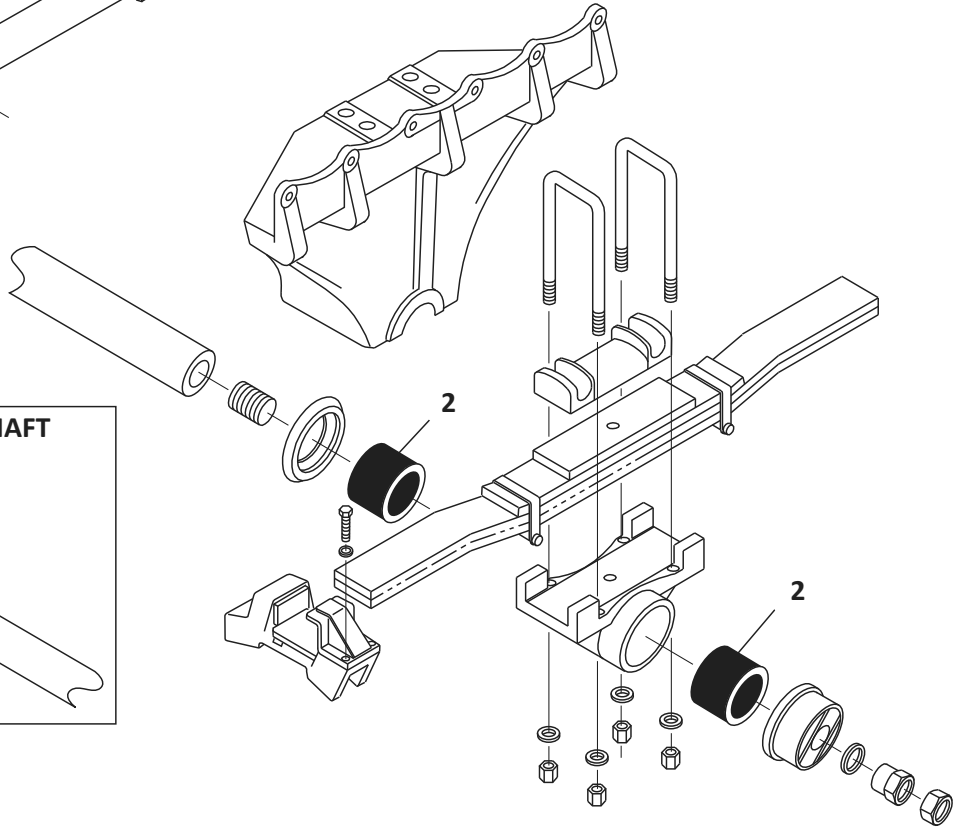
# KENWORTH REAR

## Big 6®

KENWORTH



**SOLID TRUNNION SHAFT**



# KENWORTH REAR

Suspension

Big 6®						
KEY NO.	EUCLID NO.	MACH NO.	OEM REF	DESCRIPTION	QTY. PER SUSPENSION	PAGE NO.
1	E-2226	-	Clevite 227720	Torque Arm Bushing, Upper Torque Arms, Rubber, 2 3/4" OD, 5/8" Bolt Holes X 4 3/8" Center-to-Center	16	3-18, 3-20
	E-7639	-	-	Torque Arm Bushing, Upper Torque Arms, Poly, 2 3/4" OD, 5/8" Bolt Holes X 4 3/8" Center-to-Center	16	3-18, 3-20
2	E-9521	-	K066-232	Trunnion Bushing, Rubber, 4" ID X 5" OD X 4 5/8" Long	4	3-20
3	E-9321	-	Meritor A-2297-K-1051	Torque Arm Bushing, Rubber, 4 1/8" OD, 7/8" Bolt Holes X 5 1/4" Center-to-Center	16	3-20
	E-8655	-	-	Torque Arm Bushing, Poly, 4 1/8" OD, 7/8" Bolt Holes X 5 1/4" Center-to-Center	16	3-20
	E-9324	G-9324	Clevite 932420	Torque Arm Bushing, Rubber, 3 1/2" OD, 5/8" Bolt Holes X 4 3/8" Center-to-Center	16	3-20
	E-9322	-	Meritor A-2297-X-3664	Torque Arm Bushing, Rubber, 4 1/8" OD, 1" Bolt Holes X 5 1/4" Center-to-Center	16	3-20
-	N/A	-	K360-20	Trunnion	2	-

KENWORTH

**Smooth Spring Pin**



MACH NO.	OEM REF	OD	OAL / C-TO-C
<b>G-16319</b>	K179-527	1 1/4"	6 7/8"; 5 5/16"

**Bi-Metal Spring Pin Bushing With Seals**



EUCLID NO.	OEM REF	OD	ID	LENGTH
<b>E-16153</b>	HBU554	1 1/2"	1 1/4"	4"

**Bi-Metal Spring Pin Bushing**



EUCLID NO.	OD	ID	LENGTH
<b>E-1876</b>	1 1/2"	1 1/4"	4"

**Threaded Spring Pin**

Front of Spring



Thread size: 1 3/8"-6

MACH NO.	OEM REF	OD	OAL / C-TO-C	NOTES
<b>G-15619</b>	K179-378	Large End - OD 1 1/2" Small End - OD 1 1/16"	7 3/8"; 5 3/4"	Grease Fitting on Small End

**Threaded Spring Pin**

Front and Rear  
of Spring



MACH NO.	OEM REF	OD	OAL / C-TO-C	THREAD
<b>G-16703</b>	5296		7 1/4"; 5 3/4"	1 3/8"-6
<b>G-15614</b>	B65-1002	1 1/16" Diameters on Both Ends	7 3/8"; 5 3/4"	M33.5 -4.0
<b>G-15620</b>	B65-1008		7 7/8"; 5 5/16"	M33.5 -4.0

Threaded Bushing				
				
MACH NO.	OEM REF	OD	LENGTH	THREAD
G-15538	5295	1 3/4"	4"	1 3/8"-6
G-16157	B13-1000	1 3/4" 44.5mm	4" 101mm	M33.5 X4
G-16158	B13-1002	2 1/16" 52.8mm	4" 101mm	M33.5 X4

Rubber Bushing					
Medium Duty Models					
					
EUCLID NO.	MACH NO.	OEM REF	OD	ID	LENGTH
E-16236	G-16236	B65-6010	1 3/4"	5/8"	4 1/4"

Spring Hanger With Smooth Bushing		
		
MACH NO.	OEM REF	MATERIAL
G-15616	K056-595; K056-596	Ductile Iron

Rubber Bushing				
				
EUCLID NO.	MACH NO.	OEM REF	OD / PIN DIA.	OAL / C-TO-C
E-15543	G-15543	B65-6005	1 3/4"; 1 1/16"	6 11/16" Long, 5 7/16"
E-16292	G-16292	B65-1001	1 3/4"; 1 1/16"	7 1/8" Long, 5 3/4"
E-15537	G-15537	B65-1006	1 3/4"; 1 1/16"	7 1/2" Long, 6 3/16"
E-16163	G-16163	B65-1013; B65-6006	2 1/16"; 1 1/16"	6 11/16" Long, 5 7/16"
E-15613	G-15613	B65-1007	2 1/16"; 1 1/16"	7 1/2" Long, 6 5/16"

Spring Hanger With Threaded Bushing		
		
Ductile Iron		
MACH NO.	OEM REF	NOTES
G-16700	B11-1031-5	Includes G-16157 Threaded Bushing, Casting No. B111033

Spring Hanger With Threaded Bushing		
		
Ductile Iron		
MACH NO.	OEM REF	NOTES
G-16701	B11-1039	Includes G-16158 Threaded Bushing, Casting No. B111023

**Spring Hanger With Threaded Bushing**



Ductile Iron

MACH NO.	OEM REF	NOTES
<b>G-16702</b>	K056-508; K056-598; K056-474	Includes G-15538 Threaded Bushing

**Side Bar, Offset Design**



Use With Threaded Pins, 1 1/16" Dia Hole

MACH NO.	OEM REF	FOR MODEL	ID	LENGTH	C-TO-C
<b>G-16705</b>	K209-8; K209-82; K209-87; K209-81; K209-89	W900B Before March 1991, All T400, T450, T600A, T800	1 1/16" Dia Hole	6 3/8"	4"

**Spring Hanger With Rubber Bushing**

Casting No. B111033



1 1/16" Dia. Pin

MACH NO.	OEM REF	OAL / C-TO-C	NOTES
<b>G-16695</b>	B11-1034-6	6 11/16", 5 7/16"	Includes G-15543 Pin Type Rubber Bushing
<b>G-15547</b>	B11-1034-1	7 1/2"; 6 3/16"	Includes G-16160 Pin Type Rubber Bushing

**Upper Shock Mounting Stud**

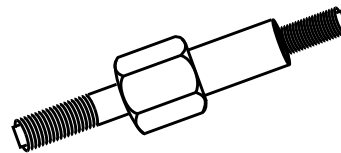


Photo Coming Soon

MACH NO.	OEM REF	LENGTH	THREAD	NOTES
<b>G-15621</b>	K233-509	7 1/4"	20mm X 2.5 & 16mm X 2.0	Top Mount Shock

**Side Bar, Flat Design**

Standard on Conventionals, Optional on COE



Use With Threaded Pins or Rubber Bushing

MACH NO.	OEM REF	ID	LENGTH	C-TO-C
<b>G-15608</b>	K209-36; K209-75	1 1/16" Dia Hole	6 5/16"	4"

**Spring Tip Insulator**



Rubber

MACH NO.	OEM REF	ID	THREAD
<b>G-15622</b>	EX1-1001-3	3 1/8"	M12 X 1.2



**Stabilizer Bushing**

FOR MODELS:  
Airglide 100



EUCLID NO.	MACH NO.	OEM REF	OD	ID	LENGTH	MATERIAL
E-4669	G-4669	K066-58; K066-50	2 7/8"	2"	4"	Rubber
E-7446A	-	K066-449				Poly

**Torsion Bar Bushing - Current OE Design**

FOR MODELS:  
Airglide 200/400



Rubber

EUCLID NO.	OEM REF	OD	ID	LENGTH	BAR DIA.
E-16091	C13-1004	3"	2"	2 7/8"	54mm; 40K Models
E-16092	C13-1005	3"	2 3/16"	2 7/8"	58mm; 46K Models

**Torsion Bar Service Kit**

FOR MODELS:  
Airglide 200/400



EUCLID NO.	OEM REF	OD	NOTES
E-16119	C13-1006	54 mm Bar, 40K Models	Includes (4) E-16091 Bushings, (4) E-16231 Bolts and Nuts
E-16093	C13-1007	58 mm Bar, 46K Models	Includes (4) E-16092 Bushings, (4) E-16231 Bolts and Nuts

**Torsion Bar Bushing - Old Style - 54mm Bar Diameter**

FOR MODELS:  
Airglide 200/400



40K Models - ID 2 1/8"

EUCLID NO.	MACH NO.	OEM REF	OD	LENGTH	MATERIAL
-	G-16107	K066-450	3"	2 7/8"	Rubber
E-10302	-	-	3"	2 7/8"	Poly



**Torsion Bar Bushing - Old Style - 58mm Bar Diameter**

FOR MODELS:  
Airglide 200/400




46K Models - Bushing ID 2 1/4"

EUCLID NO.	MACH NO.	OEM REF	OD	LENGTH	MATERIAL
-	<b>G-16108</b>	K066-460	3"	2 7/8"	Rubber
<b>E-16122</b>	-	-	3"	2 7/8"	Poly

**Sway Bar Collar Assembly**


FOR MODELS:  
Airglide 200/400



MACH NO.	OEM REF	OD	ID	THICK-NESS	NOTES
<b>G-16115</b>	K220-598	3 1/2"	2 1/8"	1/2"	54mm Bar Dia., 40K Models, Includes Set Screws

**Thrust Bearing**

FOR MODELS:  
Airglide 200/400




Rubber

MACH NO.	OEM REF	OD	ID	NOTES
<b>G-15618</b>	K066-502-1; K066-454	3 1/2"	2 1/8"	54mm Bar Dia, 40K Models
<b>G-16112</b>	K066-502-2; K066-461"	3 1/2"	2 1/4"	58 mm Bar Dia, 46K Model

**Sway Bar Assembly**

FOR MODELS:  
Glide 200



58mm Bar, 52" Axle Spacing

MACH NO.	OEM REF	NOTES
<b>G-16718</b>	C65-1000; C65-1013	Includes G-10303 Bushings

**Torque Arm & Stabilizer Rod Bushing, Heavy-Duty High Confinement Design**

FOR MODELS:  
Airglide 200/400



Rubber

EUCLID NO.	MACH NO.	OEM REF	OD	BOLT HOLE DIA.	C-TO-C
E-10303	G-10303	836940	2 3/4"	5/8"	4 3/8"

**Torque Arm Nut and Washer**

FOR MODELS:  
Airglide 100



For Tapered Torque Arm Bushings

EUCLID NO.	OEM REF	OD	ID	THREAD	THICKNESS
E-2017	49NE2012	-	-	1 1/4"-12	-
E-2018	-	2 1/4"	1 5/16"	-	1/4"

**Torque Arm & Stabilizer Rod Bushing**

FOR MODELS:  
Airglide 100



EUCLID NO.	OEM REF	OD	BOLT HOLE DIA.	C-TO-C	MATERIAL
E-2226	227720	2 3/4"	5/8"	4 3/8"	Rubber, Steel Pin
E-7639	-	2 3/4"	5/8"	4 3/8"	Poly, Steel Pin
E-4664	227722	2 3/4"	5/8"	4 3/8"	Rubber, Aluminum Pin

**Torque Arm Tapered Stud**

FOR MODELS:  
Airglide 100



Uses E-10303 Straddle Mount Bushing & E-2228 Tapered Stud Bushing

EUCLID NO.	OEM REF	BAR DIA	LENGTH C-TO-C
E-15711	K195-376; 944270	1 1/4"	24"

**Torque Arm**

FOR MODELS:  
Airglide 100



Bushings: E-10303, E-2226, & E-7639

EUCLID NO.	OEM REF	LENGTH C-TO-C
E-15708	K195-375; 925031	25"
E-15611	925150	24"

**Torque Arm Bushing, Tapered Stud**

FOR MODELS:  
Airglide 100



Includes Lock Nut and Washer

EUCLID NO.	OEM REF	A	B	MATERIAL
E-2228	229610	2 3/4"	3"	Rubber
E-8651	-			Poly

**Shim**

FOR MODELS:  
Airglide 100



EUCLID NO.	OEM REF	THICKNESS
E-5076	K21-922-3	1/8"

KENWORTH

Mounting Bolts					
EUCLID NO.	OEM REF	THREAD	LENGTH	FOR MODELS	NOTES
<b>E-16230</b>	K041-712-130P	M16-2.0	120mm	All Airglide Models	Stabilizer End Bushing Mounting
<b>E-16225</b>	K041-712-150P		150mm	Airglide 100	Stabilizer End Bushing Mounting
<b>E-16226</b>	K041-717-160P		160mm	All Airglide Models	Stabilizer Bar Bracket w/ Fabricated Center Support, Bottom Bolts
<b>E-16415</b>	-		170mm	Airglide 100	Fabricated Center Bracket
<b>E-16691</b>	K041-712-260P		260mm	Airglide 100	Stabilizer Bar Mounting Bolt for Cast Center Hanger
<b>E-16231</b>	K041-712-290P		290mm	Airglide 200/400	Frame Bracket Cap Mounting
<b>E-16690</b>	K041-724-260P	M20-2.5	260mm	Airglide 100	Stabilizer Bar Bracket w/ Fabricated Center Support, Top Bolts

Center Support Bracket		
MACH NO.	OEM REF	NOTES
FOR MODELS: Airglide 100		
<b>G-10766</b>	K272-145	Fabricated Models to 1994


Air Spring Bracket	
EUCLID NO.	OEM REF
FOR MODELS: Airglide 100	
<b>E-5075</b>	K048-449

Universal Height Control Valve		
EUCLID NO.	OEM REF	NOTES
FOR MODELS: All Airglide Models		
<b>E-14731</b>	H01501UD	Hadley Next Gen, 3/8" Ports, Apply Air To Dump
<b>E-14732</b>	H01501PUD	Hadley Next Gen, 1/4" Ports, Apply Air To Dump

Threaded Pin Service Kit		
MACH NO.	OEM REF	NOTES
FOR MODELS: Airglide 200/400		
<b>G-16117</b>	K345-5156; K345-5032	Includes (2) Pins and (4) Seals

KENWORTH

**Torque Arm Bushing**



NOTE: Heavy Duty, High Confinement, Steel Pin


EUCLID NO.	MACH NO.	OEM REF	OD	BOLT HOLE DIA	C-TO-C	MATERIAL
E-10303	G-10303	836940	2 3/4"	5/8"	4 3/8"	Rubber

**Trunion Bushing**



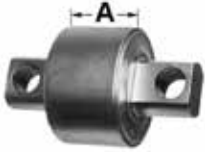
EUCLID NO.	OEM REF	OD	ID	LENGTH	MATERIAL
E-9521	K066-232	5"	4"	4 5/8"	Rubber

**Torque Arm Bushing**



EUCLID NO.	MACH NO.	OEM REF	OD	BOLT HOLE DIA	C-TO-C	MATERIAL
E-2226	-	Clevite 227720	2 3/4"	5/8"	4 3/8"	Rubber
E-7639	-	-				Poly

**Torque Arm Bushing**



Rubber Bushings Unless Noted.

EUCLID NO.	MACH NO.	OEM REF	OD	BOLT HOLE DIA	C-TO-C "A"
E-9324	G-9324	Clevite 932420	3 1/2"	5/8"	4 3/8" / 2 13/16"
E-9321	-	Meritor A-2297-K-1051	4 1/8"	7/8"	5 1/4" / 2 1/2"
E-8655	-	Poly			
E-9322	-	Meritor A-2297-X-3664	4 1/8"	1"	5 1/4" / 2 1/2"

**KENWORTH**

Contents

**FRONT TRUCK / TRACTOR SUSPENSION**

**AIRTEK Mack** - - - - - 4-2

**F / R / RU / U Series**

**3 1/2" Wide Springs, Rubber Pad** - - - - - 4-6

**REAR TRUCK / TRACTOR SUSPENSION**

**Maxlite 40EZ (Volvo Corporate Air Ride)** - - - - - 4-8

**MaxAir Twisted Sister®** - - - - - 4-10

**SS34 & 38 Tandem Suspension**

**4" Wide Spring - Rubber / Poly Trunnion Bushing** - - - - - 4-12

**SS44 Series (Formerly SWS 573)**

**4" Wide Spring - Bronze Trunnion Bushing - 3 1/2" ID** - - - - - 4-16

**SS50C Series,**

**4" Wide Spring - Bronze Trunnion Bushing - 4" ID** - - - - - 4-20

**SS58C Series**

**5" Wide Spring - Bronze Trunnion Bushing - 4" ID** - - - - - 4-22

**SS65C-W Series,**

**5" Wide Spring - Bronze Trunnion Bushing - 5" ID** - - - - - 4-24

**ST Series - Tapered Leaf** - - - - - 4-26

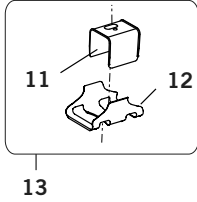
**SW - SWW Walking Beam** - - - - - 4-28

**Component Suspension Parts** - - - - - 4-30

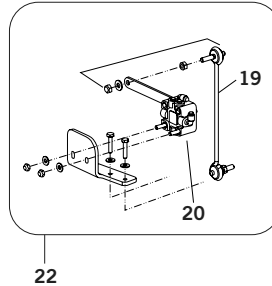
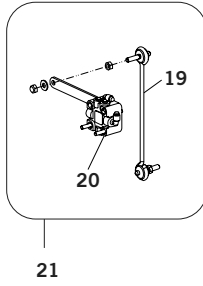


# MACK FRONT AIRTEK Mack

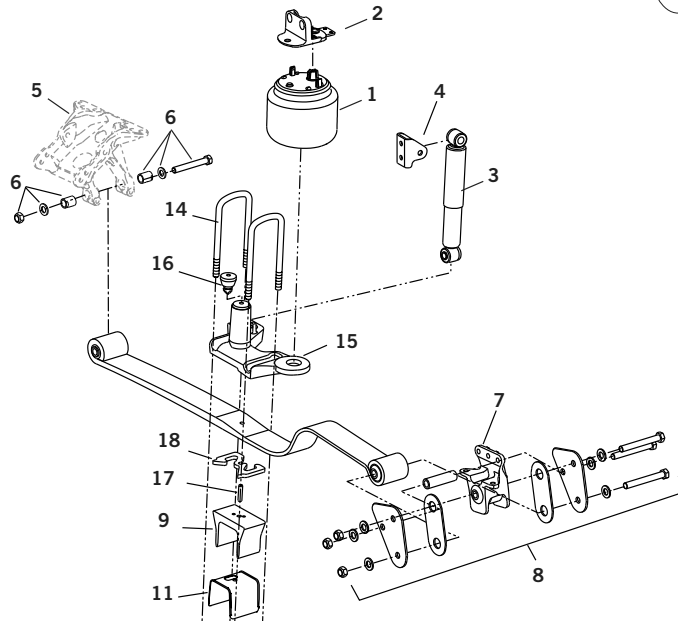
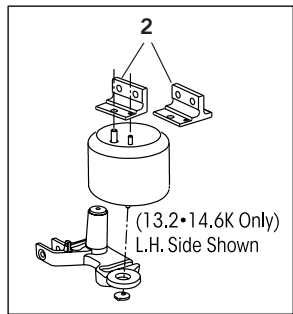
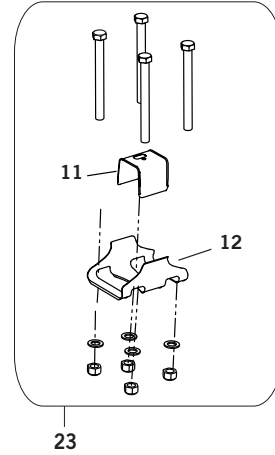
**Axle Wrap Liner Kit**



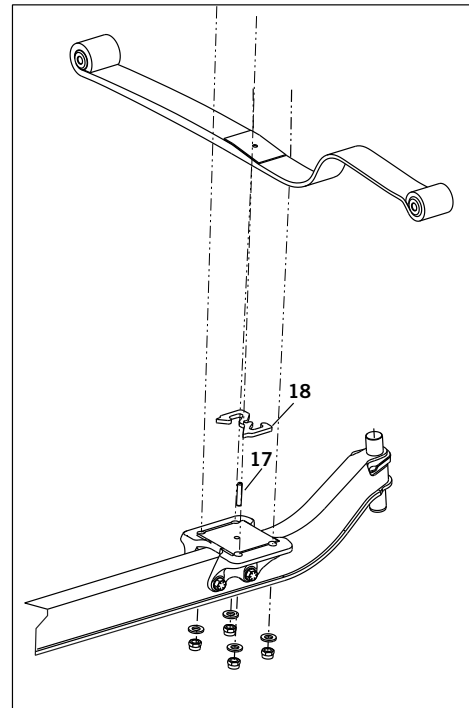
**Single Height Control Valves For Vehicles Built Before March 2005**



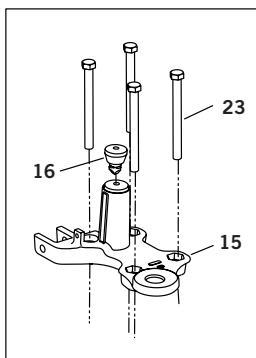
**Straight Bolt Clamp Kit**



















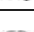

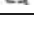




**STEERTEK NXT  
Vehicles Built After July 2011**



**Axle Connection For  
Vehicles Built Before  
July 2007**



MACK

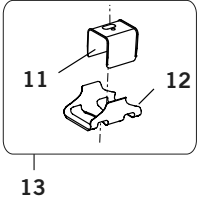
<b>AIRTEK Mack</b>								
KEY NO.	EUCLID NO.	GENUINE	OEM REF	DESCRIPTION	QTY PER AXLE			PAGE NO.
					PRE 2007	BEFORE JULY 2007	AFTER JULY 2007	
1	<b>FS9913</b>	-	66349-002	Air Spring, 12 & 12.5K	2	2	2	-
	<b>FS9554</b>	-	60716-002	Air Spring, 13.2 & 14.6K	2	2	2	-
2	<b>S.O.S.</b>		Various	Air Spring Bracket	2	2	2	-
3	<b>M85933</b>	-	64838-002 64838-003	Shock Absorber	2	2	2	-
	<b>M89454</b>	-	64838-002 64838-003	Shock Absorber, Premium Adjustable	2	2	2	-
4	<b>S.O.S.</b>		64241-001	Upper Shock Bracket	2	2	-	-
	<b>S.O.S.</b>		59423-008	Upper Shock Bracket	-	-	2	-
5	<b>S.O.S.</b>		Various	Spring Hanger	2	2	2	-
6	<b>E-16412</b>		60961-033	Front Hanger Repair Kit	2	2	2	4-30
7	<b>S.O.S.</b>		Various	Rear Shackle Bracket, Left Hand with Bushing	1	1	1	-
	<b>S.O.S.</b>		Various	Rear Shackle Bracket, Right Hand with Bushing	1	1	1	-
8	<b>E-16409</b>		60961-034 60961-635	Shackle Bracket Service Kit, One Axle, Omit Thrust Washer For Post July 2007 Vehicles	1	1	1	4-30
9	<b>S.O.S.</b>		59952-017 59952-013 59952-014	Top Axle Wrap	2	2	-	-
10	<b>E-15108</b>		64722-003 64014-003 60622-003	Bottom Axle Wrap	2	2	-	4-30
11	<b>E-15147</b>		60508-000	Top Axle Wrap Liner	2	2	-	4-30
12	<b>E-15110</b>		59845-000	Bottom Axle Wrap Liner	2	2	-	4-30
13	<b>E-15727</b>		60961-015	Axle Wrap Liner Kit, Vehicles Built Before October 2012, Includes Key Nos. 11 & 12	2			4-30
14	<b>S.O.S.</b>	-	Various	U-Bolt Assembly, Specify Ride Height	-	4	4	-
15	<b>S.O.S.</b>		Various	Top Pad, Specify Left or Right Hand, Pre or Post 2007 Engine and Frame Rail Size	2	2	2	-
16	<b>E-15148</b>		64080-000	Rubber Axle Stop	2	2	2	4-30
17	<b>S.O.S.</b>		Various	Dowel Pin, Specify Length	-	2	2	-
18	<b>S.O.S.</b>		64318-028	Spacer, All Vehicles with Dual Height Control Valves March 2005 - July 2011 & All Post July 2011 Vehicles	-	2	2	-
	<b>S.O.S.</b>		Various	Spacer, Other Configurations	-	2	2	-
19	<b>E-15096</b>		59428-004	Linkage Kit, Single Height Control Valve, Vehicles Built Prior to 3/05	-	-	-	4-31
20	<b>E-15151</b>		59935-003	Height Control Valve, Vehicles Built Prior to 3/05	-	-	-	4-31
21	<b>E-15150</b>		59427-006	Height Control Valve and Linkage Kit for Vehicles Built Prior to 3/05, Includes Key No. 19, 20	-	-	-	4-31
22	<b>E-14013</b>		64089-000	Height Control Valve Assembly, Includes Key No. 19 & 20 plus Bracket, Vehicles Built Prior to 3/05 w/ 12 & 12.5K Axles	-	-	-	-
	<b>E-14014</b>		64094-000	Height Control Valve Assembly, Includes Key No. 19 & 20 plus Bracket, Vehicles Built Prior to 3/05 w/ 13.2 & 14.6K Axles	-	-	-	-

 Denotes Product is Genuine Hendrickson

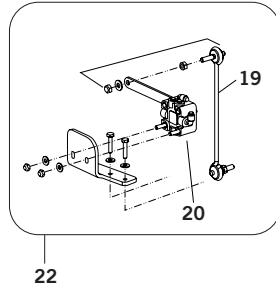
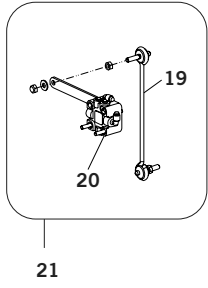
**MACK**

# MACK FRONT AIRTEK Mack

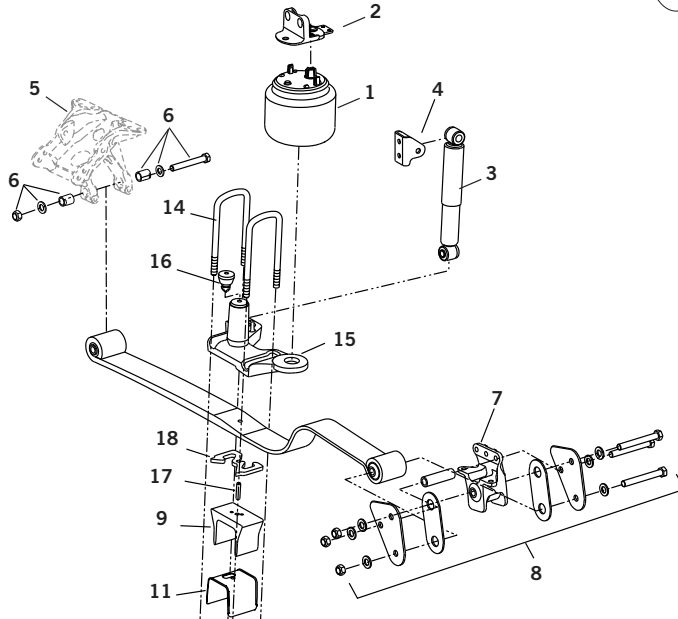
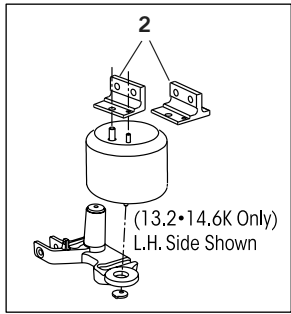
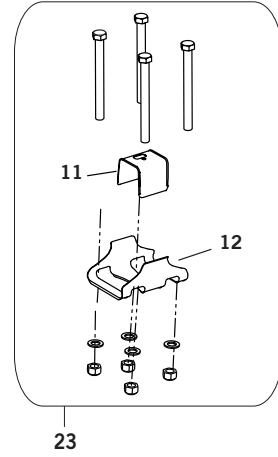
Axle Wrap Liner Kit



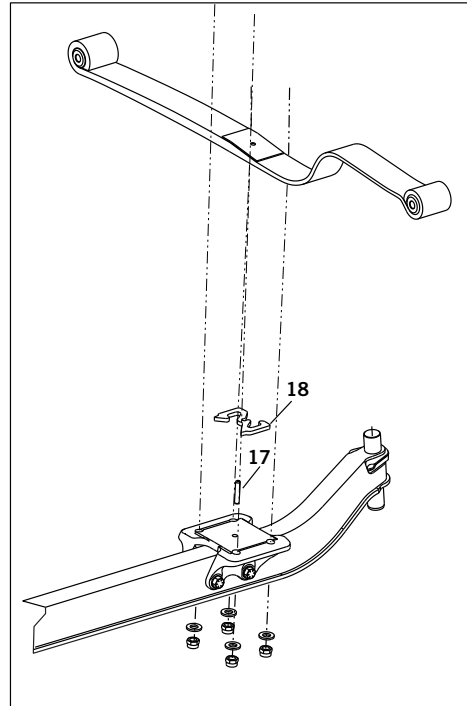
Single Height Control Valves For Vehicles Built Before March 2005



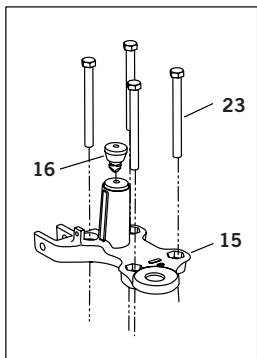
Straight Bolt Clamp Kit



STEERTEK NXT  
Vehicles Built After July 2011









Axle Connection For  
Vehicles Built Before  
July 2007



MACK

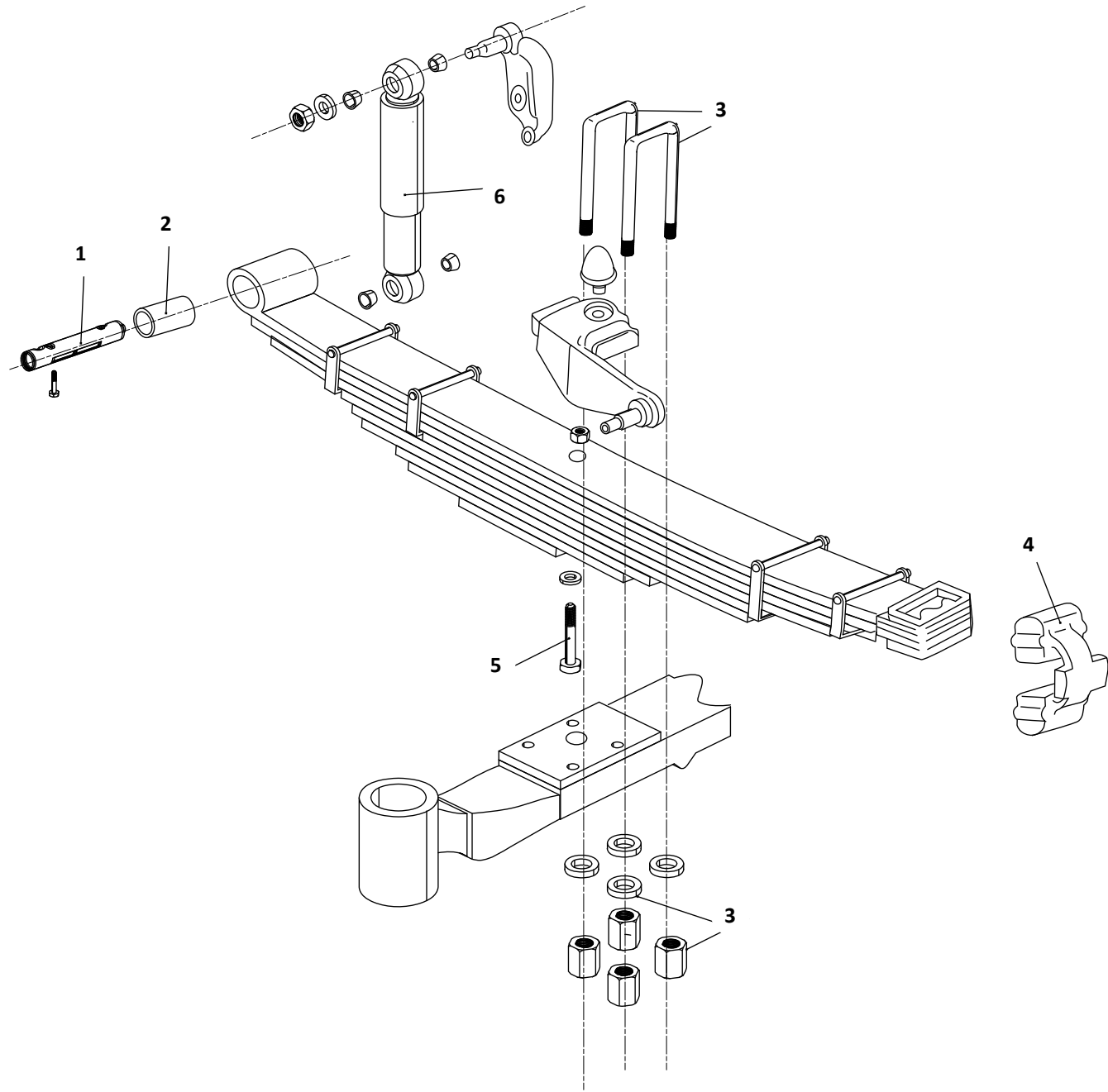


AIRTEK Mack								
KEY NO.	EUCLID NO.	GENUINE	OEM REF	DESCRIPTION	QTY PER AXLE			PAGE NO.
					PRE 2007	BEFORE JULY 2007	AFTER JULY 2007	
23	E-16410		60961-035	Straight Bolt Clamp Kit, Vehicles with Dual Height Control Valves, 13 1/4" Ride Height, Includes Key Nos. 11 & 12, Bolts, Nuts, Washer for One Side	2	-	-	4-30
	E-16411		60961-037	Straight Bolt Clamp Kit, Vehicles with Single Height Control Valve, 14 3/8" Ride Height, Includes Key Nos. 11 & 12, Bolts, Nuts, Washer for One Side	2	-	-	4-31
	S.O.S.		Various	Straight Bolt Clamp Kit, Other Configurations, Includes Key No. 11, Bolts, Nuts, Washer for One Side	2	-	-	-
-	E-14019		60961-101	Dual Height Control Valve & Linkage Conversion Kit, Convert Single HCV to Dual, 12 & 12.5K Capacity	1	-	-	-
-	E-14020		60961-102	Dual Height Control Valve & Linkage Conversion Kit, Convert Single HCV to Dual, 13.2 & 14.6K Capacity	1	-	-	-

 Denotes Product is Genuine Hendrickson

# MACK FRONT

F / R / RU / U Series  
3 1/2" Wide Springs, Rubber Pad



MACK

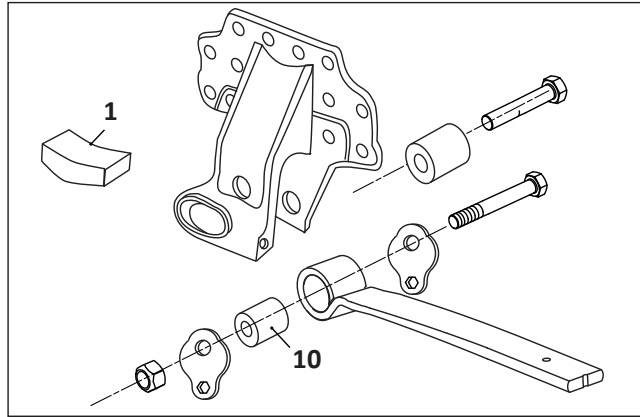
F / R / RU / U Series 3 1/2" Wide Springs, Rubber Pad						
KEY NO.	EUCLID NO.	MACH NO.	OEM REF	DESCRIPTION	QTY PER AXLE	PAGE NO.
1	E-3715	-	44QK173B	Spring Pin, 1 3/4" OD X 6 1/4" Long	2	4-32
2	E-3533	-	10QK229P1	Spring Pin Bushing, 1 1/2" OD X 1 1/4" ID X 3 1/2" Long, Bronze	2	4-32
	E-16165	-	-	Spring Pin Bushing, 1 1/2" OD X 1 1/4" ID X 3 1/2" Long, Bi-Metal		4-32
3	E-UB8253-12	-	-	U-Bolt Assembly, Sq. Bend, 3/4"-16 X 3 1/2" Wide x 12" Long	4	-
4	E-3722	-	10QK322A	Front Spring Insulator, Rubber	2	4-32
5	E-3191	-	-	Spring Center Bolt, 1/2"-20 X 6" Long	2	-
	E-3193	-	-	Spring Center Bolt, 1/2"-20 X 8" Long	2	4-41
6	M83221	-	-	Shock Absorber	2	-
	M85036	-	-	Shock Absorber	2	-



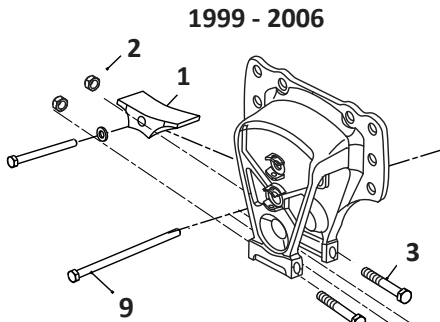
# MACK REAR

Maxlite 40EZ (Volvo Corporate Air Ride)

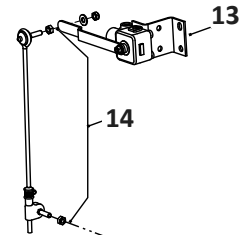
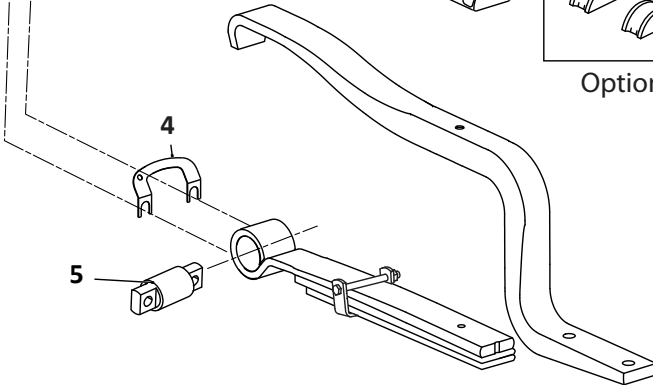
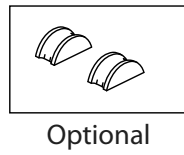
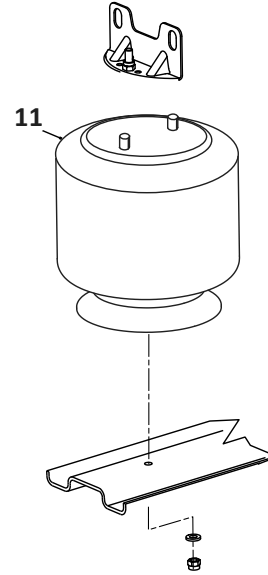
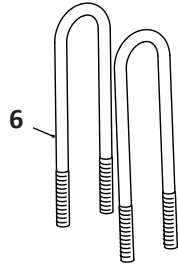
## Alternate Hanger & Slipper Pad



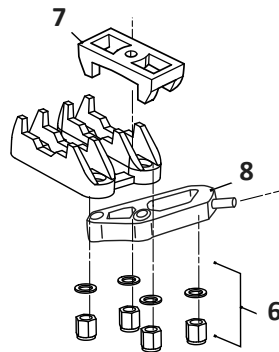
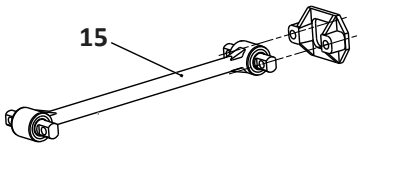
2006 and Later



1999 - 2006



Straddle Pin Style Transverse Rod

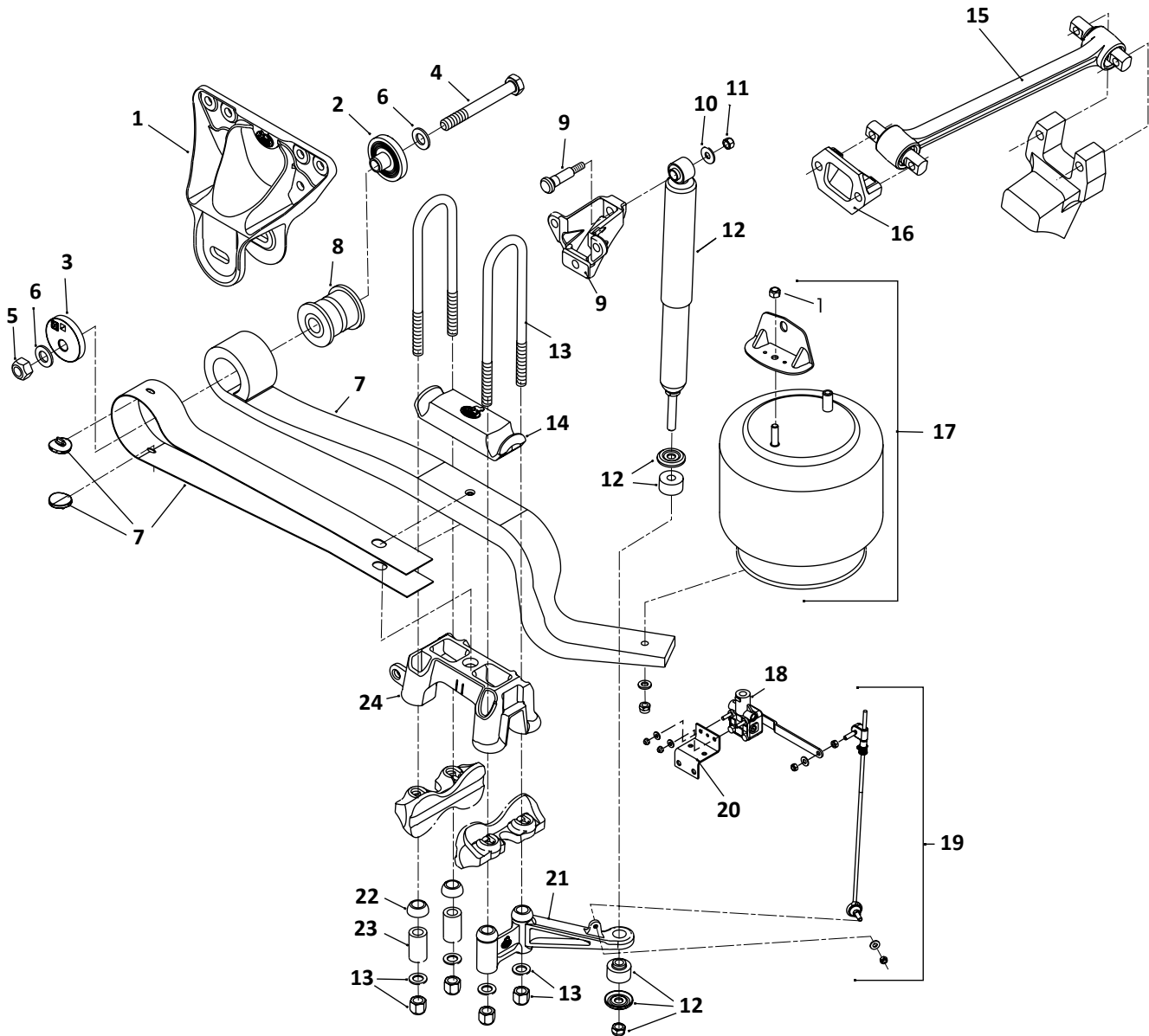


MACK

Maxlite 40EZ (Volvo Corporate Air Ride)						
KEY NO.	EUCLID NO.	MACH NO.	OEM REF	DESCRIPTION	QTY. PER AXLE	PAGE NO.
1	E-16778	-	8079889; 20568741	Wear Pad Kit, 1999 - 2006	2	4-34
	E-16779	-	20703083	Wear Pad Kit, 2007 and Later	2	4-34
2	E-8911	-	V8397202	Flange Nut, 5/8"-11, Through 2006	4	-
3	E-8909	-	V8397091	Bolt, 5/8"-11 X 6" Long, Through 2006	4	-
	E-8910	-	V8397092	Bolt, 5/8"-11 X 6 5/8" Long, Through 2006	4	-
4	E-5281	-	V8020329	Alignment Shim	2	4-35
5	E-2225	-	35033-3201	Spring Eye Bushing, Straddle Mount, 2 1/2" OD, 4 3/8" Center-to-Center, 5/8" Bolt Holes	2	4-43
	E-15671	G-15671	8079894	Spring Eye Bushing, High Confinement, Straddle Mount, 2 1/2" OD, 4 3/8" Center-to-Center, 5/8" Bolt Holes	2	4-34
6	E-UB8151-16		V8027431	U-Bolt Assembly, Rd. Bend, 3/4"-16 Thd. x 3" Wide x 16" Long	4	-
7	-	G-16807	8071514	Axle Seat, 3.6° Pinion Angle	2	4-35
8	-	-	8169852; 8169853	Lower Shock Bracket	2	-
9	-	G-16806	35026-0001; 8027436	Rebound Pin, 3/4" OD X 5 1/4" Long	2	4-34
10	E-16777	-	20558810	Spring Eye Bushing, Through Hole, After 2006, 7/8" ID X 2 9/16" OD X 3 9/16" Long	2	4-34
11	FS9219	-	35003-3204; 35003-3209	Firestone Air Spring	2	-
	FS8829	-	20505399	Firestone Air Spring	2	-
	MAF8829	-	20505399	Meritor Air Spring	2	-
	FS9296	-	8061151	Firestone Air Spring	2	-
12	M85024	-	8071524	Shock Absorber	2	-
	M85046	-	8026658	Shock Absorber	2	-
	M85047	-	8169859	Shock Absorber	2	-
13	E-11855	-	-	Height Control Valve, No Dump	1	4-35
	E-11870	-	-	Height Control Valve, Dump With Air Applied	1	4-35
14	E-7852	-	-	Leveling Valve Link Kit	1	4-35
15	E-8821	-	35801-0068	Torque Arm, 22 1/8" Long, Straddle Mount Bushings, E-8821 Includes E-9395 Bushings	1	4-34
	E-3176	-	-	Torque Arm Kit, Full Ball Design.	1	4-34


# MACK REAR

## MaxAir Twisted Sister®



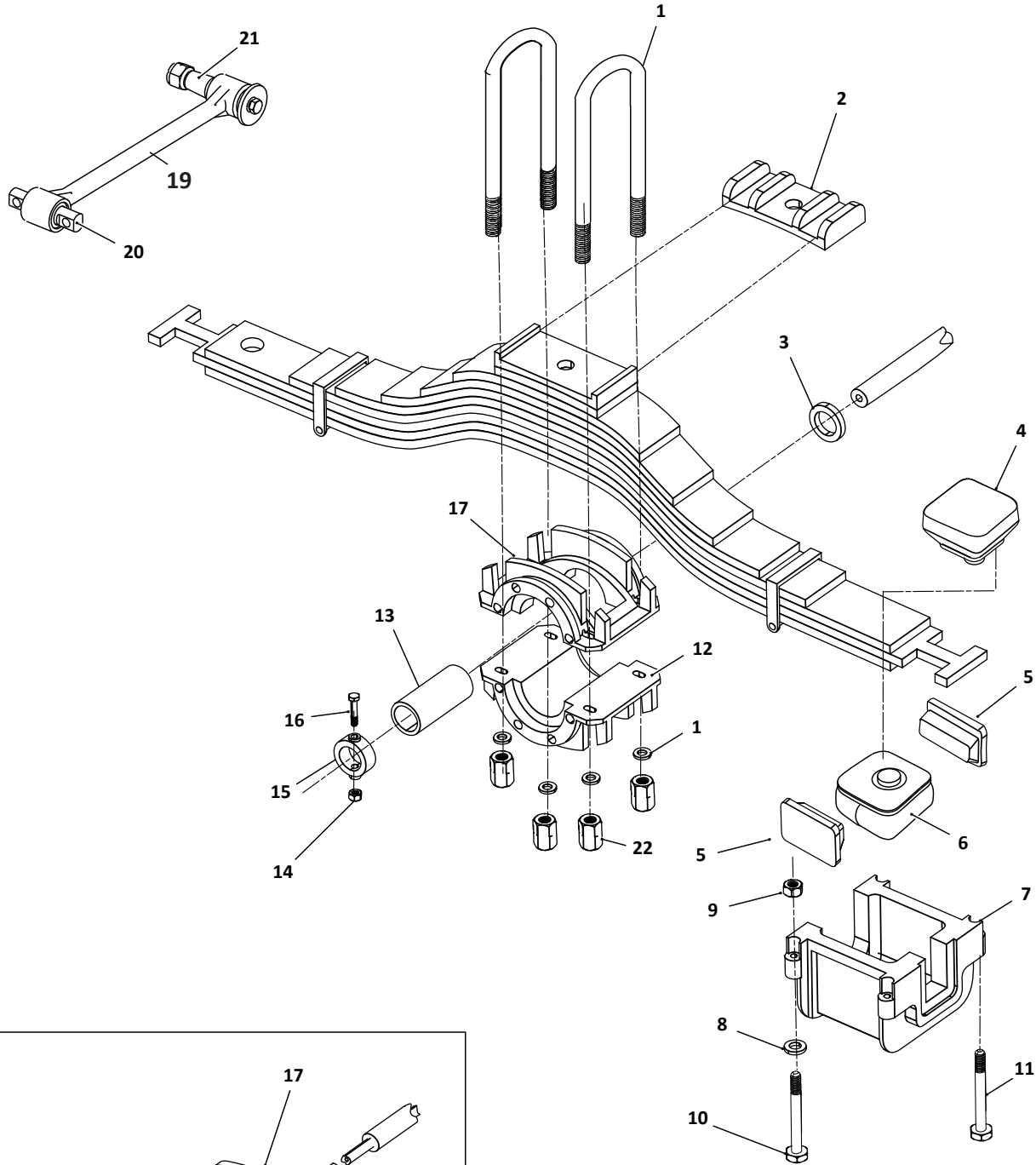
## MaxAir Twisted Sister®

KEY NO.	EUCLID NO.	GENUINE	OEM REF	DESCRIPTION	QTY. PER AXLE	PAGE NO.
1	E-15487		58772-001	Frame Hanger	2	-
2	E-16780		60497-000	QUIK-ALIGN Concentric Base	2	4-36
	E-15553		60661-000L	QUIK-ALIGN Concentric Base For Aluminum Hangers	2	4-36
3	E-16781		60496-000	QUIK-ALIGN Eccentric Base	3	4-36
	E-16260		60662-000L	QUIK-ALIGN Eccentric Base For Aluminum Hangers	3	4-36
4	S.O.S.	-	58705-003	Hex Bolt, 7/8"-9 x 7 1/2" Long	2	-
	S.O.S.	-	58705-005	Hex Bolt, 7/8"-9 x 8" Long For Aluminum Hangers	2	-
5	E-2983	-	60266-000	Locknut, 7/8"-9	2	-
6	E-2546	-	22962-034	Washer, 7/8" ID	4	-
7	S.O.S.	-	Various	Main Support Member, Includes Key 8	2	-
8	E-13992		58648-000	QUIK-ALIGN Pivot Bushing	2	4-36
9	S.O.S.	-	58692-000	Shock Frame Hanger Assembly, Includes Hardware	2	-
10	E-9603	-	22962-031	Washer, 1/2" ID	2	-
11	E-16402	-	49846-000	Locknut, 1/2"-13	2	-
12	M83111	-	57241-006L	Shock Absorber, Includes Lower Bushings, Washers and Nut	2	-
13	E-UB8151-16	-	-	U-Bolt Assembly, Rd. Bend, 3/4"-16 x 3 " Wide x 16 " Long, Does Not Include Spherical Washers Key 22	4	-
14	E-15721		58775-002	Top Pad	2	-
15	E-13993		58757-006	Transverse Rod Assembly	1	4-37
16	E-2634		22186-000	Transverse Rod Frame Bracket	1	4-37
17	FS9647	-	58786-002	Firestone Air Spring, Includes Mounting Bracket	2	-
18	E-14796		59899-000L	Height Control Valve	1	-
19	E-7852	-	-	Height Control Valve Linkage Assembly, Universal Adjustable	1	4-35
20	S.O.S.	-	57975-000	Height Control Valve Bracket	1	-
21	S.O.S.	-	Various	Lower Shock Bracket	2	-
22	S.O.S.	-	49947-000	Spherical Washer, 3/4" ID	4	-
23	S.O.S.	-	58776-000	U-Bolt Spacer Tube	4	-
24	S.O.S.	-	Various	Spring Seat	2	-

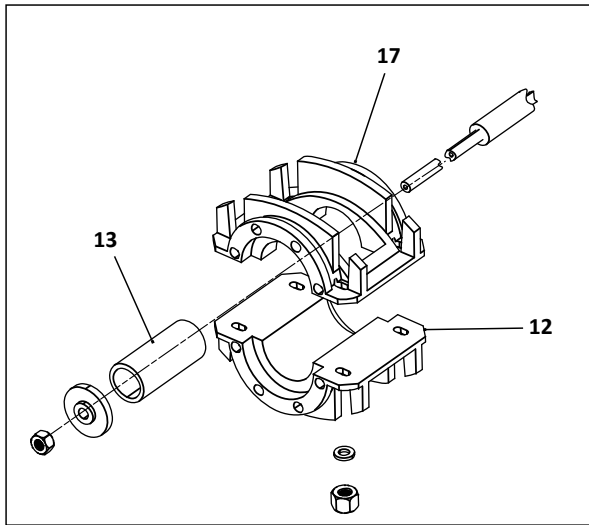
 Denotes Product is Genuine Hendrickson

# MACK REAR

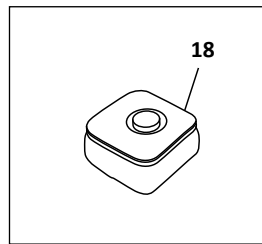
## SS34 & 38 Tandem Suspension 4" Wide Spring - Rubber / Poly Trunnion Bushing



MACK



Early Model Rubber Bushing



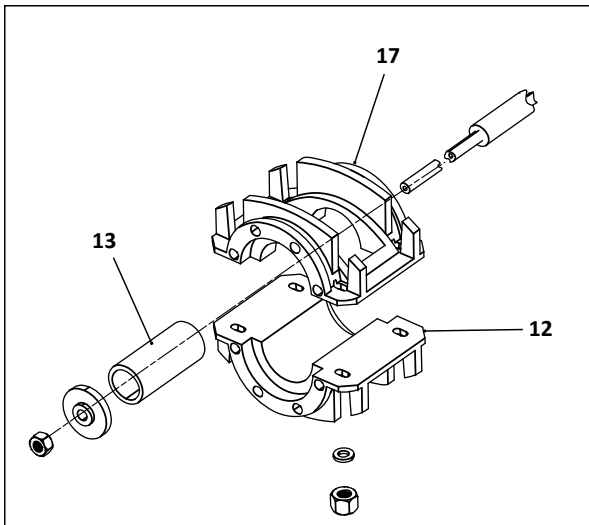
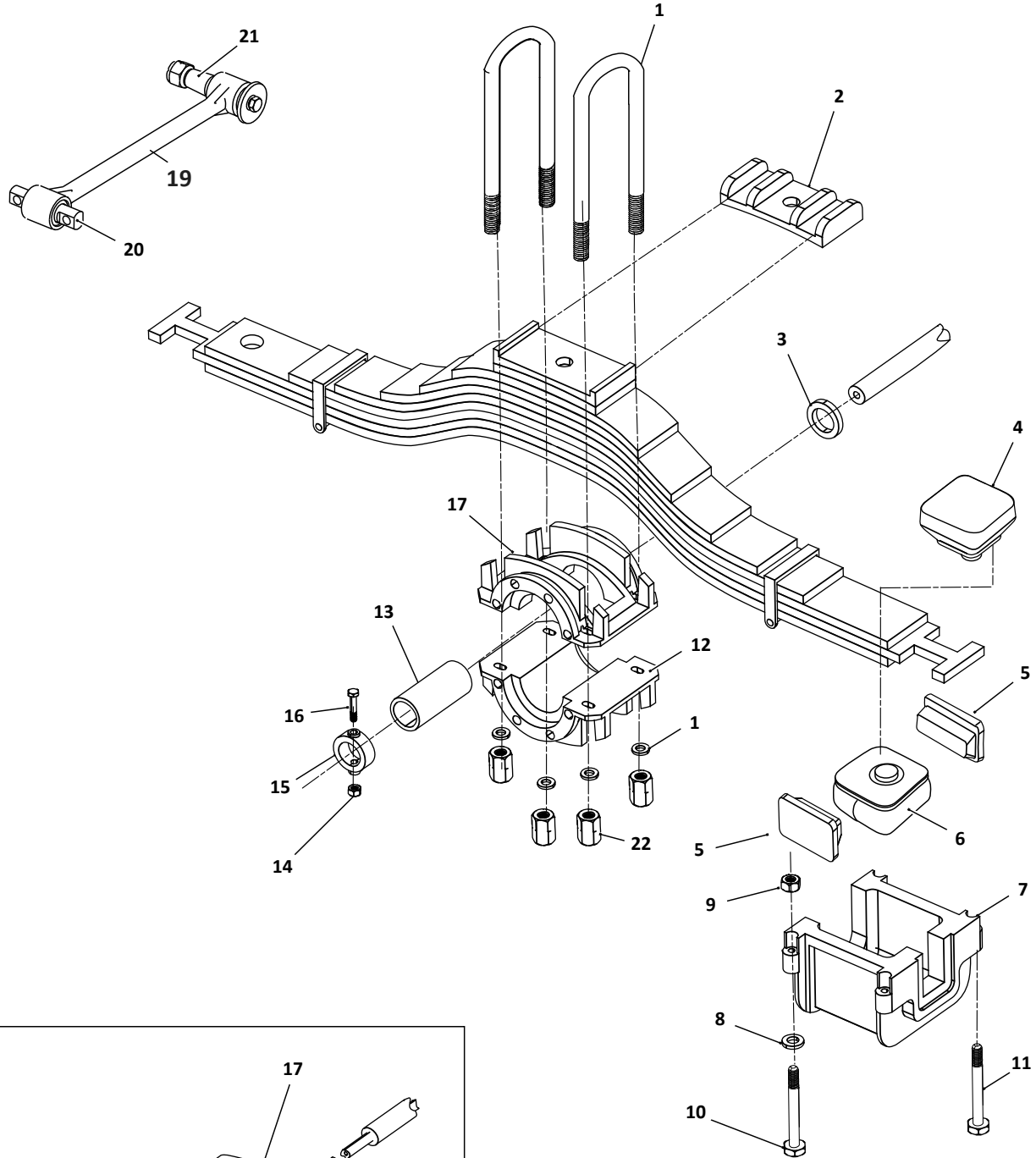
Special Offset Insulator to  
Correct Axle Alignment



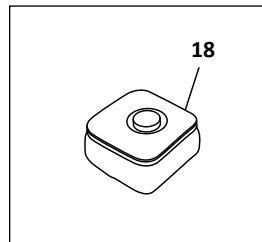
SS34 & 38 Tandem Suspension 4" Wide Spring - Rubber / Poly Trunnion Bushing						
KEY NO.	EUCLID NO.	MACH NO.	OEM REF	DESCRIPTION	QTY. PER TANDEM	PAGE NO.
1	E-UB8394-144	-	-	U-Bolt Assembly, Semi Rd. Bend, 1-1/4"-12 x 4" Wide x 14-1/2" Long, Includes Key 22 E-3006 Hi Nut	4	4-44
	E-UB8394-162S	-	-	U-Bolt Assembly, Semi Rd. Bend, 1-1/4"-12 x 4" Wide x 16-1/4" Long, Includes Key 22 E-3005 Hi Nut	4	4-44
	E-UB8394-18	-	-	U-Bolt Assembly, Semi Rd. Bend, 1-1/4"-12 x 4" Wide x 18" Long, Includes Key 22 E-3006 Hi Nut	4	4-44
2	-	-	-	Top Plate	-	-
3	E-3702	-	44RU2223P2	Inner Spacer, 4 1/8" OD X 3 1/2" ID X 7/16" Thick	2	4-42
	E-3703	-	44RU2223P1	Inner Spacer, 4 1/8" OD X 3 1/2" ID X 1/2" Thick	2	4-39
4	E-2917	-	10QK365A	Upper Insulator Pad, Rubber, 6" Long X 4 1/2" Wide X 2 3/8" Thick, 1 3/4" Dia. Pin	4	4-42
	E-7481	-	-	Upper Insulator Pad, Poly, 6" Long X 4 1/2" Wide X 2 3/8" Thick, 1 3/4" Dia. Pin	4	4-42
	E-2919	-	10QK370	Upper Insulator Pad, Rubber, 6" Long X 4 1/2" Wide X 3" Thick, 1 3/4" Dia. Pin	4	4-42
	E-8667	-	-	Upper Insulator Pad, Poly, 6" Long X 4 1/2" Wide X 3" Thick, 1 3/4" Dia. Pin	4	4-42
5	E-3689	-	13QK246	Insulator Spacer Block	8	4-42
6	E-2920	-	10QK36B	Lower Insulator Pad, Rubber, 6" Long X 6" Wide X 3 3/4" Thick, 1 3/4" Dia. Pin	4	4-42
	E-7480	-	-	Lower Insulator Pad, Poly, 6" Long X 6" Wide X 3 3/4" Thick, 1 3/4" Dia. Pin	4	4-42
7	E-3688	-	52QK418BP4	Insulator Box, 6 3/4" Deep	4	4-41
	-	<b>G-16782</b>	52QK418BP5	Insulator Box, 6 3/8" Deep	4	4-41
8	E-2546	-	37AX1310	Washer, 7/8" ID	8	-
9	E-1835	-	21AX480	Lock Nut, 7/8"-14	8	-
10	E-3690	-	1AX425	Insulator Box Bolt, 7/8"-14 x 5" Long	12	4-41
	E-3691	-	1AX475	Insulator Box Bolt, 7/8"-14 x 5 1/4" Long	12	4-41
	E-3692	-	1AX427; 3AX987	Insulator Box Bolt, 7/8"-14 x 6" Long	12	4-41
	E-3693	-	3AX1344	Insulator Box Bolt, 7/8"-14 x 6-1/2" Long	12	4-41
	E-5439	-	3AX1050	Insulator Box Bolt, 7/8 "-14 x 7-1/2 " Long	12	4-41
	E-5428	-	3AX1348	Insulator Box Bolt, 7/8 "-14 x 8 " Long	12	4-41
11	E-3696	-	4AX320; 6AX837	Insulator Box Stud, 7/8"-9 x 4-1/2" Long	4	4-41
	E-5427	-	6AX1160	Insulator Box Stud, 7/8"-9 X 6" Long	4	4-41
12	E-3685	-	39QK431	Lower Trunnion Half, Newer Style, 8 3/4" Long, Use With E-2922A Bushing	2	4-38
13	E-2921A	-	10QK219P1	Trunnion Bushing, Rubber, 4 11/16" OD X 3 7/16" ID X 5 9/16" Long	2	4-39
	E-7478	-		Trunnion Bushing, Poly, 4 11/16" OD X 3 7/16" ID X 5 9/16" Long	2	4-39
	E-2922A	<b>G-2922A</b>	10QK219P2	Trunnion Bushing, Rubber, 4 11/16" OD X 3 7/16" ID X 6 5/16" Long	2	4-39
	E-7479	-	10QK276	Trunnion Bushing, Poly, 4 11/16" OD X 3 7/16" ID X 6 5/16" Long	2	4-39
	E-2924A	<b>G-2924A</b>	10QK130P1	Trunnion Bushing, Rubber, 4 7/16" OD X 3 7/16" ID X 8 3/8" Long	2	4-39
	E-7441	-		Trunnion Bushing, Poly, 4 7/16" OD X 3 7/16" ID X 8 3/8" Long	2	4-39
14	E-4961A	-	-	Lock Nut, 3/4"-16	4	-
15	E-10116	-	44RU2221P2	Collar, Later Design, 4 1/8"OD x 3 1/2" ID X 1 3/4" Wide	2	4-40
	E-3704	-	44BU2221P1	Collar, Early Design, 4 1/8"OD x 3 1/2" ID X 2 1/4" Wide	2	4-40
16	E-15194	-	-	Bolt, 3/4"-16 X 5 1/2" Long	2	-
17	E-3683	-	39QK433A	Upper Trunnion Half, Newer Style, 8 3/4" Long, Use With E-2922A Bushing	2	4-38
18	E-3919	-	10QK48	Special Offset Lower Insulator Pad, Rubber, 6" Long X 6" Wide X 3 3/4" Thick, 1 3/4" Dia. Pin	As Required	4-42
19	<b>See Hendrickson Ultra Rod Charts</b>			Transverse Torque Arm, Rubber Bushings	1	-
	E-3988	-	-	Transverse Torque Arm Kit, Full Ball Design	1	4-34

# MACK REAR

## SS34 & 38 Tandem Suspension 4" Wide Spring - Rubber / Poly Trunnion Bushing



Early Model Rubber Bushing



Special Offset Insulator to Correct Axle Alignment

MACK

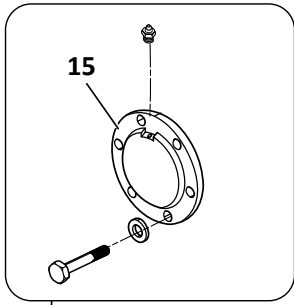
SS34 & 38 Tandem Suspension 4" Wide Spring - Rubber / Poly Trunion Bushing						
KEY NO.	EUCLID NO.	MACH NO.	OEM REF	DESCRIPTION	QTY. PER TANDEM	PAGE NO.
20	E-2226	-	227720, 44695	Torque Arm Bushing, Straddle Mount, 2 3/4" OD X 4 3/8" Center-to-Center, 5/8" Bolt Holes, Use with Torque Rods with Rubber Bushings	1	4-43
21	E-2815	-	46735	Torque Arm Bushing, Tapered Stud, Use with Torque Rods with Rubber Bushings	2	4-43
22	E-3005	-	21AX131	Hi Nut, 1 1/4"-12 Thread X 1 5/8" Tall	8	4-44
	E-3006	-	21AX655	Hi Nut, 1 1/4"-12 Thread X 2 3/4" Tall, Severe Duty	8	4-44

# MACK REAR

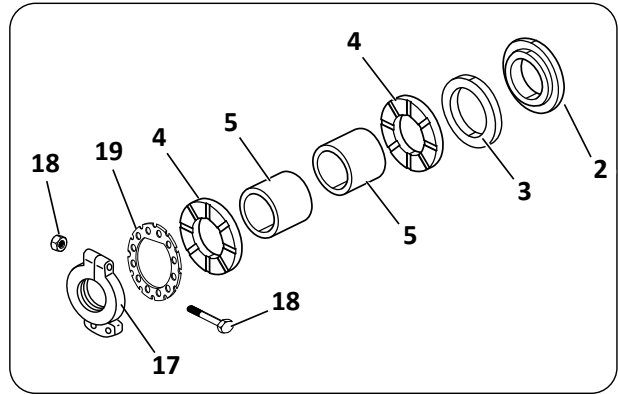
SS44 Series (Formerly SWS 573)

4" Wide Spring - Bronze Trunnion Bushing - 3 1/2" ID

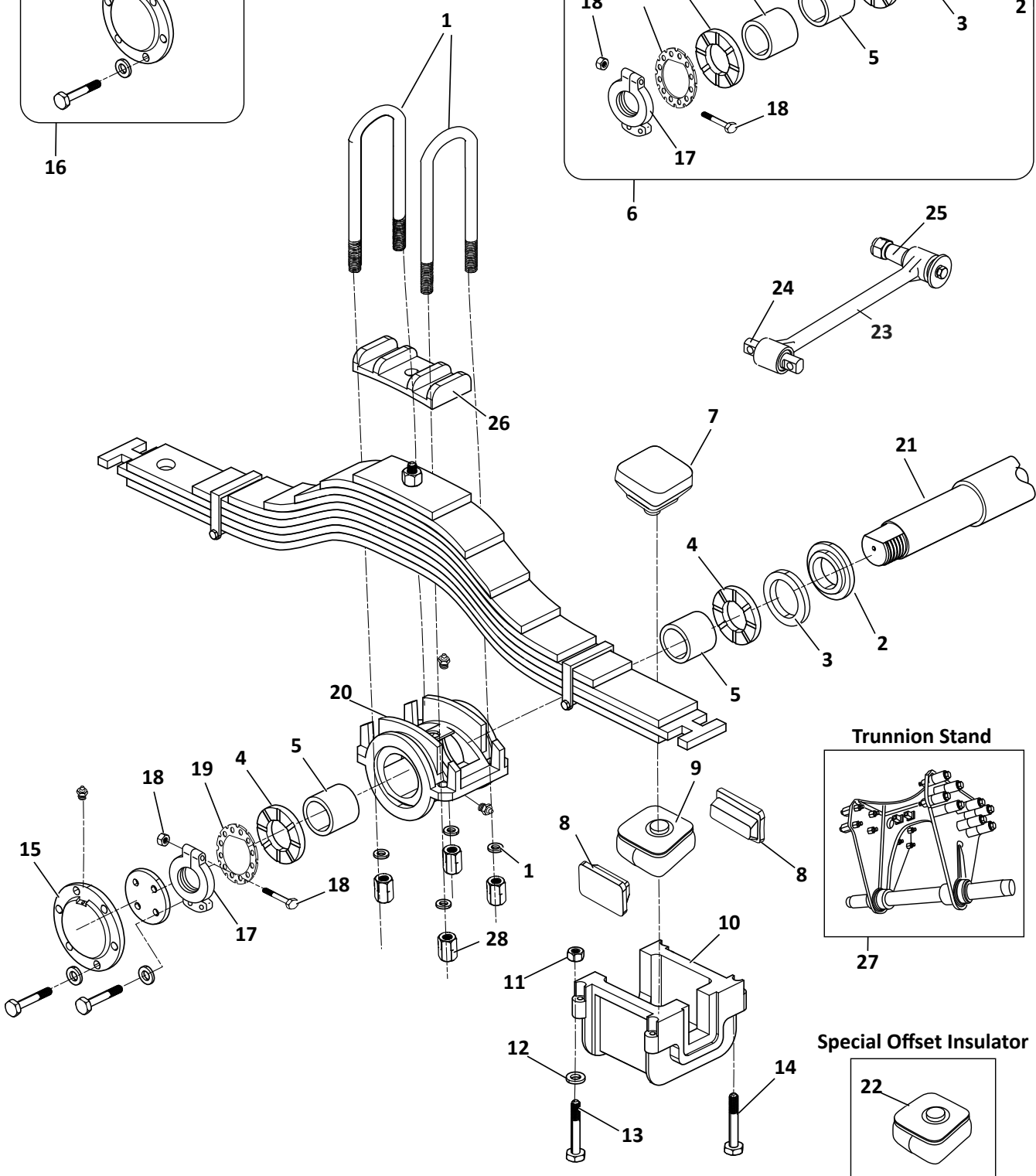
Trunnion Cap Kit



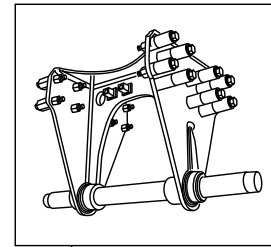
Trunnion Rebuild Kit



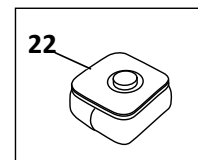
MACK



Trunnion Stand



Special Offset Insulator



Designed to Correct Axle Alignment

## SS44 Series (Formerly SWS 573) 4" Wide Spring - Bronze Trunnion Bushing - 3 1/2" ID

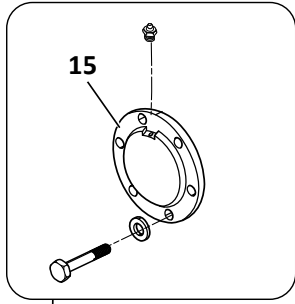
KEY NO.	EUCLID NO.	MACH NO.	OEM REF	DESCRIPTION	QTY. PER TANDEM	PAGE NO.
1	E-UB8394-144	-	-	U-Bolt Assembly, Semi Rd. Bend, 1-1/4"-12 x 4" Wide x 14-1/2" Long, Includes Key 30 E-3006 Hi Nut	4	4-44
	E-UB8394-162S	-	-	U-Bolt Assembly, Semi Rd. Bend, 1-1/4"-12 x 4" Wide x 16-1/4" Long, Includes Key 30 E-3005 Hi Nut	4	
	E-UB8394-18	-	-	U-Bolt Assembly, Semi Rd. Bend, 1-1/4"-12 x 4" Wide x 18" Long, Includes Key 30 E-3006 Hi Nut	4	
2	E-3187	-	88AX244; 88AX446	Trunnion Seal, 5 1/2" OD X 4 3/8" ID x 9/16" Thick	2	4-39
3	E-3699	-	43QK117	Steel Washer, 5 3/8" OD X 4 3/8" ID X 3/8" Thick	2	4-40
4	E-3698	-	35AX688; 43QK116	Bronze Thrust Washer, 5 5/16" OD X 3 1/2" ID X 1/4" Thick	2	4-40
5	E-2925	-	10QK157; 80AX300	Bronze Trunnion Bushing, 3 3/4" OD X 3 1/2" ID X 3 7/16" Long	4	4-39
6	E-3916	-	-	Trunnion Rebuild Kit, Includes Key No. 2, 3, 4, 5, 17, 19. Axle Set	1	4-40
7	E-2919	-	10QK370	Upper Insulator Pad, Rubber, 6" Long X 4 1/2" Wide X 3" Thick, 1 3/4" Dia. Pin	4	4-42
	E-8667	-	-	Upper Insulator Pad, Poly, 6" Long X 4 1/2" Wide X 3" Thick, 1 3/4" Dia. Pin	4	4-42
8	E-3689	-	13QK246	Insulator Spacer Block	8	4-42
9	E-2920	-	10QK36B	Lower Insulator Pad, Rubber, 6" Long X 6" Wide X 3 3/4" Thick, 1 3/4" Dia. Pin	4	4-42
	E-7480	-	-	Lower Insulator Pad, Poly, 6" Long X 6" Wide X 3 3/4" Thick, 1 3/4" Dia. Pin	4	4-42
10	E-3688	-	52QK418BP4	Insulator Box, 6 3/4" Deep	4	4-41
	-	G-16782	52QK418BP5	Insulator Box, 6 3/8" Deep	4	4-41
11	E-1835	-	21AX480	Lock Nut, 7/8"-14	8	-
12	E-2546	-	37AX1310	Washer, 7/8" ID	8	-
13	E-3690	-	1AX425	Insulator Box Bolt, 7/8"-14 x 5" Long	12	4-41
	E-3691	-	1AX475	Insulator Box Bolt, 7/8"-14 x 5 1/4" Long	12	4-41
	E-3692	-	1AX427; 3AX987	Insulator Box Bolt, 7/8"-14 x 6" Long	12	4-41
	E-3693	-	3AX1344	Insulator Box Bolt, 7/8"-14 x 6-1/2" Long	12	4-41
	E-5439	-	3AX1050	Insulator Box Bolt, 7/8 "-14 x 7-1/2 " Long	12	4-41
	E-5428	-	3AX1348	Insulator Box Bolt, 7/8 "-14 x 8 " Long	12	4-44
14	E-3696	-	4AX320; 6AX837	Insulator Box Stud, 7/8"-9 x 4-1/2" Long	4	4-41
	E-5427	-	6AX1160	Insulator Box Stud, 7/8"-9 X 6" Long	4	4-40
15	E-3697	G-3697	97QL399P2	Trunnion Grease Cap, 5/16" Dia. Bolt Holes, 7" Bolt Circle	2	4-40
16	-	-	97QL399P3	Trunnion Cap Kit Includes Key 15 Plus Gasket, Grease Fitting & Hardware	2	-
17	E-3700	-	25QJ223	Trunnion Nut	2	4-41
18	-	G-16787	-	Trunnion Nut & Hardware, Includes Key No. 17	2	4-40
19	E-3915	-	23QJ112B	Star Lock Washer, 4 7/8" OD X 1/4" Thick	2	4-40
20	E-3687	-	39QK27E; 39QK27F; 39QK326	Trunnion and Bushing Assembly	2	4-39

# MACK REAR

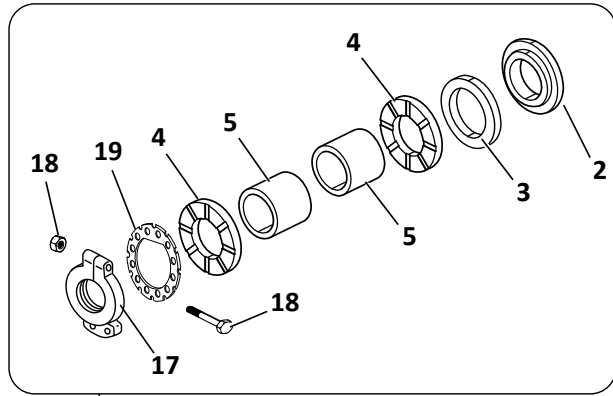
SS44 Series (Formerly SWS 573)

4" Wide Spring - Bronze Trunnion Bushing - 3 1/2" ID

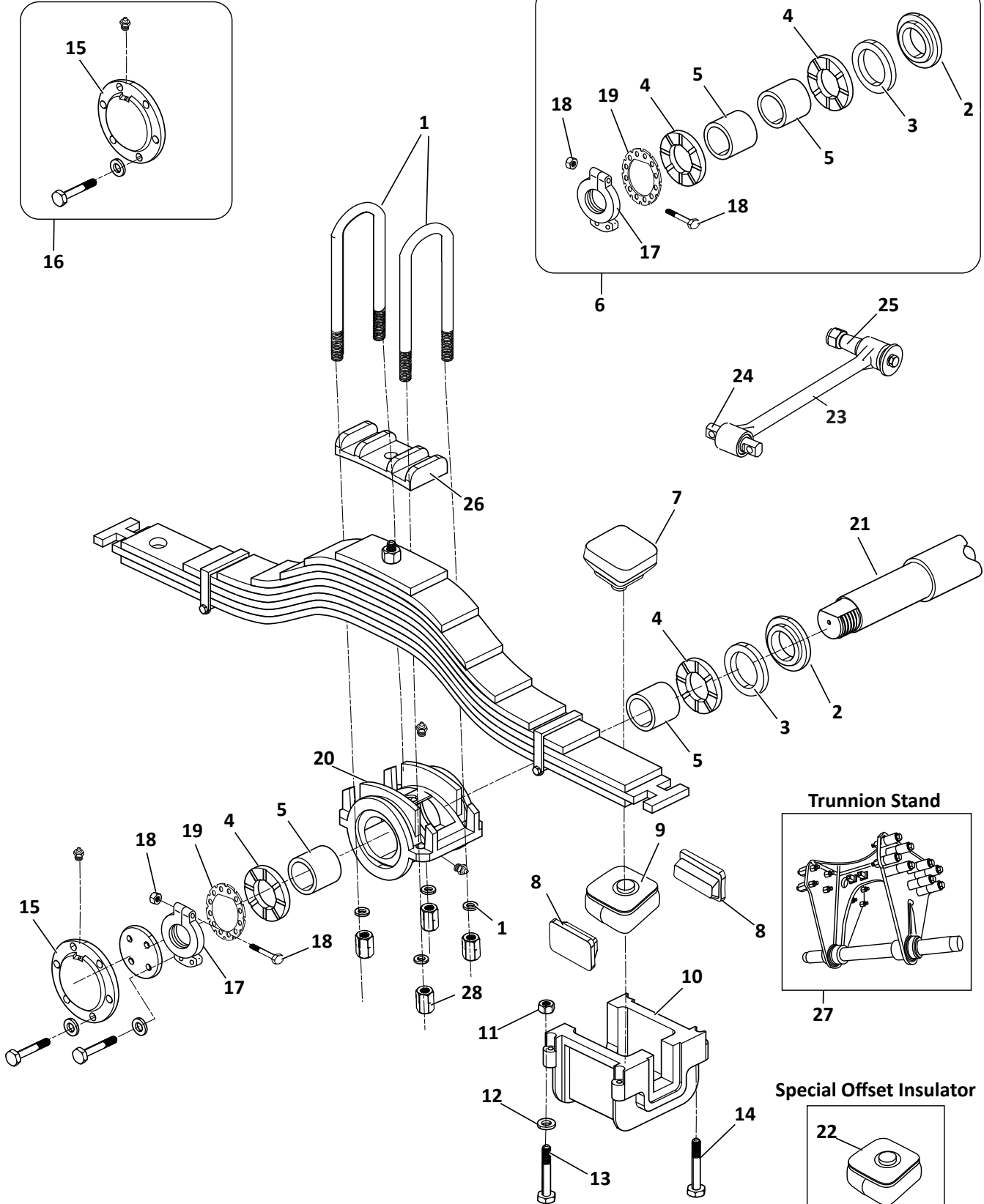
Trunnion Cap Kit



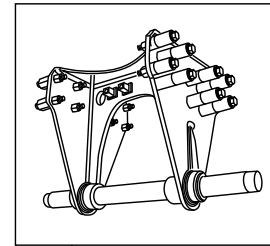
Trunnion Rebuild Kit



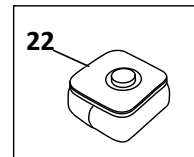
MACK



Trunnion Stand



Special Offset Insulator

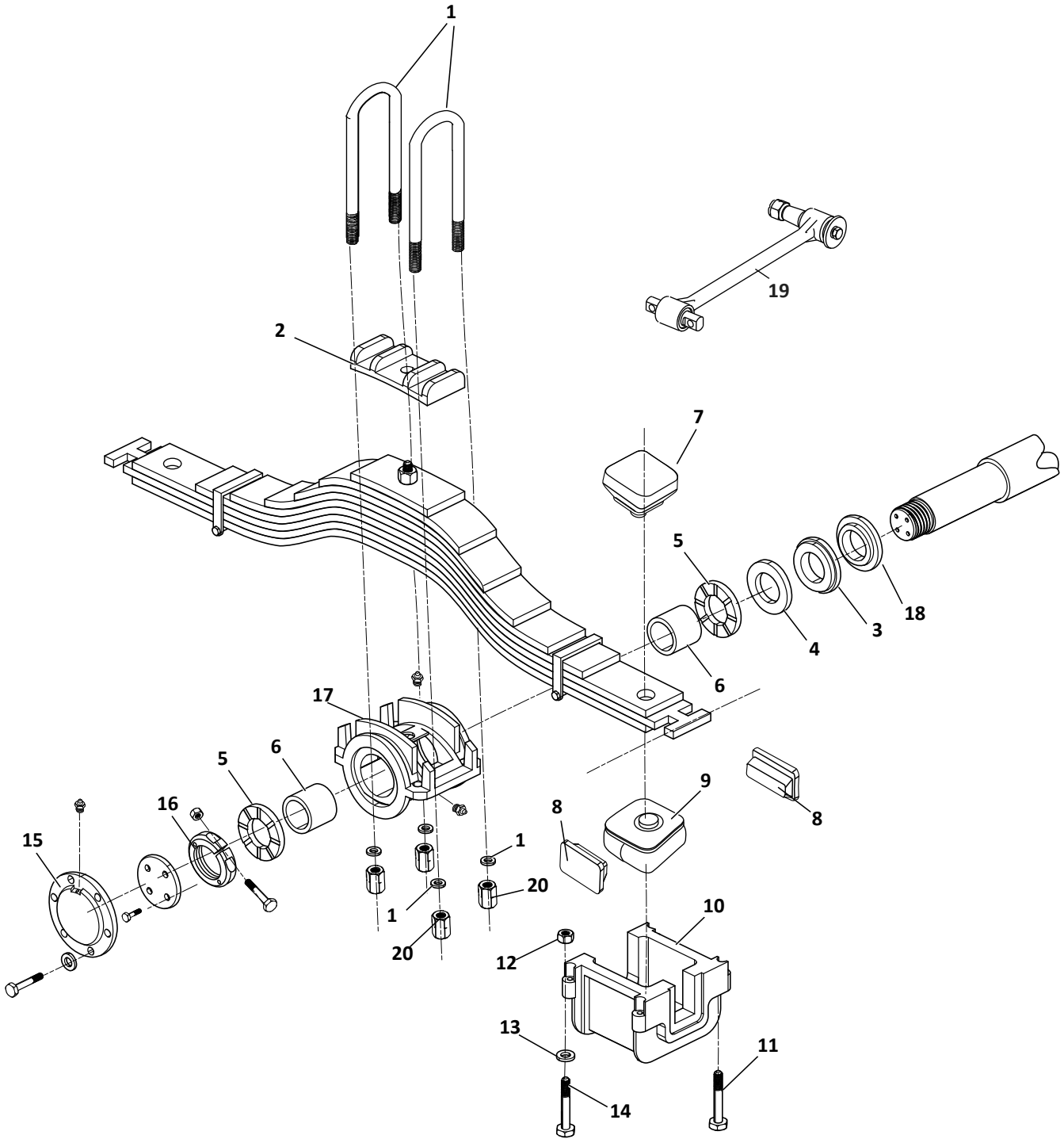


Designed to Correct Axle Alignment

<b>SS44 Series (Formerly SWS 573)</b> <b>4" Wide Spring - Bronze Trunnion Bushing - 3 1/2" ID</b>						
KEY NO.	EUCLID NO.	MACH NO.	OEM REF	DESCRIPTION	QTY. PER TANDEM	PAGE NO.
21	-	<b>G-16788</b>	85QK249; 85QK251	Trunnion Shaft, 3 1/2" OD X 48 3/4" Long	1	-
22	<b>E-3919</b>	-	10QK48	Special Offset Lower Insulator Pad, Rubber, 6" Long X 6" Wide X 3 3/4" Thick, 1 3/4" Dia. Pin	4	4-42
23	<b>E-3988</b>	-	-	Transverse Torque Arm Kit, Full Ball Design	1	4-34
24	-	-	-	Torque Arm Bushing, Straddle Mount, 2 3/4" OD X 4 3/8" Center-to-Center, 7/8" Bolt Holes	2	-
25	<b>E-2815</b>	-	46735	Torque Arm Bushing, Tapered Stud	2	4-43
26	-	-	8QK335P2	Top Plate, Use With Semi Round U-Bolts	2	-
27	-	<b>G-16790</b>	97QL5122; 97QL585	Trunnion Stand Assembly, Trapezoid Mounting Bolt Pattern	-	4-43
	-	<b>G-16791</b>	25136297; 97QL5119M	Trunnion Stand Assembly, Square Mounting Bolt Pattern	-	4-43
28	<b>E-3005</b>	-	21AX131	Hi Nut, 1 1/4"-12 Thread X 1 5/8" Tall	8	4-41
	<b>E-3006</b>	-	21AX655	Hi Nut, 1 1/4"-12 Thread X 2 3/4" Tall, Severe Duty	8	4-44

# MACK REAR

SS50C Series,  
4" Wide Spring - Bronze Trunnion Bushing - 4" ID



MACK

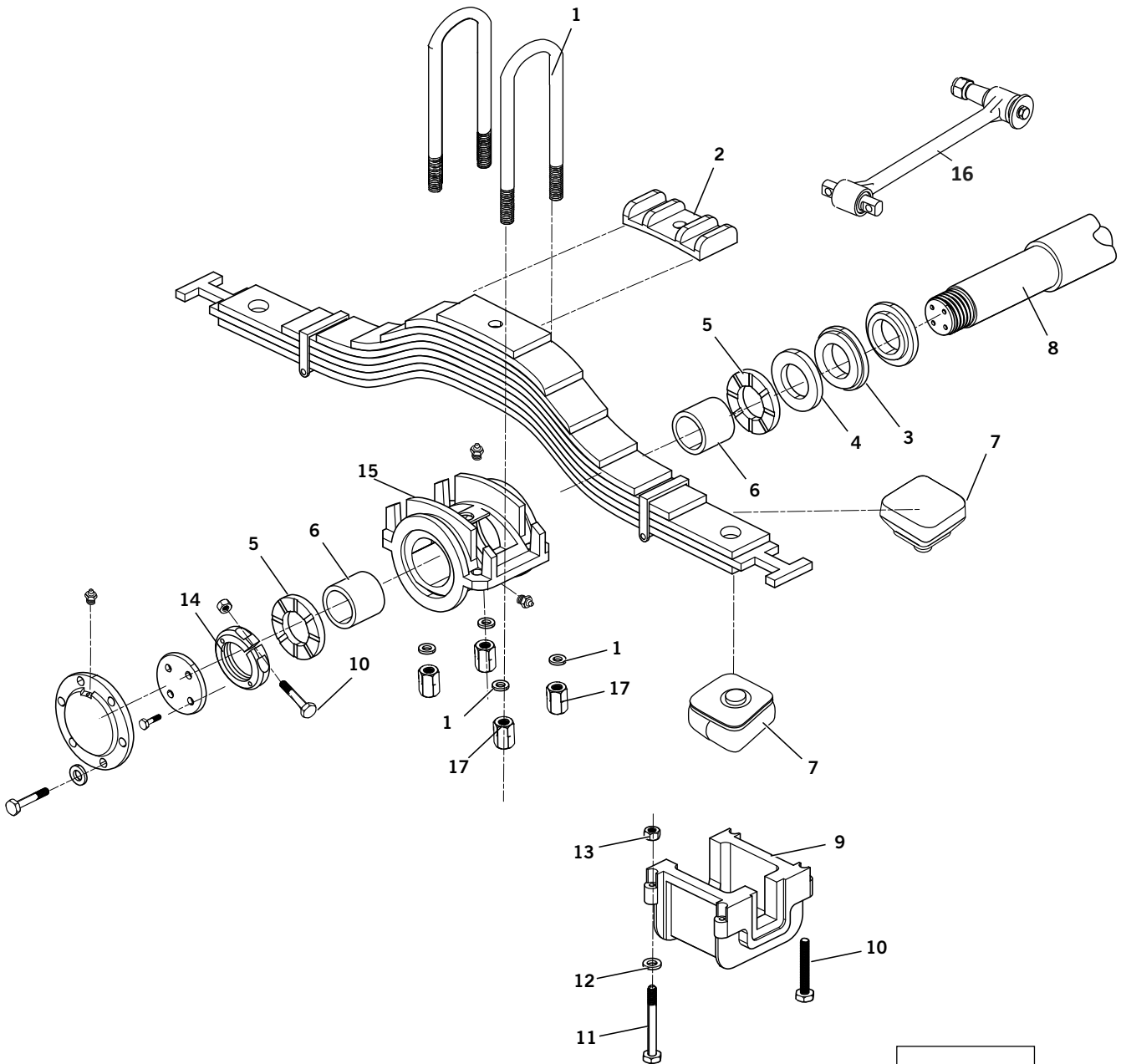


SS50C Series, 4" Wide Spring - Bronze Trunnion Bushing - 4" ID						
KEY NO.	EUCLID NO.	MACH NO.	OEM REF	DESCRIPTION	QTY. PER TANDEM	COMP. PAGE
1	E-UB8394-144	-	-	U-Bolt Assembly, Semi Rd. Bend, 1-1/4"-12 x 4" Wide x 14-1/2" Long, Includes Key 20 E-3006 Hi Nut	2	4-44
	E-UB8394-162S	-	-	U-Bolt Assembly, Semi Rd. Bend, 1-1/4"-12 x 4 " Wide x 16-1/4" Long, Includes Key 20 E-3005 Hi Nut	2	4-44
	E-UB8394-172S	-	-	U-Bolt Assembly, Semi Rd. Bend, 1-1/4"-12 x 4" Wide x 17 1/4" Long, Includes Key 20 E-3005 Hi Nut	2	-
	E-UB8394-18	-	-	U-Bolt Assembly, Semi Rd. Bend, 1-1/4 "-12 x 4 " Wide x 18 " Long, Includes Key 20 E-3006 Hi Nut	2	4-44
	E-UB8394-192S	-	-	U-Bolt Assembly, Semi Rd. Bend, 1-1/4"-12 x 4" Wide x 19 1/4" Long, This Includes Key 20 E-3005 Hi Nut	2	-
2	-	-	8QK335P2	Top Plate	2	-
3	E-5425	G-5425	88AX253	Seal, 6 3/8" OD X 5" ID X 9/16" Thick	2	4-39
4	E-5423	-	43QK118	Steel Washer, 6 1/4" OD X 4" ID X 5/16" Thick	2	4-40
5	E-5422	-	43QK115	Bronze Thrust Washer, 6 13/16" OD X 4" ID X 1/4" Thick	4	4-40
6	E-5421	-	10QK158; 10QK158A	Bronze Trunnion Bushing, 4 1/4" OD X 4" ID X 4 1/4" Long	4	4-39
7	E-2919	-	10QK370	Upper Insulator Pad, Rubber, 6" Long X 4 1/2" Wide X 3" Thick, 1 3/4" Dia. Pin	4	4-41
	E-8667	-	-	Upper Insulator Pad, Poly, 6" Long X 4 1/2" Wide X 3" Thick, 1 3/4" Dia. Pin	4	4-41
	E-2917	-	10QK365A	Upper Insulator Pad, Rubber, 6" Long X 4 1/2" Wide X 2 3/8" Thick, 1 3/4" Dia. Pin	4	4-42
	E-7481	-	-	Upper Insulator Pad, Poly, 6" Long X 4 1/2" Wide X 2 3/8" Thick, 1 3/4" Dia. Pin	4	4-42
8	E-3689	-	13QK246	Insulator Spacer Block	8	4-42
9	E-2920	-	10QK36B	Lower Insulator Pad, Rubber, 6" Long X 6" Wide X 3 3/4" Thick, 1 3/4" Pin	4	4-44
	E-7480	-	-	Lower Insulator Pad, Poly, 6" Long X 6" Wide X 3 3/4" Thick, 1 3/4" Pin	4	4-42
10	E-3688	-	52QK418BP4	Insulator Box, 6 3/4" Deep	4	4-41
11	E-5427	-	6AX1160	Insulator Box Stud, 7/8"-9 X 6" Long	4	4-41
12	E-1835	-	21AX480	Lock Nut, 7/8"-14	8	-
13	E-5429	-	35AX1310	Washer, 7/8" ID	4	-
14	E-5428	-	3AX1348	Insulator Box Bolt, 7/8 "-14 x 8" Long	12	4-41
15	-	-	97QL3101	Trunnion Grease Cap	2	-
16	E-5424	-	25QJ220BP2	Trunnion Nut	2	4-41
17	-	G-16793	25130253; 39QK325; 39QK54	Trunnion & Bushing Assembly	2	4-38
18	-	-	8QD24; 8QD252A	Trunnion Collar, Use with E-5275 Seal	2	-
19	E-3988	-	-	Transverse Torque Arm Kit, Full Ball Design	1	4-34
20	E-3005	-	21AX131	Hi Nut, 1 1/4"-12 Thread X 1 5/8" Tall	8	4-44
	E-3006	-	21AX655	Hi Nut, 1 1/4"-12 Thread X 2 3/4" Tall, Severe Duty	8	4-44

# MACK REAR

## SS58C Series

### 5" Wide Spring - Bronze Trunnion Bushing - 4" ID



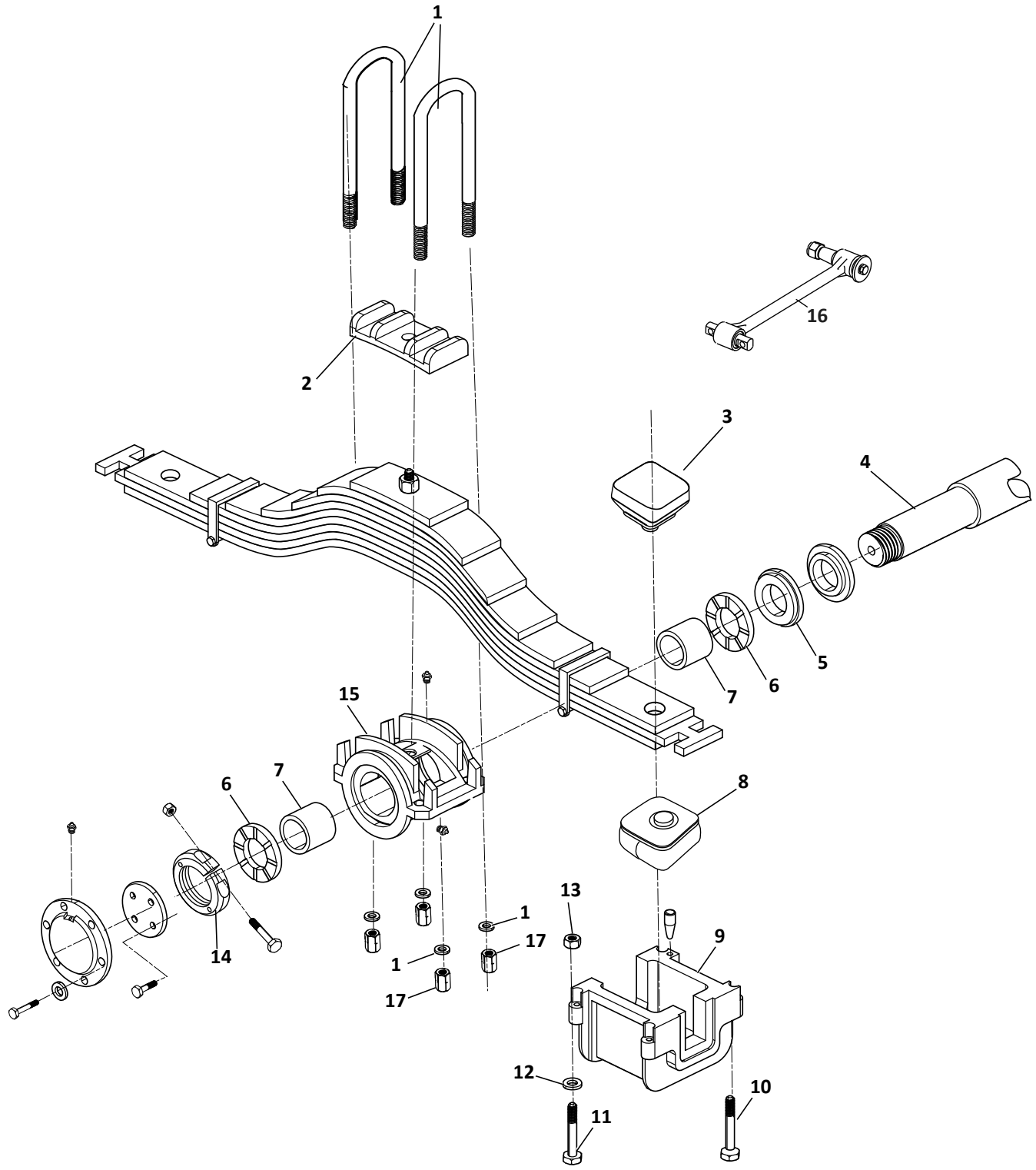
MACK

**Special Offset Insulator to  
Correct Axle Alignment**

SS58C Series						
5" Wide Spring - Bronze Trunnion Bushing - 4" ID						
KEY NO.	EUCLID NO.	MACH NO.	OEM REF	DESCRIPTION	QTY. PER TANDEM	PAGE NO.
1	<b>E-UB8396-165S</b>	-	-	U-Bolt Assembly, Semi Rd. Bend, 1-1/4"-12 x 5" Wide x 16-5/8" Long, Includes Key 17 E-3005 Hi Nut	4	4-44
2	<b>E-5426</b>	-	8QK232A	Top Plate	2	4-42
3	<b>E-5425</b>	<b>G-5425</b>	88AX253	Seal, 6 3/8" OD X 5" ID X 9/16" Thick	2	4-39
4	<b>E-5423</b>	-	43QK118	Steel Washer, 6 1/4" OD X 4" ID X 5/16" Thick	2	4-40
5	<b>E-5422</b>	-	43QK115	Bronze Thrust Washer, 6 13/16" OD X 4" ID X 1/4" Thick	4	4-40
6	<b>E-5421</b>	-	10QK158; 10QK158A	Bronze Trunnion Bushing, 4 1/4" OD X 4" ID X 4 1/4" Long	2	4-39
7	<b>E-3679</b>	-	10QK32BP1	Insulator Pad, Rubber, 6 7/8" Long X 5 3/8" Wide X 3 3/4" Thick, 1 1/2" Pin	4	4-42
	<b>E-3680</b>	-	10QK372	Insulator Pad, Rubber, 7" Long X 7" Wide X 4 1/4" Thick, 2" Pin	4	4-42
8	-	-	85QK342P2	Trunnion Shaft, 4" OD X 50" Long	1	-
9	<b>E-5420</b>	-	52QK434P4	Insulator Box, 7" Inside Depth	2	4-41
	<b>E-5419</b>	-	52QK434P3	Insulator Box, 7 5/16" Inside Depth		4-41
10	<b>E-5427</b>	-	6AX1160	Insulator Box Stud, 7/8"-9 X 6" Long	4	4-41
11	<b>E-5428</b>	-	3AX1348	Insulator Box Bolt, 7/8 "-14 x 8 " Long	12	4-41
12	<b>E-5429</b>	-	35AX1310	Washer, 7/8" ID	4	-
13	<b>E-1835</b>	-	21AX480	Lock Nut, 7/8"-14	8	-
14	<b>E-5424</b>	-	25QJ220BP2	Trunnion Nut	2	4-41
15	<b>E-5417</b>	<b>G-5417</b>	39QK24C; 39QK319	Trunnion & Bushing Assembly	2	4-38
16	<b>E-3988</b>	-	-	Transverse Torque Arm Kit, Full Ball Design	1	4-34
17	<b>E-3005</b>	-	21AX131	Hi Nut, 1 1/4"-12 Thread X 1 5/8" Tall	8	4-44
	<b>E-3006</b>	-	21AX655	Hi Nut, 1 1/4"-12 Thread X 2 3/4" Tall, Severe Duty	8	4-44

# MACK REAR

SS65C-W Series,  
5" Wide Spring - Bronze Trunnion Bushing - 5" ID



MACK

MACK SS65C-W Series						
5" Wide Spring - Bronze Trunnion Bushing - 5" ID						
KEY NO.	EUCLID NO.	MACH NO.	OEM REF	DESCRIPTION	QTY. PER TANDEM	PAGE NO.
1	<b>E-UB8396-165S</b>	-	-	U-Bolt Assembly, Semi Rd. Bend, 1-1/4"-12 X 5" Wide x 16-5/8" Long, Includes Key 17 E-3005 Hi Nut	4	4-44
2	<b>E-5426</b>	-	8QK232A	Top Plate	2	4-42
3	<b>E-3679</b>	-	10QK32BP1	Insulator Pad, Rubber, 6 7/8" Long X 5 3/8" Wide X 3 3/4" Thick, 1 1/2" Pin	4	4-42
4	-	-	85QK343	Trunnion Shaft, 5" Dia. X 50" Long	1	-
5	-	-	88AX417P3	Seal, 7 1/2" OD x 6 1/2" OD X 1/2" Thick	2	-
6	<b>E-5433</b>	-	43QK23A	Bronze Thrust Washer, 6 11/16" OD X 5" ID X 1/4" Thick	4	4-40
7	<b>E-5432</b>	-	10QK152; 80AX560	Bronze Trunnion Bushing, 5 1/4" OD X 5" ID X 4 5/16" Long	4	4-41
8	<b>E-3680</b>	-	10QK372	Lower Insulator Pad, Rubber, 7" Long X 7" Wide X 4 1/4" Thick, 2" Pin	4	4-42
9	<b>E-5436</b>	-	52QK434BP1	Insulator Box, Inside Depth 6 3/4"	4	4-41
10	<b>E-3696</b>	-		Insulator Box Stud, 7/8"-9 X 4 1/2" Long	4	4-44
	<b>E-5427</b>	-		Insulator Box Stud, 7/8"-9 X 6" Long	4	4-41
11	<b>E-5439</b>	-	3AX1050	Insulator Box Bolt, 7/8"-14 x 7-1/2" Long	12	4-41
12	<b>E-5429</b>	-	35AX1310	Washer, 7/8" ID	4	-
13	<b>E-1835</b>	-	21AX480	Lock Nut, 7/8"-14	8	-
14	<b>E-5434</b>	-	25QJ220B	Trunnion Nut	2	4-41
15	<b>E-5431</b>	<b>G-5431</b>	39QK39D; 39QK39C	Trunnion & Bushing Assembly	2	4-38
16	<b>E-3988</b>	-	-	Transverse Torque Arm Kit, Full Ball Design	1	4-34
17	<b>E-3005</b>	-	21AX131	Hi Nut, 1 1/4"-12 Thread X 1 5/8" Tall	8	4-44
	<b>E-3006</b>	-	21AX655	Hi Nut, 1 1/4"-12 Thread X 2 3/4" Tall, Severe Duty	8	4-44

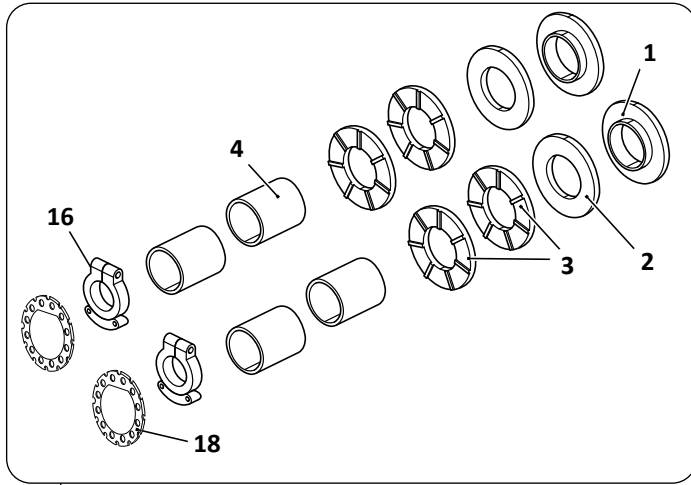


ST Series - Tapered Leaf						
KEY NO.	EUCLID NO.	MACH NO.	OEM REF	DESCRIPTION	QTY. PER TANDEM	PAGE NO.
1	E-2921A	-	10QK219P1	Trunnion Bushing, Rubber, 4 11/16" OD X 3 7/16" ID X 5 9/16" Long	2	4-39
	E-7478	-	-	Trunnion Bushing, Poly, 4 11/16" OD X 3 7/16" ID X 5 9/16" Long	2	4-39
	E-2922A	-	10QK219P2; 10QK219P3	Trunnion Bushing, Rubber, 4 11/16" OD X 3 7/16" ID X 6 5/16" Long	2	4-39
	E-7479	-	10QK276	Trunnion Bushing, Poly, 4 11/16" OD X 3 7/16" ID X 6 5/16" Long	2	4-39
2	E-3685	-	39QK431	Trunnion Half Without Spring Seat, Newer Style, 8 3/4" Long, Use With E-2922A Bushing	2	4-38
3	E-3702	-	44RU2223P2	Inner Spacer, 4 1/8" OD X 3 1/2" ID X 7/16" Thick	2	4-39
	E-3703	-	44RU2223P1	Inner Spacer, 4 1/8" OD X 3 1/2" ID X 1/2" Thick	2	4-38
4	E-15194	-	-	Bolt, 3/4"-16 X 5 1/2" Long	2	-
5	E-10116	-	44RU2221P2	Collar, 4 1/8"OD x 3 1/2" ID X 1 3/4" Wide	2	4-40
6	E-4961A	-	-	Lock Nut, 3/4"-16	2	-
7	E-17004	-	3AX1682	Spring Eye Bolt, 1 1/4" - 12 X 7" Long	4	-
	E-3564	-	3AX1993	Spring Eye Bolt, 1" - 14 X 7 3/4" Long	4	-
8	E-2975	-	-	Washer, 1" ID	8	-
9	E-3900	-	10QK146	Spring Eye Bushing, 2 1/2" OD X 1 1/4" ID X 4" Long	4	4-42
	E-16775	-	10QK260	Spring Eye Bushing, 2 1/2" OD X 1" ID X 4" Long	4	4-42
10	E-1828	-	-	Lock Nut, 1" -14	4	-
	E-2854	-	-	Lock Nut, 1 1/4" - 12	4	-
11	E-16776	-	8QD262	Alignment Collar, Eccentric, 2" Hex X 1 3/8" OD X 1" ID	8	4-43
12	E-2917	-	10QK365A	Upper Insulator Pad, Rubber, 6" Long X 4 1/2" Wide X 2 3/8" Thick, 1 3/4" Dia. Pin	4	4-42
	E-7481	-	-	Upper Insulator Pad, Poly, 6" Long X 4 1/2" Wide X 2 3/8" Thick, 1 3/4" Dia. Pin		
13	E-3689	-	13QK246	Insulator Spacer Block	8	4-42
14	E-2920	-	10QK36B	Lower Insulator Pad, Rubber, 6" Long X 6" Wide X 3 3/4" Thick, 1 3/4" Dia. Pin	4	4-42
	E-7480	-	-	Lower Insulator Pad, Poly, 6" Long X 6" Wide X 3 3/4" Thick, 1 3/4" Dia. Pin	4	4-42
15	E-1835	-	21AX480	Lock Nut, 7/8"-14	8	-
16	E-2546	-	37AX1310	Washer, 7/8" ID	8	-
17	E-3690	-	1AX425	Insulator Box Bolt, 7/8"-14 x 5" Long	12	4-41
	E-3691	-	1AX475	Insulator Box Bolt, 7/8"-14 x 5 1/4" Long	12	4-41
	E-3692	-	1AX427; 3AX987	Insulator Box Bolt, 7/8"-14 x 6" Long	12	4-41
	E-3693	-	3AX1344	Insulator Box Bolt, 7/8"-14 x 6-1/2" Long	12	4-41
	E-5439	-	3AX1050	Insulator Box Bolt, 7/8"-14 x 7-1/2" Long	12	4-41
	E-5428	-	3AX1348	Insulator Box Bolt, 7/8"-14 x 8" Long	12	4-41
18	E-3696	-	4AX320; 6AX837	Insulator Box Stud, 7/8"-9 x 4-1/2" Long	4	4-41
	E-5427	-	6AX1160	Insulator Box Stud, 7/8"-9 x 6" Long	4	4-41
19	See Hendrickson Ultra Rod Charts			Transverse Torque Arm Kit	2	-
20	E-2225	-	227710, 44694	Torque Arm Bushing, Straddle Mount, 2 1/2" OD X 4 3/8" Center-to-Center, 5/8" Bolt Holes, 1 1/8" Torque Rod Center Shaft Diameter	4	4-43
	E-2226	-	227720, 44695	Torque Arm Bushing, Straddle Mount, 2 3/4" OD X 4 3/8" Center-to-Center, 5/8" Bolt Holes, 1 1/4" Torque Rod Center Shaft Diameter	4	4-43

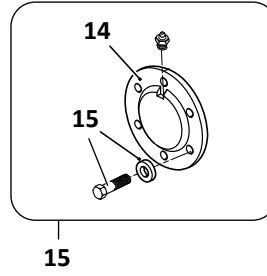
# MACK REAR

## SW - SWW Walking Beam

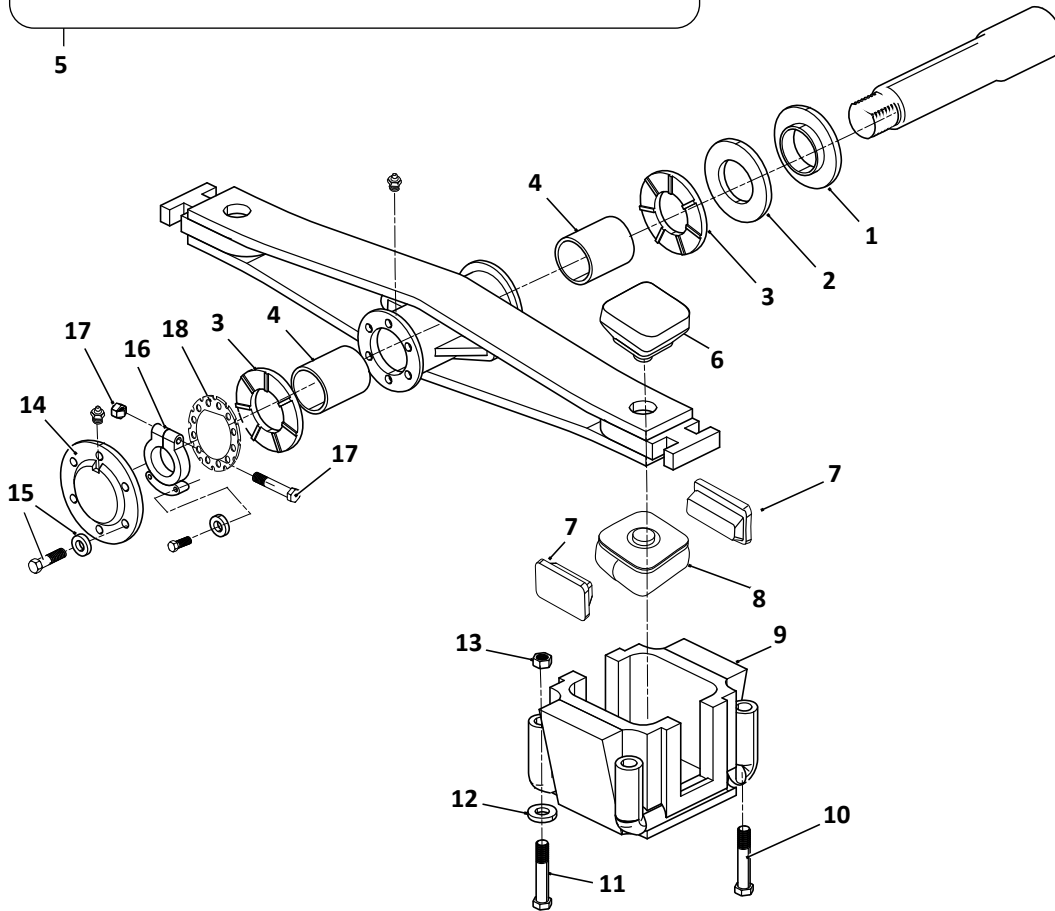
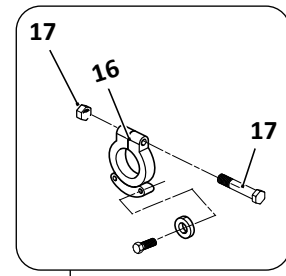
Trunnion Shaft Rebuild Kit



Grease Cap Kit



Trunnion Nut Kit



MACK



# MACK REAR

Suspension

SW - SWW Walking Beam						
KEY NO.	EUCLID NO.	MACH NO.	OEM REF	DESCRIPTION	QTY. PER TANDEM	PAGE NO.
1	E-3187	-	88AX244; 88AX446	Trunnion Seal, 5 1/2" OD X 4 3/8" ID x 9/16" Thick	2	4-39
2	E-3699	-	43QK117	Steel Washer, 5 3/8" OD X 4 3/8" ID X 3/8" Thick	2	4-40
3	E-3698	-	35AX688; 43QJ116	Bronze Thrust Washer, 5 5/16" OD X 3 1/2" ID X 1/4" Thick	2	4-40
4	E-2925	-	10QK157; 80AX300	Bronze Trunnion Bushing, 3 3/4" OD X 3 1/2" ID X 3 7/16" Long	2	4-39
5	E-3916	-	-	Trunnion Shaft Rebuild Kit, Complete Trunnion Set, Includes Key Nos. 1-4, 16, 18	1	4-40
6	E-2917	-	10QK365A	Upper Insulator Pad, Rubber, 6" Long X 4 1/2" Wide X 2 3/8" Thick, 1 3/4" Dia. Pin	4	4-42
	E-7481	-	-	Upper Insulator Pad, Poly, 6" Long X 4 1/2" Wide X 2 3/8" Thick, 1 3/4" Dia. Pin	4	4-42
	E-2919	-	10QK370	Upper Insulator Pad, Rubber, 6" Long X 4 1/2" Wide X 3" Thick, 1 3/4" Dia. Pin	4	4-42
	E-8667	-	-	Upper Insulator Pad, Poly, 6" Long X 4 1/2" Wide X 3" Thick, 1 3/4" Dia. Pin	4	4-42
	E-3679	-	10QK32BP1	Upper Insulator Pad, Rubber, 6 7/8" Long X 5 3/8" Wide X 3 1/4" Thick, 1 1/2" Dia. Pin	4	4-42
7	E-3689	-	13QK246	Insulator Spacer Block	8	4-42
8	E-2920	-	10QK36B	Lower Insulator Pad, Rubber, 6" Long X 6" Wide X 3 3/4" Thick, 1 3/4" Dia. Pin	4	4-42
	E-7480	-	-	Lower Insulator Pad, Poly, 6" Long X 6" Wide X 3 3/4" Thick, 1 3/4" Dia. Pin	4	4-42
	E-3680	-	10QK372	Lower Insulator Pad, Rubber, 7" Long X 7" Wide X 4 1/4" Thick, 2" Dia Pin	4	4-42
9	E-3688	-	52QK418BP4	Insulator Box, 6 3/4" Deep	4	4-41
10	E-3696	-	4AX320; 6AX837	Insulator Box Stud, 7/8"-.9 x 4-1/2" Long	8	4-41
	E-5427	-	6AX1160	Insulator Box Stud, 7/8"-.9 x 6" Long	8	4-41
11	E-3690	-	1AX425	Insulator Box Bolt, 7/8"-14 x 5" Long	8	4-41
	E-3691	-	1AX475	Insulator Box Bolt, 7/8"-14 x 5 1/4" Long	8	4-41
	E-3692	-	1AX427; 3AX987	Insulator Box Bolt, 7/8"-14 x 6" Long	8	4-41
	E-3693	-	3AX1344	Insulator Box Bolt, 7/8"-14 x 6-1/2" Long	8	4-41
	E-5439	-	3AX1050	Insulator Box Bolt, 7/8 "-14 x 7-1/2 " Long	8	4-41
	E-5428	-	3AX1348	Insulator Box Bolt, 7/8 "-14 x 8 " Long	8	4-41
12	E-2546	-	37AX1310	Washer, 7/8" ID	8	-
13	E-1835	-	21AX480	Lock Nut, 7/8"-14	8	-
14	E-3697	-	97QL399P2	Trunnion Grease Cap, 5/16" Dia. Bolt Holes, 7" Bolt Circle	2	4-40
15	-	-	97QL339P3	Trunnion Cap Kit, Includes Key 14, Grease Plug, & Hardware	2	-
16	E-3700	-	25QJ223	Trunnion Nut	2	4-41
17	-	G-16787	-	Trunnion Nut & Hardware	2	4-40
18	E-3915	-	23QJ112B	Star Lock Washer, 4 7/8" OD X 1/4" Thick	2	4-40

MACK

# MACK

## Front Suspension - Air

### Shackle Bracket Service Kit



Axle Set, Omit Thrust Washer For Post July 2007 Vehicles - 1/2 Kit Shown

EUCLID NO.	GENUINE	OEM REF	NOTES
E-16409		60961-034 60961-635	Includes 4 Shackle Plates, 4 Wear Plates, Spacer and Hardware

### Bottom Axle Wrap Liner



EUCLID NO.	GENUINE	OEM REF
E-15110		59845-000

### Front Hanger Repair Kit



EUCLID NO.	GENUINE	OEM REF	NOTES
E-16412		60961-033	Includes 2 Hanger Adapters, M20 X 230mm Long Bolt, Nut, Washers

### Bottom Axle Wrap



EUCLID NO.	GENUINE	OEM REF
E-15108		64722-003; 64014-003; 60622-003

### Axle Wrap Liner Kit

FOR MODELS:  
AIRTEK



Includes E-15147 & E-15110 Liners

EUCLID NO.	GENUINE	OEM REF
E-15727		60961-015

### Rubber Axle Stop



EUCLID NO.	GENUINE	OEM REF
E-15148		64080-000

### Top Axle Wrap Liner



EUCLID NO.	GENUINE	OEM REF
E-15147		60508-000

### Straight Bolt Clamp Kit

FOR MODELS:  
Vehicles with Dual  
Height Control  
Valves, 13 1/4"  
Ride Height



Includes Top & Bottom Axle Wrap Liners, Bolts, Nuts, Washer

EUCLID NO.	GENUINE	OEM REF	LENGTH	THREAD	NOTES
E-16410		60961-035	220mm	20mm	One Wheel End

MACK


# MACK

## Front Suspension - Air


Suspension

**Straight Bolt Clamp Kit**

FOR MODELS:  
Vehicles with  
Single Height  
Control Valve,  
14 3/8" Ride Height



Includes Top & Bottom Axle Wrap Liners, Bolts, Nuts, Washer

EUCLID NO.	GENUINE	OEM REF	LENGTH	THREAD	NOTES
E-16411		60961-037	230mm	20mm	One Wheel End

**Height Control Valve and Linkage Kit**


FOR MODELS:  
Vehicles Built  
Prior to 3/05




EUCLID NO.	GENUINE	OEM REF
E-15150		59427-006

**Height Control Valve**

FOR MODELS:  
Vehicles Built  
Prior to 3/05



EUCLID NO.	GENUINE	OEM REF	NOTES
E-15151		59935-003	Vehicles Built Prior to 3/05

**Linkage Kit**

FOR MODELS:  
Vehicles Built  
Prior to 3/05




EUCLID NO.	GENUINE	OEM REF	NOTES
E-15096		59428-004	For Use With Single Height Control Valves

**Front Suspension - Leaf Spring**

**Spring Pin Bushing, Bronze**


FOR MODELS:  
F/R/RU/U Series



EUCLID NO.	OEM REF	O.D.	ID	LENGTH
<b>E-3533</b>	10QK229P1	1 1/2"	1 1/4"	3 1/2"

**Front Spring Insulator**

FOR MODELS:  
F/R/RU/U Series



EUCLID NO.	OEM REF
<b>E-3722</b>	10QK322A

**Spring Pin Bushing, Bi-Metal**


FOR MODELS:  
F/R/RU/U Series



EUCLID NO.	OEM REF	O.D.	ID	LENGTH
<b>E-16165</b>	10QK229P1	1 1/2"	1 1/4"	3 1/2"

**Threaded Spring Pin**

FOR MODELS:  
F/R/RU/U Series



EUCLID NO.	OEM REF	O.D.	LENGTH
<b>E-3717</b>	44QK26A	1 5/16"	6 9/16"

**Smooth Spring Pin**


FOR MODELS:  
F/R/RU/U Series



EUCLID NO.	OEM REF	O.D.	LENGTH
<b>E-3715</b>	44QK173B	1 3/4"	6 1/4"

**Side Bar**

FOR MODELS:  
Various



EUCLID NO.	OEM REF	NOTES
<b>E-3720</b>	22QK39301	For West Coast Front Suspension



# MACK

## Rear Air, MaxLite® 40

### Wear Pad Kit, 1999-2006

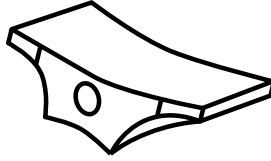


Photo Coming Soon

EUCLID NO.	OEM REF
E-16778	8079889; 20568741

### Spring Eye Bushing, Straddle Mount



EUCLID NO.	OEM REF	O.D.	BOLT HOLES
E-9395	57256-000	2 7/16"	5/8"
E-2225	35033-3201	2 1/2"	

### Wear Pad Kit, 2007 & Later

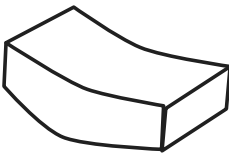


Photo Coming Soon

EUCLID NO.	OEM REF
E-16779	20703083

### Transverse Torque Arm, Rubber Bushings



EUCLID NO.	OEM REF	LENGTH	NOTES
E-8821	35801-0068	22 1/2"	Includes E-9395 Bushings

### Spring Eye Bushing, Through Hole

FOR MODELS:  
After 2006



EUCLID NO.	OEM REF	ID	O.D.	LENGTH
E-16777	20558810	7/8"	2 9/16"	3 9/16"

### Transverse Torque Arm Kit, Full Ball Design



EUCLID NO.
E-3988

### Spring Eye Bushing, Heavy Duty



High Confinement Design

EUCLID NO.	MACH NO.	OEM REF	O.D.	BOLT HOLES
E-15671	G-15671	8079894	2 1/2"	5/8"

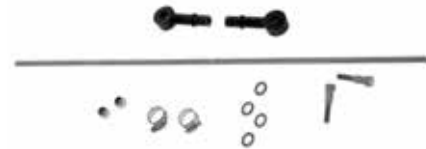
### Rebound Pin




MACH NO.	OEM REF	O.D.	LENGTH
G-16806	35026-0001; 8027436	3/4"	5 1/4"


MACK

Alignment Shim				
				
EUCLID NO.	GENU-INE	OEM REF	C-T-C LENGTH	THICK
E-5281		V8020329	4 3/8"	1/16"

Height Control Valve Linkage, Universal	
	
EUCLID NO.	NOTES
E-7852	Universal Kit Works With Most Height Control Valves

Axle Seat		
		
MACH NO.	OEM REF	PINION ANGLE
G-16807	8071514	3.6° Pinion Angle


Height Control Valve	
	
EUCLID NO.	NOTES
E-11855	No Dump

Height Control Valve	
	
EUCLID NO.	NOTES
E-11870	Dump With Air Applied

**MACK**

Rear Air, MAXAIR® “Twisted Sister”

Pivot Bushing	
	
EUCLID NO.	OEM REF
E-13992	58648-000


Quik-Align Base, Eccentric			
			
EUCLID NO.	OEM REF	HEIGHT	NOTES
E-16781	60496-000	1"	QUIK-ALIGN Eccentric Base for Steel Hangers
E-16260	60662-000L	1 1/4"	QUIK-ALIGN Eccentric Base For Aluminum Hangers

Quik-Align Base, Concentric			
			
EUCLID NO.	OEM REF	HEIGHT	NOTES
E-16780	60497-000	1"	Concentric Base for Steel Hangers
E-15553	60661-000L	1 1/4"	Concentric Base For Aluminum Hangers

**MACK**



**Rear Air, MAXAIR® "Twisted Sister"**


Transverse Torque Rod		
		
EUCLID NO.	OEM REF	C-TO-C
<b>E-13993</b>	58757-006	22"

Transverse Torque Rod Frame Bracket	
	
EUCLID NO.	OEM REF
<b>E-2634</b>	22186-000

**Rear Suspension - Leaf Spring**

**Trunnion and Bushing Assembly**

FOR MODELS:  
SS44 SERIES




Includes E-2925 Bronze Bushing

EUCLID NO.	OEM REF	BUSHING ID
<b>E-3687</b>	390K27E 390K27F	3 1/2"

**Upper Trunnion Half, Newer Style**

FOR MODELS:  
SS34 & 38  
TANDEM




Use With E-2922A Bushing

EUCLID NO.	OEM REF	LENGTH
<b>E-3683</b>	39QK433A	8 3/4"

**Trunnion & Bushing Assembly**

FOR MODELS:  
SS50 SERIES

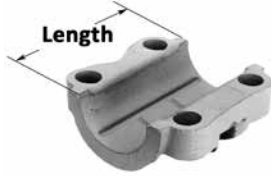


Includes E-5421 Type Bronze Bushing

MACH NO.	OEM REF	BUSHING ID
<b>G-16793</b>	25130253; 39QK325; 39QK54	4"

**Lower Trunnion Half, Newer Style**

FOR MODELS:  
SS34 & 38  
TANDEM  
ST SERIES




Use With E-2922A Bushing

EUCLID NO.	OEM REF	LENGTH
<b>E-3685</b>	39QK431	8 3/4"

**Trunnion & Bushing Assembly**

FOR MODELS:  
SS58 SERIES




Includes E-5421 Type Bronze Bushing

EUCLID NO.	MACH NO.	OEM REF	BUSHING ID
<b>E-5417</b>	<b>G-5417</b>	39QK24C; 39QK319	4"

**Trunnion & Bushing Assembly**

FOR MODELS:  
SS65C SERIES



Includes E-5432 Type Bronze Bushing

EUCLID NO.	MACH NO.	OEM REF	BUSHING ID
<b>E-5431</b>	<b>G-5431</b>	39QK39D; 39QK39C	5"


**MACK**

Rear Suspension - Leaf Spring

Trunnion Bushing, Bronze					
					
EUCLID NO.	OEM REF	O.D.	ID	LENGTH	FOR MODEL
E-2925	10QK157 80AX300	3 3/4"	3 1/2"	3 7/16"	SS44, SW/SWW
E-5421	10QK158 10QK158A	4-1/4"	4"	4-5/16"	SS50 / SS58 SERIES
E-5432	10Q152 80AX560	5-1/4"	5"	4-5/16"	SS65

Seal					
FOR MODELS: SS44 SERIES SS/SWW SS50 SERIES, SS58 SERIES					
					
EUCLID NO.	MACH NO.	OEM REF	OD	ID	THICK
E-3187	-	88AX449 88AX446 88AX244	5 1/2"	4 3/8"	9/16"
E-5425	G-5425	88AX253	6 3/8"	5 1/8"	9/16"

Trunnion Bushing, Rubber & Poly					
FOR MODELS: SS34 & 38 ST SERIES					
					
ID 3 7/16"					
EUCLID NO.	MACH NO.	OEM REF	O.D.	LENGTH	MATERIAL
E-2924A	G-2924A	10QK130P1	4 7/16"	8 3/8"	Rubber
E-7441	-	-			Poly
E-2922A	G-2922A	10QK219P2 10QK219P3	4 11/16"	6 5/16"	Rubber
E-7479	-	10QK276			Poly
E-2921A	-	10QK219P1	4 11/16"	5 9/16"	Rubber
E-7478	-	-			Poly


Inner Spacer				
FOR MODELS: SS34 & 38, ST SERIES				
				
EUCLID NO.	OEM REF	OD	ID	THICKNESS
E-3702	44RU2223-P2	4 1/8"	3 1/2"	7/16"
E-3703	44RU2223-P1			1/2"

MACK

**Rear Suspension - Leaf Spring**


**Collar**

FOR MODELS:  
SS34 & 38, ST SERIES



EUCLID NO.	OEM REF	O.D.	ID	LENGTH
<b>E-10116</b>	44RU2221-P2	4 1/8"	3 1/2"	1 3/4"
<b>E-3704</b>	44RU2221-P1	4 1/8"	3 1/2"	2 1/4"

**Washer**

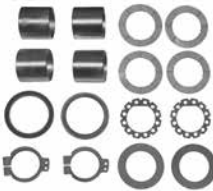


Thickness 1/4"

EUCLID NO.	OEM REF	FOR MODELS	OD	ID
<b>E-3698</b>	43QJ116 35AX688	SW/SWW, SS44	5 1/4"	3 1/2"
<b>E-5422</b>	43QK115	SS50, SS58	6 3/16"	4"
<b>E-5433</b>	43QK23A	SS65	6 11/16"	5"

**Trunnion Shaft Rebuild Kit**

FOR MODELS:  
SS44,  
SW/SWW



EUCLID NO.	MACH NO.	OEM REF
<b>E-3916</b>	<b>G-3916</b>	Rebuilds One Complete Trunnion

**Star Lock Washer**

FOR MODELS:  
SS44 SERIES,  
SW/SWW



EUCLID NO.	OEM REF	OD	ID	THICKNESS
<b>E-3915</b>	23QJ112B	4 7/8"	3 5/16"	1/4"


**Trunnion Cap**



EUCLID NO.	MACH NO.	OEM REF	FOR MODEL	BOLT CIRCLE
<b>E-3697</b>	-	97QL399P2	SS 44 & SS/SWW	7"

**Washers**

FOR MODELS:  
SS44 SERIES,  
SW/SWW  
SS50 SERIES,  
SS58 SERIES,  
SS65C



EUCLID NO.	OEM REF	OD	ID	THICKNESS
<b>E-3699</b>	43QK117	5-3/8"	3-1/2"	5/16"
<b>E-5423</b>	43QK118	6-1/4"	4"	5/16"

**Trunnion Nut & Hardware**

FOR MODELS:  
SS44 SERIES,  
SW/SWW




MACH NO.	NOTES
<b>G-16787</b>	Includes Bolt and Nut


**MACK**


Rear Suspension - Leaf Spring


Trunnion Nut			
FOR MODELS: SS44, SW/SWW,			
			
EUCLID NO.	OEM REF	OD	THREAD
E-3700	25QJ223	4 1/16"	3 5/16" - 12


Insulator Box			
FOR MODELS: SS65C			
			
EUCLID NO.	OEM REF	INSIDE DEPTH	OUTSIDE HEIGHT
E-5436	52QK434BP1	6 3/4"	7 3/4"

Trunnion Nut				
				
EUCLID NO.	OEM REF	OD	THREAD	FOR MODEL
E-5424	25QJ220BP2	6 1/8"	3 7/8" - 12	SS50, SS58
E-5434	25QJ220B	6 1/8"	3 7/8" - 8	SS65C


Insulator Box			
FOR MODELS: SS58 SERIES			
			
EUCLID NO.	OEM REF	INSIDE DEPTH	OUTSIDE HEIGHT
E-5420	52QK434P4	7"	8"
E-5419	52QK434P3	7 5/16"	8 7/16"

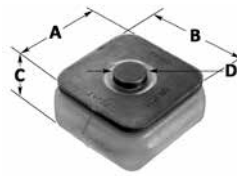
Insulator Box			
FOR MODELS: SS34 & 38 TANDEM SS44 SERIES SS50 SERIES SW/SWW			
			
EUCLID NO.	OEM REF	INSIDE DEPTH	OUTSIDE HEIGHT
E-3688	52QK418-AP4	6 3/4"	7 5/16"


Insulator Box Bolt				
FOR MODELS: ALL SS SERIES				
				
EUCLID NO.	OEM REF	THREAD SIZE	BOLT LENGTH	THREAD LENGTH
E-3690	1AX425	7/8" - 14	5"	2"
E-3691	1AX475	7/8" - 14	5-1/4"	2"
E-3692	1AX427	7/8" - 14	6"	2"
	3AX987			
E-3693	3AX1344	7/8" - 14	6-1/2"	2-1/4"
E-5428	3AX1348	7/8" - 14	8"	2-1/4"
E-5439	3AX1050	7/8" - 14	7-1/2"	2-1/4"
E-3696	4AX320	7/8" - 9	4-1/2"	2"
	6AX837			
E-5427	6AX1160	7/8" - 9	6"	2"

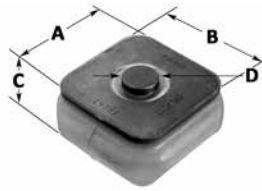
Insulator Box		
FOR MODELS: SS44 SERIES		
		
MACH NO.	OEM REF	INSIDE DEPTH
G-16782	52QK418BP5	6 3/8"


**Rear Suspension - Leaf Spring**


Upper Insulator Pad						
						
EUCLID NO.	OEM REF	FOR MODEL	A / B	C	D	MATERIAL
E-2917	10QK365A	SS34 & 38; SS50; ST; SW/SWW;	4 1/2" / 6"	2 1/2"	1 3/4"	Rubber
E-7481	-					Poly
E-2919	10QK370	SS34 & 38, SS44; SS50; SW/SWW;	4 1/2" / 6"	3"	1 3/4"	Rubber
E-8667	-					Poly
E-3679	10QK32BP1	SS58; SS65C; SW/SWW;	5 3/8" / 6 7/8"	3 3/4"	1 1/2"	Rubber

Offset Insulator Pad						
FOR MODELS: SS34 & 38, SS44 SERIES, SS50 SERIES, SS58 SERIES SS65C SERIES, ST SERIES, SW/SWW						
						
Pin is 1/8" Off Center. Use in place of E-2920						
EUCLID NO.	OEM REF	A	B	C	D	MATERIAL
E-3919	10QK48	6"	6"	3 3/4"	1 3/4"	Rubber

Insulator Spacer Block	
FOR MODELS: ST SERIES SW/SWW	
	
EUCLID NO.	OEM REF
E-3689	13QK246

Lower Insulator Pad						
						
EUCLID NO.	OEM REF	FOR MODEL	A / B	C	D	MATERIAL
E-2920	10QK36B	SS34 & 38; ST, SW/SWW	6" / 6"	3 3/4"	1 3/4"	Rubber
E-7480	-					SS34 & 38; SS44; SS50; ST
E-3680	10QK372	SS58; SS65C;	7" / 7"	4 1/4"	2"	Rubber

Top Plate			
FOR MODELS: SS58 SERIES, SS65C			
			
EUCLID NO.	OEM REF	WIDTH	LENGTH
E-5426	8QK232A	5"	10 11/16"

Spring Eye Bushing				
FOR MODELS: ST SERIES				
				
EUCLID NO.	MACH NO.	OD	ID	LENGTH
E-3900	100K146	2 1/2"	1 1/4"	4"
E-16775	10QK260		1"	4"

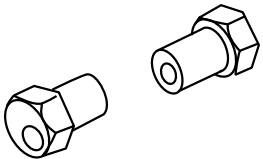
MACK

**Rear Suspension - Leaf Spring**

**Alignment Collar**

FOR MODELS:  
ST SERIES

**Photo Coming Soon**




Eccentric

EUCLID NO.	OEM REF	OD	ID	HEX SIZE
<b>E-16776</b>	8QD262	1 3/8"	1"	2"

**Torque Arm Bushing**


FOR MODELS:  
SS34 & 38,  
SS44 SERIES



Tapered Stud

EUCLID NO.	OEM REF	THREADS	NOTES
<b>E-2815</b>	46735	1 1/4"-12	Includes Nut & Washer

**Transverse Torque Arm Kit, Full Ball Design**

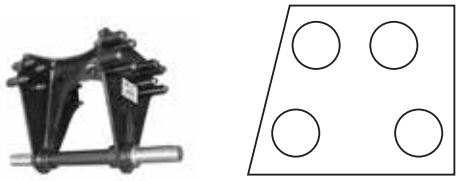


EUCLID NO.

<b>E-3988</b>
---------------

**Trunnion Stand Assembly**

FOR MODELS:  
SS44 SERIES



Bolt Pattern

MACH NO.	OEM REF	NOTES
<b>G-16790</b>	97QL5122; 97QL585	Trapezoid Mounting Bolt Pattern

**Torque Arm Bushing**

FOR MODELS:  
SS44 SERIES  
ST SERIES

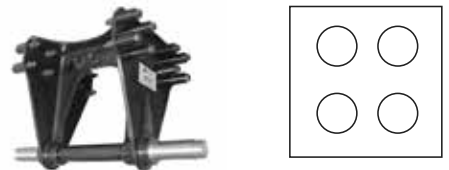


Straddle Mount

EUCLID NO.	OEM REF	OD	C-TO-C	BOLT HOLES
<b>E-2225</b>	227710, 44694	2 1/2"	4 3/8"	5/8"
<b>E-2226</b>	227720, 44695	2 3/4"	4 3/8"	5/8"

**Trunnion Stand Assembly**

FOR MODELS:  
SS44 SERIES



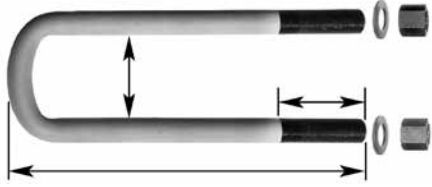
Bolt Pattern

MACH NO.	OEM REF	NOTES
<b>G-16791</b>	25136297; 97QL5119M	Square Mounting Bolt Pattern

**MACK**

**Rear Suspension - Leaf Spring**

**U-Bolts, Semi-Round**



"S" Suffix Denotes E-3005 Hi-Nut Otherwise Includes E-3006.

EUCLID NO.	THREAD SIZE	A	B	C	FOR MODEL
<b>E-UB8394-144</b>	1-1/4" - 12	14-1/2"	4"	3-1/2"	SS34 & 38 TANDEM
<b>E-UB8394-162S</b>	1-1/4" - 12	16-1/4"	4"	3-1/2"	SS44 SERIES
<b>E-UB8394-18</b>	1-1/4" - 12	18"	4"	3-1/2"	SS50 SERIES
<b>E-UB8396-165S</b>	1-1/4" - 12	16-5/8"	5"	3-1/2"	SS65C

**Hi-Nuts**

FOR MODELS:  
 SS44 Series,  
 SS50 Series,  
 SS58 Series and  
 SS65C Series



EUCLID NO.	OEM REF	THREAD	HEX	HIGH
<b>E-3005</b>	-	1-1/4" - 12	1-13/16"	1-5/8"
<b>E-3006</b>	21AX655		1-13/16"	2-3/4"



Contents

**FRONT TRUCK / TRACTOR SUSPENSION**

AIRTEK For International Vehicles - - - - - 5-2

AIRTEK For International Vehicles - - - - - 5-4

SOFTEK For International Vehicles - - - - - 5-6

AIRTEK for International Integrated Coach Bus - - - - - 5-8

**REAR TRUCK / TRACTOR SUSPENSION**

Corporate Air Ride "Z" Spring - - - - - 5-10

New Corporate Air Ride - "Hockey Stick" Spring - - - - - 5-12

4 Spring, Tractor - - - - - 5-14

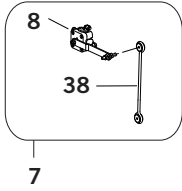
HTB 400LT For International - - - - - 5-16

Component Suspension Parts - - - - - 5-18

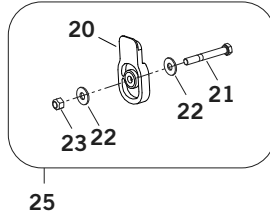
NAVISTAR / INTERNATIONAL

# NAVISTAR / INTERNATIONAL FRONT AIRTEK For International Vehicles

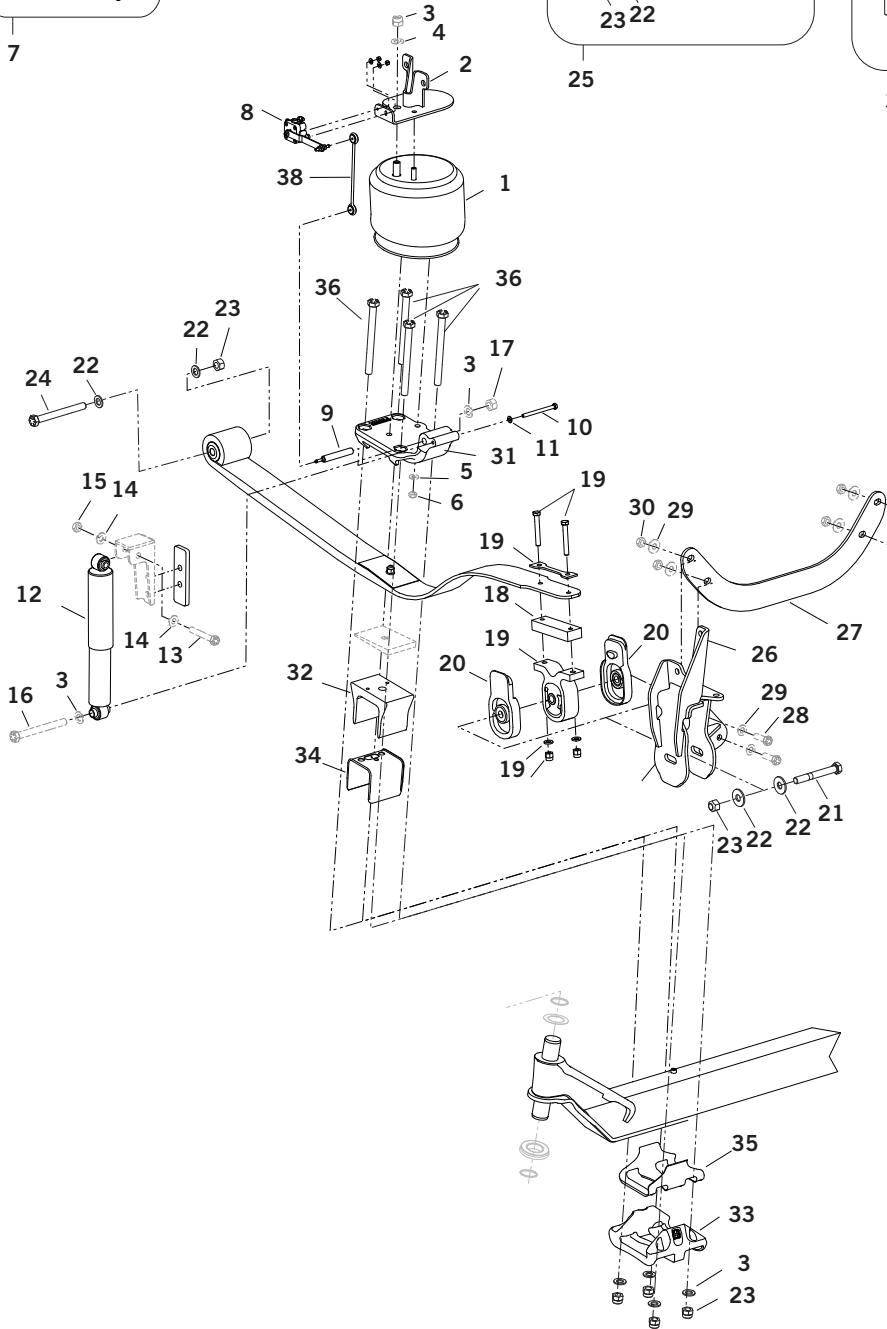
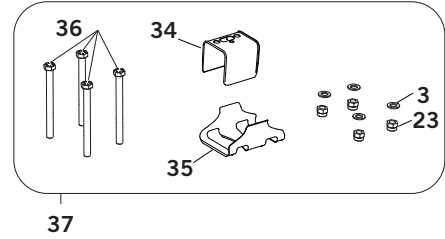
HCV & Linkage Assembly












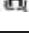




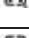








Rear Spring Hardware Kit




Top/Bottom Axle Wrap Liner Service Kit



NAVISTAR /  
INTERNATIONAL

AIRTEK For International Vehicles						
KEY NO.	EUCLID NO.	GENUINE	OEM REF	DESCRIPTION	QTY. PER AXLE	PAGE NO.
1	FS8597	-	65790-002	Air Spring	2	-
2	E-15113		66775-000	Air Spring Bracket LH, Vehicles Built After 09/06	1	5-21
	E-15114		66776-000	Air Spring Bracket RH, Vehicles Built After 09/06	1	5-21
	S.O.S.		64583-000	Air Spring Bracket LH, Vehicles Built Before 09/06	1	-
	S.O.S.		64586-000	Air Spring Bracket RH, Vehicles Built Before 09/06	1	-
3	E-2545	-	22962-001	Washer, 3/4"	As Required	-
4	E-16467	-	17700-015	Locknut, 3/4"-16 Nylon	2	-
5	E-9603	-	22962-011	Washer, 1/2"	2	-
6	E-16468	-	17700-010	Locknut, 1/2"-13 Nylon	2	-
7	E-15095		59427-013	HCV & Linkage Assembly LH, If Equipped, Includes Hardware	1	5-20
	S.O.S.		59427-014	HCV & Linkage Assembly RH, Includes Hardware	1	-
8	E-13996		59935-011	Height Control Valve LH, If Equipped	1	5-20
	E-13997		59935-018	Height Control Valve RH	1	5-20
-	E-15097		60961-071	Lower Link Mount Service Kit, One Side, Includes Key No. 9 - 11, Vehicles Built Before 09/06	1	5-20
-	S.O.S.		60961-154	Lower Link Mount Service Kit, One Side, Includes Key No. 9 - 11, Vehicles Built After 09/06	1	-
9	E-15098		59429-002	Lower Link Mount, Vehicles Built Before 09/06	2	1-28
	E-15121		59429-003	Lower Link Mount, Vehicles Built After 09/06	2	5-21
10	E-15099	-	58035-006	Bolt, 3/8" - 16 X 3 1/2" Long, Vehicles Built Before 09/06	2	5-20
	S.O.S.	-	58035-002	Bolt, 3/8" - 16 X 1 3/8" Long, Vehicles Built After 09/06	2	-
11	S.O.S.	-	22962-015	Washer, 3/8"	2	-
12	M85955	-	65992-001	Sleeper Shock Absorber	2	-
	M85955	-	65992-002	Day Cab Shock Absorber	2	-
13	S.O.S.	-	32043-008	Upper Shock Bolt, 5/8"-11 X 4" Long	2	-
14	E-2547	-	22962-004	Upper Shock Washer, 5/8"	4	-
15	E-2988	-	47764-000	Upper Shock Locknut, 5/8"-11	2	-
16	S.O.S.	-	58917-014	Lower Shock Bolt, 3/4"-10 X 8" Long, Vehicles Built Before 09/06	2	-
	S.O.S.	-	58917-002	Lower Shock Bolt, 3/4"-10 X 5" Long, Vehicles Built After 09/06	2	-
17	E-4347	-	49842-000	Lower Shock Locknut, 3/4"-10	2	-
18	E-15100		65772-000	Rear Mount Spacer, Used in Kit 60691-000, Vehicles Built Before 09/06	2	5-18
19	S.O.S.		60961-109	Rear Spring Mount Service Kit, Vehicles Built Before 09/06, Includes E-15100	2	-
	E-15120		60961-158	Rear Spring Mount Service Kit, Vehicles Built After 09/06	2	5-18
20	S.O.S.		65856-000	Thrust Washer, Vehicles Built Before 09/06	4	-
	E-15123		66779-000	Thrust Washer, Vehicles Built After 09/06	4	5-18
21	E-15101	-	58917-008	Bolt, 3/4"-10 X 6" Long	2	-
22	E-2545	-	22962-033	Washer, 3/4"	4	-
23	E-15094	-	17700-033	Locknut, 3/4"-10, Nylock	-	-
24	E-15102		58917-016	Bolt, 3/4"-10 X 8 1/2" Long	2	5-20
25	E-15122		60961-159	Rear Spring Hardware Kit, Includes Key No. 20, 21, 22, 23. Requires 2 Kits Per Axle	2	-
26	E-15103		68317-001	Rear Hanger LH, Vehicles Built Before 09/06	1	5-18
	E-15124		66382-001	Rear Hanger LH, Vehicles Built After 09/06	1	5-18
	E-15104		68317-002	Rear Hanger RH, Vehicles Built Before 09/06	1	5-18
	E-15125		66382-002	Rear Hanger RH, Vehicles Built After 09/06	1	5-18

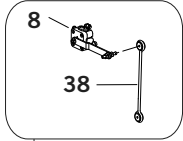
 Denotes Product is Genuine Hendrickson

NAVISTAR / INTERNATIONAL

# NAVISTAR / INTERNATIONAL FRONT

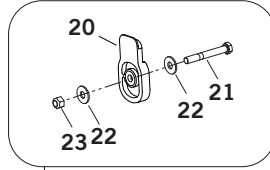
## AIRTEK For International Vehicles

HCV & Linkage Assembly



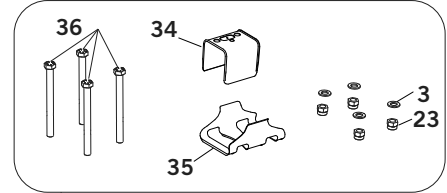
7

Rear Spring Hardware Kit

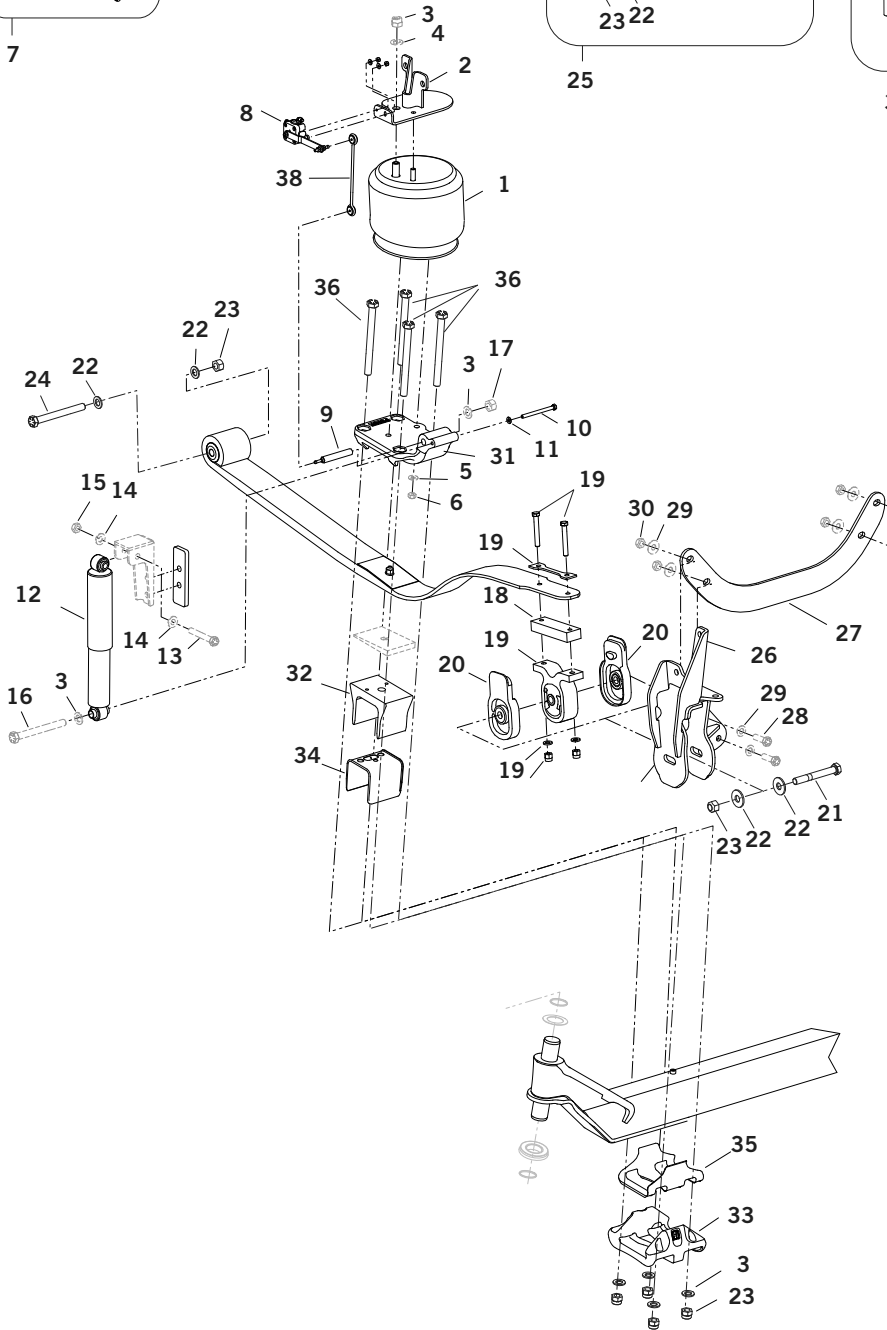


25





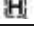

Top/Bottom Axle Wrap Liner Service Kit




37

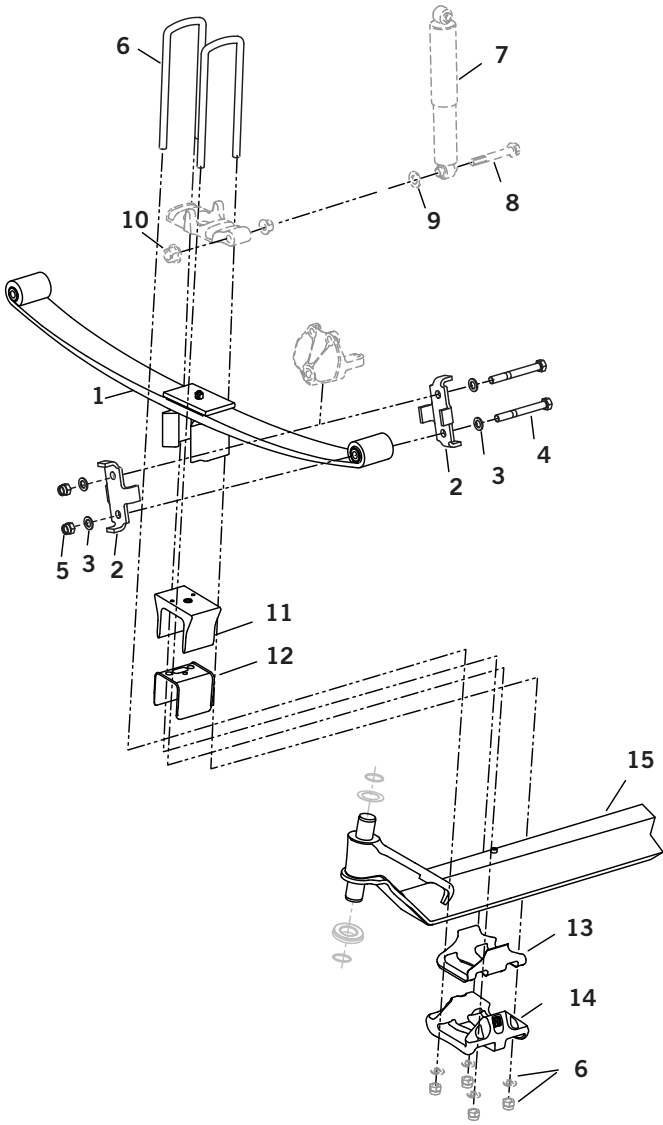


NAVISTAR / INTERNATIONAL

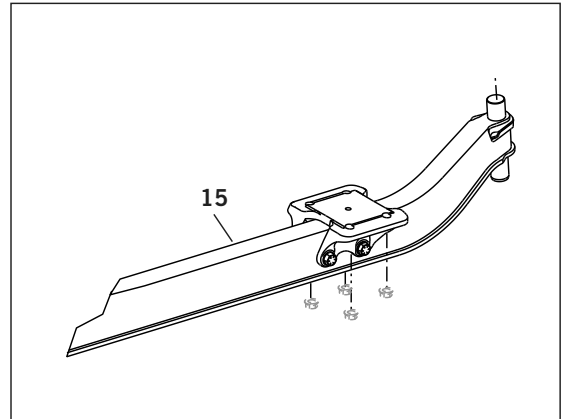
AIRTEK For International Vehicles						
KEY NO.	EUCLID NO.	GENUINE	OEM REF	DESCRIPTION	QTY. PER AXLE	PAGE NO.
27	S.O.S.		66019-000	Belly Band, Vehicles Built Before 09/06	1	-
	E-15126		66419-000	Belly Band, Vehicles Built After 09/06	1	5-20
28	S.O.S.	-	32043-006	Bolt, 5/8"-11 X 2" Long	4	-
29	E-2547		22962-004	Washer, 5/8", OD 1 3/8", Vehicles Built Before 09/06	4	-
	E-15106	-	22962-003	Washer, 5/8", OD 1 3/4"	4	-
30	E-2988	-	47764-000	Locknut, 5/8"-11	4	-
31	S.O.S.		64580-000	Top Pad, Vehicles Built Before 09/06	2	-
	E-15127		68318-001	Top Pad Left Hand, Vehicles Built After 09/06	1	5-19
	E-15128		68318-002	Top Pad Right Hand, Vehicles Built After 09/06	1	5-19
32	E-15107		59952-023	Top Axle Wrap	2	5-19
33	E-15108		64722-003	Bottom Axle Wrap	2	5-20
34	E-15109		65757-000	Top Axle Wrap Liner	2	5-19
35	E-15110		59845-000	Bottom Axle Wrap Liner	2	5-20
36	E-15102	-	58917-016	Bolt, 3/4"-10 X 8 1/2" Long	8	5-20
37	E-15119		60961-110	Top/Bottom Axle Wrap Liner Service Kit, Includes Key Nos. 3, 23, 34, 35, 36	As Req.	5-19
38	E-15096		59428-004	Linkage Kit	2	-

 Denotes Product is Genuine Hendrickson







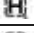
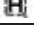

# NAVISTAR / INTERNATIONAL FRONT SOFTEK For International Vehicles




STEERTEK NXT



NAVISTAR /  
INTERNATIONAL

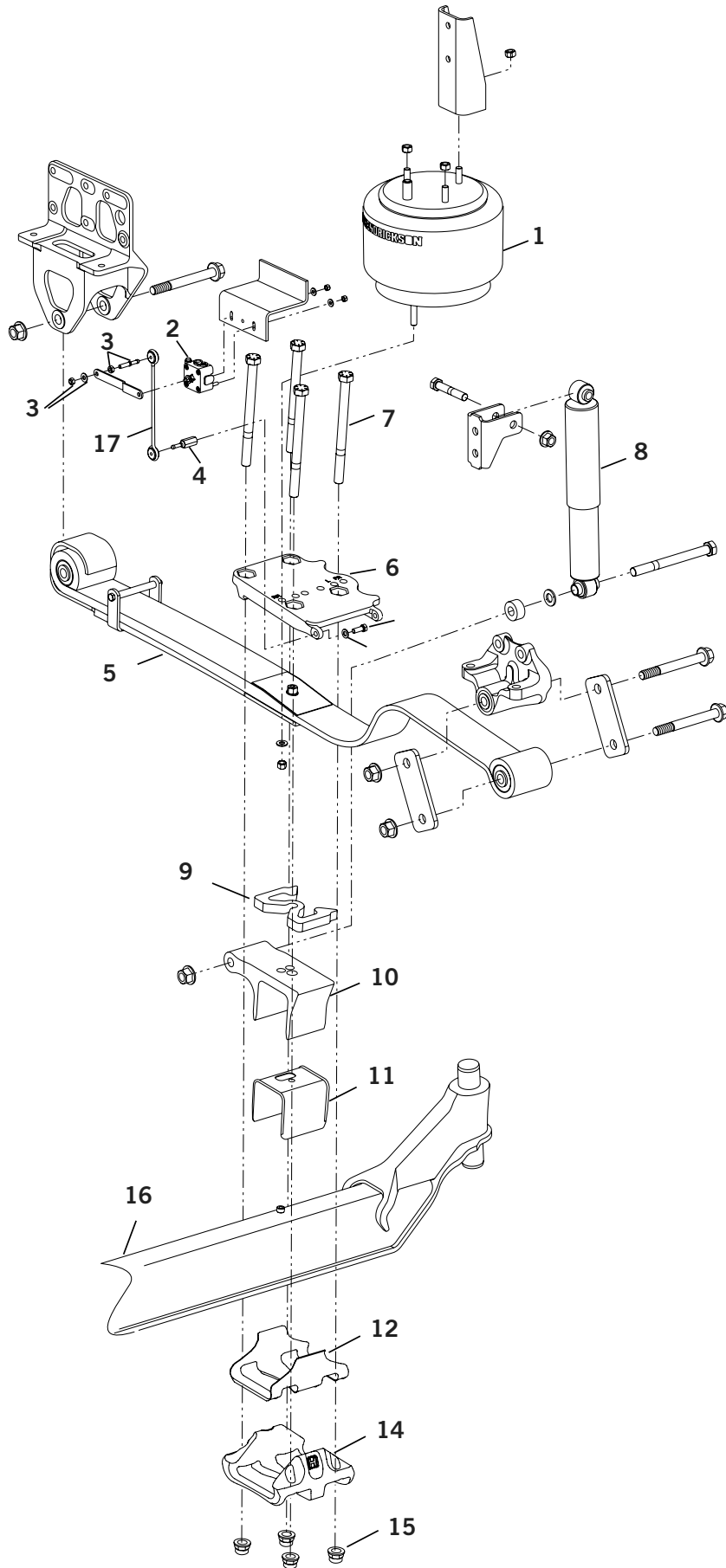
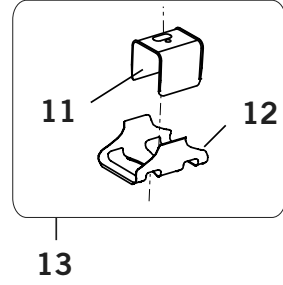
SOFTEK For International Vehicles						
KEY NO.	EUCLID NO.	GENUINE	OEM REF	DESCRIPTION	QTY. PER AXLE	PAGE NO.
1	S.O.S.		Various	Spring Assembly, Includes Bushings	2	-
2	E-16420		66545-000	Shackle Plate	4	5-18
3	E-2545	-	-	Washer, 3/4"	8	-
4	E-4961A	-	-	Locknut, 3/4"-16	4	-
5	S.O.S.	-	-	Bolt, 3/4"-16 X 6 1/2" Long	4	-
6	S.O.S.	-	-	U-Bolt Assembly, Semi Round Bend, 3/4"-16 Thd. X 4" Wide, Specify Length	4	-
7	S.O.S.	-	-	Shock Absorber, Specify Model	2	-
8	S.O.S.	-	-	Lower Shock Flange Bolt, 3/4"-10 X 5" Long	2	-
9	S.O.S.		-	Shock Spacer or Hardened Washer, Certain Models	2	-
10	S.O.S.	-	-	Flange Locknut, 3/4"-10	2	-
11	E-15107		59952-023	Top Axle Wrap, Lone Star 9200/9400/8600, Not Required on NXT	2	5-19
	S.O.S.		59952-032	Top Axle Wrap, ProStar, Not Required on NXT	2	-
12	E-15109		65757-000	Top Axle Wrap Liner, Not Required on NXT	2	5-19
13	E-15110		59845-000	Bottom Axle Wrap Liner, Not Required on NXT	2	5-19
14	E-15108		64722-003	Bottom Axle Wrap, Not Required on NXT	2	5-20
15	S.O.S.		Various	Axle Assembly	1	-

 Denotes Product is Genuine Hendrickson

# NAVISTAR / INTERNATIONAL FRONT



















## AIRTEK for International Integrated Coach Bus


### Axle Wrap Liner Kit



NAVISTAR / INTERNATIONAL

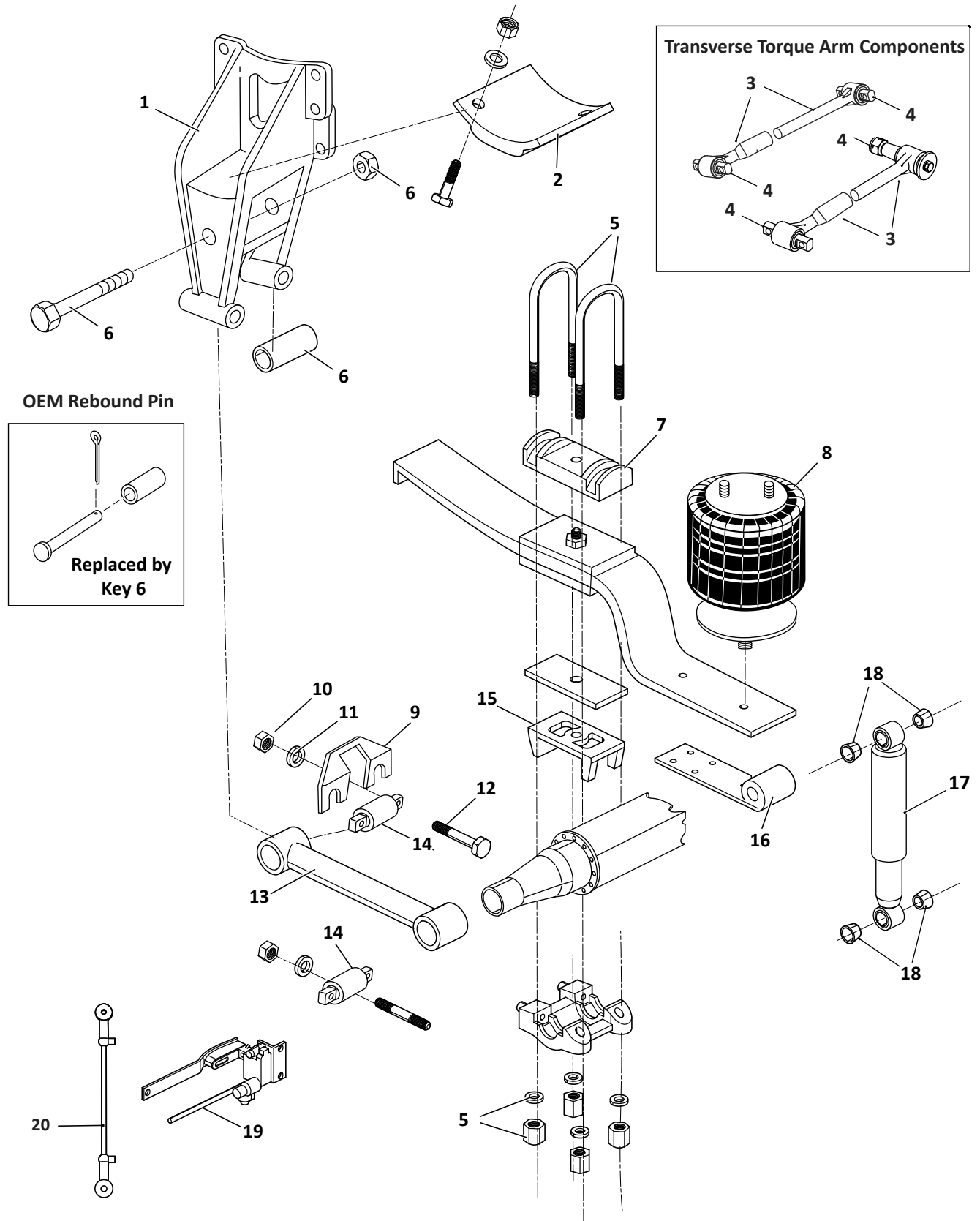


AIRTEK for International Integrated Coach Bus						
KEY NO.	EUCLID NO.	GENUINE	OEM REF	DESCRIPTION	QTY. PER AXLE	PAGE NO.
1	S.O.S.	-	67568-002	Air Spring	2	-
2	E-13996		59935-011	Height Control Valve Assembly, Left Hand	1	5-20
	E-13997		59935-018	Height Control Valve Assembly, Right Hand	1	5-20
3	E-15095		59427-013	Height Control Valve Assembly, Left Hand, Includes Key 2 and Mounting Hardware	1	5-20
	S.O.S.		59427-014	Height Control Valve Assembly, Right Hand, Includes Key 2 and Mounting Hardware	1	-
4	E-15121		59429-003	Height Control Valve Link Mount, Rear Engine	2	5-21
	E-15121		59429-003	Height Control Valve Link Mount, Front Engine, Left Hand	1	
	S.O.S.		64724-002	Height Control Valve Link Mount, Front Engine, Right Hand	1	-
5	S.O.S.		67420-000	Leaf Spring Assembly	2	-
6	S.O.S.		67719-000	Top Pad	2	-
7	E-7703	-	-	Bolt, 3/4"-16 X 9" Long	8	5-20
8	M85955	-	65992-006 65992-001	Shock	2	-
9	S.O.S.		64536-020	Z-Spacer, 20mm	2	-
10	S.O.S.		59952-030	Top Axle Wrap	2	-
11	E-15147		60508-000	Top Axle Wrap Liner	2	5-19
12	E-15110		59845-000	Bottom Axle Wrap Liner	2	5-19
13	E-15727		60961-015	Axle Wrap Liner Kit, Vehicles Built Before October 2012, Includes Key Nos. 11 & 12	2	5-19
14	E-15108		64722-003	Bottom Axle Wrap	2	5-20
15	E-16421	-	-	Flange Lock Nut, 3/4"-16	8	-
16	S.O.S.		70952-318	STEERTEK Axle Assembly, 14.6K, 200" Wheelbase	1	-
	S.O.S.		70952-328	STEERTEK Axle Assembly, 12K, 200" Wheelbase	1	-
17	E-15096		59428-004	Linkage Kit	2	-

 Denotes Product is Genuine Hendrickson

# NAVISTAR / INTERNATIONAL REAR

## Corporate Air Ride "Z" Spring



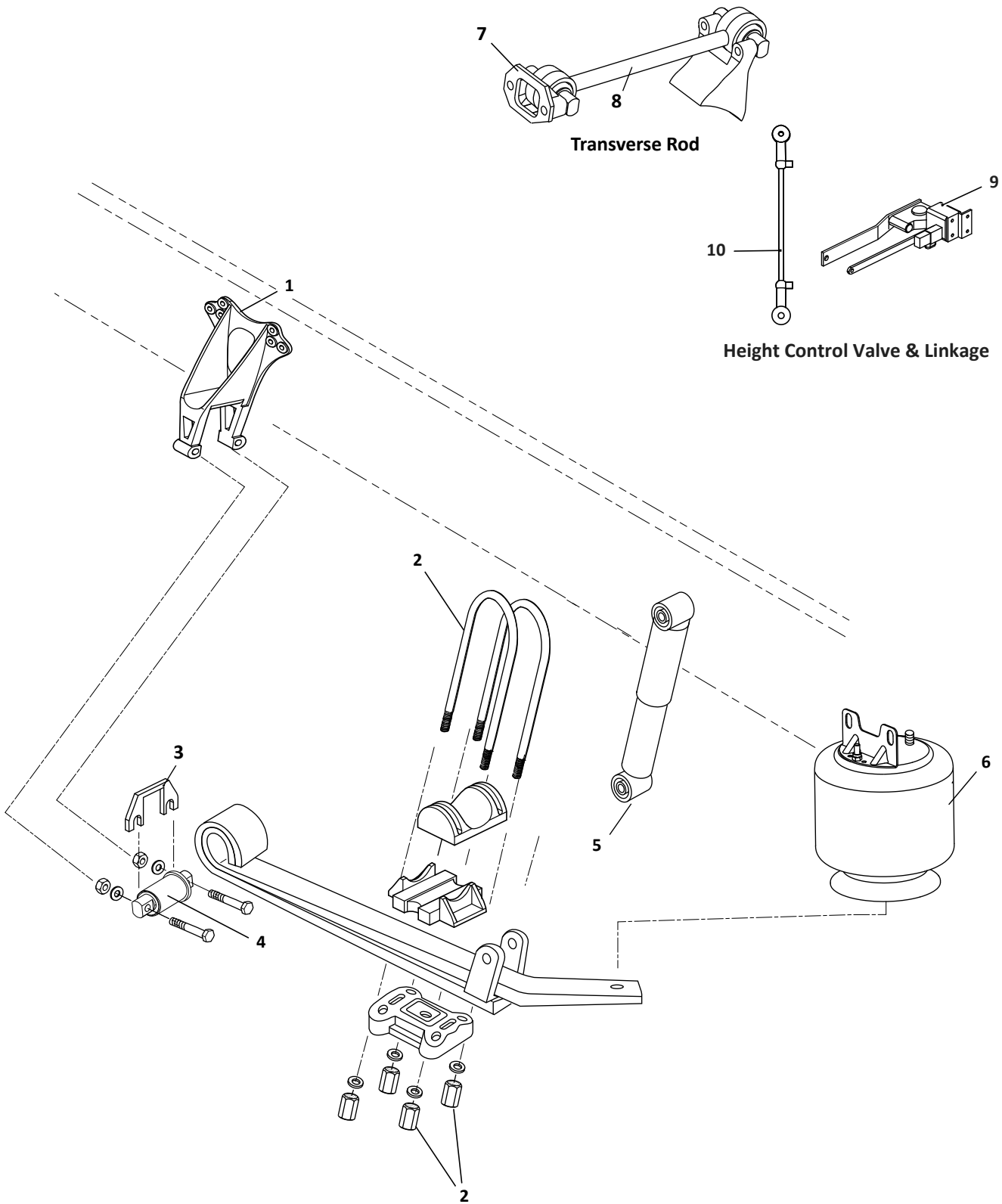
NAVISTAR / INTERNATIONAL

Corporate Air Ride "Z" Spring						
KEY NO.	EUCLID NO.	MACH NO	OEM REF	DESCRIPTION	QTY. PER AXLE	PAGE NO.
1	-	<b>G-15650</b>	1680506C91; 1680505C3; 501556C2	Front Hanger, Most Models Except for Low Profile, 8100, 4600LP, 4600UH, 4700LP Models	2	5-23
2	-	<b>G-15545</b>	571960C1	Wear Pad, Use With Hanger G-15650	2	5-23
3	<b>E-10310</b>	-	66610-000	Transverse Torque Arm, MaxiRod Kit, Tube End with Straddle Bushing, Includes E-5275 Bushing	1	-
	<b>E-10315</b>	-	66661-000	Transverse Torque Arm, MaxiRod Kit, Rod End with Straddle Bushing, Includes E-5275 Bushing	1	-
	<b>E-10317</b>	-	66681-000	Transverse Torque Arm, MaxiRod Kit, Rod End with Taper Stud Bushing, Includes E-103095 Bushing	1	-
4	<b>E-5275</b>	-	47691-000	Torque Arm Bushing, Rubber, 2" OD, 4 3/8" Center-to-Center, 5/8" Bolt Holes, Use in E-10310 & E-10315 Torque Rod Ends	As Required	5-23
	<b>E-10309</b>	-	64697-000	Torque Arm Bushing, Rubber, Tapered Stud, Use in E-10317 Torque Rod End	As Required	5-23
5	<b>E-UB8353-15</b>	-	590621C1	U-Bolt Assembly, Semi Rd. Bend, 3/4"-16 Thd. x 3 1/2" Wide x 15" Long	4	-
	<b>E-UB8363-15N</b>	-	590621C1	U-Bolt Assembly, Semi Rd. Bend, 7/8"-14 Thd. x 3 1/2" Wide x 15" Long	4	
6	<b>E-3795</b>	-	574778C2	Retainer Pin Assembly, Includes Bolt, 1/2" - 20 X 5 1/2" Long, Nut and Roller, All Models Except Low Profile, OE Uses Headed Pin and Cotter Pin	2	5-23
	-	<b>G-15643</b>	206258R1&R2	Rebound Pin, 3/4" OD x 5 7/8" Long, Low Profile Models	2	5-23
7	-	<b>G-16811</b>	572112C2	U-Bolt Top Plate	2	5-24
8	<b>FS9213</b>	-	501559C1; 501559C2	Firestone Air Spring	2	-
	<b>FS9566</b>	-	1672401C1	Firestone Air Spring	2	-
	<b>FS9371</b>	-	1670043C1	Firestone Air Spring	2	-
	<b>MAF9371</b>	-	1670043C1	Meritor Air Spring	2	-
	<b>FS9379</b>	-	1660694C1	Firestone Air Spring	2	-
	<b>FS9568</b>	-	1675495C1	Firestone Air Spring	2	-
9	<b>E-3790</b>	-	488916C91	Torque Arm Shim, 1/16" Thick	As Required	5-24
10	<b>E-3793</b>	-	414089C1	Torque Arm Flange Nut, 5/8"-18	16	5-27
11	<b>E-2547</b>	-	-	Washer, 5/8"	16	-
12	<b>E-3792</b>	-	438286C1	Torque Arm Bolt, 5/8"-18 X 4 1/2" Long	8	5-26
13	<b>E-10764</b>	-	588117C91;588117C92; 4939920C2	Tubular Torque Arm, 18 1/8" Center-to-Center, E-10764 Includes E-5275 Bushings	2	5-24
	<b>E-3788</b>	-	493920C1	Forged Torque Arm, 18 1/8" Center-to-Center, E-3788 Includes E-2226 Bushings	2	5-26
14	<b>E-2225</b>	-	1693060C1; 227710; 44694-000	Torque Arm Bushing, Rubber, 2 1/2" OD, 4 3/8" Center-to-Center, 5/8" Bolt Holes — Caution: Euclid Replacement Torque Arms Use E-2226 Bushings. Other Manufacturers May Use E-2225 Bushings	4	5-23
	<b>E-7638</b>	-	-	Torque Arm Bushing, Poly, 2 1/2" OD, 4 3/8" Center-to-Center, 5/8" Bolt Holes	4	5-27
	<b>E-2226</b>	-	227720; 44695-000	Torque Arm Bushing, Rubber, 2 3/4" OD, 4 3/8" Center-to-Center, 5/8" Bolt Holes	4	5-23
	<b>E-7639</b>	-	-	Torque Arm Bushing, Poly, 2 3/4" OD, 4 3/8" Center-to-Center, 5/8" Bolt Holes	4	5-23
15	<b>E-3797</b>	-	493478C2	Spring Seat, 3.4° Pinion Angle	2	5-24
	<b>E-3798</b>	-	493480C2	Spring Seat, 8.6° Pinion Angle	2	5-24
	<b>E-3799</b>	-	1649755C1	Spring Seat	2	5-24
16	-	-	579637C2	Shock Bracket, Left Hand	1	-
	-	-	579638C2	Shock Bracket, Right Hand	1	-
17	<b>M85003</b>	-	1675455C1; 1690035C1; 501553C91; 2018987C1	Shock Absorber	2	-
	<b>M89411</b>	-	1675455C1; 1690035C1; 501553C91; 2018987C1	Premium Shock Absorber	2	-
	<b>M85300</b>	-	462557C91	Shock Absorber	2	-
	<b>M85734</b>	-	350426C1	Shock Absorber	2	-
18	<b>E-401754</b>	-	-	Shock Bushing, 1" ID, Rubber	8	-
	<b>E-7529</b>	-	-	Shock Bushing, 1" ID, Poly	8	-
19	<b>E-9624</b>	-	H00500C	Universal Height Control Valve, Hadley Model 500, Apply Air To Dump	1	5-25
	<b>E-14731</b>	-	H01501UD	Universal Height Control Valve, Hadley Next Gen, Apply Air To Dump	1	5-25
20	<b>E-9625</b>	-	-	Universal Linkage Kit	1	5-25

NAVISTAR / INTERNATIONAL

# NAVISTAR / INTERNATIONAL REAR

## New Corporate Air Ride - "Hockey Stick" Spring



NAVISTAR /  
INTERNATIONAL

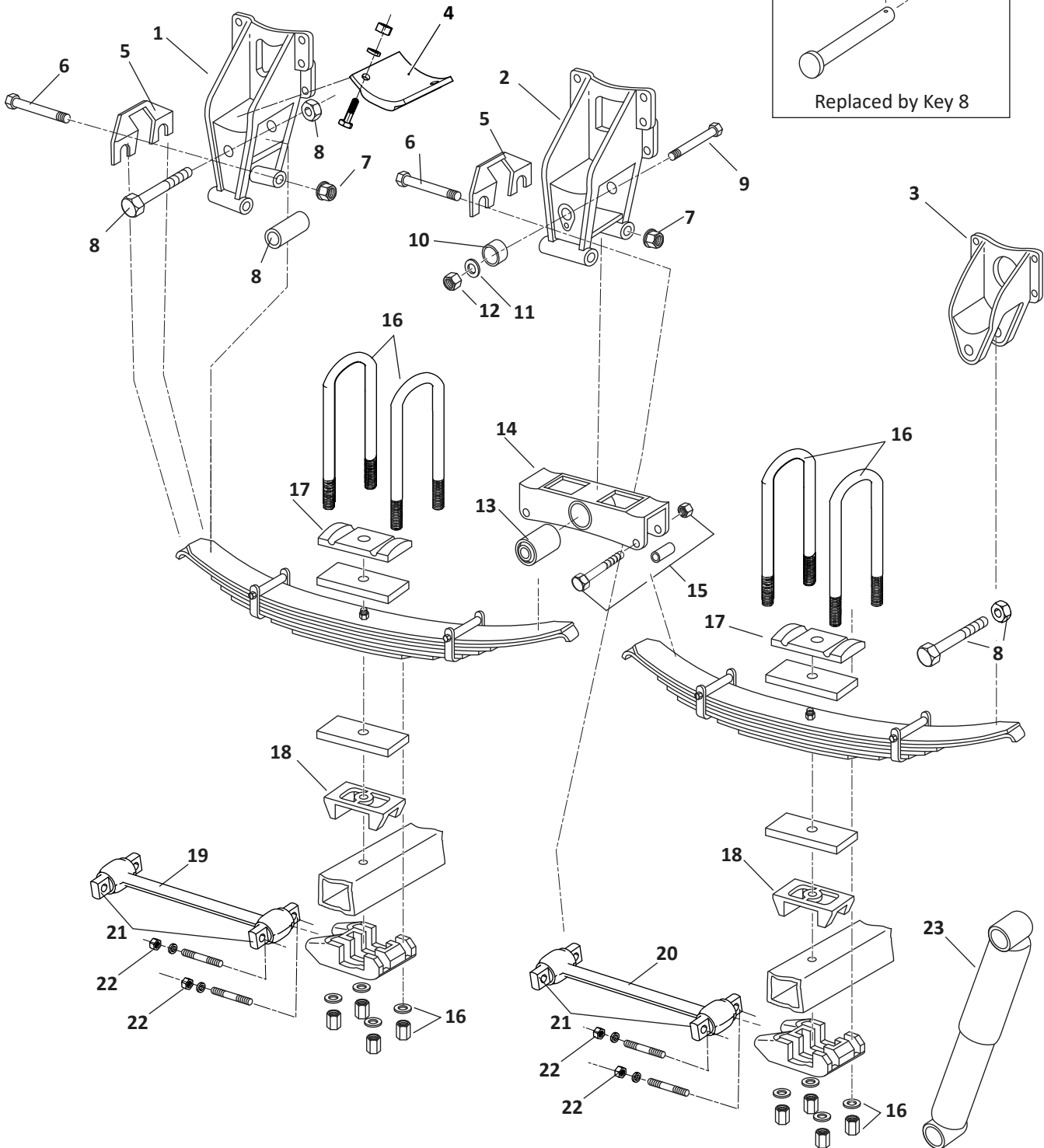
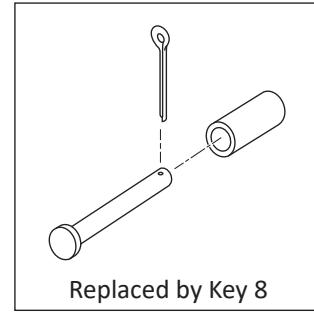
New Corporate Air Ride - "Hockey Stick" Spring						
KEY NO.	EUCLID NO.	MACH NO.	OEM REF	DESCRIPTION	QTY. PER AXLE	PAGE NO.
1	-	<b>G-16812</b>	3545280C1; 3544131C2	Hanger, Most Models	2	5-25
2	<b>E-UB8169-156</b>	-	-	U-Bolt Assembly, Rd. Bend, 7/8"-14 Thd. x 5 1/2" Wide x 15 3/4" Long	4	-
	<b>E-UB8169-166</b>	-	3538842C1	U-Bolt Assembly, Rd. Bend, 7/8"-14 Thd. x 5 1/2" Wide x 16 3/4" Long	4	-
3	<b>E-16687</b>	-	65640-2	Torque Arm Shim, 1/16" Thick	As Required	-
4	<b>E-15541</b>	<b>G-15541</b>	3538115C5	Spring Eye Bushing, Anti-Walk	2	5-25
	-	<b>G-15600</b>	-	Spring Eye Bushing, Anti-Walk, .050" Oversize OD	As Required	5-25
5	<b>M85931</b>	-	3573265C1	Shock Absorber	2	-
	<b>M89458</b>	-	-	Shock Absorber, Premium Adjustable	2	-
6	<b>FS1191</b>	-	3541731C1	Firestone Air Spring, Includes Bracket	2	-
	<b>MAF1191</b>	-	3541731C1	Meritor Air Spring, Includes Bracket	2	-
7	<b>E-2634</b>	-	22186-000	Transverse Torque Arm Mounting Bracket	1	5-25
8	<b>E-16075</b>	-	3580088C1; 3548381C1	Transverse Torque Arm, 25 3/8" Center-to-Center, Not Rebushible	1	5-25
9	<b>E-9624</b>	-	H00500C	Universal Height Control Valve, Hadley Model 500, Apply Air To Dump	1	5-25
	<b>E-14731</b>	-	H01501UD	Universal Height Control Valve, Hadley Next Gen, Apply Air To Dump	1	5-25
10	<b>E-9625</b>	-	-	Universal Linkage Kit	1	5-25

NAVISTAR / INTERNATIONAL

# NAVISTAR / INTERNATIONAL REAR

## 4 Spring, Tractor

OEM Rebound Pin



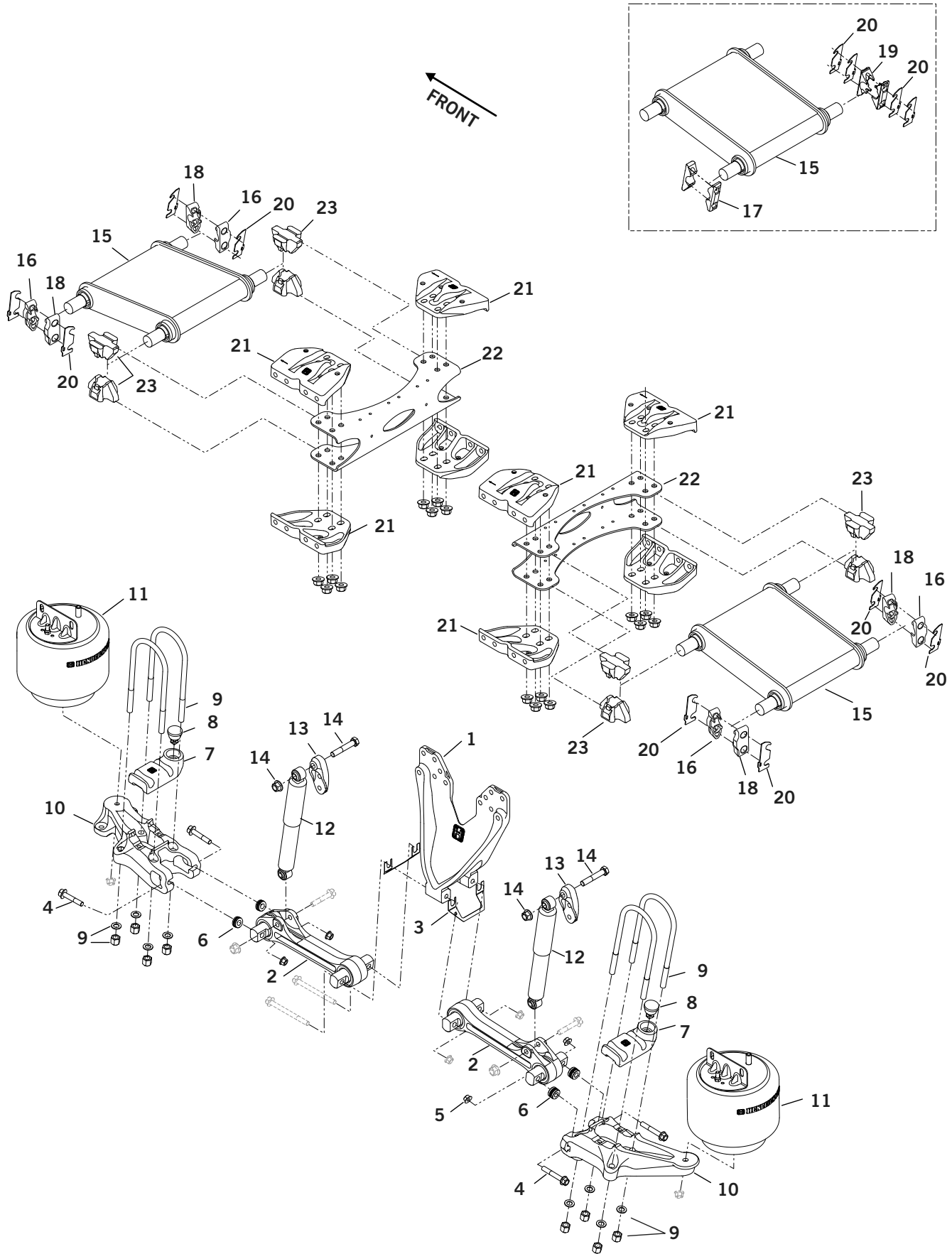
NAVISTAR / INTERNATIONAL

4 Spring, Tractor						
KEY NO.	EUCLID NO.	MACH NO.	OEM REF	DESCRIPTION	QTY. PER TANDEM	PAGE NO.
1	-	<b>G-15650</b>	1680506C91; 1680505C3; 501556C2	Front Hanger, Use With Hanger Pad G-15545	2	-
2	-	-	497787C3	Center Hanger	2	-
3	-	<b>G-15653</b>	488909C2	Rear Hanger	2	-
4	-	<b>G-15545</b>	571960C1	Wear Pad	2	-
5	<b>E-3790</b>	<b>G-3790</b>	488916C91	Torque Arm Shim, 1/16" Thick	As Req	5-24
6	<b>E-3792</b>	-	438286C1	Torque Arm Bolt, 5/8"-18 X 4 1/2" Long	8	5-27
7	<b>E-3793</b>	-	414089C1	Torque Arm Flange Nut, 5/8"-18	16	5-27
8	<b>E-3795</b>	-	574778C2	Retainer Pin Assembly, Includes Bolt, 1/2" - 20 X 5 1/2" Long, Nut and Roller, OE Uses Headed Pin and Cotter Pin	4	5-23
9	<b>E-3785</b>	-	26015R1	Equalizer Bolt, 1"-8 X 7 1/2" Long	2	-
10	<b>E-3786</b>	-	497785C2	Equalizer Adapter	2	5-26
11	<b>E-3975</b>	-	131048	Lock Washer, 1"	4	-
12	<b>E-4421</b>	-	25531R1; 131556C1	Lock Nut, 1"-8	2	-
13	<b>E-3784</b>	<b>G-3784</b>	497501C2	Equalizer Bushing, 2 1/2" OD X 1 1/32" ID X 4 3/4" Long	2	5-26
14	<b>E-3783</b>	-	497790C2	Equalizer	2	5-26
15	<b>E-4770</b>	-	-	Equalizer Roller Assembly, Includes Bolt, Nut and Roller	4	5-26
16	<b>E-UB8353-15</b>	-	590621C1	U-Bolt Assembly, Semi Round, Bend, 3/4"-16 Thd. x 3 1/2" Wide x 15" Long	8	-
	<b>E-UB8363-15N</b>	-	1610312C2	U- Bolt Assembly, Semi Round, Bend 7/8"-14 Thd. x 3 1/2" Wide 15" Long	8	-
17	<b>E-3796</b>	<b>G-3796</b>	581744C1	U-Bolt Top Plate	4	5-28
18	<b>E-3797</b>	-	493478C2	Spring Seat, 3.4° Pinion Angle	4	5-24
	<b>E-3798</b>	-	493480C2	Spring Seat, 8.6° Pinion Angle	4	5-24
	<b>E-3799</b>	-	1649755C1	Spring Seat	4	5-24
19	<b>E-10764</b>	-	588117C91; 588117C92; 4939920C2	Tubular Torque Arm, Front, 18 1/8" Center-to-Center, E-10764 Includes E-5275 Bushings	2	5-24
	<b>E-3788</b>	-	493920C1	Rigid Torque Arm, Forged Ends, Front, 18 1/8" Center-to-Center, E-3788 Includes E-2226 Bushings	2	5-26
20	<b>E-10765</b>	-	588118C91, C92	Rigid Torque Arm, Tubular Design, Rear, 21 31/32" Center-to-Center, E-10765 Includes E-5275 Bushings	2	-
	<b>E-3789</b>	-	493921C1, C2	Rigid Torque Arm, Forged Ends, Rear, 21 31/32" Center-to-Center, E-3788 Includes E-2226 Bushings	2	5-26
21	<b>E-2225</b>	-	1693060C1; 227710; 44694-000	Torque Arm Bushing, Rubber, 2 1/2" OD, 4 3/8" Center-to-Center, 5/8" Bolt Holes — CAUTION: Euclid Replacement Torque Arms use E-2226 bushings. Other Manufacturers may Use E-2225 Bushings	8	5-27
	<b>E-7638</b>	-	-	Torque Arm Bushing, Poly, 2 1/2" OD, 4 3/8" Center-to-Center, 5/8" Bolt Holes	8	5-27
	<b>E-2226</b>	-	227720; 44695-000	Torque Arm Bushing, Rubber, 2 3/4" OD, 4 3/8" Center-to-Center, 5/8" Bolt Holes	8	5-27
	<b>E-7639</b>	-	-	Torque Arm Bushing, Poly, 2 3/4" OD, 4 3/8" Center-to-Center, 5/8" Bolt Holes	8	5-27
22	<b>E-2988</b>	-	-	Lock Nut, 5/8" - 11	8	-
23	<b>M83101</b>	-	-	Shock Absorber	2	-

NAVISTAR / INTERNATIONAL

# NAVISTAR / INTERNATIONAL REAR

## HTB 400LT For International



NAVISTAR / INTERNATIONAL





HTB 400LT For International						
KEY NO.	EUCLID NO.	GENUINE	OEM REF	DESCRIPTION	QTY. PER TANDEM	PAGE NO.
1	S.O.S.		65700-000	Frame Hanger	2	-
2	E-16364		77906-398	Torque Rod Assembly; New Style. Non-Replaceable Bushings; Replaces 64768-398	4	5-30
	-		64768-398	Torque Rod Assembly; Old Style w/ Replaceable Bushings	4	-
3	S.O.S.		65640-001	.030" Torque Rod Shims	As Required	-
	S.O.S.		65640-002	.060" Torque Rod Shims	As Required	-
	S.O.S.		65640-003	.120" Torque Rod Shims	As Required	-
4	S.O.S.		Various	5/8"- 11 Torque Rod Flange Bolt ( See Chart Below )	8	-
5	E-8911	-	66637-000	5/8"- 11 Torque Rod Flange Locknut	8	-
6	S.O.S.		Various	Pinion Spacer ( See Chart Below )	8	-
7	S.O.S.		65708-000	Axle Top Pad Assembly; Includes Key No. 8	4	-
8	E-15148		64080-000	Axle Stop	4	5-30
9	S.O.S.		48718-116	U-bolt Assembly Incl. Nuts, Washers	4	-
10	S.O.S.		Various	Lower Air Spring Bracket (See Chart Below)	2	-
11	S.O.S.		66643-002	Air Spring Assembly; Replaces 60977-002L	4	-
12	M85102	-	60657-008 60657-006 60657-010 60657-011	Shock Absorber - All Models	4	-
13	E-15177		67463-002	Shock Absorber Frame Bracket; Replaces 65000-002	4	-
14	S.O.S.		50754-022	Upper Shock Mount Fastener Kit, One Shock	4	-
15	E-16366		64785-007B	Torque Box Assembly; Replaces 64785-001, 64785-002B	2	-
16	S.O.S.		67157-001	Axle Bracket Bar Pin Clamp LH; Vehicles Built After 10/07	4	-
17	S.O.S.		66174-000	Axle Bracket Bar Pin Clamp Non-Adjustable; Vehicles Built Prior to 10/07	4	-
18	S.O.S.		67157-002	Axle Bracket Bar Pin Clamp RH; Vehicles Built After 10/07	4	-
19	S.O.S.		66274-000	Axle Bracket Bar Pin Clamp Adjustable; Vehicles Built Prior to 10/07	4	-
20	S.O.S.		67237-001	Axle Bracket Spacer (3/32") Vehicles Built After 10/07	8	-
	S.O.S.		65737-001	Axle Bracket Spacer (3/32") Vehicles Built Prior to 10/07	8	-
21	S.O.S.		65705-001	Cross Member Gusset LH Top; RH Bottom	4	-
	S.O.S.		65705-002	Cross Member Gusset LH Bottom; RH Top	4	-
22	S.O.S.		67478-000	Cross Member C-Channel; Replaces 64970-000	2	-
23	S.O.S.		65144-000	Cross Member Bar Pin Clamp	8	-



Denotes Product is Genuine Hendrickson

HTB LT PINION ANGLE CHART							
	PINION ANGLE	KEY NO. 10 HENDRICKSON AIR SPRING BRACKET PART NO.		KEY NO. 6 HENDRICKSON PINION SPACER PART NO.		KEY NO. 4 HENDRICKSON TORQUE ROD FLANGE BOLT	
		LEFT HAND	RIGHT HAND	THICKNESS	PART NO.	LENGTH	PART NO.
		FRONT	2°	-	-	None	None
	3°	65638-001	65638-002	8mm	66193-001	4"	66636-003
	4°	-	-	16mm	66193-002	-	-
	5°	-	-	24mm	66193-003	4½"	66636-002
REAR	8°	-	-	24mm	66193-003	4½"	66636-002
	9°	65698-001	65698-002	16mm	66193-002	4"	66636-003
	10°	-	-	8mm	66193-001	-	-
REAR	11°	-	-	24mm	66193-003	4½"	66636-002
	12°	64764-001	64764-002	16mm	66193-002	-	-
	13°	-	-	8mm	66193-001	4"	66636-003



# NAVISTAR / INTERNATIONAL FRONT



## AIRTEK / SOFTEK For International Trucks / Tractors


Rear Spring Mount Kit			
FOR MODELS: AIRTEK Truck			
			
Vehicles Built After 09/06			
EUCLID NO.	GENUINE	OEM REF	NOTES
E-15120		60961-158	Includes Spring Mount, Spring End Plate and Hardware


Rear Hanger Right Hand			
FOR MODELS: AIRTEK Truck			
			
EUCLID NO.	GENUINE	OEM REF	NOTES
E-15104		68317-002	Vehicles Built Before 09/06



Shackle Plate		
FOR MODELS: SOFTEK		
		
EUCLID NO.	GENUINE	OEM REF
E-16420		66545-000

Rear Hanger Left Hand			
FOR MODELS: AIRTEK Truck			
			
EUCLID NO.	GENUINE	OEM REF	NOTES
E-15103		68317-001	Vehicles Built Before 09/06

Thrust Washer			
FOR MODELS: AIRTEK Truck			
			
EUCLID NO.	GENUINE	OEM REF	NOTES
E-15123		66779-000	Vehicles Built After 09/06

Rear Hanger Right Hand			
FOR MODELS: AIRTEK Truck			
			
EUCLID NO.	GENUINE	OEM REF	NOTES
E-15125		66382-002	Vehicles Built After 09/06

Rear Mount Spacer			
FOR MODELS: AIRTEK Truck			
			
EUCLID NO.	GENUINE	OEM REF	NOTES
E-15100		65772-000	Vehicles Built Before 09/06



Rear Hanger Left Hand			
FOR MODELS: AIRTEK Truck			
			
EUCLID NO.	GENUINE	OEM REF	NOTES
E-15124		66382-001	Vehicles Built After 09/06



NAVISTAR / INTERNATIONAL



# NAVISTAR / INTERNATIONAL FRONT AIRTEK / SOFTEK For International Trucks / Tractors

Suspension

Top Pad Right Hand			
FOR MODELS: AIRTEK Truck			
			
EUCLID NO.	GENUINE	OEM REF	NOTES
E-15128		68318-002	Vehicles Built After 09/06


Top Axle Wrap Liner			
FOR MODELS: AIRTEK & SOFTEK Truck			
			
EUCLID NO.	GENUINE	OEM REF	NOTES
E-15109		65757-000	Not Required on NXT

Top Pad Left Hand			
FOR MODELS: AIRTEK Truck			
			
EUCLID NO.	GENUINE	OEM REF	NOTES
E-15127		68318-001	Vehicles Built After 09/06

Top Axle Wrap Liner		
FOR MODELS: AIRTEK For IC Buses		
		
EUCLID NO.	GENUINE	OEM REF
E-15147		60508-000

Top/Bottom Axle Wrap Liner Kit			
FOR MODELS: AIRTEK Truck			
			
EUCLID NO.	GENUINE	OEM REF	NOTES
E-15119		60961-110	Includes Top and Bottom Axle Liners and Hardware

Top Axle Wrap			
FOR MODELS: AIRTEK & SOFTEK Truck			
			
EUCLID NO.	GENUINE	OEM REF	NOTES
E-15107		59952-023	Lone Star 9200/9400/8600, Not Required on NXT

Axle Wrap Liner Kit		
FOR MODELS: AIRTEK Truck		
		
Includes E-15147 & E-15110 Liners		
EUCLID NO.	GENUINE	OEM REF
E-15727		60961-015

Bottom Axle Wrap Liner			
FOR MODELS: AIRTEK Truck & IC Buses, SOFTEK Truck			
			
EUCLID NO.	GENUINE	OEM REF	NOTES
E-15110		59845-000	Not Required on NXT

NAVISTAR / INTERNATIONAL

# NAVISTAR / INTERNATIONAL FRONT

## AIRTEK / SOFTEK For International Trucks / Tractors

### Bottom Axle Wrap

FOR MODELS:  
AIRTEK Truck &  
IC Buses,  
SOFTEK Truck



EUCLID NO.	GENUINE	OEM REF	NOTES
E-15108		64722-003	Not Required on NXT

### Height Control Valve, Right Hand

FOR MODELS:  
AIRTEK Truck &  
IC Buses



EUCLID NO.	GENUINE	OEM REF
E-13997		59935-018

### Belly Band

FOR MODELS:  
AIRTEK Truck



EUCLID NO.	GENUINE	OEM REF	NOTES
E-15126		66419-000	Vehicles Built After 09/06

### Height Control Valve, Left Hand

FOR MODELS:  
AIRTEK Truck &  
IC Buses



EUCLID NO.	GENUINE	OEM REF
E-13996		59935-011

### Bolt



EUCLID NO.	GENUINE	OEM REF	LENGTH	THREAD	APPLICATION
E-15099	-	58035-006	3 1/2"	3/8" - 16	AIRTEK Truck
E-15102	-	58917-016	8 1/2"	3/4"-10	AIRTEK Truck
E-7703	-	-	9"	3/4"-16	AIRTEK For IC Buses

### Height Control Valve Assembly, Left Hand

AIRTEK Truck &  
IC Buses



EUCLID NO.	GENUINE	OEM REF	NOTES
E-15095		59427-013	Includes Linkage

### Lower Link Mount Kit

FOR MODELS:  
AIRTEK Truck





Vehicles Built Before 09/06

EUCLID NO.	GENUINE	OEM REF	NOTES
E-15097		60961-071	Includes E-15098 Link, Bolt, Washer



NAVISTAR / INTERNATIONAL

# NAVISTAR / INTERNATIONAL FRONT AIRTEK / SOFTEK For International Trucks / Tractors

Suspension

Lower Link Mount			
FOR MODELS: AIRTEK Truck			
			
EUCLID NO.	GENUINE	OEM REF	NOTES
E-15098		59429-002	Vehicles Built Before 09/06


Air Spring Bracket Right Hand			
FOR MODELS: AIRTEK Truck			
			
EUCLID NO.	GENUINE	OEM REF	NOTES
E-15114		66776-000	Vehicles Built After 09/06

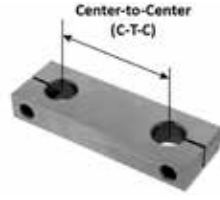
Lower Link Mount			
FOR MODELS: AIRTEK Truck & IC Buses			
			
Trucks Built After 09/06			
EUCLID NO.	GENUINE	OEM REF	NOTES
E-15121		59429-003	All Buses w/ Rear Engines, Buses With Front Engine Left Hand Valve

Air Spring Bracket Left Hand			
FOR MODELS: AIRTEK Truck			
			
EUCLID NO.	GENUINE	OEM REF	NOTES
E-15113		66775-000	Vehicles Built After 09/06

NAVISTAR /  
INTERNATIONAL


# NAVISTAR / INTERNATIONAL FRONT Leaf Spring

Spring Pin					
FOR MODELS: 1000/2000/4000/ 7000/8000 9-20K Axles w/ 4" Springs					
					
MACH NO.	OEM REF	DIA	LENGTH	C-TO-C	
G-15655	1648110C1	1"	6 5/16"	4 15/16"	
G-15644	1648108C1	1 1/4"	6 1/2"	5 1/8"	
G-16305	1661976C3, 3511254C1, SP1434IH	1 1/4"	6 3/4"	5"	

Side Bar					
FOR MODELS: Transtar®, 3600/3700/ 3800/3900 Bus, 1000/2000/ 4000/7000/8000					
					
MACH NO.	OEM REF	HOLE DIA	LENGTH	WIDTH	C-TO-C
G-15633	400091C1	1 1/16"	6 3/4"	2 1/4"	4 3/16"
G-15632	1664223C1	1 1/4"	6"		3 1/2"

Shackle			
FOR MODELS: 3600/3700/3800/3900 Bus, 1400-1600 2500-2600 4500-4900 7100 w/6-9K Axles, S1600/S2100 Medium Duty			
			
MACH NO.	OEM REF	HOLE DIA	WIDTH
G-15642	470248C91	1"	3 1/4"

Spring Pin, Threaded					
FOR MODELS: 9100 Thru 9900					
					
MACH NO.	OEM REF	END DIA	LENGTH	THREAD	C-TO-C
G-15640	507203C1; 507203C2	1"	7 3/8"	1 3/8"-6	5 3/4"


Spring Pin, Threaded					
FOR MODELS: Transtar® C.O.E					
					
Thread 1 3/8"-6					
MACH NO.	OEM REF	DIA SMALL END	DIA LARGE END	OAL	C-TO-C
G-15648	455656C1	1 1/16"	1 1/2"	7 3/8"	5 3/4"

NAVISTAR / INTERNATIONAL


# NAVISTAR / INTERNATIONAL REAR

## Corporate Air Ride "Z" Spring

Suspension

Front Hanger	
FOR MODELS: Most Models Except Low Profile	
	
MACH NO.	OEM REF
G-15650	1680506C91; 1680505C3; 501556C2


Wear Pad	
	
Use With Hanger G-15650	
MACH NO.	OEM REF
G-15545	571960C1

Retainer Pin Assembly		
FOR MODELS: All Models		
		
EUCLID NO.	OEM REF	NOTES
E-3795	574778C2	Includes Bolt, 1/2" - 20 X 5 1/2" Long, Nut and Roller

Rebound Pin			
FOR MODELS: Corporate Air Ride "Z" Spring Low Profile and Various			
			
MACH NO.	OEM REF	DIA	LENGTH
G-15643	206258R1; 206258R2	3/4"	5 7/8"

Torque Arm Bushing					
					
EUCLID NO.	OEM REF	OD	BOLT HOLE DIA	C-TO-C	MATERIAL
E-2225	1693060C1; 227710; 44694-000	2 1/2"	5/8"	4 3/8"	Rubber
E-7638	-				Poly
E-2226	227720; 44695-000	2 3/4"	5/8"	4 3/8"	Rubber
E-7639	-				Poly

Torque Arm Bushing, Rubber				
				
Use in E-10310 & E-10315 Torque Rod Ends				
EUCLID NO.	OEM REF	OD	C-TO-C	BOLT HOLES
E-5275	47691-000	2"	4 3/8"	5/8"

Torque Arm Bushing, Rubber, Tapered Stud	
	
Use in E-10317 Torque Rod End	
EUCLID NO.	OEM REF
E-10309	64697-000

# NAVISTAR / INTERNATIONAL REAR

## Corporate Air Ride "Z" Spring

### Torque Arm Shim



EUCLID NO.	OEM REF	THICKNESS	LENGTH
E-3790	488916C91	1/16"	5 3/4"

### Spring Seat



EUCLID NO.	OEM REF	PINION ANGLE	NOTES
E-3797	493478C2	3.4°	For 4 5/8" Axle
E-3798	493480C2	8.6°	For 4 5/16" Axle

### Forged Torque Arm



EUCLID NO.	OEM REF	C-TO-C	NOTES
E-3788	493920C1	18 1/8"	Includes E-2226 Bushings

### Spring Seat



EUCLID NO.	OEM REF
E-3799	1649755C1

### Tubular Torque Arm



EUCLID NO.	OEM REF	C-TO-C	NOTES
E-10764	588117C91; 588117C92; 4939920C2	18 1/8"	Includes E-5275 Bushings

### U-Bolt Top Plate



MACH NO.	OEM REF
G-16811	572112C2

NAVISTAR / INTERNATIONAL



## New Corporate Air Ride - "Hockey Stick" Spring

**Spring Eye Bushing, Anti-Walk**



EUCLID NO.	MACH NO.	OEM REF	NOTES
E-15541	G-15541	3538115C5	Standard OE Design
-	G-15600		.050" Oversize OD

**Transverse Torque Arm Mounting Bracket**



EUCLID NO.	OEM REF
E-2634	22186-000

**Alignment Shim**

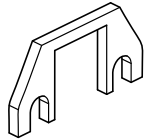



Photo Coming Soon

EUCLID NO.	OEM REF	THICKNESS
E-16687	65640-002	1/16"

**Universal Height Control Valve**




EUCLID NO.	OEM REF	NOTES
E-9624	H00500C	Hadley Model 500, Apply Air To Dump

**Hanger**




MACH NO.	OEM REF
G-16812	3545280C1; 3544131C2

**Universal Height Control Valve**



EUCLID NO.	OEM REF	NOTES
E-14731	H01501UD	Hadley Model Next Gen, Apply Air to Dump

**Transverse Torque Arm**



EUCLID NO.	OEM REF	C-TO-C	NOTES
E-16075	3580088C1; 3548381C1	25 3/8"	Not Rebushable

**Universal Linkage Kit**




EUCLID NO.	NOTES
E-9625	Universal Kit, Length 3 5/8" - 19 5/8"

# NAVISTAR / INTERNATIONAL REAR

## 4 Spring, Tractor


**Equalizer**



14 1/4"

EUCLID NO.	OEM REF	NOTES
E-3783	497790C2	Includes E-3784 Bushing and E-4770 Roller Assembly


**Retainer Pin Assembly**



Nut and Roller, OE Uses Headed Pin and Cotter Pin


EUCLID NO.	OEM REF	THREAD SIZE	BOLT LENGTH
E-3795	574778C2	1/2" - 20	5 1/2"

**Equalizer Bushing**



EUCLID NO.	MACH NO.	OEM REF	OD	ID	LENGTH
E-3784	G-3784	497501C2	2 1/2"	1 1/32"	4 23/32"

**Torque Arms**



Euclid parts include E-2226 Bushings


EUCLID NO.	OEM REF	LENGTH C-TO-C	BUSHING ANGLE
E-3788	493920C1, C2	18 1/8"	15°/15°
E-3789	493921C1, C2	21 31/32"	

**Equalizer Adapter**



EUCLID NO.	OEM REF	OD	ID	LENGTH
E-3786	497785C2	1 7/8"	1 1/32"	29/32"


**Torque Arms**



Euclid parts include E-5275 Bushings

EUCLID NO.	OEM REF	LENGTH C-TO-C	BUSHING ANGLE
E-10764	588117C91; 588117C92; 4939920C2	18 1/8"	15°/15°
E-10765	588118C91, C92	21 31/32"	


**Equalizer Roller Assembly**




EUCLID NO.	NOTES
E-4770	Includes Bolt, Tube, Nut


NAVISTAR / INTERNATIONAL


## 4 Spring, Tractor


Torque Arm Bushings			
			
4 3/8" Center-to-Center, 5/8" Bolt Holes			
EUCLID NO.	OEM REF	OD	MATERIAL
E-2225	1693060C1; 227710; 44694-000	2 1/2"	Rubber
E-7638	-		Poly
E-2226	227720; 44695-000	2 3/4"	Rubber
E-7639	-		Poly

Flange Nut				
				
EUCLID NO.	OEM REF	THREAD	HEX	HIGH
E-3793	414089C1	5/8" - 18	15/16"	5/8"

Wear Pad	
	
MACH NO.	OEM REF
G-15545	571960C1

Torque Arm Shim			
			
EUCLID NO.	OEM REF	THICKNESS	LENGTH
E-3790	488916C91	1/16"	5 3/4"

Front Hanger	
	
MACH NO.	OEM REF
G-15650	1680506C91; 1680505C3; 501556C2

Bolts			
			
EUCLID NO.	OEM REF	THREAD SIZE	BOLT LENGTH
E-3792	438286C1	5/8" - 18	4 1/2"

NAVISTAR / INTERNATIONAL

# NAVISTAR / INTERNATIONAL REAR

## 4-Spring, Tractor

### Rear Hanger



MACH NO.	OEM REF
G-15653	488909C2

### U-Bolt Top Plate



EUCLID NO.	MACH NO.	OEM REF
E-3796	G-3796	581744C1

### Spring Seat



EUCLID NO.	OEM REF	PINION ANGLE	NOTES
E-3797	493478C2	3.4°	For 4 5/8" Axle
E-3798	493480C2	8.6°	For 4 5/16" Axle

### Spring Seat



EUCLID NO.	OEM REF
E-3799	1649755C1

### Spring Pin




MACH NO.	OEM REF	DIA	LENGTH	C-TO-C	FOR MODEL
G-15646	303859C1	1 1/4"	5 5/16"	4"	Cargostar®/ Loadstar®/ Fleetstar® Single Axle
G-15645	1671766C1		5 9/16"		Medium and Heavy Duty Single Axle Models

NAVISTAR / INTERNATIONAL



## Hendrickson RT For Navistar/International

Front Hangers			
 <p>SPRING PIN DIA.</p>			
EUCLID NO.	OEM REF	SPRING PIN DIA	NOTES
<b>E-3599</b>	Navistar 423450C1	1 3/8"	For Single Frame With No Reinforcement

Rear Hangers		
		
EUCLID NO.	OEM REF	NOTES
<b>E-3604</b>	Navistar 422484C1 Hendrickson 35400-2	For Single Frame with No Reinforcement
<b>E-3605</b>	Navistar 422483C1 Hendrickson 35400-1	For Frame with 1/4" Thick Angle Reinforcement
<b>E-3606</b>	Navistar 422485C1 Hendrickson 35400-3	For "Double" Frame with 5/16" Channel Reinforcement

# NAVISTAR / INTERNATIONAL REAR

## HTB For International

Torque Box Assembly		
FOR MODELS: HTB		
		
EUCLID NO.	GENUINE	OEM REF
E-16366		64785-007B, 64785-002B, 64785-001

Axle Stop		
FOR MODELS: HTB		
		
Diameter 2"		
EUCLID NO.	GENUINE	OEM REF
E-15148		64080-000

Torque Rod Assembly			
FOR MODELS: HTB			
			
EUCLID NO.	GENUINE	OEM REF	NOTES
E-16364		77906-398	Non-Replaceable Bushings

Shock Absorber Bracket		
FOR MODELS: HTB		
		
EUCLID NO.	GENUINE	OEM REF
E-15177		67463-002

Contents

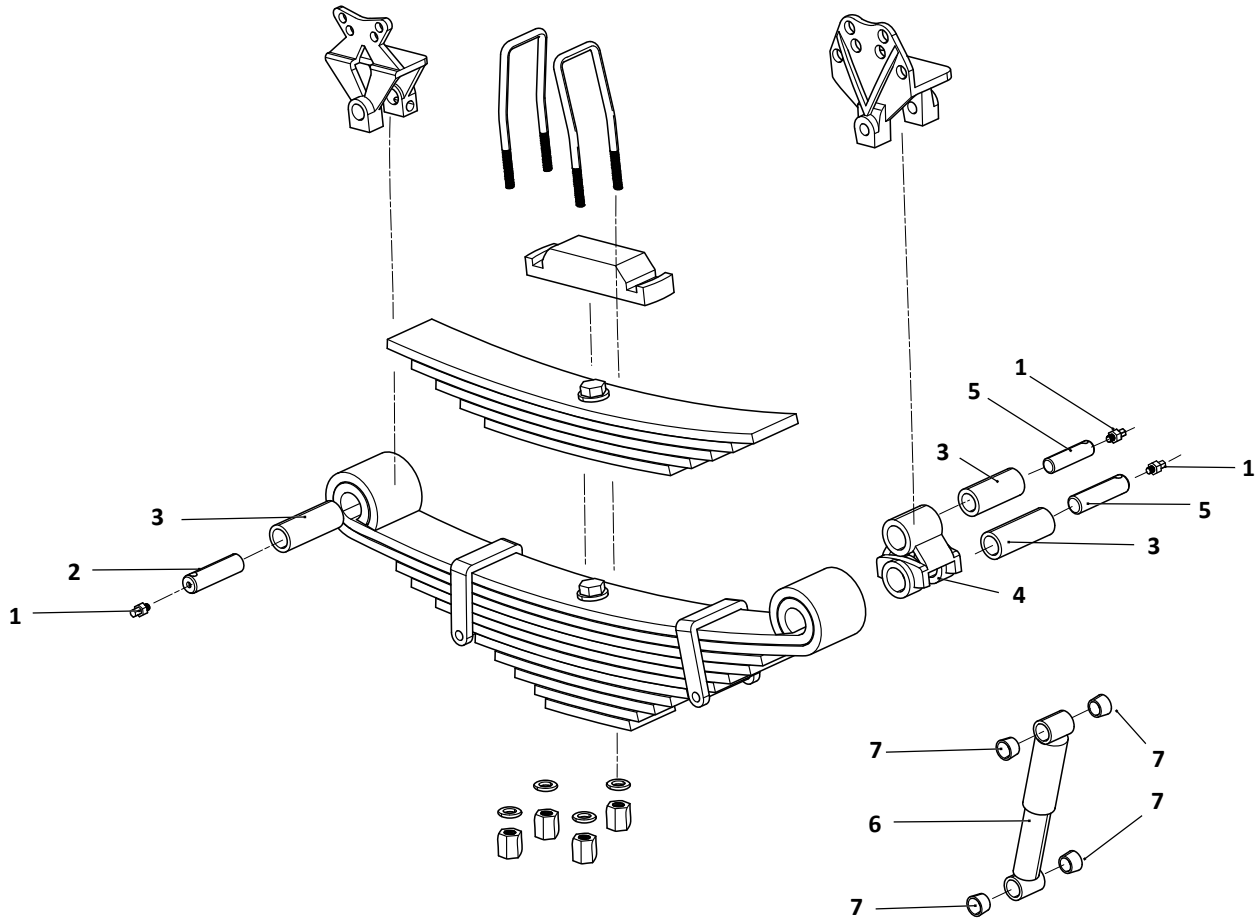
**FRONT TRUCK SUSPENSION**

**3" Wide Springs** - - - - - **6-2**

**Component Suspension Parts** - - - - - **6-4**



# OSHKOSH FRONT 3" Wide Springs



OSHKOSH

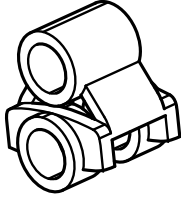


3" Wide Springs						
KEY NO.	EUCLID PART NO	MACH NO	OEM REF	DESCRIPTION	QTY PER AXLE	PAGE NO.
1	<b>E-1307</b>	-	-	Zerk Fitting Straight	6	6-4
2	-	-	52720CX	Spring Pin, 1" OD x 5 3/8" Long, Single Lock Pin, Front of Spring	2	-
3	-	-	-	Bushing 1 1/4" OD x 1" ID x 3" Long, Bi-Metal	6	-
	-	<b>G-16141</b>	-	Bushing 1 3/8" OD x 1 1/8" ID x 3" Long, Bi-Metal	6	6-4
4	-	<b>G-16137</b>	53324BXW	Shackle, For 1 1/8" Dia. Spring Pins	2	6-4
5	-	-	57613BX	Spring Pin 1 1/8" OD x 5" Long, Single Lock Pin, Rear of Spring and Top of Shackle	2	-
	-	-	26065BX	Spring Pin, 1" OD x 4 13/16" Long, Single Lock Pin, Top of Shackle	2	-
	-	-	53408BX	Spring Pin, 1" OD x 4 15/16" Long, Single Lock Pin, Rear of Spring	2	-
6	<b>M83122</b>	-	-	Shock Absorber	2	-
	<b>M89406</b>	-	-	Shock Absorber, Premium Adjustable	2	-
	<b>M85303</b>	-	-	Shock Absorber	2	-
	<b>M89422</b>	-	-	Shock Absorber, Premium Adjustable	2	-
7	<b>E-401754</b>	-	-	Shock Bushing, Rubber	8	-
	<b>E-7529</b>	-	-	Shock Bushing, Poly	8	-



Bi-Metal Spring Pin Bushing			
			
MACH NO.	OD	ID	LENGTH
G-16141	1 3/8"	1 1/8"	3"

Zerk Fitting	
	
EUCLID NO.	TYPE
E-1307	Straight - 1/8" NPT

Shackle		
<p>Photo Coming Soon</p> 		
MACH NO.	OEM REF	NOTES
G-16137	53324BXW	For 1 1/8" Dia. Spring Pins

Shock Bushing	
	
EUCLID NO.	MATERIAL
E-401754	Rubber
E-7529	Poly

Contents

**FRONT TRUCK / TRACTOR SUSPENSIONS**

**Cab Over and Conventional 4" Wide Spring - - - - - 7-2**

**REAR TRUCK / TRACTOR SUSPENSIONS**

**Air Trac® - - - - - 7-6**

**Low Mount Air Leaf® - - - - - 7-8**

**Air Leaf® - - - - - 7-10**

**Airglide® 210- - - - - 7-12**

**Flex Air® - - - - - 7-14**

**4-Spring - Early Version - - - - - 7-16**

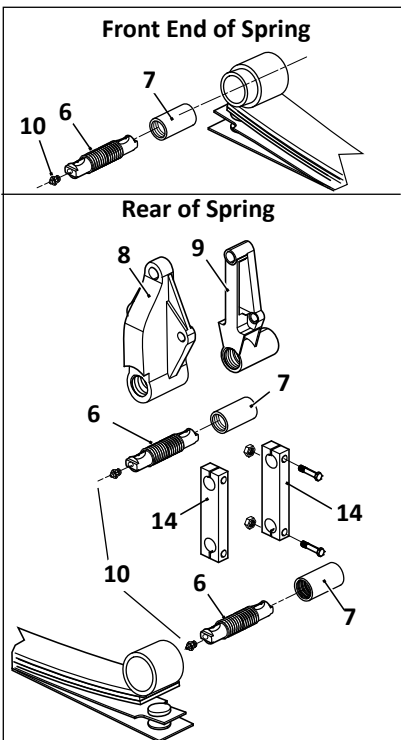
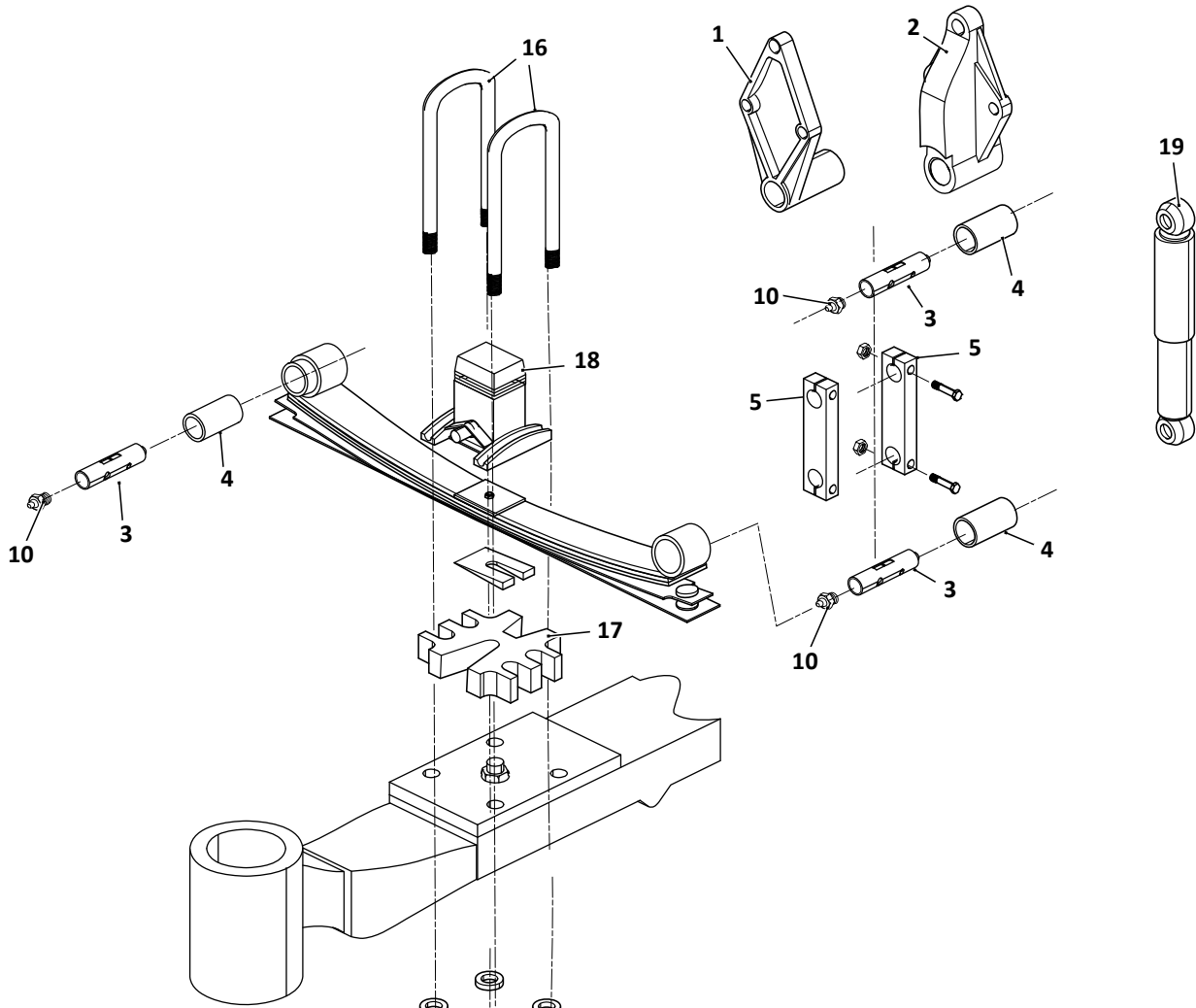
**Quadraflex® 4-Spring 1992 to Current - - - - - 7-18**

**Component Suspension Parts - - - - - 7-20**

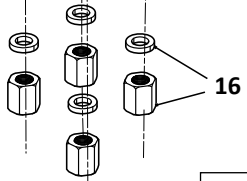
# PETERBILT FRONT

## Cab Over and Conventional 4" Wide Spring

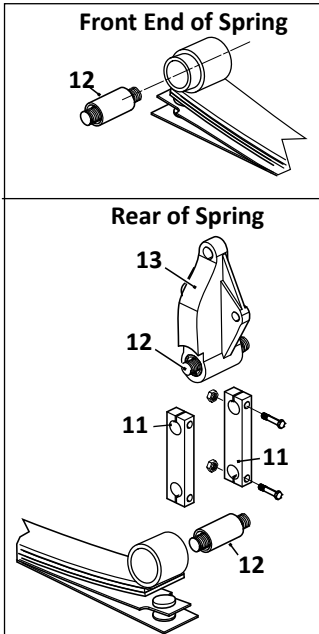
PETERBILT



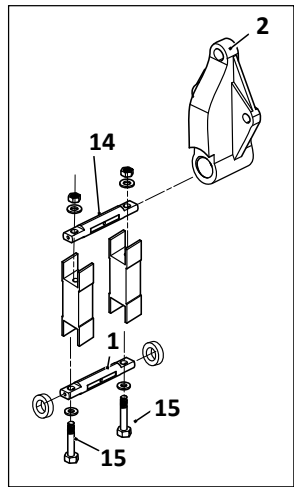
Threaded Pins & Bushings



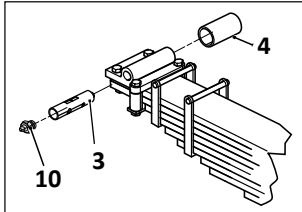
COE Before 1989



Rubber Bushings



Early Models 387

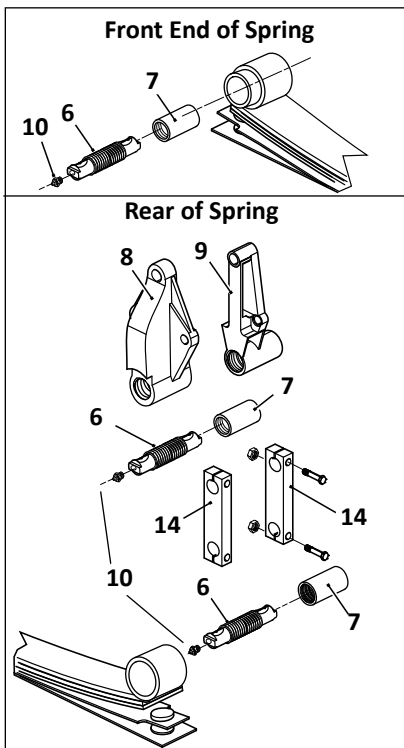
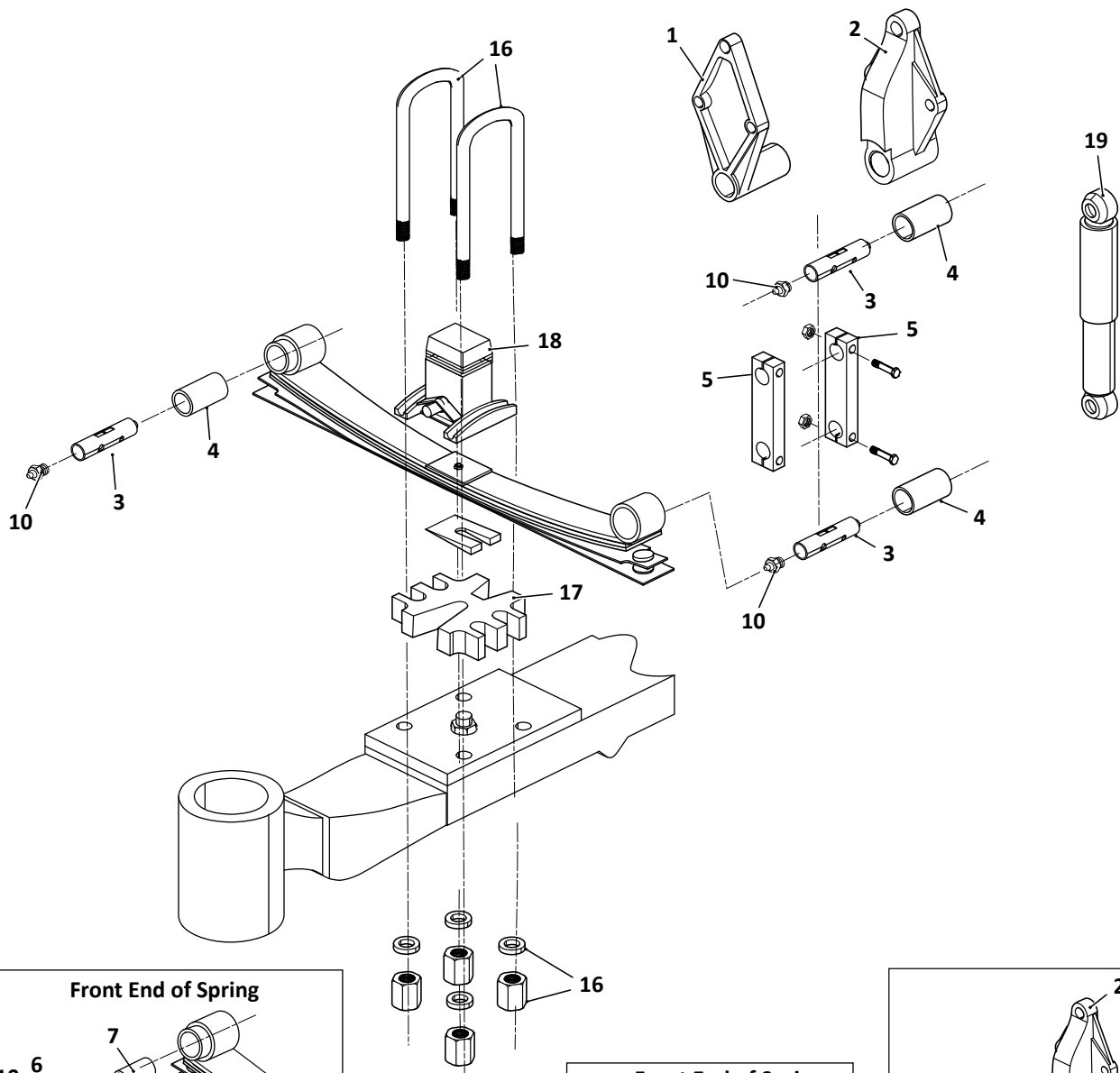


Multi-Leaf Spring with Cast Eye

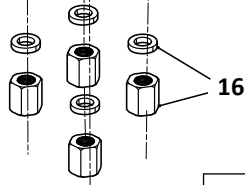
Cab Over and Conventional 4" Wide Spring						
KEY NO.	EUCLID NO.	MACH NO.	OEM REF	DESCRIPTION	QTY. PER AXLE	PAGE NO.
1	-	<b>G-16147</b>	B11-6030M03	Hanger, Ductile Iron w/ 3/4" Dia. Bolt Holes	2	7-21
	-	<b>G-16317</b>	-	Hanger, Ductile Iron w/ 5/8" Dia. Bolt Holes	2	7-21
2	-	<b>G-16155</b>	B11-1034-2; 02-04001M002	Hanger, Ductile Iron, Model 387, Casting No. B111033	2	7-21
3	-	<b>G-16319</b>	02-01781; 02-01767	Spring Pin, Smooth, 1 1/4" OD X 6 7/8" Long X 5 5/16" Center-to-Center	6	7-20
	-	<b>G-15662</b>	02-01561	Spring Pin, Smooth, 1 1/4" OD X 6" Long X 5 1/16" Center-to-Center	6	7-20
	-	-	02-01911	Spring Pin, Smooth, 1 1/4" OD X 7 3/8" Long X 5 3/4" Center-to-Center	2	-
4	<b>E-16153</b>	-	02-01805	Spring Pin Bushing With Seals, 1 1/4" ID X 1 1/2" OD X 4" Long	6	7-20
	<b>E-1876</b>	-	-	Spring Pin Bushing, Bi-Metal, 1 1/4" ID X 1 1/2" OD X 4" Long	As Required	7-20
	-	<b>G-16167</b>	-	Spring Pin Bushing, Bi-Metal, 1 1/4" ID X 1 1/2" OD X 3 1/2" Long	As Required	7-20
5	-	<b>G-16145</b>	02-01784; 02-01783	Side Bar, 1 1/4" Dia Hole, 6" Long, 3 9/16" Center-to-Center, 1 1/8" Thick, 1987 To Current	4	7-22
	-	<b>G-16143</b>	02-01747; 02-01807	Side Bar, 1 1/4" Dia Hole, 7 9/16" Long, 5 1/8" Center-to-Center, 1 1/8" Thick, 1987 To Current	4	7-22
	-	-	02-01154	Side Bar, 1 1/4" Dia Hole, 5 7/8" Long, 3 1/2" Center-to-Center, 1" Thick, COE	4	-
6	-	<b>G-15614</b>	B65-1002	Threaded Spring Pin, M33.5 -4.0 X 5 3/4" Center-to-Center 7 3/8" Long, 1 1/16" Diameters on Both Ends	6	7-20
	-	<b>G-15620</b>	B65-1008	Threaded Spring Pin, M33.5 -4.0 X 5 5/16" Center-to-Center 7 7/8" Long, 1 1/16" Diameters on Both Ends	6	7-20
	-	<b>G-16321</b>	B65-6008	Threaded Spring Pin, M33.5 -4.0 X 5 7/16" Center-to-Center 7" Long, 1 1/16" Diameters on Both Ends	6	7-20
7	-	<b>G-16157</b>	B13-1000	Threaded Bushing, Metric M33.5 X4, 1 3/4" (44.5mm) OD, 4" (101mm) Long	6	7-20
	-	<b>G-16158</b>	B13-1002	Threaded Bushing, Metric M33.5 X 4, 2 1/16" (52.8mm) OD, 4" (101mm) Long.	6	7-20
8	-	<b>G-16700</b>	B11-1031-5	Hanger, Includes G-16157 Threaded Bushing, Casting No. B111033	2	7-21
9	-	<b>G-16701</b>	B11-1039	Hanger, Includes G-16158 Threaded Bushing, Casting No. B111023	2	7-21
10	<b>E-1307</b>	-	1613B	Zerk, 1/8"-27 NPT	6	-
11	<b>E-3720</b>	<b>G-3720</b>	B20-1007; B20-6006	Side Bar, 1 1/16" Dia Hole, 6 3/4" Long, 4" Center-to-Center, 1 1/4" Thick	4	7-22
12	<b>E-15537</b>	<b>G-15537</b>	B65-1006	Rubber Bushing, Pin Type, 1 3/4"OD w/ 1 1/16" Dia Pin, 7 1/2" Long, 6 3/16" Center-to-Center of Notches	6	7-21
	<b>E-15543</b>	<b>G-15543</b>	B65-6005	Rubber Bushing, Pin Type, 1 3/4"OD w/ 1 1/16" Dia Pin, 6 11/16" Long, 5 7/16" Center-to-Center of Notches	6	7-21
	<b>E-15613</b>	<b>G-15613</b>	B65-1007; B65-1012	Rubber Bushing, Pin Type, 2 1/16" OD w/ 1 1/16" Dia Pin, 7 1/2" Long, 6 5/16" Center-to-Center of Notches	6	7-21
	<b>E-16163</b>	<b>G-16163</b>	B65-1013; B65-6006	Rubber Bushing, Pin Type, 2 1/16" OD w/ 1 1/16" Dia Pin, 6 11/16" Long, 5 7/16" Center-to-Center of Notches	6	7-21
	<b>E-16236</b>	<b>G-16236</b>	B65-6010	Rubber Bushing, 1 3/4" OD X 5/8" ID X 4 1/4" Long, Medium Duty Models	6	7-21
13	-	<b>G-15547</b>	B11-1034-1	Hanger, Includes G-15537 Pin Type Rubber Bushing With 1 1/16" Dia. Pin, 7 1/2" Long, Notches at 6 3/16"Center-To-Center, Casting No. B111033	2	7-22
	-	<b>G-16695</b>	B11-1034-6	Hanger, Includes G-15543 Pin Type Rubber Bushing With 1 1/16" Dia. Pin, 6 11/16" Long, Notches at 5 7/16" Center-To-Center, Casting No. B111033	2	7-21
	-	-	B11-1034-7	Hanger, Includes G-16236 Hollow Rubber Bushing With 5/8" ID, Casting No. B111033	2	-

# PETERBILT FRONT

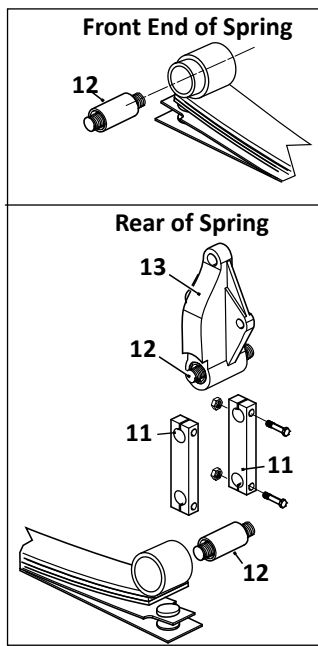
## Cab Over and Conventional 4" Wide Spring



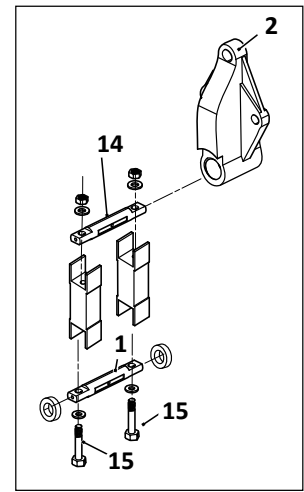
Threaded Pins & Bushings



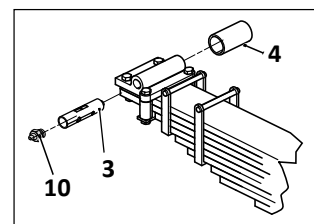
COE Before 1989



Rubber Bushings



Early Models 387

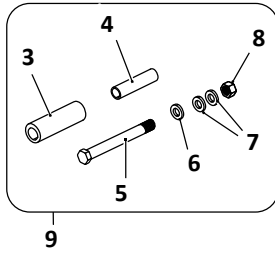


Multi-Leaf Spring with Cast Eye

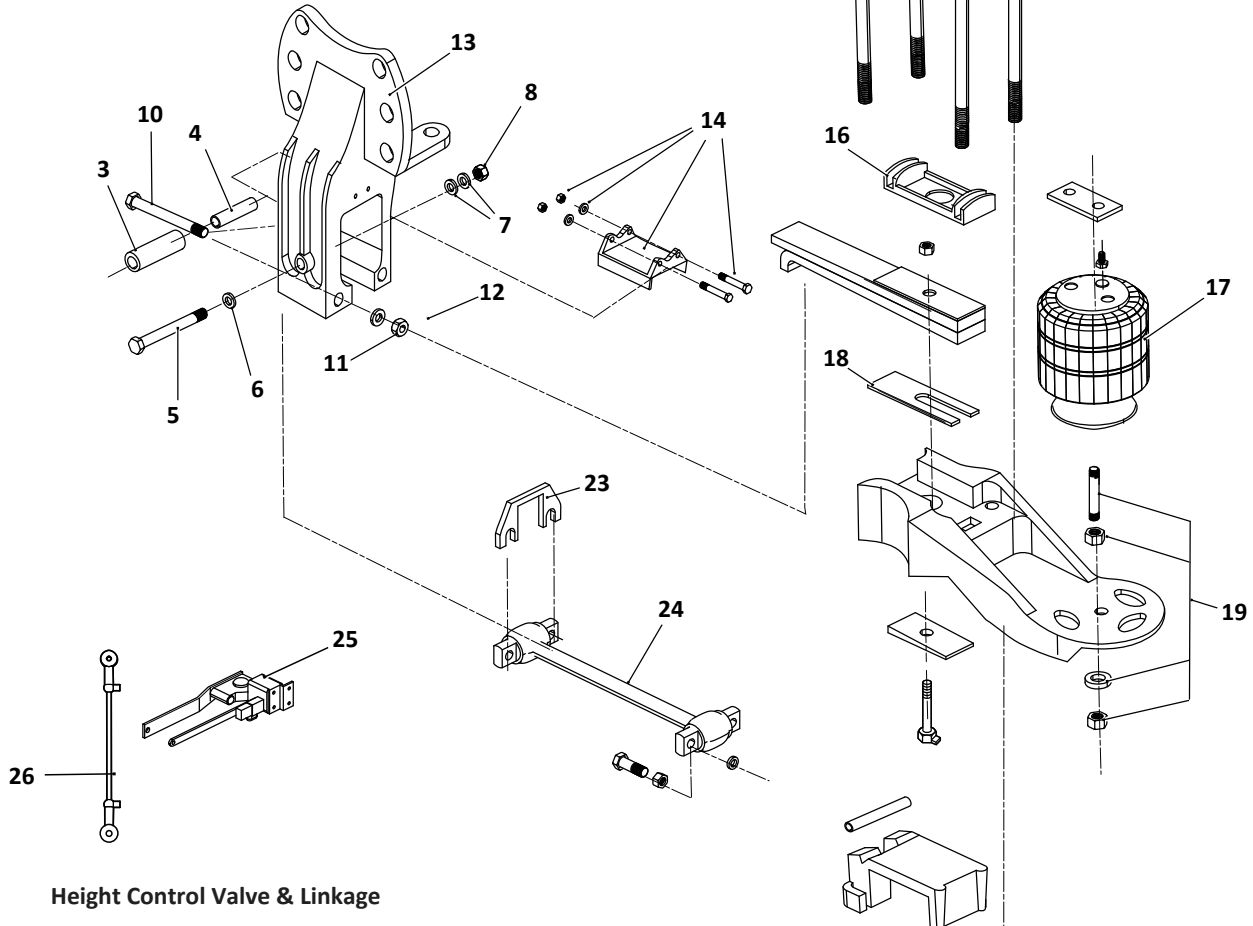
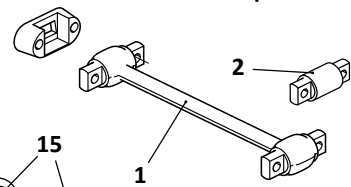
Cab Over and Conventional 4" Wide Spring						
KEY NO.	EUCLID NO.	MACH NO.	OEM REF	DESCRIPTION	QTY. PER AXLE	PAGE NO.
14	-	<b>G-15663</b>	02-04024; B65-6002	Spring Pin, Smooth, 1 1/4" OD X 7 3/4" Long, Early Models 387	6	7-20
15	<b>E-16233</b>	-	-	Bolt, 1/2" - 20 X 6 1/2" Long, Early Models 387	4	-
16	<b>E-UB8354-12P</b>	-	02-00807-122	U-Bolt Assembly, Semi Rd. Bend 3/4"-16 Thd. X 4" Wide X 12" Long	4	-
17	-	<b>G-16721</b>	02-01823-05	Spring Spacer, Flat, 1" Thick	2	7-22
	-	<b>G-16720</b>	02-01701-040; 02-01701-090	Spring Spacer, Tapered for 4° Chamber Angle, Short Side 1 9/16" Thick	2	7-22
	-	<b>G-16722</b>	02-01701-080; 02-01823-080	Spring Spacer, Tapered for 5° Chamber Angle, Short Side 3 1/16" Thick	2	7-22
18	-	-	02-01782; 02-03041; B63-6000	U-Bolt Top Plate With Shock Mount	2	-
19	<b>M85012</b>	-	02-01890;	Shock Absorber	2	-
	<b>M89413</b>	-	02-02142	Shock Absorber, Premium Adjustable	2	-
	<b>M85062</b>	-	02-01787	Shock Absorber	2	-
	<b>M89408</b>	-		Shock Absorber, Premium Adjustable	2	-
	<b>M85036</b>	-	02-02142	Shock Absorber	2	-
	<b>M89405</b>	-		Shock Absorber, Premium Adjustable	2	-

# PETERBILT REAR Air Trac®

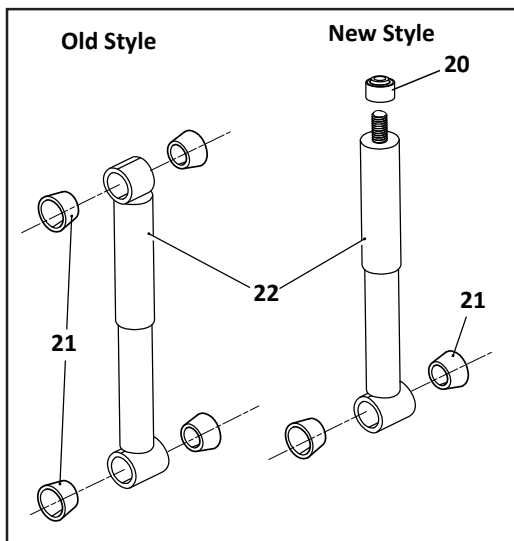
Spring Roller



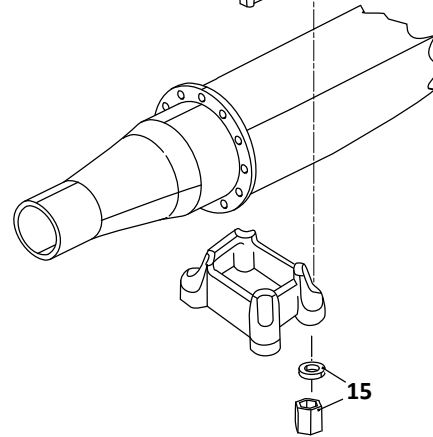
Transverse Torque Arm



Height Control Valve & Linkage



Shock Absorber





# PETERBILT REAR

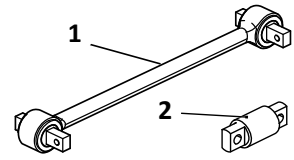
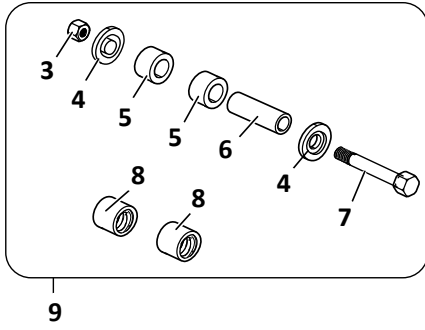
Suspension

PETERBILT

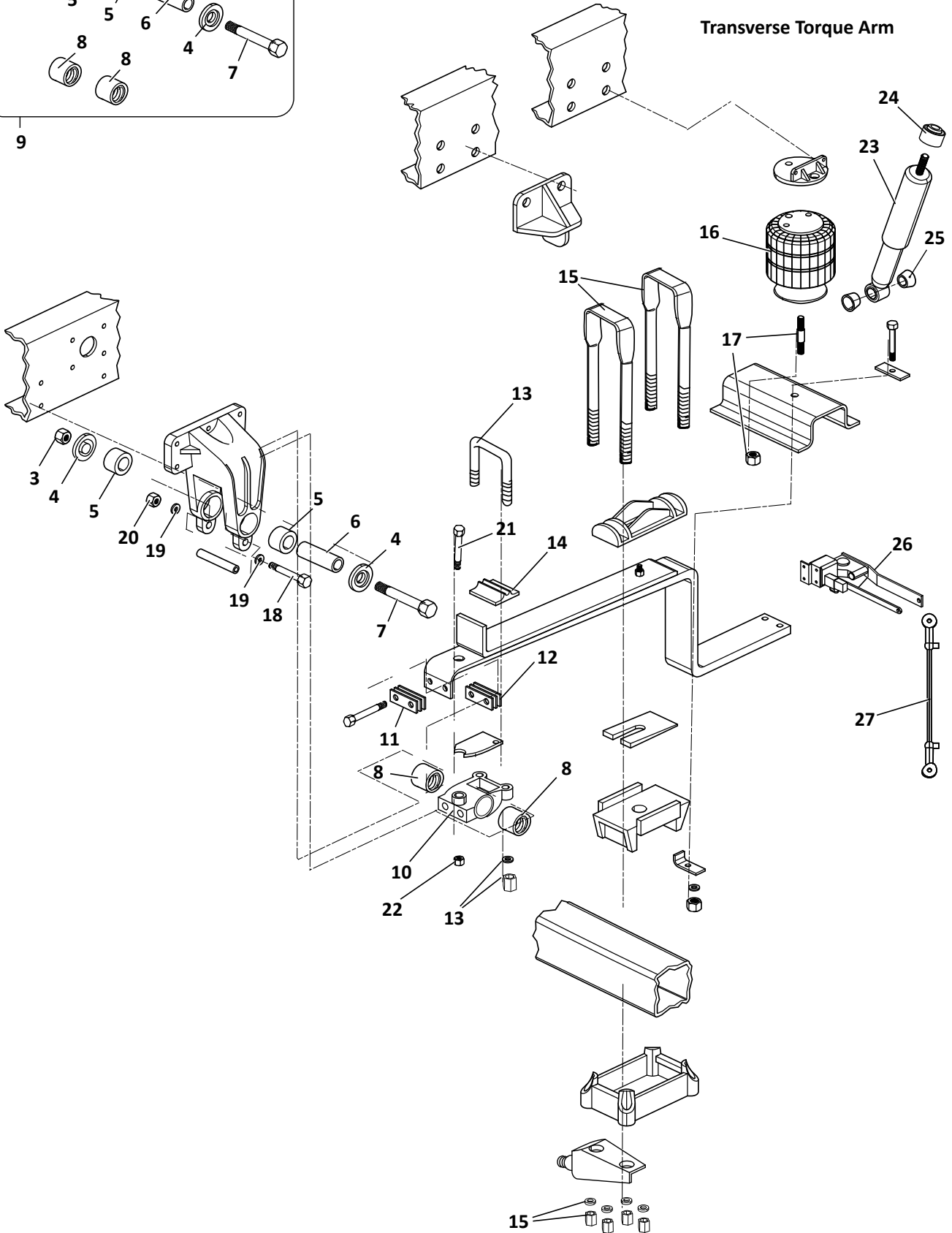
Air Trac®						
KEY NO.	EUCLID NO.	MACH NO.	OEM REF	DESCRIPTION	QTY. PER AXLE	PAGE NO.
1	E-4771	G-4771	03-04059	Torque Arm, 23" Center-to-Center, E-4771 Includes E-2225 Bushing	2	7-27
2	E-2225	-	227710; 44694	Torque Arm Bushing, Rubber, Straddle Mount	4	7-27, 7-31
	E-7638	-	-	Torque Arm Bushing, Poly, Straddle Mount	4	7-27, 7-31
3	E-7855	-	03-04623	Spring Roller Bushing, 1 7/8" OD x 1 1/16" ID x 5 1/8" Long	2	7-27
4	E-7856	-	03-04624	Spring Roller Spacer, 1" OD x 5/8" ID x 5 1/8" Long	2	7-27
5	E-7857	-	27-00285-032	Spring Roller Bolt, 5/8"-18 X 8" Long	2	-
6	E-5280	-	27-00428-010	Spring Roller Washer	4	-
7	E-2547	-	03-04962	Spring Roller Washer, 5/8" ID	2	-
8	E-1943	-	22NE1018	Spring Roller Nut, 5/8"-18	2	-
9	E-7854	-	-	Spring Roller Bushing Kit Includes Key Nos. 3, 4, 5, 6, 7, 8	2	7-26
10	E-15199	-	-	Torque Arm Bolt, 5/8"-11 X 7" Long	4	-
11	E-2547	-	-	Washer, 5/8" ID	4	-
12	E-2988	-	-	Lock Nut, 5/8"-11	4	-
13	-	G-16711	01-44406; 01-48280-M002	Hanger, Before 7/93	2	-
14	E-7862	-	23-12566	Wear Pad Kit, 1/2" Bolts, Use with G-16711 Hanger	2	7-28
	-	G-15658	03-07296	Wear Pad Kit, 5/8" Bolts	2	7-28
15	E-UB8375-14	-	03-03133-150	U-Bolt Assembly, Semi Rd. Bend, 1"-14 Thd. x 4 1/8" Wide x 14" Long	4	-
	E-UB8375-154	-	03-03134-151	U-Bolt Assembly, Semi Rd. Bend, 1"-14 Thd. x 4 1/8" Wide x 15 1/2" Long	4	-
16	E-4781	G-4781	03-01656	Top Plate	2	7-28
17	FS9069	-	03-01649; 03-02038; 03-02456	Firestone Air Spring	2	-
	MAF9069	-	03-01649; 03-02038; 03-02456	Meritor Air Spring	2	-
18	E-7864	-	03-04106	Leaf Spring Shim	2	7-28
19	E-7868	-	27-00173	Air Spring Stud Assembly, 1/2"-20 X 5" Long	2	7-28
20	E-7474	-	-	Shock Bushing, Poly, For Stud Mounted Shocks	As Required	7-25, 7-28, 7-31
21	E-401754	-	-	Shock Bushing, Rubber For Eye Mounted Shocks	As Required	7-31
	E-7529	-	-	Shock Bushing, Poly For Eye Mounted Shocks	As Required	7-31
22	M85308	-	03-04176	Shock Absorber	2	-
	M89422	-	03-04176	Shock Absorber, Premium Adjustable	2	-
	M85311	-	03-04629	Shock Absorber	2	-
	M89424	-	03-04629	Shock Absorber, Premium Adjustable	2	-
23	E-5281	-	-	Torque Arm Shim, 1/16" Thick	As Required	7-24, 7-27
24	E-5082	G-5082	03-04119	Torque Arm with 5/8" Hole in Both Bushings, 17 11/32" Center-to-Center. E-5082 Includes E-2226 Bushing	2	7-27
	E-5083	G-5083	03-04327	Torque Arm with 5/8" Hole Hanger End, 3/4" Hole Axle End, 17 11/32" Center-to-Center, E-5083 Includes (1) E-2226, (1) E-3868 Bushing	2	7-27
25	E-9624	-	H00500C	Universal Height Control Valve, Hadley Model 500, 3/8" Ports, Apply Air To Dump	1	7-31
	E-14731	-	H01501UD	Universal Height Control Valve, Hadley Next Gen, 3/8" Ports, Apply Air To Dump	1	7-29
	E-14732	-	H01501PUD	Universal Height Control Valve, Hadley Next Gen, 1/4" Ports, Apply Air To Dump	1	7-29
26	E-9625	-	-	Universal Linkage Kit	1	7-31

# PETERBILT REAR Low Mount Air Leaf®

## Spring Eye Busing Kit



## Transverse Torque Arm

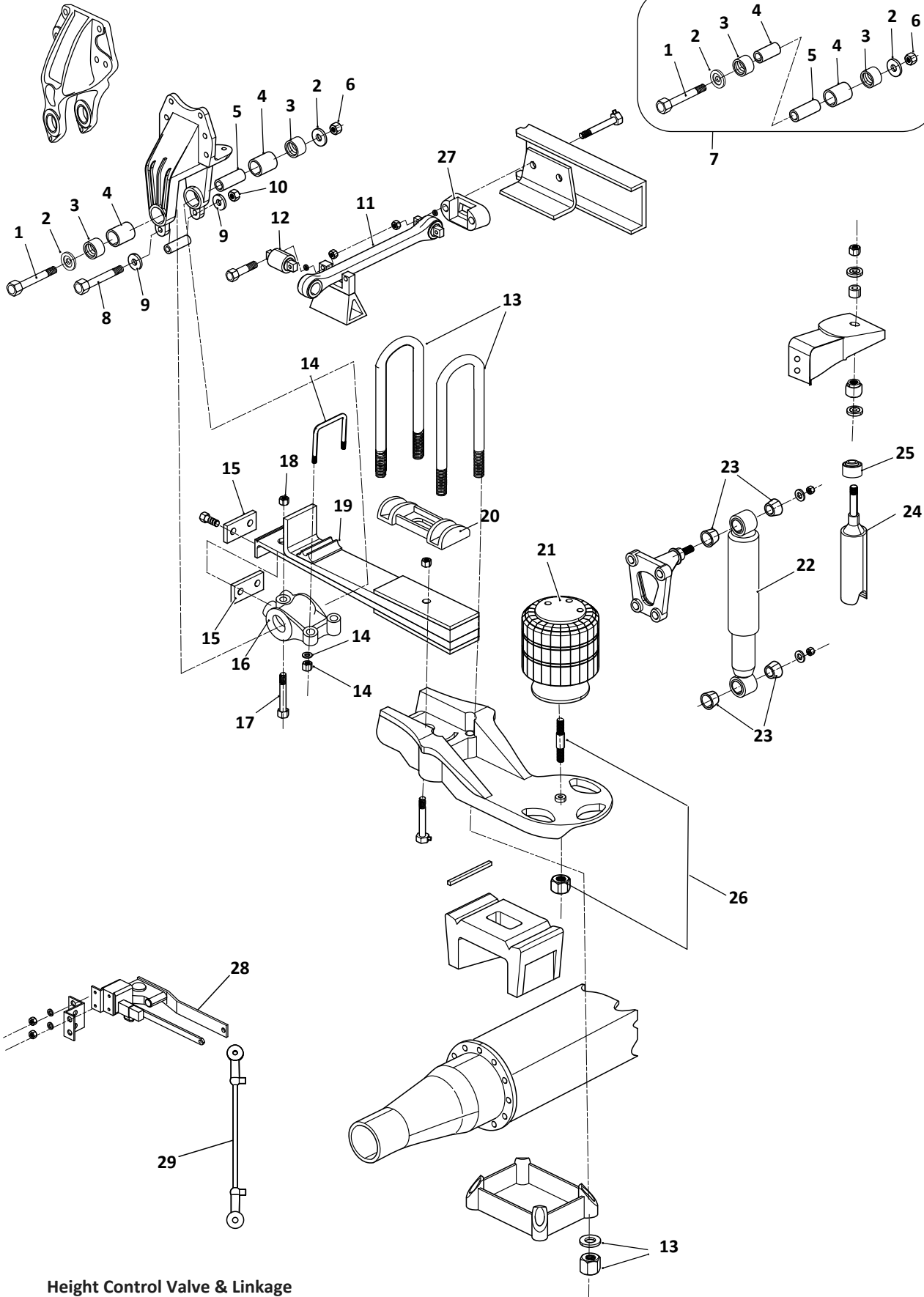
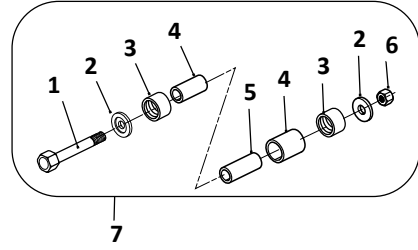


Low Mount Air Leaf®						
KEY NO.	EUCLID NO.	MACH NO.	OEM REF	DESCRIPTION	QTY. PER AXLE	PAGE NO.
1	<b>E-7853</b>	<b>G-7853</b>	03-05108	Torque Arm, 25 5/8" Center-to-Center, E-7852 Includes E-2225 Bushings	2	7-30
2	<b>E-2225</b>	-	03-01776; 44694	Torque Arm Bushing, Straddle Mount, Rubber	4	7-27, 7-31
	<b>E-7638</b>	-	227710	Torque Arm Bushing, Poly, Straddle Mount	4	7-27, 7-31
3	<b>E-4779</b>	-	41NE1614	Spring Eye Nut, 1"-14	2	-
4	<b>E-4777</b>	-	03-01670	Spring Hanger Washer, Steel	4	7-26, 7-30
5	<b>E-4776</b>	-	03-01675	Spring Hanger Spacer Washer, Poly	4	7-26, 7-30
6	<b>E-7843</b>	-	03-05102	Sleeve	2	7-30
7	<b>E-7842</b>	-	03-05103	Bolt, 1"-14 X 8 1/2" Long	2	-
8	<b>E-7841</b>	<b>G-7841</b>	03-05101	Spring Eye Bushing	4	7-30
9	<b>E-7840</b>	<b>G-7840</b>	03-AL2	Spring Eye Bushing Kit, Includes Key Nos. 3 - 8	2	7-30
10	-	<b>G-16470</b>	03-05117	Cast Spring Eye	2	7-30
11	<b>E-7844</b>	-	03-05114-002	Shim	As Required	7-30
12	<b>E-7845</b>	-	03-05114-001	Shim	As Required	7-30
13	<b>E-UB8253-05</b>	-	03-05105	U-Bolt Assembly, Sq. Bend, 3/4"-16 Thd. x 3 1/2" Wide x 5" Long	2	-
14	-	-	03-05100	Top Plate	2	-
15	<b>E-UB8673-154</b>	-	03-05110-155	U-Bolt Assembly, Flat-Semi Rd. Bend, 1"-14 Thd. x 3 9/16" Wide x 15 1/2" Long	4	-
16	<b>FS9026</b>	-	03-06213	Firestone Air Spring	2	-
	<b>MAF9026</b>	-	03-07111	Meritor Air Spring	2	-
	<b>FS9194</b>	-	03-05107	Firestone Air Spring	2	-
17	<b>E-7851</b>	-	27-00791-008	Air Spring Stud & Nut Assembly, 1/2"-20 x 6 1/2" Long	2	7-31
18	<b>E-16233</b>	-	-	Rebound Bolt, 1/2"-20 X 6 1/2"	2	-
19	<b>E-9603</b>	-	-	Washer, 1/2" ID	4	-
20	<b>E-3560</b>	-	-	Lock Nut, 1/2"-20	2	-
21	<b>E-16227</b>	-	27-00283-020	Bolt, 5/8"-11 X 5" Long	2	-
22	<b>E-2988</b>	-	-	Lock Nut, 5/8"-11	2	-
23	<b>M85033</b>	-	03-07423	Shock Absorber	2	-
	<b>M89427</b>	-	03-07423	Shock Absorber, Premium Adjustable	2	-
24	<b>E-7474</b>	-	-	Shock Bushing, Poly, For Stud Mounted Shocks	4	7-25, 7-28, 7-31
25	<b>E-401754</b>	-	-	Shock Bushing, Rubber For Eye Mounted Shocks	4	7-31
	<b>E-7529</b>	-	-	Shock Bushing, Poly For Eye Mounted Shocks	4	7-31
26	<b>E-9624</b>	-	H00500C	Universal Height Control Valve, Hadley Model 500, 3/8" Ports, Apply Air To Dump	1	7-31
	<b>E-14731</b>	-	H01501UD	Universal Height Control Valve, Hadley Next Gen, 3/8" Ports, Apply Air To Dump	1	7-29
	<b>E-14732</b>	-	H01501PUD	Universal Height Control Valve, Hadley Next Gen, 1/4" Ports, Apply Air To Dump	1	7-29
27	<b>E-9625</b>	-	-	Universal Linkage Kit	1	7-31

# PETERBILT REAR Air Leaf®

PETERBILT

### Spring Eye Bushing Kit



### Height Control Valve & Linkage

# PETERBILT REAR

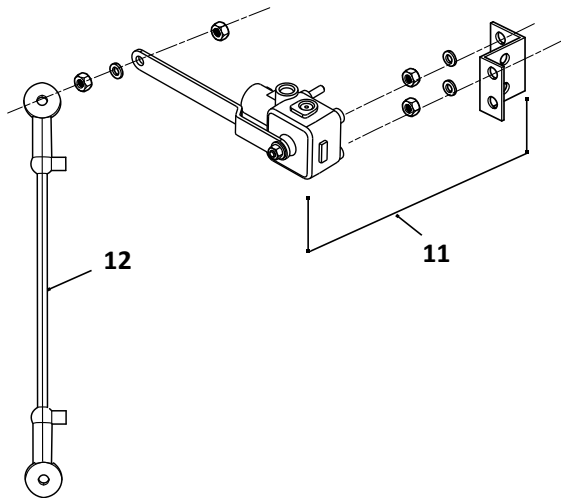
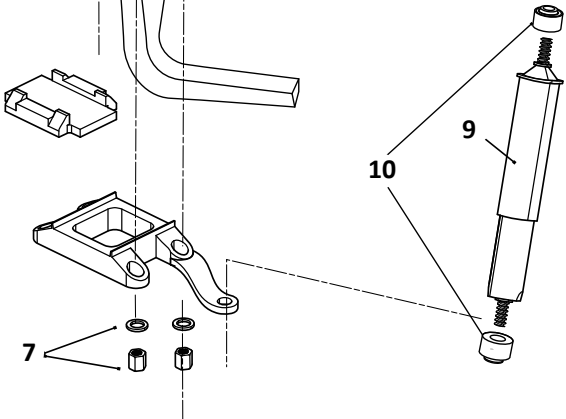
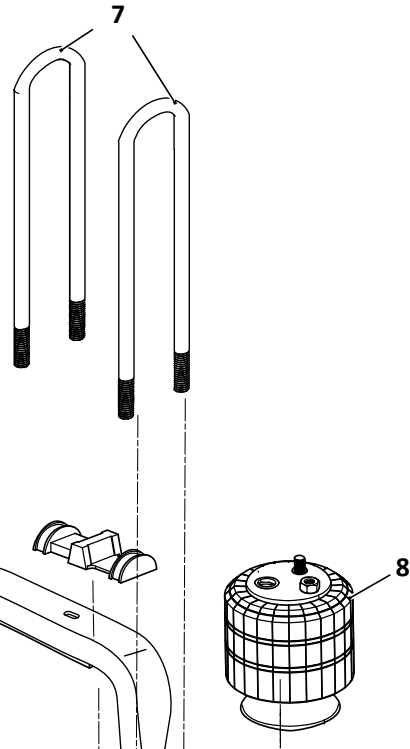
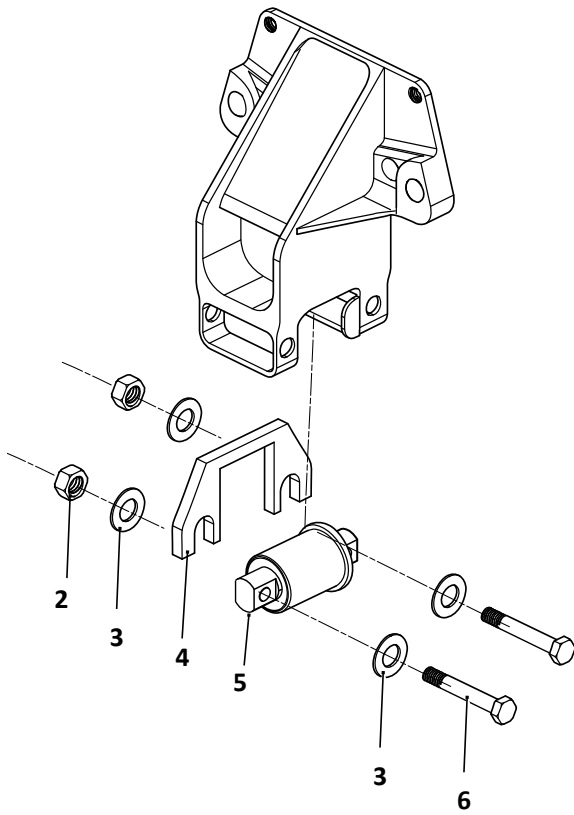
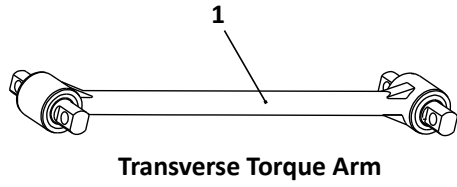
Suspension

PETERBILT

Air Leaf®						
KEY NO.	EUCLID NO.	MACH NO.	DEM REF	DESCRIPTION	QTY. PER AXLE	PAGE NO.
1	E-4778	-	03-01668	Equalizer Bolt, 1"-14 X 8 1/2" Long	2	-
2	E-4777	-	03-01670	Spring Hanger Washer, Steel	4	7-26, 7-30
3	E-4776	-	03-01675	Spring Hanger Spacer Washer, Poly	4	7-26, 7-30
4	E-4775	G-4775	03-01674	Spring Eye Bushing, Rubber	4	7-26
	E-7509	-	-	Spring Eye Bushing, Poly	4	7-26
5	E-4774	-	03-01669	Spring Eye Sleeve	2	7-26
6	E-4779	-	41NE1614	Spring Eye Lock Nut, 1"-14	2	-
7	E-4773	-	03AL1	Spring Eye Bushing Kit, Includes Key Nos. 1, 2, 3, 4, 5, 6.	2	7-26
8	E-1820	-	-	Bolt, 1/2" X 6 1/2" Long	2	-
9	E-9603	-	-	Washer, 1/2" ID	2	-
10	E-3560	-	-	Lock Nut, 1/2"-20	2	-
11	E-4771	G-4771	03-04059	Torque Arm, 23" Center-to-Center, Newer Torque Arms Are Not Rebrushable, Older Torque Arms Use E-2225 Bushings	2	7-27
12	E-2225	-	227710; 44694	Torque Arm Bushing, Rubber, Straddle Mount	4	7-27, 7-31
	E-7638	-	-	Torque Arm Bushing, Poly, Straddle Mount	4	7-27, 7-31
13	E-UB8375-14	-	03-03133-150	U-Bolt Assembly, Semi Rd. Bend, 1"-14 Thd. x 4 1/8" Wide x 14" Long	4	-
	E-UB8375-154	-	03-03134-151	U-Bolt Assembly, Semi Rd. Bend, 1"-14 Thd. x 4 1/8" Wide x 15 1/2" Long	4	-
14	E-UB8255-05	-	03-04523	U-Bolt Assembly, Sq. Bend, 3/4"-16 Thd. x 4" Wide x 5" Long	2	-
15	E-4780	-	03-04959-001	Shim, 1/16" Thick	As Required	7-26
16	E-11749	G-11749	03-01654	Spring Eye Pivot	2	7-26
17	E-15160	-	-	Bolt, 3/4-16 X 5" Long	2	-
18	E-4961A	-	-	Lock Nut, 3/4"-16	2	-
19	E-4782	-	03-01657	Top Plate	2	7-28
20	E-4781	G-4781	03-01656	Top Plate	2	7-28
21	FS9069	-	03-01649	Firestone Air Spring	2	-
	MAF9069	-	03-01649	Meritor Air Spring	2	-
22	M85308	-	03-04176	Shock Absorber	2	-
	M89424	-	03-04176	Shock Absorber, Premium Adjustable	2	-
23	E-401754	-	-	Shock Bushing, Rubber, For Eye Mounted Shocks	As Required	7-31
	E-7529	-	-	Shock Bushing, Poly, For Eye Mounted Shocks	As Required	7-31
24	M85311	-	03-04629	Shock Absorber	2	-
	M89422	-	03-04629	Shock Absorber, Premium Adjustable	2	-
25	E-7474	-	-	Shock Bushing, Poly, For Stud Mounted Shocks	As Required	7-25, 7-28, 7-31
26	E-7868	-	27-00173	Air Spring Stud Assembly, 1/2"-20 X 5" Long	2	7-29
27	-	-	-	Torque Arm Frame Bracket, 3/4" Bolts	2	-
28	E-9624	-	H00500C	Universal Height Control Valve, Hadley Model 500, 3/8" Ports, Apply Air To Dump	1	7-31
	E-14731	-	H01501UD	Universal Height Control Valve, Hadley Next Gen, 3/8" Ports, Apply Air To Dump	1	7-29
	E-14732	-	H01501PUD	Universal Height Control Valve, Hadley Next Gen, 1/4" Ports, Apply Air To Dump	1	7-29
29	E-9625	-	-	Universal Linkage Kit	1	7-31

# PETERBILT REAR Airglide® 210

PETERBILT

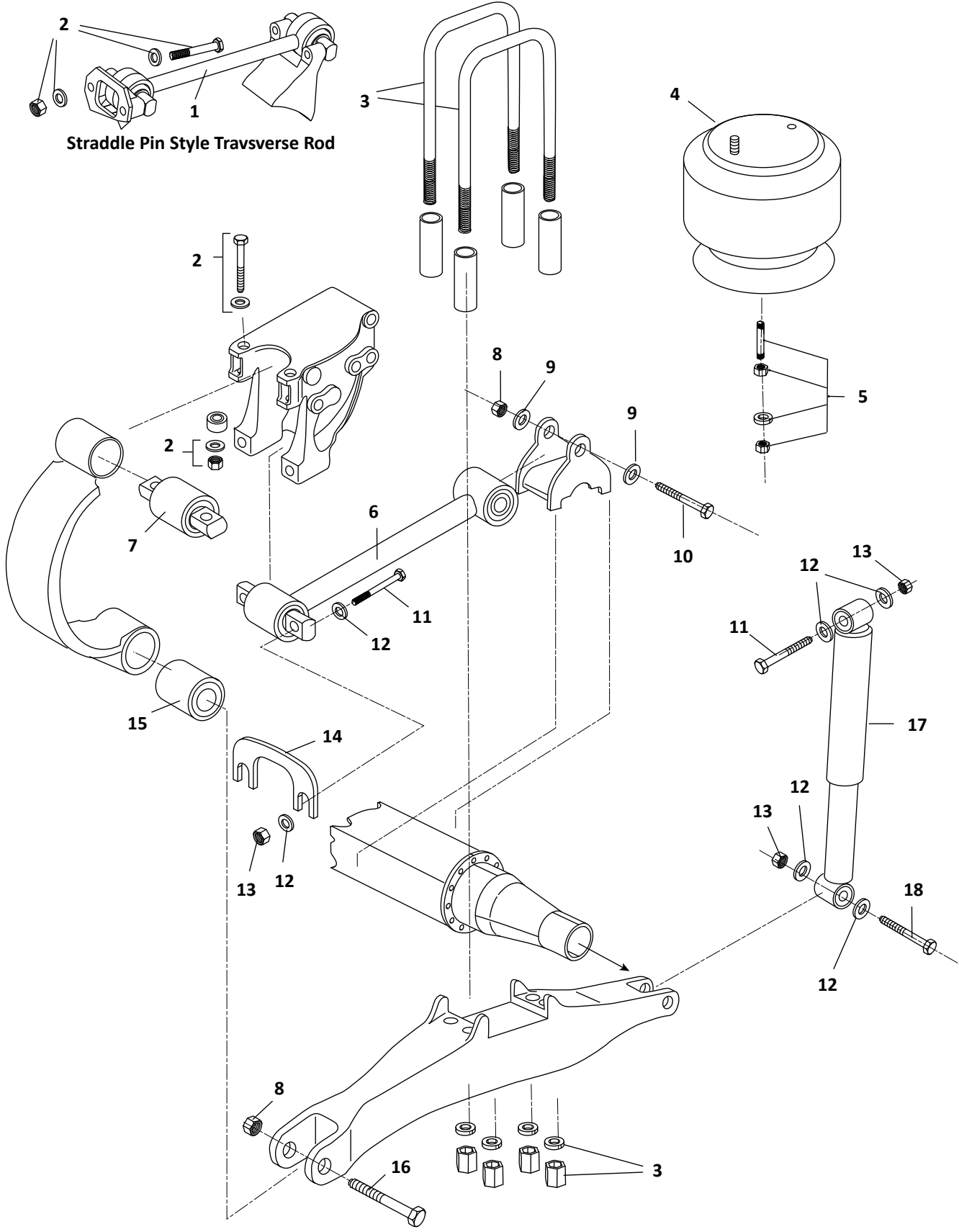


Airglide® 210						
KEY NO.	EUCLID NO.	MACH NO.	OEM REF	DESCRIPTION	QTY. PER AXLE	PAGE NO.
1	E-16118	-	TR030020010	Torque Arm, 25 9/16" Center-to-Center, Not Rebushable	2	7-32
2	E-16229	-	-	Lock Nut, M20 - 2.5	4	-
3	E-16686	-	-	Washer, M20 ID	8	-
4	E-16687	-	-	Torque Arm Shim, 1/16" Thick	As Required	-
5	E-15541	G-15541	-	Spring Eye Bushing, Anti-Walk	2	7-32
	-	G-15600	-	Spring Eye Bushing, Anti-Walk, .050" Oversize OD	As Required	7-32
6	E-16228	-	-	Torque Arm Bolt, M20 - 2.5 X 180mm Long	4	-
7	E-UB8161-15	-	-	U-Bolt Assembly, Rd. Bend, 7/8"-14 Thd. x 3" Wide x 15" Long	4	-
8	FS8864	-	C81-1011	Air Spring	2	-
9	M85069	-	03-08781	Shock Absorber	2	-
10	E-7474	-	-	Shock Bushing, Poly, For Stud Mounted Shocks	4	7-25, 7-28, 7-31
11	E-9624	-	H00500C	Universal Height Control Valve, Hadley Model 500, Apply Air To Dump	1	7-31
	E-14731	-	H01501UD	Universal Height Control Valve, Hadley Next Gen, Apply Air To Dump	1	7-31
12	E-9625	-	HPD450-3	Universal Linkage Kit	1	7-31

# PETERBILT REAR

Flex Air®

PETERBILT



Straddle Pin Style Transverse Rod



# PETERBILT REAR

Suspension

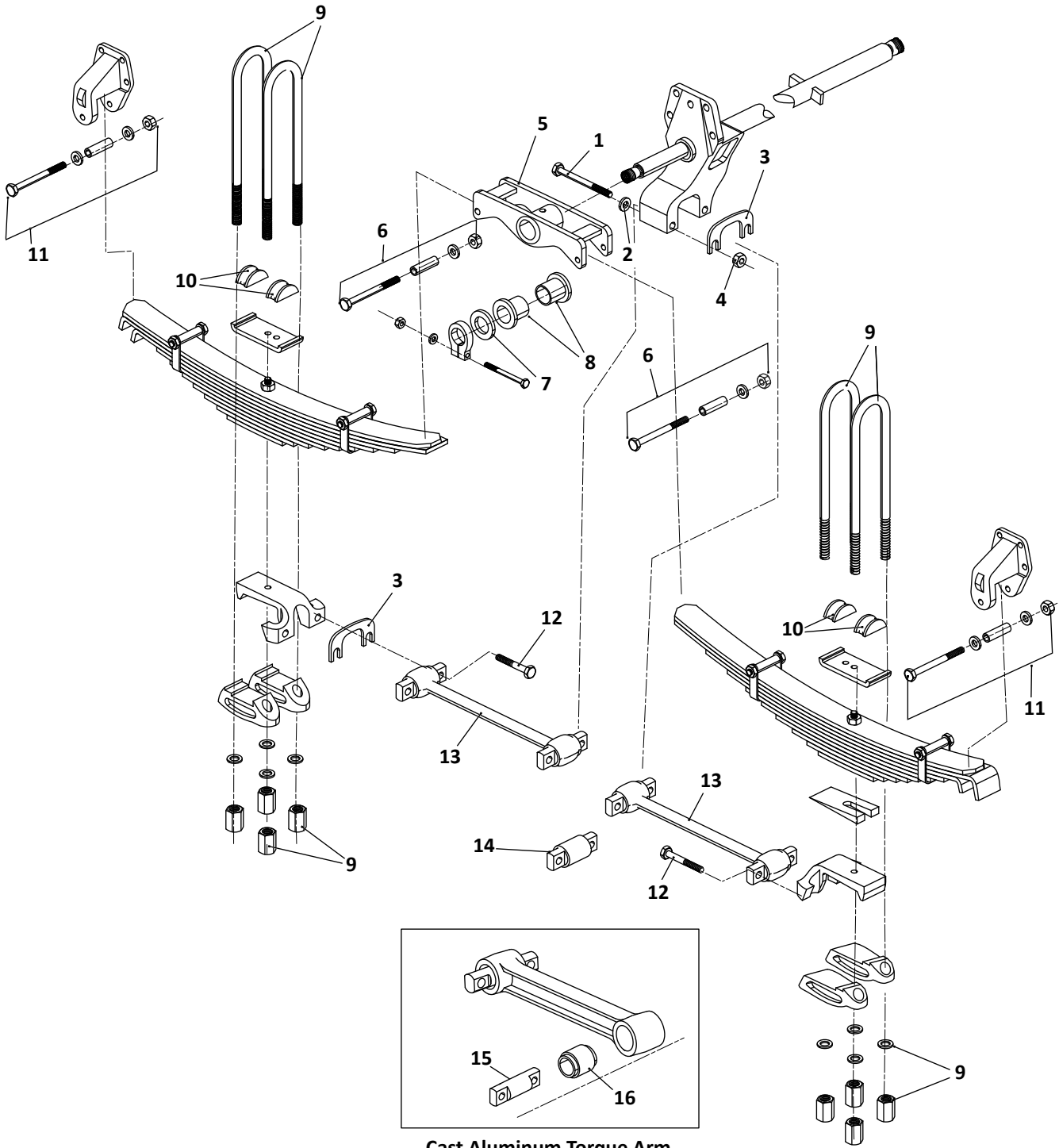
PETERBILT

Flex Air®						
KEY NO.	EUCLID NO.	MACH NO.	OEM REF	DESCRIPTION	QTY. PER AXLE	PAGE NO.
1	<b>E-15709</b>	-	C65-6002; C65-6009	Transverse Torque Arm, 25 1/2" Center-to-Center, New Torque Arms Are Not Rebusable. Older Torque Arms Use E-5275 Bushings	1	7-33
2	<b>E-16088</b>	-	-	Bolt Assembly, M16 - 2.0 X 150mm long, Includes Bolt, Nut, Washers	As Required	7-33
	<b>E-16105</b>	-	-	Bolt Assembly, M16 - 2.0 X 160mm long, Includes Bolt, Nut, Washers	As Required	7-33
3	<b>E-UB8268-134</b>	-	C34-6000	U-Bolt Assembly, Sq. Bend, 7/8"-14 Thd. X 5 1/8" Wide X 13 1/2" Long	4	-
4	<b>FS8813</b>	-	C81-6000	Firestone Air Spring	2	-
	<b>MAF8813</b>	-	C81-6000	Meritor Air Spring	2	-
5	<b>E-7868</b>	-	27-00173	Air Spring Stud Assembly, 1/2"-20 X 5" Long, Includes Washer and 2 Nuts	2	7-29, 7-33
6	<b>E-16098</b>	-	C65-6000-001	Torque Arm, Front, 23 3/4" Center-to-Center, Not Rebusable	2	7-33
	<b>E-16099</b>	-	C65-6000-002	Torque Arm, Rear, 24 5/8" Center-to-Center, Not Rebusable	2	7-33
7	<b>E-16094</b>	<b>G-16094</b>	C13-6001	Spring Eye Bar Pin Bushing	2	7-33
8	<b>E-1835</b>	-	-	Lock Nut, 7/8" -14	4	-
9	<b>E-2546</b>	-	-	Washer, 7/8" ID	4	-
10	<b>E-15182</b>	-	-	Torque Arm Bolt, 7/8"-14 X 5 1/2" Long	2	-
11	<b>E-16224</b>	-	-	Bolt, 5/8"-18 X 5 1/2" long, Replacement for OE 16mm Bolt	6	-
12	<b>E-2547</b>	-	-	Washer, 5/8" ID	12	-
13	<b>E-1943</b>	-	-	Lock Nut, 5/8"-18	8	-
14	<b>E-5281</b>	-	-	Torque Arm Shim, 1/16" Thick	As Required	7-24, 7-27
15	<b>E-16097</b>	-	C65-1002	Spring Eye Hollow Bushing	2	7-33
16	<b>E-3693</b>	-	-	Bolt, 7/8" -14 X 6 1/2" Long	2	-
17	<b>M85067</b>	-	C71-6000	Shock Absorber	2	-
18	<b>E-3792</b>	-	-	Bolt, 5/8"-18 X 4 1/2" Long	2	-

# PETERBILT REAR

## 4-Spring - Early Version

PETERBILT



Cast Aluminum Torque Arm

## 4-Spring - Early Version

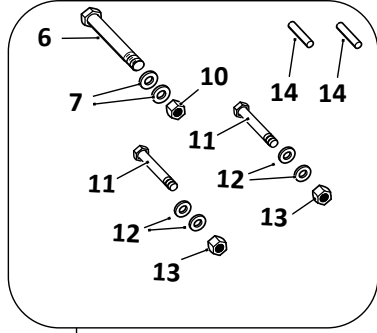
KEY NO.	EUCLID NO.	MACH NO.	OEM REF	DESCRIPTION	QTY. PER TANDEM	PAGE NO.
1	E-15199	-	-	Torque Arm Bolt, Hanger End, 5/8"-11 X 7" long	4	-
2	E-2547	-	-	Washer, 5/8" ID	4	-
3	E-2988	-	-	Lock Nut, 5/8"-11	4	-
4	E-5281	-	-	Torque Arm Shim, 1/16" Thick	As Required	7-24
5	-	-	03-03328	Equalizer	2	-
6	E-4761	-	-	Equalizer Rebound Bolt Assembly	4	7-23
7	E-4755	-	03-1771	Equalizer Washer	2	7-23
8	E-4745	-	03-02099	Equalizer Bushing, Poly	4	7-23
	E-7510	-	-	Equalizer Bushing, Heavy Duty Poly	4	7-23
9	E-UB8151-18	-	Various	U-Bolt Assembly, Rd. Bend, 3/4"-16 Thd. x 3" Wide x 18" Long	8	-
10	-	-	03-01766	U-Bolt Top Cap	8	-
11	E-4770	-	-	Hanger Rebound Bolt Assembly	4	7-23
12	E-4759	-	27-00702-009	Torque Arm Bolt, 5/8"-11 X 2 1/4" Long, Flange Head	8	-
13	E-4753	-	03-01781; 03-04839	Torque Arm, Tubular Style, 19 1/8" Center-to-Center. E-4753 uses E-5275 Bushings	4	7-24
14	E-2225	-	44694-000	Torque Arm Bushing with Outer Metal Sleeve, For Torque Arms with Replaceable Bushings	8	7-27
	E-5275	-	47691-000	Torque Arm Bushing without Outer Metal Sleeve, For Torque Arms with Replaceable Bushings	8	7-24
15	E-4751	-	03-01768	Torque Arm Pin, For Cast Aluminum Torque Arms	8	7-24
16	E-4752	-	03-01776	Torque Arm Bushing, Hollow Center, For Cast Aluminum Torque Arms	8	7-24

# PETERBILT REAR

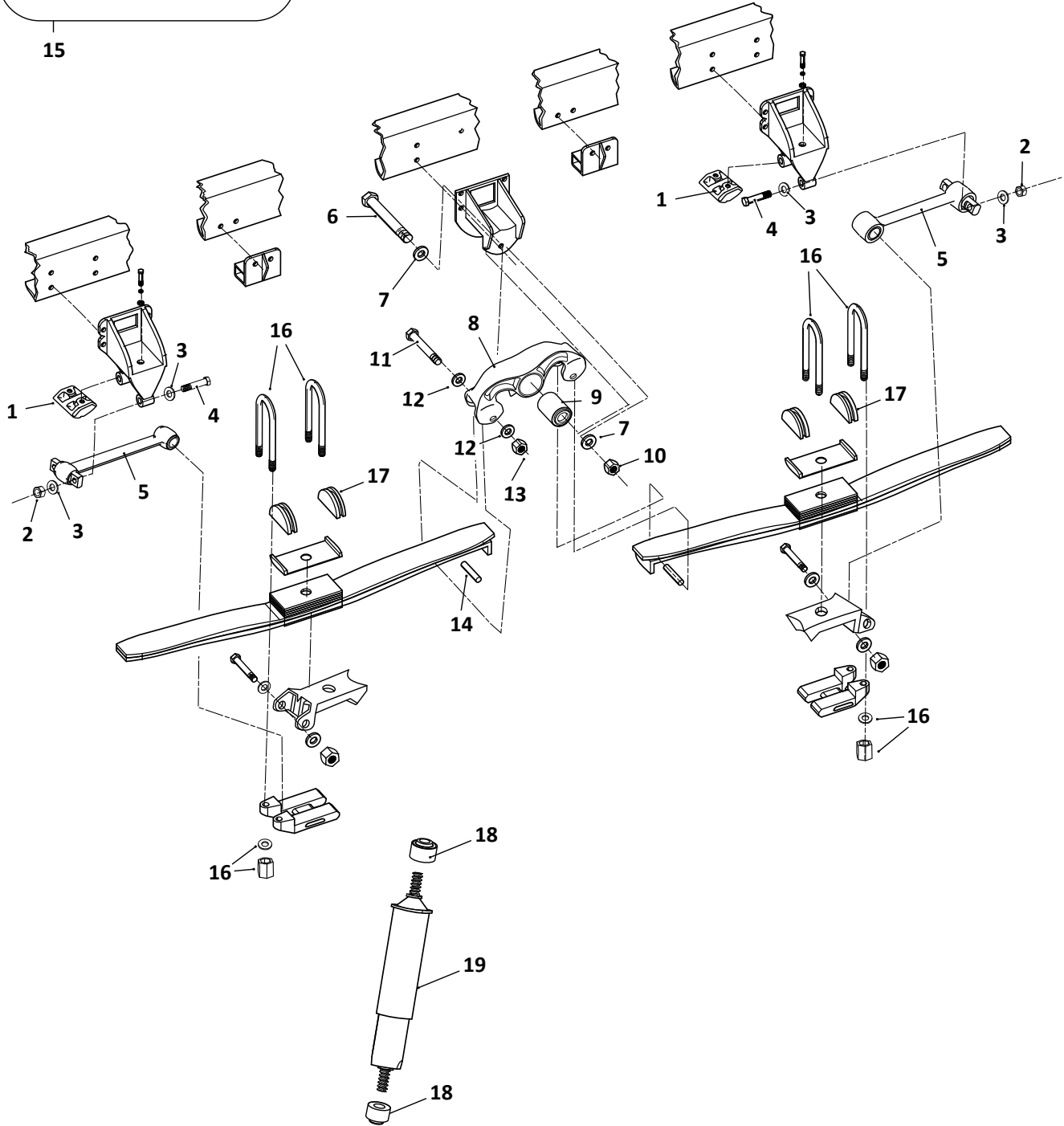
Quadraflex® 4-Spring 1992 to Current

PETERBILT

### Equalizer Bolt Kit



15



Quadraflex® 4-Spring 1992 to Current						
KEY NO.	EUCLID NO.	MACH NO.	OEM REF	DESCRIPTION	QTY. PER TANDEM	PAGE NO.
1	<b>E-7879</b>	-	03-05851M001	Hanger Wear Pad	4	7-24
2	<b>E-1943</b>	-	-	Lock Nut, 5/8"-18	4	-
3	<b>E-2547</b>	-	-	Washer, 5/8" ID	8	-
4	<b>E-16078</b>	-	-	Torque Arm Bolt, 5/8"-18 x 5 1/2" Long	4	-
5	<b>E-7887</b>	-	03-05849	Torque Arm, 18 7/16" Center-to-Center, Non Rebushable	4	7-24
6	<b>E-4778</b>	-	03-01668	Equalizer Bolt, 1"-14 X 8 1/2" Long	4	-
7	<b>E-2275</b>	-	27-00790-016	Washer, 1" ID	4	-
8	-	-	03-06771M001	Equalizer	2	-
9	<b>E-7870</b>	-	03-06843	Equalizer Bushing	2	7-23
10	<b>E-4779</b>	-	27-00791-016	Equalizer Nut, 1"-14	2	-
11	<b>E-15312</b>	-	-	Equalizer Rebound Bolt, 1/2"-13 X 5" Long	4	-
12	<b>E-9603</b>	-	-	Washer, 1/2" ID	8	-
13	<b>E-16402</b>	-	-	Rebound Lock Nut, 1/2"-13	4	-
14	<b>E-7878</b>	-	03-06792	Rebound Spacer	4	-
15	<b>E-7871</b>	-	-	Equalizer Bolt Kit Includes Key Nos. 6, 7, 10, 11, 12, 13, 14	2	7-23
16	<b>E-UB8151-14</b>	-	03-04524-01	U-Bolt Assembly, Rd. Bend, 3/4"-16 Thd. x 3" Wide x 14" Long	8	-
	<b>E-UB8151-16</b>	-	03-04524-150	U-Bolt Assembly, Rd. Bend, 3/4"-16 Thd. x 3" Wide x 16" Long	8	-
17	-	-	03-01766	U-Bolt Saddle	8	-
18	<b>E-7474</b>	-	-	Shock Bushing, Poly, For Stud Mounted Shocks	8	7-25
19	<b>M85326</b>	-	03-07420	Shock Absorber	4	-

Smooth Spring Pin



OD 1 1/4"

MACH NO.	OEM REF	OAL	C-TO-C
G-15662	02-01561	6"	5 1/16"
G-16319	02-01781; 02-01767	6 7/8"	5 5/16"
G-15661	02-00082; 02-01847	5 5/8"	4 7/16"

Smooth Spring Pin



MACH NO.	OEM REF	OD	LENGTH
G-15663	02-04024; B65-6002	1 1/4"	7 3/4"

Bi-Metal Spring Pin Bushing With Seals



Improved Version of Standard Bushing

EUCLID NO.	OEM REF	OD	ID	LENGTH
E-16153	02-01805	1 1/2"	1 1/4"	4"

Bi-Metal Spring Pin Bushing



EUCLID NO.	MACH NO.	OD	ID	LENGTH
-	G-16167	1 1/2"	1 1/4"	3 1/2"
E-1876	-	1 1/2"	1 1/4"	4"

Threaded Spring Pin




M33.5 -4.0 Thread

MACH NO.	OEM REF	END OD	OAL	C-TO-C
G-16321	B65-6008	1 1/16"	7"	5 7/16"
G-15620	B65-1008	1 1/16"	7 7/8"	5 5/16"
G-15614	B65-1002	1 1/16"	7 3/8"	5 3/4"


Spring Pin Bushing, Threaded




MACH NO.	OEM REF	OD	LENGTH	THREAD
G-16157	B13-1000	1 3/4" (44.5mm)	4" (101mm)	M33.5 -4.0
G-16158	B13-1002	2 1/16" (52.8mm)	4" (101mm)	M33.5 -4.0

Rubber Bushing				
				
EUCLID NO.	MACH NO.	OEM REF	OD / PIN DIA.	OAL / C-TO-C
E-15543	G-15543	B65-6005	1 3/4"; 1 1/16"	6 11/16"; 5 7/16"
E-15537	G-15537	B65-1006	1 3/4"; 1 1/16"	7 1/2"; 6 3/16"
E-16163	G-16163	B65-1013; B65-6006	2 1/16"; 1 1/16"	6 11/16"; 5 7/16"
E-15613	G-15613	B65-1007; B65-1012	2 1/16"; 1 1/16"	7 1/2"; 6 3/16"


Spring Hanger With Smooth Bushing		
		
Casting No. B111033		
MACH NO.	OEM REF	NOTES
G-16155	B11-1034-2; 02-04001M002	Includes E-16153 Smooth Bushing With Seals

Spring Hanger With Threaded Bushing		
		
Casting No. B111023		
MACH NO.	OEM REF	NOTES
G-16701	B11-1039	Includes G-16158 Threaded Bushing

Rubber Bushing					
FOR MODELS: Medium Duty Models					
					
EUCLID NO.	MACH NO.	OEM REF	OD	ID	LENGTH
E-16236	G-16236	B65-6010	1 3/4"	5/8"	4 1/4"

Spring Hanger With Threaded Bushing		
		
Casting No. B111033		
MACH NO.	OEM REF	NOTES
G-16700	B11-1031-5	Includes G-16157 Threaded Bushing

Spring Hanger With Smooth Bushing		
		
Includes E-16153 Smooth Bushing With Seals		
MACH NO.	OEM REF	BOLT HOLE DIA.
G-16317	-	5/8"
G-16147	B11-6030M03	3/4"

Spring Hanger With Rubber Bushing		
		
Casting No. B111033		
MACH NO.	OEM REF	NOTES
G-16695	B11-1034-6	Includes G-15543 Pin Type Rubber Bushing

**Spring Hanger With Rubber Bushing**



Casting No. B111033

MACH NO.	OEM REF	NOTES
G-15547	B11-1034-1	Includes G-16160 Pin Type Rubber Bushing

**Side Bar**

1987 To Current



E-3720

Use with Rubber Bushings



G-16145 & G-16143

Use with Smooth Steel Spring Pins

EUCLID NO.	MACH NO.	OEM REF	HOLE DIA	OAL / C-TO-C	THICKNESS	WIDTH
E-3720	-	B20-1007; B20-6006	1 1/16"	6 3/8"; 4"	1 1/4"	2"
-	G-16145	02-01784; 02-01783	1 1/4"	6"; 3 9/16"	1 1/8"	
-	G-16143	02-01747; 02-01807		7 9/16"; 5 1/8"		

**Spring Spacer**




MACH NO.	OEM REF	THICKNESS	NOTES
G-16721	02-01823-05	1"	Flat
G-16720	02-01701-040; 02-01701-090	1 9/16" Short Side	Tapered for 4° Chamber Angle
G-16722	02-01701-080; 02-01823-080	3 1/16" Short Side	Tapered for 5° Chamber Angle



### Equalizer Bushing

FOR MODELS:  
Four Spring,  
Early Version




Flange OD 4"

EUCLID NO.	OEM REF	OD	ID	LENGTH	MATERIAL
<b>E-4745</b>	03-02099	3 1/8"	2 1/2"	2 1/4"	Poly
<b>E-7510</b>	-				HD Poly

### Equalizer Bushing


FOR MODELS:  
QUADRAFLEX  
Four Spring



EUCLID NO.	OEM REF	OD	ID	LENGTH
<b>E-7870</b>	03-06843	3 3/4"	1"	5 1/4"

### Equalizer Rebound Bolt Assembly


FOR MODELS:  
Four Spring,  
Early Version



EUCLID NO.	OEM REF	LENGTH	THREAD	NOTES
<b>E-4761</b>	-	4 3/4"	1/2"-20	Includes Bolt, Spacer Tube, Lock Nut

### Equalizer Bolt Kit


FOR MODELS:  
QUADRAFLEX  
Four Spring



EUCLID NO.	OEM REF	NOTES
<b>E-7871</b>	-	Includes Equalizer Bolt, Nut & Washer, 2 Sets of Rebound Bolts, Nuts, Washers and Spacers

### Equalizer Washer


FOR MODELS:  
Four Spring, Early Version



EUCLID NO.	OEM REF	OD	ID	THICKNESS
<b>E-4755</b>	03-1771	4"	2 9/16"	1/4"

### Hanger Rebound Bolt Assembly


FOR MODELS:  
Four Spring, Early Version



EUCLID NO.	OEM REF	LENGTH	THREAD	NOTES
<b>E-4770</b>	-	5 1/2"	1/2"-20	Includes Bolt, Spacer Tube, Lock Nut

**Torque Arm**


FOR MODELS:  
Four Spring,  
Early Version



EUCLID NO.	OEM REF	LENGTH C-TO-C	NOTES
<b>E-4753</b>	03-01781; 03-04839	19 1/8"	E-4753 Uses Bushing E-5275

**Torque Arm Bushing**

FOR MODELS:  
Four Spring,  
Early Version




For Old Style Cast Torque Arms, Use With E-4751 Pin

EUCLID NO.	OEM REF	OD	ID	LENGTH
<b>E-4752</b>	03-01776	2 1/8"	1 3/8"	2 1/2"

**Torque Arm**

FOR MODELS:  
QUADRAFLEX  
Four Spring




Not Rebushable

EUCLID NO.	OEM REF	LENGTH C-TO-C
<b>E-7887</b>	03-05849	18 7/16"

**Torque Arm Pin**

FOR MODELS:  
Four Spring,  
Early Version




For Old Style Cast Torque Arms, Use With E-4752 Bushing

EUCLID NO.	OEM REF	OD	BOLT HOLE DIA.	OAL / C-TO-C
<b>E-4751</b>	03-01768	1 3/8"	5/8"	5 11/16" 4 3/8"

**Torque Arm Bushing**

FOR MODELS:  
Four Spring,  
Early Version




Outer Steel Sleeve

EUCLID NO.	OEM REF	OD	BOLT HOLE DIA.	C-TO-C
<b>E-2226</b>	44694-000	2 3/4"	5/8"	4 3/8"

**Torque Arm Shim**


FOR MODELS:  
Four Spring,  
Early Version



EUCLID NO.	LENGTH C-TO-C	THICKNESS
<b>E-5281</b>	4 3/8"	1/16"

**Torque Arm Bushing**

FOR MODELS:  
Four Spring,  
Early Version

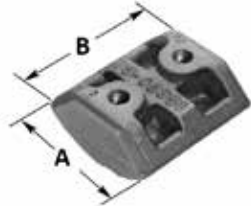


No Outer Metal Sleeve


EUCLID NO.	OEM REF	OD	BOLT HOLE DIA.	C-TO-C
<b>E-5275</b>	47691-000	2"	5/8"	4 3/8"

**Hanger Wear Pad**

FOR MODELS:  
QUADRAFLEX  
Four Spring




EUCLID NO.	OEM REF	A	B	THREAD
<b>E-7879</b>	03-05851M001	2 7/8"	3 1/8"	M12 X 1.75

Shock Bushing				
FOR MODELS: QUADRAFLEX Four Spring				
For Stud Mounted Shocks				
EUCLID NO.	OD	ID	THICK- NESS	MATERIAL
<b>E-7474</b>	1 13/16"	5/8"	1 1/4"	Poly

**Spring Eye Pivot**

FOR MODELS:  
Air Leaf



Use With E-4773 Bushing Kit

EUCLID NO.	MACH NO.	OEM REF	A	ID
E-11749	G-11749	03-01654	5 1/2"	2 3/4"

**Spring Hanger Spacer Washer**

FOR MODELS:  
Air Leaf




Included in Kit E-4773

EUCLID NO.	OEM REF	OD	ID	LENGTH	MATERIAL
E-4776	03-01675	2 5/8"	1 3/4"	15/16"	Poly

**Spring Eye Bushing Kit**

FOR MODELS:  
Air Leaf



For Use With E-11749 Spring Eye Pivot.

EUCLID NO.	OEM REF	NOTES
E-4773	03AL1	Includes Rubber Spring Eye Bushings, Washers, Sleeve, Spacers, Bolt, Nut

**Spring Hanger Washer**

FOR MODELS:  
Air Leaf



Included in Kit E-4773

EUCLID NO.	OEM REF	OD	ID	THICKNESS	MATERIAL
E-4777	03-01670	3 5/16"	1"	9/16"	Steel

**Spring Eye Sleeve**

FOR MODELS:  
Air Leaf




Included in Kit E-4773

EUCLID NO.	OEM REF	OD	ID	LENGTH	MATERIAL
E-4774	03-01669	1 3/4"	1 1/8"	5 3/4"	Steel

**Alignment Shim**

FOR MODELS:  
Air Leaf




Included in Kit E-4780

EUCLID NO.	OEM REF	C-TO-C	LENGTH	THICKNESS	WIDTH
E-4780	03-04959-001	2"	4"	1/16"	1 1/4"

**Spring Eye Bushing**

FOR MODELS:  
Air Leaf



Rubber Version Included in Kit E-4773

EUCLID NO.	MACH NO.	OEM REF	OD	ID	LENGTH	MATERIAL
E-4775	G-4775	03-01674	2 1/2"	1 3/4"	2 3/4"	Rubber
E-7509	-	-				Poly

**Spring Roller Bushing Kit**

FOR MODELS:  
Air Trac



Included in Kit E-7854

EUCLID NO.	NOTES
E-7854	Includes Roller, Bushing, Spacer, Washers, Lock Nut

**Spring Roller Bushing**

FOR MODELS:  
Air Trac



EUCLID NO.	OEM REF	OD	ID	LENGTH	MATERIAL
E-7855	03-04623	1 7/8"	1 1/16"	5 1/8"	Rubber


**Spring Roller Spacer**

FOR MODELS:  
Air Trac



EUCLID NO.	OEM REF	OD	ID	LENGTH
E-7856	03-04624	1"	5/8"	5 1/8"


**Torque Arm**



EUCLID NO.	MACH NO.	OEM REF	FOR MODEL	ID	LENGTH C-TO-C	REPLACEMENT BUSHING
E-5082	G-5082	03-04119	Air Trac	5/8" Hole in Both Bushings	17 11/32"	E-5082 Uses E-2226
E-5083	G-5083	03-04327	Air Trac	5/8" Hole Hanger End, 3/4" Hole Axle End	17 11/32"	E-5083 Uses E-2226 & E-3868
E-4771	G-4771	03-04059	Air Trac, Air Leaf	5/8" Hole in Both Bushings	23" C-to-C	E-4771 Uses E-2225

**Torque Arm Bushing**

FOR MODELS:  
Air Trac, Air Leaf




Outer Steel Sleeve

EUCLID NO.	OEM REF	OD	BOLT HOLE DIA.	C-TO-C	MATERIAL
E-2225	227710; 44694	2 1/2"	5/8"	4 3/8"	Rubber
E-7638	-				Poly
E-2226	44694-000	2 3/4"	5/8"	4 3/8"	Rubber

**Torque Arm Shim**

FOR MODELS:  
Air Trac



EUCLID NO.	C-TO-C	THICKNESS
E-5281	4 3/8"	1/16"

**Spring Hanger**

FOR MODELS:  
Air Trac

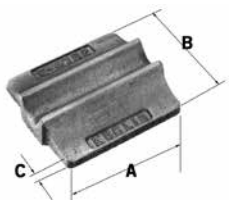


Use with E-7862 Wear Pad Kit

MACH NO.	OEM REF	NOTES
<b>G-16711</b>	01-44406; 01-48280-M002	Built Before 7/93 Wear Pad Holes 1/2" Dia.

**Top Plate**

FOR MODELS:  
Air Leaf



Ductile Iron

EUCLID NO.	OEM REF	A	B	C
<b>E-4782</b>	03-01657	4"	3 1/2"	7/8"

**Wear Pad Kit**

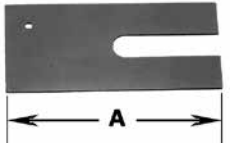
FOR MODELS:  
Air Trac



EUCLID NO.	MACH NO.	OEM REF	BOLT DIA.	NOTES
<b>E-7862</b>	-	23-12566	1/2"	Includes Wear Pad, Bolts, Washers, Nuts Use with G-16711 Hanger
-	<b>G-15658</b>	03-07296	5/8"	Includes Wear Pad, Bolts, Washers, Nuts Use With Newer Style Hangers

**Leaf Spring Shim**


FOR MODELS:  
Air Trac



EUCLID NO.	OEM REF	A	WIDTH	THICKNESS
<b>E-7864</b>	03-04106	9"	4"	1/16"

**Shock Bushing**

FOR MODELS:  
Air Trac,  
Air Leaf




For Shocks with Eyes

EUCLID NO.	OD	ID	MATERIAL
<b>E-401754</b>	1 7/8"	1"	Rubber
<b>E-7529</b>			Poly

**Top Plate**

FOR MODELS:  
Air Trac,  
Air Leaf




E-4781 Aluminum; G-4781 Ductile Iron

EUCLID NO.	MACH NO.	OEM REF	LENGTH	THICKNESS	WIDTH
<b>E-4781</b>	<b>G-4781</b>	03-01656	6 7/8"	1 1/4"	3 7/8"

**Shock Bushing**

FOR MODELS:  
Air Trac,  
Air Leaf




For Stud Mounted Shocks

EUCLID NO.	OD	ID	THICKNESS	MATERIAL
<b>E-7474</b>	1 13/16"	5/8"	1 1/4"	Poly

**Air Spring Stud Assembly**


FOR MODELS:  
Air Trac,  
Air Leaf



EUCLID NO.	OEM REF	LENGTH	THREADS	NOTES
<b>E-7868</b>	27-00173	5"	1/2"-20; 1/2"-13	Includes Stud, Nut, Washer

**Universal Height Control Valve**


FOR MODELS:  
Air Trac,  
Air Leaf



EUCLID NO.	OEM REF	NOTES
<b>E-14731</b>	H01501UD	Hadley Next Gen, 3/8" Ports, Apply Air To Dump
<b>E-14732</b>	H01501PUD	Hadley Next Gen, 1/4" Ports, Apply Air To Dump

**Universal Height Control Valve**


FOR MODELS:  
Air Trac,  
Air Leaf



EUCLID NO.	OEM REF	NOTES
<b>E-9624</b>	H00500C	Hadley Model 500, 3/8" Ports, Apply Air To Dump

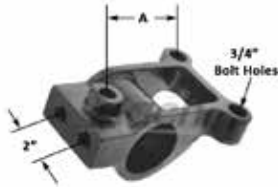
**Linkage Kit**

FOR MODELS:  
Air Trac,  
Air Leaf



EUCLID NO.	NOTES
<b>E-9625</b>	Universal Kit, Length 3 5/8" to 19 5/8" Long

**Cast Spring Eye**



Use With E-7840 Bushing Kit

MACH NO.	OEM REF	BUSHING HOLE DIA.	A
<b>G-16470</b>	03-05117	2 5/8"	4"

**Spring Hanger Washer**



Steel

EUCLID NO.	OEM REF	OD	ID	THICKNESS
<b>E-4777</b>	03-01670	3 5/16"	1"	9/16"

**Spring Eye Bushing Kit**



EUCLID NO.	MACH NO.	OEM REF	NOTES
<b>E-7840</b>	<b>G-7840</b>	03-AL2	Includes Spring Eye Bushings, Hanger Bushings, Washers, Sleeve, Bolt, Nut

**Sleeve**



EUCLID NO.	OEM REF	OD	ID	LENGTH
<b>E-7843</b>	03-05102	1 3/4"	1"	5 1/4"

**Spring Eye Bushing**



Rubber

EUCLID NO.	MACH NO.	OEM REF	OD	ID	LENGTH
<b>E-7841</b>	<b>G-7841</b>	03-05101	2 1/2"	1 3/4"	2 1/2"

**Alignment Shim**



EUCLID NO.	OEM REF	LENGTH	WIDTH	THICKNESS
<b>E-7844</b>	03-05114-002	3 3/4"	1 1/4"	1/16"
<b>E-7845</b>	03-05114-001			3/32"

**Spring Hanger Spacer Washer**



Poly

EUCLID NO.	OEM REF	OD	ID	THICKNESS
<b>E-4776</b>	03-01675	2 5/8"	1 3/4"	15/16"

**Torque Arm**




E-7853 Uses Bushing E-2225 or E-7638

EUCLID NO.	MACH NO.	OEM REF	C-TO-C
<b>E-7853</b>	<b>G-7853</b>	03-05108	25 5/8"




### Torque Arm Bushing



EUCLID NO.	OEM REF	OD	BOLT HOLE DIA	LENGTH C-TO-C	MATERIAL
E-2225	227710; 44694	2 1/2"	5/8"	4 3/8"	Rubber
E-7638	-				Poly

### Universal Height Control Valve



EUCLID NO.	OEM REF	NOTES
E-9624	H00500C	Hadley Model 500, Apply Air To Dump


### Shock Bushing



For Stud Mounted Shocks


EUCLID NO.	OD	ID	THICKNESS	MATERIAL
E-7474	1 13/16"	5/8"	1 1/4"	Poly

### Universal Height Control Valve



EUCLID NO.	OEM REF	NOTES
E-14731	H01501UD	Hadley Model Next Gen, Apply Air to Dump

### Shock Bushing



For Shocks with Eyes


EUCLID NO.	OD	ID	MATERIAL
E-401754	1 7/8"	1"	Rubber
E-7529			Poly

### Linkage Kit



EUCLID NO.	NOTES
E-9625	Universal Kit, Length 3 5/8" to 19 5/8" Long

### Air Spring Stud Assembly



EUCLID NO.	OEM REF	LENGTH	THREAD	NOTES
E-7851	27-00791-008	6"	1/2"-20; 1/2"-13	Includes Stud and Nut

**Spring Eye Bushing, Anti-Walk**



Length C-TO-C 5 11/16"

EUCLID NO.	MACH NO.	OD	BOLT HOLE DIA.	NOTES
E-15541	G-15541	2 1/2"	3/4"	Standard OE Design
-	G-15600	2.550"		Oversized Version of E-15541 .050" Oversize OD

**Universal Height Control Valve**



EUCLID NO.	OEM REF	NOTES
E-9624	H00500C	Hadley Model 500, Apply Air To Dump

**Universal Height Control Valve**



EUCLID NO.	OEM REF	NOTES
E-14731	H01501UD	Hadley Next Gen, 3/8" Ports, Apply Air To Dump
E-14732	H01501PUD	Hadley Next Gen, 1/4" Ports, Apply Air To Dump

**Torque Arm**



Not Rebushable

EUCLID NO.	OEM REF	LENGTH C-TO-C
E-16118	TR030020010	25 9/16"

**Linkage Kit**



EUCLID NO.	OEM REF	NOTES
E-9625	HPD450-3	Universal Kit, Length 3 5/8" to 19 5/8" Long

**Shock Bushing**



For Stud Mounted Shocks

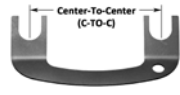
EUCLID NO.	OD	ID	THICKNESS	MATERIAL
E-7474	1 13/16"	5/8"	1 1/4"	Poly

**Spring Eye Bushing, Bar Pin**



EUCLID NO.	MACH NO.	OEM REF	OD	BOLT HOLE DIA.	LENGTH C-TO-C
E-16094	G-16094	C13-6001	2 3/8"	5/8"	4 3/8"

**Torque Arm Shim**




EUCLID NO.	LENGTH C-TO-C	THICKNESS
E-5281	4 3/8"	1/16"

**Spring Eye Bushing**



EUCLID NO.	OEM REF	OD	ID	LENGTH
E-16097	C65-1002	2 3/8"	7/8"	3"


**Bolt Assembly**



Includes Bolt, Nut, Washers

EUCLID NO.	LENGTH	THREAD
E-16088	5 7/8" (150mm)	M16-2.0
E-16105	6 1/4" (160mm)	M16-2.0

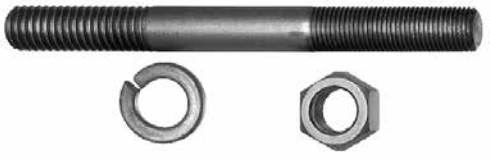
**Torque Arm**



Not Rebusable

EUCLID NO.	OEM REF	LOCATION	C-TO-C
E-16098	C65-6000-001	Front Axle	23 3/4"
E-16099	C65-6000-002	Rear Axle	24 5/8"

**Air Spring Stud Assembly**



EUCLID NO.	OEM REF	LENGTH	THREAD	NOTES
E-7868	27-00173	5"	1/2"-20; 1/2"-13	Includes Stud, Nut, Washer

**Transverse Torque Arm**



Length C-To-C 25 1/2"

EUCLID NO.	OEM REF	NOTES
E-15709	C65-6002; C65-6009	Newer Torque Arm Is Not Rebusable. Older Torque Arm May Use E-5275 Bushings



Contents

**FRONT TRUCK / TRACTOR SUSPENSIONS**

**Airtek for Volvo - - - - - 8-2**

**REAR TRUCK / TRACTOR SUSPENSIONS**

**Volvo Corporate Air Ride- - - - - 8-6**

**Volvo 4 Spring, Before 1985- - - - - 8-8**

**Volvo 4 Spring, 1985 and After - - - - - 8-10**

**Volvo T-Ride Up To 2005 - - - - - 8-12**

**Volvo T-Ride 2006 and Later - - - - - 8-14**

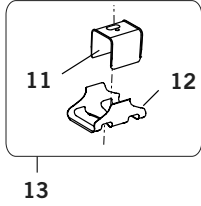
**Component Suspension Parts - - - - - 8-16**



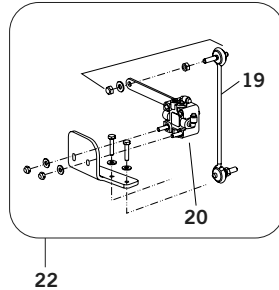
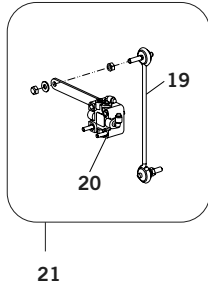
# VOLVO FRONT

## AIRTEK for Volvo

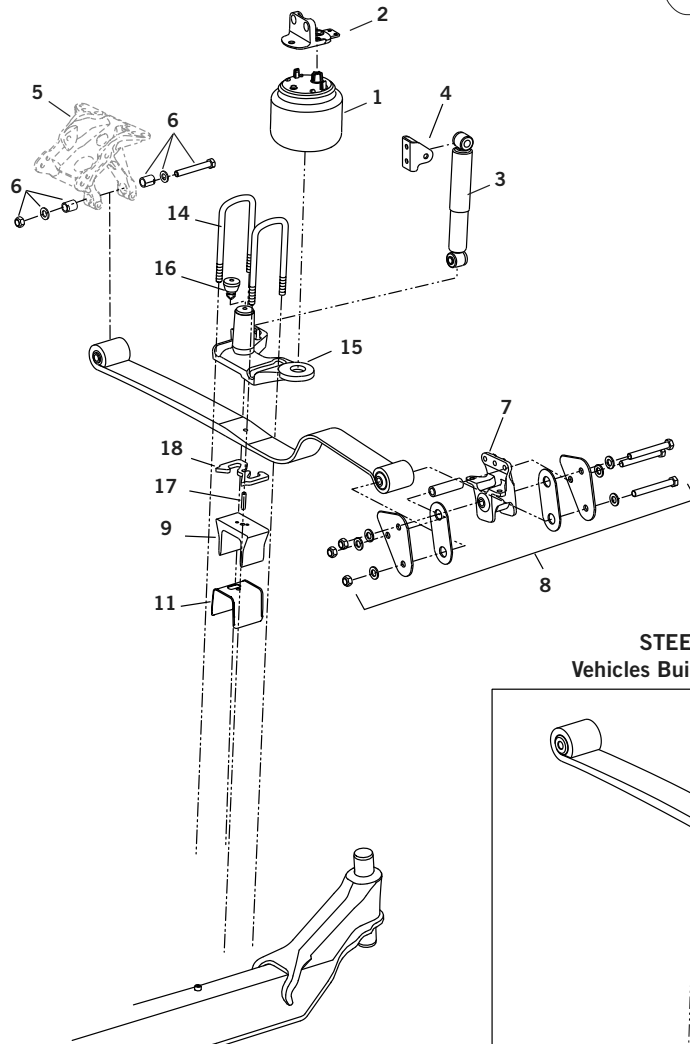
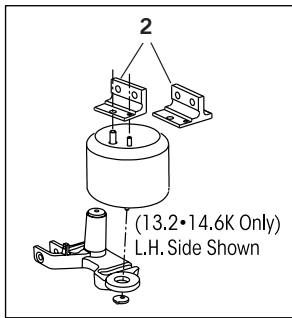
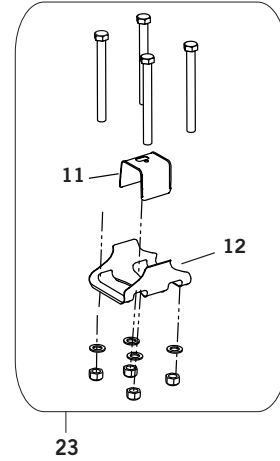
Axle Wrap Liner Kit



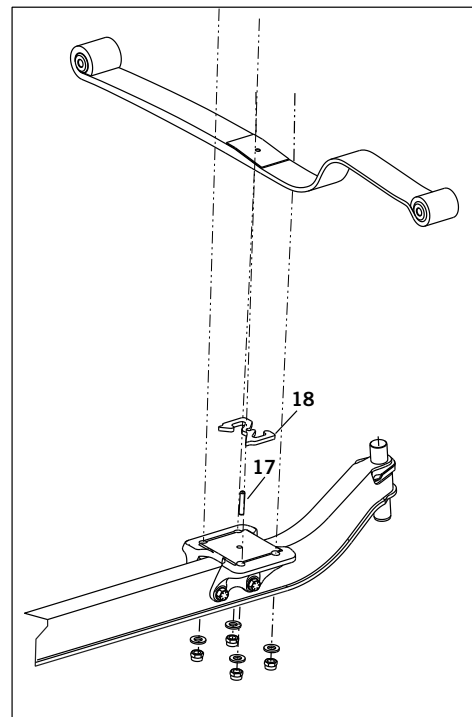
Single Height Control Valves For Vehicles Built Before March 2005



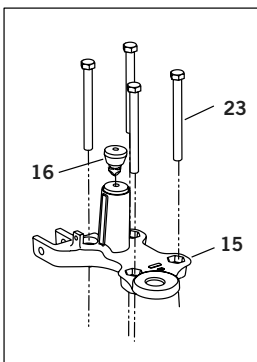
Straight Bolt Clamp Kit


























STEEERTEK NXT  
Vehicles Built After July 2011




Axle Connection For  
Vehicles Built Before  
July 2007



VOLVO

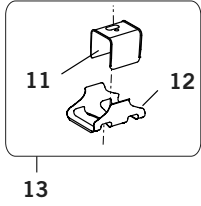
AIRTEK Volvo								
KEY NO.	EUCLID NO.	GENUINE	OEM REF	DESCRIPTION	QTY PER AXLE			PAGE NO.
					PRE 2007	BEFORE JULY 2007	AFTER JULY 2007	
1	FS9913	-	66349-002	Air Spring, 12 & 12.5K	2	2	2	-
	FS9554	-	60716-002	Air Spring, 13.2 & 14.6K	2	2	2	-
2	S.O.S.		Various	Air Spring Bracket	2	2	2	-
3	M85933	-	64838-002 64838-003	Shock Absorber	2	2	2	-
	M89454	-	64838-002 64838-003	Shock Absorber, Premium Adjustable	2	2	2	-
4	S.O.S.		64241-001	Upper Shock Bracket	2	2	-	-
	S.O.S.		59423-008	Upper Shock Bracket	-	-	2	-
5	S.O.S.		Various	Spring Hanger	2	2	2	-
6	E-16412		60961-033	Front Hanger Repair Kit	2	2	2	8-16
7	S.O.S.		Various	Rear Shackle Bracket, Left Hand with Bushing	1	1	1	-
	S.O.S.		Various	Rear Shackle Bracket, Right Hand with Bushing	1	1	1	-
8	E-16409		60961-034 60961-635	Shackle Bracket Service Kit, One Axle, Omit Thrust Washer For Post July 2007 Vehicles	1	1	1	8-16
9	S.O.S.		59952-017 59952-013 59952-014	Top Axle Wrap	2	2	-	-
10	E-15108		64722-003 64014-003 60622-003	Bottom Axle Wrap	2	2	-	8-16
11	E-15147		60508-000	Top Axle Wrap Liner	2	2	-	8-16
12	E-15110		59845-000	Bottom Axle Wrap Liner	2	2	-	8-16
13	E-15727		60961-015	Axle Wrap Liner Kit, Vehicles Built Before October 2012, Includes Key Nos. 11 & 12	2			8-16
14	S.O.S.	-	Various	U-Bolt Assembly, Specify Ride Height	-	4	4	-
15	S.O.S.		Various	Top Pad, Specify Left or Right Hand, Pre or Post 2007 Engine and Frame Rail Size	2	2	2	-
16	E-15148		64080-000	Rubber Axle Stop	2	2	2	8-16
17	S.O.S.		Various	Dowel Pin, Specify Length	-	2	2	-
18	S.O.S.		64318-028	Spacer, All Vehicles with Dual Height Control Valves March 2005 - July 2011 & All Post July 2011 Vehicles	-	2	2	-
	S.O.S.		Various	Spacer, Other Configurations	-	2	2	-
19	E-15096		59428-004	Linkage Kit, Single Height Control Valve, Vehicles Built Prior to 3/05	-	-	-	8-17
20	E-15151		59935-003	Height Control Valve, Vehicles Built Prior to 3/05	-	-	-	8-17
21	E-15150		59427-006	Height Control Valve and Linkage Kit for Vehicles Built Prior to 3/05, Includes Key No.19, 20	-	-	-	8-17
22	E-14013		64089-000	Height Control Valve Assembly, Includes Key No. 19 & 20 plus Bracket, Vehicles Built Prior to 3/05 w/ 12 & 12.5K Axles	-	-	-	-
	E-14014		64094-000	Height Control Valve Assembly, Includes Key No. 19 & 20 plus Bracket, Vehicles Built Prior to 3/05 w/ 13.2 & 14.6K Axles	-	-	-	-

 Denotes Product is Genuine Hendrickson

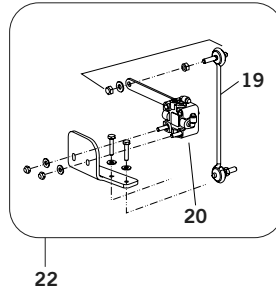
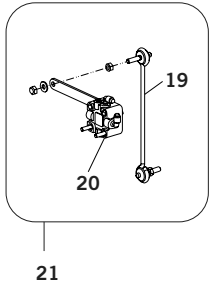
# VOLVO FRONT

## Airtek for Volvo

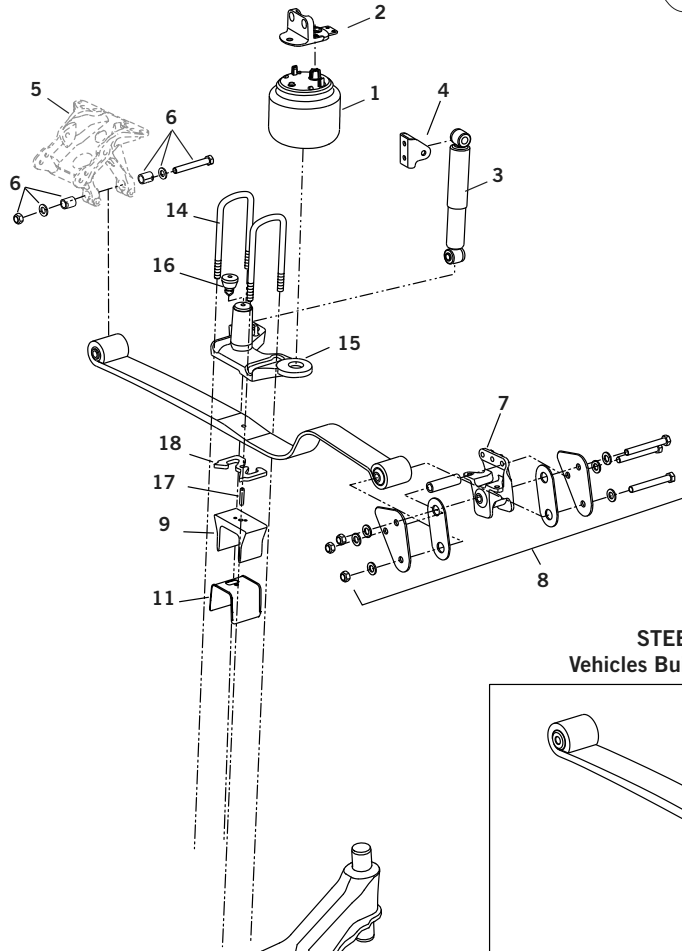
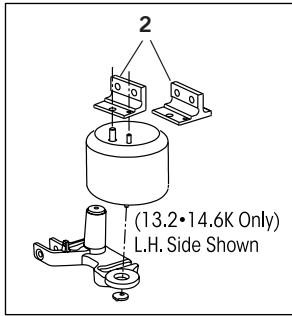
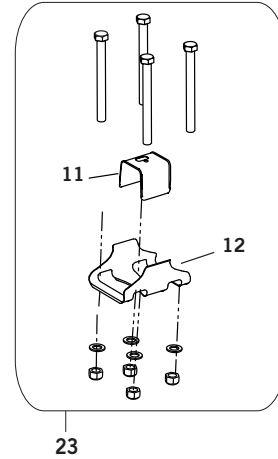
Axle Wrap Liner Kit



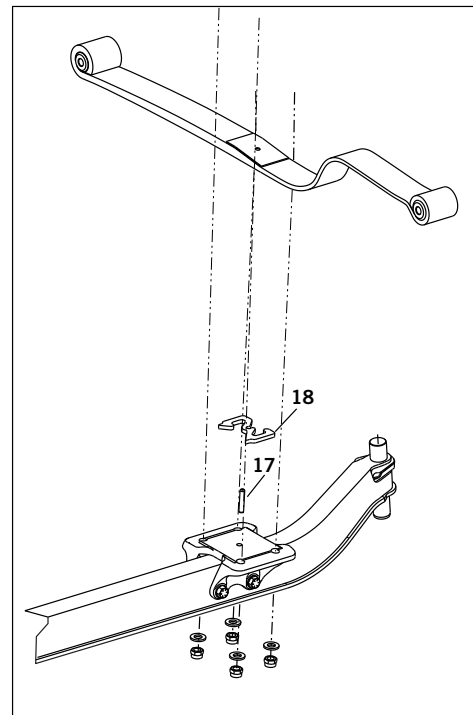
Single Height Control Valves For Vehicles Built Before March 2005



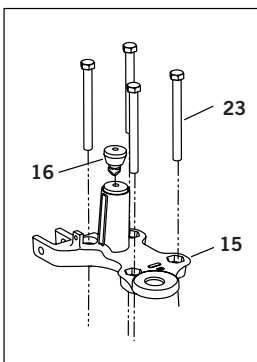
Straight Bolt Clamp Kit



STEERTEK NXT  
Vehicles Built After July 2011









Axle Connection For  
Vehicles Built Before  
July 2007



VOLVO



AIRTEK Volvo								
KEY NO.	EUCLID NO.	GENUINE	OEM REF	DESCRIPTION	QTY PER AXLE			PAGE NO.
					PRE 2007	BEFORE JULY 2007	AFTER JULY 2007	
23	E-16410		60961-035	Straight Bolt Clamp Kit, Vehicles with Dual Height Control Valves, 13 1/4" Ride Height, Includes Key Nos. 11 & 12, Bolts, Nuts, Washer for One Side	2	-	-	8-16
	E-16411		60961-037	Straight Bolt Clamp Kit, Vehicles with Single Height Control Valve, 14 3/8" Ride Height, Includes Key Nos. 11 & 12, Bolts, Nuts, Washer for One Side	2	-	-	8-17
	S.O.S.		Various	Straight Bolt Clamp Kit, Other Configurations, Includes Key No. 11, Bolts, Nuts, Washer for One Side	2	-	-	-
-	E-14019		60961-101	Dual Height Control Valve & Linkage Conversion Kit, Convert Single HCV to Dual, 12 & 12.5K Capacity	1	-	-	-
-	E-14020		60961-102	Dual Height Control Valve & Linkage Conversion Kit, Convert Single HCV to Dual, 13.2 & 14.6K Capacity	1	-	-	-

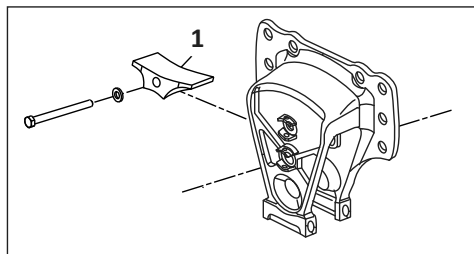
 Denotes Product is Genuine Hendrickson

VOLVO

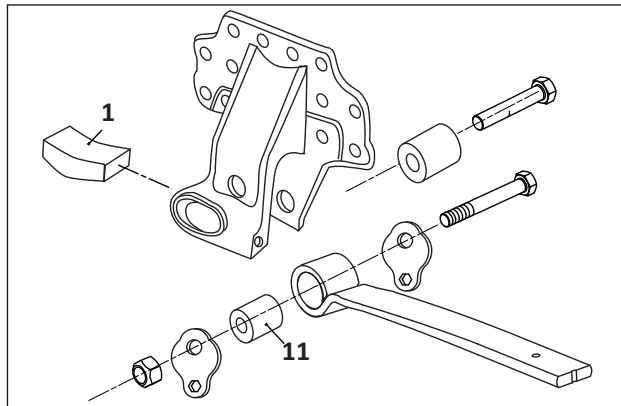
# VOLVO REAR

Volvo Corporate Air Ride

## Alternate Hanger & Slipper Pad

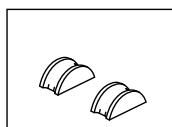
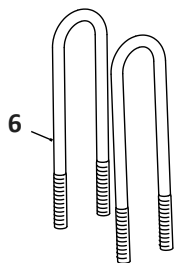
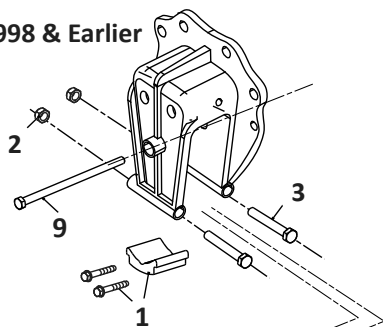


1999 - 2006

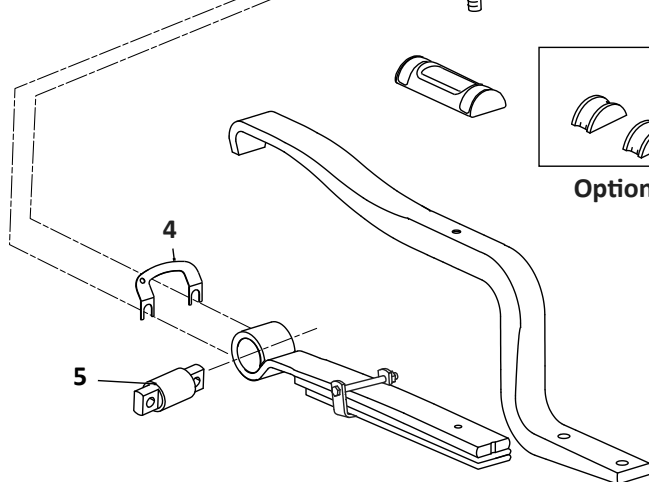
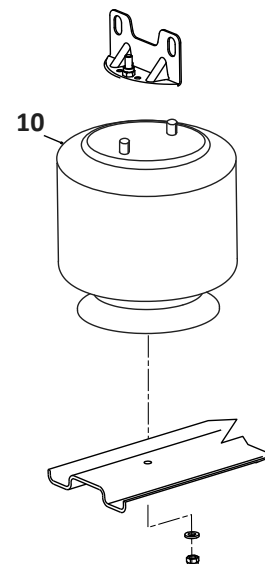


2006 and Later

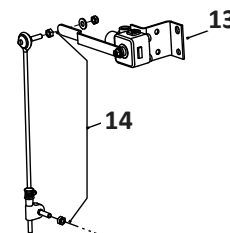
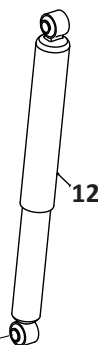
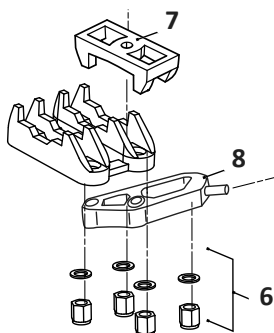
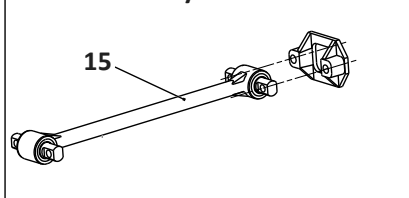
### 1998 & Earlier



Optional



### Straddle Pin Style Transverse Rod



VOLVO

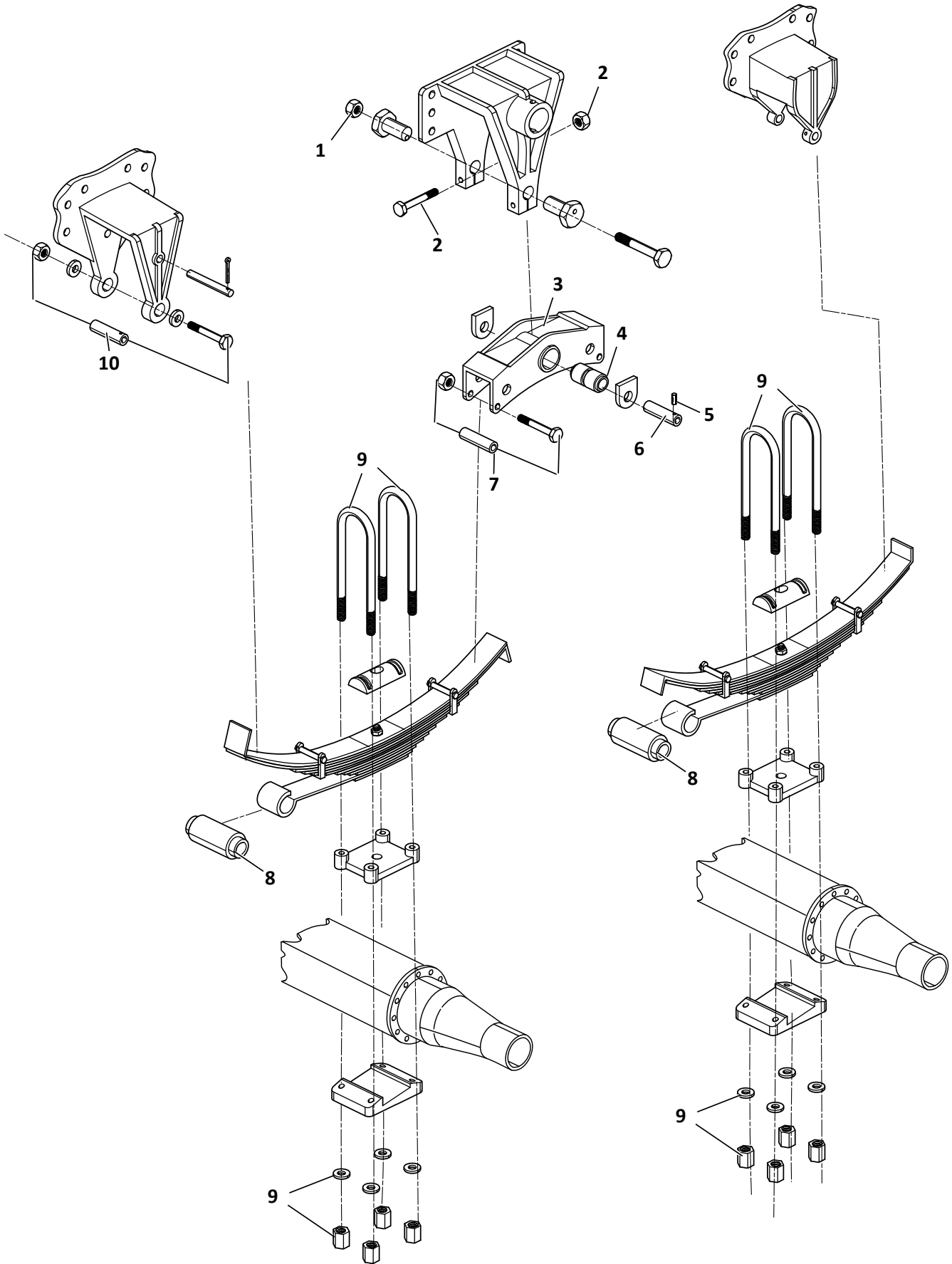
## Volvo Corporate Air Ride

KEY NO.	EUCLID NO.	MACH NO.	OEM REF	DESCRIPTION	QTY. PER AXLE	PAGE NO.
1	E-8819	-	8027423; 8061971	Wear Pad Kit, Includes Mounting Screws, Prior to 1999	2	8-18
	E-16778	-	8079889; 20568741	Wear Pad Kit, 1999 - 2006	2	8-18
	E-16779	-	20703083	Wear Pad Kit, 2007 and Later	2	8-18
2	E-8911	-	V8397202	Flange Nut, 5/8"-11, Through 2006	4	-
3	E-8909	-	V8397091	Bolt, 5/8"-11 X 6" Long, Through 2006	4	-
	E-8910	-	V8397092	Bolt, 5/8"-11 X 6 5/8" Long, Through 2006	4	-
4	E-5281	-	V8020329	Alignment Shim	2	8-21
5	E-2225	-	35033-3201	Spring Eye Bushing, Straddle Mount, 2 1/2" OD, 4 3/8" Center-to-Center, 5/8" Bolt Holes	2	8-20
	E-15671	G-15671	8079894	Spring Eye Bushing, High Confinement, Straddle Mount, 2 1/2" OD, 4 3/8" Center-to-Center, 5/8" Bolt Holes	2	8-18
6	E-UB8151-16	-	V8027431	U-Bolt Assembly, Rd. Bend, 3/4"-16 Thd. x 3" Wide x 16" Long	4	-
7	-	G-16807	8071514	Axle Seat, 3.6° Pinion Angle	2	-
8	-	-	8169852; 8169853	Lower Shock Bracket	2	-
9	-	G-16806	35026-0001; 8027436	Rebound Pin, 3/4" OD X 5 1/4" Long	2	-
10	FS9219	-	35003-3204; 35003-3209	Firestone Air Spring	2	-
	FS8829	-	20505399	Firestone Air Spring	2	-
	MAF8829	-	20505399	Meritor Air Spring	2	-
	FS9296	-	8061151	Firestone Air Spring	2	-
11	E-16777	-	20558810	Spring Eye Bushing, Through Hole, After 2006, 7/8" ID X 2 9/16" OD X 3 9/16" Long	2	-
12	M85024	-	8071524	Shock Absorber	2	-
	M85046	-	8026658	Shock Absorber	2	-
	M85047	-	8169859	Shock Absorber	2	-
13	E-11855	-	-	Height Control Valve, No Dump	1	8-19
	E-11870	-	-	Height Control Valve, Dump With Air Applied	1	8-19
14	E-7852	-	-	Leveling Valve Link Kit	1	8-19
15	E-8821	G-8821	35801-0068	Torque Arm, 22 1/8" Long, Straddle Mount Bushings, E-8821 Includes E-9395 Bushings	1	8-18
	E-3176	-	-	Torque Arm Kit, Full Ball Design	1	8-18

# VOLVO REAR

Volvo 4 Spring, Before 1985

VOLVO

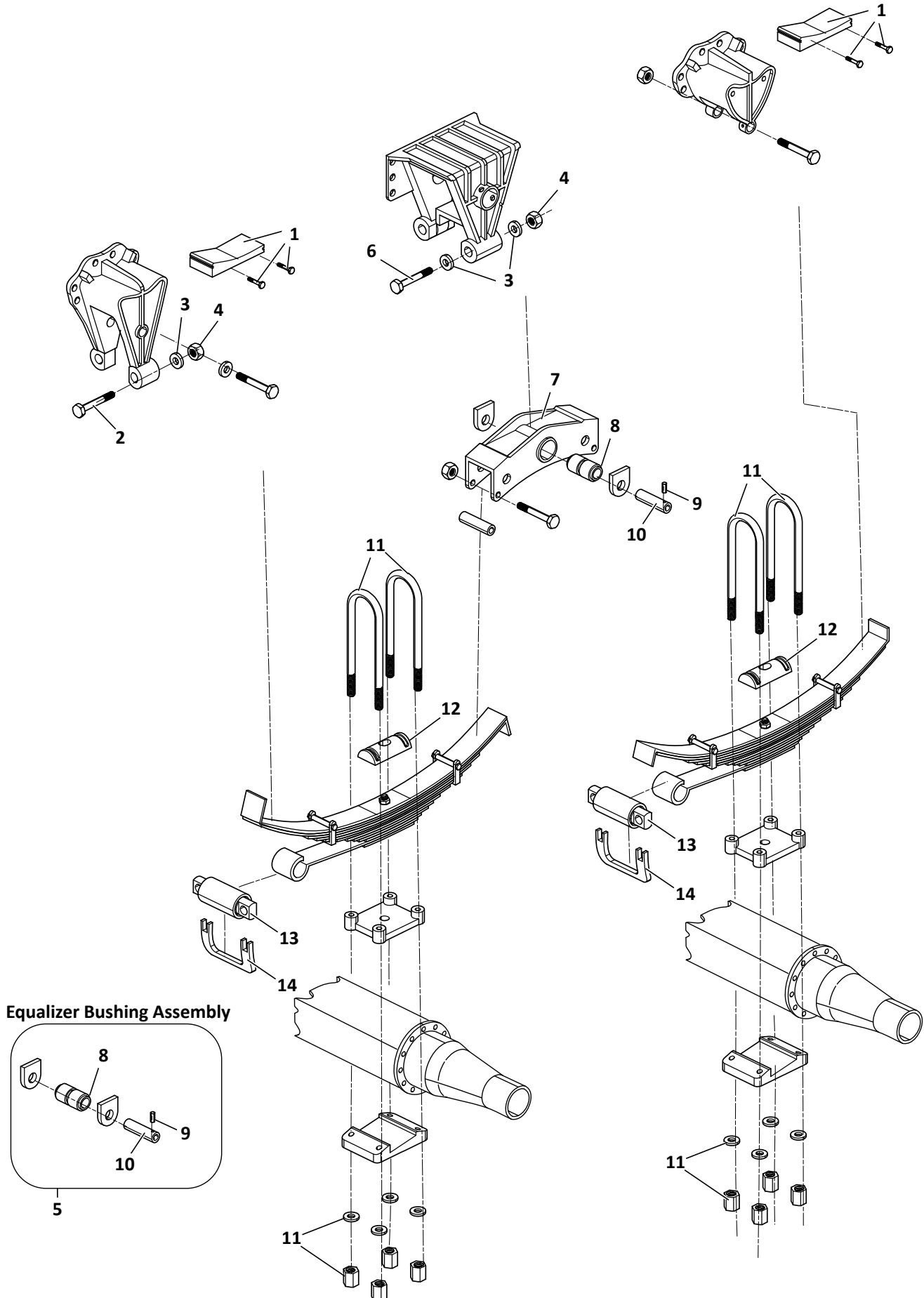


Volvo 4 Spring, Before 1985						
KEY NO.	EUCLID NO.	MACH NO.	OEM REF	DESCRIPTION	QTY. PER TANDEM	PAGE NO.
1	<b>E-2983</b>	-	550631	Lock Nut, 7/8"-9 Thread	4	-
2	-	-	-	Clamp Bolt & Nut, 5/8"-18 X 3 1/2" Long	4	-
3	<b>E-3844</b>	<b>G-3844</b>	V8027430; V8061451; 35011-5002	Equalizer, Includes Bushing	2	8-20
4	<b>E-3082</b>	-	V8027424	Equalizer Bushing, 3 1/8" OD X 2" ID X 4 1/4" Long	2	8-20
5	<b>E-1279</b>	-	V8020421	Lock Pin, 1/2" Diameter X 2 3/4" Long	2	8-20
6	<b>E-3083A</b>	-	V8027425	Equalizer Shaft, 2" OD X 6 7/8" Long	2	8-20
7	-	-	-	Equalizer Rebound Roller Assembly, Includes Bushing, Bolt & Nut	4	-
8	<b>E-3849</b>	-	02-7012438	Spring Eye Bushing, 1 3/4" OD x 7/8" ID x 3" Long	4	8-21
9	<b>E-UB8151-18</b>	-	35019-0013; 35019-0012; V8027431	U-Bolt Assembly Rd. Bend, 3/4"-16 Thd. x 3" Wide x 18" Long	8	8-21
10	<b>E-3839</b>	-	35042-0001	Rebound Bushing, 1 3/8" OD X 3/4" ID X 3" Long	4	8-20

# VOLVO REAR

Volvo 4 Spring, 1985 and After

VOLVO



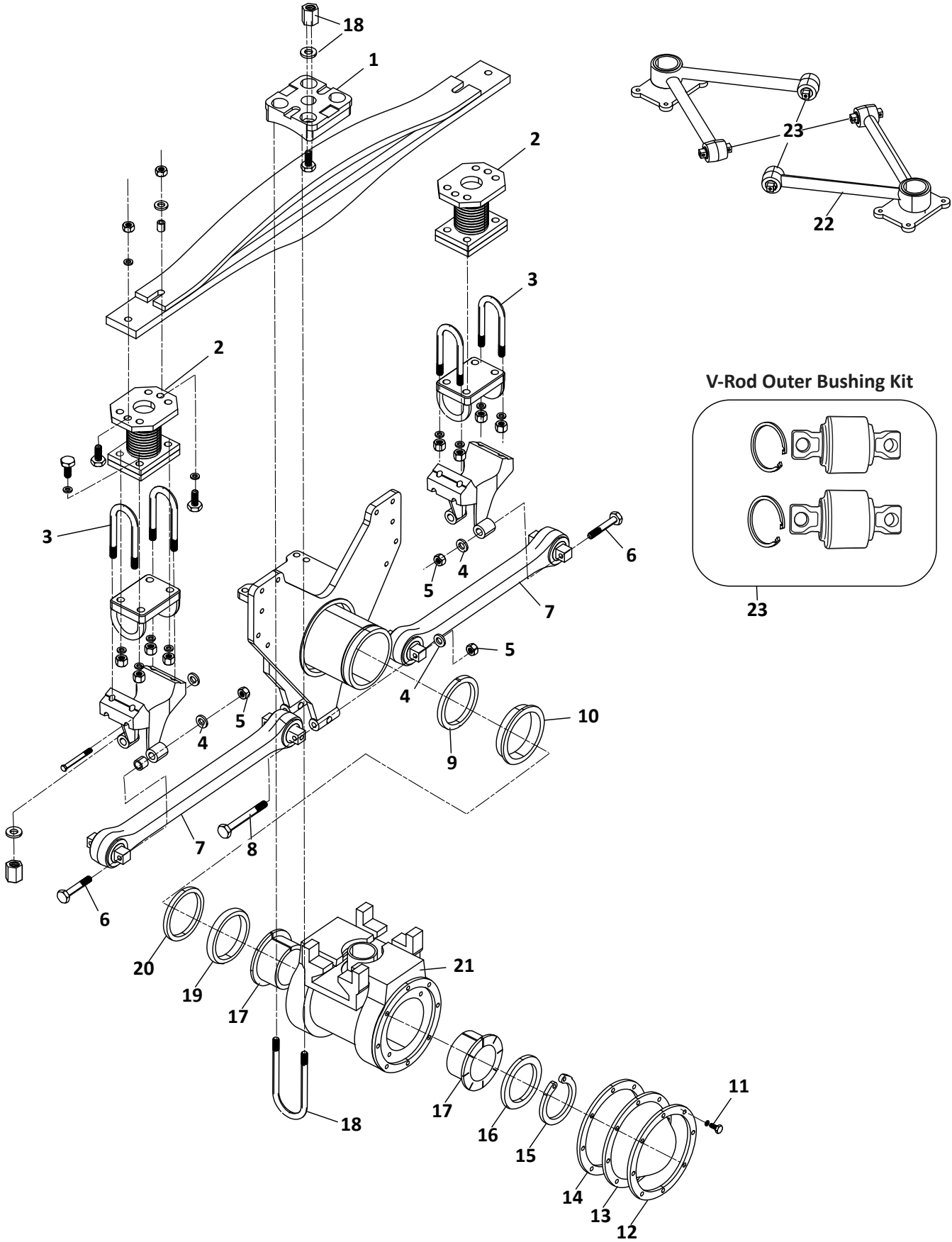
## Volvo 4 Spring, 1985 and After

KEY NO.	EUCLID NO.	MACH NO.	OEM REF	DESCRIPTION	QTY. PER TANDEM	PAGE NO.
1	E-8819	-	-	Wear Pad Kit, Includes Screws	4	8-20
2	E-8909	-	V8397091	Radius Leaf Attaching Bolt, Front, 5/8"-11 X 6" Long	4	8-21
3	E-2547	-	-	Washer, 5/8" ID	12	-
4	E-8911	-	V8397202	Lock Nut, 5/8" -11	8	-
5	E-3845	-	-	Equalizer Bushing Assembly, Includes Keys 9, 10, 11 and Washers	2	8-20
6	E-8910	-	V8397092	Radius Leaf Attaching Bolt, Back, 5/8"-11 X 6 5/8" Long	4	8-21
7	E-3844	G-3844	V8027430; V8061451; 35011-5002	Equalizer, Includes Bushing	2	8-20
8	E-3082	-	V8027424	Equalizer Bushing, 3 1/8" OD X 2" ID X 4 1/4" Long	2	8-20
9	E-1279	-	V8020421	Lock Pin, 1/2" OD X 2 3/4" Long	2	8-20
10	E-3083A	-	V8027425	Equalizer Shaft, 2" OD X 6 7/8" Long	2	8-20
11	E-UB8151-18	-	35019-0013; 35019-0012; V8027431	U-Bolt Assembly, Rd. Bend, 3/4"-16 Thd. x 3" Wide x 18" Long	8	8-21
12	E-8926	-	V8027433	Top Plate	4	8-21
13	E-2225	-	35033-3201	Bushing, Straddle Mount	4	8-20
14	E-5281	-	V8020329	Radius Leaf Shim, 1/16" Thick	4	8-21

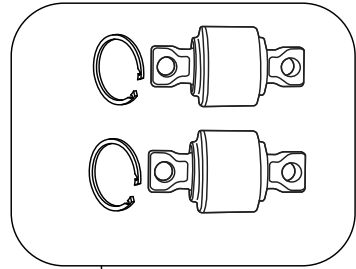
# VOLVO REAR

Volvo T-Ride Up To 2005

VOLVO



V-Rod Outer Bushing Kit



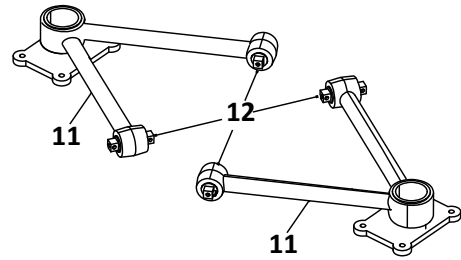
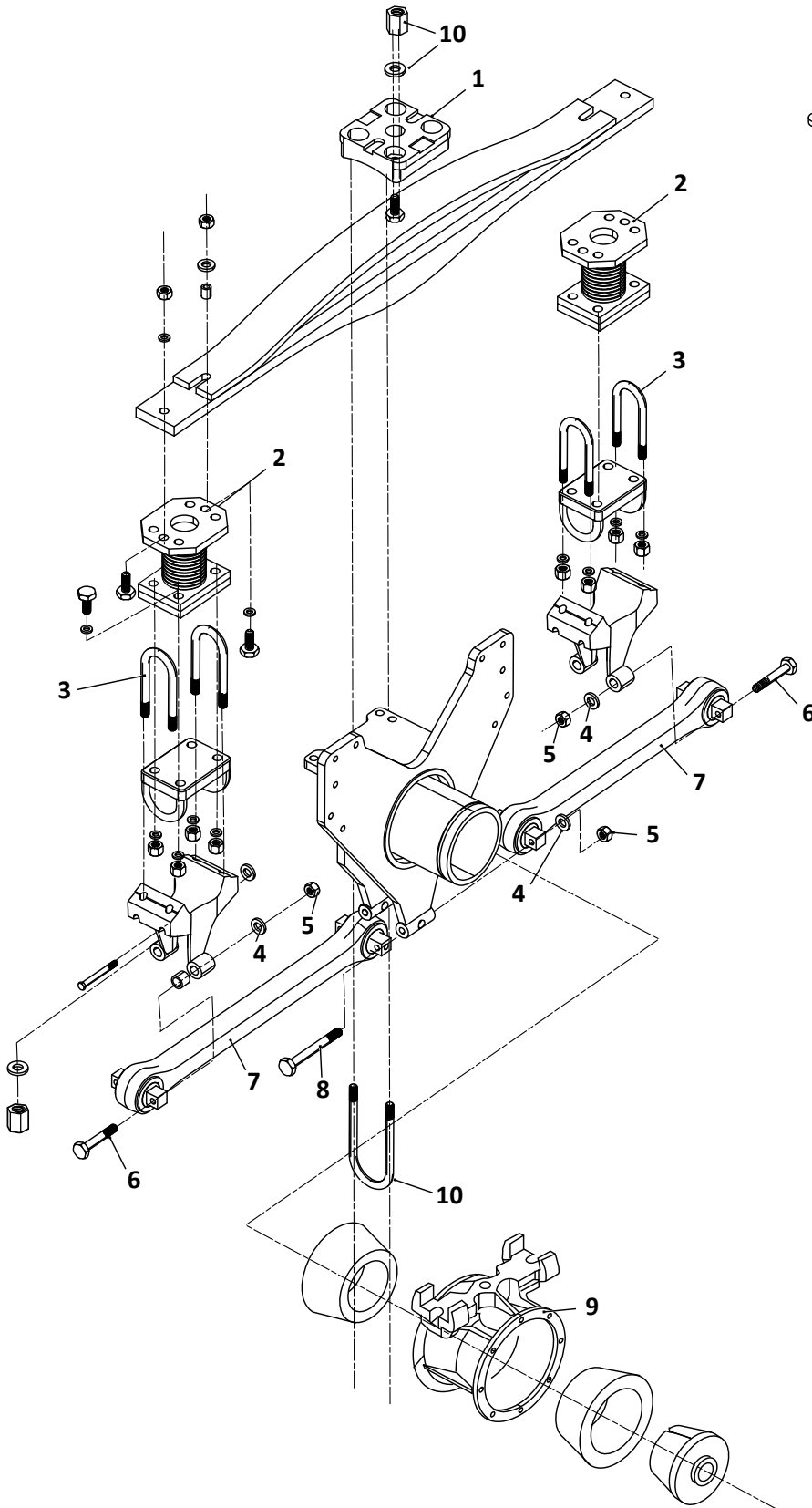


Volvo T-Ride Up To 2005						
KEY NO.	EUCLID NO.	MACH NO.	OEM REF	DESCRIPTION	QTY. PER TANDEM	PAGE NO.
1	-	<b>G-8850</b>	V8057237; 3197875	Top Plate	2	8-22
2	<b>E-8851</b>	-	1629553	Rubber Load Spring	4	8-22
3	<b>E-UB8142-06</b>	-	V1590074	U-Bolt Assembly, Rd. Bend, 5/8"-18 Thd. x 3 1/8" Wide x 6" Long	4	-
4	<b>E-2547</b>	-	-	Washer, 5/8" ID	8	-
5	<b>E-2988</b>	-	-	Lock Nut, 5/8"-11	8	-
6	<b>E-16227</b>	-	-	Bolt, 5/8"-11 X 5" Long, Axle Seat End	4	-
7	<b>E-8853</b>	-	8028945	Rigid Torque Arm, Full Ball Sockets, 22 5/8" Center-to-Center, Not Rebushable	4	8-22
8	<b>E-15199</b>	-	-	Bolt, 5/8"-11 X 7" Long, Trunnion Hanger End	4	-
9	-	-	V1509219	Thrust Washer, 6 15/16" OD X 5 1/8" ID X 1/4" Thick	2	-
10	-	-	V1586518	Wear Ring, 7 1/16" OD X 6 15/16" ID	2	-
11	-	-	V946440	Hub Cap Screw, M8 X 16mm Long	16	-
12	-	-	V1590508	Hub Cap Ring, 8 13/16" OD X 7 1/2" ID, 8 1/8" Bolt Circle	2	-
13	-	<b>G-8838</b>	V1502292	Trunnion Hub Cap	2	8-22
14	-	-	V1620742	Gasket, 9" OD X 7 1/4" ID, 8 1/8" Bolt Circle	2	-
15	-	<b>G-8832</b>	V951082	Lock Ring	2	8-22
16	-	-	V1590064	Thrust Washer 7"OD X 5 1/8" ID X 1/4" Thick	2	-
17	-	<b>G-8833</b>	V1620443	Trunnion Bushing, 5 1/4" OD X 5 1/16" ID X 2 1/2" High	4	8-22
18	<b>E-UB8151-10</b>	-	V8057236	U-Bolt Assembly, Rd. Bend, 3/4"-16 Thd. x 3" Wide x 10" Long	8	-
	<b>E-UB8151-12</b>	-	V8059359	U-Bolt Assembly, Rd. Bend, 3/4"-16 Thd. x 3" Wide x 12" Long	8	-
19	-	<b>G-8835</b>	V1593522	Sealing Ring, 7" OD X 6 3/8" ID X 7/16" Thick	2	8-23
20	-	<b>G-8836</b>	V1586520	Seal, 7 1/4" OD X 6 1/4" ID X 7/16" Thick	2	8-23
21	-	<b>G-15672</b>	3198095; 8060233	Trunnion	2	8-23
22	<b>E-11905</b>	-	8057667	V-Rod, Offset Center Mounting Plate, Obsolete, Use E-16816 Outer Bushing Kit. Center Bushing Not Replacable.	2	-
	<b>E-11906</b>	-	3172829	V-Rod, Obsolete, Use E-16816 Outer Bushing Kit. Center Bushing Not Replacable.	2	-
23	<b>E-16816</b>	-		V-Rod Bushing Kit, Outer Bushings, For E-11905 & E-11906 Obsolete V-Rods, Includes (2) Bushings and (2) Snap Rings	4	8-23

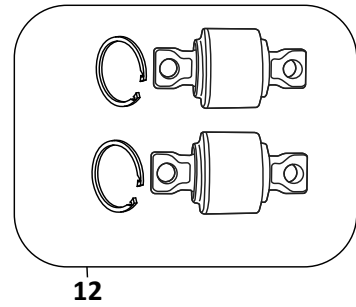
# VOLVO REAR

Volvo T-Ride 2006 and Later

VOLVO



V-Rod Outer Bushing Kit




Volvo T-Ride 2006 and Later						
KEY NO.	EUCLID NO.	MACH NO.	OEM REF	DESCRIPTION	QTY. PER TANDEM	PAGE NO.
1	-	<b>G-8850</b>	V8057237; 3197875	Top Plate	2	8-22
2	<b>E-8851</b>	-	1629553	Rubber Load Spring	4	8-22
3	<b>E-UB8142-074</b>	-	-	U-Bolt Assembly, Rd. Bend, 5/8"-18 Thd. x 3 1/8" Wide x 7 1/2" Long	4	-
4	<b>E-2547</b>	-	-	Washer, 5/8" ID	8	-
5	<b>E-2988</b>	-	-	Lock Nut, 5/8"-11	8	-
6	<b>E-16227</b>	-	-	Bolt, 5/8"-11 X 5" Long, Axle Seat End	4	-
7	<b>E-16818</b>	-	20443046	Rigid Torque Arm, Full Ball Offset Sockets, 22 5/8" Center-to-Center	2	8-22
	<b>E-16819</b>	-	20509568	Adjustable Torque Arm, Full Ball Offset Sockets, 23" Center-to-Center	2	8-22
8	<b>E-15199</b>	-	-	Bolt, 5/8"-11 X 7" Long, Trunnion Hanger End	4	-
9	-	-	20429274	Trunnion	2	-
10	<b>E-UB8151-12</b>	-	-	U-Bolt Assembly, Rd. Bend, 3/4"-16 Thd. x 3" Wide x 12" Long	8	-
	<b>E-UB8151-14</b>	-	-	U-Bolt Assembly, Rd. Bend, 3/4"-16 Thd. x 3" Wide x 14" Long	8	-
11	<b>E-11905</b>	-	8057667	V-Rod, Offset Center Mounting Plate, Obsolete, Use E-16816 Outer Bushing Kit	2	-
	<b>E-11906</b>	-	3172829	V-Rod, Obsolete, Use E-16816 Outer Bushing Kit	2	-
	<b>E-17002</b>	-	22318833	V-Rod, Newer Models, Includes E-17003 Outer Bushings	2	8-23
12	<b>E-16816</b>	-	-	V-Rod Bushing Kit, Outer Bushings, For E-11905 & E-11906 Obsolete V-Rods, Includes (2) Bushings and (2) Snap Rings	4	8-23
	<b>E-17003</b>	-	20547268	V-Rod Bushing Kit, Outer Bushings, For E-17002 V-Rods, Includes (2) Bushings and (2) Snap Rings	4	8-23

# VOLVO


## AIRTEK For Volvo

VOLVO

**Shackle Bracket Kit**



Axle Set - 1/2 Kit Shown

EUCLID NO.	GENUINE	OEM REF	NOTES
E-16409		60961-034; 60961-635	Includes 4 Shackle Plates, 4 Wear Plates, Spacer and Hardware

**Bottom Axle Wrap Liner**



EUCLID NO.	GENUINE	OEM REF
E-15110		59845-000

**Front Hanger Repair Kit**



EUCLID NO.	GENUINE	OEM REF	NOTES
E-16412		60961-033	Includes 2 Hanger Adapters, M20 X 230mm Long Bolt, Nut, Washers


**Bottom Axle Wrap**




EUCLID NO.	GENUINE	OEM REF
E-15108		64722-003; 64014-003; 60622-003

**Axle Wrap Liner Kit**

FOR MODELS:  
AIRTEK




Includes E-15147 & E-15110 Liners

EUCLID NO.	GENUINE	OEM REF
E-15727		60961-015

**Rubber Axle Stop**



EUCLID NO.	GENUINE	OEM REF
E-15148		64080-000

**Top Axle Wrap Liner**




Elongated Slot


EUCLID NO.	GENUINE	OEM REF
E-15147		60508-000

**Straight Bolt Clamp Kit**

FOR MODELS:  
Vehicles with  
Dual Height  
Control Valves,  
13 1/4" Ride Hei



One Wheel End



EUCLID NO.	GENUINE	OEM REF	NOTES
E-16410		60961-035	Includes Bolts, Nuts, Washer



# VOLVO

## AIRTEK For Volvo



Suspension

VOLVO

Straight Bolt Clamp Kit			
<p>FOR MODELS: Vehicles with Single Height Control Valve, 13 1/4" Ride Height</p> <div style="text-align: center;">  </div> <p>One Wheel End</p>			
EUCLID NO.	GENUINE	OEM REF	NOTES
E-16411		60961-037	Includes Bolts, Nuts, Washer

Height Control Valve		
<p>FOR MODELS: Vehicles Built Prior to 3/05</p> <div style="text-align: center;">  </div>		
EUCLID NO.	GENUINE	OEM REF
E-15150		59427-006

Height Control Valve		
<p>FOR MODELS: Vehicles Built Prior to 3/05</p> <div style="text-align: center;">  </div>		
EUCLID NO.	GENUINE	OEM REF
E-15151		59935-003

Linkage Kit		
<p>FOR MODELS: Vehicles Built Prior to 3/05 With Single Height Control Valve</p> <div style="text-align: center;">  </div>		
EUCLID NO.	GENUINE	OEM REF
E-15096		59428-004

### Volvo Front Leaf Spring

Spring Pin				
				
MACH NO.	OEM REF	OD	OAL	C-T-C
G-15666	37121-0001	1 1/8"	7"	5 1/2"

Threaded Spring Pin Bushing				
				
MACH NO.	OEM REF	OD	LENGTH	THREAD
G-15667	1075724	1 3/4"	4 1/8"	M32X4

# VOLVO

## Corporate Air Ride


VOLVO

**Wear Pad Kit, 1998 & Earlier**



EUCLID NO.	OEM REF
E-8819	8027423; 8061971

**Spring Eye Bushing, Straddle Mount**



EUCLID NO.	OEM REF	OD	BOLT HOLES
E-9395	57256-000	2 7/16"	5/8"
E-2225	35033-3201	2 1/2"	

**Wear Pad Kit, 1999-2006**



**Photo Coming Soon**

EUCLID NO.	OEM REF
E-16778	8079889; 20568741

**Spring Eye Bushing, Through Hole**

After 2006



Through Hole

EUCLID NO.	OEM REF	ID	OD	LENGTH
E-16777	20558810	7/8"	2 9/16"	3 9/16"


**Wear Pad Kit, 2007 & Later**



**Photo Coming Soon**


EUCLID NO.	OEM REF
E-16779	20703083

**Transverse Torque Arm, Rubber Bushings**



EUCLID NO.	MACH NO.	OEM REF	LENGTH	NOTES
E-8821	G-8821	35801-0068	22 1/2"	Uses E-9395 Bushings

**Spring Eye Bushing, Straddle Mount**




EUCLID NO.	MACH NO.	OEM REF	OD	BOLT HOLES
E-15671	G-15671	8079894	2 1/2"	5/8"


**Transverse Torque Arm Kit, Full Ball Design**




EUCLID NO.	NOTES
E-3176	Uni-Rod Kit


Radius Leaf Shim			
			
EUCLID NO.	OEM REF	C-T-C LENGTH	THICK
E-5281	V8020329	4 3/8"	1/16"

Axle Seat		
		
EUCLID NO.	OEM REF	PINION ANGLE
G-16807	8071514	3.6° Pinion Angle

Height Control Valve		
		
EUCLID NO.	OEM REF	NOTES
E-11855	VS-227	No Dump

Rebound Pin			
			
EUCLID NO.	OEM REF	OD	LENGTH
G-16806	35026-0001; 8027436	3/4"	5 1/4"

Height Control Valve		
		
EUCLID NO.	OEM REF	NOTES
E-11870	57977-000	Dump With Air Applied

Height Control Valve Linkage	
	
EUCLID NO.	NOTES
E-7852	Universal, Fits Most Applications


# VOLVO

## Volvo 4 Spring

VOLVO

**Equalizer**

FOR MODELS:  
All 4 Spring Models




Includes Bushing

EUCLID NO.	MACH NO.	OEM REF
E-3844	G-3844	V8027430; V8061451; 35011-5002

**Lock Pin**


FOR MODELS:  
All 4 Spring Models



EUCLID NO.	OEM REF	OD	LENGTH
E-1279	V8020421	1/2"	2 3/4"

**Equalizer Bushing Assembly**


FOR MODELS:  
All 4 Spring Models



EUCLID NO.	LENGTH
E-3845	Includes Bushing, Shaft, Pin and (4) Washers

**Rubber Rebound Bushing**


FOR MODELS:  
Before 1985



EUCLID NO.	OEM REF	OD	ID	LENGTH
E-3839	35042-0001	1 3/8"	3/4"	3"

**Equalizer Bushing**

FOR MODELS:  
All 4 Spring Models



EUCLID NO.	OEM REF	OD	ID	LENGTH
E-3082	V8027424	3 1/8"	2"	4 1/4"

**Wear Pad Kit**

FOR MODELS:  
1985 and After



Includes Screws

EUCLID NO.	WIDTH	SLOT WIDTH
E-8819	3 1/4"	1/2"

**Equalizer Shaft**


FOR MODELS:  
All 4 Spring Models



EUCLID NO.	OEM REF	OD	LENGTH
E-3083A	V8027425	2"	6 7/8"

**Bushing, Straddle Mount**

FOR MODELS:  
1985 and After




EUCLID NO.	OEM REF	OD	HOLE DIA
E-2225	35033-3201	2 1/2"	5/8"



**Radius Leaf Shim**

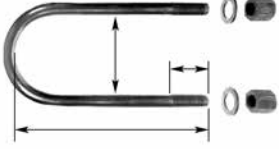
FOR MODELS:  
1985 and After



EUCLID NO.	OEM REF	THICKNESS	C-TO-C
<b>E-5281</b>	V8020329	1/16"	4 3/8"

**U-Bolt Assembly**


FOR MODELS:  
Before 1985



EUCLID NO.	OEM REF	THREAD	WIDTH	LENGTH
<b>E-UB8151-18</b>	35019-0013; 35019-0012; V8027431	3/4"-16	3"	18"

**Radius Leaf Attaching Bolt**


FOR MODELS:  
1985 and After



EUCLID NO.	OEM REF	THREAD	LENGTH
<b>E-8909</b>	V8397091	5/8"-11	6"
<b>E-8910</b>	V8397092	5/8"-11	6 5/8"

**Spring Eye Bushing**

FOR MODELS:  
Before 1985



EUCLID NO.	OEM REF	OD	ID	LENGTH
<b>E-3849</b>	02-7012438	1 3/4"	7/8"	3"

**Top Plate**


FOR MODELS:  
1985 and After



EUCLID NO.	OEM REF	LENGTH	WIDTH
<b>E-8926</b>	V8027433	8 1/4"	3"


**Top Plate**

FOR MODELS:  
T-Ride Up  
To 2005



MACH NO.	OEM REF	HOLE DIA
<b>G-8850</b>	V8057237; 3197875	

**Adjustable Torque Arm**




Full Ball Design

EUCLID NO.	OEM REF	C-TO-C	NOTES
<b>E-16819</b>	20509568	23"	2006 and Later Offset Sockets

**Rubber Load Spring**

FOR MODELS:  
All Models



EUCLID NO.	OEM REF
<b>E-8851</b>	1629553


**Trunnion Hub Cap**

FOR MODELS:  
T-Ride Up  
To 2005



MACH NO.	OEM REF
<b>G-8838</b>	V1502292

**Rigid Torque Arm**




Full Ball Design

EUCLID NO.	OEM REF	C-TO-C	NOTES
<b>E-8853</b>	8028945	22 5/8"	T-Ride Up To 2005

**Lock Ring**

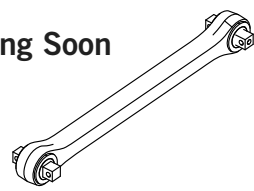
FOR MODELS:  
T-Ride Up  
To 2005



MACH NO.	OEM REF
<b>G-8832</b>	V951082

**Rigid Torque Arm**

**Photo Coming Soon**



Full Ball Design


EUCLID NO.	OEM REF	C-TO-C	NOTES
<b>E-16818</b>	20443046	22 5/8"	2006 and Later Offset Sockets

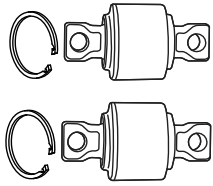
**Trunnion Bushing**

FOR MODELS:  
T-Ride Up  
To 2005

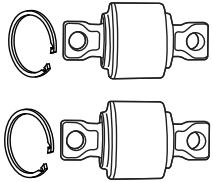


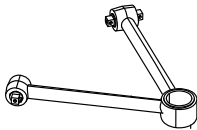
MACH NO.	OEM REF	OD	ID	HEIGHT
<b>G-8833</b>	V1620443	5 1/4"	5 1/16"	2 1/2"

Sealing Ring				
FOR MODELS: T-Ride Up To 2005				
				
MACH NO.	OEM REF	OD	ID	THICKNESS
G-8835	V1593522	7"	6 3/8"	7/16"
G-8836	V1586520	7 1/4"	6 1/4"	7/16"

V-Rod Bushing Kit, Outer Bushings		
FOR MODELS: 2006 to Later		
		
<b>Photo Coming Soon</b>		
Includes (2) Bushings and (2) Snap Rings		
EUCLID NO.	OEM REF	NOTES
E-17003	20547268	Used With E-17002 V-Rod,

Trunnion	
FOR MODELS: T-Ride Up To 2005	
	
EUCLID NO.	OEM REF
G-15672	3198095; 8060233

V-Rod Bushing Kit, Outer Bushings		
FOR MODELS: T-Ride Up To 2005		
		
<b>Photo Coming Soon</b>		
Includes (2) Bushings and (2) Snap Rings		
EUCLID NO.	OEM REF	NOTES
E-16816	20547268	For E-11905 & E-11906 Obsolete V-Rods

V-Rod		
FOR MODELS: 2006 to Later		
		
<b>Photo Coming Soon</b>		
EUCLID NO.	OEM REF	NOTES
E-17002	22318833	Includes E-17003 Outer Bushings

**NOTES:** \_\_\_\_\_

\_\_\_\_\_

\_\_\_\_\_

\_\_\_\_\_

\_\_\_\_\_

\_\_\_\_\_

\_\_\_\_\_

\_\_\_\_\_

\_\_\_\_\_

\_\_\_\_\_

\_\_\_\_\_

\_\_\_\_\_

\_\_\_\_\_

\_\_\_\_\_

\_\_\_\_\_

\_\_\_\_\_

\_\_\_\_\_

\_\_\_\_\_



Contents

**FRONT TRUCK SUSPENSION**

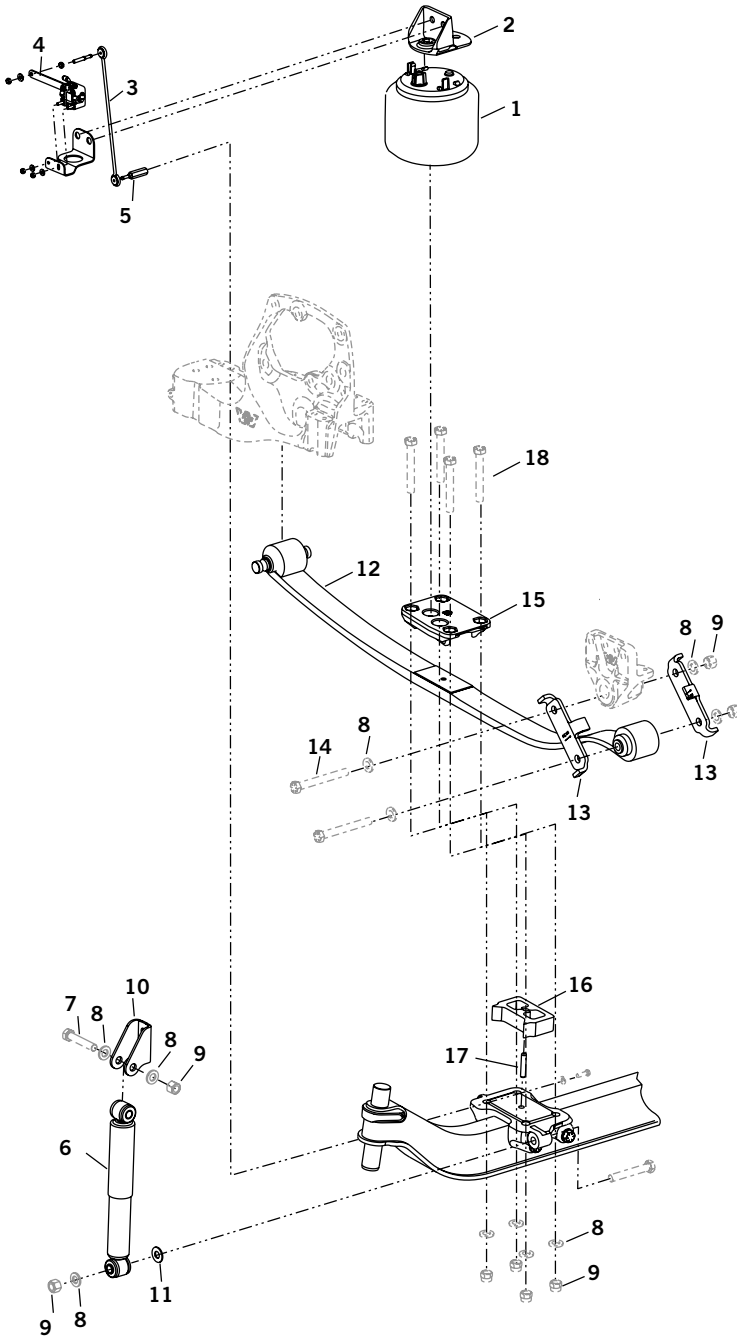
**AIRTEK for Western Star Built After November 2011 w/STEERTEK NXT Axles and  
Model 4900SA Vehicles Built Between June 2010 and  
November 2011 with STEERTEK Axles - - - - - 9-2**

**Component Suspension Parts - - - - - 9-4**

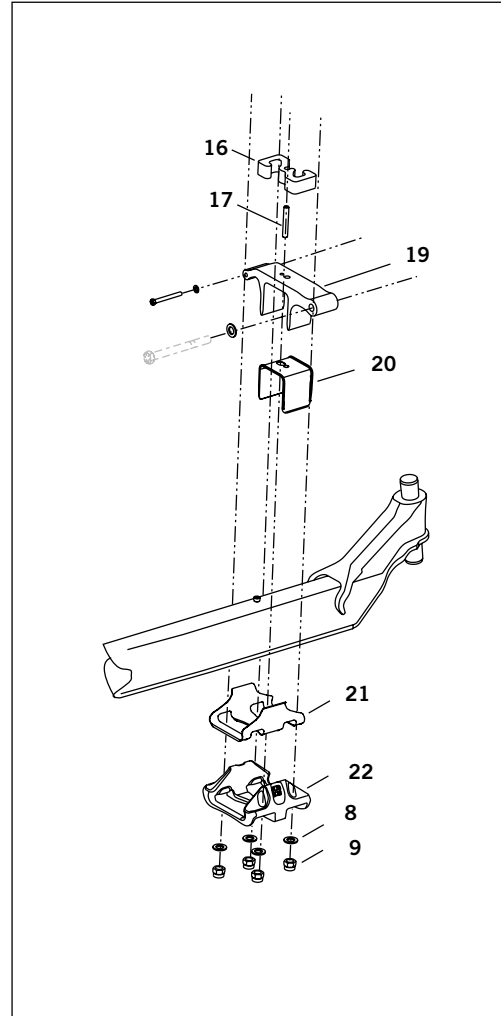
**WESTERN STAR**

# WESTERN STAR FRONT

AIRTEK for Western Star Built After November 2011 w/STEERTEK NXT Axles and Model 4900SA Vehicles Built Between June 2010 and November 2011 with STEERTEK Axles



STEERTEK NXT Axle










STEERTEK Axle

WESTERN STAR

# WESTERN STAR FRONT

Suspension

AIRTEK for Western Star Built After November 2011 w/STEERTEK NXT Axles and Model 4900SA Vehicles Built Between June 2010 and November 2011 with STEERTEK Axles						
KEY NO.	EUCLID NO.	GENUINE	OEM REF	DESCRIPTION	QTY. PER VEHICLE	PAGE NO.
1	S.O.S.	-	69116-002	Air Spring	2	-
2	E-16425		60850-001	Air Spring Bracket, Left Hand	1	9-5
	E-15132		60850-002	Air Spring Bracket, Right Hand	1	9-5
3	E-15133		59428-001	Height Control Valve Linkage Assembly, 13 1/8" Center-to-Center	1	9-4
	E-15134		59428-002	Height Control Valve Linkage Assembly, 14 1/2" Center-to-Center	1	9-4
	S.O.S.	-	Various	Height Control Valve Linkage Kit	2	-
	E-9625	-	-	Height Control Valve Linkage Kit, Universal, Length Range of 3 5/8 -19 5/8"	2	9-4
4	S.O.S.		59935-013	Height Control Valve, Left Hand, Set Back Axle	1	-
	S.O.S.		59935-023	Height Control Valve, Left Hand, Set Forward Axle	1	-
	S.O.S.		59935-024	Height Control Valve, Right Hand, Vehicles After November 2011	1	-
	E-13995		59935-002	Height Control Valve, Right Hand, Vehicles Built Between June 2010 & November 2011 (Non NXT Axles)	1	9-4
5	E-16426		59429-001	Link Mount, Left Hand, Set Back Axle	1	9-5
	E-15098		59429-002	Link Mount, Left Hand, Set Forward Axle and All Right Hand	1	9-4
6	M85932	-	58913-012	Shock Absorber	2	-
	M89453	-	58913-012	Shock Absorber, Premium Adjustable	2	-
7	S.O.S.	-	-	Bolt, 3/4"-10 X 4" Long, Upper Shock	2	-
8	E-2545	-	-	Washer, 3/4"	22	-
9	E-4347	-	-	Locknut, 3/4"-10	16	-
10	S.O.S.	-	59423-001	Shock Bracket	2	-
11	E-16419		59946-001	Shock Spacer, Vehicles Built Between June 2010 & November 2011 (Non NXT Axles)	2	-
	S.O.S.		22962-046	Shock Spacer, Vehicles Built After November 2012	2	-
12	S.O.S.		Various	Leaf Spring Assembly	2	-
13	S.O.S.		68089-001	Shackle Plate	4	-
14	S.O.S.		Various	Shackle Bolt, 3/4"-10	8	-
15	E-15146		59826-000	Top Pad	2	-
16	S.O.S.		Various	Front Axle Spacer	2	-
17	S.O.S.		Various	Dowel	2	-
18	E-15102	-	58917-016	Bolt, 3/4"-10 X 8 1/2" Long	8	9-4
	E-16435	-	58917-017	Bolt, 3/4"-10 X 10" Long	8	9-4
	E-16436	-	58917-018	Bolt, 3/4"-10 X 11 1/2" Long	8	9-4
19	S.O.S.		Various	Top Wrap, Vehicles Built Between June 2010 & November 2011 (Non NXT Axles)	2	-
20	E-15145		59449-000	Top Axle Wrap Liner, Vehicles Built Between June 2010 & November 2011 (Non NXT Axles)	2	9-4
21	E-15110		58945-000	Bottom Axle Wrap Liner, Vehicles Built Between June 2010 & November 2011 (Non NXT Axles)	2	9-4
22	S.O.S.		64772-001	Bottom Wrap, Vehicles Built Between June 2010 & November 2011 (Non NXT Axles)	2	-

 Denotes Product is Genuine Hendrickson

WESTERN STAR

# WESTERN STAR FRONT

## Top Axle Wrap Liner



EUCLID NO.	GENUINE	OEM REF	APPLICATION
E-15145		59449-000	Vehicles Built Between June 2010 & November 2011 (Non NXT Axles)

## Height Control Valve, Right Hand



EUCLID NO.	GENUINE	OEM REF	APPLICATION
E-13995		59935-002	Vehicles Built Between June 2010 & November 2011, (Non NXT Axles)

## Bottom Axle Wrap Liner



EUCLID NO.	GENUINE	OEM REF	DIA.
E-15110		58945-000	Vehicles Built Between June 2010 & November 2011 (Non NXT Axles)

## Height Control Valve Linkage Assembly



EUCLID NO.	GENUINE	OEM REF	LENGTH
E-15133		59428-001	13 1/8" Center-to-Center

## Bolt



EUCLID NO.	OEM REF	LENGTH	THREAD
E-15102	58917-016	8 1/2"	3/4"-10
E-16435	58917-017	10"	3/4"-10
E-16436	58917-018	11 1/2"	3/4"-10

## Height Control Valve Linkage Assembly



EUCLID NO.	GENUINE	OEM REF	LENGTH
E-15134		59428-002	14 1/2" Center-to-Center

## Height Control Valve Linkage Kit



EUCLID NO.	LENGTH
E-9625	Length Range of 3 5/8 -19 5/8"

WESTERN STAR



Link Mount, Left Hand			
			
EUCLID NO.	GENUINE	OEM REF	APPLICATION
E-16426		59429-001	Set Back Axle

Air Spring Bracket, Right Hand		
		
EUCLID NO.	GENUINE	OEM REF
E-15132		60850-002

Link Mount, Left Hand			
			
EUCLID NO.	GENUINE	OEM REF	APPLICATION
E-15098		59429-002	Set Forward Axle and All Right Hand

Air Spring Bracket, Left Hand		
		
EUCLID NO.	GENUINE	OEM REF
E-16425		60850-001

**NOTES:** \_\_\_\_\_

\_\_\_\_\_

\_\_\_\_\_

\_\_\_\_\_

\_\_\_\_\_

\_\_\_\_\_

\_\_\_\_\_

\_\_\_\_\_

\_\_\_\_\_

\_\_\_\_\_

\_\_\_\_\_

\_\_\_\_\_

\_\_\_\_\_

\_\_\_\_\_

\_\_\_\_\_

\_\_\_\_\_

\_\_\_\_\_

\_\_\_\_\_

\_\_\_\_\_

\_\_\_\_\_

\_\_\_\_\_

\_\_\_\_\_

**WESTERN STAR**

# NUMERICAL LISTING

Suspension

PART NO.	PAGE NO.
E-1279	8-9, 8-11, 8-20
E-1307	1-11, 1-13, 3-3, 6-3, 6-4, 7-3
E-1820	7-11
E-1828	1-15, 2-3, 4-27
E-1835	1-15, 2-3, 4-13, 4-17, 4-21, 4-23, 4-25, 4-27, 4-29, 7-15
E-1876	1-13, 1-29, 3-3, 3-12, 7-3, 7-20
E-1943	7-7, 7-15, 7-19
E-2017	3-7, 3-18
E-2018	3-7, 3-18
E-2022	1-21
E-2225	4-9, 4-27, 4-34, 4-43, 5-11, 5-15, 5-23, 5-27, 7-7, 7-9, 7-11, 7-17, 7-27, 7-31, 8-7, 8-11, 8-18, 8-20
E-2226	3-7, 3-11, 3-18, 3-20, 4-15, 4-27, 4-43, 5-11, 5-15, 5-23, 5-27, 7-24, 7-27
E-2228	3-7, 3-18
E-2275	7-19
E-2545	1-3, 1-5, 1-7, 1-9, 1-19, 1-21, 1-23, 5-3, 5-7, 9-3
E-2546	2-3, 4-11, 4-13, 4-17, 4-27, 4-29, 7-15
E-2547	1-15, 3-7, 3-9, 5-3, 5-5, 5-11, 7-7, 7-15, 7-17, 7-19, 8-11, 8-13, 8-15
E-2634	2-3, 2-4, 4-11, 4-37, 5-13, 5-25
E-2815	4-15, 4-19, 4-43
E-2854	4-27
E-2917	4-13, 4-21, 4-27, 4-29, 4-42
E-2919	4-13, 4-17, 4-21, 4-29, 4-42
E-2920	4-13, 4-17, 4-21, 4-27, 4-29, 4-42
E-2921A	4-13, 4-27, 4-39
E-2922A	4-13, 4-27, 4-39
E-2924A	4-13, 4-39
E-2925	4-17, 4-29, 4-39
E-2975	2-3, 4-27
E-2983	4-11, 8-9
E-2988	1-15, 1-23, 5-3, 5-5, 5-15, 7-7, 7-9, 7-17, 8-13, 8-15

PART NO.	PAGE NO.
E-3005	4-15, 4-19, 4-21, 4-23, 4-25, 4-44
E-3006	4-15, 4-19, 4-21, 4-23, 4-25, 4-44
E-3082	8-9, 8-11, 8-20
E-3083A	8-9, 8-11, 8-20
E-3176	4-9, 8-7, 8-18
E-3187	4-17, 4-29, 4-39
E-3191	4-7
E-3193	4-7
E-3294	1-21, 1-39
E-3295	1-21
E-3296	1-21, 1-39
E-3297	1-21
E-3298	1-21
E-3299	1-21
E-3530	1-11, 1-29
E-3531	1-11, 1-29
E-3533	1-11, 1-29, 4-7, 4-32
E-3537A	1-11, 1-30
E-3538	1-21, 1-37
E-3539	1-21, 1-37
E-3541	1-21, 1-23, 1-38
E-3542	1-21
E-3543	1-21, 1-38
E-3546	1-21, 1-39
E-3555	1-21
E-3556	1-21, 1-38
E-3557	1-21, 1-38
E-3558	1-21, 1-38
E-3560	1-21, 7-9, 7-11
E-3561A	1-21, 1-38
E-3562	1-15, 1-32
E-3563	1-15, 1-32
E-3564	1-15, 2-3, 4-27
E-3565	1-15
E-3567	1-15, 1-33
E-3568	1-15, 1-32
E-3569	1-15, 1-32
E-3599	5-29
E-3604	5-29
E-3605	5-29
E-3606	5-29
E-3677	1-21
E-3679	4-23, 4-25, 4-29, 4-42
E-3680	4-23, 4-25, 4-29, 4-42
E-3683	4-13, 4-38

PART NO.	PAGE NO.
E-3685	4-13, 4-27, 4-38
E-3687	4-17, 4-38
E-3688	4-13, 4-17, 4-21, 4-29, 4-41
E-3689	4-13, 4-17, 4-21, 4-27, 4-29, 4-42
E-3690	4-13, 4-17, 4-27, 4-29, 4-41
E-3691	4-13, 4-17, 4-27, 4-29, 4-41
E-3692	4-13, 4-17, 4-27, 4-29, 4-41
E-3693	4-13, 4-17, 4-27, 4-29, 4-41, 7-15
E-3696	4-13, 4-17, 4-25, 4-27, 4-29, 4-41
E-3697	4-17, 4-29, 4-40
E-3698	4-17, 4-29, 4-40
E-3699	4-17, 4-29, 4-40
E-3700	4-17, 4-29, 4-41
E-3702	4-13, 4-27, 4-39
E-3703	4-13, 4-27, 4-39
E-3704	4-13, 4-40
E-3715	4-7, 4-32
E-3717	4-32
E-3720	4-32, 7-3, 7-22
E-3722	4-7, 4-32
E-3783	5-15, 5-26
E-3784	5-15, 5-26
E-3785	5-15
E-3786	5-15, 5-26
E-3788	5-11, 5-15, 5-24, 5-26
E-3789	5-15, 5-26
E-3790	1-21, 1-23, 1-39, 5-11, 5-15, 5-24, 5-27
E-3792	5-11, 5-15, 5-27, 7-15
E-3793	5-11, 5-15, 5-27
E-3795	5-11, 5-15, 5-23, 5-26
E-3796	5-15, 5-28
E-3797	5-11, 5-15, 5-24, 5-28
E-3798	5-11, 5-15, 5-24, 5-28
E-3799	5-11, 5-15, 5-24, 5-28
E-3816	1-15, 1-32
E-3817	1-15, 1-32
E-3818	1-15

NUMERICAL LISTING

## NUMERICAL LISTING

PART NO.	PAGE NO.
E-3819	1-15, 1-32
E-3821A	1-15, 1-32
E-3839	8-9, 8-20
E-3844	8-9, 8-11, 8-20
E-3845	8-11, 8-20
E-3849	8-9, 8-21
E-3900	4-27, 4-42
E-3915	4-17, 4-29, 4-40
E-3916	4-17, 4-29, 4-40
E-3919	4-13, 4-19, 4-42
E-3975	5-15
E-3988	4-13, 4-19, 4-21, 4-23, 4-25, 4-34, 4-43
E-4347	1-3, 1-5, 1-7, 1-9, 5-3, 9-3
E-4421	5-15
E-4664	3-7, 3-18
E-4669	3-7, 3-16
E-4745	7-17, 7-23
E-4751	7-17, 7-24
E-4752	7-17, 7-24
E-4753	7-17, 7-24
E-4755	7-17, 7-23
E-4759	7-17
E-4761	7-17, 7-23
E-4770	5-15, 5-26, 7-17, 7-23
E-4771	7-7, 7-27
E-4771	7-11
E-4773	7-11, 7-26
E-4774	7-11, 7-26
E-4775	7-11, 7-26
E-4776	7-9, 7-11, 7-26, 7-30
E-4777	7-9, 7-11, 7-26, 7-30
E-4778	7-11, 7-19
E-4779	7-9, 7-11, 7-19
E-4780	7-11, 7-26
E-4781	7-7, 7-11, 7-28
E-4782	7-11, 7-28
E-4961A	1-7, 1-15, 1-17, 1-21, 1-23, 4-13, 4-27, 5-7, 7-11
E-5075	3-7, 3-19
E-5076	3-7, 3-18
E-5082	7-7, 7-27
E-5083	7-7, 7-27
E-5275	1-17, 1-33, 2-3, 2-4, 5-11, 5-23, 7-17, 7-24

PART NO.	PAGE NO.
E-5280	7-7
E-5281	2-3, 2-4, 4-9, 4-35, 7-7, 7-15, 7-17, 7-24, 7-27, 7-33, 8-7, 8-11, 8-19, 8-21
E-5417	4-23, 4-38
E-5419	4-23, 4-41
E-5420	4-23, 4-41
E-5421	4-21, 4-23, 4-39
E-5422	4-21, 4-23, 4-40
E-5423	4-21, 4-23, 4-40
E-5424	4-21, 4-23, 4-41
E-5425	4-21, 4-23, 4-39
E-5426	4-23, 4-25, 4-42
E-5427	4-13, 4-17, 4-21, 4-23, 4-25, 4-27, 4-29, 4-41
E-5428	2-3, 4-13, 4-17, 4-21, 4-23, 4-27, 4-29, 4-41
E-5429	4-21, 4-23, 4-25
E-5431	4-25, 4-38
E-5432	4-25, 4-39
E-5433	4-25, 4-40
E-5434	4-25, 4-41
E-5436	4-25, 4-41
E-5439	4-13, 4-17, 4-25, 4-27, 4-29, 4-41
E-7441	4-13, 4-39
E-7446A	3-7, 3-16
E-7474	3-7, 3-9, 7-7, 7-9, 7-11, 7-13, 7-19, 7-25, 7-28, 7-31, 7-32
E-7478	4-13, 4-27, 4-39
E-7479	4-13, 4-27, 4-39
E-7480	4-13, 4-17, 4-21, 4-27, 4-29, 4-42
E-7481	4-13, 4-21, 4-27, 4-29, 4-42
E-7509	7-11, 7-26
E-7510	7-17, 7-23
E-7529	1-11, 1-13, 1-15, 5-11, 6-3, 6-4, 7-7, 7-9, 7-11, 7-28, 7-31
E-7638	5-11, 5-15, 5-23, 5-27, 7-7, 7-9, 7-11, 7-27, 7-31
E-7639	3-7, 3-11, 3-18, 3-20, 5-11, 5-15, 5-23, 5-27
E-7700	1-23, 1-37
E-7701	1-21, 1-23, 1-37

PART NO.	PAGE NO.
E-7702	1-23, 1-37
E-7703	1-23, 5-9, 5-20
E-7704	1-23, 1-38
E-7706	1-23, 1-37
E-7840	7-9, 7-30
E-7841	7-9, 7-30
E-7842	7-9
E-7843	7-9, 7-30
E-7844	7-9, 7-30
E-7845	7-9, 7-30
E-7851	7-9, 7-31
E-7852	2-3, 2-5, 4-9, 4-11, 4-35, 8-7, 8-19
E-7853	7-9, 7-30
E-7854	7-7, 7-26
E-7855	7-7, 7-27
E-7856	7-7, 7-27
E-7857	7-7
E-7862	7-7, 7-28
E-7864	7-7, 7-28
E-7868	7-7, 7-11, 7-15, 7-29, 7-33
E-7870	7-19, 7-23
E-7871	7-19, 7-23
E-7878	7-19
E-7879	7-19, 7-24
E-7887	7-19, 7-24
E-8651	3-7, 3-18
E-8655	3-11, 3-20
E-8667	4-13, 4-17, 4-21, 4-29, 4-42
E-8795	1-13, 1-30
E-8796	1-13, 1-29
E-8797	1-13, 1-29
E-8799	1-13, 1-29
E-8800	1-13, 1-29
E-8802	1-17, 1-34
E-8803	1-17, 1-34
E-8804	1-17, 1-33
E-8805	1-17, 1-33
E-8806	1-17, 1-33
E-8808	1-17, 1-34
E-8809	1-17, 1-33
E-8810	1-17, 1-33
E-8819	8-7, 8-11, 8-18, 8-20
E-8821	4-9, 4-34, 8-7, 8-18
E-8841	3-7, 3-9
E-8851	8-13, 8-15, 8-22
E-8853	8-13, 8-22

# NUMERICAL LISTING

Suspension

PART NO.	PAGE NO.
E-8854	1-13, 1-30
E-8855	1-13, 1-30
E-8909	4-9, 8-7, 8-11, 8-21
E-8910	4-9, 8-7, 8-11, 8-21
E-8911	4-9, 5-17, 8-7, 8-11
E-8926	8-11, 8-21
E-8941	1-21, 1-23, 1-39
E-9321	3-11, 3-20
E-9322	3-11, 3-20
E-9324	3-11, 3-20
E-9376	1-15
E-9395	4-34, 8-18
E-9521	3-11, 3-20
E-9603	4-11, 5-3, 7-9, 7-11, 7-19
E-9624	1-15, 1-19, 1-35, 3-7, 3-9, 5-11, 5-13, 5-25, 7-7, 7-9, 7-11, 7-13, 7-29, 7-31, 7-32
E-9625	1-15, 1-19, 3-7, 3-9, 5-11, 5-13, 5-25, 7-7, 7-9, 7-11, 7-13, 7-29, 7-31, 7-32, 9-3, 9-4
E-9869	1-23, 1-39
E-9874	1-15, 1-33
E-10116	4-13, 4-27, 4-40
E-10302	3-9, 3-16
E-10303	3-7, 3-9, 3-18, 3-20
E-10309	5-11, 5-23
E-10310	5-11
E-10315	5-11
E-10317	5-11
E-10764	5-11, 5-15, 5-24, 5-26
E-10765	5-15, 5-26
E-11749	7-11, 7-26
E-11855	4-9, 4-35, 8-7, 8-19
E-11870	4-9, 4-35, 8-7, 8-19
E-11905	8-13, 8-15
E-11906	8-13, 8-15
E-13961	2-3, 2-4
E-13992	2-3, 2-4, 4-11, 4-36
E-13993	4-11, 4-37
E-13995	1-3, 1-5, 1-28, 9-3, 9-4
E-13996	5-3, 5-9, 5-20
E-13997	5-3, 5-9, 5-20
E-14013	4-3, 8-3
E-14014	4-3, 8-3
E-14019	4-5, 8-5

PART NO.	PAGE NO.
E-14020	4-5, 8-5
E-14632	1-3, 1-26
E-14633	1-3, 1-26
E-14731	1-15, 1-19, 1-35, 3-7, 3-9, 3-19, 5-11, 5-13, 5-25, 7-7, 7-9, 7-11, 7-13, 7-29, 7-31, 7-32
E-14732	3-19, 7-7, 7-9, 7-11, 7-29, 7-32
E-14796	4-11
E-15094	1-3, 1-5, 1-9, 5-3
E-15095	5-3, 5-9, 5-20
E-15096	4-3, 4-31, 5-5, 5-9, 8-3, 8-17
E-15097	5-3, 5-20
E-15098	1-5, 1-28, 5-3, 5-21, 9-3, 9-5
E-15099	5-3, 5-20
E-15100	5-3, 5-18
E-15101	5-3
E-15102	1-3, 1-5, 1-27, 5-3, 5-5, 5-20, 9-3, 9-4
E-15103	5-3, 5-18
E-15104	5-3, 5-18
E-15106	5-5
E-15107	5-5, 5-7, 5-19
E-15108	4-3, 4-30, 5-5, 5-7, 5-9, 5-20, 8-3, 8-16
E-15109	5-5, 5-7, 5-19
E-15110	1-3, 1-5, 1-9, 1-27, 4-3, 4-30, 5-5, 5-7, 5-9, 5-19, 8-3, 8-16, 9-3, 9-4
E-15113	5-3, 5-21
E-15114	5-3, 5-21
E-15118	1-3, 1-26
E-15119	5-5, 5-19
E-15120	5-3, 5-18
E-15121	5-3, 5-9, 5-21
E-15122	5-3
E-15123	5-3, 5-18
E-15124	5-3, 5-18
E-15125	5-3, 5-18
E-15126	5-5, 5-20
E-15127	5-5, 5-19
E-15128	5-5, 5-19
E-15132	1-3, 1-5, 1-28, 9-3, 9-5
E-15133	1-3, 1-5, 1-28, 9-3, 9-4

PART NO.	PAGE NO.
E-15134	1-3, 1-5, 1-7, 1-28, 9-3, 9-4
E-15136	1-3, 1-26
E-15137	1-3, 1-27
E-15138	1-3, 1-27
E-15140	1-3, 1-27
E-15145	1-3, 1-5, 1-27, 9-3, 9-4
E-15146	1-3, 1-5, 1-27, 9-3
E-15147	1-9, 4-3, 4-30, 5-9, 5-19, 8-3, 8-16
E-15148	4-3, 4-30, 5-17, 5-30, 8-3, 8-16
E-15150	4-3, 4-31, 8-3, 8-17
E-15151	4-3, 4-31, 8-3, 8-17
E-15160	7-11
E-15162	2-3, 2-4
E-15177	5-17, 5-30
E-15182	7-15
E-15194	1-17, 4-13, 4-27
E-15199	7-7, 7-17, 8-13, 8-15
E-15312	7-19
E-15487	4-11
E-15536	1-17, 1-34
E-15537	3-3, 3-13, 7-3, 7-21
E-15541	1-17, 1-33, 5-13, 5-25, 7-13, 7-32
E-15542	1-17, 1-34
E-15543	3-3, 3-13, 7-3, 7-21
E-15553	4-11, 4-36
E-15611	3-7, 3-18
E-15613	3-3, 3-13, 7-3, 7-21
E-15671	4-9, 4-34, 8-7, 8-18
E-15708	3-7, 3-18
E-15709	7-15, 7-33
E-15711	3-7, 3-18
E-15716	2-3
E-15716	2-4
E-15721	4-11
E-15727	1-9, 1-27, 4-3, 4-30, 5-9, 5-19, 8-3, 8-16
E-16054	1-25, 1-42
E-16055	1-25, 1-42
E-16056	1-25, 1-42
E-16057	1-25, 1-42
E-16058	1-25, 1-42
E-16059	1-25, 1-42
E-16061	1-25, 1-42
E-16062	1-25, 1-42
E-16063	1-25, 1-41

NUMERICAL LISTING

## NUMERICAL LISTING

PART NO.	PAGE NO.
E-16064	1-25, 1-41
E-16066	1-25, 1-42
E-16069	1-25, 1-42
E-16070	1-25, 1-42
E-16075	5-13, 5-25
E-16078	7-19
E-16088	7-15, 7-33
E-16091	3-9, 3-16
E-16092	3-9, 3-16
E-16093	3-9, 3-16
E-16094	7-15, 7-33
E-16097	7-15, 7-33
E-16098	7-15, 7-33
E-16099	7-15, 7-33
E-16105	7-15, 7-33
E-16118	7-13, 7-32
E-16119	3-9, 3-16
E-16122	3-9, 3-17
E-16153	3-3, 3-12, 7-3, 7-20
E-16163	3-3, 3-13, 7-3, 7-21
E-16165	4-7, 4-32
E-16220	1-25, 1-42
E-16221	1-25, 1-42
E-16222	1-25, 1-42
E-16223	1-25, 1-42
E-16224	7-15
E-16225	3-7, 3-19
E-16226	3-7, 3-9, 3-19
E-16227	1-15, 1-23, 7-9, 8-13, 8-15
E-16228	7-13
E-16229	3-7, 7-13
E-16230	3-7, 3-9, 3-19
E-16231	3-9, 3-19
E-16232	1-13
E-16233	7-5, 7-9
E-16236	3-3, 3-13, 7-3, 7-21
E-16238	2-3, 2-4
E-16260	4-11, 4-36
E-16277	1-17, 1-34
E-16292	3-3, 3-13
E-16364	5-17, 5-30
E-16366	5-17, 5-30
E-16402	4-11, 7-19
E-16407	1-7, 1-28, 2-3, 2-5
E-16409	4-3, 4-30, 8-3, 8-16
E-16410	4-5, 4-30, 8-5, 8-16
E-16411	4-5, 4-31, 8-5, 8-17

PART NO.	PAGE NO.
E-16412	4-3, 4-30, 8-3, 8-16
E-16415	3-7, 3-19
E-16419	1-3, 9-3
E-16420	5-7, 5-18
E-16421	5-9
E-16425	1-3, 1-5, 1-7, 1-28, 9-3, 9-5
E-16426	1-3, 1-5, 1-28, 9-3, 9-5
E-16430	1-7, 1-9, 1-26
E-16431	1-9, 1-26
E-16432	1-9, 1-26
E-16434	1-9, 1-26
E-16435	1-3, 1-5, 1-27, 9-3, 9-4
E-16436	1-3, 1-5, 1-27, 9-3, 9-4
E-16467	1-5, 5-3
E-16468	5-3
E-16653	1-17, 1-34
E-16686	3-7, 7-13
E-16687	5-13, 5-25, 7-13
E-16690	3-7, 3-19
E-16691	3-7, 3-19
E-16775	4-27, 4-42
E-16776	4-27, 4-43
E-16777	4-9, 4-34, 8-7, 8-18
E-16778	4-9, 4-34, 8-7, 8-18
E-16779	4-9, 4-34, 8-7, 8-18
E-16780	4-11, 4-36
E-16781	4-11, 4-36
E-16816	8-13, 8-15, 8-23
E-16818	8-15, 8-22
E-16819	8-15, 8-22
E-17002	8-15, 8-23
E-17003	8-15, 8-23
E-17004	4-27
E-401754	1-11, 1-13, 1-15, 5-11, 6-3, 6-4, 7-7, 7-9, 7-11, 7-28, 7-31
E-UB5121-075	1-15
E-UB8142-06	8-13
E-UB8142-074	8-15
E-UB8143-074	1-15
E-UB8151-10	8-13
E-UB8151-12	8-13, 8-15
E-UB8151-14	7-19, 8-15
E-UB8151-16	4-9, 4-11, 7-19, 8-7
E-UB8151-18	7-17, 8-9, 8-11, 8-21
E-UB8153-10	1-11

PART NO.	PAGE NO.
E-UB8153-12	1-11
E-UB8153-14	1-11
E-UB8154-10	1-13
E-UB8154-12	1-13
E-UB8154-18	1-21
E-UB8161-15	7-13
E-UB8162-18	1-23
E-UB8162-22	1-23
E-UB8164-10	1-13
E-UB8164-12	1-13
E-UB8164-16	1-15
E-UB8169-156	5-13
E-UB8169-166	5-13
E-UB8253-05	7-9
E-UB8253-12	4-7
E-UB8254-10	3-5
E-UB8254-12	3-5
E-UB8254-14	3-5
E-UB8255-05	7-11
E-UB8267-153	1-17
E-UB8268-134	7-15
E-UB8353-15	5-11, 5-15
E-UB8354-12P	7-5
E-UB8363-15N	5-11, 5-15
E-UB8375-14	7-7, 7-11
E-UB8375-154	7-7, 7-11
E-UB8394-18	4-13, 4-17, 4-21, 4-44
E-UB8394-144	4-13, 4-17, 4-21, 4-44
E-UB8394-162S	4-13, 4-17, 4-21, 4-44
E-UB8394-172S	4-21
E-UB8394-192S	4-21
E-UB8396-165S	4-23, 4-25, 4-44
E-UB8554-033	1-15
E-UB8673-154	7-9
FS1191	5-13
FS7400	1-15
FS7410	1-15
FS8597	5-3
FS8813	7-15
FS8829	4-9, 8-7
FS8864	7-13
FS9026	7-9
FS9069	7-7, 7-11
FS9194	7-9
FS9213	5-11
FS9219	4-9, 8-7

# NUMERICAL LISTING

Suspension

PART NO.	PAGE NO.
FS9296	4-9, 8-7
FS9371	5-11
FS9379	5-11
FS9422	3-7
FS9541	3-9
FS9547	3-9
FS9554	4-3, 8-3
FS9566	5-11
FS9568	5-11
FS9616	3-7
FS9617	3-9
FS9618	3-9
FS9622	3-9
FS9625	3-9
FS9647	4-11
FS9780	1-19
FS9781	1-19
FS9912	1-7
FS9913	4-3, 8-3
G-2922A	4-39
G-2922A	4-13
G-2924A	4-13, 4-39
G-3530	1-11, 1-29
G-3531	1-11, 1-29
G-3532	1-11, 1-29
G-3534	1-11, 1-29
G-3536	1-11, 1-30
G-3546	1-21, 1-39
G-3557	1-21
G-3697	4-17
G-3720	7-3
G-3784	5-15, 5-26
G-3790	1-21, 1-23, 1-39, 5-15
G-3796	5-15, 5-28
G-3817	1-15, 1-32
G-3844	8-9, 8-11, 8-20
G-3916	4-40
G-3917	1-21, 1-37
G-3917A	1-21, 1-37
G-4669	3-7, 3-16
G-4771	7-7, 7-27
G-4771	7-11
G-4775	7-11, 7-26
G-4781	7-11, 7-28
G-4781	7-7
G-5082	7-7, 7-27
G-5083	7-7, 7-27

PART NO.	PAGE NO.
G-5417	4-23, 4-38
G-5425	4-21, 4-23, 4-39
G-5431	4-25, 4-38
G-7700	1-23
G-7840	7-9, 7-30
G-7841	7-9, 7-30
G-7853	7-9, 7-30
G-8795	1-13, 1-30
G-8796	1-13, 1-29
G-8797	1-13, 1-29
G-8799	1-13, 1-29
G-8800	1-13, 1-29
G-8802	1-17, 1-34
G-8803	1-17, 1-34
G-8804	1-17, 1-33
G-8805	1-17, 1-33
G-8806	1-17, 1-33
G-8808	1-17, 1-34
G-8821	8-7, 8-18
G-8832	8-13, 8-22
G-8833	8-13, 8-22
G-8835	8-13, 8-23
G-8836	8-13, 8-23
G-8838	8-13, 8-22
G-8850	8-13, 8-15, 8-22
G-8854	1-13, 1-30
G-8855	1-13, 1-30
G-8941	1-21, 1-23, 1-39
G-9324	3-11, 3-20
G-9874	1-15, 1-33
G-10303	3-7, 3-9, 3-18, 3-20
G-10766	3-7, 3-19
G-11749	7-11, 7-26
G-15536	1-17, 1-34
G-15537	3-3, 3-13, 7-3, 7-21
G-15538	3-3, 3-13
G-15541	1-17, 1-33, 5-13, 5-25, 7-13, 7-32
G-15543	3-3, 3-13, 7-3, 7-21
G-15545	5-11, 5-15, 5-23
G-15547	3-5, 3-14, 7-3, 7-22
G-15588	1-25, 1-41
G-15590	1-19, 1-36
G-15591	1-40
G-15592	1-40
G-15593	1-31
G-15596	1-23, 1-40
G-15597	1-39

PART NO.	PAGE NO.
G-15598	1-13, 1-30
G-15600	1-17, 1-33, 5-13, 5-25, 7-13, 7-32
G-15601	1-38
G-15608	3-3, 3-14
G-15613	3-3, 3-13, 7-3, 7-21
G-15614	3-3, 3-12, 7-3, 7-20
G-15616	3-3, 3-13
G-15618	3-9, 3-17
G-15619	3-3, 3-12
G-15620	3-3, 3-12, 7-3, 7-20
G-15621	3-5, 3-14
G-15622	3-5, 3-14
G-15632	5-22
G-15633	5-22
G-15640	5-22
G-15642	5-22
G-15643	5-11, 5-23
G-15644	5-22
G-15645	5-28
G-15646	5-28
G-15648	5-22
G-15650	5-11, 5-15, 5-23, 5-27
G-15653	5-15, 5-28
G-15655	5-22
G-15658	7-7, 7-28
G-15661	7-20
G-15662	7-3, 7-20
G-15663	7-5, 7-20
G-15666	8-17
G-15667	8-17
G-15671	4-9, 4-34, 8-7
G-15672	8-13, 8-23
G-16051	1-25, 1-41
G-16053	1-25, 1-41
G-16060	1-25, 1-41
G-16066	1-25, 1-42
G-16069	1-25, 1-42
G-16094	7-15, 7-33
G-16107	3-9, 3-16
G-16108	3-9, 3-17
G-16112	3-9, 3-17
G-16115	3-9, 3-17
G-16117	3-9, 3-19
G-16137	6-3, 6-4
G-16141	6-3, 6-4
G-16143	7-3, 7-22
G-16145	7-3, 7-22

NUMERICAL LISTING

## NUMERICAL LISTING

PART NO.	PAGE NO.
G-16147	7-3, 7-21
G-16155	7-3, 7-21
G-16157	3-3, 3-13, 7-3, 7-20
G-16158	3-3, 3-13, 7-3, 7-20
G-16163	3-3, 3-13, 7-3, 7-21
G-16167	7-3, 7-20
G-16236	3-3, 3-13, 7-3, 7-21
G-16281	1-19, 1-36
G-16292	3-3, 3-13
G-16305	5-22
G-16317	7-3, 7-21
G-16319	3-3, 3-12, 7-3, 7-20
G-16321	3-3, 7-3, 7-20
G-16433	1-30
G-16469	1-31
G-16470	7-9, 7-30
G-16471	1-19, 1-36
G-16472	1-17, 1-35
G-16473	1-19, 1-35
G-16474	1-19, 1-36
G-16475	1-17, 1-35
G-16641	1-13, 1-30
G-16642	1-13, 1-30
G-16643	1-11, 1-13, 1-29
G-16644	1-13, 1-31
G-16645	1-13, 1-31
G-16648	1-23, 1-39
G-16649	1-17, 1-34
G-16651	1-17, 1-34
G-16652	1-17, 1-34
G-16653	1-17
G-16654	1-17, 1-34
G-16655	1-19, 1-35
G-16656	1-17, 1-35
G-16658	1-19, 1-36
G-16659	1-19, 1-36
G-16660	1-19, 1-36
G-16661	1-19, 1-36
G-16662	1-19, 1-36
G-16664	1-19, 1-36
G-16665	1-19, 1-36
G-16666	1-19, 1-35
G-16671	1-25, 1-41
G-16672	1-25, 1-41
G-16673	1-11, 1-13, 1-29
G-16674	1-15, 1-34
G-16695	3-5, 3-14, 7-3, 7-21
G-16700	3-3, 3-13, 7-3, 7-21

PART NO.	PAGE NO.
G-16701	3-3, 3-13, 7-3, 7-21
G-16702	3-3, 3-14
G-16703	3-3, 3-12
G-16705	3-3, 3-14
G-16711	7-7, 7-28
G-16718	3-9, 3-17
G-16720	7-5, 7-22
G-16721	7-5, 7-22
G-16722	7-5, 7-22
G-16782	4-13, 4-17, 4-41
G-16787	4-17, 4-29, 4-40
G-16788	4-19
G-16790	4-19, 4-43
G-16791	4-19, 4-43
G-16793	4-21
G-16806	4-9, 4-34, 8-7, 8-19
G-16807	4-9, 4-35, 8-7, 8-19
G-16811	5-11, 5-24
G-16812	5-13, 5-25
M83101	5-15
M83111	4-11
M83122	6-3
M83148	2-3
M83221	4-7
M83312	3-5
M85001	3-5
M85003	5-11
M85007	1-15
M85012	7-5
M85024	4-9, 8-7
M85033	7-9
M85036	4-7, 7-5
M85046	4-9, 8-7
M85047	4-9, 8-7
M85062	7-5
M85067	7-15
M85069	7-13
M85070	3-5
M85102	5-17
M85300	5-11
M85302	1-11, 1-13
M85303	6-3
M85308	7-7, 7-11
M85310	3-7
M85311	7-7, 7-11
M85319	1-15, 1-19
M85320	1-11, 1-13
M85326	7-19

PART NO.	PAGE NO.
M85724	1-19
M85734	5-11
M85740	3-5
M85900	3-9
M85902	3-9
M85918	1-13
M85931	5-13
M85932	1-3, 1-5, 9-3
M85933	4-3, 8-3
M85936	3-9
M85937	3-9
M85955	5-3, 5-9
M85956	1-25
M89405	7-5
M89406	6-3
M89408	7-5
M89409	3-5
M89410	3-5
M89411	5-11
M89412	1-15
M89413	7-5
M89420	1-13
M89422	6-3, 7-7, 7-11
M89423	3-7
M89424	7-7, 7-11
M89427	7-9
M89428	1-19
M89429	1-13
M89449	1-13
M89453	1-5, 9-3
M89454	4-3, 8-3
M89456	3-9
M89458	5-13
M89459	3-5
MAF1191	5-13
MAF8813	7-15
MAF8829	4-9, 8-7
MAF9026	7-9
MAF9069	7-7, 7-11
MAF9371	5-11
MAF9422	3-7
MAF9616	3-7
MAF9622	3-9
MAF9625	3-9
MAF9780	1-19
MAF9781	1-19



**NOTES:** \_\_\_\_\_

\_\_\_\_\_

\_\_\_\_\_

\_\_\_\_\_

\_\_\_\_\_

\_\_\_\_\_

\_\_\_\_\_

\_\_\_\_\_

\_\_\_\_\_

\_\_\_\_\_

\_\_\_\_\_

\_\_\_\_\_

\_\_\_\_\_

\_\_\_\_\_

\_\_\_\_\_

\_\_\_\_\_

\_\_\_\_\_

\_\_\_\_\_

**NUMERICAL LISTING**





Vehicle models, trademarks, brands,  
and names depicted herein are the  
property of their respective owners,  
and may not be associated with  
Meritor, Inc. or its affiliates.



Meritor Heavy Vehicle Systems, LLC  
7975 Dixie Highway  
Florence, KY 41042  
U.S. 888-725-9355  
Canada 800-387-3889  
[MeritorPartsXpress.com](http://MeritorPartsXpress.com)

©2019 Meritor, Inc.  
Litho in USA  
Revised 09-19  
700E-TRK (87410)