

# SUSPENSION CATALOG

## REYCO GRANNING



**TRUST MATTERS.**



Table of Contents

Tractor Suspensions

Model 102AR Air Suspension - - - - - 4

Model 240AR Air Suspension - - - - - 8

Model 79KB Single Axle Spring Suspension - - - - - 10

Model 101 Tandem Four Spring Suspension - - - - - 12

Model 101A Tandem Four Spring Suspension - - - - - 16

Model 102 Tandem Four Spring Suspension - - - - - 20

Model 102W Tandem Four Spring Suspension - - - - - 24

Model 102CC Single Axle Spring Suspension - - - - - 28

Trailer Suspensions

Model 20AR/22AR Air Suspension - - - - - 30

Model 21AR Air Suspension - - - - - 32

Model 23AR/25AR/30AR Air Suspension - - - - - 34

Model 74AR Air Suspension - - - - - 36

Model 86AR Air Suspension - - - - - 38

Model 21B Cast Tandem Four Spring Suspension, 42" - 72" Axle Spacing - - - - - 42

Model 21B Fabricated Tandem Four Spring Suspension, 44" - 109" Axle Spacing - - - - - 48

Model 73 Tandem Four Spring Suspension, 49" Axle Spacing - - - - - 52

Model 73 Tandem Four Spring Suspension, 60" and 72" Axle Spacing - - - - - 54

Model 74B Tandem Four Spring Suspension, 50", 54" and 60" Axle Spacing - - - - - 56

Model 74B Tandem Four Spring Suspension, 72", 77", 97" and 109" Axle Spacing - - - - - 58

Model 83 Tandem Four Spring Suspension, 50" – 109" Axle Spacing - - - - - 60

Model 86-88 Tandem Four Spring Suspension - - - - - 64

Component Parts - - - - - 70

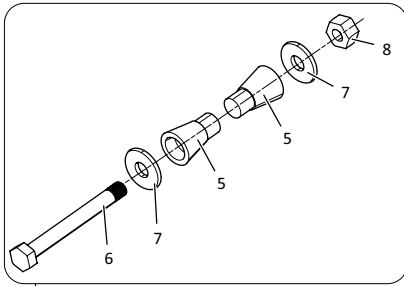
Cross Reference - - - - - 97

Numerical Listing- - - - - 100

# REYCO GRANNING

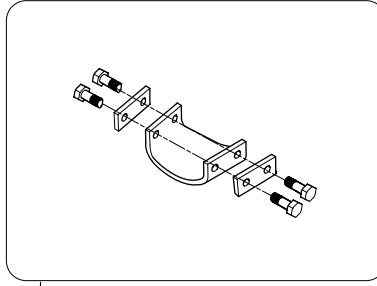
## Model 102AR Air Suspension Tractor

Torque Arm Bushing Assembly Hanger End

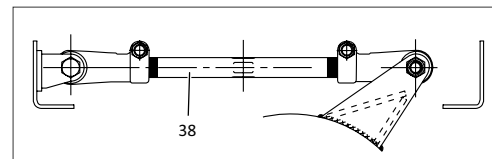
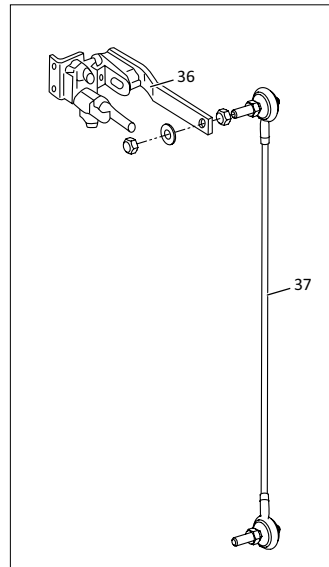
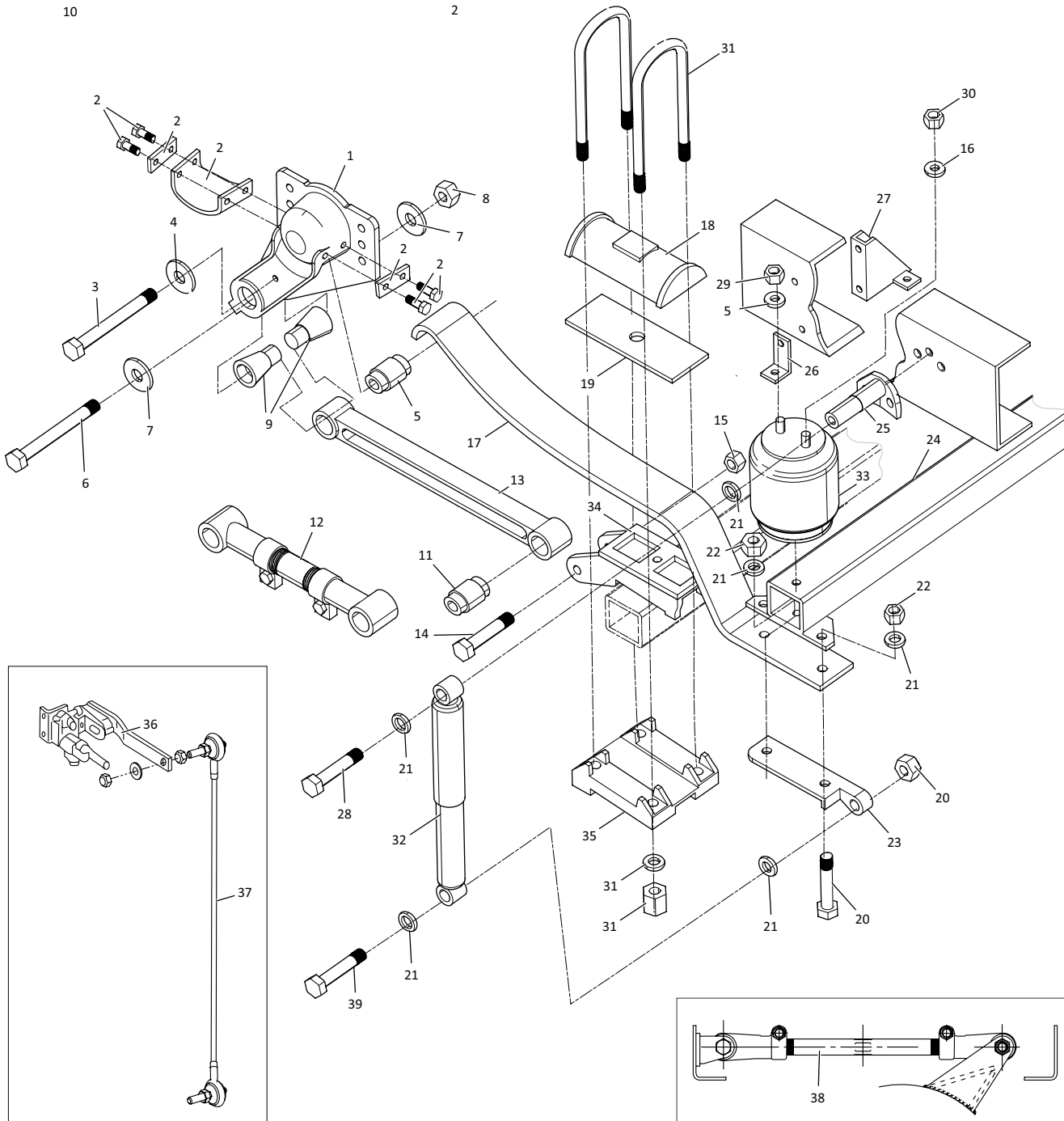


10

Wear Pad Kit



2



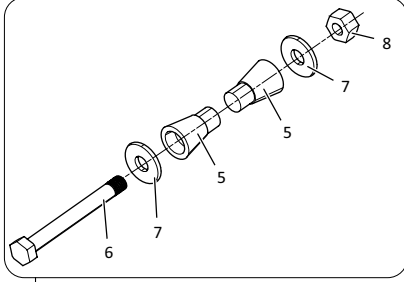
Model 102AR Air Suspension Tractor							
KEY NO.	EUCOLID NO.	GENUINE	MACH NO.	OEM REF.	DESCRIPTION	QTY. PER AXLE	PAGE NO.
1	E-4794	<b>R</b>	-	22521-01	Standard Front Hanger, Left Hand, Includes Key Nos. 2, 3	1	84
	E-4795	<b>R</b>	-	22521-02	Standard Front Hanger, Right Hand, Includes Key Nos. 2, 3	1	84
2	E-2867A	<b>R</b>	G-2867A	TK19168	Hanger Pad Assembly Includes Bolt, Plate, and Wear Pad	2	90
3	E-1972	-	-	T-5544	Cap Screw 1/2"-20 x 4-3/4" Long	2	-
4	E-1974	-	-	T-1705	Lock Washer, 1/2"	6	-
5	E-1061	-	-	13677-04	Hanger Bushing , 2-1/2" Long	2	-
	E-16726	<b>R</b>	-	13677-05	Hanger Bushing, 3-1/4" Long Diameter	2	-
6	E-1166	-	-	23882-01	Torque Arm Bolt, Hanger End, 1"-14 x 6-3/4" Long	2	83
7	E-905	-	-	T-1724	Flat Washer, 1-1/16"	4	-
8	E-937	-	-	T-5495	Lock Nut, 1"-14	2	-
9	E-10057	-	G-10057	21238-01S	Torque Arm Bushing, Hanger End, Rubber	4	82
	E-9579	-	-	-	Torque Arm Bushing, Hanger End, Poly	4	82
10	E-9350	-	-	-	Torque Arm Bushing Assembly, Hanger End, Includes Key Nos. 5, 6, 7, 8, Rubber	2	81
	E-9583	-	-	-	Torque Arm Bushing Assembly, Hanger End, Includes Key Nos. 5, 6, 7, 8, Poly	2	81
11	E-1980	-	-	09729-01	Torque Arm Bushing, Axle Seat End, Rubber	2	82
	E-7520	-	-	-	Torque Arm Bushing, Axle Seat End, Poly	2	82
12	E-3764	<b>R</b>	-	15187-01	Adjustable Torque Arm, 50" Axle Spacing Center, Front & Rear, Includes E-1980 Axle End Bushing	2	78
	E-4796	<b>R</b>	-	15186-01	Adjustable Torque Arm, 52" Axle Spacing Center, Front & Rear, 60" Axle Spacing Front, Includes E-1980 Axle End Bushing	2	78
	S.O.S.	<b>R</b>	-	16135-01	Adjustable Torque Arm, 60" Axle Spacing Center, Rear, Includes E-1980 Axle End Bushing	1	-
13	S.O.S.	<b>R</b>	-	11011-02	Rigid Torque Arm, 50" Axle Spacing Center, Front & Rear, Includes E-1980 Axle End Bushing	2	-
	E-2860	<b>R</b>	-	11012-03	Rigid Torque Arm, 52" Axle Spacing Center, Front & Rear, 60" Axle Spacing Front, Includes E-1980 Axle End Bushing	2	79
	E-2860	<b>R</b>	-	12051-01	Rigid Torque Arm, 60" Axle Spacing Center, Front, Includes E-1980 Axle End Bushing	1	79
	S.O.S.	<b>R</b>	-	14127-01	Rigid Torque Arm, 60" Axle Spacing Center, Rear, Includes E-1980 Axle End Bushing	1	-
14	E-901	-	-	10033-01	Bolt 7/8"-9 x 5-1/2" Long	4	83
15	E-2983	-	-	10092-01	Locknut, 7/8"-9	4	-
16	E-2545	-	-	T-5496	Washer, 3/4"	14	-
17	S.O.S.	<b>R</b>	-	15676-01	Spring Beam	2	-
18	E-2873	<b>R</b>	-	08677-01	Top Plate, Cast, 3" Wide	2	93
19	E-2842	-	-	T-5166	Delrin Spring Liner	2	93
20	E-15315	-	-	15669-01	Hex Bolt, 3/4" x 3" Long	4	-
21	E-2545	-	-	20852-01	Flat Washer, 3/4"	14	-
22	E-4961A	-	-	14344-01	Nut, 3/4"-16	8	-
23	E-16725	<b>R</b>	-	20055-01	Lower Shock Mount Bracket, Left Hand	2	-
	E-16724	<b>R</b>	-	20054-01	Lower Shock Mount Bracket, Right Hand	2	-
24	E-16728	<b>R</b>	-	15766-01	Air Spring Support Assembly	1	-
25	S.O.S.	<b>R</b>	-	18256-01	Upper Shock Mount Bracket	2	-
26	E-16729	<b>R</b>	-	18258-01	Outboard Air Spring Bracket	2	-
27	E-15317	<b>R</b>	-	18259-01	Inboard Air Spring Bracket	2	-

**R** Denotes Product is Genuine Reyco Granning

# REYCO GRANNING

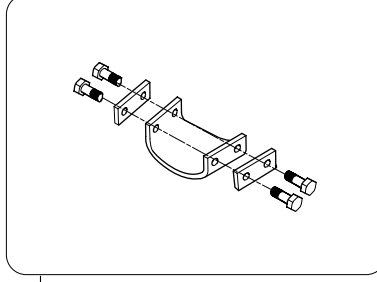
## Model 102AR Air Suspension Tractor

Torque Arm Bushing Assembly Hanger End

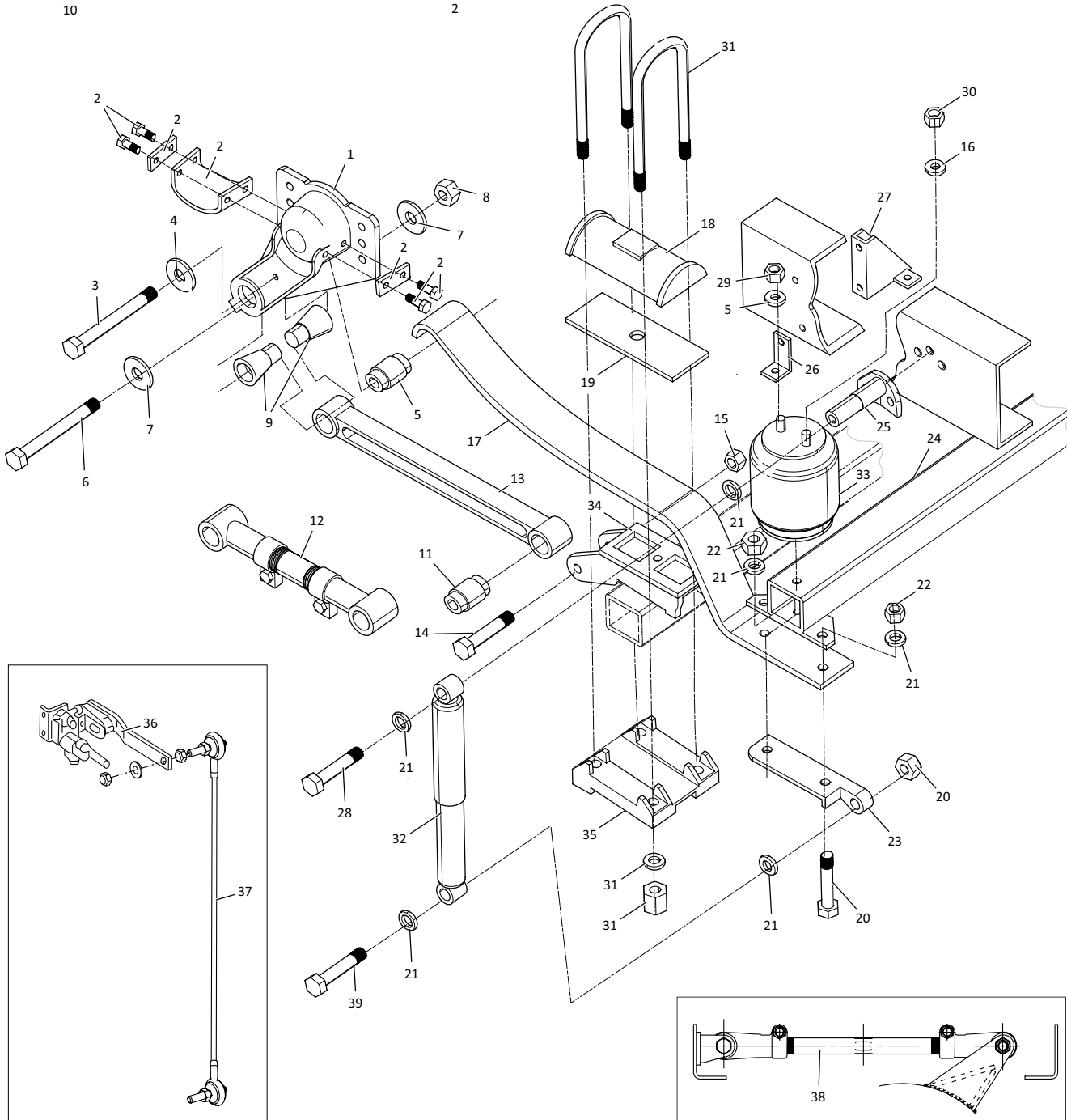


10

Wear Pad Kit



2



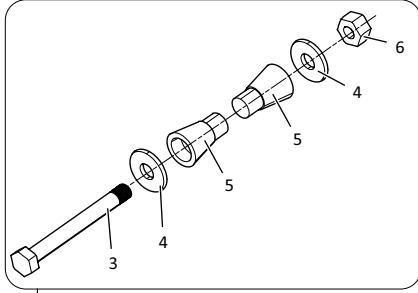
Model 102AR Air Suspension Tractor							
KEY NO.	EUCLID NO.	GENUINE	MACH NO.	OEM REF.	DESCRIPTION	QTY. PER AXLE	PAGE NO.
28	S.O.S.	<b>R</b>	-	15246-01	Bolt, 3/4"-16 x 6" Long	2	-
29	E-15256	-	-	12920-01	Hex Nut, 1/2"-13	6	-
30	E-1107	-	-	08211-01	Hex Nut, 3/4"-16	2	-
31	E-UB5161-14	-	-	-	U-Bolt Assembly Rd. Bend; 7/8"- 14 Thd. X 3" Wide x 14" Long	4	-
32	M85013	-	-	12887-01	Shock Absorber	2	-
33	FS9223	-	-	12884-01	Air Spring	2	-
	MAF9223	-	-				
34	E-16727	<b>R</b>	-	19881-01	Axle Seat	2	-
35	E-16730	<b>R</b>	-	20550-01	Bottom Plate, Left Hand	1	-
	E-16731	<b>R</b>	-	19896-01	Bottom Plate, Right Hand	1	-
36	E-9623	-	-	-	Universal Height Control Valve - Hadley Style	1	96
37	E-7852	-	-	-	Linkage Kit, Universal	1	96
38	E-16495	<b>R</b>	-	16429-01	Transverse Adjustable Torque Arm, Includes E-1980 Bushing	1	80
39	S.O.S.	<b>R</b>	-	12889-01	Bolt	1	-

**R** Denotes Product is Genuine Reyco Granning

# REYCO GRANNING

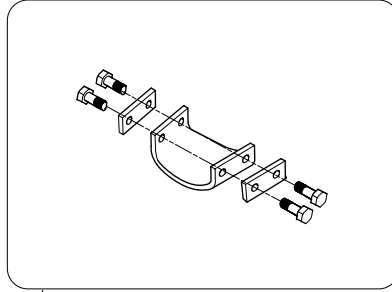
## Model 240AR Air Suspension Tractor

Torque Arm Bushing Assembly Hanger End

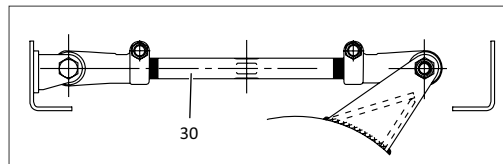
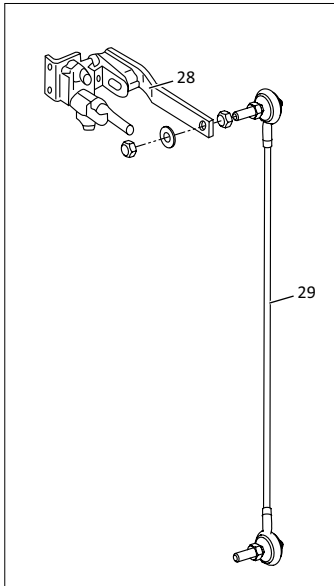
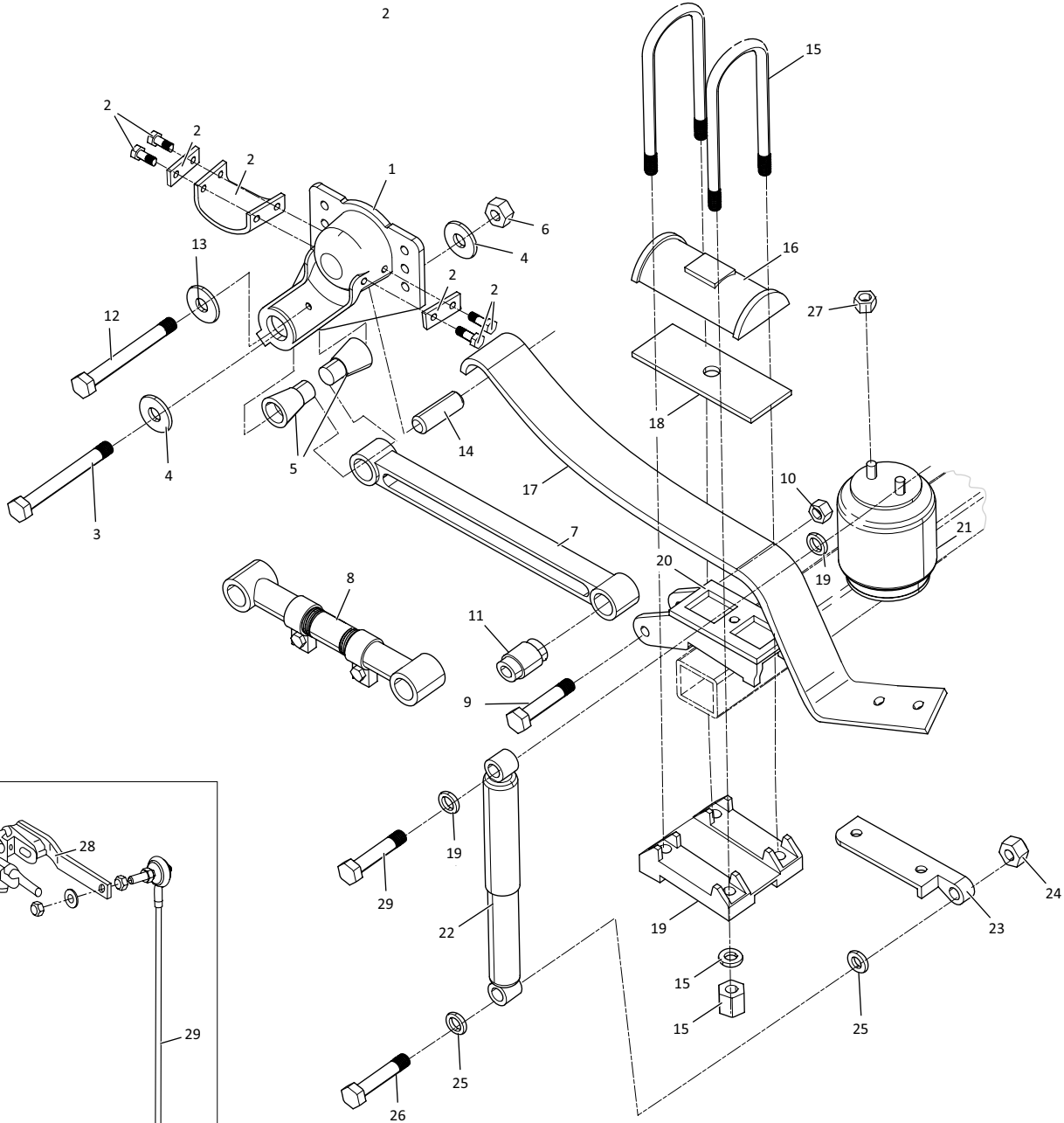


31

Wear Pad Kit



2





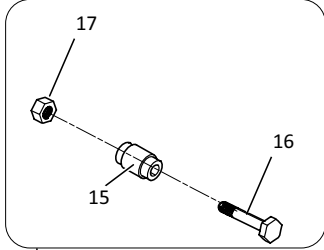
Model 240AR Air Suspension Tractor							
KEY NO.	EUCLID NO.	GENUINE	MACH NO.	OEM REF.	DESCRIPTION	QTY. PER AXLE	PAGE NO.
1	E-15318	<b>R</b>	-	20981-01	Hanger Assembly, Left Hand	1	84
	E-15319	<b>R</b>	-	20982-01	Hanger Assembly, Right Hand	1	84
2	E-2867A	<b>R</b>	G-2867A	TK19168	Hanger Pad Assembly Includes Bolt, Plate, and Wear Pad	2	90
3	E-1166	<b>R</b>	-	23882-01	Bolt, 1"-14 x 7" Long	2	83
4	E-905	-	-	T-1724	Flat Washer, 1- 1/16"	4	-
5	E-10057	-	-	23138-01S	Torque Arm Bushing, Hanger End	4	82
6	E-937	-	-	T-5495	Lock Nut 1"-14	2	-
7	E-16540	<b>R</b>	-	20121-01	Rigid Torque Arm	1	79
8	E-16541	<b>R</b>	-	20138-01	Adjustable Torque Arm	1	78
9	E-901	-	-	10033-01	Bolt 7/8"- 9 x 5-1/2" Long	4	83
10	E-2983	-	-	10092-01	Locknut, 7/8"- 9	4	-
11	E-1980	-	-	09729-01	Bushing, Torque Arm	As Required	82
12	E-15322	-	-	12891-01	Bolt, 5/8"- 18 x 4-1/2" Long	2	-
13	E-15323	-	-	T-2131	Lock Washer, 5/8"	2	-
14	E-15324	<b>R</b>	-	13677-08	Rubber Roller, 2 1/2"	2	89
15	E-UB8161-12	-	-	-	U-Bolt Assembly, Round Bend, 7/8"-14 Thd x 3" Wide x 12" Long	2	-
	E-UB8161-15	-	-	-	U-Bolt Assembly, Round Bend, 7/8"-14 Thd x 3" Wide x 15" Long	2	-
16	E-2873	<b>R</b>	-	08677-01	Top Plate	2	93
17	S.O.S.	<b>R</b>	-	19876-K1	Spring Beam, Right Hand, Includes spring liner	1	-
	S.O.S.	<b>R</b>	-	19877-K1	Spring Beam, Left Hand, Includes spring liner	1	-
18	E-2842	-	-	T-5166	Delrin Spring Liner	2	93
19	S.O.S.	<b>R</b>	-	Various	Bottom Plate	2	-
20	S.O.S.	<b>R</b>	-	Various	Axle Seat	2	-
21	FS9947	-	-	20142-01	Air Spring, Standard, Includes Bracket, 9-1/2" Bottom Plate	2	-
	FS9966	-	-	20124-12	Air Spring, Opt, Includes Bracket, 10" Bottom Plate	As Required	-
22	M89440	-	-	20126-01	Shock Absorber, Standard Duty Shock	8	-
	M85713	-	-	20129-01	Shock Absorber, Premium Adjustable Shock	As Required	-
23	S.O.S.	<b>R</b>	-	20155-01	Lower Shock Bracket, Left Hand	1	-
	S.O.S.	<b>R</b>	-	20154-01	Lower Shock Bracket, Right Hand	1	-
24	E-4961A	-	-	14344-01	Locknut 3/4"	4	-
25	E-2545	-	-	12898-02	Washer 3/4"	8	-
26	S.O.S.	<b>R</b>	-	17354-01	Bolt, Lower Shock Absorber, 3/4"-16 x 4-1/2" Long	2	-
27	E-15325	-	-	16418-01	Nut, 1/2"- 13	2	-
28	E-9623	-	-	-	Universal Height Control Valve Assembly	1	96
29	E-7852	-	-	-	Universal Linkage Kit	1	96
30	S.O.S.	<b>R</b>	-	21940-01	Transverse Torque Arm, 23-1/2"	1	-
	S.O.S.	<b>R</b>	-	20346-01	Transverse Torque Arm, 21"	-	-
31	E-9350	-	-	-	Torque Arm Bushing Assembly, Hanger End, Includes Key Nos. 3, 4, 5, 6, Rubber	2	81
	E-9583	-	-	-	Torque Arm Bushing Assembly, Hanger End, Includes Key Nos. 3, 4, 5, 6, Poly	2	81

**R** Denotes Product is Genuine Reyco Granning

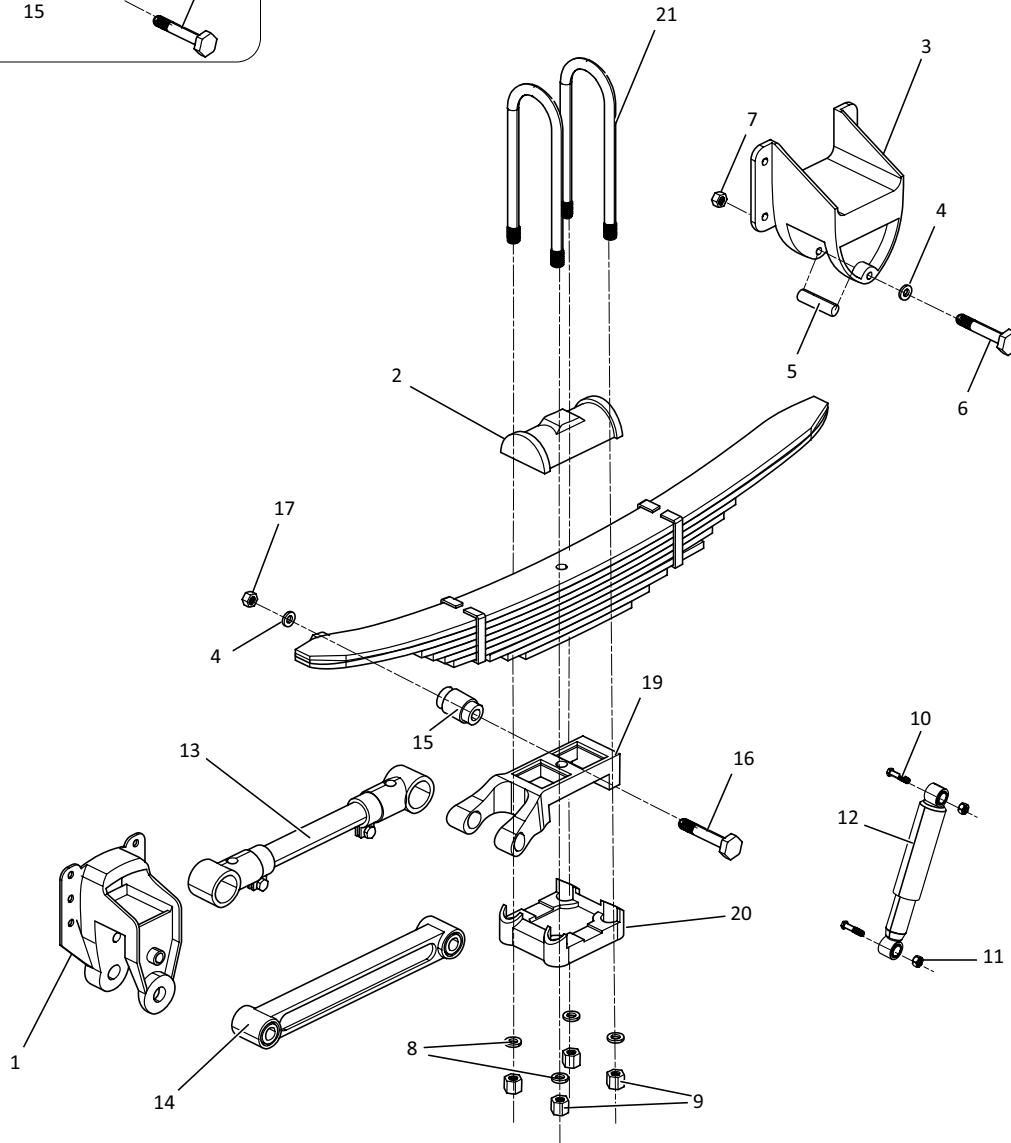
# REYCO GRANNING

## Model 79KB Single Axle Spring Suspension Tractor

### Torque Arm Bushing Assembly



18



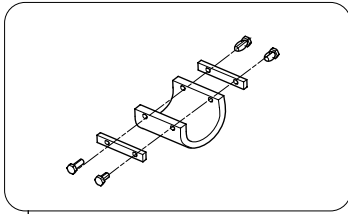
Model 79KB Single Axle Spring Suspension Tractor							
KEY NO.	EUCLID NO.	GENUINE	MACH NO.	OEM REF.	DESCRIPTION	QTY. PER AXLE	PAGE NO.
1	E-15302	<b>R</b>	-	22404-01	Front Hanger, Left	1	86
	E-15303	<b>R</b>	-	22404-02	Front Hanger, Right	1	86
2	E-2873	<b>R</b>	-	08677-01	Top Plate	2	93
3	E-15307	<b>R</b>	-	22407-01	Rear Hanger, Left	1	86
	E-15308	<b>R</b>	-	22407-02	Rear Hanger, Right	1	86
4	E-1974	-	-	T-1705	Lock Washer 1/2"	12	-
5	E-1971	<b>R</b>	G-1971	T-2106	Spring Roller	4	89
6	E-2022	-	-	T-5549	Bolt, 1/2"-20 x 5-1/2" Long	2	-
7	E-5032	-	-	T-1704	Nut 1/2"-20	2	-
8	E-2546	-	-	T-7292	Flat Washer, 7/8"	8	-
9	E-1835	-	-	14345-01	Locknut - 7/8"-14	8	-
10	E-4345	-	-	-	Shock Absorber Bolt 3/4"-10 x 3-1/2" Long	2	-
11	E-4347	-	-	-	Shock Mount Nut, 3/4"-10	4	-
12	M85030	-	-	19495-01	Shock Absorber	2	-
13	S.O.S.	<b>R</b>	-	16348-01	Adjustable Torque Arm, Includes E-1980 Bushings	1	-
14	S.O.S.	<b>R</b>	-	19762-01	Rigid Torque Arm, Includes E-1980 Bushings	1	-
15	E-1980	-	-	09729-01	Torque Arm Bushing, Rubber	2	82
	E-7520	-	-	09729-01	Torque Arm Bushing, Poly	2	82
16	E-901	-	-	10033-01	Torque Arm Bolt, 7/8"-9 x 5-1/2" Long	4	83
17	E-2983	-	-	10092-01	Lock Nut, 7/8"-9	4	-
18	E-1981	-	-	-	Torque Arm Bushing Assembly, Key Nos. 15, 16, 17, Rubber	2	81
	E-9552	-	-	-	Torque Arm Bushing Assembly, Key Nos. 15, 16, 17, Poly	2	81
19	S.O.S.	<b>R</b>	-	Various	Axle Seat	1	-
20	S.O.S.	<b>R</b>	-	Various	Bottom Plate	1	-
21	E-UB8161-12	-	-	-	U-Bolt Assembly, Round Bend, 7/8"-14 Thd x 3" Wide x 12" Long	4	-
	E-UB8161-13	-	-	-	U-Bolt Assembly, Round Bend, 7/8"-14 Thd x 3" Wide x 13" Long	4	-
	E-UB8161-14	-	-	-	U-Bolt Assembly, Round Bend, 7/8"-14 Thd x 3" Wide x 14" Long	4	-
	E-UB8161-15	-	-	-	U-Bolt Assembly, Round Bend, 7/8"-14 Thd x 3" Wide x 15" Long	4	-
	E-UB8161-17	-	-	-	U-Bolt Assembly, Round Bend, 7/8"-14 Thd x 3" Wide x 17" Long	4	-
	E-UB8161-20	-	-	-	U-Bolt Assembly, Round Bend, 7/8"-14 Thd x 3" Wide x 20" Long	4	-

**R** Denotes Product is Genuine Reyco Granning

# REYCO GRANNING

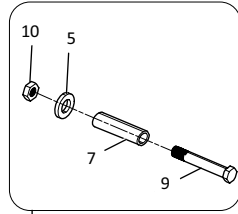
## Model 101 Tandem Four Spring Suspension Tractor

Wear Pad Kit



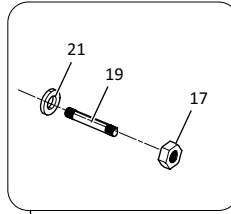
28

Equalizer Spring Roller Assembly



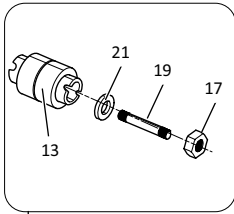
12

Equalizer Shaft Assembly



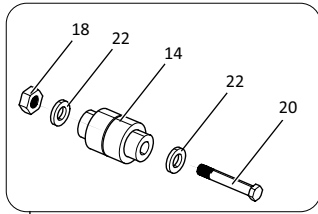
23

Equalizer Bushing Assembly

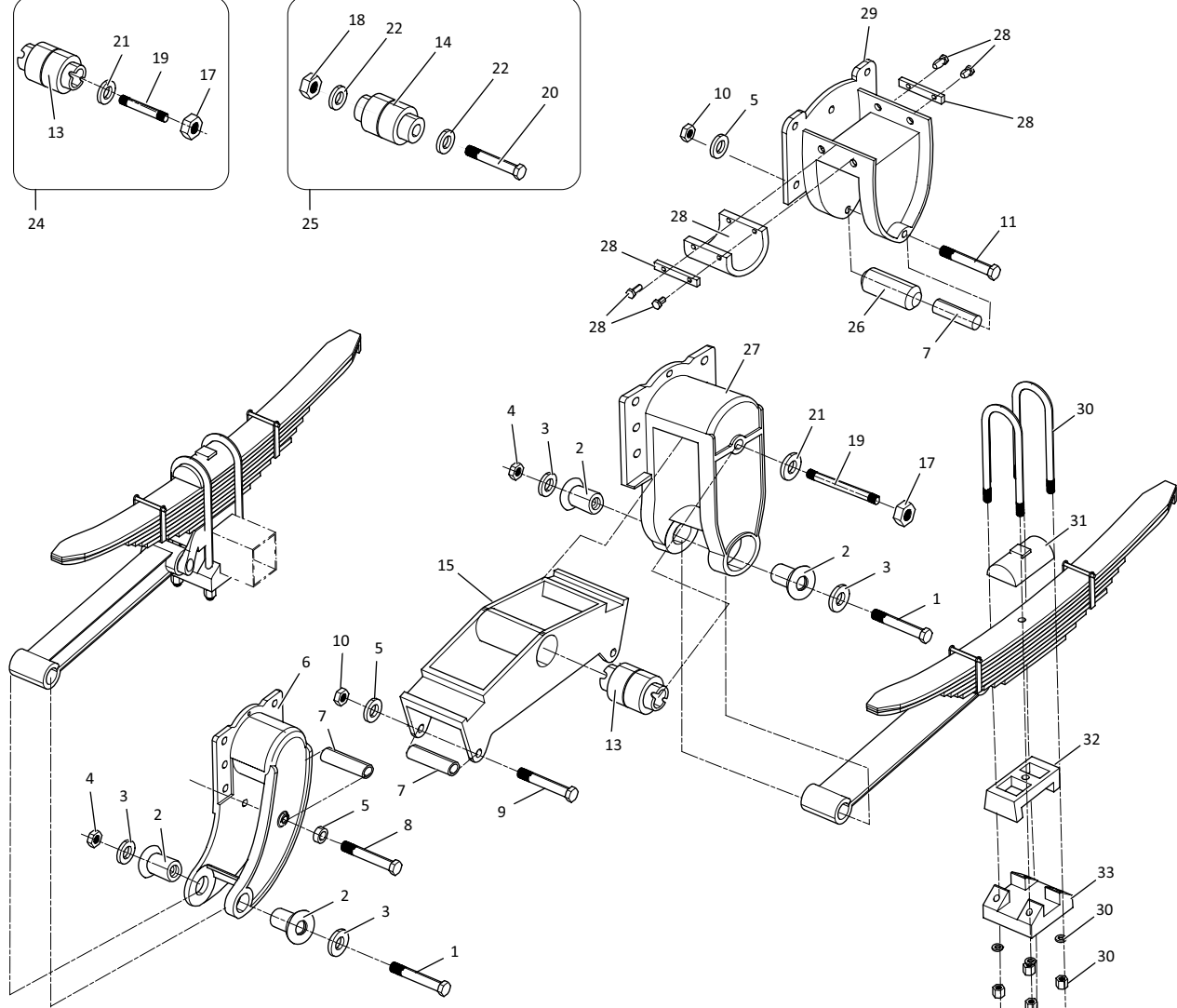


24

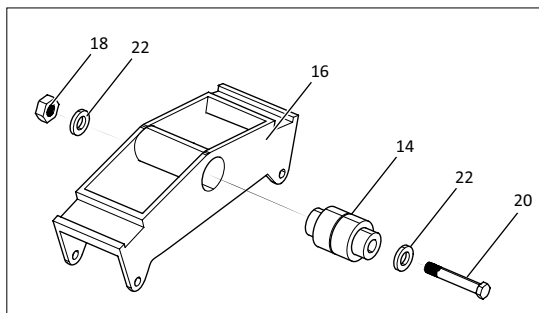
Ford/GM/Volvo Bushing Assembly



25



Ford and GM/Volvo Equalizer Assembly



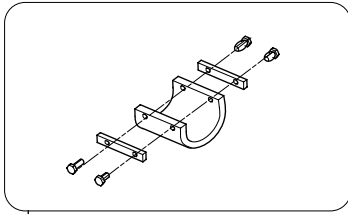
Model 101 Tandem Four Spring Suspension Tractor							
KEY NO.	EUCLID NO.	GENUINE	MACH NO.	OEM REF.	DESCRIPTION	QTY. PER AXLE	PAGE NO.
1	E-1965	-	-	17210-01	Eccentric Bolt, 1" x 5-1/2" Long	4	-
2	E-1964	-	G-1964	T-1723	Eccentric Torque Leaf Bushing, Rubber	8	81
	E-8689	-	-	-	Eccentric Torque Leaf Bushing, Poly	8	81
3	E-905	-	-	T-1724	Flat Washer, 3-3/4" OD	8	-
4	E-937	-	-	T-5495	Nut, 1"-14	4	-
5	E-1974	-	-	T-1705	Lockwasher, 1/2"	6	-
6	E-2885	<b>R</b>	-	22272-01	Undrilled Front Hanger, Left Hand	2	84
	E-2884	<b>R</b>	-	22272-02	Undrilled Front Hanger, Right Hand	2	84
	S.O.S.	<b>R</b>	-	Various	Drilled Front Hanger	2	-
7	E-1971	<b>R</b>	G-1971	T-2106	Spring Roller	8	89
8	E-16493	-	-	T-3099	Bolt 1/2"-20 x 4-1/2" Long	2	-
9	E-1972	-	-	T-5544	Cap Screw 1/2"-20 x 4-3/4" Long	6	-
10	E-5032	-	-	T-1704	Hex Nut, 1/2"-20	6	-
11	E-2022	-	-	T-5549	Bolt, 1/2"-20 x 5 1/2" Long	2	-
12	E-1975	-	G-1975	TK19011	Equalizer Spring Roller Assembly Includes Key No. 5, 7, 9, 10	6	89
13	E-3977	-	G-3977	14713-01	Equalizer Bushing, No Slots, Rubber	2	74
	E-8654	-	-	-	Equalizer Bushing, No Slots, Poly	2	74
	E-1966	-	G-1966	08363-01	Equalizer Bushing, Slotted Both Ends	2	74
14	E-2849	-	-	08995-01	Equalizer Bushing, One Slot, Ford	2	74
	E-2850	-	G-2850	08915-01	Equalizer Bushing, No Slots, GM/Volvo	2	74
15	E-3978	<b>R</b>	G-3978	14723-01	Equalizer Assembly with E-3977 Bushing	2	70
16	E-2843	<b>R</b>	-	09120-01	Equalizer Assembly with E-1966 Bushing, Slotted on Both Ends	2	70
	S.O.S.	<b>R</b>	-	08918-01	Equalizer Assembly with E-2850 Bushing, Volvo/GM	2	-
	E-2844	<b>R</b>	G-2844	08996-01	Equalizer Assembly with E-2849 Bushing, Ford	2	70
17	E-1968	-	-	08687-01	Nut, Not Ford or GM/Volvo	2	-
18	E-2854	-	-	08914-01	Nut, Ford or GM/Volvo	2	75
19	E-1967	<b>R</b>	G-1967	08686-01	Equalizer Shaft, Not Ford or GM/Volvo, 1-1/2" O.D.	2	76
20	E-2852	-	-	10949-01	Equalizer Shaft, Ford or GM/Volvo, 1-1/4" O.D.	2	83
21	E-1969	-	-	14246-01	Washer, Not Ford or GM/Volvo	2	-
22	E-2853	-	-	08913-01	Washer, Ford or GM/Volvo	4	-
23	E-9840	-	-	-	Equalizer Shaft Assembly, Includes Key Nos. 17, 19, 21	2	77
24	E-1970	-	-	TK19056	Equalizer Bushing Assembly, Slotted Both Ends, Includes Key No. 13, 17, 19, 21	2	73
25	E-2847	-	-	TK19164	Equalizer Bushing Assembly, One Slot, Ford, Includes Key No. 14, 18, 20, 22	2	73
	E-2848	-	-	TK19163	Equalizer Bushing Assembly, No Slots, GM/Volvo, Includes Key No. 14, 18, 20, 22	2	73
26	E-1980	-	-	09729-01	Rear Hanger Bushing, Rubber	2	82
	E-7520	-	-	-	Rear Hanger Bushing, Poly	2	82
27	E-2886	<b>R</b>	-	22274-01	Undrilled Center Hanger	2	84
	E-14388	<b>R</b>	-	22335-01	Drilled Center Hanger	2	84

**R** Denotes Product is Genuine Reyco Granning

# REYCO GRANNING

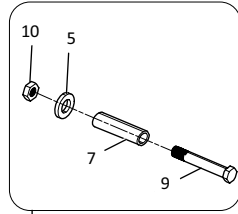
## Model 101 Tandem Four Spring Suspension Tractor

Wear Pad Kit



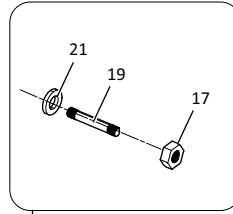
28

Equalizer Spring Roller Assembly



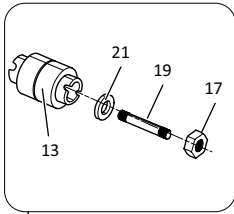
12

Equalizer Shaft Assembly



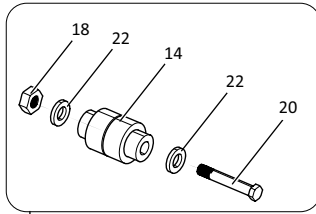
23

Equalizer Bushing Assembly

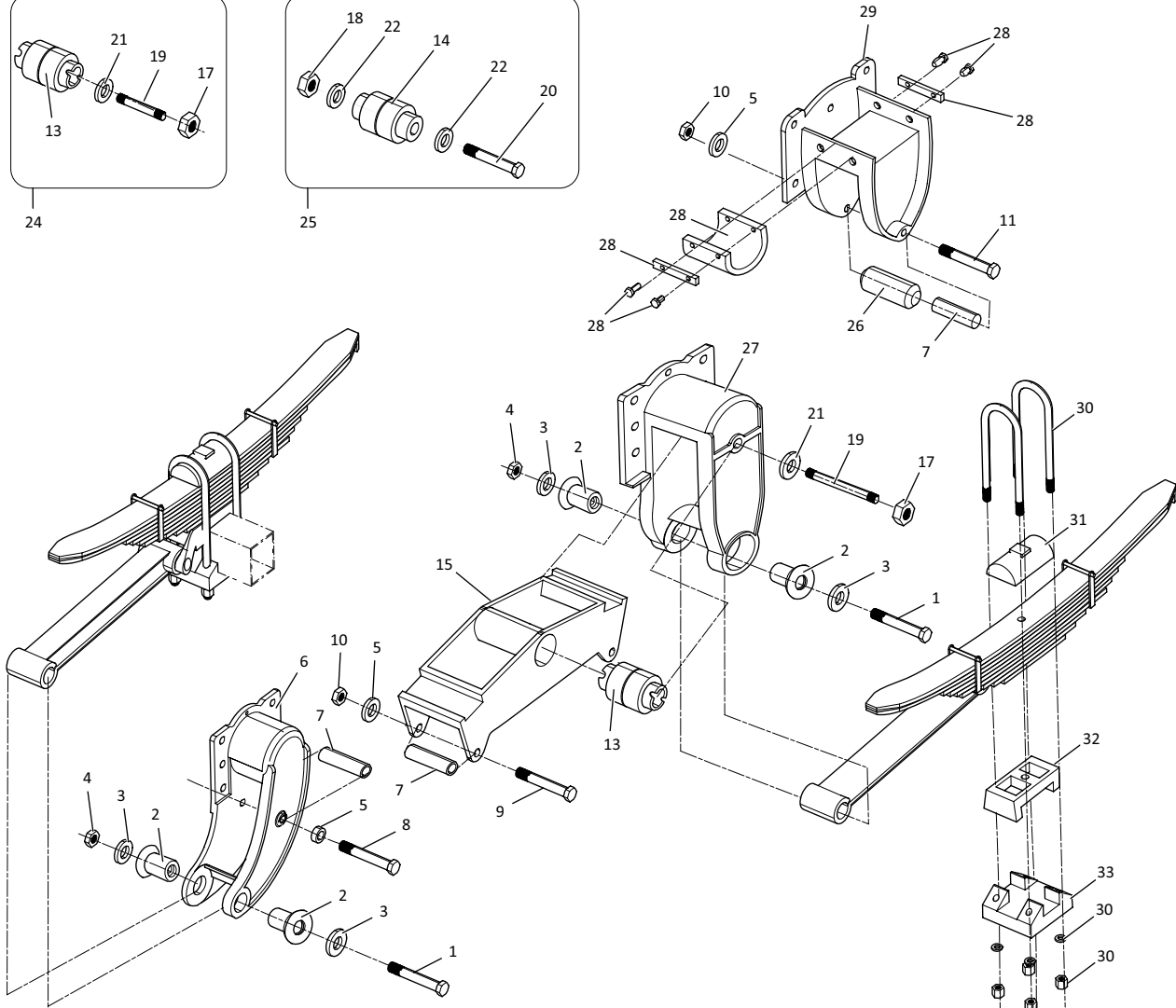


24

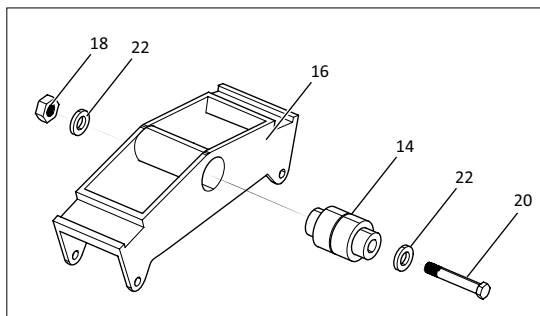
Ford/GM/Volvo Bushing Assembly



25



Ford and GM/Volvo Equalizer Assembly



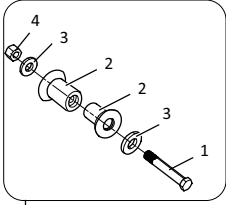
Model 101 Tandem Four Spring Suspension Tractor							
KEY NO.	EUCLID NO.	GENUINE	MACH NO.	OEM REF.	DESCRIPTION	QTY. PER AXLE	PAGE NO.
28	<b>E-2867A</b>	<b>R</b>	G-2867A	TK19168	Rear Hanger Pad Assembly Includes Bolt, Plate, and Wear Pad	2	90
29	<b>E-2887</b>	<b>R</b>	-	22299-01	Undrilled Rear Hanger, Left Hand	1	84
	<b>E-2888</b>	<b>R</b>	-	22299-02	Undrilled Rear Hanger, Right Hand	1	84
	<b>S.O.S.</b>	<b>R</b>	-	Various	Drilled Rear Hanger	2	-
30	<b>E-UB8151-18</b>	-	-	-	U-Bolt Assembly, Rd. Bend, 3/4"-16 Thd. X 3" Wide x 18" Long	8	-
31	<b>E-2873</b>	<b>R</b>	-	08677-01	Top Plate, Cast, 3" Wide	4	93
32	<b>S.O.S.</b>	<b>R</b>	-	Various	Axle Seat	4	-
33	<b>S.O.S.</b>	<b>R</b>	-	Various	Bottom Plate	4	-

**R** Denotes Product is Genuine Reyco Granning

# REYCO GRANNING

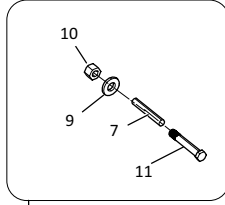
## Model 101A Tandem Four Spring Suspension Tractor

**Torque Arm Bushing Assembly**



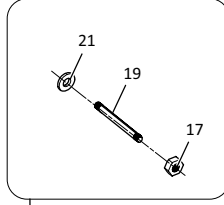
5

**Equalizer Spring Roller Assembly**



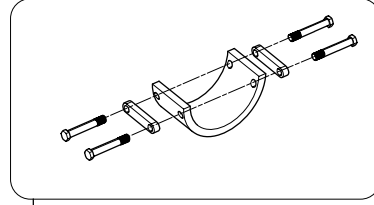
12

**Equalizer Shaft Assembly**



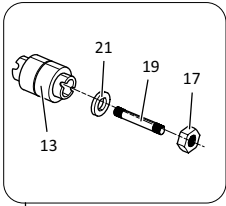
23

**Rear Hanger Assembly**



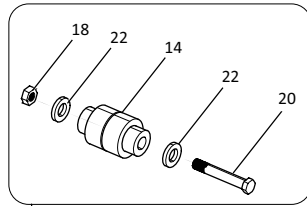
27

**Equalizer Bushing Assembly**

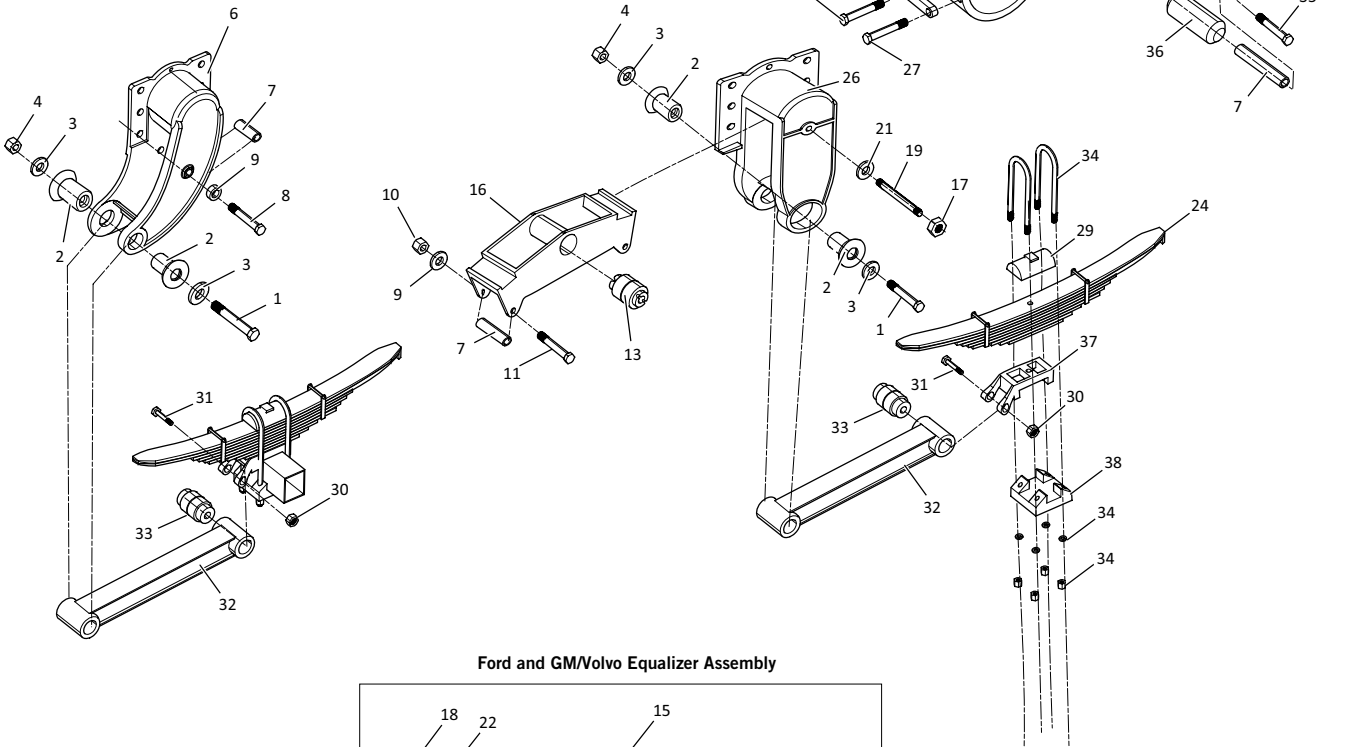


24

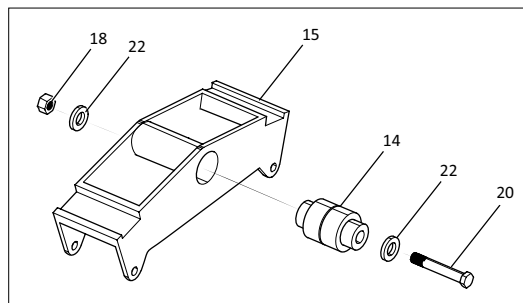
**Ford/GM/Volvo Bushing Assembly**



25



**Ford and GM/Volvo Equalizer Assembly**





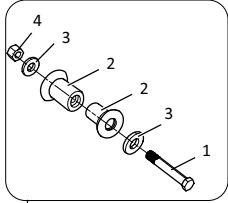
Model 101A Tandem Four Spring Suspension Tractor							
KEY NO.	EUCLID NO.	GENUINE	MACH NO.	OEM REF.	DESCRIPTION	QTY. PER AXLE	PAGE NO.
1	E-1965	-	-	17210-01	Eccentric Bolt, 1"-8 x 5-1/2" Long	4	-
2	E-1964	-	G-1964	T-1723	Eccentric Torque Leaf Bushing, Rubber	8	81
	E-8689	-	-	-	Eccentric Torque Leaf Bushing, Poly	8	81
3	E-905	-	-	T-1724	Flat Washer, 1-1/16"	8	-
4	E-937	-	-	T-5495	Lock Nut, 1"-14	4	-
5	E-1963	-	-	TK19166	Torque Arm Bushing Assembly Includes Key Nos. 1, 2, 3, 4, Rubber	4	81
	E-9545	-	-	TK19166	Torque Arm Bushing Assembly Includes Key Nos. 1, 2, 3, 4, Poly	4	81
6	E-2885	<b>R</b>	-	22272-01	Undrilled Front Hanger, Left Hand	2	84
	E-2884	<b>R</b>	-	22272-02	Undrilled Front Hanger, Right Hand	2	84
	S.O.S.	<b>R</b>	-	Various	Drilled Front Hanger	2	-
7	E-1971	<b>R</b>	G-1971	T-2106	Spring Roller	8	89
8	E-16493	-	-	T-3099	Bolt 1/2"-20 x 4-1/2" Long	2	-
9	E-1974	-	-	T-1705	Lock Washer, 1/2"	8	-
10	E-5032	-	-	T-1704	Hex Nut, 1/2"-20	6	-
11	E-1972	-	-	T-5544	Cap Screw 1/2"-20 x 4-3/4" Long	6	-
12	E-1975	-	G-1975	TK19011	Spring Roller Assembly Includes Key Nos. 7, 9, 10, 11	6	89
13	E-3977	-	G-3977	14713-01	Equalizer Bushing, No Slots, Rubber	2	74
	E-8654	-	-	-	Equalizer Bushing, No Slots, Poly	2	74
	E-1966	-	G-1966	08363-01	Equalizer Bushing, Slotted Both Ends	2	74
14	E-2849	-	-	08995-01	Equalizer Bushing, One Slot, Ford	2	74
	E-2850	-	G-2850	08915-01	Equalizer Bushing, No Slots, GM/Volvo	2	74
15	E-2844	<b>R</b>	G-2844	08996-01	Equalizer Assembly with E-2849 Bushing, Ford	2	70
	S.O.S.	<b>R</b>	-	08918-01	Equalizer Assembly with E-2850 Bushing, Volvo/GM	2	-
16	E-2843	<b>R</b>	-	09120-01	Equalizer Assembly with E-1966 Bushing, Slotted on Both Ends	2	70
	E-2845	<b>R</b>	G-2845	12859-01	Equalizer with E-2850 Bushing, Standard	2	70
	E-16494	<b>R</b>	-	14743-01	Equalizer with E-3977 Bushing, ADI	2	70
	S.O.S.	<b>R</b>	-	14794-01	Equalizer - 60" Axle Center, Includes E-3977 Bushing	2	-
17	E-1968	<b>R</b>	-	08687-01	Nut, Not Ford or GM/Volvo	2	-
18	E-2854	-	-	08914-01	Equalizer Shaft Nut, Ford or GM/Volvo	2	75
19	E-1967	<b>R</b>	G-1967	08686-01	Equalizer Shaft, Not Ford or GM/Volvo, 1-1/2" O.D.	2	76
20	E-2852	-	-	10949-01	Equalizer Shaft, Ford or GM/Volvo, 1-1/4" O.D.	4	83
21	E-1969	-	-	14246-01	Washer, Not Ford or GM/Volvo	2	-
22	E-2853	-	-	08913-01	Washer, Ford or GM/Volvo	2	-
23	E-9840	-	-	-	Equalizer Shaft Assembly Includes Key No. 17, 19, 21	2	77
24	E-1970	-	-	TK19056	Equalizer Bushing Assembly, Slotted Both Ends, Includes Key No. 13, 17, 19, 21	2	73
25	E-2847	-	-	TK19164	Equalizer Bushing Assembly, One Slot, Ford, Includes Key No. 14, 18, 20, 22	2	73
	E-2848	-	-	TK19163	Equalizer Bushing Assembly, No Slots, GM/Volvo, Includes Key No. 14, 18, 20, 22	2	73
26	E-2886	<b>R</b>	-	22274-01	Undrilled Center Hanger	2	84
	E-14388	<b>R</b>	-	22335-01	Drilled Center Hanger	2	84
	S.O.S.	<b>R</b>	-	Various	Center Hanger, Straddle Mount, 50" thru 65 1/2" Axle Spacing	4	-

**R** Denotes Product is Genuine Reyco Granning

# REYCO GRANNING

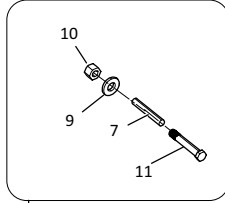
## Model 101A Tandem Four Spring Suspension Tractor

Torque Arm Bushing Assembly



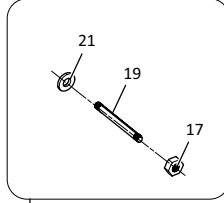
5

Equalizer Spring Roller Assembly



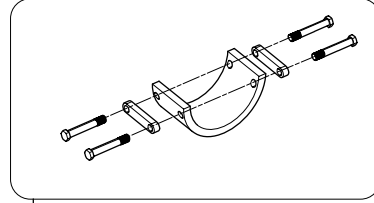
12

Equalizer Shaft Assembly



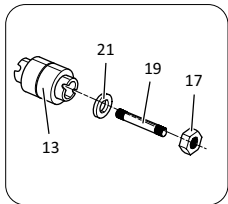
23

Rear Hanger Assembly



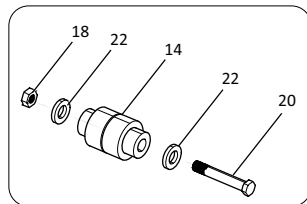
27

Equalizer Bushing Assembly

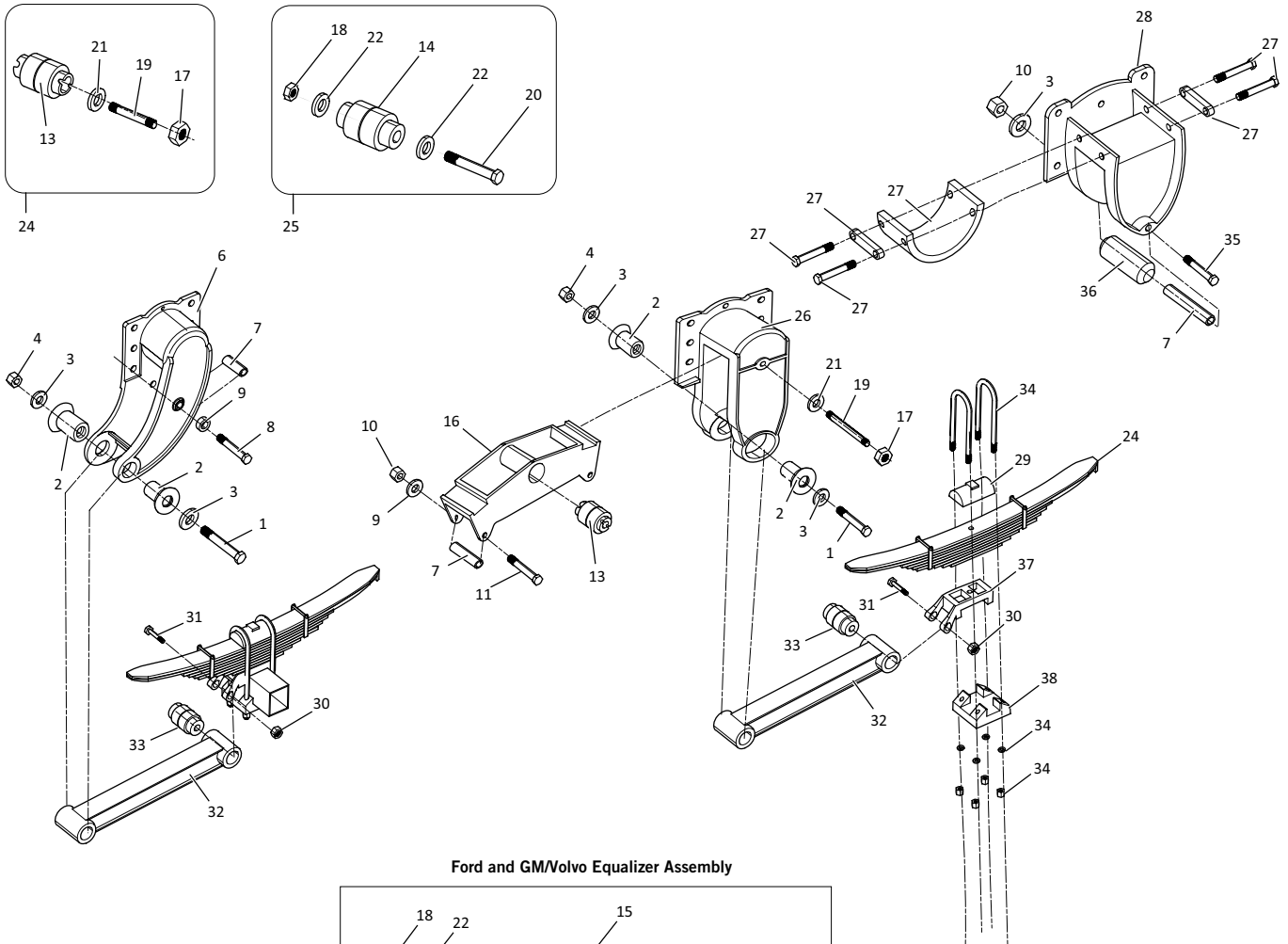


24

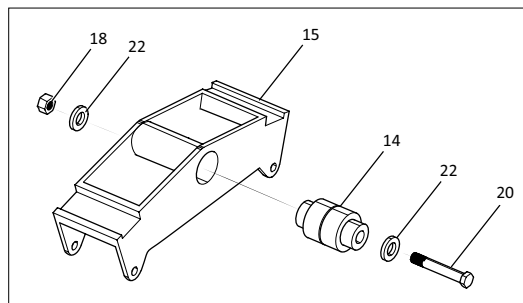
Ford/GM/Volvo Bushing Assembly



25



Ford and GM/Volvo Equalizer Assembly



## Model 101A Tandem Four Spring Suspension Tractor

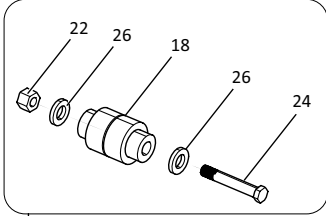
KEY NO.	EUCLID NO.	GENUINE	MACH NO.	OEM REF.	DESCRIPTION	QTY. PER AXLE	PAGE NO.
27	E-2867A	<b>R</b>	G-2867A	TK19168	Rear Hanger Pad Assembly Includes Bolt, Plate, and Wear Pad	2	90
28	E-2887	<b>R</b>	-	22299-01	Undrilled Rear Hanger, Left Hand	1	84
	E-2888	<b>R</b>	-	22299-02	Undrilled Rear Hanger, Right Hand	1	84
	S.O.S.	<b>R</b>	-	Various	Drilled Rear Hanger	2	-
	E-2873	<b>R</b>	-	08677-01	Top Plate, Cast, 3" Wide	4	93
30	E-2983	-	-	10092-01	Locknut, 7/8"-9	4	-
31	E-901	-	-	10033-01	Bolt 7/8"-9 x 5-1/2" Long	4	83
32	E-2860	<b>R</b>	-	11011-02	Rigid Torque Arm, Front & Rear, 50" Axle Spacing Center-to-Center, Includes E-1980 Axle End Bushing	4	79
	S.O.S.	<b>R</b>	-	11012-03	Rigid Torque Arm, Front & Rear, 52" Axle Spacing Center-to-Center, Includes E-1980 Axle End Bushing	4	-
	E-2860	<b>R</b>	-	12051-01	Rigid Torque Arm, Front, 60" Axle Spacing Center-to-Center, Includes E-1980 Axle End Bushing	4	79
	S.O.S.	<b>R</b>	-	14127-01	Rigid Torque Arm, Rear, 60" Axle Spacing Center-to-Center, Includes E-1980 Axle End Bushing	4	-
33	E-1980	-	-	09729-01	Torque Arm, Seat End Bushing, Rubber	4	82
	E-7520	-	-	-	Torque Arm Seat End Bushing, Poly	4	82
34	E-UB8151-18	-	-	09741-01	U-Bolt Assembly, Rd. Bend, 3/4"-16 Thd. X 3" Wide x 18" Long	8	-
35	E-2022	-	-	T-5549	Bolt, 1/2"-20 x 5" Long	2	-
36	E-1061	-	-	T-3016	Rear Hanger Bushing	2	-
37	S.O.S.	<b>R</b>	-	Various	Axle Seat	4	-
38	S.O.S.	<b>R</b>	-	Various	Bottom Plate	4	-

**R** Denotes Product is Genuine Reyco Granning

# REYCO GRANNING

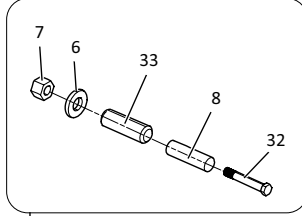
## Model 102 Tandem Four Spring Suspension Tractor

Ford/GM/Volvo Bushing Assembly



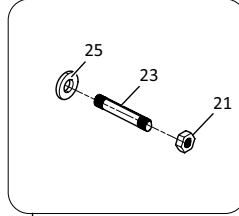
28

Torque Arm Bushing Axle Seat End



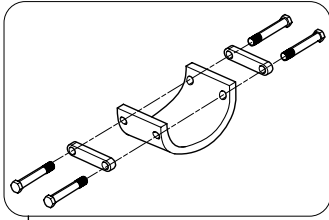
16

Equalizer Shaft Assembly



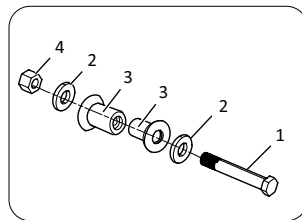
27

Rear Hanger Assembly



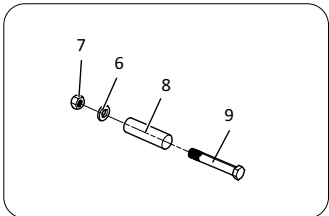
30

Torque Arm Bushing Assembly

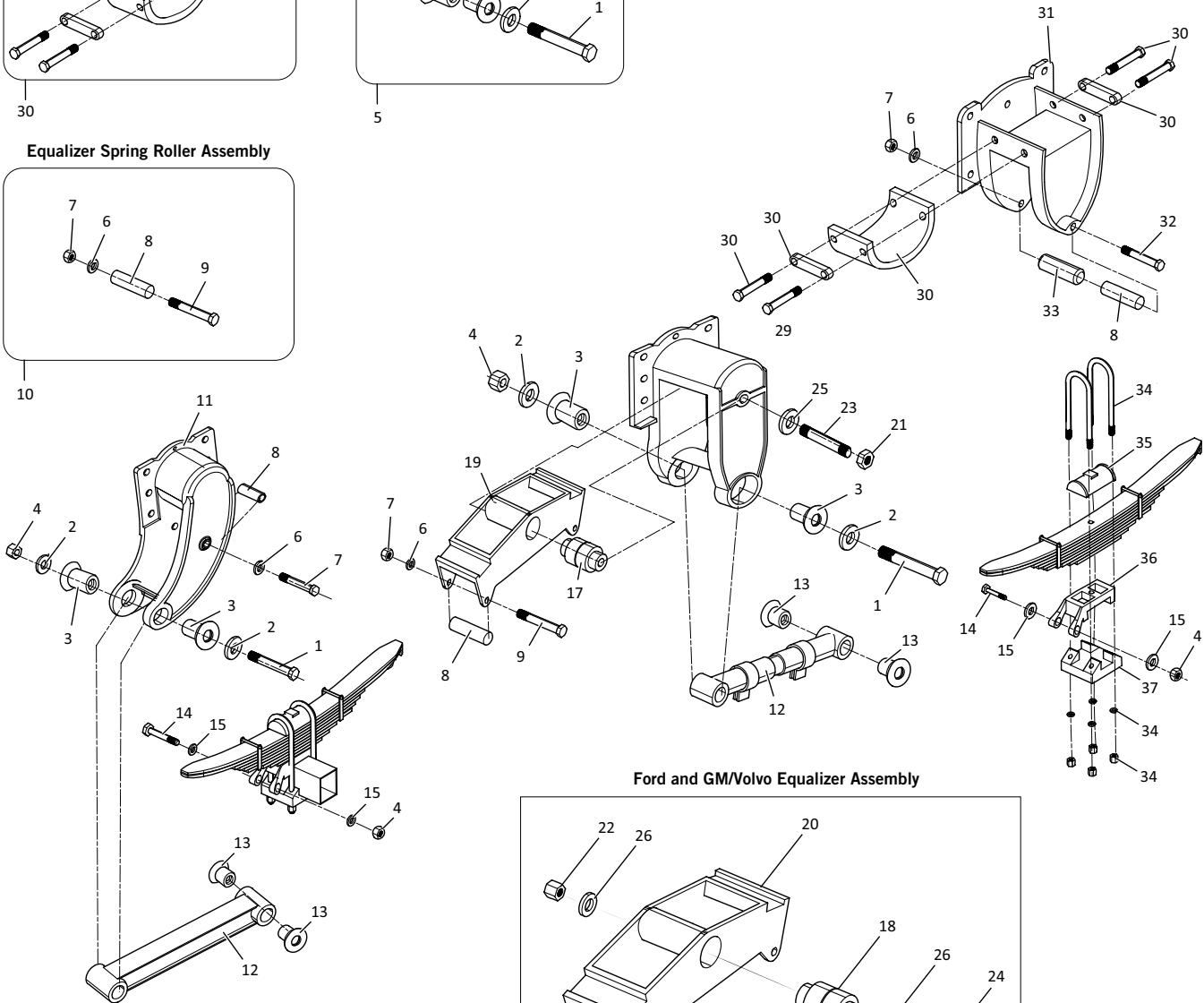


5

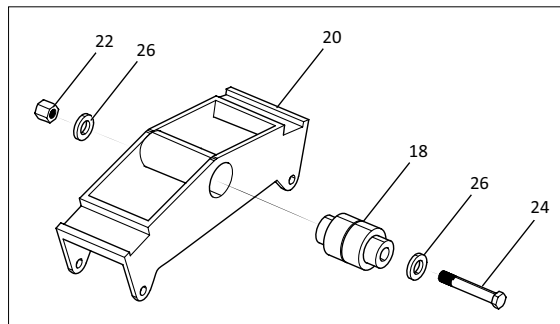
Equalizer Spring Roller Assembly



10



Ford and GM/Volvo Equalizer Assembly



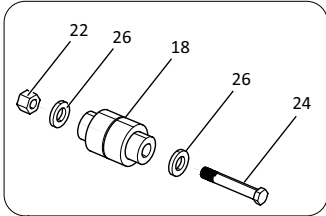
Model 102 Tandem Four Spring Suspension Tractor							
KEY NO.	EUCLID NO.	GENUINE	MACH NO.	OEM REF.	DESCRIPTION	QTY. PER AXLE	PAGE NO.
1	E-1166	-	-	23882-01	Bolt, 1"-8 x7" Long	4	83
2	E-905	-	-	T-1724	Flat Washer, 3-3/4" OD	8	-
3	E-10057	-	G-10057	21238-01S	Torque Arm Bushing, Hanger End, Rubber	4	82
	E-9579	-	-	-	Torque Arm Bushing, Hanger End, Poly	4	82
4	E-937	-	-	T-5495	Nut, 1"-14	8	-
5	E-9350	-	-	TK21640T	Torque Arm Bushing Assembly Hanger End, Includes Key No. 1, 2, 3, 4, Rubber	4	81
	E-9583	-	-	-	Torque Arm Bushing Assembly Hanger End, Includes Key No. 1, 2, 3, 4, Poly	4	81
6	E-1974	-	-	T-1705	Lock Washer, 1/2"	8	-
7	E-5032	-	-	T-1704	Hex Nut, 1/2"-20	6	-
8	E-1971	<b>R</b>	G-1971	T-2106	Spring Roller	8	89
9	E-1972	-	-	T-5544	Cap Screw 1/2"-20 x 4-3/4" Long	6	-
		-	-	T-1703	Cap Screw 1/2"-20 x 4-3/4" Long	6	-
10	E-1975	-	G-1975	TK19011	Spring Roller Assembly Includes Key No. 6, 7, 8, 9	6	89
11	E-2885	<b>R</b>	-	22272-01	Undrilled Front Hanger, Left Hand	2	84
	E-2884	<b>R</b>	-	22272-02	Undrilled Front Hanger, Right Hand	2	84
	S.O.S.	<b>R</b>	-	Various	Drilled Front Hanger	2	-
12	S.O.S.	<b>R</b>	-	T-7645	Rigid Torque Arm, 50" Axle Spacing Center, Front & Rear, Must Purchase E-1982 Bushings Separately	2	-
	E-2858	<b>R</b>	-	15012-01	Rigid Torque Arm, 52" Axle Spacing Center, Front & Rear, Must Purchase E-1982 Bushings Separately	2	79
	S.O.S.	<b>R</b>	-	09686-01	Rigid Torque Arm, 60" Axle Spacing Center, Rear, Must Purchase E-1982 Bushings Separately	1	-
	S.O.S.	<b>R</b>	-	15174-01	Adjustable Torque Arm, 50" Axle Spacing Center, Front & Rear, Must Purchase E-1982 Bushings Separately	2	-
	E-2866A	<b>R</b>	-	15354-01	Adjustable Torque Arm, 52" Axle Spacing Center, Front & Rear, 60" Axle Spacing Front, Must Purchase E-1982 Bushings Separately	2	78
	E-5255A	<b>R</b>	-	15176-01	Adjustable Torque Arm, 60" Axle Spacing Center, Rear, Must Purchase E-1982 Bushings Separately	1	78
13	E-1982	-	-	T-2242	Torque Arm Bushing, Axle End, Rubber	4	82
	E-7522	-	-	-	Torque Arm Bushing, Axle End, Poly	4	82
14	E-900	-	-	17161-01	Torque Arm Bolt, 1"-8 x 6-3/4" Long	4	83
15	E-907	-	-	T-2224	Compression Washer, Seat End	8	-
16	E-1983	-	-	TK19089	Torque Arm Bushing Assembly Axle End, Includes Key No. 4, 13, 14, 15, Rubber	4	81
17	E-3977	-	-	14713-01	Equalizer Bushing, No Slots, Rubber	2	74
	E-8654	-	-	-	Equalizer Bushing, No Slots, Poly	2	74
18	E-2849	-	-	08995-01	Equalizer Bushing, One Slot, Ford	2	74
	E-2850	-	G-2850	08915-01	Equalizer Bushing, No Slots, GM/Volvo	2	74
19	E-2843	<b>R</b>	-	09120-01	Equalizer Assembly with E-1966 Bushing, Slotted on Both Ends	2	70
	E-2845	<b>R</b>	G-2845	12859-01	Equalizer with E-2850 Bushing, Standard	2	70
	E-16494	<b>R</b>	-	14743-01	Equalizer with E-3977 Bushing, ADI	2	70
	S.O.S.	<b>R</b>	-	14794-01	Equalizer, 60" Axle Center, Includes E-3977 Bushing	2	-
20	S.O.S.	<b>R</b>	-	08918-01	Equalizer Assembly with E-2850 Bushing, Volvo/GM	2	-
	E-2844	<b>R</b>	G-2844	08996-01	Ford Equalizer with E-2849 Bushing	2	70
21	E-1968	<b>R</b>	-	08687-01	Nut, Not Ford or GM/Volvo	2	-

**R** Denotes Product is Genuine Reyco Granning

# REYCO GRANNING

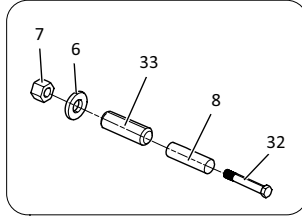
## Model 102 Tandem Four Spring Suspension Tractor

Ford/GM/Volvo Bushing Assembly



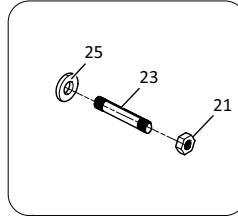
28

Torque Arm Bushing Axle Seat End



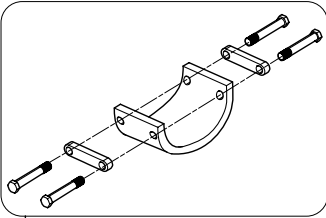
16

Equalizer Shaft Assembly



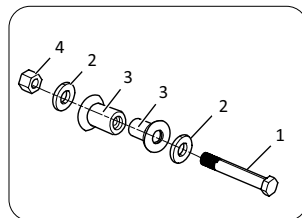
27

Rear Hanger Assembly



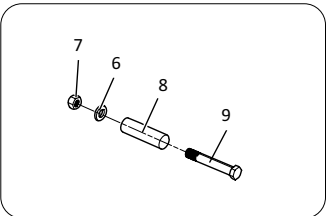
30

Torque Arm Bushing Assembly

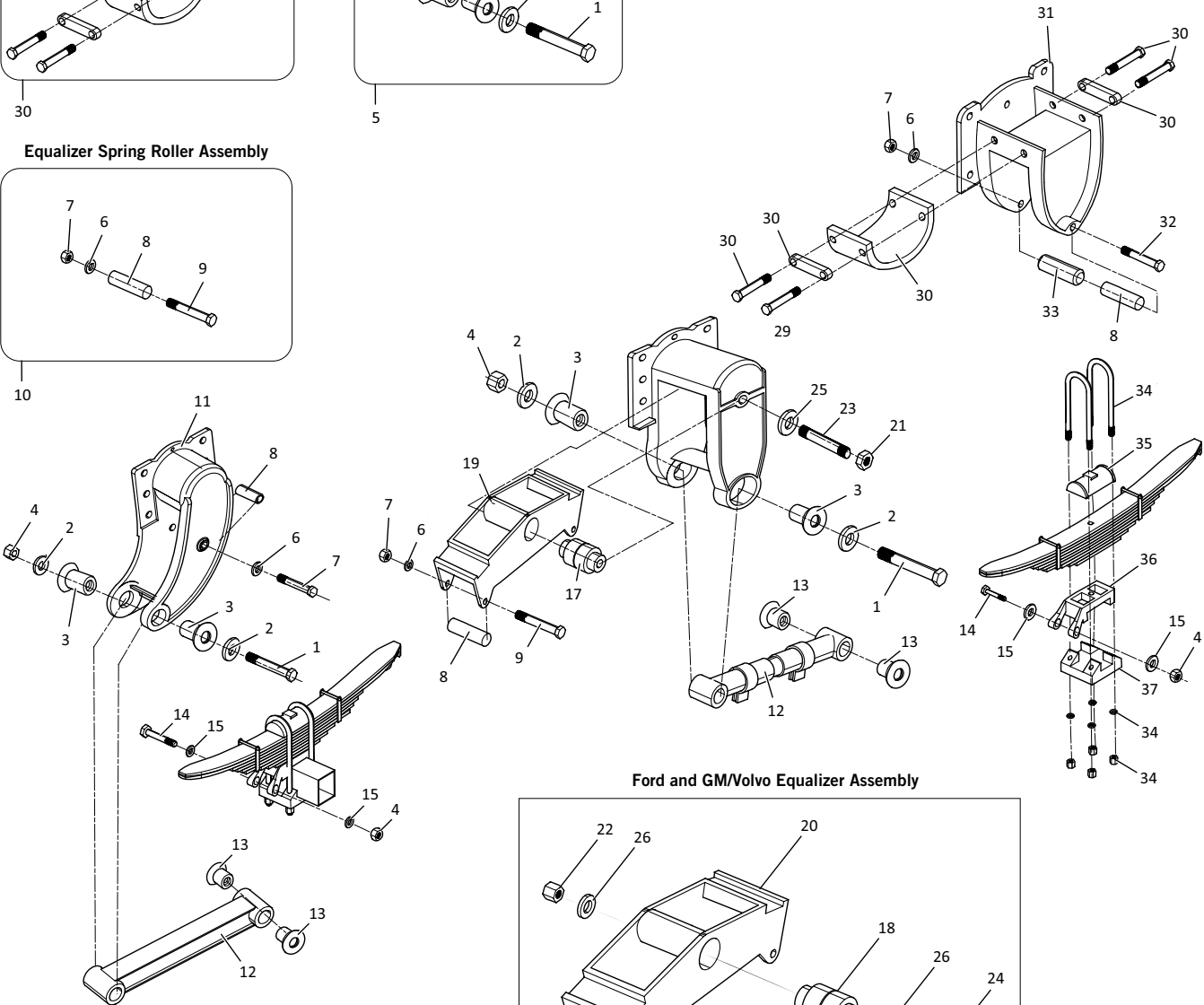


5

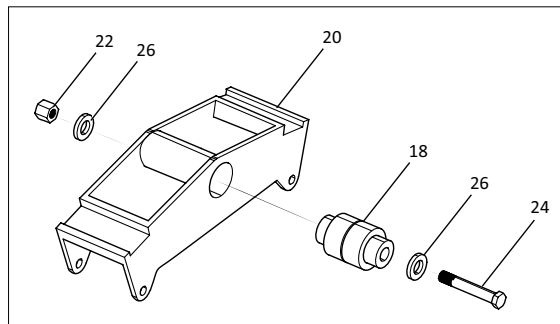
Equalizer Spring Roller Assembly



10



Ford and GM/Volvo Equalizer Assembly



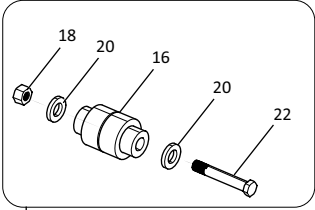
Model 102 Tandem Four Spring Suspension Tractor							
KEY NO.	EUCLID NO.	GENUINE	MACH NO.	OEM REF.	DESCRIPTION	QTY. PER AXLE	PAGE NO.
22	E-2854	-	-	08914-01	Equalizer Shaft Nut, Ford or GM/Volvo	2	75
23	E-1967	<b>R</b>	-	08686-01	Equalizer Shaft, Not Ford or GM/Volvo, 1-1/2" O.D.	2	76
24	E-2852	-	-	10949-01	Equalizer Shaft, Ford or GM/Volvo, 1-1/4" O.D.	2	83
25	E-1969	-	-	14246-01	Washer, Not Ford or GM/Volvo	2	-
26	E-2853	-	-	08913-01	Washer, Ford or GM/Volvo	2	-
27	E-9840	-	-	-	Equalizer Shaft Assembly, Includes Key No. 21, 23, 25	2	77
28	E-2847	-	-	TK19164	Equalizer Bushing Assembly, One Slot, Ford, Includes Key No. 18, 22, 24, 26	2	73
	E-2848	-	-	TK19163	Equalizer Bushing Assembly, No Slots, GM/Volvo, Includes Key No. 18, 22, 24, 26	2	73
29	E-2886	<b>R</b>	-	22274-01	Undrilled Center Hanger	2	84
	E-14388	<b>R</b>	-	22335-01	Drilled Center Hanger	2	84
30	E-2867A	<b>R</b>	G-2867A	TK19168	Rear Hanger Pad Assembly Includes Bolt, Plate, and Wear Pad	1	90
31	E-2887	<b>R</b>	-	22299-01	Undrilled Rear Hanger, Left Hand	1	84
	E-2888	<b>R</b>	-	22299-02	Undrilled Rear Hanger, Right Hand	1	84
	S.O.S.	<b>R</b>	-	Various	Drilled Rear Hanger	2	-
32	E-2022	-	-	T-5549	Bolt, 1/2"-20 x 5" Long	2	-
33	E-1980	-	-	09729-01	Rear Hanger Bushing, Rubber	2	82
	E-7520	-	-	09729-01	Rear Hanger Bushing, Poly	2	82
34	E-UB8151-18	-	-	09741-01 thru 09751-01	U-Bolt Assembly, Rd. Bend, 3/4"-16 Thd. X 3" Wide x 18" Long	8	-
35	E-2873	<b>R</b>	-	08677-01	Top Plate, Cast, 3" Wide	4	93
36	S.O.S.	<b>R</b>	-	Various	Axle Seat	4	-
37	S.O.S.	<b>R</b>	-	Various	Bottom Plate	4	-

**R** Denotes Product is Genuine Reyco Granning

# REYCO GRANNING

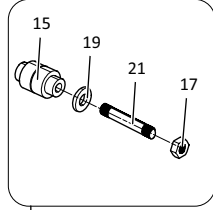
## Model 102W Tandem Four Spring Suspension Tractor

Ford/GM/Volvo Bushing Assembly



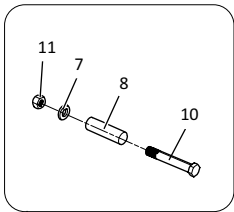
24

Equalizer Bushing Assembly



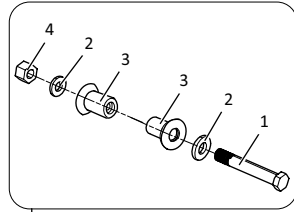
23

Equalizer Spring Roller Assembly

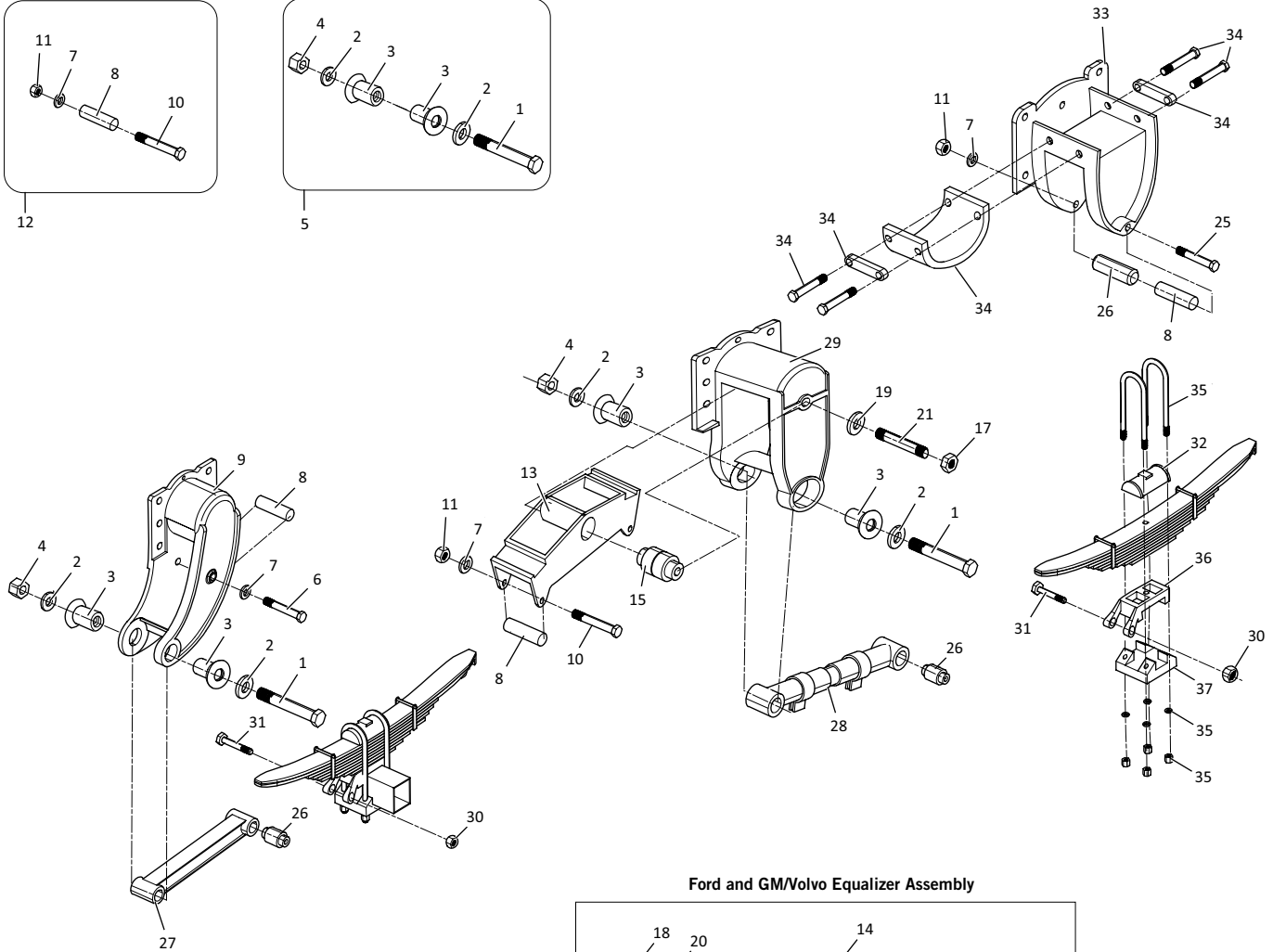


12

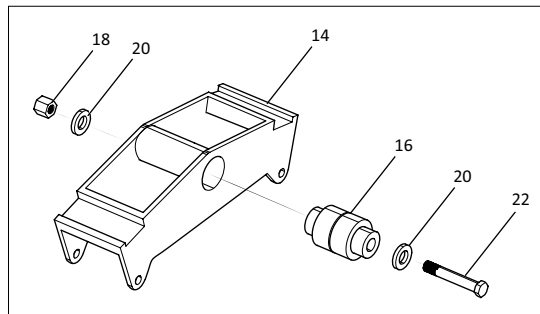
Torque Arm Bushing Assembly Hanger End



5



Ford and GM/Volvo Equalizer Assembly





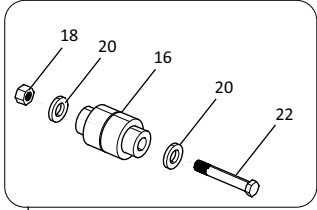
Model 102W Tandem Four Spring Suspension Tractor							
KEY NO.	EUCLID NO.	GENUINE	MACH NO.	OEM REF.	DESCRIPTION	QTY. PER AXLE	PAGE NO.
1	E-1166	-	-	23882-01	Bolt, 1"-14 x7" Long	4	83
2	E-905	-	-	T-1724	Flat Washer, 1-1/16"	8	-
3	E-10057	-	G-10057	21238-01S	Torque Arm Bushing, Hanger End	4	82
	E-9579	-	-	-	Torque Arm Bushing, Hanger End, Poly	4	82
4	E-937	-	-	T-5495	Lock Nut, 1"-14	4	-
5	E-9350	-	-	TK21640T	Torque Arm Bushing Assembly Hanger End, Includes Key Nos. 1, 2, 3, 4, Rubber	4	81
	E-9583	-	-	-	Torque Arm Bushing Assembly Hanger End, Includes Key Nos. 1, 2, 3, 4, Poly	4	81
6	E-16493	-	-	T-3099	Bolt 1/2"-20 x 4-1/2" Long	2	-
7	E-1974	-	-	T-1705	Lock Washer, 1/2"	8	-
8	E-1971	<b>R</b>	G-1971	T-2106	Spring Roller	8	89
9	E-2885	<b>R</b>	-	22272-01	Undrilled Front Hanger, Left Hand	2	84
	E-2884	<b>R</b>	-	22272-02	Undrilled Front Hanger, Right Hand	2	84
	S.O.S.	<b>R</b>	-	Various	Drilled Front Hanger	2	-
10	E-1972	-	-	T-5544	Cap Screw 1/2" x 4-3/4" Long	6	-
11	E-5032	-	-	T-1704	Hex Nut, 1/2"-20	6	-
12	E-1975	-	G-1975	TK19011	Spring Roller Assembly Includes Key Nos. 7, 8, 10, 11	6	89
13	S.O.S.	<b>R</b>	-	14794-01	Equalizer, 60" Axle Center, Includes E-3977 Bushing	2	-
	E-16494	<b>R</b>	-	14743-01	Equalizer with E-3977 Bushing, ADI	2	70
	E-2845	<b>R</b>	G-2845	12859-01	Equalizer with E-2850 Bushing, Standard	2	70
	S.O.S.	<b>R</b>	-	209630-01	Equalizer without Bushing, ADI	2	-
14	E-2844	<b>R</b>	G-2844	08996-01	Equalizer with E-2849 Bushing, Ford	2	70
	S.O.S.	<b>R</b>	-	08918-01	Equalizer Assembly with E-2850 Bushing, Volvo/GM	2	-
15	E-3977	-	-	14713-01	Equalizer Bushing, No Slots, Rubber	2	74
	E-8654	-	-	-	Equalizer Bushing, No Slots, Poly	2	74
	E-1966	-	G-1966	08363-01	Equalizer Bushing, Slotted Both Ends, For Models Before 1984	2	74
16	E-2849	-	-	08995-01	Equalizer Bushing, One Slot, Ford	2	74
	E-2850	-	G-2850	08915-01	Equalizer Bushing, No Slots, GM/Volvo	2	74
17	E-1968	<b>R</b>	-	08687-01	Nut, Not Ford or GM/Volvo	2	-
18	E-2854	-	-	08914-01	Nut, Ford & GM/Volvo	2	75
19	E-1969	-	-	14246-01	Washer, Not Ford or GM/Volvo	2	-
20	E-2853	-	-	08913-01	Washer, Ford or GM/Volvo	2	-
21	E-1967	<b>R</b>	-	08686-01	Equalizer Shaft, Not Ford or GM/Volvo, 1-1/2" O.D.	2	76
22	E-2852	-	-	10949-01	Equalizer Shaft, Ford or GM/Volvo, 1-1/4" O.D.	2	83
23	E-1970	-	-	TK19056	Equalizer Bushing Assembly, Slotted Both Ends, Includes Key No. 15, 17, 19, 21	2	73
24	E-2848	-	-	TK19163	Equalizer Bushing Assembly, No Slots, GM/Volvo, Includes Key No. 16, 18, 20, 22	2	79
	E-2847	-	-	TK19164	Equalizer Bushing Assembly, One Slot, Ford, Includes Key No. 16, 18, 20, 22	2	73
25	E-2022	-	-	T-5549	Bolt, 1/2"-20 x 5 1/2" Long	6	-
26	E-1980	-	-	09729-01	Torque Arm Bushing, Seat End, Rubber	4	82
	E-7520	-	-	-	Torque Arm Bushing, Seat End, Poly	4	82

**R** Denotes Product is Genuine Reyco Granning

# REYCO GRANNING

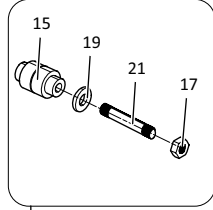
## Model 102W Tandem Four Spring Suspension Tractor

Ford/GM/Volvo Bushing Assembly



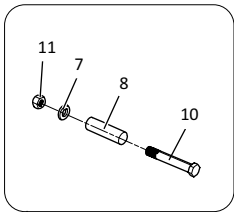
24

Equalizer Bushing Assembly



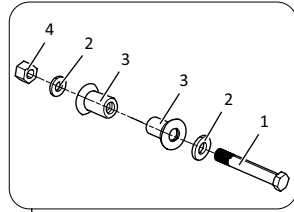
23

Equalizer Spring Roller Assembly

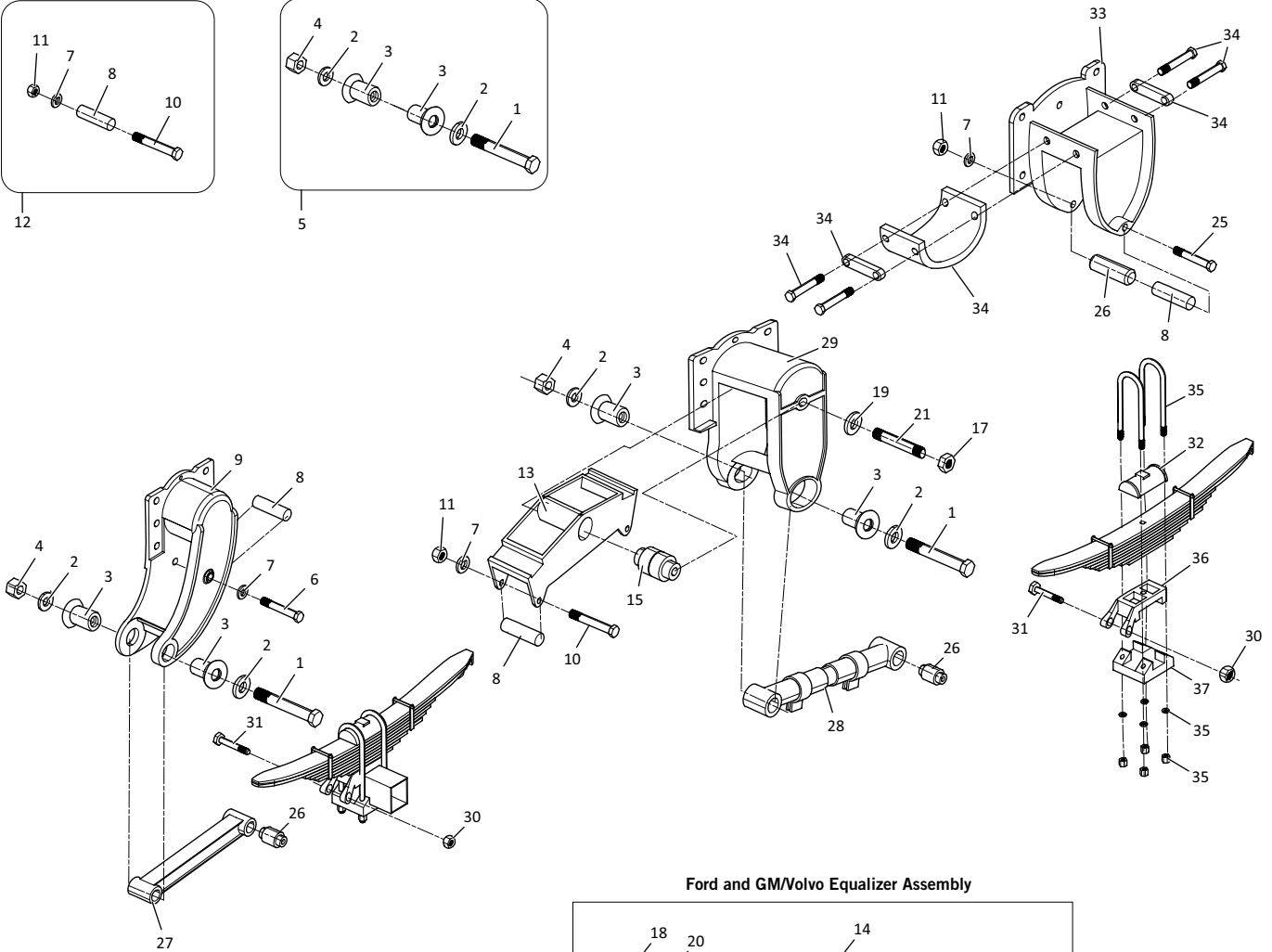


12

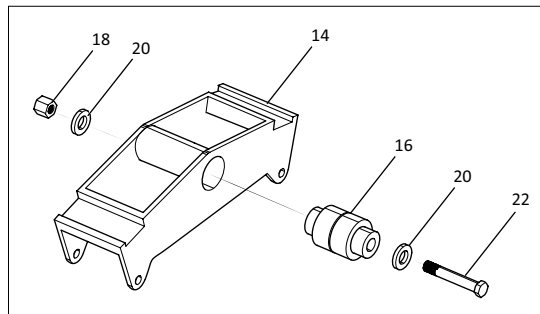
Torque Arm Bushing Assembly Hanger End



5



Ford and GM/Volvo Equalizer Assembly



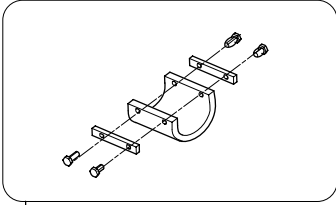
Model 102W Tandem Four Spring Suspension Tractor							
KEY NO.	EUCLID NO.	GENUINE	MACH NO.	OEM REF.	DESCRIPTION	QTY. PER AXLE	PAGE NO.
27	<b>E-2860</b>	<b>R</b>	-	11011-02	Rigid Torque Arm, Front & Rear 50" Axle Spacing Center-to-Center, Includes E-1980 Axle End Bushing	2	79
	<b>S.O.S.</b>	<b>R</b>	-	11011-03	Rigid Torque Arm, Front & Rear 52" Axle Spacing Center-to-Center, Includes E-1980 Axle End Bushing	2	-
	<b>E-2860</b>	<b>R</b>	-	12051-01	Rigid Torque Arm, Front 60" Axle Spacing Center-to-Center, Includes E-1980 Axle End Bushing	2	79
	<b>S.O.S.</b>	<b>R</b>	-	14127-01	Rigid Torque Arm, Rear 60" Axle Spacing Center-to-Center, Includes E-1980 Axle End Bushing	2	-
28	<b>E-3764</b>	<b>R</b>	-	15187-01	Adjustable Torque Rod, Front & Rear 50" Axle Spacing Center-to-Center, Includes E-1980 Axle End Bushing	2	78
	<b>E-4796</b>	<b>R</b>	-	15186-01	Adjustable Torque Rod, Front & Rear 52" Axle Spacing Center-to-Center, Front 60" Axle Spacing, Includes E-1980 Axle End Bushing	2	78
	<b>S.O.S.</b>	<b>R</b>	-	16135-01	Adjustable Torque Rod, Rear 60" Axle Spacing Center-to-Center, Includes E-1980 Axle End Bushing	2	-
29	<b>E-2886</b>	<b>R</b>	-	22274-01	Undrilled Center Hanger	2	84
	<b>E-14388</b>	<b>R</b>	-	22335-01	Drilled Center Hanger	2	84
30	<b>E-2983</b>	-	-	10092-01	Locknut, 7/8"-9	4	-
31	<b>E-901</b>	-	-	10033-01	Bolt 7/8"-9 x 5-1/2" Long	4	83
32	<b>E-2873</b>	<b>R</b>	-	08677-01	Top Plate, Cast, 3" Wide	4	93
33	<b>E-2887</b>	<b>R</b>	-	22299-01	Undrilled Rear Hanger, Left Hand	2	84
	<b>E-2888</b>	<b>R</b>	-	22299-02	Undrilled Rear Hanger, Right Hand	2	84
	<b>S.O.S.</b>	<b>R</b>	-	Various	Drilled Rear Hanger	2	-
34	<b>E-2867A</b>	<b>R</b>	-	TK19168	Rear Hanger Pad Assembly Includes Bolt, Plate, and Wear Pad	2	90
35	<b>E-UB8151-16</b>	-	-	09744-01	U-Bolt Assembly, Rd. Bend, 3/4"-16 Thd. X 3" Wide x 16" Long	4	-
	<b>E-UB8151-18</b>	-	-	09752-01	U-Bolt Assembly, Rd. Bend, 3/4"-16 Thd. X 3" Wide x 18" Long	4	-
36	<b>S.O.S.</b>	<b>R</b>	-	Various	Axle Seat	4	-
37	<b>S.O.S.</b>	<b>R</b>	-	Various	Bottom Plate	4	-

**R** Denotes Product is Genuine Reyco Granning

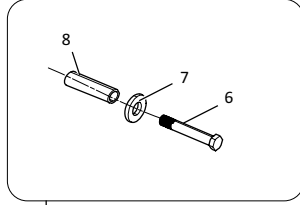
# REYCO GRANNING

## Model 102CC Single Axle Spring Suspension Tractor

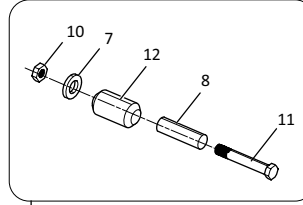
Wear Pad Assembly



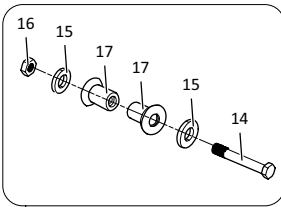
Front Hanger Roller Assembly



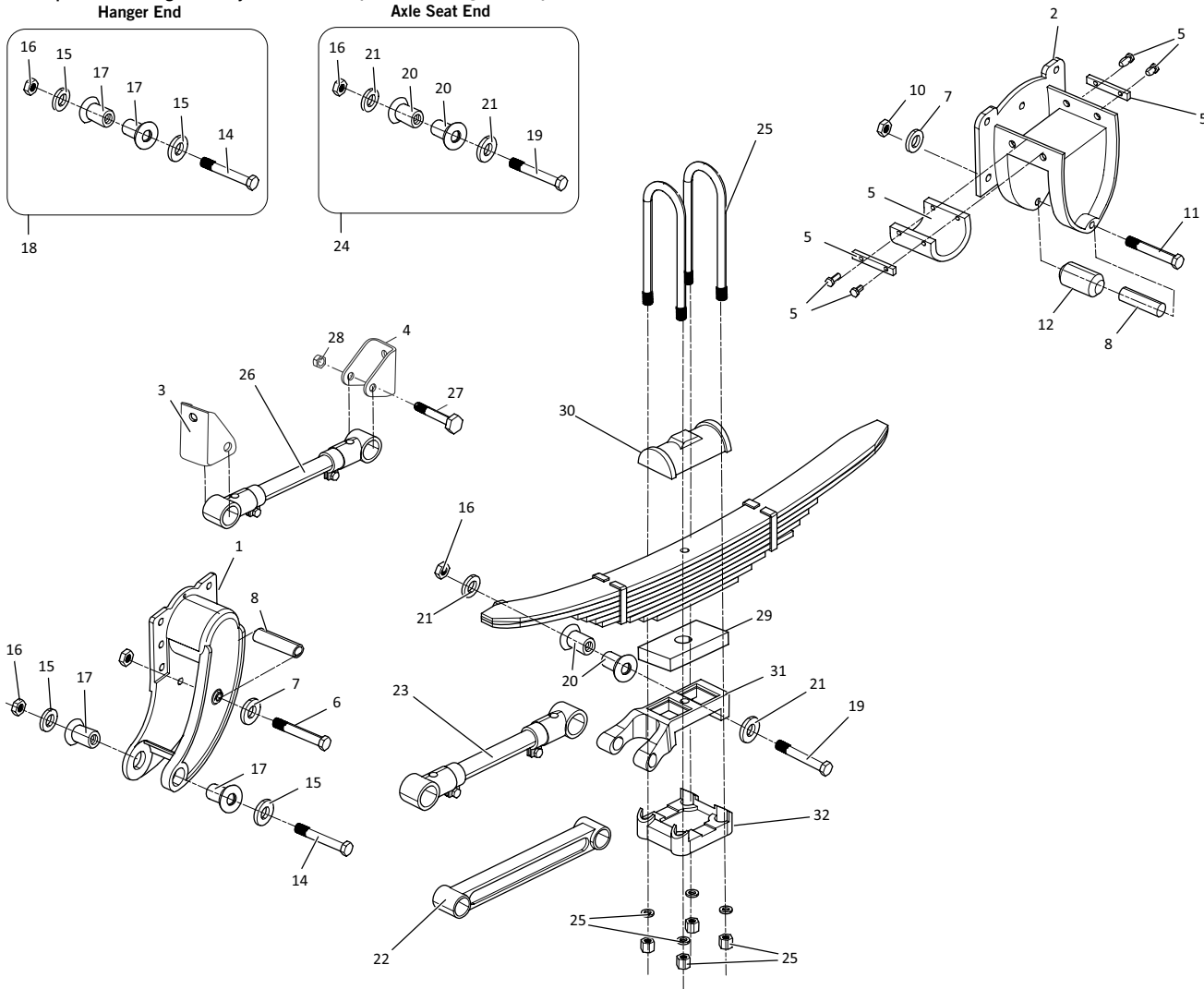
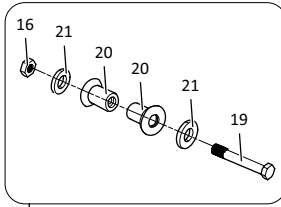
Rear Rubber Spring Roller Assembly



Torque Arm Bushing Assembly  
Hanger End



Torque Rod Bushing Assembly  
Axle Seat End

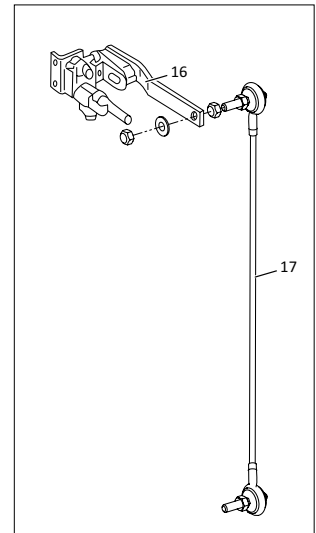
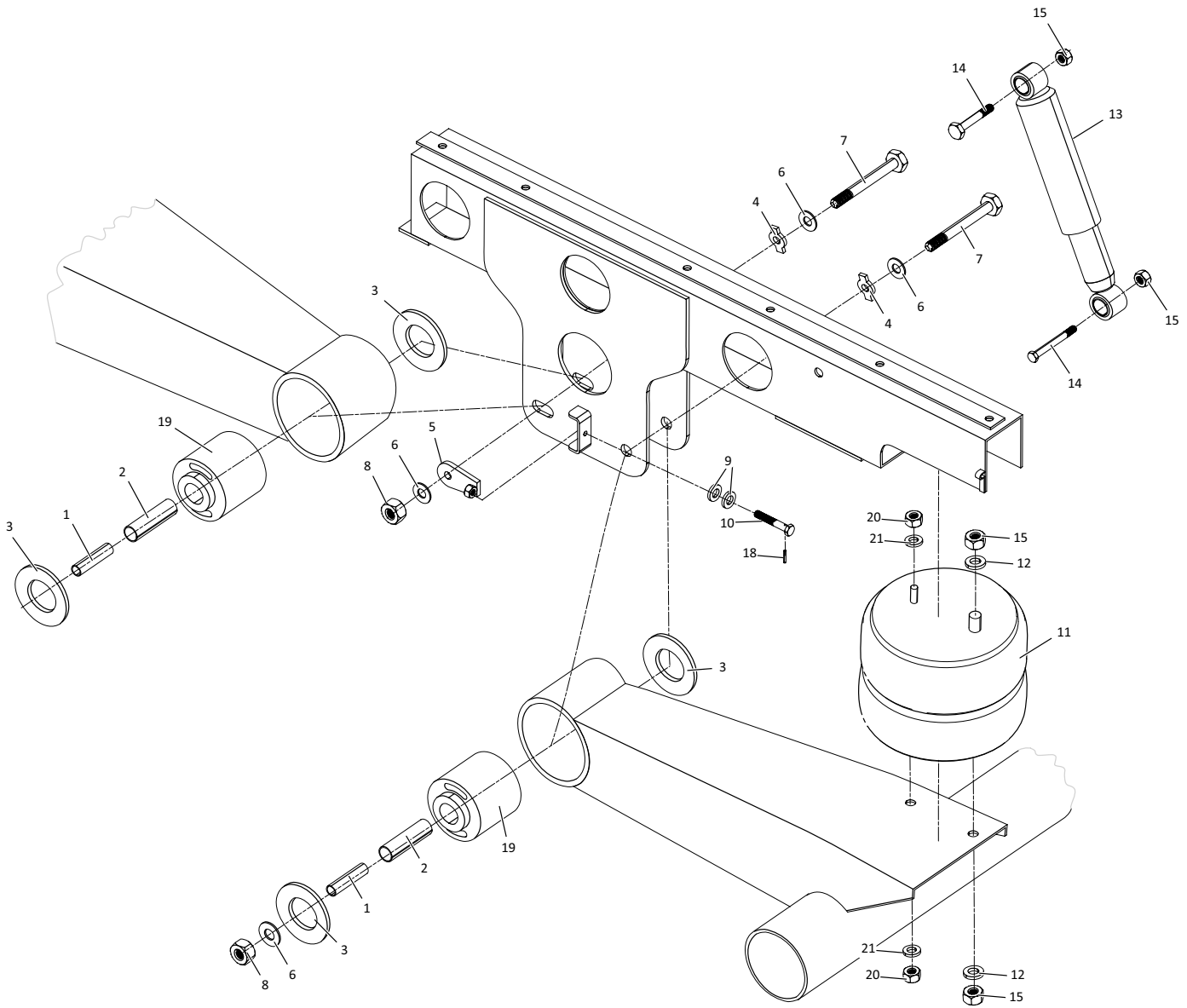


Model 102CC Single Axle Spring Suspension Tractor							
KEY NO.	EUCLID NO.	GENUINE	MACH NO.	OEM REF.	DESCRIPTION	QTY. PER AXLE	PAGE NO.
1	S.O.S.	<b>R</b>	-	Various	Front Hanger	1	-
2	S.O.S.	<b>R</b>	-	Various	Rear Hanger	1	-
3	S.O.S.	<b>R</b>	-	13149-01	Upper Control Arm Frame Bracket	2	-
4	S.O.S.	<b>R</b>	-	13148-01	Upper Control Arm Axle Bracket	2	-
5	E-2867A	<b>R</b>	-	TK14168	Wear Pad Assembly	2	90
6	E-16493	-	-	T-3099	Bolt 1/2"-20 x 4-1/2" Long	2	-
7	E-1974	-	-	T-1705	Lockwasher, 1/2"	4	-
8	E-1971	<b>R</b>	G-1971	T-2106	Spring Roller	4	89
9	E-16537	-	-	TK19212	Front Hanger Roller Assembly, Includes Key Nos. 6, 7, 8	2	-
10	E-5032	-	-	T-1704	Hex Nut, 1/2"-20	2	-
11	E-2022	-	-	T-5549	Bolt, 1/2"-20 x 5 1/2" Long	2	-
12	E-1980	-	-	09729-01	Rear Hanger & Control Arm Bushing, Rubber	2	82
	E-7520	-	-	-	Rear Hanger & Control Arm Bushing Bushing, Poly	2	82
13	E-16538	-	-	TK19169	Rear Rubber Spring Roller Assembly Includes Key Nos. 7, 8, 10, 11, 12	2	-
14	E-1166	-	-	23882-01	Torque Arm Bolt, Hanger End, 1"-14 x 6-3/4" Long	2	83
15	E-905	-	-	T1724	Flat Washer, 1-1/16"	2	-
16	E-937	-	-	T-5495	Lock Nut, 1"-14	4	-
17	E-10057	-	G-10057	21238-01S	Torque Arm Bushing, Hanger End, Rubber	2	82
18	E-9350	-	-	TK21640T	Torque Arm Bushing Assembly Hanger End, Includes Key No. 14, 15, 16, 17, Rubber	2	81
	E-9583	-	-	-	Torque Arm Bushing Assembly Hanger End, Includes Key No. 14, 15, 16, 17, Poly	2	81
19	E-900	-	-	17161-01	Torque Arm Bolt, Axle End, 1"-8 x 6-3/8" Long	2	83
20	E-1982	-	-	T-2242	Bushing, Torque Arm, Seat End, Rubber	4	82
	E-7522	-	-	-	Bushing, Torque Arm, Seat End, Poly	4	82
21	E-907	-	-	T-2224	Compression Washer, Seat End	4	-
22	S.O.S.	<b>R</b>	-	13135-01	Rigid Torque Arm, without bushing	1	-
23	S.O.S.	<b>R</b>	-	15174-01	Adjustable Torque Arm, without bushing	1	-
24	E-1983	-	-	TK19089	Torque Rod Bushing Assembly, Includes Key No. 16, 19, 20, 21	2	81
25	E-UB8165-12	-	-	08494-01	U-Bolt Assembly, Round Bend, 7/8"-14 Thd x 3" Wide x 12" Long	2	-
	E-UB8165-13	-	-	08512-01	U-Bolt Assembly, Round Bend, 7/8"-14 Thd x 3" Wide x 13" Long	2	-
	E-UB8165-14	-	-	08515-01	U-Bolt Assembly, Round Bend, 7/8"-14 Thd x 3" Wide x 14" Long	2	-
	E-UB8165-16	-	-	08520-01	U-Bolt Assembly, Round Bend, 7/8"-14 Thd x 3" Wide x 16" Long	2	-
26	E-2292	-	-	16347-01	Upper Control Arm, Includes E-1980 Bushing	2	78
27	E-901	-	-	10033-01	Bolt, Track Rod, 7/8"-9 x 5-1/2" Long	4	83
28	E-2983	-	-	10092-01	Locknut, 7/8"-9	4	-
29	E-9562	<b>R</b>	-	T-7555	Spacer, 3" Wide x 7" Long, 1/2" Thick, 13/16" Hole	As Req.	95
	E-9563	<b>R</b>	-	T-7716	Spacer, 3" Wide x 7 1/2" Long, 1" Thick	As Req.	95
	E-9564	<b>R</b>	-	T-7654	Spacer, 3" Wide x 7 1/2" Long, 1" Thick	As Req.	95
30	E-2873	<b>R</b>	-	08677-01	Top Plate, Cast, 3" Wide	2	93
31	S.O.S.	<b>R</b>	-	Various	Axle Seat	1	-
32	S.O.S.	<b>R</b>	-	Various	Bottom Plate	1	-

**R** Denotes Product is Genuine Reyco Granning

# REYCO GRANNING

## Model 20AR/22AR Air Suspension Trailer



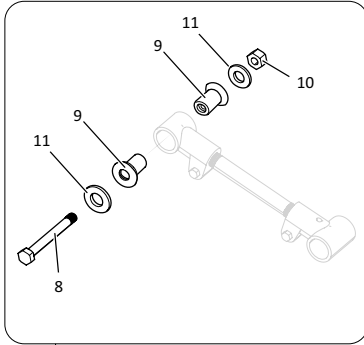
Model 20AR/22AR Air Suspension Trailer							
KEY NO.	EUCLID NO.	GENUINE	MACH NO.	OEM REF.	DESCRIPTION	QTY. PER TANDEM	PAGE NO.
1	E-15244	<b>R</b>	-	23674-02	Pivot Shaft Sleeve	4	-
2	E-15245	<b>R</b>	-	23432-02	Sleeve Cover, 4 3/8"	4	-
3	E-15246	<b>R</b>	-	23427-01	Beam Spacer	8	-
4	E-15247	<b>R</b>	-	23656-01	Rey-Align Flange Washer	6	-
5	E-15248	<b>R</b>	-	23673-02	Rey-Align Assembly	2	-
6	E-15249	-	-	23952-01	Disc Spring Washer, 7/8"	4	-
7	E-15264	-	-	23286-02	Bolt, 7/8" x 7-1/2" Long	4	-
8	E-1835	-	-	14345-01	Lock Nut, 7/8"-14	4	-
9	E-15250	-	-	20852-01	Flat Washer, 3/4"	4	-
10	E-15251	<b>R</b>	-	24398-01	Rey-Align Bolt 3/4"-10 x 3.5"	2	-
11	FS7555	-	-	20018-01	Air Spring Assembly	4	-
	MAF7555	-	-				-
12	E-15253	-	-	T-3164	Lock Washer, 3/4"	4	-
13	M85052	-	-	700098-03	Shock Absorber	4	-
14	E-15240	<b>R</b>	-	12889-02	Bolt, 3/4"-16 x 10" Long	4	-
15	E-4961A	-	-	14344-01	Lock Nut, 3/4"-16	8	-
16	E-15241	<b>R</b>	-	700318-14	Height Control Valve-Hadley 1500	1	96
17	E-7852	-	-	-	Universal Linkage Kit	1	96
18	E-15261	<b>R</b>	-	24453-01	Coiled Spring Pin	2	-
19	E-15243	<b>R</b>	-	25770-01	Pivot Bushing, 4 1/2" Width	2	-
20	E-15256	-	-	12920-01	Nut 1/2"-13	2	-
21	E-1974	-	-	T-1705	Lock Washer, 1/2"	2	-

**R** Denotes Product is Genuine Reyco Granning

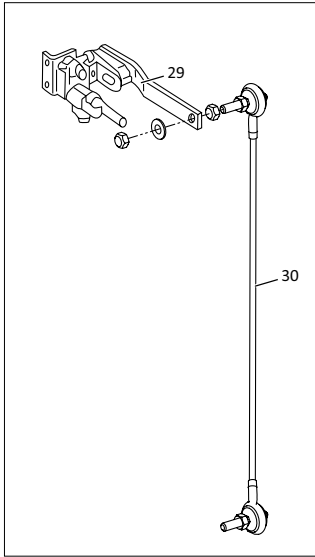
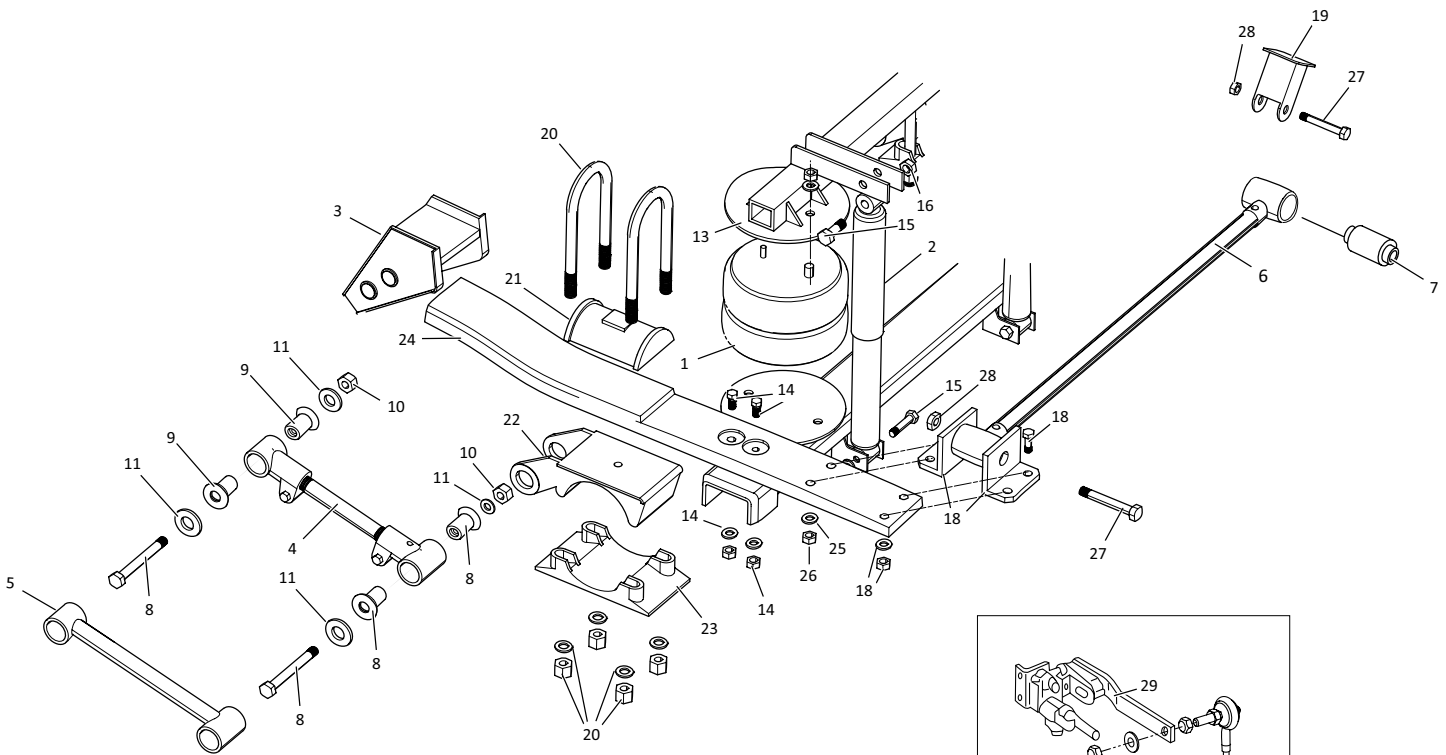
# REYCO GRANNING

## Model 21AR Air Suspension Trailer

Torque Arm Bushing & Bolt Kit



12





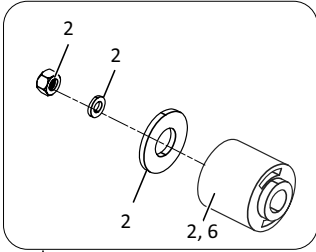
Model 21AR Air Suspension Trailer							
KEY NO.	EUCLID NO.	GENUINE	MACH NO.	OEM REF.	DESCRIPTION	QTY. PER AXLE	PAGE NO.
1	<b>FS7557</b>	-	-	19983-01	Air Spring Assembly	4	-
2	<b>M85013</b>	-	-	12887-01	Shock Absorber, Standard Duty Shock	4	-
	<b>M89414</b>	-	-	-	Shock Absorber, Premium Adjustable Shock	4	-
3	<b>E-15265</b>	<b>R</b>	-	21949-01	Hanger, Under Mount	4	84
4	<b>E-3283A</b>	<b>R</b>	G-3283A	15172-01	Torque Arm, Adjustable	2	78
5	<b>E-2855</b>	<b>R</b>	-	15178-01	Torque Arm, Rigid	2	79
6	<b>E-15266</b>	<b>R</b>	-	20012-01	Track Rod Rigid, 38" Frame Width, Includes E-1980 Bushings	2	80
	<b>S.O.S.</b>	<b>R</b>	-	20969-01	Track Rod Rigid, 40" Frame Width, Includes E-1980 Bushings	2	-
	<b>S.O.S.</b>	<b>R</b>	-	20314-01	Track Rod Rigid, 42" Frame Width, Includes E-1980 Bushings	2	-
	<b>E-15276</b>	<b>R</b>	-	10910-01	Track Rod Rigid, 48" Frame Width, Includes E-1980 Bushings	2	80
7	<b>E-1980</b>	-	-	09729-01	Track Rod Bushing, Rubber	4	82
	<b>E-7520</b>	-	-	-	Track Rod Bushing, Poly	4	82
8	<b>E-1166</b>	-	-	T-5492	Torque Arm Bolt, 1"-14 x 6-3/4" Long	8	83
9	<b>E-1160</b>	-	-	T-5493	Torque Arm Bushing, Rubber	16	82
	<b>E-7523</b>	-	-	-	Torque Arm Bushing, Poly	16	82
10	<b>E-937</b>	-	-	T-5495	Torque Arm Nut, 1"-14	8	-
11	<b>E-907</b>	-	-	T-2224	Torque Arm Compression Washer, 1"	16	-
12	<b>E-1312A</b>	-	-	TK18997	Torque Arm Bushing Assembly, Includes Key Nos. 8, 9, 10, 11, Rubber	8	81
	<b>E-9545</b>	-	-	-	Torque Arm Bushing Assembly, Includes Key Nos. 8, 9, 10, 11, Poly	8	81
13	<b>E-15277</b>	<b>R</b>	-	17856-01	Upper Air Spring Mounting Plate	4	-
14	<b>S.O.S.</b>	<b>R</b>	-	25017-38	Lower Air Spring Support Assembly, 38" Frame Width	2	-
	<b>S.O.S.</b>	<b>R</b>	-	25017-40	Lower Air Spring Support Assembly, 40" Frame Width	2	-
	<b>S.O.S.</b>	<b>R</b>	-	25017-42	Lower Air Spring Support Assembly, 42" Frame Width	2	-
	<b>E-15279</b>	<b>R</b>	-	25017-44	Lower Air Spring Support Assembly, 44" Frame Width	2	-
15	<b>E-15267</b>	-	-	08210-01	Shock Absorber Bolt, 3/4"-16 x 3" Long	8	-
16	<b>E-4961A</b>	-	-	14344-01	Nut, 3/4"	8	-
17	<b>E-15268</b>	<b>R</b>	-	21778-01	Upper Shock Mounting Bracket	8	-
18	<b>E-9358</b>	<b>R</b>	-	21491-01	Track Rod Bracket, Lower Left hand	4	82
19	<b>E-15269</b>	<b>R</b>	-	18919-01	Track Rod Bracket, Upper Right Hand	4	88
20	<b>E-UB8161-14</b>	-	-	18885-01	U-Bolt Assembly, Rd. Bend, 7/8"-14 Thd. x 3" Wide x 14" Long	8	-
	<b>E-UB8161-16</b>	-	-	08498-01	U-Bolt Assembly, Rd. Bend, 7/8"-14 Thd. x 3" Wide x 16" Long	8	-
21	<b>E-9553</b>	<b>R</b>	-	20050-01	U-Bolt Top Plate	4	93
22	<b>E-15270</b>	<b>R</b>	-	20051-01	Axle Seat, Round Axle, 14" Ride Height	4	91
	<b>S.O.S.</b>	<b>R</b>	-	20051-02	Axle Seat, Round Axle, 15 1/4" Ride Height	4	-
	<b>S.O.S.</b>	<b>R</b>	-	20051-03	Axle Seat, Round Axle, 16 1/2" Ride Height	4	-
23	<b>E-2909</b>	-	G-2909	0538-00	Bottom Plate, 5" Round Axle	4	92
24	<b>E-10774</b>	<b>R</b>	-	19879-01	Spring Beam, Left Hand	2	-
	<b>E-10775</b>	<b>R</b>	-	19880-01	Spring Beam, Right Hand	2	-
25	<b>E-15254</b>	-	-	T-1859	Lock Washer 3/8"	8	-
26	<b>E-15257</b>	-	-	20029-01	Nut, 3/8"-16	8	-
27	<b>E-901</b>	-	-	10033-01	Track Rod Bolt, 7/8"-9 x 5-1/2" Long	2	83
28	<b>E-2983</b>	-	-	10092-01	Track Rod Nut, 7/8"-9	2	-
29	<b>E-9623</b>	-	-	-	Universal Height Control Valve Assembly	1	96
30	<b>E-7852</b>	-	-	-	Universal Linkage Kit	1	96

**R** Denotes Product is Genuine Reyco Granning

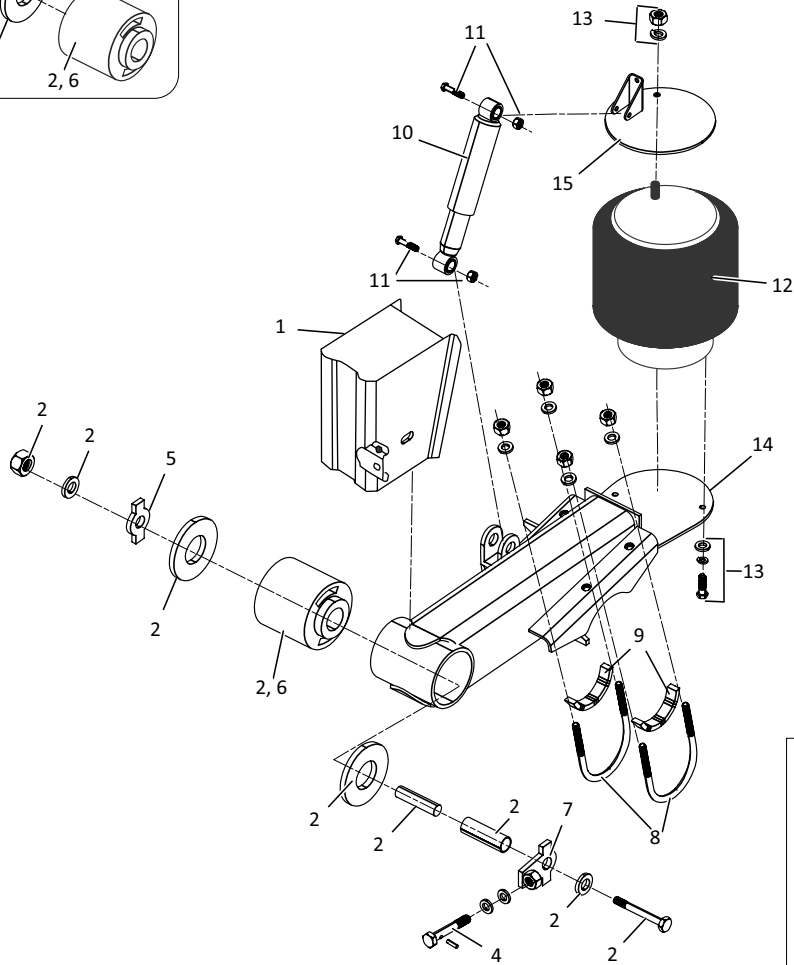
# REYCO GRANNING

## Model 23AR/25AR/30AR Air Suspension Trailer Trailer

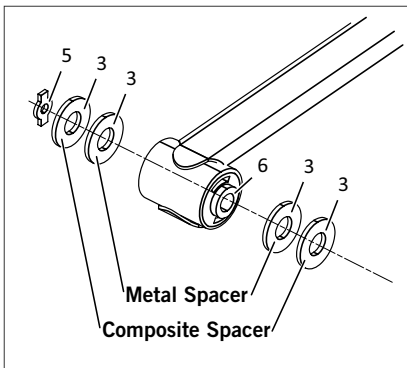
Heavy Duty Beam Spacer



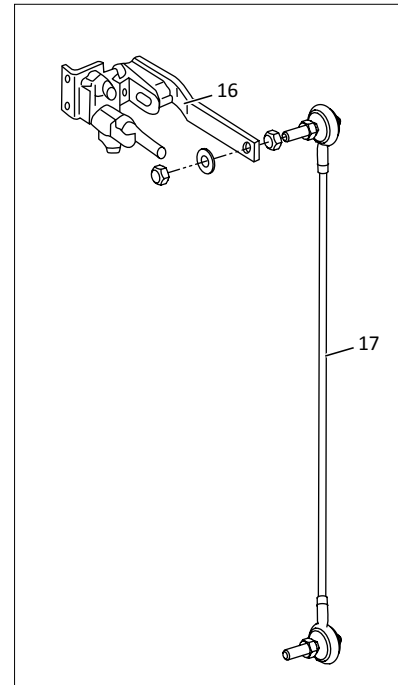
3



Heavy Duty Beam Spacer Configuration Option



Metal Spacer  
Composite Spacer



17

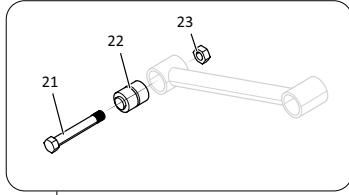
Model 23AR/25AR/30AR Air Suspension Trailer							
KEY NO.	EUCLID NO.	GENUINE	MACH NO.	OEM REF.	DESCRIPTION	QTY. PER AXLE	PAGE NO.
1	S.O.S.	<b>R</b>	-	Various	Hanger	2	-
2	E-16199	<b>R</b>	-	K701163-1	Kit, Rebushing; REY-ALIGN® Beam; 7/8" Bolt	2	-
	E-16200	<b>R</b>	-	K701311	Kit, Rebushing; Huck Bolted Beam; 1-1/8" Bolt	2	-
3	E-16201	<b>R</b>	-	K70221805	Kit, Heavy Duty Beam Spacer	4	-
4	E-15251	<b>R</b>	-	24398-01	Bolt, Adjustment; Alignment	2	-
5	E-16202	<b>R</b>	-	23656-01	Flange Washer, Opposite REY-ALIGN®	2	-
6	E-16203	<b>R</b>	-	23421-01	Bushing	2	-
7	E-16204	<b>R</b>	-	23673-01	REY-ALIGN Adjustment Washer	1	-
8	E-UB8168-082	-	-	TK23961	U-bolt Assembly 7/8"-14 X 6" Wide X 8 1/4" Long. Incl. Nuts & Washers	4	-
9	E-16206	<b>R</b>	-	23939-01	Spacer, U-Bolt/Axle	4	94
10	M85738	-	-	23523-01	Shock Absorber, All 23K Rear Angled Shock Models	2	-
	S.O.S.	<b>R</b>	-	702135-01	Shock Absorber, All 23K Forward Angled Shock Models	2	-
	S.O.S.	<b>R</b>	-	704672-01	Shock Absorber, 25K Forward Angled Shock Models Except Models with 12-17" Ride Ht.	2	-
	S.O.S.	<b>R</b>	-	24392-01	Shock Absorber, All 25K Rear Angled Shock Models	2	-
	S.O.S.	<b>R</b>	-	702135-01	Shock Absorber, All 23K Forward Angled Shock Models	2	-
	S.O.S.	<b>R</b>	-	23524-01	Shock Absorber, All 30K Rear Angled Shock Models	2	-
	M85938	-	-	23553-01	Shock Absorber, All 30K Forward Angled Shock Models	2	-
11	E-16210	<b>R</b>	-	TK23535	Kit, Bolt; Shock Absorber	2	-
12	FS8740	-	-	23433-01	Air Spring, All 23K Models	2	-
	MAF8740	-	-				
	FS8856	-	-	23521-02	Air Spring, 25K Forward Angled Shock Models with 12-17" Ride Ht.	2	-
	FS8855	-	-	704671-01	Air Spring, 25K Forward Angled Shock Models Except Models with 12-17" Ride Ht.	2	-
	MAF8855	-	-				
	FS9560	-	-	25396-01	Air Spring, 25K Rear Angled Shock Models 25ARTULS-14A, 15A, 16A	2	-
	FS8050	-	-	23631-01	Air Spring, All 30K Models	2	-
	MAF8050	-	-				
13	E-16214	<b>R</b>	-	TK23658	Kit, Air Spring Mounting, All 23K Models	2	-
	S.O.S.	<b>R</b>	-	TK24381	Kit, Air Spring Mounting, 25K Rear Angled Shock Models Except Models 25ARTULS-14A, 15A, 16A	2	-
	E-16215	<b>R</b>	-	TK23532	Kit, Air Spring Mounting, 25K Rear Angled Shock Models 25ARTULS-14A, 15A, 16A	2	-
	E-16216	<b>R</b>	-	TK24778	Kit, Air Spring Mounting, All 30K Models	2	-
	S.O.S.	<b>R</b>	-	TK23568	Kit, Air Spring Mounting, 25K Forward Angled Shock Models Except Models with 12-17" Ride Ht	2	-
14	S.O.S.	<b>R</b>	-	Various	Assembly, Beam Specify Model & LH/RH	2	-
15	S.O.S.	<b>R</b>	-	Various	Assembly, Top Plate; Air Spring Specify Model & Ride Hgt.	2	-
16	E-9623	-	-	-	Valve, Height Control; Universal	1	96
17	E-7852	-	-	-	Linkage Assembly; Universal; Adjustable 3-5/8"-19-5/8" Range; Use w/All Height Control Valves	1	96

**R** Denotes Product is Genuine Reyco Granning

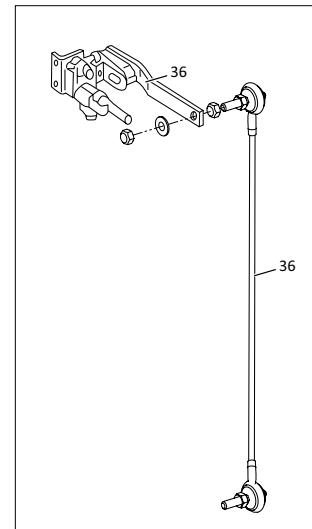
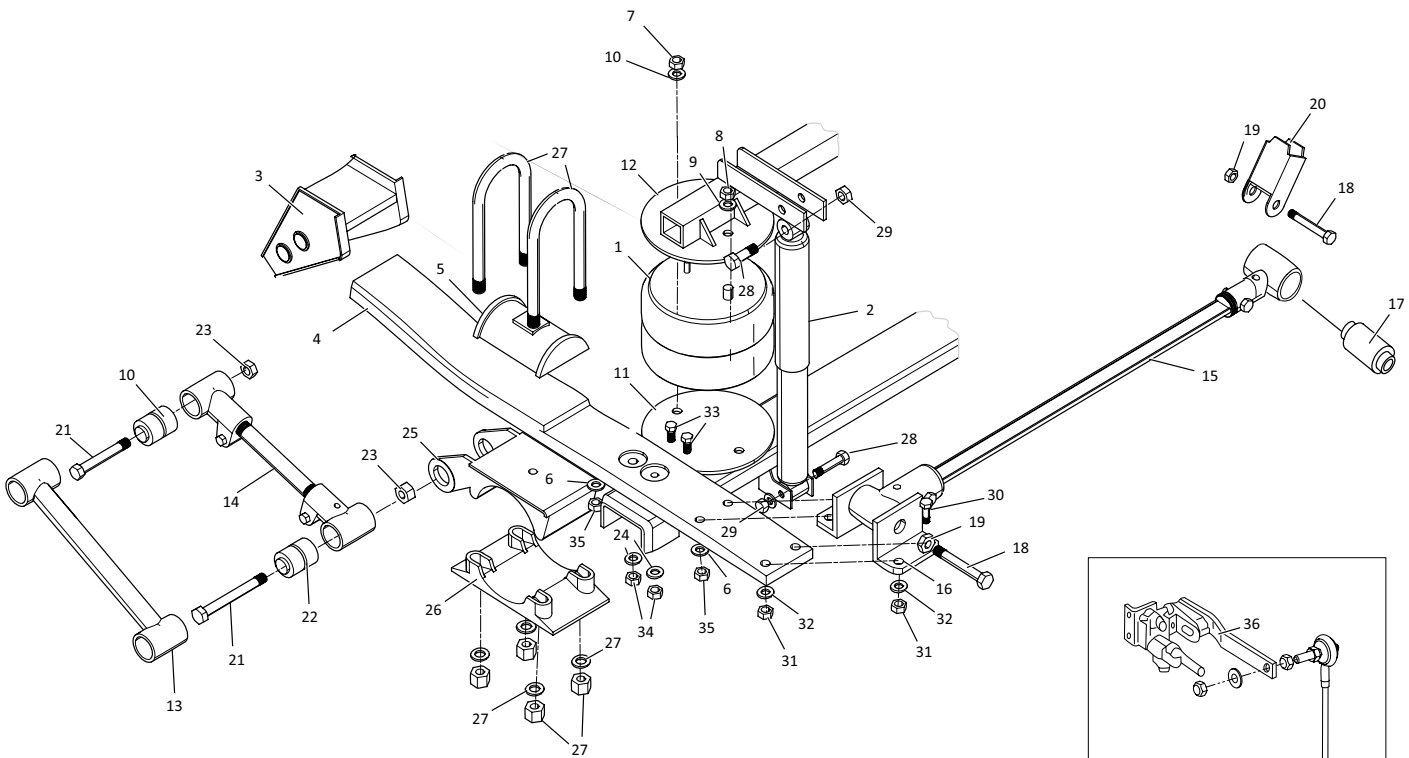
# REYCO GRANNING

## Model 74AR Air Suspension Trailer

Torque Rod Bushing & Bolt Kit



24



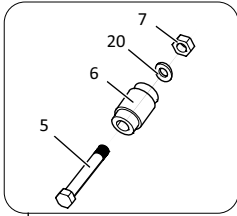
## Model 74AR Air Suspension Trailer

KEY NO.	EUCLID NO.	GENUINE	MACH NO.	OEM REF.	DESCRIPTION	QTY. PER AXLE	PAGE NO.
1	FS7557	-	-	19983-01	Air Spring	2	-
2	M85013	-	-	12887-01	Shock Absorber, Standard Duty Shock	2	-
	M89414	-	-	-	Shock Absorber, Premium Adjustable Shock	2	-
3	E-9615	<b>R</b>	-	16671-01	Hanger, Under Mount	2	-
4	E-15284	<b>R</b>	-	19897-01	Left Spring Beam	1	-
	E-15285	<b>R</b>	-	19898-01	Right Spring Beam	1	-
5	S.O.S.	<b>R</b>	-	20157-01	Top Plate	2	-
6	E-15254	-	-	T-1859	Lockwasher 3/8"	4	-
7	E-15256	-	-	12920-01	Nut 1/2"-13	2	-
8	E-1107	-	-	08211-01	Nut 3/4"-16	2	-
9	E-15253	-	-	T-3164	Lockwasher 3/4"	2	-
10	E-1974	-	-	T-1705	Lockwasher, 1/2"	2	-
11	S.O.S.	<b>R</b>	-	19790-01	Lower Air Spring Plate	2	-
12	S.O.S.	<b>R</b>	-	24067-01	Upper Air Spring Plate	2	-
13	E-9585	<b>R</b>	-	16585-01	Rigid Torque Arm, 14-1/4" Center-to-Center	1	79
14	E-9584	<b>R</b>	-	16595-01	Adjustable Torque Arm, 14-1/4" Center-to-Center	1	78
15	E-15266	<b>R</b>	-	20012-01	Track Rod, Rigid, 38" Length, Includes E-1980 Bushing	1	80
	S.O.S.	<b>R</b>	-	20969-01	Track Rod, Rigid, 40" Length, Includes E-1980 Bushing	1	-
	S.O.S.	<b>R</b>	-	20314-01	Track Rod, Rigid, 42" Length, Includes E-1980 Bushing	1	-
	E-15276	<b>R</b>	-	10910-01	Track Rod, Rigid, 44" Length, Includes E-1980 Bushing	1	80
16	E-9358	<b>R</b>	-	21491-01	Track Rod Bracket	2	82
17	E-1980	-	-	09729-01	Track Rod Bushing	2	82
18	E-901	-	-	10033-01	Track Rod Bolt 7/8"	2	83
19	E-2983	-	-	10092-01	Track Rod Locknut, 7/8"-9	2	-
20	E-15269	<b>R</b>	-	18919-01	Track Rod hanger, Upper Right hand	1	88
	S.O.S.	<b>R</b>	-	19604-01	Track Rod Bracket, Lower Left Hand	1	-
21	E-1166	-	-	T-5492	Torque Rod Bolt 1" X 2 3/8" X 4" Long	4	83
22	E-9549	-	-	15737-01	Torque Rod Bushing	4	82
23	E-937	-	-	T-5495	Torque Rod Nut 1"-14	4	-
24	E-9587	-	-	-	Torque Rod Bushing Assembly Includes Key Nos. 21, 22, 23	4	81
25	E-9626	<b>R</b>	-	15751-01	Axle Seat, 14-1/4" Ride Height	2	91
	S.O.S.	<b>R</b>	-	19996-01	Axle Seat, 15-1/4" Ride Height	2	-
26	S.O.S.	<b>R</b>	-	19989-01	Bottom Plate, 14-1/4" - 16-1/4" Ride Height	2	-
27	E-UB5161-12	-	-	-	U-Bolt Assembly, Round Bend, 7/8"-14 Thd x 3" Wide x 12" Long	4	-
	E-UB5161-13	-	-	-	U-Bolt Assembly, Round Bend, 7/8"-14 Thd x 3" Wide x 13" Long	4	-
	E-UB5161-14	-	-	-	U-Bolt Assembly, Round Bend, 7/8"-14 Thd x 3" Wide x 14" Long	4	-
28	E-15267	-	-	08210-01	Shock Absorber Bolt, 3/4"-16 x 3" Long	4	-
29	E-4961A	-	-	14344-01	Shock Absorber Nut 3/4"-16	4	-
30	S.O.S.	<b>R</b>	-	17353-01	Cap screw 1/2"	4	-
31	S.O.S.	<b>R</b>	-	17357-01	Locknut, 1/2"-20	4	-
32	S.O.S.	<b>R</b>	-	10016-01	Flat Washer, 1/2"	4	-
33	E-15286	-	-	18842-01	Hex Bolt, 7/8" - 14 x 3" Long	4	-
34	E-1835	-	-	14345-01	Locknut, 7/8" - 14	8	-
35	E-15251	-	-	20029-01	Nut, 3/8" - 16	4	-
36	E-15271	<b>R</b>	-	23329-01	Height Control Valve, 1/4" Fitting, Includes Linkage	1	96
-	E-4324	-	-	12915-03	Pressure Protection Valve, Includes Filter	1	96

# REYCO GRANNING

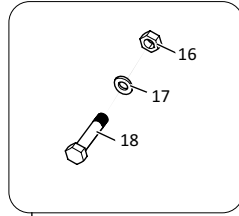
## Model 86AR Air Suspension Trailer

Torque Arm/Track Rod  
Bushing Assembly

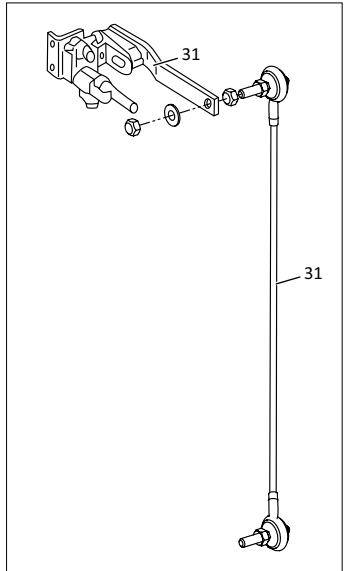
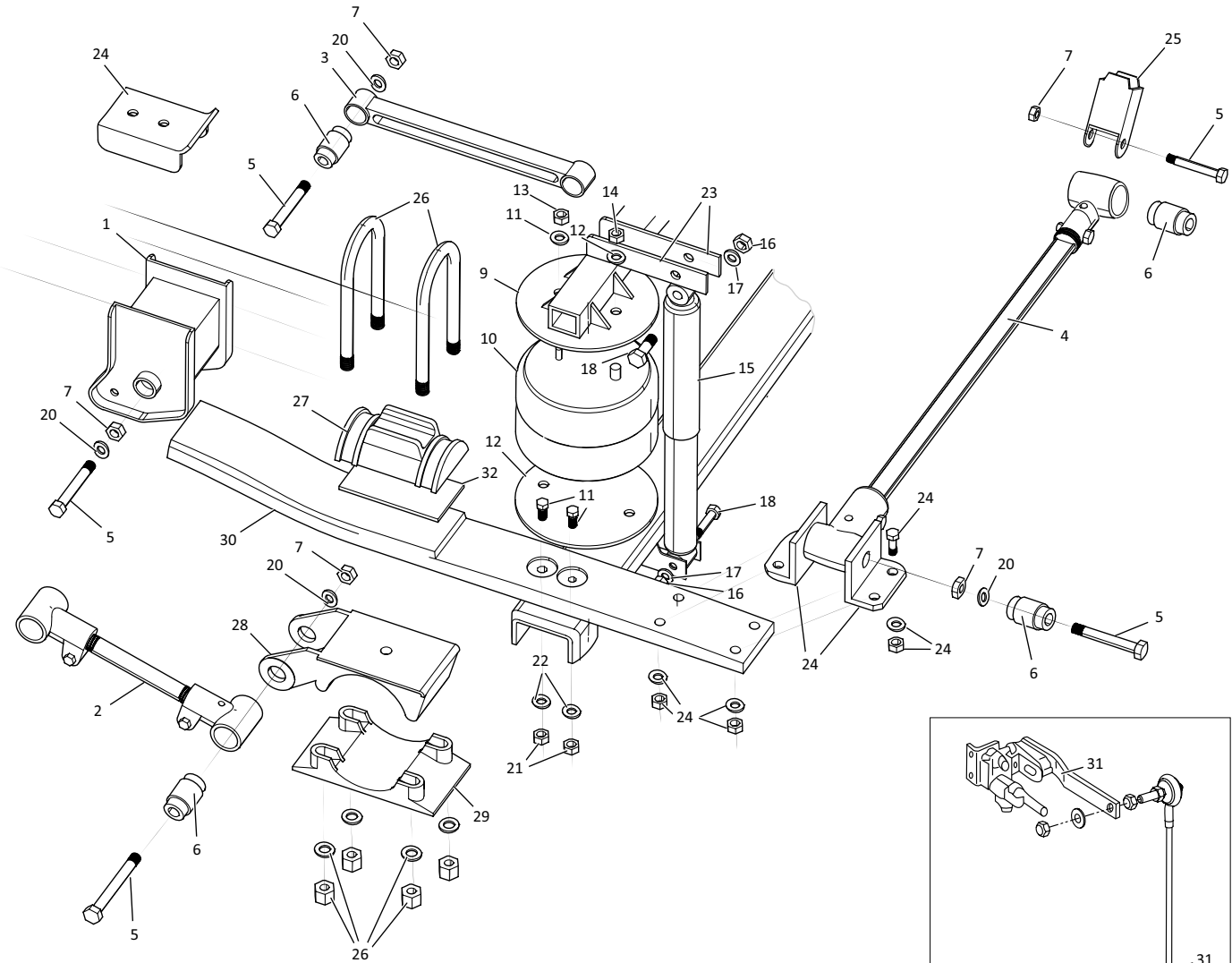


8

Shock Absorber Mounting Kit



19



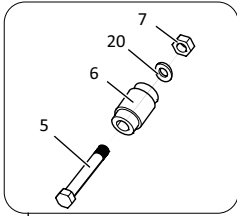
Model 86AR Air Suspension Trailer								
KEY NO.	EUCLID NO.	GENUINE	MACH NO.	OEM REF.	DESCRIPTION	QTY. PER AXLE	QTY. PER TANDEM	PAGE NO.
1	E-9351A	<b>R</b>	-	22662-01	Front Hanger, Straddle Mount	2	4	84
	S.O.S.	<b>R</b>	-	1503-00	Front Hanger, Undermount	2	4	-
	S.O.S.	<b>R</b>	-	1504-01	Front hanger, Left, Flangemount	2	4	-
	S.O.S.	<b>R</b>	-	1504-02	Front hanger, Right, Flangemount	2	4	-
2	E-4824	<b>R</b>	G-4824	1035-20	Adjustable Torque Arm, Fabricated End, Includes E-1980 Bushing	1	2	78
	E-2513	-	-	-	Adjustable Torque Arm, Cast End, Includes E-1980 Bushing	1	2	78
3	E-4825	<b>R</b>	G-4825	0075-20	Rigid Torque Arm, Includes E-1980 Bushing	1	2	79
4	E-15266	<b>R</b>	-	20012-01	Track Rod Rigid, Standard, 42" Frame Width	1	2	80
	E-15276	<b>R</b>	-	10910-01	Track Rod Rigid, Standard, 48" Frame Width	1	2	80
	S.O.S.	<b>R</b>	-	17857-01	Track Rod Rigid, Adjustbale Option, 42" Frame Width	1	2	-
	S.O.S.	<b>R</b>	-	18869-01	Track Rod Rigid, Adjustbale Option, 48" Frame Width	1	2	-
5	E-4833	-	-	0001-08	Torque Arm/Track Rod Bolt 7/8"-14 long	6	12	-
6	E-1980	-	-	0022-00, 09729-01	Torque Arm/Track Rod Bushing, Rubber	6	12	82
	E-7520	-	-	-	Torque Arm/Track Rod Bushing, Poly	6	12	82
7	E-1835	-	-	14345-01	Torque Arm/Track Rod Locknut, 7/8-14	6	12	-
8	E-4834A	-	-	K002201	Torque Arm/Track Rod Bushing Assembly w/ Rubber Bushing, Includes Key No. 5, 6, 7	6	12	82
9	E-15277	<b>R</b>	-	17856-01	Upper Air Spring Mounting Plate	2	4	-
10	FS7555	-	-	20018-01	Air Spring - Double Convolution	2	4	-
	MAF7555	-	-					-
11	E-1974	-	-	T-1705	Air Spring Lockwasher, 1/2"	2	4	-
12	E-15253	-	-	T-3164	Air Spring Lockwasher, 3/4"	2	4	-
13	E-15256	-	-	12920-01	Air Spring Nut, 1/2"	2	4	-
14	E-1107	-	-	08211-01	Air Spring Nut, 3/4"	2	4	-
15	M85006	-	-	18165-01	Shock Absorber	2	4	-
16	E-4961A	-	-	14344-01	Shock Absorber Mounting Nut, 3/4"-16	4	8	-
17	E-2545	-	-	20852-01	Shock Absorber Mounting Washer, 3/4"	4	8	-
18	E-15267	-	-	08210-01	Shock Absorber Mounting Bolt, 3/4"-16 x 3" Long	4	8	-
19	S.O.S.	<b>R</b>	-	TK19216	Shock Absorber Mounting Hardware Kit	4	8	-
20	E-2546	-	-	T-7292	Flat Washer, 7/8"	6	12	-
21	E-15257	-	-	20029-01	Nut, 3/8"-16	4	8	-
22	E-15254	-	-	T-1859	Lockwasher 3/8"	4	8	-
23	S.O.S.	<b>R</b>	-	19769-01	Upper Shock Mounting Bracket (2 pieces per Kit)	2	4	-
24	E-9358	<b>R</b>	-	TK21962	Track Rod Bracket, Lower Left Hand w/ Hardware	2	4	82
25	S.O.S.	<b>R</b>	-	19709-01	Track Rod Hanger, Upper Right Hand, Bolt-On - Aluminum Trailers	1	2	-
	E-15314	<b>R</b>	-	19772-01	Track Rod Hanger, Upper Right Hand, Weld On	1	2	88
26	E-UB8151-12	-	-	19780-110 to 120	U-Bolt Assembly, Rd. Bend, 3/4"-16 Thd. X 3" Wide x 12" Long	2	4	-
	E-UB8151-14	-	-	19780-125 to 140	U-Bolt Assembly, Rd. Bend, 3/4"-16 Thd. X 3" Wide x 14" Long	2	4	-
	E-UB8151-16	-	-	19780-145 to 160	U-Bolt Assembly, Rd. Bend, 3/4"-16 Thd. X 3" Wide x 16" Long	2	4	-
27	E-9353	<b>R</b>	-	1098-00	U-Bolt Top Plate	2	4	94

**R** Denotes Product is Genuine Reyco Granning

# REYCO GRANNING

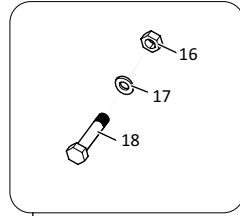
## Model 86AR Air Suspension Trailer

Torque Arm/Track Rod  
Bushing Assembly

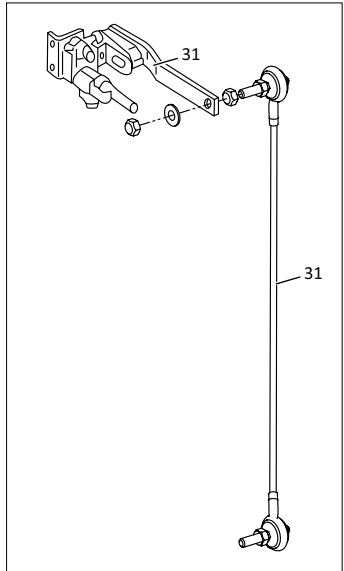
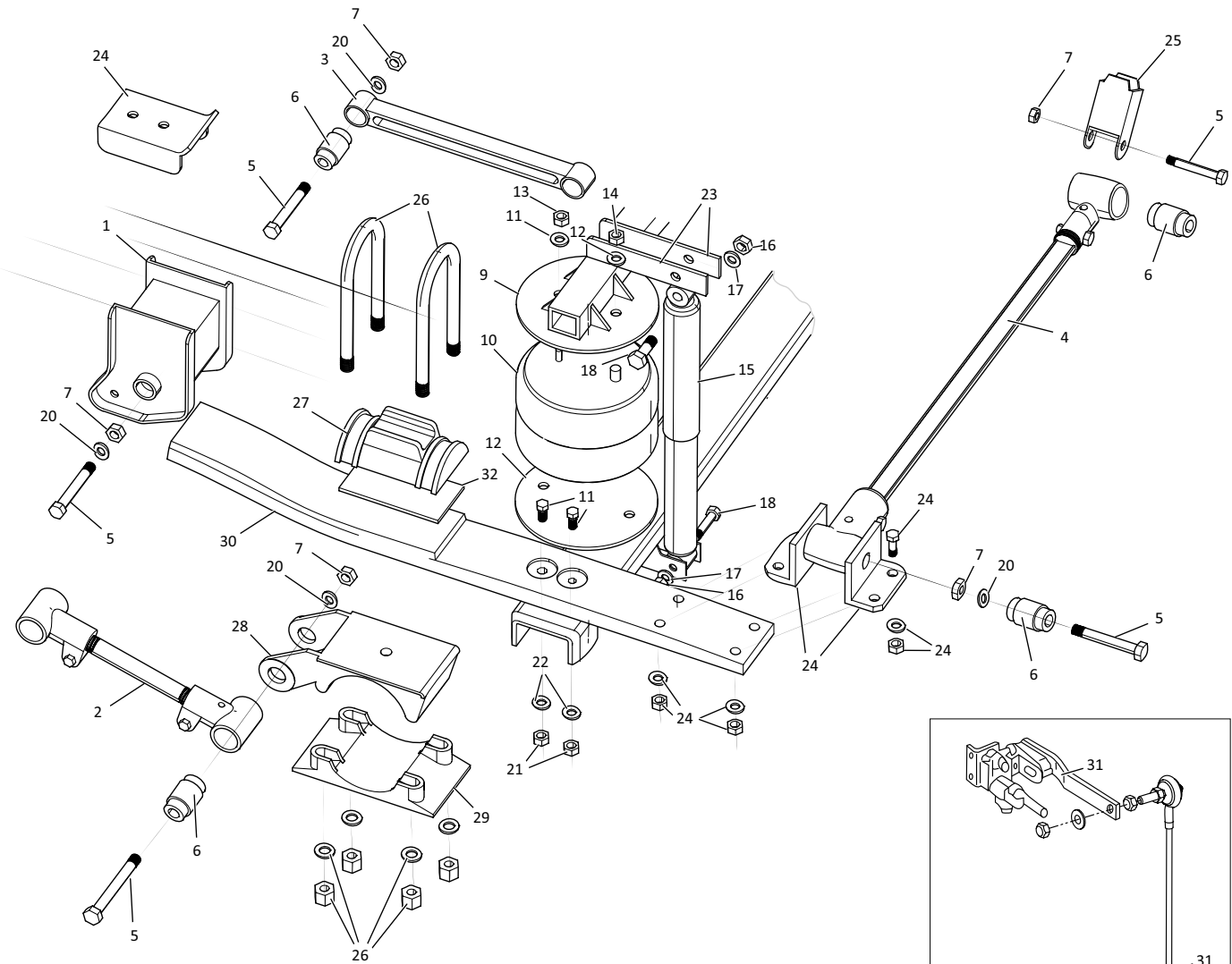


8

Shock Absorber Mounting Kit



19





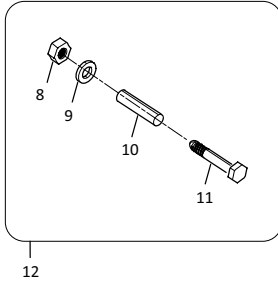
Model 86AR Air Suspension Trailer								
KEY NO.	EUCLID NO.	GENUINE	MACH NO.	OEM REF.	DESCRIPTION	QTY. PER AXLE	QTY. PER TANDEM	PAGE NO.
28	E-4814	<b>R</b>	-	0636-01	Axle Seat, 5" Round Axle, 1" High	2	4	91
	S.O.S.	<b>R</b>	-	0636-015	Axle Seat, 5" Round Axle, 1-1/2" High	2	4	-
	S.O.S.	<b>R</b>	-	0636-02	Axle Seat, 5" Round Axle, 2" High	2	4	-
	E-9355	<b>R</b>	-	0636-025	Axle Seat, 5" Round Axle, 2-1/2" High	2	4	91
	S.O.S.	<b>R</b>	-	0636-03	Axle Seat, 5" Round Axle, 3" High	2	4	-
	S.O.S.	<b>R</b>	-	0636-035	Axle Seat, 5" Round Axle, 3-1/2" High	2	4	-
	S.O.S.	<b>R</b>	-	0636-04	Axle Seat, 5" Round Axle, 4" High	2	4	-
	S.O.S.	<b>R</b>	-	0632-01	Axle Seat, 5" x 5" Square Axle, 1" High	2	4	-
	S.O.S.	<b>R</b>	-	0632-015	Axle Seat, 5" x 5" Square Axle, 1-1/2" High	2	4	-
	S.O.S.	<b>R</b>	-	0632-02	Axle Seat, 5" x 5" Square Axle, 2" High	2	4	-
	S.O.S.	<b>R</b>	-	0632-025	Axle Seat, 5" x 5" Square Axle, 2-1/2" High	2	4	-
	S.O.S.	<b>R</b>	-	0632-03	Axle Seat, 5" x 5" Square Axle, 3" High	2	4	-
	S.O.S.	<b>R</b>	-	0632-35	Axle Seat, 5" x 5" Square Axle, 3-1/2" High	2	4	-
	S.O.S.	<b>R</b>	-	0632-04	Axle Seat, 5" x 5" Square Axle, 4" High	2	4	-
	29	E-2909	-	G-2909	0538-00	Bottom Plate, 5" Round Axle	2	4
E-4823		-	-	0149-00	Bottom Plate, 5" x 5" Square Axle	2	4	93
30	E-10772	<b>R</b>	-	19913-01	Spring Beam, Left Hand	1	2	-
	E-10773	<b>R</b>	-	19914-01	Spring Beam, Right Hand	1	2	-
31	E-14729	-	-	-	Height Control Valve, 3/8" Fitting	1	1	96
	E-15271	<b>R</b>	-	23329-01	Height Control Valve, 1/4" Fitting, Includes Linkage	1	1	96
32	E-11305	<b>R</b>	-	16810-00	Galvanized Spring Liner	1	4	93
-	E-4324	-	-	12915-03	Pressure Protection Valve, Includes Filter	1	1	96

**R** Denotes Product is Genuine Reyco Granning

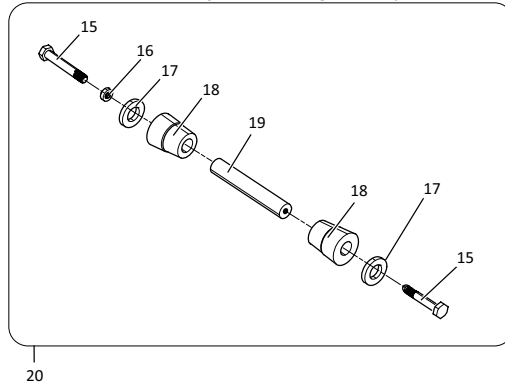
# REYCO GRANNING

## Model 21B Cast Tandem Four Spring Suspension, 42" - 72" Axle Spacing Trailer

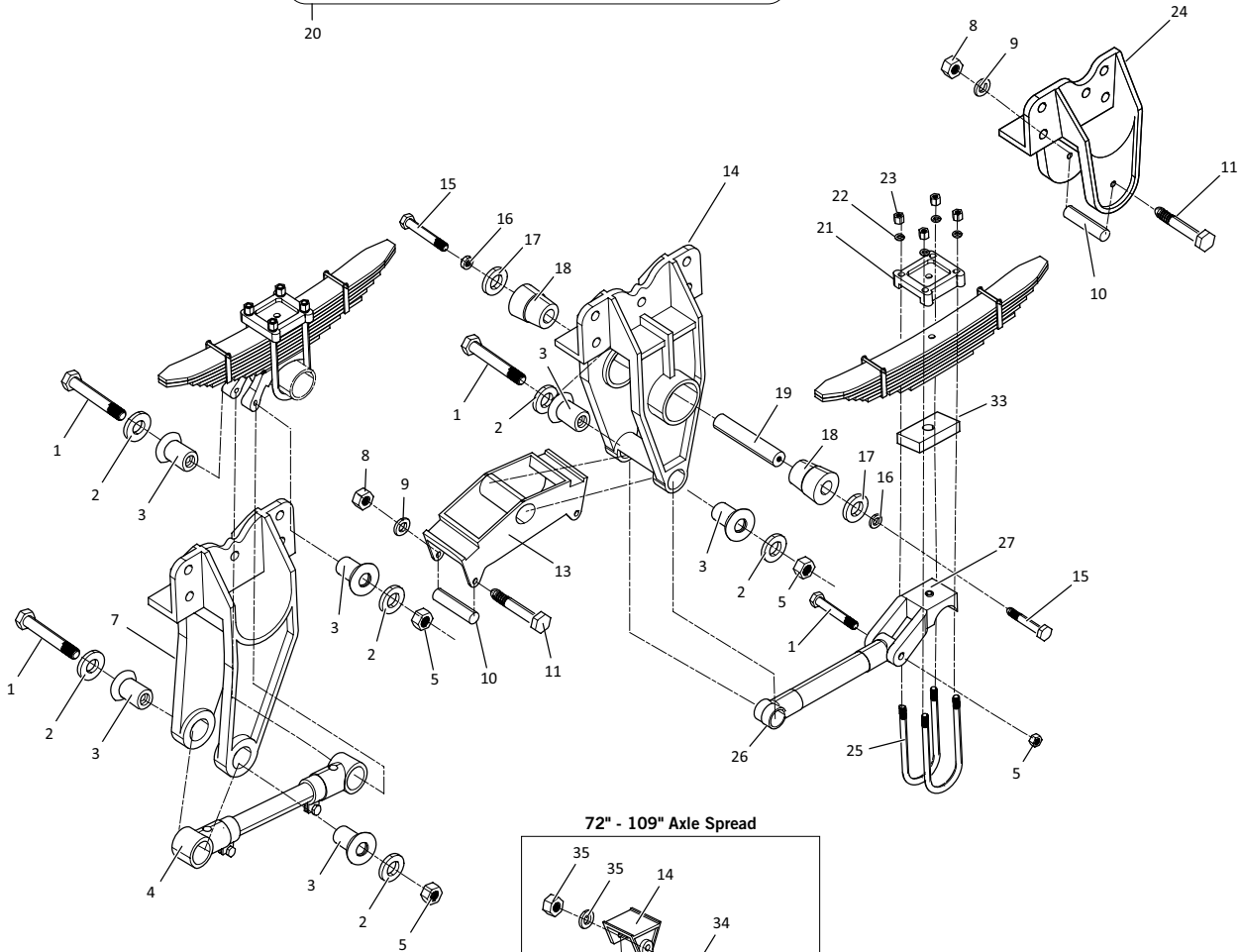
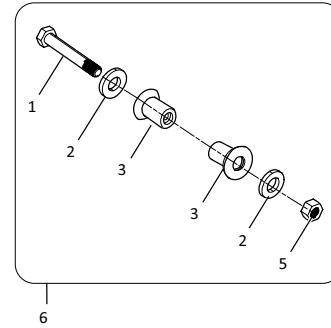
Spring Roller Kit



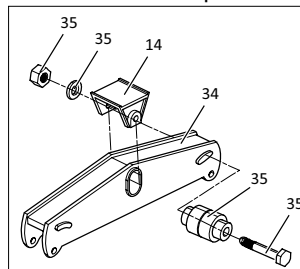
Equalizer Bushing Assembly



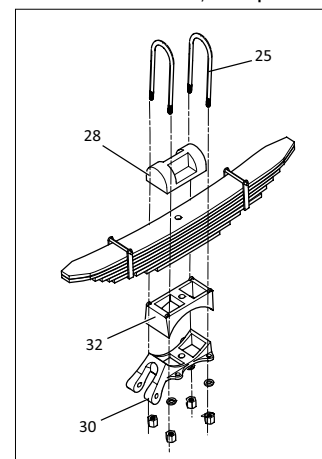
Torque Arm Bushing Kit



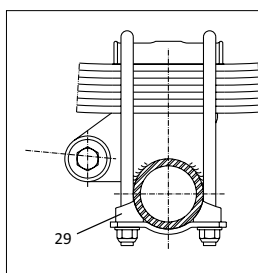
72" - 109" Axle Spread



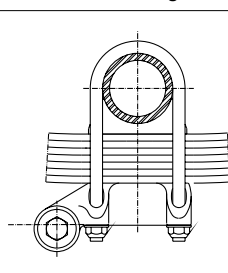
Inverted U-Bolts, No Hop



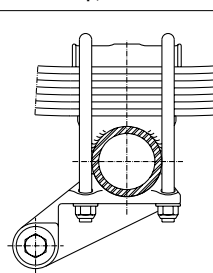
Inverted U-Bolts



Underslung



No Hop, Stabilized Axle



## Model 21B Cast Tandem Four Spring Suspension, 42" - 72" Axle Spacing Trailer

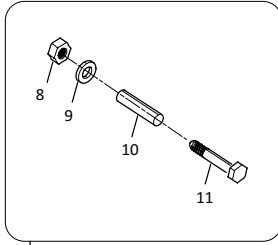
KEY NO.	EUCLID NO.	GENUINE	MACH NO.	OEM REF.	DESCRIPTION	QTY. PER TANDEM	PAGE NO.
1	E-1166	-	-	T-5492	Bolt 1"-14 x 6-3/4" Long	8	83
2	E-907	-	-	T-2224	Torque Arm Compression Washer, 1"	16	-
3	E-1160	-	-	T-5493	Torque Arm Bushing, Rubber	16	82
	E-7523	-	-	T-5493	Torque Arm Bushing, Poly	16	82
4	S.O.S.	<b>R</b>	-	15171-01	Adjustable Torque Arm Without Bushings, Front 42" - 44" Axle Spacing	1	-
	E-3283A	<b>R</b>	G-3283A	15172-01	Adjustable Torque Arm without Bushings, Rear 42" - 44" Axle Spacing, Front 49" -109" Axle Spacing	1	78
	E-3284A	<b>R</b>	G-3284A	15173-01	Adjustable Torque Arm without Bushings, Rear 49" - 109" Axle Spacing	1	78
	S.O.S.	<b>R</b>	-	15174-01	Adjustable Torque Arm, 19-1/2" Center-to-Center	1	-
	E-5255A	<b>R</b>	-	15176-01	Adjustable Torque Arm, Rear 60" Axle Spacing, 25" Center-to-Center	1	78
5	E-937	-	-	T-5495	Locknut, 1"-14	8	-
6	E-1312A	-	-	TK18997	Torque Arm Bushing Kit Includes Key Nos. 1, 2, 3, 5, Rubber	8	81
	E-9545	-	-	-	Torque Arm Bushing Kit Includes Key Nos. 1, 2, 3, 5, Poly	8	81
7	E-2880	<b>R</b>	-	T-5425	Front Hanger, Left, Flange Mount	1	85
	E-2879	<b>R</b>	-	T-5424	Front Hanger, Right, Flange Mount	1	85
	E-5257	<b>R</b>	-	T-5563	Front Hanger, Left, Undermount	1	85
	E-5258	<b>R</b>	-	T-5562	Front Hanger, Right, Undermount	1	85
	E-16179	<b>R</b>	-	20478-01	Front Hanger, Left/Right, Undermount, ADI	2	85
	E-16180	<b>R</b>	-	24022-01	Front Hanger, Left/Right, Undermount, Heavy Duty	2	85
8	E-5032	-	-	T-1704	Hex Nut, 1/2"-20	6	-
9	E-1974	-	-	T-1705	Lock Washer, 1/2"	6	-
10	E-1971	<b>R</b>	G-1971	T-2106	Spring Roller	6	89
11	E-1972	-	-	T-5544	Cap Screw 1/2" x 4-3/4" Long	6	-
12	E-1975	-	G-1975	TK19011	Spring Roller Assembly Includes Key Nes. 8, 9, 10, 11.	6	89
13	E-2846A	<b>R</b>	-	21725-01	ADI Equalizer without Bushing, 49" Axle Spacing	2	71
	E-10768A	<b>R</b>	-	25222-01	ADI Equalizer without Bushing, 42" - 44" Axle Spacing	2	71
	E-16477	<b>R</b>	-	T-5427	Equalizer, Steel 49"	2	70
	E-5245	<b>R</b>	-	09713-01	Equalizer without Bushing, 60" Axle Spacing	2	71
14	E-2881	<b>R</b>	-	T-5426	Center Hanger, Flange Mount Standard Drill Pattern	2	85
	E-5259	<b>R</b>	-	T-5564	Center Hanger, Undermount Weld-on	2	85
	E-5262	<b>R</b>	-	T-2212-5	Center hanger, Undermount 60" Axle Spacing	2	-
	E-5263	<b>R</b>	-	11150-01	Center hanger, Undermount 72" Axle Spacing	2	-
15	E-1987	-	-	14248-01	Equalizer Shaft Lock Screw, 1" Diameter	4	77
	E-837	-	-	-	Equalizer Shaft Lock Screw for 60" Axle Spacing	4	77
16	E-3975	-	-	14250-01	Lock Washer, 1"	4	-
	E-3979	-	-	11129-01	Lock Washer for 60" Axle Spacing	4	-
17	E-1986A	-	-	14249-01	Washer, 1" Hole Diameter	4	-
	E-873	-	-	-	Washer for 60" Axle Spacing	-	-
18	E-1159	-	-	T-5524	Equalizer Bushing, Rubber	4	74
	E-8653	-	-	-	Equalizer Bushing, Poly	4	74
	E-813	-	-	T-2102	Equalizer Bushing 60" Axle Spacing, Rubber	4	75
	E-8691	-	-	-	Equalizer Bushing 60" Axle Spacing, Poly	4	75
19	E-3972	<b>R</b>	-	14247-01	Equalizer Shaft, 1" Diameter Holes	2	76

**R** Denotes Product is Genuine Reyco Granning

# REYCO GRANNING

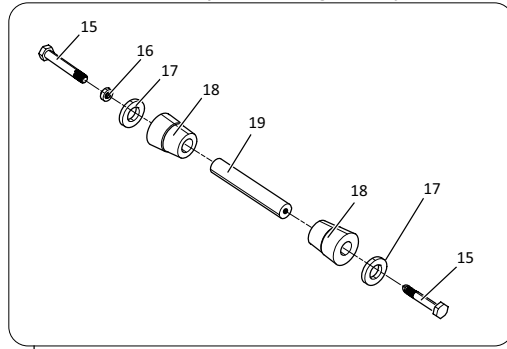
## Model 21B Cast Tandem Four Spring Suspension, 42" - 72" Axle Spacing Trailer

Spring Roller Kit



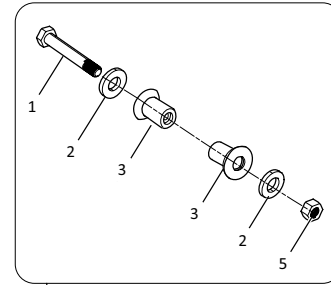
12

Equalizer Bushing Assembly

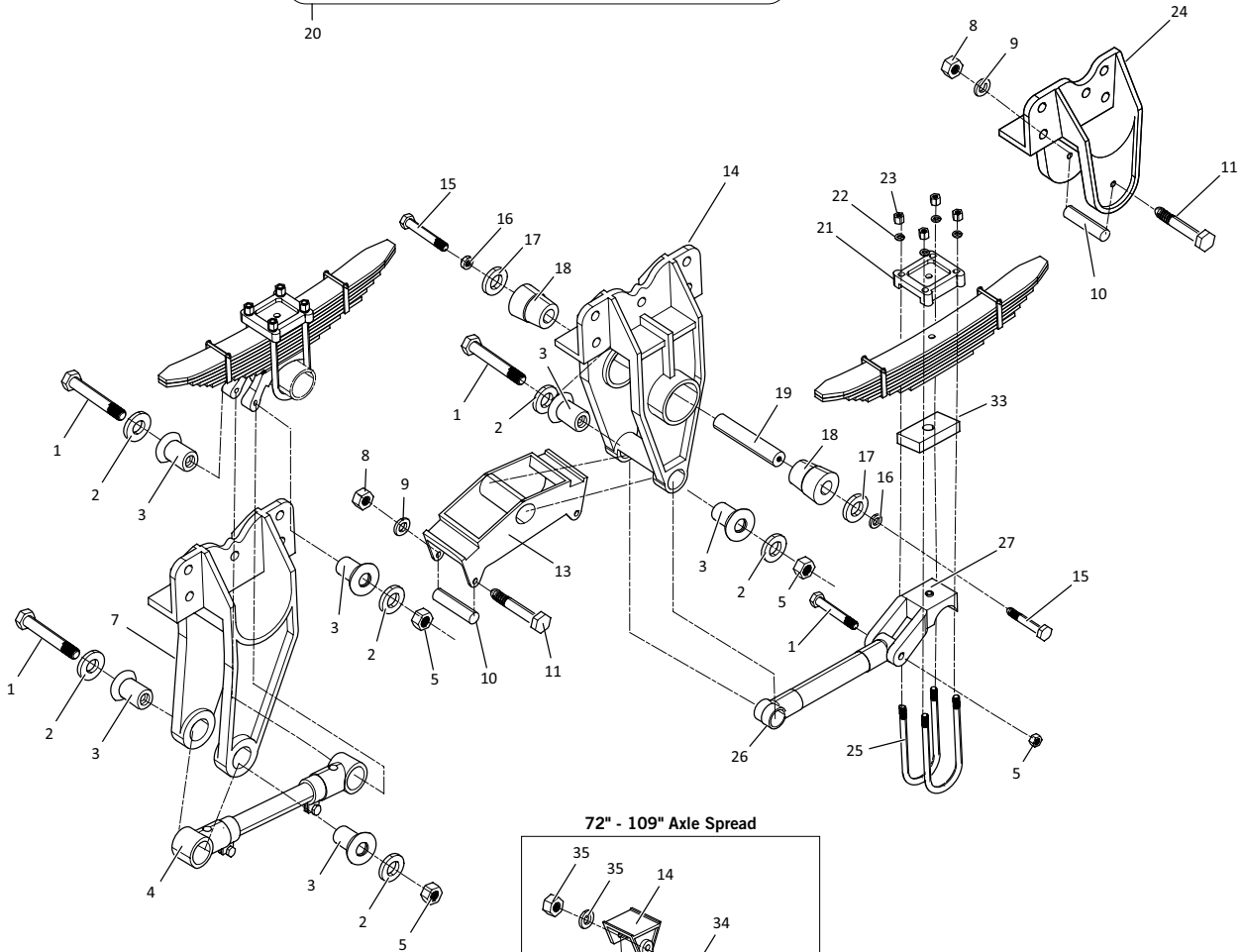


20

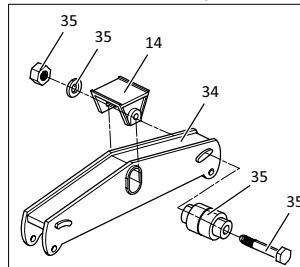
Torque Arm Bushing Kit



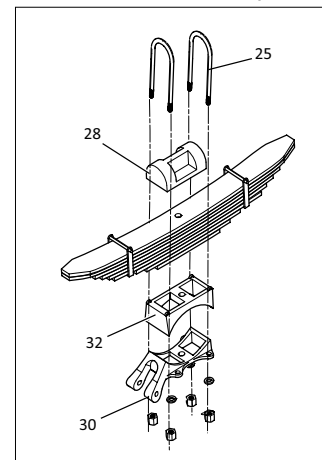
6



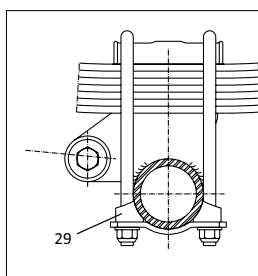
72" - 109" Axle Spread



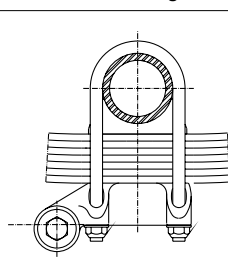
Inverted U-Bolts, No Hop



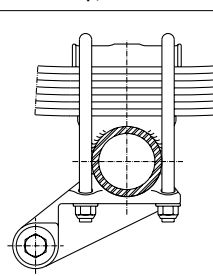
Inverted U-Bolts



Underslung



No Hop, Stabilized Axle



## Model 21B Cast Tandem Four Spring Suspension, 42" - 72" Axle Spacing Trailer

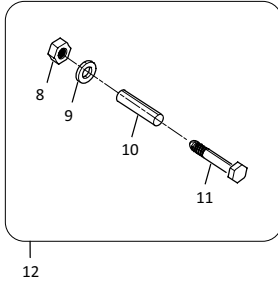
KEY NO.	EUCLID NO.	GENUINE	MACH NO.	OEM REF.	DESCRIPTION	QTY. PER TANDEM	PAGE NO.
20	E-3976	<b>R</b>	-	TK18998	Equalizer Bushing Assembly Includes Key Nos, 15, 16, 17, 18, 19, Rubber	2	73
	E-9555	-	-	-	Equalizer Bushing Assembly Includes Key Nos, 15, 16, 17, 18, 19, Poly	2	73
	E-2116A	-	-	-	Equalizer Bushing Assembly for 60" Axle Spacing, Includes Key Nos, 15, 16, 17, 18, 19, Rubber	2	73
21	E-2875	<b>R</b>	G-2875	T-7175, T-5488	Top Plate, 5" Round Axle, U-Bolts Up, 3" Wide Springs	4	94
	E-9554	<b>R</b>	-	T-1734	Top Plate, 5" Square Axle, U-Bolts Up, 3" Wide Springs	4	94
	S.O.S.	<b>R</b>	-	T-4069	Top Plate, 4" x 6" Rectangular Axle, U-Bolts Up, 3" Wide Springs	4	-
22	E-2546	-	-	T-7292	Flat Washer, 7/8"	16	-
23	E-3001	-	-	T-5497	Nut, 3/4"-16	16	-
24	E-2883	<b>R</b>	-	T-5429	Rear Hanger, Left, Flange Mount Standard Drill Pattern	1	85
	E-2882	<b>R</b>	-	T-5428	Rear Hanger, Right, Flange Mount Standard Drill Pattern	1	85
	E-5260	<b>R</b>	-	T-5565	Rear Hanger, Left, Undermount Cast; Weld-On	1	86
	E-5261	<b>R</b>	-	T-5566	Rear Hanger, Right, Undermount Cast; Weld-On	1	86
	E-16478	<b>R</b>	-	24023-01	Rear Hanger, Left/Right, Undermount, Heavy Duty	2	85
25	E-UB5165-14	-	-	Various	U-Bolt Assembly, Rd. Bend, 7/8"-14 Thd. x 5" Wide x 14" Long	8	-
	E-UB5165-18	-	-	Various	U-Bolt Assembly, Rd. Bend, 7/8"-14 Thd. x 5" Wide x 18" Long	8	-
	E-UB5161-14	-	-	Various	U-Bolt Assembly, Rd. Bend, 7/8"-14 Thd. x 3" Wide x 14" Long	8	-
	E-UB5161-18	-	-	Various	U-Bolt Assembly, Rd. Bend, 7/8"-14 Thd. x 3" Wide x 18" Long	8	-
26	S.O.S.	<b>R</b>	-	T-7626	Torque Arm, Rigid, without Bushings, Front 42" Axle Spacing	1	-
	S.O.S.	<b>R</b>	-	08092-01	Torque Arm, Rigid, without Bushings, Rear 42" Axle Spacing	1	-
	S.O.S.	<b>R</b>	-	08567-01	Torque Arm, Rigid, without Bushings, Front 44" Axle Spacing	1	-
	E-2855	<b>R</b>	-	15178-01	Torque Arm, Rigid, without Bushings, Rear 44" Axle Spacing, Front 49"-109" Axle Spacing	1	79
	-	-	-	T-7635		1	
	E-2856	<b>R</b>	-	15179-01	Torque Arm, Rigid, without Bushings, Rear 49" Axle Spacing	1	79
	-	-	-	T-2293		1	
E-2855	<b>R</b>	-	T-7635	Torque Arm, Rigid, Rear 44", Front 50" - 109" Axle Spacing, 16 1/4" Center-to-Center	1	79	
27	E-5254	<b>R</b>	-	09730-01	Axle Seat, 5" Round Axle, 3/4" High	4	91
	E-16479	<b>R</b>	-	11336-01	Axle Seat, 5" Round Axle, 1-3/4" High	4	91
	E-9557	<b>R</b>	-	08757-01	Axle Seat, 5" Round Axle, 3-3/4" High	4	91
	E-9573	<b>R</b>	-	07980-01	Axle Seat, 5" Square Axle, 3/4" High	4	92
	S.O.S.	<b>R</b>	-	11351-01	Axle Seat, 5" Square Axle, 1-3/4" High	4	-
28	E-2873	<b>R</b>	-	08677-01	Top Plate, U-Bolts Down, 3" Wide Springs	4	93
29	E-2874	<b>R</b>	-	09139-01	Bottom Plate, 5" Round Axle, Inverted U-Bolts	4	92
	E-16480	<b>R</b>	-	09229-01	Bottom Plate, 5" Square Axle, Inverted U-Bolts	4	92
	S.O.S.	<b>R</b>	-	09230-01	Bottom Plate, 4" x 6" Rectangular Axle, Inverted U-Bolts	4	-
	S.O.S.	<b>R</b>	-	T-5727	Bottom Plate, 5" Round & 5" Square "Underslung Axles"	4	-
30	E-9572	-	-	08061-01	Stabilizer - No Hop, 5" Square Axle	4	93
	E-9558	<b>R</b>	-	08480-01	Stabilizer - No Hop, 5" Round Axle	4	93
31	S.O.S.	<b>R</b>	-	T-7560	Bottom Clip, For U-Bolts Up, 4" x 6" Rectangular Axle	4	-
	E-16482	<b>R</b>	-	T-5587	Bottom Clip, For U-Bolts Up, 5" x 5" Square Axle	4	92
32	E-16191	<b>R</b>	-	10114-01	Spring Seat, 5" Round Axle, Underslung or No Hop	2	91
	S.O.S.	<b>R</b>	-	09103-01	Spring Seat, 5" Square Axle, Stabilized or Underslung Model 22B	2	-
	S.O.S.	<b>R</b>	-	T-7715	Spring Seat, 4" x 6" Rectangular Axle, Stabilized or Underslung	2	-

**R** Denotes Product is Genuine Reyco Granning

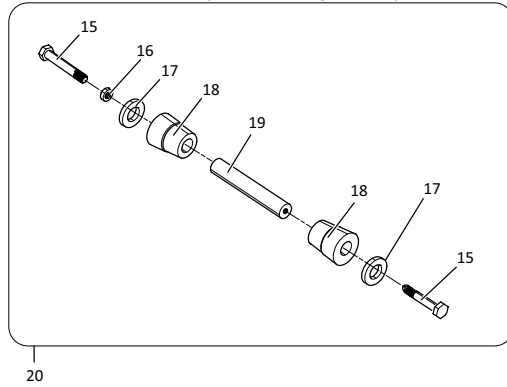
# REYCO GRANNING

## Model 21B Cast Tandem Four Spring Suspension, 42" - 72" Axle Spacing Trailer

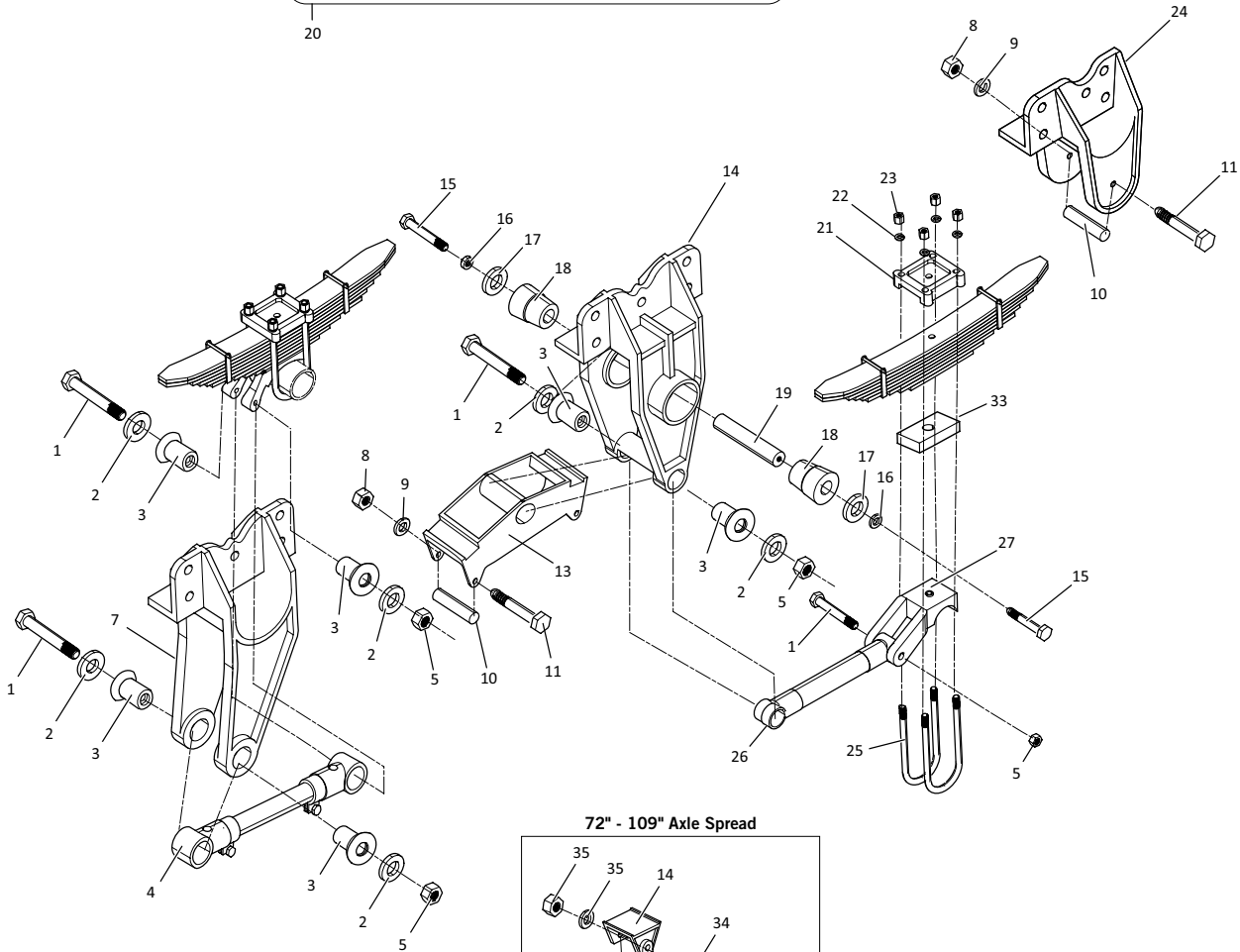
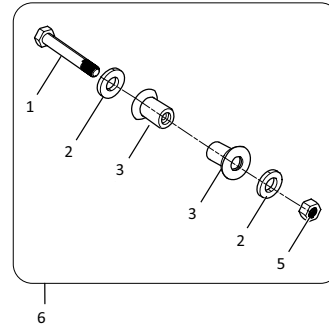
Spring Roller Kit



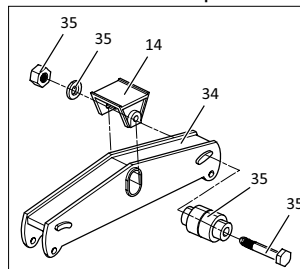
Equalizer Bushing Assembly



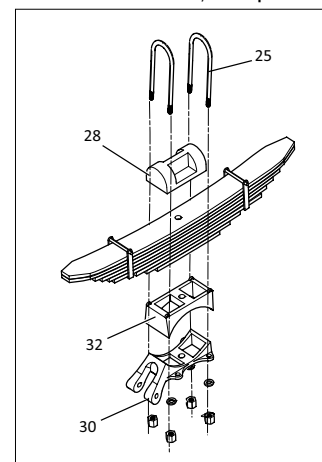
Torque Arm Bushing Kit



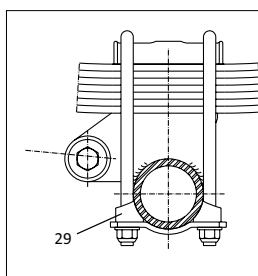
72" - 109" Axle Spread



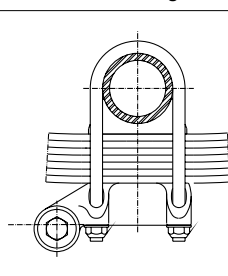
Inverted U-Bolts, No Hop



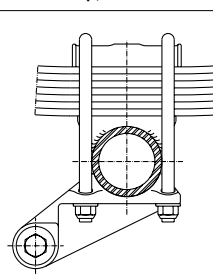
Inverted U-Bolts



Underslung



No Hop, Stabilized Axle



Model 21B Cast Tandem Four Spring Suspension, 42" - 72" Axle Spacing  
Trailer

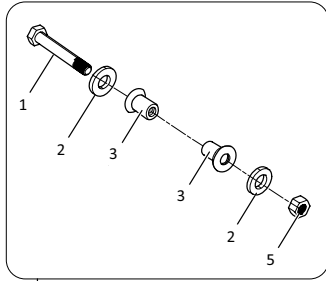
KEY NO.	EUCLID NO.	GENUINE	MACH NO.	OEM REF.	DESCRIPTION	QTY. PER TANDEM	PAGE NO.
-	E-9559	<b>R</b>	-	11851-01	Equalizer Stiffener Plate, Steel Equalizer Only	As Req.	75
-	E-9560	<b>R</b>	-	11852-01	Equalizer Wear Pad, Steel Equalizer Only		76
-	E-9561	<b>R</b>	G-9561	15630-01	Hanger Weld-On Wear Plate, Front & Rear		90
33	E-9562	<b>R</b>	-	T-7555	Spacer, 1/2"		95
	E-9563	<b>R</b>	-	T-7716	Spacer, 1"		95
	E-9564	<b>R</b>	-	T-7654	Spacer, 1 1/2"		95
	E-2878	<b>R</b>	-	T-7655	Spacer, 2"		95
34	E-5246	<b>R</b>	-	11143-01	Equalizer without Bushing, 72" Axle Spacing		2
35	E-5247	-	-	-	Equalizer Bushing Assembly for 72" Axle Spacing	2	73

**R** Denotes Product is Genuine Reyco Granning

# REYCO GRANNING

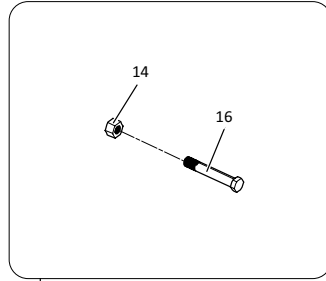
## Model 21B Fabricated Tandem Four Spring Suspension, 44" - 109" Axle Spacing Trailer

Torque Arm Bushing Kit



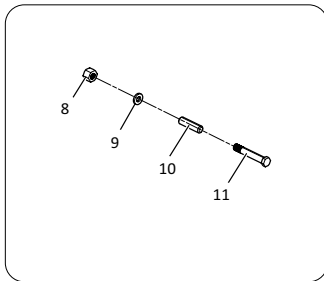
5

Equalizer Bolt Kit

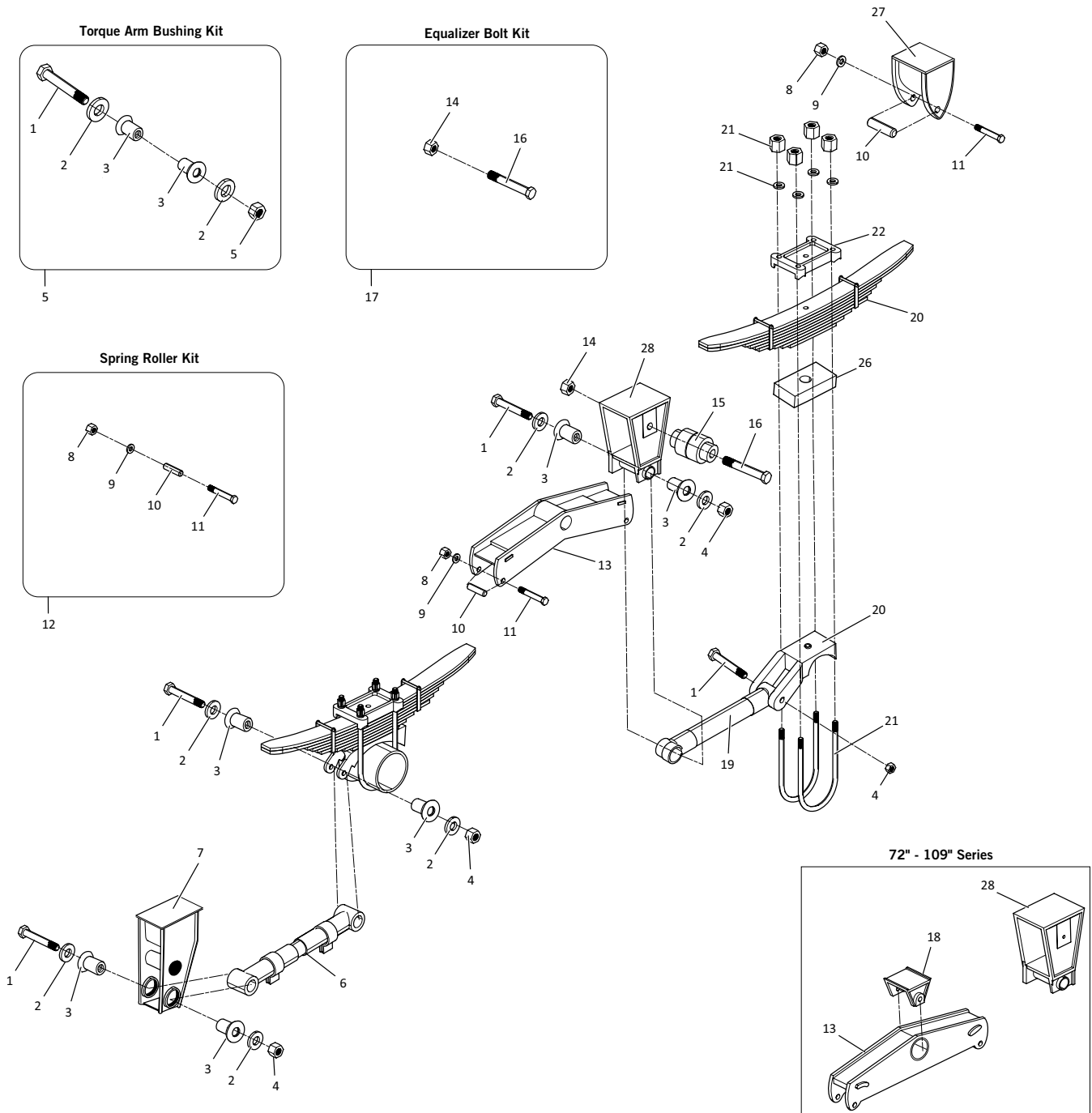


17

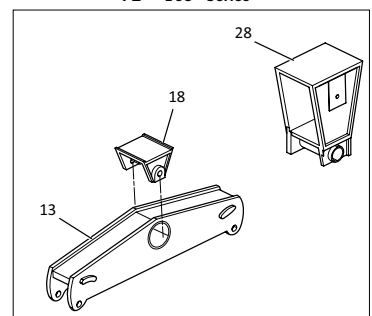
Spring Roller Kit



12



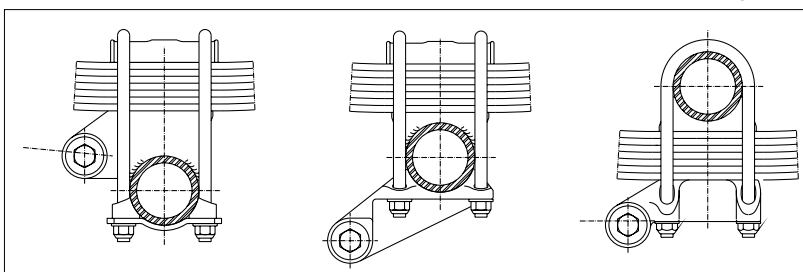
72" - 109" Series



Inverted U-Bolts

No Hop, Stabilized Axle

Underslung





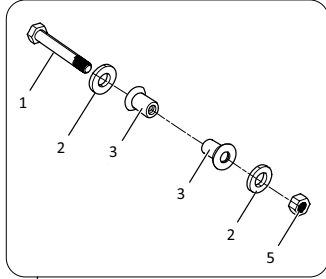
Model 21B Fabricated Tandem Four Spring Suspension, 44" - 109" Axle Spacing Trailer									
KEY NO.	EUCLID NO.	GENUINE	MACH NO.	OEM REF.	DESCRIPTION	44" SPRD QTY PER TANDEM	50"- 65.5" SPRD QTY PER TANDEM	72"-109" SPRD QTY PER TANDEM	PAGE NO.
1	E-1166	-	-	T-5492	Torque Arm Bolt, 1"-14 x 6-1/4" Long	8	8	8	83
2	E-907	-	-	T-2224	Torque Arm Compression Washer	16	16	16	-
3	E-1160	-	G-1160	T-5493	Torque Arm Bushing, Rubber	16	16	16	82
	E-7523	-	-	-	Torque Arm Bushing, Poly	-	-	-	82
4	E-937	-	-	T-5495	Locknut, 1"-14	8	8	8	-
5	E-1312A	-	-	TK16657	Torque Arm Bushing Kit, Includes Key No. 1, 2, 3, 4, Rubber	8	8	8	81
	E-9545	-	-	-	Torque Arm Bushing Kit, Includes Key No. 1, 2, 3, 4, Poly	-	-	-	81
6	S.O.S.	<b>R</b>	-	15171-01	Torque Arm, Adjustable, Front 44" Axle Spacing, 13-3/4" Center-to-Center	1	-	-	-
	E-3283A	<b>R</b>	G-3283A	15172-01	Torque Arm, Adjustable, Rear 44" Axle Spacing, Front 50"-109", 16-1/4" Center-to-Center	1	1	1	78
	E-3284A	<b>R</b>	G-3284A	15173-01	Torque Arm, Adjustable, Rear 50" Axle Spacing, 72", 97", 109", 19-3/8" Center-to-Center	-	1	1	78
	S.O.S.	<b>R</b>	-	15174-01	Adjustable Torque Arm, 19-1/2" Center-to-Center	1	-	-	-
	E-2866A	<b>R</b>	-	15354-01	Torque Arm, Adjustable, Rear 54" Axle Spacing, 21-9/16" Center-to-Center	-	1	-	78
	E-5255A	<b>R</b>	-	15176-01	Torque Arm, Adjustable, Rear 60" Axle Spacing, 25" Center-to-Center	-	1	-	78
	S.O.S.	<b>R</b>	-	15177-01	Torque Arm, Adjustable, Rear 63.5"-65.5" Axle Spacing, 26-1/4" to 27-1/4" Center-to-Center	-	1	-	-
7	E-9537	<b>R</b>	-	09832-01	Front Hanger, Fabricated	2	2	2	86
8	E-5032	-	-	T-1704	Hex Nut 1/2"	6	6	-	-
9	E-1974	-	-	T-1705	Lockwasher, 1/2"-20	6	6	6	-
10	E-1971	<b>R</b>	G-1971	T-2106	Spring Roller	6	6	6	89
11	E-1972	-	-	T-5544	Cap Screw 1/2" x 4-3/4" Long	6	6	6	-
12	E-1975	-	G-1975	-	Spring Roller Assembly, contains Key Nos. 8, 9, 10, 11	6	6	6	89
13	S.O.S.	<b>R</b>	-	21693-01	Equalizer Assembly, 44" Axle Spacing, Includes E-7713 Bushing	2	-	-	-
	E-7709	<b>R</b>	-	14689-01	Equalizer Assembly, 50" Axle Spacing, Includes E-7713 Bushing	-	2	-	71
	E-16184	<b>R</b>	-	14693-01	Equalizer Assembly, 54" Axle Spacing, Includes E-7713 Bushing	-	2	-	71
	E-7710	<b>R</b>	-	14696-01	Equalizer Assembly, 60" Axle Spacing, Includes E-7713 Bushing	-	2	-	71
	E-16197	<b>R</b>	-	14700-01	Equalizer Assembly, 63-1/2" Axle Spacing-65-1/2" Axle Spacing, Includes E-7713 Bushing	-	2	-	72
	E-16198	<b>R</b>	-	14763-01	Equalizer Assembly, 72" Axle Spacing, Includes E-7713 Bushing	-	-	2	72
	S.O.S.	<b>R</b>	-	14764-01	Equalizer Assembly, 97" Axle Spacing, Includes E-7713 Bushing	-	-	2	-
	S.O.S.	<b>R</b>	-	14765-01	Equalizer Assembly, 109" Axle Spacing, Includes E-7713 Bushing	-	-	2	-
14	E-2854	-	-	08914-01	Locknut 1 1/4"-12	2	2	2	75
15	E-7713	<b>R</b>	G-7713	14682-01	Equalizer Bushing, Rubber	2	2	2	74
16	E-7719	-	-	14683-01	Bolt 1-1/4"-12 x 7-3/4" Long	2	2	2	75
17	E-9538	-	-	-	Equalizer Bolt Kit, Includes Key Nos. 14, 16	2	2	2	75
18	E-9539	<b>R</b>	-	14684-01	Center hanger, Under Mount 44" - 65-1/2" Axle Spacing	2	2	-	86
	E-16195	<b>R</b>	-	14688-01	Center hanger, Under Mount, 72"-109" Axle Spacing	-	-	2	86

**R** Denotes Product is Genuine Reyco Granning

# REYCO GRANNING

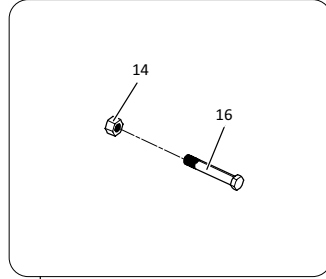
## Model 21B Fabricated Tandem Four Spring Suspension, 44" - 109" Axle Spacing Trailer

Torque Arm Bushing Kit



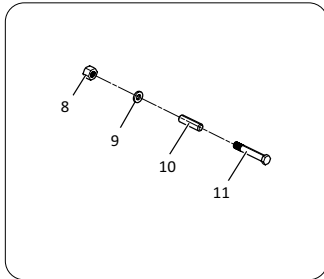
5

Equalizer Bolt Kit

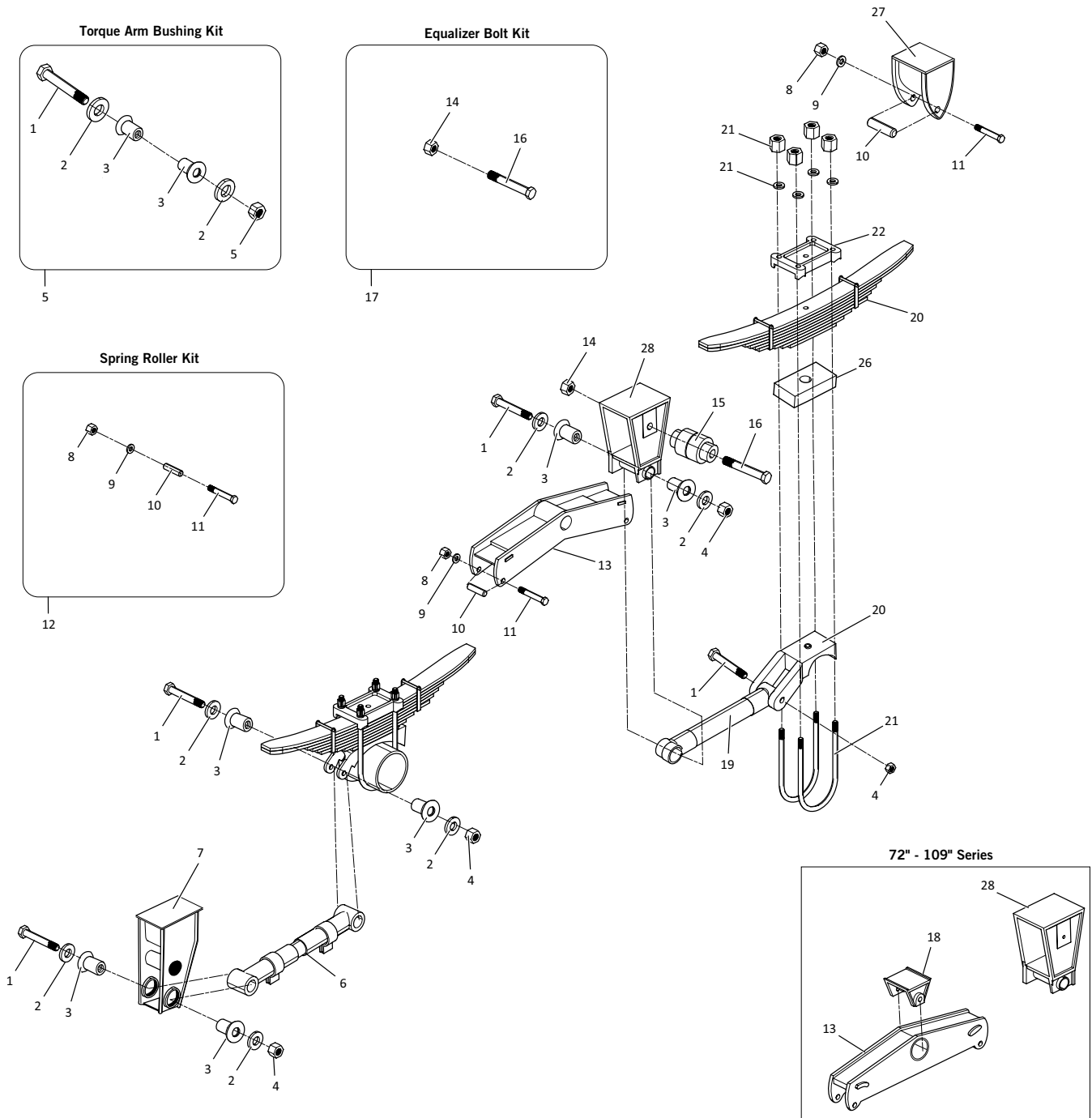


17

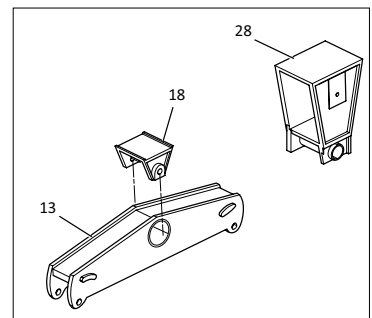
Spring Roller Kit



12



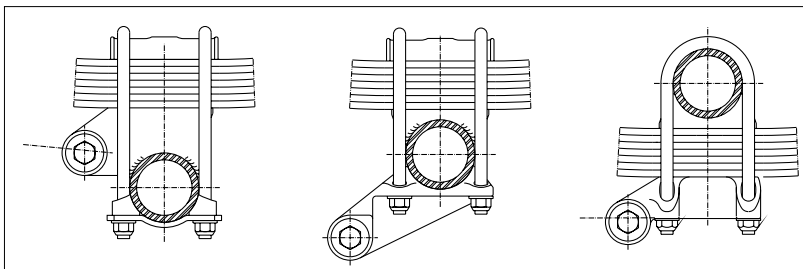
72" - 109" Series



Inverted U-Bolts

No Hop, Stabilized Axle

Underslung



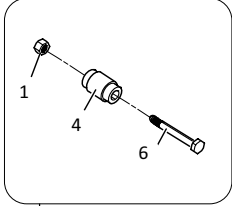
**R** Denotes Product is Genuine Reyco Granning

Model 21B Fabricated Tandem Four Spring Suspension, 44" - 109" Axle Spacing Trailer									
KEY NO.	EUCLID NO.	GENUINE	MACH NO.	OEM REF.	DESCRIPTION	44" SPRD QTY PER TANDEM	50"- 65.5" SPRD QTY PER TANDEM	72"-109" SPRD QTY PER TANDEM	PAGE NO.
19	E-2855	<b>R</b>	-	T-7635	Torque Arm, Rigid, Rear 44", Front 50" - 109" Axle Spacing, 16 1/4" Center-to-Center	1	1	1	79
	S.O.S.	<b>R</b>	-	08567-01	Torque Arm, Rigid, Front, 44" Axle Spacing, 16-1/4" Center-to-Center	1	-	-	-
	S.O.S.	<b>R</b>	-	15286-01	Torque Arm, Rigid, Rear 50"-109" Axle Spacing, 19-3/8" Center-to-Center	-	1	1	-
	S.O.S.	<b>R</b>	-	10183-01	Torque Arm, Rigid, Rear 54" Axle Spacing, 21-9/16" Center-to-Center	-	1	-	-
	E-5256	<b>R</b>	-	09686-01	Torque Arm, Rigid, Rear 60" Axle Spacing, 25" Center-to-Center	-	1	-	79
	S.O.S.	<b>R</b>	-	10973-01	Torque Arm, Rigid, Rear 63-1/2" Axle Spacing, 26-1/4" Center-to-Center	-	1	-	-
	S.O.S.	<b>R</b>	-	08650-01	Torque Arm, Rigid, Rear 65-1/2" Axle Spacing, 27-1/4" Center-to-Center	-	1	-	-
20	E-5254	<b>R</b>	-	09730-01	Axle Seat - 5" Round, 3/4" High	4	4	4	91
	E-16479	<b>R</b>	-	11336-01	Axle Seat - 5" Round, 1-3/4" High	4	4	4	91
	E-9557	<b>R</b>	-	08757-01	Axle Seat - 5" Round, 3-1/4" High	4	4	4	91
	E-16484	<b>R</b>	-	09103-01	Axle Seat - 5" x 5" Square, 3/4" High, Underslung - No T/A Connection	4	4	4	92
	E-9573	<b>R</b>	-	07980-01	Axle Seat - 5" x 5" Square, 3/4" High	4	4	4	92
	S.O.S.	<b>R</b>	-	08060-01	Axle Seat - 5" x 5" Square, 3-1/4" High	4	4	4	-
	E-16191	<b>R</b>	-	10114-01	Axle Seat - 5" Round, Underslung - No T/A Connection	4	4	4	91
	S.O.S.	<b>R</b>	-	T-7650	Axle Seat - 4" x 6", 3/4" High	4	4	4	-
	S.O.S.	<b>R</b>	-	10292-01	Axle Seat - 4" x 6", 3/4" High, Underslung - No T/A Connection	-	4	4	-
21	E-UB5165-14	-	-	-	U-Bolt Assembly, Round Bend, 7/8"-14 Thd. X 5" Wide x 14" Long	8	8	8	-
	E-UB5165-16	-	-	-	U-Bolt Assembly, Round Bend, 7/8"-14 Thd. X 5" Wide x 18" Long	8	8	8	-
22	E-2907A	-	G-2907A	0077-00	Top Plate - All Axles, Inverted U-Bolts	4	4	4	93
	E-2875	<b>R</b>	-	T-5488, T-7175	Top Plate - 5" Round, Conventional U-Bolts	4	4	4	94
	S.O.S.	<b>R</b>	-	T-4069, 09987-01	Top Plate - 4" x 6" Rectangular Axle, Conventional U-Bolts	4	4	4	-
	E-9554	<b>R</b>	-	T-1734	Top Plate - 5" x 5" Square, Conventional U-Bolts	4	4	4	94
23	S.O.S.	<b>R</b>	-	0538-00	Bottom Plate - 5" Round, Inverted U-Bolts	4	4	4	-
	S.O.S.	<b>R</b>	-	09230-01	Bottom Plate - 4" x 6" Rectangular, Inverted U-Bolts	4	4	4	-
	E-16480	<b>R</b>	-	09229-01	Bottom Plate - 5" x 5" Square, Inverted U-Bolts	4	4	4	92
	S.O.S.	<b>R</b>	-	T-5727	Bottom Plate - 5" Round & 5" x 5" Square Underslung, Inverted U-Bolts	4	4	4	-
24	S.O.S.	<b>R</b>	-	T-7560	Bottom Clip, For U-Bolts Up, 4" x 6" Rectangular Axle	-	8	8	-
	E-16482	<b>R</b>	-	T-5587	Bottom Clip, For U-Bolts Up, 5" x 5" Square Axle	-	8	8	92
25	E-9558	<b>R</b>	-	T-5481, 08480-01	Stabilizer - No Hop, 5" Round Axle	As Req.	As Req.	As Req.	93
	S.O.S.	<b>R</b>	-	08061-01	Stabilizer - No Hop, 5" x 5" Square Axle	As Req.	As Req.	As Req.	-
26	E-9563	<b>R</b>	-	T-7716	Spacer Block 1"	As Req.	As Req.	As Req.	95
	E-9564	<b>R</b>	-	T-7654	Spacer Block 1-1/2"	As Req.	As Req.	As Req.	95
	E-2878	<b>R</b>	-	T-7655	Spacer Block 2"	As Req.	As Req.	As Req.	95
27	E-9541	<b>R</b>	-	08595-01	Rear Hanger, Under Mount, Fabricated	2	2	2	86
28	E-5264	<b>R</b>	-	11610-01	Torque Arm Attachment Bracket	-	-	2	88

# REYCO GRANNING

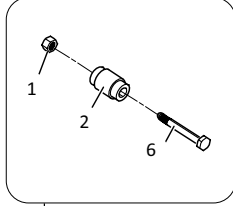
## Model 73 Tandem Four Spring Suspension, 49" Axle Spacing Trailer

Torque Arm Bushing  
Assembly Hanger End

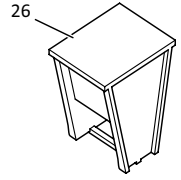
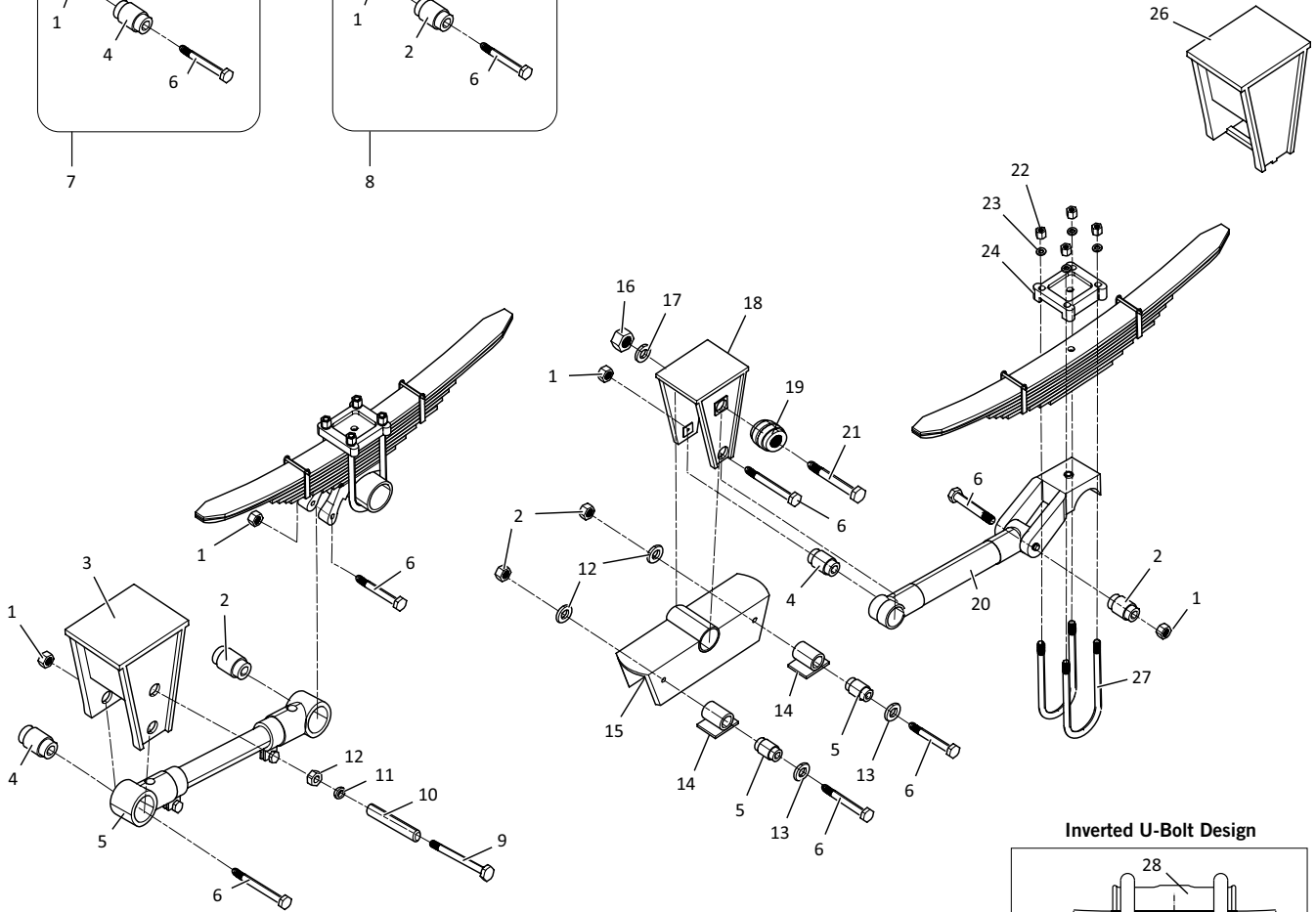


7

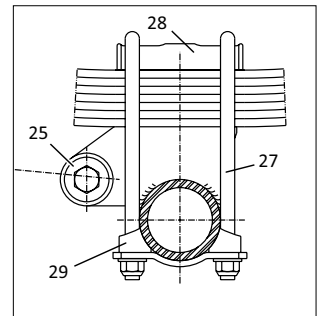
Torque Arm Bushing Assembly  
Axle Seat End



8



Inverted U-Bolt Design



## Model 73 Tandem Four Spring Suspension, 49" Axle Spacing Trailer

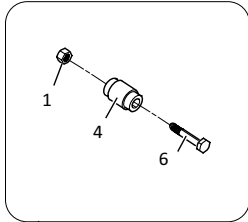
KEY NO.	EUCLID NO.	GENUINE	MACH NO.	OEM REF.	DESCRIPTION	QTY. PER TANDEM	PAGE NO.
1	E-2983	-	-	10092-01	Locknut, 7/8"-9	12	-
2	E-1980	-	-	09729-01	Torque Arm Bushing, Axle Seat End, Rubber	8	82
	E-7520	-	-	-	Torque Arm Bushing, Axle Seat End, Poly	8	82
3	N/A	-	-	11387-01	Front Hanger	2	-
4	E-7750	-	-	10051-01	Torque Arm Bushing, Hanger End	8	82
5	E-7741	<b>R</b>	-	16031-01	Torque Arm, Adjustable with Bushings, Front	1	78
	E-7744	<b>R</b>	-	10040-01	Rigid Torque Arm with Bushings, Front	1	79
6	E-901	-	-	10033-01	Bolt 7/8"-9 x 5-1/2" Long	12	83
7	E-7749	-	-	-	Torque Arm Bushing Assembly, Hanger End Includes Key No. 1, 4, 6	4	81
8	E-1981	-	-	-	Torque Arm Bushing Assembly, Axle Seat End, Rubber, Includes Key No. 1, 2, 6	4	81
	E-9552	-	-	-	Torque Arm Bushing Assembly, Axle Seat End, Poly, Includes Key No. 1, 2, 6	4	81
9	E-2022	-	-	T-5549	Bolt, 1/2"-20 x 5-1/2" Long	2	-
10	E-15273	<b>R</b>	-	0378-00	Spring Roller	2	-
11	E-1974	-	-	T-2248	Lock Washer	2	-
12	E-5032	-	-	T-1704	Flat Wheel Nut 1/2-20	2	-
13	E-2546	-	-	T-7292	Flat Washer, 7/8"	4	-
14	S.O.S.	<b>R</b>	-	10055-01	Equalizer Pad	4	-
15	N/A	-	-	10063-01	Equalizer with Bushing	2	-
16	E-937	-	-	T-5495	Locknut, 1"-14	2	-
17	E-2975	-	-	T-5770	Structural Washer 1"	2	-
18	N/A	-	-	11389-01	Center Hanger	2	-
19	E-1072	<b>R</b>	-	T-3214	Equalizer Bushing	2	74
20	E-7742	<b>R</b>	-	16032-01	Torque Arm, Adjustable, Rear	1	78
	S.O.S.	<b>R</b>	-	10041-01	Torque Arm, Rigid, Rear	1	-
21	E-1166	-	-	T-5492	Torque Arm Bolt 1" x 6-3/4" Long	2	83
22	E-3001	-	-	T-5497	Nut, 3/4"-16	16	-
23	E-2545	-	-	T-5496	U-Bolt Washer, 3/4"	16	-
24	E-2875	<b>R</b>	G-2875	T-7175	Top Plate - 5" Round, Conventional U-Bolts	4	94
		-	-	T-5488		4	94
25	S.O.S.	<b>R</b>	-	T-3013	Axle Seat	4	-
26	S.O.S.	<b>R</b>	-	12489-01	Rear hanger	2	-
27	E-UB8155-14	-	-	08554-01	U-Bolt Assembly, Rd. Bend, 3/4"-16 Thd x 5" Wide x 14" Long	8	-
	E-UB8151-14	-	-	08541-01	U-Bolt Assembly, Rd. Bend, 3/4"-16 Thd x 3" Wide x 14" Long	8	-
28	S.O.S.	<b>R</b>	-	11760-01	Top Plate	4	-
29	E-2874	<b>R</b>	-	T-5515	Bottom Plate, Inverted U-Bolts	4	92
				09139-01		4	92

**R** Denotes Product is Genuine Reyco Granning

# REYCO GRANNING

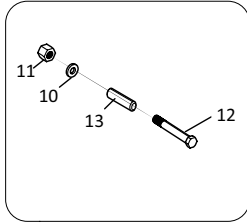
## Model 73 Tandem Four Spring Suspension, 60" and 72" Axle Spacing Trailer

Torque Arm Bushing Kit

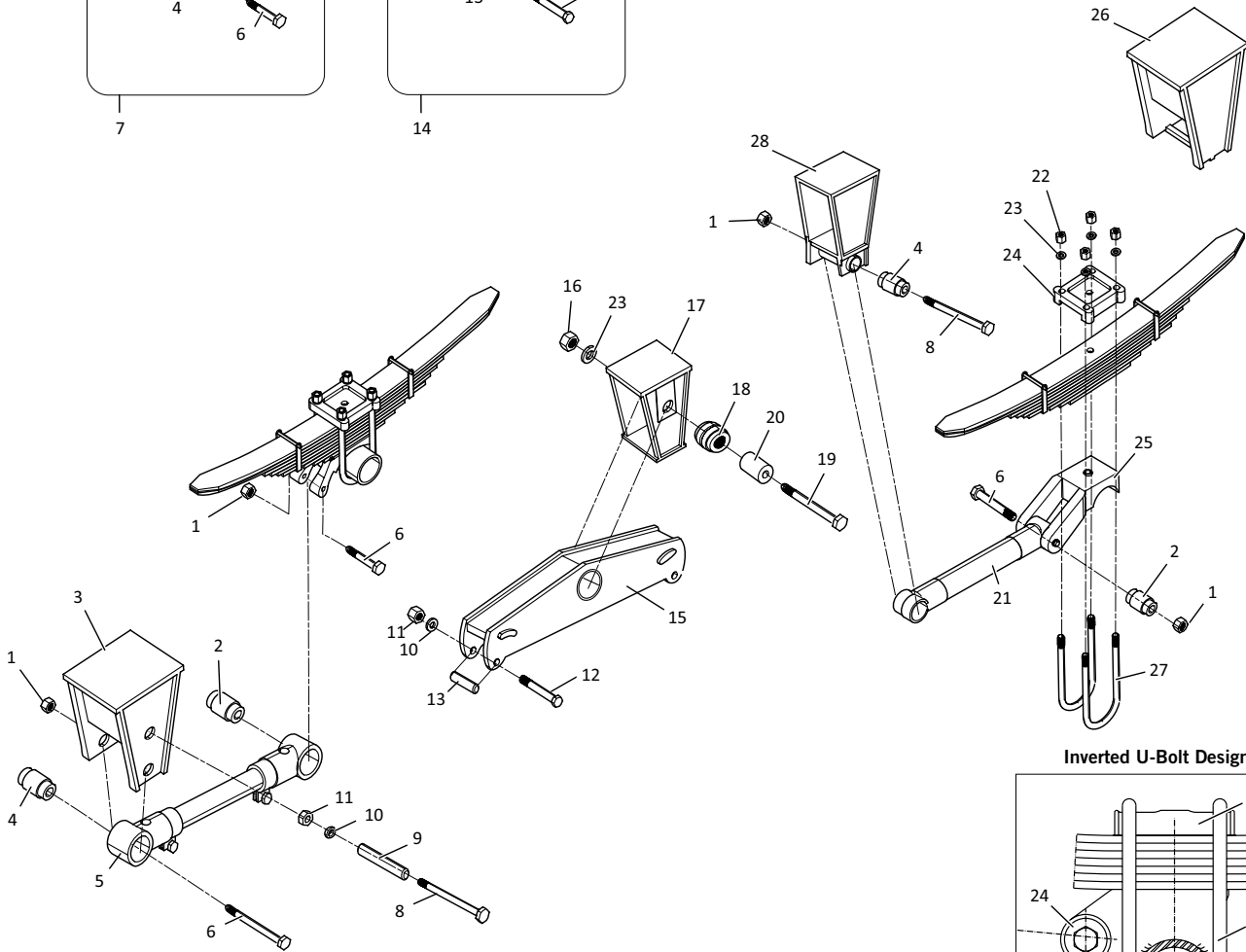


7

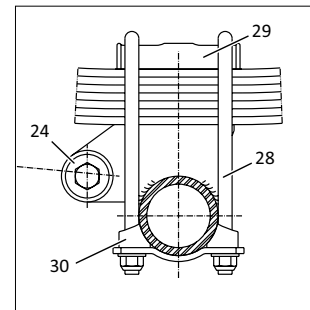
Spring Roller Assembly



14



Inverted U-Bolt Design



## Model 73 Tandem Four Spring Suspension, 60" and 72" Axle Spacing Trailer

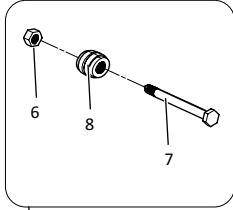
KEY NO.	EUCLID NO.	GENUINE	MACH NO.	OEM REF.	DESCRIPTION	QTY. PER TANDEM		PAGE NO.
						60" SPRD	72" SPRD	
1	E-2983	-	-	10092-01	Locknut, 7/8"-9	4	4	-
2	E-1980	-	-	09729-01	Torque Arm Bushing, Rubber, Axle Seat End	4	4	82
	E-7520	-	-	-	Torque Arm Bushing, Poly, Axle Seat End	4	4	82
3	N/A	-	-	11387-01	Front Hanger	2	2	-
4	E-7750	-	-	10051-01	Torque Arm Bushing, Hanger End	4	4	82
5	E-7741	<b>R</b>	-	16031-01	Torque Arm, Adjustable with Bushings, Hanger End	1	1	82
	E-7744	<b>R</b>	-	10040-01	Torque Arm, Rigid with Bushings, Hanger End	1	1	79
6	E-901	-	-	10033-01	Bolt, 7/8"-9 x 5 1/2"	8	8	83
7	E-1981	-	-	-	Torque Arm Bushing Assembly, Axle Seat End, Rubber, Includes Key Nos. 1, 2, 6	4	4	81
	E-9552	-	-	-	Torque Arm Bushing Assembly, Axle Seat End, Poly, Includes Key Nos. 1, 2, 6	4	4	81
8	E-2022	-	-	T-5549	Bolt, 1/2"-20 x 5-1/2" Long	2	2	-
9	E-15273	<b>R</b>	-	0378-00	Spring Roller	2	2	-
10	E-1974	-	-	T-2248	Lock Washer	6	6	-
11	E-5032	-	-	T-1704	Flat Wheel Nut, 1/2"-20	6	6	-
12	E-1972	-	-	T-5544	Bolt, 1/2" x 4-3/4" Long	4	4	-
13	E-1971	<b>R</b>	G-1971	T-2106	Spring Roller	4	4	89
14	E-1975	-	G-1975	-	Spring Roller Assembly Includes Key Nos. 10, 11, 12, 13	4	4	89
15	N/A	-	-	12419-01	Equalizer with Bushing	2	-	-
	E-5246	<b>R</b>	-	11143-01		-	2	72
16	E-937	-	-	T-5495	Locknut, 1"-14	2	2	-
17	N/A	-	-	12369-01	Center Hanger	2	-	-
	N/A	-	-	12332-01		-	2	-
18	E-1072	-	-	T-3214	Bushing, Rubber	2	2	74
	E-8688	-	-	-	Bushing, Poly	2	2	74
19	E-1166	-	-	T-5492	Equalizer Bolt	2	2	83
20	S.O.S.	<b>R</b>	-	12337-02	Equalizer Hub	-	2	-
21	E-7742	<b>R</b>	-	16032-01	Torque Arm, Adjustable, Rear	-	1	78
	E-7743	<b>R</b>	-	16034-01	Torque Arm, Adjustable, Rear	1	-	78
	E-7744	<b>R</b>	-	10040-01	Torque Arm, Rigid, Rear	-	1	79
	E-7746	<b>R</b>	-	12422-01	Torque Arm, Rigid, Rear	1	-	79
22	E-3001	-	-	T-5497	Hi-Nut	16	16	-
23	E-2545	-	-	T-5496	Washer 3/4"	16	16	-
24	E-2875	<b>R</b>	G-2875	T-7175	Top Plate - 5" Round, Conventional U-Bolts	4	4	94
	-	-	-	T-5488		4	4	-
25	S.O.S.	<b>R</b>	-	T-3013	Axle Seat	4	4	-
26	N/A	<b>R</b>	-	12489-01	Rear Hanger	2	2	-
27	E-UB8155-14	-	-	08554-01	U-Bolt Assembly, Rd. Bend, 3/4"-16 Thd x 5" Wide x 14" Long	8	8	-
28	E-UB8151-14	-	-	08541-01	U-Bolt Assembly, Rd. Bend, 3/4"-16 Thd x 3" Wide x 14" Long	8	8	-
29	S.O.S.	<b>R</b>	-	11760-01	Top Plate	4	4	-
30	E-2874	<b>R</b>	-	T-5515, 09139-01	Bottom Plate, Inverted U-Bolts	4	4	92

**R** Denotes Product is Genuine Reyco Granning

# REYCO GRANNING

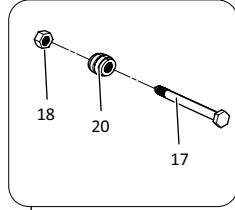
## Model 74B Tandem Four Spring Suspension, 50", 54" and 60" Axle Spacing Trailer

Equalizer Bushing Assembly

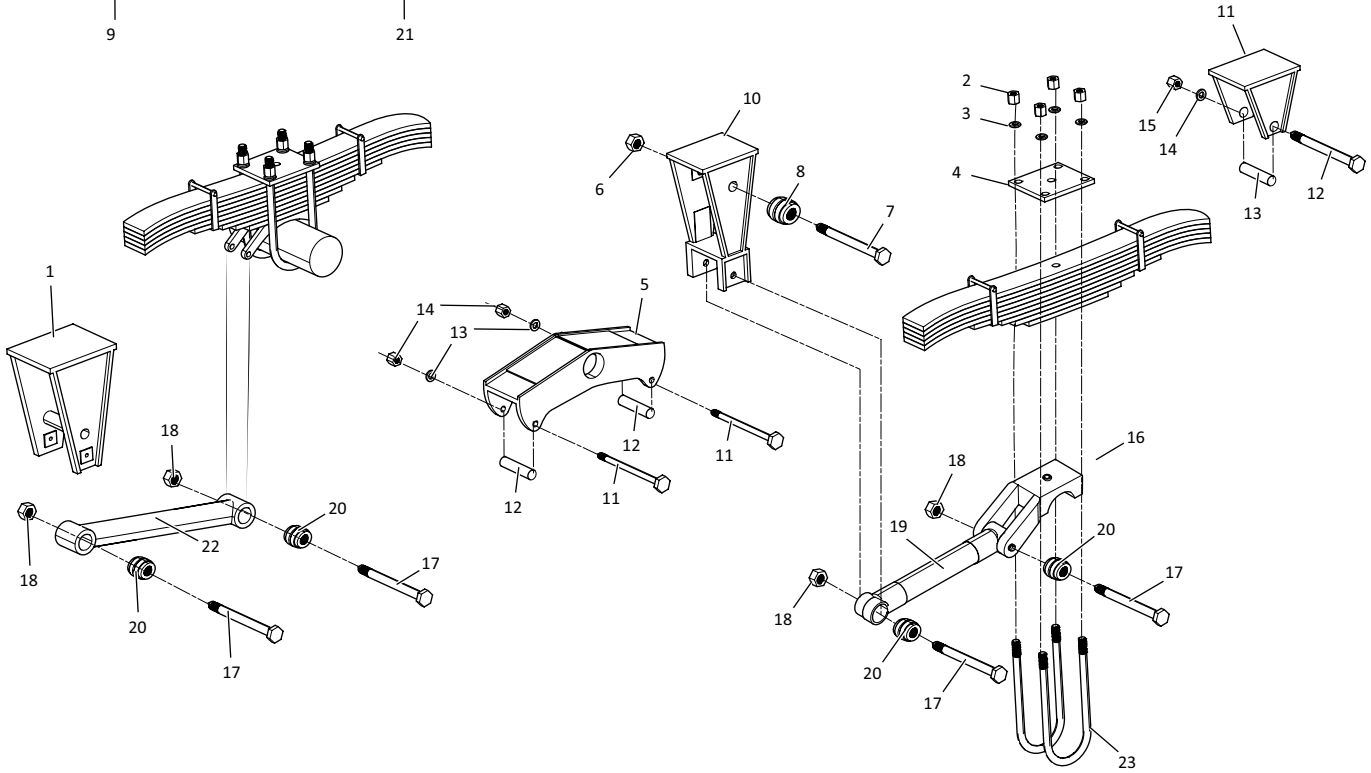


9

Torque Arm Bushing Assembly



21





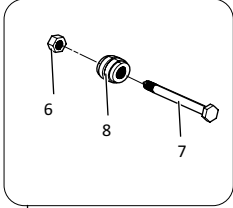
Model 74B Tandem Four Spring Suspension, 50", 54" and 60" Axle Spacing Trailer									
KEY NO.	EUCLID NO.	GENUINE	MACH NO.	OEM REF.	DESCRIPTION	QTY. PER TANDEM			PAGE NO.
						50" SPRD	54" SPRD	60" SPRD	
1	E-9615	<b>R</b>	-	16671-01	Front Hanger	2	2	2	-
2	E-3002A	-	-	-	Hi-Nut, 7/8"	2	16	16	-
3	E-2546	-	-	T-7292	Flat Washer 7/8"	2	16	16	-
4	E-9616	<b>R</b>	-	13798-01	Top Plate, 5" Round Axle	4	4	4	94
	E-9617	<b>R</b>	-	14527-01	Top Plate, 5-3/4" Round Axle	4	4	4	-
5	S.O.S.	<b>R</b>	-	17512-01	Equalizer with Bushing E-9550, 50" Axle Spacing	2	-	-	-
	E-9586	<b>R</b>	-	13806-01	Equalizer with Bushing E-9550, 54" Axle Spacing	-	2	-	71
	E-14724	<b>R</b>	-	14135-01	Equalizer with Bushing E-9550, 60" Axle Spacing	-	-	2	-
6	E-2854	-	-	08914-01	Equalizer Locknut	2	2	2	75
7	E-2852	-	-	10949-01	Equalizer Bolt 1-1/4"-12 x 8-7/8" Long	2	2	2	83
8	E-9550	-	G-9550	13805-01	Equalizer Bushing	2	2	2	81
9	E-9801	-	-	-	Equalizer Bushing Assembly, Key No. 6, 7, 8	2	2	2	73
10	E-9618	<b>R</b>	-	16672-01	Center Hanger	2	2	2	-
11	E-9622	<b>R</b>	-	13814-01	Rear Hanger	2	2	2	-
12	E-15291	-	-	13817-01	Cap Screw 1/2"-20 x 5-3/4" Long	6	6	6	-
13	E-15292	<b>R</b>	-	13818-01	Spring Roller	6	6	6	90
14	E-1974	-	-	T-1705	Lockwasher 1/2"	6	6	6	-
15	E-5032	-	-	T-1704	Hex Nut 1/2"-20	6	6	6	-
16	E-9626	<b>R</b>	-	15751-01	Axle Seat, 5" Round, 1" High	4	4	4	91
	S.O.S.	<b>R</b>	-	15752-01	Axle Seat, 5-3/4" Round Axle, 1" High	4	4	4	-
17	E-1166	-	-	T-5492	Torque Arm Bolt 1"-14 x 6-3/4" Long	8	8	8	83
18	E-937	-	-	T-5495	Torque Arm Locknut 1"-14	8	8	8	-
19	S.O.S.	<b>R</b>	-	17534-01	Adjustable Torque Arm Assembly, 50" Axle Spacing, Rear	1	-	-	-
	E-9620	<b>R</b>	-	16596-01	Adjustable Torque Arm Assembly, 54" Axle Spacing, Rear	-	1	-	78
	E-15294	<b>R</b>	-	16597-01	Adjustable Torque Arm Assembly, 60" Axle Spacing, Rear	-	-	1	78
	S.O.S.	<b>R</b>	-	17532-01	Rigid Torque Arm Assembly, 50" Axle Spacing, Rear, 19-1/4" Center-to-Center	1	-	-	-
	E-9619	<b>R</b>	-	16588-01	Rigid Torque Arm Assembly, 54" Axle Spacing, Rear, 21-1/4" Center-to-Center	-	1	-	79
E-15293	<b>R</b>	-	16589-01	Rigid Torque Arm Assembly, 60" Axle Spacing, Rear, 24-1/4" Center-to-Center	-	-	1	79	
20	E-9549	-	-	15737-01	Torque Arm Bushing	8	8	8	82
21	E-9587	-	-	-	Torque Arm Bushing Assembly, Includes Key Nos. 17, 18, 20	8	8	8	81
22	E-9585	<b>R</b>	-	16585-01	Rigid Torque Arm Assembly, Front, 14-1/4" Center-to-Center	1	1	1	79
	E-9584	<b>R</b>	-	16595-01	Adjustable Torque Arm Assembly, Front	1	1	1	78
23	E-UB8165-14	-	-	-	U-Bolt Assembly, Rd. Bend, 7/8"-14 Thd x 5" Wide x 14" Long	8	8	8	-
	S.O.S.	<b>R</b>	-	08950-01	U-Bolt Assembly, Rd. Bend, 7/8"-14 Thd x 5-3/4" Wide x 14" Long	8	8	8	-

**R** Denotes Product is Genuine Reyco Granning

# REYCO GRANNING

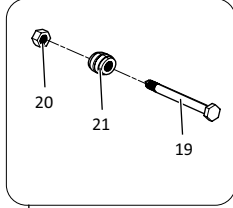
## Model 74B Tandem Four Spring Suspension, 72", 77", 97" and 109" Axle Spacing Trailer

Equalizer Bushing Assembly

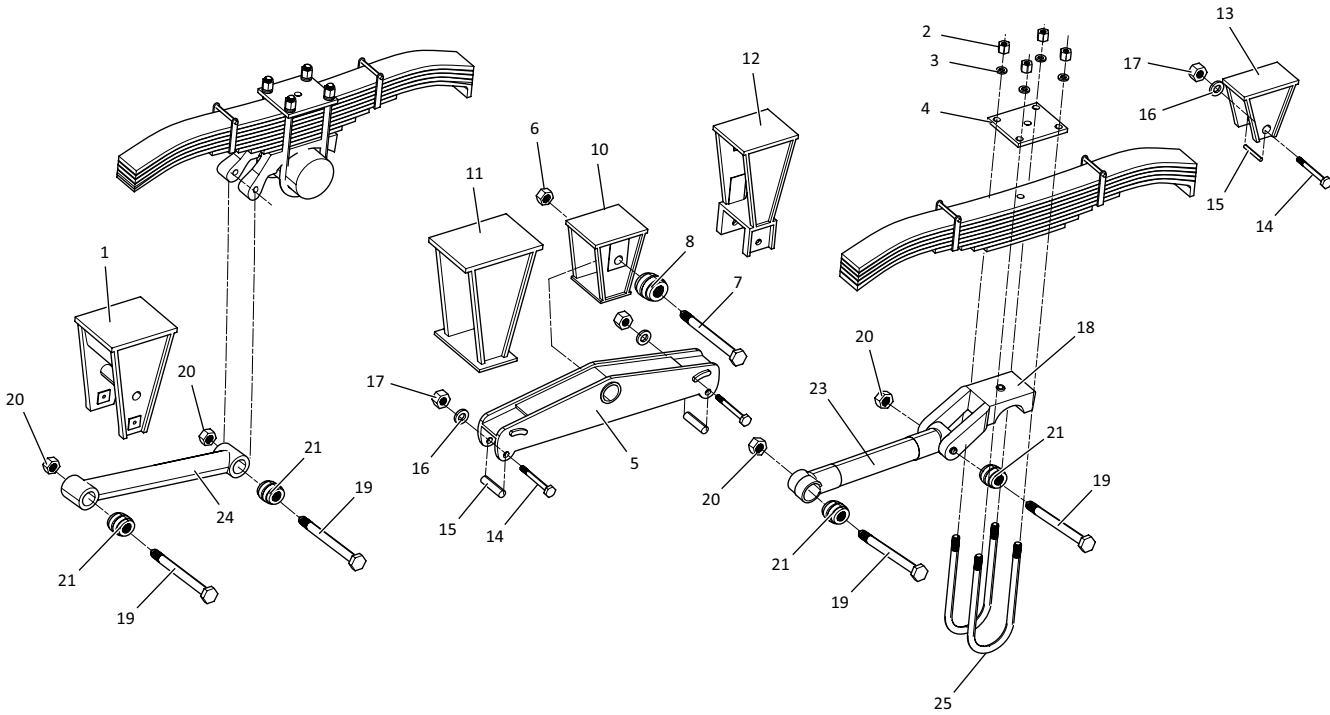


9

Torque Arm Bushing Assembly



22



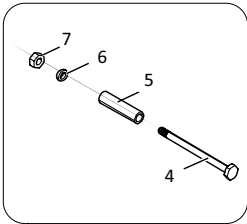
Model 74B Tandem Four Spring Suspension, 72", 77", 97" and 109" Axle Spacing Trailer										
KEY NO.	EUCLID NO.	GENUINE	MACH NO.	OEM REF.	DESCRIPTION	QTY. PER TANDEM				PAGE NO.
						72" SPRD	77" SPRD	97" SPRD	109" SPRD	
1	E-9615	<b>R</b>	-	16671-01	Front Hanger	2	2	2	2	-
2	E-3002A	-	-	-	Hi-Nut, 7/8"	16	16	16	16	-
3	E-2546	-	-	T-7292	Flat Washer, 7/8"	16	16	16	16	-
4	E-9616	<b>R</b>	-	13798-01	Top Plate, 5" Round Axle	4	4	4	4	94
	E-9617	<b>R</b>	-	14527-01	Top Plate, 5-3/4" Round Axle	4	4	4	4	-
5	E-15295	<b>R</b>	-	13909-01	Equalizer with Bushing E-9550, 72" Axle Spacing	2	-	-	-	72
	S.O.S.	<b>R</b>	-	15227-01	Equalizer with Bushing E-9550, 77" Axle Spacing	-	2	-	-	-
	S.O.S.	<b>R</b>	-	15724-01	Equalizer with Bushing E-9550, 97" Axle Spacing	-	-	2	-	-
	S.O.S.	<b>R</b>	-	15720-01	Equalizer with Bushing E-9550, 109" Axle Spacing	-	-	-	2	-
6	E-2854	-	-	08914-01	Equalizer Locknut	2	2	2	2	75
7	E-2852	-	-	10949-01	Equalizer Bolt; 1-1/4"-12 x 8-7/8" Long	2	2	2	2	83
8	E-9550	-	G-9550	13805-01	Equalizer Bushing	2	2	2	2	75
9	E-9801	-	-	-	Equalizer Bushing Assembly, Key Nos. 6, 7, 8	2	2	2	2	73
10	E-15296	<b>R</b>	-	15735-01	Center Hanger	2	2	2	2	86
11	E-15297	<b>R</b>	-	13861-01	Equalizer Guide Bracket	2	2	2	2	-
12	E-15298	<b>R</b>	-	16673-01	Torque Arm Attachment Bracket	2	2	2	2	88
13	E-9622	<b>R</b>	-	13814-01	Rear Hanger	2	2	2	2	-
14	E-15291	-	-	13817-01	Cap Screw 1/2"-20 x 5-3/4" Long	6	6	6	6	-
15	E-15292	<b>R</b>	-	13818-01	Spring Roller	6	6	6	6	90
16	E-1974	-	-	T-1705	Lockwasher 1/2"	6	6	6	6	-
17	E-5032	-	-	T-1704	Hex Nut 1/2"-20	6	6	6	6	-
18	E-9626	<b>R</b>	-	15751-01	Axle Seat, 5" Round, 1" High	4	4	4	4	91
	S.O.S.	<b>R</b>	-	15752-01	Axle Seat, 5-3/4" Round Axle, 1" High	4	4	4	4	-
19	E-1166	-	-	T-5492	Torque Arm Bolt 1"-14 x 6-3/4" Long	8	8	8	8	83
20	E-937	-	-	T-5495	Torque Arm Locknut 1"-14	8	8	8	8	-
21	E-9549	-	-	15737-01	Torque Arm Bushing	8	8	8	8	82
22	E-9587	-	-	-	Torque Arm Bushing Assembly, Includes Key Nos. 16, 17, 20	8	8	8	-	81
23	S.O.S.	<b>R</b>	-	16586-01	Rigid Torque Arm, 72" Axle Spacing, Rear, 20-1/4" Center-to-Center	1	-	-	-	-
	S.O.S.	<b>R</b>	-	16587-01	Rigid Torque Arm, 77"-109" Axle Spacing, Rear, 21" Center-to-Center	-	1	1	1	-
	E-9620	<b>R</b>	-	16596-01	Adjustable Torque Arm, 72"-109" Axle Spacing, Rear	1	1	1	1	78
24	E-9585	<b>R</b>	-	16585-01	Rigid Torque Arm Assembly, 72"-109" Axle Spacing, Front, 14-1/4" Center-to-Center	1	1	1	1	79
	E-9584	<b>R</b>	-	16595-01	Adjustable Torque Arm Assembly, 72"-109" Axle Spacing, Front	1	1	1	1	78
25	E-UB8165-14	-	-	-	U-Bolt Assembly, Rd Bend, 7/8"-14 Thd x 5" Wide x 14" Long	8	8	8	8	-
	S.O.S.	<b>R</b>	-	08950-01	U-Bolt Assembly, Rd Bend, 7/8"-14 Thd x 5 3/4" Wide x 14" Long	8	8	8	8	-

**R** Denotes Product is Genuine Reyco Granning

# REYCO GRANNING

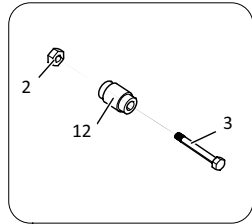
## Model 83 Tandem Four Spring Suspension, 50" – 109" Axle Spacing Trailer

Spring Roller Assembly

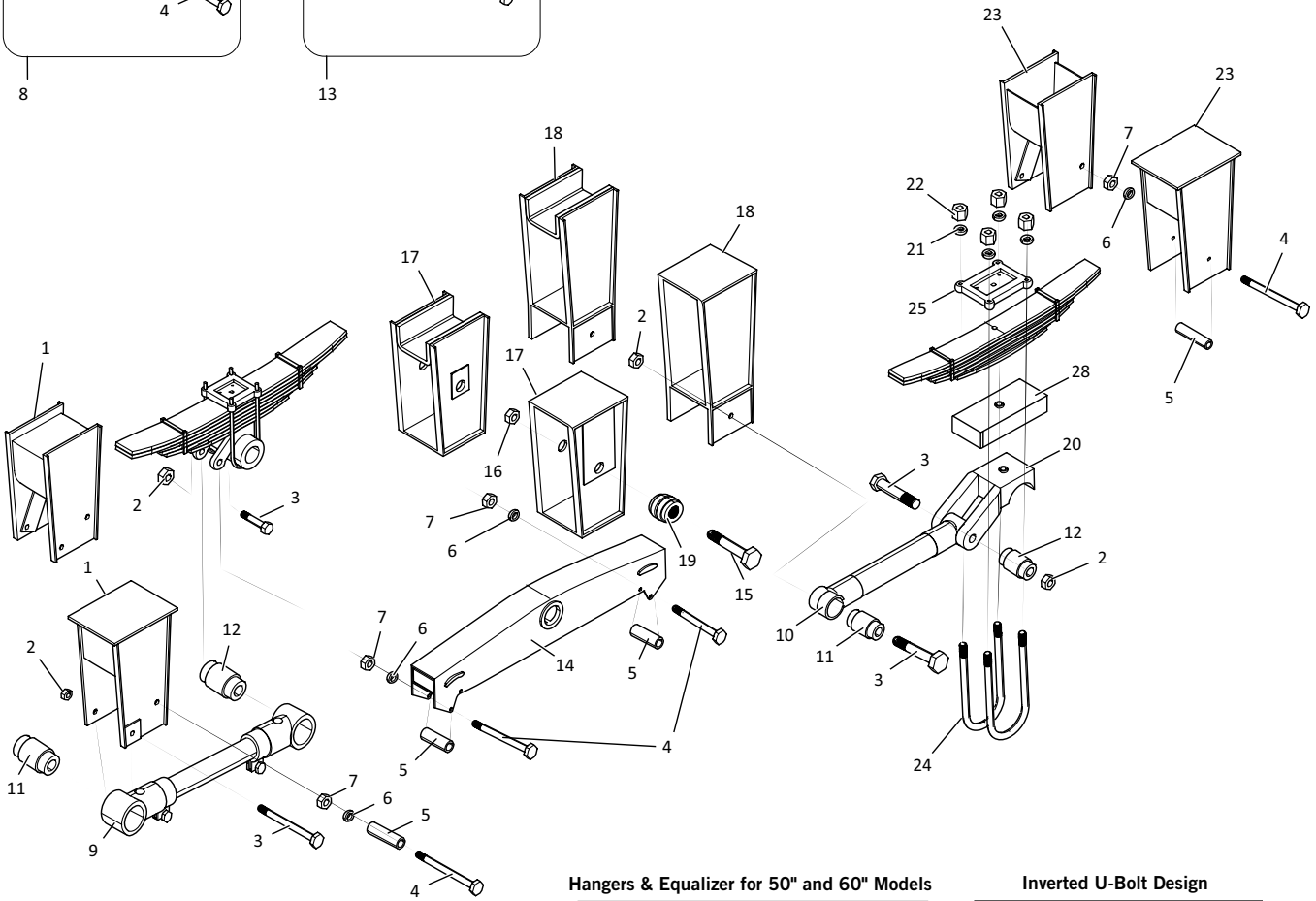


8

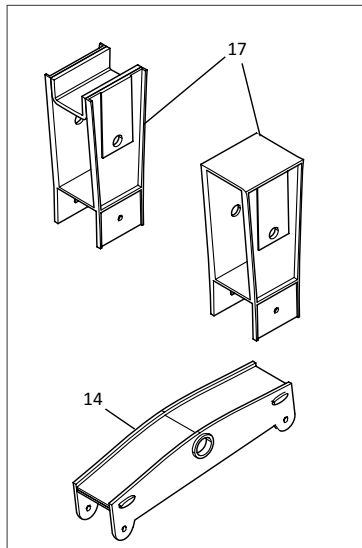
Torque Arm Bushing Assembly



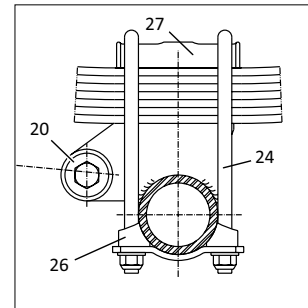
13



Hangers & Equalizer for 50" and 60" Models



Inverted U-Bolt Design



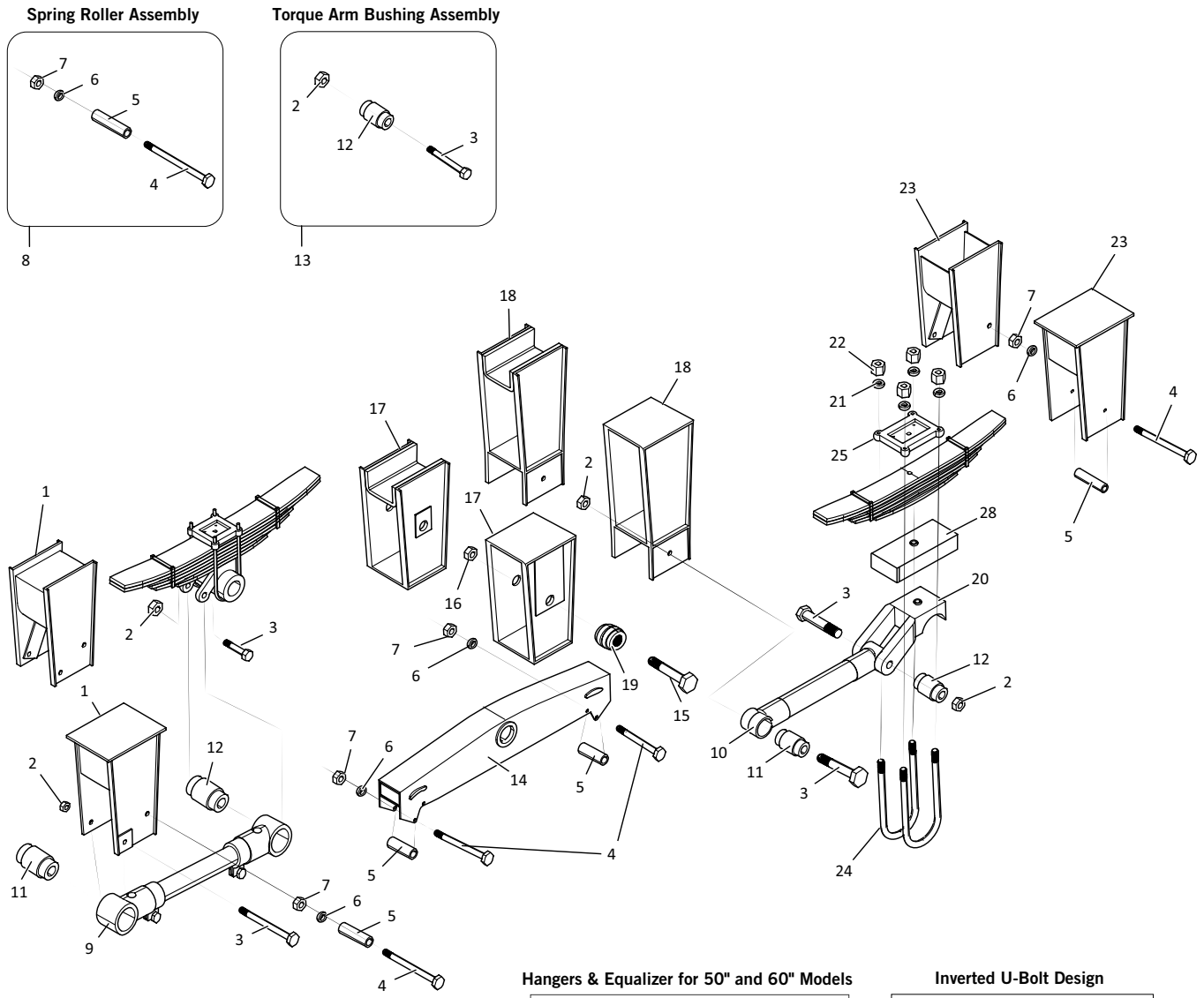
## Model 83 Tandem Four Spring Suspension, 50" – 109" Axle Spacing Trailer

KEY NO.	EUCLID NO.	GENUINE	MACH NO.	OEM REF.	DESCRIPTION	QTY. PER TANDEM	PAGE NO.
1	E-7727	<b>R</b>	-	149995-01	Front Hanger, Straddle Mount	2	87
	E-15311	<b>R</b>	-	15095-01	Front Hanger, Under Mount	2	87
2	E-2983	-	-	10092-01	Lock Nut, 7/8"-9	4	-
3	E-901	-	-	10033-01	Bolt, 7/8"-9 x 5 1/2" Long	4	83
4	E-15312	-	-	T-1703	Bolt, 1/2"-20 x 5" Long, Straddle Mount	6	-
	E-1972	-	-	T-5544	Cap Screw 1/2" x 4-3/4" Long, Under Mount	6	-
5	E-1971	<b>R</b>	G-1971	T-2106	Spring Roller	6	89
6	E-1974	-	-	T-2248, T-1705	Lock Washer, 1/2"	6	-
7	E-5032	-	-	T-1704	Hex Nut, 1/2"-20	6	-
8	E-1975	-	G-1975	TK19011	Spring Roller Assembly Includes Key Nos. 4, 5, 6, 7, Under Mount Hanger Only	4	89
9	E-7741	<b>R</b>	-	16031-01	Adjustable Torque Arm with Bushings; Front	2	78
	E-7744	<b>R</b>	-	10040-01	Rigid Torque Arm with Bushings; Front	2	79
10	E-7742	<b>R</b>	-	16032-01	Adjustable Torque Arm, Rear, 50" Axle Spacing	1	78
	E-7743	<b>R</b>	-	16034-01	Adjustable Torque Arm, Rear, 60" Axle Spacing	1	78
	S.O.S.	<b>R</b>	-	Various	Adjustable Torque Arms, Other Axle Spreads	1	-
11	E-7750	-	-	10051-01	Torque Arm Bushing, Hanger End	2	82
12	E-1980	-	-	09729-01	Torque Arm Bushing, Axle Seat End, Rubber	8	82
	E-7520	-	-	-	Torque Arm Bushing, Axle Seat End, Poly	8	82
13	E-1981	-	-	-	Torque Arm Bushing Assembly; Axle Seat End Includes Key Nos. 2, 3, 12, Rubber	4	81
	E-9552	-	-	-	Torque Arm Bushing Assembly; Axle Seat End Includes Key Nos. 2, 3, 12, Poly	4	81
14	E-7709	<b>R</b>	-	14689-01	Equalizer; 50" Axle Spacing	2	71
	E-16184	<b>R</b>	-	14693-01	Equalizer; 54" Axle Spacing	2	71
	E-7710	<b>R</b>	-	14696-01	Equalizer; 60" Axle Spacing	2	71
	E-16197	<b>R</b>	-	14700-01	Equalizer; 65 1/2" Axle Spacing	2	72
	S.O.S.	<b>R</b>	-	14763-01	Equalizer; 72" Axle Spacing	2	-
	S.O.S.	<b>R</b>	-	14764-01	Equalizer; 97" Axle Spacing	2	-
	S.O.S.	<b>R</b>	-	14765-01	Equalizer; 109" Axle Spacing	2	-
15	E-7719	-	-	14683-01	Equalizer Bolt	2	75
16	E-2854	-	-	08014-01	Nut, 1 1/4"-12	2	75
17	S.O.S.	<b>R</b>	-	15062-01	Center Hanger, Straddle Mount, 50" thru 65 1/2" Axle Spacing	2	-
	S.O.S.	<b>R</b>	-	15105-01	Center Hanger, Under Mount, 50" thru 65 1/2" Axle Spacing	2	-
	S.O.S.	<b>R</b>	-	15008-01	Center Hanger, Straddle Mount, 72" thru 109" Axle Spacing	2	-
	S.O.S.	<b>R</b>	-	14668-01	Center Hanger, Under Mount, 72" thru 109" Axle Spacing	2	-
18	S.O.S.	<b>R</b>	-	15005-01	Torque Arm Bracket, Straddle Mount, 72" thru 109" Axle Spacing	2	-
	S.O.S.	<b>R</b>	-	15100-01	Torque Arm Bracket, Under Mount, 72" thru 109" Axle Spacing	2	-
19	E-7713	<b>R</b>	G-7713	14682-01	Bushing, 50" thru 65 1/2" Axle Spacing	2	74
	E-1072	-	-	T-3214	Bushing, 72" thru 109" Axle Spacing	2	74
20	S.O.S.	<b>R</b>	-	Various	Axle Seat	4	-
21	E-2545	-	-	T-5496	Washer, 3/4"	16	-
22	E-3001	-	-	T-5497	Nut, 3/4"-16	16	-
23	E-7739	<b>R</b>	-	14999-01	Rear Hanger, Straddle Mount	2	87
	S.O.S.	<b>R</b>	-	15098-01	Rear Hanger, Under Mount	2	-

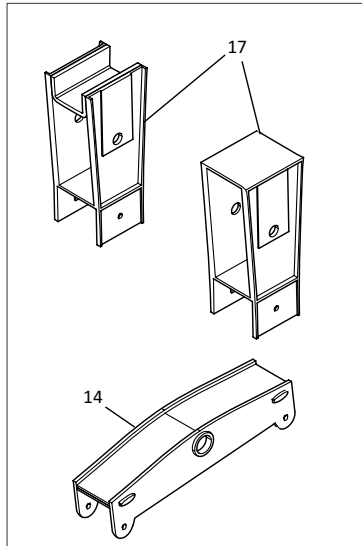
**R** Denotes Product is Genuine Reyco Granning

# REYCO GRANNING

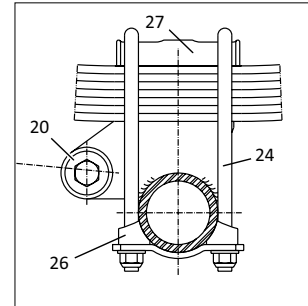
## Model 83 Tandem Four Spring Suspension, 50" – 109" Axle Spacing Trailer



Hangers & Equalizer for 50" and 60" Models



Inverted U-Bolt Design



Model 83 Tandem Four Spring Suspension, 50" – 109" Axle Spacing  
Trailer

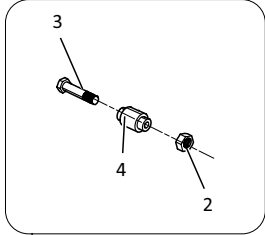
KEY NO.	EUCLID NO.	GENUINE	MACH NO.	OEM REF.	DESCRIPTION	QTY. PER TANDEM	PAGE NO.
24	E-UB5165-12	-	-	-	U-Bolt Assembly, Round Bend, 7/8"-14 Thd x 3" Wide x 12" Long	4	-
	E-UB5165-14	-	-	-	U-Bolt Assembly, Round Bend, 7/8"-14 Thd x 3" Wide x 14" Long	4	-
	E-UB8165-12	-	-	-	U-Bolt Assembly, Round Bend, 7/8"-14 Thd x 3" Wide x 12" Long	4	-
	E-UB8165-14	-	-	-	U-Bolt Assembly, Round Bend, 7/8"-14 Thd x 3" Wide x 14" Long	4	-
	E-UB8165-16	-	-	-	U-Bolt Assembly, Round Bend, 7/8"-14 Thd x 3" Wide x 16" Long	4	-
	E-UB8165-18	-	-	-	U-Bolt Assembly, Round Bend, 7/8"-14 Thd x 3" Wide x 18" Long	4	-
25	E-2875	<b>R</b>	G-2875	T-7175, T-5488	Top Plate	4	94
	S.O.S.	<b>R</b>	-	11760-01	Top Plate	4	-
26	E-2874	<b>R</b>	-	09139-01	Bottom Plate, Inverted U-Bolts	4	92
	S.O.S.	<b>R</b>	-	11791-01	Bottom Plate, Underslung	4	-
27	S.O.S.	<b>R</b>	-	0077-00	Top Plate, 3" Wide	4	-
28	E-9563	<b>R</b>	-	T-7716	Spacer; 3" Width x 7-1/2" Long x 1" Thick	4	95
	E-2878	<b>R</b>	-	T-7655	Spacer; 3" Width x 7-1/2" Long x 2" Thick	4	95

**R** Denotes Product is Genuine Reyco Granning

# REYCO GRANNING

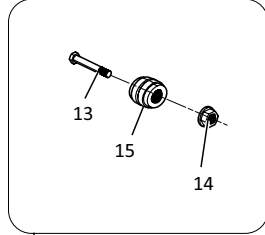
## Model 86-88 Tandem Four Spring Suspension Trailer

Torque Arm Bushing Assembly



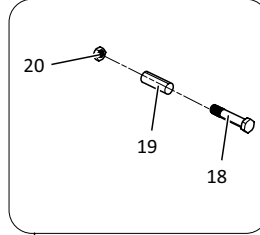
5

Equalizer Bushing Assembly



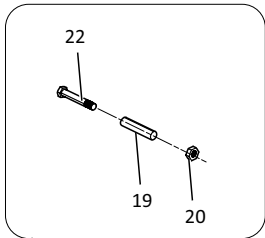
16

Equalizer Spring Roller Assembly

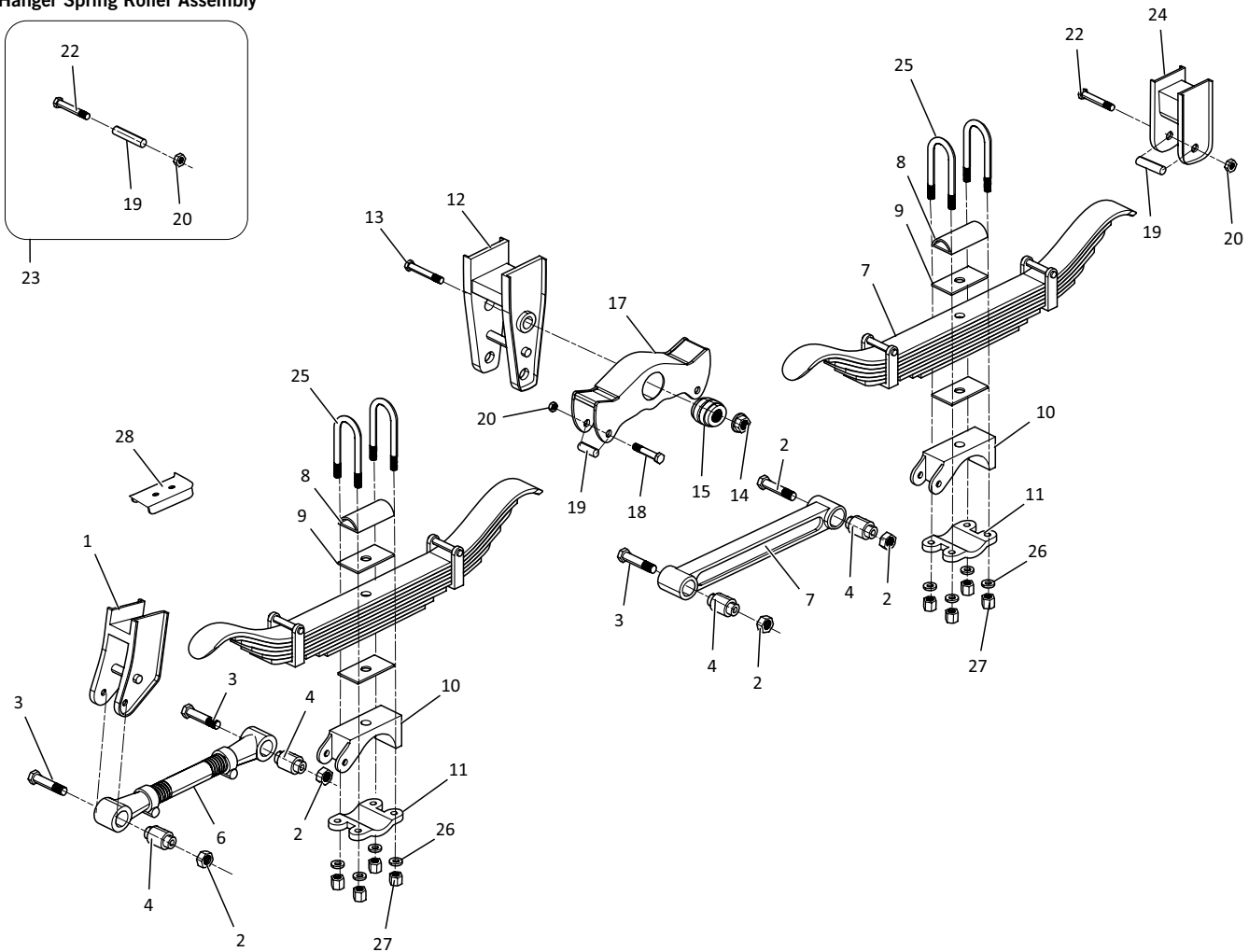


21

Hanger Spring Roller Assembly



23





## Model 86-88 Tandem Four Spring Suspension Trailer

KEY NO.	EUCLID NO.	GENUINE	MACH NO.	OEM REF.	DESCRIPTION	QTY. PER TANDEM	PAGE NO.
1	E-4807	<b>R</b>	-	0400-01, 0311-01	Front Hanger, Flange Mount, Left Hand 1/2" Dia Holes, Includes E-4828 Wear Pad	1	87
	E-4808	<b>R</b>	-	0400-02, 0311-02	Front Hanger, Flange Mount, Right Hand, 1/2" Dia Holes, Includes E-4828 Wear Pad	1	87
	S.O.S.	<b>R</b>	-	1240-01	Front Hanger, Flange Mount, Left Hand, 5/8" Dia Holes, Includes E-4828 Wear Pad	1	-
	S.O.S.	<b>R</b>	-	1240-02	Front Hanger, Flange Mount, Right Hand, 5/8" Dia Holes, Includes E-4828 Wear Pad	1	-
	E-4801	<b>R</b>	-	0046-20, 0046-00	Front Hanger, Left/Right, Straddle Mount, Includes E-4828 Wear Pad	2	87
	E-4804	<b>R</b>	-	0084-00, 0049-00	Front Hanger, Left/Right, Under Mount, Includes E-4828 Wear Pad	2	88
	S.O.S.	<b>R</b>	-	0894-01	Front Hanger, Left, Side Mount, Includes E-4828 Wear Pad	1	-
	S.O.S.	<b>R</b>	-	0894-02	Front Hanger, Right, Side Mount, Includes E-4828 Wear Pad	1	-
2	E-9607	-	-	14345-01	Flanged Lock Nut, 7/8"-14	8	-
3	E-4833	-	-	0001-08	Torque Arm Bolt; 7/8" - 14" x 5-14" Long	8	-
4	E-1980	-	-	09729-01	Torque Arm Bushing, Rubber	8	82
	E-7520	-	-	-	Torque Arm Bushing, Poly	8	82
5	E-4834A	-	-	K0022-01	Torque Arm Bushing Assembly w/ Rubber Bushing, Includes Key Nos. 2, 3, 4	8	82
	E-9551	-	-	-	Torque Arm Bushing Assembly w/ Poly Bushing, Includes Key Nos. 2, 3, 4	8	82
6	E-4824	<b>R</b>	G-4824	1035-20	Adjustable Torque Arm, Model 86: 49" & 54", Model 88: 49" - 121", 19-7/8" Center-to-Center, Includes E-1980 Bushing	2	78
	S.O.S.	<b>R</b>	-	1035-23	Adjustable Torque Arm, Model 86 & 88: 54", 22-3/4" Center-to-Center, Includes E-1980 Bushing	2	-
	S.O.S.	<b>R</b>	-	1035-25	Adjustable Torque Arm, Model 88: 60", 25-1/2" Center-to-Center, Includes E-1980 Bushing	2	-
	S.O.S.	<b>R</b>	-	1035-31	Adjustable Torque Arm, Model 88: 72", 31" Center-to-Center, Includes E-1980 Bushing	2	-
7	E-4825	<b>R</b>	G-4825	0075-20	Rigid Torque Arm, Model 86: 49" & 54", Model 88: 49"-121", 19-7/8" Center-to-Center, Includes E-1980 Bushing	2	79
	S.O.S.	<b>R</b>	-	0678-00	Rigid Torque Arm, Model 86: 54", , 22-3/4" Center-to-Center, Includes E-1980 Bushing	2	-
8	E-2907A	-	G-2907A	23334-01, 0077-00	Top Plate, Fabricated, 3" Wide	4	93
	E-2873	<b>R</b>	-	08677-01	Top Plate, Cast, 3" Wide	4	93
	E-2875	<b>R</b>	G-2875	T-7175, T-5488	Top Plate, 5" Round Axle, U-Bolts Up	4	94
	E-9554	<b>R</b>	-	T-1734	Top Plate, 5" x 5" Square Axle, U-Bolts Up	4	94
	S.O.S.	<b>R</b>	-	0716-00	Top Plate, 4" x 6" Axle	4	-
9	E-2842	-	-	16810-02	Delrin Spring Liner	4	93
10	E-4814	<b>R</b>	-	0636-01	Axle Seat, 5" Round Axle, 1" High	4	91
	E-4815	<b>R</b>	-	0636-02	Axle Seat, 5" Round Axle, 2" High	4	91
	E-16490	<b>R</b>	-	0636-03	Axle Seat, 5" Round Axle, 3" High	4	91
	E-4817	<b>R</b>	-	0632-01	Axle Seat, 5" x 5" Square Axle, 1" High	4	92
	E-4818	<b>R</b>	-	0632-02	Axle Seat, 5" x 5" Square Axle, 2" High	4	92
	S.O.S.	<b>R</b>	-	0637-01	Axle Seat, 5" Round Axle, 1" High, No Hop	4	-
	S.O.S.	<b>R</b>	-	0637-02	Axle Seat, 5" Round Axle, 2" High, No Hop	4	-
	E-16496	<b>R</b>	-	0637-03	Axle Seat, 5" Round Axle, 3" High, No Hop	4	91

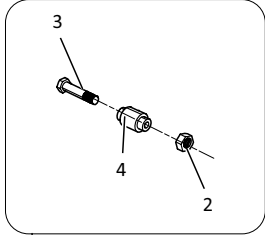
**R** Denotes Product is Genuine Reyco Granning  
 U.S. 888-725-9355  
 Canada 800-387-3889

MeritorPartsXpress.com  
**700E-RYG (07-19)**

# REYCO GRANNING

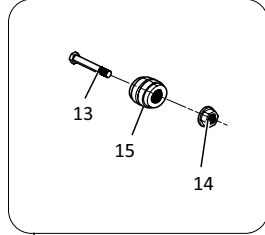
## Model 86-88 Tandem Four Spring Suspension Trailer

Torque Arm Bushing Assembly



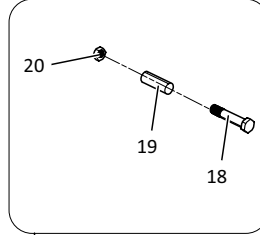
5

Equalizer Bushing Assembly



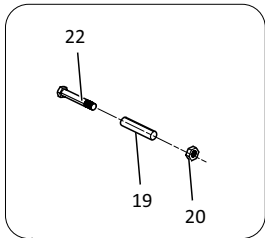
16

Equalizer Spring Roller Assembly

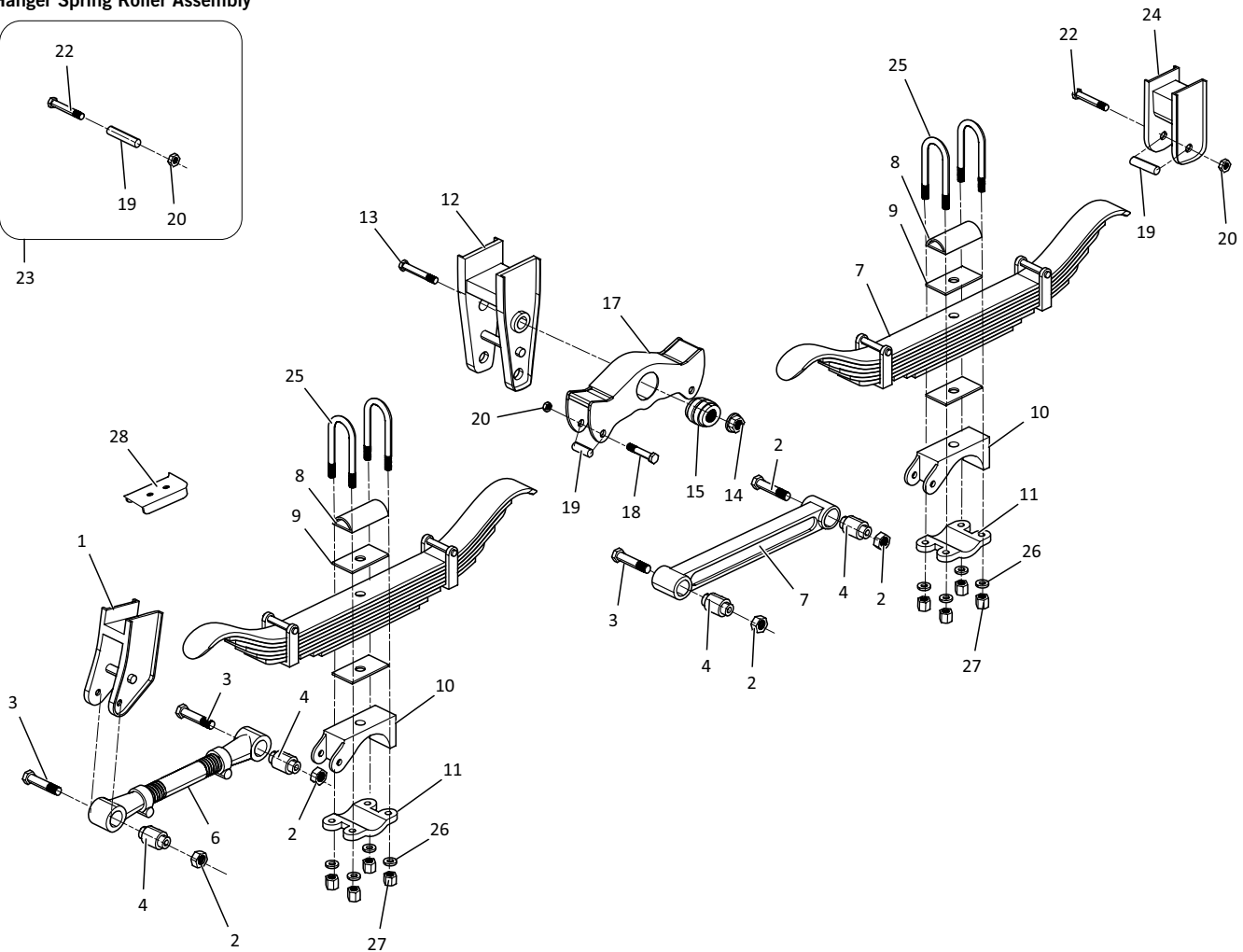


21

Hanger Spring Roller Assembly



23



## Model 86-88 Tandem Four Spring Suspension Trailer

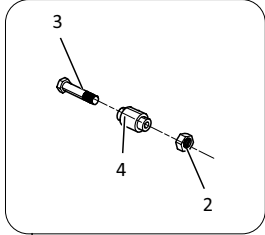
KEY NO.	EUCLID NO.	GENUINE	MACH NO.	OEM REF.	DESCRIPTION	QTY. PER TANDEM	PAGE NO.
11	E-2909	-	G-2909	0538-00	Bottom Plate, 5" Round Axle, U-Bolts Down	4	92
	E-4823	-	-	0149-00	Bottom Plate, 5" x 5" Square Axle, U-Bolts Down	4	93
	S.O.S.	<b>R</b>	-	0150-00	Bottom Plate, 4" x 6" Rectangular Axle	4	-
	E-16491	<b>R</b>	-	0858-00	Bottom Plate - Underslug, 5" Round/5" x 5" Square, 3 & 8 Leaf Spring	4	92
	S.O.S.	<b>R</b>	-	0508-00	Bottom Plate - Underslug, 5" Round/5" x 5" Square, 1 Leaf Spring	4	-
	S.O.S.	<b>R</b>	-	0415-00	Bottom Plate - No Hop, 5" Round Axle	4	-
	S.O.S.	<b>R</b>	-	0416-00	Bottom Plate - No Hop, 5" x 5" Square Axle	4	-
	S.O.S.	<b>R</b>	-	0417-00	Bottom Plate - No Hop, 4" x 6" Rectangular Axle	4	-
12	E-4809	<b>R</b>	-	0401-00, 0312-00	Center Hanger, Left/Right, Flange Mount, 1/2" Dia Holes, 44", 49" & 54" Axle Spread	2	87
	S.O.S.	<b>R</b>	-	1465-05	Center Hanger, Left/Right, Flange Mount, 1/2" Dia Holes, 60" & 72" Axle Spread	2	-
	S.O.S.	<b>R</b>	-	1237-20	Center Hanger, Left/Right, Flange Mount, 5/8" Dia Holes, 44", 49" & 54" Axle Spread	2	-
	S.O.S.	<b>R</b>	-	1465-06	Center Hanger, Left/Right, Flange Mount, 5/8" Dia Holes, 60" & 72" Axle Spread	2	-
	E-4802	<b>R</b>	-	0062-26, 0062-00	Center Hanger, Left/Right, Straddle Mount, 44", 49" & 54" Axle Spread	2	87
	S.O.S.	<b>R</b>	-	1463-00	Center Hanger, Left/Right, Straddle Mount, 60" & 72" Axle Spread	2	-
	S.O.S.	<b>R</b>	-	1359-00	Center Hanger, Left/Right, Straddle Mount, 109" & 121" Axle Spread	2	-
	E-4805	<b>R</b>	-	0088-00, 0065-00	Center Hanger, Left/Right, Undermount, 44", 49" & 54" Axle Spread	2	88
	S.O.S.	<b>R</b>	-	1464-00	Center Hanger, Left/Right, Undermount, 60" & 72" Axle Spread	2	-
	S.O.S.	<b>R</b>	-	0893-01	Center hanger, Left/Right, Side Mount, 44", 49" & 54" Axle Spread	2	-
13	E-4830	-	-	0001-14	Equalizer Bolt, 1" - 14" x 6-1/2" Long	2	75
14	E-2892	-	-	0274-01	Flanged Nut Nut, Flange Lock; 1"-14	2	-
15	E-4827	-	G-4827	0649-02	Equalizer Bushing, New Style	2	75
	S.O.S.	<b>R</b>	-	0106-06	Equalizer Bushing, Old Style Before Sept. 1986	2	-
16	E-4832	-	-	K0649-04	Equalizer Bushing Assembly Includes Key No. 8, 9, 10	2	74
	S.O.S.	<b>R</b>	-	K0106-07	Equalizer Bushing Assembly, Old Style Before Sept. 1986	2	-
17	E-4813	<b>R</b>	G-4813	0650-00	Fabricated Equalizer with Bushing, 49", Includes E-4827 Bushing	2	70
	E-4813-P	-	G-4813	0650-00	Fabricated Equalizer with Bushing, 49", Includes E-4827 Bushing	2	70
	S.O.S.	<b>R</b>	-	1570-00	Fabricated Equalizer with Bushing, 54", Includes E-4827 Bushing	2	-
	E-16492	<b>R</b>	-	0841-00	Fabricated Equalizer with Bushing, 60-1/2", Includes E-4827 Bushing	2	71
	E-10250	<b>R</b>	G-10250	0850-00	Cast Equalizer with Bushing, 49", Includes E-4827 Bushing	2	47
	S.O.S.	<b>R</b>	-	08801-00	Cast Equalizer with Bushing, 54", Includes E-4827 Bushing	2	-
18	E-3415	-	-	0001-04	Rebound Bolt, 5/8"-18 x 4-1/2" Long	4	-
19	E-3416	-	G-3416	0741-01	Spring Roller	6	90
20	E-2002	-	-	0002-07	Nut 5/8"-18	6	-
21	E-4835	-	-	0741-00	Spring Roller Assembly includes Key Nos. 18, 19, 20	4	89
22	E-4836	-	-	0001-02	Bolt, 5/8-18	2	-
23	E-4837	-	-	K074105	Hanger Spring Roller Assembly Includes Key Nos. 19, 20, 22	2	89

**R** Denotes Product is Genuine Reyco Granning

# REYCO GRANNING

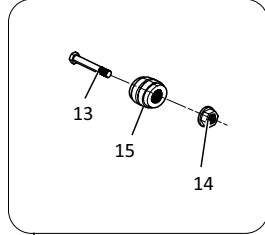
## Model 86-88 Tandem Four Spring Suspension Trailer

Torque Arm Bushing Assembly



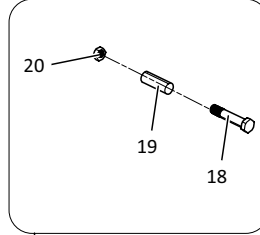
5

Equalizer Bushing Assembly



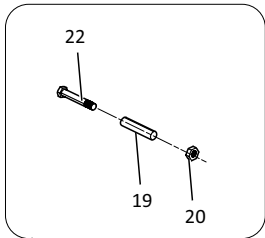
16

Equalizer Spring Roller Assembly

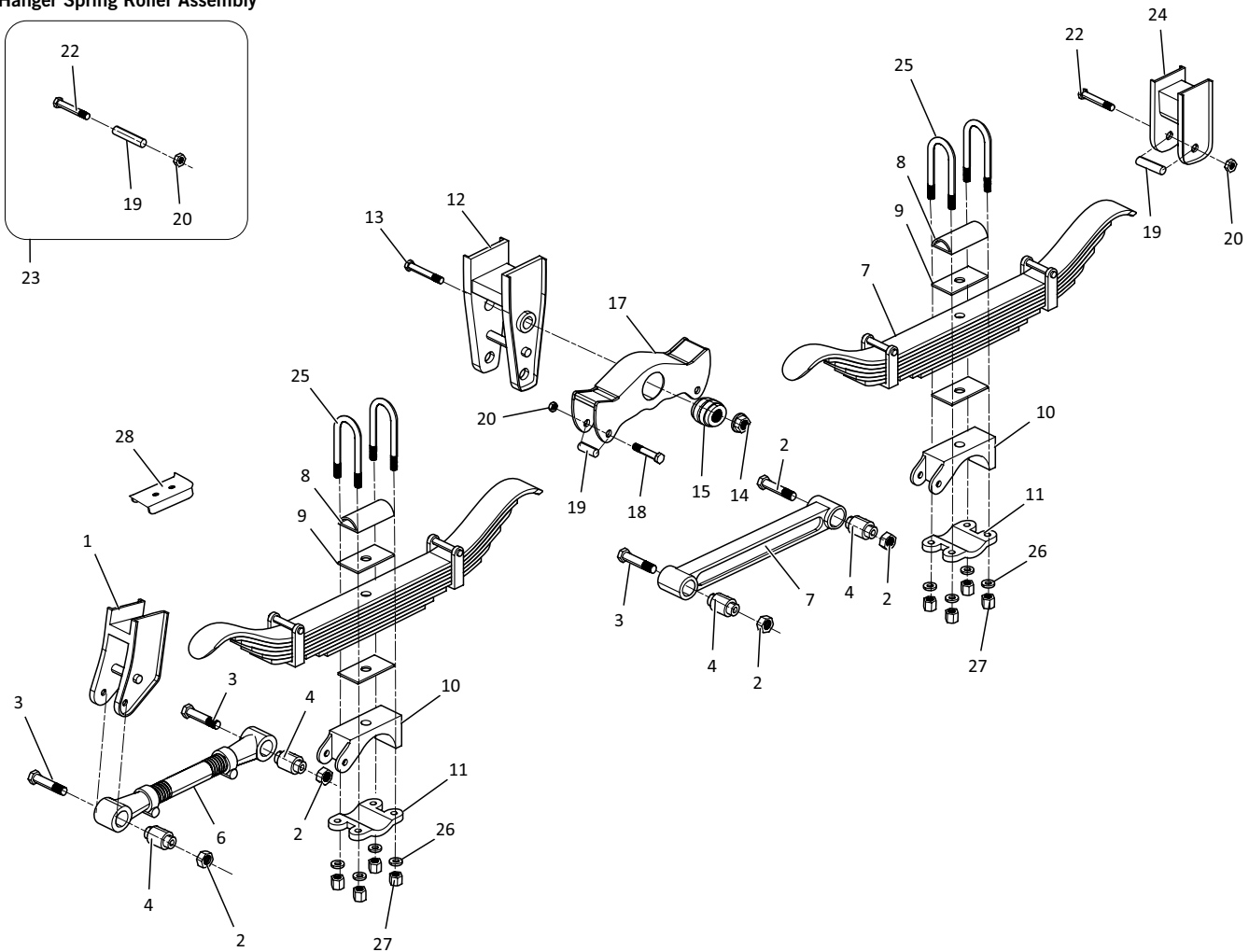


21

Hanger Spring Roller Assembly



23



## Model 86-88 Tandem Four Spring Suspension Trailer

KEY NO.	EUCLID NO.	GENUINE	MACH NO.	OEM REF.	DESCRIPTION	QTY. PER TANDEM	PAGE NO.
24	E-4810	<b>R</b>	-	0402-01, 0313-01	Rear Hanger, Left, Flange Mount, 1/2" Dia Holes, Includes E-4828 Wear Pad	1	87
	E-4811	<b>R</b>	-	0402-02, 0313-02	Rear Hanger, Right, Flange Mount, 1/2" Dia Holes, Includes E-4828 Wear Pad	1	87
	S.O.S.	<b>R</b>	-	1241-01	Rear Hanger, Left, Flange Mount, 5/8" Dia Holes, Includes E-4828 Wear Pad	1	-
	S.O.S.	<b>R</b>	-	1241-02	Rear Hanger, Right, Flange Mount, 5/8" Dia Holes, Includes E-4828 Wear Pad	1	-
	E-4803	<b>R</b>	-	0051-20, 0051-00;	Rear Hanger, Left/Right, Straddle Mount, Includes E-4828 Wear Pad	2	88
	E-4806	<b>R</b>	-	0086-00, 0053-00	Rear Hanger, Left/Right, Under Mount, Includes E-4828 Wear Pad	2	88
	S.O.S.	<b>R</b>	-	0952-01	Rear Hanger, Left, Side Mount, Includes E-4828 Wear Pad	1	-
	S.O.S.	<b>R</b>	-	0952-02	Rear Hanger, Right, Side Mount, Includes E-4828 Wear Pad	1	-
25	E-UB5161-12	-	-	0078-10 Thru 18	U-Bolt Assembly Rd. Bend; 7/8"- 14 Thd. X 3" Wide x 12" Long	8	-
	E-UB5161-13	-	-	0078-10 Thru 18	U-Bolt Assembly Rd. Bend; 7/8"- 14 Thd. X 3" Wide x 13" Long	8	-
	E-UB5161-14	-	-	0078-10 Thru 18	U-Bolt Assembly Rd. Bend; 7/8"- 14 Thd. X 3" Wide x 14" Long	8	-
	E-UB5161-18	-	-	0078-10 Thru 18	U-Bolt Assembly Rd. Bend; 7/8"- 14 Thd. X 3" Wide x 18" Long	8	-
	E-UB5165-14	-	-	0102-10 Thru 17	U-Bolt Assembly Rd. Bend; 7/8"- 14 Thd. X 5" Wide x 14" Long	8	-
	E-UB5165-18	-	-	0102-10 Thru 17	U-Bolt Assembly Rd. Bend; 7/8"- 14 Thd. X 5" Wide x 18" Long	8	-
	E-UB5165-16	-	-	0159-12	U-Bolt Assembly Sq. Bend; 7/8"- 14 Thd. X 5" Wide x 12" Long	8	-
	E-UB8264-12	-	-	060-12 Thru 15	U-Bolt Assembly Sq. Bend; 7/8"- 14 Thd x 4" Wide x 12" Long	8	-
	E-UB8264-14	-	-	060-12 Thru 15	U-Bolt Assembly Sq. Bend; 7/8"- 14 Thd x 4" Wide x 14" Long	8	-
	E-UB8264-16	-	-	060-12 Thru 15	U-Bolt Assembly Sq. Bend; 7/8"- 14 Thd x 4" Wide x 16" Long	8	-
26	E-2546	-	-	T-7292	Flat Washer, 7/8"	16	-
27	E-3002A	-	-	-	Nut, 7/8"-14	16	-
28	E-4828	<b>R</b>	-	0045-00	Hanger Wear Pad	2	90


**R** Denotes Product is Genuine Reyco Granning

# REYCO GRANNING

## Equalizers

**Equalizer - Cast**

FOR MODELS:  
101A, 102, 102W




Rubber Bushing Included

EUCLID NO.	GENUINE	OEM REF.	OVERALL LENGTH
<b>E-16494</b>	<b>R</b>	14743-01	13-3/8"

**Equalizer - Cast**

FOR MODELS:  
101A, 102, 102W




Rubber Bushing Included

EUCLID NO.	GENUINE	MACH NO.	OEM REF.	OVERALL LENGTH
<b>E-2845</b>	<b>R</b>	G-2845	12859-01	16"

**Equalizer - Fabricated**

FOR MODEL:  
21B Cast




Bushings Not Included

EUCLID NO.	GENUINE	OEM REF.	OVERALL LENGTH
<b>E-16477</b>	<b>R</b>	T-5427	14-1/2"

**Equalizer - Cast**

FOR MODELS:  
101, 101A, 102




Rubber Bushing Included

EUCLID NO.	GENUINE	OEM REF.	OVERALL LENGTH
<b>E-2843</b>	<b>R</b>	09120-01	16"

**Equalizer - Cast**

FOR MODELS:  
101, 101A, 102, 102W




Rubber Bushing Included, Used on Ford Model

EUCLID NO.	GENUINE	MACH NO.	OEM REF.	OVERALL LENGTH
<b>E-2844</b>	<b>R</b>	G-2844	08996-01	16"

**Equalizer - Cast**

FOR MODEL:  
86-88



Rubber Bushing Included; 49" Axle Spacing

EUCLID NO.	GENUINE	MACH NO.	OEM REF.	OVERALL LENGTH
<b>E-10250</b>	<b>R</b>	G-10250	0850-00	16-1/2"

**Equalizer - Cast**

FOR MODEL:  
101




Rubber Bushing Included

EUCLID NO.	GENUINE	MACH NO.	OEM REF.	OVERALL LENGTH
<b>E-3978</b>	<b>R</b>	G-3978	14723-01	16"

**Equalizer - Fabricated**

FOR MODEL:  
86-88



Rubber Bushing Included; 49" Axle Spacing

EUCLID NO.	GENUINE	MACH NO.	OEM REF.	OVERALL LENGTH
<b>E-4813</b>	<b>R</b>	G-4813	0650-00	16-1/2"
<b>E-4813-P</b>		G-4813	0650-00	16-1/2"

**R** Denotes Product is Genuine Reyco Granning

## Equalizers

**Equalizer - Cast**

FOR MODEL:  
21B Cast




Bushings Not Included; 42" - 44" Axle Spacing

EUCLID NO.	GENUINE	OEM REF.	OVERALL LENGTH
<b>E-10768A</b>	<b>R</b>	25222-01	17-1/2"

**Equalizer - Fabricated**

FOR MODELS:  
74B 50"-60"




Rubber Bushing Included; 54" Axle Spacing

EUCLID NO.	GENUINE	OEM REF.	OVERALL LENGTH
<b>E-9586</b>	<b>R</b>	13806-01	24"

**Equalizer - Cast**

FOR MODEL:  
21B Cast




Bushings Not Included; 49" Axle Spacing

EUCLID NO.	GENUINE	OEM REF.	OVERALL LENGTH
<b>E-2846A</b>	<b>R</b>	21725-01	18"

**Equalizer - Fabricated**

FOR MODEL:  
86-88




Rubber Bushing Included; 60-1/2" Axle Spacing

EUCLID NO.	GENUINE	OEM REF.	OVERALL LENGTH
<b>E-16492</b>	<b>R</b>	0841-00	27-3/4"

**Equalizer - Fabricated**

FOR MODELS:  
21B FAB, 83




Rubber Bushing Included; 50" Axle Spacing

EUCLID NO.	GENUINE	OEM REF.	OVERALL LENGTH
<b>E-7709</b>	<b>R</b>	14689-01	18"

**Equalizer - Fabricated**

FOR MODELS:  
21B FAB, 83




Rubber Bushing Included; 60" Axle Spacing

EUCLID NO.	GENUINE	OEM REF.	OVERALL LENGTH
<b>E-7710</b>	<b>R</b>	14696-01	30"

**Equalizer - Fabricated**

FOR MODELS:  
21B FAB, 83




Rubber Bushing Included; 54" Axle Spacing

EUCLID NO.	GENUINE	OEM REF.	OVERALL LENGTH
<b>E-16184</b>	<b>R</b>	14693-01	21"

**Equalizer - Fabricated**

FOR MODEL:  
21B Cast



Rubber Bushing Included; 60" Axle Spacing

EUCLID NO.	GENUINE	OEM REF.	OVERALL LENGTH
<b>E-5245</b>	<b>R</b>	09713-01	30"


**R** Denotes Product is Genuine Reyco Granning

# REYCO GRANNING

## Equalizers

**Equalizer - Fabricated**

FOR MODELS:  
21B FAB, 83




Rubber Bushing Included; 63-1/2" - 65-1/2" Axle Spacing

EUCLID NO.	GENUINE	OEM REF.	OVERALL LENGTH
<b>E-16197</b>	<b>R</b>	14700-01	30-1/2"

**Equalizer - Fabricated**

FOR MODEL:  
21B Cast




Rubber Bushing Included; 72" Axle Spacing

EUCLID NO.	GENUINE	OEM REF.	OVERALL LENGTH
<b>E-5246</b>	<b>R</b>	11143-01	43"

**Equalizer - Fabricated**

FOR MODEL:  
74B 72"-109"



Rubber Bushing Included; 72" Axle Spacing

EUCLID NO.	GENUINE	OEM REF.	OVERALL LENGTH
<b>E-15295</b>	<b>R</b>	13909-01	36"

**Equalizer - Fabricated**

FOR MODEL:  
21B FAB




Rubber Bushing Included; 72" Axle Spacing

EUCLID NO.	GENUINE	OEM REF.	OVERALL LENGTH
<b>E-16198</b>	<b>R</b>	14763-01	43"


**R** Denotes Product is Genuine Reyco Granning




## Equalizer Bushing & Hardware


Equalizer Bushing Assembly		
FOR MODELS: 101, 101A, 102, 102W		
		
EUCLID NO.	OEM REF.	NOTES
E-2848	TK19163	Includes: 1 Bushing, 1 Bolt, 2 Washer, 1 Nut


Equalizer Bushing Assembly			
FOR MODEL: 21B Cast			
			
EUCLID NO.	GENUINE	OEM REF.	NOTES
E-3976	<b>R</b>	TK18998	Includes: 1 Shaft, 2 Bushing (Rubber), 2 Washer, 2 Bolt, 2 Lock Washer


Equalizer Bushing Assembly		
FOR MODELS: 101, 101A, 102, 102W		
		
EUCLID NO.	OEM REF.	NOTES
E-2847	TK19164	Includes: 1 Bushing, 1 Bolt, 2 Washer, 1 Nut

Equalizer Bushing Assembly	
FOR MODEL: 21B Cast	
	
EUCLID NO.	NOTES
E-2116A	Includes: 1 Bushing, 1 Shaft, 1 Washer, 1 Nut

Equalizer Bushing Assembly		
FOR MODELS: 101, 101A, 102W		
		
EUCLID NO.	OEM REF.	NOTES
E-1970	TK19056	Includes: 1 Bushing, 1 Shaft, 1 Washer, 1 Nut

Equalizer Bushing Assembly	
FOR MODEL: 21B Cast	
	
EUCLID NO.	NOTES
E-5247	Includes: 1 Bushing, 1 Shaft, 1 Washer, 1 Nut


Equalizer Bushing Assembly	
FOR MODEL: 21B Cast	
	
EUCLID NO.	NOTES
E-9555	Includes: 1 Shaft, 2 Bushing (Poly), 2 Washer, 2 Bolt, 2 Lock Washer


Equalizer Bushing Assembly	
FOR MODELS: 74B 50"-60", 74B 72"-109"	
	
EUCLID NO.	NOTES
E-9801	Includes: 1 Bushing, 1 Bolt, 1 Nut

**R** Denotes Product is Genuine Reyco Granning

# REYCO GRANNING


## Equalizer Bushing & Hardware


Equalizer Bushing Assembly			
FOR MODEL: 86-88			
			
EUCLID NO.	OEM REF.	NOTES	
E-4832	K0649-04	Includes: 1 Bushing, 1 Bolt, 1 Nut	


Equalizer Bushing			
FOR MODELS: 101, 101A, 102W			
			
EUCLID NO.	MACH NO.	OEM REF.	NOTES
E-1966	G-1966	08363-01	Rubber Bushing Both Ends Slotted

Equalizer Bushing			
FOR MODELS: 101, 101A, 102, 102W			
			
EUCLID NO.	MACH NO.	OEM REF.	NOTES
E-2850	G-2850	08915-01	Rubber Bushing (GM/Volvo)

Equalizer Bushing		
FOR MODEL: 21B Cast		
		
EUCLID NO.	OEM REF.	NOTES
E-1159	T-5524	Rubber Bushing
E-8653	—	Poly Bushing

Equalizer Bushing			
FOR MODELS: 101, 101A, 102, 102W			
			
EUCLID NO.	MACH NO.	OEM REF.	NOTES
E-3977	G-3977	14713-01	Rubber Bushing
E-8654	—	—	Poly Bushing


Equalizer Bushing				
FOR MODELS: 21B FAB, 83				
				
EUCLID NO.	GENUINE	MACH NO.	OEM REF.	NOTES
E-7713	<b>R</b>	G-7713	14682-01	Rubber Bushing

Equalizer Bushing		
FOR MODELS: 101, 101A, 102, 102W		
		
EUCLID NO.	OEM REF.	NOTES
E-2849	08995-01	Rubber Bushing One End Slotted

Equalizer Bushing		
FOR MODELS: 73, 73 WS, 83		
		
EUCLID NO.	OEM REF.	NOTES
E-1072	T-3214	Rubber Bushing
E-8688	—	Poly Bushing


**R** Denotes Product is Genuine Reyco Granning


## Equalizer Bushing & Hardware


Equalizer Bushing			
FOR MODELS: 74B 50"-60", 74B 72"-109"			
			
EUCLID NO.	MACH NO.	OEM REF.	NOTES
E-9550	G-9550	13805-01	Rubber Bushing


Equalizer Bushing			
FOR MODEL: 86-88			
			
EUCLID NO.	MACH NO.	OEM REF.	NOTES
E-4827	G-4827	0649-02	Rubber Bushing

Equalizer Bushing			
FOR MODEL: 21B Cast WS			
			
EUCLID NO.	OEM REF.	NOTES	
E-813	T-2102	Rubber Bushing	
E-8691	—	Poly Bushing	

Equalizer Bolt Assembly	
FOR MODEL: 21B FAB	
	
EUCLID NO.	NOTES
E-9538	Includes: 1 Bolt, 1 Nut 1-1/4"-12

Equalizer Bolt			
			
EUCLID NO.	MODEL	OEM REF.	NOTES
E-1166	73 WS	T-5492	1"-14 x 6-3/4" Long
E-7719	83	14683-01	1-1/4"-12 x 7-3/4" Long
E-4830	86-88	0001-14	1"-14 x 6-1/2" Long
E-2852	101, 101A, 102, 102W, 74B 50"-60", 74B 72"-109" (Used on 101-102W Ford, Volvo, GM models)	10949-01	1-1/4"-12 x 8-3/4" Long

Equalizer Nut		
FOR MODELS: 74B 50"-60", 74B 72"-109"		
		
EUCLID NO.	OEM REF.	NOTES
E-2854	08914-01	1-1/4"-12


Equalizer Pad		
FOR MODEL: 21B Cast		
		
EUCLID NO.	GENUINE	OEM REF.
E-9559	<b>R</b>	11851-01

**R** Denotes Product is Genuine Reyco Granning


# REYCO GRANNING

## Equalizer Bushing & Hardware

Equalizer Pad		
FOR MODEL: 21B Cast		
		
EUCLID NO.	GENUINE	OEM REF.
E-9560	<b>R</b>	11852-01

Equalizer Shaft				
FOR MODELS: 101, 101A, 102, 102W				
				
EUCLID NO.	GENUINE	MACH NO.	OEM REF.	NOTES
E-1967	<b>R</b>	G-1967	08686-01	1-1/2"


Equalizer Pad	
FOR MODELS: 73, 101A, 102	
	
EUCLID NO.	OEM REF.
E-7717	10055-01


Equalizer Shaft		
FOR MODEL: 21B Cast		
		
EUCLID NO.	GENUINE	OEM REF.
E-3972	<b>R</b>	14247-01


**R** Denotes Product is Genuine Reyco Granning

## Equalizer Bushing & Hardware

Equalizer Shaft	
FOR MODEL: 21B FAB	
	
EUCLID NO.	NOTES
<b>E-837</b>	Equalizer Shaft Lock Screw for 60" Axle Spacing

Equalizer Shaft Assembly	
FOR MODELS: 101, 101A, 102	
	
EUCLID NO.	NOTES
<b>E-9840</b>	Includes: 1 Shaft, 1 Nut, 1 Washer

Equalizer Shaft Lock Screw		
FOR MODEL: 21B Cast		
		
EUCLID NO.	OEM REF.	NOTES
<b>E-1987</b>	14248-01	1"-8 x 2-1/2" Long

Equalizer Spring Roller Assembly			
FOR MODEL: 101			
			
EUCLID NO.	MACH NO.	OEM REF.	NOTES
<b>E-1975</b>	G-1975	TK19011	Includes: 1 Bolt, 1 Roller, 1 Nut, 1 Washer

**R** Denotes Product is Genuine Reyco Granning

## REYCO GRANNING

## Torque Arms

## Adjustable



Type 1



Type 2

EUCLID NO.	GENUINE	MACH NO.	OEM REF.	FOR MODELS	INCLUDES BUSHING, HANGER END	INCLUDES BUSHING, AXLE SEAT END	BUSHING ASSEMBLY, HANGER SEAT END	BUSHING ASSEMBLY, AXLE SEAT END	LENGTH	TYPE
E-7741	<b>R</b>	—	16031-01	73, 73 WS, 83	E-7750	E-1980	E-7749	E-1981	12-3/4" to 15"	1
E-9584	<b>R</b>	—	16595-01	74B 72"-109", 74B 50"-60", 74AR	E-9549	E-9549	E-9587	E-9587	13" to 15"	2
E-16541	<b>R</b>	—	20138-01	240AR	E-10057	E-1980	E-9350	E-1981	15" to 17-1/4"	1
E-3283A	<b>R</b>	G-3283A	15172-01	21B Cast, 21B FAB, 21AR	Not Included, Use E-1160	Not Included, Use E-1160	E-1312A	E-1312A	15-1/2" to 17-1/2"	1
E-3284A	<b>R</b>	G-3284A	15173-01	21B Cast, 21B FAB	Not Included, Use E-1160	Not Included, Use E-1160	E-1312A	E-1312A	17-1/2" to 19-1/2"	1
E-3764	<b>R</b>	—	15187-01	102W, 102AR	Not Included, Use E-10057	Not Included, Use E-1980	E-9350	E-1981	17-1/2" to 19-1/2"	1
E-2513	<b>R</b>	—	—	86AR	E-1980	E-1980	E-1981	E-1981	18-1/2" to 21-1/2"	2
E-4824	<b>R</b>	G-4824	1035-20	86AR, 86-88	E-1980	E-1980	E-4834A	E-4834A	18-1/4" to 20-3/4"	1
E-4796	<b>R</b>	—	15186-01	102W, 102AR	Not Included, Use E-10057	Not Included, Use E-1980	E-9350	E-1981	19-1/2" to 21-1/2"	1
E-2866A	<b>R</b>	—	15354-01	21B FAB, 102	Not Included, Use E-10057	Not Included, Use E-1982	E-9350	E-1983	19-1/2" to 21-3/4"	1
E-7742	<b>R</b>	—	16032-01	73, 73 WS, 83	Not Included, Use E-7750	Not Included, Use E-1980	E-7749	E-1981	19-1/2" to 21-3/4"	1
E-9620	<b>R</b>	—	16596-01	74B 50"-60", 74B 72"-109"	E-9549	E-9549	E-9587	E-9587	21-1/4"	2
E-5255A	<b>R</b>	—	15176-01	21B FAB, 102	Not Included, Use E-10057	Not Included, Use E-1982	E-9350	E-1983	24" to 26-1/4"	1
E-7743	<b>R</b>	—	16034-01	73 WS, 83	E-7750	E-1980	E-7749	E-1981	24" to 26-1/4"	1
E-15294	<b>R</b>	—	16597-01	74B 50"-60"	E-9549	E-9549	E-9587	E-9587	24-1/2"	2
E-2292		—	16347-01	102CC	E-1980	E-1980	E-1981	E-1981	14-3/4" to 18-1/2"	2

**R** Denotes Product is Genuine Reyco Granning

## Torque Arms

### Rigid



Type 1



Type 2



Type 3



Type 4

EUCLID NO.	GENUINE	MACH NO.	OEM REF.	FOR MODELS	INCLUDES BUSHING, HANGER END	INCLUDES BUSHING, AXLE SEAT END	BUSHING ASSEMBLY, HANGER SEAT END	BUSHING ASSEMBLY, AXLE SEAT END	LENGTH	TYPE
E-9585	<b>R</b>	—	16585-01	74B 50"-60", 74B 72"-109", 74 AR	E-9549	E-9549	E-9587	E-9587	14-1/4"	4
E-7744	<b>R</b>	—	10040-01	73, 73 WS, 83	E-7750	E-1980	E-7749	E-1981	15"	3
E-2855	<b>R</b>	—	15178-01	21B Cast, 21B FAB, 21AR	Not Included, Use E-1160	Not Included, Use E-1160	E-1312A	E-1312A	16-1/4"	1
E-16540	<b>R</b>	—	20121-01	240AR	E-10057	E-1980	E-9350	E-1981	16-3/4"	4
E-2856	<b>R</b>	—	15179-01	21B Cast	Not Included, Use E-1160	Not Included, Use E-1160	E-1312A	E-1312A	18-5/8"	1
E-4825	<b>R</b>	G-4825	0075-20	86AR, 86-88	E-1980	E-1980	E-4834A	E-4834A	19-5/8"	4
E-2860	<b>R</b>	—	12051-01	101A, 102W, 102AR	E-1964 (101A) E-10057 (102W/102AR)	E-1980	E-1963 (101A) E-9350 (102W/102AR)	E-1981	20-1/2"	2
E-2858	<b>R</b>	—	15012-01	102	Not Included, Use E-10057	Not Included, Use E-1982	E-9350	E-1983	21"	1
E-9619	<b>R</b>	—	16588-01	74B 50"-60"	E-9549	E-1982	E-9587	E-1983	21-1/4"	4
E-15293	<b>R</b>	—	16589-01	74B 50"-60"	E-9549	E-1982	E-9587	E-1983	24-1/2"	4
E-5256	<b>R</b>	—	09686-01	21B FAB	Not Included, Use E-1160	Not Included, Use E-1160	E-1312A	E-1312A	25"	1
E-7746	<b>R</b>	—	12422-01	73 WS	E-7750	E-1980	E-7749	E-1981	25-1/4"	4

**R** Denotes Product is Genuine Reyco Granning

# REYCO GRANNING

## Torque Arms

### Track Rod - Adjustable



EUCLID NO.	GENUINE	OEM REF.	FOR MODELS	INCLUDES BUSHING, HANGER END	INCLUDES BUSHING, AXLE SEAT END	BUSHING ASSEMBLY, HANGER SEAT END	BUSHING ASSEMBLY, AXLE SEAT END	LENGTH
E-16495	<b>R</b>	16429-01	102AR	E-1980	E-1980	E-1981	E-1981	—

### Track Rod - Rigid




EUCLID NO.	GENUINE	OEM REF.	FOR MODELS	INCLUDES BUSHING, HANGER END	INCLUDES BUSHING, AXLE SEAT END	BUSHING ASSEMBLY, HANGER SEAT END	BUSHING ASSEMBLY, AXLE SEAT END	LENGTH
E-15266	<b>R</b>	20012-01	21AR, 74AR, 86AR	E-1980	E-1980	E-1981	E-1981	38"
E-15276	<b>R</b>	10910-01	21AR, 74AR, 86AR	E-1980	E-1980	E-1981	E-1981	44"


**R** Denotes Product is Genuine Reyco Granning




## Torque Arm Bushings & Hardware


Eccentric Torque Leaf Bushing, Poly/Rubber			
FOR MODELS: 101, 101A			
			
EUCLID NO.	MACH NO.	OEM REF.	NOTES
E-8689	—	—	Poly Bushing
E-1964	G-1964	T-1723	Rubber Bushing


Torque Arm Bushing Assembly		
FOR MODELS: 21B Cast, 21B FAB, 21AR, 21B Cast, 21B FAB, 21AR, 101A		
		
EUCLID NO.	OEM REF.	NOTES
E-1312A	TK18997	Includes: 2 Rubber Bushings, 1 Bolt, 1 Nut, 2 Washers
E-9545	TK19166	Includes: 2 Poly Bushings, 1 Bolt, 1 Nut, 2 Washers


Torque Arm Bushing Assembly		
FOR MODEL: 101A		
		
EUCLID NO.	OEM REF.	NOTES
E-1963	TK19166	Includes: 2 Rubber Bushings, 1 Bolt, 1 Nut, 2 Washers

Torque Arm Bushing Assembly	
FOR MODELS: 73, 73 WS, 79KB, 83	
	
EUCLID NO.	NOTES
E-1981	Includes: 1 Rubber Bushing, 1 Bolt, 1 Nut
E-9552	Includes: 1 Poly Bushing, 1 Bolt, 1 Nut

Torque Arm Bushing Assembly		
FOR MODEL: 102		
		
EUCLID NO.	OEM REF.	NOTES
E-1983	TK19089	Includes: 2 Rubber Bushings, 1 Bolt, 1 Nut, 2 Washers

Torque Arm Bushing Assembly	
FOR MODEL: 73	
	
EUCLID NO.	NOTES
E-7749	Includes: 1 Rubber Bushing, 1 Bolt, 1 Nut


Torque Arm Bushing Assembly		
FOR MODELS: 102, 102W, 102CC, 102AR		
		
EUCLID NO.	OEM REF.	NOTES
E-9350	TK21640T	Includes: 2 Rubber Bushings, 1 Bolt, 1 Nut, 2 Washers
E-9583	—	Includes: 2 Poly Bushings, 1 Bolt, 1 Nut, 2 Washers


Torque Arm Bushing Assembly	
FOR MODELS: 74B 50"-60", 74B 72"	
	
EUCLID NO.	NOTES
E-9587	Includes: 1 Poly Bushing, 1 Bolt, 1 Nut


**R** Denotes Product is Genuine Reyco Granning


# REYCO GRANNING

## Torque Arm Bushings & Hardware


Torque Arm Bushing Assembly		
FOR MODEL: 86-88		
		
EUCLID NO.	OEM REF.	NOTES
E-4834A	K0022-01	Includes: 1 Rubber Bushing, 1 Bolt, 1 Nut
E-9551	—	Includes: 1 Poly Bushing, 1 Bolt, 1 Nut

Torque Arm Bushing		
FOR MODELS: 73, 73 WS, 79KB, 83, 86-88, 102W, 102AR		
		
EUCLID NO.	OEM REF.	NOTES
E-1980	09729-01	Rubber Bushing
E-7520	—	Poly Bushing


Torque Arm Bushing		
FOR MODEL: 102		
		
EUCLID NO.	OEM REF.	NOTES
E-1982	T-2242	Rubber Bushing
E-7522	—	Poly Bushing

Torque Arm Bushing		
FOR MODELS: 73, 73 WS, 83		
		
EUCLID NO.	OEM REF.	NOTES
E-7750	10051-01	Rubber Bushing

Torque Arm Bushing			
FOR MODELS: 102, 102W, 102CC, 102AR, 240AR			
			
EUCLID NO.	MACH NO.	OEM REF.	NOTES
E-10057	G-10057	21238-01S	Rubber Bushing
E-9579	—	—	Poly Bushing

Torque Arm Bushing		
FOR MODELS: 74B 50"-60", 74B 72"-109"		
		
EUCLID NO.	OEM REF.	NOTES
E-9549	15737-01	Rubber Bushing

Torque Arm Bushing		
FOR MODELS: 21B Cast, 21B FAB, 21AR		
		
EUCLID NO.	OEM REF.	NOTES
E-1160	T-5493	Rubber Bushing
E-7523	T-5493	Poly Bushing

Track Rod Bracket			
FOR MODELS: 21AR, 74AR, 86AR			
			
EUCLID NO.	GENUINE	OEM REF.	NOTES
E-9358	<b>R</b>	21491-01	Includes Bracket and Hardware

**R** Denotes Product is Genuine Reyco Granning

# REYCO GRANNING

## Torque Arm Bushings & Hardware

Suspension


Torque Arm Bolts				
EUCLID NO.	GENUINE	MODEL	OEM REF.	NOTES
<b>E-900</b>	—	102, 102CC	17161-01	1"-8 x 6-3/4" Long
<b>E-1166</b>	—	21B FAB, 21AR, 73, 74B 50"-60", 74B 72"-109", 102CC, 102AR	T-5492	1"-14 x 6-3/4" Long
<b>E-901</b>	—	79KB	10033-01	7/8"-9 x 5-1/2" Long
<b>E-2852</b>	—	86-88	0001-08	7/8" - 14" x 5-1/4" Long





**R** Denotes Product is Genuine Reyco Granning

# REYCO GRANNING


## Hangers


Front Hanger - Flange Mount			
FOR MODEL: 102AR			
			
EUCLID NO.	GENUINE	OEM REF.	NOTES
E-4794	<b>R</b>	22521-01	Left Hand, Includes Wear Pad Assembly (Shown)
E-4795	<b>R</b>	22521-02	Right Hand, Includes Wear Pad Assembly


Center Hanger - Flange Mount			
FOR MODELS: 101, 101A, 102, 102W			
			
EUCLID NO.	GENUINE	OEM REF.	NOTES
E-2886	<b>R</b>	22274-01	Undrilled


Front Hanger - Flange Mount			
FOR MODEL: 240AR			
			
EUCLID NO.	GENUINE	OEM REF.	NOTES
E-15318	<b>R</b>	20981-01	Left Hand
E-15319	<b>R</b>	20982-01	Right Hand (Shown)

Rear Hanger - Flange Mount			
FOR MODELS: 101, 101A, 102, 102W			
			
EUCLID NO.	GENUINE	OEM REF.	NOTES
E-2887	<b>R</b>	22299-01	Left Hand, Undrilled (Shown)
E-2888	<b>R</b>	22299-02	Right Hand, Undrilled

Front Hanger - Flange Mount			
FOR MODELS: 101, 101A, 102, 102W			
			
EUCLID NO.	GENUINE	OEM REF.	NOTES
E-2884	<b>R</b>	22272-02	Left Hand, Undrilled (Shown)
E-2885	<b>R</b>	22272-01	Right Hand, Undrilled


Front Hanger - Under Mount		
FOR MODEL: 21AR		
		
EUCLID NO.	GENUINE	OEM REF.
E-15265	<b>R</b>	21949-01


Center Hanger - Flange Mount		
FOR MODELS: 101, 101A, 102, 102W		
		
EUCLID NO.	GENUINE	OEM REF.
E-14388	<b>R</b>	22335-01


Front Hanger - Straddle Mount		
FOR MODEL: 86AR		
		
EUCLID NO.	GENUINE	OEM REF.
E-9351A	<b>R</b>	22662-01


**R** Denotes Product is Genuine Reyco Granning


## Hangers


Front Hanger - Flange Mount			
FOR MODEL: 21B Cast			
			
EUCLID NO.	GENUINE	OEM REF.	NOTES
E-2880	<b>R</b>	T-5425	Left Hand
E-2879	<b>R</b>	T-5424	Right Hand (Shown)

Front Hanger - Under Mount			
FOR MODEL: 21B Cast			
			
EUCLID NO.	GENUINE	OEM REF.	NOTES
E-16180	<b>R</b>	24022-01	Heavy Duty

Center Hanger - Flange Mount		
FOR MODEL: 21B Cast		
		
EUCLID NO.	GENUINE	OEM REF.
E-2881	<b>R</b>	T-5426

Front Hanger - Under Mount			
FOR MODEL: 21B Cast			
			
EUCLID NO.	GENUINE	OEM REF.	NOTES
E-5257	<b>R</b>	T-5563	Left Hand (Shown)
E-5258	<b>R</b>	T-5562	Right Hand

Rear Hanger - Flange Mount			
FOR MODEL: 21B Cast			
			
EUCLID NO.	GENUINE	OEM REF.	NOTES
E-2883	<b>R</b>	T-5429	Left Hand
E-2882	<b>R</b>	T-5428	Right Hand (Shown)

Center Hanger - Under Mount		
FOR MODEL: 21B Cast		
		
EUCLID NO.	GENUINE	OEM REF.
E-5259	<b>R</b>	T-5564

Front Hanger - Under Mount			
FOR MODEL: 21B Cast			
<b>PHOTO COMING SOON</b>			
EUCLID NO.	GENUINE	OEM REF.	NOTES
E-16179	<b>R</b>	20478-01	

Rear Hanger - Under Mount			
FOR MODEL: 21B Cast			
			
EUCLID NO.	GENUINE	OEM REF.	NOTES
E-16478	<b>R</b>	24023-01	Heavy Duty


**R** Denotes Product is Genuine Reyco Granning


# REYCO GRANNING


## Hangers


Rear Hanger - Under Mount			
FOR MODEL: 21B Cast			
			
EUCLID NO.	GENUINE	OEM REF.	NOTES
E-5260	<b>R</b>	T-5565	Left Hand
E-5261	<b>R</b>	T-5566	Right Hand (Shown)


Rear Hanger - Under Mount		
FOR MODEL: 21B FAB		
		
EUCLID NO.	GENUINE	OEM REF.
E-9541	<b>R</b>	08595-01

Front Hanger - Under Mount		
FOR MODEL: 21B FAB		
		
EUCLID NO.	GENUINE	OEM REF.
E-9537	<b>R</b>	09832-01

Center Hanger - Under Mount		
FOR MODELS: 74B 72"-109"		
		
EUCLID NO.	GENUINE	OEM REF.
E-15296	<b>R</b>	15735-01

Center Hanger - Under Mount			
FOR MODEL: 21B FAB			
			
EUCLID NO.	GENUINE	OEM REF.	NOTES
E-16195	<b>R</b>	14688-01	72" - 109" Axle Spread


Front Hanger - Flange Mount			
FOR MODEL: 79KB			
			
EUCLID NO.	GENUINE	OEM REF.	NOTES
E-15302	<b>R</b>	22404-01	Left Hand (Shown)
E-15303	<b>R</b>	22404-02	Right Hand


Center Hanger - Under Mount			
FOR MODEL: 21B FAB			
			
EUCLID NO.	GENUINE	OEM REF.	NOTES
E-9539	<b>R</b>	14684-01	44" - 65-1/2" Axle Spread

Rear Hanger - Flange Mount			
FOR MODEL: 79KB			
			
EUCLID NO.	GENUINE	OEM REF.	NOTES
E-15307	<b>R</b>	22407-01	Left Hand (Shown)
E-15308	<b>R</b>	22407-02	Right Hand

**R** Denotes Product is Genuine Reyco Granning


## Hangers


Front Hanger - Straddle Mount		
FOR MODEL: 83		
		
EUCLID NO.	GENUINE	OEM REF.
E-7727	<b>R</b>	149995-01

Center Hanger - Flange Mount			
FOR MODEL: 86-88			
			
EUCLID NO.	GENUINE	OEM REF.	NOTES
E-4809	<b>R</b>	0401-00, 0312-00	44", 49" & 54" Axle Spread


Rear Hanger - Straddle Mount		
FOR MODEL: 83		
		
EUCLID NO.	GENUINE	OEM REF.
E-7739	<b>R</b>	14999-01

Rear Hanger - Flange Mount			
FOR MODEL: 86-88			
			
EUCLID NO.	GENUINE	OEM REF.	NOTES
E-4810	<b>R</b>	0402-01, 0313-01	Left Hand, Includes Wear Pad (Shown)
E-4811	<b>R</b>	0402-02, 0313-02	Right Hand, Includes Wear Pad

Front Hanger - Under Mount		
FOR MODEL: 83		
		
EUCLID NO.	GENUINE	OEM REF.
E-15311	<b>R</b>	15095-01

Front Hanger - Straddle Mount			
FOR MODEL: 86-88			
			
EUCLID NO.	GENUINE	OEM REF.	NOTES
E-4801	<b>R</b>	0046-20, 0046-00	Includes Wear Pad

Front Hanger - Flange Mount			
FOR MODEL: 86-88			
			
EUCLID NO.	GENUINE	OEM REF.	NOTES
E-4807	<b>R</b>	0400-01, 0311-01	Left Hand, Includes Wear Pad (Shown)
E-4808	<b>R</b>	0400-02, 0311-02	Right Hand, Includes Wear Pad


Center Hanger - Straddle Mount			
FOR MODEL: 86-88			
			
EUCLID NO.	GENUINE	OEM REF.	NOTES
E-4802	<b>R</b>	0062-26, 0062-00	44", 49" & 54" Axle Spread


**R** Denotes Product is Genuine Reyco Granning


# REYCO GRANNING


## Hangers


Rear Hanger - Straddle Mount			
FOR MODEL: 86-88			
			
EUCLID NO.	GENUINE	OEM REF.	NOTES
E-4803	<b>R</b>	0051-20, 0051-00	Includes Wear Pad

Torque Arm Bracket		
FOR MODEL: 21B FAB		
		
EUCLID NO.	GENUINE	OEM REF.
E-5264	<b>R</b>	11610-01

Front Hanger - Under Mount			
FOR MODEL: 86-88			
			
EUCLID NO.	GENUINE	OEM REF.	NOTES
E-4804	<b>R</b>	0084-00, 0049-00	Includes Wear Pad

Torque Arm Bracket		
FOR MODEL: 74B 72"-109"		
		
EUCLID NO.	GENUINE	OEM REF.
E-15298	<b>R</b>	16673-01

Center Hanger - Under Mount			
FOR MODEL: 86-88			
			
EUCLID NO.	GENUINE	OEM REF.	NOTES
E-4805	<b>R</b>	0088-00, 0065-00	44", 49" & 54" Axle Spread

Track Rod Hanger		
FOR MODEL: 86AR		
		
EUCLID NO.	GENUINE	OEM REF.
E-15314	<b>R</b>	19772-01

Rear Hanger - Under Mount			
FOR MODEL: 86-88			
			
EUCLID NO.	GENUINE	OEM REF.	NOTES
E-4806	<b>R</b>	0086-00, 0053-00	Includes Wear Pad


Track Rod Hanger		
FOR MODEL: 74 AR		
		
EUCLID NO.	GENUINE	OEM REF.
E-15269	<b>R</b>	18919-01

**R** Denotes Product is Genuine Reyco Granning




## Hanger & Spring Hardware

Rear Hanger Bushing	
FOR MODELS: 101A, 102AR	
	
EUCLID NO.	OEM REF.
E-1061	T-3016


Spring Roller Assembly		
FOR MODEL: 86-88		
		
4 1/2" Bolt		
EUCLID NO.	OEM REF.	NOTES
E-4835	0741-00	Includes Bolt, Roller and Nut


Front Hanger Roller Assembly		
FOR MODEL: 102CC		
		
EUCLID NO.	OEM REF.	NOTES
E-16537	TK19212	Includes Bolt, Lockwashers, and Spring Roller

Spring Roller Assembly		
FOR MODEL: 86-88		
		
5 1/2" Bolt		
EUCLID NO.	OEM REF.	NOTES
E-4837	K074105	Includes Bolt, Roller and Nut

Spring Roller Assembly		
FOR MODEL: 102CC		
		
EUCLID NO.	OEM REF.	NOTES
E-16538	TK19169	Includes Bolt, Lockwashers, Spring Roller, Rear Hangers, Bushings, and Nut

Rubber Roller		
FOR MODEL: 240AR		
		
Rubber Roller, 2 1/2"		
EUCLID NO.	GENUINE	OEM REF.
E-15324	<b>R</b>	13677-08


Spring Roller Assembly			
FOR MODELS: 21B Cast, 21B FAB, 73 WS, 83, 101A, 102, 102W			
			
EUCLID NO.	MACH NO.	OEM REF.	NOTES
E-1975	G-1975	TK19011	Includes Bolt, Washers, Roller and Nut

Spring Roller			
FOR MODELS: 21B Cast, 21B FAB, 73 WS, 79KB, 83, 101, 101A, 102, 102W, 102CC			
			
Spring Roller			
EUCLID NO.	GENUINE	MACH NO.	OEM REF.
E-1971	<b>R</b>	G-1971	T-2106


**R** Denotes Product is Genuine Reyco Granning

# REYCO GRANNING

## Hanger & Spring Hardware

Spring Roller		
FOR MODELS: 74B 50"-60" 74B 72"-109"		
		
EUCLID NO.	GENUINE	OEM REF.
E-15292	<b>R</b>	13818-01

Wear Pad				
FOR MODEL: 21B Cast				
				
EUCLID NO.	GENUINE	MACH NO.	OEM REF.	NOTES
E-9561	<b>R</b>	G-9561	15630-01	Includes Bolt, Plate, and Wear Pad

Spring Roller		
FOR MODEL: 86-88		
		
EUCLID NO.	MACH NO.	OEM REF.
E-3416	G-3416	0741-01


Wear Pad			
FOR MODEL: 86-88			
			
EUCLID NO.	GENUINE	OEM REF.	NOTES
E-4828	<b>R</b>	0045-00	Includes Bolt, Plate, and Wear Pad


Wear Pad				
FOR MODELS: 101, 101A, 102, 102W, 102AR, 240AR				
				
EUCLID NO.	GENUINE	MACH NO.	OEM REF.	NOTES
E-2867A	<b>R</b>	G-2867A	TK19168	Includes Bolt, Plate, and Wear Pad


**R** Denotes Product is Genuine Reyco Granning

## Axle Attaching Parts

Axle Seat - 5" Round Axle			
FOR MODEL: 21AR			
			
EUCLID NO.	GENUINE	OEM REF.	
E-15270	<b>R</b>	20051-01	

Axle Seat - 5" Round Axle			
FOR MODELS: 21B Cast, 21B FAB			
			
EUCLID NO.	GENUINE	OEM REF.	HEIGHT
E-16479	<b>R</b>	11336-01	1-3/4"
E-5254	<b>R</b>	09730-01	1-3/4"
E-9557	<b>R</b>	08757-01	3/4"

Axle Seat - 5" Round Axle			
FOR MODELS: 74AR, 74B 50"-60", 74B 72"-109"			
			
EUCLID NO.	GENUINE	OEM REF.	HEIGHT
E-9626	<b>R</b>	15751-01	1"

Axle Seat - 5" Round Axle			
FOR MODELS: 86AR, 86-88			
			
EUCLID NO.	GENUINE	OEM REF.	HEIGHT
E-4814	<b>R</b>	0636-01	1"
E-9355	<b>R</b>	0636-025	2-1/2"
E-4815	<b>R</b>	0636-02	2"
E-16490	<b>R</b>	0636-03	3"

Axle Seat - No Hop, 5" Round Axle			
FOR MODELS: 21B Cast, 21B FAB			
			
EUCLID NO.	GENUINE	OEM REF.	HEIGHT
E-16191	<b>R</b>	10114-01	3/4"

Axle Seat - No Hop, 5" Round Axle			
FOR MODEL: 86-88			
			
EUCLID NO.	GENUINE	OEM REF.	HEIGHT
E-16496	<b>R</b>	0637-03	3" - No Hop


**R** Denotes Product is Genuine Reyco Granning

# REYCO GRANNING

## Axle Attaching Parts

**Axle Seat - 5" x 5" Square Axle**

FOR MODELS:  
21B Cast, 21B FAB



EUCLID NO.	GENUINE	OEM REF.	HEIGHT
E-9573	<b>R</b>	07980-01	3/4"

**Bottom Plate - 5" Round Axle**


FOR MODELS:  
21AR, 86AR, 86-88



EUCLID NO.	MACH NO.	OEM REF.
E-2909	G-2909	0538-00

**Axle Seat 5" x 5" Square Axle**

FOR MODEL:  
86-88




HEIGHT

EUCLID NO.	GENUINE	OEM REF.	HEIGHT
E-4817	<b>R</b>	0632-01	1"
E-4818	<b>R</b>	0632-02	2"

**Bottom Plate - 5" Round Axle**

FOR MODELS:  
21B Cast, 73, 73 WS, 83



EUCLID NO.	GENUINE	OEM REF.
E-2874	<b>R</b>	09139-01

**Axle Seat - No Hop, 5" x 5" Square Axle**


FOR MODEL:  
21B FAB



EUCLID NO.	GENUINE	OEM REF.	HEIGHT
E-16484	<b>R</b>	09103-01	3/4"

**Bottom Plate - 5" Round/5" x 5" Square Axle**


FOR MODEL:  
86-88



EUCLID NO.	GENUINE	OEM REF.
E-16491	<b>R</b>	0858-00

**Bottom Clip - 5" x 5" Square Axle**


FOR MODELS:  
21B Cast, 21B FAB



EUCLID NO.	GENUINE	OEM REF.
E-16482	<b>R</b>	T-5587

**Bottom Plate - 5" x 5" Square Axle**


FOR MODELS:  
21B Cast, 21B FAB



EUCLID NO.	GENUINE	OEM REF.
E-16480	<b>R</b>	09229-01


**R** Denotes Product is Genuine Reyco Granning


## Axle Attaching Parts

Bottom Plate - 5" x 5" Square Axle	
FOR MODELS: 86AR, 86-88	
	
EUCLID NO.	OEM REF.
E-4823	0149-00


Stabilizer - No Hop, 5" Square Axle	
FOR MODEL: 21B Cast	
	
EUCLID NO.	OEM REF.
E-9572	08061-01


Delrin Spring Liner	
FOR MODELS: 86-88, 102AR, 240AR	
	
EUCLID NO.	OEM REF.
E-2842	16810-02

Top Plate		
FOR MODELS: 21B FAB, 86-88		
		
	E-2907A	G-2907A
EUCLID NO.	MACH NO.	OEM REF.
E-2907A	G-2907A	16868-01 7029-00

Galvanized Spring Liner		
FOR MODEL: 86AR		
		
EUCLID NO.	GENUINE	OEM REF.
E-11305	<b>R</b>	16810-00

Top Plate		
FOR MODELS: 21B Cast, 79KB, 86-88, 101, 101A, 102, 102W, 102CC, 102AR, 240AR		
		
EUCLID NO.	GENUINE	OEM REF.
E-2873	<b>R</b>	08677-01


Stabilizer - No Hop, 5" Round Axle		
FOR MODEL: 21B Cast		
		
EUCLID NO.	GENUINE	OEM REF.
E-9558	<b>R</b>	08480-01


Top Plate		
FOR MODEL: 21AR		
		
EUCLID NO.	GENUINE	OEM REF.
E-9553	<b>R</b>	20050-01


**R** Denotes Product is Genuine Reyco Granning


# REYCO GRANNING


## Axle Attaching Parts

U-Bolt Spacer		
FOR MODEL: 23-25-30 AR		
		
EUCLID NO.	GENUINE	OEM REF.
E-16206	<b>R</b>	23939-01

Top Plate		
FOR MODELS: 21B Cast, 21B FAB, 86-88		
		
EUCLID NO.	GENUINE	OEM REF.
E-9554	<b>R</b>	T-1734

Top Plate		
FOR MODEL: 86AR		
		
EUCLID NO.	GENUINE	OEM REF.
E-9353	<b>R</b>	1098-00

Top Plate		
FOR MODELS: 74B		
		
EUCLID NO.	GENUINE	OEM REF.
E-9616	<b>R</b>	13798-01

Top Plate			
FOR MODELS: 21B Cast, 21B FAB, 73, 73			
			
EUCLID NO.	GENUINE	MACH NO.	OEM REF.
E-2875	<b>R</b>	G-2875	T-7175

**R** Denotes Product is Genuine Reyco Granning

## Axle Attaching Parts

### Spacer Blocks



With Center Hole




With Center Pin


EUCLID NO.	GENUINE	OEM REF.	FOR MODELS	WIDTH	LENGTH	THICKNESS	NOTES
E-9562	<b>R</b>	T-7555	21B Cast, 102CC	3"	7"	1/2"	w/ 13/16" Hole
E-9563	<b>R</b>	T-7716	21B Cast & Fab, Models 83 & 102CC	3"	7 1/2"	1"	w/ 3/4" Dia. Pin
E-9564	<b>R</b>	T-7654	21B Cast & Fab, 102CC	3"	7 1/2"	1 1/2"	w/ 3/4" Dia. Pin
E-2878	<b>R</b>	T-7655	21B Cast & Fab, Model 83	3"	7 1/2"	2"	w/ 3/4" Dia. Pin


**R** Denotes Product is Genuine Reyco Granning


# REYCO GRANNING


## Air Valves


Height Control Valve	
FOR MODELS: 102AR, 240AR, 21 AR, 23-25-30AR	
	
EUCLID NO.	NOTES
E-9623	3/8" Fittings, No Dump

Height Control Valve	
FOR MODELS: 86AR	
	
EUCLID NO.	NOTES
E-14729	3/8" Fittings, No Dump

Height Control Valve		
FOR MODELS: 20AR & 22AR		
		
EUCLID NO.	OEM REF.	NOTES
E-15241	700318-14	No Dump

Linkage Assembly	
FOR MODELS: 23-25-30AR	
	
EUCLID NO.	NOTES
E-7852	3-5/8" to 19-5/8" Range

Height Control Valve			
FOR MODELS: 74AR, 86AR			
			
EUCLID NO.	GENUINE	OEM REF.	NOTES
E-15271	<b>R</b>	23329-01	1/4" Fittings, Includes Linkage, No Dump

Pressure Protection Valve		
FOR MODELS: 74AR, 86AR		
		
EUCLID NO.	OEM REF.	NOTES
E-4324	12915-03	Includes Filter

**R** Denotes Product is Genuine Reyco Granning



# REYCO GRANNING CROSS REFERENCE

Suspension

OEM REF.	EUCLID NO.
0001-02	E-4836
0001-04	E-3415
0001-08	E-4833
0001-14	E-4830
0002-07	E-2002
0022-00, 09729-01	E-1980
0045-00	E-4828
0046-20, 0046-00	E-4801
0051-20, 0051-00;	E-4803
0062-26, 0062-00	E-4802
0075-20	E-4825
0078-10 Thru 18	E-UB5161-12
0078-10 Thru 18	E-UB5161-13
0078-10 Thru 18	E-UB5161-14
0078-10 Thru 18	E-UB5161-18
0084-00, 0049-00	E-4804
0086-00, 0053-00	E-4806
0088-00, 0065-00	E-4805
0102-10 Thru 17	E-UB5165-14
0102-10 Thru 17	E-UB5165-18
0149-00	E-4823
0159-12	E-UB5165-16
0274-01	E-2892
0378-00	E-15273
0400-01, 0311-01	E-4807
0400-02, 0311-02	E-4808
0401-00, 0312-00	E-4809
0402-01, 0313-01	E-4810
0402-02, 0313-02	E-4811
0538-00	E-2909
060-12 Thru 15	E-UB8264-12
060-12 Thru 15	E-UB8264-14
060-12 Thru 15	E-UB8264-16
0632-01	E-4817
0632-02	E-4818
0636-01	E-4814
0636-02	E-4815
0636-025	E-9355
0636-03	E-16490
0637-03	E-16496
0649-02	E-4827
0650-00	E-4813, E-4813-P
0741-00	E-4835
0741-01	E-3416
07980-01	E-9573

OEM REF.	EUCLID NO.
08014-01	E-2854
08061-01	E-9572
08210-01	E-15267
08211-01	E-1107
08363-01	E-1966
0841-00	E-16492
08480-01	E-9558
08494-01	E-UB8165-12
08498-01	E-UB8161-16
0850-00	E-10250
08512-01	E-UB8165-13
08515-01	E-UB8165-14
08520-01	E-UB8165-16
08541-01	E-UB8151-14
08554-01	E-UB8155-14
0858-00	E-16491
08595-01	E-9541
08677-01	E-2873
08686-01	E-1967
08687-01	E-1968
08757-01	E-9557
08913-01	E-2853
08914-01	E-2854
08915-01	E-2850
08995-01	E-2849
08996-01	E-2844
09103-01	E-16484
09120-01	E-2843
09139-01	E-2874
09229-01	E-16480
09686-01	E-5256
09713-01	E-5245
09729-01	E-1980
09729-01	E-7520
09730-01	E-5254
09741-01	E-UB8151-18
09741-01 thru 09751-01	E-UB8151-18
09744-01	E-UB-815116
09752-01	E-UB-815118
09832-01	E-9537
10033-01	E-901
10040-01	E-7744
10051-01	E-7750
10092-01	E-2983
10114-01	E-16191

OEM REF.	EUCLID NO.
1035-20	E-4824
10910-01	E-15276
10949-01	E-2852
1098-00	E-9353
11011-02	E-2860
11012-03	E-2860
11143-01	E-5246
11150-01	E-5263
11336-01	E-16479
11610-01	E-5264
11851-01	E-9559
11852-01	E-9560
12051-01	E-2860
12422-01	E-7746
12859-01	E-2845
12884-01	FS9223
12887-01	M85013
12889-02	E-15240
12891-01	E-15322
12898-02	E-2545
12915-03	E-4324
12920-01	E-15256
12920-01	E15256
13677-04	E-1061
13677-08	E-15324
13798-01	E-9616
13805-01	E-9550
13806-01	E-9586
13814-01	E-9622
13817-01	E-15291
13818-01	E-15292
13861-01	E-15297
13909-01	E-15295
14135-01	E-14724
14246-01	E-1969
14247-01	E-3972
14248-01	E-1987
14249-01	E-1986A
14250-01	E-3975
14344-01	E-4961A
14345-01	E-1835
14345-01	E-9607
14527-01	E-9617
14682-01	E-7713
14683-01	E-7719

# REYCO GRANNING

## CROSS REFERENCE

OEM REF.	EUCLID NO.
14684-01	E-9539
14688-01	E-16195
14689-01	E-7709
14693-01	E-16184
14696-01	E-7710
14700-01	E-16197
14713-01	E-3977
14723-01	E-3978
14743-01	E-16494
14763-01	E-16198
14999-01	E-7739
149995-01	E-7727
15012-01	E-2858
15095-01	E-15311
15172-01	E-3283A
15173-01	E-3284A
15176-01	E-5255A
15178-01	E-2855
15179-01	E-2856
15186-01	E-4796
15187-01	E-3764
15354-01	E-2866A
15630-01	E-9561
15669-01	E-15315
15735-01	E-15296
15737-01	E-9549
15751-01	E-9626
16031-01	E-7741
16032-01	E-7742
16034-01	E-7743
16347-01	E-2292
16418-01	E-15325
16429-01	E-16495
16585-01	E-9585
16588-01	E-9619
16589-01	E-15293
16595-01	E-9584
16596-01	E-9620
16597-01	E-15294
16671-01	E-9615
16672-01	E-9618
16673-01	E-15298
16810-00	E-11305
16810-02	E-2842
17161-01	E-900

OEM REF.	EUCLID NO.
17210-01	E-1965
17856-01	E-15277
18165-01	M85006
18259-01	E-15317
18842-01	E-15286
18885-01	E-UB8161-14
18919-01	E-15269
19495-01	M85030
19772-01	E-15314
19780-110 to 120	E-UB-8151-12
19780-125 to 140	E-UB-8151-14
19780-145 to 160	E-UB-8151-16
19879-01	E-10774
19880-01	E-10775
19897-01	E-15284
19898-01	E-15285
19913-01	E-10772
19914-01	E-10773
19983-01	FS7557
20012-01	E-15266
20018-01	FS7555
20029-01	E-15257
20029-01	E-15251
20050-01	E-9553
20051-01	E-15270
20121-01	E-16540
20124-12	FS9966
20126-01	M89440
20129-01	M85713
20138-01	E-16541
20142-01	FS9947
20478-01	E-16179
20852-01	E-2545
20981-01	E-15318
20982-01	E-15319
21238-01S	E-10057
21491-01	E-9358
21725-01	E-2846A
21778-01	E-15268
21949-01	E-15265
22272-01	E-2885
22272-02	E-2884
22274-01	E-2886
22299-01	E-2887
22299-02	E-2888

OEM REF.	EUCLID NO.
22335-01	E-14388
22404-01	E-15302
22404-02	E-15303
22407-01	E-15307
22407-02	E-15308
22521-01	E-4794
22521-02	E-4795
22662-01	E-9351A
23138-01S	E-10057
23286-02	E-15264
23329-01	E-15271
23421-01	E-16203
23427-01	E-15246
23432-02	E-15245
23433-01	FS8740
23521-02	FS8856
23523-01	M85738
23553-01	M85938
23631-01	FS8050
23656-01	E-15247
23656-01	E-16202
23673-01	E-15247
23673-02	E-15248
23674-02	E-15244
23882-01	E-1166
23939-01	E-16206
23952-01	E-15249
24022-01	E-16180
24023-01	E-16478
24398-01	E-15251
24453-01	E-15261
25017-44	E-15279
25222-01	E-10768A
25396-01	FS9560
25770-01	E-15243
700098-03	M85052
700318-14	E-15241
704671-01	FS8855
K002201	E-4834A
K0022-01	E-4834A
K0649-04	E-4832
K074105	E-4837
K701163-1	E-16199
K701311	E-16200
K70221805	E-16201

# REYCO GRANNING CROSS REFERENCE

Suspension

OEM REF.	EUCLID NO.
T-1703	E-1972
T-1703	E-15312
T-1704	E-5032
T-1705	E-1974
T-1723	E-1964
T1724	E-905
T-1724	E-905
T-1734	E-9554
T-1859	E-15254
T-2106	E-1971
T-2131	E-15323
T-2212-5	E-5262
T-2224	E-907
T-2242	E-1982
T-2248	E-1974
T-2248, T-1705	E-1974
T-2293	E-2856
T-3016	E-1061
T-3099	E-16493
T-3164	E-15253
T-3214	E-1072
T-5166	E-2842
T-5424	E-2879
T-5425	E-2880
T-5426	E-2881
T-5427	E-16477

OEM REF.	EUCLID NO.
T-5428	E-2882
T-5429	E-2883
T-5488	E-2875
T-5488, T-7175	E-2875
T-5492	E-1166
T-5493	E-1160
T-5493	E-7523
T-5495	E-937
T-5496	E-2545
T-5497	E-3001
T-5515, 09139-01	E-2874
T-5524	E-1159
T-5544	E-1972
T-5549	E-2022
T-5562	E-5258
T-5563	E-5257
T-5564	E-5259
T-5565	E-5260
T-5566	E-5261
T-5587	E-16482
T-5770	E-2975
T-7175	E-2875
T-7175, T-5488	E-2875
T-7292	E-2546
T-7555	E-9562
T-7635	E-2855

OEM REF.	EUCLID NO.
T-7654	E-9564
T-7655	E-2878
T-7716	E-9563
T-7175, T-5488	E-2875
TK14168	E-2867A
TK16657	E-1312A
TK18997	E-1312A
TK18998	E-3976
TK19011	E-1975
TK19056	E-1970
TK19089	E-1983
TK19163	E-2848
TK19164	E-2847
TK19166	E-1963
TK19166	E-9545
TK19168	E-2867A
TK19169	E-16538
TK19212	E-16537
TK21640T	E-9350
TK21962	E-9358
TK23532	E-16215
TK23535	E-16210
TK23658	E-16214
TK23961	E-UB8168-082
TK24778	E-16216

# REYCO GRANNING

## NUMERICAL LISTING

PART NO.	PAGE NO.	PART NO.	PAGE NO.	PART NO.	PAGE NO.
E-813	43, 75	E-2850	13, 17, 21, 25, 74	E-4806	69, 88
E-837	43, 77	E-2852	13, 17, 23, 25, 57, 59, 75, 83	E-4807	65, 87
E-873	43	E-2853	13, 17, 23, 25	E-4808	65, 87
E-900	21, 29, 83	E-2854	13, 17, 23, 25, 49, 57, 59, 61, 75	E-4809	67, 87
E-901	5, 9, 11, 19, 27, 29, 33, 37, 53, 55, 61, 83	E-2855	33, 45, 51, 79	E-4810	69, 87
E-905	5, 9, 13, 17, 21, 25, 29	E-2856	45, 79	E-4811	69, 87
E-907	21, 29, 33, 43, 49	E-2858	21, 79	E-4813	67, 70
E-937	5, 9, 13, 17, 21, 25, 29, 33, 37, 43, 49, 53, 55, 57, 59	E-2860	5, 19, 27, 79	E-4813-P	67, 70
E-1061	5, 19, 89	E-2866A	21, 49, 78	E-4814	41, 65, 91
E-1072	53, 55, 61, 74	E-2867A	5, 9, 15, 19, 23, 27, 29, 90	E-4815	65, 91
E-1107	7, 37, 39	E-2873	5, 9, 11, 15, 19, 23, 27, 29, 45, 65, 93	E-4817	65, 92
E-1159	43, 74	E-2874	45, 53, 55, 63, 92	E-4818	65, 92
E-1160	33, 43, 49, 78, 79, 82	E-2875	45, 51, 53, 55, 63, 65, 94	E-4823	41, 67, 93
E-1166	5, 9, 21, 25, 29, 33, 37, 43, 49, 53, 55, 57, 59, 75, 83	E-2878	47, 51, 63, 95	E-4824	39, 65, 78
E-1312A	33, 43, 49, 78, 79, 81	E-2879	43, 85	E-4825	39, 65, 79
E-1835	11, 31, 37, 39	E-2880	43, 85	E-4827	67, 75
E-1963	17, 79, 81	E-2881	43, 85	E-4828	65, 69, 90
E-1964	13, 17, 79, 81	E-2882	45, 85	E-4830	67, 75
E-1965	13, 17	E-2883	45, 85	E-4832	67, 74
E-1966	13, 17, 21, 25, 74	E-2884	13, 17, 21, 25, 84	E-4833	39, 65
E-1967	13, 17, 23, 25, 76	E-2885	13, 17, 21, 25, 84	E-4834A	39, 65, 78, 79, 82
E-1968	13, 17, 21, 25	E-2886	13, 17, 23, 27, 84	E-4835	67, 89
E-1969	13, 17, 23, 25	E-2887	15, 19, 23, 27, 84	E-4836	67
E-1970	13, 17, 25, 73	E-2888	15, 19, 23, 27, 84	E-4837	67, 89
E-1971	11, 13, 17, 21, 25, 29, 43, 49, 55, 61, 89	E-2892	67	E-4961A	5, 9, 31, 33, 37, 39
E-1972	5, 13, 17, 21, 25, 43, 49, 55, 61	E-2907A	51, 65, 93	E-5032	11, 13, 17, 21, 25, 29, 43, 49, 53, 55, 57, 59, 61
E-1974	5, 11, 13, 17, 21, 25, 29, 31, 37, 39, 43, 49, 53, 55, 57, 59, 61	E-2909	33, 41, 67, 92	E-5245	43, 71
E-1975	13, 17, 21, 25, 43, 49, 55, 61, 77, 89	E-2975	53	E-5246	47, 55, 72
E-1980	5, 7, 9, 11, 13, 19, 23, 25, 27, 29, 33, 37, 39, 53, 55, 61, 65, 78, 79, 80, 82	E-2983	5, 9, 11, 19, 27, 29, 33, 37, 53, 55, 61	E-5247	47, 73
E-1981	11, 53, 55, 61, 78, 79, 80, 81	E-3001	45, 53, 55, 61	E-5254	45, 51, 91
E-1982	21, 29, 78, 79, 82	E-3002A	57, 59, 69	E-5255A	21, 43, 49, 78
E-1983	21, 29, 78, 79, 81	E-3283A	33, 43, 49, 78	E-5256	51, 79
E-1986A	43	E-3284A	43, 49, 78	E-5257	43, 85
E-1987	43, 77	E-3415	67	E-5258	43, 85
E-2002	67	E-3416	67, 90	E-5259	43, 85
E-2022	11, 13, 19, 23, 25, 29, 53, 55	E-3764	5, 27, 78	E-5260	45, 86
E-2116A	45, 73	E-3972	43, 76	E-5261	45, 86
E-2292	29, 78	E-3975	43	E-5262	43
E-2513	39, 78	E-3976	45, 73	E-5263	43
E-2545	5, 9, 39, 53, 55, 61	E-3977	13, 17, 21, 25, 74	E-5264	51, 88
E-2546	11, 39, 45, 53, 57, 59, 69	E-3978	13, 70	E-7520	5, 11, 13, 19, 23, 25, 29, 33, 39, 53, 55, 61, 65, 82
E-2842	5, 9, 65, 93	E-3979	43	E-7522	21, 29, 82
E-2843	13, 17, 21, 70	E-4324	37, 41, 96	E-7523	33, 43, 49, 82
E-2844	13, 17, 21, 25, 70	E-4345	11	E-7709	49, 61, 71
E-2845	17, 21, 25, 70	E-4347	11	E-7710	49, 61, 71
E-2846A	43, 71	E-4794	5, 84	E-7713	49, 61, 74
E-2847	13, 17, 23, 25, 73	E-4795	5, 84	E-7719	49, 61, 75
E-2848	13, 17, 23, 25, 73	E-4796	5, 27, 78	E-7727	61, 87
E-2849	13, 17, 21, 25, 74	E-4801	65, 87	E-7739	61, 87
		E-4802	67, 87	E-7741	53, 55, 61, 78
		E-4803	69, 88	E-7742	53, 55, 61, 78
		E-4804	65, 88		
		E-4805	67, 88		

# REYCO GRANNING NUMERICAL LISTING

Suspension

PART NO.	PAGE NO.	PART NO.	PAGE NO.	PART NO.	PAGE NO.
E-7743	55, 61, 78	E-9626	37, 57, 59, 91	E-15302	11, 86
E-7744	53, 55, 61, 79	E-9801	57, 59, 73	E-15303	11, 86
E-7746	55, 79	E-9840	13, 17, 23, 77	E-15307	11, 86
E-7749	53, 78, 79, 81	E-10057	5, 9, 21, 25, 29, 78, 79, 82	E-15308	11, 86
E-7750	53, 55, 61, 78, 79, 82	E-10250	67, 70	E-15311	61, 87
E-7852	7, 9, 31, 33, 35, 96	E-10768A	43, 71	E-15312	61
E-8653	43, 74	E-10772	41	E-15314	39, 88
E-8654	13, 17, 21, 25, 74	E-10773	41	E-15315	5
E-8688	55, 74	E-10774	33	E-15317	5
E-8689	13, 17, 81	E-10775	33	E-15318	9, 84
E-8691	43, 75	E-11305	41, 93	E-15319	9, 84
E-9350	5, 9, 21, 25, 29, 78, 79, 81	E-14388	13, 17, 23, 27, 84	E-15322	9
E-9351A	39, 84	E-14724	57	E-15323	9
E-9353	39, 94	E-14729	41, 96	E-15324	9, 89
E-9355	41, 91	E-15240	31	E-15325	9
E-9358	33, 37, 39, 82	E-15241	31, 96	E-16179	43, 85
E-9537	49, 86	E-15243	31	E-16180	43, 85
E-9538	49, 75	E-15244	31	E-16184	49, 61, 71
E-9539	49, 86	E-15245	31	E-16191	45, 51, 91
E-9541	51, 86	E-15246	31	E-16195	49, 86
E-9545	17, 33, 43, 49, 81	E-15247	31	E-16197	49, 61, 72
E-9549	37, 57, 59, 78, 79, 82	E-15248	31	E-16198	49, 72
E-9550	57, 59, 75	E-15249	31	E-16199	35
E-9551	65, 82	E-15250	31	E-16200	35
E-9552	11, 53, 55, 61, 81	E-15251	31, 35, 37	E-16201	35
E-9553	33, 93	E-15253	31, 37, 39	E-16202	35
E-9554	45, 51, 65, 94	E-15254	33, 37, 39	E-16203	35
E-9555	45, 73	E-15256	7, 31, 37, 39	E-16204	35
E-9557	45, 51, 91	E-15257	33, 39	E-16206	35, 94
E-9558	45, 51, 93	E-15261	31	E-16210	35
E-9559	47, 75	E-15264	31	E-16214	35
E-9560	47, 76	E-15265	33, 84	E-16215	35
E-9561	47, 90	E-15266	33, 37, 39, 80	E-16216	35
E-9562	29, 47, 95	E-15267	33, 37, 39	E-16477	43, 70
E-9563	29, 47, 51, 63, 95	E-15268	33	E-16478	45, 85
E-9564	29, 47, 51, 95	E-15269	33, 37, 88	E-16479	45, 51, 91
E-9572	45, 93	E-15270	33, 91	E-16480	45, 51, 92
E-9573	45, 51, 92	E-15271	37, 41, 96	E-16482	45, 51, 92
E-9579	5, 21, 25, 82	E-15273	53, 55	E-16484	51, 92
E-9583	5, 9, 21, 25, 29, 81	E-15276	33, 37, 39, 80	E-16490	65, 91
E-9584	37, 57, 59, 78	E-15277	33, 39	E-16491	67, 92
E-9585	37, 57, 59, 79	E-15279	33	E-16492	67, 71
E-9586	57, 71	E-15284	37	E-16493	13, 17, 25, 29
E-9587	37, 57, 59, 78, 79, 81	E-15285	37	E-16494	17, 21, 25, 70
E-9607	65	E-15286	37	E-16495	7, 80
E-9615	37, 57, 59	E-15291	57, 59	E-16496	65, 91
E-9616	57, 59, 94	E-15292	57, 59, 90	E-16537	29, 89
E-9617	57, 59	E-15293	57, 79	E-16538	29, 89
E-9618	57	E-15294	57, 78	E-16540	9, 79
E-9619	57, 79	E-15295	59, 72	E-16541	9, 78
E-9620	57, 59, 78	E-15296	59, 86	E-16726	5
E-9622	57, 59	E-15297	59	E-16725	5
E-9623	7, 9, 33, 35, 96	E-15298	59, 88	E-16724	5

# REYCO GRANNING

## NUMERICAL LISTING

PART NO.	PAGE NO.	PART NO.	PAGE NO.	PART NO.	PAGE NO.
E-16728 . . . . .	5	E-UB8165-18 . . . . .	63	G-3283A . . . . .	33, 43, 49, 78
E-16729 . . . . .	5	E-UB8168-082 . . . . .	35	G-3284A . . . . .	43, 49, 78
E-16727 . . . . .	7	E-UB8264-12 . . . . .	69	G-3416 . . . . .	67, 90
E-16730 . . . . .	7	E-UB8264-14 . . . . .	69	G-3977 . . . . .	13, 17, 74
E-16731 . . . . .	7	E-UB8264-16 . . . . .	69	G-3978 . . . . .	13, 70
 				G-4813 . . . . .	67, 70
E-UB5161-12 . . . . .	37, 69	FS7555 . . . . .	31, 39	G-4824 . . . . .	39, 65, 78
E-UB5161-13 . . . . .	37, 69	FS7557 . . . . .	33, 37	G-4825 . . . . .	39, 65, 79
E-UB5161-14 . . . . .	7, 37, 45, 69	FS8050 . . . . .	35	G-4827 . . . . .	67, 75
E-UB5161-18 . . . . .	45, 69	FS8740 . . . . .	35	G-7713 . . . . .	49, 61, 74
E-UB5165-12 . . . . .	63	FS8855 . . . . .	35	G-9550 . . . . .	57, 59, 75
E-UB5165-14 . . . . .	45, 51, 63, 69	FS8856 . . . . .	35	G-9561 . . . . .	47, 90
E-UB5165-16 . . . . .	51, 69	FS9223 . . . . .	7	G-10057 . . . . .	5, 21, 25, 29, 82
E-UB5165-18 . . . . .	45, 69	FS9560 . . . . .	35	G-10250 . . . . .	67, 70
E-UB8151-12 . . . . .	39	FS9947 . . . . .	9		
E-UB8151-14 . . . . .	39, 53, 55	FS9966 . . . . .	9	M85006 . . . . .	39
E-UB8151-16 . . . . .	27, 39			M85013 . . . . .	7, 33, 37
E-UB8151-18 . . . . .	15, 19, 23, 27	G-1160 . . . . .	49	M85030 . . . . .	11
E-UB8155-14 . . . . .	53, 55	G-1964 . . . . .	13, 17, 81	M85052 . . . . .	31
E-UB8161-12 . . . . .	9, 11	G-1966 . . . . .	13, 17, 25, 74	M85713 . . . . .	9
E-UB8161-13 . . . . .	11	G-1967 . . . . .	13, 17, 76	M85738 . . . . .	35
E-UB8161-14 . . . . .	11, 33	G-1971 . . . . .	11, 13, 17, 21, 25, 29, 43, 49, 55, 61, 89	M85938 . . . . .	35
E-UB8161-15 . . . . .	9, 11	G-1975 . . . . .	13, 17, 21, 25, 43, 49, 55, 61, 77, 89	M89414 . . . . .	33, 37
E-UB8161-16 . . . . .	33	G-2844 . . . . .	13, 17, 21, 25, 70	M89440 . . . . .	9
E-UB8161-17 . . . . .	11	G-2845 . . . . .	17, 21, 25, 70	MAF7555 . . . . .	31, 39
E-UB8161-20 . . . . .	11	G-2850 . . . . .	13, 17, 21, 25, 74	MAF8050 . . . . .	35
E-UB8165-12 . . . . .	29, 63	G-2867A . . . . .	5, 9, 15, 19, 23, 90	MAF8740 . . . . .	35
E-UB8165-13 . . . . .	29	G-2875 . . . . .	45, 53, 55, 63, 65, 94	MAF8855 . . . . .	35
E-UB8165-14 . . . . .	29, 57, 59, 63	G-2907A . . . . .	51, 65, 93	MAF9223 . . . . .	7
E-UB8165-16 . . . . .	29, 63	G-2909 . . . . .	33, 41, 67, 92		

**NOTES:**

\_\_\_\_\_

\_\_\_\_\_

\_\_\_\_\_

\_\_\_\_\_

\_\_\_\_\_

\_\_\_\_\_

\_\_\_\_\_

\_\_\_\_\_

\_\_\_\_\_

\_\_\_\_\_

\_\_\_\_\_

\_\_\_\_\_

\_\_\_\_\_

\_\_\_\_\_

\_\_\_\_\_

\_\_\_\_\_

\_\_\_\_\_

\_\_\_\_\_

**NOTES:** \_\_\_\_\_

---



---



---



---



---



---



---



---



---



---



---



---



---



---



---



---



---



---



---



---



**NOTES:** \_\_\_\_\_

---

---

---

---

---

---

---

---

---

---

---

---

---

---

---

---

---

---

---

---

---

---

---

---

NOTES: \_\_\_\_\_

---

---

---

---

---

---

---

---

---

---

---

---

---

---

---

---

---

---

---

---

---

---

---

---

---



Vehicle models, trademarks, brands,  
and names depicted herein are the  
property of their respective owners,  
and may not be associated with  
Meritor, Inc. or its affiliates.



Meritor Heavy Vehicle Systems, LLC  
7975 Dixie Highway  
Florence, KY 41042  
U.S. 888-725-9355  
Canada 800-387-3889  
[MeritorPartsXpress.com](http://MeritorPartsXpress.com)

©2019 Meritor, Inc.  
Litho in USA  
Revised 07-19  
700E-RYG (87410)