

SUSPENSION CATALOG

HUTCHENS



TRUST MATTERS.

Contents

TRACTOR SUSPENSION

H2200 Leaf Spring - Tractor- - - - - 2

TRAILER SUSPENSION

H440 Single Point - Trailer - - - - - 4

H900 Single Point - Trailer - - - - - 6

H7600/9600, CH7600/9600 Series Leaf Spring
49" Axle Spacing - Trailer - - - - - 10

H7700/9700, CH7700/9700 Series Leaf Spring
42 1/2", 44", 49" and 50" Axle Spacing - Trailer - - - - - 14

H7700/9700US, CH7700/9700US Underslung Series Leaf Spring - Trailer - - - - - 22

H7600/9600 & CH7600/9600, H7700/9700 & CH7700/9700
TWS 54 1/2" and 57 1/2" Axle Spacing - Trailer- - - - - 28

H7600/9600 & CH7600/9600, H7700/9700 & CH7700/9700
TWS 61" - 81" Axle Spacing - Trailer - - - - - 34

H7700/9700 & CH7700/9700
TWS 97" - 121" Axle Spacing - Trailer - - - - - 40

H11455 Tri-Axle - Trailer - - - - - 44

7600/7700/9600/9700 Spring Hangers - - - - - 46

7600/7700/9600/9700 Spring Seats - - - - - 50

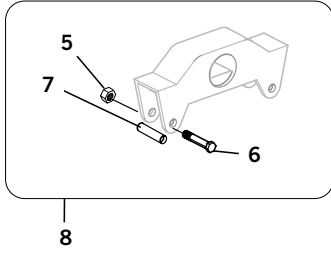
7600/7700/9600/9700 U-Bolts - - - - - 53

Component Parts - - - - - 55

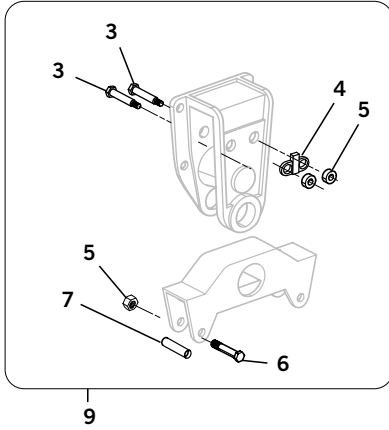
HUTCHENS

H2200 Leaf Spring - Tractor

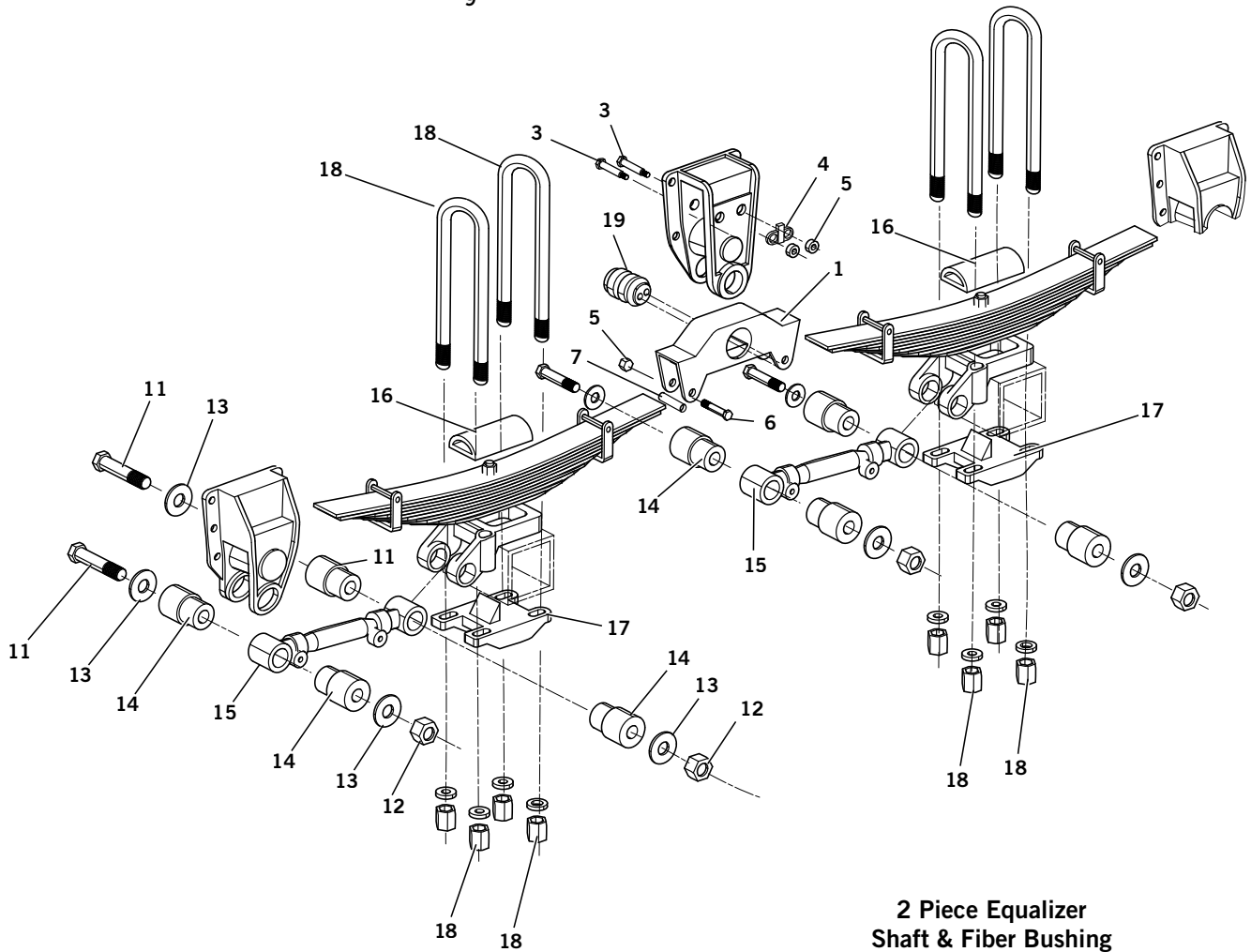
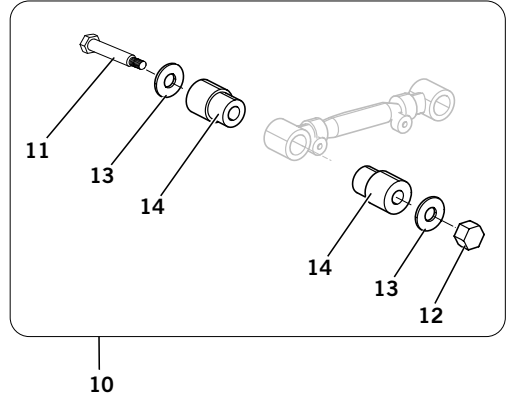
Rebound Bolt Assembly



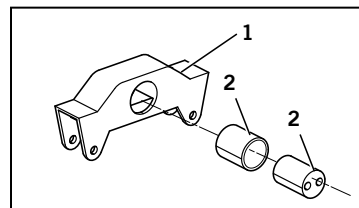
Equalizer Bolt Kit






Torque Arm Bushing Assembly



2 Piece Equalizer Shaft & Fiber Bushing
Obsolete

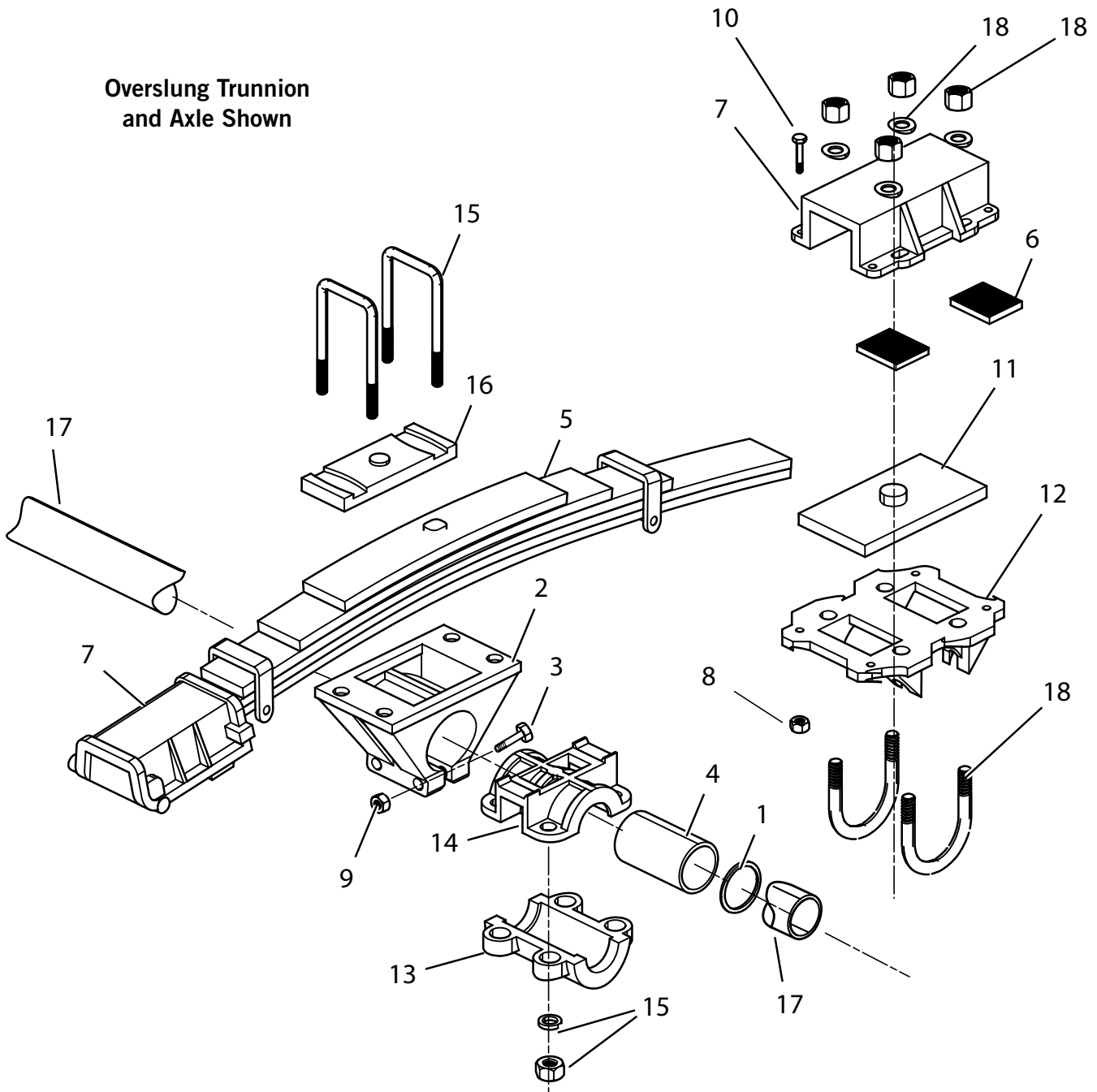


H2200 Leaf Spring - Tractor							
KEY NO.	EUCLID NO.	GENUINE	MACH NO.	OEM REF.	DESCRIPTION	QTY. PER TANDEM	PAGE NO.
1	E-2890	-	-	2224-01	Equalizer with Bushing, Obsolete	2	55
2	E-2004	-	-	720-00	Equalizer Bushing, Fiber, and Shaft, Obsolete	2	-
3	E-2000	-	-	7016-01	Equalizer Bolt, 5/8"-18 Step Bolt	4	60
4	E-2001	-	G-2001	729-00	Tab Lock	2	60
5	E-2002	-	-	37-01	Nut, 5/8"- 18	8	-
6	E-3415	-	-	759-00	Rebound Bolt; 5/8"- 18 x 4 1/2" Long	4	60
7	E-3416	-	G-3416	756-00	Rebound Spacer Sleeve	4	60
	E-16525		-				
8	E-4835	-	G-4835	10287-00	Rebound Bolt Assembly, Includes Key Nos. 5, 6, 7	4	59
	E-16523		-				
9	E-3414	-	G-3414	-	Equalizer Bolt Kit, Includes Key Nos. 3, 4, 5, 6, 7	2	60
10	E-1075	-	-	-	Torque Arm Bushing Assembly, Rubber Includes Key Nos. 11, 12, 13, 14	8	64
11	E-1073	-	-	-	Torque Arm Bolt, 1"-14 X 7-1/4" Long	8	65
12	E-1828	-	-	-	Lock Nut, 1"-14	8	-
13	E-1074	-	-	227-00	Torque Arm Washer	16	65
14	E-1038	-	-	220-00	Torque Arm Bushing, Rubber	16	64
	E-7454	-	-	-	Torque Arm Bushing, Poly	16	64
15	E-2898	-	-	2213-00	Adjustable Torque Arm - Obsolete	4	53
16	E-2907A	-	G-2907A	7029-00 16868-01	U-Bolt Top Plate	4	68
17	E-2909	-	G-2909	710-00	Bottom Plate, 5" Rd. Axle	4	70
	E-16521		-				
18	E-UB5161-12	-	-	-	U-Bolt Assembly, Rd. Bend, 7/8"-14 Thd. x 3" Wide x 12" Long	8	53
	E-UB5161-14	-	-	-	U-Bolt Assembly, Rd. Bend, 7/8"-14 Thd. x 3" Wide x 14" Long	8	53
	E-UB5161-18	-	-	-	U-Bolt Assembly, Rd. Bend, 7/8"-14 Thd. x 3" Wide x 18" Long	8	53
	E-UB8161-14	-	-	7040-11 7040-12 7040-14	U-Bolt Assembly, Rd. Bend, 7/8"-14 Thd. x 3" Wide x 14" Long	8	53,50
	E-UB8161-16	-	-	7040-15 7040-16 7040-17 7040-18	U-Bolt Assembly, Rd. Bend, 7/8"-14 Thd. x 3" Wide x 16" Long	8	53,50
19	E-1999A	-	-	7040-19	U-Bolt Assembly, Rd. Bend, 7/8"-14 Thd. x 3" Wide x 18" Long	8	53
19	E-1999A	-	-	7010-00	Equalizer Bushing, Rubber	2	59













HUTCHENS


H440 Single Point - Trailer

Overslung Trunnion
and Axle Shown



H440 Single Point - Trailer

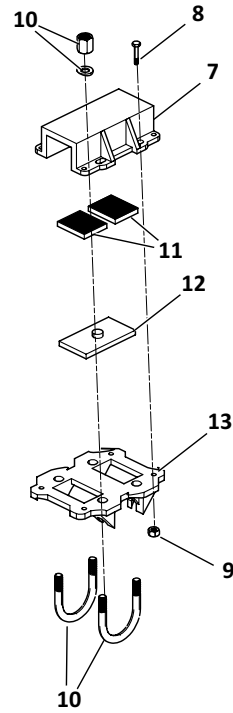
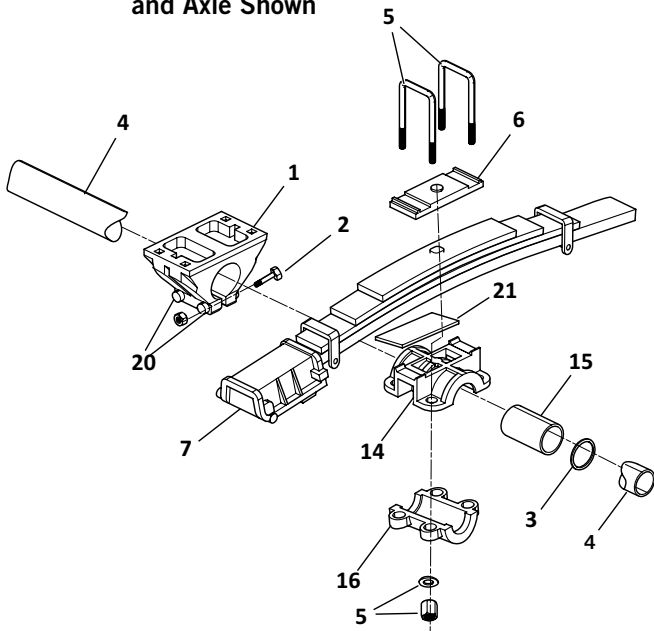
KEY NO.	EUCLID NO.	GENUINE	MACH NO.	OEM REF.	DESCRIPTION	QTY. PER TANDEM	PAGE NO.
1	E-15207		-	20936-01	Trunnion Washer, 4" ID x 5 3/4 "OD x 5/32" Thick w/Flat	2	73
	E-5219		-	895-00	Trunnion Washer, 4" ID x 5 3/4" O.D. x 3/16" Thick	2	73
2	E-5213		-	850-01	Trunnion Hanger 2 1/2" Height	2	73
	S.O.S.		-	897-01	Trunnion Hanger 8 1/2" Height	2	-
3	E-15206	-	-	10376-00	Trunnion Hex Bolt 3/4" -16 UNF x 4 1/2	4	76
4	E-25199		-	23276-03	Trunnion Hub Bushing - Free Oscilating, 7 1/2" Long	2	72
5	S.O.S.		-	-	Leaf Spring	2	-
6	E-5227	-	G-5227	814-00	Spring End Pad, Rubber	8	75
	E-16519		-				
	E-8665	-	-	-	Spring End Pad, Poly	8	75
7	E-15239		-	20610-01	Spring End Cap	4	73
8	E-2988	-	-	-	Hex Locknut 5/8"-11 UNC	8	77
9	E-4961A	-	-	-	Trunnion Hex Locknut 3/4"-16 UNF	4	77
	E-16517		-	22414-01			
10	E-4348	-	-	-	Hex Bolt 5/8"-11 UNF x 2" Long	8	76
11	E-25198		-	20601-01	Adjustment Plate	4	75
12	E-25195		-	20609-01	Spring Seat	4	73
13	E-15214		-	20604-01	Trunnion Hub - Lower Half	2	72
14	E-15215		-	20605-01	Trunnion Hub - Upper Half	2	72
15	E-UB8268-105	-	-	-	U-Bolt Assembly - Square Bend 7/8"-14 Thd. X 5 1/8" Wide x 10 5/8" Long	4	-
16	E-16388	-	-	20612-01	Top Plate - Square U-Bolt	2	76
17	S.O.S.		-	893-20	Trunnion Tube 1/2" Thk 46-1/2" Long, 44K Models	1	-
	E-15352	-	-	893-23	Trunnion Tube 1/2" Thk 52-1/2" Long, 38K Models	1	73
18	E-UB8155-073	-	-	10060-01	U-Bolt Assembly, Rd. Bend, 3/4" - 16 Thd. x 5" Wide x 7 1/2" Long	8	-

 Denotes Product is Genuine Hutchens

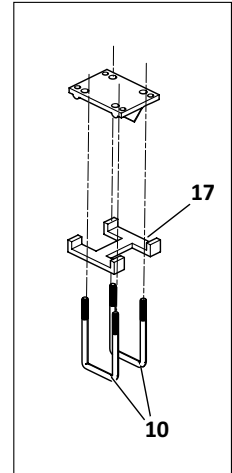
HUTCHENS

H900 Single Point - Trailer

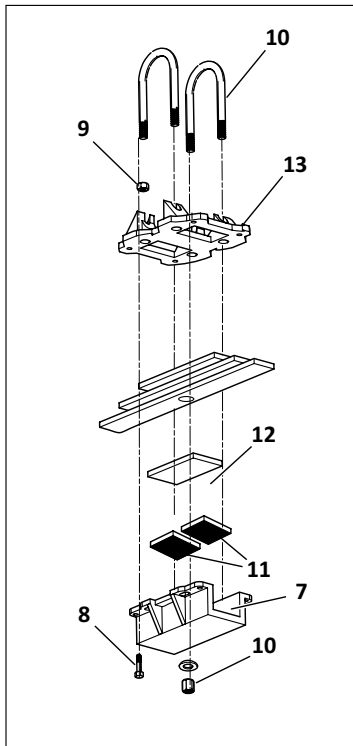
Overlung Trunnion and Axle Shown



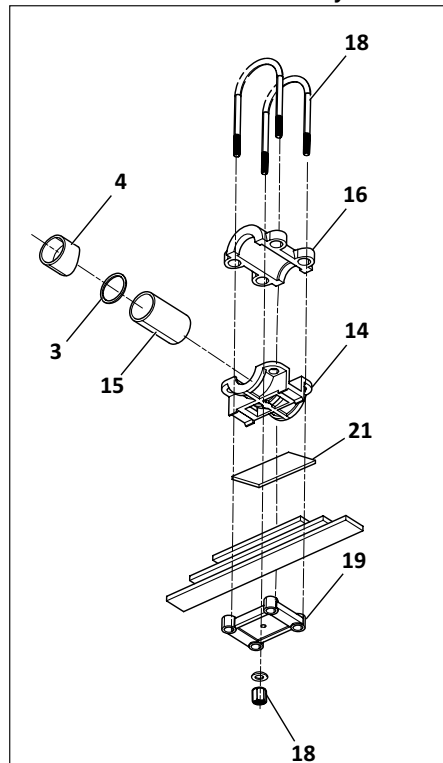
**5" Square Axle
Overlung Axle**



Underslung Axles




**Underslung
Trunnion Assembly**



H900 Single Point - Trailer

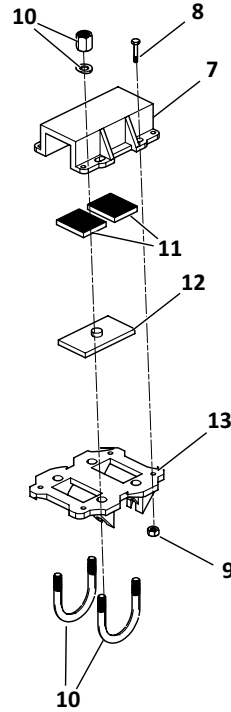
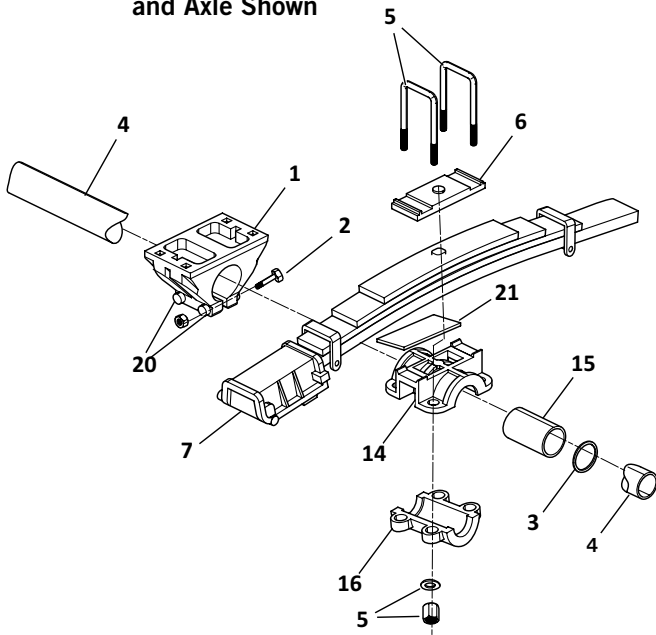
KEY NO.	EUCLID NO.	GENUINE	MACH NO.	OEM REF.	DESCRIPTION	QTY. PER TANDEM				PAGE NO.
						OVER-SLUNG TRUNNION & AXLE	OS TRUNNION & US AXLE	US TRUNNION & OS AXLE	UNDER SLUNG TRUNNION & AXLE	
1	E-5213		-	850-01	Trunnion Hanger, 2 1/2" High	2	2	2	2	73
	E-4312		G-4312	10476-03	Trunnion Hanger, 4 1/2" High	2	2	2	2	73
	E-5214		-	849-01	Trunnion Hanger, 6 1/2" High	2	2	2	2	73
	E-5215		-	897-01	Trunnion Hanger, 8 1/2" High	2	2	2	2	73
2	E-15206	-	-	10376-00	Trunnion Hex Bolt, 3/4"-16 Thd. x 4 1/2" Long	4	4	4	4	76
3	E-5219		-	895-00	Trunnion Washer; 4" ID x 5 3/4" O.D. x 3/16" Thick	2	2	2	2	73
4	E-2964	-	-	893-01	Trunnion Shaft, 36 -44K lbs., 38" Spring Center	1	1	1	1	73
	E-5218		-	893-02	Trunnion Shaft, 50-70K lbs., 38" Spring Center	1	1	1	1	73
	E-16524		-		Trunnion Shaft Various Sizes	1	1	1	1	73
	See Component Section Page 73				Various	Trunnion Shaft Various Sizes	1	1	1	1
5	E-UB8286-134	-	-	9639-01 9639-02	U-Bolt Assembly, Sq. Bend, 1 1/8"- 12 Thd. X 5 1/8" Wide x 13 1/2" Long	4	4	-	-	-
	E-UB8286-154	-	-	9639-03 9639-04 9639-05	U-Bolt Assembly, Sq. Bend, 1 1/8"-12 Thd. x 5 1/8" Wide x 15 1/2" Long	4	4	-	-	-
	S.O.S.		-	Various	U-Bolt Assembly, Sq. Bend, 1 1/8"-12 Thd. x 5 7/8" Wide x Various Lengths	4	4	4	4	-
6	E-5230		G-5230	9640-00	Top Plate, Cast, Square	2	2	-	-	76
7	E-5220		-	10049-00	Spring End Cap, 2 Main Leaf Spring	4	-	4	-	73
	E-5221		G-5221	9937-00	Spring End Cap, 3 Main Leaf Spring	4	-	4	-	74
	E-15464		-	19069-01	Spring End Cap; Use w/ 5/8" Thick Alignment Plate Key No. 12	-	-	-	-	74
	E-5224		-	10050-02	Spring End Cap, 2 Main Leaf Spring	-	4	-	4	74
	E-5225		-	9941-02	Spring End Cap, 3 Main Leaf Spring	-	4	-	4	74
	E-15217		-	9942-02	Spring End Cap, 6" Round Axles	-	4	-	4	74
8	E-4348	-	-	-	Hex Bolt 5/8"-11 x 2" Long	16	16	16	16	76
9	E-2988	-	-	-	Hex Locknut 5/8"-11	16	16	16	16	77
10	E-UB8155-073	-	-	10060-01	U-Bolt Assembly, Rd. Bend, 3/4"-16 Thd. x 5" Wide x 7 3/8" Long	8	-	8	-	-
	E-UB8156-08	-	-	10061-01	U-Bolt Assembly, Rd. Bend, 3/4"-16 Thd. x 5 3/4" Wide x 8" Long	8	-	8	-	-
	E-UB8157-08	-	-	10062-01	U-Bolt Assembly, Rd. Bend, 3/4"-16 Thd. x 6" Wide x 8" Long	8	-	8	-	-
	E-UB8175-104	-	-	10064-01 10064-02	U-Bolt Assembly, Rd. Bend, 1"-14 Thd. x 5" Wide x 10 1/2" Long	-	8	-	8	-
	E-UB8177-114	-	-	10065-01	U-Bolt Assembly, Rd. Bend, 1"-14 Thd. x 5 3/4" Wide x 11 1/2" Long	-	8	-	8	-
	E-UB8176-114	-	-	10066-01	U-Bolt Assembly, Rd. Bend, 1"-14 Thd. x 6" Wide x 11 1/2" Long	-	8	-	8	-
	E-UB8256-077	-	-	10063-02	U-Bolt Assembly, Sq. Bend, 3/4"-16 Thd. x 5" Wide x 7 7/8" Long	8	-	8	-	-
	E-UB8271-104	-	-	10067-02	U-Bolt Assembly, Sq. Bend, 1"-14 Thd. x 5" Wide x 10 1/2" Long	-	8	-	8	-
	E-UB8271-111	-	-	10067-03	U-Bolt Assembly, Sq. Bend, 1"-14 Thd. x 5" Wide x 11 1/8" Long	-	8	-	8	-

 Denotes Product is Genuine Hutchens

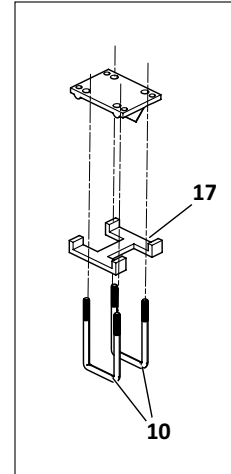
HUTCHENS

H900 Single Point - Trailer

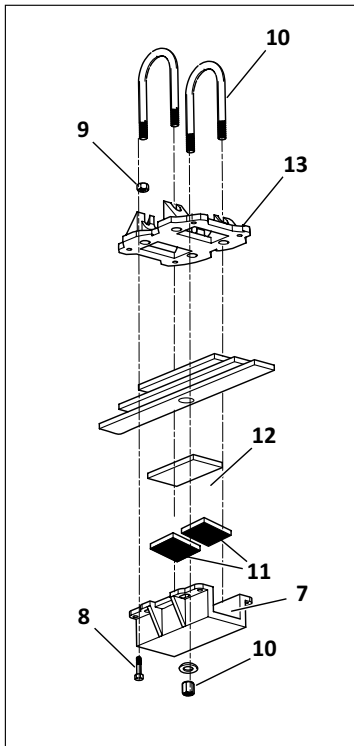
Overlung Trunnion and Axle Shown



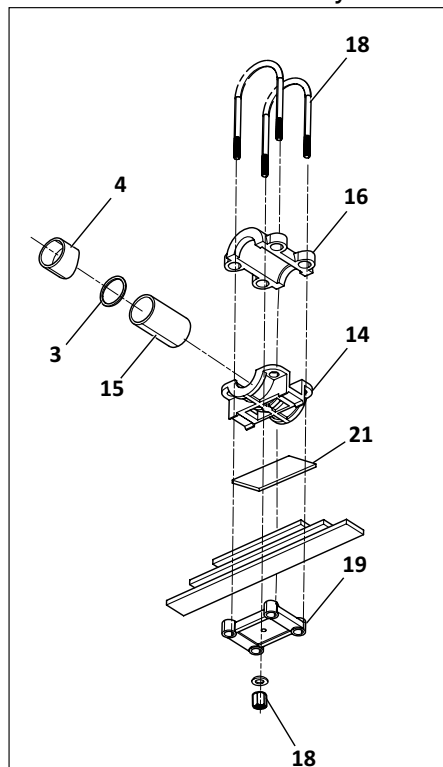
**5" Square Axle
Overlung Axle**



Underslung Axles









**Underslung
Trunnion Assembly**



8

H900 Single Point - Trailer

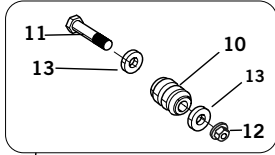
KEY NO.	EUCLID NO.	GENUINE	MACH NO.	OEM REF.	DESCRIPTION	QTY. PER TANDEM				PAGE NO.
						OVER-SLUNG TRUNNION & AXLE	OS TRUNNION & US AXLE	US TRUNNION & OS AXLE	UNDER SLUNG TRUNNION & AXLE	
11	E-5227	-	G-5227	814-00	Spring End Pad, Rubber	8	8	8	8	75
	E-16519		-							
	E-8665	-	-							
12	E-5228	-	G-5228	10608-00	Alignment Adjustment Plate 3/8" Thick	4	4	4	4	76
	E-16522		-							
	E-15463		-							
13	E-5222		G-5222	9934-02	Spring Seat, 5" Rd. Axle	4	-	4	-	74
	E-5226		-	9938-00	Spring Seat, 5" Rd. Axle	-	4	-	4	74
	E-5223		-	9935-02	Spring Seat, 5" x 5" Sq. Axle	4	-	4	-	74
	E-15218		-	9939-00	Spring Seat, 5" x 5" Sq. Axle	-	4	-	4	74
	E-15219		-	9936-03	Spring Seat, 5 3/4" Rd. Axle	4	-	4	-	74
	E-15220		-	9940-00	Spring Seat, 5 3/4" Rd. Axle	-	4	-	4	74
	E-15221		-	9936-04	Spring Seat, 6" Rd. Axle	4	-	4	-	74
	E-15222		-	9940-01	Spring Seat, 6" Rd. Axle	-	4	-	4	74
	14	E-5210	-	G-5210	891-00	Upper Trunnion Hub	2	2	2	2
E-16532			-							
15	E-5216	-	G-5216	890-00	Trunnion Bushing, Rubber	2	2	2	2	72
	E-16502		-	890-00						
	E-7455	-	-	-	Trunnion Bushing, Poly	2	2	2	2	72
	E-16397		-	23276-01	Free Oscillating Trunnion Bushing	2	2	2	2	72
16	E-5211	-	G-5211	898-00	Lower Trunnion Hub, Overslung Trunnion	2	2	-	-	72
	E-16531		-							
	E-5212		-	892-00	Lower Trunnion Hub, Underslung Trunnion	-	-	2	2	72
17	E-5229		-	10488-00	Pressure Plate, 5" x 5" Square Axle	4	4	4	4	76
18	E-UB8187-154	-	-	835-02 835-03 835-04	U-Bolt Assembly, Rd. Bend, 1 1/8"- 12 Thd. X 5 7/8" Wide x 15 1/2" Long	-	-	4	4	-
	E-UB8187-164	-	-	835-06	U-Bolt Assembly, Rd. Bend, 1 1/8"- 12 Thd. X 5 7/8" Wide x 16 1/2" Long	-	-	4	4	-
19	E-5231A		-	820-00	Bottom Plate	-	-	2	2	76
20	E-4961A	-	-	-	Trunnion Hex Locknut 3/4"-16 UNF	4	4	4	4	77
	E-16517		-	22414-01						
21	E-25197		-	12919-01	Spring Liner Pad, 4 3/4" Wide x 10" Long	2	2	2	2	76

 Denotes Product is Genuine Hutchens

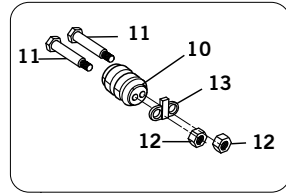
HUTCHENS

H7600/9600, CH7600/9600 Series Leaf Spring 49" Axle Spacing - Trailer

Equalizer Bushing & Bolt Kit

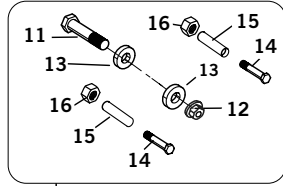


6 (Models H/CH9600)



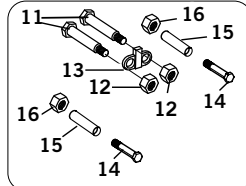
7 (Models H/CH7600)

Equalizer Bolt & Rebound Bolt Kit



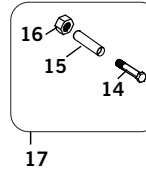
8 (Models H/CH9600)

Equalizer Bolt & Rebound Bolt Kit



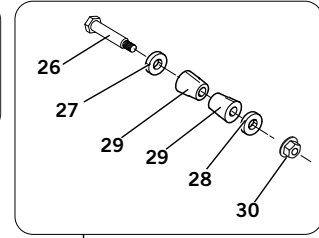
9 (Models H/CH7600)

Rebound Bolt Kit

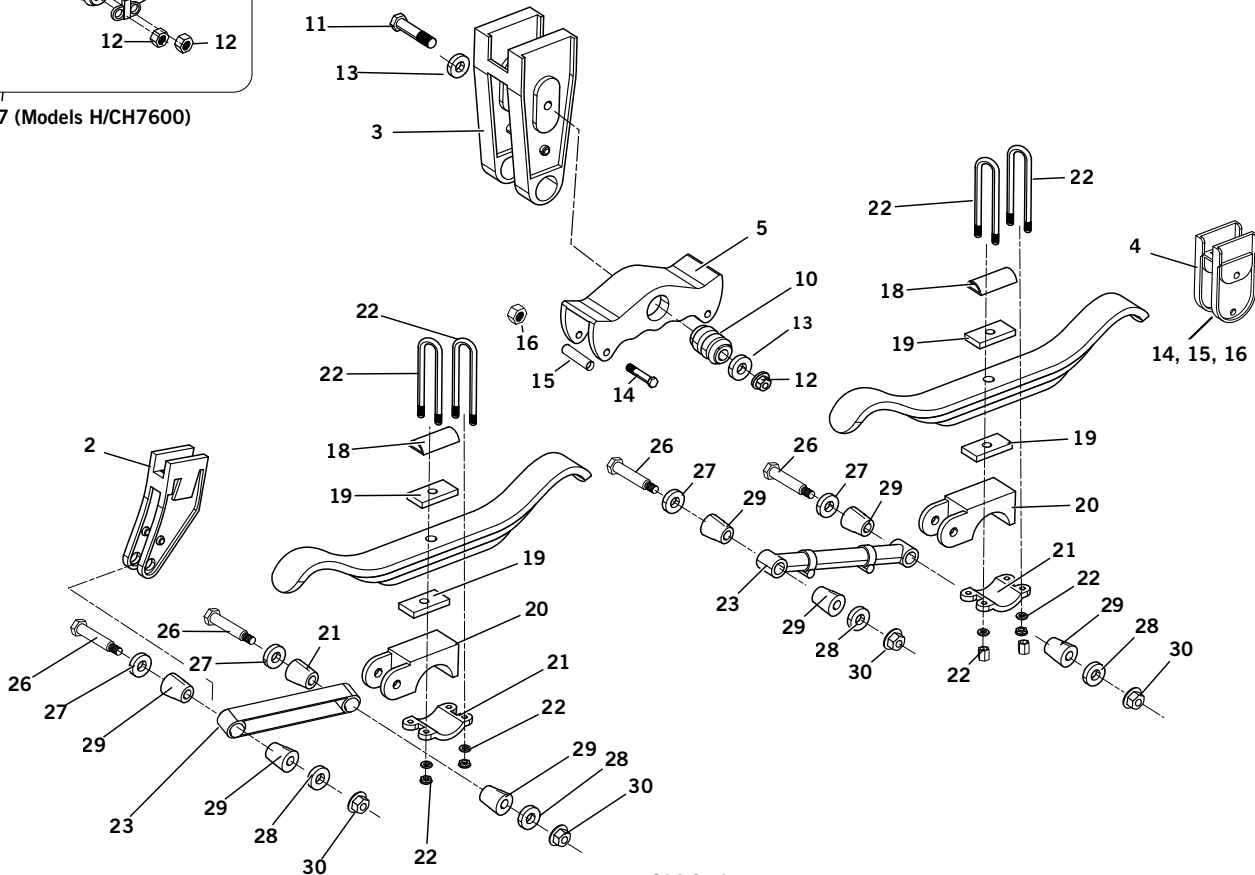


17

Torque Arm Bushing & Bolt Kit

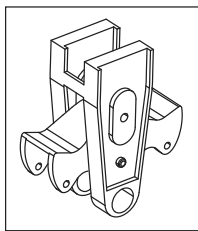


24 & 25



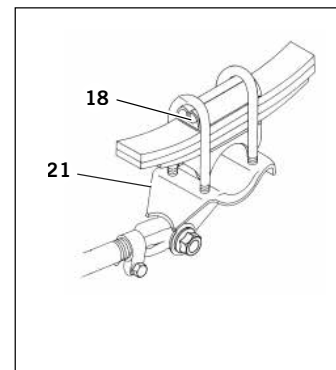
Old Style
H-7600/CH-7600 Cast Series

Hanger/Equalizer Assembly
Straddle Mount



1

No Hop Option
Rear Axle Only



H7600/9600, CH7600/9600 Series Leaf Spring 49" Axle Spacing - Trailer

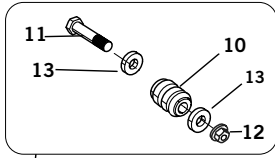
KEY NO.	EUCLID NO.	GENUINE	MACH NO.	OEM REF.	DESCRIPTION	QTY. PER TANDEM				PAGE NO.
						H9600	CH9600	H7600	CH7600	
1	E-9469		-	16321-01	Hanger/Equalizer Assembly, Straddle Mount	2	-	-	-	57
	E-9470		-	16321-02	Hanger/Equalizer Assembly, Under Mount	2	-	-	-	57
	S.O.S.		-	-	Other Hanger/Equalizer Assemblies, Specify Hanger Type	2	2	2	2	-
2	See Hanger Chart - Page 46			-	Front Hanger	2	2	2	2	46
3	See Hanger Chart - Page 46			-	Equalizer Hanger	2	2	2	2	46
4	See Hanger Chart - Page 46			-	Rear Hanger	2	2	2	2	46
5	E-16393		-	16158-01	Equalizer, Fabricated, Rubber Bushing, One Bolt, O.E.	2	-	-	-	55
	E-7532	-	G-7532	16158-01	Equalizer, Fabricated, Rubber Bushing, One Bolt	2	-	-	-	55
	E-9471	-	G-9471	17784-01	Equalizer, Cast, Rubber Bushing, One Bolt	-	2	-	-	55
	E-16507		-	17784-01						
	E-9567	-	-	-	Equalizer, Fabricated, Poly Bushing, One Bolt	2	-	-	-	55
	E-16392		-	750-03	Equalizer, Fabricated, Rubber Bushing, Two Bolt, O.E.	-	-	2	-	55
	E-2781	-	G-2781	-	Equalizer, Fabricated, Rubber Bushing, Heavy Duty, Two Bolts, Includes Wear Plates	-	-	2	-	55
	E-2781A	-	G-2781A	750-03	Equalizer, Fabricated, Rubber Bushing, OE Equivalent, Two Bolt	-	-	2	-	55
	E-9570	-	G-9570	750-03	Equalizer, Fabricated, Rubber Bushing, Standard Duty, Two Bolt	-	-	2	-	55
	E-7918	-	-	-	Equalizer, Fabricated, Poly Bushing, Two Bolt	-	-	2	-	55
	E-2889	-	G-2889	19137-01	Equalizer, Cast, Rubber Bushing, Two Bolt	-	-	-	2	55
E-16508		-								
6	E-9472	-	G-9472	-	Equalizer Bushing, Rubber & Bolt Kit, Includes Key Nos. 10, 11, 12, 13	2	2	-	-	59
	E-9473	-	-	-	Equalizer Bushing, Poly & Bolt Kit, Includes Key Nos. 10, 11, 12, 13	2	2	-	-	59
7	E-2003	-	G-2003	-	Equalizer Bushing, Rubber & Bolt Kit, Includes Key Nos. 10, 11, 12, 13	-	-	2	2	59
	E-9474	-	-	-	Equalizer Bushing, Poly & Bolt Kit, Includes Key Nos. 10, 11, 12, 13	-	-	2	2	59
8	E-9475	-	G-9475	16353-01	Equalizer (1) Bolt Kit, Includes Key Nos. 11, 12, 13, 14, 15, 16	2	2	-	-	60
	E-16506		-							
9	E-3414	-	G-3414	-	Equalizer (2) Bolt & Rebound Bolt Kit, Includes Key Nos. 11, 12, 13, 14, 15, 16	-	-	2	2	60
10	E-7621	-	G-7621	18723-01	Equalizer Bushing, Rubber, One Hole	2	2	-	-	59
	E-16501		-							
	E-8666	-	-	-	Equalizer Bushing, Poly, One Hole	2	2	-	-	59
	E-1999A	-	G-1999A	7010-00	Equalizer Bushing, Rubber, Two Hole	-	-	2	2	59
	E-7452	-	-	-	Equalizer Bushing, Poly, Two hole	-	-	2	2	59
11	E-7533	-	-	16150-01	Equalizer Hex Bolt, 1 1/8"-7 x 6 5/8" Long	2	2	-	-	61
	E-2000	-	-	7016-01	Equalizer Step Hex Bolt, 3/4" Body x 6" Long, 5/8"-18	-	-	4	4	60
12	E-4358	-	-	11154-00	Equalizer Hex Locknut, 1 1/8"-7	2	2	-	-	61
	E-2002	-	-	37-03	Equalizer Hex Nut, 5/8"-18	-	-	4	4	-

Denotes Product is Genuine Hutchens

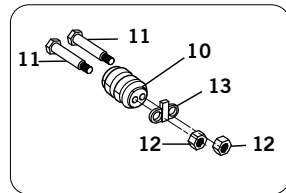
HUTCHENS

H7600/9600, CH7600/9600 Series Leaf Spring 49" Axle Spacing - Trailer

Equalizer Bushing & Bolt Kit

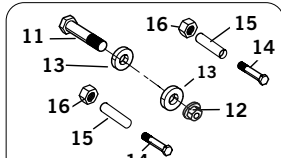


6 (Models H/CH9600)



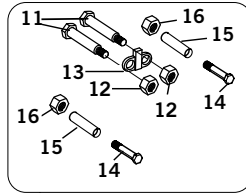
7 (Models H/CH7600)

Equalizer Bolt & Rebound Bolt Kit



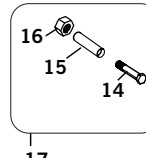
8 (Models H/CH9600)

Equalizer Bolt & Rebound Bolt Kit



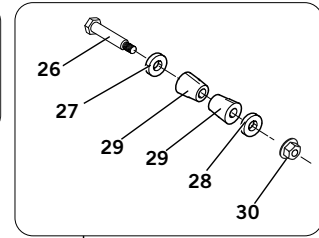
9 (Models H/CH7600)

Rebound Bolt Kit

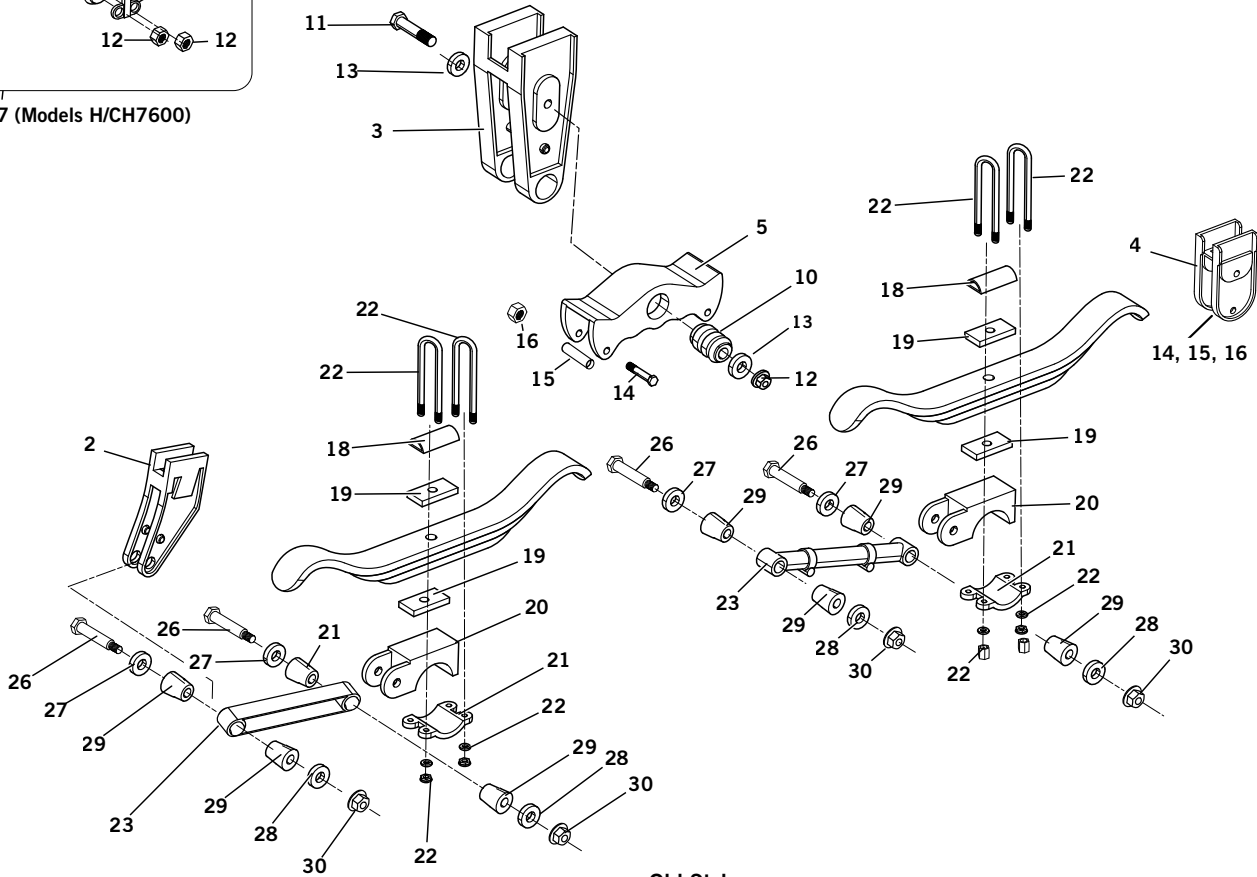


17

Torque Arm Bushing & Bolt Kit

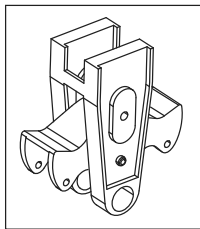


24 & 25



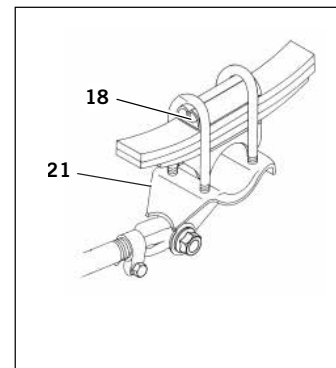
Old Style
H-7600/CH-7600 Cast Series

Hanger/Equalizer Assembly
Straddle Mount








1

No Hop Option
Rear Axle Only



H7600/9600, CH7600/9600 Series Leaf Spring 49" Axle Spacing - Trailer

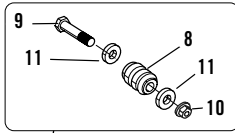
KEY NO.	EUCLID NO.	GENUINE	MACH NO.	OEM REF.	DESCRIPTION	QTY. PER TANDEM				PAGE NO.
						H9600	CH9600	H7600	CH7600	
13	E-2001	-	G-2001	729-00	Lock Tab Washer	-	-	2	2	60
	E-2548	-	-	-	Washer, 1 3/16" ID	4	4	-	-	56
14	E-3415	-	-	759-00	Equalizer Rebound Hex Bolt, 5/8"-18 x 4 1/2" Long	6	6	6	6	60
15	E-3416	-	G-3416	756-00	Equalizer Rebound Spacer Sleeve	6	6	6	6	60
	E-16525		-							
16	E-2002	-	-	37-03	Hex Nut, 5/8"-18	6	6	6	6	-
17	E-4835	-	G-4835	10287-00	Rebound Bolt Kit, 5/8"- 18 x 4 1/2" Long, Includes Key Nos. 14, 15, 16	6	6	6	6	59
	E-16523		-							
18	E-2907A		G-2907A	16868-01	U-Bolt Top Plate	4	4	4	4	68
19	E-2842	-	-	-	Delrin Spring Liner Pad	8	8	8	8	68
	E-16520		-	7052-02	Galvanized Steel Spring Liner Pad	8	8	8	8	
20	See Spring Seat Chart - Page 50				Spring Seat	4	4	4	4	50
21	E-2909	-	G-2909	710-00	Bottom Plate, 5" Rd.	4	4	4	4	70
	E-16521		-							
	E-15205		-	7622-00	Bottom Plate, Cast, 5" Rd. Axle	4	4	4	4	70
	E-7636		-	7747-01	Bottom Plate, 5" Sq. Axle	4	4	4	4	70
	E-7635		-	7746-00	Bottom Plate, 4" x 6" Axle	4	4	4	4	70
	E-16391		-	7619-00	Bottom Plate Stabilizer Bracket, 5" Round Axle; No Hop, Rear Axle Only	2	2	2	2	71
	E-15358		-	7621-00	Bottom Plate Stabilizer Bracket, 5" Square Axle; No Hop, Rear Axle Only	2	2	2	2	70
22	See U-Bolt Chart - Page 53				U-Bolt Assembly	8	8	8	8	53
23	E-9476		-	16167-04	Adjustable Torque Arm, 18-20" Center-to-Center	2	2	2	2	60
	E-15429		-	16167-06	Adjustable Torque Rod, 20-22" Center-to-Center, No-Hop	2	2	2	2	63
	E-9477		-	11953-01	Rigid Torque Arm. 19-1/4" Center-to-Center	2	2	2	2	63
24	E-9478	-	G-9478	-	Torque Arm Bushing, Rubber, & Bolt Kit, Includes Key Nos. 26, 27, 28, 29, 30	8	8	8	8	64
25	E-9479	-	-	-	Torque Arm Bushing, Poly, & Bolt Kit, Includes Key Nos. 26, 27, 28, 29, 30	8	8	8	8	64
26	E-9480		-	12709-01	Torque Arm Step Bolt, 7/8"-14	8	8	8	8	65
27	E-2833	-	-	12710-01	Washer, 1 5/16" ID	8	8	8	8	65
28	E-9482	-	-	12711-01	Washer, 15/16" ID	8	8	8	8	-
29	E-927	-	G-927	7620-00	Torque Arm Bushing, Rubber	16	16	16	16	64
	E-16505		-							
	E-7433	-	-							
30	E-1835	-	-	34-02	Torque Arm Nut, 7/8"-14 Hex Locknut	8	8	8	8	65
-	E-9487		-	755-03	Replacement Hanger Wear Pad	As Required	As Required	As Required	As Required	67

 Denotes Product is Genuine Hutchens

HUTCHENS

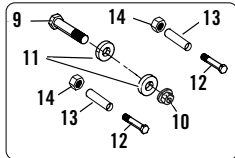
H7700/9700, CH7700/9700 Series Leaf Spring and Series 10 Sliders 42 1/2", 44", 49" and 50" Axle Spacing - Trailer

Equalizer Bushing & Bolt Kit



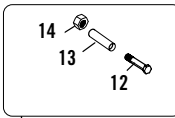
6 (Models H/CH9700)

Equalizer Bolt & Rebound Bolt Kit



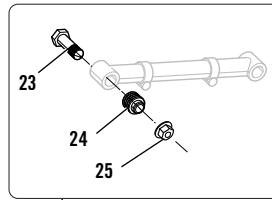
7 (Models H/CH9700)

Rebound Bolt Kit



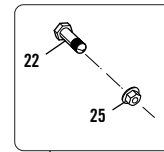
15

Torque Arm Bushing & Bolt Kit Assembly

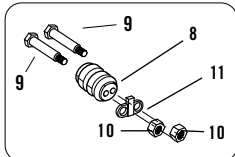


22

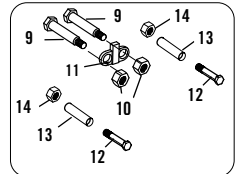
Torque Arm Bolt & Flange Nut Kit



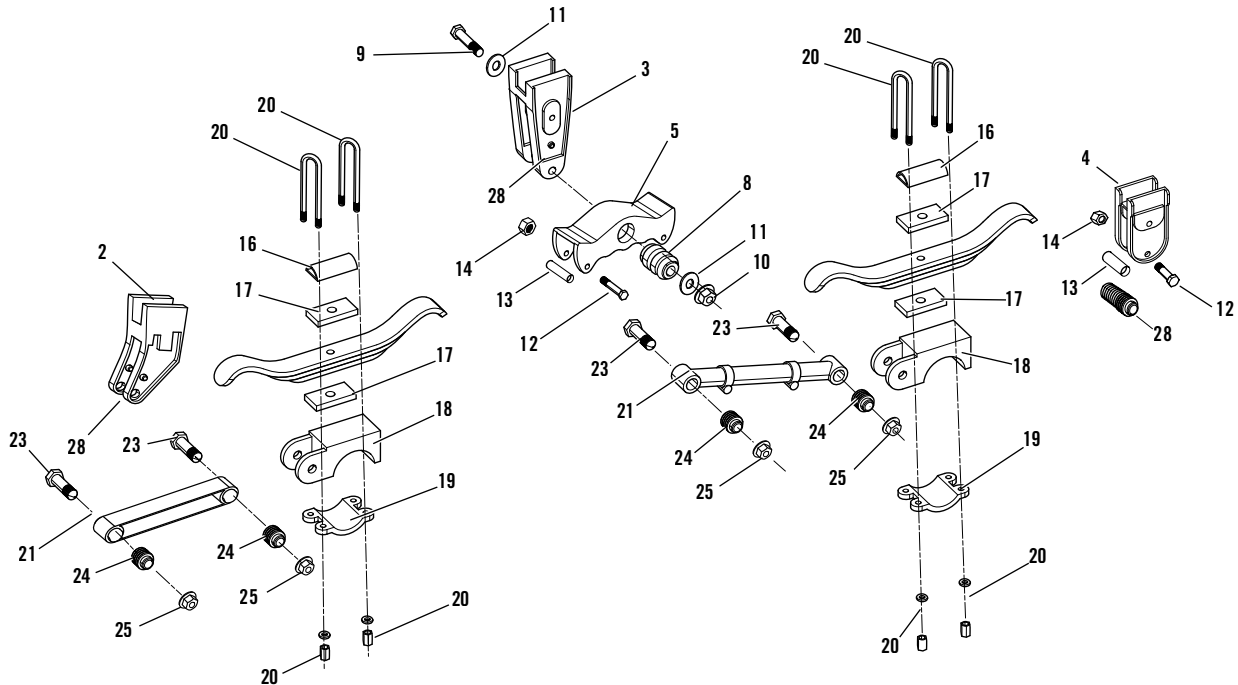
26



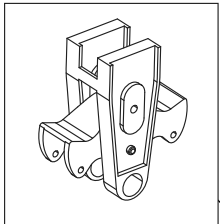
6 (Models H/CH7700)



7 (Models H/CH7700)

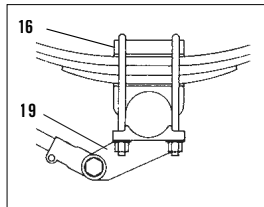


Hanger/Equalizer Assembly
Straddle Mount - H-7700/9700



1

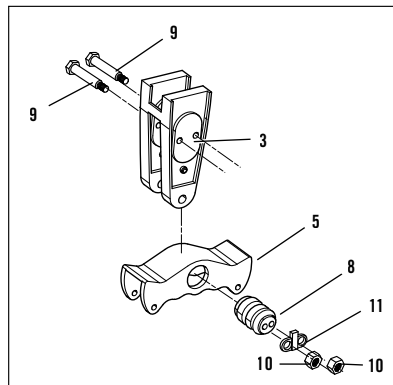
No Hop Option
Rear Axle Only



16

19

Old Style
H-7700/CH7700 (Cast) Series



9

9

3

3

5

5

8

8

11

11

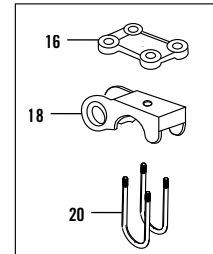
10

10

10

10

Upper Mounted
U-Bolt



16

16

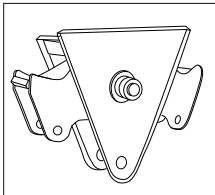
18

18

20

















20


Series 10
Hanger/Equalizer Assembly



1

H7700/9700, CH7700/9700 Series Leaf Spring and Series 10 Sliders 42 1/2", 44", 49" and 50" Axle Spacing - Trailer

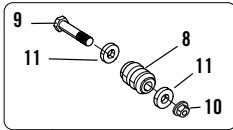
KEY NO.	EUCLID NO.	GENUINE	MACH NO.	OEM REF.	DESCRIPTION	QTY. PER TANDEM				PAGE NO.
						H9700	CH9700	H7700	CH7700	
1	E-9484		-	16319-01	Hanger/Equalizer Assembly, Fabricated, Straddle Mount	2	-	-	-	57
	E-9485		-	16319-02	Hanger/Equalizer Assembly, Fabricated, Under Mount	2	-	-	-	57
	E-15440		-	16319-06	Equalizer and Hanger Assembly; Fabricated, Modified	2	-	-	-	57
	E-15441		-	16319-07	Equalizer and Hanger Assembly, Fabricated, Bolt on Flange	2	-	-	-	57
	E-15442		-	16319-08	Equalizer and Hanger Assembly, Fabricated, Weld on Flange	2	-	-	-	57
	E-15443		-	16319-51	Equalizer and Hanger Assembly, Cast, Stradlemount	-	2	-	-	57
	E-15444		-	16319-52	Equalizer and Hanger Assembly, Cast, Undermount	-	2	-	-	58
	E-15445		-	16319-57	Equalizer and Hanger Assembly, Cast, Bolt on Flange	-	2	-	-	58
	E-16800		-	25589-01	Center Hanger and Equalizer Assembly, Series 10 Slider	2	-	-	-	-
	S.O.S.		-	-	Other Hanger/Equalizer Assemblies, Specify Hanger Type	2	2	2	2	-
2	See Hanger Chart Page 46			-	Front Hanger	2	2	2	2	46
3	See Hanger Chart Page 46			-	Equalizer Hanger	2	2	2	2	46
4	See Hanger Chart Page 46			-	Rear Hanger	2	2	2	2	46
5	E-11452		-	24711-01	Equalizer, Fabricated, Rubber Bushing, One Bolt, 44" & 50" Axle Spacing,	2	-	-	-	56
	E-16393		-	16158-01	Equalizer, Fabricated, Rubber Bushing, One Bolt, O.E., 42 1/2 & 49" Axle Spacing	2	-	-	-	55
	E-7532	-	G-7532	16158-01	Equalizer, Fabricated, Rubber Bushing, One Bolt, 42 1/2 & 49" Axle Spacing	2	-	-	-	55
	E-9471	-	G-9471	17784-01	Equalizer, Cast, Rubber Bushing, One Bolt, 42 1/2 & 49" Axle Spacing	-	2	-	-	55
	E-16507		-							
	E-9567	-	-	-	Equalizer, Fabricated, Poly Bushing, One Bolt, 42 1/2 & 49" Axle Spacing	2	-	-	-	55
	E-16392		-	750-03	Equalizer, Fabricated, Rubber Bushing, Two Bolt, O.E., 42 1/2 & 49" Axle Spacing	-	-	2	-	55
	E-2781	-	G-2781	-	Equalizer, Fabricated, Rubber Bushing, Heavy Duty, Two Bolts, Includes Wear Plates, 42 1/2 & 49" Axle Spacing	-	-	2	-	55
	E-2781A	-	G-2781A	750-03	Equalizer, Fabricated, Rubber Bushing, OE Equivalent, Two Bolt, 42 1/2 & 49" Axle Spacing	-	-	2	-	55
	E-9570	-	G-9570	750-03	Equalizer, Fabricated, Rubber Bushing, Standard Duty, Two Bolt, 42 1/2 & 49" Axle Spacing	-	-	2	-	55
	E-7918	-	-	-	Equalizer, Fabricated, Poly Bushing, Two Bolt, 42 1/2 & 49" Axle Spacing	-	-	2	-	55
	E-2889	-	G-2889	19137-01	Equalizer, Cast, Rubber Bushing, Two Bolt, 42 1/2 & 49" Axle Spacing	-	-	-	2	55
	E-16508		-							
E-15480		-	24712-01	Equalizer, Fabricated, Two Hole, Rubber, Bushing for 44" & 50" Axle Spacing	-	-	2	-	55	

 Denotes Product is Genuine Hutchens

HUTCHENS

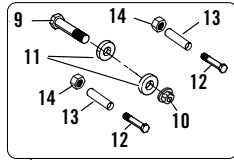
H7700/9700, CH7700/9700 Series Leaf Spring 42 1/2", 44", 49" and 50" Axle Spacing - Trailer

Equalizer Bushing & Bolt Kit



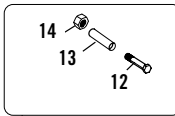
6 (Models H/CH9700)

Equalizer Bolt & Rebound Bolt Kit



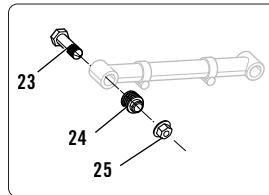
7 (Models H/CH9700)

Rebound Bolt Kit



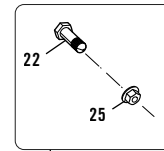
15

Torque Arm Bushing & Bolt Kit Assembly

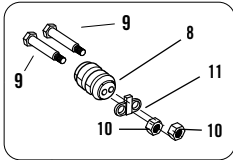


22

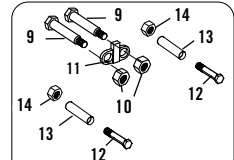
Torque Arm Bolt & Flange Nut Kit



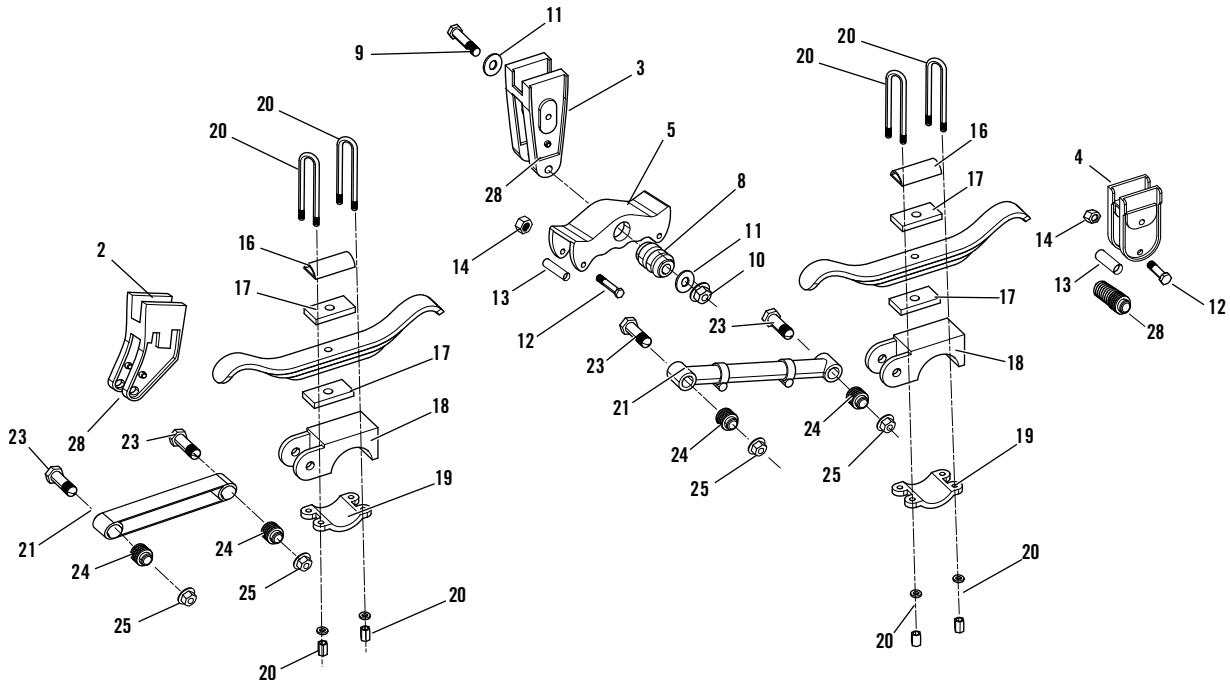
26



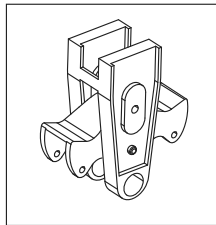
6 (Models H/CH7700)



7 (Models H/CH7700)

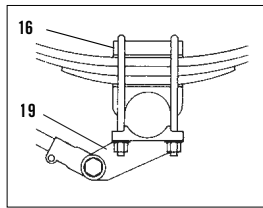


Hanger/Equalizer Assembly
Straddle Mount - H-7700/9700



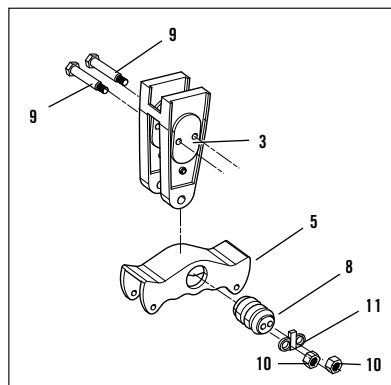
1

No Hop Option
Rear Axle Only

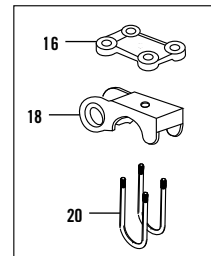


1

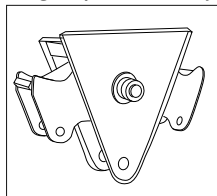
Old Style
H-7700/CH7700 (Cast) Series



Upper Mounted
U-Bolt










Series 10
Hanger/Equalizer Assembly



1

H7700/9700, CH7700/9700 Series Leaf Spring and Series 10 Sliders 42 1/2", 44", 49" and 50" Axle Spacing - Trailer

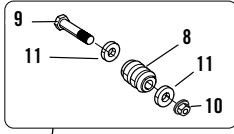
KEY NO.	EUCLID NO.	GENUINE	MACH NO.	OEM REF.	DESCRIPTION	QTY. PER TANDEM				PAGE NO.
						H9700	CH9700	H7700	CH7700	
6	E-9472	-	G-9472	-	Equalizer Bushing, Rubber & Bolt Kit, Includes Key Nos. 8, 9, 10, 11	2	2	-	-	59
	E-9473	-	-	-	Equalizer Bushing, Poly & Bolt Kit, Includes Key Nos. 8, 9, 10, 11	2	2	-	-	59
	E-2003	-	G-2003	-	Equalizer Bushing, Rubber & Bolt Kit, Includes Key Nos. 8, 9, 10, 11	-	-	2	2	59
	E-9474	-	-	-	Equalizer Bushing, Poly & Bolt Kit, Includes Key Nos. 8, 9, 10, 11	-	-	2	2	59
7	E-9475	-	G-9475	16353-01	Equalizer Bolt Kit, Includes Key Nos. 9, 10, 11, 12, 13, 14	2	2	-	-	60
	E-16506									
	E-3414	-	G-3414	-	Equalizer (2) Bolt & Rebound Bolt Kit, Includes Key Nos. 9, 10, 11, 12, 13, 14	-	-	2	2	60
8	E-7621	-	G-7621	16146-01	Equalizer Bushing, Rubber, 1 Hole	2	2	-	-	59
	E-16501		-	18723-01						
	E-8666	-	-	-	Equalizer Bushing, Poly, 1 Hole	2	2	-	-	59
	E-1999A	-	G-1999A	7010-00	Equalizer Bushing, Rubber, 2 Hole	-	-	2	2	59
	E-7452	-	-	-	Equalizer Bushing, Poly, 2 Hole	-	-	2	2	59
9	E-7533	-	-	16150-01	Equalizer Center Hex Bolt, 1 1/8"-7 x 6 5/8" Long	2	2	-	-	61
	E-2000	-	-	7016-01	Equalizer Step Hex Bolt, 3/4" dia. body x 6" Long, 5/8"-18	-	-	4	4	60
10	E-4358	-	-	11154-00	Equalizer Locknut, 1 1/8"-7	2	2	-	-	61
	E-2002	-	-	37-03	Equalizer Hex Nut, 5/8"-18	-	-	4	4	-
11	E-2548	-	-	837-00	Washer, 1 1/4" ID	4	4	-	-	-
	E-2001	-	G-2001	729-00	Tab Lock washer	-	-	2	2	60
12	E-3415	-	-	759-00	Equalizer Rebound Hex Bolt, 5/8"-18 x 4 1/2" Long	6	6	6	6	60
13	E-3416	-	G-3416	756-00	Equalizer Rebound Spacer Sleeve	6	6	6	6	60
	E-16525		-							
14	E-2002	-	-	37-03	Equalizer Rebound Std Hex Nut, 5/8"-18	6	6	6	6	-
15	E-4835	-	G-4835	10287-00	Rebound Bolt Kit; 5/8"- 18 x 4 1/2" Long, Includes Key Nos. 12, 13, 14	6	6	6	6	59
	E-16523		-							
16	E-2907A		G-2907A	16868-01	U-Bolt Top Plate	4	4	4	4	68
	E-16389	-	-	9202-00	U-Bolt Top Plate, Flat for Upper Mounted U-Bolts	4	4	4	4	68
17	E-2842	-	-	-	Delrin Spring Liner Pad	8	8	8	8	68
	E-16520		-	7052-02	Galvanized Steel Spring Liner Pad	8	8	8	8	
18	See Spring Seat Chart Page 50			-	Spring Seat	4	4	4	4	50

 Denotes Product is Genuine Hutchens

HUTCHENS

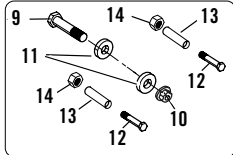
H7700/9700, CH7700/9700 Series Leaf Spring 42 1/2", 44", 49" and 50" Axle Spacing - Trailer

Equalizer Bushing & Bolt Kit



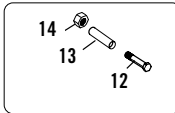
6 (Models H/CH9700)

Equalizer Bolt & Rebound Bolt Kit



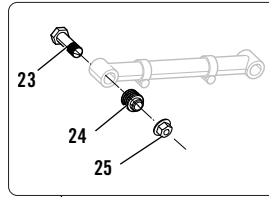
7 (Models H/CH9700)

Rebound Bolt Kit



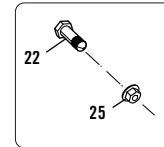
15

Torque Arm Bushing & Bolt Kit Assembly

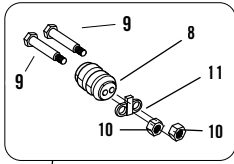


22

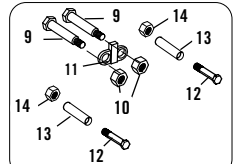
Torque Arm Bolt & Flange Nut Kit



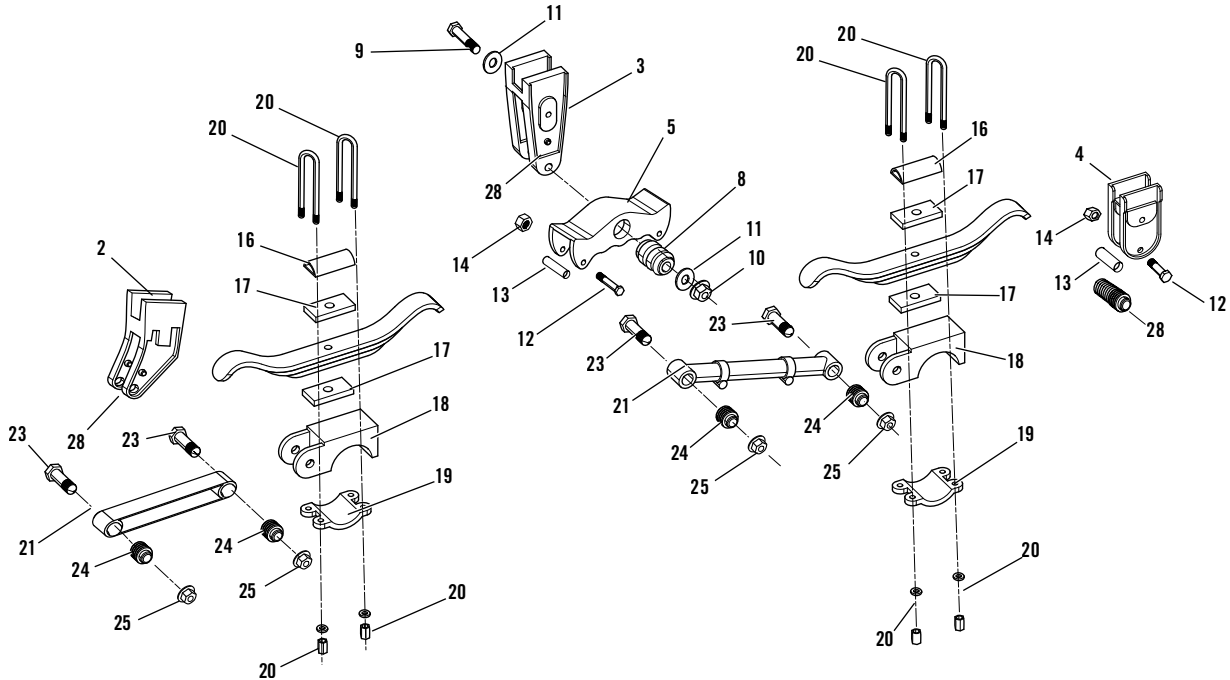
26



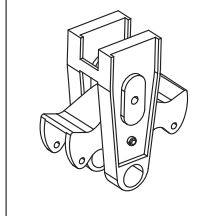
6 (Models H/CH7700)



7 (Models H/CH7700)

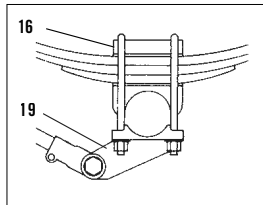


**Hanger/Equalizer Assembly
Straddle Mount - H-7700/9700**



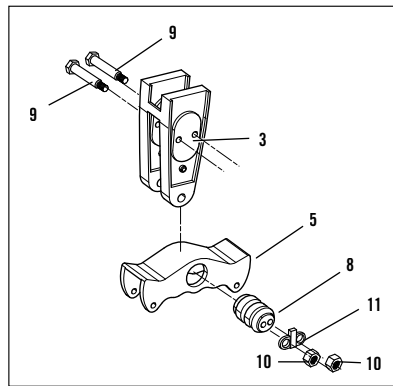
1

**No Hop Option
Rear Axle Only**

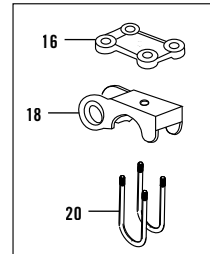


1

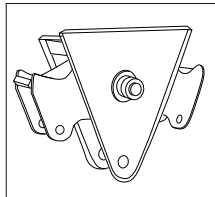
**Old Style
H-7700/CH7700 (Cast) Series**



**Upper Mounted
U-Bolt**




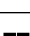




**Series 10
Hanger/Equalizer Assembly**



1

H7700/9700, CH7700/9700 Series Leaf Spring and Series 10 Sliders 42 1/2", 44", 49" and 50" Axle Spacing - Trailer

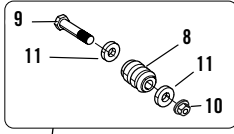
KEY NO.	EUCLID NO.	GENUINE	MACH NO.	OEM REF.	DESCRIPTION	QTY. PER TANDEM				PAGE NO.
						H9700	CH9700	H7700	CH7700	
19	E-2909	-	G-2909	710-00	Bottom Plate, 5" Rd. Axle, 7/8" Dia. U-bolts	4	4	4	4	70
	E-16521		-							
	E-15205		-	7622-00	Bottom Plate, Cast, 5" Rd. Axle	4	4	4	4	70
	E-7636		-	7747-01	Bottom Plate, 5" Sq. Axle	4	4	4	4	70
	E-7635		-	7746-00	Bottom Plate, 4" x 6" Axle	4	4	4	4	70
	E-15336		-	16297-01	Bottom Plate, 5" Rd. Axle, 3/4" Dia. U-bolts	4	4	4	4	70
	E-7697		-	10775-00	Bottom Plate Stabilizer Bracket, 5" Round Axle, No Hop, Rear Axle	2	2	2	2	71
	E-7698		-	7738-00	Bottom Plate Stabilizer Bracket, 4" x6" Axle, No Hop, Rear Axle	2	2	2	2	71
	E-7699		-	7738-01	Bottom Plate Stabilizer Bracket, 5" Square Axle, No Hop, Rear Axle	2	2	2	2	71
20	See U-Bolt Chart Page 53			-	U-Bolt Assembly	8	8	8	8	53
21	E-16394		-	16398-04	Adjustable Torque Arm, 18 1/2 - 21" Center-to-Center, O.E., 49" & 50" Axle Spacing	2	2	2	2	62
	E-3277	-	G-3277	16398-04	Adjustable Torque Arm, 18 1/2 - 21" Center-to-Center, 49" & 50" Axle Spacing	2	2	2	2	62
	E-16395		-	715-00	Rigid Torque Arm, 19 1/4" Center-to-Center, O.E., 49" & 50" Axle Spacing	2	2	2	2	63
	E-2899	-	-	715-00	Rigid Torque Arm, 19 1/4" Center-to-Center, 49" & 50" Axle Spacing	2	2	2	2	63
	E-11448	-	-	16398-06	Adjustable Torque Arm, 21 1/4" - 23 3/4" Center-to-Center Rear, No Hop 5" Rd. Axle, 49" & 50" Axle Spacing	2	2	2	2	62
	E-16526		-							
	E-16390	-	-	16398-01	Adjustable Torque Rod; 13-15 1/2" Center-to-Center, Front 42 1/2" & 44" Axle Spacing*	2	2	2	2	62
	S.O.S.		-	16398-02	Adjustable Torque Rod; 14 3/4" - 17 1/4" Center-to-Center, Rear 42 1/2" Axle Spacing*	2	2	2	2	-
	S.O.S.		-	16398-03	Adjustable Torque Rod; 15 3/8" - 17 7/8" Center-to-Center, Rear 44" Axle Spacing*	2	2	2	2	-
22	E-3079	-	G-3079	-	Torque Arm Bushing, Rubber & Bolt Kit Assy Includes Key Nos. 23, 24 and 25	8	8	8	8	64
	E-9486	-	-	-	Torque Arm Bushing, Poly & Bolt Kit Assy Includes Key Nos. 23, 24 and 25	8	8	8	8	64
23	E-2891	-	-	719-02	Torque Arm Hex Bolt, 1"-14 x 5" Long	8	8	8	8	65
	E-16500		-							
24	E-934	-	G-934	722-00	Torque Arm Bushing, Rubber	8	8	8	8	64
	E-16504		-							
	E-7453	-	-							
25	E-2892	-	-	10562-00	Torque Arm Hex Flange Nut, 1"-14	8	8	8	82	65
	E-16518		-							
26	E-9839	-	-	-	Torque Arm Bolt and Flange Nut Kit Includes Key Nos. 23, 25	8	8	8	8	65

 Denotes Product is Genuine Hutchens

HUTCHENS

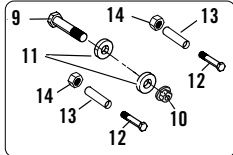
H7700/9700, CH7700/9700 Series Leaf Spring 42 1/2", 44", 49" and 50" Axle Spacing - Trailer

Equalizer Bushing & Bolt Kit



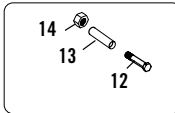
6 (Models H/CH9700)

Equalizer Bolt & Rebound Bolt Kit



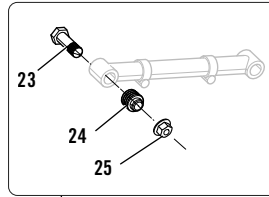
7 (Models H/CH9700)

Rebound Bolt Kit



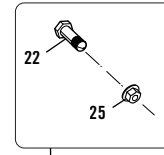
15

Torque Arm Bushing & Bolt Kit Assembly

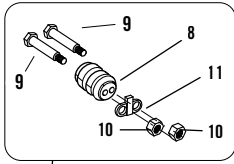


22

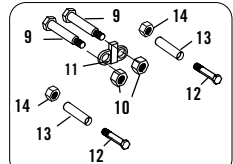
Torque Arm Bolt & Flange Nut Kit



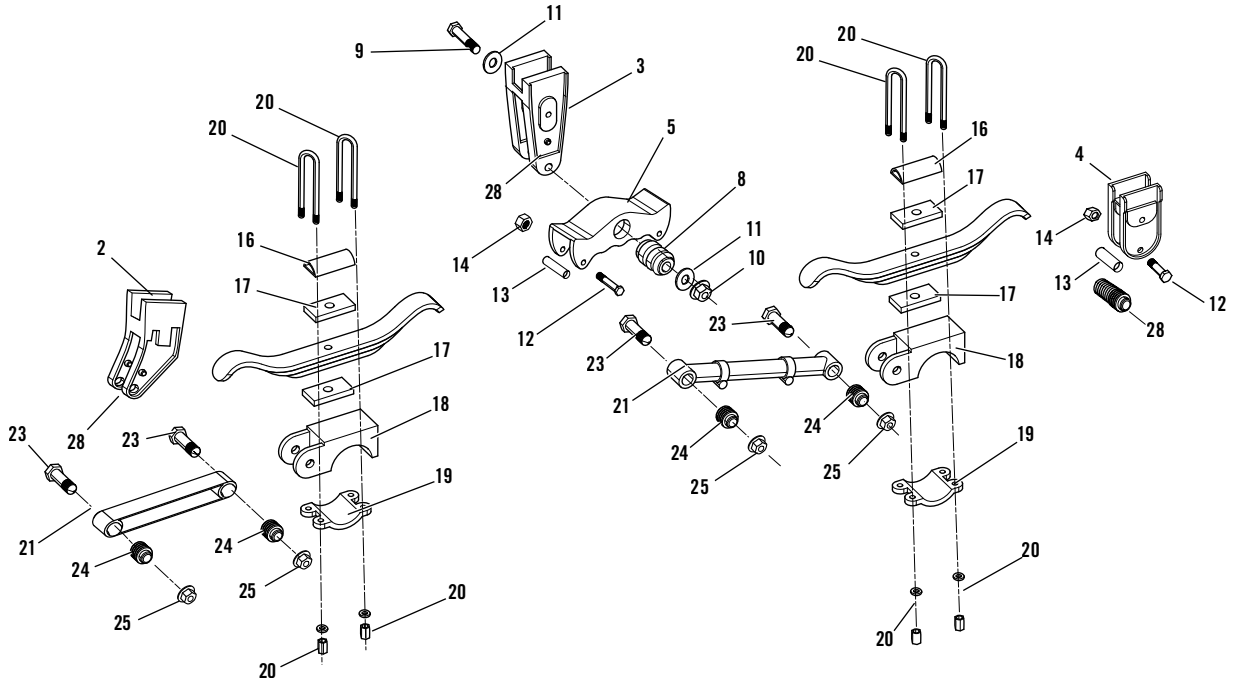
26



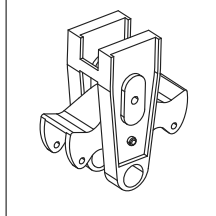
6 (Models H/CH7700)



7 (Models H/CH7700)

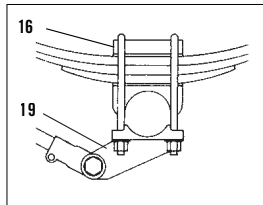


Hanger/Equalizer Assembly
Straddle Mount - H-7700/9700



1

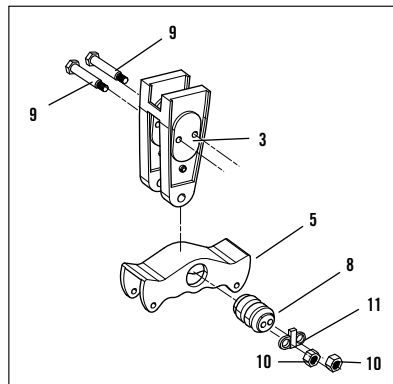
No Hop Option
Rear Axle Only



16

19

Old Style
H-7700/CH7700 (Cast) Series



9

3

5

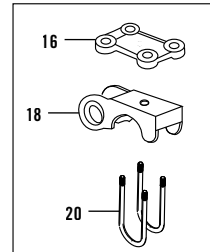
8

11

10

10

Upper Mounted
U-Bolt

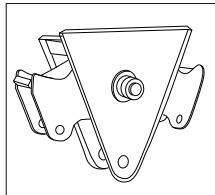


16

18





20

Series 10
Hanger/Equalizer Assembly




1

H7700/9700, CH7700/9700 Series Leaf Spring and Series 10 Sliders 42 1/2", 44", 49" and 50" Axle Spacing - Trailer

KEY NO.	EUCLID NO.	GENUINE	MACH NO.	OEM REF.	DESCRIPTION	QTY. PER TANDEM				PAGE NO.
						H9700	CH9700	H7700	CH7700	
27	E-15459		-	18541-01	Spring Rebound Bushing, Rear Hanger Mounted, Optional	As Required	As Required	As Required	As Required	68
-	E-7682		-	7717-01	Hanger Repair Bushing Washer For Fabricated Hangers (weld in place)	As Required	-	As Required	-	67
-	E-15355		-	6978-00	Hanger Repair Bushing Washer, For Cast Hangers (weld in place)	-	As Required	-	As Required	61
-	E-9487		-	755-03	Replacement Hanger Wear Pad	As Required	-	As Required	-	67

* Note: 42 1/2" & 44" Axle Spacing Do Not Use Rigid Torque Arms. All Torque Arms are Adjustable.

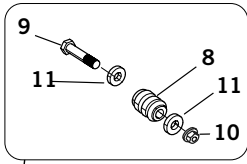
 Denotes Product is Genuine Hutchens

HUTCHENS

H7700/9700US, CH7700/9700US Underslung Series Leaf Spring - Trailer

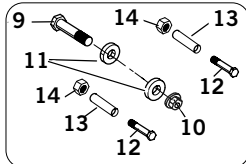
49" Axle Spacing Shown, Underslung Option Available on Most Axle Spacings

Equalizer Bushing & Bolt Kit



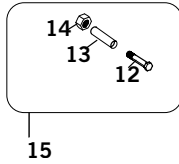
6 (Models H/CH9700)

Equalizer & Rebound Bolt Kit



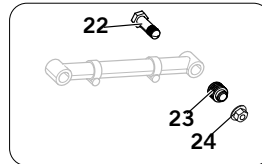
7 (Models H/CH9700)

Rebound Bolt Kit



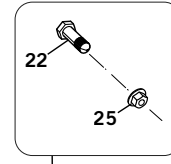
15

Torque Arm Bushing & Bolt Kit

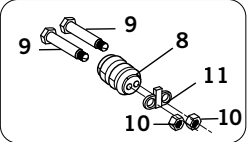


21

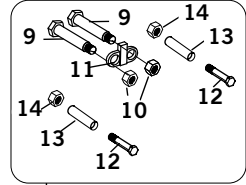
Torque Arm Bolt & Flange Nut Kit



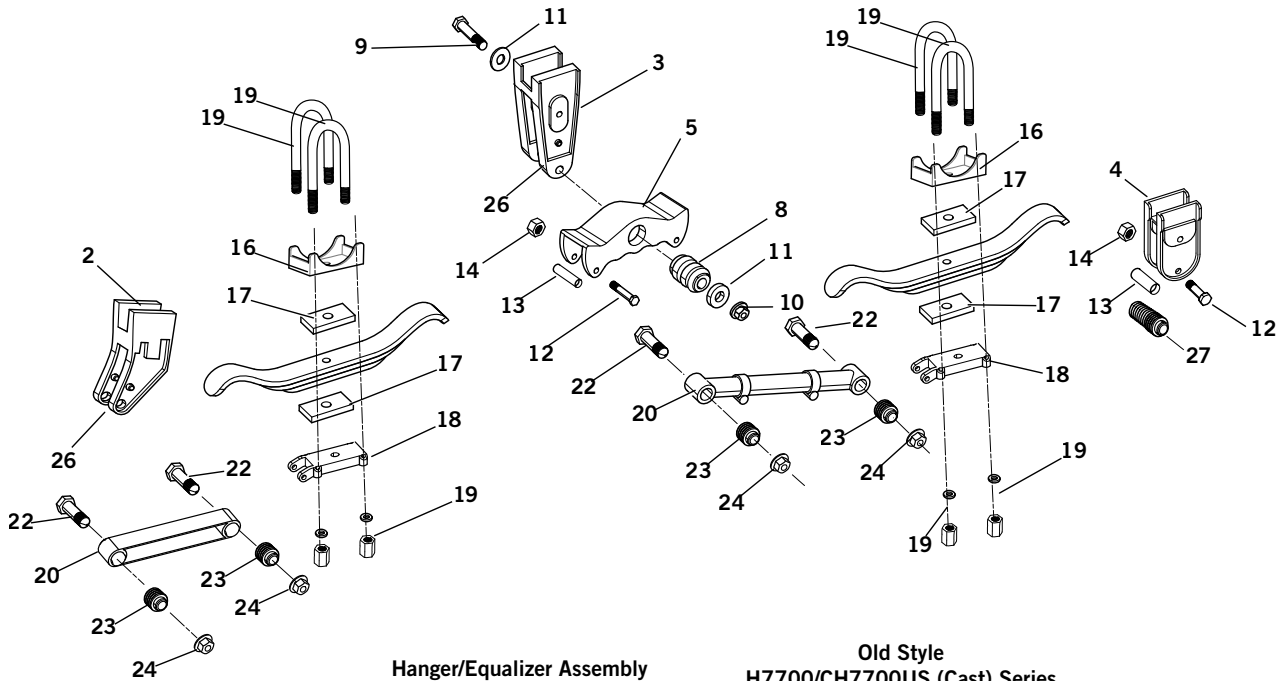
26



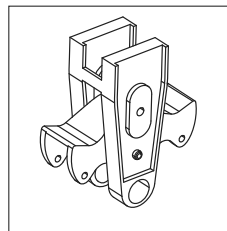
6 (Models H/CH7700)



7 (Models H/CH7700)

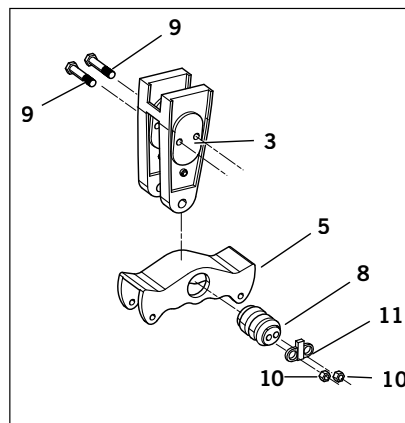


Hanger/Equalizer Assembly
Straddle Mount




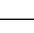












1

Old Style
H7700/CH7700US (Cast) Series



H7700/9700US, CH7700/9700US Underslung Series Leaf Spring - Trailer 49" Axle Spacing Shown, Underslung Option Available on Most Axle Spacings

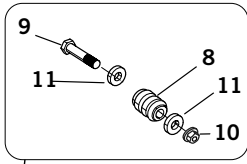
KEY NO.	EUCLID NO.	GENU-INE	MACH NO.	OEM REF.	DESCRIPTION	QTY. PER TANDEM				PAGE NO.
						H-9700US	CH-9700US	H-7700US	CH-7700US	
1	E-9484		-	16319-01	Hanger/Equalizer Assembly, Straddle Mount	2	-	-	-	57
	E-9485		-	16319-02	Hanger/Equalizer Assembly, Under Mount	2	-	-	-	57
	E-15440		-	16319-06	Hanger/Equalizer Assembly, Fabricated, Modified	2	-	-	-	57
	E-15441		-	16319-07	Hanger/Equalizer Assembly, Fabricated, Bolt on Flange	2	-	-	-	57
	E-15442		-	16319-08	Hanger/Equalizer Assembly, Fabricated, Weld on Flange	2	-	-	-	57
	E-15443		-	16319-51	Hanger/Equalizer Assembly, Cast, Stradlemount	-	2	-	-	57
	E-15444		-	16319-52	Hanger/Equalizer Assembly, Cast, Undermount	-	2	-	-	58
	E-15445		-	16319-57	Hanger/Equalizer Assembly, Cast, Bolt on Flange	-	2	-	-	58
	S.O.S.		-	-	Other Hanger/Equalizer Assemblies, Specify Hanger Type	2	2	2	2	-
2	See Hanger Chart Page 46			-	Front Hanger	2	2	2	2	46
3	See Hanger Chart Page 46			-	Equalizer Hanger	2	2	2	2	46
4	See Hanger Chart Page 46			-	Rear Hanger	2	2	2	2	46
5	E-16393		-	16158-01	Equalizer, Fabricated, Rubber Bushing, One Bolt, O.E.	2	-	-	-	55
	E-7532	-	G-7532	16158-01	Equalizer, Fabricated, Rubber Bushing, One Bolt	2	-	-	-	55
	E-9471	-	G-9471	17784-01	Equalizer, Cast, Rubber Bushing, One Bolt	-	2	-	-	55
	E-16507		-							
	E-9567	-	-	-	Equalizer, Fabricated, Poly Bushing, One Bolt	2	-	-	-	55
	E-16392		-	750-03	Equalizer, Fabricated, Rubber Bushing, Two Bolt, O.E.	-	-	2	-	55
	E-2781	-	G-2781	-	Equalizer, Fabricated, Rubber Bushing, Heavy Duty, Two Bolts, Includes Wear Plates	-	-	2	-	55
	E-2781A	-	G-2781A	750-03	Equalizer, Fabricated, Rubber Bushing, OE Equivalent, Two Bolt	-	-	2	-	55
	E-9570	-	G-9570	750-03	Equalizer, Fabricated, Rubber Bushing, Standard Duty, Two Bolt	-	-	2	-	55
	E-7918	-	-	-	Equalizer, Fabricated, Poly Bushing, Two Bolt	-	-	2	-	55
	E-2889	-	G-2889	19137-01	Equalizer, Cast, Rubber Bushing, Two Bolt	-	-	-	2	55
	E-16508		-							
6	E-9472	-	G-9472	-	Equalizer Bushing Rubber & Bolt Kit Includes Key Nos. 8, 9, 10, 11	2	2	-	-	59
	E-9473	-	-	-	Equalizer Bushing Poly & Bolt Kit Includes Key Nos. 8, 9, 10, 11	2	2	-	-	59
	E-2003	-	G-2003	-	Equalizer Bushing Rubber & Bolt Kit Includes Key Nos. 8, 9, 10, 11	-	-	2	2	59
	E-9474	-	-	-	Equalizer Bushing Poly & Bolt Kit Includes Key Nos. 8, 9, 10, 11	-	-	2	2	59

 Denotes Product is Genuine Hutchens

HUTCHENS

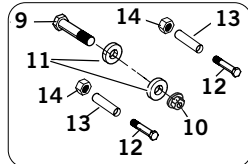
H7700/9700US, CH7700/9700US Underslung Series Leaf Spring - Trailer 49" Axle Spacing Shown, Underslung Option Available on Most Axle Spacings

Equalizer Bushing & Bolt Kit



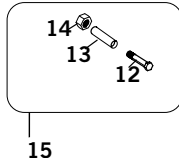
6 (Models H/CH9700)

Equalizer & Rebound Bolt Kit



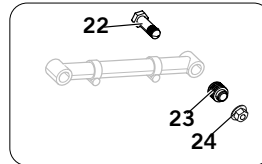
7 (Models H/CH9700)

Rebound Bolt Kit



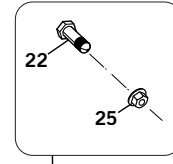
15

Torque Arm Bushing & Bolt Kit

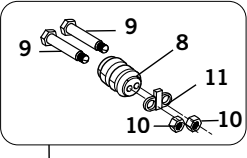


21

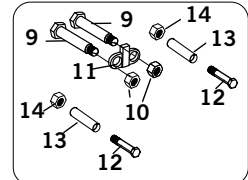
Torque Arm Bolt & Flange Nut Kit



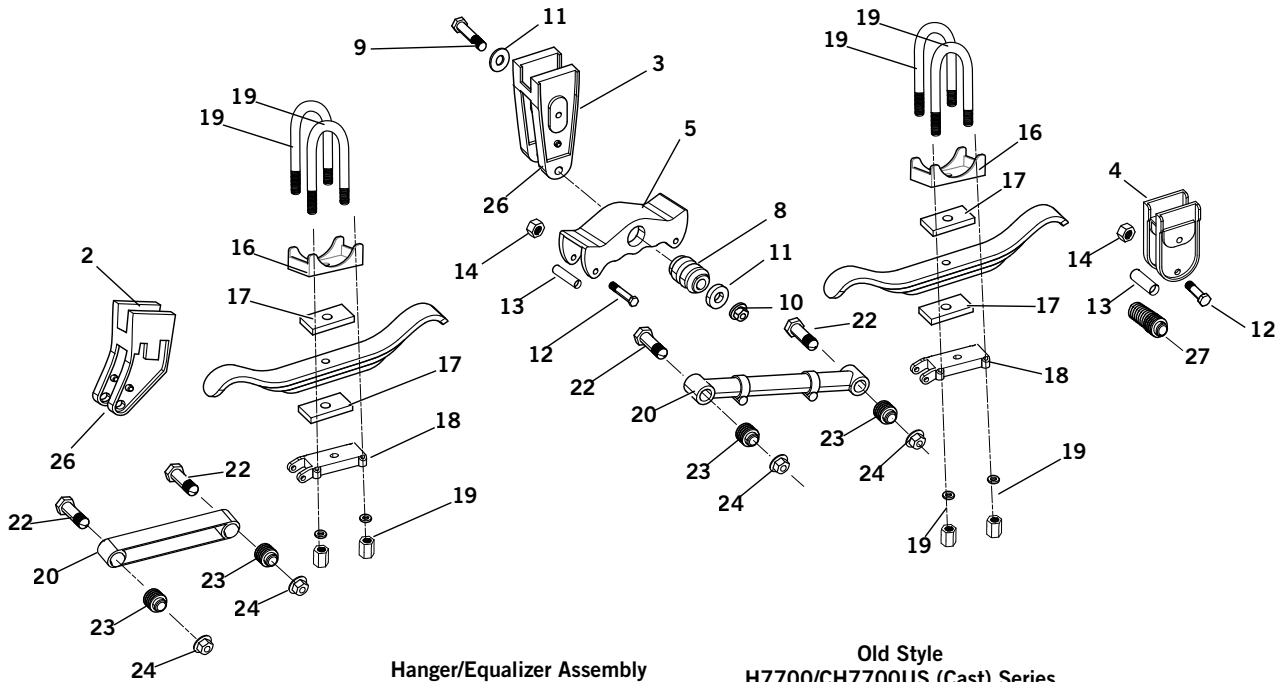
26



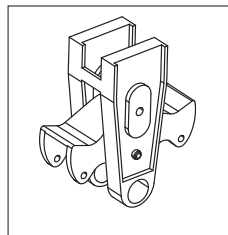
6 (Models H/CH7700)



7 (Models H/CH7700)

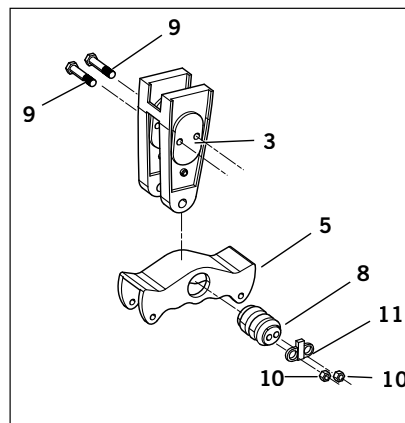


Hanger/Equalizer Assembly
Straddle Mount




1

Old Style
H7700/CH7700US (Cast) Series



H7700/9700US, CH7700/9700US Underslung Series Leaf Spring - Trailer 49" Axle Spacing Shown, Underslung Option Available on Most Axle Spacings

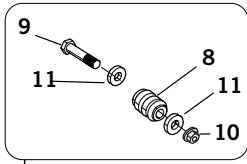
KEY NO.	EUCLID NO.	GENU-INE	MACH NO.	OEM REF.	DESCRIPTION	QTY. PER TANDEM				PAGE NO.
						H-9700US	CH-9700US	H-7700US	CH-7700US	
7	E-9475	-	G-9475	16353-01	Equalizer Bolt Kit Includes Key Nos. 9, 10, 11, 12, 13, & 14	2	2	-	-	60
	E-16506		-		-	Equalizer Bolt Kit Includes Key Nos. 9, 10, 11, 12, 13, & 14	-	-	2	2
	E-3414	-	G-3414	-	Equalizer Bolt Kit Includes Key Nos. 9, 10, 11, 12, 13, & 14	-	-	2	2	60
8	E-7621	-	G-7621	16146-01	Equalizer Bushing, Rubber, 1 Hole	2	2	-	-	59
	E-16501		-	18723-01						
	E-8666	-	-	-	Equalizer Bushing, Poly, 1 Hole	2	2	-	-	59
	E-1999A	-	G-1999A	7010-00	Equalizer Bushing, Rubber, 2 Hole	-	-	2	2	59
	E-7452	-	-	-	Equalizer Bushing, Poly, 2 Hole	-	-	2	2	59
9	E-7533	-	-	16150-01	Equalizer Center Hex Bolt, 1 1/8"-7 x 6 5/8" Long	2	2	-	-	61
	E-2000	-	-	7016-01	Equalizer Step Hex Bolt, 3/4" body x 6" Long, 5/8"-18	-	-	4	4	60
10	E-4358	-	-	11154-00	Equalizer Locknut, 1 1/8"-7	2	2	-	-	61
	E-2002	-	-	37-03	Equalizer Std Hex Nut, 5/8"-18	-	-	4	4	-
11	E-2548	-	-	837-00	Washer, 1 1/4" ID	4	4	-	-	56
	E-2001	-	G-2001	729-00	Tab Lock washer	-	-	2	2	60
12	E-3415	-	-	759-00	Equalizer Rebound Hex Bolt, 5/8"-18 x 4 1/2" Long	6	6	6	6	60
13	E-3416	-	G-3416	756-00	Equalizer Rebound Spacer Sleeve	6	6	6	6	60
	E-16525		-							
14	E-2002	-	-	37-03	Equalizer Rebound Nut, 5/8"-18	6	6	6	6	-
15	E-4835	-	G-4835	10287-00	Rebound Bolt Kit; 5/8"- 18 x 4 1/2" Long Includes Key Nos. 12, 13, 14	6	6	6	6	59
	E-16523		-							
16	See Spring Seat Chart Page 50			-	Spring Seat	4	4	4	4	50
17	E-2842	-	-	-	Delrin Spring Liner Pad	8	8	8	8	68
	E-16520		-	7052-02	Galvanized Steel Spring Liner Pad	8	8	8	8	
18	E-11728		-	706-01	Bottom Plate	4	4	4	4	70
19	See U-Bolt Chart Page 53			-	U-Bolt Assembly	8	8	8	8	53
20	E-16394		-	16398-04	Adjustable Torque Arm, 18 1/2 - 21"Center-to-Center, O.E.	2	2	2	2	62
	E-3277	-	G-3277	16398-04	Adjustable Torque Arm, 18 1/2 - 21"Center-to-Center	2	2	2	2	62
	E-16395		-	715-00	Rigid Torque Arm, 19 1/4" Center-to-Center, O.E.	2	2	2	2	63
	E-2899	-	-	715-00	Rigid Torque Arm, 19 1/4" Center-to-Center	2	2	2	2	63
21	E-3079	-	G-3079	-	Torque Arm Bushing Rubber & Bolt Kit Includes Key Nos. 22, 23, 24	8	8	8	8	64
	E-9486	-	-	-	Torque Arm Bushing Poly & Bolt Kit Includes Key Nos. 22, 23, 24	8	8	8	8	64
22	E-2891	-	-	719-02	Torque Arm Hex Bolt 1"-14 x 5" Long	8	8	8	8	65
	E-16500		-							

 Denotes Product is Genuine Hutchens

HUTCHENS

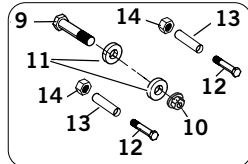
H7700/9700US, CH7700/9700US Underslung Series Leaf Spring - Trailer 49" Axle Spacing Shown, Underslung Option Available on Most Axle Spacings

Equalizer Bushing & Bolt Kit



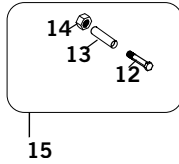
6 (Models H/CH9700)

Equalizer & Rebound Bolt Kit



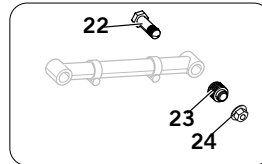
7 (Models H/CH9700)

Rebound Bolt Kit



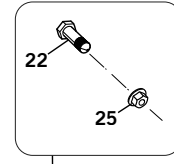
15

Torque Arm Bushing & Bolt Kit

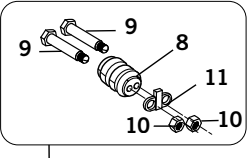


21

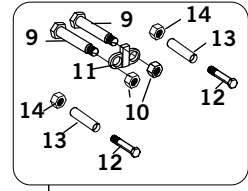
Torque Arm Bolt & Flange Nut Kit



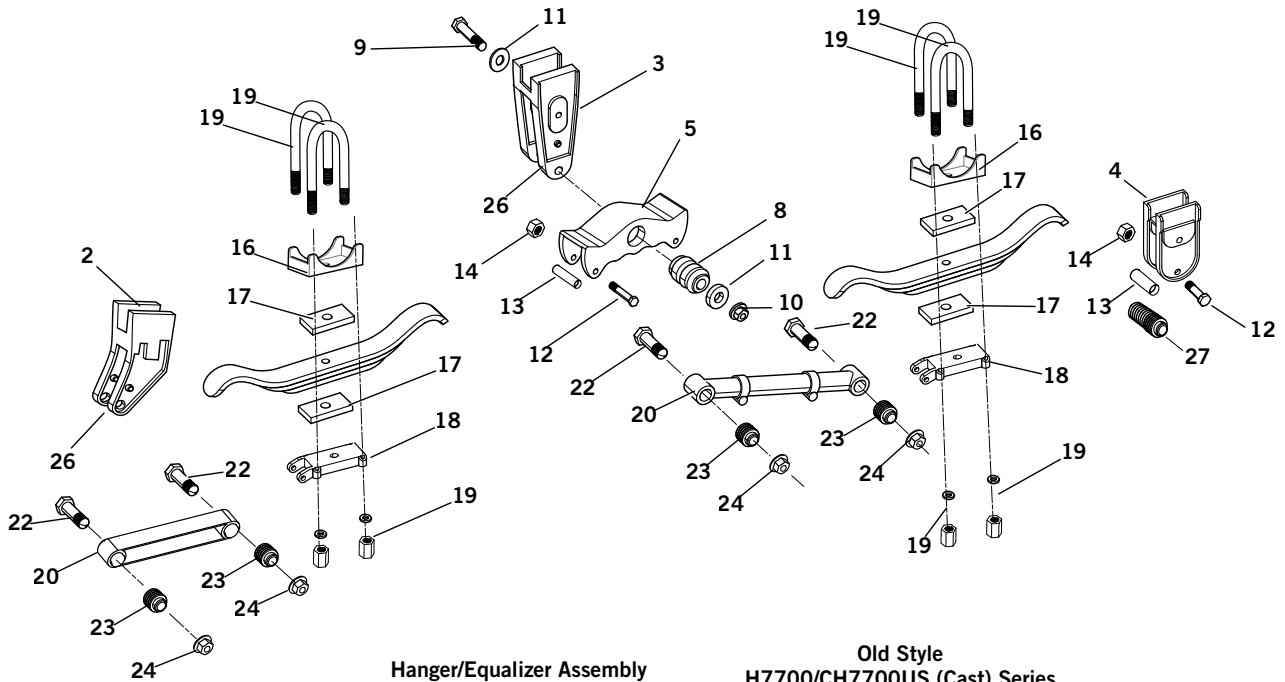
26



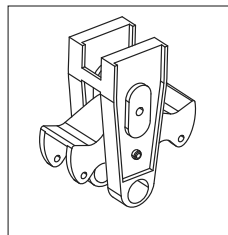
6 (Models H/CH7700)



7 (Models H/CH7700)

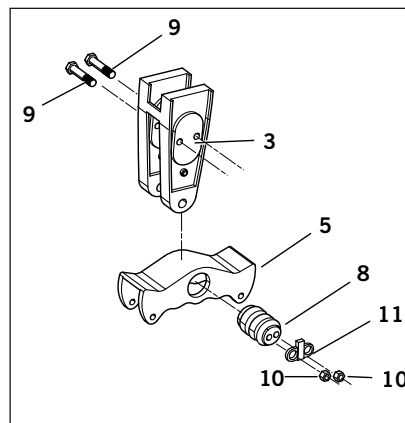


Hanger/Equalizer Assembly
Straddle Mount









1


Old Style
H7700/CH7700US (Cast) Series



10

H7700/9700US, CH7700/9700US Underslung Series Leaf Spring - Trailer 49" Axle Spacing Shown, Underslung Option Available on Most Axle Spacings

KEY NO.	EUCLID NO.	GENU-INE	MACH NO.	OEM REF.	DESCRIPTION	QTY. PER TANDEM				PAGE NO.
						H-9700US	CH-9700US	H-7700US	CH-7700US	
23	E-934	-	G-934	722-00	Torque Arm Bushing, Rubber	8	8	8	8	64
	E-16504		-							
	E-7453	-	-	722-00	Torque Arm Bushing, Poly	8	8	8	8	64
24	E-2892	-	-	10562-00	Torque Arm Hex Flange Nut, 1"-14	8	8	8	8	65
	E-16518		-							
25	E-9839	-	-	-	Torque Arm Bolt and Flange Nut Kit Includes Key Nos. 22, 24	8	8	8	8	65
26	E-7682		-	7717-01	Hanger Repair Bushing Washer For Fabricated Hangers (weld in place)	As Required		As Required		67
	E-15355		-	6978-00	Hanger Repair Bushing Washer, For Cast Hangers (weld in place)		As Required		As Required	61
27	E-15459		-	18541-01	Spring Rebound Bushing, Rear Hanger Mounted, Optional	As Required	As Required	As Required	As Required	68
-	E-9487		-	755-03	Replacement Hanger Wear Pad	As Required		As Required		67

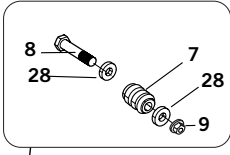
 Denotes Product is Genuine Hutchens

HUTCHENS

H7600/9600 & CH7600/9600, H7700/9700 & CH7700/9700

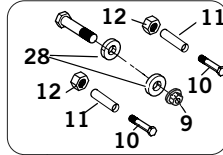
TWS 54 1/2" and 57 1/2" Axle Spacing - Trailer

Equalizer Bushing & Bolt Kit



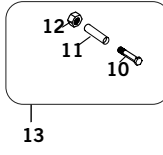
5 (Models 9600/9700)

Equalizer & Rebound Bolt Kit



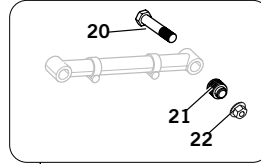
6 (Models 9600/9700)

Rebound Bolt Kit



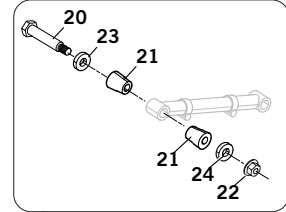
13

Torque Arm Bushing Assembly

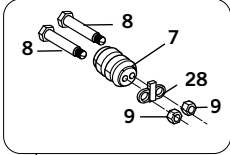


26 (Models 9700/7700)

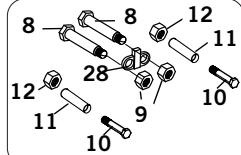
Torque Arm Bushing & Bolt Kit



27 (Models 9600/7600)

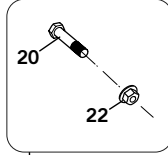


5 (Models 7600/7700)

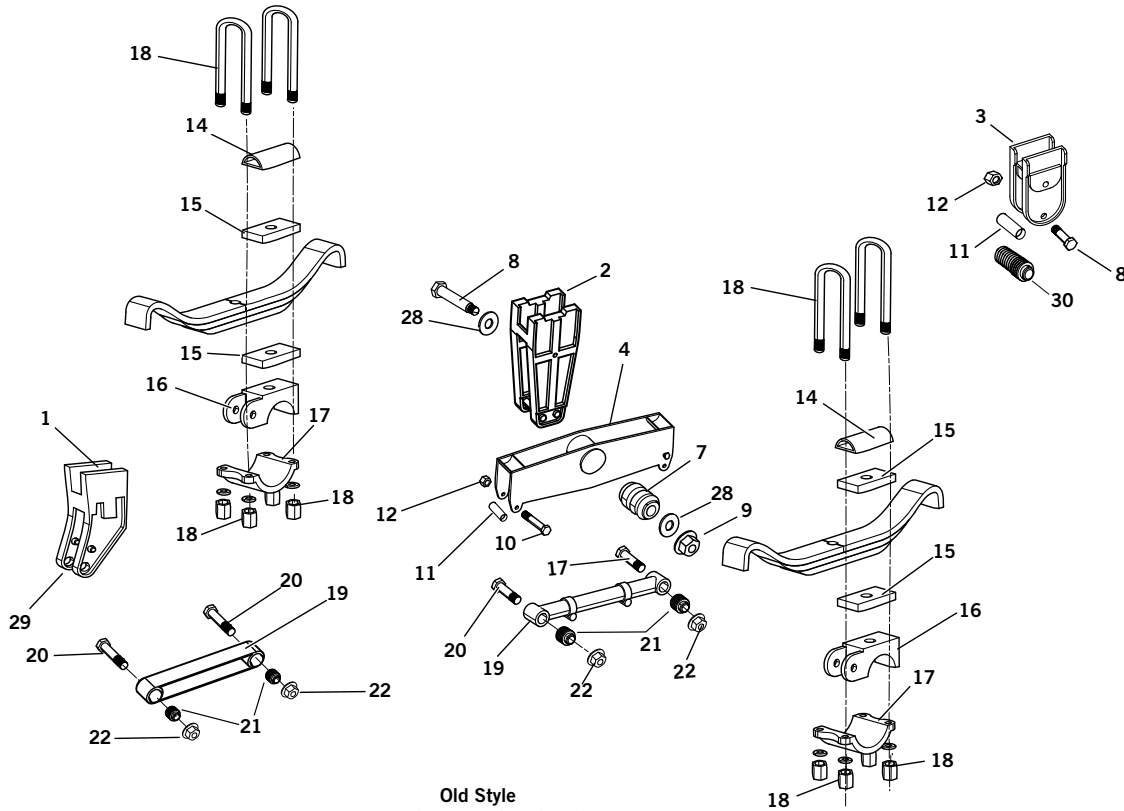


6 (Models 7600/7700)

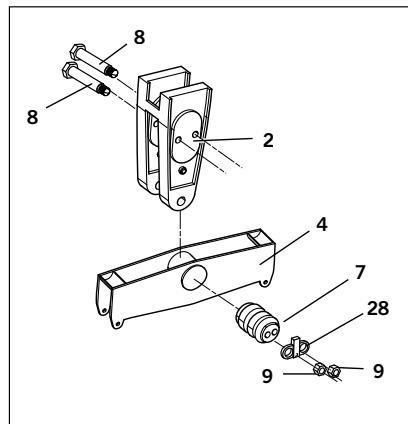
Torque Arm Bolt & Nut



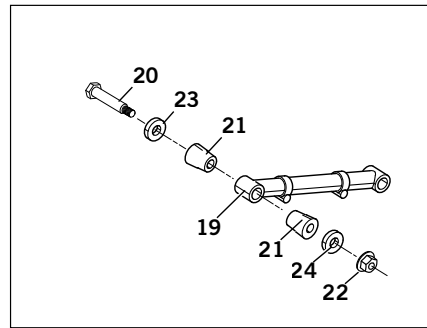
25 (Models 9700/7700)











Old Style
H7700/CH7700 (Cast) Series




H7600/CH7600 Series
2 Piece Torque Arm Bushings



H7600/9600 & CH7600/9600, H7700/9700 & CH7700/9700 TWS 54 1/2" and 57 1/2" Axle Spacing - Trailer

KEY NO.	EUCLID NO.	GENUINE	MACH NO.	OEM REF.	DESCRIPTION	QTY. PER TANDEM FOR H & CH				PAGE NO.
						9600 SERIES	7600 SERIES	9700 SERIES	7700 SERIES	
1	See Hanger Chart Page 46			-	Front Hanger	2	2	2	2	46
2	See Hanger Chart Page 46			-	Equalizer Hanger	2	2	2	2	46
3	See Hanger Chart Page 46			-	Rear Hanger	2	2	2	2	46
4	E-14925		-	24820-01	Equalizer, Fabricated, One Hole, Rubber Bushing for 54 1/2" Axle Spacing	2	-	2	-	56
	E-15338		-	24713-01	Equalizer, Fabricated, Two Hole, Rubber Bushing for 54 1/2" Axle Spacing	-	2	-	2	56
	E-15331		-	24821-01	Equalizer, Fabricated, Two Hole, Rubber Bushing for 54 1/2" Axle Spacing. Replaces Cast Equalizer 12808-01	-	2	-	2	56
	E-14818		-	21833-01	Equalizer, Fabricated, One Hole, Rubber Bushing for 57 1/2" Axle Spacing	2	-	2	-	56
	S.O.S.		-	21840-01	Equalizer, Fabricated, Two Hole, Rubber Bushing for 57 1/2" Axle Spacing	-	2	-	2	-
5	E-9472	-	G-9472	-	Equalizer Bushing Rubber & Bolt Kit, Includes Key Nos. 7, 8, 9, 28	2	-	2	-	59
	E-9473	-	-	-	Equalizer Bushing Poly & Bolt Kit, Includes Key Nos. 7, 8, 9, 28	2	-	2	-	59
	E-2003	-	G-2003	-	Equalizer Bushing Rubber & Bolt Kit, Includes Key Nos. 7, 8, 9, 28	-	2	-	2	59
	E-9474	-	-	-	Equalizer Bushing Poly & Bolt Kit, Includes Key Nos. 7, 8, 9, 28	-	2	-	2	59
6	E-9475	-	G-9475	16353-01	Equalizer Bolt Kit	2	-	2	-	60
	E-16506		-		Includes Key No. 8, 9, 10, 11, 12, 28	-	2	-	2	60
	E-3414	-	G-3414	-	Equalizer (2) Bolt & Rebound Bolt Kit, Includes Key No. 8, 9, 10, 11, 12, 28	-	2	-	2	60
7	E-7621	-	G-7621	18723-01	Equalizer Bushing, Rubber, One Hole	2	-	2	-	59
	E-16501		-		Equalizer Bushing, Poly, One hole	2	-	2	-	59
	E-8666	-	-	-	Equalizer Bushing, Rubber, Two Hole	-	2	-	2	59
	E-1999A	-	G-1999A	7010-00	Equalizer Bushing, Poly, Two hole	-	2	-	2	59
	E-7452	-	-	-	Equalizer Hex Bolt, 1 1/8"-7 x 6 5/8" Long	2	-	2	-	61
8	E-7533	-	-	16150-01	Equalizer Step Hex Bolt, 3/4" body x 6" Long, 5/8"-18	-	4	-	4	60
	E-2000	-	-	7016-01	Equalizer Hex Locknut, 1 1/8"-7,	2	-	2	-	61
9	E-4358	-	-	11154-00	Equalizer Hex Nut, 5/8"-18	-	4	-	4	-
	E-2002	-	-	37-03	Equalizer Rebound Hex Bolt, 5/8"-18 x 4 1/2" Long	6	6	6	6	60
10	E-3415	-	-	759-00	Equalizer Rebound Spacer Sleeve	6	6	6	6	60
11	E-3416	-	G-3416	756-00	Hex Nut, 5/8"-18	6	6	6	6	-
	E-16525		-		Rebound Bolt Kit; 5/8"- 18 x 4 1/2" Long, Includes Key Nos. 10, 11 & 12	6	6	6	6	59
12	E-2002	-	-	37-03	U-bolt Top Plate	4	4	4	4	68
	E-4835	-	G-4835	10287-00	Delrin Spring Liner Pad	8	8	8	8	68
E-16523		-	Galvanized Steel Spring Lined Pad		8	8	8	8		
14	E-2907A		G-2907A	16868-01	Spring Seat	4	4	4	4	50
15	E-2842	-	-	-						
	E-16520		-	7052-02						
16	See Spring Seat Chart Page 50			-						

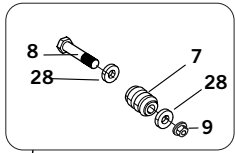
 Denotes Product is Genuine Hutchens

HUTCHENS

H7600/9600 & CH7600/9600, H7700/9700 & CH7700/9700

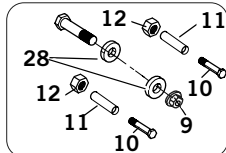
TWS 54 1/2" and 57 1/2" Axle Spacing - Trailer

Equalizer Bushing & Bolt Kit



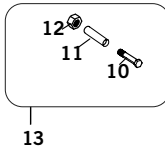
5 (Models 9600/9700)

Equalizer & Rebound Bolt Kit



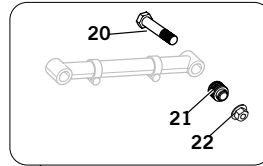
6 (Models 9600/9700)

Rebound Bolt Kit



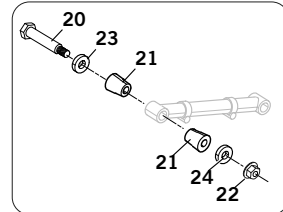
13

Torque Arm Bushing Assembly

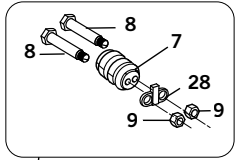


26 (Models 9700/7700)

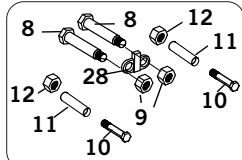
Torque Arm Bushing & Bolt Kit



27 (Models 9600/7600)

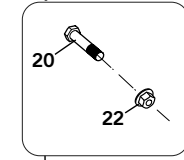


5 (Models 7600/7700)

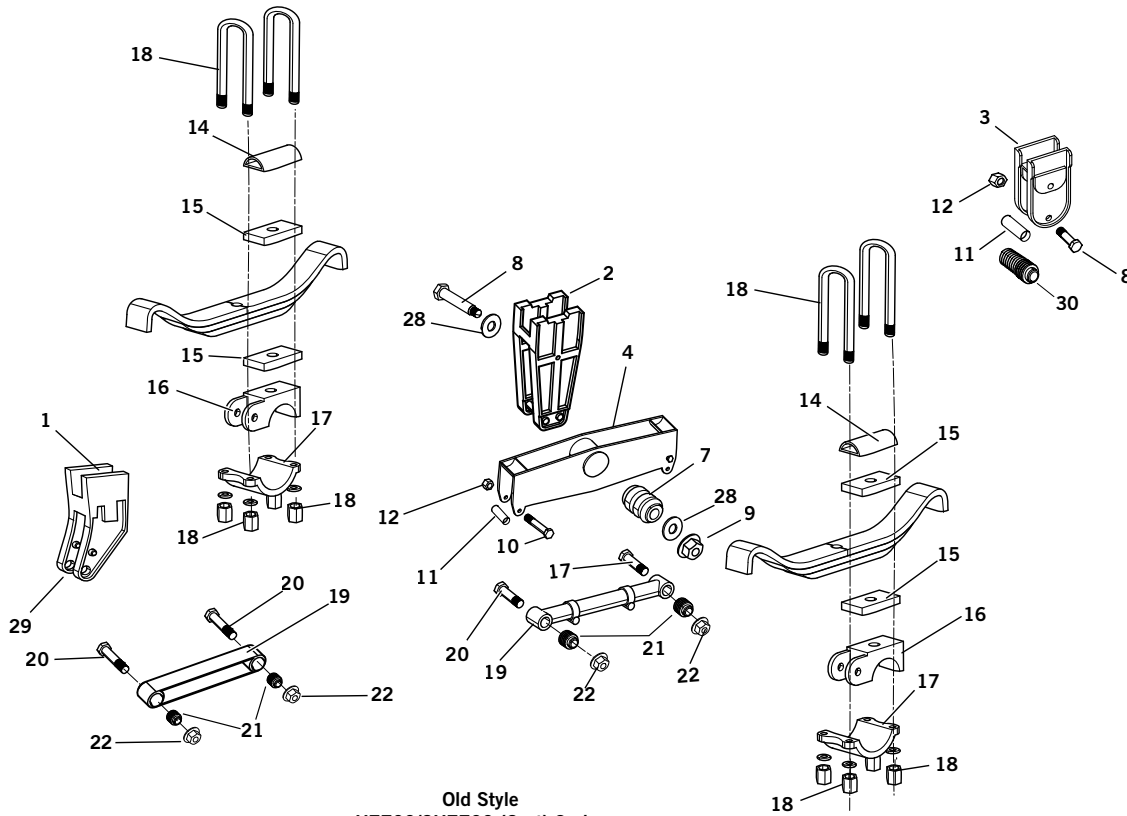


6 (Models 7600/7700)

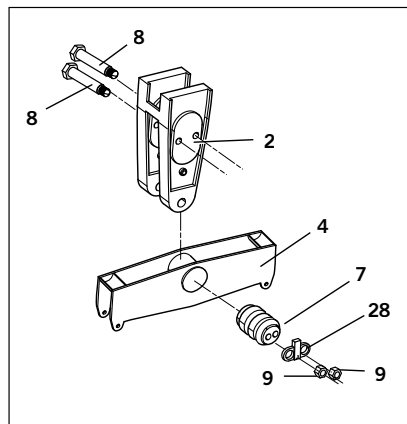
Torque Arm Bolt & Nut



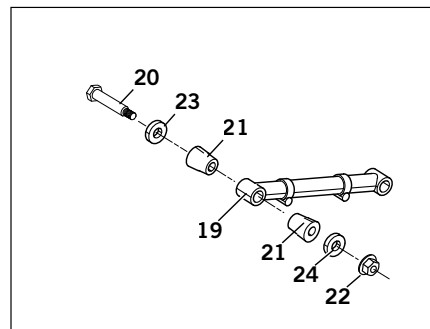
25 (Models 9700/7700)






















Old Style
H7700/CH7700 (Cast) Series




H7600/CH7600 Series
2 Piece Torque Arm Bushings



H7600/9600 & CH7600/9600, H7700/9700 & CH7700/9700 TWS 54 1/2" and 57 1/2" Axle Spacing - Trailer

KEY NO.	EUCLID NO.	GENUINE	MACH NO.	OEM REF.	DESCRIPTION	QTY. PER TANDEM FOR H & CH				PAGE NO.
						9600 SERIES	7600 SERIES	9700 SERIES	7700 SERIES	
17	E-2909	-	G-2909	710-00	Bottom Plate, 5" Rd. Axle, 7/8" Dia. U-bolts	4	4	4	4	70
	E-16521		-							
	E-15205		-	7622-00	Bottom Plate, Cast, 5" Rd. Axle	4	4	4	4	70
	E-7636		-	7747-01	Bottom Plate, 5" Sq. Axle	4	4	4	4	70
	E-7635		-	7746-00	Bottom Plate, 4" x 6" Axle	4	4	4	4	70
	E-15336		-	16297-01	Bottom Plate, 5" Rd. Axle, 3/4" Dia. U-bolts	4	4	4	4	70
	E-7697		-	10775-00	Bottom Plate Stabilizer Bracket, 5" Round Axle, No Hop, Rear Axle	-	-	2	2	71
	E-7699		-	7738-01	Bottom Plate Stabilizer Bracket, 5" Square Axle, No Hop, Rear Axle	-	-	2	2	71
	E-16391		-	7619-00	Bottom Plate Stabilizer Bracket, 5" Round Axle; No Hop, Rear Axle Only	2	2	-	-	71
	E-15358		-	7621-00	Bottom Plate Stabilizer Bracket, 5" Square Axle; No Hop, Rear Axle Only	2	2	-	-	70
18	See U-Bolt Chart Page 53			-	U-Bolt Assembly	8	8	8	8	53
19	E-16395		-	715-00	Rigid Torque Arm, 19 1/4" Center-to-Center, Front, Curbside 54 1/2" & 57 1/2" Axle Spread, O.E.	-	-	2	2	63
	E-2899	-	-	715-00	Rigid Torque Arm, 19 1/4" Center-To-Center, Front, Curbside, 54 1/2 & 57 1/2" Axle Spread	-	-	1	1	63
	E-16394		-	16398-04	Adjustable Torque Arm, 18 1/2 - 21" Center-to-Center, Front, Roadside, 54 1/2" & 57 1/2" Axle Spread, O.E.	-	-	1	1	62
	E-3277	-	G-3277	16398-04	Adjustable Torque Arm, 18 1/2 - 21" Center-To-Center Front, Roadside, 54 1/2 & 57 1/2" Axle Spread	-	-	1	1	62
	E-7683	-	-	16398-05	Adjustable Torque Arm, 20 1/4" Center-to-Center, Rear, 54 1/2" Axle Spread	-	-	2	2	62
	E-16528		-							
	S.O.S.		-	16398-07	Adjustable Torque Arm, 22 1/4" Center-to-Center, Rear, 57 1/2" Axle Spread	-	-	2	2	-
	S.O.S.		-	11953-01	Rigid Torque Arm, 19 1/4" Center-to-Center, Front, 54 1/2" Axle Spread, Tapered Bushings Key No. 21 Not included	1	1	-	-	-
	E-9476		-	16167-04	Adjustable Torque Rod; 54 1/2" Axle Spacing, Front, Taper Bushing Key No. 21 Not included, 18-20" Center-to-Center	1	1	-	-	63
	S.O.S.		-	16167-05	Adjustable Torque Rod; 54 1/2" Axle Spacing, Rear, Taper Bushing Key No. 21 Not included, 19-21" Center-to-Center	2	2	-	-	-
	S.O.S.		-	16167-07	Adjustable Torque Rod; 54 1/2" Axle Spacing, Rear, No-Hop, Taper Bushing Key No. 21 Not included, 21-23" Center-to-Center	2	2	-	-	-
20	E-2891	-	-	719-02	Torque Arm Bolt, 1"-14 x 5" Long	-	-	8	8	65
	E-16500		-							
	E-9480		-	12709-01	Torque Arm Step Bolt, 7/8"-14	8	8	-	-	65

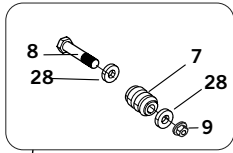
 Denotes Product is Genuine Hutchens

HUTCHENS

H7600/9600 & CH7600/9600, H7700/9700 & CH7700/9700

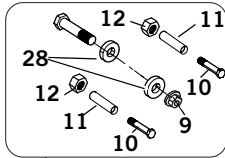
TWS 54 1/2" and 57 1/2" Axle Spacing - Trailer

Equalizer Bushing & Bolt Kit



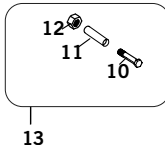
5 (Models 9600/9700)

Equalizer & Rebound Bolt Kit



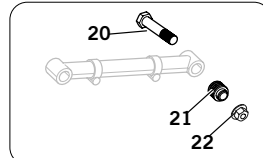
6 (Models 9600/9700)

Rebound Bolt Kit



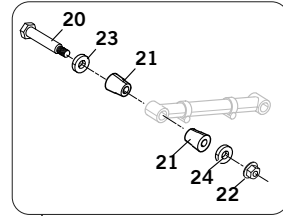
13

Torque Arm Bushing Assembly

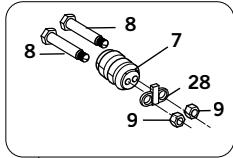


26 (Models 9700/7700)

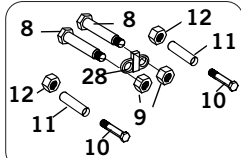
Torque Arm Bushing & Bolt Kit



27 (Models 9600/7600)

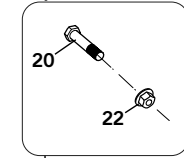


5 (Models 7600/7700)

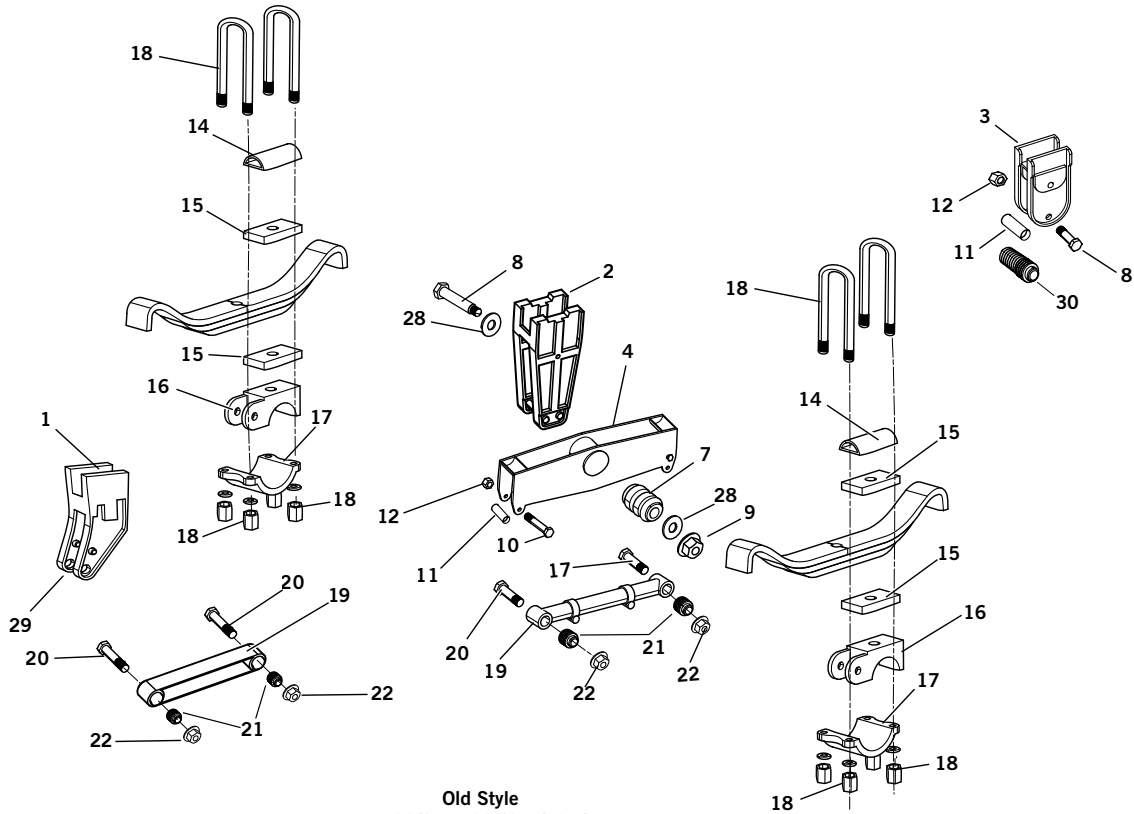


6 (Models 7600/7700)

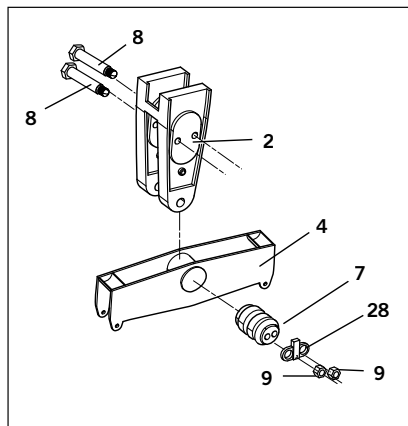
Torque Arm Bolt & Nut



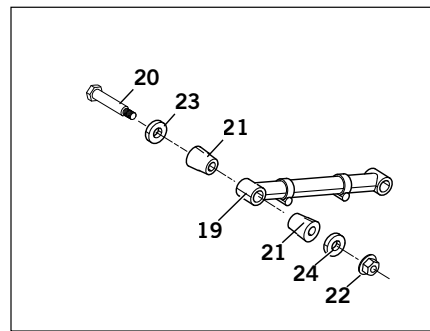
25 (Models 9700/7700)





Old Style
H7700/CH7700 (Cast) Series




H7600/CH7600 Series
2 Piece Torque Arm Bushings



H7600/9600 & CH7600/9600, H7700/9700 & CH7700/9700 TWS 54 1/2" and 57 1/2" Axle Spacing - Trailer

KEY NO.	EUCLID NO.	GENUINE	MACH NO.	OEM REF.	DESCRIPTION	QTY. PER TANDEM FOR H & CH				PAGE NO.
						9600 SERIES	7600 SERIES	9700 SERIES	7700 SERIES	
21	E-934	-	G-934	722-00	Torque Arm Bushing, Rubber	-	-	8	8	64
	E-16504		-							
	E-7453	-	-	-	Torque Arm Bushing, Poly	-	-	8	8	64
	E-927	-	G-927	7620-00	Torque Arm Bushing, Rubber	16	16	-	-	64
	E-16505		-							
	E-7433	-	-							
22	E-2892	-	-	10562-00	Torque Arm Nut, 1"-14	-	-	8	8	65
	E-16518		-							
	E-1835	-	-	34-02	Torque Arm Nut, 7/8"-14 Hex Locknut	8	8	-	-	65
23	E-2833	-	-	12710-01	Washer, 1 5/16" ID	8	8	-	-	65
24	E-9482	-	-	12711-01	Washer, 15/16" ID	8	8	-	-	-
25	E-9839	-	-	-	Torque Arm Bolt and Nut, Includes Key Nos. 20, 22	-	-	8	8	65
26	E-3079	-	G-3079	-	Torque Arm Bushing Assembly Rubber; Includes Key Nos. 20, 21, 22	-	-	8	8	64
	E-9486	-	-	-	Torque Arm Bushing Assembly Poly; Includes Key Nos. 20, 21, 22	-	-	8	8	64
27	E-9478	-	G-9478	-	Torque Arm Bushing, Rubber, & Bolt Kit, Includes Key Nos. 20, 21, 22, 23, and 24	8	8	-	-	64
	E-9479	-	-	-	Torque Arm Bushing, Poly, & Bolt Kit, Includes Key Nos. 20, 21, 22, 23, and 24	8	8	-	-	64
28	E-2001	-	G-2001	729-00	Lock Tab Washer	-	2	-	2	60
	E-2548	-	-	-	Washer, 1 1/4" ID	4	-	4	-	56
29	E-7682		-	7717-01	Hanger Repair Bushing Washer For Fabricated Hangers (weld in place)	-	-	As Reqd	As Reqd	67
	E-15355		-	6978-00	Hanger Repair Bushing Washer, For Cast Hangers (weld in place)	-	-	As Reqd	As Reqd	61
30	E-15459		-	18541-01	Spring Rebound Bushing, Rear Hanger Mounted, Optional	As Required	As Required	As Required	As Required	68
-	E-9487		-	755-03	Replacement Hanger Wear Pad	As Reqd	As Reqd	As Reqd	As Reqd	67

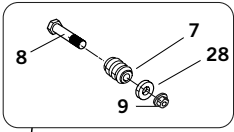
 Denotes Product is Genuine Hutchens

HUTCHENS

H7600/9600 & CH7600/9600, H7700/9700 & CH7700/9700

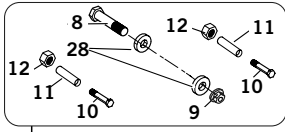
TWS 61" - 81" Axle Spacing - Trailer

Equalizer Bushing & Bolt Kit



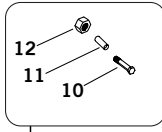
5 (Models 9600/9700)

Equalizer Bolt & Rebound Bolt Kit



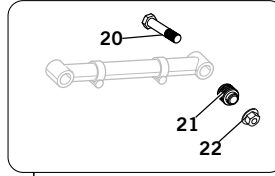
6 (Models 9600/9700)

Rebound Bolt Kit



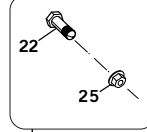
13

Torque Arm Bushing Assembly



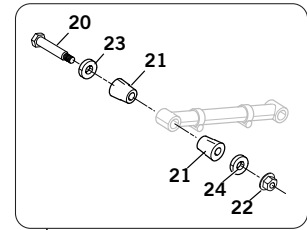
26 (Models 9700/7700)

Torque Arm Bolt & Nut

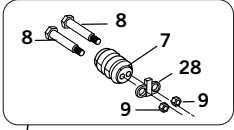


25 (Models 9700/7700)

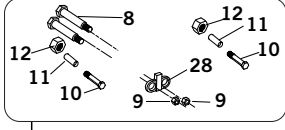
Torque Arm Bushing & Bolt Kit



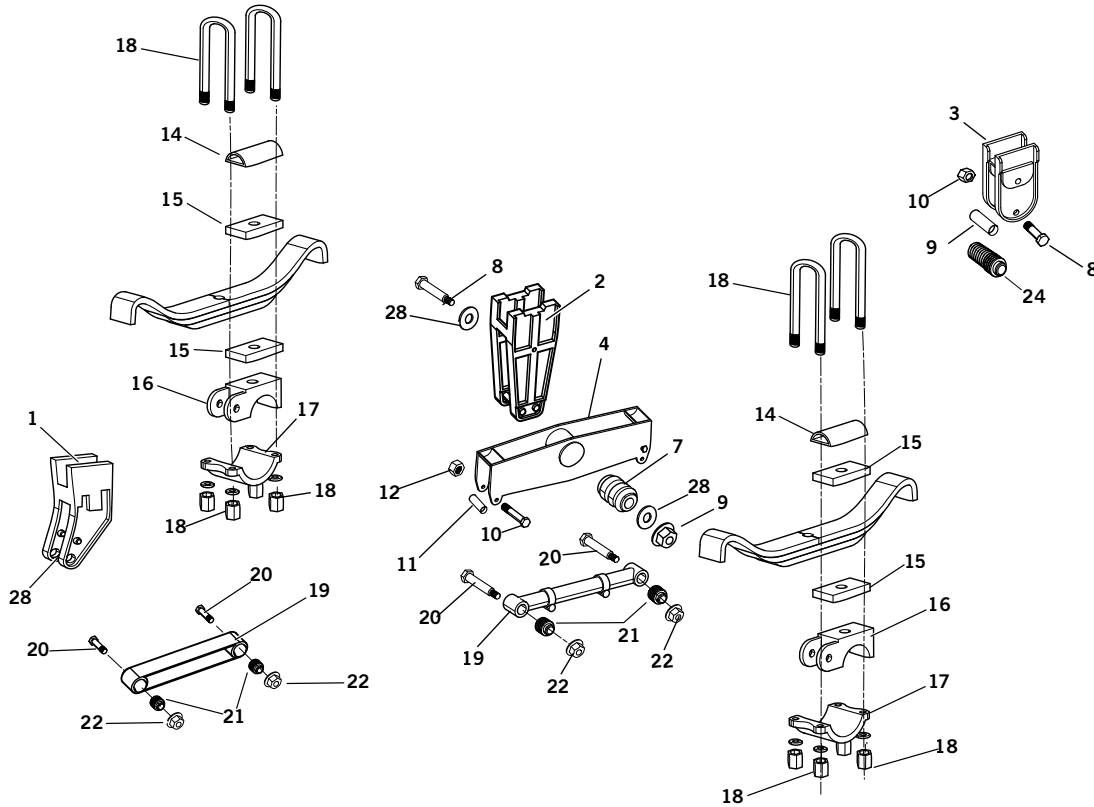
27 (Models 9600/7600)



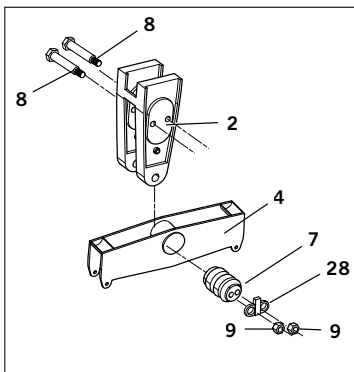
5 (Models 7600/7700)



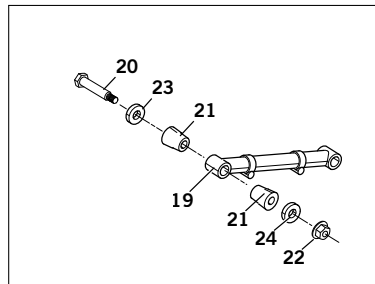
6 (Models 7600/7700)



Old Style
H7700/CH7700 (Cast) Series




H7600/CH7600 Series
2 Piece Torque Arm Bushings



H7600/9600 & CH7600/9600, H7700/9700 & CH7700/9700 TWS 61" - 81" Axle Spacing - Trailer

KEY NO.	EUCLID NO.	GENUINE	MACH NO.	OEM REF.	DESCRIPTION	QTY. PER TANDEM FOR H & CH				
						9600 SERIES	7600 SERIES	9700 SERIES	7700 SERIES	PAGE NO.
1	See Hanger Chart Page 46			-	Front Hanger	2	2	2	2	46
2	See Hanger Chart Page 46			-	Equalizer Hanger	2	2	2	2	46
3	See Hanger Chart Page 46			-	Rear Hanger	2	2	2	2	46
4	E-9489		-	21834-01	Equalizer, Fabricated, One Hole Rubber Bushing for 61" Axle Spacing	2	-	2	-	56
	E-9330		-	21835-01	Equalizer, Fabricated, One Hole Rubber Bushing for 73" Axle Spacing	2	-	2	-	56
	E-15475		-	21841-01	Equalizer, Fabricated, Two Hole Rubber Bushing for 61" Axle Spacing	-	2	-	2	56
	E-15433		-	16168-15	Equalizer, Fabricated, One Hole Rubber Bushing for 64" Axle Spacing	2	-	2	-	56
	E-15377		-	9239-03	Equalizer, Fabricated, Two Hole Rubber Bushing for 67" Axle Spacing	-	2	-	2	56
	E-15430		-	16168-03	Equalizer, Fabricated, One Hole Rubber Bushing for 67" Axle Spacing	2	-	2	-	56
	S.O.S.		-	16168-07	Equalizer, Fabricated, One Hole Rubber Bushing for 81" Axle Spacing	2	-	2	-	-
5	E-9472	-	G-9472	-	Equalizer Bushing Rubber & Bolt Kit, Includes Key Nos. 7, 8, 9, 28	2	-	2	-	
	E-9473	-	-	-	Equalizer Bushing Poly & Bolt Kit, Includes Key Nos. 7, 8, 9, 28	2	-	2	-	59
	E-2003	-	G-2003	-	Equalizer Bushing Rubber & Bolt Kit, Includes Key Nos. 7, 8, 9, 28	-	2	-	2	59
	E-9474	-	-	-	Equalizer Bushing Poly & Bolt Kit, Includes Key Nos. 7, 8, 9, 28	-	2	-	2	59
6	E-9475	-	G-9475	16353-01	Equalizer Bolt Kit, Includes Key No. 8, 9, 10, 11, 12, & 28	2	-	2	-	60
	E-16506		-							
	E-3414	-	G-3414	-	Equalizer (2) Bolt & Rebound Bolt Kit, Includes Key Nos. 8, 9, 10, 11, 12, & 28	-	2	-	2	60
7	E-7621	-	G-7621	18723-01	Equalizer Bushing, Rubber, One Hole	2	-	2	-	59
	E-16501		-							
	E-8666	-	-	-	Equalizer Bushing, Poly, One hole	2	-	2	-	59
	E-1999A	-	G-1999A	7010-00	Equalizer Bushing, Rubber, Two Hole	-	2	-	2	59
	E-7452	-	-	-	Equalizer Bushing, Poly, Two hole	-	2	-	2	59
8	E-7533	-	-	16150-01	Equalizer Hex Bolt, 1 1/8"-7 x 6 5/8" Long	2	-	2	-	61
	E-2000	-	-	7016-01	Equalizer Step Hex Bolt, 3/4" body x 6" Long, 5/8"-18	-	4	-	4	60
9	E-4358	-	-	11154-00	Equalizer Hex Locknut, 1 1/8"-7	2	-	2	-	61
	E-2002	-	-	37-03	Equalizer Hex Nut, 5/8"-18	-	4	-	4	-
10	E-3415	-	-	759-00	Equalizer Rebound Hex Bolt, 5/8"-18 x 4 1/2" Long	6	6	6	6	60
11	E-3416	-	G-3416	756-00	Equalizer Rebound Spacer Sleeve	6	6	6	6	60
	E-16525		-							
12	E-2002	-	-	37-03	Hex Nut, 5/8"-18	6	6	6	6	-
13	E-4835	-	G-4835	10287-00	Rebound Bolt Kit; 5/8"- 18 x 4 1/2" Long, Includes Key Nos. 10, 11, 12	6	6	6	6	59
	E-16523		-							
14	E-2907A		G-2907A	16868-01	U-Bolt Top Plate	4	4	4	4	68
15	E-2842	-	-	-	Delrin Spring Liner Pad	8	8	8	8	68
	E-16520		-	7052-02	Galvanized Steel Spring Liner Pad	8	8	8	8	

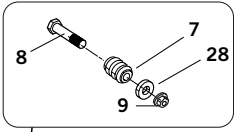
 Denotes Product is Genuine Hutchens

HUTCHENS

H7600/9600 & CH7600/9600, H7700/9700 & CH7700/9700

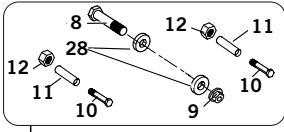
TWS 61" - 81" Axle Spacing - Trailer

Equalizer Bushing & Bolt Kit



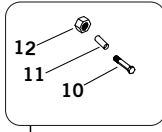
5 (Models 9600/9700)

Equalizer Bolt & Rebound Bolt Kit



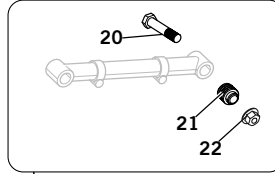
6 (Models 9600/9700)

Rebound Bolt Kit



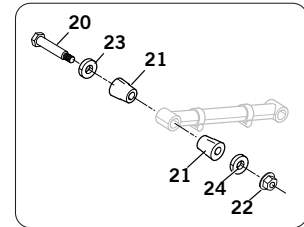
13

Torque Arm Bushing Assembly

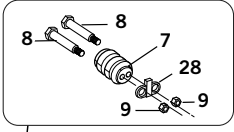


26 (Models 9700/7700)

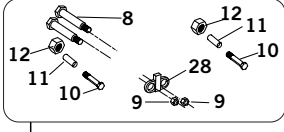
Torque Arm Bushing & Bolt Kit



27 (Models 9600/7600)

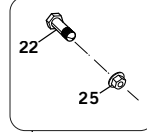


5 (Models 7600/7700)

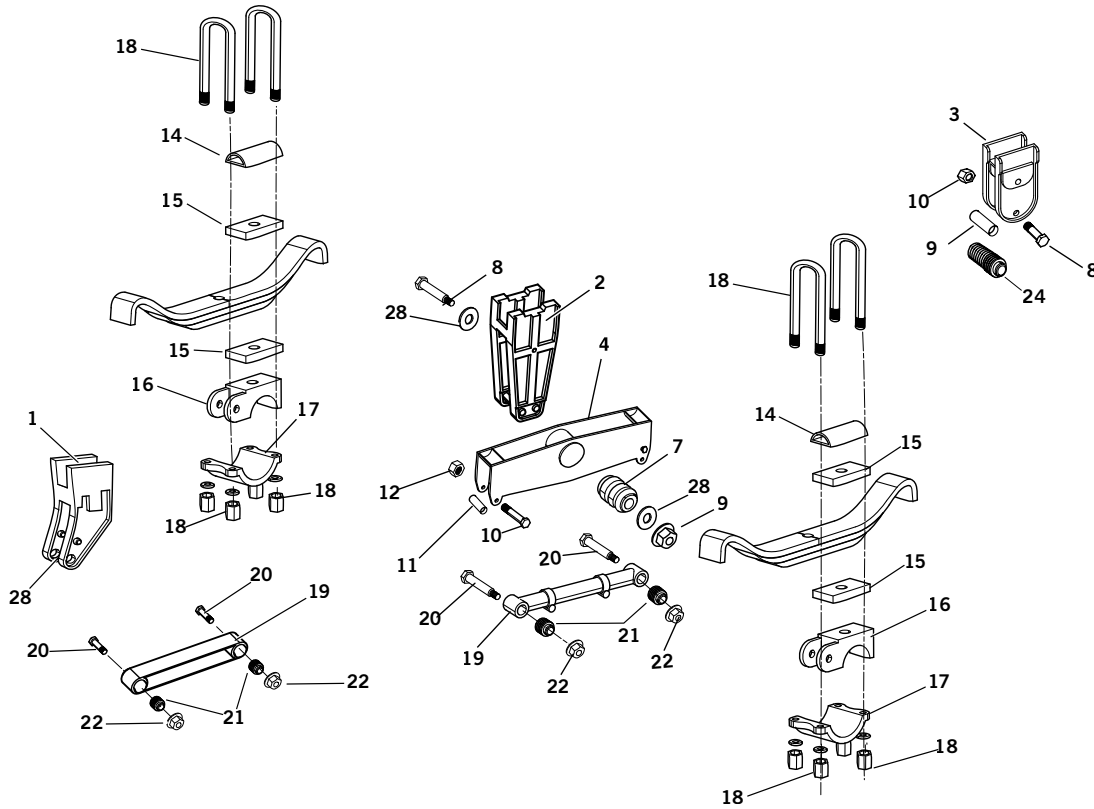


6 (Models 7600/7700)

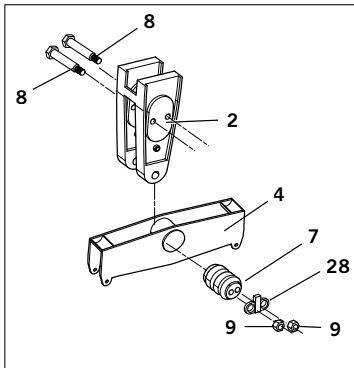
Torque Arm Bolt & Nut



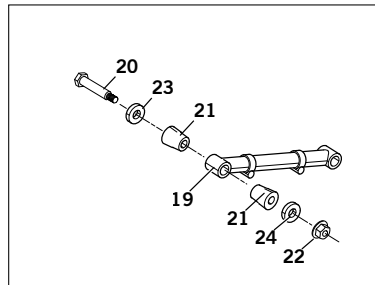
25 (Models 9700/7700)



**Old Style
H7700/CH7700 (Cast) Series**



**H7600/CH7600 Series
2 Piece Torque Arm Bushings**



H7600/9600 & CH7600/9600, H7700/9700 & CH7700/9700 TWS 61" - 81" Axle Spacing - Trailer

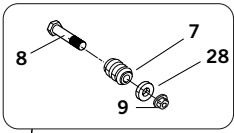
KEY NO.	EUCLID NO.	GENUINE	MACH NO.	OEM REF.	DESCRIPTION	QTY. PER TANDEM FOR H & CH				
						9600 SERIES	7600 SERIES	9700 SERIES	7700 SERIES	PAGE NO.
16	See Spring Seat Chart Page 50			-	Spring Seat	4	4	4	4	50
17	E-2909	-	G-2909	710-00	Bottom Plate, 5" Rd. Axle, 7/8" Dia. U-bolts	4	4	4	4	70
	E-16521		-							
	E-7636		-	7747-01	Bottom Plate, 5" Sq. Axle	4	4	4	4	70
	E-7635		-	7746-00	Bottom Plate, 4" x 6" Axle	4	4	4	4	70
	E-15336		-	16297-01	Bottom Plate, 5" Rd. Axle, 3/4" Dia. U-bolts	4	4	4	4	70
	E-7697		-	10775-00	Bottom Plate Stabilizer Bracket, 5" Round Axle, No Hop, Rear Axle, 7/8" U-Bolts	-	-	2	2	71
	S.O.S.		-	16308-01	Bottom Plate Stabilizer Bracket, 5" Round Axle, No Hop, Rear Axle, 3/4" U-Bolts	-	-	2	2	-
	E-7699		-	7738-01	Bottom Plate Stabilizer Bracket, 5" Square Axle, No Hop, Rear Axle	-	-	2	2	71
	E-16391		-	7619-00 7619-01	Bottom Plate Stabilizer Bracket, 5" Round Axle; No Hop, Rear Axle Only	2	2	-	-	71
E-15358		-	7621-00	Bottom Plate Stabilizer Bracket, 5" Square Axle; No Hop, Rear Axle Only	2	2	-	-	70	
18	See U-Bolt Chart Page 53			-	U-Bolt Assembly	8	8	8	8	53
19	E-9476		-	16167-04	Adjustable Torque Rod; Front, Taper Bushing Key No. 21 Not included, 18-20" Center-to-Center, 61-72" Axle Spacing	1	1	-	-	63
	E-9477		-	11953-01	Rigid Torque Rod; Front, Taper Bushing Key No. 21 Not included, 19 1/4" Center-to-Center, 61-72" Axle Spacing	1	1	-	-	63
	S.O.S.		-	Various	Adjustable Torque Rod, Rear, Including No Hop	2	2	-	-	-
	E-16395		-	715-00	Rigid Torque Arm, Front, Curbside, 19 1/4" Center-to Center, All Axle Spacing, O.E.	-	-	1	1	63
	E-2899	-	-	715-00	Rigid Torque Arm, Front, Curbside, 19 1/4" Center-to Center, All Axle Spacing	-	-	1	1	63
	E-16394		-	16398-04	Adjustable Torque Arm, Front, Roadside 18 1/2 - 21" Center-To-Center, All Axle Spacing, O.E.	-	-	1	1	62
	E-3277	-	G-3277	16398-04	Adjustable Torque Arm, Front, Roadside 18 1/2 - 21" Center-To-Center, All Axle Spacing	-	-	1	1	62
	E-7684	-	-	16398-08	Adjustable Torque Arm, Rear, 22 1/4-24 3/4" Center-To-Center, 61" Axle Spread.	-	-	2	2	62
	E-16530		-							
	E-15342		-	16398-09	Adjustable Torque Arm, Rear 23 1/2- 26" Center-To-Center, 61" Axle Spread. 5" Rd. Axle, No Hop	-	-	2	2	62
	E-15344		-	16398-10	Adjustable Torque Arm, Rear, 25 1/2- 28" Center-To-Center, 67" Axle Spread.	-	-	2	2	62
	E-15343		-	16398-11	Adjustable Torque Arm, Rear, 27 1/2- 30" Center-To-Center, 67" Axle Spread. 5" Rd. Axle, No Hop	-	-	2	2	62
	E-7685	-	-	16398-12	Adjustable Torque Arm, Rear, 28 1/2- 31" Center-To-Center, 73" Axle Spread.	-	-	2	2	62
	E-16529		-							
	E-15346		-	16398-13	Adjustable Torque Arm, Rear, 29 1/2- 32" Center-To-Center, 73" Axle Spread. 5" Rd Axle No Hop	-	-	2	2	62
E-15353		-	16398-14	Adjustable Torque Arm, Rear, 32 1/2- 35" Center-To-Center, 81" Axle Spread.	-	-	2	2	62	
E-15350		-	16398-15	Adjustable Torque Arm, Rear, 32 1/2- 35" Center-To-Center, 81" Axle Spread. 5" Rd Axle No Hop	-	-	2	2	62	
20	E-2891	-	-	719-02	Torque Arm Hex Bolt, 1"-14 x 5" Long	-	-	8	8	65
	E-16500		-							
	E-9480		-	12709-01	Torque Arm Step Bolt, 7/8"-14	8	8	-	-	65

HUTCHENS

H7600/9600 & CH7600/9600, H7700/9700 & CH7700/9700

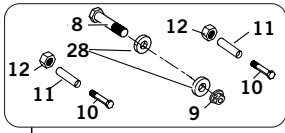
TWS 61" - 81" Axle Spacing - Trailer

Equalizer Bushing & Bolt Kit



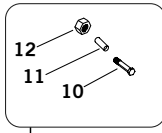
5 (Models 9600/9700)

Equalizer Bolt & Rebound Bolt Kit



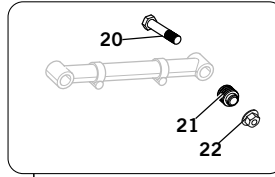
6 (Models 9600/9700)

Rebound Bolt Kit



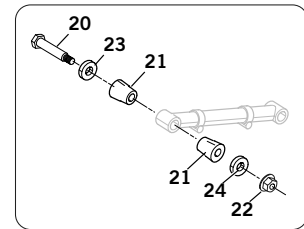
13

Torque Arm Bushing Assembly

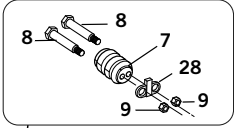


26 (Models 9700/7700)

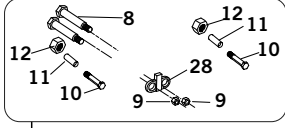
Torque Arm Bushing & Bolt Kit



27 (Models 9600/7600)

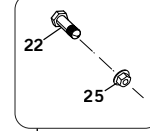


5 (Models 7600/7700)

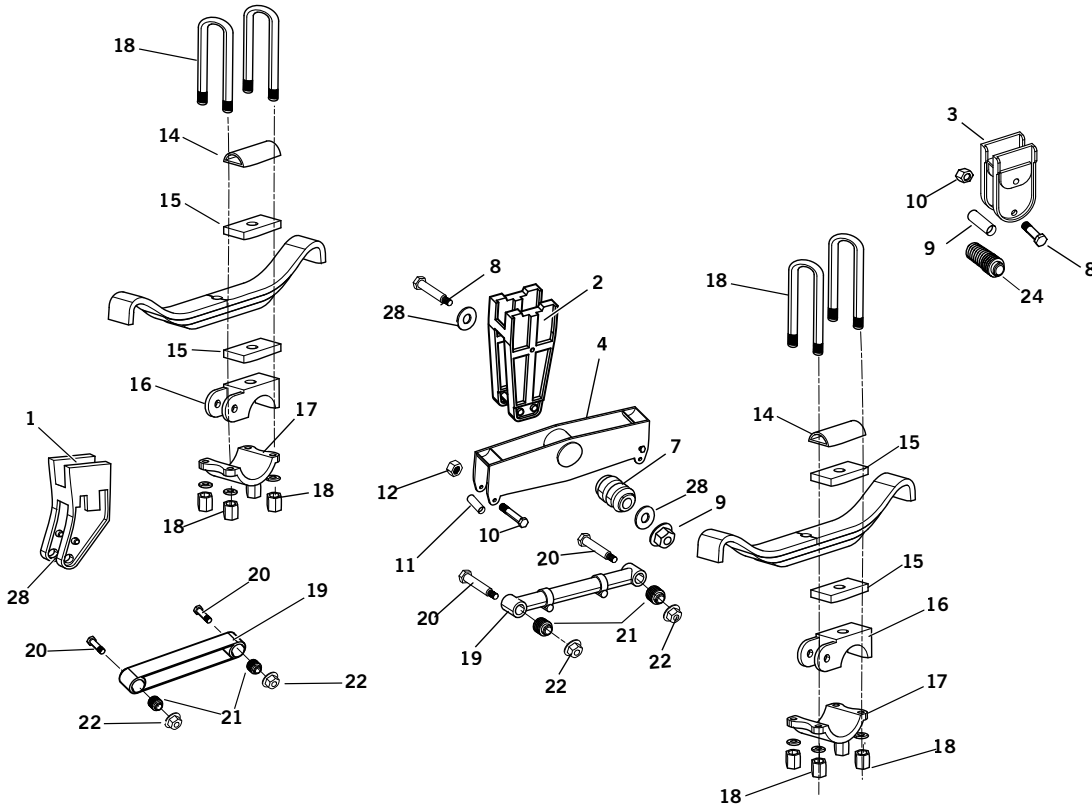


6 (Models 7600/7700)

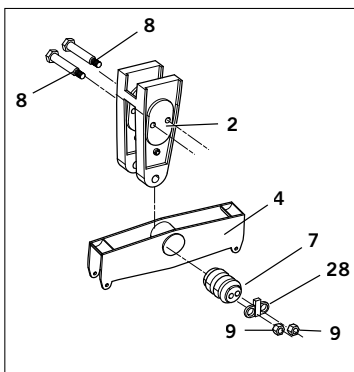
Torque Arm Bolt & Nut



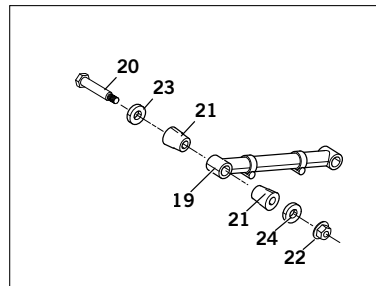
25 (Models 9700/7700)









**Old Style
H7700/CH7700 (Cast) Series**




**H7600/CH7600 Series
2 Piece Torque Arm Bushings**



H7600/9600 & CH7600/9600, H7700/9700 & CH7700/9700 TWS 61" - 81" Axle Spacing - Trailer

KEY NO.	EUCLID NO.	GENUINE	MACH NO.	OEM REF.	DESCRIPTION	QTY. PER TANDEM FOR H & CH				
						9600 SERIES	7600 SERIES	9700 SERIES	7700 SERIES	PAGE NO.
21	E-934	-	G-934	722-00	Torque Arm Bushing, Rubber	-	-	8	8	64
	E-16504		-							
	E-7453	-	-	-	Torque Arm Bushing, Poly	-	-	8	8	64
	E-927	-	G-927	7620-00	Torque Arm Bushing, Rubber	16	16	-	-	64
	E-16505		-							
	E-7433	-	-							
22	E-2892	-	-	10562-00	Torque Arm Nut, 1"-14	-	-	8	8	65
	E-16518		-							
	E-1835	-	-	34-02	Torque Arm Nut, 7/8"-14 Hex Locknut	8	8	-	-	65
23	E-2833	-	-	12710-01	Washer, 1 5/16" ID	8	8	-	-	65
24	E-9482	-	-	12711-01	Washer, 15/16" ID	8	8	-	-	-
25	E-9839	-	-	-	Torque Arm Bolt and Nut, Includes Key Nos. 20, 22	-	-	8	8	65
26	E-3079	-	G-3079	-	Torque Arm Bushing Assembly Rubber; Includes Key Nos. 20, 21, 22	-	-	8	8	64
	E-9486	-	-	-	Torque Arm Bushing Assembly Poly; Includes Key Nos. 20, 21, 22	-	-	8	8	64
27	E-9478	-	G-9478	-	Torque Arm Bushing, Rubber, & Bolt Kit, Includes Key Nos. 20, 21, 22, 23, & 24	8	8	-	-	64
	E-9479	-	-	-	Torque Arm Bushing, Poly, & Bolt Kit, Includes Key Nos. 20, 21, 22, 23, & 24	8	8	-	-	64
28	E-2001	-	G-2001	729-00	Lock Tab Washer	-	2	-	2	60
	E-2548	-	-	-	Washer, 1 1/4" ID	4	-	4	-	56
29	E-7682		-	7717-01	Hanger Repair Bushing Washer For Fabricated Hangers (weld in place)	-	-	As Reqd	As Reqd	67
30	E-15459		-	18541-01	Spring Rebound Bushing, Rear Hanger Mounted, Optional	As Reqd	As Reqd	As Reqd	As Reqd	68
-	E-9487		-	755-03	Replacement Hanger Wear Pad	As Reqd	As Reqd	As Reqd	As Reqd	67

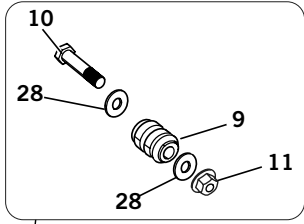
 Denotes Product is Genuine Hutchens

HUTCHENS

H7700/9700 & CH7700/9700

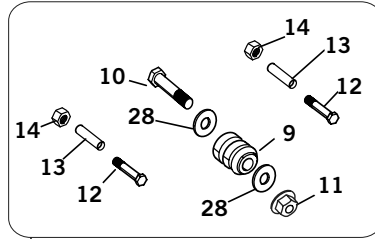
TWS 97" - 121" Axle Spacing - Trailer

Equalizer Bushing Kit



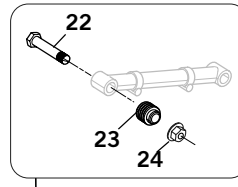
6 (Models H9700)

Equalizer & Rebound Bolt Kit



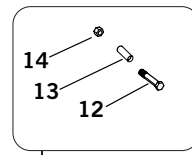
8 (Models H9700)

Torque Arm Bushing & Bolt Kit



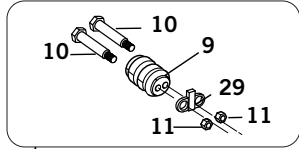
26

Rebound Bolt Kit



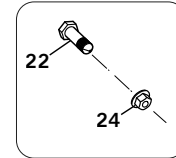
15

Equalizer Bushing Kit

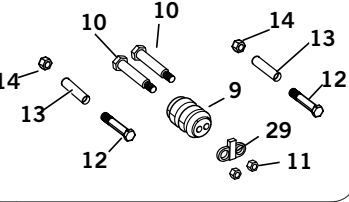


7 (Models H7700)

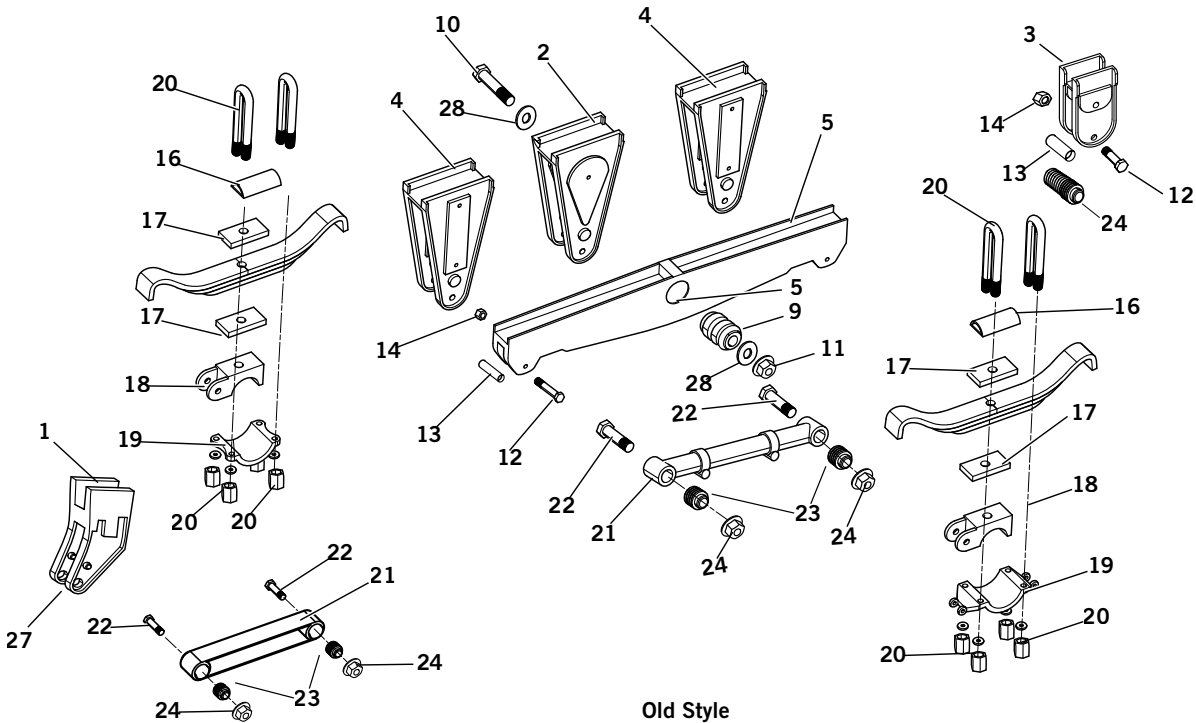
Torque Arm Bolt & Flange Nut Kit



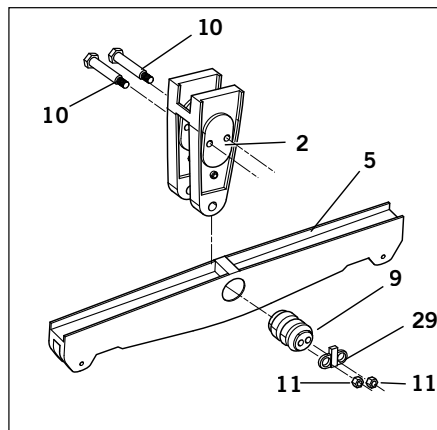
25



8 (Models H7700)




Old Style
H-7700/CH7700 (Cast) Series



H7700/9700 TWS 97" - 121" Axle Spacing - Trailer

KEY NO.	EUCLID NO.	GENUINE	MACH NO.	OEM REF.	DESCRIPTION	QTY. PER TANDEM		
						H7700 SERIES	H9700 SERIES	PAGE NO.
1	See Hanger Chart Page 46			-	Front Hanger	2	2	46
2	See Hanger Chart Page 46			-	Equalizer Hanger	2	2	46
3	See Hanger Chart Page 46			-	Rear Hanger	2	2	46
4	E-15224		-	7707-13	Beam Guide Hanger, Straddle Mount, Fabricated	4	4	67
	E-7681		-	7707-14	Beam Guide Hanger, Under Mount, Fabricated	4	4	67
	S.O.S.		-	-	Beam Guide Hanger, Cast, Various	4	4	-
5	E-15378		-	9239-09	Equalizer, Fabricated, Two Hole Rubber Bushing for 97" Axle Spacing	2	-	56
	E-15348		-	16168-09	Equalizer, Fabricated, One Hole Rubber Bushing for 97" Axle Spacing	-	2	56
	E-9491		-	16168-10	Equalizer, Fabricated, Two Hole Rubber Bushing for 109" Axle Spacing	2	-	56
	E-15379		-	9239-10	Equalizer, Fabricated, Two Hole Rubber Bushing for 109" Axle Spacing	2	-	56
	E-9492		-	16168-13	Equalizer, Fabricated, One Hole Rubber Bushing for 121" Axle Spacing	-	2	56
	S.O.S.		-	9239-13	Equalizer, Fabricated, Two Hole Rubber Bushing for 121" Axle Spacing	2	-	-
6	E-9472	-	G-9472	-	Equalizer Bushing Rubber & Bolt Kit, Includes Key Nos. 9, 10, 11, 28	-	2	59
	E-9473	-	-	-	Equalizer Bushing Poly & Bolt Kit, Includes Key Nos. 9, 10, 11, 28	-	2	59
7	E-2003	-	G-2003	-	Equalizer Bushing Rubber & Bolt Kit, Includes Key Nos. 9, 10, 11, 29	2	-	59
	E-9474	-	-	-	Equalizer Bushing Poly & Bolt Kit, Includes Key Nos. 9, 10, 11, 29	2	-	59
8	E-9475	-	G-9475	16353-01	Equalizer Bolt Kit	-	2	60
	E-16506		-		Includes Key No. 10, 11, 12, 13, 14, & 28			
	E-3414	-	G-3414	-	Equalizer (2) Bolt & Rebound Bolt Kit, Includes Key Nos. 10, 11, 12, 13, 14, & 29	2	-	60
9	E-7621	-	G-7621	18723-01	Equalizer Bushing, Rubber, One Hole	-	2	59
	E-16501		-					
	E-8666	-	-	-	Equalizer Bushing, Poly, One hole	-	2	59
	E-1999A	-	G-1999A	7010-00	Equalizer Bushing, Rubber, Two Hole	2	-	59
	E-7452	-	-	-	Equalizer Bushing, Poly, Two hole	2	-	59
10	E-7533	-	-	16150-01	Equalizer Hex Bolt, 1 1/8"-7 x 6 5/8" Long	-	2	61
	E-2000	-	-	7016-01	Equalizer Step Hex Bolt, 3/4" body x 6" Long, 5/8"-18	4	-	60
11	E-4358	-	-	11154-00	Equalizer Hex Locknut, 1 1/8"-7	-	2	61
	E-2002	-	-	37-03	Equalizer Hex Nut, 5/8"-18	4	-	-
12	E-3415	-	-	759-00	Equalizer Rebound Hex Bolt, 5/8"-18 x 4 1/2" Long	6	6	60
13	E-3416	-	G-3416	756-00	Equalizer Rebound Spacer Sleeve	6	6	60
	E-16525		-					
14	E-2002	-	-	37-03	Hex Nut, 5/8"-18	6	6	-
15	E-4835	-	G-4835	10287-00	Rebound Bolt Kit, 5/8"- 18 x 4 1/2" Long, Includes Key Nos. 12, 13 14	6	6	59
	E-16523		-					
16	E-2907A		G-2907A	16868-01	U-bolt Top Plate	4	4	68

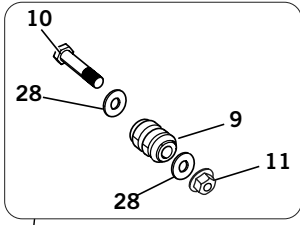
 Denotes Product is Genuine Hutchens

HUTCHENS

H7700/9700 & CH7700/9700

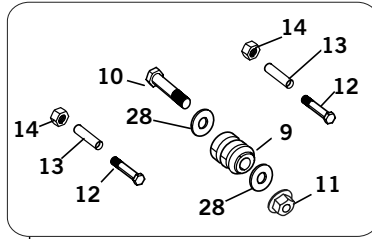
TWS 97" - 121" Axle Spacing - Trailer

Equalizer Bushing Kit



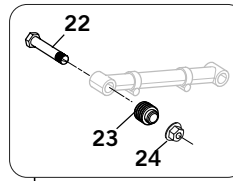
6 (Models H9700)

Equalizer & Rebound Bolt Kit



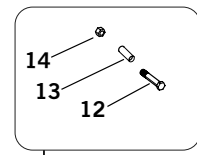
8 (Models H9700)

Torque Arm Bushing & Bolt Kit



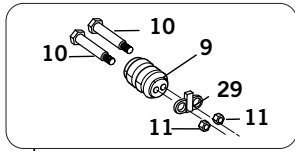
26

Rebound Bolt Kit



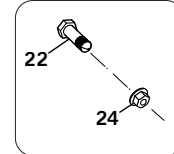
15

Equalizer Bushing Kit

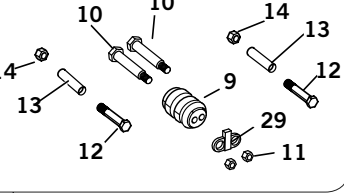


7 (Models H7700)

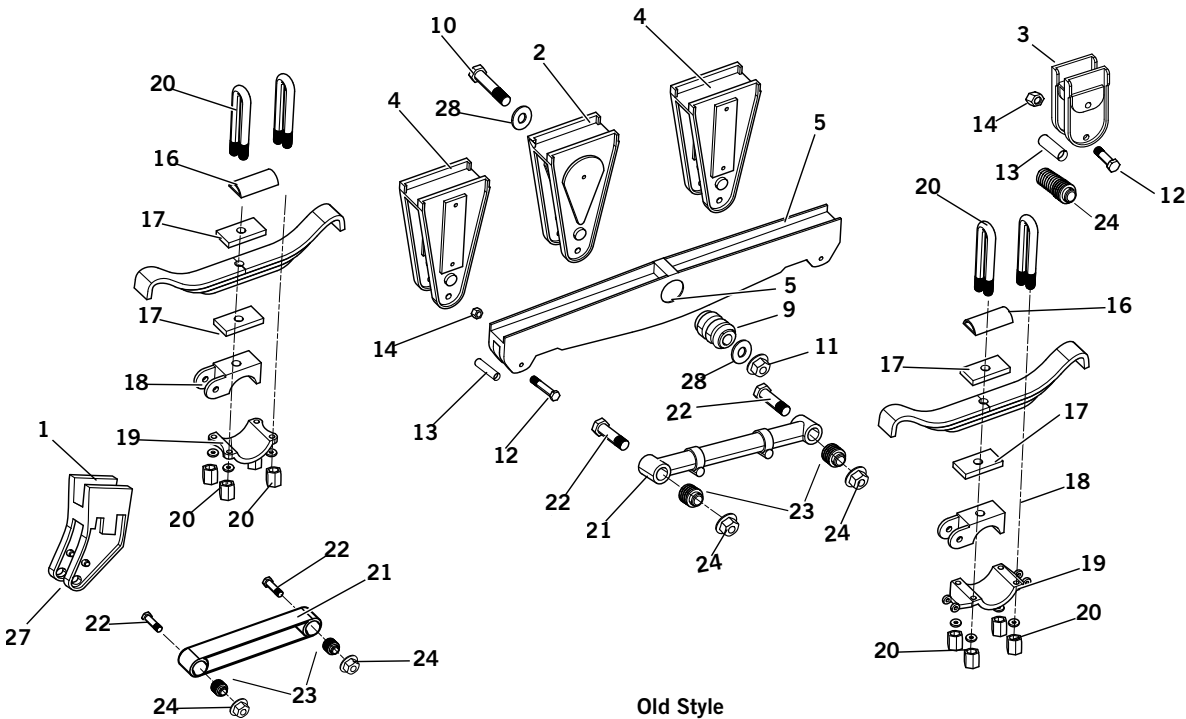
Torque Arm Bolt & Flange Nut Kit



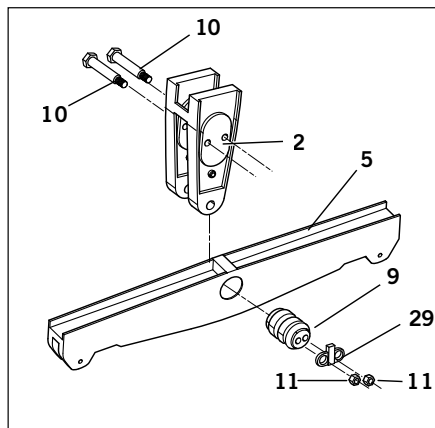
25




8 (Models H7700)



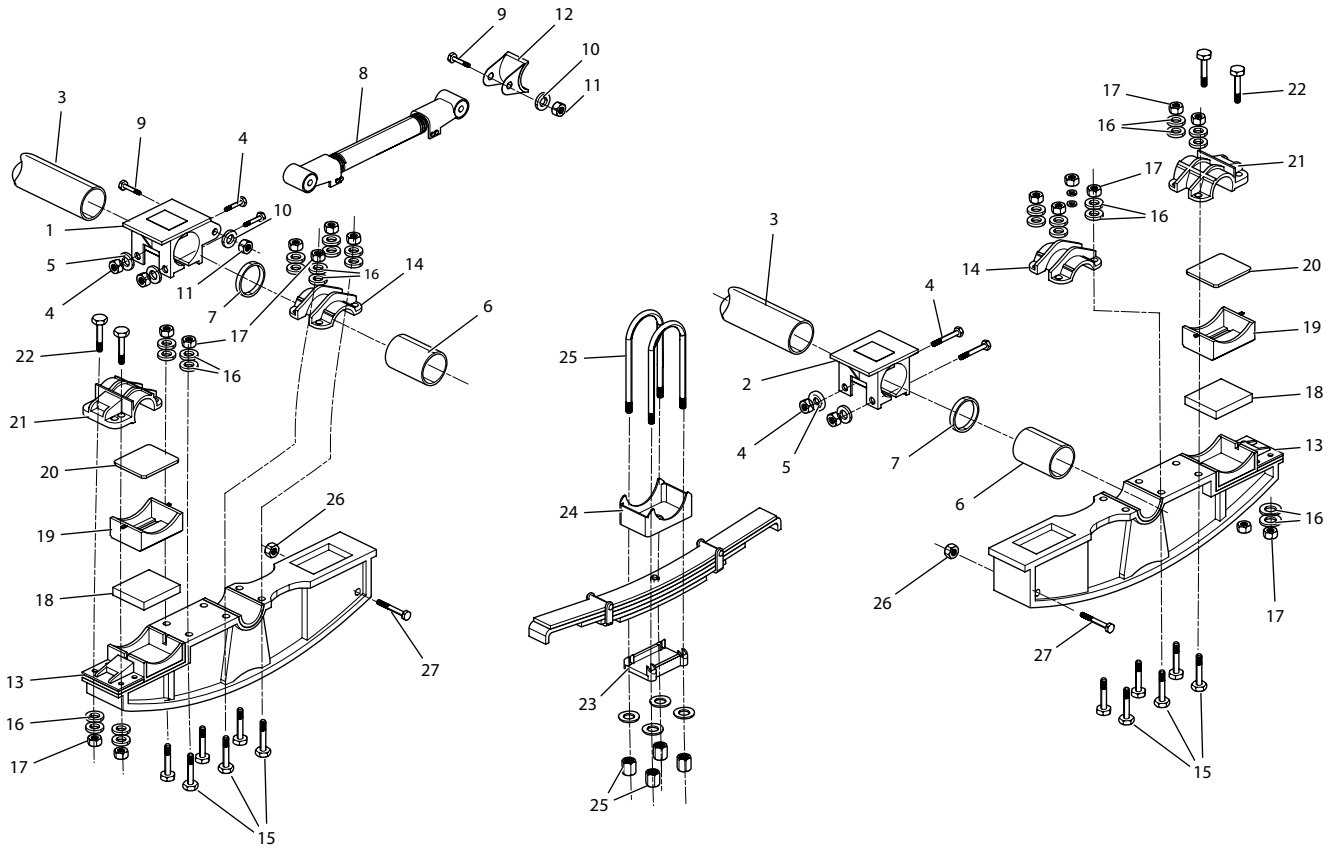
Old Style
H-7700/CH7700 (Cast) Series




















H7700/9700 TWS 97" - 121" Axle Spacing - Trailer								
KEY NO.	EUCLID NO.	GENUINE	MACH NO.	OEM REF.	DESCRIPTION	QTY. PER TANDEM		
						H7700 SERIES	H9700 SERIES	PAGE NO.
17	E-2842	-	-	-	Delrin Spring Liner Pad	8	8	68
	E-16520		-	7052-02	Galvanized Steel Spring Liner Pad	8	8	
18	See Spring Seat Chart Page 50			-	Spring Seat	4	4	50
19	E-2909	-	G-2909	710-00	Bottom Plate, Front Axle, 5" Rd. Axle, 7/8" Dia. U-Bolts	2	2	70
	E-16521		-					
	E-7636		-	7747-01	Bottom Plate, Front Axle, 5" Sq. Axle	2	2	70
	E-7635		-	7746-00	Bottom Plate, Front Axle, 4" x 6" Axle	2	2	70
	E-15336		-	16297-01	Bottom Plate, Front Axle, 5" Rd. Axle, 3/4" Dia. U-Bolts	2	2	70
	E-7698		-	7738-00	Bottom Plate, Stabilizer Bracket, 4" x 6" Axle, No Hop, Rear Axle	2	2	71
	E-7697		-	10775-00	Bottom Plate Stabilizer Bracket, 5" Round Axle, No Hop, Rear Axle, 7/8" U-Bolts	2	2	71
	S.O.S.		-	16308-01	Bottom Plate Stabilizer Bracket, 5" Round Axle, No Hop, Rear Axle, 3/4" U-Bolts	2	2	-
E-7699		-	7738-01	Bottom Plate Stabilizer Bracket, 5" Square Axle, No Hop, Rear Axle	2	2	71	
20	See U-Bolt Chart Page 53			-	U-Bolt Assembly	8	8	53
21	E-16395		-	715-00	Rigid T. Arm, 19 1/4" Center-to-Center, Front Axle, Curbside, O.E.	1	1	63
	E-2899	-	-	715-00	Rigid T. Arm, 19 1/4" Center-to-Center, Front Axle, Curbside	1	1	63
	E-16394		-	16398-04	Adjustable Torque Arm, 18 1/2-21" Center-to-Center, Rear Axle Both Positions, Front, Curbside, 5" Rd. Axles, O.E.	1/3	1/3	62
	E-3277	-	G-3277	16398-04	Adjustable Torque Arm, 18 1/2-21" Center-to-Center, Rear Axle Both Positions, Front, Curbside, 5" Rd. Axles, All Models	1/3	1/3	62
	E-16396		-	16398-17	Adjustable Torque Arm, 16 - 18" Center-to-Center, Rear with Square or Rect Axles, O.E.	2	2	62
	E-3390	-	G-3390	16398-17	Adjustable Torque Arm, 16 - 18" Center-to-Center, Rear with Square or Rect Axles,	2	2	62
22	E-2891	-	-	719-02	Torque Arm Hex Bolt, 1"-14 x 5" Long	8	8	65
	E-16500		-					
23	E-934	-	G-934	722-00	Torque Arm Bushing, Rubber	8	8	64
	E-16504		-					
	E-7453	-	-					
24	E-2892	-	-	10562-00	Torque Arm Nut, 1"-14	8	8	65
	E-16518		-					
25	E-9839	-	-	-	Torque Arm Bolt and Nut, Includes Key Nos. 22, 24	8	8	65
26	E-3079	-	G-3079	-	Torque Arm Bushing Assembly Rubber, Includes Key Nos. 22, 23, & 24	8	8	64
	E-9486	-	-	-	Torque Arm Bushing Assembly Poly, Includes Key Nos. 22, 23, & 24	8	8	64
27	E-7682		-	7717-01	Replacement Hanger Washer Bushing	As Req'd	As Req'd	67
28	E-2548	-	-	-	Washer, 1 1/4" ID	-	4	56
29	E-2001	-	G-2001	729-00	Lock Tab Washer	2	-	60
30	E-15459		-	18541-01	Spring Rebound Bushing, Rear Hanger Mounted, Optional	As Req'd	As Req'd	68


 Denotes Product is Genuine Hutchens

HUTCHENS H11455 Tri-Axle - Trailer



H11455 Tri-Axle - Trailer

KEY NO.	EUCLID NO.	GENUINE	OEM REF.	DESCRIPTION	QTY. PER	PAGE NO.
1	E-15410		11447-01	Trunnion Hanger/ Bracket	2	78
2	E-15413		11453-00	Trunnion Hanger, 2 1/2" HI for 3 1/2" O.D. Tube	2	78
3	E-15409		11446-00	Trunnion Tube, 3 1/2" O.D. x 3/4" Wall x 44 1/4" Long, 60K Models	2	78
	S.O.S.		22405-01	Trunnion Tube, 3 1/2" O.D. x 3/4" Wall x 44 1/4" Long, 75K Models	2	-
4	E-15194	-	11456-00	Hex Bolt, 3/4"- 16 x 5 1/2 Long	8	79
	E-4961A	-	-	Hex Locknut, 3/4"-16	8	77
	E-16517		22414-01	Hex Lock Nut, 3X/4-16 Unf, Gr C Zinc Plated	8	
5	E-2545	-	81-700 22410-01	Washer, 1/8"Thk. x 13/16" ID x 1 1/2" O.D.	8	-
	E-16534		817-00			
6	E-2935	-	11442-00	Bushing, Rubber	4	78
	E-7443	-	-	Bushing, Poly	4	78
7	E-15412		11452-00	Washer, 3 17/32" ID x 5 1/4" O.D.	4	78
8	E-15411		11451-00	Adjustable Torque Arm Includes Bushing, 24 3/4" to 26 3/4" Center-to-Center, 60K Models	2	79
	E-15688		22424-01	Adjustable Torque Arm Includes Bushing, 24 3/4" to 26 3/4" Center-to-Center, 75K Models	2	79
9	E-15689	-	22412-01	Hex Bolt, 1 1/4"-7 x 5 1/4" Long	4	79
10	E-2548	-	-	Washer, 1 1/4" ID x 2 1/4" O.D.	4	-
11	E-4358	-	22415-01	Hex Locknut, 1 1/4"-7	4	61
12	E-15404		11437-01	Torque Rod Bracket	2	79
13	E-15692		11441-00	Beam Assembly	4	79
14	E-15403		11434-00	Trunnion Cap	4	78
15	E-15695	-	22418-01	Hex Bolt, 7/8"-14 x 2 1/2" Long	24	79
16	E-2546	-	22408-01	Washer, 15/16" ID x 1 3/4" O.D.	56	-
	E-16533		3500			-
17	E-9607	-	-	Flange Locknut, 7/8"-14	32	-
18	E-15402	-	11433-00	Lower Pad, 1" Thick x 4 9/16" Wide x 5 5/16" Long	4	79
19	E-15401		11432-00	Axle Adapter, 5" Round Axles	4	78
20	E-15408	-	11445-00	Upper Pad, 1/2" Thick x 5 7/8" Wide x 7" Long	4	79
21	E-15407		11444-00	Axle Cap, 5" Round Axles	4	78
22	E-3818	-	22420-01	Hex Bolt- 7/8"- 14 x 7 3/4" Long	8	79
23	E-15405		11438-00	Bottom Plate	2	79
24	E-15414		11497-00	Seat	2	79
25	E-UB8165-12	-	7816-08 22404-01	U-Bolt Assembly, Rd. Bend, 7/8"- 14 Thd. X 5" Wide x 12" Long	4	49
26	E-1943	-	37-03	Hex Lock Nut, 5/8"-18	4	-
27	E-15702	-	22419-01	Hex Bolt, 5/8"- 18 x 6" Long	4	79

 Denotes Product is Genuine Hutchens

Spring Hangers - Fabricated

MOUNTING TYPES: (See Illustrations Below)

FLB = Flange Mount, Bolt-On

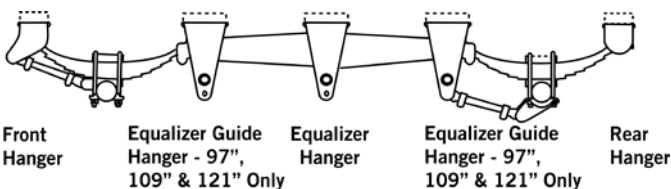
FLW = Flange Mount, Weld-On

SM = Side Mount

ST = Straddle Mount

UM = Under Mount

UI = Under Mount I-Beam (topless)



EUCLID NO.	GENUINE	MACH NO.	OEM REF.	DESCRIPTION	MTG. TYPE	H-7600				H-9700 TWS 54 1/2" - 81" AXLE SPREAD		H-9700 TWS 97" - 121" AXLE SPREAD
						H-7600	H-7700	H-9600	H-9700			
E-15236		-	7602-05	Equalizer Hanger	FLB	X	-	-	-	-	-	-
E-5072		-	7702-05	Equalizer Hanger	FLB	-	X	-	-	-	-	-
E-25185		-	16178-01	Equalizer Hanger	FLB	-	-	-	X	-	-	-
S.O.S.		-	16191-01	Equalizer Hanger	FLB	-	-	X	-	-	-	-
S.O.S.		-	760-20	Equalizer Hanger	FLW	X	-	-	-	-	-	-
E-15208		-	7702-04	Equalizer Hanger	FLW	-	X	-	-	-	-	-
E-15209		-	16179-01	Equalizer Hanger	FLW	-	-	-	X	-	-	-
S.O.S.		-	16192-01	Equalizer Hanger	FLW	-	-	X	-	-	-	-
S.O.S.		-	7602-04	Equalizer Hanger	SM	X	-	-	-	-	-	-
E-25190		-	7702-03	Equalizer Hanger	SM	-	X	-	-	-	-	-
E-25184		-	16175-01	Equalizer Hanger	SM	-	-	-	X	-	-	-
S.O.S.		-	16190-01	Equalizer Hanger	SM	-	-	X	-	-	-	-
E-9495		-	7602-01	Equalizer Hanger	ST	X	-	-	-	-	-	-
E-2911	-	-	7702-01	Equalizer Hanger	ST	-	X	-	-	-	-	-
E-7534	-	-	16169-01	Equalizer Hanger	ST	-	-	-	X	-	-	-
E-16514		-										
S.O.S.		-	16184-01	Equalizer Hanger	ST	-	-	-	-	-	-	X
E-9497		-	16187-01	Equalizer Hanger	ST	-	-	X	-	-	-	-
E-9496		-	7602-02	Equalizer Hanger	UM	X	-	-	-	-	-	-
E-2914	-	G-2914	7702-02	Equalizer Hanger	UM	-	X	-	-	-	-	-
E-16512		-										
E-9582		G-9582	16171-01	Equalizer Hanger	UM	-	-	-	X	-	-	-
S.O.S.		-	16185-01	Equalizer Hanger	UM	-	-	-	-	-	-	X
E-9498		-	16188-01	Equalizer Hanger	UM	-	-	X	-	-	-	-
E-15224		-	7707-13	Equalizer Guide Hanger - Front & Rear	ST	-	-	-	-	-	-	X
E-7681		-	7707-14	Equalizer Guide Hanger - Front & Rear	UM/ UI	-	-	-	-	-	-	X

Denotes Product is Genuine Hutchens

Spring Hanger Illustrations

Straddle Mount (ST)

Straddle Mount Hangers are for use with box type frames. Each hanger straddles the frame and is welded to both sides of the frame. This is our strongest hanger mounting



Flange Mount (FLB or FLW)

Flange Mount Hangers are available with or without bolt holes. Hangers may be bolted (FLB) or welded (FLW) to the frame, or a combination of bolting and welding may be used.



Spring Hangers - Fabricated

EUCLID NO.	GENUINE	MACH NO.	OEM REF.	DESCRIPTION	MTG. TYPE	All H-7600 & H-9600	H-7700, H-9700 and H-9700 TWS 54 1/2"-81" AXLE SPREAD	"H-9700 TWS 97" - 121" AXLE SPREAD"
S.O.S.		-	7601-07	Front Hanger, LH	FLB	X	-	-
E-5070		-	7701-07	Front Hanger, LH	FLB	-	X	X
S.O.S.		-	7601-08	Front Hanger, RH	FLB	X	-	-
E-5071		-	7701-08	Front Hanger, RH	FLB	-	X	X
S.O.S.		-	7601-03	Front Hanger, LH	FLW	X	-	-
E-15360		-	7701-05	Front Hanger, LH	FLW	-	X	X
S.O.S.		-	7601-04	Front Hanger, RH	FLW	X	-	-
E-15361		-	7701-06	Front Hanger, RH	FLW	-	X	X
S.O.S.		-	20726-01	Front Hanger, LH	SM	X	-	-
E-25186		-	20729-01	Front Hanger, LH	SM	-	X	X
S.O.S.		-	20727-01	Front Hanger, RH	SM	X	-	-
E-25187		-	20730-01	Front Hanger, RH	SM	-	X	X
E-9493		-	7601-01	Front Hanger	ST	X	-	-
E-2910A	-	-	7701-01	Front Hanger	ST	-	X	X
E-16513		-						
E-9494		-	20725-01	Front Hanger	UM	X	-	-
E-2913A	-	G-2913A	20728-01	Front Hanger	UM	-	X	X
E-16509		-						
E-15210		-	16481-01	Front Hanger	UI	-	X	X
S.O.S.		-	16482-01	Front Hanger	UI	X	-	-
E-16798		-	29024-01	Front Hanger, LH, Series 10 Slider	S10	Series 10 Slider	-	-
E-16799		-	29024-02	Front Hanger, RH, Series 10 Slider	S10	Series 10 Slider	-	-
E-5073		-	7703-07	Rear Hanger, LH	FLB	X	X	X
E-5074		-	7703-08	Rear Hanger, RH	FLB	X	X	X
E-25193		-	7703-05	Rear Hanger, LH	FLW	X	X	-
E-25194		-	7703-06	Rear Hanger, RH	FLW	X	X	-
E-25188		-	20733-01	Rear Hanger, LH	SM	X	X	-
E-25189		-	20734-01	Rear Hanger, RH	SM	X	X	-
E-2912A	-	G-2912A	7703-01	Rear Hanger	ST	X	X	X
E-16511		-						
E-2915A	-	G-2915A	20732-01	Rear Hanger	UM	X	X	X
E-16510		-						
E-15211		-	16483-01	Rear Hanger - I-Beam	UM	X	X	X
E-16801		-	25576-01	Rear Hanger, LH, Series 10 Slider	S10	Series 10 Slider	-	-
E-16802		-	25576-02	Rear Hanger, RH, Series 10 Slider	S10	Series 10 Slider	-	-

Denotes Product is Genuine Hutchens

Spring Hanger Illustrations

Under Mount (UM)

Under Mount Hangers are welded flush to the bottom of the frame. For an added weight savings in I-beam applications special fabricated front and rear hangers without top plates are available.



Side Mount (SM)

Side Mount Hangers are welded to the sides of the frame. They are useful on flatbed sliders and "maximum cube" vans.

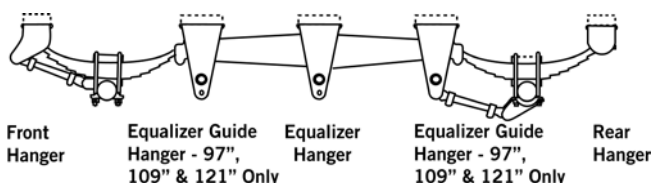


Series 10 Slider (S10)

Spring Hangers - Cast

MOUNTING TYPES: (See Illustrations Below)

FLB = Flange Mount, Bolt-On
 FLW = Flange Mount, Weld-On
 SM = Side Mount
 ST = Straddle Mount
 UM = Under Mount
 UI = Under Mount I-Beam (topless)



EUCLID NO.	GENUINE	OEM REF	DESCRIPTION	MOUNTING TYPE	HUTCHENS				CH-9600 TWS		CH-9700 TWS
					CH-7600	CH-7700	CH-9600	CH-9700	54 1/2" - 72" AXLE SPREAD	54 1/2" - 81" AXLE SPREAD	97" - 121" AXLE SPREAD
S.O.S.		703-06	Equalizer Hanger	FLB	-	Note "A"	-	-	-	-	-
S.O.S.		7656-07	Equalizer Hanger	FLB	Note "B"	-	-	-	-	-	-
E-25201		16199-03	Equalizer Hanger	FLB	-	-	-	X	-	-	-
S.O.S.		16202-03	Equalizer Hanger	FLB	-	-	X	-	-	-	-
S.O.S.		16183-03	Equalizer Hanger, LH	FLB	-	-	-	-	-	X	-
S.O.S.		16183-04	Equalizer Hanger, RH	FLB	-	-	-	-	-	X	-
S.O.S.		703-05	Equalizer Hanger	FLW	-	Note "C"	-	-	-	-	-
S.O.S.		7656-06	Equalizer Hanger	FLW	Note "D"	-	-	-	-	-	-
E-15438		16199-05	Equalizer Hanger	FLW	-	-	-	X	-	-	-
S.O.S.		16202-05	Equalizer Hanger	FLW	-	-	X	-	-	-	-
S.O.S.		16183-05	Equalizer Hanger, LH	FLW	-	-	-	-	-	X	-
S.O.S.		16183-06	Equalizer Hanger, RH	FLW	-	-	-	-	-	X	-
S.O.S.		703-03	Equalizer Hanger	SM / UM	-	Note "E"	-	-	-	-	-
S.O.S.		7656-04	Equalizer Hanger	SM / UM	Note "F"	-	-	-	-	-	-
S.O.S.		16181-01	Equalizer Hanger	SM / UM	-	-	-	-	-	X	-
E-9501		16197-03	Equalizer Hanger	SM / UM	-	-	-	X	-	-	-
S.O.S.		16201-03	Equalizer Hanger	SM / UM	-	-	X	-	-	-	-
S.O.S.		16194-01	Equalizer Hanger	SM / UM	-	-	-	-	X	-	-
E-15451		16543-03	Equalizer Hanger	UM	-	-	-	-	-	-	97" & 109"
E-15450		16542-03	Equalizer Hanger	UM	-	-	-	-	-	-	121"
S.O.S.		703-01	Equalizer Hanger	ST	-	Note "G"	-	-	-	-	-
S.O.S.		7656-01	Equalizer Hanger	ST	Note "H"	-	-	-	-	-	-
S.O.S.		16180-01	Equalizer Hanger	ST	-	-	-	-	-	X	-
E-15437		16196-03	Equalizer Hanger	ST	-	-	-	X	-	-	-
S.O.S.		16200-03	Equalizer Hanger	ST	-	-	X	-	-	-	-
S.O.S.		16193-01	Equalizer Hanger	ST	-	-	-	-	X	-	-
S.O.S.		12834-05	Equalizer Guide Hanger - Front & Rear	UM	-	-	-	-	-	-	97" & 109"
S.O.S.		12921-05	Equalizer Guide Hanger - Front & Rear	UM	-	-	-	-	-	-	121"

Denotes Product is Genuine Hutchens

Notes to Convert CH7600/7700 to CH9600/9700

- A - Use 16199-03 with proper Single Hole Equalizer
- B - Use 16202-03 with proper Single Hole Equalizer
- C - Use 16199-05 with proper Single Hole Equalizer
- D - Use 16202-05 with proper Single Hole Equalizer
- E - Use E-9501 with proper Single Hole Equalizer
- F - Use 16201-03 with proper Single Hole Equalizer
- G - Use E-15437 with proper Single Hole Equalizer
- H - Use 16200-03 with proper Single Hole Equalizer

Spring Hangers - Cast

MOUNTING TYPES: (See Illustrations Below)

FLB = Flange Mount, Bolt-On

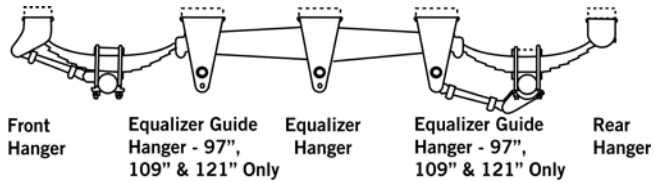
FLW = Flange Mount, Weld-On

SM = Side Mount

ST = Straddle Mount

UM = Under Mount

UI = Under Mount I-Beam (topless)



EUCLID NO.	GENUINE	OEM REF.	DESCRIPTION	MOUNTING TYPE	All CH-7600 & CH-9600 INCLUDING TWS	CH-7700, CH-9700 & CH-9700 TWS 54 1/2" - 81" AXLE SPREAD	CH-9700 TWS 97" -121" AXLE SPREAD
E-14814		702-11	Front Hanger, LH	FLB	-	X	X
S.O.S.		7655-07	Front Hanger, LH	FLB	X	-	-
E-14815		702-12	Front Hanger, RH	FLB	-	X	X
S.O.S.		7655-08	Front Hanger, RH	FLB	X	-	-
E-25192		702-09	Front Hanger, LH	FLW	-	X	-
S.O.S.		7655-05	Front Hanger, LH	FLW	X	-	-
E-25191		702-10	Front Hanger, RH	FLW	-	X	-
S.O.S.		7655-06	Front Hanger, RH	FLW	X	-	-
E-9499		16291-03	Front Hanger, LH	SM / UM	-	X	X
S.O.S.		7655-03	Front Hanger, LH	SM / UM	X	-	-
E-9500		16291-04	Front Hanger, RH	SM / UM	-	X	X
S.O.S.		7655-04	Front Hanger, RH	SM / UM	X	-	-
E-15328		702-01	Front Hanger	ST	-	X	X
E-15359		7655-00	Front Hanger	ST	X	-	-
E-14816		712-11	Rear Hanger, LH	FLB	X	X	X
E-14817		712-12	Rear Hanger, RH	FLB	X	X	X
E-15237		712-09	Rear Hanger, LH	FLW	X	X	-
E-15238		712-10	Rear Hanger, RH	FLW	X	X	-
E-9502		16293-01	Rear Hanger, LH	SM / UM	X	X	X
E-9503		16293-02	Rear Hanger, RH	SM / UM	X	X	X
E-15333		712-01	Rear Hanger	ST	X	X	X

Denotes Product is Genuine Hutchens

Spring Hanger Illustrations

Straddle Mount (ST)

Straddle Mount Hangers are for use with box type frames. Each hanger straddles the frame and is welded to both sides of the frame. This is our strongest hanger mounting



Flange Mount (FLB or FLW)

Flange Mount Hangers are available with or without bolt holes. Hangers may be bolted (FLB) or welded (FLW) to the frame, or a combination of bolting and welding may be used.



Under Mount (UM)

Under Mount Hangers are welded flush to the bottom of the frame. For an added weight savings in I-beam applications special fabricated front and rear hangers without top plates are available.



Side Mount (SM)

Side Mount Hangers are welded to the sides of the frame. They are useful on flatbed sliders and "maximum cube" vans.



Spring Seats



TYPE 1
H & CH 7600/9600 with
2 Piece Tapered Bushings



TYPE 2
H & CH 7700/9700 with
1 Piece Bushing



TYPE 3
All Models with
No Torque Arm Connection

EUCLID NO.	GENUINE	MACH NO.	OEM REF.	HEIGHT	H7600/ 9600, CH7600/ 9600 TYPE 1	H7700 9700, CH7700/ 9700 42 1/2"-80" AXLE SPREAD TYPE 2	ALL UNDERSLUNG AND NO-HOP MODELS (USE PART NO. SHOWN BELOW FOR REAR SEAT FOR NO-HOP MODELS; USE STANDARD PART NO. IN OTHER COLUMNS FOR FRONT SEAT) TYPE 3	H7700/ 9700, CH7700/ 9700 TWS 97" - 121" AXLE SPREAD
------------	---------	----------	----------	--------	--	---	--	---

5" Round Axles

E-7686		-	22215-01	3/4" High	-	-	X	Rear * - Type 3
E-7687		-	22215-02	1 1/4" High	-	-	X	Rear * - Type 3
E-7688		-	22215-03	1 3/4" High	-	-	X	Rear * - Type 3
E-7689		-	22215-04	2 1/4" High	-	-	X	Rear * - Type 3
E-15476		-	22215-06	3 1/4" High	-	-	X	Rear * - Type 3
E-2908	-	G-2908	19360-01	3/4" High	-	X	-	Front - Type 2
E-16499		-	705-01					
E-7622	-	G-7622	19360-02	1 1/4" High	-	X	-	Front - Type 2
E-7623	-	G-7623	19360-03	1 3/4" High	-	X	-	Front - Type 2
E-16498		-						
E-7624		G-7624	19360-04	2 1/4" High	-	X	-	Front - Type 2
E-7625		-	19360-05	2 3/4" High	-	X	-	Front - Type 2
E-7535		-	19360-06	3 1/4" High	-	X	-	Front - Type 2
S.O.S.		-	19360-07	3 3/4" High	-	X	-	Front - Type 2
S.O.S.		-	19360-08	4 1/4" High	-	X	-	Front - Type 2
S.O.S.		-	19360-09	4 3/4" High	-	X	-	Front - Type 2
E-9527		-	19361-01	3/4" High	X	-	-	-
S.O.S.		-	19361-02	1 1/4" High	X	-	-	-
S.O.S.		-	19361-03	1 3/4" High	X	-	-	-
E-9528		-	19361-04	2 1/4" High	X	-	-	-
S.O.S.		-	19361-05	2 3/4" High	X	-	-	-
E-9529		-	19361-06	3 1/4" High	X	-	-	-
S.O.S.		-	19361-07	3 3/4" High	X	-	-	-
S.O.S.		-	19361-08	4 1/4" High	X	-	-	-

* Use with No-Hop Stabilizer E-7697 for 7/8" Dia U-Bolts

Denotes Product is Genuine Hutchens

Spring Seats



TYPE 1
H & CH 7600/9600 with
2 Piece Tapered Bushings



TYPE 2
H & CH 7700/9700 with
1 Piece Bushing



TYPE 3
All Models with
No Torque Arm Connection

EUCOLID NO.	GENUINE	MACH NO.	OEM REF.	HEIGHT	H7600/ 9600, CH7600/ 9600 TYPE 1	H7700/ 9700, CH7700/ 9700 42 1/2"-80" AXLE SPREAD TYPE 2	ALL UNDERSLUNG AND NO-HOP MODELS (USE PART NO. SHOWN BELOW FOR REAR SEAT FOR NO-HOP MODELS; USE STANDARD PART NO. IN OTHER COLUMNS FOR FRONT SEAT) TYPE 3	H7700/ 9700, CH7700/ 9700 TWS 97" - 121" AXLE SPREAD
5" X 5" Square Axle								
S.O.S.		-	19362-01	3/4" High	X	-	-	-
S.O.S.		-	19362-02	1 1/4" High	X	-	-	-
S.O.S.		-	19362-03	1 3/4" High	X	-	-	-
S.O.S.		-	19362-04	2 1/4" High	X	-	-	-
S.O.S.		-	19362-05	2 3/4" High	X	-	-	-
S.O.S.		-	19362-06	3 1/4" High	X	-	-	-
S.O.S.		-	19362-07	3 3/4" High	X	-	-	-
S.O.S.		-	19362-08	4 1/4" High	X	-	-	-
E-7630		G-7630	19365-01	3/4" High	-	X	-	Front - Type 2
E-7631		-	19365-02	1 1/4" High	-	X	-	Front - Type 2
E-7632		-	19365-03	1 3/4" High	-	X	-	Front - Type 2
E-7633		-	19365-04	2 1/4" High	-	X	-	Front - Type 2
E-7634		-	19365-05	2 3/4" High	-	X	-	Front - Type 2
E-25202		-	19365-06	3 1/4" High	-	X	-	Front - Type 2
S.O.S.		-	19365-07	3 3/4" High	-	X	-	Front - Type 2
S.O.S.		-	19365-08	4 1/4" High	-	X	-	Front - Type 2
S.O.S.		-	19365-09	4 3/4" High	-	X	-	Front - Type 2
E-7693		-	22226-01	3/4" High	-	-	X	Rear * - Type 3
E-7694		-	22226-02	1 1/4" High	-	-	X	Rear * - Type 3
E-7695		-	22226-03	1 3/4" High	-	-	X	Rear * - Type 3
E-7696		-	22226-04	2 1/4" High	-	-	X	Rear * - Type 3

* Use with No- Hop Stabilizer E-7699

Denotes Product is Genuine Hutchens

Spring Seats



TYPE 1
H & CH 7600/9600 with
2 Piece Tapered Bushings



TYPE 2
H & CH 7700/9700 with
1 Piece Bushing



TYPE 3
All Models with
No Torque Arm Connection

EUCLID NO.	GENUINE	OEM REF.	DESCRIPTION	H7600/ 9600, CH7600/ 9600 TYPE 1	H7700 9700, CH7700/ 9700 42 1/2-80" AXLE SPREAD TYPE2	ALL UNDERSLUNG AND NO-HOP MODELS (USE PART NO. SHOWN BELOW FOR REAR SEAT FOR NO-HOP MODELS; USE STANDARD PART NO. IN OTHER COLUMNS FOR FRONT SEAT) TYPE 3	H7700/ 9700, CH7700/ 9700 TWS 97" - 121" AXLE SPREAD
------------	---------	----------	-------------	--	---	---	--

4" X 6" Rectangular Axle

S.O.S.		19363-01	3/4" High	X	-	-	-
S.O.S.		19363-02	1 1/4" High	X	-	-	-
S.O.S.		19363-03	1 3/4" High	X	-	-	-
S.O.S.		19363-04	2 1/4" High	X	-	-	-
S.O.S.		19363-05	2 3/4" High	X	-	-	-
S.O.S.		19363-06	3 1/4" High	X	-	-	-
S.O.S.		19363-07	3 3/4" High	X	-	-	-
S.O.S.		19363-08	4 1/4" High	X	-	-	-
E-3867		19364-01	3/4" High	-	X	-	Front - Type 2
E-7626		19364-02	1 1/4" High	-	X	-	Front - Type 2
E-7627		19364-03	1 3/4" High	-	X	-	Front - Type 2
E-7628		19364-04	2 1/4" High	-	X	-	Front - Type 2
E-7629		19364-05	2 3/4" High	-	X	-	Front - Type 2
S.O.S.		19364-06	3 1/4" High	-	X	-	Front - Type 2
E-15468		19364-07	3 3/4" High	-	X	-	Front - Type 2
S.O.S.		19364-08	4 1/4" High	-	X	-	Front - Type 2
S.O.S.		19364-09	4 3/4" High	-	X	-	Front - Type 2
E-7690		22228-02	1 1/4" High	-	-	X	Rear* - Type 3
S.O.S.		22228-03	1 3/4" High	-	-	X	Rear* - Type 3

* Use with No- Hop Stabilizer E-7699

Denotes Product is Genuine Hutchens

U-Bolts						
EUCLID NO.	OEM REF.	DESCRIPTION	H/CH-9600 H/CH-7600	H/CH-9700 H/CH-7700	H/CH-9700 TWS 54.5 Thru 81"	H/CH-9700 TWS 97 Thru 121"
Springs Overslung - All Axles						
E-UB8161-10	7040-06 (9 3/4")	U-Bolt Assembly, Round Bend, 7/8"-14 Thd. x 3" Wide x 10" Long	X	X	X	X
E-UB5161-12 E-UB8161-12	7040-07 (10 1/4")	U-Bolt Assembly, Round Bend, 7/8"-14 Thd. x 3" Wide x 12" Long	X	X	X	X
	7040-08 (10 3/4")		X	X	X	X
	7040-09 (11 1/4")		X	X	X	X
	7040-10 (11 3/4")		X	X	X	X
E-UB5161-13	7040-11 (12 1/4")	U-Bolt Assembly, Round Bend, 7/8"-14 Thd. x 3" Wide x 13" Long	X	X	X	X
	7040-12 (12 3/4")		X	X	X	X
E-UB5161-14 E-UB8161-14	7040-13 (13 1/4")	U-Bolt Assembly, Round Bend, 7/8"-14 Thd. x 3" Wide x 14" Long	X	X	X	X
	7040-14 (13 3/4")		X	X	X	X
E-UB8161-16	7040-15 (14 1/4")	U-Bolt Assembly, Round Bend, 7/8"-14 Thd. x 3" Wide x 16" Long	X	X	X	X
	7040-16 (14 3/4")		X	X	X	X
	7040-17 (15 1/4")		X	X	X	X
	7040-18 (15 3/4")		X	X	X	X
E-UB5161-18 E-UB8161-18	7040-19 (16 1/4")	U-Bolt Assembly, Round Bend, 7/8"-14 Thd. x 3" Wide x 18" Long	X	X	X	X
	7040-20 (16 3/4")		X	X	X	X
	7040-21 (17 1/4")		X	X	X	X
E-UB5161-22 E-UB8161-22	7040-22 (17 3/4")	U-Bolt Assembly, Round Bend, 7/8"- 14 Thd. x3" Wide x 22" Long	X	X	X	X
	7040-23 (18 1/4")		X	X	X	X
Springs Overslung - All Axles - Optional 3/4" Diameter U-Bolts						
E-UB8151-10	16300-06 (9 3/4")	U-Bolt Assembly, Round Bend, 3/4"- 16 Thd. x 3" Wide x 10" Long	-	X	X	X
E-UB8151-12	16300-07 (10 1/4")	U-Bolt Assembly, Round Bend, 3/4"- 16 Thd. x 3" Wide x 12" Long	-	X	X	X
	16300-08 (10 3/4")		-	X	X	X
	16300-09 (11 1/4")		-	X	X	X
	16300-10 (11 3/4")		-	X	X	X
E-UB8151-14	16300-11 (12 1/4")	U-Bolt Assembly, Round Bend, 3/4"- 16 Thd. x 3" Wide x 14" Long	-	X	X	X
	16300-12 (12 3/4")		-	X	X	X
	16300-13 (13 1/4")		-	X	X	X
	16300-14 (13 3/4")		-	X	X	X
E-UB8151-16	16300-15 (14 1/4")	U-Bolt Assembly, Round Bend, 3/4"- 16 Thd. x 3" Wide x 16" Long	-	X	X	X
	16300-16 (14 3/4")		-	X	X	X
	16300-17 (15 1/4")		-	X	X	X
	16300-18 (15 3/4")		-	X	X	X
E-UB8151-18	16300-19 (16 1/4")	U-Bolt Assembly, Round Bend, 3/4"- 16 Thd. X 3" Wide x 18" Long	-	X	X	X

3/4" Diameter U-Bolt Kits Include E-3001 Hi Nuts and E-2545 Hardened Washers. Order E-16516 Hi Nuts and E-16534 Hardened Washer For Genuine Hutchens
7/8" Diameter U-Bolt Kits Include E-3002A Hi Nuts and E-2546 Hardened Washers. Order E-16515 Hi Nuts and E-16533 Hardened Washer For Genuine Hutchens

HUTCHENS U-BOLT ASSEMBLIES

U-Bolts							
EUCLID NO.	OEM REF.	DESCRIPTION	H/CH-9600 H/CH-7600	H/CH-9700 H/CH-7700	H/CH-9700US H/CH-7700US	H/CH-9700 TWS 54.5 Thru 81"	H/CH-9700 TWS 97 Thru 121"
Springs Underslung ("US" Models) Or Overslung With Inverted U-Bolts With 5" Round Axles							
E-UB8165-10	7816-05 (9 1/4")	U-Bolt Assembly, Round Bend, 7/8"- 14 Thd. X 5" Wide x 10" Long	X	X	-	-	-
	7816-06 (9 3/4")		X	X	-	-	-
E-UB5165-12 E-UB8165-12	7816-07 (10 1/4")	U-Bolt Assembly, Round Bend, 7/8"- 14 Thd. x 5" Wide x 12" Long	X	X	-	-	-
	7816-08 (10 3/4")		X	X	X	X	-
	7816-09 (11 1/4")		X	X	X	X	X
	7816-10 (11 3/4")		X	X	X	X	X
E-UB5165-14 E-UB8165-14	7816-11 (12 1/4")	U-Bolt Assembly, Round Bend, 7/8"- 14 Thd. x 5" Wide x 14" Long	X	X	X	X	-
	7816-12 (12 3/4")		X	X	X	X	X
	7816-13 (13 1/4")		X	X	X	X	X
	7816-14 (13 3/4")		X	X	X	X	-
E-UB5165-16 E-UB8165-16	7816-15 (14 1/4")	U-Bolt Assembly, Round Bend, 7/8"- 14 Thd. X 5" Wide x 16" Long	X	X	X	X	-
	7816-16 (14 3/4")		X	X	X	X	-
	7816-17 (15 1/4")		X	X	-	-	-
	7816-18 (15 3/4")		X	X	-	-	-
Springs Underslung ("US" Models) Or Overslung With Inverted U-Bolts With 5" Square Axles							
E-UB8265-10	7840-01 (9 1/4")	U-Bolt Assembly; Square Bend; 7/8"- 14 Thd. X 5" Wide x 10" Long	X	X	-	-	-
	7840-02 (9 3/4")		X	X	-	-	-
E-UB8265-12	7840-03 (10 1/4")	U-Bolt Assembly; Square Bend; 7/8"- 14 Thd. X 5" Wide x 12" Long	-	X	X	-	-
	7840-04 (10 3/4")		X	X	X	X	-
	7840-05 (11 1/4")		X	X	X	X	X
	7840-06 (11 3/4")		X	X	X	X	X
E-UB8265-14	7840-07 (12 1/4")	U-Bolt Assembly; Square Bend; 7/8"- 14 Thd. X 5" Wide x 14" Long	X	X	X	X	-
	7840-08 (12 3/4")		X	X	X	X	X
	7840-09 (13 1/4")		X	X	X	X	X
	7840-10 (13 3/4")		X	X	X	X	-
E-UB8265-16	7840-11 (14 1/4")	U-Bolt Assembly; Square Bend; 7/8"- 14 Thd. X 5" Wide x 16" Long	X	X	X	X	-
	7840-12 (14 3/4")		X	X	X	X	-
	7840-13 (15 1/4")		X	X	-	-	-
	7840-14 (15 3/4")		-	X	X	-	-


3/4" Diameter U-Bolt Kits Include E-3001 Hi Nuts and E-2545 Hardened Washers. Order E-16516 Hi Nuts and E-16534 Hardened Washer For Genuine Hutchens

7/8" Diameter U-Bolt Kits Include E-3002A Hi Nuts and E-2546 Hardened Washers. Order E-16515 Hi Nuts and E-16533 Hardened Washer For Genuine Hutchens

Equalizer & Hanger Assemblies


Equalizer - Fabricated

FOR MODELS:
H-7600
H-7700




16-1/2"

Fabricated, 2-Bolt - Includes Rubber Bushing unless noted

EUCLID NO.	GENUINE	MACH NO.	OEM REF.	NOTES
E-16392		-	750-03	O.E. Hutch
E-2781A	-	G-2781A		Standard Duty
E-9570	-	G-9570		Lighter Duty
E-2781	-	G-2781	-	Heavy-Duty Side Plates
E-7918	-	-	-	Poly Bushing


Equalizer - Fabricated

FOR MODELS:
H-9600
H-9700




16-1/2"

Fabricated, 1-Bolt

EUCLID NO.	GENUINE	MACH NO.	OEM REF.	NOTES
E-16393		-	16158-01	Rubber Bushing, O.E. Hutch
E-7532	-	G-7532		Rubber Bushing
E-9567	-	-	-	Poly Bushing


Equalizer - Cast

FOR MODELS:
CH-7600,
CH-7700




16-1/2"

Cast, 2-Bolt

EUCLID NO.	GENUINE	MACH NO.	OEM REF.	NOTES
E-2889		G-2889	19137-01	Rubber Bushing
E-16508		-	19137-01	


Equalizer - Cast

FOR MODELS:
CH-9600
CH-9700




16 1/2"

Cast, 1-Bolt

EUCLID NO.	GENUINE	MACH NO.	OEM REF.	NOTES
E-9471	-	G-9471	17784-01	Rubber Bushing
E-16507		-		

Truck Equalizer - Cast


FOR MODELS:
H-2200



17-1/8"

Cast, E-2004 Bushing Sold Separately

EUCLID NO.	OEM REF.	NOTES
E-2890	2224-01	Obsolete



 Denotes Product is Genuine Hutchens



U.S. 888-725-9355
Canada 800-387-3889

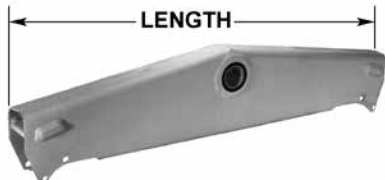















www.MeritorPartsXpress.com
700E-HUT (07-19)


HUTCHENS FOUR SPRING SUSPENSION

Equalizer & Hanger Assemblies



Equalizer - Fabricated			
FOR MODELS: H-7700			
			
Fabricated - 2 Bolt			
EUCLID NO.	GENUINE	OEM REF.	NOTES
E-15480		24712-01	Rubber Bushing 44", 50", 51" Axle Spacing



Equalizer - Fabricated			
FOR MODELS H-9700 CH-9700			
			
EUCLID NO.	GENUINE	OEM REF.	NOTES
E-11452		24711-01	Rubber Bushing; 44", 50", 51" Axle Spacing



Equalizer - Fabricated - Widespread					
					
Includes Rubber Bushing, 1 Hole Bushing Shown					
EUCLID NO.	GENUINE	OEM REF.	MODELS	LENGTH	NOTES
E-15331		12808-01 24821-01	H/CH7600 H/CH9700	21"	Two Holes for 54 1/2" Axle Spacing
E-14925		24820-01	H-9600 H-9700	21"	One Hole for 54 1/2" Axle Spacing
E-15338		24713-01	H-7700	21 3/8"	Two Hole for 54 1/2" Axle Spacing
E-14818		17604-02 21833-01	H-9700	23 1/2"	One Hole for 57.5" Wide- spread
E-15475		21841-01	H-7600 H-7700	27"	Two Hole for 61" Axle Spacing
E-9489		16168-02 21834-01	H-9600 H-9700	27"	One Hole for 61" Axle Spacing
E-15433		16168-15	H-9700	30"	One Hole for 64" Axle Spacing
E-15377		9239-03	H-7700	33"	Two Hole for 67" Axle Spacing
E-15430		16168-03	H-9700	33"	One Hole for 67" Axle Spacing
E-9330		16168-04 21835-01	H-9600 H-9700	39"	One Hole Rubber Bushings for 73" Axle Spacing
E-15348		16168-09	H-7700	63"	One Hole for 97" Axle Spacing
E-15378		9239-09	H-9700	63"	Two Hole for 97" Axle Spacing
E-15379		9239-10	H-7700	75"	Two Hole for 109" Axle Spac- ing
E-9491		16168-10	H-9700	75"	One Hole for 109" Axle Spac- ing
E-9492		16168-13	H-9700	87"	One Hole for 121" Wide- spread



 Denotes Product is Genuine Hutchens



Equalizer & Hanger Assemblies



Equalizer / Hanger - Under Mount		
FOR MODELS: H-9600		
		
Fabricated		
EUCLID NO.	GENUINE	OEM REF.
E-9470		16321-02



Equalizer / Hanger - Under Mount Modified		
FOR MODELS: H-9700		
		
Fabricated		
EUCLID NO.	GENUINE	OEM REF.
E-15440		16319-06

Equalizer / Hanger - Straddle Mount		
FOR MODELS: H-9600		
		
Fabricated		
EUCLID NO.	GENUINE	OEM REF.
E-9469		16321-01

Equalizer / Hanger - Bolt On Flange		
FOR MODELS: H-9700		
		
Fabricated		
EUCLID NO.	GENUINE	OEM REF.
E-15441		16319-07

Equalizer / Hanger - Under Mount		
FOR MODELS: H-9700		
		
Fabricated		
EUCLID NO.	GENUINE	OEM REF.
E-9485		16319-02



Equalizer / Hanger - Weld On Flange		
FOR MODELS: H-9700		
		
Fabricated		
EUCLID NO.	GENUINE	OEM REF.
E-15442		16319-08



Equalizer / Hanger - Straddle Mount		
FOR MODELS: H-9700		
		
Fabricated		
EUCLID NO.	GENUINE	OEM REF.
E-9484		16319-01

Equalizer / Hanger - Straddle Mount		
FOR MODELS: CH-9700		
		
Cast		
EUCLID NO.	GENUINE	OEM REF.
E-15443		16319-51

HUTCHENS FOUR SPRING SUSPENSION

Equalizer & Hanger Assemblies


Equalizer / Hanger - Under Mount		
FOR MODELS: CH-9700		
		
Cast		
EUCLID NO.	GENUINE	OEM REF.
E-15444		16319-52

Equalizer / Hanger - Bolt On Flange		
FOR MODELS: CH-9700		
		
Cast		
EUCLID NO.	GENUINE	OEM REF.
E-15445		16319-57

Equalizer Bushings & Hardware

Equalizer Bushing Assembly

FOR MODELS:
H-7600
H-7700
CH-7600
CH-7700



Includes: 2 Step Bolts, 2 Nuts, 1 Lock Tab

EUCLID NO.	MACH NO.	NOTES
E-2003	G-2003	Includes: 1 Rubber Bushing
E-9474	-	Includes: 1 Poly Bushing

Equalizer Bushing


FOR MODELS:
H-9600
H-9700
CH-9600
CH-9700



EUCLID NO.	GENU-INE	MACH NO.	OEM REF.	BUSHING TYPE
E-7621	-	G-7621	18723-01	Rubber
E-16501		-		
E-8666	-	-	-	Poly

Equalizer Bushing Assembly

FOR MODELS:
H-9600,
H-9700,
CH-9600,
CH-9700




Includes 1 Equalizer Bolt, 1 Nut, 2 Washers


EUCLID NO.	MACH NO.	NOTES
E-9472	G-9472	Includes: 1 Rubber Bushing
E-9473	-	Includes: 1 Poly Bushing

Equalizer Bushing

FOR MODEL:
H-2200





Obsolete

EUCLID NO.	GENUINE	OEM REF.	BUSHING TYPE
E-2004		720-00	Fiber

Rebound Bolt Assembly

FOR MODELS:
All Models



EUCLID NO.	GENU-INE	MACH NO.	OEM REF.	NOTES
E-4835	-	G-4835	10287-00	Includes: 1 Rebound Bolt, 1 Nut, 1 Sleeve
E-16523		-		

Equalizer Bushing


APPLICATION:
For Models
H-7600
H-7700
CH-7600
CH-7700






EUCLID NO.	MACH NO.	OEM REF.	BUSHING TYPE
E-1999A	G-1999A	7010-00	Rubber
E-7452	-	-	Poly

HUTCHENS FOUR SPRING SUSPENSION


Equalizer Bushings & Hardware


Equalizer Bolt Assembly		
FOR MODELS: H-2200, H-7600, H-7700, CH-7600, CH-7700		
		
EUCLID NO.	MACH NO.	NOTES
E-3414	G-3414	Includes: 2 Step Bolts, 2 Rebound Bolts, 4 Nuts, 2 Sleeves, 1 Lock Tab


Rebound Bolt		
FOR MODELS: For All Models		
		
EUCLID NO.	OEM REF.	NOTES
E-3415	759-00	5/8"- 18 x 4 1/2" Long

Rebound Spacer			
FOR MODELS: For All Models			
			
EUCLID NO.	GENUINE	OEM REF.	NOTES
E-3416	-	756-00	3/4" O.D. x 3 1/4" Long
E-16525			


Equalizer Bolt Assembly			
FOR MODELS: H-9600 H-9700 CH-9600 CH-9700			
			
EUCLID NO.	MACH NO.	OEM REF.	NOTES
E-9475	G-9475	16353-01	Includes: 1 Equalizer Bolt & Nut, 2 Rebound Bolts & Nuts, 2 Sleeves
E-16506			


Equalizer Bolt		
FOR MODELS: H-2200 H-7600 H-7700 CH-7700 CH-7600		
		
EUCLID NO.	OEM REF.	NOTES
E-2000	7016-01	5/8"-18 thread, 3/4" Body X 6" Long

Equalizer Lock Tab	
FOR MODELS: H-2200 H-7600 H-7700 CH-7600 CH-7700	
	
EUCLID NO.	OEM REF.
E-2001	729-00

 Denotes Product is Genuine Hutchens

Equalizer Bushings & Hardware

Equalizer Bolt		
FOR MODELS: H-9600 H-9700 CH-9600 CH-9700		
		
EUCLID NO.	OEM REF.	NOTES
E-7533	16150-01	1 1/8"-7 x 6 5/8" Long

Equalizer Nut		
FOR MODELS: For Models H-9600 H-9700 CH-9600 CH-9700		
		
EUCLID NO.	OEM REF.	NOTES
E-4358	11154-00	1 1/8"-7

HUTCHENS FOUR SPRING SUSPENSION**Torque Arms**

TYPE 1
Fabricated Ends



TYPE 2
Cast Ends, Includes Bushings as Noted

ADJUSTABLE

EUCLID NO.	GENUINE	MACH NO.	OEM REF.	FOR MODELS	INCLUDES BUSHING NO.	USES BUSHING KIT	LENGTH	TYPE
E-16390	☐	-	16398-01	H-7700, CH-7700 H-9700, CH-9700	E-934	E-3079	14"	1
E-3276	-	-	16398-02 713-02	H-7700, CH-7700 H-9700, CH-9700	E-934	E-3079	16"	1
E-16527	☐	-						
E-3390	-	G-3390	16398-17	H-7700, CH-7700 H-9700, CH-9700	E-934	E-3079	17"	1
E-16396	☐	-	16398-17	H-7700, CH-7700 H-9700, CH-9700	E-934	E-3079	17"	1
E-16394	☐	-	16398-04	H-7700, CH-7700 H-9700, CH-9700	E-934	E-3079	19 1/4"	1
E-3277	-	G-3277	16398-04	H-7700, CH-7700 H-9700, CH-9700	E-934	E-3079	20 1/4"	1
E-7683	☐	-	16398-05	H-7700, CH-7700 H-9700, CH-9700	E-934	E-3079	20 1/4"	1
E-16528								
E-11448	-	-	16398-06	H-7700, CH-7700 H-9700, CH-9700	E-934	E-3079	21 1/2"	1
E-16526	☐	-						
E-7684	-	-	16398-08	H-7700, CH-7700 H-9700, CH-9700	E-934	E-3079	23 1/5"	1
E-16530	☐	-						
E-15342	☐	-	16398-09	H-7700, CH-7700 H-9700, CH-9700	E-934	E-3079	25"	1
E-15344	☐	-	16398-10	H-7700, CH-7700 H-9700, CH-9700	E-934	E-3079	26 1/2"	1
E-15343	☐	-	16398-11	H-7700, CH-7700 H-9700, CH-9700	E-934	E-3079	28"	1
E-7685	-	-	16398-12	H-7700, CH-7700 H-9700, CH-9700	E-934	E-3079	29 1/2"	1
E-16529	☐	-						
E-15346	☐	-	16398-13	H-7700, CH-7700 H-9700, CH-9700	E-934	E-3079	30 3/4"	1
E-15353	☐	-	16398-14	H-7700, CH-7700 H-9700, CH-9700	E-934	E-3079	33 1/2"	1
E-15350	☐	-	16398-15	H-7700, CH-7700 H-9700, CH-9700	E-934	E-3079	34 3/4"	1
E-2510	-	-	-	H-7700, CH-7700 H-9700, CH-9700	E-934	E-3079	16"	2
E-2292	-	-	-	H-7700, CH-7700 H-9700, CH-9700	Not Included. Use E-934	E-3079	16"	2

☐ Denotes Product is Genuine Hutchens

Torque Arms



TYPE 1
Fabricated Ends



TYPE 2
Cast Ends, Includes Bushings as Noted

ADJUSTABLE

EUCLID NO.	GENUINE	MACH NO.	OEM REF.	FOR MODELS	INCLUDES BUSHING NO.	USES BUSHING KIT	LENGTH	TYPE
E-2511	-	-	-	H-7700, CH-7700 H-9700, CH-9700	E-934	E-3079	19 1/4"	2
E-2293	-	-	-	H-7700, CH-7700 H-9700, CH-9700	Not Included. Use E-934	E-3079	19 1/4"	2
E-9476		-	16167-04	H-7600, CH-7600 H-9600, CH-9600	Not Included. Use E-927	E-9478	19 1/4"	2
E-15429		-	16167-06	H-7600, CH-7600 H-9600, CH-9600	Not Included. Use E-927	E-9478	21"	2



TYPE 1



TYPE 2

RIGID

EUCLID NO.	GENUINE	MACH NO.	OEM REF.	FOR MODELS	INCLUDES BUSHING NO.	USES BUSHING KIT	LENGTH	TYPE
E-16395		-	715-00	H7700, H9700	E-934	E-3079	19 1/4"	1
E-2899	-	G-2899	715-00	H7700, H9700	E-934	E-3079	19 1/4"	1
E-9477			11953-01	H-7600, CH-7600 H-9600, CH-9600	Not Included. Use E-927	E-9478	19 1/4"	2

HUTCHENS FOUR SPRING SUSPENSION

Torque Arm Bushings & Hardware

Torque Arm Bushing Assembly


FOR MODELS:
H-2200



EUCLID NO.	NOTES
E-1075	Includes: 2 Rubber Bushing, 1 Bolt, 1 Nut, 2 Washer

Torque Arm Bushing Assembly

FOR MODELS:
H-7600
CH-7600




Includes: 1 Bolt, 1 Nut, 2 Washers

EUCLID NO.	MACH NO.	NOTES
E-9478	G-9478	Includes: 2 Rubber Bushings
E-9479	-	Includes: 2 Poly Bushings

Torque Arm Bushing Assembly


FOR MODELS:
H-7700,
CH-7700
H-9700
CH-9700



EUCLID NO.	MACH NO.	NOTES
E-3079	G-3079	Includes: 1 Rubber Bushing, 1 Bolt, 1 Nut
E-9486	-	Includes: 1 Poly Bushing, 1 Bolt, 1 Nut

Torque Arm Bushing


FOR MODELS:
H-2200




EUCLID NO.	OEM REF.	NOTES
E-1038	222-00	Rubber
E-7454	220-00	Poly

Torque Arm Bushing

FOR MODELS:
H-7600
CH-7600
H-9600
CH-9600



NOTE: Large O.D. 2 3/16" I.D. 1 1/4" Length 2 3/8"

EUCLID NO.	GENUINE	MACH NO.	OEM REF.	NOTES
E-927	-	G-927	7620-00	Rubber
E-16505		-		
E-7433	-	-	-	Poly


Torque Arm Bushing

FOR MODELS:
H-7700
CH-7700
H-9700
CH-9700





NOTE: Dimensions O.D. 1 29/32" x I.D. 1" x Length 3"


EUCLID NO.	GENUINE	MACH NO.	OEM REF.	NOTES
E-934		G-934	722-00	Rubber
E-16504		-		
E-7453		-		Poly



 Denotes Product is Genuine Hutchens


Torque Arm Bushings & Hardware



Torque Arm Hardware Assembly	
FOR MODELS: H-7700, CH-7700 H-9700 CH-9700	
	
EUCLID NO.	NOTES
E-9839	Includes: 1 Bolt, 1 Nut


Torque Arm Washer		
FOR MODELS: H-7600 CH-7600 H-9600 CH-9600		
		
EUCLID NO.	OEM REF.	NOTES
E-9482	12711-01	15/16" ID
E-2833	12710-01	1 5/16" ID



Torque Arm Bolt		
FOR MODELS: H-2200		
		
EUCLID NO.	OEM REF.	NOTES
E-1073	-	1"-14 X 7-1/4" Long

Torque Arm Bolt			
FOR MODELS: H-7600 CH-7600 H-9600 CH-9600			
			
EUCLID NO.	GENUINE	OEM REF.	NOTES
E-9480		12709-01	1 1/4" Dia Body, 7/8"-14 Threads

Torque Arm Washer		
FOR MODELS: H-2200		
		
EUCLID NO.	OEM REF.	NOTES
E-1074	227-00	2 1/2" O.D. x 1 1/16" ID X 1/4" Thick



Torque Arm Bolt			
FOR MODELS: H-7700 CH-7700 H-9700 CH-9700			
			
EUCLID NO.	GENUINE	OEM REF.	NOTES
E-2891		719-02	1"-14 X 5" Long
E-16500			



Torque Arm Nut		
FOR MODELS: H-7600 CH-7600 H-9600 CH-9600		
		
EUCLID NO.	OEM REF.	NOTES
E-1835	34-02	7/8"-14 Hex Locknut


Torque Arm Nut			
FOR MODELS: H-7700 CH-7700 H-9700 CH-9700			
			
EUCLID NO.	GENUINE	OEM REF.	NOTES
E-2892		10562-00	1" - 14
E-16518			



HUTCHENS FOUR SPRING SUSPENSION



Fabricated Spring Hangers - H7700 / H9700



Front Hanger - Straddle Mount		
FOR MODELS: H-7700 H-9700		
		
EUCLID NO.	GENUINE	OEM REF.
E-2910A	-	7701-01
E-16513		



Front Hanger - Under Mount			
FOR MODELS: H-7700 H-9700			
			
EUCLID NO.	GENUINE	MACH NO.	OEM REF.
E-2913A	-	G-2913A	20728-01
E-16509		-	



Center Hanger - Straddle Mount	
FOR MODELS: H-7700	
	
EUCLID NO.	OEM REF.
E-2911	7702-01


Center Hanger - Under Mount			
FOR MODELS: H-7700			
			
EUCLID NO.	GENUINE	MACH NO.	OEM REF.
E-2914	-	G-2914	7702-02
E-16512		-	

Center Hanger - Straddle Mount		
FOR MODELS: H-9700		
		
EUCLID NO.	GENUINE	OEM REF.
E-7534	-	16169-01
E-16514		

Center Hanger - Under Mount			
FOR MODELS: H-9700			
			
EUCLID NO.	GENUINE	MACH NO.	OEM REF.
E-9582		G-9582	16171-01

Rear Hanger - Straddle Mount			
FOR MODELS: All Fabricated Models			
			
Includes Rebound Bolt, Nut And Sleeve			
EUCLID NO.	GENUINE	MACH NO.	OEM REF.
E-2912A	-	G-2912A	7703-01
E-16511		-	

Rear Hanger - Under Mount			
FOR MODELS: All Fabricated Models			
			
Includes Rebound Bolt, Nut And Sleeve			
EUCLID NO.	GENUINE	MACH NO.	OEM REF.
E-2915A	-	G-2915A	20732-01
E-16510		-	

 Denotes Product is Genuine Hutchens


HUTCHENS FOUR SPRING SUSPENSION



Suspension

Fabricated Spring Hangers - H7700 / H9700

Front Hanger - Flange Mount


FOR MODELS:
H-7700
H-9700




EUCLID NO.	GENUINE	OEM REF.	FOR MODELS
E-5070		7701-07	Left Hand, Drilled (Shown)
E-5071		7701-08	Right Hand, Drilled

Equalizer Guide Hanger - Under Mount


FOR MODELS:
109"
121" TWS




EUCLID NO.	GENUINE	OEM REF.	NOTES
E-7681		7707-14	Front and Rear

Center Hanger - Flange Mount

FOR MODELS:
H-7700



EUCLID NO.	GENUINE	OEM REF.
E-5072		7702-05

Equalizer Guide Hanger - Straddle Mount



EUCLID NO.	GENUINE	OEM REF.	NOTES
E-15224		7707-13	Front and Rear

Center Hanger - Flange Mount

FOR MODELS:
H-9700



EUCLID NO.	GENUINE	OEM REF.
E-25185		16178-01

Replacement Hanger Wear Pad


FOR MODELS:
All Fabricated Models





EUCLID NO.	GENUINE	OEM REF.	NOTES
E-9487		755-03	All Fabricated Front and Center Hangers

Rear Hanger - Flange Mount

FOR MODELS:
All Fabricated Models



Includes rebound bolt, nut and sleeve

EUCLID NO.	GENUINE	OEM REF.	NOTES
E-5073		7703-07	Left Hand Drilled (shown)
E-5074		7703-08	Right Hand Drilled

Hanger Repair Bushing Washer, For Fabricated Hangers

FOR MODELS:
All Fabricated Models




EUCLID NO.	GENUINE	OEM REF.	NOTES
E-7682		7717-01	All Fabricated Front and Center Hangers (weld in place)

HUTCHENS FOUR SPRING SUSPENSION

Axle Attaching Parts

U-Bolt Top Plate



E-2907AG-2907A

EUCLID NO.	GENUINE	MACH NO.	OEM REF.	FOR MODELS
E-2907A		G-2907A	16868-01 7029-00	ALL

Spring Seat - 5" Round Axles


FOR MODELS:
For All
Underslung &
Rear TWS



EUCLID NO.	GENUINE	OEM REF.	HEIGHT
E-7686		22215-01	3/4" High
E-7687		22215-02	1 1/4" High
E-7688		22215-03	1 3/4" High
E-7689		22215-04	2 1/4" High

U-Bolt Top Plate

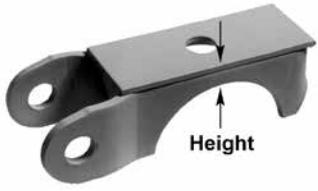
FOR MODELS:
H-7700,
CH-7700,
H-9700,
CH-9700, TWS



EUCLID NO.	GENUINE	OEM REF.	NOTES
E-16389		9202-00	For Upper Mounted U-Bolts

Spring Seat - 5" Round Axles

FOR MODELS:
H-7700, CH-7700
H-9700, CH-9700
Front TWS



EUCLID NO.	GENUINE	MACH NO.	OEM REF.	HEIGHT
E-2908	-	G-2908	19360-01 705-01	3/4" High
E-16499		-		
E-7622	-	-	19360-02	1 1/4" High
E-7623	-	G-7623	19360-03	1 3/4" High
E-16498		-	19360-03	1 3/4" High
E-7624		G-7624	19360-04	2 1/4" High
E-7625		-	19360-05	2 3/4" High
E-7535		-	19360-06	3 1/4" High

Spring Liner Pad

FOR MODELS:
ALL



2 7/8" Wide

EUCLID NO.	GENUINE	OEM REF.	MATERIAL
E-2842	-	-	Delrin
E-16520		7052-02	Galvanized Steel

Spring Rebound Bushing, Rear Hanger Mounted

FOR MODELS:
H7600/9600
H7700/9700
H7700/9700US



EUCLID NO.	GENUINE	MACH NO.	OEM REF.
E-15459		-	18541-01

Denotes Product is Genuine Hutchens

Axle Attaching Parts

Spring Seat - 5" Round Axles			
FOR MODELS: H-7600 CH-7600 H-9600 CH-9600			
EUCLID NO.	GENUINE	OEM REF.	HEIGHT
E-9527		19361-01	3/4" High
E-9528		19361-04	2 1/4" High
E-9529		19361-06	3 1/4" High



Spring Seat - 5" Square Axles			
FOR MODELS: For All Underslung & Rear TWS Models			
EUCLID NO.	GENUINE	OEM REF.	HEIGHT
E-7693		22226-01	3/4" High
E-7694		22226-02	1 1/4" High
E-7695		22226-03	1 3/4" High
E-7696		22226-04	2 1/4" High



Spring Seat - 5" Square Axles				
FOR MODELS: H-7700 CH-7700 H-9700 CH-9700 Front TWS				
EUCLID NO.	GENUINE	MACH NO.	OEM REF.	HEIGHT
E-7630		G-7630	19365-01	3/4" High
E-763			19365-02	1 1/4" High
E-7632			19365-03	1 3/4" High
E-7633			19365-04	2 1/4" High
E-7634			19365-05	2 3/4" High
E-25202			19365-06	3 1/4" High



Spring Seat - 4" X 6" Square Axles			
FOR MODELS: H-7700 CH-7700 H-9700 CH-9700 Front TWS			
EUCLID NO.	GENUINE	OEM REF.	HEIGHT
E-3867		19364-01	3/4" High
E-7626		19364-02	1 1/4" High
E-7627		19364-03	1 3/4" High
E-7628		19364-04	2 1/4" High
E-7629		19364-05	2 3/4" High
E-15468		19364-07	3 3/4" High



HUTCHENS FOUR SPRING SUSPENSION



Axle Attaching Parts



Spring Seat - 4" X 6 " Axles		
FOR MODELS: All Underslung & Rear TWS		
 <p>Height</p>		
EUCLID NO.	GENUINE	OEM REF.
E-7690		22228-02



Bottom Plate		
FOR MODELS: H-7700, CH-7700 H-9700, CH-9700 TWS		
		
For 5" Round Axle, 3/4" Dia. U-bolt		
EUCLID NO.	GENUINE	OEM REF.
E-15336		16297-01



Bottom Plate, 5" Round Axle			
FOR MODELS: All			
			
EUCLID NO.	GENUINE	MACH NO.	OEM REF.
E-2909		G-2909	710-00
E-16521		-	


Bottom Plate, 5" Square Axle		
FOR MODELS: All		
		
EUCLID NO.	GENUINE	OEM REF.
E-7636		7747-01

Bottom Plate			
FOR MODELS: All - with Underslung Axles			
			
EUCLID NO.	GENUINE	OEM REF.	NOTES
E-11728		706-01	For Underslung Axles

Bottom Plate, 4" x 6" Axle		
FOR MODELS: All		
		
EUCLID NO.	GENUINE	OEM REF.
E-7635		7746-00



Bottom Plate		
FOR MODELS: H-7700, CH-7700 H-9700, CH-9700 TWS		
		
Cast Plate for 5" Round Axles		
EUCLID NO.	GENUINE	OEM REF.
E-15205		7622-00

Bottom Plate Stabilizer Bracket		
FOR MODELS: H-7600, CH-7600 H-9600, CH-9600		
		
5" Square Axle, No Hop, Rear Axle Only		
EUCLID NO.	GENUINE	OEM REF.
E-15358		7621-00

 Denotes Product is Genuine Hutchens

HUTCHENS FOUR SPRING SUSPENSION

Axle Attaching Parts



Bottom Plate Stabilizer Bracket		
FOR MODELS: H-7600, CH-7600 H-9600, CH-9600		
		
5" Round Axle; No Hop, Rear Axle Only		
EUCLID NO.	GENUINE	OEM REF.
E-16391		7619-00



Bottom Plate Stabilizer Bracket - No Hop Axles			
FOR MODELS: H-7700 CH-7700 H-9700 CH-9700 TWS			
			
EUCLID NO.	GENUINE	OEM REF.	NOTES
E-7697		10775-00 7025-00	5" Round Axle, No Hop, Rear Axle
E-7698		7738-00	4" x 6" Axle, No Hop, Rear Axle
E-7699		7738-01	5" Square Axle, No Hop, Rear Axle





HUTCHENS

Single Point Suspension Parts



Trunnion Half - Lower		
FOR MODELS: H-440		
		
EUCLID NO.	GENUINE	OEM REF.
E-15214		20604-01


Trunnion Half - Lower			
FOR MODELS: H-900			
			
EUCLID NO.	GENUINE	OEM REF.	NOTES
E-5212		892-00	Underslung Trunnion

Trunnion - Upper Half		
FOR MODEL: H-440		
		
EUCLID NO.	GENUINE	OEM REF.
E-15215		20605-01













Trunnion Bushing						
FOR MODEL: H-900 Unless noted						
						
Length 9" Unless noted						
EUCLID NO.	GENUINE	MACH NO.	OEM REF.	O.D.	I.D.	NOTES
E-5216	-	G-5216	890-00	5"	4"	Rubber
E-16502		-				
E-7455	-	-	-	5"	4"	Poly
E-16397		-	23276-01	5"	4"	Free Oscilating
E-25199		-	23276-03	5"	4"	Free Oscilating H-440 7 1/2" Long



Trunnion Half-Upper			
FOR MODELS: H-900			
			
EUCLID NO.	GENUINE	MACH NO.	OEM REF.
E-5210	-	G-5210	891-00
E-16532		-	



Trunnion Half - Lower				
FOR MODELS: H-900				
				
EUCLID NO.	GENU-INE	MACH NO.	OEM REF.	NOTES
E-5211	-	G-5211	898-00	Overslung Trunnion
E-16531		-		






 Denotes Product is Genuine Hutchens



Single Point Suspension Parts



Trunnion Shaft - 4" Outside Diameter						
						
EUCLID NO.	GENUINE	MACH NO.	OEM REF.	FOR MODEL	WALL THICKNESS	LENGTH
E-15225		-	893-04	H-900	1/2"	46"
E-15229		-	893-05	H-900	3/4"	46"
E-2964	-	-	893-01	H-900	1/2"	48"
E-5218		-	893-02	H-900	3/4"	48"
E-16524		-				
E-15226		-	893-11	H-900	1/2"	51"
E-15230		-	893-12	H-900	3/4"	51"
E-15227		-	893-09	H-900	1/2"	52"
E-15231		-	893-10	H-900	3/4"	52"
E-15228		-	893-07	H-900	1/2"	54"
E-15351		-	893-08	H-900	3/4"	54"
E-15352		-	893-23	H-440	1/2"	54 1/2"

Trunnion Washer				
				
E-15207 w/ Flat - O.D. - 5 3/4", I.D. - 4"				
EUCLID NO.	GENUINE	OEM REF.	FOR MODEL	THICKNESS
E-15207		20936-01	H440	5/32"
E-5219		895-00	H440, H900	3/16"

Spring End Cap		
FOR MODEL: H-400		
		
EUCLID NO.	GENUINE	OEM REF.
E-15239		20610-01

Trunnion Hanger Bracket					
					
EUCLID NO.	GENUINE	MACH NO.	OEM REF.	FOR MODEL	HEIGHT
E-4312		G-4312	10476-03	H-900	4 1/2"
E-5213		-	850-01	H-440 H-900	2 1/2"
E-5214		-	849-01	H-900	6 1/2"
E-5215		-	897-01	H-900	8 1/2"



Spring Seat		
FOR MODELS: H-440		
		
EUCLID NO.	GENUINE	OEM REF.
E-25195		20609-01


Spring End Cap			
FOR MODELS: H-900			
			
NOTE: 2 Main Leaf Spring			
EUCLID NO.	GENUINE	OEM REF.	NOTES
E-5220		10049-00	Over Slung Axles



HUTCHENS



Single Point Suspension Parts



Spring End Cap				
FOR MODELS: H-900				
				
3 Main Leaf Spring				
EUCLID NO.	GENUINE	MACH NO.	OEM REF.	NOTES
E-5221		G-5221	9937-00	Over Slung Axles


Spring Seat			
FOR MODELS: H-900			
			
6" Rd. Axle			
EUCLID NO.	GENUINE	OEM REF.	NOTES
E-15221		9936-04	6" Rd. Axle; Over Slung Axles



Spring End Cap			
FOR MODELS: H-900			
			
EUCLID NO.	GENUINE	OEM REF.	NOTES
E-15464		19069-01	Use w/ 5/8" Thick Alignment Plate


Spring Seat				
APPLICATION:				
				
5" x 5" Sq. Axle				
EUCLID NO.	GENUINE	OEM REF.	FOR MODEL	NOTES
E-5223		9935-02	H900	Over Slung Axles

Spring Seat				
FOR MODELS: H-900				
				
5" Rd. Axle				
EUCLID NO.	GENUINE	MACH NO.	OEM REF.	NOTES
E-5222		G-5222	9934-02	Over Slung Axles



Spring End Cap			
FOR MODELS: H-900			
			
2 Main Leaf Spring			
EUCLID NO.	GENUINE	OEM REF.	NOTES
E-5224		10050-02	Under Slung Axles



Spring Seat				
FOR MODELS: H-900				
				
5 3/4" Rd. Axle				
EUCLID NO.	GENUINE	OEM REF.	FOR MODEL	NOTES
E-15219		9936-03	H900	5 3/4" Rd. Axle; Over Slung Axles



Spring End Cap				
FOR MODELS: H-900				
				
3 Main Leaf Spring				
EUCLID NO.	GENUINE	OEM REF.	FOR MODEL	NOTES
E-5225		9941-02	H900	Under Slung Axles



 Denotes Product is Genuine Hutchens



Single Point Suspension Parts

Spring End Cap			
FOR MODELS: H-900			
			
6" Round Axles			
EUCLID NO.	GENUINE	OEM REF.	NOTES
E-15217		9942-02	6" Round Axles, Under Slung Axles



Spring Seat			
FOR MODELS: H-900			
			
5" x 5" Sq. Axle			
EUCLID NO.	GENUINE	OEM REF.	NOTES
E-15218		9939-00	5" x 5" Sq. Axle, Under Slung Axle

Spring Seat			
FOR MODELS: H-900			
			
5" Rd. Axle			
EUCLID NO.	GENUINE	OEM REF.	NOTES
E-5226		9938-00	Under Slung Axles

Spring End Pad							
FOR MODELS: H-440 H-900							
							
EUCLID NO.	GENUINE	MACH NO.	OEM REF.	LENGTH	WIDTH	THICKNESS	MATERIAL
E-5227	-	G-5227	814-00	5"	2 7/8"	13/16"	Rubber
E-16519		-					Poly
E-8665	-	-	-	-	-	-	Poly

Spring Seat			
FOR MODELS: H-900			
			
NOTE: 5 3/4" Rd. Axle			
EUCLID NO.	GENUINE	OEM REF.	NOTES
E-15220		9940-00	5 3/4" Rd. Axle; Under Slung Axle

Spring Seat			
FOR MODELS: H-900			
			
NOTE: 6" Rd. Axle			
EUCLID NO.	GENUINE	OEM REF.	NOTES
E-15222		9940-01	6" Rd. Axle; Under Slung Axle


Alignment Adjustment Plate		
FOR MODELS: H-400		
		
EUCLID NO.	GENUINE	OEM REF.
E-25198		20601-01

HUTCHENS


Single Point Suspension Parts

Alignment Adjustment Plate

FOR MODELS:
H-900





5/8" Thick

EUCLID NO.	GENUINE	OEM REF.
E-15463		19059-01

Bottom Plate

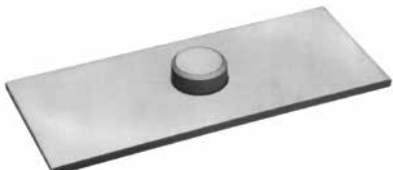
FOR MODELS:
H-900




EUCLID NO.	GENUINE	OEM REF.
E-5231A		820-00

Alignment Adjustment Plate

FOR MODELS:
H-900





3/8" Thick

EUCLID NO.	GENUINE	MACH NO.	OEM REF.
E-5228	-	G-5228	10608-00
E-16522		-	

Pressure Plate


FOR MODELS:
H-900




EUCLID NO.	GENUINE	OEM REF.	NOTES
E-5229		10488-00	5" x 5" Square Axle

Top Plate

FOR MODELS:
H440





Square U-Bolt

EUCLID NO.	GENUINE	OEM REF.	NOTES
E-16388		20612-01	Use with Square U-Bolt

Spring Liner


FOR MODELS:
H-900




EUCLID NO.	GENUINE	OEM REF.	NOTES
E-25197		12919-01	4 3/4" Wide x 10" Long

Top Plate


FOR MODELS:
H-900





EUCLID NO.	GENUINE	MACH NO.	OEM REF.	NOTES
E-5230		G-5230	9640-00	Use with Square U-Bolt

Hex Bolt

FOR MODELS:
H-440
H-900



EUCLID NO.	GENUINE	OEM REF.	THREAD	LENGTH
E-15206		10376-00	3/4"-16 UNF	4 1/2"
E-4348	-	-	5/8" - 11	2"

 Denotes Product is Genuine Hutchens

HUTCHENS

Single Point Suspension Parts

Hex Lock Nut			
FOR MODELS: H440 H900			
EUCLID NO.	GENUINE	OEM REF.	SIZE
E-2988	-	-	5/8"-11 UNC
E-4961A	-	-	3/4"-16 UNF
E-16517		22414-01	3/4"-16 UNF

HUTCHENS



H11455 Tri-Axle Suspension Section

Trunnion Cap		
		
EUCLID NO.	GENUINE	OEM REF.
E-15403		11434-00

Trunnion Hanger/ Bracket		
		
EUCLID NO.	GENUINE	OEM REF.
E-15410		11447-01

Trunnion Bushing					
					
EUCLID NO.	OEM REF.	O.D.	I.D.	LENGTH	MATERIAL
E-2935	11442-00	4 1/2"	3 1/2"	5 3/4"	Rubber
E-7443	-				Poly


Trunnion Washer				
				
EUCLID NO.	GENUINE	OEM REF.	O.D.	I.D.
E-15412		11452-00	5 1/4"	3 17/32"

Trunnion Tube					
FOR MODELS: 60K Models					
					
EUCLID NO.	GENUINE	OEM REF.	O.D.	LENGTH	WALL THICKNESS
E-15409		11446-00	3 1/2"	44 1/4"	3/4"

Axle Cap		
		
5" Round Axles		
EUCLID NO.	GENUINE	OEM REF.
E-15407		11444-00




Trunnion Hanger			
			
EUCLID NO.	GENUINE	OEM REF.	BOM NOTES
E-15413		11453-00	2 1/2" Hi for 3 1/2" O.D. Tube

Axle Adapter		
		
5" Round Axles		
EUCLID NO.	GENUINE	OEM REF.
E-15401		11432-00



 Denotes Product is Genuine Hutchens

H11455 Tri-Axle Suspension Section

Spring End Pad					
					
EUCLID NO.	OEM REF.	LENGTH	WIDTH	THICKNESS	NOTES
E-15402	11433-00	5 5/16"	4 9/16"	1"	Lower
E-15408	11445-00	7"	5 7/8"	1/2"	Upper

Adjustable Torque Arm				
				
Includes Bushing				
EUCLID NO.	GENUINE	OEM REF.	LENGTH (C-T-C)	NOTES
E-15688		22424-01	24 3/4" to 26 3/4"	75K Models
E-15411		11451-00	24 3/4" to 26 3/4"	60K Models

Axle Seat		
		
5" Round Axles		
EUCLID NO.	GENUINE	OEM REF.
E-15414		11497-00

Torque Rod Bracket		
		
EUCLID NO.	GENUINE	OEM REF.
E-15404		11437-01

Bottom Plate		
		
EUCLID NO.	GENUINE	OEM REF.
E-15405		11438-00

Hex Bolt			
			
EUCLID NO.	OEM REF.	THREAD SIZE	LENGTH
E-15702	22419-01	5/8"- 18	6"
E-15194	11456-00	3/4"- 16	5 1/2"
E-15695	22418-01	7/8"-14	2 1/2"
E-3818	22420-01	7/8"- 14	7 3/4"
E-15689	22412-01	1 1/4"-7	5 1/4"

Beam Assembly		
		
EUCLID NO.	GENUINE	OEM REF.
E-15692		11441-00

HUTCHENS FOUR SPRING SUSPENSION

Slider Components

Slider Pull Handle



EUCLID NO.	GENUINE	OEM REF.	LENGTH
E-15397		11411-00	29 1/4"
E-15423		12781-01	32 3/4"

Slider Spring



Compression Spring for 9000 Series Slider

EUCLID NO.	GENUINE	OEM REF.	I.D.	LENGTH
E-15422		12779-01	1 7/16"	3 1/4"

Lock Pin



Lock Pin for 9200 Series Slider

EUCLID NO.	GENUINE	OEM REF.
E-15421		12716-01

Slider Hold Down Clamp



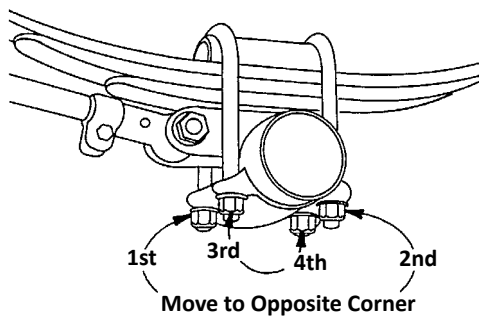
EUCLID NO.	GENUINE	OEM REF.	NOTES
E-15420		12715-01	Hold Down Clamp for 9200 Series Slider

AXLE CLAMP GROUP AND SPRINGS

1. Check the torque on the U-bolt nuts by alternately tightening opposing corners of the clamp assembly.

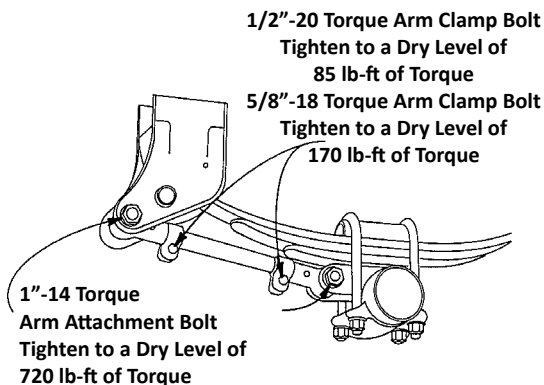
- a. When using 7/8" – 14 U-bolts, the nuts should be torqued to a dry level of 470 lb-ft.
- b. When using 3/4" – 16 U-bolts, the nuts should be torqued to a dry level of 420 lb-ft.

Always carefully inspect the spring and axle clamp components for any signs of wear or cracks, and replace if visible wear or cracks are present.



TORQUE ARMS

2a. The 1" – 14 torque arm attachment bolts at the hangers and spring seats should be tightened to a dry level of 720 lb-ft of torque on both the adjustable and non-adjustable torque arms.



Loose operation of this bolt can result in wear requiring new components be installed to avoid structural damage. During

your visual inspection, if you observe any visible wear or loosening in the bushing, it is imperative that you immediately replace the torque arm bushing and bolt. Failure to replace these components will result in damage to the hanger, spring seat, and/or torque arm.

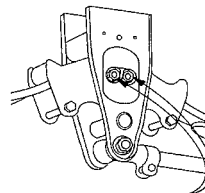
2b. Next check the 1/2" – 20 torque arm clamp bolt, which should be tightened to a dry level of 85 lb-ft of torque. The 5/8" – 18 torque arm clamp bolt should be tightened to a dry level of 170 lb-ft of torque. If the clamp bolt has not been properly maintained, then wear between the torque arm screw and the eye end may be observed. If so, then the entire torque arm must be replaced. Simply retightening or replacing the clamp bolt will not correct the problem.

EQUALIZER BUSHING

3. The recommended torque values for the equalizer bushing clamp bolts are different for each model.

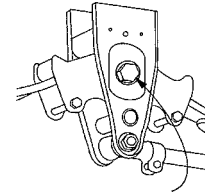
- a. If you are working on the 7700 model suspension, the 5/8" – 18 step bolts should be tightened to a dry level of 170 lb-ft of torque. See Figure 1.
- b. If you are working on the 9700 model suspension, the single 1 1/8" – 7 bolt should be tightened to a dry level of 790 lb-ft of torque. See Figure 2

Fig. 1



**5/8"-18 Step Bolts
Tighten to a
Dry Level of
170 lb-ft of Torque**

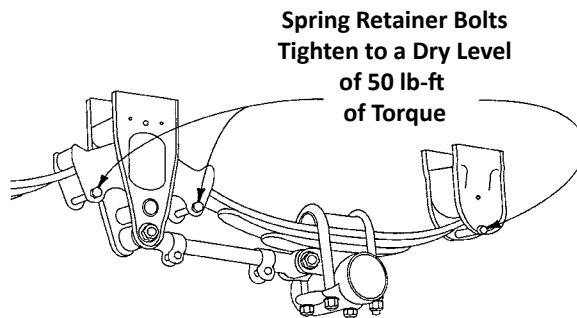
Fig. 2



**1 1/8" Bolt
Tighten to a
Dry Level of
790 lb-ft of Torque**

HANGERS

4. Check all of the spring retainer bolts found in the equalizer and rear hangers. A dry value of 50 lb-ft of torque should be maintained on all of these bolts.



Loose fasteners that are allowed to operate for any period of time will result in irreversible suspension damage and possible loss of vehicle control. Retightening a worn fastener will not correct a situation created by loose operation!

Huckbolt[®] Removal

(WITH COMMON SHOP TOOLS)

The 1 1/8" Huckbolt[®] C50L[®] Fasteners used in Hutch truck/trailer suspensions are designed as permanent fasteners. Once installed, they should be removed only by mechanical method. Use of a cutting torch may damage suspension components, and should be avoided. The mechanical removal process is rather simple in concept.

NOTE: The Huckbolt[®] fastener is clamped at a very high rate. Proper caution should be exercised when removing these bolts, as they may release their clamp suddenly. Wear proper eye protection and keep your face at least 2 feet away from the collar as you work on the removal process.

An installed fastener (as shown in Fig. 1) has a collar that is cold-worked or 'swaged' over the grooved C50L pin.

No amount of twisting or hammering will dislodge the pin from the collar.

The collar must be cut longitudinally to length of the swaged section. This may best be accomplished with a small wheel grinder, as shown in Fig. 2

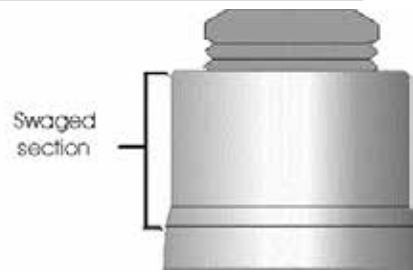


Fig. 1

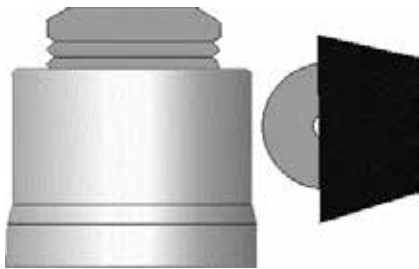


Fig. 2

Also, a drill may be used on opposing sides of the collar as seen in Fig. 3



Fig. 3

An alternate method of opening the collar is to chisel the collar walls out to free up the pin as seen in Fig. 4

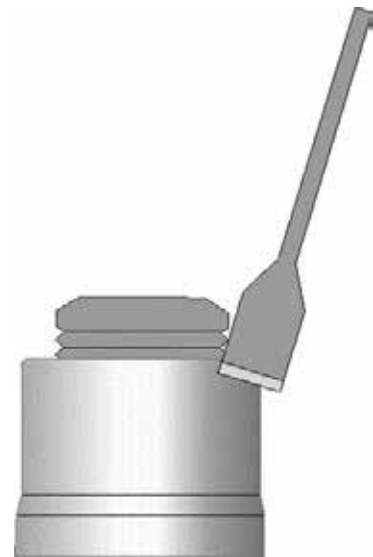


Fig. 4

Once the collar has been opened over the length of the swaged portion on two opposing sides, as shown in Fig. 5, the pin may become freed, or be may require additional force to hammer or punch the pin out of the collar

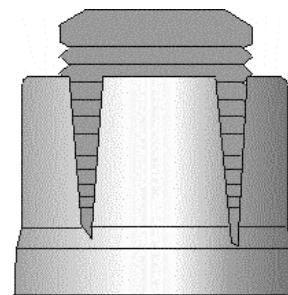


Fig. 5

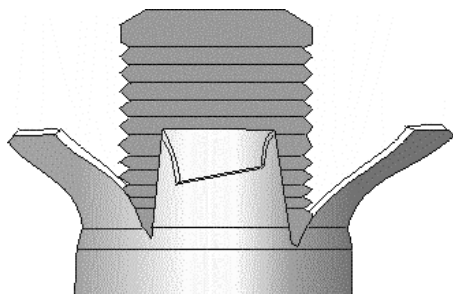
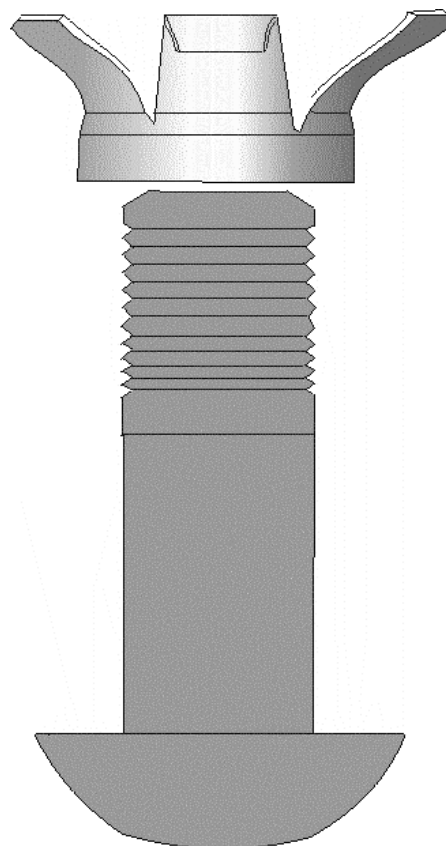


Fig 6.

If the pin doesn't come loose, use a chisel, or vice-grip type pliers, to peel the collar sections back as seen in Fig. 6

The pin will come free when sufficient collar material has been pulled away from the swaged section of collar as seen in Fig. 7



HUTCHENS NUMERICAL LISTING

PART NO.	PAGE NO.
E-763	69
E-927	13, 33, 39, 64
E-934	19, 27, 33, 39, 43, 64
E-1038	3, 64
E-1073	3, 65
E-1074	3, 65
E-1075	3, 64
E-1828	3
E-1835	13, 33, 39, 65
E-1943	45
E-1999A	3, 11, 17, 25, 29, 35, 41, 59
E-2000	3, 11, 17, 25, 29, 35, 41, 60
E-2001	3, 13, 17, 25, 33, 39, 43, 60
E-2002	3, 11, 13, 17, 25, 29, 35, 41
E-2003	11, 17, 23, 29, 35, 41, 59
E-2004	3, 59
E-2292	62
E-2293	63
E-2510	62
E-2511	63
E-2545	45
E-2546	45
E-2548	13, 17, 25, 33, 39, 43, 45
E-2781	11, 15, 23, 55
E-2781A	11, 15, 23, 55
E-2833	13, 33, 39, 65
E-2842	13, 17, 25, 29, 37, 43, 68
E-2889	11, 15, 23, 55
E-2890	3, 55
E-2891	19, 25, 31, 39, 43, 65
E-2892	19, 27, 33, 39, 43, 65

PART NO.	PAGE NO.
E-2898	3
E-2899	19, 25, 31, 37, 43, 63
E-2907A	3, 13, 17, 29, 35, 41, 68
E-2908	50, 68
E-2909	3, 13, 19, 31, 37, 43, 70
E-2910A	47, 66
E-2911	46, 66
E-2912A	47, 66
E-2913A	47, 66
E-2914	46, 66
E-2915A	47, 66
E-2935	45, 78
E-2964	7, 73
E-2988	5, 7, 77
E-3079	19, 25, 33, 39, 43, 64
E-3276	62
E-3277	19, 25, 31, 37, 43, 62
E-3390	43, 62
E-3414	3, 11, 17, 25, 29, 35, 41, 60
E-3415	3, 13, 17, 25, 29, 35, 41, 60
E-3416	3, 13, 17, 25, 29, 35, 41, 60
E-3818	45, 79
E-3867	52, 69
E-4312	7, 73
E-4348	5, 7, 76
E-4358	11, 17, 25, 29, 35, 41, 45, 61
E-4835	3, 13, 17, 25, 29, 35, 41, 59
E-4961A	5, 9, 45, 77
E-5070	47, 67
E-5071	47, 67
E-5072	46, 67
E-5073	47, 67
E-5074	47, 67
E-5210	9, 72

PART NO.	PAGE NO.
E-5211	9, 72
E-5212	9, 72
E-5213	5, 7, 73
E-5214	7, 73
E-5215	7, 73
E-5216	9, 72
E-5218	7, 73
E-5219	5, 7, 73
E-5220	7, 73
E-5221	7, 74
E-5222	9, 74
E-5223	9, 74
E-5224	7, 74
E-5225	7, 74
E-5226	9, 75
E-5227	5, 9, 75
E-5228	9, 76
E-5229	9, 76
E-5230	7, 76
E-5231A	9, 76
E-7433	13, 33, 39, 64
E-7443	45, 78
E-7452	11, 17, 25, 29, 35, 41, 59
E-7453	19, 27, 33, 39, 43, 64
E-7454	3, 64
E-7455	9, 72
E-7532	11, 15, 23, 55
E-7533	11, 17, 25, 29, 35, 41, 61
E-7534	46, 66
E-7535	50, 68
E-7621	11, 17, 25, 29, 35, 41, 59
E-7622	50, 68
E-7623	50, 68
E-7624	50, 68
E-7625	50, 68

HUTCHENS NUMERICAL LISTING

Suspension

PART NO.	PAGE NO.
E-7626	52, 69
E-7627	52, 69
E-7628	52, 69
E-7629	52, 69
E-7630	51, 69
E-7631	51
E-7632	51, 69
E-7633	51, 69
E-7634	51, 69
E-7635	13, 19, 31, 37, 43, 70
E-7636	13, 19, 31, 37, 43, 70
E-7681	41, 46, 67
E-7682	21, 27, 33, 39, 43, 67
E-7683	31, 62
E-7684	37, 62
E-7685	37, 62
E-7686	50, 68
E-7687	50, 68
E-7688	50, 68
E-7689	50, 68
E-7690	52
E-7693	51, 69
E-7694	51, 69
E-7695	51, 69
E-7696	51, 69
E-7697	19, 31, 37, 43, 71
E-7698	19, 43, 71
E-7699	19, 31, 37, 43, 71
E-7918	11, 15, 23, 55
E-8665	5, 9, 75
E-8666	11, 17, 25, 29, 35, 41, 59
E-9330	35, 56
E-9469	11, 57
E-9470	11, 57
E-9471	11, 15, 23, 55
E-9472	11, 17, 23, 29, 35, 41, 59

PART NO.	PAGE NO.
E-9473	11, 17, 23, 29, 35, 41, 59
E-9474	11, 17, 23, 29, 35, 41, 59
E-9475	11, 17, 25, 29, 35, 41, 60
E-9476	13, 31, 37, 63
E-9477	13, 37, 63
E-9478	13, 33, 39, 64
E-9479	13, 33, 39, 64
E-9480	13, 31, 39, 65
E-9482	13, 33, 39, 65
E-9484	15, 23, 57
E-9485	15, 23, 57
E-9486	19, 25, 33, 39, 43, 64
E-9487	13, 21, 27, 33, 39, 67
E-9489	35, 56
E-9491	41, 56
E-9492	41, 56
E-9493	47
E-9494	47
E-9495	46
E-9496	46
E-9497	46
E-9498	46
E-9499	49
E-9500	49
E-9501	48
E-9502	49
E-9503	49
E-9527	50, 69
E-9528	50, 69
E-9529	50, 69
E-9567	11, 15, 23, 55
E-9570	11, 15, 23, 55
E-9582	46
E-9607	45
E-9839	19, 27, 33, 39, 43, 65
E-11448	19, 62
E-11452	15, 56

PART NO.	PAGE NO.
E-11728	25, 70
E-14814	49
E-14815	49
E-14816	49
E-14817	49
E-14818	29, 56
E-14925	29, 56
E-15194	45, 79
E-15205	13, 19, 31, 70
E-15206	5, 7, 76
E-15207	5, 73
E-15208	46
E-15209	46
E-15210	47
E-15211	47
E-15214	5, 72
E-15215	5, 72
E-15217	7, 75
E-15218	9, 75
E-15219	9, 74
E-15220	9, 75
E-15221	9, 74
E-15222	9, 75
E-15224	41, 46, 67
E-15225	73
E-15226	73
E-15227	73
E-15228	73
E-15229	73
E-15230	73
E-15231	73
E-15236	46
E-15237	49
E-15238	49
E-15239	5, 73
E-15328	49

HUTCHENS NUMERICAL LISTING

PART NO.	PAGE NO.
E-15331	29, 56
E-15333	49
E-15336	19, 31, 37, 43, 70
E-15338	29, 56
E-15342	37, 62
E-15343	37, 62
E-15344	37, 62
E-15346	37, 62
E-15348	41, 56
E-15350	37, 62
E-15351	73
E-15352	5, 73
E-15353	37, 62
E-15355	21, 27, 33
E-15358	13, 31, 37, 70
E-15359	49
E-15360	47
E-15361	47
E-15377	35, 56
E-15378	41, 56
E-15379	41, 56
E-15397	80
E-15401	45, 78
E-15402	45, 79
E-15403	45, 78
E-15404	45, 79
E-15405	45, 79
E-15407	45, 78
E-15408	45, 79
E-15409	45, 78
E-15410	45, 78
E-15411	45, 79
E-15412	45, 78
E-15413	45, 78
E-15414	45, 79
E-15420	80
E-15421	80

PART NO.	PAGE NO.
E-15422	80
E-15423	80
E-15429	13, 63
E-15430	35, 56
E-15433	35, 56
E-15437	48
E-15438	48
E-15440	15, 23, 57
E-15441	23, 57
E-15441	15
E-15442	15, 23, 57
E-15443	15, 23, 57
E-15444	15, 23, 58
E-15445	15, 23, 58
E-15450	48
E-15451	48
E-15459	21, 27, 33, 39, 43, 68
E-15463	9, 76
E-15464	7, 74
E-15468	52, 69
E-15475	35, 56
E-15476	50
E-15480	15, 56
E-15688	45, 79
E-15689	45, 79
E-15692	45, 79
E-15695	45, 79
E-15702	45, 79
E-16388	5, 76
E-16389	17, 68
E-16390	19, 62
E-16391	13, 31, 37, 71
E-16392	11, 15, 23, 55
E-16393	11, 15, 23, 55
E-16394	19, 25, 31, 37, 43, 62
E-16395	19, 25, 31, 37, 43, 63

PART NO.	PAGE NO.
E-16396	43, 62
E-16397	9, 72
E-16498	50, 68
E-16499	50, 68
E-16500	19, 25, 31, 39, 43, 65
E-16501	11, 17, 25, 29, 35, 41, 59
E-16502	9, 72
E-16504	19, 27, 33, 39, 43, 64
E-16505	13, 33, 39, 64
E-16506	11, 17, 25, 29, 35, 41, 60
E-16507	11, 15, 23, 55
E-16508	11, 15, 23, 55
E-16509	47, 66
E-16510	47, 66
E-16511	47, 66
E-16512	46, 66
E-16513	47, 66
E-16514	46, 66
E-16517	5, 9, 45, 77
E-16518	19, 27, 33, 39, 43, 65
E-16519	5, 9, 75
E-16520	13, 17, 25, 29, 37, 68
E-16521	3, 13, 19, 31, 37, 43, 70
E-16522	9, 76
E-16523	3, 13, 17, 25, 29, 35, 41, 59
E-16524	7, 73
E-16525	3, 13, 17, 25, 29, 35, 41, 60
E-16526	19, 62
E-16527	62
E-16528	31, 62
E-16529	37, 62
E-16530	37, 62
E-16531	9, 72
E-16532	9, 72
E-16533	45

HUTCHENS NUMERICAL LISTING

Suspension

PART NO.	PAGE NO.
E-16534	45
E-16798	47
E-16799	47
E-16800	15
E-16801	47
E-16802	47
E-25184	46
E-25185	46, 67
E-25186	47
E-25187	47
E-25188	47
E-25189	47
E-25190	46
E-25191	49
E-25192	49
E-25193	47
E-25194	47
E-25195	5, 73
E-25197	9, 76
E-25198	5, 75
E-25199	5, 72
E-25201	48
E-25202	51, 69
E-UB5161-12	3
E-UB5161-12 E-UB8161-12	53
E-UB5161-13	53
E-UB5161-14	3
E-UB5161-14 E-UB8161-14	53
E-UB5161-18	3
E-UB5161-18 E-UB8161-18	53
E-UB5161-22 E-UB8161-22	53
E-UB5165-12 E-UB8165-12	54
E-UB5165-14 E-UB8165-14	54

PART NO.	PAGE NO.
E-UB5165-16 E-UB8165-16	54
E-UB8151-10	53
E-UB8151-12	53
E-UB8151-14	53
E-UB8151-16	53
E-UB8151-18	53
E-UB8155-073	5, 7
E-UB8156-08	7
E-UB8157-08	7
E-UB8161-10	53
E-UB8161-14	3
E-UB8161-16	3, 53
E-UB8161-18	3
E-UB8165-10	54
E-UB8165-12	45
E-UB8175-104	7
E-UB8176-114	7
E-UB8177-114	7
E-UB8187-154	9
E-UB8187-164	9
E-UB8256-077	7
E-UB8265-10	54
E-UB8265-12	54
E-UB8265-14	54
E-UB8265-16	54
E-UB8268-105	5
E-UB8271-104	7
E-UB8271-111	7
E-UB8286-134	7
E-UB8286-154	7
G-927	13, 33, 39, 64
G-934	19, 27, 33, 39, 43, 64
G-1999A	11, 17, 25, 29, 35, 41, 59
G-2001	3, 13, 17, 25, 33, 39, 43
G-2003	11, 23, 29, 35, 41, 59
G-2781	11, 15, 23, 55

PART NO.	PAGE NO.
G-2781A	11, 15, 23, 55
G-2889	11, 15, 23, 55
G-2899	63
G-2907A	3, 13, 17, 29, 35, 41, 68
G-2908	50, 68
G-2909	3, 13, 19, 31, 37, 43, 70
G-2912A	47, 66
G-2913A	47, 66
G-2914	46, 66
G-2915A	47, 66
G-3079	19, 25, 33, 39, 43, 64
G-3277	19, 25, 31, 37, 43, 62
G-3390	43, 62
G-3414	3, 11, 17, 25, 29, 35, 41, 60
G-3416	3, 13, 17, 25, 29, 35, 41
G-4312	7, 73
G-4835	3, 13, 17, 25, 29, 35, 41, 59
G-5210	9, 72
G-5211	9, 72
G-5216	9, 72
G-5221	7, 74
G-5222	9, 74
G-5227	5, 9, 75
G-5228	9, 76
G-5230	7, 76
G-7532	11, 15, 23, 55
G-7621	11, 17, 25, 29, 35, 41, 59
G-7622	50
G-7623	50, 68
G-7624	50, 68
G-7630	51, 69
G-9471	11, 15, 23, 55
G-9472	11, 17, 23, 29, 35, 41, 59
G-9475	11, 17, 25, 29, 35, 41, 60
G-9478	13, 33, 39, 64
G-9570	11, 15, 23, 55

HUTCHENS NUMERICAL LISTING

PART NO.	PAGE NO.
G-9582	46, 66
See Component Section Page	7
See Hanger Chart - Page	11

PART NO.	PAGE NO.
See Hanger Chart Page	15
See Spring Seat Chart - Page	13
See Spring Seat Chart Page	17

PART NO.	PAGE NO.
See U-Bolt Chart - Page	13
See U-Bolt Chart Page	19

Vehicle models, trademarks,
brands, and names depicted
herein are the property of their
respective owners, and may not
be associated with Meritor, Inc.
or its affiliates.



Meritor Heavy Vehicle Systems, LLC
7975 Dixie Highway
Florence, KY 41042
U.S. 888-725-9355
Canada 800-387-3889
MeritorPartsXpress.com

©2019 Meritor, Inc.
Litho in USA
Revised 07-19
700E-HUT (87410)