

GEHL

TELESCOPIC HANDLERS

NEW TH SERIES | RS SERIES



GEHL[®]
WORKS LIKE YOU[™]



**BORN ON AN
AMERICAN FARM
IN 1859.**

GEHL[®]
WORKS LIKE YOU[™]

Starting in 1859 GEHL has been rooted in agriculture. Designing and building machines to help America's hardest workers. Many years later, we are offering products world-wide that work just as hard as the farmers and construction workers who own and operate them.

We build machines that make life easier and exceed expectations. Here at GEHL, we know that true satisfaction isn't felt while earth-moving but looking back at a job well-done. That is the true payoff for our operators and built in our DNA at GEHL.

For over 160 years we have been partnering with farmers, construction workers, landscapers and rental companies – large and small – to help move mountains and build a strong foundation of trust. **We care about our operators.** Safety and efficiency go into every machine we produce to help hardworking people get home safe and hopefully even a little bit early. ■

The true payoff comes in a job well-done.



**RAISED ON
A GLOBAL
JOB SITE.**

GEHL

We have always designed and built machines to help the needs of the people who change our landscape. Over time, regulations and the needs of these workers change. GEHL continues to innovate and change with them to supply the most robust durable machines on the market.

Humble and hard working people, responsible for molding and changing the world around us are not overlooked by our brand. With that in mind, GEHL has contributed heavily to the construction industry and is dedicated to continue for many years to come.

GEHL has invested significantly into the future of our products and will continue to change and meet the requirements of urban job sites. Driven by the voice of our customers and industry data we are committed to be here to design, build, service and stand behind our products. We will help you do the heavy lifting.

As the global landscape changes we stay on track supplying machines that are reliable and meet or exceed emissions standards for the future of our planet and our young operators of tomorrow. ■

TELESCOPIC HANDLERS



TH6-42

Maximum Capacity
- 6,000lbs | 2722kg
Maximum Lift Height
- 42'6" | 12.9m
Ground Clearance
- 18" | 457mm

CUSTOMER BENEFITS

- Great Reach + Lift
- No DEF or DPF
- 5-Speed Transmission
- 74hp Engine



RS4-14

Maximum Capacity
- 4,400lbs | 2000kg
Maximum Lift Height
- 14'3" | 4.35m
Ground Clearance
- 9.5" | 240mm

CUSTOMER BENEFITS

- Ultra-Compact Telehandler
- H - 6' 3" / W - 4' 11" / L - 11' 11"
- Single Joystick Operation
- 2-Speed Hydrostatic Transmission



TH8-42

Maximum Capacity
- 8,000lbs | 3629kg
Maximum Lift Height
- 42'6" | 12.9m
Ground Clearance
- 18" | 457mm

CUSTOMER BENEFITS

- Solid, Powerful Performance
- 127hp Engine
- Easy Step Access
- Single Joystick Operation



RS5-19 GEN-3

Maximum Capacity
- 5,500lbs | 2495kg
Maximum Lift Height
- 19'7" | 5.8m
Ground Clearance
- 14" | 350mm

CUSTOMER BENEFITS

- H - 6' 4" / W - 5' 11" / L - 12' 4"
- 2-Speed Hydrostatic Transmission
- Large Cab for Compact Machine



TH8-42 M74

Maximum Capacity
- 8,000lbs | 3629kg
Maximum Lift Height
- 42'6" | 12.9m
Ground Clearance
- 18" | 457mm

CUSTOMER BENEFITS

- 8,000lbs Lift + Place
- No DEF or DPF Systems
- Single Joystick Operation
- 74hp Engine



RS6-34 GEN-3

Maximum Capacity
- 6,000lbs | 2722kg
Maximum Lift Height
- 34'3" | 10.4m
Ground Clearance
- 14" | 350mm

CUSTOMER BENEFITS

- Compact Telescopic Loader
- Maximum Lifting Height of 34' 3"
- Hydrostatic Transmission
- Single Joystick Transmission



TH10-55

Maximum Capacity
- 10,000lbs | 4536kg
Maximum Lift Height
- 55'7" | 16.95m
Ground Clearance
- 19" | 483mm

CUSTOMER BENEFITS

- Maximum Reach of 42' 3"
- Auxiliary Hydraulics Standard
- Front Outriggers Standard
- 127hp Engine



TH10-55_{M74}

Maximum Capacity
- 10,000lbs | 4536kg
Maximum Lift Height
- 55'7" | 16.9m
Ground Clearance
- 19" | 482mm

CUSTOMER BENEFITS

Maximum Lift + Reach with 74hp
No DEF or DPF System
Auxiliary Hydraulics Standard
Front Outriggers Standard



TH12-42

Maximum Capacity
- 12,000lbs | 5444kg
Maximum Lift Height
- 42'6" | 12.9m
Ground Clearance
- 19" | 482mm

CUSTOMER BENEFITS

Powerful + Compact
127hp Engine
Maximum Reach of 28' 6"
5-Speed Transmission



TH12-55

Maximum Capacity
- 12,000lbs | 5444kg
Maximum Lift Height
- 55'7" | 16.9m
Ground Clearance
- 19" | 482mm

CUSTOMER BENEFITS

Maximum Capacity + Working Range
127hp Engine
Auxiliary Hydraulics Standard
Front Outriggers Standard



BUILT TOUGH JUST LIKE YOU

Stability System
Our TH Series models can move with the boom above 60° if the machine is on a level surface. The rear axle will lock if the unit is beyond 2° of level.

Superview INDUSTRY EXCLUSIVE

Our new cab design allows for increased operator line of sight to the forks and load. Removal of the cab cross bar and angled FOPs bars exceptionally increases operator vision.
**Only available on TH Series models*

All-Weather Cab

Pick what suits your needs best with open cab, closed cab and heating/air conditioning options. Work in comfort all day long.

Front Outriggers

Increase stability and lift capacity on demand in all lift ranges.

**Standard on TH10-55, TH10-55 M74 and TH12-55*

Self-Leveling Forks

This standard feature automatically keeps the forks or attachment in the set position as the boom is raised or lowered.

No DEF Fluid Options

All of our M74 models don't require an after-treatment system or DEF Fluid. Get the push you need from our 74hp engines without the management concerns for DEF or DPF system.

Easy Step INDUSTRY EXCLUSIVE

Our new modified floor of the cab allows the operator to see the cab step for ease of entry and exit.
**Only available on TH Series models*

Transmission

Choose between Automatic Mode or Powershift Operation.

Parking Brake

Choose between Automatic or Standard Parking Brake. When Automatic is selected, the parking brake will activate when the machine is neutral and idle for 3 seconds and can be released with switch or by use of accelerator pedal.

4 STEERING OPTIONS



2-WHEEL



4-WHEEL



CRAB



MANI-CRAB



ALL NEW DIGITAL DISPLAY

OPERATOR AIDED OPERATION



A - FAULT CODE INDICATOR

B - WARNING LIGHTS ZONE

C - TRANSMISSION MODE INDICATOR

M = MANUAL POWERSHIFT A = AUTOMATIC POWERSHIFT

D - PARKING BRAKE INDICATOR

E - STEERING MODE INDICATOR

F - EXTERNAL TEMPERATURE

G - AXLE ALIGNMENT

NEW + IMPROVED CABIN COMFORTS

1 JOYSTICK CONTROLS

Everything you need right at your fingertips. Main boom control, transmission F-N-R, fork tilt and auxiliary line control all on one joystick. Simple and easy multi-function operation.

2 MOUNTED CONTROLS

Machine controls are mounted to the seat for ease of use while traveling, adding to operator comfort. Choose between automatic or standard parking brake options, switch between steering modes and automatic or standard powershift transmission modes from this switch bank.

3 DIGITAL DISPLAY

Keep on eye on everything you need to know to keep your machine running smoothly. View fuel level, engine coolant temperature, boom angle, activation of rear stability system, steering modes and more. *See page 12 for additional details.*

4 SEATBELT

New high-visibility orange seatbelts are standard in all GEHL Telescopic Handlers. Ensure correct operator OSE with this added feature.

50 OPERATOR AID MESSAGES
DESIGNED TO ASSIST WITH THE
CORRECT OPERATION OF THE MACHINE.

FOUR COLOR MODES:

BLUE - INFORMATION **ORANGE** - ALERTS
GRAY - USAGE **RED** - FAILURES



ATTACHMENT SYSTEMS TO FIT YOUR NEEDS



DYNATTACH®

This automatic latching system has no pins to loose on the jobsite and its narrow design increases operator vision to the attachment. *Standard on all TH and RS models.*



DYNACARRIER®

This optional attachment system has a wider design to provide more support for wider attachments. Manual or hydraulic locking systems are available, both with no pins to loose on the jobsite.



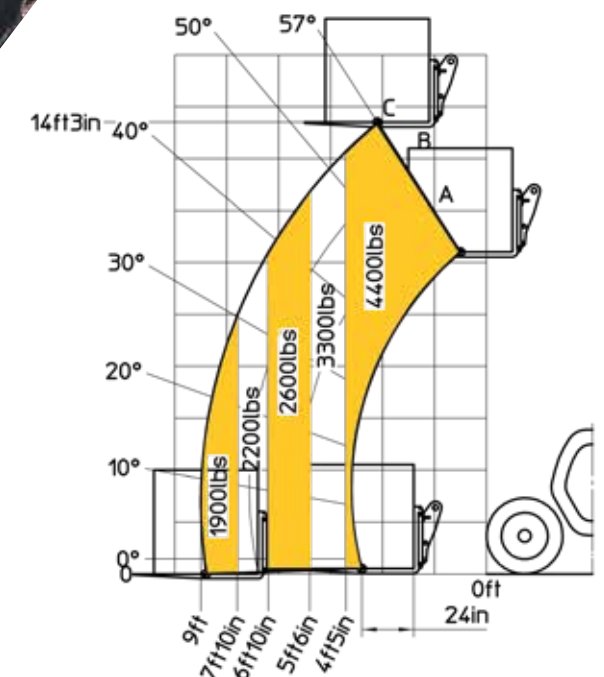
RS4-14

The RS4-14 packs the power you'd expect from a full-sized machine in a compact package. Working hard even in the tightest spaces, this maneuverable machine can switch between three steering modes with a simple click: 2-wheel, 4-wheel, and crab. And the RS4-14 doesn't compromise on comfort, either. Equipped with a full-size operator station featuring true 360° visibility, you can work from sunrise until sunset without cramping up. It's small. It's hardworking. It'll get the job done with speed and ease.

4,400 lbs.
MAXIMUM CAPACITY

6' 3"
OVERALL HEIGHT

15 mph
GROUND SPEED

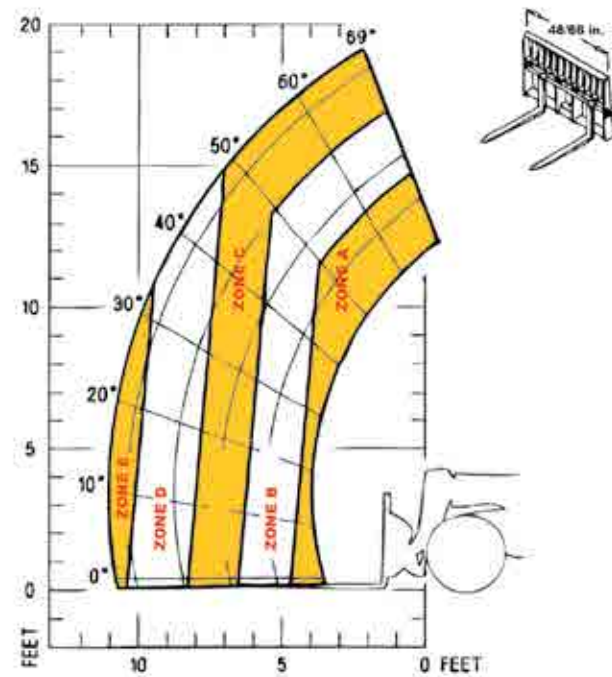


- A 4,400 lbs (1996 kg)
- B 3,300 lbs (1497 kg)
- C 2,600 lbs (1179 kg)
- D 2,200 lbs (998 kg)
- E 1,900 lbs (862 kg)

Capacities	Imperial	Metric
Max. capacity	4400 lb	1995.81 kg
Max. lifting height	14 ft 3 in	4.34 m
Max. outreach	9 ft	2.74 m
Breakout force with bucket	1886 daN	1886 daN
Weight and dimensions		
Overall length to carriage	11 ft 11 in	3.64 m
Length to face of forks	11 ft 9 in	3.58 m
Overall width	4 ft 11 in	1.49 m
Overall height	6 ft 3 in	1.91 m
Wheelbase	7 ft	2.13 m
Ground clearance	9 in	0.24 m
Overall cab width	2 ft 7 in	0.80 m
Tilt-up angle	12 °	12 °
Tilt-down angle	116 °	116 °
External turning radius (over tyres)	10 ft 1 in	3.07 m
Unladen weight (with forks)	9237 lb	4190 kg
Overall weight	9237 lb	4189.83 kg
Tires type	Pneumatic	Pneumatic
Standard tires	Camso SKS-532 - 12 - 16.5-12PR	Camso SKS-532 - 12 - 16.5-12PR
Engine		
Engine brand	Kubota	Kubota
Engine norm	Stage V	Stage V
Engine model	2607-CR-E5	2607-CR-E5
Number of cylinders / Capacity of cylinders	4 - 160 in ³	4 - 2615 cm ³
I.C. Engine power rating - Power (kW)	56.30 Hp / 42 kW	56.30 Hp / 42 kW
Max. torque / Engine rotation	128 ft/lbs @ 2700 rpm	174 Nm @ 2700 rpm
Drawbar pull	2850 daN	2850 daN
Drawbar pull (Laden)	2850 daN	2850 daN
Transmission		
Transmission type	Hydrostatic	Hydrostatic
Number of gears (forward / reverse)	2 / 2	2 / 2
Max. travel speed	16 mi/h	25 km/h
Parking brake	Automatic Negative Hand-brake	Automatic Negative Hand-brake
Service brake	Disk brake on the cadran shaft	Disk brake on the cadran shaft
Axle Manufacturer	Dana	Dana
Hydraulics		
Hydraulic pump type	Gear pump	Gear pump
Hydraulic flow / Pressure	20 US gpm-3408 PSI	77.41 l/min-235 bar
Tank capacities		
Engine oil	3 US gal	10.20 l
Hydraulic oil	18 US gal	68.14 l
Fuel tank	16 US gal	60 l
Miscellaneous		
Steering wheels (front / rear)	2 / 2	2 / 2
Drive wheels (front / rear)	2 / 2	2 / 2
Safety / Safety cab homologation	Standard EN 15000 / ROPS/FOPS	Standard EN 15000 / ROPS/FOPS
Controls	Single joystick with FNR	Single joystick with FNR



Capacities	Imperial	Metric
Max. capacity	5500 lb	2494.76 kg
Max. lifting height	19 ft 1 in	5.82 m
Max. outreach	11 ft	3.35 m
Weight and dimensions		
Length to face of forks	12 ft 4 in	3.76 m
Overall width	5 ft 11 in	1.80 m
Overall height	6 ft 4 in	1.93 m
Wheelbase	7 ft 6 in	2.29 m
Ground clearance	10 in	266 mm
Overall cab width	28 in	711 mm
Tilt-up angle	12°	12°
Tilt-down angle	100°	100°
External turning radius	11 ft	3.35 m
Unladen weight (with forks)	9760 lb	4427 kg
Overall weight	10000 lb	4535.92 kg
Standard tires	12 x 16.5	12 x 16.5
Performances		
Lifting	8 s	8 s
Lowering	5 s	5 s
Extension	7 s	7 s
Retraction	6 s	6 s
Engine		
Engine brand	Yanmar	Yanmar
Engine norm	Tier 4 final	Tier 4 final
Engine model	4TNV98C	4TNV98C
I.C. Engine power rating - Power (kW)	69 Hp / 50.10 kW	69 Hp / 50.10 kW
Max. torque / Engine rotation	173 ft/lbs @ 1625 rpm	235 Nm @ 1625 rpm
Transmission		
Transmission type	Hydrostatic	Hydrostatic
Number of gears (forward / reverse)	2 / 2	2 / 2
Max. travel speed	15 mi/h	24 km/h
Parking brake	SAHR	SAHR
Service brake	Wet disc brakes	Wet disc brakes
Axle Manufacturer	Dana	Dana
Hydraulics		
Hydraulic pump type	Gear pump	Gear pump
Hydraulic flow / Pressure	22 US gpm-3350 PSI	83.28 l/min-231 bar
Tank capacities		
Engine oil	2 US gal	9 l
Hydraulic oil	18 US gal	68.14 l
Fuel tank	17 US gal	64.35 l
Miscellaneous		
Steering wheels (front / rear)	2 / 2	2 / 2
Drive wheels (front / rear)	2 / 2	2 / 2
Safety cab homologation	ROPS/FOPS	ROPS/FOPS
Controls	Single joystick with FNR	Single joystick with FNR



- A 5,500 lbs (2495 kg)
- B 4,000 lbs (1815 kg)
- C 3,000 lbs (1361 kg)
- D 2,000 lbs (908 kg)
- E 1,850 lbs (840 kg)

When you need to get heavy loads up high on the construction site, look no further than the RS5-19. Featuring 5,500 lbs. of lifting capacity and 19' of reach, this powerful (yet compact) machine gets the job done right. Working hard in the tightest spaces, it packs the power you'd expect from a full-sized machine in a concentrated package. Plus, the RS5-19 is informed by decades of operator feedback to safely navigate difficult terrain and challenging conditions with confidence. Because with a job as difficult, dirty, and tough as yours, you need an efficient machine that's both safe and comfortable—letting hard work thrive during the day so you can return home every night.

5,500 lbs.
MAXIMUM CAPACITY

19' 1"
MAXIMUM LIFTING HEIGHT

10.5"
GROUND CLEARANCE



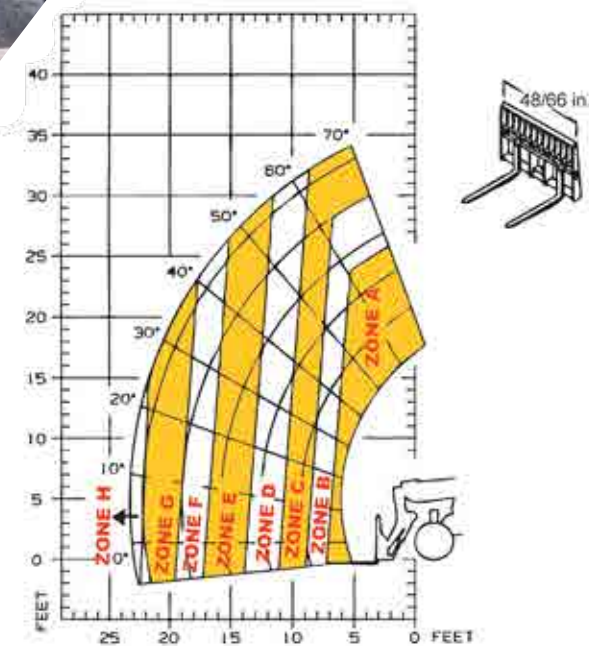
RS6-34 GEN:3

The RS6-34 GEN:3 has a unique reach to its RS brothers and sisters in the lineup. With a 34' maximum lift and 6,000lb lift capacity, this Telescopic Handler is ready to serve you and its response time will outshine any coworker you have. Push the power to its maximum effort and get the job done the way you need, because this machine Works Like You.

6,000 lbs.
MAXIMUM CAPACITY

20.2 mph
GROUND SPEED

12' 5"
EXTERNAL TURNING RADIUS



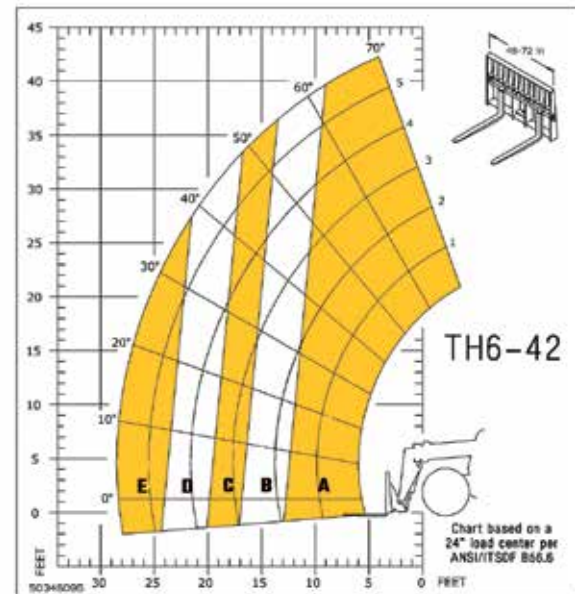
- A 6,000 lbs (2722 kg)
- B 5,000 lbs (2268 kg)
- C 4,000 lbs (1814 kg)
- D 3,000 lbs (1361 kg)
- E 2,000 lbs (907 kg)
- F 1,500 lbs (680 kg)
- G 1,000 lbs (454 kg)
- H 900 lbs (408 kg)

Capacities	Imperial	Metric
Max. capacity	6000 lb	2721.55 kg
Max. lifting height	34 ft 3 in	10.44 m
Max. outreach	23 ft	7 m
Weight and dimensions		
Overall length to carriage	16 ft	4.88 m
Length to face of forks	16 ft 1 in	4.90 m
Overall width	7 ft 10 in	2.40 m
Overall height	7 ft 9 in	2.36 m
Wheelbase	9 ft 2 in	2.80 m
Ground clearance	14 in	350 mm
External turning radius	12 ft 6 in	3.80 m
Unladen weight	15102 lb	6850 kg
Overall weight	15113 lb	6855 kg
Standard tires	15 x 19.5	15 x 19.5
Frame leveling longitudinal +/-	10 °	10 °
Engine		
Engine brand	Deutz	Deutz
Engine norm	Stage IV / Tier 4 Final	Stage IV / Tier 4 Final
Engine model	TD 3.6 L4	TD 3.6 L4
I.C. Engine power rating - Power (kW)	74 Hp / 55 kW	74 Hp / 55 kW
Max. torque / Engine rotation	243 ft/lbs @ 2500 rpm	330 Nm @ 2500 rpm
Transmission		
Transmission type	Torque converter with powershift	Torque converter with powershift
Number of gears (forward / reverse)	3 / 3	3 / 3
Max. travel speed	18 mi/h	29 km/h
Parking brake	SAHR	SAHR
Service brake	Wet disc brakes	Wet disc brakes
Axle Manufacturer	Dana	Dana
Hydraulics		
Hydraulic pump type	Gear pump	Gear pump
Hydraulic flow / Pressure	29 US gpm-3002 PSI	110 l/min-207 bar
Tank capacities		
Hydraulic oil	29 US gal	110 l
Fuel tank	29 US gal	110 l
Miscellaneous		
Steering wheels (front / rear)	2 / 2	2 / 2
Drive wheels (front / rear)	2 / 2	2 / 2
Safety cab homologation	ROPS/FOPS	ROPS/FOPS
Controls	Single joystick with FNR	Single joystick with FNR



TH6-42

Capacities	Imperial	Metric
Max. capacity	6000 lb	2721.60 kg
Max. lifting height	42 ft 6 in	12.96 m
Max. outreach	28 ft 6 in	8.69 m
Weight and dimensions		
Overall length to carriage	20 ft 8 in	6.30 m
Overall length (with forks)	24 ft 8 in	7.51 m
Overall width	8 ft 2 in	2.48 m
Overall height	8 ft	2.44 m
Wheelbase	11 ft 6 in	3.50 m
Ground clearance	1 ft 6 in	0.46 m
Overall cab width	3 ft 1 in	0.95 m
Tilt-up angle	34°	34°
Tilt-down angle	96°	96°
External turning radius	13 ft 1 in	4 m
Overall weight	22851 lb	10365 kg
Tires type	Pneumatic	Pneumatic
Forks length / width / section	48 in x 4 in / 2 in	1219 mm x 101 mm / 50.80 mm
Frame leveling longitudinal +/-	10°	10°
Performances		
Lifting	11 s	11 s
Lowering	6 s	6 s
Extension	17 s	17 s
Retraction	11 s	11 s
Crowd	4 s	4 s
Dump	6 s	6 s
Engine		
Engine brand	Deutz	Deutz
Engine norm	Tier 4 final	Tier 4 final
Engine model	TCD 3.6 L4	TCD 3.6 L4
Number of cylinders / Capacity of cylinders	4 - 220 in ³	4 - 3600 cm ³
I.C. Engine power rating - Power (kW)	74 Hp / 55 kW	74 Hp / 55 kW
Max. torque / Engine rotation	288 ft/lbs @ 2300 rpm	390 Nm @ 2300 rpm
Transmission		
Transmission type	Powershift	Powershift
Number of gears (forward / reverse)	5 / 3	5 / 3
Max. travel speed	20 mi/h	32 km/h
Parking brake	SAHR	SAHR
Service brake	Wet disc brakes	Wet disc brakes
Hydraulics		
Hydraulic pump type	Axial piston	Axial piston
Hydraulic flow / Pressure	40 US gpm-4000 PSI	151 l/min-275.80 bar
Tank capacities		
Engine oil	2 US gal	8.51 l
Hydraulic oil	36 US gal	136.30 l
Fuel tank	38 US gal	144 l
Noise and vibration		
Noise at driving position (LpA)	80 dB	80 dB
Miscellaneous		
Steering wheels (front / rear)	2 / 2	2 / 2
Drive wheels (front / rear)	2 / 2	2 / 2



- A 6,000 lbs (2722 kg)
- B 4,000 lbs (1814 kg)
- C 3,000 lbs (1361 kg)
- D 2,000 lbs (907 kg)
- E 1,000 lbs (454 kg)

Manitou Group reserves the right to make equipment changes without prior notice.

Lifting and moving material from your truck, over rough terrain, and to where it needs to go, the TH 6-42 Telescopic Handler has the power and reach needed for residential and commercial property work—from roofing and siding to masonry. With enhanced forward visibility, a single joystick offering streamlined controls, and an intuitive interface that delivers the right information at the right time, this telescopic handler is designed to support a wide variety of operator skill levels. And with 300-degree access of the engine, it's easy to repair and maintain. From staging to cleanup, it's the perfect companion for anyone who puts it all on the line to get a job done—on time.

1' 6"
GROUND CLEARANCE

6,000 lbs.
MAXIMUM CAPACITY

28' 6"
MAXIMUM OUTREACH



TH8-42

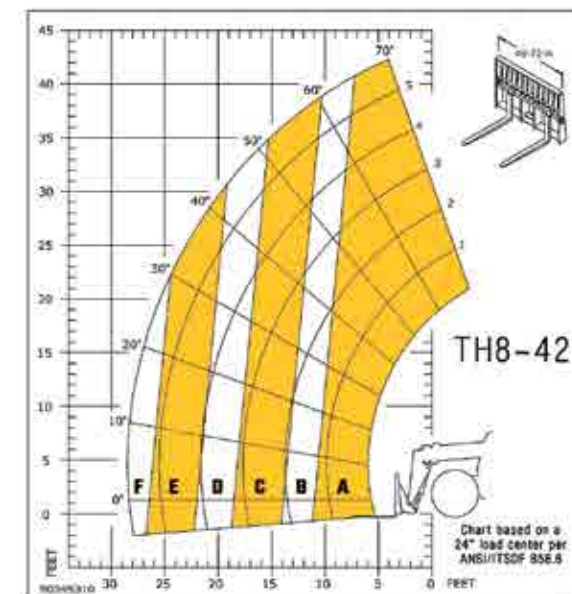
Manitou Group reserves the right to make equipment changes without prior notice.

A versatile workhorse that's first to jobsite and last to leave, the TH 8-42 Telescopic Handler adapts to the task at hand and places material where it's needed. With 8,000 lbs. of lifting capacity and improved stability, it's ready to power through whatever challenges come your way on the worksite. The TH 8-42 also offers unmatched forward visibility, an easy-to-use joystick, and a supportive interface that delivers pertinent information like wheel alignment and current boom angle. Its perpendicularly mounted engine provides 300-degrees of access, enabling easier maintenance to reduce labor downtime and make you more productive in the most demanding environments. In other words, it's a machine that's as dedicated as you are when it comes to getting the job done right.

8,000 lbs.
MAXIMUM CAPACITY

21.5 mph
GROUND SPEED

13' 2"
EXTERNAL TURNING RADIUS



- A 8,000 lbs (3629 kg)
- B 6,000 lbs (2722 kg)
- C 4,000 lbs (1814 kg)
- D 3,000 lbs (1361 kg)
- E 2,000 lbs (907 kg)
- F 1,500 lbs (680 kg)

Capacities	Imperial	Metric
Max. capacity	8000 lb	3628.70 kg
Max. lifting height	42 ft 6 in	12.96 m
Max. outreach	28 ft 6 in	8.69 m
Weight and dimensions		
Overall length to carriage	20 ft 8 in	6.30 m
Overall length (with forks)	24 ft 8 in	7.51 m
Overall width	8 ft 2 in	2.48 m
Overall height	8 ft	2.44 m
Wheelbase	11 ft 6 in	3.50 m
Ground clearance	1 ft 6 in	0.46 m
Overall cab width	3 ft 1 in	0.95 m
Tilt-up angle	34°	34°
Tilt-down angle	96°	96°
External turning radius	13 ft 2 in	4.01 m
Overall weight	23951 lb	10864 kg
Tires type	Pneumatic	Pneumatic
Forks length / width / section	48 in x 4 in / 2 in	1219 mm x 101 mm / 50.80 mm
Frame leveling longitudinal +/-	10°	10°
Frame leveling corrector	10°	10°
Performances		
Lifting	11 s	11 s
Lowering	6 s	6 s
Extension	17 s	17 s
Retraction	11 s	11 s
Crowd	4 s	4 s
Dump	6 s	6 s
Engine		
Engine brand	Deutz	Deutz
Engine norm	Tier 4 final	Tier 4 final
Engine model	TCD 3.6 L4	TCD 3.6 L4
Number of cylinders / Capacity of cylinders	4 - 220 in ³	4 - 3600 cm ³
I.C. Engine power rating - Power (kW)	127 Hp / 95 kW	127 Hp / 95 kW
Max. torque / Engine rotation	369 ft/lbs @ 2300 rpm	500 Nm @ 2300 rpm
Transmission		
Transmission type	Powershift	Powershift
Number of gears (forward / reverse)	5 / 3	5 / 3
Max. travel speed	21 mi/h	34.60 km/h
Parking brake	SAHR	SAHR
Service brake	Wet disc brakes	Wet disc brakes
Hydraulics		
Hydraulic pump type	Axial piston	Axial piston
Hydraulic flow / Pressure	40 US gpm-4000 PSI	151 l/min-275.80 bar
Tank capacities		
Engine oil	2 US gal	8.51 l
Hydraulic oil	36 US gal	136.30 l
Fuel tank	38 US gal	144 l
DEF tank capacity	3 US gal	10 l
Noise and vibration		
Noise at driving position (LpA)	80 dB	80 dB
Miscellaneous		
Steering wheels (front / rear)	2 / 2	2 / 2
Drive wheels (front / rear)	2 / 2	2 / 2

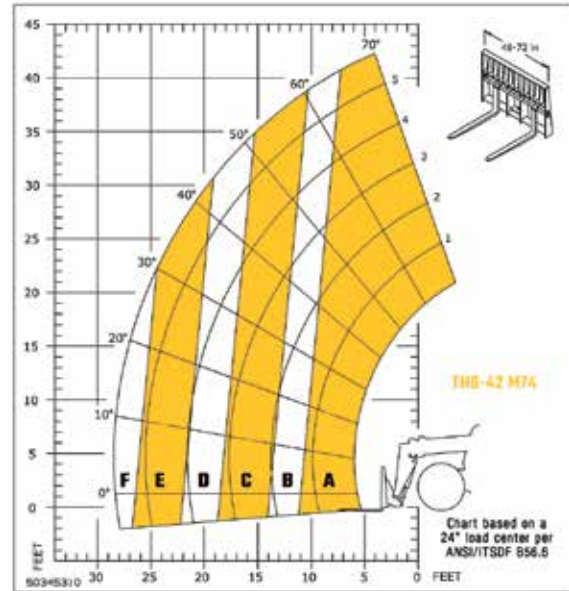
Specifications subject to change.



TH8-42

M74

Capacities	Imperial	Metric
Max. capacity	8000 lb	3628.70 kg
Max. lifting height	42 ft 6 in	12.96 m
Max. outreach	28 ft 6 in	8.69 m
Weight and dimensions		
Overall length to carriage	20 ft 8 in	6.30 m
Overall length (with forks)	24 ft 8 in	7.51 m
Overall width	8 ft 2 in	2.48 m
Overall height	8 ft	2.44 m
Wheelbase	11 ft 6 in	3.50 m
Ground clearance	1 ft 6 in	0.46 m
Overall cab width	3 ft 1 in	0.95 m
Tilt-up angle	34°	34°
Tilt-down angle	96°	96°
External turning radius	13 ft 1 in	4 m
Unladen weight	23951 lb	10864 kg
Tires type	Pneumatic	Pneumatic
Forks length / width / section	48 in x 4 in / 2 in	1219 mm x 101 mm / 50.80 mm
Frame leveling longitudinal +/-	10°	10°
Performances		
Lifting	11 s	11 s
Lowering	6 s	6 s
Extension	17 s	17 s
Retraction	11 s	11 s
Crowd	4 s	4 s
Dump	6 s	6 s
Engine		
Engine brand	Deutz	Deutz
Engine norm	Tier 4 final	Tier 4 final
Engine model	TCD 3.6 L4	TCD 3.6 L4
Number of cylinders / Capacity of cylinders	4 - 220 in ³	4 - 3600 cm ³
I.C. Engine power rating - Power (kW)	74 Hp / 55 kW	74 Hp / 55 kW
Max. torque / Engine rotation	288 ft/lbs @ 2300 rpm	390 Nm @ 2300 rpm
Transmission		
Transmission type	Powershift	Powershift
Number of gears (forward / reverse)	5 / 3	5 / 3
Max. travel speed	20 mi/h	32 km/h
Parking brake	SAHR	SAHR
Service brake	Wet disc brakes	Wet disc brakes
Hydraulics		
Hydraulic pump type	Axial piston	Axial piston
Hydraulic flow / Pressure	40 US gpm-4000 PSI	151 l/min-275.80 bar
Tank capacities		
Engine oil	2 US gal	8.51 l
Hydraulic oil	36 US gal	136.30 l
Fuel tank	38 US gal	144 l
Noise and vibration		
Noise at driving position (LpA)	80 dB	80 dB
Miscellaneous		
Steering wheels (front / rear)	2 / 2	2 / 2
Drive wheels (front / rear)	2 / 2	2 / 2



- A 8,000 lbs (3629 kg)
- B 6,000 lbs (2722 kg)
- C 4,000 lbs (1814 kg)
- D 3,000 lbs (1361 kg)
- E 2,000 lbs (907 kg)
- F 1,500 lbs (680 kg)

Manitou Group reserves the right to make equipment changes without prior notice.

Preparing for a job on a low-speed job site? Then get a machine that's built to deliver the power you need without the added expense and stress of DEF fluid. Get the TH 8-42 M74 Telescopic Handler. Adapting to a wide variety of tasks to place material where it's needed, the TH 8-42 M74 delivers the performance your work demands while giving you the opportunity to save on operating and maintenance costs. Plus, its perpendicularly mounted engine with 300 degrees of access further reduces labor downtime. With unmatched forward visibility, an easy-to-use joystick, and a simple interface that delivers vital and relevant information like wheel alignment and current boom angle, it's designed to allow operators with differing skill levels to take advantage of its stability and strength. From early morning staging to end-of-day cleanup, you can count on the TH 8-42 M74—your right-hand person for the toughest jobs.

1' 6"
GROUND CLEARANCE

8,000 lbs.
MAXIMUM CAPACITY

28' 6"
MAXIMUM OUTREACH



TH10-55

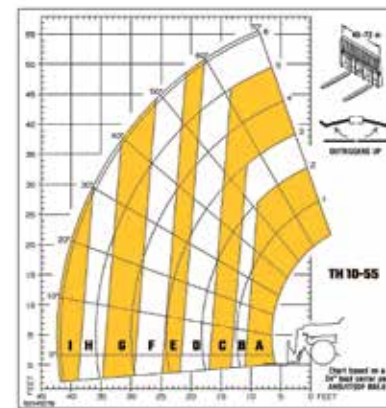
Manitou Group reserves the right to make equipment changes without prior notice.

When it comes to material handling at construction sites for apartments or condominiums, you need stability, reach, and power—and the TH 10-55 has it all. Offering 10,000 lbs. of lifting capacity with a long boom, this Telescopic Handler can stage pallets of bricks and bulky loads of lumber multiple stories up with its 55 feet of reach. You'll save time on busy workdays with its upgraded stabilization system which allows for movement at all boom levels to facilitate aligning of material positioning. Plus, its automatic transmission and parking brake make for a seamless operator experience, even in rough terrain and difficult conditions. Job-tested and built for hard work, it's time to take a load off your shoulders and let the TH 10-55 do the heavy lifting.

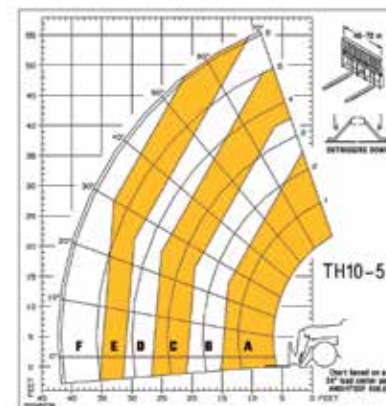
10,000 lbs.
MAXIMUM CAPACITY

20 mph
GROUND SPEED

12' 9"
EXTERNAL TURNING RADIUS



- A 10,000 lbs (4536 kg)
- B 8,000 lbs (3629 kg)
- C 6,000 lbs (2722 kg)
- D 4,000 lbs (1814 kg)
- E 3,000 lbs (1361 kg)
- F 2,000 lbs (907 kg)
- G 1,000 lbs (454 kg)
- H 500 lbs (227 kg)
- I NO LIFT



- A 10,000 lbs (4536 kg)
- B 8,000 lbs (3629 kg)
- C 6,000 lbs (2722 kg)
- D 5,000 lbs (2268 kg)
- E 4,000 lbs (1814 kg)
- F 3,000 lbs (1361 kg)

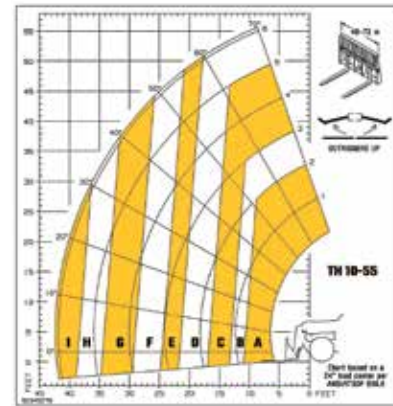
Capacities	Imperial	Metric
Max. capacity	8000 lb	3628.70 kg
Max. lifting height	42 ft 6 in	12.96 m
Max. outreach	28 ft 6 in	8.69 m
Weight and dimensions		
Overall length to carriage	20 ft 8 in	6.30 m
Overall length (with forks)	24 ft 8 in	7.51 m
Overall width	8 ft 2 in	2.48 m
Overall height	8 ft	2.44 m
Wheelbase	11 ft 6 in	3.50 m
Ground clearance	1 ft 6 in	0.46 m
Overall cab width	3 ft 1 in	0.95 m
Tilt-up angle	34 °	34 °
Tilt-down angle	96 °	96 °
External turning radius	13 ft 1 in	4 m
Unladen weight	23951 lb	10864 kg
Tires type	Pneumatic	Pneumatic
Forks length / width / section	48 in x 4 in / 2 in	1219 mm x 101 mm / 50.80 mm
Frame leveling longitudinal +/-	10 °	10 °
Performances		
Lifting	11 s	11 s
Lowering	6 s	6 s
Extension	17 s	17 s
Retraction	11 s	11 s
Crowd	4 s	4 s
Dump	6 s	6 s
Engine		
Engine brand	Deutz	Deutz
Engine norm	Tier 4 final	Tier 4 final
Engine model	TCD 3.6 L4	TCD 3.6 L4
Number of cylinders / Capacity of cylinders	4 - 220 in ³	4 - 3600 cm ³
I.C. Engine power rating - Power (kW)	74 Hp / 55 kW	74 Hp / 55 kW
Max. torque / Engine rotation	288 ft/lbs @ 2300 rpm	390 Nm @ 2300 rpm
Transmission		
Transmission type	Powershift	Powershift
Number of gears (forward / reverse)	5 / 3	5 / 3
Max. travel speed	20 mi/h	32 km/h
Parking brake	SAHR	SAHR
Service brake	Wet disc brakes	Wet disc brakes
Hydraulics		
Hydraulic pump type	Axial piston	Axial piston
Hydraulic flow / Pressure	40 US gpm-4000 PSI	151 l/min-275.80 bar
Tank capacities		
Engine oil	2 US gal	8.51 l
Hydraulic oil	36 US gal	136.30 l
Fuel tank	38 US gal	144 l
Noise and vibration		
Noise at driving position (LpA)	80 dB	80 dB
Miscellaneous		
Steering wheels (front / rear)	2 / 2	2 / 2
Drive wheels (front / rear)	2 / 2	2 / 2



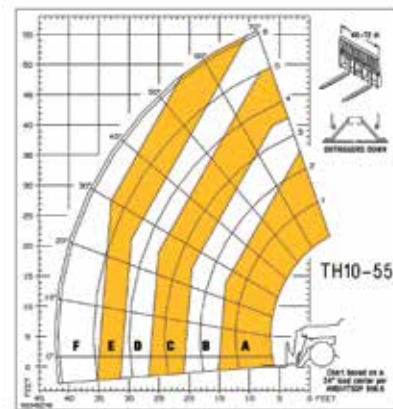
TH10-55

M74

Capacities	Imperial	Metric
Max. capacity	10000 lb	4535.92 kg
Max. lifting height	55 ft 7 in	16.95 m
Max. outreach	42 ft 3 in	12.88 m
Weight and dimensions		
Overall length to carriage	21 ft	6.40 m
Overall length (with forks)	25 ft	7.62 m
Overall width	8 ft 4 in	2.54 m
Overall height	8 ft 6 in	2.59 m
Wheelbase	11 ft 6 in	3.50 m
Ground clearance	1 ft 7 in	0.48 m
Overall cab width	3 ft 1 in	0.95 m
Tilt-up angle	34 °	34 °
Tilt-down angle	96 °	96 °
External turning radius	12 ft 9 in	3.88 m
Overall weight	30300 lb	13744 kg
Tires type	Pneumatic	Pneumatic
Forks length / width / section	48 in x 5 in / 2 in	1219 mm x 127 mm / 50.80 mm
Frame leveling longitudinal +/-	10 °	10 °
Performances		
Lifting	16 s	16 s
Lowering	11 s	11 s
Extension	18 s	18 s
Retraction	16 s	16 s
Crowd	4 s	4 s
Dump	6 s	6 s
Engine		
Engine brand	Deutz	Deutz
Engine norm	Tier 4 final	Tier 4 final
Engine model	TCD 3.6 L4	TCD 3.6 L4
Number of cylinders / Capacity of cylinders	4 - 220 in ³	4 - 3600 cm ³
I.C. Engine power rating - Power (kW)	74 Hp / 55 kW	74 Hp / 55 kW
Max. torque / Engine rotation	288 ft/lbs @ 2300 rpm	390 Nm @ 2300 rpm
Transmission		
Transmission type	Powershift	Powershift
Number of gears (forward / reverse)	5 / 3	5 / 3
Max. travel speed	19 mi/h	29.77 km/h
Parking brake	SAHR	SAHR
Service brake	Wet disc brakes	Wet disc brakes
Hydraulics		
Hydraulic pump type	Axial piston	Axial piston
Hydraulic flow / Pressure	40 US gpm-4000 PSI	151 l/min-275.80 bar
Tank capacities		
Engine oil	2 US gal	8.51 l
Hydraulic oil	42 US gal	159 l
Fuel tank	38 US gal	144 l
Noise and vibration		
Noise at driving position (LpA)	80 dB	80 dB
Miscellaneous		
Steering wheels (front / rear)	2 / 2	2 / 2
Drive wheels (front / rear)	2 / 2	2 / 2
Controls	Joystick	Joystick



- A 10,000 lbs (4536 kg)
- B 8,000 lbs (3629 kg)
- C 6,000 lbs (2722 kg)
- D 4,000 lbs (1814 kg)
- E 3,000 lbs (1361 kg)
- F 2,000 lbs (907 kg)
- G 1,000 lbs (454 kg)
- H 500 lbs (227 kg)
- I NO LIFT



- A 10,000 lbs (4536 kg)
- B 8,000 lbs (3629 kg)
- C 6,000 lbs (2722 kg)
- D 5,000 lbs (2268 kg)
- E 4,000 lbs (1814 kg)
- F 3,000 lbs (1361 kg)

Manitou Group reserves the right to make equipment changes without prior notice.

Working on a low-speed job site where stability, reach, and power are top priorities for your machinery? Then the TH 10-55 M74 is the machine you're looking for. It has the power that demanding jobs require but without the added stress and expense of having to maintain DEF fluid levels. Offering 10,000 lbs. of lifting capacity with a long boom, this Telescopic Handler is perfect for staging bricks and bulky loads of lumber on construction sites. And it can move at all boom levels to facilitate aligning of material positioning thanks to its upgraded stabilization system. Still interested in avoiding DEF fluid costs without sacrificing the strength you depend on? Then it's time to let the TH 10-55 M74 do what it was built for; help you finish tough jobs in rough environments with less effort.

1' 7"
GROUND CLEARANCE

10,000 lbs.
MAXIMUM CAPACITY

42' 3"
MAXIMUM OUTREACH



TH12-42

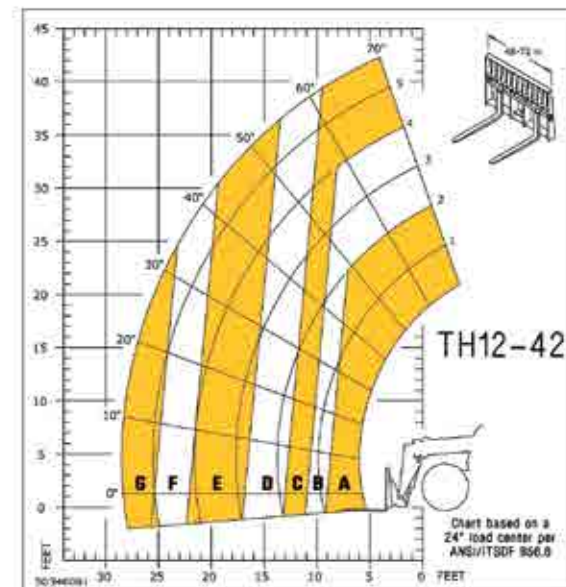
Manitou Group reserves the right to make equipment changes without prior notice.

For operators in industrial settings where lifting capacity is more important than vertical reach, the TH 12-42 Telescopic Handler is exactly what you need and just what you're looking for. Designed for lifting heavy loads, this machine features both a longer wheelbase and a boom made with high-strength steel for improved stabilization. It maneuvers with ease thanks to its intuitive operator interface and simple joystick controls, even in demanding or unpredictable environments. Plus, its wide cab and improved operator station with adjustable steering column make for a more comfortable experience. A durable and capable machine you can depend on, the TH 12-42 has the muscle where it counts.

12,000 lbs.
MAXIMUM CAPACITY

22.5 mph
GROUND SPEED

12' 9"
EXTERNAL TURNING RADIUS



- A 12,000 lbs (5443 kg)
- B 10,000 lbs (4536 kg)
- C 8,000 lbs (3629 kg)
- D 6,000 lbs (2722 kg)
- E 4,000 lbs (1814 kg)
- F 3,000 lbs (1361 kg)
- G 2,000 lbs (907 kg)

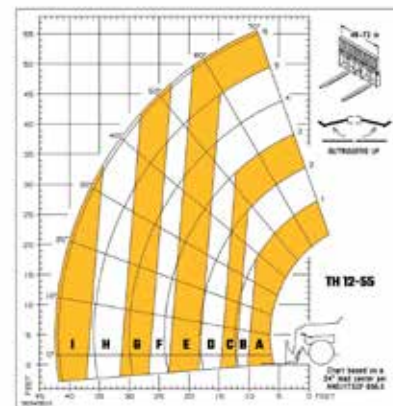
Capacities	Imperial	Metric
Max. capacity	12000 lb	5443.10 kg
Max. lifting height	42 ft 6 in	12.96 m
Max. outreach	28 ft 6 in	8.69 m
Weight and dimensions		
Overall length to carriage	20 ft 8 in	6.30 m
Overall length (with forks)	24 ft 8 in	7.51 m
Overall width	8 ft 4 in	2.54 m
Overall height	8 ft 1 in	2.47 m
Wheelbase	11 ft 6 in	3.50 m
Ground clearance	1 ft 7 in	0.48 m
Overall cab width	3 ft 1 in	0.95 m
Tilt-up angle	34°	34°
Tilt-down angle	96°	96°
External turning radius	12 ft 9 in	3.88 m
Overall weight	26751 lb	12134 kg
Tires type	Pneumatic	Pneumatic
Forks length / width / section	48 in x 6 in / 2 in	1219 mm x 152 mm / 63.50 mm
Frame leveling longitudinal +/-	10°	10°
Performances		
Lifting	16 s	16 s
Lowering	11 s	11 s
Extension	17 s	17 s
Retraction	12 s	12 s
Crowd	4 s	4 s
Dump	6 s	6 s
Engine		
Engine brand	Deutz	Deutz
Engine norm	Tier 4 final	Tier 4 final
Engine model	TCD 3.6 L4	TCD 3.6 L4
Number of cylinders / Capacity of cylinders	4 - 220 in ³	4 - 3600 cm ³
I.C. Engine power rating - Power (kW)	127 Hp / 95 kW	127 Hp / 95 kW
Max. torque / Engine rotation	369 ft/lbs @ 2300 rpm	500 Nm @ 2300 rpm
Transmission		
Transmission type	Powershift	Powershift
Number of gears (forward / reverse)	5 / 3	5 / 3
Max. travel speed	22 mi/h	36.20 km/h
Parking brake	SAHR	SAHR
Service brake	Wet disc brakes	Wet disc brakes
Hydraulics		
Hydraulic pump type	Axial piston	Axial piston
Hydraulic flow / Pressure	40 US gpm-4000 PSI	151 l/min-275.80 bar
Tank capacities		
Engine oil	2 US gal	8.51 l
Hydraulic oil	38 US gal	143.80 l
Fuel tank	38 US gal	144 l
DEF tank capacity	3 US gal	10 l
Noise and vibration		
Noise at driving position (LpA)	80 dB	80 dB
Miscellaneous		
Steering wheels (front / rear)	2 / 2	2 / 2
Drive wheels (front / rear)	2 / 2	2 / 2



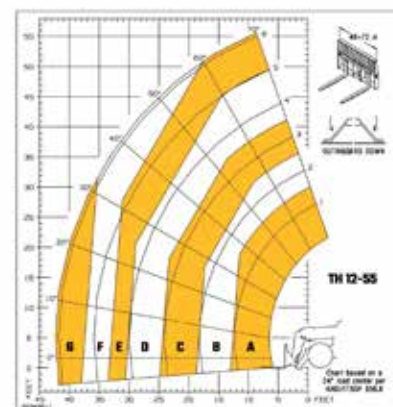
TH12-55

Manitou Group reserves the right to make equipment changes without prior notice.

Capacities	Imperial	Metric
Max. capacity	12000 lb	5443.10 kg
Max. lifting height	55 ft 7 in	16.95 m
Max. outreach	42 ft 3 in	12.88 m
Weight and dimensions		
Overall length to carriage	21 ft	6.40 m
Overall length (with forks)	25 ft	7.62 m
Overall width	8 ft 4 in	2.54 m
Overall height	8 ft 6 in	2.59 m
Wheelbase	11 ft 6 in	3.50 m
Ground clearance	1 ft 7 in	0.48 m
Overall cab width	3 ft 1 in	0.95 m
Tilt-up angle	34°	
Tilt-down angle	96°	
External turning radius	12 ft 9 in	3.88 m
Overall weight	32399 lb	14696 kg
Tires type	Pneumatic	Pneumatic
Forks length / width / section	48 in x 6 in / 2 in	1219 mm x 152 mm / 63.50 mm
Frame leveling longitudinal +/-	10°	10°
Performances		
Lifting	16 s	16 s
Lowering	11 s	11 s
Extension	18 s	18 s
Retraction	16 s	16 s
Crowd	4 s	4 s
Dump	6 s	6 s
Engine		
Engine brand	Deutz	Deutz
Engine norm	Tier 4 final	Tier 4 final
Engine model	TCD 3.6 L4	TCD 3.6 L4
Number of cylinders / Capacity of cylinders	4 - 220 in ³	4 - 3600 cm ³
I.C. Engine power rating - Power (kW)	127 Hp / 95 kW	127 Hp / 95 kW
Max. torque / Engine rotation	369 ft/lbs @ 2300 rpm	500 Nm @ 2300 rpm
Transmission		
Transmission type	Powershift	Powershift
Number of gears (forward / reverse)	5 / 3	5 / 3
Max. travel speed	20 mi/h	32 km/h
Parking brake	SAHR	SAHR
Service brake	Wet disc brakes	Wet disc brakes
Hydraulics		
Hydraulic pump type	Axial piston	Axial piston
Hydraulic flow / Pressure	40 US gpm-4000 PSI	151 l/min-275.80 bar
Tank capacities		
Engine oil	2 US gal	8.51 l
Hydraulic oil	42 US gal	159 l
Fuel tank	38 US gal	144 l
DEF tank capacity	3 US gal	10 l
Noise and vibration		
Noise at driving position (LpA)	80 dB	80 dB
Miscellaneous		
Steering wheels (front / rear)	2 / 2	2 / 2
Drive wheels (front / rear)	2 / 2	2 / 2
Controls	Joystick	Joystick



- A 12,000 lbs (5443 kg)
- B 10,000 lbs (4536 kg)
- C 8,000 lbs (3629 kg)
- D 6,000 lbs (2722 kg)
- E 4,000 lbs (1814 kg)
- F 3,000 lbs (1361 kg)
- G 2,000 lbs (907 kg)
- H 1,000 lbs (454 kg)
- I 500 lbs (227 kg)



- A 12,000 lbs (5443 kg)
- B 10,000 lbs (4536 kg)
- C 8,000 lbs (3629 kg)
- D 6,000 lbs (2722 kg)
- E 5,000 lbs (2268 kg)
- F 4,000 lbs (1814 kg)
- G 3,500 lbs (1588 kg)

Built for the toughest, most demanding projects, the TH 12-55 is the biggest and toughest Telescopic Handler we offer with 55 feet of reach and 12,000 lbs. of lifting capacity. It's sturdy. It's durable. It's packed with unmatched strength and reach. With stabilizers standard on this beast, the TH12-55 is designed to carry even heavier loads at a forward reach, with added security and peace of mind. Plus, with a wider and quieter cab, simple-to-use joystick controls, and EasyStep—a more accessible step to get in and out—it delivers all-day comfort and allows you to keep working from morning 'til night. We know how difficult it is to deal with challenging terrain and back-breaking conditions on construction sites, lumber yards, and wind farms; it's time you found a machine that can do it without breaking a sweat.

19"
GROUND CLEARANCE

12,000 lbs.
MAXIMUM CAPACITY

42' 3"
MAXIMUM OUTREACH

MAXIMIZE YOUR MACHINE



Scan with your phone to learn more and see a video overview.

EQUIPMENT TRACKING

Know where your machines are at all times, check fuel levels, run time, down time, stay on top of any problems and minimize down-time with your connected machines. Automatic notifications are included designed to give you the important information you need immediately to increase your productivity and ensure your GEHL machine WORKS LIKE YOU..

PREDICTIVE ANALYTICS

When running multiple tasks or job sites routine machine upkeep can be forgotten about. Not anymore! Set notifications to alert you of upcoming needed maintenance and repairs. Stay on top of problems before the problem becomes real and hits your profit margin.

A TRUE PARTNER

With the network of GEHL partners by your side, you can work in complete confidence and count on high-level support and practical help at any moment. Monitoring of machine events enables you to implement corrective actions and optimize your up-time while also helping you understand your total cost of ownership. If the machine is sold, you can also pass on its "ID card" to the new owner as a gesture of transparency.

STAY CONNECTED NO MATTER WHERE YOU ARE

Connected Machine

Connected Machines provide instant remote access to recent activity, operation codes, CAN data and service alerts. With data management software, end-users and owners can be more proactive with machine maintenance and benefit from additional security features such as GEO fencing and access keypads.



FULL SUPPORT

ALL NEW GEHL.COM



Manitou Group is here to help support and service the machines you love after purchase. From Financing, Warranties, Maintenance and more, we are dedicated to support the end customer. Whether you're in agriculture or construction, Manitou Group provides machines, attachments and services adapted to your daily needs. Our goal is to make your life easier! See what you can accomplish with your new GEHL and keep your peace of mind with Manitou Group services and solutions.

CHECK OUT THE NEW [GEHL.COM](https://www.gehl.com)

- SHOP MACHINES
- COMPARE MODELS
- FIND A DEALER
- LOCATE SUPPORT
- WORKING PHOTOS/VIDEOS

Also linked to our social media pages allowing you to join the conversation with other GEHL machine enthusiasts.



FROM YOUR COMPUTER
OR YOUR PHONE!

MANITOU GROUP ATTACHMENTS

MANITOU GROUP PARTS

MANITOU GROUP FINANCE

GEHL[®]

WORKS LIKE YOU[™]

[GEHL.COM](https://www.gehl.com)



Manitou Equipment America, LLC

P.O. Box 179



One GEHL Way



West Bend, WI, USA 53095



P: (262) 334-9461

F: (262) 338-7517

Manitou Group reminds users to read and understand the operator's manual before operating any equipment. Also, make sure all safety devices and shields are in place and functioning properly. Manitou Group reserves the right to add improvements or make changes in specifications at any time without notice or obligation.

© 2023 Manitou Equipment America, LLC. All registered and unregistered marks are owned by Manitou Equipment America, LLC or its affiliates. All rights reserved.

® denotes registration in the United States. Trademarks may or may not be registered in other countries.