

MERITOR® MH-23-810 SINGLE MILITARY AXLE



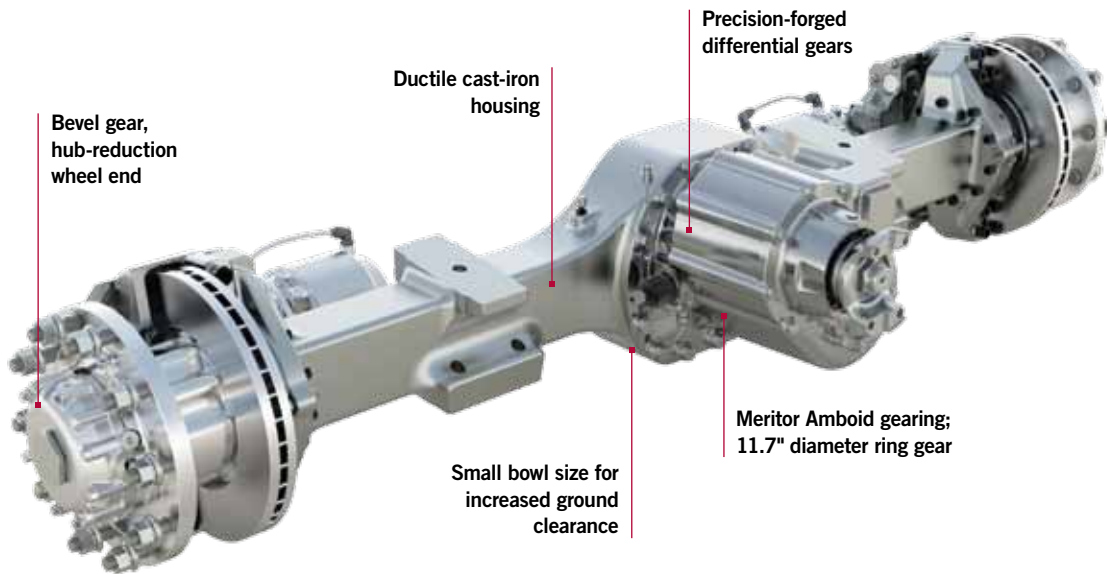
MERITOR
DEFENSE



The axle supplier of choice to the United States Army fleet of 2.5- and 5-ton vehicles for over 50 years. Meritor bevel gear wheel-end reduction axles exceed the demanding requirements of the current Family of Medium Tactical Vehicles (FMTV). Weight ratings up to 23,000 pounds. Optimum maneuverability and excellent ground clearance. Ideal for use in heavily armored vehicles to improve payload capability and mobility.

Features And Benefits

- Meritor WABCO EX-225 air disc brakes
- Stud-piloted wheel mounting for 10-stud x 11.25" or 10-stud x 335 mm B.C. wheels
- ABS-ready wheel ends with installed tooth wheel and sensor
- Optional limited-slip differential for maximum traction in slick conditions
- Optional drum brakes
- All military axles are backed by global aftermarket support



Model	GAWR Rating	Brakes	Ring Gear	Standard Ratios	Axle Weight	Bowl Offset	Pinion Height Above C/L	Overall Width
MH-23-810	23,000 lbs. (10,433 kg)	EX-225 Air Disc	11.7" (297.4 mm)	6.14, 6.84 7.10, 7.80	1,491 lbs. (676.3 kg)	1.7" (43.18 mm)	6.4" (162.56 mm)	95.4" (2,423.16 mm)

Vehicle models, brands and names depicted herein are the property of their respective owners, and are not in any way associated with Meritor, Inc., or its affiliates.



Meritor Heavy Vehicle Systems, LLC
2135 West Maple Road
Troy, Michigan 48084 USA

For more information:
call Ontrac at 866-668-7221
or visit meritordefense.com

©2012 Meritor, Inc.
Litho in USA, SP-11144
Revised 09-12 (47865/11900)