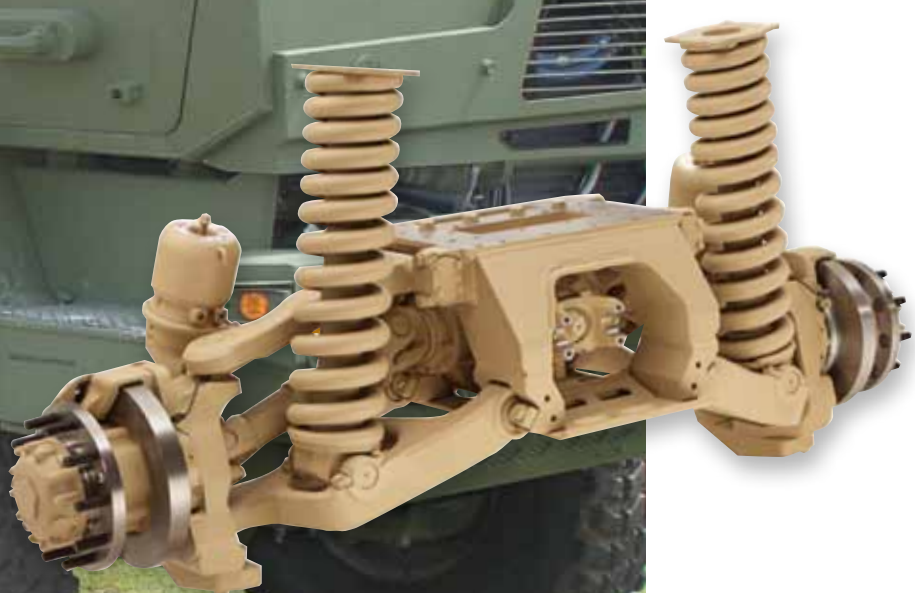


**PROTEC™ HIGH MOBILITY
INDEPENDENT SUSPENSION
SERIES 40**



**MERITOR
DEFENSE**



PROTECTION AND PERFORMANCE FOR THOSE WHO PROTECT US

High-Mobility Independent Suspension for Severe Off-Road Applications

The Iron Triangle of Payload, Performance and Protection, representing the three absolute must-haves for a high-mobility independent suspension series for the military market. ■ Only one product family builds a foundation of strength under every corner of the Iron Triangle – the ProTec Series of High Mobility Independent Suspensions (HMIS), built for tactical wheeled military vehicles and armored personnel carriers, as well as specialty and off-highway applications.

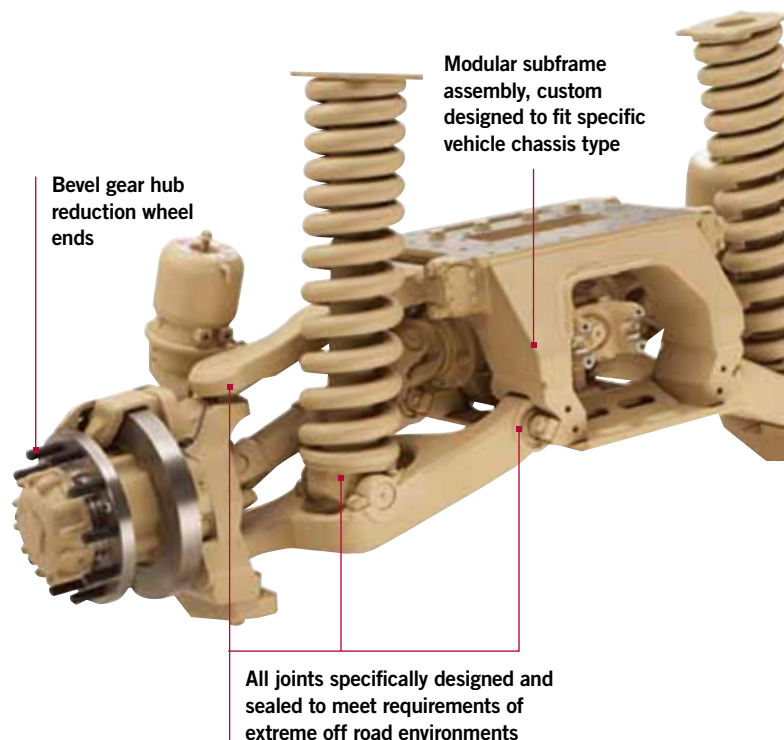
Customers demanded superior force protection, unmatched mobility and unparalleled ride quality, all in a weight-efficient package. Meritor listened. The results? The ProTec HMIS Series 30 for applications requiring GAWRs up to 14,000 lbs., the ProTec HMIS Series 40 for GAWRs up to 23,000 lbs., and the ProTec HMIS Series 50 for GAWRs up to 29,000 lbs.



PAYLOAD.
PERFORMANCE.
PROTECTION.

Features And Benefits

- Blast-mitigating design deflects force away from the vehicle undercarriage
- Weight-efficient, payload-maximizing design of the ProTec HMIS line increases payload capacity to allow for added armor protection
- A tight turning radius — up to 35 degrees — delivers maximum maneuverability demanded in extreme combat environments
- Total wheel travel clearance up to 18 inches results in outstanding off-road mobility





- Versatile Meritor amboid gearing is sized to fit any application requirements
- Optional limited slip differential, no-spin differential and driver-controlled differential lock further enhance performance
- Meritor's global aftermarket support system stands behind every Meritor military suspension sold
- A combination of lightweight materials, multi-functional architecture, and billions of miles of military vehicle experience provide the ultimate balance in payload, performance and protection for medium tactical and armored vehicles
- Modular architecture allows users to enhance performance of a broad range of suspension platforms

- GAWRs up to 23,000 lbs.
- Up to 18 inches of wheel travel
- 2:1 bevel geared wheel-end
- Multiple spring and damping options available
- Air or hydraulic disc and drum brake options
- ABS-ready; differential locks
- Suspensions custom designed to meet performance requirements



Available with pneumatic or hydraulic drum or disc brakes

Compact lightweight differential carrier

ABS-ready wheel ends with installed tooth wheel and sensor



10-stud x 11.25" or 335 mm B.C. wheels

The ProTec HMIS Series 40: GAWRs up to 23,000 lbs. Now offering unparalleled protection and weight efficiency for those who protect us.



Meritor Heavy Vehicle Systems, LLC
2135 West Maple Road
Troy, Michigan 48084 USA

For more information:
call Ontrac at 866-668-7221
or visit meritordefense.com

©2012 Meritor, Inc.
Litho in USA, SP-11139
Revised 09-12 (47865/11900)