

MERITOR WABCO

Installation Guide

Field Repair Kit for System Saver 318 Air Compressor

FRK 08-10087

(Meritor WABCO FRK Part Number 400 850 676 0)

This field repair kit is for use on Meritor WABCO System Saver 318 air compressors used on Mack ASET™-AC engines. The kit includes a compressor, plastic bag for core return, return shipping instructions and return shipping label.

Hazard Alert Messages

Read and observe all Warning and Caution hazard alert messages in this publication. They provide information that can help prevent serious personal injury, damage to components, or both.

WARNING

To prevent serious eye injury, always wear safe eye protection when you perform vehicle maintenance or service.

Remove all pressure from the air system before you disconnect any component. Pressurized air can cause serious personal injury.

Park the vehicle on a level surface. Block the wheels to prevent the vehicle from moving. Support the vehicle with safety stands. Do not work under a vehicle supported only by jacks. Jacks can slip and fall over. Serious personal injury and damage to components can result.

For technical assistance, please contact the ArvinMeritor Customer Service Center at 866-668-7221. For your reference, Meritor WABCO service and maintenance publications are available on our website:

www.meritorwabco.com

NOTE: The instructions given in this technical publication are general in nature and apply to any vehicle on which a System Saver 318 Air Compressor may be installed. Depending on the type of vehicle involved, additional steps may be required. For example, there may be a power steering pump installed at the back of the compressor and some installations will have a governor mounted to the side of the compressor. Refer to the vehicle manufacturer's manual for information about removing and replacing these components.

NOTE: Air and water fittings are not included in this replacement kit. If it is necessary to replace any of these fittings when installing the new air compressor, use steel replacement fittings only.

How to Obtain Additional Maintenance and Service Information

Refer to Meritor WABCO's Maintenance Manual 31, System Saver 318 Air Compressor for Mack E-Tech™ and ASET™ Engines. To obtain this publication, visit Literature on Demand at www.meritorwabco.com.

How to Obtain Kits

Contact ArvinMeritor OnTrac at 866-668-7221 for authorization.

Field Repair Kit for System Saver 318 Air Compressor

Field Repair Kit Contents

Quantity	Description
1	Compressor
1	Instructions — TP-0958
1	Plastic Bag (For Core Return)
1	Return Shipping Label

For additional maintenance and service information, refer to Meritor WABCO Maintenance Manual 31.

Compressor Replacement Information

NOTE: The removal instructions given in this bulletin are general. Depending on the type of vehicle involved, additional steps may be required. Refer to the vehicle manufacturer's manual for additional information.

The front of the Meritor WABCO System Saver 318 air compressor is mounted to the engine.

Before you remove the compressor, make sure you have a replacement gasket to install with the new compressor, Mack part number 590GB2159. Figure 1.

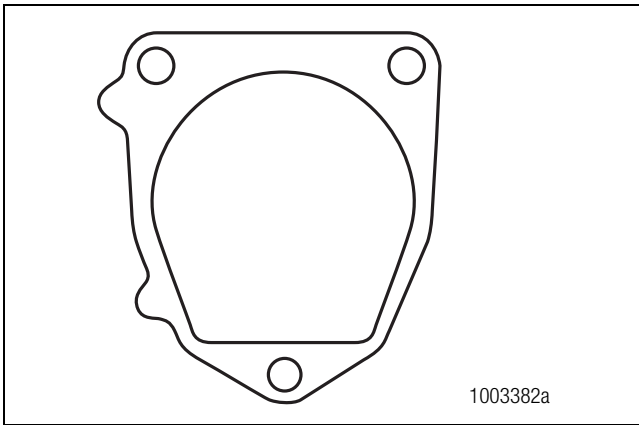


Figure 1

Removal

1. Park the vehicle on a level surface and set the parking brakes. Block the wheels to prevent the vehicle from moving.
2. Drain the air pressure from the air system.
3. Drain the engine cooling system and the cylinder head of the compressor.
4. Disconnect all air and water lines leading to the compressor.
5. **Through-drive version air compressor only:** If there is a power steering pump installed at the **back** of the compressor, remove the power steering pump. Figure 2. Disconnect the power steering pump. Refer to the manufacturer's manual for specific information. It is not necessary to remove pumps installed at the front of the compressor.

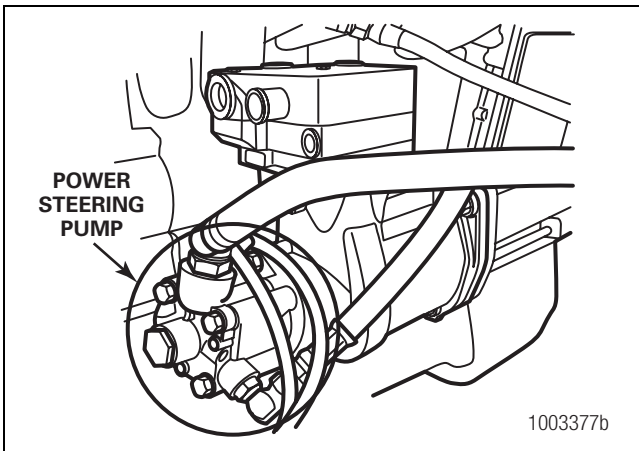


Figure 2

6. Remove the discharge and coolant fittings. Note fitting locations to aid in assembly.
7. Loosen the three flange mounting bolts that hold the compressor to the engine.

MERITOR WABCO

Meritor WABCO Vehicle Control Systems
 2135 West Maple Road
 Troy, MI 48084-7121 USA
 800-535-5560
 meritorwabco.com

Information contained in this publication was in effect at the time the publication was approved for printing and is subject to change without notice or liability. Meritor WABCO reserves the right to revise the information presented or to discontinue the production of parts described at any time.

Copyright 2009
 ArvinMeritor, Inc.
 All Rights Reserved

Printed in USA

TP-0958
 Issued 01-09
 (16579/22882)

8. Remove the compressor from the vehicle.

Remove and retain the oil supply tube that runs between the compressor and the engine. Figure 3.

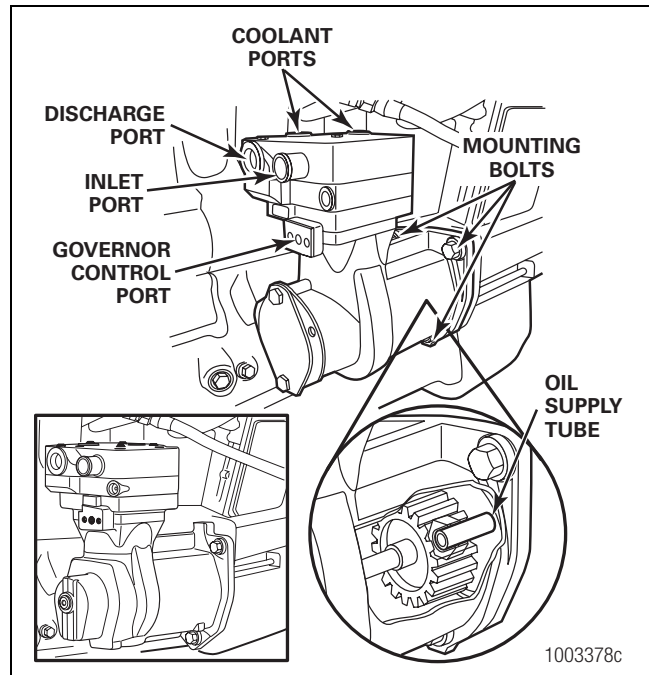


Figure 3

Installation

1. Reinstall the oil supply tube.
2. Install a new compressor gasket.
3. Position the compressor on the engine.
4. Install the three flange mounting bolts. Tighten to 15 ft-lb (20 N•m) +90° rotation.
5. Attach the discharge and coolant fittings. Tighten to 22 ft-lb (30 N•m) +360° maximum to position the fitting.
6. Connect all air and water and lines leading to the compressor. Tighten per Mack specifications.
7. **Through-drive version air compressor only:** If necessary, reinstall the power steering pump. Refer to the manufacturer's maintenance manual to verify that the installation is to the correct specifications.
8. Add engine coolant to the cooling system. Use the coolant recommended by the engine manufacturer. Visually inspect the engine and compressor for leaks.
9. Start the engine and allow the air system to build to governor cutout. Stop the engine. Use a soap-and-water solution to check all fittings and lines between the Governor, Air Compressor and Air Dryer for air leaks. Tighten or repair as necessary.
10. Remove the wheel blocks. Release the spring (parking) brakes.