

MERITOR® MX-810™ FRONT DRIVE STEER AXLE



Meets the Demands of Heavy Haul

As the world's largest independent manufacturer of commercial truck axles, Meritor is ready to tackle tough jobs. The MX-810 is a reliable, cost-efficient front drive steer axle engineered for heavy-duty applications. Gain a true competitive edge with Meritor.

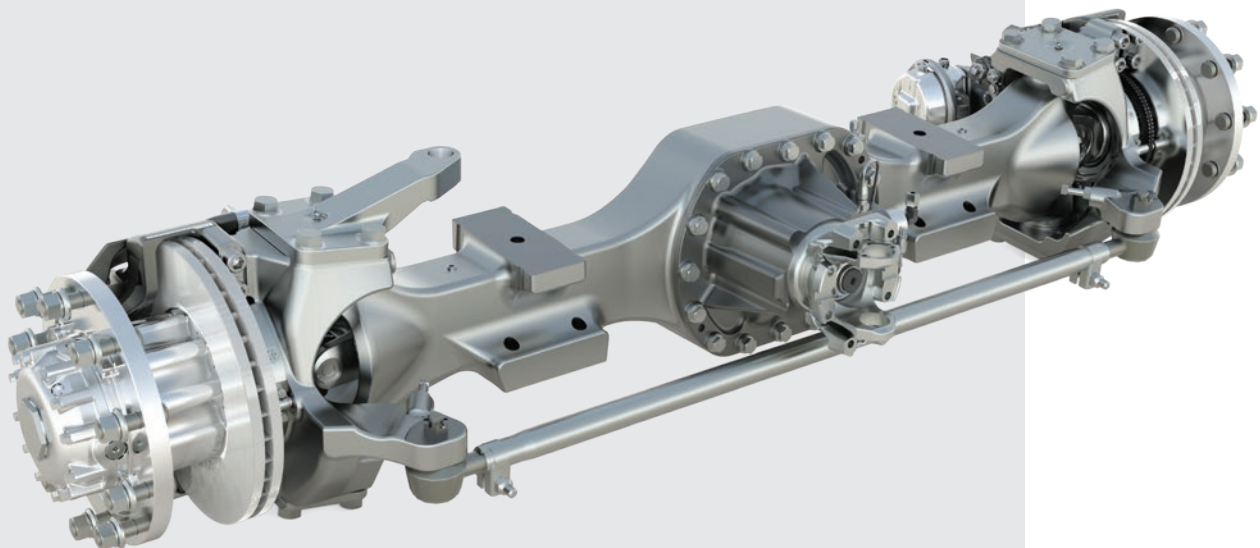
Performance advantages:

- Weight ratings up to 25,000 pounds for application versatility
- Proven technology with over 100 years expertise
- Cost-effective solution for improved mobility
- Available air disc and drum brakes offer superior stopping distance



LIGHTWEIGHT

UNMATCHED
FIELD SUPPORT
110+
LOCATIONS

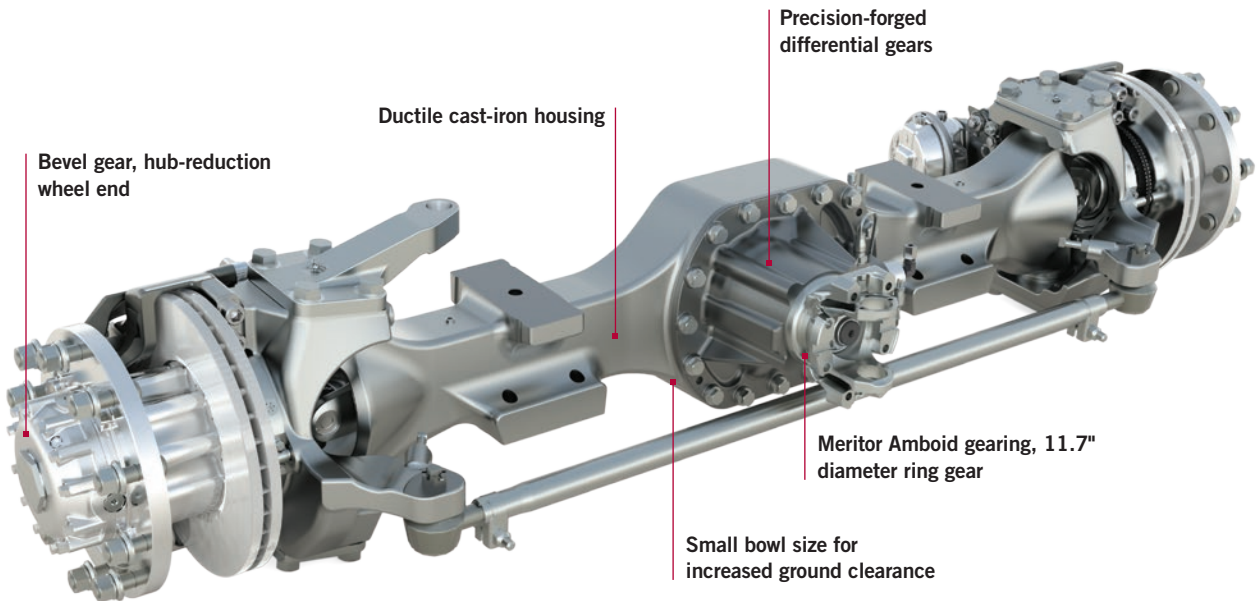


Meritor MX-810 Front Drive Steer Axle

Designed to meet the extreme challenges of heavy hauling, the MX-810 utilizes technology proven in over 15,000 U.S. military vehicles. Its robust design and superior performance is a byproduct of over 100 years of experience in axle engineering, development and manufacturing. The MX-810 features air disc brakes or optional drum brakes, offering superior stopping distance and extended durability for heavy trucks.

Features

- Up to 43° maximum turn angle for excellent maneuverability
- Available Meritor EX+ air disc brakes or 16.5" x 7" S-cam drum brakes
- Hub-piloted wheel mounting for 10-stud x 11.25" or 10-stud x 335 mm B.C. wheels
- Straight cross tube for easy toe adjustment
- Lightweight design suitable for range of applications from 20,000 to 25,000 GAWR
- ABS-ready wheel ends with installed tooth wheel and sensor
- Optional limited-slip differential for maximum traction in slick conditions



MX-810 Front Drive Steer Axle	
GAWR Rating	Suitable for applications up to 25,000 lbs.
Brakes	Air Disc + Drum
Ring Gear	11.7" 297.4 mm
Standard Ratios	4.88-7.80
Axle Weight	1,578 lbs
Bowl Offset	1.67" Bowl 1" Pinion 8.4" Bowl 2.6" Pinion
Overall Width	95.4" 101"
KPI	62.5" 68.8"
Maximum Turn Angle	Up to 43°
Ground Clearance	~12" Ground Clearance w/ 22.5" Wheel



Meritor Heavy Vehicle Systems, LLC
2135 West Maple Road
Troy, Michigan 48084 USA

Call 1-866-668-7221
or visit meritor.com.

©2016 Meritor, Inc.
Litho in USA
Revised 5-16
SP-1644