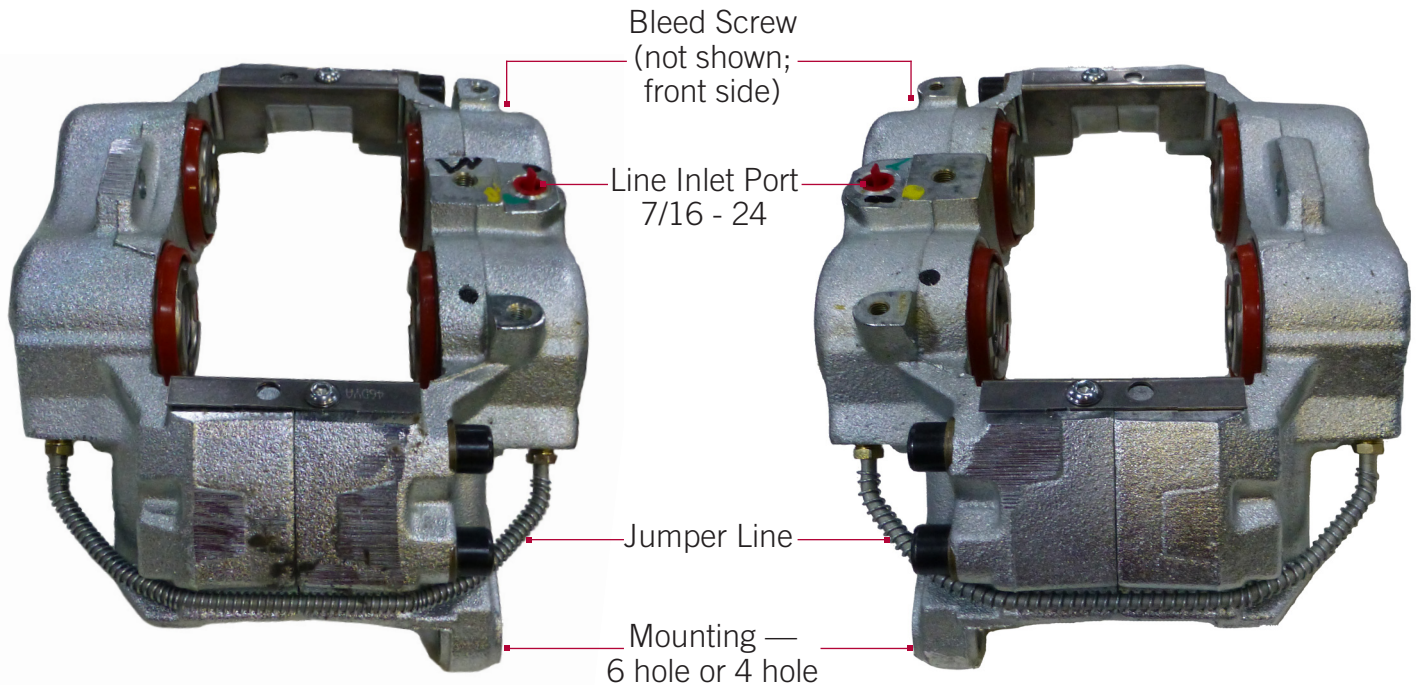


QUADRAULIC™ CALIPER IDENTIFICATION



70 MM PISTON DIAMETER (CASTING # INBOARD SIDE 595; OUTBOARD SIDE 597)

LEFT			RIGHT	
6 hole	4 hole		6 hole	4 hole
60450505	60450501	NEW WITHOUT PADS	60450504	60450500
60450505001	60450501001	NEW WITH PADS	60450504001	60450500001
60450479X	60450483X	REMANUFACTURED WITHOUT PADS	60450478X	60450482X
XM2501 / BC306	XM2402 / BC301	REMAN CORE PART & GROUP	XM2501 / BC306	XM2403 / BC301

64 MM PISTON DIAMETER (CASTING# INBOARD SIDE 602; OUTBOARD SIDE 63)

LEFT			RIGHT	
6 hole	4 hole		6 hole	4 hole
60450503	60450499	NEW WITHOUT PADS	60450502	60450498
60450503001	60450499001	NEW WITH PADS	60450502001	60450498001
60450477X	60450481X	REMANUFACTURED WITHOUT PADS	60450476X	60450480X
XM2500 / BC305	XM2400 / BC300	REMAN CORE PART & GROUP	XM2500 / BC305	XM2401 / BC300



Cummins Inc.
Box 3005
Columbus, IN 47202-3005
U.S.A.

cummins.com | MeritorPartsXpress.com