

# SUSPENSION CATALOG



**MERITOR**

**Freightliner  
Hino  
Kenworth  
Mack  
Navistar/International  
Oshkosh  
Peterbilt  
Volvo  
Western Star**



**PB-9968-TRK**



Freightliner

**FRONT TRUCK/TRACTOR SUSPENSIONS**

**AIRTEK for Freightliner Vehicles Built Prior to May 2010,  
Sterling Vehicles Built Prior to April 2009 &  
Western Star Vehicles Built Prior to June 2010 - - - - - 1-2**

**AIRTEK for Freightliner Vehicles Built Between May 2010 & November 2011 and  
All Cascadia & Coronado Models Built After November 2011 - - - - - 1-4**

**AIRTEK With STEERTEK NXT For Freightliner Motor Home Chassis - - - - - 1-6**

**SOFTEK for Freightliner Motorhome Chassis - - - - - 1-8**

**3 1/2" Wide Springs or 4" Wide Springs with Cutdown Eyes To 3 1/2" - - - - - 1-10**

**4" Wide Springs 120 Conventional, COE, FLD112 - - - - - 1-12**

**REAR TRUCK/TRACTOR SUSPENSIONS**

**FAS I AIR RIDE Suspension - - - - - 1-14**

**FAS II AIR RIDE Suspension- - - - - 1-16**

**FH34A - 44A, 4" Wide Leaf Spring Suspension - - - - - 1-20**

**FH36 - 40, 3" Wide Leaf Spring Suspension - - - - - 1-22**

**TufTrac Suspension - - - - - 1-24**

**Component Suspension Parts - - - - - 1-26**

Hino

**REAR TRUCK SUSPENSION**

**Comfort Air For Hino - - - - - 2-2**

**Component Suspension Parts - - - - - 2-4**

# CONTENTS

## Kenworth

### FRONT TRUCK / TRACTOR SUSPENSION

C500, K110/300, T300/400/450/600/800/200, W900 Models - - - - - 3-2

### REAR TRUCK / TRACTOR SUSPENSION

Airglide® 100 Air Ride - - - - - 3-6

Airglide® 200 / 400 Air Ride- - - - - 3-8

Airglide® 380 (See Peterbilt Flex Air®)

Big 6® - - - - - 3-10

Component Suspension Parts - - - - - 3-12

## Mack

### FRONT TRUCK / TRACTOR SUSPENSION

AIRTEK Mack - - - - - 4-2

F / R / RU / U Series

3 1/2" Wide Springs, Rubber Pad - - - - - 4-6

### REAR TRUCK / TRACTOR SUSPENSION

Maxlite 40EZ (Volvo Corporate Air Ride) - - - - - 4-8

MaxAir Twisted Sister® - - - - - 4-10

SS34 & 38 Tandem Suspension

4" Wide Spring - Rubber / Poly Trunnion Bushing - - - - - 4-12

SS44 Series (Formerly SWS 573)

4" Wide Spring - Bronze Trunnion Bushing - 3 1/2" ID - - - - - 4-16

SS50C Series,

4" Wide Spring - Bronze Trunnion Bushing - 4" ID - - - - - 4-20

SS58C Series

5" Wide Spring - Bronze Trunnion Bushing - 4" ID - - - - - 4-22

SS65C-W Series,

5" Wide Spring - Bronze Trunnion Bushing - 5" ID - - - - - 4-24

ST Series - Tapered Leaf - - - - - 4-26

SW - SWW Walking Beam - - - - - 4-28

Component Suspension Parts - - - - - 4-30

**Navistar / International**

**FRONT TRUCK / TRACTOR SUSPENSION**

**AIRTEK For International Vehicles - - - - - 5-2**

**AIRTEK For International Vehicles - - - - - 5-4**

**SOFTEK For International Vehicles - - - - - 5-6**

**AIRTEK for International Integrated Coach Bus - - - - - 5-8**

**REAR TRUCK / TRACTOR SUSPENSION**

**Corporate Air Ride "Z" Spring - - - - - 5-10**

**New Corporate Air Ride - "Hockey Stick" Spring - - - - - 5-12**

**4 Spring, Tractor - - - - - 5-14**

**HTB 400LT For International - - - - - 5-16**

**Component Suspension Parts - - - - - 5-18**

**Oshkosh**

**FRONT TRUCK SUSPENSION**

**3" Wide Springs - - - - - 6-2**

**Component Suspension Parts - - - - - 6-4**

# CONTENTS

## Peterbilt

### FRONT TRUCK / TRACTOR SUSPENSIONS

Cab Over and Conventional 4" Wide Spring - - - - - 7-2

### REAR TRUCK / TRACTOR SUSPENSIONS

Air Trac® - - - - - 7-6

Low Mount Air Leaf® - - - - - 7-8

Air Leaf® - - - - - 7-10

Airglide® 210- - - - - 7-12

Flex Air® - - - - - 7-14

4-Spring - Early Version - - - - - 7-16

Quadraflex® 4-Spring 1992 to Current - - - - - 7-18

Component Suspension Parts - - - - - 7-20

## Volvo

### FRONT TRUCK / TRACTOR SUSPENSIONS

Airtek for Volvo - - - - - 8-2

### REAR TRUCK / TRACTOR SUSPENSIONS

Volvo Corporate Air Ride- - - - - 8-6

Volvo 4 Spring, Before 1985- - - - - 8-8

Volvo 4 Spring, 1985 and After - - - - - 8-10

Volvo T-Ride Up To 2005 - - - - - 8-12

Volvo T-Ride 2006 and Later - - - - - 8-14

Component Suspension Parts - - - - - 8-16

**Western Star**

**FRONT TRUCK SUSPENSION**

**AIRTEK for Western Star Built After November 2011 w/STEERTEK NXT Axles and  
Model 4900SA Vehicles Built Between June 2010 and  
November 2011 with STEERTEK Axles - - - - - 9-2**

**Component Suspension Parts - - - - - 9-4**

**Numerical Listing- - - - - 10-1**





Contents

**FRONT TRUCK/TRACTOR SUSPENSIONS**

**AIRTEK for Freightliner Vehicles Built Prior to May 2010,  
Sterling Vehicles Built Prior to April 2009 &  
Western Star Vehicles Built Prior to June 2010 - - - - - 1-2**

**AIRTEK for Freightliner Vehicles Built Between May 2010 & November 2011 and  
All Cascadia & Coronado Models Built After November 2011 - - - - - 1-4**

**AIRTEK With STEERTEK NXT For Freightliner Motor Home Chassis - - - - - 1-6**

**SOFTEK for Freightliner Motorhome Chassis - - - - - 1-8**

**3 1/2" Wide Springs or 4" Wide Springs with Cutdown Eyes To 3 1/2" - - - - - 1-10**

**4" Wide Springs 120 Conventional, COE, FLD112 - - - - - 1-12**

**REAR TRUCK/TRACTOR SUSPENSIONS**

**FAS I AIR RIDE Suspension - - - - - 1-14**

**FAS II AIR RIDE Suspension- - - - - 1-16**

**FH34A - 44A, 4" Wide Leaf Spring Suspension - - - - - 1-20**

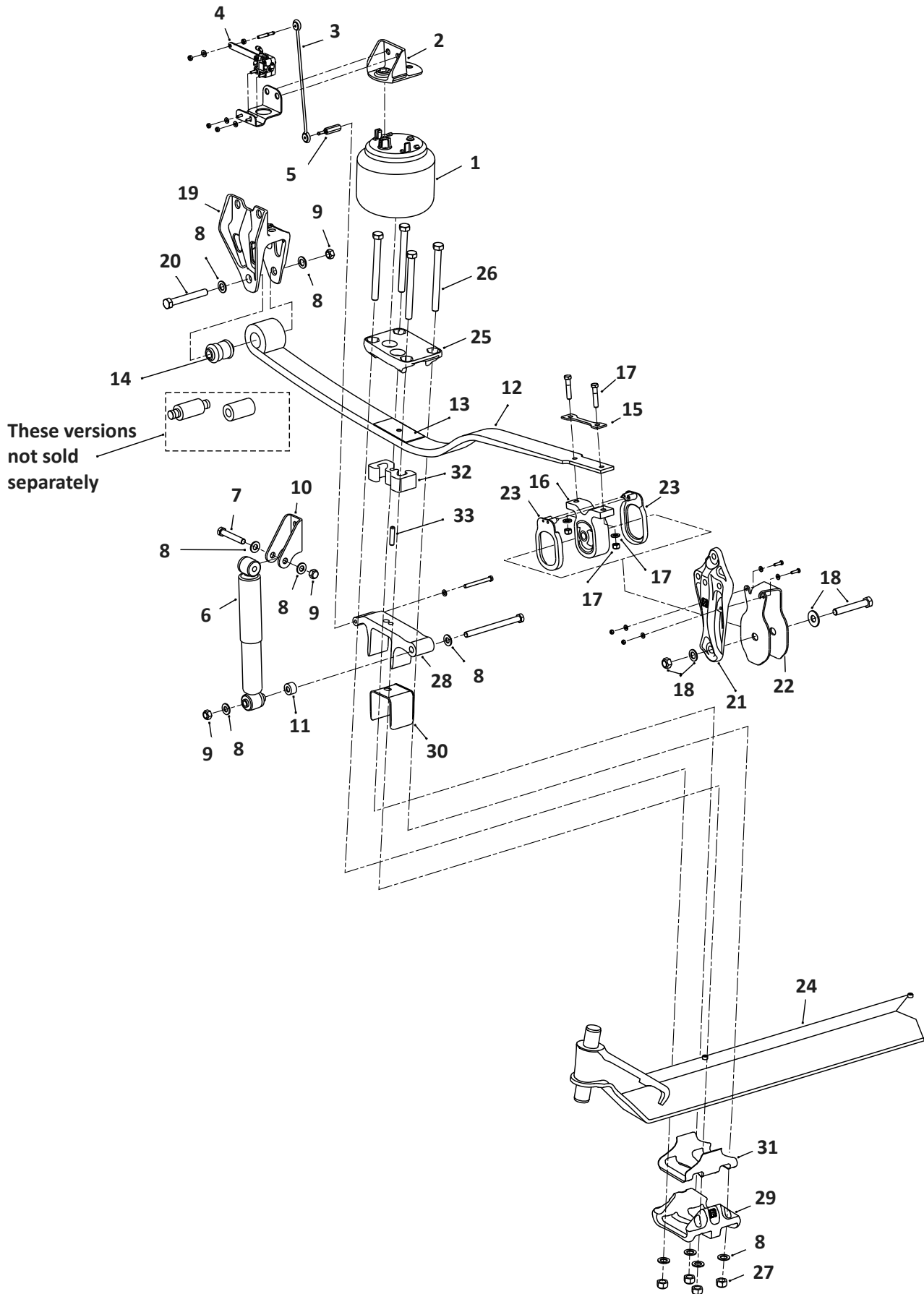
**FH36 - 40, 3" Wide Leaf Spring Suspension - - - - - 1-22**

**TufTrac Suspension - - - - - 1-24**

**Component Suspension Parts - - - - - 1-26**

# FREIGHTLINER FRONT






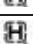
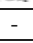



















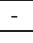
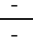
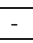


AIRTEK for Freightliner Vehicles Built Prior to May 2010,  
Sterling Vehicles Built Prior to April 2009 &  
Western Star Vehicles Built Prior to June 2010




# FREIGHTLINER FRONT

Suspension

## AIRTEK for Freightliner Vehicles Built Prior to May 2010, Sterling Vehicles Built Prior to April 2009 & Western Star Vehicles Built Prior to June 2010

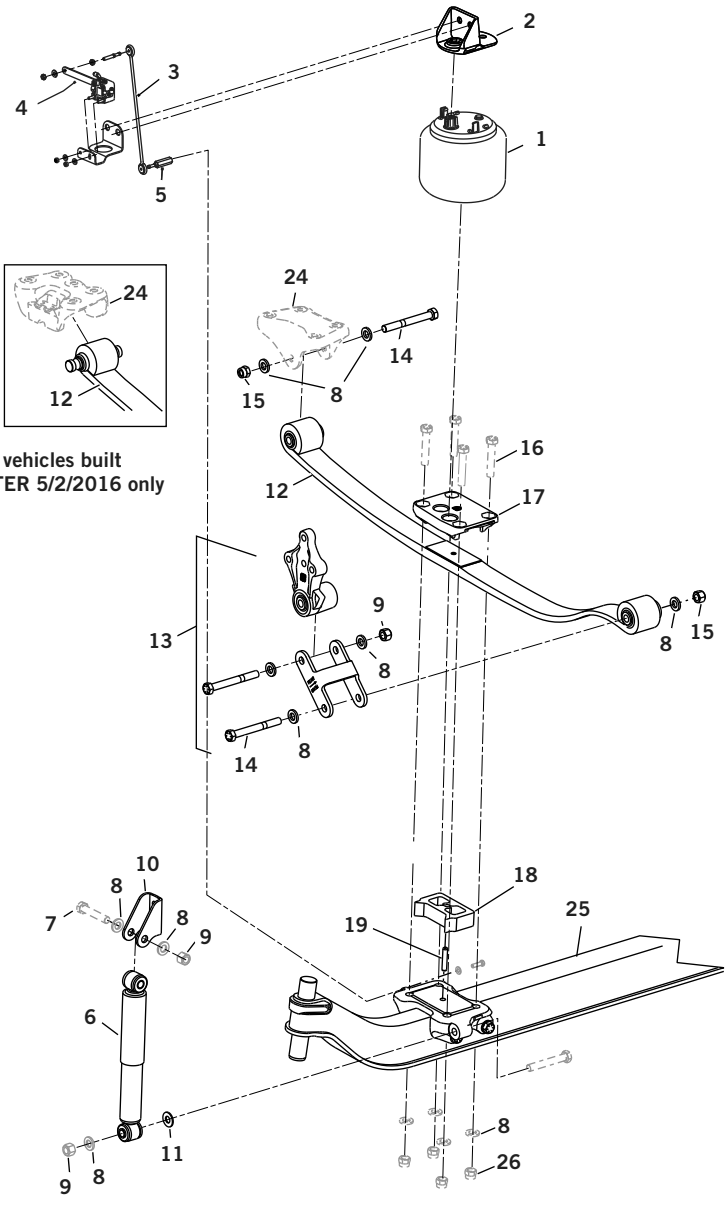
KEY NO.	MERITOR NO.	GENUINE	OEM REF	DESCRIPTION	QTY. PER AXLE	PAGE NO.
1	S.O.S.	-	69782-002	Air Spring	2	-
2	R3016425		60850-001	Air Spring Bracket, Left Hand	1	1-28
	R3015132		60850-002	Air Spring Bracket, Right Hand	1	1-28
3	R3015133		59428-001	Height Control Valve Linkage Assembly, 13 1/8" Center-to-Center	1	1-28
	R3015134		59428-002	Height Control Valve Linkage Assembly, 14 1/2" Center-to-Center	1	1-28
4	S.O.S.		59935-013	Height Control Valve, Left Hand	1	-
	R3013995		59935-002	Height Control Valve, Right Hand	1	1-28
5	R3016426		59429-001	Link Mount	2	1-28
6	M85932	-	58913-003	Shock Absorber	2	-
7	S.O.S.	-	50764-004	Bolt, 3/4"-10 X 3 3/4" Long, Upper Shock	2	-
8	R302545	-	-	Washer, 3/4"	As Required	-
9	R304347	-	-	Locknut, 3/4"-10	As Required	-
10	S.O.S.		59423-001	Shock Bracket	2	-
11	R3016419		59946-001	Shock Spacer	2	-
12	S.O.S.		Various	Leaf Spring Assembly	2	-
13	S.O.S.		59937-001	Galvanized Liner	2	-
14	R3014632		59259-002	Spring Eye Bushing, Only Century Class S/T, Columbia, Western Star Set Forward. Others not sold separately	2	1-26
15	R3015118		58920-001 58920-000	Spring End Plate	2	1-26
16	R3014633		58918-000	Rear Spring Mount	2	1-26
17	S.O.S.		60961-616	Rear Spring Mount Kit, Includes Key No. 15, 16 & Hardware	2	-
18	R3015136		60961-003	Rear Spring Eye Hardware Kit	2	1-26
19	R3015137		59832-001	Front Hanger, Left, Century Class S/T, Columbia, Western Star	1	1-27
	S.O.S.		60573-001	Front Hanger, Left, Other Models	1	-
	R3015138		59832-002	Front Hanger, Right, Century Class S/T, Columbia, Western Star	1	1-27
	S.O.S.		60573-002	Front Hanger, Right, Other Models	1	-
20	R3015140	-	50764-002	Bolt, 3/4"-10 X 5 1/2" Long	2	1-27
21	S.O.S.		59829-001	Rear Hanger, Casting No. 59825-000;59829-000	2	-
22	S.O.S.		59830-001 59830-000	Rear Hanger Clamp	2	-
23	S.O.S.		59346-001 59346-000	Thrust Washer	4	-
24	S.O.S.		Various	Axle Assembly	1	-
25	R3015146		59826-000	Top Pad	2	1-27
26	R3015102	-	58917-016	Bolt, 3/4"-10 X 8 1/2" Long	8	1-27
	R3016435	-	-	Bolt, 3/4"-10 X 10" Long	8	1-27
	R3016436	-	-	Bolt, 3/4"-10 X 11 1/2" Long	8	1-27
27	R3015094	-	17700-033	Lock Nut, 3/4"-10, Nylock	8	-
28	S.O.S.		Various	Top Axle Wrap	2	-
29	S.O.S.		64722-001	Bottom Axle Wrap	2	-
30	R3015145		59449-000	Top Axle Wrap Liner	2	1-27
31	R3015110		59845-000	Bottom Axle Wrap Liner	2	1-27
32	S.O.S.		Various	Axle Spacer	2	-
33	S.O.S.		Various	Dowel Pin	2	-

 Denotes Product is Genuine Hendrickson

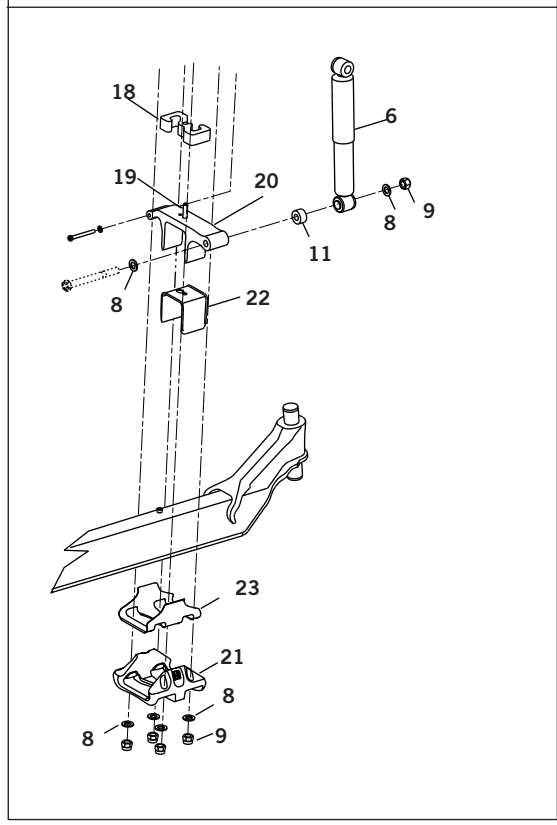
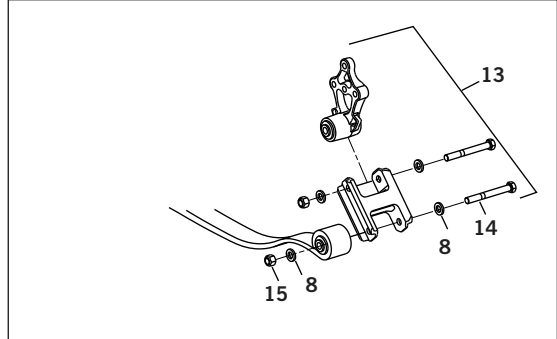
# FREIGHTLINER FRONT

AIRTEK for Freightliner Vehicles Built Between May 2010 & November 2011 and All Cascadia & Coronado Models Built After November 2011

FREIGHTLINER



For vehicles built AFTER 5/2/2016 only







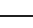



















Vehicles Built Between May 2010 and Nov. 2011


All Cascadia & Coronado Models and Freightliner Vehicles Built After Nov. 2011

# FREIGHTLINER FRONT

Suspension

## AIRTEK for Freightliner Vehicles Built Between May 2010 & November 2011 and All Cascadia & Coronado Models Built After November 2011

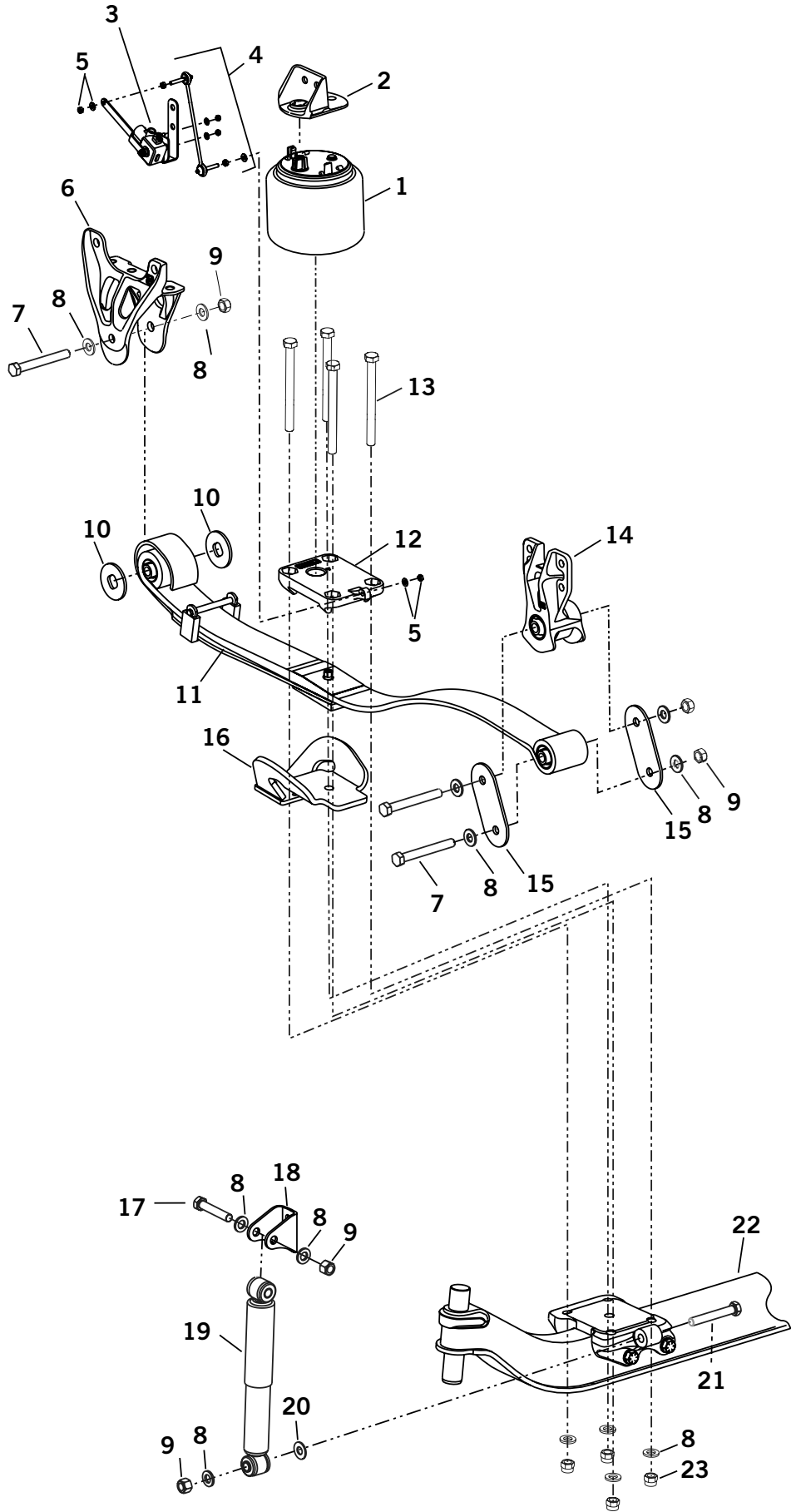
KEY NO.	MERITOR NO.	GENUINE	OEM REF	DESCRIPTION	QTY. PER AXLE		PAGE NO.
					FREIGHTLINER BUILT 5/2010 - 11/2011	ALL CASCADIA AND CORONADO AND FREIGHTLINER AFTER NOV 2011	
1	S.O.S.		69116-002	Air Spring	2	2	-
2	R3016425		60850-001	Air Spring Bracket, Left Hand	1	1	1-28
	R3015132		60850-002	Air Spring Bracket, Right Hand	1	1	1-28
3	R3015133		59428-001	Height Control Valve Linkage Assembly, 13 1/8" Center-to-Center	1	1	1-28
	R3015134		59428-002	Height Control Valve Linkage Assembly, 14 1/2" Center-to-Center	-	1	1-28
4	S.O.S.		59935-013	Height Control Valve, Left Hand	1 Set Back	1	-
	S.O.S.		59935-023	Height Control Valve, Left Hand	1 Set Forward	-	-
	S.O.S.		59935-024	Height Control Valve, Right Hand	-	1	-
	R3013995		59935-002	Height Control Valve, Right Hand	1	-	1-28
5	R3016426		59429-001	Link Mount, Left Hand	1 Set Back	1	1-28
	R3015098		59429-002	Link Mount, Right Hand	1 LH Set Forward; 1 RH	1	1-28
6	M85932	-	58913-012	Shock Absorber	2	2	-
	M89453	-	58913-012	Shock Absorber	2	2	-
7	S.O.S.	-	-	Bolt, 3/4"-10 X 4" Long, Upper Shock	-	2	-
	S.O.S.	-	-	Bolt, 3/4"-10 X 3 3/4" Long, Upper Shock	2	-	-
8	R302545	-	-	Washer, 3/4"	As Required	As Required	-
9	R304347	-	-	Locknut, 3/4"-10	4	4	-
10	S.O.S.		59423-001	Shock Bracket	2	2	-
11	S.O.S.		22762-046	Shock Spacer	2	2	-
12	S.O.S.		Various	Leaf Spring Assembly	2	2	-
13	S.O.S.		Various	Shackle Bracket Assembly	2	2	-
14	S.O.S.	-	-	Bolt, 3/4"-16 X 6 1/2" Long	6	6	-
15	R3016467	-	-	Lock Nut, 3/4"-16, Nylock	4	4	-
16	R3015102	-	58917-016	Bolt, 3/4"-10 X 8 1/2" Long	8	-	1-27
	R3016435	-	-	Bolt, 3/4"-10 X 10" Long	8	-	1-27
	R3016436	-	-	Bolt, 3/4"-10 X 11 1/2" Long	8	-	1-27
17	R3015146		59826-000	Top Pad	2	2	1-27
18	S.O.S.		Various	Axle Spacer	2	2	-
19	S.O.S.		Various	Dowel Pin	2	2	-
20	S.O.S.		Various	Top Axle Wrap	2	-	-
21	S.O.S.		64722-001	Bottom Axle Wrap	2	-	-
22	R3015145		59449-000	Top Axle Wrap Liner	2	-	1-27
23	R3015110		59845-000	Bottom Axle Wrap Liner	2	-	1-27
24	S.O.S.		Various	Front Hanger	2	2	-
25	S.O.S.		Various	Axle Assembly	1	1	-
26	R3015094	-	17700-033	Lock Nut, 3/4"-10, Nylock	8	8	-

 Denotes Product is Genuine Hendrickson












# FREIGHTLINER FRONT


AIRTEK With STEERTEK NXT For Freightliner Motor Home Chassis

FREIGHTLINER



## AIRTEK With STEERTEK NXT For Freightliner Motor Home Chassis

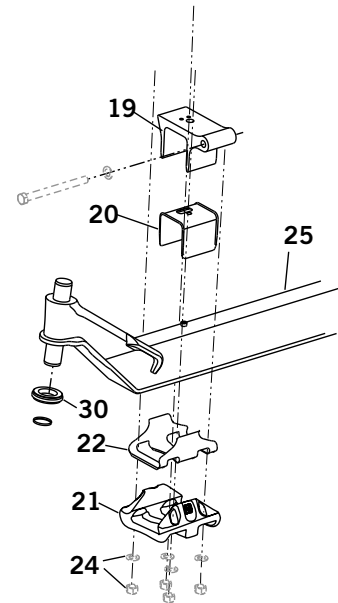
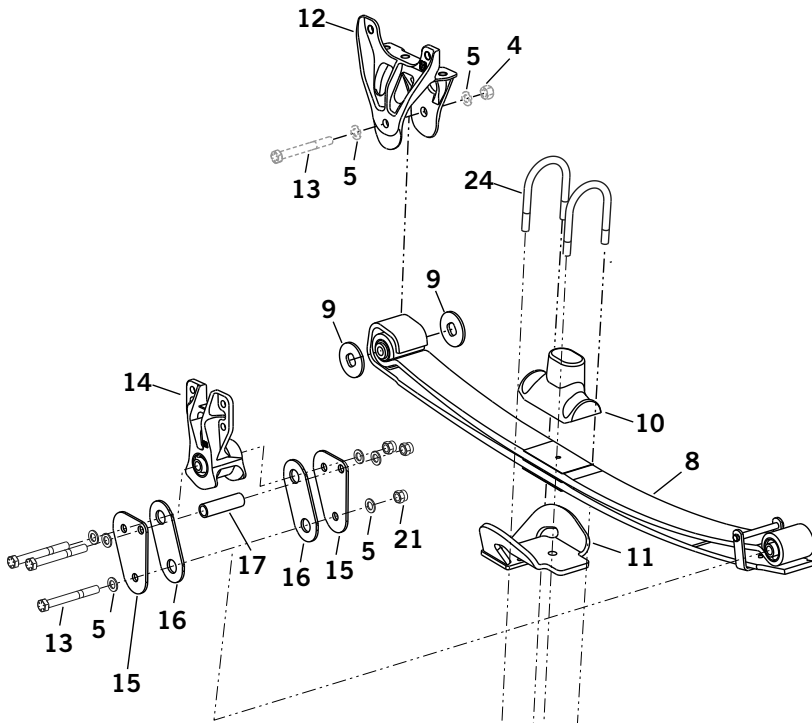
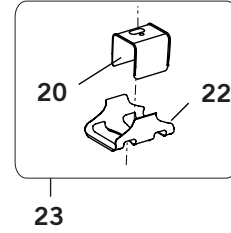
KEY NO.	MERITOR NO.	GENUINE	OEM REF	DESCRIPTION	QTY PER AXLE	PAGE NO.
1	FS9912	-	64075-002	Air Spring	2	-
2	R3016425		60850-001	Air Spring Bracket	2	1-28
3	R3016407		60501-000	Height Control Valve	1	1-28
4	R3015134		59428-002	Height Control Valve Linkage Kit	1	1-28
5	S.O.S.		70417-000	Height Control Valve Linkage Kit and Mounting Hardware, Includes Key No. 4	1	-
6	S.O.S.		66297-000	Front Hanger	2	-
7	S.O.S.	-	-	Bolt, 3/4"-10 X 6 1/2" Long	6	-
8	R302545	-	-	Hardened Washer, 3/4"	As Required	-
9	R304347	-	-	Lock Nut, 3/4"-10	6	-
10	R3016430		67493-000; 65899-000	Thrust Washer, Front Hanger	2	1-26
11	S.O.S.		53468-000	Leaf Spring Assembly	2	-
12	S.O.S.		64516-001	Top Pad, Left Hand	1	-
	S.O.S.		64516-002	Top Pad, Right Hand	1	-
13	S.O.S.	-	59952-024	Bolt, 3/4"-16 X 5 1/2" Long	2	-
14	S.O.S.		66510-001	Rear Shackle Bracket and Bushing	2	-
15	S.O.S.		66314-000	Rear Shackle Plate	2	-
16	S.O.S.		68759-004	Sway Bar Bracket	2	-
17	S.O.S.	-	-	Bolt, 3/4"-10 X 4" Long, Upper Shock	2	-
18	S.O.S.		59423-002	Shock Bracket	2	-
19	-		-	Shock Absorber	2	-
20	S.O.S.		-	Shock Spacer, 1/8" Thick	2	-
21	S.O.S.	-	-	Bolt, 3/4"-10 X 5" Long, Lower Shock	2	-
22	S.O.S.		Various	Axle & King Pin Assembly	1	-
23	R304961A	-	-	Lock Nut, 3/4"-16	6	-

 Denotes Product is Genuine Hendrickson

# FREIGHTLINER FRONT SOFTEK for Freightliner Motorhome Chassis

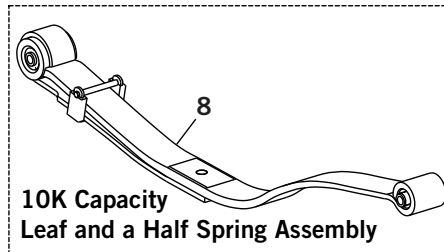
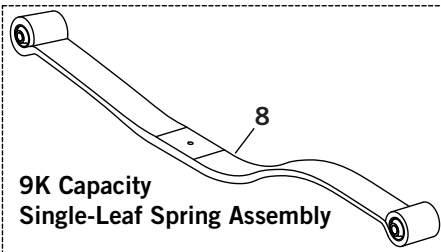
FREIGHTLINER

### Axle Wrap Liner Kit

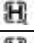










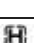
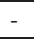




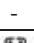



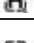



STEERTEK NXT Axle

STEERTEK Axle



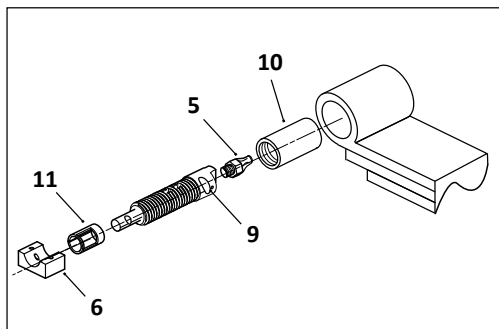
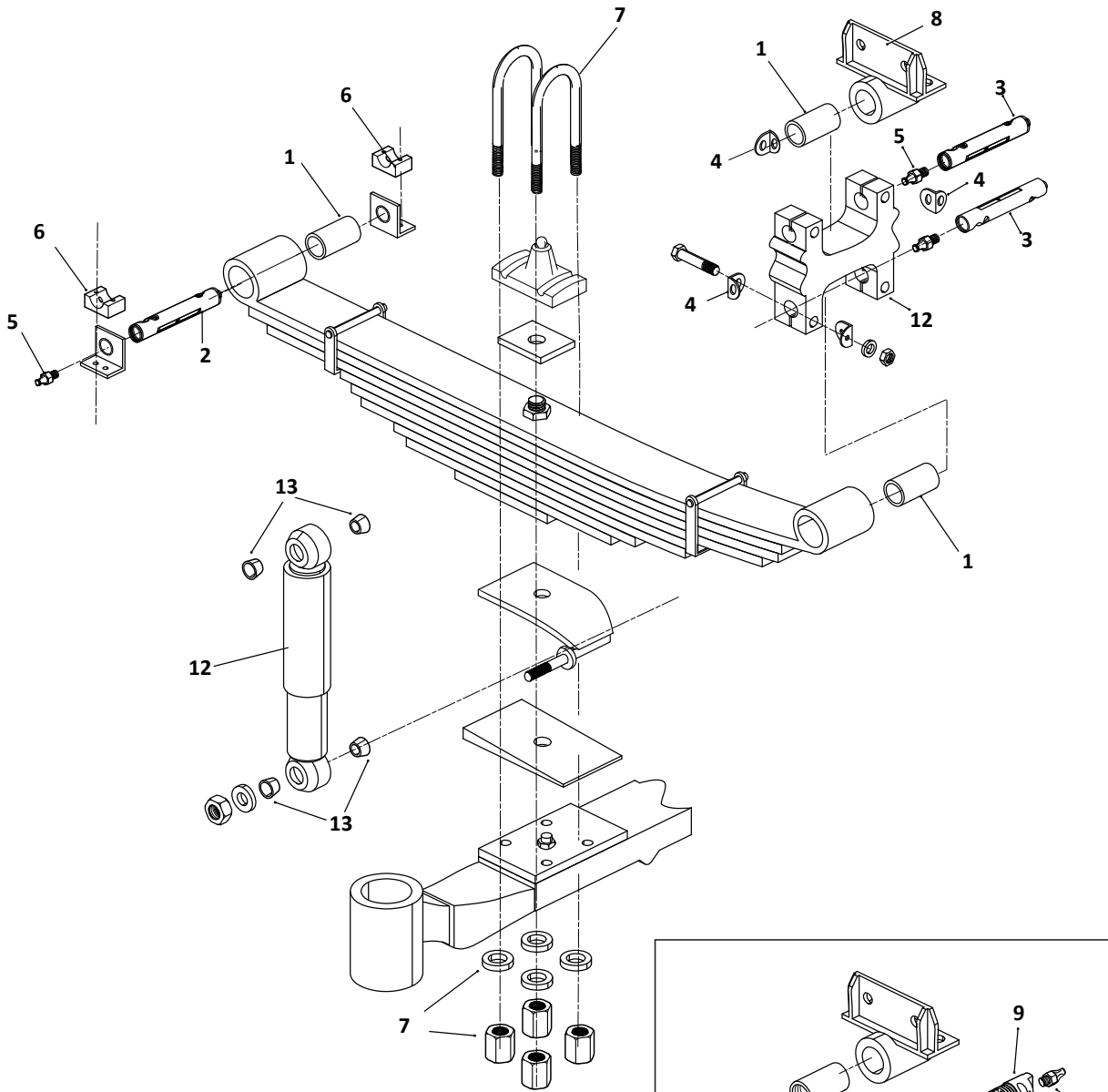


SOFTEK for Freightliner Motorhome Chassis						
KEY NO.	MERITOR NO.	GENUINE	OEM REF	DESCRIPTION	QTY. PER AXLE	PAGE NO.
1	-	-	-	Shock Absorber	2	-
2	S.O.S.	-	-	Bolt, 3/4"-10 X 4" Long, Upper Shock	2	-
3	S.O.S.	-	-	Bolt, 3/4"-10 X 5" Long, Lower Shock	2	-
4	R304347	-	-	Lock Nut, 3/4"-10	6	-
5	R302545	-	-	Hardened Washer, 3/4"	As Required	-
6	S.O.S.		59946-002	Shock Spacer, Vehicles Built Prior to May 2010	2	-
	S.O.S.		-	Shock Spacer, 1/8" Thick, Vehicles Built After May 2010	2	-
7	S.O.S.		59423-002	Shock Bracket	2	-
8	S.O.S.		66415-002	Spring Assembly, Includes Spring Eye Bushings, 9K Single Leaf	2	-
	S.O.S.		65710-002	Spring Assembly, Includes Spring Eye Bushings, 10K Leaf & Half	2	-
	S.O.S.		68115-001	Spring Assembly, Includes Spring Eye Bushings, 12K Two Leaf	2	-
9	R3016430		67493-000 65899-000	Thrust Washer, Front Hanger	2	1-26
10	S.O.S.		65714-000	Top Pad, Vehicles Built After May 2010	2	-
	S.O.S.		65925-000	Top Pad, Vehicles Built Prior to May 2010	2	-
11	S.O.S.		68759-004	Sway Bar Bracket, Vehicles Built After March 2012	2	-
	S.O.S.		68759-003 66233-001	Sway Bar Bracket, Vehicles Built Prior to March 2012	2	-
12	S.O.S.		66297-000	Front Hanger	2	-
13	S.O.S.	-	-	Bolt, 3/4"-10 X 6 1/2" Long	6	-
14	S.O.S.		64316-000	Rear Shackle Bracket and Bushing	2	-
15	R3016431		66413-000	Rear Shackle Plate	2	1-26
16	R3016432		64159-000	Rear Shackle Wear Pad	2	1-26
17	R3016434		60631-000	Shackle Stop Tube	2	1-26
18	R3015094	-	-	Lock Nut, 3/4"-10, Nylock	6	-
19	S.O.S.		59952-024	Top Axle Wrap, Vehicles Built Prior to May 2010	2	-
20	R3015147		60508-000	Top Axle Wrap Liner, Vehicles Built Prior to May 2010	2	-
21	S.O.S.		64723-002	Bottom Axle Wrap, Vehicles Built Prior to May 2010	2	-
22	R3015110		59845-000	Bottom Axle Wrap Liner, Vehicles Built Prior to May 2010	2	1-27
23	R3015727		60961-015	Axle Wrap Liner Kit, Vehicles Built Before October 2012, Includes Key Nos. 20 & 22	2	1-27
24	S.O.S.	-	Various	U-Bolt Assembly, 3/4"-16	8	-
25	S.O.S.		Various	Axle & King Pin Assembly	1	-

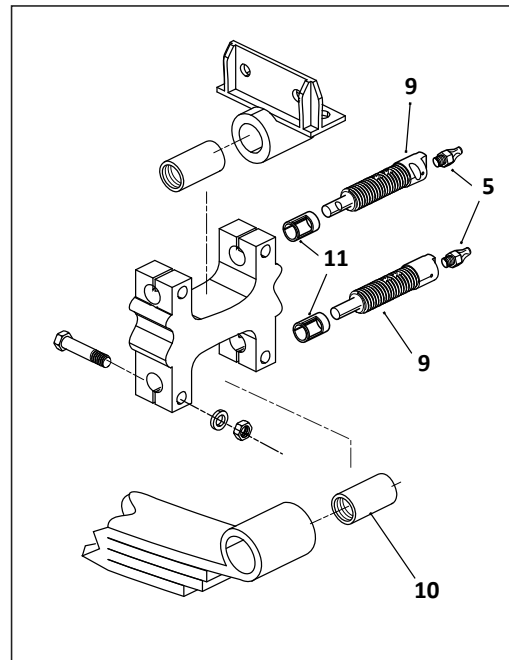
 Denotes Product is Genuine Hendrickson

# FREIGHTLINER FRONT

3 1/2" Wide Springs or  
4" Wide Springs with Cutdown Eyes To 3 1/2"  
Truck/Tractor



**Threaded Pins & Bushings  
Front End of Spring**



**Threaded Pins & Bushings  
Rear of Spring**

# FREIGHTLINER FRONT

Suspension

FREIGHTLINER

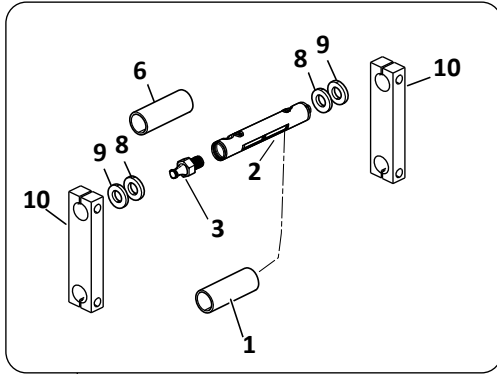
## 3 1/2" Wide Springs or 4" Wide Springs with Cutdown Eyes To 3 1/2" Truck/Tractor

KEY NO.	MERITOR NO.	MACH NO.	OEM REF	DESCRIPTION	QTY. PER AXLE	PAGE NO.
1	<b>R303533</b>	-	16-01005-000	Front and Rear Spring Eye Bushing, Non-Threaded	4	1-29
2	<b>R303531</b>	<b>G-3531</b>	16-10509-000	Front Spring Pin, Non-Threaded	2	1-29
3	<b>R303530</b>	<b>G-3530</b>	16-10510-000	Rear Spring Pin, Non-Threaded	4	1-29
4	<b>R303537A</b>	-	16-09040-002	Shim	As Required	1-30
5	<b>R301307</b>	-	-	Zerk Fitting, 1/8" -27 NPT	6	-
6	-	<b>G-16673</b>	16-12323-000	Spring Pin Retainer	4	1-29
7	<b>R30U8153-10</b>	-	-	U-Bolt Assembly, Rd. Bend, 3/4"-16 Thd. X 3 1/2" Wide x 10" Long	4	-
	<b>R30U8153-12</b>	-	-	U-Bolt Assembly, Rd. Bend, 3/4"-16 Thd. X 3 1/2" Wide x 12" Long	4	-
	<b>R30U8153-14</b>	-	-	U-Bolt Assembly, Rd. Bend, 3/4"-16 Thd. X 3 1/2" Wide x 14" Long	4	-
8	-	<b>G-3536</b>	16-09906, 16-1003-1	Spring Hanger, Includes Bushing. Use with Non-Threaded Pins and Bushings	2	1-30
9	-	<b>G-3532</b>	16-09597-000	Front and Rear Spring Pin, Threaded	6	1-29
10	-	<b>G-3534</b>	16-09926-000	Front and Rear Spring Eye Bushing, Threaded	4	1-29
11	-	<b>G-16643</b>	16-09598-000	Threaded Bushing Sleeve, 1 1/4" OD, 1" ID X 1" Long with Slot	6	1-29
12	<b>M85302</b>	-	70042	Shock Absorber	2	-
	<b>M85320</b>	-	10-12032-2	Shock Absorber	2	-
13	<b>R30401754</b>	-	16-10722-000	Shock Absorber Bushing, Rubber	8	1-13
	<b>R307529</b>	-	-	Shock Absorber Bushing, Poly	8	1-13

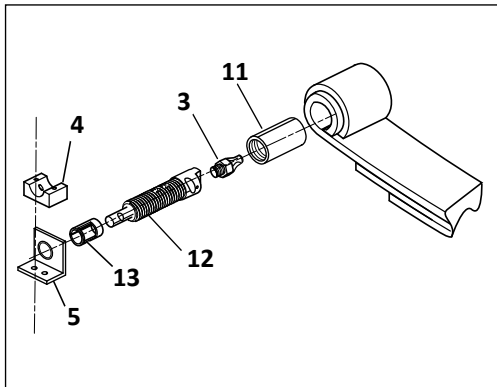
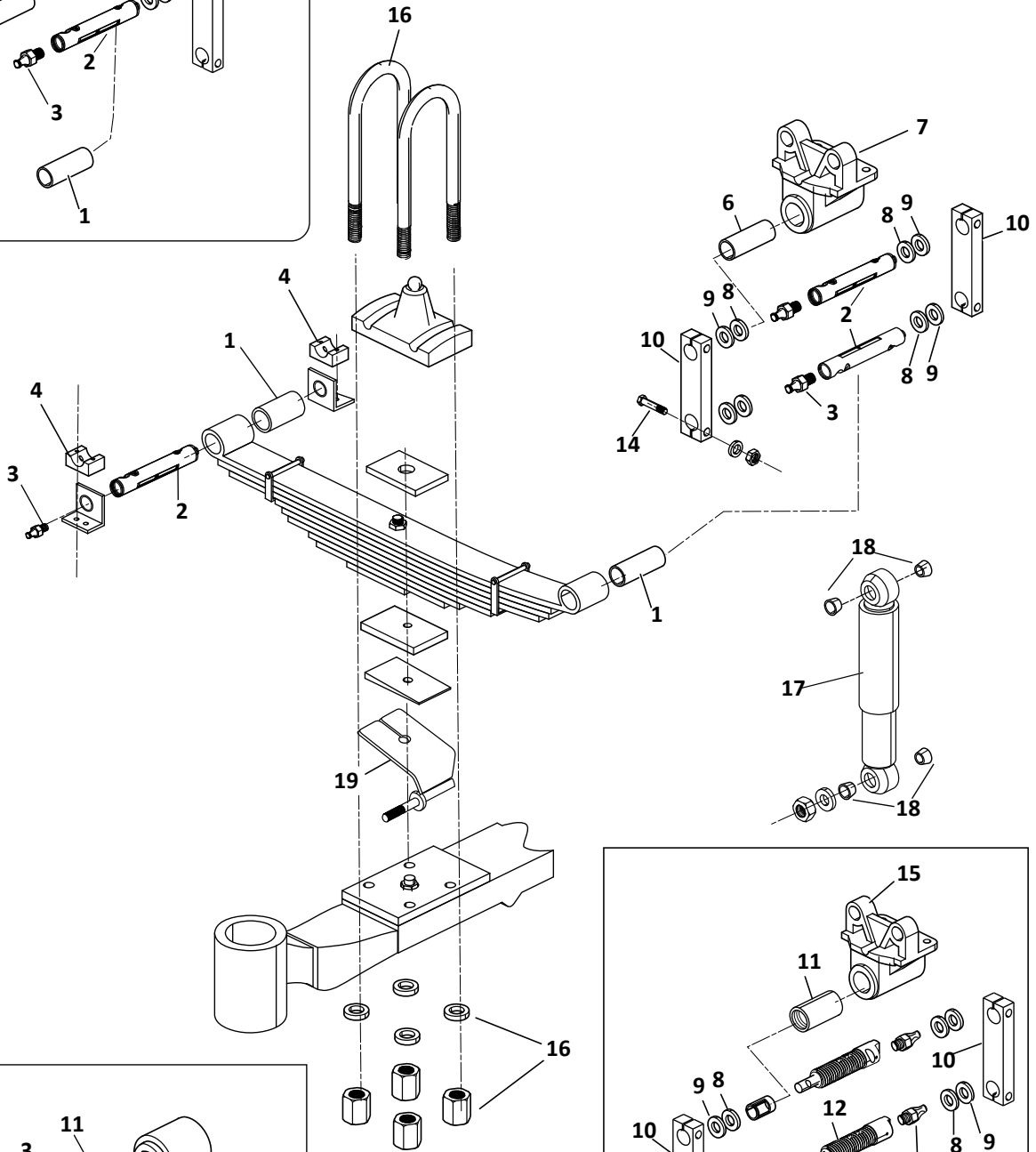
# FREIGHTLINER FRONT

4" Wide Springs  
120 Conventional, COE, FLD112

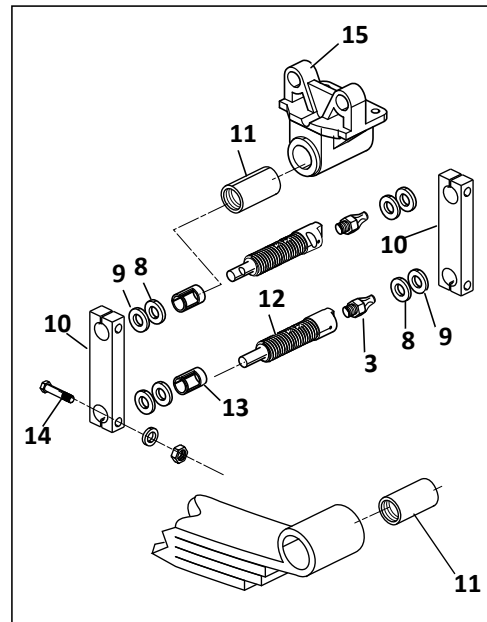
## Shackle Kit Smooth Pin



5



Threaded Pins & Bushings  
Front End of Spring



Threaded Pins & Bushings  
Rear End of Spring

FREIGHTLINER

<b>4" Wide Springs FLD112, 120 Conventional, COE</b>						
KEY NO.	MERITOR NO.	MACH NO.	OEM REF	DESCRIPTION	QTY. PER AXLE	PAGE NO.
1	<b>R301876</b>	-	16-12399-001	Bi-Metal Bushing, 1 1/2" OD x 1 1/4" ID x 4"	4	1-29
2	<b>R308796</b>	<b>G-8796</b>	16-13470-000	Spring Pin, 1 1/4" OD x 6 7/8" OAL	6	1-29
3	<b>R301307</b>	-	-	Zerk Fitting, 1/8" -27 NPT	6	-
4	-	<b>G-16673</b>	16-12323-000	Spring Pin Retainer	2	1-29
5	-	<b>G-15598</b>	-	Shackle Kit, Smooth Bushings, Includes 1, 2, 3, 6, 8, 9, 10	2	1-30
6	<b>R308797</b>	<b>G-8797</b>	16-01005-002	Bronze Bushing, 1 5/8" OD x 1 1/4" x 4", Hanger Bushing. For 1 1/2" OD, use R301876	2	1-29
7	<b>R308854</b>	<b>G-8854</b>	A16-12358-000	Rear Shackle Hanger, Smooth Plus, Ductile Iron, Includes R308797 Bronze Bushing	2	1-30
8	-	<b>G-16641</b>	16-09860-012	Shim Washer 1.25" ID, 1.875" OD X .031" Thick	As Required	1-30
9	-	<b>G-16642</b>	23-11656-018	Shim Washer 1.25" ID, 2.25" OD X .156" Thick	As Required	1-30
10	<b>R308795</b>	<b>G-8795</b>	16-11890-000	Shackle Side Bar, Steel 7 5/8" Long	4	1-30
11	<b>R308799</b>	<b>G-8799</b>	16-12301-000	Threaded Bushing, 1 1/2" OD x 1 1/4"-8 x 4"	6	1-29
12	<b>R308800</b>	<b>G-8800</b>	16-12302-000	Spring Pin, Threaded	6	1-29
13	-	<b>G-16643</b>	16-09598-000	Threaded Bushing Sleeve, 1 1/4" OD, 1" ID X 1" Long with Slot	6	1-29
14	<b>R3016232</b>	-	-	Hex Bolt, 1/2"-20 X 3" Long	8	-
15	<b>R308855</b>	<b>G-8855</b>	A16-12358-001	Rear Shackle Hanger, Ductile Iron, Threaded Bushing	2	1-30
16	<b>R30U8154-10</b>	-	11-09363-110	U-Bolt Assembly, Round Bend 3/4"-16 Thd. x 4" Wide x 10" Long	4	-
	<b>R30U8154-12</b>	-	11-09363-110	U-Bolt Assembly, Round Bend 3/4"-16 Thd. x 4" Wide x 12" Long	4	-
	<b>R30U8164-10</b>	-	11-09624-120	U-Bolt Assembly, Round Bend 7/8"-14 Thd. x 4" Wide x 10" Long	4	-
	<b>R30U8164-12</b>	-	11-09624-120	U-Bolt Assembly, Round Bend 7/8"-14 Thd. x 4" Wide x 12" Long	4	-
17	<b>M85302</b>	-	70042	Shock Absorber	2	-
	<b>M89420</b>	-	70042	Shock Absorber, Premium Adjustable	2	-
	<b>M85320</b>	-	10-12302-000	Shock Absorber	2	-
	<b>M89429</b>	-	10-12302-000	Shock Absorber, Premium Adjustable	2	-
	<b>M85918</b>	-	10-12396-000	Shock Absorber	2	-
	<b>M89449</b>	-	10-12396-000	Shock Absorber, Premium Adjustable	2	-
18	<b>R30401754</b>	-	16-10722-000	Shock Absorber Bushing, Rubber	8	1-13
	<b>R307529</b>	-	-	Shock Absorber Bushing, Poly	8	1-13
19	-	<b>G-16644</b>	10-12535-000	Shock Bracket, LH	1	1-31
	-	<b>G-16645</b>	10-12535-001	Shock Bracket, RH	1	1-31

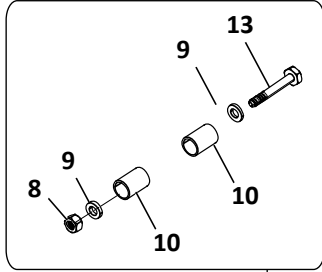
# FREIGHTLINER REAR

## FAS I AIR RIDE

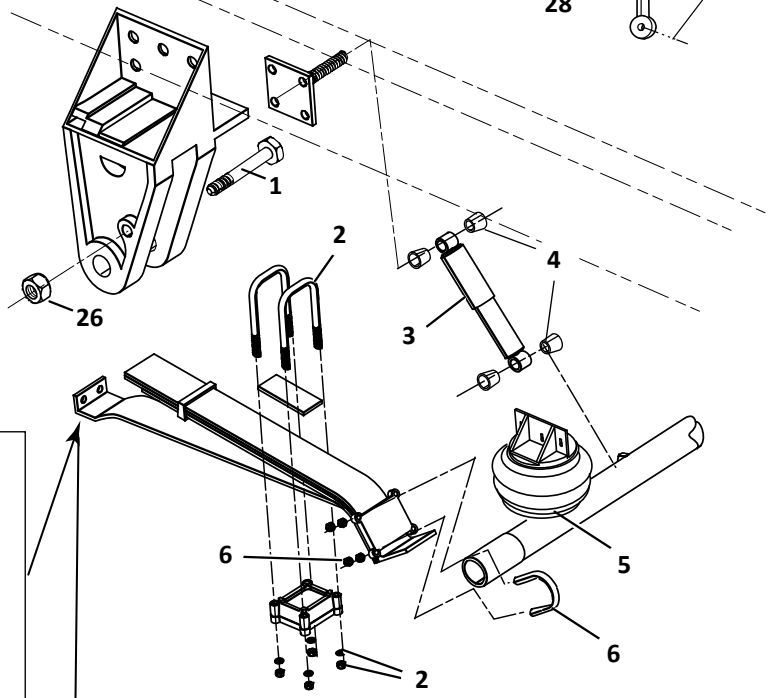
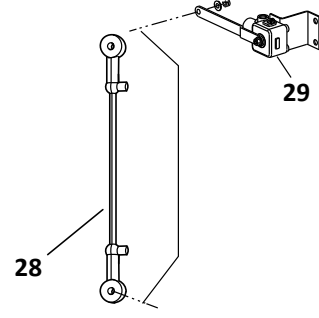
### Truck/Tractor

FREIGHTLINER

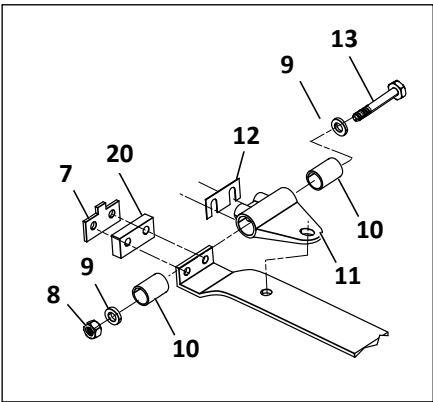
#### Spring Hanger Bracket Bushing Assembly - 1st Design



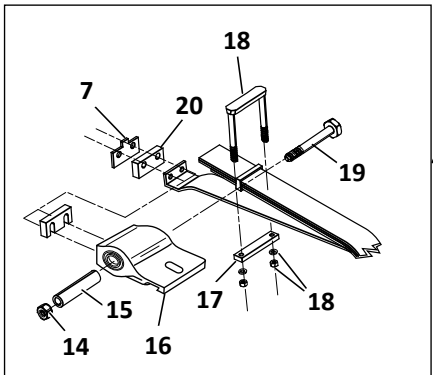
27



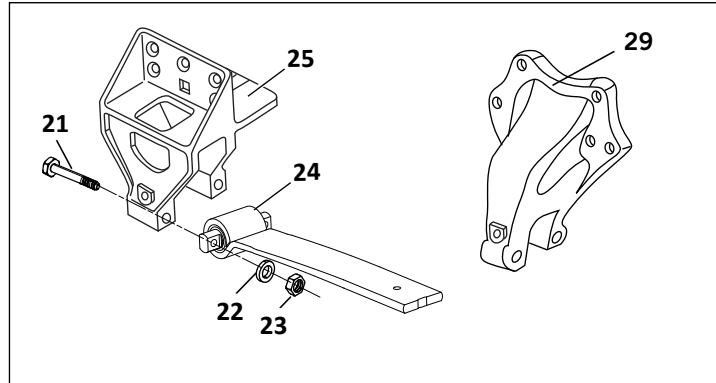
#### 1st Design



#### 2nd Design



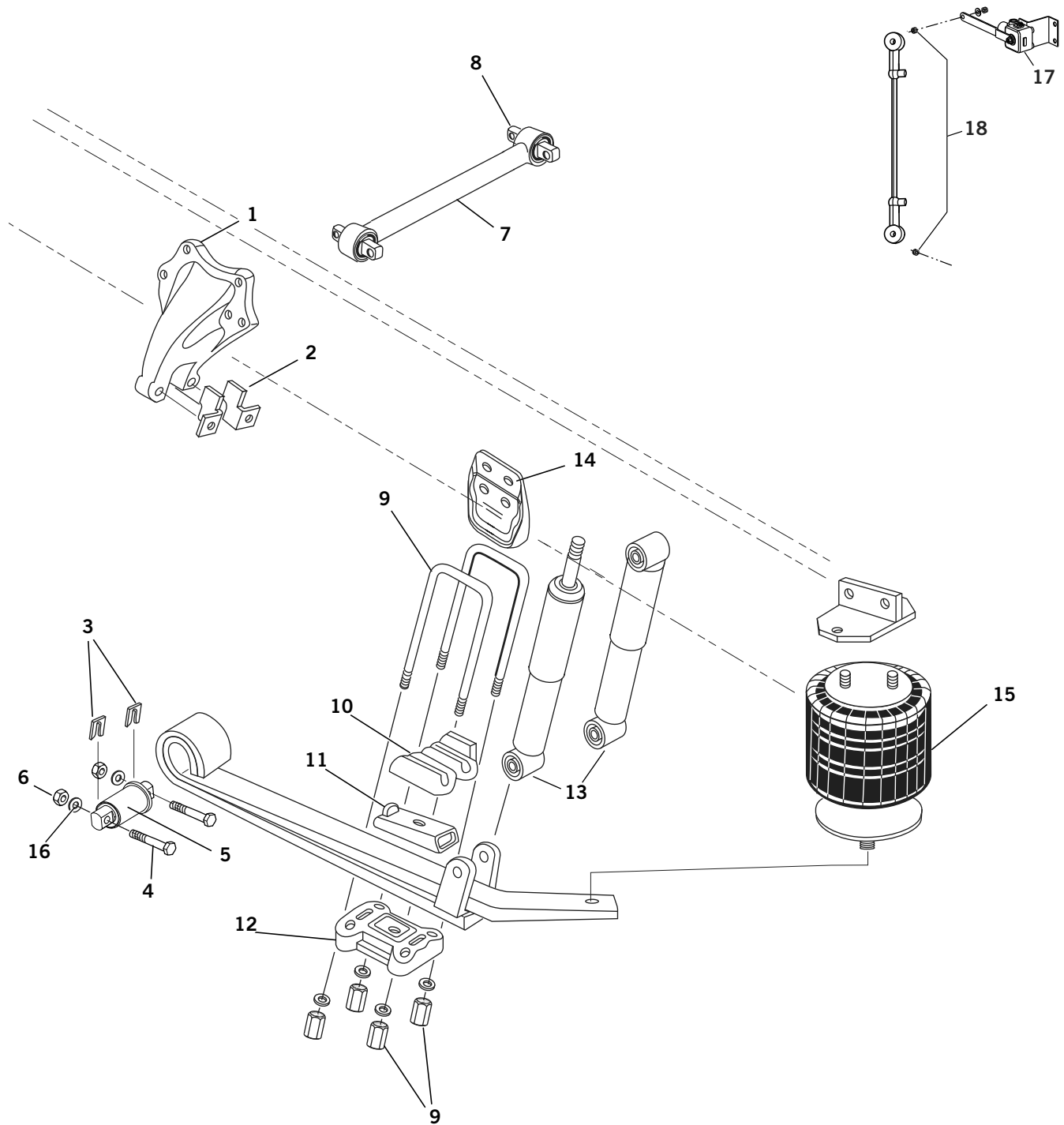
#### 3rd Design



FAS I AIR RIDE Truck/Tractor						
KEY NO.	MERITOR NO.	MACH NO.	OEM REF	DESCRIPTION	QTY. PER AXLE	PAGE NO.
1	R309376	-	-	Rebound Bolt, 3/4"-16 X 7" Long	2	-
2	R30U8164-16	-	11-09624-160	U-Bolt Assembly, Sq. Bend, 7/8"-14 Thd. X 4" Wide x 16" Long	4	-
3	M85007	-	16-11133; 16-12117-000	Shock Absorber	2	-
	M89412	-	16-12117-000; 665236	Shock Absorber, Premium Adjustable	2	-
	M85319	-	16-13947-000; 681-326-0400	Shock Absorber	2	-
4	R30401754	-	-	Shock Bushing, 1" ID, Rubber	8	1-13
	R307529	-	-	Shock Bushing, 1" ID, Poly	8	1-13
5	FS7410	-	16-11378-000	Air Spring	2	-
	FS7400	-	16-10796-000	Air Spring	2	-
6	R30U8143-074	-	16-10794	U-Bolt Assembly, Round Bend, 5/8"- 18 Thd. X 3 1/2" Wide x 7 1/2" Long	4	-
	R30U5121-075	-	16-12450-000	U-Bolt Assembly, Round Bend, 1/2"-20 Thd. X 3 1/2" Wide X 7 5/8" Long	4	-
7	R303568	-	16-10790-1	Shim Lock	2	1-32
8	R301828	-	23-9901-216	Lock Nut, 1"-14 Thd.	2	-
9	R303565	-	16-10784	Washer, 1 1/16" ID X 2 1/2" OD X 5/16" Thick	4	-
10	R303563	-	16-11376-0	Spring Hanger Bushing, First Design	4	1-32
11	R303569	-	16-10795-000	Spring Hanger Bracket, First Design, Use w/ R303563 Bushing	2	1-32
12	R303567	-	16-10790	Shim	As Required	1-33
13	R303564	-	16-10782	Bolt, 1"-14 Thd. X 8" Long	2	-
14	R301835	-	23-09598-14	Lock Nut, 7/8"-14 Thd	2	-
15	R303817	G-3817	236840	Spring Eye Bushing, Silent Block, 7/8" ID X 1 3/4" OD X 4" Long Used in R303816 Bracket	2	1-32
16	R303816	-	A16-12314-000	Spring Hanger Bracket, Second Design	2	1-32
17	R303819	-	16-11935	U-Bolt Bottom Pad	2	1-32
18	R30U8554-033	-	16-11934	U-Bolt Assembly, Flat Sq. Bend, 3/4"-16 Thd. X 4" Wide x 3 3/8" Long, Second Design	2	-
19	R303818	-	16-11908-01	Spring Eye Bolt, 7/8"-14 X 7 3/4" Long	2	-
20	R303821A	-	16-11941-002	Spacer Block	2	1-32
21	R3016227	-	-	Torque Arm Bolt, 5/8"-11 X 5" Long	4	-
22	R302547	-	-	Washer, 5/8"	4	-
23	R302988	-	-	Lock Nut, 5/8" -11 Thd.	4	-
24	R309874	G-9874	HRI-HBUS41, A16-11944	Torque Leaf Bushing, Third Design, 1 3/4" OD X 5 3/8" Center-to-Center of Holes, 5/8" Bolt Hole Dia.	2	1-33
25	-	G-16674	16-12571-000	Spring Hanger Bracket, Third Design	2	1-34
26	R304961A	-	-	Lock Nut, 3/4"-16 Thd.	2	-
27	R303562	-	-	Spring Hanger Bracket Bushing Assembly, First Design, Includes Key Nos. 8, 9, 10, 13.	2	1-32
28	R309625	-	HPB450-3	Linkage Kit, Universal	1	-
29	R309624	-	H00500C	Universal Height Control Valve, Hadley Model 500, Apply Air To Dump	1	1-35
	R3014731	-	H01501UD	Universal Height Control Valve, Hadley Next Gen, Apply Air To Dump	1	1-35

# FREIGHTLINER REAR FAS II AIR RIDE Truck/Tractor

FREIGHTLINER





# FREIGHTLINER REAR

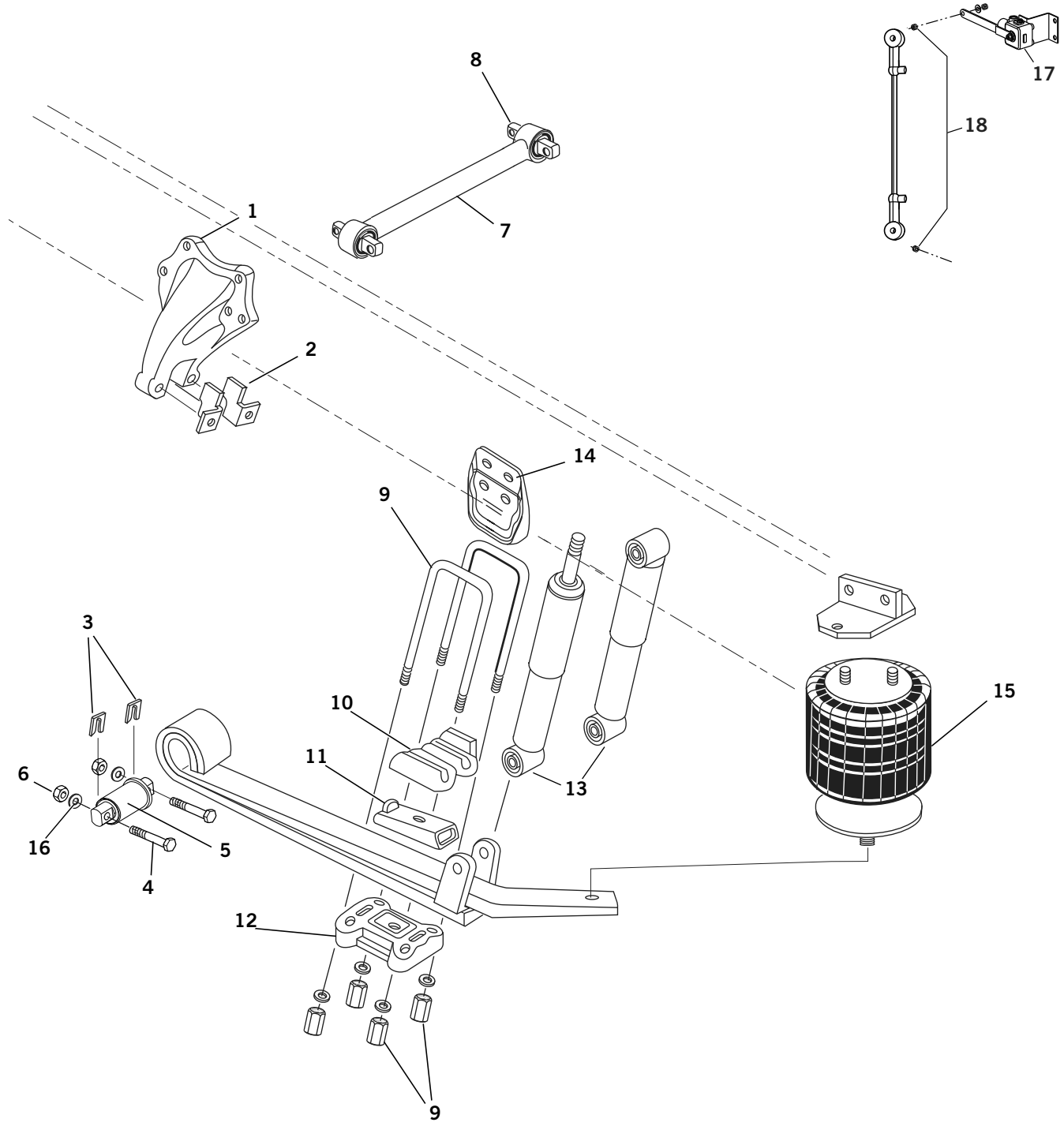
Suspension

FREIGHTLINER

FAS II AIR RIDE Truck/Tractor						
KEY NO.	MERITOR NO.	MACH NO.	OEM REF	DESCRIPTION	QTY. PER AXLE	PAGE NO.
1	-	<b>G-16649</b>	16-13901-000	Hanger, Ductile Iron, Standard Flange - 1 1/4" Thick	2	1-34
2	<b>R308803</b>	<b>G-8803</b>	681-325-22-09	Hanger Wear Pad, Right Hand	2	1-34
	<b>R308802</b>	<b>G-8802</b>	681-325-21-09	Hanger Wear Pad, Left Hand	2	1-34
	-	<b>G-16651</b>	16-16456-001	Hanger Wear Pad, Right Hand, Use With Anti-Walk Bushing R3015541	2	1-34
	-	<b>G-16652</b>	16-16456-000	Hanger Wear Pad, Left Hand, Use With Anti-Walk Bushing R3015541	2	1-34
3	<b>R308805</b>	<b>G-8805</b>	681-328-13-84	Alignment Shim, 1/8"	As Required	1-33
	<b>R308806</b>	<b>G-8806</b>	681-328-21-84	Alignment Shim, 1/16"	As Required	1-33
	<b>R308809</b>	-	681-328-16-84	Alignment Shim, 1/16" Thick x 4 3/8" Long	As Required	1-33
	<b>R308810</b>	-	681-328-19-84	Alignment Shim, 1/8" Thick x 4 3/8" Long	As Required	1-33
4	<b>R3015194</b>	-	-	Hanger Bolt 3/4"-16 X 5 1/2" Long	4	-
5	<b>R308804</b>	<b>G-8804</b>	681-325-01-50	Spring Eye Bushing, Old Style	2	1-33
	<b>R3015541</b>	<b>G-15541</b>	16-16412-001	Spring Eye Bushing, Anti-Walk	2	1-33
	-	<b>G-15600</b>	-	Spring Eye Bushing, Anti-Walk, .050" Oversize OD	As Required	1-33
6	<b>R304961A</b>	-	-	Lock Nut, 3/4"-16	4	-
7	<b>R308808</b>	<b>G-8808</b>	681-326-63-16	Rigid Torque Arm, 22 15/16" Center-to-Center, R308808 Includes R305275 Bushings	1	1-34
	<b>R3015536</b>	<b>G-15536</b>	681-326-67-16	Rigid Torque Arm, 24 3/8" Center-to-Center, R3015536 Includes R305275 Bushings	1	1-34
	<b>R3015542</b>	-	16-16749-002	Rigid Torque Arm, 24 1/2" Center-to-Center, R3015542 Includes R305275 Bushings	1	1-34
	<b>R3016277</b>	-	16-16749-001	Rigid Torque Arm, 24 15/16" Center-to-Center, R3016277 Includes R305275 Bushings	1	1-34
	<b>R3016653</b>	<b>G-16653</b>	16-14149-002	Rigid Torque Arm, 24 7/16" with 7° Twist, Center-to-Center, R3016653 Includes R3010303 Straddle Bushing & R302228 Taper Pin Bushing	1	1-34
8	<b>R305275</b>	-	47691	Torque Arm Bushing, Straddle Mount, For Rebushable Torque Arm	2	1-33
9	<b>R30U8267-153</b>	-	681-325-03-25	U-Bolt Assembly, Special Bend, 7/8"- 14 Thd. X 5 3/16" Wide x 15 3/8" Long	4	-
10	-	<b>G-16656</b>	16-14783-000	U-Bolt Top Pad, Use with Round Bend U-Bolts	2	1-35
	-	<b>G-16654</b>	16-14786-000	U-Bolt Top Pad, Right & Left Hand, Use with Square U-Bolts & 0° Axle Seat	2	1-34
	-	<b>G-16475</b>	16-14787-000	U-Bolt Top Pad, Left Hand, Use with Square U-Bolts & 2.5° Axle Seat	2	1-35
	-	<b>G-16472</b>	16-14787-001	U-Bolt Top Pad, Right Hand, Use with Square U-Bolts & 2.5° Axle Seat	2	1-35

# FREIGHTLINER REAR FAS II AIR RIDE Truck/Tractor

FREIGHTLINER



# FREIGHTLINER REAR

Suspension

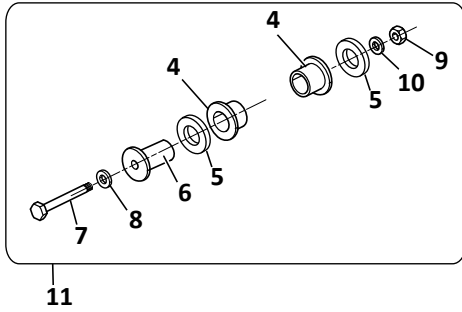
FREIGHTLINER

FAS II AIR RIDE Truck/Tractor						
KEY NO.	MERITOR NO.	MACH NO.	OEM REF	DESCRIPTION	QTY. PER AXLE	PAGE NO.
11	-	<b>G-16664</b>	6813281626	Axle Seat, Wedge Style, 5° Angle	2	1-36
	-	<b>G-16665</b>	16-14071-000	Axle Seat, Wedge Style, 5° Angle	2	1-36
	-	<b>G-16471</b>	16-14049-002, 6803250319, XC455789BA	Axle Seat, "V" Notch on One Side, Left Hand, 3° Angle	1	1-36
	-	<b>G-15590</b>	16-14049-001	Axle Seat, "V" Notch on One Side, Right Hand, 3° Angle	1	1-36
	-	<b>G-16474</b>	16-14059-002	Axle Seat, "V" Notch on One Side, Left Hand, 3° Angle	1	1-36
	-	<b>G-16662</b>	16-14059-001	Axle Seat, "V" Notch on One Side, Right Hand, 3° Angle	1	1-36
	-	<b>G-16660</b>	16-14140-000	Axle Seat, "V" Notch on Both Sides, 2° Angle	2	1-36
	-	<b>G-16281</b>	16-14051-000	Axle Seat, "V" Notch on Both Sides, 5.5° Angle	2	1-36
	-	<b>G-16658</b>	16-14294-000	Axle Seat, Long Narrow Notches on Both Sides, 2° Angle	2	1-36
	-	<b>G-16661</b>	16-14677-000	Axle Seat, Long Narrow Notches on Both Sides, 4.5° Angle	2	1-36
	-	<b>G-16659</b>	16-14295-000	Axle Seat, Long Narrow Notches on Both Sides, 5.5° Angle	2	1-36
12	-	<b>G-16473</b>	16-14266-001	U-Bolt Bottom Plate, Square Bend U-Bolts	2	1-35
	-	<b>G-16655</b>	16-14016-001	U-Bolt Top Pad, Round Bend U-Bolts	2	1-35
13	<b>M85319</b>	-	681-326-04-00	Shock Absorber	2	-
	<b>M89428</b>	-	681-326-04-00	Shock Absorber, Premium Adjustable	2	-
	<b>M85724</b>	-	16-13957-000	Shock Absorber	2	-
14	-	<b>G-16666</b>	681-328-18-40	Axle Rebound Bracket	2	1-35
15	<b>FS9781</b>	-	681-320-00-17, 16-14004-000, 16-16773-000	Firestone Air Spring	2	-
	<b>MAF9781</b>	-	681-320-00-17, 16-14004-000, 16-16773-000	Meritor Air Spring	2	-
	<b>FS9780</b>	-	16-14377-000	Firestone Air Spring	2	-
	<b>MAF9780</b>	-	16-14377-000	Meritor Air Spring	2	-
16	<b>R302545</b>	-	-	Washer, 3/4" ID	2	-
17	<b>R309624</b>	-	H00500C	Universal Height Control Valve, Hadley Model 500, Apply Air To Dump	1	1-35
	<b>R3014731</b>	-	H01501UD	Universal Height Control Valve, Hadley Next Gen, Apply Air To Dump	1	1-35
18	<b>R309625</b>	-	-	Universal Leveling Valve Link Kit	1	-

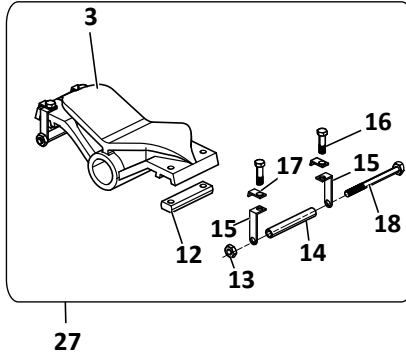
# FREIGHTLINER REAR

## FH34A - 44A, 4" Wide Leaf Spring Suspension Truck/Tractor

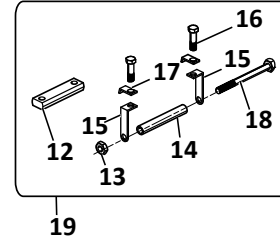
Equalizer Bushing Assembly



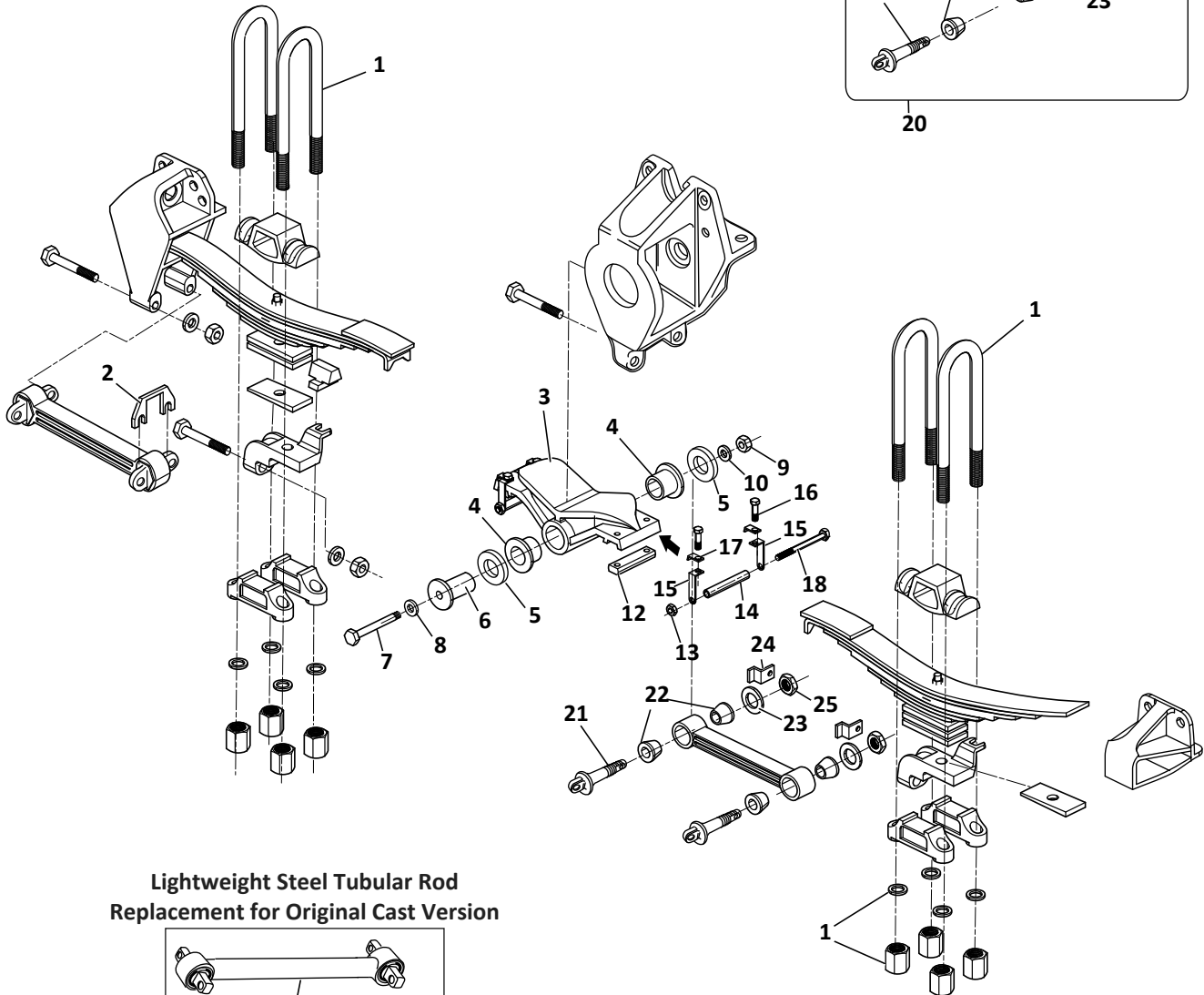
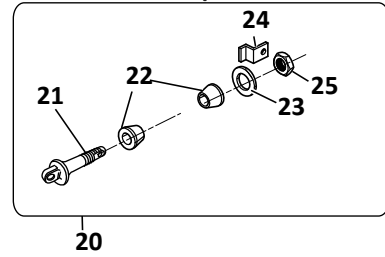
Equalizer Assembly



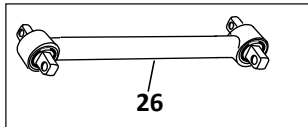
Equalizer Bracket Kit



Torque Arm Bushing Assembly  
Cast Torque Arms



Lightweight Steel Tubular Rod  
Replacement for Original Cast Version



Torque Arm

FH34A - 44A, Wide Leaf Spring Suspension Truck/Tractor						
KEY NO.	MERITOR NO.	MACH NO.	OEM REF	DESCRIPTION	QTY. PER TANDEM	PAGE NO.
1	R30U8154-18	-	-	U-Bolt Assembly, Rd. Bend, 3/4"- 16 Thd. X 4" Wide x 18" Long	8	-
2	R303790	G-3790	11-9588-1	Torque Arm Shim	As Required	1-39
3	-	G-3917A	16-10175-001	Equalizer, Ductile Iron	2	1-37
4	R307701	-	16-13568-000	Equalizer Bushing, Poly	4	1-37
5	R303541	-	A16-10177	Washer	4	1-38
6	R303539	-	A16-10550	Cap & Tube Assembly	2	1-37
7	R303542	-	-	Bolt, 3/4"-16 X 8 1/2" Long	2	-
8	R302545	-	23-09114-004	Washer, 3/4" ID	2	-
9	R304961A	-	23-461-6	Lock Nut, 3/4"-16 Thd.	2	-
10	R303543	-	23-09427-05	Washer, 13/16" ID X 2" OD X 1/8" Thick	2	-
11	R303538	-	-	Equalizer Bushing Assembly Includes Key Nos. 4 - 10.	2	1-37
12	R303557	G-3557	16-09895-000	Wear Pad	4	1-38
13	R303560	-	23-9900-208	Lock Nut, 1/2"-20 Thd.	4	-
14	R303558	-	16-09943-000	Spacer, 4 1/8" Long	4	1-38
15	R303677	-	16-09893-000	Restraint Bracket, Included in Key Nos. 19 & 27	8	-
16	R303555	-	23-09441-175	Cap Screw, 1/2"-20 X 1 3/4" Long	8	-
17	R303556	-	16-10414-000	Bolt Lock	8	1-38
18	R302022	-	23-10751-550	Bolt, 1/2"-20 X 5 1/2" Long	4	-
19	R303561A	-	-	Equalizer Bracket Kit Includes Key Nos. 12 -18.	4	1-38
20	R303294	-	-	Torque Arm Bushing Assembly, Old Style Cast Torque Arm, Includes Key Nos. 21 -25.	8	1-39
21	R303295	-	R16-9848	Torque Arm Pin, Old Style Cast Torque Arm	8	-
22	R303296	-	R16-11351	Torque Arm Bushing, Poly, Old Style Cast Torque Arm	16	1-39
23	R303297	-	16-10431-000	Washer, Old Style Cast Torque Arm	8	-
24	R303299	-	16-10429	Tab Lock, Old Style Cast Torque Arm	8	-
25	R303298	-	16-10429	Nut, 1 5/16"-12, 1 3/4" Hex, 5/16" High, Old Style Cast Torque Arm	8	-
26	R303546	G-3546	16-10420-001	Torque Arm, Tubular Steel, 18 3/16" Center-to-Center, 10° and 3° Bushing Angles, Not Rebushable	4	1-39
	R308941	G-8941	16-13053-000	Torque Arm, Tubular Steel, 16 5/8" Center-to-Center, Standard Duty with 1 1/2" Diameter Center Bar, 12° and 2° Bushing Angles, Not Rebushable	4	1-39
27	-	G-3917	-	Equalizer Assembly Includes Key Nos. 3, 12, 13, 14, 15, 16, 17, 18	2	1-32

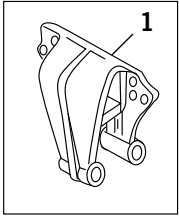
# FREIGHTLINER REAR

## FH36 - 40, 3" Wide Leaf Spring Suspension

### Truck/Tractor

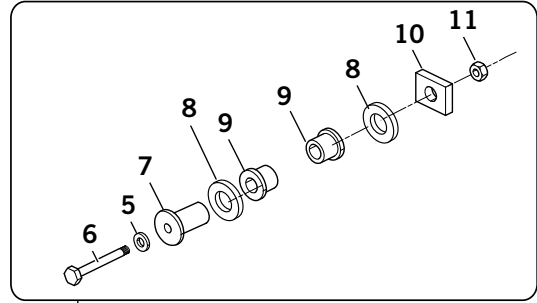
FREIGHTLINER

Front Hanger

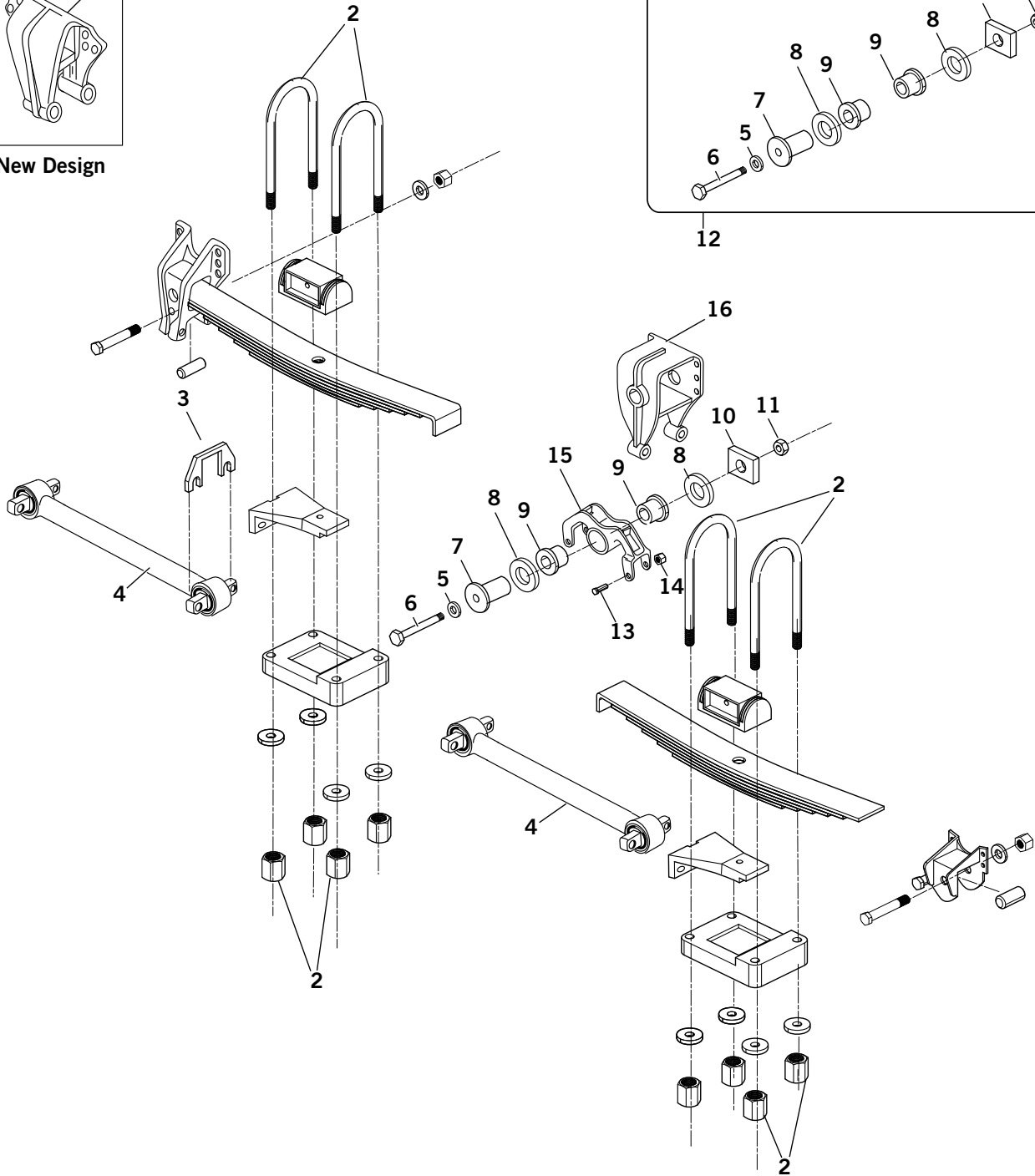


New Design

Equalizer Bushing Assembly



12



# FREIGHTLINER REAR

Suspension

FREIGHTLINER

## FH36 - 40, 3" Wide Leaf Spring Suspension Truck/Tractor

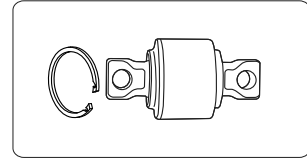
KEY NO.	MERITOR NO.	MACH NO.	OEM REF	DESCRIPTION	QTY. PER TANDEM	PAGE NO.
1	-	<b>G-16648</b>	16-12563-000	Front Hanger, Ductile Iron Replacement for Aluminum OE Hanger	2	1-39
2	<b>R30U8162-18</b>	-	681-322-01-25, 681-322-0925, 681-322-12-25	U-Bolt Assembly, Rd. Bend, 7/8"- 14 Thd. X 3 1/8" Wide x 18" Long	4	-
	<b>R30U8162-22</b>	-	681-322-03-25, 681-322-13-25	U-Bolt Assembly, Rd. Bend, 7/8"- 14 Thd. X 3 1/8" Wide x 22" Long	4	-
3	<b>R303790</b>	<b>G-3790</b>	11-9588-1	Torque Arm Shim, 1/16" Thick	As Required	1-39
4	<b>R308941</b>	<b>G-8941</b>	16-13053-000	Rigid Torque Arm, Steel, Cast, 16 5/8" Center-to-Center, 1 9/16" Tube Diameter, Not Rebushable	4	1-39
	<b>R309869</b>	-	16-13054-000	Rigid Torque Arm, Steel, Cast, 16 5/8" Center-to-Center, Heavy Duty 1 15/16" Tube Diameter, Not Rebushable	4	1-39
5	<b>R302545</b>	-	29-9114-4	Washer, 3/4" Diameter	2	-
6	<b>R307703</b>	-	23-9447-900	Bolt, 3/4"-16 X 9" Long	2	-
7	<b>R307702</b>	-	A16-12591-000	Cap & Tube Assembly	2	1-37
8	<b>R303541</b>	-	A16-10177	Washer, 2 1/4" ID X 3 3/4" OD x 1/16" Thick	4	1-38
9	<b>R307701</b>	-	16-13568-000	Equalizer Bushing, Poly	4	1-37
10	<b>R307704</b>	-	16-12590-000	Retainer Plate	2	1-38
11	<b>R304961A</b>	-	23-11480-144	Lock Nut, 3/4"-16 Thread	2	-
12	<b>R307706</b>	-	A16-12591-000	Equalizer Bushing Assembly, Includes Key Nos. 5 -11.	2	1-37
13	<b>R3016227</b>	-	-	Rebound Bolt, 5/8"-11 X 5" Long	4	-
14	<b>R302988</b>	-	-	Lock Nut, 5/8"-11 Thread	4	-
15	<b>R307700</b>	<b>G-7700</b>	681-325-01-27	Equalizer	2	1-37
16	-	<b>G-15596</b>	681-325-0005, 681-325-0805	Center Hanger	2	1-40

# FREIGHTLINER REAR

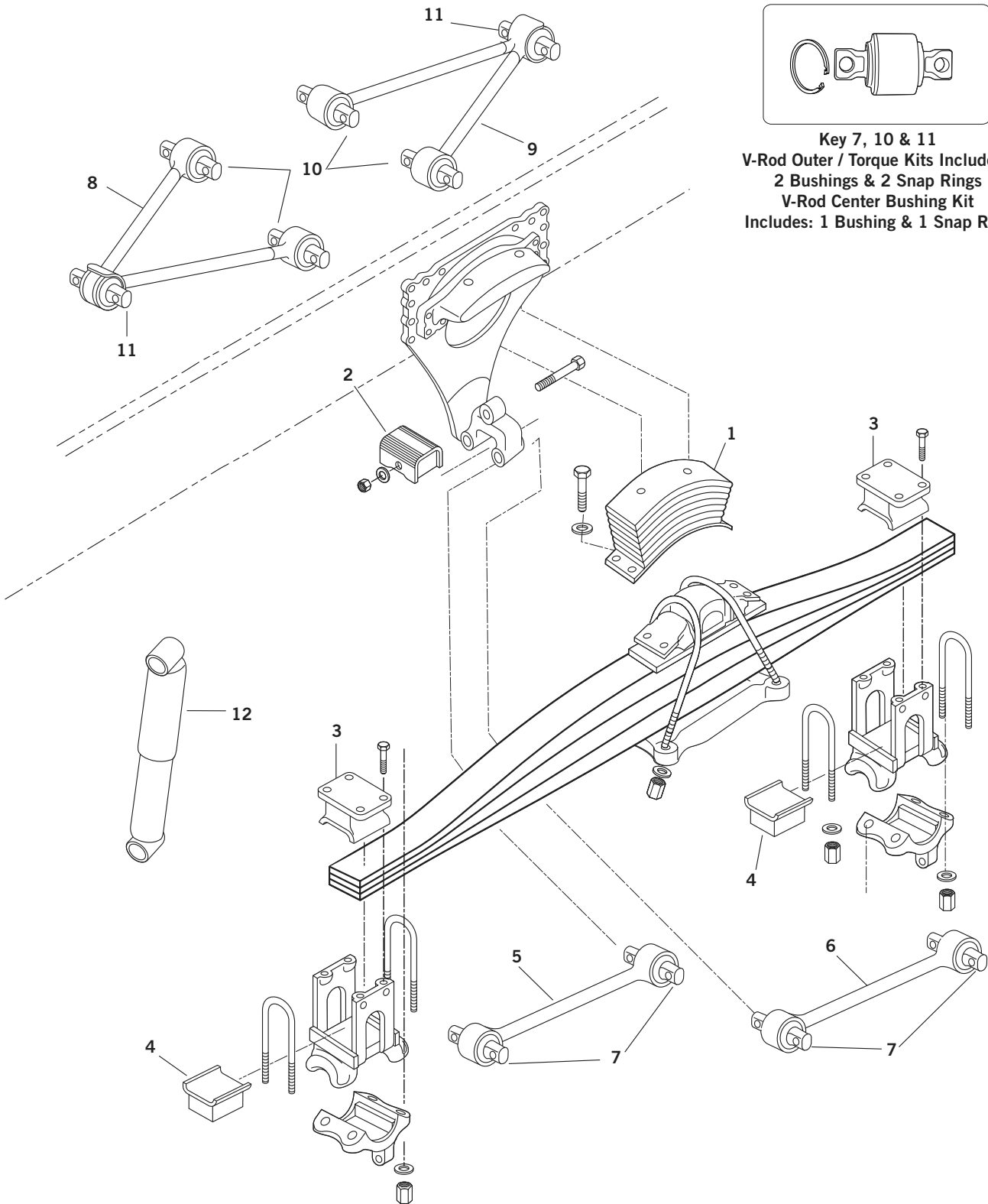
## TufTrac Suspension

FREIGHTLINER

### Torque Rod Bushing Kits



**Key 7, 10 & 11**  
**V-Rod Outer / Torque Kits Includes:**  
 2 Bushings & 2 Snap Rings  
**V-Rod Center Bushing Kit**  
 Includes: 1 Bushing & 1 Snap Ring





TufTrac Suspension						
KEY NO.	MERITOR NO.	MACH NO.	OEM REF	DESCRIPTION	QTY. PER SUSPENSION	PAGE NO.
1	-	<b>G-16060</b>	16-15010-000	Bolster Spring	2	1-41
2	-	<b>G-16671</b>	16-15067-001	Rebound Stop, Cast	2	1-41
	-	<b>G-16672</b>	16-15067-002	Rebound Stop, Cast	2	1-41
3	-	<b>G-16053</b>	11-22805-000	Upper Insulator Cap, 40K	4	1-41
	-	<b>G-16051</b>	11-19581-000	Upper Insulator Cap, 46K	4	1-41
4	-	<b>G-15588</b>	11-20807-000	Lower Insulator Pad	4	-
5	<b>R3016058</b>	-	16-15002-000	Torque Rod, Front w/ 54" Axle Spacing	2	1-42
	<b>R3016055</b>	-	16-14998-000	Torque Rod, Front w/ 56" Axle Spacing	2	1-42
	<b>R3016222</b>	-	16-15004-000	Torque Rod, Front w/ 60" Axle Spacing	2	1-42
6	<b>R3016059</b>	-	16-15002-001	Torque Rod, Rear w/ 54" Axle Spacing	2	1-42
	<b>R3016054</b>	-	16-14998-001	Torque Rod, Rear w/ 56" Axle Spacing	2	1-42
	<b>R3016223</b>	-	16-15004-001	Torque Rod, Rear w/ 60" Axle Spacing	2	1-42
7	<b>R3016064</b>	-	-	Torque Rod Bushing Kit, Includes (2) Bushings and (2) Snap Rings. For Torque arms R3016058 & R3016059 w/ 54" Axle Spacing	4	1-41
	<b>R3016063</b>	-	-	Torque Rod Bushing Kit, Includes (2) Bushings and (2) Snap Rings. For Torque arms R3016054 & R3016055 w/ 56" Axle Spacing & R3016222 R3016223 w/60" Axle Spacing	4	1-41
8	<b>R3016056</b>	-	16-15001-000	V-Rod, Front 40K, 54" Axle Spacing	1	1-42
	<b>R3016061</b>	-	16-15069-000	V-Rod, Front 46-52K, 56" Axle Spacing	1	1-42
	<b>R3016220</b>	-	16-15003-000	V-Rod, Front 46-52K, 60" Axle Spacing	1	1-42
9	<b>R3016057</b>	-	16-15001-001	V-Rod, Rear 40K, 54" Axle Spacing	1	1-42
	<b>R3016062</b>	-	16-15069-001	V-Rod, Rear 46-52K, 56" Axle Spacing	1	1-42
	<b>R3016221</b>	-	16-15003-001	V-Rod, Rear 46-52K, 60" Axle Spacing	1	1-42
10	<b>R3016066</b>	<b>G-16066</b>	-	V-Rod Bushing Kit, Outer Bushings, Includes (2) Bushings and (2) Snap Rings. For All V-Rods	4	1-42
11	<b>R3016069</b>	<b>G-16069</b>	-	V-Rod Center Bushing Kit, Includes (1) Bushing and (1) Snap Ring for V-Rods R3016056 & R3016057	2	1-42
	<b>R3016070</b>	-	-	V-Rod Center Bushing Kit, Includes (1) Bushing and (1) Snap Ring for V-Rods R3016061, R3016062, R3016220 & R3016221	2	1-42
12	<b>M85956</b>	-	16-15770-000	Shock Absorber	2	-

# FREIGHTLINER FRONT

## Freightliner AIRTEK

FREIGHTLINER

### Spring Eye Bushing

FOR MODELS:  
Freightliner  
Prior to 5/10



Only Century Class S/T, Columbia, Western Star Set Forward.

MERITOR NO.	GENUINE	OEM REF	ID	LENGTH
R3014632		59259-002	3/4"	3 1/4"

### Rear Shackle Wear Pad

FOR MODELS:  
FCCC Motor  
Home Chassis  
SOFTEK



MERITOR NO.	GENUINE	OEM REF	NOTES
R3016432		64159-000	8 1/8" Long, 3 1/2" Wide, 1/4" Thick, 4 7/8" Center-to-Center

### Rear Spring Mount

FOR MODELS:  
Freightliner  
Prior to 5/10



MERITOR NO.	GENUINE	OEM REF
R3014633		58918-000

### Rear Shackle Wear Pad

FOR MODELS:  
AIRTEK With  
STEERTEK NXT  
For FCCC Motor  
Home Chassis



MERITOR NO.	GENUINE	OEM REF
R3016430		67493-000; 65899-000

### Spring End Plate

FOR MODELS:  
Freightliner  
Prior to 5/10



MERITOR NO.	GENUINE	OEM REF
R3015118		58920-001 58920-000

### Rear Spring Eye Hardware Kit

FOR MODELS:  
Freightliner  
Prior to 5/10



MERITOR NO.	GENUINE	OEM REF	NOTES
R3015136		60961-003	Includes Bolt, Nut, Washers

### Rear Shackle Plate

FOR MODELS:  
FCCC Motor  
Home Chassis  
SOFTEK



MERITOR NO.	GENUINE	OEM REF
R3016431		66413-000

### Shackle Stop Tube



FOR MODELS:  
FCCC Motor  
Home Chassis  
SOFTEK



MERITOR NO.	GENUINE	OEM REF	OD	ID	LENGTH
R3016434		60631-000	1 1/4"	7/8"	4 1/2"

## Freightliner AIRTEK

Front Hanger, Right Hand		
FOR MODELS: Freightliner Prior to 5/10, Century Class S/T, Columbia, Western Star		
		
MERITOR NO.	GENUINE	OEM REF
<b>R3015138</b>		59832-002

Top Axle Wrap Liner		
FOR MODELS: All Truck/Tractor		
		
MERITOR NO.	GENUINE	OEM REF
<b>R3015145</b>		59449-000

Front Hanger, Left Hand		
FOR MODELS: Freightliner Prior to 5/10, Century Class S/T, Columbia, Western Star		
		
MERITOR NO.	GENUINE	OEM REF
<b>R3015137</b>		59832-001

Bottom Axle Wrap Liner		
FOR MODELS: All Truck/Tractor, FCCC Motor Home Chassis w/ SOFTEK Built Prior to May 2010		
		
MERITOR NO.	GENUINE	OEM REF
<b>R3015110</b>		59845-000

Top Pad		
FOR MODELS: All Truck/Tractor		
		
MERITOR NO.	GENUINE	OEM REF
<b>R3015146</b>		59826-000

Bolt				
MERITOR NO.	OEM REF	LENGTH	THREAD	APPLICATION
<b>R3015140</b>	50764-002	5 1/2"	3/4"-10	Freightliner Prior to 5/10
<b>R3015102</b>	58917-016	8 1/2"	3/4"-10	All Truck/Tractor
<b>R3016435</b>	-	10"	3/4"-10	All Truck/Tractor
<b>R3016436</b>	-	11 1/2"	3/4"-10	All Truck/Tractor

Axle Wrap Liner Kit		
FOR MODELS: AIRTEK		
		
Includes R3015147 & R3015110 Liners		
MERITOR NO.	GENUINE	OEM REF
<b>R3015727</b>		60961-015


# FREIGHTLINER FRONT


## Freightliner AIRTEK

FREIGHTLINER

**Height Control Valve, Right Hand**


FOR MODELS:  
All Truck/Tractor




MERITOR NO.	GENUINE	OEM REF
R3013995		59935-002

**Link Mount, Right Hand**


FOR MODELS:  
Freightliner Between 5/10 & 11/11 & All Cascadia & Coronado Models




MERITOR NO.	GENUINE	OEM REF	NOTES
R3015098		59429-002	Also used as Left Hand for 5/10-11/11 Set forward Axles

**Height Control Valve**

FOR MODELS:  
FCCC Motor Home Chassis AIRTEK



MERITOR NO.	GENUINE	OEM REF	NOTES
R3016407		60501-000	With Integrated Dump Feature

**Link Mount**


FOR MODELS:  
All Truck/Tractor




MERITOR NO.	GENUINE	OEM REF
R3016426		59429-001

**Height Control Valve Linkage Assembly**

FOR MODELS:  
All Truck/Tractor



MERITOR NO.	GENUINE	OEM REF	LENGTH
R3015133		59428-001	13 1/8" Center-to-Center

**Air Spring Bracket, Right Hand**


FOR MODELS:  
All Truck/Tractor




MERITOR NO.	GENUINE	OEM REF
R3015132		60850-002

**Height Control Valve Linkage Assembly**

FOR MODELS:  
All Truck/Tractor & FCCC Motor Home Chassis w/ SOFTEK



MERITOR NO.	GENUINE	OEM REF	LENGTH
R3015134		59428-002	14 1/2" Center-to-Center

**Air Spring Bracket**

FOR MODELS:  
All Truck/Tractor




MERITOR NO.	GENUINE	OEM REF
R3016425		60850-001

## Front Suspension Parts

**Spring Pin**


FOR MODELS:  
3 1/2" Wide Springs



MERITOR NO.	MACH NO.	OEM REF	POSITION	OD	OAL
<b>R303530</b>	<b>G-3530</b>	16-10510	Rear	1 1/4"	5 3/4"
<b>R303531</b>	<b>G-3531</b>	16-10509	Front	1 1/2"	6 3/8"

**Spring Pin - Threaded**


FOR MODELS:  
3 1/2" Wide Springs  
4" Springs



MERITOR NO.	MACH NO.	OEM REF	LENGTH	THREAD
-	<b>G-3532</b>	16-09597-000	6 1/8"	1 1/4"-8
<b>R308800</b>	<b>G-8800</b>	16-12302-000	7 1/8"	1 1/4"-8

**Spring Pin**

FOR MODELS:  
4" Springs



MERITOR NO.	MACH NO.	OEM REF	OD	LENGTH
<b>R308796</b>	<b>G-8796</b>	16-13470-000	1 1/4"	6 7/8"

**Spring Pin Sleeve**

FOR MODELS:  
4" Springs



MACH NO.	OEM REF	OD	ID	LENGTH
<b>G-16643</b>	16-09598-000	1 1/4"	1"	1"


**Spring Pin Bushing - Bi-Metal**

FOR MODELS:  
4" Springs



MERITOR NO.	OEM REF	OD	ID	LENGTH
<b>R301876</b>	16-12399-001	1 1/2"	1 1/4"	4"

**Spring Pin Bushing - Threaded**



Thread 1 1/4"-8

MERITOR NO.	MACH NO.	OEM REF	OD	LENGTH
-	<b>G-3534</b>	16-09926-000	1 1/2"	3 1/2"
<b>R308799</b>	<b>G-8799</b>	16-12301-000	1 1/2"	4"

**Spring Pin Bushing - Bronze**




ID 1 1/4"

MERITOR NO.	MACH NO.	OEM REF	FOR MODEL	OD	LENGTH
<b>R303533</b>	-	16-01005-000	3 1/2" Wide Springs	1 1/2"	3 1/2"
<b>R308797</b>	<b>G-8797</b>	16-01005-002	4" Springs	1 5/8"	4"

**Spring Pin Retainer**

FOR MODELS:  
3 1/2" Springs



MACH NO.	OEM REF
<b>G-16673</b>	16-12323-000


# FREIGHTLINER

## Front Suspension Parts

FREIGHTLINER

**Spring Hanger**


FOR MODELS:  
3 1/2" Springs



MACH NO.	OEM REF	NOTES
<b>G-3536</b>	16-9906, 16-1003-1	Includes Bushing

**Side Bar**

FOR MODELS:  
4 Wide Springs



Replaces Aluminum version 16-11890-001. Hole Dia. 1 1/4"

MERITOR NO.	MACH NO.	OEM REF	LENGTH	THICKNESS	WIDTH	NOTES
<b>R308795</b>	<b>G-8795</b>	16-11890-000	7 5/8"	1"	2"	Steel

**Spring Hanger**

FOR MODELS:  
4" Springs



Ductile Iron

MERITOR NO.	MACH NO.	OEM REF	NOTES
<b>R308854</b>	<b>G-8854</b>	A16-12358-000	R308854 Includes R308797 Non-Threaded Bushing
<b>R308855</b>	<b>G-8855</b>	A16-12358-001	R308855 Includes R308799 Threaded Bushing

**Side Bar**

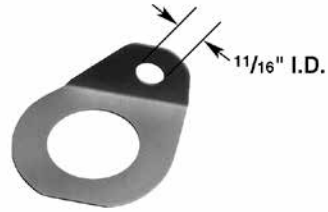
FOR MODELS:  
Various



MACH NO.	OEM REF	C-TO-C	THICKNESS
<b>G-16433</b>	680 322 0020	4 1/8"	1/8"

**Shim**

FOR MODELS:  
3 1/2" &  
4" Wide Springs



MERITOR NO.	OEM REF	ID	THICKNESS
<b>R303537A</b>	16-9040-2	1 3/8"	1/16"

**Shackle Kit**

FOR MODELS:  
4" Springs




Includes: Side Bars, Spring Pins, Bushings, Bolts, Nuts, Washers, Shims

MACH NO.	NOTES
<b>G-15598</b>	Smooth Pins

**Shim**

FOR MODELS:  
4" Springs



MACH NO.	OEM REF	OD	ID	THICKNESS
<b>G-16641</b>	16-09860-012	1 7/8"	1 1/4"	1/32"
<b>G-16642</b>	23-11656-018	2 1/4"	1 1/4"	5/32"

## Front Suspension Parts

FREIGHTLINER

Spring Eye Bushing				
FOR MODELS: Various				
				
MACH NO.	OEM REF	OD	ID	LENGTH
<b>G-15593</b>	16-15951-000	2 1/4" (57mm)	3/4" (20 mm)	4 1/4" (108 mm)
<b>G-16469</b>	16-17769-000, 680 322 0150	2 1/4"	3/4"	4 1/4"

Shock Bracket - Left Hand					
FOR MODELS: 4" Springs					
					
MACH NO.	OEM REF	LENGTH	WIDTH	THICKNESS	THREADS
<b>G-16644</b>	10-12535-000	9 1/4"	4"	5/8"	3/4"-16

Shock Bracket - Right Hand					
FOR MODELS: 4" Springs					
					
MACH NO.	OEM REF	LENGTH	WIDTH	THICKNESS	THREADS
<b>G-16645</b>	10-12535-001	9 1/4"	4"	5/8"	3/4"-16


# FREIGHTLINER

## Rear Air Ride Suspension Components

**FREIGHTLINER**

**Spring Hanger Bracket, Second Design**


FOR MODELS:  
FAS I



MERITOR NO.	OEM REF	NOTES
<b>R303816</b>	A16-12314-000	Includes R303817 or G-3817 Bushing

**Spring Hanger Bushing, Second Design**

FOR MODELS:  
FAS I




Used in R303816 and R303816 Bracket

MERITOR NO.	MACH NO.	OEM REF	OD	ID	LENGTH
<b>R303817</b>	<b>G-3817</b>	236840	1 3/4"	7/8"	4"

**Spring Hanger Bracket, First Design**

FOR MODELS:  
FAS I

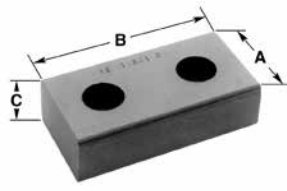


Use with R303563 Bushing or R303562 Kit

MERITOR NO.	OEM REF	ID	LENGTH	THREAD
<b>R303569</b>	16-10795-000	1 5/8"	7 1/8"	5/8"-11

**Spacer Block, Second Design**

FOR MODELS:  
FAS I




Use with R303816 Spring Hanger Bracket

MERITOR NO.	OEM REF	LENGTH (B)	THICKNESS (C)	WIDTH (A)
<b>R303821A</b>	16-11941-002	3 7/8"	1"	2"

**Spring Hanger Bracket Bushing Assembly, First Design**


FOR MODELS:  
FAS I



MERITOR NO.	NOTES
<b>R303562</b>	Used In R303569. Includes Bushings, Bolt, Washers, Nut

**U-Bolt Bottom Pad**


FOR MODELS:  
FAS I



MERITOR NO.	OEM REF	LENGTH	NOTES
<b>R303819</b>	16-11935	6 1/2"	3/4" Hole Dia. 4 3/4" Center-to-Center

**Spring Hanger Bushing, First Design**

FOR MODELS:  
FAS I




Used in R303569 Bracket

MERITOR NO.	OEM REF	OD	ID	LENGTH
<b>R303563</b>	16-11376-0	1 5/8"	1 1/16"	3 3/16"

**Shim Lock**

FOR MODELS:  
FAS I



Use with First and Second Designs


MERITOR NO.	OEM REF	LENGTH	THICKNESS
<b>R303568</b>	16-10790-1	3 3/4"	1/16"



## Rear Air Ride Suspension Components

**Shim**

FOR MODELS:  
FAS I




Use with First and Second Designs

MERITOR NO.	OEM REF	LENGTH	THICKNESS
<b>R303567</b>	16-10790	3 3/4"	1/16"

**Spring Eye Bushing - Anti-Walk**

FOR MODELS:  
FAS II  
Improved Design




Oversize Version of R3015541

MACH NO.	OD	BOLT HOLE DIA	C-TO-C	NOTES
<b>G-15600</b>	2.55"	3/4"	5 11/16"	.050" Oversize OD

**Spring Eye Bushing, Third Design**

FOR MODELS:  
FAS I



Used on Torque Leaf

MERITOR NO.	MACH NO.	OEM REF	OD	BOLT HOLE DIA	C-TO-C
<b>R309874</b>	<b>G-9874</b>	HRI-HBUS41, A16-11944	1 3/4"	5/8"	5 3/8"

**Torque Arm Bushing**


FOR MODELS:  
FAS II



MERITOR NO.	OEM REF	OD	BOLT HOLE DIA	C-TO-C
<b>R305275</b>	Hendrickson 47691	2"	5/8"	4 3/8"

**Spring Eye Bushing**

FOR MODELS:  
FAS II  
Early Design




← Center - to - Center →

MERITOR NO.	MACH NO.	OEM REF	OD	BOLT HOLE DIA	C-TO-C
<b>R308804</b>	<b>G-8804</b>	681-325-01-50	2 1/2"	3/4"	5 11/16"

**Alignment Shim**


FOR MODELS:  
FAS II



MERITOR NO.	MACH NO.	OEM REF	"A"	"B"	THICKNESS
<b>R308805</b>	<b>G-8805</b>	681-328-13-84	2 1/8"	1 5/8"	1/8"
<b>R308806</b>	<b>G-8806</b>	681-328-21-84	2 1/8"	1 5/8"	1/16"

**Spring Eye Bushing - Anti-Walk**

FOR MODELS:  
FAS II  
Improved Design

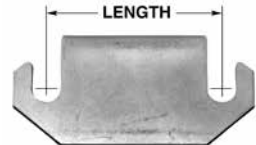


Improved Version of R308804

MERITOR NO.	MACH NO.	OEM REF	OD	BOLT HOLE DIA	C-TO-C
<b>R3015541</b>	<b>G-15541</b>	16-16412-001	2 1/2"	3/4"	5 11/16"

**Torque Arm Shim**

FOR MODELS:  
FAS II



← LENGTH →

MERITOR NO.	OEM REF	LENGTH	THICKNESS
<b>R308809</b>	681-328-16-84	4 3/8"	1/16"
<b>R308810</b>	681-328-19-84	4 3/8"	1/8"

# FREIGHTLINER

## Rear Air Ride Suspension Components

**FREIGHTLINER**

### Rigid Torque Arm

FOR MODELS:  
FAS II



Meritor Parts Includes R305275 Bushings, 5/8" Bolt Hole Dia.

MERITOR NO.	MACH NO.	OEM REF	LENGTH (C-T-C)	BUSHING ANGLE
R308808	G-8808	681-326-63-16	22 15/16"	Bushing Angles 0°, 35°
R3015536	G-15536	681-326-67-16	24 3/8"	
R3016277	-	16-16749-001	23 15/16"	
R3015542	-	16-16749-002	24 7/16"	

### Rigid Torque Arm, Twisted Ends

FOR MODELS:  
FAS II



7.5° Twist, R3016653 Includes R3010303 and R302228 Bushings

MERITOR NO.	MACH NO.	OEM REF	BOLT HOLE DIA	C-TO-C	THREAD
R3016653	G-16653	16-14149-002	5/8"	24 7/16"	1 1/4"-12

### Spring Hanger - Standard Flange Thickness

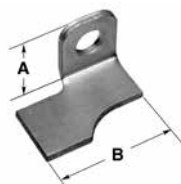
FOR MODELS:  
FAS II



MACH NO.	OEM REF	NOTES
G-16649	16-13901-000	Ductile Iron, 1 1/4" Flange Thickness

### Hanger Wear Pad, Right & Left Hand

FOR MODELS:  
FAS II



Hole Size: 13/16". Right Hand Shown

MERITOR NO.	MACH NO.	OEM REF	LOCATION	A DIM.	B DIM.	NOTES
R308803	G-8803	681-325-22-09	Right Hand	2 1/8"	3 5/16"	Use With R308804 Bushing
R308802	G-8802	681-325-21-09	Left Hand	2 1/8"		Use With R308804 Bushing
-	G-16651	16-16456-001	Left Hand	1 7/8"		Use With R3015641 Bushing
-	G-16652	16-16456-000	Right Hand	1 7/8"		Use With R3015641 Bushing

### Spring Hanger

FOR MODELS:  
FAS I



MACH NO.	OEM REF	NOTES
G-16674	16-12571-000	Third Design, Newest Revision

### U-Bolt Top Pad - Left & Right Hand


FOR MODELS:  
FAS II





MACH NO.	OEM REF	NOTES
G-16654	16-14786-000	Use with Square U-Bolts & 0° Axle Seat

## Rear Air Ride Components - Suspension Components


U-Bolt Top Pad - Left Hand		
FOR MODELS: FAS II		
		
MACH NO.	OEM REF	NOTES
<b>G-16475</b>	16-14787-000	Use with Square U-Bolts & 2.5° Axle Seat


Bottom Plate		
FOR MODELS: FAS II		
		
MACH NO.	OEM REF	NOTES
<b>G-16655</b>	16-14016-001	Most 46K Applications. Use with Round U-Bolts


U-Bolt Top Pad - Right Hand		
FOR MODELS: FAS II		
		
MACH NO.	OEM REF	NOTES
<b>G-16472</b>	16-14787-001	Use with Square U-Bolts & 2.5° Axle Seat

Axle Rebound Bracket		
FOR MODELS: FAS II		
		
5/8" Bolt Holes		
MACH NO.	OEM REF	NOTES
<b>G-16666</b>	681-328-18-40	5" Tall

U-Bolt Top Pad		
FOR MODELS: FAS II		
		
MACH NO.	OEM REF	NOTES
<b>G-16656</b>	16-14783-000	Use with Round U-Bolts

Universal Height Control Valve		
FOR MODELS: All Models		
		
MERITOR NO.	OEM REF	NOTES
<b>R309624</b>	H00500C	Hadley Model 500, Apply Air To Dump

U-Bolt Bottom Plate		
FOR MODELS: FAS II		
		
Most 40K Applications.		
MACH NO.	OEM REF	NOTES
<b>G-16473</b>	16-14266-001	Use with Square U-Bolts

Universal Height Control Valve		
FOR MODELS: All Models		
		
MERITOR NO.	OEM REF	NOTES
<b>R3014731</b>	H01501UD	Hadley Model Next Gen, Apply Air to Dump

**Rear Air Ride Components - FAS II Axle Seat Chart - Suspension Components**

**FREIGHTLINER**



**TYPE 1 -**  
Wedge style

**TYPE 2 -**  
"V" Notch One Side


**TYPE 3 - "V" Notch Both Sides**  
For Square U-Bolts


**TYPE 4 - Small Notch Both**  
Sides For Round U-Bolts


MACH NO.	OEM REF	TYPE	ANGLE	WIDTH	LEFT OR RIGHT HAND
<b>G-16664</b>	681 328 1626	1	5°	-	Both
<b>G-16665</b>	16-14071-000	1	5°	-	Both
<b>G-16471</b>	16-14049-002, 680 325 0319,	2	3°	4 3/4"	Left
<b>G-15590</b>	16-14049-001	2	3°	4 3/4"	Right
<b>G-16474</b>	16-14059-002	2	3°	5"	Left
<b>G-16662</b>	16-14059-001	2	3°	5"	Right
<b>G-16660</b>	16-14140-000	3	2°	4 3/4"	Both
<b>G-16281</b>	16-14051-000	3	5.5°	4 3/4"	Both
<b>G-16658</b>	16-14294-000	4	2°	4 3/4"	Both
<b>G-16661</b>	16-16477-000	4	4.5°	4 3/4"	Both
<b>G-16659</b>	16-14295-000	4	5.5°	4 3/4"	Both

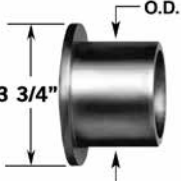
## Rear Leaf Spring Suspension Components


Equalizer Assembly	
FOR MODELS: FH34A-44A	
	
MACH NO.	NOTES
G-3917	Includes: Equalizer, 2-Wear Shoes, 4 - 1/2"-20 X 1 3/4" Bolts, 4 - Bolt Locks, 2 - Spacers, 2 - 1/2"-20 X 5 1/2" Bolts, 2 - 1/2"-20 Lock Nuts, 4-Brackets

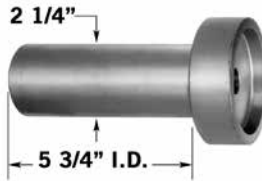
Equalizer Bushing Assembly	
FOR MODELS: FH34A-44A	
	
Includes 1- Bushing and Cap Assembly, plus items noted below.	
MERITOR NO.	NOTES
R303538	2- Bushings, 2 - 3 3/4" OD Washers, 1- Bolt, 1- 2" OD Washer, 1 - 1 1/2" OD Washer, 1 - Lock Nut

Equalizer Bushing Assembly		
FOR MODELS: FH36-40		
		
Includes 1- Bushing and Cap Assembly, plus items noted below		
MERITOR NO.	OEM REF	NOTES
R307706	A16-12591-000	2-Bushings, 2-Washers, 1-Bolt, 1-Retainer Plate, 1- 3/4" ID Washer, 1 - Lock Nut

Equalizer		
FOR MODELS: FH34A-44A		
		
MACH NO.	OEM REF	NOTES
G-3917A	16-10175-001	Ductile Iron


Equalizer Bushing				
FOR MODELS: FH34A-44A, FH36-40				
				
Poly				
MERITOR NO.	OEM REF	OD	I.D.	LENGTH
R307701	A16-10549	2 3/4"	2 1/4"	2 9/32"


Equalizer			
FOR MODELS: FH36-44A			
			
MERITOR NO.	MACH NO.	OEM REF	NOTES
R307700	G-7700	681-325-01-27	Use Bushing R307701 Not Included with Equalizer

Cap & Tube Assembly			
FOR MODELS: FH34A-44 FH36-40			
			
MERITOR NO.	OEM REF	FOR MODEL	OVERALL LENGTH
R303539	A16-10550	FH34A-44	6 9/16"
R307702	A16-12591-000	FH36-40	7"


## Rear Leaf Spring Suspension Components

FREIGHTLINER


Equalizer Bracket Kit	
FOR MODELS: FH34A-44A	
	
MERITOR NO.	INCLUDES 2 BRACKETS AND ITEMS BELOW
<b>R303561A</b>	Wear Pad, Spacer, 1/2"-20 X 5 1/2" Bolt, 2 - 1/2" Lock Nuts, 2- Bolt Locks, 2- 1/2"-20 X 1 3/4" Bolts


Bolt Lock					
FOR MODELS: FH34A-44A					
					
MERITOR NO.	MACH NO.	OEM REF	ID	LENGTH	WIDTH
<b>R303556</b>	G-3556	16-10414-000	1/2"	1 1/2"	1"

Wear Pad				
FOR MODELS: FH34A-44A				
				
MERITOR NO.	MACH NO.	OEM REF	LENGTH	THICKNESS
<b>R303557</b>	G-3557	16-09895-000	4 1/8"	1"

Washer					
					
MERITOR NO.	OEM REF	OD	I.D.	THICKNESS	FOR MODEL
<b>R303541</b>	A16-10177	3 3/4"	2 1/4"	1/16"	FH36-40
<b>R303543</b>	23-09427-05	2"	13/16"	1/8"	FH34A-44A

Restraint Bracket		
FOR MODELS: FH34A-44A		
		
MERITOR NO.	OEM REF	NOTES
<b>R303677</b>	16-09893-000	Included in Kit R303561A


Retainer Plate		
FOR MODELS: FH36-40		
		
MERITOR NO.	OEM REF	NOTES
<b>R307704</b>	16-12590-000	3" Square


Spacer			
FOR MODELS: FH34A-44A			
			
MERITOR NO.	OEM REF	I.D.	LENGTH
<b>R303558</b>	16-09943-000	5/8"	4 1/8"


Wear Pad Kit		
FOR MODELS: MB/FL Series, Single Axle Rear		
		
MACH NO.	OEM REF	NOTES
<b>G-15601</b>	360167	Includes Mounting Bolts and Lock Nuts


## Rear Leaf Spring Suspension Components


Spring Pin - Rear				
FOR MODELS: MB/FL Series, Single Axle Rear				
				
MACH NO.	OEM REF	DIA	LENGTH	C-TO-C
<b>G-15597</b>	680 325 0074	1 3/8"	6"	4 1/4"

Torque Arm Bushing Assembly	
FOR MODELS: FH34A-44A	
	
MERITOR NO.	NOTES
<b>R303294</b>	For Old Style Cast Torque Arms, Includes Bushings, Pin, Washer, Nut

Rigid Torque Arm					
FOR MODELS: FH34A-44A					
					
MERITOR NO.	MACH NO.	OEM REF	TUBE OD	LENGTH (C-T-C)	NOTES
<b>R308941</b>	<b>G-8941</b>	16-13053-000	1 9/16"	16 5/8"	Not Rebushable. Tubular Steel, 12° and 2° Bushing Angles, Replaces Original Cast Torque Arm, Models FH34A-44 & FH36-40
<b>R309869</b>	-	16-13054-000	1 15/16"	16 5/8"	Not Rebushable. Tubular Steel, 12° and 2° Bushing Angles, Models FH34A-44 & FH36-40
<b>R303546</b>	<b>G-3546</b>	16-10420-001	1 9/16"	18 3/16"	Not Rebushable. Tubular Steel, 10° and 3° Bushing Angles. Models FH34A-44

Torque Arm Bushing, Poly				
FOR MODELS: FH34A-44A				
				
For Old Style Cast Torque Arm				
MERITOR NO.	OEM REF	OD	I.D.	LENGTH
<b>R303296</b>	R16-11351	Tapered	1 3/6"	1 3/8"

Torque Arm Shim				
FOR MODELS: FH34A-44A, FH36-40				
				
MERITOR NO.	MACH NO.	OEM REF	LENGTH	THICKNESS
<b>R303790</b>	<b>G-3790</b>	11-9588-1	5 3/4"	1/16"

Front Hanger	
FOR MODELS: FH36-40	
	
MACH NO.	OEM REF
<b>G-16648</b>	16-12563-000

## Rear Leaf Spring Suspension Components

FREIGHTLINER

### Center Hanger

FOR MODELS:  
FH36-40



MACH NO.	OEM REF
<b>G-15596</b>	681-325-0005, 681-325-0805

### Spring Hanger

FOR Models:  
MB/FL Series




MACH NO.	OD	NOTES
<b>G-15591</b>	680 320 0275	Left Hand
<b>G-15592</b>	680 325 0375	Right Hand





# FREIGHTLINER


## TufTrac® Rear Suspension Components


**FREIGHTLINER**


Bolster Spring		
FOR MODELS: 46K Axles		
		
MACH NO.	OEM REF	NOTES
<b>G-16060</b>	16-15010-000	Bottom Bolt Holes 5/8" Dia., 9" Center-to-Center; Top Holes 1/2"-13 X 7 7/16" Center-to-Center


Rebound Bumper - Cast			
FOR MODELS: 40/46K Axles			
			
MACH NO.	OEM REF	LENGTH	WIDTH
<b>G-16672</b>	16-15067-002	4 13/16"	3 3/16"

Upper Insulator Pad				
FOR MODELS: 40K Axles				
				
MACH NO.	OEM REF	HEIGHT	A	B
<b>G-16053</b>	11-22805-000	3 1/4"	4 1/4"	2 1/2"

Torque Rod Bushing Kit				
FOR MODELS: 54" Axle Spacing				
				
For Torque Arms R3016058 & R3016059				
MERITOR NO.	OD	C-TO-C	HOLE DIA	NOTES
<b>R3016064</b>	2 5/8"	4 3/8"	5/8"	Includes (2) Bushings and (2) Snap Rings.

Upper Insulator Pad				
FOR MODELS: 46K Axles				
				
MACH NO.	OEM REF	HEIGHT	A	B
<b>G-16051</b>	11-19581-000	2 1/2"	4 1/4"	2 1/2"

Torque Rod Bushing Kit		
FOR MODELS: 56" & 60" Axle Spacing		
		
For Torque Arms R3016054, R3016055, R3016222, & R3016223		
MERITOR NO.	C-TO-C	NOTES
<b>R3016063</b>	4 3/8"	Includes (2) Bushings and (2) Snap Rings.

Rebound Bumper - Cast			
FOR MODELS: 40/46K Axles			
			
MACH NO.	OEM REF	LENGTH	WIDTH
<b>G-16671</b>	16-15067-001	3 5/16"	3 3/16"

Lower Insulator Pad				
FOR MODELS: 40/46K Axles				
				
MACH NO.	OEM REF	HEIGHT	WIDTH	LENGTH
<b>G-15588</b>	11-20807-000	2 3/4"	4"	4"

## TufTrac® Rear Suspension Components

FREIGHTLINER

### Torque Rod - Full Ball Design



5/8" Bolt Holes

MERITOR NO.	OEM REF	LENGTH	BUSHING ANGLES	NOTES
R3016058	16-15002-000	23 1/4"	Front Bushing +10°; Rear Bushing +7°	Includes R3016064 Bushings.
R3016055	16-14998-000	24 1/2"	Front & Rear Bushing 0°	Includes R3016063 Bushings.
R3016222	16-15004-000	26 3/8"	Front Bushing -6°; Rear Bushing -	Includes R3016063 Bushings.
R3016059	16-15002-001	23 1/4"	Front Bushing +6 1/2°; Rear Bushing +4°	Includes R3016064 Bushings.
R3016054	16-14998-001	24 7/16"	Front Bushing +4°; Rear Bushing +7°	Includes R3016063 Bushings.
R3016223	16-15004-001	26 3/8"	Front Bushing -6°; Rear Bushing +4°	Includes R3016063 Bushings.

### V-Rod Bushing Kit, Outer Bushings



For All V-Rods

MERITOR NO.	MACH NO.	OD	C-TO-C	NOTES
R3016066	G-16066	2 15/16"	4 3/8"	Includes (2) Bushings and (2) Snap Rings.

### V-Rod Center Bushing Kit

FOR MODELS:  
54" Axle Spacing



For V-Rods R3016056 & R3016057

MERITOR NO.	MACH NO.	OD	C-TO-C	NOTES
R3016069	G-16069	3 5/16"	6 7/8"	Includes (1) Bushing and (1) Snap Ring

### V-Rod Center Bushing Kit

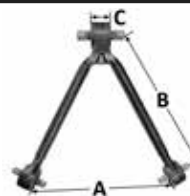
FOR MODELS:  
56" & 60" Axle Spacing



For V-Rods R3016061, R3016062, R3016220 & R3016221

MERITOR NO.	OD	C-TO-C	NOTES
R3016070	3 15/16"	6 7/8"	Includes (1) Bushing and (1) Snap Ring

### V-Rod



Includes R3016066 Outer Bushings, and Center Bushings as Noted

MERITOR NO.	OEM REF	A	B	C	NOTES
R3016056	16-15001-000	24"	27 3/4"	2 3/4"	Includes R3016069 Center Bushing
R3016061	16-15069-000	24"	26 7/8"	3 1/2"	Includes R3016070 Center Bushing
R3016220	16-15003-000	24"	28 5/8"	3 1/2"	Includes R3016070 Center Bushing
R3016057	16-15001-001	24"	27 3/4"	2 3/4"	Includes R3016069 Center Bushing
R3016062	16-15069-001	24"	26 7/8"	3 1/2"	Includes R3016070 Center Bushing
R3016221	16-15003-001	24"	28 5/8"	3 1/2"	Includes R3016070 Center Bushing

Contents

**REAR TRUCK SUSPENSION**

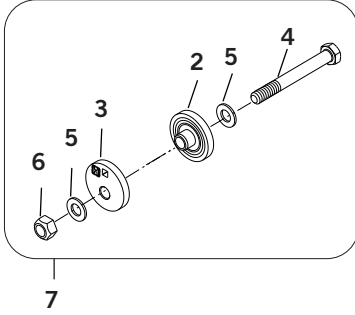
Comfort Air For Hino - - - - - 2-2

Component Suspension Parts - - - - - 2-4

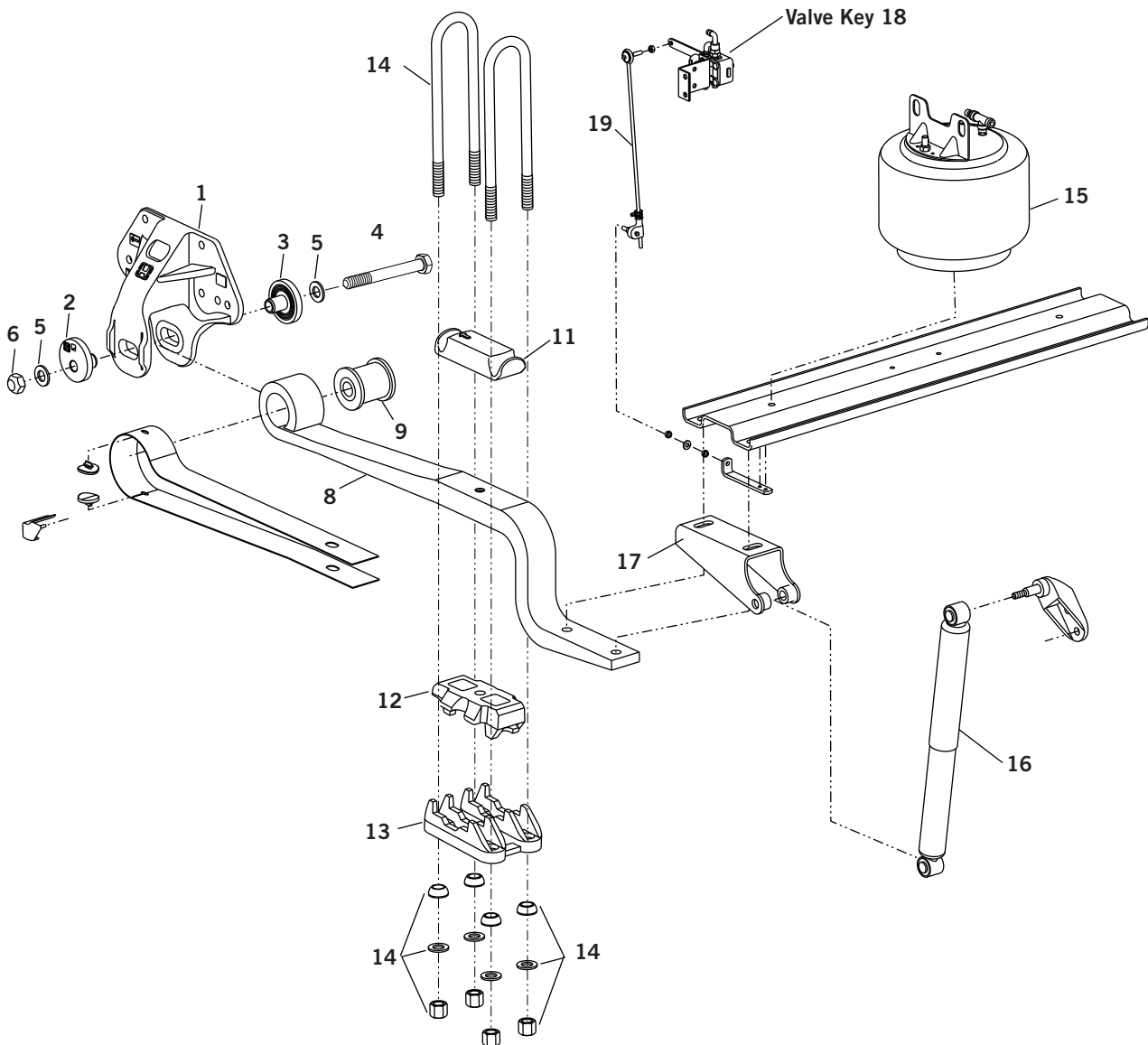
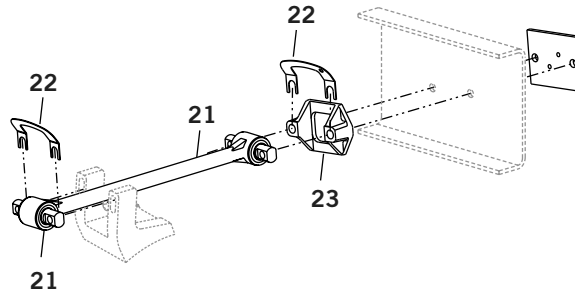
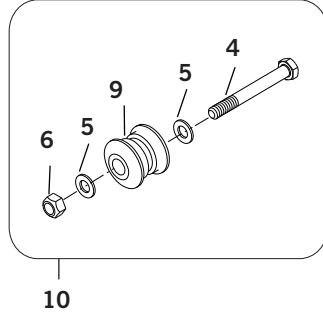
# HINO REAR

## Comfort Air For Hino

QUIK-ALIGN™ Collar Service Kit













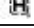
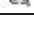



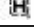
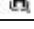



QUIK-ALIGN™ Pivot Bushing Kit



HINO

## Comfort Air For Hino

KEY NO.	MERITOR NO.	GENUINE	OEM REF	DESCRIPTION	QTY. PER AXLE	PAGE NO.
1	S.O.S.		65081-001	Frame Hanger, Left Hand	1	-
	S.O.S.		65081-002	Frame Hanger, Right Hand	1	-
2	S.O.S.		60661-000	QUIK-ALIGN Concentric Collar, 19-21K Axles	3	-
	R3015716		64633-000	QUIK-ALIGN Concentric Collar, 23K Axles	3	2-4
3	S.O.S.		60662-000	QUIK-ALIGN Eccentric Collar, 19-21K Axles	1	-
	R3015162		64632-000	QUIK-ALIGN Eccentric Collar, 23K Axles	1	2-4
4	R305428	-	-	Bolt, 7/8"-14 X 8" Long, 19-21K Axles	2	-
	R303564	-	68217-001	Bolt, 1"-14 X 8" Long, 23K Axles	2	-
5	R302546	-	-	Washer, 7/8" ID, 19-21K Axles	4	-
	R302975	-	-	Washer, 1" ID, 23K Axles	4	-
6	R301835	-	-	Lock Nut, 7/8"-14, 19-21K Axles	2	-
	R301828	-	-	Lock Nut, 1"-14, 23K Axles	2	-
7	S.O.S.		65119-001	QUIK-ALIGN Collar Service Kit, Includes Key No. 2, 3, 4, 5, 6, 19-21K Axles, Left Hand	1	-
	S.O.S.		65119-002	QUIK-ALIGN Collar Service Kit, Includes Key No. 2, 3, 4, 5, 6, 19-21K Axles, Right Hand	1	-
	S.O.S.		60632-029	QUIK-ALIGN Collar Service Kit, Includes Key No. 2, 3, 4, 5, 6, 23K Axles, Left Hand	1	-
	S.O.S.		60632-030	QUIK-ALIGN Collar Service Kit, Includes Key No. 2, 3, 4, 5, 6, 23K Axles, Right Hand	1	-
8	S.O.S.		65106-001	Main Support Member Assembly, 19-21K Axles	2	-
	S.O.S.		53443-000	Main Support Member Assembly, 23K Axles	2	-
9	R3013992		58648-000	Pivot Bushing	2	2-4
10	S.O.S.		34013-109	Main Support Member Service Kit, One Wheel End, 19-21K Axles, Includes Key No. 2-6, 9	2	-
	S.O.S.		34013-189	Main Support Member Service Kit, One Wheel End, 23K Axles, Includes Key No. 2-6, 9	2	-
11	S.O.S.		65071-000	Top Pad	2	-
12	S.O.S.		56501-005P	Spring Seat, 4°, 19-21K Axles	2	-
	S.O.S.		56501-007P	Spring Seat, 5°, 23K Axles	2	-
13	S.O.S.		50216-000	Bottom Axle Cap	2	-
14	S.O.S.		58818-011	U-Bolt Assembly, 19-21K Axles	2	-
	S.O.S.		69124-008	U-Bolt Assembly, 23K Axles	2	-
15	S.O.S.		65086-002	Air Spring	2	-
	S.O.S.		76942-002	Air Spring	2	-
16	M83148	-	60670-013	Shock Absorber, 19-21K Axles	2	-
	S.O.S.	-	60670-018	Shock Absorber, 23K Axles	2	-
17	R3016238		49324-002	Lower Shock Bracket	2	2-4
18	R3016407		60501-000	Height Control Valve	1	2-5
19	S.O.S.		58994-032	Linkage Assembly	1	-
	R307852	-	-	Linkage Assembly, Universal Kit	1	2-5
20	S.O.S.		62000-595	Transverse Torque Rod Assembly, 19-21K Axles	1	-
	S.O.S.		72000-595S	Transverse Torque Rod Assembly, 23K Axles	1	-
21	R305275		47691-000	Torque Rod Bushing, 19-21K Axles	2	2-4
	R3013961		64400-002	Torque Rod Bushing, 23K Axles	2	2-4
22	R305281	-	49689-000	Shim	As Required	2-4
23	R302634		22186-000	Torque Rod Frame Bracket	1	2-4

HINO

**Pivot Bushing**



MERITOR NO.	GENUINE	OEM REF	I.D.	LENGTH
R3013992		58648-000	1 1/4"	3 5/8"

**Torque Rod Bushing, 23K Axles**



MERITOR NO.	GENUINE	OEM REF	O.D.	C-TO-C LENGTH	HOLE DIA
R3013961		64400-002	3 5/16"	4 3/8"	5/8"

**Concentric Collar, QUIK-ALIGN™**



MERITOR NO.	GENUINE	OEM REF
R3015716		64633-000

**Torque Rod Shim**



MERITOR NO.	GENUINE	OEM REF	C-T-C LENGTH	THICK
R305281		47457-000	4 3/8"	1/16"

**Eccentric Collar, QUIK-ALIGN™**



MERITOR NO.	GENUINE	OEM REF
R3015162		64632-000

**Torque Rod Bracket**



MERITOR NO.	GENUINE	OEM REF	NOTES
R302634		22186-000	For Mounting Transverse Torque Rods

**Torque Rod Bushing**




MERITOR NO.	GENUINE	OEM REF	OD	C-T-C LENGTH	NOTES
R305275		47691-000	2"	4 3/8"	5/8" Bolt Holes

**Lower Shock Bracket, Low Profile**



MERITOR NO.	GENUINE	OEM REF
R3016238		49324-002

Height Control Valve		
		
MERITOR NO.	GENUINE	OEM REF
R3016407		60501-000

Height Control Valve Linkage Assembly	
	
MERITOR NO.	NOTES
R307852	Universal Kit

**NOTES:** \_\_\_\_\_

\_\_\_\_\_

\_\_\_\_\_

\_\_\_\_\_

\_\_\_\_\_

\_\_\_\_\_

\_\_\_\_\_

\_\_\_\_\_

\_\_\_\_\_

\_\_\_\_\_

\_\_\_\_\_

\_\_\_\_\_

\_\_\_\_\_

\_\_\_\_\_

\_\_\_\_\_

\_\_\_\_\_

\_\_\_\_\_

\_\_\_\_\_

\_\_\_\_\_

\_\_\_\_\_

\_\_\_\_\_

\_\_\_\_\_

HINO



Contents

**FRONT TRUCK / TRACTOR SUSPENSION**

**C500, K110/300, T300/400/450/600/800/200, W900 Models - - - - - 3-2**

**REAR TRUCK / TRACTOR SUSPENSION**

**Airglide® 100 Air Ride - - - - - 3-6**

**Airglide® 200 / 400 Air Ride- - - - - 3-8**

**Airglide® 380 (See Peterbilt Flex Air®)**

**Big 6® - - - - - 3-10**

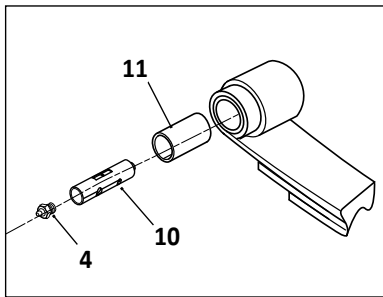
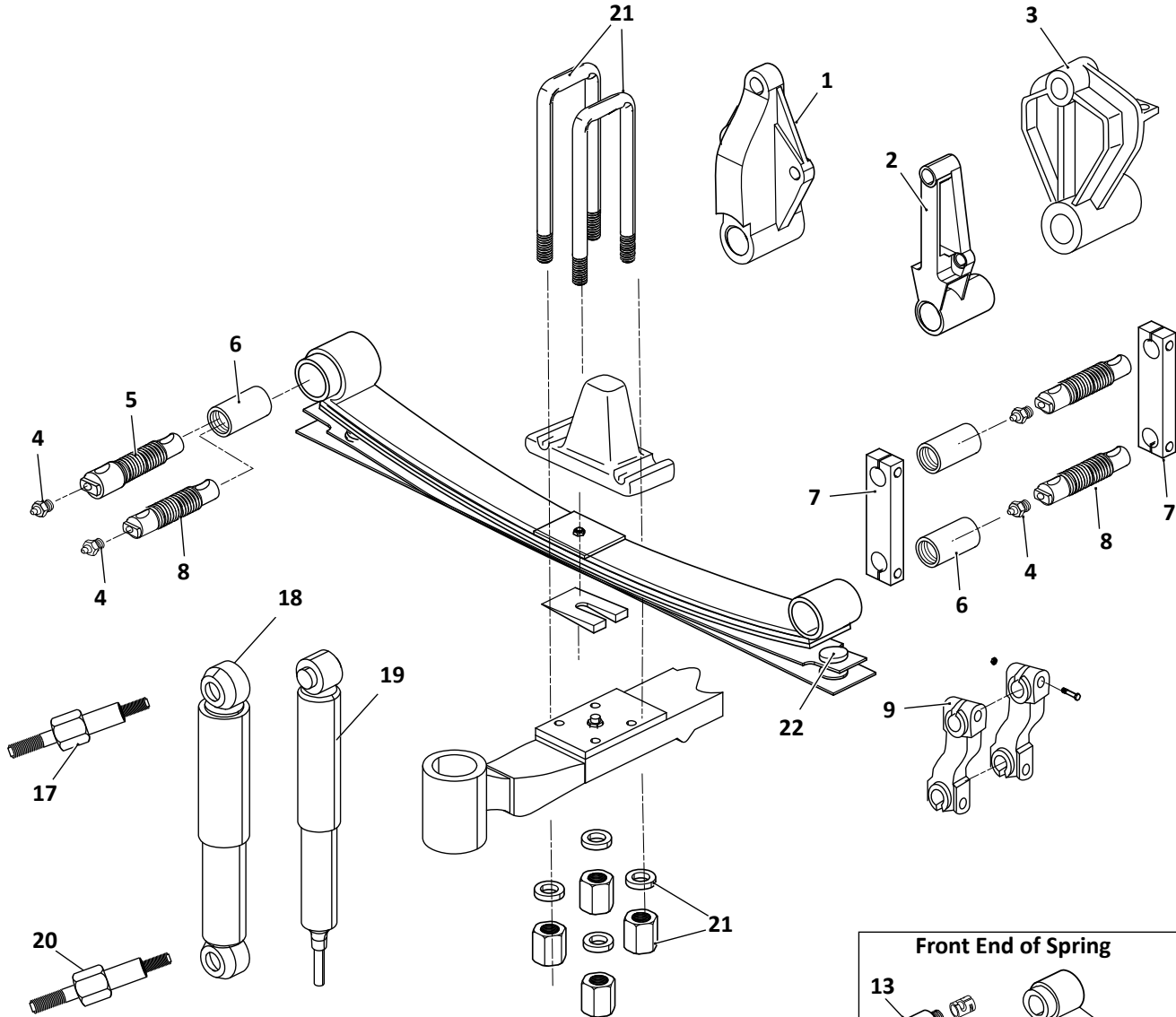
**Component Suspension Parts - - - - - 3-12**

**KENWORTH**

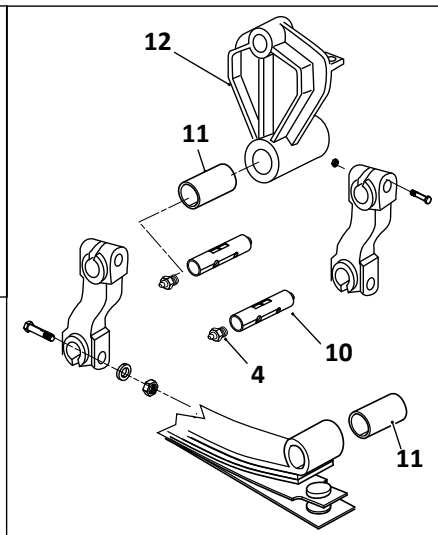
# KENWORTH FRONT

C500, K110/300, T300/400/450/600/800/200, W900

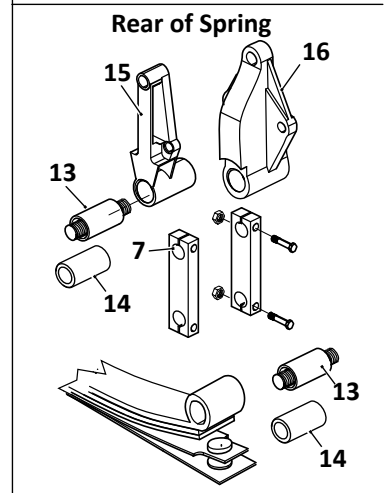
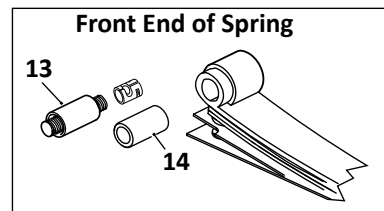
KENWORTH



Smooth Pins & Bushings  
Front End of Spring



Smooth Pins & Bushings  
Rear End of Spring



Rubber Bushings

# KENWORTH FRONT

Suspension

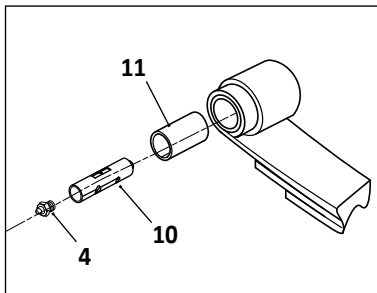
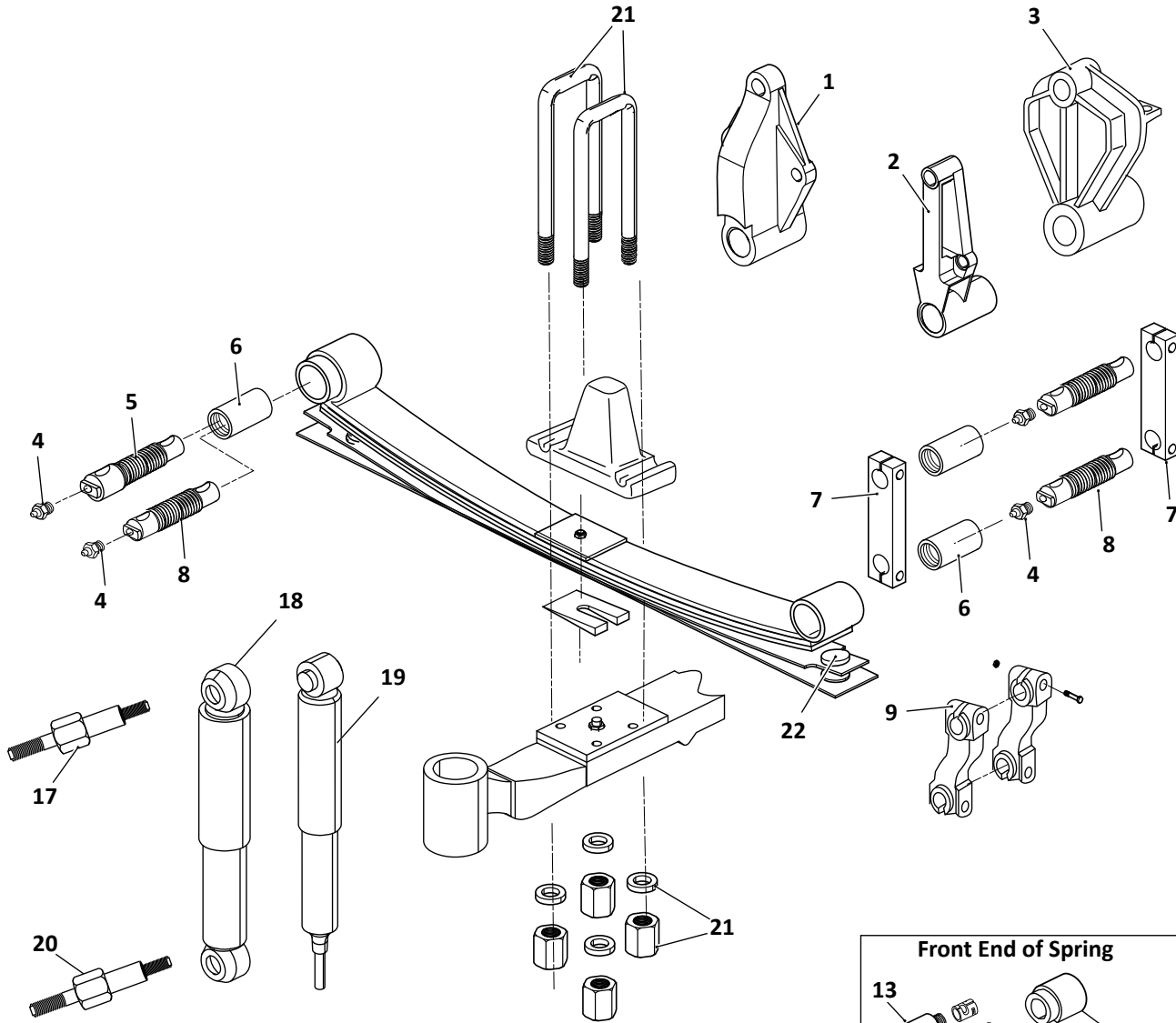
C500, K110/300, T300/400/450/600/800/200, W900 Models						
KEY NO.	MERITOR NO.	MACH NO.	OEM REF	DESCRIPTION	QTY. PER AXLE	PAGE NO.
1	-	<b>G-16700</b>	B11-1031-5	Hanger, Includes G-16157 Threaded Bushing, Casting No. B111033	2	3-13
2	-	<b>G-16701</b>	B11-1039	Hanger, Includes G-16158 Threaded Bushing, Casting No. B111023	2	3-13
3	-	<b>G-16702</b>	K056-508; K056-598; K056-474	Hanger, Ductile Iron, Includes G-15538 Threaded Bushing	2	3-14
4	<b>R301307</b>	-	-	Zerk, 1/8"-27 NPT	As Required	-
5	-	<b>G-15619</b>	K179-378	Threaded Spring Pin, Front of Spring, Grease Fitting on Small End, 1 1/2" OD of Large End, 1 1/16" OD of Small End, 1 3/8"-6 Thread X 7 3/8" Long X 5 3/4" Center-to-Center of Notches	2	3-12
6	-	<b>G-15538</b>	5295	Threaded Bushing, 1 3/4" OD X 4" Long X 1 3/8"-6 Thread	6	3-13
	-	<b>G-16157</b>	B13-1000	Threaded Bushing, Metric M33.5 X4, 1 3/4" (44.5mm) OD, 4" (101mm) Long	6	3-13
	-	<b>G-16158</b>	B13-1002	Threaded Bushing, Metric M33.5 X 4, 2 1/16" (52.8mm) OD, 4" (101mm) Long	6	3-13
7	-	<b>G-15608</b>	K209-36; K209-75	Side Bar, Flat Design, 1 1/16" Dia Hole, 4" Center-to-Center, Use With Threaded Pins or Rubber Bushings, Standard on Conventionals, Optional on COE	4	3-14
8	-	<b>G-16703</b>	5296	Threaded Spring Pin, Rear of Spring, 1 3/8"-6 X 5 3/4" Center-to-Center 7 1/4" Long With 1 1/16" Diameters on Both Ends	4	3-12
	-	<b>G-15614</b>	B65-1002	Threaded Spring Pin, Front and Rear of Spring, M33.5 -4.0 X 5 3/4" Center-to-Center 7 3/8" Long With 1 1/16" Diameters on Both Ends	6	3-12
	-	<b>G-15620</b>	B65-1008	Threaded Spring Pin, Front and Rear of Spring, M33.5 -4.0 X 5 5/16" Center-to-Center 7 7/8" Long With 1 1/16" Diameters on Both Ends	6	3-12
	-	<b>G-16321</b>	B65-6008	Threaded Spring Pin, Front and Rear of Spring, 5 7/16" Center-to-Center" Diameters on Both Ends	6	-
9	-	<b>G-16705</b>	K209-8; K209-82; K209-87; K209-81; K209-89	Side Bar, Offset Design, 1 1/16" Dia Hole, 4" Center-to-Center, Use With Threaded Pins, W900B Before March 1991, All T400, T450, T600A, T800	4	3-14
10	-	<b>G-16319</b>	K179-527	Spring Pin, Smooth, 1 1/4" OD X 6 7/8" Long X 5 5/16" Center-to-Center	6	3-12
11	<b>R3016153</b>	-	HBU554	Spring Pin Bushing With Seals, 1 1/4" ID X 1 1/2" OD X 4" Long	6	3-12
	<b>R301876</b>	-	-	Spring Pin Bushing, Bi-Metal, 1 1/4" ID X 1 1/2" OD X 4" Long	6	3-12
12	-	<b>G-15616</b>	K056-595; K056-596	Hanger, Ductile Iron	2	3-13
13	<b>R3015537</b>	<b>G-15537</b>	B65-1006	Rubber Bushing, Pin Type, 1 3/4"OD w/ 1 1/16" Dia Pin, 7 1/2" Long, 6 3/16" Center-to-Center of Notches	6	3-13
	<b>R3015543</b>	<b>G-15543</b>	B65-6005	Rubber Bushing, Pin Type, 1 3/4"OD w/ 1 1/16" Dia Pin, 6 11/16" Long, 5 7/16" Center-to-Center of Notches	6	3-13
	<b>R3016292</b>	<b>G-16292</b>	B65-1001	Rubber bush Rubber Bushing, Pin Type, 1 3/4" OD w/ 1 1/16" Dia Pin, 7 1/8" Long, 5 3/4" Center-to-Center of Notches	6	3-13
	<b>R3015613</b>	<b>G-15613</b>	B65-1007	Rubber Bushing, Pin Type, 2 1/16" OD w/ 1 1/16" Dia Pin, 7 1/2" Long, "6 5/16" Center-to-Center of Notches	6	3-13
	<b>R3016163</b>	<b>G-16163</b>	B65-1013; B65-6006	Rubber Bushing, Pin Type, 2 1/16" OD w/ 1 1/16" Dia Pin, 6 11/16" Long, 5 7/16" Center-to-Center of Notches	6	3-13
14	<b>R3016236</b>	<b>G-16236</b>	B65-6010	Rubber Bushing, 1 3/4" OD X 5/8" ID X 4 1/4" Long, Medium Duty Models	6	3-13
15	-	-	B11-1091-001	Hanger, Includes G-16163 Pin Type Rubber Bushing With 1 1/16" Dia. Pin, 6 11/16" Long, Notches at 5 7/16"Center-To-Center, Casting No. B111023	2	-
	-	-	B11-1091-002	Hanger, Includes G-15613 Pin Type Rubber Bushing With 1 1/16" Dia. Pin, 7 1/2" Long, Notches at 6 5/16" Center-To-Center, Casting No. B111023	2	-

KENWORTH

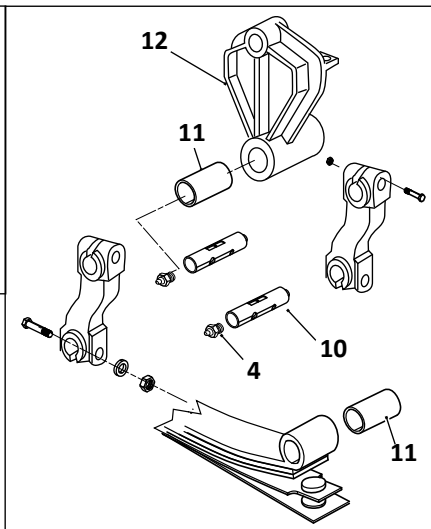
# KENWORTH REAR

C500, K110/300, T300/400/450/600/800/200, W900 Models

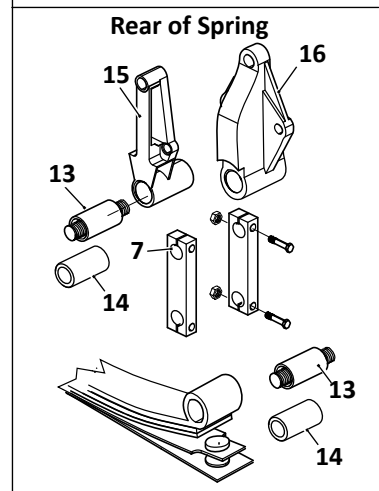
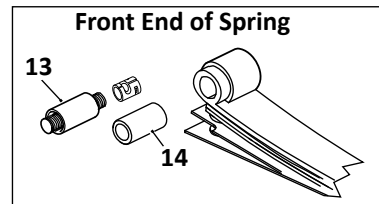
KENWORTH



Smooth Pins & Bushings  
Front End of Spring



Smooth Pins & Bushings  
Rear End of Spring



Rubber Bushings

# KENWORTH REAR

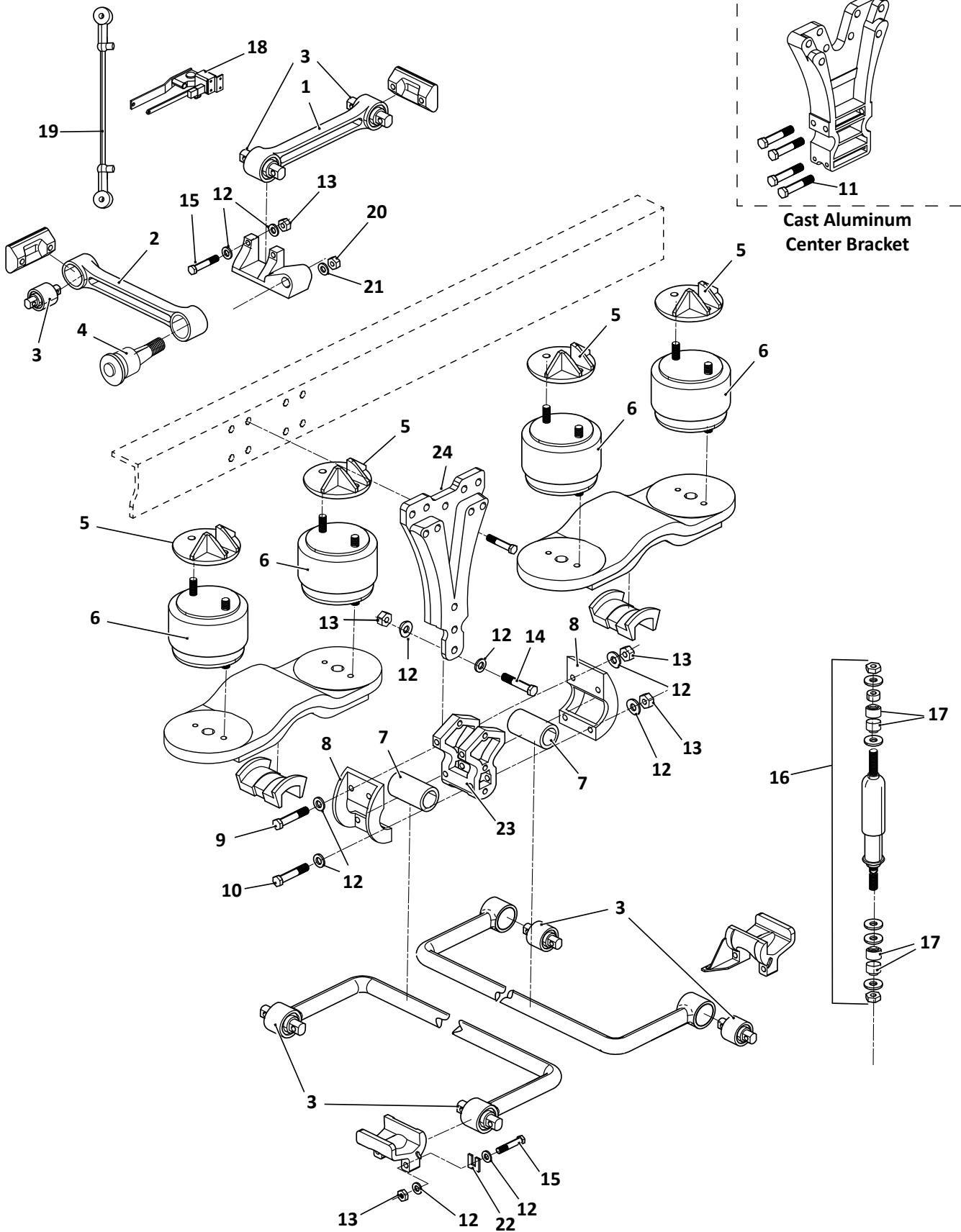
Suspension

C500, K110/300, T300/400/450/600/800/200, W900 Models						
KEY NO.	MERITOR NO.	MACH NO.	OEM REF	DESCRIPTION	QTY. PER AXLE	PAGE NO.
16	-	<b>G-15547</b>	B11-1034-1	Hanger, Includes G-15537 Pin Type Rubber Bushing With 1 1/16" Dia. Pin 7 1/2" Long, Notches at 6 3/16" Center-To-Center, Casting No. B111033	2	3-14
	-	-	B11-1034-4	Hanger, Includes G-16292 Pin Type Rubber Bushing With 1 1/16" Dia. Pin, 7 1/8" Long, Notches at 5 3/4" Center-To-Center, Casting No. B111033	2	-
	-	<b>G-16695</b>	B11-1034-6	Hanger, Includes G-15543 Pin Type Rubber Bushing With 1 1/16" Dia. Pin, 6 11/16" Long, Notches at 5 7/16" Center-To-Center, Casting No. B111033	2	3-14
	-	-	B11-1034-7	Hanger, Includes G-16236 Hollow Rubber Bushing With 5/8" ID, Casting No. B111033	2	-
17	-	<b>G-15621</b>	K233-509	Upper Shock Mounting Stud, 20mm X 2.5 Thd & 16mm X 2.0 Thd X 7 1/4" Long	2	-
18	<b>M83312</b>	-	K374-3; K374-33; K3745; K37414; B71-1003	Shock Absorber, Eye Mounts EB2 Style, Most Models with Multi Leaf Springs	2	-
	<b>M89409</b>	-	K374-3; K374-33; K3745; K37414; B71-1003	Shock Absorber, Premium Adjustable, Eye Mounts EB2 Style, Most Models with Multi Leaf Springs	2	-
	<b>M85001</b>	-	B71-1002; K374-16; K374-26	Shock Absorber, Eye Mounts EB3 Style, Most Models with Tapered Springs	2	-
	<b>M89410</b>	-	B71-1002; K374-16; K374-26	Shock Absorber, Premium Adjustable, Eye Mounts EB3 Style, Most Models with Tapered Springs	2	-
19	<b>M85070</b>	-	B71-1001; 665858;	Shock Absorber, Eye Mounts ES174 Style Top Mount, EB3 Lower Mount	2	-
	<b>M89459</b>	-	B71-1001; 665858;	Shock Absorber, Premium Adjustable, Eye Mounts ES174 Style Top Mount, EB3 Lower Mount	2	-
	<b>M85740</b>	-	665331; K374-13	Shock Absorber	2	-
20	-	-	K233-520	Lower Shock Mounting Stud, 20mm X 2.5 Thd & 16mm X 2.0 Thd X 8 5/8" Long	2	-
21	<b>R30U8254-10</b>	-	K241-309	U-Bolt Assembly, Sq. Bend 3/4"-16 Thd. X 4" Wide X 10" Long	4	-
	<b>R30U8254-12</b>	-	K241-258; K241-414	U-Bolt Assembly, Sq. Bend 3/4"-16 Thd. X 4" Wide X 12" Long	4	-
	<b>R30U8254-14</b>	-	K241-296; K241-258	U-Bolt Assembly, Sq. Bend 3/4"-16 Thd. X 4" Wide X 14" Long	4	-
22	-	<b>G-15622</b>	EX1-1001-3	Spring Tip Insulator, M12 X 1.2 Thd., 3 1/8" Diameter	8	3-14

KENWORTH

# KENWORTH

## Airglide® 100 Air Ride



# KENWORTH REAR

Suspension

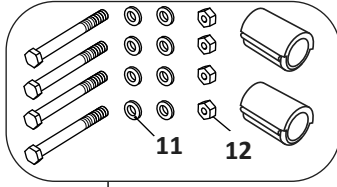
Airglide® 100 Air Ride, Truck / Tractor						
KEY NO.	MERITOR NO.	MACH NO.	OEM REF	DESCRIPTION	QTY. PER SUSPENSION	PAGE NO.
1	<b>R3015708</b>	-	K195-375; 925031	Torque Arm, 24" Center-to-Center, R3015711 Includes R302226 Bushings	2	3-18
	<b>R3015611</b>	-	925150	Torque Arm, 25" Center-to-Center, R3015611 Includes R302226 Bushings	2	3-18
2	<b>R3015711</b>	-	K195-376; 944270	Torque Arm, 24" Center-to-Center, R3015708 Includes R3010303 Straddle Mount Bushing and R302228 Tapered Stud Bushing	2	3-18
3	<b>R3010303</b>	<b>G-10303</b>	836940	Torque Arm & Stabilizer Rod Bushing, Rubber, Straddle Mount	8	3-18, 3-20
	<b>R302226</b>	-	227720	Torque Arm & Stabilizer Rod Bushing, Rubber, Straddle Mount	8	3-18, 3-20
	<b>R307639</b>	-	-	Torque Arm & Stabilizer Rod Bushing, Poly, Straddle Mount	8	3-18,3-20
	<b>R304664</b>	-	227722	Torque Arm Bushing, Straddle Mount, Aluminum Pin	8	3-18
4	<b>R302228</b>	-	229610	Torque Arm Bushing, Rubber, Tapered Stud	2	3-18
	<b>R308651</b>	-	-	Torque Arm Bushing, Poly, Tapered Stud	2	3-18
5	<b>R305075</b>	-	K048-449	Air Spring Bracket	8	3-19
6	<b>FS9422</b>	-	K303-6; K303-14; K303-15	Firestone Air Spring to 1994	8	-
	<b>MAF9422</b>	-	K303-6; K303-14; K303-15	Meritor Air Spring to 1994	8	-
	<b>FS9616</b>	-	K303-16	Firestone Air Spring with Bracket, 1995 and up	8	-
	<b>MAF9616</b>	-	K303-16	Meritor Air Spring with Bracket, 1995 and up	8	-
7	<b>R304669</b>	<b>G-4669</b>	K066-58; K066-50	Stabilizer Bushing, Rubber	4	3-16
	<b>R307446A</b>	-	K066-449	Stabilizer Bushing, Poly	4	3-16
8	-	-	K071-304	Stabilizer Bar Mounting Cap	4	-
9	<b>R3016690</b>	-	K041-724-260P	Stabilizer Bar Mounting Bolt, Top of Bracket, M20-2.5 X 260mm Long	4	3-19
10	<b>R3016226</b>	-	K041-717-160P	Stabilizer Bar Mounting Bolt, Bottom of Bracket, M16-2.0 X 160mm Long	4	3-19
11	<b>R3016691</b>	-	K041-712-260P	Stabilizer Bar Mounting Bolt for Cast Center Bracket, M16-2.0 X 260mm Long	8	3-19
12	<b>R302547</b>	-	-	Washer for 16mm bolt	As Required	-
	<b>R3016686</b>	-	-	Washer for 20mm bolt	As Required	-
13	<b>R308841</b>	-	-	Lock Nut, M16-2.0	As Required	-
	<b>R3016229</b>	-	-	Lock Nut, M20-2.5 mm	As Required	-
14	<b>R3016415</b>	-	-	Stabilizer Block Mounting Bolt, M16-2.0 X 170mm Long, Fabricated Hanger Bracket	6	3-19
15	<b>R3016230</b>	-	K041-712-130P	Stabilizer End Mounting Bolt, M16X2.0 X 120mm	8	3-19
	<b>R3016225</b>	-	K041-712-150P	Stabilizer End Mounting Bolt, M16X2.0 X 150mm	8	3-19
16	<b>M85310</b>	-	K374-87	Shock Absorber	4	-
	<b>M89423</b>	-	K374-7, K374-9, K374-29	Shock Absorber, Premium Adjustable	4	-
17	<b>R307474</b>	-	CA368-6	Shock Bushing, Poly, For Stud Mounted Shocks	16	-
18	<b>R309624</b>	-	H00500C	Universal Height Control Valve, Hadley Model 500, Apply Air To Dump	1	-
	<b>R3014731</b>	-	H01501UD	Universal Height Control Valve, Hadley Next Gen, Apply Air To Dump	1	3-19
19	<b>R309625</b>	-	-	Universal Linkage Kit	1	-
20	<b>R302017</b>	-	49NE2012	Torque Arm Mounting Nut For Tapered Pin Bushing	2	3-18
21	<b>R302018</b>	-	-	Torque Arm Washer, 1 5/16" ID	2	3-18
22	<b>R305076</b>	-	K21-922-3	Alignment Shim, 1/8" Thick	As Required	3-18
23	-	-	K197-2943	Stabilizer Bar Bracket	2	-
24	-	<b>G-10766</b>	K272-145	Center Support Bracket, Fabricated Models to 1994	2	3-19

KENWORTH

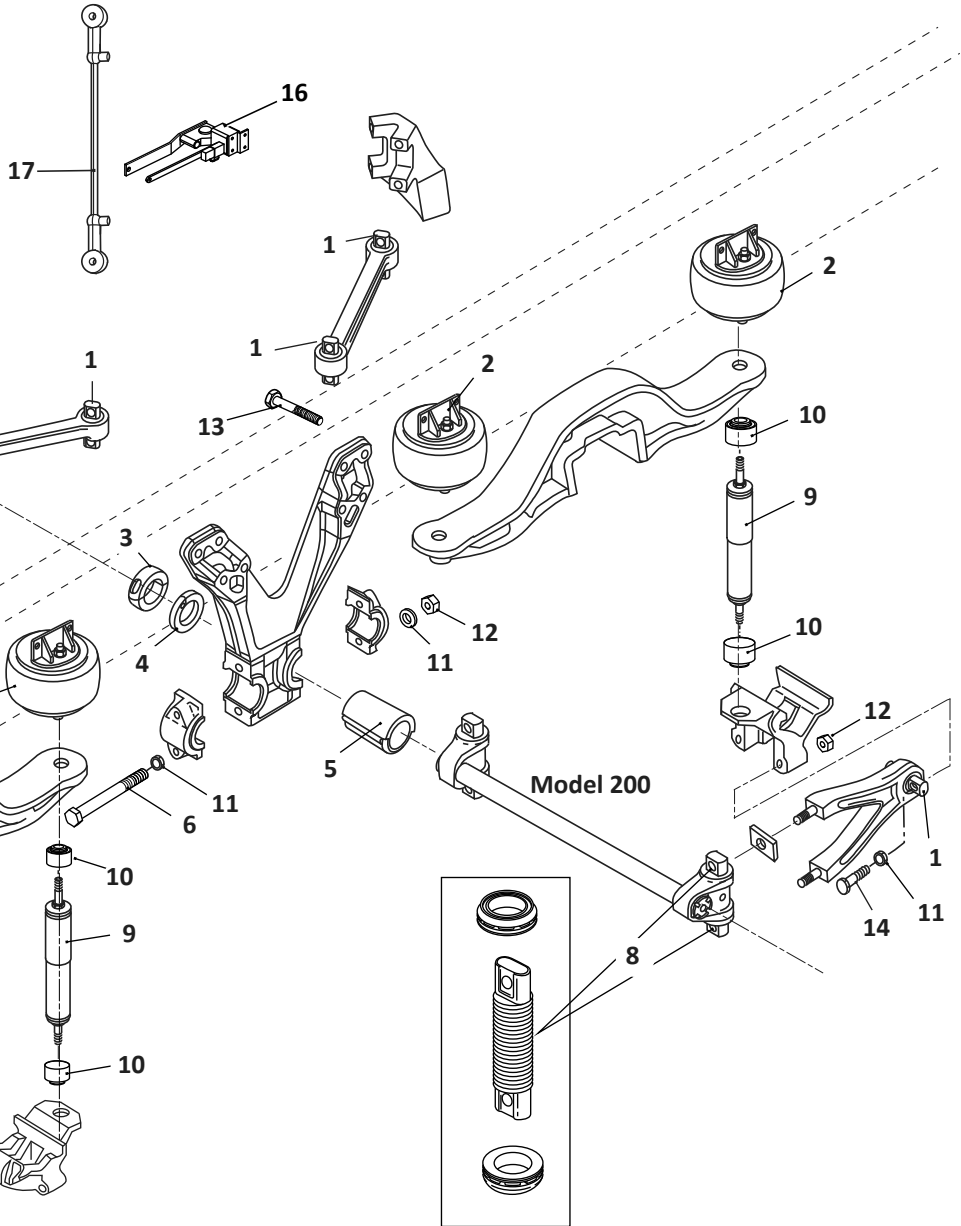
# KENWORTH REAR

## Airglide® 200 / 400 Air Ride

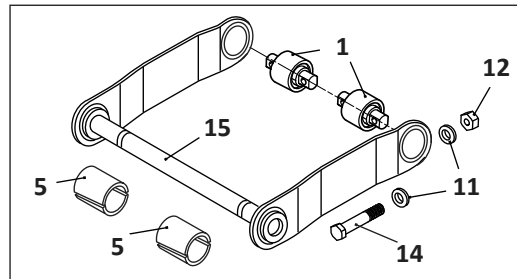
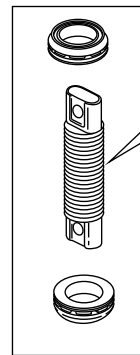
### Torsion Bar Service Kit



7



Model 200



Model 380 / 400 / 460

KENWORTH



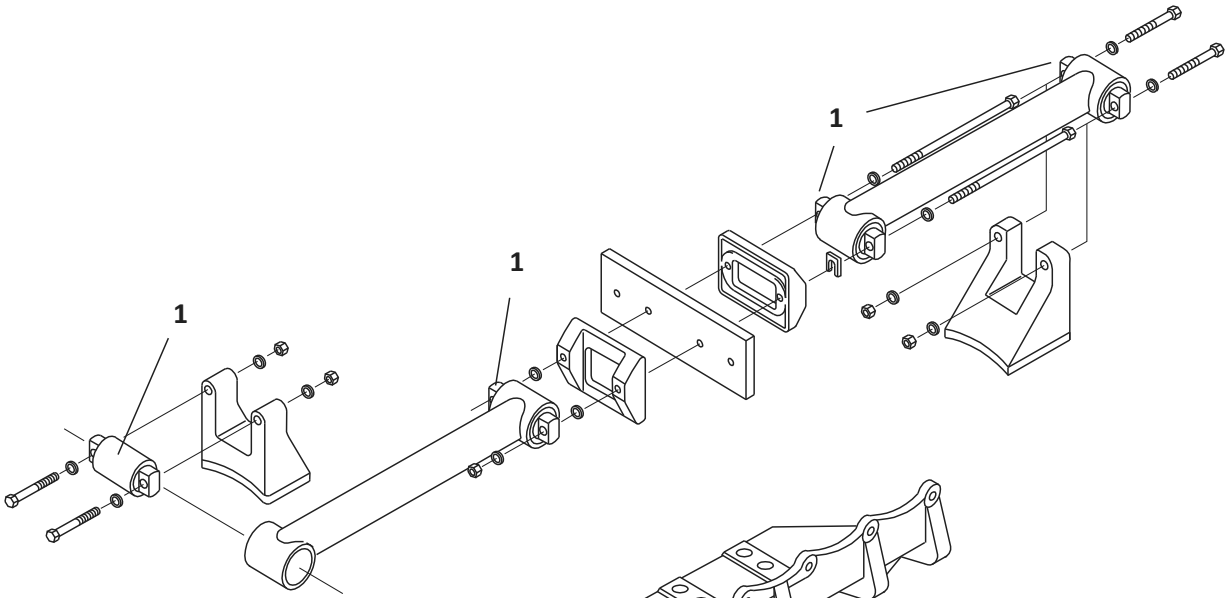
Airglide® 200 / 400 Air Ride						
KEY NO.	MERITOR NO.	MACH NO.	OEM REF	DESCRIPTION	QTY. PER SUSPENSION	PAGE NO.
1	R3010303	G-10303	836940	Torque Arm & Stabilizer Rod Bushing, Rubber, Straddle Mount	8	3-18
2	FS9617	-	K303-18	Firestone Air Spring	8	-
	FS9618	-	K303-19	Firestone Air Spring	8	-
	FS9622	-	K303-22	Firestone Air Spring	8	-
	MAF9622	-	K303-22	Meritor Air Spring	8	-
	FS9625	-	K303-25	Firestone Air Spring	8	-
	MAF9625	-	K303-25	Meritor Air Spring	8	-
	FS9547	-	C81-1004	Firestone Air Spring	8	-
	FS9541	-	C81-1005	Firestone Air Spring	8	-
3	-	G-16115	K220-598	Collar Assembly, 54 mm Bar Dia, 40K Models	4	3-17
4	-	G-15618	K066-502-1; K066-454	Thrust Bearing, 54 mm Bar Dia., 40K Models	4	3-17
	-	G-16112	K066-502-2; K066-461	Thrust Bearing, 58 mm Bar Dia., 46K Models	4	3-17
5	R3016091	-	C13-1004	Torsion Bar Bushing, 54 mm Bar Dia, 40K Models, Rubber, Improved OE Version	4	3-16
	-	G-16107	K066-450	Torsion Bar Bushing, 54 mm Bar Dia, 40K Models, Rubber, Old Style	4	3-16
	R3010302	-	-	Torsion Bar Bushing, 54 mm Bar Dia, 40K Models, Poly	4	3-16
	R3016092	-	C13-1005	Torsion Bar Bushing, 58 mm Bar Dia, 46K Models, Rubber, Improved OE Version	4	3-16
	-	G-16108	K066-460	Torsion Bar Bushing, 58 mm Bar Dia, 46K Models, Rubber, Old Style	4	3-17
	R3016122	-	-	Torsion Bar Bushing, 58 mm Bar Dia, 46K Models, Poly	4	3-17
6	R3016231	-	K041-712-290P	Bolt, M16-2.0 X 290 mm Long	4	3-19
7	R3016119	-	C13-1006	Torsion Bar Service Kit, 54 mm Bar, 40K Models, Includes (4) R3016091 Bushings, (4) R3016231 Bolts and Nuts	1	3-16
	R3016093	-	C13-1007	Torsion Bar Service Kit, 58 mm Bar, 46K Models, Includes (4) R3016092 Bushings, (4) R3016231 Bolts and Nuts	1	3-16
8	-	G-16117	K345-5156; K345-5032	Threaded Pin Service Kit, Includes (2) Threaded Pins and Seals	2	3-19
9	M85900	-	70701; 665944; 665903	Shock Absorber	4	-
	M85902	-	665950; 665945; 665906	Shock Absorber	4	-
	M85936	-	C71-1014; 671962	Shock Absorber	4	-
	M89456	-	C71-1014; 671962	Shock Absorber, Premium Adjustable	4	-
	M85937	-	C71-1015; 671963	Shock Absorber	4	-
10	R307474	-	-	Shock Bushing, Poly, For Stud Mounted Shocks	8	-
11	R302547	-	-	Washer, 5/8" ID, Use with M16 Bolts	16	-
12	R308841	-	-	Lock Nut, M16-2.0	16	-
13	R3016226	-	K041-712-160P	Bolt, M16 - 2.0 X 160mm Long, Top Row of Hanger	8	3-19
14	R3016230	-	K041-712-120P	Bolt, M16 - 2.0 X 120mm Long	8	3-19
15	-	G-16718	C65-1000; C65-1013	Sway Bar Assembly, 58 mm Bar, Includes G-10303 Bushings, For Air Glide 200 52" Axle Spacing	2	3-17
16	R309624	-	H00500C	Universal Height Control Valve, Hadley Model 500, Apply Air To Dump	1	-
	R3014731	-	H01501UD	Universal Height Control Valve, Hadley Next Gen, Apply Air To Dump	1	3-19
17	R309625	-	-	Universal Linkage Kit	1	-

**KENWORTH**

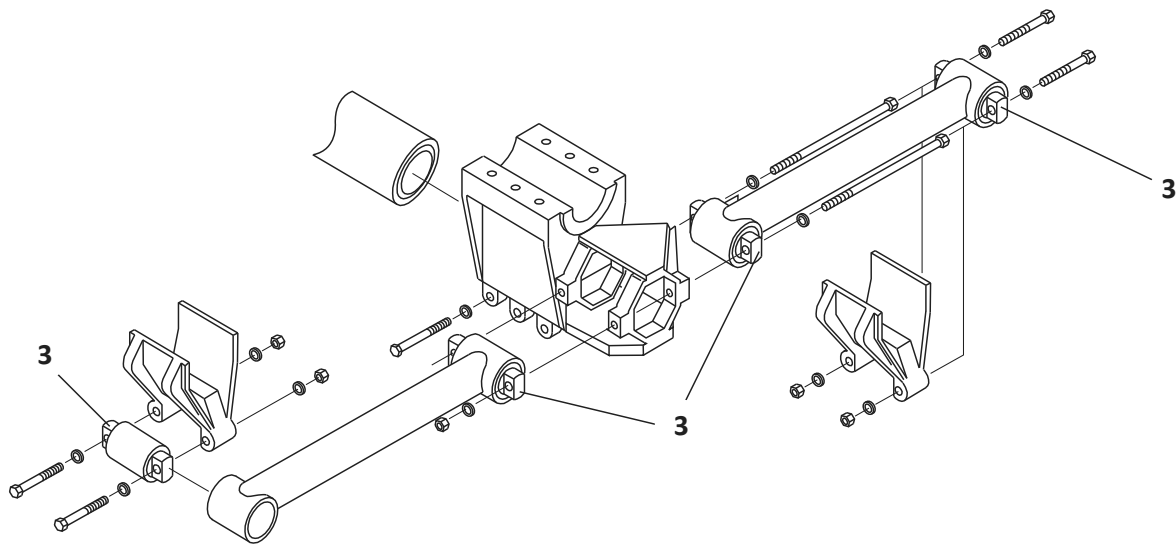
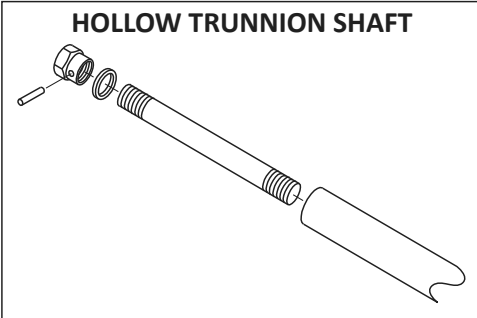
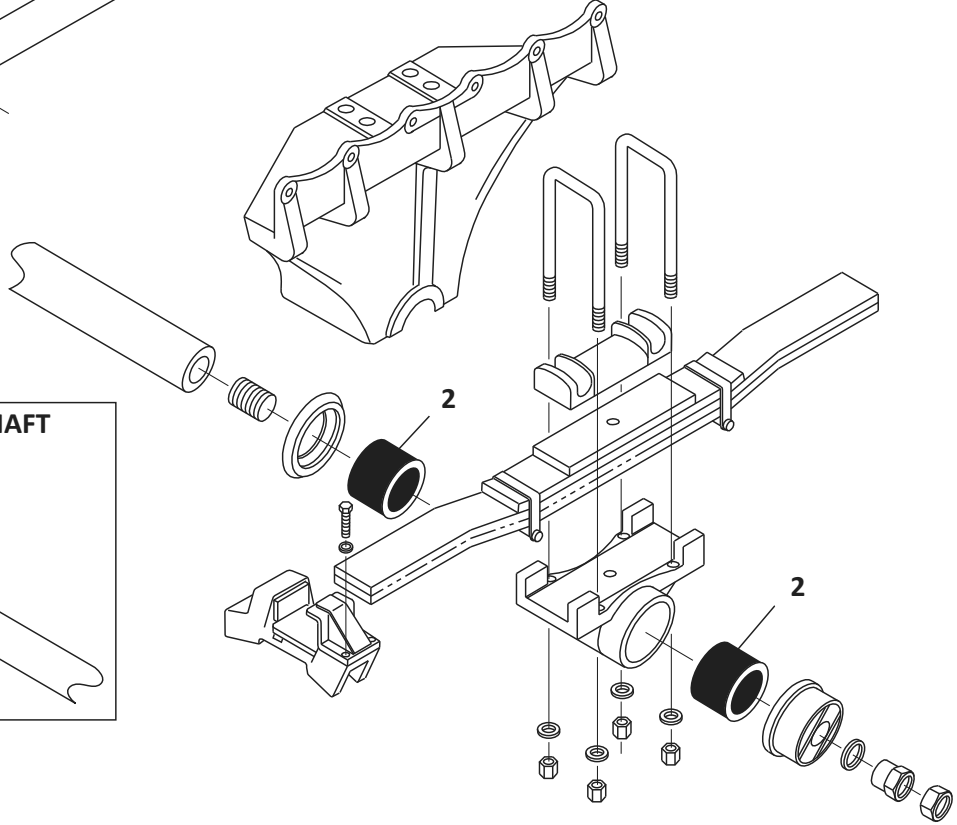
# KENWORTH REAR

## Big 6®

KENWORTH



**SOLID TRUNNION SHAFT**



# KENWORTH REAR

Suspension

Big 6®						
KEY NO.	MERITOR NO.	MACH NO.	OEM REF	DESCRIPTION	QTY. PER SUSPENSION	PAGE NO.
1	R302226	-	Clevite 227720	Torque Arm Bushing, Upper Torque Arms, Rubber, 2 3/4" OD, 5/8" Bolt Holes X 4 3/8" Center-to-Center	16	3-18, 3-20
	R307639	-	-	Torque Arm Bushing, Upper Torque Arms, Poly, 2 3/4" OD, 5/8" Bolt Holes X 4 3/8" Center-to-Center	16	3-18, 3-20
2	R309521	-	K066-232	Trunnion Bushing, Rubber, 4" ID X 5" OD X 4 5/8" Long	4	3-20
3	R309321	-	Meritor A-2297-K-1051	Torque Arm Bushing, Rubber, 4 1/8" OD, 7/8" Bolt Holes X 5 1/4" Center-to-Center	16	3-20
	R308655	-	-	Torque Arm Bushing, Poly, 4 1/8" OD, 7/8" Bolt Holes X 5 1/4" Center-to-Center	16	3-20
	R309324	G-9324	Clevite 932420	Torque Arm Bushing, Rubber, 3 1/2" OD, 5/8" Bolt Holes X 4 3/8" Center-to-Center	16	3-20
	R309322	-	Meritor A-2297-X-3664	Torque Arm Bushing, Rubber, 4 1/8" OD, 1" Bolt Holes X 5 1/4" Center-to-Center	16	3-20
-	N/A	-	K360-20	Trunnion	2	-

KENWORTH

**Smooth Spring Pin**



MACH NO.	OEM REF	OD	OAL / C-TO-C
<b>G-16319</b>	K179-527	1 1/4"	6 7/8"; 5 5/16"

**Bi-Metal Spring Pin Bushing With Seals**



MERITOR NO.	OEM REF	OD	ID	LENGTH
<b>R3016153</b>	HBU554	1 1/2"	1 1/4"	4"

**Bi-Metal Spring Pin Bushing**



MERITOR NO.	OD	ID	LENGTH
<b>R301876</b>	1 1/2"	1 1/4"	4"

**Threaded Spring Pin**

Front of Spring



Thread size: 1 3/8"-6

MACH NO.	OEM REF	OD	OAL / C-TO-C	NOTES
<b>G-15619</b>	K179-378	Large End - OD 1 1/2" Small End - OD 1 1/16"	7 3/8"; 5 3/4"	Grease Fitting on Small End

**Threaded Spring Pin**

Front and Rear  
of Spring



MACH NO.	OEM REF	OD	OAL / C-TO-C	THREAD
<b>G-16703</b>	5296		7 1/4"; 5 3/4"	1 3/8"-6
<b>G-15614</b>	B65-1002	1 1/16" Diameters on Both Ends	7 3/8"; 5 3/4"	M33.5 -4.0
<b>G-15620</b>	B65-1008		7 7/8"; 5 5/16"	M33.5 -4.0

KENWORTH

Threaded Bushing				
				
MACH NO.	OEM REF	OD	LENGTH	THREAD
<b>G-15538</b>	5295	1 3/4"	4"	1 3/8"-6
<b>G-16157</b>	B13-1000	1 3/4" 44.5mm	4" 101mm	M33.5 X4
<b>G-16158</b>	B13-1002	2 1/16" 52.8mm	4" 101mm	M33.5 X4

Rubber Bushing					
Medium Duty Models					
					
MERITOR NO.	MACH NO.	OEM REF	OD	ID	LENGTH
<b>R3016236</b>	<b>G-16236</b>	B65-6010	1 3/4"	5/8"	4 1/4"

Spring Hanger With Smooth Bushing		
		
MACH NO.	OEM REF	MATERIAL
<b>G-15616</b>	K056-595; K056-596	Ductile Iron

Rubber Bushing				
				
MERITOR NO.	MACH NO.	OEM REF	OD / PIN DIA.	OAL / C-TO-C
<b>R3015543</b>	<b>G-15543</b>	B65-6005	1 3/4"; 1 1/16"	6 11/16" Long, 5 7/16"
<b>R3016292</b>	<b>G-16292</b>	B65-1001	1 3/4"; 1 1/16"	7 1/8" Long, 5 3/4"
<b>R3015537</b>	<b>G-15537</b>	B65-1006	1 3/4"; 1 1/16"	7 1/2" Long, 6 3/16"
<b>R3016163</b>	<b>G-16163</b>	B65-1013; B65-6006	2 1/16"; 1 1/16"	6 11/16" Long, 5 7/16"
<b>R3015613</b>	<b>G-15613</b>	B65-1007	2 1/16"; 1 1/16"	7 1/2" Long, 6 5/16"

Spring Hanger With Threaded Bushing		
		
Ductile Iron		
MACH NO.	OEM REF	NOTES
<b>G-16700</b>	B11-1031-5	Includes G-16157 Threaded Bushing, Casting No. B111033

Spring Hanger With Threaded Bushing		
		
Ductile Iron		
MACH NO.	OEM REF	NOTES
<b>G-16701</b>	B11-1039	Includes G-16158 Threaded Bushing, Casting No. B111023

KENWORTH

**Spring Hanger With Threaded Bushing**



Ductile Iron

MACH NO.	OEM REF	NOTES
<b>G-16702</b>	K056-508; K056-598; K056-474	Includes G-15538 Threaded Bushing

**Spring Hanger With Rubber Bushing**

Casting No. B111033



1 1/16" Dia. Pin

MACH NO.	OEM REF	OAL / C-TO-C	NOTES
<b>G-16695</b>	B11-1034-6	6 11/16", 5 7/16"	Includes G-15543 Pin Type Rubber Bushing
<b>G-15547</b>	B11-1034-1	7 1/2"; 6 3/16"	Includes G-16160 Pin Type Rubber Bushing

**Side Bar, Offset Design**



Use With Threaded Pins, 1 1/16" Dia Hole

MACH NO.	OEM REF	FOR MODEL	ID	LENGTH	C-TO-C
<b>G-16705</b>	K209-8; K209-82; K209-87; K209-81; K209-89	W900B Before March 1991, All T400, T450, T600A, T800	1 1/16" Dia Hole	6 3/8"	4"

**Upper Shock Mounting Stud**

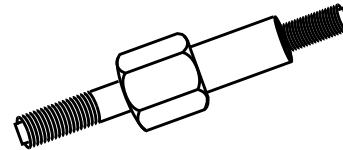


Photo Coming Soon

MACH NO.	OEM REF	LENGTH	THREAD	NOTES
<b>G-15621</b>	K233-509	7 1/4"	20mm X 2.5 & 16mm X 2.0	Top Mount Shock

**Side Bar, Flat Design**

Standard on Conventionals, Optional on COE



Use With Threaded Pins or Rubber Bushing

MACH NO.	OEM REF	ID	LENGTH	C-TO-C
<b>G-15608</b>	K209-36; K209-75	1 1/16" Dia Hole	6 5/16"	4"

**Spring Tip Insulator**



Rubber

MACH NO.	OEM REF	ID	THREAD
<b>G-15622</b>	EX1-1001-3	3 1/8"	M12 X 1.2

**NOTES:**

---

---

---

---

---

---

---

---

---

---

---

---

---

---

---

---

---

---

---

---

---

---

---

---

---

---

**KENWORTH**

**Stabilizer Bushing**

FOR MODELS:  
Airglide 100



MERITOR NO.	MACH NO.	OEM REF	OD	ID	LENGTH	MATERIAL
R304669	G-4669	K066-58; K066-50	2 7/8"	2"	4"	Rubber
R307446A	-	K066-449				Poly

**Torsion Bar Bushing - Current OE Design**

FOR MODELS:  
Airglide 200/400



Rubber

MERITOR NO.	OEM REF	OD	ID	LENGTH	BAR DIA.
R3016091	C13-1004	3"	2"	2 7/8"	54mm; 40K Models
R3016092	C13-1005	3"	2 3/16"	2 7/8"	58mm; 46K Models

**Torsion Bar Service Kit**

FOR MODELS:  
Airglide 200/400



MERITOR NO.	OEM REF	OD	NOTES
R3016119	C13-1006	54 mm Bar, 40K Models	Includes (4) R3016091 Bushings, (4) R3016231 Bolts and Nuts
R3016093	C13-1007	58 mm Bar, 46K Models	Includes (4) R3016092 Bushings, (4) R3016231 Bolts and Nuts

**Torsion Bar Bushing - Old Style - 54mm Bar Diameter**

FOR MODELS:  
Airglide 200/400



40K Models - ID 2 1/8"

MERITOR NO.	MACH NO.	OEM REF	OD	LENGTH	MATERIAL
-	G-16107	K066-450	3"	2 7/8"	Rubber
R3010302	-	-	3"	2 7/8"	Poly



**Torsion Bar Bushing - Old Style - 58mm Bar Diameter**

FOR MODELS:  
Airglide 200/400




46K Models - Bushing ID 2 1/4"

MERITOR NO.	MACH NO.	OEM REF	OD	LENGTH	MATERIAL
-	<b>G-16108</b>	K066-460	3"	2 7/8"	Rubber
<b>R3016122</b>	-	-	3"	2 7/8"	Poly

**Sway Bar Collar Assembly**


FOR MODELS:  
Airglide 200/400



MACH NO.	OEM REF	OD	ID	THICKNESS	NOTES
<b>G-16115</b>	K220-598	3 1/2"	2 1/8"	1/2"	54mm Bar Dia., 40K Models, Includes Set Screws

**Thrust Bearing**

FOR MODELS:  
Airglide 200/400




Rubber

MACH NO.	OEM REF	OD	ID	NOTES
<b>G-15618</b>	K066-502-1; K066-454	3 1/2"	2 1/8"	54mm Bar Dia, 40K Models
<b>G-16112</b>	K066-502-2; K066-461"	3 1/2"	2 1/4"	58 mm Bar Dia, 46K Model

**Sway Bar Assembly**

FOR MODELS:  
Glide 200



58mm Bar, 52" Axle Spacing

MACH NO.	OEM REF	NOTES
<b>G-16718</b>	C65-1000; C65-1013	Includes G-10303 Bushings

**Torque Arm & Stabilizer Rod Bushing, Heavy-Duty High Confinement Design**

FOR MODELS:  
Airglide 200/400



Rubber

MERITOR NO.	MACH NO.	OEM REF	OD	BOLT HOLE DIA.	C-TO-C
R3010303	G-10303	836940	2 3/4"	5/8"	4 3/8"

**Torque Arm Nut and Washer**

FOR MODELS:  
Airglide 100



For Tapered Torque Arm Bushings

MERITOR NO.	OEM REF	OD	ID	THREAD	THICKNESS
R302017	49NE2012	-	-	1 1/4"-12	-
R302018	-	2 1/4"	1 5/16"	-	1/4"

**Torque Arm & Stabilizer Rod Bushing**

FOR MODELS:  
Airglide 100



MERITOR NO.	OEM REF	OD	BOLT HOLE DIA.	C-TO-C	MATERIAL
R302226	227720	2 3/4"	5/8"	4 3/8"	Rubber, Steel Pin
R307639	-	2 3/4"	5/8"	4 3/8"	Poly, Steel Pin
R304664	227722	2 3/4"	5/8"	4 3/8"	Rubber, Aluminum Pin

**Torque Arm Tapered Stud**

FOR MODELS:  
Airglide 100



Uses R3010303 Straddle Mount Bushing & R302228 Tapered Stud Bushing

MERITOR NO.	OEM REF	BAR DIA	LENGTH C-TO-C
R3015711	K195-376; 944270	1 1/4"	24"

**Torque Arm**

FOR MODELS:  
Airglide 100



Bushings: R3010303, R302226, & R307639

MERITOR NO.	OEM REF	LENGTH C-TO-C
R3015708	K195-375; 925031	25"
R3015611	925150	24"

**Torque Arm Bushing, Tapered Stud**

FOR MODELS:  
Airglide 100



Includes Lock Nut and Washer

MERITOR NO.	OEM REF	A	B	MATERIAL
R302228	229610	2 3/4"	3"	Rubber
R308651	-			Poly


**Shim**


FOR MODELS:  
Airglide 100




MERITOR NO.	OEM REF	THICKNESS
R305076	K21-922-3	1/8"

Mounting Bolts					
MERITOR NO.	OEM REF	THREAD	LENGTH	FOR MODELS	NOTES
R3016230	K041-712-130P	M16-2.0	120mm	All Airglide Models	Stabilizer End Bushing Mounting
R3016225	K041-712-150P		150mm	Airglide 100	Stabilizer End Bushing Mounting
R3016226	K041-717-160P		160mm	All Airglide Models	Stabilizer Bar Bracket w/ Fabricated Center Support, Bottom Bolts
R3016415	-		170mm	Airglide 100	Fabricated Center Bracket
R3016691	K041-712-260P		260mm	Airglide 100	Stabilizer Bar Mounting Bolt for Cast Center Hanger
R3016231	K041-712-290P		290mm	Airglide 200/400	Frame Bracket Cap Mounting
R3016690	K041-724-260P	M20-2.5	260mm	Airglide 100	Stabilizer Bar Bracket w/ Fabricated Center Support, Top Bolts


Center Support Bracket		
MACH NO.	OEM REF	NOTES
FOR MODELS: Airglide 100		
		
G-10766	K272-145	Fabricated Models to 1994

Air Spring Bracket	
MERITOR NO.	OEM REF
FOR MODELS: Airglide 100	
	
R305075	K048-449

Universal Height Control Valve		
MERITOR NO.	OEM REF	NOTES
FOR MODELS: All Airglide Models		
		
R3014731	H01501UD	Hadley Next Gen, 3/8" Ports, Apply Air To Dump
R3014732	H01501PUD	Hadley Next Gen, 1/4" Ports, Apply Air To Dump

Threaded Pin Service Kit		
MACH NO.	OEM REF	NOTES
FOR MODELS: Airglide 200/400		
		
G-16117	K345-5156; K345-5032	Includes (2) Pins and (4) Seals

**Torque Arm Bushing**



NOTE: Heavy Duty, High Confinement, Steel Pin


MERITOR NO.	MACH NO.	OEM REF	OD	BOLT HOLE DIA	C-TO-C	MATERIAL
R3010303	G-10303	836940	2 3/4"	5/8"	4 3/8"	Rubber

**Trunion Bushing**



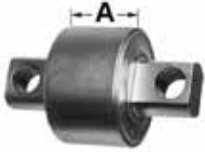
MERITOR NO.	OEM REF	OD	ID	LENGTH	MATERIAL
R309521	K066-232	5"	4"	4 5/8"	Rubber

**Torque Arm Bushing**



MERITOR NO.	MACH NO.	OEM REF	OD	BOLT HOLE DIA	C-TO-C	MATERIAL
R302226	-	Clevite 227720	2 3/4"	5/8"	4 3/8"	Rubber
R307639	-	-				Poly

**Torque Arm Bushing**



Rubber Bushings Unless Noted.

MERITOR NO.	MACH NO.	OEM REF	OD	BOLT HOLE DIA	C-TO-C "A"
R309324	G-9324	Clevite 932420	3 1/2"	5/8"	4 3/8" / 2 13/16"
R309321	-	Meritor A-2297-K-1051	4 1/8"	7/8"	5 1/4" / 2 1/2"
R308655	-	Poly			
R309322	-	Meritor A-2297-X-3664	4 1/8"	1"	5 1/4" / 2 1/2"

KENWORTH

Contents

**FRONT TRUCK / TRACTOR SUSPENSION**

**AIRTEK Mack** - - - - - 4-2

**F / R / RU / U Series**

**3 1/2" Wide Springs, Rubber Pad** - - - - - 4-6

**REAR TRUCK / TRACTOR SUSPENSION**

**Maxlite 40EZ (Volvo Corporate Air Ride)** - - - - - 4-8

**MaxAir Twisted Sister®** - - - - - 4-10

**SS34 & 38 Tandem Suspension**

**4" Wide Spring - Rubber / Poly Trunnion Bushing** - - - - - 4-12

**SS44 Series (Formerly SWS 573)**

**4" Wide Spring - Bronze Trunnion Bushing - 3 1/2" ID** - - - - - 4-16

**SS50C Series,**

**4" Wide Spring - Bronze Trunnion Bushing - 4" ID** - - - - - 4-20

**SS58C Series**

**5" Wide Spring - Bronze Trunnion Bushing - 4" ID** - - - - - 4-22

**SS65C-W Series,**

**5" Wide Spring - Bronze Trunnion Bushing - 5" ID** - - - - - 4-24

**ST Series - Tapered Leaf** - - - - - 4-26

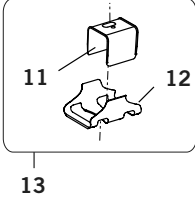
**SW - SWW Walking Beam** - - - - - 4-28

**Component Suspension Parts** - - - - - 4-30

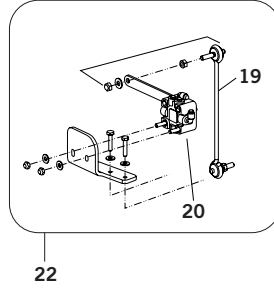
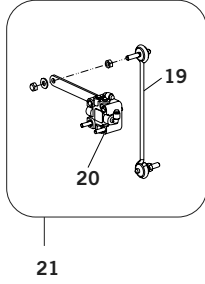


# MACK FRONT AIRTEK Mack

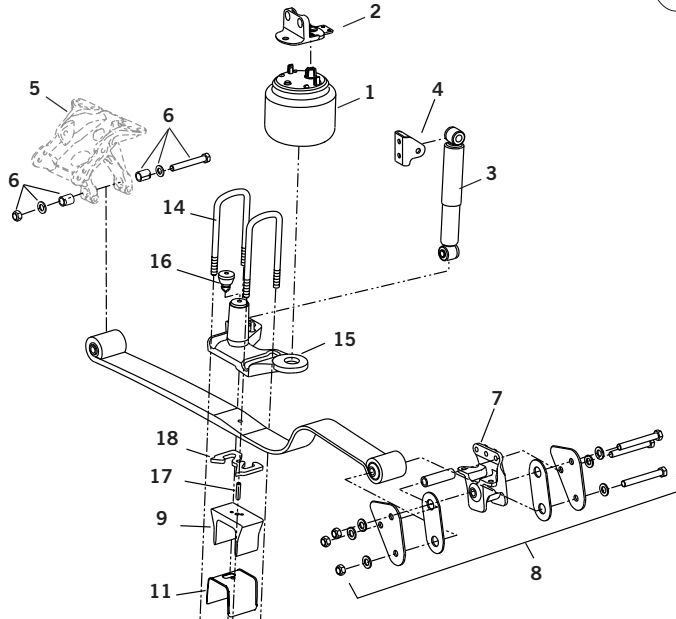
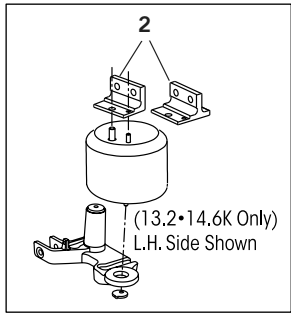
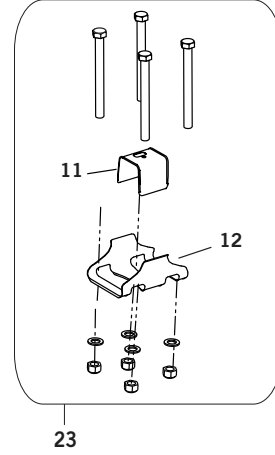
Axle Wrap Liner Kit



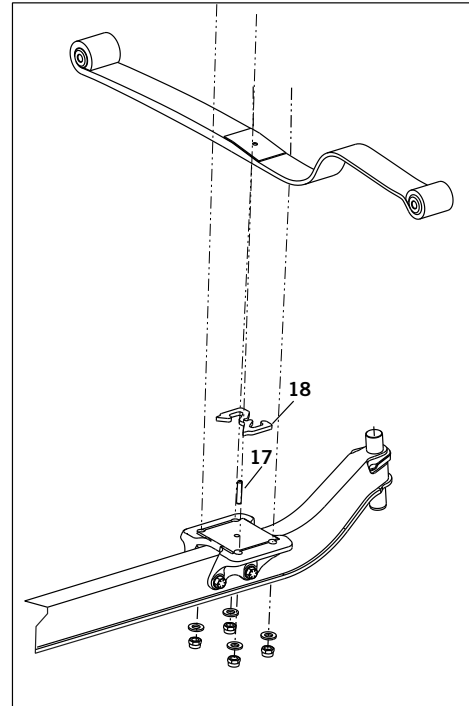
Single Height Control Valves For Vehicles Built Before March 2005



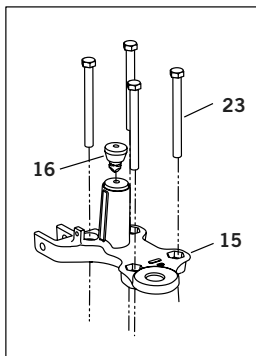
Straight Bolt Clamp Kit























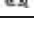
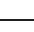

STEERTEK NXT  
Vehicles Built After July 2011



Axle Connection For  
Vehicles Built Before  
July 2007



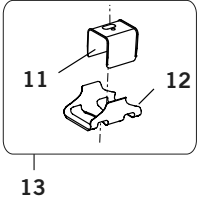
MACK

AIRTEK Mack								
KEY NO.	MERITOR NO.	GENUINE	OEM REF	DESCRIPTION	QTY PER AXLE			PAGE NO.
					PRE 2007	BEFORE JULY 2007	AFTER JULY 2007	
1	FS9913	-	66349-002	Air Spring, 12 & 12.5K	2	2	2	-
	FS9554	-	60716-002	Air Spring, 13.2 & 14.6K	2	2	2	-
2	S.O.S.		Various	Air Spring Bracket	2	2	2	-
3	M85933	-	64838-002 64838-003	Shock Absorber	2	2	2	-
	M89454	-	64838-002 64838-003	Shock Absorber, Premium Adjustable	2	2	2	-
4	S.O.S.		64241-001	Upper Shock Bracket	2	2	-	-
	S.O.S.		59423-008	Upper Shock Bracket	-	-	2	-
5	S.O.S.		Various	Spring Hanger	2	2	2	-
6	R3016412		60961-033	Front Hanger Repair Kit	2	2	2	4-30
7	S.O.S.		Various	Rear Shackle Bracket, Left Hand with Bushing	1	1	1	-
	S.O.S.		Various	Rear Shackle Bracket, Right Hand with Bushing	1	1	1	-
8	R3016409		60961-034 60961-635	Shackle Bracket Service Kit, One Axle, Omit Thrust Washer For Post July 2007 Vehicles	1	1	1	4-30
9	S.O.S.		59952-017 59952-013 59952-014	Top Axle Wrap	2	2	-	-
10	R3015108		64722-003 64014-003 60622-003	Bottom Axle Wrap	2	2	-	4-30
11	R3015147		60508-000	Top Axle Wrap Liner	2	2	-	4-30
12	R3015110		59845-000	Bottom Axle Wrap Liner	2	2	-	4-30
13	R3015727		60961-015	Axle Wrap Liner Kit, Vehicles Built Before October 2012, Includes Key Nos. 11 & 12	2			4-30
14	S.O.S.	-	Various	U-Bolt Assembly, Specify Ride Height	-	4	4	-
15	S.O.S.		Various	Top Pad, Specify Left or Right Hand, Pre or Post 2007 Engine and Frame Rail Size	2	2	2	-
16	R3015148		64080-000	Rubber Axle Stop	2	2	2	4-30
17	S.O.S.		Various	Dowel Pin, Specify Length	-	2	2	-
18	S.O.S.		64318-028	Spacer, All Vehicles with Dual Height Control Valves March 2005 - July 2011 & All Post July 2011 Vehicles	-	2	2	-
	S.O.S.		Various	Spacer, Other Configurations	-	2	2	-
19	R3015096		59428-004	Linkage Kit, Single Height Control Valve, Vehicles Built Prior to 3/05	-	-	-	4-31
20	R3015151		59935-003	Height Control Valve, Vehicles Built Prior to 3/05	-	-	-	4-31
21	R3015150		59427-006	Height Control Valve and Linkage Kit for Vehicles Built Prior to 3/05, Includes Key No. 19, 20	-	-	-	4-31
22	R3014013		64089-000	Height Control Valve Assembly, Includes Key No. 19 & 20 plus Bracket, Vehicles Built Prior to 3/05 w/ 12 & 12.5K Axles	-	-	-	-
	R3014014		64094-000	Height Control Valve Assembly, Includes Key No. 19 & 20 plus Bracket, Vehicles Built Prior to 3/05 w/ 13.2 & 14.6K Axles	-	-	-	-

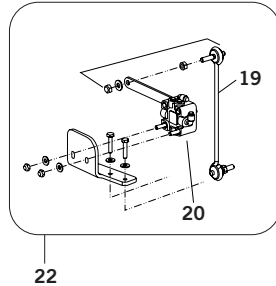
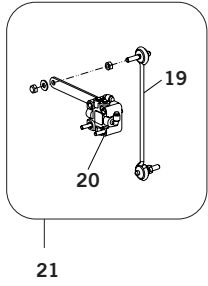
 Denotes Product is Genuine Hendrickson

# MACK FRONT AIRTEK Mack

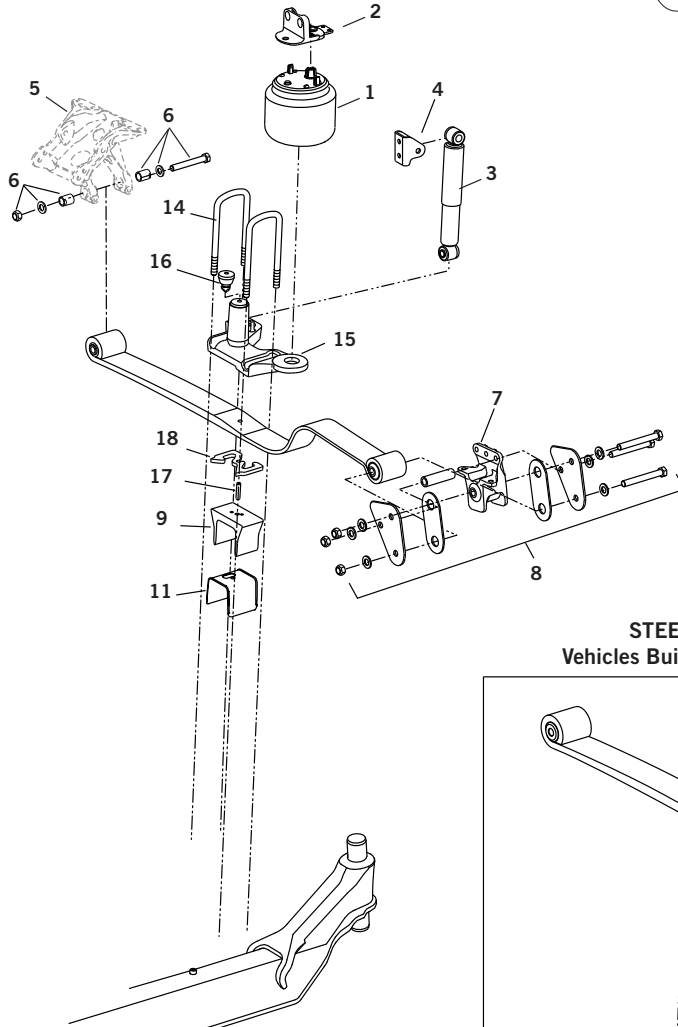
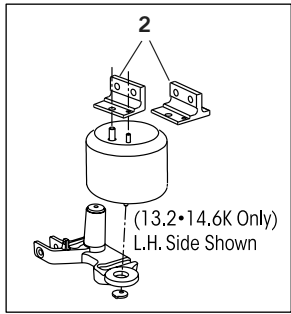
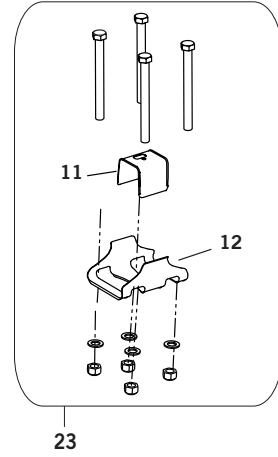
Axle Wrap Liner Kit



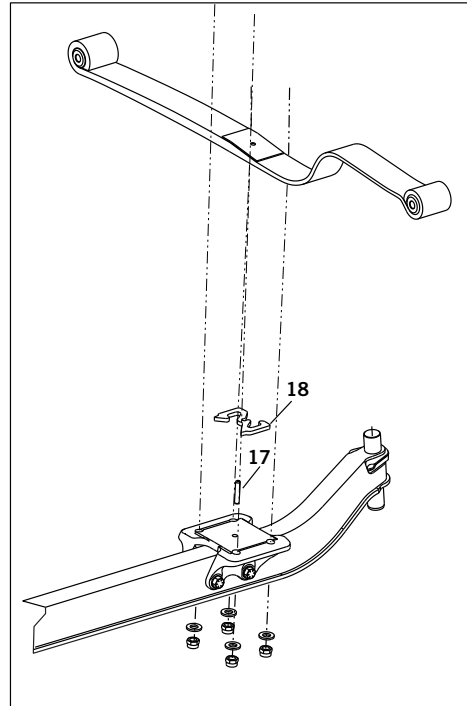
Single Height Control Valves For Vehicles Built Before March 2005



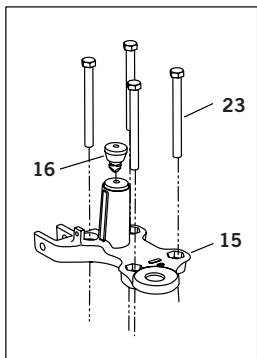
Straight Bolt Clamp Kit



STEERTEK NXT  
Vehicles Built After July 2011








Axle Connection For  
Vehicles Built Before  
July 2007



MACK



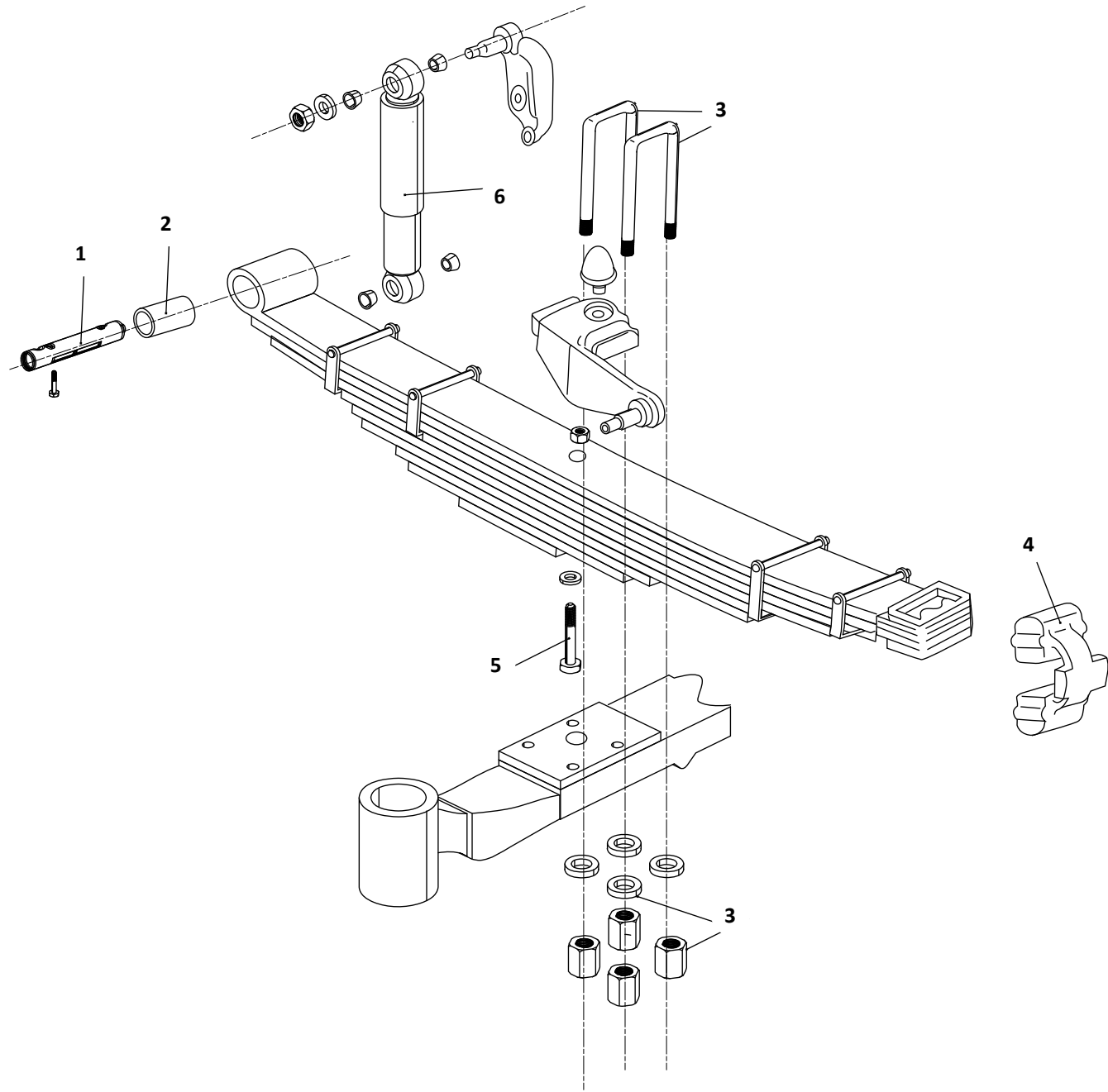
AIRTEK Mack								
KEY NO.	MERITOR NO.	GENUINE	OEM REF	DESCRIPTION	QTY PER AXLE			PAGE NO.
					PRE 2007	BEFORE JULY 2007	AFTER JULY 2007	
23	R3016410		60961-035	Straight Bolt Clamp Kit, Vehicles with Dual Height Control Valves, 13 1/4" Ride Height, Includes Key Nos. 11 & 12, Bolts, Nuts, Washer for One Side	2	-	-	4-30
	R3016411		60961-037	Straight Bolt Clamp Kit, Vehicles with Single Height Control Valve, 14 3/8" Ride Height, Includes Key Nos. 11 & 12, Bolts, Nuts, Washer for One Side	2	-	-	4-31
	S.O.S.		Various	Straight Bolt Clamp Kit, Other Configurations, Includes Key No. 11, Bolts, Nuts, Washer for One Side	2	-	-	-
-	R3014019		60961-101	Dual Height Control Valve & Linkage Conversion Kit, Convert Single HCV to Dual, 12 & 12.5K Capacity	1	-	-	-
-	R3014020		60961-102	Dual Height Control Valve & Linkage Conversion Kit, Convert Single HCV to Dual, 13.2 & 14.6K Capacity	1	-	-	-

 Denotes Product is Genuine Hendrickson



# MACK FRONT

F / R / RU / U Series  
3 1/2" Wide Springs, Rubber Pad



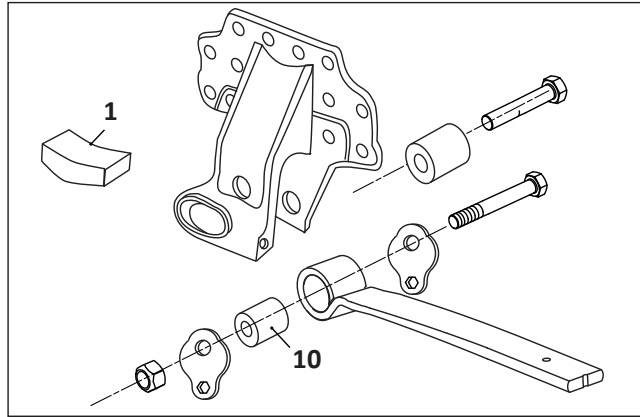
MACK

F / R / RU / U Series 3 1/2" Wide Springs, Rubber Pad						
KEY NO.	MERITOR NO.	MACH NO.	OEM REF	DESCRIPTION	QTY PER AXLE	PAGE NO.
1	R303715	-	44QK173B	Spring Pin, 1 3/4" OD X 6 1/4" Long	2	4-32
2	R303533	-	10QK229P1	Spring Pin Bushing, 1 1/2" OD X 1 1/4" ID X 3 1/2" Long, Bronze	2	4-32
	R3016165	-	-	Spring Pin Bushing, 1 1/2" OD X 1 1/4" ID X 3 1/2" Long, Bi-Metal		4-32
3	R30U8253-12	-	-	U-Bolt Assembly, Sq. Bend, 3/4"-16 X 3 1/2" Wide x 12" Long	4	-
4	R303722	-	10QK322A	Front Spring Insulator, Rubber	2	4-32
5	R303191	-	-	Spring Center Bolt, 1/2"-20 X 6" Long	2	-
	R303193	-	-	Spring Center Bolt, 1/2"-20 X 8" Long	2	4-41
6	M83221	-	-	Shock Absorber	2	-
	M85036	-	-	Shock Absorber	2	-

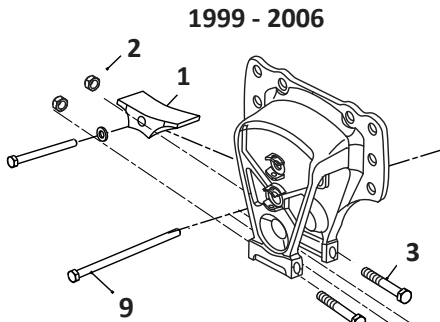
# MACK REAR

Maxlite 40EZ (Volvo Corporate Air Ride)

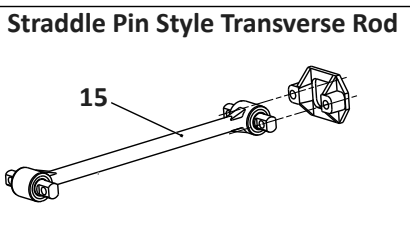
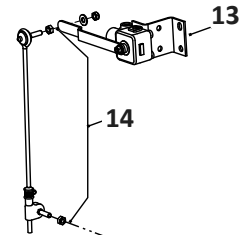
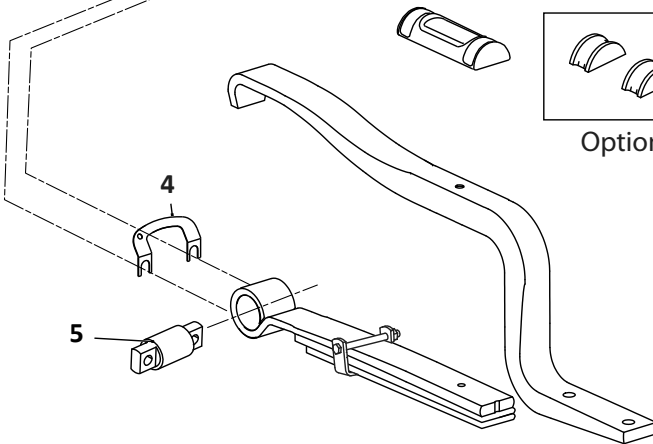
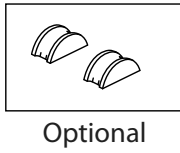
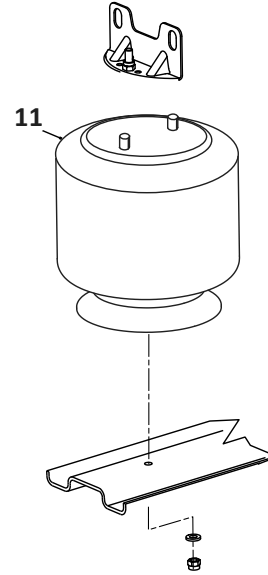
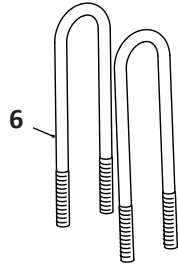
## Alternate Hanger & Slipper Pad



2006 and Later



1999 - 2006



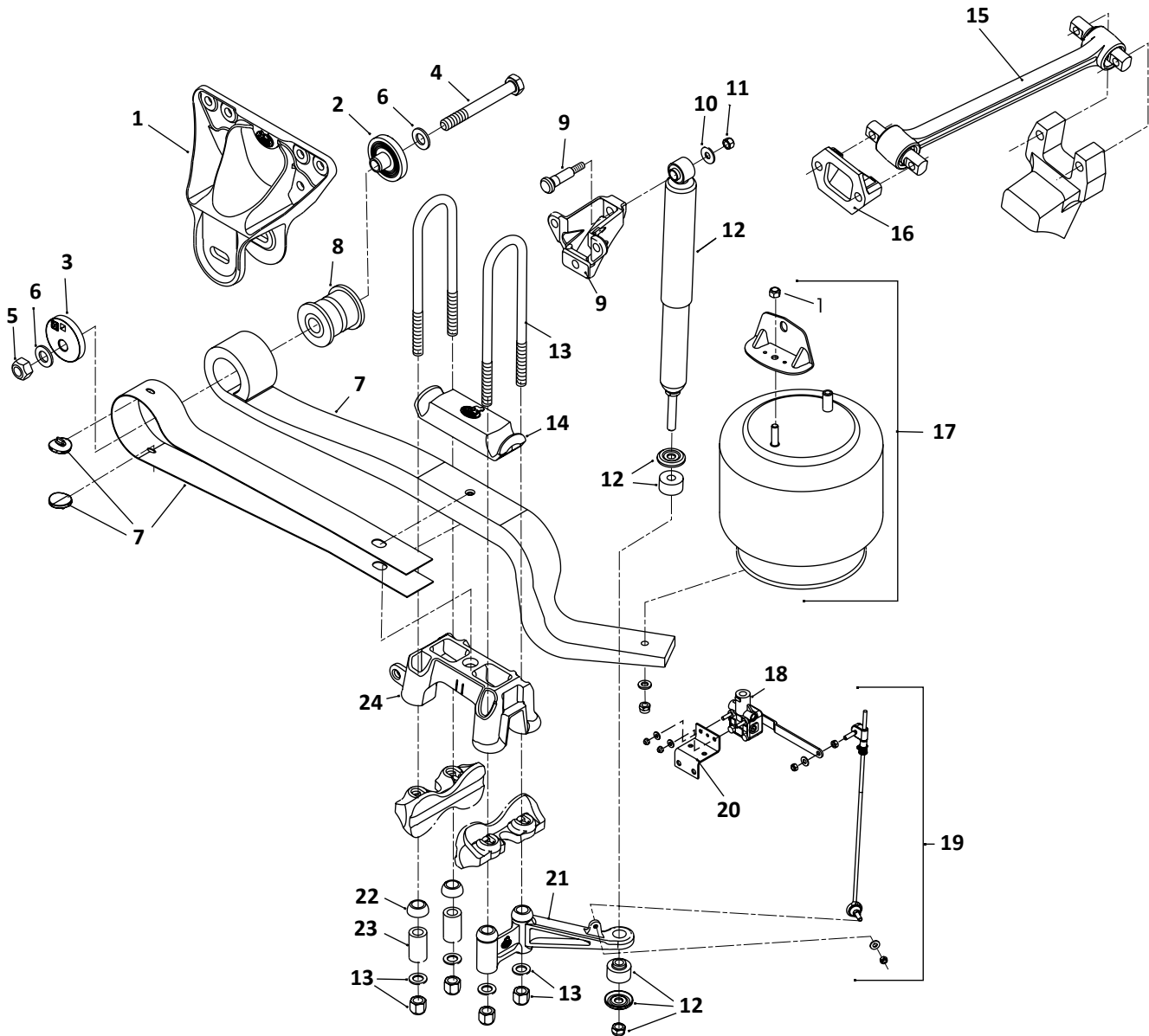
Straddle Pin Style Transverse Rod

MACK

Maxlite 40EZ (Volvo Corporate Air Ride)						
KEY NO.	MERITOR NO.	MACH NO.	OEM REF	DESCRIPTION	QTY. PER AXLE	PAGE NO.
1	R3016778	-	8079889; 20568741	Wear Pad Kit, 1999 - 2006	2	4-34
	R3016779	-	20703083	Wear Pad Kit, 2007 and Later	2	4-34
2	R308911	-	V8397202	Flange Nut, 5/8"-11, Through 2006	4	-
3	R308909	-	V8397091	Bolt, 5/8"-11 X 6" Long, Through 2006	4	-
	R308910	-	V8397092	Bolt, 5/8"-11 X 6 5/8" Long, Through 2006	4	-
4	R305281	-	V8020329	Alignment Shim	2	4-35
5	R302225	-	35033-3201	Spring Eye Bushing, Straddle Mount, 2 1/2" OD, 4 3/8" Center-to-Center, 5/8" Bolt Holes	2	4-43
	R3015671	G-15671	8079894	Spring Eye Bushing, High Confinement, Straddle Mount, 2 1/2" OD, 4 3/8" Center-to-Center, 5/8" Bolt Holes	2	4-34
6	R30U8151-16	-	V8027431	U-Bolt Assembly, Rd. Bend, 3/4"-16 Thd. x 3" Wide x 16" Long	4	-
7	-	G-16807	8071514	Axle Seat, 3.6° Pinion Angle	2	4-35
8	-	-	8169852; 8169853	Lower Shock Bracket	2	-
9	-	G-16806	35026-0001; 8027436	Rebound Pin, 3/4" OD X 5 1/4" Long	2	4-34
10	R3016777	-	20558810	Spring Eye Bushing, Through Hole, After 2006, 7/8" ID X 2 9/16" OD X 3 9/16" Long	2	4-34
11	FS9219	-	35003-3204; 35003-3209	Firestone Air Spring	2	-
	FS8829	-	20505399	Firestone Air Spring	2	-
	MAF8829	-	20505399	Meritor Air Spring	2	-
	FS9296	-	8061151	Firestone Air Spring	2	-
12	M85024	-	8071524	Shock Absorber	2	-
	M85046	-	8026658	Shock Absorber	2	-
	M85047	-	8169859	Shock Absorber	2	-
13	R3011855	-	-	Height Control Valve, No Dump	1	4-35
	R3011870	-	-	Height Control Valve, Dump With Air Applied	1	4-35
14	R307852	-	-	Leveling Valve Link Kit	1	4-35
15	R308821	-	35801-0068	Torque Arm, 22 1/8" Long, Straddle Mount Bushings, R308821 Includes R309395 Bushings	1	4-34
	R303176	-	-	Torque Arm Kit, Full Ball Design.	1	4-34











# MACK REAR

## MaxAir Twisted Sister®



MACK

## MaxAir Twisted Sister®

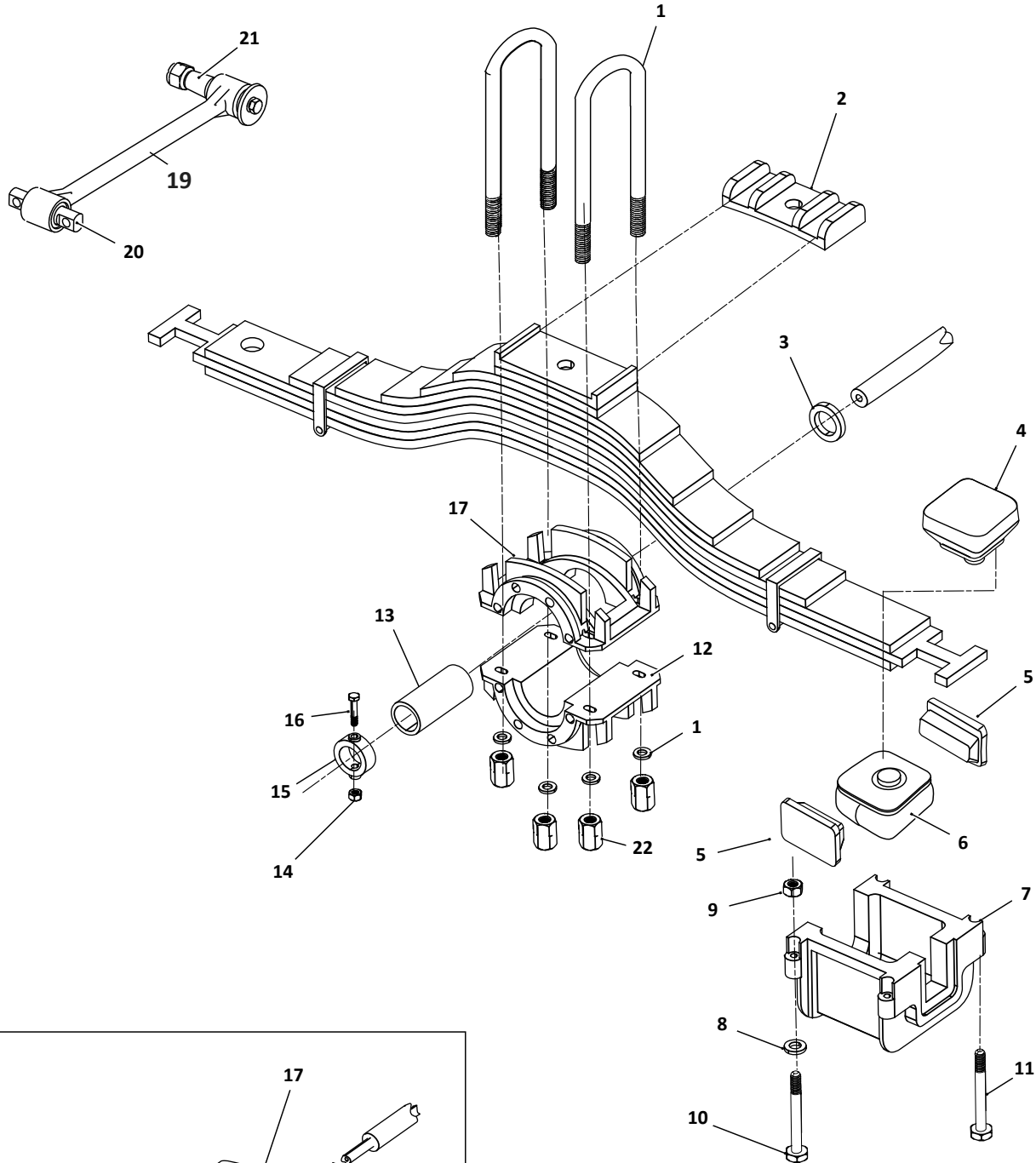
KEY NO.	MERITOR NO.	GENUINE	OEM REF	DESCRIPTION	QTY. PER AXLE	PAGE NO.
1	R3015487		58772-001	Frame Hanger	2	-
2	R3016780		60497-000	QUIK-ALIGN Concentric Base	2	4-36
	R3015553		60661-000L	QUIK-ALIGN Concentric Base For Aluminum Hangers	2	4-36
3	R3016781		60496-000	QUIK-ALIGN Eccentric Base	3	4-36
	R3016260		60662-000L	QUIK-ALIGN Eccentric Base For Aluminum Hangers	3	4-36
4	S.O.S.	-	58705-003	Hex Bolt, 7/8"-9 x 7 1/2" Long	2	-
	S.O.S.	-	58705-005	Hex Bolt, 7/8"-9 x 8" Long For Aluminum Hangers	2	-
5	R302983	-	60266-000	Locknut, 7/8"-9	2	-
6	R302546	-	22962-034	Washer, 7/8" ID	4	-
7	S.O.S.	-	Various	Main Support Member, Includes Key 8	2	-
8	R3013992		58648-000	QUIK-ALIGN Pivot Bushing	2	4-36
9	S.O.S.	-	58692-000	Shock Frame Hanger Assembly, Includes Hardware	2	-
10	R309603	-	22962-031	Washer, 1/2" ID	2	-
11	R3016402	-	49846-000	Locknut, 1/2"-13	2	-
12	M83111	-	57241-006L	Shock Absorber, Includes Lower Bushings, Washers and Nut	2	-
13	R30U8151-16	-	-	U-Bolt Assembly, Rd. Bend, 3/4"-16 x 3 " Wide x 16 " Long, Does Not Include Spherical Washers Key 22	4	-
14	R3015721		58775-002	Top Pad	2	-
15	R3013993		58757-006	Transverse Rod Assembly	1	4-37
16	R302634		22186-000	Transverse Rod Frame Bracket	1	4-37
17	FS9647		58786-002	Firestone Air Spring, Includes Mounting Bracket	2	-
18	R3014796		59899-000L	Height Control Valve	1	-
19	R307852	-		Height Control Valve Linkage Assembly, Universal Adjustable	1	4-35
20	S.O.S.	-	57975-000	Height Control Valve Bracket	1	-
21	S.O.S.	-	Various	Lower Shock Bracket	2	-
22	S.O.S.	-	49947-000	Spherical Washer, 3/4" ID	4	-
23	S.O.S.	-	58776-000	U-Bolt Spacer Tube	4	-
24	S.O.S.	-	Various	Spring Seat	2	-

 Denotes Product is Genuine Hendrickson

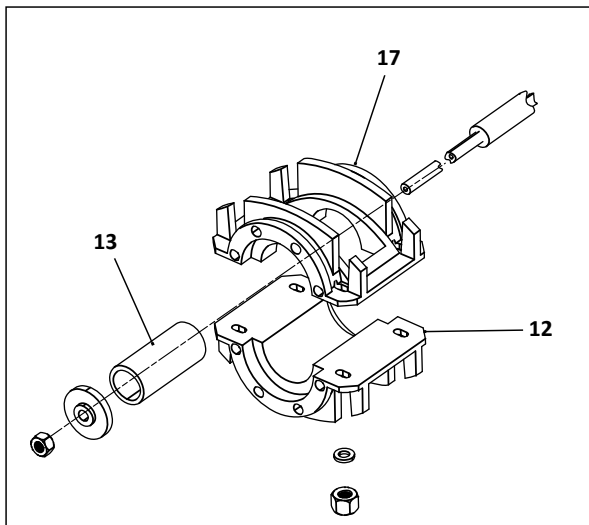
# MACK REAR

## SS34 & 38 Tandem Suspension

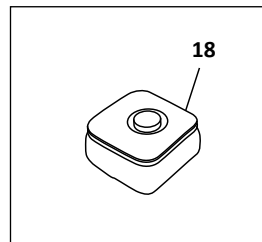
### 4" Wide Spring - Rubber / Poly Trunnion Bushing



MACK



Early Model Rubber Bushing



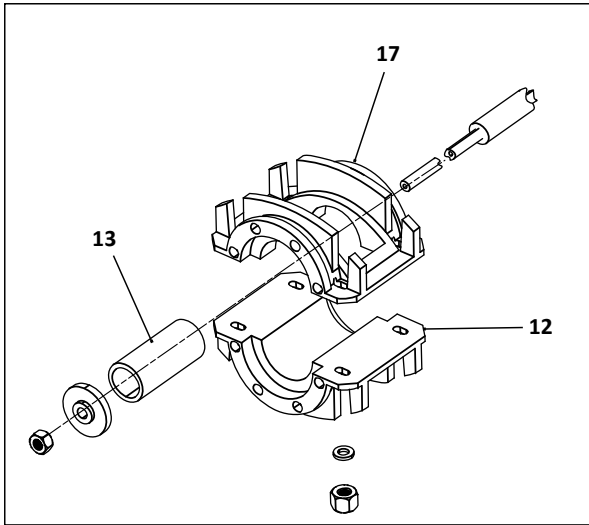
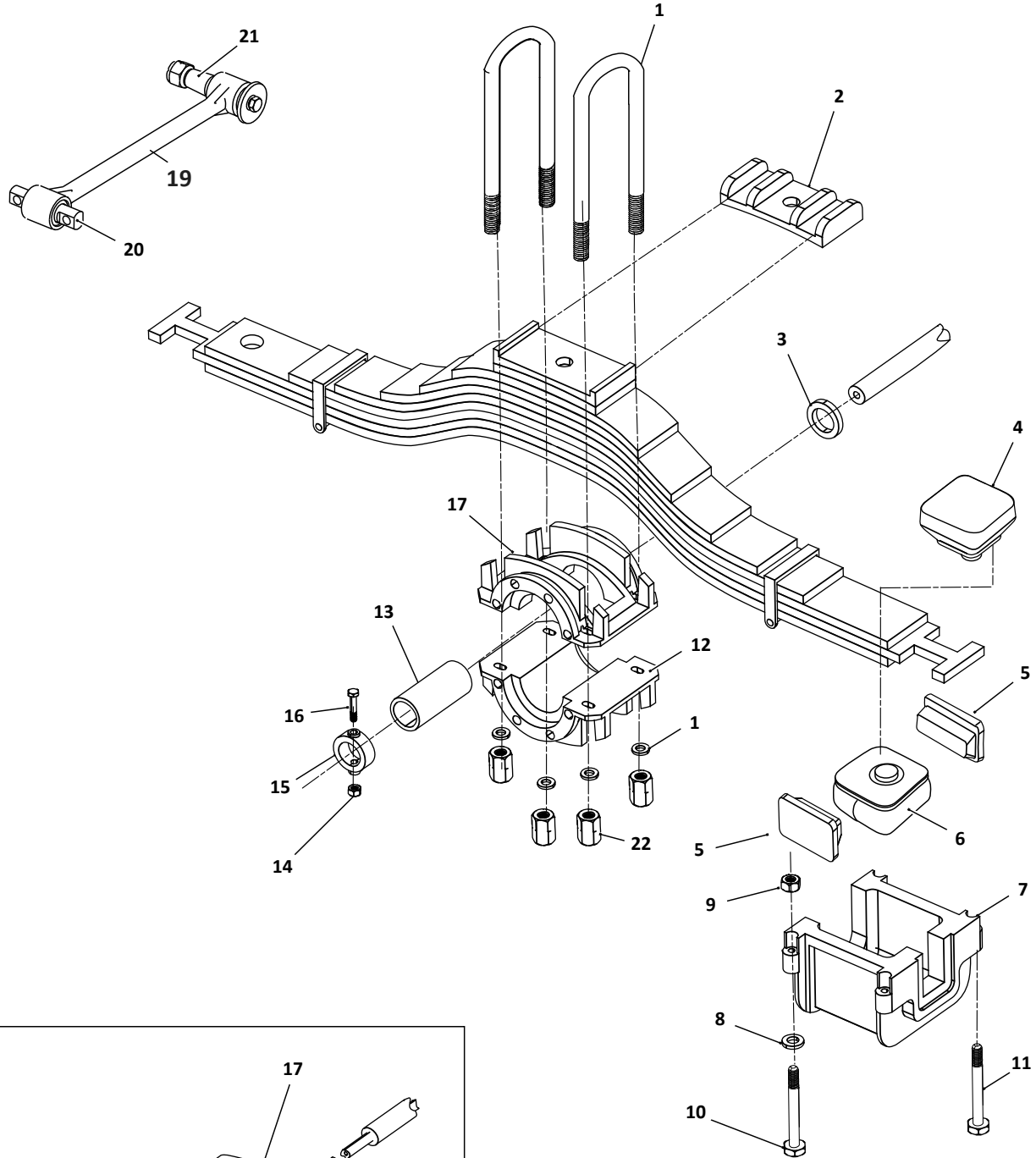
Special Offset Insulator to Correct Axle Alignment



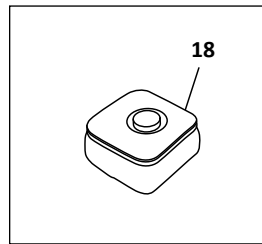
SS34 & 38 Tandem Suspension 4" Wide Spring - Rubber / Poly Trunnion Bushing						
KEY NO.	MERITOR NO.	MACH NO.	OEM REF	DESCRIPTION	QTY. PER TANDEM	PAGE NO.
1	R30U8394-144	-	-	U-Bolt Assembly, Semi Rd. Bend, 1-1/4"-12 x 4" Wide x 14-1/2" Long, Includes Key 22 R303006 Hi Nut	4	4-44
	R30U8394-162S	-	-	U-Bolt Assembly, Semi Rd. Bend, 1-1/4"-12 x 4" Wide x 16-1/4" Long, Includes Key 22 R303005 Hi Nut	4	4-44
	R30U8394-18	-	-	U-Bolt Assembly, Semi Rd. Bend, 1-1/4"-12 x 4" Wide x 18" Long, Includes Key 22 R303006 Hi Nut	4	4-44
2	-	-	-	Top Plate	-	-
3	R303702	-	44RU2223P2	Inner Spacer, 4 1/8" OD X 3 1/2" ID X 7/16" Thick	2	4-42
	R303703	-	44RU2223P1	Inner Spacer, 4 1/8" OD X 3 1/2" ID X 1/2" Thick	2	4-39
4	R302917	-	10QK365A	Upper Insulator Pad, Rubber, 6" Long X 4 1/2" Wide X 2 3/8" Thick, 1 3/4" Dia. Pin	4	4-42
	R307481	-	-	Upper Insulator Pad, Poly, 6" Long X 4 1/2" Wide X 2 3/8" Thick, 1 3/4" Dia. Pin	4	4-42
	R302919	-	10QK370	Upper Insulator Pad, Rubber, 6" Long X 4 1/2" Wide X 3" Thick, 1 3/4" Dia. Pin	4	4-42
	R308667	-	-	Upper Insulator Pad, Poly, 6" Long X 4 1/2" Wide X 3" Thick, 1 3/4" Dia. Pin	4	4-42
5	R303689	-	13QK246	Insulator Spacer Block	8	4-42
6	R302920	-	10QK36B	Lower Insulator Pad, Rubber, 6" Long X 6" Wide X 3 3/4" Thick, 1 3/4" Dia. Pin	4	4-42
	R307480	-	-	Lower Insulator Pad, Poly, 6" Long X 6" Wide X 3 3/4" Thick, 1 3/4" Dia. Pin	4	4-42
7	R303688	-	52QK418BP4	Insulator Box, 6 3/4" Deep	4	4-41
	-	<b>G-16782</b>	52QK418BP5	Insulator Box, 6 3/8" Deep	4	4-41
8	R302546	-	37AX1310	Washer, 7/8" ID	8	-
9	R301835	-	21AX480	Lock Nut, 7/8"-14	8	-
10	R303690	-	1AX425	Insulator Box Bolt, 7/8"-14 x 5" Long	12	4-41
	R303691	-	1AX475	Insulator Box Bolt, 7/8"-14 x 5 1/4" Long	12	4-41
	R303692	-	1AX427; 3AX987	Insulator Box Bolt, 7/8"-14 x 6" Long	12	4-41
	R303693	-	3AX1344	Insulator Box Bolt, 7/8"-14 x 6-1/2" Long	12	4-41
	R305439	-	3AX1050	Insulator Box Bolt, 7/8 "-14 x 7-1/2 " Long	12	4-41
	R305428	-	3AX1348	Insulator Box Bolt, 7/8 "-14 x 8 " Long	12	4-41
11	R303696	-	4AX320; 6AX837	Insulator Box Stud, 7/8"-9 x 4-1/2" Long	4	4-41
	R305427	-	6AX1160	Insulator Box Stud, 7/8"-9 X 6" Long	4	4-41
12	R303685	-	39QK431	Lower Trunnion Half, Newer Style, 8 3/4" Long, Use With R302922A Bushing	2	4-38
13	R302921A	-	10QK219P1	Trunnion Bushing, Rubber, 4 11/16" OD X 3 7/16" ID X 5 9/16" Long	2	-
	R307478	-		Trunnion Bushing, Poly, 4 11/16" OD X 3 7/16" ID X 5 9/16" Long	2	4-39
	R302922A	<b>G-2922A</b>	10QK219P2	Trunnion Bushing, Rubber, 4 11/16" OD X 3 7/16" ID X 6 5/16" Long	2	4-39
	R307479	-	10QK276	Trunnion Bushing, Poly, 4 11/16" OD X 3 7/16" ID X 6 5/16" Long	2	4-39
	R302924A	<b>G-2924A</b>	10QK130P1	Trunnion Bushing, Rubber, 4 7/16" OD X 3 7/16" ID X 8 3/8" Long	2	4-39
	R307441	-		Trunnion Bushing, Poly, 4 7/16" OD X 3 7/16" ID X 8 3/8" Long	2	4-39
14	R304961A	-	-	Lock Nut, 3/4"-16	4	-
15	R3010116	-	44RU2221P2	Collar, Later Design, 4 1/8"OD x 3 1/2" ID X 1 3/4" Wide	2	4-40
	R303704	-	44BU2221P1	Collar, Early Design, 4 1/8"OD x 3 1/2" ID X 2 1/4" Wide	2	4-40
16	R3015194	-	-	Bolt, 3/4"-16 X 5 1/2" Long	2	-
17	R303683	-	39QK433A	Upper Trunnion Half, Newer Style, 8 3/4" Long, Use With R302922A Bushing	2	4-38
18	R303919	-	10QK48	Special Offset Lower Insulator Pad, Rubber, 6" Long X 6" Wide X 3 3/4" Thick, 1 3/4" Dia. Pin	As Required	4-42
19	<b>See Hendrickson Ultra Rod Charts</b>			Transverse Torque Arm, Rubber Bushings	1	-
	R303988	-	-	Transverse Torque Arm Kit, Full Ball Design	1	4-34

# MACK REAR

## SS34 & 38 Tandem Suspension 4" Wide Spring - Rubber / Poly Trunnion Bushing



Early Model Rubber Bushing



Special Offset Insulator to Correct Axle Alignment

MACK

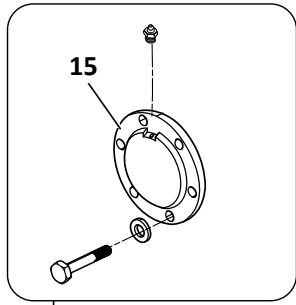
SS34 & 38 Tandem Suspension 4" Wide Spring - Rubber / Poly Trunion Bushing						
KEY NO.	MERITOR NO.	MACH NO.	OEM REF	DESCRIPTION	QTY. PER TANDEM	PAGE NO.
20	R302226	-	227720, 44695	Torque Arm Bushing, Straddle Mount, 2 3/4" OD X 4 3/8" Center-to-Center, 5/8" Bolt Holes, Use with Torque Rods with Rubber Bushings	1	4-43
21	R302815	-	46735	Torque Arm Bushing, Tapered Stud, Use with Torque Rods with Rubber Bushings	2	4-43
22	R303005	-	21AX131	Hi Nut, 1 1/4"-12 Thread X 1 5/8" Tall	8	4-44
	R303006	-	21AX655	Hi Nut, 1 1/4"-12 Thread X 2 3/4" Tall, Severe Duty	8	4-44

# MACK REAR

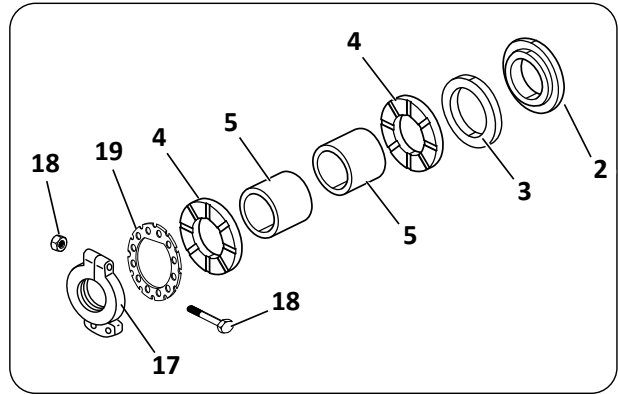
SS44 Series (Formerly SWS 573)

4" Wide Spring - Bronze Trunnion Bushing - 3 1/2" ID

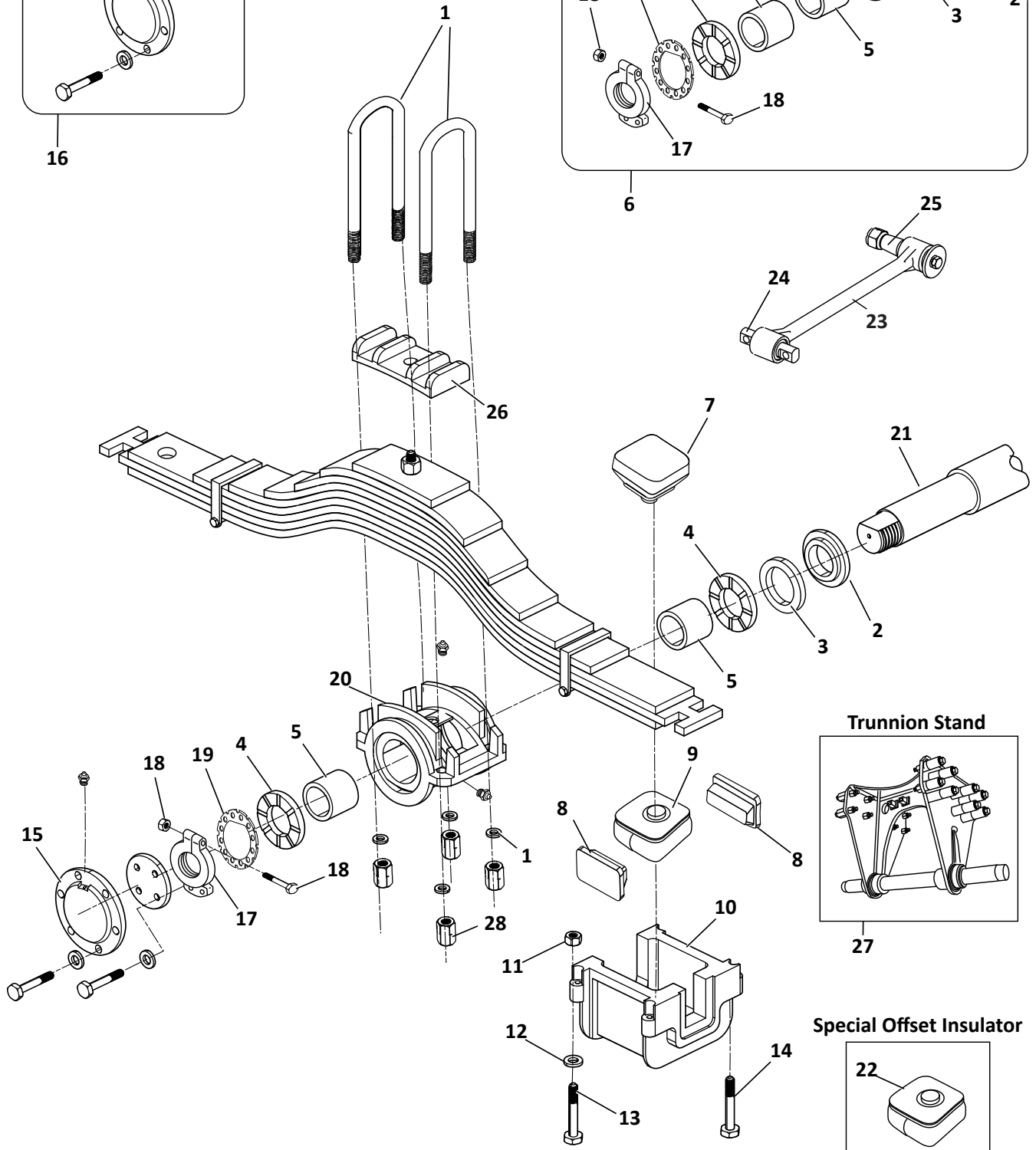
Trunnion Cap Kit



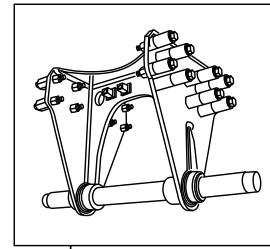
Trunnion Rebuild Kit



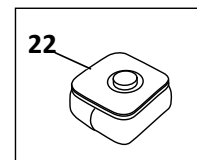
MACK



Trunnion Stand



Special Offset Insulator



Designed to Correct Axle Alignment

## SS44 Series (Formerly SWS 573) 4" Wide Spring - Bronze Trunnion Bushing - 3 1/2" ID

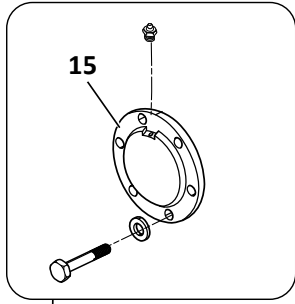
KEY NO.	MERITOR NO.	MACH NO.	OEM REF	DESCRIPTION	QTY. PER TANDEM	PAGE NO.
1	R30U8394-144	-	-	U-Bolt Assembly, Semi Rd. Bend, 1-1/4"-12 x 4" Wide x 14-1/2" Long, Includes Key 30 R303006 Hi Nut	4	4-44
	R30U8394-162S	-	-	U-Bolt Assembly, Semi Rd. Bend, 1-1/4"-12 x 4" Wide x 16-1/4" Long, Includes Key 30 R303005 Hi Nut	4	
	R30U8394-18	-	-	U-Bolt Assembly, Semi Rd. Bend, 1-1/4"-12 x 4" Wide x 18" Long, Includes Key 30 R303006 Hi Nut	4	
2	R303187	-	88AX244; 88AX446	Trunnion Seal, 5 1/2" OD X 4 3/8" ID x 9/16" Thick	2	4-39
3	R303699	-	43QK117	Steel Washer, 5 3/8" OD X 4 3/8" ID X 3/8" Thick	2	4-40
4	R303698	-	35AX688; 43QK116	Bronze Thrust Washer, 5 5/16" OD X 3 1/2" ID X 1/4" Thick	2	4-40
5	R302925	-	10QK157; 80AX300	Bronze Trunnion Bushing, 3 3/4" OD X 3 1/2" ID X 3 7/16" Long	4	4-39
6	R303916	-	-	Trunnion Rebuild Kit, Includes Key No. 2, 3, 4, 5, 17, 19. Axle Set	1	4-40
7	R302919	-	10QK370	Upper Insulator Pad, Rubber, 6" Long X 4 1/2" Wide X 3" Thick, 1 3/4" Dia. Pin	4	4-42
	R308667	-	-	Upper Insulator Pad, Poly, 6" Long X 4 1/2" Wide X 3" Thick, 1 3/4" Dia. Pin	4	4-42
8	R303689	-	13QK246	Insulator Spacer Block	8	4-42
9	R302920	-	10QK36B	Lower Insulator Pad, Rubber, 6" Long X 6" Wide X 3 3/4" Thick, 1 3/4" Dia. Pin	4	4-42
	R307480	-	-	Lower Insulator Pad, Poly, 6" Long X 6" Wide X 3 3/4" Thick, 1 3/4" Dia. Pin	4	4-42
10	R303688	-	52QK418BP4	Insulator Box, 6 3/4" Deep	4	4-41
	-	G-16782	52QK418BP5	Insulator Box, 6 3/8" Deep	4	4-41
11	R301835	-	21AX480	Lock Nut, 7/8"-14	8	-
12	R302546	-	37AX1310	Washer, 7/8" ID	8	-
13	R303690	-	1AX425	Insulator Box Bolt, 7/8"-14 x 5" Long	12	4-41
	R303691	-	1AX475	Insulator Box Bolt, 7/8"-14 x 5 1/4" Long	12	4-41
	R303692	-	1AX427; 3AX987	Insulator Box Bolt, 7/8"-14 x 6" Long	12	4-41
	R303693	-	3AX1344	Insulator Box Bolt, 7/8"-14 x 6-1/2" Long	12	4-41
	R305439	-	3AX1050	Insulator Box Bolt, 7/8 "-14 x 7-1/2 " Long	12	4-41
	R305428	-	3AX1348	Insulator Box Bolt, 7/8 "-14 x 8 " Long	12	4-44
14	R303696	-	4AX320; 6AX837	Insulator Box Stud, 7/8"-9 x 4-1/2" Long	4	4-41
	R305427	-	6AX1160	Insulator Box Stud, 7/8"-9 X 6" Long	4	4-40
15	R303697	G-3697	97QL399P2	Trunnion Grease Cap, 5/16" Dia. Bolt Holes, 7" Bolt Circle	2	4-40
16	-	-	97QL399P3	Trunnion Cap Kit Includes Key 15 Plus Gasket, Grease Fitting & Hardware	2	-
17	R303700	-	25QJ223	Trunnion Nut	2	4-41
18	-	G-16787	-	Trunnion Nut & Hardware, Includes Key No. 17	2	4-40
19	R303915	-	23QJ112B	Star Lock Washer, 4 7/8" OD X 1/4" Thick	2	4-40
20	R303687	-	39QK27E; 39QK27F; 39QK326	Trunnion and Bushing Assembly	2	4-39

# MACK REAR

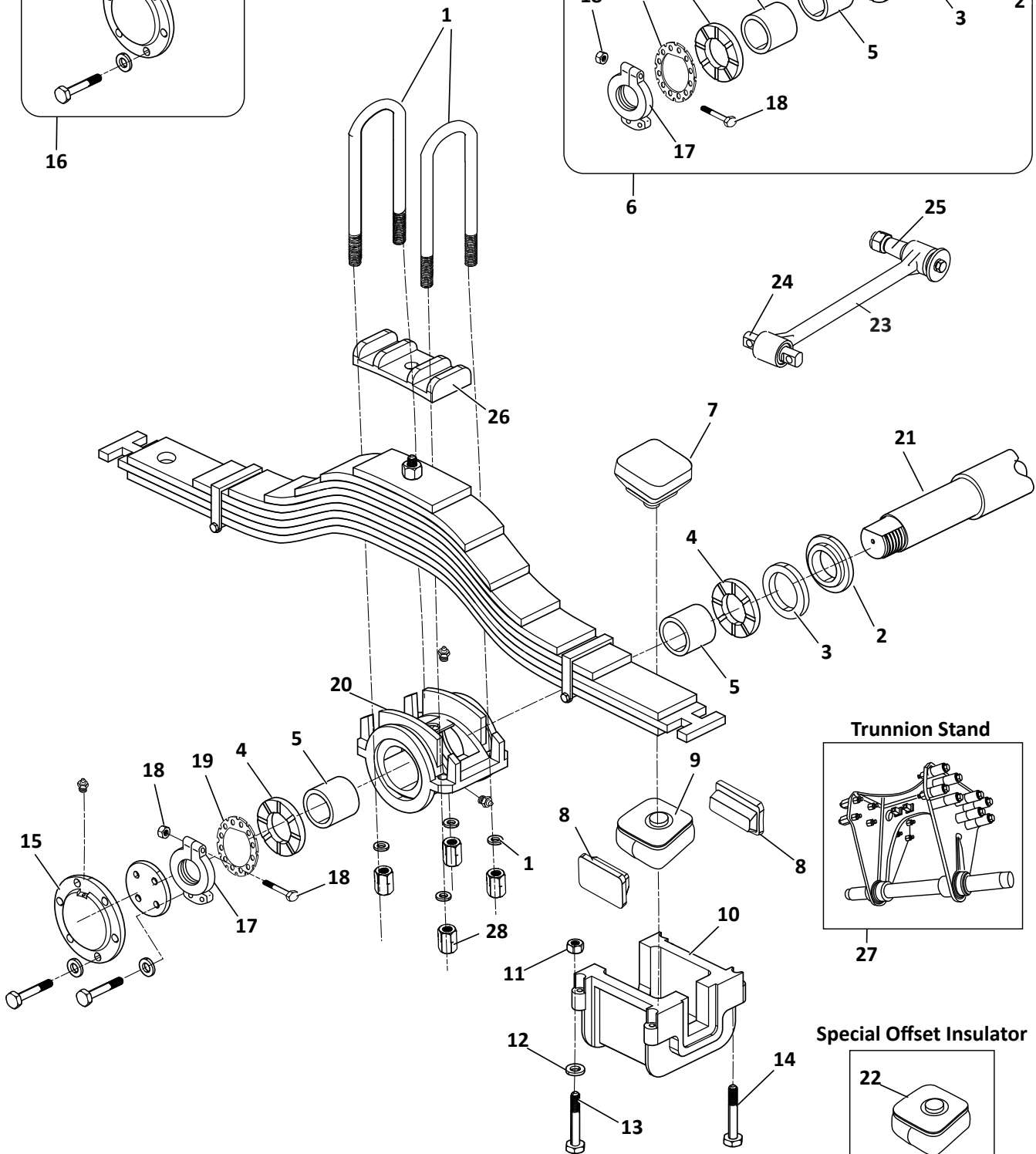
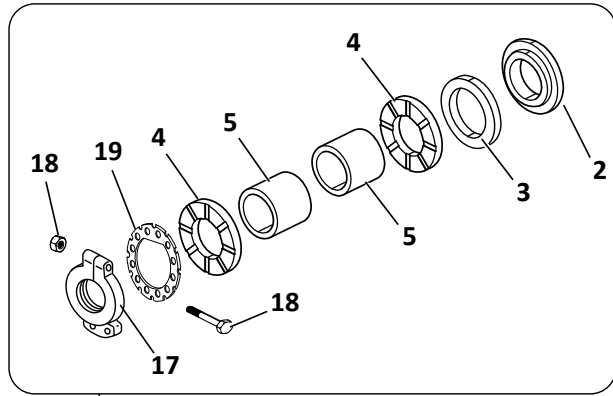
SS44 Series (Formerly SWS 573)

4" Wide Spring - Bronze Trunnion Bushing - 3 1/2" ID

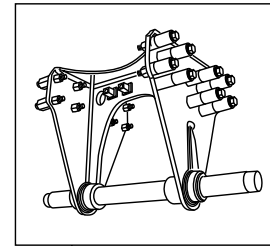
Trunnion Cap Kit



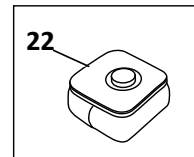
Trunnion Rebuild Kit



Trunnion Stand



Special Offset Insulator



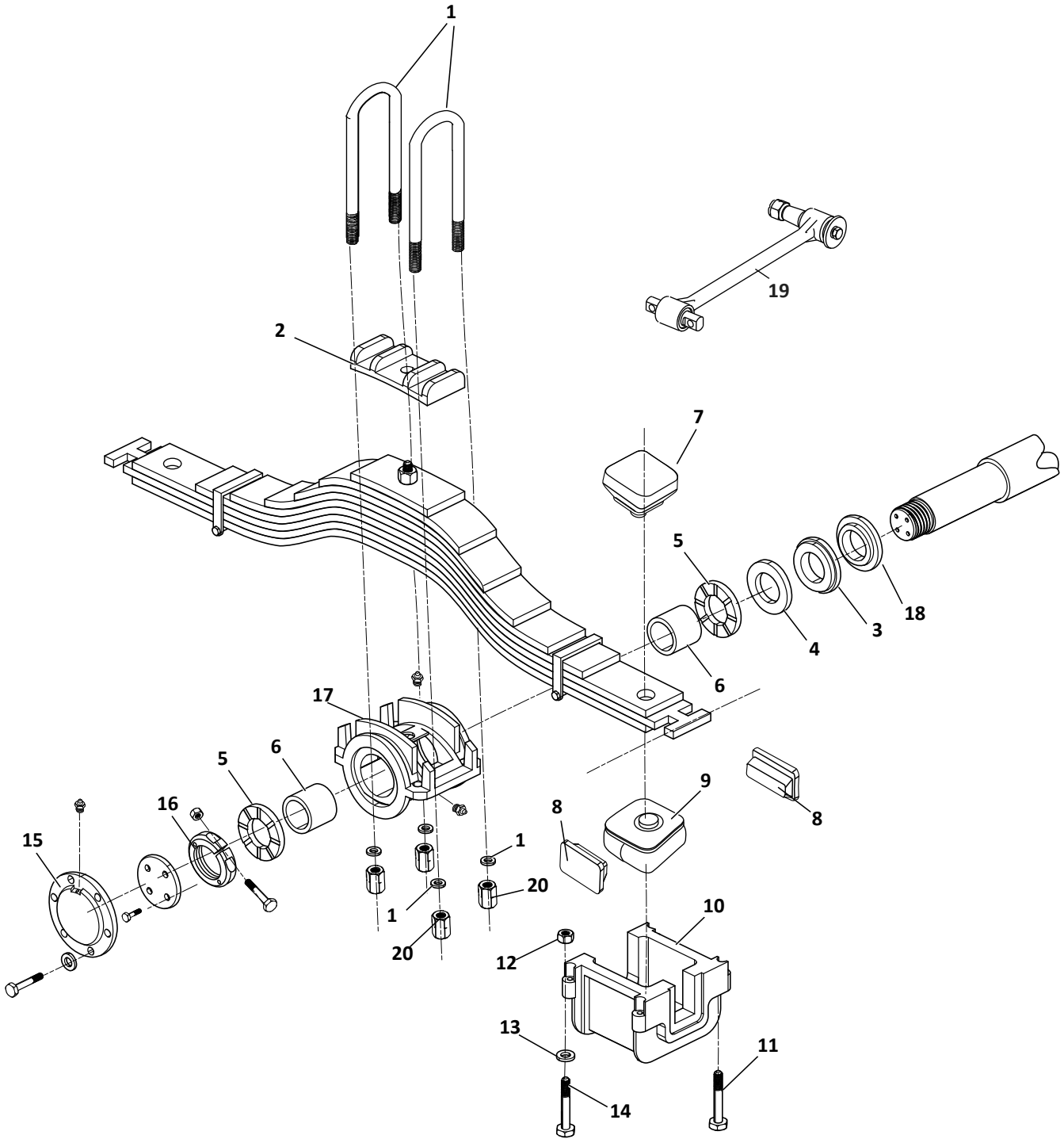
Designed to Correct Axle Alignment

MACK

SS44 Series (Formerly SWS 573) 4" Wide Spring - Bronze Trunnion Bushing - 3 1/2" ID						
KEY NO.	MERITOR NO.	MACH NO.	OEM REF	DESCRIPTION	QTY. PER TANDEM	PAGE NO.
21	-	<b>G-16788</b>	85QK249; 85QK251	Trunnion Shaft, 3 1/2" OD X 48 3/4" Long	1	-
22	<b>R303919</b>	-	10QK48	Special Offset Lower Insulator Pad, Rubber, 6" Long X 6" Wide X 3 3/4" Thick, 1 3/4" Dia. Pin	4	4-42
23	<b>R303988</b>	-	-	Transverse Torque Arm Kit, Full Ball Design	1	4-34
24	-	-	-	Torque Arm Bushing, Straddle Mount, 2 3/4" OD X 4 3/8" Center-to-Center, 7/8" Bolt Holes	2	-
25	<b>R302815</b>	-	46735	Torque Arm Bushing, Tapered Stud	2	4-43
26	-	-	8QK335P2	Top Plate, Use With Semi Round U-Bolts	2	-
27	-	<b>G-16790</b>	97QL5122; 97QL585	Trunnion Stand Assembly, Trapezoid Mounting Bolt Pattern	-	4-43
	-	<b>G-16791</b>	25136297; 97QL5119M	Trunnion Stand Assembly, Square Mounting Bolt Pattern	-	4-43
28	<b>R303005</b>	-	21AX131	Hi Nut, 1 1/4"-12 Thread X 1 5/8" Tall	8	4-41
	<b>R303006</b>	-	21AX655	Hi Nut, 1 1/4"-12 Thread X 2 3/4" Tall, Severe Duty	8	4-44

# MACK REAR

SS50C Series,  
4" Wide Spring - Bronze Trunnion Bushing - 4" ID



MACK

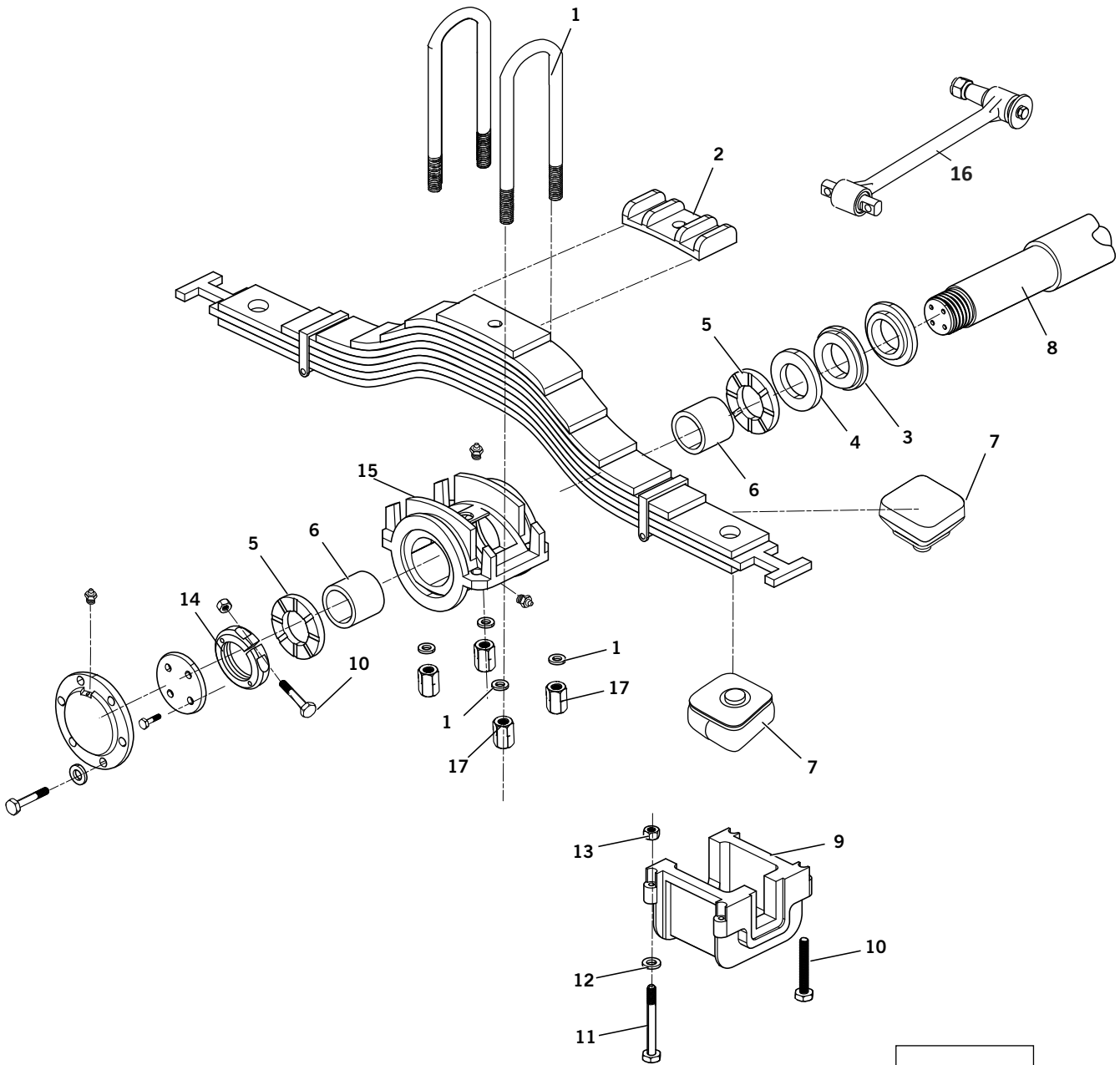


SS50C Series, 4" Wide Spring - Bronze Trunnion Bushing - 4" ID						
KEY NO.	MERITOR NO.	MACH NO.	OEM REF	DESCRIPTION	QTY. PER TANDEM	COMP. PAGE
1	R30U8394-144	-	-	U-Bolt Assembly, Semi Rd. Bend, 1-1/4"-12 x 4" Wide x 14-1/2" Long, Includes Key 20 R303006 Hi Nut	2	4-44
	R30U8394-162S	-	-	U-Bolt Assembly, Semi Rd. Bend, 1-1/4"-12 x 4 " Wide x 16-1/4" Long, Includes Key 20 R303005 Hi Nut	2	4-44
	R30U8394-172S	-	-	U-Bolt Assembly, Semi Rd. Bend, 1-1/4"-12 x 4" Wide x 17 1/4" Long, Includes Key 20 R303005 Hi Nut	2	-
	R30U8394-18	-	-	U-Bolt Assembly, Semi Rd. Bend, 1-1/4 "-12 x 4 " Wide x 18 " Long, Includes Key 20 R303006 Hi Nut	2	4-44
	R30U8394-192S	-	-	U-Bolt Assembly, Semi Rd. Bend, 1-1/4"-12 x 4" Wide x 19 1/4" Long, This Includes Key 20 R303005 Hi Nut	2	-
2	-	-	8QK335P2	Top Plate	2	-
3	R305425	G-5425	88AX253	Seal, 6 3/8" OD X 5" ID X 9/16" Thick	2	4-39
4	R305423	-	43QK118	Steel Washer, 6 1/4" OD X 4" ID X 5/16" Thick	2	4-40
5	R305422	-	43QK115	Bronze Thrust Washer, 6 13/16" OD X 4" ID X 1/4" Thick	4	4-40
6	R305421	-	10QK158; 10QK158A	Bronze Trunnion Bushing, 4 1/4" OD X 4" ID X 4 1/4" Long	4	4-39
7	R302919	-	10QK370	Upper Insulator Pad, Rubber, 6" Long X 4 1/2" Wide X 3" Thick, 1 3/4" Dia. Pin	4	4-41
	R308667	-	-	Upper Insulator Pad, Poly, 6" Long X 4 1/2" Wide X 3" Thick, 1 3/4" Dia. Pin	4	4-41
	R302917	-	10QK365A	Upper Insulator Pad, Rubber, 6" Long X 4 1/2" Wide X 2 3/8" Thick, 1 3/4" Dia. Pin	4	4-42
	R307481	-	-	Upper Insulator Pad, Poly, 6" Long X 4 1/2" Wide X 2 3/8" Thick, 1 3/4" Dia. Pin	4	4-42
8	R303689	-	13QK246	Insulator Spacer Block	8	4-42
9	R302920	-	10QK36B	Lower Insulator Pad, Rubber, 6" Long X 6" Wide X 3 3/4" Thick, 1 3/4" Pin	4	4-44
	R307480	-	-	Lower Insulator Pad, Poly, 6" Long X 6" Wide X 3 3/4" Thick, 1 3/4" Pin	4	4-42
10	R303688	-	52QK418BP4	Insulator Box, 6 3/4" Deep	4	4-41
11	R305427	-	6AX1160	Insulator Box Stud, 7/8"-9 X 6" Long	4	4-41
12	R301835	-	21AX480	Lock Nut, 7/8"-14	8	-
13	R305429	-	35AX1310	Washer, 7/8" ID	4	-
14	R305428	-	3AX1348	Insulator Box Bolt, 7/8 "-14 x 8" Long	12	4-41
15	-	-	97QL3101	Trunnion Grease Cap	2	-
16	R305424	-	25QJ220BP2	Trunnion Nut	2	4-41
17	-	G-16793	25130253; 39QK325; 39QK54	Trunnion & Bushing Assembly	2	4-38
18	-	-	8QD24; 8QD252A	Trunnion Collar, Use with R305275 Seal	2	-
19	R303988	-	-	Transverse Torque Arm Kit, Full Ball Design	1	4-34
20	R303005	-	21AX131	Hi Nut, 1 1/4"-12 Thread X 1 5/8" Tall	8	4-44
	R303006	-	21AX655	Hi Nut, 1 1/4"-12 Thread X 2 3/4" Tall, Severe Duty	8	4-44

# MACK REAR

## SS58C Series

### 5" Wide Spring - Bronze Trunnion Bushing - 4" ID



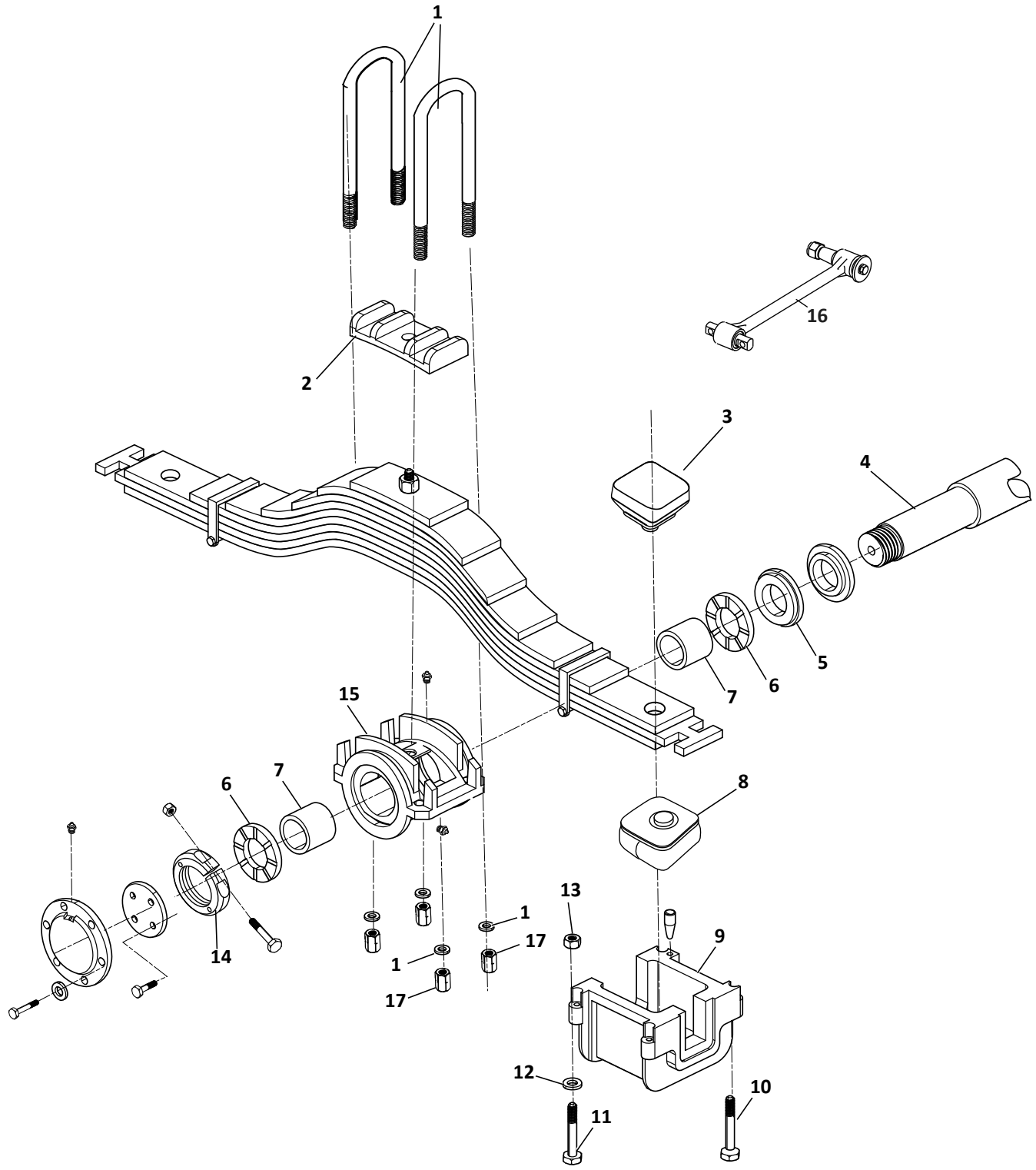
MACK

**Special Offset Insulator to  
Correct Axle Alignment**

SS58C Series 5" Wide Spring - Bronze Trunnion Bushing - 4" ID						
KEY NO.	MERITOR NO.	MACH NO.	OEM REF	DESCRIPTION	QTY. PER TANDEM	PAGE NO.
1	R30U8396-165S	-	-	U-Bolt Assembly, Semi Rd. Bend, 1-1/4"-12 x 5" Wide x 16-5/8" Long, Includes Key 17 R303005 Hi Nut	4	4-44
2	R305426	-	8QK232A	Top Plate	2	4-42
3	R305425	G-5425	88AX253	Seal, 6 3/8" OD X 5" ID X 9/16" Thick	2	4-39
4	R305423	-	43QK118	Steel Washer, 6 1/4" OD X 4" ID X 5/16" Thick	2	4-40
5	R305422	-	43QK115	Bronze Thrust Washer, 6 13/16" OD X 4" ID X 1/4" Thick	4	4-40
6	R305421	-	10QK158; 10QK158A	Bronze Trunnion Bushing, 4 1/4" OD X 4" ID X 4 1/4" Long	2	4-39
7	R303679	-	10QK32BP1	Insulator Pad, Rubber, 6 7/8" Long X 5 3/8" Wide X 3 3/4" Thick, 1 1/2" Pin	4	4-42
	R303680	-	10QK372	Insulator Pad, Rubber, 7" Long X 7" Wide X 4 1/4" Thick, 2" Pin	4	4-42
8	-	-	85QK342P2	Trunnion Shaft, 4" OD X 50" Long	1	-
9	R305420	-	52QK434P4	Insulator Box, 7" Inside Depth	2	4-41
	R305419	-	52QK434P3	Insulator Box, 7 5/16" Inside Depth		4-41
10	R305427	-	6AX1160	Insulator Box Stud, 7/8"-9 X 6" Long	4	4-41
11	R305428	-	3AX1348	Insulator Box Bolt, 7/8 "-14 x 8 " Long	12	4-41
12	R305429	-	35AX1310	Washer, 7/8" ID	4	-
13	R301835	-	21AX480	Lock Nut, 7/8"-14	8	-
14	R305424	-	25QJ220BP2	Trunnion Nut	2	4-41
15	R305417	G-5417	39QK24C; 39QK319	Trunnion & Bushing Assembly	2	4-38
16	R303988	-	-	Transverse Torque Arm Kit, Full Ball Design	1	4-34
17	R303005	-	21AX131	Hi Nut, 1 1/4"-12 Thread X 1 5/8" Tall	8	4-44
	R303006	-	21AX655	Hi Nut, 1 1/4"-12 Thread X 2 3/4" Tall, Severe Duty	8	4-44

# MACK REAR

SS65C-W Series,  
5" Wide Spring - Bronze Trunnion Bushing - 5" ID

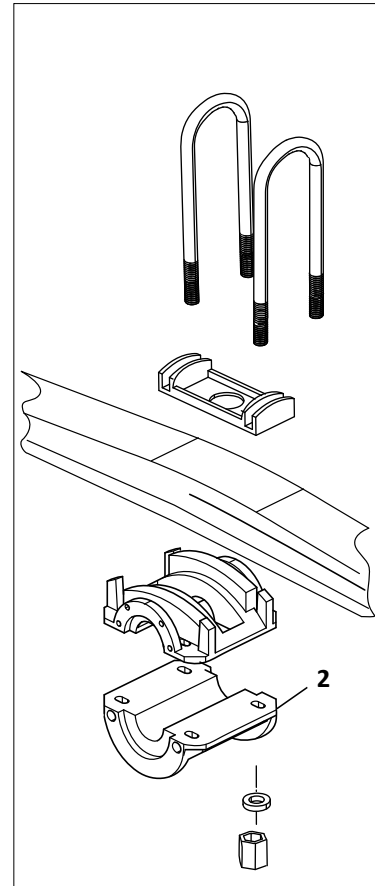


MACK

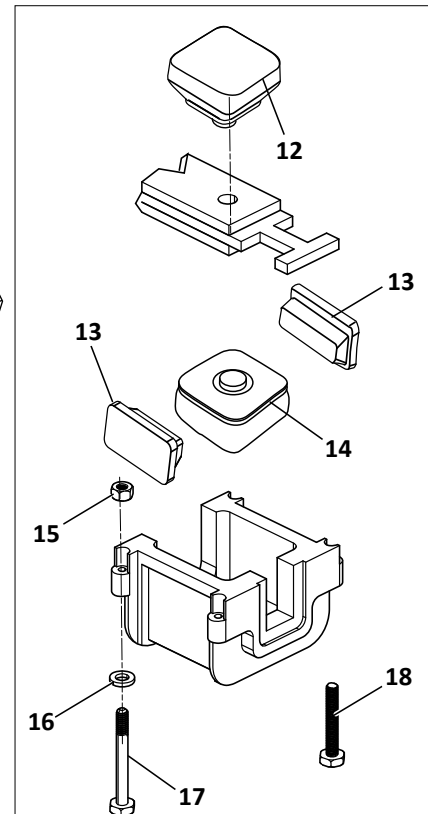
MACK SS65C-W Series 5" Wide Spring - Bronze Trunnion Bushing - 5" ID						
KEY NO.	MERITOR NO.	MACH NO.	OEM REF	DESCRIPTION	QTY. PER TANDEM	PAGE NO.
1	R30U8396-165S	-	-	U-Bolt Assembly, Semi Rd. Bend, 1-1/4"-12 X 5" Wide x 16-5/8" Long, Includes Key 17 R303005 Hi Nut	4	4-44
2	R305426	-	8QK232A	Top Plate	2	4-42
3	R303679	-	10QK32BP1	Insulator Pad, Rubber, 6 7/8" Long X 5 3/8" Wide X 3 3/4" Thick, 1 1/2" Pin	4	4-42
4	-	-	85QK343	Trunnion Shaft, 5" Dia. X 50" Long	1	-
5	-	-	88AX417P3	Seal, 7 1/2" OD x 6 1/2" OD X 1/2" Thick	2	-
6	R305433	-	43QK23A	Bronze Thrust Washer, 6 11/16" OD X 5" ID X 1/4" Thick	4	4-40
7	R305432	-	10QK152; 80AX560	Bronze Trunnion Bushing, 5 1/4" OD X 5" ID X 4 5/16" Long	4	4-41
8	R303680	-	10QK372	Lower Insulator Pad, Rubber, 7" Long X 7" Wide X 4 1/4" Thick, 2" Pin	4	4-42
9	R305436	-	52QK434BP1	Insulator Box, Inside Depth 6 3/4"	4	4-41
10	R303696	-	-	Insulator Box Stud, 7/8"-9 X 4 1/2" Long	4	4-44
	R305427	-	-	Insulator Box Stud, 7/8"-9 X 6" Long	4	4-41
11	R305439	-	3AX1050	Insulator Box Bolt, 7/8"-14 x 7-1/2" Long	12	4-41
12	R305429	-	35AX1310	Washer, 7/8" ID	4	-
13	R301835	-	21AX480	Lock Nut, 7/8"-14	8	-
14	R305434	-	25QJ220B	Trunnion Nut	2	4-41
15	R305431	G-5431	39QK39D; 39QK39C	Trunnion & Bushing Assembly	2	4-38
16	R303988	-	-	Transverse Torque Arm Kit, Full Ball Design	1	4-34
17	R303005	-	21AX131	Hi Nut, 1 1/4"-12 Thread X 1 5/8" Tall	8	4-44
	R303006	-	21AX655	Hi Nut, 1 1/4"-12 Thread X 2 3/4" Tall, Severe Duty	8	4-44

# MACK REAR ST Series - Tapered Leaf

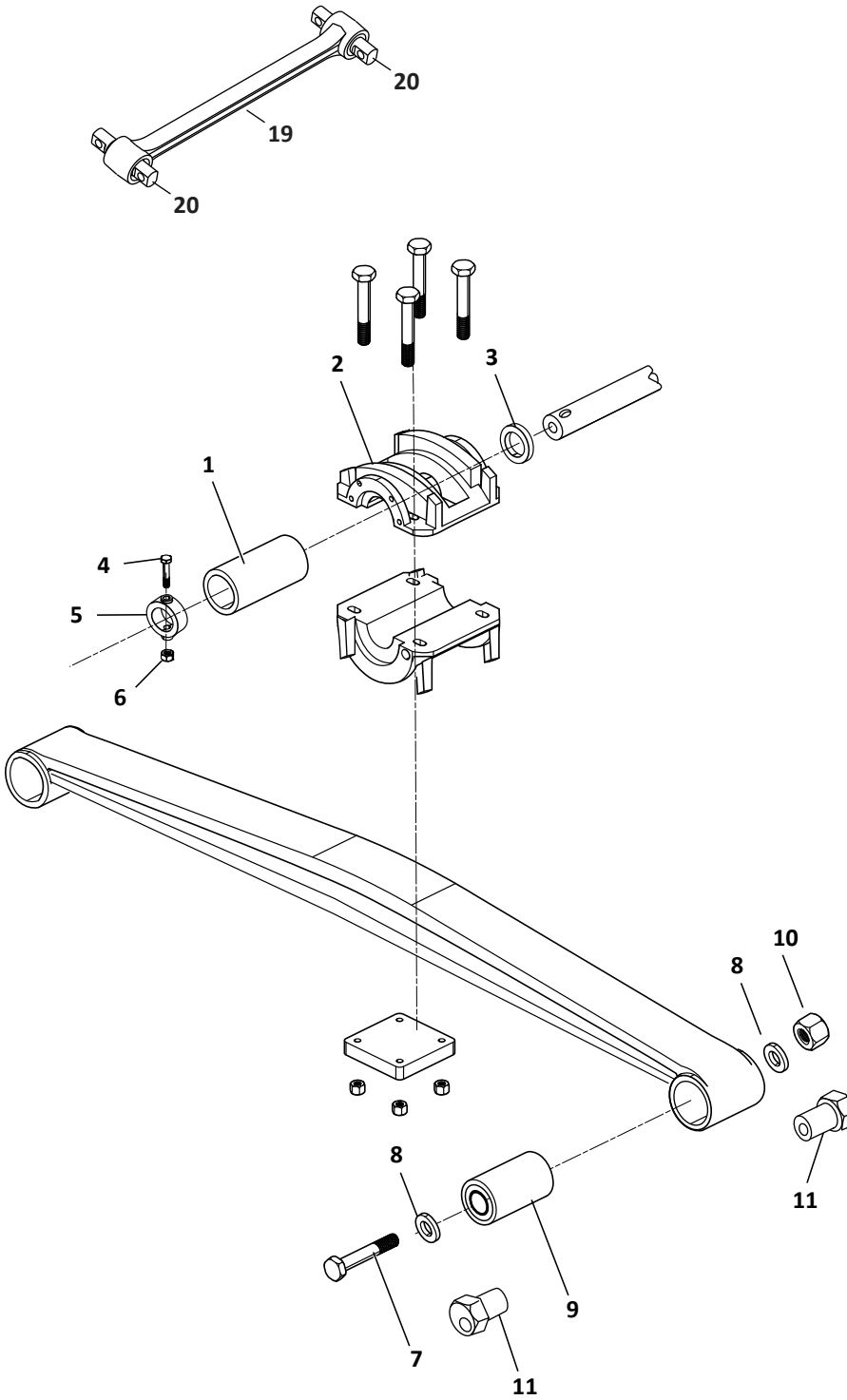
## Overslung



## Optional Spring End Design



## Underslung



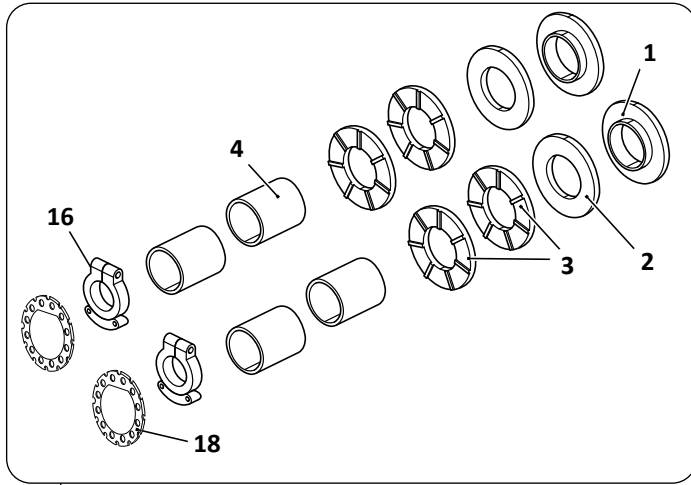
MACK

ST Series - Tapered Leaf						
KEY NO.	MERITOR NO.	MACH NO.	OEM REF	DESCRIPTION	QTY. PER TANDEM	PAGE NO.
1	R302921A	-	10QK219P1	Trunnion Bushing, Rubber, 4 11/16" OD X 3 7/16" ID X 5 9/16" Long	2	4-39
	R307478	-	-	Trunnion Bushing, Poly, 4 11/16" OD X 3 7/16" ID X 5 9/16" Long	2	4-39
	R302922A	-	10QK219P2; 10QK219P3	Trunnion Bushing, Rubber, 4 11/16" OD X 3 7/16" ID X 6 5/16" Long	2	4-39
	R307479	-	10QK276	Trunnion Bushing, Poly, 4 11/16" OD X 3 7/16" ID X 6 5/16" Long	2	4-39
2	R303685	-	39QK431	Trunnion Half Without Spring Seat, Newer Style, 8 3/4" Long, Use With R302922A Bushing	2	4-38
3	R303702	-	44RU2223P2	Inner Spacer, 4 1/8" OD X 3 1/2" ID X 7/16" Thick	2	4-39
	R303703	-	44RU2223P1	Inner Spacer, 4 1/8" OD X 3 1/2" ID X 1/2" Thick	2	4-38
4	R3015194	-	-	Bolt, 3/4"-16 X 5 1/2" Long	2	-
5	R3010116	-	44RU2221P2	Collar, 4 1/8"OD x 3 1/2" ID X 1 3/4" Wide	2	4-40
6	R304961A	-	-	Lock Nut, 3/4"-16	2	-
7	R3017004	-	3AX1682	Spring Eye Bolt, 1 1/4" - 12 X 7" Long	4	-
	R303564	-	3AX1993	Spring Eye Bolt, 1" - 14 X 7 3/4" Long	4	-
8	R302975	-	-	Washer, 1" ID	8	-
9	R303900	-	10QK146	Spring Eye Bushing, 2 1/2" OD X 1 1/4" ID X 4" Long	4	4-42
	R3016775	-	10QK260	Spring Eye Bushing, 2 1/2" OD X 1" ID X 4" Long	4	4-42
10	R301828	-	-	Lock Nut, 1" -14	4	-
	R302854	-	-	Lock Nut, 1 1/4" - 12	4	-
11	R3016776	-	8QD262	Alignment Collar, Eccentric, 2" Hex X 1 3/8" OD X 1" ID	8	4-43
12	R302917	-	10QK365A	Upper Insulator Pad, Rubber, 6" Long X 4 1/2" Wide X 2 3/8" Thick, 1 3/4" Dia. Pin	4	4-42
	R307481	-	-	Upper Insulator Pad, Poly, 6" Long X 4 1/2" Wide X 2 3/8" Thick, 1 3/4" Dia. Pin		
13	R303689	-	13QK246	Insulator Spacer Block	8	4-42
14	R302920	-	10QK36B	Lower Insulator Pad, Rubber, 6" Long X 6" Wide X 3 3/4" Thick, 1 3/4" Dia. Pin	4	4-42
	R307480	-	-	Lower Insulator Pad, Poly, 6" Long X 6" Wide X 3 3/4" Thick, 1 3/4" Dia. Pin	4	4-42
15	R301835	-	21AX480	Lock Nut, 7/8"-14	8	-
16	R302546	-	37AX1310	Washer, 7/8" ID	8	-
17	R303690	-	1AX425	Insulator Box Bolt, 7/8"-14 x 5" Long	12	4-41
	R303691	-	1AX475	Insulator Box Bolt, 7/8"-14 x 5 1/4" Long	12	4-41
	R303692	-	1AX427; 3AX987	Insulator Box Bolt, 7/8"-14 x 6" Long	12	4-41
	R303693	-	3AX1344	Insulator Box Bolt, 7/8"-14 x 6-1/2" Long	12	4-41
	R305439	-	3AX1050	Insulator Box Bolt, 7/8"-14 x 7-1/2" Long	12	4-41
	R305428	-	3AX1348	Insulator Box Bolt, 7/8"-14 x 8" Long	12	4-41
18	R303696	-	4AX320; 6AX837	Insulator Box Stud, 7/8"-9 x 4-1/2" Long	4	4-41
	R305427	-	6AX1160	Insulator Box Stud, 7/8"-9 x 6" Long	4	4-41
19	See Hendrickson Ultra Rod Charts			Transverse Torque Arm Kit	2	-
20	R302225	-	227710, 44694	Torque Arm Bushing, Straddle Mount, 2 1/2" OD X 4 3/8" Center-to-Center, 5/8" Bolt Holes, 1 1/8" Torque Rod Center Shaft Diameter	4	4-43
	R302226	-	227720, 44695	Torque Arm Bushing, Straddle Mount, 2 3/4" OD X 4 3/8" Center-to-Center, 5/8" Bolt Holes, 1 1/4" Torque Rod Center Shaft Diameter	4	4-43

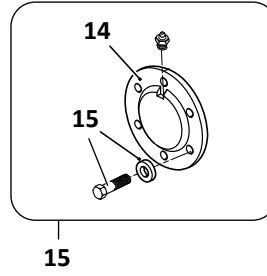
# MACK REAR

## SW - SWW Walking Beam

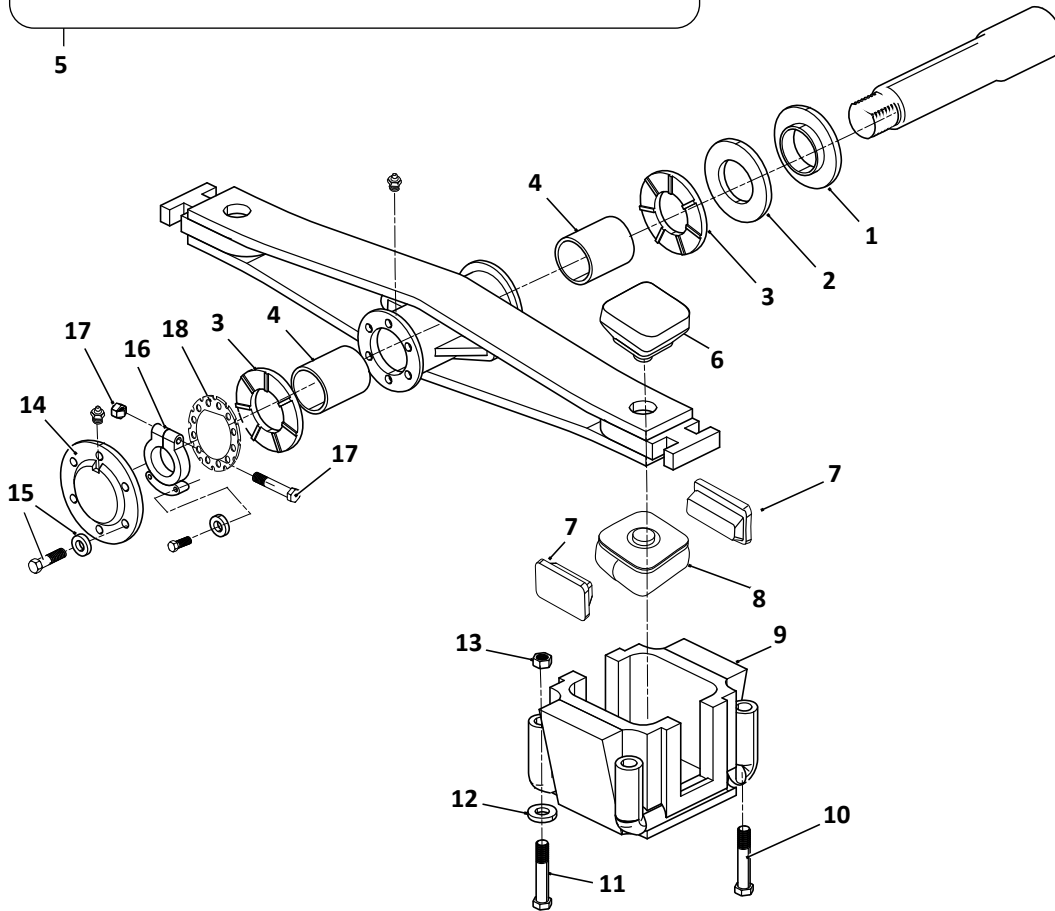
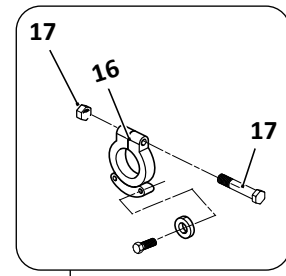
Trunnion Shaft Rebuild Kit



Grease Cap Kit



Trunnion Nut Kit



MACK



SW - SWW Walking Beam						
KEY NO.	MERITOR NO.	MACH NO.	OEM REF	DESCRIPTION	QTY. PER TANDEM	PAGE NO.
1	R303187	-	88AX244; 88AX446	Trunnion Seal, 5 1/2" OD X 4 3/8" ID x 9/16" Thick	2	4-39
2	R303699	-	43QK117	Steel Washer, 5 3/8" OD X 4 3/8" ID X 3/8" Thick	2	4-40
3	R303698	-	35AX688; 43QJ116	Bronze Thrust Washer, 5 5/16" OD X 3 1/2" ID X 1/4" Thick	2	4-40
4	R302925	-	10QK157; 80AX300	Bronze Trunnion Bushing, 3 3/4" OD X 3 1/2" ID X 3 7/16" Long	2	4-39
5	R303916	-	-	Trunnion Shaft Rebuild Kit, Complete Trunnion Set, Includes Key Nos. 1-4, 16, 18	1	4-40
6	R302917	-	10QK365A	Upper Insulator Pad, Rubber, 6" Long X 4 1/2" Wide X 2 3/8" Thick, 1 3/4" Dia. Pin	4	4-42
	R307481	-	-	Upper Insulator Pad, Poly, 6" Long X 4 1/2" Wide X 2 3/8" Thick, 1 3/4" Dia. Pin	4	4-42
	R302919	-	10QK370	Upper Insulator Pad, Rubber, 6" Long X 4 1/2" Wide X 3" Thick, 1 3/4" Dia. Pin	4	4-42
	R308667	-	-	Upper Insulator Pad, Poly, 6" Long X 4 1/2" Wide X 3" Thick, 1 3/4" Dia. Pin	4	4-42
	R303679	-	10QK32BP1	Upper Insulator Pad, Rubber, 6 7/8" Long X 5 3/8" Wide X 3 1/4" Thick, 1 1/2" Dia. Pin	4	4-42
7	R303689	-	13QK246	Insulator Spacer Block	8	4-42
8	R302920	-	10QK36B	Lower Insulator Pad, Rubber, 6" Long X 6" Wide X 3 3/4" Thick, 1 3/4" Dia. Pin	4	4-42
	R307480	-	-	Lower Insulator Pad, Poly, 6" Long X 6" Wide X 3 3/4" Thick, 1 3/4" Dia. Pin	4	4-42
	R303680	-	10QK372	Lower Insulator Pad, Rubber, 7" Long X 7" Wide X 4 1/4" Thick, 2" Dia Pin	4	4-42
9	R303688	-	52QK418BP4	Insulator Box, 6 3/4" Deep	4	4-41
10	R303696	-	4AX320; 6AX837	Insulator Box Stud, 7/8"-.9 x 4-1/2" Long	8	4-41
	R305427	-	6AX1160	Insulator Box Stud, 7/8"-.9 x 6" Long	8	4-41
11	R303690	-	1AX425	Insulator Box Bolt, 7/8"-14 x 5" Long	8	4-41
	R303691	-	1AX475	Insulator Box Bolt, 7/8"-14 x 5 1/4" Long	8	4-41
	R303692	-	1AX427; 3AX987	Insulator Box Bolt, 7/8"-14 x 6" Long	8	4-41
	R303693	-	3AX1344	Insulator Box Bolt, 7/8"-14 x 6-1/2" Long	8	4-41
	R305439	-	3AX1050	Insulator Box Bolt, 7/8 "-14 x 7-1/2 " Long	8	4-41
	R305428	-	3AX1348	Insulator Box Bolt, 7/8 "-14 x 8 " Long	8	4-41
12	R302546	-	37AX1310	Washer, 7/8" ID	8	-
13	R301835	-	21AX480	Lock Nut, 7/8"-14	8	-
14	R303697	-	97QL399P2	Trunnion Grease Cap, 5/16" Dia. Bolt Holes, 7" Bolt Circle	2	4-40
15	-	-	97QL339P3	Trunnion Cap Kit, Includes Key 14, Grease Plug, & Hardware	2	-
16	R303700	-	25QJ223	Trunnion Nut	2	4-41
17	-	G-16787	-	Trunnion Nut & Hardware	2	4-40
18	R303915	-	23QJ112B	Star Lock Washer, 4 7/8" OD X 1/4" Thick	2	4-40

# MACK

## Front Suspension - Air

### Shackle Bracket Service Kit



Axle Set, Omit Thrust Washer For Post July 2007 Vehicles - 1/2 Kit Shown

MERITOR NO.	GENUINE	OEM REF	NOTES
R3016409		60961-034 60961-635	Includes 4 Shackle Plates, 4 Wear Plates, Spacer and Hardware

### Bottom Axle Wrap Liner



MERITOR NO.	GENUINE	OEM REF
R3015110		59845-000

### Front Hanger Repair Kit



MERITOR NO.	GENUINE	OEM REF	NOTES
R3016412		60961-033	Includes 2 Hanger Adapters, M20 X 230mm Long Bolt, Nut, Washers

### Bottom Axle Wrap



MERITOR NO.	GENUINE	OEM REF
R3015108		64722-003; 64014-003; 60622-003

### Axle Wrap Liner Kit

FOR MODELS:  
AIRTEK



Includes R3015147 & R3015110 Liners

MERITOR NO.	GENUINE	OEM REF
R3015727		60961-015

### Rubber Axle Stop



MERITOR NO.	GENUINE	OEM REF
R3015148		64080-000

### Top Axle Wrap Liner



MERITOR NO.	GENUINE	OEM REF
R3015147		60508-000

### Straight Bolt Clamp Kit

FOR MODELS:  
Vehicles with Dual  
Height Control  
Valves, 13 1/4"  
Ride Height



Includes Top & Bottom Axle Wrap Liners, Bolts, Nuts, Washer


MERITOR NO.	GENUINE	OEM REF	LENGTH	THREAD	NOTES
R3016410		60961-035	220mm	20mm	One Wheel End

MACK


Front Suspension - Air

**Straight Bolt Clamp Kit**

FOR MODELS:  
Vehicles with  
Single Height  
Control Valve,  
14 3/8" Ride Height



Includes Top & Bottom Axle Wrap Liners, Bolts, Nuts, Washer

MERITOR NO.	GENU-INE	OEM REF	LENGTH	THREAD	NOTES
R3016411		60961-037	230mm	20mm	One Wheel End

**Height Control Valve and Linkage Kit**


FOR MODELS:  
Vehicles Built  
Prior to 3/05




MERITOR NO.	GENUINE	OEM REF
R3015150		59427-006

**Height Control Valve**

FOR MODELS:  
Vehicles Built  
Prior to 3/05



MERITOR NO.	GENUINE	OEM REF	NOTES
R3015151		59935-003	Vehicles Built Prior to 3/05

**Linkage Kit**

FOR MODELS:  
Vehicles Built  
Prior to 3/05




MERITOR NO.	GENUINE	OEM REF	NOTES
R3015096		59428-004	For Use With Single Height Control Valves

**Front Suspension - Leaf Spring**

**Spring Pin Bushing, Bronze**


FOR MODELS:  
F/R/RU/U Series



MERITOR NO.	OEM REF	O.D.	ID	LENGTH
<b>R303533</b>	10QK229P1	1 1/2"	1 1/4"	3 1/2"

**Front Spring Insulator**

FOR MODELS:  
F/R/RU/U Series



MERITOR NO.	OEM REF
<b>R303722</b>	10QK322A

**Spring Pin Bushing, Bi-Metal**


FOR MODELS:  
F/R/RU/U Series



MERITOR NO.	OEM REF	O.D.	ID	LENGTH
<b>R3016165</b>	10QK229P1	1 1/2"	1 1/4"	3 1/2"

**Threaded Spring Pin**


FOR MODELS:  
F/R/RU/U Series



MERITOR NO.	OEM REF	O.D.	LENGTH
<b>R303717</b>	44QK26A	1 5/16"	6 9/16"

**Smooth Spring Pin**


FOR MODELS:  
F/R/RU/U Series



MERITOR NO.	OEM REF	O.D.	LENGTH
<b>R303715</b>	44QK173B	1 3/4"	6 1/4"

**Side Bar**

FOR MODELS:  
Various



MERITOR NO.	OEM REF	NOTES
<b>R303720</b>	22QK39301	For West Coast Front Suspension

**MACK**



# MACK

## Rear Air, MaxLite® 40

### Wear Pad Kit, 1999-2006

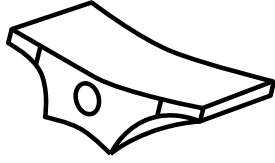


Photo Coming Soon

MERITOR NO.	OEM REF
R3016778	8079889; 20568741

### Spring Eye Bushing, Straddle Mount



MERITOR NO.	OEM REF	O.D.	BOLT HOLES
R309395	57256-000	2 7/16"	5/8"
R302225	35033-3201	2 1/2"	

### Wear Pad Kit, 2007 & Later

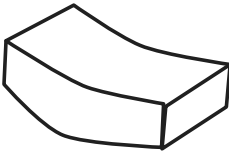


Photo Coming Soon

MERITOR NO.	OEM REF
R3016779	20703083

### Transverse Torque Arm, Rubber Bushings



MERITOR NO.	OEM REF	LENGTH	NOTES
R308821	35801-0068	22 1/2"	Includes R309395 Bushings

### Spring Eye Bushing, Through Hole

FOR MODELS:  
After 2006



MERITOR NO.	OEM REF	ID	O.D.	LENGTH
R3016777	20558810	7/8"	2 9/16"	3 9/16"

### Transverse Torque Arm Kit, Full Ball Design



MERITOR NO.
R303988

### Spring Eye Bushing, Heavy Duty



High Confinement Design

MERITOR NO.	MACH NO.	OEM REF	O.D.	BOLT HOLES
R3015671	G-15671	8079894	2 1/2"	5/8"

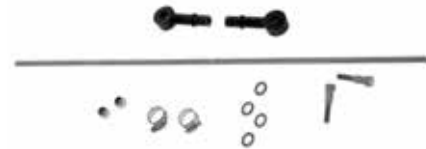
### Rebound Pin




MACH NO.	OEM REF	O.D.	LENGTH
G-16806	35026-0001; 8027436	3/4"	5 1/4"


MACK

Alignment Shim				
				
MERITOR NO.	GENU-INE	OEM REF	C-T-C LENGTH	THICK
R305281		V8020329	4 3/8"	1/16"

Height Control Valve Linkage, Universal	
	
MERITOR NO.	NOTES
R307852	Universal Kit Works With Most Height Control Valves

Axle Seat		
		
MACH NO.	OEM REF	PINION ANGLE
G-16807	8071514	3.6° Pinion Angle


Height Control Valve	
	
MERITOR NO.	NOTES
R3011855	No Dump


Height Control Valve	
	
MERITOR NO.	NOTES
R3011870	Dump With Air Applied

**MACK**

Rear Air, MAXAIR® “Twisted Sister”

Pivot Bushing	
	
MERITOR NO.	OEM REF
R3013992	58648-000


Quik-Align Base, Eccentric			
			
MERITOR NO.	OEM REF	HEIGHT	NOTES
R3016781	60496-000	1"	QUIK-ALIGN Eccentric Base for Steel Hangers
R3016260	60662-000L	1 1/4"	QUIK-ALIGN Eccentric Base For Aluminum Hangers


Quik-Align Base, Concentric			
			
MERITOR NO.	OEM REF	HEIGHT	NOTES
R3016780	60497-000	1"	Concentric Base for Steel Hangers
R3015553	60661-000L	1 1/4"	Concentric Base For Aluminum Hangers

**MACK**



**Rear Air, MAXAIR® "Twisted Sister"**


Transverse Torque Rod		
		
MERITOR NO.	OEM REF	C-TO-C
<b>R3013993</b>	58757-006	22"

Transverse Torque Rod Frame Bracket	
	
MERITOR NO.	OEM REF
<b>R302634</b>	22186-000

**Rear Suspension - Leaf Spring**

**Trunnion and Bushing Assembly**

FOR MODELS:  
SS44 SERIES




Includes R302925 Bronze Bushing

MERITOR NO.	OEM REF	BUSHING ID
<b>R303687</b>	390K27E 390K27F	3 1/2"

**Upper Trunnion Half, Newer Style**

FOR MODELS:  
SS34 & 38  
TANDEM




Use With R302922A Bushing

MERITOR NO.	OEM REF	LENGTH
<b>R303683</b>	39QK433A	8 3/4"

**Trunnion & Bushing Assembly**

FOR MODELS:  
SS50 SERIES




Includes R305421 Type Bronze Bushing

MACH NO.	OEM REF	BUSHING ID
<b>G-16793</b>	25130253; 39QK325; 39QK54	4"

**Lower Trunnion Half, Newer Style**

FOR MODELS:  
SS34 & 38  
TANDEM  
ST SERIES




Use With R302922A Bushing

MERITOR NO.	OEM REF	LENGTH
<b>R303685</b>	39QK431	8 3/4"

**Trunnion & Bushing Assembly**

FOR MODELS:  
SS58 SERIES




Includes R305421 Type Bronze Bushing

MERITOR NO.	MACH NO.	OEM REF	BUSHING ID
<b>R305417</b>	<b>G-5417</b>	39QK24C; 39QK319	4"

**Trunnion & Bushing Assembly**

FOR MODELS:  
SS65C SERIES



Includes R305432 Type Bronze Bushing

MERITOR NO.	MACH NO.	OEM REF	BUSHING ID
<b>R305431</b>	<b>G-5431</b>	39QK39D; 39QK39C	5"


**MACK**

Rear Suspension - Leaf Spring

Trunnion Bushing, Bronze					
					
MERITOR NO.	OEM REF	O.D.	ID	LENGTH	FOR MODEL
R302925	10QK157 80AX300	3 3/4"	3 1/2"	3 7/16"	SS44, SW/SWW
R305421	10QK158 10QK158A	4-1/4"	4"	4-5/16"	SS50 / SS58 SERIES
R305432	10Q152 80AX560	5-1/4"	5"	4-5/16"	SS65

Seal					
FOR MODELS: SS44 SERIES SS/SWW SS50 SERIES, SS58 SERIES					
					
MERITOR NO.	MACH NO.	OEM REF	OD	ID	THICK
R303187	-	88AX449 88AX446 88AX244	5 1/2"	4 3/8"	9/16"
R305425	G-5425	88AX253	6 3/8"	5 1/8"	9/16"

Trunnion Bushing, Rubber & Poly					
FOR MODELS: SS34 & 38 ST SERIES					
					
ID 3 7/16"					
MERITOR NO.	MACH NO.	OEM REF	O.D.	LENGTH	MATERIAL
R302924A	G-2924A	10QK130P1	4 7/16"	8 3/8"	Rubber
R307441	-	-			Poly
R302922A	G-2922A	10QK219P2 10QK219P3	4 11/16"	6 5/16"	Rubber
R307479	-	10QK276			Poly
R302921A	-	10QK219P1	4 11/16"	5 9/16"	Rubber
R307478	-	-			Poly


Inner Spacer				
FOR MODELS: SS34 & 38, ST SERIES				
				
MERITOR NO.	OEM REF	OD	ID	THICKNESS
R303702	44RU2223-P2	4 1/8"	3 1/2"	7/16"
R303703	44RU2223-P1			1/2"

MACK

**Rear Suspension - Leaf Spring**


**Collar**

FOR MODELS:  
SS34 & 38, ST SERIES



MERITOR NO.	OEM REF	O.D.	ID	LENGTH
<b>R3010116</b>	44RU2221-P2	4 1/8"	3 1/2"	1 3/4"
<b>R303704</b>	44RU2221-P1	4 1/8"	3 1/2"	2 1/4"

**Washer**

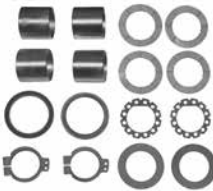


Thickness 1/4"

MERITOR NO.	OEM REF	FOR MODELS	OD	ID
<b>R303698</b>	43QJ116 35AX688	SW/SWW, SS44	5 1/4"	3 1/2"
<b>R305422</b>	43QK115	SS50, SS58	6 3/16"	4"
<b>R305433</b>	43QK23A	SS65	6 11/16"	5"

**Trunnion Shaft Rebuild Kit**

FOR MODELS:  
SS44,  
SW/SWW



MERITOR NO.	MACH NO.	OEM REF
<b>R303916</b>	<b>G-3916</b>	Rebuilds One Complete Trunnion

**Star Lock Washer**

FOR MODELS:  
SS44 SERIES,  
SW/SWW



MERITOR NO.	OEM REF	OD	ID	THICKNESS
<b>R303915</b>	23QJ112B	4 7/8"	3 5/16"	1/4"


**Trunnion Cap**



MERITOR NO.	OEM REF	FOR MODEL	BOLT CIRCLE
<b>R303697</b>	97QL399P2	SS 44 & SS/SWW	7"

**Washers**


FOR MODELS:  
SS44 SERIES,  
SW/SWW  
SS50 SERIES,  
SS58 SERIES,  
SS65C



MERITOR NO.	OEM REF	OD	ID	THICKNESS
<b>R303699</b>	43QK117	5-3/8"	3-1/2"	5/16"
<b>R305423</b>	43QK118	6-1/4"	4"	5/16"

**Trunnion Nut & Hardware**

FOR MODELS:  
SS44 SERIES,  
SW/SWW



MACH NO.	NOTES
<b>G-16787</b>	Includes Bolt and Nut

**MACK**

Rear Suspension - Leaf Spring

**Trunnion Nut**


FOR MODELS:  
SS44, SW/SWW,



MERITOR NO.	OEM REF	OD	THREAD
<b>R303700</b>	25QJ223	4 1/16"	3 5/16" - 12

**Insulator Box**

FOR MODELS:  
SS65C



MERITOR NO.	OEM REF	INSIDE DEPTH	OUTSIDE HEIGHT
<b>R305436</b>	52QK434BP1	6 3/4"	7 3/4"


**Trunnion Nut**



MERITOR NO.	OEM REF	OD	THREAD	FOR MODEL
<b>R305424</b>	25QJ220BP2	6 1/8"	3 7/8" - 12	SS50, SS58
<b>R305434</b>	25QJ220B	6 1/8"	3 7/8" - 8	SS65C

**Insulator Box**


FOR MODELS:  
SS58 SERIES



MERITOR NO.	OEM REF	INSIDE DEPTH	OUTSIDE HEIGHT
<b>R305420</b>	52QK434P4	7"	8"
<b>R305419</b>	52QK434P3	7 5/16"	8 7/16"

**Insulator Box**

FOR MODELS:  
SS34 & 38 TANDEM  
SS44 SERIES  
SS50 SERIES  
SW/SWW



MERITOR NO.	OEM REF	INSIDE DEPTH	OUTSIDE HEIGHT
<b>R303688</b>	52QK418-AP4	6 3/4"	7 5/16"

**Insulator Box Bolt**


FOR MODELS:  
ALL SS SERIES



MERITOR NO.	OEM REF	THREAD SIZE	BOLT LENGTH	THREAD LENGTH
<b>R303690</b>	1AX425	7/8" - 14	5"	2"
<b>R303691</b>	1AX475	7/8" - 14	5-1/4"	2"
<b>R303692</b>	1AX427	7/8" - 14	6"	2"
	3AX987			
<b>R303693</b>	3AX1344	7/8" - 14	6-1/2"	2-1/4"
<b>R305428</b>	3AX1348	7/8" - 14	8"	2-1/4"
<b>R305439</b>	3AX1050	7/8" - 14	7-1/2"	2-1/4"
<b>R303696</b>	4AX320	7/8" - 9	4-1/2"	2"
	6AX837			
<b>R305427</b>	6AX1160	7/8" - 9	6"	2"

**Insulator Box**

FOR MODELS:  
SS44 SERIES



MACH NO.	OEM REF	INSIDE DEPTH
<b>G-16782</b>	52QK418BP5	6 3/8"

MACK

**Rear Suspension - Leaf Spring**

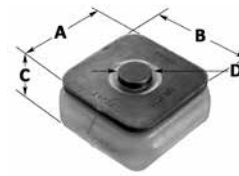
**Upper Insulator Pad**



MERITOR NO.	OEM REF	FOR MODEL	A / B	C	D	MATERIAL
R302917	10QK365A	SS34 & 38; SS50; ST; SW/SWW;	4 1/2" / 6"	2 1/2"	1 3/4"	Rubber
R307481	-					Poly
R302919	10QK370	SS34 & 38, SS44; SS50; SW/SWW;	4 1/2" / 6"	3"	1 3/4"	Rubber
R308667	-					Poly
R303679	10QK32BP1	SS58; SS65C; SW/SWW;	5 3/8" / 6 7/8"	3 3/4"	1 1/2"	Rubber

**Offset Insulator Pad**

FOR MODELS:  
SS34 & 38, SS44 SERIES,  
SS50 SERIES, SS58 SERIES  
SS65C SERIES, ST SERIES,  
SW/SWW



Pin is 1/8" Off Center. Use in place of R302920

MERITOR NO.	OEM REF	A	B	C	D	MATERIAL
R303919	10QK48	6"	6"	3 3/4"	1 3/4"	Rubber

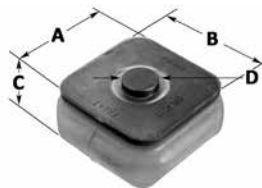
**Insulator Spacer Block**

FOR MODELS:  
ST SERIES  
SW/SWW



MERITOR NO.	OEM REF
R303689	13QK246

**Lower Insulator Pad**



MERITOR NO.	OEM REF	FOR MODEL	A / B	C	D	MATERIAL
R302920	10QK36B	SS34 & 38; ST, SW/SWW	6" / 6"	3 3/4"	1 3/4"	Rubber
R307480	-					SS34 & 38; SS44; SS50; ST
R303680	10QK372	SS58; SS65C;	7" / 7"	4 1/4"	2"	Rubber

**Top Plate**

FOR MODELS:  
SS58 SERIES,  
SS65C



MERITOR NO.	OEM REF	WIDTH	LENGTH
R305426	8QK232A	5"	10 11/16"

**Spring Eye Bushing**

FOR MODELS:  
ST SERIES



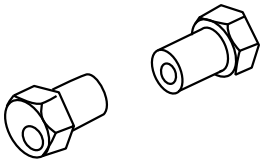
MERITOR NO.	MACH NO.	OD	ID	LENGTH
R303900	100K146	2 1/2"	1 1/4"	4"
R3016775	10QK260		1"	4"

Rear Suspension - Leaf Spring

**Alignment Collar**

FOR MODELS:  
ST SERIES

**Photo Coming Soon**




Eccentric

MERITOR NO.	OEM REF	OD	ID	HEX SIZE
<b>R3016776</b>	8QD262	1 3/8"	1"	2"

**Torque Arm Bushing**

FOR MODELS:  
SS34 & 38,  
SS44 SERIES



Tapered Stud

MERITOR NO.	OEM REF	THREADS	NOTES
<b>R302815</b>	46735	1 1/4"-12	Includes Nut & Washer

**Transverse Torque Arm Kit, Full Ball Design**

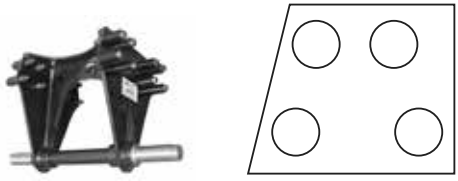


MERITOR NO.

**R303988**

**Trunnion Stand Assembly**

FOR MODELS:  
SS44 SERIES



Bolt Pattern

MACH NO.	OEM REF	NOTES
<b>G-16790</b>	97QL5122; 97QL585	Trapezoid Mounting Bolt Pattern

**Torque Arm Bushing**

FOR MODELS:  
SS44 SERIES  
ST SERIES

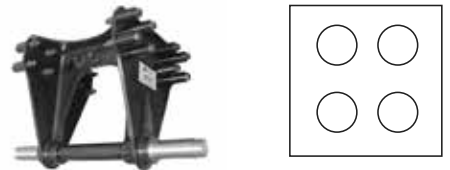


Straddle Mount

MERITOR NO.	OEM REF	OD	C-TO-C	BOLT HOLES
<b>R302225</b>	227710, 44694	2 1/2"	4 3/8"	5/8"
<b>R302226</b>	227720, 44695	2 3/4"	4 3/8"	5/8"

**Trunnion Stand Assembly**

FOR MODELS:  
SS44 SERIES



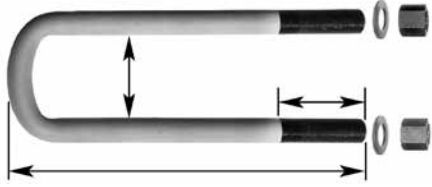
Bolt Pattern

MACH NO.	OEM REF	NOTES
<b>G-16791</b>	25136297; 97QL5119M	Square Mounting Bolt Pattern

MACK

**Rear Suspension - Leaf Spring**

**U-Bolts, Semi-Round**



"S" Suffix Denotes R303005 Hi-Nut Otherwise Includes R303006.

MERITOR NO.	THREAD SIZE	A	B	C	FOR MODEL
<b>R30U8394-144</b>	1-1/4" - 12	14-1/2"	4"	3-1/2"	SS34 & 38 TANDEM
<b>R30U8394-162S</b>	1-1/4" - 12	16-1/4"	4"	3-1/2"	SS44 SERIES
<b>R30U8394-18</b>	1-1/4" - 12	18"	4"	3-1/2"	SS50 SERIES
<b>R30U8396-165S</b>	1-1/4" - 12	16-5/8"	5"	3-1/2"	SS65C

**Hi-Nuts**

FOR MODELS:  
 SS44 Series,  
 SS50 Series,  
 SS58 Series and  
 SS65C Series



MERITOR NO.	OEM REF	THREAD	HEX	HIGH
<b>R303005</b>	-	1-1/4" - 12	1-13/16"	1-5/8"
<b>R303006</b>	21AX655		1-13/16"	2-3/4"

**MACK**



Contents

**FRONT TRUCK / TRACTOR SUSPENSION**

AIRTEK For International Vehicles - - - - - 5-2

AIRTEK For International Vehicles - - - - - 5-4

SOFTEK For International Vehicles - - - - - 5-6

AIRTEK for International Integrated Coach Bus - - - - - 5-8

**REAR TRUCK / TRACTOR SUSPENSION**

Corporate Air Ride "Z" Spring - - - - - 5-10

New Corporate Air Ride - "Hockey Stick" Spring - - - - - 5-12

4 Spring, Tractor - - - - - 5-14

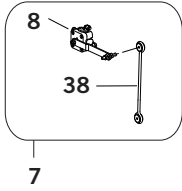
HTB 400LT For International - - - - - 5-16

Component Suspension Parts - - - - - 5-18

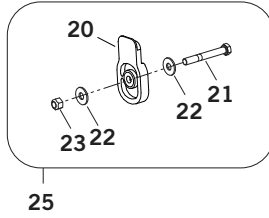
NAVISTAR / INTERNATIONAL

# NAVISTAR / INTERNATIONAL FRONT AIRTEK For International Vehicles

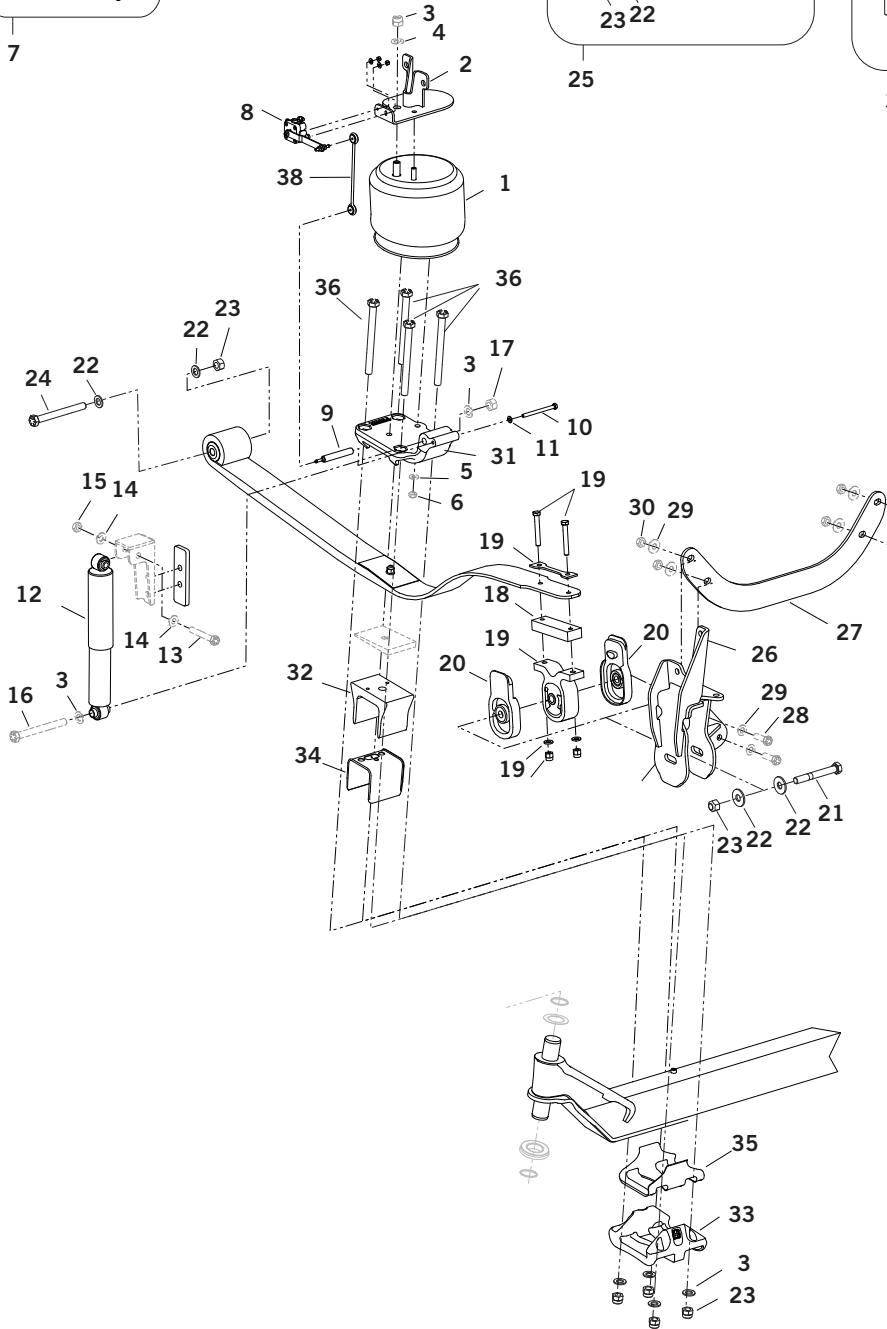
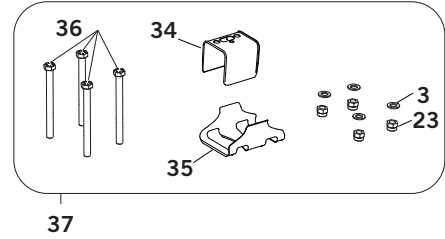
HCV & Linkage Assembly

















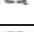





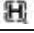


Rear Spring Hardware Kit




Top/Bottom Axle Wrap Liner Service Kit



NAVISTAR / INTERNATIONAL

AIRTEK For International Vehicles						
KEY NO.	MERITOR NO.	GENUINE	OEM REF	DESCRIPTION	QTY. PER AXLE	PAGE NO.
1	FS8597	-	65790-002	Air Spring	2	-
2	R3015113		66775-000	Air Spring Bracket LH, Vehicles Built After 09/06	1	5-21
	R3015114		66776-000	Air Spring Bracket RH, Vehicles Built After 09/06	1	5-21
	S.O.S.		64583-000	Air Spring Bracket LH, Vehicles Built Before 09/06	1	-
	S.O.S.		64586-000	Air Spring Bracket RH, Vehicles Built Before 09/06	1	-
3	R302545	-	22962-001	Washer, 3/4"	As Required	-
4	R3016467	-	17700-015	Locknut, 3/4"-16 Nylon	2	-
5	R309603	-	22962-011	Washer, 1/2"	2	-
6	R3016468	-	17700-010	Locknut, 1/2"-13 Nylon	2	-
7	R3015095		59427-013	HCV & Linkage Assembly LH, If Equipped, Includes Hardware	1	5-20
	S.O.S.		59427-014	HCV & Linkage Assembly RH, Includes Hardware	1	-
8	R3013996		59935-011	Height Control Valve LH, If Equipped	1	5-20
	R3013997		59935-018	Height Control Valve RH	1	5-20
-	R3015097		60961-071	Lower Link Mount Service Kit, One Side, Includes Key No. 9 - 11, Vehicles Built Before 09/06	1	5-20
-	S.O.S.		60961-154	Lower Link Mount Service Kit, One Side, Includes Key No. 9 - 11, Vehicles Built After 09/06	1	-
9	R3015098		59429-002	Lower Link Mount, Vehicles Built Before 09/06	2	1-28
	R3015121		59429-003	Lower Link Mount, Vehicles Built After 09/06	2	5-21
10	R3015099	-	58035-006	Bolt, 3/8" - 16 X 3 1/2" Long, Vehicles Built Before 09/06	2	5-20
	S.O.S.	-	58035-002	Bolt, 3/8" - 16 X 1 3/8" Long, Vehicles Built After 09/06	2	-
11	S.O.S.	-	22962-015	Washer, 3/8"	2	-
12	M85955	-	65992-001	Sleeper Shock Absorber	2	-
	M85955	-	65992-002	Day Cab Shock Absorber	2	-
13	S.O.S.	-	32043-008	Upper Shock Bolt, 5/8"-11 X 4" Long	2	-
14	R302547	-	22962-004	Upper Shock Washer, 5/8"	4	-
15	R302988	-	47764-000	Upper Shock Locknut, 5/8"-11	2	-
16	S.O.S.	-	58917-014	Lower Shock Bolt, 3/4"-10 X 8" Long, Vehicles Built Before 09/06	2	-
	S.O.S.	-	58917-002	Lower Shock Bolt, 3/4"-10 X 5" Long, Vehicles Built After 09/06	2	-
17	R304347	-	49842-000	Lower Shock Locknut, 3/4"-10	2	-
18	R3015100		65772-000	Rear Mount Spacer, Used in Kit 60691-000, Vehicles Built Before 09/06	2	5-18
19	S.O.S.		60961-109	Rear Spring Mount Service Kit, Vehicles Built Before 09/06, Includes R3015100	2	-
	R3015120		60961-158	Rear Spring Mount Service Kit, Vehicles Built After 09/06	2	5-18
20	S.O.S.		65856-000	Thrust Washer, Vehicles Built Before 09/06	4	-
	R3015123		66779-000	Thrust Washer, Vehicles Built After 09/06	4	5-18
21	R3015101	-	58917-008	Bolt, 3/4"-10 X 6" Long	2	-
22	R302545	-	22962-033	Washer, 3/4"	4	-
23	R3015094	-	17700-033	Locknut, 3/4"-10, Nylock	-	-
24	R3015102		58917-016	Bolt, 3/4"-10 X 8 1/2" Long	2	5-20
25	R3015122		60961-159	Rear Spring Hardware Kit, Includes Key No. 20, 21, 22, 23. Requires 2 Kits Per Axle	2	-
26	R3015103		68317-001	Rear Hanger LH, Vehicles Built Before 09/06	1	5-18
	R3015124		66382-001	Rear Hanger LH, Vehicles Built After 09/06	1	5-18
	R3015104		68317-002	Rear Hanger RH, Vehicles Built Before 09/06	1	5-18
	R3015125		66382-002	Rear Hanger RH, Vehicles Built After 09/06	1	5-18

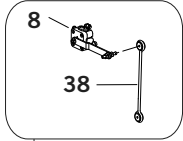
 Denotes Product is Genuine Hendrickson

NAVISTAR / INTERNATIONAL

# NAVISTAR / INTERNATIONAL FRONT

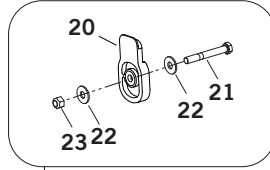
## AIRTEK For International Vehicles

HCV & Linkage Assembly



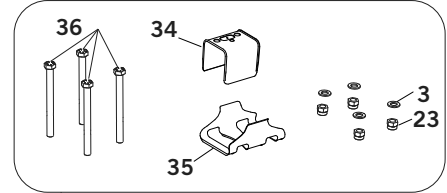
7

Rear Spring Hardware Kit

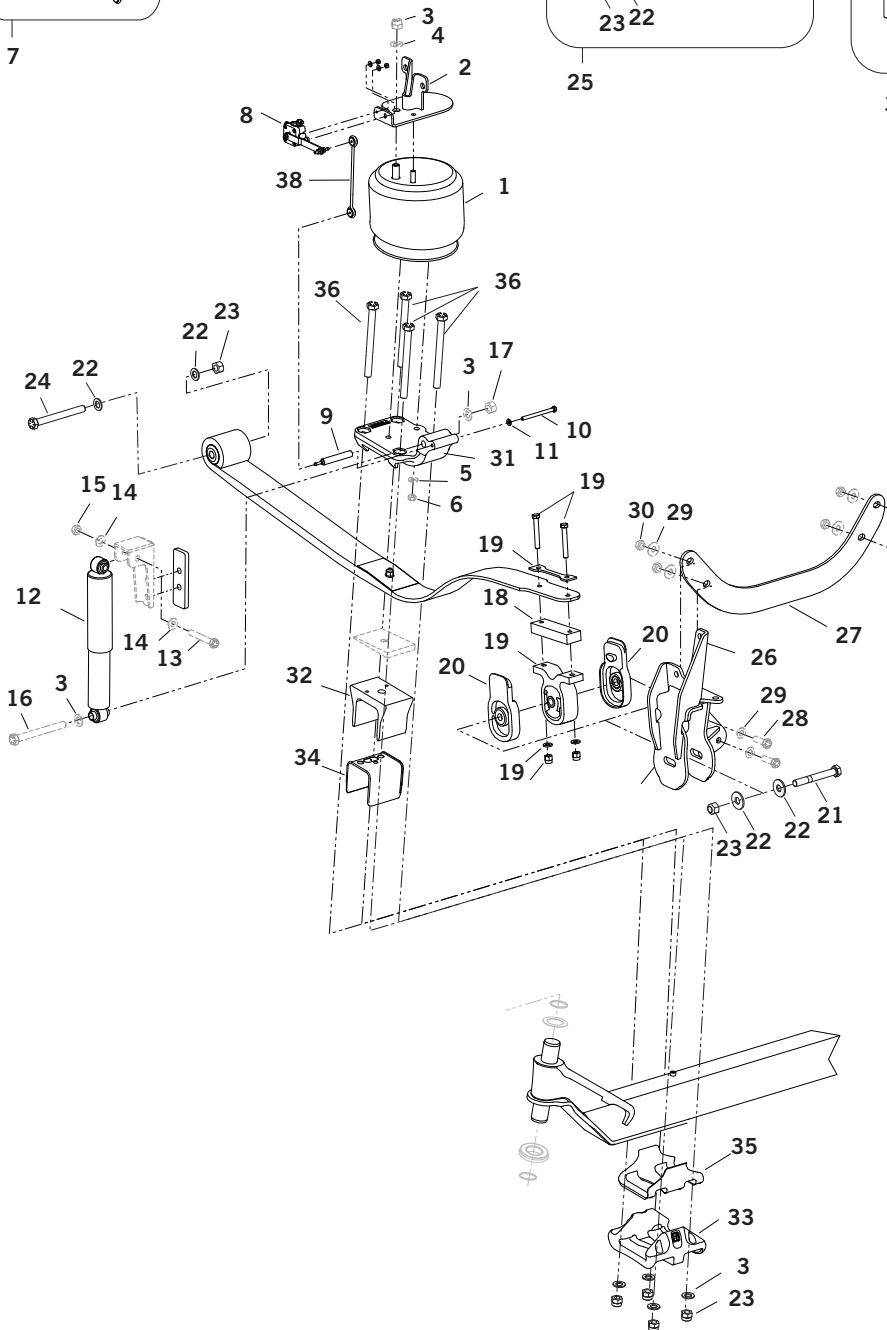


25













Top/Bottom Axle Wrap Liner Service Kit




37

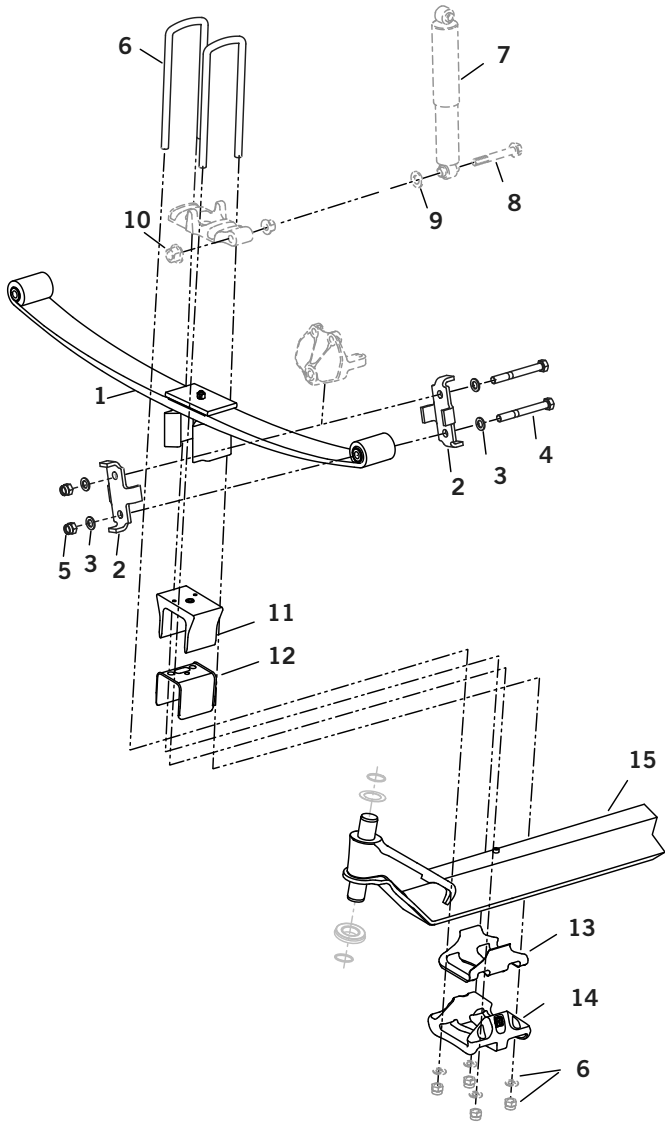


NAVISTAR / INTERNATIONAL

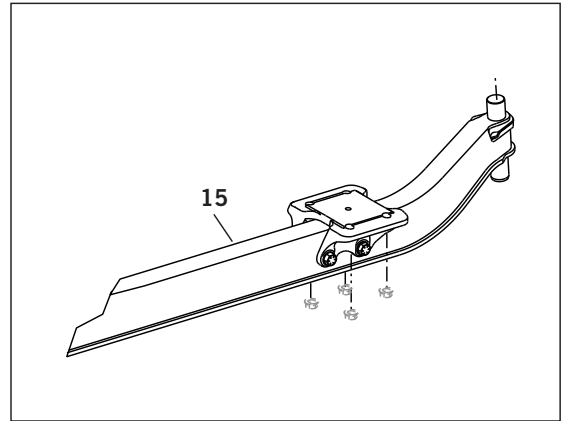
AIRTEK For International Vehicles						
KEY NO.	MERITOR NO.	GENUINE	OEM REF	DESCRIPTION	QTY. PER AXLE	PAGE NO.
27	S.O.S.		66019-000	Belly Band, Vehicles Built Before 09/06	1	-
	R3015126		66419-000	Belly Band, Vehicles Built After 09/06	1	5-20
28	S.O.S.	-	32043-006	Bolt, 5/8"-11 X 2" Long	4	-
29	R302547		22962-004	Washer, 5/8", OD 1 3/8", Vehicles Built Before 09/06	4	-
	R3015106	-	22962-003	Washer, 5/8", OD 1 3/4"	4	-
30	R302988	-	47764-000	Locknut, 5/8"-11	4	-
31	S.O.S.		64580-000	Top Pad, Vehicles Built Before 09/06	2	-
	R3015127		68318-001	Top Pad Left Hand, Vehicles Built After 09/06	1	5-19
	R3015128		68318-002	Top Pad Right Hand, Vehicles Built After 09/06	1	5-19
32	R3015107		59952-023	Top Axle Wrap	2	5-19
33	R3015108		64722-003	Bottom Axle Wrap	2	5-20
34	R3015109		65757-000	Top Axle Wrap Liner	2	5-19
35	R3015110		59845-000	Bottom Axle Wrap Liner	2	5-20
36	R3015102	-	58917-016	Bolt, 3/4"-10 X 8 1/2" Long	8	5-20
37	R3015119		60961-110	Top/Bottom Axle Wrap Liner Service Kit, Includes Key Nos. 3, 23, 34, 35, 36	As Req.	5-19
38	R3015096		59428-004	Linkage Kit	2	-

 Denotes Product is Genuine Hendrickson







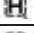
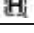

# NAVISTAR / INTERNATIONAL FRONT SOFTEK For International Vehicles




STEERTEK NXT



NAVISTAR /  
INTERNATIONAL

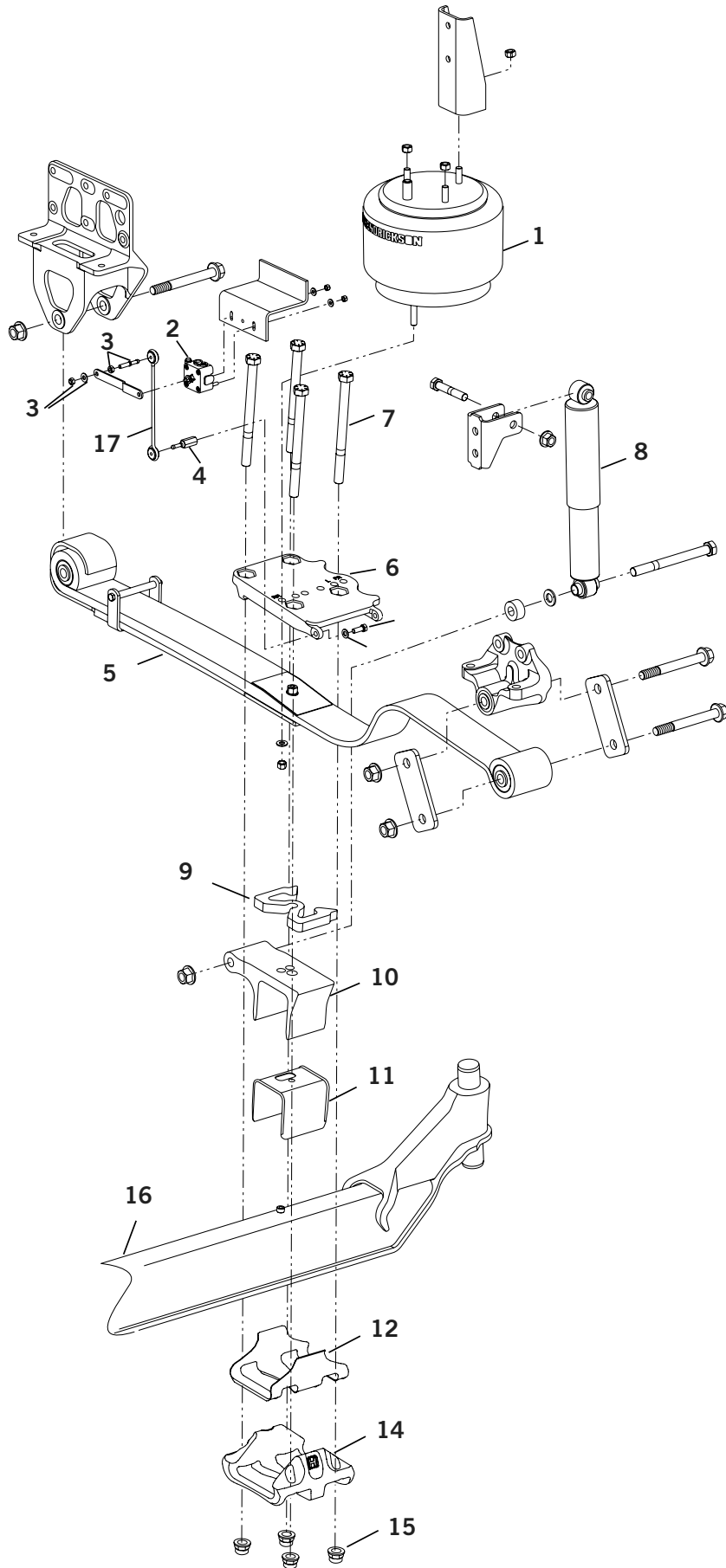
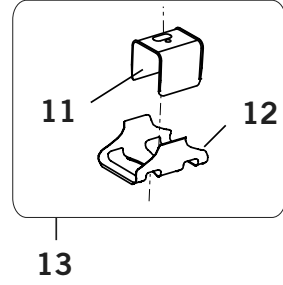
SOFTEK For International Vehicles						
KEY NO.	MERITOR NO.	GENUINE	OEM REF	DESCRIPTION	QTY. PER AXLE	PAGE NO.
1	S.O.S.		Various	Spring Assembly, Includes Bushings	2	-
2	R3016420		66545-000	Shackle Plate	4	5-18
3	R302545	-	-	Washer, 3/4"	8	-
4	R304961A	-	-	Locknut, 3/4"-16	4	-
5	S.O.S.	-	-	Bolt, 3/4"-16 X 6 1/2" Long	4	-
6	S.O.S.	-	-	U-Bolt Assembly, Semi Round Bend, 3/4"-16 Thd. X 4" Wide, Specify Length	4	-
7	S.O.S.	-	-	Shock Absorber, Specify Model	2	-
8	S.O.S.	-	-	Lower Shock Flange Bolt, 3/4"-10 X 5" Long	2	-
9	S.O.S.		-	Shock Spacer or Hardened Washer, Certain Models	2	-
10	S.O.S.	-	-	Flange Locknut, 3/4"-10	2	-
11	R3015107		59952-023	Top Axle Wrap, Lone Star 9200/9400/8600, Not Required on NXT	2	5-19
	S.O.S.		59952-032	Top Axle Wrap, ProStar, Not Required on NXT	2	-
12	R3015109		65757-000	Top Axle Wrap Liner, Not Required on NXT	2	5-19
13	R3015110		59845-000	Bottom Axle Wrap Liner, Not Required on NXT	2	5-19
14	R3015108		64722-003	Bottom Axle Wrap, Not Required on NXT	2	5-20
15	S.O.S.		Various	Axle Assembly	1	-

 Denotes Product is Genuine Hendrickson

# NAVISTAR / INTERNATIONAL FRONT



















## AIRTEK for International Integrated Coach Bus


### Axle Wrap Liner Kit



NAVISTAR / INTERNATIONAL

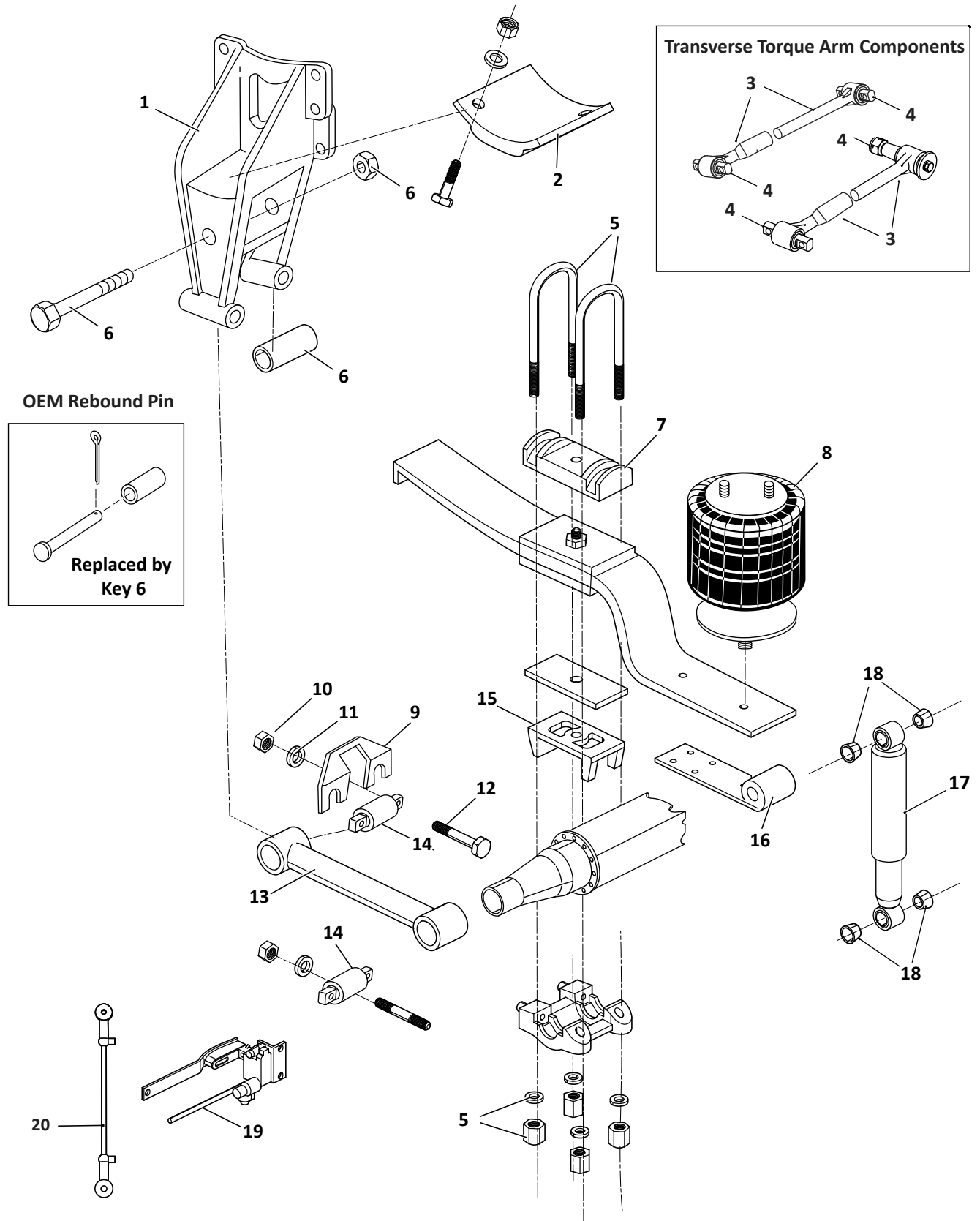


AIRTEK for International Integrated Coach Bus						
KEY NO.	MERITOR NO.	GENUINE	OEM REF	DESCRIPTION	QTY. PER AXLE	PAGE NO.
1	S.O.S.	-	67568-002	Air Spring	2	-
2	R3013996		59935-011	Height Control Valve Assembly, Left Hand	1	5-20
	R3013997		59935-018	Height Control Valve Assembly, Right Hand	1	5-20
3	R3015095		59427-013	Height Control Valve Assembly, Left Hand, Includes Key 2 and Mounting Hardware	1	5-20
	S.O.S.		59427-014	Height Control Valve Assembly, Right Hand, Includes Key 2 and Mounting Hardware	1	-
4	R3015121		59429-003	Height Control Valve Link Mount, Rear Engine	2	5-21
	R3015121		59429-003	Height Control Valve Link Mount, Front Engine, Left Hand	1	
	S.O.S.		64724-002	Height Control Valve Link Mount, Front Engine, Right Hand	1	-
5	S.O.S.		67420-000	Leaf Spring Assembly	2	-
6	S.O.S.		67719-000	Top Pad	2	-
7	R307703	-	-	Bolt, 3/4"-16 X 9" Long	8	5-20
8	M85955	-	65992-006 65992-001	Shock	2	-
9	S.O.S.		64536-020	Z-Spacer, 20mm	2	-
10	S.O.S.		59952-030	Top Axle Wrap	2	-
11	R3015147		60508-000	Top Axle Wrap Liner	2	5-19
12	R3015110		59845-000	Bottom Axle Wrap Liner	2	5-19
13	R3015727		60961-015	Axle Wrap Liner Kit, Vehicles Built Before October 2012, Includes Key Nos. 11 & 12	2	5-19
14	R3015108		64722-003	Bottom Axle Wrap	2	5-20
15	R3016421	-	-	Flange Lock Nut, 3/4"-16	8	-
16	S.O.S.		70952-318	STEERTEK Axle Assembly, 14.6K, 200" Wheelbase	1	-
	S.O.S.		70952-328	STEERTEK Axle Assembly, 12K, 200" Wheelbase	1	-
17	R3015096		59428-004	Linkage Kit	2	-

 Denotes Product is Genuine Hendrickson

# NAVISTAR / INTERNATIONAL REAR

## Corporate Air Ride "Z" Spring



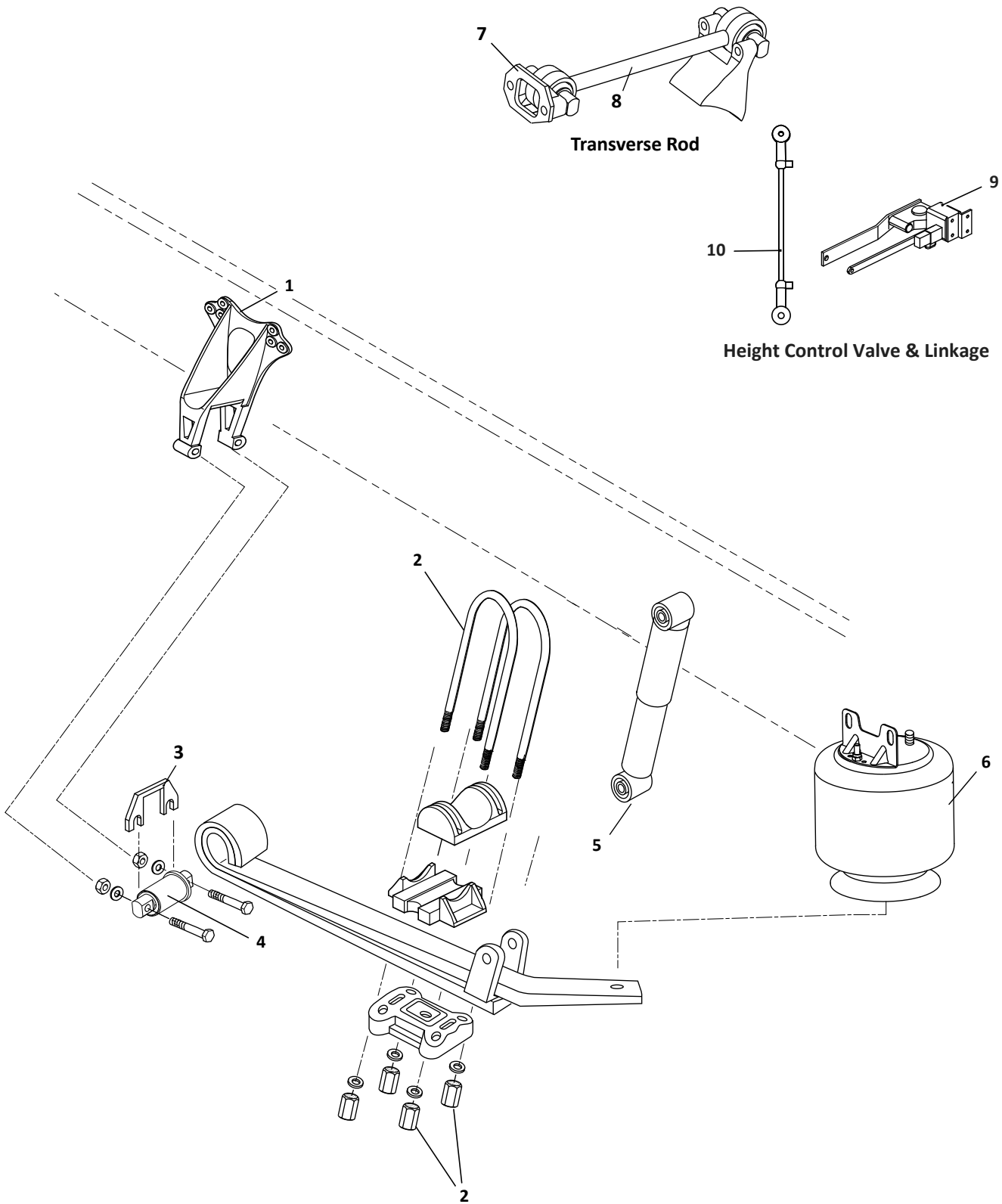
NAVISTAR / INTERNATIONAL

Corporate Air Ride "Z" Spring						
KEY NO.	MERITOR NO.	MACH NO	OEM REF	DESCRIPTION	QTY. PER AXLE	PAGE NO.
1	-	<b>G-15650</b>	1680506C91; 1680505C3; 501556C2	Front Hanger, Most Models Except for Low Profile, 8100, 4600LP, 4600UH, 4700LP Models	2	5-23
2	-	<b>G-15545</b>	571960C1	Wear Pad, Use With Hanger G-15650	2	5-23
3	<b>R3010310</b>	-	66610-000	Transverse Torque Arm, MaxiRod Kit, Tube End with Straddle Bushing, Includes R305275 Bushing	1	-
	<b>R3010315</b>	-	66661-000	Transverse Torque Arm, MaxiRod Kit, Rod End with Straddle Bushing, Includes R305275 Bushing	1	-
	<b>R3010317</b>	-	66681-000	Transverse Torque Arm, MaxiRod Kit, Rod End with Taper Stud Bushing, Includes R30103095 Bushing	1	-
4	<b>R305275</b>	-	47691-000	Torque Arm Bushing, Rubber, 2" OD, 4 3/8" Center-to-Center, 5/8" Bolt Holes, Use in R3010310 & R3010315 Torque Rod Ends	As Required	5-23
	<b>R3010309</b>	-	64697-000	Torque Arm Bushing, Rubber, Tapered Stud, Use in R3010317 Torque Rod End	As Required	5-23
5	<b>R30U8353-15</b>	-	590621C1	U-Bolt Assembly, Semi Rd. Bend, 3/4"-16 Thd. x 3 1/2" Wide x 15" Long	4	-
	<b>R30U8363-15N</b>	-	590621C1	U-Bolt Assembly, Semi Rd. Bend, 7/8"-14 Thd. x 3 1/2" Wide x 15" Long	4	
6	<b>R303795</b>	-	574778C2	Retainer Pin Assembly, Includes Bolt, 1/2" - 20 X 5 1/2" Long, Nut and Roller, All Models Except Low Profile, OE Uses Headed Pin and Cotter Pin	2	5-23
	-	<b>G-15643</b>	206258R1&R2	Rebound Pin, 3/4" OD x 5 7/8" Long, Low Profile Models	2	5-23
7	-	<b>G-16811</b>	572112C2	U-Bolt Top Plate	2	5-24
8	<b>FS9213</b>	-	501559C1; 501559C2	Firestone Air Spring	2	-
	<b>FS9566</b>	-	1672401C1	Firestone Air Spring	2	-
	<b>FS9371</b>	-	1670043C1	Firestone Air Spring	2	-
	<b>MAF9371</b>	-	1670043C1	Meritor Air Spring	2	-
	<b>FS9379</b>	-	1660694C1	Firestone Air Spring	2	-
	<b>FS9568</b>	-	1675495C1	Firestone Air Spring	2	-
9	<b>R303790</b>	-	488916C91	Torque Arm Shim, 1/16" Thick	As Required	5-24
10	<b>R303793</b>	-	414089C1	Torque Arm Flange Nut, 5/8"-18	16	5-27
11	<b>R302547</b>	-	-	Washer, 5/8"	16	-
12	<b>R303792</b>	-	438286C1	Torque Arm Bolt, 5/8"-18 X 4 1/2" Long	8	5-26
13	<b>R3010764</b>	-	588117C91;588117C92; 4939920C2	Tubular Torque Arm, 18 1/8" Center-to-Center, R3010764 Includes R305275 Bushings	2	5-24
	<b>R303788</b>	-	493920C1	Forged Torque Arm, 18 1/8" Center-to-Center, R303788 Includes R302226 Bushings	2	5-26
14	<b>R302225</b>	-	1693060C1; 227710; 44694-000	Torque Arm Bushing, Rubber, 2 1/2" OD, 4 3/8" Center-to-Center, 5/8" Bolt Holes — Caution: Meritor Replacement Torque Arms Use R302226 Bushings. Other Manufacturers May Use R302225 Bushings	4	5-23
	<b>R307638</b>	-	-	Torque Arm Bushing, Poly, 2 1/2" OD, 4 3/8" Center-to-Center, 5/8" Bolt Holes	4	5-27
	<b>R302226</b>	-	227720; 44695-000	Torque Arm Bushing, Rubber, 2 3/4" OD, 4 3/8" Center-to-Center, 5/8" Bolt Holes	4	5-23
	<b>R307639</b>	-	-	Torque Arm Bushing, Poly, 2 3/4" OD, 4 3/8" Center-to-Center, 5/8" Bolt Holes	4	5-23
15	<b>R303797</b>	-	493478C2	Spring Seat, 3.4° Pinion Angle	2	5-24
	<b>R303798</b>	-	493480C2	Spring Seat, 8.6° Pinion Angle	2	5-24
	<b>R303799</b>	-	1649755C1	Spring Seat	2	5-24
16	-	-	579637C2	Shock Bracket, Left Hand	1	-
	-	-	579638C2	Shock Bracket, Right Hand	1	-
17	<b>M85003</b>	-	1675455C1; 1690035C1; 501553C91; 2018987C1	Shock Absorber	2	-
	<b>M89411</b>	-	1675455C1; 1690035C1; 501553C91; 2018987C1	Premium Shock Absorber	2	-
	<b>M85300</b>	-	462557C91	Shock Absorber	2	-
	<b>M85734</b>	-	350426C1	Shock Absorber	2	-
18	<b>R30401754</b>	-	-	Shock Bushing, 1" ID, Rubber	8	-
	<b>R307529</b>	-	-	Shock Bushing, 1" ID, Poly	8	-
19	<b>R309624</b>	-	H00500C	Universal Height Control Valve, Hadley Model 500, Apply Air To Dump	1	5-25
	<b>R3014731</b>	-	H01501UD	Universal Height Control Valve, Hadley Next Gen, Apply Air To Dump	1	5-25
20	<b>R309625</b>	-	-	Universal Linkage Kit	1	5-25

NAVISTAR / INTERNATIONAL

# NAVISTAR / INTERNATIONAL REAR

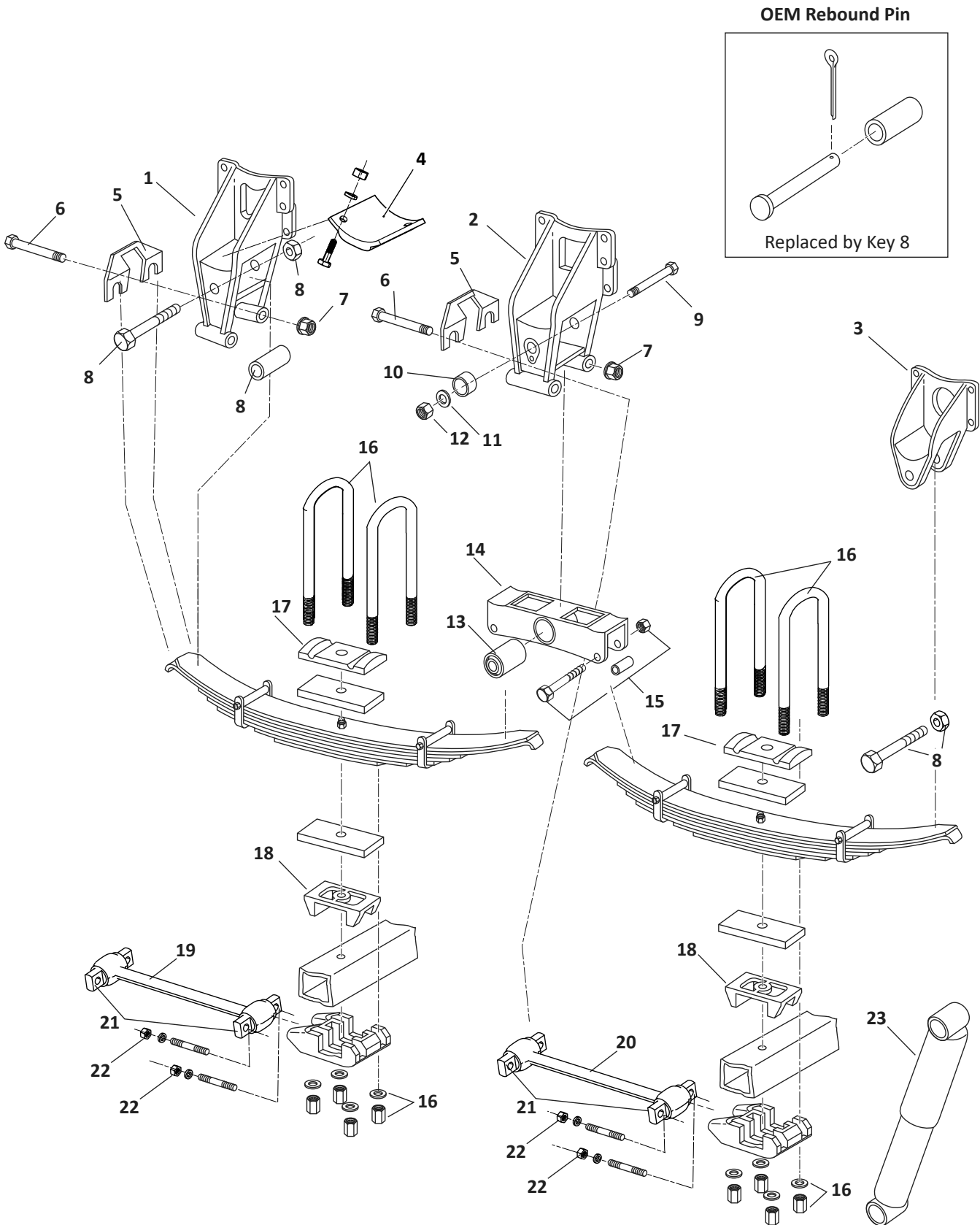
## New Corporate Air Ride - "Hockey Stick" Spring



NAVISTAR /  
INTERNATIONAL

New Corporate Air Ride - "Hockey Stick" Spring						
KEY NO.	MERITOR NO.	MACH NO.	OEM REF	DESCRIPTION	QTY. PER AXLE	PAGE NO.
1	-	<b>G-16812</b>	3545280C1; 3544131C2	Hanger, Most Models	2	5-25
2	<b>R30U8169-156</b>	-	-	U-Bolt Assembly, Rd. Bend, 7/8"-14 Thd. x 5 1/2" Wide x 15 3/4" Long	4	-
	<b>R30U8169-166</b>	-	3538842C1	U-Bolt Assembly, Rd. Bend, 7/8"-14 Thd. x 5 1/2" Wide x 16 3/4" Long	4	-
3	<b>R3016687</b>	-	65640-2	Torque Arm Shim, 1/16" Thick	As Required	-
4	<b>R3015541</b>	<b>G-15541</b>	3538115C5	Spring Eye Bushing, Anti-Walk	2	5-25
	-	<b>G-15600</b>	-	Spring Eye Bushing, Anti-Walk, .050" Oversize OD	As Required	5-25
5	<b>M85931</b>	-	3573265C1	Shock Absorber	2	-
	<b>M89458</b>	-	-	Shock Absorber, Premium Adjustable	2	-
6	<b>FS1191</b>	-	3541731C1	Firestone Air Spring, Includes Bracket	2	-
	<b>MAF1191</b>	-	3541731C1	Meritor Air Spring, Includes Bracket	2	-
7	<b>R302634</b>	-	22186-000	Transverse Torque Arm Mounting Bracket	1	5-25
8	<b>R3016075</b>	-	3580088C1; 3548381C1	Transverse Torque Arm, 25 3/8" Center-to-Center, Not Rebushible	1	5-25
9	<b>R309624</b>	-	H00500C	Universal Height Control Valve, Hadley Model 500, Apply Air To Dump	1	5-25
	<b>R3014731</b>	-	H01501UD	Universal Height Control Valve, Hadley Next Gen, Apply Air To Dump	1	5-25
10	<b>R309625</b>	-	-	Universal Linkage Kit	1	5-25

# NAVISTAR / INTERNATIONAL REAR 4 Spring, Tractor



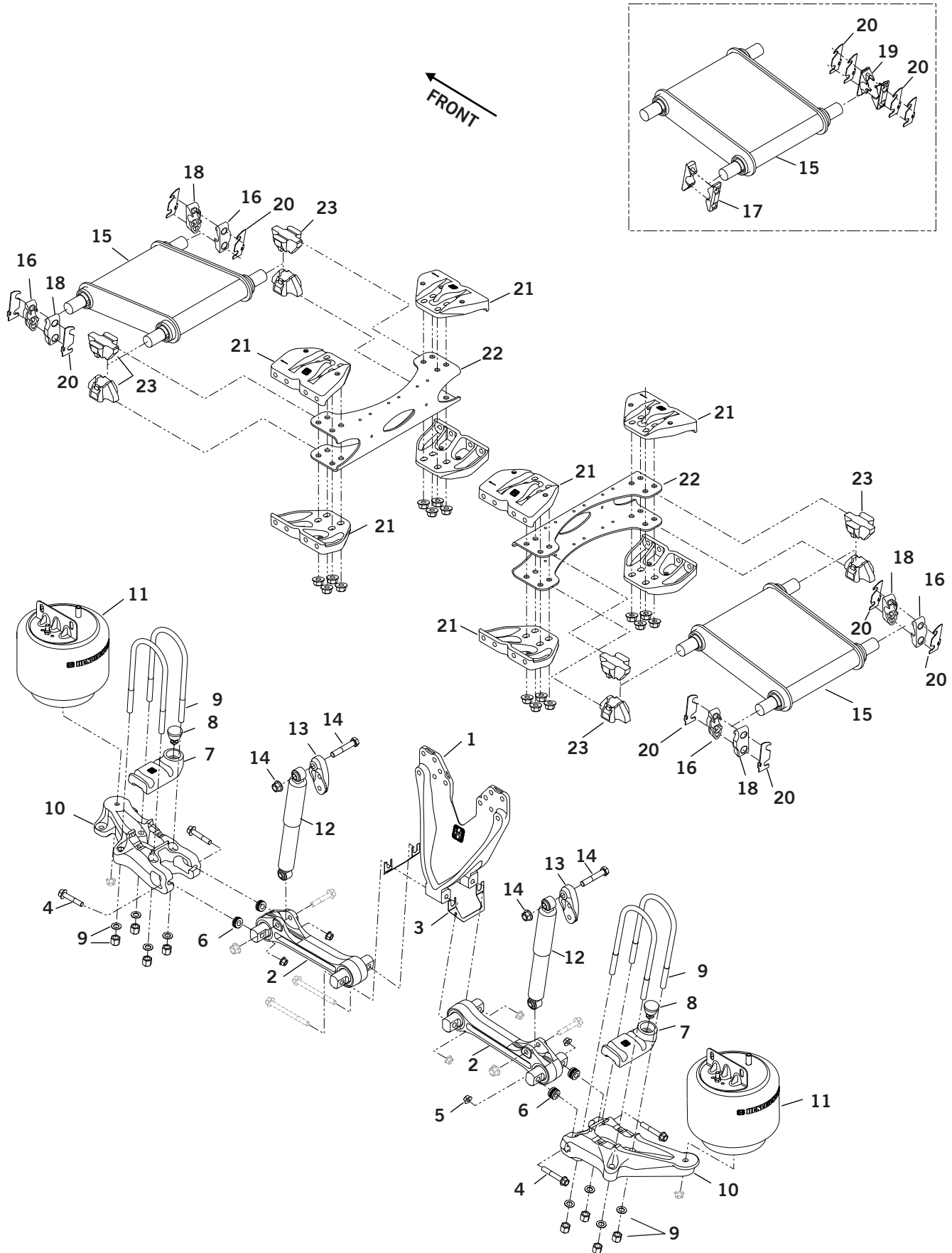
NAVISTAR /  
INTERNATIONAL

4 Spring, Tractor						
KEY NO.	MERITOR NO.	MACH NO.	OEM REF	DESCRIPTION	QTY. PER TANDEM	PAGE NO.
1	-	<b>G-15650</b>	1680506C91; 1680505C3; 501556C2	Front Hanger, Use With Hanger Pad G-15545	2	-
2	-	-	497787C3	Center Hanger	2	-
3	-	<b>G-15653</b>	488909C2	Rear Hanger	2	-
4	-	<b>G-15545</b>	571960C1	Wear Pad	2	-
5	<b>R303790</b>	<b>G-3790</b>	488916C91	Torque Arm Shim, 1/16" Thick	As Req	5-24
6	<b>R303792</b>	-	438286C1	Torque Arm Bolt, 5/8"-18 X 4 1/2" Long	8	5-27
7	<b>R303793</b>	-	414089C1	Torque Arm Flange Nut, 5/8"-18	16	5-27
8	<b>R303795</b>	-	574778C2	Retainer Pin Assembly, Includes Bolt, 1/2" - 20 X 5 1/2" Long, Nut and Roller, OE Uses Headed Pin and Cotter Pin	4	5-23
9	<b>R303785</b>	-	26015R1	Equalizer Bolt, 1"-8 X 7 1/2" Long	2	-
10	<b>R303786</b>	-	497785C2	Equalizer Adapter	2	5-26
11	<b>R303975</b>	-	131048	Lock Washer, 1"	4	-
12	<b>R304421</b>	-	25531R1; 131556C1	Lock Nut, 1"-8	2	-
13	<b>R303784</b>	<b>G-3784</b>	497501C2	Equalizer Bushing, 2 1/2" OD X 1 1/32" ID X 4 3/4" Long	2	5-26
14	<b>R303783</b>	-	497790C2	Equalizer	2	5-26
15	<b>R304770</b>	-	-	Equalizer Roller Assembly, Includes Bolt, Nut and Roller	4	5-26
16	<b>R30U8353-15</b>	-	590621C1	U-Bolt Assembly, Semi Round, Bend, 3/4"-16 Thd. x 3 1/2" Wide x 15" Long	8	-
	<b>R30U8363-15N</b>	-	1610312C2	U- Bolt Assembly, Semi Round, Bend 7/8"-14 Thd. x 3 1/2" Wide 15" Long	8	-
17	<b>R303796</b>	<b>G-3796</b>	581744C1	U-Bolt Top Plate	4	5-28
18	<b>R303797</b>	-	493478C2	Spring Seat, 3.4° Pinion Angle	4	5-24
	<b>R303798</b>	-	493480C2	Spring Seat, 8.6° Pinion Angle	4	5-24
	<b>R303799</b>	-	1649755C1	Spring Seat	4	5-24
19	<b>R3010764</b>	-	588117C91; 588117C92; 4939920C2	Tubular Torque Arm, Front, 18 1/8" Center-to-Center, R3010764 Includes R305275 Bushings	2	5-24
	<b>R303788</b>	-	493920C1	Rigid Torque Arm, Forged Ends, Front, 18 1/8" Center-to-Center, R303788 Includes R302226 Bushings	2	5-26
20	<b>R3010765</b>	-	588118C91, C92	Rigid Torque Arm, Tubular Design, Rear, 21 31/32" Center-to-Center, R3010765 Includes R305275 Bushings	2	-
	<b>R303789</b>	-	493921C1, C2	Rigid Torque Arm, Forged Ends, Rear, 21 31/32" Center-to-Center, R303788 Includes R302226 Bushings	2	5-26
21	<b>R302225</b>	-	1693060C1; 227710; 44694-000	Torque Arm Bushing, Rubber, 2 1/2" OD, 4 3/8" Center-to-Center, 5/8" Bolt Holes — CAUTION: Meritor Replacement Torque Arms use R302226 bushings. Other Manufacturers may Use R302225 Bushings	8	5-27
	<b>R307638</b>	-	-	Torque Arm Bushing, Poly, 2 1/2" OD, 4 3/8" Center-to-Center, 5/8" Bolt Holes	8	5-27
	<b>R302226</b>	-	227720; 44695-000	Torque Arm Bushing, Rubber, 2 3/4" OD, 4 3/8" Center-to-Center, 5/8" Bolt Holes	8	5-27
	<b>R307639</b>	-	-	Torque Arm Bushing, Poly, 2 3/4" OD, 4 3/8" Center-to-Center, 5/8" Bolt Holes	8	5-27
22	<b>R302988</b>	-	-	Lock Nut, 5/8" - 11	8	-
23	<b>M83101</b>	-	-	Shock Absorber	2	-

NAVISTAR / INTERNATIONAL




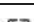




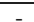





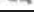











# NAVISTAR / INTERNATIONAL REAR


## HTB 400LT For International



NAVISTAR / INTERNATIONAL





HTB 400LT For International						
KEY NO.	MERITOR NO.	GENUINE	OEM REF	DESCRIPTION	QTY. PER TANDEM	PAGE NO.
1	S.O.S.		65700-000	Frame Hanger	2	-
2	R3016364		77906-398	Torque Rod Assembly; New Style. Non-Replaceable Bushings; Replaces 64768-398	4	5-30
	-		64768-398	Torque Rod Assembly; Old Style w/ Replaceable Bushings	4	-
3	S.O.S.		65640-001	.030" Torque Rod Shims	As Required	-
	S.O.S.		65640-002	.060" Torque Rod Shims	As Required	-
	S.O.S.		65640-003	.120" Torque Rod Shims	As Required	-
4	S.O.S.		Various	5/8"- 11 Torque Rod Flange Bolt ( See Chart Below )	8	-
5	R308911	-	66637-000	5/8"- 11 Torque Rod Flange Locknut	8	-
6	S.O.S.		Various	Pinion Spacer ( See Chart Below )	8	-
7	S.O.S.		65708-000	Axle Top Pad Assembly; Includes Key No. 8	4	-
8	R3015148		64080-000	Axle Stop	4	5-30
9	S.O.S.		48718-116	U-bolt Assembly Incl. Nuts, Washers	4	-
10	S.O.S.		Various	Lower Air Spring Bracket (See Chart Below)	2	-
11	S.O.S.		66643-002	Air Spring Assembly; Replaces 60977-002L	4	-
12	M85102	-	60657-008 60657-006 60657-010 60657-011	Shock Absorber - All Models	4	-
13	R3015177		67463-002	Shock Absorber Frame Bracket; Replaces 65000-002	4	-
14	S.O.S.		50754-022	Upper Shock Mount Fastener Kit, One Shock	4	-
15	R3016366		64785-007B	Torque Box Assembly; Replaces 64785-001, 64785-002B	2	-
16	S.O.S.		67157-001	Axle Bracket Bar Pin Clamp LH; Vehicles Built After 10/07	4	-
17	S.O.S.		66174-000	Axle Bracket Bar Pin Clamp Non-Adjustable; Vehicles Built Prior to 10/07	4	-
18	S.O.S.		67157-002	Axle Bracket Bar Pin Clamp RH; Vehicles Built After 10/07	4	-
19	S.O.S.		66274-000	Axle Bracket Bar Pin Clamp Adjustable; Vehicles Built Prior to 10/07	4	-
20	S.O.S.		67237-001	Axle Bracket Spacer (3/32") Vehicles Built After 10/07	8	-
	S.O.S.		65737-001	Axle Bracket Spacer (3/32") Vehicles Built Prior to 10/07	8	-
21	S.O.S.		65705-001	Cross Member Gusset LH Top; RH Bottom	4	-
	S.O.S.		65705-002	Cross Member Gusset LH Bottom; RH Top	4	-
22	S.O.S.		67478-000	Cross Member C-Channel; Replaces 64970-000	2	-
23	S.O.S.		65144-000	Cross Member Bar Pin Clamp	8	-



 Denotes Product is Genuine Hendrickson

HTB LT PINION ANGLE CHART							
		KEY NO. 10		KEY NO. 6		KEY NO. 4	
		HENDRICKSON AIR SPRING BRACKET PART NO.		HENDRICKSON PINION SPACER PART NO.		HENDRICKSON TORQUE ROD FLANGE BOLT	
		PINION ANGLE	LEFT HAND	RIGHT HAND	THICKNESS	PART NO.	LENGTH
FRONT	2°	-	-	None	None	3½"	66636-004
	3°	65638-001	65638-002	8mm	66193-001	4"	66636-003
	4°	-	-	16mm	66193-002	-	-
	5°	-	-	24mm	66193-003	4½"	66636-002
REAR	8°	-	-	24mm	66193-003	4½"	66636-002
	9°	65698-001	65698-002	16mm	66193-002	4"	66636-003
	10°	-	-	8mm	66193-001	-	-
REAR	11°	-	-	24mm	66193-003	4½"	66636-002
	12°	64764-001	64764-002	16mm	66193-002	-	-
	13°	-	-	8mm	66193-001	4"	66636-003



# NAVISTAR / INTERNATIONAL FRONT



## AIRTEK / SOFTEK For International Trucks / Tractors

Rear Spring Mount Kit			
FOR MODELS: AIRTEK Truck			
			
Vehicles Built After 09/06			
MERITOR NO.	GENUINE	OEM REF	NOTES
R3015120		60961-158	Includes Spring Mount, Spring End Plate and Hardware


Rear Hanger Right Hand			
FOR MODELS: AIRTEK Truck			
			
MERITOR NO.	GENUINE	OEM REF	NOTES
R3015104		68317-002	Vehicles Built Before 09/06



Shackle Plate		
FOR MODELS: SOFTEK		
		
MERITOR NO.	GENUINE	OEM REF
R3016420		66545-000

Rear Hanger Left Hand			
FOR MODELS: AIRTEK Truck			
			
MERITOR NO.	GENUINE	OEM REF	NOTES
R3015103		68317-001	Vehicles Built Before 09/06

Thrust Washer			
FOR MODELS: AIRTEK Truck			
			
MERITOR NO.	GENUINE	OEM REF	NOTES
R3015123		66779-000	Vehicles Built After 09/06

Rear Hanger Right Hand			
FOR MODELS: AIRTEK Truck			
			
MERITOR NO.	GENUINE	OEM REF	NOTES
R3015125		66382-002	Vehicles Built After 09/06

Rear Mount Spacer			
FOR MODELS: AIRTEK Truck			
			
MERITOR NO.	GENUINE	OEM REF	NOTES
R3015100		65772-000	Vehicles Built Before 09/06

Rear Hanger Left Hand			
FOR MODELS: AIRTEK Truck			
			
MERITOR NO.	GENUINE	OEM REF	NOTES
R3015124		66382-001	Vehicles Built After 09/06

NAVISTAR / INTERNATIONAL

# NAVISTAR / INTERNATIONAL FRONT AIRTEK / SOFTEK For International Trucks / Tractors

Suspension

**Top Pad Right Hand**


FOR MODELS:  
AIRTEK Truck




MERITOR NO.	GENUINE	OEM REF	NOTES
R3015128		68318-002	Vehicles Built After 09/06

**Top Axle Wrap Liner**


FOR MODELS:  
AIRTEK & SOFTEK Truck




MERITOR NO.	GENUINE	OEM REF	NOTES
R3015109		65757-000	Not Required on NXT

**Top Pad Left Hand**


FOR MODELS:  
AIRTEK Truck




MERITOR NO.	GENUINE	OEM REF	NOTES
R3015127		68318-001	Vehicles Built After 09/06

**Top Axle Wrap Liner**

FOR MODELS:  
AIRTEK For IC Buses





Elongated Slot

MERITOR NO.	GENUINE	OEM REF
R3015147		60508-000

**Top/Bottom Axle Wrap Liner Kit**

FOR MODELS:  
AIRTEK Truck



MERITOR NO.	GENUINE	OEM REF	NOTES
R3015119		60961-110	Includes Top and Bottom Axle Liners and Hardware

**Top Axle Wrap**

FOR MODELS:  
AIRTEK & SOFTEK Truck



MERITOR NO.	GENUINE	OEM REF	NOTES
R3015107		59952-023	Lone Star 9200/9400/8600, Not Required on NXT

**Axle Wrap Liner Kit**

FOR MODELS:  
AIRTEK Truck



Includes R3015147 & R3015110 Liners

MERITOR NO.	GENUINE	OEM REF
R3015727		60961-015

**Bottom Axle Wrap Liner**

FOR MODELS:  
AIRTEK Truck & IC Buses,  
SOFTEK Truck



MERITOR NO.	GENUINE	OEM REF	NOTES
R3015110		59845-000	Not Required on NXT

NAVISTAR / INTERNATIONAL

# NAVISTAR / INTERNATIONAL FRONT

## AIRTEK / SOFTEK For International Trucks / Tractors

**Bottom Axle Wrap**

FOR MODELS:  
AIRTEK Truck &  
IC Buses,  
SOFTEK Truck



MERITOR NO.	GENUINE	OEM REF	NOTES
R3015108		64722-003	Not Required on NXT

**Height Control Valve, Right Hand**


FOR MODELS:  
AIRTEK Truck &  
IC Buses




MERITOR NO.	GENUINE	OEM REF
R3013997		59935-018

**Belly Band**

FOR MODELS:  
AIRTEK Truck



MERITOR NO.	GENUINE	OEM REF	NOTES
R3015126		66419-000	Vehicles Built After 09/06


**Height Control Valve, Left Hand**

FOR MODELS:  
AIRTEK Truck &  
IC Buses



MERITOR NO.	GENUINE	OEM REF
R3013996		59935-011

**Bolt**




MERITOR NO.	GENUINE	OEM REF	LENGTH	THREAD	APPLICATION
R3015099	-	58035-006	3 1/2"	3/8" - 16	AIRTEK Truck
R3015102	-	58917-016	8 1/2"	3/4"-10	AIRTEK Truck
R307703	-	-	9"	3/4"-16	AIRTEK For IC Buses

**Height Control Valve Assembly, Left Hand**


AIRTEK Truck &  
IC Buses




MERITOR NO.	GENUINE	OEM REF	NOTES
R3015095		59427-013	Includes Linkage

**Lower Link Mount Kit**

FOR MODELS:  
AIRTEK Truck





Vehicles Built Before 09/06

MERITOR NO.	GENUINE	OEM REF	NOTES
R3015097		60961-071	Includes R3015098 Link, Bolt, Washer



NAVISTAR / INTERNATIONAL

# NAVISTAR / INTERNATIONAL FRONT AIRTEK / SOFTEK For International Trucks / Tractors

Suspension

Lower Link Mount			
FOR MODELS: AIRTEK Truck			
			
MERITOR NO.	GENUINE	OEM REF	NOTES
R3015098		59429-002	Vehicles Built Before 09/06

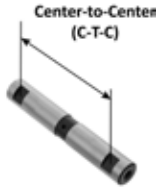
Air Spring Bracket Right Hand			
FOR MODELS: AIRTEK Truck			
			
MERITOR NO.	GENUINE	OEM REF	NOTES
R3015114		66776-000	Vehicles Built After 09/06

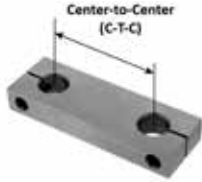
Lower Link Mount			
FOR MODELS: AIRTEK Truck & IC Buses			
			
Trucks Built After 09/06			
MERITOR NO.	GENUINE	OEM REF	NOTES
R3015121		59429-003	All Buses w/ Rear Engines, Buses With Front Engine Left Hand Valve

Air Spring Bracket Left Hand			
FOR MODELS: AIRTEK Truck			
			
MERITOR NO.	GENUINE	OEM REF	NOTES
R3015113		66775-000	Vehicles Built After 09/06

NAVISTAR /  
INTERNATIONAL


# NAVISTAR / INTERNATIONAL FRONT Leaf Spring

Spring Pin					
FOR MODELS: 1000/2000/4000/ 7000/8000 9-20K Axles w/ 4" Springs					
					
MACH NO.	OEM REF	DIA	LENGTH	C-TO-C	
G-15655	1648110C1	1"	6 5/16"	4 15/16"	
G-15644	1648108C1	1 1/4"	6 1/2"	5 1/8"	
G-16305	1661976C3, 3511254C1, SP1434IH	1 1/4"	6 3/4"	5"	

Side Bar					
FOR MODELS: Transtar®, 3600/3700/ 3800/3900 Bus, 1000/2000/ 4000/7000/8000					
					
MACH NO.	OEM REF	HOLE DIA	LENGTH	WIDTH	C-TO-C
G-15633	400091C1	1 1/16"	6 3/4"	2 1/4"	4 3/16"
G-15632	1664223C1	1 1/4"	6"		3 1/2"

Shackle			
FOR MODELS: 3600/3700/3800/3900 Bus, 1400-1600 2500-2600 4500-4900 7100 w/6-9K Axles, S1600/S2100 Medium Duty			
			
MACH NO.	OEM REF	HOLE DIA	WIDTH
G-15642	470248C91	1"	3 1/4"

Spring Pin, Threaded					
FOR MODELS: 9100 Thru 9900					
					
MACH NO.	OEM REF	END DIA	LENGTH	THREAD	C-TO-C
G-15640	507203C1; 507203C2	1"	7 3/8"	1 3/8"-6	5 3/4"

Spring Pin, Threaded					
FOR MODELS: Transtar® C.O.E					
					
Thread 1 3/8"-6					
MACH NO.	OEM REF	DIA SMALL END	DIA LARGE END	OAL	C-TO-C
G-15648	455656C1	1 1/16"	1 1/2"	7 3/8"	5 3/4"

NAVISTAR / INTERNATIONAL


# NAVISTAR / INTERNATIONAL REAR

## Corporate Air Ride "Z" Spring

Suspension

**Front Hanger**

FOR MODELS:  
Most Models  
Except Low Profile



MACH NO.	OEM REF
<b>G-15650</b>	1680506C91; 1680505C3; 501556C2

**Wear Pad**




Use With Hanger G-15650

MACH NO.	OEM REF
<b>G-15545</b>	571960C1

**Retainer Pin Assembly**

FOR MODELS:  
All Models



MERITOR NO.	OEM REF	NOTES
<b>R303795</b>	574778C2	Includes Bolt, 1/2" - 20 X 5 1/2" Long, Nut and Roller

**Rebound Pin**

FOR MODELS:  
Corporate Air Ride "Z" Spring  
Low Profile and Various



MACH NO.	OEM REF	DIA	LENGTH
<b>G-15643</b>	206258R1; 206258R2	3/4"	5 7/8"

**Torque Arm Bushing**



MERITOR NO.	OEM REF	OD	BOLT HOLE DIA	C-TO-C	MATERIAL
<b>R302225</b>	1693060C1; 227710; 44694-000	2 1/2"	5/8"	4 3/8"	Rubber
<b>R307638</b>	-				Poly
<b>R302226</b>	227720; 44695-000	2 3/4"	5/8"	4 3/8"	Rubber
<b>R307639</b>	-				Poly


**Torque Arm Bushing, Rubber**



Use in R3010310 & R3010315 Torque Rod Ends

MERITOR NO.	OEM REF	OD	C-TO-C	BOLT HOLES
<b>R305275</b>	47691-000	2"	4 3/8"	5/8"

**Torque Arm Bushing, Rubber, Tapered Stud**





Use in R3010317 Torque Rod End


MERITOR NO.	OEM REF
<b>R3010309</b>	64697-000


# NAVISTAR / INTERNATIONAL REAR


## Corporate Air Ride "Z" Spring


Torque Arm Shim			
			
MERITOR NO.	OEM REF	THICKNESS	LENGTH
R303790	488916C91	1/16"	5 3/4"

Spring Seat			
			
MERITOR NO.	OEM REF	PINION ANGLE	NOTES
R303797	493478C2	3.4°	For 4 5/8" Axle
R303798	493480C2	8.6°	For 4 5/16" Axle

Forged Torque Arm			
			
MERITOR NO.	OEM REF	C-TO-C	NOTES
R303788	493920C1	18 1/8"	Includes R302226 Bushings

Spring Seat	
	
MERITOR NO.	OEM REF
R303799	1649755C1

Tubular Torque Arm			
			
MERITOR NO.	OEM REF	C-TO-C	NOTES
R3010764	588117C91; 588117C92; 4939920C2	18 1/8"	Includes R305275 Bushings

U-Bolt Top Plate	
	
MACH NO.	OEM REF
G-16811	572112C2

NAVISTAR / INTERNATIONAL



## New Corporate Air Ride - "Hockey Stick" Spring

**Spring Eye Bushing, Anti-Walk**



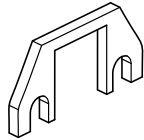
MERITOR NO.	MACH NO.	OEM REF	NOTES
R3015541	G-15541	3538115C5	Standard OE Design
-	G-15600		.050" Oversize OD

**Transverse Torque Arm Mounting Bracket**



MERITOR NO.	OEM REF
R302634	22186-000


**Alignment Shim**



**Photo Coming Soon**

MERITOR NO.	OEM REF	THICKNESS
R3016687	65640-002	1/16"

**Universal Height Control Valve**




MERITOR NO.	OEM REF	NOTES
R309624	H00500C	Hadley Model 500, Apply Air To Dump

**Hanger**




MACH NO.	OEM REF
G-16812	3545280C1; 3544131C2

**Universal Height Control Valve**



MERITOR NO.	OEM REF	NOTES
R3014731	H01501UD	Hadley Model Next Gen, Apply Air to Dump

**Transverse Torque Arm**



MERITOR NO.	OEM REF	C-TO-C	NOTES
R3016075	3580088C1; 3548381C1	25 3/8"	Not Rebusable

**Universal Linkage Kit**




MERITOR NO.	NOTES
R309625	Universal Kit, Length 3 5/8" - 19 5/8"

NAVISTAR / INTERNATIONAL

# NAVISTAR / INTERNATIONAL REAR

## 4 Spring, Tractor


**Equalizer**



14 1/4"

MERITOR NO.	OEM REF	NOTES
<b>R303783</b>	497790C2	Includes R303784 Bushing and R304770 Roller Assembly


**Retainer Pin Assembly**



Nut and Roller, OE Uses Headed Pin and Cotter Pin


MERITOR NO.	OEM REF	THREAD SIZE	BOLT LENGTH
<b>R303795</b>	574778C2	1/2" - 20	5 1/2"

**Equalizer Bushing**



MERITOR NO.	MACH NO.	OEM REF	OD	ID	LENGTH
<b>R303784</b>	<b>G-3784</b>	497501C2	2 1/2"	1 1/32"	4 23/32"

**Torque Arms**



Meritor parts include R302226 Bushings


MERITOR NO.	OEM REF	LENGTH C-TO-C	BUSHING ANGLE
<b>R303788</b>	493920C1, C2	18 1/8"	15°/15°
<b>R303789</b>	493921C1, C2	21 31/32"	

**Equalizer Adapter**



MERITOR NO.	OEM REF	OD	ID	LENGTH
<b>R303786</b>	497785C2	1 7/8"	1 1/32"	29/32"


**Torque Arms**



Meritor parts include R305275 Bushings

MERITOR NO.	OEM REF	LENGTH C-TO-C	BUSHING ANGLE
<b>R3010764</b>	588117C91; 588117C92; 4939920C2	18 1/8"	15°/15°
<b>R3010765</b>	588118C91, C92	21 31/32"	


**Equalizer Roller Assembly**




MERITOR NO.	NOTES
<b>R304770</b>	Includes Bolt, Tube, Nut


NAVISTAR / INTERNATIONAL


## 4 Spring, Tractor


Torque Arm Bushings			
			
4 3/8" Center-to-Center, 5/8" Bolt Holes			
MERITOR NO.	OEM REF	OD	MATERIAL
R302225	1693060C1; 227710; 44694-000	2 1/2"	Rubber
R307638	-		Poly
R302226	227720; 44695-000	2 3/4"	Rubber
R307639	-		Poly

Flange Nut				
				
MERITOR NO.	OEM REF	THREAD	HEX	HIGH
R303793	414089C1	5/8" - 18	15/16"	5/8"

Wear Pad	
	
MACH NO.	OEM REF
G-15545	571960C1

Torque Arm Shim			
			
MERITOR NO.	OEM REF	THICKNESS	LENGTH
R303790	488916C91	1/16"	5 3/4"

Front Hanger	
	
MACH NO.	OEM REF
G-15650	1680506C91; 1680505C3; 501556C2

Bolts			
			
MERITOR NO.	OEM REF	THREAD SIZE	BOLT LENGTH
R303792	438286C1	5/8" - 18	4 1/2"

NAVISTAR / INTERNATIONAL

# NAVISTAR / INTERNATIONAL REAR

## 4-Spring, Tractor

### Rear Hanger



MACH NO.	OEM REF
G-15653	488909C2

### U-Bolt Top Plate



MERITOR NO.	MACH NO.	OEM REF
R303796	G-3796	581744C1

### Spring Seat



MERITOR NO.	OEM REF	PINION ANGLE	NOTES
R303797	493478C2	3.4°	For 4 5/8" Axle
R303798	493480C2	8.6°	For 4 5/16" Axle

### Spring Seat



MERITOR NO.	OEM REF
R303799	1649755C1

### Spring Pin




MACH NO.	OEM REF	DIA	LENGTH	C-TO-C	FOR MODEL
G-15646	303859C1	1 1/4"	5 5/16"	4"	Cargostar®/ Loadstar®/ Fleetstar® Single Axle
G-15645	1671766C1		5 9/16"		Medium and Heavy Duty Single Axle Models

NAVISTAR / INTERNATIONAL

## Hendrickson RT For Navistar/International



Front Hangers			
 <p>SPRING PIN DIA.</p>			
MERITOR NO.	OEM REF	SPRING PIN DIA	NOTES
R303599	Navistar 423450C1	1 3/8"	For Single Frame With No Reinforcement

Rear Hangers		
		
MERITOR NO.	OEM REF	NOTES
R303604	Navistar 422484C1 Hendrickson 35400-2	For Single Frame with No Reinforcement
R303605	Navistar 422483C1 Hendrickson 35400-1	For Frame with 1/4" Thick Angle Reinforcement
R303606	Navistar 422485C1 Hendrickson 35400-3	For "Double" Frame with 5/16" Channel Reinforcement

NAVISTAR / INTERNATIONAL

# NAVISTAR / INTERNATIONAL REAR

## HTB For International

Torque Box Assembly		
FOR MODELS: HTB		
		
MERITOR NO.	GENUINE	OEM REF
R3016366		64785-007B, 64785-002B, 64785-001

Axle Stop		
FOR MODELS: HTB		
		
Diameter 2"		
MERITOR NO.	GENUINE	OEM REF
R3015148		64080-000

Torque Rod Assembly			
FOR MODELS: HTB			
			
MERITOR NO.	GENUINE	OEM REF	NOTES
R3016364		77906-398	Non-Replaceable Bushings

Shock Absorber Bracket		
FOR MODELS: HTB		
		
MERITOR NO.	GENUINE	OEM REF
R3015177		67463-002

NAVISTAR / INTERNATIONAL

Contents

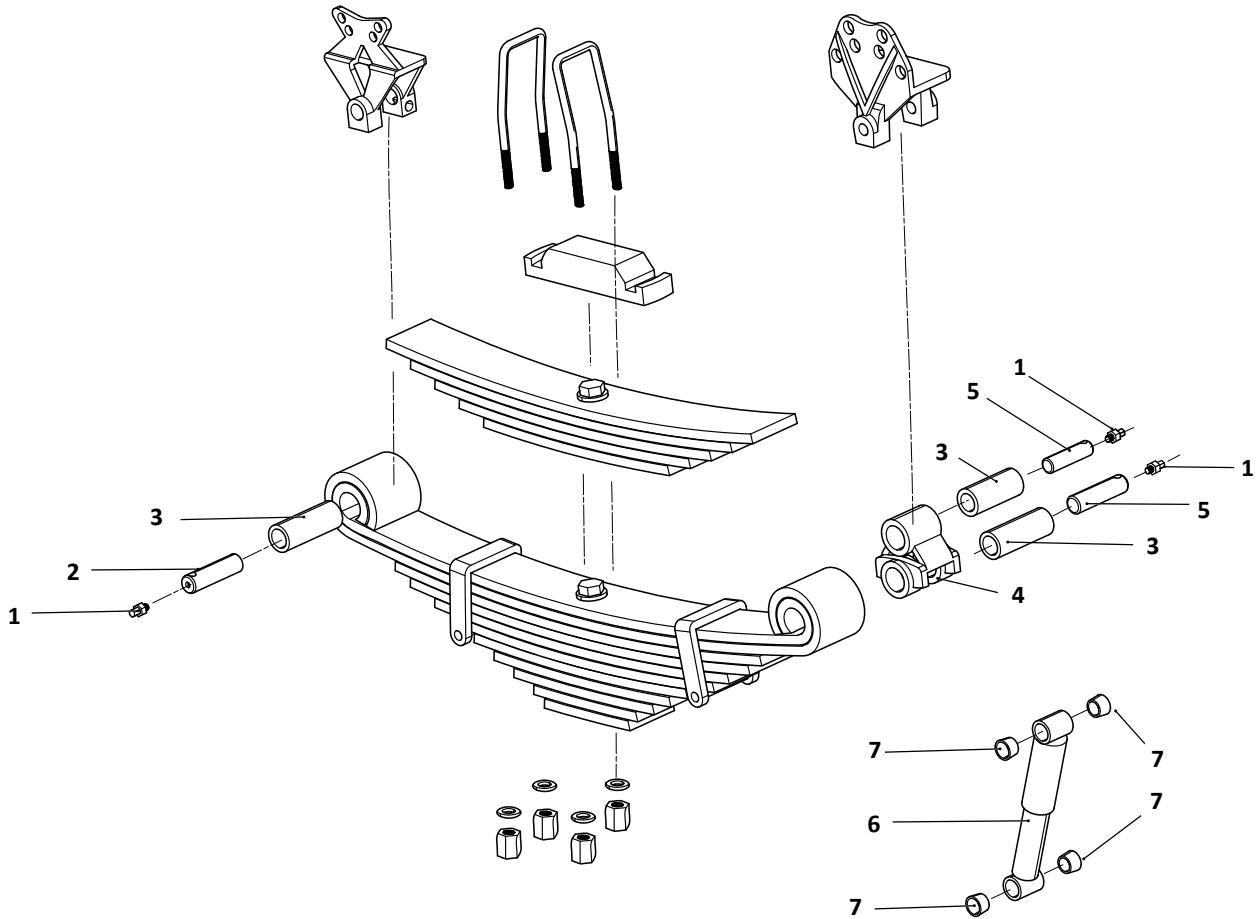
**FRONT TRUCK SUSPENSION**

**3" Wide Springs** - - - - - **6-2**

**Component Suspension Parts** - - - - - **6-4**



# OSHKOSH FRONT 3" Wide Springs




OSHKOSH

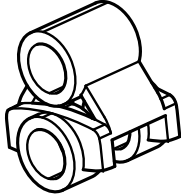



3" Wide Springs						
KEY NO.	MERITOR PART NO	MACH NO	OEM REF	DESCRIPTION	QTY PER AXLE	PAGE NO.
1	<b>R301307</b>	-	-	Zerk Fitting Straight	6	6-4
2	-	-	52720CX	Spring Pin, 1" OD x 5 3/8" Long, Single Lock Pin, Front of Spring	2	-
3	-	-	-	Bushing 1 1/4" OD x 1" ID x 3" Long, Bi-Metal	6	-
	-	<b>G-16141</b>	-	Bushing 1 3/8" OD x 1 1/8" ID x 3" Long, Bi-Metal	6	6-4
4	-	<b>G-16137</b>	53324BXW	Shackle, For 1 1/8" Dia. Spring Pins	2	6-4
5	-	-	57613BX	Spring Pin 1 1/8" OD x 5" Long, Single Lock Pin, Rear of Spring and Top of Shackle	2	-
	-	-	26065BX	Spring Pin, 1" OD x 4 13/16" Long, Single Lock Pin, Top of Shackle	2	-
	-	-	53408BX	Spring Pin, 1" OD x 4 15/16" Long, Single Lock Pin, Rear of Spring	2	-
6	<b>M83122</b>	-	-	Shock Absorber	2	-
	<b>M89406</b>	-	-	Shock Absorber, Premium Adjustable	2	-
	<b>M85303</b>	-	-	Shock Absorber	2	-
	<b>M89422</b>	-	-	Shock Absorber, Premium Adjustable	2	-
7	<b>R30401754</b>	-	-	Shock Bushing, Rubber	8	-
	<b>R307529</b>	-	-	Shock Bushing, Poly	8	-



Bi-Metal Spring Pin Bushing			
			
MACH NO.	OD	ID	LENGTH
G-16141	1 3/8"	1 1/8"	3"

Zerk Fitting	
	
MERITOR NO.	TYPE
R301307	Straight - 1/8" NPT

Shackle		
		
<p>Photo Coming Soon</p>		
MACH NO.	OEM REF	NOTES
G-16137	53324BXW	For 1 1/8" Dia. Spring Pins

Shock Bushing	
	
MERITOR NO.	MATERIAL
R30401754	Rubber
R307529	Poly

Contents

**FRONT TRUCK / TRACTOR SUSPENSIONS**

**Cab Over and Conventional 4" Wide Spring - - - - - 7-2**

**REAR TRUCK / TRACTOR SUSPENSIONS**

**Air Trac® - - - - - 7-6**

**Low Mount Air Leaf® - - - - - 7-8**

**Air Leaf® - - - - - 7-10**

**Airglide® 210- - - - - 7-12**

**Flex Air® - - - - - 7-14**

**4-Spring - Early Version - - - - - 7-16**

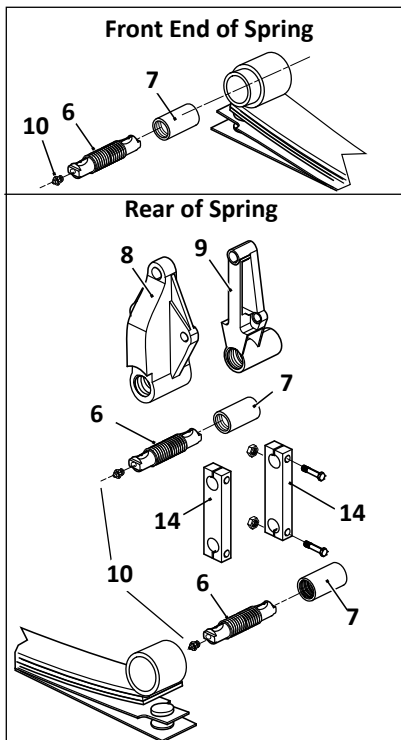
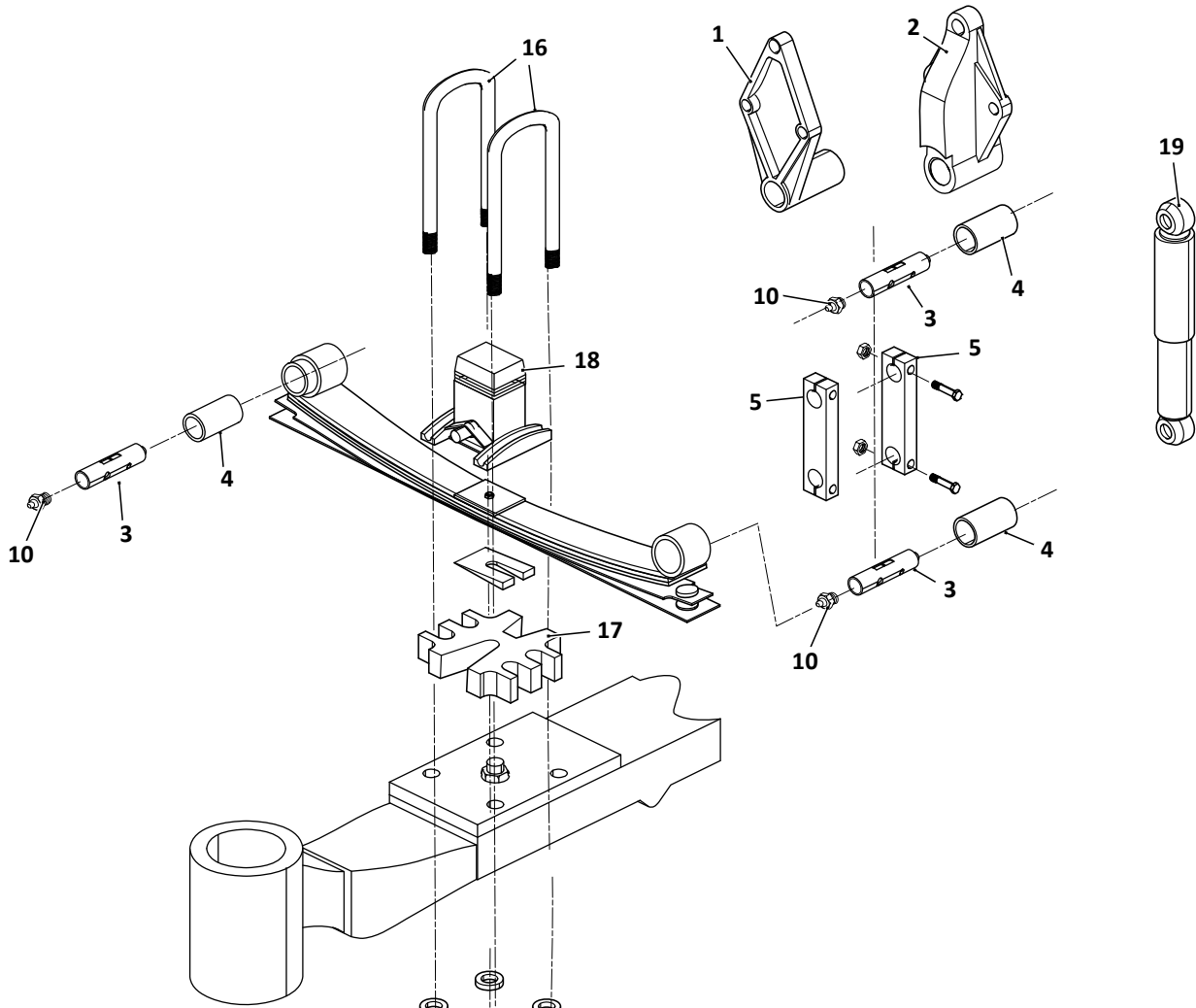
**Quadraflex® 4-Spring 1992 to Current - - - - - 7-18**

**Component Suspension Parts - - - - - 7-20**

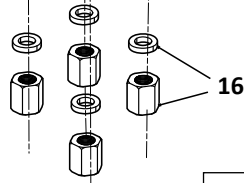
# PETERBILT FRONT

## Cab Over and Conventional 4" Wide Spring

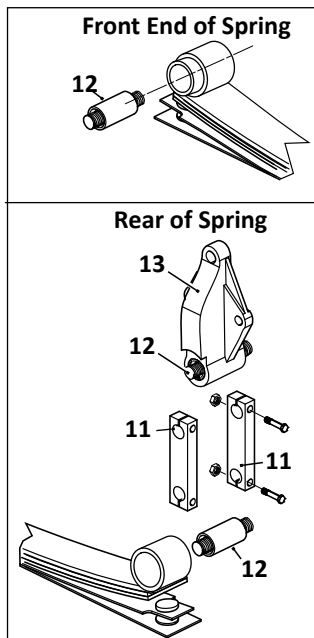
PETERBILT



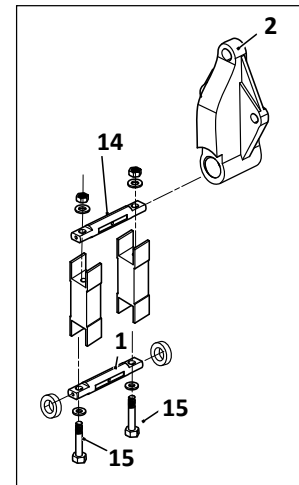
Threaded Pins & Bushings



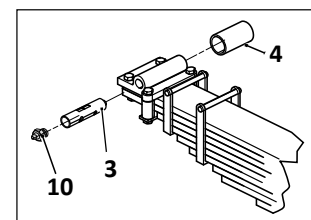
COE Before 1989



Rubber Bushings



Early Models 387

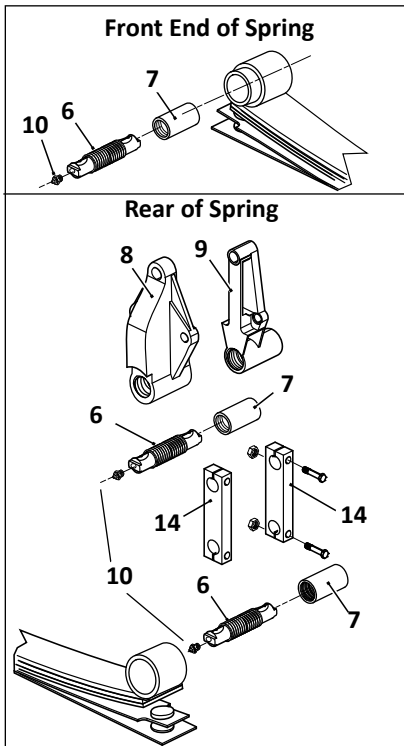
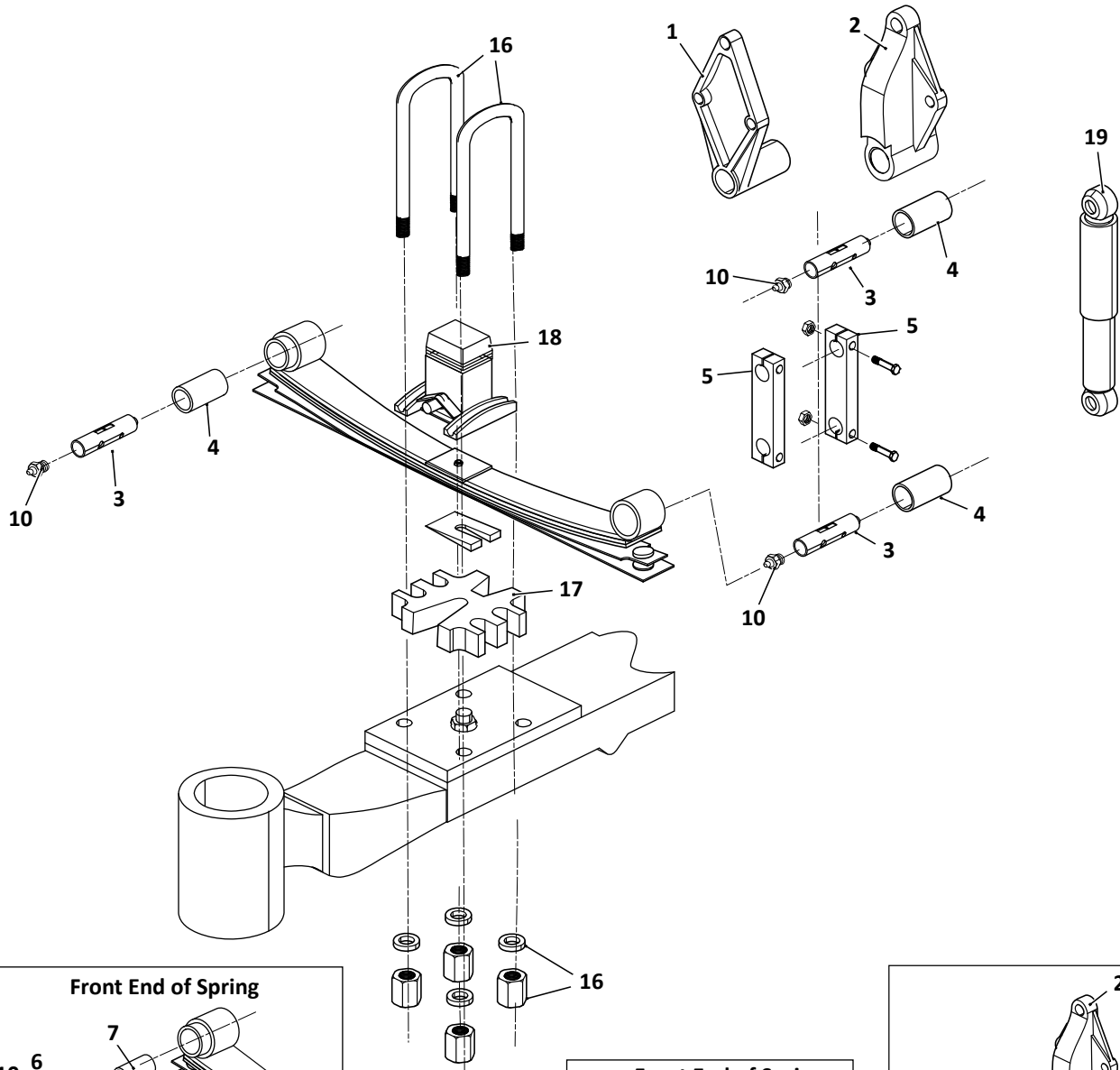


Multi-Leaf Spring with Cast Eye

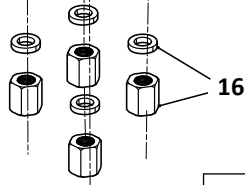
Cab Over and Conventional 4" Wide Spring						
KEY NO.	MERITOR NO.	MACH NO.	OEM REF	DESCRIPTION	QTY. PER AXLE	PAGE NO.
1	-	<b>G-16147</b>	B11-6030M03	Hanger, Ductile Iron w/ 3/4" Dia. Bolt Holes,	2	7-21
	-	<b>G-16317</b>	-	Hanger, Ductile Iron w/ 5/8" Dia. Bolt Holes,	2	7-21
2	-	<b>G-16155</b>	B11-1034-2; 02-04001M002	Hanger, Ductile Iron, Model 387, Casting No. B111033	2	7-21
3	-	<b>G-16319</b>	02-01781; 02-01767	Spring Pin, Smooth, 1 1/4" OD X 6 7/8" Long X 5 5/16" Center-to-Center	6	7-20
	-	<b>G-15662</b>	02-01561	Spring Pin, Smooth, 1 1/4" OD X 6" Long X 5 1/16" Center-to-Center	6	7-20
	-	-	02-01911	Spring Pin, Smooth, 1 1/4" OD X 7 3/8" Long X 5 3/4" Center-to-Center	2	-
4	<b>R3016153</b>	-	02-01805	Spring Pin Bushing With Seals, 1 1/4" ID X 1 1/2" OD X 4" Long	6	7-20
	<b>R301876</b>	-	-	Spring Pin Bushing, Bi-Metal, 1 1/4" ID X 1 1/2" OD X 4" Long	As Required	7-20
	-	<b>G-16167</b>	-	Spring Pin Bushing, Bi-Metal, 1 1/4" ID X 1 1/2" OD X 3 1/2" Long	As Required	7-20
5	-	<b>G-16145</b>	02-01784; 02-01783	Side Bar, 1 1/4" Dia Hole, 6" Long, 3 9/16" Center-to-Center, 1 1/8" Thick, 1987 To Current	4	7-22
	-	<b>G-16143</b>	02-01747; 02-01807	Side Bar, 1 1/4" Dia Hole, 7 9/16" Long, 5 1/8" Center-to-Center, 1 1/8" Thick, 1987 To Current	4	7-22
	-	-	02-01154	Side Bar, 1 1/4" Dia Hole, 5 7/8" Long, 3 1/2" Center-to-Center, 1" Thick, COE	4	-
6	-	<b>G-15614</b>	B65-1002	Threaded Spring Pin, M33.5 -4.0 X 5 3/4" Center-to-Center 7 3/8" Long, 1 1/16" Diameters on Both Ends	6	7-20
	-	<b>G-15620</b>	B65-1008	Threaded Spring Pin, M33.5 -4.0 X 5 5/16" Center-to-Center 7 7/8" Long, 1 1/16" Diameters on Both Ends	6	7-20
	-	<b>G-16321</b>	B65-6008	Threaded Spring Pin, M33.5 -4.0 X 5 7/16" Center-to-Center 7" Long, 1 1/16" Diameters on Both Ends	6	7-20
7	-	<b>G-16157</b>	B13-1000	Threaded Bushing, Metric M33.5 X4, 1 3/4" (44.5mm) OD, 4" (101mm) Long	6	7-20
	-	<b>G-16158</b>	B13-1002	Threaded Bushing, Metric M33.5 X 4, 2 1/16" (52.8mm) OD, 4" (101mm) Long.	6	7-20
8	-	<b>G-16700</b>	B11-1031-5	Hanger, Includes G-16157 Threaded Bushing, Casting No. B111033	2	7-21
9	-	<b>G-16701</b>	B11-1039	Hanger, Includes G-16158 Threaded Bushing, Casting No. B111023	2	7-21
10	<b>R301307</b>	-	1613B	Zerk, 1/8"-27 NPT	6	-
11	<b>R303720</b>	<b>G-3720</b>	B20-1007; B20-6006	Side Bar, 1 1/16" Dia Hole, 6 3/4" Long, 4" Center-to-Center, 1 1/4" Thick	4	7-22
12	<b>R3015537</b>	<b>G-15537</b>	B65-1006	Rubber Bushing, Pin Type, 1 3/4"OD w/ 1 1/16" Dia Pin, 7 1/2" Long, 6 3/16" Center-to-Center of Notches	6	7-21
	<b>R3015543</b>	<b>G-15543</b>	B65-6005	Rubber Bushing, Pin Type, 1 3/4"OD w/ 1 1/16" Dia Pin, 6 11/16" Long, 5 7/16" Center-to-Center of Notches	6	7-21
	<b>R3015613</b>	<b>G-15613</b>	B65-1007; B65-1012	Rubber Bushing, Pin Type, 2 1/16" OD w/ 1 1/16" Dia Pin, 7 1/2" Long, 6 5/16" Center-to-Center of Notches	6	7-21
	<b>R3016163</b>	<b>G-16163</b>	B65-1013; B65-6006	Rubber Bushing, Pin Type, 2 1/16" OD w/ 1 1/16" Dia Pin, 6 11/16" Long, 5 7/16" Center-to-Center of Notches	6	7-21
	<b>R3016236</b>	<b>G-16236</b>	B65-6010	Rubber Bushing, 1 3/4" OD X 5/8" ID X 4 1/4" Long, Medium Duty Models	6	7-21
13	-	<b>G-15547</b>	B11-1034-1	Hanger, Includes G-15537 Pin Type Rubber Bushing With 1 1/16" Dia. Pin, 7 1/2" Long, Notches at 6 3/16"Center-To-Center, Casting No. B111033	2	7-22
	-	<b>G-16695</b>	B11-1034-6	Hanger, Includes G-15543 Pin Type Rubber Bushing With 1 1/16" Dia. Pin, 6 11/16" Long, Notches at 5 7/16" Center-To-Center, Casting No. B111033	2	7-21
	-	-	B11-1034-7	Hanger, Includes G-16236 Hollow Rubber Bushing With 5/8" ID, Casting No. B111033	2	-

# PETERBILT FRONT

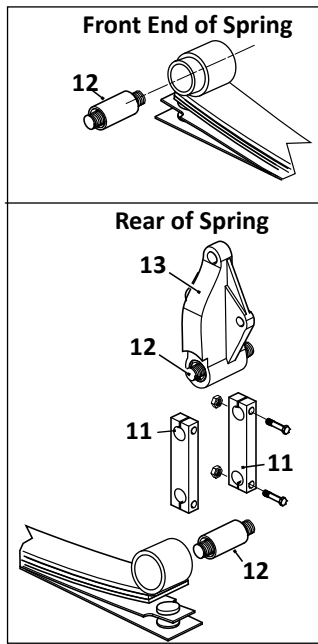
## Cab Over and Conventional 4" Wide Spring



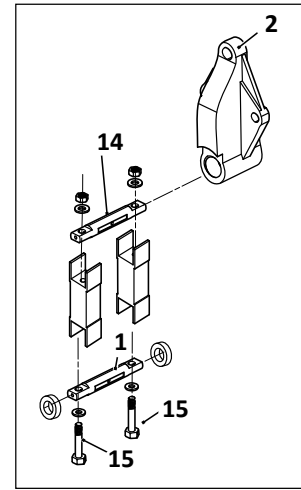
Threaded Pins & Bushings



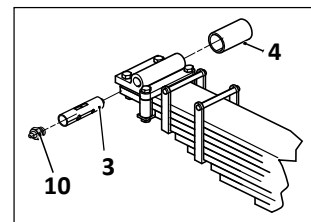
COE Before 1989



Rubber Bushings



Early Models 387

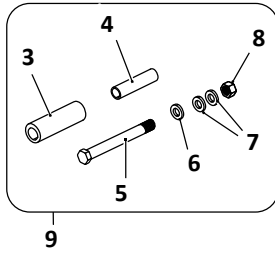


Multi-Leaf Spring with Cast Eye

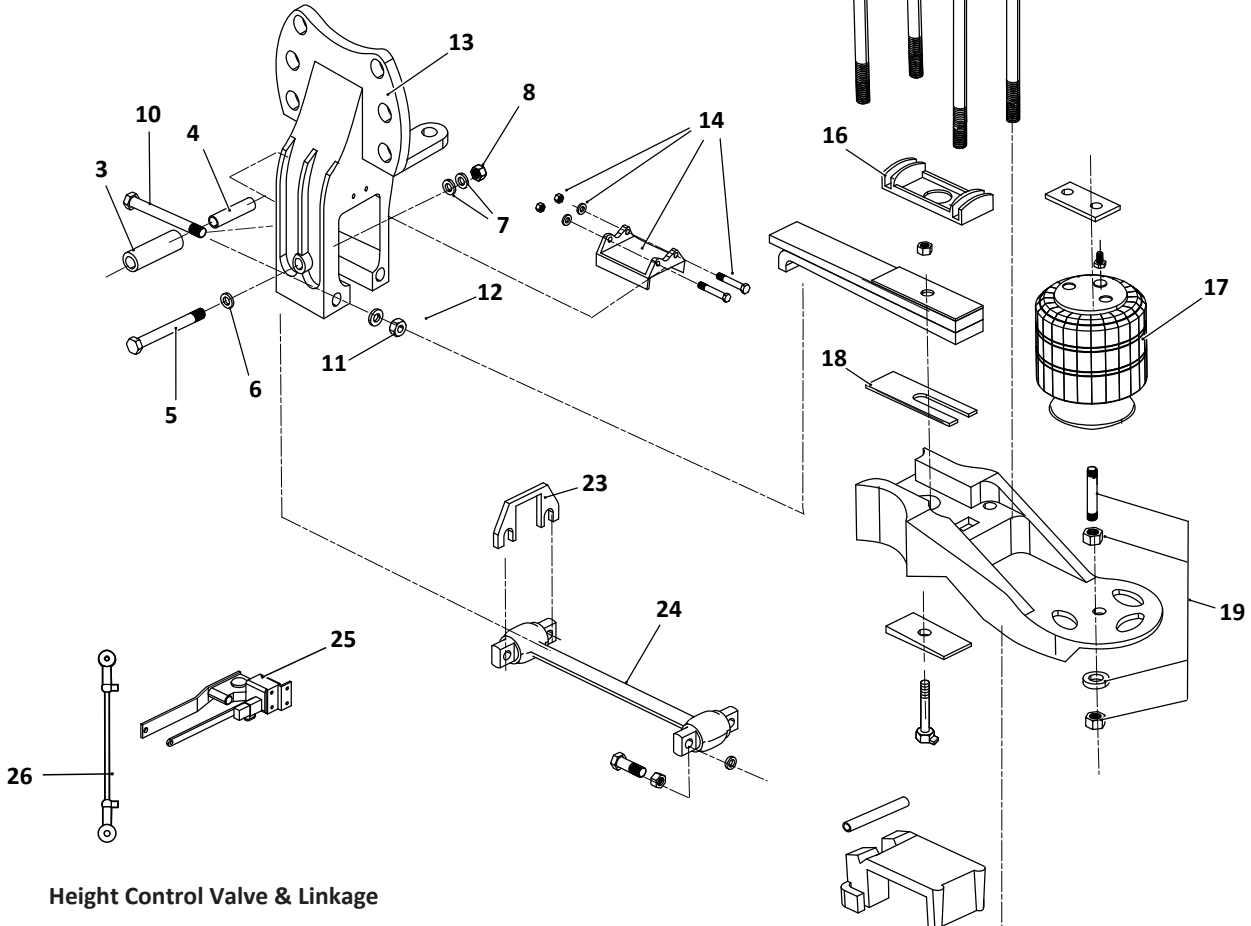
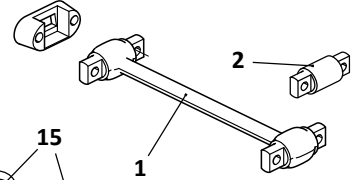
Cab Over and Conventional 4" Wide Spring						
KEY NO.	MERITOR NO.	MACH NO.	OEM REF	DESCRIPTION	QTY. PER AXLE	PAGE NO.
14	-	<b>G-15663</b>	02-04024; B65-6002	Spring Pin, Smooth, 1 1/4" OD X 7 3/4" Long, Early Models 387	6	7-20
15	<b>R3016233</b>	-	-	Bolt, 1/2" - 20 X 6 1/2" Long, Early Models 387	4	-
16	<b>R30U8354-12P</b>	-	02-00807-122	U-Bolt Assembly, Semi Rd. Bend 3/4"-16 Thd. X 4" Wide X 12" Long	4	-
17	-	<b>G-16721</b>	02-01823-05	Spring Spacer, Flat, 1" Thick	2	7-22
	-	<b>G-16720</b>	02-01701-040; 02-01701-090	Spring Spacer, Tapered for 4° Chamber Angle, Short Side 1 9/16" Thick	2	7-22
	-	<b>G-16722</b>	02-01701-080; 02-01823-080	Spring Spacer, Tapered for 5° Chamber Angle, Short Side 3 1/16" Thick	2	7-22
18	-	-	02-01782; 02-03041; B63-6000	U-Bolt Top Plate With Shock Mount	2	-
19	<b>M85012</b>	-	02-01890;	Shock Absorber	2	-
	<b>M89413</b>	-	02-02142	Shock Absorber, Premium Adjustable	2	-
	<b>M85062</b>	-	02-01787	Shock Absorber	2	-
	<b>M89408</b>	-		Shock Absorber, Premium Adjustable	2	-
	<b>M85036</b>	-	02-02142	Shock Absorber	2	-
	<b>M89405</b>	-		Shock Absorber, Premium Adjustable	2	-

# PETERBILT REAR Air Trac®

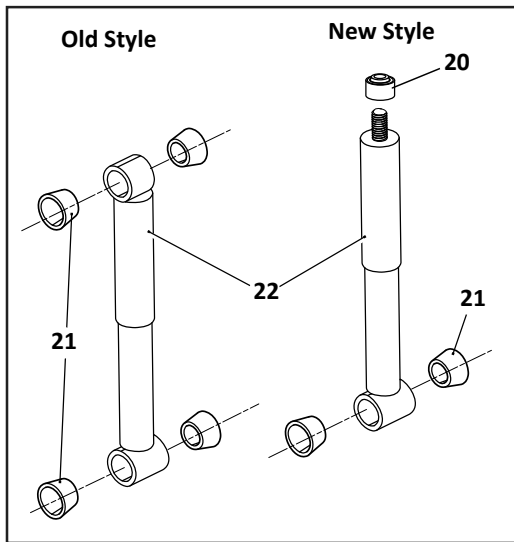
Spring Roller



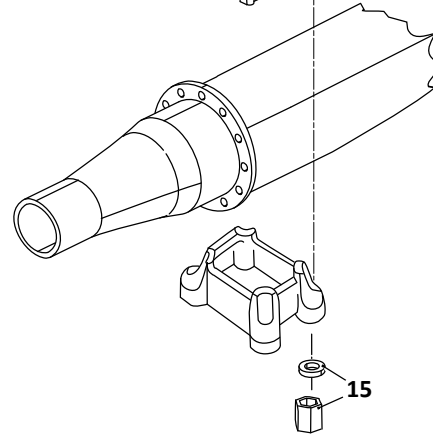
Transverse Torque Arm



Height Control Valve & Linkage



Shock Absorber





# PETERBILT REAR

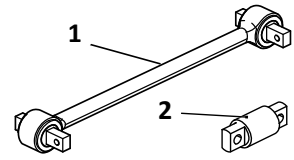
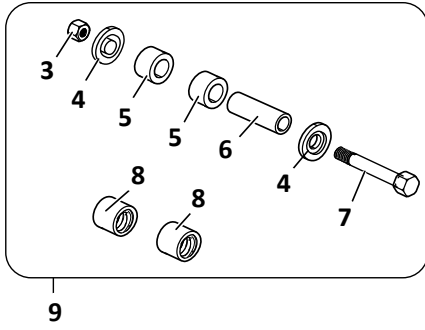
Suspension

PETERBILT

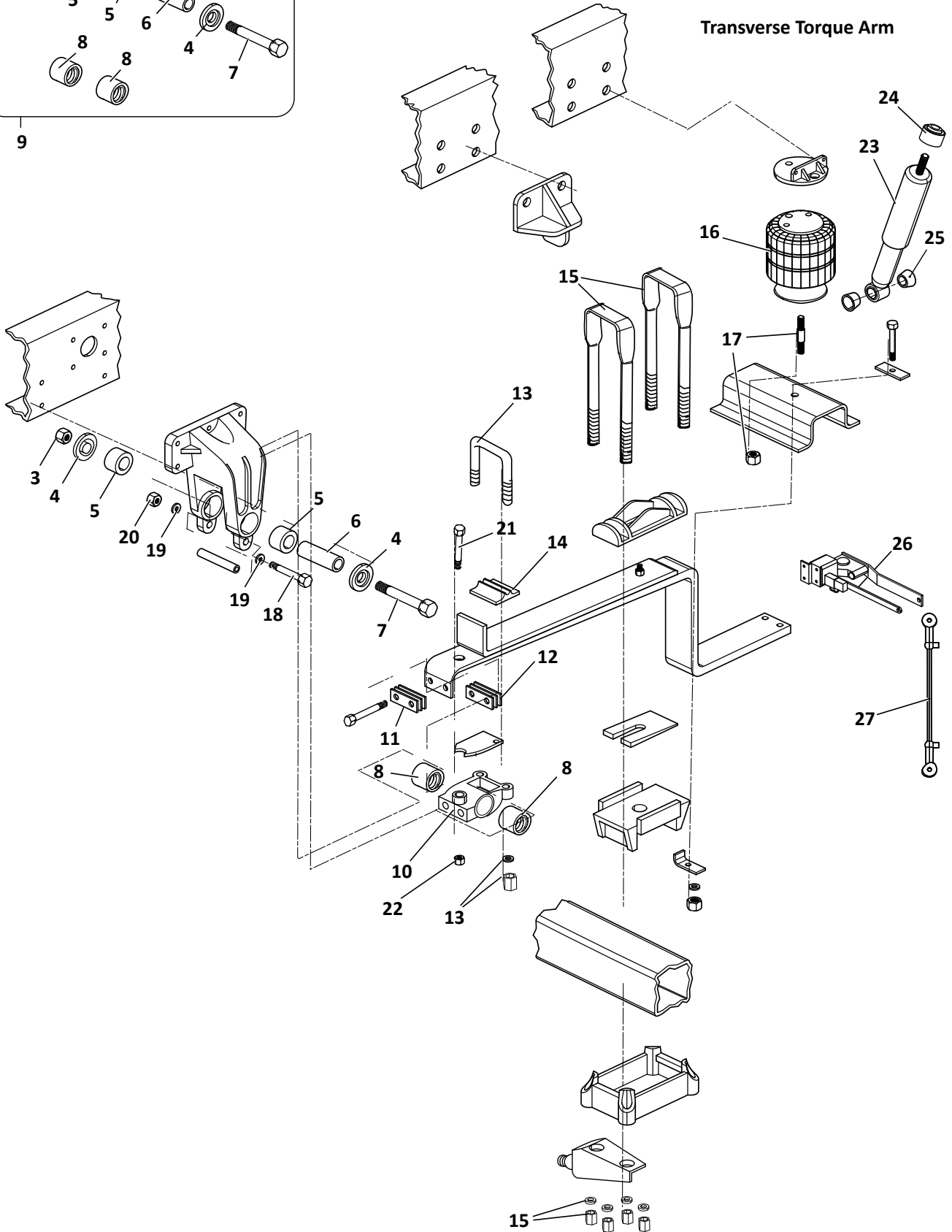
Air Trac®						
KEY NO.	MERITOR NO.	MACH NO.	OEM REF	DESCRIPTION	QTY. PER AXLE	PAGE NO.
1	R304771	G-4771	03-04059	Torque Arm, 23" Center-to-Center, R304771 Includes R302225 Bushing	2	7-27
2	R302225	-	227710; 44694	Torque Arm Bushing, Rubber, Straddle Mount	4	7-27, 7-31
	R307638	-	-	Torque Arm Bushing, Poly, Straddle Mount	4	7-27, 7-31
3	R307855	-	03-04623	Spring Roller Bushing, 1 7/8" OD x 1 1/16" ID x 5 1/8" Long	2	7-27
4	R307856	-	03-04624	Spring Roller Spacer, 1" OD x 5/8" ID x 5 1/8" Long	2	7-27
5	R307857	-	27-00285-032	Spring Roller Bolt, 5/8"-18 X 8" Long	2	-
6	R305280	-	27-00428-010	Spring Roller Washer	4	-
7	R302547	-	03-04962	Spring Roller Washer, 5/8" ID	2	-
8	R301943	-	22NE1018	Spring Roller Nut, 5/8"-18	2	-
9	R307854	-	-	Spring Roller Bushing Kit Includes Key Nos. 3, 4, 5, 6, 7, 8	2	7-26
10	R3015199	-	-	Torque Arm Bolt, 5/8"-11 X 7" Long	4	-
11	R302547	-	-	Washer, 5/8" ID	4	-
12	R302988	-	-	Lock Nut, 5/8"-11	4	-
13	-	G-16711	01-44406; 01-48280-M002	Hanger, Before 7/93	2	-
14	R307862	-	23-12566	Wear Pad Kit, 1/2" Bolts, Use with G-16711 Hanger	2	7-28
	-	G-15658	03-07296	Wear Pad Kit, 5/8" Bolts	2	7-28
15	R30U8375-14	-	03-03133-150	U-Bolt Assembly, Semi Rd. Bend, 1"-14 Thd. x 4 1/8" Wide x 14" Long	4	-
	R30U8375-154	-	03-03134-151	U-Bolt Assembly, Semi Rd. Bend, 1"-14 Thd. x 4 1/8" Wide x 15 1/2" Long	4	-
16	R304781	G-4781	03-01656	Top Plate	2	7-28
17	FS9069	-	03-01649; 03-02038; 03-02456	Firestone Air Spring	2	-
	MAF9069	-	03-01649; 03-02038; 03-02456	Meritor Air Spring	2	-
18	R307864	-	03-04106	Leaf Spring Shim	2	7-28
19	R307868	-	27-00173	Air Spring Stud Assembly, 1/2"-20 X 5" Long	2	7-28
20	R307474	-	-	Shock Bushing, Poly, For Stud Mounted Shocks	As Required	7-25, 7-28, 7-31
21	R30401754	-	-	Shock Bushing, Rubber For Eye Mounted Shocks	As Required	7-31
	R307529	-	-	Shock Bushing, Poly For Eye Mounted Shocks	As Required	7-31
22	M85308	-	03-04176	Shock Absorber	2	-
	M89422	-	03-04176	Shock Absorber, Premium Adjustable	2	-
	M85311	-	03-04629	Shock Absorber	2	-
	M89424	-	03-04629	Shock Absorber, Premium Adjustable	2	-
23	R305281	-	-	Torque Arm Shim, 1/16" Thick	As Required	7-24, 7-27
24	R305082	G-5082	03-04119	Torque Arm with 5/8" Hole in Both Bushings, 17 11/32" Center-to- Center. R305082 Includes R302226 Bushing	2	7-27
	R305083	G-5083	03-04327	Torque Arm with 5/8" Hole Hanger End, 3/4" Hole Axle End, 17 11/32" Center-to-Center, R305083 Includes (1) R302226, (1) R303868 Bushing	2	7-27
25	R309624	-	H00500C	Universal Height Control Valve, Hadley Model 500, 3/8" Ports, Apply Air To Dump	1	7-31
	R3014731	-	H01501UD	Universal Height Control Valve, Hadley Next Gen, 3/8" Ports, Apply Air To Dump	1	7-29
	R3014732	-	H01501PUD	Universal Height Control Valve, Hadley Next Gen, 1/4" Ports, Apply Air To Dump	1	7-29
26	R309625	-	-	Universal Linkage Kit	1	7-31

# PETERBILT REAR Low Mount Air Leaf®

## Spring Eye Busing Kit



## Transverse Torque Arm

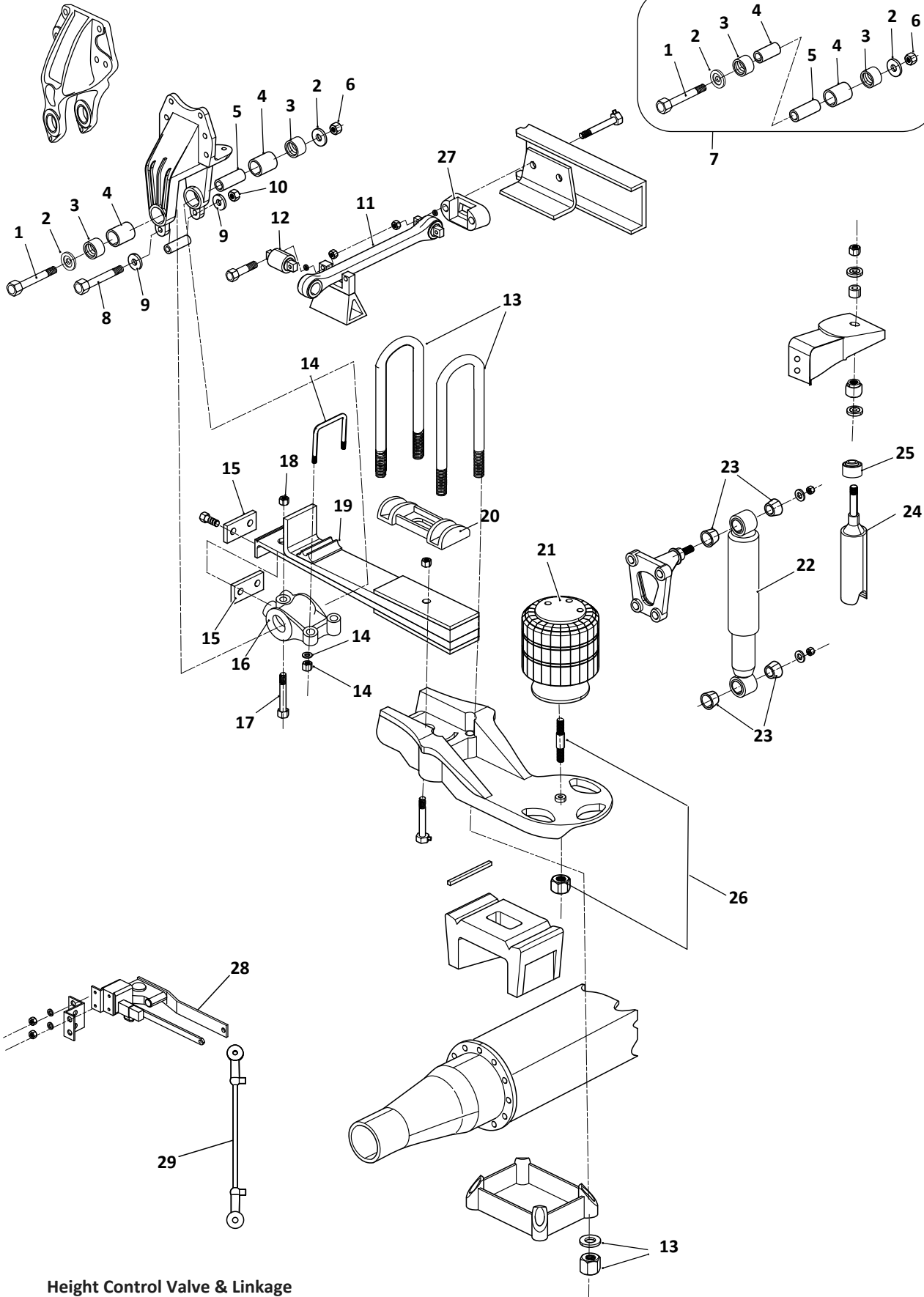
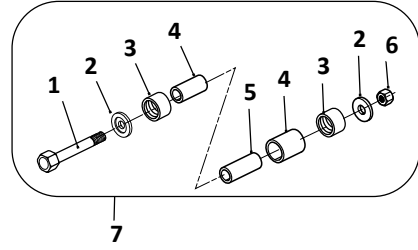


Low Mount Air Leaf®						
KEY NO.	MERITOR NO.	MACH NO.	OEM REF	DESCRIPTION	QTY. PER AXLE	PAGE NO.
1	R307853	G-7853	03-05108	Torque Arm, 25 5/8" Center-to-Center, R307852 Includes R302225 Bushings	2	7-30
2	R302225	-	03-01776; 44694	Torque Arm Bushing, Straddle Mount, Rubber	4	7-27, 7-31
	R307638	-	227710	Torque Arm Bushing, Poly, Straddle Mount	4	7-27, 7-31
3	R304779	-	41NE1614	Spring Eye Nut, 1"-14	2	-
4	R304777	-	03-01670	Spring Hanger Washer, Steel	4	7-26, 7-30
5	R304776	-	03-01675	Spring Hanger Spacer Washer, Poly	4	7-26, 7-30
6	R307843	-	03-05102	Sleeve	2	7-30
7	R307842	-	03-05103	Bolt, 1"-14 X 8 1/2" Long	2	-
8	R307841	G-7841	03-05101	Spring Eye Bushing	4	7-30
9	R307840	G-7840	03-AL2	Spring Eye Bushing Kit, Includes Key Nos. 3 - 8	2	7-30
10	-	G-16470	03-05117	Cast Spring Eye	2	7-30
11	R307844	-	03-05114-002	Shim	As Required	7-30
12	R307845	-	03-05114-001	Shim	As Required	7-30
13	R30U8253-05	-	03-05105	U-Bolt Assembly, Sq. Bend, 3/4"-16 Thd. x 3 1/2" Wide x 5" Long	2	-
14	-	-	03-05100	Top Plate	2	-
15	R30U8673-154	-	03-05110-155	U-Bolt Assembly, Flat-Semi Rd. Bend, 1"-14 Thd. x 3 9/16" Wide x 15 1/2" Long	4	-
16	FS9026	-	03-06213	Firestone Air Spring	2	-
	MAF9026	-	03-07111	Meritor Air Spring	2	-
	FS9194	-	03-05107	Firestone Air Spring	2	-
17	R307851	-	27-00791-008	Air Spring Stud & Nut Assembly, 1/2"-20 x 6 1/2" Long	2	7-31
18	R3016233	-	-	Rebound Bolt, 1/2"-20 X 6 1/2"	2	-
19	R309603	-	-	Washer, 1/2" ID	4	-
20	R303560	-	-	Lock Nut, 1/2"-20	2	-
21	R3016227	-	27-00283-020	Bolt, 5/8"-11 X 5" Long	2	-
22	R302988	-	-	Lock Nut, 5/8"-11	2	-
23	M85033	-	03-07423	Shock Absorber	2	-
	M89427	-	03-07423	Shock Absorber, Premium Adjustable	2	-
24	R307474	-	-	Shock Bushing, Poly, For Stud Mounted Shocks	4	7-25, 7-28, 7-31
25	R30401754	-	-	Shock Bushing, Rubber For Eye Mounted Shocks	4	7-31
	R307529	-	-	Shock Bushing, Poly For Eye Mounted Shocks	4	7-31
26	R309624	-	H00500C	Universal Height Control Valve, Hadley Model 500, 3/8" Ports, Apply Air To Dump	1	7-31
	R3014731	-	H01501UD	Universal Height Control Valve, Hadley Next Gen, 3/8" Ports, Apply Air To Dump	1	7-29
	R3014732	-	H01501PUD	Universal Height Control Valve, Hadley Next Gen, 1/4" Ports, Apply Air To Dump	1	7-29
27	R309625	-	-	Universal Linkage Kit	1	7-31

# PETERBILT REAR Air Leaf®

PETERBILT

### Spring Eye Bushing Kit



### Height Control Valve & Linkage

# PETERBILT REAR

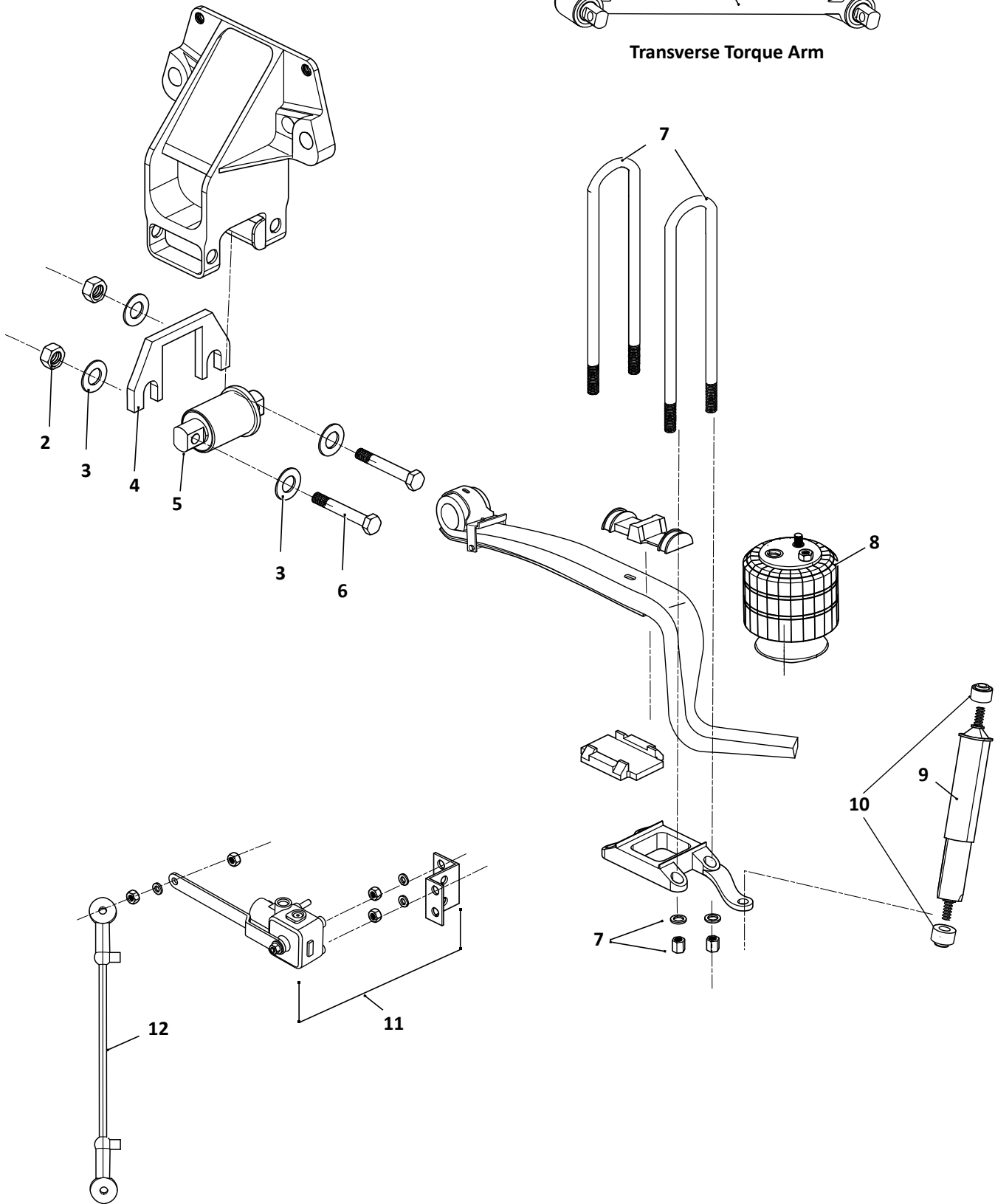
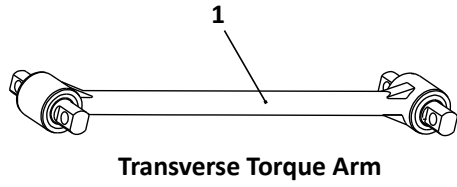
Suspension

PETERBILT

Air Leaf®						
KEY NO.	MERITOR NO.	MACH NO.	DEM REF	DESCRIPTION	QTY. PER AXLE	PAGE NO.
1	R304778	-	03-01668	Equalizer Bolt, 1"-14 X 8 1/2" Long	2	-
2	R304777	-	03-01670	Spring Hanger Washer, Steel	4	7-26, 7-30
3	R304776	-	03-01675	Spring Hanger Spacer Washer, Poly	4	7-26, 7-30
4	R304775	G-4775	03-01674	Spring Eye Bushing, Rubber	4	7-26
	R307509	-	-	Spring Eye Bushing, Poly	4	7-26
5	R304774	-	03-01669	Spring Eye Sleeve	2	7-26
6	R304779	-	41NE1614	Spring Eye Lock Nut, 1"-14	2	-
7	R304773	-	03AL1	Spring Eye Bushing Kit, Includes Key Nos. 1, 2, 3, 4, 5, 6.	2	7-26
8	R301820	-	-	Bolt, 1/2" X 6 1/2" Long	2	-
9	R309603	-	-	Washer, 1/2" ID	2	-
10	R303560	-	-	Lock Nut, 1/2"-20	2	-
11	R304771	G-4771	03-04059	Torque Arm, 23" Center-to-Center, Newer Torque Arms Are Not Rebrushable, Older Torque Arms Use R302225 Bushings	2	7-27
12	R302225	-	227710; 44694	Torque Arm Bushing, Rubber, Straddle Mount	4	7-27, 7-31
	R307638	-	-	Torque Arm Bushing, Poly, Straddle Mount	4	7-27, 7-31
13	R30U8375-14	-	03-03133-150	U-Bolt Assembly, Semi Rd. Bend, 1"-14 Thd. x 4 1/8" Wide x 14" Long	4	-
	R30U8375-154	-	03-03134-151	U-Bolt Assembly, Semi Rd. Bend, 1"-14 Thd. x 4 1/8" Wide x 15 1/2" Long	4	-
14	R30U8255-05	-	03-04523	U-Bolt Assembly, Sq. Bend, 3/4"-16 Thd. x 4" Wide x 5" Long	2	-
15	R304780	-	03-04959-001	Shim, 1/16" Thick	As Required	7-26
16	R3011749	G-11749	03-01654	Spring Eye Pivot	2	7-26
17	R3015160	-	-	Bolt, 3/4-16 X 5" Long	2	-
18	R304961A	-	-	Lock Nut, 3/4"-16	2	-
19	R304782	-	03-01657	Top Plate	2	7-28
20	R304781	G-4781	03-01656	Top Plate	2	7-28
21	FS9069	-	03-01649	Firestone Air Spring	2	-
	MAF9069	-	03-01649	Meritor Air Spring	2	-
22	M85308	-	03-04176	Shock Absorber	2	-
	M89424	-	03-04176	Shock Absorber, Premium Adjustable	2	-
23	R30401754	-	-	Shock Bushing, Rubber, For Eye Mounted Shocks	As Required	7-31
	R307529	-	-	Shock Bushing, Poly, For Eye Mounted Shocks	As Required	7-31
24	M85311	-	03-04629	Shock Absorber	2	-
	M89422	-	03-04629	Shock Absorber, Premium Adjustable	2	-
25	R307474	-	-	Shock Bushing, Poly, For Stud Mounted Shocks	As Required	7-25, 7-28, 7-31
26	R307868	-	27-00173	Air Spring Stud Assembly, 1/2"-20 X 5" Long	2	7-29
27	-	-	-	Torque Arm Frame Bracket, 3/4" Bolts	2	-
28	R309624	-	H00500C	Universal Height Control Valve, Hadley Model 500, 3/8" Ports, Apply Air To Dump	1	7-31
	R3014731	-	H01501UD	Universal Height Control Valve, Hadley Next Gen, 3/8" Ports, Apply Air To Dump	1	7-29
	R3014732	-	H01501PUD	Universal Height Control Valve, Hadley Next Gen, 1/4" Ports, Apply Air To Dump	1	7-29
29	R309625	-	-	Universal Linkage Kit	1	7-31

# PETERBILT REAR Airglide® 210

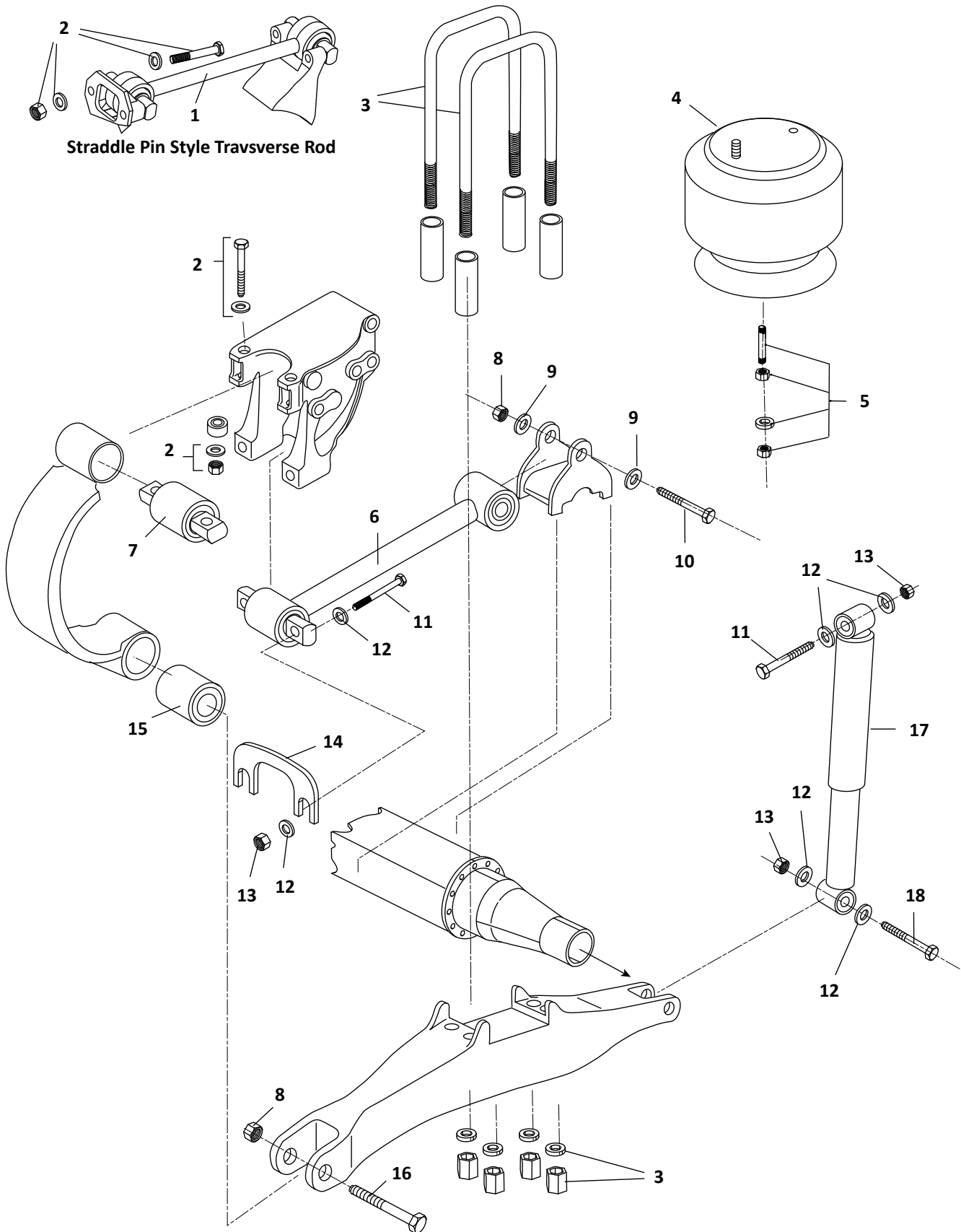
PETERBILT



Airglide® 210						
KEY NO.	MERITOR NO.	MACH NO.	OEM REF	DESCRIPTION	QTY. PER AXLE	PAGE NO.
1	R3016118	-	TR030020010	Torque Arm, 25 9/16" Center-to-Center, Not Rebushable	2	7-32
2	R3016229	-	-	Lock Nut, M20 - 2.5	4	-
3	R3016686	-	-	Washer, M20 ID	8	-
4	R3016687	-	-	Torque Arm Shim, 1/16" Thick	As Required	-
5	R3015541	G-15541	-	Spring Eye Bushing, Anti-Walk	2	7-32
	-	G-15600	-	Spring Eye Bushing, Anti-Walk, .050" Oversize OD	As Required	7-32
6	R3016228	-	-	Torque Arm Bolt, M20 - 2.5 X 180mm Long	4	-
7	R30U8161-15	-	-	U-Bolt Assembly, Rd. Bend, 7/8"-14 Thd. x 3" Wide x 15" Long	4	-
8	FS8864	-	C81-1011	Air Spring	2	-
9	M85069	-	03-08781	Shock Absorber	2	-
10	R307474	-	-	Shock Bushing, Poly, For Stud Mounted Shocks	4	7-25, 7-28, 7-31
11	R309624	-	H00500C	Universal Height Control Valve, Hadley Model 500, Apply Air To Dump	1	7-31
	R3014731	-	H01501UD	Universal Height Control Valve, Hadley Next Gen, Apply Air To Dump	1	7-31
12	R309625	-	HPD450-3	Universal Linkage Kit	1	7-31

# PETERBILT REAR Flex Air®

PETERBILT



Straddle Pin Style Transverse Rod



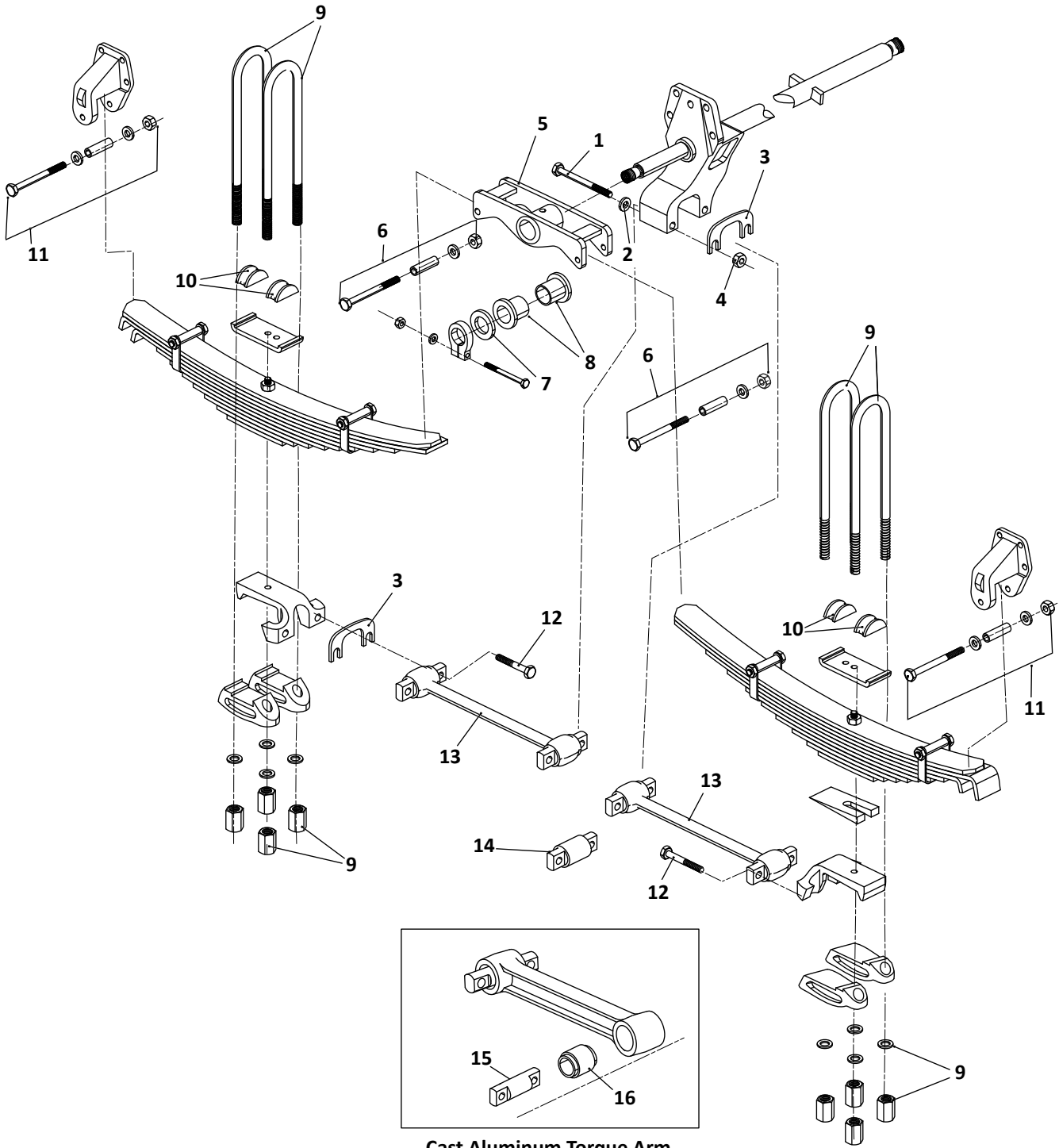
# PETERBILT REAR

Suspension

PETERBILT

Flex Air®						
KEY NO.	MERITOR NO.	MACH NO.	OEM REF	DESCRIPTION	QTY. PER AXLE	PAGE NO.
1	R3015709	-	C65-6002; C65-6009	Transverse Torque Arm, 25 1/2" Center-to-Center, New Torque Arms Are Not Rebusable. Older Torque Arms Use R305275 Bushings	1	7-33
2	R3016088	-	-	Bolt Assembly, M16 - 2.0 X 150mm long, Includes Bolt, Nut, Washers	As Required	7-33
	R3016105	-	-	Bolt Assembly, M16 - 2.0 X 160mm long, Includes Bolt, Nut, Washers	As Required	7-33
3	R30U8268-134	-	C34-6000	U-Bolt Assembly, Sq. Bend, 7/8"-14 Thd. X 5 1/8" Wide X 13 1/2" Long	4	-
4	FS8813	-	C81-6000	Firestone Air Spring	2	-
	MAF8813	-	C81-6000	Meritor Air Spring	2	-
5	R307868	-	27-00173	Air Spring Stud Assembly, 1/2"-20 X 5" Long, Includes Washer and 2 Nuts	2	7-29, 7-33
6	R3016098	-	C65-6000-001	Torque Arm, Front, 23 3/4" Center-to-Center, Not Rebusable	2	7-33
	R3016099	-	C65-6000-002	Torque Arm, Rear, 24 5/8" Center-to-Center, Not Rebusable	2	7-33
7	R3016094	G-16094	C13-6001	Spring Eye Bar Pin Bushing	2	7-33
8	R301835	-	-	Lock Nut, 7/8" -14	4	-
9	R302546	-	-	Washer, 7/8" ID	4	-
10	R3015182	-	-	Torque Arm Bolt, 7/8"-14 X 5 1/2" Long	2	-
11	R3016224	-	-	Bolt, 5/8"-18 X 5 1/2" long, Replacement for OE 16mm Bolt	6	-
12	R302547	-	-	Washer, 5/8" ID	12	-
13	R301943	-	-	Lock Nut, 5/8"-18	8	-
14	R305281	-	-	Torque Arm Shim, 1/16" Thick	As Required	7-24, 7-27
15	R3016097	-	C65-1002	Spring Eye Hollow Bushing	2	7-33
16	R303693	-	-	Bolt, 7/8" -14 X 6 1/2" Long	2	-
17	M85067	-	C71-6000	Shock Absorber	2	-
18	R303792	-	-	Bolt, 5/8"-18 X 4 1/2" Long	2	-

# PETERBILT REAR 4-Spring - Early Version



Cast Aluminum Torque Arm

## 4-Spring - Early Version

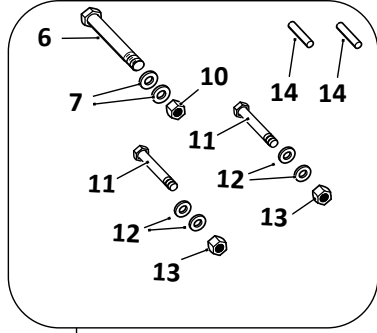
KEY NO.	MERITOR NO.	MACH NO.	OEM REF	DESCRIPTION	QTY. PER TANDEM	PAGE NO.
1	R3015199	-	-	Torque Arm Bolt, Hanger End, 5/8"-11 X 7" long	4	-
2	R302547	-	-	Washer, 5/8" ID	4	-
3	R302988	-	-	Lock Nut, 5/8"-11	4	-
4	R305281	-	-	Torque Arm Shim, 1/16" Thick	As Required	7-24
5	-	-	03-03328	Equalizer	2	-
6	R304761	-	-	Equalizer Rebound Bolt Assembly	4	7-23
7	R304755	-	03-1771	Equalizer Washer	2	7-23
8	R304745	-	03-02099	Equalizer Bushing, Poly	4	7-23
	R307510	-	-	Equalizer Bushing, Heavy Duty Poly	4	7-23
9	R30U8151-18	-	Various	U-Bolt Assembly, Rd. Bend, 3/4"-16 Thd. x 3" Wide x 18" Long	8	-
10	-	-	03-01766	U-Bolt Top Cap	8	-
11	R304770	-	-	Hanger Rebound Bolt Assembly	4	7-23
12	R304759	-	27-00702-009	Torque Arm Bolt, 5/8"-11 X 2 1/4" Long, Flange Head	8	-
13	R304753	-	03-01781; 03-04839	Torque Arm, Tubular Style, 19 1/8" Center-to-Center. R304753 uses R305275 Bushings	4	7-24
14	R302225	-	44694-000	Torque Arm Bushing with Outer Metal Sleeve, For Torque Arms with Replaceable Bushings	8	7-27
	R305275	-	47691-000	Torque Arm Bushing without Outer Metal Sleeve, For Torque Arms with Replaceable Bushings	8	7-24
15	R304751	-	03-01768	Torque Arm Pin, For Cast Aluminum Torque Arms	8	7-24
16	R304752	-	03-01776	Torque Arm Bushing, Hollow Center, For Cast Aluminum Torque Arms	8	7-24

# PETERBILT REAR

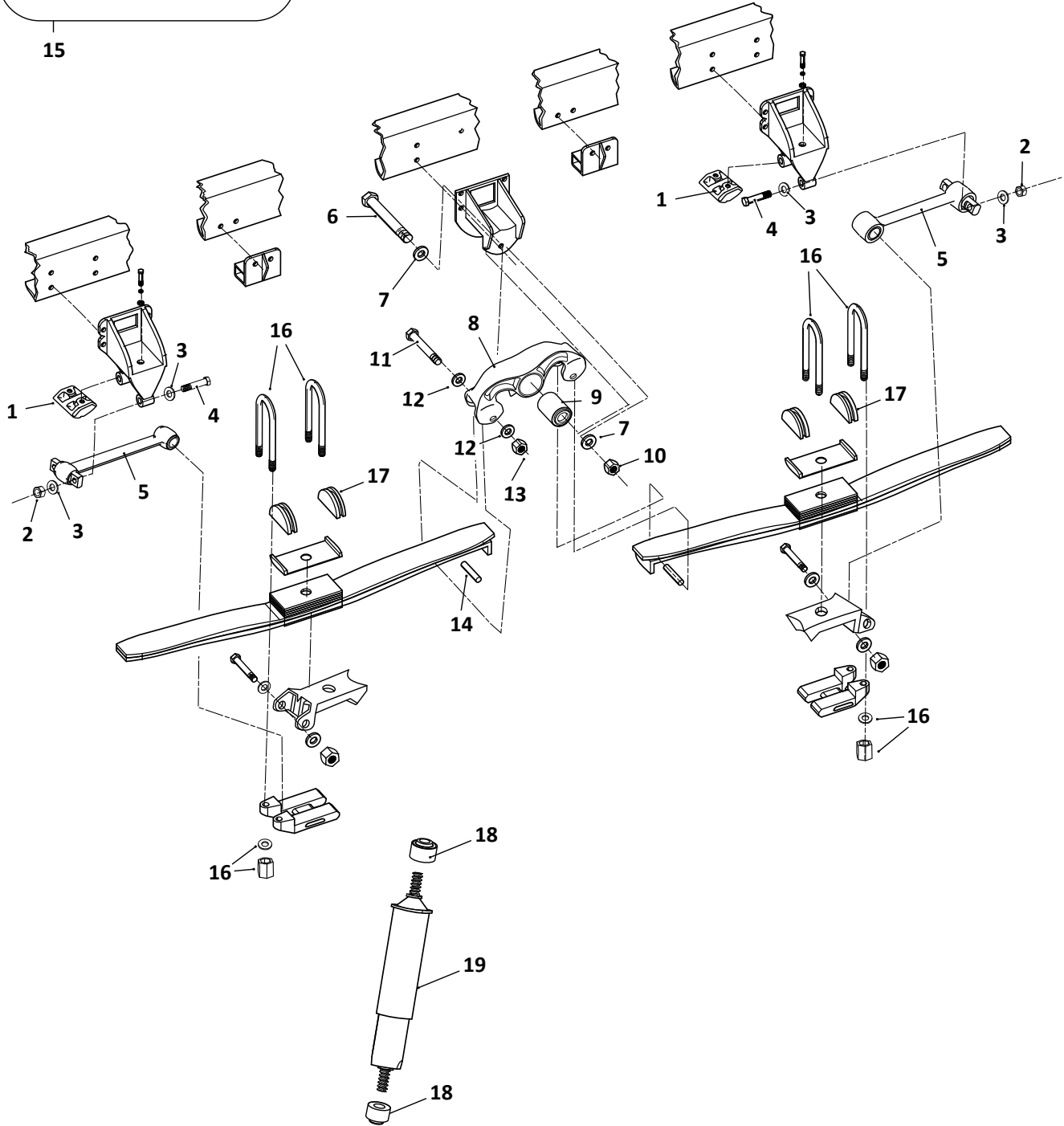
Quadraflex® 4-Spring 1992 to Current

PETERBILT

### Equalizer Bolt Kit



15



Quadraflex® 4-Spring 1992 to Current						
KEY NO.	MERITOR NO.	MACH NO.	OEM REF	DESCRIPTION	QTY. PER TANDEM	PAGE NO.
1	R307879	-	03-05851M001	Hanger Wear Pad	4	7-24
2	R301943	-	-	Lock Nut, 5/8"-18	4	-
3	R302547	-	-	Washer, 5/8" ID	8	-
4	R3016078	-	-	Torque Arm Bolt, 5/8"-18 x 5 1/2" Long	4	-
5	R307887	-	03-05849	Torque Arm, 18 7/16" Center-to-Center, Non Rebushable	4	7-24
6	R304778	-	03-01668	Equalizer Bolt, 1"-14 X 8 1/2" Long	4	-
7	R302275	-	27-00790-016	Washer, 1" ID	4	-
8	-	-	03-06771M001	Equalizer	2	-
9	R307870	-	03-06843	Equalizer Bushing	2	7-23
10	R304779	-	27-00791-016	Equalizer Nut, 1"-14	2	-
11	R3015312	-	-	Equalizer Rebound Bolt, 1/2"-13 X 5" Long	4	-
12	R309603	-	-	Washer, 1/2" ID	8	-
13	R3016402	-	-	Rebound Lock Nut, 1/2"-13	4	-
14	R307878	-	03-06792	Rebound Spacer	4	-
15	R307871	-	-	Equalizer Bolt Kit Includes Key Nos. 6, 7, 10, 11, 12, 13, 14	2	7-23
16	R30U8151-14	-	03-04524-01	U-Bolt Assembly, Rd. Bend, 3/4"-16 Thd. x 3" Wide x 14" Long	8	-
	R30U8151-16	-	03-04524-150	U-Bolt Assembly, Rd. Bend, 3/4"-16 Thd. x 3" Wide x 16" Long	8	-
17	-	-	03-01766	U-Bolt Saddle	8	-
18	R307474	-	-	Shock Bushing, Poly, For Stud Mounted Shocks	8	7-25
19	M85326	-	03-07420	Shock Absorber	4	-

Smooth Spring Pin



OD 1 1/4"

MACH NO.	OEM REF	OAL	C-TO-C
G-15662	02-01561	6"	5 1/16"
G-16319	02-01781; 02-01767	6 7/8"	5 5/16"
G-15661	02-00082; 02-01847	5 5/8"	4 7/16"

Smooth Spring Pin



MACH NO.	OEM REF	OD	LENGTH
G-15663	02-04024; B65-6002	1 1/4"	7 3/4"

Bi-Metal Spring Pin Bushing With Seals



Improved Version of Standard Bushing

MERITOR NO.	OEM REF	OD	ID	LENGTH
R3016153	02-01805	1 1/2"	1 1/4"	4"

Bi-Metal Spring Pin Bushing



MERITOR NO.	MACH NO.	OD	ID	LENGTH
-	G-16167	1 1/2"	1 1/4"	3 1/2"
R301876	-	1 1/2"	1 1/4"	4"

Threaded Spring Pin




M33.5 -4.0 Thread

MACH NO.	OEM REF	END OD	OAL	C-TO-C
G-16321	B65-6008	1 1/16"	7"	5 7/16"
G-15620	B65-1008	1 1/16"	7 7/8"	5 5/16"
G-15614	B65-1002	1 1/16"	7 3/8"	5 3/4"


Spring Pin Bushing, Threaded



MACH NO.	OEM REF	OD	LENGTH	THREAD
G-16157	B13-1000	1 3/4" (44.5mm)	4" (101mm)	M33.5 -4.0
G-16158	B13-1002	2 1/16" (52.8mm)	4" (101mm)	M33.5 -4.0


Rubber Bushing				
				
MERITOR NO.	MACH NO.	OEM REF	OD / PIN DIA.	OAL / C-TO-C
R3015543	G-15543	B65-6005	1 3/4"; 1 1/16"	6 11/16"; 5 7/16"
R3015537	G-15537	B65-1006	1 3/4"; 1 1/16"	7 1/2"; 6 3/16"
R3016163	G-16163	B65-1013; B65-6006	2 1/16"; 1 1/16"	6 11/16"; 5 7/16"
R3015613	G-15613	B65-1007; B65-1012	2 1/16"; 1 1/16"	7 1/2"; 6 3/16"


Spring Hanger With Smooth Bushing		
		
Casting No. B111033		
MACH NO.	OEM REF	NOTES
G-16155	B11-1034-2; 02-04001M002	Includes R3016153 Smooth Bushing With Seals

Spring Hanger With Threaded Bushing		
		
Casting No. B111023		
MACH NO.	OEM REF	NOTES
G-16701	B11-1039	Includes G-16158 Threaded Bushing

Rubber Bushing					
FOR MODELS: Medium Duty Models					
					
MERITOR NO.	MACH NO.	OEM REF	OD	ID	LENGTH
R3016236	G-16236	B65-6010	1 3/4"	5/8"	4 1/4"

Spring Hanger With Threaded Bushing		
		
Casting No. B111033		
MACH NO.	OEM REF	NOTES
G-16700	B11-1031-5	Includes G-16157 Threaded Bushing

Spring Hanger With Smooth Bushing		
		
Includes R3016153 Smooth Bushing With Seals		
MACH NO.	OEM REF	BOLT HOLE DIA.
G-16317	-	5/8"
G-16147	B11-6030M03	3/4"

Spring Hanger With Rubber Bushing		
		
Casting No. B111033		
MACH NO.	OEM REF	NOTES
G-16695	B11-1034-6	Includes G-15543 Pin Type Rubber Bushing

Spring Hanger With Rubber Bushing



Casting No. B111033

MACH NO.	OEM REF	NOTES
G-15547	B11-1034-1	Includes G-16160 Pin Type Rubber Bushing

Side Bar

1987 To Current



R303720

Use with Rubber Bushings



G-16145 & G-16143

Use with Smooth Steel Spring Pins

MERITOR NO.	MACH NO.	OEM REF	HOLE DIA	OAL / C-TO-C	THICKNESS	WIDTH
R303720	-	B20-1007; B20-6006	1 1/16"	6 3/8"; 4"	1 1/4"	2"
-	G-16145	02-01784; 02-01783	1 1/4"	6"; 3 9/16"	1 1/8"	
-	G-16143	02-01747; 02-01807		7 9/16"; 5 1/8"		

Spring Spacer




MACH NO.	OEM REF	THICKNESS	NOTES
G-16721	02-01823-05	1"	Flat
G-16720	02-01701-040; 02-01701-090	1 9/16" Short Side	Tapered for 4° Chamber Angle
G-16722	02-01701-080; 02-01823-080	3 1/16" Short Side	Tapered for 5° Chamber Angle



### Equalizer Bushing

FOR MODELS:  
Four Spring,  
Early Version




Flange OD 4"

MERITOR NO.	OEM REF	OD	ID	LENGTH	MATERIAL
<b>R304745</b>	03-02099	3 1/8"	2 1/2"	2 1/4"	Poly
<b>R307510</b>	-				HD Poly

### Equalizer Bushing


FOR MODELS:  
QUADRAFLEX  
Four Spring



MERITOR NO.	OEM REF	OD	ID	LENGTH
<b>R307870</b>	03-06843	3 3/4"	1"	5 1/4"

### Equalizer Rebound Bolt Assembly


FOR MODELS:  
Four Spring,  
Early Version



MERITOR NO.	OEM REF	LENGTH	THREAD	NOTES
<b>R304761</b>	-	4 3/4"	1/2"-20	Includes Bolt, Spacer Tube, Lock Nut

### Equalizer Bolt Kit


FOR MODELS:  
QUADRAFLEX  
Four Spring



MERITOR NO.	OEM REF	NOTES
<b>R307871</b>	-	Includes Equalizer Bolt, Nut & Washer, 2 Sets of Rebound Bolts, Nuts, Washers and Spacers

### Equalizer Washer


FOR MODELS:  
Four Spring, Early Version



MERITOR NO.	OEM REF	OD	ID	THICKNESS
<b>R304755</b>	03-1771	4"	2 9/16"	1/4"

### Hanger Rebound Bolt Assembly


FOR MODELS:  
Four Spring, Early Version



MERITOR NO.	OEM REF	LENGTH	THREAD	NOTES
<b>R304770</b>	-	5 1/2"	1/2"-20	Includes Bolt, Spacer Tube, Lock Nut

**Torque Arm**


FOR MODELS:  
Four Spring,  
Early Version



MERITOR NO.	OEM REF	LENGTH C-TO-C	NOTES
<b>R304753</b>	03-01781; 03-04839	19 1/8"	R304753 Uses Bushing R305275

**Torque Arm Bushing**

FOR MODELS:  
Four Spring,  
Early Version




For Old Style Cast Torque Arms, Use With R304751 Pin

MERITOR NO.	OEM REF	OD	ID	LENGTH
<b>R304752</b>	03-01776	2 1/8"	1 3/8"	2 1/2"

**Torque Arm**

FOR MODELS:  
QUADRAFLEX  
Four Spring




Not Rebushable

MERITOR NO.	OEM REF	LENGTH C-TO-C
<b>R307887</b>	03-05849	18 7/16"

**Torque Arm Pin**

FOR MODELS:  
Four Spring,  
Early Version




For Old Style Cast Torque Arms, Use With R304752 Bushing

MERITOR NO.	OEM REF	OD	BOLT HOLE DIA.	OAL / C-TO-C
<b>R304751</b>	03-01768	1 3/8"	5/8"	5 11/16" 4 3/8"

**Torque Arm Bushing**

FOR MODELS:  
Four Spring,  
Early Version




Outer Steel Sleeve

MERITOR NO.	OEM REF	OD	BOLT HOLE DIA.	C-TO-C
<b>R302226</b>	44694-000	2 3/4"	5/8"	4 3/8"

**Torque Arm Shim**


FOR MODELS:  
Four Spring,  
Early Version



MERITOR NO.	LENGTH C-TO-C	THICKNESS
<b>R305281</b>	4 3/8"	1/16"

**Torque Arm Bushing**

FOR MODELS:  
Four Spring,  
Early Version

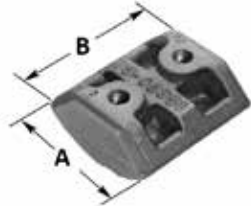


No Outer Metal Sleeve

MERITOR NO.	OEM REF	OD	BOLT HOLE DIA.	C-TO-C
<b>R305275</b>	47691-000	2"	5/8"	4 3/8"

**Hanger Wear Pad**

FOR MODELS:  
QUADRAFLEX  
Four Spring



MERITOR NO.	OEM REF	A	B	THREAD
<b>R307879</b>	03-05851M001	2 7/8"	3 1/8"	M12 X 1.75

# PETERBILT FOUR SPRINGS

Suspension

PETERBILT

## Shock Bushing

FOR MODELS:  
QUADRAFLEX  
Four Spring




For Stud Mounted Shocks

MERITOR NO.	OD	ID	THICKNESS	MATERIAL
<b>R307474</b>	1 13/16"	5/8"	1 1/4"	Poly

**Spring Eye Pivot**

FOR MODELS:  
Air Leaf



Use With R304773 Bushing Kit

MERITOR NO.	MACH NO.	OEM REF	A	ID
R3011749	G-11749	03-01654	5 1/2"	2 3/4"

**Spring Hanger Spacer Washer**

FOR MODELS:  
Air Leaf




Included in Kit R304773

MERITOR NO.	OEM REF	OD	ID	LENGTH	MATERIAL
R304776	03-01675	2 5/8"	1 3/4"	15/16"	Poly

**Spring Eye Bushing Kit**

FOR MODELS:  
Air Leaf



For Use With R3011749 Spring Eye Pivot.

MERITOR NO.	OEM REF	NOTES
R304773	03AL1	Includes Rubber Spring Eye Bushings, Washers, Sleeve, Spacers, Bolt, Nut

**Spring Hanger Washer**

FOR MODELS:  
Air Leaf



Included in Kit R304773

MERITOR NO.	OEM REF	OD	ID	THICKNESS	MATERIAL
R304777	03-01670	3 5/16"	1"	9/16"	Steel

**Spring Eye Sleeve**

FOR MODELS:  
Air Leaf




Included in Kit R304773

MERITOR NO.	OEM REF	OD	ID	LENGTH	MATERIAL
R304774	03-01669	1 3/4"	1 1/8"	5 3/4"	Steel

**Alignment Shim**

FOR MODELS:  
Air Leaf




Center-To-Center (C-TO-C)

MERITOR NO.	OEM REF	C-TO-C	LENGTH	THICKNESS	WIDTH
R304780	03-04959-001	2"	4"	1/16"	1 1/4"

**Spring Eye Bushing**

FOR MODELS:  
Air Leaf



Rubber Version Included in Kit R304773

MERITOR NO.	MACH NO.	OEM REF	OD	ID	LENGTH	MATERIAL
R304775	G-4775	03-01674	2 1/2"	1 3/4"	2 3/4"	Rubber
R307509	-	-				Poly

**Spring Roller Bushing Kit**

FOR MODELS:  
Air Trac



MERITOR NO.	NOTES
R307854	Includes Roller, Bushing, Spacer, Washers, Lock Nut

**Spring Roller Bushing**

FOR MODELS:  
Air Trac



MERITOR NO.	OEM REF	OD	ID	LENGTH	MATERIAL
<b>R307855</b>	03-04623	1 7/8"	1 1/16"	5 1/8"	Rubber


**Spring Roller Spacer**

FOR MODELS:  
Air Trac



MERITOR NO.	OEM REF	OD	ID	LENGTH
<b>R307856</b>	03-04624	1"	5/8"	5 1/8"


**Torque Arm**



MERITOR NO.	MACH NO.	OEM REF	FOR MODEL	ID	LENGTH C-TO-C	REPLACEMENT BUSHING
<b>R305082</b>	<b>G-5082</b>	03-04119	Air Trac	5/8" Hole in Both Bushings	17 11/32"	R305082 Uses R302226
<b>R305083</b>	<b>G-5083</b>	03-04327	Air Trac	5/8" Hole Hanger End, 3/4" Hole Axle End	17 11/32"	R305083 Uses R302226 & R303868
<b>R304771</b>	<b>G-4771</b>	03-04059	Air Trac, Air Leaf	5/8" Hole in Both Bushings	23" C-to-C	R304771 Uses R302225

**Torque Arm Bushing**

FOR MODELS:  
Air Trac, Air Leaf




Outer Steel Sleeve

MERITOR NO.	OEM REF	OD	BOLT HOLE DIA.	C-TO-C	MATERIAL
<b>R302225</b>	227710; 44694	2 1/2"	5/8"	4 3/8"	Rubber
<b>R307638</b>	-				Poly
<b>R302226</b>	44694-000	2 3/4"	5/8"	4 3/8"	Rubber

**Torque Arm Shim**

FOR MODELS:  
Air Trac



MERITOR NO.	C-TO-C	THICKNESS
<b>R305281</b>	4 3/8"	1/16"

**Spring Hanger**

FOR MODELS:  
Air Trac

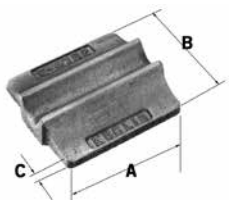


Use with R307862 Wear Pad Kit

MACH NO.	OEM REF	NOTES
<b>G-16711</b>	01-44406; 01-48280-M002	Built Before 7/93 Wear Pad Holes 1/2" Dia.

**Top Plate**

FOR MODELS:  
Air Leaf



Ductile Iron

MERITOR NO.	OEM REF	A	B	C
<b>R304782</b>	03-01657	4"	3 1/2"	7/8"

**Wear Pad Kit**

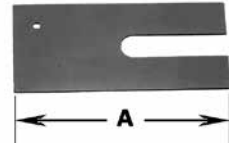
FOR MODELS:  
Air Trac



MERITOR NO.	MACH NO.	OEM REF	BOLT DIA.	NOTES
<b>R307862</b>	-	23-12566	1/2"	Includes Wear Pad, Bolts, Washers, Nuts Use with G-16711 Hanger
-	<b>G-15658</b>	03-07296	5/8"	Includes Wear Pad, Bolts, Washers, Nuts Use With Newer Style Hangers

**Leaf Spring Shim**


FOR MODELS:  
Air Trac



MERITOR NO.	OEM REF	A	WIDTH	THICKNESS
<b>R307864</b>	03-04106	9"	4"	1/16"

**Shock Bushing**

FOR MODELS:  
Air Trac,  
Air Leaf




For Shocks with Eyes

MERITOR NO.	OD	ID	MATERIAL
<b>R30401754</b>	1 7/8"	1"	Rubber
<b>R307529</b>			Poly

**Top Plate**

FOR MODELS:  
Air Trac,  
Air Leaf




R304781 Aluminum; G-4781 Ductile Iron

MERITOR NO.	MACH NO.	OEM REF	LENGTH	THICKNESS	WIDTH
<b>R304781</b>	<b>G-4781</b>	03-01656	6 7/8"	1 1/4"	3 7/8"

**Shock Bushing**

FOR MODELS:  
Air Trac,  
Air Leaf




For Stud Mounted Shocks

MERITOR NO.	OD	ID	THICKNESS	MATERIAL
<b>R307474</b>	1 13/16"	5/8"	1 1/4"	Poly

**Air Spring Stud Assembly**


FOR MODELS:  
Air Trac,  
Air Leaf



MERITOR NO.	OEM REF	LENGTH	THREADS	NOTES
<b>R307868</b>	27-00173	5"	1/2"-20; 1/2"-13	Includes Stud, Nut, Washer

**Universal Height Control Valve**


FOR MODELS:  
Air Trac,  
Air Leaf



MERITOR NO.	OEM REF	NOTES
<b>R3014731</b>	H01501UD	Hadley Next Gen, 3/8" Ports, Apply Air To Dump
<b>R3014732</b>	H01501PUD	Hadley Next Gen, 1/4" Ports, Apply Air To Dump

**Universal Height Control Valve**


FOR MODELS:  
Air Trac,  
Air Leaf



MERITOR NO.	OEM REF	NOTES
<b>R309624</b>	H00500C	Hadley Model 500, 3/8" Ports, Apply Air To Dump

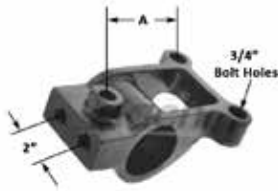
**Linkage Kit**

FOR MODELS:  
Air Trac,  
Air Leaf



MERITOR NO.	NOTES
<b>R309625</b>	Universal Kit, Length 3 5/8" to 19 5/8" Long

**Cast Spring Eye**



Use With R307840 Bushing Kit

MACH NO.	OEM REF	BUSHING HOLE DIA.	A
<b>G-16470</b>	03-05117	2 5/8"	4"

**Spring Hanger Washer**



Steel

MERITOR NO.	OEM REF	OD	ID	THICKNESS
<b>R304777</b>	03-01670	3 5/16"	1"	9/16"

**Spring Eye Bushing Kit**



MERITOR NO.	MACH NO.	OEM REF	NOTES
<b>R307840</b>	<b>G-7840</b>	03-AL2	Includes Spring Eye Bushings, Hanger Bushings, Washers, Sleeve, Bolt, Nut

**Sleeve**



MERITOR NO.	OEM REF	OD	ID	LENGTH
<b>R307843</b>	03-05102	1 3/4"	1"	5 1/4"

**Spring Eye Bushing**



Rubber

MERITOR NO.	MACH NO.	OEM REF	OD	ID	LENGTH
<b>R307841</b>	<b>G-7841</b>	03-05101	2 1/2"	1 3/4"	2 1/2"

**Alignment Shim**



MERITOR NO.	OEM REF	LENGTH	WIDTH	THICKNESS
<b>R307844</b>	03-05114-002	3 3/4"	1 1/4"	1/16"
<b>R307845</b>	03-05114-001			3/32"

**Spring Hanger Spacer Washer**



Poly

MERITOR NO.	OEM REF	OD	ID	THICKNESS
<b>R304776</b>	03-01675	2 5/8"	1 3/4"	15/16"

**Torque Arm**




R307853 Uses Bushing R302225 or R307638

MERITOR NO.	MACH NO.	OEM REF	C-TO-C
<b>R307853</b>	<b>G-7853</b>	03-05108	25 5/8"




### Torque Arm Bushing



MERITOR NO.	OEM REF	OD	BOLT HOLE DIA	LENGTH C-TO-C	MATERIAL
R302225	227710; 44694	2 1/2"	5/8"	4 3/8"	Rubber
R307638	-				Poly

### Universal Height Control Valve



MERITOR NO.	OEM REF	NOTES
R309624	H00500C	Hadley Model 500, Apply Air To Dump


### Shock Bushing



For Stud Mounted Shocks


MERITOR NO.	OD	ID	THICKNESS	MATERIAL
R307474	1 13/16"	5/8"	1 1/4"	Poly

### Universal Height Control Valve



MERITOR NO.	OEM REF	NOTES
R3014731	H01501UD	Hadley Model Next Gen, Apply Air to Dump

### Shock Bushing



For Shocks with Eyes


MERITOR NO.	OD	ID	MATERIAL
R30401754	1 7/8"	1"	Rubber
R307529			Poly

### Linkage Kit



MERITOR NO.	NOTES
R309625	Universal Kit, Length 3 5/8" to 19 5/8" Long

### Air Spring Stud Assembly



MERITOR NO.	OEM REF	LENGTH	THREAD	NOTES
R307851	27-00791-008	6"	1/2"-20; 1/2"-13	Includes Stud and Nut

Spring Eye Bushing, Anti-Walk



Length C-TO-C 5 11/16"

MERITOR NO.	MACH NO.	OD	BOLT HOLE DIA.	NOTES
R3015541	G-15541	2 1/2"	3/4"	Standard OE Design
-	G-15600	2.550"		Oversized Version of R3015541 .050" Oversize OD

Universal Height Control Valve



MERITOR NO.	OEM REF	NOTES
R309624	H00500C	Hadley Model 500, Apply Air To Dump

Universal Height Control Valve



MERITOR NO.	OEM REF	NOTES
R3014731	H01501UD	Hadley Next Gen, 3/8" Ports, Apply Air To Dump
R3014732	H01501PUD	Hadley Next Gen, 1/4" Ports, Apply Air To Dump

Torque Arm



Not Rebusable

MERITOR NO.	OEM REF	LENGTH C-TO-C
R3016118	TR030020010	25 9/16"

Linkage Kit



MERITOR NO.	OEM REF	NOTES
R309625	HPD450-3	Universal Kit, Length 3 5/8" to 19 5/8" Long

Shock Bushing



For Stud Mounted Shocks

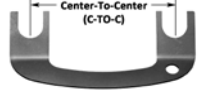
MERITOR NO.	OD	ID	THICKNESS	MATERIAL
R307474	1 13/16"	5/8"	1 1/4"	Poly

**Spring Eye Bushing, Bar Pin**



MERITOR NO.	MACH NO.	OEM REF	OD	BOLT HOLE DIA.	LENGTH C-TO-C
R3016094	G-16094	C13-6001	2 3/8"	5/8"	4 3/8"

**Torque Arm Shim**




MERITOR NO.	LENGTH C-TO-C	THICKNESS
R305281	4 3/8"	1/16"

**Spring Eye Bushing**



MERITOR NO.	OEM REF	OD	ID	LENGTH
R3016097	C65-1002	2 3/8"	7/8"	3"


**Bolt Assembly**



Includes Bolt, Nut, Washers

MERITOR NO.	LENGTH	THREAD
R3016088	5 7/8" (150mm)	M16-2.0
R3016105	6 1/4" (160mm)	M16-2.0


**Torque Arm**



Not Rebushable

MERITOR NO.	OEM REF	LOCATION	C-TO-C
R3016098	C65-6000-001	Front Axle	23 3/4"
R3016099	C65-6000-002	Rear Axle	24 5/8"

**Air Spring Stud Assembly**



MERITOR NO.	OEM REF	LENGTH	THREAD	NOTES
R307868	27-00173	5"	1/2"-20; 1/2"-13	Includes Stud, Nut, Washer

**Transverse Torque Arm**



Length C-To-C 25 1/2"

MERITOR NO.	OEM REF	NOTES
R3015709	C65-6002; C65-6009	Newer Torque Arm Is Not Rebushable. Older Torque Arm May Use R305275 Bushings



**Contents**

**FRONT TRUCK / TRACTOR SUSPENSIONS**

**Airtek for Volvo - - - - - 8-2**

**REAR TRUCK / TRACTOR SUSPENSIONS**

**Volvo Corporate Air Ride- - - - - 8-6**

**Volvo 4 Spring, Before 1985- - - - - 8-8**

**Volvo 4 Spring, 1985 and After - - - - - 8-10**

**Volvo T-Ride Up To 2005 - - - - - 8-12**

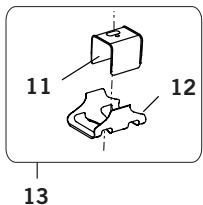
**Volvo T-Ride 2006 and Later - - - - - 8-14**

**Component Suspension Parts - - - - - 8-16**

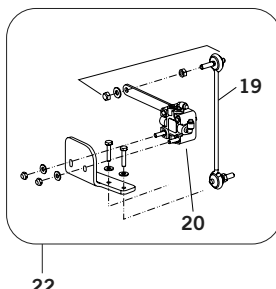
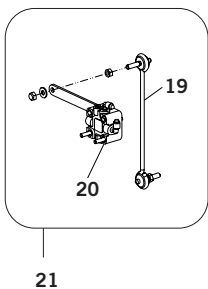


# VOLVO FRONT AIRTEK for Volvo

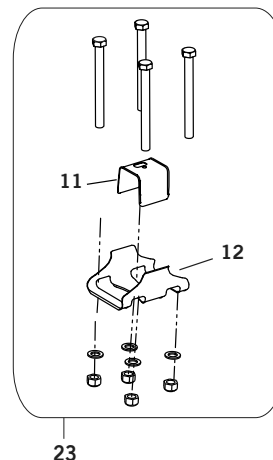
Axle Wrap Liner Kit



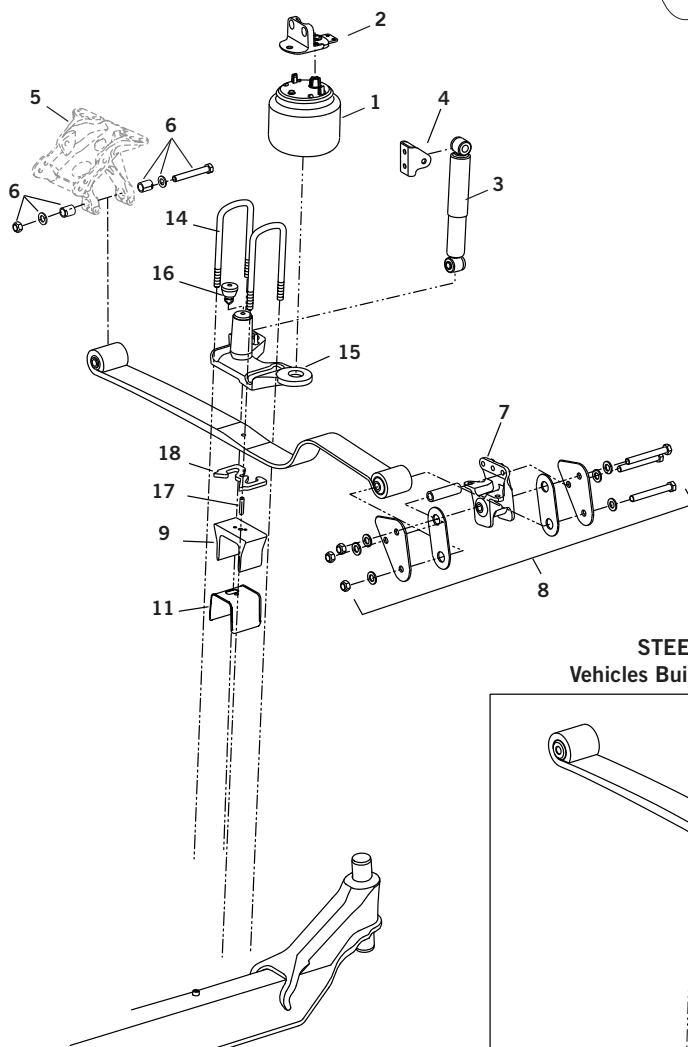
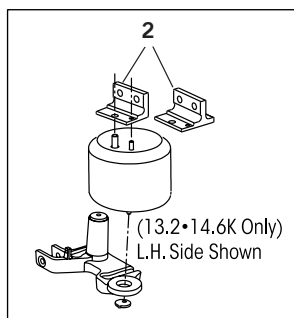
Single Height Control Valves For Vehicles Built Before March 2005



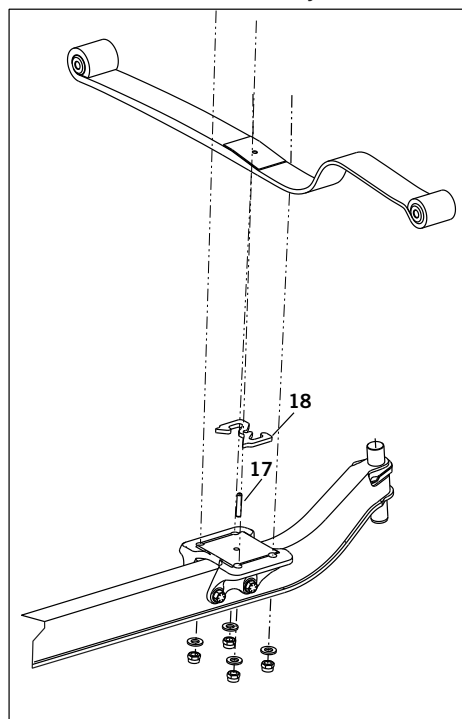
Straight Bolt Clamp Kit



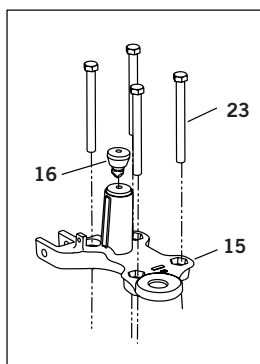
VOLVO



















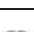






STEEERTEK NXT  
Vehicles Built After July 2011



Axle Connection For  
Vehicles Built Before  
July 2007



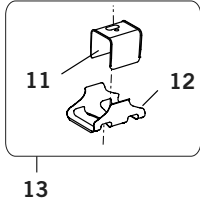
AIRTEK Volvo								
KEY NO.	MERITOR NO.	GENUINE	OEM REF	DESCRIPTION	QTY PER AXLE			PAGE NO.
					PRE 2007	BEFORE JULY 2007	AFTER JULY 2007	
1	FS9913	-	66349-002	Air Spring, 12 & 12.5K	2	2	2	-
	FS9554	-	60716-002	Air Spring, 13.2 & 14.6K	2	2	2	-
2	S.O.S.		Various	Air Spring Bracket	2	2	2	-
3	M85933	-	64838-002 64838-003	Shock Absorber	2	2	2	-
	M89454	-	64838-002 64838-003	Shock Absorber, Premium Adjustable	2	2	2	-
4	S.O.S.		64241-001	Upper Shock Bracket	2	2	-	-
	S.O.S.		59423-008	Upper Shock Bracket	-	-	2	-
5	S.O.S.		Various	Spring Hanger	2	2	2	-
6	R3016412		60961-033	Front Hanger Repair Kit	2	2	2	8-16
7	S.O.S.		Various	Rear Shackle Bracket, Left Hand with Bushing	1	1	1	-
	S.O.S.		Various	Rear Shackle Bracket, Right Hand with Bushing	1	1	1	-
8	R3016409		60961-034 60961-635	Shackle Bracket Service Kit, One Axle, Omit Thrust Washer For Post July 2007 Vehicles	1	1	1	8-16
9	S.O.S.		59952-017 59952-013 59952-014	Top Axle Wrap	2	2	-	-
10	R3015108		64722-003 64014-003 60622-003	Bottom Axle Wrap	2	2	-	8-16
11	R3015147		60508-000	Top Axle Wrap Liner	2	2	-	8-16
12	R3015110		59845-000	Bottom Axle Wrap Liner	2	2	-	8-16
13	R3015727		60961-015	Axle Wrap Liner Kit, Vehicles Built Before October 2012, Includes Key Nos. 11 & 12	2			8-16
14	S.O.S.	-	Various	U-Bolt Assembly, Specify Ride Height	-	4	4	-
15	S.O.S.		Various	Top Pad, Specify Left or Right Hand, Pre or Post 2007 Engine and Frame Rail Size	2	2	2	-
16	R3015148		64080-000	Rubber Axle Stop	2	2	2	8-16
17	S.O.S.		Various	Dowel Pin, Specify Length	-	2	2	-
18	S.O.S.		64318-028	Spacer, All Vehicles with Dual Height Control Valves March 2005 - July 2011 & All Post July 2011 Vehicles	-	2	2	-
	S.O.S.		Various	Spacer, Other Configurations	-	2	2	-
19	R3015096		59428-004	Linkage Kit, Single Height Control Valve, Vehicles Built Prior to 3/05	-	-	-	8-17
20	R3015151		59935-003	Height Control Valve, Vehicles Built Prior to 3/05	-	-	-	8-17
21	R3015150		59427-006	Height Control Valve and Linkage Kit for Vehicles Built Prior to 3/05, Includes Key No.19, 20	-	-	-	8-17
22	R3014013		64089-000	Height Control Valve Assembly, Includes Key No. 19 & 20 plus Bracket, Vehicles Built Prior to 3/05 w/ 12 & 12.5K Axles	-	-	-	-
	R3014014		64094-000	Height Control Valve Assembly, Includes Key No. 19 & 20 plus Bracket, Vehicles Built Prior to 3/05 w/ 13.2 & 14.6K Axles	-	-	-	-

 Denotes Product is Genuine Hendrickson

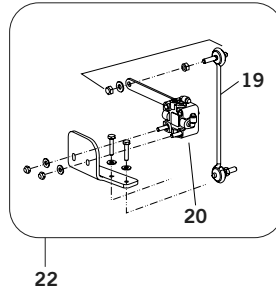
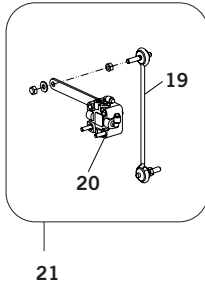
# VOLVO FRONT

## Airtek for Volvo

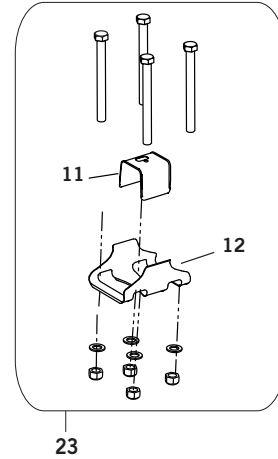
Axle Wrap Liner Kit



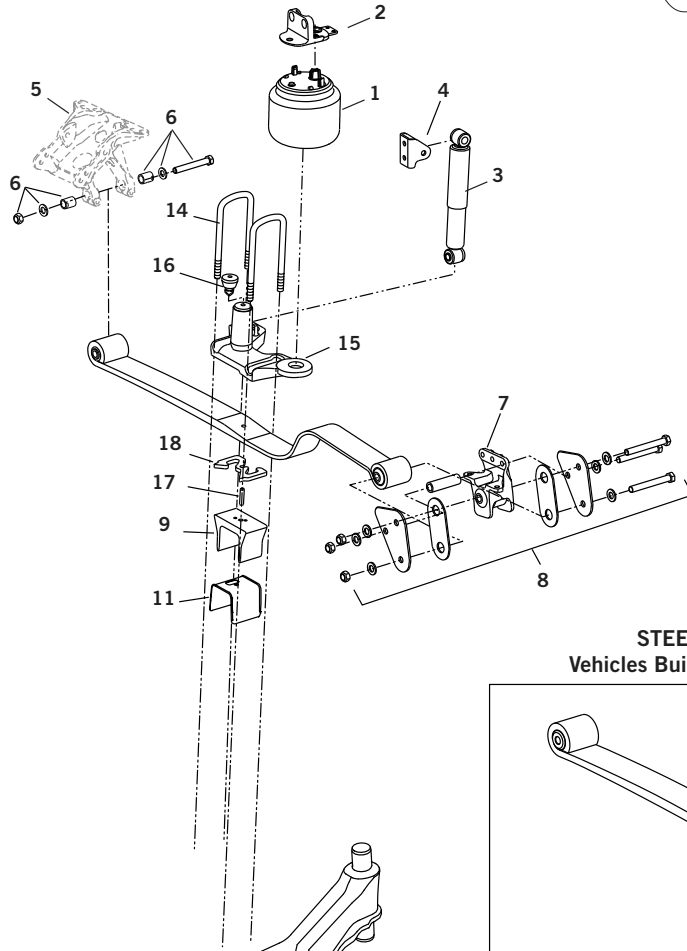
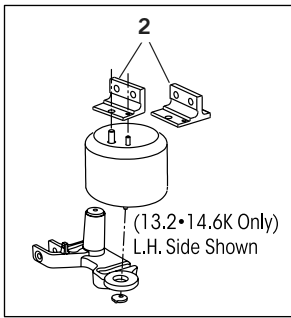
Single Height Control Valves For Vehicles Built Before March 2005



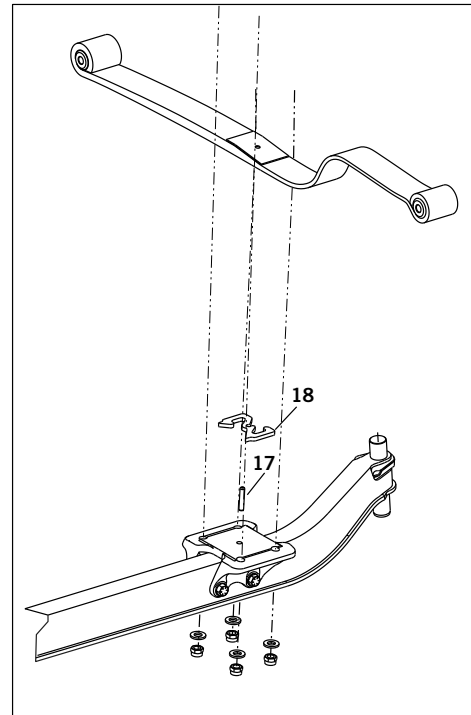
Straight Bolt Clamp Kit



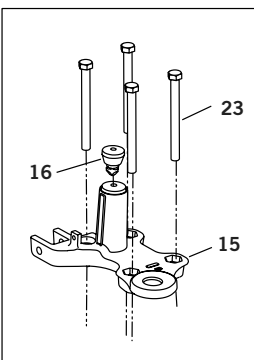
VOLVO








STEERTEK NXT  
Vehicles Built After July 2011




Axle Connection For  
Vehicles Built Before  
July 2007





AIRTEK Volvo								
KEY NO.	MERITOR NO.	GENUINE	OEM REF	DESCRIPTION	QTY PER AXLE			PAGE NO.
					PRE 2007	BEFORE JULY 2007	AFTER JULY 2007	
23	R3016410		60961-035	Straight Bolt Clamp Kit, Vehicles with Dual Height Control Valves, 13 1/4" Ride Height, Includes Key Nos. 11 & 12, Bolts, Nuts, Washer for One Side	2	-	-	8-16
	R3016411		60961-037	Straight Bolt Clamp Kit, Vehicles with Single Height Control Valve, 14 3/8" Ride Height, Includes Key Nos. 11 & 12, Bolts, Nuts, Washer for One Side	2	-	-	8-17
	S.O.S.		Various	Straight Bolt Clamp Kit, Other Configurations, Includes Key No. 11, Bolts, Nuts, Washer for One Side	2	-	-	-
-	R3014019		60961-101	Dual Height Control Valve & Linkage Conversion Kit, Convert Single HCV to Dual, 12 & 12.5K Capacity	1	-	-	-
-	R3014020		60961-102	Dual Height Control Valve & Linkage Conversion Kit, Convert Single HCV to Dual, 13.2 & 14.6K Capacity	1	-	-	-

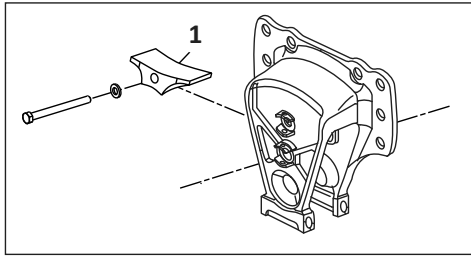
 Denotes Product is Genuine Hendrickson

VOLVO

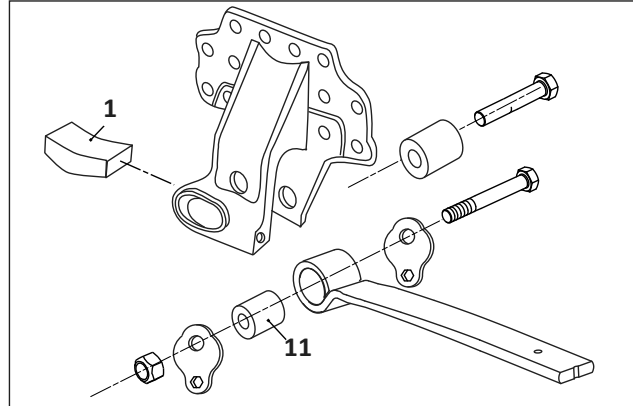
# VOLVO REAR

Volvo Corporate Air Ride

## Alternate Hanger & Slipper Pad

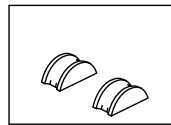
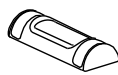
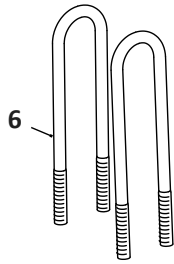
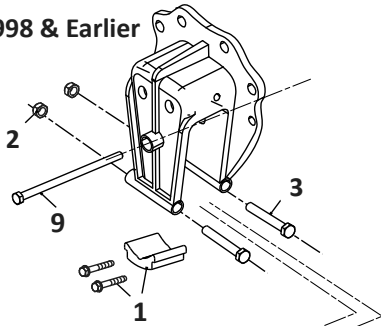


1999 - 2006

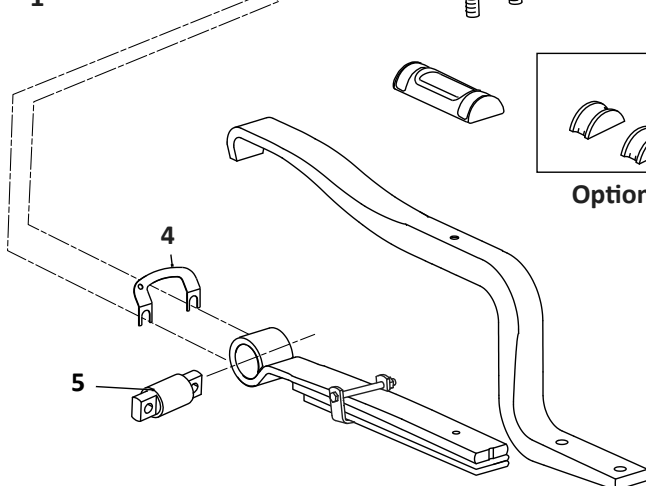
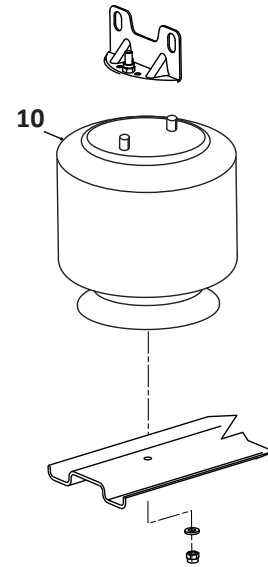


2006 and Later

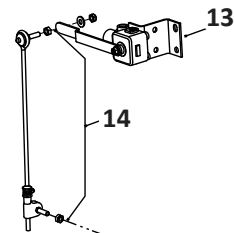
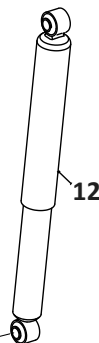
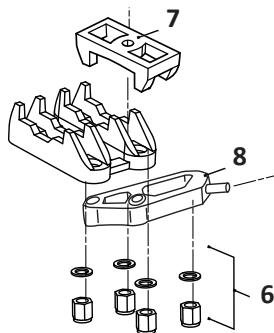
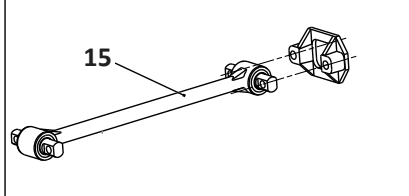
1998 & Earlier



Optional



Straddle Pin Style Transverse Rod

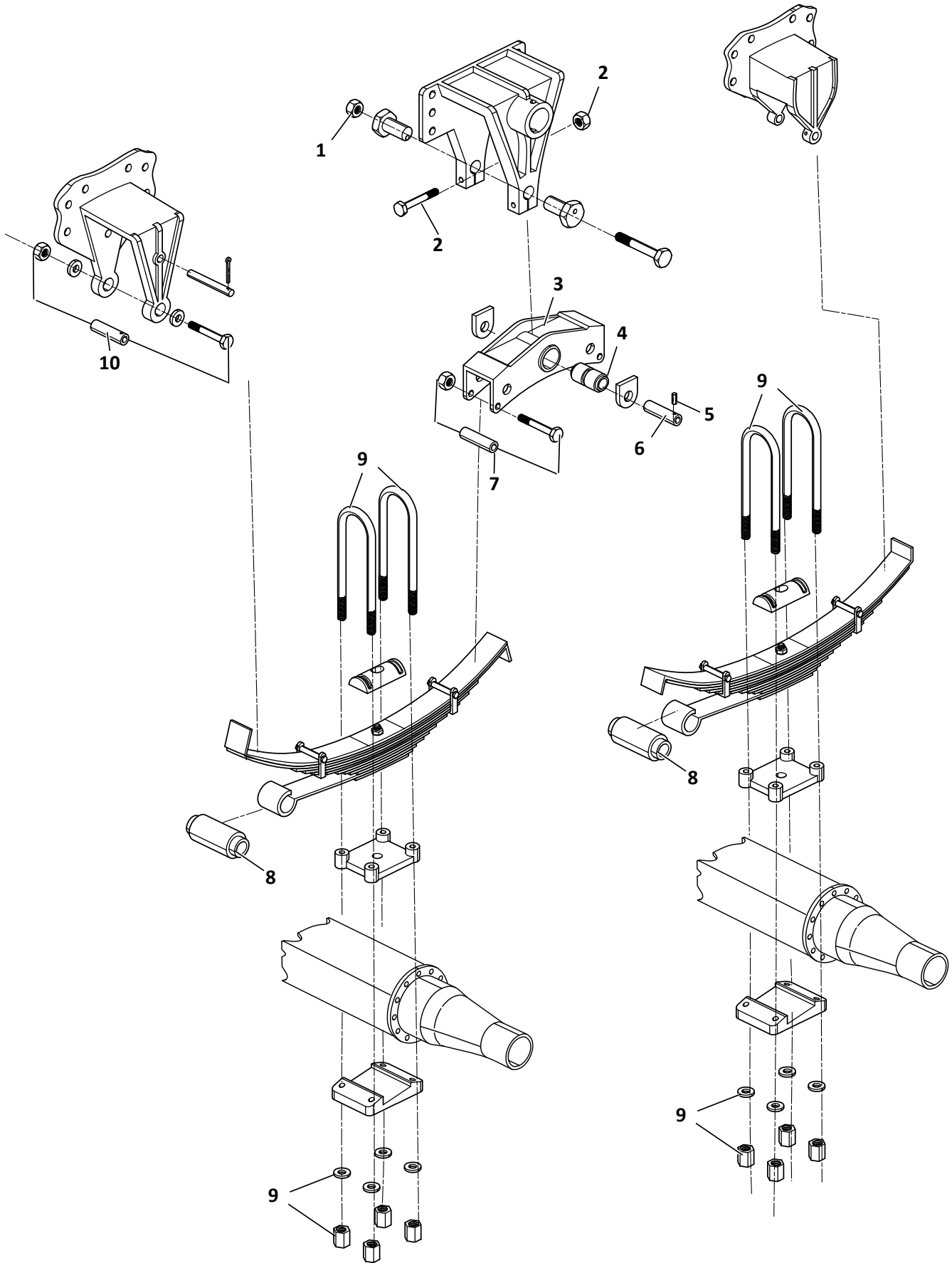


Volvo Corporate Air Ride						
KEY NO.	MERITOR NO.	MACH NO.	OEM REF	DESCRIPTION	QTY. PER AXLE	PAGE NO.
1	R308819	-	8027423; 8061971	Wear Pad Kit, Includes Mounting Screws, Prior to 1999	2	8-18
	R3016778	-	8079889; 20568741	Wear Pad Kit, 1999 - 2006	2	8-18
	R3016779	-	20703083	Wear Pad Kit, 2007 and Later	2	8-18
2	R308911	-	V8397202	Flange Nut, 5/8"-11, Through 2006	4	-
3	R308909	-	V8397091	Bolt, 5/8"-11 X 6" Long, Through 2006	4	-
	R308910	-	V8397092	Bolt, 5/8"-11 X 6 5/8" Long, Through 2006	4	-
4	R305281	-	V8020329	Alignment Shim	2	8-21
5	R302225	-	35033-3201	Spring Eye Bushing, Straddle Mount, 2 1/2" OD, 4 3/8" Center-to-Center, 5/8" Bolt Holes	2	8-20
	R3015671	G-15671	8079894	Spring Eye Bushing, High Confinement, Straddle Mount, 2 1/2" OD, 4 3/8" Center-to-Center, 5/8" Bolt Holes	2	8-18
6	R30U8151-16	-	V8027431	U-Bolt Assembly, Rd. Bend, 3/4"-16 Thd. x 3" Wide x 16" Long	4	-
7	-	G-16807	8071514	Axle Seat, 3.6° Pinion Angle	2	-
8	-	-	8169852; 8169853	Lower Shock Bracket	2	-
9	-	G-16806	35026-0001; 8027436	Rebound Pin, 3/4" OD X 5 1/4" Long	2	-
10	FS9219	-	35003-3204; 35003-3209	Firestone Air Spring	2	-
	FS8829	-	20505399	Firestone Air Spring	2	-
	MAF8829	-	20505399	Meritor Air Spring	2	-
	FS9296	-	8061151	Firestone Air Spring	2	-
11	R3016777	-	20558810	Spring Eye Bushing, Through Hole, After 2006, 7/8" ID X 2 9/16" OD X 3 9/16" Long	2	-
12	M85024	-	8071524	Shock Absorber	2	-
	M85046	-	8026658	Shock Absorber	2	-
	M85047	-	8169859	Shock Absorber	2	-
13	R3011855	-	-	Height Control Valve, No Dump	1	8-19
	R3011870	-	-	Height Control Valve, Dump With Air Applied	1	8-19
14	R307852	-	-	Leveling Valve Link Kit	1	8-19
15	R308821	G-8821	35801-0068	Torque Arm, 22 1/8" Long, Straddle Mount Bushings, R308821 Includes R309395 Bushings	1	8-18
	R303176	-	-	Torque Arm Kit, Full Ball Design	1	8-18

# VOLVO REAR

## Volvo 4 Spring, Before 1985

VOLVO

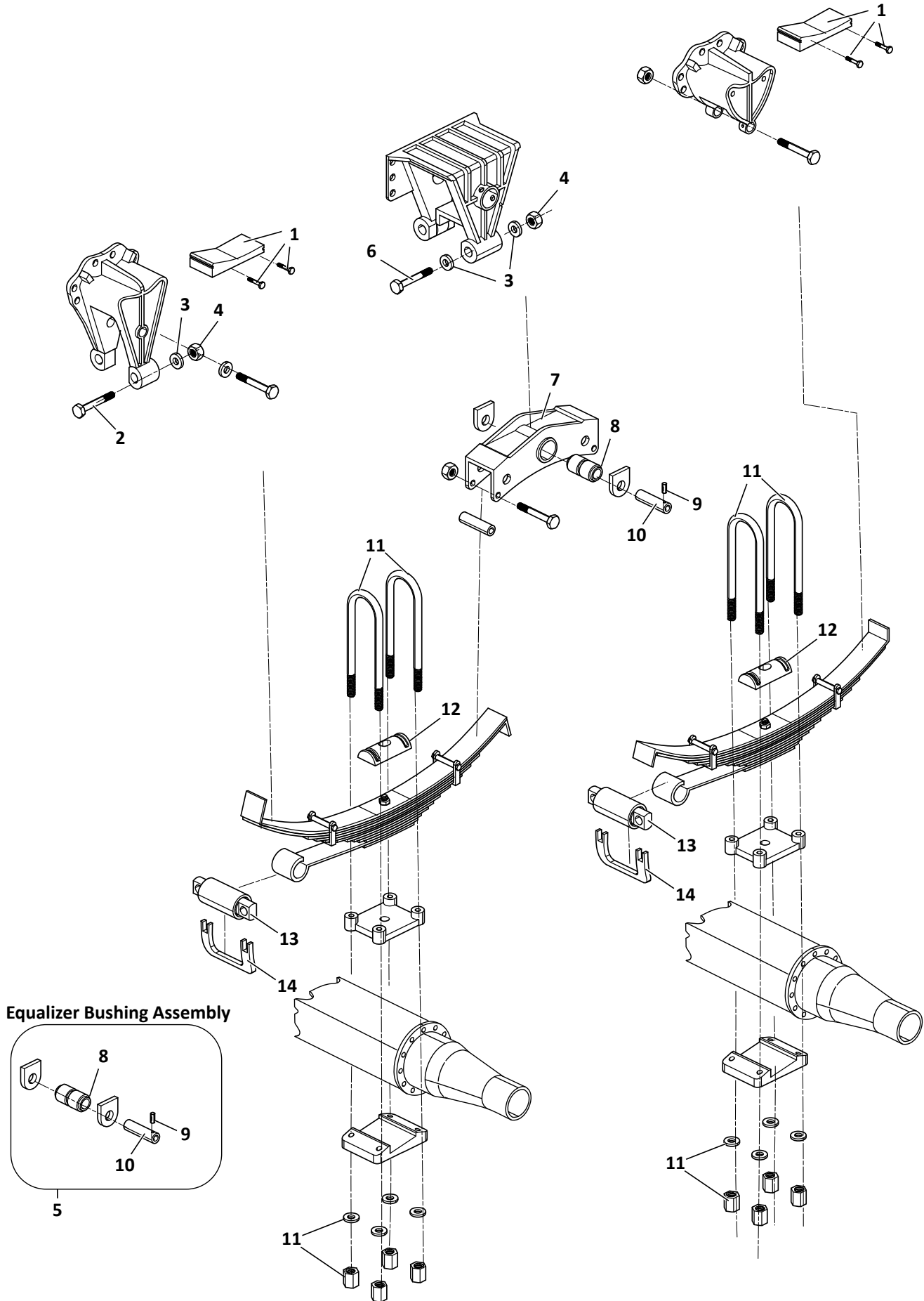


Volvo 4 Spring, Before 1985						
KEY NO.	MERITOR NO.	MACH NO.	OEM REF	DESCRIPTION	QTY. PER TANDEM	PAGE NO.
1	<b>R302983</b>	-	550631	Lock Nut, 7/8"-9 Thread	4	-
2	-	-	-	Clamp Bolt & Nut, 5/8"-18 X 3 1/2" Long	4	-
3	<b>R303844</b>	<b>G-3844</b>	V8027430; V8061451; 35011-5002	Equalizer, Includes Bushing	2	8-20
4	<b>R303082</b>	-	V8027424	Equalizer Bushing, 3 1/8" OD X 2" ID X 4 1/4" Long	2	8-20
5	<b>R301279</b>	-	V8020421	Lock Pin, 1/2" Diameter X 2 3/4" Long	2	8-20
6	<b>R303083A</b>	-	V8027425	Equalizer Shaft, 2" OD X 6 7/8" Long	2	8-20
7	-	-	-	Equalizer Rebound Roller Assembly, Includes Bushing, Bolt & Nut	4	-
8	<b>R303849</b>	-	02-7012438	Spring Eye Bushing, 1 3/4" OD x 7/8" ID x 3" Long	4	8-21
9	<b>R30U8151-18</b>	-	35019-0013; 35019-0012; V8027431	U-Bolt Assembly Rd. Bend, 3/4"-16 Thd. x 3" Wide x 18" Long	8	8-21
10	<b>R303839</b>	-	35042-0001	Rebound Bushing, 1 3/8" OD X 3/4" ID X 3" Long	4	8-20

# VOLVO REAR

Volvo 4 Spring, 1985 and After

VOLVO



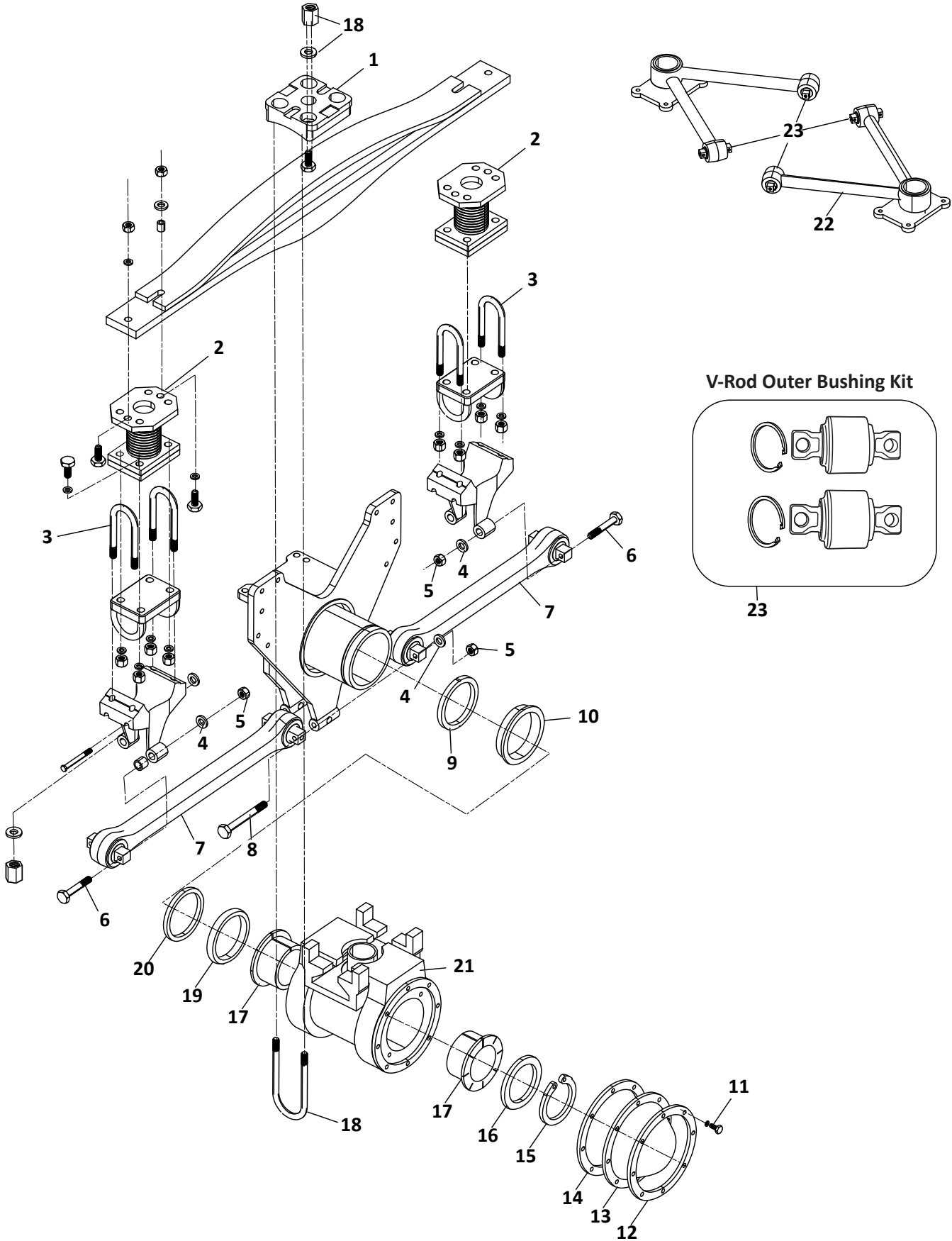
## Volvo 4 Spring, 1985 and After

KEY NO.	MERITOR NO.	MACH NO.	OEM REF	DESCRIPTION	QTY. PER TANDEM	PAGE NO.
1	R308819	-	-	Wear Pad Kit, Includes Screws	4	8-20
2	R308909	-	V8397091	Radius Leaf Attaching Bolt, Front, 5/8"-11 X 6" Long	4	8-21
3	R302547	-	-	Washer, 5/8" ID	12	-
4	R308911	-	V8397202	Lock Nut, 5/8" -11	8	-
5	R303845	-	-	Equalizer Bushing Assembly, Includes Keys 9, 10, 11 and Washers	2	8-20
6	R308910	-	V8397092	Radius Leaf Attaching Bolt, Back, 5/8"-11 X 6 5/8" Long	4	8-21
7	R303844	G-3844	V8027430; V8061451; 35011-5002	Equalizer, Includes Bushing	2	8-20
8	R303082	-	V8027424	Equalizer Bushing, 3 1/8" OD X 2" ID X 4 1/4" Long	2	8-20
9	R301279	-	V8020421	Lock Pin, 1/2" OD X 2 3/4" Long	2	8-20
10	R303083A	-	V8027425	Equalizer Shaft, 2" OD X 6 7/8" Long	2	8-20
11	R30U8151-18	-	35019-0013; 35019-0012; V8027431	U-Bolt Assembly, Rd. Bend, 3/4"-16 Thd. x 3" Wide x 18" Long	8	8-21
12	R308926	-	V8027433	Top Plate	4	8-21
13	R302225	-	35033-3201	Bushing, Straddle Mount	4	8-20
14	R305281	-	V8020329	Radius Leaf Shim, 1/16" Thick	4	8-21

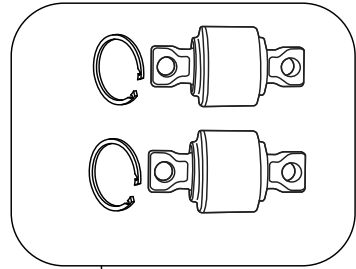
# VOLVO REAR

Volvo T-Ride Up To 2005

VOLVO



V-Rod Outer Bushing Kit





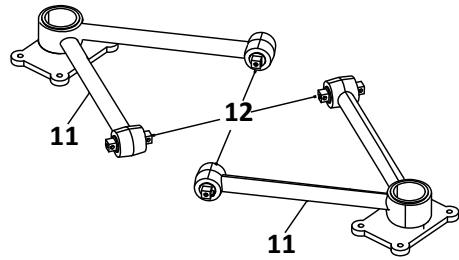
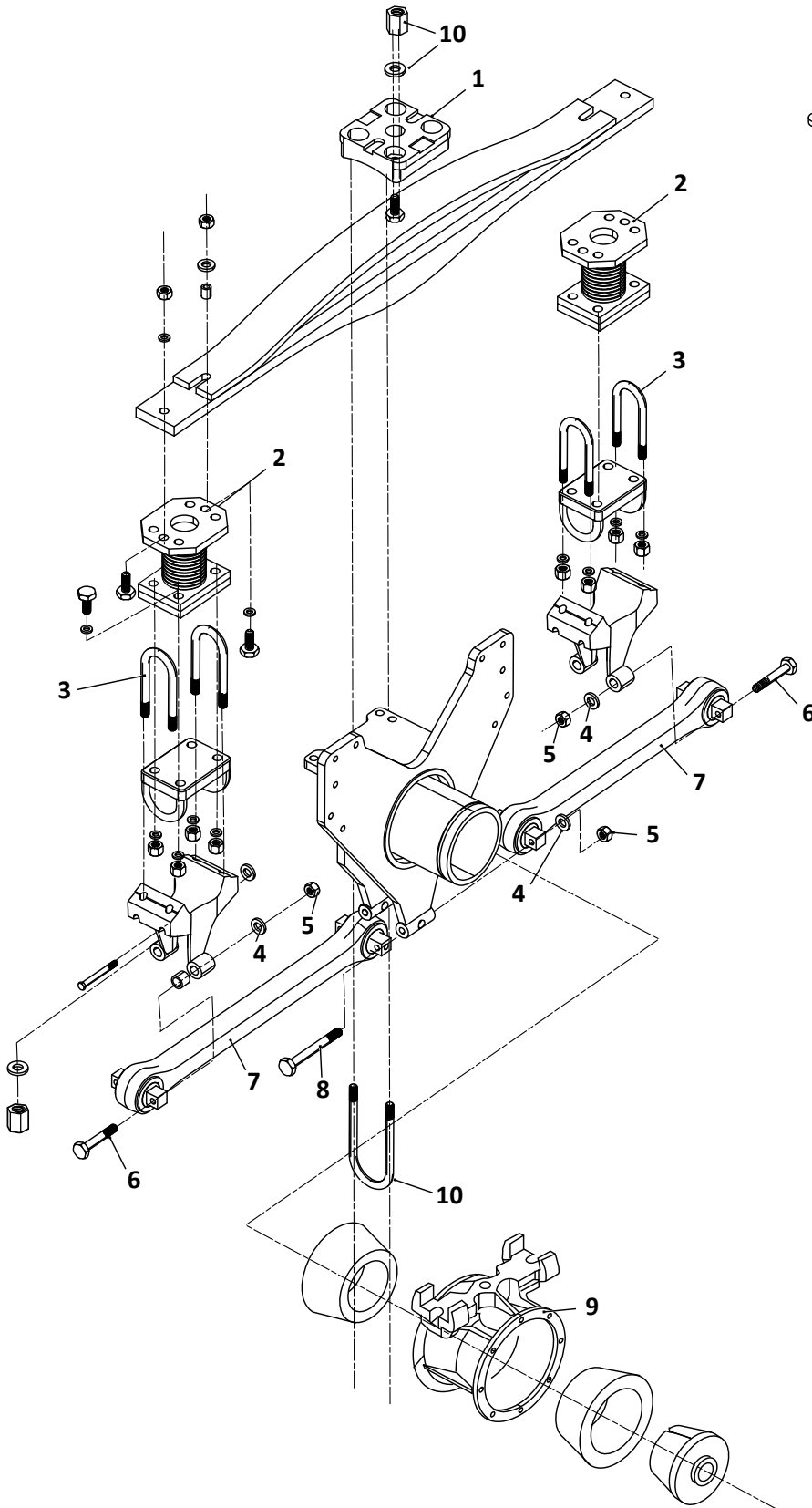
## Volvo T-Ride Up To 2005

KEY NO.	MERITOR NO.	MACH NO.	OEM REF	DESCRIPTION	QTY. PER TANDEM	PAGE NO.
1	-	<b>G-8850</b>	V8057237; 3197875	Top Plate	2	8-22
2	<b>R308851</b>	-	1629553	Rubber Load Spring	4	8-22
3	<b>R30U8142-06</b>	-	V1590074	U-Bolt Assembly, Rd. Bend, 5/8"-18 Thd. x 3 1/8" Wide x 6" Long	4	-
4	<b>R302547</b>	-	-	Washer, 5/8" ID	8	-
5	<b>R302988</b>	-	-	Lock Nut, 5/8"-11	8	-
6	<b>R3016227</b>	-	-	Bolt, 5/8"-11 X 5" Long, Axle Seat End	4	-
7	<b>R308853</b>	-	8028945	Rigid Torque Arm, Full Ball Sockets, 22 5/8" Center-to-Center, Not Rebushable	4	8-22
8	<b>R3015199</b>	-	-	Bolt, 5/8"-11 X 7" Long, Trunnion Hanger End	4	-
9	-	-	V1509219	Thrust Washer, 6 15/16" OD X 5 1/8" ID X 1/4" Thick	2	-
10	-	-	V1586518	Wear Ring, 7 1/16" OD X 6 15/16" ID	2	-
11	-	-	V946440	Hub Cap Screw, M8 X 16mm Long	16	-
12	-	-	V1590508	Hub Cap Ring, 8 13/16" OD X 7 1/2" ID, 8 1/8" Bolt Circle	2	-
13	-	<b>G-8838</b>	V1502292	Trunnion Hub Cap	2	8-22
14	-	-	V1620742	Gasket, 9" OD X 7 1/4" ID, 8 1/8" Bolt Circle	2	-
15	-	<b>G-8832</b>	V951082	Lock Ring	2	8-22
16	-	-	V1590064	Thrust Washer 7"OD X 5 1/8" ID X 1/4" Thick	2	-
17	-	<b>G-8833</b>	V1620443	Trunnion Bushing, 5 1/4" OD X 5 1/16" ID X 2 1/2" High	4	8-22
18	<b>R30U8151-10</b>	-	V8057236	U-Bolt Assembly, Rd. Bend, 3/4"-16 Thd. x 3" Wide x 10" Long	8	-
	<b>R30U8151-12</b>	-	V8059359	U-Bolt Assembly, Rd. Bend, 3/4"-16 Thd. x 3" Wide x 12" Long	8	-
19	-	<b>G-8835</b>	V1593522	Sealing Ring, 7" OD X 6 3/8" ID X 7/16" Thick	2	8-23
20	-	<b>G-8836</b>	V1586520	Seal, 7 1/4" OD X 6 1/4" ID X 7/16" Thick	2	8-23
21	-	<b>G-15672</b>	3198095; 8060233	Trunnion	2	8-23
22	<b>R3011905</b>	-	8057667	V-Rod, Offset Center Mounting Plate, Obsolete, Use R3016816 Outer Bushing Kit. Center Bushing Not Replacable.	2	-
	<b>R3011906</b>	-	3172829	V-Rod, Obsolete, Use R3016816 Outer Bushing Kit. Center Bushing Not Replacable.	2	-
23	<b>R3016816</b>	-	-	V-Rod Bushing Kit, Outer Bushings, For R3011905 & R3011906 Obsolete V-Rods, Includes (2) Bushings and (2) Snap Rings	4	8-23

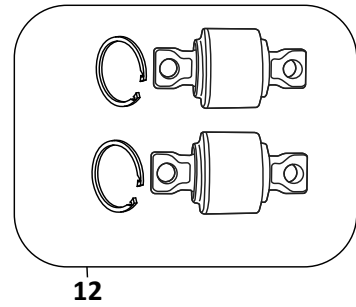
# VOLVO REAR

Volvo T-Ride 2006 and Later

VOLVO



V-Rod Outer Bushing Kit




Volvo T-Ride 2006 and Later						
KEY NO.	MERITOR NO.	MACH NO.	OEM REF	DESCRIPTION	QTY. PER TANDEM	PAGE NO.
1	-	<b>G-8850</b>	V8057237; 3197875	Top Plate	2	8-22
2	<b>R308851</b>	-	1629553	Rubber Load Spring	4	8-22
3	<b>R30U8142-074</b>	-	-	U-Bolt Assembly, Rd. Bend, 5/8"-18 Thd. x 3 1/8" Wide x 7 1/2" Long	4	-
4	<b>R302547</b>	-	-	Washer, 5/8" ID	8	-
5	<b>R302988</b>	-	-	Lock Nut, 5/8"-11	8	-
6	<b>R3016227</b>	-	-	Bolt, 5/8"-11 X 5" Long, Axle Seat End	4	-
7	<b>R3016818</b>	-	20443046	Rigid Torque Arm, Full Ball Offset Sockets, 22 5/8" Center-to-Center	2	8-22
	<b>R3016819</b>	-	20509568	Adjustable Torque Arm, Full Ball Offset Sockets, 23" Center-to-Center	2	8-22
8	<b>R3015199</b>	-	-	Bolt, 5/8"-11 X 7" Long, Trunnion Hanger End	4	-
9	-	-	20429274	Trunnion	2	-
10	<b>R30U8151-12</b>	-	-	U-Bolt Assembly, Rd. Bend, 3/4"-16 Thd. x 3" Wide x 12" Long	8	-
	<b>R30U8151-14</b>	-	-	U-Bolt Assembly, Rd. Bend, 3/4"-16 Thd. x 3" Wide x 14" Long	8	-
11	<b>R3011905</b>	-	8057667	V-Rod, Offset Center Mounting Plate, Obsolete, Use R3016816 Outer Bushing Kit. Center Bushing Not Replacable.	2	-
	<b>R3011906</b>	-	3172829	V-Rod, Obsolete, Use R3016816 Outer Bushing Kit. Center Bushing Not Replacable.	2	-
	<b>R3017002</b>	-	22318833	V-Rod, Newer Models, Includes R3017003 Outer Bushings	2	8-23
12	<b>R3016816</b>	-	-	V-Rod Bushing Kit, Outer Bushings, For R3011905 & R3011906 Obsolete V-Rods, Includes (2) Bushings and (2) Snap Rings	4	8-23
	<b>R3017003</b>	-	20547268	V-Rod Bushing Kit, Outer Bushings, For R3017002 V-Rods, Includes (2) Bushings and (2) Snap Rings	4	8-23

# VOLVO


## AIRTEK For Volvo

VOLVO

**Shackle Bracket Kit**



Axle Set - 1/2 Kit Shown

MERITOR NO.	GENUINE	OEM REF	NOTES
R3016409		60961-034; 60961-635	Includes 4 Shackle Plates, 4 Wear Plates, Spacer and Hardware

**Bottom Axle Wrap Liner**



MERITOR NO.	GENUINE	OEM REF
R3015110		59845-000

**Front Hanger Repair Kit**



MERITOR NO.	GENUINE	OEM REF	NOTES
R3016412		60961-033	Includes 2 Hanger Adapters, M20 X 230mm Long Bolt, Nut, Washers


**Bottom Axle Wrap**




MERITOR NO.	GENUINE	OEM REF
R3015108		64722-003; 64014-003; 60622-003

**Axle Wrap Liner Kit**

FOR MODELS:  
AIRTEK



Includes R3015147 & R3015110 Liners

MERITOR NO.	GENUINE	OEM REF
R3015727		60961-015

**Rubber Axle Stop**



MERITOR NO.	GENUINE	OEM REF
R3015148		64080-000

**Top Axle Wrap Liner**




Elongated Slot


MERITOR NO.	GENUINE	OEM REF
R3015147		60508-000

**Straight Bolt Clamp Kit**

FOR MODELS:  
Vehicles with  
Dual Height  
Control Valves,  
13 1/4" Ride Hei



One Wheel End



MERITOR NO.	GENUINE	OEM REF	NOTES
R3016410		60961-035	Includes Bolts, Nuts, Washer



# VOLVO

## AIRTEK For Volvo


Suspension

VOLVO

Straight Bolt Clamp Kit			
<p>FOR MODELS: Vehicles with Single Height Control Valve, 13 1/4" Ride Height</p> <div style="text-align: center;">  </div> <p>One Wheel End</p>			
MERITOR NO.	GENUINE	OEM REF	NOTES
<b>R3016411</b>		60961-037	Includes Bolts, Nuts, Washer

Height Control Valve		
<p>FOR MODELS: Vehicles Built Prior to 3/05</p> <div style="text-align: center;">  </div>		
MERITOR NO.	GENUINE	OEM REF
<b>R3015150</b>		59427-006

Height Control Valve		
<p>FOR MODELS: Vehicles Built Prior to 3/05</p> <div style="text-align: center;">  </div>		
MERITOR NO.	GENUINE	OEM REF
<b>R3015151</b>		59935-003

Linkage Kit		
<p>FOR MODELS: Vehicles Built Prior to 3/05 With Single Height Control Valve</p> <div style="text-align: center;">  </div>		
MERITOR NO.	GENUINE	OEM REF
<b>R3015096</b>		59428-004

### Volvo Front Leaf Spring

Spring Pin				
				
MACH NO.	OEM REF	OD	OAL	C-T-C
<b>G-15666</b>	37121-0001	1 1/8"	7"	5 1/2"

Threaded Spring Pin Bushing				
				
MACH NO.	OEM REF	OD	LENGTH	THREAD
<b>G-15667</b>	1075724	1 3/4"	4 1/8"	M32X4

# VOLVO

## Corporate Air Ride


VOLVO

**Wear Pad Kit, 1998 & Earlier**



MERITOR NO.	OEM REF
R308819	8027423; 8061971

**Spring Eye Bushing, Straddle Mount**



MERITOR NO.	OEM REF	OD	BOLT HOLES
R309395	57256-000	2 7/16"	5/8"
R302225	35033-3201	2 1/2"	

**Wear Pad Kit, 1999-2006**



**Photo Coming Soon**

MERITOR NO.	OEM REF
R3016778	8079889; 20568741

**Spring Eye Bushing, Through Hole**

After 2006



Through Hole

MERITOR NO.	OEM REF	ID	OD	LENGTH
R3016777	20558810	7/8"	2 9/16"	3 9/16"


**Wear Pad Kit, 2007 & Later**



**Photo Coming Soon**


MERITOR NO.	OEM REF
R3016779	20703083

**Transverse Torque Arm, Rubber Bushings**



MERITOR NO.	MACH NO.	OEM REF	LENGTH	NOTES
R308821	G-8821	35801-0068	22 1/2"	Uses R309395 Bushings

**Spring Eye Bushing, Straddle Mount**




MERITOR NO.	MACH NO.	OEM REF	OD	BOLT HOLES
R3015671	G-15671	8079894	2 1/2"	5/8"


**Transverse Torque Arm Kit, Full Ball Design**




MERITOR NO.	NOTES
R303176	Uni-Rod Kit


Radius Leaf Shim			
			
MERITOR NO.	OEM REF	C-T-C LENGTH	THICK
R305281	V8020329	4 3/8"	1/16"

Axle Seat		
		
MERITOR NO.	OEM REF	PINION ANGLE
G-16807	8071514	3.6° Pinion Angle

Height Control Valve		
		
MERITOR NO.	OEM REF	NOTES
R3011855	VS-227	No Dump

Rebound Pin			
			
MERITOR NO.	OEM REF	OD	LENGTH
G-16806	35026-0001; 8027436	3/4"	5 1/4"

Height Control Valve		
		
MERITOR NO.	OEM REF	NOTES
R3011870	57977-000	Dump With Air Applied

Height Control Valve Linkage	
	
MERITOR NO.	NOTES
R307852	Universal, Fits Most Applications


# VOLVO

## Volvo 4 Spring

VOLVO

**Equalizer**

FOR MODELS:  
All 4 Spring Models




Includes Bushing

MERITOR NO.	MACH NO.	OEM REF
<b>R303844</b>	<b>G-3844</b>	V8027430; V8061451; 35011-5002

**Lock Pin**

FOR MODELS:  
All 4 Spring Models



MERITOR NO.	OEM REF	OD	LENGTH
<b>R301279</b>	V8020421	1/2"	2 3/4"

**Equalizer Bushing Assembly**


FOR MODELS:  
All 4 Spring Models



MERITOR NO.	LENGTH
<b>R303845</b>	Includes Bushing, Shaft, Pin and (4) Washers

**Rubber Rebound Bushing**


FOR MODELS:  
Before 1985



MERITOR NO.	OEM REF	OD	ID	LENGTH
<b>R303839</b>	35042-0001	1 3/8"	3/4"	3"

**Equalizer Bushing**

FOR MODELS:  
All 4 Spring Models



MERITOR NO.	OEM REF	OD	ID	LENGTH
<b>R303082</b>	V8027424	3 1/8"	2"	4 1/4"

**Wear Pad Kit**

FOR MODELS:  
1985 and After



Includes Screws

MERITOR NO.	WIDTH	SLOT WIDTH
<b>R308819</b>	3 1/4"	1/2"

**Equalizer Shaft**


FOR MODELS:  
All 4 Spring Models



MERITOR NO.	OEM REF	OD	LENGTH
<b>R303083A</b>	V8027425	2"	6 7/8"

**Bushing, Straddle Mount**

FOR MODELS:  
1985 and After




MERITOR NO.	OEM REF	OD	HOLE DIA
<b>R302225</b>	35033-3201	2 1/2"	5/8"



**Radius Leaf Shim**

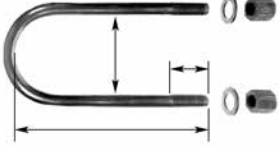
FOR MODELS:  
1985 and After



MERITOR NO.	OEM REF	THICKNESS	C-T0-C
<b>R305281</b>	V8020329	1/16"	4 3/8"

**U-Bolt Assembly**


FOR MODELS:  
Before 1985



MERITOR NO.	OEM REF	THREAD	WIDTH	LENGTH
<b>R30U8151-18</b>	35019-0013; 35019-0012; V8027431	3/4"-16	3"	18"

**Radius Leaf Attaching Bolt**


FOR MODELS:  
1985 and After



MERITOR NO.	OEM REF	THREAD	LENGTH
<b>R308909</b>	V8397091	5/8"-11	6"
<b>R308910</b>	V8397092	5/8"-11	6 5/8"

**Spring Eye Bushing**

FOR MODELS:  
Before 1985



MERITOR NO.	OEM REF	OD	ID	LENGTH
<b>R303849</b>	02-7012438	1 3/4"	7/8"	3"

**Top Plate**

FOR MODELS:  
1985 and After



MERITOR NO.	OEM REF	LENGTH	WIDTH
<b>R308926</b>	V8027433	8 1/4"	3"

**VOLVO**


# VOLVO

## Volvo T-Ride

VOLVO


**Top Plate**

FOR MODELS:  
T-Ride Up  
To 2005



MACH NO.	OEM REF	HOLE DIA
<b>G-8850</b>	V8057237; 3197875	

**Adjustable Torque Arm**

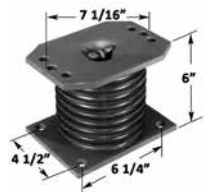


Full Ball Design

MERITOR NO.	OEM REF	C-TO-C	NOTES
<b>R3016819</b>	20509568	23"	2006 and Later Offset Sockets

**Rubber Load Spring**

FOR MODELS:  
All Models



MERITOR NO.	OEM REF
<b>R308851</b>	1629553


**Trunnion Hub Cap**

FOR MODELS:  
T-Ride Up  
To 2005



MACH NO.	OEM REF
<b>G-8838</b>	V1502292

**Rigid Torque Arm**




Full Ball Design

MERITOR NO.	OEM REF	C-TO-C	NOTES
<b>R308853</b>	8028945	22 5/8"	T-Ride Up To 2005

**Lock Ring**

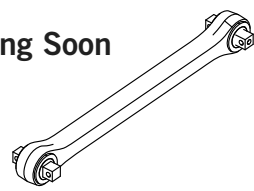
FOR MODELS:  
T-Ride Up  
To 2005



MACH NO.	OEM REF
<b>G-8832</b>	V951082

**Rigid Torque Arm**

**Photo Coming Soon**



Full Ball Design

MERITOR NO.	OEM REF	C-TO-C	NOTES
<b>R3016818</b>	20443046	22 5/8"	2006 and Later Offset Sockets

**Trunnion Bushing**


FOR MODELS:  
T-Ride Up  
To 2005



MACH NO.	OEM REF	OD	ID	HEIGHT
<b>G-8833</b>	V1620443	5 1/4"	5 1/16"	2 1/2"

**Sealing Ring**

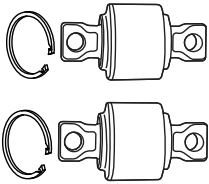
FOR MODELS:  
T-Ride Up  
To 2005



MACH NO.	OEM REF	OD	ID	THICKNESS
<b>G-8835</b>	V1593522	7"	6 3/8"	7/16"
<b>G-8836</b>	V1586520	7 1/4"	6 1/4"	7/16"

**V-Rod Bushing Kit, Outer Bushings**

FOR MODELS:  
2006 to Later



**Photo Coming Soon**

Includes (2) Bushings and (2) Snap Rings

MERITOR NO.	OEM REF	NOTES
<b>R3017003</b>	20547268	Used With R3017002 V-Rod,

**Trunnion**

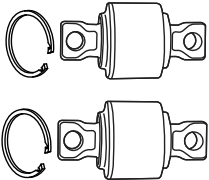
FOR MODELS:  
T-Ride Up  
To 2005



MERITOR NO.	OEM REF
<b>G-15672</b>	3198095; 8060233

**V-Rod Bushing Kit, Outer Bushings**

FOR MODELS:  
T-Ride Up  
To 2005



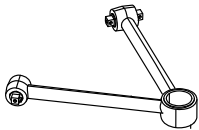
**Photo Coming Soon**

Includes (2) Bushings and (2) Snap Rings

MERITOR NO.	OEM REF	NOTES
<b>R3016816</b>	20547268	For R3011905 & R3011906 Obsolete V-Rods

**V-Rod**

FOR MODELS:  
2006 to Later



**Photo Coming Soon**

MERITOR NO.	OEM REF	NOTES
<b>R3017002</b>	22318833	Includes R3017003 Outer Bushings

**VOLVO**



Contents

**FRONT TRUCK SUSPENSION**

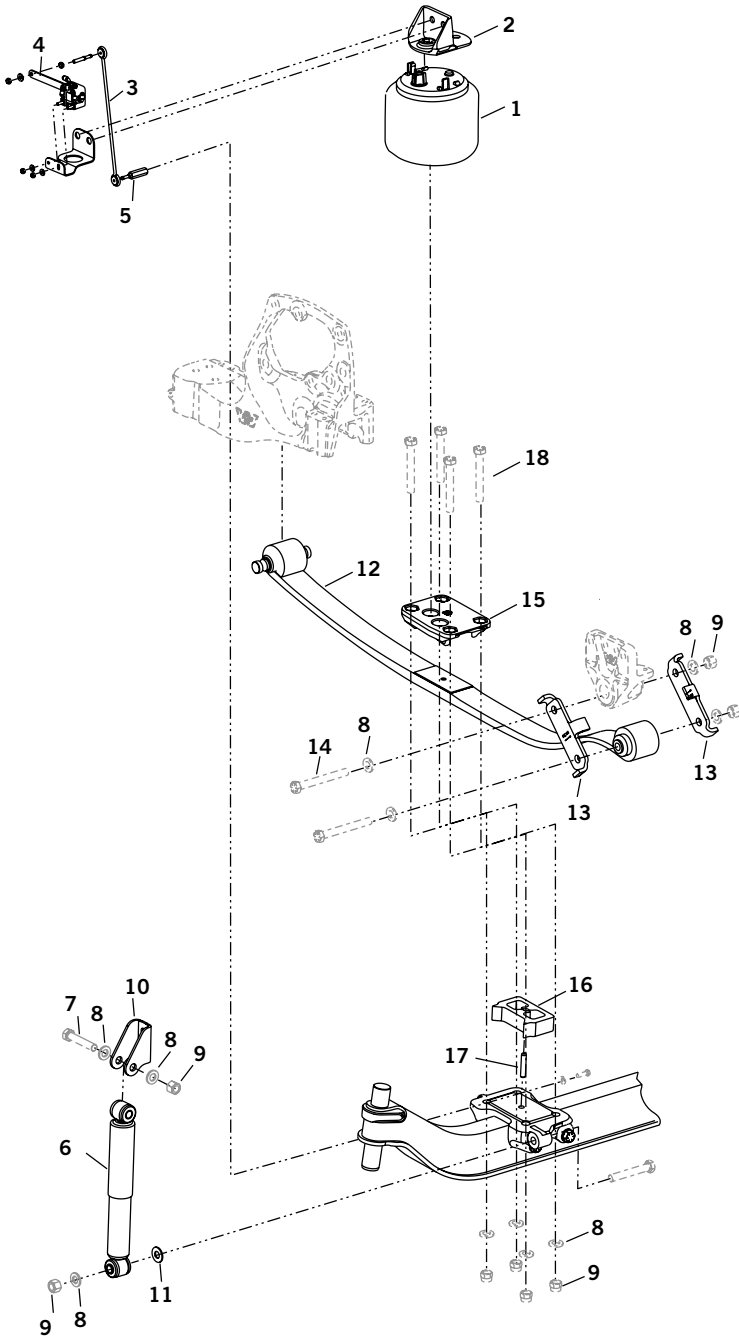
**AIRTEK for Western Star Built After November 2011 w/STEERTEK NXT Axles and  
Model 4900SA Vehicles Built Between June 2010 and  
November 2011 with STEERTEK Axles - - - - - 9-2**

**Component Suspension Parts - - - - - 9-4**

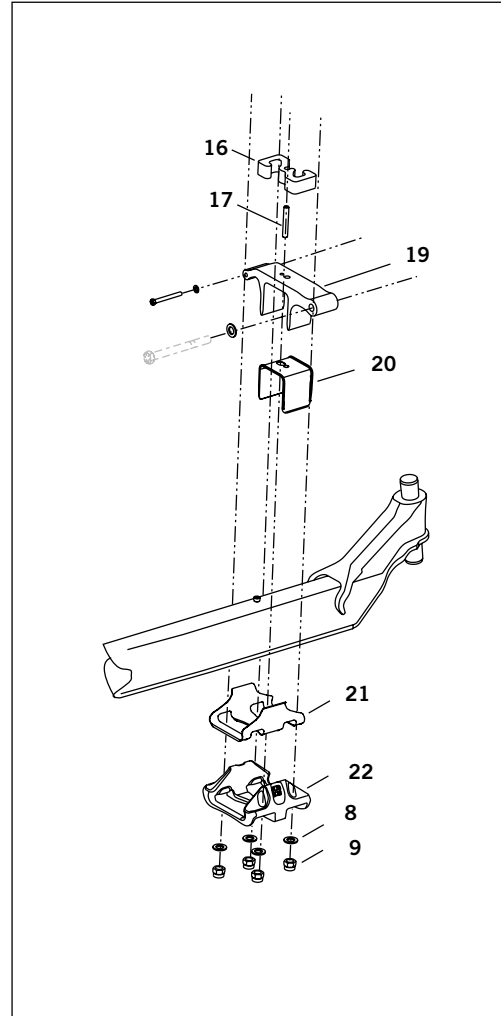
**WESTERN STAR**

# WESTERN STAR FRONT

AIRTEK for Western Star Built After November 2011 w/STEERTEK NXT Axles and Model 4900SA Vehicles Built Between June 2010 and November 2011 with STEERTEK Axles



STEERTEK NXT Axle





















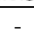
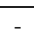
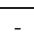

STEERTEK Axle

WESTERN STAR

# WESTERN STAR FRONT

Suspension

## AIRTEK for Western Star Built After November 2011 w/STEERTEK NXT Axles and Model 4900SA Vehicles Built Between June 2010 and November 2011 with STEERTEK Axles

KEY NO.	MERITOR NO.	GENUINE	OEM REF	DESCRIPTION	QTY. PER VEHICLE	PAGE NO.
1	S.O.S.	-	69116-002	Air Spring	2	-
2	R3016425		60850-001	Air Spring Bracket, Left Hand	1	9-5
	R3015132		60850-002	Air Spring Bracket, Right Hand	1	9-5
3	R3015133		59428-001	Height Control Valve Linkage Assembly, 13 1/8" Center-to-Center	1	9-4
	R3015134		59428-002	Height Control Valve Linkage Assembly, 14 1/2" Center-to-Center	1	9-4
	S.O.S.	-	Various	Height Control Valve Linkage Kit	2	-
	R309625	-	-	Height Control Valve Linkage Kit, Universal, Length Range of 3 5/8 -19 5/8"	2	9-4
4	S.O.S.		59935-013	Height Control Valve, Left Hand, Set Back Axle	1	-
	S.O.S.		59935-023	Height Control Valve, Left Hand, Set Forward Axle	1	-
	S.O.S.		59935-024	Height Control Valve, Right Hand, Vehicles After November 2011	1	-
	R3013995		59935-002	Height Control Valve, Right Hand, Vehicles Built Between June 2010 & November 2011 (Non NXT Axles)	1	9-4
5	R3016426		59429-001	Link Mount, Left Hand, Set Back Axle	1	9-5
	R3015098		59429-002	Link Mount, Left Hand, Set Forward Axle and All Right Hand	1	9-4
6	M85932	-	58913-012	Shock Absorber	2	-
	M89453	-	58913-012	Shock Absorber, Premium Adjustable	2	-
7	S.O.S.	-	-	Bolt, 3/4"-10 X 4" Long, Upper Shock	2	-
8	R302545	-	-	Washer, 3/4"	22	-
9	R304347	-	-	Locknut, 3/4"-10	16	-
10	S.O.S.	-	59423-001	Shock Bracket	2	-
11	R3016419		59946-001	Shock Spacer, Vehicles Built Between June 2010 & November 2011 (Non NXT Axles)	2	-
	S.O.S.		22962-046	Shock Spacer, Vehicles Built After November 2012	2	-
12	S.O.S.		Various	Leaf Spring Assembly	2	-
13	S.O.S.		68089-001	Shackle Plate	4	-
14	S.O.S.		Various	Shackle Bolt, 3/4"-10	8	-
15	R3015146		59826-000	Top Pad	2	-
16	S.O.S.		Various	Front Axle Spacer	2	-
17	S.O.S.		Various	Dowel	2	-
18	R3015102	-	58917-016	Bolt, 3/4"-10 X 8 1/2" Long	8	9-4
	R3016435	-	58917-017	Bolt, 3/4"-10 X 10" Long	8	9-4
	R3016436	-	58917-018	Bolt, 3/4"-10 X 11 1/2" Long	8	9-4
19	S.O.S.		Various	Top Wrap, Vehicles Built Between June 2010 & November 2011 (Non NXT Axles)	2	-
20	R3015145		59449-000	Top Axle Wrap Liner, Vehicles Built Between June 2010 & November 2011 (Non NXT Axles)	2	9-4
21	R3015110		58945-000	Bottom Axle Wrap Liner, Vehicles Built Between June 2010 & November 2011 (Non NXT Axles)	2	9-4
22	S.O.S.		64772-001	Bottom Wrap, Vehicles Built Between June 2010 & November 2011 (Non NXT Axles)	2	-

 Denotes Product is Genuine Hendrickson

WESTERN STAR

# WESTERN STAR FRONT

## Top Axle Wrap Liner



MERITOR NO.	GEN-UINE	OEM REF	APPLICATION
R3015145		59449-000	Vehicles Built Between June 2010 & November 2011 (Non NXT Axles)

## Height Control Valve, Right Hand



MERITOR NO.	GENU-INE	OEM REF	APPLICATION
R3013995		59935-002	Vehicles Built Between June 2010 & November 2011, (Non NXT Axles)

## Bottom Axle Wrap Liner



MERITOR NO.	GEN-UINE	OEM REF	DIA.
R3015110		58945-000	Vehicles Built Between June 2010 & November 2011 (Non NXT Axles)

## Height Control Valve Linkage Assembly



MERITOR NO.	GENU-INE	OEM REF	LENGTH
R3015133		59428-001	13 1/8" Center-to-Center

## Bolt



MERITOR NO.	OEM REF	LENGTH	THREAD
R3015102	58917-016	8 1/2"	3/4"-10
R3016435	58917-017	10"	3/4"-10
R3016436	58917-018	11 1/2"	3/4"-10

## Height Control Valve Linkage Assembly



MERITOR NO.	GENUINE	OEM REF	LENGTH
R3015134		59428-002	14 1/2" Center-to-Center

## Height Control Valve Linkage Kit



MERITOR NO.	LENGTH
R309625	Length Range of 3 5/8 -19 5/8"

WESTERN STAR



Link Mount, Left Hand			
			
MERITOR NO.	GENUINE	OEM REF	APPLICATION
R3016426		59429-001	Set Back Axle

Air Spring Bracket, Right Hand		
		
MERITOR NO.	GENUINE	OEM REF
R3015132		60850-002

Link Mount, Left Hand			
			
MERITOR NO.	GENUINE	OEM REF	APPLICATION
R3015098		59429-002	Set Forward Axle and All Right Hand

Air Spring Bracket, Left Hand		
		
MERITOR NO.	GENUINE	OEM REF
R3016425		60850-001



# NUMERICAL LISTING

Suspension

PART NO.	PAGE NO.
FS1191	5-13
FS7400	1-15
FS7410	1-15
FS8597	5-3
FS8813	7-15
FS8829	4-9, 8-7
FS8864	7-13
FS9026	7-9
FS9069	7-7, 7-11
FS9194	7-9
FS9213	5-11
FS9219	4-9, 8-7
FS9296	4-9, 8-7
FS9371	5-11
FS9379	5-11
FS9422	3-7
FS9541	3-9
FS9547	3-9
FS9554	4-3, 8-3
FS9566	5-11
FS9568	5-11
FS9616	3-7
FS9617	3-9
FS9618	3-9
FS9622	3-9
FS9625	3-9
FS9647	4-11
FS9780	1-19
FS9781	1-19
FS9912	1-7
FS9913	4-3, 8-3
G-2922A	4-39
G-2922A	4-13
G-2924A	4-13, 4-39
G-3530	1-11, 1-29
G-3531	1-11, 1-29
G-3532	1-11, 1-29
G-3534	1-11, 1-29
G-3536	1-11, 1-30
G-3546	1-21, 1-39
G-3557	1-21
G-3697	4-17
G-3720	7-3
G-3784	5-15, 5-26
G-3790	1-21, 1-23, 1-39, 5-15
G-3796	5-15, 5-28
G-3817	1-15, 1-32

PART NO.	PAGE NO.
G-3844	8-9, 8-11, 8-20
G-3916	4-40
G-3917	1-21, 1-37
G-3917A	1-21, 1-37
G-4669	3-7, 3-16
G-4771	7-7, 7-27
G-4771	7-11
G-4775	7-11, 7-26
G-4781	7-11, 7-28
G-4781	7-7
G-5082	7-7, 7-27
G-5083	7-7, 7-27
G-5417	4-23, 4-38
G-5425	4-21, 4-23, 4-39
G-5431	4-25, 4-38
G-7700	1-23
G-7840	7-9, 7-30
G-7841	7-9, 7-30
G-7853	7-9, 7-30
G-8795	1-13, 1-30
G-8796	1-13, 1-29
G-8797	1-13, 1-29
G-8799	1-13, 1-29
G-8800	1-13, 1-29
G-8802	1-17, 1-34
G-8803	1-17, 1-34
G-8804	1-17, 1-33
G-8805	1-17, 1-33
G-8806	1-17, 1-33
G-8808	1-17, 1-34
G-8821	8-7, 8-18
G-8832	8-13, 8-22
G-8833	8-13, 8-22
G-8835	8-13, 8-23
G-8836	8-13, 8-23
G-8838	8-13, 8-22
G-8850	8-13, 8-15, 8-22
G-8854	1-13, 1-30
G-8855	1-13, 1-30
G-8941	1-21, 1-23, 1-39
G-9324	3-11, 3-20
G-9874	1-15, 1-33
G-10303	3-7, 3-9, 3-18, 3-20
G-10766	3-7, 3-19
G-11749	7-11, 7-26
G-15536	1-17, 1-34
G-15537	3-3, 3-13, 7-3, 7-21
G-15538	3-3, 3-13

PART NO.	PAGE NO.
G-15541	1-17, 1-33, 5-13, 5-25, 7-13, 7-32
G-15543	3-3, 3-13, 7-3, 7-21
G-15545	5-11, 5-15, 5-23
G-15547	3-5, 3-14, 7-3, 7-22
G-15588	1-25, 1-41
G-15590	1-19, 1-36
G-15591	1-40
G-15592	1-40
G-15593	1-31
G-15596	1-23, 1-40
G-15597	1-39
G-15598	1-13, 1-30
G-15600	1-17, 1-33, 5-13, 5-25, 7-13, 7-32
G-15601	1-38
G-15608	3-3, 3-14
G-15613	3-3, 3-13, 7-3, 7-21
G-15614	3-3, 3-12, 7-3, 7-20
G-15616	3-3, 3-13
G-15618	3-9, 3-17
G-15619	3-3, 3-12
G-15620	3-3, 3-12, 7-3, 7-20
G-15621	3-5, 3-14
G-15622	3-5, 3-14
G-15632	5-22
G-15633	5-22
G-15640	5-22
G-15642	5-22
G-15643	5-11, 5-23
G-15644	5-22
G-15645	5-28
G-15646	5-28
G-15648	5-22
G-15650	5-11, 5-15, 5-23, 5-27
G-15653	5-15, 5-28
G-15655	5-22
G-15658	7-7, 7-28
G-15661	7-20
G-15662	7-3, 7-20
G-15663	7-5, 7-20
G-15666	8-17
G-15667	8-17
G-15671	4-9, 4-34, 8-7
G-15672	8-13, 8-23
G-16051	1-25, 1-41
G-16053	1-25, 1-41
G-16060	1-25, 1-41

NUMERICAL LISTING

## NUMERICAL LISTING

PART NO.	PAGE NO.
G-16066	1-25, 1-42
G-16069	1-25, 1-42
G-16094	7-15, 7-33
G-16107	3-9, 3-16
G-16108	3-9, 3-17
G-16112	3-9, 3-17
G-16115	3-9, 3-17
G-16117	3-9, 3-19
G-16137	6-3, 6-4
G-16141	6-3, 6-4
G-16143	7-3, 7-22
G-16145	7-3, 7-22
G-16147	7-3, 7-21
G-16155	7-3, 7-21
G-16157	3-3, 3-13, 7-3, 7-20
G-16158	3-3, 3-13, 7-3, 7-20
G-16163	3-3, 3-13, 7-3, 7-21
G-16167	7-3, 7-20
G-16236	3-3, 3-13, 7-3, 7-21
G-16281	1-19, 1-36
G-16292	3-3, 3-13
G-16305	5-22
G-16317	7-3, 7-21
G-16319	3-3, 3-12, 7-3, 7-20
G-16321	3-3, 7-3, 7-20
G-16433	1-30
G-16469	1-31
G-16470	7-9, 7-30
G-16471	1-19, 1-36
G-16472	1-17, 1-35
G-16473	1-19, 1-35
G-16474	1-19, 1-36
G-16475	1-17, 1-35
G-16641	1-13, 1-30
G-16642	1-13, 1-30
G-16643	1-11, 1-13, 1-29
G-16644	1-13, 1-31
G-16645	1-13, 1-31
G-16648	1-23, 1-39
G-16649	1-17, 1-34
G-16651	1-17, 1-34
G-16652	1-17, 1-34
G-16653	1-17
G-16654	1-17, 1-34
G-16655	1-19, 1-35
G-16656	1-17, 1-35
G-16658	1-19, 1-36
G-16659	1-19, 1-36

PART NO.	PAGE NO.
G-16660	1-19, 1-36
G-16661	1-19, 1-36
G-16662	1-19, 1-36
G-16664	1-19, 1-36
G-16665	1-19, 1-36
G-16666	1-19, 1-35
G-16671	1-25, 1-41
G-16672	1-25, 1-41
G-16673	1-11, 1-13, 1-29
G-16674	1-15, 1-34
G-16695	3-5, 3-14, 7-3, 7-21
G-16700	3-3, 3-13, 7-3, 7-21
G-16701	3-3, 3-13, 7-3, 7-21
G-16702	3-3, 3-14
G-16703	3-3, 3-12
G-16705	3-3, 3-14
G-16711	7-7, 7-28
G-16718	3-9, 3-17
G-16720	7-5, 7-22
G-16721	7-5, 7-22
G-16722	7-5, 7-22
G-16782	4-13, 4-17, 4-41
G-16787	4-17, 4-29, 4-40
G-16788	4-19
G-16790	4-19, 4-43
G-16791	4-19, 4-43
G-16793	4-21
G-16806	4-9, 4-34, 8-7, 8-19
G-16807	4-9, 4-35, 8-7, 8-19
G-16811	5-11, 5-24
G-16812	5-13, 5-25
M83101	5-15
M83111	4-11
M83122	6-3
M83148	2-3
M83221	4-7
M83312	3-5
M85001	3-5
M85003	5-11
M85007	1-15
M85012	7-5
M85024	4-9, 8-7
M85033	7-9
M85036	4-7, 7-5
M85046	4-9, 8-7
M85047	4-9, 8-7
M85062	7-5
M85067	7-15

PART NO.	PAGE NO.
M85069	7-13
M85070	3-5
M85102	5-17
M85300	5-11
M85302	1-11, 1-13
M85303	6-3
M85308	7-7, 7-11
M85310	3-7
M85311	7-7, 7-11
M85319	1-15, 1-19
M85320	1-11, 1-13
M85326	7-19
M85724	1-19
M85734	5-11
M85740	3-5
M85900	3-9
M85902	3-9
M85918	1-13
M85931	5-13
M85932	1-3, 1-5, 9-3
M85933	4-3, 8-3
M85936	3-9
M85937	3-9
M85955	5-3, 5-9
M85956	1-25
M89405	7-5
M89406	6-3
M89408	7-5
M89409	3-5
M89410	3-5
M89411	5-11
M89412	1-15
M89413	7-5
M89420	1-13
M89422	6-3, 7-7, 7-11
M89423	3-7
M89424	7-7, 7-11
M89427	7-9
M89428	1-19
M89429	1-13
M89449	1-13
M89453	1-5, 9-3
M89454	4-3, 8-3
M89456	3-9
M89458	5-13
M89459	3-5
MAF1191	5-13
MAF8813	7-15

# NUMERICAL LISTING

Suspension

PART NO.	PAGE NO.
MAF8829	4-9, 8-7
MAF9026	7-9
MAF9069	7-7, 7-11
MAF9371	5-11
MAF9422	3-7
MAF9616	3-7
MAF9622	3-9
MAF9625	3-9
MAF9780	1-19
MAF9781	1-19
R30U5121-075	1-15
R30U8142-06	8-13
R30U8142-074	8-15
R30U8143-074	1-15
R30U8151-10	8-13
R30U8151-12	8-13, 8-15
R30U8151-14	7-19, 8-15
R30U8151-16	4-9, 4-11, 7-19, 8-7
R30U8151-18	7-17, 8-9, 8-11, 8-21
R30U8153-10	1-11
R30U8153-12	1-11
R30U8153-14	1-11
R30U8154-10	1-13
R30U8154-12	1-13
R30U8154-18	1-21
R30U8161-15	7-13
R30U8162-18	1-23
R30U8162-22	1-23
R30U8164-10	1-13
R30U8164-12	1-13
R30U8164-16	1-15
R30U8169-156	5-13
R30U8169-166	5-13
R30U8253-05	7-9
R30U8253-12	4-7
R30U8254-10	3-5
R30U8254-12	3-5
R30U8254-14	3-5
R30U8255-05	7-11
R30U8267-153	1-17
R30U8268-134	7-15
R30U8353-15	5-11, 5-15
R30U8354-12P	7-5
R30U8363-15N	5-11, 5-15
R30U8375-14	7-7, 7-11
R30U8375-154	7-7, 7-11
R30U8394-18	4-13, 4-17, 4-21, 4-44

PART NO.	PAGE NO.
R30U8394-144	4-13, 4-17, 4-21, 4-44
R30U8394-162S	4-13, 4-17, 4-21, 4-44
R30U8394-172S	4-21
R30U8394-192S	4-21
R30U8396-165S	4-23, 4-25, 4-44
R30U8554-033	1-15
R30U8673-154	7-9
R301279	8-9, 8-11, 8-20
R301307	1-11, 1-13, 3-3, 6-3, 6-4, 7-3
R301820	7-11
R301828	1-15, 2-3, 4-27
R301835	1-15, 2-3, 4-13, 4-17, 4-21, 4-23, 4-25, 4-27, 4-29, 7-15
R301876	1-13, 1-29, 3-3, 3-12, 7-3, 7-20
R301943	7-7, 7-15, 7-19
R302017	3-7, 3-18
R302018	3-7, 3-18
R302022	1-21
R302225	4-9, 4-27, 4-34, 4-43, 5-11, 5-15, 5-23, 5-27, 7-7, 7-9, 7-11, 7-17, 7-27, 7-31, 8-7, 8-11, 8-18, 8-20
R302226	3-7, 3-11, 3-18, 3-20, 4-15, 4-27, 4-43, 5-11, 5-15, 5-23, 5-27, 7-24, 7-27
R302228	3-7, 3-18
R302275	7-19
R302545	1-3, 1-5, 1-7, 1-9, 1-19, 1-21, 1-23, 5-3, 5-7, 9-3
R302546	2-3, 4-11, 4-13, 4-17, 4-27, 4-29, 7-15
R302547	1-15, 3-7, 3-9, 5-3, 5-5, 5-11, 7-7, 7-15, 7-17, 7-19, 8-11, 8-13, 8-15
R302634	2-3, 2-4, 4-11, 4-37, 5-13, 5-25
R302815	4-15, 4-19, 4-43
R302854	4-27
R302917	4-13, 4-21, 4-27, 4-29, 4-42
R302919	4-13, 4-17, 4-21, 4-29, 4-42
R302920	4-13, 4-17, 4-21, 4-27, 4-29, 4-42
R302921A	4-13, 4-27, 4-39

PART NO.	PAGE NO.
R302922A	4-13, 4-27, 4-39
R302924A	4-13, 4-39
R302925	4-17, 4-29, 4-39
R302975	2-3, 4-27
R302983	4-11, 8-9
R302988	1-15, 1-23, 5-3, 5-5, 5-15, 7-7, 7-9, 7-17, 8-13, 8-15
R303005	4-15, 4-19, 4-21, 4-23, 4-25, 4-44
R303006	4-15, 4-19, 4-21, 4-23, 4-25, 4-44
R303082	8-9, 8-11, 8-20
R303083A	8-9, 8-11, 8-20
R303176	4-9, 8-7, 8-18
R303187	4-17, 4-29, 4-39
R303191	4-7
R303193	4-7
R303294	1-21, 1-39
R303295	1-21
R303296	1-21, 1-39
R303297	1-21
R303298	1-21
R303299	1-21
R303530	1-11, 1-29
R303531	1-11, 1-29
R303533	1-11, 1-29, 4-7, 4-32
R303537A	1-11, 1-30
R303538	1-21, 1-37
R303539	1-21, 1-37
R303541	1-21, 1-23, 1-38
R303542	1-21
R303543	1-21, 1-38
R303546	1-21, 1-39
R303555	1-21
R303556	1-21, 1-38
R303557	1-21, 1-38
R303558	1-21, 1-38
R303560	1-21, 7-9, 7-11
R303561A	1-21, 1-38
R303562	1-15, 1-32
R303563	1-15, 1-32
R303564	1-15, 2-3, 4-27
R303565	1-15
R303567	1-15, 1-33
R303568	1-15, 1-32
R303569	1-15, 1-32
R303599	5-29
R303604	5-29

NUMERICAL LISTING

## NUMERICAL LISTING

PART NO.	PAGE NO.
R303605	5-29
R303606	5-29
R303677	1-21
R303679	4-23, 4-25, 4-29, 4-42
R303680	4-23, 4-25, 4-29, 4-42
R303683	4-13, 4-38
R303685	4-13, 4-27, 4-38
R303687	4-17, 4-38
R303688	4-13, 4-17, 4-21, 4-29, 4-41
R303689	4-13, 4-17, 4-21, 4-27, 4-29, 4-42
R303690	4-13, 4-17, 4-27, 4-29, 4-41
R303691	4-13, 4-17, 4-27, 4-29, 4-41
R303692	4-13, 4-17, 4-27, 4-29, 4-41
R303693	4-13, 4-17, 4-27, 4-29, 4-41, 7-15
R303696	4-13, 4-17, 4-25, 4-27, 4-29, 4-41
R303697	4-17, 4-29, 4-40
R303698	4-17, 4-29, 4-40
R303699	4-17, 4-29, 4-40
R303700	4-17, 4-29, 4-41
R303702	4-13, 4-27, 4-39
R303703	4-13, 4-27, 4-39
R303704	4-13, 4-40
R303715	4-7, 4-32
R303717	4-32
R303720	4-32, 7-3, 7-22
R303722	4-7, 4-32
R303783	5-15, 5-26
R303784	5-15, 5-26
R303785	5-15
R303786	5-15, 5-26
R303788	5-11, 5-15, 5-24, 5-26
R303789	5-15, 5-26
R303790	1-21, 1-23, 1-39, 5-11, 5-15, 5-24, 5-27
R303792	5-11, 5-15, 5-27, 7-15
R303793	5-11, 5-15, 5-27
R303795	5-11, 5-15, 5-23, 5-26
R303796	5-15, 5-28

PART NO.	PAGE NO.
R303797	5-11, 5-15, 5-24, 5-28
R303798	5-11, 5-15, 5-24, 5-28
R303799	5-11, 5-15, 5-24, 5-28
R303816	1-15, 1-32
R303817	1-15, 1-32
R303818	1-15
R303819	1-15, 1-32
R303821A	1-15, 1-32
R303839	8-9, 8-20
R303844	8-9, 8-11, 8-20
R303845	8-11, 8-20
R303849	8-9, 8-21
R303900	4-27, 4-42
R303915	4-17, 4-29, 4-40
R303916	4-17, 4-29, 4-40
R303919	4-13, 4-19, 4-42
R303975	5-15
R303988	4-13, 4-19, 4-21, 4-23, 4-25, 4-34, 4-43
R304347	1-3, 1-5, 1-7, 1-9, 5-3, 9-3
R304421	5-15
R304664	3-7, 3-18
R304669	3-7, 3-16
R304745	7-17, 7-23
R304751	7-17, 7-24
R304752	7-17, 7-24
R304753	7-17, 7-24
R304755	7-17, 7-23
R304759	7-17
R304761	7-17, 7-23
R304770	5-15, 5-26, 7-17, 7-23
R304771	7-7, 7-27
R304771	7-11
R304773	7-11, 7-26
R304774	7-11, 7-26
R304775	7-11, 7-26
R304776	7-9, 7-11, 7-26, 7-30
R304777	7-9, 7-11, 7-26, 7-30
R304778	7-11, 7-19
R304779	7-9, 7-11, 7-19
R304780	7-11, 7-26
R304781	7-7, 7-11, 7-28
R304782	7-11, 7-28

PART NO.	PAGE NO.
R304961A	1-7, 1-15, 1-17, 1-21, 1-23, 4-13, 4-27, 5-7, 7-11
R305075	3-7, 3-19
R305076	3-7, 3-18
R305082	7-7, 7-27
R305083	7-7, 7-27
R305275	1-17, 1-33, 2-3, 2-4, 5-11, 5-23, 7-17, 7-24
R305280	7-7
R305281	2-3, 2-4, 4-9, 4-35, 7-7, 7-15, 7-17, 7-24, 7-27, 7-33, 8-7, 8-11, 8-19, 8-21
R305417	4-23, 4-38
R305419	4-23, 4-41
R305420	4-23, 4-41
R305421	4-21, 4-23, 4-39
R305422	4-21, 4-23, 4-40
R305423	4-21, 4-23, 4-40
R305424	4-21, 4-23, 4-41
R305425	4-21, 4-23, 4-39
R305426	4-23, 4-25, 4-42
R305427	4-13, 4-17, 4-21, 4-23, 4-25, 4-27, 4-29, 4-41
R305428	2-3, 4-13, 4-17, 4-21, 4-23, 4-27, 4-29, 4-41
R305429	4-21, 4-23, 4-25
R305431	4-25, 4-38
R305432	4-25, 4-39
R305433	4-25, 4-40
R305434	4-25, 4-41
R305436	4-25, 4-41
R305439	4-13, 4-17, 4-25, 4-27, 4-29, 4-41
R307441	4-13, 4-39
R307446A	3-7, 3-16
R307474	3-7, 3-9, 7-7, 7-9, 7-11, 7-13, 7-19, 7-25, 7-28, 7-31, 7-32
R307478	4-13, 4-27, 4-39
R307479	4-13, 4-27, 4-39
R307480	4-13, 4-17, 4-21, 4-27, 4-29, 4-42
R307481	4-13, 4-21, 4-27, 4-29, 4-42
R307509	7-11, 7-26
R307510	7-17, 7-23

# NUMERICAL LISTING

Suspension

PART NO.	PAGE NO.
R307529	1-11, 1-13, 1-15, 5-11, 6-3, 6-4, 7-7, 7-9, 7-11, 7-28, 7-31
R307638	5-11, 5-15, 5-23, 5-27, 7-7, 7-9, 7-11, 7-27, 7-31
R307639	3-7, 3-11, 3-18, 3-20, 5-11, 5-15, 5-23, 5-27
R307700	1-23, 1-37
R307701	1-21, 1-23, 1-37
R307702	1-23, 1-37
R307703	1-23, 5-9, 5-20
R307704	1-23, 1-38
R307706	1-23, 1-37
R307840	7-9, 7-30
R307841	7-9, 7-30
R307842	7-9
R307843	7-9, 7-30
R307844	7-9, 7-30
R307845	7-9, 7-30
R307851	7-9, 7-31
R307852	2-3, 2-5, 4-9, 4-11, 4-35, 8-7, 8-19
R307853	7-9, 7-30
R307854	7-7, 7-26
R307855	7-7, 7-27
R307856	7-7, 7-27
R307857	7-7
R307862	7-7, 7-28
R307864	7-7, 7-28
R307868	7-7, 7-11, 7-15, 7-29, 7-33
R307870	7-19, 7-23
R307871	7-19, 7-23
R307878	7-19
R307879	7-19, 7-24
R307887	7-19, 7-24
R308651	3-7, 3-18
R308655	3-11, 3-20
R308667	4-13, 4-17, 4-21, 4-29, 4-42
R308795	1-13, 1-30
R308796	1-13, 1-29
R308797	1-13, 1-29
R308799	1-13, 1-29
R308800	1-13, 1-29
R308802	1-17, 1-34
R308803	1-17, 1-34
R308804	1-17, 1-33

PART NO.	PAGE NO.
R308805	1-17, 1-33
R308806	1-17, 1-33
R308808	1-17, 1-34
R308809	1-17, 1-33
R308810	1-17, 1-33
R308819	8-7, 8-11, 8-18, 8-20
R308821	4-9, 4-34, 8-7, 8-18
R308841	3-7, 3-9
R308851	8-13, 8-15, 8-22
R308853	8-13, 8-22
R308854	1-13, 1-30
R308855	1-13, 1-30
R308909	4-9, 8-7, 8-11, 8-21
R308910	4-9, 8-7, 8-11, 8-21
R308911	4-9, 5-17, 8-7, 8-11
R308926	8-11, 8-21
R308941	1-21, 1-23, 1-39
R309321	3-11, 3-20
R309322	3-11, 3-20
R309324	3-11, 3-20
R309376	1-15
R309395	4-34, 8-18
R309521	3-11, 3-20
R309603	4-11, 5-3, 7-9, 7-11, 7-19
R309624	1-15, 1-19, 1-35, 3-7, 3-9, 5-11, 5-13, 5-25, 7-7, 7-9, 7-11, 7-13, 7-29, 7-31, 7-32
R309625	1-15, 1-19, 3-7, 3-9, 5-11, 5-13, 5-25, 7-7, 7-9, 7-11, 7-13, 7-29, 7-31, 7-32, 9-3, 9-4
R309869	1-23, 1-39
R309874	1-15, 1-33
R3010116	4-13, 4-27, 4-40
R3010302	3-9, 3-16
R3010303	3-7, 3-9, 3-18, 3-20
R3010309	5-11, 5-23
R3010310	5-11
R3010315	5-11
R3010317	5-11
R3010764	5-11, 5-15, 5-24, 5-26
R3010765	5-15, 5-26
R3011749	7-11, 7-26
R3011855	4-9, 4-35, 8-7, 8-19
R3011870	4-9, 4-35, 8-7, 8-19
R3011905	8-13, 8-15
R3011906	8-13, 8-15

PART NO.	PAGE NO.
R3013961	2-3, 2-4
R3013992	2-3, 2-4, 4-11, 4-36
R3013993	4-11, 4-37
R3013995	1-3, 1-5, 1-28, 9-3, 9-4
R3013996	5-3, 5-9, 5-20
R3013997	5-3, 5-9, 5-20
R3014013	4-3, 8-3
R3014014	4-3, 8-3
R3014019	4-5, 8-5
R3014020	4-5, 8-5
R3014632	1-3, 1-26
R3014633	1-3, 1-26
R3014731	1-15, 1-19, 1-35, 3-7, 3-9, 3-19, 5-11, 5-13, 5-25, 7-7, 7-9, 7-11, 7-13, 7-29, 7-31, 7-32
R3014732	3-19, 7-7, 7-9, 7-11, 7-29, 7-32
R3014796	4-11
R3015094	1-3, 1-5, 1-9, 5-3
R3015095	5-3, 5-9, 5-20
R3015096	4-3, 4-31, 5-5, 5-9, 8-3, 8-17
R3015097	5-3, 5-20
R3015098	1-5, 1-28, 5-3, 5-21, 9-3, 9-5
R3015099	5-3, 5-20
R3015100	5-3, 5-18
R3015101	5-3
R3015102	1-3, 1-5, 1-27, 5-3, 5-5, 5-20, 9-3, 9-4
R3015103	5-3, 5-18
R3015104	5-3, 5-18
R3015106	5-5
R3015107	5-5, 5-7, 5-19
R3015108	4-3, 4-30, 5-5, 5-7, 5-9, 5-20, 8-3, 8-16
R3015109	5-5, 5-7, 5-19
R3015110	1-3, 1-5, 1-9, 1-27, 4-3, 4-30, 5-5, 5-7, 5-9, 5-19, 8-3, 8-16, 9-3, 9-4
R3015113	5-3, 5-21
R3015114	5-3, 5-21
R3015118	1-3, 1-26
R3015119	5-5, 5-19
R3015120	5-3, 5-18
R3015121	5-3, 5-9, 5-21
R3015122	5-3

NUMERICAL LISTING

PART NO.	PAGE NO.
R3015123	5-3, 5-18
R3015124	5-3, 5-18
R3015125	5-3, 5-18
R3015126	5-5, 5-20
R3015127	5-5, 5-19
R3015128	5-5, 5-19
R3015132	1-3, 1-5, 1-28, 9-3, 9-5
R3015133	1-3, 1-5, 1-28, 9-3, 9-4
R3015134	1-3, 1-5, 1-7, 1-28, 9-3, 9-4
R3015136	1-3, 1-26
R3015137	1-3, 1-27
R3015138	1-3, 1-27
R3015140	1-3, 1-27
R3015145	1-3, 1-5, 1-27, 9-3, 9-4
R3015146	1-3, 1-5, 1-27, 9-3
R3015147	1-9, 4-3, 4-30, 5-9, 5-19, 8-3, 8-16
R3015148	4-3, 4-30, 5-17, 5-30, 8-3, 8-16
R3015150	4-3, 4-31, 8-3, 8-17
R3015151	4-3, 4-31, 8-3, 8-17
R3015160	7-11
R3015162	2-3, 2-4
R3015177	5-17, 5-30
R3015182	7-15
R3015194	1-17, 4-13, 4-27
R3015199	7-7, 7-17, 8-13, 8-15
R3015312	7-19
R3015487	4-11
R3015536	1-17, 1-34
R3015537	3-3, 3-13, 7-3, 7-21
R3015541	1-17, 1-33, 5-13, 5-25, 7-13, 7-32
R3015542	1-17, 1-34
R3015543	3-3, 3-13, 7-3, 7-21
R3015553	4-11, 4-36
R3015611	3-7, 3-18
R3015613	3-3, 3-13, 7-3, 7-21
R3015671	4-9, 4-34, 8-7, 8-18
R3015708	3-7, 3-18
R3015709	7-15, 7-33
R3015711	3-7, 3-18
R3015716	2-3
R3015716	2-4
R3015721	4-11
R3015727	1-9, 1-27, 4-3, 4-30, 5-9, 5-19, 8-3, 8-16

PART NO.	PAGE NO.
R3016054	1-25, 1-42
R3016055	1-25, 1-42
R3016056	1-25, 1-42
R3016057	1-25, 1-42
R3016058	1-25, 1-42
R3016059	1-25, 1-42
R3016061	1-25, 1-42
R3016062	1-25, 1-42
R3016063	1-25, 1-41
R3016064	1-25, 1-41
R3016066	1-25, 1-42
R3016069	1-25, 1-42
R3016070	1-25, 1-42
R3016075	5-13
R3016078	7-19
R3016088	7-15, 7-33
R3016091	3-9, 3-16
R3016092	3-9, 3-16
R3016093	3-9, 3-16
R3016094	7-15, 7-33
R3016097	7-15, 7-33
R3016098	7-15, 7-33
R3016099	7-15, 7-33
R3016105	7-15, 7-33
R3016118	7-13, 7-32
R3016119	3-9, 3-16
R3016122	3-9, 3-17
R3016153	3-3, 3-12, 7-3, 7-20
R3016163	3-3, 3-13, 7-3, 7-21
R3016165	4-7, 4-32
R3016220	1-25, 1-42
R3016221	1-25, 1-42
R3016222	1-25, 1-42
R3016223	1-25, 1-42
R3016224	7-15
R3016225	3-7, 3-19
R3016226	3-7, 3-9, 3-19
R3016227	1-15, 1-23, 7-9, 8-13, 8-15
R3016228	7-13
R3016229	3-7, 7-13
R3016230	3-7, 3-9, 3-19
R3016231	3-9, 3-19
R3016232	1-13
R3016233	7-5, 7-9
R3016236	3-3, 3-13, 7-3, 7-21
R3016238	2-3, 2-4
R3016260	4-11, 4-36

PART NO.	PAGE NO.
R3016277	1-17, 1-34
R3016292	3-3, 3-13
R3016364	5-17, 5-30
R3016366	5-17, 5-30
R3016402	4-11, 7-19
R3016407	1-7, 1-28, 2-3, 2-5
R3016409	4-3, 4-30, 8-3, 8-16
R3016410	4-5, 4-30, 8-5, 8-16
R3016411	4-5, 4-31, 8-5, 8-17
R3016412	4-3, 4-30, 8-3, 8-16
R3016415	3-7, 3-19
R3016419	1-3, 9-3
R3016420	5-7, 5-18
R3016421	5-9
R3016425	1-3, 1-5, 1-7, 1-28, 9-3, 9-5
R3016426	1-3, 1-5, 1-28, 9-3, 9-5
R3016430	1-7, 1-9, 1-26
R3016431	1-9, 1-26
R3016432	1-9, 1-26
R3016434	1-9, 1-26
R3016435	1-3, 1-5, 1-27, 9-3, 9-4
R3016436	1-3, 1-5, 1-27, 9-3, 9-4
R3016467	1-5, 5-3
R3016468	5-3
R3016653	1-17, 1-34
R3016686	3-7, 7-13
R3016687	5-13, 5-25, 7-13
R3016690	3-7, 3-19
R3016691	3-7, 3-19
R3016775	4-27, 4-42
R3016776	4-27, 4-43
R3016777	4-9, 4-34, 8-7, 8-18
R3016778	4-9, 4-34, 8-7, 8-18
R3016779	4-9, 4-34, 8-7, 8-18
R3016780	4-11, 4-36
R3016781	4-11, 4-36
R3016816	8-13, 8-15, 8-23
R3016818	8-15, 8-22
R3016819	8-15, 8-22
R3017002	8-15, 8-23
R3017003	8-15, 8-23
R3017004	4-27
R30401754	1-11, 1-13, 1-15, 5-11, 6-3, 6-4, 7-7, 7-9, 7-11, 7-28, 7-31









Vehicle models, trademarks, brands, and names depicted herein are the property of their respective owners, and may not be associated with Meritor, Inc. or its affiliates.



Meritor Heavy Vehicle Systems, LLC  
7975 Dixie Highway  
Florence, Kentucky 41042 USA

888-725-9355 U.S.  
800-387-3889 Canada  
MeritorPartsXpress.com  
meritor.com

©2019 Meritor, Inc.  
Litho in USA, PB-9968-TRK  
Issued 09-19 (87410)