

November 2020

MERITOR® 145 CARRIERS

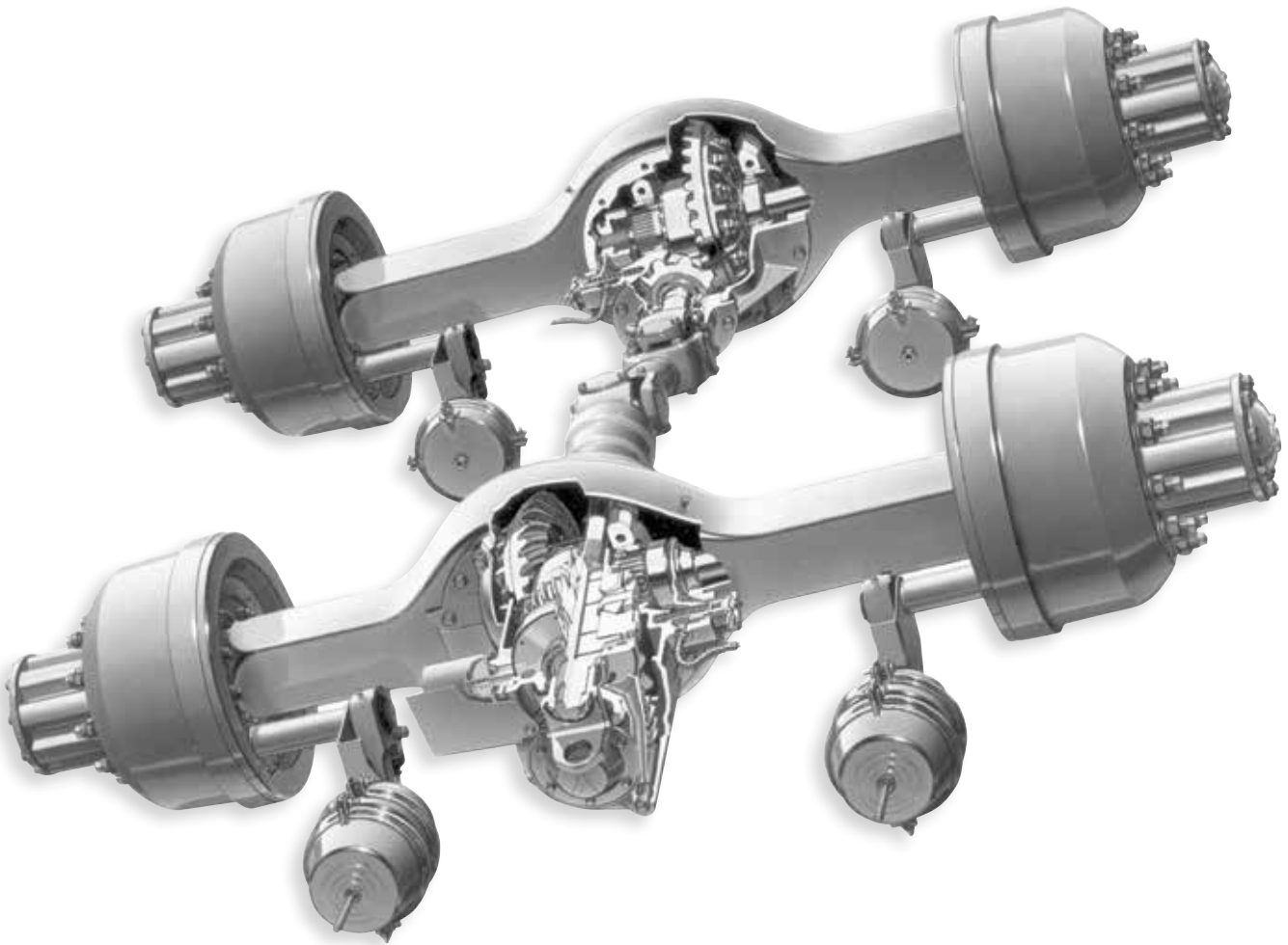


TABLE OF CONTENTS

CONTENTS

145 CARRIERS INTRODUCTION - - - - -	2
NOMENCLATURE - - - - -	3
FORWARD 145 CARRIER	
FORWARD 145 CARRIER INTRODUCTION - - - - -	4
FORWARD 145 CARRIER TABLE OF CONTENTS - - - - -	5
FORWARD 145 CARRIER AND LEG CAPS - - - - -	6
FORWARD 145 INPUT SHAFT - - - - -	8
FORWARD 145 PINION ASSEMBLY - - - - -	10
FORWARD 145 MAIN DIFFERENTIAL - - - - -	12
FORWARD 145 DIFFERENTIAL LOCK - - - - -	16
FORWARD 145 THRU-SHAFT - - - - -	17
SINGLE/REAR 145 AMBOID CARRIER	
SINGLE/REAR 145 AMBOID CARRIER INTRODUCTION - - - - -	18
SINGLE/REAR 145 AMBOID CARRIER TABLE OF CONTENTS - - - - -	19
SINGLE/REAR 145 AMBOID CARRIER AND LEG CAPS - - - - -	20
SINGLE/REAR 145 AMBOID PINION ASSEMBLY - - - - -	21
SINGLE/REAR 145 AMBOID MAIN DIFFERENTIAL - - - - -	22
SINGLE/REAR 145 HYPOID CARRIER	
SINGLE/REAR 145 HYPOID CARRIER INTRODUCTION - - - - -	26
SINGLE/REAR 145 HYPOID CARRIER TABLE OF CONTENTS - - - - -	27
SINGLE/REAR 145 HYPOID CARRIER AND LEG CAPS - - - - -	28
SINGLE/REAR 145 HYPOID PINION ASSEMBLY - - - - -	29
SINGLE/REAR 145 HYPOID MAIN DIFFERENTIAL - - - - -	30
SINGLE/REAR 145 HYPOID SCREW-IN DIFFERENTIAL LOCK - - - - -	34
SINGLE/REAR 145 HYPOID BOLT-ON DIFFERENTIAL LOCK - - - - -	35
NUMERICAL LISTING - - - - -	36

145 CARRIERS INTRODUCTION



**SINGLE/REAR 145
AMBOID CARRIERS**



**SINGLE/REAR 145
HYPOID CARRIERS**



FORWARD 145 CARRIERS

NOMENCLATURE

MODEL			
MERITOR	CONFIGURATION / OPTION	VEHICLE WEIGHT CLASS	CARRIER MODEL
R	D	17	145
R	D	20	145
R	DL	20	145
R	P	20	145
R	PL	20	145
R	D	22	145
R	DL	22	145
R	P	22	145
R	PL	22	145

ASSEMBLY
A6 3200B1978
A1 3200B1978
A1 3200E1981
A1 3200H1984
A1 3200K1987
A1 3200D1980
A1 3200F1982
A1 3200J1986
A1 3200L1988

CONFIGURATION / OPTIONS			
	IADL INTER-AXLE DIFFERENTIAL LOCK	DCDL DRIVER CONTROLLED DIFFERENTIAL LOCK	
17K	IADL		
20K	IADL		
20K	IADL	Main DCDL	
20K	IADL		Oil Pump
20K	IADL	Main DCDL	Oil Pump
22K	IADL		
22K	IADL	Main DCDL	
22K	IADL		Oil Pump
22K	IADL	Main DCDL	Oil Pump

Truck and Tractor Axle Specifications TP-7824, Drive Axle Identification Guide PH-18102

FORWARD 145 CARRIER INTRODUCTION



FORWARD 145 CARRIERS



**FORWARD 145 CARRIER
AND LEG CAPS**



FORWARD 145 INPUT SHAFT



FORWARD 145 PINION ASSEMBLY



FORWARD 145 MAIN DIFFERENTIAL



FORWARD 145 DIFFERENTIAL LOCK



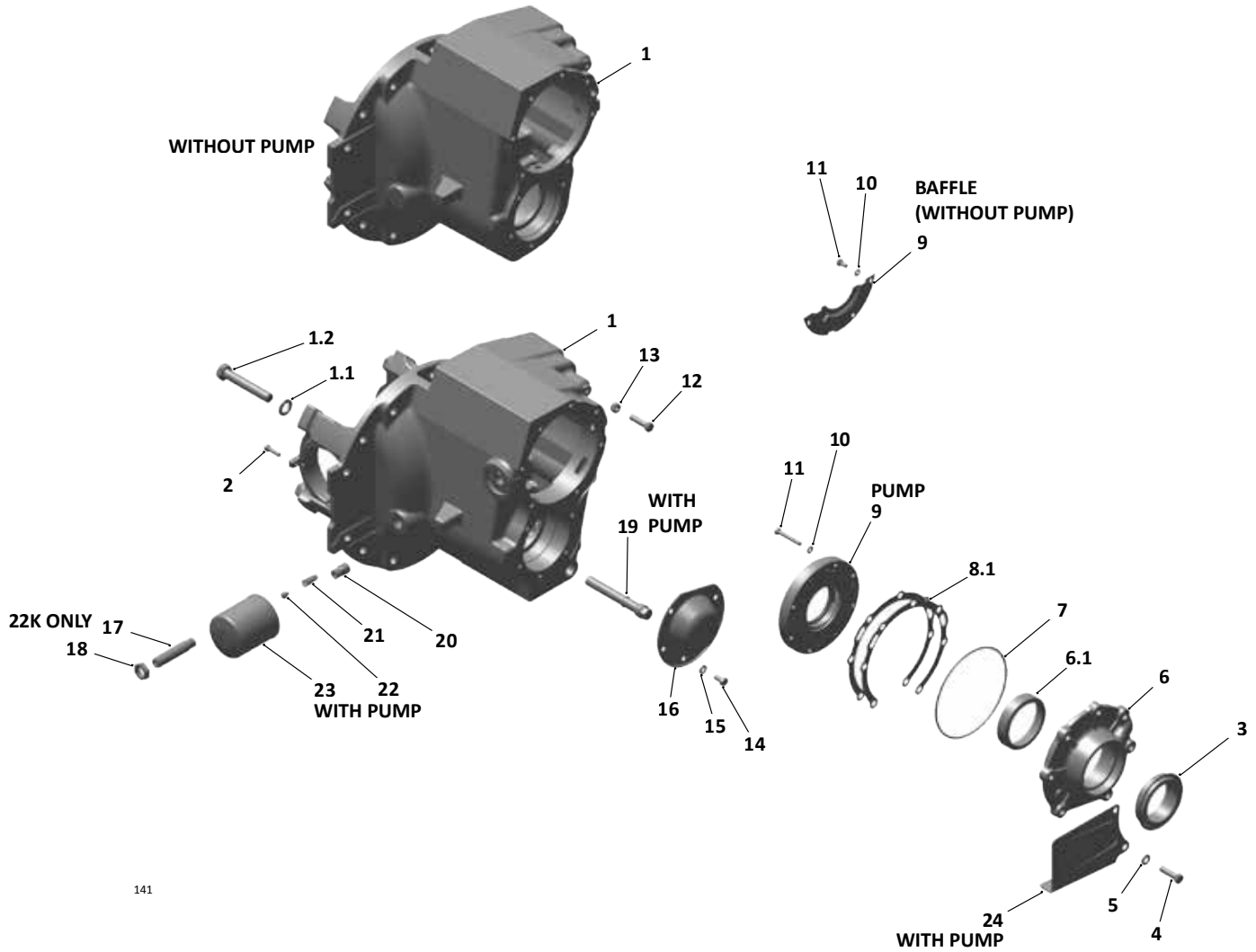
FORWARD 145 THRU-SHAFT

FORWARD 145 CARRIER TABLE OF CONTENTS

Meritor®
145 Carriers

FORWARD 145 CARRIER INTRODUCTION - - - - -	4
FORWARD 145 CARRIER TABLE OF CONTENTS - - - - -	5
FORWARD 145 CARRIER AND LEG CAPS - - - - -	6
FORWARD 145 INPUT SHAFT - - - - -	8
FORWARD 145 PINION ASSEMBLY- - - - -	-10
FORWARD 145 MAIN DIFFERENTIAL - - - - -	-12
FORWARD 145 DIFFERENTIAL LOCK - - - - -	-16
FORWARD 145 THRU-SHAFT - - - - -	-17

FORWARD 145 CARRIER AND LEG CAPS



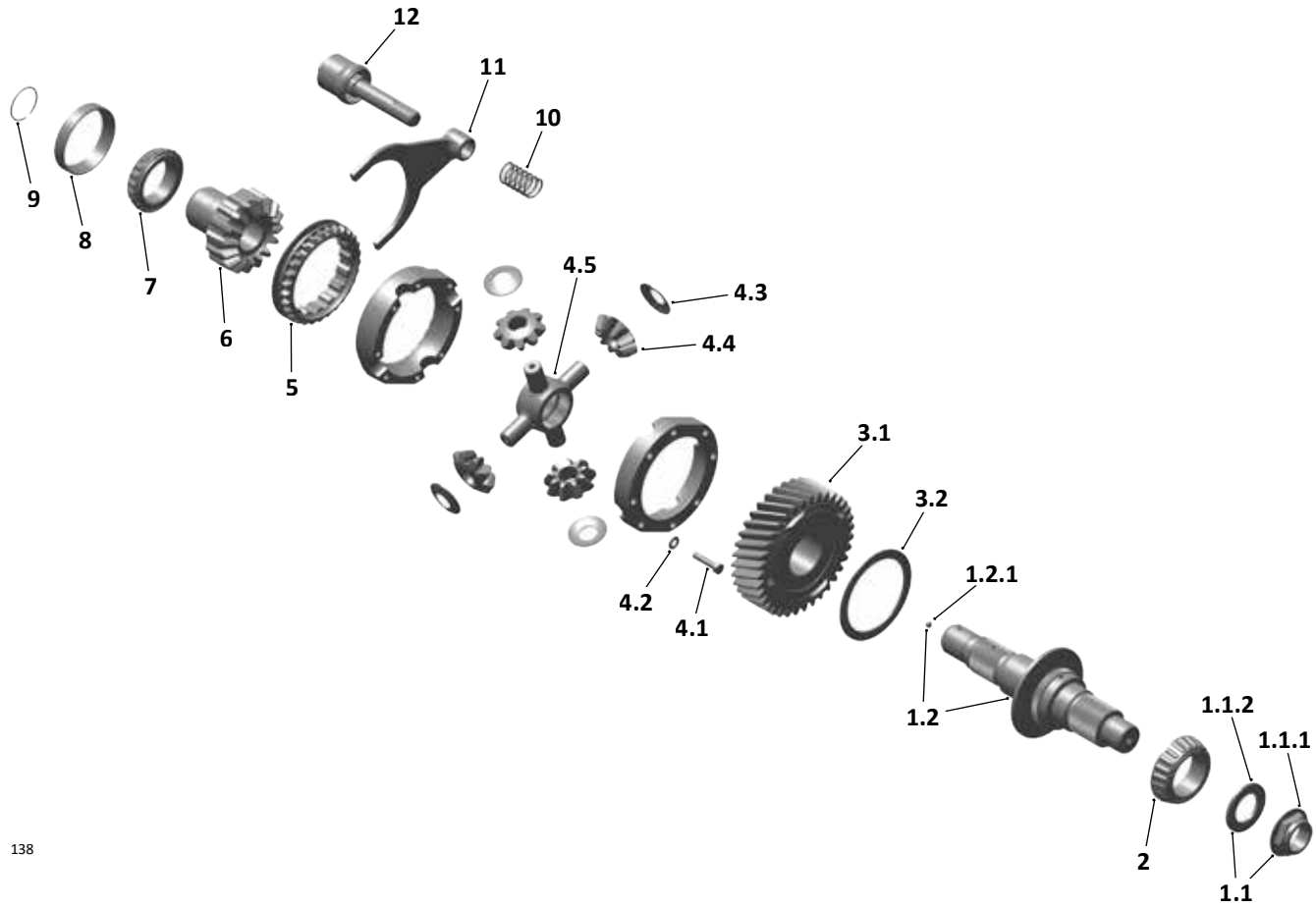
141

FORWARD 145 CARRIER AND LEG CAPS

Meritor®
145 Carriers

ITEM NO.	PART NUMBER	DESCRIPTION	QTY
1	A2 3200B1978	Carrier and Cap Assembly	1
1	A2 3200E1981	Carrier and Cap Assembly, w/Driver Controlled Differential Lock (DCDL)	1
1	A2 3200H1984	Carrier and Cap Assembly, w/Pump	1
1	A2 3200K1987	Carrier and Cap Assembly, w/Pump, w/DCDL	1
1	A2 3200D1980	Carrier and Cap Assembly, 22k	1
1	A2 3200F1982	Carrier and Cap Assembly, 22k w/DCDL	1
1	A2 3200J1986	Carrier and Cap Assembly, 22k w/Pump	1
1	A2 3200L1988	Carrier and Cap Assembly, 22k w/Pump, w/DCDL	1
1.1	42X1021	Axle Hardware - Washer, Leg Cap	4
1.2	MS220120 2	Axle Hardware - Capscrew, Leg Cap	4
2	41X1637	Axle Hardware - Capscrew, Main Diff Adjusting Ring Lock	2
3	A1 1205X2728	Drive Axle - Oil Seal Assembly, Input	1
4	MS212045 2	Axle Hardware - Capscrew, Input Bearing Cage, Forward Unit Input (FUI)	7
5	1229D4632	Axle Hardware - Washer, Input Bearing Cage, FUI	7
6	A 3226V1296	Bearing Cage Assembly, Input, FUI	1
6.1	3920	Bearing Cup, Taper, Input Shaft, Outer	1
6	A 3226D1226	Bearing Cage Assembly, Pump, Input, FUI	1
6.1	3920	Bearing Cup, Taper, Input Shaft, Outer	1
7	5X1343	Axle Hardware - O-Ring, Input Bearing Cage	1
7	5X1343	Axle Hardware - O-Ring, Pump, Input Bearing Cage	2
8	KIT 2886	Axle Hardware - Shim Pack, Input Bearing Cage, FUI	1
8.1	2203K9241	Axle Hardware - Shim, 0.076 mm	3
8.1	2203L9242	Axle Hardware - Shim, 0.127 mm	3
8.1	2203M9243	Axle Hardware - Shim, 0.254 mm	4
9	3221P1004	Axle Hardware - Baffle Oil	1
9	A 3303P1030	Drive Axle - Pump Assembly	1
10	1229E1669	Front Axle - Hardware, Washer, Baffle Oil to Bearing Cage	3
10	1229E1669	Front Axle - Hardware, Washer, Pump to Bearing Cage	6
11	MS208016A-2	Axle Hardware - Capscrew, Baffle Oil to Bearing Cage	3
11	MS208045-2	Axle Hardware - Capscrew, Pump to Bearing Cage	6
12	41X1208	Axle Hardware - Miscellaneous, Screw, Shift Shaft Adjusting, Inter-Axle Differential (IAD)	1
13	MN 312 1	Axle Hardware - Nut, Shift Shaft Adjusting, IAD	1
14	MS210020 1	Axle Hardware - Capscrew, Pinion Cover, FUI	5
15	1229K1597	Axle Hardware - Washer, Flat, Pinion Cover, FUI	5
16	3266C1095	Differential - Cover Assembly, Pinion	1
17	41X1371	Axle Hardware - Capscrew	1
18	40X1016	Driveline Hardware - Jam Nut, 22k, Thrust Screw	1
19	A 2297D5334	Axle Hardware - Filter Screen, w/Pump	1
20	2297Z5278	Axle Hardware - Adapter, w/Pump, Oil Filter	1
21	2258Z1118	Axle Hardware - Spring, w/Pump, Oil Pressure Relief Valve	1
22	2297U5273	Axle Hardware - Relief Valve, w/Pump, Oil Pressure	1
23	A-3380W1687	Axle Hardware - Filter, w/Pump, Not Included in Carrier Assy	1
24	3264N1522	Axle Hardware - Filter Shield, w/Pump, Not Included in Carrier Assy	1

FORWARD 145 INPUT SHAFT



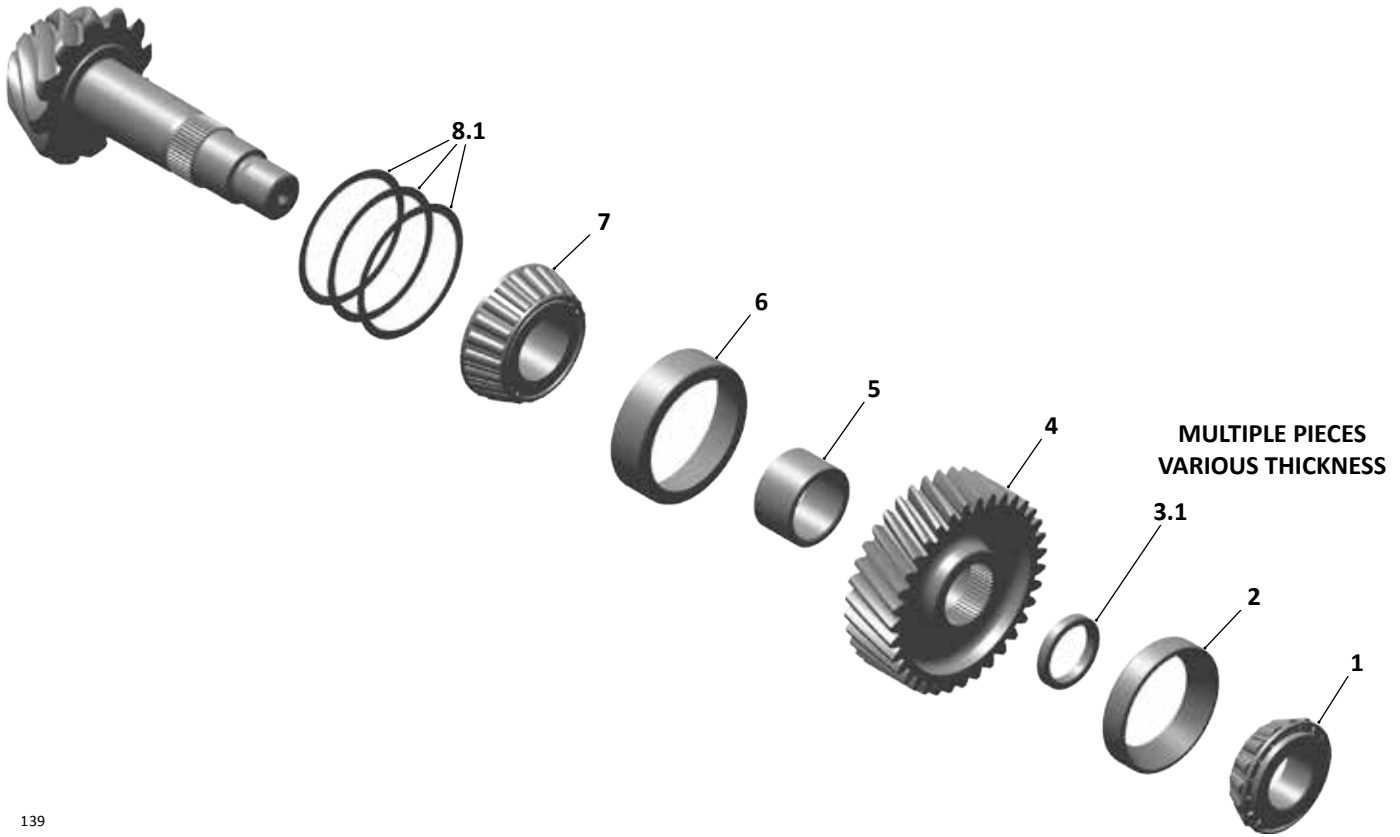
138

FORWARD 145 INPUT SHAFT

Meritor®
145 Carriers

ITEM NO.	PART NUMBER	DESCRIPTION	QTY
1	A 3297R1604	Drive Axle - Shaft, Input	1
1.1	KIT 2826	Drive Axle - Axle Repair Kit, Input Shaft Nut and Washer	1
1.1.1	40X1233	Axle Hardware - Lock Nut, Input Yoke	1
1.1.2	1229N1730	Axle Hardware - Washer, Input Yoke	1
1	A1 3297Q1603	Drive Axle - Input Shaft Assembly, w/Pump	1
1.1	KIT 2826	Drive Axle - Axle Repair Kit, Input Shaft Nut and Washer	1
1.1.1	40X1233	Axle Hardware - Lock Nut, Input Yoke	1
1.1.2	1229N1730	Axle Hardware - Washer, Input Yoke	1
1.2	A 3297Q1603	Drive Axle - Shaft, Input, w/Pump	1
1.2.1	1228K37	Axle Hardware - Ball, w/Pump	1
2	JM511945	Bearing Cone, Input Shaft, Outer	1
3	KIT 4007	Differential - Integral Spur and Bevel Gear, Helical Drive, and Washer	1
3.1	3892N5942	Differential - Integral Spur and Bevel Gear, Helical Drive	1
3.2	1229S4985	Axle Hardware - Washer, Thrust	1
4	A 3235N2380	Differential Case and Nest Assembly, Inter Axle	1
4.1	MS210045A-2	Axle Hardware - Capscrew, Diff Case, IAD	8
4.2	1229K1597	Axle Hardware - Washer, Flat, Diff Case, IAD	8
4.3	1229T1606	Axle Hardware - Washer, Thrust, Pinion Gear, IAD	4
4.4	2233U1035	Differential - Pinion, IAD	4
4.5	3278A1119F	Differential - Spider, IAD	1
5	3107M1183	Axle Hardware - Collar, IAD, Input Shaft	1
6	2234R1188	Differential - Side Gear, IAD	1
7	JLM710949C	Bearing Cone, Taper, Input, Rear Side Gear Bearing	1
8	JLM710910	Bearing Cup, Taper, Input, Rear Side Gear Bearing	1
9	2297E5335	Axle Hardware - Snap Ring, Input Shaft, IAD	1
10	2258U411	Brake Shoe - Return Spring, Spring, IAD Shifter	1
11	3296Z1326	Drive Axle - Shift Fork, IAD Shifter	1
12	KIT 2825	Axle Hardware - Air Shift Assembly	1

FORWARD 145 PINION ASSEMBLY



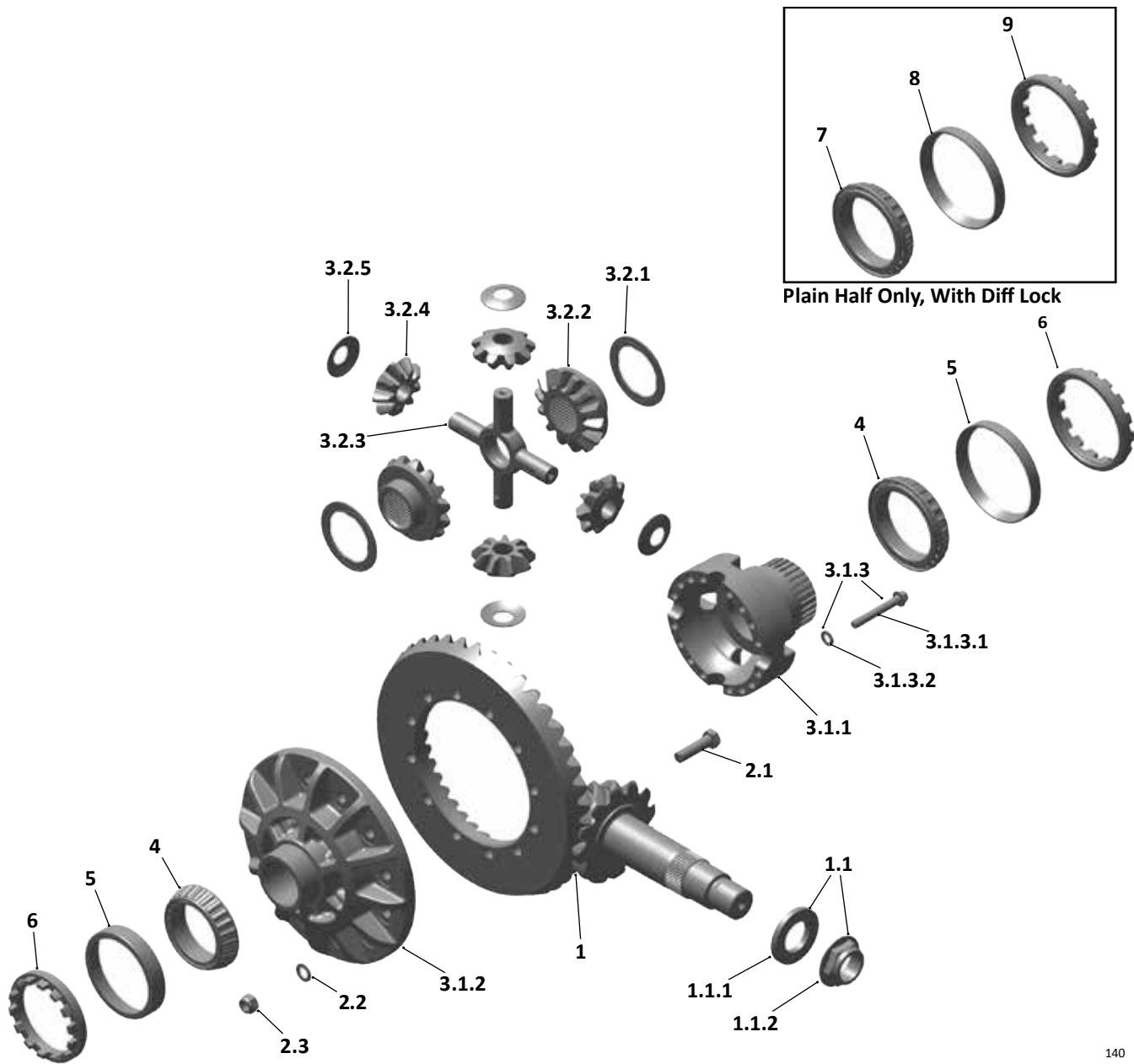
139

FORWARD 145 PINION ASSEMBLY

Meritor®
145 Carriers

ITEM NO.	PART NUMBER	DESCRIPTION	QTY
1	72212C	Bearing Cone, Taper, Pinion, Outer	1
2	72487	Bearing Cup, Taper, Pinion, Outer	1
3	KIT 2396	Drive Axle - Spacer Kit, Pinion Bearing	1
3.1	2203D9806	Axle Hardware - Spacer, 5.30 mm	2
3.1	2203E9807	Axle Hardware - Spacer, 5.33 mm	2
3.1	2203F9808	Axle Hardware - Spacer, 5.35 mm	2
3.1	2203G9809	Axle Hardware - Spacer, 5.38 mm	2
3.1	2203H9810	Axle Hardware - Spacer, 5.40 mm	2
3.1	2203J9812	Axle Hardware - Spacer, 5.50 mm	2
3.1	2203K9813	Axle Hardware - Spacer, 5.60 mm	2
3.1	2203L9814	Axle Hardware - Spacer, 5.70 mm	2
3.1	2203M9815	Axle Hardware - Spacer, 5.80 mm	2
3.1	2203N9816	Axle Hardware - Spacer, 5.90 mm	2
3.1	2203P9818	Axle Hardware - Spacer, 6.00 mm	2
3.1	2203Q9819	Axle Hardware - Spacer, 6.10 mm	2
3.1	2203R9820	Axle Hardware - Spacer, 6.13 mm	2
3.1	2203S9821	Axle Hardware - Spacer, 6.15 mm	2
3.1	2203T9822	Axle Hardware - Spacer, 6.18 mm	2
3.1	2203U9823	Axle Hardware - Spacer, 6.20 mm	2
4	3892L5940	Differential - Gear, Helical Drive, Differential, Gear, Helical Driven	1
5	1244V1764	Axle Hardware - Spacer, Inner Pinion Bearing	1
6	H 715311	Std Bearing Cup Steer Inner, Pinion, Inner	1
7	H 715334	Std Bearing Cone Steer For Inner, Pinion, Inner	1
8	KIT 1647	Axle Hardware - Shim Pack, Inner Pinion Bearing Cup	1
8.1	2203F2788	Axle Hardware - Shim, 0.003 in.	3
8.1	2203G2789	Axle Hardware - Shim, 0.005 in.	2
8.1	2203H2790	Axle Hardware - Shim, 0.010 in.	4

FORWARD 145 MAIN DIFFERENTIAL



140

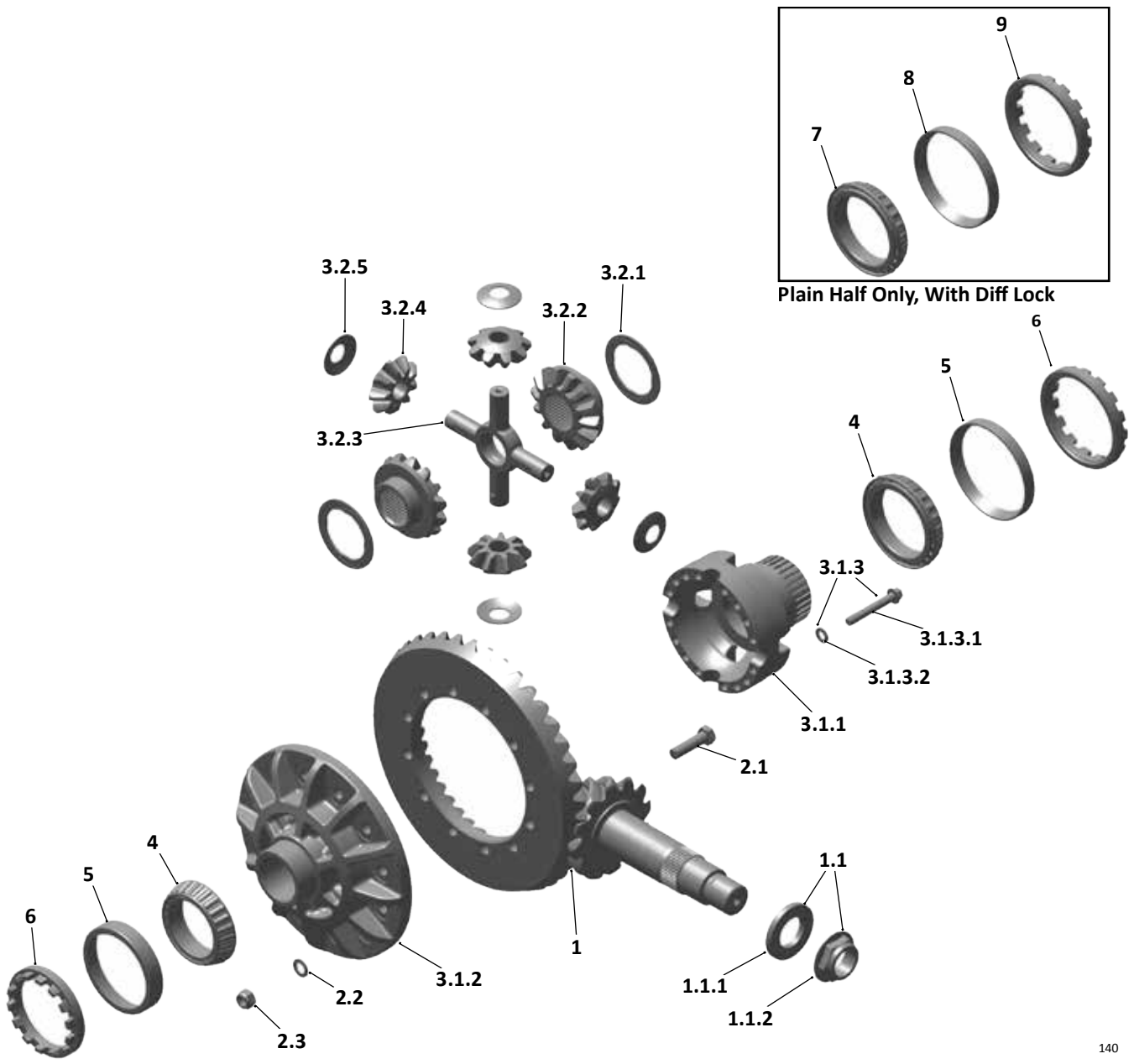
ITEM NO.	PART NUMBER	DESCRIPTION	QTY
1	B 41718 1	Differential - Service Gear Set, 2.64 Ratio	1
1	A 41676 1	Differential - Service Gear Set, 2.79 Ratio	1
1	A 41104 1	Differential - Service Gear Set, 2.93 Ratio	1
1	A42200-1F-308	Differential - Service Gear Set, 3.08 Ratio - Replaces 3.07	1
1	A 41510 1	Differential - Service Gear Set, 3.21 Ratio	1
1	A-43502-1F-325	Differential - Service Gear Set, 3.25 Ratio	1
1	A-42202-1F-336	Differential - Service Gear Set, 3.36 Ratio	1
1	A-43752-1F-342	Differential - Service Gear Set, 3.42 Ratio	1
1	A-42204-1F-355	Differential - Service Gear Set, 3.55 Ratio	1
1	B 41512 1	Differential - Service Gear Set, 3.58 Ratio	1

FORWARD 145 MAIN DIFFERENTIAL

Meritor®
145 Carriers

ITEM NO.	PART NUMBER	DESCRIPTION	QTY
1	B-42206-1F-370	Differential - Service Gear Set, 3.70 Ratio	1
1	B 41514 1	Differential - Service Gear Set, 3.73 Ratio	1
1	B-42180-1F-390	Differential - Service Gear Set, 3.90 Ratio	1
1	B-42128-1F-411	Differential - Service Gear Set, 4.11 Ratio	1
1	B-41278-1F-433	Differential - Service Gear Set, 4.33 Ratio	1
1	B 41562 1	Differential - Service Gear Set, 4.56 Ratio	1
1	B-41280-1F-463	Differential - Service Gear Set, 4.63 Ratio	1
1	B-41282-1F-488	Differential - Service Gear Set, 4.88 Ratio	1
1	B-41284-1F-529	Differential - Service Gear Set, 5.29 Ratio	1
1	B-41466-1F-586	Differential - Service Gear Set, 5.86 Ratio	1
1	A-41468-1F-614	Differential - Service Gear Set, 6.14 Ratio	1
1	A-41470-1F-643	Differential - Service Gear Set, 6.43 Ratio	1
1	A-41472-1F-683	Differential - Service Gear Set, 6.83 Ratio	1
1	B-43596-1F-717	Drive Axle Gearset, Service, 7.17 Ratio	1
1.1	KIT 2638	Axle Hardware - Hardware Kit, Pinion Nut and Washer	1
1.1.1	1229W4521	Axle Hardware - Washer, Pinion	1
1.1.2	40X1233	Axle Hardware - Lock Nut, Pinion	1
2	KIT 2317	Axle Hardware - Hardware Kit, Gear to Case	1
2.1	41X1216	Axle Hardware - Capscrew, Gear to Case	12
2.2	1229U1503	Axle Hardware - Washer, Gear to Case	12
2.3	40X1182	Axle Hardware - Nut, Gear to Case	12
3	A10 3235V1920	Differential Case and Nest Assembly, 39 Spline, Ratios 2.64 – 2.93	1
3	A10 3235S1839	Differential Case and Nest Assembly, 39 Spline, Ratios 3.07 – 3.36	1
3	A10 3235U1841	Differential Case and Nest Assembly, 39 Spline, Ratios 3.42 – 4.11	1
3	A10 3235W1843	Differential Case and Nest Assembly, 39 Spline, Ratios 4.30 – 7.17	1
3	A9 3235V1920	Differential Case and Nest Assembly, 41 Spline, Ratios 2.64 – 2.93	1
3	A9 3235S1839	Differential Case and Nest Assembly, 41 Spline, Ratios 3.07 – 3.36	1
3	A9 3235U1841	Differential Case and Nest Assembly, 41 Spline, Ratios 3.42 – 4.11	1
3	A9 3235W1843	Differential Case and Nest Assembly, 41 Spline, Ratios 4.30 – 7.17	1
3	A10 3235D2188	Differential Case and Nest Assembly, 22k, Ratios 3.42 – 4.11	1
3	A10 3235T2152	Differential Case and Nest Assembly, 22k, Ratios 4.33 – 7.17	1
3	A3 3235V1920	Differential Case and Nest Assembly, Diff Lock, Ratios 2.64 – 2.93	1
3	A3 3235S1839	Differential Case and Nest Assembly, Diff Lock, Ratios 3.07 – 3.36	1
3	A3 3235U1841	Differential Case and Nest Assembly, Diff Lock, Ratios 3.42 – 4.11	1
3	A3 3235W1843	Differential Case and Nest Assembly, Diff Lock, Ratios 4.30 – 7.17	1
3	A11 3235D2188	Differential Case and Nest Assembly, 22k, Diff Lock, Ratios 3.42 – 4.11	1
3	A11 3235T2152	Differential Case Assembly, 22k, Diff Lock, Ratios 4.33 – 7.17	1
3.1	A8 3235V1920	Differential Case Assembly, Ratios 2.64 – 2.93	1
3.1	A8 3235S1839	Differential Case Assembly, Ratios 3.07 – 3.36	1
3.1	A8 3235U1841	Differential Case Assembly, Ratios 3.42 – 4.11	1
3.1	A8 3235W1843	Differential Case Assembly, Ratios 4.30 – 7.17	1
3.1	A 3235D2188	Differential Case Assembly, 22k, Ratios 3.42 – 4.11	1
3.1	A 3235T2152	Differential Case Assembly, 22k, Ratios 4.33 – 7.17	1
3.1	A2 3235V1920	Differential Case Assembly, Diff Lock, Ratios 2.64 – 2.93	1
3.1	A2 3235S1839	Differential Case Assembly, Diff Lock, Ratios 3.07 – 3.36	1
3.1	A2 3235U1841	Differential Case Assembly, Diff Lock, Ratios 3.42 – 4.11	1
3.1	A2 3235W1843	Differential Case Assembly, Diff Lock, Ratios 4.30 – 7.17	1

FORWARD 145 MAIN DIFFERENTIAL



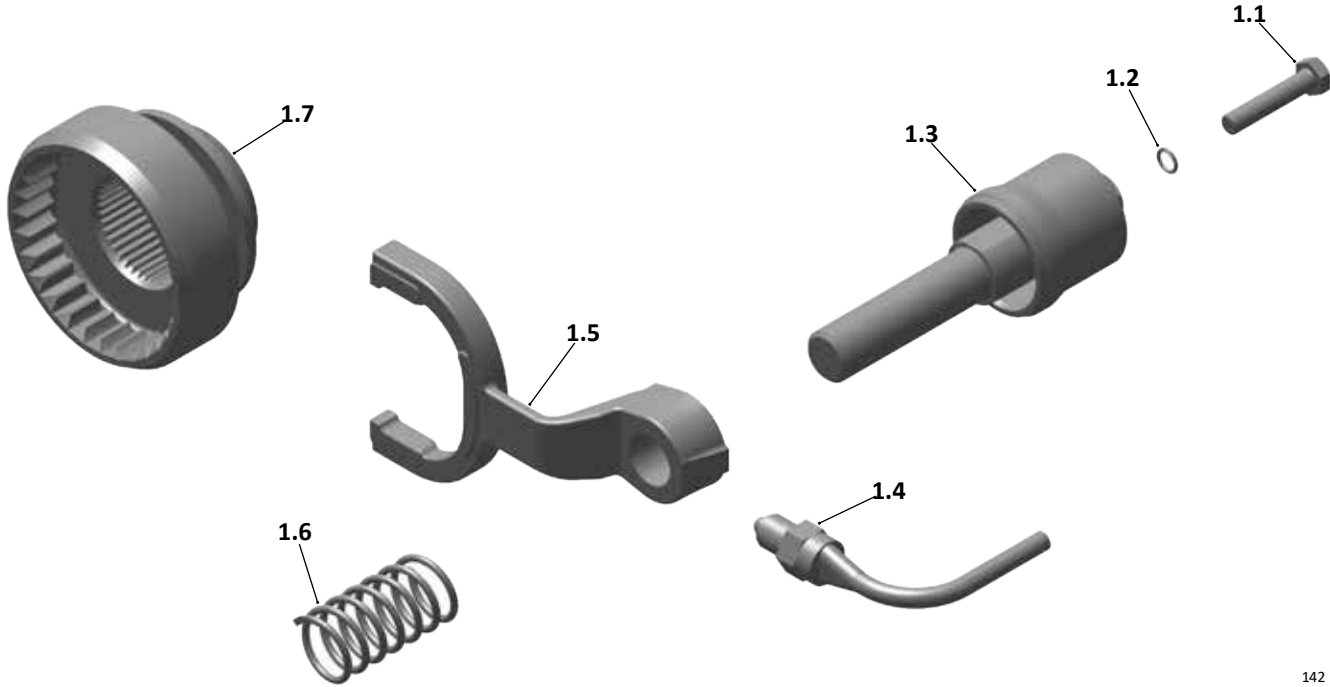
140

FORWARD 145 MAIN DIFFERENTIAL

Meritor®
145 Carriers

ITEM NO.	PART NUMBER	DESCRIPTION	QTY
3.1	A2 3235D2188	Differential Case Assembly, 22k, Diff Lock, Ratios 3.42 – 4.11	1
3.1	A2 3235T2152	Differential Case Assembly, 22k, Diff Lock, Ratios 4.33 – 7.17	1
3.1.1	3235J2064	Differential Case Flange Half, Differential Case Plain Half	1
3.1.1	3235U2153	Differential Case Plain Half, 22k	1
3.1.1	3235T1918	Differential Case Plain Half, Diff Lock	1
3.1.1	3235V2154	Differential Case Plain Half, 22k, Diff Lock	1
3.1.2	3235V1920	Differential Case Flange Half, Ratios 2.64 – 2.93	1
3.1.2	3235S1839	Differential Case Flange Half, Ratios 3.07 – 3.36	1
3.1.2	3235U1841	Differential Case Flange Half, Ratios 3.42 – 4.11	1
3.1.2	3235W1843	Differential Case Flange Half, Ratios 4.30 – 7.17	1
3.1.2	3235D2188	Differential Case Flange Half, 22k, Ratios 3.42 – 4.11	1
3.1.2	3235T2152	Differential Case Flange Half, 22k, Ratios 4.33 – 7.17	1
3.1.3	KIT 2819	Axle Hardware - Capscrew Assembly, Main Diff Case	1
3.1.3.1	41X1327	Axle Hardware - Capscrew, Main Diff Case	16
3.1.3.2	1229D4632	Axle Hardware - Washer, Main Diff Case	16
3.2	KIT 2696	Differential Kit, 22k, Main Diff	1
3.2.1	1229V4624	Axle Hardware - Washer, Thrust, Main Diff	2
3.2.2	2234U1451	Differential - Side Gear, 22k, Main Diff	2
3.2.3	3278Y1117F	Differential - Spider, 22k, Main Diff	1
3.2.4	2233X1116	Differential - Pinion, 22k, Main Diff	4
3.2.5	1229R1032	Axle Hardware - Washer, Thrust, Main Diff	4
3.2	KIT 2389	Differential Kit, 39 Spline, Main Diff	1
3.2.1	1229V4624	Axle Hardware - Washer, Thrust, Main Diff	2
3.2.2	2234M1469	Differential - Side Gear, 39 Spline, Main Diff	2
3.2.3	3278S305	Differential - Spider, Main Diff	1
3.2.4	2233J1024	Differential - Pinion, Main Diff	4
3.2.5	1229R1032	Axle Hardware - Washer, Thrust, Main Diff	4
3.2	KIT 2310	Differential Kit, 41 Spline, Main Diff	1
3.2.1	1229V4624	Axle Hardware - Washer, Thrust, Main Diff	2
3.2.2	2234G1437	Differential - Side Gear, 41 Spline, Main Diff	2
3.2.3	3278S305	Differential - Spider, Main Diff	1
3.2.4	2233J1024	Differential - Pinion, Main Diff	4
3.2.5	1229R1032	Axle Hardware - Washer, Thrust, Main Diff	4
4	NP293601	Bearing, Main Diff	2
4	NP293601	Bearing, Main Diff, Flange Half, w/Diff Lock	1
5	NP934397	Bearing Cup, Main Diff	2
5	NP934397	Bearing Cup, Main Diff, Flange Half, w/Diff Lock	1
6	2214C1095	Axle Hardware - Adjusting Ring, Main Diff	2
6	2214C1095	Axle Hardware - Adjusting Ring, Main Diff, Flange Half, w/Diff Lock	1
7	NP970652	Bearing Cone, Main Diff, Plain Half, w/Diff Lock	1
8	NP563664	Bearing Cup, Main Diff, Plain Half, w/Diff Lock	1
9	2214Y1039	Axle Hardware - Adjusting Ring, Main Diff, Plain Half, w/Diff Lock	1

FORWARD 145 DIFFERENTIAL LOCK

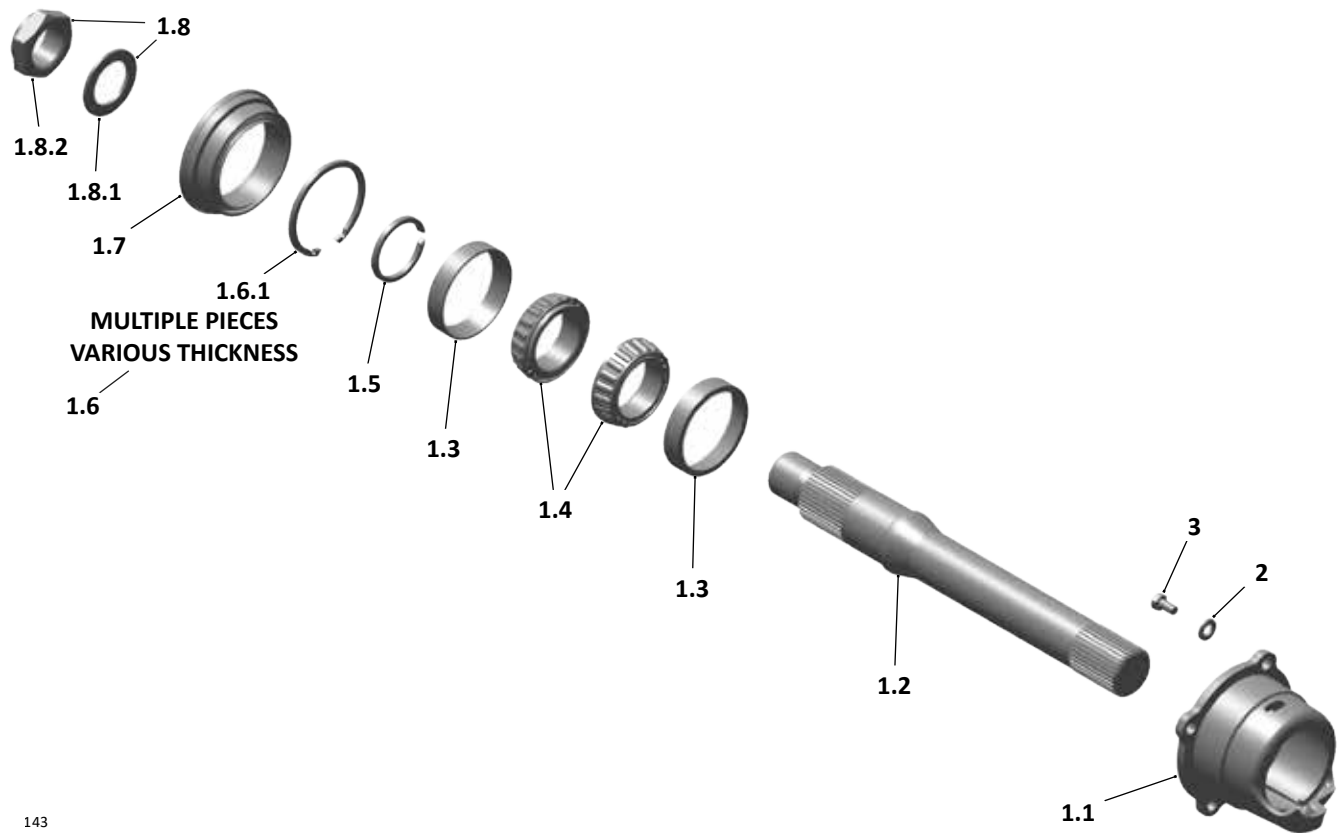


142

ITEM NO.	PART NUMBER	DESCRIPTION	QTY
1	KIT 2662	Differential - Shift Repair Kit, Main Diff Lock	1
1.1	41X1368	Axle Hardware - Miscellaneous, Screw, Main Diff Lock, Manual Engaging	1
1.2	5X521	Transfer Case Hardware, O-Ring, Main Diff Lock Manual Engaging Screw	1
1.3	KIT 2824	Axle Hardware - Air Shift Assembly	1
1.4	KIT 4429	Differential - DCDL Lock Switch	1
1.5	3296Z1170	Drive Axle - Shift Fork, Main Diff Lock	1
1.6	2258N1262	Axle Hardware - Spring, Main Diff Lock	1
1.7	3107D1018	Axle Hardware - Collar, Main Diff Lock	1

FORWARD 145 THRU-SHAFT

Meritor®
145 Carriers



143

ITEM NO.	PART NUMBER	DESCRIPTION	QTY
1	A1 3226T1112S	Axle Hardware - Thru Shaft Cage Assembly	1
1.1	3226T1112	Bearing Cage	1
1.2	3297E1019	Drive Axle - Thru Shaft	1
1.3	1228J2116	Bearing Cup, Thru-Shaft	2
1.4	A-1228K2117	Bearing Cone, Thru-Shaft	2
1.5	1229W4131	Axle Hardware - Snap Ring, Thru-Shaft Bearing	1
1.6	KIT 576	Axle Hardware - Hardware Kit, Snap Ring / Variable Spacer, Output Shaft	
1.6.1	1229P2590	Axle Hardware - Snap Ring, 0.155 in.	1
1.6.1	1229Q2591	Axle Hardware - Snap Ring, 0.158 in.	1
1.6.1	1229R2592	Axle Hardware - Snap Ring, 0.161 in.	1
1.6.1	1229S2593	Axle Hardware - Snap Ring, 0.164 in.	1
1.6.1	1229T2594	Axle Hardware - Snap Ring, 0.167 in.	1
1.6.1	1229U2595	Axle Hardware - Snap Ring, 0.170 in.	1
1.6.1	1229V2596	Axle Hardware - Snap Ring, 0.173 in.	1
1.6.1	1229W2597	Axle Hardware - Snap Ring, 0.176 in.	1
1.6.1	1229X2598	Axle Hardware - Snap Ring, 0.179 in.	1
1.6.1	1229Y2599	Axle Hardware - Snap Ring, 0.182 in.	1
1.7	A1 1205Y2729	Drive Axle - Oil Seal Assembly, Thru-Shaft	1
1.8	KIT 2637	Axle Hardware - Hardware Kit, Thru-Shaft Nut and Washer	1
1.8.1	1229T1736	Axle Hardware - Washer, Thru-Shaft Yoke	1
1.8.2	40X1237	Axle Hardware - Nut, Thru-Shaft Yoke	1
2	1229-K-1597	Axle Hardware - Washer, Flat, Bearing Cage	4
3	15-X-387	Axle Hardware - Miscellaneous, Capscrew, Bearing Cage	4

SINGLE/REAR 145 AMBOID CARRIER INTRODUCTION



SINGLE/REAR 145 AMBOID CARRIERS



**SINGLE/REAR 145 AMBOID
CARRIER AND LEG CAPS**



**SINGLE/REAR 145 AMBOID
PINION ASSEMBLY**



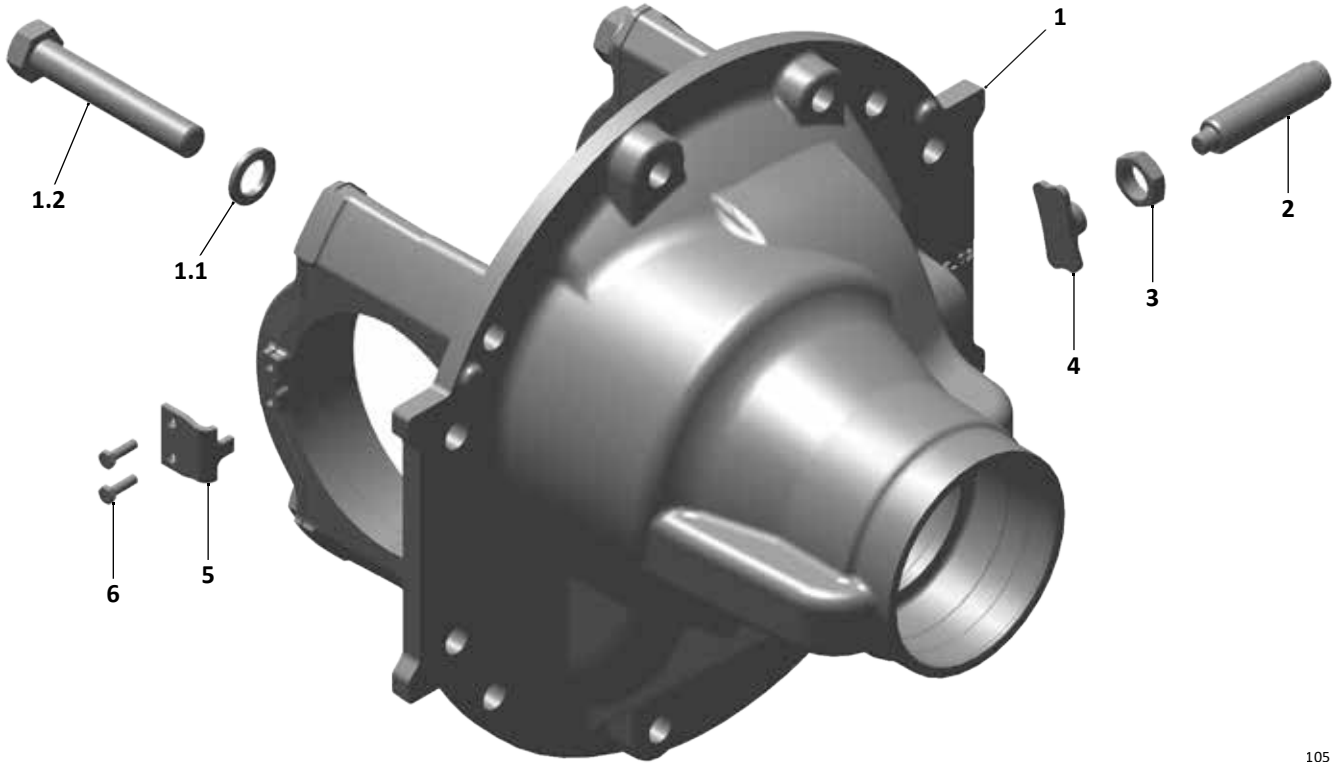
**SINGLE/REAR 145 AMBOID
MAIN DIFFERENTIAL**

SINGLE/REAR 145 AMBOID CARRIER TABLE OF CONTENTS

Meritor®
145 Carriers

SINGLE/REAR 145 AMBOID CARRIER INTRODUCTION - - - - -	-18
SINGLE/REAR 145 AMBOID CARRIER TABLE OF CONTENTS - - - - -	-19
SINGLE/REAR 145 AMBOID CARRIER AND LEG CAPS- - - - -	-20
SINGLE/REAR 145 AMBOID PINION ASSEMBLY - - - - -	-21
SINGLE/REAR 145 AMBOID MAIN DIFFERENTIAL - - - - -	-22

SINGLE/REAR 145 AMBOID CARRIER AND LEG CAPS

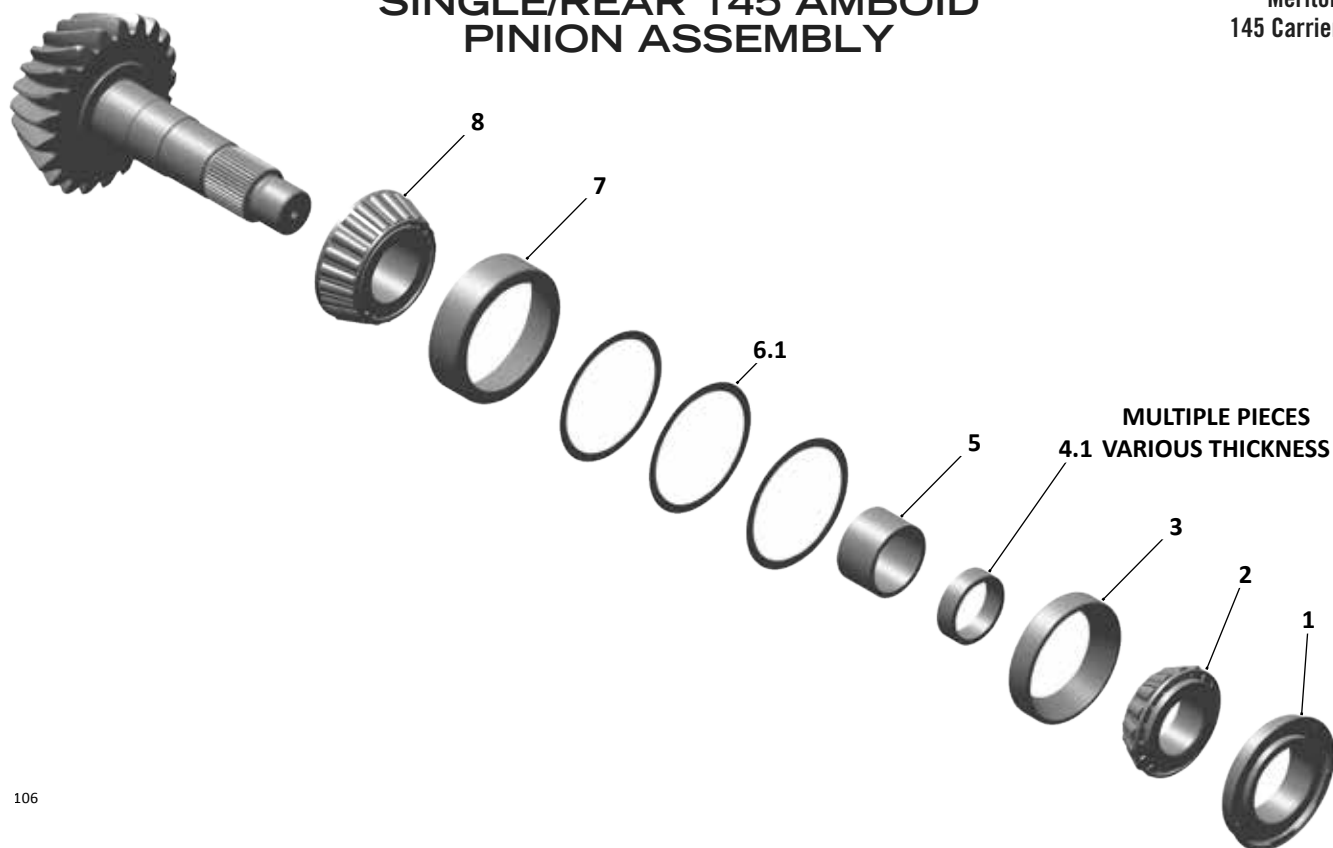


105

ITEM NO.	PART NUMBER	DESCRIPTION	QTY
1	A2 3200G2217	Carrier and Cap Assembly	1
1.1	42X1021	Axle Hardware - Washer, Leg Cap	4
1.2	MS220120 2	Axle Hardware - Capscrew, Leg Cap	4
2	10X1710	Axle Hardware - Thrust Screw, 22k	1
3	40X1016	Driveline Hardware - Jam Nut, Thrust Screw, 22k	1
4	2297P8336	Axle Hardware - Thrust Block, 22k	1
5	1220P1108	Axle Hardware - Capscrew Lock, Adjusting Ring	2
6	41X1669	Axle Hardware - Special Screw, Adjusting Ring Lock Plate	4

SINGLE/REAR 145 AMBOID PINION ASSEMBLY

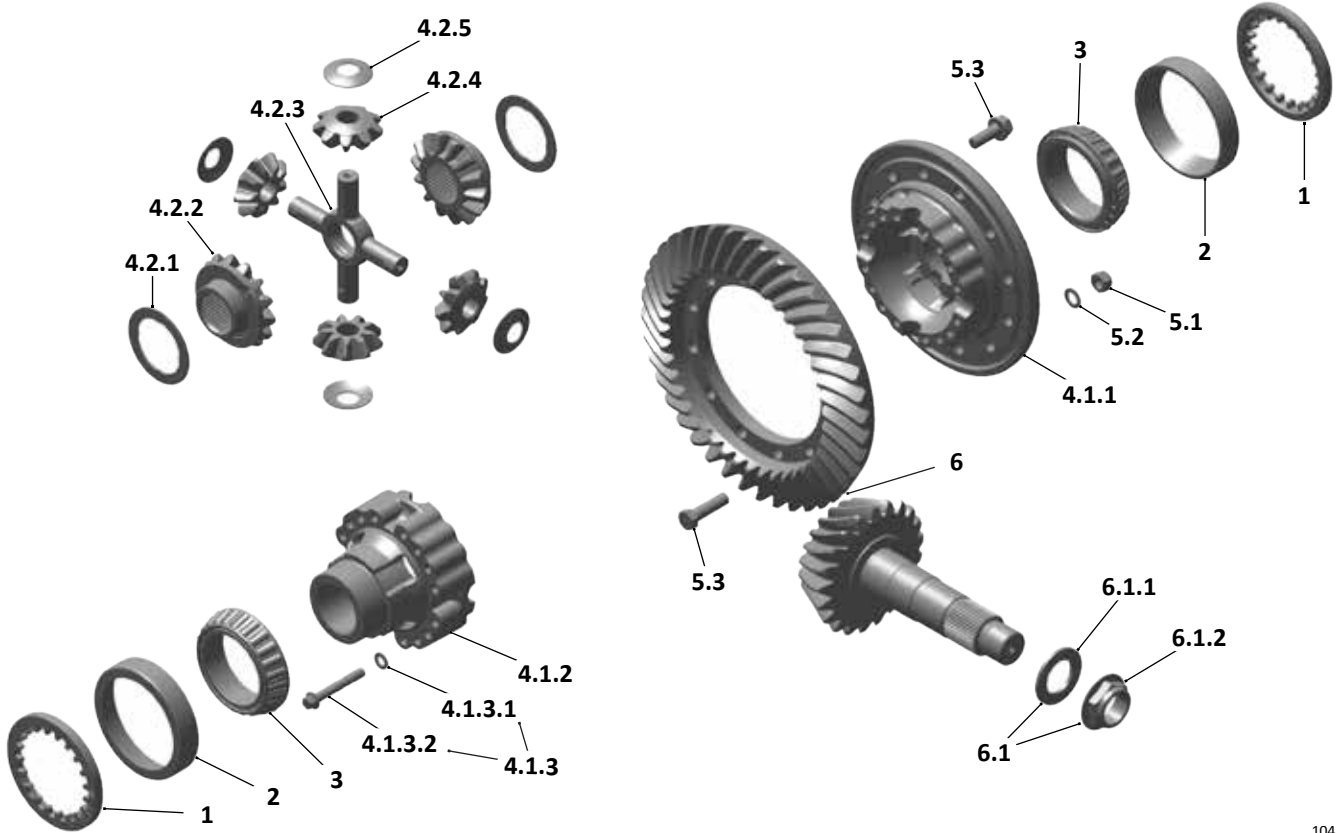
Meritor®
145 Carriers



106

ITEM NO.	PART NUMBER	DESCRIPTION	QTY
1	A1 1205Z2730	Drive Axle - Oil Seal Assembly, Drive Pinion Shaft	1
2	A1 1228G605	Bearing Cone, Drive Pinion, Outer	1
3	1228F604	Bearing Cup, Drive Pinion, Outer	1
4	KIT 2541	Drive Axle - Spacer Kit, Drive Pinion Bearing, Outer	AR
4.1	1244M2431	Axle Hardware - Spacer, 9.40 mm	2
4.1	1244N2432	Axle Hardware - Spacer, 9.43 mm	2
4.1	1244P2434	Axle Hardware - Spacer, 9.45 mm	2
4.1	1244Q2435	Axle Hardware - Spacer, 9.48 mm	2
4.1	1244R2436	Axle Hardware - Spacer, 9.50 mm	2
4.1	1244S2437	Axle Hardware - Spacer, 9.60 mm	2
4.1	1244T2438	Axle Hardware - Spacer, 9.70 mm	2
4.1	1244U2439	Axle Hardware - Spacer, 9.80 mm	2
4.1	1244V2440	Axle Hardware - Spacer, 9.90 mm	2
4.1	1244W2441	Axle Hardware - Spacer, 10.00 mm	2
4.1	1244X2442	Axle Hardware - Spacer, 10.10 mm	2
4.1	1244Y2443	Axle Hardware - Spacer, 10.20 mm	2
4.1	1244Z2444	Axle Hardware - Spacer, 10.23 mm	2
4.1	1244A2445	Axle Hardware - Spacer, 10.25 mm	2
4.1	1244B2446	Axle Hardware - Spacer, 10.28 mm	2
4.1	1244C2447	Axle Hardware - Spacer, 10.30 mm	2
5	1244F2346	Axle Hardware - Spacer, Drive Pinion Bearing, Inner	1
6	KIT 1647	Axle Hardware - Shim Pack, Drive Pinion Bearing, Inner	1
6.1	2203F2788	Axle Hardware - Shim, 0.003 in.	3
6.1	2203G2789	Axle Hardware - Shim, 0.005 in.	2
6.1	2203H2790	Axle Hardware - Shim, 0.010 in.	4
7	1228Z1716	Bearing Cup, Drive Pinion, Inner	1
8	A 1228A1717	Bearing Cone, Drive Pinion, Inner	1

SINGLE/REAR 145 AMBOID MAIN DIFFERENTIAL



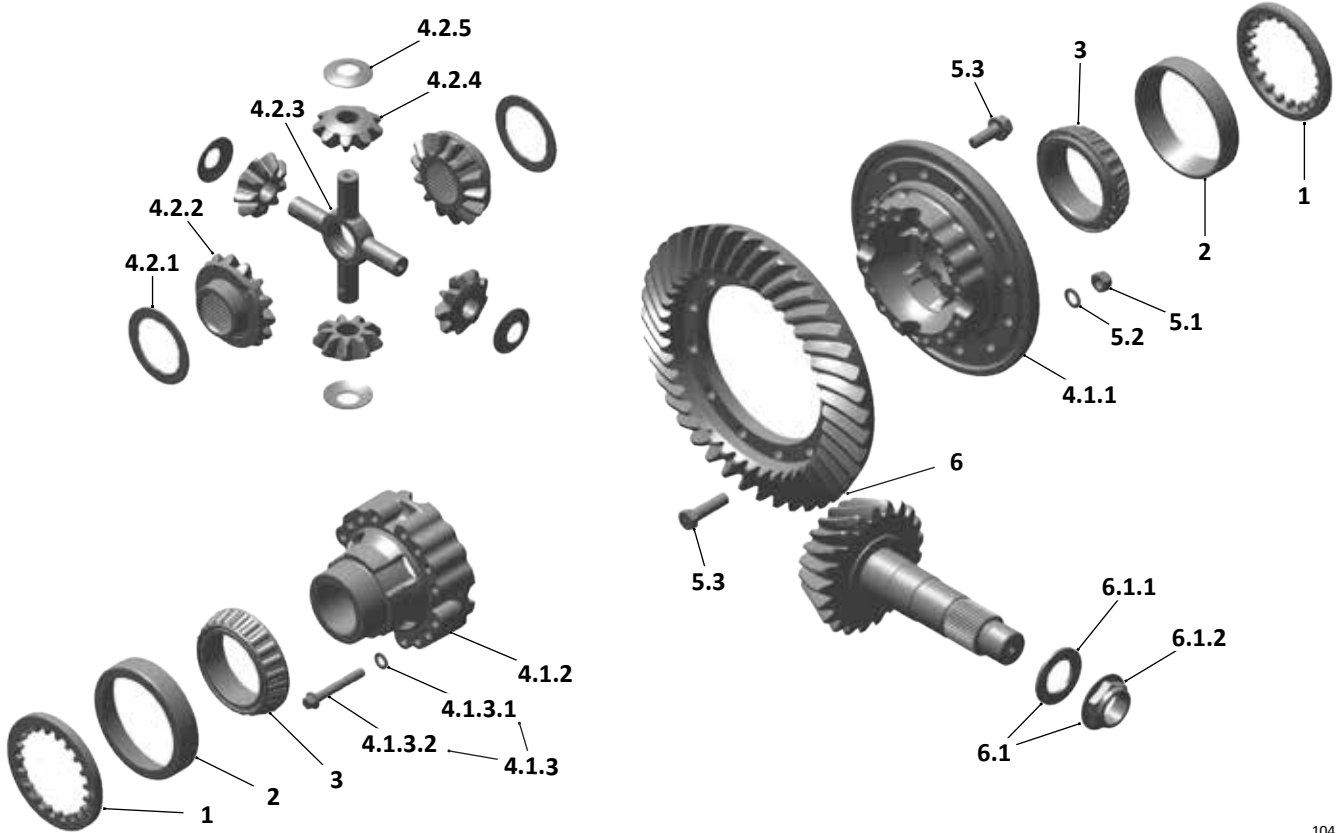
104

SINGLE/REAR 145 AMBOID MAIN DIFFERENTIAL

Meritor®
145 Carriers

ITEM NO.	PART NUMBER	DESCRIPTION	QTY
1	2214G1255	Axle Hardware - Adjusting Ring, Main Differential Bearing	2
2	1228H2452	Bearing Cup, Main Differential	2
3	A-1228J2454	Bearing Cone, Main Differential	2
4	A1 3235A2783	Differential Case Assembly, Main Differential Assembly, Ratios 2.28 – 2.64	1
4.1	A 3235A2783	Differential Case Assembly, Ratios 2.28 – 2.64	1
4.1.1	3235A2783	Differential Case Flange Half, Ratios 2.28 – 2.64	1
4.1.2	3235J2792	Differential Case Plain Half	1
4.1.3	KIT 2819	Axle Hardware - Capscrew Assembly, Main Differential Case	1
4.1.3.1	1229D4632	Axle Hardware - Washer	16
4.1.3.2	41X1327	Axle Hardware - Capscrew	16
4.2	KIT 4778	Differential Kit	1
4.2.1	1229Q5087	Axle Hardware - Washer, Thrust, Main Differential Side Gear	2
4.2.2	2234G1437	Differential - Side Gear	2
4.2.3	3278S305	Differential - Spider	1
4.2.4	2233J1024	Differential - Pinion	4
4.2.5	1229R1032	Axle Hardware - Washer, Thrust, Main Differential Pinion Gear	4
4	A1-3235B3174	Differential Case Assembly, Main Differential Assembly, Ratios 2.79 – 2.93	1
4.1	A-3235B3174	Differential Case Assembly, Ratios 2.79 – 2.93	1
4.1.1	3235B3174	Differential Case Flange Half, Ratios 2.79 – 2.93	1
4.1.2	3235J2792	Differential Case Plain Half	1
4.1.3	KIT 2819	Axle Hardware - Capscrew Assembly, Main Differential Case	1
4.1.3.1	1229D4632	Axle Hardware - Washer	16
4.1.3.2	41X1327	Axle Hardware - Capscrew	16
4.2	KIT 4778	Differential Kit	1
4.2.1	1229Q5087	Axle Hardware - Washer, Thrust, Main Differential Side Gear	2
4.2.2	2234G1437	Differential - Side Gear	2
4.2.3	3278S305	Differential - Spider	1
4.2.4	2233J1024	Differential - Pinion	4
4.2.5	1229R1032	Axle Hardware - Washer, Thrust, Main Differential Pinion Gear	4
4	A1 3235C2785	Differential Case Assembly, Main Differential Assembly, Ratios 3.08 – 3.36	1
4.1	A 3235C2785	Differential Case Assembly, Ratios 3.08 – 3.36	1
4.1.1	3235C2785	Differential Case Flange Half, Ratios 3.08 – 3.36	1
4.1.2	3235J2792	Differential Case Plain Half	1
4.1.3	KIT 2819	Axle Hardware - Capscrew Assembly, Main Differential Case	1
4.1.3.1	1229D4632	Axle Hardware - Washer	16
4.1.3.2	41X1327	Axle Hardware - Capscrew	16
4.2	KIT 4778	Differential Kit	1
4.2.1	1229Q5087	Axle Hardware - Washer, Thrust, Main Differential Side Gear	2
4.2.2	2234G1437	Differential - Side Gear	2
4.2.3	3278S305	Differential - Spider	1
4.2.4	2233J1024	Differential - Pinion	4
4.2.5	1229R1032	Axle Hardware - Washer, Thrust, Main Differential Pinion Gear	4
4	A1 3235E2787	Differential Case Assembly, Main Differential Assembly, Ratios 3.42 – 4.11	1

SINGLE/REAR 145 AMBOID MAIN DIFFERENTIAL



104

SINGLE/REAR 145 AMBOID MAIN DIFFERENTIAL

Meritor®
145 Carriers

ITEM NO.	PART NUMBER	DESCRIPTION	QTY
4.1	A 3235E2787	Differential Case Assembly, Ratios 3.42 – 4.11	1
4.1.1	3235E2787	Differential Case Flange Half, Ratios 3.42 – 4.11	1
4.1.2	3235J2792	Differential Case Plain Half	1
4.1.3	KIT 2819	Axle Hardware - Capscrew Assembly, Main Differential Case	1
4.1.3.1	1229D4632	Axle Hardware - Washer	16
4.1.3.2	41X1327	Axle Hardware - Capscrew	16
4.2	KIT 4778	Differential Kit,	1
4.2.1	1229Q5087	Axle Hardware - Washer, Thrust, Main Differential Side Gear	2
4.2.2	2234G1437	Differential - Side Gear	2
4.2.3	3278S305	Differential - Spider	1
4.2.4	2233J1024	Differential - Pinion	4
4.2.5	1229R1032	Axle Hardware - Washer, Thrust, Main Differential Pinion Gear	4
5	KIT 2317	Axle Hardware - Hardware Kit, Ring Gear to Main Differential Case	1
5.1	40X1182	Axle Hardware - Nut	12
5.2	1229U1503	Axle Hardware - Washer	12
5.3	41X1216	Axle Hardware - Capscrew	12
6	B-44574-1R-228	Differential - Service Gear Set, Ratio 2.28	1
6	B-43498-1R-247	Differential - Service Gear Set, Ratio 2.47	1
6	B-43500-1R-264	Differential - Service Gear Set, Ratio 2.64	1
6	A-44440-1R-279	Differential - Service Gear Set, Ratio 2.79	1
6	A-44524-1R-285	Differential - Service Gear Set, Ratio 2.85	1
6	A-45154-1R-293	Differential - Service Gear Set, Ratio 2.93	1
6	A-42200-1R-308	Differential - Service Gear Set, Ratio 3.08	1
6	A-43502-1R-325	Differential - Service Gear Set, Ratio 3.25	1
6	A-42202-1R-336	Differential - Service Gear Set, Ratio 3.36	1
6	A-43752-1R-342	Differential - Service Gear Set, Ratio 3.42	1
6	A-42204-1R-355	Differential - Service Gear Set, Ratio 3.55	1
6	A-42206-1R-370	Differential - Service Gear Set, Ratio 3.70	1
6	A-42180-1R-390	Differential - Service Gear Set, Ratio 3.90	1
6	A-42128-1R-411	Differential - Service Gear Set, Ratio 4.11	1
6.1	KIT 2637	Axle Hardware - Hardware Kit, Drive Pinion Shaft Yoke	1
6.1.1	1229T1736	Axle Hardware - Washer	1
6.1.2	40X1237	Axle Hardware - Nut	1

SINGLE/REAR 145 HYPOID CARRIER INTRODUCTION



SINGLE/REAR 145 HYPOID CARRIERS



**SINGLE/REAR 145 HYPOID
CARRIER AND LEG CAPS**



**SINGLE/REAR 145 HYPOID
PINION ASSEMBLY**



**SINGLE/REAR 145 HYPOID
MAIN DIFFERENTIAL**



**SINGLE/REAR 145 HYPOID
SCREW-IN DIFFERENTIAL LOCK**



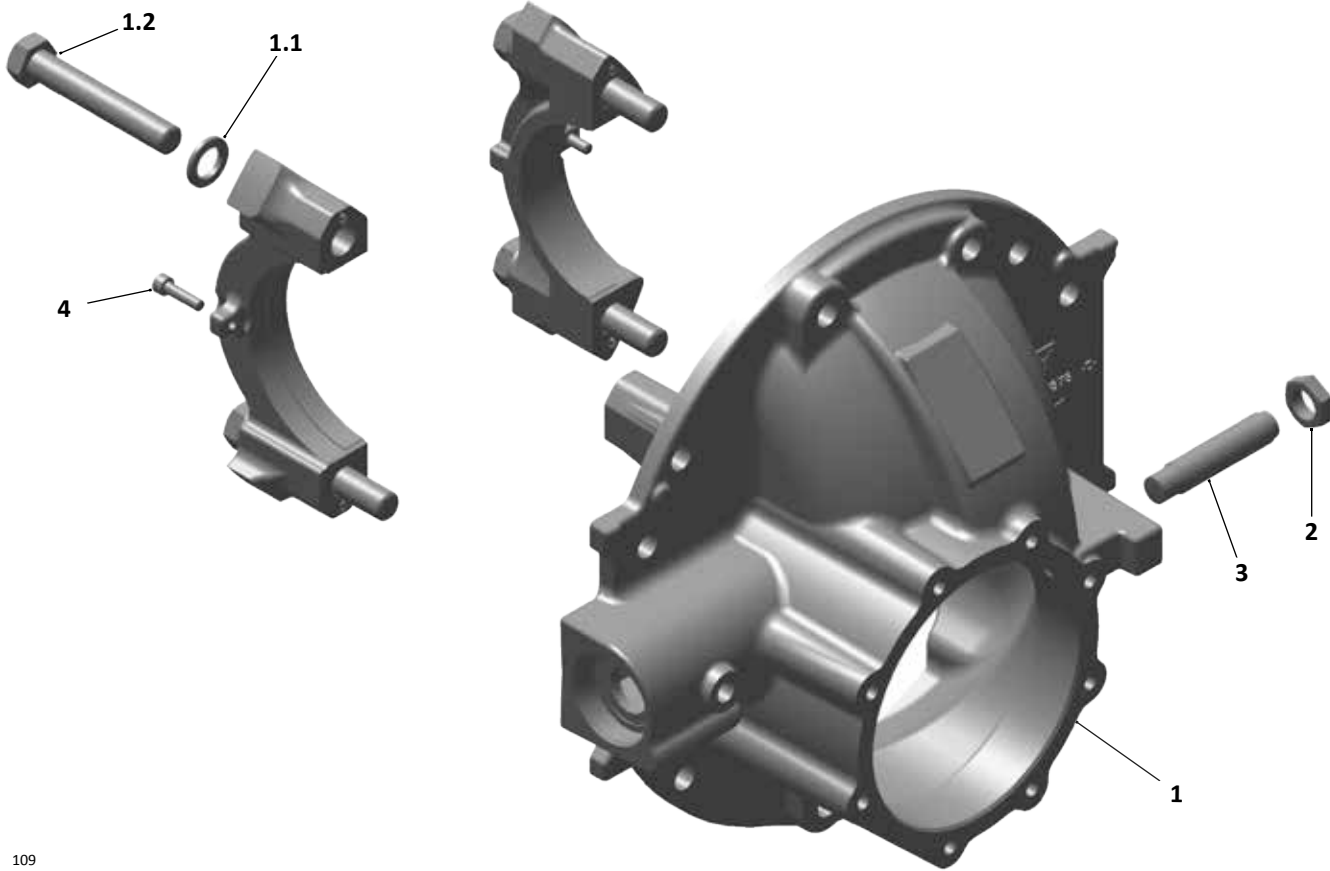
**SINGLE/REAR 145 HYPOID
BOLT-ON DIFFERENTIAL LOCK**

SINGLE/REAR 145 HYPOID CARRIER TABLE OF CONTENTS

Meritor®
145 Carriers

SINGLE/REAR 145 HYPOID CARRIER INTRODUCTION	-26
SINGLE/REAR 145 HYPOID CARRIER TABLE OF CONTENTS	-27
SINGLE/REAR 145 HYPOID CARRIER AND LEG CAPS	-28
SINGLE/REAR 145 HYPOID PINION ASSEMBLY	-29
SINGLE/REAR 145 HYPOID MAIN DIFFERENTIAL	-30
SINGLE/REAR 145 HYPOID SCREW-IN DIFFERENTIAL LOCK	-34
SINGLE/REAR 145 HYPOID BOLT-ON DIFFERENTIAL LOCK	-35

SINGLE/REAR 145 HYPOID CARRIER AND LEG CAPS

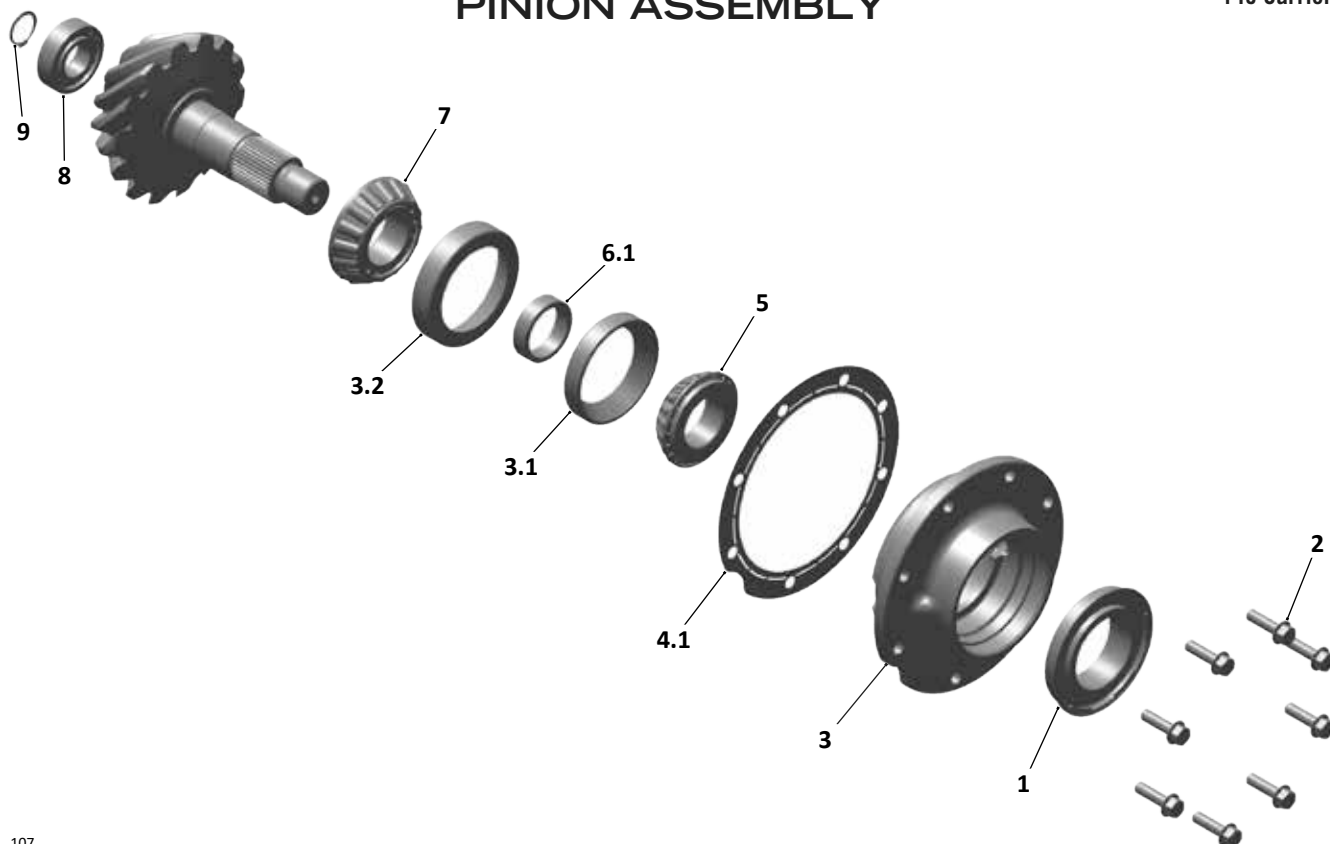


109

ITEM NO.	PART NUMBER	DESCRIPTION	QTY
1	A2 3200L1676	Carrier and Cap Assembly	1
1	A2 3200G1879	Carrier and Cap Assembly, with Differential Lock, Screw-in Driver Controlled Differential Lock (DCDL) Shifter	1
1	A2 3200G1879S	Carrier and Cap Assembly, with Differential Lock, Bolt-On DCDL Shifter (Replaces PN A2 3200A8269 that Includes Screw-in DCDL Shifter Components)	1
1	A2 3200U1919	Carrier and Cap Assembly, 22k	1
1	A2 3200F1904	Carrier and Cap Assembly, with Differential Lock, 22k	1
1.1	42X1021	Axle Hardware - Washer, Leg Cap	4
1.2	MS220120 2	Axle Hardware - Capscrew, Leg Cap	4
2	40X1016	Driveline Hardware - Jam Nut, Thrust Screw, 22k	1
3	41X1371	Axle Hardware - Capscrew	1
4	41X1637	Axle Hardware - Capscrew, Adjusting Ring Lock	2

SINGLE/REAR 145 HYPOID PINION ASSEMBLY

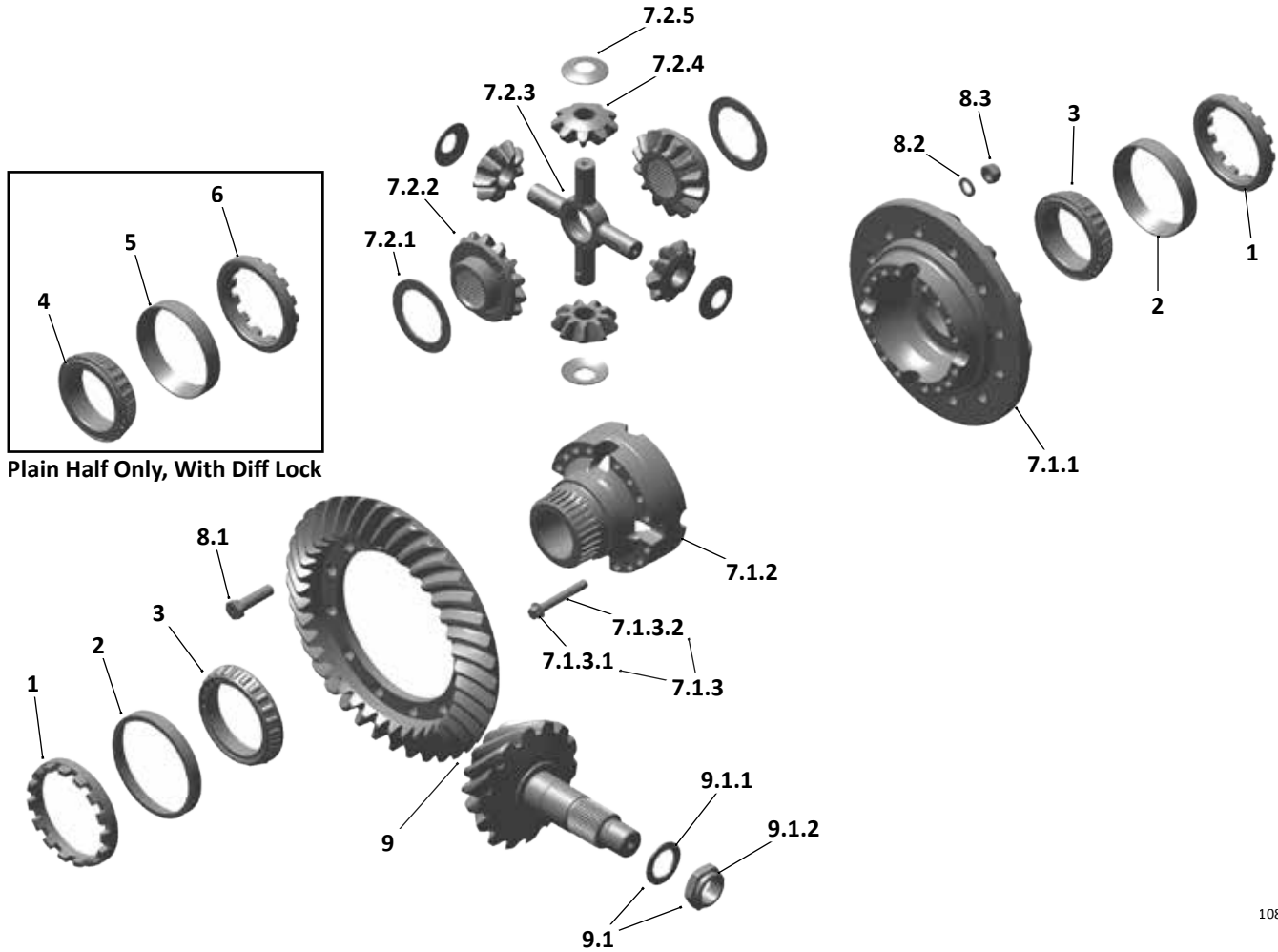
Meritor®
145 Carriers



107

ITEM NO.	PART NUMBER	DESCRIPTION	QTY
1	A1 1205Z2730	Drive Axle - Oil Seal Assembly, Drive Pinion Shaft	1
2	41X1870	Axle Hardware - Capscrew, Flanged, Drive Pinion Bearing Cage, Rear Unit Input (RUI)	8
3	A 3226M1053	Differential - Pinion Cage Assembly, Drive Pinion, RUI	1
3.1	55437	Bearing Cup, Taper, Drive Pinion, Outer	1
3.2	72487	Bearing Cup, Taper, Drive Pinion, Inner	1
4	KIT 2313	Axle Hardware - Shim Pack, Drive Pinion Bearing Cage, Forward Unit Input (FUI)	1
4.1	2803Q2851	Axle Hardware - Shim, 0.075 mm	3
4.1	2803R2852	Axle Hardware - Shim, 0.125 mm	2
4.1	2803S2853	Axle Hardware - Shim, 0.250 mm	4
4.1	2803T2854	Axle Hardware - Shim, 0.500 mm	1
5	55206C	Bearing Cone, Taper, Drive Pinion, Outer	1
6	KIT 2322	Drive Axle - Spacer Kit, Drive Pinion Bearing, Outer	AR
6.1	2203J9474	Axle Hardware - Spacer, 8.75 mm	2
6.1	2203K9475	Axle Hardware - Spacer, 8.78 mm	2
6.1	2203L9476	Axle Hardware - Spacer, 8.80 mm	2
6.1	2203M9477	Axle Hardware - Spacer, 8.83 mm	2
6.1	2203N9478	Axle Hardware - Spacer, 8.85 mm	2
6.1	2203P9480	Axle Hardware - Spacer, 8.98 mm	2
6.1	2203Q9481	Axle Hardware - Spacer, 9.10 mm	2
6.1	2203R9482	Axle Hardware - Spacer, 9.13 mm	2
6.1	2203S9483	Axle Hardware - Spacer, 9.15 mm	2
6.1	2203T9484	Axle Hardware - Spacer, 9.18 mm	2
6.1	2203U9485	Axle Hardware - Spacer, 9.20 mm	2
7	72212C	Bearing Cone, Taper, Drive Pinion, Inner	1
8	A-1228P2252	Bearing, Ball, Spigot Bearing	1
9	46X1084	Axle Hardware - Snap Ring, Spigot Bearing	1

SINGLE/REAR 145 HYPOID MAIN DIFFERENTIAL



108

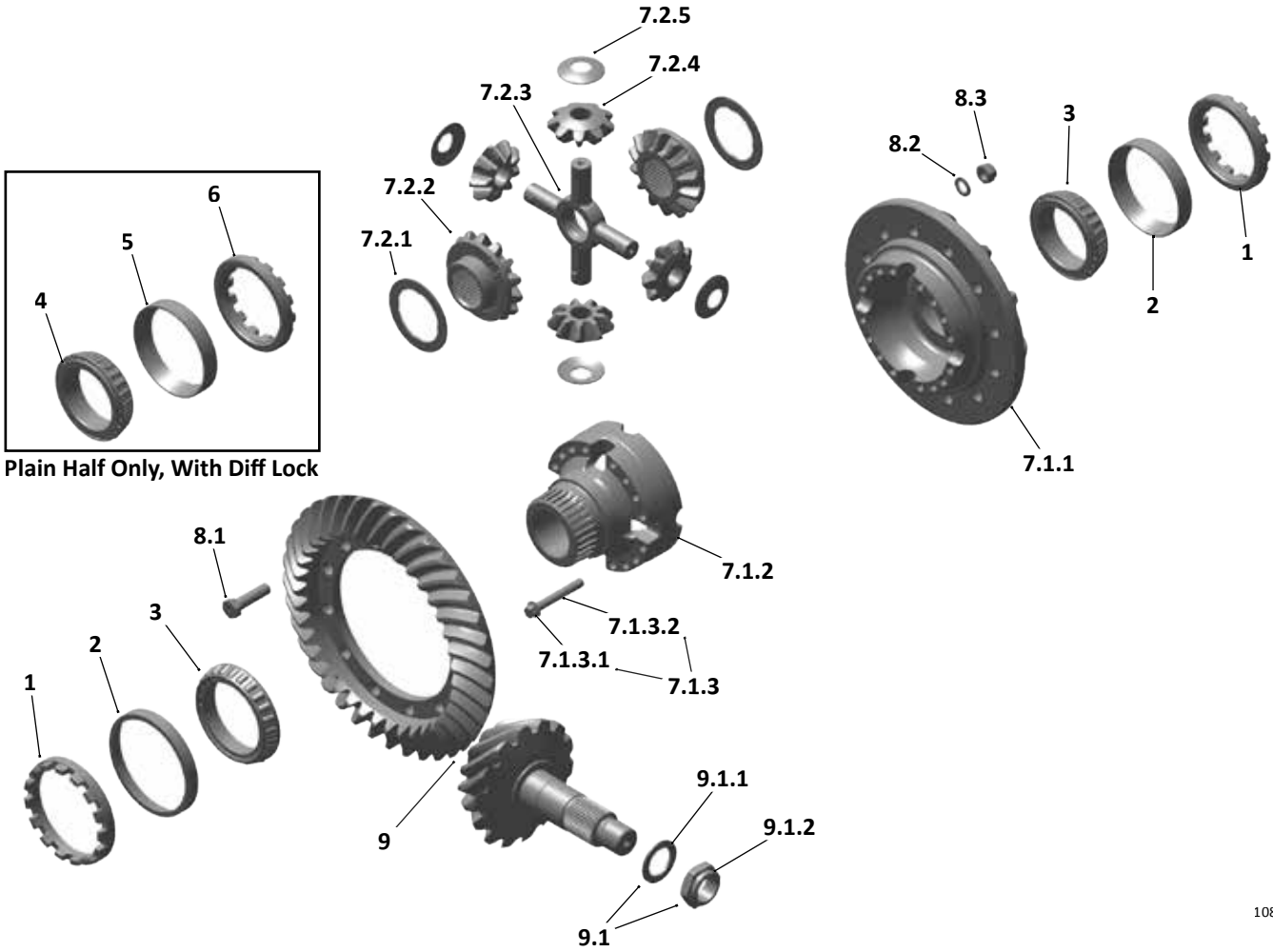
ITEM NO.	PART NUMBER	DESCRIPTION	QTY
1	2214C1095	Axle Hardware - Adjusting Ring, Main Differential Bearing	2
1	2214C1095	Axle Hardware - Adjusting Ring, Main Differential Bearing, Flange Half, Carrier with Differential Lock	1
2	NP934397	Bearing Cup, Main Differential	2
2	NP934397	Bearing Cup, Main Differential, Flange Half, Carrier with Differential Lock	1
3	NP293601	Bearing, Main Differential	2
3	NP293601	Bearing, Main Differential, Flange Half, Carrier with Differential Lock	1
4	2214Y1039	Axle Hardware - Adjusting Ring, Main Differential Bearing, Plain Half, Carrier with Differential Lock	1
5	NP563664	Bearing Cup, Main Differential, Plain Half, Carrier with Differential Lock	1
6	NP970652	Bearing Cone, Main Differential, Plain Half, Carrier with Differential Lock	1

SINGLE/REAR 145 HYPOID MAIN DIFFERENTIAL

Meritor®
145 Carriers

ITEM NO.	PART NUMBER	DESCRIPTION	QTY
7	A11 3235D2188	Differential Case Assembly, Main Diff Assembly, 22k, Carrier with Diff Lock, Ratios 3.42 – 4.11	1
7	A11 3235T2152	Differential Case Assembly, Main Diff Assembly, 22k, Carrier with Diff Lock, Ratios 4.33 – 7.17	1
7	A10 3235D2188	Differential Case Assembly, Main Diff Assembly, 22k, Ratios 3.42 – 4.11	1
7	A10 3235T2152	Differential Case Assembly, Main Diff Assembly, 22k, Ratios 4.33 – 7.17	1
7	A10 3235V1920	Differential Case Assembly, Main Diff Assembly, 39 Spline, Ratios 2.64 – 2.93	1
7	A10 3235S1839	Differential Case Assembly, Main Diff Assembly, 39 Spline, Ratios 3.07 – 3.36	1
7	A10 3235U1841	Differential Case Assembly, Main Diff Assembly, 39 Spline, Ratios 3.42 – 4.11	1
7	A10 3235W1843	Differential Case Assembly, Main Diff Assembly, 39 Spline, Ratios 4.30 – 7.17	1
7	A9 3235V1920	Differential Case Assembly, Main Diff Assembly, 41 Spline, Ratios 2.64 – 2.93	1
7	A9 3235S1839	Differential Case Assembly, Main Diff Assembly, 41 Spline, Ratios 3.07 – 3.36	1
7	A9 3235U1841	Differential Case Assembly, Main Diff Assembly, 41 Spline, Ratios 3.42 – 4.11	1
7	A9 3235W1843	Differential Case Assembly, Main Diff Assembly, 41 Spline, Ratios 4.30 – 7.17	1
7	A3 3235V1920	Differential Case Assembly, Main Diff Assembly, Carrier with Diff Lock, Ratios 2.64 – 2.93	1
7	A3 3235S1839	Differential Case Assembly, Main Diff Assembly, Carrier with Diff Lock, Ratios 3.07 – 3.36	1
7	A3 3235U1841	Differential Case Assembly, Main Diff Assembly, Carrier with Diff Lock, Ratios 3.42 – 4.11	1
7	A3 3235W1843	Differential Case Assembly, Main Diff Assembly, Carrier with Diff Lock, Ratios 4.30 – 7.17	1
7.1	A2 3235D2188	Differential Case Assembly, 22k, Carrier with Diff Lock, Ratios 3.42-4.11	1
7.1	A2 3235T2152	Differential Case Assembly, 22k, Carrier with Diff Lock, Ratios 4.33-7.17	1
7.1	A 3235D2188	Differential Case Assembly, 22k, Ratios 3.42 – 4.11	1
7.1	A 3235T2152	Differential Case Assembly, 22k, Ratios 4.33 – 7.17	1
7.1	A2 3235V1920	Differential Case Assembly, Carrier with Diff Lock, Ratios 2.64 – 2.93	1
7.1	A2 3235S1839	Differential Case Assembly, Carrier with Diff Lock, Ratios 3.07 – 3.36	1
7.1	A2 3235U1841	Differential Case Assembly, Carrier with Diff Lock, Ratios 3.42 – 4.11	1
7.1	A2 3235W1843	Differential Case Assembly, Carrier with Diff Lock, Ratios 4.30 – 7.17	1
7.1	A8 3235V1920	Differential Case Assembly, Ratios 2.64 – 2.93	1
7.1	A8 3235S1839	Differential Case Assembly, Ratios 3.07 – 3.36	1
7.1	A8 3235U1841	Differential Case Assembly, Ratios 3.42 – 4.11	1
7.1	A8 3235W1843	Differential Case Assembly, Ratios 4.30 – 7.17	1
7.1.1	3235V1920	Differential Case Flange Half, 2.64 – 2.93 Ratios	1
7.1.1	3235S1839	Differential Case Flange Half, 3.07 – 3.36 Ratios	1
7.1.1	3235U1841	Differential Case Flange Half, 3.42 – 4.11 Ratios	1
7.1.1	3235W1843	Differential Case Flange Half, 4.30 – 7.17 Ratios	1
7.1.1	3235D2188	Differential Case Flange Half, 3.42 – 4.11 Ratios, 22k	1
7.1.1	3235T2152	Differential Case Flange Half, 4.33 – 7.17 Ratios, 22k	1
7.1.2	3235J2064	Differential Case Plain Half	1
7.1.2	3235U2153	Differential Case Plain Half, 22k	1
7.1.2	3235T1918	Differential Case Plain Half, Carrier with Differential Lock	1
7.1.2	3235V2154	Differential Case Plain Half, 22k, Carrier with Differential Lock	1
7.1.3	KIT 2819	Axle Hardware - Capscrew Assembly, Main Differential Case	1
7.1.3.1	1229D4632	Axle Hardware - Washer	16
7.1.3.2	41X1327	Axle Hardware - Capscrew	16
7.2	KIT 2310	Differential Kit, 41 Spline, 20k	1
7.2.1	1229V4624	Axle Hardware - Washer, Thrust, Differential Side Gear	2
7.2.2	2234G1437	Differential - Side Gear, 41 Spline, 20k	2
7.2.3	1229R1032	Axle Hardware - Washer, Thrust, Differential Pinion Gear	4
7.2.4	3278S305	Differential - Spider	1

SINGLE/REAR 145 HYPOID MAIN DIFFERENTIAL

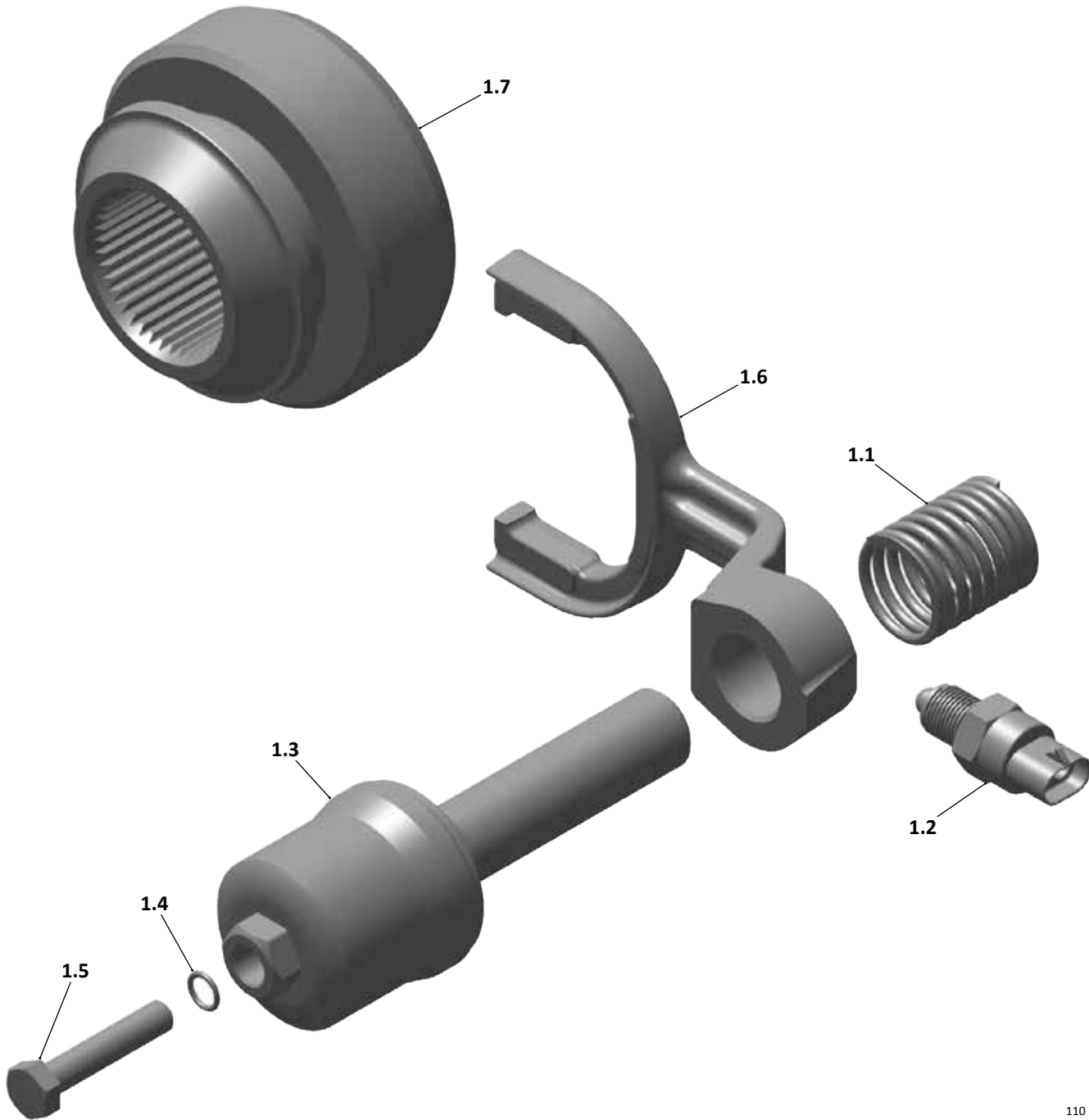


SINGLE/REAR 145 HYPOID MAIN DIFFERENTIAL

Meritor®
145 Carriers

ITEM NO.	PART NUMBER	DESCRIPTION	QTY
7.2.5	2233J1024	Differential - Pinion	4
7.2	KIT 2389	Differential Kit, 39 Spline, 17k	1
7.2.1	1229V4624	Axle Hardware - Washer, Thrust, Differential Side Gear	2
7.2.2	2234M1469	Differential - Side Gear, 39 Spline, 17k	2
7.2.3	1229R1032	Axle Hardware - Washer, Thrust, Differential Pinion Gear	4
7.2.4	3278S305	Differential - Spider	1
7.2.5	2233J1024	Differential - Pinion	4
7.2	KIT 2696	Differential Kit, 41 Spline, 22k	
7.2.1	1229V4624	Axle Hardware - Washer, Thrust, Differential Side Gear	2
7.2.2	2234U1451	Differential - Side Gear, 41 Spline, 22k	2
7.2.3	1229R1032	Axle Hardware - Washer, Thrust, Differential Pinion Gear	4
7.2.4	3278Y1117F	Differential - Spider, Carrier with Thrust Screw, 22k	1
7.2.5	2233X1116	Differential - Pinion, Carrier with Thrust Screw, 22k	4
8	KIT 2317	Axle Hardware - Hardware Kit, Ring Gear to Main Differential Case	1
8.1	41X1216	Axle Hardware - Capscrew	12
8.2	1229U1503	Axle Hardware - Washer	12
8.3	40X1182	Axle Hardware - Nut	12
9	B-43606-1R-264	Differential - Service Gear Set, Ratio 2.64	1
9	A 41682 1	Differential - Service Gear Set, Ratio 2.79	1
9	A 41158 1	Differential - Service Gear Set, Ratio 2.93	1
9	A-43608-1R-308	Differential - Service Gear Set, Ratio 3.08, Replaces Ratio 3.07	1
9	A 41496 1	Differential - Service Gear Set, Ratio 3.21	1
9	A-43610-1R-325	Differential - Service Gear Set, Ratio 3.25	1
9	A-43612-1R-336	Differential - Service Gear Set, Ratio 3.36	1
9	B 41164 1	Differential - Service Gear Set, Ratio 3.42	1
9	B-43614-1R-355	Differential - Service Gear Set, Ratio 3.55, Replaces Ratio 3.58	1
9	B-43616-1R-370	Differential - Service Gear Set, Ratio 3.70, Replaces Ratio 3.73	1
9	B-43618-1R-390	Differential - Service Gear Set, Ratio 3.90	1
9	B-41686-1R-411	Differential - Service Gear Set, Ratio 4.11	1
9	B-41266-1R-433	Differential - Service Gear Set, Ratio 4.33	1
9	B 41542 1	Differential - Service Gear Set, Ratio 4.56	1
9	B-41268-1R-463	Differential - Service Gear Set, Ratio 4.63	1
9	B-41270-1R-488	Differential - Service Gear Set, Ratio 4.88	1
9	A-41272-1R-513	Differential - Service Gear Set, Ratio 5.13	1
9	B-41274-1R-529	Differential - Service Gear Set, Ratio 5.29	1
9	A 41304 1R 557	Differential - Service Gear Set, Ratio 5.57	1
9	B 41456 1R 586	Differential - Service Gear Set, Ratio 5.86	1
9	A 41458 1R 614	Differential - Service Gear Set, Ratio 6.14	1
9	A 41460 1R 643	Differential - Service Gear Set, Ratio 6.43	1
9	A 41462 1R 683	Differential - Service Gear Set, Ratio 6.83	1
9	B 43426 1R 717	Differential - Service Gear Set, Ratio 7.17	1
9.1	KIT 2637	Axle Hardware - Hardware Kit, Drive Pinion Shaft Yoke	1
9.1.1	1229T1736	Axle Hardware - Washer	1
9.1.2	40X1237	Axle Hardware - Nut	1

SINGLE/REAR 145 HYPOID SCREW-IN DIFFERENTIAL LOCK

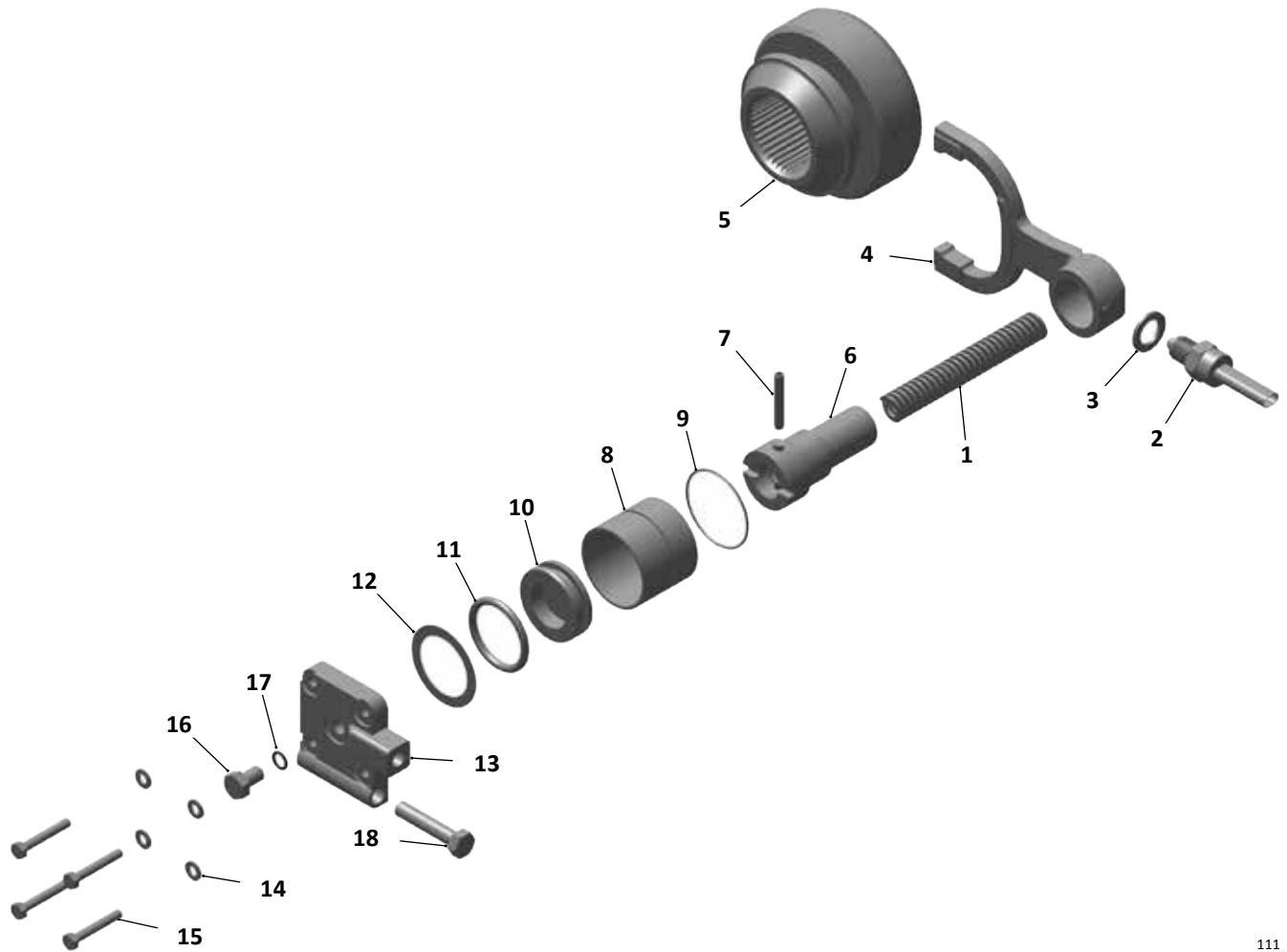


110

ITEM NO.	PART NUMBER	DESCRIPTION	QTY
1	KIT 2662	Differential - Shift Repair Kit, Driver Controlled Differential Lock (DCDL)	1
1.1	2258N1262	Axle Hardware - Spring, Differential Lock Shift Fork	1
1.2	KIT 4429	Differential - DCDL Lock Switch, Driver Controlled Differential Lock (DCDL)	1
1.3	KIT 2824	Axle Hardware - Air Shift Assembly, Differential Lock Shifter	1
1.4	5X521	Transfer Case Hardware, Manual Engaging Differential Lock Capscrew	1
1.5	41X1368	Axle Hardware - Miscellaneous, Manual Engaging Differential Lock	1
1.6	3296Z1170	Drive Axle - Shift Fork, Clutch Collar Shifter	1
1.7	3107D1018	Axle Hardware - Collar	1

SINGLE/REAR 145 HYPOID BOLT-ON DIFFERENTIAL LOCK

Meritor®
145 Carriers



111

ITEM NO.	PART NUMBER	DESCRIPTION	QTY
1	2258L714	Axle Hardware - Spring, Differential Lock Shift Fork	1
2	KIT 4429	Differential - DCDL Lock Switch, Driver Controlled Differential Lock (DCDL)	1
3	1229U1503	Axle Hardware - Washer, Sensor Switch	2
4	3296Z1300	Drive Axle - Shift Fork, Clutch Collar Shifter	1
5	3107H1334	Differential - Lock Collar	1
6	2244Z52	Drive Axle - Shaft Assembly	1
7	43X1006	Axle Hardware - Pin, Differential Lock Shifter Push Rod, Shift Fork Spring Retaining	1
8	3196S1137	Axle Hardware - Tube, Air Cylinder	1
9	5X1288	Axle Hardware - O-Ring, Screw-in Differential Lock Shifter Cylinder	1
10	2230N170	Differential - Piston	1
11	5X1153	Axle Hardware - O-Ring, Differential Lock Shifter Piston	1
12	2208H944	Axle Hardware - Gasket, Differential Lock Shifter Cover	1
13	3266F1020	Differential - Cover Assembly	1
14	MWA 506	Axle Hardware - Washer, Differential Lock Shifter Cover	4
15	MS206045 1	Axle Hardware - Capscrew, Differential Lock Shifter Cover	4
16	MS210016 1	Axle Hardware - Capscrew, Inlet Plug	1
17	208L1000	Axle Hardware - Gasket, Inlet Plug Capscrew Or Manual Engaging Differential Lock Capscrew	1
18	41X1333	Axle Hardware - Capscrew, Manual Engaging Differential Lock	1

NUMERICAL LISTING

MERITOR PART NUMBER	PAGE NUMBER
5X521	16, 34
5X1153	35
5X1288	35
5X1343	7
10X1710	20
15-X-387	17
40X1016	7, 20, 28
40X1182	13, 25, 33
40X1233	9, 13
40X1237	17, 25, 33
41X1208	7
41X1216	13, 25, 33
41X1327	15, 23, 25, 31
41X1333	35
41X1368	16, 34
41X1371	7, 28
41X1637	7, 28
41X1669	20
41X1870	29
42X1021	7, 20, 28
43X1006	35
46X1084	29
1220P1108	20
1228F604	21
1228H2452	23
1228J2116	17
1228K37	9
1228Z1716	21
1229D4632	15, 23, 25, 31
1229D4632	7
1229E1669	7
1229K1597	9
1229-K-1597	17
1229K1597	7
1229N1730	9
1229P2590	17
1229Q2591	17
1229Q5087	23, 25
1229R1032	15, 23, 25, 31, 33
1229R2592	17
1229S2593	17
1229S4985	9
1229T1606	9
1229T1736	17, 25, 33
1229T2594	17
1229U1503	13, 25, 33, 35
1229U2595	17

MERITOR PART NUMBER	PAGE NUMBER
1229V2596	17
1229V4624	15, 31, 33
1229W2597	17
1229W4131	17
1229W4521	13
1229X2598	17
1229Y2599	17
1244A2445	21
1244B2446	21
1244C2447	21
1244F2346	21
1244M2431	21
1244N2432	21
1244P2434	21
1244Q2435	21
1244R2436	21
1244S2437	21
1244T2438	21
1244U2439	21
1244V1764	11
1244V2440	21
1244W2441	21
1244X2442	21
1244Y2443	21
1244Z2444	21
2203D9806	11
2203E9807	11
2203F2788	11, 21
2203F9808	11
2203G2789	11, 21
2203G9809	11
2203H2790	11, 21
2203H9810	11
2203J9474	29
2203J9812	11
2203K9241	7
2203K9475	29
2203K9813	11
2203L9242	7
2203L9476	29
2203L9814	11
2203M9243	7
2203M9477	29
2203M9815	11
2203N9478	29
2203N9816	11
2203P9480	29

MERITOR PART NUMBER	PAGE NUMBER
2203P9818	11
2203Q9481	29
2203Q9819	11
2203R9482	29
2203R9820	11
2203S9483	29
2203S9821	11
2203T9484	29
2203T9822	11
2203U9485	29
2203U9823	11
2208H944	35
2208L1000	35
2214C1095	15, 30
2214G1255	23
2214Y1039	15, 30
2230N170	35
2233J1024	15, 23, 25, 33
2233U1035	9
2233X1116	15, 33
2234G1437	15, 23, 25, 31
2234M1469	15, 33
2234R1188	9
2234U1451	15, 33
2244Z52	35
2258L714	35
2258N1262	16, 34
2258U411	9
2258Z1118	7
2297E5335	9
2297P8336	20
2297U5273	7
2297Z5278	7
2803Q2851	29
2803R2852	29
2803S2853	29
2803T2854	29
3107D1018	16, 34
3107H1334	35
3107M1183	9
3196S1137	35
3221P1004	7
3226T1112	17
3235A2783	23
3235B3174	23
3235C2785	23
3235D2188	15, 31

NUMERICAL LISTING

Meritor®
145 Carriers

MERITOR PART NUMBER	PAGE NUMBER
3235E2787	25
3235J2064	15, 31
3235J2792	23, 25
3235S1839	15, 31
3235T1918	15, 31
3235T2152	15, 31
3235U1841	15, 31
3235U2153	15, 31
3235V1920	15, 31
3235V2154	15, 31
3235W1843	15, 31
3264N1522	7
3266C1095	7
3266F1020	35
3278A1119F	9
3278S305	15, 23, 25, 31, 33
3278Y1117F	15, 33
3296Z1170	16, 34
3296Z1300	35
3296Z1326	9
3297E1019	17
3892L5940	11
3892N5942	9
3920	7
55206C	29
55437	29
72212C	11, 29
72487	29
72487	11
A1 1205X2728	7
A1 1205Y2729	17
A1 1205Z2730	21, 29
A1 1228G605	21
A1 3226T1112S	17
A1 3235A2783	23
A1-3235B3174	23
A1 3235C2785	23
A1 3235E2787	23
A1 3297Q1603	9
A2 3200B1978	7
A2 3200D1980	7
A2 3200E1981	7
A2 3200F1904	28
A2 3200F1982	7
A2 3200G1879	28
A2 3200G1879S	28
A2 3200G2217	20

MERITOR PART NUMBER	PAGE NUMBER
A2 3200H1984	7
A2 3200J1986	7
A2 3200K1987	7
A2 3200L1676	28
A2 3200L1988	7
A2 3200U1919	28
A2 3235D2188	15, 31
A2 3235S1839	13, 31
A2 3235T2152	15, 31
A2 3235U1841	13, 31
A2 3235V1920	13, 31
A2 3235W1843	13, 31
A3 3235S1839	13, 31
A3 3235U1841	13, 31
A3 3235V1920	13, 31
A3 3235W1843	13, 31
A8 3235S1839	13, 31
A8 3235U1841	13, 31
A8 3235V1920	13, 31
A8 3235W1843	13, 31
A9 3235S1839	13, 31
A9 3235U1841	13, 31
A9 3235V1920	13, 31
A9 3235W1843	13, 31
A10 3235D2188	13, 31
A10 3235S1839	13, 31
A10 3235T2152	13, 31
A10 3235U1841	13, 31
A10 3235V1920	13, 31
A10 3235W1843	13, 31
A11 3235D2188	13, 31
A11 3235T2152	13, 31
A 1228A1717	21
A-1228J2454	23
A-1228K2117	17
A-1228P2252	29
A 2297D5334	7
A 3226D1226	7
A 3226M1053	29
A 3226V1296	7
A 3235A2783	23
A-3235B3174	23
A 3235C2785	23
A 3235D2188	13, 31
A 3235E2787	25
A 3235N2380	9
A 3235T2152	13, 31

MERITOR PART NUMBER	PAGE NUMBER
A 3297Q1603	9
A 3297R1604	9
A 3303P1030	7
A-3380W1687	7
A 41104 1	12
A 41158 1	33
A-41272-1R-513	33
A 41304 1R 557	33
A 41458 1R 614	33
A 41460 1R 643	33
A 41462 1R 683	33
A-41468-1F-614	13
A-41470-1F-643	13
A-41472-1F-683	13
A 41496 1	33
A 41510 1	12
A 41676 1	12
A 41682 1	33
A-42128-1R-411	25
A-42180-1R-390	25
A42200-1F-308	12
A-42200-1R-308	25
A-42202-1F-336	12
A-42202-1R-336	25
A-42204-1F-355	12
A-42204-1R-355	25
A-42206-1R-370	25
A-43502-1F-325	12
A-43502-1R-325	25
A-43608-1R-308	33
A-43610-1R-325	33
A-43612-1R-336	33
A-43752-1F-342	12
A-43752-1R-342	25
A-44440-1R-279	25
A-44524-1R-285	25
A-45154-1R-293	25
B 41164 1	33
B-41266-1R-433	33
B-41268-1R-463	33
B-41270-1R-488	33
B-41274-1R-529	33
B-41278-1F-433	13
B-41280-1F-463	13
B-41282-1F-488	13
B-41284-1F-529	13
B 41456 1R 586	33

NUMERICAL LISTING

MERITOR PART NUMBER	PAGE NUMBER
B-41466-1F-586	13
B 41512 1	12
B 41514 1	13
B 41542 1	33
B 41562 1	13
B-41686-1R-411	33
B 41718 1	12
B-42128-1F-411	13
B-42180-1F-390	13
B-42206-1F-370	13
B 43426 1R 717	33
B-43498-1R-247	25
B-43500-1R-264	25
B-43596-1F-717	13
B-43606-1R-264	33
B-43614-1R-355	33
B-43616-1R-370	33
B-43618-1R-390	33
B-44574-1R-228	25
H 715311	11

MERITOR PART NUMBER	PAGE NUMBER
H 715334	11
JLM710910	9
JLM710949C	9
JM511945	9
KIT 576	17
KIT 1647	11, 21
KIT 2310	15, 31
KIT 2313	29
KIT 2317	13, 25, 33
KIT 2322	29
KIT 2389	15, 33
KIT 2396	11
KIT 2541	21
KIT 2637	17, 25, 33
KIT 2638	13
KIT 2662	16, 34
KIT 2696	15, 33
KIT 2819	15, 23, 25, 31
KIT 2824	16, 34
KIT 2825	9

MERITOR PART NUMBER	PAGE NUMBER
KIT 2826	9
KIT 2886	7
KIT 4007	9
KIT 4429	16, 34, 35
KIT 4778	23, 25
MN 312 1	7
MS206045 1	35
MS208016A-2	7
MS208045-2	7
MS210016 1	35
MS210020 1	7
MS210045A-2	9
MS212045 2	7
MS220120 2	7, 20, 28
MWA 506	35
NP293601	15, 30
NP563664	15, 30
NP934397	15, 30
NP970652	15, 30

NOTES: _____



Xcelerated Parts Xpertise.

Expedite your search for more than 100,000 aftermarket products with powerful self-service tools to help boost your parts operations. For fast access to parts ordering on all Meritor aftermarket brands, plus enhanced Xact Search and Visual Search tools, competitive cross-references, product information, catalogs and more, visit [MeritorPartsXpress.com](https://www.MeritorPartsXpress.com).



Vehicle models, trademarks, brands, and names depicted herein are the property of their respective owners, and may not be associated with Meritor, Inc. or its affiliates.



Meritor Heavy Vehicle Systems, LLC
7975 Dixie Highway
Florence, Kentucky 41042 USA

1-888-725-9355 U.S.
1-800-387-3889 Canada
[MeritorPartsXpress.com](https://www.MeritorPartsXpress.com)
[meritor.com](https://www.meritor.com)

©2020 Meritor, Inc.
Litho in USA
PB-2116
Issued 11-20