

September 2020

MERITOR® AIR SYSTEMS CATALOG



TITLE	PAGE
Air Hose and Fittings - - - - -	1-1
Air Brake Hose Base Part Number - - - - -	1-2
Air Brake Hose Assemblies- - - - -	1-3
Bulk Air Brake Hose - - - - -	1-5
Terminal Bolts and Frame Couplings - - - - -	1-5
Air Brake Fittings - - - - -	1-6
Meritor Polyurethane Gladhand Seals - - - - -	1-7
Gladhands and Rubber Gladhand Seals - - - - -	1-7
In-Line Filter - - - - -	1-7
Coiled Air Hose - - - - -	1-8
Air Reservoirs - - - - -	1-8
 Air Compressors - - - - -	 2-1
Air Compressors Quick Reference - - - - -	2-2
Air Brake Governors- - - - -	2-7
Competitive - - - - -	2-8
Caterpillar - - - - -	2-15
Cummins - - - - -	2-21
Detroit Diesel - - - - -	2-28
Ford - - - - -	2-34
International - - - - -	2-35
Mack- - - - -	2-36
Volvo- - - - -	2-40
 Air Dryers - - - - -	 3-1
Air Dryers Quick Reference - - - - -	3-2
AD2 Series - - - - -	3-6
AD4 Series - - - - -	3-10
AD9 Series - - - - -	3-14
ADIP Series- - - - -	3-20
ADSP Series - - - - -	3-24
ADIS Series- - - - -	3-28
T-2000 - - - - -	3-30

TITLE	PAGE
Truck/Tractor Air Valves- - - - -	4-1
Check Valves - - - - -	4-7
Air Brake Control Valves- - - - -	4-9
Air Brake Foot Valves - - - - -	4-16
Air Brake Hand Control Valves - - - - -	4-22
Air Brake Inversion Valves- - - - -	4-23
Leveling Valves - - - - -	4-24
Air Brake Protection Valves - - - - -	4-26
Air Brake Quick Release Valves - - - - -	4-27
Air Brake Ratio Valves- - - - -	4-30
Air Brake Relay Valves- - - - -	4-35
Air Brake Emergency Valves - - - - -	4-38
Air Brake Spring Brake Valves - - - - -	4-40
Air Brake Switches and Indicators - - - - -	4-44
Air Brake Tractor Protection Valves - - - - -	4-45
Solenoid Valves - - - - -	4-48
Transmission Valves- - - - -	4-49
Trailer Air Valves - - - - -	4-54
Check Valves - - - - -	4-55
Air Brake Control Valves- - - - -	4-57
Air Brake Foot Valves - - - - -	4-60
Air Brake Hand Control Valves - - - - -	4-61
Air Brake Protection Valves - - - - -	4-62
Air Brake Quick Release Valves - - - - -	4-63
Air Brake Relay Valves- - - - -	4-64
Air Brake Control Line Valves - - - - -	4-68
Air Brake Emergency Valves - - - - -	4-69
Air Brake Spring Break Valves - - - - -	4-71
Air Brake Switches and Indicators - - - - -	4-74
Air Brake Tractor Protection Valves - - - - -	4-75
Air Brake Miscellaneous Valves - - - - -	4-76
Mounting Hardware - - - - -	4-77
Air Brake Safety Valves and Fittings - - - - -	4-78

TITLE	PAGE
Meritor-to-Euclid Cross Reference - - - - -	5-1
Competitive Cross Reference - - - - -	6-1
Numerical Listing - - - - -	7-1
Troubleshooting Reference - - - - -	8-1
Compressor - - - - -	8-1
Air Compressor - - - - -	8-1
Air Dryer - - - - -	8-2



ONE GREAT PORTFOLIO.

Choose The Best Fit For Your Needs.

The Meritor® all-makes air systems replacement components portfolio offers more than 1,000 new and remanufactured components for tractor, truck, bus and trailer applications. It offers you different levels of value, including Meritor replacement parts and Meritor Reman parts. Each designed and engineered to meet exacting OE quality specifications, while also meeting your duty cycle and application requirements.

Our single source complete portfolio includes over 120 all-makes air dryers and kits, over 600 reman air compressors, over 100 new air valves and over 120 reman air valves. Each is designed to replace competitive products and meet OE quality specifications.

Performance Advantages:

- Provides a single source for over 1,000 all-makes air systems components
- Includes air systems components for tractor, truck, bus and trailer applications
- Complete portfolio of new and remanufactured OE-quality aftermarket air systems components designed to replace competitive products with pricing options
- Includes aftermarket new/core-free and remanufactured air valves, air dryers, cartridges and service kits, air compressors, air hose assemblies and fittings, air tanks and more

Features and Benefits:

- Saves you time and money when you consolidate purchasing with Meritor vs. various suppliers
- Maintains vehicle braking performance and compliance, while reducing operating costs
- New/core-free products save you time, cost and space by eliminating core management
- Quality remanufactured products, including air compressors, air dryers and cartridges, as well as air valves, all competitively priced
- Meritor all-makes air systems components provide the same form, fit and function as OE parts
- Fully supported with the industry's most advanced parts and information site – MeritorPartsXpress.com
- Unsurpassed service provided throughout North America by our industry-leading Customer Care team



Compressors:

- All replacement parts meet or exceed exacting specifications
- Inlet seats are replaced
- Cylinder bore crosshatching angle is maintained 100%
- Cylinder blocks are machined to meet exacting specifications
- All connecting rods are compatible with turbocharging
- New ring sets and pistons are matched to reconditioned cylinder blocks
- Exhaust seats are machined to meet exacting specifications
- The head assembly is completely disassembled, inspected, cleaned and machined to meet exacting standards
- All units are dynamometer tested



Air Dryers:

- Cartridges are freshly charged with all-new desiccant that meets or exceeds exacting specifications
- Filters and O-rings are replaced 100%
- A new purge valve, relief valve, heater and springs are installed on all new dryers
- All dryers are tested in charge and purge cycles
- All new dryers have soft seat pistons to help handle higher turbo boost pressure
- Pop-off valves are precisely machined to avoid leaks
- Standard and coalescing dryer cartridges available
- Feature heavier-gauge metal to ensure integrity



Valves:

- All units have N70 Nitrile elastomer rubber and seals to withstand wide temperature extremes
- OEM synthetic grease is used on all units
- All pistons have a proven long-life design equivalent to the OEM units
- All crack pressures meet exacting specifications
- All-metal construction meets exacting specifications for each unit in the program
- Units are batch-tested to ensure quality before goods are sold in the marketplace
- All threads are tested to ensure they meet exacting standards

YOU DESERVE COMPLETE AIR SYSTEMS SUPPORT.

From warranty support to comprehensive product information to unsurpassed customer care, Meritor delivers.

Meritor all-makes air systems replacement components are covered by our complete Meritor 1-year aftermarket warranty. Meritor all-makes air systems remanufactured components are covered by our Meritor Reman 1-year aftermarket warranty.

Get the attention you deserve with Meritor's extensive customer support services. For complete product information and specifying assistance, training and technical support, count on our expert field sales force. Meritor's industry-leading Customer Care team provides an all-purpose, one-call solution for customer satisfaction.

For more information, call the Meritor U.S. Customer Care Center at 888-725-9355. In Canada, call 800-387-3889. Or visit MeritorPartsXpress.com.

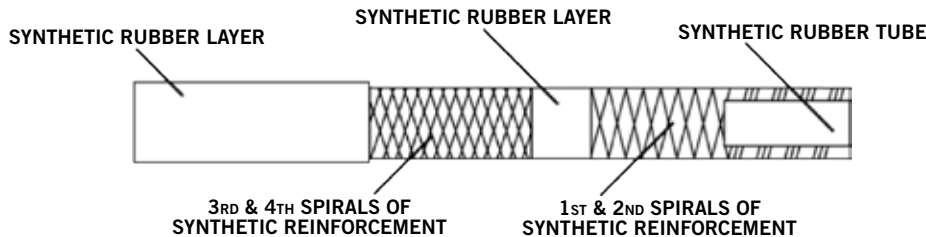


AIR HOSE AND FITTINGS TABLE OF CONTENTS

TITLE	PAGE
Air Hose and Fittings - - - - -	1-1
Air Brake Hose Base Part Number - - - - -	1-2
Air Brake Hose Assemblies- - - - -	1-3
Bulk Air Brake Hose - - - - -	1-5
Terminal Bolts and Frame Couplings - - - - -	1-5
Air Brake Fittings - - - - -	1-6
Meritor Polyurethane Gladhand Seals - - - - -	1-7
Gladhands and Rubber Gladhand Seals - - - - -	1-7
In-Line Filter - - - - -	1-7
Coiled Air Hose - - - - -	1-8
Air Reservoirs - - - - -	1-8

FUNCTION

Air brake tubes and hoses are the arteries of a vehicles air system. Their purpose is to transfer air from the air tanks to valves and brake chambers. They are designed to carry the correct volume and pressure to assure balanced effective braking. Tubing and hose are used for different purposes even though they perform the same task. Tubing is manufactured out of stiff materials like copper and nylon and are used on the vehicle where no movement occurs. Hose is manufactured to work with the vehicles suspension, connections, and points of movement. Layers of synthetic rubber and synthetic reinforcement give hose its strength and flexibility as illustrated in the image below.



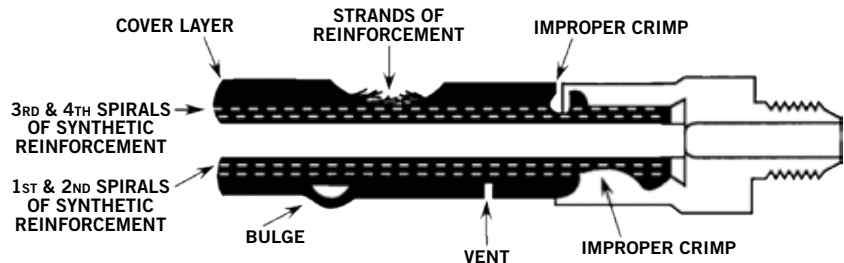
This design meets United States Department of Transportation (DOT), Society of Automotive Engineers, and the National Highway Traffic Safety Administration requirements.

INSPECTION

An air leak is usually a sign that a hose needs repair or replacement. Hearing an air leak is not the only reason for replacing an air hose. Prevention of your vehicle being put “out of service” on the road is another reason. “Out of service” criteria is in place to prevent problems associated with hose failure on the highway. Brake lock up, tire flat spotting, brake imbalance and accidents are a few of those problems. The published out of service criteria includes the following reasons:

- Bulging and/or swelling with air applied.
- Improper splice — hose forced over pipe and using hose clamps to secure.
- Crimp, twist or turn causing restrictions.
- Cut, wear, damage through rubber cover and outer reinforcement ply.

Some manufacturers will use small vent holes to eliminate air from between the cover layer and the third and fourth spiral reinforcement layers. These vent holes will cause no problems in the life of the hose or the safety of the vehicle, and do not represent an “out of service” condition.



MERITOR AIR HOSE ASSEMBLY PART NUMBERS



Meritor Air Hose Assembly part numbers consist of a four digit base number followed by a dash and two additional digits. The four digit base number designates the size of the air hose and type of end fittings. The last two digits designate the overall length of the hose, per “A” above. Air hoses are sold unpackaged as designated by -BK after each part number.

AIR BRAKE HOSE BASE PART NUMBER		
MERITOR BASE NO.	AIR HOSE I.D.	END FITTING TYPE
R955502	3/8"	1/4"-18 NPTF, one fixed, one swivel end
R955503		3/8"-18 NPTF, one fixed, one swivel end
R955504		3/8"-18 NPTF, both ends swivel
R955505	1/2"	3/8"-18 NPTF, one fixed, one swivel end
R955506		1/2"-18 NPTF, fixed end; 3/8"-18 NPTF, swivel end
R955507		3/8"-18 NPTF, both ends swivel

R955-502-08-BK

Aftermarket Designation

Hose Specification

- 3/8" Air Brake Hose Assemblies**
 - 502 = 1/4"-18 NPTF 1 Fixed/1 Swivel
 - 503 = 3/8"-18 NPTF 1 Fixed/1 Swivel
 - 504 = 3/8"-18 NPTF 2 Swivel
- 1/2" Air Brake Hose Assemblies**
 - 505 = 3/8"-18 NPTF 1 Fixed/1 Swivel
 - 506 = 1/2"-14 NPTF Fixed
3/8"-18 NPTF Swivel
 - 507 = 3/8"-18 NPTF 2 Swivel

Length

- 8" Overall Hose Length "A"
- 12" Overall Hose Length "A"
- 14" Overall Hose Length "A"
- 16" Overall Hose Length "A"
- 18" Overall Hose Length "A"

Bulk Package Designation

4 Piece Sets

AIR BRAKE HOSE ASSEMBLIES

OVERALL AIR HOSE LENGTH "A"	3/8" AIR BRAKE HOSE ASSEMBLIES			1/2" AIR BRAKE HOSE ASSEMBLIES		
	MERITOR NO. 1/4"-18 NPTF 1 FIXED/1 SWIVEL	MERITOR NO. 3/8"-18 NPTF 1 FIXED/1 SWIVEL	MERITOR NO. 3/8"18 NPTF 2 SWIVEL	MERITOR NO. 3/8"-18 NPTF 1 FIXED/1 SWIVEL	MERITOR NO. 1/2"-14 NPTF FIXED 3/8"-18 NPTF SWIVEL	MERITOR NO. 3/8"-18 NPTF 2 SWIVEL
8"	R955502-08-BK	R955503-08-BK	R955504-08-BK	R955505-08-BK	R955506-08-BK	R955507-08-BK
12"	R955502-12-BK	R955503-12-BK	R955504-12-BK	R955505-12-BK	R955506-12-BK	R955507-12-BK
14"	R955502-14-BK	R955503-14-BK	R955504-14-BK	R955505-14-BK	R955506-14-BK	R955507-14-BK
16"	R955502-16-BK	R955503-16-BK	R955504-16-BK	R955505-16-BK	R955506-16-BK	R955507-16-BK
18"	R955502-18-BK	R955503-18-BK	R955504-18-BK	R955505-18-BK	R955506-18-BK	R955507-18-BK
20"	R955502-20-BK	R955503-20-BK	R955504-20-BK	R955505-20-BK	R955506-20-BK	R955507-20-BK
22"	R955502-22-BK	R955503-22-BK	R955504-22-BK	R955505-22-BK	R955506-22-BK	R955507-22-BK
24"	R955502-24-BK	R955503-24-BK	R955504-24-BK	R955505-24-BK	R955506-24-BK	R955507-24-BK
26"	R955502-26-BK	R955503-26-BK	R955504-26-BK	R955505-26-BK	R955506-26-BK	R955507-26-BK
28"	R955502-28-BK	R955503-28-BK	R955504-28-BK	R955505-28-BK	R955506-28-BK	R955507-28-BK
30"	R955502-30-BK	R955503-30-BK	R955504-30-BK	R955505-30-BK	R955506-30-BK	R955507-30-BK
32"	R955502-32-BK	R955503-32-BK	R955504-32-BK	R955505-32-BK	R955506-32-BK	R955507-32-BK
34"	R955502-34-BK	R955503-34-BK	-	R955505-34-BK	R955506-34-BK	R955507-34-BK
36"	R955502-36-BK	R955503-36-BK	R955504-36-BK	R955505-36-BK	R955506-36-BK	R955507-36-BK
38"	R955502-38-BK	R955503-38-BK	R955504-38-BK	R955505-38-BK	R955506-38-BK	R955507-38-BK
40"	R955502-40-BK	R955503-40-BK	R955504-40-BK	R955505-40-BK	R955506-40-BK	R955507-40-BK
42"	R955502-42-BK	R955503-42-BK	R955504-42-BK	R955505-42-BK	R955506-42-BK	R955507-42-BK
44"	R955502-44-BK	R955503-44-BK	R955504-44-BK	R955505-44-BK	R955506-44-BK	R955507-44-BK
46"	-	R955503-46-BK	R955504-46-BK	R955505-46-BK	R955506-46-BK	R955507-46-BK
48"	R955502-48-BK	R955503-48-BK	R955504-48-BK	R955505-48-BK	R955506-48-BK	R955507-48-BK
50"	R955502-50-BK	R955503-50-BK	R955504-50-BK	R955505-50-BK	R955506-50-BK	R955507-50-BK
52"	R955502-52-BK	R955503-52-BK	R955504-52-BK	R955505-52-BK	R955506-52-BK	R955507-52-BK
54"	R955502-54-BK	R955503-54-BK	R955504-54-BK	R955505-54-BK	R955506-54-BK	R955507-54-BK
56"	R955502-56-BK	R955503-56-BK	R955504-56-BK	R955505-56-BK	R955506-56-BK	R955507-56-BK
60"	R955502-60-BK	R955503-60-BK	R955504-60-BK	R955505-60-BK	R955506-60-BK	R955507-60-BK
62"	-	R955503-62-BK	R955504-62-BK	R955505-62-BK	R955506-62-BK	R955507-62-BK
66"	R955502-66-BK	R955503-66-BK	R955504-66-BK	R955505-66-BK	R955506-66-BK	R955507-66-BK
68"	R955502-68-BK	R955503-68-BK	R955504-68-BK	R955505-68-BK	R955506-68-BK	R955507-68-BK
72"	R955502-72-BK	R955503-72-BK	R955504-72-BK	R955505-72-BK	R955506-72-BK	R955507-72-BK
84"	R955502-84-BK	R955503-84-BK	R955504-84-BK	R955505-84-BK	R955506-84-BK	R955507-84-BK

AIR HOSE ASSEMBLY WALL DISPLAY RACKS

Meritor Part No. R955074



- Holds up to 48 Air Hose Assemblies
- 6 Hooks for 3/8" Air Hose Assemblies & 6 Hooks for 1/2" Air Hose Assemblies
- Each Hook holds 4 Air Hose Assemblies
- 46 pre-printed Meritor part number labels and 20 blank labels included with each rack

FREE

AIR HOSE ASSEMBLY WALL DISPLAY RACKS!

Purchase An Air Hose Assembly Display Assortment and get a FREE R955074 Wall Display Rack!

- Each Air Hose Assembly Display Assortment includes 48 pieces of the most popular Air Hose Assemblies
- Perfect for installing in a Fleet or Jobber location
- "-BK" suffix denotes that hose is shipped unboxed

R955075 ASSORTMENT

Includes One FREE R955074 Wall Display Rack Plus:


3/8" I.D. Hose	1/2" I.D. Hose
1/4"-18 NPTF	3/8"-18 NPTF
<u>1 Fixed/1 Swivel</u>	<u>1 Fixed/1 Swivel</u>
4 R955502-20-BK	4 R955505-18-BK
4 R955502-24-BK	4 R955505-20-BK
4 R955502-26-BK	4 R955505-22-BK
4 R955502-28-BK	4 R955505-24-BK
4 R955502-30-BK	4 R955505-26-BK
4 R955502-36-BK	4 R955505-28-BK

R955076 ASSORTMENT



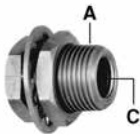

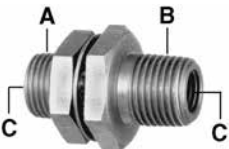
Includes One FREE R955074 Wall Display Rack Plus:

3/8" I.D. Hose	1/2" I.D. Hose
1/4"-18 NPTF	3/8"-18 NPTF
<u>1 Fixed/1 Swivel</u>	<u>1 Fixed/1 Swivel</u>
4 R955503-20-BK	4 R955505-30-BK
4 R955503-24-BK	4 R955505-32-BK
4 R955503-26-BK	4 R955505-34-BK
4 R955503-28-BK	4 R955505-36-BK
4 R955503-30-BK	4 R955505-42-BK
4 R955503-36-BK	4 R955505-48-BK

BULK AIR BRAKE HOSE

	MERITOR NO.	I.D.	O.D.	PACKAGE
	R955500	3/8"	3/4"	50 ft. per box
	R955500-BK			250 ft. per reel
	R955501	1/2"	7/8"	50 ft. per box
R955501-BK	250 ft. per reel			

TERMINAL BOLTS AND FRAME COUPLINGS

	MERITOR NO.	A	B	C	D	OVERALL LENGTH
	R950099	1/4"-14 NPTF	1"-14 UNS	1/4"-18 NPTF		3-15/16"
	R950100	1"-14 UNS	1/2"-14 NPTF	1/4"-18 NPTF		2-7/8"
	R950101 <small>See Note 1</small>	1/4"-14 NPTF	1"-14 UNS	1/4"-18 NPTF		2-7/8"
	R950102	1/4"-14 NPTF	1"-14 UNS	3/8"-18 NPTF		1-11/16"
	R950103	1/4"-14 NPTF	1"-14 UNS	3/8"-18 NPTF		1-29/32"
	R950104	1/4"-14 NPTF	1"-14 UNS	1/4"-18 NPTF		2-1/8"
	R950105	1"-14 UNS		3/8"-18 NPTF		1-5/16"
	R950106	3/4"-16 UNS		1/4"-18 NPTF		15/16"
	R950107	3/4"-16 UNS		1/4"-18 NPTF		1-1/2"
	R950108	7/8"-20 UNF		3/8"-18 NPTF	1/2" O.D. Tube	1-5/16"
	R950109	7/8"-20 UNF		3/8"-18 NPTF	3/8" O.D. Tube	1-3/8"
	R950110	1/4"-14 NPTF	3/4"-16 UNS	1/4"-18 NPTF		1-11/16"
	R950111	1/4"-14 NPTF	3/4"-16 UNS	1/4"-18 NPTF		2-5/32"

Note: 1 Same as R950100, except has larger mounting nut.

AIR BRAKE FITTINGS						
	MERITOR NO.	DESCRIPTION	FITS HOSE I.D.	PIPE THREAD	FITTING I.D.	HEX SIZE
	R950072	Insert	3/8"	1/2"-14	9/32"	1"
	R950070		3/8"	1/4"-18	9/32"	1"
	R950071		3/8"	3/8"-18	9/32"	1"
	R950074		1/2"	1/2"-14	25/64"	1-1/8"
R950073	1/2"		3/8"-18	25/64"	1-1/8"	
	MERITOR NO.	DESCRIPTION	FITS HOSE I.D.	PIPE THREAD	OVERALL LENGTH	LENGTH ADDED TO HOSE
	R950077	Connector	3/8"	1/2"-14	2-29/64"	29/32"
	R950075		3/8"	1/4"-18	2-17/64"	23/32"
	R950076		3/8"	3/8"-18	2-23/64"	51/64"
	R950079		1/2"	1/2"-14	2-29/64"	29/32"
R950078	1/2"		3/8"-18	2-23/64"	51/64"	
	MERITOR NO.	DESCRIPTION	FITS HOSE I.D.	PIPE THREAD	OVERALL LENGTH	LENGTH ADDED TO HOSE
	R950082	Connector with Spring Guard	3/8"	1/2"-14	4-7/8"	29/32"
	R950080		3/8"	1/4"-18	4-3/4"	23/32"
	R950081		3/8"	3/8"-18	4-3/4"	51/64"
	R950084		1/2"	1/2"-14	4-7/8"	29/32"
R950083	1/2"		3/8"-18	4-3/4"	51/64"	
	MERITOR NO.	DESCRIPTION	FITS HOSE I.D.	INSERT HEX SIZE	OVERALL LENGTH	
	R950085	Hose Union	3/8"	1"	3-1/4"	
R950086	1/2"		1/8"	3-1/4"		
	MERITOR NO.	DESCRIPTION	FITS HOSE I.D.			
	R950087	Ferrule	3/8"			
R950088	1/2"					
	MERITOR NO.	DESCRIPTION	FITS HOSE I.D.			
	R950089	Nut	3/8"			
R950090	1/2"					
	MERITOR NO.	DESCRIPTION	FITS HOSE I.D.			
R950093	Spring Guard	3/8"				
	MERITOR NO.	DESCRIPTION	FITS HOSE I.D.			
	R950091	Spring Guard Nut	3/8"			
R950092	1/2"					
	MERITOR NO.	DESCRIPTION	FITS HOSE I.D.	PIPE THREAD	OVERALL LENGTH	
	R950095	Adapter	3/8"	1/4"-18	1-3/16"	
	R950096		3/8"	3/8"-18	1-3/16"	
	R950098		1/2"	1/2"-14	1-3/16"	
R950097	1/2"		3/8"-18	1-3/16"		

MERITOR POLYURETHANE GLADHAND SEALS



- UV Resistant
- Petroleum Resistant
- Acid Resistant
- Ozone Resistant
- Salt Resistant
- Abrasion Resistant

INDEPENDENT LABORATORY TESTED TO OPERATE IN EXTREME COLD CLIMATE CONDITIONS TO -35°F (-37°C) Made in U.S.A.

Tests results prove that polyurethane gladhand seals withstand the rugged conditions of on-highway roads much longer than traditional rubber glandhand seals. Minimize downtime with Meritor Polyurethane Gladhand Seals!

MERITOR NO.	DESCRIPTION	REMARKS
R950120	Gladhand Seal Set	Each set contains 2 red (emergency) and 2 blue (service) gladhand seals in a poly bag. 40 sets per box.
R950121	Blue (service) Gladhand Seal	Bulk packed, 100 per box
R950122	Red (emergency) Gladhand Seal	Bulk packed, 100 per box

GLADHANDS AND RUBBER GLADHAND SEALS

	PART NUMBER	DESCRIPTION	REPLACES	REMARKS
	R950114-PL	Service Gladhand		Packed in Meritor Pails, 75 per Pail
	R950114		Haldex 11452 Phillips 12-006 Tramec 36101	
	R950115-PL	Emergency Gladhand		Packed in Meritor Pails, 75 per Pail
	R950115		Haldex 11451 Phillips 12-008 Tramec 36201	
	R950116-PL	Universal Gladhand		Packed in Meritor Pails, 75 per Pail
	R950116		Haldex 11450 Phillips 12-010 Tramec 36301	
	R950117		Phillips 12-0103	With Black Polyurethane Seal
	R950118	Rubber Gladhand Seal	Haldex 10028 Phillips 12-012 Tramec 36001	
	R950119	Rubber Gladhand Seal with Excluder Flaps	Haldex 10024	

IN-LINE FILTER

	PART NUMBER	APPLICATION INFORMATION
	S432 500 005 0	In-line filter (complete valve). Mounted at the Gladhand. Highly recommended for control line. Prevents contamination of the trailer's air system. Requires regular cleaning, but equipped with a bypass if needed.

COILED AIR HOSE



MERITOR NO.	COIL LENGTH	TUBE O.D.	END FITTINGS		PIG TAIL LENGTH		APPLICATION & GENERAL INFORMATION
			TRACTOR	TRAILER	TRACTOR	TRAILER	
R95510743	12 ft.	1/2"	3/8"	1/2"	6"	6"	Includes one red and one blue coil assembly. Meets SAE J844 specifications.
R95510742	12 ft.	1/2"	1/2"	1/2"	6"	6"	
R95510745	15 ft.	1/2"	3/8"	1/2"	12"	12"	
R95510747	15 ft.	1/2"	3/8"	1/2"	40"	12"	
R95510744	15 ft.	1/2"	1/2"	1/2"	12"	12"	
R95510746	15 ft.	1/2"	1/2"	1/2"	40"	12"	

AIR RESERVOIRS



MERITOR NO.	DIAMETER	MOUNTING HOLES CENTER-TO-CENTER	CAPACITY (CU. IN.)	PORT SIZE			APPLICATION & GENERAL INFORMATION
				SIDE	BOTTOM	ENDS (2)	
R95510732	8"	32"	1425	3/4"	1/4"	3/8"	Meets SAE J10 specifications. Rated at 150 psi working pressure.
R95510735	12"	29-1/2"	2850	3/4"	1/4"	3/8"	
R95510734	9-1/2"	27-1/2"	1488	3/4"	1/4"	3/8"	
R95510736	8"	32"	1425	3/4" (2)	1/4"	3/8"	
R95510733	9-1/2"	27-1/2"	1488	1/2" (2)	1/4"	3/8"	

TITLE	PAGE
Air Compressors - - - - -	2-1
Air Compressors Quick Reference - - - - -	2-2
Air Brake Governors- - - - -	2-7
Competitive - - - - -	2-8
Caterpillar - - - - -	2-15
Cummins - - - - -	2-21
Detroit Diesel - - - - -	2-28
Ford - - - - -	2-34
International - - - - -	2-35
Mack- - - - -	2-36
Volvo- - - - -	2-40

AIR COMPRESSORS

AIR COMPRESSORS QUICK REFERENCE

MODEL	OE NUMBER	MERITOR NEW	MERITOR REMANUFACTURED
TU-FLO 400	101143		R955101143X
TU-FLO 700	101158		R955101158X
TU-FLO 400	101242		R955101242X
TU-FLO 400	102674		R955102674X
TU-FLO 501	102698		R955102698X
TU-FLO 501	102953		R955102953X
TU-FLO 501	102989		R955102989X
TU-FLO 501	103274		R955103274X
TU-FLO 700	103278		R955103278X
BX2150	104039		R955104039X
BX2150	104041		R955104041X
BX2150	104102		R955104102X
TU-FLO 750	107023		R955107023X
BX2150	107221		R955107221X
TU-FLO 550	107506		R955107506X
TU-FLO 750	107507		R955107507X
TU-FLO 750	107508		R955107508X
TU-FLO 550	107509		R955107509X
TU-FLO 750	107510		R955107510X
TU-FLO 550	107511		R955107511X
TU-FLO 750	107512		R955107512X
TU-FLO 550	107513		R955107513X
TU-FLO 550	107514		R955107514X
BX2150	107526		R955107526X
TU-FLO 550	107622		R955107622X
TU-FLO 750	107623		R955107623X
TU-FLO 750	107813		R955107813X
TU-FLO 550	107917		R955107917X
TU-FLO 550	107981		R955107981X
TU-FLO 550	108066		R955108066X
TU-FLO 550	108110		R955108110X
TU-FLO 501	108269		R955108269X
TU-FLO 501	108273		R955108273X
TU-FLO 750	108557		R955108557X
TU-FLO 550	108804		R955108804X
TU-FLO 550	108866		R955108866X
TU-FLO 750	108869		R955108869X
TU-FLO 550	108937		R955108937X
BX2150	109079		R955109079X
TU-FLO 550	109088		R9555004613X
TU-FLO 750	109111		R955109111X
TU-FLO 750	109142		R9555002983X
BX2150	109219		R955109219X
TU-FLO 550	109251		R955109251X
BX2150	109273		R955109273X
TU-FLO 750	109604		R955109604X
TU-FLO 550	109653		R955109653X
TU-FLO 500	227320		R955227320X
TU-FLO 500	227321		R955227321X

AIR COMPRESSORS QUICK REFERENCE

MODEL	OE NUMBER	MERITOR NEW	MERITOR REMANUFACTURED
TU-FLO 500	227322		R955227322X
TU-FLO 500	227323		R955227323X
TU-FLO 500	227332		R955227332X
TU-FLO 400	227400		R955227400X
TU-FLO 400	227406		R955227406X
TU-FLO 400	227407		R955227407X
TU-FLO 500	228443		R955228443X
TU-FLO 500	228479		R955228479X
TU-FLO 1000	229990		R955229990X
D-2 Governor	275491	R955275491	R955275491X
D-2 Governor	275707		R955275707X
TU-FLO 500	275777		R955275777X
TU-FLO 1000	276777		R955276777X
TU-FLO 500	276961		R955276961X
TU-FLO 500	276962		R955276962X
TU-FLO 500	278445		R955278445X
TU-FLO 400	279024		R955279024X
TU-FLO 400	279025		R955279025X
TU-FLO 400	279037		R955279037X
TU-FLO 400	279176		R955279176X
TU-FLO 600	280613		R955280613X
TU-FLO 600	280628		R955280628X
TU-FLO 600	280774		R955280774X
TU-FLO 500	281042		R955281042X
TU-FLO 400	281112		R955281112X
TU-FLO 600	281157		R955281157X
TU-FLO 500	282621		R955282621X
TU-FLO 500	283577		R955283577X
TU-FLO 500	283692		R955283692X
TU-FLO 500	284106		R955284106X
TU-FLO 500	284260		R955284260X
TU-FLO 500	284310		R955284310X
D-2 Governor	284358	R955284358N	R955284358X
TU-FLO 500	284699		R955284699X
TU-FLO 500	284959		R955284959X
TU-FLO 501	286526		R955286526X
TU-FLO 501	286527		R955286527X
TU-FLO 501	286528		R955286528X
TU-FLO 501	286530		R955286530X
TU-FLO 501	286538		R955286538X
TU-FLO 501	286539		R955286539X
TU-FLO 501	286540		R955286540X
TU-FLO 501	286542		R955286542X
TU-FLO 501	286543		R955286543X
TU-FLO 501	286544		R955286544X
TU-FLO 501	286546		R955286546X
TU-FLO 501	286552		R955286552X
TU-FLO 501	286554		R955286554X
TU-FLO 501	286560		R955286560X

AIR COMPRESSORS

AIR COMPRESSORS QUICK REFERENCE

MODEL	OE NUMBER	MERITOR NEW	MERITOR REMANUFACTURED
TU-FLO 501	286563		R955286563X
TU-FLO 501	286565		R955286565X
TU-FLO 501	286576		R955286576X
TU-FLO 501	286579		R955286579X
TU-FLO 501	286580		R955286580X
TU-FLO 501	286581		R955286581X
TU-FLO 501	286582		R955286582X
TU-FLO 501	286585		R955286585X
TU-FLO 501	286586		R955286586X
TU-FLO 501	286595		R955286595X
TU-FLO 501	286617		R955286617X
TU-FLO 501	286620		R955286620X
TU-FLO 501	286623		R955286623X
TU-FLO 700	289336		R955289336X
TU-FLO 700	289339		R955289339X
TU-FLO 700	289340		R955289340X
TU-FLO 700	289348		R955289348X
TU-FLO 700	289349		R955289349X
TU-FLO 700	289350		R955289350X
TU-FLO 400	289444		R955289444X
TU-FLO 400	289688		R955289688X
TU-FLO 700	289915		R955289915X
TU-FLO 700	289925		R955289925X
TU-FLO 700	289941		R955289941X
TU-FLO 700	289964		R955289964X
Compressor	3047440		R9553047440X
ST676	3048680		R9553048680X
Compressor	3049186		R9553049186X
SS338ME	3558000		R9553558000X
SS296C	3558006		R9553558006X
SS338E	3558020		R9553558020X
SS338CE	3558021		R9553558021X
SS296CE	3558022		R9553558022X
SS296ME	3558042		R9553558042X
SS338ME	3558043		R9553558043X
SS296E	3558044		R9553558044X
SS296E	3558045		R9553558045X
QE296B	3558049		R9553558049X
QE338B	3558050		R9553558050X
QE338C	3558051		R9553558051X
QE296C	3558052		R9553558052X
QE296M	3558068		R9553558068X
QE296	3558072		R9553558072X
QE338	3558074		R9553558074X
QE338CM	3558076		R9553558076X
QE338CM	3558077		R9553558077X
QE296CE	3558094		R9553558094X
QE338CE	3558095		R9553558095X
QE338B	3558098		R9553558098X

AIR COMPRESSORS QUICK REFERENCE

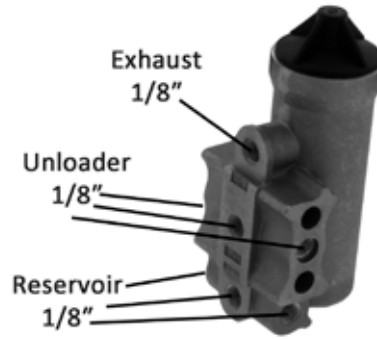
MODEL	OE NUMBER	MERITOR NEW	MERITOR REMANUFACTURED
HD850C	3558122		R9553558122X
QE296CE	3558186		R9553558186X
QE338CE	3558189		R9553558189X
TU-FLO 550	5001940		R9555001940X
TU-FLO 750	5002713		R9555002713X
TU-FLO 550	5002865		R9555002865X
TU-FLO 750	5002868		R9555002868X
TU-FLO 750	5002983		R9555002983X
TU-FLO 550	5002984		R9555002984X
TU-FLO 750	5004118		R9555004118X
TU-FLO 750	5004187		R9555004187X
TU-FLO 550	5004188		R9555004188X
TU-FLO 550	5004613		R9555004613X
TU-FLO 750	5004614		R9555004614X
TU-FLO 550	5005790		R9555005790X
DF-596	5005875		R9555005875X
TU-FLO 550	5008249		R9555008249X
BA921	5010806		R9555010806X
TU-FLO 550	5011016		R9555016799X
BA921	5012533		R9555012533X
BA922	5013058		R9555013058X
BA922	5013059		R9555013059X
BA921	5014428		R9555014428X
TU-FLO 550	5015314		R9555015314X
BA921	5018485		R9555018485X
ISX	9111535100		R9559111535100X
L, M, N	9111535200		R9559111535200X
ISC	9111535300		R9559111535300X
B Series	9111535330		R9559111535330X
EL1300	EL13020		R955EL13020X
EL1300	EL13022		R955EL13022X
EL1300	EL13040		R955EL13040X
EL1300-DDC60	EL13050		R955EL13050X
EL1300-DDC60	EL13051		R955EL13051X
EL1300, EL1600-DDC60	EL13053		R955EL13053X
EL1300	EL13060		R955EL13060X
EL1300-DDC60	EL13090		R955EL13090X
EL1300-DDC60	EL13100		R955EL13100X
EL1300	EL13111		R955EL13111X
EL1300	EL13151		R955EL13151X
EL1300	EL13200		R955EL13200X
EL3200	EL14110		R955EL14110X
EL3200	EL14111		R955EL14111X
EL1600	EL16040		R955EL16040X
EL1600	EL16050		R955EL16050X
EL1300, EL1600-DDC60	EL16053		R955EL16053X
EL1600	EL16060		R955EL16060X
EL1600	EL16100		R955EL16100X
EL1600	EL16111		R955EL16111X

AIR COMPRESSORS

AIR COMPRESSORS QUICK REFERENCE			
MODEL	OE NUMBER	MERITOR NEW	MERITOR REMANUFACTURED
EL1600	EL16120		R955EL16120X
EL1600	EL16200		R955EL16200X
Standard Governor	KN18530		R955KN18530X
Standard Governor	KN18531		R955KN18531X
Standard Governor	KN18534		R955KN18534X
EL740	KN7010		R955KN7010X
EL740	KN7030		R955KN7030X
EL740	KN7040		R955KN7040X
EL740	KN7041		R955KN7041X
EL740	KN7050		R955KN7050X
EL740	KN7170		R955KN7170X
EL850	KN86020		R955KN86020X

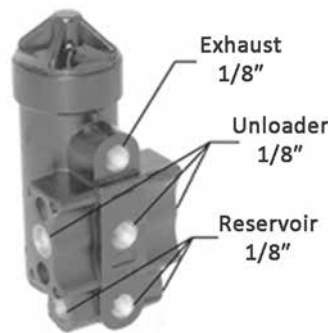
AIR COMPRESSORS

BENDIX D-2 GOVERNOR



MERITOR NO.	NEW/ REMAN	REPLACES	PRESSURE SETTINGS		PORT SIZE	CORE NO.	CORE GROUP	APPLICATION & GENERAL INFORMATION	
			CUT-IN	CUT-OUT					
R955275491	New	Bendix 275491	100 psi	120 psi	1/8" Ports	XC1077	BN251	Standard Version. Pressure setting range is adjustable. Governor – Signals the unloading mechanism on the compressor when to build up air to the reservoir and when to halt air build up. Usually between 100 and 120 psi. Includes plugs for unused ports and gasket.	
R955275491X	Reman	Bendix 275491X							
R955275707X		Bendix 275707X	105 psi	125 psi				XC1077	BN251
R955284358N	New	Bendix 284358							
R955284358X	Reman	Bendix 284358X	High Temperature Version. Pressure setting range is adjustable.						

HALDEX STANDARD GOVERNOR



MERITOR NO.	NEW/ REMAN	REPLACES	PRESSURE SETTINGS		PORT SIZE	CORE NO.	CORE GROUP	APPLICATION & GENERAL INFORMATION
			CUT-IN	CUT-OUT				
R955KN18530X	Reman	Haldex KN18530X	100 psi	120 psi	1/8" Ports	XC1145	MD251	Governor – Signals the unloading mechanism on the compressor when to build up air to the reservoir and when to halt air build up. Usually between 100 and 120 psi.
R955KN18531X		Haldex KN18531X			1/4" Ports			Governor – Signals the unloading mechanism on the compressor when to build up air to the reservoir and when to halt air build up. Usually between 100 and 120 psi. Includes plugs for unused ports and gasket.
R955KN18534X		Haldex KN18534X	105 +/-5 psi	115 psi	1/8" Ports			High Temperature applications. Pressure setting range is adjustable.

AIR COMPRESSORS COMPETITIVE

BENDIX TU-FLO 400



- 4 Hole Base
- Vertical Mount
- Pulley Drive
- Air Cooled

MERITOR NO.	MODEL	OUTRIGHT/ REMAN	REPLACES	PORT LOCATION INLET/OUTLET	TYPE OF DISCHARGE	UNLOADER KIT	MOUNTING GASKET KIT	CORE NO.	CORE GROUP
R955227406X	TU-FLO 400	Reman	Bendix 227406X	Left/Left	Flange	R955279614N	R955280511N	XC1529	BN620
R955227407X			Bendix 227407X	Right/Right					

BENDIX TU-FLO 400



- 4 Hole Base
- Vertical Mount
- Pulley Drive
- Water Cooled Head
- Air Cooled Block

MERITOR NO.	MODEL	OUTRIGHT/ REMAN	REPLACES	PORT LOCATION INLET/OUTLET	TYPE OF DISCHARGE	UNLOADER KIT	MOUNTING GASKET KIT	CORE NO.	CORE GROUP
R955279024X	TU-FLO 400	Reman	Bendix 279024X	Left/Left	Flange	R955279614N	R955280511N	XC1554	BN620
R955279025X			Bendix 279025X	Right/Right					
R955279176X <small>See Note 7</small>			Bendix 279176X	Right/Top	Threaded				

Note: 7 Four front cover studs.

BENDIX TU-FLO 400



- 4 Hole Base
- Vertical Mount
- Pulley Drive
- Water Cooled
- Bottom Cover Plate

The case has six (6) 1/4" holes for mounting the bottom cover.

MERITOR NO.	MODEL	OUTRIGHT/ REMAN	REPLACES	PORT LOCATION INLET/OUTLET	TYPE OF DISCHARGE	UNLOADER KIT	MOUNTING GASKET KIT	CORE NO.	CORE GROUP
R955289688X <small>See Note 3</small>	TU-FLO 400	Reman	Bendix 289688X	Left/Left	Flange	R955279614N	R955280511N	XC1528	BN620

Note: 3 Has Base Adapter.

AIR COMPRESSORS

BENDIX TU-FLO 400



- 4 Hole Base
- Vertical Mount
- Pulley Drive
- Water Cooled
- Rear Oil Inlet

MERITOR NO.	MODEL	OUTRIGHT/ REMAN	REPLACES	PORT LOCATION INLET/OUTLET	TYPE OF DISCHARGE	UNLOADER KIT	MOUNTING GASKET KIT	CORE NO.	CORE GROUP
R955101242X	TU-FLO 400	Reman	Bendix 101242X	Left/Left	Flange	R955279614N	R955280511N	XC1528	BN620
R955227400X			Bendix 227400X						

BENDIX TU-FLO 400



- Side Mount
- Pulley Drive
- Air Cooled

MERITOR NO.	MODEL	OUTRIGHT/ REMAN	REPLACES	PORT LOCATION INLET/OUTLET	TYPE OF DISCHARGE	UNLOADER KIT	MOUNTING GASKET KIT	CORE NO.	CORE GROUP
R955279037X	TU-FLO 400	Reman	Bendix 279037X	Right/Right	Flange	R955279614N	R955280512N	XC1505	BN634

BENDIX TU-FLO 400



- Flange Mount
- Water Cooled

MERITOR NO.	MODEL	OUTRIGHT/ REMAN	REPLACES	PORT LOCATION INLET/OUTLET	TYPE OF DISCHARGE	UNLOADER KIT	MOUNTING GASKET KIT	CORE NO.	CORE GROUP
R955102674X	TU-FLO 400	Reman	Bendix 102674X	Left/Left		R955279614N	R955153110	XC1499	BN621

AIR COMPRESSORS COMPETITIVE

AIR COMPRESSORS

BENDIX TU-FLO 500



- 4 Hole Base
- Vertical Mount
- Pulley Drive
- Thru Drive
- Water Cooled
- Base Oil Option

MERITOR NO.	MODEL	OUTRIGHT/ REMAN	REPLACES	PORT LOCATION INLET/OUTLET	TYPE OF DISCHARGE	UNLOADER KIT	MOUNTING GASKET KIT	CORE NO.	CORE GROUP
R955228479X <small>See Note 2</small>	TU-FLO 500	Reman	Bendix 228479X	Left/Left	Flange	R955279615N	R955280511N	XC1536	BN660

Note: 2 Base oil option.

BENDIX TU-FLO 500 · 600



- 6 Hole Base
- Vertical Mount
- Pulley Drive
- Water Cooled

MERITOR NO.	MODEL	OUTRIGHT/ REMAN	REPLACES	PORT LOCATION INLET/OUTLET	TYPE OF DISCHARGE	UNLOADER KIT	MOUNTING GASKET KIT	CORE NO.	CORE GROUP
R955227332X <small>See Note 2</small>	TU-FLO 500	Reman	Bendix 227332X	Right/Right	Flange	R955279615N	R955101558N	XC1525	BN660

Note: 2 Base oil option.

BENDIX TU-FLO 500 · 600 · 700



- 4 Hole Base
- Vertical Mount
- Pulley Drive
- Water Cooled

MERITOR NO.	MODEL	OUTRIGHT/ REMAN	REPLACES	PORT LOCATION INLET/OUTLET	TYPE OF DISCHARGE	UNLOADER KIT	MOUNTING GASKET KIT	CORE NO.	CORE GROUP
R955227320X <small>See Note 2</small>	TU-FLO 500	Reman	Bendix 227320X	Left/Left	Flange	R955279615N	R955280511N	XC1525	BN660
R955227321X			Bendix 227321X	Right/Right					
R955227322X <small>See Note 2</small>			Bendix 227322X	Right/Right					
R955227323X			Bendix 227323X	Left/Left					
R955280613X			TU-FLO 600	Bendix 280613X					
R955289350X	TU-FLO 700	Bendix 289350X	Left/Left & Top	Optional			XC1639	BN822	

Note: 2 Base oil option.

BENDIX TU-FLO 501



- 4 Hole Base
- Vertical Mount
- Pulley Drive
- Water and Air Cooled

MERITOR NO.	BASE STYLE	MODEL	OUTRIGHT/REMAN	REPLACES	PORT LOCATION INLET/OUTLET	TYPE OF DISCHARGE	UNLOADER KIT	MOUNTING GASKET KIT	CORE NO.	CORE GROUP			
R955286617X		TU-FLO 501	Reman	Bendix 286617X	Left/Top	Threaded	R955279615N	R955280511N	XC1592	BN670			
R955102698X <small>See Note 9</small>	A			Bendix 102698X	Left/Left	Flange			R955279615N		R955280511N	XC1591	BN670
R955286526X				Bendix 286526X									
R955286527X				Bendix 286527X	Right/Right								
R955286528X				Bendix 286528X	Left/Top	Threaded							
R955286560X <small>See Note 7</small>				Bendix 286560X									
R955286582X <small>See Note 9</small>				Bendix 286582X	Left/Left	Flange							
R955286586X				Bendix 286586X									
R955286580X				Bendix 286580X									

Notes: 9 Three front cover studs.
7 Four front cover studs.

BENDIX TU-FLO 501



- 4 Hole Base
- Vertical Mount
- Pulley Drive
- Thru Drive
- Water and Air Cooled

MERITOR NO.	MODEL	OUTRIGHT/REMAN	REPLACES	PORT LOCATION INLET/OUTLET	TYPE OF DISCHARGE	UNLOADER KIT	MOUNTING GASKET KIT	CORE NO.	CORE GROUP
R955286530X	TU-FLO 501	Reman	Bendix 286530X	Left/Left	Flange	R955279615N	R955280511N	XC1593	BN671

AIR COMPRESSORS COMPETITIVE

BENDIX TU-FLO 501



- 6 Hole Base
- Vertical Mount
- Pulley Drive
- Water Cooled

MERITOR NO.	MODEL	OUTRIGHT/ REMAN	REPLACES	PORT LOCATION INLET/OUTLET	TYPE OF DISCHARGE	UNLOADER KIT	MOUNTING GASKET KIT	CORE NO.	CORE GROUP
R955102989X <small>See Note 8</small>	TU-FLO 501	Reman	Bendix 102989X	Right/Top	Threaded	R955279615N	R955280511N	XC1620	BN672
R955286576X			Bendix 286576X	Right/Right	Flange			XC1595	
R955286585X <small>See Note 8</small>			Bendix 286585X	Left/Left				XC1620	

Note: 8 Special crankcase base for Ford.

BENDIX TU-FLO 550



- 4 Hole Base
- Vertical Mount
- Pulley Drive
- Thru Drive
- Water Cooled Head
- Air Cooled Block

MERITOR NO.	MODEL	OUTRIGHT/ REMAN	REPLACES	PORT LOCATION INLET/OUTLET	TYPE OF DISCHARGE	UNLOADER KIT	MOUNTING GASKET KIT	CORE NO.	CORE GROUP
R955107514X	TU-FLO 550	Reman	Bendix 107514X	Left/Top	Threaded	R955153150	R955280511N	XC1519	BN724
R955108066X <small>See Note 9</small>			Bendix 108066X						
R955108110X <small>See Note 10</small>			Bendix 108110X						

Notes: 9 Three front cover studs.
10 Two mounting studs.

AIR COMPRESSORS

BENDIX TU-FLO 1000



- Vertical Mount and Flange Mount
- Pulley and Engine Drive
- Water Cooled

MERITOR NO.	MODEL	OUTRIGHT/ REMAN	REPLACES	PORT LOCATION INLET/OUTLET	TYPE OF DISCHARGE	UNLOADER KIT	MOUNTING GASKET KIT	CORE NO.	CORE GROUP
R955229990X <small>See Note 28</small>	TU-FLO 1000	Reman	Bendix 229990X	Middle/Middle		R955279615N	R955153113	XC1537	BN962

Note: 28 Pulley Drive.

BENDIX BX2150



- 4 Hole
- Vertical Mount
- Pulley Drive
- Water Cooled Head
- Air Cooled Block

MERITOR NO.	MODEL	OUTRIGHT/ REMAN	REPLACES	PORT LOCATION INLET/OUTLET	TYPE OF DISCHARGE	UNLOADER KIT	MOUNTING GASKET KIT	CORE NO.	CORE GROUP
R955104039X	BX2150	Reman	Bendix 104039X	Left/Optional	Threaded	R955153150	R955153102	XC1642	BN601
R955104041X <small>See Note 12</small>			Bendix 104041X						
R955107221X <small>See Note 31</small>			Bendix 107221X					XC1644	

Notes: 12 Low profile case.
31 New style head.

HALDEX EL740



- 4 Hole Base
- Vertical Mount
- Pulley Drive
- Air Cooled

MERITOR NO.	MODEL	OUTRIGHT/ REMAN	REPLACES	PORT LOCATION INLET/OUTLET	TYPE OF DISCHARGE	UNLOADER KIT	MOUNTING GASKET KIT	CORE NO.	CORE GROUP
R955KN7010X	EL740	Reman	Haldex KN7010X	Right/Right	Flange	R955RN33C	R955280511N	XC1940	MD640

AIR COMPRESSORS COMPETITIVE

AIR COMPRESSORS

HALDEX EL740



- 4 Hole Base
- Vertical Mount
- Pulley Drive
- Water Cooled Head
- Air Cooled Block

MERITOR NO.	MODEL	OUTRIGHT/ REMAN	REPLACES	PORT LOCATION INLET/OUTLET	TYPE OF DISCHARGE	UNLOADER KIT	MOUNTING GASKET KIT	CORE NO.	CORE GROUP
R955KN7030X	EL740	Reman	Haldex KN7030X	Right/Left	Threaded	R955RN33C	R955280511N	XC1927	MD620
R955KN7040X			Right/Right	Flange	XC1928				
R955KN7041X			Left/Left						
R955KN7050X			Left/Left	XC1930	MD622				
R955KN7170X			Right/Right						

HALDEX EL850



- 4 Hole Base
- Vertical Mount
- Belt Drive
- Water Cooled Head
- Air Cooled Block

MERITOR NO.	MODEL	OUTRIGHT/ REMAN	REPLACES	PORT LOCATION INLET/OUTLET	TYPE OF DISCHARGE	UNLOADER KIT	MOUNTING GASKET KIT	CORE NO.	CORE GROUP
R955KN86020X	EL850	Reman	Haldex KN86020X	Right/Front	Threaded	R955RNT26JB	R955153102	XC1932	MD601

HALDEX EL1300 · EL1600



- 4 Hole Base
- Vertical Mount
- Pulley Drive
- Water Cooled Head

MERITOR NO.	MODEL	OUTRIGHT/ REMAN	REPLACES	PORT LOCATION INLET/OUTLET	TYPE OF DISCHARGE	UNLOADER KIT	MOUNTING GASKET KIT	CORE NO.	CORE GROUP
R955EL13020X	EL1300	Reman	Haldex EL13020X	Right/Right	Flange	R955RNT26A	R955280511N	XC1905	MD688
R955EL13022X <small>See Note 13</small>			Left/Left						
R955EL13060X			Right/Right						
R955EL16060X <small>See Note 14</small>	EL1600	Reman	Haldex EL16060X	Right/Right	Flange	R955RNT26A	R955280511N	XC1919	MD820
R955EL16280X			Haldex EL16280X						

Notes: 13 Bottom cover plate for Ford application.
14 Base oil feed.

BENDIX TU-FLO 700



- Caterpillar
- Splined Shaft
- Flange Mount
- Water Cooled

MERITOR NO.	MODEL	OUTRIGHT/ REMAN	REPLACES	PORT LOCATION INLET/OUTLET	TYPE OF DISCHARGE	UNLOADER KIT	MOUNTING GASKET KIT	CORE NO.	CORE GROUP
R955289349X See Note 15	TU-FLO 700	Reman	Bendix 289349X	Left/Left & Top	Optional	R955279615N	R955153106	XC1633	BN826

Note: 15 Has crankcase cover with 1/2" PT oil drain.

BENDIX TU-FLO 501



- Caterpillar
- Tapered Shaft
- Flange Mount
- Water and Air Cooled

MERITOR NO.	MODEL	OUTRIGHT/ REMAN	REPLACES	PORT LOCATION INLET/OUTLET	TYPE OF DISCHARGE	UNLOADER KIT	MOUNTING GASKET KIT	CORE NO.	CORE GROUP
R955103274X See Note 16	TU-FLO 501	Reman	Bendix 103274X	Left/Top	Threaded	R955279615N	R955153106	XC1507	BN676

Note: 16 Has 2°–30° tilt and threaded mounting hole.

BENDIX TU-FLO 501



- Caterpillar
- Splined Shaft
- Flange Mount
- Water and Air Cooled
- Rear Oil Inlet
- Base Oil Drain

MERITOR NO.	MODEL	OUTRIGHT/ REMAN	REPLACES	PORT LOCATION INLET/OUTLET	TYPE OF DISCHARGE	UNLOADER KIT	MOUNTING GASKET KIT	CORE NO.	CORE GROUP
R955286546X	TU-FLO 501	Reman	Bendix 286546X	Left/Top	Threaded	R955279615N	R955153106	XC1601	BN677

AIR COMPRESSORS CATERPILLAR

BENDIX TU-FLO 550



- Caterpillar
- Flange Mount
- Water and Air Cooled

MERITOR NO.	MODEL	OUTRIGHT/ REMAN	REPLACES	PORT LOCATION INLET/OUTLET	TYPE OF DISCHARGE	UNLOADER KIT	MOUNTING GASKET KIT	CORE NO.	CORE GROUP
R955109251X <small>See Note 38</small>	TU-FLO 550	Reman	Bendix 109251X	Front/Left	Optional	R955280511N	R955153101	XC1496	BN724

Note: 38 Caterpillar 3306.

BENDIX TU-FLO 550 · 750



- Caterpillar 3116, 3126, C7 Acert, C9 Acert
- Flange Mount
- Water and Air Cooled

MERITOR NO.	MODEL	OUTRIGHT/ REMAN	REPLACES	PORT LOCATION INLET/OUTLET	TYPE OF DISCHARGE	UNLOADER KIT	MOUNTING GASKET KIT	CORE NO.	CORE GROUP
R9555001940X	TU-FLO 550	Reman	Bendix 5001940X	Top/Top	Optional	R955153150	R955153112	XC1491	BN724
R9555008249X <small>See Note 36, 44</small>			Bendix 5008249X	Top/Left				XC1491	
R9555016799X <small>See Note 36, 45</small>			Bendix 5011016X					XC1489	
R955109111X	TU-FLO 750		Bendix 109111X	Left/Left & Top				XC1390	BN874
R9555004118X <small>See Note 36, 44</small>			Bendix 5004118X	Top/Left & Top				XC1478	
R9555004614X <small>See Note 50</small>			Bendix 5004614X	Right/Left				XC1480	BN877
R9555004613X			TU-FLO 550	Bendix 109088X				Left/Left & Top	XC1666

Notes: 36 Caterpillar 3116, C7 Acert.
 44 Caterpillar 3126, C9 Acert—high torque thru-drive.
 45 Caterpillar 3176, C9 Acert.
 50 International I6 pre-2004 HT530.

AIR COMPRESSORS

BENDIX TU-FLO 550 · 750



- Caterpillar 3176, 3406, C10, C12, C15, C16
- Flange Mount
- Water and Air Cooled

MERITOR NO.	MODEL	OUTRIGHT/ REMAN	REPLACES	PORT LOCATION INLET/OUTLET	TYPE OF DISCHARGE	UNLOADER KIT	MOUNTING GASKET KIT	CORE NO.	CORE GROUP
R9555002984X <small>See Note 40</small>	TU-FLO 550	Reman	Bendix 5002984X	Right/Left	Optional	R955153150	R955153112	XC1491	BN724
R9555005790X <small>See Note 43</small>			Bendix 5005790X						
R9555002713X <small>See Note 40</small>	TU-FLO 750		Bendix 5002713X						
R9555002983X <small>See Note 43</small>			Bendix 5002983X					XC1481	BN874

Notes: 40 Caterpillar 3406, C10, C12, C15, C16—rear end cover shafts.
43 Caterpillar 3176, C15, C16.

BENDIX TU-FLO 550 · 750



- Caterpillar
- Splined and Tapered Shaft
- 3406B-3176
- Flange Mount
- Water Cooled Head
- Air Cooled Block

MERITOR NO.	MODEL	OUTRIGHT/ REMAN	REPLACES	PORT LOCATION INLET/OUTLET	TYPE OF DISCHARGE	UNLOADER KIT	MOUNTING GASKET KIT	CORE NO.	CORE GROUP
R955107509X <small>See Note 17, 19</small>	TU-FLO 550	Reman	Bendix 107509X	Left/Left & Top	Optional	R955153150	R955153106	XC1514	BN724
R955107917X <small>See Note 18</small>			Bendix 107917X					XC1523	
R955107981X <small>See Note 36, 45</small>			Bendix 107981X					XC1497	
R955107023X	TU-FLO 750		Bendix 107023X			XC1390	BN874		
R955107508X <small>See Note 18</small>			Bendix 107508X			XC1513			
R9555002983X			Bendix 109142X			XC1390			
R955109604X <small>See Note 17, 19</small>		Bendix 109604X	R955153106	XC1648	BN874				

Notes: 17 Tapered shaft.
18 Splined shaft—22 tooth.
19 2.5° tilt.
36 Caterpillar 3116, C7 Acert.
45 Caterpillar 3176, C9 Acert.

AIR COMPRESSORS

AIR COMPRESSORS CATERPILLAR

BENDIX TU-FLO 700



- Caterpillar
- Splined Shaft
- 3406B
- Flange Mount
- Water Cooled

MERITOR NO.	MODEL	OUTRIGHT/ REMAN	REPLACES	PORT LOCATION INLET/OUTLET	TYPE OF DISCHARGE	UNLOADER KIT	MOUNTING GASKET KIT	CORE NO.	CORE GROUP
R955103278X See Note 19	TU-FLO 700	Reman	Bendix 103278X	Left/Left & Top	Optional	R955279615N	R955153106	XC1508	BN826

Note: 19 2.5° tilt.

BENDIX TU-FLO 700



- Caterpillar
- Flange
- Flange Mount
- Water Cooled

MERITOR NO.	MODEL	OUTRIGHT/ REMAN	REPLACES	PORT LOCATION INLET/OUTLET	TYPE OF DISCHARGE	UNLOADER KIT	MOUNTING GASKET KIT	CORE NO.	CORE GROUP
R955289336X	TU-FLO 700	Reman	Bendix 289336X	Left/Left & Top	Optional	R955279615N	R955153106	XC1627	BN827

BENDIX BA921



- Caterpillar
- Flange Mount
- Detroit Diesel EGR 60
- Navistar IBB Side Mount

MERITOR NO.	MODEL	OUTRIGHT/ REMAN	REPLACES	PORT LOCATION INLET/OUTLET	TYPE OF DISCHARGE	UNLOADER KIT	MOUNTING GASKET KIT	CORE NO.	CORE GROUP
R9555010806X	BA921	Reman	Bendix 5010806X	Top/Rear				XC1654	BN610
R9555014428X			Bendix 5014428	Top/Left	Optional				
R9555012533X			Bendix 5012533	Top/Side					
R955K056647X			K0656647X						

BENDIX BA922



- Caterpillar C15/C18
- Flange Mount
- Detroit Equinox Engine & 60 EGR

MERITOR NO.	MODEL	OUTRIGHT/ REMAN	REPLACES	PORT LOCATION INLET/OUTLET	TYPE OF DISCHARGE	UNLOADER KIT	MOUNTING GASKET KIT	CORE NO.	CORE GROUP
R9555013058X	BA922	Reman	Bendix 5013059X	Top/Top				XC1673	BN922
R9555013059X			Bendix 5013695X						
R9555013695X									

BENDIX BX2150



- Caterpillar
- 3304-3306 Flange
- Flange Mount
- Water Cooled Head
- Air Cooled Block

MERITOR NO.	MODEL	OUTRIGHT/ REMAN	REPLACES	PORT LOCATION INLET/OUTLET	TYPE OF DISCHARGE	UNLOADER KIT	MOUNTING GASKET KIT	CORE NO.	CORE GROUP
R955109273X	BX2150	Reman	Bendix 109273X	Optional Top or Left	Threaded	R955279615N	R955153106	XC1645	BN605

BENDIX BX2150



- Caterpillar
- 3304-3306 Flange
- Flange Mount
- Water Cooled Head
- Air Cooled Block

MERITOR NO.	MODEL	OUTRIGHT/ REMAN	REPLACES	PORT LOCATION INLET/OUTLET	TYPE OF DISCHARGE	UNLOADER KIT	MOUNTING GASKET KIT	CORE NO.	CORE GROUP
R955107526X <small>See Note 33</small>	BX2150	Reman	Bendix 107526X	Left/Top	Threaded	R955279615N	R955153106	XC1645	BN605

Note: 33 22 tooth spline shaft.

AIR COMPRESSORS CATERPILLAR

HALDEX EL1300 · EL1600



- Caterpillar Tapered Shaft
- Flange Mount
- Water Cooled

MERITOR NO.	MODEL	OUTRIGHT/ REMAN	REPLACES	PORT LOCATION INLET/OUTLET	TYPE OF DISCHARGE	UNLOADER KIT	MOUNTING GASKET KIT	CORE NO.	CORE GROUP
R955EL13200X	EL1300	Reman	Haldex EL13200X	Right/Right	Flange	R955RNT26A	R955153106	XC1913	MD688
R955EL16200X	EL1600		Haldex EL16200X					XC1923	MD820

HALDEX EL1300 · EL1600



- Caterpillar Tapered Shaft
- Flange Mount
- Water Cooled

MERITOR NO.	MODEL	OUTRIGHT/ REMAN	REPLACES	PORT LOCATION INLET/OUTLET	TYPE OF DISCHARGE	UNLOADER KIT	MOUNTING GASKET KIT	CORE NO.	CORE GROUP
R955EL16120X	EL1600	Reman	Haldex EL16120X	Right/Right	Flange	R955RNT26A	R955153106	XC1922	MD820

HALDEX EL1300



- Caterpillar Flange
- Flange Mount
- Water Cooled

MERITOR NO.	MODEL	OUTRIGHT/ REMAN	REPLACES	PORT LOCATION INLET/OUTLET	TYPE OF DISCHARGE	UNLOADER KIT	MOUNTING GASKET KIT	CORE NO.	CORE GROUP
R955EL13151X	EL1300	Reman	Haldex EL13151X	Right/Right	Flange	R955RNT26A	R955153106	XC1911	MD688

BENDIX TU-FLO 500 · 600



- Cummins
- Double Flange
- Flange Mount
- Water Cooled
- Extended Case

MERITOR NO.	MODEL	OUTRIGHT/ REMAN	REPLACES	PORT LOCATION INLET/OUTLET	TYPE OF DISCHARGE	UNLOADER KIT	MOUNTING GASKET KIT	CORE NO.	CORE GROUP
R955228443X	TU-FLO 500	Reman	Bendix 228443X	Left/Left	Flange	R955279615N	R955153108	XC1525	BN660

BENDIX TU-FLO 500 · 600 · 700



- Cummins Double Flange
- Flange Mount
- Water Cooled
- Standard Flange

MERITOR NO.	MODEL	OUTRIGHT/ REMAN	REPLACES	PORT LOCATION INLET/OUTLET	TYPE OF DISCHARGE	UNLOADER KIT	MOUNTING GASKET KIT	CORE NO.	CORE GROUP
R955284699X	TU-FLO 500	Reman	Bendix 284699X	Left/Left	Flange	R955279615N	R955153108	XC1525	BN660
R955289339X	TU-FLO 700		Bendix 289339X	Left/Left & Top	Optional			XC1628	BN831

BENDIX TU-FLO 501



- Cummins
- Water and Air Cooled
- Engine Drive

MERITOR NO.	MODEL	OUTRIGHT/ REMAN	REPLACES	PORT LOCATION INLET/OUTLET	TYPE OF DISCHARGE	UNLOADER KIT	MOUNTING GASKET KIT	CORE NO.	CORE GROUP
R955108273X	TU-FLO 501	Reman	Bendix 108273X	Left/Left	Flange	R955275615N	R955153108	XC1658	BN675

AIR COMPRESSORS CUMMINS

BENDIX TU-FLO 501



- Cummins Double Flange
- Flange Mount
- Water and Air Cooled
- Standard Flange

MERITOR NO.	MODEL	OUTRIGHT/ REMAN	REPLACES	PORT LOCATION INLET/OUTLET	TYPE OF DISCHARGE	UNLOADER KIT	MOUNTING GASKET KIT	CORE NO.	CORE GROUP
R955286554X	TU-FLO 501	Reman	Bendix 286554X	Left/Left	Flange	R955279615N	R955153108	XC1605	BN682
R955286555X			Bendix 286555X	Left/Top	Threaded			XC1606	

BENDIX TU-FLO 550



- Cummins ISB
- Flange Mount
- Water and Air Cooled

MERITOR NO.	MODEL	OUTRIGHT/ REMAN	REPLACES	PORT LOCATION INLET/OUTLET	TYPE OF DISCHARGE	UNLOADER KIT	MOUNTING GASKET KIT	CORE NO.	CORE GROUP
R955108804X <small>See Note 37</small>	TU-FLO 550	Reman	Bendix 108804X	Top/Left	Optional	R955153150	R955153108	XC1494	BN721
R955109653X <small>See Note 37</small>			Bendix 109653X	Left/Left	Threaded				

Note: 37 Cummins ISB & C-37 tooth gear.

BENDIX TU-FLO 550 · 750



- Cummins Double Flange
- Flange Mount
- Water Cooled

MERITOR NO.	MODEL	OUTRIGHT/ REMAN	REPLACES	PORT LOCATION INLET/OUTLET	TYPE OF DISCHARGE	UNLOADER KIT	MOUNTING GASKET KIT	CORE NO.	CORE GROUP
R955107506X	TU-FLO 550	Reman	Bendix 107506X	Left/Left & Top	Optional	R955153150	R955153108	XC1511	BN724
R955107507X	TU-FLO 750		Bendix 107507X					XC1512	BN874

BENDIX BX2150



- Cummins Single Flange
- Flange Mount
- Water Cooled Head
- Air Cooled Block

MERITOR NO.	MODEL	OUTRIGHT/ REMAN	REPLACES	PORT LOCATION INLET/OUTLET	TYPE OF DISCHARGE	UNLOADER KIT	MOUNTING GASKET KIT	CORE NO.	CORE GROUP
R955109079X	BX2150	Reman	Bendix 109079X	Left/Top/Rear	Threaded	-	R955153109	XC1664	BN607

BENDIX BX2150



- Cummins and John Deere Double Flange
- Flange Mount
- Water Cooled Head
- Air Cooled Block

MERITOR NO.	MODEL	OUTRIGHT/ REMAN	REPLACES	PORT LOCATION INLET/OUTLET	TYPE OF DISCHARGE	UNLOADER KIT	MOUNTING GASKET KIT	CORE NO.	CORE GROUP
R955104102X	BX2150	Reman	Bendix 104102X	Optional/Optional	Threaded	-	R955153109	XC1646	BN607

CUMMINS HD850C · QE296C · QE296CE · QE338C · QE338CE



- Cummins C-Series
- Water Cooled
- Engine Drive
- Flange Mount

MERITOR NO.	MODEL	OUTRIGHT/ REMAN	REPLACES	PORT LOCATION INLET/OUTLET	TYPE OF DISCHARGE	UNLOADER KIT	MOUNTING GASKET KIT	CORE NO.	CORE GROUP
R9553558122X	HD850C	Reman	Cummins 3558122X	Left/Front	Threaded			XC1998	CU689
R9553558052X	QE296C		Cummins 3558052X					XC1972	CU687
R9553558094X	QE296CE		Cummins 3558094X	Left/Left				XC1983	
R9553558186X			Cummins 3558186X	Front/Right				XC1993	
R9553558051X	QE338C		Cummins 3558051X	Left/Front				XC1974	CU689
R9553558095X	QE338CE		Cummins 3558095X	Left/Left				XC1997	
R9553558189X			Cummins 3558189X	Front/Right					
R9553559570X <small>See Note 59</small>			Cummins 3559570X						

Note: 59 Head Assembly for QE (Quiet Economy) Cummins model compressors.

AIR COMPRESSORS CUMMINS

CUMMINS QE296B · QE338B



- Cummins
- Water Cooled
- Engine Drive
- Flange Mount

MERITOR NO.	MODEL	OUTRIGHT/ REMAN	REPLACES	PORT LOCATION INLET/OUTLET	TYPE OF DISCHARGE	UNLOADER KIT	MOUNTING GASKET KIT	CORE NO.	CORE GROUP
R9553558049X	QE296B	Reman	Cummins 3558049X	Rear/Front	Threaded			XC1981	CU687
R9553558050X	QE338B		Cummins 3558050X					XC1992	CU689
R9553558098X			Cummins 3558098X	Front/Rear				XC1996	

CUMMINS QE296 · QE338



MERITOR NO.	MODEL	OUTRIGHT/ REMAN	REPLACES	PORT LOCATION INLET/OUTLET	TYPE OF DISCHARGE	UNLOADER KIT	MOUNTING GASKET KIT	CORE NO.	CORE GROUP
R9553558072X	QE296	Reman	Cummins 3558072X	Left/Rear	Threaded			XC1973	C0687
R9553558074X	QE338		Cummins 3558074X					XC1994	C0689

CUMMINS SS296



- Single Cylinder Compressor
- Water Cooled
- Flange Mount

MERITOR NO.	MODEL	OUTRIGHT/ REMAN	REPLACES	PORT LOCATION INLET/OUTLET	TYPE OF DISCHARGE	UNLOADER KIT	MOUNTING GASKET KIT	CORE NO.	CORE GROUP
R9553018543X	SS296	Reman	Cummins 3018543X	Left/Rear					CU681

CUMMINS SS296C · SS296CE · SS338CE



- Cummins C-Series
- Water Cooled
- Engine Drive
- Flange Mount

MERITOR NO.	MODEL	OUTRIGHT/ REMAN	REPLACES	PORT LOCATION INLET/OUTLET	TYPE OF DISCHARGE	UNLOADER KIT	MOUNTING GASKET KIT	CORE NO.	CORE GROUP
R9553558006X	SS296C	Reman	Cummins 3558006X	Left/Front	Threaded			XC1970	CU687
R9553558022X	SS296CE		Cummins 3558022X						
R9553558021X	SS338CE		Cummins 3558021X					XC1989	CU689

CUMMINS SS296E · SS338E



- Cummins
- Water Cooled
- Engine Drive
- Flange Mount

MERITOR NO.	MODEL	OUTRIGHT/ REMAN	REPLACES	PORT LOCATION INLET/OUTLET	TYPE OF DISCHARGE	UNLOADER KIT	MOUNTING GASKET KIT	CORE NO.	CORE GROUP
R9553558044X	SS296E	Reman	Cummins 3558044X	Rear/Rear				XC1895	CU681
R9553558045X			Cummins 3558045X	Left/Rear					
R9553558020X	SS338E		Cummins 3558020X					XC1988	CU689

AIR COMPRESSORS

AIR COMPRESSORS CUMMINS

AIR COMPRESSORS

CUMMINS



- Cummins B Series

(Bore Size: 85mm)

(Thru-Drive: 11T)

MERITOR NO.	MODEL	OUTRIGHT/ REMAN	REPLACES	PORT LOCATION INLET/OUTLET	TYPE OF DISCHARGE	UNLOADER KIT	MOUNTING GASKET KIT	CORE NO.	CORE GROUP
R9559111535330X		Reman	Cummins 9111535330X					XC1999	CU683
R9553558212X			3558212X						

CUMMINS



- Cummins L, M, N

(Bore Size: 85mm)

(Thru-Drive: Tang)

MERITOR NO.	MODEL	OUTRIGHT/ REMAN	REPLACES	PORT LOCATION INLET/OUTLET	TYPE OF DISCHARGE	UNLOADER KIT	MOUNTING GASKET KIT	CORE NO.	CORE GROUP
R9559111535200X		Reman	Cummins 9111535200X					XC1999	CU683

CUMMINS



- Cummins ISX

(Bore Size: 85mm)

(Thru-Drive: n/a)

MERITOR NO.	MODEL	OUTRIGHT/ REMAN	REPLACES	PORT LOCATION INLET/OUTLET	TYPE OF DISCHARGE	UNLOADER KIT	MOUNTING GASKET KIT	CORE NO.	CORE GROUP
R9559111535100X		Reman	Cummins 9111535100X					XC1999	CU683

CUMMINS



- Cummins ISC

(Bore Size: 85mm)

(Thru-Drive: 11T)

MERITOR NO.	MODEL	OUTRIGHT/ REMAN	REPLACES	PORT LOCATION INLET/OUTLET	TYPE OF DISCHARGE	UNLOADER KIT	MOUNTING GASKET KIT	CORE NO.	CORE GROUP
R9559111535300X		Reman	Cummins 9111535300X					XC1999	CU683

HOLSET-CUMMINS



- Single Cylinder Compressor
- Double Flange Mount
- Water Cooled

Universal application — Either direct or remote governor mount.
Interchanges with all O.E.M. Cummins part numbers shown below.

MERITOR NO.	OUTRIGHT/ REMAN	REPLACES	UNLOADER KIT	MOUNTING GASKET KIT	CORE GROUP	CORE NO.
R9553049186X	Reman	3049186X	R9553559511	R955153115	CU681	XC1976
R9553047440X		3047440X				XC1975

HALDEX EL1300 · EL1600



- Cummins Double Flange
- Flange Mount
- Water Cooled

MERITOR NO.	MODEL	OUTRIGHT/ REMAN	REPLACES	PORT LOCATION INLET/OUTLET	TYPE OF DISCHARGE	UNLOADER KIT	MOUNTING GASKET KIT	CORE NO.	CORE GROUP
R955EL13040X	EL1300	Reman	Haldex EL13040X	Right/Right	Top/Flange	R955RNT26A	R955153108	XC1901	MD688
R955EL16040X	EL1600		Haldex EL16040X					XC1915	MD820

AIR COMPRESSORS DETROIT DIESEL

AIR COMPRESSORS

BENDIX TU-FLO 400



- Detroit Diesel
- 0° Tilt
- Flange Mount
- Water Cooled

MERITOR NO.	MODEL	OUTRIGHT/ REMAN	REPLACES	PORT LOCATION INLET/OUTLET	TYPE OF DISCHARGE	UNLOADER KIT	MOUNTING GASKET KIT	CORE NO.	CORE GROUP
R955101143X	TU-FLO 400	Reman	Bendix 101143X	Right/Right	Flange	R955279614N	R955153110	XC1555	BN626
R955281112X			Bendix 281112X					XC1543	
R955289444X			Bendix 289444X	Left/Left				XC1555	

BENDIX TU-FLO 500 · 600



- Detroit Diesel
- 45° Tilt
- Flange Mount
- Water Cooled

MERITOR NO.	MODEL	OUTRIGHT/ REMAN	REPLACES	PORT LOCATION INLET/OUTLET	TYPE OF DISCHARGE	UNLOADER KIT	MOUNTING GASKET KIT	CORE NO.	CORE GROUP
R955281042X	TU-FLO 500	Reman	Bendix 281042X	Left/Top	Threaded	R955279615N	R955153110	XC1525	BN660
R955284106X			Bendix 284106X	Left/Left	Flange				

BENDIX TU-FLO 500 · 700



- Detroit Diesel
- 0° Tilt
- Flange Mount
- Water Cooled

MERITOR NO.	MODEL	OUTRIGHT/ REMAN	REPLACES	PORT LOCATION INLET/OUTLET	TYPE OF DISCHARGE	UNLOADER KIT	MOUNTING GASKET KIT	CORE NO.	CORE GROUP
R955276961X	TU-FLO 500	Reman	Bendix 276961X	Left/Left	Flange	R955279615N	R955153110	XC1525	BN660
R955276962X			Bendix 276962X	Right/Right					
R955289925X	TU-FLO 700		Bendix 289925X	Left/Left & Top	Optional			XC1501	BN838
R955289941X			Bendix 289941X	Right/Right & Top					

BENDIX TU-FLO 500 · 600 · 700



- Detroit Diesel
- 75° Tilt
- Flange Mount
- Water Cooled

MERITOR NO.	MODEL	OUTRIGHT/ REMAN	REPLACES	PORT LOCATION INLET/OUTLET	TYPE OF DISCHARGE	UNLOADER KIT	MOUNTING GASKET KIT	CORE NO.	CORE GROUP
R955275777X	TU-FLO 500	Reman	Bendix 275777X	Left/Left	Flange			XC1525	BN660
R955278445X			Bendix 278445X	Left/Top	Threaded				
R955289964X	TU-FLO 700		Bendix 289964X	Right/Right & Top	Optional			XC1641	BN839

BENDIX TU-FLO 501



- Detroit Diesel
- 0° Tilt
- Flange Mount
- Water and Air Cooled

MERITOR NO.	MODEL	OUTRIGHT/ REMAN	REPLACES	PORT LOCATION INLET/OUTLET	TYPE OF DISCHARGE	UNLOADER KIT	MOUNTING GASKET KIT	CORE NO.	CORE GROUP
R955286538X	TU-FLO 501	Reman	Bendix 286538X	Left/Left	Flange	R955279615N	R955153110	XC1597	BN687
R955286539X			Bendix 286539X	Right/Right					
R955286540X			Bendix 286540X	Left/Top	Threaded			XC1598	
R955286581X			Bendix 286581X						
R955286623X <small>See Note 22</small>			Bendix 286623X	Left/Left	Flange			XC1624	BN686

Note: 22 Detroit Diesel Series 60 application. Use of any compressor not designed for Series 60 could damage the compressor.

AIR COMPRESSORS DETROIT DIESEL

AIR COMPRESSORS

BENDIX TU-FLO 501



- Detroit Diesel
- 0° Tilt
- Flange Mount
- Water and Air Cooled
- Press on Gear — Stud Shaft

MERITOR NO.	MODEL	OUTRIGHT/ REMAN	REPLACES	PORT LOCATION INLET/OUTLET	TYPE OF DISCHARGE	UNLOADER KIT	MOUNTING GASKET KIT	CORE NO.	CORE GROUP
R955286579X	TU-FLO 501	Reman	Bendix 286579X	Right/Top	Threaded	R955279615N	R955153110	XC1618	BN687

BENDIX TU-FLO 501



- Detroit Diesel
- 45° Tilt
- Flange Mount
- Water and Air Cooled

MERITOR NO.	MODEL	OUTRIGHT/ REMAN	REPLACES	PORT LOCATION INLET/OUTLET	TYPE OF DISCHARGE	UNLOADER KIT	MOUNTING GASKET KIT	CORE NO.	CORE GROUP
R955286542X	TU-FLO 501	Reman	Bendix 286542X	Left/Top	Threaded	R955279615N	R955153110	XC1599	BN688
R955286543X			Bendix 286543X	Right/Top					

BENDIX TU-FLO 550 · 750



- Detroit Diesel
- 0° Tilt
- Flange Mount
- Water Cooled Head
- Air Cooled Block

MERITOR NO.	MODEL	OUTRIGHT/ REMAN	REPLACES	PORT LOCATION INLET/OUTLET	TYPE OF DISCHARGE	UNLOADER KIT	MOUNTING GASKET KIT	CORE NO.	CORE GROUP
R955107513X	TU-FLO 550	Reman	Bendix 107513X	Right/Right & Top	Optional	R955153150		XC1518	BN724
R955107512X	TU-FLO 750		Bendix 107512X					Left/Left & Top	R955275615N
R955107813X			Bendix 107813X						
R955108557X			Bendix 108557X						

BENDIX TU-FLO 550 · 750



MERITOR NO.	MODEL	OUTRIGHT/ REMAN	REPLACES	PORT LOCATION INLET/OUTLET	TYPE OF DISCHARGE	UNLOADER KIT	MOUNTING GASKET KIT	CORE NO.	CORE GROUP
R955107622X See Note 23	TU-FLO 550	Reman	Bendix 107622X	Left/Left & Top	Optional	R955153150		XC1520	BN874
R955107623X See Note 23	TU-FLO 750		Bendix 107623X			R955279615N		XC1521	

Note: 23 Detroit Diesel Series 60, thru drive application. Use of any compressor not designed for Series 60 could damage the compressor.

BENDIX TU-FLO 550 · 750



MERITOR NO.	MODEL	OUTRIGHT/ REMAN	REPLACES	PORT LOCATION INLET/OUTLET	TYPE OF DISCHARGE	UNLOADER KIT	MOUNTING GASKET KIT	CORE NO.	CORE GROUP
R9555004187X See Note 41	TU-FLO 750	Reman	Bendix 5004187X	Right/Left	Optional	R955275615N		XC1394	BN874
R9555004188X See Note 41, 49	TU-FLO 550		Bendix 5004188X			R955153150		XC1668	BN724

Notes: 41 Detroit Diesel Series 60, non EGR, 69 tooth gear, 21 tooth spline.
49 Detroit Diesel Series 50, 69 tooth gear, 21 tooth spline.

BENDIX TU-FLO 700



- Detroit Diesel
- 45° Tilt
- Water Cooled
- Flange Mount

MERITOR NO.	MODEL	OUTRIGHT/ REMAN	REPLACES	PORT LOCATION INLET/OUTLET	TYPE OF DISCHARGE	UNLOADER KIT	MOUNTING GASKET KIT	CORE NO.	CORE GROUP
R955101158X	TU-FLO 700	Reman	Bendix 101158X	Right/Right & Top	Optional	R955279615N	R955153110	XC1501	BN838

AIR COMPRESSORS DETROIT DIESEL

BENDIX TU-FLO 1000



- Vertical Mount and Flange Mount
- Pulley and Engine Drive
- Water Cooled

MERITOR NO.	MODEL	OUTRIGHT/ REMAN	REPLACES	PORT LOCATION INLET/OUTLET	TYPE OF DISCHARGE	UNLOADER KIT	MOUNTING GASKET KIT	CORE NO.	CORE GROUP
R955276777X See Note 29	TU-FLO 1000	Reman	Bendix 276777X	Middle/Middle		R955279615N	R955153113	XC1544	BN962

Note: 29 Flange Mount.

BENDIX BA921



MERITOR NO.	MODEL	OUTRIGHT/ REMAN	REPLACES	PORT LOCATION INLET/OUTLET	TYPE OF DISCHARGE	UNLOADER KIT	MOUNTING GASKET KIT	CORE NO.	CORE GROUP
R9555018485X	BA921	Reman	Bendix 5018485X	Top/Side				XC1654	BN610

BENDIX DF596



MERITOR NO.	MODEL	OUTRIGHT/ REMAN	REPLACES	PORT LOCATION INLET/OUTLET	TYPE OF DISCHARGE	UNLOADER KIT	MOUNTING GASKET KIT	CORE NO.	CORE GROUP
R9555005875X	DF596	Reman	Bendix 5005875X	Top/Top				XC1687	BN699

AIR COMPRESSORS

HALDEX EL1300 · EL1600



- Detroit Diesel Applications
- Various Tilts
- Flange Mount
- Water Cooled

MERITOR NO.	MODEL	OUTRIGHT/ REMAN	REPLACES	PORT LOCATION INLET/OUTLET	TYPE OF DISCHARGE	UNLOADER KIT	MOUNTING GASKET KIT	CORE NO.	CORE GROUP	
R955EL13050X	EL1300-DDC60; Non-Thru Drive	Reman	Haldex EL13050X	Right/Right	Flange-0°	R955RNT26A	R955153110	XC1902	MD688	
R955EL13051X			Haldex EL13051X	Right/Right or Left						
R955EL13090X			Haldex EL13090X	Right/Right	Flange-41°					XC1907
R955EL13100X			Haldex EL13100X		Flange-50°					
R955EL13053X	Haldex EL13053X		Flange-0°		XC1904					
R955EL16053X	EL1300, EL1600-DDC60; Thru Drive			Haldex EL16053X				XC1918		MD820
R955EL16050X	EL1600			Haldex EL16050X	XC1916					
R955EL16100X			Haldex EL16100X	Flange-50°					XC1920	

AIR COMPRESSORS

AIR COMPRESSORS FORD

BENDIX TU-FLO 501



- Side Mount
- Ford
- Pulley Drive
- Water and Air Cooled

MERITOR NO.	MODEL	OUTRIGHT/ REMAN	REPLACES	PORT LOCATION INLET/OUTLET	TYPE OF DISCHARGE	UNLOADER KIT	MOUNTING GASKET KIT	CORE NO.	CORE GROUP
R955286565X	TU-FLO 501	Reman	Bendix 286565X	Right/Right	Flange	R955279615N	-	XC1607	BN698

AIR COMPRESSORS

BENDIX TU-FLO 550 · 750



- International I6, Pre-2004 DT466, HT530
- Flange Mount
- Water and Air Cooled

MERITOR NO.	MODEL	OUTRIGHT/ REMAN	REPLACES	PORT LOCATION INLET/OUTLET	TYPE OF DISCHARGE	UNLOADER KIT	MOUNTING GASKET KIT	CORE NO.	CORE GROUP
R9555004613X <small>See Note 42, 50</small>	TU-FLO 550	Reman	Bendix 5004613X	Right/Left	Optional	R955153150	R955153112	XC1490	BN724
R9555004614X	TU-FLO 750		Bendix 5004614X	Left/Left/Top				XC1480	BN877

Notes: 42 International I6 pre-2004 DT466.
50 International I6 pre-2004 HT530.

BENDIX TU-FLO 550



- International V8 VT 365
- Base Mount
- Water and Air Cooled

MERITOR NO.	MODEL	OUTRIGHT/ REMAN	REPLACES	PORT LOCATION INLET/OUTLET	TYPE OF DISCHARGE	UNLOADER KIT	MOUNTING GASKET KIT	CORE NO.	CORE GROUP
R9555015314X <small>See Note 47</small>	TU-FLO 550	Reman	Bendix 5015314X	Right/Left	Optional	R955153150	R955153112	XC1488	BN724
R9555014144X			Bendix 5014144X						
R9555019445X			Bendix 5019445X						

Note: 47 International V8 VT365–M18 water port, M10 oil port, Metric Head.

BENDIX BX2150



- Caterpillar
- 3304-3306 Flange
- Flange Mount
- Water Cooled Head
- Air Cooled Block

MERITOR NO.	MODEL	OUTRIGHT/ REMAN	REPLACES	PORT LOCATION INLET/OUTLET	TYPE OF DISCHARGE	UNLOADER KIT	MOUNTING GASKET KIT	CORE NO.	CORE GROUP
R955109219X	BX2150	Reman	Bendix 109219X	Left/Top	Threaded	R955279615N	R955153106	XC1665	BN604

AIR COMPRESSORS MACK

AIR COMPRESSORS

BENDIX TU-FLO 500 · 600



- Mack / Cat Flange
- Tapered Shaft
- Flange Mount
- Water Cooled

MERITOR NO.	MODEL	OUTRIGHT/ REMAN	REPLACES	PORT LOCATION INLET/OUTLET	TYPE OF DISCHARGE	UNLOADER KIT	MOUNTING GASKET KIT	CORE NO.	CORE GROUP
R955284260X	TU-FLO 500	Reman	Bendix 284260X	Right/Top	Flange	R955279615N	R955153106	XC1578	BN660
R955284310X			Bendix 284310X					XC1525	
R955280774X	TU-FLO 600		Bendix 280774X	Left/Left	Threaded			XC1569	
R955281157X			Bendix 281157X	Right/Top					

BENDIX TU-FLO 500 · 600



- Mack Extended Flange
- Flange Mount
- Water Cooled Head
- Air Cooled Block

MERITOR NO.	MODEL	OUTRIGHT/ REMAN	REPLACES	PORT LOCATION INLET/OUTLET	TYPE OF DISCHARGE	UNLOADER KIT	MOUNTING GASKET KIT	CORE NO.	CORE GROUP
R955282621X	TU-FLO 500	Reman	Bendix 282621X	Right/Right	Flange	R955279615N	R955153111	XC1570	BN660

BENDIX TU-FLO 500 · 600 · 700



- Mack "Foxhead" Flange
- Flange Mount
- Water Cooled
- V8 Application

MERITOR NO.	MODEL	OUTRIGHT/ REMAN	REPLACES	PORT LOCATION INLET/OUTLET	TYPE OF DISCHARGE	UNLOADER KIT	MOUNTING GASKET KIT	CORE NO.	CORE GROUP
R955283577X	TU-FLO 500	Reman	Bendix 283577X	Right/Right	Flange	R955279615N	R955153112	XC1548	BN660
R955283692X			Bendix 283692X						
R955280628X	TU-FLO 600		Bendix 280628X	Left/Left	Optional			XC1632	
R955289348X	TU-FLO 700		Bendix 289348X	Left/Left & Top					

BENDIX TU-FLO 501



- Mack Extended Flange
- Flange Mount
- Water and Air Cooled
- Equipped for Power Steering

MERITOR NO.	MODEL	OUTRIGHT/ REMAN	REPLACES	PORT LOCATION INLET/OUTLET	TYPE OF DISCHARGE	UNLOADER KIT	MOUNTING GASKET KIT	CORE NO.	CORE GROUP
R955286544X	TU-FLO 501	Reman	Bendix 286544X	Right/Right	Flange	R955279615N	R955153111	XC1600	BN690
R955286620X <small>See Note 24</small>			Bendix 286620X	Right/Top	Threaded			XC1622	

Note: 24 Equipped for power steering drive option.

BENDIX TU-FLO 550 · 750



- Mack Extended Flange
- Flange Mount
- Water Cooled Head
- Air Cooled Block
- Equipped for Power Steering

MERITOR NO.	MODEL	OUTRIGHT/ REMAN	REPLACES	PORT LOCATION INLET/OUTLET	TYPE OF DISCHARGE	UNLOADER KIT	MOUNTING GASKET KIT	CORE NO.	CORE GROUP
R955107511X	TU-FLO 550	Reman	Bendix 107511X	Right/Right & Top	Optional	R955153150	R955153111	XC1516	BN724
R9555002865X <small>See Note 39</small>			Bendix 5002865X	Right/Left				XC1492	
R955108866X			Bendix 108866X	Right/Right & Top				XC1524	
R955107510X	TU-FLO 750	Reman	Bendix 107510X	Right/Right & Top	Optional	R955153150	R955153111	XC1515	BN874
R955108869X			Bendix 108869X	Right/Left					
R9555002868X <small>See Note 39</small>			Bendix 5002868X						

Note: 39 Pre-1997.

AIR COMPRESSORS MACK

BENDIX TU-FLO 700



- Mack Extended Flange
- Flange Mount
- Water Cooled
- Equipped for Power Steering

MERITOR NO.	MODEL	OUTRIGHT/ REMAN	REPLACES	PORT LOCATION INLET/OUTLET	TYPE OF DISCHARGE	UNLOADER KIT	MOUNTING GASKET KIT	CORE NO.	CORE GROUP
R955289340X	TU-FLO 700	Reman	Bendix 289340X	Right/Right & Top	Optional	R955279615N	R955153111	XC1629	BN847

CUMMINS QE296M · QE338CM



- Mack In-Line Engines
- Water Cooled
- Engine Drive
- Flange Mount

MERITOR NO.	MODEL	OUTRIGHT/ REMAN	REPLACES	PORT LOCATION INLET/OUTLET	TYPE OF DISCHARGE	UNLOADER KIT	MOUNTING GASKET KIT	CORE NO.	CORE GROUP
R9553558068X	QE296M	Reman	Cummins 3558068X	Right/Rear	Threaded			XC1982	CU687
R9553558077X	QE338CM		Cummins 3558077X					XC1995	CU689

CUMMINS SS296ME · SS338ME



- Mack E6 / E7 Engines
- Water Cooled
- Engine Drive
- Flange Mount

MERITOR NO.	MODEL	OUTRIGHT/ REMAN	REPLACES	PORT LOCATION INLET/OUTLET	TYPE OF DISCHARGE	UNLOADER KIT	MOUNTING GASKET KIT	CORE NO.	CORE GROUP		
R9553558042X	SS296ME	Reman	Cummins 3558042X	Right/Rear				XC1971	CU687		
R9553558000X	SS338ME		Cummins 3558000X					R9553559545N	R955153116	XC1985	CU689
R9553558043X			Cummins 3558043X							XC1991	

AIR COMPRESSORS

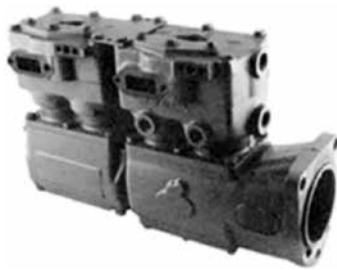
HALDEX EL1300 · EL1600



- Mack Extended Flange
- Flange Mount
- Water Cooled
- Equipped for Power Steering

MERITOR NO.	MODEL	OUTRIGHT/ REMAN	REPLACES	PORT LOCATION INLET/OUTLET	TYPE OF DISCHARGE	UNLOADER KIT	MOUNTING GASKET KIT	CORE NO.	CORE GROUP
R955EL13111X	EL1300	Reman	Haldex EL13111X	Left/Left	Flange	R955RNT26A	R955153111	XC1909	MD688
R955EL16111X	EL1600		Haldex EL16111X			-	R955153114	XC1921	MD820

HALDEX EL3200



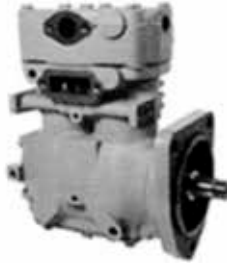
- Mack In Line 6
- Flange Mount
- Water Cooled
- Gear Drive
- Camshaft Oil Feed

MERITOR NO.	MODEL	OUTRIGHT/ REMAN	REPLACES	PORT LOCATION INLET/OUTLET	TYPE OF DISCHARGE	UNLOADER KIT	MOUNTING GASKET KIT	CORE NO.	CORE GROUP
R955EL14110X	EL3200	Reman	Haldex EL14110X		Flange			XC1914	MD974
R955EL14111X			Haldex EL14111X	Left or Right/ Left or Right		R955RNT26A	R955153114		

AIR COMPRESSORS

AIR COMPRESSORS VOLVO

BENDIX TU-FLO 501



- Volvo / White Flange
- Flange Mount
- Water and Air Cooled

MERITOR NO.	MODEL	OUTRIGHT/ REMAN	REPLACES	PORT LOCATION INLET/OUTLET	TYPE OF DISCHARGE	UNLOADER KIT	MOUNTING GASKET KIT	CORE NO.	CORE GROUP
R955286563X	TU-FLO 501	Reman	Bendix 286563X	Right/Right	Threaded	R955279615N	R955153106	XC1610	BN703

BENDIX TU-FLO 550 · 750



- Volvo
- Flange Mount
- Water and Air Cooled

MERITOR NO.	MODEL	OUTRIGHT/ REMAN	REPLACES	PORT LOCATION INLET/OUTLET	TYPE OF DISCHARGE	UNLOADER KIT	MOUNTING GASKET KIT	CORE NO.	CORE GROUP
R955108937X	TU-FLO 550	Reman	Bendix 108937X	Right/Top	Threaded	R955153150	R955153111	XC1493	BN722

AIR COMPRESSORS

TITLE	PAGE
Air Dryers - - - - -	3-1
Air Dryers Quick Reference - - - - -	3-2
AD2 Series - - - - -	3-6
AD4 Series - - - - -	3-10
AD9 Series - - - - -	3-14
ADIP Series- - - - -	3-20
ADSP Series - - - - -	3-24
ADIS Series- - - - -	3-28
T-2000 - - - - -	3-30

Air Dryers and Cartridges

Desiccant style air dryers are basically in line filters that remove both liquid and vapor from compressor discharge air before it reaches the reservoir. As a result, only clean, dry air is supplied to the air system. This helps prevent freeze-ups and prolongs the life of air system components.

Cartridges are now offered in two different types; standard and oil coalescing. Standard cartridges remove moisture from the air via the desiccant material in the unit, while coalescing cartridges remove moisture as well as oil aerosol and particulate matter as air passes through filters in the unit. If a vehicle is equipped with an oil coalescing cartridge, this should be maintained for the life of the vehicle or contamination and/or damage of other components connected to the airline is possible including brake valves, emission controls, automated manual transmissions and more.

Air Dryer Features

- Heaters available for 12 Volt and 24 Volt applications
- Heavy-gauge metal ensures integrity
- Precisely machined pop-off valves to avoid leaks
- Soft-seat pistons in all new dryers help handle higher turbo boost pressure
- Charged with 100% new desiccant that meets/exceeds compliance specifications
- New purge valve, relief valve, heater, and springs installed on all new dryers
- Testing of all dryers in both charge and purge cycles



AIR DRYERS

AIR DRYERS QUICK REFERENCE					
MODEL	OE NUMBER	DESCRIPTION	MERITOR	MERITOR REMAN	
			NEW	REMAN NO CORE	REMAN CORE EXCHANGE
AD4	065041	Dryer (12v) (Standard Cartridge)		R955065041XCF	R955065041X
AD4	065044	End Cover (12v)			R955065044X
AD4	065102	Dryer; Dual Terminal (Standard Cartridge)			R955065102X
AD9	065224	Dryer (24v—Hard Seat) (Standard Cartridge)			R955065224X
AD9	065225	Dryer (12v—Soft Seat w/ Power Cable & Mounting Bracket) (Standard Cartridge)	R955065225N	R955065225XCF	R955065225X
AD9	065226	Dryer (12v); 3/4" Supply & Delivery (Standard Cartridge)			R955065226X
AD9	065228	Dryer (12v); 3/4" Supply & Delivery with Extended Purge (Standard Cartridge)			R955065228X
AD9	065243	Dryer (12v); 3/4" Supply & Delivery with Extended Purge (Standard Cartridge)			R955065243X
ADIP	065624	Cartridge (Standard)	R955065624N	R955109493XCF	R955109493X
ADIP ADIS	065626	Purge Valve; Old Style	R955800404N		R9555004342X
AD9	065647	Dryer (12v); Drop-In for Holset Applications (Standard Cartridge)			R955065647X
ADSP ADIS	065677	Check Valve	R955065677N		
AD2	101900	Cartridge (Standard Cartridge)		R955101900XCF	R955101900X
AD2 AD4	102657	Heater Kit (12v)	R955102657N		
AD4	103817	Major Repair Kit	R955103817N		
AD4	103818	Purge Valve Kit	R955103818N		
AD4	103879	Seal & O-Ring Kit	R955103879N		
AD4	103980	Repair Kit for End Cap	R955103980N		
AD4	103981	Cartridge (Standard Cartridge)	R955103981N	R95104358XCF	R955104358X
AD4	104027	Mounting Bracket only	R955104027N		
AD4	104358	Cartridge (Standard Cartridge)	R955103981N	R95104358XCF	R95104358X
AD2	107454	Check Valve	R955107454N		
AD9	107695	Bracket Kit	R955107695N		
AD9	107794PG	Cartridge (Oil Coalescing)			R955107794PGX
AD9	107794	Cartridge (Standard Cartridge)	R955107796N	R955107794XCF	R955107794X
AD9	107796	Cartridge (Standard Cartridge)	R955107796N	R955107794XCF	R955107794X
AD9	107799	Check Valve (3/4")	R955107799N		
AD9	107800	Check Valve (1/2")	R955107800N		
AD9	107896	Purge Valve Assembly (Hard Seat)	R955800405N		R955107896X
ADIP	109477PG	Dryer (12v) (Oil Coalescing Cartridge)			R955109477PGX
ADIP	109477	Dryer (12v) (Standard Cartridge)		R955109477XCF	R955109477X
ADIP	109478	Dryer (24v) (Standard Cartridge)			R955109478X
ADIP	109493PG	Cartridge (Oil Coalescing)			R955109493PGX
ADIP	109493	Cartridge (Standard Cartridge)	R955065624N	R955109493XCF	R955109493X
ADIP	109494	Check Valve Kit	R955109494N		
ADIP ADSP ADIS	109495	Heater Kit (12v—White)	R955109495N		
ADIP ADSP ADIS	109496	Heater Kit (24v 90w—Gray)	R955109496N		
ADIP	109503	Dryer (12v) (Standard Cartridge)			R955109503X
AD9	109578	Heater Kit (12v—White)	R955109578N		

AIR DRYERS QUICK REFERENCE

MODEL	OE NUMBER	DESCRIPTION	MERITOR	MERITOR REMAN	
			NEW	REMAN NO CORE	REMAN CORE EXCHANGE
AD9	109579	Heater Kit (24v 75w-Gray)	R955109579N		
AD9	109685PG	Dryer (12v-Soft Seat) (Oil Coalescing Cartridge)			R955109685PGX
AD9	109685	Dryer (12v-Hard Seat) (Standard Cartridge)		R955065225XCF	R955065225X
AD9	109687	Dryer (12v-Hard Seat w/ 3/4" Ports) (Standard Cartridge)			R955109687X
AD9	109688	Dryer (12v); 3/4" Supply & Delivery with Extended Purge (Standard Cartridge)			R955109688X
AD9	109689	Dryer (12v-Soft Seat) (Standard Cartridge)			R955109689X
AD9	109690	Dryer (12v-Soft Seat w/ 3/4" Ports) (Standard Cartridge)			R955109690X
AD9	109691	Dryer (24v-Soft Seat w/ 3/4" Ports & Ext. Purge) (Standard Cartridge)			R955109691X
AD9 ADIP ADSP	109869	Power Cable	R955109869N		
ADIS	109871	Power Cable	R955109871N		
ADSP	109991	Dryer (12v)		R955109991XCF	R955109991X
ADSP	109992	Dryer (24v)		R955109992XCF	R955109992X
ADSP	109993	Turbo Cut-Off Valve Kit	R955109993N		
ADSP ADIS	109994	Cartridge (Standard Cartridge)	S432 410 222 7		
ADSP	109995	Purge Valve	R955109995N		
AD4 AD9 ADIP	205105	Safety Valve (150 psi)	R955205105N		
AD2	286934	Dryer (12v) (Standard Cartridge)		R955286934XCF	R955286934X
AD2	286936	Dryer (24v) (Standard Cartridge)			R955286936X
AD2	287298	Check Valve Kit	R955287298N		
AD4 AD9 ADIP ADIS	800350	Safety Valve (175 psi)	R955800350N		
ADIP	800404	Purge Valve Assembly	R955800404N		
AD9	800405	Purge Valve Assembly (Hard Seat)	R955800405N		R955107896X
ADIP	5000709	Dryer (12v-Drop-In Unit) (Standard Cartridge)			R9555000709X
AD9	5002595	Heater Kit (24v 100w-Yellow)	R9555002595N		
ADIS	5003547	Purge Valve Kit	R9555003547N		
ADIS	5004050	Dryer (12v) (Standard Cartridge)			R9555004342X
AD9	5004336	Purge Valve Kit (Old Style)	R9555004336N		
AD9	5004338	Purge Valve Assembly 24v (Hard Seat)	R9555004338N		
AD9	5004339	DLU Purge Valve Kit-12v 75w	R9555004339N		
AD9	5004340	Purge Valve Kit (12v); DLU	R9555004340N		
AD9	5004340	DLU Purge Valve Kit-24v 75w	R9555004340N		
AD9	5004341	Purge Valve Assembly (Soft Seat)	R9555005893N		R9555004341X
AD9	5004342	Purge Valve Assembly 24v 75w (Soft Seat)			R9555004342X
AD9	5004380	Field Modification Kit	R9555004380N		
AD9	5004380	Field Modification Kit	R9555004380N		
AD9	5004381	Purge Valve Kit (24v, 100w)	R9555004381N		
AD9	5004479	Purge Valve Assembly 12v 75w (Hard Seat)	R9555004479N		
AD9	5004480	Purge Valve Assembly 24v 75w (Hard Seat)	R9555004480N		
AD9	5005037	Purge Valve Assembly (Hard Seat)	R955800405N		R955107896X
ADSP	5005624	Delivery Check Valve Kit	R9555005624N		

AIR DRYERS

AIR DRYERS QUICK REFERENCE

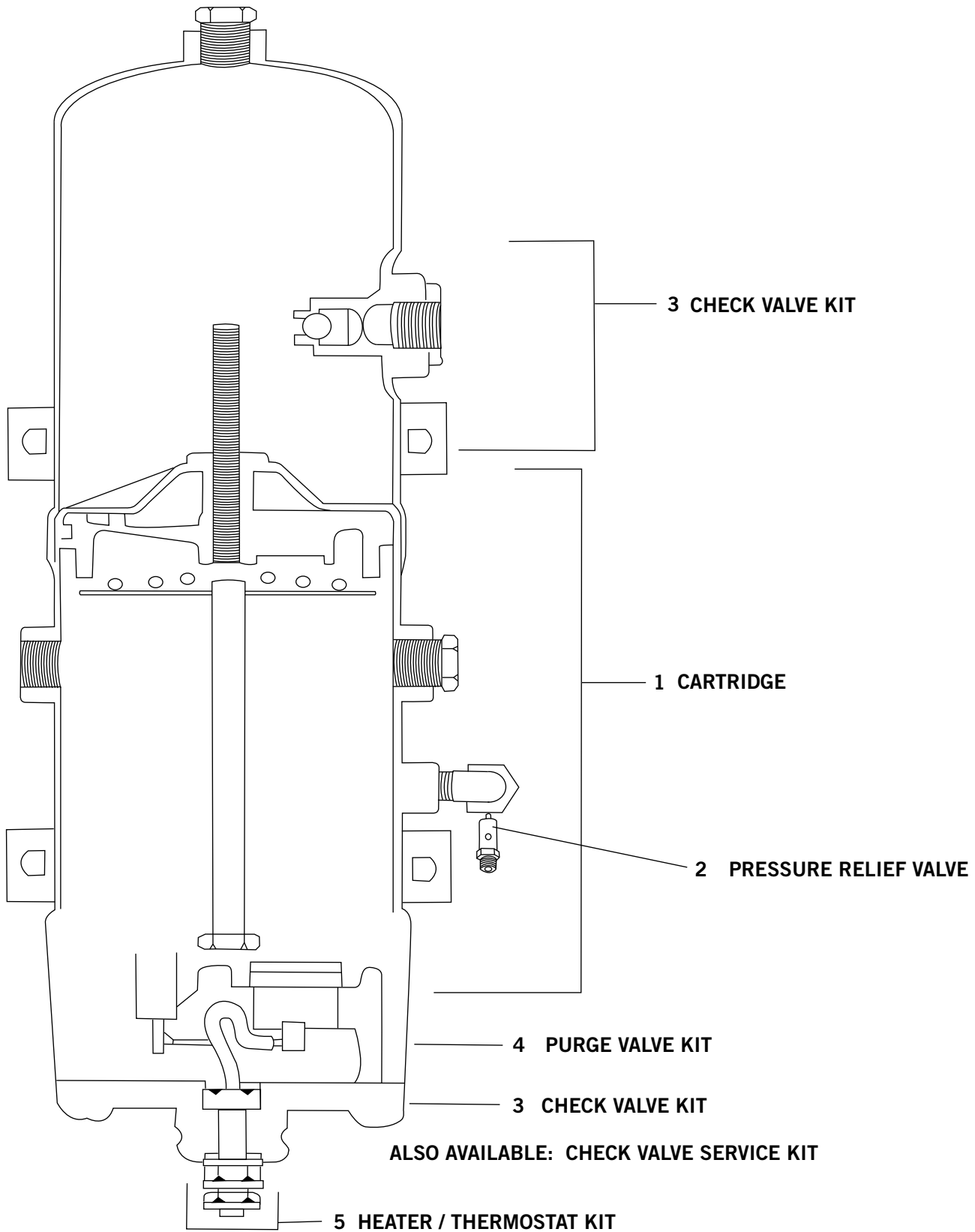
MODEL	OE NUMBER	DESCRIPTION	MERITOR	MERITOR REMAN	
			NEW	REMAN NO CORE	REMAN CORE EXCHANGE
AD9	5005893	Purge Valve Assembly Kit (Soft Seat)	R9555005893N		R9555004341X
ADSP ADIS	5008414	Cartridge (Standard)	S432 410 222 7		
ADSP ADIS	5008414PG	Cartridge (Oil Coalescing)	S432 901 223 2		
ADSP ADIS	5008415	Cartridge (Standard)	S432 410 222 7		
AD9	5009378	Dryer (12v–Hard Seat w/ Power Cable & Mounting Bracket) (Standard Cartridge)			R955109685HX
ADIS	5010133	Dryer (12v) (Standard Cartridge)			R9555010133X
ADIS	5010696	Dryer (12v–Peterbilt Applications) (Standard Cartridge)			R9555010696X
ADIP ADIS	K022105	Purge Valve; New Style (Hard Seat)	R955K022105N		
ADIP	K022105	Purge Valve Assembly	R955K022105N		
ADIP ADIS	K031560	Purge Valve; New Style (Soft Seat)	R955K031560N		
AD9	K041395	Double Check Valve; New Style	R955K041395N		
T2000PG	T224PG	Cartridge (Oil Coalescing)	R955T224PGN		
T2000	T224	Cartridge (Standard)	R955T224N		

AIR DRYERS


AD2 AIR DRYER

Figure 3-1


AIR DRYERS




AD2 AIR DRYER (Figure 3-1)

	MERITOR NO.	REPLACES	CORE NO.	CORE GROUP	DESCRIPTION AND COMMENTS
	R955286934X	Bendix 286934X	XC1120	BN453	12 Volt, Meritor Reman, Core Exchange
	R955286934XCF	Bendix OR286934X			12 Volt, Meritor Reman, No Core
	R955286936X	Bendix 286936X	XC1120	BN453	24 Volt, Meritor Reman, Core Exchange


AD2 DESICCANT CARTRIDGE (Figure 3-1, 1)

	MERITOR NO.	REPLACES	CORE NO.	CORE GROUP	DESCRIPTION AND COMMENTS
	R955101900X	Bendix 101900X	XC1045	BN451	Meritor Reman, Core Exchange
	R955101900XCF	Bendix OR101900X			Meritor Reman, No Core


AD2 PRESSURE RELIEF VALVE (Figure 3-1, 2)

	MERITOR NO.	REPLACES	DESCRIPTION AND COMMENTS
	R955205105N	Bendix 205105	AD2, AD4, AD9, ADIP, ADIS Adjustable Pressure Relief Valve—150 psi—1/4" Meritor, New
	R955800350N	Bendix 800350	AD4, AD9, ADIP, ADIS Pressure Relief Valve—175 psi Meritor, New

AD2 CHECK VALVE (Figure 3-1, 3)

	MERITOR NO.	REPLACES	DESCRIPTION AND COMMENTS
	R955107454N	Bendix 107454	Check Valve, Meritor, New

AD2 CHECK VALVE SERVICE KIT (Figure 3-1)

	MERITOR NO.	REPLACES	DESCRIPTION AND COMMENTS
	R955287298N	Bendix 287298	Check Valve Service Kit, Meritor, New

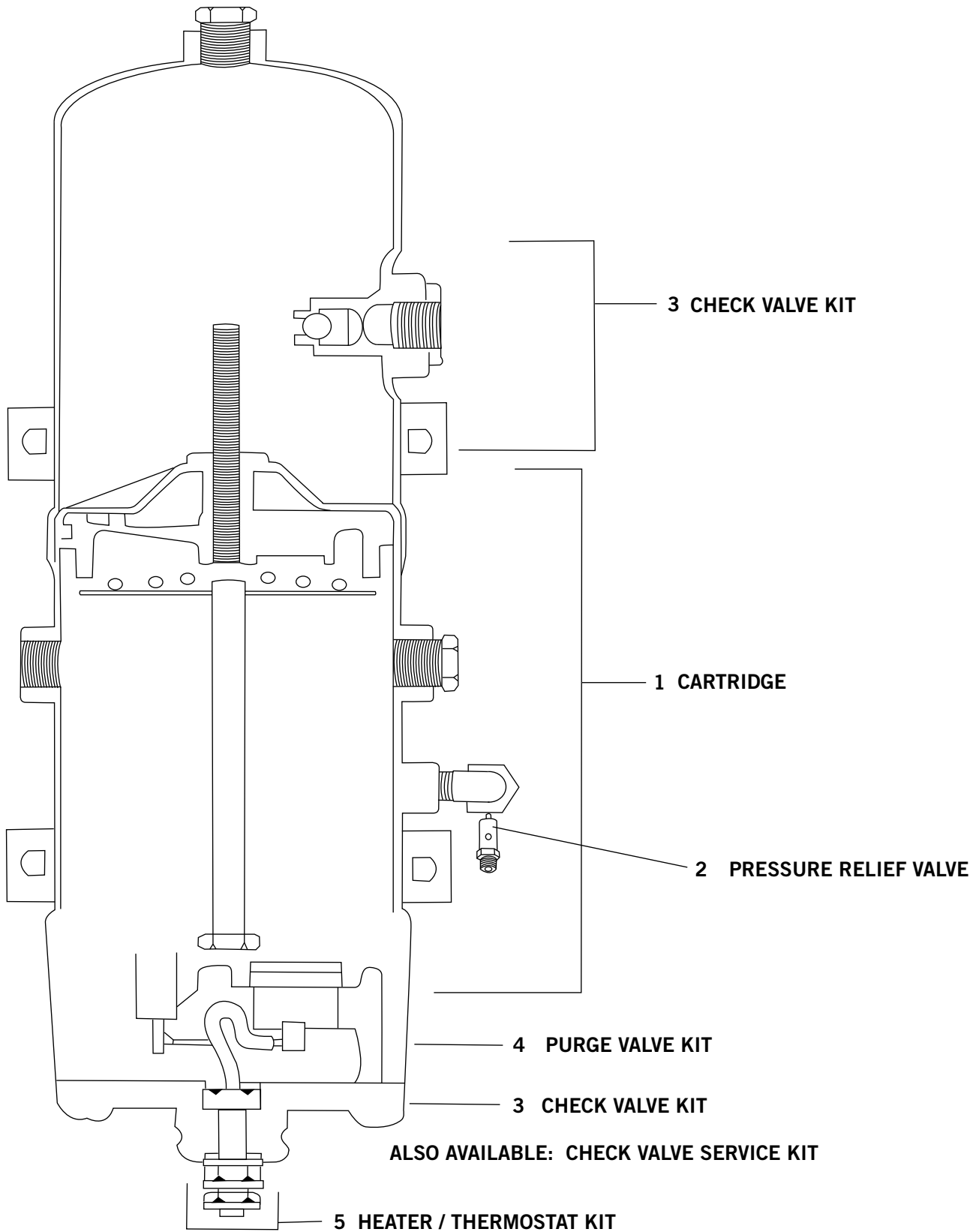
AIR DRYERS

AIR DRYERS


AD2 AIR DRYER

Figure 3-1


AIR DRYERS



AD2 PURGE VALVE KIT (Figure 3-1, 4)

	MERITOR NO.	REPLACES	DESCRIPTION AND COMMENTS
	<p>R955287053N</p>	<p>Bendix 287053</p>	<p>Purge Valve Kit, Meritor, New</p>

AD2 THERMOSTAT KIT (Figure 3-1, 5)

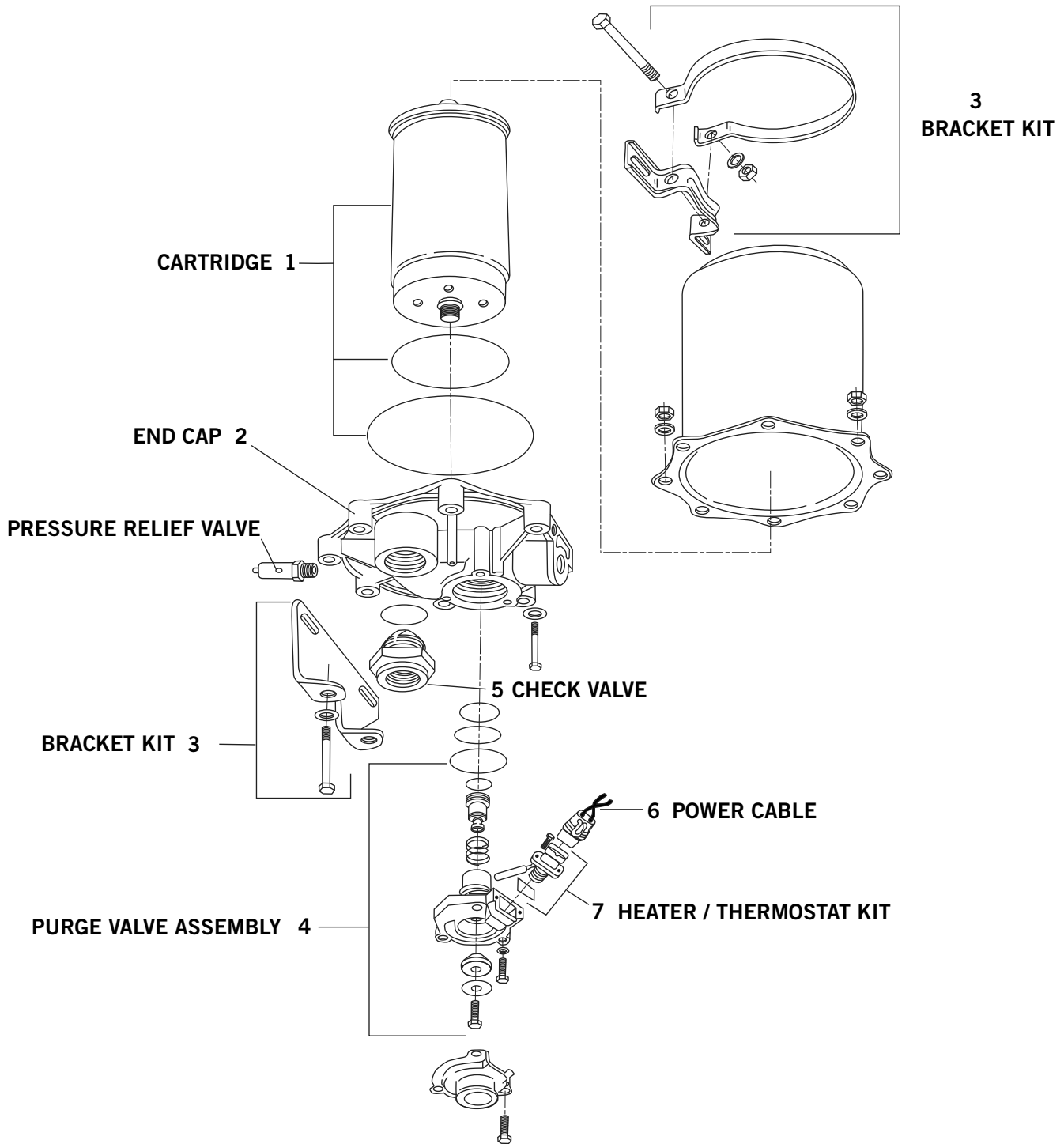
	MERITOR NO.	REPLACES	DESCRIPTION AND COMMENTS
	<p>R955102657N</p>	<p>Bendix 102657</p>	<p>Thermostat Service Kit, Meritor, New</p>

AIR DRYERS

AIR DRYERS


AD4 AIR DRYER

Figure 3-2




AIR DRYERS


AD4 AIR DRYER (Figure 3-2)

	MERITOR NO.	REPLACES	CORE NO.	CORE GROUP	DESCRIPTION AND COMMENTS
	R955065041X	Bendix 065041X	XC1187	BN457	12 Volt, Meritor Reman, Core Exchange
	R955065041XCF	Bendix OR065041X			Meritor Reman, No Core
	R955065102X	Bendix 065102X	XC1187	BN457	Dual Terminal, Meritor Reman, Core Exchange


AD4 DESICCANT CARTRIDGE (Figure 3-2, 1)

	MERITOR NO.	REPLACES	CORE NO.	CORE GROUP	DESCRIPTION AND COMMENTS
	R955104358X	Bendix 104358X	XC1050	BN456	Meritor Reman, Core Exchange
	R955104358XCF	Bendix OR104358X			Meritor Reman, No Core
	R955103981N	Bendix 103981			Meritor, New


AD4 END COVER & REPAIR KIT (Figure 3-2, 2)

	MERITOR NO.	REPLACES	CORE NO.	CORE GROUP	DESCRIPTION AND COMMENTS
	R955065044X	Bendix 065044X	XC1188	BN456	12 Volt, Meritor Reman, Core Exchange
	R955103980N	Bendix 103980			Repair Kit for End Cap, Meritor, New


AD4 SEAL & O-RING KIT

	MERITOR NO.	REPLACES	DESCRIPTION AND COMMENTS		
	R955103879N	Bendix 103879		Seal & O-Ring Kit, Meritor, New	

AD4 MOUNTING BRACKET KIT (Figure 3-2, 3)

	MERITOR NO.	REPLACES	DESCRIPTION AND COMMENTS		
	R955107695N	Bendix 107695	AD4 & AD9 Mounting Bracket Kit, Meritor, New		
	R955104027N	Bendix 104027	AD4 & AD9 Mounting Bracket Only Order R955107695N for Bracket Kit, Meritor, New		

AD4 MAJOR KIT

	MERITOR NO.	REPLACES	DESCRIPTION AND COMMENTS		
	R955103817N	Bendix 103817	Major Kit, Consists of R955104358X and R955103980N, Meritor, New		

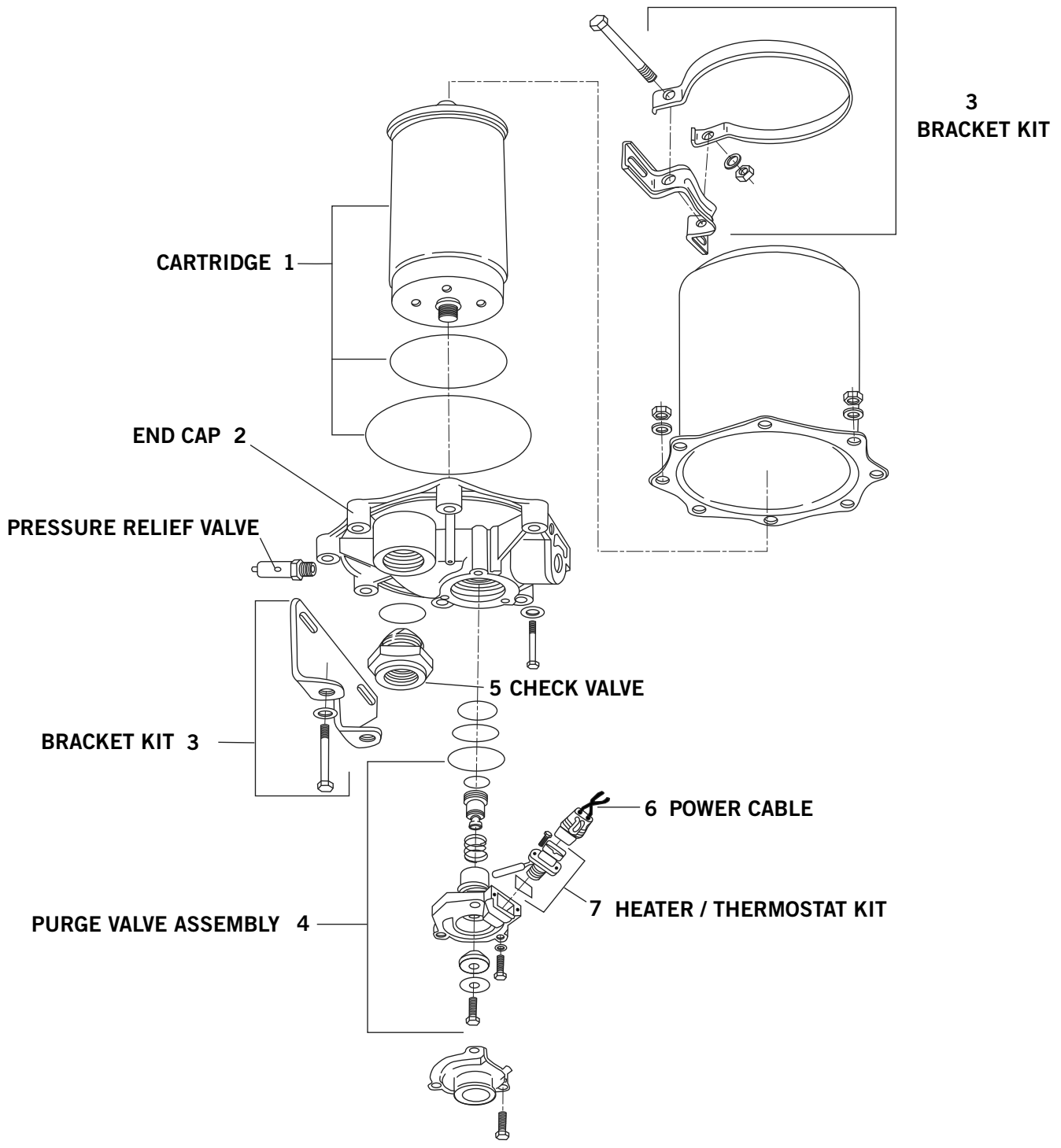
AIR DRYERS

AIR DRYERS

AD4 AIR DRYER

Figure 3-2


AIR DRYERS



AD4 SEAL KIT

	MERITOR NO.	REPLACES	DESCRIPTION AND COMMENTS
	<p>R955103818N</p>	<p>Bendix 103818</p>	<p>Seal Kit, Meritor, New</p>

AD4 THERMOSTAT SERVICE KIT

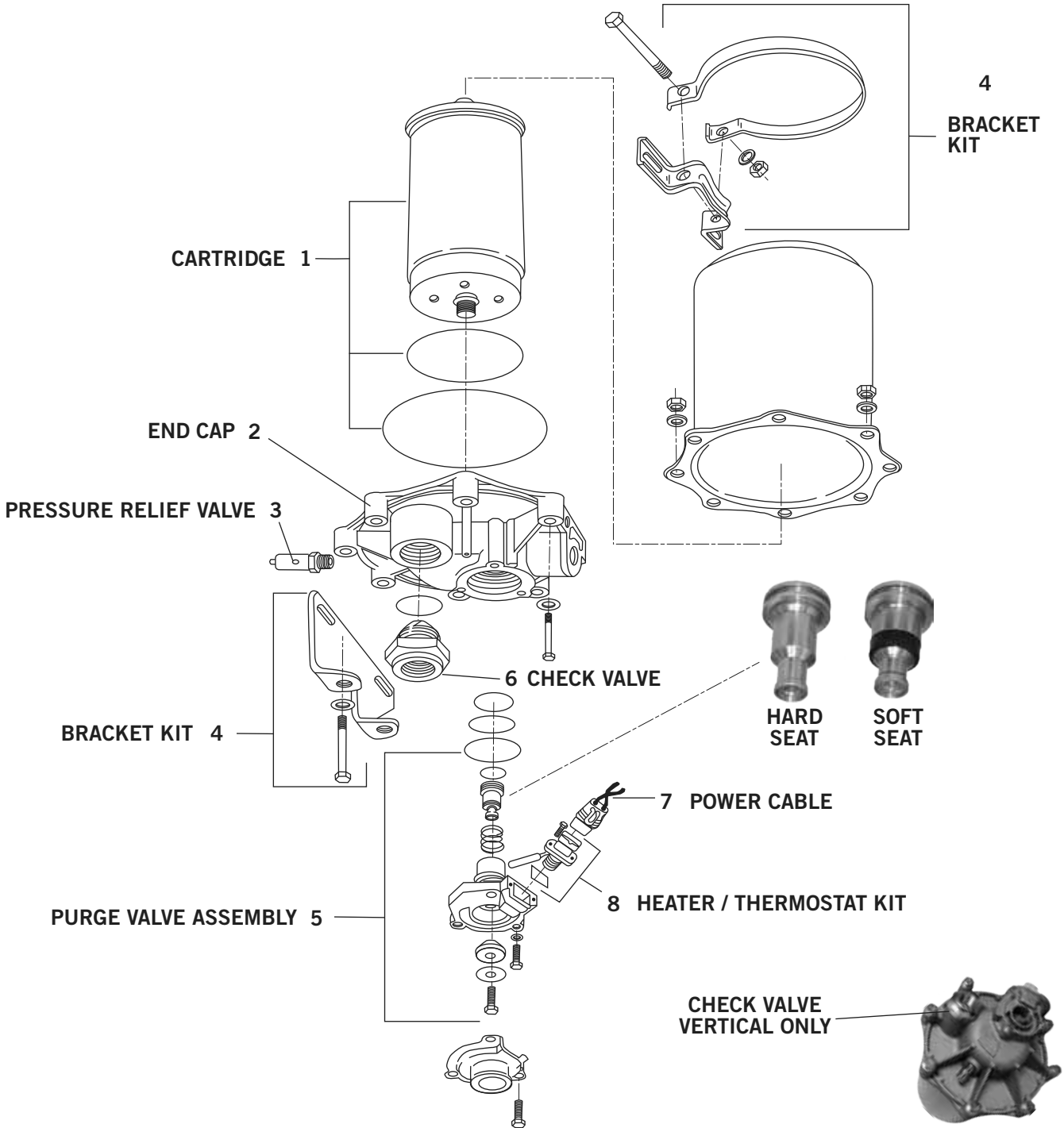
	MERITOR NO.	REPLACES	DESCRIPTION AND COMMENTS
	<p>R955102657N</p>	<p>Bendix 102657</p>	<p>Thermostat Service Kit, Meritor, New</p>

AIR DRYERS

AIR DRYERS

AD9 AIR DRYER

Figure 3-3



AIR DRYERS

ALSO AVAILABLE:

- PURGE VALVE SERVICE KITS
- DLU PURGE VALVE SERVICE KITS
- POWER CABLE REPAIR KITS

AD9 AIR DRYER (Figure 3-3)



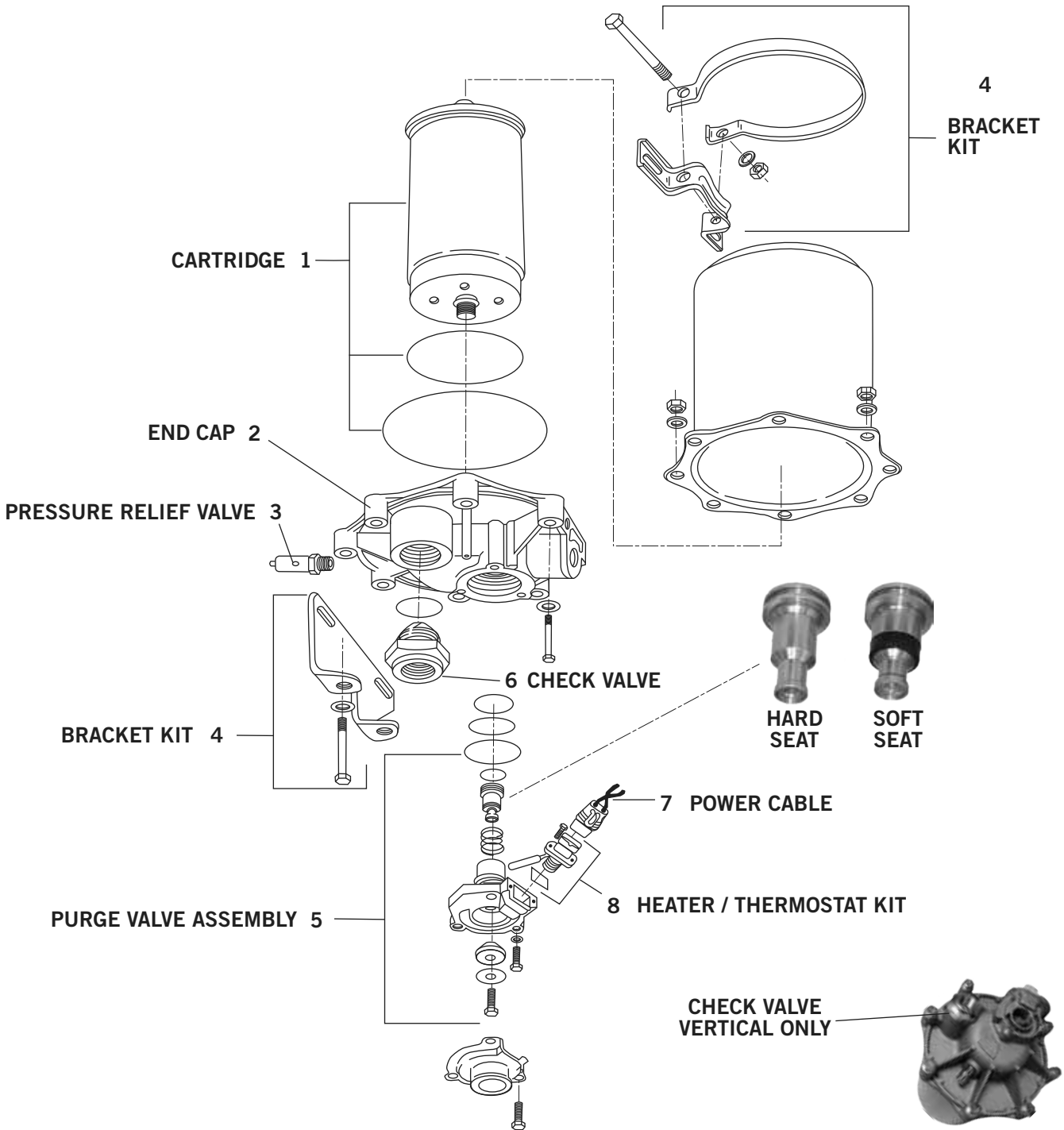
MERITOR NO.	REPLACES	CORE NO.	CORE GROUP	DESCRIPTION AND COMMENTS
R955109687X	Bendix 109687X	XC1191	BN462	Meritor Reman, Core Exchange
R955109690X	Bendix 109690X			
R955109691X	Bendix 109691X			
R955065225X	Bendix 065225X	XC1191	BN462	12 Volt, Meritor Reman, Core Exchange
R955065225XCF	Bendix OR109685X			12 Volt, Meritor Reman, No Core
R955109689X	Bendix 109689X	XC1191	BN462	12 Volt, End Cap with Double Check Valve Meritor Reman, Core Exchange
R955065225N	Bendix 065225			12 Volt, with Bracket and Power Cable Meritor, New
R955065225NP	Bendix 065225			With Bracket and Pigtail, Meritor, New
R955109685N	Bendix 109685			12 Volt, without Bracket and Power Cable Meritor, New
R955109685NP	Bendix 109685			Meritor, New
R955109685HX	Bendix 109685X	XC1191	BN462	12 Volt, with Bracket and Power Harness Meritor Reman, Core Exchange
R955065226X	Bendix 065226X	XC1191	BN462	12 Volt, 3/4" Supply and Delivery Ports Meritor Reman, Core Exchange
R955065224X	Bendix 065224X			24 Volt, 3/4" Supply and Delivery Ports Meritor Reman, Core Exchange
R955065224N	Bendix 065224			Meritor, New
R955065224XCF	Bendix OR065224XCF			Meritor Reman, No Core
R955065228X	Bendix 065228X	XC1191	BN462	12 Volt, 3/4" Supply and Delivery Ports Extended Purge, Meritor Reman, Core Exchange
R955065243X	Bendix 065243X	XC1191	BN462	12 Volt, 3/4" Supply and Delivery Ports Extended Purge, Meritor Reman, Core Exchange
R955065647X	Bendix 065647X	XC1191	BN462	12 Volt, 1/2" Supply and Delivery Ports, Drop In Holset QE Applications, Meritor Reman, Core Exchange
R955109688X	Bendix 109688X	XC1191	BN462	24 Volt, 3/4" Supply and Delivery Ports Extended Purge, Meritor Reman, Core Exchange
R955109689N	Bendix 109689	XC1191	BN462	Meritor, New
R955065499X	Bendix 065499X			Reman AD9 Dryer 12v DLU
R955065605X	Bendix 065605X			Reman AD9 Dryer 24v DLU
R955109685PGXCF	Bendix 109685PGX			Reman Outright AD9 Dryer (coalescing)
R955109689PGXCF	Bendix 109689X			Reman Outright AD9 Dryer, soft-seat purge (coalescing)
R955109685PGX	Bendix 109685PGX	XC1191	BN462	Coalescing Cartridge, Meritor Reman, Core Exchange
R955109689PGX	Bendix 109689PGX	XC1191	BN462	Coalescing Cartridge End Cap with Double Check Valve Meritor Reman, Core Exchange

AIR DRYERS

AIR DRYERS

AD9 AIR DRYER

Figure 3-3




AIR DRYERS


ALSO AVAILABLE:

- PURGE VALVE SERVICE KITS
- DLU PURGE VALVE SERVICE KITS
- POWER CABLE REPAIR KITS


AD9 DESICCANT CARTRIDGE (Figure 3-3, 1)

	MERITOR NO.	REPLACES	CORE NO.	CORE GROUP	DESCRIPTION AND COMMENTS
	R955107794X	Bendix 107794X	XC1055	BN461	Meritor Reman, Core Exchange
	R955107794XCF	Bendix OR107794X			Meritor Reman, No Core
	R955107796N	Bendix 107796			Meritor, New
	R955107794PGX	Bendix 107794PGX	XC1055	BN461	Coalescing Cartridge, Meritor Reman, Core Exchange
	R955107794PGXCF	Bendix 107794X			Reman Outright AD9 Cartridge (coalescing)


AD9 CHECK VALVE (Figure 3-3, 6)

	MERITOR NO.	REPLACES	DESCRIPTION AND COMMENTS
	R955107800N	Bendix 107800	Check Valve–1/2" NPT, Old Style with Single Check Valve, Meritor, New
	R955107799N	Bendix 107799	Check Valve – 3/4" NPT, Meritor, New
	R955K041395N	Bendix K041395N	New Style with Double Check Valve, Meritor, New
	R955109494N	Bendix 109494	Check Valve Repair Kit, Old Style

AD9 HEATER / THERMOSTAT ASSEMBLY (Figure 3-3, 8)

	MERITOR NO.	REPLACES	DESCRIPTION AND COMMENTS
	R955109578N	Bendix 109578	12 Volt, 75 Watts, Heater / Thermostat Assembly (White), Meritor, New
	R955109579N	Bendix 109579	24 Volt, 75 Watts, Heater / Thermostat Assembly (Gray), Meritor, New
	R9555002595N	Bendix 5002595	24 Volt, 100 Watts, Heater / Thermostat Assembly (Yellow), Meritor, New

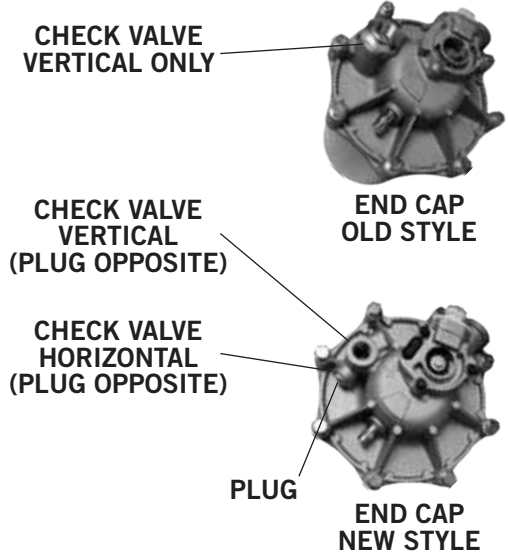
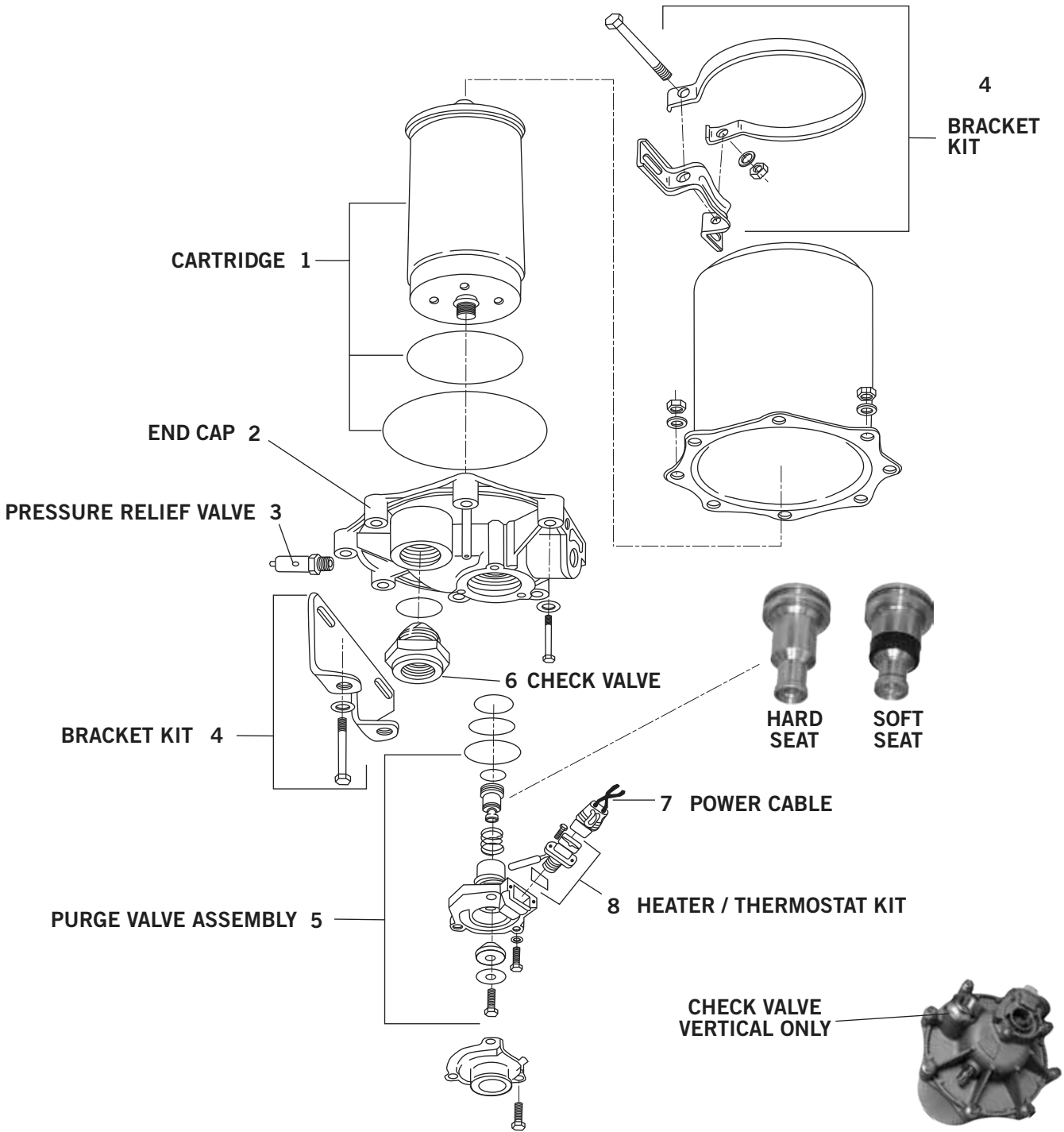
AD9 PURGE VALVE AND HEATER / THERMOSTAT ASSEMBLY

	MERITOR NO.	REPLACES	DESCRIPTION AND COMMENTS
	R955800405N	Bendix 800405	Purge Valve and Heater / Thermostat Repair Kit, 12 Volt, Hard Seat Meritor, New

AIR DRYERS

AD9 AIR DRYER

Figure 3-3




ALSO AVAILABLE:

- PURGE VALVE SERVICE KITS
- DLU PURGE VALVE SERVICE KITS
- POWER CABLE REPAIR KITS

AIR DRYERS


AD9 PURGE VALVE (Figure 3-3, 5)

	MERITOR NO.	REPLACES	CORE NO.	CORE GROUP	DESCRIPTION AND COMMENTS
	R9555004339N	Bendix 5004339			Purge Valve Kit, DLU, 12 Volt, Soft Seat Meritor, New
	R955107896X	Bendix 107896X	XC1193	BN461	Purge Valve Kit, 12 Volt, Hard Seat Meritor Reman, Core Exchange
	R9555004479N	Bendix 5004479			Purge Valve Kit, 12 Volt, Hard Seat Meritor, New
	R9555004341X	Bendix 5004341X	XC1193	BN461	Purge Valve, 12 Volt, Soft Seat Meritor Reman, Core Exchange
	R9555004340N	Bendix 5004340			Purge Valve Kit, DLU, 24 Volt, Hard Seat, Meritor, New
	R9555004338N	Bendix 5004338			Purge Valve Kit, 24 Volt, Hard Seat, Meritor, New
	R9555004381N	Bendix 5004381			Purge Valve Kit, 24 Volt, 100 Watt, Hard Seat, Meritor, New
	R9555004480N	Bendix 5004480			Purge Valve Kit, 24 Volt, Hard Seat, Meritor, New
	R9555004342X	Bendix 5004342X	XC1193	BN461	Purge Valve Kit, 24 Volt, Soft Seat Meritor Reman, Core Exchange
	R9555004336N	Bendix 5004336			Maintenance Kit, Old Style, Meritor, New
	R9555005037N	Bendix 5005037			Maintenance Kit, 12 Volt, Hard Seat, Meritor, New
	R9555005893N	Bendix 5005893			Maintenance Kit, 12 Volt, Soft Seat, Meritor, New


AD9 FIELD MODIFICATION KIT

	MERITOR NO.	REPLACES	DESCRIPTION AND COMMENTS
PHOTO NOT AVAILABLE AT TIME OF PRINTING	R9555004380N	Bendix 5004380	Field Modification Kit, Meritor, New


AD9 POWER CABLE / WIRE HARNESS (Figure 3-3, 7)

	MERITOR NO.	REPLACES	DESCRIPTION AND COMMENTS
	R955109871N	Bendix 109871	Heater Electrical Splicing Service Kit, Meritor, New
	R955109869N	Bendix 109869	Power Cable / Wire Harness for the Air Dryer, Meritor, New

AD9 PRESSURE RELIEF VALVE (Figure 3-3, 2)

	MERITOR NO.	REPLACES	DESCRIPTION AND COMMENTS
	R955205105N	Bendix 205105	AD2, AD4, AD9, ADIP, ADIS Adjustable Pressure Relief Valve—150 psi—1/4" Meritor, New
	R955800350N	Bendix 800350	AD4, AD9, ADIP, ADIS Pressure Relief Valve—175 psi Meritor, New

AD9 MOUNTING BRACKET KIT (Figure 3-3, 4)

	MERITOR NO.	REPLACES	DESCRIPTION AND COMMENTS
	R955107695N	Bendix 107695	AD4 & AD9 Mounting Bracket Kit, Meritor, New
	R955104027N	Bendix 104027	AD4 & AD9 Mounting Bracket Only Order R955107695N for Bracket Kit, Meritor, New

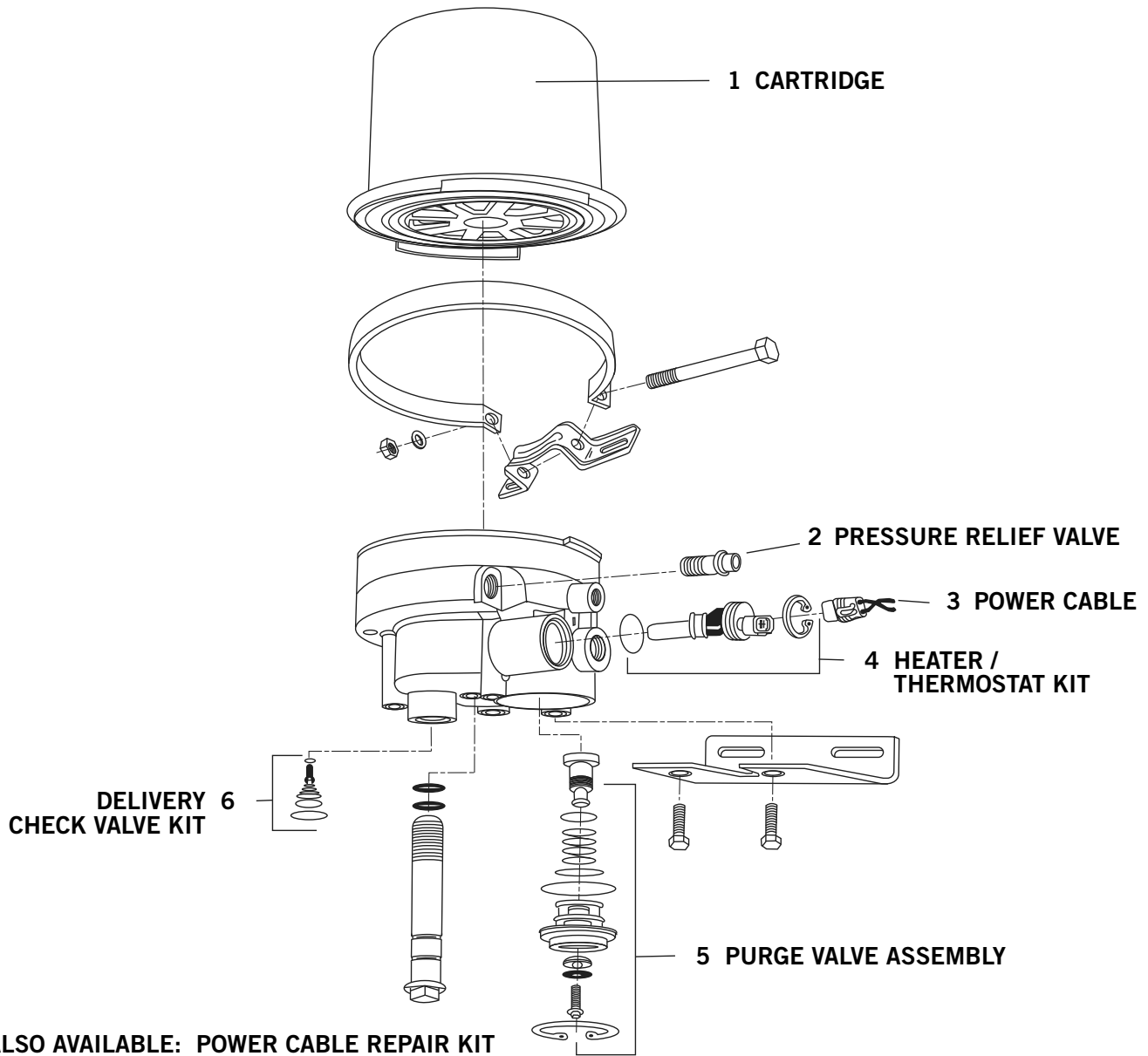
AIR DRYERS

AIR DRYERS

ADIP AIR DRYER


Figure 3-4

AIR DRYERS



ALSO AVAILABLE: POWER CABLE REPAIR KIT


ADIP AIR DRYER (Figure 3-4)

	MERITOR NO.	REPLACES	CORE NO.	CORE GROUP	DESCRIPTION AND COMMENTS
	R955109477X	Bendix 109477	XC1800	BN470	12 Volt, Meritor Reman, Core Exchange
	R955109477XCF	Bendix OR109477X			12 Volt, Meritor Reman, No Core
	R955109503X	Bendix 109503X	XC1803	BN470	12 Volt, Meritor Reman, Core Exchange
	R9555000709X	Bendix 5000709X			12 Volt, Fourth Line Out Bottom Meritor Reman, Core Exchange
	R955109478X	Bendix 109478X	XC1801		24 Volt, Meritor Reman, Core Exchange
	R955109477PGX	Bendix 109477	XC1800	BN470	Reman, Coalescing ADIP Air Dryer
	R955109478XCF	Bendix OR109478X			24 Volt, Meritor Reman, No Core
	R955109477PGXCF	Bendix 109477PGX			Reman Outright ADIP Dryer (coalescing)
	R955065612N	Bendix 65612			Model Dryer, Meritor, New
	R9555005556X	Bendix 5005556X			Ext. Purge, Meritor, Reman
	R9555005556PGX	Bendix 5005556PGX			Ext. Purge Coalescing, Meritor, Reman


ADIP DESICCANT CARTRIDGE (Figure 3-4, 1)

	MERITOR NO.	REPLACES	CORE NO.	CORE GROUP	DESCRIPTION AND COMMENTS
	R955065624N	Bendix 065624			Meritor, New
	R955109493X	Bendix 109493X	XC1802	BN471	Meritor Reman, Core Exchange
	R955109493XCF	Bendix OR109493X			Meritor Reman, No Core
	R955109493PGX	Bendix 109493PGX	XC1804	BN471	Coalescing Cartridge, Meritor Reman, Core Exchange
	R955109493PGXCF	Bendix 109493X			Reman, Coalescing ADIP Desiccant Cartridge

ADIP PURGE VALVE ASSEMBLY (Figure 3-4, 5)

	MERITOR NO.	REPLACES	DESCRIPTION AND COMMENTS
	R955800404N	Bendix 065626 Bendix 800404	Old Style, Meritor, New
	R955K022105N	Bendix K022105	New Style, Hard Seat, Meritor, New
	R955K031560N	Bendix K031560	New Style, Soft Seat, Meritor, New

ADIP PURGE VALVE MAINTENANCE KIT

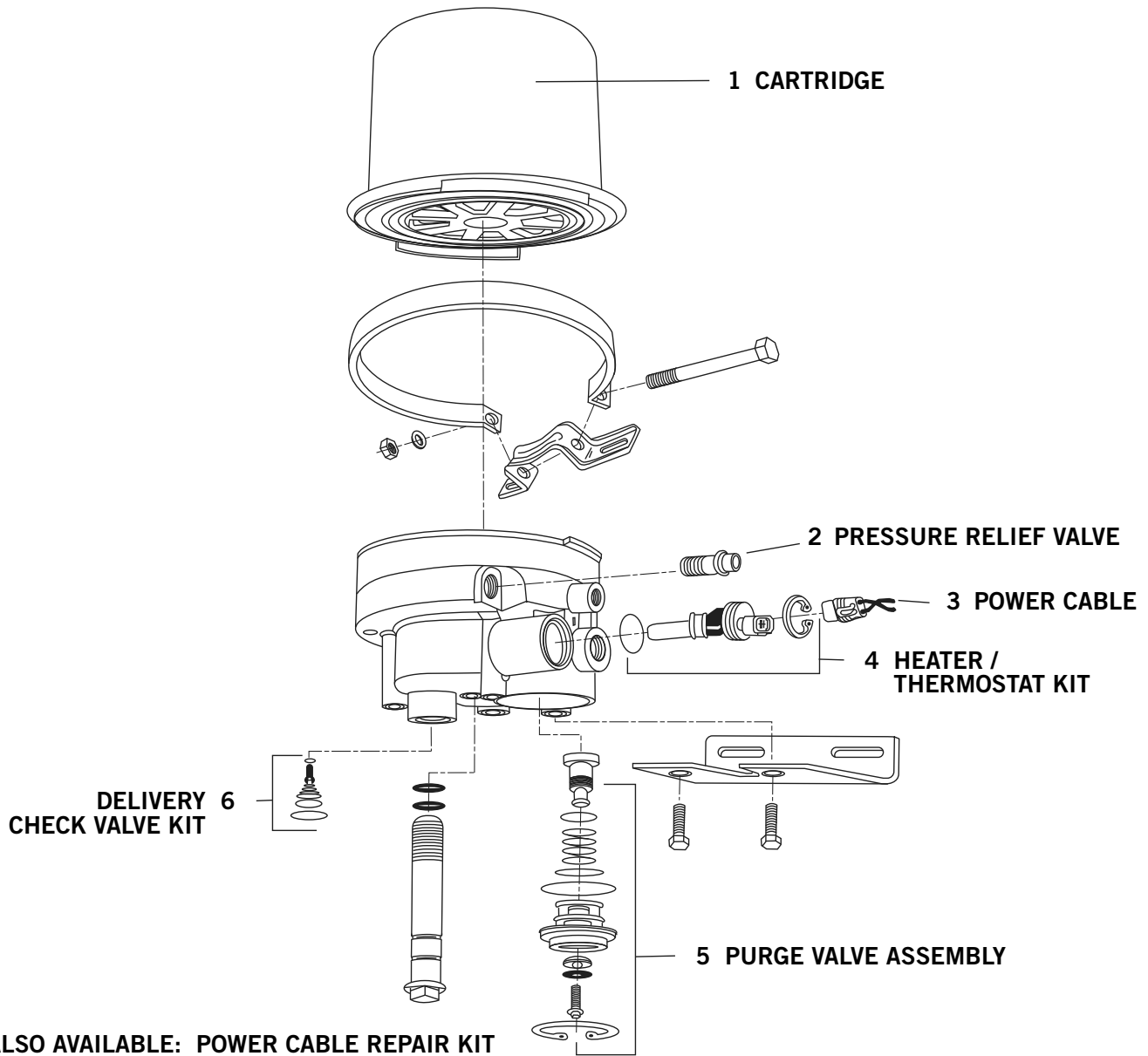
	MERITOR NO.	REPLACES	DESCRIPTION AND COMMENTS
	R9555003547N	Bendix 5003547	Purge Valve Maintenance Kit, Old Style, Meritor, New

AIR DRYERS

ADIP AIR DRYER


Figure 3-4

AIR DRYERS




ALSO AVAILABLE: POWER CABLE REPAIR KIT


ADIP HEATER / THERMOSTAT REPAIR KIT (Figure 3-4, 4)

	MERITOR NO.	REPLACES	DESCRIPTION AND COMMENTS
	R955109495N	Bendix 109495	Heater / Thermostat Repair Kit, 12 Volt, Meritor, New
	R955109496N	Bendix 109496	Heater / Thermostat Repair Kit, 24 Volt, Meritor, New


ADIP POWER CABLE / WIRE HARNESS (Figure 3-4, 3)

	MERITOR NO.	REPLACES	DESCRIPTION AND COMMENTS
	R955109869N	Bendix 109869	Wiring Harness, Meritor, New
	R955109871N	Bendix 109871	Wiring Harness with Splicing Kit, Meritor, New


ADIP PRESSURE RELIEF VALVE (Figure 3-4, 2)

	MERITOR NO.	REPLACES	DESCRIPTION AND COMMENTS
	R955800350N	Bendix 800350	Pressure Relief Valve, 175 psi, Meritor, New

ADIP CHECK VALVE REPAIR KIT

	MERITOR NO.	REPLACES	DESCRIPTION AND COMMENTS
	R955109494N	Bendix 109494	Check Valve Repair Kit, Meritor, New

ADIP BRACKET KIT

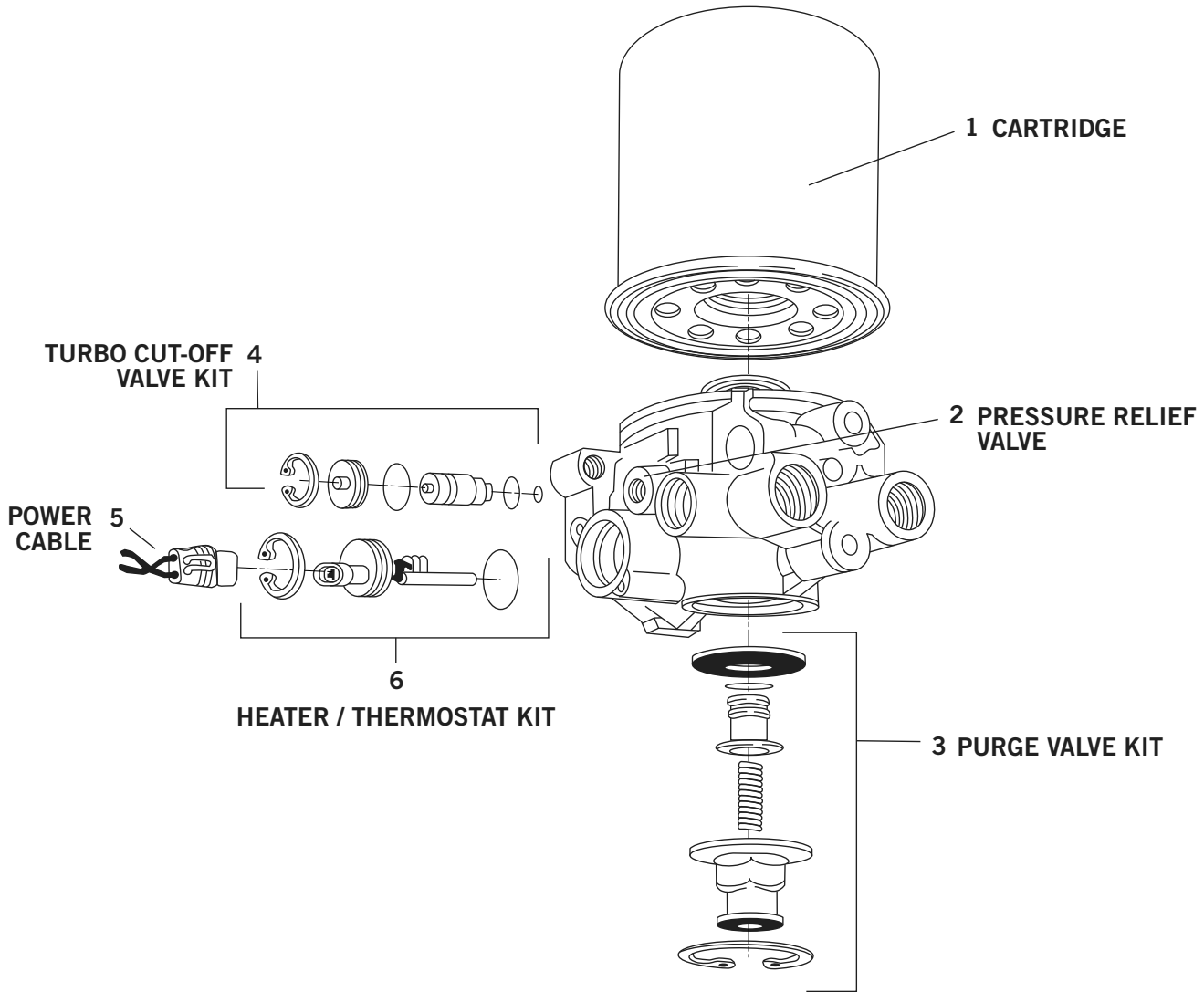
	MERITOR NO.	REPLACES	DESCRIPTION AND COMMENTS
	R9555001247N	Bendix 5001247	Bracket Kit, Meritor, New

AIR DRYERS

ADSP AIR DRYER

Figure 3-5


AIR DRYERS




ADSP AIR DRYER (Figure 3-5)

	MERITOR NO.	REPLACES	CORE NO.	CORE GROUP	DESCRIPTION AND COMMENTS
	R955109991X	Bendix 109991X	XC1010	BN454	12 Volt, Meritor Reman, Core Exchange
	R955109991PGX	Bendix 109991PGX			Coalescing Cartridge, Meritor Reman, Core Exchange
	R955109991XCF	Bendix OR109991X			12 Volt, Meritor Reman, No Core
	R955109992X	Bendix 109992X	XC1010	BN454	24 Volt, Meritor Reman, Core Exchange
	R955109992PGX	Bendix 109992PGX			Coalescing Cartridge, Meritor Reman, Core Exchange
	R955109992XCF	Bendix 109992X			24 Volt, Meritor Reman, No Core


ADSP CARTRIDGE (Figure 3-5, 1)

	MERITOR NO.	REPLACES	DESCRIPTION AND COMMENTS
	S432 410 222 7	Bendix 109994 Bendix BR950011 Bendix 5008414 Haldex 109994K Haldex 65624K WABCO 432 410 222 7	Meritor, New
	S432 901 223 2	5008414P6	Oil Coalescing, Meritor, New


ADSP CHECK VALVE

	MERITOR NO.	REPLACES	DESCRIPTION AND COMMENTS
	R9555005624N	Bendix 5005624	Meritor, New

ADIP / ADSP / ADIS HEATER / THERMOSTAT REPAIR KIT (Figure 3-5, 6)

	MERITOR NO.	REPLACES	DESCRIPTION AND COMMENTS
	R955109495N	Bendix 109495	12 Volt, Heater / Thermostat Repair Kit, Meritor, New
R955109496N	Bendix 109496	24 Volt, Heater / Thermostat Repair Kit, 24 Volt, Meritor, New	

ADSP TURBO VALVE REPAIR KIT (Figure 3-5, 4)

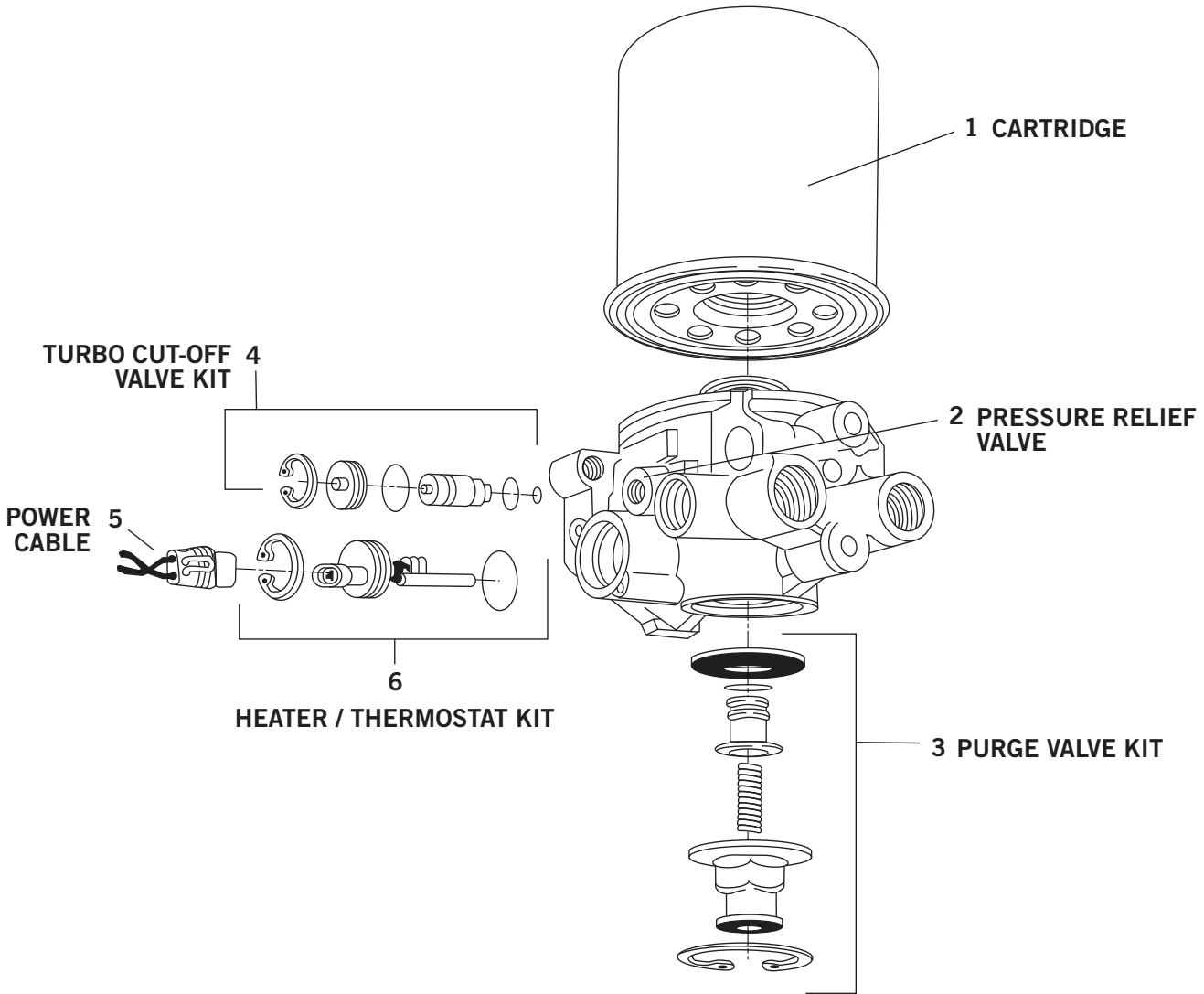
	MERITOR NO.	REPLACES	DESCRIPTION AND COMMENTS
	R955109993N	Bendix 109993	Turbo Valve Repair Kit, Meritor, New

AIR DRYERS


ADSP AIR DRYER

Figure 3-5


AIR DRYERS




ADSP PURGE VALVE REPAIR KIT (Figure 3-5, 3)

	MERITOR NO.	REPLACES	DESCRIPTION AND COMMENTS
	R955109995N	Bendix 109995	Purge Valve Repair Kit, Meritor, New


ADSP CHECK VALVE

	MERITOR NO.	REPLACES	DESCRIPTION AND COMMENTS
	R955065677N	Bendix 065677	Single Check Protection Valve, Meritor, New

ADSP POWER CABLE / WIRE HARNESS (Figure 3-5, 5)

	MERITOR NO.	REPLACES	DESCRIPTION AND COMMENTS
	R955109869N	Bendix 109869	Wiring Harness, Meritor, New
	R955109871N	Bendix 109871	Wiring Harness with Splicing Kit, Meritor, New

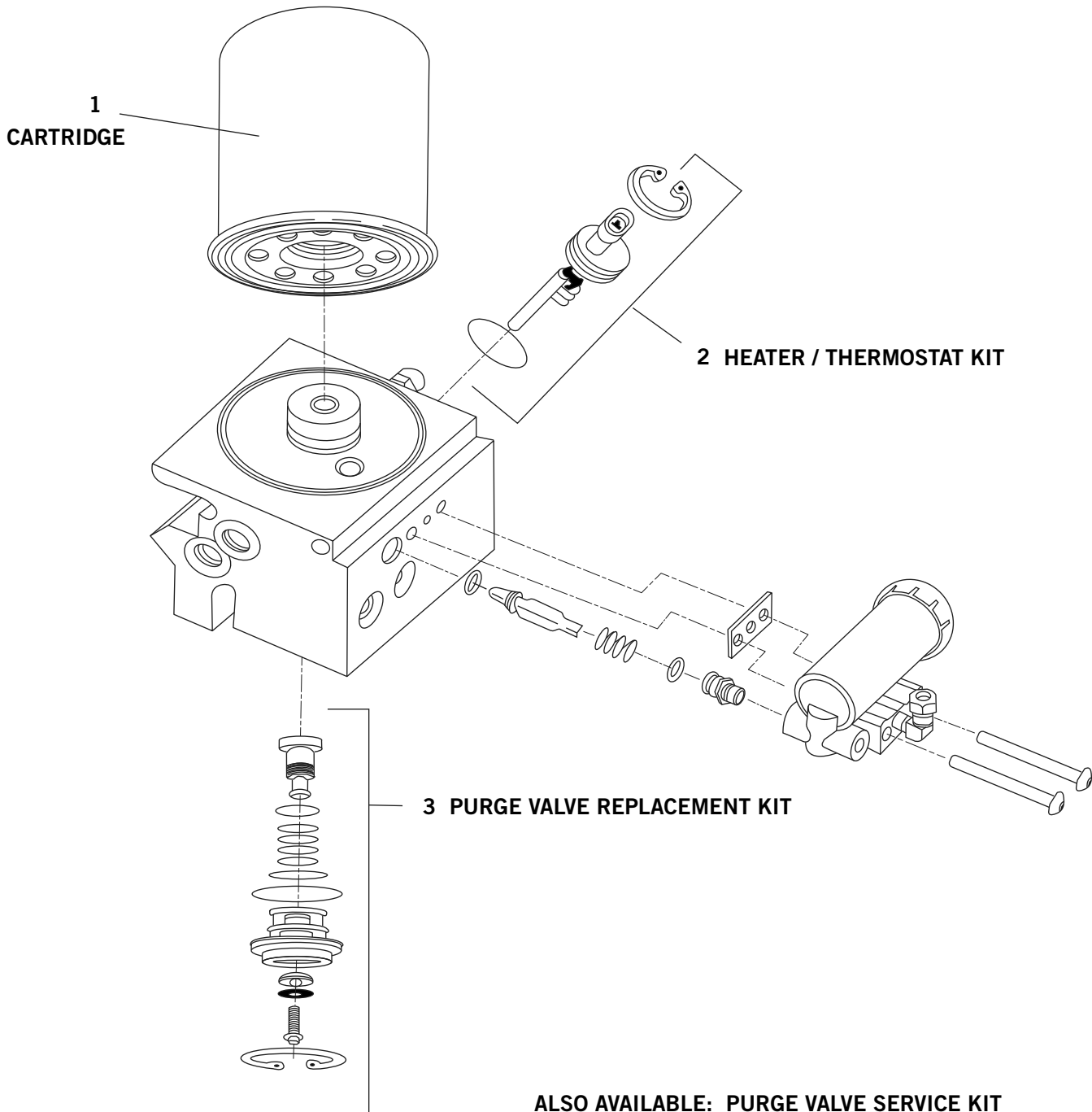
ADSP PRESSURE RELIEF VALVE (Figure 3-5, 2)

	MERITOR NO.	REPLACES	DESCRIPTION AND COMMENTS
	R955800350N	Bendix 800350	Pressure Relief Valve, 175 psi, Meritor, New

AIR DRYERS


ADIS AIR DRYER

Figure 3-6




AIR DRYERS


ADIS AIR DRYER (Figure 3-6)

	MERITOR NO.	REPLACES	CORE NO.	CORE GROUP	DESCRIPTION AND COMMENTS
	R9555010133X	Bendix 5010133X	XC1015	BN455	Meritor Reman, Core Exchange
	R9555010133PGX	Bendix 5010133PGX			Coalescing Cartridge, Meritor Reman, Core Exchange
	R9555010696X	Bendix 5010696X			Meritor Reman, Core Exchange
	R9555010696PGX	Bendix 5010696PGX			Coalescing Cartridge, Meritor Reman, Core Exchange
	R9555004050X	Bendix 5004050X			Meritor Reman, Core Exchange
	R9555004050PGX	Bendix 5004050PGX			Coalescing Cartridge, Meritor Reman, Core Exchange
	R9555010133XCF	Bendix 5010133X			Reman Outright ADIS Dryer
	R9555010696XCF	Bendix 5010696X			Reman Outright ADIS Dryer
	R9555004050XCF	Bendix 5004050X			Reman Outright ADIS Dryer
	R9555010133PGXCF	Bendix 5010133PGX			Reman Outright ADIS Dryer (coalescing)
	R9555010696PGXCF	Bendix 5010696PGX			Reman Outright ADIS Dryer (coalescing)
	R9555004050PGXCF	Bendix 5004050PGX			Reman Outright ADIS Dryer (coalescing)


ADIS PURGE VALVE (Figure 3-6, 3)

	MERITOR NO.	REPLACES	DESCRIPTION AND COMMENTS
	R9555003547N	Bendix 5003547	Meritor, New


ADIS GOVERNOR AND CHECK VALVE KIT

	MERITOR NO.	REPLACES	DESCRIPTION AND COMMENTS
	R9555004049N	Bendix 5004049	Governor and Check Valve Kit, Meritor, New

ADSP / ADIS / DESSICANT CARTRIDGE (Figure 3-6, 1)

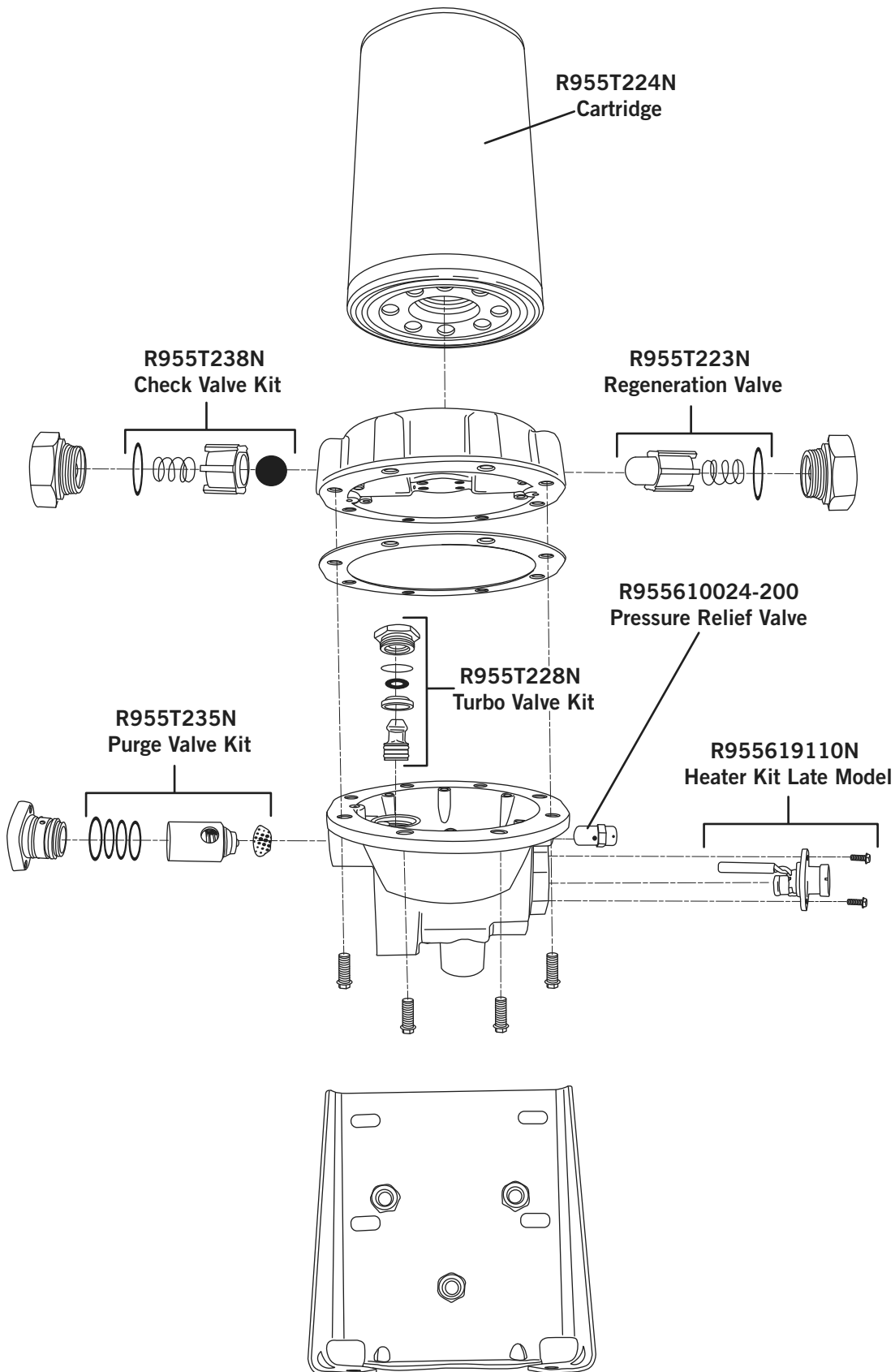
	MERITOR NO.	REPLACES	DESCRIPTION AND COMMENTS
	S432 410 222 7	Bendix 109994 Bendix 5008414 Bendix BR950011 Haldex 109994K Haldex 65624K WABCO 432 410 222 7	Meritor, New
	S432 901 223 2	5008414P6	Oil Coalescing, Meritor, New

ADSP / ADIS HEATER / THERMOSTAT REPAIR KIT (Figure 3-6, 2)

	MERITOR NO.	REPLACES	DESCRIPTION AND COMMENTS
	R955109495N	Bendix 109495	12 Volt, Heater / Thermostat Repair Kit, Meritor, New
	R955109496N	Bendix 109496	24 Volt, Heater / Thermostat Repair Kit, 24 Volt, Meritor, New

AIR DRYERS

T-2000 Figure 3-7




AIR DRYERS

T-2000 COMPONENTS (Figure 3-7)

	MERITOR NO.	REPLACES	DESCRIPTION AND COMMENTS
	R955T224N	SKF T224	T-2000 Cartridge, Meritor, New
	R955T224PGN	SKF T224P6	Coalescing Kit Included, Meritor, New
	R955T223N	SKF 223	T-2000 Regeneration Valve, Meritor, New
	R955T238N	SKF 238	T-2000 Check Valve Kit, Meritor, New
	R955T235N	SKF 235	T-2000 Purge Valve Kit, Meritor, New
	R955T228N	SKF 228	T-2000 Turbo Valve Kit, Meritor, New
	R955619110N	619110	T-2000 Heater Kit Late Model, Meritor, New
	R955620602N	620602	T-2000 Dryer, Meritor, New
	R955602302N	620302	T-2000 Dryer Coalescing, Meritor, New
	R955610024-200		T-2000 Pressure Relief Valve, 175 psi
	R955T2000SK		Air Dryer Repair Kit containing: 1 each – R955T223N, R955T238N, R955T235N, R955T228N, R955619110N, R955610024-200, R955T224N

ALCOHOL EVAPORATOR

	MERITOR NO.	REPLACES	CORE NO.	CORE GROUP	DESCRIPTION AND COMMENTS
	R955A72420N	Haldex A72420			Meritor, New

NOTES: _____

AIR DRYERS

TRUCK/TRACTOR AIR VALVES TABLE OF CONTENTS

TITLE	PAGE
Truck/Tractor Air Valves- - - - -	4-1
Truck/Tractor Quick Reference- - - - -	4-2
Check Valves - - - - -	4-7
Air Brake Control Valves- - - - -	4-9
Air Brake Foot Valves - - - - -	4-16
Air Brake Hand Control Valves - - - - -	4-22
Air Brake Inversion Valves- - - - -	4-23
Leveling Valves - - - - -	4-24
Air Brake Protection Valves - - - - -	4-26
Air Brake Quick Release Valves - - - - -	4-27
Air Brake Ratio Valves - - - - -	4-30
Air Brake Relay Valves- - - - -	4-35
Air Brake Emergency Valves - - - - -	4-38
Air Brake Spring Brake Valves - - - - -	4-40
Air Brake Switches and Indicators - - - - -	4-44
Air Brake Tractor Protection Valves - - - - -	4-45
Solenoid Valves - - - - -	4-48
Transmission Valves- - - - -	4-49

TRUCK / TRACTOR AIR VALVES QUICK REFERENCE			
OE NUMBER	DESCRIPTION	MERITOR NEW	MERITOR REMANUFACTURED
12103	Drain Valve	R95512103	
12105	Manual Drain-60" Closed Loop	R95512105N	
12352	Relay	R95512352N	
16743	Air Regulator	R95516743N	
16859	Shaft Brake Actuator	R95516859N	
19974	Insert Valve	R95519974N	
065104	R12-Relay	R955065104N	R955065104X
065125	R-12H Relay Valve (Horizontal)		R955065125X
065145	Bobtail	R955065145N	R955065145X
065146	Bobtail	R955065146N	R955065146X
065156	MV-3 Control Module		R955065156X
065157	MV-3 Control Module		R955065157X
065206	R12-Relay	R955065206N	
065303	R12-Relay	R955065303N	R955065303X
065395	E-14 Dual Foot Valve (Dual Circuit)		R955065395X
065437	SR5-Trailer Brake	R955065437N	
065439	SR5-Trailer Brake	R955065439N	R955065439X
101100	E-10 Dual Foot Valve (Dual Circuit)		R955101100X
101112	SR4-Spring Brake	R955101112N	R955101112X
101135	RV-1 Pressure Reducing Valve		R955101135X
101333	R-10 Relay Valve		R955102626X
101437	PP2-Dash	R955101437N	R955101437X
101569	MV-2 Control Module		R955101569X
101570	MV-2 Control Module		R955101570X
101622	SR-4 Spring Brake Valve (Early Type)		R955101622X
101818	E7-Dual Circuit Foot	R955101818N	R955101818X
102626	R12-Relay	R955102626N	R955102626X
102638	TP-5 Tractor Protection Valve (Formerly VM-2 Control Valve Manifold)		R955102638X
102761	SR-2 Spring Brake Valve		R955102761X
103009	R12-Relay	R955103009N	R955103009X
103010	R12-Relay	R955103010N	R955103010X
103028	R14-Relay	R955103028N	R955103028X
103061	SR2-Spring Brake	R955103061N	R955103061X
103081	SR7-Relay Spring Brake	R955103081N	
103139	R-14H Relay Valve (Horizontal)		R955103139X
103195	R-12H Relay Valve (Horizontal)		R955103195X
103294	R-14H Relay Valve (Horizontal)		R955103294X
103833	R-14 Relay Valve (Vertical)		R955103833X
103835	R-14H Relay Valve (Horizontal)		R955103835X
103912	R-12 Relay Valve		R955103912X
104165	R-12H Relay Valve (Horizontal)		R955104165X
104345	R-14H Relay Valve (Horizontal)		R955104345X
104561	R-12 Relay Valve	R955104561N	
106313	R-14 Relay Valve (Vertical)		R955106313X
107539	SR-4 Spring Brake Valve (New Type)		R955107539X
108076	SR-4 Spring Brake Valve (New Type)		R955108076X

TRUCK / TRACTOR AIR VALVES QUICK REFERENCE

OE NUMBER	DESCRIPTION	MERITOR NEW	MERITOR REMANUFACTURED
227661	TP-2 Tractor Protection Valve		R955227661X
227870	SC1-Single Check	R955227870N	
227871	SC1-Single Check	R955227871N	
228050	DS-1 Double Check Valve and Stop Light Switch		R955228050X
228165	DS-1 Double Check Valve and Stop Light Switch		R955228165X
228520	DS-1 Double Check Valve and Stop Light Switch		R955228520X
228600	SL4-Stop Light Switch	R955228600N	
228750	LP3-Low Pressure Indicator	R955228750N	R955228750X
229434	RE-4 Relay Emergency Valve (Style B)		R955229434X
229467	R-5 Relay Valve		R955229467X
229493	DS-1 Double Check Valve and Stop Light Switch		R955229493X
229500	E-2 • E-3 Foot Valve (Single Circuit)	R955229500N	
229501	E-2 • E-3 Foot Valve (Single Circuit)	R955229501N	
229505	LQ2-Limiting Quick Release / Double Check	R955229505N	
229507	LQ-2 Limited Quick Release and Double Check Valve		
229509	LQ-2 Limited Quick Release and Double Check Valve	R955229509N	
229608	TW-1 Control Valve		R955229608X
229635	TW1-Control	R955229635N	
229813	QR1-Quick Release	R955229813N	
229844	QR-1 Quick Release Valve	R955229844N	
229859	QR1-Quick Release	R955229859N	R955229859X
229860	QR1-Quick Release	R955229860N	
276270	Hand Control Valve		R955276270X
276272	Hand Control Valve		R955276272X
276462	New Control Valve		R955276462X
276566	PP1-Control	R955276566N	R955276566X
276567	PP1-Control	R955276567N	R955276567X
277147	PR2-Pressure Reducing	R955277147N	
277148	New Pressure Protection Valves	R955277148N	R955277148X
277226	PR-2 Pressure Protection Valve		R955277226X
277863	E3-Single Circuit Foot	R955277863N	
278596	DS-4 Double Check Valve		R955278596X
278598	DC4-Double Check	R955278598N	
278614	DC4-Double Check	R955278614N	
278615	DC4-Double Check	R955278615N	R955278615X
278825	New Synchro Valve	R955278825N	R955278825X
278998	E-2 • E-3 Foot Valve (Single Circuit)	R955278998N	
279000	TP3-Tractor Protection	R955279000N	
279180	R6-Relay	R955279180N	R955279180X
279416	LP3-Low Pressure Indicator	R955279416N	
279787	PP-3 Control Valve		R955279787X
279950	E5-Foot	R955279950N	
279952	R6-Relay	R955279952N	R955279952X
279962	TP-3 Tractor Protection Valve		R955279962X
280243	R-6 Relay Valve		R955280243X
280375	R-6 Relay Valve		R955280375X

TRUCK / TRACTOR AIR VALVES QUICK REFERENCE

OE NUMBER	DESCRIPTION	MERITOR NEW	MERITOR REMANUFACTURED
280454	PP-2 Control Valve		R955280454X
280651	R-6 Relay Valve		R955280651X
280758	TR-3 Inversion Valve		R955280758X
280809	DC4-Double Check	R955280809N	
280905	TW-2 and TH-3 Control Valves		R955280905X
281024	QR-1 Quick Release Valve	R955281024N	
281587	PP-1 Control Valve		R955281587X
281797	Hand Control Valve		R955281797X
281865	RE6-Relay Emergency	R955281865N	
281923	Automatic Drain Valve	R955281923N	R955281923X
283090	TP-2 Tractor Protection Valve		R955283090X
283935	TW-3 Control Valve		R955283935X
283940	R-6 Relay Valve		R955283940X
284760	E7-Dual Circuit Foot	R955284760N	R955284760X
286171	E6-Dual Circuit Foot	R955286171N	
286364	SR2-Spring Brake	R955286364N	R955286364X
286370	R8-Relay	R955286370N	
286371	R-8 Relay Valve	R955286371N	
286500	PR4-Pressure Protection	R955286500N	R955286500X
286773	E-7 Dual Foot Valve (Dual Circuit)		R955286773X
286775	E-7 Dual Foot Valve (Dual Circuit)		R955286775X
286892	R-8 Relay Valve	R955286892N	
287224	R-8 Relay Valve	R955287224N	
287238	PP8-Control	R955287238N	R955287238X
287240	R-8 Relay Valve		R955287240X
287260	R-8 Relay Valve	R955287260N	
287376	SR2-Spring Brake	R955287376N	R955287376X
287417	PP-1 Control Valve		R955287417
287418	PP-8 Control Valve		R955287418X
287564	E-7 Dual Foot Valve (Dual Circuit)		R955287564X
287600	PP1-Control	R955287600N	
287637	PP-1 Control Valve		R955287637X
288063	SR-1 Spring Brake Valve		R955288063X
288239	PP7-Control	R955288239N	R955288239X
288240	PP-7 Control Valve		R955288240X
288241	PP7-Control	R955288241N	
288242	PP-7 Control Valve		R955288242X
288301	New Tractor Protection Valve	R955288301N	R955288301X
288323	PR-4 Pressure Protection Valve		R955288323X
288369	R-8 Relay Valve	R955288369N	
288383	E7-Dual Circuit Foot	R955288383N	R955288383X
288586	TR-3 Inversion Valve		R955288586X
288605	TP5-Tractor Protection	R955288605N	R955288605X
288645	VM-3 Manifold Valve		R955288645X
288746	PP3-Control	R955288746N	R955288746X
288755	R-8 Relay Valve	R955288755N	

TRUCK / TRACTOR AIR VALVES QUICK REFERENCE

OE NUMBER	DESCRIPTION	MERITOR NEW	MERITOR REMANUFACTURED
289144	LQ4-Ratio	R955289144N	
289148	LQ-1 Ratio Valve		R955289148X
289182	QR-1C Quick Release Valve (With Double Check Valve)		R955289182X
289512	PP-3 Control Valve		R955289512X
289714	QR1C-Quick Release / Double Check	R955289714N	
800333	Inline Quick Release	R955800333N	
800516	New MV-3 Valve	R955800516N	
800517	New MV-3 Valve	R955800517N	
800518	MV-3 Control Module	R955800518N	
800519	New MV-3 Valve	R955800519N	
800521	New MV-3 Valve	R955800521N	
800573	New MV-3 Valve	R955800573N	
800629	E8P-Foot	R955800629N	
48100-225	Linkage Assemblies	R307852	
900 54 007	Controlled Response Height Control Valve	R304323	
900 54 074	Electric Valve	R304325	
900 54 075	Electric Valve	R304331	
900 54 079	Pilot Valve	R304328	
900 54 082	Hand Valve	R304329	
900 54 088	Manual Valve	R304326	
900 54 466	Pressure Protection Valve	R304324	
905 55 105	Precision Response Height Control Valve	R3013922	
A103600	RF Relay Valve (4 Ports — Vertical)		R955A103600X
A3546	Push-Pull Range	R955A3546N	R955A3546X
A3547	Push-Pull Range Valve		R955A3547X
A3991	Slave Valve		R955A3991X
A4487	Selector Valve	R955A4487N	
A4490	Selector Valve	R955A4490N	
A4491	Selector Valve	R955A4491N	
A4900	Shift Knob	R955A4900N	
A5010	Shift Knob	R955A5010N	
A5015	Range Valve	R955A5015N	
A80070	RS Relay Valve (2 Port Delivery)		R955KN28531X
A86473	RF Relay Valve (4 Ports — Vertical)		R955A86473X
A86477	Relay		R955A86477X
BE13240	Pneumatic Switch	R955BE13240N	
BE13241	Low Pressure Indicator	R955BE13241N	
BE13250	Stop Light Switch	R955BE13250N	
BE13255	Pneumatic Switch	R955BE13255N	
BM6997312	Fuel Solenoid	R955BM69973-12N	R955BM69973-12X
BM6997324	Fuel Solenoid	R955BM69973-24N	R955BM69973-24X
KN20010	Control Valve — Push-Pull Hostler		R955KN20010X
KN20071	Hand Control Valve (Limited Delivery)		R955KN20071X
KN20541	Trailer Brake Control — In Column Mount		R955KN20541X
KN20561	Hand Control Valve (Limited Delivery)		R955KN20561X
KN22100	Single Circuit Foot		R955KN22100X

TRUCK / TRACTOR AIR VALVES QUICK REFERENCE

OE NUMBER	DESCRIPTION	MERITOR NEW	MERITOR REMANUFACTURED
KN22150	Dual Circuit Foot		R955286171X
KN23000	Single Check	R955KN23000N	
KN23010	Single Check	R955KN23010N	
KN23040	Check-3/4	R955KN23040N	
KN26000	Spring Brake / Relay	R955KN26000N	R955KN26000X
KN26010	RT-4	R955KN26010N	R955KN26010X
KN26020	Multi-Function RT4 (Spring Brake / Relay Valve)		R955KN26020X
KN26803	FF2 Full Function (Spring Brake / Relay Valve)		R955KN28603X
KN28010	Relay Valve (2 Port Delivery)		R955KN28060X
KN28011	Relay Valve (2 Port Delivery)		R955KN28060X
KN28041	Relay Valve (4 Port Delivery With Anti-Compounding)		R955KN28041X
KN28042	Relay Valve (4 Port Delivery)		RKN28042
KN28060	Relay	R955KN28060N	R955KN28060X
KN28061	Relay Valve (2 Port Delivery)		R955KN28061X
KN28071	Relay		R955KN28071X
KN28080	Relay Valve (4 Port Delivery)		R955KN28080X
KN28131	Relay Valve (2 Port Delivery)		R955KN28131X
KN28140	Relay		R955KN28140X
KN28500	Relay	R955KN28500N	R955KN28500X
KN28510	Relay	R955KN28510N	R955KN28510X
KN28514	RG-2 Relay Valve (2 Port Delivery)		R955KN28514X
KN28520	Relay	R955KN28520N	R955KN28520X
KN28600	Spring Brake / Relay	R955KN28600N	R955KN28600X
KN28601	FF2 Full Function (Spring Brake / Relay Valve)		R955KN28601X
KN28602	FF2 Full Function (Spring Brake / Relay Valve)		R955KN28602X
KN30100	Emergency Relay Valve		R955KN30100X
KN30200	(EE) Emergency Relay Valve		R955KN30200X
KN30300	(EE) Emergency Relay Valve		R955KN30300X
KN30400	Relay	R955KN30400N	R955KN30400X
KN31000	Pressure Protection Valve		R955KN31000X
KN31010	Pressure Protection Valve		R955KN31010X
KN32010	Quick Release Valve		R955KN32010X
KN32040	Quick Release / Double Check		R955KN32040X
KN32041	Quick Release and Double Check Valve		R955KN32041X
KN34030	Tractor Protection Valve (Two-Line Non-Automatic Style)		R955KN34030X
KN34070	Tractor Protection Valve (Three Line Automatic without Quick Release)	R955KN34070N	R955KN34070X
KN34080	Tractor Protection Valve (Manifold Non-Automatic Style)		R955KN34080X
KN34090	Tractor Protection Valve (Manifold Non-Automatic Style)		R955KN34090X
KN68237	Solenoid Air Valve-Normally Closed	R955KN68237N	

BENDIX SC-1 SINGLE CHECK VALVE



MERITOR NO.	NEW/REMAN	REPLACES	PORT SPECIFICATIONS		APPLICATION & GENERAL INFORMATION
			FEMALE	MALE	
R955227870N	New	Bendix 227870	3/8"	3/8"	
R955227871N		Bendix 227871	1/2"	1/2"	

BENDIX DS-1 DOUBLE CHECK VALVE AND STOP LIGHT SWITCH



MERITOR NO.	NEW/REMAN	REPLACES	PORT SPECIFICATIONS		CORE NO.	CORE GROUP	APPLICATION & GENERAL INFORMATION
			FEMALE	MALE			
R955229493X	Reman	Bendix 229493X	1/4" (3)		XC1069	BN397	DS-1 Check Valve—Performs the function of both a stop light switch and a double check valve. It accepts a signal from two sources and delivers it to a common outlet. It is used in pre FMVSS-121 single circuit systems. Normally used with a trailer control and foot valve where delivery pressure from either source activates the stop lamps and controls the brakes. All have 3/8" Terminal Thread.
R955228520X		Bendix 228520X	1/4" (1) 3/8" (1)	1/2" (1)			
R955228050X		Bendix 228050X	1/4" (2)				
R955228165X		Bendix 228165X		3/8" (1)			

TRUCK/TRACTOR AIR VALVES CHECK VALVES

BENDIX DC-4 DOUBLE CHECK VALVE



MERITOR NO.	NEW/REMAN	REPLACES	PORT SIZE	CORE NO.	CORE GROUP	APPLICATION AND GENERAL INFORMATION
R955278596X	Reman	Bendix 278596X	3/8" (2) 1/4" 1/2"	XC1089	BN395	DC-4 Double Check Valve – Accepts a signal from two sources and delivers it to a common outlet, normally used with a trailer control and foot valve where delivery pressure from either source, but not both controls the brakes.
R955278598N	New	Bendix 278598	3/8" (3) 1/4"			
R955278614N		Bendix 278614	3/8" (3)			
R955278615N		Bendix 278615	1/4" (3)			
R955278615X	Reman	Bendix 278615X		XC1090	BN395	
R955280809N	New	Bendix 280809	3/8" (4)			

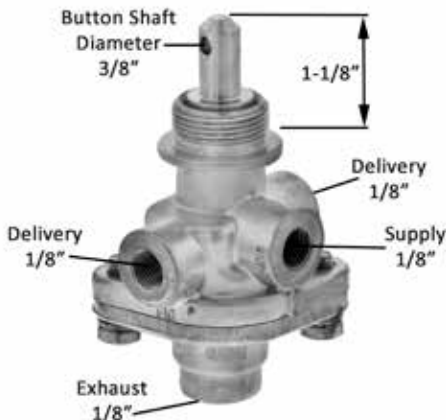
MIDLAND SINGLE CHECK VALVE



MERITOR NO.	NEW/REMAN	REPLACES	PORT SIZE	LENGTH	APPLICATION & GENERAL INFORMATION
R955KN23000N	New	Haldex KN23000	1/2"	2-15/32"	Heavy Duty Version
R955KN23010N		Haldex KN23010	3/8"		
R955KN23040N		Haldex KN23040	3/4"	2-5/16"	Standard Version

AIR VALVES - TRUCK/TRACTOR

BENDIX PP-1 CONTROL VALVE



Push-Pull Valve — Manually operable — Pressure sensitive, on/off valves which will automatically return to the button out (exhaust) position when supply pressure is below the required minimum.

MERITOR NO.	NEW/REMAN	REPLACES	AUTO RELEASE PRESSURE	DELIVERY PORT	CORE NO.	CORE GROUP	APPLICATION & GENERAL INFORMATION
R955276566N	New	Bendix 276566	20 psi	1/8"	XC1081	BN135	Button and mounting nut not included.
R955276566X	Reman	Bendix 276566X					
R955287417	New	Bendix 287417	30 psi	1/4"	XC1081	BN135	
R955276567N		Bendix 276567	40 psi	1/8"			
R955276567X	Reman	Bendix 276567X					
R955287600N	New	Bendix 287600					
R955287637X	Reman	Bendix 287637X					

Note: 58 Remote mount — 1/4" Female thread in shaft.

BENDIX PP-2 CONTROL VALVE



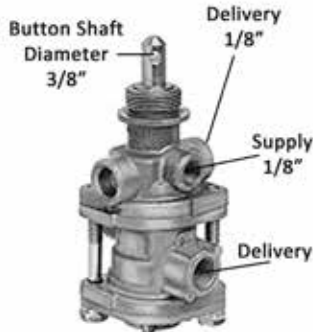
Push-Pull Valve — Manually operable — Pressure sensitive, on/off valves which will automatically return to the button out (exhaust) position when supply pressure is below the required minimum. The PP-2 has an anti-compounding port which prevents simultaneous application of both the service and parking brakes.

MERITOR NO.	NEW/REMAN	REPLACES	AUTO RELEASE PRESSURE	DELIVERY	SUPPLY	CORE NO.	CORE GROUP	APPLICATION & GENERAL INFORMATION
R955276462X	Reman	Bendix 276462X	40 psi	1/8" (2)	1/4"	XC1080	BN136	Button and nut not included. Replaces 276538.
R955280454X		Bendix 280454X			1/8"			Button and nut not included. Remote mount.

AIR VALVES - TRUCK/TRACTOR

TRUCK/TRACTOR AIR VALVES AIR BRAKE CONTROL VALVES

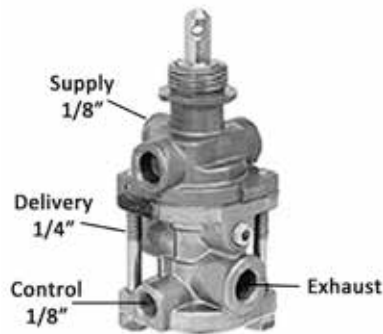
BENDIX PP-3 CONTROL VALVE



Push-Pull Valve — Manually operable — Pressure sensitive, on/off valves which will automatically return to the button out (exhaust) position when supply pressure is below the required minimum. The PP-3 has a tripper that exhausts at 30 psi and charges above 50 psi. The plunger trips at 40 psi and charges manually. The tripper prevents manual override of the emergency application of parking brakes.

MERITOR NO.	NEW/REMAN	REPLACES	SPECIFICATIONS	DELIVERY PORT	CORE NO.	CORE GROUP	APPLICATION & GENERAL INFORMATION
R955289512X	Reman	Bendix 289512X	Remote mount- 1/4" female thread in shaft.	1/8"	XC1095	BN137	Button and mounting nut not included.
R955279787X		Bendix 279787X	Remote mount-1/4" female thread in shaft	Not Threaded			
R955288746N	New	Bendix 288746		1/4"			
R955288746X	Reman	Bendix 288746X			XC1095	BN137	

BENDIX PP-7 CONTROL VALVE

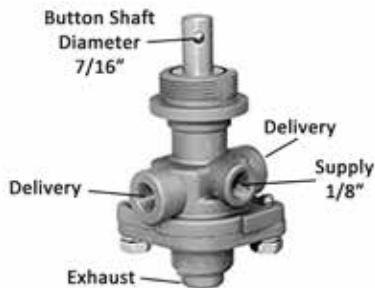


Push-Pull Valve — Manually operable — Pressure sensitive, on/off valves which will automatically return to the button out (exhaust) position when supply pressure is below the required minimum. The PP-7 features an air operated control in the lower body that provides an application of the trailer brakes when the emergency tractor brake system is applied. Works in conjunction with the tractor protection system.

MERITOR NO.	NEW/REMAN	REPLACES	AUTO RELEASE PRESSURE	EXHAUST	STEM DIAMETER	CORE NO.	CORE GROUP	APPLICATION & GENERAL INFORMATION
R955288241N	New	Bendix 288241	40 psi	1/4"	5/16"	XC1124	BN144	Button and mounting nut not included.
R955288239N		Bendix 288239			3/8"			
R955288239X	Reman	Bendix 288239X			1/2"			
R955288240X		Bendix 288240X						

AIR VALVES - TRUCK/TRACTOR

BENDIX PP-8 CONTROL VALVE



Push-Pull Valve — Manually operable — Pressure sensitive, on/off valves which will automatically return to the button out (exhaust) position when supply pressure is below the required minimum. The PP-8 is manually operated. It will remain in the position it is placed in regardless of delivery or supply pressure. It is used to control tractor parking brakes on post FMVSS-121 system.

MERITOR NO.	NEW/REMAN	REPLACES	DELIVERY	EXHAUST	CORE NO.	CORE GROUP	APPLICATION & GENERAL INFORMATION
R955287238N	New	Bendix 287238	1/4" (2)	1/8"	XC1122	BN144	Remote Mount
R955287238X	Reman	Bendix 287238X					
R955287418X		Bendix 287418X	1/8" (2)	1/8"			

MIDLAND CONTROL VALVE — PUSH-PULL HOSTLER



Push-Pull Valve — Manually operable — Pressure sensitive, on/off valves which will automatically return to the button out (exhaust) position when supply pressure is below the required minimum.

MERITOR NO.	NEW/REMAN	REPLACES	POP PRESSURE	DELIVERY PORT	CORE GROUP	CORE NO.	APPLICATION & GENERAL INFORMATION
R955KN20010X	Reman	Haldex KN20010X	25-40 psi	1/4" (1)	MD126	XC1146	Buttons and mounting hardware are not included.

BENDIX TW-1 CONTROL VALVE



Lever Type Valve — Manually operated valve. Usually dash mounted with either 2 or 3 lever positions. Also available in cable control configuration. This valve is used primarily to control parking and emergency brakes.

MERITOR NO.	NEW/REMAN	REPLACES	STYLE	CORE NO.	CORE GROUP	APPLICATION & GENERAL INFORMATION
R955229608X	Reman	Bendix 229608X	Cable Operated	XC1074	BN169	Buttons and mounting hardware are not included.

TRUCK/TRACTOR AIR VALVES AIR BRAKE CONTROL VALVES

BENDIX TW-2 AND TH-3 CONTROL VALVES



Lever Type Valves — Manually operated valves. Usually dash mounted with either 2 or 3 lever positions. They are also available in cable control configuration. These valves are used primarily to control parking and emergency brakes. The TW-2 and TH-3 are similar to the TW-1 except that two valves are housed in the same body. The TW-2 has 2 lever positions and the TH-3 has 3 lever positions. The lever controls both valves.

MERITOR NO.	NEW/REMAN	REPLACES	TYPE	CORE NO.	CORE GROUP	APPLICATION & GENERAL INFORMATION
R955280905X	Reman	Bendix 280905X	TW-2	XC1099	BN171	Buttons and mounting hardware are not included.

BENDIX TW-3 CONTROL VALVE



Lever Type Valves — Manually operated valves. Usually dash mounted with either 2 or 3 lever positions. They are also available in cable control configuration. These valves are used primarily to control parking and emergency brakes. The TW-3 is a 2 position lever operated valve commonly used in conjunction with parking and emergency brake systems. It has a slightly greater capacity than the TW-1.

MERITOR NO.	NEW/REMAN	REPLACES	STYLE	CORE NO.	CORE GROUP	APPLICATION & GENERAL INFORMATION
R955283935X	Reman	Bendix 283935X	Air Only	XC1106	BN173	Buttons and mounting hardware are not included.

MIDLAND TRAILER BRAKE CONTROL — IN COLUMN MOUNT



MERITOR NO.	NEW/REMAN	REPLACES	CONTROL	DELIVERY	SUPPLY	CORE NO.	CORE GROUP	APPLICATION & GENERAL INFORMATION
R955KN20541X	Reman	Haldex KN20541	1/4"	1/4"	1/4"	XC1220	MD399	Holding Type

MIDLAND HAND CONTROL VALVE (Limited Delivery)

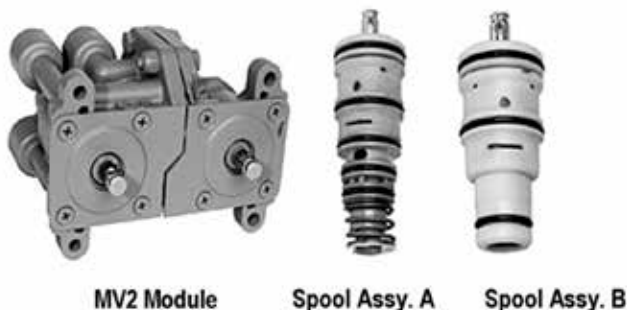


- Core No. XC1152
- Core Group MD134

Hand Control Valve — The most common function of hand control valves is for independent control of trailer service brakes. As a result they are also referred to as “Trailer Control Valves.”

MERITOR NO.	NEW/ REMAN	REPLACES	CONTROL	DELIVERY	SUPPLY	CORE NO.	CORE GROUP	APPLICATION & GENERAL INFORMATION
R955KN20561X	Reman	Haldex KN20561	1/4"	1/4"	1/4"	XC1220	MD399	Holding Type

BENDIX MV-2 CONTROL MODULE

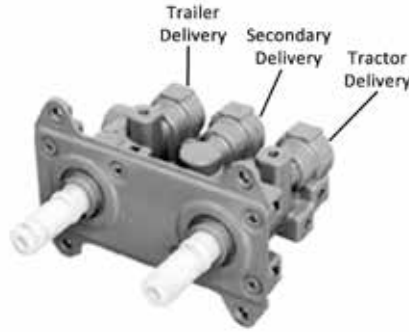


Control Module — Integrated control assembly normally mounted in the control panel of a truck tractor. It provides all the federal legal requirements for trailer air supply and parking brake control. It also permits the tractor parking brakes to be applied while air supplied to the trailer. The MV-2 consists of two push-pull valves and dual circuit supply valve. The valve is serviced by replacing the complete spool inserts shown above. The complete valve and the two spool assemblies are available.

MERITOR NO.	NEW/REMAN	REPLACES	STYLE	CORE NO.	CORE GROUP	APPLICATION & GENERAL INFORMATION
R955101437N	New	Bendix 101437				Buttons and mounting hardware are not included.
R955101437X	Reman	Bendix 101437X		XC1044	BN130	
R955101569X		Bendix 101569X	Spool Assembly A	XC1029		
R955101570X		Bendix 101570X	Spool Assembly B	XC1030		

TRUCK/TRACTOR AIR VALVES AIR BRAKE CONTROL VALVES

BENDIX MV-3 CONTROL MODULE



Control Module — An integrated control assembly designed for control panel mounting in a truck tractor. This non-metallic assembly consists of two push-pull valves and a dual circuit supply valve. It provides all the federal legal requirements for trailer air supply and parking brake control plus an additional feature permitting the tractor parking brakes to be applied while air is supplied to the trailer. The MV-3 is designed to supersede the MV-2 valve.

MERITOR NO.	NEW/REMAN	REPLACES	STYLE	CORE NO.	CORE GROUP	APPLICATION & GENERAL INFORMATION
R955065156X	Reman	Bendix 065156X	MV-3 Module	XC1053	BN132	Mounting hole with M16 x 6 nut attached. Buttons and mounting hardware are not included.
R955065157X		Bendix 065157X				Mounting hole 1/4". No nut. Buttons and mounting hardware are not included.
R955800516N	New	Bendix 800516				
R955800517N		Bendix 800517				
R955800518N		Bendix 800518				
R955800519N		Bendix 800519				
R955800521N		Bendix 800521				
R955800573N		Bendix 800573				

MIDLAND MANIFOLD DASH VALVE



Buttons and mounting hardware not included.

MERITOR NO.	NEW/REMAN	REPLACES	DELIVERY PORTS	EXHAUST PORT	RESERVOIR PORTS	SUPPLY PORT	CORE NO.	CORE GROUP
R955KN20606N	New	HalDex KN20606	1/4" (2)	1/4"	1/4" (2)	1/4"		
R955KN20615N		HalDex KN20615						

AIR VALVES - TRUCK/TRACTOR

BENDIX AUTOMATIC DRAIN VALVE



Automatic Drain Valve — Installed directly into the bottom part of the reservoir. It operates automatically from ascending and descending reservoir pressures.

MERITOR NO.	NEW/REMAN	REPLACES	CORE NO.	CORE GROUP	APPLICATION AND GENERAL INFORMATION
R955281923X	Reman	Bendix 281923X	XC1102	BN401	Without heater
R955281923N	New	Bendix 281923			

MANUAL DRAIN VALVE



MERITOR NO.	NEW/REMAN	REPLACES	SPECIFICATIONS		APPLICATION AND GENERAL INFORMATION
			PROFILE DESIGN	CABLE LENGTH	
R95512105N	New	Haldex 12105	High	60"	Manual Drain Valve without heater.

TRUCK/TRACTOR AIR VALVES AIR BRAKE FOOT VALVES

BENDIX E-2 • E-3 FOOT VALVE (Single Circuit)



Single Circuit Foot Valve — Normally used on pre FMVSS-121 vehicles. It is foot operated and controls the delivery of air to the brake chambers. Simply stated it provides the driver with a means of applying and releasing the brakes on a vehicle. The E-2 and E-3 foot valves are floor mounted and can be either treadle or lever actuated. The valves are identical except that the E-3 has a slightly longer plunger travel that provides a softer “feel” than the E-2.

MERITOR NO.	NEW/REMAN	REPLACES	DELIVERY PORTS	VALVE	CORE NO.	CORE GROUP	APPLICATION AND GENERAL INFORMATION
R955229500N	Reman	Bendix 229500X	3/8" (4)	E-2	XC1087	BN202	Furnished less treadle and mounting brackets.
R955229501N		Bendix 229501X	1/2" (4)				
R955277863N	New	Bendix 277863	1/2" (2)	E-3	XC1087	BN202	
R955278998N <small>See Note 53</small>		Bendix 278998X	1/2" (4)				

Note: 53 (2) 1/4" PT Auxiliary Ports.

BENDIX E-5 FOOT VALVE (Single Circuit)



Single Circuit Foot Valve — Normally used on pre FMVSS-121 vehicles. It is foot operated and controls the delivery of air to the brake chambers. Simply stated it provides the driver with a means of applying and releasing the brakes on a vehicle. The E-5 foot valve is foot mounted and can be either treadle or lever actuated. Used on pre FMVSS-121 single circuit air brake system.

MERITOR NO.	NEW/REMAN	REPLACES	DELIVERY PORTS	CORE NO.	CORE GROUP	APPLICATION AND GENERAL INFORMATION
R955279950N	New	Bendix 279950	1/4" (2) 1/2" (1) 3/8" (1)	XC1097	BN205	Furnished less treadle and mounting brackets. The E-5 is firewall mounted and has a suspended pedal. It is mounted in the cab of the truck.

AIR VALVES - TRUCK/TRACTOR

MIDLAND FOOT VALVE (Single Circuit)



Single Circuit Foot Valve — Normally used on pre FMVSS-121 vehicles. It is foot operated and controls the delivery of air to the brake chambers. Simply stated it provides the driver with a means of applying and releasing the brakes on a vehicle.

MERITOR NO.	NEW/ REMAN	REPLACES	DELIVERY PORTS	CORE NO.	CORE GROUP	APPLICATION AND GENERAL INFORMATION
R955KN22100X	Reman	Haldex KN22100X	1/2" (4)	XC1157	MD201	Furnished less treadle and mounting brackets.

TRUCK/TRACTOR AIR VALVES AIR BRAKE FOOT VALVES

BENDIX E-7 FOOT VALVE (Dual Circuit)



Dual Circuit Foot Valves — A dual foot valve has two separate circuits for service and secondary braking, and is used in dual circuit air brake systems mandated by FMVSS-121. Braking ability is maintained in the event that one circuit fails. The E-7 is a firewall mounted, suspended pedal foot valve. It is a dual circuit valve with two separate supply and delivery circuits. Threaded supply and delivery ports for both circuits are located on the back of the valve. Furnished less treadle and mounting brackets.

MERITOR NO.	NEW/ REMAN	REPLACES	SUPPLY	DELIVERY	EXHAUST	SUPPLY PORTS MOUNT SIDE	DELIVERY PORTS MOUNT SIDE	CORE NO.	CORE GROUP
R955101818X	Reman	Bendix 101818X	1/4" (4)	3/8" (4)	Diaphragm	1/2" (2) 1/8" (1)	1/2" (2)	XC1032	BN207
R955101818N	New	Bendix 101818							
R955284760N		Reman	Bendix 284760	1/4" (1) O-Ring Sealed Flange Ports (4)	1/4" (1) O-Ring Sealed Flange Ports (4)	Diaphragm			
R955284760X	Bendix 284760X								
R955286773X	Reman	Bendix 286773X	1/4" (4)	1/4" (4)	1/2"	1/2" (2) 1/8" (1)	1/2" (2)	XC1118	BN207
R955286775X		Bendix 286775X							
R955287411	New	Bendix 287411	1/4" (2) 3/8" (2)	1/4" (2) 3/8" (2)	1/2"				
R955287564X		Bendix 287564X							
R955288383N	New	Bendix 288383	1/4" (4)	1/4" (4)	Diaphragm	1/2" (2) 1/8" (1)	1/2" (2)	XC1118	BN207
R955288383X	Reman	Bendix 288383X							

AIR VALVES - TRUCK/TRACTOR

BENDIX E-10 FOOT VALVE (Dual Circuit)



Dual Circuit Foot Valves — A dual foot valve has two separate circuits for service and secondary braking, and is used in dual circuit air brake systems mandated by FMVSS-121. Braking ability is maintained in the event that one circuit fails.

- All supply and delivery ports are 3/8" PT. Two supply ports are serviced from the number one reservoir and two are serviced by the number two reservoir. Two delivery ports actuate the primary circuit and two actuate the secondary circuit. The E-10 is a floor mounted treadle operated valve with two separate supply and delivery circuits.

MERITOR NO.	NEW/REMAN	REPLACES	DELIVERY PORTS	CORE NO.	CORE GROUP	APPLICATION AND GENERAL INFORMATION
R955101100X	Reman	Bendix 101100X	3/8" (4)	XC1025	BN210	Furnished less treadle and mounting brackets.

BENDIX E-6 FOOT VALVE



MERITOR NO.	NEW/REMAN	REPLACES	DELIVERY PORTS	SUPPLY PORTS	CORE NO.	CORE GROUP	APPLICATION AND GENERAL INFORMATION
R955286171N	New	Bendix 286171	3/8" (4)	3/8" (4)	XC1111	BN206	Furnished less treadle and mounting brackets.

BENDIX E-12 FOOT VALVE (Dual Circuit)



Dual Circuit Foot Valves — A dual foot valve has two separate circuits for service and secondary braking, and is used in dual circuit air brake systems mandated by FMVSS-121. Braking ability is maintained in the event that one circuit fails. The Bendix E-12 dual circuit foot valve is a floor mounted treadle operated valve with two separate supply and delivery circuits.

MERITOR NO.	NEW/REMAN	REPLACES	DELIVERY PORTS	CORE NO.	CORE GROUP	APPLICATION AND GENERAL INFORMATION
R955065313X	Reman	Bendix 065313X	3/8"-18	XC1038	BN212	Furnished less treadle and mounting brackets.

TRUCK/TRACTOR AIR VALVES AIR BRAKE FOOT VALVES

BENDIX E-8P FOOT VALVE



MERITOR NO.	NEW/REMAN	REPLACES	DELIVERY PORTS	CORE NO.	CORE GROUP	APPLICATION AND GENERAL INFORMATION
R955800629N	New	Bendix 800629	3/8"-18	XC1038	BN212	Furnished less treadle and mounting brackets.

MIDLAND DUAL FOOT VALVE (Dual Circuit)



Dual Circuit Foot Valves — A dual foot valve has two separate circuits for service and secondary braking, and is used in dual circuit air brake systems mandated by FMVSS-121. Braking ability is maintained in the event that one circuit fails.

- All supply and delivery ports are 3/8" PT. Two supply ports are serviced from the number one reservoir and two are serviced by the number two reservoir. Two delivery ports actuate the primary circuit and two actuate the secondary circuit. The Midland dual circuit foot valve is a floor mounted treadle operated valve with two separate supply and delivery circuits.

MERITOR NO.	NEW/REMAN	REPLACES	DELIVERY PORTS	CORE NO.	CORE GROUP	APPLICATION AND GENERAL INFORMATION
R955KN22150X	Reman	Haldex KN22150X	3/8" (4)	XC1159	MD202	Furnished less treadle and mounting brackets.

AIR VALVES - TRUCK/TRACTOR

BENDIX E-14 DUAL FOOT VALVE (Dual Circuit)



- Core No. XC1039
- Core Group BN214

Dual Circuit Foot Valves — A dual foot valve has two separate circuits for service and secondary braking, and is used in dual circuit air brake systems mandated by FMVSS-121. Braking ability is maintained in the event that one circuit fails. The E-14 is a firewall mounted, suspended pedal foot valve. It is a dual circuit valve with two separate supply and delivery circuits.

MERITOR NO.	NEW/REMAN	REPLACES	DELIVERY PORTS	SUPPLY	CORE NO.	CORE GROUP	APPLICATION AND GENERAL INFORMATION
R955065395X	Reman	Bendix 065395X	3/8"-18	3/8"-18	XC1039	BN214	Used with o-ring style manifold. Furnished less treadle and mounting brackets.

**TRUCK/TRACTOR AIR VALVES
AIR BRAKE HAND CONTROL VALVES**

BENDIX HAND CONTROL VALVE



Hand Control Valve — The most common function of hand control valves is for independent control of trailer service brakes. As a result they are also referred to as “Trailer Control Valves.”

MERITOR NO.	NEW/REMAN	REPLACES	DELIVERY PORTS	CORE NO.	CORE GROUP	APPLICATION AND GENERAL INFORMATION
R955276270X	Reman	Bendix 276270X	1/4"	XC1078	BN157	Furnished less handle and clamp.
R955276272X		Bendix 276272X		XC1079	BN158	
R955281797X		Bendix 281797X				

AIR VALVES - TRUCK/TRACTOR

MIDLAND HAND CONTROL VALVE (Limited Delivery)



Hand Control Valve — The most common function of hand control valves is for independent control of trailer service brakes. As a result they are also referred to as “Trailer Control Valves.”

MERITOR NO.	NEW/REMAN	REPLACES	DELIVERY PORTS	CORE NO.	CORE GROUP	APPLICATION AND GENERAL INFORMATION
R955KN20071X	Reman	Haldex KN20071X	Maximum Delivery 50 psi	XC1151	MD133	Furnished less handle and clamp.




BENDIX TR-3 INVERSION VALVE






MERITOR NO.	NEW/REMAN	REPLACES	SPECIFICATIONS		CORE NO.	CORE GROUP	APPLICATION & GENERAL INFORMATION
			A	B			
R955280758X	Reman	Bendix 280758X	45 psi	60 psi	XC1098	BN359	Inversion Valves – An inverting, on/off, two way valve. Normally the valve is open, and it is closed by air pressure from another source. Used in parking brake and sequencing applications. With common control and supply pressure inlet opens at “A” psi descending pressure and the exhaust opens at “B” psi ascending pressure.
R955288586X		Bendix 288586X	75 psi	90 psi			


AIR VALVES - TRUCK/TRACTOR

TRUCK/TRACTOR AIR VALVES LEVELING VALVES

AIR VALVES					
	MERITOR NO.	TYPE	REPLACES	PORT SIZES	APPLICATION & GENERAL INFORMATION
	R304325	Electric Valve	Neway 900 54 074	1/4" NPT	Normally closed
	R304331		Neway 900 54 075		Normally open
	R304329	Hand Valve	Neway 900 54 082		
	R304328	Pilot Valve	Neway 900 54 079	1/4" Side, 1/8" Top	Air Operated

AIR VALVES				
	MERITOR NO.	TYPE	REPLACES	APPLICATION & GENERAL INFORMATION
	R304326	Manual Valve	Neway 900 54 088	
	R304324	Pressure Protection Valve	Neway 900 54 466 (Filter SRK-143)	Includes internal filter

AIR VALVES						
	MERITOR NO.	TYPE	REPLACES	DUMP VALVE	FITTINGS	APPLICATION & GENERAL INFORMATION
	R304323	Neway Controlled Response Height Control Valve	Neway 900 54 007	No	1/4"	Use R307852 Leveling Valve Link Assembly. Air Supply Connection 1/8" PT

AIR VALVES				
	MERITOR NO.	TYPE	REPLACES	APPLICATION & GENERAL INFORMATION
	R3013922	Precision Response Height Control Valve	Neway 905 55 105	

AIR VALVES - TRUCK/TRACTOR

LINKAGE ASSEMBLIES

	MERITOR NO.	REPLACES	APPLICATION & GENERAL INFORMATION
	R307852	Haldex 48100-225	13-3/4" long (center-to-center) with ends installed. Use for applications requiring vertical mounting only.

MIDLAND PR-2 PRESSURE PROTECTION VALVE



MERITOR NO.	NEW/ REMAN	REPLACES	CRACK PRESSURE	CORE NO.	CORE GROUP	APPLICATION AND GENERAL INFORMATION
R955277147N	New	Bendix 277147	65 psi			Pressure Protection Valves – Protects the brake system from accessory failure. Used to isolate and protect one reservoir supply from another by closing at its pressure setting. Also used in rapid buildup systems where it delays the filling of auxiliary reservoirs until a preset pressure is reached in the primary reservoir. Pressure Setting on the PR-2 is adjustable.
R955277148X	Reman	Bendix 277148X	85 psi	XC1084	BN351	
R955277226X		Bendix 277226X	60 psi			

BENDIX PR-4 PRESSURE PROTECTION VALVE



MERITOR NO.	NEW/ REMAN	REPLACES	CRACK PRESSURE	CORE NO.	CORE GROUP	APPLICATION AND GENERAL INFORMATION
R955286500N	New	Bendix 286500	85 psi			Pressure Protection Valves – Protects the brake system from accessory failure. Used to isolate and protect one reservoir supply from another by closing at its pressure setting. Also used in rapid buildup systems where it delays the filling of auxiliary reservoirs until a preset pressure is reached in the primary reservoir. Pressure Setting on the PR-2 is adjustable.
R955286500X	Reman	Bendix 286500X		70 psi	XC1117	
R955288323X		Bendix 288323X				

AIR VALVES - TRUCK/TRACTOR

TRUCK/TRACTOR AIR VALVES AIR BRAKE PROTECTION VALVES

BENDIX SV-1 SYNCHRONIZING VALVE



Synchronizing Valve — Used to control air from a remote supply that is different than control supply. It also can be used to delay or sequence the action of other air operated devices.

MERITOR NO.	NEW/REMAN	REPLACES	A	B	CORE NO.	CORE GROUP	APPLICATION AND GENERAL INFORMATION
R955278825X	Reman	Bendix 278825X	42 psi	28 psi	XC1091	BN412	With common control and supply pressure, inlet opens at "A" psi and the exhaust opens at "B" psi.
R955278825N	New	Bendix 278825					

BENDIX RV-1 PRESSURE REDUCING VALVE



Pressure Reducing Valve — Used where a constant set air pressure lower than supply pressure is required. Typically an air operated application that requires less than system air pressure.

MERITOR NO.	NEW/REMAN	REPLACES	NOMINAL DELIVERY PRESSURE	CORE NO.	CORE GROUP	APPLICATION AND GENERAL INFORMATION
R955101135X	Reman	Bendix 101135X	85 psi	XC1083	BN356	Pressure setting on the RV-1 is adjustable

TRUCK/TRACTOR AIR VALVES AIR BRAKE QUICK RELEASE VALVES

BENDIX QR-1 QUICK RELEASE VALVE



MERITOR NO.	NEW/REMAN	REPLACES	SPECIFICATIONS			CORE NO.	CORE GROUP	
			DELIVERY	SUPPLY	CRACK PRESSURE			
R955229813N	New	Bendix 229813	3/8"	1/4"	1 psi	XC1076	BN267	
R955229859N		Bendix 229859	3/8" (2)	3/8"				
R955229859N		Bendix 229859X					XC1076	BN267
R955229860N		Bendix 229860		1/2"				
R955281024X		Bendix 281024X	1/4"	1/4"			XC1076	BN267

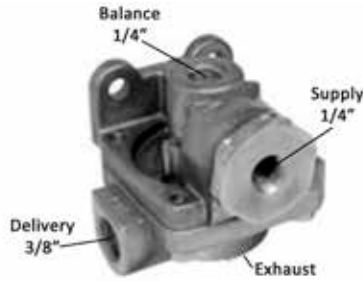
BENDIX QR-L QUICK RELEASE VALVE



MERITOR NO.	NEW/REMAN	REPLACES	SPECIFICATIONS			CORE NO.	CORE GROUP
			DELIVERY	SUPPLY	CRACK PRESSURE		
R955800333N	New	Bendix 800333	3/8"	1/2"			

TRUCK/TRACTOR AIR VALVES AIR BRAKE QUICK RELEASE VALVES

BENDIX QR-1C QUICK RELEASE VALVE (With Double Check Valve)



Quick Release Valve with Double Check Valve — Incorporates both a quick release and a double check valve. Functions as a quick release for the emergency side of the spring brakes, while the double check valve prevents simultaneous application of the emergency side of the spring brake (Anti-Compounding).

MERITOR NO.	NEW/REMAN	REPLACES	SPECIFICATIONS			CORE NO.	CORE GROUP
			DELIVERY	SUPPLY	CRACK PRESSURE		
R955289182X	Reman	Bendix 289182X	1/4"	1/4"	1 psi	XC1129	BN269
R955289714N	New	Bendix 289714	3/8"	1/2"			

MIDLAND QUICK RELEASE AND DOUBLE CHECK VALVE



Quick Release Valve with Double Check Valve — Incorporates both a quick release and a double check valve. Functions as a quick release for the emergency side of the spring brakes, while the double check valve prevents simultaneous application of the emergency side of the spring brake (Anti-Compounding).

MERITOR NO.	NEW/REMAN	REPLACES	SPECIFICATIONS			CORE NO.	CORE GROUP
			DELIVERY	SUPPLY	CRACK PRESSURE		
R955KN32040X	Reman	Haldex KN32040X	1/4"	1/4"	1 psi	XC1183	MD265

MIDLAND QUICK RELEASE AND DOUBLE CHECK VALVE



MERITOR NO.	NEW/REMAN	REPLACES	CONTROL PORT	DELIVERY PORTS	CORE NO.	CORE GROUP	APPLICATION AND GENERAL INFORMATION
R955KN32041X	Reman	Haldex KN32041X	1/4" (2)	3/8" (2)	XC1183	MD265	Prevents compounding on tractors and trucks via the spring brake control circuits.

AIR VALVES - TRUCK/TRACTOR

**TRUCK/TRACTOR AIR VALVES
AIR BRAKE QUICK RELEASE VALVES**

BENDIX LQ-2 LIMITING QUICK RELEASE AND DOUBLE CHECK VALVE



Limiting and Quick Release Valve — Mounted on the front axle this valve limits front axle brake application by 50% on slippery roads. It is controlled by a “flapper” switch on the dashboard. In the normal position (dry road) it will deliver full application pressure. It also serves as a quick release valve for the front axle. Primarily used on pre FMVSS-121 vehicles.

MERITOR NO.	NEW/REMAN	REPLACES	SPECIFICATIONS		CORE NO.	CORE GROUP
			DELIVERY	SUPPLY		
R955229505N	New	Bendix 229505X	3/8"	3/8"	XC1073	BN261
R955229509N		Bendix 229509X				

AIR VALVES - TRUCK/TRACTOR

TRUCK/TRACTOR AIR VALVES AIR BRAKE RATIO VALVES

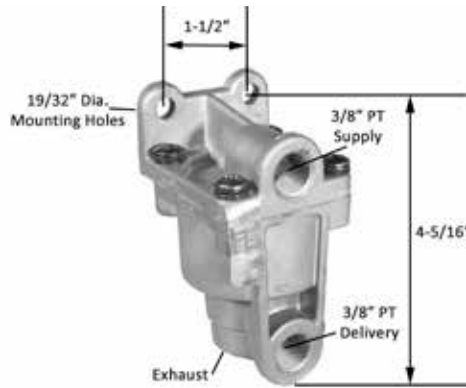
BENDIX BP-R1 BOBTAIL BRAKE PROPORTIONING RELAY VALVE



The BP-R1 combines the functions of a standard relay valve and a proportioning valve. It is designed for use on a tractor only. When operating in a "bobtail" mode the valve proportions air pressure to the lighter rear brakes.

MERITOR NO.	NEW/REMAN	REPLACES	CRACK PRESSURE	CORE NO.	CORE GROUP
R955065145N	New	Bendix 065145	4 psi		
R955065145X	Reman	Bendix 065145X		XC1036	BN001
R955065146N	New	Bendix 065146	5.5 psi		
R955065146X	Reman	Bendix 065146X		XC1036	BN001

BENDIX LQ-4 RATIO VALVE



Ratio Valve — Automatically reduces application pressure to the front service brakes. As brake application pressure is increased the percentage of reduction is decreased until a preset pressure is reached. A preset "hold-off" pressure prevents the front brakes from operating until the "hold-off" pressure is reached. Used on post FMV55-121 vehicles only.

MERITOR NO.	NEW/REMAN	REPLACES	NOMINAL HOLDOFF PRESSURE	NOMINAL EQUALIZING PRESSURE	CORE NO.	CORE GROUP
R955289144N	New	Bendix 289144	4 psi	60 psi	XC1128	BN263
R955289148X	Reman	Bendix 289148X	10 psi	65 psi		

AIR VALVES - TRUCK/TRACTOR

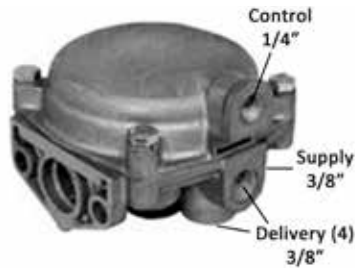
TRUCK/TRACTOR AIR VALVES AIR BRAKE RELAY VALVES

BENDIX R-5 RELAY VALVE



MERITOR NO.	NEW/REMAN	REPLACES	SUPPLY	CORE NO.	CORE GROUP	APPLICATION AND GENERAL INFORMATION
R955229467X	Reman	Bendix 229467X	3/4"	XC1072	BN010	The R-5 has 2 horizontal delivery ports and 2 vertical delivery ports. There are 2 control ports 1/4" PT. The nominal crack pressure of the R-5 is 3 psi.

BENDIX R-6 RELAY VALVE



MERITOR NO.	NEW/REMAN	REPLACES	SUPPLY "A"	SUPPLY "B"	CORE NO.	CORE GROUP	APPLICATION AND GENERAL INFORMATION
R955279180N	New	Bendix 279180	3/8"	3/8"		BN012	The service port is 1/4" PT on all R-6 valves. All R-6 valves have (4) 3/8" PT delivery ports. All R-6 except as noted have a nominal crack pressure of 2 psi.
R955279180X	Reman	Bendix 279180X			XC1093		
R955279952N	New	Bendix 279952	3/4"	3/8"		BN012	
R955279952X	Reman	Bendix 279952X			XC1093		
R955280243X <small>See Note 20</small>		Bendix 280243X	3/8"	1/2"	BN012		
R955280375X		Bendix 280375X	1/2"				
R955280651X <small>See Note 32</small>		Bendix 280651X	3/4"	3/8"	BN012		
R955283940X <small>See Note 34</small>		Bendix 283940X	3/8"			XC1108	

Notes: 20 Nominal crack pressure of 10 psi.
 32 Includes pipe plugs and gasket.
 34 Service port rotate 90° from that shown—Ford Application.

AIR VALVES - TRUCK/TRACTOR

TRUCK/TRACTOR AIR VALVES AIR BRAKE RELAY VALVES

BENDIX R-8 RELAY VALVE



MERITOR NO.	NEW/REMAN	REPLACES	SERVICE PORT ROTATION FROM MTG. FLANGE	CONTROL	DELIVERY	SUPPLY	CORE NO.	CORE GROUP	COMMENTS
R955286370N	New	Bendix 286370	90°	1/4"	1/2" (2) 1/4" (1)	3/4" (2) 1/4" (1)	XC1114	BN017	
R955286371N		Bendix 286371	90° (no exhaust cover)						
R955286892N		Bendix 286892	90°		1/2" (2) 1/4" (1)	3/4" (2) 3/4" (1)			Contains 3/4" plug
R955287224N		Bendix 287224	270°						
R955287260N		Bendix 287260	180° (no exhaust cover)		1/2" (2) 1/4" (1)				
R955288369N		Bendix 288369	180°						
R955288755N		Bendix 288755				1/2" (2) 1/4" (1)			3/4" (2)

BENDIX R-8P PRESSURE EQUALIZING RELAY VALVE



MERITOR NO.	NEW/REMAN	REPLACES	CORE NO.	CORE GROUP	APPLICATION AND GENERAL INFORMATION
R955287114N	New	Bendix 287114			(2) 3/4" PT supply ports. (2) 1/2" PT delivery ports. (1) 1/4" PT delivery port on bottom. (1) 1/4" PT service port.

BENDIX R-10 RELAY VALVE



MERITOR NO.	NEW/REMAN	REPLACES	CORE NO.	CORE GROUP	APPLICATION AND GENERAL INFORMATION
R955102626N	New	Bendix 101333			(4) 1/2" PT delivery ports located on the bottom of valve. (2) 1/4" PT service ports. (1) 3/4" PT supply port.

AIR VALVES - TRUCK/TRACTOR

TRUCK/TRACTOR AIR VALVES AIR BRAKE RELAY VALVES

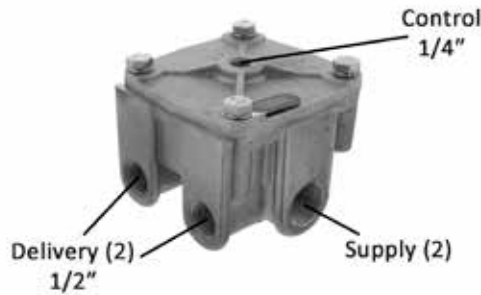
BENDIX R-12 RELAY VALVE



MERITOR NO.	NEW/REMAN	REPLACES	CRACK PRESSURE	CONTROL	DELIVERY	SUPPLY	CORE NO.	CORE GROUP
R955065104N	New	Bendix 65104	4 psi	1/4"	3/8" (4)	1/2"		
R955065104X	Reman	Bendix 065104X					XC1033	BN025
R955065206N See Note 5	New	Bendix 65206						
R955065303N		Bendix 65303						
R955102626N		Bendix 102626						
R955102626X	Reman	Bendix 102626X			1/2" (4)		XC1033	BN025
R955103912X		Bendix 103912X	7.5 psi					

Note: 5 Two vertical and two horizontal delivery ports.

BENDIX R-12H RELAY VALVE (Horizontal)



MERITOR NO.	NEW/REMAN	REPLACES	SUPPLY PORT SIZE	CRACK PRESSURE	CORE NO.	CORE GROUP	APPLICATION AND GENERAL INFORMATION
R955103009N	New	Bendix 103009	3/4"	4.0 psi	XC1046	BN025	The horizontal mount R-12H has 2 supply ports located on the side of the valve. (1) 1/4" PT service port. (2) 1/2" PT delivery ports. Universal mounting bracket R955153200 supplied with all R-12 relay valves.
R955103009X	Reman	Bendix 103009X	1/2"	5.5 psi			
R955065125X		Bendix 065125X	3/4"	7.5 psi			
R955104165X		Bendix 104165X	10.0 psi				
R955103195X		Bendix 103195X					

AIR VALVES - TRUCK/TRACTOR

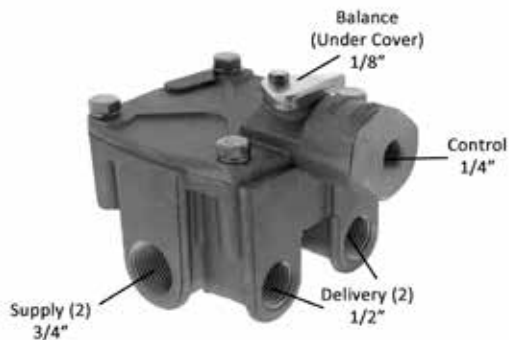
TRUCK/TRACTOR AIR VALVES AIR BRAKE RELAY VALVES

BENDIX R-14 RELAY VALVE (Vertical)



MERITOR NO.	NEW/REMAN	REPLACES	CRACK PRESSURE	CORE NO.	CORE GROUP	APPLICATION AND GENERAL INFORMATION
R955103028N	New	Bendix 103028	4.0 psi	XC1048	BN025	(4) 1/2" PT delivery ports located on the side of the valve. (1) 1/4" PT service port. (1) 1/2" PT supply port. (1) 1/8" PT balance port located under the exhaust cover. The balance port provides an anti-compounding feature that prevents simultaneous application of the service and parking sides of the spring brake and allows the valve to control spring brakes and service brakes. Universal mounting bracket R955153200 supplied with all R-14 relay valves.
R955103028X	Reman	Bendix 103028X				
R955106313X		Bendix 106313X				
R955103833X		Bendix 103833X				

BENDIX R-14H RELAY VALVE (Horizontal)



MERITOR NO.	NEW/REMAN	REPLACES	CRACK PRESSURE	CORE NO.	CORE GROUP	APPLICATION AND GENERAL INFORMATION
R955103010N	New	Bendix 103010	4.0 psi	XC1047	BN025	(2) 1/2" PT delivery ports located on the side of the valve. (1) 1/4" PT service port. (2) 3/4" PT supply ports. (1) 1/8" PT balance port located under the exhaust cover. The balance port provides an anti-compounding feature that prevents simultaneous application of the service and parking sides of the spring brake and allows the valve to control spring brakes and service brakes. Universal mounting bracket R955153200 supplied with all R-14 relay valves.
R955103010X	Reman	Bendix 103010X				
R955104345X		Bendix 104345X				
R955103294X		Bendix 103294X				
R955103835X		Bendix 103835X				
R955103139X		Bendix 103139X				

AIR VALVES - TRUCK/TRACTOR

MIDLAND RELAY VALVE (2 Port Delivery)



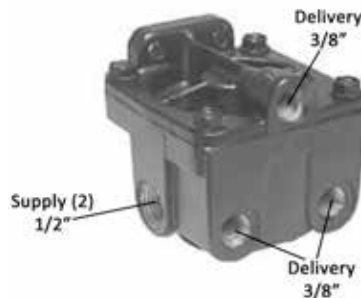
MERITOR NO.	NEW/ REMAN	REPLACES	CORE NO.	CORE GROUP	APPLICATION AND GENERAL INFORMATION
R955KN28060X	Reman	Haldex KN28010X			(2) 1/4" PT delivery ports. (1) 3/8" PT delivery port. (1) 3/8" PT supply port. (1) 1/4" PT control port.
R955KN28011X		Haldex KN28011X			(3) 3/8" PT delivery ports. (1) 3/8" PT supply port. (1) 1/4" PT control port.

MIDLAND RELAY VALVE (2 Port Delivery)



MERITOR NO.	NEW/ REMAN	REPLACES	CRACK PRESSURE	DELIVERY PORTS	CORE NO.	CORE GROUP	APPLICATION AND GENERAL INFORMATION
R955KN28071X	Reman	Haldex KN28071X	4.0 psi ± 1 psi	1/2" (2)	XC1167	MD005	Built in anti-compounding two way check valve that prevents simultaneous application of the service and parking sides of the spring brake, and allows the valve to control spring brakes and service brakes.
R955KN28140X		Haldex KN28140X					Cover rotated 180°, (1) 1/2" PT supply port and (1) 1/4" PT control port.

MIDLAND RELAY VALVE (2 Port Delivery)



MERITOR NO.	NEW/ REMAN	REPLACES	CRACK PRESSURE	DELIVERY PORTS	CORE NO.	CORE GROUP	APPLICATION AND GENERAL INFORMATION
R955KN28060N	New	Haldex KN28060	4.6 psi ± 1.5 psi	3/8" (2)	XC1165	MD006	(2) 1/2" PT supply ports. (1) 3/8" control port. Cover may be rotated 360° without affecting performance.
R955KN28060X	Reman	Haldex KN28060X		1/2" (2)			
R955KN28061X		Haldex KN28061X					

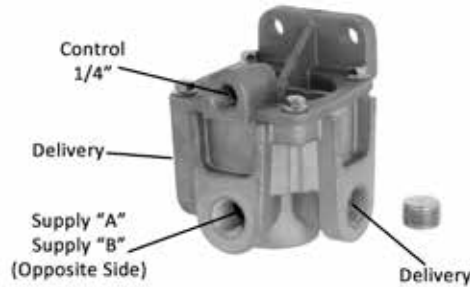
TRUCK/TRACTOR AIR VALVES AIR BRAKE RELAY VALVES

MIDLAND RELAY VALVE (2 Port Delivery)



MERITOR NO.	NEW/REMAN	REPLACES	SPECIFICATIONS				CORE NO.	CORE GROUP
			DELIVERY	SUPPLY "A"	SUPPLY "B"	CRACK PRESSURE		
R955KN28131X	Reman	Haldex KN28131X	1/2" (2)	1/2"	1/2"	4.0 psi ± 1 psi	XC1170	MD005

MIDLAND RG-2 RELAY VALVE (2 Port Delivery)



MERITOR NO.	NEW/REMAN	REPLACES	SPECIFICATIONS				CORE NO.	CORE GROUP
			DELIVERY	SUPPLY "A"	SUPPLY "B"	CRACK PRESSURE		
R955KN28500N	New	Haldex KN28500	3/8" (2)	3/8"	3/8"	5.6 psi	XC1172	MD007
R955KN28500X	Reman	Haldex KN28500X			1/2"			
R955KN28510N	New	Haldex KN28510			1/2" (2)		1/2"	1/2"
R955KN28510X	Reman	Haldex KN28510X						
R955KN28514X		Haldex KN28514X						
R955KN28520N	New	Haldex KN28520	1/2" (2)	1/2"	1/2"		XC1172	MD007
R955KN28520X	Reman	Haldex KN28520X						

MIDLAND RG-5 RELAY VALVE (2 Port Trailer Valve)



MERITOR NO.	NEW/REMAN	REPLACES	CRACK PRESSURE	CONTROL	DELIVERY	SUPPLY	CORE NO.	CORE GROUP	APPLICATION AND GENERAL INFORMATION
R955KN28550N	New	Haldex KN28550	6 psi	1/4"	3/8" (2)	1/2"			No bracket

AIR VALVES - TRUCK/TRACTOR

MIDLAND RELAY VALVE (4 Port Delivery)



MERITOR NO.	NEW/ REMAN	REPLACES	CRACK PRESSURE	DELIVERY PORTS	CORE NO.	CORE GROUP	APPLICATION AND GENERAL INFORMATION
R955KN28080X	Reman	Haldex KN28080X	7.0 psi ± 1.5 psi	3/8" (4)	XC1168	MD001	(2) 1/2" PT reservoir ports. (1) 3/8" PT control port. Cover may be rotated 360° without affecting performance.

WAGNER RF RELAY VALVE (4 Ports — Vertical)



MERITOR NO.	NEW/ REMAN	REPLACES	CRACK PRESSURE	CONTROL PORTS	DELIVERY PORTS	SUPPLY PORTS	CORE NO.	CORE GROUP
R955A103600X <small>See Note 54</small>	Reman	Wagner A103600X	3.0 psi	1/4"	3/8"	3/4"	XC1139	WA001
R955A86473X		Wagner A86473X				1/2"	XC1178	MD008

Note: 54 Has an auxiliary supply port on the bottom that can be used for other accessories requiring reservoir air.

TRUCK/TRACTOR AIR VALVES AIR BRAKE EMERGENCY VALVES

BENDIX RE-4 RELAY EMERGENCY VALVES (Style B)



Relay Emergency Valve — A dual function valve used on trailer

(1) A relay valve that applies and releases the service brakes.

(2) An emergency feature that automatically applies the service brakes in the event that supply air is lost. Normally used on pre FMVSS-121 vehicles and off road applications.

MERITOR NO.	NEW/ REMAN	REPLACES	PISTON & VALVE INSERT	CORE NO.	CORE GROUP	APPLICATION AND GENERAL INFORMATION
R955229434X	Reman	Bendix 229434X	R955228499X	XC1071	BN009	(2) 1/4" PT service port. (2) 1/2" PT reservoir ports. (1) 3/4" PT reservoir ports. (2) 1/4" PT emergency port. (6) 1/4" PT delivery ports

BENDIX RE-6 RELAY EMERGENCY VALVE



Relay Emergency Valve — A dual function valve used on trailer

(1) A relay valve that applies and releases the service brakes.

(2) An emergency feature that automatically applies the service brakes in the event that supply air is lost. Normally used on pre FMVSS-121 vehicles and off road applications.

MERITOR NO.	NEW/ REMAN	REPLACES	DELIVERY PORTS	CORE NO.	CORE GROUP	APPLICATION AND GENERAL INFORMATION
R955281860X	Reman	Bendix 281860X	1/4" PT (2)	XC1101	BN013	(1) 1/4" PT service port. (1) 3/8" PT supply port.
R955281865N	New	Bendix 281865				(1) 3/4" PT supply port. (2) 1/4" PT delivery ports in addition to those shown above.

AIR VALVES - TRUCK/TRACTOR

BENDIX RE-7 RELAY EMERGENCY VALVE



Relay Emergency Valve — A dual function valve used on trailer

(1) A relay valve that applies and releases the service brakes.

(2) An emergency feature that automatically applies the service brakes in the event that supply air is lost. Normally used on pre FMVSS-121 vehicles and off road applications.

The R-7 will modulate the spring brakes through application of the foot valve if rear axle services brake pressure is lost. Normal parking functions are also controlled by the R-7.

MERITOR NO.	NEW/REMAN	REPLACES	RELEASE PRESSURE	CORE NO.	CORE GROUP	APPLICATION AND GENERAL INFORMATION
R955103081N	New	Bendix 103081	95 psi	XC1107	BN015	(1) 1/4" PT control port. (1) 1/4" PT balance port. (2) 3/8" PT delivery port. (1) 3/8" PT supply port.

MIDLAND (EE) EMERGENCY RELAY VALVE



WAGNER PART NUMBER	MIDLAND SERVICE	WAGNER PART NUMBER	MIDLAND SERVICE	Relay Emergency Valve — A dual function valve used on trailer (1) A relay valve that applies and releases the service brakes. (2) An emergency feature that automatically applies the service brakes in the event that supply air is lost. Normally used on pre FMVSS-121 vehicles and off road applications.			
A46229	KN30100	A71891	KN30200				
A71890	KN30300	A99036	KN30400				
MERITOR NO.	NEW/REMAN	REPLACES	CRACK PRESSURE	DELIVERY PORTS	CORE NO.	CORE GROUP	APPLICATION AND GENERAL INFORMATION
R955KN30400N	New	Haldex KN30400	3 psi				(1) 1/4" PT service inlet. (4) 1/4" PT emergency inlet.
R955KN30100X	Reman	Haldex KN30100X	4.5 psi	1/4" PT (4)	XC1175	MD009	
R955KN30300X See Note 46		Haldex KN30300X		3/8" PT (4)			
R955KN30400X See Note 51		Haldex KN30400X					
R955KN30200X See Note 46		Haldex KN30200X		(1) 3/8" PT service inlet. (1) 3/8" PT emergency inlet. Non Charging.			

Notes: 46 3/4" PT reservoir port.
51 3/4" PT reservoir port.

AIR VALVES - TRUCK/TRACTOR

TRUCK/TRACTOR AIR VALVES

AIR BRAKE SPRING BRAKE VALVES

BENDIX SR-1 SPRING BRAKE VALVE



Spring Brake Valve — A dual function valve.

(1) Limits hold-off pressure to the spring brakes via a relay of quick release valve, generally 90-95 psi.

(2) Should a loss of pressure occur it provides a modulated spring brake application proportional to the service braking pressure delivered to the front axle. Commonly used on post FMVSS-121 systems.

MERITOR NO.	NEW/ REMAN	REPLACES	RESERVOIR TRIP PRESSURE	CORE NO.	CORE GROUP	APPLICATION AND GENERAL INFORMATION
R955288063X	Reman	Bendix 288063X	30 psi	XC1113	BN101	The SR-1 is normally used on trucks and tractors with dual air brake systems. Parking functions are also controlled through the SR-1. (1) 1/4" PT delivery port. (1) 1/4" PT reservoir port. (1) 1/4" PT control port. (1) 1/4" PT supply port.
R955286364N	New	Bendix 286364	55 psi			
R955286364X	Reman	Bendix 286364X		XC1113	BN101	

BENDIX SR-2 SPRING BRAKE VALVE



Spring Brake Valve — A dual function valve.

(1) Limits hold-off pressure to the spring brakes via a relay of quick release valve, generally 90-95 psi.

(2) Should a loss of pressure occur it provides a modulated spring brake application proportional to the service braking pressure delivered to the front axle. Commonly used on post FMVSS-121 systems.

MERITOR NO.	NEW/ REMAN	REPLACES	RESERVOIR MALE CONNECTOR PORT	CORE NO.	CORE GROUP	APPLICATION AND GENERAL INFORMATION
R955103061N	New	Bendix 103061	1/2" PT (1)			The SR-2 is used on trailers with dual air brake systems. It also provides the ability to release the spring brakes at least once prior to their application. (4) 3/8" PT delivery ports. (2) 1/4" PT service reservoir ports. (1) 1/4" PT trailer supply port. (1) 3/8" PT exhaust port. R955287376X does not have a trailer service port for anti-compound.
R955103061X	Reman	Bendix 103061X		3/4" PT (1)	XC1123	
R955102761X		Bendix 102761X				
R955287376N	New	Bendix 287376	3/4" PT (1)			
R955287376X	Reman	Bendix 287376X		XC1123	BN103	

BENDIX SR-4 SPRING BRAKE VALVE (Early Type)



Spring Brake Valve — A dual function valve.

(1) Limits hold-off pressure to the spring brakes via a relay of quick release valve, generally 90-95 psi.

(2) Should a loss of pressure occur it provides a modulated spring brake application proportional to the service braking pressure delivered to the front axle. Commonly used on post FMVSS-121 systems.

MERITOR NO.	NEW/ REMAN	REPLACES	RESERVOIR MALE CONNECTOR PORT	CORE NO.	CORE GROUP	APPLICATION AND GENERAL INFORMATION
R955101622X	Reman	Bendix 101622X	1/2" PT (1)	XC1026	BN105	The SR-4 is used on Post FMVSS-121 Trailers. It is made up of an SR-4 subassembly, a PR-3 valve (R955284460X) and an SC-1 single check valve. Under no circumstances should the SR-4 be interchanged with the similar appearing SR-2. (4) 3/8" PT delivery ports. (2) 1/4" PT service reservoir ports. (1) 1/4" PT trailer service port. (1) 1/4" PT trailer supply port.
R955101112N	New	Bendix 101112	3/4" PT (1)			
R955101112X	Reman	Bendix 101112X		XC1026	BN105	

BENDIX SR-4 SPRING BRAKE VALVE (New Type)



Spring Brake Valve — A dual function valve.

(1) Limits hold-off pressure to the spring brakes via a relay of quick release valve, generally 90-95 psi.

(2) Should a loss of pressure occur it provides a modulated spring brake application proportional to the service braking pressure delivered to the front axle. Commonly used on post FMVSS-121 systems.

MERITOR NO.	NEW/ REMAN	REPLACES	RESERVOIR MALE CONNECTOR PORT	CORE NO.	CORE GROUP	APPLICATION AND GENERAL INFORMATION
R955108076X	Reman	Bendix 108076X	1/2" PT (1)	XC1054	BN106	(4) 3/8" PT delivery ports. (2) 1/4" PT reservoir charging ports. (1) 1/4" PT trailer service port. (1) 1/4" PT trailer supply port.
R955107539X		Bendix 107539X	3/4" PT (1)			

AIR VALVES - TRUCK/TRACTOR

TRUCK/TRACTOR AIR VALVES AIR BRAKE SPRING BRAKE VALVES

MIDLAND MULTI-FUNCTION RT4 (Spring Brake / Relay Valve)



Spring Brake Valve — A dual function valve.

- (1) Limits hold-off pressure to the spring brakes via a relay of quick release valve, generally 90-95 psi.
 - (2) Should a loss of pressure occur it provides a modulated spring brake application proportional to the service braking pressure delivered to the front axle.
- Commonly used on post FMVSS-121 systems.

MERITOR NO.	NEW/ REMAN	REPLACES	TRAILER SUPPLY (A)	TRAILER SUPPLY (B)	TRAILER CONTROL	RESERVOIR (A)	RESERVOIR (B)	DELY	PPV CLOSING PRESSURE	CORE NO.	CORE GROUP
R955KN26000N <small>See Note 52</small>	New	Haldex KN26000	3/8"	3/8"	3/8"	1/2"	3/8"	3/8"	55 psi	XC1162	MD101
R955KN26000X <small>See Note 52</small>	Reman	Midland KN26000X		Plugged							
R955KN26010N <small>See Note 6</small>	New	Haldex KN26010		Plugged							
R955KN26010X <small>See Note 6</small>	Reman	Haldex KN26010X	Plugged	3/8"	3/8"	3/8"	3/8"	70 psi	XC1162	MD101	
R955KN26020X <small>See Note 6</small>		Haldex KN26020X							XC1192		

Notes: 6 Cover rotated 180°.
52 Cover as shown.

BENDIX SR-5 TRAILER BRAKE VALVE



Spring Brake Valve- A dual function valve.

- (1) Limits hold-off pressure to the spring brakes via a relay of quick release valve, generally 90-95 psi.
 - (2) Should a loss of pressure occur it provides a modulated spring brake application proportional to the service braking pressure delivered to the front axle.
- Commonly used on post FMVSS-121 systems.

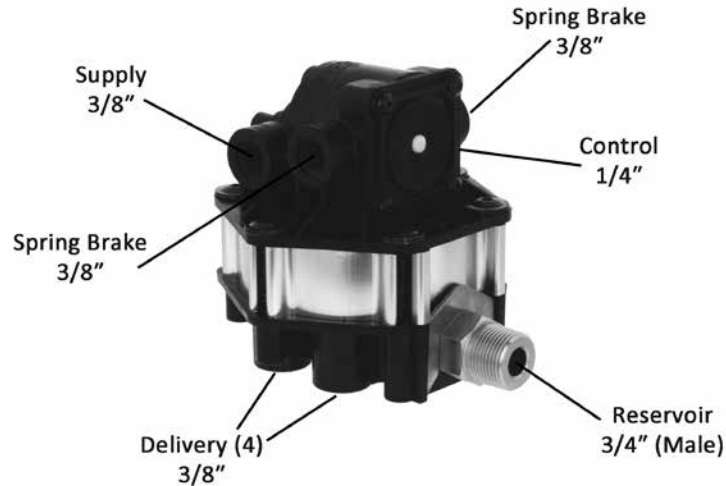
The SR-5 is similar in appearance to the SR-2, and functions in the system in the same manner, with the exception that it permits the use of a single reservoir on the trailer. Note that the SR-5 has an identification hole punched in the boss between the top of the valve and the trailer exhaust and supply ports.

MERITOR NO.	NEW/REMAN	REPLACES	SUPPLY	DELIVERY	RESERVOIR	SERVICE	CORE NO.	CORE GROUP
R955065437N <small>See Note 56</small>	New	Bendix 065437X	1/4"	3/8" (4)	3/4"	1/4" (2)	XC1040	BN107
R955065439N	New	Bendix 065439			1/2"		XC1041	BN107
R955065439X <small>See Note 56</small>	Reman	Bendix 065439X			3/4"			

Note: 56 With anti-compounding.

AIR VALVES - TRUCK/TRACTOR

MIDLAND FF2 FULL FUNCTION (Spring Brake / Relay Valve)



Spring Brake Valve — A dual function valve.

(1) Limits hold-off pressure to the spring brakes via a relay of quick release valve, generally 90-95 psi.

(2) Should a loss of pressure occur it provides a modulated spring brake application proportional to the service braking pressure delivered to the front axle. Commonly used on post FMVSS-121 systems.

Note: A heavy-duty walled 1/2" or 3/8" nipple must be used when mounting the Midland FFV.

The Midland Full Function Valve can be used with a single air tank, twin tanks or an axle-by-axle system on trailers. The valve combines a pressure protection valve, two one-way check valves, spring brake valve with quick release, and a four-port relay valve. Midland Full Function Valves must not be mixed with other service valves on the same trailer.

The Midland Full Function Valve does not release spring brakes until the reservoir is filled. This may take up to 90 seconds. Do not attempt to drive away prior to full spring brake release. Damage to the foundation brake system may result.

MERITOR NO.	NEW/REMAN	REPLACES	CRACK PRESSURE	RESERVOIR PORT	CORE NO.	CORE GROUP	APPLICATION AND GENERAL INFORMATION
R95512352N	New	Haldex 12352	3 psi	1/2"	XC1173	MD011	
R955KN28600N		Haldex KN28600		3/4" PT			
R955KN28600X	Reman	Haldex KN28600X	5 psi	1/2" PT			
R955KN28601X		Haldex KN28601X		3/4" PT			
R955KN28602X		Haldex KN28602X		1/2" PT			
R955KN28603X		Haldex KN28603X		3/4" PT			

AIR VALVES - TRUCK/TRACTOR

TRUCK/TRACTOR AIR VALVES AIR BRAKE SWITCHES AND INDICATORS

BENDIX SL-4 STOP LIGHT SWITCH



MERITOR NO.	NEW/REMAN	REPLACES	ACTIVATION PRESSURE	CORE NO.	CORE GROUP	APPLICATION AND GENERAL INFORMATION
R955228600N	New	Bendix 228600	5 psi (approx.)			

BENDIX LP-3 LOW PRESSURE INDICATOR (Single & Double Terminal)



MERITOR NO.	NEW/REMAN	REPLACES	ACTIVATION PRESSURE	STYLE	CORE NO.	CORE GROUP	APPLICATION AND GENERAL INFORMATION
R955228750N	New	Bendix 228750	60 ± 6 psi	Double Terminal	XC1211	BN423	Normally open switch that closes at activation pressure.
R955228750X	Reman	Bendix 228750X		Single Terminal			
R955279416N	New	Bendix 279416					

MIDLAND ELECTRO-PNEUMATIC SWITCHES



MERITOR NO.	NEW/REMAN	REPLACES	MODEL	ACTIVATION PRESSURE	POSITION	SIZE	STYLE
R955BE13240N	New	Haldex BE13240	Tractor Spring Brake Circuit Light Switch	55 psi	Normally Closed 0 psi pressure	1/8"-27 FPT	Single Pole—Two Terminals
R955BE13241N		Haldex BE13241	Low Air Switch	66 psi		1/4"-18 FPT	
R955BE13250N		Haldex BE13250	Service Circuit Stoplight Switch	3-5 psi			
R955BE13255N		Haldex BE13255	Trailer Emergency Stoplight Switch	55 psi	Normally 1 Open and 1 Closed	1/8"-27 FPT	Single Pole—Double Throw—Three Terminals

AIR VALVES - TRUCK/TRACTOR

TRUCK/TRACTOR AIR VALVES AIR BRAKE TRACTOR PROTECTION VALVES

BENDIX TP-2 TRACTOR PROTECTION VALVE

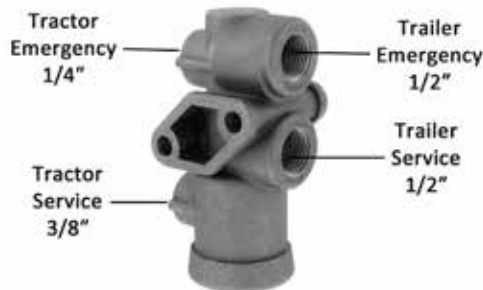


Tractor Protection Valve — Protects the tractor air brake system under trailer breakaway conditions and conditions where severe leakage has occurred in the tractor or trailer. The valve is also used to shut off trailer service and supply lines before disconnecting the tractor from the trailer. The tractor protection valve is used in conjunction with a dash mounted control valve.

Used on pre FMVSS-121 vehicles in conjunction with TW-1 or PP-1 Valves. Regulations require the tractor protection system to function automatically between 20 and 45 psi as system pressure is reduced. The automatic system to accomplish this is built into the TP-2.

MERITOR NO.	NEW/ REMAN	REPLACES	TRAILER EMERGENCY	TRAILER SERVICE	CORE NO.	CORE GROUP	APPLICATION AND GENERAL INFORMATION
R955227661X	Reman	Bendix 227661X	3/8" PT	3/8" PT	XC1068	BN341	(1) 1/4" PT control port. (1) 3/8" PT tractor service port (1) 3/8" PT tractor emergency port. 3 line - automatic operation.
R955283090X		Bendix 283090X					

BENDIX TP-3 TRACTOR PROTECTION VALVE



Tractor Protection Valve — Protects the tractor air brake system under trailer breakaway conditions and conditions where severe leakage has occurred in the tractor or trailer. The valve is also used to shut off trailer service and supply lines before disconnecting the tractor from the trailer. The tractor protection valve is used in conjunction with a dash mounted control valve.

Used on post FMVSS-121 vehicles in conjunction with PP-3 or PP-7 Valves. Regulations require the tractor protection system to function automatically between 20 and 45 psi as system pressure is reduced. The automatic system is in the PP-3 or PP-7 located in the cab of the vehicle.

MERITOR NO.	NEW/ REMAN	REPLACES	TRAILER EMERGENCY	TRAILER SERVICE	CORE NO.	CORE GROUP	APPLICATION AND GENERAL INFORMATION
R955279000N	New	Bendix 27900X0	1/2" PT	1/2" PT	XC1092	BN342	(1) 1/4" PT tractor emergency port. (1) 3/8" PT tractor service port. 2 line—automatic operation.
R955279962X	Reman	Bendix 279962X	3/8" PT	3/8" PT			

TRUCK/TRACTOR AIR VALVES AIR BRAKE TRACTOR PROTECTION VALVES

BENDIX TP-4 TRACTOR PROTECTION VALVE (Formerly VM-1 Control Valve Manifold)



Tractor Protection Valve — Protects the tractor air brake system under trailer breakaway conditions and conditions where severe leakage has occurred in the tractor or trailer. The valve is also used to shut off trailer service and supply lines before disconnecting the tractor from the trailer. The tractor protection valve is used in conjunction with a dash mounted control valve.

The TP-4 is used exclusively on Ford “L” model tractors and combines several functions. It is a combination of a tractor protection valve and two double check valves. This valve allows either of the two service brake circuits on the vehicle to apply the trailer brakes. It is used in conjunction with a PP-3 or PP-7 to perform the normal functions of a tractor protection valve. Porting for the installation of the stoplight switch, front axle limiting valve and the trailer emergency stoplight switch is incorporated in the valve.

MERITOR NO.	NEW/REMAN	REPLACES	CORE NO.	CORE GROUP	APPLICATION AND GENERAL INFORMATION
R955288301X	Reman	Bendix 288301X	XC1125	BN344	
R955288301N	New	Bendix 288301			

BENDIX TP-5 TRACTOR PROTECTION VALVE (Formerly VM-2 Control Valve Manifold)



Tractor Protection Valve — Protects the tractor air brake system under trailer breakaway conditions and conditions where severe leakage has occurred in the tractor or trailer. The valve is also used to shut off trailer service and supply lines before disconnecting the tractor from the trailer. The tractor protection valve is used in conjunction with a dash mounted control valve.

The TP-5 performs all of the functions of the TP-4. In addition it includes a quick release feature for the trailer service line.

MERITOR NO.	NEW/REMAN	REPLACES	REAR SERVICE	REAR TRAILER SERVICE AND EMERGENCY	TRAILER SERVICE	TRAILER EMERGENCY	TRAILER CONTROL	STOPLIGHT SWITCH	CORE NO.	CORE GROUP
R955102638X	Reman	Bendix 102638X	3/8"	3/8" (2)	1/2"	1/2"	3/8"	1/4"	XC1126	BN345
R955288605N	New	Bendix 288605							XC1126	BN345
R955288605X	Reman	Bendix 288605X							XC1126	BN345

AIR VALVES - TRUCK/TRACTOR

TRUCK/TRACTOR AIR VALVES AIR BRAKE TRACTOR PROTECTION VALVES

MIDLAND TRACTOR PROTECTION VALVE (Manifold Non-Automatic Style)



Tractor Protection Valve — Protects the tractor air brake system under trailer breakaway conditions and conditions where severe leakage has occurred in the tractor or trailer. The valve is also used to shut off trailer service and supply lines before disconnecting the tractor from the trailer. The tractor protection valve is used in conjunction with a dash mounted control valve.

The Midland manifold style two line tractor protection valve includes the following functions: tractor protection, tow double check valves, stoplight switch port, and built in quick release valve.

MERITOR NO.	NEW/ REMAN	REPLACES	EMERGENCY INLET	HAND CONTROL	FOOT CONTROL	LIGHT SWITCH	SERVICE OUTLET	EMERGENCY OUTLET	TUBE	CORE NO.	CORE GROUP
R955KN34080X	Reman	Haldex KN34080X	3/8"	3/8" (2)	3/8"	1/4"	3/8"	3/8"	No	XC1185	MD345
R955KN34090X		Haldex KN34090X					1/2"	1/2"	Yes		

MIDLAND TRACTOR PROTECTION VALVE (Three Line Automatic without Quick Release)



Tractor Protection Valve — Protects the tractor air brake system under trailer breakaway conditions and conditions where severe leakage has occurred in the tractor or trailer. The valve is also used to shut off trailer service and supply lines before disconnecting the tractor from the trailer. The tractor protection valve is used in conjunction with a dash mounted control valve.

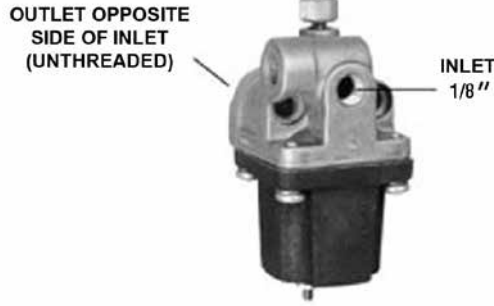
The Midland tractor protection valve incorporates a quick release function. The exhaust snorkel minimizes in cab noise by exhausting the trailer lines outside the cab.

MERITOR NO.	NEW/REMAN	REPLACES	CORE NO.	CORE GROUP	APPLICATION AND GENERAL INFORMATION
R955KN34070X	Reman	Haldex KN34070X	XC1197	MD341	With exhaust snorkel.
R955KN34070N	New	Haldex KN34070			Includes 1/8" PT stoplight switch port.

AIR VALVES - TRUCK/TRACTOR

TRUCK/TRACTOR AIR VALVES SOLENOID VALVES

CUMMINS FUEL SOLENOID VALVE



MERITOR NO.	NEW/REMAN	REPLACES	VOLTAGE	CORE NO.	CORE GROUP	APPLICATION AND GENERAL INFORMATION
R955BM69973-12N	New	Cummins BM6997312N	12 Volt	XC1143	CU391	Fuel Solenoid Valve
R955BM69973-12X	Reman	Cummins BM6997312				
R955BM69973-24N	New	Cummins BM6997324N	24 Volt	XC1143	CU391	
R955BM69973-24X	Reman	Cummins BM6997324				

MIDLAND SOLENOID AIR VALVE NORMALLY CLOSED



MERITOR NO.	NEW/REMAN	REPLACES	VOLTAGE	CORE NO.	CORE GROUP	APPLICATION AND GENERAL INFORMATION
R955KN68230N	New	Haldex KN68230	12 Volt	XC1171	MD017	Used to control shifting on two speed axles.
R955KN68237N		Haldex KN68237	24 Volt			

AIR VALVES - TRUCK/TRACTOR

FULLER PUSH-PULL RANGE VALVE



MERITOR NO.	NEW/REMAN	REPLACES	CORE NO.	CORE GROUP	APPLICATION AND GENERAL INFORMATION
R955A3546N	New	Fuller A3546			Shift Valve
R955A3546X	Reman	Fuller A3546X	XC1133	FU391	

FULLER PUSH-PULL RANGE VALVE



MERITOR NO.	NEW/REMAN	REPLACES	CORE NO.	CORE GROUP	APPLICATION AND GENERAL INFORMATION
R955A3547X	Reman	Fuller A3547X	XC1134	FU393	Range Selector Valve

FULLER SLAVE VALVES



MERITOR NO.	NEW/REMAN	REPLACES	CORE NO.	CORE GROUP	APPLICATION AND GENERAL INFORMATION
R955A3991X	Reman	Fuller A3991X	XC1134	FU393	Range Selector Valve R955A4699X is similar in appearance to R955A3991X
R955A4688N	New	Fuller A4688			

AIR VALVES - TRUCK/TRACTOR

TRUCK/TRACTOR AIR VALVES TRANSMISSION VALVES

FULLER SHIFT KNOB



MERITOR NO.	NEW/REMAN	REPLACES	PORT SIZE	APPLICATION AND GENERAL INFORMATION
R955A4900N	New	Fuller A4900	1/16" (All)	13 speed transmission. Models: 9513, 14613, 12513, 15613, 11613. Replaces both the range and selector valve.

FULLER SHIFT KNOB



MERITOR NO.	NEW/REMAN	REPLACES	PORT SIZE	APPLICATION AND GENERAL INFORMATION
R955A5010N	New	Fuller A5010	1/16" (All)	Replaces the range valve on the 6, 7DL, 7L, 8, 9, and 10 speed road ranger transmission and range valve only on the 7DLL, 7LL, 8LL and 15 speed transmission. For use on transmission models: 610, 9509, 1110, 11610, 12610, 6610, 910, 11607L, 12509, 14608, 8609, 1157DL, 11608, 12510, 14609, 906, 11509, 11609, 12609, 14610, 9508. R955A5010N will replace the range valve only on the transmission models: 958LL, 11608LL, 14608L, 915, 11615, 14615, 1157DL, 1258LL, 15615, 11607LL, 12515. To replace both the range and deep reduction valve see R955A5015N.

FULLER SHIFT KNOB



MERITOR NO.	NEW/REMAN	REPLACES	PORT SIZE	APPLICATION AND GENERAL INFORMATION
R955A5015N	New	Fuller A5015	1/16" (All)	R955A5015N will replace both the range and deep reduction valve. But if using to replace Fullers old style selector valve, it may require changing the reduction cylinder cover and re-routing the reduction air lines. For use on transmission models: 958LL, 11608LL, 14608LL, 915, 11615, 14615, 1157DLL, 1258LL, 15615, 11607LL, 12515.

AIR VALVES - TRUCK/TRACTOR

FULLER SELECTOR VALVE



R955A4487N



R955A4490N



R955A4491N

MERITOR NO.	NEW/REMAN	REPLACES	POSITIONS	APPLICATION AND GENERAL INFORMATION
R955A4487N	New	Fuller A4487	3 Position	9-Speed Transmission
R955A4490N		Fuller A4490		13-Speed Transmission
R955A4491N		Fuller A4491	2 Position	9-Speed Transmission

FULLER AIR REGULATOR



MERITOR NO.	NEW/REMAN	REPLACES	PRESSURE OUTLET	APPLICATION AND GENERAL INFORMATION
R95516743N	New	Fuller 16743	56-62 psi	Non-Adjustable

FULLER COUNTER SHAFT BRAKE ACTUATOR



MERITOR NO.	NEW/REMAN	REPLACES	APPLICATION AND GENERAL INFORMATION
R95516859N	New	Fuller 16859	

FULLER INSERT VALVE



MERITOR NO.	NEW/REMAN	REPLACES	APPLICATION AND GENERAL INFORMATION
R95519974N	New	Fuller 19974	For use in Splitter Cylinder Assembly.

AIR VALVES - TRUCK/TRACTOR

TITLE	PAGE
Trailer Air Valves - - - - -	4-53
Check Valves - - - - -	4-55
Air Brake Control Valves- - - - -	4-57
Air Brake Foot Valves - - - - -	4-60
Air Brake Hand Control Valves - - - - -	4-61
Air Brake Protection Valves - - - - -	4-62
Air Brake Quick Release Valves - - - - -	4-63
Air Brake Relay Valves- - - - -	4-64
Air Brake Control Line Valves - - - - -	4-68
Air Brake Emergency Valves - - - - -	4-69
Air Brake Spring Break Valves - - - - -	4-71
Air Brake Switches and Indicators - - - - -	4-74
Air Brake Tractor Protection Valves - - - - -	4-75
Air Brake Miscellaneous Valves - - - - -	4-76
Mounting Hardware - - - - -	4-77
Air Brake Safety Valves and Fittings - - - - -	4-78

MERITOR® AFTERMARKET AIR VALVES



Streamline Your Ordering With Confidence.

With today's sophisticated commercial vehicles, compressed air requirements are increasing. Fleets and truck operators need air valves they can rely on to maintain peak performance. With a commitment to bringing high-quality solutions to the aftermarket, Meritor has been a master distributor of Sealco® valves for over 20 years. Sealco air valves combine OE quality and outstanding value, and all Sealco products are made right here in the U.S.A. Why purchase from multiple suppliers when you can consolidate to purchasing from one? Simplify your ordering process and add Sealco air valves to your next order.

Features and Benefits

- All Sealco products are designed, engineered, manufactured and assembled in the U.S.A.
- Sealco valves are produced to the highest standards using primarily a zinc alloy that reduces porosity and results in stronger threaded ports.
- 100% pneumatic and submersion testing is conducted on all air valves to ensure zero leakage.
- In-house die cast and machine shop facilities allow for complete control of the product at every stage of the manufacturing process.
- Save time and money with Sealco plug units that allow fleet customers to replace only a portion of a valve assembly instead of the entire unit.

Find Your Replacement.

Sealco valves can be used as a direct replacement for existing competitive valves for truck, tractor, bus and trailer applications. Choose from one of the popular air valves below or from our stock of over 100 part numbers.

Top Moving Part Numbers	
Meritor Part Number	Description
RSL110500	Spring Brake Control Valve
RSL110700	Spring Brake Control Valve
RSL110800	Spring Brake Control Valve
RSLJ40280	Pressure Protection Valve
RSLJ76008	Emergency Release Valve
RSLJ40270	Pressure Protection Valve
RSL5400	Hand Control Valve
RSL110170	Spring Brake Control Valve
RSL110415	4-Port Relay Valve
RSL110376	Emergency Control Valve



You Deserve Complete Customer Support.

Get the attention you deserve with Meritor's extensive customer support services. For complete product information and specifying assistance, training and technical support, count on our expert field sales force. Meritor's industry-leading Customer Care team provides an all-purpose, one-call solution for customer satisfaction. For more information, call our U.S. Customer Care Center at 888-725-9355. In Canada, call 800-387-3889. Or visit MeritorPartsXpress.com.



Product models, brands, names and trademarks depicted herein are the property of their respective owners and, except where otherwise indicated, are not in any way associated with Meritor Heavy Vehicle Systems, LLC, or any parent or affiliate, thereof.



Meritor Heavy Vehicle Systems, LLC
7975 Dixie Highway
Florence, Kentucky 41042 USA

888-725-9355 U.S.
800-387-3889 Canada
MeritorPartsXpress.com
meritor.com

©2017 Meritor, Inc.
Litho in USA, SP-1805
Issued 10-17 (47865/11900)

TRAILER AIR VALVES CHECK VALVES

SEALCO BY-PASS CHECK VALVE



MERITOR NO.	EUCLID NO.	NEW/REMAN	REPLACES	LENGTH	PORT SIZE	DIAMETER	ORIFICE SIZE	APPLICATION AND GENERAL INFORMATION
RSL110183	E-SL110183	New	Sealco 110183	2-3/8"	1/4"	1-1/4"	.21	
RSL110183	E-SL220100		Sealco 220100					
RSL110183	E-SL220000		Sealco 220000	3-3/8"	3/4"	1-1/2"		

SEALCO CHECK VALVE



MERITOR NO.	EUCLID NO.	NEW/REMAN	REPLACES	PORT SPECIFICATIONS		APPLICATION AND GENERAL INFORMATION
				A	B	
RSL22001/2	E-SL22001/2	New	Sealco 22001/2	1/2" PT	1/2" PT	Dimension Size 2-3/8" x 1-1/4"
RSL22001/4	E-SL22001/4		Sealco 22001/4	1/4" PT	1/4" PT	
RSL22003/4	E-SL22003/4		Sealco 22003/4	3/4" PT	3/4" PT	

SEALCO ONE-WAY CHECK VALVE

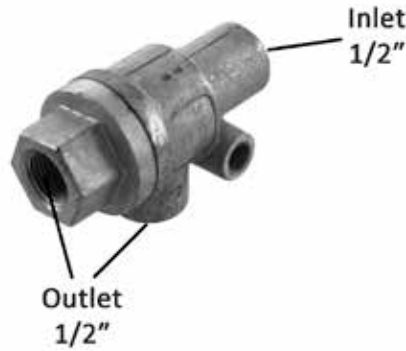


MERITOR NO.	EUCLID NO.	NEW/REMAN	REPLACES	APPLICATION AND GENERAL INFORMATION
RSL10200-1/2	E-SL10200-1/2	New	Sealco 10200-1/2	
RSL10200-3/4	E-SL10200-3/4		Sealco 10200-3/4	
RSL10200-3/8	E-SL10200-3/8		Sealco 10200-3/8	
RSL102001	E-SL102001		Sealco 102001	
RSL102002	E-SL102002		Sealco 102002	

All Euclid Air Systems components were superseded to their Meritor part number equivalents effective February 2018.

TRAILER AIR VALVES CHECK VALVES

SEALCO TWO-WAY CHECK VALVE



MERITOR NO.	EUCLID NO.	NEW/REMAN	REPLACES	REPAIR KIT NO.	APPLICATION AND GENERAL INFORMATION
RSL3200-1/4	E-SL3200-1/4	New	Sealco 3200-1/4		
RSL3200	E-SL3200		Sealco 3200	E-SL32-5	
RSL320100	E-SL320100		Sealco 320100		
RSL5200	E-SL5200		Sealco 5200	E-SL52-5	
RSL7200	E-SL7200		Sealco 7200	E-SL72-5	

SEALCO COMBINATION VALVE

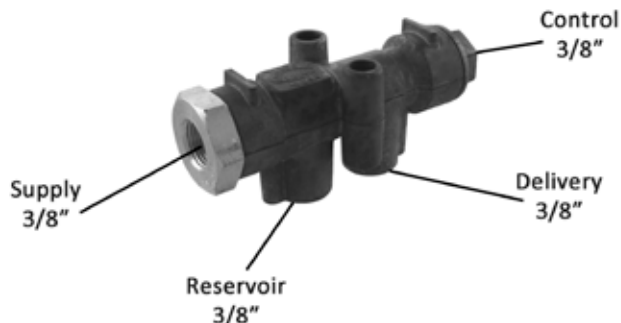


MERITOR NO.	EUCLID NO.	NEW/REMAN	REPLACES	APPLICATION AND GENERAL INFORMATION
RSL110128	E-SL110128	New	Sealco 110128	
RSL110130	E-SL110130		Sealco 110130	
RSL110131	E-SL110131		Sealco 110131	

All Euclid Air Systems components were superseded to their Meritor part number equivalents effective February 2018.

TRAILER AIR VALVES AIR BRAKE CONTROL VALVES

SEALCO EMERGENCY CONTROL VALVE



MERITOR NO.	EUCLID NO.	NEW/REMAN	REPLACES	CORE NO.	CORE GROUP	APPLICATION AND GENERAL INFORMATION
RSL110376	E-SL110376	New	Sealco 110376			For use on single axle non-charging systems.

SEALCO PUSH-PULL CONTROL VALVE



Push-Pull Valves — Manually operable — Pressure sensitive, on/off valves which will automatically return to the button out (exhaust) position when supply pressure is below the required minimum.

MERITOR NO.	EUCLID NO.	NEW/REMAN	REPLACES	APPLICATION AND GENERAL INFORMATION
RSL110114	E-SL110114	New	Sealco 110114	
RSL110189	E-SL110189		Sealco 110189	
RSL110284	E-SL110284		Sealco 110284	
RSL110514	E-SL110514		Sealco 110514	
RSL110528	E-SL110528		Sealco 110528	Round black metal knob
RSL110644	E-SL110644		Sealco 110644	Contains screws but no name plate
RSL17600	E-SL17600		Sealco 17600	
RSL17600B-2	E-SL17600B-2		Sealco 17600B-2	Includes Emergency Brake Release dash cover plate and button. Basic valve part no. (without plate) — E-SL17600B-2
RSL17600B	E-SL17600B		Sealco 17600B	
RSL17600L	E-SL17600L		Sealco 17600L	7/8" -20 Thread Mount
RSL17600LB	E-SL17600LB		Sealco 17600LB	
RSL17600M	E-SL17600M		Sealco 17600M	Includes Emergency Brake Release dash cover plate and button. Basic valve part no. (without plate) — E-SL17600B-2
RSL340250	E-SL340250		Sealco 340250	Starter Control
RSL340350	E-SL340350		Sealco 340350	
RSL342501	E-SL342501		Sealco 342501	Starter control/emergency release and differential lockout valve. Cab Control Valve.
RSL3450	E-SL3450		Sealco 3450	
RSL3450G	E-SL3450G		Sealco 3450G	
RSL3450S	E-SL3450S		Sealco 3450S	
RSL99600	E-SL99600		Sealco 99600	Automatic Shut off. Push to park/pull to release.

All Euclid Air Systems components were superseded to their Meritor part number equivalents effective February 2018.

TRAILER AIR VALVES AIR BRAKE CONTROL VALVES

SEALCO PUSH-PULL CONTROL VALVE



Push-Pull Valves — Manually operable — Pressure sensitive, on/off valves which will automatically return to the button out (exhaust) position when supply pressure is below the required minimum.

MERITOR NO.	EUCLID NO.	NEW/REMAN	REPLACES	APPLICATION AND GENERAL INFORMATION
RSL99600B	E-SL99600B	New	Sealco 99600B	Valve assembly with nameplate and knob
RSL99600BL	E-SL99600BL		Sealco 99600BL	Valve assembly with nameplate and knob with Lock-Out

SEALCO PUSH-PULL CONTROL VALVE



Push-Pull Valves — Manually operable — Pressure sensitive, on/off valves which will automatically return to the button out (exhaust) position when supply pressure is below the required minimum.

MERITOR NO.	EUCLID NO.	NEW/REMAN	REPLACES	APPLICATION AND GENERAL INFORMATION
RSLA25600-2	E-SLA25600-2	New	Sealco A25600-2	Without knob
RSLA25600	E-SLA25600		Sealco A25600	Pull to park / push to release.
RSLA25600Y	E-SLA25600Y		Sealco A25600Y	With knob

All Euclid Air Systems components were superseded to their Meritor part number equivalents effective February 2018.

TRAILER AIR VALVES AIR BRAKE CONTROL VALVES

SEALCO LEVER CONTROL VALVE



MERITOR NO.	EUCLID NO.	NEW/REMAN	REPLACES	APPLICATION AND GENERAL INFORMATION
RSL110103	E-SL110103	New	Sealco 110103	Includes Tailgate — Open — Close dash cover plate. Uses name plate # 8116 No plate included. Includes Truck Tractor Protection dash cover plate. Includes On-Off dash cover plate.
RSL110167	E-SL110167		Sealco 110167	
RSL110300	E-SL110300		Sealco 110300	
RSL110301	E-SL110301		Sealco 110301	
RSL110413	E-SL110413		Sealco 110413	
RSL21600-2	E-SL21600-2		Sealco 21600-2	
RSL21600	E-SL21600		Sealco 21600	
RSL216050	E-SL216050		Sealco 216050	
RSL216200	E-SL216200		Sealco 216200	

SEALCO CONTROL VALVE



MERITOR NO.	EUCLID NO.	NEW/REMAN	REPLACES	APPLICATION AND GENERAL INFORMATION
RSL5400	E-SL5400	New	Sealco 5400	Pressure setting is adjustable from 0 psi to reservoir pressure.

All Euclid Air Systems components were superseded to their Meritor part number equivalents effective February 2018.

TRAILER AIR VALVES AIR BRAKE FOOT VALVES

SEALCO FOOT VALVE (Single Circuit)



Single Circuit Foot Valve — Normally used on pre FMVSS-121 vehicles. It is foot operated and controls the delivery of air to the brake chambers. Simply stated it provides the driver with a means of applying and releasing the brakes on a vehicle.

MERITOR NO.	EUCLID NO.	NEW/REMAN	REPLACES	DELIVERY PORTS	TREADLE ASSEMBLY	TREADLE ANGLE	CORE NO.	CORE GROUP	APPLICATION AND GENERAL INFORMATION
RSL6125-2	E-SL6125-2	New	Sealco 6125-2X	1/2" PT (4)	None		XC1200	SL100	Furnished less treadle and mounting brackets.
RSL6125-35	E-SL6125-35		Sealco 6125-35		Yes	45°			
RSL6125-45	E-SL6125-45		Sealco 6125-45	30°					
RSL6125-7	E-SL6125-7		Sealco 6125-7						
RSL6125	E-SL6125		Sealco 6125	1/2" PT (4)			XC1200	SL100	

SEALCO FOOT VALVE (Dual Circuit)



Dual Circuit Foot Valves — A dual foot has two separate circuits for service and secondary braking, and is used in dual circuit air brake systems mandated by FMVSS-121. Braking ability is maintained in the event that one circuit fails.

MERITOR NO.	EUCLID NO.	NEW/REMAN	REPLACES	REPAIR KIT	CORE NO.	CORE GROUP	APPLICATION AND GENERAL INFORMATION
RSL110405	E-SL110405	New	Sealco 110405	E-SL110297	XC1200	SL100	Furnished less treadle and mounting brackets.

All Euclid Air Systems components were superseded to their Meritor part number equivalents effective February 2018.

TRAILER AIR VALVES AIR BRAKE HAND CONTROL VALVES

SEALCO HAND CONTROL VALVE



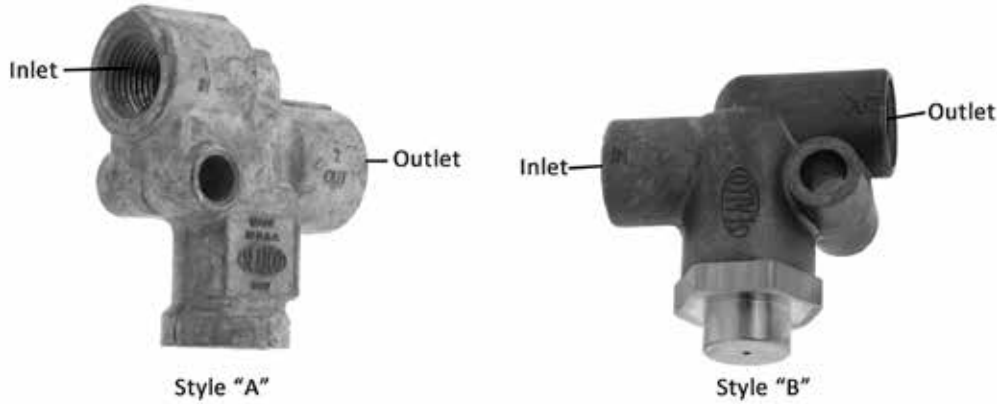
Hand Control Valves — The most common function of hand control valves is for independent control of trailer service brakes. As a result they are also referred to as “Trailer Control Valves.”

MERITOR NO.	EUCLID NO.	NEW/REMAN	REPLACES	MOUNTING KIT	APPLICATION AND GENERAL INFORMATION
RSL5900	E-SL5900	New	Sealco 5900	E-SL110174, E-SL110176	Furnished less handle and clamp.
RSL5900B	E-SL5900B		Sealco 5900B	E-SL110176	
RSL5900G	E-SL5900G		Sealco 5900G	E-SL110174	
RSL5900GI	E-SL5900GI		Sealco 5900GI		
RSL5900L	E-SL5900L		Sealco 5900L		

All Euclid Air Systems components were superseded to their Meritor part number equivalents effective February 2018.

TRAILER AIR VALVES AIR BRAKE PROTECTION VALVES

SEALCO PRESSURE PROTECTION VALVE



MERITOR NO.	EUCLID NO.	NEW/REMAN	REPLACES	SPECIFICATIONS					QUICK FIX REPAIR KIT
				STYLE	INLET	OUTLET	OPEN	CLOSE	
RSL140370	E-SL140370	New	Sealco 140370	A	1/4"	1/4"	70 psi	60 psi	E-SL140271
RSL140380	E-SL140380		Sealco 140380				80 psi	70 psi	E-SL140281
RSL140200	E-SL140200		Sealco 140200		3/8"	3/8"	70 psi	60 psi	E-SL140201
RSL140270	E-SL140270		Sealco 140270	E-SL140271					
RSL110257	E-SL110257		Sealco 110257	B			75 psi	70 psi	
RSL110258	E-SL110258		Sealco 110258						
RSL140390	E-SL140390		Sealco 140390	A	1/4"	1/4"	80 psi		
RSL140280	E-SL140280		Sealco 140280		3/8"	3/8"		E-SL140281	
RSL140290	E-SL140290		Sealco 140290				90 psi	80 psi	

SEALCO PRESSURE CONTROL VALVE



Pressure Reducing Valve — Used where a constant set air pressure lower than supply pressure is required. Typically an air operated application that requires less than system air pressure.

MERITOR NO.	EUCLID NO.	NEW/REMAN	REPLACES	NOMINAL DELIVERY PRESSURE	CORE NO.	CORE GROUP	APPLICATION AND GENERAL INFORMATION
RSL9400	E-SL9400	New	Sealco 9400	5-6 psi 85 psi maximum			

All Euclid Air Systems components were superseded to their Meritor part number equivalents effective February 2018.

TRAILER AIR VALVES AIR BRAKE QUICK RELEASE VALVES

SEALCO QUICK RELEASE VALVES



MERITOR NO.	EUCLID NO.	NEW/REMAN	REPLACES	CRACK PRESSURE	PORT SIZE PT				QUICK FIX REPAIR KIT			
					A	B	C	EXHAUST				
RSL200000	E-SL200000	New	Sealco 200000	0-1 psi	1/4"	1/4"	1/4"		E-SL200125			
RSL200004	E-SL200004		Sealco 200004					1/2"	E-SL20D-5			
RSL2000D3/8	E-SL2000D3/8		Sealco 2000D3/8									
RSL2000B3/8	E-SL2000B3/8		Sealco 2000B3/8	4-5 psi	3/8"	1/4"	1/4"		E-SL20-5			
RSL2000C3/8	E-SL2000C3/8		Sealco 2000C3/8	8-10 psi								
RSL200003	E-SL200003		Sealco 200003	0-1 psi	1/2"			1/2"	E-SL20D-5			
RSL200001	E-SL200001		Sealco 200001							3/8"	3/8"	
RSL2000D1/2	E-SL2000D1/2		Sealco 2000D1/2									
RSL2000B1/2	E-SL2000B1/2		Sealco 2000B1/2	4-5 psi	1/2"				E-SL20-5			
RSL2000C1/2	E-SL2000C1/2		Sealco 2000C1/2	8-10 psi								E-SL20D-5
RSL200002	E-SL200002		Sealco 200002	0-1 psi							1/2"	

SEALCO CONTROL VALVE



MERITOR NO.	EUCLID NO.	NEW/REMAN	REPLACES	APPLICATION AND GENERAL INFORMATION
RSL3800	E-SL3800	New	Sealco 3800	
RSL7800	E-SL7800		Sealco 7800	
RSL780210	E-SL780210		Sealco 780210	

All Euclid Air Systems components were superseded to their Meritor part number equivalents effective February 2018.

TRAILER AIR VALVES AIR BRAKE RELAY VALVES

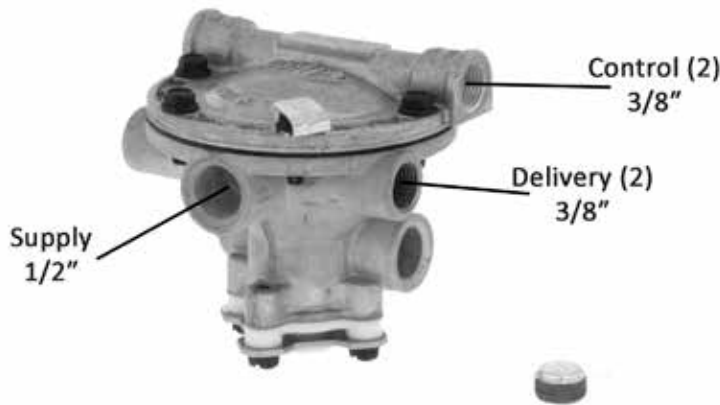
SEALCO RELAY VALVE



Relay Valve — Used to rapidly apply and release rear axle(s), service, or parking brakes. When signaled by the service brake valve, they graduate, hold or release air pressure from the chambers to which they are connected. The relay valve is used to balance the time of air application on the vehicle. This is determined by the factory preset “crack pressure” of the valve. Crack pressure is set on a relay valve by a “hold-off” spring that retard valve operation until a predetermined amount of air pressure is exerted.

MERITOR NO.	EUCLID NO.	NEW/REMAN	REPLACES	CRACK PRESSURE	CONTROL PORTS	CORE NO.	CORE GROUP	APPLICATION AND GENERAL INFORMATION
RSL110207	E-SL110207	New	Sealco 110207					
RSL9125	E-SL9125	New	Sealco 9125	5.5 psi	1/4" (3)			Includes mounting bracket ESL110237

SEALCO RELAY VALVE



Relay Valve — Used to rapidly apply and release rear axle(s), service, or parking brakes. When signaled by the service brake valve, they graduate, hold or release air pressure from the chambers to which they are connected. The relay valve is used to balance the time of air application on the vehicle. This is determined by the factory preset “crack pressure” of the valve. Crack pressure is set on a relay valve by a “hold-off” spring that retard valve operation until a predetermined amount of air pressure is exerted.

MERITOR NO.	EUCLID NO.	NEW/REMAN	REPLACES	CRACK PRESSURE	CORE NO.	CORE GROUP	APPLICATION AND GENERAL INFORMATION
RSL110197	E-SL110197X	Reman	Sealco 110197X	4.0 psi	XC1200	SL100	
RSL110198	E-SL110198	New	Sealco 110198				For trailer applications only.
RSL110199	E-SL110199X	Reman	Sealco 110199X	4.0 psi	XC1200	SL100	
RSL110275	E-SL110275X		Sealco 110275X				
RSL110507	E-SL110507X		Sealco 110507X	6.0 psi			

All Euclid Air Systems components were superseded to their Meritor part number equivalents effective February 2018.

TRAILER AIR VALVES AIR BRAKE RELAY VALVES

SEALCO MINI VALVE



Relay Valve — Used to rapidly apply and release rear axle(s), service, or parking brakes. When signaled by the service brake valve, they graduate, hold or release air pressure from the chambers to which they are connected. The relay valve is used to balance the time of air application on the vehicle. This is determined by the factory preset “crack pressure” of the valve. Crack pressure is set on a relay valve by a “hold-off” spring that retard valve operation until a predetermined amount of air pressure is exerted.

MERITOR NO.	EUCLID NO.	NEW/REMAN	REPLACES	CRACK PRESSURE	DELIVERY PORTS	CORE NO.	CORE GROUP	APPLICATION AND GENERAL INFORMATION
RSL110207	E-SL3100	New	Sealco 3100	2.5 psi	1/4" (2)			Early version Control Line Valve. Commonly used on dollies. Can be replaced by E-SL110570 or E-SL110580.

SEALCO RELAY VALVE WITH RATIO



Relay Valve — Used to rapidly apply and release rear axle(s), service, or parking brakes. When signaled by the service brake valve, they graduate, hold or release air pressure from the chambers to which they are connected. The relay valve is used to balance the time of air application on the vehicle. This is determined by the factory preset “crack pressure” of the valve. Crack pressure is set on a relay valve by a “hold-off” spring that retard valve operation until a predetermined amount of air pressure is exerted.

MERITOR NO.	EUCLID NO.	NEW/REMAN	REPLACES	CRACK PRESSURE	DELIVERY PORTS	CORE NO.	CORE GROUP	APPLICATION AND GENERAL INFORMATION
RSL110139	E-SL110139		Sealco 110139	4.5 psi		XC1200	SL100	Valve has ratio feature which is used during panic stop applications. Nipple mount design style — use E-SL6003 or E-SL6006. For trailer applications only.
RSL110450	E-SL110450	New	Sealco 110450		3/8" (4)			No ratio feature, Valve has ratio feature which is used during panic stop applications. Nipple mount design style — use E-SL6003 or E-SL6006. For trailer applications only.
RSL110584	E-SL110584		Sealco 110584	5.5 psi		XC1200	SL100	Valve has ratio feature which is used during panic stop applications. Nipple mount design style — use E-SL6003 or E-SL6006. For trailer applications only.

All Euclid Air Systems components were superseded to their Meritor part number equivalents effective February 2018.

TRAILER AIR VALVES AIR BRAKE RELAY VALVES

SEALCO LOV-2 SERVICE RELAY VALVE (2 Port Delivery)



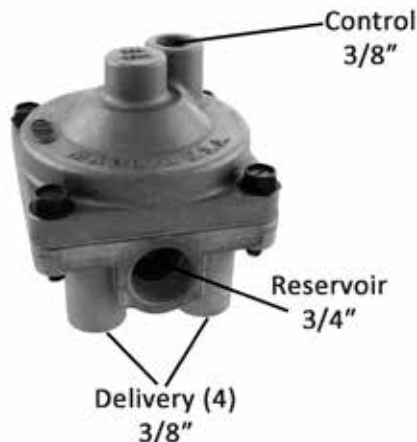
Relay Valve — Used to rapidly apply and release rear axle(s), service, or parking brakes. When signaled by the service brake valve, they graduate, hold or release air pressure from the chambers to which they are connected. The relay valve is used to balance the time of air application on the vehicle. This is determined by the factory preset “crack pressure” of the valve. Crack pressure is set on a relay valve by a “hold-off” spring that retard valve operation until a predetermined amount of air pressure is exerted.

MERITOR NO.	EUCLID NO.	NEW/REMAN	REPLACES	CRACK PRESSURE	CORE NO.	CORE GROUP	APPLICATION AND GENERAL INFORMATION
RSL110360	E-SL110360	New	Sealco 110360	1.5 psi			Nipple mount design. Nipple not included. Use E-SL6002 or E-SL6003. LOV-2 = Low opening valve for single axle applications.
RSL110365	E-SL110365		Sealco 110365				Frame mount design. Includes mounting bracket. LOV-2 = Low opening valve for single axle applications.
RSL110410	E-SL110410		4.0 psi	Sealco 110410			Nipple mount design. Nipple not included, use E-SL6002 or E-SL6003.
RSL110412	E-SL110412			Sealco 110412			Frame mount design. Supplied with bracket Kit E-SL110395

All Euclid Air Systems components were superseded to their Meritor part number equivalents effective February 2018.

TRAILER AIR VALVES AIR BRAKE RELAY VALVES

SEALCO LOV-4 RELAY VALVE (4 Port Delivery)



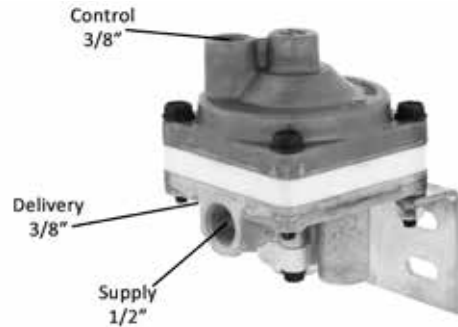
Relay Valve — Used to rapidly apply and release rear axle(s), service, or parking brakes. When signaled by the service brake valve, they graduate, hold or release air pressure from the chambers to which they are connected. The relay valve is used to balance the time of air application on the vehicle. This is determined by the factory preset “crack pressure” of the valve. Crack pressure is set on a relay valve by a “hold-off” spring that retard valve operation until a predetermined amount of air pressure is exerted.

MERITOR NO.	EUCLID NO.	NEW/REMAN	REPLACES	CRACK PRESSURE	CORE NO.	CORE GROUP	APPLICATION AND GENERAL INFORMATION
RSL110380	E-SL110380	New	Sealco 110380	1.5 psi			(1 swivel) 3/8" PT control port. (1) 3/4" PT supply port. (4) 3/8" PT delivery ports. LOV-4 = Low opening valve for tandem axle applications. Nipple mount design. Nipple not included, use E-SL6003 or E-SL6006.
RSL110385	E-SL110385		Sealco 110385				(1 swivel) 3/8" PT control port. (1) 3/4" PT supply port. (4) 3/8" PT delivery ports. LOV-4 = Low opening valve for tandem axle applications. Nipple mount design. Nipple not included, use E-SL6003 or E-SL6006, E-SL110395 frame bracket included.
RSL110415	E-SL110415		Sealco 110415	4.0 psi			(1 swivel) 3/8" PT control port. (1) 3/4" PT supply port. (4) 3/8" PT delivery ports. LOV-4 = Low opening valve for tandem axle applications. Nipple mount design. Nipple not included, use E-SL6003 or E-SL6006.
RSL110416	E-SL110416		Sealco 110416				(1 swivel) 3/8" PT control port. (1) 3/4" PT supply port. (4) 3/8" PT delivery ports. LOV-4 = Low opening valve for tandem axle applications. Nipple mount design. Nipple not included, use E-SL6003 or E-SL6006.

All Euclid Air Systems components were superseded to their Meritor part number equivalents effective February 2018.

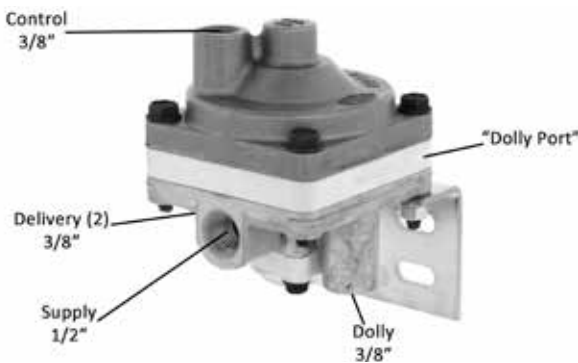
TRAILER AIR VALVES AIR BRAKE CONTROL LINE VALVES

SEALCO CONTROL LINE VALVE



MERITOR NO.	EUCLID NO.	NEW/REMAN	REPLACES	CORE NO.	CORE GROUP	APPLICATION AND GENERAL INFORMATION
RSL110580	E-SL110580	New	Sealco 110580			Includes mounting bracket
RSL110588	E-SL110588		Sealco 110588			E-SL110580 valve with bracket 90° down
RSL110605	E-SL110605		Sealco 110605			E-SL110580 valve with E-SL10200-1/2 check valve
RSL110790	E-SL110790		Sealco 110790			Without bracket, can be nipple mount

SEALCO LOV-CF CONTROL LINE VALVE DOLLY USE ONLY

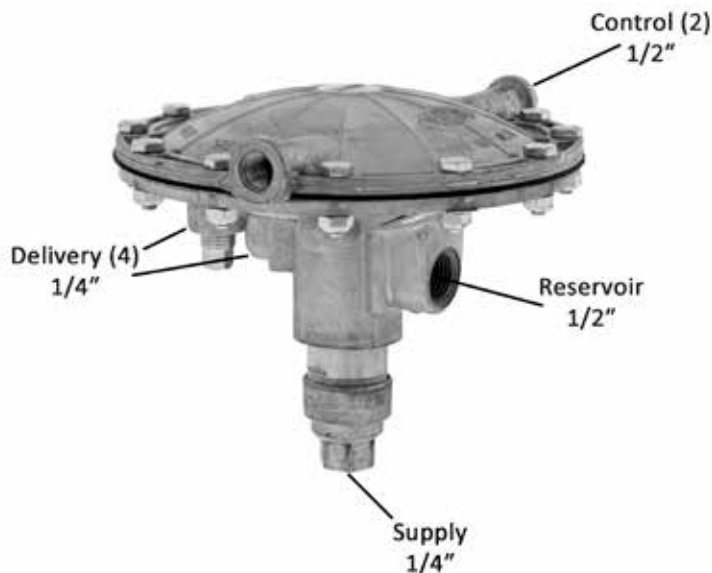


Relay Valve — Used to rapidly apply and release rear axle(s), service, or parking brakes. When signaled by the service brake valve, they graduate, hold or release air pressure from the chambers to which they are connected. The relay valve is used to balance the time of air application on the vehicle. This is determined by the factory preset “crack pressure” of the valve. Crack pressure is set on a relay valve by a “hold-off” spring that retard valve operation until a predetermined amount of air pressure is exerted.

MERITOR NO.	EUCLID NO.	NEW/REMAN	REPLACES	CRACK PRESSURE	CORE NO.	CORE GROUP	APPLICATION AND GENERAL INFORMATION
RSL110570	E-SL110370X	Reman	Sealco 110370X	4.5 psi	XC1200	SL100	(1) 1/2" PT reservoir port. LOV-CF = Low opening valve. Designed to speed up the control line signal to rear trailers.
RSL110690	E-SL110375X		Sealco 110375X	1.5 psi			(1) 1/2" PT reservoir port. LOV-CF = Low opening valve. Designed to speed up the control line signal to rear trailers. Frame mount.
RSL110570	E-SL110570	New	Sealco 110570	0.0 psi			(1) 1/2" PT reservoir port. LOV-CF = Low opening valve. Designed to speed up the control line signal to rear trailers. Includes mounting bracket.
RSL110571	E-SL110571		Sealco 110571				
RSL110606	E-SL110606		Sealco 110606				
RSL110690	E-SL110690		Sealco 110690				(1) 1/2" PT reservoir port. LOV-CF = Low opening valve. Designed to speed up the control line signal to rear trailers.

All Euclid Air Systems components were superseded to their Meritor part number equivalents effective February 2018.

SEALCO RELAY EMERGENCY VALVE



Relay Emergency Valve — A dual function valve used on trailers.

- (1) A relay valve that applies and releases the service brakes
- (2) An emergency feature that automatically applies the service brakes in the event that supply air is lost. Normally used on pre FMVSS-121 systems.

MERITOR NO.	EUCLID NO.	NEW/REMAN	REPLACES	CRACK PRESSURE	CORE NO.	CORE GROUP	APPLICATION AND GENERAL INFORMATION
RSLA1000S	E-SLA1000S	New	Sealco A1000S	1.5 psi	XC1200	SL100	Nipple mount design. Nipple not included. Use E-SL6002 or E-SL6003. For quick fix service use E-SL1000-5A cartridge.

SEALCO VALVE CARTRIDGE



Relay Emergency Valve — A dual function valve used on trailers.

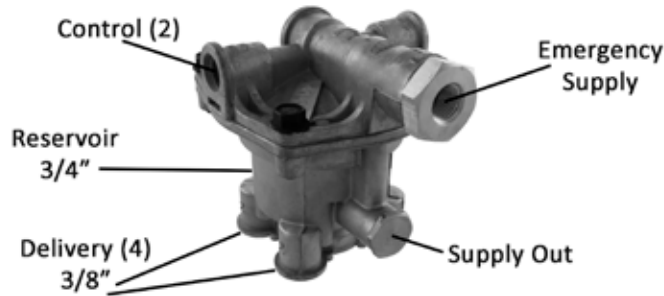
- (1) A relay valve that applies and releases the service brakes
- (2) An emergency feature that automatically applies the service brakes in the event that supply air is lost. Normally used on pre FMVSS-121 systems.

MERITOR NO.	EUCLID NO.	NEW/REMAN	REPLACES	CRACK PRESSURE	CORE NO.	CORE GROUP	APPLICATION AND GENERAL INFORMATION
RSL1000-5A	E-SL1000-5A	New	Sealco 1000-5A	1.5 psi			For use with the E-SLA1000X or E-SLA1000S Relay Emergency Valve.

All Euclid Air Systems components were superseded to their Meritor part number equivalents effective February 2018.

TRAILER AIR VALVES AIR BRAKE EMERGENCY VALVES

SEALCO RELAY EMERGENCY VALVE (Charging Type)



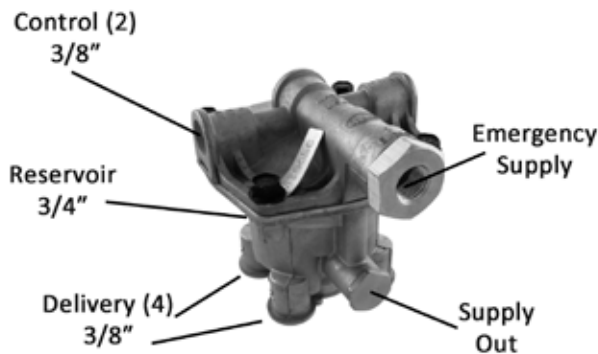
Relay Emergency Valve — A dual function valve used on trailers.

(1) A relay valve that applies and releases the service brakes

(2) An emergency feature that automatically applies the service brakes in the event that supply air is lost. Normally used on pre FMVSS-121 systems.

MERITOR NO.	EUCLID NO.	NEW/ REMAN	REPLACES	CRACK PRESSURE	SPECIFICATIONS				CORE NO.	CORE GROUP	APPLICATION AND GENERAL INFORMATION
					EMERGENCY SUPPLY	CONTROL PORTS	SUPPLY OUT	RATIO FEATURE			
RSL110200	E-SL110200	New	Sealco 110200	4.5 psi	1/4"	1/4" (2)	3/4"	Yes		Valve has ratio feature which is used during panic stop applications. Nipple mount design style — use E-SL6003 or E-SL6006.	
RSL110475	E-SL110475		Sealco 110475				3/8"	No			
RSL110460	E-SL110460		Sealco 110460		3/8"	3/8" (2)	3/4"				
RSL110470	E-SL110470		Sealco 110470								
RSL110205	E-SL110205		Sealco 110205					Yes			

SEALCO DOLLY RELAY EMERGENCY VALVE



Relay Emergency Valve — A dual function valve used on trailers.

(1) A relay valve that applies and releases the service brakes

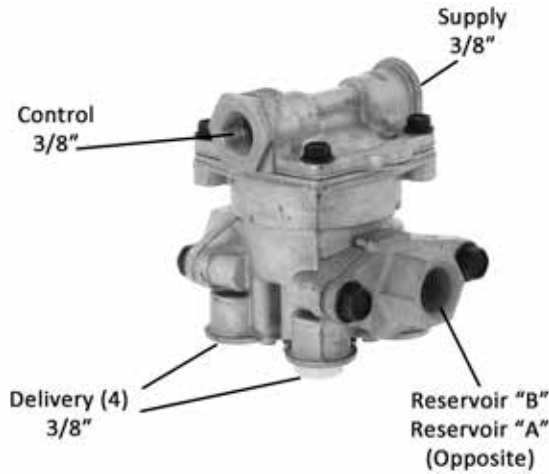
(2) An emergency feature that automatically applies the service brakes in the event that supply air is lost. Normally used on pre FMVSS-121 systems.

MERITOR NO.	EUCLID NO.	NEW/REMAN	REPLACES	CRACK PRESSURE	DELIVERY PORTS	CORE NO.	CORE GROUP	APPLICATION AND GENERAL INFORMATION
RSL110338	E-SL110338	New	Sealco 110338	4.5 psi	(4) 3/8" PT			Typically used on converter dollies. E-SL110268 supply outlet plugged.
RSL110470	E-SL110268		Sealco 110268	5.5 psi				

All Euclid Air Systems components were superseded to their Meritor part number equivalents effective February 2018.

TRAILER AIR VALVES AIR BRAKE SPRING BREAK VALVES

SEALCO SPRING BRAKE CONTROL VALVE (Protected Reservoir System)



Spring Brake Valve — A dual function valve.

(1) Limits hold-off pressure to the spring brakes via a relay of quick release valve, generally 90-95 psi.

(2) Should a loss of pressure occur it provides a modulated spring brake application proportional to the service braking pressure delivered to the front axle.

Commonly used on post FMVSS-121 systems.

MERITOR NO.	EUCLID NO.	NEW/REMAN	REPLACES	RESERVOIR "A"	RESERVOIR "B"	CORE NO.	CORE GROUP	APPLICATION AND GENERAL INFORMATION
RSL110171 See Note 60	E-SL110171	New	Sealco 110171	1/2"	3/8"			
RSL110170 See Note 60	E-SL110170		Sealco 110170		1/2"	XC1200	SL100	

Note: 60 Control/Supply ports on head rotate 90° from reservoir ports on body.

All Euclid Air Systems components were superseded to their Meritor part number equivalents effective February 2018.

TRAILER AIR VALVES AIR BRAKE SPRING BREAK VALVES

SEALCO SPRING BRAKE CONTROL VALVE (Spring Brake Priority System)



Spring Brake Valve — A dual function valve.

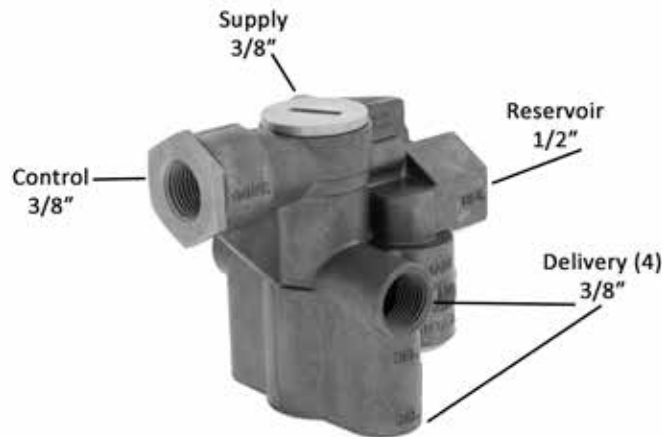
(1) Limits hold-off pressure to the spring brakes via a relay of quick release valve, generally 90-95 psi.

(2) Should a loss of pressure occur it provides a modulated spring brake application proportional to the service braking pressure delivered to the front axle.

Commonly used on post FMVSS-121 systems.

MERITOR NO.	EUCLID NO.	NEW/REMAN	REPLACES	CORE NO.	CORE GROUP	APPLICATION AND GENERAL INFORMATION
RSL110500	E-SL110500	New	Sealco 110500	XC1200	SL100	For use on a typical single or tandem axle trailer with a single reservoir or a tandem axle trailer with (2) 1400 cubic inch (normal) reservoirs.

SEALCO SPRING BRAKE CONTROL VALVE (Service Reservoir Priority System)



MERITOR NO.	EUCLID NO.	NEW/REMAN	REPLACES	CORE NO.	CORE GROUP	APPLICATION AND GENERAL INFORMATION
RSL110700	E-SL110700	New	Sealco 110700	XC1200	SL100	For use on a typical single or tandem axle trailer with a single reservoir or a tandem axle trailer with (2) 1400 cubic inch (normal) reservoirs.

AIR VALVES - TRAILER

All Euclid Air Systems components were superseded to their Meritor part number equivalents effective February 2018.

TRAILER AIR VALVES AIR BRAKE SPRING BREAK VALVES

SEALCO SPRING BRAKE CONTROL VALVE (Spring Brake Priority System)



Spring Brake Valve — A dual function valve.

(1) Limits hold-off pressure to the spring brakes via a relay of quick release valve, generally 90-95 psi.

(2) Should a loss of pressure occur it provides a modulated spring brake application proportional to the service braking pressure delivered to the front axle.

Commonly used on post FMVSS-121 systems.

MERITOR NO.	EUCLID NO.	NEW/REMAN	REPLACES	CORE NO.	CORE GROUP	APPLICATION AND GENERAL INFORMATION
RSL110800	E-SL110800	New	Sealco 110800			For use on a typical single or tandem axle trailer with a single reservoir or a tandem axle trailer with (2) 1400 cubic inch (normal) reservoirs.

All Euclid Air Systems components were superseded to their Meritor part number equivalents effective February 2018.

TRAILER AIR VALVES AIR BRAKE SWITCHES AND INDICATORS

SEALCO LOW PRESSURE SWITCH



MERITOR NO.	EUCLID NO.	NEW/REMAN	REPLACES	FITTING	MOUNTING	APPLICATION AND GENERAL INFORMATION
RSL8000	E-SL8000	New	Sealco 8000	1/4" Male PT	Nipple	Adjustment Range 45 psi to 100 psi, Factory Set to 60 psi

SEALCO STEP LIGHT SWITCH



MERITOR NO.	EUCLID NO.	NEW/REMAN	REPLACES	FITTING	MOUNTING	APPLICATION AND GENERAL INFORMATION
RSL8100	E-SL8100	New	Sealco 8100	1/4" Male PT	Nipple	Adjustment Range 45 psi to 100 psi, Factory Set to 60 psi

All Euclid Air Systems components were superseded to their Meritor part number equivalents effective February 2018.

TRAILER AIR VALVES AIR BRAKE TRACTOR PROTECTION VALVES

Air Systems Parts

SEALCO BREAKAWAY VALVE



MERITOR NO.	EUCLID NO.	NEW/REMAN	REPLACES	APPLICATION AND GENERAL INFORMATION
RSL7700	E-SL7700	New	Sealco 7700	(1) 1/4" PT control in (1) 1/4" PT supply in (1) 1/2" PT control out (1) 1/2" PT supply out

AIR BRAKE MISCELLANEOUS VALVES

SEALCO SLUDGE REMOVER VALVE



MERITOR NO.	EUCLID NO.	NEW/REMAN	REPLACES	APPLICATION AND GENERAL INFORMATION
RSL6300	E-SL6300	New	Sealco 6300	All Ports 1/4" PT

SEALCO AIR STARTER VALVE



MERITOR NO.	EUCLID NO.	NEW/REMAN	REPLACES	APPLICATION AND GENERAL INFORMATION
RSL6900	E-SL6900	New	Sealco 6900	(1) 1" PT Inlet (1) 1/4" PT Application port (1) 1" PT Outlet

All Euclid Air Systems components were superseded to their Meritor part number equivalents effective February 2018.

TRAILER AIR VALVES AIR BRAKE MISCELLANEOUS VALVES

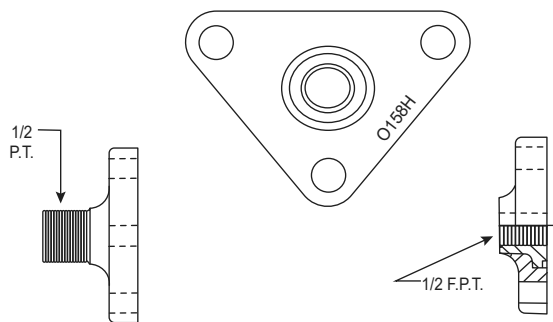
SEALCO AIR STARTER VALVE



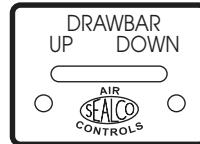
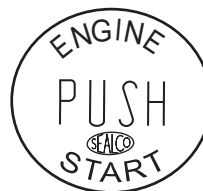
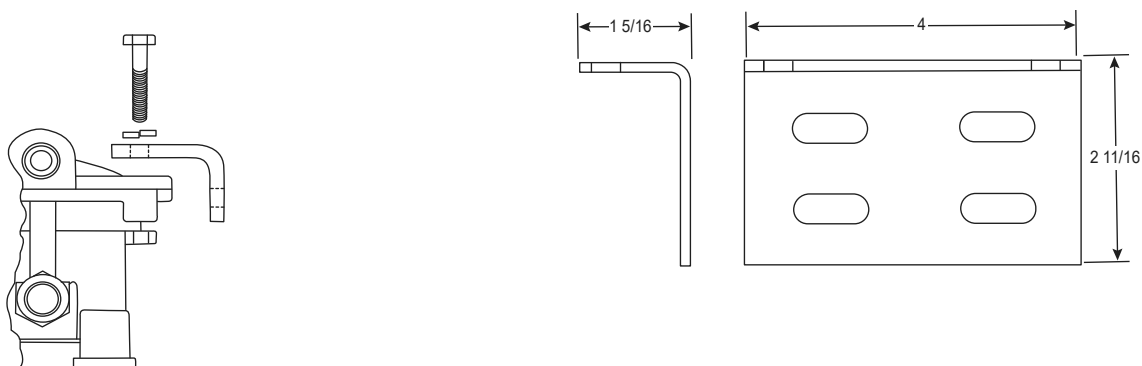
MERITOR NO.	EUCLID NO.	NEW/REMAN	REPLACES	INLET	OUTLET	MOUNT HOLES	O-RING MATERIAL	APPLICATION AND GENERAL INFORMATION
RSL110390	E-SL110390	New	Sealco 110390	1-1/4" PT	1-1/4" PT	No	Viton	
RSL110486	E-SL110486		Sealco 110486	1-1/2" PT	1-1/2" PT	Yes		
RSL14900	E-SL14900		Sealco 14900	1-1/4" PT	1-1/4" PT		Nitrile	
RSL110250	E-SL110250		Sealco 110250	1-1/2" PT	1-1/2" PT	No		Auxiliary Port (NPT) 1/4"
RSL10900	E-SL10900		Sealco 10900					Auxiliary Port (NPT) Closed

All Euclid Air Systems components were superseded to their Meritor part number equivalents effective February 2018.

FLANGE MOUNT KITS



FRAME MOUNT KITS



TRAILER AIR VALVES AIR BRAKE SAFETY VALVES AND FITTINGS

SEALCO AIR TANK SAFETY VALVE



MERITOR NO.	EUCLID NO.	NEW/REMAN	REPLACES	SPECIFICATIONS		APPLICATION AND GENERAL INFORMATION
				"POP OFF" PRESSURE	THREAD	
RSL110127	E-SL110127	New	Sealco 110127	150 psi Factory Set	1/4" PT	

SEALCO MOUNTING NIPPLE



MERITOR NO.	EUCLID NO.	NPT SIZE	REPLACES	APPLICATION AND GENERAL INFORMATION
RSL6002	E-SL6002	1/2" Male x 1/2" Male	Sealco 6002	
RSL6003	E-SL6003	3/4" Male x 1/2" Male	Sealco 6003	
RSL616	E-SL616		Sealco 616	Hex area between ends.
RSL617	E-SL617		Sealco 617	Female and Hex outside.
RSL6006	E-SL6006	3/4" Male x 3/4" Male	Sealco 6006	

SEALCO FRAME MOUNT TEE



MERITOR NO.	EUCLID NO.	PORT SIZE	REPLACES	APPLICATION AND GENERAL INFORMATION
RSL780212	E-SL780212	3/8"	Sealco 780212	With 12 volt heater

All Euclid Air Systems components were superseded to their Meritor part number equivalents effective February 2018.

MERITOR-TO-EUCLID CROSS REFERENCE

MERITOR PART NUMBER	EUCLID PART NUMBER
R10790	E10790
R10791	E10791
R109994	E109994
S432 410 222 7	E109994P
R3013922	EMDKN27000N
R950070	E8585
R950071	E8586
R950072	E8587
R950073	E8588
R950074	E8589
R950075	E8590
R950076	E8591
R950077	E8592
R950078	E8593
R950079	E8594
R950080	E8595
R950081	E8596
R950082	E8597
R950083	E8598
R950084	E8599
R950085	E8600
R950086	E8601
R950087	E8602
R950088	E8603
R950089	E8604
R950090	E8605
R950091	E8606
R950092	E8607
R950093	E8608
R950094	E8609
R950095	E8610
R950096	E8611
R950097	E8612
R950098	E8613
R950099	E8614
R950100	E8615
R950101	E8616
R950102	E8617
R950103	E8618
R950104	E8619
R950105	E8620
R950106	E8621
R950107	E8622
R950108	E8623
R950109	E8624
R950110	E8625

MERITOR PART NUMBER	EUCLID PART NUMBER
R950111	E8626
R950112	E8936
R950113	E8937
R950114	E9107
R950114PL	E9107PL
R950115	E9108
R950115PL	E9108PL
R950116	E9109
R950116PL	E9109PL
R950117	E9109U
R950118	E9110
R950119	E9111
R950123	E1042
R955065041X	EBN065041X
R955065041XCF	EBN065041XCF
R955065044X	EBN065044X
R955065060X	EBN065060X
R955065077X	EBN065077X
R955065102X	EBN065102X
R955065103X	EBN065103X
R955065104N	EBN065104N
R955065104X	EBN065104X
R955065125X	EBN065125X
R955065145N	EBN065145N
R955065145X	EBN065145X
R955065146N	EBN065146N
R955065146X	EBN065146X
R955065156X	EBN065156X
R955065157X	EBN065157X
R955065206N	EBN065206N
R955065224X	EBN065224X
R955065225N	EBN065225N
R955065225NP	EBN065225NP
R955065225X	EBN065225X
R955065225XCF	EBN065225XCF
R955065226X	EBN065226X
R955065303N	EBN065303N
R955065303X	EBN065303X
R955065313X	EBN065313X
R955065437N	EBN065437N
R955065437X	EBN065437X
R955065438X	EBN065438X
R955065439N	EBN065439N
R955065439X	EBN065439X
R955065624	EBN065624
R955065626N	EBN065626N

MERITOR PART NUMBER	EUCLID PART NUMBER
R955065643	EBN065643
R955065647X	EBN065647X
R955065677N	EBN065677N
R955074	E8703
R955075	E8936
R955076	E8937
R955100696EN	EMD100696EN
R955101100X	EBN101100X
R955101112N	EBN101112N
R955101112X	EBN101112X
R955101135X	EBN101135X
R955101142X	EBN101142X
R955101143X	EBN101143X
R955101158X	EBN101158X
R955101242X	EBN101242X
R955101245X	EBN101245X
R955101256X	EBN101256X
R955101282X	EBN101282X
R955101311X	EBN101311X
R955101333X	EBN101333X
R955101437N	EBN101437N
R955101437X	EBN101437X
R955101450X	EBN101450X
R955101554X	EBN101554X
R955101558N	EBN101558N
R955101559N	EBN101559N
R955101569X	EBN101569X
R955101570X	EBN101570X
R955101590X	EBN101590X
R955101622X	EBN101622X
R955101636X	EBN101636X
R955101786X	EBN101786X
R955101818N	EBN101818N
R955101818X	EBN101818X
R955101884X	EBN101884X
R955101900X	EBN101900X
R955101900XCF	EBN101900XCF
R955102213X	EBN102213X
R955102598X	EBN102598X
R955102626N	EBN102626N
R955102626X	EBN102626X
R955102638X	EBN102638X
R955102657N	EBN102657N
R955102674X	EBN102674X
R955102697X	EBN102697X
R955102698X	EBN102698X

All Euclid Air Systems components were superseded to their Meritor part number equivalents effective February 2018.

MERITOR PART NUMBER	EUCLID PART NUMBER	MERITOR PART NUMBER	EUCLID PART NUMBER	MERITOR PART NUMBER	EUCLID PART NUMBER
R955102734X	EBN102734X	R955104598X	EBN104598X	R955107695N	EBN107695N
R955102742X	EBN102742X	R955104644X	EBN104644X	R955107794X	EBN107794X
R955102761X	EBN102761X	R955106268X	EBN106268X	R955107794XCF	EBN107794XCF
R955102835X	EBN102835X	R955106313X	EBN106313X	R955107796N	EBN107796N
R955102952X	EBN102952X	R955106439X	EBN106439X	R955107799N	EBN107799N
R955102953X	EBN102953X	R95510671	E10671	R955107800N	EBN107800N
R955102989X	EBN102989X	R95510672	E10672	R955107813X	EBN107813X
R955103009N	EBN103009N	R95510673	E10673	R955107866X	EBN107866X
R955103009X	EBN103009X	R955106780X	EBN106780X	R955107869X	EBN107869X
R955103010N	EBN103010N	R955106792X	EBN106792X	R955107896X	EBN107896X
R955103010X	EBN103010X	R955106793X	EBN106793X	R955107917X	EBN107917X
R955103028N	EBN103028N	R955106915X	EBN106915X	R955107981X	EBN107981X
R955103028X	EBN103028X	R955106941X	EBN106941X	R955108066X	EBN108066X
R955103061N	EBN103061N	R955106978X	EBN106978X	R955108076X	EBN108076X
R955103061X	EBN103061X	R955106985X	EBN106985X	R955108110X	EBN108110X
R955103081N	EBN103081N	R955107023X	EBN107023X	R955108261X	EBN108261X
R955103081X	EBN103081X	R955107221X	EBN107221X	R955108269X	EBN108269X
R955103139X	EBN103139X	R955107296X	EBN107296X	R955108270X	EBN108270X
R955103195X	EBN103195X	R95510732	E10732	R955108272X	EBN108272X
R955103211X	EBN103211X	R95510733	E10733	R955108273X	EBN108273X
R955103212X	EBN103212X	R95510734	E10734	R955108277X	EBN108277X
R955103274X	EBN103274X	R95510735	E10735	R955108329X	EBN108329X
R955103278X	EBN103278X	R95510736	E10736	R955108557X	EBN108557X
R955103294X	EBN103294X	R95510742	E10742	R955108779X	EBN108779X
R955103817N	EBN103817N	R95510743	E10743	R955108790X	EBN108790X
R955103818N	EBN103818N	R955107433X	EBN107433X	R955108804X	EBN108804X
R955103833X	EBN103833X	R95510744	E10744	R955108847N	EBN108847N
R955103835X	EBN103835X	R95510745	E10745	R955108848N	EBN108848N
R955103879N	EBN103879N	R955107454N	EBN107454N	R955108854X	EBN108854X
R955103912X	EBN103912X	R95510746	E10746	R955108866X	EBN108866X
R955103980N	EBN103980N	R95510747	E10747	R955108869X	EBN108869X
R955103981N	EBN103981N	R955107506X	EBN107506X	R955108935X	EBN108935X
R955104027N	EBN104027N	R955107507X	EBN107507X	R955108937X	EBN108937X
R955104039X	EBN104039X	R955107508X	EBN107508X	R955109079X	EBN109079X
R955104041X	EBN104041X	R955107509X	EBN107509X	R955109111X	EBN109111X
R955104042X	EBN104042X	R955107510X	EBN107510X	R955109142X	EBN109142X
R955104102X	EBN104102X	R955107511X	EBN107511X	R955109147X	EBN109147X
R955104103X	EBN104103X	R955107512X	EBN107512X	R955109219X	EBN109219X
R955104165X	EBN104165X	R955107513X	EBN107513X	R955109251X	EBN109251X
R955104345X	EBN104345X	R955107514X	EBN107514X	R955109264X	EBN109264X
R955104358X	EBN104358X	R955107515N	EBN107515N	R955109273X	EBN109273X
R955104358XCF	EBN104358XCF	R955107516N	EBN107516N	R955109287X	EBN109287X
R955104561X	EBN104561X	R955107526X	EBN107526X	R955109356N	EBN109356N
R955104583X	EBN104583X	R955107539X	EBN107539X	R955109382X	EBN109382X
R955104584X	EBN104584X	R955107622X	EBN107622X	R955109429X	EBN109429X
R955104592N	EBN104592N	R955107623X	EBN107623X	R955109430X	EBN109430X

All Euclid Air Systems components were superseded to their Meritor part number equivalents effective February 2018.

MERITOR-TO-EUCLID CROSS REFERENCE

MERITOR-TO-EUCLID

MERITOR PART NUMBER	EUCLID PART NUMBER
R955109451X	EBN109451X
R955109477X	EBN109477X
R955109477XCF	EBN109477XCF
R955109478X	EBN109478X
R955109493X	EBN109493X
R955109493XCF	EBN109493XCF
R955109495	EBN109495
R955109496	EBN109496
R955109496N	EBN109496N
R955109503X	EBN109503X
R955109552X	EBN109552X
R955109578N	EBN109578N
R955109579N	EBN109579N
R955109603X	EBN109603X
R955109604X	EBN109604X
R955109615N	EBN109615N
R955109617N	EBN109617N
R955109653X	EBN109653X
R955109659X	EBN109659X
R955109685HX	EBN109685HX
R955109685N	EBN109685N
R955109685X	EBN109685X
R955109685XCF	EBN109685XCF
R955109687X	EBN109687X
R955109689X	EBN109689X
R955109690X	EBN109690X
R955109691X	EBN109691X
R955109809X	EBN109809X
R955109869	EBN109869
R955109871N	EBN109871N
R955109991XCF	EBN109991XCF
R955109992X	EBN109992X
R955109993	EBN109993
R955109995	EBN109995
R95512105N	EMD12105N
R95512345X	EMD12345X
R95512346X	EMD12346X
R95512352N	EMD12352N
R95512360X	EMD12360X
R95512361X	EMD12361X
R955131075X	EBN131075X
R955131081N	EBN131081N
R955153100	E153100
R955153101	E153101
R955153102	E153102
R955153103	E153103

MERITOR PART NUMBER	EUCLID PART NUMBER
R955153104	E153104
R955153106	E153106
R955153107	E153107
R955153108	E153108
R955153109	E153109
R955153110	E153110
R955153111	E153111
R955153112	E153112
R955153113	E153113
R955153114	E153114
R955153115	E153115
R955153116	E153116
R955153150	E153150
R955153200	E153200
R95516743N	EFU16743N
R95516859N	EFU16859N
R95519974N	EFU19974N
R955205105N	EBN205105N
R955223578X	EBN223578X
R955227320X	EBN227320X
R955227321X	EBN227321X
R955227322X	EBN227322X
R955227323X	EBN227323X
R955227325X	EBN227325X
R955227326X	EBN227326X
R955227327X	EBN227327X
R955227328X	EBN227328X
R955227331X	EBN227331X
R955227332X	EBN227332X
R955227355X	EBN227355X
R955227356X	EBN227356X
R955227357X	EBN227357X
R955227361X	EBN227361X
R955227400X	EBN227400X
R955227401X	EBN227401X
R955227402X	EBN227402X
R955227403X	EBN227403X
R955227406X	EBN227406X
R955227407X	EBN227407X
R955227409X	EBN227409X
R955227410X	EBN227410X
R955227412X	EBN227412X
R955227414X	EBN227414X
R955227415X	EBN227415X
R955227440X	EBN227440X
R955227661X	EBN227661X

MERITOR PART NUMBER	EUCLID PART NUMBER
R955227672X	EBN227672X
R955227870N	EBN227870N
R955227871N	EBN227871N
R955228138X	EBN228138X
R955228139X	EBN228139X
R955228141X	EBN228141X
R955228287X	EBN228287X
R955228344X	EBN228344X
R955228346X	EBN228346X
R955228366X	EBN228366X
R955228429X	EBN228429X
R955228430X	EBN228430X
R955228443X	EBN228443X
R955228451X	EBN228451X
R955228479X	EBN228479X
R955228520X	EBN228520X
R955228600N	EBN228600N
R955228750N	EBN228750N
R955228750X	EBN228750X
R955229077X	EBN229077X
R955229078X	EBN229078X
R955229154X	EBN229154X
R955229415N	EBN229415N
R955229416N	EBN229416N
R955229417N	EBN229417N
R955229434X	EBN229434X
R955229467X	EBN229467X
R955229493X	EBN229493X
R955229500X	EBN229500X
R955229501X	EBN229501X
R955229505N	EBN229505N
R955229505X	EBN229505X
R955229507X	EBN229507X
R955229509X	EBN229509X
R955229544X	EBN229544X
R955229562X	EBN229562X
R955229567X	EBN229567X
R955229608X	EBN229608X
R955229635N	EBN229635N
R955229635X	EBN229635X
R955229813N	EBN229813N
R955229813X	EBN229813X
R955229844X	EBN229844X
R955229859N	EBN229859N
R955229859X	EBN229859X
R955229860N	EBN229860N

All Euclid Air Systems components were superseded to their Meritor part number equivalents effective February 2018.

MERITOR PART NUMBER	EUCLID PART NUMBER	MERITOR PART NUMBER	EUCLID PART NUMBER	MERITOR PART NUMBER	EUCLID PART NUMBER
R955229860X	EBN229860X	R955277855X	EBN277855X	R955279614	EBN279614
R955229990X	EBN229990X	R955277863N	EBN277863N	R955279614N	EBN279614N
R955247954N	EBN247954N	R955277863X	EBN277863X	R955279615	EBN279615
R955275113X	EBN275113X	R955277901X	EBN277901X	R955279615N	EBN279615N
R955275114X	EBN275114X	R955277920X	EBN277920X	R955279662X	EBN279662X
R955275231X	EBN275231X	R955278425X	EBN278425X	R955279692X	EBN279692X
R955275317X	EBN275317X	R955278426X	EBN278426X	R955279707X	EBN279707X
R955275491N	EBN275491N	R955278445X	EBN278445X	R955279750X	EBN279750X
R955275491X	EBN275491X	R955278452X	EBN278452X	R955279762X	EBN279762X
R955275509X	EBN275509X	R955278482X	EBN278482X	R955279787X	EBN279787X
R955275707X	EBN275707X	R955278483X	EBN278483X	R955279790X	EBN279790X
R955275725N	EBN275725N	R955278597X	EBN278597X	R955279824X	EBN279824X
R955275725X	EBN275725X	R955278598N	EBN278598N	R955279838X	EBN279838X
R955275777X	EBN275777X	R955278598X	EBN278598X	R955279839X	EBN279839X
R955275834X	EBN275834X	R955278604X	EBN278604X	R955279950N	EBN279950N
R955276111X	EBN276111X	R955278605X	EBN278605X	R955279950X	EBN279950X
R955276166X	EBN276166X	R955278606X	EBN278606X	R955279952N	EBN279952N
R955276270X	EBN276270X	R955278614N	EBN278614N	R955279952X	EBN279952X
R955276272X	EBN276272X	R955278615N	EBN278615N	R955279962X	EBN279962X
R955276462N	EBN276462N	R955278615X	EBN278615X	R955279995X	EBN279995X
R955276462X	EBN276462X	R955278646X	EBN278646X	R955280238X	EBN280238X
R955276566N	EBN276566N	R955278681X	EBN278681X	R955280243X	EBN280243X
R955276566X	EBN276566X	R955278825N	EBN278825N	R955280280X	EBN280280X
R955276567N	EBN276567N	R955278825X	EBN278825X	R955280369X	EBN280369X
R955276567X	EBN276567X	R955278998X	EBN278998X	R955280375X	EBN280375X
R955276777X	EBN276777X	R955279000N	EBN279000N	R955280422X	EBN280422X
R955276778X	EBN276778X	R955279000X	EBN279000X	R955280446X	EBN280446X
R955276961X	EBN276961X	R955279024X	EBN279024X	R955280453X	EBN280453X
R955276962X	EBN276962X	R955279025X	EBN279025X	R955280454X	EBN280454X
R955276971X	EBN276971X	R955279037X	EBN279037X	R955280501X	EBN280501X
R955276974X	EBN276974X	R955279040X	EBN279040X	R955280511N	EBN280511N
R955276978X	EBN276978X	R955279068X	EBN279068X	R955280512N	EBN280512N
R955277127X	EBN277127X	R955279069X	EBN279069X	R955280526X	EBN280526X
R955277144X	EBN277144X	R955279072X	EBN279072X	R955280540X	EBN280540X
R955277147N	EBN277147N	R955279074X	EBN279074X	R955280551X	EBN280551X
R955277148N	EBN277148N	R955279176X	EBN279176X	R955280556X	EBN280556X
R955277214X	EBN277214X	R955279180N	EBN279180N	R955280570X	EBN280570X
R955277222X	EBN277222X	R955279180X	EBN279180X	R955280603X	EBN280603X
R955277226X	EBN277226X	R955279252X	EBN279252X	R955280604X	EBN280604X
R955277227X	EBN277227X	R955279384X	EBN279384X	R955280605X	EBN280605X
R955277340X	EBN277340X	R955279416N	EBN279416N	R955280608X	EBN280608X
R955277446X	EBN277446X	R955279525X	EBN279525X	R955280609X	EBN280609X
R955277694X	EBN277694X	R955279556X	EBN279556X	R955280610X	EBN280610X
R955277730X	EBN277730X	R955279580X	EBN279580X	R955280611X	EBN280611X
R955277731X	EBN277731X	R955279589X	EBN279589X	R955280612X	EBN280612X
R955277799X	EBN277799X	R955279613N	EBN279613N	R955280613X	EBN280613X

All Euclid Air Systems components were superseded to their Meritor part number equivalents effective February 2018.

MERITOR-TO-EUCLID CROSS REFERENCE

MERITOR PART NUMBER	EUCLID PART NUMBER	MERITOR PART NUMBER	EUCLID PART NUMBER	MERITOR PART NUMBER	EUCLID PART NUMBER
R955280622X	EBN280622X	R955282749X	EBN282749X	R955284714X	EBN284714X
R955280624X	EBN280624X	R955282853X	EBN282853X	R955284718X	EBN284718X
R955280626X	EBN280626X	R955282928X	EBN282928X	R955284720X	EBN284720X
R955280628X	EBN280628X	R955283040X	EBN283040X	R955284727X	EBN284727X
R955280651X	EBN280651X	R955283046X	EBN283046X	R955284744X	EBN284744X
R955280758X	EBN280758X	R955283090X	EBN283090X	R955284760N	EBN284760N
R955280774X	EBN280774X	R955283429X	EBN283429X	R955284760X	EBN284760X
R955280784X	EBN280784X	R955283456X	EBN283456X	R955284790X	EBN284790X
R955280809N	EBN280809N	R955283505X	EBN283505X	R955284959X	EBN284959X
R955280809X	EBN280809X	R955283506X	EBN283506X	R955284988X	EBN284988X
R955280810X	EBN280810X	R955283513X	EBN283513X	R955285107X	EBN285107X
R955280904X	EBN280904X	R955283514X	EBN283514X	R955285108X	EBN285108X
R955280905X	EBN280905X	R955283515X	EBN283515X	R955285131X	EBN285131X
R955281024X	EBN281024X	R955283533X	EBN283533X	R955285158X	EBN285158X
R955281042X	EBN281042X	R955283577X	EBN283577X	R955285252X	EBN285252X
R955281086X	EBN281086X	R955283585X	EBN283585X	R955285275X	EBN285275X
R955281112X	EBN281112X	R955283644X	EBN283644X	R955285601X	EBN285601X
R955281157X	EBN281157X	R955283662X	EBN283662X	R955286171N	EBN286171N
R955281318X	EBN281318X	R955283664X	EBN283664X	R955286171X	EBN286171X
R955281338X	EBN281338X	R955283690X	EBN283690X	R955286364N	EBN286364N
R955281341X	EBN281341X	R955283692X	EBN283692X	R955286364X	EBN286364X
R955281430X	EBN281430X	R955283711X	EBN283711X	R955286370N	EBN286370N
R955281457X	EBN281457X	R955283808X	EBN283808X	R955286370X	EBN286370X
R955281532X	EBN281532X	R955283935X	EBN283935X	R955286371X	EBN286371X
R955281587X	EBN281587X	R955283940X	EBN283940X	R955286460X	EBN286460X
R955281677X	EBN281677X	R955283996X	EBN283996X	R955286471X	EBN286471X
R955281718X	EBN281718X	R955284003X	EBN284003X	R955286500N	EBN286500N
R955281761X	EBN281761X	R955284010X	EBN284010X	R955286526X	EBN286526X
R955281797X	EBN281797X	R955284020X	EBN284020X	R955286527X	EBN286527X
R955281860N	EBN281860N	R955284037X	EBN284037X	R955286528X	EBN286528X
R955281860X	EBN281860X	R955284068X	EBN284068X	R955286529X	EBN286529X
R955281865N	EBN281865N	R955284106X	EBN284106X	R955286530X	EBN286530X
R955281865X	EBN281865X	R955284121X	EBN284121X	R955286532X	EBN286532X
R955281923N	EBN281923N	R955284142N	EBN284142N	R955286533X	EBN286533X
R955281923X	EBN281923X	R955284160X	EBN284160X	R955286535X	EBN286535X
R955281924X	EBN281924X	R955284252X	EBN284252X	R955286536X	EBN286536X
R955282010X	EBN282010X	R955284260X	EBN284260X	R955286537X	EBN286537X
R955282011X	EBN282011X	R955284291X	EBN284291X	R955286538X	EBN286538X
R955282013X	EBN282013X	R955284307X	EBN284307X	R955286539X	EBN286539X
R955282023X	EBN282023X	R955284310X	EBN284310X	R955286540X	EBN286540X
R955282025X	EBN282025X	R955284358N	EBN284358N	R955286541X	EBN286541X
R955282076X	EBN282076X	R955284358X	EBN284358X	R955286542X	EBN286542X
R955282368X	EBN282368X	R955284374X	EBN284374X	R955286543X	EBN286543X
R955282381X	EBN282381X	R955284412X	EBN284412X	R955286544X	EBN286544X
R955282620X	EBN282620X	R955284662X	EBN284662X	R955286546X	EBN286546X
R955282621X	EBN282621X	R955284699X	EBN284699X	R955286548X	EBN286548X

All Euclid Air Systems components were superseded to their Meritor part number equivalents effective February 2018.

MERITOR PART NUMBER	EUCLID PART NUMBER	MERITOR PART NUMBER	EUCLID PART NUMBER	MERITOR PART NUMBER	EUCLID PART NUMBER
R955286549X	EBN286549X	R955286875X	EBN286875X	R955288605X	EBN288605X
R955286550X	EBN286550X	R955286892X	EBN286892X	R955288645X	EBN288645X
R955286551X	EBN286551X	R955286934X	EBN286934X	R955288710X	EBN288710X
R955286552X	EBN286552X	R955286934XCF	EBN286934XCF	R955288721X	EBN288721X
R955286554X	EBN286554X	R955286936X	EBN286936X	R955288746N	EBN288746N
R955286555X	EBN286555X	R955287043N	EBN287043N	R955288746X	EBN288746X
R955286556X	EBN286556X	R955287053	EBN287053	R955288755X	EBN288755X
R955286557X	EBN286557X	R955287053N	EBN287053N	R955288918N	EBN288918N
R955286558X	EBN286558X	R955287114N	EBN287114N	R955289144N	EBN289144N
R955286560X	EBN286560X	R955287114X	EBN287114X	R955289145X	EBN289145X
R955286561X	EBN286561X	R955287224X	EBN287224X	R955289146X	EBN289146X
R955286562X	EBN286562X	R955287238N	EBN287238N	R955289148X	EBN289148X
R955286563X	EBN286563X	R955287238X	EBN287238X	R955289149X	EBN289149X
R955286565X	EBN286565X	R955287240X	EBN287240X	R955289172X	EBN289172X
R955286566X	EBN286566X	R955287260X	EBN287260X	R955289182X	EBN289182X
R955286567X	EBN286567X	R955287279X	EBN287279X	R955289253X	EBN289253X
R955286570X	EBN286570X	R955287298N	EBN287298N	R955289336X	EBN289336X
R955286571X	EBN286571X	R955287313N	EBN287313N	R955289339X	EBN289339X
R955286572X	EBN286572X	R955287376N	EBN287376N	R955289340X	EBN289340X
R955286574X	EBN286574X	R955287376X	EBN287376X	R955289342X	EBN289342X
R955286576X	EBN286576X	R955287411X	EBN287411X	R955289344X	EBN289344X
R955286578X	EBN286578X	R955287417X	EBN287417X	R955289347X	EBN289347X
R955286579X	EBN286579X	R955287418X	EBN287418X	R955289348X	EBN289348X
R955286580X	EBN286580X	R955287440X	EBN287440X	R955289349X	EBN289349X
R955286581X	EBN286581X	R955287564X	EBN287564X	R955289350X	EBN289350X
R955286582X	EBN286582X	R955287600N	EBN287600N	R955289380X	EBN289380X
R955286584X	EBN286584X	R955287600X	EBN287600X	R955289444X	EBN289444X
R955286585X	EBN286585X	R955287637X	EBN287637X	R955289477X	EBN289477X
R955286586X	EBN286586X	R955288063X	EBN288063X	R955289545X	EBN289545X
R955286589X	EBN286589X	R955288239N	EBN288239N	R955289688X	EBN289688X
R955286591X	EBN286591X	R955288239X	EBN288239X	R955289714N	EBN289714N
R955286592X	EBN286592X	R955288240X	EBN288240X	R955289714X	EBN289714X
R955286593X	EBN286593X	R955288241N	EBN288241N	R955289744X	EBN289744X
R955286594X	EBN286594X	R955288241X	EBN288241X	R955289789X	EBN289789X
R955286595X	EBN286595X	R955288251X	EBN288251X	R955289790X	EBN289790X
R955286617X	EBN286617X	R955288267X	EBN288267X	R955289823X	EBN289823X
R955286618X	EBN286618X	R955288301N	EBN288301N	R955289915X	EBN289915X
R955286620X	EBN286620X	R955288301X	EBN288301X	R955289924X	EBN289924X
R955286621X	EBN286621X	R955288323X	EBN288323X	R955289925X	EBN289925X
R955286622X	EBN286622X	R955288369X	EBN288369X	R955289941X	EBN289941X
R955286623X	EBN286623X	R955288383N	EBN288383N	R955289964X	EBN289964X
R955286625X	EBN286625X	R955288383X	EBN288383X	R955289969X	EBN289969X
R955286773X	EBN286773X	R955288481X	EBN288481X	R955289998N	EBN289998N
R955286774X	EBN286774X	R955288497X	EBN288497X	R9553018508X	ECU3018508X
R955286775X	EBN286775X	R955288586X	EBN288586X	R9553018527X	ECU3018527X
R955286836X	EBN286836X	R955288605N	EBN288605N	R9553018532X	ECU3018532X

All Euclid Air Systems components were superseded to their Meritor part number equivalents effective February 2018.

MERITOR-TO-EUCLID CROSS REFERENCE

MERITOR-TO-EUCLID

MERITOR PART NUMBER	EUCLID PART NUMBER	MERITOR PART NUMBER	EUCLID PART NUMBER	MERITOR PART NUMBER	EUCLID PART NUMBER
R9553047440X	ECU3047440X	R9553559545N	R9553559545N	R9555005037N	EBN5005037N
R9553048680X	ECU3048680X	R9553559551N	ECU3559551N	R9555005624N	EBN5005624N
R9553049186X	ECU3049186X	R9553559568N	ECU3559568N	R9555005790X	EBN5005790X
R9553052776X	ECU3052776X	R9553559576N	ECU3559576N	R9555005893	EBN5005893
R955338	E12294	R955401004	ESN401004	R9555008249X	EBN5008249X
R955340	E12297	R955401018	ESN401018	R955500BK	E8577BK
R955341	E12295	R955401019	ESN401019	R955501	E8578
R955342	E12296	R955401029	ESN401029	R9555010133X	EBN5010133X
R9553558000X	ECU3558000X	R955401037X	ESN401037X	R9555010696X	EBN5010696X
R9553558005X	ECU3558005X	R955401039	ESN401039	R9555011016X	EBN5011016X
R9553558006X	ECU3558006X	R955401040	ESN401040	R9555014428X	EBN5014428X
R9553558010X	ECU3558010X	R955401045	ESN401045	R9555015314X	EBN5015314X
R9553558013X	ECU3558013X	R955401046	ESN401046	R955501BK	E8578BK
R9553558015X	ECU3558015X	R955401047	ESN401047	R95550208BK	E857908BK
R9553558020X	ECU3558020X	R955401056	ESN401056	R95550212BK	E857912BK
R9553558021X	ECU3558021X	R955401075	ESN401075	R95550214BK	E857914BK
R9553558022X	ECU3558022X	R955401084	ESN401084	R95550216BK	E857916BK
R9553558023X	ECU3558023X	R955401095	ESN401095	R95550218BK	E857918BK
R9553558029X	ECU3558029X	R955500	E8577	R95550220BK	E857920BK
R9553558042X	ECU3558042X	R9555000404X	EBN5000404X	R95550222BK	E857922BK
R9553558043X	ECU3558043X	R9555000602X	EBN5000602X	R95550224BK	E857924BK
R9553558044X	ECU3558044X	R9555000709X	EBN5000709X	R95550226BK	E857926BK
R9553558045X	ECU3558045X	R9555001940X	EBN5001940X	R95550228BK	E857928BK
R9553558046X	ECU3558046X	R9555002595N	EBN5002595N	R95550230BK	E857930BK
R9553558049X	ECU3558049X	R9555002713X	EBN5002713X	R95550232BK	E857932BK
R9553558050X	ECU3558050X	R9555002865X	EBN5002865X	R95550234BK	E857934BK
R9553558051X	ECU3558051X	R9555002868X	EBN5002868X	R95550236BK	E857936BK
R9553558052X	ECU3558052X	R9555002983X	EBN5002983X	R95550238BK	E857938BK
R9553558060X	ECU3558060X	R9555002984X	EBN5002984X	R95550240BK	E857940BK
R9553558068X	ECU3558068X	R9555003547N	EBN5003547N	R95550242BK	E857942BK
R9553558072X	ECU3558072X	R9555004118X	EBN5004118X	R95550244BK	E857944BK
R9553558073X	ECU3558073X	R9555004187X	EBN5004187X	R95550246BK	E857946BK
R9553558074X	ECU3558074X	R9555004188X	EBN5004188X	R95550248BK	E857948BK
R9553558075X	ECU3558075X	R9555004336N	EBN5004336N	R95550250BK	E857950BK
R9553558076X	ECU3558076X	R9555004338N	EBN5004338N	R95550252BK	E857952BK
R9553558077X	ECU3558077X	R9555004339N	EBN5004339N	R95550254BK	E857954BK
R9553558094X	ECU3558094X	R9555004340N	EBN5004340N	R95550256BK	E857956BK
R9553558095X	ECU3558095X	R9555004341X	EBN5004341X	R95550260BK	E857960BK
R9553558097X	ECU3558097X	R9555004342X	EBN5004342X	R95550266BK	E857966BK
R9553558098X	ECU3558098X	R9555004380N	EBN5004380N	R95550268BK	E857968BK
R9553558113X	ECU3558113X	R9555004381N	EBN5004381N	R95550272BK	E857972BK
R9553558122X	ECU3558122X	R9555004479N	EBN5004479N	R95550284BK	E857984BK
R9553558186X	ECU3558186X	R9555004480N	EBN5004480N	R95550308BK	E858008BK
R9553558189X	ECU3558189X	R9555004613X	EBN5004613X	R95550312BK	E858012BK
R9553558211X	ECU3558211X	R9555004614X	EBN5004614X	R95550314BK	E858014BK
R9553559511	ECU3559511	R9555005037	EBN5005037	R95550316BK	E858016BK

All Euclid Air Systems components were superseded to their Meritor part number equivalents effective February 2018.

MERITOR PART NUMBER	EUCLID PART NUMBER	MERITOR PART NUMBER	EUCLID PART NUMBER	MERITOR PART NUMBER	EUCLID PART NUMBER
R95550318BK	E858018BK	R95550452BK	E858152BK	R95550628BK	E858328BK
R95550320BK	E858020BK	R95550454BK	E858154BK	R95550630BK	E858330BK
R95550322BK	E858022BK	R95550456BK	E858156BK	R95550632BK	E858332BK
R95550324BK	E858024BK	R95550460BK	E858160BK	R95550634BK	E858334BK
R95550326BK	E858026BK	R95550462BK	E858162BK	R95550636BK	E858336BK
R95550328BK	E858028BK	R95550468BK	E858168BK	R95550638BK	E858338BK
R95550330BK	E858030BK	R95550484BK	E858184BK	R95550640BK	E858340BK
R95550332BK	E858032BK	R95550508BK	E858208BK	R95550642BK	E858342BK
R95550334BK	E858034BK	R95550512BK	E858212BK	R95550644BK	E858344BK
R95550336BK	E858036BK	R95550514BK	E858214BK	R95550646BK	E858346BK
R95550338BK	E858038BK	R95550516BK	E858216BK	R95550648BK	E858348BK
R95550340BK	E858040BK	R95550518BK	E858218BK	R95550650BK	E858350BK
R95550342BK	E858042BK	R95550520BK	E858220BK	R95550652BK	E858352BK
R95550344BK	E858044BK	R95550522BK	E858222BK	R95550654BK	E858354BK
R95550346BK	E858046BK	R95550524BK	E858224BK	R95550656BK	E858356BK
R95550348BK	E858048BK	R95550526BK	E858226BK	R95550660BK	E858360BK
R95550350BK	E858050BK	R95550528BK	E858228BK	R95550662BK	E858362BK
R95550352BK	E858052BK	R95550530BK	E858230BK	R95550666BK	E858366BK
R95550354BK	E858054BK	R95550532BK	E858232BK	R95550668BK	E858368BK
R95550356BK	E858056BK	R95550534BK	E858234BK	R95550672BK	E858372BK
R95550360BK	E858060BK	R95550536BK	E858236BK	R95550684BK	E858384BK
R95550362BK	E858062BK	R95550538BK	E858238BK	R95550708BK	E858408BK
R95550366BK	E858066BK	R95550540BK	E858240BK	R95550712BK	E858412BK
R95550368BK	E858068BK	R95550542BK	E858242BK	R95550714BK	E858414BK
R95550372BK	E858072BK	R95550544BK	E858244BK	R95550716BK	E858416BK
R95550384BK	E858084BK	R95550546BK	E858246BK	R95550718BK	E858418BK
R95550408BK	E858108BK	R95550548BK	E858248BK	R95550720BK	E858420BK
R95550412BK	E858112BK	R95550550BK	E858250BK	R95550722BK	E858422BK
R95550414BK	E858114BK	R95550552BK	E858252BK	R95550724BK	E858424BK
R95550416BK	E858116BK	R95550554BK	E858254BK	R95550726BK	E858426BK
R95550420BK	E858120BK	R95550556BK	E858256BK	R95550728BK	E858428BK
R95550422BK	E858122BK	R95550560BK	E858260BK	R95550730BK	E858430BK
R95550424BK	E858124BK	R95550562BK	E858262BK	R95550732BK	E858432BK
R95550426BK	E858126BK	R95550566BK	E858266BK	R95550734BK	E858434BK
R95550428BK	E858128BK	R95550568BK	E858268BK	R95550736BK	E858436BK
R95550430BK	E858130BK	R95550572BK	E858272BK	R95550738BK	E858438BK
R95550432BK	E858132BK	R95550584BK	E858284BK	R95550740BK	E858440BK
R95550434BK	E858134BK	R95550608BK	E858308BK	R95550742BK	E858442BK
R95550436BK	E858136BK	R95550612BK	E858312BK	R95550744BK	E858444BK
R95550438BK	E858138BK	R95550614BK	E858314BK	R95550746BK	E858446BK
R95550440BK	E858140BK	R95550616BK	E858316BK	R95550748BK	E858448BK
R95550442BK	E858142BK	R95550618BK	E858318BK	R95550750BK	E858450BK
R95550444BK	E858144BK	R95550620BK	E858320BK	R95550752BK	E858452BK
R95550446BK	E858146BK	R95550622BK	E858322BK	R95550754BK	E858454BK
R95550448BK	E858148BK	R95550624BK	E858324BK	R95550756BK	E858456BK
R95550450BK	E858150BK	R95550626BK	E858326BK	R95550760BK	E858460BK

All Euclid Air Systems components were superseded to their Meritor part number equivalents effective February 2018.

MERITOR-TO-EUCLID CROSS REFERENCE

MERITOR-TO-EUCLID

MERITOR PART NUMBER	EUCLID PART NUMBER
R95550762BK	E858462BK
R95550766BK	E858466BK
R95550768BK	E858468BK
R95550772BK	E858472BK
R95550784BK	E858484BK
R9555455X	EKH5455X
R955800333N	E8N800333N
R955800350N	E8N800350N
R955800369N	E8N800369N
R955800376N	E8N800376N
R955800404N	E8N800404N
R955800405	E8N800405
R955800405N	E8N800405N
R955800516N	E8N800516N
R955800517N	E8N800517N
R955800519N	E8N800519N
R955800521N	E8N800521N
R955800573N	E8N800573N
R955800629N	E8N800629N
R95590054007N	EMD90054007N
R95590054074N	EMD90054074N
R95590054075N	EMD90054075N
R95590054079N	EMD90054079N
R95590054088N	EMD90054088N
R95590554241N	EMD90554241N
R95590554271N	EMD90554271N
R9559111535100X	ECU9111535100X
R9559111535200X	ECU9111535200X
R9559111535330X	ECU9111535330X
R9559111545000X	ECU9111545000X
R955A103600X	EMDA103600X
R955A3546N	EFUA3546N
R955A3546X	EFUA3546X
R955A3547X	EFUA3547X
R955A3991X	EFUA3991X
R955A4487N	EFUA4487N
R955A4490N	EFUA4490N
R955A4491N	EFUA4491N
R955A4688N	EFUA4688N
R955A4688X	EFUA4688X
R955A4900N	EFUA4900N
R955A5010N	EFUA5010N
R955A5015N	EFUA5015N
R955A72420N	EBNA72420N
R955A86473X	EMDA86473X
R955A86477X	EMDA86477X

MERITOR PART NUMBER	EUCLID PART NUMBER
R955BE13240N	EMDBE13240N
R955BE13241N	EMDBE13241N
R955BE13250N	EMDBE13250N
R955BE13255N	EMDBE13255N
R955BM6997312N	ECUBM6997312N
R955BM6997312X	ECUBM6997312X
R955BM6997324N	ECUBM6997324N
R955BM6997324X	ECUBM6997324X
R955BN144LN	EBNBN144LN
R955EL13020X	EMDEL13020X
R955EL13021X	EMDEL13021X
R955EL13022X	EMDEL13022X
R955EL13040X	EMDEL13040X
R955EL13050X	EMDEL13050X
R955EL13051X	EMDEL13051X
R955EL13053X	EMDEL13053X
R955EL13060X	EMDEL13060X
R955EL13070X	EMDEL13070X
R955EL13081X	EMDEL13081X
R955EL13090X	EMDEL13090X
R955EL13100X	EMDEL13100X
R955EL13111X	EMDEL13111X
R955EL13151X	EMDEL13151X
R955EL13160X	EMDEL13160X
R955EL13200X	EMDEL13200X
R955EL14110X	EMDEL14110X
R955EL14111X	EMDEL14111X
R955EL16020X	EMDEL16020X
R955EL16040X	EMDEL16040X
R955EL16050X	EMDEL16050X
R955EL16051X	EMDEL16051X
R955EL16053X	EMDEL16053X
R955EL16060X	EMDEL16060X
R955EL16100X	EMDEL16100X
R955EL16110X	EMDEL16110X
R955EL16111X	EMDEL16111X
R955EL16120X	EMDEL16120X
R955EL16200X	EMDEL16200X
R955EL16250X	EMDEL16250X
R955KN18011X	EMDKN18011X
R955KN18530X	EMDKN18530X
R955KN18531X	EMDKN18531X
R955KN18534X	EMDKN18534X
R955KN20000X	EMDKN20000X
R955KN20010X	EMDKN20010X
R955KN20030AX	EMDKN20030AX

MERITOR PART NUMBER	EUCLID PART NUMBER
R955KN20040X	EMDKN20040X
R955KN20050X	EMDKN20050X
R955KN20060X	EMDKN20060X
R955KN20070X	EMDKN20070X
R955KN20071X	EMDKN20071X
R955KN20080X	EMDKN20080X
R955KN20110X	EMDKN20110X
R955KN20541X	EMDKN20541X
R955KN20542X	EMDKN20542X
R955KN20551X	EMDKN20551X
R955KN20552X	EMDKN20552X
R955KN20561X	EMDKN20561X
R955KN20562X	EMDKN20562X
R955KN20570X	EMDKN20570X
R955KN20580X	EMDKN20580X
R955KN20581X	EMDKN20581X
R955KN20590X	EMDKN20590X
R955KN20601X	EMDKN20601X
R955KN20602X	EMDKN20602X
R955KN20603X	EMDKN20603X
R955KN20605X	EMDKN20605X
R955KN20606N	EMDKN20606N
R955KN20606X	EMDKN20606X
R955KN20608X	EMDKN20608X
R955KN20611X	EMDKN20611X
R955KN20612X	EMDKN20612X
R955KN20615N	EMDKN20615N
R955KN20615X	EMDKN20615X
R955KN20616X	EMDKN20616X
R955KN20619X	EMDKN20619X
R955KN20620X	EMDKN20620X
R955KN20621X	EMDKN20621X
R955KN20622X	EMDKN20622X
R955KN20623X	EMDKN20623X
R955KN20626X	EMDKN20626X
R955KN20627X	EMDKN20627X
R955KN20628X	EMDKN20628X
R955KN20629X	EMDKN20629X
R955KN22100X	EMDKN22100X
R955KN22140X	EMDKN22140X
R955KN22150X	EMDKN22150X
R955KN23000N	EMDKN23000N
R955KN23010N	EMDKN23010N
R955KN23040N	EMDKN23040N
R955KN24001X	EMDKN24001X
R955KN26000N	EMDKN26000N

All Euclid Air Systems components were superseded to their Meritor part number equivalents effective February 2018.

MERITOR PART NUMBER	EUCLID PART NUMBER	MERITOR PART NUMBER	EUCLID PART NUMBER	MERITOR PART NUMBER	EUCLID PART NUMBER
R955KN26000X	EMDKN26000X	R955KN30300X	EMDKN30300X	R955RNT26A	EMDRNT26A
R955KN26010N	EMDKN26010N	R955KN30400N	EMDKN30400N	R955RNT26JB	EMDRNT26JB
R955KN26010X	EMDKN26010X	R955KN30400X	EMDKN30400X	R955RNT33C	EMDRNT33C
R955KN26020X	EMDKN26020X	R955KN31000X	EMDKN31000X	R955S807	ESNS807
R955KN27000N	E13922	R955KN31010X	EMDKN31010X	R955SN151N	EMDSN151N
R955KN27000N	EMDKN27000N	R955KN31020X	EMDKN31020X	R955SN3072BN	EMDSN3072BN
R955KN27000N	R3013922	R955KN31030X	EMDKN31030X	R955SN3072CN	EMDSN3072CN
R955KN28010X	EMDKN28010X	R955KN31040X	EMDKN31040X	R955T224N	ECRT224N
R955KN28011X	EMDKN28011X	R955KN31060X	EMDKN31060X	R955T33C	EMDT33C
R955KN28030X	EMDKN28030X	R955KN31080X	EMDKN31080X	RSL0190	ESL0190
R955KN28032X	EMDKN28032X	R955KN32000X	EMDKN32000X	RSL102001	ESL102001
R955KN28041X	EMDKN28041X	R955KN32010X	EMDKN32010X	RSL102002	ESL102002
R955KN28042X	EMDKN28042X	R955KN32020X	EMDKN32020X	RSL1020038	ESL102003/8
R955KN28055X	EMDKN28055X	R955KN32040X	EMDKN32040X	RSL110198	ESL110198
R955KN28060N	EMDKN28060N	R955KN32041X	EMDKN32041X	RSL110199	ESL110199
R955KN28060X	EMDKN28060X	R955KN34030X	EMDKN34030X	RSL110207	ESL110207
R955KN28061X	EMDKN28061X	R955KN34040X	EMDKN34040X	RSL110221	ESL110221
R955KN28065X	EMDKN28065X	R955KN34050X	EMDKN34050X	RSL110256	ESL110256
R955KN28071X	EMDKN28071X	R955KN34070X	EMDKN34070X	RSL110257	ESL110257
R955KN28080X	EMDKN28080X	R955KN34080X	EMDKN34080X	RSL110310	ESL110310
R955KN28085X	EMDKN28085X	R955KN34090X	EMDKN34090X	RSL110315	ESL110315
R955KN28130X	EMDKN28130X	R955KN34100X	EMDKN34100X	RSL110365	ESL110365
R955KN28131X	EMDKN28131X	R955KN34110X	EMDKN34110X	RSL110407	ESL110407
R955KN28132X	EMDKN28132X	R955KN34130X	EMDKN34130X	RSL110421	ESL110421
R955KN28140X	EMDKN28140X	R955KN68230N	EMDKN68230N	RSL110450	ESL110450
R955KN28150X	EMDKN28150X	R955KN68230X	EMDKN68230X	RSL110460	ESL110460
R955KN28300X	EMDKN28300X	R955KN68237N	EMDKN68237N	RSL110474	ESL110474
R955KN28500N	EMDKN28500N	R955KN7000X	EMDKN7000X	RSL110485	ESL110485
R955KN28500X	EMDKN28500X	R955KN7010X	EMDKN7010X	RSL110486	ESL110486
R955KN28510N	EMDKN28510N	R955KN7020X	EMDKN7020X	RSL110488	ESL110488
R955KN28510X	EMDKN28510X	R955KN7030X	EMDKN7030X	RSL110501	ESL110501
R955KN28514X	EMDKN28514X	R955KN7040X	EMDKN7040X	RSL110505	ESL110505
R955KN28520N	EMDKN28520N	R955KN7041X	EMDKN7041X	RSL110506	ESL110506
R955KN28520X	EMDKN28520X	R955KN7050X	EMDKN7050X	RSL110510	ESL110510
R955KN28531X	EMDKN28531X	R955KN7060X	EMDKN7060X	RSL110528	ESL110528
R955KN28550N	EMDKN28550N	R955KN7070X	EMDKN7070X	RSL110555	ESL110555
R955KN28550X	EMDKN28550X	R955KN7080X	EMDKN7080X	RSL110571	ESL110571
R955KN28600N	EMDKN28600N	R955KN7100X	EMDKN7100X	RSL110576	ESL110576
R955KN28600X	EMDKN28600X	R955KN7170X	EMDKN7170X	RSL110584	ESL110584
R955KN28601X	EMDKN28601X	R955KN7180X	EMDKN7180X	RSL110588	ESL110588
R955KN28602X	EMDKN28602X	R955KN85020X	EMDKN85020X	RSL110595	ESL110595
R955KN28603X	EMDKN28603X	R955KN85022X	EMDKN85022X	RSL110597	ESL110597
R955KN30010NX	EMDKN30010NX	R955KN86020X	EMDKN86020X	RSL110600	ESL110600
R955KN30010X	EMDKN30010X	R955KN86230X	EMDKN86230X	RSL110605	ESL110605
R955KN30100X	EMDKN30100X	R955KNT86230X	EMDKNT86230X	RSL110606	ESL110606
R955KN30200X	EMDKN30200X	R955RN33C	EMDRN33C	RSL110615	ESL110615

All Euclid Air Systems components were superseded to their Meritor part number equivalents effective February 2018.

MERITOR-TO-EUCLID CROSS REFERENCE

MERITOR PART NUMBER	EUCLID PART NUMBER
RSL110644	ESL110644
RSL110657	ESL110657
RSL110673	ESL110673
RSL110690	ESL110690
RSL110700	ESL110700
RSL110790	ESL110790
RSL131	ESL131
RSL140280	ESL140280
RSL140291	ESL140291
RSL149001	ESL149001
RSL17600B1	ESL17600B1
RSL17610	ESL17610
RSL17620	ESL17620
RSL200006	ESL200006
RSL216051	ESL216051
RSL2550	ESL2550
RSL320014	ESL32001/4
RSL3450	ESL3450
RSL5400	ESL5400
RSL7800	ESL7800
RSL9125	ESL9125
RSL996002	ESL996002
RSN401019	ESN401019

All Euclid Air Systems components were superseded to their Meritor part number equivalents effective February 2018.

COMPETITIVE CROSS REFERENCE

Additional Meritor air systems part numbers are cross-referenced below.
Please visit MeritorPartsXpress.com for further details on these part numbers.

COMPETITOR PART NUMBER	COMPETITOR NAME	MERITOR PART NUMBER	COMPETITOR PART NUMBER	COMPETITOR NAME	MERITOR PART NUMBER	COMPETITOR PART NUMBER	COMPETITOR NAME	MERITOR PART NUMBER
170110200	Airtex	ESL110200	BH800629	Armada	R955800629N	170110380	Automann	RSL110380
170110376	Airtex	ESL110376	ML9111535100X	Armada	R9559111535100X	170110410	Automann	RSL110410
170110700	Airtex	ESL110700	ML9111535200X	Armada	R9559111535200X	170110412	Automann	RSL110412
170110800	Airtex	ESL110800	MLK022105	Armada	R955K022105N	170110415	Automann	RSL110415
170110139	Airtex	RSL110139	BHKN20615	Armada	R955KN20615N	170110416	Automann	RSL110416
170110500	Airtex	RSL110500	BHKN23000	Armada	R955KN23000N	170110450	Automann	RSL110450
170140270	Airtex	RSL140270	BHKN26000	Armada	R955KN26000N	170110475	Automann	RSL110475
170298817	Airtex	R955298817N	BHKN27000	Armada	R955KN27000N	170110570	Automann	RSL110570
170800350	Airtex	R955800350N	MLKN27000	Armada	R955KN27000N	170110580	Automann	RSL110580
170950014	Airtex	R9550014	BHKN28500	Armada	R955KN28500N	170110591	Automann	RSL110591
ML065146	Armada	R955065146N	BHKN28510	Armada	R955KN28510N	170110600	Automann	RSL110600
ML65225	Armada	R955065225NP	BHKN28520	Armada	R955KN28520N	170140200	Automann	RSL140200
ML065437	Armada	R955065437N	BHKN28600	Armada	R955KN28600N	170140380	Automann	RSL140380
BH103010	Armada	R955103010N	BHKN30400	Armada	R955KN30400N	17017600B	Automann	RSL17600B
BH103081	Armada	R955103081N	BHCART224	Armada	R955T224N	17017610	Automann	RSL17610
BH107794	Armada	R955107794X	MLCART224	Armada	R955T224N	170200001	Automann	RSL200001
ML107794X	Armada	R955107794X	BH102626	Armada	R955102626N	170216	Automann	RSL21600
ML109477X	Armada	R955109477X	BH103009	Armada	R955103009N	170216050	Automann	RSL216050
BH109493	Armada	R955109493X	BHR955205	Armada	R955205	1702550	Automann	RSL2550
ML109493X	Armada	R955109493X	ML955205	Armada	R955205	1703100	Automann	RSL3100
ML109991X	Armada	R955109991X	ML955205X	Armada	R955205X	170320100	Automann	RSL320100
BH131081	Armada	R955131081N	BH229859	Armada	R955229859N	1703800	Automann	RSL3800
BH229635	Armada	R955229635N	BH229860	Armada	R955229860N	1705400	Automann	RSL5400
BH229813	Armada	R955229813N	BH276567	Armada	R955276567N	170276270	Automann	RSL5900
BH276566	Armada	R955276566N	BH281865	Armada	R955281865N	1707800	Automann	RSL7800
BH278614	Armada	R955278614N	BH284358	Armada	R955284358N	170780210	Automann	RSL780210
BH279000	Armada	R955279000N	BH286171	Armada	R955286171N	1709125	Automann	RSL9125
BH284142	Armada	R955284142N	BH289714	Armada	R955289714N	1709400	Automann	RSL9400
BH286364	Armada	R955286364N	BHR955300	Armada	R955300	17099600	Automann	RSL99600
BH288239	Armada	R955288239N	ML955300X	Armada	R955300X	170996555M	Automann	RSL996555
BH288241	Armada	R955288241N	1700110257	Automann	ESL110257	170A1000	Automann	RSLA1000S
BH288605	Armada	R955288605N	170A10005A	Automann	RSL10005A	170800376	Automann	R955800376N
ML3558072X	Armada	R9553558072X	170110170	Automann	RSL110170	1777146	Automann	E857946BK
ML5002865X	Armada	R9555002865X	170110171	Automann	RSL110171	17716906C	Automann	R950071
ML109139X	Armada	R9555002984X	170110191	Automann	RSL110191	17716908C	Automann	R950073
ML5004188X	Armada	R9555004188X	170110197	Automann	RSL110197	17716908D	Automann	R950074
BH5005037	Armada	R9555005037N	170110205	Automann	RSL110205	17716926B	Automann	R950075
ML5018485X	Armada	R9555018485X	170110257	Automann	RSL110257	17716926C	Automann	R950076
BH800333	Armada	R955800333N	170110310	Automann	RSL110310	17716926D	Automann	R950077
BH800405	Armada	R955800405N	170110338	Automann	RSL110338	17716928C	Automann	R950078
BH800516	Armada	R955800516N	170110360	Automann	RSL110360	17716928D	Automann	R950079
BH800519	Armada	R955800519N	170110365	Automann	RSL110365	17716936B	Automann	R950080
BH800573	Armada	R955800573N	170110376	Automann	RSL110376	17716936C	Automann	R950081

COMPETITIVE

All Euclid Air Systems components were superseded to their Meritor part number equivalents effective February 2018.

COMPETITIVE CROSS REFERENCE

COMPETITOR PART NUMBER	COMPETITOR NAME	MERITOR PART NUMBER
17716936D	Automann	R950082
17716938C	Automann	R950083
17716938D	Automann	R950084
17716976	Automann	R950085
17716978	Automann	R950086
17716966	Automann	R950087
17716968	Automann	R950088
17716956	Automann	R950089
17716958	Automann	R950090
1774001	Automann	R950101
1774003	Automann	R950105
1774027	Automann	R950106
1774004	Automann	R950107
1774026	Automann	R950108
1774025	Automann	R950109
170284142	Automann	R955401004
170401029	Automann	R955401029
1772001	Automann	R955500
1772002	Automann	R955500BK
1772003	Automann	R955501
1772004	Automann	R955501BK
1777112	Automann	R95550212BK
1777114	Automann	R95550214BK
1777116	Automann	R95550216BK
1777118	Automann	R95550218BK
1777120	Automann	R95550220BK
1777122	Automann	R95550222BK
1777124	Automann	R95550224BK
1777126	Automann	R95550226BK
1777128	Automann	R95550228BK
1777130	Automann	R95550230BK
1777132	Automann	R95550232BK
1777134	Automann	R95550234BK
1777136	Automann	R95550236BK
1777138	Automann	R95550238BK
1777140	Automann	R95550240BK
1777142	Automann	R95550242BK
1777144	Automann	R95550244BK
1777148	Automann	R95550248BK
1777150	Automann	R95550250BK
1777152	Automann	R95550252BK
1777154	Automann	R95550254BK
1777156	Automann	R95550256BK
1777160	Automann	R95550260BK
1777166	Automann	R95550266BK
1777168	Automann	R95550268BK

COMPETITOR PART NUMBER	COMPETITOR NAME	MERITOR PART NUMBER
1777172	Automann	R95550272BK
1777212	Automann	R95550312BK
1777214	Automann	R95550314BK
1777216	Automann	R95550316BK
1777218	Automann	R95550318BK
1777220	Automann	R95550320BK
1777222	Automann	R95550322BK
1777224	Automann	R95550324BK
1777226	Automann	R95550326BK
1777228	Automann	R95550328BK
1777230	Automann	R95550330BK
1777232	Automann	R95550332BK
1777234	Automann	R95550334BK
1777236	Automann	R95550336BK
1777238	Automann	R95550338BK
1777240	Automann	R95550340BK
1777242	Automann	R95550342BK
1777244	Automann	R95550344BK
1777246	Automann	R95550346BK
1777248	Automann	R95550348BK
1777250	Automann	R95550350BK
1777252	Automann	R95550352BK
1777254	Automann	R95550354BK
1777256	Automann	R95550356BK
1777260	Automann	R95550360BK
1777262	Automann	R95550362BK
1777266	Automann	R95550366BK
1777268	Automann	R95550368BK
1777272	Automann	R95550372BK
17773612	Automann	R95550412BK
17773614	Automann	R95550414BK
17773616	Automann	R95550416BK
17773618	Automann	R95550418BK
17773620	Automann	R95550420BK
17773622	Automann	R95550422BK
17773624	Automann	R95550424BK
17773626	Automann	R95550426BK
17773628	Automann	R95550428BK
17773630	Automann	R95550430BK
17773632	Automann	R95550432BK
17773636	Automann	R95550436BK
17773638	Automann	R95550438BK
17773640	Automann	R95550440BK
17773642	Automann	R95550442BK
17773644	Automann	R95550444BK
17773646	Automann	R95550446BK

COMPETITOR PART NUMBER	COMPETITOR NAME	MERITOR PART NUMBER
17773648	Automann	R95550448BK
17773650	Automann	R95550450BK
17773652	Automann	R95550452BK
17773654	Automann	R95550454BK
17773656	Automann	R95550456BK
17773660	Automann	R95550460BK
17773662	Automann	R95550462BK
1777812	Automann	R95550512BK
1777814	Automann	R95550514BK
1777816	Automann	R95550516BK
1777818	Automann	R95550518BK
1777820	Automann	R95550520BK
1777822	Automann	R95550522BK
1777824	Automann	R95550524BK
1777826	Automann	R95550526BK
1777828	Automann	R95550528BK
1777830	Automann	R95550530BK
1777832	Automann	R95550532BK
1777834	Automann	R95550534BK
1777836	Automann	R95550536BK
1777838	Automann	R95550538BK
1777840	Automann	R95550540BK
1777842	Automann	R95550542BK
1777844	Automann	R95550544BK
1777846	Automann	R95550546BK
1777848	Automann	R95550548BK
1777854	Automann	R95550554BK
1777860	Automann	R95550560BK
1777872	Automann	R95550572BK
17773812	Automann	R95550712BK
17773814	Automann	R95550714BK
17773816	Automann	R95550716BK
17773818	Automann	R95550718BK
17773820	Automann	R95550720BK
17773822	Automann	R95550722BK
17773824	Automann	R95550724BK
17773826	Automann	R95550726BK
17773828	Automann	R95550728BK
17773830	Automann	R95550730BK
17773832	Automann	R95550732BK
17773834	Automann	R95550734BK
17773836	Automann	R95550736BK
17773838	Automann	R95550738BK
17773840	Automann	R95550740BK
17773842	Automann	R95550742BK
17773844	Automann	R95550744BK

All Euclid Air Systems components were superseded to their Meritor part number equivalents effective February 2018.

COMPETITIVE

COMPETITIVE CROSS REFERENCE

COMPETITOR PART NUMBER	COMPETITOR NAME	MERITOR PART NUMBER
17773846	Automann	R95550746BK
17773848	Automann	R95550748BK
17773854	Automann	R95550754BK
17773860	Automann	R95550760BK
17773872	Automann	R95550772BK
170065104	Automann	R955065104N
170065145	Automann	R955065145N
170065146	Automann	R955065146N
170065206	Automann	R955065206N
170065224	Automann	R955065224N
170065225	Automann	R955065225N
170065303	Automann	R955065303N
170065430	Automann	R955065437N
170065437	Automann	R955065437N
170065439	Automann	R955065439N
17065624K	Automann	R955065624N
170101100	Automann	R955101100X
170101112	Automann	R955101112N
170101818	Automann	R955101818N
170101900	Automann	R955101900X
170102657	Automann	R955102657N
170103010	Automann	R955103010N
170103028	Automann	R955103028N
170103061	Automann	R955103061N
170103081	Automann	R955103081N
170103818	Automann	R955103818N
170103980	Automann	R955103980N
170104358	Automann	R955104358X
170107515	Automann	R955107515N
170107516	Automann	R955107516N
170107695	Automann	R955107695N
170107799	Automann	R955107799N
170107800	Automann	R955107800N
170065612	Automann	R955109477X
170065613	Automann	R955109477X
170109493	Automann	R955109493X
170109495	Automann	R955109495N
170109496	Automann	R955109496N
170109578	Automann	R955109578N
170109579	Automann	R955109579N
170109869	Automann	R955109869N
170065691	Automann	R955109991XCF
170109993	Automann	R955109993N
170109995	Automann	R955109995N
17012103	Automann	R95512103
17012105	Automann	R95512105

COMPETITOR PART NUMBER	COMPETITOR NAME	MERITOR PART NUMBER
170131081	Automann	R955131081N
17416743	Automann	R95516743N
170205105	Automann	R955205105N
17022787	Automann	R955227870N
170227870	Automann	R955227870N
170227871	Automann	R955227871N
170228600	Automann	R955228600N
170274746	Automann	R955228600N
170228750	Automann	R955228750N
170229505	Automann	R955229505N
170229635	Automann	R955229635N
170229813	Automann	R955229813N
170276462	Automann	R955276462N
170276566	Automann	R955276566N
170277147	Automann	R955277147N
170277863	Automann	R955277863N
170278614	Automann	R955278614N
170278615	Automann	R955278615N
170278825	Automann	R955278825N
170279000	Automann	R955279000N
170279180	Automann	R955279180N
170279416	Automann	R955279416N
170279615	Automann	R955279615N
170279950	Automann	R955279950N
170280809	Automann	R955280809N
170284760	Automann	R955284760N
170286364	Automann	R955286364N
170286370	Automann	R955286370N
170286500	Automann	R955286500N
170287053	Automann	R955287053N
170287114	Automann	R955287114N
170287238	Automann	R955287238N
170287298	Automann	R955287298N
170287376	Automann	R955287376N
170287600	Automann	R955287600N
170288239	Automann	R955288239N
170288241	Automann	R955288241N
170288605	Automann	R955288605N
170289144	Automann	R955289144N
170298818	Automann	R955298818N
1705004049	Automann	R9555004050X
170107798	Automann	R9555004336N
1705004342	Automann	R9555004342N
1705004341	Automann	R9555005893N
170801266	Automann	R9555010696X
170800333	Automann	R955800333N

COMPETITOR PART NUMBER	COMPETITOR NAME	MERITOR PART NUMBER
170800404	Automann	R955800404N
170800516	Automann	R955800516N
170800517	Automann	R955800517N
170800521	Automann	R955800521N
170800629	Automann	R955800629N
1743546	Automann	R955A3546N
1744487	Automann	R955A4487N
1746913	Automann	R955A4900N
1746909	Automann	R955A5010N
1746915	Automann	R955A5015N
170A72420	Automann	R955A72420N
170K022105	Automann	R955K022105N
170KN20615	Automann	R955KN20615N
170KN23000	Automann	R955KN23000N
170KN23040	Automann	R955KN23040N
170KN28500	Automann	R955KN28500N
170KN28510	Automann	R955KN28510N
170KN28520	Automann	R955KN28520N
170KN28600	Automann	R955KN28600N
170KN28601	Automann	R955KN28601X
170KN30300	Automann	R955KN30300X
170KN30400	Automann	R955KN30400N
170KN31000	Automann	R955KN31000X
170KN34070	Automann	R955KN34070N
174KN68230	Automann	R955KN68230N
174KN68237	Automann	R955KN68237N
1791001	Automann	R950114
1791002	Automann	R950115
1791003	Automann	R950116
179101	Automann	R950118
1791013	Automann	R950118
179300312	Automann	R95510742
179300315	Automann	R95510744
17930031540	Automann	R95510746
1722002E	Automann	R95510733
170284358	Automann	EBN284358N
170950013	Automann	R950013
170950015	Automann	R950015
170950016	Automann	R950016
170950017	Automann	R950017
17716906B	Automann	R950070
17716906D	Automann	R950072
1791012K	Automann	R950120
1791012	Automann	R950121
1791011	Automann	R950122
1703004	Automann	R950126

COMPETITIVE

All Euclid Air Systems components were superseded to their Meritor part number equivalents effective February 2018.

COMPETITOR PART NUMBER	COMPETITOR NAME	MERITOR PART NUMBER	COMPETITOR PART NUMBER	COMPETITOR NAME	MERITOR PART NUMBER	COMPETITOR PART NUMBER	COMPETITOR NAME	MERITOR PART NUMBER
170102626	Automann	R955102626N	R288239	Bendix	R955288239X	288140	Bendix	E858232BK
170103009	Automann	R955103009N	R289120	Bendix	R955288239X	288141	Bendix	E858234BK
170107796	Automann	R955107796N	288239RX	Bendix	R955288239X	288142	Bendix	E858236BK
170955205	Automann	R955205	288239X	Bendix	R955288239X	288143	Bendix	E858238BK
170955206	Automann	R955206	289120X	Bendix	R955288239X	288144	Bendix	E858240BK
170229859	Automann	R955229859N	K112234	Bendix	R955800376N	288145	Bendix	E858242BK
170229860	Automann	R955229860N	800376	Bendix	R955800376N	288146	Bendix	E858244BK
170276567	Automann	R955276567N	KN28140X	Bendix	R955KN28140X	288147	Bendix	E858246BK
170281865	Automann	R955281865N	KN28520X	Bendix	R955KN28520X	288148	Bendix	E858248BK
170800361	Automann	R955284358N	KN34080X	Bendix	R955KN34080X	288469	Bendix	E858260BK
170286171	Automann	R955286171N	KN86230X	Bendix	R955KNT86230X	233470	Bendix	E8586
170288746	Automann	R955288746N	277546	Bendix	E8577	216173	Bendix	E8588
170289714	Automann	R955289714N	285498	Bendix	E8577BK	224887	Bendix	E8591
170955300	Automann	R955300	285498N	Bendix	E8577BK	226135	Bendix	E8591
17773668	Automann	R95550468BK	5006705	Bendix	E8578	226136	Bendix	E8592
10005AX	Bendix	RSL10005A	5005979	Bendix	E8578BK	223907	Bendix	E8595
R065044	Bendix	R955065044X	932348	Bendix	E8578BK	223907N	Bendix	E8595
065044X	Bendix	R955065044X	228539	Bendix	E857920BK	226137	Bendix	E8595
R109617	Bendix	R955065439X	228472	Bendix	E857924BK	226138	Bendix	E8596
R109620	Bendix	R955065439X	228547	Bendix	E857926BK	125535	Bendix	E8597
R65439	Bendix	R955065439X	228550	Bendix	E857930BK	215535	Bendix	E8597
065439X	Bendix	R955065439X	228554	Bendix	E857934BK	215535N	Bendix	E8597
109617X	Bendix	R955065439X	228555	Bendix	E857936BK	226139	Bendix	E8597
109620X	Bendix	R955065439X	228535	Bendix	E858018BK	226139N	Bendix	E8597
R101135	Bendix	R955101135X	228539	Bendix	E858020BK	2166678	Bendix	E8600
101135	Bendix	R955101135X	228472	Bendix	E858024BK	216678	Bendix	E8600
101135N	Bendix	R955101135X	228544	Bendix	E858024BK	203610	Bendix	E8602
101135X	Bendix	R955101135X	228544N	Bendix	E858024BK	203610N	Bendix	E8602
R103833	Bendix	R955103833X	228544	Bendix	E858026BK	203624	Bendix	E8604
103833N	Bendix	R955103833X	228544N	Bendix	E858026BK	201045	Bendix	E8608
103833X	Bendix	R955103833X	228548	Bendix	E858028BK	236268	Bendix	E8610
K108140	Bendix	R955229493X	228549	Bendix	E858030BK	236269	Bendix	E8611
R229493	Bendix	R955229493X	228554	Bendix	E858034BK	236270	Bendix	E8612
229493RX	Bendix	R955229493X	228555	Bendix	E858036BK	223464	Bendix	E8614
229493X	Bendix	R955229493X	228557	Bendix	E858038BK	228146	Bendix	E8615
R280905	Bendix	R955280905X	228563	Bendix	E858046BK	205730	Bendix	E8616
280905X	Bendix	R955280905X	228566	Bendix	E858054BK	205730N	Bendix	E8616
R286773	Bendix	R955286773X	228567	Bendix	E858072BK	217709	Bendix	E8620
286773X	Bendix	R955286773X	288129	Bendix	E858216BK	217709N	Bendix	E8620
R286934	Bendix	R955286934X	288131	Bendix	E858218BK	221204	Bendix	E8621
286934N	Bendix	R955286934X	288133	Bendix	E858220BK	221204N	Bendix	E8621
286934RX	Bendix	R955286934X	288135	Bendix	E858222BK	205465	Bendix	E8622
286934X	Bendix	R955286934X	287389	Bendix	E858224BK	205465N	Bendix	E8622
R287600	Bendix	R955287600X	288137	Bendix	E858226BK	226134	Bendix	R950075
287600RX	Bendix	R955287600X	288138	Bendix	E858228BK	224887	Bendix	R950076
287600X	Bendix	R955287600X	288139	Bendix	E858230BK	226135	Bendix	R950076

All Euclid Air Systems components were superseded to their Meritor part number equivalents effective February 2018.

COMPETITIVE CROSS REFERENCE

COMPETITOR PART NUMBER	COMPETITOR NAME	MERITOR PART NUMBER
226136	Bendix	R950077
223907	Bendix	R950080
223907N	Bendix	R950080
226137	Bendix	R950080
226138	Bendix	R950081
215535	Bendix	R950082
215535N	Bendix	R950082
226139	Bendix	R950082
226139N	Bendix	R950082
2166678	Bendix	R950085
216678	Bendix	R950085
203610	Bendix	R950087
203610N	Bendix	R950087
236269	Bendix	R950096
205730	Bendix	R950101
205730N	Bendix	R950101
284142	Bendix	R955401004
284142N	Bendix	R955401004
277546	Bendix	R955500
285498	Bendix	R955500BK
285498N	Bendix	R955500BK
5006705	Bendix	R955501
5005979	Bendix	R955501BK
228535	Bendix	R95550218BK
228541	Bendix	R95550222BK
228541N	Bendix	R95550222BK
228552	Bendix	R95550232BK
228557	Bendix	R95550238BK
228561	Bendix	R95550242BK
228565	Bendix	R95550250BK
228566	Bendix	R95550254BK
228533	Bendix	R95550316BK
228535	Bendix	R95550318BK
228539	Bendix	R95550320BK
228541	Bendix	R95550322BK
228541N	Bendix	R95550322BK
228472	Bendix	R95550324BK
228544	Bendix	R95550324BK
228544N	Bendix	R95550324BK
228544	Bendix	R95550326BK
228544N	Bendix	R95550326BK
228548	Bendix	R95550328BK
228549	Bendix	R95550330BK
228552	Bendix	R95550332BK
228554	Bendix	R95550334BK
228555	Bendix	R95550336BK

COMPETITOR PART NUMBER	COMPETITOR NAME	MERITOR PART NUMBER
228557	Bendix	R95550338BK
228561	Bendix	R95550344BK
228563	Bendix	R95550346BK
228566	Bendix	R95550354BK
228567	Bendix	R95550372BK
288127	Bendix	R95550514BK
OR103010X	Bendix	EBN103010N
103010	Bendix	EBN103010N
103010N	Bendix	EBN103010N
R107794	Bendix	EBN107794X
107794X	Bendix	EBN107794X
R065273	Bendix	EBN107981X
R107979	Bendix	EBN107981X
R107980	Bendix	EBN107981X
R107981	Bendix	EBN107981X
R108193	Bendix	EBN107981X
R108194	Bendix	EBN107981X
R108236	Bendix	EBN107981X
R108237	Bendix	EBN107981X
R108730	Bendix	EBN107981X
R108987	Bendix	EBN107981X
R109136	Bendix	EBN107981X
R109253	Bendix	EBN107981X
R109522	Bendix	EBN107981X
R109637	Bendix	EBN107981X
R109882	Bendix	EBN107981X
R5000559	Bendix	EBN107981X
065273	Bendix	EBN107981X
107979	Bendix	EBN107981X
107979X	Bendix	EBN107981X
107980	Bendix	EBN107981X
107980X	Bendix	EBN107981X
107981	Bendix	EBN107981X
107981X	Bendix	EBN107981X
108193	Bendix	EBN107981X
108194	Bendix	EBN107981X
108236	Bendix	EBN107981X
108237	Bendix	EBN107981X
108730	Bendix	EBN107981X
108987	Bendix	EBN107981X
109136	Bendix	EBN107981X
109253	Bendix	EBN107981X
109522	Bendix	EBN107981X
109637	Bendix	EBN107981X
109882	Bendix	EBN107981X
5000559	Bendix	EBN107981X

COMPETITOR PART NUMBER	COMPETITOR NAME	MERITOR PART NUMBER
65273	Bendix	EBN107981X
229813	Bendix	EBN229813N
229813N	Bendix	EBN229813N
R284412	Bendix	EBN284412X
284412X	Bendix	EBN284412X
284760	Bendix	EBN284760N
284760N	Bendix	EBN284760N
800333	Bendix	EBN800333N
800333N	Bendix	EBN800333N
12361X	Bendix	EMD12361X
KN22140X	Bendix	EMDKN22140X
KN28510X	Bendix	EMDKN28510N
R065041	Bendix	R955065041X
170109994	Automann	PRO0102002
BH109994	Armada	PRO0102002
ABPN10GR950011	Alliance	PRO0102002
950011	Bepco Inc	PRO0102002
BA5374	Baldwin	PRO0102002
950011	Bendix	PRO0102002
P781466	Donaldson	PRO0102002
950011K	Haldex	PRO0102002
WA109994	Midwest	PRO0102002
SA323	New Star	PRO0102002
AC1001	TRP	PRO0102002
BHR950011	Armada	S4324102227
BH5008414	Armada	S4324102227
ML109994K	Armada	S4324102227
109994	Bepco Inc	S4324102227
BR950011	Bendix	S4324102227
109994	Bendix	S4324102227
5008414	Bendix	S4324102227
5008414GC	Bendix	S4324102227
FLT109994	Fleetrite	S4324102227
R950011N	Gorilla	S4324102227
109994K	Haldex	S4324102227
5008414K	Haldex	S4324102227
65624K	Haldex	S4324102227
LDC5588	PAI	S4324102227
ADSPCART	Paccar	S4324102227
DC100	PDC - Parts Dist Co	S4324102227
109994P	PDC - Parts Dist Co	S4324102227
S11611	S&S Newstar	S4324102227
BHSA323	TruckPro	S4324102227
BHS11611	TruckPro	S4324102227
TLA109994	Tuffline	S4324102227

COMPETITIVE

All Euclid Air Systems components were superseded to their Meritor part number equivalents effective February 2018.

COMPETITIVE CROSS REFERENCE

COMPETITOR PART NUMBER	COMPETITOR NAME	MERITOR PART NUMBER
TLA5008414	Tuffline	S4324102227
4324100202	Wabco	S4324102227
XV330DC	Bepco Inc	S4329012232
BA5592	Baldwin	S4329012232
P951413	Donaldson	S4329012232
031005609	Haldex	S4329012232
S24007	New Star	S4329012232
S24007	S and S Trk Publishd	S4329012232
AT950068	Tectran	S4329012232
R955099A	Wabco	S4329012232
R065152	Bendix	R955065041X
065041X	Bendix	R955065041X
065152X	Bendix	R955065041X
065102X	Bendix	R955065102X
R065103	Bendix	R955065103X
065103X	Bendix	R955065103X
OR5003365X	Bendix	R955065104N
065104	Bendix	R955065104N
65104	Bendix	R955065104N
R065104	Bendix	R955065104X
065104X	Bendix	R955065104X
102165X	Bendix	R955065104X
5003365X	Bendix	R955065104X
R065125	Bendix	R955065125X
065125X	Bendix	R955065125X
065145	Bendix	R955065145N
065145N	Bendix	R955065145N
65145	Bendix	R955065145N
R065145	Bendix	R955065145X
065145X	Bendix	R955065145X
65145RX	Bendix	R955065145X
065146	Bendix	R955065146N
065146N	Bendix	R955065146N
65146	Bendix	R955065146N
R065146	Bendix	R955065146X
065146X	Bendix	R955065146X
65146RX	Bendix	R955065146X
65146X	Bendix	R955065146X
R065156	Bendix	R955065156X
065156X	Bendix	R955065156X
R065157	Bendix	R955065157X
065157X	Bendix	R955065157X
065206	Bendix	R955065206N
065206N	Bendix	R955065206N
65206	Bendix	R955065206N

COMPETITOR PART NUMBER	COMPETITOR NAME	MERITOR PART NUMBER
OR065224	Bendix	R955065224N
OR065224X	Bendix	R955065224N
065224N	Bendix	R955065224N
65224RX	Bendix	R955065224N
OR065224	Bendix	R955065224X
OR065224X	Bendix	R955065224X
R65224	Bendix	R955065224X
065224X	Bendix	R955065224X
65224RX	Bendix	R955065224X
065224XCF	Bendix	R955065224XCF
065225N	Bendix	R955065225N
109685	Bendix	R955065225N
109685N	Bendix	R955065225N
65225	Bendix	R955065225N
065225	Bendix	R955065225NP
65225	Bendix	R955065225NP
R109685	Bendix	R955065225X
R65225	Bendix	R955065225X
R65406	Bendix	R955065225X
R801843	Bendix	R955065225X
065225X	Bendix	R955065225X
065406X	Bendix	R955065225X
109685X	Bendix	R955065225X
801843	Bendix	R955065225X
109685	Bendix	R955065225XCF
65225	Bendix	R955065225XCF
R65226	Bendix	R955065226X
065226X	Bendix	R955065226X
065228X	Bendix	R955065228X
065243X	Bendix	R955065243X
065303	Bendix	R955065303N
065303N	Bendix	R955065303N
65303	Bendix	R955065303N
K065313	Bendix	R955065313X
R65313	Bendix	R955065313X
R800629	Bendix	R955065313X
065313X	Bendix	R955065313X
800629	Bendix	R955065313X
065395X	Bendix	R955065395X
K033221	Bendix	R955065437N
R107539	Bendix	R955065437N
R109615	Bendix	R955065437N
R109619	Bendix	R955065437N
R65437	Bendix	R955065437N
065437	Bendix	R955065437N
065437N	Bendix	R955065437N

COMPETITOR PART NUMBER	COMPETITOR NAME	MERITOR PART NUMBER
065437X	Bendix	R955065437N
107539	Bendix	R955065437N
107539N	Bendix	R955065437N
109615X	Bendix	R955065437N
109619X	Bendix	R955065437N
65437	Bendix	R955065437N
K033223	Bendix	R955065439N
065439	Bendix	R955065439N
65439	Bendix	R955065439N
065499X	Bendix	R955065499X
065605X	Bendix	R955065605X
65612	Bendix	R955065612N
065624	Bendix	R955065624N
065624N	Bendix	R955065624N
65624	Bendix	R955065624N
0656547X	Bendix	R955065647X
065677N	Bendix	R955065677N
65677	Bendix	R955065677N
OR101100	Bendix	R955101100X
OR101100X	Bendix	R955101100X
R101100	Bendix	R955101100X
101100N	Bendix	R955101100X
101100RX	Bendix	R955101100X
101100X	Bendix	R955101100X
OR101112	Bendix	R955101112N
101112	Bendix	R955101112N
101112N	Bendix	R955101112N
R101112	Bendix	R955101112X
101112RX	Bendix	R955101112X
101112X	Bendix	R955101112X
R101143	Bendix	R955101143X
101143X	Bendix	R955101143X
R101158	Bendix	R955101158X
101158X	Bendix	R955101158X
R101242	Bendix	R955101242X
101242X	Bendix	R955101242X
R101245	Bendix	R955101245X
101245X	Bendix	R955101245X
K095875	Bendix	R955101437N
101437	Bendix	R955101437N
101437N	Bendix	R955101437N
R101437	Bendix	R955101437X
101437X	Bendix	R955101437X
R101569	Bendix	R955101569X
101569X	Bendix	R955101569X
R101570	Bendix	R955101570X

All Euclid Air Systems components were superseded to their Meritor part number equivalents effective February 2018.

COMPETITIVE

COMPETITIVE CROSS REFERENCE

COMPETITOR PART NUMBER	COMPETITOR NAME	MERITOR PART NUMBER	COMPETITOR PART NUMBER	COMPETITOR NAME	MERITOR PART NUMBER	COMPETITOR PART NUMBER	COMPETITOR NAME	MERITOR PART NUMBER
101570X	Bendix	R955101570X	103028	Bendix	R955103028N	K103980	Bendix	R955103980N
R101622	Bendix	R955101622X	103028N	Bendix	R955103028N	103980	Bendix	R955103980N
101622X	Bendix	R955101622X	R103028	Bendix	R955103028X	K103981	Bendix	R955103981N
OR101818	Bendix	R955101818N	103028RX	Bendix	R955103028X	103981	Bendix	R955103981N
OR101818X	Bendix	R955101818N	103028X	Bendix	R955103028X	103981N	Bendix	R955103981N
101818	Bendix	R955101818N	OR103061	Bendix	R955103061N	K104039	Bendix	R955104039X
101818N	Bendix	R955101818N	103061	Bendix	R955103061N	R104039	Bendix	R955104039X
R101818	Bendix	R955101818X	103061N	Bendix	R955103061N	104039	Bendix	R955104039X
101818RX	Bendix	R955101818X	R103061	Bendix	R955103061X	104039X	Bendix	R955104039X
101818X	Bendix	R955101818X	103061RX	Bendix	R955103061X	R104165	Bendix	R955104165X
R101900	Bendix	R955101900X	103061X	Bendix	R955103061X	104165RX	Bendix	R955104165X
101900X	Bendix	R955101900X	OR103081	Bendix	R955103081N	104165X	Bendix	R955104165X
OR101900	Bendix	R955101900XCF	OR103081X	Bendix	R955103081N	K104345	Bendix	R955104345X
OR101900X	Bendix	R955101900XCF	R103081	Bendix	R955103081N	R104345	Bendix	R955104345X
101900	Bendix	R955101900XCF	103081	Bendix	R955103081N	104345X	Bendix	R955104345X
K102638	Bendix	R955102638X	103081N	Bendix	R955103081N	K104358	Bendix	R955104358X
R102638	Bendix	R955102638X	103081RX	Bendix	R955103081N	R104358	Bendix	R955104358X
102638X	Bendix	R955102638X	103081X	Bendix	R955103081N	104358RX	Bendix	R955104358X
102657	Bendix	R955102657N	R103139	Bendix	R955103139X	104358X	Bendix	R955104358X
102657N	Bendix	R955102657N	103139X	Bendix	R955103139X	104358	Bendix	R955104358XCF
R102674	Bendix	R955102674X	R103195	Bendix	R955103195X	K104561	Bendix	R955104561N
102674TPX	Bendix	R955102674X	103195X	Bendix	R955103195X	OR104561	Bendix	R955104561N
102674X	Bendix	R955102674X	R103274	Bendix	R955103274X	OR104561X	Bendix	R955104561N
R102761	Bendix	R955102761X	103274	Bendix	R955103274X	R104561	Bendix	R955104561N
102761RX	Bendix	R955102761X	103274X	Bendix	R955103274X	104561RX	Bendix	R955104561N
102761X	Bendix	R955102761X	R103278	Bendix	R955103278X	104561X	Bendix	R955104561N
K102835	Bendix	R955102835X	103278	Bendix	R955103278X	R104644	Bendix	R955104644X
R102835	Bendix	R955102835X	103278X	Bendix	R955103278X	104644X	Bendix	R955104644X
102835	Bendix	R955102835X	R103294	Bendix	R955103294X	106165N	Bendix	R955106165N
102835X	Bendix	R955102835X	103294N	Bendix	R955103294X	R106313	Bendix	R955106313X
R102952	Bendix	R955102952X	103294RX	Bendix	R955103294X	106313X	Bendix	R955106313X
102952X	Bendix	R955102952X	103294X	Bendix	R955103294X	R107221	Bendix	R955107221X
R102953	Bendix	R955102953X	K103817	Bendix	R955103817N	107221	Bendix	R955107221X
102953X	Bendix	R955102953X	103817	Bendix	R955103817N	107221X	Bendix	R955107221X
R103009	Bendix	R955103009X	K103817	Bendix	R955103818N	K107433	Bendix	R955107433X
103009RX	Bendix	R955103009X	103818	Bendix	R955103818N	R107433	Bendix	R955107433X
103009X	Bendix	R955103009X	K103835	Bendix	R955103835X	107433X	Bendix	R955107433X
OR103010	Bendix	R955103010N	R103835	Bendix	R955103835X	R065197	Bendix	R955107506X
OR103010X	Bendix	R955103010N	103835RX	Bendix	R955103835X	R107000	Bendix	R955107506X
103010	Bendix	R955103010N	103835X	Bendix	R955103835X	R107506	Bendix	R955107506X
103010N	Bendix	R955103010N	K103879	Bendix	R955103879N	R107974	Bendix	R955107506X
R103010	Bendix	R955103010X	103879	Bendix	R955103879N	R107975	Bendix	R955107506X
103010RX	Bendix	R955103010X	R103912	Bendix	R955103912X	R108583	Bendix	R955107506X
103010X	Bendix	R955103010X	103912RX	Bendix	R955103912X	R109197	Bendix	R955107506X
OR103028	Bendix	R955103028N	103912X	Bendix	R955103912X	R5001710	Bendix	R955107506X
OR103028X	Bendix	R955103028N	103976X	Bendix	R955103976X	R5003264	Bendix	R955107506X

All Euclid Air Systems components were superseded to their Meritor part number equivalents effective February 2018.

COMPETITIVE

COMPETITOR PART NUMBER	COMPETITOR NAME	MERITOR PART NUMBER
065197	Bendix	R955107506X
107000	Bendix	R955107506X
107506	Bendix	R955107506X
107506X	Bendix	R955107506X
107974	Bendix	R955107506X
107975	Bendix	R955107506X
108583	Bendix	R955107506X
109197	Bendix	R955107506X
5001710	Bendix	R955107506X
5003264	Bendix	R955107506X
65197	Bendix	R955107506X
R065198	Bendix	R955107507X
R107001	Bendix	R955107507X
R107507	Bendix	R955107507X
R107781	Bendix	R955107507X
R107819	Bendix	R955107507X
R107820	Bendix	R955107507X
R108584	Bendix	R955107507X
R109198	Bendix	R955107507X
R5001711	Bendix	R955107507X
R5003265	Bendix	R955107507X
R5012943	Bendix	R955107507X
065198	Bendix	R955107507X
107001	Bendix	R955107507X
107507	Bendix	R955107507X
107507X	Bendix	R955107507X
107781	Bendix	R955107507X
107819	Bendix	R955107507X
107820	Bendix	R955107507X
108584	Bendix	R955107507X
109198	Bendix	R955107507X
5001711	Bendix	R955107507X
5003265	Bendix	R955107507X
5012943	Bendix	R955107507X
65198	Bendix	R955107507X
R065199	Bendix	R955107508X
R107002	Bendix	R955107508X
R107508	Bendix	R955107508X
R107779	Bendix	R955107508X
R107871	Bendix	R955107508X
R109320	Bendix	R955107508X
R5000641	Bendix	R955107508X
R5005420	Bendix	R955107508X
R5005483	Bendix	R955107508X
R5006823	Bendix	R955107508X
065199	Bendix	R955107508X

COMPETITOR PART NUMBER	COMPETITOR NAME	MERITOR PART NUMBER
107002	Bendix	R955107508X
107508	Bendix	R955107508X
107508X	Bendix	R955107508X
107779	Bendix	R955107508X
107871	Bendix	R955107508X
109320	Bendix	R955107508X
5000641	Bendix	R955107508X
5005420	Bendix	R955107508X
5005483	Bendix	R955107508X
5006823	Bendix	R955107508X
65199	Bendix	R955107508X
R065200	Bendix	R955107509X
R107003	Bendix	R955107509X
R107509	Bendix	R955107509X
R107914	Bendix	R955107509X
R108969	Bendix	R955107509X
R108986	Bendix	R955107509X
R5006822	Bendix	R955107509X
065200	Bendix	R955107509X
107003	Bendix	R955107509X
107509	Bendix	R955107509X
107509X	Bendix	R955107509X
107914	Bendix	R955107509X
108969	Bendix	R955107509X
108986	Bendix	R955107509X
5006822	Bendix	R955107509X
65200	Bendix	R955107509X
R065201	Bendix	R955107510X
R107004	Bendix	R955107510X
R107510	Bendix	R955107510X
R107780	Bendix	R955107510X
065201	Bendix	R955107510X
107004	Bendix	R955107510X
107510	Bendix	R955107510X
107510X	Bendix	R955107510X
107780	Bendix	R955107510X
65201	Bendix	R955107510X
R065202	Bendix	R955107511X
R107005	Bendix	R955107511X
R107511	Bendix	R955107511X
R108018	Bendix	R955107511X
065202	Bendix	R955107511X
107005	Bendix	R955107511X
107511X	Bendix	R955107511X
108018	Bendix	R955107511X
65202	Bendix	R955107511X

COMPETITOR PART NUMBER	COMPETITOR NAME	MERITOR PART NUMBER
R065203	Bendix	R955107512X
R107006	Bendix	R955107512X
R107512	Bendix	R955107512X
R107782	Bendix	R955107512X
R108295	Bendix	R955107512X
065203	Bendix	R955107512X
107006	Bendix	R955107512X
107512	Bendix	R955107512X
107512X	Bendix	R955107512X
107782	Bendix	R955107512X
108295	Bendix	R955107512X
65203	Bendix	R955107512X
R065204	Bendix	R955107513X
R107007	Bendix	R955107513X
R107099	Bendix	R955107513X
R107513	Bendix	R955107513X
065204	Bendix	R955107513X
107007	Bendix	R955107513X
107099	Bendix	R955107513X
107513	Bendix	R955107513X
107513X	Bendix	R955107513X
65204	Bendix	R955107513X
R065205	Bendix	R955107514X
R065302	Bendix	R955107514X
R107008	Bendix	R955107514X
R107098	Bendix	R955107514X
R107514	Bendix	R955107514X
R108111	Bendix	R955107514X
R108112	Bendix	R955107514X
R108277	Bendix	R955107514X
R108588	Bendix	R955107514X
R108589	Bendix	R955107514X
R5000130	Bendix	R955107514X
R5000594	Bendix	R955107514X
R5005028	Bendix	R955107514X
065205	Bendix	R955107514X
065302	Bendix	R955107514X
107008	Bendix	R955107514X
107098	Bendix	R955107514X
107514	Bendix	R955107514X
107514X	Bendix	R955107514X
108111	Bendix	R955107514X
108112	Bendix	R955107514X
108277	Bendix	R955107514X
108277X	Bendix	R955107514X
108588	Bendix	R955107514X

All Euclid Air Systems components were superseded to their Meritor part number equivalents effective February 2018.

COMPETITIVE CROSS REFERENCE

COMPETITOR PART NUMBER	COMPETITOR NAME	MERITOR PART NUMBER	COMPETITOR PART NUMBER	COMPETITOR NAME	MERITOR PART NUMBER	COMPETITOR PART NUMBER	COMPETITOR NAME	MERITOR PART NUMBER
108589	Bendix	R955107514X	065671	Bendix	R955107623X	R108730	Bendix	R955107981X
5000130	Bendix	R955107514X	107051	Bendix	R955107623X	R108987	Bendix	R955107981X
5000594	Bendix	R955107514X	107096	Bendix	R955107623X	R109136	Bendix	R955107981X
5005028	Bendix	R955107514X	107623	Bendix	R955107623X	R109253	Bendix	R955107981X
65205	Bendix	R955107514X	107623X	Bendix	R955107623X	R109522	Bendix	R955107981X
65302	Bendix	R955107514X	107784	Bendix	R955107623X	R109637	Bendix	R955107981X
107515	Bendix	R955107515N	109868	Bendix	R955107623X	R109882	Bendix	R955107981X
107515K	Bendix	R955107515N	5000191	Bendix	R955107623X	R5000559	Bendix	R955107981X
107515N	Bendix	R955107515N	5000193	Bendix	R955107623X	065273	Bendix	R955107981X
107516	Bendix	R955107516N	65217	Bendix	R955107623X	107979	Bendix	R955107981X
107516K	Bendix	R955107516N	65671	Bendix	R955107623X	107979X	Bendix	R955107981X
107516N	Bendix	R955107516N	800017	Bendix	R955107623X	107980	Bendix	R955107981X
R107539	Bendix	R955107539X	107695	Bendix	R955107695N	107980X	Bendix	R955107981X
107539X	Bendix	R955107539X	107794PGX	Bendix	R955107794PGX	107981	Bendix	R955107981X
R065216	Bendix	R955107622X	107794X	Bendix	R955107794PGXCF	107981X	Bendix	R955107981X
R065672	Bendix	R955107622X	R107794	Bendix	R955107794X	108193	Bendix	R955107981X
R107042	Bendix	R955107622X	107794X	Bendix	R955107794X	108194	Bendix	R955107981X
R107622	Bendix	R955107622X	107794	Bendix	R955107794XCF	108236	Bendix	R955107981X
R107785	Bendix	R955107622X	107799	Bendix	R955107799N	108237	Bendix	R955107981X
R109867	Bendix	R955107622X	107799N	Bendix	R955107799N	108730	Bendix	R955107981X
R5000190	Bendix	R955107622X	107800	Bendix	R955107800N	108987	Bendix	R955107981X
R5000192	Bendix	R955107622X	107800N	Bendix	R955107800N	109136	Bendix	R955107981X
R800018	Bendix	R955107622X	R065260	Bendix	R955107813X	109253	Bendix	R955107981X
065216	Bendix	R955107622X	R107783	Bendix	R955107813X	109522	Bendix	R955107981X
065672	Bendix	R955107622X	R107812	Bendix	R955107813X	109637	Bendix	R955107981X
107042	Bendix	R955107622X	R107813	Bendix	R955107813X	109882	Bendix	R955107981X
107622	Bendix	R955107622X	R108238	Bendix	R955107813X	5000559	Bendix	R955107981X
107622X	Bendix	R955107622X	R5009746	Bendix	R955107813X	65273	Bendix	R955107981X
107785	Bendix	R955107622X	065260	Bendix	R955107813X	R108076	Bendix	R955108076X
109867	Bendix	R955107622X	107783	Bendix	R955107813X	065437X	Bendix	R955108076X
5000190	Bendix	R955107622X	107812	Bendix	R955107813X	108076X	Bendix	R955108076X
5000192	Bendix	R955107622X	107813	Bendix	R955107813X	R065288	Bendix	R955108110X
65216	Bendix	R955107622X	107813X	Bendix	R955107813X	R108108	Bendix	R955108110X
65672	Bendix	R955107622X	108238	Bendix	R955107813X	R108109	Bendix	R955108110X
800018	Bendix	R955107622X	5009746	Bendix	R955107813X	R108110	Bendix	R955108110X
R065217	Bendix	R955107623X	65260	Bendix	R955107813X	R108456	Bendix	R955108110X
R065671	Bendix	R955107623X	R107896	Bendix	R955107896X	R108457	Bendix	R955108110X
R107051	Bendix	R955107623X	107896X	Bendix	R955107896X	R108467	Bendix	R955108110X
R107096	Bendix	R955107623X	R065273	Bendix	R955107981X	R108468	Bendix	R955108110X
R107623	Bendix	R955107623X	R107979	Bendix	R955107981X	R108924	Bendix	R955108110X
R107784	Bendix	R955107623X	R107980	Bendix	R955107981X	065288	Bendix	R955108110X
R109868	Bendix	R955107623X	R107981	Bendix	R955107981X	108108	Bendix	R955108110X
R5000191	Bendix	R955107623X	R108193	Bendix	R955107981X	108109	Bendix	R955108110X
R5000193	Bendix	R955107623X	R108194	Bendix	R955107981X	108110	Bendix	R955108110X
R800017	Bendix	R955107623X	R108236	Bendix	R955107981X	108110X	Bendix	R955108110X
065217	Bendix	R955107623X	R108237	Bendix	R955107981X	108456	Bendix	R955108110X

COMPETITIVE

All Euclid Air Systems components were superseded to their Meritor part number equivalents effective February 2018.

COMPETITIVE CROSS REFERENCE

COMPETITIVE

COMPETITOR PART NUMBER	COMPETITOR NAME	MERITOR PART NUMBER
108457	Bendix	R955108110X
108467	Bendix	R955108110X
108468	Bendix	R955108110X
108924	Bendix	R955108110X
65288	Bendix	R955108110X
R108272	Bendix	R955108272X
108272X	Bendix	R955108272X
109073	Bendix	R955108272X
109073X	Bendix	R955108272X
R065334	Bendix	R955108557X
R108556	Bendix	R955108557X
R108557	Bendix	R955108557X
065334	Bendix	R955108557X
108556	Bendix	R955108557X
108556X	Bendix	R955108557X
108557	Bendix	R955108557X
108557X	Bendix	R955108557X
65334	Bendix	R955108557X
R065376	Bendix	R955108804X
R108803	Bendix	R955108804X
R108804	Bendix	R955108804X
R109013	Bendix	R955108804X
R109212	Bendix	R955108804X
065376	Bendix	R955108804X
108803	Bendix	R955108804X
108804	Bendix	R955108804X
108804X	Bendix	R955108804X
109013	Bendix	R955108804X
109212	Bendix	R955108804X
65376	Bendix	R955108804X
R065387	Bendix	R955108866X
R108864	Bendix	R955108866X
R108865	Bendix	R955108866X
R108866	Bendix	R955108866X
R5003728	Bendix	R955108866X
R800354	Bendix	R955108866X
065387	Bendix	R955108866X
108864	Bendix	R955108866X
108865	Bendix	R955108866X
108866	Bendix	R955108866X
108866X	Bendix	R955108866X
5003728	Bendix	R955108866X
5003728X	Bendix	R955108866X
65387	Bendix	R955108866X
800354	Bendix	R955108866X
R065388	Bendix	R955108869X

COMPETITOR PART NUMBER	COMPETITOR NAME	MERITOR PART NUMBER
R108867	Bendix	R955108869X
R108868	Bendix	R955108869X
R108869	Bendix	R955108869X
R5003729	Bendix	R955108869X
R800355	Bendix	R955108869X
065388	Bendix	R955108869X
108867	Bendix	R955108869X
108867X	Bendix	R955108869X
108868	Bendix	R955108869X
108868X	Bendix	R955108869X
108869	Bendix	R955108869X
108869X	Bendix	R955108869X
5003729	Bendix	R955108869X
5003729X	Bendix	R955108869X
65388	Bendix	R955108869X
800355	Bendix	R955108869X
109111X	Bendix	R955109111X
R065475	Bendix	R955109251X
R109250	Bendix	R955109251X
R109251	Bendix	R955109251X
R109279	Bendix	R955109251X
R109335	Bendix	R955109251X
R5003645	Bendix	R955109251X
R5003646	Bendix	R955109251X
R5006824	Bendix	R955109251X
065475	Bendix	R955109251X
109250	Bendix	R955109251X
109250X	Bendix	R955109251X
109251	Bendix	R955109251X
109251X	Bendix	R955109251X
109279	Bendix	R955109251X
109335	Bendix	R955109251X
5003645	Bendix	R955109251X
5003646	Bendix	R955109251X
5006824	Bendix	R955109251X
65475	Bendix	R955109251X
R109273	Bendix	R955109273X
109273	Bendix	R955109273X
109273X	Bendix	R955109273X
109477	Bendix	R955109477PGX
109477PGX	Bendix	R955109477PGX
109477PGX	Bendix	R955109477PGXCF
R065612	Bendix	R955109477X
R065613	Bendix	R955109477X
R109465	Bendix	R955109477X
R109469	Bendix	R955109477X

COMPETITOR PART NUMBER	COMPETITOR NAME	MERITOR PART NUMBER
R109477	Bendix	R955109477X
R131038	Bendix	R955109477X
R131066	Bendix	R955109477X
R131080	Bendix	R955109477X
R5000154	Bendix	R955109477X
R5000155	Bendix	R955109477X
R5000156	Bendix	R955109477X
R5000213	Bendix	R955109477X
R5000214	Bendix	R955109477X
R5000794	Bendix	R955109477X
R5001740	Bendix	R955109477X
R5002900	Bendix	R955109477X
R5003976	Bendix	R955109477X
R5005270	Bendix	R955109477X
R5005697	Bendix	R955109477X
R5006591	Bendix	R955109477X
R5006634	Bendix	R955109477X
R5006848	Bendix	R955109477X
R5006879	Bendix	R955109477X
R5007270	Bendix	R955109477X
R5009817	Bendix	R955109477X
R65612	Bendix	R955109477X
R800021	Bendix	R955109477X
R800089	Bendix	R955109477X
R800551	Bendix	R955109477X
065612	Bendix	R955109477X
065613	Bendix	R955109477X
109465	Bendix	R955109477X
109469	Bendix	R955109477X
109477	Bendix	R955109477X
109477X	Bendix	R955109477X
131038	Bendix	R955109477X
131066	Bendix	R955109477X
131080	Bendix	R955109477X
5000154	Bendix	R955109477X
5000155	Bendix	R955109477X
5000156	Bendix	R955109477X
5000213	Bendix	R955109477X
5000214	Bendix	R955109477X
5000794	Bendix	R955109477X
5001740	Bendix	R955109477X
5002900	Bendix	R955109477X
5003976	Bendix	R955109477X
5005270	Bendix	R955109477X
5005697	Bendix	R955109477X
5006591	Bendix	R955109477X

All Euclid Air Systems components were superseded to their Meritor part number equivalents effective February 2018.

COMPETITIVE CROSS REFERENCE

COMPETITOR PART NUMBER	COMPETITOR NAME	MERITOR PART NUMBER
5006634	Bendix	R955109477X
5006848	Bendix	R955109477X
5006879	Bendix	R955109477X
5007270	Bendix	R955109477X
5009817	Bendix	R955109477X
65612	Bendix	R955109477X
65613	Bendix	R955109477X
800021	Bendix	R955109477X
800551	Bendix	R955109477X
109477	Bendix	R955109477XCF
R065613	Bendix	R955109478X
R109466	Bendix	R955109478X
R109470	Bendix	R955109478X
R109478	Bendix	R955109478X
R5003294	Bendix	R955109478X
R5005387	Bendix	R955109478X
R5005702	Bendix	R955109478X
R5007252	Bendix	R955109478X
R5009413	Bendix	R955109478X
R65613	Bendix	R955109478X
065613	Bendix	R955109478X
109466	Bendix	R955109478X
109470	Bendix	R955109478X
109478	Bendix	R955109478X
109478X	Bendix	R955109478X
5003294	Bendix	R955109478X
5005387	Bendix	R955109478X
5005702	Bendix	R955109478X
5007252	Bendix	R955109478X
5009413	Bendix	R955109478X
65613	Bendix	R955109478X
801105	Bendix	R955109478X
109478XCF	Bendix	R955109478XCF
109493	Bendix	R955109493PGX
109493PGX	Bendix	R955109493PGX
5004818	Bendix	R955109493PGX
109493X	Bendix	R955109493PGXCF
R109493	Bendix	R955109493X
109493	Bendix	R955109493X
109493X	Bendix	R955109493X
5004818	Bendix	R955109493X
OR109493	Bendix	R955109493XCF
OR109493X	Bendix	R955109493XCF
109493	Bendix	R955109493XCF
109495	Bendix	R955109495N
109496	Bendix	R955109496N

COMPETITOR PART NUMBER	COMPETITOR NAME	MERITOR PART NUMBER
109477X	Bendix	R955109503X
109503	Bendix	R955109503X
109503X	Bendix	R955109503X
109578	Bendix	R955109578N
109578N	Bendix	R955109578N
109579	Bendix	R955109579N
109579N	Bendix	R955109579N
R065240	Bendix	R955109604X
R065607	Bendix	R955109604X
R107023	Bendix	R955109604X
R107043	Bendix	R955109604X
R107053	Bendix	R955109604X
R108732	Bendix	R955109604X
R108989	Bendix	R955109604X
R109545	Bendix	R955109604X
R109546	Bendix	R955109604X
R109547	Bendix	R955109604X
R109604	Bendix	R955109604X
R5005418	Bendix	R955109604X
R5005473	Bendix	R955109604X
R5006821	Bendix	R955109604X
065240	Bendix	R955109604X
065607	Bendix	R955109604X
107023	Bendix	R955109604X
107043	Bendix	R955109604X
107053	Bendix	R955109604X
108732	Bendix	R955109604X
108989	Bendix	R955109604X
109545	Bendix	R955109604X
109546	Bendix	R955109604X
109547	Bendix	R955109604X
109604	Bendix	R955109604X
109604X	Bendix	R955109604X
5005418	Bendix	R955109604X
5005473	Bendix	R955109604X
5006821	Bendix	R955109604X
65240	Bendix	R955109604X
65607	Bendix	R955109604X
OR109615	Bendix	R955109615N
065437	Bendix	R955109615N
109615	Bendix	R955109615N
109615X	Bendix	R955109615N
OR109617	Bendix	R955109617N
OR109617X	Bendix	R955109617N
065439N	Bendix	R955109617N
109617	Bendix	R955109617N

COMPETITOR PART NUMBER	COMPETITOR NAME	MERITOR PART NUMBER
R065641	Bendix	R955109653X
R109649	Bendix	R955109653X
R109653	Bendix	R955109653X
R5012665	Bendix	R955109653X
R801506	Bendix	R955109653X
065641	Bendix	R955109653X
109649	Bendix	R955109653X
109653	Bendix	R955109653X
109653X	Bendix	R955109653X
5012665	Bendix	R955109653X
65641	Bendix	R955109653X
801506	Bendix	R955109653X
109659	Bendix	R955109659X
109659X	Bendix	R955109659X
K109685	Bendix	R955109685HX
R109685	Bendix	R955109685HX
R5009378	Bendix	R955109685HX
109685	Bendix	R955109685HX
109685HX	Bendix	R955109685HX
109685X	Bendix	R955109685HX
5009378X	Bendix	R955109685HX
K109685	Bendix	R955109685N
109685	Bendix	R955109685N
109685N	Bendix	R955109685N
K109685	Bendix	R955109685NP
109685	Bendix	R955109685NP
K109685	Bendix	R955109685PGX
109685PG	Bendix	R955109685PGX
109685PGX	Bendix	R955109685PGX
109685PX	Bendix	R955109685PGX
109685PGX	Bendix	R955109685PGXCF
109685XP	Bendix	R955109685XP
109685XPCF	Bendix	R955109685XPCF
109687	Bendix	R955109687X
109687X	Bendix	R955109687X
109688X	Bendix	R955109688X
109689	Bendix	R955109689N
109689X	Bendix	R955109689PGXCF
109685X	Bendix	R955109689X
109689	Bendix	R955109689X
109689X	Bendix	R955109689X
5002063	Bendix	R955109689X
5002063X	Bendix	R955109689X
109690	Bendix	R955109690X
109690X	Bendix	R955109690X
109691	Bendix	R955109691X

COMPETITIVE

All Euclid Air Systems components were superseded to their Meritor part number equivalents effective February 2018.

COMPETITOR PART NUMBER	COMPETITOR NAME	MERITOR PART NUMBER	COMPETITOR PART NUMBER	COMPETITOR NAME	MERITOR PART NUMBER	COMPETITOR PART NUMBER	COMPETITOR NAME	MERITOR PART NUMBER
109691X	Bendix	R955109691X	228344X	Bendix	R955228344X	R229562	Bendix	R955229562X
109869	Bendix	R955109869N	R228443	Bendix	R955228443X	229562X	Bendix	R955229562X
109869N	Bendix	R955109869N	228443TPX	Bendix	R955228443X	R229608	Bendix	R955229608X
298948	Bendix	R955109869N	228443X	Bendix	R955228443X	229608RX	Bendix	R955229608X
109869	Bendix	R955109871N	R228451	Bendix	R955228451X	229608X	Bendix	R955229608X
109871	Bendix	R955109871N	228451X	Bendix	R955228451X	OR229635	Bendix	R955229635N
109871N	Bendix	R955109871N	K108140	Bendix	R955228520X	OR229635X	Bendix	R955229635N
298948	Bendix	R955109871N	R228520	Bendix	R955228520X	R229635	Bendix	R955229635N
109991PGX	Bendix	R955109991PGX	228520RX	Bendix	R955228520X	229635	Bendix	R955229635N
109991X	Bendix	R955109991X	228520X	Bendix	R955228520X	229635N	Bendix	R955229635N
109991	Bendix	R955109991XCF	228600	Bendix	R955228600N	229635RX	Bendix	R955229635N
800887	Bendix	R955109991XCF	274746N	Bendix	R955228600N	229635X	Bendix	R955229635N
800887PG	Bendix	R955109991XCF	228750	Bendix	R955228750N	OR229813	Bendix	R955229813N
109992PGX	Bendix	R955109992PGX	228750N	Bendix	R955228750N	OR229813X	Bendix	R955229813N
109992X	Bendix	R955109992X	R228750	Bendix	R955228750X	229813	Bendix	R955229813N
109992XCF	Bendix	R955109992XCF	228750X	Bendix	R955228750X	229813N	Bendix	R955229813N
109993	Bendix	R955109993N	R229467	Bendix	R955229467X	229813RX	Bendix	R955229813N
109995	Bendix	R955109995N	R229567	Bendix	R955229467X	R229859	Bendix	R955229859X
131081	Bendix	R955131081N	229467X	Bendix	R955229467X	229859RX	Bendix	R955229859X
131081N	Bendix	R955131081N	229567X	Bendix	R955229467X	229859X	Bendix	R955229859X
205105	Bendix	R955205105N	R229500	Bendix	R955229500N	R229990	Bendix	R955229990X
205105N	Bendix	R955205105N	229500RX	Bendix	R955229500N	229990N	Bendix	R955229990X
R227320	Bendix	R955227320X	229500X	Bendix	R955229500N	229990RX	Bendix	R955229990X
227320X	Bendix	R955227320X	OR229501	Bendix	R955229501N	229990X	Bendix	R955229990X
R227321	Bendix	R955227321X	OR229501X	Bendix	R955229501N	R275491	Bendix	R955275491X
227321X	Bendix	R955227321X	R229501	Bendix	R955229501N	275491N	Bendix	R955275491X
R227355	Bendix	R955227355X	229501RX	Bendix	R955229501N	275491RX	Bendix	R955275491X
227355X	Bendix	R955227355X	229501X	Bendix	R955229501N	275491X	Bendix	R955275491X
R227400	Bendix	R955227400X	277863X	Bendix	R955229501N	R275509	Bendix	R955275509X
227400TPX	Bendix	R955227400X	OR229505	Bendix	R955229505N	275509X	Bendix	R955275509X
227400X	Bendix	R955227400X	OR229505X	Bendix	R955229505N	275707X	Bendix	R955275707X
R227406	Bendix	R955227406X	R229505	Bendix	R955229505N	R275834	Bendix	R955275834X
227406X	Bendix	R955227406X	229505	Bendix	R955229505N	275834X	Bendix	R955275834X
R227407	Bendix	R955227407X	229505N	Bendix	R955229505N	R276111	Bendix	R955276111X
227407TPX	Bendix	R955227407X	229505RX	Bendix	R955229505N	276111X	Bendix	R955276111X
227407X	Bendix	R955227407X	229505X	Bendix	R955229505N	R276272	Bendix	R955276272X
227870	Bendix	R955227870N	OR229507	Bendix	R955229507N	276272RX	Bendix	R955276272X
800373	Bendix	R955227870N	OR229507X	Bendix	R955229507N	276272X	Bendix	R955276272X
227871	Bendix	R955227871N	229507N	Bendix	R955229507N	OR276462	Bendix	R955276462N
800372	Bendix	R955227871N	229507RX	Bendix	R955229507N	276462	Bendix	R955276462N
K108140	Bendix	R955228050X	OR229509	Bendix	R955229509N	R275250	Bendix	R955276462X
228050X	Bendix	R955228050X	OR229509X	Bendix	R955229509N	R276462	Bendix	R955276462X
R228138	Bendix	R955228138X	229509N	Bendix	R955229509N	275250X	Bendix	R955276462X
228138X	Bendix	R955228138X	229509RX	Bendix	R955229509N	276462RX	Bendix	R955276462X
R228344	Bendix	R955228344X	R229544	Bendix	R955229544X	276462X	Bendix	R955276462X
228344	Bendix	R955228344X	229544X	Bendix	R955229544X	OR276566	Bendix	R955276566N

All Euclid Air Systems components were superseded to their Meritor part number equivalents effective February 2018.

COMPETITIVE CROSS REFERENCE

COMPETITOR PART NUMBER	COMPETITOR NAME	MERITOR PART NUMBER	COMPETITOR PART NUMBER	COMPETITOR NAME	MERITOR PART NUMBER	COMPETITOR PART NUMBER	COMPETITOR NAME	MERITOR PART NUMBER
OR276566X	Bendix	R955276566N	277920X	Bendix	R955277920X	R279176	Bendix	R955279176X
276566	Bendix	R955276566N	R278445	Bendix	R955278445X	279176X	Bendix	R955279176X
276566N	Bendix	R955276566N	278445X	Bendix	R955278445X	OR279180X	Bendix	R955279180N
R276566	Bendix	R955276566X	R278452	Bendix	R955278452X	279180	Bendix	R955279180N
276566RX	Bendix	R955276566X	278452X	Bendix	R955278452X	279180N	Bendix	R955279180N
276566X	Bendix	R955276566X	R278482	Bendix	R955278482N	279180RX	Bendix	R955279180N
R276567	Bendix	R955276567X	278482N	Bendix	R955278482N	R279180	Bendix	R955279180X
R287054	Bendix	R955276567X	278482RX	Bendix	R955278482N	279180RX	Bendix	R955279180X
276567RX	Bendix	R955276567X	278482X	Bendix	R955278482N	279180X	Bendix	R955279180X
276567X	Bendix	R955276567X	278598	Bendix	R955278598N	279416	Bendix	R955279416N
287054X	Bendix	R955276567X	R278598	Bendix	R955278598X	279416N	Bendix	R955279416N
R276777	Bendix	R955276777X	278598X	Bendix	R955278598X	R279525	Bendix	R955279525X
276777RX	Bendix	R955276777X	R278605	Bendix	R955278605X	279525X	Bendix	R955279525X
276777X	Bendix	R955276777X	278605X	Bendix	R955278605X	R279556	Bendix	R955279556X
R276961	Bendix	R955276961X	278614	Bendix	R955278614N	279556X	Bendix	R955279556X
276961RX	Bendix	R955276961X	278614N	Bendix	R955278614N	R279580	Bendix	R955279580X
276961TPX	Bendix	R955276961X	278615	Bendix	R955278615N	279580X	Bendix	R955279580X
276961X	Bendix	R955276961X	278615N	Bendix	R955278615N	279614	Bendix	R955279614N
R276962	Bendix	R955276962X	R278615	Bendix	R955278615X	279615	Bendix	R955279615N
276962RX	Bendix	R955276962X	278615N	Bendix	R955278615X	279615K	Bendix	R955279615N
276962X	Bendix	R955276962X	278615X	Bendix	R955278615X	279615N	Bendix	R955279615N
R276978	Bendix	R955276978X	278825	Bendix	R955278825N	R279692	Bendix	R955279692X
276978X	Bendix	R955276978X	278825N	Bendix	R955278825N	279692RX	Bendix	R955279692X
OR277147X	Bendix	R955277147N	R278825	Bendix	R955278825X	279692X	Bendix	R955279692X
277147	Bendix	R955277147N	278825N	Bendix	R955278825X	R279787	Bendix	R955279787X
277147N	Bendix	R955277147N	278825X	Bendix	R955278825X	279787X	Bendix	R955279787X
277147RX	Bendix	R955277147N	OR278998	Bendix	R955278998N	R279839	Bendix	R955279839X
277148N	Bendix	R955277148X	OR278998X	Bendix	R955278998N	279839X	Bendix	R955279839X
277148RX	Bendix	R955277148X	R278998	Bendix	R955278998N	OR279950	Bendix	R955279950N
277148X	Bendix	R955277148X	278998RX	Bendix	R955278998N	OR279950X	Bendix	R955279950N
R277226	Bendix	R955277226X	278998X	Bendix	R955278998N	R279950	Bendix	R955279950N
277226N	Bendix	R955277226X	OR279000	Bendix	R955279000N	279950	Bendix	R955279950N
277226RX	Bendix	R955277226X	OR279000X	Bendix	R955279000N	279950N	Bendix	R955279950N
277226X	Bendix	R955277226X	R279000	Bendix	R955279000N	279950RX	Bendix	R955279950N
R277799	Bendix	R955277799X	279000	Bendix	R955279000N	279950X	Bendix	R955279950N
277799X	Bendix	R955277799X	279000N	Bendix	R955279000N	OR279952	Bendix	R955279952N
R277855	Bendix	R955277855X	279000RX	Bendix	R955279000N	OR279952X	Bendix	R955279952N
277855X	Bendix	R955277855X	279000X	Bendix	R955279000N	279952	Bendix	R955279952N
OR277863	Bendix	R955277863N	R279024	Bendix	R955279024X	279952N	Bendix	R955279952N
OR277863X	Bendix	R955277863N	279024X	Bendix	R955279024X	R279952	Bendix	R955279952X
R277863	Bendix	R955277863N	R279025	Bendix	R955279025X	279952N	Bendix	R955279952X
277863	Bendix	R955277863N	279025X	Bendix	R955279025X	279952RX	Bendix	R955279952X
277863N	Bendix	R955277863N	R279040	Bendix	R955279040N	279952X	Bendix	R955279952X
277863RX	Bendix	R955277863N	279040	Bendix	R955279040N	R279962	Bendix	R955279962X
277863X	Bendix	R955277863N	279040RX	Bendix	R955279040N	279962X	Bendix	R955279962X
R277920	Bendix	R955277920X	279040X	Bendix	R955279040N	R280243	Bendix	R955280243X

COMPETITIVE

All Euclid Air Systems components were superseded to their Meritor part number equivalents effective February 2018.

COMPETITOR PART NUMBER	COMPETITOR NAME	MERITOR PART NUMBER	COMPETITOR PART NUMBER	COMPETITOR NAME	MERITOR PART NUMBER	COMPETITOR PART NUMBER	COMPETITOR NAME	MERITOR PART NUMBER
280243RX	Bendix	R955280243X	281338X	Bendix	R955281338X	R283711	Bendix	R955283711X
280243X	Bendix	R955280243X	R281430	Bendix	R955281430X	283711X	Bendix	R955283711X
OR280375	Bendix	R955280375X	281430X	Bendix	R955281430X	R283808	Bendix	R955283808X
R280375	Bendix	R955280375X	R281587	Bendix	R955281587X	283808X	Bendix	R955283808X
280375RX	Bendix	R955280375X	281587RX	Bendix	R955281587X	R283935	Bendix	R955283935X
280375X	Bendix	R955280375X	281587X	Bendix	R955281587X	283935N	Bendix	R955283935X
R280422	Bendix	R955280422X	R281718	Bendix	R955281718X	283935RX	Bendix	R955283935X
280422X	Bendix	R955280422X	281718X	Bendix	R955281718X	283935X	Bendix	R955283935X
R280454	Bendix	R955280454X	R281761	Bendix	R955281761X	R283940	Bendix	R955283940X
280454RX	Bendix	R955280454X	281761RX	Bendix	R955281761X	283940RX	Bendix	R955283940X
280454X	Bendix	R955280454X	281761X	Bendix	R955281761X	283940X	Bendix	R955283940X
R280501	Bendix	R955280501X	R281797	Bendix	R955281797X	R284010	Bendix	R955284010X
280501X	Bendix	R955280501X	281797X	Bendix	R955281797X	284010X	Bendix	R955284010X
280511	Bendix	R955280511N	OR281860	Bendix	R955281860N	N284142	Bendix	R955284142N
R280551	Bendix	R955280551X	OR281860X	Bendix	R955281860N	R284160	Bendix	R955284160X
280551X	Bendix	R955280551X	281860	Bendix	R955281860N	284160X	Bendix	R955284160X
R280613	Bendix	R955280613X	281860N	Bendix	R955281860N	R284260	Bendix	R955284260X
280613X	Bendix	R955280613X	281860RX	Bendix	R955281860N	284260X	Bendix	R955284260X
R280628	Bendix	R955280628X	OR281923	Bendix	R955281923N	R284358	Bendix	R955284358X
280628X	Bendix	R955280628X	OR281923X	Bendix	R955281923N	284358N	Bendix	R955284358X
R280651	Bendix	R955280651X	281923	Bendix	R955281923N	284358RX	Bendix	R955284358X
280651N	Bendix	R955280651X	281923N	Bendix	R955281923N	284358X	Bendix	R955284358X
280651X	Bendix	R955280651X	R281923	Bendix	R955281923X	OR284412	Bendix	R955284412N
OR280758	Bendix	R955280758X	281923RX	Bendix	R955281923X	OR284412X	Bendix	R955284412N
R280758	Bendix	R955280758X	281923X	Bendix	R955281923X	R284412	Bendix	R955284412N
280758N	Bendix	R955280758X	R281924	Bendix	R955281924X	284412RX	Bendix	R955284412N
280758RX	Bendix	R955280758X	281924RX	Bendix	R955281924X	284412X	Bendix	R955284412N
280758X	Bendix	R955280758X	281924X	Bendix	R955281924X	R284727	Bendix	R955284727X
R280774	Bendix	R955280774X	R282023	Bendix	R955282023X	284727N	Bendix	R955284727X
280774X	Bendix	R955280774X	282023X	Bendix	R955282023X	284727X	Bendix	R955284727X
280809	Bendix	R955280809N	R282620	Bendix	R955282620X	OR284760	Bendix	R955284760N
280809N	Bendix	R955280809N	282620X	Bendix	R955282620X	284760	Bendix	R955284760N
R280809	Bendix	R955280809X	R282621	Bendix	R955282621X	284760N	Bendix	R955284760N
280809X	Bendix	R955280809X	282621X	Bendix	R955282621X	284760RX	Bendix	R955284760N
OR281024	Bendix	R955281024N	R282749	Bendix	R955282749X	R284760	Bendix	R955284760X
OR281024X	Bendix	R955281024N	282749X	Bendix	R955282749X	284760RX	Bendix	R955284760X
R281024	Bendix	R955281024N	R283046	Bendix	R955283046X	284760X	Bendix	R955284760X
281024RX	Bendix	R955281024N	283046X	Bendix	R955283046X	R285107	Bendix	R955285107X
281024X	Bendix	R955281024N	R283577	Bendix	R955283577X	285107X	Bendix	R955285107X
R281086	Bendix	R955281086X	283577X	Bendix	R955283577X	R285275	Bendix	R955285275X
281086X	Bendix	R955281086X	R283644	Bendix	R955283644X	285275X	Bendix	R955285275X
R281112	Bendix	R955281112X	283644X	Bendix	R955283644X	OR286171	Bendix	R955286171XCF
281112X	Bendix	R955281112X	R283664	Bendix	R955283664X	OR286364	Bendix	R955286364N
R281157	Bendix	R955281157X	283664X	Bendix	R955283664X	OR286364X	Bendix	R955286364N
281157X	Bendix	R955281157X	R283692	Bendix	R955283692X	286364	Bendix	R955286364N
R281338	Bendix	R955281338X	283692X	Bendix	R955283692X	286364N	Bendix	R955286364N

All Euclid Air Systems components were superseded to their Meritor part number equivalents effective February 2018.

COMPETITIVE CROSS REFERENCE

COMPETITOR PART NUMBER	COMPETITOR NAME	MERITOR PART NUMBER	COMPETITOR PART NUMBER	COMPETITOR NAME	MERITOR PART NUMBER	COMPETITOR PART NUMBER	COMPETITOR NAME	MERITOR PART NUMBER
R286364	Bendix	R955286364X	R285991	Bendix	R955286543X	286623X	Bendix	R955286623X
286364RX	Bendix	R955286364X	R285992	Bendix	R955286543X	R286775	Bendix	R955286775X
286364X	Bendix	R955286364X	R286543	Bendix	R955286543X	286775RX	Bendix	R955286775X
OR286370	Bendix	R955286370N	285991	Bendix	R955286543X	286775X	Bendix	R955286775X
OR286370X	Bendix	R955286370N	285991N	Bendix	R955286543X	R286836	Bendix	R955286836X
R286370	Bendix	R955286370N	285992	Bendix	R955286543X	286836X	Bendix	R955286836X
286370	Bendix	R955286370N	286543X	Bendix	R955286543X	R286892	Bendix	R955286892N
286370N	Bendix	R955286370N	R286544	Bendix	R955286544X	286892X	Bendix	R955286892N
286370RX	Bendix	R955286370N	R288982	Bendix	R955286544X	2869892N	Bendix	R955286892N
286370X	Bendix	R955286370N	286544	Bendix	R955286544X	286934	Bendix	R955286934XCF
OR286371	Bendix	R955286371N	286544X	Bendix	R955286544X	R286936	Bendix	R955286936X
OR286371X	Bendix	R955286371N	288982	Bendix	R955286544X	286936N	Bendix	R955286936X
R286371	Bendix	R955286371N	R286554	Bendix	R955286554X	286936X	Bendix	R955286936X
286371RX	Bendix	R955286371N	286554	Bendix	R955286554X	287043	Bendix	R955287043N
286371X	Bendix	R955286371N	286554X	Bendix	R955286554X	287043N	Bendix	R955287043N
R286471	Bendix	R955286471X	R286555	Bendix	R955286555X	287053	Bendix	R955287053N
286471X	Bendix	R955286471X	R286618	Bendix	R955286555X	287053N	Bendix	R955287053N
OR286500	Bendix	R955286500N	286555X	Bendix	R955286555X	287053X	Bendix	R955287053N
286500	Bendix	R955286500N	286618	Bendix	R955286555X	OR287114	Bendix	R955287114N
R286500	Bendix	R955286500X	286618X	Bendix	R955286555X	OR287114X	Bendix	R955287114N
286500RX	Bendix	R955286500X	R286560	Bendix	R955286560X	287114	Bendix	R955287114N
286500X	Bendix	R955286500X	286560	Bendix	R955286560X	287114RX	Bendix	R955287114N
R286526	Bendix	R955286526X	286560X	Bendix	R955286560X	R287224	Bendix	R955287224N
28526X	Bendix	R955286526X	R286576	Bendix	R955286576X	287224	Bendix	R955287224N
286526X	Bendix	R955286526X	286576	Bendix	R955286576X	287224X	Bendix	R955287224N
R286527	Bendix	R955286527X	286576X	Bendix	R955286576X	OR287238	Bendix	R955287238N
R288061	Bendix	R955286527X	R286017	Bendix	R955286580X	OR287238X	Bendix	R955287238N
286527	Bendix	R955286527X	R286580	Bendix	R955286580X	287238	Bendix	R955287238N
286527X	Bendix	R955286527X	286017	Bendix	R955286580X	287238N	Bendix	R955287238N
288061	Bendix	R955286527X	286580X	Bendix	R955286580X	287238RX	Bendix	R955287238N
288061N	Bendix	R955286527X	R286581	Bendix	R955286581X	OR287260	Bendix	R955287260N
R286514	Bendix	R955286528X	286581	Bendix	R955286581X	OR287260X	Bendix	R955287260N
R286528	Bendix	R955286528X	286581X	Bendix	R955286581X	R287260	Bendix	R955287260N
286514	Bendix	R955286528X	R286594	Bendix	R955286584X	287260RX	Bendix	R955287260N
286528	Bendix	R955286528X	286584X	Bendix	R955286584X	287260X	Bendix	R955287260N
286528X	Bendix	R955286528X	286594X	Bendix	R955286584X	R287279	Bendix	R955287279X
R286530	Bendix	R955286530X	R286585	Bendix	R955286585X	287279X	Bendix	R955287279X
286530	Bendix	R955286530X	286585X	Bendix	R955286585X	287298	Bendix	R955287298N
286530X	Bendix	R955286530X	R286617	Bendix	R955286617X	287298N	Bendix	R955287298N
R286538	Bendix	R955286538X	286617	Bendix	R955286617X	287313	Bendix	R955287313N
286538X	Bendix	R955286538X	286617X	Bendix	R955286617X	OR287376	Bendix	R955287376N
R285977	Bendix	R955286539X	R286620	Bendix	R955286620X	OR287376X	Bendix	R955287376N
R286539	Bendix	R955286539X	286620	Bendix	R955286620X	287376	Bendix	R955287376N
285977	Bendix	R955286539X	286620X	Bendix	R955286620X	287376N	Bendix	R955287376N
286539	Bendix	R955286539X	R286623	Bendix	R955286623X	R287376	Bendix	R955287376X
286539X	Bendix	R955286539X	286623	Bendix	R955286623X	287376RX	Bendix	R955287376X

COMPETITIVE

All Euclid Air Systems components were superseded to their Meritor part number equivalents effective February 2018.

COMPETITOR PART NUMBER	COMPETITOR NAME	MERITOR PART NUMBER
287376X	Bendix	R955287376X
R287418	Bendix	R955287418X
287418RX	Bendix	R955287418X
287418X	Bendix	R955287418X
R287564	Bendix	R955287564X
101818X	Bendix	R955287564X
287564RX	Bendix	R955287564X
287564X	Bendix	R955287564X
OR287600	Bendix	R955287600N
OR287600X	Bendix	R955287600N
287600	Bendix	R955287600N
287600N	Bendix	R955287600N
287600RX	Bendix	R955287600N
R287637	Bendix	R955287637X
287637N	Bendix	R955287637X
287637RX	Bendix	R955287637X
287637X	Bendix	R955287637X
R288063	Bendix	R955288063X
286364X	Bendix	R955288063X
288063RX	Bendix	R955288063X
288063X	Bendix	R955288063X
OR288239	Bendix	R955288239N
OR288239X	Bendix	R955288239N
288239	Bendix	R955288239N
288239N	Bendix	R955288239N
288239RX	Bendix	R955288239N
R288240	Bendix	R955288240X
288240X	Bendix	R955288240X
OR288241	Bendix	R955288241N
OR288241X	Bendix	R955288241N
R288241	Bendix	R955288241N
106113	Bendix	R955288241N
288241	Bendix	R955288241N
288241X	Bendix	R955288241N
OR288301	Bendix	R955288301N
OR288301X	Bendix	R955288301N
288301	Bendix	R955288301N
288301RX	Bendix	R955288301N
R288301	Bendix	R955288301X
288301RX	Bendix	R955288301X
288301X	Bendix	R955288301X
R288323	Bendix	R955288323X
288323RX	Bendix	R955288323X
288323X	Bendix	R955288323X
OR288369	Bendix	R955288369N
OR288369X	Bendix	R955288369N

COMPETITOR PART NUMBER	COMPETITOR NAME	MERITOR PART NUMBER
R288369	Bendix	R955288369N
288369RX	Bendix	R955288369N
288369X	Bendix	R955288369N
OR288383	Bendix	R955288383N
288383	Bendix	R955288383N
R288383	Bendix	R955288383X
288383RX	Bendix	R955288383X
288383X	Bendix	R955288383X
R288586	Bendix	R955288586X
288586N	Bendix	R955288586X
288586RX	Bendix	R955288586X
288586X	Bendix	R955288586X
OR288605	Bendix	R955288605N
OR288605X	Bendix	R955288605N
288605	Bendix	R955288605N
288605N	Bendix	R955288605N
R288605	Bendix	R955288605X
288605N	Bendix	R955288605X
288605RX	Bendix	R955288605X
288605X	Bendix	R955288605X
R288710	Bendix	R955288710X
288710X	Bendix	R955288710X
R288746	Bendix	R955288746X
288746RX	Bendix	R955288746X
288746X	Bendix	R955288746X
OR288755	Bendix	R955288755N
OR288755X	Bendix	R955288755N
R288755	Bendix	R955288755N
288755RX	Bendix	R955288755N
288755X	Bendix	R955288755N
OR289144	Bendix	R955289144N
OR289144X	Bendix	R955289144N
289144	Bendix	R955289144N
289144N	Bendix	R955289144N
289144RX	Bendix	R955289144N
R289146	Bendix	R955289146X
289146X	Bendix	R955289146X
R289148	Bendix	R955289148X
289148N	Bendix	R955289148X
289148RX	Bendix	R955289148X
289148X	Bendix	R955289148X
R289149	Bendix	R955289149X
289149N	Bendix	R955289149X
289149X	Bendix	R955289149X
R289172	Bendix	R955289172X
289172X	Bendix	R955289172X

COMPETITOR PART NUMBER	COMPETITOR NAME	MERITOR PART NUMBER
289182X	Bendix	R955289182X
R289339	Bendix	R955289339X
289339RX	Bendix	R955289339X
289339X	Bendix	R955289339X
R289340	Bendix	R955289340X
289340	Bendix	R955289340X
289340X	Bendix	R955289340X
R289348	Bendix	R955289348X
289348	Bendix	R955289348X
289348X	Bendix	R955289348X
R289380	Bendix	R955289380X
289380X	Bendix	R955289380X
R289444	Bendix	R955289444X
289444TPX	Bendix	R955289444X
289444X	Bendix	R955289444X
R289545	Bendix	R955289545X
289545X	Bendix	R955289545X
R289714	Bendix	R955289714X
289714X	Bendix	R955289714X
289915X	Bendix	R955289714X
R289265	Bendix	R955289925X
R289281	Bendix	R955289925X
R289925	Bendix	R955289925X
289265X	Bendix	R955289925X
289281	Bendix	R955289925X
289925X	Bendix	R955289925X
298818N	Bendix	R955298818N
3047440X	Bendix	R9553047440X
286554X	Bendix	R9553049186X
3018543X	Bendix	R9553049186X
3558072X	Bendix	R9553558072X
R5000404	Bendix	R9555000404X
5000404X	Bendix	R9555000404X
5000709	Bendix	R9555000709X
5000709X	Bendix	R9555000709X
5001247	Bendix	R9555001247N
R108730	Bendix	R9555001940X
R108987	Bendix	R9555001940X
R5000291	Bendix	R9555001940X
R5000292	Bendix	R9555001940X
R5001904	Bendix	R9555001940X
R5001940	Bendix	R9555001940X
R5002839	Bendix	R9555001940X
R800183	Bendix	R9555001940X
108730	Bendix	R9555001940X
108987	Bendix	R9555001940X

All Euclid Air Systems components were superseded to their Meritor part number equivalents effective February 2018.

COMPETITIVE

COMPETITIVE CROSS REFERENCE

COMPETITOR PART NUMBER	COMPETITOR NAME	MERITOR PART NUMBER
5000291	Bendix	R9555001940X
5000292	Bendix	R9555001940X
5001904	Bendix	R9555001940X
5001904X	Bendix	R9555001940X
5001940	Bendix	R9555001940X
5001940X	Bendix	R9555001940X
5002839	Bendix	R9555001940X
800183	Bendix	R9555001940X
R065683	Bendix	R9555002713X
R109824	Bendix	R9555002713X
R109863	Bendix	R9555002713X
R5001788	Bendix	R9555002713X
R5001789	Bendix	R9555002713X
R5002033	Bendix	R9555002713X
R5002652	Bendix	R9555002713X
R5002713	Bendix	R9555002713X
R5003234	Bendix	R9555002713X
R5003235	Bendix	R9555002713X
R5003236	Bendix	R9555002713X
R5005419	Bendix	R9555002713X
R5005478	Bendix	R9555002713X
R800256	Bendix	R9555002713X
065683	Bendix	R9555002713X
109824	Bendix	R9555002713X
109863	Bendix	R9555002713X
5001788	Bendix	R9555002713X
5001789	Bendix	R9555002713X
5002033	Bendix	R9555002713X
5002652	Bendix	R9555002713X
5002713	Bendix	R9555002713X
5002713X	Bendix	R9555002713X
5003234	Bendix	R9555002713X
5003235	Bendix	R9555002713X
5003236	Bendix	R9555002713X
5005419	Bendix	R9555002713X
5005478	Bendix	R9555002713X
65683	Bendix	R9555002713X
800256	Bendix	R9555002713X
R107511	Bendix	R9555002865X
R5002222	Bendix	R9555002865X
R5002640	Bendix	R9555002865X
R5002864	Bendix	R9555002865X
R5002865	Bendix	R9555002865X
R800245	Bendix	R9555002865X
R800273	Bendix	R9555002865X

COMPETITOR PART NUMBER	COMPETITOR NAME	MERITOR PART NUMBER
107511	Bendix	R9555002865X
5002222	Bendix	R9555002865X
5002640	Bendix	R9555002865X
5002864	Bendix	R9555002865X
5002865	Bendix	R9555002865X
5002865X	Bendix	R9555002865X
800245	Bendix	R9555002865X
800273	Bendix	R9555002865X
R107510	Bendix	R9555002868X
R5002223	Bendix	R9555002868X
R5002641	Bendix	R9555002868X
R5002867	Bendix	R9555002868X
R5002868	Bendix	R9555002868X
R800246	Bendix	R9555002868X
R800274	Bendix	R9555002868X
107510	Bendix	R9555002868X
303GB5124	Bendix	R9555002868X
303GB5124A	Bendix	R9555002868X
5002223	Bendix	R9555002868X
5002641	Bendix	R9555002868X
5002867	Bendix	R9555002868X
5002868	Bendix	R9555002868X
5002868X	Bendix	R9555002868X
800246	Bendix	R9555002868X
800274	Bendix	R9555002868X
R065466	Bendix	R9555002983X
R109141	Bendix	R9555002983X
R109142	Bendix	R9555002983X
R109322	Bendix	R9555002983X
R5001533	Bendix	R9555002983X
R5001534	Bendix	R9555002983X
R5002082	Bendix	R9555002983X
R5002826	Bendix	R9555002983X
R5002983	Bendix	R9555002983X
R5003231	Bendix	R9555002983X
R5003232	Bendix	R9555002983X
R5003233	Bendix	R9555002983X
R5005421	Bendix	R9555002983X
R5005422	Bendix	R9555002983X
R5005491	Bendix	R9555002983X
R5005492	Bendix	R9555002983X
R5005496	Bendix	R9555002983X
R5007468	Bendix	R9555002983X
R5007469	Bendix	R9555002983X
R5007471	Bendix	R9555002983X
R800291	Bendix	R9555002983X

COMPETITOR PART NUMBER	COMPETITOR NAME	MERITOR PART NUMBER
R800725	Bendix	R9555002983X
065466	Bendix	R9555002983X
109141	Bendix	R9555002983X
109142	Bendix	R9555002983X
109142X	Bendix	R9555002983X
109322	Bendix	R9555002983X
5001533	Bendix	R9555002983X
5001534	Bendix	R9555002983X
5002082	Bendix	R9555002983X
5002826	Bendix	R9555002983X
5002983	Bendix	R9555002983X
5002983X	Bendix	R9555002983X
5003231	Bendix	R9555002983X
5003232	Bendix	R9555002983X
5003233	Bendix	R9555002983X
5005421	Bendix	R9555002983X
5005422	Bendix	R9555002983X
5005491	Bendix	R9555002983X
5005492	Bendix	R9555002983X
5005496	Bendix	R9555002983X
5007468	Bendix	R9555002983X
5007469	Bendix	R9555002983X
5007471	Bendix	R9555002983X
65466	Bendix	R9555002983X
800291	Bendix	R9555002983X
800725	Bendix	R9555002983X
R065465	Bendix	R9555002984X
R065484	Bendix	R9555002984X
R109138	Bendix	R9555002984X
R109139	Bendix	R9555002984X
R109319	Bendix	R9555002984X
R109321	Bendix	R9555002984X
R109816	Bendix	R9555002984X
R109860	Bendix	R9555002984X
R109861	Bendix	R9555002984X
R5001522	Bendix	R9555002984X
R5001523	Bendix	R9555002984X
R5001773	Bendix	R9555002984X
R5001774	Bendix	R9555002984X
R5002032	Bendix	R9555002984X
R5002984	Bendix	R9555002984X
R5003228	Bendix	R9555002984X
R5003229	Bendix	R9555002984X
R5003230	Bendix	R9555002984X
R800292	Bendix	R9555002984X
065465	Bendix	R9555002984X

COMPETITIVE

All Euclid Air Systems components were superseded to their Meritor part number equivalents effective February 2018.

COMPETITOR PART NUMBER	COMPETITOR NAME	MERITOR PART NUMBER
065484	Bendix	R9555002984X
109138	Bendix	R9555002984X
109139	Bendix	R9555002984X
109139X	Bendix	R9555002984X
109319	Bendix	R9555002984X
109321	Bendix	R9555002984X
109816	Bendix	R9555002984X
109860	Bendix	R9555002984X
109861	Bendix	R9555002984X
5001522	Bendix	R9555002984X
5001523	Bendix	R9555002984X
5001773	Bendix	R9555002984X
5001774	Bendix	R9555002984X
5002032	Bendix	R9555002984X
5002984	Bendix	R9555002984X
5002984X	Bendix	R9555002984X
5003228	Bendix	R9555002984X
5003229	Bendix	R9555002984X
5003230	Bendix	R9555002984X
65465	Bendix	R9555002984X
65484	Bendix	R9555002984X
800292	Bendix	R9555002984X
5003547	Bendix	R9555003547N
5004049	Bendix	R9555004049N
5004050PGX	Bendix	R9555004050PGX
5004050PGX	Bendix	R9555004050PGXCF
5004050	Bendix	R9555004050X
5004050X	Bendix	R9555004050X
5004050X	Bendix	R9555004050XCF
R5003850	Bendix	R9555004118X
R5004112	Bendix	R9555004118X
R5004113	Bendix	R9555004118X
R5004118	Bendix	R9555004118X
R5005414	Bendix	R9555004118X
R5005459	Bendix	R9555004118X
R800385	Bendix	R9555004118X
5003850	Bendix	R9555004118X
5004112	Bendix	R9555004118X
5004113	Bendix	R9555004118X
5004118	Bendix	R9555004118X
5004118X	Bendix	R9555004118X
5005414	Bendix	R9555004118X
5005459	Bendix	R9555004118X
800385	Bendix	R9555004118X
R065538	Bendix	R9555004187X
R109426	Bendix	R9555004187X

COMPETITOR PART NUMBER	COMPETITOR NAME	MERITOR PART NUMBER
R109430	Bendix	R9555004187X
R5001616	Bendix	R9555004187X
R5001617	Bendix	R9555004187X
R5004083	Bendix	R9555004187X
R5004187	Bendix	R9555004187X
R5005934	Bendix	R9555004187X
R5008610	Bendix	R9555004187X
R800394	Bendix	R9555004187X
065538	Bendix	R9555004187X
109426	Bendix	R9555004187X
109430	Bendix	R9555004187X
109430X	Bendix	R9555004187X
5001616	Bendix	R9555004187X
5001617	Bendix	R9555004187X
5004083	Bendix	R9555004187X
5004187	Bendix	R9555004187X
5004187X	Bendix	R9555004187X
5005934	Bendix	R9555004187X
5008610	Bendix	R9555004187X
6336882R	Bendix	R9555004187X
65538	Bendix	R9555004187X
800394	Bendix	R9555004187X
R065537	Bendix	R9555004188X
R109425	Bendix	R9555004188X
R109429	Bendix	R9555004188X
R5001614	Bendix	R9555004188X
R5001615	Bendix	R9555004188X
R5004082	Bendix	R9555004188X
R5004188	Bendix	R9555004188X
R5005933	Bendix	R9555004188X
R5008609	Bendix	R9555004188X
R800395	Bendix	R9555004188X
065537	Bendix	R9555004188X
109425	Bendix	R9555004188X
109429	Bendix	R9555004188X
109429X	Bendix	R9555004188X
5001614	Bendix	R9555004188X
5001615	Bendix	R9555004188X
5004082	Bendix	R9555004188X
5004188	Bendix	R9555004188X
5004188X	Bendix	R9555004188X
5005933	Bendix	R9555004188X
5008609	Bendix	R9555004188X
65537	Bendix	R9555004188X
800395	Bendix	R9555004188X
5004336	Bendix	R9555004336N

COMPETITOR PART NUMBER	COMPETITOR NAME	MERITOR PART NUMBER
5004338	Bendix	R9555004338N
5004339	Bendix	R9555004339N
5004340	Bendix	R9555004340N
R5004341	Bendix	R9555004341X
5004341	Bendix	R9555004341X
5004341X	Bendix	R9555004341X
5004342N	Bendix	R9555004342N
5004342	Bendix	R9555004342X
5004342X	Bendix	R9555004342X
5004380	Bendix	R9555004380N
5004479	Bendix	R9555004479N
5004480	Bendix	R9555004480N
R065457	Bendix	R9555004613X
R109087	Bendix	R9555004613X
R109088	Bendix	R9555004613X
R5004611	Bendix	R9555004613X
R5004613	Bendix	R9555004613X
R800468	Bendix	R9555004613X
065457	Bendix	R9555004613X
109087	Bendix	R9555004613X
109088	Bendix	R9555004613X
109088X	Bendix	R9555004613X
5004611	Bendix	R9555004613X
5004613	Bendix	R9555004613X
5004613X	Bendix	R9555004613X
65457	Bendix	R9555004613X
800468	Bendix	R9555004613X
R065461	Bendix	R9555004614X
R109110	Bendix	R9555004614X
R109111	Bendix	R9555004614X
R5004612	Bendix	R9555004614X
R5004614	Bendix	R9555004614X
R800469	Bendix	R9555004614X
065461	Bendix	R9555004614X
109110	Bendix	R9555004614X
109111	Bendix	R9555004614X
109111X	Bendix	R9555004614X
5004612	Bendix	R9555004614X
5004614	Bendix	R9555004614X
5004614X	Bendix	R9555004614X
65461	Bendix	R9555004614X
800469	Bendix	R9555004614X
5005037	Bendix	R9555005037N
5005556PGX	Bendix	R9555005556PGX
5005556X	Bendix	R9555005556X
5005624	Bendix	R9555005624N

All Euclid Air Systems components were superseded to their Meritor part number equivalents effective February 2018.

COMPETITIVE

COMPETITIVE CROSS REFERENCE

COMPETITOR PART NUMBER	COMPETITOR NAME	MERITOR PART NUMBER
R5005606	Bendix	R9555005790X
R5005770	Bendix	R9555005790X
R5005790	Bendix	R9555005790X
R5005791	Bendix	R9555005790X
R800594	Bendix	R9555005790X
5005606	Bendix	R9555005790X
5005770	Bendix	R9555005790X
5005790	Bendix	R9555005790X
5005790X	Bendix	R9555005790X
5005791	Bendix	R9555005790X
800594	Bendix	R9555005790X
5005893	Bendix	R9555005893N
R5006887	Bendix	R9555008249X
R5007361	Bendix	R9555008249X
R5007362	Bendix	R9555008249X
R5007363	Bendix	R9555008249X
R5008248	Bendix	R9555008249X
R5008249	Bendix	R9555008249X
R5008250	Bendix	R9555008249X
R5008251	Bendix	R9555008249X
R800718	Bendix	R9555008249X
R800816	Bendix	R9555008249X
5006887	Bendix	R9555008249X
5007361	Bendix	R9555008249X
5007362	Bendix	R9555008249X
5007363	Bendix	R9555008249X
5008248	Bendix	R9555008249X
5008249	Bendix	R9555008249X
5008249X	Bendix	R9555008249X
5008250	Bendix	R9555008249X
5008251	Bendix	R9555008249X
800718	Bendix	R9555008249X
800816	Bendix	R9555008249X
5010133PGX	Bendix	R9555010133PGX
5010133PGX	Bendix	R9555010133PGXCF
5010133	Bendix	R9555010133X
5010133X	Bendix	R9555010133X
5010133X	Bendix	R9555010133XCF
5010696PGX	Bendix	R9555010696PGX
5010696PGX	Bendix	R9555010696PGXCF
5010696	Bendix	R9555010696X
5010696X	Bendix	R9555010696X
801266	Bendix	R9555010696X
5010696X	Bendix	R9555010696XCF
5010806X	Bendix	R9555010806X
5010824X	Bendix	R9555010824X

COMPETITOR PART NUMBER	COMPETITOR NAME	MERITOR PART NUMBER
5016799	Bendix	R9555010824X
5016799X	Bendix	R9555010824X
5012533X	Bendix	R9555012533X
5013058	Bendix	R9555013058X
5013058X	Bendix	R9555013058X
5013059X	Bendix	R9555013059X
5013695X	Bendix	R9555013695X
5014144X	Bendix	R9555014144X
K056647X	Bendix	R9555014428X
5014428X	Bendix	R9555014428X
5014488	Bendix	R9555014488X
5014488X	Bendix	R9555014488X
R5009328	Bendix	R9555015314X
R5009329	Bendix	R9555015314X
R5009330	Bendix	R9555015314X
R5015314	Bendix	R9555015314X
R5015318	Bendix	R9555015314X
R801087	Bendix	R9555015314X
R801971	Bendix	R9555015314X
5009328	Bendix	R9555015314X
5009329	Bendix	R9555015314X
5009330	Bendix	R9555015314X
5015314	Bendix	R9555015314X
5015314X	Bendix	R9555015314X
5015318	Bendix	R9555015314X
801087	Bendix	R9555015314X
801971	Bendix	R9555015314X
5011016X	Bendix	R9555016799X
5018485	Bendix	R9555018485X
5018485X	Bendix	R9555018485X
5019445X	Bendix	R9555019445X
802925	Bendix	R9555019445X
800333	Bendix	R955800333N
800333N	Bendix	R955800333N
800350	Bendix	R955800350N
800350N	Bendix	R955800350N
065626	Bendix	R955800404N
65626	Bendix	R955800404N
800404	Bendix	R955800404N
800404X	Bendix	R955800404N
800405	Bendix	R955800405N
065157	Bendix	R955800516N
065157N	Bendix	R955800516N
065160	Bendix	R955800516N
800516	Bendix	R955800516N
065159	Bendix	R955800517N

COMPETITOR PART NUMBER	COMPETITOR NAME	MERITOR PART NUMBER
065159N	Bendix	R955800517N
65159	Bendix	R955800517N
800517	Bendix	R955800517N
065160	Bendix	R955800518N
065186	Bendix	R955800519N
065186N	Bendix	R955800519N
65186	Bendix	R955800519N
800521	Bendix	R955800521N
065186	Bendix	R955800573N
065187	Bendix	R955800573N
065187N	Bendix	R955800573N
65187	Bendix	R955800573N
800573	Bendix	R955800573N
800629	Bendix	R955800629N
8089675	Bendix	R9558089675N
9111535100X	Bendix	R9559111535100X
9111535200X	Bendix	R9559111535200X
A3547X	Bendix	R955A3547X
A3991X	Bendix	R955A3991X
228750	Bendix	R955BE13241N
228600	Bendix	R955BE13250N
274746N	Bendix	R955BE13250N
6997312X	Bendix	R955BM6997312X
6997324X	Bendix	R955BM6997324X
286528X	Bendix	R955EL13020X
EL13040X	Bendix	R955EL13040X
107506X	Bendix	R955EL13040X
EL13053X	Bendix	R955EL13053X
107622X	Bendix	R955EL13053X
EL13060X	Bendix	R955EL13060X
107514X	Bendix	R955EL13060X
EL13111X	Bendix	R955EL13111X
107511X	Bendix	R955EL13111X
EL13151X	Bendix	R955EL13151X
EL13200X	Bendix	R955EL13200X
EL14111X	Bendix	R955EL14111X
EL16020X	Bendix	R955EL16020X
EL16040X	Bendix	R955EL16040X
EL16050X	Bendix	R955EL16050X
EL16051X	Bendix	R955EL16051X
EL16053X	Bendix	R955EL16053X
EL16060X	Bendix	R955EL16060X
EL16100X	Bendix	R955EL16100X
107510X	Bendix	R955EL16111X
EL16120X	Bendix	R955EL16120X
EL16200X	Bendix	R955EL16200X

COMPETITIVE

All Euclid Air Systems components were superseded to their Meritor part number equivalents effective February 2018.

COMPETITOR PART NUMBER	COMPETITOR NAME	MERITOR PART NUMBER	COMPETITOR PART NUMBER	COMPETITOR NAME	MERITOR PART NUMBER	COMPETITOR PART NUMBER	COMPETITOR NAME	MERITOR PART NUMBER
EL16250X	Bendix	R955EL16250X	289182RX	Bendix	R955289182N	OR275491X	Bendix	EBN284358N
K022105	Bendix	R955K022105N	289182X	Bendix	R955289182N	R275707	Bendix	EBN284358N
K022105N	Bendix	R955K022105N	BR950011	Bendix	E109994	275491	Bendix	EBN284358N
K056647X	Bendix	R955K056647X	109994	Bendix	E109994	275491N	Bendix	EBN284358N
KN18511X	Bendix	R955KN18530X	5008414	Bendix	E109994	275707	Bendix	EBN284358N
KN18530X	Bendix	R955KN18530X	OR102626X	Bendix	EBN102626N	275707N	Bendix	EBN284358N
KN22100X	Bendix	R955KN22100X	R101333	Bendix	EBN102626N	275707X	Bendix	EBN284358N
KN22150X	Bendix	R955KN22150X	101333X	Bendix	EBN102626N	284358	Bendix	EBN284358N
286171X	Bendix	R955KN22150X	102626	Bendix	EBN102626N	284358N	Bendix	EBN284358N
800372	Bendix	R955KN23000N	102626N	Bendix	EBN102626N	800225	Bendix	EBN284358N
800373	Bendix	R955KN23010N	R102626	Bendix	EBN102626X	800361	Bendix	EBN284358N
KN26000X	Bendix	R955KN26000X	R227357	Bendix	EBN102626X	OR286171X	Bendix	EBN286171N
KN28060X	Bendix	R955KN28060X	102626RX	Bendix	EBN102626X	286171	Bendix	EBN286171N
KN28061X	Bendix	R955KN28061X	102626X	Bendix	EBN102626X	286171N	Bendix	EBN286171N
KN28071X	Bendix	R955KN28071X	227357X	Bendix	EBN102626X	R286171	Bendix	EBN286171X
KN28080X	Bendix	R955KN28080X	OR103009X	Bendix	EBN103009N	286171RX	Bendix	EBN286171X
KN28131X	Bendix	R955KN28131X	103009	Bendix	EBN103009N	286171X	Bendix	EBN286171X
KN28500RX	Bendix	R955KN28500	103009N	Bendix	EBN103009N	289714	Bendix	EBN289714N
KN28500X	Bendix	R955KN28500X	107695	Bendix	EBN107695N	289714N	Bendix	EBN289714N
KN28510RX	Bendix	R955KN28510N	OR107794X	Bendix	EBN107796N	289714RX	Bendix	EBN289714N
KN30100X	Bendix	R955KN30100X	107794	Bendix	EBN107796N	289714X	Bendix	EBN289714N
KN30200X	Bendix	R955KN30200X	107794N	Bendix	EBN107796N	R107511	Bendix	EBN5002865X
KN30300X	Bendix	R955KN30300X	107796	Bendix	EBN107796N	R5002222	Bendix	EBN5002865X
KN30400X	Bendix	R955KN30400X	R109493	Bendix	EBN109493X	R5002640	Bendix	EBN5002865X
277148	Bendix	R955KN31010X	109493X	Bendix	EBN109493X	R5002864	Bendix	EBN5002865X
277148N	Bendix	R955KN31010X	OR229859X	Bendix	EBN229859N	R5002865	Bendix	EBN5002865X
KN32040X	Bendix	R955KN32040X	R229859	Bendix	EBN229859N	R800245	Bendix	EBN5002865X
R227661	Bendix	R955KN34070N	229859	Bendix	EBN229859N	R800273	Bendix	EBN5002865X
227661X	Bendix	R955KN34070N	229859N	Bendix	EBN229859N	107511	Bendix	EBN5002865X
KN34070X	Bendix	R955KN34070X	229859RX	Bendix	EBN229859N	5002222	Bendix	EBN5002865X
KN7041X	Bendix	R955KN7041X	229859X	Bendix	EBN229859N	5002640	Bendix	EBN5002865X
KN7050X	Bendix	R955KN7050X	OR229860X	Bendix	EBN229860N	5002864	Bendix	EBN5002865X
215993	Bendix	E8585	R229860	Bendix	EBN229860N	5002865	Bendix	EBN5002865X
236272	Bendix	E8606	229860	Bendix	EBN229860N	5002865X	Bendix	EBN5002865X
248579	Bendix	E9110	229860N	Bendix	EBN229860N	800245	Bendix	EBN5002865X
248579	Bendix	R950118	229860RX	Bendix	EBN229860N	800273	Bendix	EBN5002865X
224105	Bendix	R95510734	229860X	Bendix	EBN229860N	R107510	Bendix	EBN5002868X
282178	Bendix	R95510735	OR276567X	Bendix	EBN276567N	R5002223	Bendix	EBN5002868X
282178N	Bendix	R95510735	276567	Bendix	EBN276567N	R5002641	Bendix	EBN5002868X
287734	Bendix	R95510736	276567N	Bendix	EBN276567N	R5002867	Bendix	EBN5002868X
296010	Bendix	E153200	OR281865X	Bendix	EBN281865N	R5002868	Bendix	EBN5002868X
296010N	Bendix	E153200	R281865	Bendix	EBN281865N	R800246	Bendix	EBN5002868X
288746	Bendix	EBN288746N	281865	Bendix	EBN281865N	R800274	Bendix	EBN5002868X
288746N	Bendix	EBN288746N	281865N	Bendix	EBN281865N	107510	Bendix	EBN5002868X
215992	Bendix	E8587	281865RX	Bendix	EBN281865N	303GB5124	Bendix	EBN5002868X
R289182	Bendix	R955289182N	281865X	Bendix	EBN281865N	303GB5124A	Bendix	EBN5002868X

All Euclid Air Systems components were superseded to their Meritor part number equivalents effective February 2018.

COMPETITIVE CROSS REFERENCE

COMPETITOR PART NUMBER	COMPETITOR NAME	MERITOR PART NUMBER
5002223	Bendix	EBN5002868X
5002641	Bendix	EBN5002868X
5002867	Bendix	EBN5002868X
5002868	Bendix	EBN5002868X
5002868X	Bendix	EBN5002868X
800246	Bendix	EBN5002868X
800274	Bendix	EBN5002868X
800404	Bendix	EBN800404N
800404X	Bendix	EBN800404N
800405	Bendix	EBN800405N
800629	Bendix	EBN800629N
A3546X	Bendix	EFUA3546X
OR102626	Bendix	R955102626N
OR102626X	Bendix	R955102626N
102626	Bendix	R955102626N
102626N	Bendix	R955102626N
R102626	Bendix	R955102626X
R227357	Bendix	R955102626X
102626RX	Bendix	R955102626X
102626X	Bendix	R955102626X
227357X	Bendix	R955102626X
OR103009	Bendix	R955103009N
OR103009X	Bendix	R955103009N
103009	Bendix	R955103009N
103009N	Bendix	R955103009N
OR107794X	Bendix	R955107796N
107794	Bendix	R955107796N
107794N	Bendix	R955107796N
107794X	Bendix	R955107796N
107796	Bendix	R955107796N
107796PG	Bendix	R955107796N
OR229859	Bendix	R955229859N
OR229859X	Bendix	R955229859N
229859	Bendix	R955229859N
229859N	Bendix	R955229859N
OR229860	Bendix	R955229860N
OR229860X	Bendix	R955229860N
R229860	Bendix	R955229860N
229860	Bendix	R955229860N
229860N	Bendix	R955229860N
229860RX	Bendix	R955229860N
229860X	Bendix	R955229860N
OR276567	Bendix	R955276567N
OR276567X	Bendix	R955276567N
276567	Bendix	R955276567N
276567N	Bendix	R955276567N

COMPETITOR PART NUMBER	COMPETITOR NAME	MERITOR PART NUMBER
OR281865	Bendix	R955281865N
OR281865X	Bendix	R955281865N
R229434	Bendix	R955281865N
R281865	Bendix	R955281865N
229434X	Bendix	R955281865N
281865	Bendix	R955281865N
281865N	Bendix	R955281865N
281865RX	Bendix	R955281865N
281865X	Bendix	R955281865N
BAN284358N	Bendix	R955284358N
BWOR275491	Bendix	R955284358N
BW284358N	Bendix	R955284358N
BXOR275491X	Bendix	R955284358N
D2	Bendix	R955284358N
OR275491X	Bendix	R955284358N
OR284358	Bendix	R955284358N
OR284358X	Bendix	R955284358N
R275707	Bendix	R955284358N
275491	Bendix	R955284358N
275491N	Bendix	R955284358N
275707	Bendix	R955284358N
275707N	Bendix	R955284358N
275707X	Bendix	R955284358N
284358	Bendix	R955284358N
284358N	Bendix	R955284358N
800225	Bendix	R955284358N
800361	Bendix	R955284358N
OR286171	Bendix	R955286171N
OR286171X	Bendix	R955286171N
286171	Bendix	R955286171N
286171N	Bendix	R955286171N
R286171	Bendix	R955286171X
286171RX	Bendix	R955286171X
286171X	Bendix	R955286171X
OR288746	Bendix	R955288746N
288746	Bendix	R955288746N
288746N	Bendix	R955288746N
OR289714	Bendix	R955289714N
OR289714X	Bendix	R955289714N
289714	Bendix	R955289714N
289714N	Bendix	R955289714N
289915X	Bendix	R955289714N
110171	Bepco Inc	ESL110171
110197	Bepco Inc	ESL110197
110200	Bepco Inc	ESL110200
110205	Bepco Inc	ESL110205

COMPETITOR PART NUMBER	COMPETITOR NAME	MERITOR PART NUMBER
110700	Bepco Inc	ESL110700
5400	Bepco Inc	ESL5400
5400X	Bepco Inc	ESL5400
9125X	Bepco Inc	ESL9125
10005AX	Bepco Inc	RSL10005A
110139	Bepco Inc	RSL110139
13Y	Bepco Inc	RSL13Y
140290	Bepco Inc	RSL140290
2550	Bepco Inc	RSL2550
6900X	Bepco Inc	RSL6900
99600X	Bepco Inc	RSL99600
99600B	Bepco Inc	RSL99600B
A100SX	Bepco Inc	RSLA1000S
A25600X	Bepco Inc	RSLA25600
065044	Bepco Inc	R955065044X
101135X	Bepco Inc	R955101135X
103833	Bepco Inc	R955103833X
280905X	Bepco Inc	R955280905X
286773	Bepco Inc	R955286773X
286773X	Bepco Inc	R955286773X
286934	Bepco Inc	R955286934X
286934X	Bepco Inc	R955286934X
287600	Bepco Inc	R955287600X
288239	Bepco Inc	R955288239X
288239X	Bepco Inc	R955288239X
800376	Bepco Inc	R955800376N
KN28140	Bepco Inc	R955KN28140X
KN28140X	Bepco Inc	R955KN28140X
KN28520	Bepco Inc	R955KN28520X
KN34080	Bepco Inc	R955KN34080X
KN34080X	Bepco Inc	R955KN34080X
107794	Bepco Inc	EBN107794X
284412	Bepco Inc	EBN284412X
12361	Bepco Inc	EMD12361X
KN22140	Bepco Inc	EMDKN22140X
KN28510	Bepco Inc	EMDKN28510N
065041	Bepco Inc	R955065041X
065041X	Bepco Inc	R955065041X
65104	Bepco Inc	R955065104N
065104	Bepco Inc	R955065104X
65125	Bepco Inc	R955065125X
65145	Bepco Inc	R955065145N
065145	Bepco Inc	R955065145X
065145X	Bepco Inc	R955065145X
065146	Bepco Inc	R955065146X
065156X	Bepco Inc	R955065156X

COMPETITIVE

All Euclid Air Systems components were superseded to their Meritor part number equivalents effective February 2018.

COMPETITOR PART NUMBER	COMPETITOR NAME	MERITOR PART NUMBER
065157X	Bepco Inc	R955065157X
65157	Bepco Inc	R955065157X
65225	Bepco Inc	R955065225NP
065225	Bepco Inc	R955065225X
065303X	Bepco Inc	R955065303N
65439	Bepco Inc	R955065439N
065647X	Bepco Inc	R955065647X
101100	Bepco Inc	R955101100X
101100X	Bepco Inc	R955101100X
101112X	Bepco Inc	R955101112X
101242	Bepco Inc	R955101242X
101245	Bepco Inc	R955101245X
101437	Bepco Inc	R955101437N
101437RX	Bepco Inc	R955101437N
101437X	Bepco Inc	R955101437N
101437	Bepco Inc	R955101437X
101569X	Bepco Inc	R955101569X
101570X	Bepco Inc	R955101570X
101622	Bepco Inc	R955101622X
101622X	Bepco Inc	R955101622X
101818	Bepco Inc	R955101818N
101818	Bepco Inc	R955101818X
101818X	Bepco Inc	R955101818X
101900	Bepco Inc	R955101900X
101900X	Bepco Inc	R955101900X
102761	Bepco Inc	R955102761X
102761X	Bepco Inc	R955102761X
102835	Bepco Inc	R955102835X
102952	Bepco Inc	R955102952X
102953	Bepco Inc	R955102953X
103009	Bepco Inc	R955103009X
103009X	Bepco Inc	R955103009X
103010	Bepco Inc	R955103010N
103010	Bepco Inc	R955103010X
103010X	Bepco Inc	R955103010X
103028	Bepco Inc	R955103028N
103028	Bepco Inc	R955103028X
103028X	Bepco Inc	R955103028X
103061	Bepco Inc	R955103061X
103081	Bepco Inc	R955103081N
103139	Bepco Inc	R955103139X
103274	Bepco Inc	R955103274X
103274X	Bepco Inc	R955103274X
103294	Bepco Inc	R955103294X
103818	Bepco Inc	R955103818N
103835	Bepco Inc	R955103835X

COMPETITOR PART NUMBER	COMPETITOR NAME	MERITOR PART NUMBER
103879	Bepco Inc	R955103879N
103912	Bepco Inc	R955103912X
103980	Bepco Inc	R955103980N
104039	Bepco Inc	R955104039X
104039X	Bepco Inc	R955104039X
104165	Bepco Inc	R955104165X
104358	Bepco Inc	R955104358X
104358X	Bepco Inc	R955104358X
104561	Bepco Inc	R955104561N
107506	Bepco Inc	R955107506X
107506X	Bepco Inc	R955107506X
107507	Bepco Inc	R955107507X
107507X	Bepco Inc	R955107507X
107508	Bepco Inc	R955107508X
107508X	Bepco Inc	R955107508X
107509	Bepco Inc	R955107509X
107509X	Bepco Inc	R955107509X
107510	Bepco Inc	R955107510X
107510X	Bepco Inc	R955107510X
107511	Bepco Inc	R955107511X
107511X	Bepco Inc	R955107511X
107513	Bepco Inc	R955107513X
107513X	Bepco Inc	R955107513X
107514	Bepco Inc	R955107514X
107514X	Bepco Inc	R955107514X
107516	Bepco Inc	R955107516N
107539X	Bepco Inc	R955107539X
107622	Bepco Inc	R955107622X
107622X	Bepco Inc	R955107622X
107623	Bepco Inc	R955107623X
107623X	Bepco Inc	R955107623X
107794X	Bepco Inc	R955107794X
107800	Bepco Inc	R955107800N
107813	Bepco Inc	R955107813X
107896	Bepco Inc	R955107896X
107917X	Bepco Inc	R955107917X
107981X	Bepco Inc	R955107981X
108110	Bepco Inc	R955108110X
108272	Bepco Inc	R955108272X
108804X	Bepco Inc	R955108804X
108866	Bepco Inc	R955108866X
108866X	Bepco Inc	R955108866X
109073X	Bepco Inc	R955109073X
109079X	Bepco Inc	R955109079X
109477X	Bepco Inc	R955109477X
109493X	Bepco Inc	R955109493X

COMPETITOR PART NUMBER	COMPETITOR NAME	MERITOR PART NUMBER
109495	Bepco Inc	R955109495N
109578	Bepco Inc	R955109578N
109615X	Bepco Inc	R955109615N
109685HX	Bepco Inc	R955109685HX
109993	Bepco Inc	R955109993N
109995	Bepco Inc	R955109995N
12352	Bepco Inc	R95512352N
131081	Bepco Inc	R955131081N
227321	Bepco Inc	R955227321X
227332X	Bepco Inc	R955227332X
227400	Bepco Inc	R955227400X
227406	Bepco Inc	R955227406X
227870	Bepco Inc	R955227870N
227871	Bepco Inc	R955227871N
228050	Bepco Inc	R955228050X
228050X	Bepco Inc	R955228050X
228344	Bepco Inc	R955228344X
228443X	Bepco Inc	R955228443X
228479X	Bepco Inc	R955228479X
228520	Bepco Inc	R955228520X
229500	Bepco Inc	R955229500N
229500X	Bepco Inc	R955229500N
229501	Bepco Inc	R955229501N
229505	Bepco Inc	R955229505N
229562	Bepco Inc	R955229562X
229608	Bepco Inc	R955229608X
229635	Bepco Inc	R955229635N
229635S	Bepco Inc	R955229635N
275491	Bepco Inc	R955275491X
275834	Bepco Inc	R955275834X
276272	Bepco Inc	R955276272X
276462	Bepco Inc	R955276462N
276462	Bepco Inc	R955276462X
276462X	Bepco Inc	R955276462X
276566	Bepco Inc	R955276566N
276566	Bepco Inc	R955276566X
276566X	Bepco Inc	R955276566X
276567	Bepco Inc	R955276567X
276777	Bepco Inc	R955276777X
276961	Bepco Inc	R955276961X
276962	Bepco Inc	R955276962X
277147	Bepco Inc	R955277147N
277148X	Bepco Inc	R955277148X
277863	Bepco Inc	R955277863N
277863X	Bepco Inc	R955277863N
278482	Bepco Inc	R955278482N

All Euclid Air Systems components were superseded to their Meritor part number equivalents effective February 2018.

COMPETITIVE

COMPETITIVE CROSS REFERENCE

COMPETITOR PART NUMBER	COMPETITOR NAME	MERITOR PART NUMBER
278598X	Bepco Inc	R955278598X
278605	Bepco Inc	R955278605X
278825X	Bepco Inc	R955278825X
278998	Bepco Inc	R955278998N
278998X	Bepco Inc	R955278998N
279000	Bepco Inc	R955279000N
279000X	Bepco Inc	R955279000N
279040	Bepco Inc	R955279040N
279176	Bepco Inc	R955279176X
279180	Bepco Inc	R955279180N
279180	Bepco Inc	R955279180X
279180X	Bepco Inc	R955279180X
279525	Bepco Inc	R955279525X
279556	Bepco Inc	R955279556X
279692	Bepco Inc	R955279692X
279950	Bepco Inc	R955279950N
279952	Bepco Inc	R955279952N
279952	Bepco Inc	R955279952X
280243	Bepco Inc	R955280243X
280375	Bepco Inc	R955280375X
280422	Bepco Inc	R955280422X
280501	Bepco Inc	R955280501X
280613	Bepco Inc	R955280613X
280628	Bepco Inc	R955280628X
280651	Bepco Inc	R955280651X
280758	Bepco Inc	R955280758X
280809X	Bepco Inc	R955280809X
281024	Bepco Inc	R955281024N
281086	Bepco Inc	R955281086X
281718	Bepco Inc	R955281718X
281761	Bepco Inc	R955281761X
281923	Bepco Inc	R955281923X
281923X	Bepco Inc	R955281923X
281924	Bepco Inc	R955281924X
282023	Bepco Inc	R955282023X
282749	Bepco Inc	R955282749X
283046	Bepco Inc	R955283046X
283644	Bepco Inc	R955283644X
283940	Bepco Inc	R955283940X
284142	Bepco Inc	R955284142N
284260	Bepco Inc	R955284260X
284358	Bepco Inc	R955284358X
284412	Bepco Inc	R955284412N
284760	Bepco Inc	R955284760X
284760X	Bepco Inc	R955284760X
286364	Bepco Inc	R955286364N

COMPETITOR PART NUMBER	COMPETITOR NAME	MERITOR PART NUMBER
286364	Bepco Inc	R955286364X
286364X	Bepco Inc	R955286364X
286370	Bepco Inc	R955286370N
286370X	Bepco Inc	R955286370N
286371	Bepco Inc	R955286371N
286500	Bepco Inc	R955286500N
286500	Bepco Inc	R955286500X
286526	Bepco Inc	R955286526X
286526X	Bepco Inc	R955286526X
286527	Bepco Inc	R955286527X
286527X	Bepco Inc	R955286527X
286528	Bepco Inc	R955286528X
286528X	Bepco Inc	R955286528X
286538	Bepco Inc	R955286538X
286539	Bepco Inc	R955286539X
286543	Bepco Inc	R955286543X
286544	Bepco Inc	R955286544X
286544X	Bepco Inc	R955286544X
286546X	Bepco Inc	R955286546X
286554	Bepco Inc	R955286554X
286554X	Bepco Inc	R955286554X
286555	Bepco Inc	R955286555X
286560	Bepco Inc	R955286560X
286576X	Bepco Inc	R955286576X
286580	Bepco Inc	R955286580X
286582X	Bepco Inc	R955286582X
286585	Bepco Inc	R955286585X
286585X	Bepco Inc	R955286585X
286620X	Bepco Inc	R955286620X
286775	Bepco Inc	R955286775X
287043	Bepco Inc	R955287043N
287224	Bepco Inc	R955287224N
287238X	Bepco Inc	R955287238X
287260	Bepco Inc	R955287260N
287376	Bepco Inc	R955287376X
287418	Bepco Inc	R955287418X
287564	Bepco Inc	R955287564X
287637	Bepco Inc	R955287637X
OR288239X	Bepco Inc	R955288239N
288239	Bepco Inc	R955288239N
OR288241X	Bepco Inc	R955288241N
288301	Bepco Inc	R955288301X
288301X	Bepco Inc	R955288301X
288323	Bepco Inc	R955288323X
288369	Bepco Inc	R955288369N

COMPETITOR PART NUMBER	COMPETITOR NAME	MERITOR PART NUMBER
288383	Bepco Inc	R955288383X
288586	Bepco Inc	R955288586X
288605	Bepco Inc	R955288605N
288605	Bepco Inc	R955288605X
288605X	Bepco Inc	R955288605X
288746	Bepco Inc	R955288746X
288746X	Bepco Inc	R955288746X
289146	Bepco Inc	R955289146X
289339	Bepco Inc	R955289339X
289339X	Bepco Inc	R955289339X
289545	Bepco Inc	R955289545X
289714X	Bepco Inc	R955289714X
289925	Bepco Inc	R955289925X
289964X	Bepco Inc	R955289964X
298817	Bepco Inc	R955298817N
298818	Bepco Inc	R955298818N
3047440X	Bepco Inc	R9553047440X
3018543	Bepco Inc	R9553049186X
3049186X	Bepco Inc	R9553049186X
3558000X	Bepco Inc	R9553558000X
3558006X	Bepco Inc	R9553558006X
3558022X	Bepco Inc	R9553558022X
3558043X	Bepco Inc	R9553558043X
3558044X	Bepco Inc	R9553558044X
3558045X	Bepco Inc	R9553558045X
3558068X	Bepco Inc	R9553558068X
3558072X	Bepco Inc	R9553558072X
3558094X	Bepco Inc	R9553558094X
5001940X	Bepco Inc	R9555001940X
5002713X	Bepco Inc	R9555002713X
5002868X	Bepco Inc	R9555002868X
5002984X	Bepco Inc	R9555002984X
5003547	Bepco Inc	R9555003547N
5004118X	Bepco Inc	R9555004118X
5004187X	Bepco Inc	R9555004187X
109429x0	Bepco Inc	R9555004188X
5004188X	Bepco Inc	R9555004188X
5004341X	Bepco Inc	R9555004341X
5004613X	Bepco Inc	R9555004613X
5005037	Bepco Inc	R9555005037N
5010133X	Bepco Inc	R9555010133X
5010696X	Bepco Inc	R9555010696X
5012533X	Bepco Inc	R9555012533X
5014428X	Bepco Inc	R9555014428X
5012794X	Bepco Inc	R9555016799X
800404X	Bepco Inc	R955800404N

COMPETITIVE

All Euclid Air Systems components were superseded to their Meritor part number equivalents effective February 2018.

COMPETITOR PART NUMBER	COMPETITOR NAME	MERITOR PART NUMBER	COMPETITOR PART NUMBER	COMPETITOR NAME	MERITOR PART NUMBER	COMPETITOR PART NUMBER	COMPETITOR NAME	MERITOR PART NUMBER
800516	Bepco Inc	R955800516N	KN16000	Bepco Inc	R955EL16200X	KN34090X	Bepco Inc	R955KN34090X
800517	Bepco Inc	R955800517N	KN16200	Bepco Inc	R955EL16200X	KN68230	Bepco Inc	R955KN68230N
800519	Bepco Inc	R955800519N	K022105	Bepco Inc	R955K022105N	KN7040X	Bepco Inc	R955KN7040X
800629	Bepco Inc	R955800629N	KN18530	Bepco Inc	R955KN18530X	KN7041	Bepco Inc	R955KN7041X
3681904X	Bepco Inc	R9559111535100X	KN18531	Bepco Inc	R955KN18531X	KN7050	Bepco Inc	R955KN7050X
9111535100X	Bepco Inc	R9559111535100X	KN20541X	Bepco Inc	R955KN20541X	RNT26A	Bepco Inc	R955RNT26A
3558163X	Bepco Inc	R9559111535200X	KN20615	Bepco Inc	R955KN20615N	289182	Bepco Inc	R955289182N
9111535200X	Bepco Inc	R9559111535200X	KN22100	Bepco Inc	R955KN22100X	102626	Bepco Inc	EBN102626X
9111535300X	Bepco Inc	R9559111535300X	KN22150	Bepco Inc	R955KN22150X	229859	Bepco Inc	EBN229859N
A3546	Bepco Inc	R955A3546N	KN23010X	Bepco Inc	R955KN23010N	229860	Bepco Inc	EBN229860N
A3991	Bepco Inc	R955A3991X	KN26000	Bepco Inc	R955KN26000N	281865	Bepco Inc	EBN281865N
A4487	Bepco Inc	R955A4487N	KN26000	Bepco Inc	R955KN26000X	286171	Bepco Inc	EBN286171X
A4490	Bepco Inc	R955A4490N	KN26000X	Bepco Inc	R955KN26000X	289714	Bepco Inc	EBN289714N
A4491	Bepco Inc	R955A4491N	KN28060	Bepco Inc	R955KN28060X	A3546	Bepco Inc	EFUA3546X
A4900	Bepco Inc	R955A4900N	KN28060X	Bepco Inc	R955KN28060X	R950014	Bepco Inc	R950014
A5010	Bepco Inc	R955A5010N	KN28061	Bepco Inc	R955KN28061X	102626	Bepco Inc	R955102626N
A5015	Bepco Inc	R955A5015N	KN28061X	Bepco Inc	R955KN28061X	102626X	Bepco Inc	R955102626X
6997312	Bepco Inc	R955BM6997312N	KN28071	Bepco Inc	R955KN28071X	103009	Bepco Inc	R955103009N
6997312X	Bepco Inc	R955BM6997312N	KN28071X	Bepco Inc	R955KN28071X	107796	Bepco Inc	R955107796N
6997312	Bepco Inc	R955BM6997312X	KN28080	Bepco Inc	R955KN28080X	R955205	Bepco Inc	R955205
6997324	Bepco Inc	R955BM6997324X	KN28080X	Bepco Inc	R955KN28080X	R955205X	Bepco Inc	R955205X
EL13020X	Bepco Inc	R955EL13020X	KN28131	Bepco Inc	R955KN28131X	R955207X	Bepco Inc	R955207X
KN13020	Bepco Inc	R955EL13020X	A78880	Bepco Inc	R955KN28500N	229859	Bepco Inc	R955229859N
EL13040X	Bepco Inc	R955EL13040X	KN28500	Bepco Inc	R955KN28500N	229860	Bepco Inc	R955229860N
KN13040	Bepco Inc	R955EL13040X	KN28500	Bepco Inc	R955KN28500X	276567	Bepco Inc	R955276567N
EL13053x	Bepco Inc	R955EL13053X	KN28500X	Bepco Inc	R955KN28500X	229434X	Bepco Inc	R955281865N
KN13053	Bepco Inc	R955EL13053X	A78889	Bepco Inc	R955KN28510N	281865	Bepco Inc	R955281865N
EL13060X	Bepco Inc	R955EL13060X	KN28510	Bepco Inc	R955KN28510N	284358	Bepco Inc	R955284358N
KN13060	Bepco Inc	R955EL13060X	A78887	Bepco Inc	R955KN28520N	286171	Bepco Inc	R955286171N
KN13081	Bepco Inc	R955EL13081X	KN28520	Bepco Inc	R955KN28520N	286171X	Bepco Inc	R955286171X
EL13111X	Bepco Inc	R955EL13111X	KN28600	Bepco Inc	R955KN28600N	289714	Bepco Inc	R955289714N
KN13111	Bepco Inc	R955EL13111X	ORKN28600X	Bepco Inc	R955KN28600N	R955300X	Bepco Inc	R955300X
KN13111X	Bepco Inc	R955EL13111X	KN28600	Bepco Inc	R955KN28600X	M1306	BWP	E1042
KN13151	Bepco Inc	R955EL13151X	KN28600X	Bepco Inc	R955KN28600X	M1303	BWP	E1046
KN13200	Bepco Inc	R955EL13200X	KN28601	Bepco Inc	R955KN28601X	M315A	BWP	E8577
EL13312X	Bepco Inc	R955EL13312X	KN28601X	Bepco Inc	R955KN28601X	M315S	BWP	E8577BK
KN14111	Bepco Inc	R955EL14111X	KN30100	Bepco Inc	R955KN30100X	M1359	BWP	E8578
KN16020	Bepco Inc	R955EL16020X	KN30200	Bepco Inc	R955KN30200X	M1385	BWP	E857920BK
EL16040X	Bepco Inc	R955EL16040X	KN30300	Bepco Inc	R955KN30300X	M1387	BWP	E857924BK
KN16040	Bepco Inc	R955EL16040X	KN30300X	Bepco Inc	R955KN30300X	M1388	BWP	E857926BK
KN16050	Bepco Inc	R955EL16050X	KN30400	Bepco Inc	R955KN30400X	M1389	BWP	E857928BK
KN16051	Bepco Inc	R955EL16051X	KN30400X	Bepco Inc	R955KN30400X	M1390	BWP	E857930BK
KN16053	Bepco Inc	R955EL16053X	KN31000X	Bepco Inc	R955KN31000X	M1392	BWP	E857934BK
KN16060	Bepco Inc	R955EL16060X	KN32040X	Bepco Inc	R955KN32040X	M1393	BWP	E857936BK
KN16100	Bepco Inc	R955EL16100X	KN34070	Bepco Inc	R955KN34070X	M2756	BWP	E858218BK
KN16120	Bepco Inc	R955EL16120X	KN34070X	Bepco Inc	R955KN34070X	M2757	BWP	E858224BK

All Euclid Air Systems components were superseded to their Meritor part number equivalents effective February 2018.

COMPETITIVE CROSS REFERENCE

COMPETITOR PART NUMBER	COMPETITOR NAME	MERITOR PART NUMBER
M2758	BWP	E858228BK
M2759	BWP	E858232BK
M2760	BWP	E858236BK
M2761	BWP	E858240BK
M2762	BWP	E858244BK
M2763	BWP	E858248BK
M3772	BWP	E858338BK
M307	BWP	E8586
M1364	BWP	E8588
M1365	BWP	E8589
M301	BWP	E8591
M302	BWP	E8592
M1360	BWP	E8593
M1361	BWP	E8594
M303	BWP	E8595
M304	BWP	E8596
M305	BWP	E8597
M1362	BWP	E8598
M1363	BWP	E8599
M444	BWP	E8600
M1380	BWP	E8601
M309	BWP	E8602
M1366	BWP	E8603
M310	BWP	E8604
M1367	BWP	E8605
M1368	BWP	E8607
M311	BWP	E8608
M1369	BWP	E8609
M317	BWP	E8616
M3779	BWP	E8620
M3779	BWP	E8620
M3780	BWP	E8623
M3781	BWP	E8624
M300	BWP	R950075
M3779	BWP	R950105
M1384	BWP	R95550218BK
M1386	BWP	R95550222BK
M1391	BWP	R95550232BK
M1394	BWP	R95550238BK
M1395	BWP	R95550240BK
M1396	BWP	R95550242BK
M1397	BWP	R95550244BK
M306	BWP	E8585
M310A	BWP	E8606
M313B	BWP	E9107
M313C	BWP	E9108

COMPETITOR PART NUMBER	COMPETITOR NAME	MERITOR PART NUMBER
M313A	BWP	E9109
M312	BWP	E9110
M308	BWP	E8587
0R3391	Caterpillar	EBN107981X
1043823	Caterpillar	EBN107981X
1069089	Caterpillar	EBN107981X
1092996	Caterpillar	EBN107981X
1259562	Caterpillar	EBN107981X
4P0596	Caterpillar	EBN107981X
4P0596	Caterpillar	EBN107981X
4P2419	Caterpillar	EBN107981X
4P3956	Caterpillar	EBN107981X
6I1670	Caterpillar	EBN107981X
0R2902	Caterpillar	R955103274X
0R2886	Caterpillar	R955103278X
0R4115	Caterpillar	R955107508X
0R9765	Caterpillar	R955107508X
1647565	Caterpillar	R955107508X
7E7619	Caterpillar	R955107508X
0R3659	Caterpillar	R955107509X
0R9764	Caterpillar	R955107509X
4P0676	Caterpillar	R955107509X
1228966	Caterpillar	R955107514X
1266110	Caterpillar	R955107514X
0R3391	Caterpillar	R955107981X
1043823	Caterpillar	R955107981X
1069089	Caterpillar	R955107981X
1092996	Caterpillar	R955107981X
1259562	Caterpillar	R955107981X
4P0596	Caterpillar	R955107981X
4P0596	Caterpillar	R955107981X
4P2419	Caterpillar	R955107981X
4P3956	Caterpillar	R955107981X
6I1670	Caterpillar	R955107981X
0R3404	Caterpillar	R955109251X
0R9766	Caterpillar	R955109251X
1091317	Caterpillar	R955109251X
1091317	Caterpillar	R955109251X
1105764	Caterpillar	R955109251X
1105764	Caterpillar	R955109251X
1442906	Caterpillar	R955109251X
0R3411	Caterpillar	R955109604X
0R4383	Caterpillar	R955109604X
0R9763	Caterpillar	R955109604X
1137666	Caterpillar	R955109604X
1647563	Caterpillar	R955109604X

COMPETITOR PART NUMBER	COMPETITOR NAME	MERITOR PART NUMBER
4P0586	Caterpillar	R955109604X
0R8329	Caterpillar	R955109659X
0R9626	Caterpillar	R955109659X
1102751	Caterpillar	R955109659X
1609845	Caterpillar	R955109659X
0R2908	Caterpillar	R955227407X
0R2903	Caterpillar	R955286580X
0R2899	Caterpillar	R955286584X
0R3391	Caterpillar	R9555001940X
1268214	Caterpillar	R9555001940X
0R4740	Caterpillar	R9555002713X
0R8253	Caterpillar	R9555002713X
0R8341	Caterpillar	R9555002713X
1182806	Caterpillar	R9555002713X
1329814	Caterpillar	R9555002713X
1647564	Caterpillar	R9555002713X
0R8442	Caterpillar	R9555002983X
1029553	Caterpillar	R9555002983X
1399009	Caterpillar	R9555002983X
1439186	Caterpillar	R9555002983X
1647566	Caterpillar	R9555002983X
1647567	Caterpillar	R9555002983X
9Y6320	Caterpillar	R9555002983X
0R3845	Caterpillar	R9555002984X
0R8340	Caterpillar	R9555002984X
1029551	Caterpillar	R9555002984X
1029553	Caterpillar	R9555002984X
1182798	Caterpillar	R9555002984X
1316679	Caterpillar	R9555002984X
1329813	Caterpillar	R9555002984X
1439185	Caterpillar	R9555002984X
2158055	Caterpillar	R9555002984X
0R9013	Caterpillar	R9555004118X
1434924	Caterpillar	R9555004118X
1647559	Caterpillar	R9555004118X
1671288	Caterpillar	R9555005790X
1789497	Caterpillar	R9555008249X
1789497	Caterpillar	R9555008249X
1803957	Caterpillar	R9555008249X
10R9375	Caterpillar	R9555012533X
0R1623	Caterpillar	R9555014428X
0R8170	Caterpillar	R955EL13020X
0R8171	Caterpillar	R955EL13151X
0R8172	Caterpillar	R955EL13200X
0R8174	Caterpillar	R955EL16200X
EL16280X	Caterpillar	R955EL16280X

COMPETITIVE

All Euclid Air Systems components were superseded to their Meritor part number equivalents effective February 2018.

COMPETITOR PART NUMBER	COMPETITOR NAME	MERITOR PART NUMBER
E12977284	Clark	R955107506X
3018543X	Conmet	R9553018543X
3559570X	Conmet	R9553559570X
4318216	Crown Coach	R9559111535100X
4318216RX	Crown Coach	R9559111535100X
3914082	Cummins (Holset)	R955KNT86230X
3914083	Cummins (Holset)	R955KNT86230X
3069211	Cummins (Holset)	R955107506X
3074470	Cummins (Holset)	R955107506X
3166445	Cummins (Holset)	R955107506X
3417958	Cummins (Holset)	R955107506X
3609999	Cummins (Holset)	R955107506X
3069181	Cummins (Holset)	R955107507X
3074471	Cummins (Holset)	R955107507X
3166446	Cummins (Holset)	R955107507X
3417959	Cummins (Holset)	R955107507X
3609998	Cummins (Holset)	R955107507X
3018532X	Cummins (Holset)	R9553018532X
3047440X	Cummins (Holset)	R9553047440X
3049186X	Cummins (Holset)	R9553049186X
3558006X	Cummins (Holset)	R9553558006X
3558020X	Cummins (Holset)	R9553558020X
3558022X	Cummins (Holset)	R9553558022X
3558043X	Cummins (Holset)	R9553558043X
3558044X	Cummins (Holset)	R9553558044X
3558045X	Cummins (Holset)	R9553558045X
3558052X	Cummins (Holset)	R9553558052X
3558072X	Cummins (Holset)	R9553558072X
3558074X	Cummins (Holset)	R9553558074X
3558098X	Cummins (Holset)	R9553558098X
3558186X	Cummins (Holset)	R9553558186X
3558189X	Cummins (Holset)	R9553558189X
3558211X	Cummins (Holset)	R9553558211X
3559511	Cummins (Holset)	R9553559545N
3103413	Cummins (Holset)	R9559111535100X
3104216RX	Cummins (Holset)	R9559111535100X
3681902	Cummins (Holset)	R9559111535100X
3681904	Cummins (Holset)	R9559111535100X
9111535100X	Cummins (Holset)	R9559111535100X
3558163	Cummins (Holset)	R9559111535200X
9111535200X	Cummins (Holset)	R9559111535200X
BM6997312	Cummins (Holset)	R955BM6997312N
BM6997312N	Cummins (Holset)	R955BM6997312N
BM6997312N	Cummins (Holset)	R955BM6997312N
BM6997312X	Cummins (Holset)	R955BM6997312X
BM6997312X	Cummins (Holset)	R955BM6997312X

COMPETITOR PART NUMBER	COMPETITOR NAME	MERITOR PART NUMBER
BM6997324	Cummins (Holset)	R955BM6997324N
BM6997324N	Cummins (Holset)	R955BM6997324N
BM6997324N	Cummins (Holset)	R955BM6997324N
BM6997324X	Cummins (Holset)	R955BM6997324X
BM6997324X	Cummins (Holset)	R955BM6997324X
3970806	Cummins (Holset)	R955284358N
110255	Dayton Parts Batco	E1046
1236805	Dayton Parts Batco	E8586
1236802	Dayton Parts Batco	E8591
1236803	Dayton Parts Batco	E8592
1236812	Dayton Parts Batco	E8593
1236813	Dayton Parts Batco	E8594
1237801	Dayton Parts Batco	E8595
1237802	Dayton Parts Batco	E8596
1237803	Dayton Parts Batco	E8597
1237812	Dayton Parts Batco	E8598
1237904	Dayton Parts Batco	E8600
1237914	Dayton Parts Batco	E8601
1236808	Dayton Parts Batco	E8602
1236818	Dayton Parts Batco	E8603
1236807	Dayton Parts Batco	E8604
1240501	Dayton Parts Batco	E8615
1240505	Dayton Parts Batco	E8620
1240503	Dayton Parts Batco	E8622
1236805	Dayton Parts Batco	R950071
1236815	Dayton Parts Batco	R950073
1236816	Dayton Parts Batco	R950074
1236801	Dayton Parts Batco	R950075
1236802	Dayton Parts Batco	R950076
1236803	Dayton Parts Batco	R950077
1236812	Dayton Parts Batco	R950078
1236813	Dayton Parts Batco	R950079
1237801	Dayton Parts Batco	R950080
1237802	Dayton Parts Batco	R950081
1237803	Dayton Parts Batco	R950082
1237812	Dayton Parts Batco	R950083
1237813	Dayton Parts Batco	R950084
1237904	Dayton Parts Batco	R950085
1236808	Dayton Parts Batco	R950087
1236818	Dayton Parts Batco	R950088
1236807	Dayton Parts Batco	R950089
1236817	Dayton Parts Batco	R950090
1240501	Dayton Parts Batco	R950100
1240502	Dayton Parts Batco	R950104
1240621	Dayton Parts Batco	R955401045
1238205	Dayton Parts Batco	R955500

COMPETITOR PART NUMBER	COMPETITOR NAME	MERITOR PART NUMBER
1238225	Dayton Parts Batco	R955500BK
1238405	Dayton Parts Batco	R955501
1238425	Dayton Parts Batco	R955501BK
1238016	Dayton Parts Batco	R95550216BK
1238018	Dayton Parts Batco	R95550218BK
1238020	Dayton Parts Batco	R95550220BK
1238022	Dayton Parts Batco	R95550222BK
1238024	Dayton Parts Batco	R95550224BK
1238026	Dayton Parts Batco	R95550226BK
1238028	Dayton Parts Batco	R95550228BK
1238030	Dayton Parts Batco	R95550230BK
1238032	Dayton Parts Batco	R95550232BK
1238034	Dayton Parts Batco	R95550234BK
1238036	Dayton Parts Batco	R95550236BK
1238038	Dayton Parts Batco	R95550238BK
1238040	Dayton Parts Batco	R95550240BK
1238042	Dayton Parts Batco	R95550242BK
1238044	Dayton Parts Batco	R95550244BK
1238118	Dayton Parts Batco	R95550518BK
1238124	Dayton Parts Batco	R95550524BK
1238128	Dayton Parts Batco	R95550528BK
1238132	Dayton Parts Batco	R95550532BK
1238136	Dayton Parts Batco	R95550536BK
1238140	Dayton Parts Batco	R95550540BK
1238144	Dayton Parts Batco	R95550544BK
1238148	Dayton Parts Batco	R95550548BK
1244015	Dayton Parts Batco	E10744
1244115	Dayton Parts Batco	E10746
1240418	Dayton Parts Batco	R950114
1240419	Dayton Parts Batco	R950115
1240416	Dayton Parts Batco	R950116
1240403	Dayton Parts Batco	R950118
1240404	Dayton Parts Batco	R950119
1236804	Dayton Parts Batco	R950070
1236806	Dayton Parts Batco	R950072
R23511734	Detroit	R955104039X
23511734	Detroit	R955104039X
R23514502	Detroit	R955107513X
23514502	Detroit	R955107513X
R23511735	Detroit	R955107514X
23511735	Detroit	R955107514X
R23505234	Detroit	R955107622X
R3505234	Detroit	R955107622X
230505234	Detroit	R955107622X
23505234	Detroit	R955107622X
23511334	Detroit	R955107622X

All Euclid Air Systems components were superseded to their Meritor part number equivalents effective February 2018.

COMPETITIVE CROSS REFERENCE

COMPETITOR PART NUMBER	COMPETITOR NAME	MERITOR PART NUMBER
R23505235	Detroit	R955107623X
R3505235	Detroit	R955107623X
23505235	Detroit	R955107623X
R23509780	Detroit	R955107813X
23509780	Detroit	R955107813X
23511735	Detroit	R955108110X
R23516841	Detroit	R9555004187X
R23522123	Detroit	R9555004187X
R3516841	Detroit	R9555004187X
23516841	Detroit	R9555004187X
23522123	Detroit	R9555004187X
R23516840	Detroit	R9555004188X
R23522122	Detroit	R9555004188X
R3516840	Detroit	R9555004188X
23516840	Detroit	R9555004188X
23522122	Detroit	R9555004188X
R23515565	Detroit	R9555005875X
R23524143	Detroit	R9555005875X
23515565	Detroit	R9555005875X
23524143	Detroit	R9555005875X
R23531247	Detroit	R9555010824X
R23531259	Detroit	R9555010824X
R23531315	Detroit	R9555010824X
23531247	Detroit	R9555010824X
23531259	Detroit	R9555010824X
23531315	Detroit	R9555010824X
R23532832	Detroit	R9555018485X
R23535534	Detroit	R9555018485X
23532832	Detroit	R9555018485X
23535534	Detroit	R9555018485X
R23500459	Detroit	R955EL13020X
23500459	Detroit	R955EL13020X
R23507268	Detroit	R955EL13053X
R23511334	Detroit	R955EL13053X
23507268	Detroit	R955EL13053X
23511334	Detroit	R955EL13053X
23500558	Detroit	R955EL16020X
R23500454	Detroit	R955EL16050X
R23500455	Detroit	R955EL16050X
23500454	Detroit	R955EL16050X
23500455	Detroit	R955EL16050X
R23507269	Detroit	R955EL16053X
23507269	Detroit	R955EL16053X
R23500558	Detroit	R955EL16060X
R23500456	Detroit	R955EL16100X
R23500457	Detroit	R955EL16100X

COMPETITOR PART NUMBER	COMPETITOR NAME	MERITOR PART NUMBER
23500456	Detroit	R955EL16100X
23500457	Detroit	R955EL16100X
R23509473	Detroit	R955EL16250X
23509473	Detroit	R955EL16250X
110170	DS Parts	ESL110170
110171	DS Parts	ESL110171
110191	DS Parts	ESL110191
110197	DS Parts	ESL110197
110200	DS Parts	ESL110200
110205	DS Parts	ESL110205
110380	DS Parts	ESL110380
110415	DS Parts	ESL110415
10005A	DS Parts	RSL10005A
110139	DS Parts	RSL110139
110500	DS Parts	RSL110500
065044	DS Parts	R955065044X
065439	DS Parts	R955065439X
101135	DS Parts	R955101135X
103833	DS Parts	R955103833X
DSG4C	DS Parts	R955153102
DSG9A	DS Parts	R955153110
DSG10A	DS Parts	R955153111
DSG10C	DS Parts	R955153112
DSG13H	DS Parts	R955153115
DS155750	DS Parts	R955153150
280905	DS Parts	R955280905X
286773	DS Parts	R955286773X
286934	DS Parts	R955286934X
287600	DS Parts	R955287600X
288239	DS Parts	R955288239X
5470	DS Parts	R9555470X
KN28140	DS Parts	R955KN28140X
KN28520	DS Parts	R955KN28520X
KN34080	DS Parts	R955KN34080X
KNT86230	DS Parts	R955KNT86230X
DST33C	DS Parts	R955RNT33C
381424	DS Parts	E857924BK
381430	DS Parts	E857930BK
381436	DS Parts	E857936BK
381446	DS Parts	E857946BK
383818	DS Parts	E858018BK
383824	DS Parts	E858024BK
383830	DS Parts	E858030BK
383836	DS Parts	E858036BK
383846	DS Parts	E858046BK
123818	DS Parts	E858218BK

COMPETITOR PART NUMBER	COMPETITOR NAME	MERITOR PART NUMBER
123824	DS Parts	E858224BK
123830	DS Parts	E858230BK
123836	DS Parts	E858236BK
123842	DS Parts	E858242BK
123848	DS Parts	E858248BK
123872	DS Parts	E858272BK
381418	DS Parts	R95550218BK
381442	DS Parts	R95550242BK
383842	DS Parts	R95550342BK
103010NP	DS Parts	EBN103010N
107794	DS Parts	EBN107794X
284412	DS Parts	EBN284412X
A3546NP	DS Parts	EFUA3546N
12361	DS Parts	EMD12361X
KN22140	DS Parts	EMDKN22140X
KN28510	DS Parts	EMDKN28510N
KN28510NP	DS Parts	EMDKN28510N
065041	DS Parts	R955065041X
065104	DS Parts	R955065104X
065145	DS Parts	R955065145X
065146	DS Parts	R955065146X
065156	DS Parts	R955065156X
065157	DS Parts	R955065157X
065225	DS Parts	R955065225X
065313	DS Parts	R955065313X
065437	DS Parts	R955065437N
101100	DS Parts	R955101100X
101112	DS Parts	R955101112X
101242	DS Parts	R955101242X
101245	DS Parts	R955101245X
101437	DS Parts	R955101437X
101569	DS Parts	R955101569X
101570	DS Parts	R955101570X
101622	DS Parts	R955101622X
101818	DS Parts	R955101818X
101900	DS Parts	R955101900X
102761	DS Parts	R955102761X
102835	DS Parts	R955102835X
102952	DS Parts	R955102952X
102953	DS Parts	R955102953X
103009	DS Parts	R955103009X
103010	DS Parts	R955103010X
103028NP	DS Parts	R955103028N
103028	DS Parts	R955103028X
103061	DS Parts	R955103061X
103081	DS Parts	R955103081N

COMPETITIVE

All Euclid Air Systems components were superseded to their Meritor part number equivalents effective February 2018.

COMPETITOR PART NUMBER	COMPETITOR NAME	MERITOR PART NUMBER	COMPETITOR PART NUMBER	COMPETITOR NAME	MERITOR PART NUMBER	COMPETITOR PART NUMBER	COMPETITOR NAME	MERITOR PART NUMBER
103139	DS Parts	R955103139X	228600NP	DS Parts	R955228600N	279580	DS Parts	R955279580X
103274	DS Parts	R955103274X	228750NP	DS Parts	R955228750N	DS279615	DS Parts	R955279615N
103294	DS Parts	R955103294X	229467	DS Parts	R955229467X	279692	DS Parts	R955279692X
103835	DS Parts	R955103835X	229500	DS Parts	R955229500N	279839	DS Parts	R955279839X
103912	DS Parts	R955103912X	229501	DS Parts	R955229501N	279950	DS Parts	R955279950N
104039	DS Parts	R955104039X	229505	DS Parts	R955229505N	279952	DS Parts	R955279952X
104165	DS Parts	R955104165X	229505NP	DS Parts	R955229505N	279962	DS Parts	R955279962X
104345	DS Parts	R955104345X	229544	DS Parts	R955229544X	280243	DS Parts	R955280243X
104358	DS Parts	R955104358X	229562	DS Parts	R955229562X	280375	DS Parts	R955280375X
104561	DS Parts	R955104561N	229608	DS Parts	R955229608X	280422	DS Parts	R955280422X
104644	DS Parts	R955104644X	229635	DS Parts	R955229635N	280501	DS Parts	R955280501X
106313	DS Parts	R955106313X	229635NP	DS Parts	R955229635N	DSG4A	DS Parts	R955280511N
107433	DS Parts	R955107433X	275491	DS Parts	R955275491X	280551	DS Parts	R955280551X
107506	DS Parts	R955107506X	275834	DS Parts	R955275834X	280613	DS Parts	R955280613X
107507	DS Parts	R955107507X	276111	DS Parts	R955276111X	280628	DS Parts	R955280628X
107508	DS Parts	R955107508X	276272	DS Parts	R955276272X	280651	DS Parts	R955280651X
107509	DS Parts	R955107509X	276462	DS Parts	R955276462X	280758	DS Parts	R955280758X
107510	DS Parts	R955107510X	276566NP	DS Parts	R955276566N	280774	DS Parts	R955280774X
107511	DS Parts	R955107511X	276566	DS Parts	R955276566X	280809	DS Parts	R955280809X
107513	DS Parts	R955107513X	276567	DS Parts	R955276567X	281024	DS Parts	R955281024N
107514	DS Parts	R955107514X	276777	DS Parts	R955276777X	281086	DS Parts	R955281086X
107622	DS Parts	R955107622X	276961	DS Parts	R955276961X	281112	DS Parts	R955281112X
107623	DS Parts	R955107623X	276962	DS Parts	R955276962X	281157	DS Parts	R955281157X
107813	DS Parts	R955107813X	276978	DS Parts	R955276978X	281338	DS Parts	R955281338X
107896	DS Parts	R955107896X	277855	DS Parts	R955277855X	281430	DS Parts	R955281430X
108110	DS Parts	R955108110X	277863	DS Parts	R955277863N	281587	DS Parts	R955281587X
108272	DS Parts	R955108272X	277863NP	DS Parts	R955277863N	281718	DS Parts	R955281718X
108866	DS Parts	R955108866X	277920	DS Parts	R955277920X	281761	DS Parts	R955281761X
DSG5B	DS Parts	R955153103	278445	DS Parts	R955278445X	281923NP	DS Parts	R955281923N
DSG7C	DS Parts	R955153107	278452	DS Parts	R955278452X	281923	DS Parts	R955281923X
DSG11A	DS Parts	R955153113	278482	DS Parts	R955278482N	281924	DS Parts	R955281924X
DSG10F	DS Parts	R955153114	278605	DS Parts	R955278605X	282023	DS Parts	R955282023X
DSG14H	DS Parts	R955153116	278615	DS Parts	R955278615X	282620	DS Parts	R955282620X
16743NP	DS Parts	R95516743N	278825	DS Parts	R955278825X	282621	DS Parts	R955282621X
16859NP	DS Parts	R95516859N	278998	DS Parts	R955278998N	282749	DS Parts	R955282749X
19974NP	DS Parts	R95519974N	279000	DS Parts	R955279000N	283046	DS Parts	R955283046X
227321	DS Parts	R955227321X	279000NP	DS Parts	R955279000N	283577	DS Parts	R955283577X
227355	DS Parts	R955227355X	279024	DS Parts	R955279024X	283644	DS Parts	R955283644X
227400	DS Parts	R955227400X	279025	DS Parts	R955279025X	283664	DS Parts	R955283664X
227406	DS Parts	R955227406X	279040	DS Parts	R955279040N	283692	DS Parts	R955283692X
227870NP	DS Parts	R955227870N	279176	DS Parts	R955279176X	283711	DS Parts	R955283711X
227871NP	DS Parts	R955227871N	279180NP	DS Parts	R955279180N	283808	DS Parts	R955283808X
228138	DS Parts	R955228138X	279180	DS Parts	R955279180X	283935	DS Parts	R955283935X
228344	DS Parts	R955228344X	279416NP	DS Parts	R955279416N	283940	DS Parts	R955283940X
228451	DS Parts	R955228451X	279525	DS Parts	R955279525X	284160	DS Parts	R955284160X
228520	DS Parts	R955228520X	279556	DS Parts	R955279556X	284260	DS Parts	R955284260X

All Euclid Air Systems components were superseded to their Meritor part number equivalents effective February 2018.

COMPETITIVE CROSS REFERENCE

COMPETITOR PART NUMBER	COMPETITOR NAME	MERITOR PART NUMBER	COMPETITOR PART NUMBER	COMPETITOR NAME	MERITOR PART NUMBER	COMPETITOR PART NUMBER	COMPETITOR NAME	MERITOR PART NUMBER
284358	DS Parts	R955284358X	289172	DS Parts	R955289172X	KN22100	DS Parts	R955KN22100X
284760	DS Parts	R955284760X	289339	DS Parts	R955289339X	KN22150	DS Parts	R955KN22150X
285107	DS Parts	R955285107X	289380	DS Parts	R955289380X	KN26000	DS Parts	R955KN26000X
285275	DS Parts	R955285275X	289545	DS Parts	R955289545X	KN28060NP	DS Parts	R955KN28060N
286364	DS Parts	R955286364X	289925	DS Parts	R955289925X	KN28060	DS Parts	R955KN28060X
286370	DS Parts	R955286370N	3049186	DS Parts	R9553049186X	KN28061	DS Parts	R955KN28061X
286370NP	DS Parts	R955286370N	DS3559511	DS Parts	R9553559545N	KN28071	DS Parts	R955KN28071X
286371	DS Parts	R955286371N	5455	DS Parts	R9555455X	KN28080	DS Parts	R955KN28080X
286471	DS Parts	R955286471X	A3547	DS Parts	R955A3547X	KN28131	DS Parts	R955KN28131X
286500	DS Parts	R955286500X	A3991	DS Parts	R955A3991X	KN28500NP	DS Parts	R955KN28500N
286526	DS Parts	R955286526X	A4487NP	DS Parts	R955A4487N	KN28500	DS Parts	R955KN28500X
286527	DS Parts	R955286527X	A4490NP	DS Parts	R955A4490N	KN28520NP	DS Parts	R955KN28520N
286528	DS Parts	R955286528X	A4491NP	DS Parts	R955A4491N	KN28600	DS Parts	R955KN28600X
286538	DS Parts	R955286538X	A4688NP	DS Parts	R955A4688N	KN28601	DS Parts	R955KN28601X
286539	DS Parts	R955286539X	A4900NP	DS Parts	R955A4900N	KN30100	DS Parts	R955KN30100X
286543	DS Parts	R955286543X	A5010NP	DS Parts	R955A5010N	KN30200	DS Parts	R955KN30200X
286544	DS Parts	R955286544X	A5015NP	DS Parts	R955A5015N	KN30300	DS Parts	R955KN30300X
286554	DS Parts	R955286554X	BM6997312NP	DS Parts	R955BM6997312N	KN30400	DS Parts	R955KN30400X
286555	DS Parts	R955286555X	BM6997312	DS Parts	R955BM6997312X	KN31000	DS Parts	R955KN31000X
286560	DS Parts	R955286560X	BM6997324NP	DS Parts	R955BM6997324N	KN31010	DS Parts	R955KN31010X
286580	DS Parts	R955286580X	BM6997324	DS Parts	R955BM6997324X	KN32040	DS Parts	R955KN32040X
286585	DS Parts	R955286585X	EL13020	DS Parts	R955EL13020X	KN34070	DS Parts	R955KN34070X
286775	DS Parts	R955286775X	EL13040	DS Parts	R955EL13040X	KN68230NP	DS Parts	R955KN68230N
286836	DS Parts	R955286836X	EL13053	DS Parts	R955EL13053X	KN68237NP	DS Parts	R955KN68237N
DS287053	DS Parts	R955287053N	EL13060	DS Parts	R955EL13060X	KN7041	DS Parts	R955KN7041X
287224	DS Parts	R955287224N	EL13081	DS Parts	R955EL13081X	KN7050	DS Parts	R955KN7050X
287238NP	DS Parts	R955287238N	EL13111	DS Parts	R955EL13111X	DST26A	DS Parts	R955RNT26A
287260	DS Parts	R955287260N	EL13151	DS Parts	R955EL13151X	DS296010	DS Parts	E153200
287279	DS Parts	R955287279X	EL13200	DS Parts	R955EL13200X	DST26JB	DS Parts	EMDRNT26JB
287376	DS Parts	R955287376X	EL14110	DS Parts	R955EL14110X	288746NP	DS Parts	EBN288746N
287418	DS Parts	R955287418X	EL14111	DS Parts	R955EL14111X	KN20030A	DS Parts	EMDKN20030AX
287564	DS Parts	R955287564X	EL16020	DS Parts	R955EL16020X	DSG7A	DS Parts	R955153106
287637	DS Parts	R955287637X	EL16040	DS Parts	R955EL16040X	DSG8A	DS Parts	R955153108
288239NP	DS Parts	R955288239N	EL16050	DS Parts	R955EL16050X	101333	DS Parts	EBN102626N
288241NP	DS Parts	R955288241N	EL16051	DS Parts	R955EL16051X	102626NP	DS Parts	EBN102626N
288301	DS Parts	R955288301X	EL16053	DS Parts	R955EL16053X	102626	DS Parts	EBN102626X
288323	DS Parts	R955288323X	EL16060	DS Parts	R955EL16060X	227357	DS Parts	EBN102626X
288369	DS Parts	R955288369N	EL16100	DS Parts	R955EL16100X	103009NP	DS Parts	EBN103009N
288383	DS Parts	R955288383X	EL16110	DS Parts	R955EL16110X	229859	DS Parts	EBN229859N
288586	DS Parts	R955288586X	EL16120	DS Parts	R955EL16120X	229859NP	DS Parts	EBN229859N
288605	DS Parts	R955288605X	EL16200	DS Parts	R955EL16200X	229860	DS Parts	EBN229860N
288710	DS Parts	R955288710X	EL16250	DS Parts	R955EL16250X	229860NP	DS Parts	EBN229860N
288746	DS Parts	R955288746X	KN18530	DS Parts	R955KN18530X	276567NP	DS Parts	EBN276567N
289144NP	DS Parts	R955289144N	KN18531	DS Parts	R955KN18531X	281865	DS Parts	EBN281865N
289146	DS Parts	R955289146X	KN20071	DS Parts	R955KN20071X	281865NP	DS Parts	EBN281865N
289149	DS Parts	R955289149X	KN20570	DS Parts	R955KN20570X	275491NP	DS Parts	EBN284358N

COMPETITIVE

All Euclid Air Systems components were superseded to their Meritor part number equivalents effective February 2018.

COMPETITOR PART NUMBER	COMPETITOR NAME	MERITOR PART NUMBER
286171NP	DS Parts	EBN286171N
286171	DS Parts	EBN286171X
289714	DS Parts	EBN289714N
289714NP	DS Parts	EBN289714N
A3546	DS Parts	EFUA3546X
D74B	Dyco	R950120
D74B	Dyco	R950121
D75R	Dyco	R950122
9018101	Energy Suspension	R950120
9018101	Energy Suspension	R950120
HAB620B	Fairview Fittings	E857920BK
HAB624B	Fairview Fittings	E857924BK
HAB626B	Fairview Fittings	E857926BK
HAB628B	Fairview Fittings	E857928BK
HAB630B	Fairview Fittings	E857930BK
HAB634B	Fairview Fittings	E857934BK
HAB636B	Fairview Fittings	E857936BK
HAB646B	Fairview Fittings	E857946BK
HAB672B	Fairview Fittings	E857972BK
HAB618C	Fairview Fittings	E858018BK
HAB620C	Fairview Fittings	E858020BK
HAB624C	Fairview Fittings	E858024BK
HAB626C	Fairview Fittings	E858026BK
HAB628C	Fairview Fittings	E858028BK
HAB630C	Fairview Fittings	E858030BK
HAB634C	Fairview Fittings	E858034BK
HAB636C	Fairview Fittings	E858036BK
HAB638C	Fairview Fittings	E858038BK
HAB640C	Fairview Fittings	E858040BK

COMPETITOR PART NUMBER	COMPETITOR NAME	MERITOR PART NUMBER
HAB646C	Fairview Fittings	E858046BK
HAB650C	Fairview Fittings	E858050BK
HAB654C	Fairview Fittings	E858054BK
HAB668C	Fairview Fittings	E858068BK
HAB672C	Fairview Fittings	E858072BK
HAB816C	Fairview Fittings	E858216BK
HAB818C	Fairview Fittings	E858218BK
HAB820C	Fairview Fittings	E858220BK
HAB822C	Fairview Fittings	E858222BK
HAB824C	Fairview Fittings	E858224BK
HAB826C	Fairview Fittings	E858226BK
HAB828C	Fairview Fittings	E858228BK
HAB830C	Fairview Fittings	E858230BK
HAB832C	Fairview Fittings	E858232BK
HAB834C	Fairview Fittings	E858234BK
HAB836C	Fairview Fittings	E858236BK
HAB838C	Fairview Fittings	E858238BK
HAB840C	Fairview Fittings	E858240BK
HAB842C	Fairview Fittings	E858242BK
HAB844C	Fairview Fittings	E858244BK
HAB846C	Fairview Fittings	E858246BK
HAB848C	Fairview Fittings	E858248BK
HAB850C	Fairview Fittings	E858250BK
HAB852C	Fairview Fittings	E858252BK
HAB856C	Fairview Fittings	E858256BK
HAB860C	Fairview Fittings	E858260BK

COMPETITOR PART NUMBER	COMPETITOR NAME	MERITOR PART NUMBER
HAB862C	Fairview Fittings	E858262BK
HAB866C	Fairview Fittings	E858266BK
HAB868C	Fairview Fittings	E858268BK
HAB872C	Fairview Fittings	E858272BK
HAB616B	Fairview Fittings	R95550216BK
HAB618B	Fairview Fittings	R95550218BK
HAB622B	Fairview Fittings	R95550222BK
HAB632B	Fairview Fittings	R95550232BK
HAB638B	Fairview Fittings	R95550238BK
HAB640B	Fairview Fittings	R95550240BK
HAB642B	Fairview Fittings	R95550242BK
HAB644B	Fairview Fittings	R95550244BK
HAB650B	Fairview Fittings	R95550250BK
HAB654B	Fairview Fittings	R95550254BK
HAB660B	Fairview Fittings	R95550260BK
HAB666B	Fairview Fittings	R95550266BK
HAB616C	Fairview Fittings	R95550316BK
HAB622C	Fairview Fittings	R95550322BK
HAB632C	Fairview Fittings	R95550332BK
HAB642C	Fairview Fittings	R95550342BK
HAB644C	Fairview Fittings	R95550344BK
HAB660C	Fairview Fittings	R95550360BK
HAB666C	Fairview Fittings	R95550366BK
FC065104	Fleetcraft	R955065104N
FC065437	Fleetcraft	R955065437N
FC103010	Fleetcraft	R955103010N
FC103028	Fleetcraft	R955103028N
FC103081	Fleetcraft	R955103081N
FC229635	Fleetcraft	R955229635N

All Euclid Air Systems components were superseded to their Meritor part number equivalents effective February 2018.

COMPETITIVE CROSS REFERENCE

COMPETITOR PART NUMBER	COMPETITOR NAME	MERITOR PART NUMBER
FC276566	Fleetcraft	R955276566N
FC288239	Fleetcraft	R955288239N
FC102626	Fleetcraft	R955102626N
FC103009	Fleetcraft	R955103009N
FC229859	Fleetcraft	R955229859N
FC229860	Fleetcraft	R955229860N
FC276567	Fleetcraft	R955276567N
FC281865	Fleetcraft	R955281865N
FC286171	Fleetcraft	R955286171N
FC289714	Fleetcraft	R955289714N
OTR065612	Fleetpride	R955065612N
FLTBV145	Fleetrite	R955065145N
FLTAD5225	Fleetrite	R955065225NP
FLTBV303	Fleetrite	R955065303N
FLTBV437	Fleetrite	R955065437N
FLT109493	Fleetrite	R955065624N
FLTBV818	Fleetrite	R955101818N
FLTBV010	Fleetrite	R955103010N
FLTBV081	Fleetrite	R955103081N
FLTBC106	Fleetrite	R955107506X
FLT114	Fleetrite	R955107514X
FLTBV800	Fleetrite	R955107800N
FLT9685	Fleetrite	R955109685NP
FLTBV635	Fleetrite	R955229635N
FLTBV566	Fleetrite	R955276566N
FLTBV614	Fleetrite	R955278614N
FLTBV000	Fleetrite	R955279000N
FLTBV923	Fleetrite	R955281923N
FLTBV364	Fleetrite	R955286364N
FLTBV241	Fleetrite	R955288241N
FLTBC113	Fleetrite	R9555004613X
FLT614	Fleetrite	R9555004614X
FLTBC137	Fleetrite	R9555005037N
FLTBV333	Fleetrite	R955800333N
KLTBV341	Fleetrite	R955800405N
FLTBV516	Fleetrite	R955800516N
FLTBV629	Fleetrite	R955800629N
FLTBV105	Fleetrite	R955K022105N
FLTBC115	Fleetrite	R955KN20615N
FLTBV626	Fleetrite	R955102626N
FLTBV009	Fleetrite	R955103009N
FLT107794	Fleetrite	R955107796N
FLTBV859	Fleetrite	R955229859N
FLTBV860	Fleetrite	R955229860N
FLTBV567	Fleetrite	R955276567N
FLTBV865	Fleetrite	R955281865N

COMPETITOR PART NUMBER	COMPETITOR NAME	MERITOR PART NUMBER
FLTBC191	Fleetrite	R955284358N
FLTBV358	Fleetrite	R955284358N
FLTBV171	Fleetrite	R955286171N
97821800151	Flexible Bus	R955107507X
97827900151	Flexible Bus	R955107507X
97821800002	Flexible Bus	R955107813X
97821800218	Flexible Bus	R955107813X
97821800222	Flexible Bus	R955108557X
F1HT2875BA	FORD	R955107514X
F1HT2875BB	FORD	R955107514X
1316679	FORD	R955108557X
F3HT2875FA	FORD	R955108804X
F3HT2875FB	FORD	R955108804X
F3HT2875FC	FORD	R955108804X
ABPRC1065672	Freightliner	R955107622X
ABPRC1065671	Freightliner	R955107623X
F3HT2875FC	Freightliner	R955108804X
ABPRC105004083	Freightliner	R9555004187X
ABPRC105004082	Freightliner	R9555004188X
APRC105004082	Freightliner	R9555004188X
MBH800070	Fruehauf	E8577
001MDCGHS	Fruehauf	R950121
001MBCGHS	Fruehauf	R950122
A3546	Full Vision	EFUA3546N
16743	Full Vision	R95516743N
16859	Full Vision	R95516859N
19974	Full Vision	R95519974N
A3546	Full Vision	R955A3546N
A3547X	Full Vision	R955A3547X
A3991X	Full Vision	R955A3991X
A4487	Full Vision	R955A4487N
A4490	Full Vision	R955A4490N
A4491	Full Vision	R955A4491N
A4688	Full Vision	R955A4688N
A4900	Full Vision	R955A4900N
A5010	Full Vision	R955A5010N
A5015	Full Vision	R955A5015N
A3546X	Full Vision	EFUA3546X
A3546X	Full Vision	R955A3546X
2136946	General Motors Corp.	E1042
12546827	General Motors Corp.	EBN107981X
15977688	General Motors Corp.	EBN107981X
12546827	General Motors Corp.	R955107981X

COMPETITOR PART NUMBER	COMPETITOR NAME	MERITOR PART NUMBER
15977688	General Motors Corp.	R955107981X
15978946	General Motors Corp.	R955107981X
12470332	General Motors Corp.	R9555001940X
15025056	General Motors Corp.	R9555001940X
15152068	General Motors Corp.	R9555001940X
23500460	General Motors Corp.	R955EL13020X
23507268	General Motors Corp.	R955EL13053X
23511334	General Motors Corp.	R955EL13053X
23500454	General Motors Corp.	R955EL16050X
23500455	General Motors Corp.	R955EL16050X
23507269	General Motors Corp.	R955EL16053X
23500457	General Motors Corp.	R955EL16100X
8217427000	Gillig Bros	R955107507X
8217427001	Gillig Bros	R955107507X
8205281000	Gillig Bros	R955107813X
8205281001	Gillig Bros	R955107813X
8216809	Gillig Bros	R9555004187X
S110800N	Gorilla	ESL110800
S110500N	Gorilla	RSL110500
SA1000SX	Gorilla	RSLA1000S
FS065044X	Gorilla	R955065044X
FS286934X	Gorilla	R955286934X
FS103010N	Gorilla	EBN103010N
FS107794X	Gorilla	EBN107794X
KN28510N	Gorilla	EMDKN28510N
FS065041X	Gorilla	R955065041X
FS101900X	Gorilla	R955101900X
FS103028N	Gorilla	R955103028N
FS104358X	Gorilla	R955104358X
FS228600N	Gorilla	R955228600N
FS228750N	Gorilla	R955228750N
FS229505N	Gorilla	R955229505N
FS229635N	Gorilla	R955229635N
FS276566N	Gorilla	R955276566N
FS277863N	Gorilla	R955277863N
FS279000N	Gorilla	R955279000N
FS279180N	Gorilla	R955279180N

COMPETITIVE

All Euclid Air Systems components were superseded to their Meritor part number equivalents effective February 2018.

COMPETITOR PART NUMBER	COMPETITOR NAME	MERITOR PART NUMBER	COMPETITOR PART NUMBER	COMPETITOR NAME	MERITOR PART NUMBER	COMPETITOR PART NUMBER	COMPETITOR NAME	MERITOR PART NUMBER
FS281923N	Gorilla	R955281923N	KN28520X	Haldex	R955KN28520X	16322	Haldex	E858222BK
FS286370N	Gorilla	R955286370N	KN34080X	Haldex	R955KN34080X	16324	Haldex	E858224BK
FS288239N	Gorilla	R955288239N	KNT86230X	Haldex	R955KNT86230X	16326	Haldex	E858226BK
FS289144N	Gorilla	R955289144N	NT7623	Haldex	R955KNT86230X	16328	Haldex	E858228BK
KN26000N	Gorilla	R955KN26000N	NT7623A	Haldex	R955KNT86230X	16330	Haldex	E858230BK
KN28500N	Gorilla	R955KN28500N	NT7623C	Haldex	R955KNT86230X	16332	Haldex	E858232BK
KN28520N	Gorilla	R955KN28520N	NT7623D	Haldex	R955KNT86230X	16334	Haldex	E858234BK
R950011N	Gorilla	E109994	NT7623E	Haldex	R955KNT86230X	16336	Haldex	E858236BK
FS102626N	Gorilla	EBN102626N	NT7623H	Haldex	R955KNT86230X	16338	Haldex	E858238BK
EBN103009N	Gorilla	EBN103009N	RN33C	Haldex	R955RN33C	16340	Haldex	E858240BK
FS229859N	Gorilla	EBN229859N	RNT33C	Haldex	R955RNT33C	16342	Haldex	E858242BK
FS229860N	Gorilla	EBN229860N	SN3072BV	Haldex	E1046	16344	Haldex	E858244BK
FS276567N	Gorilla	EBN276567N	11000	Haldex	E8577	16346	Haldex	E858246BK
FS281865N	Gorilla	EBN281865N	11001	Haldex	E8577BK	16348	Haldex	E858248BK
FS286171N	Gorilla	EBN286171N	11002	Haldex	E8578	16352	Haldex	E858252BK
FS289714N	Gorilla	EBN289714N	11004	Haldex	E8578BK	16356	Haldex	E858256BK
KN28600N	Gorilla	EMDKN28600N	16008	Haldex	E857908BK	16360	Haldex	E858260BK
12501	Haldex	R12501	16020	Haldex	E857920BK	16368	Haldex	E858268BK
12502	Haldex	R12502	16024	Haldex	E857924BK	16372	Haldex	E858272BK
1175013	Haldex	R12509	16026	Haldex	E857926BK	16816	Haldex	E858316BK
12509	Haldex	R12509	16028	Haldex	E857928BK	16820	Haldex	E858320BK
12510	Haldex	R12510	16030	Haldex	E857930BK	16822	Haldex	E858322BK
KN31003	Haldex	R95590554107	16034	Haldex	E857934BK	16824	Haldex	E858324BK
KN20631	Haldex	RKN20631	16036	Haldex	E857936BK	16826	Haldex	E858324BK
N4400BG	Haldex	RKN20631	16046	Haldex	E857946BK	16826	Haldex	E858326BK
EM40770	Haldex	ESL110170	16060	Haldex	E857972BK	16828	Haldex	E858328BK
110170X	Haldex	ESL110170	16072	Haldex	E857972BK	16830	Haldex	E858330BK
110171X	Haldex	ESL110171	16618	Haldex	E858018BK	16832	Haldex	E858332BK
110197X	Haldex	ESL110197	16620	Haldex	E858020BK	16834	Haldex	E858334BK
110200X	Haldex	ESL110200	16624	Haldex	E858024BK	16836	Haldex	E858336BK
110205X	Haldex	ESL110205	16626	Haldex	E858026BK	16840	Haldex	E858340BK
110338X	Haldex	ESL110338	16628	Haldex	E858028BK	16844	Haldex	E858344BK
110380X	Haldex	ESL110380	16630	Haldex	E858030BK	16848	Haldex	E858348BK
110410X	Haldex	ESL110410	16634	Haldex	E858034BK	16852	Haldex	E858352BK
110415X	Haldex	ESL110415	16636	Haldex	E858036BK	16860	Haldex	E858360BK
110570X	Haldex	ESL110570	16638	Haldex	E858038BK	16872	Haldex	E858360BK
110700X	Haldex	ESL110700	16640	Haldex	E858040BK	16872	Haldex	E858372BK
110800X	Haldex	ESL110800	16646	Haldex	E858046BK	16718	Haldex	E858418BK
10005AX	Haldex	RSL10005A	16654	Haldex	E858054BK	16736	Haldex	E858436BK
110139X	Haldex	RSL110139	16668	Haldex	E858068BK	16756	Haldex	E858456BK
110500X	Haldex	RSL110500	16672	Haldex	E858072BK	16766	Haldex	E858466BK
A1000SX	Haldex	RSLA1000S	16428	Haldex	E858128BK	11908	Haldex	E8586
EM36180	Haldex	RSLA1000S	16434	Haldex	E858134BK	11909	Haldex	E8586
286773X	Haldex	R955286773X	16316	Haldex	E858216BK	11904	Haldex	E8591
286934X	Haldex	R955286934X	16318	Haldex	E858218BK	11905	Haldex	E8592
KN28140X	Haldex	R955KN28140X	16320	Haldex	E858220BK	11900	Haldex	E8595

All Euclid Air Systems components were superseded to their Meritor part number equivalents effective February 2018.

COMPETITIVE CROSS REFERENCE

COMPETITOR PART NUMBER	COMPETITOR NAME	MERITOR PART NUMBER
11901	Haldex	E8595
11901	Haldex	E8596
11902	Haldex	E8597
11913	Haldex	E8600
11912	Haldex	E8602
11906	Haldex	E8604
11911	Haldex	E8608
A86623	Haldex	E8611
11300	Haldex	E8615
11300	Haldex	E8616
N11246	Haldex	E8618
11307	Haldex	E8620
N11161	Haldex	E8622
11908	Haldex	R950071
11903	Haldex	R950075
11904	Haldex	R950076
11905	Haldex	R950077
11900	Haldex	R950080
11901	Haldex	R950080
11901	Haldex	R950081
11902	Haldex	R950082
11913	Haldex	R950085
11912	Haldex	R950087
11906	Haldex	R950089
11906	Haldex	R950091
11911	Haldex	R950093
A86623	Haldex	R950096
11300	Haldex	R950100
11300	Haldex	R950101
11304	Haldex	R950102
10315	Haldex	R950104
KN31400	Haldex	R955401004
11000	Haldex	R955500
11001	Haldex	R955500BK
11002	Haldex	R955501
11004	Haldex	R955501BK
16012	Haldex	R95550212BK
16014	Haldex	R95550214BK
16016	Haldex	R95550216BK
16018	Haldex	R95550218BK
16020	Haldex	R95550220BK
16022	Haldex	R95550222BK
16024	Haldex	R95550224BK
16026	Haldex	R95550226BK
16028	Haldex	R95550228BK
16030	Haldex	R95550230BK

COMPETITOR PART NUMBER	COMPETITOR NAME	MERITOR PART NUMBER
16032	Haldex	R95550232BK
16034	Haldex	R95550234BK
16036	Haldex	R95550236BK
16038	Haldex	R95550238BK
16040	Haldex	R95550240BK
16042	Haldex	R95550242BK
16044	Haldex	R95550244BK
16054	Haldex	R95550254BK
16060	Haldex	R95550260BK
16066	Haldex	R95550266BK
16072	Haldex	R95550272BK
16614	Haldex	R95550314BK
16616	Haldex	R95550314BK
16616	Haldex	R95550316BK
16618	Haldex	R95550318BK
16620	Haldex	R95550320BK
16622	Haldex	R95550322BK
16624	Haldex	R95550324BK
16626	Haldex	R95550326BK
16628	Haldex	R95550328BK
16630	Haldex	R95550330BK
16632	Haldex	R95550332BK
16634	Haldex	R95550334BK
16636	Haldex	R95550336BK
16638	Haldex	R95550338BK
16640	Haldex	R95550340BK
16642	Haldex	R95550342BK
16644	Haldex	R95550344BK
16646	Haldex	R95550346BK
16654	Haldex	R95550354BK
16660	Haldex	R95550360BK
16666	Haldex	R95550366BK
16668	Haldex	R95550368BK
16672	Haldex	R95550372BK
16414	Haldex	R95550414BK
16418	Haldex	R95550418BK
16420	Haldex	R95550420BK
16422	Haldex	R95550422BK
16424	Haldex	R95550424BK
16426	Haldex	R95550426BK
16428	Haldex	R95550428BK
16430	Haldex	R95550430BK
16432	Haldex	R95550432BK
16436	Haldex	R95550436BK
16038	Haldex	R95550438BK
16442	Haldex	R95550442BK

COMPETITOR PART NUMBER	COMPETITOR NAME	MERITOR PART NUMBER
16448	Haldex	R95550448BK
16460	Haldex	R95550460BK
16314	Haldex	R95550514BK
16316	Haldex	R95550516BK
16318	Haldex	R95550518BK
16320	Haldex	R95550520BK
16322	Haldex	R95550522BK
16324	Haldex	R95550524BK
16326	Haldex	R95550526BK
16328	Haldex	R95550528BK
16330	Haldex	R95550530BK
16332	Haldex	R95550532BK
16334	Haldex	R95550534BK
16336	Haldex	R95550536BK
16338	Haldex	R95550538BK
16340	Haldex	R95550540BK
16342	Haldex	R95550542BK
16344	Haldex	R95550544BK
16346	Haldex	R95550546BK
16348	Haldex	R95550548BK
16352	Haldex	R95550552BK
16360	Haldex	R95550560BK
16372	Haldex	R95550572BK
16820	Haldex	R95550620BK
16822	Haldex	R95550622BK
16824	Haldex	R95550624BK
16828	Haldex	R95550628BK
16872	Haldex	R95550660BK
16718	Haldex	R95550718BK
16720	Haldex	R95550720BK
16722	Haldex	R95550722BK
16724	Haldex	R95550724BK
16726	Haldex	R95550726BK
16728	Haldex	R95550728BK
16730	Haldex	R95550730BK
16732	Haldex	R95550732BK
16734	Haldex	R95550734BK
16736	Haldex	R95550736BK
16738	Haldex	R95550738BK
16740	Haldex	R95550740BK
16744	Haldex	R95550744BK
16748	Haldex	R95550748BK
16756	Haldex	R95550756BK
16772	Haldex	R95550772BK
BE22010	Haldex	E10158
BE22040	Haldex	E10158

COMPETITIVE

All Euclid Air Systems components were superseded to their Meritor part number equivalents effective February 2018.

COMPETITOR PART NUMBER	COMPETITOR NAME	MERITOR PART NUMBER	COMPETITOR PART NUMBER	COMPETITOR NAME	MERITOR PART NUMBER	COMPETITOR PART NUMBER	COMPETITOR NAME	MERITOR PART NUMBER
300634AC	Haldex	E10158	101569X	Haldex	R955101569X	107509X	Haldex	R955107509X
300634AD	Haldex	E10158	101570X	Haldex	R955101570X	EL13111X	Haldex	R955107511X
KN28071	Haldex	EBN103010N	101818RX	Haldex	R955101818N	KN13111X	Haldex	R955107511X
KN28071RX	Haldex	EBN103010N	101818X	Haldex	R955101818X	107511X	Haldex	R955107511X
103010RX	Haldex	EBN103010N	101900MKX	Haldex	R955101900X	EL13060X	Haldex	R955107514X
107981X	Haldex	EBN107981X	101900X	Haldex	R955101900X	KN13060X	Haldex	R955107514X
CART224	Haldex	ECRT224N	102657	Haldex	R955102657N	107514X	Haldex	R955107514X
EM36640	Haldex	EFUA3546N	102657A	Haldex	R955102657N	107515K	Haldex	R955107515N
12105	Haldex	EMD12105N	102657K	Haldex	R955102657N	107516K	Haldex	R955107516N
12361X	Haldex	EMD12361X	102761X	Haldex	R955102761X	107526X	Haldex	R955107526X
A103600X	Haldex	EMDA103600X	102953X	Haldex	R955102953X	EL13053X	Haldex	R955107622X
KN22140X	Haldex	EMDKN22140X	102989X	Haldex	R955102989X	KN13053X	Haldex	R955107622X
KN28510	Haldex	EMDKN28510N	KN28140N	Haldex	R955103009X	107622X	Haldex	R955107622X
KN28510N	Haldex	EMDKN28510N	KN28140X	Haldex	R955103009X	107623X	Haldex	R955107623X
KN28510RX	Haldex	EMDKN28510N	103009X	Haldex	R955103009X	107695B	Haldex	R955107695N
KN28510X	Haldex	EMDKN28510N	KN28071	Haldex	R955103010N	107695K	Haldex	R955107695N
KN33000X	Haldex	R955065041X	KN28071N	Haldex	R955103010N	107794X	Haldex	R955107794X
65041X	Haldex	R955065041X	KN28071RX	Haldex	R955103010N	KN20561	Haldex	R955107799N
102165X	Haldex	R955065104X	103010RX	Haldex	R955103010N	107800K	Haldex	R955107800N
065125X	Haldex	R955065125X	KN28071N	Haldex	R955103010X	107917X	Haldex	R955107917X
065145RX	Haldex	R955065145N	KN28071X	Haldex	R955103010X	EL13280X	Haldex	R955107981X
065145X	Haldex	R955065145X	103028RX	Haldex	R955103028N	KN13280X	Haldex	R955107981X
EM56880	Haldex	R955065146N	103028X	Haldex	R955103028X	107981X	Haldex	R955107981X
065146RX	Haldex	R955065146N	103081RX	Haldex	R955103081N	108066X	Haldex	R955108066X
065146X	Haldex	R955065146X	103081X	Haldex	R955103081N	EL13060X	Haldex	R955108110X
KN20603N	Haldex	R955065156X	EL13200X	Haldex	R955103274X	KN13060X	Haldex	R955108110X
KN20603X	Haldex	R955065156X	KN13200X	Haldex	R955103274X	108110X	Haldex	R955108110X
109685X	Haldex	R955065225X	103274X	Haldex	R955103274X	109073X	Haldex	R955108272X
065303RX	Haldex	R955065303N	103294X	Haldex	R955103294X	108804X	Haldex	R955108804X
065313X	Haldex	R955065313X	103818K	Haldex	R955103818N	108866X	Haldex	R955108866X
065395X	Haldex	R955065395X	103879K	Haldex	R955103879N	108869X	Haldex	R955108869X
109493RX	Haldex	R955065624N	103976X	Haldex	R955103976X	109111X	Haldex	R955109111X
65624K	Haldex	R955065624N	103980K	Haldex	R955103980N	EL13151X	Haldex	R955109251X
065647X	Haldex	R955065647X	103981K	Haldex	R955103981N	KN13151X	Haldex	R955109251X
47110007	Haldex	R955065677N	104039X	Haldex	R955104039X	109251X	Haldex	R955109251X
101100X	Haldex	R955101100X	104358RX	Haldex	R955104358X	109477X	Haldex	R955109477X
KN26000	Haldex	R955101112N	104358X	Haldex	R955104358X	109478NRX	Haldex	R955109478X
KN26000N	Haldex	R955101112N	EM57230	Haldex	R955104358XCF	109493X	Haldex	R955109493X
KN26000N	Haldex	R955101112X	107221X	Haldex	R955107221X	109494K	Haldex	R955109494N
KN26000X	Haldex	R955101112X	EL13040X	Haldex	R955107506X	109495K	Haldex	R955109495N
101112X	Haldex	R955101112X	KN13040X	Haldex	R955107506X	109477X	Haldex	R955109503X
EM56480	Haldex	R955101437N	107506X	Haldex	R955107506X	109578K	Haldex	R955109578N
KN20615	Haldex	R955101437N	EL16040X	Haldex	R955107507X	109579K	Haldex	R955109579N
KN20615N	Haldex	R955101437N	KN16040X	Haldex	R955107507X	109685HX	Haldex	R955109685HX
KN20615N	Haldex	R955101437X	107507X	Haldex	R955107507X	109687X	Haldex	R955109687X
101558K	Haldex	R955101558N	107508X	Haldex	R955107508X	109688X	Haldex	R955109688X

All Euclid Air Systems components were superseded to their Meritor part number equivalents effective February 2018.

COMPETITIVE CROSS REFERENCE

COMPETITOR PART NUMBER	COMPETITOR NAME	MERITOR PART NUMBER	COMPETITOR PART NUMBER	COMPETITOR NAME	MERITOR PART NUMBER	COMPETITOR PART NUMBER	COMPETITOR NAME	MERITOR PART NUMBER
109685X	Haldex	R955109689X	KN20001	Haldex	R955229635N	EM36820	Haldex	R955279180N
109689X	Haldex	R955109689X	KN20001N	Haldex	R955229635N	KN28140	Haldex	R955279180N
5002063	Haldex	R955109689X	KN20001X	Haldex	R955229635N	KN28140N	Haldex	R955279180N
5002063X	Haldex	R955109689X	229635RX	Haldex	R955229635N	279180RX	Haldex	R955279180N
109869K	Haldex	R955109869N	229635X	Haldex	R955229635N	KN28140N	Haldex	R955279180X
109869K	Haldex	R955109871N	KN32005	Haldex	R955229813N	KN28140X	Haldex	R955279180X
298948K	Haldex	R955109871N	KN32005N	Haldex	R955229813N	EM05070	Haldex	R955279416N
109991X	Haldex	R955109991X	229859X	Haldex	R955229859X	279556X	Haldex	R955279556X
109992X	Haldex	R955109992X	KN18530N	Haldex	R955275491X	279615K	Haldex	R955279615N
109993K	Haldex	R955109993N	KN18530X	Haldex	R955275491X	A103600	Haldex	R955279952N
109995K	Haldex	R955109995N	KN18534N	Haldex	R955275491X	A103600N	Haldex	R955279952N
KN21024	Haldex	R95512103	KN18534X	Haldex	R955275491X	A103600N	Haldex	R955279952X
KN21025	Haldex	R95512103	276272X	Haldex	R955276272X	A103600X	Haldex	R955279952X
N3613BC	Haldex	R95512103	KN20021	Haldex	R955276566N	279952X	Haldex	R955279952X
N3613BJ	Haldex	R95512103	KN20021N	Haldex	R955276566N	KN25110	Haldex	R955280809N
N3613CT	Haldex	R95512103	276566RX	Haldex	R955276566N	KN25110N	Haldex	R955280809N
N3613CV	Haldex	R95512103	KN20021N	Haldex	R955276566X	KN25110N	Haldex	R955280809X
N3613J	Haldex	R95512103	KN20021X	Haldex	R955276566X	KN25110X	Haldex	R955280809X
N3613S	Haldex	R95512103	276566X	Haldex	R955276566X	KN30300	Haldex	R955281860N
12103	Haldex	R95512103	KN20021N	Haldex	R955276567X	KN30300N	Haldex	R955281860N
N3613AD	Haldex	R95512105	KN20021X	Haldex	R955276567X	KN24000	Haldex	R955281923N
R12105	Haldex	R95512105	276567X	Haldex	R955276567X	KN24000X	Haldex	R955281923X
12105	Haldex	R95512105	276961X	Haldex	R955276961X	281923X	Haldex	R955281923X
12105	Haldex	R95512105N	276962X	Haldex	R955276962X	282621X	Haldex	R955282621X
12352	Haldex	R95512352N	EM55480	Haldex	R955277147N	KN31400	Haldex	R955284142N
KN31526	Haldex	R955131081N	277147RX	Haldex	R955277147N	KN18530N	Haldex	R955284358X
KN31526N	Haldex	R955131081N	277148X	Haldex	R955277148X	KN18530X	Haldex	R955284358X
KN31400	Haldex	R955205105N	KN22100	Haldex	R955277863N	KN18534N	Haldex	R955284358X
KN31400N	Haldex	R955205105N	KN22100N	Haldex	R955277863N	KN18534X	Haldex	R955284358X
227323X	Haldex	R955227323X	KN22100X	Haldex	R955277863N	KN24010N	Haldex	R955284412N
227406X	Haldex	R955227406X	277863RX	Haldex	R955277863N	KN24010X	Haldex	R955284412N
KN23010	Haldex	R955227870N	277863X	Haldex	R955277863N	284760X	Haldex	R955284760X
KN23010X	Haldex	R955227870N	KN25110	Haldex	R955278598N	286364RX	Haldex	R955286364N
KN23000	Haldex	R955227871N	KN25110N	Haldex	R955278598N	286364X	Haldex	R955286364X
228050X	Haldex	R955228050X	KN25110N	Haldex	R955278598X	EM56160	Haldex	R955286370N
BE13250	Haldex	R955228600N	KN25110X	Haldex	R955278598X	286370RX	Haldex	R955286370N
BE13250N	Haldex	R955228600N	278605X	Haldex	R955278605X	286370X	Haldex	R955286370N
EM36090	Haldex	R955228600N	KN25061	Haldex	R955278614N	286526X	Haldex	R955286526X
BE13241	Haldex	R955228750N	KN25061N	Haldex	R955278614N	EL13060X	Haldex	R955286527X
BE13241N	Haldex	R955228750N	KN25060	Haldex	R955278615N	KN13060X	Haldex	R955286527X
EM36220	Haldex	R955228750N	KN25060N	Haldex	R955278615N	EL13060X	Haldex	R955286528X
KN22100N	Haldex	R955229501N	KN34060	Haldex	R955279000N	KN13060X	Haldex	R955286528X
KN22100X	Haldex	R955229501N	KN34060N	Haldex	R955279000N	286528X	Haldex	R955286528X
277863X	Haldex	R955229501N	KN34060X	Haldex	R955279000N	286538X	Haldex	R955286538X
229505RX	Haldex	R955229505N	279000RX	Haldex	R955279000N	EL13050X	Haldex	R955286539X
229505X	Haldex	R955229505N	279000X	Haldex	R955279000N	KN13050X	Haldex	R955286539X

All Euclid Air Systems components were superseded to their Meritor part number equivalents effective February 2018.

COMPETITIVE

COMPETITOR PART NUMBER	COMPETITOR NAME	MERITOR PART NUMBER	COMPETITOR PART NUMBER	COMPETITOR NAME	MERITOR PART NUMBER	COMPETITOR PART NUMBER	COMPETITOR NAME	MERITOR PART NUMBER
286539X	Haldex	R955286539X	289941X	Haldex	R955289941X	5004050X	Haldex	R9555004050X
286543X	Haldex	R955286543X	289964X	Haldex	R955289964X	5004118X	Haldex	R9555004118X
EL13111X	Haldex	R955286544X	298817	Haldex	R955298817N	EL16312X	Haldex	R9555004187X
KN13111X	Haldex	R955286544X	298818	Haldex	R955298818N	109430X	Haldex	R9555004187X
286544X	Haldex	R955286544X	3047440X	Haldex	R9553047440X	5004187X	Haldex	R9555004187X
286546X	Haldex	R955286546X	EL13040X	Haldex	R9553049186X	EL13312X	Haldex	R9555004188X
286554X	Haldex	R955286554X	KN13040X	Haldex	R9553049186X	109429X	Haldex	R9555004188X
286618X	Haldex	R955286555X	3018543X	Haldex	R9553049186X	5004188X	Haldex	R9555004188X
286560X	Haldex	R955286560X	3049186X	Haldex	R9553049186X	107798K	Haldex	R9555004336N
286565X	Haldex	R955286565X	3558000X	Haldex	R9553558000X	5004338K	Haldex	R9555004338N
EL13060X	Haldex	R955286576X	3558006X	Haldex	R9553558006X	109686X	Haldex	R9555004341X
KN13060X	Haldex	R955286576X	3558020X	Haldex	R9553558020X	5004341X	Haldex	R9555004341X
286576X	Haldex	R955286576X	3558021X	Haldex	R9553558021X	5004342X	Haldex	R9555004342X
EL13050X	Haldex	R955286581X	3558022X	Haldex	R9553558022X	109088X	Haldex	R9555004613X
KN13050X	Haldex	R955286581X	3558042X	Haldex	R9553558042X	5004613X	Haldex	R9555004613X
286582X	Haldex	R955286582X	3558043X	Haldex	R9553558043X	5005037K	Haldex	R9555005037N
286585X	Haldex	R955286585X	3558044X	Haldex	R9553558044X	5005790X	Haldex	R9555005790X
286586X	Haldex	R955286586X	3558045X	Haldex	R9553558045X	5005875X	Haldex	R9555005875X
EL13111X	Haldex	R955286620X	3558049X	Haldex	R9553558049X	5005893K	Haldex	R9555005893N
KN13111X	Haldex	R955286620X	3558051X	Haldex	R9553558051X	5008249X	Haldex	R9555008249X
286620X	Haldex	R955286620X	3558052X	Haldex	R9553558052X	5010696X	Haldex	R9555010696X
EL13051X	Haldex	R955286623X	3558068X	Haldex	R9553558068X	5010824X	Haldex	R9555010824X
KN13051X	Haldex	R955286623X	3558072X	Haldex	R9553558072X	5012533X	Haldex	R9555012533X
286623X	Haldex	R955286623X	3558074X	Haldex	R9553558074X	5014428X	Haldex	R9555014428X
287053K	Haldex	R955287053N	3558077x	Haldex	R9553558077X	5011016X	Haldex	R9555016799X
EM36110	Haldex	R955287238N	3558077X	Haldex	R9553558077X	5018485X	Haldex	R9555018485X
287238RX	Haldex	R955287238N	3558094X	Haldex	R9553558094X	5455X	Haldex	R9555455X
287238X	Haldex	R955287238X	3558095X	Haldex	R9553558095X	KN31200	Haldex	R955800350N
287298K	Haldex	R955287298N	3558122X	Haldex	R9553558122X	800404K	Haldex	R955800404N
287564X	Haldex	R955287564X	3558186X	Haldex	R9553558186X	109569K	Haldex	R955800405N
KN20025	Haldex	R955288239N	3558189X	Haldex	R9553558189X	KN20615	Haldex	R955800516N
288239RX	Haldex	R955288239N	3558211X	Haldex	R9553558211X	KN20615N	Haldex	R955800516N
288241RX	Haldex	R955288241N	3559545K	Haldex	R9553559545N	800516RX	Haldex	R955800516N
288301X	Haldex	R955288301X	3559551K	Haldex	R9553559551N	KN20601	Haldex	R955800517N
288605RX	Haldex	R955288605N	3559568K	Haldex	R9553559568N	KN20601N	Haldex	R955800517N
288605X	Haldex	R955288605X	3559576K	Haldex	R9553559576N	KN20615	Haldex	R955800518N
288746X	Haldex	R955288746X	5000709X	Haldex	R9555000709X	KN20615N	Haldex	R955800518N
EM36250	Haldex	R955289144N	5001940X	Haldex	R9555001940X	KN20611	Haldex	R955800519N
289144RX	Haldex	R955289144N	5002713X	Haldex	R9555002713X	KN20611N	Haldex	R955800519N
289336X	Haldex	R955289336X	5002865X	Haldex	R9555002865X	800521RX	Haldex	R955800521N
289339X	Haldex	R955289339X	5002868X	Haldex	R9555002868X	KN20611	Haldex	R955800573N
289340X	Haldex	R955289340X	109142X	Haldex	R9555002983X	KN20611N	Haldex	R955800573N
289348X	Haldex	R955289348X	5002983X	Haldex	R9555002983X	800573RX	Haldex	R955800573N
289349X	Haldex	R955289349X	109139X	Haldex	R9555002984X	90555106	Haldex	R95590554271N
289350X	Haldex	R955289350X	5002984X	Haldex	R9555002984X	9111535100X	Haldex	R9559111535100X
289714X	Haldex	R955289714X	5003547K	Haldex	R9555003547N	9111535200X	Haldex	R9559111535200X

All Euclid Air Systems components were superseded to their Meritor part number equivalents effective February 2018.

COMPETITIVE CROSS REFERENCE

COMPETITOR PART NUMBER	COMPETITOR NAME	MERITOR PART NUMBER
9111535207X	Haldex	R9559111535200X
9111535300X	Haldex	R9559111535300X
9111535330X	Haldex	R9559111535330X
9111539202X	Haldex	R9559111539202
9111539202X	Haldex	R9559111539202
A103600X	Haldex	R955A103600X
EM36640	Haldex	R955A3546N
KN4490	Haldex	R955A4490N
KN4491	Haldex	R955A4491N
A72420	Haldex	R955A72420N
A72420N	Haldex	R955A72420N
A86473X	Haldex	R955A86473X
BE13240	Haldex	R955BE13240N
BE13240N	Haldex	R955BE13240N
EM36060	Haldex	R955BE13240N
BE13241	Haldex	R955BE13241N
BE13241N	Haldex	R955BE13241N
EM37160	Haldex	R955BE13241N
BE13250	Haldex	R955BE13250N
BE13250N	Haldex	R955BE13250N
EM36050	Haldex	R955BE13250N
BE13255	Haldex	R955BE13255N
BE13255N	Haldex	R955BE13255N
EM36070	Haldex	R955BE13255N
6997312RX	Haldex	R955BM6997312X
6997312X	Haldex	R955BM6997312X
EL13020X	Haldex	R955EL13020X
KN13020	Haldex	R955EL13020X
KN13020X	Haldex	R955EL13020X
NT7002AB	Haldex	R955EL13020X
NT7002AM	Haldex	R955EL13020X
N7002AE	Haldex	R955EL13020X
N7002AJ	Haldex	R955EL13020X
N7002AL	Haldex	R955EL13020X
N7002C	Haldex	R955EL13020X
N7002K	Haldex	R955EL13020X
N7002P	Haldex	R955EL13020X
N7002R	Haldex	R955EL13020X
N7002T	Haldex	R955EL13020X
EL13021X	Haldex	R955EL13021X
EL13022X	Haldex	R955EL13022X
EL13040X	Haldex	R955EL13040X
KN13040X	Haldex	R955EL13040X
NT7004B	Haldex	R955EL13040X
N7004F	Haldex	R955EL13040X
EL13050X	Haldex	R955EL13050X

COMPETITOR PART NUMBER	COMPETITOR NAME	MERITOR PART NUMBER
EL13051X	Haldex	R955EL13051X
EL13053X	Haldex	R955EL13053X
KN13053X	Haldex	R955EL13053X
NT7005AK	Haldex	R955EL13053X
EL13060X	Haldex	R955EL13060X
KN12040	Haldex	R955EL13060X
KN12040X	Haldex	R955EL13060X
KN13060	Haldex	R955EL13060X
KN13060X	Haldex	R955EL13060X
EL13070X	Haldex	R955EL13070X
EL13081X	Haldex	R955EL13081X
EL13090X	Haldex	R955EL13090X
EL13100X	Haldex	R955EL13100X
EL13111X	Haldex	R955EL13111X
KN13111X	Haldex	R955EL13111X
N7011F	Haldex	R955EL13111X
N7011H	Haldex	R955EL13111X
EL13151X	Haldex	R955EL13151X
NT7015B	Haldex	R955EL13151X
EL13160X	Haldex	R955EL13160X
EL13200X	Haldex	R955EL13200X
NT7020	Haldex	R955EL13200X
EL13220X	Haldex	R955EL13220X
EL13312X	Haldex	R955EL13312X
EL14110X	Haldex	R955EL14110X
EL14111X	Haldex	R955EL14111X
EL16020X	Haldex	R955EL16020X
N7202	Haldex	R955EL16020X
EL16040X	Haldex	R955EL16040X
ZZEL16040	Haldex	R955EL16040X
EL16050X	Haldex	R955EL16050X
N7205M	Haldex	R955EL16050X
N7205N	Haldex	R955EL16050X
EL16051X	Haldex	R955EL16051X
NT7205V	Haldex	R955EL16051X
EL16053X	Haldex	R955EL16053X
NT7205Y	Haldex	R955EL16053X
EL16060X	Haldex	R955EL16060X
N7206	Haldex	R955EL16060X
EL16100X	Haldex	R955EL16100X
NT7210E	Haldex	R955EL16100X
NT7210FV	Haldex	R955EL16100X
EL16110X	Haldex	R955EL16110X
EL16111X	Haldex	R955EL16111X
KN16111	Haldex	R955EL16111X
KN16111X	Haldex	R955EL16111X

COMPETITOR PART NUMBER	COMPETITOR NAME	MERITOR PART NUMBER
NT7211B	Haldex	R955EL16111X
N7211E	Haldex	R955EL16111X
EL16120X	Haldex	R955EL16120X
EL16200X	Haldex	R955EL16200X
NT7220	Haldex	R955EL16200X
EL16250X	Haldex	R955EL16250X
K022105K	Haldex	R955K022105N
K022105N	Haldex	R955K022105N
KN18530X	Haldex	R955KN18530X
KN18531X	Haldex	R955KN18531X
KN18534X	Haldex	R955KN18534X
KN20010X	Haldex	R955KN20010X
KN20071X	Haldex	R955KN20071X
KN20541X	Haldex	R955KN20541X
KN20561N	Haldex	R955KN20561X
KN20561X	Haldex	R955KN20561X
KN20570X	Haldex	R955KN20570X
KN20606	Haldex	R955KN20606N
KN20606N	Haldex	R955KN20606N
KN20615	Haldex	R955KN20615N
KN20615N	Haldex	R955KN20615N
KN22100X	Haldex	R955KN22100X
KN22150X	Haldex	R955KN22150X
KN23000	Haldex	R955KN23000N
KN23000N	Haldex	R955KN23000N
KN23010	Haldex	R955KN23010N
KN23010N	Haldex	R955KN23010N
KN23040	Haldex	R955KN23040N
KN23040N	Haldex	R955KN23040N
KN26000	Haldex	R955KN26000N
KN26000N	Haldex	R955KN26000N
KN26000RX	Haldex	R955KN26000N
KN26000N	Haldex	R955KN26000X
KN26000X	Haldex	R955KN26000X
KN26010	Haldex	R955KN26010N
KN26010N	Haldex	R955KN26010N
KN26010X	Haldex	R955KN26010X
KN26020N	Haldex	R955KN26020X
KN26020X	Haldex	R955KN26020X
EM37070	Haldex	R955KN27000N
EM37220	Haldex	R955KN27000N
KN27000	Haldex	R955KN27000N
KN27000N	Haldex	R955KN27000N
KN28011X	Haldex	R955KN28011X
EM36390	Haldex	R955KN28060N
KN28060	Haldex	R955KN28060N

COMPETITIVE

All Euclid Air Systems components were superseded to their Meritor part number equivalents effective February 2018.

COMPETITOR PART NUMBER	COMPETITOR NAME	MERITOR PART NUMBER	COMPETITOR PART NUMBER	COMPETITOR NAME	MERITOR PART NUMBER	COMPETITOR PART NUMBER	COMPETITOR NAME	MERITOR PART NUMBER
KN28060N	Haldex	R955KN28060N	KN31000N	Haldex	R955KN31000X	11952	Haldex	R95510744
KN28060RX	Haldex	R955KN28060N	KN31000X	Haldex	R955KN31000X	11953	Haldex	R95510745
KN28060N	Haldex	R955KN28060X	KN31010N	Haldex	R955KN31010X	11954	Haldex	R95510746
KN28060X	Haldex	R955KN28060X	KN31010X	Haldex	R955KN31010X	11955	Haldex	R95510747
KN28061N	Haldex	R955KN28061X	KN32040X	Haldex	R955KN32040X	19810	Haldex	R95510732
KN28061X	Haldex	R955KN28061X	KN32041N	Haldex	R955KN32041X	19820	Haldex	R95510733
KN28071N	Haldex	R955KN28071X	KN32041X	Haldex	R955KN32041X	19840	Haldex	R95510734
KN28071X	Haldex	R955KN28071X	KN34070N	Haldex	R955KN34070N	19850	Haldex	R95510735
KN28080N	Haldex	R955KN28080X	KN34070N	Haldex	R955KN34070X	A85732	Haldex	R95510736
KN28080X	Haldex	R955KN28080X	KN34070X	Haldex	R955KN34070X	19841	Haldex	R95510736
KN28131X	Haldex	R955KN28131X	KN34090X	Haldex	R955KN34090X	102323E	Haldex	R102323E
KN28500	Haldex	R955KN28500	KN68230	Haldex	R955KN68230N	RNT26JB	Haldex	EMDRNT26JB
KN28500RX	Haldex	R955KN28500	KN68230N	Haldex	R955KN68230N	KN20546	Haldex	RN30103FE
N30108A	Haldex	R955KN28500	KN68237	Haldex	R955KN68237N	N30103FE	Haldex	RN30103FE
N30108BC	Haldex	R955KN28500	KN68237N	Haldex	R955KN68237N	288746RX	Haldex	EBN288746N
KN28500	Haldex	R955KN28500N	KN7040X	Haldex	R955KN7040X	11908	Haldex	E8587
KN28500N	Haldex	R955KN28500N	KN7041X	Haldex	R955KN7041X	11909	Haldex	E8587
KN28500RX	Haldex	R955KN28500N	KN7050X	Haldex	R955KN7050X	KN20030AX	Haldex	EMDKN20030AX
KN28500X	Haldex	R955KN28500X	RMT33CN	Haldex	R955RMT33CN	289182X	Haldex	R955289182N
KN28510	Haldex	R955KN28510N	RNT26A	Haldex	R955RNT26A	KN28550	Haldex	R955KN28550N
KN28510N	Haldex	R955KN28510N	CART224	Haldex	R955T224N	KN28550N	Haldex	R955KN28550N
KN28510RX	Haldex	R955KN28510N	T33C	Haldex	R955T33C	109994K	Haldex	E109994
KN28510X	Haldex	R955KN28510X	11907	Haldex	E8585	65624K	Haldex	E109994
KN28514X	Haldex	R955KN28514X	11906	Haldex	E8606	102626RX	Haldex	EBN102626N
KN28520	Haldex	R955KN28520N	11910	Haldex	E8606	A86477X	Haldex	EBN102626X
KN28520N	Haldex	R955KN28520N	11952	Haldex	E10744	102626X	Haldex	EBN102626X
KN28520RX	Haldex	R955KN28520N	11954	Haldex	E10746	EM35960	Haldex	EBN103009N
EM40750	Haldex	R955KN28600N	11955	Haldex	E10747	103009RX	Haldex	EBN103009N
KN28600	Haldex	R955KN28600N	N20415PA	Haldex	E9107	107794RX	Haldex	EBN107796N
KN28600N	Haldex	R955KN28600N	11452	Haldex	E9107	109493X	Haldex	EBN109493X
KN28600RX	Haldex	R955KN28600N	N20415NA	Haldex	E9108	229859RX	Haldex	EBN229859N
KN28600N	Haldex	R955KN28600X	11451	Haldex	E9108	229859X	Haldex	EBN229859N
KN28600X	Haldex	R955KN28600X	N20415MA	Haldex	E9109	229860RX	Haldex	EBN229860N
KN28601N	Haldex	R955KN28601X	11450	Haldex	E9109	229860X	Haldex	EBN229860N
KN28601X	Haldex	R955KN28601X	10028	Haldex	E9110	276567RX	Haldex	EBN276567N
KN28602X	Haldex	R955KN28602X	10024	Haldex	E9111	KN30400RX	Haldex	EBN281865N
KN28603X	Haldex	R955KN28603X	N20415PA	Haldex	R950114	KN30400X	Haldex	EBN281865N
KN30100X	Haldex	R955KN30100X	11452	Haldex	R950114	281865RX	Haldex	EBN281865N
KN30200N	Haldex	R955KN30200X	N20415NA	Haldex	R950115	281865X	Haldex	EBN281865N
KN30200X	Haldex	R955KN30200X	11451	Haldex	R950115	KN18530	Haldex	EBN284358N
KN30300N	Haldex	R955KN30300X	N20415MA	Haldex	R950116	KN18530RX	Haldex	EBN284358N
KN30300X	Haldex	R955KN30300X	11450	Haldex	R950116	EM36300	Haldex	EBN286171N
KN30400	Haldex	R955KN30400N	10028	Haldex	R950118	286171RX	Haldex	EBN286171N
KN30400N	Haldex	R955KN30400N	10024	Haldex	R950119	KN22150X	Haldex	EBN286171X
KN30400N	Haldex	R955KN30400X	11950	Haldex	R95510742	286171X	Haldex	EBN286171X
KN30400X	Haldex	R955KN30400X	11951	Haldex	R95510743	289714RX	Haldex	EBN289714N

All Euclid Air Systems components were superseded to their Meritor part number equivalents effective February 2018.

COMPETITIVE CROSS REFERENCE

COMPETITOR PART NUMBER	COMPETITOR NAME	MERITOR PART NUMBER
289714X	Haldex	EBN289714N
5002865X	Haldex	EBN5002865X
5002868X	Haldex	EBN5002868X
800404K	Haldex	EBN800404N
109569K	Haldex	EBN800405N
EM40750	Haldex	EMDKN28600N
KN28600	Haldex	EMDKN28600N
KN28600N	Haldex	EMDKN28600N
KN28600RX	Haldex	EMDKN28600N
11907	Haldex	R950070
11909	Haldex	R950072
DA9017B	Haldex	R950121
DA9017R	Haldex	R950122
A86477	Haldex	R955102626N
A86477N	Haldex	R955102626N
102626RX	Haldex	R955102626N
A86477N	Haldex	R955102626X
A86477X	Haldex	R955102626X
102626X	Haldex	R955102626X
EM35960	Haldex	R955103009N
KN28140	Haldex	R955103009N
KN28140N	Haldex	R955103009N
103009RX	Haldex	R955103009N
107794RX	Haldex	R955107796N
107796	Haldex	R955107796N
229859RX	Haldex	R955229859N
KN32011N	Haldex	R955229860N
KN32011X	Haldex	R955229860N
229860RX	Haldex	R955229860N
229860X	Haldex	R955229860N
KN20021	Haldex	R955276567N
KN20021N	Haldex	R955276567N
276567RX	Haldex	R955276567N
KN30400	Haldex	R955281865N
KN30400N	Haldex	R955281865N
KN30400RX	Haldex	R955281865N
KN30400X	Haldex	R955281865N
281865RX	Haldex	R955281865N
281865X	Haldex	R955281865N
KN18530	Haldex	R955284358N
KN18530N	Haldex	R955284358N
KN18530RX	Haldex	R955284358N
KN18534	Haldex	R955284358N
KN18534N	Haldex	R955284358N
275491RX	Haldex	R955284358N
284358RX	Haldex	R955284358N

COMPETITOR PART NUMBER	COMPETITOR NAME	MERITOR PART NUMBER
EM36300	Haldex	R955286171N
286171RX	Haldex	R955286171N
KN22150X	Haldex	R955286171X
286171X	Haldex	R955286171X
288746RX	Haldex	R955288746N
289714RX	Haldex	R955289714N
16356	Haldex	R95550556BK
16368	Haldex	R95550568BK
16816	Haldex	R95550616BK
16826	Haldex	R95550626BK
16830	Haldex	R95550630BK
16832	Haldex	R95550632BK
16836	Haldex	R95550636BK
16840	Haldex	R95550640BK
16844	Haldex	R95550644BK
16848	Haldex	R95550648BK
16872	Haldex	R95550672BK
KN20030AX	Haldex	R955KN20030AX
RNT26JB	Haldex	R955RNT26JB
KN18536	Haldex	RKN18536
5470	Kelsey-Hayes	R9555470X
5470X	Kelsey-Hayes	R9555470X
5455	Kelsey-Hayes	R9555455X
320GB11A	Mack	E1046
745X107981	Mack	EBN107981X
303GB3157	Mack	R955102953X
303GB3157A	Mack	R955102953X
303GB5158	Mack	R955102953X
20QE1320	Mack	R955103009X
745X107507	Mack	R955107507X
745X107508	Mack	R955107508X
303GB5103	Mack	R955107510X
303GB5105	Mack	R955107511X
745X107981	Mack	R955107981X
745X108110	Mack	R955108110X
745X108804	Mack	R955108804X
303GB5114	Mack	R955108866X
303GB5114A	Mack	R955108866X
745X108866	Mack	R955108866X
745108866	Mack	R955108866X
745800354	Mack	R955108866X
303GB5113A	Mack	R955108869X
745X108869	Mack	R955108869X
745800355	Mack	R955108869X
303GB1160	Mack	R955227323X
20QE1144	Mack	R955276462X

COMPETITOR PART NUMBER	COMPETITOR NAME	MERITOR PART NUMBER
303GB1264	Mack	R955276961X
303GB19306	Mack	R955276961X
303GB561P2	Mack	R955278605X
303GB561P5	Mack	R955279556X
303GB561P6	Mack	R955279556X
303GB569P3	Mack	R955282621X
7450R284358X	Mack	R955284358X
303GB3139R	Mack	R955286528X
303GB232R	Mack	R955286544X
303GB234R	Mack	R955286544X
303GB575P1	Mack	R955286544X
303GB575R	Mack	R955286544X
303GB575RP1	Mack	R955286544X
303GB578	Mack	R955286544X
303GB578	Mack	R955286544X
303GB580PR1	Mack	R955286544X
303GB580R	Mack	R955286544X
303GB580RP1	Mack	R955286544X
303GB587	Mack	R955286544X
303GB591A	Mack	R955286544X
303GB3136R	Mack	R955286554X
303GB4198R	Mack	R955286560X
303GB588A	Mack	R955286620X
20QE1280R	Mack	R955287224N
20QE1275R	Mack	R955289148X
20QE2148R	Mack	R955289148X
20QE3166R	Mack	R955289148X
303GB4170RP1	Mack	R955289340X
303GB4201R	Mack	R955289340X
303GB589	Mack	R955289340X
303GB590	Mack	R955289340X
303GB595	Mack	R955289340X
303GB596	Mack	R955289340X
303GB4152R	Mack	R955289348X
303GB4200R	Mack	R955289348X
303GB4204	Mack	R955289348X
303GB3149	Mack	R955289350X
303GB5102	Mack	R9553558000X
303GB5111	Mack	R9553558043X
303GB5118	Mack	R9553558068X
303GB5117	Mack	R9553558077X
303GB5117RX	Mack	R9553558077X
303GB5117X	Mack	R9553558077X
303GB5123	Mack	R9555002865X
303GB5123A	Mack	R9555002865X
745X5002865	Mack	R9555002865X

COMPETITIVE

All Euclid Air Systems components were superseded to their Meritor part number equivalents effective February 2018.

COMPETITOR PART NUMBER	COMPETITOR NAME	MERITOR PART NUMBER
745800273	Mack	R9555002865X
303GB514A	Mack	R9555002868X
745X107510	Mack	R9555002868X
745X5002868	Mack	R9555002868X
745800274	Mack	R9555002868X
745X5002983	Mack	R9555002983X
745X5002983	Mack	R9555002983X
745X5002984	Mack	R9555002984X
745X5004188	Mack	R9555004188X
745065457	Mack	R9555004613X
745065457	Mack	R9555004613X
745800468	Mack	R9555004613X
20QE222BP1	Mack	EBN102626X
20QE222BP2	Mack	EBN102626X
20QE3118R	Mack	EBN286171X
303GB5123	Mack	EBN5002865X
303GB5123A	Mack	EBN5002865X
745X5002865	Mack	EBN5002865X
745800273	Mack	EBN5002865X
303GB514A	Mack	EBN5002868X
745X107510	Mack	EBN5002868X
745X5002868	Mack	EBN5002868X
745800274	Mack	EBN5002868X
20QE222BP1	Mack	R955102626X
20QE222BP2	Mack	R955102626X
Q745284358RX	Mack	R955284358N
745275491RX	Mack	R955284358N
745275491RXC	Mack	R955284358N
745284358RX	Mack	R955284358N
20QE3118R	Mack	R955286171X
10028HDR	Macpek	R950120
04191046	MCI	R955109478X
WA12105	Midwest	R955401045
WA107794	Midwest	EBN107794X
WA65145	Midwest	R955065145X
WA65146	Midwest	R955065146X
WA109685	Midwest	R955065225X
WA104358	Midwest	R955104358X
WA107794	Midwest	R955107794X
WA109495	Midwest	R955109495N
WA109496	Midwest	R955109496N
WA109869	Midwest	R955109869N
WA228600	Midwest	R955228600N
WA228750	Midwest	R955228750N
WA229505	Midwest	R955229505N
WA229635	Midwest	R955229635N

COMPETITOR PART NUMBER	COMPETITOR NAME	MERITOR PART NUMBER
WA277863	Midwest	R955277863N
WA279000	Midwest	R955279000N
WA279416	Midwest	R955279416N
WA281923	Midwest	R955281923N
WA284358	Midwest	R955284358X
WA286364	Midwest	R955286364X
WA286370	Midwest	R955286370N
WA287053	Midwest	R955287053N
WA287238	Midwest	R955287238N
WA288241	Midwest	R955288241N
WA288383	Midwest	R955288383X
WA288605	Midwest	R955288605X
WA289144	Midwest	R955289144N
WA5005037	Midwest	R9555005037N
WA5005893	Midwest	R9555005893N
WA800405	Midwest	R955800405N
WAKN26000	Midwest	R955KN26000N
WAKN28060	Midwest	R955KN28060N
EM36370	Midwest	R955KN28500
WAKN28500	Midwest	R955KN28500
WAKN28510	Midwest	R955KN28510N
WAKN28600	Midwest	R955KN28600N
WAKN28601	Midwest	R955KN28601X
WAKN30400	Midwest	R955KN30400X
WA11452	Midwest	E9107
WA11451	Midwest	E9108
WA11450	Midwest	E9109
WA10028	Midwest	E9110
WA10024	Midwest	E9111
WA11452	Midwest	R950114
WA11451	Midwest	R950115
WA11450	Midwest	R950116
WA10028	Midwest	R950118
WA10024	Midwest	R950119
WA288746	Midwest	EBN288746N
WA289182	Midwest	R955289182N
WA109994	Midwest	E109994
WA229859	Midwest	EBN229859N
WA229860	Midwest	EBN229860N
WA289714	Midwest	EBN289714N
WA800405	Midwest	EBN800405N
WAKN28600	Midwest	EMDKN28600N
WA229859	Midwest	R955229859N
WA229860	Midwest	R955229860N
WA288746	Midwest	R955288746N
WA289714	Midwest	R955289714N

COMPETITOR PART NUMBER	COMPETITOR NAME	MERITOR PART NUMBER
G1006140	Motor Coach Industry	R955107512X
XG1006140	Motor Coach Industry	R955107512X
G5006642	Motor Coach Industry	R955107813X
4K73	Motor Coach Industry	R955107813X
G1018889	Motor Coach Industry	R9555004187X
67038	Napa	E1046
66320	Napa	E857920BK
66324	Napa	E857924BK
66326	Napa	E857926BK
66328	Napa	E857928BK
66330	Napa	E857930BK
66336	Napa	E857936BK
67666	Napa	E858020BK
67667	Napa	E858024BK
67668	Napa	E858026BK
67669	Napa	E858028BK
67670	Napa	E858030BK
67672	Napa	E858036BK
67641	Napa	E858128BK
66220	Napa	E858220BK
66224	Napa	E858224BK
66226	Napa	E858226BK
66228	Napa	E858228BK
66230	Napa	E858230BK
66236	Napa	E858236BK
66248	Napa	E858248BK
67656	Napa	E858314BK
67657	Napa	E858320BK
67658	Napa	E858324BK
67659	Napa	E858328BK
67660	Napa	E858330BK
67661	Napa	E858332BK
67662	Napa	E858336BK
67663	Napa	E858340BK
67664	Napa	E858348BK
67653	Napa	E858436BK
66314	Napa	R95550214BK
66332	Napa	R95550232BK
66342	Napa	R95550242BK
67665	Napa	R95550314BK
67671	Napa	R95550332BK
67673	Napa	R95550342BK

All Euclid Air Systems components were superseded to their Meritor part number equivalents effective February 2018.

COMPETITIVE CROSS REFERENCE

COMPETITOR PART NUMBER	COMPETITOR NAME	MERITOR PART NUMBER	COMPETITOR PART NUMBER	COMPETITOR NAME	MERITOR PART NUMBER	COMPETITOR PART NUMBER	COMPETITOR NAME	MERITOR PART NUMBER
67674	Napa	R95550344BK	1696864C92	Navistar	R955109111X	398567C92	Navistar	R955286527X
67637	Napa	R95550414BK	297762C92	Navistar	R955227320X	874706R92	Navistar	R955286527X
67638	Napa	R95550420BK	515359C91	Navistar	R955227322X	874707R93	Navistar	R955286527X
67639	Napa	R95550424BK	280607C91	Navistar	R955227323X	990177C91	Navistar	R955286527X
67640	Napa	R95550426BK	285238C91	Navistar	R955227323X	990187C91	Navistar	R955286527X
67642	Napa	R95550430BK	337806C91	Navistar	R955228344X	997104R91	Navistar	R955286527X
67643	Napa	R95550432BK	348566C91	Navistar	R955228344X	997109R91	Navistar	R955286527X
67644	Napa	R95550436BK	398566C91	Navistar	R955228344X	ZAC104962	Navistar	R955286528X
67645	Napa	R95550442BK	861447R91	Navistar	R955228344X	570287C94	Navistar	R955286528X
67646	Napa	R95550444BK	861447R92	Navistar	R955228344X	278668C92	Navistar	R955286538X
66214	Napa	R95550514BK	861447R93	Navistar	R955228344X	287668C91	Navistar	R955286538X
67647	Napa	R95550714BK	990081C91	Navistar	R955228344X	990003C91	Navistar	R955286538X
67648	Napa	R95550720BK	990176C91	Navistar	R955228344X	990003C92	Navistar	R955286538X
67649	Napa	R95550724BK	990209C91	Navistar	R955228344X	466483C91	Navistar	R955286542X
67650	Napa	R95550728BK	997064R91	Navistar	R955228344X	475693C93	Navistar	R955286543X
67651	Napa	R95550730BK	319365C91	Navistar	R955228479X	481735C92	Navistar	R955286546X
67652	Napa	R95550732BK	319371C91	Navistar	R955228479X	ZAC286554	Navistar	R955286554X
67654	Napa	R95550740BK	278668C92	Navistar	R955276961X	ZAC286555	Navistar	R955286555X
67655	Napa	R95550748BK	287668C91	Navistar	R955276961X	2032025C91	Navistar	R955288605X
1693143C1	Navistar	R955288239X	287668C92	Navistar	R955276961X	476524C91	Navistar	R955289339X
ZZKNT86230	Navistar	R955KNT86230X	990003C91	Navistar	R955276961X	53403C91	Navistar	R955289339X
2000421C91	Navistar	R955065145N	990003C92	Navistar	R955276961X	534043C91	Navistar	R955289339X
1693118C1	Navistar	R955065145X	ZAC276962	Navistar	R955276962X	534043C94	Navistar	R955289339X
1685644C91	Navistar	R955065303N	751625C91	Navistar	R955276962X	570291C91	Navistar	R955289339X
1690076C91	Navistar	R955101818X	870560C91	Navistar	R955276962X	990420C91	Navistar	R955289339X
1695947C91	Navistar	R955104039X	786879C91	Navistar	R955281042X	533519C91	Navistar	R955289349X
1672563C92	Navistar	R955107506X	411708C91	Navistar	R955284106X	540514C91	Navistar	R955289350X
1694006C91	Navistar	R955107506X	797644C91	Navistar	R955284699X	278668C92	Navistar	R955289925X
1672564C92	Navistar	R955107507X	400678C91	Navistar	R955284959X	287668C91	Navistar	R955289925X
1694007C91	Navistar	R955107507X	400678C93	Navistar	R955284959X	384998C91	Navistar	R955289925X
43602360470400	Navistar	R955107507X	459271C92	Navistar	R955286364X	468579C91	Navistar	R955289925X
43602380470400	Navistar	R955107507X	143018R91	Navistar	R955286526X	476522C91	Navistar	R955289925X
1516307C91	Navistar	R955107513X	149628R91	Navistar	R955286526X	541942C91	Navistar	R955289925X
1689954C91	Navistar	R955107514X	179022R91	Navistar	R955286526X	789205C91	Navistar	R955289925X
1689954C92	Navistar	R955107514X	295435C91	Navistar	R955286526X	866781R91	Navistar	R955289925X
1694953C91	Navistar	R955107514X	398568C91	Navistar	R955286526X	990003C91	Navistar	R955289925X
1693977C91	Navistar	R955107515N	398568C92	Navistar	R955286526X	990003C92	Navistar	R955289925X
BX107622B1	Navistar	R955107622X	861448R91	Navistar	R955286526X	990419C91	Navistar	R955289925X
5014871	Navistar	R955107813X	861448R92	Navistar	R955286526X	994866C91	Navistar	R955289925X
BX108110B1	Navistar	R955108110X	861448R93	Navistar	R955286526X	1694005C91	Navistar	R9555004613X
ZAC065288	Navistar	R955108110X	97193R91	Navistar	R955286526X	1694005C92	Navistar	R9555004613X
1657974C91	Navistar	R955108110X	990007C91	Navistar	R955286526X	2003252C94	Navistar	R9555004613X
1686542C91	Navistar	R955108110X	990178C91	Navistar	R955286526X	2003252C95	Navistar	R9555004613X
1688704C91	Navistar	R955108110X	990187C91	Navistar	R955286526X	2003252C97	Navistar	R9555004613X
1691205C91	Navistar	R955108110X	990210C91	Navistar	R955286526X	2991783C91	Navistar	R9555004613X
1696864C91	Navistar	R955109111X	997065R91	Navistar	R955286526X	1696864C91	Navistar	R9555004614X

All Euclid Air Systems components were superseded to their Meritor part number equivalents effective February 2018.

COMPETITIVE

COMPETITOR PART NUMBER	COMPETITOR NAME	MERITOR PART NUMBER	COMPETITOR PART NUMBER	COMPETITOR NAME	MERITOR PART NUMBER	COMPETITOR PART NUMBER	COMPETITOR NAME	MERITOR PART NUMBER
1696864C92	Navistar	R9555004614X	16026	New Life/ Fleetcraft	E857926BK	16330	New Life/ Fleetcraft	E858230BK
2003253C94	Navistar	R9555004614X	16028	New Life/ Fleetcraft	E857928BK	16332	New Life/ Fleetcraft	E858232BK
2003253C95	Navistar	R9555004614X	16030	New Life/ Fleetcraft	E857930BK	16336	New Life/ Fleetcraft	E858236BK
2003253C97	Navistar	R9555004614X	16034	New Life/ Fleetcraft	E857934BK	16338	New Life/ Fleetcraft	E858238BK
3003253C95	Navistar	R9555004614X	16036	New Life/ Fleetcraft	E857936BK	16340	New Life/ Fleetcraft	E858240BK
3565547C91	Navistar	R9555014488X	16046	New Life/ Fleetcraft	E857946BK	16342	New Life/ Fleetcraft	E858242BK
3565547C92	Navistar	R9555014488X	16072	New Life/ Fleetcraft	E857972BK	16344	New Life/ Fleetcraft	E858244BK
3551971C92	Navistar	R9555015314X	16618	New Life/ Fleetcraft	E858018BK	16346	New Life/ Fleetcraft	E858246BK
3551971C93	Navistar	R9555015314X	16620	New Life/ Fleetcraft	E858020BK	16348	New Life/ Fleetcraft	E858248BK
3605399C91	Navistar	R9555015314X	16624	New Life/ Fleetcraft	E858024BK	16360	New Life/ Fleetcraft	E858260BK
ZZEL13040	Navistar	R955EL13040X	16626	New Life/ Fleetcraft	E858026BK	11909	New Life/ Fleetcraft	E8586
ZZEL13060	Navistar	R955EL13060X	16628	New Life/ Fleetcraft	E858028BK	11904	New Life/ Fleetcraft	E8591
ZZEL13081	Navistar	R955EL13081X	16630	New Life/ Fleetcraft	E858030BK	11905	New Life/ Fleetcraft	E8592
ZZEL13111	Navistar	R955EL13111X	16634	New Life/ Fleetcraft	E858034BK	11900	New Life/ Fleetcraft	E8595
ZZEL14111	Navistar	R955EL14111X	16636	New Life/ Fleetcraft	E858036BK	11901	New Life/ Fleetcraft	E8596
ZZEL16040	Navistar	R955EL16040X	16638	New Life/ Fleetcraft	E858038BK	11902	New Life/ Fleetcraft	E8597
ZZEL16050	Navistar	R955EL16050X	16640	New Life/ Fleetcraft	E858040BK	11913	New Life/ Fleetcraft	E8600
ZZEL16060	Navistar	R955EL16060X	16646	New Life/ Fleetcraft	E858046BK	11912	New Life/ Fleetcraft	E8602
ZZEL16100	Navistar	R955EL16100X	16654	New Life/ Fleetcraft	E858054BK	11906	New Life/ Fleetcraft	E8604
ZZEL16111	Navistar	R955EL16111X	16672	New Life/ Fleetcraft	E858072BK	11911	New Life/ Fleetcraft	E8608
ZZEL16120	Navistar	R955EL16120X	16318	New Life/ Fleetcraft	E858218BK	N12306	New Life/ Fleetcraft	E8610
ZZEL16200	Navistar	R955EL16200X	16320	New Life/ Fleetcraft	E858220BK	11300	New Life/ Fleetcraft	E8616
ZZEL16250	Navistar	R955EL16250X	16322	New Life/ Fleetcraft	E858222BK	11307	New Life/ Fleetcraft	E8620
2001003C91	Navistar	R955KN18534X	16324	New Life/ Fleetcraft	E858224BK	11903	New Life/ Fleetcraft	R950075
455975C92	Navistar	R955KN28060X	16326	New Life/ Fleetcraft	E858226BK	11304	New Life/ Fleetcraft	R950102
1691167C1	Navistar	EBN284358N	16328	New Life/ Fleetcraft	E858228BK	16012	New Life/ Fleetcraft	R9550212BK
PC01000001001	Neoplan Bus	R955107507X						
6328219R	Neoplan Bus	R955107507X						
6328219R	Neoplan Bus	R955107507X						
GG0105003	Neoplan Bus	R955107512X						
6316568	New Flyer	R955107623X						
018822	New Flyer	R955107813X						
101430750	New Life/ Fleetcraft	E8577						
1014307250	New Life/ Fleetcraft	E8577BK						
1014310250	New Life/ Fleetcraft	E8578BK						
16008	New Life/ Fleetcraft	E857908BK						
16020	New Life/ Fleetcraft	E857920BK						
16024	New Life/ Fleetcraft	E857924BK						

All Euclid Air Systems components were superseded to their Meritor part number equivalents effective February 2018.

COMPETITIVE CROSS REFERENCE

COMPETITOR PART NUMBER	COMPETITOR NAME	MERITOR PART NUMBER
16014	New Life/Fleetcraft	R95550214BK
16018	New Life/Fleetcraft	R95550218BK
16022	New Life/Fleetcraft	R95550222BK
16032	New Life/Fleetcraft	R95550232BK
16038	New Life/Fleetcraft	R95550238BK
16040	New Life/Fleetcraft	R95550240BK
16042	New Life/Fleetcraft	R95550242BK
16044	New Life/Fleetcraft	R95550244BK
16054	New Life/Fleetcraft	R95550254BK
16060	New Life/Fleetcraft	R95550260BK
16614	New Life/Fleetcraft	R95550314BK
16622	New Life/Fleetcraft	R95550322BK
16632	New Life/Fleetcraft	R95550332BK
16642	New Life/Fleetcraft	R95550342BK
16644	New Life/Fleetcraft	R95550344BK
16660	New Life/Fleetcraft	R95550360BK
11907	New Life/Fleetcraft	E8585
11910	New Life/Fleetcraft	E8606
11908	New Life/Fleetcraft	E8587
1006140	Nova Bus	R955107512X
G5006642	Nova Bus	R955107813X
A946	Nuturn	E1042
A912	Nuturn	E1046
L1375	Nuturn	R955401004
L1374	Nuturn	R955401045
L3165	Nuturn	E9109U
L1081	Nuturn	E9107
L1080	Nuturn	E9108
L872	Nuturn	E9109
L871	Nuturn	E9111
L3162	Nuturn	R950121
L3163	Nuturn	R950122

COMPETITOR PART NUMBER	COMPETITOR NAME	MERITOR PART NUMBER
OB120023	Orion Bus Industries	R955107512X
11205511	Orion Bus Industries	R955108557X
G1215501AT	Orion Bus Industries	R9555004118X
2GH918	Oshkosh	R955107507X
5MB533	Oshkosh	R955107623X
OTR107794PGX	OTR	R955107794PGX
OTR109493PGX	OTR	R955109493PGX
EM40770	PAI	ESL110170
EM36400	PAI	ESL110200
EM36180	PAI	RSLA1000S
EM56830	PAI	R955065439X
LBV5683	PAI	R955065439X
EM55910	PAI	R955287600X
LPP5618	PAI	R955287600X
MAH4180250	PAI	E8577BK
MAH4181250	PAI	E8578BK
MHA4165	PAI	E858024BK
MHA4163	PAI	E858224BK
MHA4164	PAI	E858230BK
LDV3662	PAI	R955401045
MAH4180250	PAI	R955500BK
MHA4165	PAI	R95550324BK
MHA4163	PAI	R95550524BK
MHA4164	PAI	R95550530BK
EM35070	PAI	EBN103010N
LRV3507	PAI	EBN103010N
EM55870	PAI	EBN107794X
LDC5587	PAI	EBN107794X
LDV5661	PAI	EBN284412X
LRV3612	PAI	EMDKN28510N
EM36430	PAI	R955065125X
LRV3643	PAI	R955065125X
EM56880	PAI	R955065146N
EM56880	PAI	R955065146X
LAD5506	PAI	R955065225X
EM56310	PAI	R955065313X
LFV5631	PAI	R955065313X
EM56620	PAI	R955065437N
EM56620	PAI	R955065437N
EM56640	PAI	R955101112N
EM56640	PAI	R955101112X
LVM5648	PAI	R955101437X
LSP1198	PAI	R955101569X
LSP1199	PAI	R955101570X

COMPETITOR PART NUMBER	COMPETITOR NAME	MERITOR PART NUMBER
EM56630	PAI	R955101622X
EM57150	PAI	R955101818N
LFV5715	PAI	R955101818N
EM57150	PAI	R955101818X
LFV5715	PAI	R955101818X
LRV3507	PAI	R955103010N
EM36420	PAI	R955103028N
LRV3642	PAI	R955103028N
EM34590	PAI	R955103081N
LMV3459	PAI	R955103081N
LDC5723	PAI	R955104358X
BCC1035	PAI	R955107510X
DCC1032	PAI	R955107511X
EM55870	PAI	R955107794X
LDC5587	PAI	R955107794X
DCC1033	PAI	R955108866X
EM40620	PAI	R955227870N
EM40650	PAI	R955227870N
LCV4062	PAI	R955227870N
EM40640	PAI	R955227871N
EM40660	PAI	R955227871N
LCV4064	PAI	R955227871N
EM36090	PAI	R955228600N
LST3609	PAI	R955228600N
LRV3639	PAI	R955229467X
EM56970	PAI	R955229505N
EM56970	PAI	R955229505N
LCV3691	PAI	R955229635N
EM56190	PAI	R955276462X
LPP5619	PAI	R955276462X
EM35920	PAI	R955276566N
LPP3592	PAI	R955276566N
EM36290	PAI	R955277863N
LFV3629	PAI	R955277863N
EM35910	PAI	R955279000N
LPV3591	PAI	R955279000N
EM35820	PAI	R955279180N
LRV3682	PAI	R955279180N
EM05070	PAI	R955279416N
FSW0507	PAI	R955279416N
LPP5597	PAI	R955279787X
EM36170	PAI	R955280375X
LRV3617	PAI	R955280375X
EM40710	PAI	R955280809X
LCV4071	PAI	R955280809X
LPP5614	PAI	R955281587X

COMPETITIVE

All Euclid Air Systems components were superseded to their Meritor part number equivalents effective February 2018.

COMPETITOR PART NUMBER	COMPETITOR NAME	MERITOR PART NUMBER
LDV3660	PAI	R955281923N
LGV5658	PAI	R955284358X
LDV5661	PAI	R955284412N
EM55430	PAI	R955284760X
LFV5705	PAI	R955284760X
EM56150	PAI	R955286364X
LIV3653	PAI	R955286364X
EM56120	PAI	R955286370N
LRV5616	PAI	R955286370N
DCC1030X	PAI	R955286544X
EM3S110	PAI	R955287238N
EM56180	PAI	R955287238N
LPP5545	PAI	R955287418X
EM35950	PAI	R955288239N
EM35950	PAI	R955288239N
EM57170	PAI	R955288239N
EM57180	PAI	R955288241N
LPP3502	PAI	R955288241N
EM40630	PAI	R955288323X
EM55470	PAI	R955288383X
EM55470	PAI	R955288383X
EM56170	PAI	R955288383X
EM34550	PAI	R955288605N
LPV3455	PAI	R955288605X
LAV3625	PAI	R955289144N
LVK3604	PAI	R955289144N
EM37070	PAI	R955289148X
OCC1034	PAI	R955289340X
LKT1214	PAI	R9555005037N
EM37160	PAI	R955BE13241N
EM36050	PAI	R955BE13250N
DCC1150	PAI	R955EL13111X
EM40660	PAI	R955KN23000N
EM40760	PAI	R955KN26000N
FTV4076	PAI	R955KN26000N
EM37070	PAI	R955KN27000N
EM35390	PAI	R955KN28060N
EM35890	PAI	R955KN28071X
LRV3637	PAI	R955KN28500
EM36120	PAI	R955KN28510N
LRV3612	PAI	R955KN28510N
LRV3612	PAI	R955KN28510N
EM36380	PAI	R955KN28520N
EM40750	PAI	R955KN28600N
FTV4075	PAI	R955KN28600N
EM36350	PAI	R955KN30300X

COMPETITOR PART NUMBER	COMPETITOR NAME	MERITOR PART NUMBER
EM36100	PAI	R955KN30400X
MGH4025	PAI	E9107
MGH4020	PAI	E9108
MGH4000	PAI	E9109
MCS4030	PAI	E9110
MGH4025	PAI	R950114
MGH4020	PAI	R950115
MGH4000	PAI	R950116
MCS4030	PAI	R950118
EM36260	PAI	EBN288746N
LPP5591	PAI	EBN288746N
EM37090	PAI	R955289182N
LQV5718	PAI	R955289182N
LDC5588	PAI	E109994
EM36130	PAI	EBN102626N
LRV3613	PAI	EBN102626N
EM35980	PAI	EBN103009N
EM36570	PAI	EBN229859N
LOV3657	PAI	EBN229859N
EM36580	PAI	EBN229860N
LOV3658	PAI	EBN229860N
EM36190	PAI	EBN276567N
LPP3619	PAI	EBN276567N
EM57050	PAI	EBN281865N
LEV3614	PAI	EBN281865N
EM36450	PAI	EBN284358N
EM36450	PAI	EBN284358N
EM56710	PAI	EBN286171N
LFV3630	PAI	EBN286171N
LDV3626	PAI	EBN289714N
FTV4075	PAI	EMDKN28600N
LRV3613	PAI	R955102626N
EM35960	PAI	R955103009N
EM36570	PAI	R955229859N
LOV3657	PAI	R955229859N
EM36580	PAI	R955229860N
LOV3658	PAI	R955229860N
LPP3619	PAI	R955276567N
LEV3614	PAI	R955281865N
EM36450	PAI	R955284358N
LFV3630	PAI	R955286171N
EM36260	PAI	R955288746N
LPP5591	PAI	R955288746N
EM36260	PAI	R955289714N
LDV3626	PAI	R955289714N
SMR107507X	Part Smart	R955107507X

COMPETITOR PART NUMBER	COMPETITOR NAME	MERITOR PART NUMBER
SMR3558072X	Part Smart	R9553558072X
SMR3558074X	Part Smart	R9553558074X
65224R0	PDC - Parts Dist Co	R955065224XCF
104358P	PDC - Parts Dist Co	R955104358XCF
107695P	PDC - Parts Dist Co	R955107695N
107799P	PDC - Parts Dist Co	R955107799N
107800P	PDC - Parts Dist Co	R955107800N
109495P	PDC - Parts Dist Co	R955109495N
109869P	PDC - Parts Dist Co	R955109869N
5005037P	PDC - Parts Dist Co	R9555005037N
205105P	PDC - Parts Dist Co	R955800350N
800405P	PDC - Parts Dist Co	R955800405N
022105P	PDC - Parts Dist Co	R955K022105N
DC100	PDC - Parts Dist Co	E109994
107794P	PDC - Parts Dist Co	R955107796N
120103	Phillips	E9109U
11315	Phillips	E10744
12006	Phillips	E9107
12008	Phillips	E9108
12010	Phillips	E9109
12012	Phillips	E9110
11312	Phillips	R95510742
110170	Precision U-Joint	ESL110170
110171	Precision U-Joint	ESL110171
110191	Precision U-Joint	ESL110191
110197	Precision U-Joint	ESL110197
110200	Precision U-Joint	ESL110200
110205	Precision U-Joint	ESL110205
110315	Precision U-Joint	ESL110315
110338	Precision U-Joint	ESL110338

All Euclid Air Systems components were superseded to their Meritor part number equivalents effective February 2018.

COMPETITIVE CROSS REFERENCE

COMPETITOR PART NUMBER	COMPETITOR NAME	MERITOR PART NUMBER	COMPETITOR PART NUMBER	COMPETITOR NAME	MERITOR PART NUMBER	COMPETITOR PART NUMBER	COMPETITOR NAME	MERITOR PART NUMBER
110360	Precision U-Joint	ESL110360	KN28520	Precision U-Joint	R955KN28520X	101900	Precision U-Joint	R955101900X
110365	Precision U-Joint	ESL110365	KN34080	Precision U-Joint	R955KN34080X	102761	Precision U-Joint	R955102761X
110380	Precision U-Joint	ESL110380	107794	Precision U-Joint	EBN107794X	TF700WOSPLSHT	Precision U-Joint	R955102835X
110410	Precision U-Joint	ESL110410	284412	Precision U-Joint	EBN284412X	TF400WOSPLSHT	Precision U-Joint	R955102952X
110412	Precision U-Joint	ESL110412	12361	Precision U-Joint	EMD12361X	TF501WOSPLSHT	Precision U-Joint	R955102953X
110415	Precision U-Joint	ESL110415	KN22140	Precision U-Joint	EMDKN22140X	103009	Precision U-Joint	R955103009X
110450	Precision U-Joint	ESL110450	KN28510	Precision U-Joint	EMDKN28510N	103010	Precision U-Joint	R955103010X
110470	Precision U-Joint	ESL110470	65041	Precision U-Joint	R955065041X	103028	Precision U-Joint	R955103028X
110370	Precision U-Joint	ESL110570	65104	Precision U-Joint	R955065104X	103061	Precision U-Joint	R955103061X
3100	Precision U-Joint	ESL3100	65145	Precision U-Joint	R955065145X	103081	Precision U-Joint	R955103081N
9125	Precision U-Joint	ESL9125	65146	Precision U-Joint	R955065146X	103139	Precision U-Joint	R955103139X
110139	Precision U-Joint	RSL110139	65156	Precision U-Joint	R955065156X	TF501WOSPLSHT	Precision U-Joint	R955103274X
110198	Precision U-Joint	RSL110198	65225	Precision U-Joint	R955065225X	103294	Precision U-Joint	R955103294X
110310	Precision U-Joint	RSL110310	65313	Precision U-Joint	R955065313X	103835	Precision U-Joint	R955103835X
110385	Precision U-Joint	RSL110385	65437	Precision U-Joint	R955065437N	103912	Precision U-Joint	R955103912X
110416	Precision U-Joint	RSL110416	101100	Precision U-Joint	R955101100X	BX2150WOSPLSHT	Precision U-Joint	R955104039X
110500	Precision U-Joint	RSL110500	101112	Precision U-Joint	R955101112X	104165	Precision U-Joint	R955104165X
110375	Precision U-Joint	RSL110690	TF400WOSPLSHT	Precision U-Joint	R955101242X	104345	Precision U-Joint	R955104345X
61252	Precision U-Joint	RSL61252	TF400WOSPLSHT	Precision U-Joint	R955101245X	104358	Precision U-Joint	R955104358X
65044	Precision U-Joint	R955065044X	101437	Precision U-Joint	R955101437X	104561	Precision U-Joint	R955104561N
65439	Precision U-Joint	R955065439X	101569	Precision U-Joint	R955101569X	104644	Precision U-Joint	R955104644X
103833	Precision U-Joint	R955103833X	101569R	Precision U-Joint	R955101569X	106313	Precision U-Joint	R955106313X
286934	Precision U-Joint	R955286934X	101570	Precision U-Joint	R955101570X	TF550WOSPLSHT	Precision U-Joint	R955107506X
287600	Precision U-Joint	R955287600X	101570R	Precision U-Joint	R955101570X	TF750WOSPLSHT	Precision U-Joint	R955107507X
288239	Precision U-Joint	R955288239X	101622	Precision U-Joint	R955101622X	TF750WOSPLSHT	Precision U-Joint	R955107508X
KN28140	Precision U-Joint	R955KN28140X	101818	Precision U-Joint	R955101818X	TF550WOSPLSHT	Precision U-Joint	R955107509X

COMPETITIVE

All Euclid Air Systems components were superseded to their Meritor part number equivalents effective February 2018.

COMPETITOR PART NUMBER	COMPETITOR NAME	MERITOR PART NUMBER	COMPETITOR PART NUMBER	COMPETITOR NAME	MERITOR PART NUMBER	COMPETITOR PART NUMBER	COMPETITOR NAME	MERITOR PART NUMBER
TF750WOSPLSHFT	Precision U-Joint	R955107510X	275491	Precision U-Joint	R955275491X	TF500WOSPLSHFT	Precision U-Joint	R955279839X
TF550WOSPLSHFT	Precision U-Joint	R955107511X	TF500WOSPLSHFT	Precision U-Joint	R955275834X	279950	Precision U-Joint	R955279950N
TF550WOSPLSHFT	Precision U-Joint	R955107513X	TF500WOSPLSHFT	Precision U-Joint	R955276111X	279952	Precision U-Joint	R955279952X
TF550WOSPLSHFT	Precision U-Joint	R955107514X	276462	Precision U-Joint	R955276462X	280243	Precision U-Joint	R955280243X
TF550WOSPLSHFT	Precision U-Joint	R955107622X	276566	Precision U-Joint	R955276566X	280375	Precision U-Joint	R955280375X
TF750WOSPLSHFT	Precision U-Joint	R955107623X	276567	Precision U-Joint	R955276567X	TF600WOSPLSHFT	Precision U-Joint	R955280422X
TF750WOSPLSHFT	Precision U-Joint	R955107813X	TF1000EN-GLUBED	Precision U-Joint	R955276777X	TF500WOSPLSHFT	Precision U-Joint	R955280501X
TF550WOSPLSHFT	Precision U-Joint	R955108110X	TF500WOSPLSHFT	Precision U-Joint	R955276961X	TF600WOSPLSHFT	Precision U-Joint	R955280551X
TF501WOSPLSHFT	Precision U-Joint	R955108272X	TF500WOSPLSHFT	Precision U-Joint	R955276962X	TF600WOSPLSHFT	Precision U-Joint	R955280613X
TF550WOSPLSHFT	Precision U-Joint	R955108866X	TF500WOSPLSHFT	Precision U-Joint	R955276978X	TF600WOSPLSHFT	Precision U-Joint	R955280628X
TF500WOSPLSHFT	Precision U-Joint	R955227321X	TF400WOSPLSHFT	Precision U-Joint	R955277855X	280758	Precision U-Joint	R955280758X
227355	Precision U-Joint	R955227355X	TF400WOSPLSHFT	Precision U-Joint	R955277920X	TF600WOSPLSHFT	Precision U-Joint	R955280774X
TF400WOSPLSHFT	Precision U-Joint	R955227400X	TF500WOSPLSHFT	Precision U-Joint	R955278445X	280809	Precision U-Joint	R955280809X
TF400WOSPLSHFT	Precision U-Joint	R955227406X	TF500WOSPLSHFT	Precision U-Joint	R955278452X	281024	Precision U-Joint	R955281024N
TF400WOSPLSHFT	Precision U-Joint	R955228138X	TF500WOSPLSHFT	Precision U-Joint	R955278605X	TF500WOSPLSHFT	Precision U-Joint	R955281086X
TF500WOSPLSHFT	Precision U-Joint	R955228344X	278615	Precision U-Joint	R955278615X	TF400WOSPLSHFT	Precision U-Joint	R955281112X
TF400SELFLUBED	Precision U-Joint	R955228451X	278825	Precision U-Joint	R955278825X	TF600WOSPLSHFT	Precision U-Joint	R955281157X
228520	Precision U-Joint	R955228520X	279000	Precision U-Joint	R955279000N	TF400WOSPLSHFT	Precision U-Joint	R955281338X
229467	Precision U-Joint	R955229467X	TF400WOSPLSHFT	Precision U-Joint	R955279024X	TF500WOSPLSHFT	Precision U-Joint	R955281430X
229500	Precision U-Joint	R955229500N	TF400WOSPLSHFT	Precision U-Joint	R955279025X	281587	Precision U-Joint	R955281587X
229501	Precision U-Joint	R955229501N	TF400WOSPLSHFT	Precision U-Joint	R955279176X	TF500WOSPLSHFT	Precision U-Joint	R955281718X
229505	Precision U-Joint	R955229505N	279180	Precision U-Joint	R955279180X	TF1000ENGLUBED	Precision U-Joint	R955281761X
TF500WOSPLSHFT	Precision U-Joint	R955229544X	TF1000SELFLUBED	Precision U-Joint	R955279525X	281923	Precision U-Joint	R955281923X
TF500WOSPLSHFT	Precision U-Joint	R955229562X	TF500WOSPLSHFT	Precision U-Joint	R955279556X	TF500WOSPLSHFT	Precision U-Joint	R955282023X
229608	Precision U-Joint	R955229608X	TF500WOSPLSHFT	Precision U-Joint	R955279580X	TF500WOSPLSHFT	Precision U-Joint	R955282620X
229635	Precision U-Joint	R955229635N	279692	Precision U-Joint	R955279692X	TF500WOSPLSHFT	Precision U-Joint	R955282621X

All Euclid Air Systems components were superseded to their Meritor part number equivalents effective February 2018.

COMPETITIVE CROSS REFERENCE

COMPETITOR PART NUMBER	COMPETITOR NAME	MERITOR PART NUMBER	COMPETITOR PART NUMBER	COMPETITOR NAME	MERITOR PART NUMBER	COMPETITOR PART NUMBER	COMPETITOR NAME	MERITOR PART NUMBER
TF500WOSPLSHFT	Precision U-Joint	R955282749X	TF501WOSPLSHFT	Precision U-Joint	R955286554X	BM6997312	Precision U-Joint	R955BM6997312X
TF400WOSPLSHFT	Precision U-Joint	R955283046X	TF501WOSPLSHFT	Precision U-Joint	R955286555X	BM6997324	Precision U-Joint	R955BM6997324X
TF500WOSPLSHFT	Precision U-Joint	R955283577X	TF501WOSPLSHFT	Precision U-Joint	R955286560X	KN13000	Precision U-Joint	R955EL13020X
TF500WOSPLSHFT	Precision U-Joint	R955283644X	TF501WOSPLSHFT	Precision U-Joint	R955286580X	KN13000	Precision U-Joint	R955EL13040X
TF500WOSPLSHFT	Precision U-Joint	R955283664X	TF501WOSPLSHFT	Precision U-Joint	R955286585X	KN13000	Precision U-Joint	R955EL13053X
TF500WOSPLSHFT	Precision U-Joint	R955283692X	TF600WOSPLSHFT	Precision U-Joint	R955286836X	KN13000	Precision U-Joint	R955EL13060X
TF500WOSPLSHFT	Precision U-Joint	R955283711X	287260	Precision U-Joint	R955287260N	KN13000	Precision U-Joint	R955EL13081X
TF600WOSPLSHFT	Precision U-Joint	R955283808X	287376	Precision U-Joint	R955287376X	KN13000	Precision U-Joint	R955EL13111X
283940	Precision U-Joint	R955283940X	287418	Precision U-Joint	R955287418X	KN13000	Precision U-Joint	R955EL13151X
TF500WOSPLSHFT	Precision U-Joint	R955284160X	287564	Precision U-Joint	R955287564X	KN13000	Precision U-Joint	R955EL13200X
TF500WOSPLSHFT	Precision U-Joint	R955284260X	287637	Precision U-Joint	R955287637X	KN14000	Precision U-Joint	R955EL14110X
284358	Precision U-Joint	R955284358X	288301	Precision U-Joint	R955288301X	KN14000	Precision U-Joint	R955EL14111X
284760	Precision U-Joint	R955284760X	288323	Precision U-Joint	R955288323X	KN16000	Precision U-Joint	R955EL16020X
TF600WOSPLSHFT	Precision U-Joint	R955285107X	288383	Precision U-Joint	R955288383X	KN16000	Precision U-Joint	R955EL16040X
TF500WOSPLSHFT	Precision U-Joint	R955285275X	288605	Precision U-Joint	R955288605X	KN16000	Precision U-Joint	R955EL16050X
286364	Precision U-Joint	R955286364X	TF600WOSPLSHFT	Precision U-Joint	R955288710X	KN16000	Precision U-Joint	R955EL16051X
286370	Precision U-Joint	R955286370N	288746	Precision U-Joint	R955288746X	KN16000	Precision U-Joint	R955EL16053X
TF600WOSPLSHFT	Precision U-Joint	R955286471X	TF600WOSPLSHFT	Precision U-Joint	R955289172X	KN16000	Precision U-Joint	R955EL16060X
286500	Precision U-Joint	R955286500X	TF700WOSPLSHFT	Precision U-Joint	R955289339X	KN16000	Precision U-Joint	R955EL16100X
TF501WOSPLSHFT	Precision U-Joint	R955286526X	289380	Precision U-Joint	R955289380X	KN16000	Precision U-Joint	R955EL16110X
TF501WOSPLSHFT	Precision U-Joint	R955286527X	TF400WOSPLSHFT	Precision U-Joint	R955289545X	KN16000	Precision U-Joint	R955EL16120X
TF501WOSPLSHFT	Precision U-Joint	R955286528X	TF700WOSPLSHFT	Precision U-Joint	R955289925X	KN16000	Precision U-Joint	R955EL16200X
TF501WOSPLSHFT	Precision U-Joint	R955286538X	3049186	Precision U-Joint	R9553049186X	KN16000	Precision U-Joint	R955EL16250X
TF501WOSPLSHFT	Precision U-Joint	R955286539X	65157	Precision U-Joint	R955800516N	KN18511	Precision U-Joint	R955KN18530X
TF501WOSPLSHFT	Precision U-Joint	R955286543X	A3547	Precision U-Joint	R955A3547X	KN18530	Precision U-Joint	R955KN18530X
TF501WOSPLSHFT	Precision U-Joint	R955286544X	A3991	Precision U-Joint	R955A3991X	KN18531	Precision U-Joint	R955KN18531X

COMPETITIVE

All Euclid Air Systems components were superseded to their Meritor part number equivalents effective February 2018.

COMPETITOR PART NUMBER	COMPETITOR NAME	MERITOR PART NUMBER
KN20570	Precision U-Joint	R955KN20570X
KN22100	Precision U-Joint	R955KN22100X
KN22150	Precision U-Joint	R955KN22150X
KN26000	Precision U-Joint	R955KN26000X
KN28060	Precision U-Joint	R955KN28060X
KN28061	Precision U-Joint	R955KN28061X
KN28071	Precision U-Joint	R955KN28071X
KN28080	Precision U-Joint	R955KN28080X
KN28131	Precision U-Joint	R955KN28131X
KN28500	Precision U-Joint	R955KN28500X
KN28600	Precision U-Joint	R955KN28600X
KN28601	Precision U-Joint	R955KN28601X
KN30100	Precision U-Joint	R955KN30100X
KN30200	Precision U-Joint	R955KN30200X
KN30300	Precision U-Joint	R955KN30300X
KN30400	Precision U-Joint	R955KN30400X
KN31000	Precision U-Joint	R955KN31000X
KN31010	Precision U-Joint	R955KN31010X
KN32040	Precision U-Joint	R955KN32040X
KN34070	Precision U-Joint	R955KN34070X
KN7000	Precision U-Joint	R955KN7041X
KN7000	Precision U-Joint	R955KN7050X
101333	Precision U-Joint	EBN102626N
102626	Precision U-Joint	EBN102626X
229859	Precision U-Joint	EBN229859N
229860	Precision U-Joint	EBN229860N

COMPETITOR PART NUMBER	COMPETITOR NAME	MERITOR PART NUMBER
281865	Precision U-Joint	EBN281865N
286171	Precision U-Joint	EBN286171X
289714	Precision U-Joint	EBN289714N
A3546	Precision U-Joint	EFUA3546X
641190	Prevost	R955107813X
M1303	Provincial	E1046
M15251	Provincial	E1046
M5110	Provincial	E8577BK
M5192	Provincial	E857924BK
M5193	Provincial	E857926BK
M5194	Provincial	E857928BK
M5195	Provincial	E857930BK
M5197	Provincial	E857934BK
M5198	Provincial	E857936BK
M5062	Provincial	E857946BK
M7002	Provincial	E858018BK
M7003	Provincial	E858020BK
M7004	Provincial	E858024BK
M7005	Provincial	E858026BK
M7006	Provincial	E858028BK
M7007	Provincial	E858030BK
M7009	Provincial	E858034BK
M7010	Provincial	E858036BK
M7011	Provincial	E858038BK
M7012	Provincial	E858040BK
M7015	Provincial	E858046BK
M5476	Provincial	E858218BK
M5477	Provincial	E858220BK
M5478	Provincial	E858224BK
M5479	Provincial	E858226BK
M5480	Provincial	E858228BK
M5481	Provincial	E858230BK
M5482	Provincial	E858232BK
M5483	Provincial	E858234BK
M5484	Provincial	E858236BK
M5485	Provincial	E858238BK
M5486	Provincial	E858240BK
M5487	Provincial	E858242BK
M5488	Provincial	E858244BK
M5489	Provincial	E858246BK
M5490	Provincial	E858248BK
M5491	Provincial	E858260BK
M307	Provincial	E8586

COMPETITOR PART NUMBER	COMPETITOR NAME	MERITOR PART NUMBER
M437	Provincial	E8588
M437A	Provincial	E8589
M301	Provincial	E8591
M436	Provincial	E8593
M436A	Provincial	E8594
M303	Provincial	E8595
M304	Provincial	E8596
M305	Provincial	E8597
M435	Provincial	E8598
M435A	Provincial	E8599
M5204	Provincial	E8600
M1380	Provincial	E8601
M309	Provincial	E8602
M438	Provincial	E8603
M310	Provincial	E8604
M439	Provincial	E8605
M440	Provincial	E8607
M311	Provincial	E8608
M441	Provincial	E8608
M441	Provincial	E8609
M5203	Provincial	E8610
M5044	Provincial	E8611
M5044A	Provincial	E8613
M317A	Provincial	E8615
M317B	Provincial	E8616
M17709	Provincial	E8618
M300	Provincial	R950075
M5190	Provincial	R95550218BK
M5196	Provincial	R95550232BK
M5060	Provincial	R95550238BK
M5199	Provincial	R95550240BK
M5061	Provincial	R95550242BK
M5200	Provincial	R95550244BK
M5242	Provincial	R95550260BK
M7008	Provincial	R95550332BK
M7013	Provincial	R95550342BK
M7014	Provincial	R95550344BK
M7018	Provincial	R95550360BK
M306	Provincial	E8585
M310A	Provincial	E8606
M313S	Provincial	E9107
M313E	Provincial	E9108
M313A	Provincial	E9109
M312	Provincial	E9110
M312A	Provincial	E9111
M308	Provincial	E8587

All Euclid Air Systems components were superseded to their Meritor part number equivalents effective February 2018.

COMPETITIVE CROSS REFERENCE

COMPETITOR PART NUMBER	COMPETITOR NAME	MERITOR PART NUMBER
SD813	S&S Newstar	R955101135X
SD881	S&S Newstar	R955103833X
S8898	S&S Newstar	R955287600X
S8884	S&S Newstar	R955401045
S8255	S&S Newstar	EBN103010N
SA474	S&S Newstar	EBN107794X
SD970	S&S Newstar	EBN284412X
S3103	S&S Newstar	EFUA3546N
S4405	S&S Newstar	EFUA3546N
S4771	S&S Newstar	EMDKN22140X
S6086	S&S Newstar	EMDKN28510N
SD880	S&S Newstar	R955065125X
SC517	S&S Newstar	R955065145X
SC518	S&S Newstar	R955065146X
S9795	S&S Newstar	R955065157X
SE694	S&S Newstar	R955065313X
SA142	S&S Newstar	R955065437N
SA151	S&S Newstar	R955101112X
SA152	S&S Newstar	R955101622X
SE576	S&S Newstar	R955101818N
SE576	S&S Newstar	R955101818X
S8255	S&S Newstar	R955103010N
S8255A	S&S Newstar	R955103028N
SA149	S&S Newstar	R955103061X
SA143	S&S Newstar	R955103081N
SA561	S&S Newstar	R955103294X
SD883	S&S Newstar	R955103835X
SD878	S&S Newstar	R955103912X
SD812	S&S Newstar	R955104165X
SA473	S&S Newstar	R955104358X
SA474	S&S Newstar	R955104358X
SD879	S&S Newstar	R955104561N
SD882	S&S Newstar	R955106313X
SA474	S&S Newstar	R955107794X
S2022	S&S Newstar	R95516743N
S4397	S&S Newstar	R95516859N
S3774	S&S Newstar	R95519974N
S8444	S&S Newstar	R955227870N
S8445	S&S Newstar	R955227870N
SE424	S&S Newstar	R955227871N
S8444	S&S Newstar	R955227871N
SA264	S&S Newstar	R955228600N
S4719	S&S Newstar	R955228600N
SA265	S&S Newstar	R955228750N
SC403	S&S Newstar	R955229505N
S5676	S&S Newstar	R955229635N

COMPETITOR PART NUMBER	COMPETITOR NAME	MERITOR PART NUMBER
SA268	S&S Newstar	R955276462X
S5675	S&S Newstar	R955276566N
S8361	S&S Newstar	R955277863N
S8887	S&S Newstar	R955279000N
S5865	S&S Newstar	R955279180N
SA266	S&S Newstar	R955279416N
S4817	S&S Newstar	R955279416N
SA144	S&S Newstar	R955279787X
SE692	S&S Newstar	R955279950N
SA147	S&S Newstar	R955279952X
S5865	S&S Newstar	R955280375X
SD821	S&S Newstar	R955280758X
SA267	S&S Newstar	R955281587X
SA271	S&S Newstar	R955281923N
SA535	S&S Newstar	R955284358X
SD970	S&S Newstar	R955284412N
SA146	S&S Newstar	R955284760X
SA272	S&S Newstar	R955286364X
S9174	S&S Newstar	R955286370N
S9174	S&S Newstar	R955286371N
S9169	S&S Newstar	R955287238N
SA150	S&S Newstar	R955287376X
S5677	S&S Newstar	R955288239N
SB285	S&S Newstar	R955288241N
SB898	S&S Newstar	R955288323X
SC571	S&S Newstar	R955288383X
SA274	S&S Newstar	R955288605X
S9625	S&S Newstar	R955289144N
SE463	S&S Newstar	R955289148X
SA568	S&S Newstar	R9555005037N
SD810	S&S Newstar	R9555005893N
S5743	S&S Newstar	R955A4487N
S8011	S&S Newstar	R955A4487N
S8800	S&S Newstar	R955A4490N
S5494	S&S Newstar	R955A4491N
S3291	S&S Newstar	R955A4688N
S3307	S&S Newstar	R955A4688N
S5496	S&S Newstar	R955A4900N
S9404	S&S Newstar	R955A4900N
S5497	S&S Newstar	R955A5010N
S9405	S&S Newstar	R955A5010N
S5498	S&S Newstar	R955A5015N
S9406	S&S Newstar	R955A5015N
S9366	S&S Newstar	R955BM6997324N
S6106	S&S Newstar	R955KN18530X
S8361	S&S Newstar	R955KN22100X

COMPETITOR PART NUMBER	COMPETITOR NAME	MERITOR PART NUMBER
S4771	S&S Newstar	R955KN22150X
SA530	S&S Newstar	R955KN26000N
S4898	S&S Newstar	R955KN28060N
S6670	S&S Newstar	R955KN28071X
S6029	S&S Newstar	R955KN28500
S6085	S&S Newstar	R955KN28500
S6085	S&S Newstar	R955KN28500N
S6086	S&S Newstar	R955KN28510N
S6086	S&S Newstar	R955KN28510N
S6029	S&S Newstar	R955KN28520N
SC361	S&S Newstar	R955KN28600N
S9322	S&S Newstar	R955KN30400X
SC089	S&S Newstar	R955KN31000X
S9749	S&S Newstar	R955KN32041X
S8931	S&S Newstar	R955KN68230N
S9367	S&S Newstar	R955KN68237N
S10044	S&S Newstar	E9107
S10043	S&S Newstar	E9108
S10045	S&S Newstar	E9109
S10044	S&S Newstar	R950114
S10043	S&S Newstar	R950115
S10045	S&S Newstar	R950116
SA145	S&S Newstar	EBN288746N
SA276	S&S Newstar	EMDKN20030AX
S11611	S&S Newstar	E109994
S6006	S&S Newstar	EBN102626N
S6006A	S&S Newstar	EBN103009N
S4922	S&S Newstar	EBN229859N
S8328	S&S Newstar	EBN229860N
S5675	S&S Newstar	EBN276567N
S7558	S&S Newstar	EBN281865N
SF496	S&S Newstar	EBN284358N
S6106	S&S Newstar	EBN284358N
S4771	S&S Newstar	EBN286171N
S9749	S&S Newstar	EBN289714N
SC361	S&S Newstar	EMDKN28600N
S6006	S&S Newstar	R955102626N
S6006A	S&S Newstar	R955103009N
S4922	S&S Newstar	R955229859N
S8328	S&S Newstar	R955229860N
S5675	S&S Newstar	R955276567N
S7558	S&S Newstar	R955281865N
SF496	S&S Newstar	R955284358N
S6106	S&S Newstar	R955284358N
S6106	S&S Newstar	R955284358N
S4771	S&S Newstar	R955286171N

COMPETITIVE

All Euclid Air Systems components were superseded to their Meritor part number equivalents effective February 2018.

COMPETITOR PART NUMBER	COMPETITOR NAME	MERITOR PART NUMBER
SA145	S&S Newstar	R955288746N
S9749	S&S Newstar	R955289714N
SA276	S&S Newstar	R955KN20030AX
176002X	Sealco	ESL17600B
10003	Sealco	RSL10003
10005A	Sealco	RSL10005A
10005AX	Sealco	RSL10005A
10007	Sealco	RSL10007
102001	Sealco	RSL102001
1020012	Sealco	RSL1020012
102002	Sealco	RSL102002
1020034	Sealco	RSL1020034
1020038	Sealco	RSL1020038
10900	Sealco	RSL10900
1095	Sealco	RSL1095
110005	Sealco	RSL110005
110103	Sealco	RSL110103
110114	Sealco	RSL110114
110118	Sealco	RSL110118
110127	Sealco	RSL110127
110128	Sealco	RSL110128
110130	Sealco	RSL110130
A6200F1	Sealco	RSL110131
110131	Sealco	RSL110131
6200F1	Sealco	RSL110131
110139	Sealco	RSL110139
110139X	Sealco	RSL110139
110600X	Sealco	RSL110139
110143	Sealco	RSL110143
110123	Sealco	RSL110158
110158	Sealco	RSL110158
110162	Sealco	RSL110162
110165	Sealco	RSL110165
110166	Sealco	RSL110166
110167	Sealco	RSL110167
110147	Sealco	RSL110170
110147X	Sealco	RSL110170
110148X	Sealco	RSL110170
110170	Sealco	RSL110170
110170X	Sealco	RSL110170
110180	Sealco	RSL110170
110190	Sealco	RSL110170
111170	Sealco	RSL110170
111170X	Sealco	RSL110170
111180	Sealco	RSL110170
111180X	Sealco	RSL110170

COMPETITOR PART NUMBER	COMPETITOR NAME	MERITOR PART NUMBER
111190	Sealco	RSL110170
111190X	Sealco	RSL110170
112170	Sealco	RSL110170
112180	Sealco	RSL110170
112190	Sealco	RSL110170
16598	Sealco	RSL110170
110149	Sealco	RSL110171
110171	Sealco	RSL110171
110171X	Sealco	RSL110171
110230	Sealco	RSL110171
110305	Sealco	RSL110171
111171	Sealco	RSL110171
111171X	Sealco	RSL110171
111230	Sealco	RSL110171
111230X	Sealco	RSL110171
111305	Sealco	RSL110171
111305X	Sealco	RSL110171
112171	Sealco	RSL110171
112230	Sealco	RSL110171
112305	Sealco	RSL110171
110174	Sealco	RSL110174
110175	Sealco	RSL110175
1191	Sealco	RSL110175
110176	Sealco	RSL110176
110183	Sealco	RSL110183
110185	Sealco	RSL110185
110189	Sealco	RSL110189
110191	Sealco	RSL110191
110191X	Sealco	RSL110191
110192	Sealco	RSL110191
110193	Sealco	RSL110191
111191	Sealco	RSL110191
111191X	Sealco	RSL110191
111192	Sealco	RSL110191
111192X	Sealco	RSL110191
111193	Sealco	RSL110191
111193X	Sealco	RSL110191
112191	Sealco	RSL110191
112192	Sealco	RSL110191
112193	Sealco	RSL110191
110195	Sealco	RSL110195
110197	Sealco	RSL110197
110197X	Sealco	RSL110197
110198	Sealco	RSL110198
110198X	Sealco	RSL110198
110199	Sealco	RSL110199

COMPETITOR PART NUMBER	COMPETITOR NAME	MERITOR PART NUMBER
110199X	Sealco	RSL110199
110200	Sealco	RSL110200
110200X	Sealco	RSL110200
110201	Sealco	RSL110201
110205	Sealco	RSL110205
110205X	Sealco	RSL110205
110207	Sealco	RSL110207
110207X	Sealco	RSL110207
110221	Sealco	RSL110221
110227	Sealco	RSL110227
110228	Sealco	RSL110228
110228X	Sealco	RSL110228
110108	Sealco	RSL110238
110238	Sealco	RSL110238
110241	Sealco	RSL110241
110250	Sealco	RSL110250
110257	Sealco	RSL110257
110258	Sealco	RSL110258
110275X	Sealco	RSL110275
110284	Sealco	RSL110284
110285	Sealco	RSL110285
110300	Sealco	RSL110300
110301	Sealco	RSL110301
110310	Sealco	RSL110310
110310X	Sealco	RSL110310
110314	Sealco	RSL110314
110315	Sealco	RSL110315
110315X	Sealco	RSL110315
110267	Sealco	RSL110338
110267X	Sealco	RSL110338
110338	Sealco	RSL110338
110338X	Sealco	RSL110338
110359	Sealco	RSL110359
110360	Sealco	RSL110360
110360X	Sealco	RSL110360
110365	Sealco	RSL110365
110365X	Sealco	RSL110365
110463	Sealco	RSL110365
110464	Sealco	RSL110365
110465	Sealco	RSL110365
110376	Sealco	RSL110376
110376X	Sealco	RSL110376
110380	Sealco	RSL110380
110380X	Sealco	RSL110380
110122	Sealco	RSL110384
110384	Sealco	RSL110384

All Euclid Air Systems components were superseded to their Meritor part number equivalents effective February 2018.

COMPETITIVE

COMPETITIVE CROSS REFERENCE

COMPETITOR PART NUMBER	COMPETITOR NAME	MERITOR PART NUMBER
110385	Sealco	RSL110385
110385X	Sealco	RSL110385
110390	Sealco	RSL110390
110395	Sealco	RSL110395
110407	Sealco	RSL110407
110410	Sealco	RSL110410
110410X	Sealco	RSL110410
110412	Sealco	RSL110412
110412X	Sealco	RSL110412
110413	Sealco	RSL110413
110415	Sealco	RSL110415
110415X	Sealco	RSL110415
110416	Sealco	RSL110416
110416X	Sealco	RSL110416
110421	Sealco	RSL110421
110450	Sealco	RSL110450
110450X	Sealco	RSL110450
110460	Sealco	RSL110460
110460X	Sealco	RSL110460
110268	Sealco	RSL110470
110268X	Sealco	RSL110470
110470	Sealco	RSL110470
110470X	Sealco	RSL110470
110474	Sealco	RSL110474
110475	Sealco	RSL110475
110475X	Sealco	RSL110475
110485	Sealco	RSL110485
110486	Sealco	RSL110486
110487	Sealco	RSL110487
110488	Sealco	RSL110488
110500	Sealco	RSL110500
110500X	Sealco	RSL110500
110505X	Sealco	RSL110500
110510X	Sealco	RSL110500
110501	Sealco	RSL110501
110505	Sealco	RSL110505
110507X	Sealco	RSL110507
110510	Sealco	RSL110510
110515	Sealco	RSL110515
110520	Sealco	RSL110520
110528	Sealco	RSL110528
110555	Sealco	RSL110555
110370	Sealco	RSL110570
110370X	Sealco	RSL110570
110570	Sealco	RSL110570
110570X	Sealco	RSL110570

COMPETITOR PART NUMBER	COMPETITOR NAME	MERITOR PART NUMBER
110571	Sealco	RSL110571
110576	Sealco	RSL110576
110580	Sealco	RSL110580
110580X	Sealco	RSL110580
110584X	Sealco	RSL110584
110587	Sealco	RSL110587
110588	Sealco	RSL110588
1105891	Sealco	RSL1105891
110589WC	Sealco	RSL110589WC
100591	Sealco	RSL110591
110595	Sealco	RSL110595
110597	Sealco	RSL110597
110600	Sealco	RSL110600
110605	Sealco	RSL110605
110606	Sealco	RSL110606
110609	Sealco	RSL110609
110615	Sealco	RSL110615
110620	Sealco	RSL110620
110644	Sealco	RSL110644
110657	Sealco	RSL110657
110673	Sealco	RSL110673
110375	Sealco	RSL110690
110375X	Sealco	RSL110690
110690	Sealco	RSL110690
110690X	Sealco	RSL110690
110700	Sealco	RSL110700
110700X	Sealco	RSL110700
110705	Sealco	RSL110705
110770	Sealco	RSL110770
110771	Sealco	RSL110771
110790X	Sealco	RSL110790
110800	Sealco	RSL110800
11900	Sealco	RSL11900
13	Sealco	RSL13
45	Sealco	RSL13
1300	Sealco	RSL1300
130080	Sealco	RSL130080
131	Sealco	RSL131
132000	Sealco	RSL132000
138000	Sealco	RSL138000
13G	Sealco	RSL13G
13R	Sealco	RSL13R
13S	Sealco	RSL13S
920	Sealco	RSL13S
13Y	Sealco	RSL13Y
140200	Sealco	RSL140200

COMPETITOR PART NUMBER	COMPETITOR NAME	MERITOR PART NUMBER
140270	Sealco	RSL140270
140271	Sealco	RSL140271
140280	Sealco	RSL140280
140281	Sealco	RSL140281
140290	Sealco	RSL140290
140291	Sealco	RSL140291
140300	Sealco	RSL140300
140370	Sealco	RSL140370
140380	Sealco	RSL140380
140390	Sealco	RSL140390
140680	Sealco	RSL140680
14900	Sealco	RSL14900
1500	Sealco	RSL1500
152000	Sealco	RSL152000
17600	Sealco	RSL17600
17600B	Sealco	RSL17600B
176002X	Sealco	RSL17600B
17600B1	Sealco	RSL17600B1
17600B2	Sealco	RSL17600B2
17600L	Sealco	RSL17600L
17600LB	Sealco	RSL17600LB
17600M	Sealco	RSL17600M
17610	Sealco	RSL17610
17620	Sealco	RSL17620
1765	Sealco	RSL1765
200000	Sealco	RSL200000
200001	Sealco	RSL200001
200002	Sealco	RSL200002
200003	Sealco	RSL200003
200004	Sealco	RSL200004
200006	Sealco	RSL200006
2000B12	Sealco	RSL2000B12
2000B38	Sealco	RSL2000B38
2000C12	Sealco	RSL2000C12
2000C38	Sealco	RSL2000C38
2000D12	Sealco	RSL2000D12
2000D38	Sealco	RSL2000D38
205	Sealco	RSL205
20D5	Sealco	RSL20D5
21600	Sealco	RSL21600
216002	Sealco	RSL216002
216050	Sealco	RSL216050
216051	Sealco	RSL216051
216200	Sealco	RSL216200
220000	Sealco	RSL220000
220012	Sealco	RSL220012

COMPETITIVE

All Euclid Air Systems components were superseded to their Meritor part number equivalents effective February 2018.

COMPETITOR PART NUMBER	COMPETITOR NAME	MERITOR PART NUMBER	COMPETITOR PART NUMBER	COMPETITOR NAME	MERITOR PART NUMBER	COMPETITOR PART NUMBER	COMPETITOR NAME	MERITOR PART NUMBER
220014	Sealco	RSL220014	61252	Sealco	RSL61252	99601BL	Sealco	RSL99601BL
220034	Sealco	RSL220034	61252X	Sealco	RSL61252	99610BL	Sealco	RSL99610BL
230	Sealco	RSL230	612535	Sealco	RSL612535	A1000F	Sealco	RSLA1000S
2550	Sealco	RSL2550	612545	Sealco	RSL612545	A1000S	Sealco	RSLA1000S
2550B	Sealco	RSL2550	61255	Sealco	RSL61255	A1000SX	Sealco	RSLA1000S
2550R	Sealco	RSL2550	61257	Sealco	RSL61257	A1000X	Sealco	RSLA1000S
25505	Sealco	RSL25505	616	Sealco	RSL616	A25600	Sealco	RSLA25600
3100	Sealco	RSL3100	617	Sealco	RSL617	A256002	Sealco	RSLA256002
3100X	Sealco	RSL3100	2300	Sealco	RSL6300	A25600Y	Sealco	RSLA25600Y
310010	Sealco	RSL310010	6300	Sealco	RSL6300	25600Y	Sealco	RSLA25600Y
31005	Sealco	RSL31005	6300H	Sealco	RSL6300H	A25610	Sealco	RSLA25610
3200	Sealco	RSL3200	6635	Sealco	RSL6635	401004	Siemens	R955401004
320014	Sealco	RSL320014	6900	Sealco	RSL6900	A1015	Sirco Brake	E10744
320100	Sealco	RSL320100	695	Sealco	RSL695	A1040	Sirco Brake	E10746
724043407	Sealco	RSL320100	7200	Sealco	RSL7200	A1452	Sirco Brake	E9107
320105	Sealco	RSL320105	724043404	Sealco	RSL7200	A1451	Sirco Brake	E9108
340250	Sealco	RSL340250	725	Sealco	RSL725	A1450	Sirco Brake	E9109
340350	Sealco	RSL340350	7700	Sealco	RSL7700	9004	Sirco Brake	E9110
3400	Sealco	RSL342501	7800	Sealco	RSL7800	9004P	Sirco Brake	E9111
3400S	Sealco	RSL342501	780210	Sealco	RSL780210	A9859	Sirco Brake	R955229859N
3425	Sealco	RSL342501	780212	Sealco	RSL780212	A9860	Sirco Brake	R955229860N
3425S	Sealco	RSL342501	785	Sealco	RSL785	619110	SKF	R955619110N
342500	Sealco	RSL342501	8000	Sealco	RSL8000	620302	SKF	R955620302N
342501	Sealco	RSL342501	8022	Sealco	RSL8022	620602	SKF	R955620602N
3450	Sealco	RSL3450	805	Sealco	RSL805	SKF223	SKF	R955T223N
3450G	Sealco	RSL3450G	8097	Sealco	RSL8097	223	SKF	R955T223N
3450S	Sealco	RSL3450S	8100	Sealco	RSL8100	CRT224	SKF	R955T224N
3800	Sealco	RSL3800	819	Sealco	RSL819	SKF228	SKF	R955T228N
503	Sealco	RSL503	821	Sealco	RSL821	228	SKF	R955T228N
5200	Sealco	RSL5200	900	Sealco	RSL900	SKF235	SKF	R955T235N
525	Sealco	RSL525	9008	Sealco	RSL9008	235	SKF	R955T235N
5400	Sealco	RSL5400	A1100	Sealco	RSL9125	SKF238	SKF	R955T238N
5900	Sealco	RSL5900	9125X	Sealco	RSL9125	238	SKF	R955T238N
5900X	Sealco	RSL5900	912514X	Sealco	RSL9125	451028	Sloan	E8577BK
59005	Sealco	RSL59005	912538X	Sealco	RSL9125	451044	Sloan	E8578BK
5900B	Sealco	RSL5900B	91255	Sealco	RSL91255	453108	Sloan	E857908BK
5900G	Sealco	RSL5900G	9125	Sealco	RSL9125A	453120	Sloan	E857920BK
5900GI	Sealco	RSL5900GI	9400	Sealco	RSL9400	453124	Sloan	E857924BK
5900L	Sealco	RSL5900L	940000	Sealco	RSL940000	453126	Sloan	E857926BK
595	Sealco	RSL595	94005	Sealco	RSL94005	453128	Sloan	E857928BK
6002	Sealco	RSL6002	945	Sealco	RSL945	453130	Sloan	E857930BK
6003	Sealco	RSL6003	630959	Sealco	RSL99600	453134	Sloan	E857934BK
6006	Sealco	RSL6006	99600X	Sealco	RSL99600	453136	Sloan	E857936BK
6012	Sealco	RSL6012	996002	Sealco	RSL996002	453146	Sloan	E857946BK
6125	Sealco	RSL6125	99600B	Sealco	RSL99600B	453172	Sloan	E857972BK
6125X	Sealco	RSL6125	99600BL	Sealco	RSL99600BL	453184	Sloan	E857984BK

All Euclid Air Systems components were superseded to their Meritor part number equivalents effective February 2018.

COMPETITIVE CROSS REFERENCE

COMPETITOR PART NUMBER	COMPETITOR NAME	MERITOR PART NUMBER	COMPETITOR PART NUMBER	COMPETITOR NAME	MERITOR PART NUMBER	COMPETITOR PART NUMBER	COMPETITOR NAME	MERITOR PART NUMBER
453208	Sloan	E858008BK	452212	Sloan	E858312BK	S362RB8	Sloan	E8601
453218	Sloan	E858018BK	452214	Sloan	E858314BK	S360AB6	Sloan	E8602
453220	Sloan	E858020BK	452216	Sloan	E858316BK	S360AB8	Sloan	E8603
453224	Sloan	E858024BK	452218	Sloan	E858318BK	S361AB6	Sloan	E8604
453226	Sloan	E858026BK	452220	Sloan	E858320BK	S361AB8	Sloan	E8605
453228	Sloan	E858028BK	452222	Sloan	E858322BK	S361AB8	Sloan	E8607
453230	Sloan	E858030BK	452224	Sloan	E858324BK	S376AB344	Sloan	E8610
453236	Sloan	E858036BK	452226	Sloan	E858326BK	S376AB346	Sloan	E8611
453238	Sloan	E858038BK	452228	Sloan	E858328BK	S376AB788	Sloan	E8612
453240	Sloan	E858040BK	452230	Sloan	E858330BK	S376AB786	Sloan	E8613
453246	Sloan	E858046BK	452232	Sloan	E858332BK	S600L	Sloan	E8615
453250	Sloan	E858050BK	452234	Sloan	E858334BK	S600L	Sloan	E8616
453272	Sloan	E858072BK	452236	Sloan	E858336BK	S646	Sloan	E8618
453284	Sloan	E858084BK	452238	Sloan	E858338BK	S607	Sloan	E8620
453308	Sloan	E858108BK	452240	Sloan	E858340BK	S611	Sloan	E8621
453328	Sloan	E858128BK	452242	Sloan	E858342BK	S661	Sloan	E8622
453334	Sloan	E858134BK	452244	Sloan	E858344BK	S608	Sloan	E8623
453352	Sloan	E858152BK	452246	Sloan	E858346BK	S609	Sloan	E8624
453384	Sloan	E858184BK	452248	Sloan	E858348BK	S612	Sloan	E8625
452108	Sloan	E858208BK	452250	Sloan	E858350BK	S689	Sloan	E8626
452116	Sloan	E858216BK	452252	Sloan	E858352BK	S368AB661	Sloan	R950071
452118	Sloan	E858218BK	452256	Sloan	E858356BK	S368AB861	Sloan	R950073
452120	Sloan	E858220BK	452260	Sloan	E858360BK	S368AB881	Sloan	R950074
452122	Sloan	E858222BK	452266	Sloan	E858366BK	S368AB64	Sloan	R950075
452124	Sloan	E858224BK	452272	Sloan	E858372BK	S368AB66	Sloan	R950076
452126	Sloan	E858226BK	452284	Sloan	E858384BK	S368AB68	Sloan	R950077
452128	Sloan	E858228BK	452308	Sloan	E858408BK	S368AB86	Sloan	R950078
452130	Sloan	E858230BK	452318	Sloan	E858418BK	S368AB88	Sloan	R950079
452132	Sloan	E858232BK	452336	Sloan	E858436BK	S378AB64	Sloan	R950080
452134	Sloan	E858234BK	452350	Sloan	E858450BK	S378AB66	Sloan	R950081
453234	Sloan	E858234BK	452356	Sloan	E858456BK	S378AB68	Sloan	R950082
452138	Sloan	E858238BK	452366	Sloan	E858466BK	S378AB86	Sloan	R950083
452140	Sloan	E858240BK	452384	Sloan	E858484BK	S378AB88	Sloan	R950084
452142	Sloan	E858242BK	S368AB661	Sloan	E8586	S362RB6	Sloan	R950085
452144	Sloan	E858244BK	S368AB861	Sloan	E8588	S362RB8	Sloan	R950086
452146	Sloan	E858246BK	S368AB881	Sloan	E8589	S360AB6	Sloan	R950087
452148	Sloan	E858248BK	S368AB66	Sloan	E8591	S360AB8	Sloan	R950088
452150	Sloan	E858250BK	S368AB68	Sloan	E8592	S361AB6	Sloan	R950089
452152	Sloan	E858252BK	S368AB86	Sloan	E8593	S361AB8	Sloan	R950090
452156	Sloan	E858256BK	S368AB88	Sloan	E8594	S361AB6	Sloan	R950091
452160	Sloan	E858260BK	S378AB64	Sloan	E8595	S361AB8	Sloan	R950092
452166	Sloan	E858266BK	S378AB66	Sloan	E8596	S376AB344	Sloan	R950095
E452172	Sloan	E858272BK	S378AB68	Sloan	E8597	S376AB346	Sloan	R950096
452172	Sloan	E858272BK	S378AB86	Sloan	E8598	S376AB788	Sloan	R950097
452184	Sloan	E858284BK	S378AB88	Sloan	E8599	S376AB786	Sloan	R950098
452208	Sloan	E858308BK	S362RB6	Sloan	E8600	S600L	Sloan	R950100

COMPETITIVE

All Euclid Air Systems components were superseded to their Meritor part number equivalents effective February 2018.

COMPETITOR PART NUMBER	COMPETITOR NAME	MERITOR PART NUMBER	COMPETITOR PART NUMBER	COMPETITOR NAME	MERITOR PART NUMBER	COMPETITOR PART NUMBER	COMPETITOR NAME	MERITOR PART NUMBER
S600L	Sloan	R950101	453322	Sloan	R95550422BK	441736	Sloan	E9111
S620	Sloan	R950102	453324	Sloan	R95550424BK	451036	Sloan	R95510744
S646	Sloan	R950103	453326	Sloan	R95550426BK	451039	Sloan	R95510746
S615	Sloan	R950104	453330	Sloan	R95550430BK	451035	Sloan	R95510747
S607	Sloan	R950105	453332	Sloan	R95550432BK	461007	Sloan	R95510732
S611	Sloan	R950106	453336	Sloan	R95550436BK	461009	Sloan	R95510733
S661	Sloan	R950107	453338	Sloan	R95550438BK	461010	Sloan	R95510733
S608	Sloan	R950108	453340	Sloan	R95550440BK	461005	Sloan	R95510734
S609	Sloan	R950109	453342	Sloan	R95550442BK	461007	Sloan	R95510735
S689	Sloan	R950111	453344	Sloan	R95550444BK	461000	Sloan	R95510736
401018	Sloan	R955401018	453348	Sloan	R95550448BK	S368AB381	Sloan	E8587
401029	Sloan	R955401029	453350	Sloan	R95550450BK	S368AB681	Sloan	E8587
401040	Sloan	R955401040	453356	Sloan	R95550456BK	S612	Sloan	R950110
401045	Sloan	R955401045	453360	Sloan	R95550460BK	S368AB641	Sloan	R950070
401047	Sloan	R955401047	452112	Sloan	R95550512BK	S368AB681	Sloan	R950072
401056	Sloan	R955401056	452114	Sloan	R95550514BK	441095	Sloan	R950120
401075	Sloan	R955401075	452312	Sloan	R95550712BK	441738	Sloan	R950121
401084	Sloan	R955401084	452314	Sloan	R95550714BK	441737	Sloan	R950122
401095	Sloan	R955401095	452316	Sloan	R95550716BK	401039	Sloan	R955401039
453112	Sloan	R95550212BK	452320	Sloan	R95550720BK	S807	Sloan	R955S807
453114	Sloan	R95550214BK	452322	Sloan	R95550722BK	401142	Strick	R955284358N
453116	Sloan	R95550216BK	452324	Sloan	R95550724BK	40114225	Strick	R955284358N
453118	Sloan	R95550218BK	452326	Sloan	R95550726BK	401237	Strick	R955284358N
453122	Sloan	R95550222BK	452328	Sloan	R95550728BK	1031	Tectran	R950071
453132	Sloan	R95550232BK	452330	Sloan	R95550730BK	10318	Tectran	R950073
453138	Sloan	R95550238BK	452332	Sloan	R95550732BK	10418	Tectran	R950074
453140	Sloan	R95550240BK	452334	Sloan	R95550734BK	105	Tectran	R950075
453142	Sloan	R95550242BK	452338	Sloan	R95550738BK	106	Tectran	R950076
453144	Sloan	R95550244BK	452340	Sloan	R95550740BK	107	Tectran	R950077
453150	Sloan	R95550250BK	452342	Sloan	R95550742BK	1068	Tectran	R950078
453160	Sloan	R95550260BK	452344	Sloan	R95550744BK	1078	Tectran	R950079
453166	Sloan	R95550266BK	452346	Sloan	R95550746BK	102	Tectran	R950080
453212	Sloan	R95550312BK	452348	Sloan	R95550748BK	103	Tectran	R950081
453214	Sloan	R95550314BK	452360	Sloan	R95550760BK	104	Tectran	R950082
453216	Sloan	R95550316BK	452372	Sloan	R95550772BK	1038	Tectran	R950083
453222	Sloan	R95550322BK	401019	Sloan	RSN401019	10248	Tectran	R950084
453232	Sloan	R95550332BK	421128	Sloan	E10158	1048	Tectran	R950084
453242	Sloan	R95550342BK	401046	Sloan	EMD12105N	105501	Tectran	R950085
453244	Sloan	R95550344BK	401046	Sloan	R95512105N	1022	Tectran	R950086
453260	Sloan	R95550360BK	S368AB641	Sloan	E8585	107701	Tectran	R950086
453266	Sloan	R95550366BK	S361AB6	Sloan	E8606	10228	Tectran	R950087
453312	Sloan	R95550412BK	401039	Sloan	ESN401039	1025	Tectran	R950089
453314	Sloan	R95550414BK	S807	Sloan	ESNS807	10258	Tectran	R950090
453316	Sloan	R95550416BK	451036	Sloan	E10744	1023	Tectran	R950091
453318	Sloan	R95550418BK	451039	Sloan	E10746	10238	Tectran	R950092
453320	Sloan	R95550420BK	451035	Sloan	E10747	1024	Tectran	R950093

All Euclid Air Systems components were superseded to their Meritor part number equivalents effective February 2018.

COMPETITIVE CROSS REFERENCE

COMPETITOR PART NUMBER	COMPETITOR NAME	MERITOR PART NUMBER
161201	Tectran	R950095
1612016	Tectran	R950095
1612016	Tectran	R950096
1612016	Tectran	R950097
1812018	Tectran	R950097
1812016	Tectran	R950098
112	Tectran	R955401004
111148	Tectran	R955401045
111136	Tectran	R955401047
19216T	Tectran	R955500
19216	Tectran	R955500BK
19218T	Tectran	R955501
19218	Tectran	R955501BK
16118	Tectran	R95550218BK
16120	Tectran	R95550220BK
16124	Tectran	R95550224BK
16126	Tectran	R95550226BK
16128	Tectran	R95550228BK
16130	Tectran	R95550230BK
16132	Tectran	R95550232BK
16136	Tectran	R95550236BK
16140	Tectran	R95550240BK
16148	Tectran	R95550248BK
16160	Tectran	R95550260BK
16172	Tectran	R95550272BK
1611866	Tectran	R95550318BK
1612066	Tectran	R95550320BK
1612466	Tectran	R95550324BK
1612666	Tectran	R95550326BK
1612866	Tectran	R95550328BK
1613066	Tectran	R95550330BK
1613266	Tectran	R95550332BK
1613666	Tectran	R95550336BK
1614066	Tectran	R95550340BK
1614866	Tectran	R95550348BK
1615466	Tectran	R95550354BK
1616066	Tectran	R95550360BK
1617266	Tectran	R95550372BK
161SW2066	Tectran	R95550420BK
161SW2466	Tectran	R95550424BK
161SW2666	Tectran	R95550426BK
161SW2866	Tectran	R95550428BK
161SW3066	Tectran	R95550430BK
161SW3266	Tectran	R95550432BK
161SW3666	Tectran	R95550436BK
161SW4066	Tectran	R95550440BK

COMPETITOR PART NUMBER	COMPETITOR NAME	MERITOR PART NUMBER
161SW4866	Tectran	R95550448BK
161SW5466	Tectran	R95550454BK
161SW6066	Tectran	R95550460BK
18118	Tectran	R95550518BK
18120	Tectran	R95550520BK
18124	Tectran	R95550524BK
18126	Tectran	R95550526BK
18128	Tectran	R95550528BK
18130	Tectran	R95550530BK
18132	Tectran	R95550532BK
18136	Tectran	R95550536BK
18140	Tectran	R95550540BK
18148	Tectran	R95550548BK
18154	Tectran	R95550554BK
18160	Tectran	R95550560BK
18172	Tectran	R95550572BK
181SW1866	Tectran	R95550718BK
181SW2066	Tectran	R95550720BK
181SW2466	Tectran	R95550724BK
181SW2666	Tectran	R95550726BK
181SW2866	Tectran	R95550728BK
181SW3066	Tectran	R95550730BK
181SW3266	Tectran	R95550732BK
181SW3666	Tectran	R95550736BK
181SW4066	Tectran	R95550740BK
181SW4866	Tectran	R95550748BK
181SW5466	Tectran	R95550754BK
181SW6066	Tectran	R95550760BK
181SW7266	Tectran	R95550772BK
10103010	Tectran	R955103010N
10103028	Tectran	R955103028N
10228600	Tectran	R955228600N
10228750	Tectran	R955228750N
10229635	Tectran	R955229635N
10276566	Tectran	R955276566N
10277863	Tectran	R955277863N
10278998	Tectran	R955278998N
10279000	Tectran	R955279000N
10279180	Tectran	R955279180N
10279416	Tectran	R955279416N
10287238	Tectran	R955287238N
10288239	Tectran	R955288239N
1028500	Tectran	R955KN28500N
1028510	Tectran	R955KN28510N
1028520	Tectran	R955KN28520N
WM778A	Tectran	R955KN31000X

COMPETITOR PART NUMBER	COMPETITOR NAME	MERITOR PART NUMBER
1011S	Tectran	R950114
1011E	Tectran	R950115
1011	Tectran	R950116
101112	Tectran	R950118
101113	Tectran	R950119
17212	Tectran	R95510742
17215	Tectran	R95510745
2000	Tectran	R95510732
2001B	Tectran	R95510734
2000DH	Tectran	R95510735
2001C	Tectran	R95510736
1021	Tectran	R950070
1041	Tectran	R950072
10102626	Tectran	R955102626N
10103009	Tectran	R955103009N
10229859	Tectran	R955229859N
1008	Tectran	R955229860N
10229860	Tectran	R955229860N
10276567	Tectran	R955276567N
10281865	Tectran	R955281865N
10286171	Tectran	R955286171N
61130309	Thomas School	R955107514X
61130294	Thomas School	R955108804X
61130329	Thomas School	R955109653X
381046	Trailmobile	E1046
31102	Tramec	E8577
31002	Tramec	E8577BK
31105	Tramec	E8578
31005	Tramec	E8578BK
32001024	Tramec	E857924BK
32001026	Tramec	E857926BK
32001028	Tramec	E857928BK
32001030	Tramec	E857930BK
32001034	Tramec	E857934BK
32001036	Tramec	E857936BK
32001072	Tramec	E857972BK
32002018	Tramec	E858018BK
32002024	Tramec	E858024BK
32002026	Tramec	E858026BK
32002028	Tramec	E858028BK
32002030	Tramec	E858030BK
32002034	Tramec	E858034BK
32002036	Tramec	E858036BK
32002072	Tramec	E858072BK

COMPETITIVE

All Euclid Air Systems components were superseded to their Meritor part number equivalents effective February 2018.

COMPETITOR PART NUMBER	COMPETITOR NAME	MERITOR PART NUMBER	COMPETITOR PART NUMBER	COMPETITOR NAME	MERITOR PART NUMBER	COMPETITOR PART NUMBER	COMPETITOR NAME	MERITOR PART NUMBER
32005018	Tramec	E858218BK	32002060	Tramec	R95550360BK	BHSE692	TruckPro	R955279950N
32005024	Tramec	E858224BK	34084	Tramec	E8585	BHSA147	TruckPro	R955279952N
32005026	Tramec	E858226BK	34089	Tramec	E8606	BHSA271	TruckPro	R955281923N
32005030	Tramec	E858230BK	36101	Tramec	E9107	BHSA146	TruckPro	R955284760N
32005032	Tramec	E858232BK	36201	Tramec	E9108	BHSA272	TruckPro	R955286364N
32005034	Tramec	E858234BK	36301	Tramec	E9109	BHS9174	TruckPro	R955286370N
32005036	Tramec	E858236BK	36001	Tramec	E9110	BHSA273	TruckPro	R955286500N
32005048	Tramec	E858248BK	34086	Tramec	E8587	BHS9169	TruckPro	R955287238N
32005060	Tramec	E858260BK	AC3001	TRP	R955065624N	BHSA150	TruckPro	R955287376N
32005072	Tramec	E858272BK	AC2001	TRP	R955107796N	BHS8898	TruckPro	R955287600N
32012XXX	Tramec	E858316BK	BHS7656	TruckPro	R955401004	BHS5677	TruckPro	R955288239N
32012XXX	Tramec	E858320BK	BHS8255	TruckPro	EBN103010N	BHSB285	TruckPro	R955288241N
32012XXX	Tramec	E858322BK	BHSA270	TruckPro	EBN229813N	BHSA274	TruckPro	R955288605N
32012XXX	Tramec	E858324BK	BHSA146	TruckPro	EBN284760N	BHS9625	TruckPro	R955289144N
32012XXX	Tramec	E858326BK	BHSC068	TruckPro	EBN800333N	BHSC068	TruckPro	R955800333N
32012XXX	Tramec	E858328BK	BHSC517	TruckPro	R955065145N	BHSE859	TruckPro	R955800350N
32012XXX	Tramec	E858330BK	BHSC518	TruckPro	R955065146N	BHSA323	TruckPro	E109994
32012XXX	Tramec	E858332BK	BHSF345	TruckPro	R955065225N	BHS11611	TruckPro	E109994
32012XXX	Tramec	E858334BK	BHSE694	TruckPro	R955065313X	BHS6006	TruckPro	EBN102626N
32012XXX	Tramec	E858336BK	BHSA142	TruckPro	R955065437N	BHS6006A	TruckPro	EBN103009N
32012XXX	Tramec	E858340BK	BHSA151	TruckPro	R955101112N	BHSA474	TruckPro	EBN107796N
32012XXX	Tramec	E858344BK	BHSE576	TruckPro	R955101818N	BHS4922	TruckPro	EBN229859N
32012XXX	Tramec	E858348BK	BHS8255	TruckPro	R955103010N	BHS8328	TruckPro	EBN229860N
32012XXX	Tramec	E858352BK	BHS8255A	TruckPro	R955103028N	BHS7558	TruckPro	EBN281865N
32012XXX	Tramec	E858360BK	BHSA149	TruckPro	R955103061N	BHSA535	TruckPro	EBN284358N
32012XXX	Tramec	E858372BK	BHSA143	TruckPro	R955103081N	BHS6106	TruckPro	EBN284358N
34085	Tramec	E8586	BHSA473	TruckPro	R955103981N	BHS4771	TruckPro	EBN286171N
34003A	Tramec	E8591	BHSE856	TruckPro	R955107799N	BHS9749	TruckPro	EBN289714N
34002A	Tramec	E8592	BHSE854	TruckPro	R955109495N	BHS6006	TruckPro	R955102626N
34001	Tramec	E8595	BHSE855	TruckPro	R955109496N	BHS6006A	TruckPro	R955103009N
34003	Tramec	E8596	BHSC680	TruckPro	R955109578N	BHSA474	TruckPro	R955107796N
34002	Tramec	E8597	BHSE277	TruckPro	R955109579N	BHSF345	TruckPro	R955205
34082	Tramec	E8600	BHSE858	TruckPro	R955109869N	BHS13728	TruckPro	R955205
34074	Tramec	E8602	BHSC291	TruckPro	R955205105N	BHS4922	TruckPro	R955229859N
34089A	Tramec	E8604	BHSA264	TruckPro	R955228600N	BHS8328	TruckPro	R955229860N
34091	Tramec	E8608	BHSA265	TruckPro	R955228750N	BHS7558	TruckPro	R955281865N
50011	Tramec	E8614	BHSC403	TruckPro	R955229505N	BHSA535	TruckPro	R955284358N
50010	Tramec	E8616	BHS5676	TruckPro	R955229635N	BHS6106	TruckPro	R955284358N
50006	Tramec	E8620	BHSA270	TruckPro	R955229813N	BHS4771	TruckPro	R955286171N
50005	Tramec	E8622	BHS5675	TruckPro	R955276566N	BHS9749	TruckPro	R955289714N
34001A	Tramec	R950075	BHSD817	TruckPro	R955277147N	451028	TRW	E8577BK
50001	Tramec	R950102	BHS8631	TruckPro	R955277863N	451044	TRW	E8578BK
32001018	Tramec	R95550218BK	BHSA269	TruckPro	R955278614N	453108	TRW	E857908BK
32001032	Tramec	R95550232BK	BHS8887	TruckPro	R955279000N	453120	TRW	E857920BK
32001060	Tramec	R95550260BK	BHS5865	TruckPro	R955279180N	453124	TRW	E857924BK
32002032	Tramec	R95550332BK	BHSA266	TruckPro	R955279416N	453126	TRW	E857926BK

All Euclid Air Systems components were superseded to their Meritor part number equivalents effective February 2018.

COMPETITIVE CROSS REFERENCE

COMPETITOR PART NUMBER	COMPETITOR NAME	MERITOR PART NUMBER	COMPETITOR PART NUMBER	COMPETITOR NAME	MERITOR PART NUMBER	COMPETITOR PART NUMBER	COMPETITOR NAME	MERITOR PART NUMBER
453128	TRW	E857928BK	452156	TRW	E858256BK	401075	TRW	R955401075
453130	TRW	E857930BK	452160	TRW	E858260BK	401084	TRW	R955401084
453134	TRW	E857934BK	452166	TRW	E858266BK	401095	TRW	R955401095
453136	TRW	E857936BK	E452172	TRW	E858272BK	453112	TRW	R95550212BK
453146	TRW	E857946BK	452172	TRW	E858272BK	453114	TRW	R95550214BK
453172	TRW	E857972BK	452184	TRW	E858284BK	453116	TRW	R95550216BK
453184	TRW	E857984BK	452208	TRW	E858308BK	453118	TRW	R95550218BK
453208	TRW	E858008BK	452212	TRW	E858312BK	453122	TRW	R95550222BK
453218	TRW	E858018BK	452214	TRW	E858314BK	453132	TRW	R95550232BK
453220	TRW	E858020BK	452216	TRW	E858316BK	453138	TRW	R95550238BK
453224	TRW	E858024BK	452218	TRW	E858318BK	453140	TRW	R95550240BK
453226	TRW	E858026BK	452220	TRW	E858320BK	453142	TRW	R95550242BK
453228	TRW	E858028BK	452222	TRW	E858322BK	453144	TRW	R95550244BK
453230	TRW	E858030BK	452224	TRW	E858324BK	453150	TRW	R95550250BK
453236	TRW	E858036BK	452226	TRW	E858326BK	453160	TRW	R95550260BK
453238	TRW	E858038BK	452228	TRW	E858328BK	453166	TRW	R95550266BK
453240	TRW	E858040BK	452230	TRW	E858330BK	453212	TRW	R95550312BK
453246	TRW	E858046BK	452232	TRW	E858332BK	453214	TRW	R95550314BK
453250	TRW	E858050BK	452234	TRW	E858334BK	453216	TRW	R95550316BK
453272	TRW	E858072BK	452236	TRW	E858336BK	453222	TRW	R95550322BK
453284	TRW	E858084BK	452238	TRW	E858338BK	453232	TRW	R95550332BK
453308	TRW	E858108BK	452240	TRW	E858340BK	453242	TRW	R95550342BK
453328	TRW	E858128BK	452242	TRW	E858342BK	453244	TRW	R95550344BK
453334	TRW	E858134BK	452244	TRW	E858344BK	453260	TRW	R95550360BK
453352	TRW	E858152BK	452246	TRW	E858346BK	453266	TRW	R95550366BK
453384	TRW	E858184BK	452248	TRW	E858348BK	453312	TRW	R95550412BK
452108	TRW	E858208BK	452250	TRW	E858350BK	453314	TRW	R95550414BK
452116	TRW	E858216BK	452252	TRW	E858352BK	453316	TRW	R95550416BK
452118	TRW	E858218BK	452256	TRW	E858356BK	453318	TRW	R95550418BK
452120	TRW	E858220BK	452260	TRW	E858360BK	453320	TRW	R95550420BK
452122	TRW	E858222BK	452266	TRW	E858366BK	453322	TRW	R95550422BK
452124	TRW	E858224BK	452272	TRW	E858372BK	453324	TRW	R95550424BK
452126	TRW	E858226BK	452284	TRW	E858384BK	453326	TRW	R95550426BK
452128	TRW	E858228BK	452308	TRW	E858408BK	453330	TRW	R95550430BK
452130	TRW	E858230BK	452318	TRW	E858418BK	453332	TRW	R95550432BK
452132	TRW	E858232BK	452336	TRW	E858436BK	453336	TRW	R95550436BK
452134	TRW	E858234BK	452350	TRW	E858450BK	453338	TRW	R95550438BK
453234	TRW	E858234BK	452356	TRW	E858456BK	453340	TRW	R95550440BK
452138	TRW	E858238BK	452366	TRW	E858466BK	453342	TRW	R95550442BK
452140	TRW	E858240BK	452384	TRW	E858484BK	453344	TRW	R95550444BK
452142	TRW	E858242BK	401018	TRW	R955401018	453348	TRW	R95550448BK
452144	TRW	E858244BK	401029	TRW	R955401029	453350	TRW	R95550450BK
452146	TRW	E858246BK	401040	TRW	R955401040	453356	TRW	R95550456BK
452148	TRW	E858248BK	401045	TRW	R955401045	453360	TRW	R95550460BK
452150	TRW	E858250BK	401047	TRW	R955401047	452112	TRW	R95550512BK
452152	TRW	E858252BK	401056	TRW	R955401056	452114	TRW	R95550514BK

COMPETITIVE

All Euclid Air Systems components were superseded to their Meritor part number equivalents effective February 2018.

COMPETITOR PART NUMBER	COMPETITOR NAME	MERITOR PART NUMBER	COMPETITOR PART NUMBER	COMPETITOR NAME	MERITOR PART NUMBER	COMPETITOR PART NUMBER	COMPETITOR NAME	MERITOR PART NUMBER
452312	TRW	R95550712BK	TLA107799	Tuffline	R955107799N	TLA5004338	Tuffline	R9555004338N
452314	TRW	R95550714BK	TLA107800	Tuffline	R955107800N	TLA5003547	Tuffline	R9555005037N
452316	TRW	R95550716BK	TLA109495	Tuffline	R955109495N	TLA5005624	Tuffline	R9555005624N
452320	TRW	R95550720BK	TLA109496	Tuffline	R955109496N	TLA5005893	Tuffline	R9555005893N
452322	TRW	R95550722BK	TLA109578	Tuffline	R955109578N	TLA800333	Tuffline	R955800333N
452324	TRW	R95550724BK	TLA109579	Tuffline	R955109579N	TLA205105	Tuffline	R955800350N
452326	TRW	R95550726BK	TLA109615	Tuffline	R955109615N	TLA800350	Tuffline	R955800350N
452328	TRW	R95550728BK	TLA109689	Tuffline	R955109689N	TLA800404	Tuffline	R955800404N
452330	TRW	R95550730BK	TLA109993	Tuffline	R955109993N	TLA800405	Tuffline	R955800405N
452332	TRW	R95550732BK	TLA109995	Tuffline	R955109995N	TLA800516	Tuffline	R955800516N
452334	TRW	R95550734BK	TLA12105	Tuffline	R95512105	TLA800517	Tuffline	R955800517N
452338	TRW	R95550738BK	TLA131081	Tuffline	R955131081N	TLA800518	Tuffline	R955800518N
452340	TRW	R95550740BK	TLA227870	Tuffline	R955227870N	TLA800519	Tuffline	R955800519N
452342	TRW	R95550742BK	TLA227871	Tuffline	R955227871N	TLA800629	Tuffline	R955800629N
452344	TRW	R95550744BK	TLA228600	Tuffline	R955228600N	TLA72420	Tuffline	R955A72420N
452346	TRW	R95550746BK	TLA229505	Tuffline	R955229505N	TLA13240	Tuffline	R955BE13240N
452348	TRW	R95550748BK	TLA229635	Tuffline	R955229635N	TLA13241	Tuffline	R955BE13241N
452360	TRW	R95550760BK	TLA276566	Tuffline	R955276566N	TLA13250	Tuffline	R955BE13250N
452372	TRW	R95550772BK	TLA277147	Tuffline	R955277147N	TLA13255	Tuffline	R955BE13255N
401019	TRW	RSN401019	TLA277863	Tuffline	R955277863N	TLA20615	Tuffline	R955KN20615N
421128	TRW	E10158	TLA278614	Tuffline	R955278614N	TLA23000	Tuffline	R955KN23000N
401046	TRW	EMD12105N	TLA278615	Tuffline	R955278615N	TLA23010	Tuffline	R955KN23010N
461007	TRW	R95510732	TLA278825	Tuffline	R955278825N	TLA26000	Tuffline	R955KN26000N
461009	TRW	R95510733	TLA279000	Tuffline	R955279000N	TLA27000	Tuffline	R955KN27000N
461010	TRW	R95510733	TLA279180	Tuffline	R955279180N	TLA28060	Tuffline	R955KN28060N
461005	TRW	R95510734	TLA279416	Tuffline	R955279416N	TLA28500	Tuffline	R955KN28500N
461007	TRW	R95510735	TLA279952	Tuffline	R955279952N	TLA28510	Tuffline	R955KN28510N
461000	TRW	R95510736	TLA280809	Tuffline	R955281860N	TLA28520	Tuffline	R955KN28520N
441095	TRW	R950120	TLA281865	Tuffline	R955281923N	TLA68230	Tuffline	R955KN68230N
441738	TRW	R950121	TLA281923	Tuffline	R955284142N	TLA102626	Tuffline	R955102626N
441737	TRW	R950122	TLA284412	Tuffline	R955284412N	TLA103009	Tuffline	R955103009N
TLA800376	Tuffline	R955800376N	TLA284760	Tuffline	R955284760N	TLA107796	Tuffline	R955107796N
TLA65145	Tuffline	R955065145N	TLA286364	Tuffline	R955286364N	TLA229859	Tuffline	R955229859N
TLA65146	Tuffline	R955065146N	TLA286370	Tuffline	R955286370N	TLA229860	Tuffline	R955229860N
TLA109685	Tuffline	R955065225NP	TLA286500	Tuffline	R955286500N	TLA276567	Tuffline	R955276567N
TLA65303	Tuffline	R955065303N	TLA287114	Tuffline	R955287114N	TLA281860	Tuffline	R955281865N
TLA101112	Tuffline	R955101112N	TLA287298	Tuffline	R955287298N	TLA284358	Tuffline	R955284358N
TLA101437	Tuffline	R955101437N	TLA288239	Tuffline	R955288239N	TLA286171	Tuffline	R955286171N
TLA101818	Tuffline	R955101818N	TLA288241	Tuffline	R955288241N	TLA289714	Tuffline	R955289714N
TLA102657	Tuffline	R955102657N	TLA288301	Tuffline	R955288301N	022011	Velvac	E8577
TLA103010	Tuffline	R955103010N	TLA288383	Tuffline	R955288383N	0220117	Velvac	E8577BK
TLA103028	Tuffline	R955103028N	TLA288605	Tuffline	R955288605N	220117	Velvac	E8577BK
TLA103061	Tuffline	R955103061N	TLA298817	Tuffline	R955298817N	022047	Velvac	E8578
TLA103081	Tuffline	R955103081N	TLA298818	Tuffline	R955298818N	147020	Velvac	E857920BK
TLA103818	Tuffline	R955103818N	TLA5002595	Tuffline	R9555002595N	147024	Velvac	E857924BK
TLA107695	Tuffline	R955107695N	TLA5003547	Tuffline	R9555003547N	147026	Velvac	E857926BK

All Euclid Air Systems components were superseded to their Meritor part number equivalents effective February 2018.

COMPETITIVE CROSS REFERENCE

COMPETITOR PART NUMBER	COMPETITOR NAME	MERITOR PART NUMBER
147028	Velvac	E857928BK
147030	Velvac	E857930BK
147034	Velvac	E857934BK
147036	Velvac	E857936BK
147046	Velvac	E857946BK
147072	Velvac	E857972BK
146018	Velvac	E858018BK
146020	Velvac	E858020BK
146024	Velvac	E858024BK
146026	Velvac	E858026BK
146028	Velvac	E858028BK
146030	Velvac	E858030BK
146034	Velvac	E858034BK
146036	Velvac	E858036BK
146038	Velvac	E858038BK
146040	Velvac	E858040BK
146046	Velvac	E858046BK
146054	Velvac	E858054BK
146072	Velvac	E858072BK
146084	Velvac	E858084BK
148018	Velvac	E858218BK
148020	Velvac	E858220BK
148022	Velvac	E858222BK
148024	Velvac	E858224BK
148026	Velvac	E858226BK
148028	Velvac	E858228BK
148030	Velvac	E858230BK
148032	Velvac	E858232BK
148034	Velvac	E858234BK
148036	Velvac	E858236BK
148038	Velvac	E858238BK
148040	Velvac	E858240BK
148042	Velvac	E858242BK
148044	Velvac	E858244BK
148046	Velvac	E858246BK
148048	Velvac	E858248BK
148060	Velvac	E858260BK
148072	Velvac	E858272BK
149024	Velvac	E858324BK
149030	Velvac	E858330BK
149036	Velvac	E858336BK
34085	Velvac	E8586
500011	Velvac	E8586
500053	Velvac	E8588
500061	Velvac	E8589
500009	Velvac	E8591

COMPETITOR PART NUMBER	COMPETITOR NAME	MERITOR PART NUMBER
500015	Velvac	E8592
500050	Velvac	E8593
500051	Velvac	E8594
500019	Velvac	E8595
500025	Velvac	E8596
500027	Velvac	E8597
500070	Velvac	E8598
500078	Velvac	E8599
34082	Velvac	E8600
500032	Velvac	E8600
500089	Velvac	E8601
34074	Velvac	E8602
500005	Velvac	E8602
500055	Velvac	E8603
500004	Velvac	E8604
500054	Velvac	E8605
500072	Velvac	E8607
34091	Velvac	E8608
500024	Velvac	E8608
500074	Velvac	E8609
140000	Velvac	E8610
142001	Velvac	E8611
500052	Velvac	E8612
035021	Velvac	E8616
035079	Velvac	E8618
035087	Velvac	E8620
035081	Velvac	E8622
500001	Velvac	R950075
035079	Velvac	R950102
147012	Velvac	R95550212BK
147016	Velvac	R95550216BK
147018	Velvac	R95550218BK
147022	Velvac	R95550222BK
147032	Velvac	R95550232BK
147038	Velvac	R95550238BK
147040	Velvac	R95550240BK
147042	Velvac	R95550242BK
147044	Velvac	R95550244BK
147050	Velvac	R95550250BK
147054	Velvac	R95550254BK
147060	Velvac	R95550260BK
146022	Velvac	R95550322BK
146032	Velvac	R95550332BK
146042	Velvac	R95550342BK
146044	Velvac	R95550344BK
146060	Velvac	R95550360BK

COMPETITOR PART NUMBER	COMPETITOR NAME	MERITOR PART NUMBER
148030	Velvac	R95550530BK
148032	Velvac	R95550532BK
148034	Velvac	R95550534BK
148036	Velvac	R95550536BK
148038	Velvac	R95550538BK
148040	Velvac	R95550540BK
148042	Velvac	R95550542BK
148044	Velvac	R95550544BK
148046	Velvac	R95550546BK
148048	Velvac	R95550548BK
148060	Velvac	R95550560BK
148072	Velvac	R95550572BK
055060	Velvac	E10158
34084	Velvac	E8585
500003	Velvac	E8585
34089	Velvac	E8606
500022	Velvac	E8606
35031	Velvac	E9109U
022001	Velvac	E10744
022002	Velvac	R95510742
035059	Velvac	R95510732
035061	Velvac	R95510733
035058	Velvac	R95510734
035054	Velvac	R95510736
500017	Velvac	E8587
032131	Velvac	R955284358N
3093850	Volvo	EBN107981X
8166665	Volvo	EBN107981X
700018001	Volvo	R955107506X
8062235	Volvo	R955107507X
85102169	Volvo	R955107507X
700010043	Volvo	R955107508X
85101164	Volvo	R955107509X
3949430	Volvo	R955107512X
85102179	Volvo	R955107514X
700013205	Volvo	R955107622X
85102168	Volvo	R955107622X
3949432	Volvo	R955107623X
85102184	Volvo	R955107813X
3093850	Volvo	R955107981X
8166665	Volvo	R955107981X
85102188	Volvo	R955108110X
85102167	Volvo	R955108804X
8502173	Volvo	R955108866X
85102173	Volvo	R955108866X
85102181	Volvo	R955108869X

COMPETITIVE

All Euclid Air Systems components were superseded to their Meritor part number equivalents effective February 2018.

COMPETITOR PART NUMBER	COMPETITOR NAME	MERITOR PART NUMBER
3947811	Volvo	R955109493X
3949249	Volvo	R955109493X
700018003	Volvo	R955109604X
85106353	Volvo	R9555002868X
85106354	Volvo	R9555004188X
85102174	Volvo	R9555004613X
3947811	Volvo	EBN109493X
3949249	Volvo	EBN109493X
85106353	Volvo	EBN5002868X
S9366496744	Wabco	R12509
S9366496744	Wabco	R12509
9366496744	Wabco	R12509
S9366490230	Wabco	RKN20631
9366490230	Wabco	RKN20631
S9618801000	Wabco	R955101818N
9618801000	Wabco	R955101818N
S9343150080	Wabco	R95512103
S9343150180	Wabco	R95512103
S9343150190	Wabco	R95512103
S9343150230	Wabco	R95512103
S9343150240	Wabco	R95512103
9343150080	Wabco	R95512103
9343150180	Wabco	R95512103
9343150190	Wabco	R95512103
9343150230	Wabco	R95512103
9343150240	Wabco	R95512103
S9343150040	Wabco	R95512105
8938910032	Wabco	R95512105
9343150040	Wabco	R95512105
S9732880030	Wabco	R955KN28500
S9732880040	Wabco	R955KN28500
S9732980150	Wabco	R955KN28500
S9732980220	Wabco	R955KN28500
9732880030	Wabco	R955KN28500
9732880040	Wabco	R955KN28500
9732980150	Wabco	R955KN28500
9732980220	Wabco	R955KN28500
S9732880030	Wabco	R955KN28510N
9732880030	Wabco	R955KN28510N
S9341900010	Wabco	R102323E
S9341900010	Wabco	R102323E
9341900010	Wabco	R102323E
S9617990150	Wabco	RN30103FE
9617990150	Wabco	RN30103FE
4324102227	Wabco	E109994
940226	Wagner	E857926BK

COMPETITOR PART NUMBER	COMPETITOR NAME	MERITOR PART NUMBER
940230	Wagner	E857930BK
940236	Wagner	E857936BK
940318	Wagner	E858018BK
940324	Wagner	E858024BK
940328	Wagner	E858028BK
940330	Wagner	E858030BK
940336	Wagner	E858036BK
940518	Wagner	E858218BK
940524	Wagner	E858224BK
940530	Wagner	E858230BK
940536	Wagner	E858236BK

All Euclid Air Systems components were superseded to their Meritor part number equivalents effective February 2018.

NUMERICAL LISTING

PART NUMBER	PAGE(S)
R955A3546N	4-49
R955A3546X	4-49
R955A3547X	4-49
R955A3991X	4-49
R955A4487N	4-51
R955A4490N	4-51
R955A4491N	4-51
R955A4688N	4-49
R955A4900N	4-50
R955A5010N	4-50
R955A5015N	4-50
R955A72420N	3-31
R955A86473X	4-37
R955A103600X	4-37
R955BE13240N	4-44
R955BE13241N	4-44
R955BE13250N	4-44
R955BE13255N	4-44
R955BM69973-12N	4-48
R955BM69973-12X	4-48
R955BM69973-24N	4-48
R955BM69973-24X	4-48
R955EL13020X	2-14
R955EL13022X	2-14
R955EL13040X	2-27
R955EL13050X	2-33
R955EL13051X	2-33
R955EL13053X	2-33
R955EL13060X	2-14
R955EL13090X	2-33
R955EL13100X	2-33
R955EL13111X	2-39
R955EL13151X	2-20
R955EL13200X	2-20
R955EL14110X	2-39
R955EL14111X	2-39
R955EL16040X	2-27
R955EL16050X	2-33
R955EL16053X	2-33
R955EL16060X	2-14
R955EL16100X	2-33
R955EL16111X	2-39
R955EL16120X	2-20
R955EL16200X	2-20
R955EL16280X	2-14
R955K022105N	3-21
R955K031560N	3-21
R955K041395N	3-17

PART NUMBER	PAGE(S)
R955K056647X	2-18
R955KN7010X	2-13
R955KN7030X	2-14
R955KN7040X	2-14
R955KN7041X	2-14
R955KN7050X	2-14
R955KN7170X	2-14
R955KN18530X	2-7
R955KN18531X	2-7
R955KN18534X	2-7
R955KN20010X	4-11
R955KN20071X	4-23
R955KN20541X	4-12
R955KN20561X	4-13
R955KN20606N	4-14
R955KN20615N	4-14
R955KN22100X	4-17
R955KN22150X	4-20
R955KN23000N	4-8
R955KN23010N	4-8
R955KN23040N	4-8
R955KN26000N	4-42
R955KN26000X	4-42
R955KN26010N	4-42
R955KN26010X	4-42
R955KN26020X	4-42
R955KN28011X	4-35
R955KN28060N	4-35
R955KN28060X	4-35
R955KN28061X	4-35
R955KN28071X	4-35
R955KN28080X	4-37
R955KN28131X	4-36
R955KN28140X	4-35
R955KN28500N	4-36
R955KN28500X	4-36
R955KN28510N	4-36
R955KN28510X	4-36
R955KN28514X	4-36
R955KN28520N	4-36
R955KN28520X	4-36
R955KN28550N	4-36
R955KN28600N	4-43
R955KN28600X	4-43
R955KN28601X	4-43
R955KN28602X	4-43
R955KN28603X	4-43
R955KN30100X	4-39

PART NUMBER	PAGE(S)
R955KN30200X	4-39
R955KN30300X	4-39
R955KN30400N	4-39
R955KN30400X	4-39
R955KN32040X	4-28
R955KN32041X	4-28
R955KN34070N	4-47
R955KN34070X	4-47
R955KN34080X	4-47
R955KN34090X	4-47
R955KN68230N	4-48
R955KN68237N	4-48
R955KN86020X	2-14
R955T223N	3-31
R955T224N	3-31
R955T224PGN	3-31
R955T228N	3-31
R955T235N	3-31
R955T238N	3-31
R955T2000SK	3-31
R304323	4-24
R304324	4-24
R304325	4-24
R304326	4-24
R304328	4-24
R304329	4-24
R304331	4-24
R307852	4-25
R950070	1-6
R950071	1-6
R950072	1-6
R950073	1-6
R950074	1-6
R950075	1-6
R950076	1-6
R950077	1-6
R950078	1-6
R950079	1-6
R950080	1-6
R950081	1-6
R950082	1-6
R950083	1-6
R950084	1-6
R950085	1-6
R950086	1-6
R950087	1-6
R950088	1-6
R950089	1-6

NUMERICAL LISTING

PART NUMBER	PAGE(S)
R950090	1-6
R950091	1-6
R950092	1-6
R950093	1-6
R950095	1-6
R950096	1-6
R950097	1-6
R950098	1-6
R950099	1-5
R950100	1-5
R950101	1-5
R950102	1-5
R950103	1-5
R950104	1-5
R950105	1-5
R950106	1-5
R950107	1-5
R950108	1-5
R950109	1-5
R950110	1-5
R950111	1-5
R950114	1-7
R950114-PL	1-7
R950115	1-7
R950115-PL	1-7
R950116	1-7
R950116-PL	1-7
R950117	1-7
R950118	1-7
R950119	1-7
R950120	1-7
R950121	1-7
R950122	1-7
R955500	1-5
R955500-BK	1-5
R955501	1-5
R955501-BK	1-5
R955502	1-2
R955502-08-BK	1-3
R955502-12-BK	1-3
R955502-14-BK	1-3
R955502-16-BK	1-3
R955502-18-BK	1-3
R955502-20-BK	1-3
R955502-22-BK	1-3
R955502-24-BK	1-3
R955502-26-BK	1-3
R955502-28-BK	1-3

PART NUMBER	PAGE(S)
R955502-30-BK	1-3
R955502-32-BK	1-3
R955502-34-BK	1-3
R955502-36-BK	1-3
R955502-38-BK	1-3
R955502-40-BK	1-3
R955502-42-BK	1-3
R955502-44-BK	1-3
R955502-48-BK	1-3
R955502-50-BK	1-3
R955502-52-BK	1-3
R955502-54-BK	1-3
R955502-56-BK	1-3
R955502-60-BK	1-3
R955502-66-BK	1-3
R955502-68-BK	1-3
R955502-72-BK	1-3
R955502-84-BK	1-3
R955503	1-2
R955503-08-BK	1-3
R955503-12-BK	1-3
R955503-14-BK	1-3
R955503-16-BK	1-3
R955503-18-BK	1-3
R955503-20-BK	1-3
R955503-22-BK	1-3
R955503-24-BK	1-3
R955503-26-BK	1-3
R955503-28-BK	1-3
R955503-30-BK	1-3
R955503-32-BK	1-3
R955503-34-BK	1-3
R955503-36-BK	1-3
R955503-38-BK	1-3
R955503-40-BK	1-3
R955503-42-BK	1-3
R955503-44-BK	1-3
R955503-46-BK	1-3
R955503-48-BK	1-3
R955503-50-BK	1-3
R955503-52-BK	1-3
R955503-54-BK	1-3
R955503-56-BK	1-3
R955503-60-BK	1-3
R955503-62-BK	1-3
R955503-66-BK	1-3
R955503-68-BK	1-3
R955503-72-BK	1-3

PART NUMBER	PAGE(S)
R955503-84-BK	1-3
R955504	1-2
R955504-08-BK	1-3
R955504-12-BK	1-3
R955504-14-BK	1-3
R955504-16-BK	1-3
R955504-18-BK	1-3
R955504-20-BK	1-3
R955504-22-BK	1-3
R955504-24-BK	1-3
R955504-26-BK	1-3
R955504-28-BK	1-3
R955504-30-BK	1-3
R955504-32-BK	1-3
R955504-36-BK	1-3
R955504-38-BK	1-3
R955504-40-BK	1-3
R955504-42-BK	1-3
R955504-44-BK	1-3
R955504-46-BK	1-3
R955504-48-BK	1-3
R955504-50-BK	1-3
R955504-52-BK	1-3
R955504-54-BK	1-3
R955504-56-BK	1-3
R955504-60-BK	1-3
R955504-62-BK	1-3
R955504-66-BK	1-3
R955504-68-BK	1-3
R955504-72-BK	1-3
R955504-84-BK	1-3
R955505	1-2
R955505-08-BK	1-3
R955505-12-BK	1-3
R955505-14-BK	1-3
R955505-16-BK	1-3
R955505-18-BK	1-3
R955505-20-BK	1-3
R955505-22-BK	1-3
R955505-24-BK	1-3
R955505-26-BK	1-3
R955505-28-BK	1-3
R955505-30-BK	1-3
R955505-32-BK	1-3
R955505-34-BK	1-3
R955505-36-BK	1-3
R955505-38-BK	1-3
R955505-40-BK	1-3

NUMERICAL LISTING

PART NUMBER	PAGE(S)
R955505-42-BK	1-3
R955505-44-BK	1-3
R955505-46-BK	1-3
R955505-48-BK	1-3
R955505-50-BK	1-3
R955505-52-BK	1-3
R955505-54-BK	1-3
R955505-56-BK	1-3
R955505-60-BK	1-3
R955505-62-BK	1-3
R955505-66-BK	1-3
R955505-68-BK	1-3
R955505-72-BK	1-3
R955505-84-BK	1-3
R955506	1-2
R955506-08-BK	1-3
R955506-12-BK	1-3
R955506-14-BK	1-3
R955506-16-BK	1-3
R955506-18-BK	1-3
R955506-20-BK	1-3
R955506-22-BK	1-3
R955506-24-BK	1-3
R955506-26-BK	1-3
R955506-28-BK	1-3
R955506-30-BK	1-3
R955506-32-BK	1-3
R955506-34-BK	1-3
R955506-36-BK	1-3
R955506-38-BK	1-3
R955506-40-BK	1-3
R955506-42-BK	1-3
R955506-44-BK	1-3
R955506-46-BK	1-3
R955506-48-BK	1-3
R955506-50-BK	1-3
R955506-52-BK	1-3
R955506-54-BK	1-3
R955506-56-BK	1-3
R955506-60-BK	1-3
R955506-62-BK	1-3
R955506-66-BK	1-3
R955506-68-BK	1-3
R955506-72-BK	1-3
R955506-84-BK	1-3
R955507	1-2
R955507-08-BK	1-3
R955507-12-BK	1-3

PART NUMBER	PAGE(S)
R955507-14-BK	1-3
R955507-16-BK	1-3
R955507-18-BK	1-3
R955507-20-BK	1-3
R955507-22-BK	1-3
R955507-24-BK	1-3
R955507-26-BK	1-3
R955507-28-BK	1-3
R955507-30-BK	1-3
R955507-32-BK	1-3
R955507-34-BK	1-3
R955507-36-BK	1-3
R955507-38-BK	1-3
R955507-40-BK	1-3
R955507-42-BK	1-3
R955507-44-BK	1-3
R955507-46-BK	1-3
R955507-48-BK	1-3
R955507-50-BK	1-3
R955507-52-BK	1-3
R955507-54-BK	1-3
R955507-56-BK	1-3
R955507-60-BK	1-3
R955507-62-BK	1-3
R955507-66-BK	1-3
R955507-68-BK	1-3
R955507-72-BK	1-3
R955507-84-BK	1-3
R3013922	4-24
R95510732	1-8
R95510733	1-8
R95510734	1-8
R95510735	1-8
R95510736	1-8
R95510742	1-8
R95510743	1-8
R95510744	1-8
R95510745	1-8
R95510746	1-8
R95510747	1-8
R95512105N	4-15
R95512352N	4-43
R95516743N	4-51
R95516859N	4-51
R95519974N	4-51
R955065041X	3-11
R955065041XCF	3-11
R955065044X	3-11

PART NUMBER	PAGE(S)
R955065102X	3-11
R955065104N	4-33
R955065104X	4-33
R955065125X	4-33
R955065145N	4-30
R955065145X	4-30
R955065146N	4-30
R955065146X	4-30
R955065156X	4-14
R955065157X	4-14
R955065206N	4-33
R955065224N	3-15
R955065224X	3-15
R955065224XCF	3-15
R955065225N	3-15
R955065225NP	3-15
R955065225X	3-15
R955065225XCF	3-15
R955065226X	3-15
R955065228X	3-15
R955065243X	3-15
R955065303N	4-33
R955065313X	4-19
R955065395X	4-21
R955065437N	4-42
R955065439N	4-42
R955065439X	4-42
R955065499X	3-15
R955065605X	3-15
R955065612N	3-21
R955065624N	3-21
R955065647X	3-15
R955065677N	3-27
R955101100X	4-19
R955101112N	4-41
R955101112X	4-41
R955101135X	4-26
R955101143X	2-28
R955101158X	2-31
R955101242X	2-9
R955101437N	4-13
R955101437X	4-13
R955101569X	4-13
R955101570X	4-13
R955101622X	4-41
R955101818X	4-18
R955101900X	3-7
R955101900XCF	3-7

NUMERICAL LISTING

PART NUMBER	PAGE(S)
R955102626N	4-32, 4-33
R955102626X	4-33
R955102638X	4-46
R955102657N	3-9, 3-13
R955102674X	2-9
R955102698X	2-11
R955102761X	4-40
R955102989X	2-12
R955103009N	4-33
R955103009X	4-33
R955103010N	4-34
R955103010X	4-34
R955103028N	4-34
R955103028X	4-34
R955103061N	4-40
R955103061X	4-40
R955103081N	4-39
R955103139X	4-34
R955103195X	4-33
R955103274X	2-15
R955103278X	2-18
R955103294X	4-34
R955103817N	3-11
R955103818N	3-13
R955103833X	4-34
R955103835X	4-34
R955103879N	3-11
R955103912X	4-33
R955103980N	3-11
R955103981N	3-11
R955104027N	3-11, 3-19
R955104039X	2-13
R955104041X	2-13
R955104102X	2-23
R955104165X	4-33
R955104345X	4-34
R955104358X	3-11
R955104358XCF	3-11
R955106313X	4-34
R955107023X	2-17
R955107221X	2-13
R955107454N	3-7
R955107506X	2-22
R955107507X	2-22
R955107508X	2-17
R955107509X	2-17
R955107510X	2-37
R955107511X	2-37

PART NUMBER	PAGE(S)
R955107512X	2-30
R955107513X	2-30
R955107514X	2-12
R955107526X	2-19
R955107539X	4-41
R955107622X	2-31
R955107623X	2-31
R955107695N	3-11, 3-19
R955107794PGX	3-17
R955107794PGXCF	3-17
R955107794X	3-17
R955107794XCF	3-17
R955107796N	3-17
R955107799N	3-17
R955107800N	3-17
R955107813X	2-30
R955107896X	3-19
R955107917X	2-17
R955107981X	2-17
R955108066X	2-12
R955108076X	4-41
R955108110X	2-12
R955108273X	2-21
R955108557X	2-30
R955108804X	2-22
R955108866X	2-37
R955108869X	2-37
R955108937X	2-40
R955109079X	2-23
R955109111X	2-16
R955109219X	2-35
R955109251X	2-16
R955109273X	2-19
R955109477PGX	3-21
R955109477PGXCF	3-21
R955109477X	3-21
R955109477XCF	3-21
R955109478X	3-21
R955109478XCF	3-21
R955109493PGX	3-21
R955109493PGXCF	3-21
R955109493X	3-21
R955109493XCF	3-21
R955109494N	3-17, 3-23
R955109495N	3-23, 3-25, 3-29
R955109496N	3-23, 3-25, 3-29
R955109503X	3-21
R955109578N	3-17

PART NUMBER	PAGE(S)
R955109579N	3-17
R955109604X	2-17
R955109653X	2-22
R955109685HX	3-15
R955109685N	3-15
R955109685NP	3-15
R955109685PGX	3-15
R955109685PGXCF	3-15
R955109687X	3-15
R955109688X	3-15
R955109689N	3-15
R955109689PGX	3-15
R955109689PGXCF	3-15
R955109689X	3-15
R955109690X	3-15
R955109691X	3-15
R955109869N	3-19, 3-23, 3-27
R955109871N	3-19, 3-23, 3-27
R955109991PGX	3-25
R955109991X	3-25
R955109991XCF	3-25
R955109992PGX	3-25
R955109992X	3-25
R955109992XCF	3-25
R955109993N	3-25
R955109995N	3-27
R955205105N	3-7, 3-19
R955227320X	2-10
R955227321X	2-10
R955227322X	2-10
R955227323X	2-10
R955227332X	2-10
R955227400X	2-9
R955227406X	2-8
R955227407X	2-8
R955227661X	4-45
R955227870N	4-7
R955227871N	4-7
R955228050X	4-7
R955228165X	4-7
R955228443X	2-21
R955228479X	2-10
R955228520X	4-7
R955228600N	4-44
R955228750N	4-44
R955228750X	4-44
R955229434X	4-38
R955229467X	4-31

NUMERICAL LISTING

PART NUMBER	PAGE(S)
R955229493X	4-7
R955229500N	4-16
R955229501N	4-16
R955229505N	4-29
R955229509N	4-29
R955229608X	4-11
R955229813N	4-27
R955229859N	4-27
R955229860N	4-27
R955229990X	2-13
R955275491	2-7
R955275491X	2-7
R955275707X	2-7
R955275777X	2-29
R955276270X	4-22
R955276272X	4-22
R955276462X	4-9
R955276566N	4-9
R955276566X	4-9
R955276567N	4-9
R955276567X	4-9
R955276777X	2-32
R955276961X	2-28
R955276962X	2-28
R955277147N	4-25
R955277148X	4-25
R955277226X	4-25
R955277863N	4-16
R955278445X	2-29
R955278596X	4-8
R955278598N	4-8
R955278614N	4-8
R955278615N	4-8
R955278615X	4-8
R955278825N	4-26
R955278825X	4-26
R955278998N	4-16
R955279000N	4-45
R955279024X	2-8
R955279025X	2-8
R955279037X	2-9
R955279176X	2-8
R955279180N	4-31
R955279180X	4-31
R955279416N	4-44
R955279787X	4-10
R955279950N	4-16
R955279952N	4-31

PART NUMBER	PAGE(S)
R955279952X	4-31
R955279962X	4-45
R955280243X	4-31
R955280375X	4-31
R955280454X	4-9
R955280613X	2-10
R955280628X	2-36
R955280651X	4-31
R955280758X	4-23
R955280774X	2-36
R955280809N	4-8
R955280905X	4-12
R955281024X	4-27
R955281042X	2-28
R955281112X	2-28
R955281157X	2-36
R955281797X	4-22
R955281860X	4-38
R955281865N	4-38
R955281923N	4-15
R955281923X	4-15
R955282621X	2-36
R955283090X	4-45
R955283577X	2-36
R955283692X	2-36
R955283935X	4-12
R955283940X	4-31
R955284106X	2-28
R955284260X	2-36
R955284310X	2-36
R955284358N	2-7
R955284358X	2-7
R955284699X	2-21
R955284760N	4-18
R955284760X	4-18
R955286171N	4-19
R955286364N	4-40
R955286364X	4-40
R955286370N	4-32
R955286371N	4-32
R955286500N	4-25
R955286500X	4-25
R955286526X	2-11
R955286527X	2-11
R955286528X	2-11
R955286530X	2-11
R955286538X	2-29
R955286539X	2-29

PART NUMBER	PAGE(S)
R955286540X	2-29
R955286542X	2-30
R955286543X	2-30
R955286544X	2-37
R955286546X	2-15
R955286554X	2-22
R955286555X	2-22
R955286560X	2-11
R955286563X	2-40
R955286565X	2-34
R955286576X	2-12
R955286579X	2-30
R955286580X	2-11
R955286581X	2-29
R955286582X	2-11
R955286585X	2-12
R955286586X	2-11
R955286617X	2-11
R955286620X	2-37
R955286623X	2-29
R955286773X	4-18
R955286775X	4-18
R955286892N	4-32
R955286934X	3-7
R955286934XCF	3-7
R955286936X	3-7
R955287053N	3-9
R955287114N	4-32
R955287224N	4-32
R955287238N	4-11
R955287238X	4-11
R955287260N	4-32
R955287298N	3-7
R955287376N	4-40
R955287376X	4-40
R955287411	4-18
R955287417X	4-9
R955287418X	4-11
R955287564X	4-18
R955287600N	4-9
R955287637X	4-9
R955288063X	4-40
R955288239N	4-10
R955288239X	4-10
R955288240X	4-10
R955288241N	4-10
R955288301N	4-46
R955288301X	4-46

NUMERICAL LISTING

PART NUMBER	PAGE(S)
R955288323X	4-25
R955288369N	4-32
R955288383N	4-18
R955288383X	4-18
R955288586X	4-23
R955288605N	4-46
R955288605X	4-46
R955288746N	4-10
R955288746X	4-10
R955288755N	4-32
R955289144N	4-30
R955289148X	4-30
R955289182X	4-28
R955289336X	2-18
R955289339X	2-21
R955289340X	2-38
R955289348X	2-36
R955289349X	2-15
R955289350X	2-10
R955289444X	2-28
R955289512X	4-10
R955289688X	2-8
R955289714N	4-28
R955289925X	2-28
R955289941X	2-28
R955289964X	2-29
R955602302N	3-31
R955610024-200	3-31
R955619110N	3-31
R955620602N	3-31
R955800333N	4-27
R955800350N	3-7, 3-19, 3-23, 3-27
R955800404N	3-21
R955800405N	3-17
R955800516N	4-14
R955800517N	4-14
R955800518N	4-14
R955800519N	4-14
R955800521N	4-14
R955800573N	4-14
R955800629N	4-20
R9553018543X	2-24
R9553047440X	2-27
R9553049186X	2-27
R9553558000X	2-38
R9553558006X	2-25
R9553558020X	2-25
R9553558021X	2-25

PART NUMBER	PAGE(S)
R9553558022X	2-25
R9553558042X	2-38
R9553558043X	2-38
R9553558044X	2-25
R9553558045X	2-25
R9553558049X	2-24
R9553558050X	2-24
R9553558051X	2-23
R9553558052X	2-23
R9553558068X	2-38
R9553558072X	2-24
R9553558074X	2-24
R9553558077X	2-38
R9553558094X	2-23
R9553558095X	2-23
R9553558098X	2-24
R9553558122X	2-23
R9553558186X	2-23
R9553558189X	2-23
R9553558212X	2-26
R9553559570X	2-23
R9555000709X	3-21
R9555001247N	3-23
R9555001940X	2-16
R9555002595N	3-17
R9555002713X	2-17
R9555002865X	2-37
R9555002868X	2-37
R9555002983X	2-17
R9555002984X	2-17
R9555003547N	3-21, 3-29
R9555004049N	3-29
R9555004050PGX	3-29
R9555004050PGXCF	3-29
R9555004050X	3-29
R9555004050XCF	3-29
R9555004118X	2-16
R9555004187X	2-31
R9555004188X	2-31
R9555004336N	3-19
R9555004338N	3-19
R9555004339N	3-19
R9555004340N	3-19
R9555004341X	3-19
R9555004342X	3-19
R9555004380N	3-19
R9555004381N	3-19
R9555004479N	3-19

PART NUMBER	PAGE(S)
R9555004480N	3-19
R9555004613X	2-16, 2-35
R9555004614X	2-16, 2-35
R9555005037N	3-19
R9555005556PGX	3-21
R9555005556X	3-21
R9555005624N	3-25
R9555005790X	2-17
R9555005875X	2-32
R9555005893N	3-19
R9555008249X	2-16
R9555010133PGX	3-29
R9555010133PGXCF	3-29
R9555010133X	3-29
R9555010133XCF	3-29
R9555010696PGX	3-29
R9555010696PGXCF	3-29
R9555010696X	3-29
R9555010696XCF	3-29
R9555010806X	2-18
R9555012533X	2-18
R9555013058X	2-19
R9555013059X	2-19
R9555013695X	2-19
R9555014144X	2-35
R9555014428X	2-18
R9555015314X	2-35
R9555016799X	2-16
R9555018485X	2-32
R9555019445X	2-35
R9559111535100X	2-26
R9559111535200X	2-26
R9559111535300X	2-26
R9559111535330X	2-26
RSL616	4-78
RSL617	4-78
RSL1000-5A	4-69
RSL2000B1/2	4-63
RSL2000B3/8	4-63
RSL2000C1/2	4-63
RSL2000C3/8	4-63
RSL2000D1/2	4-63
RSL2000D3/8	4-63
RSL3200	4-56
RSL3200-1/4	4-56
RSL3450	4-57
RSL3450G	4-57
RSL3450S	4-57

NUMERICAL LISTING

PART NUMBER	PAGE(S)
RSL3800	4-63
RSL5200	4-56
RSL5400	4-59
RSL5900	4-61
RSL5900B	4-61
RSL5900G	4-61
RSL5900GI	4-61
RSL5900L	4-61
RSL6002	4-78
RSL6003	4-78
RSL6006	4-78
RSL6125	4-60
RSL6125-2	4-60
RSL6125-7	4-60
RSL6125-35	4-60
RSL6125-45	4-60
RSL6300	4-75
RSL6900	4-75
RSL7200	4-56
RSL7700	4-75
RSL7800	4-63
RSL8000	4-74
RSL8100	4-74
RSL9125	4-64
RSL9400	4-62
RSL10200-1/2	4-55
RSL10200-3/4	4-55
RSL10200-3/8	4-55
RSL10900	4-76
RSL14900	4-76
RSL17600	4-57
RSL17600B	4-57
RSL17600B-2	4-57
RSL17600L	4-57
RSL17600LB	4-57
RSL17600M	4-57
RSL21600	4-59
RSL21600-2	4-59
RSL22001/2	4-55
RSL22001/4	4-55
RSL22003/4	4-55
RSL99600	4-57
RSL99600B	4-58
RSL99600BL	4-58
RSL102001	4-55
RSL102002	4-55
RSL110103	4-59
RSL110114	4-57

PART NUMBER	PAGE(S)
RSL110127	4-78
RSL110128	4-56
RSL110130	4-56
RSL110131	4-56
RSL110139	4-65
RSL110167	4-59
RSL110170	4-71
RSL110171	4-71
RSL110183	4-55
RSL110189	4-57
RSL110197	4-64
RSL110198	4-64
RSL110199	4-64
RSL110200	4-70
RSL110205	4-70
RSL110207	4-64, 4-65
RSL110250	4-76
RSL110257	4-62
RSL110258	4-62
RSL110275	4-64
RSL110284	4-57
RSL110300	4-59
RSL110301	4-59
RSL110338	4-70
RSL110360	4-66
RSL110365	4-66
RSL110376	4-57
RSL110380	4-67
RSL110385	4-67
RSL110390	4-76
RSL110405	4-60
RSL110410	4-66
RSL110412	4-66
RSL110413	4-59
RSL110415	4-67
RSL110416	4-67
RSL110450	4-65
RSL110460	4-70
RSL110470	4-70
RSL110475	4-70
RSL110486	4-76
RSL110500	4-72
RSL110507	4-64
RSL110514	4-57
RSL110528	4-57
RSL110570	4-68
RSL110571	4-68
RSL110580	4-68

PART NUMBER	PAGE(S)
RSL110584	4-65
RSL110588	4-68
RSL110605	4-68
RSL110606	4-68
RSL110644	4-57
RSL110690	4-68
RSL110700	4-72, 4-73
RSL110790	4-68
RSL140200	4-62
RSL140270	4-62
RSL140280	4-62
RSL140290	4-62
RSL140370	4-62
RSL140380	4-62
RSL140390	4-62
RSL200000	4-63
RSL200001	4-63
RSL200002	4-63
RSL200003	4-63
RSL200004	4-63
RSL216050	4-59
RSL216200	4-59
RSL320100	4-56
RSL340250	4-57
RSL340350	4-57
RSL342501	4-57
RSL780210	4-63
RSL780212	4-78
RSLA1000S	4-69
RSLA25600	4-58
RSLA25600-2	4-58
RSLA25600Y	4-58
S432 500 005 0	1-7
RSL110700	4-74, 4-75
RSL110790	4-70
RSL110790X	4-70
RSL140200	4-64
RSL140270	4-64
RSL140280	4-64
RSL140290	4-64
RSL140370	4-64
RSL140380	4-64
RSL140390	4-64
RSL200000	4-65
RSL200001	4-65
RSL200002	4-65
RSL200003	4-65
RSL200004	4-65

NUMERICAL LISTING

PART NUMBER	PAGE(S)
RSL216050	4-61
RSL216200	4-61
RSL320100	4-58
RSL340250	4-59
RSL340350	4-59
RSL342501	4-59
RSL780210	4-65
RSL780212	4-80
RSLA1000S	4-71
RSLA25600	4-60
RSLA25600-2	4-60
RSLA25600Y	4-60
S432 410 222 7	3-25, 3-29
S432 500 005 0	1-7
S432 901 223 2	3-25, 3-29

COMPRESSOR

Compressor Features

- All replacement parts meet or exceed exacting specifications
- Inlet seats are replaced
- Cylinder bore crosshatching angle is 100% maintained
- Cylinder blocks are machined to meet exacting specifications
- All connecting rods are compatible with turbocharging
- New ring sets and pistons are matched to reconditioned cylinder blocks
- Exhaust seats are machined to meet exacting specifications
- The head assembly is completely disassembled, inspected, cleaned and machined to meet exacting standards
- All units are dynamometer-tested



AIR COMPRESSOR

SYMPTOMS	CODES							
Passing Excessive Oil	1	2	3	4	5	6	7	8
Knock or Rattle	9	10	11	12	13			
Slow Air Buildup	1	6	8	9	10	14	15	16
Will Not Unload	15	17	18					
Excessive Load/Unload Cycling	15	17	19	20				
Runs Hot	9	16	20	21	22	23	24	
Premature Carbon Buildup	6	17	21	23	24	25		

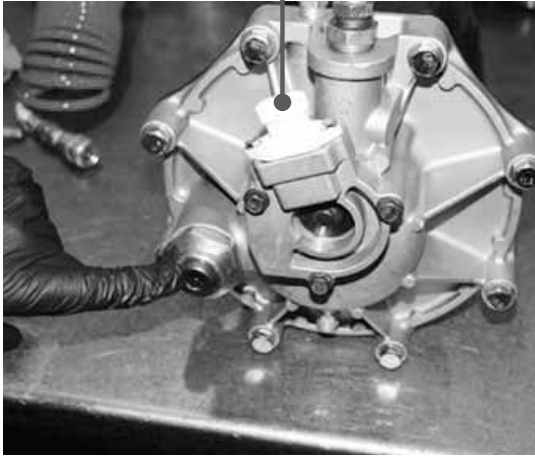
PROBABLE CAUSES	
1	Restricted air intake. Change air filter element, local or engine. Kinked air hose. Vacuum from engine turbocharger when the compressor air intake is hooked to the engine air intake. Use inlet check valve assembly.
2	Restricted or kinked oil return line. Return line size must be a minimum of 5/8" O.D. Check for silicone buildup in the drain hole. Excessive engine rotation may require a bottom drain on the compressor.
3	Poorly filtered air. Check for defective intake components.
4	Improper cooling. Restricted water flow, maximum coolant flow plumbed into the block and out the head. (Opposite sides)
5	No air dryer in the system. Drain reservoir tanks daily.
6	Excessive duty cycle. Check for system leakage, inadequate compressor size for vehicle application.
7	Excessive engine oil pressure and/or crankcase pressure.
8	Compressor worn out or defective
9	Restricted air discharge line — build up of oil heating to a hard carbon fibre.
10	Loose pulley or worn drive gear components.
11	Lack of lubrication has created excessive bearing clearances.
12	Mounting bracket vibration
13	Carbon formation on the top of piston/bottom of cylinder head.
14	Air dryer purge valve stuck open
15	Defective unloader mechanism and/or governor
16	Braided discharge line heat fatigued. Check with a soapy solution.
17	Discharge valve leakage. Excessive system leakage.
18	Governor reservoir or unloader line restricted.
19	Reservoir volume reduced. Drain water from system.
20	Brakes out of adjustment. Increased volume usage.
21	Improper cooling. Restricted water flow, maximum coolant flow plumbed into block and out the head (Opposite sides)
22	Insufficient air blast cooling. Clean cooling fans.
23	Carbon comes from heat. Look for restrictions. Early engines did not utilize inner coolers. Compressor inlet turbocharged to elevate temperatures.
24	Compressor is turbocharged at temperatures/pressures and RPM above acceptable limitations. Consult manufacturer for parameters.
25	Brand of multi-grade motor oil. Some oil brands allow carbon and varnish formation at lower temperatures.

TROUBLESHOOTING



MERITOR® ALL-MAKES AIR DRYER TEST PROCEDURE

Check Valve



STEP 1

Plug the check valve to the air tank using a 1/2" NP plug.

Supply Port



STEP 2

Load supply line with shop air @min 120 psi (Do not exceed 150 psi) and allow unit to fill and stop.

STEP 3

After the dryer is completely filled, use another supply line and attach it to the control port. The dryer (with std purge valve) should purge out the bottom and stop within 20 seconds. Note: 30 seconds for the extended purge model.

Repeat the process two times. If the dryer stops purging, the unit is functioning to proper specifications.

Note to Tech

On a truck, the compressor stops pumping when the governor sends air to the control port of the dryer. When the control port is activated, the supply air can be removed.



Control Port

Supply Port

Reference doc: SD-08-2412 - Bendix® AD-9® and AD-9® IPC (Integrated PuraGuard® Coalescing) Air Dryers

TROUBLESHOOTING

POP OFF VALVE IS BLOWING AT THE AIR DRYER OR THE AIR COMPRESSOR

1	Restrictions between air dryer and supply reservoir.
2	Dryer cartridge needs to be serviced.
3	Discharge line from the compressor to the air dryer plugged or frozen.
4	Malfunction of the safety valve.

CONSTANT EXHAUST OF THE PURGE VALVE

1	Purge valve internal leak.
2	Compressor failing to unload.
3	Purge control line connected to wrong place, reservoir or wrong port on governor.
4	Purge valve frozen open, check heater is working.

CANNOT BUILD SYSTEM AIR PRESSURE

1	Inlet and outlet connections are reversed.
2	The check valve between the dryer and first tank may be restricted.
3	Excessive bends in discharge line, oil turns to carbon in line, water freezes in line between compressor and first tank.
4	Kinked or blocked discharge line.

OIL PRESENT AT THE AIR DRYER

1	Time for regular maintenance.
2	Air compressor needs repair.
3	Remember some oil is normal, if oil is getting past dryer to first air tank, compressor repair must be done and air dryer serviced.

DESICCANT MATERIAL BEING EXPELLED FROM AIR DRYER OR BECOMES PASTE LIKE APPEARANCE

1	Air dryer not securely mounted to frame causing vibration.
2	Malfunction or saturated desiccant.
3	Compressor passing excessive oil.
4	Chemicals such as alcohol added to discharge line before the air dryer.

NOISE IN AIR DRYER DURING COMPRESSOR CHARGING CYCLE

1	Defective check valve in air dryer.
2	Leaking turbo cut-off valve.
3	Leaking purge valve control piston o-ring.

AIR DRYER IS CONSTANTLY CYCLING OR PURGING

1	Test fitting, hoses, lines and connections with a soapy water. Tighten or replace as necessary.
2	Test accessories that are connected to supply reservoir.
3	Test governor for leakage, either internal or external leak.
4	Be sure dryer application is correct if you have QE or E-type Cummins Engine.
5	Test outlet check valve on air dryer.

AIR DRYER DOES NOT PURGE OR EXHAUST

1	Missing, broken, kinked, frozen, plugged or disconnected purge valve control line.
2	Faulty air dryer purge valve.

AIR DRYER PURGE PISTON CYCLES RAPIDLY DURING COMPRESSOR UNLOADING CYCLE

1	Missing, broken, kinked, frozen, plugged or disconnected purge valve control line.
----------	--

Standard Meritor Aftermarket Warranty.

We warrant all new parts for one year from date of shipment to the buyer against defective material or workmanship (but not against damage caused by accident, abuse or improper installation, maintenance or repair) when such parts are used on vehicles the specifications of which have been approved by our Engineering Department.

As the exclusive remedy under this warranty, we will, at our option, repair or replace such parts free of charge, or take back the nonconforming parts and refund the monies paid by buyer for such parts, if found on examination by us to be nonconforming and if any necessary return charges are prepaid.

If it is necessary to return any parts under this warranty, buyer agrees not to make any deduction on account thereof from remittances on current accounts while claims are in the process of disposition. Any expense incurred without our consent for repairs or replacement will not be allowed.

THIS WARRANTY IS EXPRESSLY IN LIEU OF ALL OTHER WARRANTIES OR CONDITIONS, EXPRESS, IMPLIED OR STATUTORY, INCLUDING ANY IMPLIED WARRANTY OF MERCHANTABILITY OR FITNESS FOR PARTICULAR PURPOSE. IN NO EVENT SHALL SELLER BE LIABLE FOR INCIDENTAL OR CONSEQUENTIAL DAMAGES OF ANY NATURE.

Only Meritor-branded products, including genuine Meritor and its affiliated brands, are covered by this aftermarket parts warranty.



Xcelerated Parts Xpertise.

Expedite your search for more than 100,000 aftermarket products with powerful self-service tools to help boost your parts operations. For fast access to parts ordering on all Meritor aftermarket brands, plus enhanced Xact Search and Visual Search tools, competitive cross-references, product information, catalogs and more, visit MeritorPartsXpress.com.



Vehicle models, trademarks, brands, and names depicted herein are the property of their respective owners, and may not be associated with Meritor, Inc. or its affiliates.



Meritor Heavy Vehicle Systems, LLC
7975 Dixie Highway
Florence, Kentucky 41042 USA

1-888-725-9355 U.S.
1-800-387-3889 Canada
MeritorPartsXpress.com
meritor.com

©2020 Meritor, Inc.
Litho in USA
PB-1484
Revised 09-20
(47865/67147)