

MERITOR® ALL-MAKES DRIVE AXLE COMPONENTS



MERITOR



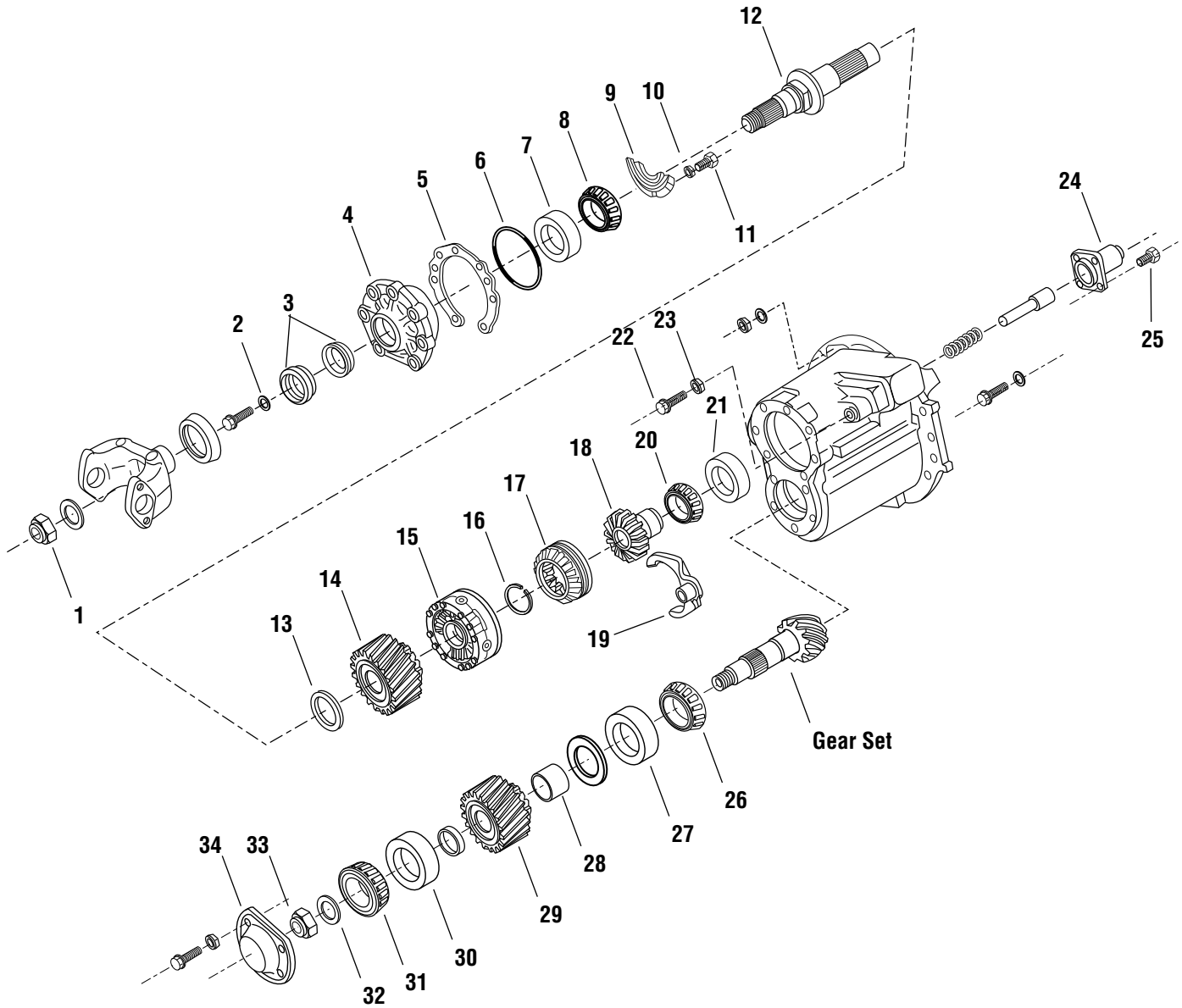
PB-12112

TABLE OF CONTENTS


TITLE	PAGE
MERITOR	
RD20145 - - - - -	2
RDL20145 - - - - -	6
RP20145 - - - - -	-10
RPL20145 - - - - -	-14
RR20145 - - - - -	-18
RRL20145 - - - - -	-22
RD23160 - - - - -	-26
RP23160 - - - - -	-30
RPL23160 - - - - -	-34
RL23160 - - - - -	-38
RR23160 - - - - -	-42
RRL23160 - - - - -	-44
SQ100 Front - - - - -	-48
SQ100P Front - - - - -	-52
SQ100 Rear - - - - -	-56
DANA	
DS402 - - - - -	-58
RS402 - - - - -	-62
DS404-344 - - - - -	-64
RS404-344-19060S - - - - -	68
DSP40 - - - - -	-70
RSP40 - - - - -	-74
RA472 FORWARD - - - - -	-76
RA472 REAR - - - - -	-80
RA474 FORWARD - - - - -	-82
RA474 REAR - - - - -	-86
N400F - - - - -	-88
N400R - - - - -	-92
M190-M200T - - - - -	-94
G175T - - - - -	-96
RA29-RA39 - - - - -	-98
S150S - - - - -	100
KITS - - - - -	102
PART NUMBER INDEX - - - - -	122

INPUT SHAFT AND INTER-AXLE DIFFERENTIAL

RD20145



RD20145 INPUT SHAFT AND INTER-AXLE DIFFERENTIAL

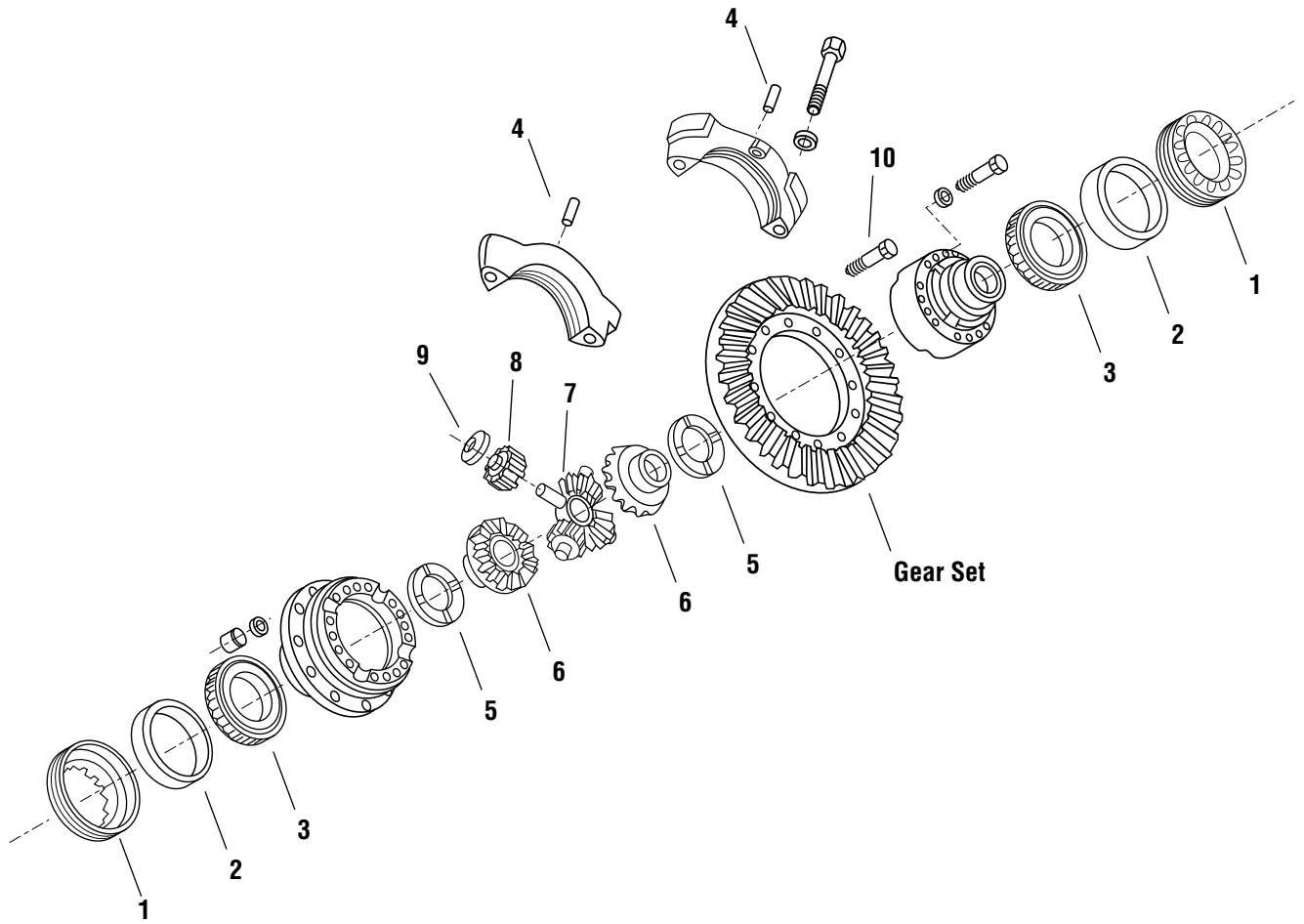
KEY NO.	INDUSTRY PART NO.	 MERITOR 2-YR WARRANTY	<i>Mach</i> 1-YR WARRANTY	DESCRIPTION
1	A3297R1604		M10A3297U1347	Input Shaft and Nut Assembly- 2.38"-46 Spline Includes Item 12
2	1229C1511		M101229C1511	Washer - Input Bearing Cage
3	R945008		M10R945008	Oil Seal, Input Bearing Cage 3" ID, (all carriers prior to 11/93)
3	R945007		M10R945007	Oil Seal, Input Bearing Cage 3.25" ID, (all carriers after 11/93)
4	A3226V1296		M10A3226V1296	Bearing Cage and Cup Assembly - Input Includes Item 7

RD20145 INPUT SHAFT AND INTER-AXLE DIFFERENTIAL

KEY NO.	INDUSTRY PART NO.	 MERITOR 2-YR WARRANTY	<i>Mach</i> 1-YR WARRANTY	DESCRIPTION
5	2203K9241		M102203K9241	Shim, 0.003 - Input Bearing Cage
5	2203L9242		M102203L9242	Shim, 0.005 - Input Bearing Cage
5	2203M9243		M102203M9243	Shim, 0.010 - Input Bearing Cage
6	5X1343		M105X1343	O-Ring - Input Bearing Cage
7	3920	3920MTOR	3920MAF	Bearing Cup - Input Shaft - Outer
8	JM511945	JM511945MTOR	JM511945MAF	Bearing Cone - Input Shaft - Outer
9	3221P1004		M103221P1004	Oil Baffle
10	1229E1669		M101229E1669	Washer - Oil Baffle
11	MS2080161		M10MS2080161	Capscrew - Oil Baffle
12	A3297R1604		M10A3297U1347	Input Shaft and Nut Assembly- 2.38"-46 Spline Includes Item 1
	KIT4007	KIT4007MTOR	M10KIT4007	Helical Drive Gear with Thrust Washer Includes Items 13 and 14
13	1229S4985		M101229S4985	Thrust Washer - Helical Drive Gear
14	3892N5942	3892N5942MTOR	M103892N5942	Helical Drive Gear
15	A3235W2025		M10A3235W2025	Diff. Case and Pinion Nest Assembly, Case Assembly - IAD (welded)
15	A3235P2746		M10A3235P2746	Diff. Case and Pinion Nest Assembly, Inter-Axle Nest Assembly
16	2297E5335		M102297E5335	Snap Ring - IAD
17	3107M1183		M103107M1183	Clutch Collar - IAD
18	2234R1188	2234R1188MTOR	M102234R1188	Side Gear - IAD - Rear
19	3296Z1326		M103296Z1326	Shift Fork - IAD
20	JLM710949C	JLM710949MTOR	JLM710949MAF	Bearing Cone - Rear Side Gear
21	JLM710910	JLM710910MTOR	JLM710910MAF	Bearing Cup - Rear Side Gear
22	41X1208		M1041X1208	Adjusting Screw - Shift Shaft
23	MN3121		M10MN3121	Jam Nut - Adjusting Screw
24	A3261L350		M10A3261L350	Shift Assembly, IAD air (bolt on style)
24	KIT2825		M10KIT2825	Shift Assembly, IAD air (screw on style)
25	41X1209		M1041X1209	Capscrew - Shift Assembly
26	H715334	H715334MTOR	H715334MAF	Bearing Cone - Drive Pinion - Inner
27	H715311	H715311MTOR	H715311MAF	Bearing Cup - Drive Pinion - Inner
28	1244V1764		M101244V1764	Spacer - Pinion Bearing - Inner
29	3892L5940	3892L5940MTOR	M103892N4902	Helical Driven Gear
30	72487	72487MTOR	72487MAF	Bearing Cup - Drive Pinion - Outer
31	72212C	72212CMTOR	72212CMAF	Bearing Cone - Drive Pinion - Outer
	KIT2638		M10KIT2638	Washer and Nut - Drive Pinion Includes Items 32 and 33
32	1229G4063		M101229G4063	Washer, Drive Pinion Nut
32	1229W4521		M101229W4521	Washer, Drive Pinion Nut
33	40X1145		M1040X1145	Nut, Drive Pinion
33	40X1233		M1040X1233	Nut, Drive Pinion
34	3266C1095		M103266C1095	Cover - Drive Pinion
Bearing Kit	KIT4395	KIT4395MTOR	M10DRK4395	Pre 11/93 build
Bearing Kit	KIT4396	KIT4396MTOR	M10DRK4396	After 11/93 build

MAIN DIFFERENTIAL

RD20145



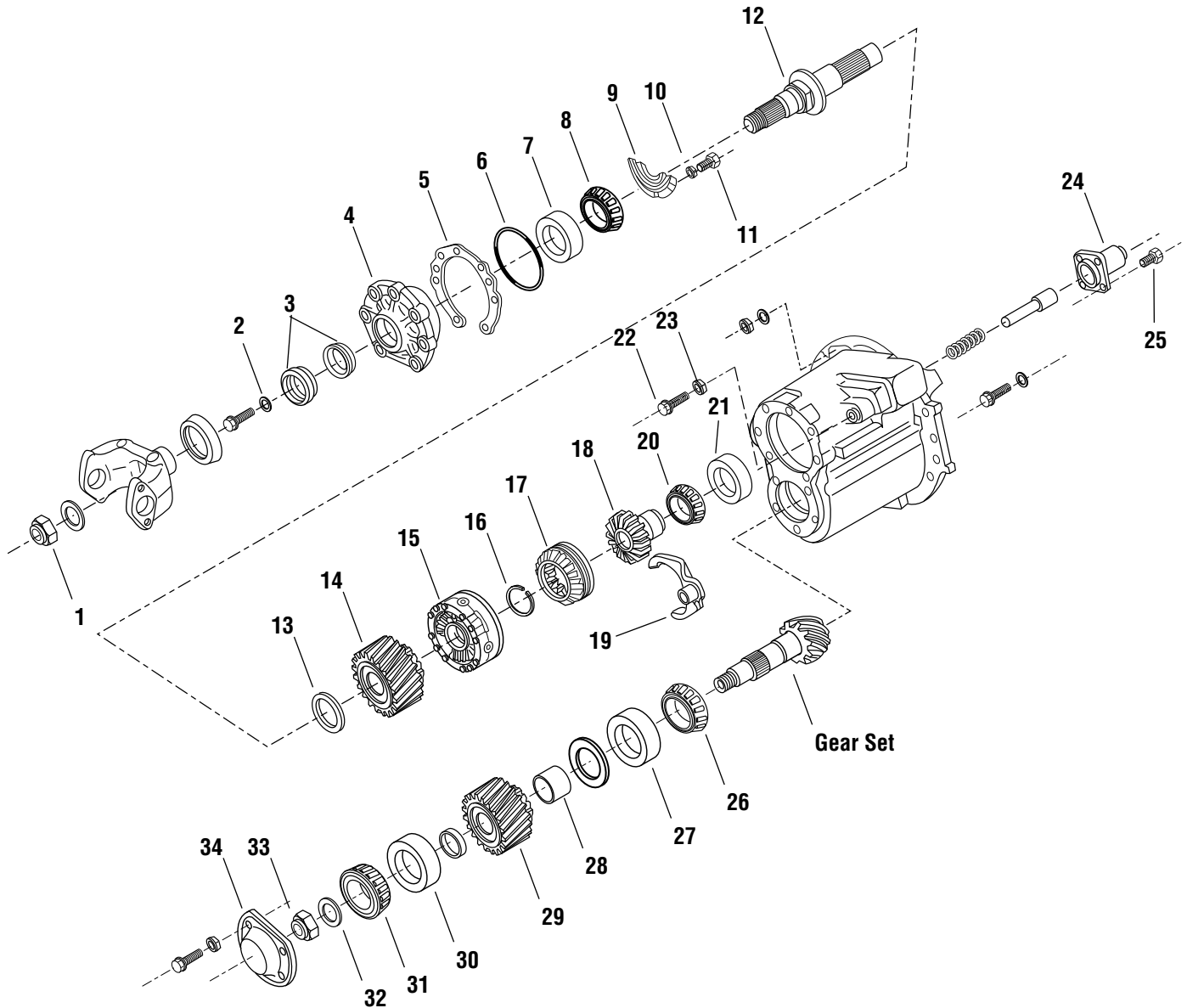
RD20145 MAIN DIFFERENTIAL

KEY NO.	INDUSTRY PART NO.	 MERITOR 2-YR WARRANTY	<i>Mach</i> 1-YR WARRANTY	DESCRIPTION
1	2214C1095		M102214C1095	Adjusting Ring - Differential
2	JM716610	JM716610MTOR	JM716610MAF	Bearing Cup - Differential - Plain/Flange Half
3	JM716649	JM716649MTOR	JM716649MAF	Bearing Cone - Differential - Plain/Flange Half
4	1199R2176		M101199R2176	Pin - Adjusting Ring
5	1229V4624		M101229V4624	Thrust Washer, Side Gear
5	1229X4522		M101229X4522	Thrust Washer, Side Gear
6	KIT2759	KIT2759MTOR	M10KIT2759	Side Gear - Differential
7	3278S305	3278S305MTOR	M103278S305	Spider - Differential
8	2233J1024	2233J1024MTOR	M102233J1024	Pinion Gear - Differential
9	1229R1032		M101229R1032	Thrust Washer - Differential
10	KIT2317		M10KIT2317	Bolt - Ring Gear to Diff Plain Half
Gear Set	B417181	B417181MTOR	M10B417181	Ratio 2.64
Gear Set	A416761		M10A416761	Ratio 2.79
Gear Set	A411041	A411041MTOR	M10A411041	Ratio 2.93
Gear Set	A415101	A415101MTOR	M10A415101	Ratio 3.21
Gear Set	A422021F336	B422141MTOR	M10B422141	Ratio 3.36
Gear Set	A437521F342		M10B412761	Ratio 3.42
Gear Set	A422041F355	B422161MTOR	M10B422161	Ratio 3.55
Gear Set	B415121	B415121MTOR	M10B415121	Ratio 3.58
Gear Set	B415141	B415141MTOR	M10B415141	Ratio 3.73
Gear Set	B416781	B416781MTOR	M10B416781	Ratio 3.90
Gear Set	B416801	B416801MTOR	M10B416801	Ratio 4.11
Gear Set	B412781	B412781MTOR	M10B412781	Ratio 4.33
Gear Set	B415621		M10B415621	Ratio 4.56
Gear Set	B412801		M10B412801	Ratio 4.63
Gear Set	B412821	B412821MTOR	M10B412821	Ratio 4.88
Gear Set	B412841F529	B412841MTOR	M10B412841	Ratio 5.29
Gear Set	B414661	B414661MTOR	M10B414661	Ratio 5.86
Gear Set	A414681		M10A414681	Ratio 6.14
Gear Set	A414701		M10A414701	Ratio 6.43
Gear Set	A414721		M10A414721	Ratio 6.83
Gear Set	A414741		M10A414741	Ratio 7.17

RD20145

INPUT SHAFT AND INTER-AXLE DIFFERENTIAL

RDL20145



RDL20145 INPUT SHAFT AND INTER-AXLE DIFFERENTIAL

KEY NO.	INDUSTRY PART NO.	 MERITOR 2-YR WARRANTY	<i>Mach</i> 1-YR WARRANTY	DESCRIPTION
1	A3297R1604		M10A3297R1604	Input Shaft and Nut Assembly Includes Item 12
2	1229C1511		M101229C1511	Washer - Input Bearing Cage
3	R945008		M10R945008	Oil Seal, Input Bearing Cage 3" ID
3	R945007		M10R945007	Oil Seal, Input Bearing Cage 3.25" ID

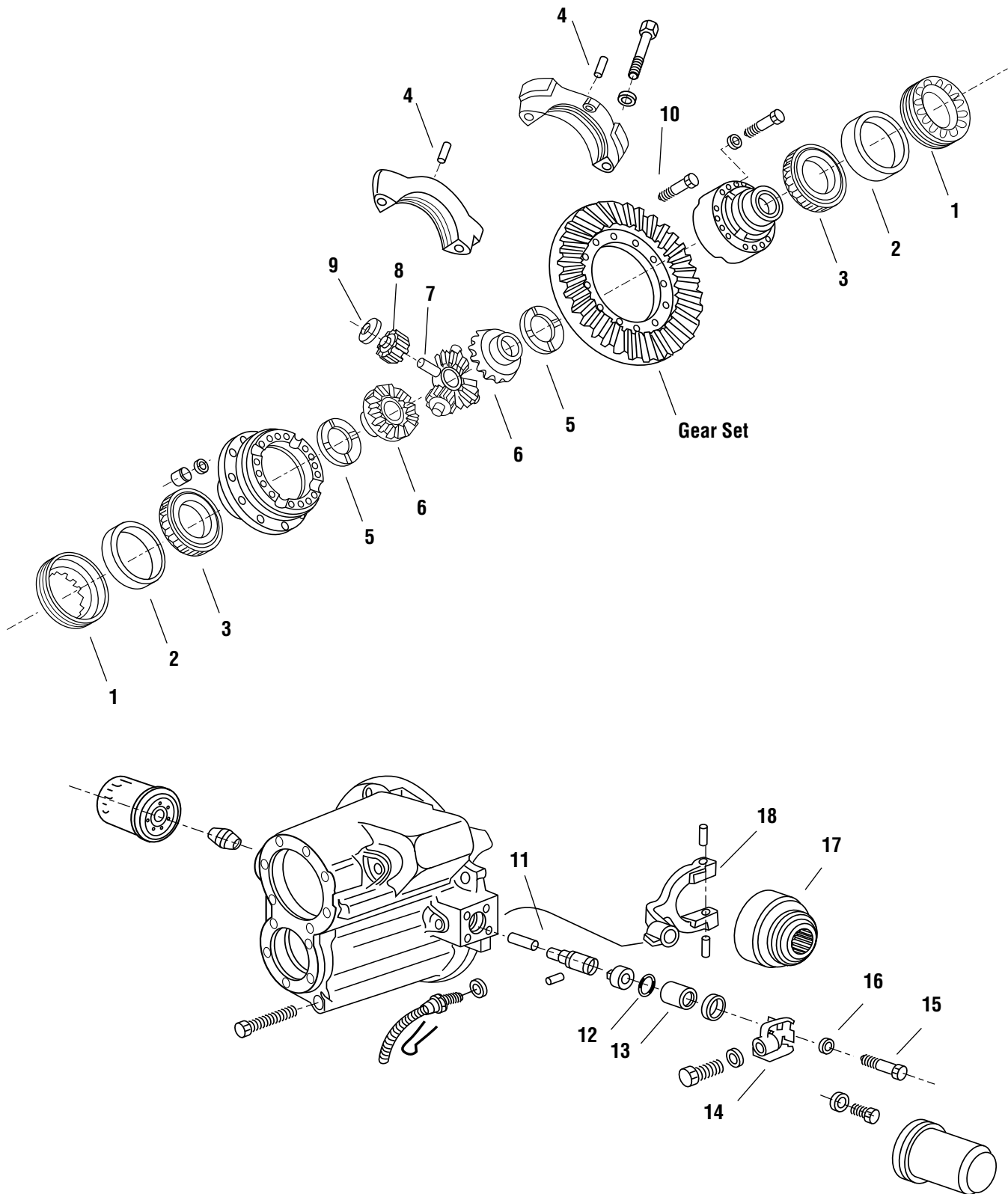
RDL20145 INPUT SHAFT AND INTER-AXLE DIFFERENTIAL

KEY NO.	INDUSTRY PART NO.	 MERITOR 2-YR WARRANTY	<i>Mach</i> 1-YR WARRANTY	DESCRIPTION
4	A3226V1296		M10A3226V1296	Bearing Cage and Cup Assembly - Input Includes Item 7
5	2203K9241		M102203K9241	Shim, 0.003 - Input Bearing Cage
5	2203L9242		M102203L9242	Shim, 0.005 - Input Bearing Cage
5	2203M9243		M102203M9243	Shim, 0.010 - Input Bearing Cage
6	5X1343		M105X1343	O-Ring - Input Bearing Cage
7	3920	3920MTOR	3920MAF	Bearing Cup - Input Shaft - Outer
8	JM511945	JM511945MTOR	JM511945MAF	Bearing Cone - Input Shaft - Outer
9	3221P1004		M103221P1004	Oil Baffle
10	1229E1669		M101229E1669	Washer - Oil Baffle
11	MS2080161		M10MS2080161	Capscrew - Oil Baffle
12	A3297R1604		M10A3297R1604	Input Shaft and Nut Assembly Includes Item 1
13	1229S4985		M101229S4985	Thrust Washer - Helical Drive Gear
14	3892N5942	3892N5942MTOR	M103892N5942	Helical Drive Gear
14	KIT4007	KIT4007MTOR	M10KIT4007	Helical Drive Gear with Thrust Washer
15	A3235W2025		M10A3235W2025	Diff. Case and Pinion Nest Assembly, Case Assembly - IAD
15	A3235P2746		M10A3235P2746	Diff. Case and Pinion Nest Assembly, Inter-Axle Nest Assembly
16	2297E5335		M102297E5335	Snap Ring - IAD
17	3107M1183		M103107M1183	Clutch Collar - IAD
18	2234R1188	2234R1188MTOR	M102234R1188	Side Gear - IAD - Rear
19	3296Z1326		M103296Z1326	Shift Fork - IAD
20	JLM710949C		JLM710949CMAF	Bearing Cone - Rear Side Gear
21	JLM710910	JLM710910MTOR	JLM710910MAF	Bearing Cup - Rear Side Gear
22	41X1208		M1041X1208	Adjusting Screw - Shift Shaft
23	MN3121		M10MN3121	Jam Nut - Adjusting Screw
24	A3261L350		M10A3261L350	Shift Assembly, IAD Air (bolt on style)
24	KIT2825		M10KIT2825	Shift Assembly, IAD Air (screw on style)
25	41X1209		M1041X1209	Capscrew - Shift Assembly
26	H715334	H715334MTOR	H715334MAF	Bearing Cone - Drive Pinion - Inner
27	H715311	H715311MTOR	H715311MAF	Bearing Cup - Drive Pinion - Inner
28	1244V1764		M101244V1764	Spacer - Pinion Bearing - Inner
29	3892L5940		M103892L5940	Helical Driven Gear
30	72487	72487MTOR	72487MAF	Bearing Cup - Drive Pinion - Outer
31	72212C	72212CMTOR	72212CMAF	Bearing Cone - Drive Pinion - Outer
	KIT2638		M10KIT2638	Washer and Nut - Drive Pinion Includes Items 32 and 33
32	1229G4063		M101229G4063	Washer, Drive Pinion Nut
32	1229W4521		M101229W4521	Washer, Drive Pinion Nut
33	40X1145		M1040X1145	Nut, Drive Pinion
33	40X1233		M1040X1233	Nut, Drive Pinion
34	3266C1095		M103266C1095	Cover - Drive Pinion
Bearing Kit	KIT4406	KIT4406MTOR	M10DRK4406	After 11/93 build

RDL20145

MAIN DIFFERENTIAL AND DIFFERENTIAL LOCK

RDL20145



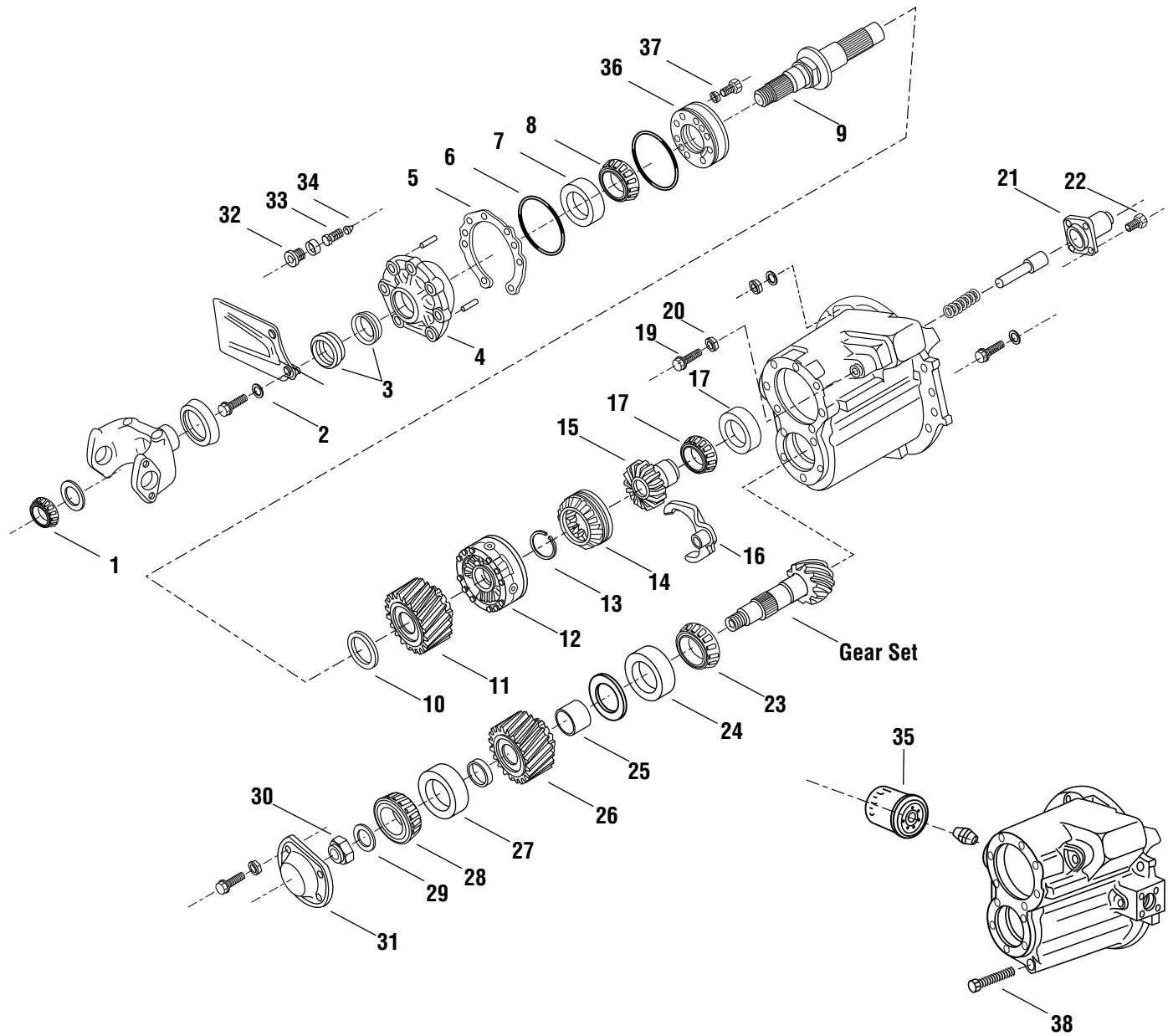
RDL20145 MAIN DIFFERENTIAL AND DIFFERENTIAL LOCK

KEY NO.	INDUSTRY PART NO.	 MERITOR 2-YR WARRANTY	<i>Mach</i> 1-YR WARRANTY	DESCRIPTION
1	2214C1095		M102214C1095	Adjusting - Differential Bearing
2	JM716610	JM716610MTOR	JM716610MAF	Bearing Cup - Differential - Plain/Flange Half
3	JM716649	JM716649MTOR	JM716649MAF	Bearing Cone - Differential - Plain/Flange Half
4	1199R2176		M101199R2176	Pin - Adjusting Ring
5	1229V4624		M101229V4624	Thrust Washer - Side Gear (all carriers after 11/93)
5	1229X4522		M101229X4522	Thrust Washer - Side Gear (all carriers before 11/93)
6	KIT2759	KIT2759MTOR	M10KIT2759	Side Gear - Differential
7	3278S305	3278S305MTOR	M103278S305	Spider - Differential
8	2233J1024	2233J1024MTOR	M102233J1024	Pinion Gear - Differential
9	1229R1032		M101229R1032	Thrust Washer - Differential
10	KIT2317		M10KIT2317	Bolt - Ring Gear to Diff Plain Half
11	2258N1262		M102258N1262	Spring - Differential Lock
12	5X1198		M105X1198	Piston - Differential Lock
13	3261A1067		M103261A1067	Tube - Air Cylinder
14	3266F1020		M103266F1020	Cover - Air Cylinder
15	41X1364		M1041X1364	Capscrew - Air Cylinder Cover
16	MWA506		M10MWA506	Washer - Air Cylinder Cover
17	3107D1018		M103107D1018	Clutch Collar - Differential Lock
18	3296Z1170		M103296Z1170	Shift Fork - Differential Lock
Gear Set	B417181	B417181MTOR	M10B417181	Ratio 2.64
Gear Set	A416761		M10A416761	Ratio 2.79
Gear Set	A411041	A411041MTOR	M10A411041	Ratio 2.93
Gear Set	A415101	A415101MTOR	M10A415101	Ratio 3.21
Gear Set	A422021F336	B422141MTOR	M10B422141	Ratio 3.36
Gear Set	A437521F342		M10B412761	Ratio 3.42
Gear Set	A422041F355	B422161MTOR	M10B422161	Ratio 3.55
Gear Set	B415121	B415121MTOR	M10B415121	Ratio 3.58
Gear Set	B415141	B415141MTOR	M10B415141	Ratio 3.73
Gear Set	B416781	B416781MTOR	M10B416781	Ratio 3.90
Gear Set	B416801	B416801MTOR	M10B416801	Ratio 4.11
Gear Set	B412781	B412781MTOR	M10B412781	Ratio 4.33
Gear Set	B415621		M10B415621	Ratio 4.56
Gear Set	B412801		M10B412801	Ratio 4.63
Gear Set	B412821	B412821MTOR	M10B412821	Ratio 4.88
Gear Set	B41284 1F529	B412841MTOR	M10B412841	Ratio 5.29
Gear Set	B414661	B414661MTOR	M10B414661	Ratio 5.86
Gear Set	A414681		M10A414681	Ratio 6.14
Gear Set	A414701		M10A414701	Ratio 6.43
Gear Set	A414721		M10A414721	Ratio 6.83
Gear Set	B435961F717		M10A414741	Ratio 7.17

RDL20145

INPUT SHAFT AND INTER-AXLE DIFFERENTIAL

RP20145



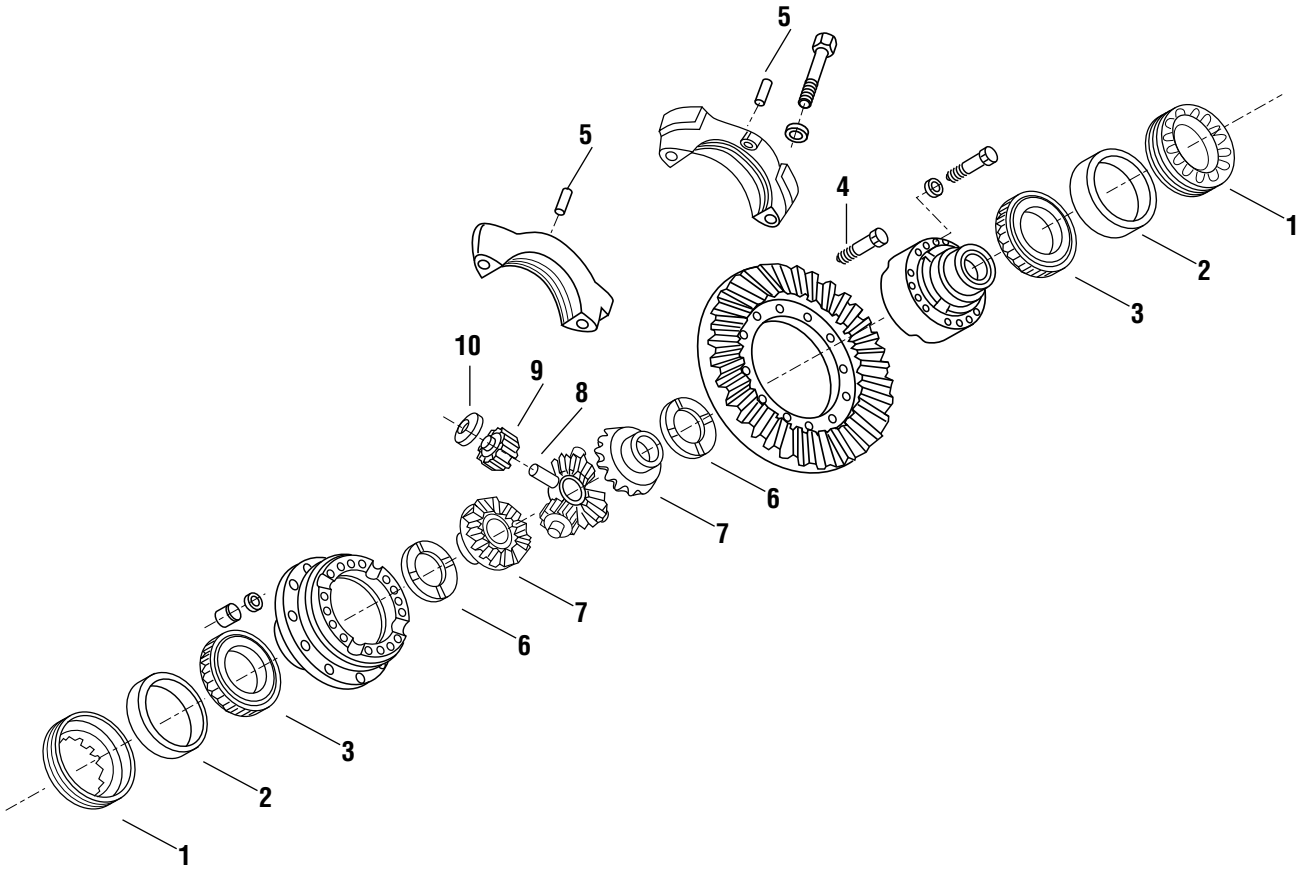
RP20145 INPUT SHAFT AND INTER-AXLE DIFFERENTIAL				
KEY NO.	INDUSTRY PART NO.	MERITOR 2-YR WARRANTY	Mach 1-YR WARRANTY	DESCRIPTION
1	A3297Q1603		M10A3297T1346	Input Shaft and Nut Assembly Includes Item 9
2	1229C1511		M101229C1511	Washer - Input Bearing Cage
3	A1205X2728		M10A1205X2728	Oil Seal - Input Bearing Cage
4	A3226D1226		M10A3226D1226	Bearing Cage and Cup Assembly - Input Includes Item 7
5	2203K9241		M102203K9241	Shim, Input Bearing Cage- 0.003
5	2203L9242		M102203L9242	Shim, Input Bearing Cage- 0.005
5	2203M9243		M102203M9243	Shim, Input Bearing Cage- 0.010
6	5X1034		M105X1034	O-Ring - Input Bearing Cage

RP20145 INPUT SHAFT AND INTER-AXLE DIFFERENTIAL

KEY NO.	INDUSTRY PART NO.	 MERITOR 2-YR WARRANTY	<i>Mach</i> 1-YR WARRANTY	DESCRIPTION
7	3920	3920MTOR	3920MAF	Bearing Cup - Input Shaft - Outer
8	JM511945	JM511945MTOR	JM511945MAF	Bearing Cone - Input Shaft - Outer
9	A3297Q1603		M10A3297Q1603	Input Shaft and Nut Assembly Includes Item 1
	KIT4007	KIT4007MTOR	M10KIT4007	Helical Drive Gear with Thrust Washer Includes Items 10 and 11
10	1229S4985		M101229S4985	Thrust Washer - Helical Drive Gear
11	3892N5942	3892N5942MTOR	M103892S5843	Helical Drive Gear
12	A3235W2025		M10A3235W2025	Diff. Case and Pinion Nest Assembly, Case Assembly - IAD
12	A3235P2746		M10A3235P2746	Diff. Case and Pinion Nest Assembly Inter-Axle Nest Assembly
13	2297E5335		M102297E5335	Snap Ring - IAD
14	3107M1183		M103107M1183	Clutch Collar - IAD
15	2234R1188	2234R1188MTOR	M102234R1188	Side Gear - IAD - Rear
16	3296Z1326		M103296Z1326	Shift Fork - IAD
17	JLM710949C		JLM710949CMAF	Bearing Cone - Rear Side Gear
18	JLM710910	JLM710910MTOR	JLM710910MAF	Bearing Cup - Rear Side Gear
19	41X1208		M1041X1208	Adjusting Screw - Shift Shaft
20	MN3121		M10MN3121	Jam Nut - Adjusting Screw
21	A3261L350		M10A3261L350	Shift Assembly, IAD Air (bolt on style)
21	KIT2825		M10KIT2825	Shift Assembly, IAD Air (screw on style)
22	41X1209		M1041X1209	Capscrew - Shift Assembly
23	H715334	H715334MTOR	H715334MAF	Bearing Cone - Drive Pinion - Inner
24	H715311	H715311MTOR	H715311MAF	Bearing Cup - Drive Pinion - Inner
25	1244V1764		M101244V1764	Spacer - Pinion Bearing - Inner
26	3892L5940	3892L5940MTOR	M103892N4902	Helical Driven Gear
27	72487	72487MTOR	72487MAF	Bearing Cup - Drive Pinion - Outer
28	72212C	72212CMTOR	72212CMAF	Bearing Cone - Drive Pinion - Outer
	KIT2638		M10KIT2638	Washer and Nut - Drive Pinion Includes Items 29 and 30
29	1229G4063		M101229G4063	Washer, Drive Pinion Nut (use with 40X1145)
29	1229W4521		M101229W4521	Washer, Drive Pinion Nut (use with 40x1233)
30	40X1145		M1040X1145	Nut, Drive Pinion (M50 X 2 - 6H THD)
30	40X1233		M1040X1233	Nut, Drive Pinion (M45 X 1.5 - 6H THD)
31	3266C1095		M103266C1095	Cover - Drive Pinion
32	1250N1080		M101250N1080	Plug - Oil Pressure Relief Valve
33	2258Z1118		M102258Z1118	Spring - Oil Pressure Relief Valve
34	2297U5397		M102297U5397	Pressure Relief Valve - Oil
35	A3380W1687		M10A3380W1687	Oil Filter
36	A3303P1030		M10A3303P1030	Oil Pump Assembly
37	MS2080452		M10MS2080452	Capscrew - Oil Pump
38	A2297D5334		M10A2297D5334	Screen and Plumb Assembly
Bearing Kit	KIT4395	KIT4395MTOR	M10DRK4395	Pre 11/93 build
Bearing Kit	KIT4396	KIT4396MTOR	M10DRK4396	After 11/93 build

RP20145

MAIN DIFFERENTIAL



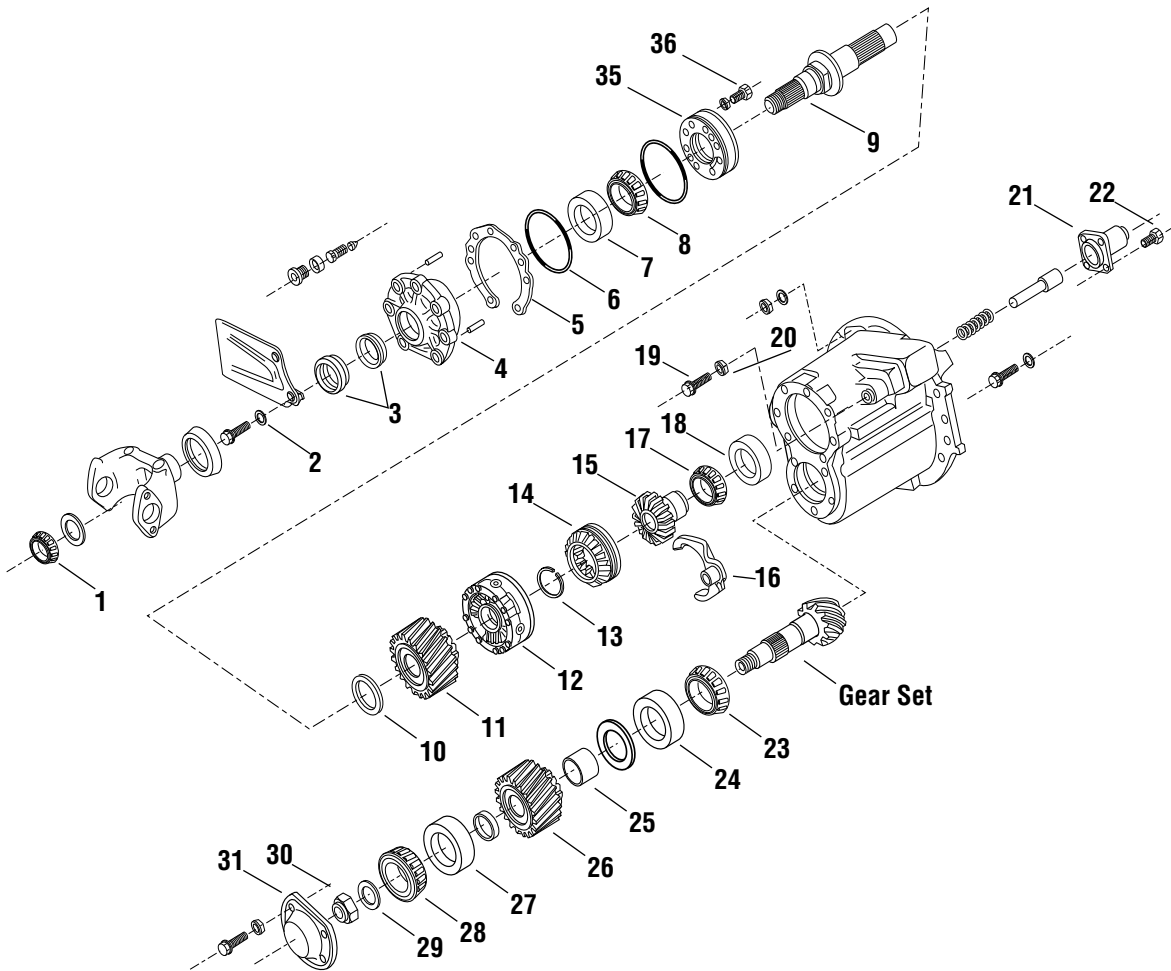
RP20145

RP20145 MAIN DIFFERENTIAL

KEY NO.	INDUSTRY PART NO.	 MERITOR 2-YR WARRANTY	<i>Mach</i> 1-YR WARRANTY	DESCRIPTION
1	2214C1095		M102214C1095	Adjusting Ring - Differential
2	JM716610	JM716610MTOR	JM716610MAF	Bearing Cup - Differential - Plain/Flange Half
3	JM716649	JM716649MTOR	JM716649MAF	Bearing Cone - Differential - Plain/Flange Half
4	KIT2317		M10KIT2317	Bolt - Ring Gear to Diff Plain Half
5	1199R2176		M101199R2176	Pin - Adjusting Ring
6	1229V4624		M101229V4624	Thrust Washer, Side Gear (all carriers after 11/93)
6	1229X4522		M101229X4522	Thrust Washer, Side Gear (all carriers before 11/93)
7	KIT2759	KIT2759MTOR	M10KIT2759	Side Gear - Differential
8	3278S305	3278S305MTOR	M103278S305	Spider - Differential
9	2233J1024	2233J1024MTOR	M102233J1024	Pinion Gear - Differential
10	1229R1032		M101229R1032	Thrust Washer - Differential
Gear Set	B417181	B417181MTOR	M10B417181	Ratio 2.64
Gear Set	A416761		M10A416761	Ratio 2.79
Gear Set	A411041	A411041MTOR	M10A411041	Ratio 2.93
Gear Set	A415101	A415101MTOR	M10A415101	Ratio 3.21
Gear Set	A422021F336	B422141MTOR	M10B422141	Ratio 3.36
Gear Set	A437521F342		M10B412761	Ratio 3.42
Gear Set	A422041F355	B422161MTOR	M10B422161	Ratio 3.55
Gear Set	B415121	B415121MTOR	M10B415121	Ratio 3.58
Gear Set	B415141	B415141MTOR	M10B415141	Ratio 3.73
Gear Set	B416781	B416781MTOR	M10B416781	Ratio 3.90
Gear Set	B416801	B416801MTOR	M10B416801	Ratio 4.11
Gear Set	B412781	B412781MTOR	M10B412781	Ratio 4.33
Gear Set	B415621		M10B415621	Ratio 4.56
Gear Set	B412801		M10B412801	Ratio 4.63
Gear Set	B412821	B412821MTOR	M10B412821	Ratio 4.88
Gear Set	B412841F529	B412841MTOR	M10B412841	Ratio 5.29
Gear Set	B414661	B414661MTOR	M10B414661	Ratio 5.86
Gear Set	A414681		M10A414681	Ratio 6.14
Gear Set	A414701		M10A414701	Ratio 6.43
Gear Set	A414721		M10A414721	Ratio 6.83
Gear Set	B435961F717		M10A414741	Ratio 7.17

RP20145

INPUT SHAFT AND INTER-AXLE DIFFERENTIAL



RPL20145

RPL20145 INPUT SHAFT AND INTER-AXLE DIFFERENTIAL

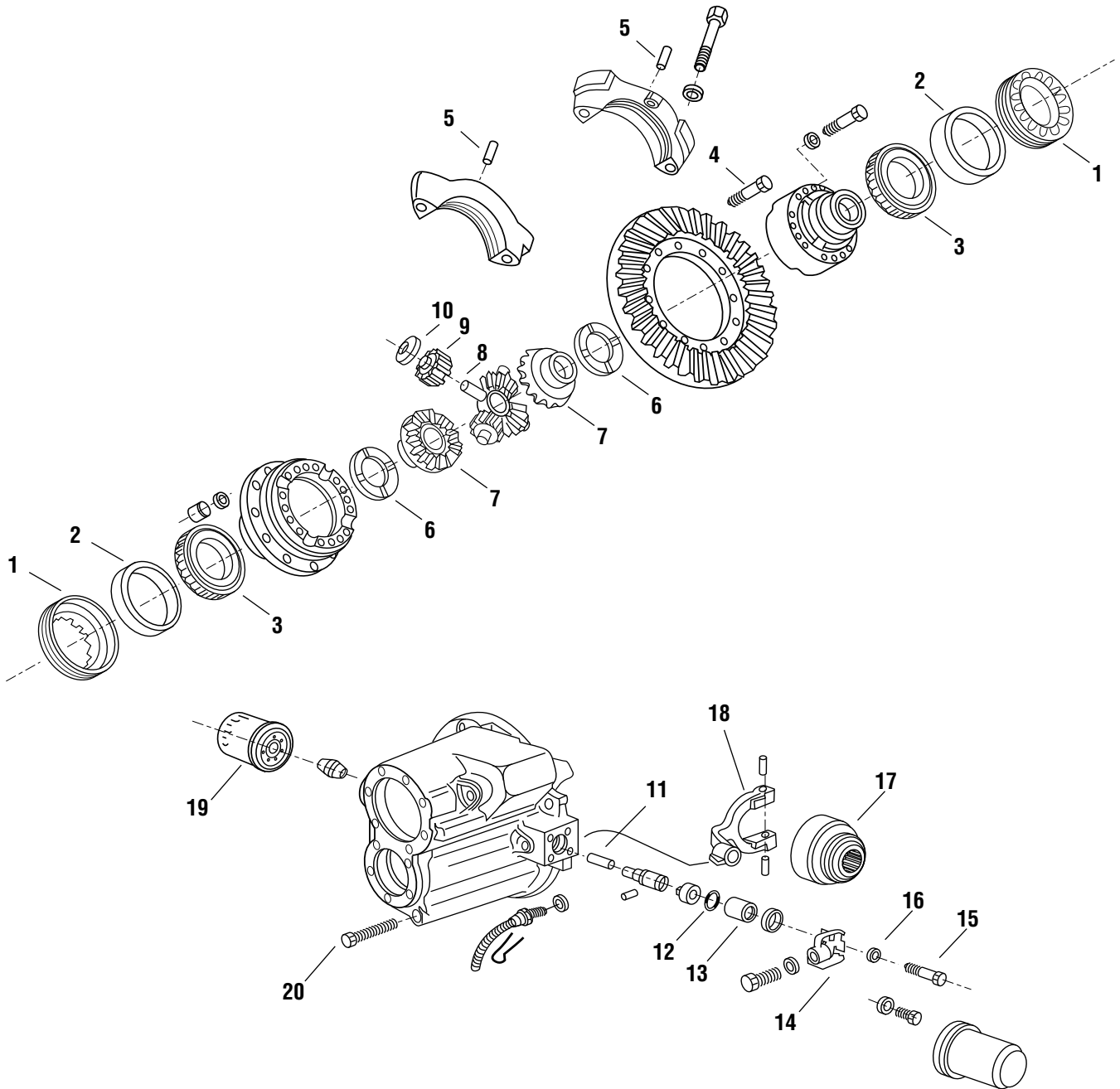
KEY NO.	INDUSTRY PART NO.	MERITOR 2-YR WARRANTY	<i>Mach</i> 1-YR WARRANTY	DESCRIPTION
1	A3297Q1603		M10A3297T1346	Input Shaft and Nut Assembly Includes Item 9
2	1229C1511		M101229C1511	Washer - Input Bearing Cage
3	A1205X2728		M10A1205X2728	Oil Seal - Input Bearing Cage
4	A3226D1226		M10A3226D1226	Bearing Cage and Cup Assembly - Input Includes Item 7
5	2203K9241		M102203K9241	Shim, 0.003 - Input Bearing Cage
5	2203L9242		M102203L9242	Shim, 0.005 - Input Bearing Cage

RPL20145 INPUT SHAFT AND INTER-AXLE DIFFERENTIAL

KEY NO.	INDUSTRY PART NO.	 MERITOR 2-YR WARRANTY	<i>Mach</i> 1-YR WARRANTY	DESCRIPTION
5	2203M9243		M102203M9243	Shim, 0.010 - Input Bearing Cage
6	5X1034		M105X1034	O-Ring - Input Bearing Cage
7	3920	3920MTOR	3920MAF	Bearing Cup - Input Shaft - Outer
8	JM511945	JM511945MTOR	JM511945MAF	Bearing Cone - Input Shaft - Outer
9	A3297Q1603		M10A3297T1346	Input Shaft and Nut Assembly Includes Item 1
	KIT4007	KIT4007MTOR	M10KIT4007	Helical Drive Gear with Thrust Washer Includes Items 10 and 11
10	1229S4985		M101229S4985	Thrust Washer - Helical Drive Gear
10	A1199U4025		M10A1199U4025	Thrust Washer - Helical Drive Gear
11	KIT4007	KIT4007MTOR	M10KIT4007	Helical Drive Gear
11	KIT4007	KIT4007MTOR	M10KIT4007	Helical Drive Gear
12	A3235W2025		M10A3235W2025	Diff. Case and Pinion Nest Assembly, Case Assembly - IAD
12	A3235P2746		M10A3235P2746	Diff. Case and Pinion Nest Assembly, Inter-Axle Nest Assembly
13	2297E5335		M102297E5335	Snap Ring - IAD
14	3107M1183		M103107M1183	Clutch Collar - IAD
15	2234R1188	2234R1188MTOR	M102234R1188	Side Gear - IAD - Rear
16	3296Z1326		M103296Z1326	Shift Fork - IAD
17	JLM710949C		JLM710949CMAF	Bearing Cone - Rear Side Gear
18	JLM710910C	JLM710910MTOR	JLM710910CMAF	Bearing Cup - Rear Side Gear
19	41X1208		M1041X1208	Adjusting Screw - Shift Shaft
20	MN3121		M10MN3121	Jam Nut - Adjusting Screw
21	A3261L350		M10A3261L350	Shift Assembly, IAD Air (bolt on style)
21	KIT2825		M10KIT2825	Shift Assembly, Snap Ring (screw on style)
22	41X1209		M1041X1209	Capscrew - Shift Assembly
23	H715334	H715334MTOR	H715334MAF	Bearing Cone - Drive Pinion - Inner
24	H715311	H715311MTOR	H715311MAF	Bearing Cup - Drive Pinion - Inner
25	1244V1764		M101244V1764	Spacer - Pinion Bearing - Inner
26	3892L5940	3892L5940MTOR	M103892N4902	Helical Driven Gear
27	72487	72487MTOR	72487MAF	Bearing Cup - Drive Pinion - Outer
28	72212C	72212CMTOR	72212CMAF	Bearing Cone - Drive Pinion - Outer
	KIT2638		M10KIT2638	Nut - Drive Pinion Includes Items 29 and 30
29	1229G4063		M101229G4063	Washer - Drive Pinion Nut (use with 40-X-1145)
29	1229W4521		M101229W4521	Washer - Drive Pinion Nut (use with 40-X-1233)
30	40X1145		M1040X1145	Nut - Drive Pinion (M50 X 2 - 6H THD)
30	40X1233		M1040X1233	Nut - Drive Pinion (M45 X 1.5 - 6H THD)
31	3266C1095		M103266C1095	Cover - Drive Pinion
32	1250N1080		M101250N1080	Plug - Oil Pressure Relief Valve
33	2258Z1118		M102258Z1118	Spring - Oil Pressure Relief Valve
34	2297U5273		M102297U5273	Pressure Relief Valve - Oil
35	A3303P1030		M10A3303P1030	Oil Pump Assembly
36	MS2080452		M10MS2080452	Capscrew - Oil Pump
Bearing Kit	KIT4406	KIT4406MTOR	M10DRK4406	After 11/93 build

RPL20145

MAIN DIFFERENTIAL, OIL PUMP AND DIFFERENTIAL LOCK



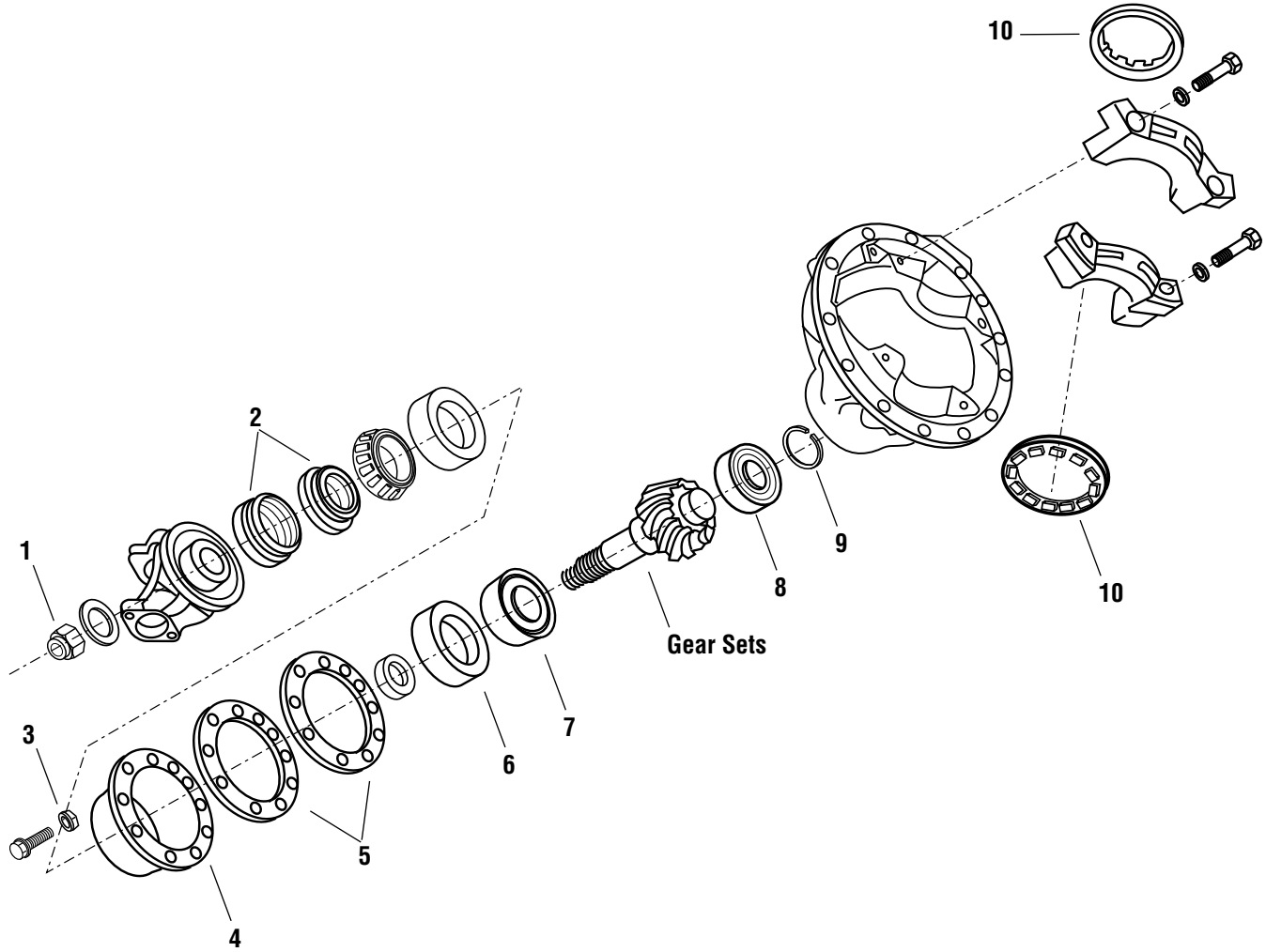
RPL20145

RPL20145 MAIN DIFFERENTIAL, OIL PUMP AND DIFFERENTIAL LOCK

KEY NO.	INDUSTRY PART NO.	 MERITOR 2-YR WARRANTY	<i>Mach</i> 1-YR WARRANTY	DESCRIPTION
1	2214Y1039		M102214Y1039	Adjusting Ring - Differential
2	JP10010	JP10010MTOR	JP10010MAF	Bearing Cup - Differential - Plain/Flange Half
3	A1228L1130	JP10049MTOR	JP10049MAF	Bearing Cone - Differential - Plain/Flange Half
4	KIT2317		M10KIT2317	Bolt - Ring Gear to Diff Plain Half
5	1199R2176		M101199R2176	Pin - Adjusting Ring Lock
5	1246P1134		M101246P1134	Pin - Adjusting Ring Lock
6	1229V4624		M101229V4624	Thrust Washer - Side Gear (all carriers after 11/93)
6	1229X4522		M101229X4522	Thrust Washer - Side Gear (all carriers before 11/93)
7	KIT2759	KIT2759MTOR	M10KIT2759	Side Gear - Differential
8	3278S305	3278S305MTOR	M103278S305	Spider - Differential
9	2233J1024	2233J1024MTOR	M102233J1024	Pinion Gear - Differential
10	1229R1032		M101229R1032	Thrust Washer - Differential
11	2258N1262		M102258N1262	Spring - Differential Lock
12	5X1198		M105X1198	Piston - Differential Lock
13	3261A1067		M103261A1067	Tube - Air Cylinder
14	3266F1020		M103266F1020	Cover - Air Cylinder
15	41X1364		M1041X1364	Capscrew - Air Cylinder Cover
16	MWA506		M10MWA506	Washer - Air Cylinder Cover
17	3107D1018		M103107D1018	Clutch Collar - Differential Lock
18	3296Z1170		M103296Z1170	Shift Fork - Differential Lock
19	A3380W1687		M10A3380W1687	Oil Filter
20	A2297D5334		M10A2297D5334	Screen and Plumb Assembly
Gear Set	B417181	B417181MTOR	M10B417181	Ratio 2.64
Gear Set	A416761		M10A416761	Ratio 2.79
Gear Set	A411041	A411041MTOR	M10A411041	Ratio 2.93
Gear Set	A415101	A415101MTOR	M10A415101	Ratio 3.21
Gear Set	A422021F336	B422141MTOR	M10B422141	Ratio 3.36
Gear Set	A437521F342		M10B412761	Ratio 3.42
Gear Set	A422041F355	B422161MTOR	M10B422161	Ratio 3.55
Gear Set	B415121	B415121MTOR	M10B415121	Ratio 3.58
Gear Set	B415141	B415141MTOR	M10B415141	Ratio 3.73
Gear Set	B416781	B416781MTOR	M10B416781	Ratio 3.90
Gear Set	B416801	B416801MTOR	M10B416801	Ratio 4.11
Gear Set	B412781	B412781MTOR	M10B412781	Ratio 4.33
Gear Set	B415621		M10B415621	Ratio 4.56
Gear Set	B412801		M10B412801	Ratio 4.63
Gear Set	B412821	B412821MTOR	M10B412821	Ratio 4.88
Gear Set	B412841F529	B412841MTOR	M10B412841	Ratio 5.29
Gear Set	B414661	B414661MTOR	M10B414661	Ratio 5.86
Gear Set	A414681		M10A414681	Ratio 6.14
Gear Set	A414701		M10A414701	Ratio 6.43
Gear Set	A414721		M10A414721	Ratio 6.83
Gear Set	A414741		M10A414741	Ratio 7.17

RPL20145

INPUT ASSEMBLY



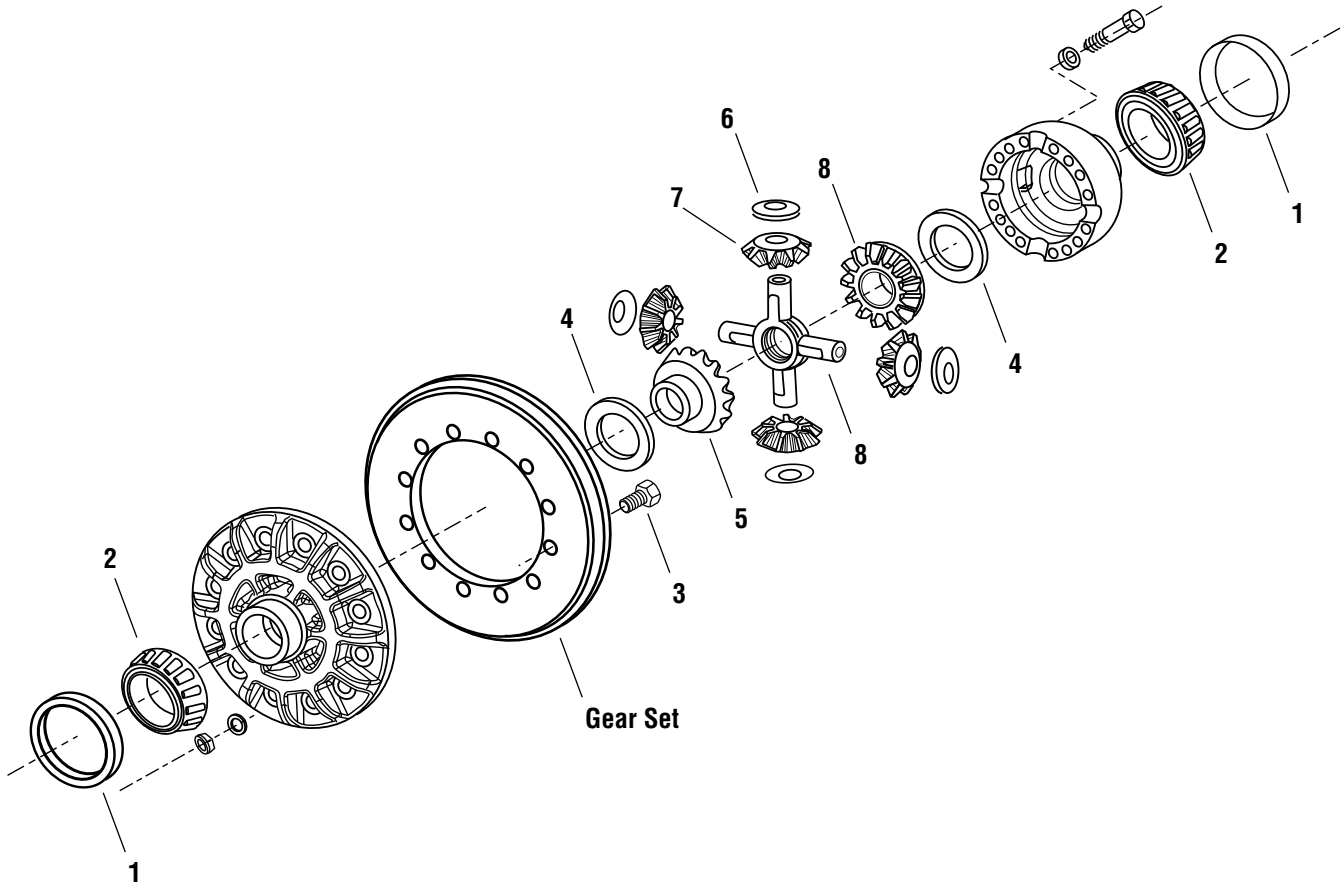
RR20145

RR20145 INPUT ASSEMBLY

KEY NO.	INDUSTRY PART NO.	 MERITOR 2-YR WARRANTY	<i>Mach</i> 1-YR WARRANTY	DESCRIPTION
1	KIT2637		M10KIT2637	Nut and Washer - Drive Pinion
2	A11205Z2730		M10A11205Z2730	Oil Seal - Input Bearing Cage
3	1229C1511		M101229C1511	Washer - Input Bearing Cage
4	A3226M1053		M10A3226M1053	Pinion Bearing Cage and Cup Assembly
5	KIT1568		M10KIT1568	Shim Kit, Pinion Cage
5	KIT2313		M10KIT2313	Shim Kit, Pinion Cage
6	72487	72487MTOR	72487MAF	Bearing Cup, Drive Pinion - Outer
6	55437	55437MTOR	55437MAF	Bearing Cup, Drive Pinion - Outer- RS17140 Only
7	72212C	72212CMTOR	72212CMAF	Bearing Cone, Drive Pinion - Outer
7	55206C	55206CMTOR	55206CMAF	Bearing Cone, Drive Pinion - Outer- RS17140 Only
8	RU1570UM	RU1570UMMTOR	RU1570UMMAF	Bearing - Drive Pinion Spigot
9	1229A1301		M101229A1301	Snap Ring - Drive Pinion Spigot Bearing
10	1199R2176		M101199R2176	Adjusting Ring Lock, Adjusting Ring - Left Hand Only
10	1246P1134		M101246P1134	Adjusting Ring Lock, Adjusting Ring - Left and Right Hand
Bearing Kit			M10DRK224	3200R1500
Bearing Kit			M10DRK217R	All except 3200R1500

RR20145

MAIN DIFFERENTIAL



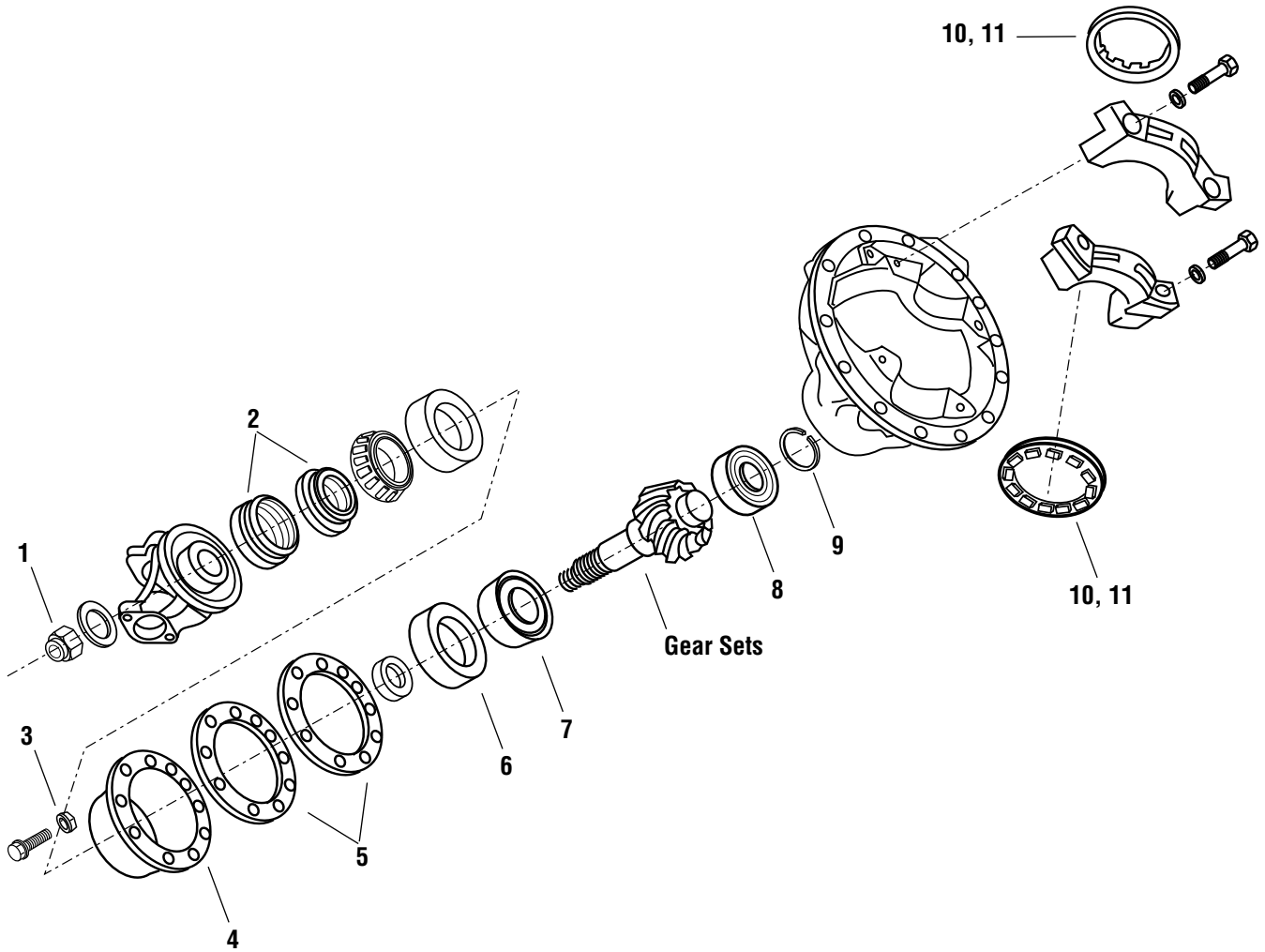
RR20145

RR20145 MAIN DIFFERENTIAL

KEY NO.	INDUSTRY PART NO.	 MERITOR 2-YR WARRANTY	<i>Mach</i> 1-YR WARRANTY	DESCRIPTION
1	JM716610	JM716610MTOR	JM716610MAF	Bearing Cup - Differential - Plain/Flange/Half
2	JM716649	JM716649MTOR	JM716649MAF	Bearing Cone - Differential - Plain/Flange/Half
3	KIT2317		M10KIT2317	Bolt - Ring Gear to Diff Plain Half
4	1229V4624		M101229V4624	Thrust Washer - Side Gear, All carriers after 11/93 except 1.85" - 36 spline
4	1229X4522		M101229X4522	Thrust Washer - Side Gear, All carriers before 11/93 except 1.85" - 36 spline
5	KIT2759	KIT2759MTOR	M10KIT2759	Side Gear - Differential
6	1229R1032		M101229R1032	Thrust Washer - Differential
7	2233J1024	2233J1024MTOR	M102233J1024	Pinion Gear - Differential
8	3278S305	3278S305MTOR	M103278S305	Spider - Differential
Gear Set	B417161	B417161MTOR	M10B417161	Ratio 2.64
Gear Set	B411641	B411641MTOR	M10B411641	Ratio 3.42
Gear Set	B415321		M10B415321	Ratio 3.58
Gear Set	B414981		M10B414981	Ratio 3.58
Gear Set	B415341		M10B415341	Ratio 3.73
Gear Set	B416841	B416841MTOR	M10B416841	Ratio 3.9
Gear Set	B416861	B416861MTOR	M10B416861	Ratio 4.11
Gear Set	B415401		M10B415401	Ratio 4.33
Gear Set	B415421		M10B415421	Ratio 4.56
Gear Set	B412681		M10B412681	Ratio 4.63
Gear Set	B415441		M10B415441	Ratio 4.88
Gear Set	A412721		M10A412721	Ratio 5.13
Gear Set	B415481		M10B415481	Ratio 5.29
Gear Set	B412741	B412741MTOR	M10B412741	Ratio 5.29
Gear Set	A413041		M10A413041	Ratio 5.57
Gear Set	B414561	B414561MTOR	M10B414561	Ratio 5.86
Gear Set	A414581	A414581MTOR	M10A414581	Ratio 6.14
Gear Set	A414601		M10A414601	Ratio 6.43
Gear Set	A414621		M10A414621	Ratio 6.83
Gear Set	B434261		M10B434261	Ratio 7.17

RR20145

INPUT ASSEMBLY

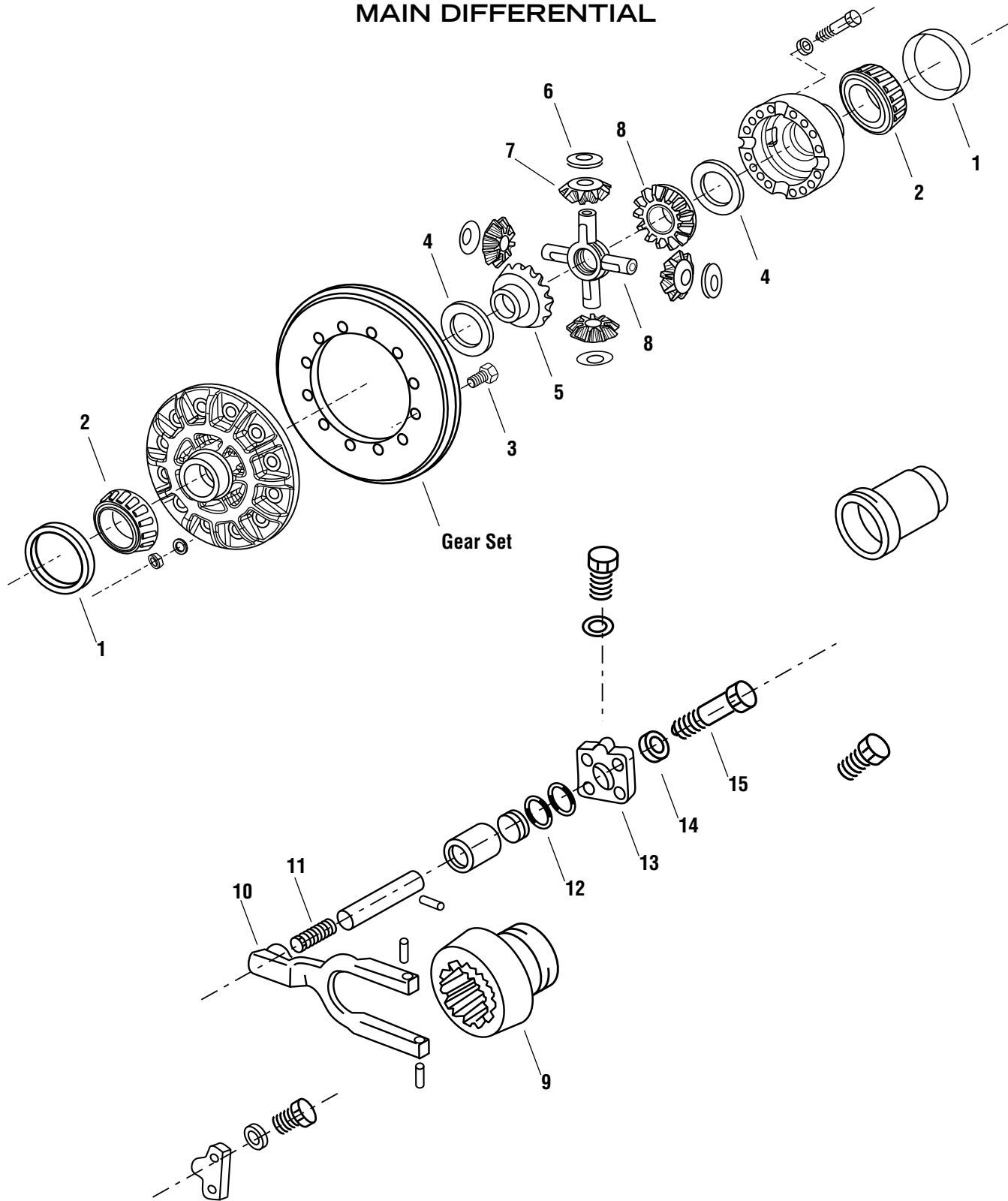


RRL20145

RRL20145 INPUT ASSEMBLY

KEY NO.	INDUSTRY PART NO.	 MERITOR 2-YR WARRANTY	<i>Mach</i> 1-YR WARRANTY	DESCRIPTION
1	KIT2637		M10KIT2637	Nut and Washer - Drive Pinion
2	A11205Z2730		M10A11205Z2730	Oil Seal- Input Bearing Cage
3	1229C1511		M101229C1511	Washer - Input Bearing Cage
4	A3226M1053		M10A3226M1053	Pinion Bearing Cage and Cup Assembly
5	KIT1568		M10KIT1568	Shim Kit, Pinion Cage
5	KIT2313		M10KIT2313	Shim Kit, Pinion Cage
6	72487	72487MTOR	72487MAF	Bearing Cup, Drive Pinion - Outer (not for use with RS17140)
6	55437	55437MTOR	55437MAF	Bearing Cup, Drive Pinion - Outer- (use with RS17140 only)
7	72212C	72212CMTOR	72212CMAF	Bearing Cone, Drive Pinion - Outer (not for use with RS17140)
7	55206C	55206CMTOR	55206CMAF	Bearing Cone, Drive Pinion - Outer- (use with RS17140 only)
8	RU1570UM	RU1570UMMTOR	RU1570UMMAF	Bearing - Drive Pinion Spigot
9	1229A1301		M101229A1301	Snap Ring - Drive Pinion Spigot Bearing
10	1199R2176		M101199R2176	Adjusting Ring Lock, Left Hand Only
10	1246P1134		M101246P1134	Adjusting Ring Lock, Left and Right Hand
11	2214C1095		M102214C1095	Adjusting Ring, Left Hand - Small
11	2214Y1039		M102214Y1039	Adjusting Ring, Right Hand - Small
Bearing Kit	KIT4390	KIT4390MTOR	M10DRK4390	See Kits section for complete BOM

MAIN DIFFERENTIAL



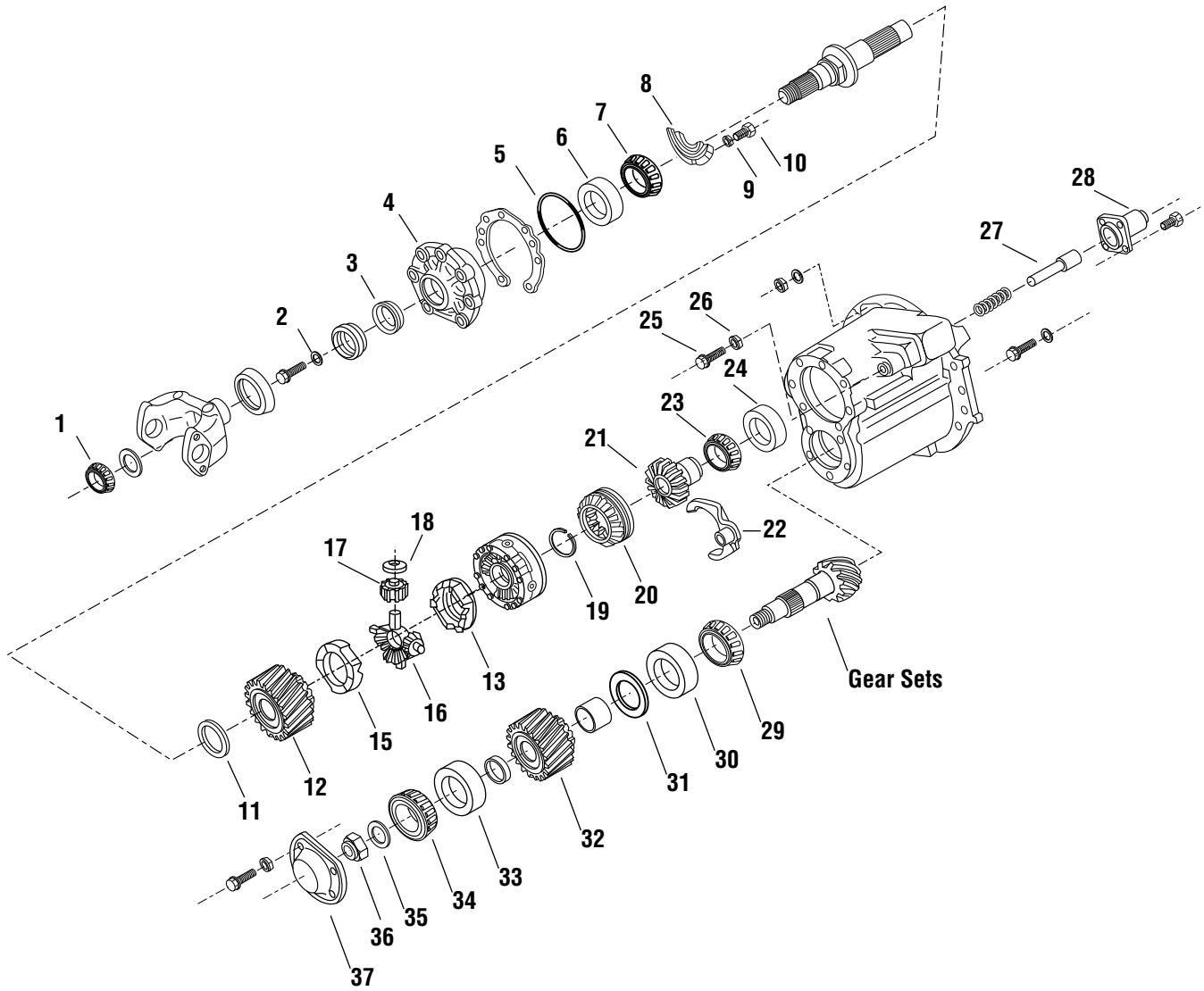
RRL20145

RRL20145 MAIN DIFFERENTIAL AND DIFFERENTIAL LOCK

KEY NO.	INDUSTRY PART NO.	 MERITOR 2-YR WARRANTY	 Mach 1-YR WARRANTY	DESCRIPTION
1	JM716610	JM716610MTOR	JM716610MAF	Bearing Cup - Differential - Plain/Flange/Half
2	JM716649	JM716649MTOR	JM716649MAF	Bearing Cone - Differential - Plain/Flange/Half
3	KIT2317		M10KIT2317	Bolt - Ring Gear to Diff Plain Half
4	1229V4624		M101229V4624	Thrust Washer - Side Gear, All carriers after 11/93 except 1.85" - 36 spline
4	1229X4522		M101229X4522	Thrust Washer - Side Gear, All carriers before 11/93 except 1.85" - 36 spline
5	KIT2759	KIT2759MTOR	M10KIT2759	Side Gear - Differential
5	72212C	72212CMTOR	72212CMAF	Drive Pinion - Outer (not for use with RS17140)
5	55206C	55206CMTOR	55206CMAF	Drive Pinion - Outer (use with RS17140 only)
6	1229R1032		M101229R1032	Thrust Washer - Differential
7	2233J1024	2233J1024MTOR	M102233J1024	Pinion Gear - Differential
8	3278S305	3278S305MTOR	M103278S305	Spider - Differential
1	3107D1018		M103107D1018	Clutch Collar - Differential Lock
2	3296Z1170		M103296Z1170	Shift Fork - Differential Lock
3	2258N1262		M102258N1262	Spring - Differential Lock
4	5X1198		M105X1198	O-Ring - Piston
5	3266F1020		M103266F1020	Air Cylinder, Cover
5	3261A1067		M103261A1067	Air Cylinder, Tube
6	41X1364		M1041X1364	Capscrew - Air Cylinder Cover
7	MWA506		M10MWA506	Washer - Air Cylinder Cover
Gear Set	B417161	B417161MTOR	M10B417161	Ratio 2.64
Gear Set	B411641	B411641MTOR	M10B411641	Ratio 3.42
Gear Set	B415321		M10B415321	Ratio 3.58
Gear Set	B414981		M10B414981	Ratio 3.58
Gear Set	B415341		M10B415341	Ratio 3.73
Gear Set	B416841	B416841MTOR	M10B416841	Ratio 3.9
Gear Set	B416861	B416861MTOR	M10B416861	Ratio 4.11
Gear Set	B415401		M10B415401	Ratio 4.33
Gear Set	B415421		M10B415421	Ratio 4.56
Gear Set	B412681		M10B412681	Ratio 4.63
Gear Set	B415441		M10B415441	Ratio 4.88
Gear Set	A412721		M10A412721	Ratio 5.13
Gear Set	B415481		M10B415481	Ratio 5.29
Gear Set	B412741	B412741MTOR	M10B412741	Ratio 5.29
Gear Set	A413041		M10A413041	Ratio 5.57
Gear Set	B414561	B414561MTOR	M10B414561	Ratio 5.86 (all carriers except 3200-Q-1785)
Gear Set	B415521		M10B415521	Ratio 5.86 (use on carrier 3200-Q-1785)
Gear Set	A414581	A414581MTOR	M10A414581	Ratio 6.14
Gear Set	A414601		M10A414601	Ratio 6.43
Gear Set	A414621		M10A414621	Ratio 6.83
Gear Set	B434261		M10B434261	Ratio 7.17

INPUT AND INTER-AXLE DIFFERENTIAL ASSEMBLY

RD23160



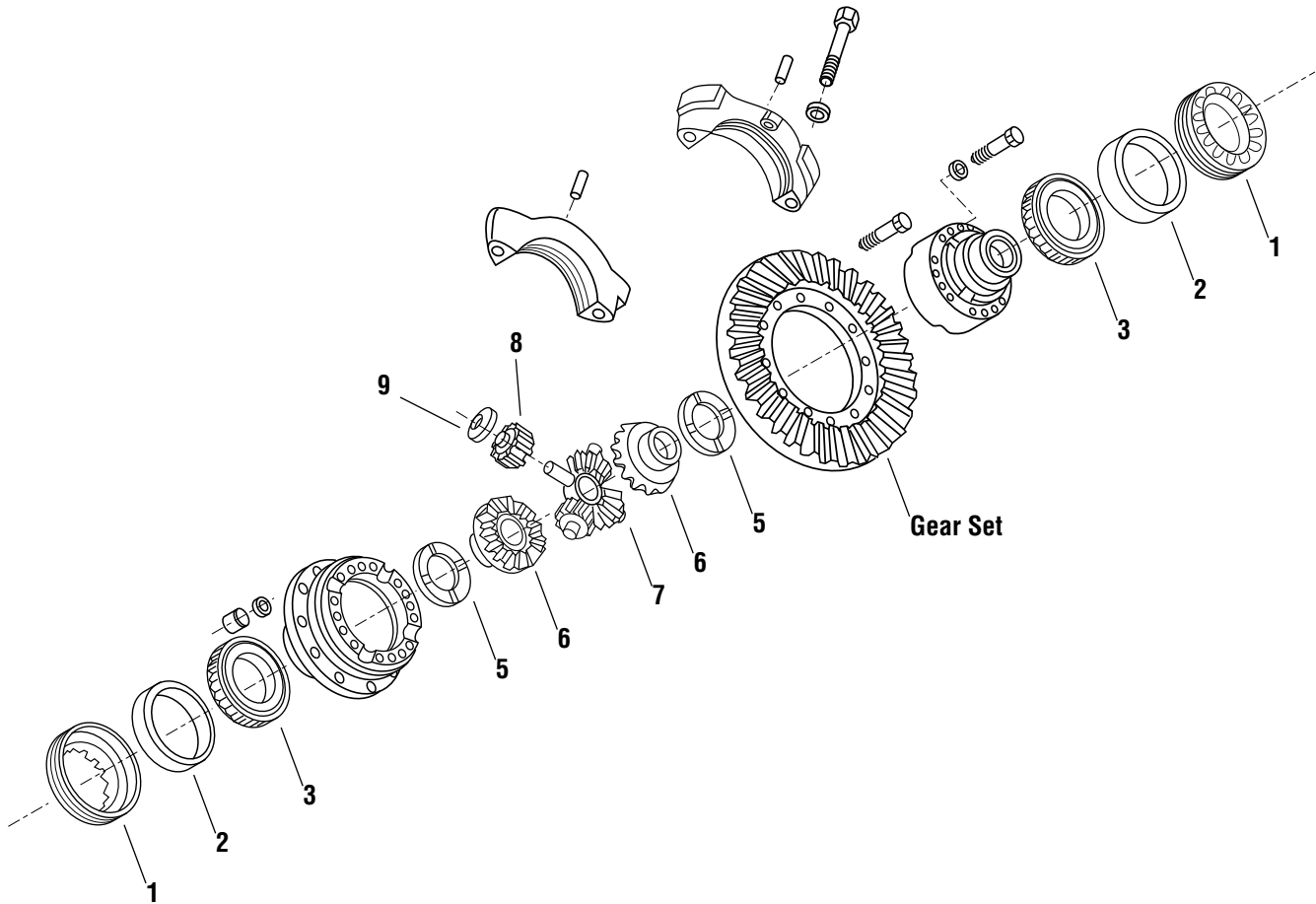
RD23160 INPUT AND INTER-AXLE DIFFERENTIAL ASSEMBLY

KEY NO.	INDUSTRY PART NO.	 MERITOR 2-YR WARRANTY	 Mach 1-YR WARRANTY	DESCRIPTION
1	KIT2638		M10KIT2638	Nut - Drive Pinion
2	MWA512		M10MWA512	Washer - Input Nut
3	R945007		M10R945007	Oil Seal - Input Bearing Cage - 3"
4	A3226H1126		M10A3226H1126	Bearing Cage and Cup Assembly - Input Includes Item 6
5	5X1343		M105X1343	O-Ring - Input Bearing Cage
6	HM813810	HM813810MTOR	HM813810MAF	Bearing Cup - Input Shaft - Outer
7	HM813843	HM813843MTOR	HM813843MAF	Bearing Cone - Input Shaft - Outer
8	3221P1004		M103221P1004	Oil Baffle
9	1229E1669		M101229E1669	Washer - Oil Baffle
10	MS2080161		M10MS2080161	Capscrew - Oil Baffle
11	1229S4985		M101229S4985	Thrust Washer - Helical Drive Gear
12	3892S5947	3892S5947MTOR	M103892T4934	Helical Drive Gear
	A33235A2393		M10A33235A2393	Case Assembly - IAD Includes Items 13 through 15
16	3278N300	3278N300MTOR	M103278N300	Spider - IAD
17	2233K245	2233K245MTOR	M102233K245	Pinion Gear - IAD
18	1229Q2929		M101229Q2929	Thrust Washer - IAD
19	2297S5349		M102297S5349	Snap Ring - IAD
20	3107P1212		M103107P1212	Clutch Collar, IAD (use on carriers after 10/00)
20	A13235A2393		M10A13235A2393	Clutch Collar, IAD (use on carriers prior to 10/00)
21	2234T1190	2234T1190MTOR	M102234T1190	Side Gear - IAD - Rear
22	3296B1328		M103296B1328	Shift Fork - IAD
23	JLM714149	JLM714149MTOR	JLM714149MAF	Bearing Cone - Rear Side Gear
24	JLM714110	JLM714110MTOR	JLM714110MAF	Bearing Cup - Rear Side Gear
25	41X1208		M1041X1208	Adjusting Screw - Shift Shaft
26	MN3121		M10MN3121	Jam Nut - Adjusting Screw
27	KIT2825		M10KIT2825	Shift Shaft- Interaxle Diff. Includes Item 28
28	A3261L350		M10A3261L350	Shift Assembly - IAD Air
29	H715343	H715343MTOR	H715343MAF	Bearing Cone - Drive Pinion - Inner
30	H715311	H715311MTOR	H715311MAF	Bearing Cup - Drive Pinion - Inner
31	KIT2429		M10KIT2429	Shims - Drive Pinion
32	3892Q5945	3892Q5945MTOR	M103892U4909	Helical Driven Gear
33	65500	65500MTOR	65500MAF	Bearing Cup - Drive Pinion - Outer
34	65237	65237MTOR	65237MAF	Bearing Cone - Drive Pinion - Outer
35	1229G4063		M101229G4063	Washer - Drive Pinion Nut
36	40X1145		M1040X1145	Nut - Drive Pinion
37	3266C1095		M103266C1095	Cover - Drive Pinion
Bearing Kit	KIT4422	KIT4422MTOR	M10DRK4422	See Kits section for complete BOM

RD23160

MAIN DIFFERENTIAL

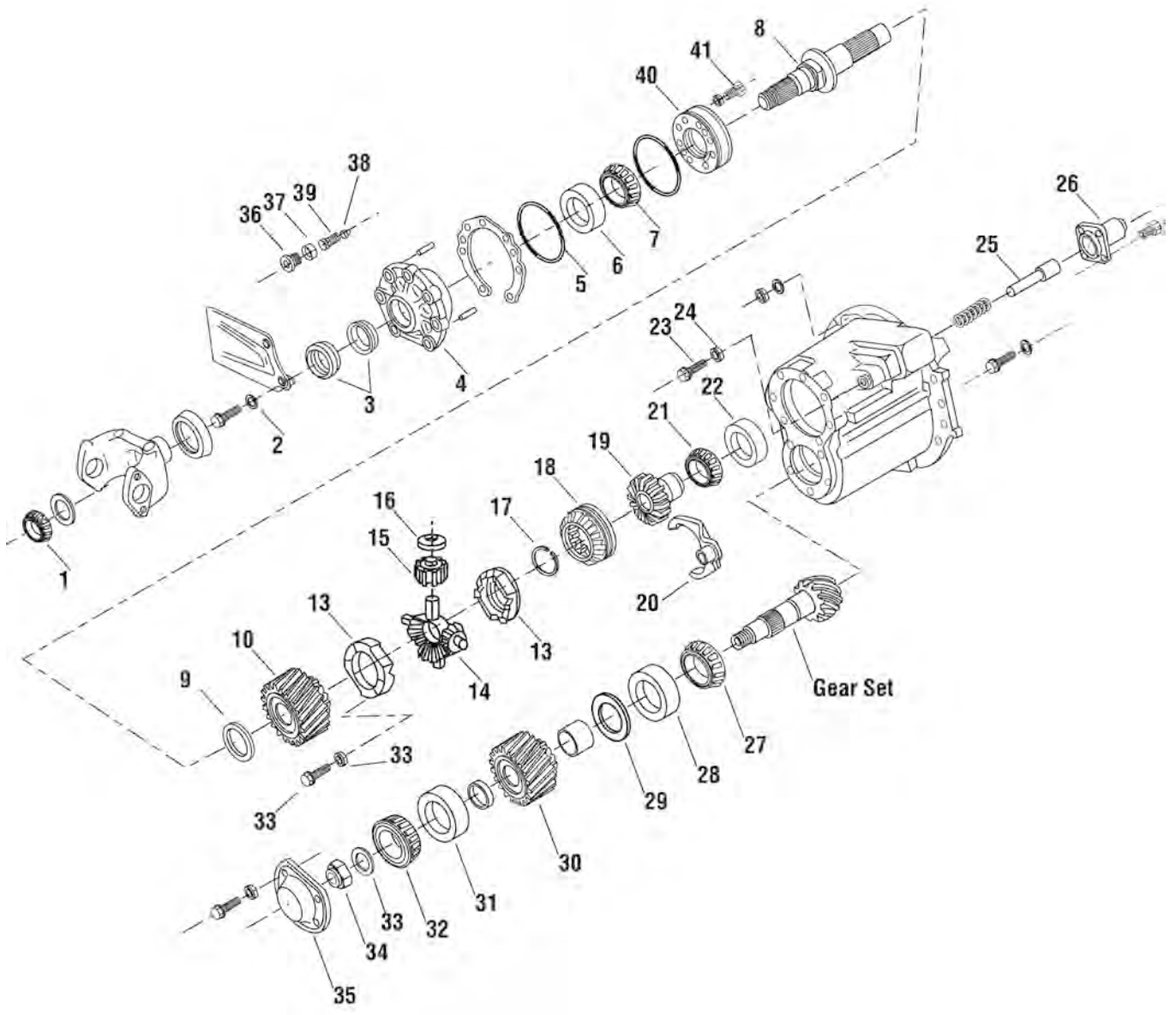
RD23160



RD23160 MAIN DIFFERENTIAL				
KEY NO.	INDUSTRY PART NO.	 MERITOR 2-YR WARRANTY	<i>Mach</i> 1-YR WARRANTY	DESCRIPTION
1	2214G1125		M102214G1125	Adjusting Ring - Differential
2	592A	592AMTOR	592AMAF	Bearing Cup - Differential - Plain/Flange Half (right side)
2	52618	52618MTOR	52618MAF	Bearing Cup - Differential - Plain/Flange Half (left side)
3	594A	594AMTOR	594AMAF	Bearing Cone - Differential - Plain/Flange Half (right side)
3	52400	52400MTOR	52400MAF	Bearing Cone - Differential - Plain/Flange Half (left side)
4	KIT2426		M10KIT2426	Bolt & Nut - Ring Gear to Diff Plain Half
5	1229L3002		M101229L3002	Thrust Washer - Side Gear
6	2234H1438	2234H1438MTOR	M102234C1069	Side Gear - Differential
7	3278W335	3278W335MTOR	M103278W335	Spider - Differential
8	2233M1001	2233M1001MTOR	M102233M1001	Pinion Gear - Differential
9	1229K3001		M101229K3001	Thrust Washer - Differential
Gear Set	A396621		M10A396621	Ratio 3.73
Gear Set	A398761		M10A398761	Ratio 3.91
Gear Set	A398781	A398781MTOR	M10A398781	Ratio 4.10
Gear Set	A398801	A398801MTOR	M10A398801	Ratio 4.30
Gear Set	A398821	A398821MTOR	M10A398821	Ratio 4.56
Gear Set	A396641		M10A396641	Ratio 4.89
Gear Set	A396741		M10A396741	Ratio 6.14
Gear Set	B398921		M10B398921	Ratio 6.43

INPUT AND INTER-AXLE DIFFERENTIAL ASSEMBLY

RP23160



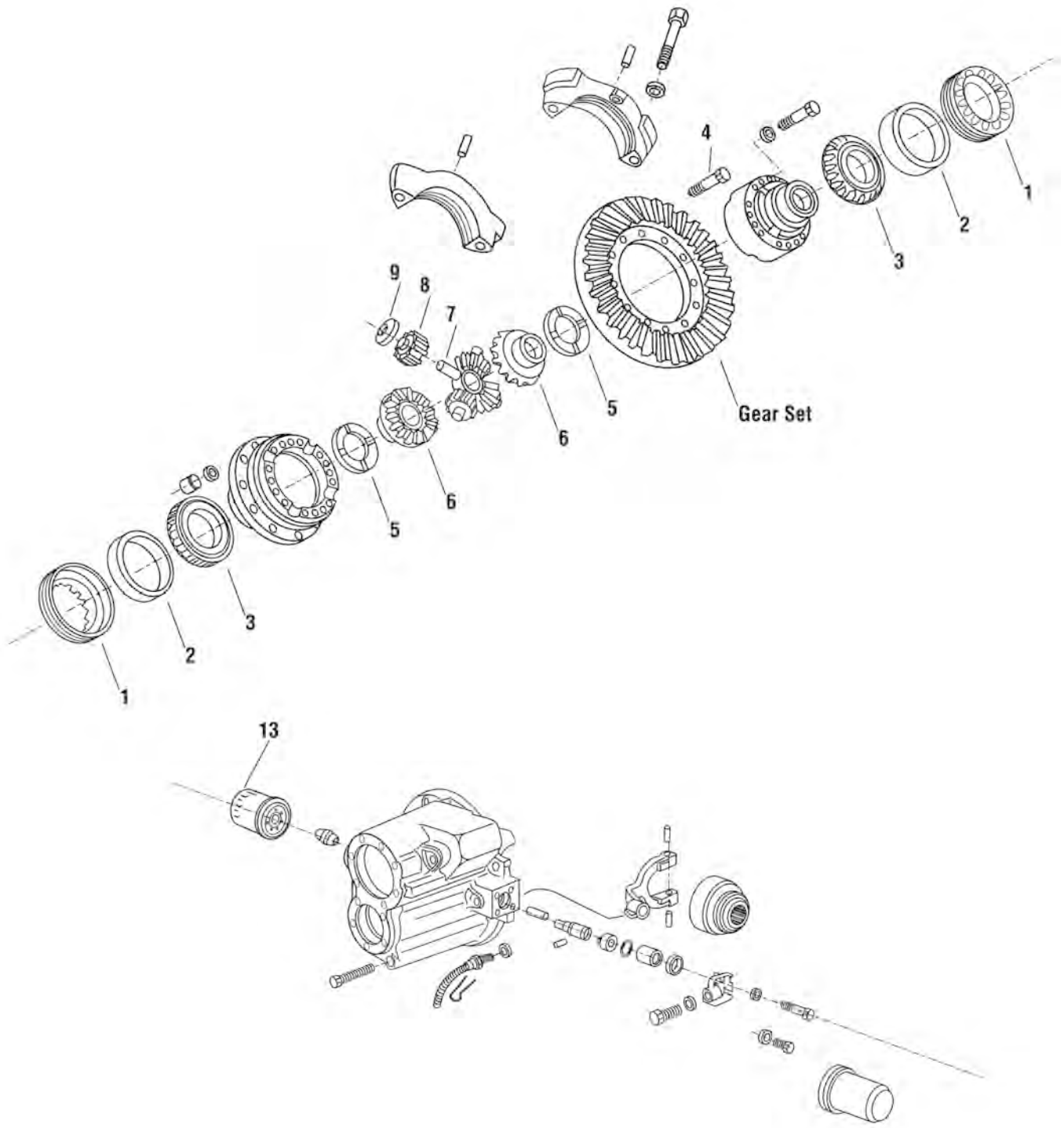
RP23160 INPUT SHAFT AND INTER-AXLE DIFFERENTIAL

KEY NO.	INDUSTRY PART NO.	 MERITOR 2-YR WARRANTY	<i>Mach</i> 1-YR WARRANTY	DESCRIPTION
	A13297S1605		M10A13297X1194	Input Shaft and Nut Assembly Includes Items 1 and 8
1	KIT2638		M10KIT2638	Nut - Drive Pinion
2	MWA512		M10MWA512	Washer - Input Nut
3	R945007		M10R945007	Oil Seal- Input Bearing Cage - 3"
4	A3226H1126		M10A3226H1126	Bearing Cage and Cup Assembly - Input Includes Item 6
5	5X1343		M105X1343	O-Ring - Input Bearing Cage
6	HM813810	HM813810MTOR	HM813810MAF	Bearing Cup - Input Shaft - Outer
7	HM813843	HM813843MTOR	HM813843MAF	Bearing Cone - Input Shaft - Outer
9	1229S4985		M101229S4985	Thrust Washer - Helical Drive Gear
10	3892S5947	3892S5947MTOR	M103892T4934	Helical Drive Gear
	A33235A2393		M10A33235A2393	Case Assembly - IAD Includes Items 11 through 17
14	3278N300	3278N300MTOR	M103278N300	Spider - IAD
15	2233K245	2233K245MTOR	M102233K245	Pinion Gear - IAD
16	1229Q2929		M101229Q2929	Thrust Washer - IAD
17	2297S5349		M102297S5349	Snap Ring - IAD
18	3107P1212		M103107P1212	Clutch Collar, IAD
18	A13235A2393		M10A13235A2393	Clutch Collar, IAD
19	2234T1190	2234T1190MTOR	M102234T1190	Side Gear - IAD - Rear
20	3296B1328		M103296B1328	Shift Fork - IAD
21	JLM714149	JLM714149MTOR	JLM714149MAF	Bearing Cone - Rear Side Gear
22	JLM714110	JLM714110MTOR	JLM714110MAF	Bearing Cup - Rear Side Gear
23	41X1208		M1041X1208	Adjusting Screw - Shift Shaft
24	MN3121		M10MN3121	Jam Nut - Adjusting Screw
25	KIT2825		M10KIT2825	Snap Ring- Shift Assembly Includes Item 26
26	A3261L350		M10A3261L350	Shift Assembly - IAD Air
27	H715343	H715343MTOR	H715343MAF	Bearing Cone - Drive Pinion - Inner
28	H715311	H715311MTOR	H715311MAF	Bearing Cup - Drive Pinion - Inner
29	KIT2429		M10KIT2429	Shims - Drive Pinion
30	3892Q5945	3892Q5945MTOR	M103892U4909	Helical Driven Gear
31	65500	65500MTOR	65500MAF	Bearing Cup - Drive Pinion - Outer
32	65237	65237MTOR	65237MAF	Bearing Cone - Drive Pinion - Outer
33	1229G4063		M101229G4063	Washer - Drive Pinion Nut
34	40X1145		M1040X1145	Nut - Drive Pinion
35	3266C1095		M103266C1095	Cover - Drive Pinion
36	1250N1080		M101250N1080	Plug - Oil Pressure Relief Valve
37	1229F4062		M101229F4062	Plug - Oil Pressure Relief Valve
38	2258Z1118		M102258Z1118	Spring - Oil Pressure Relief Valve
39	2297U5273		M102297U5273	Valve - Oil Pressure Relief
40	A3303P1030		M10A3303P1030	Oil Pump Assembly
41	MS2080452		M10MS2080452	Capscrew - Oil Pump
Bearing Kit	KIT4422	KIT4422MTOR	M10DRK4422	See Kits section for complete BOM

RP23160

MAIN DIFFERENTIAL

RP23160



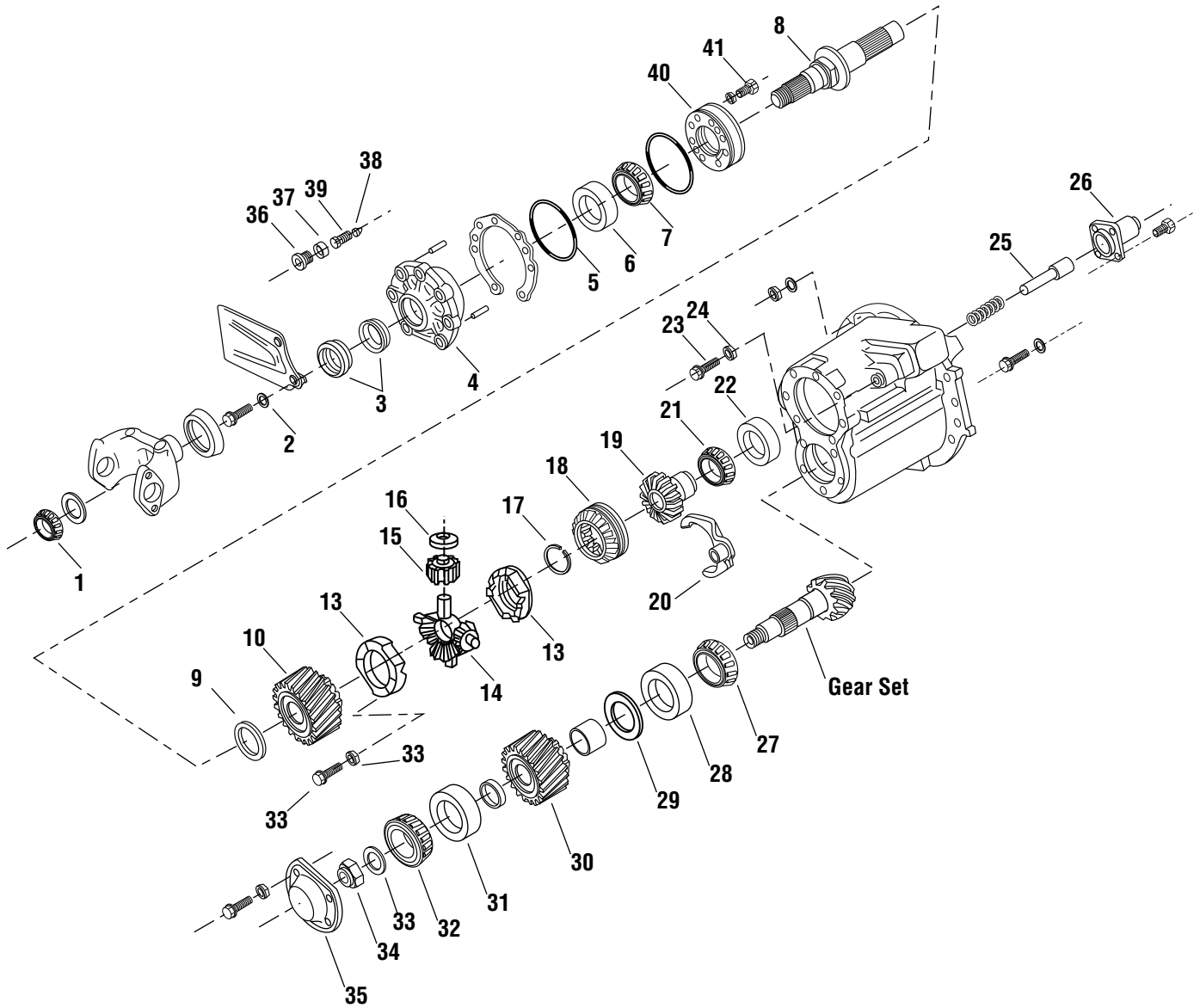
RP23160 MAIN DIFFERENTIAL

KEY NO.	INDUSTRY PART NO.	 MERITOR 2-YR WARRANTY	<i>Mach</i> 1-YR WARRANTY	DESCRIPTION
1	2214G1125		M102214G1125	Adjusting Ring - Differential
2	592A	592AMTOR	592AMAF	Bearing Cup - Differential - Plain/Flange Half
2	52618	52618MTOR	52618MAF	Bearing Cup - Differential - Plain/Flange Half
3	594A	594AMTOR	594AMAF	Bearing Cone - Differential - Plain/Flange Half
3	52400	52400MTOR	52400MAF	Bearing Cone - Differential - Plain/Flange Half
4	KIT2426		M10KIT2426	Bolt & Nut - Ring Gear to Diff Plain Half Includes Items 10 and 11
5	1229L3002		M101229L3002	Thrust Washer - Side Gear
6	2234H1438	2234H1438MTOR	M102234C1069	Side Gear - Differential
7	3278W335	3278W335MTOR	M103278W335	Spider - Differential
8	2233M1001	2233M1001MTOR	M102233M1001	Pinion Gear - Differential
9	1229K3001		M101229K3001	Thrust Washer - Differential
13	A3380W1687		M10A3380W1687	Oil Filter
Gear Set	A396621		M10A396621	Ratio 3.73
Gear Set	A398761		M10A398761	Ratio 3.91
Gear Set	A398781	A398781MTOR	M10A398781	Ratio 4.10
Gear Set	A398801	A398801MTOR	M10A398801	Ratio 4.30
Gear Set	A398821	A398821MTOR	M10A398821	Ratio 4.56
Gear Set	A396641		M10A396641	Ratio 4.89
Gear Set	A396741		M10A396741	Ratio 6.14
Gear Set	B398921		M10B398921	Ratio 6.43


RP23160

INPUT AND INTER-AXLE DIFFERENTIAL ASSEMBLY

RPL23160

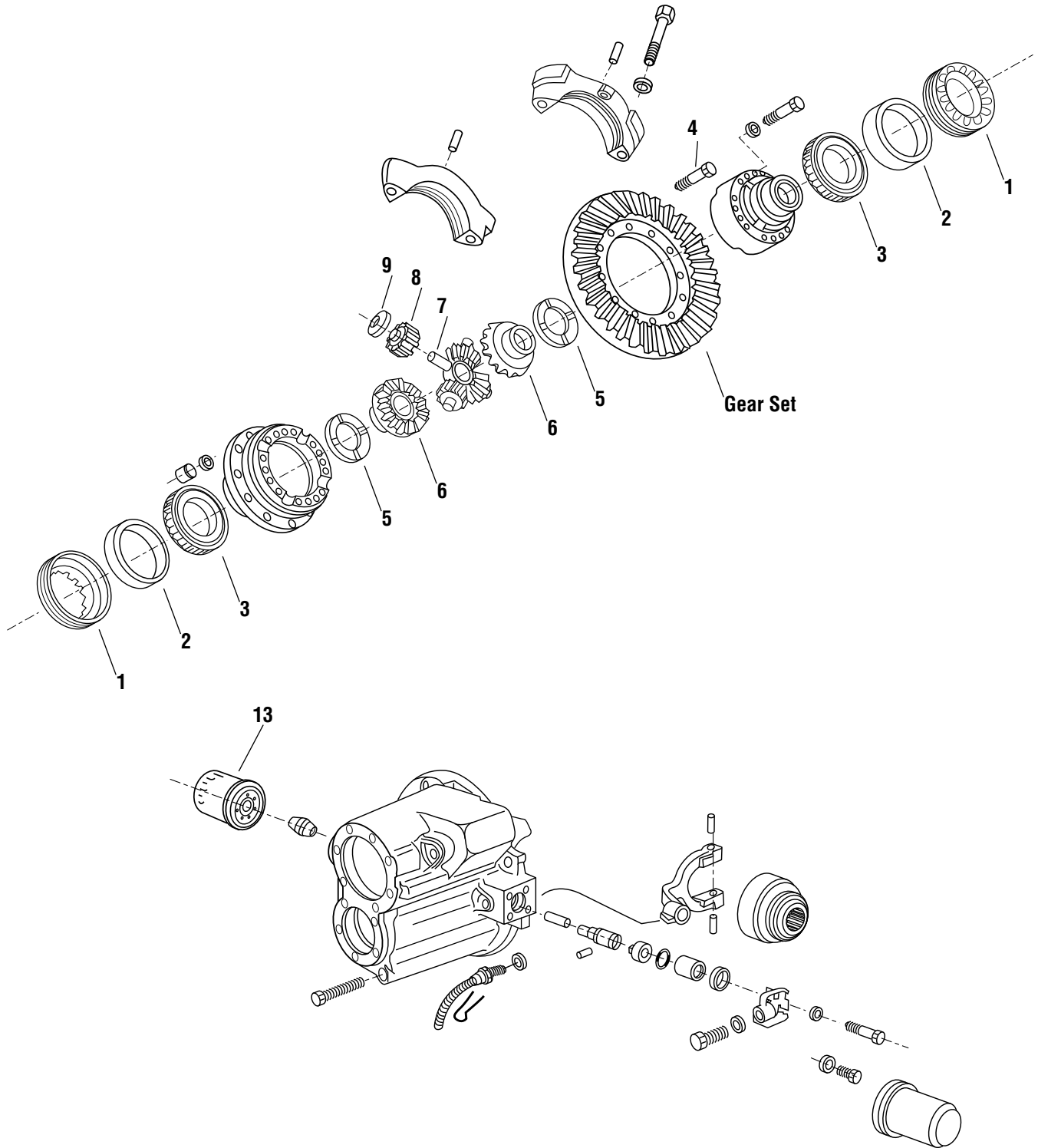


RPL23160 INPUT SHAFT AND INTER-AXLE DIFFERENTIAL ASSEMBLY

KEY NO.	INDUSTRY PART NO.	 MERITOR 2-YR WARRANTY	<i>Mach</i> 1-YR WARRANTY	DESCRIPTION
	A13297S1605		M10A13297X1194	Input Shaft and Nut Assembly Includes Items 1 and 8
1	KIT2638		M10KIT2638	Nut - Drive Pinion
2	MWA512		M10MWA512	Washer - Input Nut
3	R945007		M10945007	Oil Seal - Input Bearing Cage - 3"
4	A3226H1126		M10A3226H1126	Bearing Cage and Cup Assembly - Input Includes Item 6
5	5X1343		M105X1343	O-Ring - Input Bearing Cage
6	HM813810	HM813810MTOR	HM813810MAF	Bearing Cup - Input Shaft - Outer
7	HM813843	HM813843MTOR	HM813843MAF	Bearing Cone - Input Shaft - Outer
9	1229S4985		M101229S4985	Thrust Washer - Helical Drive Gear
10	3892S5947	3892S5947MTOR	M103892T4934	Helical Drive Gear
	A33235A2393		M10A33235A2393	Case Assembly - IAD Includes Items 11 through 17
14	3278N300	3278N300MTOR	M103278N300	Spider - IAD
15	2233K245	2233K245MTOR	M102233K245	Pinion Gear - IAD
16	1229Q2929		M101229Q2929	Thrust Washer - IAD
17	2297S5349		M102297S5349	Snap Ring - IAD
18	3107P1212		M103107P1212	Clutch Collar, IAD (Use on carriers after 10/00)
18	A13235A2393		M10A13235A2393	Clutch Collar, IAD (Use on carriers prior to 10/00)
19	2234T1190	2234T1190MTOR	M102234T1190	Side Gear - IAD - Rear
20	3296B1328		M103296B1328	Shift Fork - IAD
21	JLM714149	JLM714149MTOR	JLM714149MAF	Bearing Cone - Rear Side Gear
22	JLM714110	JLM714110MTOR	JLM714110MAF	Bearing Cup - Rear Side Gear
23	41X1208		M1041X1208	Adjusting Screw - Shift Shaft
24	MN3121		M10MN3121	Jam Nut - Adjusting Screw
25	KIT2825		M10KIT2825	Snap Ring - Shift Assembly
26	A3261L350		M10A3261L350	Shift Assembly - IAD Air
27	H715343	H715343MTOR	H715343MAF	Bearing Cone - Drive Pinion - Inner
28	H715311	H715311MTOR	H715311MAF	Bearing Cup - Drive Pinion - Inner
29	KIT2429		M10KIT2429	Shims - Drive Pinion
30	3892Q5945	3892Q5945MTOR	M103892U4909	Helical Driven Gear
31	65500	65500MTOR	65500MAF	Bearing Cup - Drive Pinion - Outer
32	65237	65237MTOR	65237MAF	Bearing Cone - Drive Pinion - Outer
33	1229G4063		M101229G4063	Washer - Drive Pinion Nut
34	40X1145		M1040X1145	Nut - Drive Pinion
35	3266C1095		M103266C1095	Cover - Drive Pinion
36	1250N1080		M101250N1080	Plug - Oil Pressure Relief Valve
37	1229F4062		M101229F4062	Plug - Oil Pressure Relief Valve
38	2258Z1118		M102258Z1118	Spring - Oil Pressure Relief Valve
39	2297U5273		M102297U5273	Valve - Oil Pressure Relief
40	A3303P1030		M10A3303P1030	Oil Pump Assembly
41	MS2080452		M10MS2080452	Capscrew - Oil Pump
Bearing Kit	KIT4422	KIT4422MTOR	M10DRK4422	See Kits section for complete BOM


RPL23160

MAIN DIFFERENTIAL



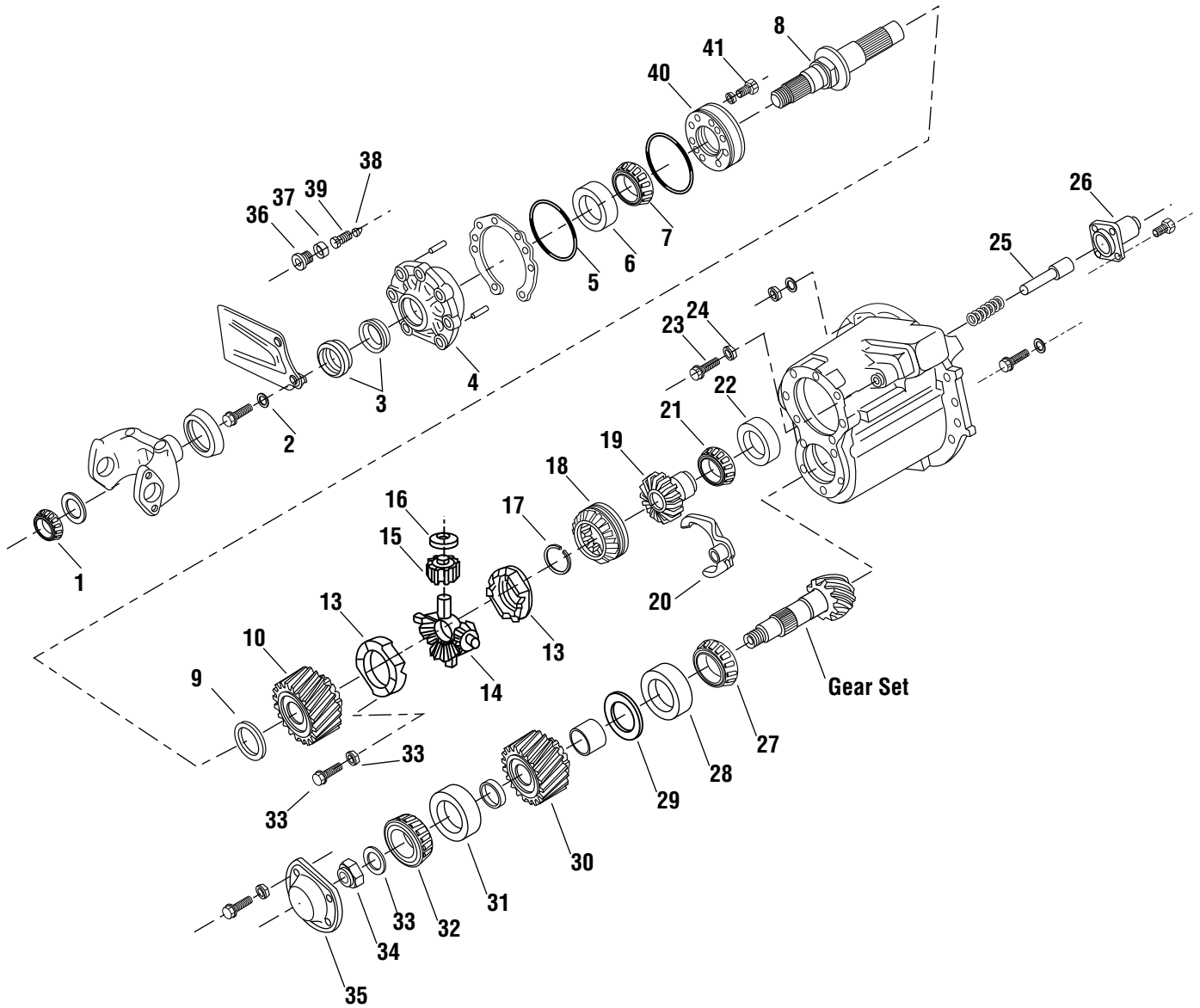
RPL23160

RPL23160 MAIN DIFFERENTIAL, OIL PUMP AND DIFFERENTIAL LOCK ASSEMBLY

KEY NO.	INDUSTRY PART NO.	 MERITOR 2-YR WARRANTY	<i>Mach</i> 1-YR WARRANTY	DESCRIPTION
1	2214G1125		M102214G1125	Adjusting Ring - Differential
2	592A	592AMTOR	592AMAF	Bearing Cup - Differential - Plain/Flange Half (right side)
2	52618	52618MTOR	52618MAF	Bearing Cup - Differential - Plain/Flange Half (left side)
3	594A	594AMTOR	594AMAF	Bearing Cone - Differential - Plain/Flange Half (right side)
3	52400	52400MTOR	52400MAF	Bearing Cone - Differential - Plain/Flange Half (left side)
4	KIT2426		M10KIT2426	Bolt & Nut - Ring Gear to Diff Plain Half Includes Items 10 and 11
5	1229L3002		M101229L3002	Thrust Washer - Side Gear
6	2234H1438	2234H1438MTOR	M102234C1069	Side Gear - Differential
7	3278W335	3278W335MTOR	M103278W335	Spider - Differential
8	2233M1001	2233M1001MTOR	M102233M1001	Pinion Gear - Differential
9	1229K3001		M101229K3001	Thrust Washer - Differential
12	5X1198		M105X1198	Piston - Differential Lock
13	A3380W1687		M10A3380W1687	Oil Filter
Gear Set	A396621		M10A396621	Ratio 3.73
Gear Set	A398761		M10A398761	Ratio 3.91
Gear Set	A398781	A398781MTOR	M10A398781	Ratio 4.1
Gear Set	A398801	A398801MTOR	M10A398801	Ratio 4.3
Gear Set	A398821	A398821MTOR	M10A398821	Ratio 4.56
Gear Set	A396641		M10A396641	Ratio 4.89
Gear Set	A396741		M10A396741	Ratio 6.14
Gear Set	B398921		M10B398921	Ratio 6.43

RPL23160

INPUT SHAFT AND INTER-AXLE DIFFERENTIAL



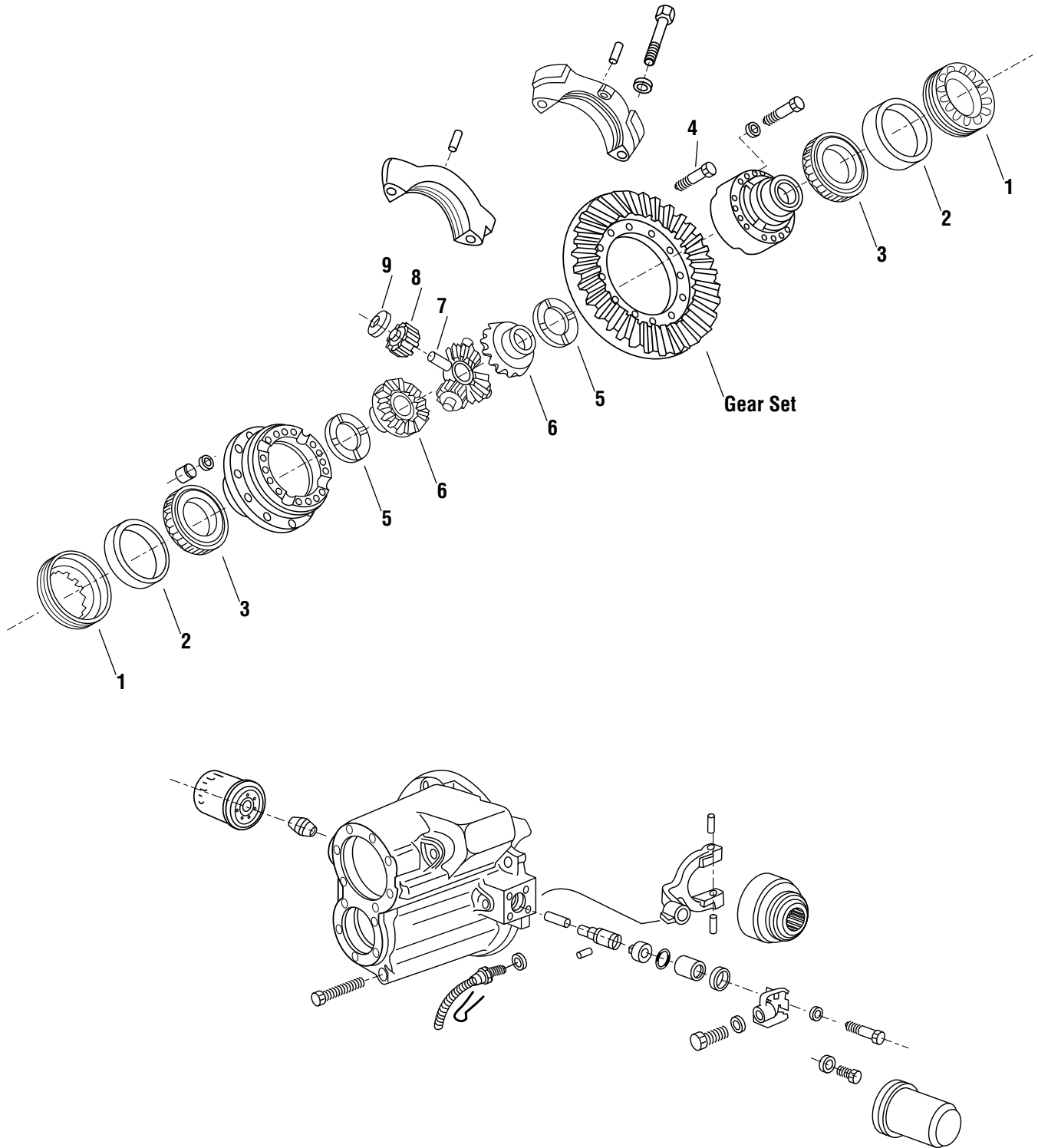
RL23160

RL23160 INPUT SHAFT AND INTER-AXLE DIFFERENTIAL

KEY NO.	INDUSTRY PART NO.	 MERITOR 2-YR WARRANTY	<i>Mach</i> 1-YR WARRANTY	DESCRIPTION
1	KIT2638		M10KIT2638	Nut - Drive Pinion
1	A13297S1605		M10A13297X1194	Input Shaft and Nut Assembly Includes Item 8
2	MWA512		M10MWA512	Washer - Input Nut
3	R945007		M10R945007	Oil Seal- Input Bearing Cage - 3"
4	A3226S1137		M10A3226H1126	Bearing Cage and Cup Assembly - Input Includes Item 6
5	5X1343		M105X1343	O-Ring - Input Bearing Cage
6	HM813810	HM813810MTOR	HM813810MAF	Bearing Cup - Input Shaft - Outer
7	HM813843	HM813843MTOR	HM813843MAF	Bearing Cone - Input Shaft - Outer
9	1229S4985		M101229S4985	Thrust Washer - Helical Drive Gear
10	3892S5947	3892S5947MTOR	M103892T4934	Helical Drive Gear
11	A33235A2393		M10A33235A2393	Case Assembly - IAD Includes Items 12 through 17
14	3278N300	3278N300MTOR	M103278N300	Spider - IAD
15	2233K245	2233K245MTOR	M102233K245	Pinion Gear - IAD
16	1229Q2929		M101229Q2929	Thrust Washer - IAD
17	2297S5349		M102297S5349	Snap Ring - IAD
18	3107P1212		M103107P1212	Clutch Collar - IAD (use on carriers after 10/00)
18	A13235A2393		M10A13235A2393	Clutch Collar - IAD (use on carriers prior to 10/00)
19	2234T1190	2234T1190MTOR	M102234T1190	Side Gear - IAD - Rear
20	3296B1328		M103296B1328	Shift Fork - IAD
21	JLM714149	JLM714149MTOR	JLM714149MAF	Bearing Cone - Rear Side Gear
22	JLM714110	JLM714110MTOR	JLM714110MAF	Bearing Cup - Rear Side Gear
23	41X1208		M1041X1208	Adjusting Screw - Shift Shaft
24	MN3121		M10MN3121	Jam Nut - Adjusting Screw
25	KIT2825		M10KIT2825	Snap Ring- Shift Assembly Includes Item 26
26	A3261L350		M10A3261L350	Shift Assembly - IAD Air
27	H715343	H715343MTOR	H715343MAF	Bearing Cone - Drive Pinion - Inner
28	H715311	H715311MTOR	H715311MAF	Bearing Cup - Drive Pinion - Inner
29	KIT2429		M10KIT2429	Shims - Drive Pinion
30	3892Q5945	3892Q5945MTOR	M103892U4909	Helical Driven Gear
31	65500	65500MTOR	65500MAF	Bearing Cup - Drive Pinion - Outer
32	65237	65237MTOR	65237MAF	Bearing Cone - Drive Pinion - Outer
33	1229G4063		M101229G4063	Washer - Drive Pinion Nut
34	40X1145		M1040X1145	Nut - Drive Pinion
35	3266C1095		M103266C1095	Cover - Drive Pinion
36	1250N1080		M101250N1080	Plug - Oil Pressure Relief Valve
37	1229F4062		M101229F4062	Plug - Oil Pressure Relief Valve
38	2258Z1118		M102258Z1118	Spring - Oil Pressure Relief Valve
39	2297U5273		M102297U5273	Valve - Oil Pressure Relief
40	A3303P1030		M10A3303P1030	Oil Pump Assembly
41	MS2080452		M10MS2080452	Capscrew - Oil Pump
Bearing Kit	KIT4422	KIT4422MTOR	M10DRK4422	See Kits section for complete BOM

RL23160

MAIN DIFFERENTIAL



RL23160

RL23160 MAIN DIFFERENTIAL

KEY NO.	INDUSTRY PART NO.	 MERITOR 2-YR WARRANTY	<i>Mach</i> 1-YR WARRANTY	DESCRIPTION
1	2214G1125		M102214G1125	Adjusting Ring - Differential
2	592A	592AMTOR	592AMAF	Bearing Cup - Differential - Plain/Flange Half
2	52618	52618MTOR	52618MAF	Bearing Cup - Differential - Plain/Flange Half
3	594A	594AMTOR	594AMAF	Bearing Cone - Differential - Plain/Flange Half
3	52400	52400MTOR	52400MAF	Bearing Cone - Differential - Plain/Flange Half
4	KIT2426		M10KIT2426	Bolt & Nut - Ring Gear to Diff Plain Half Includes Items 10 and 11
5	1229L3002		M101229L3002	Thrust Washer - Side Gear
6	2234H1438	2234H1438MTOR	M102234C1069	Side Gear - Differential
7	3278W335	3278W335MTOR	M103278W335	Spider - Differential
8	2233M1001	2233M1001MTOR	M102233M1001	Pinion Gear - Differential
9	1229K3001		M101229K3001	Thrust Washer - Differential
12	5X1198		M105X1198	Piston - Differential Lock
Gear Set	A396621		M10A396621	Ratio 3.73
Gear Set	A398761		M10A398761	Ratio 3.91
Gear Set	A398781	A398781MTOR	M10A398781	Ratio 4.10
Gear Set	A398801	A398801MTOR	M10A398801	Ratio 4.30
Gear Set	A398821	A398821MTOR	M10A398821	Ratio 4.56
Gear Set	A396641		M10A396641	Ratio 4.89
Gear Set	A396741		M10A396741	Ratio 6.14
Gear Set	B398921		M10B398921	Ratio 6.43

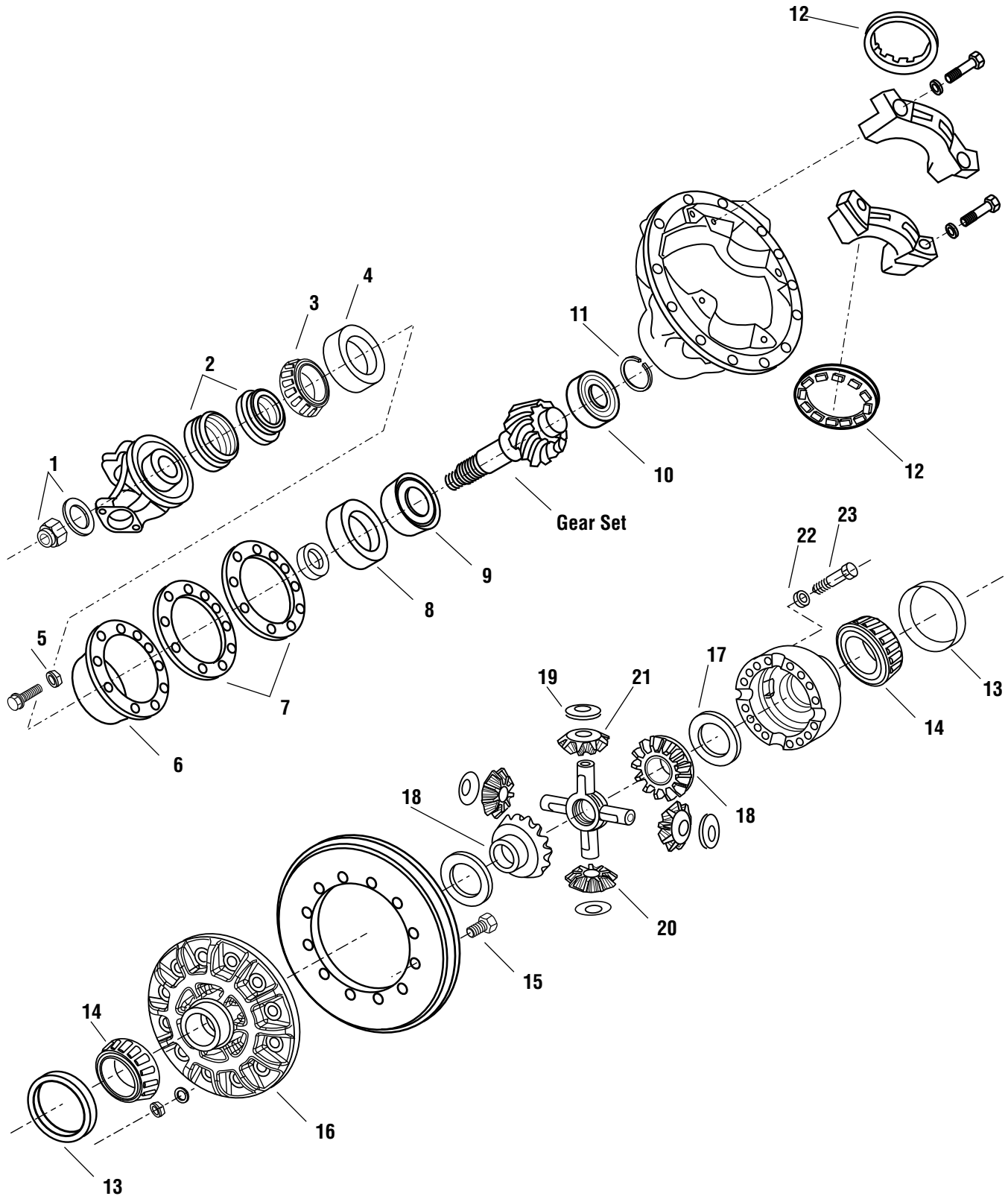
RL23160

RR23160 COMPLETE ASSEMBLY

KEY NO.	INDUSTRY PART NO.	 MERITOR 2-YR WARRANTY	<i>Mach</i> 1-YR WARRANTY	DESCRIPTION
1	KIT2638		M10KIT2638	Nut - Drive Pinion
2	R945010		M10A11205A2731	Oil Seal - Pinion Bearing Cage
3	HM813843	HM813843MTOR	HM813843MAF	Bearing Cone - Drive Pinion - Outer
4	HM813810	HM813810MTOR	HM813810MAF	Bearing Cup - Drive Pinion - Outer
5	MWA512		M10MWA512	Washer - Input Nut
6	A3226R1006		M10A3226R1006	Pinion Bearing Cage and Cup Assembly
7	KIT1592		M10KIT1592	Shims - Drive Pinion
8	9220	9220MTOR	9220MAF	Bearing Cup - Drive Pinion - Inner
9	9278	9278MTOR	9278MAF	Bearing Cone - Drive Pinion - Inner
10	A1228Q2253		1228B1042MAF	Bearing - Drive Pinion Spigot
11	46X1029		M1046X1029	Snap Ring-Spigot Bearing
12	2214G1125		M102214G1125	Adjusting Ring, Left Side
12	2214J1128		M102214J1128	Adjusting Ring, Right Side
	32021		32021MAF	Bearing Assembly - Cup/Cone (left and right)
13	592A	592AMTOR	592AMAF	Bearing Cup - Differential-Plain/Flange Half (left side)
13	52618	52618MTOR	52618MAF	Bearing Cup - Differential-Plain/Flange Half (right side)
14	594A	594AMTOR	594AMAF	Bearing Cone - Differential-Plain/Flange Half (left side)
14	52400	52400MTOR	52400MAF	Bearing Cone - Differential-Plain/Flange Half (right side)
15	KIT2426		M10KIT2426	Bolt & Nut - Ring Gear to Diff Plain Half
16	1229L3002		M101229L3002	Thrust Washer - Side Gear
17	2234H1438	2234H1438MTOR	M102234C1069	Side Gear - Differential
18	1229K3001		M101229K3001	Thrust Washer - Differential
19	2233M1001	2233M1001MTOR	M102233M1001	Pinion Gear - Differential
20	3278W335	3278W335MTOR	M103278W335	Spider - Differential
Bearing Kit	KIT4415		M10DRK4415	Old Design
Bearing Kit	KIT4426	KIT4426MTOR	M10DRK4426	New Design
Gear Set	A415721		M10A415721	Ratio 2.80
Gear Set	A399045		M10A399045	Ratio 3.58
Gear Set	A399065		M10A399065	Ratio 3.73
Gear Set	A398845	A398845MTOR	M10A398845	Ratio 3.91
Gear Set	A398865	A398865MTOR	M10A398865	Ratio 4.10
Gear Set	A398885	A398885MTOR	M10A398885	Ratio 4.30
Gear Set	A398905	A398905MTOR	M10A398905	Ratio 4.56
Gear Set	A400245	A400245MTOR	M10A400245	Ratio 4.89
Gear Set	A401045	A401045MTOR	M10A401045	Ratio 5.38
Gear Set	A401065		M10A401065	Ratio 5.63
Gear Set	A401105	A401105MTOR	M10A401105	Ratio 6.14
Gear Set	A401165		M10A401165	Ratio 6.43
Gear Set	A401225		M10A401225	Ratio 7.17

RR23160

COMPLETE ASSEMBLY

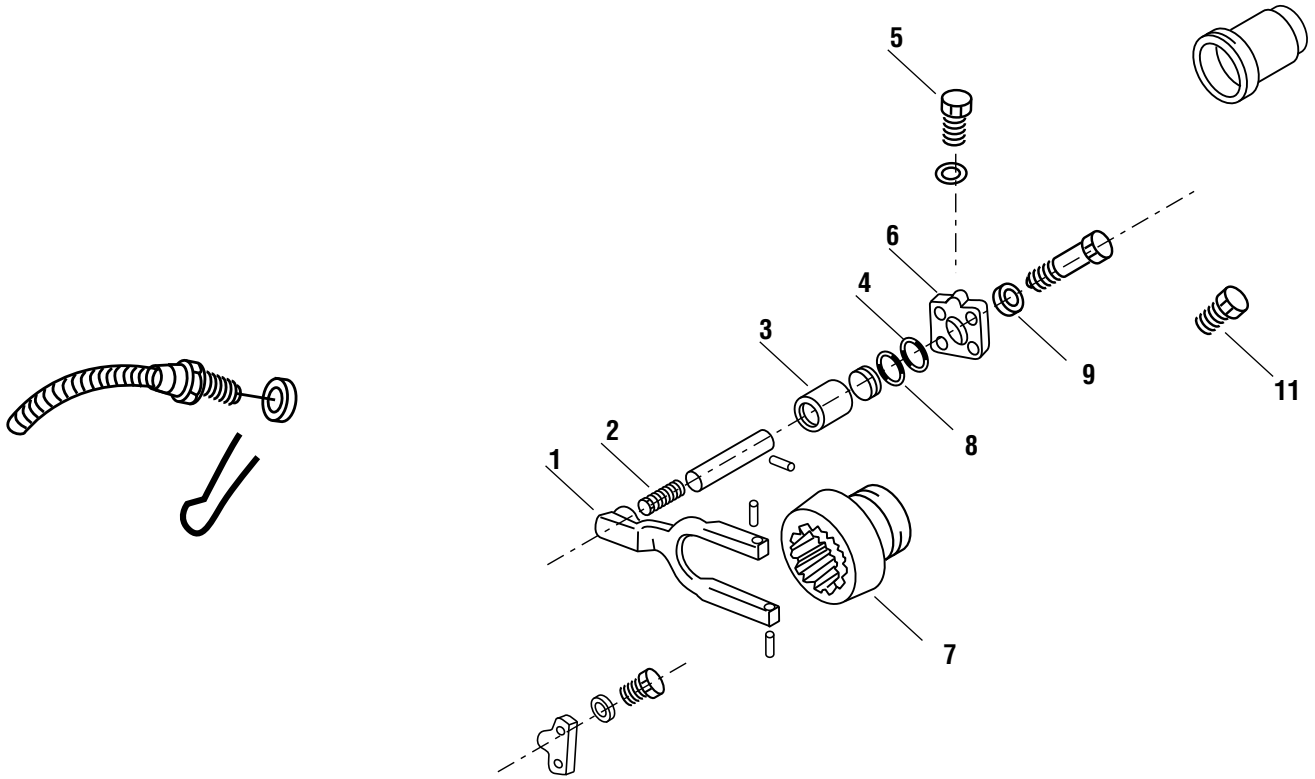


RRL23160

RRL23160 COMPLETE ASSEMBLY

KEY NO.	INDUSTRY PART NO.	 MERITOR 2-YR WARRANTY	<i>Mach</i> 1-YR WARRANTY	DESCRIPTION
1	KIT2638		M10KIT2638	Nut - Drive Pinion
2	R945010		M10A11205A2731	Oil Seal - Pinion Bearing Cage
3	HM813843	HM813843MTOR	HM813843MAF	Bearing Cone - Input Shaft - Outer
4	HM813810	HM813810MTOR	HM813810MAF	Bearing Cup - Input Shaft - Outer
5	MWA512		M10MWA512	Washer - Input Nut
6	A3226R1006		M10A3226R1006	Pinion Bearing Cage and Cup Assembly
7	KIT1592		M10KIT1592	Shims - Drive Pinion
8	9220	9220MTOR	9220MAF	Bearing Cup - Drive Pinion - Inner
9	9278	9278MTOR	9278MAF	Bearing Cone - Drive Pinion - Inner
10	A1228Q2253		1228B1042MAF	Bearing - Drive Pinion Spigot
10	A11228P1004		M10A11228P1004	Bearing - Drive Pinion Spigot
11	46X1029		M1046X1029	Snap Ring - Spigot Bearing
12	2214G1125		M102214G1125	Adjusting Ring - Differential (left side)
12	2214J1128		M102214J1128	Adjusting Ring - Differential (right side)
13	592A	592AMTOR	592AMAF	Bearing Cup - Differential - Plain/Flange Half (left side)
13	52618	52618MTOR	52618MAF	Bearing Cup - Differential - Plain/Flange Half (right side)
14	594A	594AMTOR	594AMAF	Bearing Cone - Differential - Plain/Flange Half (left side)
14	52400	52400MTOR	52400MAF	Bearing Cone - Differential - Plain/Flange Half (right side)
15	KIT2426		M10KIT2426	Bolt & Nut - Ring Gear to Diff Plain Half
	A23235E2111		M10A23235E2111	Case Assembly - Differential (ratios: 3.91, 4.10, 4.30, 4.56) Includes Items 16, 22 and 23
	A23235G2113		M10A23235G2113	Case Assembly - Differential (ratios: 4.89, 5.38, 5.63, 6.14, 6.43, 6.83, 7.17) Includes Items 16, 22 and 23
	A23235C2109		M10A23235C2109	Case Assembly - Differential (ratios: 3.07, 3.21, 3.42, 3.58, 3.75) Includes Items 16, 22 and 23
16	3235A2107		M103235A2107	Differential Case - Plain Half
17	1229L3002		M101229L3002	Thrust Washer - Side Gear
18	2234H1438	2234H1438MTOR	M102234C1069	Side Gear - Differential
19	1229K3001		M101229K3001	Thrust Washer - Differential
20	2233M1001	2233M1001MTOR	M102233M1001	Pinion Gear - Differential
21	3278W335	3278W335MTOR	M103278W335	Spider - Differential
Bearing Kits	KIT4426	KIT4426MTOR	M10DRK4426	See Kits section for complete BOM

DIFFERENTIAL LOCK

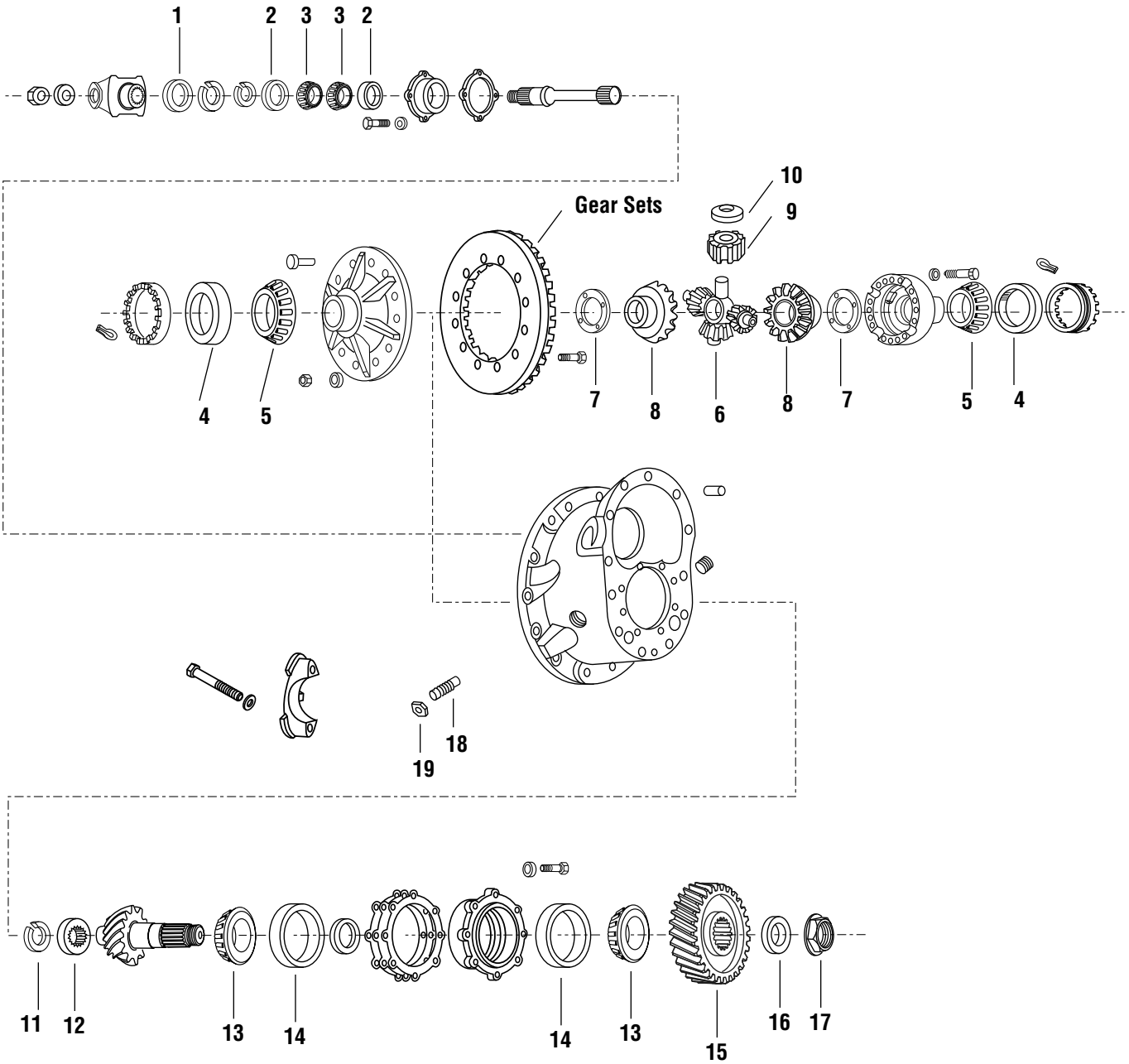


RRL23160

RRL23160 DIFFERENTIAL LOCK

KEY NO.	INDUSTRY PART NO.	 MERITOR 2-YR WARRANTY	<i>Mach</i> 1-YR WARRANTY	DESCRIPTION
1	3296B1172		M103296B1172	Shift Fork - Differential Lock
2	2258N1262		M102258N1262	Spring - Differential Lock
3	3261A1067		M103261A1067	Tube - Air Cylinder
4	2208H944		M102208H944	Gasket - Air Cylinder
5	41X1368		M1041X1368	Capscrew- manuel engaging
6	3266F1020		M103266F1020	Cover - Air Cylinder
7	3107B1094		M103107B1094	Clutch Collar - Differential Lock
8	5X1198		M105X1198	O-Ring- Piston
9	MWA506		M10MWA506	Washer - Air Cylinder Cover
10	41X1364		M1041X1364	Capscrew - Air Cylinder Cover
11	2208L1000		M102208L1000	Gasket - Plug
Gear Set	A415721		M10A415721	Ratio 2.80
Gear Set	A399045		M10A399045	Ratio 3.58
Gear Set	A399065		M10A399065	Ratio 3.73
Gear Set	A398845	A398845MTOR	M10A398845	Ratio 3.91
Gear Set	A398865	A398865MTOR	M10A398865	Ratio 4.10
Gear Set	A398885	A398885MTOR	M10A398885	Ratio 4.30
Gear Set	A398905	A398905MTOR	M10A398905	Ratio 4.56
Gear Set	A400245	A400245MTOR	M10A400245	Ratio 4.89
Gear Set	A401045	A401045MTOR	M10A401045	Ratio 5.38
Gear Set	A401065		M10A401065	Ratio 5.63
Gear Set	A401105	A401105MTOR	M10A401105	Ratio 6.14
Gear Set	A401165		M10A401165	Ratio 6.43
Gear Set	A401225		M10A401225	Ratio 7.17

INPUT AND MAIN DIFFERENTIAL ASSEMBLY

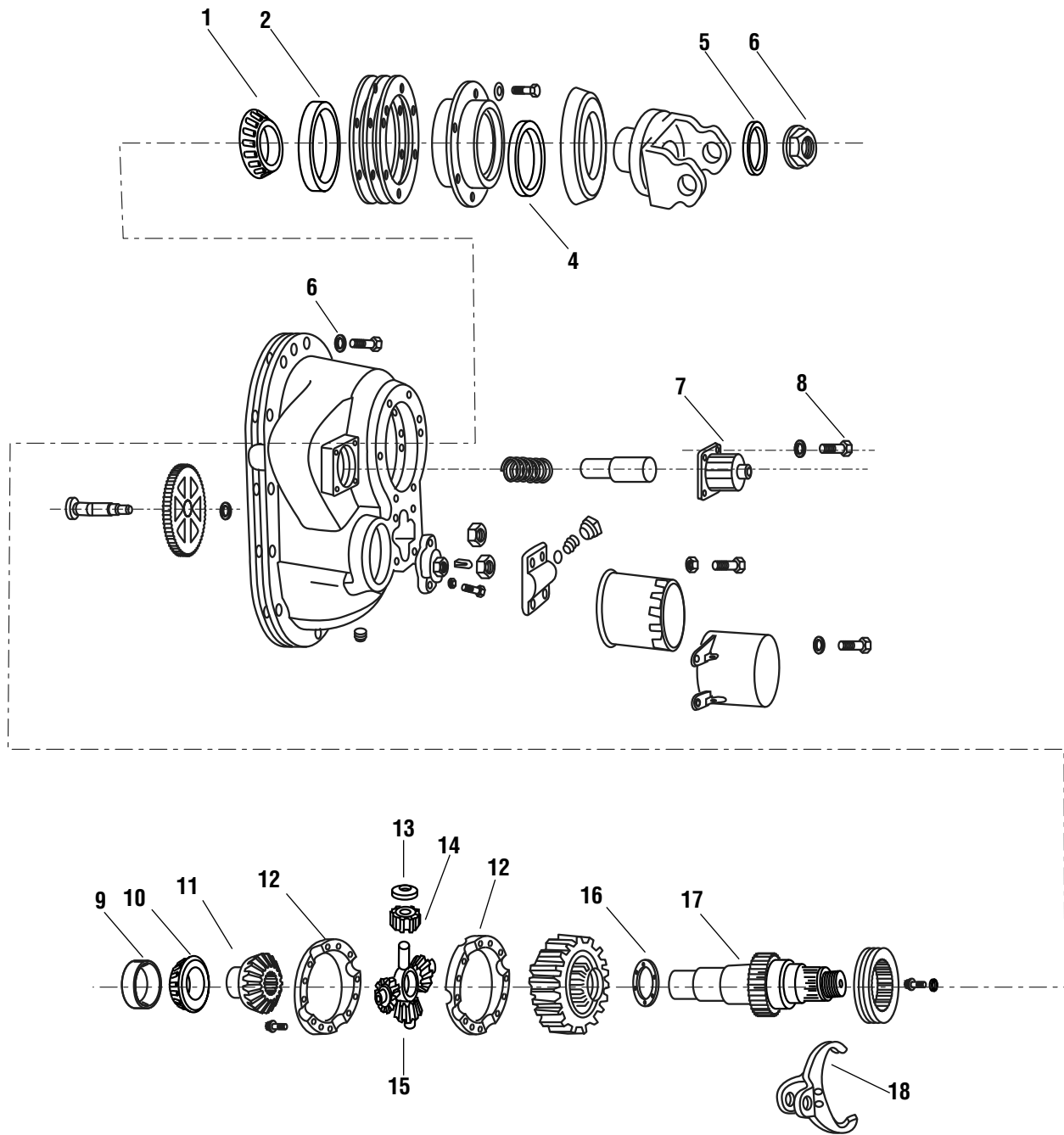


SQ100 FRONT INPUT AND MAIN DIFFERENTIAL ASSEMBLY

KEY NO.	INDUSTRY PART NO.	 MERITOR 2-YR WARRANTY	<i>Mach</i> 1-YR WARRANTY	DESCRIPTION
1	A1205G2425		M10A1205G2425	Seal- Thrustshaft
2	LM603011		LM603011MAF	Bearing Cup- Thrustshaft
3	LM603049		LM603049MAF	Bearing Cone- Thrustshaft
4	JM716610	JM716610MTOR	JM716610MAF	Bearing Cup - Differential - Plain/Flange Half
5	JM716649	JM716649MTOR	JM716649MAF	Bearing Cone - Differential - Plain/Flange Half
6	3278S305	3278S305MTOR	M103278S305	Spider - Differential
7	1229T1034		M101229T1034	Thrust Washer - Side Gear
8	2234C783		M102234C783	Side Gear - Differential 16 T. 41 Spl.
9	2233U151		M102233U151	Pinion Gear - Differential
10	1229R1032		M101229R1032	Thrust Washer - Differential
11	1229A1301		M101229A1301	Lock Ring - Drive Pinion Spigot Bearing
12	RU1570UM	RU1570UMMTOR	RU1570UMMAF	Bearing - Drive Pinion Spigot
13	72212C	72212CMTOR	72212CMAF	Bearing Cone - Drive Pinion - Outer
14	72487	72487MTOR	72487MAF	Bearing Cup - Drive Pinion - Outer
15	3892S3945		M103892S3945	Helical Driven Gear
16	1229N1730		M101229N1730	Washer - Drive Pinion Nut
17	1227N898		M101227N898	Nut - Drive Pinion
18	15X1025		M1015X1025	Thrust Screw - Block Adjuster
19	13X41		M1013X41	Thrust Nut - Block Adjuster
Bearing Kit	DRK194F		M10DRK194F	See Kits section for complete BOM
Gear Set	A372782355		M10A372782	Ratio 3.55
Gear Set	A391701373		M10A391701	Ratio 3.73
Gear Set	A380021390		M10A380021	Ratio 3.90
Gear Set	A374942		M10A388361	Ratio 4.10
Gear Set	A374041433		M10A374041	Ratio 4.33
Gear Set	A375302444		M10A375302	Ratio 4.44
Gear Set	A373981		M10A373981	Ratio 4.88

SQ100 FRONT

ADAPTER COVER ASSEMBLY

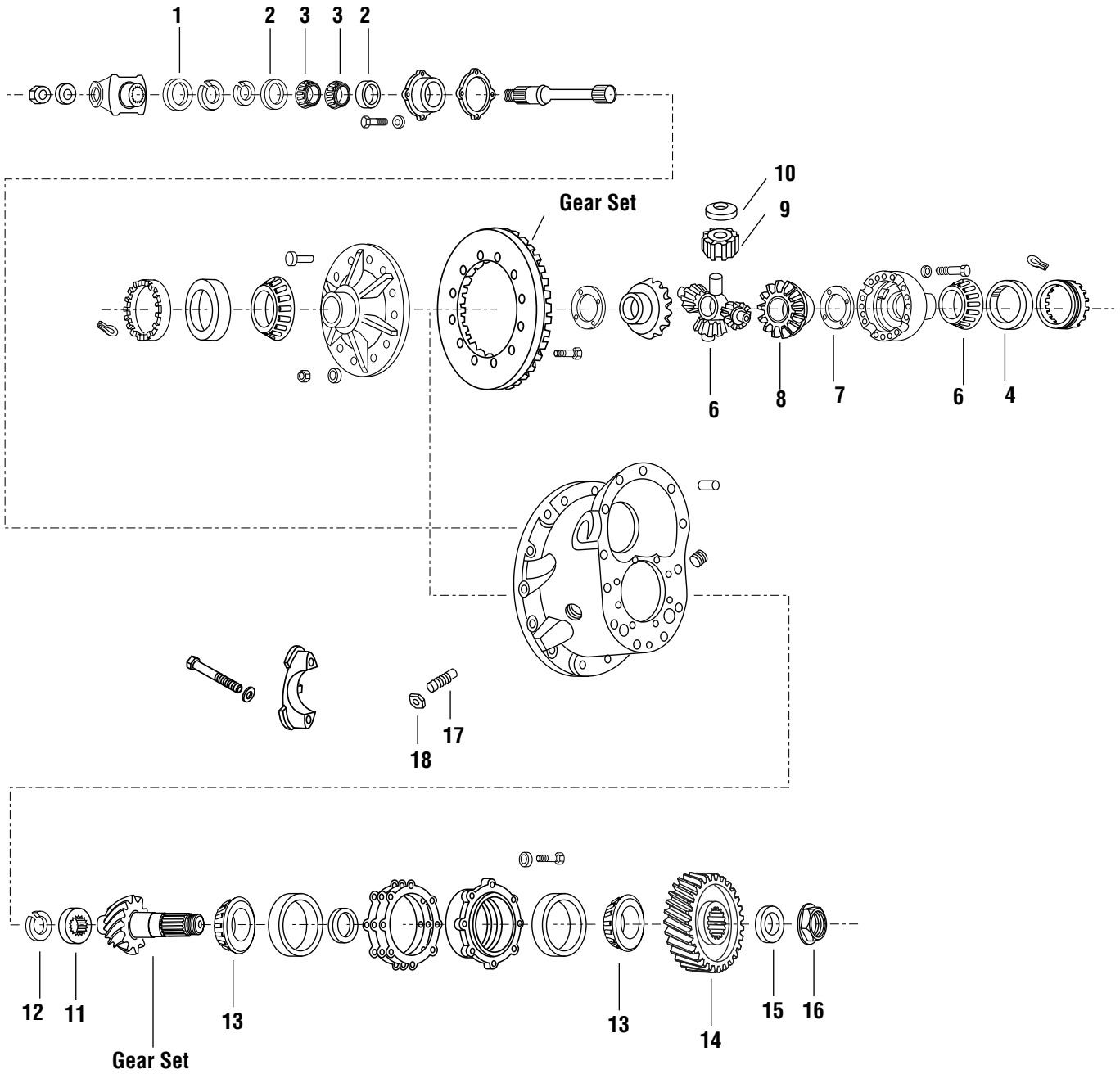


SQ100 FRONT ADAPTER COVER ASSEMBLY

KEY NO.	INDUSTRY PART NO.	 MERITOR 2-YR WARRANTY	<i>Mach</i> 1-YR WARRANTY	DESCRIPTION
1	JM511946		JM511946MAF	Bearing Cone - Input Shaft - Outer
2	JM511910	JM511910MTOR	JM511910MAF	Bearing Cup - Input Shaft - Outer
3	A11205Y2729		M10A11205Y2729	Oil Seal - Input Bearing Cage (pre 8-83)
3	R945008		M10R945008	Oil Seal - Input Bearing Cage (all others)
4	1229T1736		M101229T1736	Washer - Input Shaft Nut
5	1227R902		M101227R902	Nut - Input Yoke and Shaft
6	1229C1511		M101229C1511	Washer - Input Bearing Cage
	KIT2266		M10KIT2266	Air Chamber - Shift Assembly Includes Items 7 and 8
9	JLM710910	JLM710910MTOR	JLM710910MAF	Bearing Cup - Rear Side Gear
10	JLM710949C		JLM710949MAF	Bearing Cone - Rear Side Gear
11	2234E1019		M102234E1019	Side Gear - IAD - Rear
	A33235Q2747		M10A33235F1800	Inter-Axle Nest Assembly Includes Items 12 through 15
16	1229M4069		M101229M4069	Thrust Washer - Helical Drive Gear
17	A13297Z1014		M10A13297Z1014	Input Shaft and Nut Assembly Includes Items 4 and 5
18	A3296T150		M10A3296T150	Shift Fork - IAD
Bearing Kit	DRK194F		M10DRK194F	See Kits section for complete BOM
Gear Set	A372782355		M10A372782	Ratio 3.55
Gear Set	A391701373		M10A391701	Ratio 3.73
Gear Set	A380021390		M10A380021	Ratio 3.90
Gear Set	A374942		M10A388361	Ratio 4.10
Gear Set	A374041433		M10A374041	Ratio 4.33
Gear Set	A375302444		M10A375302	Ratio 4.44
Gear Set	A373981		M10A373981	Ratio 4.88

INPUT AND MAIN DIFFERENTIAL ASSEMBLY

SQ100P FRONT



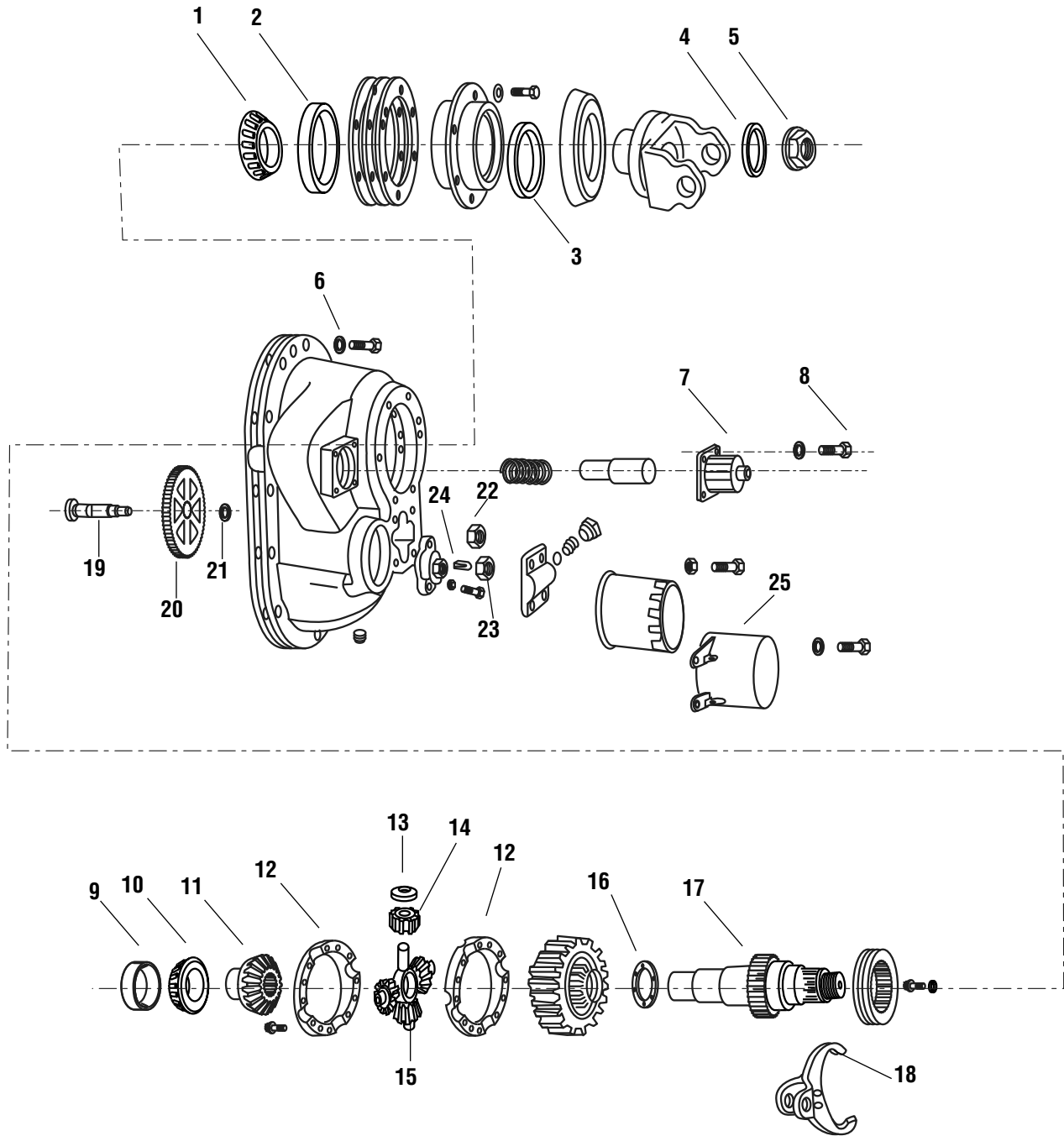
SQ100P INPUT AND MAIN DIFFERENTIAL ASSEMBLY

KEY NO.	INDUSTRY PART NO.	 MERITOR 2-YR WARRANTY	<i>Mach</i> 1-YR WARRANTY	DESCRIPTION
1	A1205G2425		M10A1205G2425	Seal- Thrustshaft
2	LM603011		LM603011MAF	Bearing Cup - Thrustshaft
3	LM603049		LM603049MAF	Bearing Cone - Thrustshaft
4	JM716610	JM716610MTOR	JM716610MAF	Bearing Cup - Differential - Plain/Flange Half
5	JM716649	JM716649MTOR	JM716649MAF	Bearing Cone - Differential - Plain/Flange Half
6	3278S305	3278S305MTOR	M103278S305	Spider - Differential
7	1229T1034		M101229T1034	Thrust Washer - Side Gear
8	2234C783		M102234C783	Side Gear - Differential 16 T. 41 Spl.
9	2233U151		M102233U151	Pinion Gear - Differential
10	1229R1032		M101229R1032	Thrust Washer - Differential
11	1229A1301		M101229A1301	Lock Ring - Drive Pinion Spigot Bearing
12	RU1570UM	RU1570UMMTOR	RU1570UMMAF	Bearing - Drive Pinion Spigot
13	72212C	72212CMTOR	72212CMAF	Bearing Cone - Drive Pinion - Outer
13	72487	72487MTOR	72487MAF	Bearing Cup - Drive Pinion - Outer
14	3892S3945		M103892S3945	Helical Driven Gear
15	1229N1730		M101229N1730	Washer - Drive Pinion Nut
16	1227N898		M101227N898	Nut - Drive Pinion
17	15X1025		M1015X1025	Thrust Screw - Block Adjuster
18	13X41		M1013X41	Thrust Nut - Block Adjuster
Bearing Kit	DRK194F		M10DRK194F	See Kits section for complete BOM
Gear Set	A372782355		M10A372782	Ratio 3.55
Gear Set	A391701373		M10A391701	Ratio 3.73
Gear Set	A380021390		M10A380021	Ratio 3.90
Gear Set	A374942		M10A388361	Ratio 4.10
Gear Set	A374041433		M10A374041	Ratio 4.33
Gear Set	A375302444		M10A375302	Ratio 4.44
Gear Set	A373981		M10A373981	Ratio 4.88

SQ100P FRONT

ADAPTER COVER ASSEMBLY

SQ100P FRONT



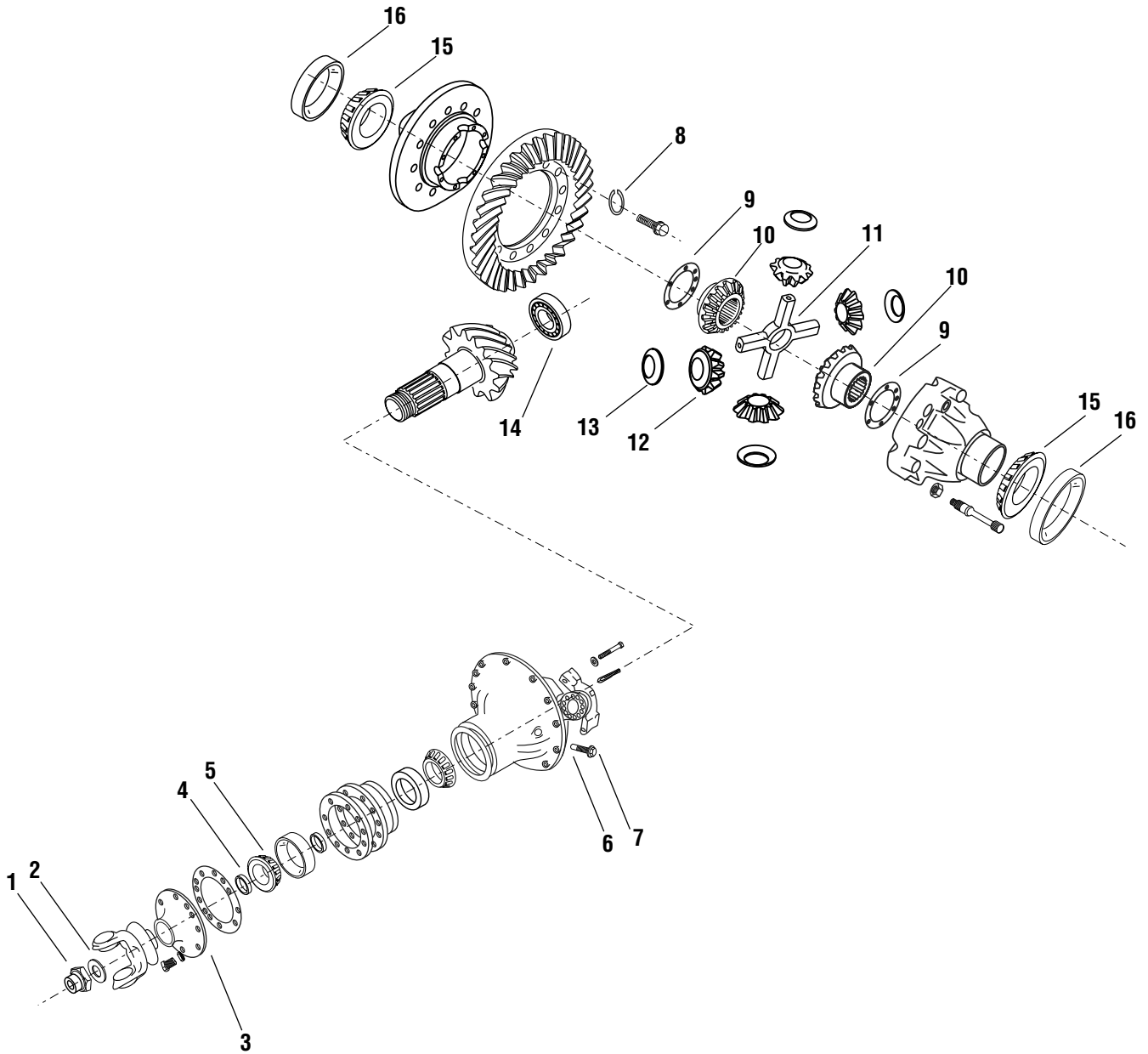
SQ100P FRONT ADAPTER COVER ASSEMBLY

KEY NO.	INDUSTRY PART NO.	 MERITOR 2-YR WARRANTY	<i>Mach</i> 1-YR WARRANTY	DESCRIPTION
1	JM511946		JM511946MAF	Bearing Cone - Input Shaft - Outer
2	JM511910	JM511910MTOR	JM511910MAF	Bearing Cup - Input Shaft - Outer
3	A11205Y2729		M10A11205Y2729	Oil Seal - Input Bearing Cage (pre 8-83)
3	R945008		M10R945008	Oil Seal - Input Bearing Cage (all others)
4	1229T1736		M101229T1736	Washer - Input Shaft Nut
5	1227R902		M101227R902	Nut - Input Yoke and Shaft
6	1229C1511		M101229C1511	Washer - Input Bearing Cage
	KIT2266		M10KIT2266	Air Chamber - Shift Assembly Includes Items 7 and 8
9	JLM710910	JLM710910MTOR	JLM710910MAF	Bearing Cup - Rear Side Gear
10	JLM710949C		JLM710949CMAF	Bearing Cone - Rear Side Gear
11	2234E1019		M102234E1019	Side Gear - IAD - Rear
	A33235Q2747		M10A33235F1800	Inter-Axle Nest Assembly Includes Items 12 through 15
16	1229M4069		M101229M4069	Thrust Washer - Helical Drive Gear
17	A13297Z1014		M10A13297Z1014	Input Shaft and Nut Assembly Includes Items 4 and 5
18	A3296T150		M10A3296T150	Shift Fork - IAD
19	A12297B4240		M10A12297B4240	Oil Pump Assembly Includes Item 20
21	1229G2763		M101229G2763	Snap Ring - Pump Shaft
22	3892Z4368		M103892Z4368	Gear - Pump Drive
23	3892A4369		M103892A4369	Gear - Pump Driven
24	1199R3346		M101199R3346	Shaft - Pump Idler
25	3280V6964		M103280V6964	Shield - Oil Filter
Bearing Kit	DRK194RB		M10DRK194RB	See Kits Section for complete BOM
Gear Set	A372782355		M10A372782	Ratio 3.55
Gear Set	A391701373		M10A391701	Ratio 3.73
Gear Set	A380021390		M10A380021	Ratio 3.90
Gear Set	A374942		M10A388361	Ratio 4.10
Gear Set	A374041433		M10A374041	Ratio 4.33
Gear Set	A375302444		M10A375302	Ratio 4.44
Gear Set	A373981		M10A373981	Ratio 4.88

SQ100P FRONT

COMPLETE ASSEMBLY

SQ100 REAR



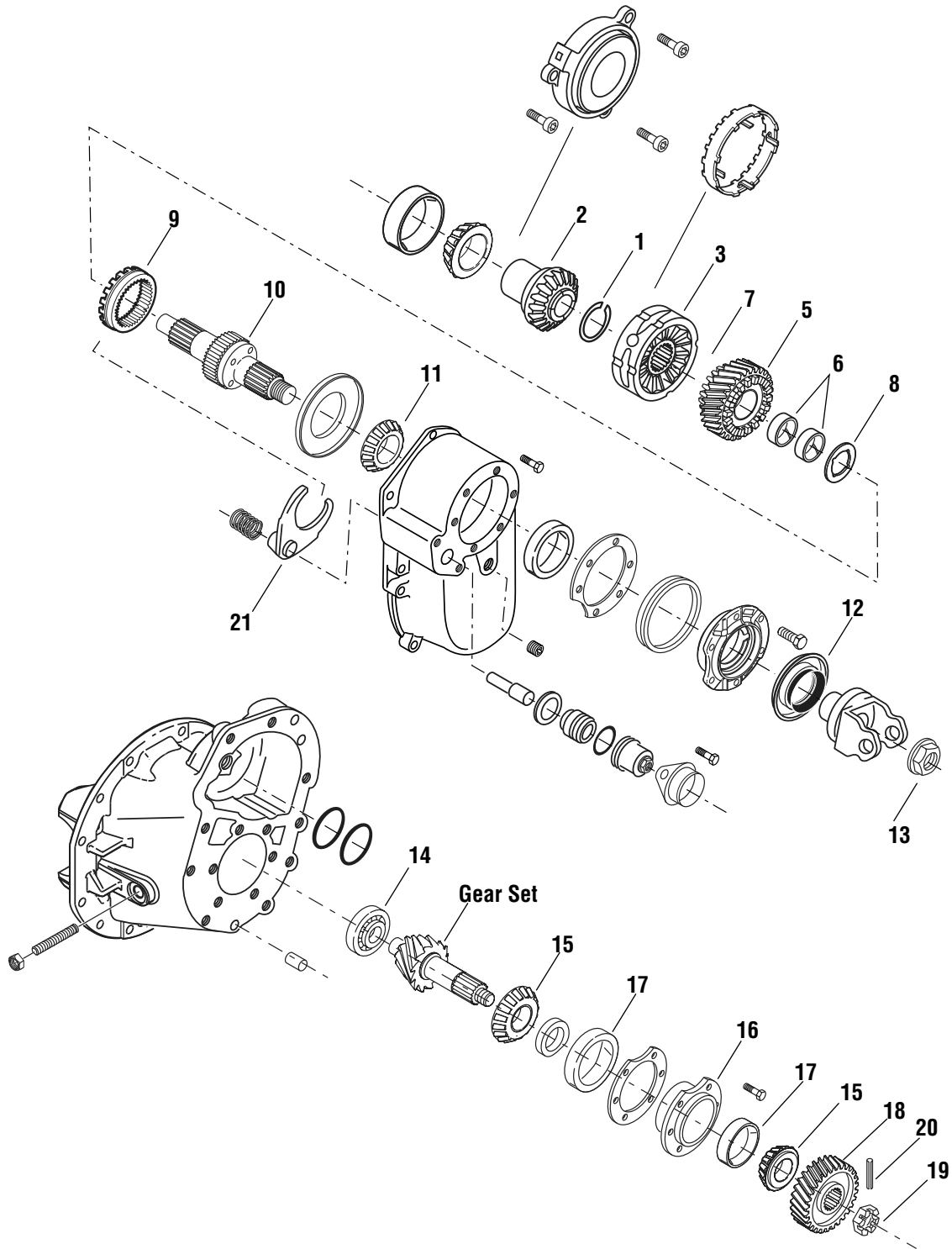
SQ100 REAR COMPLETE ASSEMBLY

KEY NO.	INDUSTRY PART NO.	 MERITOR 2-YR WARRANTY	<i>Mach</i> 1-YR WARRANTY	DESCRIPTION
1	1227R902		M101227R902	Nut - Input Yoke and Shaft
2	1229T1736		M101229T1736	Washer - Input Shaft Nut
3	1229C1511		M101229C1511	Washer - Input Bearing Cage
4	A1205U1685		M10A1205U1685	Oil Seal - Input Bearing Cage
5	72212C	72212CMTOR	72212CMAF	Bearing Cone - Drive Pinion - Outer
6	15X1025		M1015X1025	Thrust Screw - Block Adjuster
7	13X41		M1013X41	Thrust Nut - Block Adjuster
8	1229A1301		M101229A1301	Snap Ring - Drive Pinion Spigot Bearing
9	1229T1034		M101229T1034	Thrust Washer - Side Gear
10	2234C783		M102234C783	Side Gear - Differential 16 T. 41 Spl
11	3278S305	3278S305MTOR	M103278S305	Spider - Differential
12	2233U151		M102233U151	Pinion Gear - Differential
13	1229R1032		M101229R1032	Thrust Washer - Differential
14	RU1570UM	RU1570UMMTOR	RU1570UMMAF	Bearing - Drive Pinion Spigot
15	JM716649	JM716649MTOR	JM716649MAF	Bearing Cone - Differential - Plain/Flange Half
16	JM716610	JM716610MTOR	JM716610MAF	Bearing Cup - Differential - Plain/Flange Half
Bearing Kit	DRK194RB		M10DRK194RB	See Kits section for complete BOM
Gear Set	A418181		M10A394241	Ratio 3.42
Gear Set	A391681373		M10A391681	Ratio 3.73
Gear Set	A385201390		M10A385201	Ratio 3.90
Gear Set	A387301410		M10A387301	Ratio 4.10
Gear Set	A373821		M10A373821	Ratio 4.33
Gear Set	A375661		M10A375661	Ratio 4.63

SQ100 REAR

INPUT SHAFT AND INTER-AXLE DIFFERENTIAL

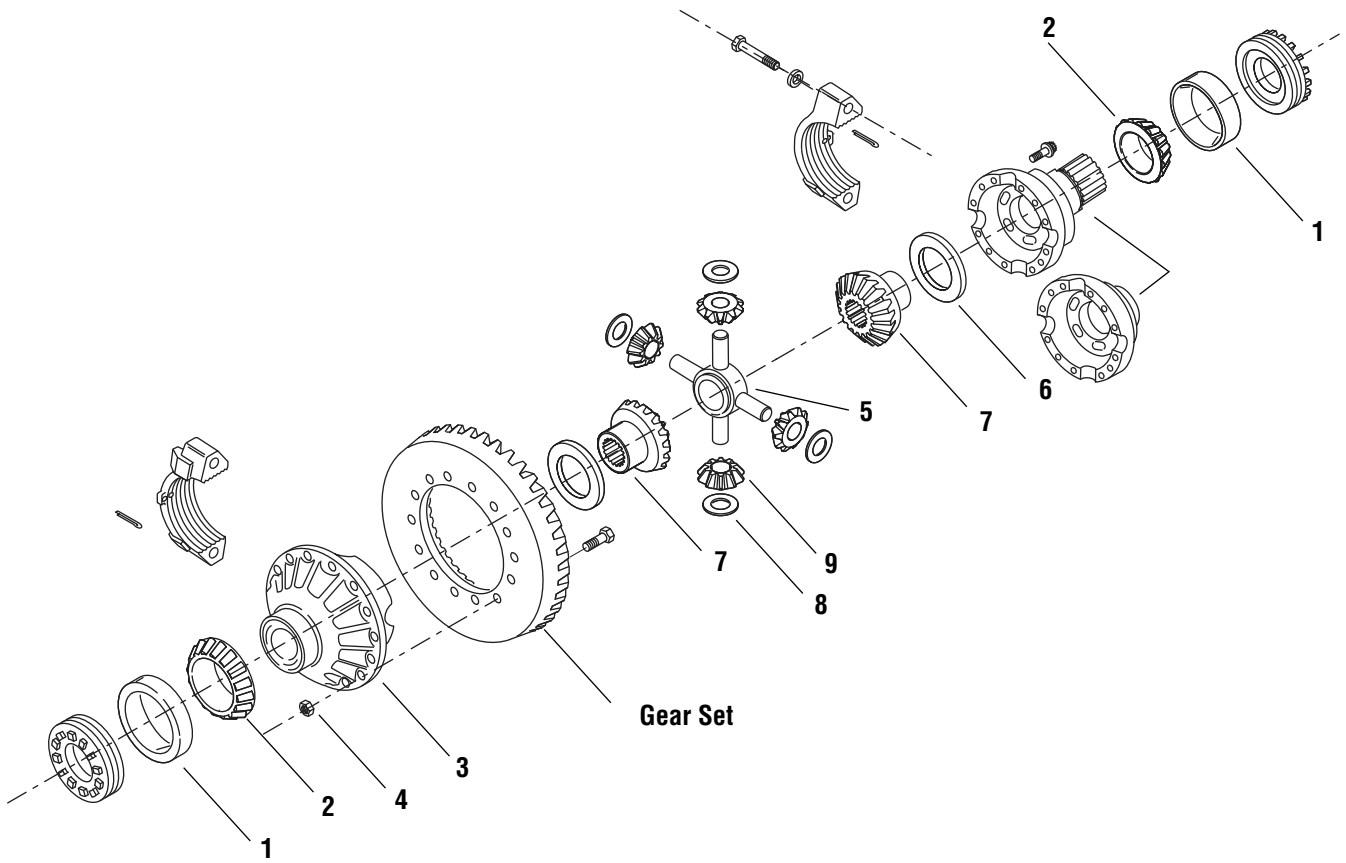
DS402



DS402 INPUT SHAFT AND INTER-AXLE DIFFERENTIAL				
KEY NO.	INDUSTRY PART NO.	 MERITOR 2-YR WARRANTY	 Mach 1-YR WARRANTY	DESCRIPTION
1	85994		M1285994	Snap Ring - IAD Side Gear
2	110810		M12110810	Side Gear - IAD - Rear
3	213608		M12213608	IAD Assembly - with Lube
3	95214		M1295214	IAD Assembly - Pinion Gear - IAD
3	95215		M1295215	IAD Assembly - Bushing - IAD Spider
3	85437		M1285437	IAD Assembly - Thrust Washer - IAD w/o Lube
3	127785		M12127785	IAD Assembly - Thrust Washer - IAD with Lube
3	95216		M1295216	IAD Assembly - Spider - IAD w/o Lube
3	127783		M12127783	IAD Assembly - Spider - IAD with Lube
5	128042		M12128042	Helical Drive Gear
6	85991		M1285991	Bushing - Helical Drive Gear
7	85997		M1285997	Snap Ring - IAD
8	45478		M1245478	Washer - Helical Drive Gear
9	128016		M12128016	Sliding Clutch
10	115122		M12115122	Input Shaft Kit - w/o Lube
11	3979	3979MTOR	3979MAF	Bearing Cone - Input Shaft
12	127719	127719MTOR	M12127719	Oil Seal - Input Shaft
13	128049		M12128049	Nut - Input Shaft (built after 4/89)
13	95207		M1295207	Nut - Input Shaft (built before 4/89)
14	MUSB7307UM		MUSB7307UMMAF	Bearing - Drive Pinion Spigot
15	72218C	72218CMTOR	72218CMAF	Bearing Cone - Drive Pinion - Inner
15	HM807049	HM807049MTOR	HM807049MAF	Bearing Cone - Drive Pinion - Inner
16	110731		M12110731	Bearing Cage with Cups
17	72487	72487MTOR	72487MAF	Bearing Cup - Drive Pinion - Inner
17	HM807010	HM807010MTOR	HM807010MAF	Bearing Cup - Drive Pinion - Inner
18	110845		M12110845	Helical Driven Gear
19	126182		M12126182	Nut - Drive Pinion
20	118807		M12118807	Roll Pin - Drive Pinion
21	96715		M1296715	Shift Fork - No Pump
Not Shown	79363		M1279363	Bolt - Cover
Not Shown	51238		M1251238	Spring - IAD
Not Shown	51228		51228MAF	Thrust Bearing - Output Shaft Spring
Bearing Kit	DRK196		M12DRK196	Before 4/6/89 & After 1/1/95
Bearing Kit	KIT222F	KIT222FMTOR	M12DRK222F	4/6/89 thru 12/31/94

MAIN DIFFERENTIAL

DS402



DS402 MAIN DIFFERENTIAL, OIL PUMP AND OUTPUT SHAFT

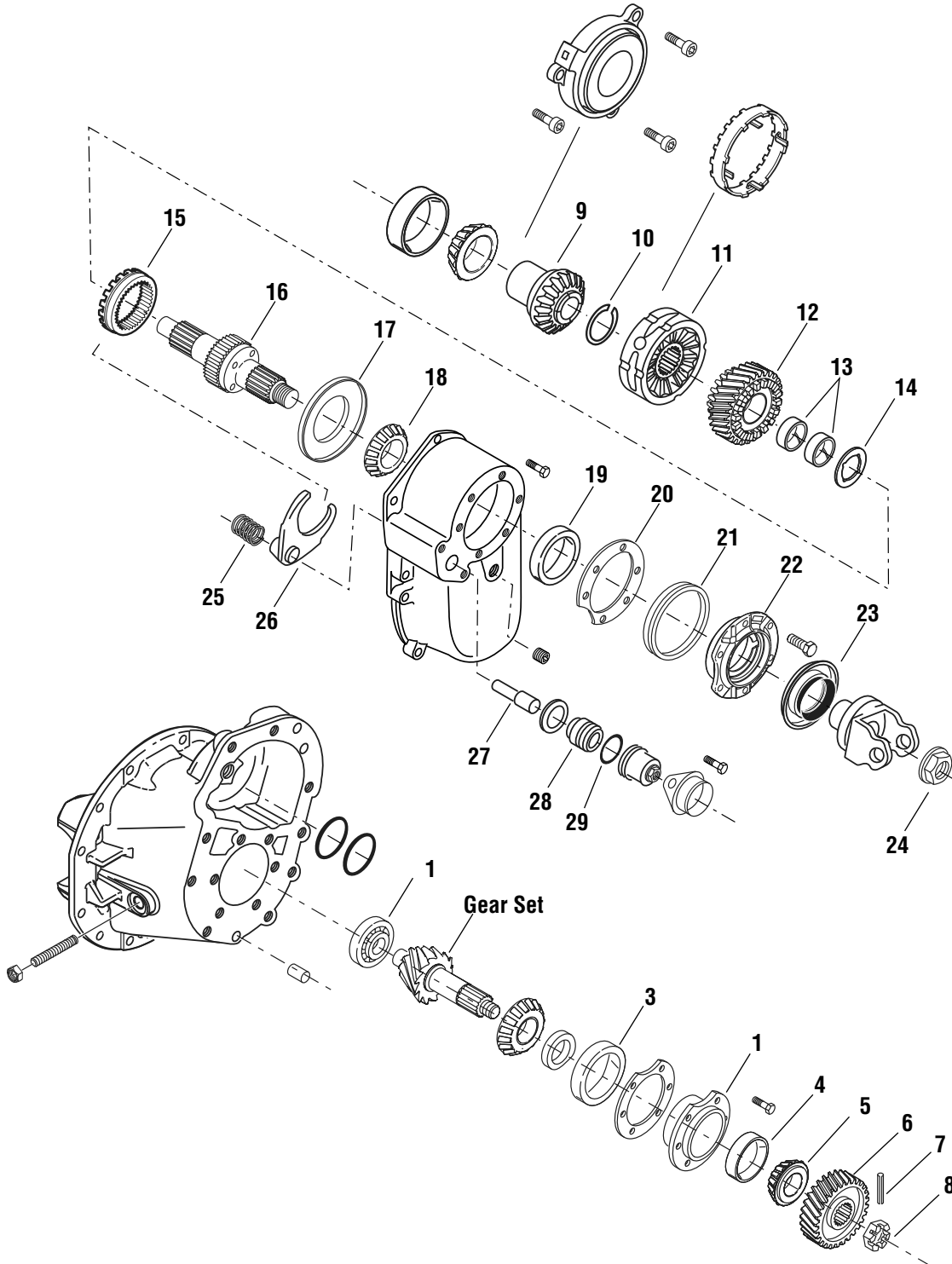
KEY NO.	INDUSTRY PART NO.	 MERITOR 2-YR WARRANTY	<i>Mach</i> 1-YR WARRANTY	DESCRIPTION
1	563	563MTOR	563MAF	Bearing Cup - Differential - Flange Half
1	493	493MTOR	493MAF	Bearing Cup - Differential - Plain Half
2	567	567MTOR	567MAF	Bearing Cone - Differential - Flange Half
2	497	497MTOR	497MAF	Bearing Cone - Differential - Plain Half
3	210017		M12-110138	Case - Differential Plain Half
4	70745		M1270745	Bolt Kit - Ring Gear to Diff Plain Half
5	38289		M1238289	Spider - Differential
6	127386		M12127386	Thrust Washer - Side Gear
6	27827		M12-127386	Thrust Washer - Side Gear
7	110527		M12110527	Side Gear - Differential
8	27810		M1227810	Thrust Washer - Differential
9	104139		M12104139	Pinion Gear - Differential
Not Shown	90419		M1290419	Lock Washer - Pump
Not Shown	127589		M12127589	Nut - Output Shaft
Not Shown	95205		M1295205	Nut - Output Shaft
Not Shown	MA1209EL	MA1209ELMTOR	MA1209ELMAF	Bearing - Output Shaft
Not Shown	115123		M12115123	Shaft - Output
Not Shown	48922		M1248922	Bushing - Output Shaft
Not Shown	46526		M1246526	O-Ring - Output Shaft
Not Shown	85429		M1285429	Washer - Output Shaft
Not Shown	29620	29620MTOR	29620MAF	Bearing Cup - Output Shaft
Not Shown	29675	29675MTOR	29675MAF	Bearing Cone - Output Shaft
Bearing Kit	DRK196		M12DRK196	Before 4/6/89 & After 1/1/95
Bearing Kit	KIT222F		M12DRK222F	4/6/89 thru 12/31/94
Gear Set	217982		M12217982	Ratio 3.70
Gear Set	217984		M12217984	Ratio 4.11
Gear Set	217981		M12217981	Ratio 3.55
Gear Set	217983		M12217983	Ratio 3.90
Gear Set	127265		M12127265	Ratio 3.36
Gear Set	127271		M12127271	Ratio 4.56
Gear Set	217985		M12217985	Ratio 4.33
Gear Set	217980		M12217980	Ratio 3.36
Gear Set	127266		M12127266	Ratio 3.55
Gear Set	127267		M12-217982	Ratio 3.70
Gear Set	127268		M12127268	Ratio 3.90
Gear Set	127269		M12127269	Ratio 4.11
Gear Set	127270		M12127270	Ratio 4.33

RS402 COMPLETE ASSEMBLY

KEY NO.	INDUSTRY PART NO.	 MERITOR 2-YR WARRANTY	<i>Mach</i> 1-YR WARRANTY	DESCRIPTION
1	563	563MTOR	563MAF	Bearing Cup - Differential - Flange Half
1	493	493MTOR	493MAF	Bearing Cup - Differential - Plain Half
2	567	567MTOR	567MAF	Bearing Cone - Differential - Flange Half
2	497	497MTOR	497MAF	Bearing Cone - Differential - Plain Half
3	38289		M1238289	Spider - Differential
4	104139		M12104139	Pinion Gear - Differential
5	27810		M1227810	Thrust Washer - Differential
6	110527		M12110527	Side Gear - Differential
7	127386		M12127386	Thrust Washer - Side Gear
8	210017		M12-110138	Case - Differential Plain Half
9	70745		M1270745	Bolt Kit - Ring Gear to Diff Plain Half
10	MUS1307UM		MUS1307UMMAF	Bearing - Drive Pinion Spigot (after 12/94)
10	MUSB7307UM		MUSB7307UMMAF	Bearing - Drive Pinion Spigot (build 4/89-12/94)
11	72200C		72200CMAF	Bearing Cone - Drive Pinion - Inner
11	55200C	55200CMTOR	55200CMAF	Bearing Cone - Drive Pinion - Outer
12	75110		M1275110	Bearing Cage with Cups (ratios: 3.08, 3.25, 3.36, 3.90 - 7.17)
12	75108		M1275108	Bearing Cage with Cups (ratios: 3.55 and 3.70)
13	72487	72487MTOR	72487MAF	Bearing Cup - Drive Pinion - Inner
13	55437	55437MTOR	55437MAF	Bearing Cup - Drive Pinion - Outer-RS17140 Only
14	127721	127721MTOR	M12127721	Oil Seal - Drive Pinion
15	129169		M12129169	Spacer - Yoke
16	95206		M1295206	Nut - Drive Pinion
17	56864		M1256864	Washer - Drive Pinion
Bearing Kit	DRK1A		M12DRK1A	Before 4/6/89 & After 1/1/95
Bearing Kit	DRK222R		M12DRK222R	4/6/89 thru 12/31/94
Gear Set	218004		M12218004	Ratio 5.29
Gear Set	217998		M12217998	Ratio 3.70
Gear Set	218000		M12218000	Ratio 4.11
Gear Set	217997		M12217997	Ratio 3.55
Gear Set	217996		M12217996	Ratio 3.36
Gear Set	218002		M12218002	Ratio 4.56
Gear Set	218001		M12218001	Ratio 4.33
Gear Set	218005		M12218005	Ratio 5.57

RS402

INPUT SHAFT AND INTER-AXLE DIFFERENTIAL



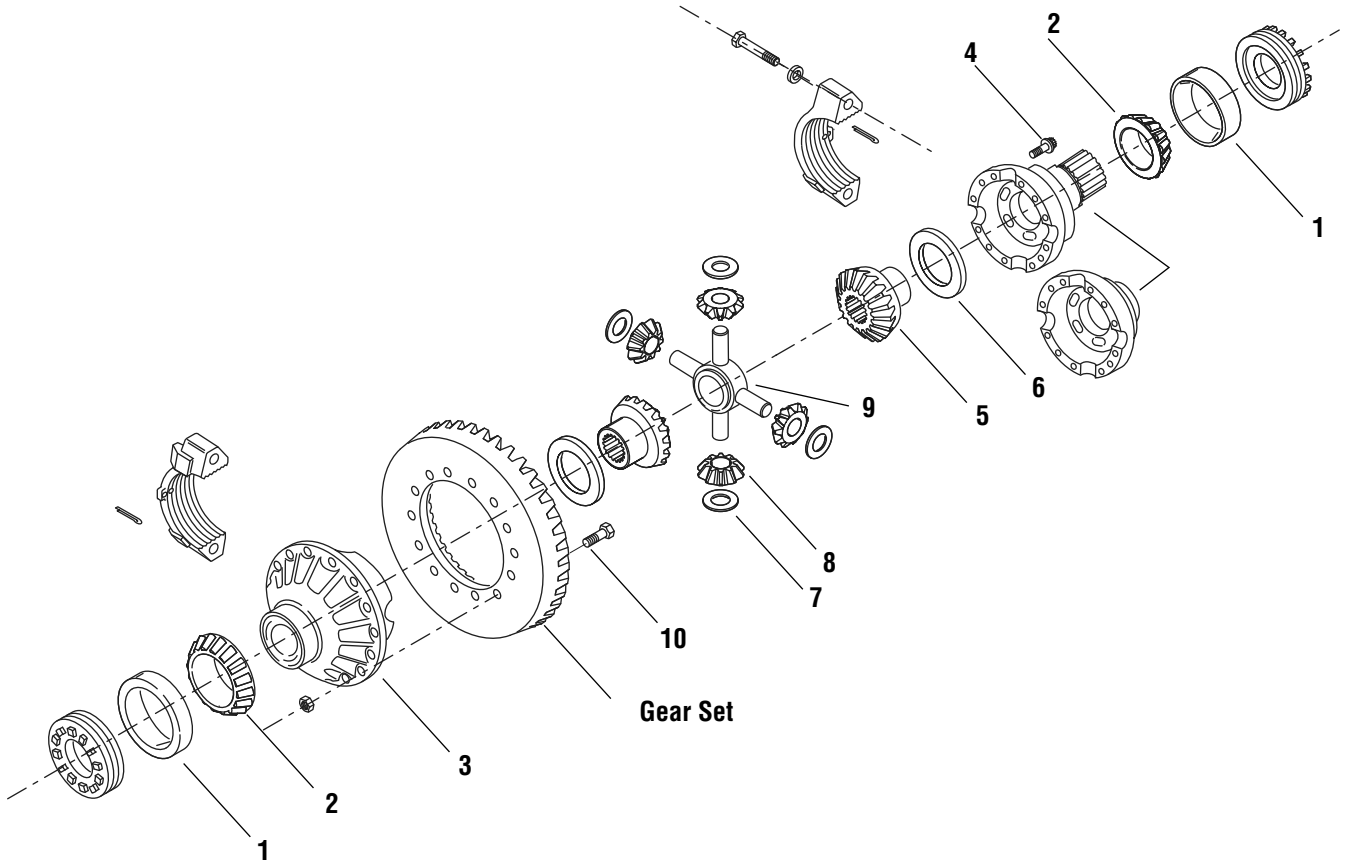
DS404-344

DS404-344 INPUT SHAFT AND INTER-AXLE DIFFERENTIAL

KEY NO.	INDUSTRY PART NO.	 MERITOR 2-YR WARRANTY	<i>Mach</i> 1-YR WARRANTY	DESCRIPTION
1	MUB1307UM	MUB1307UMMTOR	MUB1307UMMAF	Bearing - Drive Pinion Spigot
2	129575		M12129575	Bearing Cage with Cups
3	72487	72487MTOR	72487MAF	Bearing Cup - Drive Pinion - Inner
4	55437	55437MTOR	55437MAF	Bearing Cup - Drive Pinion - Outer
5	72218C	72218CMTOR	72218CMAF	Bearing Cone - Drive Pinion - Inner
5	55212C	55212CMTOR	55212CMAF	Bearing Cone - Drive Pinion - Outer
6	127523	127523MTOR	M12127523	Helical Drive Gear
7	118807		M12118807	Roll Pin - Drive Pinion
8	126182		M12126182	Nut - Drive Pinion
9	127645	127645MTOR	M12127645	Side Gear - IAD - Rear
10	85997		M1285997	Snap Ring - IAD
11	134192	134192MTOR	M12128634	Inter-Axle Nest Assembly
12	130907	130907MTOR	M12127495	Helical Drive Gear
13	129371		M12129371	Bushing - Helical Drive Gear
14	128702		M12128702	Thrust Washer - Helical Drive Gear
15	127510		M12127510	Sliding Clutch
16	216226		M12216226	Input Shaft Kit
17	128700		M12128700	Oil Retainer
18	552A	552AMTOR	552AMAF	Bearing Cone - Input Shaft
19	555S	555SMTOR	555SMAF	Bearing Cup - Input Shaft
20	127592	127592MTOR	M12127592	Seal- Thrushaft
20	127596		M12127596	Shim - IAD - 0.005"
20	127597		M12127597	Shim - IAD - 0.010"
20	127598		M12127598	Shim - IAD - 0.020"
20	127599		M12127599	Shim - IAD - 0.030"
21	401300		M12401300	Oil Seal- V Ring- Input Shaft
22	127602		M12127602	Cover - Input Shaft
23	127591	127591MTOR	M12127591	Oil Seal - Input Shaft; Oil Seal - Drive Pinion
24	128049		M12128049	Nut - Input Shaft
25	127474		M12127474	Spring - Shifter
26	129783		M12129783	Shift Fork Assembly
27	127477		M12127477	Push Rod Assembly
28	210278		M12210278	Piston
29	210180		M12210180	O-Ring - Shifter
Not Shown	504118		504118MAF	Bearing Kit - Shifter
Not Shown	129577		M12129577	Oil Trough
Not Shown	129579		M12129579	O-Ring
Not Shown	129573		M12129573	Piston Cover
Not Shown	510870		M12510870	Shift Fork Kit
Not Shown	507494		M12507494	Shifter Housing
Bearing Kit	KIT404F	KIT404FMTOR	M12DRK404F	See Kits section for complete BOM

DS404-344

MAIN DIFFERENTIAL



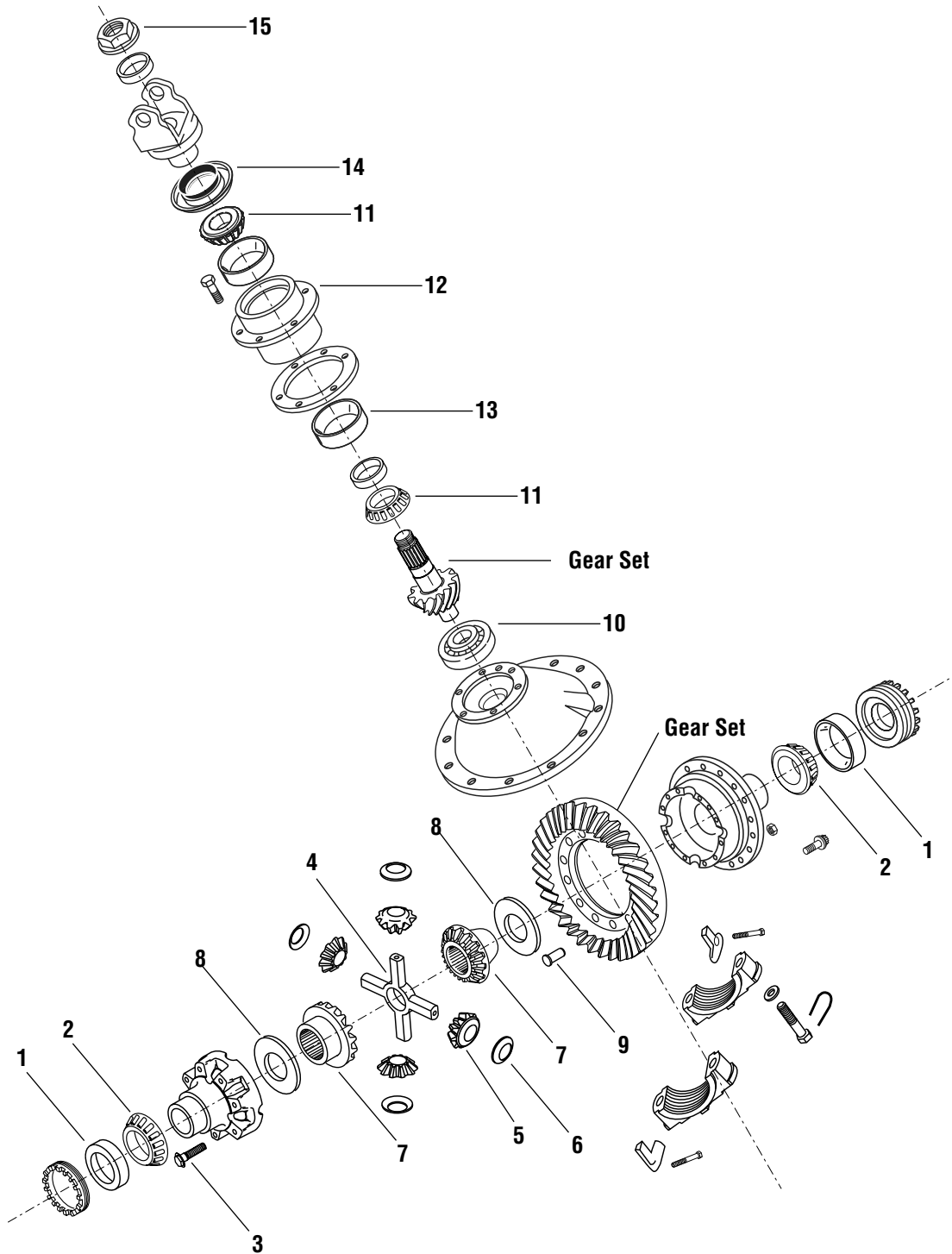
DS404-344

DS404-344 MAIN DIFFERENTIAL

KEY NO.	INDUSTRY PART NO.	 MERITOR 2-YR WARRANTY	<i>Mach</i> 1-YR WARRANTY	DESCRIPTION
1	563	563MTOR	563MAF	Bearing Cup - Differential - Flange Half
1	493	493MTOR	493MAF	Bearing Cup - Differential - Plain Half
2	567	567MTOR	567MAF	Bearing Cone - Differential - Flange Half
2	497	497MTOR	497MAF	Bearing Cone - Differential - Plain Half
3	508653		M12508653	Case - Differential Flange Half - Ratios 2.64 to 3.25
3	508654		M12508654	Case - Differential Flange Half - Ratios 3.36 to 3.90
3	508655		M12508655	Case - Differential Flange Half - Ratios 4.11 to 4.88
3	508656		M12508656	Case - Differential Flange Half - Ratios 5.29 to 7.17
4	127465		M12127465	Bolt Kit - Differential Case
5	127368	127368MTOR	M12127368	Side Gear - Differential 41 Inv. Spline (404 Models Only)
6	127364		M12127364	Thrust Washer - Side Gear
7	129305		M12129305	Thrust Washer - Differential
8	127367		M12127367	Pinion Gear - Differential
8	127368	127368MTOR	M12127368	Pinion Gear - Differential
9	127359		M12127359	Diff. Spider
10	508652		M12508652	Bolt Kit - Ring Gear to Diff Flange Half Includes Item 11
Not Shown	29630	29630MTOR	29630MAF	Bearing Cup - Output Shaft
Not Shown	127545		M12127545	O-Ring - Output Shaft
Not Shown	29675	29675MTOR	29675MAF	Bearing Cone - Output Shaft
Gear Set	211462		M12211462	Gear Set - Ratio 2.64
Gear Set	211463		M12211463	Gear Set - Ratio 2.85
Gear Set	513385	513385MTOR	M12513385	Gear Set - Ratio 3.25
Gear Set	513384	513384MTOR	M12513384	Gear Set - Ratio 3.36
Gear Set	513383	513383MTOR	M12513383	Gear Set - Ratio 3.55
Gear Set	513382	513382MTOR	M12513382	Gear Set - Ratio 3.70
Gear Set	513381	513381MTOR	M12513381	Gear Set - Ratio 3.90
Gear Set	513380	513380MTOR	M12513380	Gear Set - Ratio 4.11
Gear Set	513379	513379MTOR	M12513379	Gear Set - Ratio 4.33
Gear Set	513378	513378MTOR	M12513378	Gear Set - Ratio 4.63
Gear Set	513377		M12513377	Gear Set - Ratio 4.88
Gear Set	513376	513376MTOR	M12513376	Gear Set - Ratio 5.29
Gear Set	513375	513375MTOR	M12513375	Gear Set - Ratio 5.57
Gear Set	513374		M12513374	Gear Set - Ratio 6.17
Gear Set	211477		M12211477	Gear Set - Ratio 6.50

DS404-344

COMPLETE ASSEMBLY

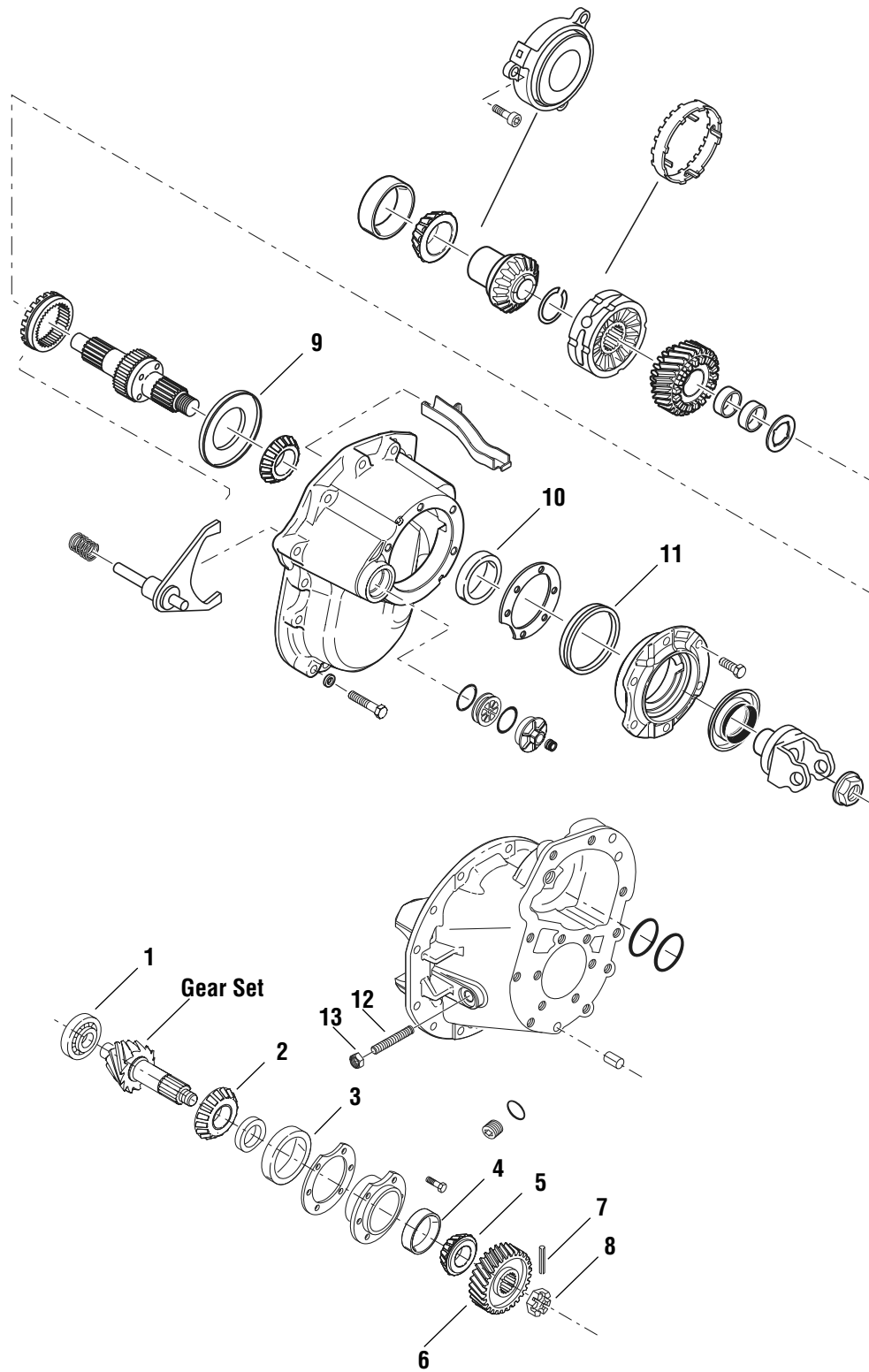


RS404-344-19060S

RS404-344-19060S COMPLETE ASSEMBLY				
KEY NO.	INDUSTRY PART NO.	 MERITOR 2-YR WARRANTY	<i>Mach</i> 1-YR WARRANTY	DESCRIPTION
1	563	563MTOR	563MAF	Bearing Cup - Differential - Flange Half
1	493	493MTOR	493MAF	Bearing Cup - Differential - Plain Half
2	567	567MTOR	567MAF	Bearing Cone - Differential - Flange Half
2	497	497MTOR	497MAF	Bearing Cone - Differential - Plain Half
3	96271		M1296271	Diff. Case Capscrew
4	127359		M12127359	Spider - Differential (RS404 and 19060S only)
5	127364		M12127364	Pinion Gear - Differential
6	129305		M12129305	Thrust Washer - Differential
7	127368	127368MTOR	M12127368	Side Gear - Differential 41 Inv. Spline
7	127367		M12127367	Side Gear - Differential 39 Inv. Spline (RS344 and 19060S only)
8	127386		M12127386	Thrust Washer - Side Gear
9	508652		M12508652	Bolt Kit - Ring Gear to Diff Flange Half
10	MUB7307UM	MUB7307UMMTOR	127485MAF	Bearing - Drive Pinion Spigot
11	55200C	55200CMTOR	55200CMAF	Bearing Cone - Drive Pinion - Inner
11	72212C	72212CMTOR	72212CMAF	Bearing Cone - Drive Pinion - Outer
12	129768		M12129768	Bearing Cage with Cups (RS404 & RS344 only)
13	72487	72487MTOR	72487MAF	Bearing Cup - Drive Pinion - Inner
13	55437	55437MTOR	55437MAF	Bearing Cup - Drive Pinion - Outer
14	127591	127591MTOR	M12127591	Oil Seal - Input Shaft; Oil Seal - Drive Pinion
15	127589		M12127589	Nut - Output Shaft; Nut - Drive Pinion
Bearing Kit	KIT404R		M12DRK404R	See Kits section for complete BOM
Gear Set	211494		M12211494	Ratio 7.17
Gear Set	211493		M12211493	Ratio 6.50
Gear Set	211478		M12211478	Ratio 2.64
Gear Set	513370	513370MTOR	M12513370	Ratio 3.55
Gear Set	513369	513369MTOR	M12513369	Ratio 3.70
Gear Set	513368	513368MTOR	M12513368	Ratio 3.90
Gear Set	513367	513367MTOR	M12513367	Ratio 4.11
Gear Set	513361	513361MTOR	M12513361	Ratio 6.17
Gear Set	211491	513362MTOR	M12-513362	Ratio 5.57
Gear Set	513365	513365MTOR	M12513365	Ratio 4.63
Gear Set	513363	513363MTOR	M12513363	Ratio 5.29
Gear Set	513364	513364MTOR	M12513364	Ratio 4.88
Gear Set	513366	513366MTOR	M12513366	Ratio 4.33
Gear Set	513371	513371MTOR	M12513371	Ratio 3.36
Gear Set	513372	513372MTOR	M12513372	Ratio 3.25
Gear Set	513373	513373MTOR	M12513373	Ratio 3.08

RS404-344-19060S

INPUT SHAFT AND INTER-AXLE DIFFERENTIAL



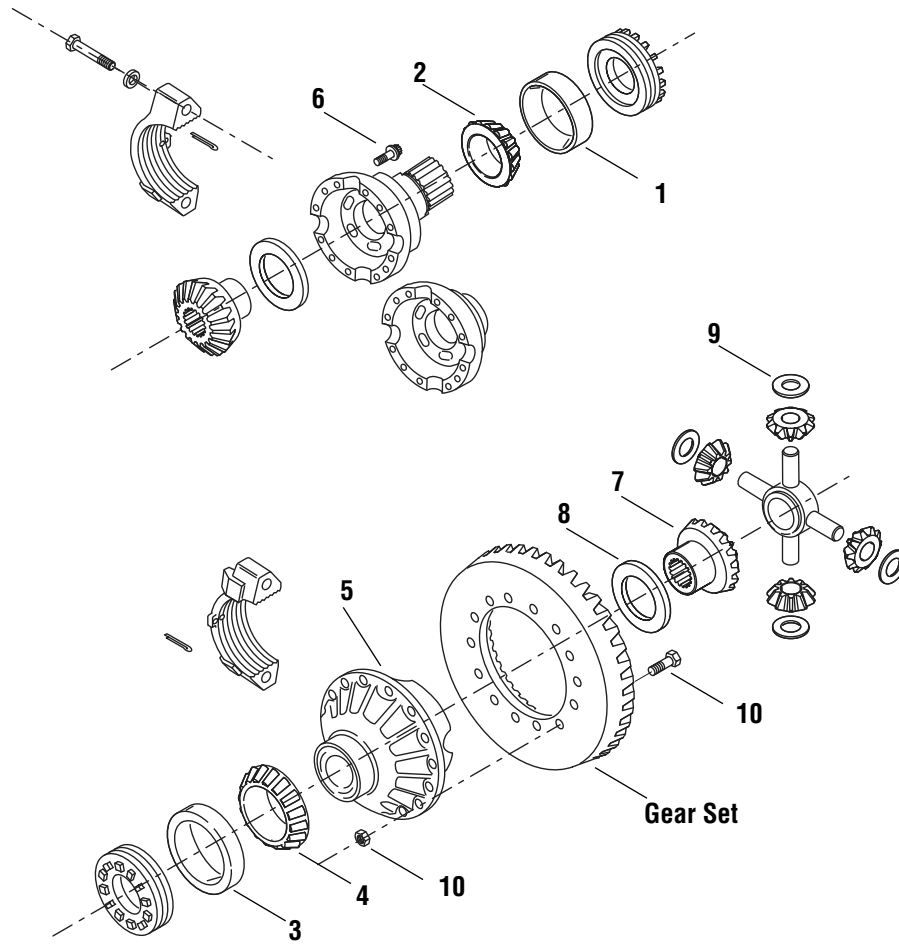
DSP40

DSP40 INPUT SHAFT AND INTER-AXLE DIFFERENTIAL

KEY NO.	INDUSTRY PART NO.	 MERITOR 2-YR WARRANTY	<i>Mach</i> 1-YR WARRANTY	DESCRIPTION
1	MUB1307UM	MUB1307UMMTOR	MUB1307UMMAF	Bearing - Drive Pinion Spigot
2	NP242732		NP242732MAF	Bearing Cone - Drive Pinion- Inner
3	NP611140		NP611140MAF	Bearing Cup - Drive Pinion - Inner
4	55437	55437MTOR	55437MAF	Bearing Cup - Drive Pinion - Outer
5	55212C	55212CMTOR	55212CMAF	Bearing Cone - Drive Pinion - Outer
6	127523		M12127523	Helical Drive Gear
7	118807		M12118807	Roll Pin - Drive Pinion
8	126182		M12126182	Nut - Drive Pinion
9	NP930036		NP930036MAF	Bearing Cone - Input Shaft
10	NP193660		NP193660MAF	Bearing Cup - Input Shaft
11	127592	127592MTOR	M12127592	Seal - Thrushaft
12	126193		M12126193	Thrust Bolt
13	210184		M12210184	Jam Nut
Bearing Kit	KIT427	KIT427MTOR	M12DRK427	See Kits section for complete BOM

DSP40

MAIN DIFFERENTIAL

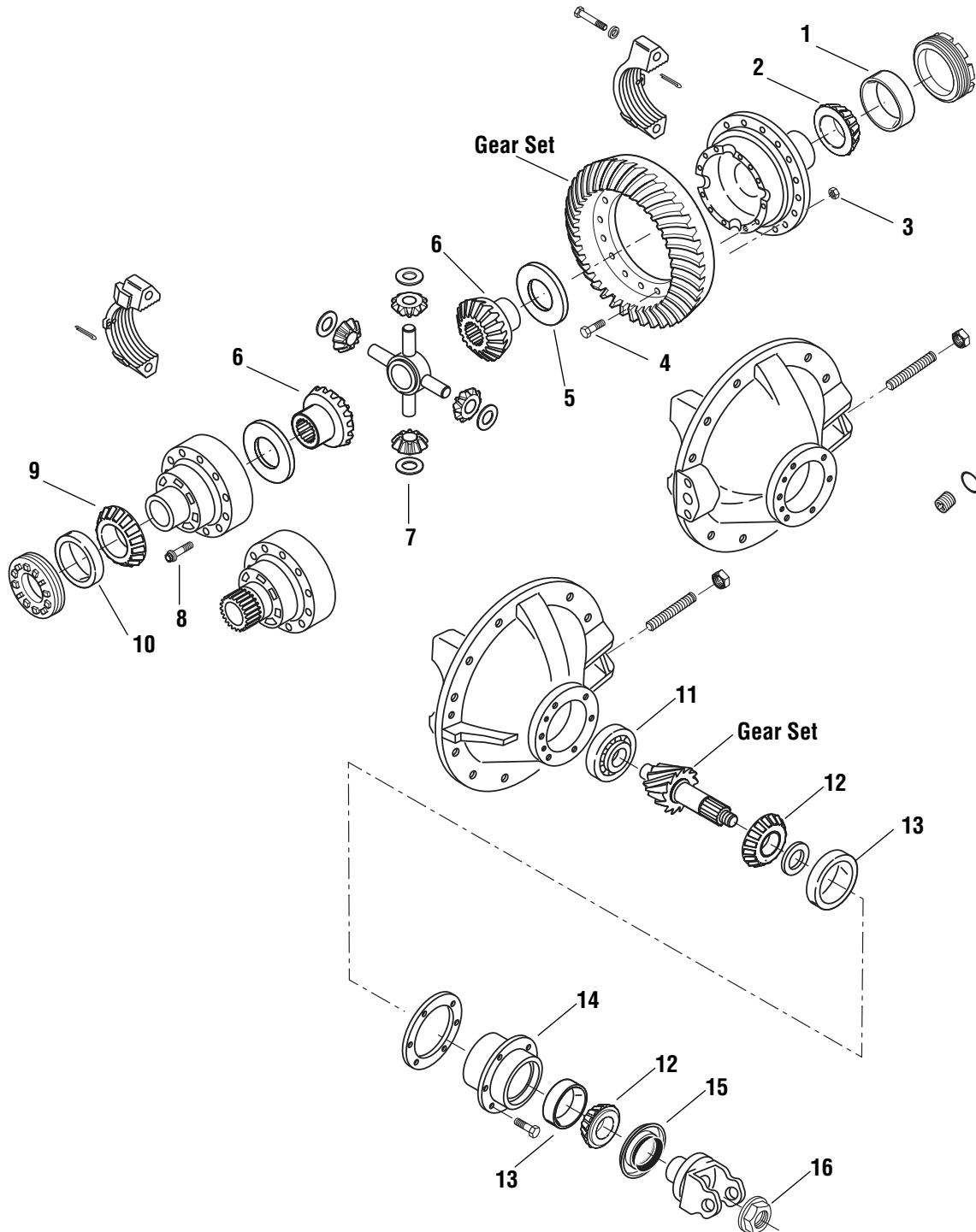


DSP40


DSP40 MAIN DIFFERENTIAL				
KEY NO.	INDUSTRY PART NO.	 MERITOR 2-YR WARRANTY	<i>Mach</i> 1-YR WARRANTY	DESCRIPTION
1	NP533133		NP533133MAF	Bearing Cup - Differential - Plain Half
2	NP380290		NP380290MAF	Bearing Cone - Differential - Plain Half
3	NP105857		NP105857MAF	Bearing Cup - Differential - Flange Half
4	NP799449		NP799449MAF	Bearing Cone - Differential - Flange Half
5	508653		M12508653	Case - Differential Flange Half - Ratios 2.64 to 3.25
5	508654		M12508654	Case - Differential Flange Half - Ratios 3.36 to 3.90
5	508655		M12508655	Case - Differential Flange Half - Ratios 4.11 to 4.88
5	508656		M12508656	Case - Differential Flange Half - Ratios 5.29 to 7.17
6	127465		M12127465	Bolt Kit - Differential Case
7	127368	127368MTOR	M12127368	Side Gear - Differential 41 Inv. Spline
8	127386		M12127386	Thrust Washer - Side Gear
9	129305		M12129305	Thrust Washer - Differential
10	508652		M12508652	Bolt Kit - Ring Gear to Diff Flange Half Includes Item 11
Gear Set	211462		M12211462	Ratio 2.64
Gear Set	211463		M12211463	Ratio 2.85
Gear Set	211477		M12211477	Ratio 6.50 (ring gear OD - 15.4")
Gear Set	511571		M12511571	Ratio 6.50 (ring gear OD - 15.65")

DSP40

COMPLETE ASSEMBLY

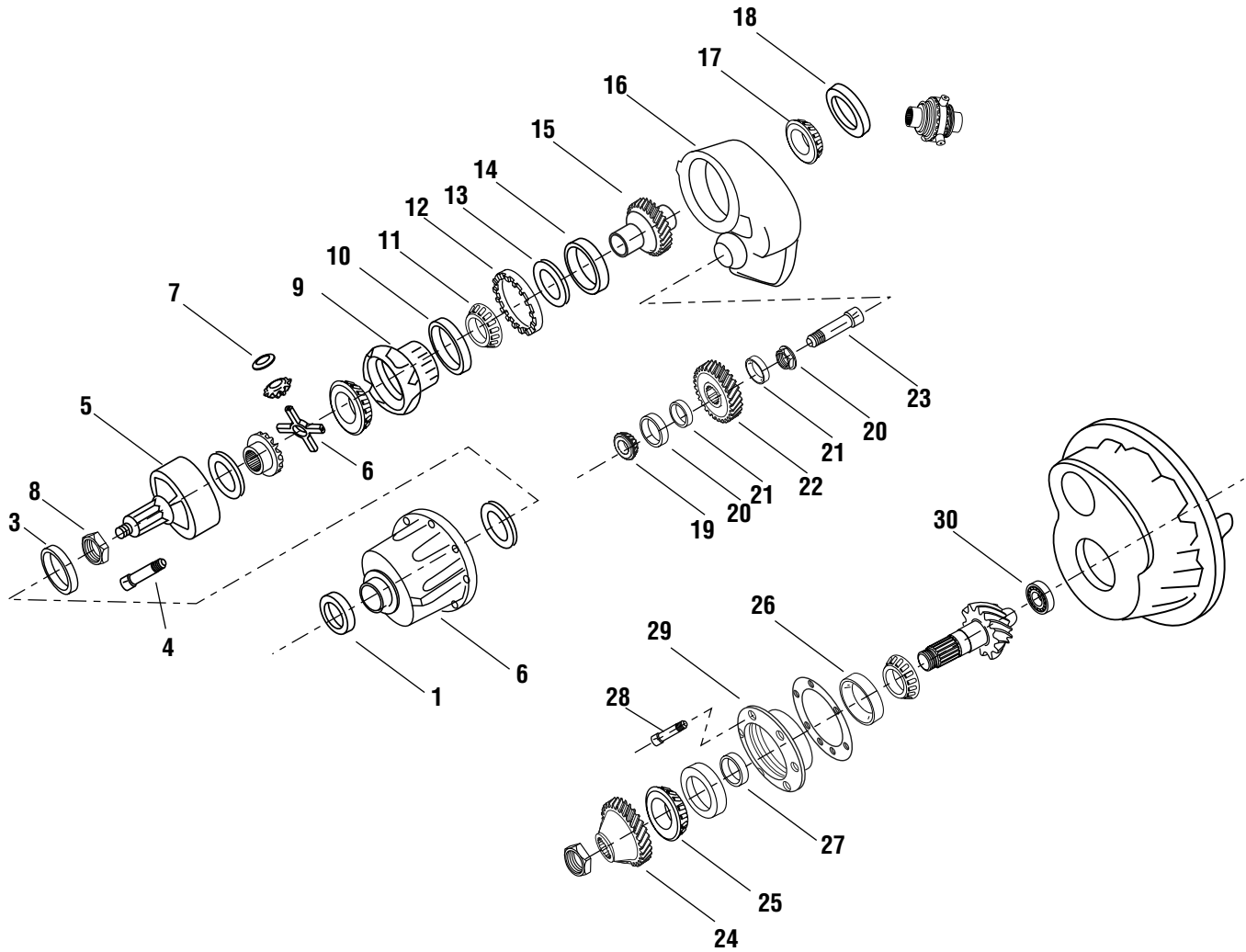


RSP40


RSP40 COMPLETE ASSEMBLY				
KEY NO.	INDUSTRY PART NO.	 MERITOR 2-YR WARRANTY	<i>Mach</i> 1-YR WARRANTY	DESCRIPTION
1	NP105857		NP105857MAF	Bearing Cup - Differential - Flange Half
2	NP799449		NP799449MAF	Bearing Cone - Differential - Flange Half
3	508652		M12508652	Bolt Kit - Ring Gear to Diff Flange Half Includes Item 4
5	127386		M12127386	Thrust Washer - Side Gear
6	127368	127368MTOR	M12127368	Side Gear - Differential 41 Inv. Spline
7	129305		M12129305	Thrust Washer - Differential
8	127465		M12127465	Bolt Kit - Differential Case
9	NP380290		NP380290MAF	Bearing Cone - Differential - Plain Half
10	NP533133		NP533133MAF	Bearing Cup - Differential - Plain Half
11	MUB7307UM	MUB7307UMMTOR	MUB7307UMMAF	Bearing - Drive Pinion Spigot
12	55200C	55200CMTOR	55200CMAF	Bearing Cone - Drive Pinion - Outer
12	NP523912		NP523912MAF	Bearing Cone - Drive Pinion - Inner
13	55437	55437MTOR	55437MAF	Bearing Cup - Drive Pinion - Outer
13	NP611140		NP611140MAF	Bearing Cup - Drive Pinion - Inner
14	129768		M12129768	Bearing Cage with Cups
15	127591	127591MTOR	M12127591	Oil Seal - Input Shaft; Oil Seal - Drive Pinion
16	127589		M12127589	Nut - Output Shaft; Nut - Drive Pinion
Bearing Kit	KIT429	KIT429MTOR	M12DRK429	See Kits section for complete BOM
Gear Set	211494		M12211494	Ratio 7.17
Gear Set	211493		M12211493	Ratio 6.50
Gear Set	211478		M12211478	Ratio 2.64
Gear Set	513362		M12513362	Ratio 5.57

INPUT SHAFT AND INTER-AXLE DIFFERENTIAL

RA472 FORWARD



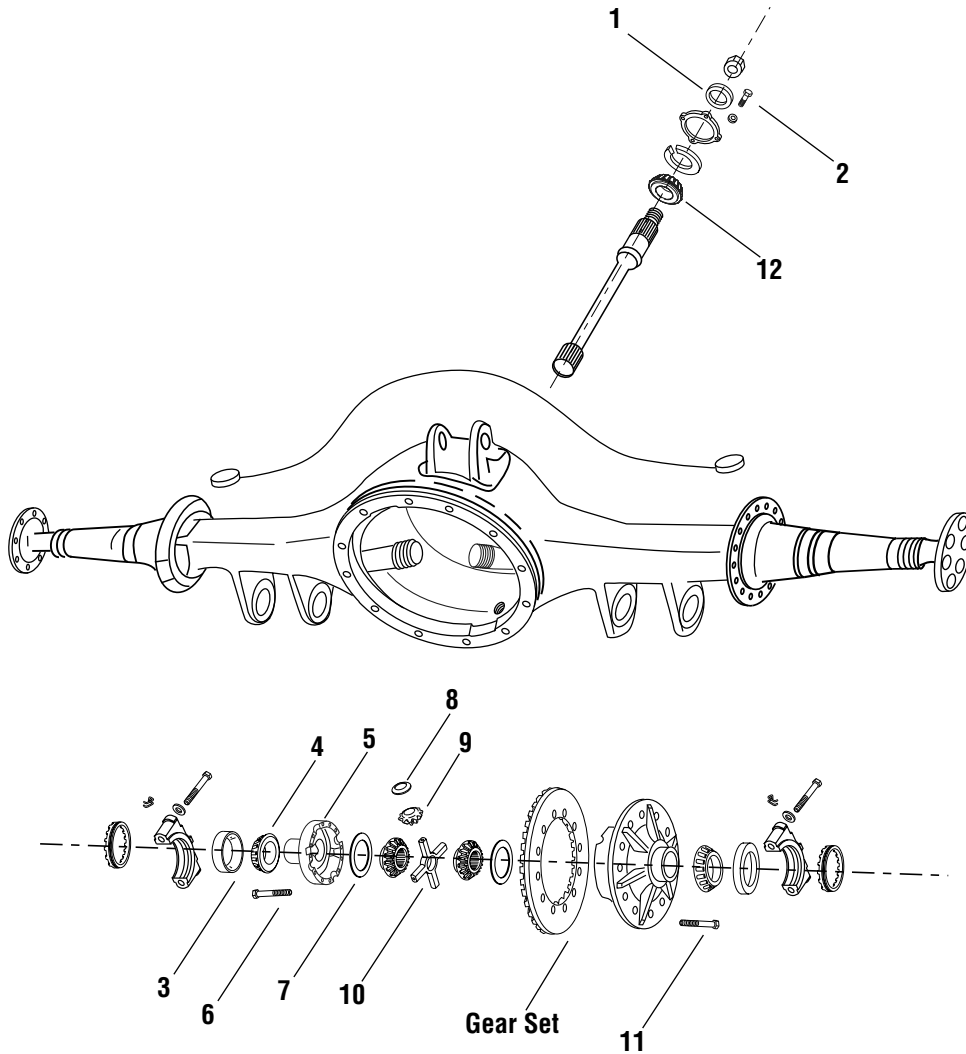
RA472 FORWARD INPUT SHAFT AND INTER-AXLE DIFFERENTIAL

KEY NO.	INDUSTRY PART NO.	 MERITOR 2-YR WARRANTY	Mach 1-YR WARRANTY	DESCRIPTION
1	25709R1		M1125709	Washer - Output Shaft (3/8")
2	586045C1		M11586045	Plug - Housing
3	JLM710910	JLM710910MTOR	JLM710910MAF	Bearing Cup - IAD - Front
4	27857R1		M1127857	Bolt Kit - IAD Case

RA472 FORWARD INPUT SHAFT AND INTER-AXLE DIFFERENTIAL

KEY NO.	INDUSTRY PART NO.	 MERITOR 2-YR WARRANTY	<i>Mach</i> 1-YR WARRANTY	DESCRIPTION
5	463415C2		M11463415	Case - IAD Front
6	463412C1		M11463412	Spider - IAD; Spider - Differential
7	463413C1		M11463413	Thrust Washer - IAD, Thrust Washer - Differential
8	JLM710949C		JLM710949MAF	Bearing Cone - IAD - Front
9	463404C93		M11493209	Case - IAD Rear
10	28921	28921MTOR	28921MAF	Bearing Cup - IAD - Rear
11	28985	28985MTOR	28985MAF	Bearing Cone - IAD Rear
12	XLS51/8AF	XLS518AFMTOR	XLS51/8AFMAF	Bearing - IAD - Rear Ball
13	495024C1		M11495024	Snap Ring - IAD
14	463430C2		M11463430	Clutch Collar
15	2500275C1		M112500275	Helical Drive Gear
16	583164C1		M11583164	Case - Bolt Kit - IAD Case (1-1/4")
16	592534C92		M11592534	Case - Shift Cylinder
16	504131C1		M11504131	Case - Insert - Shift Fork
16	378066R1		M11378066	Case - Retaining Ring
16	586045C1		M11586045	Case - Plug
17	JLM710949C		JLM710949MAF	Bearing Con - Input Shaft - Rear
18	JLM710910	JLM710910MTOR	JLM710910MAF	Bearing Cup - Input Gear
19	1696472C1		M111696472	Nut - Idler Gear
20	3877	3877MTOR	3877MAF	Bearing Cone - Idler Gear - Front/Rear (old design)
20	M802048	M802048MTOR	M802048MAF	Bearing Cone - Idler Gear - Front/Rear (new design)
21	3820	3820MTOR	3820MAF	Bearing Cup - Idler Gear- Front/rear (old design)
21	M802011	M802011MTOR	M802011MAF	Bearing Cup - Idler Gear- Front/rear (new design)
22	2501606C91		M112501606	Idler Gear
23	463420C2		M11463420	Shaft - Idler Gear
24	2500276C1		M112500276	Gear - Drive Pinion Driven
25	72225C	72225CMTOR	72225CMAF	Bearing Cone - Drive Pinion - Outer/Inner
26	72487	72487MTOR	72487MAF	Bearing Cup - Drive Pinion - Outer/Inner
27	393979C1		M11393979	Spacer - Drive Pinion - .742"
28	1691152C1		M111691152	Bolt Kit - Bearing Cage
29	482787C91		M11482787	Bearing Cage with Cups
30	MU1307TM		MU1307GUMMAF	Bearing - Drive Pinion Spigot
Not Shown	587212C1		M11587212	Case - Shaft
Not Shown	464248C1		M11464248	Thrust Washer - Front Side Gear
Not Shown	504810C91		M11504810	Shift Fork - with Inserts
Not Shown	TRA4860		TRA4860MAF	Thrust Race - Front Side Gear
Not Shown	W4860		W4860MAF	Thrust Bearing - Front Side Gear
Not Shown	A1205N1496		M10A1205N1496	Seal - Thrushaft
Bearing Kit	KIT200F	KIT200FMTOR	M10DRK200F	Involute Splines
Bearing Kit	KIT200FA		M10DRK200FA	Involute Splines (Late Design)

MAIN DIFFERENTIAL AND OUTPUT ASSEMBLY

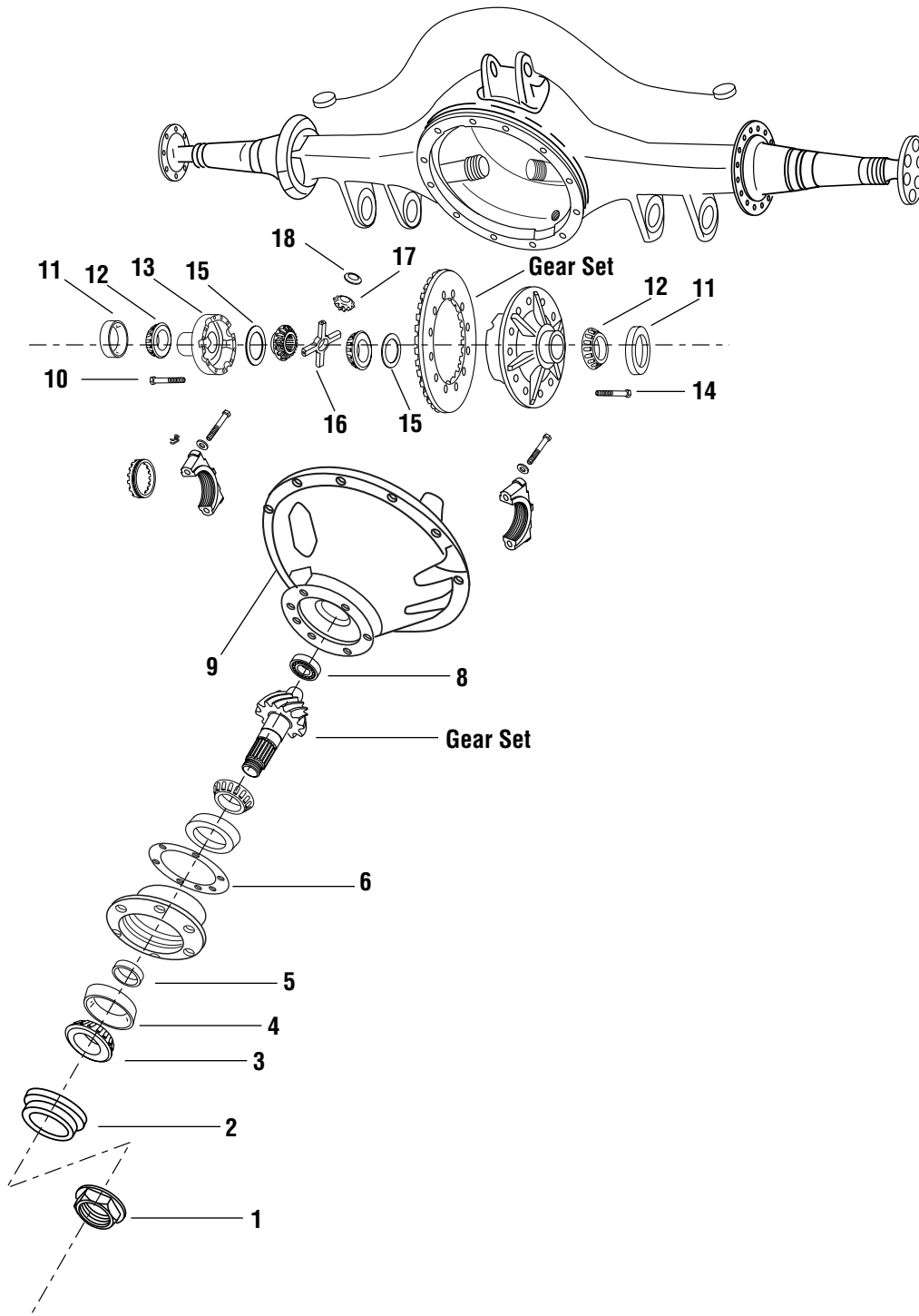


RA472 FORWARD MAIN DIFFERENTIAL AND OUTPUT ASSEMBLY

KEY NO.	INDUSTRY PART NO.	 MERITOR 2-YR WARRANTY	<i>Mach</i> 1-YR WARRANTY	DESCRIPTION
1	1691146C2		M111691146	Seal - Ouput Shaft
2	26310R1		M1126310	Bolt - Output Shaft
3	47820	47820MTOR	47820MAF	Bearing Cup - Differential - Plain/Flange Half
4	47890	47890MTOR	47890MAF	Bearing Cone - Differential - Plain/Flange Half
5	864358R2		M11864358	Case - Differential Plain Half
6	27293R1		M1127293	Nut Kit - Ring Gear to Diff Plain Half
7	157494R1		M11157494	Thrust Washer - Side Gear
8	864360R1		M11864360	Thrust Washer - Differential
9	42GC100		M1142GC100	Pinion Gear - Differential
10	864356R2		M11864356	Spider - Differential
11	1696994C91		M111696994	Bolt Kit - Ring Gear to Diff Plain Half
12	210		210MAF	Bearing - Output Shaft
Not Shown	19415R1		M1119415	Roll Pin - Drive Pinion
Bearing Kit	KIT200F	KIT200FMTOR	M10DRK200F	Involute Splines
Bearing Kit	KIT200FA		M10DRK200FA	Involute Splines (Late Design)
Gear Set	597236C91		M11597236	Ratio 3.54
Gear Set	597237C91		M11597237	Ratio 3.73
Gear Set	597238C91		M11597238	Ratio 3.91
Gear Set	597239C91		M11597239	Ratio 4.10
Gear Set	597240C91		M11597240	Ratio 4.44
Gear Set	597241C91		M11597241	Ratio 4.78
Gear Set	1694169C91		M111694169	Ratio 5.11
Gear Set	597242C91		M11597242	Ratio 5.38
Gear Set	1698369C91		M111698369	Ratio 5.63
Gear Set	597243C91		M11597243	Ratio 6.14
Gear Set	597244C91		M11597244	Ratio 6.57
Gear Set	597245C91		M11597245	Ratio 7.17

COMPLETE ASSEMBLY

RA472 REAR



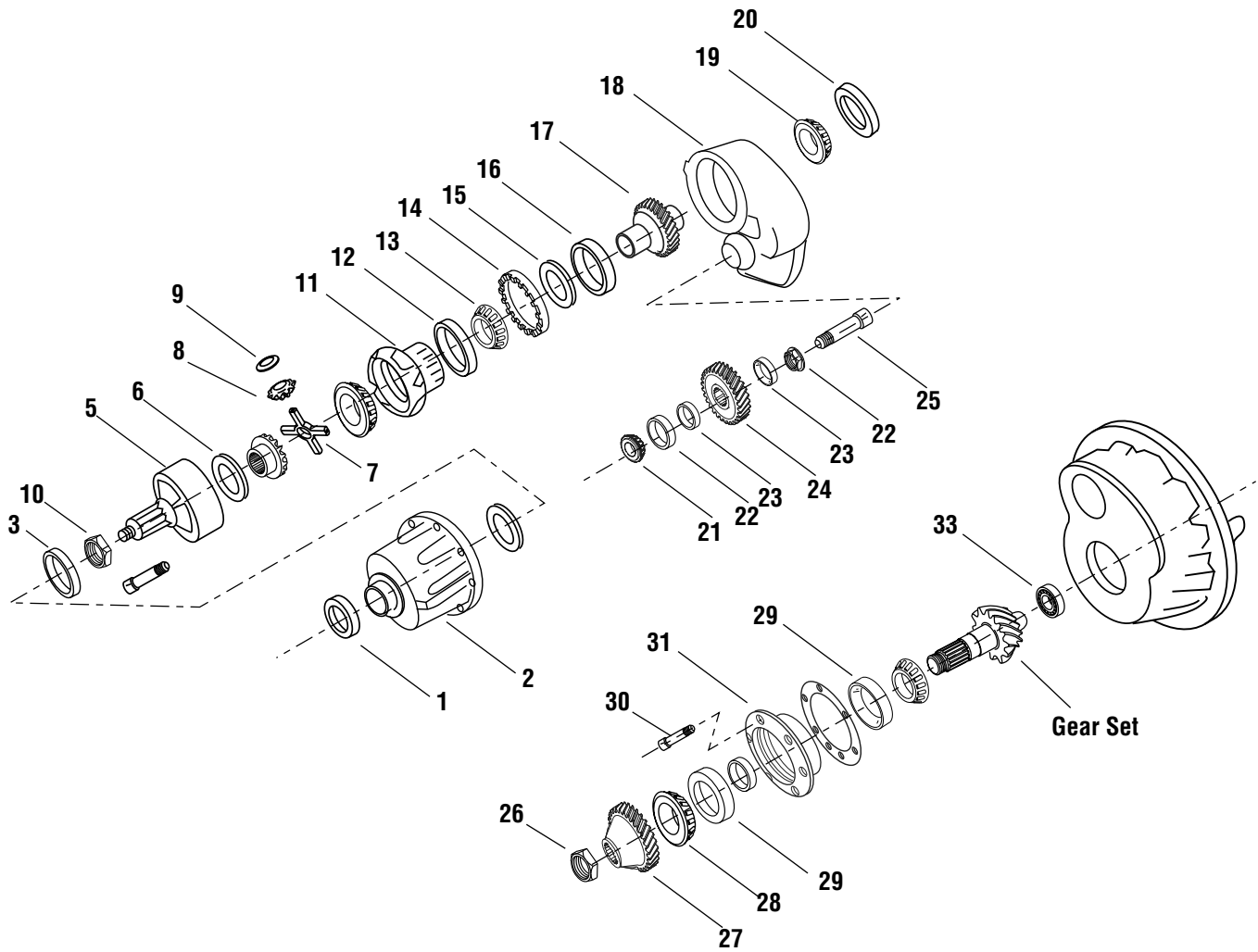
RA472 REAR COMPLETE ASSEMBLY

KEY NO.	INDUSTRY PART NO.	 MERITOR 2-YR WARRANTY	<i>Mach</i> 1-YR WARRANTY	DESCRIPTION
1	1696474C1		M111696474	Nut - Input Shaft, Nut - Drive Pinion
2	401HH102	401HH102MTOR	M11401HH102	Seal - Drive Pinion
3	72225C	72225CMTOR	72225CMAF	Bearing Cone - Drive Pinion - Outer/Inner
4	72487	72487MTOR	72487MAF	Bearing Cup - Drive Pinion - Outer/Inner
5	393979C1		M11393979	Spacer - Drive Pinion - .742"
6	454719C2		M114547192	Bearing Cage
8	MU1307TM		MU1307GUMMAF	Bearing - Drive Pinion Spigot
9	586045C1		M11586045	Plug - Housing; Plug - Case
10	27293R1		M1127293	Nut Kit - Ring Gear to Diff Plain Half
11	47820	47820MTOR	47820MAF	Bearing Cup - Differential - Plain/Flange Half
12	47890	47890MTOR	47890MAF	Bearing Cone - Differential - Plain/Flange Half
13	864358R2		M11864358	Case - Differential Plain Half
14	1696994C91		M111696994	Rivet- Ring gear to diff case
15	157494R1		M11157494	Thrust Washer - Side Gear
16	864356R2		M11864356	Spider - Differential
17	42GC100		M1142GC100	Pinion Gear - Differential
18	864360R1		M11864360	Thrust Washer - Differential
Not Shown	1691152C1		M111691152	Bolt Kit- Bearing Cage
Bearing Kit	KIT192RB	KIT192RBMTOR	M10DRK192RB	See Kits for complete BOM
Gear Set	597236C91		M11597236	Ratio 3.54
Gear Set	597237C91		M11597237	Ratio 3.73
Gear Set	597238C91		M11597238	Ratio 3.91
Gear Set	597239C91		M11597239	Ratio 4.10
Gear Set	597240C91		M11597240	Ratio 4.44
Gear Set	597241C91		M11597241	Ratio 4.78
Gear Set	1694169C91		M111694169	Ratio 5.11
Gear Set	597242C91		M11597242	Ratio 5.38
Gear Set	1698369C91		M111698369	Ratio 5.63
Gear Set	597243C91		M11597243	Ratio 6.14
Gear Set	597244C91		M11597244	Ratio 6.57
Gear Set	597245C91		M11597245	Ratio 7.17
Gear Set	597236C91		M11597236	Ratio 3.54

RA472 REAR

INPUT SHAFT AND INTER-AXLE DIFFERENTIAL

RA474 FORWARD



RA474 FORWARD INPUT SHAFT AND INTER-AXLE DIFFERENTIAL

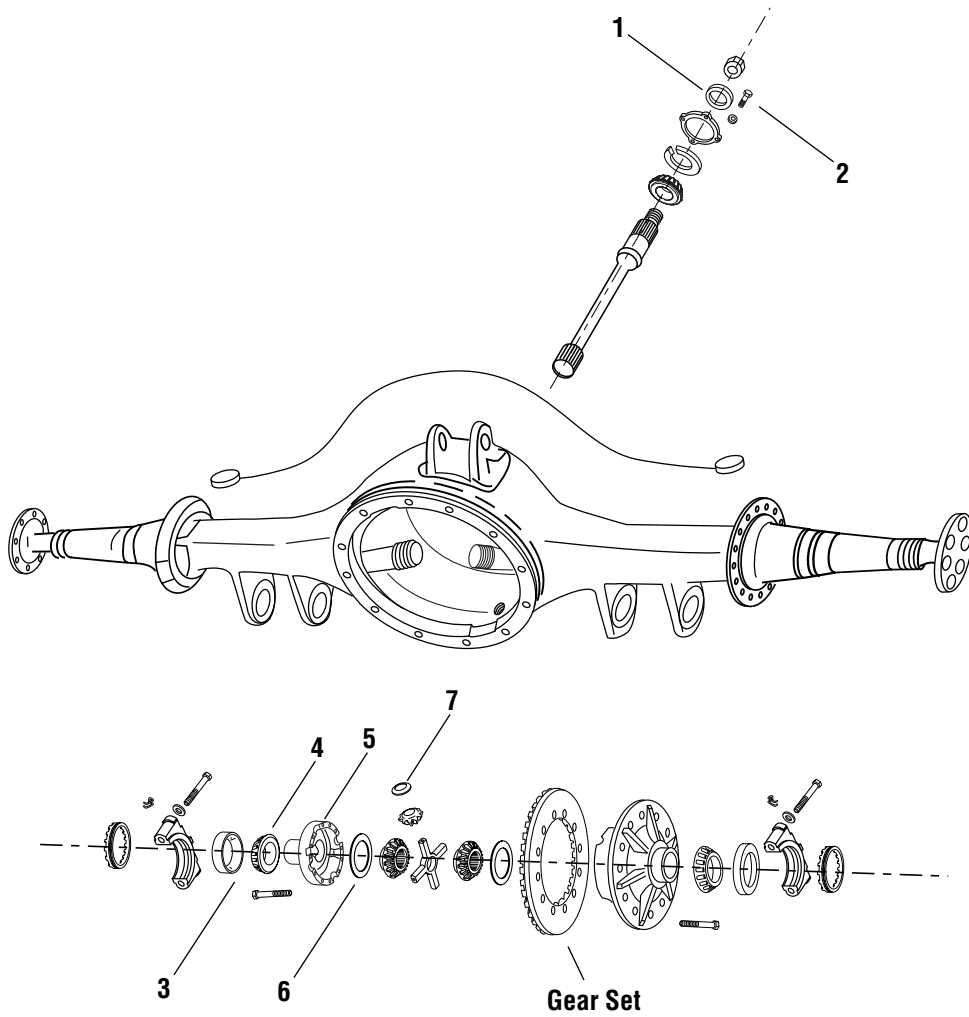
KEY NO.	INDUSTRY PART NO.	MERITOR 2-YR WARRANTY	Mach 1-YR WARRANTY	DESCRIPTION
1	25709R1		M1125709	Washer - Output Shaft (3/8")
2	586045C1		M11586045	Plug - Housing
3	JLM710910	JLM710910MTOR	JLM710910MAF	Bearing Cup - IAD - Front

RA474 FORWARD INPUT SHAFT AND INTER-AXLE DIFFERENTIAL

KEY NO.	INDUSTRY PART NO.	 MERITOR 2-YR WARRANTY	<i>Mach</i> 1-YR WARRANTY	DESCRIPTION
4	27857R1		M1127857	Bolt Kit - IAD Case
5	463415C2		M11463415	Case - IAD Front
6	464248C1		M11464248	Thrust Washer - Front Side Gear
7	463412C1		M11463412	Spider - IAD
8	2500277C1		M112500277	Pinion Gear - Differential
9	463413C1		M11463413	Thrust Washer - IAD
10	JLM710949C		JLM710949CMAF	Bearing Cone - Input Shaft - Rear
11	463404C93		M11493209	Case - IAD Rear
12	28921	28921MTOR	28921MAF	Bearing Cup - IAD - Rear
13	28985	28985MTOR	28985MAF	Bearing Cone - IAD Rear
14	XLS51/8AF	XLS518AFMTOR	XLS51/8AFMAF	Bearing - IAD - Rear Ball
15	495024C1		M11495024	Snap Ring - IAD
16	463430C2		M11463430	Clutch Collar
17	2500275C1		M112500275	Helical Drive Gear
18	583164C1		M11583164	IAD Kit - Bolt Kit - IAD Case (1-1/4")
18	592534C92		M11592534	IAD Kit - Shift Cylinder
18	504131C1		M11504131	IAD Kit - Insert - Shift Fork
18	378066R1		M11378066	IAD Kit - Retaining Ring
18	586045C1		M11586045	IAD Kit - Plug - Case
18	504810C91		M11504810	IAD Kit - Shift Fork - with Inserts
18	587212C1		M11587212	IAD Kit - Case - Shaft
19	JLM710949C		JLM710949CMAF	Cone-input gear bearing
20	JLM710910	JLM710910MTOR	JLM710910MAF	Bearing Cup -Input Gear
22	3877	3877MTOR	3877MAF	Bearing Cone - Idler Gear - Front/Rear (old design)
22	M802048	M802048MTOR	M802048MAF	Bearing Cone - Idler Gear - Front/Rear (new design)
23	3820	3820MTOR	3820MAF	Bearing Cup - Idler Gear - Front/Rear (old design)
23	M802011	M802011MTOR	M802011MAF	Bearing Cup - Idler Gear - Front/Rear (new design)
24	2501606C91		M112501606	Idler Gear
25	463420C2		M11463420	Shaft - Idler Gear
25	TRA4860		TRA4860MAF	Thrust Race- Front Side Gear
25	W4860		W4860MAF	Thrust Bearing- Front Side Gear
25	A1205N1496		M10A1205N1496	Seal- Thrushaft
26	1696474C1		M111696474	Nut - Input Shaft, Nut - Drive Pinion
27	19415R1		M1119415	Roll Pin - Drive Pinion
28	H715343	H715343MTOR	H715343MAF	Bearing Cone - Drive Pinion - Inner
28	HM813844	HM813844MTOR	HM813844MAF	Bearing Cone - Drive Pinion - Outer
29	H715311	H715311MTOR	H715311MAF	Bearing Cup - Drive Pinion - Inner
29	HM813810	HM813810MTOR	HM813810MAF	Bearing Cup - Drive Pinion - Outer
30	1691152C1		M111691152	Bolt Kit - Bearing Cage
31	482784C91		M11482784	Bearing Cage
32	1697352C91		M111697352	Bolt Kit - Ring Gear to Diff Plain Half
33	MU1308UM	MU1308UMMTOR	MU1308UMMAF	Bearing - Drive Pinion Spigot
Not Shown	1696472C1		M111696472	Nut - Idler Gear
Bearing Kit	KIT192RB	KIT192RBM TOR	M11DRK192RB	See Kits section for complete BOM


RA474 FORWARD

MAIN DIFFERENTIAL AND OUTPUT ASSEMBLY



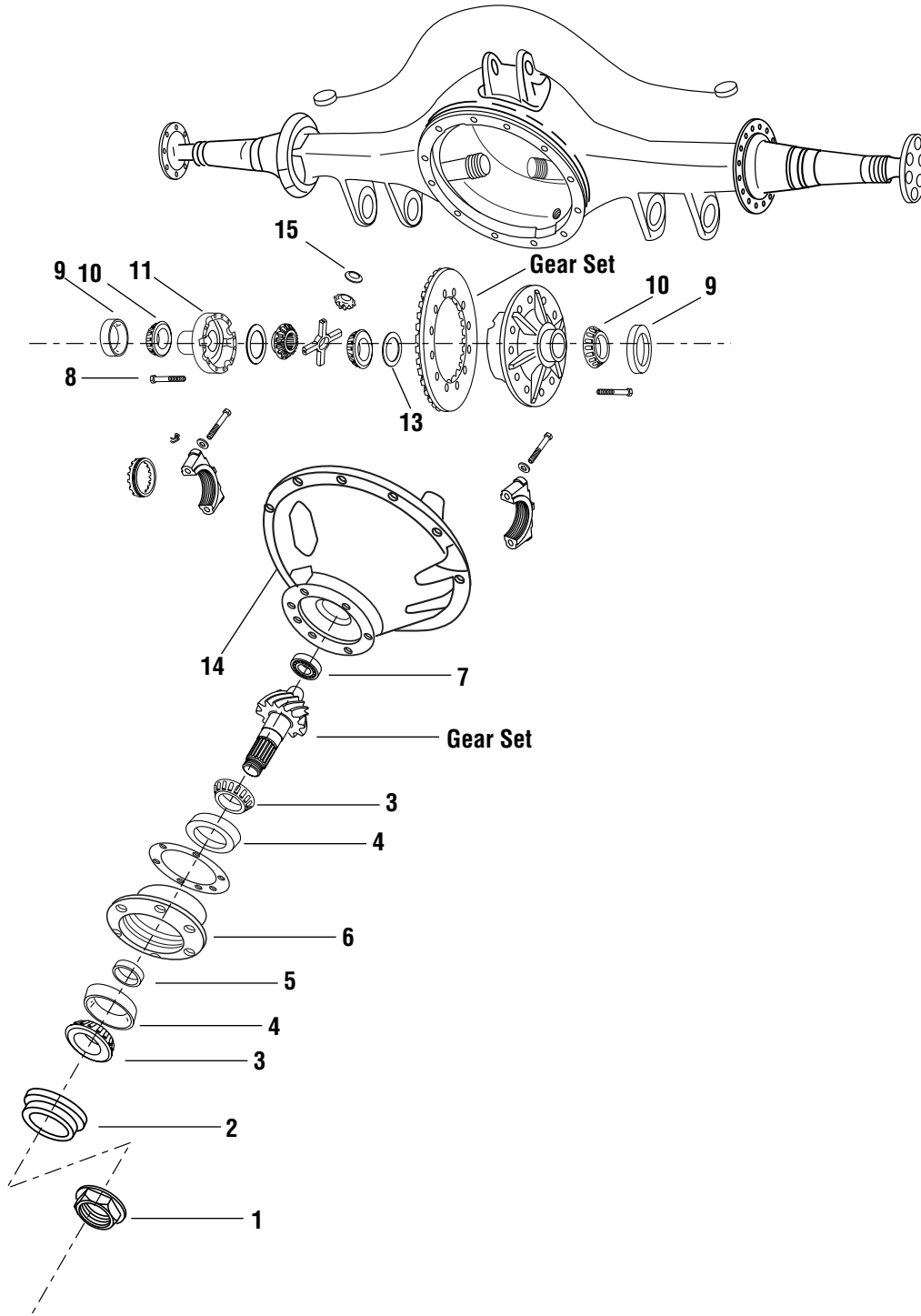
RA474 FORWARD

RA474 FORWARD MAIN DIFFERENTIAL AND OUTPUT ASSEMBLY

KEY NO.	INDUSTRY PART NO.	 MERITOR 2-YR WARRANTY	<i>Mach</i> 1-YR WARRANTY	DESCRIPTION
1	1691146C2		M111691146	Seal - Output Shaft
2	26310R1		M1126310	Bolt - Output Shaft
3	56650	56650MTOR	56650MAF	Bearing Cup - Differential - Plain/Flange Half
4	56425	56425MTOR	56425MAF	Bearing Cone - Differential - Plain/Flange Half
5	161080R3		M11161080	Case - Differential Plain Half
6	161064R1		M11161064	Thrust Washer - Side Gear
7	161061R2		M11161061	Thrust Washer - Pinion Gear
Bearing Kit	KIT201F		M11DRK201F	Involute Splines
Bearing Kit	KIT201FA		M11DRK201FA	Involute Splines (Late Design)
Gear Set	597248C91		M11597248	Ratio 3.73
Gear Set	597249C91		M11597249	Ratio 3.91
Gear Set	597250C91		M11597250	Ratio 4.10
Gear Set	597251C91		M11597251	Ratio 4.44
Gear Set	597252C91		M11597252	Ratio 4.78
Gear Set	597253C91		M11597253	Ratio 5.38
Gear Set	597254C91		M11597254	Ratio 6.14
Gear Set	597255C91		M11597255	Ratio 6.57
Gear Set	597256C91		M11597256	Ratio 7.17

RA474 FORWARD

COMPLETE ASSEMBLY



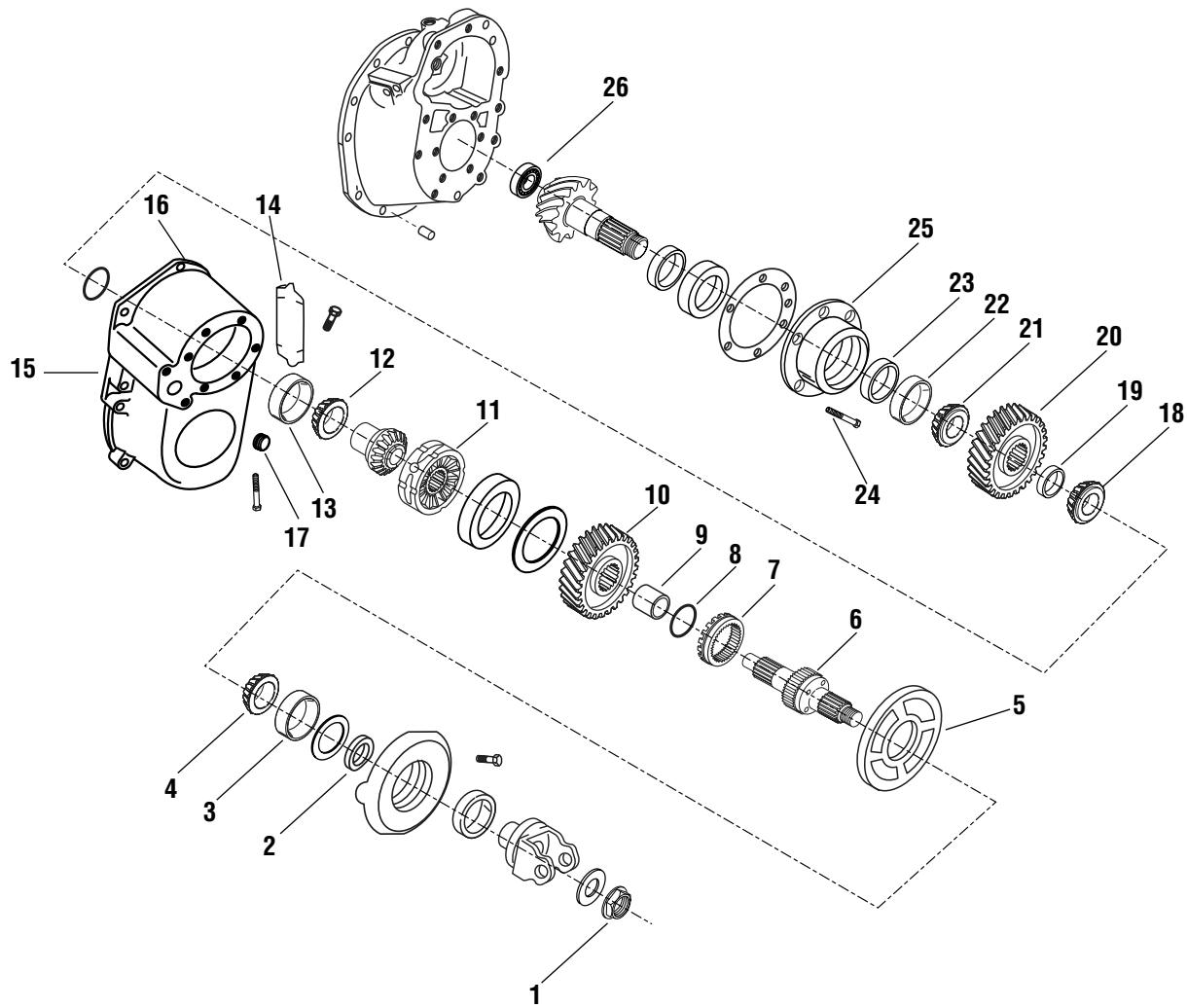
RA474 REAR

RA474 REAR COMPLETE ASSEMBLY

KEY NO.	INDUSTRY PART NO.	 MERITOR 2-YR WARRANTY	<i>Mach</i> 1-YR WARRANTY	DESCRIPTION
1	1696474C1		M111696474	Nut - Input Shaft, Nut - Drive Pinion
2	401HH102	401HH102MTOR	M11401HH102	Seal- Drive Pinion
3	H715343	H715343MTOR	H715343MAF	Bearing Cone - Drive Pinion - Inner
3	HM813844	HM813844MTOR	HM813844MAF	Bearing Cone - Drive Pinion - Outer
4	H715311	H715311MTOR	H715311MAF	Bearing Cup - Drive Pinion - Inner
4	HM813810	HM813810MTOR	HM813810MAF	Bearing Cup - Drive Pinion - Outer
5	892790R1		M11892790	Spacer - Drive Pinion - .375"
6	482782C91		M11482782	Bearing Cage with Cups
7	MU1308UM	MU1308UMMTOR	MU1308UMMAF	Bearing - Drive Pinion Spigot
8	1697352C91		M111697352	Bolt Kit - Ring Gear to Diff Plain Half
9	56650	56650MTOR	56650MAF	Bearing Cup - Differential - Plain/Flange Half
10	56425	56425MTOR	56425MAF	Bearing Cone - Differential - Plain/Flange Half
11	161080R3		M11161080	Case - Differential Plain Half
13	161064R1		M11161064	Thrust Washer - Side Gear
14	586045C1		M11586045	Plug - Housing; Plug - Case
15	161061R2		M11161061	Thrust Washer - Pinion Gear
Not Shown	493209C1		M11493209	Top Bottom Cases
Bearing Kit	KIT201R	KIT201RMTOR	M11DRK201R	See Kits section for complete BOM
Gear Set	597248C91		M11597248	Ratio 3.73
Gear Set	597249C91		M11597249	Ratio 3.91
Gear Set	597250C91		M11597250	Ratio 4.10
Gear Set	597251C91		M11597251	Ratio 4.44
Gear Set	597252C91		M11597252	Ratio 4.78
Gear Set	597253C91		M11597253	Ratio 5.38
Gear Set	597254C91		M11597254	Ratio 6.14
Gear Set	597255C91		M11597255	Ratio 6.57
Gear Set	597256C91		M11597256	Ratio 7.17

RA474 REAR

INPUT SHAFT AND INTER-AXLE DIFFERENTIAL



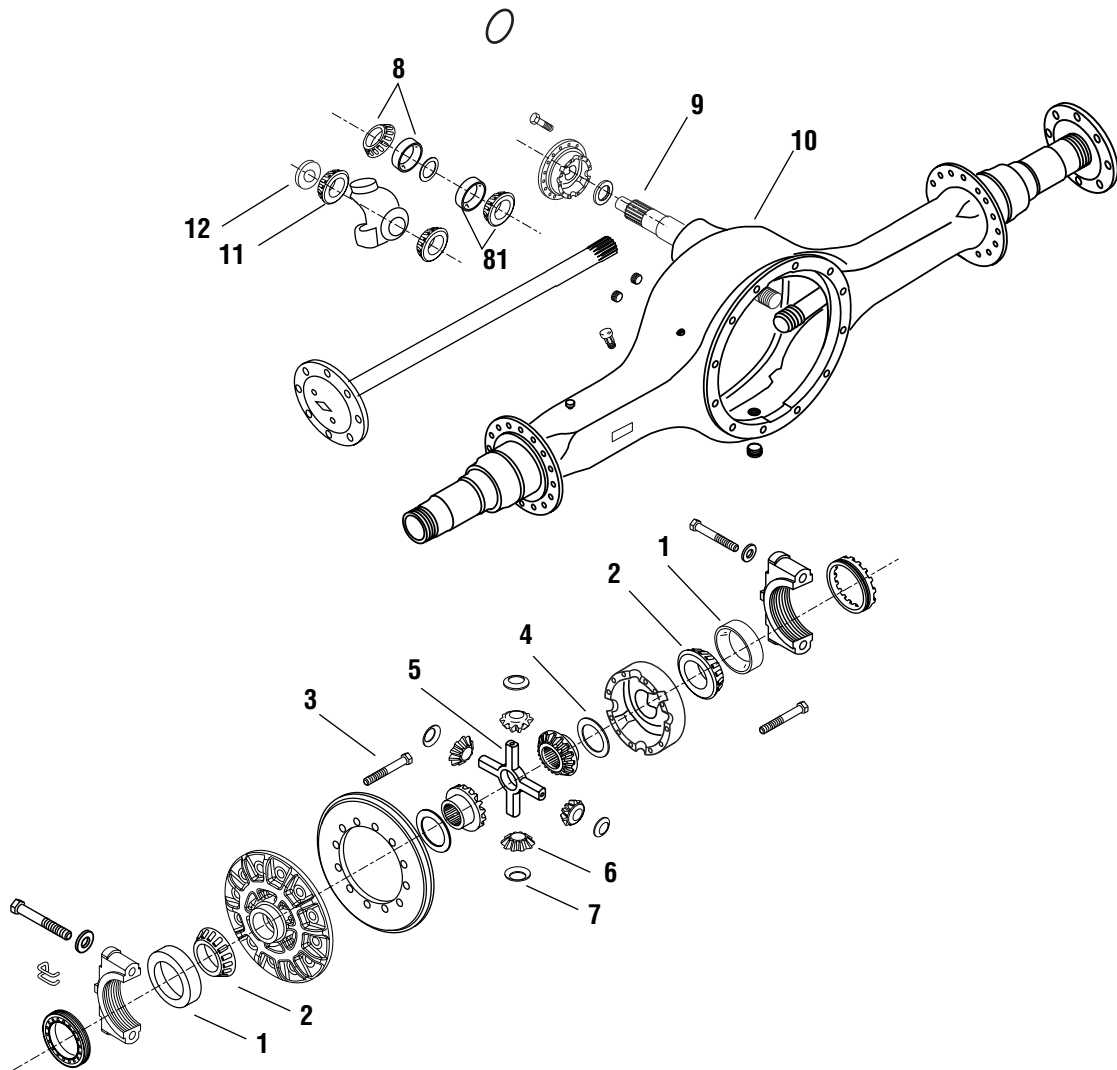
N400F

N400F INPUT SHAFT AND INTER-AXLE DIFFERENTIAL


KEY NO.	INDUSTRY PART NO.	 MERITOR 2-YR WARRANTY	<i>Mach</i> 1-YR WARRANTY	DESCRIPTION
1	1696474C1		M111696474	Nut - Input Shaft
2	1665324C1		M111665324	Spacer - Input Flange
3	HM807010	HM807010MTOR	HM807010MAF	Bearing Cup - Input Shaft
4	HM807049	HM807049MTOR	HM807049MAF	Bearing Cone - Input Shaft
5	1665308C1		M111665308	Gear - Pump Drive
6	1693019C91		M111693019	Shaft - Input
7	1665332C1		M111665332	Shift Collar
8	1665315C1		M111665315	Thrust Washer - Input Shaft
9	B3624	B3624MTOR	B3624MAF	Needle Bearing - Helical Drive Gear
10	1665309C91		M111665309	Helical Drive Gear
11	1665307C91		M111665307	Inter-Axle Nest Assembly
12	JLM710949C		JLM710949CMAF	Bearing Cone - IAD - Front
13	JLM710910	JLM710910MTOR	JLM710910MAF	Bearing Cup - IAD - Front
14	1665306C1		M111665306	Oil Pump Cover
15	586045C1		M11586045	Plug - Housing
16	592534C92		M11592534	Shift Cylinder
17	586045C1		M11586045	Plug - Housing
18	19415R1		M1119415R1	Roll Pin - Drive Pinion
19	1665324C1		M111665324	Spacer - Pinion Nut
20	1665380C1		M111665380	Helical Driven Gear
21	72225C	72225CMTOR	72225CMAF	Bearing Cone - Drive Pinion - Outer/Inner
22	72487	72487MTOR	72487MAF	Bearing Cup - Drive Pinion - Outer/Inner
23	393979C1		M11393979	Spacer - Drive Pinion - .742"
24	1691152C1		M111691152	Bolt Kit - Bearing Cage
25	1665303C91		M111665303	Bearing Cage with Cups
26	RU1570UM	RU1570UMMTOR	RU1570UMMAF	Bearing - Drive Pinion Spigot
Not Shown	504131C1		M11504131	Insert - Shift Fork
Not Shown	378066R1		M11378066	Retaining Ring
Not Shown	1665331C91		M111665331	Shift Fork
Not Shown	1665300C91		M111665300	Gear
Not Shown	1665334C1		M111665334	Shift Pin
Bearing Kit	KIT223F	KIT223FMTOR	M11RDK223F	See Kits section for complete BOM

N400F

MAIN DIFFERENTIAL AND OUTPUT SHAFT



N400F

N400F MAIN DIFFERENTIAL AND OUTPUT SHAFT				
KEY NO.	INDUSTRY PART NO.	 MERITOR 2-YR WARRANTY	<i>Mach</i> 1-YR WARRANTY	DESCRIPTION
1	495	495MTOR	495MAF	Bearing Cone - Differential - Flange Half
2	493	493MTOR	493MAF	Bearing Cup - Differential - Flange Half
3	1696994C91		M111696994	Bolt Kit - Ring Gear to Diff Plain Half
4	157494R1		M11157494	Thrust Washer - Side Gear
5	864356R2		M11864356	Spider - Differential
6	42GC100		M1142GC100	Pinion Gear - Differential
7	864360R1		M11864360	Thrust Washer - Differential
8	A1400		A1400MAF	Bearing- Output Shaft Assembly
9	21003R1	21003R1MTOR	M1121003R1	O-Ring
10	586045C1		M11586045	Plug - Housing
11	26310R1		M1126310	Bolt - Output Shaft
12	25709R1		M1125709	Washer - Output Shaft (3/8")
Not Shown	A1205N1496		M10A1205N1496	Seal - Thrushaft
Bearing Kit	KIT223F	KIT223FMTOR	M11RDK223F	See Kits section for complete BOM
Gear Set	1665336C91		M111665336	Ratio 3.21
Gear Set	1665338C91		M111665338	Ratio 3.54
Gear Set	1665339C91		M111665339	Ratio 3.73
Gear Set	1665340C91		M111665340	Ratio 3.91
Gear Set	1665341C91		M111665341	Ratio 4.10
Gear Set	1665342C91		M111665342	Ratio 4.44
Gear Set	1665350C91		M111665350	Ratio 6.14

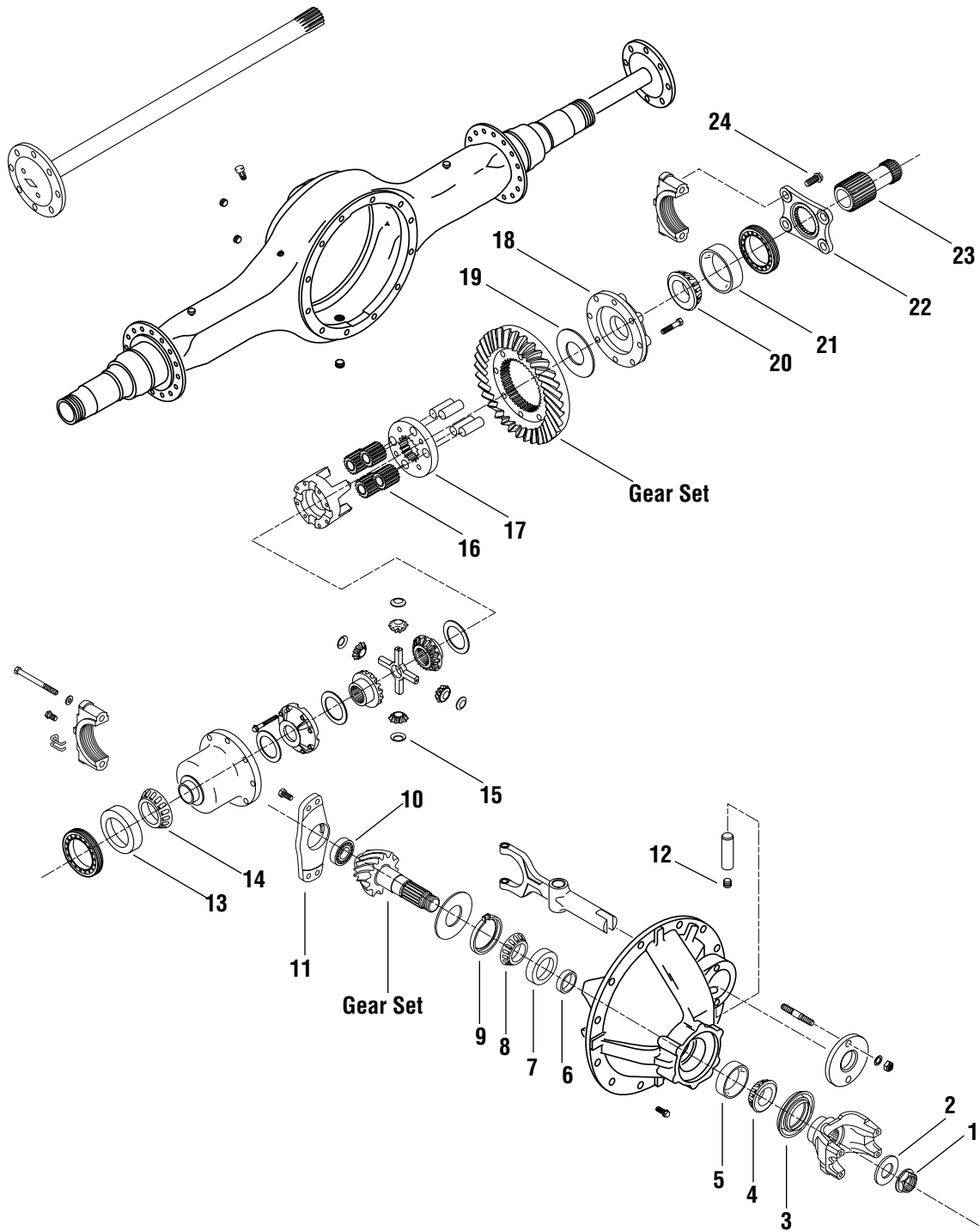
N400F

N400R COMPLETE ASSEMBLY

KEY NO.	INDUSTRY PART NO.	 MERITOR 2-YR WARRANTY	<i>Mach</i> 1-YR WARRANTY	DESCRIPTION
1	1696474C1		M111696474	Nut - Input Shaft, Nut - Drive Pinion
2	401HH02		M11401HH02	Seal - Drive Pinion
3	72225C	72225CMTOR	72225CMAF	Bearing Cone - Drive Pinion - Outer/Inner
4	72487	72487MTOR	72487MAF	Bearing Cup - Drive Pinion - Outer/Inner
5	454719C91		M11454719	Bearing Cage
6	1691152C1		M111691152	Bolt Kit - Bearing Cage
7	393979C1		M11393979	Spacer - Drive Pinion - .742"
8	RU1570UM	RU1570UMMTOR	RU1570UMMAF	Bearing - Drive Pinion Spigot
9	495	495MTOR	495MAF	Bearing Cup - Differential - Flange Half
10	493	493MTOR	493MAF	Bearing Cone - Differential - Flange Half
11	1696994C91		M111696994	Bolt Kit - Ring Gear to Diff Plain Half
12	157494R1		M11157494	Thrust Washer - Side Gear
13	864356R2		M11864356	Spider - Differential
14	42GC100		M1142GC100	Pinion Gear - Differential
15	864360R1		M11864360	Thrust Washer - Differential
16	571354C91		M11571354	Side Gear
Bearing Kit	KIT223R	KIT223RMTOR	M11DRK223R	See Kits section for complete BOM
Gear Set	1665354C91		M111665354	Ratio 3.06
Gear Set	1665355C91		M111665355	Ratio 3.21
Gear Set	1665357C91		M111665357	Ratio 3.54
Gear Set	1665358C91		M111665358	Ratio 3.73
Gear Set	1665359C91		M111665359	Ratio 3.91
Gear Set	1665360C91		M111665360	Ratio 4.10
Gear Set	1665361C91		M111665361	Ratio 4.44
Gear Set	1665363C91		M111665363	Ratio 4.78
Gear Set	1665367C91		M111665367	Ratio 5.38
Gear Set	1665368C91		M111665368	Ratio 5.63
Gear Set	1665369C91		M111665369	Ratio 6.14
Gear Set	1665371C91		M111665371	Ratio 7.17

COMPLETE ASSEMBLY

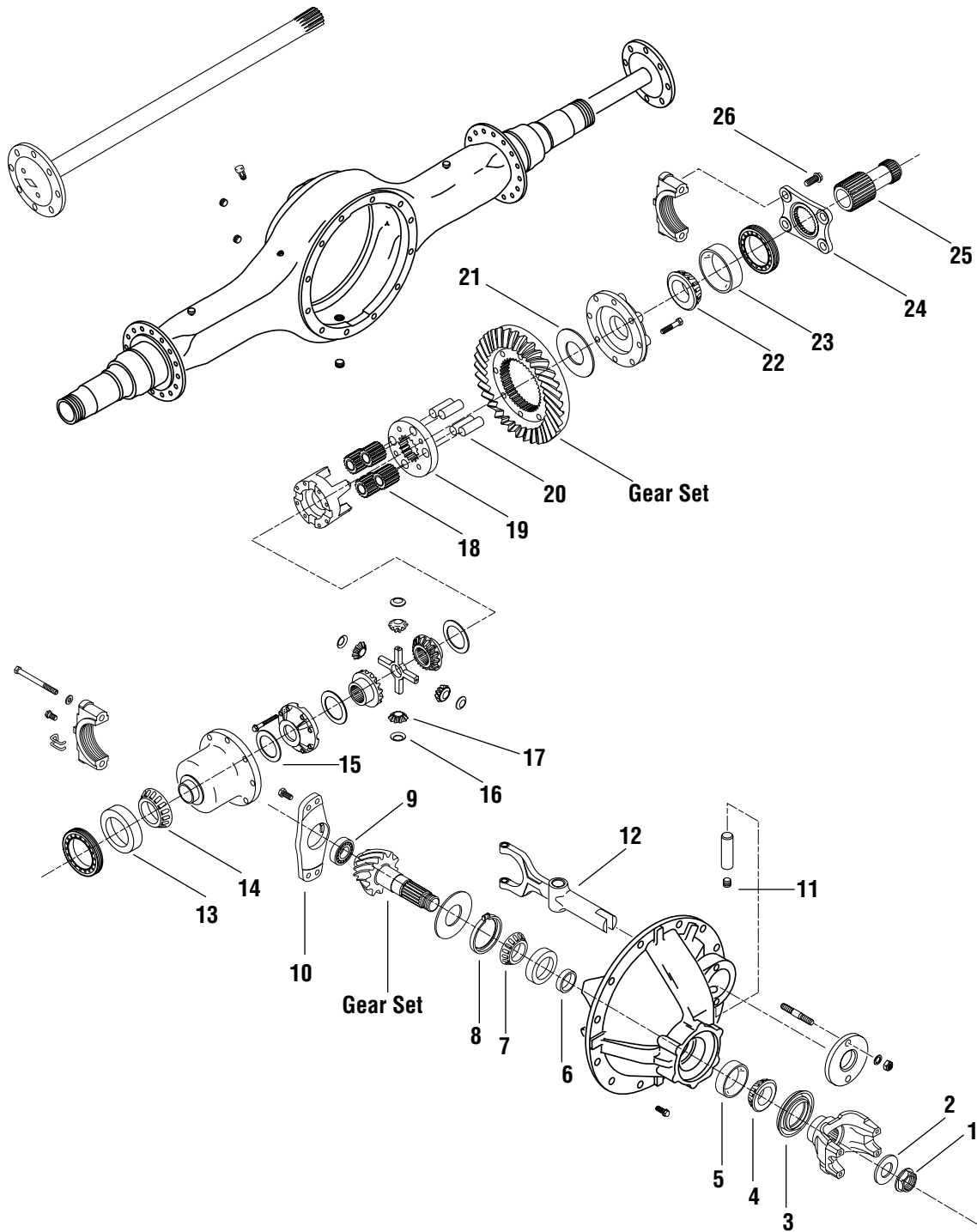
M190-M200T



M190-M200T COMPLETE ASSEMBLY			
KEY NO.	INDUSTRY PART NO.	<i>Mach</i> 1-YR WARRANTY	DESCRIPTION
1	1696471C1	M111696471	Nut - Ring Gear to Diff Plain Half
2	597194C1	M11597194	Washer - Drive Pinion
3	597147C1	M11597147	Oil Seal - Drive Pinion
4	55200C	55200CMAF	Bearing Cone - Drive Pinion - Outer/Inner
5	55437	55437MAF	Bearing Cup - Drive Pinion - Outer
6	597185C91	M11597185	Pinion Bearing Spacer
7	72487	72487MAF	Bearing Cup - Drive Pinion - Outer/Inner
8	72225C	72225CMAF	Bearing Cone - Drive Pinion - Outer/Inner
9	597148C1	M11597148	Oil Seal - Drive Pinion
10	MUB1308UM	MUS1308UMMAF	Bearing - Drive Pinion Spigot
11	597150C1	597150C1MAF	Bearing Cap - Drive Pinion Spigot
12	597176C1	M11597176	Set Screw - Shift Fork
13	JM716610	JM716610MAF	Bearing Cup - Differential - Flange Half
14	JM716649	JM716649MAF	Bearing Cone - Differential - Flange Half
15	597110C1	M11597110	Thrust Washer - Differential
16	597155C1	M11597155	Planet Gear
17	597169C1	M11597169	Mounting Plate - Planet Gear
19	597165C1	M11597165	Thrust Plate - Differential
18	597167C1	M11597167	Differential Support Case
20	JM822049	JM822049MAF	Bearing Cone - Differential - Plain Half
21	JM822010	JM822010MAF	Bearing Cup - Differential - Plain Half
22	597173C1	M11597173	Retainer Plate - Sun Gear
23	597171C1	M11597171	Sun Gear
24	1691251C1	M111691251	Bolt Kit - Sun Gear
Not Shown	597174C1	M11597174	Roller Pin - Shift Fork
Bearing Kit	DRK214	M11DRK214	See Kits section for complete BOM
Gear Set	597137C91	M11597137	Ratio 4.56
Gear Set	597138C91	M11597138	Ratio 4.89
Gear Set	597139C91	M11597139	Ratio 5.29
Gear Set	597140C91	M11597140	Ratio 5.57

COMPLETE ASSEMBLY

G175T



G175T COMPLETE ASSEMBLY

KEY NO.	INDUSTRY PART NO.	<i>Mach</i> 1-YR WARRANTY	DESCRIPTION
1	1696471C1	M111696471	Nut - Ring Gear to Diff Plain Half
2	597194C1	M11597194	Washer - Drive Pinion
3	GGAAH109	M11GGAAH109	Seal - Drive Pinion
4	55200C	55200CMAF	Bearing Cone - Drive Pinion - Outer/Inner Includes Item 7
5	55437	55437MAF	Bearing Cup - Drive Pinion - Outer
6	597184C91	M11597184	Shim Kit - Drive Pinion
8	597148C1	M11597148	Oil Seal - Drive Pinion
9	MUSB1307UM	MUS1307UMMAF	Bearing - Drive Pinion Spigot
10	597149C1	M11597149	Bearing Cap - Drive Pinion Spigot
11	597176C1	M11597176	Set Screw - Shift Fork
12	597179C91	M11597179	Shift Fork Assembly
13	493	493MAF	Bearing Cup - Differential - Flange Half
14	495	495MAF	Bearing Cone - Differential - Flange Half
15	597107C1	M11597107	Thrust Washer - Side Gear
16	597109C1	M11597109	Thrust Washer - Differential
17	GGADG101	M11GGADG101	Pinion Gear - Differential
18	597156C1	M11597156	Planet Gear
19	597168C1	M11597168	Mounting Plate - Planet Gear
20	597166C1	M11597166	Shaft - Planet Gear
21	597164C1	M11597164	Thrust Plate - Differential
22	42381	42381MAF	Bearing Cone - Differential - Plain Half
23	42584	42584MAF	Bearing Cup - Differential - Plain Half
24	597172C1	M11597172	Retainer Plate - Sun Gear
25	597170C1	M11597170	Sun Gear
26	1691251C1	M111691251	Bolt Kit - Sun Gear
Not Shown	597174C1	M11597174	Roller Pin - Shift Fork
Bearing Kit	DRK213	M11DRK213	See Kits section for complete BOM
Gear Set	573551C91	M11573551	Ratio 4.56
Gear Set	597132C91	M11597132	Ratio 4.89
Gear Set	597133C91	M11597133	Ratio 5.57
Gear Set	597135C91	M11597135	Ratio 6.50

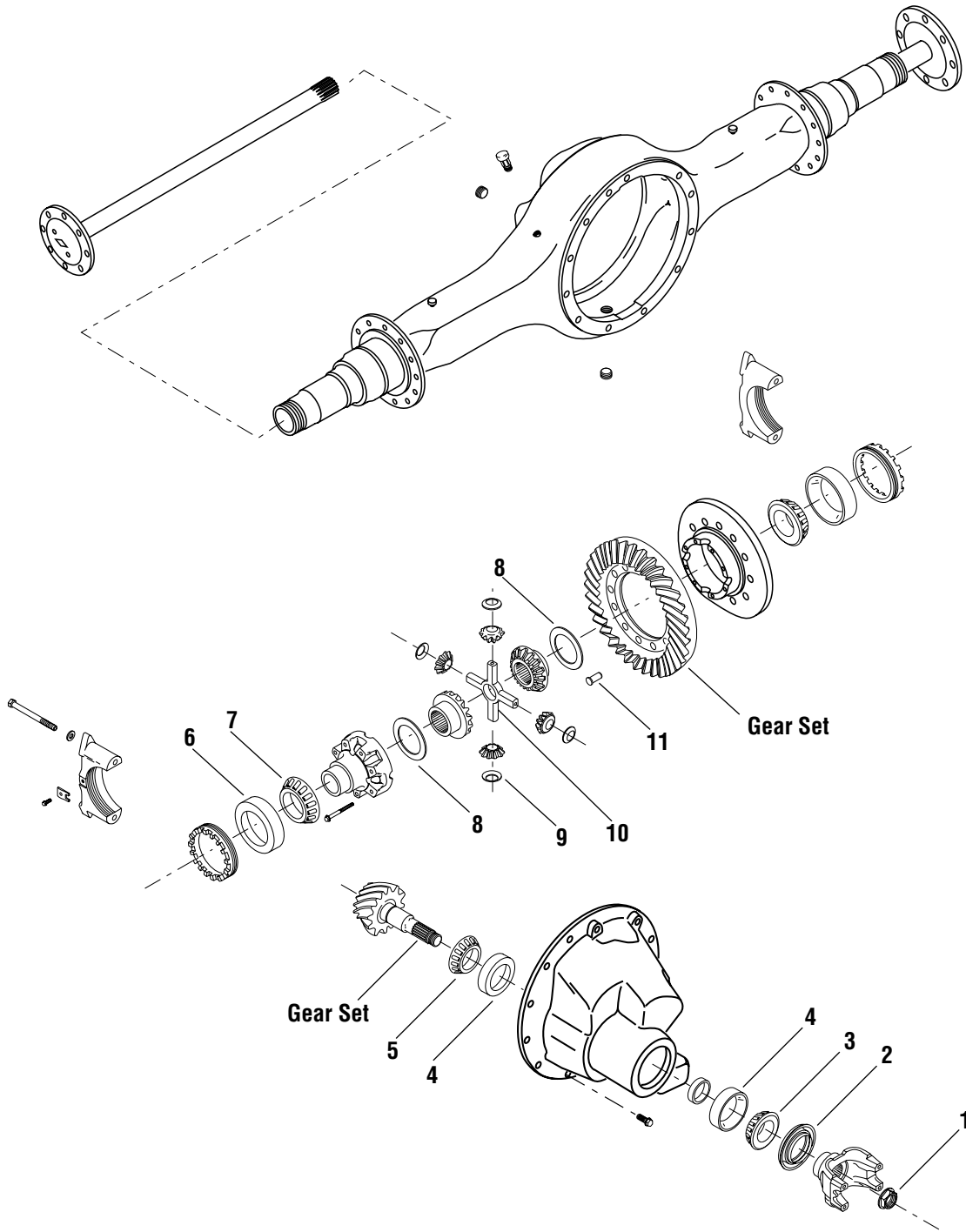
G175T

RA29-RA39 COMPLETE ASSEMBLY

KEY NO.	INDUSTRY PART NO.	<i>Mach</i> 1-YR WARRANTY	DESCRIPTION
1	MUB5206UM	MUB5206UMMAF	Bearing - Drive Pinion Spigot
2	55175C	55175CMAF	Bearing Cone - Drive Pinion - Outer/Inner
3	55437	55437MAF	Bearing Cup - Drive Pinion - Outer
4	1691152C1	M111691152	Bolt Kit - Bearing Cage
5	H506825	M11H506825	Oil Seal - Drive Pinion
6	3925	3925MAF	Bearing Cup - Differential - Plain/Flange Half
7	3984	3984MAF	Bearing Cone - Differential - Plain/Flange Half
8	86233H	M1186233H	Thrust Washer - Side Gear
9	241278R1	M11241278	Thrust Washer - Differential
10	1671760C1	M111671760	Nut - Ring Gear
11	241281R1	M11241281	Case - Differential Plain Half
12	1696994C91	M111696994	Bolt Kit - Ring Gear to Diff Plain Half
13	GGAHH106	M11GGAHH106	Seal - Drive Pinion
Bearing Kit	DRK191R	M11DRK191R	See Kits section for complete BOM
Gear Set	1658852C91	M111658852	Ratio 4.33 (RA29 Only)
Gear Set	1654873C91	M111654873	Ratio 6.50 (RA29 Only)

RA29-RA39

COMPLETE ASSEMBLY



S150S

S150S COMPLETE ASSEMBLY

KEY NO.	INDUSTRY PART NO.	<i>Mach</i> 1-YR WARRANTY	DESCRIPTION
1	1696471C1	M111696471	Nut - Ring Gear to Diff Plain Half
2	029HH100	M11029HH100	Oil Seal - Drive Pinion
3	55175C	55175CMAF	Bearing Cone - Drive Pinion - Outer/Inner
4	72487	72487MAF	Bearing Cup - Drive Pinion - Outer
4	55437	55437MAF	Bearing Cup - Drive Pinion - Inner
5	72225C	72225CMAF	Bearing Cone - Drive Pinion - Outer/Inner
6	3920	3920MAF	Bearing Cup - Differential - Plain/Flange Half
7	3984	3984MAF	Bearing Cone - Differential - Plain/Flange Half
8	86233H	M1186233H	Thrust Washer - Side Gear
9	463413C1	M11463413	Thrust Washer - IAD, Thrust Washer - Differential
10	463412C1	M11463412	Spider - IAD; Spider - Differential
11	1696994C91	M111696994	Bolt Kit - Ring Gear to Diff Plain Half
Bearing Kit	DRK414	M11DRK414	See Kits section for complete BOM
Gear Set	1697148C91	M111697148	Ratio 3.07
Gear Set	1697149C91	M111697149	Ratio 3.21
Gear Set	1697150C91	M111697150	Ratio 3.38
Gear Set	1697151C91	M111697151	Ratio 3.54
Gear Set	1697152C91	M111697152	Ratio 3.73
Gear Set	1697154C91	M111697154	Ratio 4.10
Gear Set	1697156C91	M111697156	Ratio 4.78
Gear Set	1697159C91	M111697159	Ratio 6.43
Gear Set	1697160C91	M111697160	Ratio 7.17

M10-DRK-194F		
COMPONENT NUMBERS	QUANTITY	DESCRIPTION
72212CMAF	1	Pinion Head Bearing Cone and Pinion Tail Bearing Cone
72487MAF	1	Pinion Head Bearing Cup and Pinion Tail Bearing Cup
JLM710910MAF	1	Drive Gear Front Bearing Cup
JLM710949CMAF	1	Drive Gear Front Bearing Cone
JM511910MAF	1	Input Shaft Bearing Cup
JM511946MAF	1	Input Shaft Bearing Cone
JM716610MAF	1	Differential Left Bearing Cup and Differential Right Bearing Cup
JM716649MAF	1	Differential Left Bearing Cone and Differential Right Bearing Cone
LM603011MAF	2	Thrushaft Bearing Cup
LM603049MAF	2	Thrushaft Bearing Cone
M10-A1205G2425	1	Thrushaft Seal
M10-R945008	1	Input Shaft Seal
RU1570UMMAF	1	Pinion Nose Bearing - Spigot
TP20148	1	Sealer Instructions

M10-DRK-194RB		
COMPONENT NUMBERS	QUANTITY	DESCRIPTION
72212CMAF	1	Pinion Head Bearing Cone and Pinion Tail Bearing Cone
72487MAF	1	Pinion Head Bearing Cup and Pinion Tail Bearing Cup
JM716610MAF	1	Differential Left Bearing Cup and Differential Right Bearing Cup
JM716649MAF	1	Differential Left Bearing Cone and Differential Right Bearing Cone
M10-A1205U1685	1	Pinion Seal
RU1570UMMAF	1	Pinion Nose Bearing - Spigot
TP20148	1	Sealer Instructions

M10-DRK-217R		
COMPONENT NUMBERS	QUANTITY	DESCRIPTION
55206CMAF	1	Pinion Tail Bearing Cone
55437MAF	1	Pinion Tail Bearing Cup
72212CMAF	1	Pinion Head Bearing Cone
72487MAF	1	Pinion Head Bearing Cup
JM716610MAF	1	Differential Left Bearing Cup and Differential Right Bearing Cup
JM716649MAF	1	Differential Left Bearing Cone and Differential Right Bearing Cone
M10-R945009	1	Pinion Seal
RU1570UMMAF	1	Pinion Nose Bearing - Spigot
TP20148	1	Sealer Instructions

M10-DRK-224

COMPONENT NUMBERS	QUANTITY	DESCRIPTION
32020XMAF	1	Diff Left Bearing cup/cone Assembly and Diff Right Bearing cup/cone Assembly
55206CMAF	1	Pinion Tail Bearing Cone
55437MAF	1	Pinion Tail Bearing Cup
72212CMAF	1	Pinion Head Bearing Cone
72487MAF	1	Pinion Head Bearing Cup
M10-R945009	1	Pinion Seal
RU1570UMMAF	1	Pinion Nose Bearing - Spigot
TP20148	1	Sealer Instructions

M10-DRK-4390

COMPONENT NUMBERS	QUANTITY	DESCRIPTION
55206CMAF	1	Pinion Tail Bearing Cone
55437MAF	1	Pinion Tail Bearing Cup
72212CMAF	1	Pinion Head Bearing Cone
72487MAF	1	Pinion Head Bearing Cup
JM716610MAF	1	Differential Right Bearing Cup
JM716649MAF	1	Differential Right Bearing Cone
JP10010AMAF	1	Differential Left Bearing Cup
JP10049MAF	1	Differential Left Bearing Cone
M10-R945009	1	Pinion Seal
RU1570UMMAF	1	Pinion Nose Bearing - Spigot
TP20148	1	Sealer Instructions

M10-DRK-4395

COMPONENT NUMBERS	QUANTITY	DESCRIPTION
3920MAF	1	Input Shaft Front Bearing Cup
72212CMAF	1	Pinion Tail Bearing Cone
72487MAF	1	Pinion Tail Bearing Cup
H715311MAF	1	Pinion Head Bearing Cup
H715334MAF	1	Pinion Head Bearing Cone
JLM104910MAF	2	Output Shaft Bearing Cup
JLM710910MAF	1	Input Shaft Rear Bearing Cup
JLM710949CMAF	1	Input Shaft Rear Bearing Cone
JM511946MAF	1	Input Shaft Front Bearing Cone
JM716610MAF	1	Differential Left Bearing Cup and Differential Right Bearing Cup
JM716649MAF	1	Differential Left Bearing Cone and Differential Right Bearing Cone
LM104949MAF	2	Output Shaft Bearing Cone
M10-5X1034	2	O-Ring
M10-R945007	1	Input Shaft Pinion Seal
M10-R945008	1	Thrushaft Seal
TP20148	1	Sealer Instructions

M10-DRK-4396		
COMPONENT NUMBERS	QUANTITY	DESCRIPTION
3920MAF	1	Input Shaft Front Bearing Cup
72212CMAF	1	Pinion Tail Bearing Cone
72487MAF	1	Pinion Tail Bearing Cup
H715311MAF	1	Pinion Head Bearing Cup
H715334MAF	1	Pinion Head Bearing Cone
JLM104910MAF	2	Output Shaft Bearing Cup
JLM710910MAF	1	Input Shaft Rear Bearing Cup
JLM710949CMAF	1	Input Shaft Rear Bearing Cone
JM511945MAF	1	Input Shaft Front Bearing Cone
JM716610MAF	1	Differential Left Bearing Cup and Differential Right Bearing Cup
JM716649MAF	1	Differential Left Bearing Cone and Differential Right Bearing Cone
LM104949MAF	2	Output Shaft Bearing Cone
M10-5X1034	2	O-Ring
M10-R945007	1	Input Shaft Seal
M10-R945008	1	Thrushaft Seal
TP20148	1	Sealer Instructions

M10-DRK-4406		
COMPONENT NUMBERS	QUANTITY	DESCRIPTION
3920MAF	1	Input Shaft Front Bearing Cup
72212CMAF	1	Pinion Tail Bearing Cone
72487MAF	1	Pinion Tail Bearing Cup
H715311MAF	1	Pinion Head Bearing Cup
H715334MAF	1	Pinion Head Bearing Cone
JLM104910MAF	2	Output Shaft Bearing Cup
JLM710910MAF	1	Input Shaft Rear Bearing Cup
JLM710949CMAF	1	Input Shaft Rear Bearing Cone
JM511945MAF	1	Input Shaft Front Bearing Cone
JM716610MAF	1	Differential Right Bearing Cup
JM716649MAF	1	Differential Right Bearing Cone
JP10010AMAF	1	Differential Left Bearing Cup
JP10049MAF	1	Differential Left Bearing Cone
LM104949MAF	2	Output Shaft Bearing Cone
M10-5X1034	2	O-Ring
M10-R945007	1	Input Shaft Seal
M10-R945008	1	Thrushaft Seal
TP20148	1	Sealer Instructions

M10-DRK-4415

COMPONENT NUMBERS	QUANTITY	DESCRIPTION
32021MAF	1	Diff Left Bearing cup/cone Assembly and Diff Right Bearing cup/cone Assembly
9220MAF	1	Pinion Head Bearing Cup
9278MAF	1	Pinion Head Bearing Cone
A11228P1004MAF	1	Pinion Nose Bearing - Spigot
HM813810MAF	1	Pinion Tail Bearing Cup
HM813843MAF	1	Pinion Tail Bearing Cone
M10-R945010	1	Pinion Seal
TP20148	1	Sealer Instructions

M10-DRK-4422

COMPONENT NUMBERS	QUANTITY	DESCRIPTION
592AMAF	1	Differential Left Bearing Cup and Differential Right Bearing Cup
594AMAF	1	Differential Left Bearing Cone and Differential Right Bearing Cone
65237MAF	1	Pinion Tail Bearing Cone
65500MAF	1	Pinion Tail Bearing Cup
H715311MAF	1	Pinion Head Bearing Cup
H715343MAF	1	Pinion Head Bearing Cone
HM813810MAF	1	Input Shaft Front Bearing Cup
HM813843MAF	1	Input Shaft Front Bearing Cone
JLM714110MAF	1	Input Shaft Rear Bearing Cup
JLM714149MAF	1	Input Shaft Rear Bearing Cone
M10-5X1034	1	O-Ring
M10-R945007	1	Pinion Seal
TP20148	1	Sealer Instructions

M10-DRK-4426

COMPONENT NUMBERS	QUANTITY	DESCRIPTION
592AMAF	1	Differential Left Bearing Cup and Differential Right Bearing Cup
594AMAF	1	Differential Left Bearing Cone and Differential Right Bearing Cone
9220MAF	1	Pinion Head Bearing Cup
9278MAF	1	Pinion Head Bearing Cone
HM813810MAF	1	Pinion Tail Bearing Cup
HM813843MAF	1	Pinion Tail Bearing Cone
M10-R945010	1	Pinion Seal
RU9008UMMAF	1	Pinion Nose Bearing - Spigot
TP20148	1	Sealer Instructions

M10-DRK-4428		
COMPONENT NUMBERS	QUANTITY	DESCRIPTION
52400MAF	1	Differential Left Bearing Cone
52618MAF	1	Differential Left Bearing Cup
592AMAF	1	Differential Right Bearing Cup
594AMAF	1	Differential Right Bearing Cone
9220MAF	1	Pinion Head Bearing Cup
9278MAF	1	Pinion Head Bearing Cone
HM813810MAF	1	Pinion Tail Bearing Cup
HM813843MAF	1	Pinion Tail Bearing Cone
M10-R945010	1	Pinion Seal
RU9008UMMAF	1	Pinion Nose Bearing - Spigot
TP20148	1	Sealer Instructions

M11-DRK-191R		
COMPONENT NUMBERS	QUANTITY	DESCRIPTION
3925MAF	1	Differential Left Bearing Cup and Differential Right Bearing Cup
3984MAF	1	Differential Left Bearing Cone and Differential Right Bearing Cone
55175CMAF	1	Pinion Head Bearing Cone and Pinion Tail Bearing Cone
55437MAF	1	Pinion Head Bearing Cup and Pinion Tail Bearing Cup
M11-GGAHH106	1	Pinion Seal
M11-H506825	1	Pinion Seal
MUB5206UMMAF	1	Pinion Nose Bearing - Spigot
TP20148	1	Sealer Instructions

M11-DRK-192RB		
COMPONENT NUMBERS	QUANTITY	DESCRIPTION
47820MAF	1	Differential Left Bearing Cup and Differential Right Bearing Cup
47890MAF	1	Differential Left Bearing Cone and Differential Right Bearing Cone
72225CMAF	1	Pinion Head Bearing Cone and Pinion Tail Bearing Cone
72487MAF	1	Pinion Head Bearing Cup and Pinion Tail Bearing Cup
M11-401HH102	1	Pinion Seal
MUB1307UMMAF	1	Pinion Nose Bearing - Spigot
TP20148	1	Sealer Instructions

M11-DRK-200F		
COMPONENT NUMBERS	QUANTITY	DESCRIPTION
210MAF	1	Output Shaft Bearing - Ball
28921MAF	1	Power Divider Case Intermedial Bearing Cup
28985MAF	1	Power Divider Case Intermedial Bearing Cone
3820MAF	2	Idler Gear Bearing Cup
3877MAF	2	Idler Gear Bearing Cone
47820MAF	1	Differential Left Bearing Cup and Differential Right Bearing Cup
47890MAF	1	Differential Left Bearing Cone and Differential Right Bearing Cone
72225CMAF	1	Pinion Head Bearing Cone and Pinion Tail Bearing Cone
72487MAF	1	Pinion Head Bearing Cup and Pinion Tail Bearing Cup
JLM710910MAF	2	Power Divider Bearing Cup
JLM710949CMAF	2	Power Divider Bearing Cone
M10-A1205N1496	1	Thrushaft Seal
M10-R945008	1	Input Shaft Seal
MUB1307UMMAF	1	Pinion Nose Bearing - Spigot
TP20148	1	Sealer Instructions
TRA4860MAF	2	Power Divider Front Side Gear Thrust Race
W4860MAF	1	Power Divider Front Side Gear Thrust Bearing
XLS5-1/8AFMAF	1	Power Divider Intermedial Disc Rear Bearing Ball

M11-DRK-200FA		
COMPONENT NUMBERS	QUANTITY	DESCRIPTION
210MAF	1	Output Shaft Bearing - Ball
28921MAF	1	Power Divider Case Intermedial Bearing Cup
28985MAF	1	Power Divider Case Intermedial Bearing Cone
47820MAF	1	Differential Left Bearing Cup and Differential Right Bearing Cup
47890MAF	1	Differential Left Bearing Cone and Differential Right Bearing Cone
72225CMAF	1	Pinion Head Bearing Cone and Pinion Tail Bearing Cone
72487MAF	1	Pinion Head Bearing Cup and Pinion Tail Bearing Cup
JLM710910MAF	2	Power Divider Bearing Cup
JLM710949CMAF	2	Power Divider Bearing Cone
M10-A1205N1496	1	Thrushaft Seal
M10-R945008	1	Input Shaft Seal
M802011MAF	2	Idler Gear Bearing Cup
M802048MAF	2	Idler Gear Bearing Cone
MUB1307UMMAF	1	Pinion Nose Bearing - Spigot
TP20148	1	Sealer Instructions
TRA4860MAF	1	Power Divider Front Side Gear Thrust Race
W4860MAF	1	Power Divider Front Side Gear Thrust Bearing
XLS5-1/8AFMAF	1	Power Divider Intermedial Disc Rear Bearing Ball

M11-DRK-201F		
COMPONENT NUMBERS	QUANTITY	DESCRIPTION
210MAF	1	Output Shaft Bearing - Ball
28921MAF	1	Power Divider Case Intermedial Bearing Cup
28985MAF	1	Power Divider Case Intermedial Bearing Cone
3820MAF	2	Idler Gear Bearing Cup
3877MAF	2	Idler Gear Bearing Cone
56425MAF	1	Differential Left Bearing Cone and Differential Right Bearing Cone
56650MAF	1	Differential Left Bearing Cup and Differential Right Bearing Cup
H715311MAF	1	Pinion Head Bearing Cup
H715343MAF	1	Pinion Head Bearing Cone
HM813810MAF	1	Pinion Tail Bearing Cup
HM813844MAF	1	Pinion Tail Bearing Cone
JLM710910MAF	2	Power Divider Bearing Cup
JLM710949CMAF	2	Power Divider Bearing Cone
M10-A1205N1496	1	Thrushaft Seal
M10-R945008	1	Input Shaft Seal
MU1308UMMAF	1	Pinion Nose Bearing - Spigot
TP20148	1	Sealer Instructions
TRA4860MAF	2	Power Divider Front Side Gear Thrust Race
W4860MAF	1	Power Divider Front Side Gear Thrust Bearing
XLS5-1/8AFMAF	1	Power Divider Intermedial Disc Rear Bearing Ball

M11-DRK-201FA		
COMPONENT NUMBERS	QUANTITY	DESCRIPTION
210MAF	1	Output Shaft Bearing - Ball
28921MAF	1	Power Divider Case Intermedial Bearing Cup
28985MAF	1	Power Divider Case Intermedial Bearing Cone
56425MAF	1	Differential Left Bearing Cone and Differential Right Bearing Cone
56650MAF	1	Differential Left Bearing Cup and Differential Right Bearing Cup
H715311MAF	1	Pinion Head Bearing Cup
H715343MAF	1	Pinion Head Bearing Cone
HM813810MAF	1	Pinion Tail Bearing Cup
HM813844MAF	1	Pinion Tail Bearing Cone
JLM710910MAF	2	Power Divider Bearing Cup
JLM710949CMAF	2	Power Divider Bearing Cone
M10-A1205N1496	1	Thrushaft Seal
M10-R945008	1	Input Shaft Seal
M802011MAF	2	Idler Gear Bearing Cup
M802048MAF	2	Idler Gear Bearing Cone
MU1308UMMAF	1	Pinion Nose Bearing - Spigot
TP20148	1	Sealer Instructions
TRA4860MAF	2	Power Divider Front Side Gear Thrust Race
W4860MAF	1	Power Divider Front Side Gear Thrust Bearing
XLS5-1/8AFMAF	1	Power Divider Intermedial Disc Rear Bearing Ball

M11-DRK-201R

COMPONENT NUMBERS	QUANTITY	DESCRIPTION
56425MAF	1	Differential Left Bearing Cone and Differential Right Bearing Cone
56650MAF	1	Differential Left Bearing Cup and Differential Right Bearing Cup
H715311MAF	1	Pinion Head Bearing Cup
H715343MAF	1	Pinion Head Bearing Cone
HM813810MAF	1	Pinion Tail Bearing Cup
HM813844MAF	1	Pinion Tail Bearing Cone
M11-401HH102	1	Pinion Seal
MU1308UMMAF	1	Pinion Nose Bearing - Spigot
TP20148	1	Sealer Instructions

M11-DRK-213

COMPONENT NUMBERS	QUANTITY	DESCRIPTION
42381MAF	1	Differential Left Bearing Cone
42584MAF	1	Differential Left Bearing Cup
493MAF	1	Differential Right Bearing Cup
495MAF	1	Differential Right Bearing Cone
55200CMAF	1	Pinion Head Bearing Cone and Pinion Tail Bearing Cone
55437MAF	1	Pinion Head Bearing Cup and Pinion Tail Bearing Cup
M11-GGAHH109	1	Pinion Seal
MUSB1307UMMAF	1	Pinion Nose Bearing - Spigot
TP20148	1	Sealer Instructions

M11-DRK-214

COMPONENT NUMBERS	QUANTITY	DESCRIPTION
55200CMAF	1	Pinion Tail Bearing Cone
55437MAF	1	Pinion Tail Bearing Cup
72225CMAF	1	Pinion Head Bearing Cone
72487MAF	1	Pinion Head Bearing Cup
JM716610MAF	1	Differential Right Bearing Cup
JM716649MAF	1	Differential Right Bearing Cone
JM822010MAF	1	Differential Left Bearing Cup
JM822049MAF	1	Differential Left Bearing Cone
M11-GGAHH109	1	Pinion Seal
MUB1308UMMAF	1	Pinion Nose Bearing - Spigot
TP20148	1	Sealer Instructions

M11-DRK-223F		
COMPONENT NUMBERS	QUANTITY	DESCRIPTION
493MAF	1	Differential Left Bearing Cup and Differential Right Bearing Cup
495MAF	1	Differential Left Bearing Cone and Differential Right Bearing Cone
72225CMAF	1	Pinion Head Bearing Cone and Pinion Tail Bearing Cone
72487MAF	1	Pinion Head Bearing Cup and Pinion Tail Bearing Cup
A1400MAF	1	Output Shaft Bearing Assembly
B3624MAF	1	Input Gear Bearing
HM807010MAF	1	Input Shaft Bearing Cup
HM807049MAF	1	Input Shaft Bearing Cone
JLM710910MAF	1	Inter Axle Bearing Cup
JLM710949CMAF	1	Inter Axle Bearing Cone
M10-A1205N1496	1	Input Shaft Seal and Thrushaft Seal
M11-21003R1	1	O-Ring
RU1570UMMAF	1	Pinion Nose Bearing - Spigot
TP20148	1	Sealer Instructions

M11-DRK-223R		
COMPONENT NUMBERS	QUANTITY	DESCRIPTION
493MAF	1	Differential Left Bearing Cup and Differential Right Bearing Cup
495MAF	1	Differential Left Bearing Cone and Differential Right Bearing Cone
72225CMAF	1	Pinion Head Bearing Cone and Pinion Tail Bearing Cone
72487MAF	1	Pinion Head Bearing Cup and Pinion Tail Bearing Cup
M11-401HH102	1	Pinion Seal
RU1570UMMAF	1	Pinion Nose Bearing - Spigot
TP20148	1	Sealer Instructions

M11-DRK-414		
COMPONENT NUMBERS	QUANTITY	DESCRIPTION
3920MAF	1	Differential Left Bearing Cup and Differential Right Bearing Cup
3984MAF	1	Differential Left Bearing Cone and Differential Right Bearing Cone
55175CMAF	1	Pinion Tail Bearing Cone
55437MAF	1	Pinion Tail Bearing Cup
72225CMAF	1	Pinion Head Bearing Cone
72487MAF	1	Pinion Head Bearing Cup
M11-029HH100	1	Pinion Seal
TP20148	1	Sealer Instructions

M12-DRK-196		
COMPONENT NUMBERS	QUANTITY	DESCRIPTION
29620MAF	1	Output Shaft Front Bearing Cup
29675MAF	1	Output Shaft Front Bearing Cone
3979MAF	1	Input Shaft Bearing Cone
493MAF	1	Differential Left Bearing Cup
497MAF	1	Differential Left Bearing Cone
563MAF	1	Differential Right Bearing Cup
567MAF	1	Differential Right Bearing Cone
72218CMAF	1	Pinion Head Bearing Cone
72487MAF	1	Pinion Head Bearing Cup
HM807010MAF	1	Pinion Tail Bearing Cup
HM807049MAF	1	Pinion Tail Bearing Cone
JM511910MAF	1	Input Shaft Bearing Cup
M12-127719	1	Input Shaft Seal
M12-127720	1	Thrushaft Seal
MA1209ELMAF	1	Output Shaft Rear Bearing
MUSB1307UMMAF	1	Pinion Nose Bearing - Spigot
TP20148	1	Sealer Instructions

M12-DRK-1A		
COMPONENT NUMBERS	QUANTITY	DESCRIPTION
493MAF	1	Differential Right Bearing Cup
497MAF	1	Differential Right Bearing Cone
55200CMAF	1	Pinion Head Bearing Cone and Pinion Tail Bearing Cone
55437MAF	1	Pinion Head Bearing Cup and Pinion Tail Bearing Cup
563MAF	1	Differential Left Bearing Cup
567MAF	1	Differential Left Bearing Cone
M12-127721	1	Pinion Seal
MUSB1307UMMAF	1	Pinion Nose Bearing - Spigot
TP20148	1	Sealer Instructions

M12-DRK-222F		
COMPONENT NUMBERS	QUANTITY	DESCRIPTION
29620MAF	1	Output Shaft Front Bearing Cup
29675MAF	1	Output Shaft Front Bearing Cone
3979MAF	1	Input Shaft Bearing Cone
493MAF	1	Differential Left Bearing Cup
497MAF	1	Differential Left Bearing Cone
563MAF	1	Differential Right Bearing Cup
567MAF	1	Differential Right Bearing Cone
72218CMAF	1	Pinion Head Bearing Cone
72487MAF	1	Pinion Head Bearing Cup
HM807010MAF	1	Pinion Tail Bearing Cup
HM807049MAF	1	Pinion Tail Bearing Cone
JM511910MAF	1	Input Shaft Bearing Cup
M12-127719	1	Input Shaft Seal
M12-127720	1	Thrushaft Seal
MA1209ELMAF	1	Output Shaft Rear Bearing
MUSB7307UMMAF	1	Pinion Nose Bearing - Spigot
TP20148	1	Sealer Instructions

M12-DRK-222R		
COMPONENT NUMBERS	QUANTITY	DESCRIPTION
493MAF	1	Differential Right Bearing Cup
497MAF	1	Differential Right Bearing Cone
55200CMAF	1	Pinion Tail Bearing Cone
55437MAF	1	Pinion Tail Bearing Cup
563MAF	1	Differential Left Bearing Cup
567MAF	1	Differential Left Bearing Cone
72200CMAF	1	Pinion Head Bearing Cone
72487MAF	1	Pinion Head Bearing Cup
M12-127721	1	Pinion Seal
MUSB7307UMMAF	1	Pinion Nose Bearing - Spigot
TP20148	1	Sealer Instructions

M12-DRK-404F		
COMPONENT NUMBERS	QUANTITY	DESCRIPTION
29630MAF	1	Output Shaft Bearing Cup
29675MAF	1	Output Shaft Bearing Cone
493MAF	1	Differential Left Bearing Cup
497MAF	1	Differential Left Bearing Cone
55212CMAF	1	Pinion Tail Bearing Cone
552AMAF	1	Input Shaft Bearing Cup
55437MAF	1	Pinion Tail Bearing Cup
555SMAF	1	Input Shaft Bearing Cone
563MAF	1	Differential Right Bearing Cup
567MAF	1	Differential Right Bearing Cone
72218CMAF	1	Pinion Head Bearing Cone
72487MAF	1	Pinion Head Bearing Cup
M12-127591	1	Input Shaft Seal
M12-127592	1	Thrushaft Seal
M12-401300	1	Input Seal V-Ring
MUB1307UMMAF	1	Pinion Nose Bearing - Spigot
TP20148	1	Sealer Instructions

M12-DRK-404R		
COMPONENT NUMBERS	QUANTITY	DESCRIPTION
493MAF	1	Differential Right Bearing Cup
497MAF	1	Differential Right Bearing Cone
55200CMAF	1	Pinion Tail Bearing Cone
55437MAF	1	Pinion Tail Bearing Cup
563MAF	1	Differential Left Bearing Cup
567MAF	1	Differential Left Bearing Cone
72212CMAF	1	Pinion Head Bearing Cone
72487MAF	1	Pinion Head Bearing Cup
M12-127591	1	Pinion Seal
MUB7307UMMAF	1	Pinion Nose Bearing - Spigot
TP20148	1	Sealer Instructions

M12-DRK-427

COMPONENT NUMBERS	QUANTITY	DESCRIPTION
29630MAF	1	Input Shaft Rear Bearing Cup
29675MAF	1	Input Shaft Rear Bearing Cone
55212CMAF	1	Pinion Tail Bearing Cone
55437MAF	1	Pinion Tail Bearing Cup
JLM104910MAF	1	Output Shaft Front Bearing Cup and Output Shaft Rear Bearing Cup
LM104949MAF	1	Output Shaft Front Bearing Cone and Output Shaft Rear Bearing Cone
M12-127591	1	Input Shaft Seal
M12-127592	1	Thrushaft Seal
MUB1307UMMAF	1	Pinion Nose Bearing - Spigot
NP105857MAF	1	Differential Right Bearing Cup
NP193660MAF	1	Input Shaft Front Bearing Cup
NP242732MAF	1	Pinion Head Bearing Cone
NP380290MAF	1	Differential Left Bearing Cone
NP533133MAF	1	Differential Left Bearing Cup
NP611140MAF	1	Pinion Head Bearing Cup
NP799449MAF	1	Differential Right Bearing Cone
NP930036MAF	1	Input Shaft Front Bearing Cone
TP20148	1	Sealer Instructions

M12-DRK-429

COMPONENT NUMBERS	QUANTITY	DESCRIPTION
55200CMAF	1	Pinion Tail Bearing Cone
55437MAF	1	Pinion Tail Bearing Cup
M12-127591	1	Pinion Seal
MUB7307UMMAF	1	Pinion Nose Bearing - Spigot
NP105857MAF	1	Differential Right Bearing Cup
NP380290MAF	1	Differential Left Bearing Cone
NP523912MAF	1	Pinion Head Bearing - Inner
NP533133MAF	1	Differential Left Bearing Cup
NP611140MAF	1	Pinion Head Bearing - Inner
NP799449MAF	1	Differential Right Bearing Cone
TP20148	1	Sealer Instructions

KIT4396MTOR		
COMPONENT NUMBERS	QUANTITY	DESCRIPTION
72212C-MTOR	1	Bearing Cone
72487-MTOR	1	Bearing Cup
H715334-MTOR	1	Bearing Cone
H715311-MTOR	1	Bearing Cup
JM716649-MTOR	2	Bearing Cone
JM716610-MTOR	2	Bearing Cup
JM511945-MTOR	1	Bearing Cone
3920-MTOR	1	Bearing Cup
JLM710949-MTOR	1	Bearing Cone
JLM710910-MTOR	1	Bearing Cup
5X1034	2	O Ring
1A 1 1205Y2729	1	Oil Seal
1A 1 1205X2728	1	Oil Seal

KIT4406MTOR		
COMPONENT NUMBERS	QUANTITY	DESCRIPTION
72212C-MTOR	1	Bearing Cone
72487-MTOR	1	Bearing Cup
H715334-MTOR	1	Bearing Cone
H715311-MTOR	1	Bearing Cup
JP10049-MTOR	1	Bearing Cone
JP10010-MTOR	1	Bearing Cup
JM716649-MTOR	1	Bearing Cone
JM716610-MTOR	1	Bearing Cup
JM511945-MTOR	1	Bearing Cone
3920-MTOR	1	Bearing Cup
JLM710949-MTOR	1	Bearing Cone
JLM710910-MTOR	1	Bearing Cup
5X1034	1	O Ring
5X1343	2	O Ring
1A 1 1205Y2729	1	Oil Seal
1A 1 1205X2728	1	Oil Seal

KIT4400MTOR		
COMPONENT NUMBERS	QUANTITY	DESCRIPTION
A-1228P2252	1	Bearing
72212C-MTOR	1	Bearing Cone
72487-MTOR	1	Bearing Cup
JM716649-MTOR	2	Bearing Cone
JM716610-MTOR	2	Bearing Cup
1A 1 1205Z2730	1	Oil Seal
SUB-BRG-SETA	1	Bearing Sub

KIT4390MTOR		
COMPONENT NUMBERS	QUANTITY	DESCRIPTION
A-1228P2252	1	Bearing
72212C-MTOR	1	Bearing Cone
72487-MTOR	1	Bearing Cup
JP10049-MTOR	1	Bearing Cone
JP10010-MTOR	1	Bearing Cup
JM716649-MTOR	1	Bearing Cone
JM716610-MTOR	1	Bearing Cup
1A 1 1205Z2730	1	Oil Seal
SUB-BRG-SETA	1	Bearing Sub

KIT4422MTOR		
COMPONENT NUMBERS	QUANTITY	DESCRIPTION
HM813843-MTOR	1	Bearing Cone
HM813810-MTOR	1	Bearing Cup
JLM714149-MTOR	1	Bearing Cone
JLM714110-MTOR	1	Bearing Cup
H715343-MTOR	1	Bearing Cone
H715311-MTOR	1	Bearing Cup
594A-MTOR	2	Bearing Cone
592A-MTOR	2	Bearing Cup
5X1343	2	O Ring
1A 1 1205X2728	1	Oil Seal
SUB-BRG-SETK	1	Bearing Sub

KIT4423MTOR		
COMPONENT NUMBERS	QUANTITY	DESCRIPTION
HM813843-MTOR	1	Bearing Cone
HM813810-MTOR	1	Bearing Cup
JLM714149-MTOR	1	Bearing Cone
JLM714110-MTOR	1	Bearing Cup
H715343-MTOR	1	Bearing Cone
H715311-MTOR	1	Bearing Cup
594A-MTOR	1	Bearing Cone
592A-MTOR	1	Bearing Cup
5X1034	1	O Ring
5X1343	2	O Ring
1A 1 1205X2728	1	Oil Seal
SUB-BRG-SETK	1	Bearing Sub
SUB-BRG-SETP	1	Bearing Sub

KIT4426MTOR

COMPONENT NUMBERS	QUANTITY	DESCRIPTION
HM813843-MTOR	1	Bearing Cone
HM813810-MTOR	1	Bearing Cup
9278K	1	Matched Tpr Brg
9220K	1	Cup -Taper-Brg
A-1228Q2253	1	Bearing
594A-MTOR	2	Bearing Cone
592A-MTOR	2	Bearing Cup
1A 1 1205A2731	1	Oil Seal

KIT4428MTOR

COMPONENT NUMBERS	QUANTITY	DESCRIPTION
HM813843-MTOR	1	Bearing Cone
HM813810-MTOR	1	Bearing Cup
9278K	1	Matched Tpr Brg
9220K	1	Cup -Taper-Brg
A-1228Q2253	1	Bearing
594A-MTOR	1	Bearing Cone
592A-MTOR	1	Bearing Cup
1A 1 1205A2731	1	Oil Seal
SUB-BRG-SETP	1	Bearing Sub

KIT200FMTOR

COMPONENT NUMBERS	QUANTITY	DESCRIPTION
72225C-MTOR	2	Bearing Cone
72487-MTOR	2	Bearing Cup
MUB1307UM-MTOR	1	Spigot Bearing
47890-MTOR	2	Bearing Cup
47820-MTOR	2	Bearing Cup
3820-MTOR	2	Bearing Cup
3877-MTOR	2	Bearing Cone
JLM710949-MTOR	2	Bearing Cone
JLM710910-MTOR	2	Bearing Cup
28985-MTOR	1	Bearing Cone
28921-MTOR	1	Bearing Cup
W4860MAF	1	Thrust Bearing
TRA4860MAF	2	Thrust Race
1A 1205N1496	1	Seal
100495-MTOR	1	Oil Seal
XLS5-1/8AFMAF	1	Brg - lad

KIT192RBMTOR		
COMPONENT NUMBERS	QUANTITY	DESCRIPTION
72225C-MTOR	2	Bearing Cone
72487-MTOR	2	Bearing Cup
MUB1307UM-MTOR	1	Spigot Bearing
47890-MTOR	2	Bearing Cup
47820-MTOR	2	Bearing Cup
401HH102-MTOR	1	Pinion Seal

KIT201FAMTOR		
COMPONENT NUMBERS	QUANTITY	DESCRIPTION
H715343-MTOR	1	Bearing Cone
H715311-MTOR	1	Bearing Cup
HM813844-MTOR	1	Bearing Cone
HM813810-MTOR	1	Bearing Cup
MU1308UM-MTOR	1	Spigot Bearing
56425-MTOR	2	Bearing Cone
56650-MTOR	2	Bearing Cup
M802048-MTOR	2	Roller Bearing
M802011-MTOR	2	Roller Bearing
JLM710949-MTOR	2	Bearing Cone
JLM710910-MTOR	2	Bearing Cup
28985-MTOR	1	Bearing Cone
28921-MTOR	1	Bearing Cup
TRA4860MAF	2	Thrust Race
W4860MAF	1	Thrust Bearing
1A 1205N1496	1	Seal
100495-MTOR	1	Oil Seal
XLS5-1/8AFMAF	1	Brg - lad

KIT201RMTOR		
COMPONENT NUMBERS	QUANTITY	DESCRIPTION
H715343-MTOR	1	Bearing Cone
H715311-MTOR	1	Bearing Cup
HM813844-MTOR	1	Bearing Cone
HM813810-MTOR	1	Bearing Cup
MU1308UM-MTOR	1	Spigot Bearing
56425-MTOR	2	Bearing Cone
56650-MTOR	2	Bearing Cup
401HH102-MTOR	1	Pinion Seal

KIT223FMTOR

COMPONENT NUMBERS	QUANTITY	DESCRIPTION
72225C-MTOR	2	Bearing Cone
72487-MTOR	2	Bearing Cup
RU1570UM-MTOR	1	Spigot Bearing
495-MTOR	2	Bearing Cone
493-MTOR	2	Bearing Cup
HM807049-MTOR	1	Bearing Cone
HM807010-MTOR	1	Bearing Cup
JLM710949-MTOR	1	Bearing Cone
JLM710910-MTOR	1	Bearing Cup
1A 1205N1496	1	Seal
21003R1-MTOR	1	O Ring
J3624-MTOR	1	Needle Bearing

KIT223RMTOR

COMPONENT NUMBERS	QUANTITY	DESCRIPTION
72225C-MTOR	2	Bearing Cone
72487-MTOR	2	Bearing Cup
RU1570UM-MTOR	1	Spigot Bearing
495-MTOR	2	Bearing Cone
493-MTOR	2	Bearing Cup
401HH102-MTOR	1	Pinion Seal

KIT196MTOR

COMPONENT NUMBERS	QUANTITY	DESCRIPTION
HM807049-MTOR	1	Bearing Cone
HM807010-MTOR	1	Bearing Cup
MUSB1307UM-MTOR	1	Spigot Bearing
72218C-MTOR	1	Bearing Cone
72487-MTOR	1	Bearing Cup
497-MTOR	1	Bearing Cone
493-MTOR	1	Bearing Cup
567-MTOR	1	Bearing Cup
563-MTOR	1	Bearing Cup
3979-MTOR	1	Bearing Cone
JM511910-MTOR	1	Bearing Cup
29675-MTOR	1	Bearing Cone
29620-MTOR	1	Bearing Cup
MA1209EL-MTOR	1	Roller Bearing
127719-MTOR	1	Input Seal
127720-MTOR	1	Thrushaft Seal

KIT1AMTOR		
COMPONENT NUMBERS	QUANTITY	DESCRIPTION
55200C-MTOR	2	Bearing Cone
55437-MTOR	2	Bearing Cup
MUSB1307UM-MTOR	1	Spigot Bearing
567-MTOR	1	Bearing Cup
563-MTOR	1	Bearing Cup
497-MTOR	1	Bearing Cone
493-MTOR	1	Bearing Cup
127721-MTOR	1	Pinion Seal

KIT404FMTOR		
COMPONENT NUMBERS	QUANTITY	DESCRIPTION
55212C-MTOR	1	Bearing Cone
55437-MTOR	1	Bearing Cup
MUB1307UM-MTOR	1	Spigot Bearing
72218C-MTOR	1	Bearing Cone
72487-MTOR	1	Bearing Cup
567-MTOR	1	Bearing Cup
563-MTOR	1	Bearing Cup
497-MTOR	1	Bearing Cone
493-MTOR	1	Bearing Cup
555S-MTOR	1	Bearing Cup
552A-MTOR	1	Bearing Cone
29675-MTOR	1	Bearing Cone
29630-MTOR	1	Bearing Cup
127591-MTOR	1	Input Seal
127592-MTOR	1	Thrushaft Seal
128703-MTOR	1	Input Seal

KIT404RMTOR		
COMPONENT NUMBERS	QUANTITY	DESCRIPTION
55200C-MTOR	1	Bearing Cone
55437-MTOR	1	Bearing Cup
MUB7307UM-MTOR	1	Spigot Bearing
72212C-MTOR	1	Bearing Cone
72487-MTOR	1	Bearing Cup
567-MTOR	1	Bearing Cup
563-MTOR	1	Bearing Cup
497-MTOR	1	Bearing Cone
493-MTOR	1	Bearing Cup
127591-MTOR	1	Input Seal

KIT427MTOR		
COMPONENT NUMBERS	QUANTITY	DESCRIPTION
29630-MTOR	1	Bearing Cup
29675-MTOR	1	Bearing Cone
55212C-MTOR	1	Bearing Cone
55437-MTOR	1	Bearing Cup
JLM104910-MTOR	1	Bearing Cup
LM104949-MTOR	1	Bearing Cone
MUB1307UM-MTOR	1	Spigot Bearing
563-MTOR	1	Bearing Cup
567-MTOR	1	Bearing Cup
497-MTOR	1	Bearing Cone
493-MTOR	1	Bearing Cup
552A-MTOR	1	Bearing Cone
555S-MTOR	1	Bearing Cup
72212C-MTOR	1	Bearing Cone
72487-MTOR	1	Bearing Cup
127591-MTOR	1	Input Seal
127592-MTOR	1	Thrushaft Seal

KIT429MTOR		
COMPONENT NUMBERS	QUANTITY	DESCRIPTION
55200C-MTOR	1	Bearing Cone
55437-MTOR	1	Bearing Cup
MUB7307UM-MTOR	1	Spigot Bearing
563-MTOR	1	Bearing Cup
567-MTOR	1	Bearing Cup
497-MTOR	1	Bearing Cone
493-MTOR	1	Bearing Cup
72212C-MTOR	1	Bearing Cone
72487-MTOR	1	Bearing Cup
127591-MTOR	1	Input Seal

**All-Makes
Drive Axle Components**

PART NO. INDEX

PART NUMBER	PAGE	PART NUMBER	PAGE	PART NUMBER	PAGE
5X1034.....	10, 15	1229X4522.....	5, 9, 13, 17, 21, 25	3877.....	77, 83
5X1198.....	9, 17, 25, 37, 41, 47	1244V1764.....	3, 7, 11, 15	3892A4369.....	55
5X1343.....	3, 7, 27, 31, 35, 39	1246P1134.....	19, 23	3892L5940.....	3, 7, 11, 15
13X41.....	49, 53, 57	1250N1080.....	11, 15, 31, 35, 39	3892N5942.....	3, 7, 11
15X1025.....	49, 53, 57	2203K9241.....	3, 7, 10, 14	3892Q5945.....	27, 31, 35, 39
40X1145.....	3, 7, 11, 15, 27, 31, 35, 39	2203L9242.....	3, 7, 10, 14	3892S3945.....	49, 53
40X1233.....	3, 7, 11, 15	2203M9243.....	3, 7, 10, 15	3892S5947.....	27, 31, 35, 39
41X1208.....	3, 7, 11, 15, 27, 31, 35, 39	2208H944.....	47	3892Z4368.....	55
41X1209.....	3, 7, 11, 15	2208L1000.....	47	3920.....	3, 7, 11, 15, 101
41X1364.....	9, 17, 25, 47	2214C1095.....	5, 9, 13, 23	3925.....	99
41X1368.....	47	2214G1125.....	29, 33, 37, 41, 43, 45	3979.....	59
42GC100.....	79, 81, 91, 93	2214J1128.....	43, 45	3984.....	99, 101
46X1029.....	43, 45	2214Y1039.....	17, 23	9220.....	43, 45
210.....	79	2233J1024.....	5, 9, 13, 17, 21, 25	9278.....	43, 45
401HH02.....	93	2233K245.....	27, 31, 35, 39	19415R1.....	79, 83, 89
401HH102.....	81, 87	2233M1001.....	29, 33, 37, 41, 43, 45	21003R1.....	91
493.....	61, 63, 67, 69, 91, 93, 97	2233U151.....	49, 53, 57	25709R1.....	76, 82, 91
495.....	91, 93, 97	2234C783.....	49, 53, 57	26310R1.....	79, 85, 91
497.....	61, 63, 67, 69	2234E1019.....	51, 55	27293R1.....	79, 81
552A.....	65	2234H1438.....	29, 33, 37, 41, 43, 45	27810.....	61, 63
555S.....	65	2234R1188.....	3, 7, 11, 15	27827.....	61
563.....	61, 63, 67, 69	2234T1190.....	27, 31, 35, 39	27857R1.....	76, 83
567.....	61, 63, 67, 69	2258N1262.....	9, 17, 25, 47	28921.....	77, 83
592A.....	29, 33, 37, 41, 43, 45	2258Z1118.....	11, 15, 31, 35, 39	28985.....	77, 83
594A.....	29, 33, 37, 41, 43, 45	2297E5335.....	3, 7, 11, 15	29620.....	61
1199R2176.....	5, 9, 13, 17, 19, 23	2297S5349.....	27, 31, 35, 39	29630.....	67
1199R3346.....	55	2297U5273.....	15, 31, 35, 39	29675.....	61, 67
1227N898.....	49, 53	2297U5397.....	11	32021.....	43
1227R902.....	51, 55, 57	3107B1094.....	47	38289.....	61, 63
1229A1301.....	19, 23, 49, 53, 57	3107D1018.....	9, 17, 25	42381.....	97
1229C1511.....	2, 6, 10, 14, 19, 23, 51, 55, 57	3107M1183.....	3, 7, 11, 15	42584.....	97
1229E1669.....	3, 7, 27	3107P1212.....	27, 31, 35, 39	45478.....	59
1229F4062.....	31, 35, 39	3221P1004.....	3, 7, 27	46526.....	61
1229G2763.....	55	3235A2107.....	45	47820.....	79, 81
1229G4063.....	3, 7, 11, 15, 27, 31, 35, 39	3261A1067.....	9, 17, 25, 47	47890.....	79, 81
1229K3001.....	29, 33, 37, 41, 43, 45	3266C1095.....	3, 7, 11, 15, 27, 31, 35, 39	48922.....	61
1229L3002.....	29, 33, 37, 41, 43, 45	3266F1020.....	9, 17, 25, 47	51228.....	59
1229M4069.....	51, 55	3278N300.....	27, 31, 35, 39	51238.....	59
1229N1730.....	49, 53	3278S305.....	5, 9, 13, 17, 21, 25, 49, 53, 57	52400.....	29, 33, 37, 41, 43, 45
1229Q2929.....	27, 31, 35, 39	3278W335.....	29, 33, 37, 41, 43, 45	52618.....	29, 33, 37, 41, 43, 45
1229R1032.....	5, 9, 13, 17, 21, 25, 49, 53, 57	3280V6964.....	55	55175C.....	99, 101
1229S4985.....	3, 7, 11, 15, 27, 31, 35, 39	3296B1172.....	47	55200C.....	63, 69, 75, 95, 97
1229T1034.....	49, 53, 57	3296B1328.....	27, 31, 35, 39	55206C.....	19, 23, 25
1229T1736.....	51, 55, 57	3296Z1170.....	9, 17, 25	55212C.....	65, 71
1229V4624.....	5, 9, 13, 17, 21, 25	3296Z1326.....	3, 7, 11, 15	55437..	19, 23, 63, 65, 69, 71, 75, 95, 97, 99, 101
1229W4521.....	3, 7, 11, 15	3820.....	77, 83	56425.....	85, 87

PART NUMBER	PAGE	PART NUMBER	PAGE	PART NUMBER	PAGE
56650.....	85, 87	127359.....	67, 69	210184.....	71
56864.....	63	127364.....	67, 69	210278.....	65
65237.....	27, 31, 35, 39	127367.....	67, 69	211462.....	67, 73
65500.....	27, 31, 35, 39	127368.....	67, 69, 73, 75	211463.....	67, 73
70745.....	61, 63	127386.....	61, 63, 69, 73, 75	211477.....	67, 73
72200C.....	63	127465.....	67, 73, 75	211478.....	69, 75
72212C.....	3, 7, 11, 15, 19, 23, 25, 49, 53, 57, 69	127474.....	65	211491.....	69
72218C.....	59, 65	127477.....	65	211493.....	69, 75
72225C.....	77, 81, 89, 93, 95, 101	127510.....	65	211494.....	69, 75
72487.....	3, 7, 11, 15, 19, 23, 49, 53, 59, 63, 65, 69, 77, 81, 89, 93, 95, 101	127523.....	65, 71	213608.....	59
75108.....	63	127545.....	67	216226.....	65
75110.....	63	127589.....	61, 69, 75	217980.....	61
79363.....	59	127591.....	65, 69, 75	217981.....	61
85429.....	61	127592.....	65, 71	217982.....	61
85437.....	59	127596.....	65	217983.....	61
85991.....	59	127597.....	65	217984.....	61
85994.....	59	127598.....	65	217985.....	61
85997.....	59, 65	127599.....	65	217996.....	63
86233H.....	99, 101	127602.....	65	217997.....	63
90419.....	61	127645.....	65	217998.....	63
95205.....	61	127719.....	59	218000.....	63
95206.....	63	127721.....	63	218001.....	63
95207.....	59	127783.....	59	218002.....	63
95214.....	59	127785.....	59	218004.....	63
95215.....	59	128016.....	59	218005.....	63
95216.....	59	128042.....	59	241281R1.....	99
96271.....	69	128049.....	59, 65	378066R1.....	77, 83, 89
96715.....	59	128700.....	65	393979C1.....	77, 81, 89, 93
104139.....	61, 63	128702.....	65	401300.....	65
110527.....	61, 63	129169.....	63	454719C2.....	81
110731.....	59	129305.....	67, 69, 73, 75	454719C91.....	93
110810.....	59	129371.....	65	463404C93.....	77, 83
110845.....	59	129573.....	65	463412C1.....	77, 83, 101
115122.....	59	129575.....	65	463413C1.....	77, 83, 101
115123.....	61	129577.....	65	463415C2.....	77, 83
118807.....	59, 65, 71	129579.....	65	463420C2.....	77, 83
126182.....	59, 65, 71	129768.....	69, 75	463430C2.....	77, 83
126193.....	71	129783.....	65	464248C1.....	77, 83
127265.....	61	130907.....	65	482782C91.....	87
127266.....	61	134192.....	65	482784C91.....	83
127267.....	61	157494R1.....	79, 81, 91, 93	482787C91.....	77
127268.....	61	161061R2.....	85, 87	493209C1.....	87
127269.....	61	161064R1.....	85, 87	495024C1.....	77, 83
127270.....	61	161080R3.....	85, 87	504118.....	65
127271.....	61	210017.....	61, 63	504131C1.....	77, 83, 89
		210180.....	65	504810C91.....	77, 83

PART NO. INDEX

**All-Makes
Drive Axle Components**

PART NO. INDEX

PART NUMBER	PAGE	PART NUMBER	PAGE	PART NUMBER	PAGE
507494.....	65	597137C91	95	864356R2	79, 81, 91, 93
508652.....	67, 69, 73, 75	597138C91	95	864358R2	79, 81
508653.....	67, 73	597139C91	95	864360R1	79, 81, 91, 93
508654.....	67, 73	597140C91	95	892790R1	87
508655.....	67, 73	597147C1	95	1654873C91	99
508656.....	67, 73	597148C1	95, 97	1658852C91	99
510870.....	65	597149C1	97	1665300C91	89
511571.....	73	597150C1	95	1665303C91	89
513361.....	69	597155C1	95	1665306C1	89
513362.....	69, 75	597156C1	97	1665307C91	89
513363.....	69	597164C1	97	1665308C1	89
513364.....	69	597165C1	95	1665309C91	89
513365.....	69	597166C1	97	1665315C1	89
513366.....	69	597167C1	95	1665324C1	89
513367.....	69	597168C1	97	1665331C91	89
513368.....	69	597169C1	95	1665332C1	89
513369.....	69	597170C1	97	1665334C1	89
513370.....	69	597171C1	95	1665336C91	91
513371.....	69	597172C1	97	1665338C91	91
513372.....	69	597173C1	95	1665339C91	91
513373.....	69	597174C1	95, 97	1665340C91	91
513374.....	67	597176C1	95, 97	1665341C91	91
513375.....	67	597179C91	97	1665342C91	91
513376.....	67	597184C91	97	1665350C91	91
513377.....	67	597185C91	95	1665354C91	93
513378.....	67	597194C1	95, 97	1665355C91	93
513379.....	67	597236C91	79, 81	1665357C91	93
513380.....	67	597237C91	79, 81	1665358C91	93
513381.....	67	597238C91	79, 81	1665359C91	93
513382.....	67	597239C91	79, 81	1665360C91	93
513383.....	67	597240C91	79, 81	1665361C91	93
513384.....	67	597241C91	79, 81	1665363C91	93
513385.....	67	597242C91	79, 81	1665367C91	93
571354C91	93	597243C91	79, 81	1665368C91	93
573551C91	97	597244C91	79, 81	1665369C91	93
583164C1	77, 83	597245C91	79, 81	1665371C91	93
586045C1	76, 77, 81, 82, 83, 87, 89, 91	597248C91	85, 87	1665380C1	89
587212C1	77, 83	597249C91	85, 87	1671760C1	99
592534C92	77, 83, 89	597250C91	85, 87	1691146C2	79, 85
597107C1	97	597251C91	85, 87	1691152C1	77, 81, 83, 89, 93, 99
597109C1	97	597252C91	85, 87	1691251C1	95, 97
597110C1	95	597253C91	85, 87	1693019C91	89
597132C91	97	597254C91	85, 87	1694169C91	79, 81
597133C91	97	597255C91	85, 87	1696471C1	95, 97, 101
597135C91	97	597256C91	85, 87	1696472C1	77, 83

PART NUMBER	PAGE	PART NUMBER	PAGE	PART NUMBER	PAGE
1696474C1	81, 83, 87, 89, 93	A13297S1605	31, 35, 39	A422041F355	5, 9, 13, 17
1696994C91	79, 81, 91, 93, 99, 101	A13297Z1014	51, 55	A437521F342	5, 9, 13, 17
1697148C91	101	A23235C2109	45	A372782355	49, 51, 53, 55
1697149C91	101	A23235E2111	45	A374041433	49, 51, 53, 55
1697150C91	101	A23235G2113	45	A375302444	49, 51, 53, 55
1697151C91	101	A33235A2393	27, 31, 35, 39	A380021390	49, 51, 53, 55
1697152C91	101	A33235Q2747	51, 55	A385201390	57
1697154C91	101	A373821	57	A387301410	57
1697156C91	101	A373981	49, 51, 53, 55	A391681373	57
1697159C91	101	A374942	49, 51, 53, 55	A391701373	49, 51, 53, 55
1697160C91	101	A375661	57		
1697352C91	83, 87	A396621	29, 33, 37, 41	B	
1698369C91	79, 81	A396641	29, 33, 37, 41	B3624	89
2500275C1	77, 83	A396741	29, 33, 37, 41	B398921	29, 33, 37, 41
2500276C1	77	A398761	29, 33, 37, 41	B411641	21, 25
2500277C1	83	A398781	29, 33, 37, 41	B412681	21, 25
2501606C91	77, 83	A398801	29, 33, 37, 41	B412741	21, 25
		A398821	29, 33, 37, 41	B412781	5, 9, 13, 17
A		A398845	43, 47	B412801	5, 9, 13, 17
A1199U4025	15	A398865	43, 47	B412821	5, 9, 13, 17
A1205G2425	49, 53	A398885	43, 47	B412841F529	5, 13, 17
A1205N1496	77, 83, 91	A398905	43, 47	B414561	21, 25
A1205X2728	10, 14	A399045	43, 47	B414661	5, 9, 13, 17
A1228L1130	17	A399065	43, 47	B414981	21, 25
A1228Q2253	43, 45	A400245	43, 47	B415121	5, 9, 13, 17
A1400	91	A401045	43, 47	B415141	5, 9, 13, 17
A2297D5334	11, 17	A401065	43, 47	B415321	21, 25
A3226D1226	10, 14	A401105	43, 47	B415341	21, 25
A3226H1126	27, 31, 35	A401165	43, 47	B415401	21, 25
A3226M1053	19, 23	A401225	43, 47	B415421	21, 25
A3226R1006	43, 45	A411041	5, 9, 13, 17	B415441	21, 25
A3226S1137	39	A412721	21, 25	B415481	21, 25
A3226V1296	2, 7	A413041	21, 25	B415521	25
A3235P2746	3, 7, 11, 15	A414581	21, 25	B415621	5, 9, 13, 17
A3235W2025	3, 7, 11, 15	A414601	21, 25	B416781	5, 9, 13, 17
A3261L350	3, 7, 11, 15, 27, 31, 35, 39	A414621	21, 25	B416801	5, 9, 13, 17
A3296T150	51, 55	A414681	5, 9, 13, 17	B416841	21, 25
A3297Q1603	10, 11, 14, 15	A414701	5, 9, 13, 17	B416861	21, 25
A3297R1604	2, 3, 6, 7	A414721	5, 9, 13, 17	B417161	21, 25
A3303P1030	11, 15, 31, 35, 39	A414741	5, 17	B417181	5, 9, 13, 17
A3380W1687	11, 17, 33, 37	A415101	5, 9, 13, 17	B434261	21, 25
A11205Y2729	51, 55	A415721	43, 47	B435961F717	9, 13
A11205Z2730	19, 23	A416761	5, 9, 13, 17		
A12297B4240	55	A418181	57	D	
A13235A2393	27, 31, 35, 39	A422021F336	5, 9, 13, 17	DRK1A	63

**All-Makes
Drive Axle Components**

PART NO. INDEX

PART NUMBER	PAGE
DRK191R.....	99
DRK194F.....	49, 51, 53
DRK194RB.....	55, 57
DRK196.....	59, 61
DRK213.....	97
DRK214.....	95
DRK222R.....	63
DRK414.....	101
G	
GGADG101.....	97
GGAHH106.....	99
GGAHH109.....	97
H	
H506825.....	99
H715311.....	3, 7, 11, 15, 27, 31, 35, 39, 83, 87
H715334.....	3, 7, 11, 15
H715343.....	27, 31, 35, 39, 83, 87
HM807010.....	59, 89
HM807049.....	59, 89
HM813810.....	27, 31, 35, 39, 43, 45, 83, 87
HM813843.....	27, 31, 35, 39, 43, 45
HM813844.....	83, 87
J	
JLM710910.....	3, 7, 11, 51, 55, 76, 77, 82, 83, 89
JLM710910C.....	15
JLM710949C.....	3, 7, 11, 15, 51, 55, 77, 83, 89
JLM714110.....	27, 31, 35, 39
JLM714149.....	27, 31, 35, 39
JM511910.....	51, 55
JM511945.....	3, 7, 11, 15
JM511946.....	51, 55
JM716610.....	5, 9, 13, 21, 25, 49, 53, 57, 95
JM716649.....	5, 9, 13, 21, 25, 49, 53, 57, 95
JM822010.....	95
JM822049.....	95
JP10010.....	17
K	
KIT192RB.....	81, 83
KIT200F.....	77, 79
KIT200FA.....	77, 79
KIT201F.....	85

PART NUMBER	PAGE
KIT201FA.....	85
KIT201R.....	87
KIT222F.....	59, 61
KIT223F.....	89, 91
KIT223R.....	93
KIT404F.....	65
KIT404R.....	69
KIT427.....	71
KIT429.....	75
KIT1568.....	19, 23
KIT1592.....	43, 45
KIT2266.....	51, 55
KIT2313.....	19, 23
KIT2317.....	5, 9, 13, 17, 21, 25
KIT2426.....	29, 33, 37, 41, 43, 45
KIT2429.....	27, 31, 35, 39
KIT2637.....	19, 23
KIT2638.....	3, 7, 11, 15, 27, 31, 35, 39, 43, 45
KIT2759.....	5, 9, 13, 17, 21, 25
KIT2825.....	3, 7, 11, 15, 27, 31, 35, 39
KIT4007.....	3, 7, 11, 15
KIT4390.....	23
KIT4395.....	3, 11
KIT4396.....	3, 11
KIT4406.....	7, 15
KIT4415.....	43
KIT4422.....	27, 31, 35, 39
KIT4426.....	43, 45
L	
LM603011.....	49, 53
LM603049.....	49, 53
M	
M802011.....	77, 83
M802048.....	77, 83
MA1209EL.....	61
MN3121.....	3, 7, 11, 15, 27, 31, 35, 39
MS2080161.....	3, 7, 27
MS2080452.....	11, 15, 31, 35, 39
MU1307TM.....	77, 81
MU1308UM.....	83, 87
MUB1307UM.....	65, 71
MUB1308UM.....	95
MUB5206UM.....	99

PART NUMBER	PAGE
MUB7307UM.....	69, 75
MUS1307UM.....	63
MUSB1307UM.....	97
MUSB7307UM.....	59, 63
MWA506.....	9, 17, 25, 47
MWA512.....	27, 31, 35, 39, 43, 45
N	
NP105857.....	73, 75
NP193660.....	71
NP242732.....	71
NP380290.....	73, 75
NP523912.....	75
NP533133.....	73, 75
NP611140.....	71, 75
NP799449.....	73, 75
NP930036.....	71
O	
O29HH100.....	101
R	
R945007.....	2, 6, 27, 31, 35, 39
R945008.....	2, 6, 51, 55
R945010.....	43, 45
RU1570UM.....	19, 23, 49, 53, 57, 89, 93
T	
TRA4860.....	77, 83
W	
W4860.....	77, 83
X	
XLS51/8AF.....	77, 83

RUN
WITH THE **BULL**



**GET XACTLY THE PARTS
YOU NEED. FAST.
AT MeritorPartsXpress.com.**

For the fastest access to commercial vehicle parts ordering and information, visit the new MeritorPartsXpress.com. Our responsive user experience offers easy ordering for all Meritor® brands, including more than 100,000 parts with exact specifications and competitive parts cross-references. Access 360° parts images, line drawings, installation guides and literature. Voice to text search is available for mobile devices, plus you can save and share parts order lists. Now that's Xceptional! Run with Innovation.

Run With The Bull.



RUN WITH XCELLENCE.

©2017 Meritor, Inc. All rights reserved.

Vehicle models, trademarks, brands, and names depicted herein are the property of their respective owners, and may not be associated with Meritor, Inc. or its affiliates.



Meritor Heavy Vehicle Systems, LLC
7975 Dixie Highway
Florence, Kentucky 41042 USA

888-725-9355 U.S.
800-387-3889 Canada
MeritorPartsXpress.com
meritor.com

©2018 Meritor, Inc.
Litho in USA, PB-12112
Issued 09-18 (47865/67147)